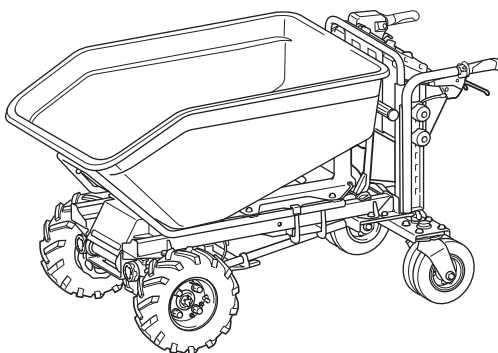




EN	Battery Powered Wheelbarrow	INSTRUCTION MANUAL	15
FR	Brouette À Batterie	MANUEL D'INSTRUCTIONS	30
DE	Akku-Schubkarre	BETRIEBSANLEITUNG	46
IT	Carriola elettrica a batteria	ISTRUZIONI PER L'USO	62
NL	Accuangedreven kruitwagen	GEBRUIKSAANWIJZING	78
ES	Carretilla Propulsada a Batería	MANUAL DE INSTRUCCIONES	94
PT	Carrinho de Mão a Bateria	MANUAL DE INSTRUÇÕES	110
DA	Batteridrevet trillebør	BRUGSANVISNING	126
EL	Καρότσι με μπαταρία	ΕΓΧΕΙΡΙΔΙΟ ΟΔΗΓΙΩΝ	141
TR	Akülü El Arabası	KULLANMA KILAVUZU	157

DCU602



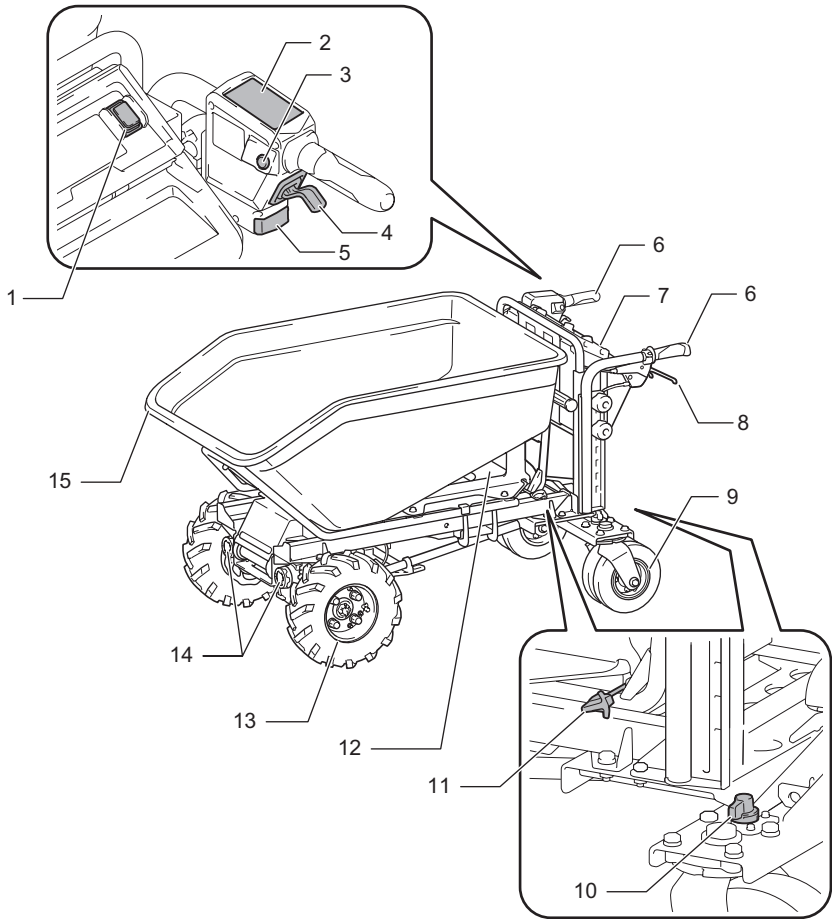


Fig.1

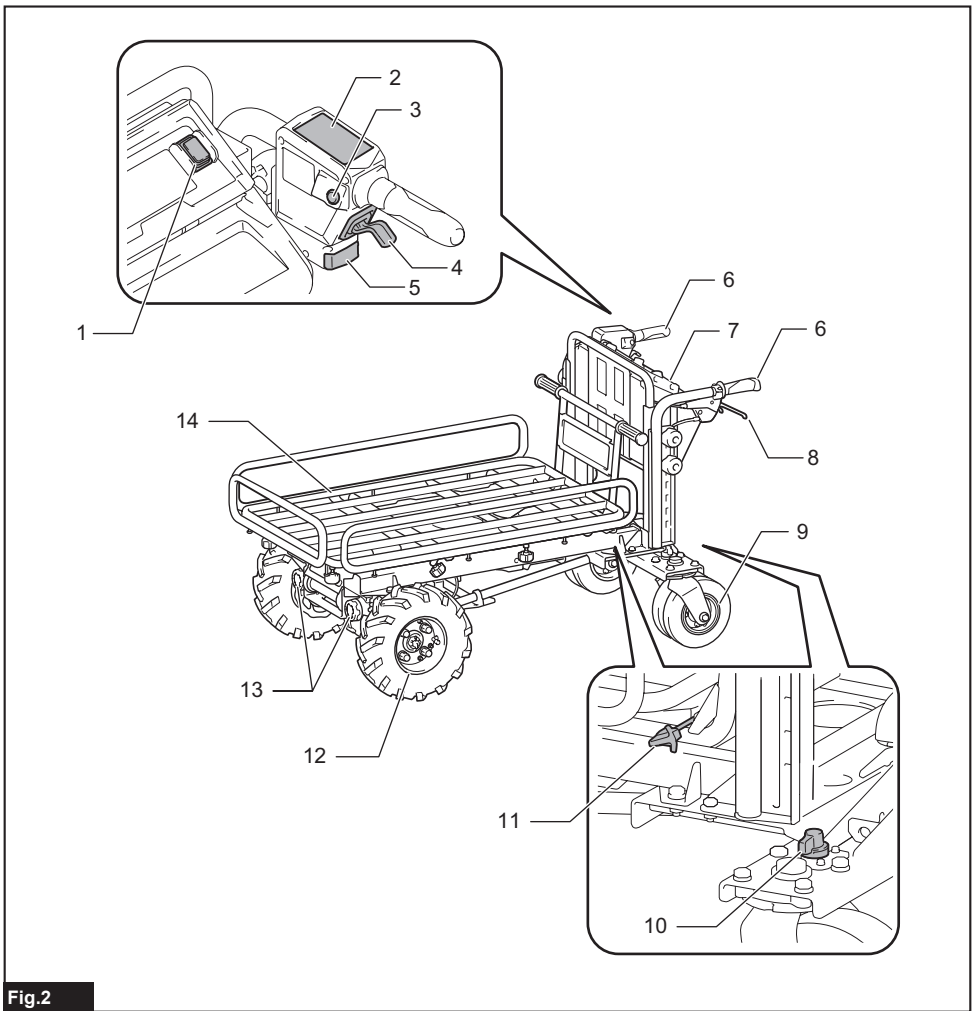


Fig.2

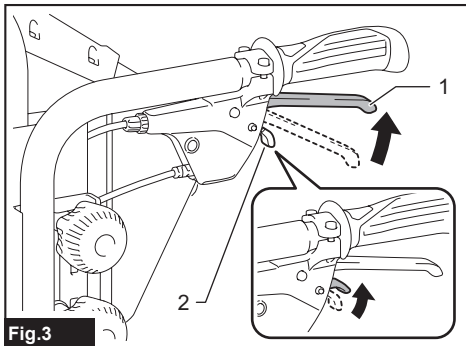


Fig.3

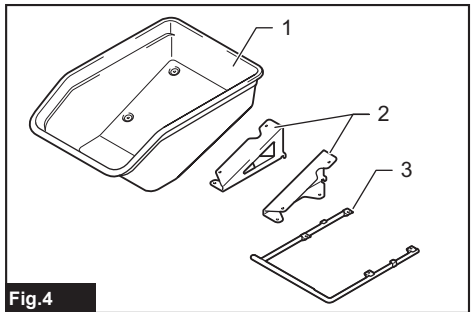
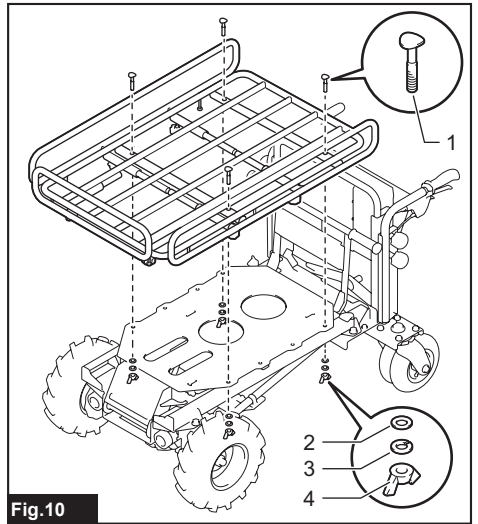
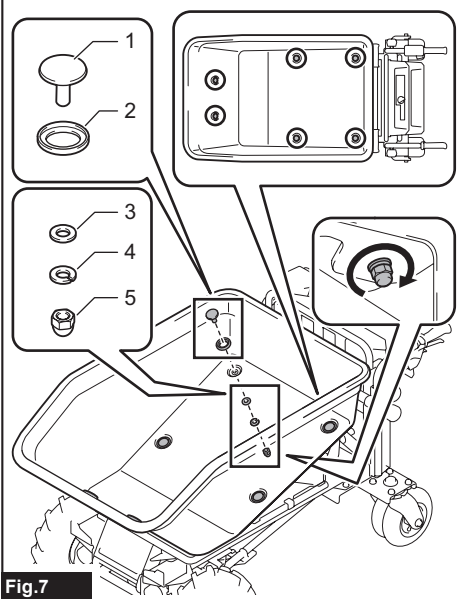
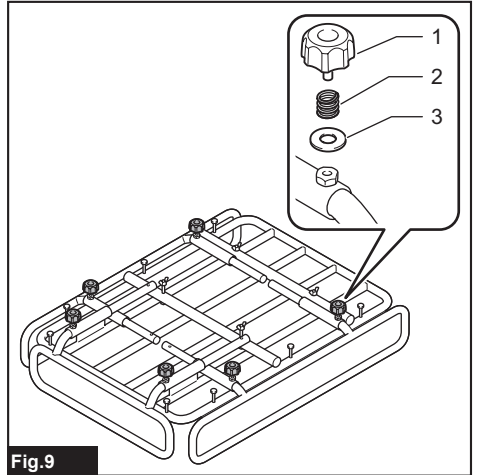
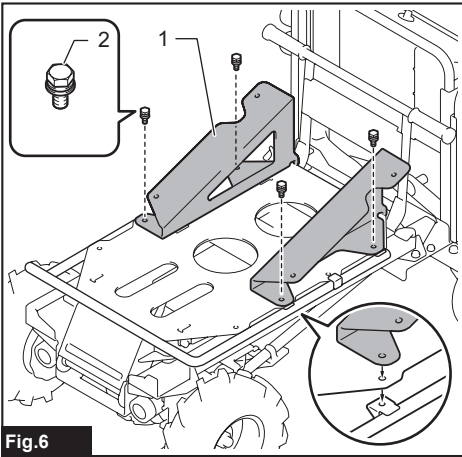
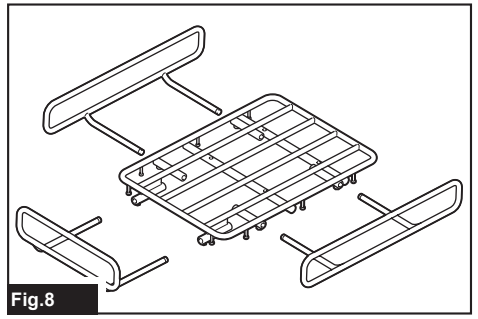
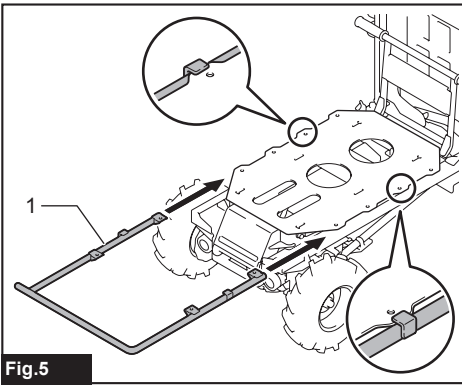


Fig.4



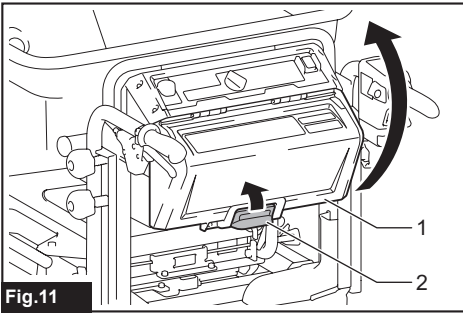


Fig.11

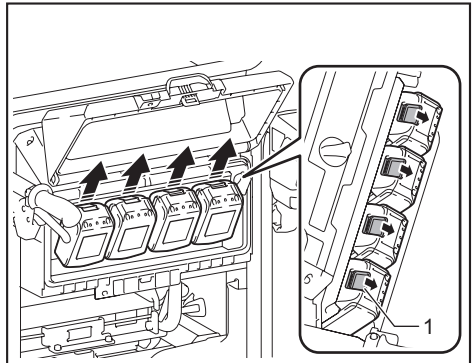


Fig.15

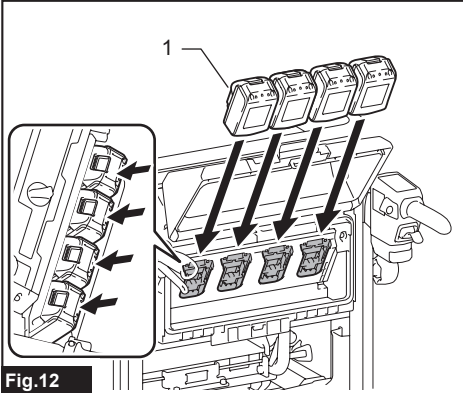


Fig.12

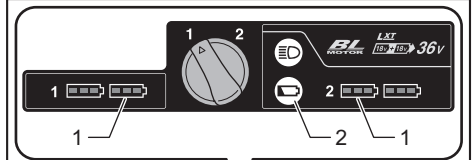


Fig.16

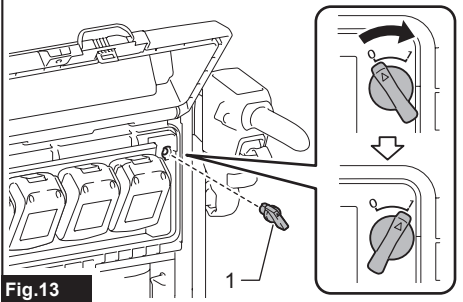


Fig.13

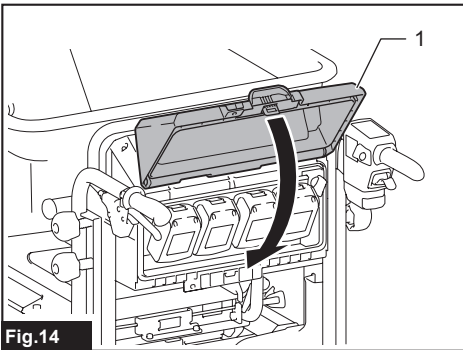
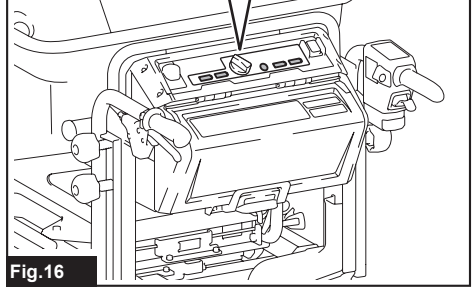


Fig.14

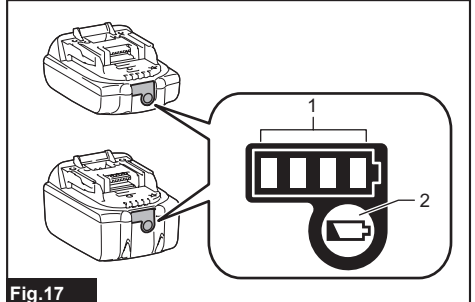


Fig.17

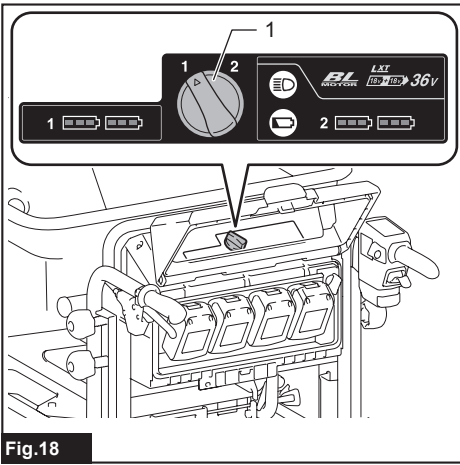


Fig.18

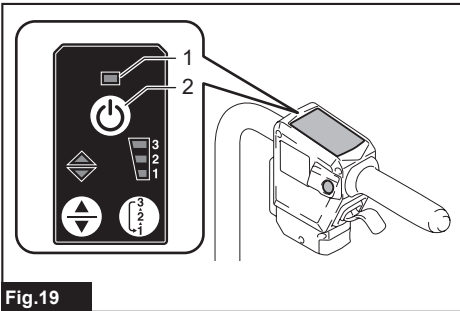


Fig.19

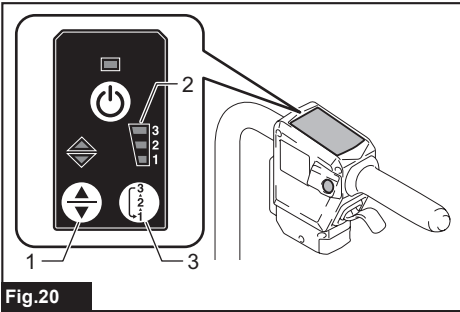


Fig.20

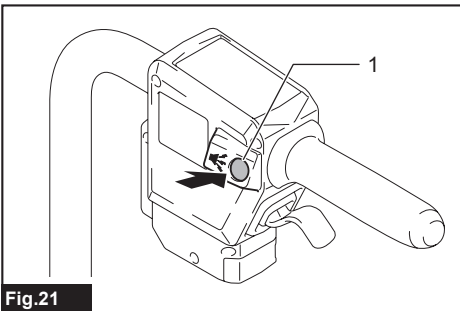


Fig.21

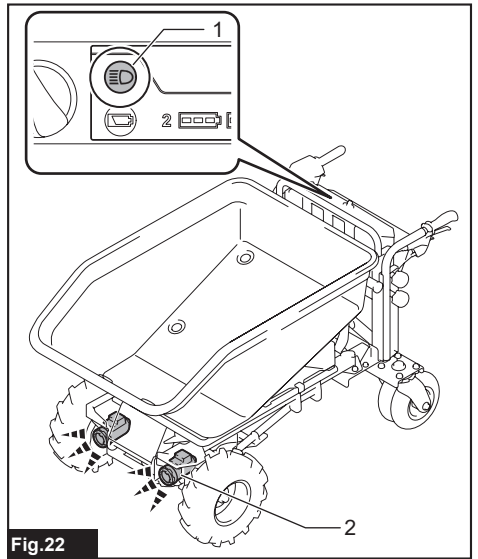


Fig.22

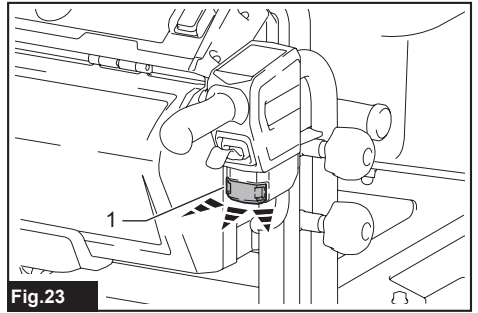


Fig.23

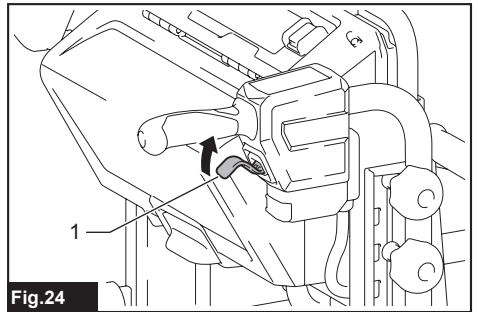


Fig.24

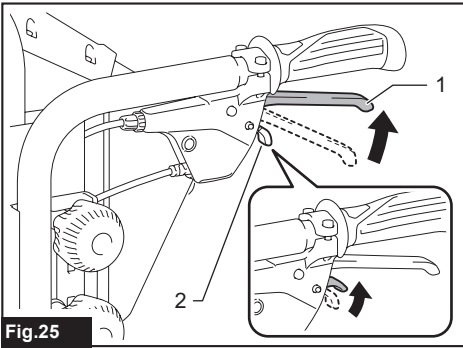


Fig.25

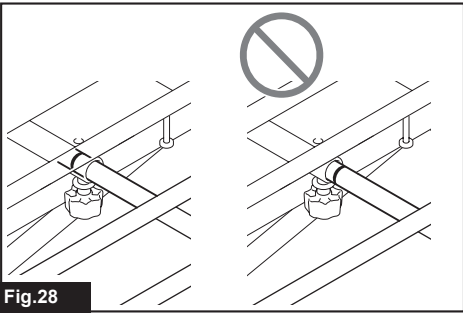


Fig.28

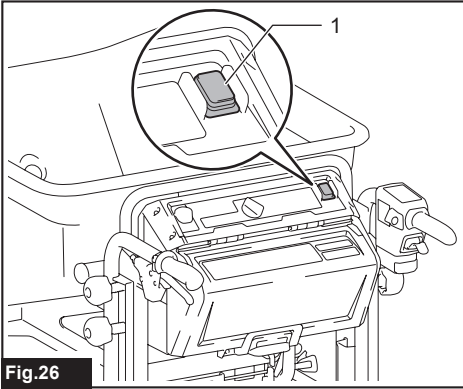


Fig.26

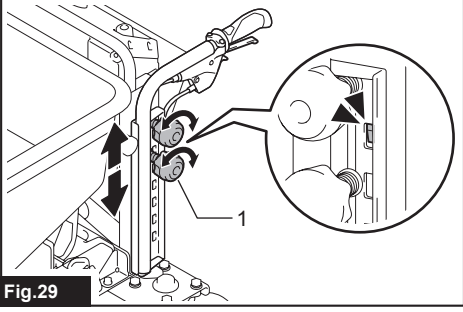


Fig.29

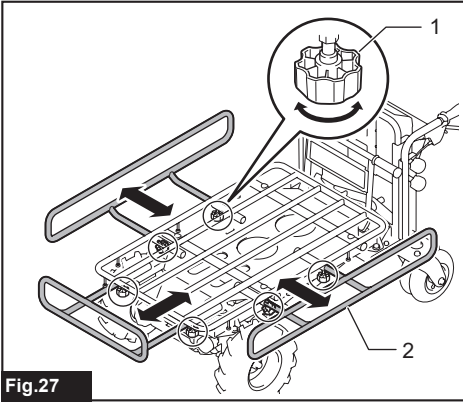


Fig.27

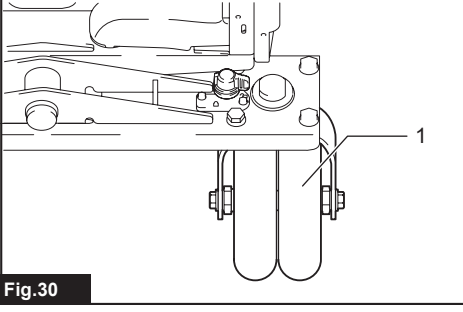


Fig.30

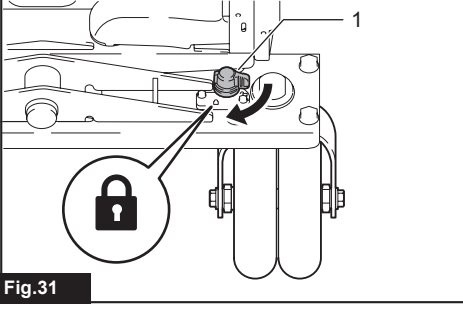


Fig.31

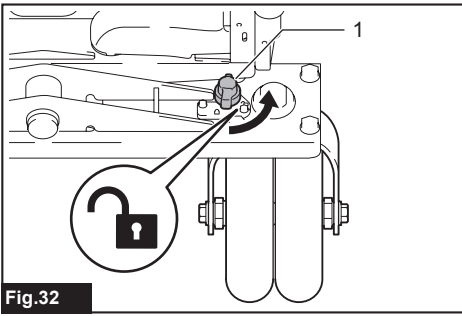


Fig.32

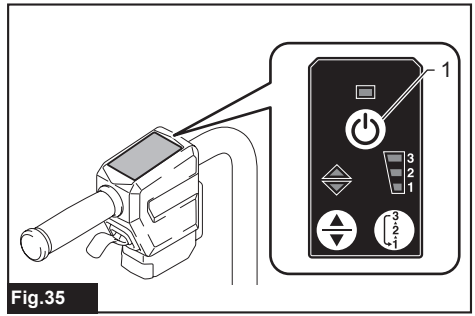


Fig.35

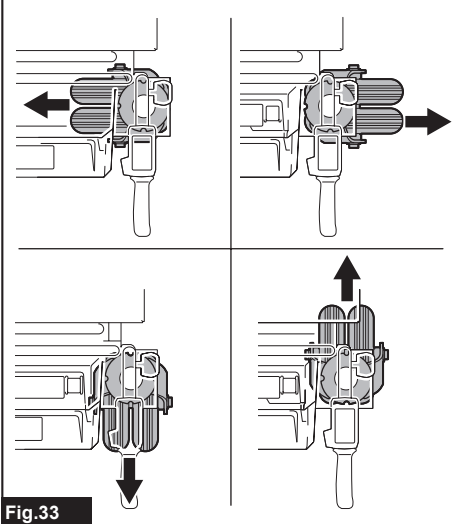


Fig.33

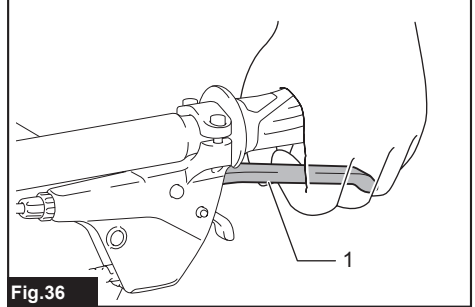


Fig.36

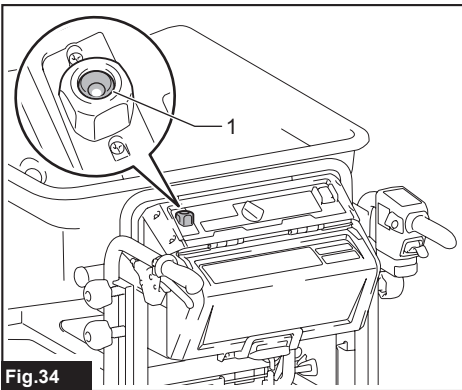


Fig.34

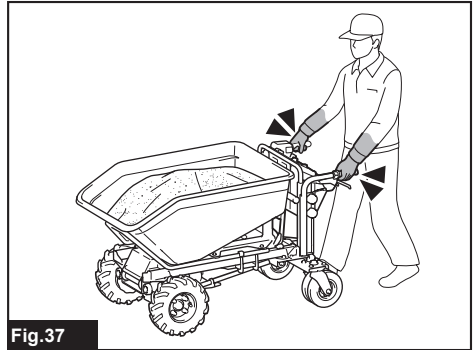


Fig.37

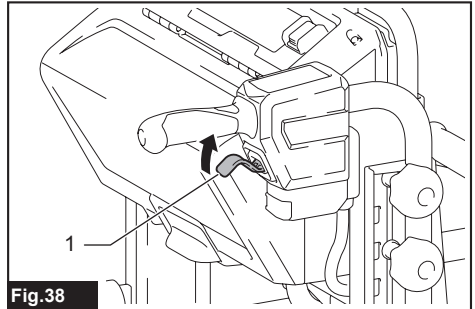


Fig.38

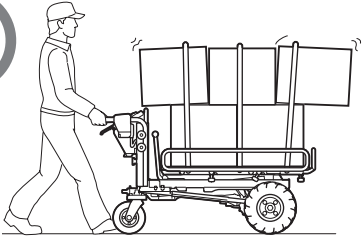


Fig.39

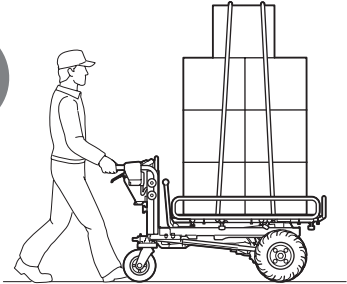


Fig.40

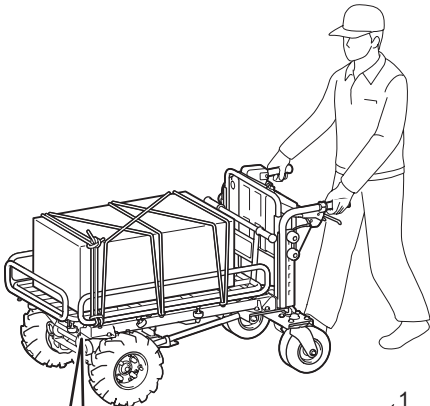


Fig.41

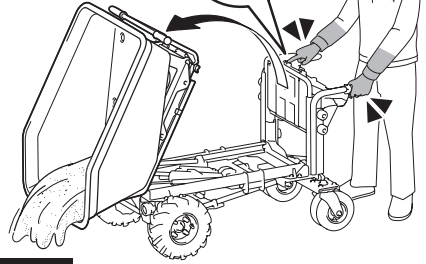


Fig.42

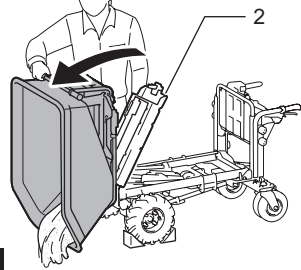
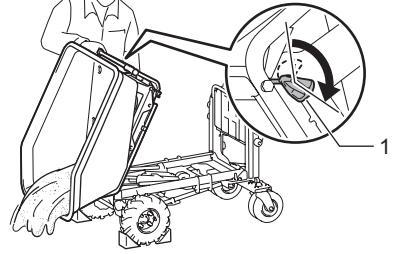


Fig.43

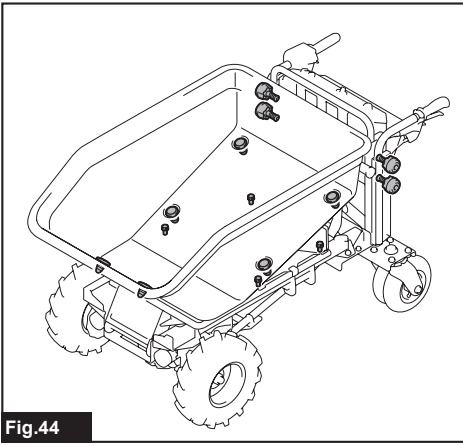


Fig.44

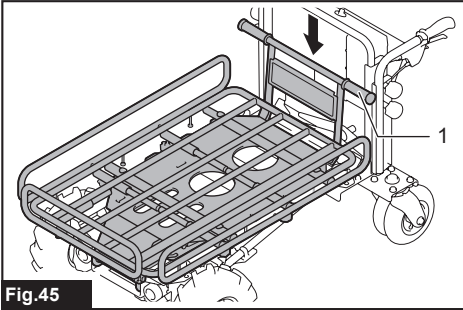


Fig.45

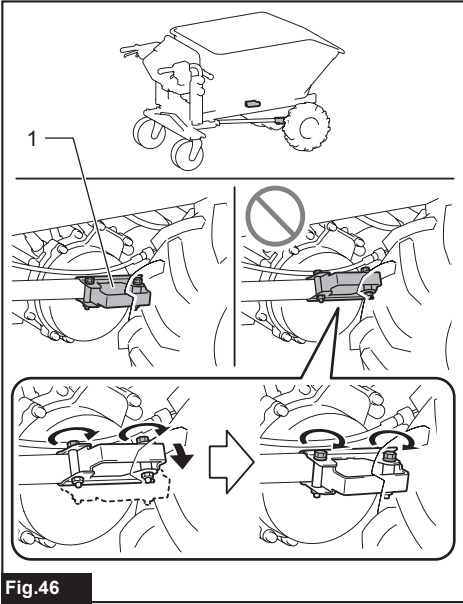


Fig.46

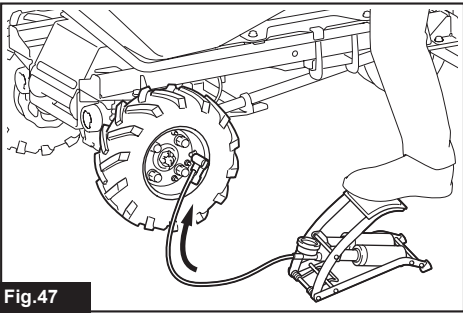


Fig.47

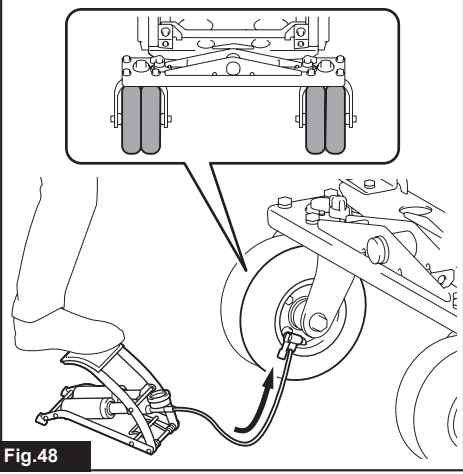


Fig.48

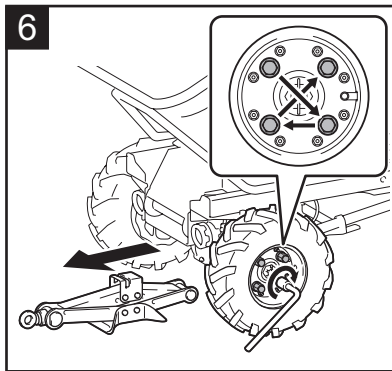
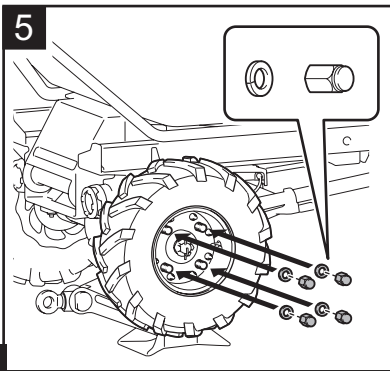
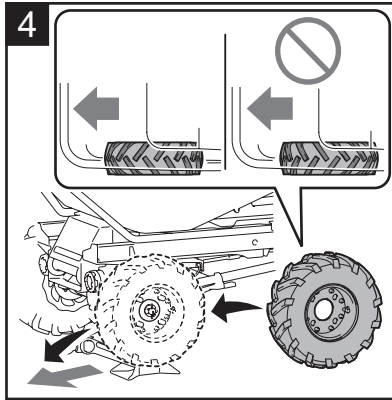
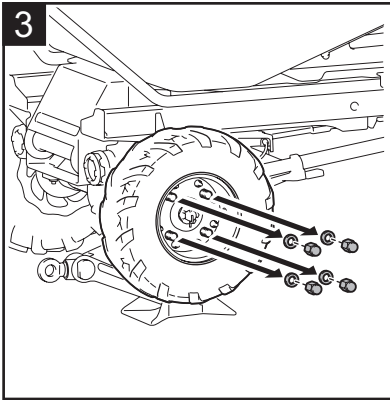
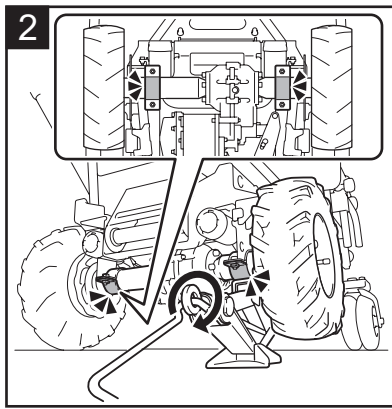
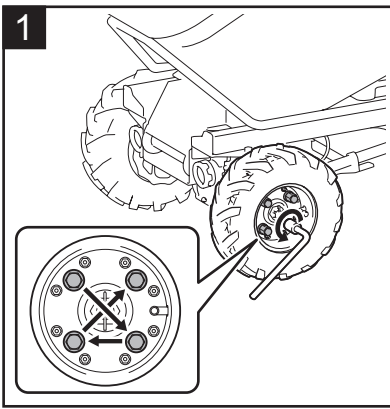


Fig.49

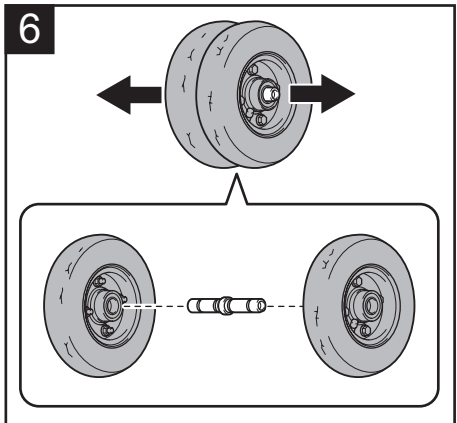
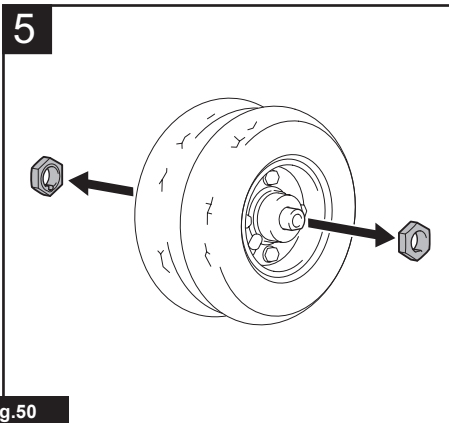
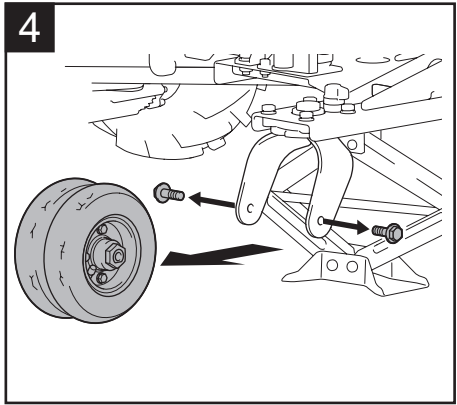
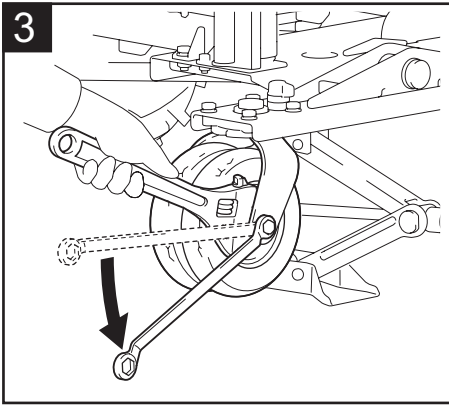
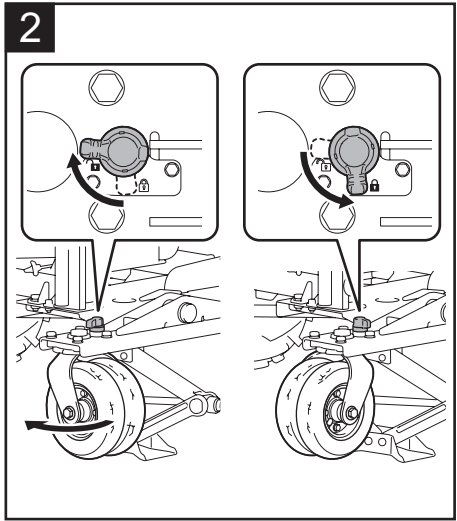
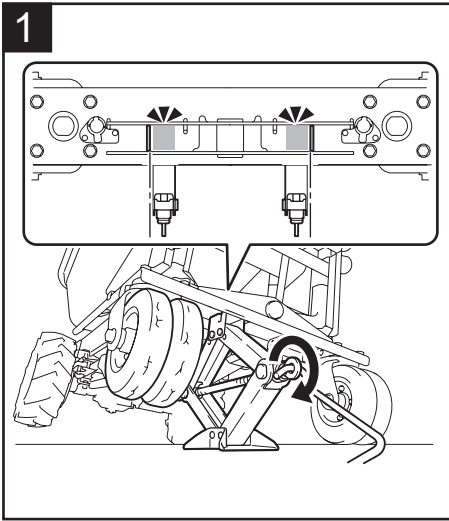


Fig.50

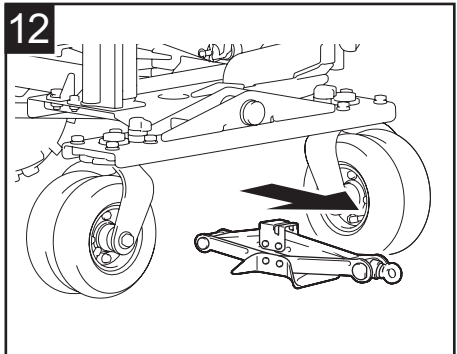
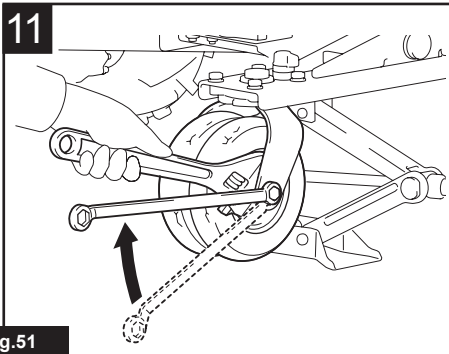
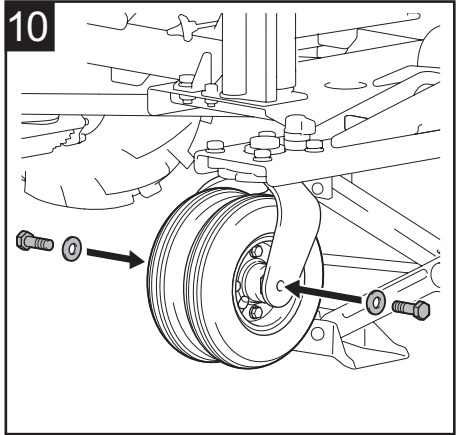
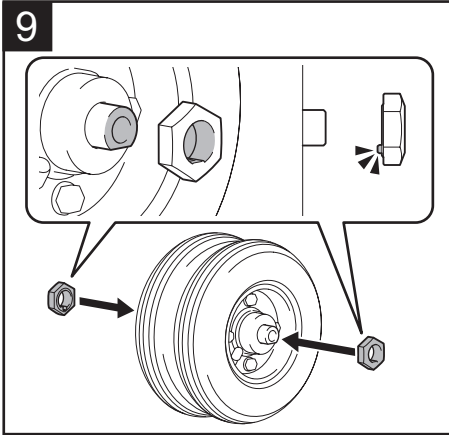
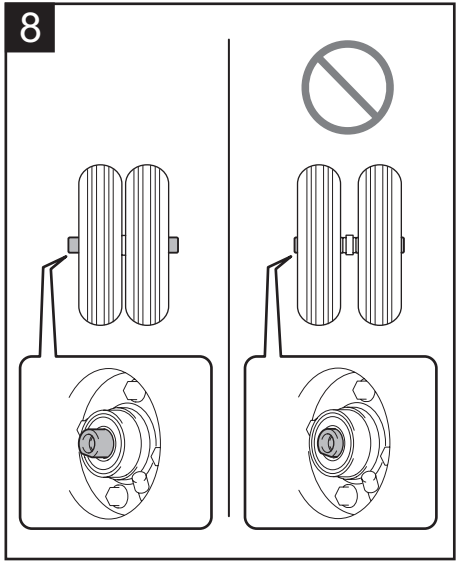
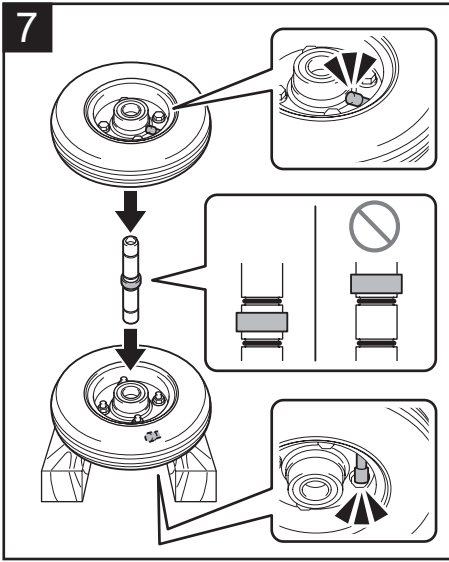
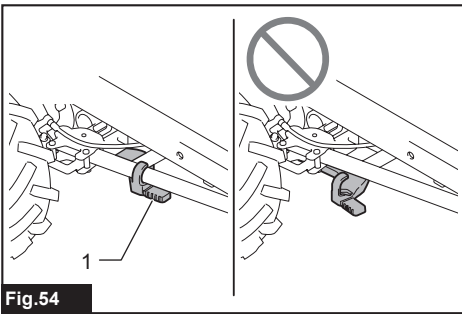
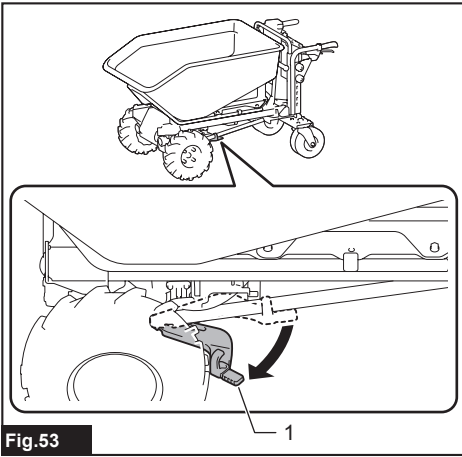
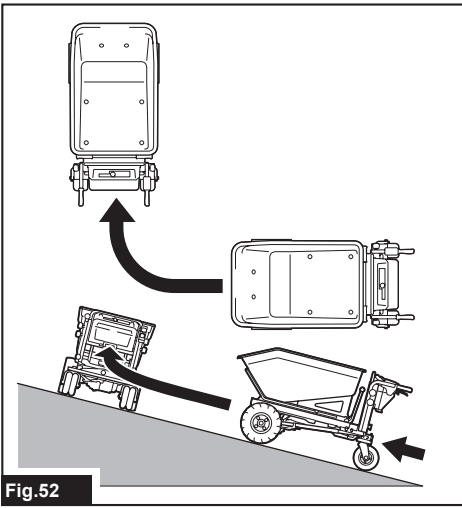


Fig.51



SPECIFICATIONS

Model:		DCU602
Dimensions (L x W x H)	When bucket is installed	1,480 mm x 730 mm x 820 - 1,030 mm
	When carrier is installed	1,450 - 1,600 mm x 730 - 1,080 mm x 820 - 1,030 mm
Traveling speed	Forward	5.0 / 3.5 / 1.5 km/h
	Reverse	1.0 km/h
Maximum load capacity	On flat ground	300 kg
	On slope (3 ° - 12 °)	180 kg
Maximum climbing capacity		12°
Minimum turning radius *		1,150 mm
Brake		Hand brake and support brake
Tire	Front wheel	Pneumatic tire
	Rear wheel	Pneumatic tire
Rated voltage		D.C. 36 V
Net weight	When bucket is installed	145 - 147 kg
	When carrier is installed	141 - 143 kg
Protection degree		IPX4

*: Outer diameter when turning with front wheel as axis.

- Due to our continuing program of research and development, the specifications herein are subject to change without notice.
- Specifications may differ from country to country.
- The weight may differ depending on the attachment(s), including the battery cartridge. The lightest and heaviest combinations, according to EPTA-Procedure 01/2014, are shown in the table.

Applicable battery cartridge and charger

Battery cartridge	BL1815N / BL1820B / BL1830B / BL1840B / BL1850B / BL1860B
Charger	DC18RC / DC18RD / DC18RE / DC18SD / DC18SE / DC18SF / DC18SH / DC18WC




- Some of the battery cartridges and chargers listed above may not be available depending on your region of residence.





⚠WARNING: Only use the battery cartridges and chargers listed above. Use of any other battery cartridges and chargers may cause injury and/or fire.


⚠WARNING: Never use Portable Power Pack PDC1200 or PDC01 with this product. Using them together may cause personal injury or malfunction.


Symbols


The followings show the symbols which may be used for the equipment. Be sure that you understand their meaning before use.


	Read instruction manual.
	Do not change direction on slopes.
	This machine cannot be used on public roads.


	Before loading or unloading objects, lock the brake and dump unit.
	Do not load or unload objects on slopes.
	Do not use the machine for transporting people.
	Do not dump objects on slopes. Lock the dump unit after dumping.

 Load objects on the bucket or carrier evenly. Do not load objects unevenly or only on front side.


 Pinch and crush hazard. Keep hands clear during operation. Do not put your hands or part of your body into the moving parts.


 Maximum load capacity: 300 kg on flat ground and 180 kg on slopes (up to 12°).


 Do not directly look into lamps.


 Do not wash the machine with high pressure washer.


 Keep bystanders away from the machine during operation.


 Do not operate the machine around uneven surfaces.


 Do not operate the machine when the bucket or carrier is not returned completely.


 Remove ropes before dumping objects.


 Always wear non-slip and protective footwear.


 Lock the brake before pulling out the neutral change lever.


 Lock the brake before returning the neutral change lever.


 Air pressure: front tire 280 kPa and rear tire 525 kPa.


 Make sure that the lock lever is locked.


 Turn the lock lever toward the front of machine to unlock the dump unit.


 When a beep sound is emitted, lock the brake lever.

 When you release the switch trigger, lock the brake lever.

 To cancel the beep sound, release the switch trigger and pull the brake lever.

 Only for EU countries
Due to the presence of hazardous components in the equipment, waste electrical and electronic equipment, accumulators and batteries may have a negative impact on the environment and human health. Do not dispose of electrical and electronic appliances or batteries with household waste!
In accordance with the European Directive on waste electrical and electronic equipment and on accumulators and batteries and waste accumulators and batteries, as well as their adaptation to national law, waste electrical equipment, batteries and accumulators should be stored separately and delivered to a separate collection point for municipal waste, operating in accordance with the regulations on environmental protection.
This is indicated by the symbol of the crossed-out wheeled bin placed on the equipment.

 Guaranteed sound power level according to EU Outdoor Noise Directive.

 Sound power level according to Australia NSW Noise Control Regulation.

Intended use

The machine is intended for loading and carrying objects with battery powered assistance.

Noise

The typical A-weighted noise level determined according to EN62841-1 and EN12053 as applicable:
Sound pressure level (L_{pA}) : 70 dB(A) or less
Uncertainty (K) : 4 dB (A)

The noise level under working may exceed 80 dB (A).

NOTE: The declared noise emission value(s) has been measured in accordance with a standard test method and may be used for comparing one tool with another.

NOTE: The declared noise emission value(s) may also be used in a preliminary assessment of exposure.

⚠ WARNING: Wear ear protection.

⚠ WARNING: The noise emission during actual use of the power tool can differ from the declared value(s) depending on the ways in which the tool is used especially what kind of workpiece is processed.

⚠ WARNING: Be sure to identify safety measures to protect the operator that are based on an estimation of exposure in the actual conditions of use (taking account of all parts of the operating cycle such as the times when the tool is switched off and when it is running idle in addition to the trigger time).

Vibration

The vibration total value (tri-axial vector sum) determined according to EN62841-1:

Work mode: operation without load

Vibration emission (a_{hv}) : 2.5 m/s² or less

Uncertainty (K) : 1.5 m/s²

NOTE: The declared vibration total value(s) has been measured in accordance with a standard test method and may be used for comparing one tool with another.

NOTE: The declared vibration total value(s) may also be used in a preliminary assessment of exposure.

⚠ WARNING: The vibration emission during actual use of the power tool can differ from the declared value(s) depending on the ways in which the tool is used especially what kind of workpiece is processed.

⚠ WARNING: Be sure to identify safety measures to protect the operator that are based on an estimation of exposure in the actual conditions of use (taking account of all parts of the operating cycle such as the times when the tool is switched off and when it is running idle in addition to the trigger time).

Declarations of Conformity

For European countries only

The Declarations of conformity are included in Annex A to this instruction manual.

SAFETY WARNINGS

General power tool safety warnings

⚠ WARNING Read all safety warnings, instructions, illustrations and specifications provided with this power tool. Failure to follow all instructions listed below may result in electric shock, fire and/or serious injury.

Save all warnings and instructions for future reference.

The term "power tool" in the warnings refers to your mains-operated (corded) power tool or battery-operated (cordless) power tool.

Battery powered wheelbarrow safety warnings

1. **While operating the machine, always wear non-slip and protective footwear.** Non-skid, closed-toed safety boots and shoes will reduce the risk of injury.
2. **Inspect pathway before hauling objects/materials.** Familiarizing yourself with the pathway and ensuring it is wide enough to safely navigate the machine under load will help reduce losing control of the machine.
3. **Use extreme caution on slippery, loose and unstable terrain.** Wet and slippery surfaces, such as wet grassy areas, snow or ice, and loose and unstable terrain, such as sand or gravel surfaces, may cause the machine to lose traction and may adversely affect steering, braking and stability.
4. **Do not operate the machine on excessively steep slopes.** This reduces the risk of loss of control, slipping and falling which may result in personal injury. Slopes greater than the maximum recommended grade and side grades may increase the risk of instability and may adversely affect the ability to stop safely.
5. **When working on slopes, always be sure of your footing, always work across the face of slopes, never up or down, and exercise extreme caution when changing direction.** This reduces the risk of loss of control, slipping and falling which may result in personal injury.
6. **Whenever possible, use level areas for stopping, loading and unloading and never leave machine unattended on a slope.** The machine is more unstable when resting on a slope than when resting on a level surface.
7. **When leaving the machine unattended, set parking brake once the machine is located in a safe stopping area.** The parking brake prevents unwanted movement of the front wheel and can improve stability.
8. **Ensure that ramps are clean, strong and secure.** In order to reduce the risk of injury, all ramps must be clear of loose debris and strong enough to withstand the weight of anticipated loads that will be moved over them. They must have adequate blocking underneath and to both sides to eliminate deflections and side-to-side movement under load. All ramps must be wide enough to have sure footing while hauling loads across them.
9. **Ensure all locking screws are tightly secure before using.** Locking screws on the rear wheels and open-type carrier front and side walls must be secure to prevent unwanted movement of these adjustable parts of the machine.
10. **Never operate the machine in an overloaded condition.** Make sure the machine has the proper capacity rating for the objects or materials that have to be hauled. Excessive loads will make the machine more difficult to maneuver and stop, will increase stopping time and distance, and will increase the risk of instability.
11. **Never operate your machine in an over stacked condition.** Stacking material above the tray rim or over the sides of the tray can cause the machine to be uncontrollably out of balance and control.

12. **Use containers and tie-downs to secure loads.** Loose and/or insecure loads are more likely to shift which can result in loss of stability and control.
13. **Always maintain a firm grip on handles.** Loss of control can increase the risk of personal injury.
14. **Remove safety key when not in use.** The safety key prevents unwanted, powered use of the machine, such as by children or other untrained or unauthorised persons. Without the key, electric power cannot be turned "on".
15. **This machine cannot be used on public roads.** Use of the wheelbarrow on a public road is unlawful and could result in local jurisdiction penalties in addition it could result in personal injury.
16. **Use a sturdy plate with anti-slip and detachment prevention function when loading and/or unloading this machine for transportation, or moving this machine between different levels. Make sure the plate inclination does not exceed 12°, and operate the machine slowly and carefully. Unstable and quick operation may result in overturn and/or falling.**
17. **Do not disassemble, repair, or modify this machine.**

Preparation

1. **Before operating the machine, make sure that there are no people around the machine.**
2. **Before operating the machine, perform the inspections referring to the section for maintenance.**

Operation

1. **When operating the machine, stand behind the machine and hold the handles with both hands firmly.**
2. **Do not operate the machine while riding on the machine.**
3. **Do not allow others to ride on the machine.**
4. **When operating the machine in reverse and walking backward, watch behind you and watch your step, and be careful not to slip or trip.**
5. **Do not use the machine when visibility is poor because there is a risk of striking obstacles.**
6. **When operating the machine on rough ground or going over the level difference of the road, decrease speed and exercise caution.**
7. **When using the machine, avoid soft ground to prevent overturn due to the shoulder of the road collapsing.**
8. **Do not operate the machine on slopes greater than 12°.**
9. **If you find an abnormality, stop the machine on flat ground. Before inspecting the machine, lock the brake lever, and then turn the power off.**
10. **Before operating the machine, make sure that the handle of the dump unit is fully pulled down and completely locked. If the lock is incomplete, there is a risk of accident or injury as the carrier or bucket may be tilted and the objects fall when going downhill.**
11. **When operating the machine near walls, be careful not to get your hands caught between the handle and the wall.**
12. **Do not use the machine in bad weather conditions, especially when there is a risk of lightning. This decreases the risk of being struck by lightning.**
13. **Do not touch the metal parts during use or after use as they may get hot enough to cause burns due to sunlight.**
14. **Be careful not to entangle the cords with the load or obstacles.**
15. **When crossing a wooden bridge, etc., make sure that the sum of the weight of product, load capacity, and operator's weight does not exceed the weight limit of the bridge, and cross the bridge carefully at a constant speed.**
16. **Wear the gloves when operating the machine in low temperature environments. Touching the metal parts with bare hands may cause your hands to stick.**
17. **If there are people or obstacles in the direction of travel, avoid them in advance.**
18. **Do not scoop objects directly with the carrier or bucket. Doing so may damage the machine and cause an accident.**
19. **When you use the machine on muddy ground, wet slope, or slippery place, pay attention to your footing.**
20. **Do not submerge the machine into a puddle.**
21. **When you leave the machine while working, be sure to completely return the dump unit to its original position, and lock the brake lever and remove the lock key.**
22. **Do not leave the machine unattended while objects are loaded on the carrier or bucket.**

Operation on slopes

1. **Do not cross on slopes.**
2. **Stop before the downhill, and be sure to decrease speed and exercise caution.**
3. **If the speed is too fast when traveling downhill, the beep sound is emitted. In this case, slow down using the brake.**
4. **Exercise caution when starting or stopping the machine on slopes.**
5. **As the loads become less stable on slopes, firmly secure the loads with ropes.**
6. **As the machine becomes unstable depending on the condition of the road, keep the load to a minimum.**
7. **As the view is obscured on slopes, keep the height of the load to a minimum.**
8. **Never stop the machine on slopes. Stop the machine on flat ground, and lock the brake lever, and then turn the power off.**
9. **Do not change the direction or speed mode on steep slopes.**
10. **Do not release the switch trigger on upward slopes. The machine may go in reverse and cause an accident.**
11. **Make sure that the remaining battery capacity is enough before operating on slopes. If the remaining battery capacity is not enough, charge the battery or replace it with a charged one.**
12. **When starting the machine on slopes, do not place your foot behind the rear wheel since the machine moves back a few centimeters.**

Loading objects

1. **Do not overload objects. When loading objects, be sure to follow the instructions and load limits in the manual.**
2. **Since the larger the load, the more difficult it is to operate the machine, keep the load within the range that does not affect the operation.**
3. **Firmly secure the objects with ropes.**
4. **Load the objects within the carrier or bucket.** If the objects protrude from the carrier or bucket, there is a risk of accidents due to the objects falling or contact obstacles such as walls.
5. **Be sure that loaded objects are below eye level.** If the load is too high, it is dangerous because the view is obscured. Also, there is a risk of overturning and injury because the load is likely to be unbalanced.
6. **Load the objects on the carrier or bucket evenly.** If the objects are loaded unevenly, there is a risk of overturning and injury because the load is likely to be unbalanced.
7. **Before loading the objects or operating the machine, make sure that the handle of the dump unit is fully pulled down and completely locked.**
8. **Be sure to load heavy objects first to keep balance.**
9. **Do not extend the front and side rails on steep slopes. Extend the side rails when lightweight objects are loaded.**
10. **When extending the front and side rails, do not extend them over the extension limit. Be sure to extend the side rails so that the right and left sides are the same length, and load objects evenly.**
11. **Load and unload objects on flat ground. Never load or unload objects on slope.**
12. **When lifting and tilting the carrier or bucket, hold the handles and frame firmly, and work in a stable posture.**

Transportation of machine

1. **Use the ladder rails that are at least 4 times as long as the height of the truck bed, with fixtures suitable for the bed, with a non-slip surface and sufficient width, and capable of withstanding the weight of the machine and operator. Read the instruction manual of the ladder rails carefully before use.**
2. **Before loading the machine, unload all objects from the machine and remove mud and other debris from the tires. Install the ladder rails on a flat and stable surface.**
3. **Before loading or unloading the machine, make sure that there are no people around the machine and the ladder rails. Load or unload the machine at low speed, taking care to prevent the machine from falling off the ladder rails, and not to hit your head on the ceiling of the truck. Use extreme caution when loading or unloading the machine backward.**
4. **When transporting the machine, lock the brake lever, turn the power off, remove the batteries and lock key, and fix the machine securely.**

Maintenance and storage

1. **Before storage or attempting to perform inspections or maintenance, always be sure to stop the machine on flat ground and lock the brake lever, and turn off the machine, and remove the lock key and battery cartridges.**
2. **Do not leave the machine unattended outdoors in the rain.**
3. **When storing the machine, avoid direct sunlight and rain, and store it in a place where it does not get hot or humid.**
4. **This machine is equipped with a hydraulic unit on the underside of the dump unit to automatically tilt the dump unit. Do not modify the hydraulic unit, or do not loosen the mounting bolts of the unit or the adjustment screws of the relief valve. It is very dangerous as it may cause accidents or malfunctions.**

Battery tool use and care

1. **Recharge only with the charger specified by the manufacturer.** A charger that is suitable for one type of battery pack may create a risk of fire when used with another battery pack.
2. **Use power tools only with specifically designated battery packs.** Use of any other battery packs may create a risk of injury and fire.
3. **When battery pack is not in use, keep it away from other metal objects, like paper clips, coins, keys, nails, screws or other small metal objects, that can make a connection from one terminal to another.** Shorting the battery terminals together may cause burns or a fire.
4. **Under abusive conditions, liquid may be ejected from the battery; avoid contact. If contact accidentally occurs, flush with water. If liquid contacts eyes, additionally seek medical help.** Liquid ejected from the battery may cause irritation or burns.
5. **Do not use a battery pack or tool that is damaged or modified.** Damaged or modified batteries may exhibit unpredictable behaviour resulting in fire, explosion or risk of injury.
6. **Do not expose a battery pack or tool to fire or excessive temperature.** Exposure to fire or temperature above 130 °C may cause explosion.
7. **Follow all charging instructions and do not charge the battery pack or tool outside the temperature range specified in the instructions.** Charging improperly or at temperatures outside the specified range may damage the battery and increase the risk of fire.

Electrical and battery safety

1. **Do not dispose of the battery(ies) in a fire.** The cell may explode. Check with local codes for possible special disposal instructions.
2. **Do not open or mutilate the battery(ies).** Released electrolyte is corrosive and may cause damage to the eyes or skin. It may be toxic if swallowed.
3. **Do not charge battery in rain, or in wet locations.**
4. **Do not charge the battery outdoors.**
5. **Do not handle charger, including charger plug, and charger terminals with wet hands.**
6. **Do not replace the battery in the rain.**

7. **Do not wet the terminal of battery with liquid such as water, or submerge the battery. Do not leave the battery in the rain, nor charge, use, or store the battery in a damp or wet place.** If the terminal gets wet or liquid enters inside of battery, the battery may be short circuited and there is a risk of overheat, fire, or explosion.
8. **After removing the battery from the machine or charger, be sure to attach the battery cover to the battery and store it in a dry place.**
9. **Do not replace the battery with wet hands.**
10. **Avoid dangerous environment. Don't use the machine in damp or wet locations or expose it to rain.** Water entering the machine will increase the risk of electric shock.
11. **If the battery cartridge gets wet, drain the water inside and then wipe it with a dry cloth. Dry the battery cartridge completely in a dry place before use.**
9. **Do not use a damaged battery.**
10. **The contained lithium-ion batteries are subject to the Dangerous Goods Legislation requirements.** For commercial transports e.g. by third parties, forwarding agents, special requirement on packaging and labeling must be observed. For preparation of the item being shipped, consulting an expert for hazardous material is required. Please also observe possibly more detailed national regulations. Tape or mask off open contacts and pack up the battery in such a manner that it cannot move around in the packaging.
11. **When disposing the battery cartridge, remove it from the tool and dispose of it in a safe place. Follow your local regulations relating to disposal of battery.**
12. **Use the batteries only with the products specified by Makita.** Installing the batteries to non-compliant products may result in a fire, excessive heat, explosion, or leak of electrolyte.
13. **If the tool is not used for a long period of time, the battery must be removed from the tool.**
14. **During and after use, the battery cartridge may take on heat which can cause burns or low temperature burns. Pay attention to the handling of hot battery cartridges.**
15. **Do not touch the terminal of the tool immediately after use as it may get hot enough to cause burns.**
16. **Do not allow chips, dust, or soil stuck into the terminals, holes, and grooves of the battery cartridge.** It may cause heating, catching fire, burst and malfunction of the tool or battery cartridge, resulting in burns or personal injury.
17. **Unless the tool supports the use near high-voltage electrical power lines, do not use the battery cartridge near high-voltage electrical power lines.** It may result in a malfunction or breakdown of the tool or battery cartridge.
18. **Keep the battery away from children.**

SAVE THESE INSTRUCTIONS.

⚠WARNING: DO NOT let comfort or familiarity with product (gained from repeated use) replace strict adherence to safety rules for the subject product. MISUSE or failure to follow the safety rules stated in this instruction manual may cause serious personal injury.

Important safety instructions for battery cartridge

1. **Before using battery cartridge, read all instructions and cautionary markings on (1) battery charger, (2) battery, and (3) product using battery.**
2. **Do not disassemble or tamper with the battery cartridge.** It may result in a fire, excessive heat, or explosion.
3. **If operating time has become excessively shorter, stop operating immediately.** It may result in a risk of overheating, possible burns and even an explosion.
4. **If electrolyte gets into your eyes, rinse them out with clear water and seek medical attention right away.** It may result in loss of your eyesight.
5. **Do not short the battery cartridge:**
 - (1) **Do not touch the terminals with any conductive material.**
 - (2) **Avoid storing battery cartridge in a container with other metal objects such as nails, coins, etc.**
 - (3) **Do not expose battery cartridge to water or rain.**

A battery short can cause a large current flow, overheating, possible burns and even a breakdown.

6. **Do not store and use the tool and battery cartridge in locations where the temperature may reach or exceed 50 °C (122 °F).**
7. **Do not incinerate the battery cartridge even if it is severely damaged or is completely worn out.** The battery cartridge can explode in a fire.
8. **Do not nail, cut, crush, throw, drop the battery cartridge, or hit against a hard object to the battery cartridge.** Such conduct may result in a fire, excessive heat, or explosion.

SAVE THESE INSTRUCTIONS.

⚠CAUTION: Only use genuine Makita batteries. Use of non-genuine Makita batteries, or batteries that have been altered, may result in the battery bursting causing fires, personal injury and damage. It will also void the Makita warranty for the Makita tool and charger.

Tips for maintaining maximum battery life

1. **Charge the battery cartridge before completely discharged. Always stop tool operation and charge the battery cartridge when you notice less tool power.**
2. **Never recharge a fully charged battery cartridge.** Overcharging shortens the battery service life.
3. **Charge the battery cartridge with room temperature at 10 °C - 40 °C (50 °F - 104 °F).** Let a hot battery cartridge cool down before charging it.
4. **When not using the battery cartridge, remove it from the tool or the charger.**
5. **Charge the battery cartridge if you do not use it for a long period (more than six months).**

PARTS DESCRIPTION

When the bucket is installed

► Fig.1

1	Tilt switch	2	Control panel	3	Beep button	4	Switch trigger
5	Rear lamp	6	Handle	7	Battery box	8	Brake lever
9	Rear wheel	10	Rear wheel lock	11	Lock lever	12	Dump unit
13	Front wheel	14	Front lamp	15	Bucket	-	-

When the carrier is installed

► Fig.2

1	Tilt switch	2	Control panel	3	Beep button	4	Switch trigger
5	Rear lamp	6	Handle	7	Battery box	8	Brake lever
9	Rear wheel	10	Rear wheel lock	11	Lock lever	12	Front wheel
13	Front lamp	14	Carrier	-	-	-	-

ASSEMBLY

⚠ CAUTION: Always be sure that the machine is switched off and the battery cartridges are removed before carrying out any work on the machine.

Before installing or removing the carrier or bucket, be sure to lock the brake lever. To lock the brake lever, pull and hold the brake lever, then pull the lock lever, and then release the brake lever while pulling the lock lever.

► **Fig.3:** 1. Brake lever 2. Lock lever

Installing or removing the bucket

Installing the bucket

1. Take out the bucket, stays, and front pipe from the box.

► **Fig.4:** 1. Bucket 2. Stay 3. Front pipe

2. Insert the front pipe between the upper frame and lower frame of the dump unit.

► **Fig.5:** 1. Front pipe

3. Place the stay on the dump unit, and then temporarily tighten the bolts with the front pipe together. Install the other stay to the dump unit in the same way.

► **Fig.6:** 1. Stay 2. Bolt

4. Place the bucket on the front pipe and left and right stays.

Place the rubber washer on the hole of the bucket and insert the bolt from the top. Attach the flat washer and spring washer in order to the bolt, and then tighten the nut from the bottom. Tighten the rest of the bolts and nuts in the same way.

► **Fig.7:** 1. Bolt 2. Rubber washer 3. Flat washer 4. Spring washer 5. Nut

5. Securely tighten 4 bolts which were temporarily tightened in step 3.

Removing the bucket

To remove the bucket, perform the installation procedure in reverse.

Installing or removing the carrier

Optional accessory

Installing the carrier

1. Take out the carrier from the box, and attach the side rails and front rail to the base frame.

► **Fig.8**

2. Tighten 6 thumb nuts together with springs and washers to fix the rails.

► **Fig.9:** 1. Thumb nut 2. Spring 3. Washer

3. Place the carrier on the dump unit.

Insert the bolt from the top. Attach the flat washer and spring washer in order to the bolt, and then tighten the nut from the bottom. Tighten the rest of the bolts and nuts in the same way.

► **Fig.10:** 1. Bolt 2. Flat washer 3. Spring washer 4. Nut

Removing the carrier

To remove the carrier, perform the installation procedure in reverse.

FUNCTIONAL DESCRIPTION

CAUTION: Always be sure that the machine is switched off and the battery cartridge is removed before adjusting or checking function on the machine.

Installing or removing battery cartridge

CAUTION: Always switch off the machine and lock the brake lever before installing or removing of the battery cartridge.

CAUTION: Always install the battery cartridge fully until the red indicator cannot be seen. If not, it may accidentally fall out of the machine, causing injury to you or someone around you.

CAUTION: Do not install the battery cartridge forcibly. If the cartridge does not slide in easily, it is not being inserted correctly.

CAUTION: Do not use the high-temperature battery cartridge. When the high-temperature battery cartridge is used, the machine stops automatically before a short beep sound is emitted, and may cause an injury.

CAUTION: Be careful not to pinch your fingers when opening or closing the battery cover.

NOTICE: Make sure that the cover of the battery box is closed securely before use. Otherwise, mud, dirt, or water may cause damage to the product or the battery cartridge.

Installing the battery cartridge

1. Pull up the lock lever, and then open the cover of the battery box.
▶ Fig.11: 1. Cover 2. Lock lever
2. Align the tongue on the battery cartridge with the slot on the battery box, and then slide the cartridge until it locks in place with a little click.
▶ Fig.12: 1. Battery cartridge
3. Insert the lock key in the place shown in the figure as far as it will go, and turn it clockwise.
▶ Fig.13: 1. Lock key

NOTE: To turn the lock key, insert the lock key completely.

4. Close the cover of the battery box.
▶ Fig.14: 1. Cover

Removing the battery cartridge

1. Pull up the lock lever, and then open the cover of the battery box.
2. Pull out the battery cartridge from the battery box while sliding the button on the front of the cartridge.
▶ Fig.15: 1. Button
3. Turn the lock key counterclockwise, and pull it out.
4. Close the cover of the battery box.

Machine / battery protection system

The machine is equipped with a machine/battery protection system. This system automatically cuts off power to the motor to extend machine and battery life. The machine will automatically stop during operation if the machine or battery cartridge is under one of the following conditions.

A short beep sound or long beep sound is emitted before the machine stops automatically. The battery indicators and lamps on the control panel blink while the beep sound is emitted.

NOTE: To cancel the beep sound, release the switch trigger and pull the brake lever.

Overload protection

When the machine/battery is operated in a manner that causes it to draw an abnormally high current, the machine automatically stops and the main power lamp blinks in green. In this situation, turn the machine off and stop the application that caused the machine to become overloaded such as reducing the loaded objects. Then turn the machine on to restart.

Overheat protection

When the machine is overheated, the machine stops automatically and the main power lamp lights up in red. In this case, let the machine and battery cool before turning the machine on again.

Overdischarge protection

When the battery capacity is not enough, the main power lamp and the corresponding battery indicator blink in red. In this case, switch the battery cartridges, or change the battery cartridges to fully charged ones, or remove the battery cartridges from the machine and charge them.

NOTE: The main power lamp blinks in red when the battery is overheated.

Protections against other causes

NOTICE: The main power lamp blinks in green and red alternately when the abnormality occurs in the machine. In this case, refer to the section for troubleshooting.

Protection system is also designed for other causes that could damage the machine and allows the machine to stop automatically. Take all the following steps to clear the causes, when the machine has been brought to a temporary halt or stop in operation.

1. Turn the machine off, and then turn it on again to restart.
2. Charge the battery(ies) or replace it/them with recharged battery(ies).
3. Let the machine and battery(ies) cool down.

NOTICE: If no improvement can be found or the machine stops due to a cause not described above, refer to the section for troubleshooting.

Indicating the remaining battery capacity

CAUTION: Before checking the remaining battery capacities or switching the battery cartridges, be sure to stop the machine.

CAUTION: When the battery capacity becomes low, a short beep sound is emitted. In this case, lock the brake lever, and then switch the battery cartridges to charged ones or charge the battery cartridges. If you continue to operate the machine at low battery capacity and the remaining battery capacity runs out, a long beep sound is emitted and the machine automatically stops and this may cause an accident or injury.

CAUTION: If the beep sound is emitted while operating on slopes, move the machine to a safe place, lock the brake lever, and then switch the battery cartridges to charged ones or charge the battery cartridges.

CAUTION: If the load is large and the beep sound is emitted while operating on slopes, lock the brake lever and pay attention to safety and switch the battery cartridges to charged ones. Move the machine to a safe place and lock the brake lever. Reduce the load before operating the machine again. For details, refer to the section for troubleshooting.

Checking the battery level on the battery box

► Fig.16: 1. Battery indicator 2. Check button

Press the check button to indicate the remaining battery capacities. The battery indicators correspond to each battery.

Battery indicator status			Remaining battery capacity
On	Blinking	Off	
			50% - 100%
			20% - 50%
			0% - 20%
			Empty
			Battery not installed

NOTE: If you continue to pull the switch trigger even if you hear the short beep sound, the machine stops automatically. After the machine stops automatically, the beep sound continues and the support brake is enabled. To cancel the beep sound and release the support brake, release the switch trigger and pull the brake lever. Do not push the machine forcibly without releasing the support brake.

NOTE: You can check the remaining battery capacity even if the lock key is not inserted.

NOTE: The battery indicators for remaining battery capacity are just for reference. Actual battery capacity may vary depending on usage conditions.

Checking the battery level on the battery cartridge

Only for battery cartridges with the indicator

Press the check button on the battery cartridge to indicate the remaining battery capacity. The indicator lamps light up for a few seconds.

► Fig.17: 1. Indicator lamps 2. Check button

Indicator lamps			Remaining capacity
Lighted	Off	Blinking	
			75% to 100%
			50% to 75%
			25% to 50%
			0% to 25%
			Charge the battery.
			The battery may have malfunctioned.

NOTE: Depending on the conditions of use and the ambient temperature, the indication may differ slightly from the actual capacity.

NOTE: The first (far left) indicator lamp will blink when the battery protection system works.

Switching the battery cartridge

► **Fig.18:** 1. Battery selection switch

The machine uses 2 battery cartridges for operation at a time. Up to 4 battery cartridges can be installed to the machine. Before operating the machine, select the battery cartridges used for operation by turning the battery selection switch.

NOTICE: If the battery cartridge is in the following condition, the machine does not work even if you switch the battery with the battery selection switch.

- The remaining capacity of at least one of the battery cartridges is empty.
- At least one of the battery cartridges is overheated.

In this case, remove the empty or overheated battery cartridge, or replace the battery cartridge with a charged one.

NOTE: If only 2 battery cartridges are installed to the machine, be sure to select the installed battery cartridges with the battery selection switch.

Control panel

CAUTION: Always lock the brake lever and turn off the machine when not in use.

Power button

► **Fig.19:** 1. Main power lamp 2. Power button

To turn on the machine, lock the brake lever, and then press the power button without pulling the switch trigger. The main power lamp lights up in green. To turn off the machine, release the switch trigger and lock the brake lever, and then press the power button.

NOTE: An electrical test is performed the first time the machine is driven after the machine is turned on. If a problem is detected, the main power lamp blinks in red or green alternately. In this case, refer to the section for troubleshooting.

NOTE: If the main power lamp lights up in red or blinks in red or green, refer to the instructions for machine/battery protection system or the section for troubleshooting.

NOTE: This machine employs the auto power-off function. To avoid unintentional start up, the machine will automatically shut down when the machine is stopped and not operated for a certain period after the machine is turned on.

NOTE: If you press the power button while pulling the switch trigger, the machine does not turn on. Release the switch trigger, and then press the power button.

Forward/reverse and speed button

► **Fig.20:** 1. Forward/reverse button 2. Speed indicator 3. Speed button

Press the forward/reverse button to switch between the forward mode and reverse mode. Press the speed button to switch between low speed, medium speed, and high speed. When the power is turned on, the forward mode and low speed are set.

NOTE: The forward/reverse button is not available while pulling the switch trigger.

NOTE: A short beep sound comes out when operating the machine in reverse.

NOTE: The speed button is not available when operating the machine in reverse.

NOTE: If the machine detects a problem, the speed indicators blink alternately. In this case, refer to the section for troubleshooting.

Beep button

When you press the beep button, the beep sound is emitted.

► **Fig.21:** 1. Beep button

NOTE: The beep button is available when the machine is turned on.

NOTE: The beep button is available even if the lock key is not inserted in the battery box.

Lighting up the lamps

Press the lamp button on the battery box to light up the front lamps and rear lamp. To turn off the lamps, press the lamp button again.

► **Fig.22:** 1. Lamp button 2. Front lamp

► **Fig.23:** 1. Rear lamp

NOTE: The lamps go off if the machine is not operated for a certain period.

NOTE: The lamps go off when the power is turned off.

NOTE: You can light up the lamps even if the lock key is not inserted.

Switch trigger and brake lever

CAUTION: Before installing the battery cartridge into the machine, always check to see that the switch trigger actuates properly and returns to the "OFF" position when released.

To start the machine, pull the switch trigger. Using the switch trigger, the speed can be adjusted within the set speed range. To stop the machine, release the switch trigger and pull the brake lever.

To lock the brake lever, pull and hold the brake lever, then pull the lock lever, and then release the brake lever while pulling the lock lever. To release the lock, pull the brake lever.

► **Fig.24:** 1. Switch trigger

► **Fig.25:** 1. Brake lever 2. Lock lever

Tilt switch

⚠ CAUTION: Be sure to hold the brake lever when you operate the tilt switch.

⚠ CAUTION: Before using the tilt switch, make sure that the remaining battery capacity is not low. If the battery capacity is low, lock the brake lever, and then switch the battery cartridges to charged ones or replace the battery cartridges with charged ones.

► Fig.26: 1. Tilt switch

You can tilt the bucket or carrier using the tilt switch. To tilt the bucket or carrier forward, press the upper side of the tilt switch while holding the brake lever. To return the bucket or carrier, press the lower side of the tilt switch while holding the brake lever.

NOTE: The beep sound is emitted while the bucket or carrier is moving.

Adjusting the width of the carrier

NOTICE: Make sure that the side rails and front rail are fixed securely after tightening the thumb nuts.

Loosen 6 thumb nuts, and then slide the side rails and front rail. Tighten the thumb nuts to fix the side rails and front rail.

► Fig.27: 1. Thumb nut 2. Rail

⚠ CAUTION: Do not slide the rails beyond the limit mark.

► Fig.28

Adjusting the handle height

NOTICE: Fix the left and right handles at the same height.

The handle height can be adjusted in 7 levels. To adjust the handle height, loosen 2 knobs, then adjust the handle height by aligning the hole on the handle with the protrusion on the rear frame, and then tighten 2 knobs securely. Adjust the height of the other handle in the same way.

► Fig.29: 1. Knob

Rear wheel lock

You can fix the direction of the rear wheels using the rear wheel lock.

1. Slightly move the machine forward so that the rear wheels face the direction shown in the figure.

► Fig.30: 1. Rear wheel

2. Rotate the rear wheel lock toward the rear.

► Fig.31: 1. Rear wheel lock

3. Lock the other rear wheel in the same way.

4. Move the rear wheel back and forth or left and right slightly to make sure it is locked.

To release the rear wheel lock, rotate the rear wheel lock 90° as shown in the figure.

► Fig.32: 1. Rear wheel lock

NOTE: The rear wheels can be fixed in 4 different directions as shown in the figure.

► Fig.33

Using the level

Using the level, you can check if the ground is level.

► Fig.34: 1. Level

OPERATION

⚠ CAUTION: Be sure to lock the brake lever before loading or unloading objects.

Operating the machine

NOTICE: Be sure to insert the lock key before the operation. If the lock key is not inserted, a beep sound is emitted when you pull the switch trigger. The beep sound stops by releasing the switch trigger and pulling the brake lever.

NOTICE: Perform the inspection before operating the machine by referring to the section for maintenance.

1. Make sure that the brake lever is locked. Install the battery cartridges, and insert the lock key and turn it clockwise.

2. Select the battery cartridges with the battery selection switch.

3. Press the power button on the control panel to turn the power on.

► Fig.35: 1. Power button

4. Pull the brake lever to release the lock of the brake lever.

► Fig.36: 1. Brake lever

5. Hold the handles firmly with both hands.

► Fig.37

6. Pull the switch trigger.

► Fig.38: 1. Switch trigger

Loading objects

CAUTION: Before loading objects on the machine, make sure that the machine is turned off and the brake lever is locked.

CAUTION: Before loading objects on the machine, make sure that the dump unit is locked.

CAUTION: Be sure to load objects within the carrier or bucket. If objects are sticking out of the carrier or bucket, they may fall or collapse if they touch obstacles.

► Fig.39

CAUTION: Be sure to load objects so that they are below eye level. If the load is too high, it is dangerous because the view is obscured. Also, there is a risk of overturning and injury because the load is likely to be unbalanced.

► Fig.40

CAUTION: Do not load the objects beyond the height of the bucket. Loading the objects beyond the height of the bucket may cause the load to fall or collapse.

When loading objects on the carrier, secure the objects with ropes and tie them down to the rope hooks of the carrier.

► Fig.41: 1. Rope hook

Dumping objects

CAUTION: When lifting or returning the carrier or bucket, never insert or place any part of your body between the dump unit and the carrier or bucket, or under the dump unit. Doing so may result in injury or burns.

CAUTION: After dumping loads, be sure to lock the dump unit by returning the dump unit to its original position.

CAUTION: Before lifting the carrier or bucket manually, be sure to lock the brake lever.

CAUTION: Lift the carrier or bucket on flat and stable ground. Operation on unstable ground may cause an accident or injury.

CAUTION: Keep the load to a minimum. If the load is large, do not try to lift the carrier or bucket. Reduce the load, and then lift the carrier or bucket.

CAUTION: If the load is fixed by ropes or other means, untie the load before lifting the dump unit.

CAUTION: Before lifting the carrier or bucket, make sure that there are no people or obstacles around the machine.

You can dump the objects by lifting and tilting the carrier or bucket.

1. Stop the machine.

2. Tilt the bucket or carrier forward by pressing the upper side of the tilt switch while holding the brake lever.

► Fig.42: 1. Tilt switch

3. To manually dump the objects left in the bucket or carrier, follow the steps below.

- Lock the brake lever, and then stand at the side of the machine.

- Rotate the lock lever of the dump unit toward the front of the machine to unlock the dump unit.

- Hold the handle of the dump unit, and then tilt the bucket or carrier forward to dump the objects.

- Return the bucket or carrier to the dump unit.

► Fig.43: 1. Lock lever 2. Dump unit

CAUTION: Hold the handle of the dump unit firmly, and work in a stable posture.

NOTICE: It is recommended to chock the front wheels to stabilize the machine.

4. Return the bucket or carrier to its original position by pressing the lower side of the tilt switch while holding the brake lever.

NOTICE: Be sure to return the bucket or carrier to its original position after dumping objects. If the bucket or carrier is not returned completely and locked, the traveling speed of machine is limited up to 0.8 km/h.

MAINTENANCE

CAUTION: Always be sure to park the machine on flat ground and lock the brake lever before storage or attempting to perform inspections or maintenance.

CAUTION: Always be sure that the lock key and battery cartridge are removed from the machine before storage, inspections, or maintenance.

CAUTION: Always remove the lock key when the machine is not in use. Store the lock key in a safe place out of reach of children.

To maintain product SAFETY and RELIABILITY, repairs, any other maintenance or adjustment should be performed by Makita Authorized or Factory Service Centers, always using Makita replacement parts.

Inspection before operation

Perform the following inspections before operating the machine.

- Check that the bolts, nuts, and knobs are tightened firmly.
- Fig.44
- Check that the brake is working properly. If you feel the brake is not working sufficiently, perform the cleaning of the brake. If no improvement can be found, ask Makita Authorized Service Centers for repair.
 - Check that the dump unit is locked when the handle of the dump unit is fully pulled down.
- Fig.45: 1. Handle
- Check that the tires of front and rear wheels are not damaged, and the air in the tires is sufficient.
 - Check that the front lamps, and rear lamp are clean. Clean them if necessary.
 - Check that the scrapers are in the correct position. If the scraper is facing upward, adjust the orientation of the scraper by loosening the bolts. When tightening the bolts, do not push the scraper toward the front of the machine.
- Fig.46: 1. Scraper

Cleaning the machine

NOTICE: Never use gasoline, benzine, thinner, alcohol or the like. Discoloration, deformation or cracks may result.

NOTICE: Do not use the high pressure washer for cleaning.

NOTICE: When cleaning the machine, be sure to close the cover of battery box. Otherwise, water may enter into the battery box, and cause a malfunction of machine.

Remove mud, dirt, and the like from the machine. Clean the machine with running water. After the cleaning, wipe the machine with a dry cloth.

Storage

Lock the brake lever, and remove the battery cartridges and lock key. Store the machine in a safe place out of the reach of children.

Refilling the tire with air

Check that the air in the tire for the front and rear wheels is not missing. If the air in the tire is insufficient, refill the tire with air using an inflator. The air pressure is as follows:

- Tire for front wheel: 280 kPa (40 PSI)
- Tire for rear wheel: 525 kPa (75 PSI)

Front wheel

► Fig.47

Rear wheel

► Fig.48

Replacing the tire

CAUTION: Before replacing the tires, be sure to unload all objects from the machine.

CAUTION: When replacing the tires, wear the gloves.

Replacing the tire of front wheel

NOTE: When installing the gray tire, install it so that the valve faces outward.

► Fig.49

Replacing the tire of rear wheel

► Fig.50

► Fig.51

TROUBLESHOOTING

Before asking for repairs, conduct your own inspection first. If you find a problem that is not explained in the manual, do not disassemble the machine. Instead, ask Makita Authorized Service Centers, always using Makita replacement parts for repairs.

State of abnormality	Main power lamp	Cause	Remedy
The machine does not turn on.	Turned off.	Two battery cartridges are not installed.	Install two charged battery cartridges.
		Battery problem (under voltage)	Recharge the battery cartridge. If recharging is not effective, replace battery cartridge.
		Battery selection switch is not in the correct position.	Select the correct battery using the battery selection switch.
The machine does not start.	The lamp blinks in red.	Battery's charge level is low.	Recharge the battery cartridge. If recharging is not effective, replace battery cartridge.
		At least one of the battery is empty.	Remove the empty battery, or replace it with charged one. In this case, the far left lamp of the battery indicator of the corresponding battery blinks.
	The lamp blinks in green.	The lock key is not inserted.	Insert the lock key and turn it clockwise.
		The machine stopped due to overload.	Reduce the loaded objects.
		The front or rear wheels are stuck or locked.	Remove the cause of stuck or locked wheels.
	The lamp lights up in red.	The machine stopped due to overheat.	Cool down the machine and battery.
	The lamp blinks in red and green alternately.	The lock key is not inserted.	Insert the lock key and turn it clockwise.
		The machine detected an abnormality.	Turn off the machine, and then back on. A malfunction of machine has occurred. Ask Makita Authorized Service Centers for repair.
	The lamp lights up in green.	The neutral change lever is not in its original position.	Lock the brake lever, and then return the neutral change lever to its original position.
	The machine stops after a little use.	The lamp blinks in red.	Battery's charge level is low.
The traveling speed of machine does not increase.	The lamp lights up in green.	The dump unit is not returned completely, or it is not locked.	Return the dump unit completely and make sure it is locked.

Troubleshooting for stop of machine

⚠ WARNING: Unless absolutely necessary, never disable the support brake of the machine with the neutral change lever. Since the support brake of the machine is disabled, the machine may move unintentionally and cause an accident or personal injury.

⚠ WARNING: Be sure to return the neutral change lever to its original position after pulling the lever outward.

If the machine cannot be moved when the batteries run out or a malfunction of machine has occurred, you can move the machine manually by pulling the neutral change lever outward to disable the support brake.

1. Lock the brake lever.
2. Unload all of the objects from the machine.

⚠ CAUTION: Be sure to unload all objects from the machine. The machine may move unintentionally if the objects are left on the machine.

3. If the machine is on a slope, unlock the brake lever, and orient the machine so that the brake lever is on the upper side of the slope and the machine is parallel to the slope. Lock the brake lever.

▶ Fig.52

4. Make sure that the machine does not move, and pull out the neutral change lever outward.

▶ Fig.53: 1. Neutral change lever

5. Unlock the brake lever and move the machine manually to a safe place. Since the support brake is disabled, move the machine carefully with the brake lever so that the speed does not increase.

6. After moving the machine to a safe place, lock the brake lever.

7. Return the neutral change lever to its original position. Make sure that the neutral change lever is fully returned as shown in the figure.

▶ Fig.54: 1. Neutral change lever

OPTIONAL ACCESSORIES

⚠ CAUTION: These accessories or attachments are recommended for use with your Makita machine specified in this manual. The use of any other accessories or attachments might present a risk of injury to persons. Only use accessory or attachment for its stated purpose.

⚠ CAUTION: Only use the Makita accessory or attachment for the machine. Use of any other accessory or attachment may result in serious personal injury.

If you need any assistance for more details regarding these accessories, ask your local Makita Service Center.

- Carrier
- Bucket
- Front tire (black)
- Front tire (gray)
- Rear tire (gray)
- Makita genuine battery and charger

NOTE: Some items in the list may be included in the tool package as standard accessories. They may differ from country to country.

SPÉCIFICATIONS

Modèle :		DCU602
Dimensions (L x l x H)	Lorsque la cuve est installée	1 480 mm x 730 mm x 820 - 1 030 mm
	Lorsque le chariot est installé	1 450 - 1 600 mm x 730 - 1 080 mm x 820 - 1 030 mm
Vitesse de déplacement	Marche avant	5,0/3,5/1,5 km/h
	Marche arrière	1,0 km/h
Charge utile maximale	Sur un sol plat	300 kg
	En pente (3 ° - 12 °)	180 kg
Aptitude en rampe		12°
Rayon de braquage minimum *		1 150 mm
Frein		Frein à main et frein de soutien
Pneu	Roue avant	Pneu
	Roue arrière	Pneu
Tension nominale		36 V CC
Poids net	Lorsque la cuve est installée	145 à 147 kg
	Lorsque le chariot est installé	141 - 143 kg
Degré de protection		IPX4

* : Diamètre extérieur en tournant avec la roue avant comme axe.

- Étant donné l'évolution constante de notre programme de recherche et de développement, les spécifications contenues dans ce manuel sont sujettes à modification sans préavis.
- Les spécifications peuvent varier suivant les pays.
- Le poids peut être différent selon les accessoires, notamment la batterie. Les associations la plus légère et la plus lourde, conformément à la procédure EPTA 01/2014, sont indiquées dans le tableau.

Batterie et chargeur applicables

Batterie	BL1815N / BL1820B / BL1830B / BL1840B / BL1850B / BL1860B
Chargeur	DC18RC / DC18RD / DC18RE / DC18SD / DC18SE / DC18SF / DC18SH / DC18WC

- Certains chargeurs et batteries répertoriés ci-dessus peuvent ne pas être disponibles selon la région où vous résidez.

⚠ AVERTISSEMENT : N'utilisez que les batteries et les chargeurs répertoriés ci-dessus. L'utilisation d'autres batteries et chargeurs peut provoquer des blessures et/ou un incendie.

⚠ AVERTISSEMENT : N'utilisez jamais un Support d'alimentation portable PDC1200 ou PDC01 avec ce produit. Leur utilisation simultanée présente un risque de blessure ou de dysfonctionnement.

Symboles

Vous trouverez ci-dessous les symboles susceptibles d'être utilisés pour l'appareil. Veuillez à comprendre leur signification avant toute utilisation.



Lire le mode d'emploi.



Ne changez pas de sens en pente.



Cette machine ne peut pas être utilisée sur les routes publiques.



Avant de charger ou décharger des objets, verrouillez le frein et l'unité de décharge.



Ne chargez ni ne déchargez des objets en pente.



N'utilisez pas la machine pour transporter des personnes.



Ne déchargez pas d'objets en pente. Verrouillez l'unité de décharge après le déchargement.



Chargez les objets sur la cuve ou le chariot de manière équilibrée. Ne chargez pas les objets de manière déséquilibrée ou uniquement d'un côté.



Risque de pincement et d'écrasement. Éloignez les mains pendant le fonctionnement. Ne placez pas vos mains ou une partie de votre corps dans les pièces en mouvement.



Charge utile maximale : 300 kg sur un sol plat et 180 kg en pente (jusqu'à 12°).



Ne regardez pas directement dans les lampes.



Ne lavez pas la machine avec un nettoyeur haute pression.



Tenez les badauds à l'écart de la machine pendant le fonctionnement.



N'utilisez pas la machine autour de surfaces inégales.



N'utilisez pas la machine si la cuve ou le chariot n'est pas complètement retourné(e).



Retirez les cordes avant de décharger des objets.



Portez toujours des chaussures antidérapantes et de protection.



Verrouillez le frein avant de sortir le levier de changement neutre.



Verrouillez le frein avant de ramener le levier de changement neutre.



Pression d'air : pneu avant 280 kPa et pneu arrière 525 kPa.



Vérifiez que le levier de verrouillage est verrouillé.



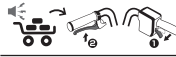
Tournez le levier de verrouillage vers l'avant de la machine pour déverrouiller l'unité de décharge.



Lorsqu'un signal sonore est émis, verrouillez le levier de frein.



Lorsque vous relâchez la gâchette, verrouillez le levier de frein.



Pour annuler le signal sonore, libérez la gâchette et tirez le levier de frein.



Pour les pays de l'Union européenne uniquement

En raison de la présence de composants dangereux dans l'équipement, les déchets d'équipements électriques et électroniques, les accumulateurs et les batteries peuvent avoir un impact négatif sur l'environnement et la santé humaine.

Ne jetez pas les appareils électriques et électroniques ou les batteries avec les ordures ménagères ! Conformément à la directive européenne relative aux déchets d'équipements électriques et électroniques et aux déchets d'accumulateurs et de batteries, ainsi qu'à son adaptation à la législation nationale, les déchets d'équipements électriques, les batteries et les accumulateurs doivent être collectés séparément et déposés dans un point de collecte distinct pour déchets urbains, conformément aux réglementations en matière de protection de l'environnement.

Cela est indiqué par le symbole de la poubelle à roulettes barrée sur l'équipement.



Niveau de puissance sonore garanti selon la directive européenne sur le bruit dans l'environnement.



Niveau de puissance sonore selon la réglementation australienne NSW sur le contrôle du bruit

Utilisations

La machine est conçue pour le chargement et le transport d'objets avec l'aide du fonctionnement sur batterie.

Bruit

Le niveau de bruit pondéré A typique, déterminé selon EN62841-1 et EN12053 selon le cas :
Niveau de pression sonore (L_{pA}) : 70 dB (A) ou moins
Incertitude (K) : 4 dB (A)

Le niveau de bruit en fonctionnement peut dépasser 80 dB (A).

NOTE : La ou les valeurs d'émission de bruit déclarées ont été mesurées conformément à la méthode de test standard et peuvent être utilisées pour comparer les outils entre eux.

NOTE : La ou les valeurs d'émission de bruit déclarées peuvent aussi être utilisées pour l'évaluation préliminaire de l'exposition.

⚠️ AVERTISSEMENT : Portez un serre-tête antibruit.

⚠️ AVERTISSEMENT : L'émission de bruit lors de l'usage réel de l'outil électrique peut être différente de la ou des valeurs déclarées, suivant la façon dont l'outil est utilisé, particulièrement selon le type de pièce usinée.

⚠️ AVERTISSEMENT : Les mesures de sécurité à prendre pour protéger l'utilisateur doivent être basées sur une estimation de l'exposition dans des conditions réelles d'utilisation (en tenant compte de toutes les composantes du cycle d'utilisation, comme par exemple le moment de sa mise hors tension, lorsqu'il tourne à vide et le moment de son déclenchement).

Vibrations

Valeur totale de vibrations (somme de vecteur triaxial) déterminée selon EN62841-1 :

Mode de travail : fonctionnement à vide

Émission de vibrations ($a_{h,r}$) : 2,5 m/s² ou moins

Incertitude (K) : 1,5 m/s²

NOTE : La ou les valeurs de vibration totales déclarées ont été mesurées conformément à la méthode de test standard et peuvent être utilisées pour comparer les outils entre eux.

NOTE : La ou les valeurs de vibration totales déclarées peuvent aussi être utilisées pour l'évaluation préliminaire de l'exposition.

⚠️ AVERTISSEMENT : L'émission de vibrations lors de l'usage réel de l'outil électrique peut être différente de la ou des valeurs déclarées, suivant la façon dont l'outil est utilisé, particulièrement selon le type de pièce usinée.

⚠️ AVERTISSEMENT : Les mesures de sécurité à prendre pour protéger l'utilisateur doivent être basées sur une estimation de l'exposition dans des conditions réelles d'utilisation (en tenant compte de toutes les composantes du cycle d'utilisation, comme par exemple le moment de sa mise hors tension, lorsqu'il tourne à vide et le moment de son déclenchement).

Déclarations de conformité

Pour les pays européens uniquement

Les déclarations de conformité sont fournies en Annexe A à ce mode d'emploi.

CONSIGNES DE SÉCURITÉ

Consignes de sécurité générales pour outils électriques

⚠️ AVERTISSEMENT Veuillez lire toutes les consignes de sécurité, instructions, illustrations et spécifications qui accompagnent cet outil électrique. Le non-respect de toutes les instructions indiquées ci-dessous peut entraîner une électrocution, un incendie et/ou de graves blessures.

Conservez toutes les mises en garde et instructions pour référence ultérieure.

Le terme « outil électrique » dans les avertissements fait référence à l'outil électrique alimenté par le secteur (avec cordon d'alimentation) ou à l'outil électrique fonctionnant sur batterie (sans cordon d'alimentation).

Consignes de sécurité pour la brouette à batterie

- 1. Pendant l'utilisation de la machine, toujours porter des chaussures antidérapantes et de protection.** Porter des bottes ou des chaussures de sécurité fermées et antidérapantes permet de réduire le risque de blessure.
- 2. Avant de transporter des objets ou des matériaux, inspecter le parcours.** Se familiariser avec le parcours et vérifier qu'il est assez large pour conduire en toute sécurité la machine chargée permet de limiter le risque de perdre le contrôle de celle-ci.
- 3. Prendre des précautions extrêmes sur un terrain glissant, non compact et instable.** Des surfaces humides et glissantes, par exemple des pelouses mouillées, la neige ou la glace, et des terrains non compacts et instables, par exemple les surfaces couvertes de sable ou de gravier, peuvent entraîner une perte de traction de la machine, ce qui peut nuire à la direction, au freinage et à la stabilité.
- 4. Ne pas utiliser la machine sur des pentes trop raides.** Cela permet de réduire le risque de perte de contrôle, de dérapage et de chute, susceptibles de provoquer une blessure. Les pentes supérieures au degré maximum conseillé et les pentes en travers peuvent accroître le risque d'instabilité et peuvent nuire à la capacité de s'arrêter en toute sécurité.
- 5. En cas de travail dans des pentes, toujours avoir une bonne prise au sol, travailler perpendiculairement au sens de la pente, jamais vers le haut ou vers le bas, et être extrêmement attentif en cas de changement de direction.** Cela permet de réduire le risque de perte de contrôle, de dérapage et de chute, susceptibles de provoquer une blessure.
- 6. Partout où cela est possible, utiliser des zones planes pour arrêter la machine, la charger et la décharger, et ne jamais la laisser sans surveillance sur une pente.** La machine est plus instable lorsqu'elle est arrêtée sur une pente plutôt que sur une surface plane.

7. **Lorsque la machine est laissée sans surveillance, actionner le frein de stationnement une fois qu'elle se trouve dans une zone de stationnement sûre.** Le frein de stationnement évite les déplacements involontaires de la roue avant et améliore la stabilité.
8. **Vérifier que les rampes sont propres, solides et sûres.** Pour réduire le risque de blessure, toutes les rampes doivent être exemptes de débris et assez solides pour supporter le poids des charges prévues. Elles doivent présenter un dispositif de blocage adéquat en dessous et sur les deux côtés afin d'éliminer les écarts et le déplacement latéral lorsque la machine est chargée. Toutes les rampes doivent être assez larges pour offrir une bonne prise au sol lorsque des charges sont transportées sur elles.
9. **Vérifier que toutes les vis de verrouillage sont bien serrées avant utilisation.** Les vis de verrouillage sur les roues arrière et les parois avant et latérale du chariot ouvertes doivent être serrées pour éviter tout déplacement non désiré de ces pièces réglables de la machine.
10. **Ne jamais utiliser la machine en condition de surcharge.** Vérifier que la machine offre une capacité suffisante pour les objets ou les matériaux qui doivent être transportés. Des charges excessives rendront la machine plus difficile à manœuvrer et à arrêter, tout en augmentant les temps d'arrêt et les distances et en accroissant le risque d'instabilité.
11. **Ne jamais utiliser la machine en condition d'empiement excessif.** Empiler des matériaux au-dessus du bord du plateau ou au-delà des côtés du plateau peut entraîner un déséquilibre de la machine et une impossibilité de la contrôler.
12. **Utiliser des conteneurs et des attaches pour fixer les charges.** Des charges lâches et/ou mal fixées ont plus de chances de se déplacer, ce qui peut entraîner une perte de stabilité et de contrôle.
13. **Toujours tenir fermement les poignées.** Une perte de contrôle peut accroître le risque de blessures personnelles.
14. **Retirer la clé de sécurité en cas de non-utilisation de la machine.** La clé de sécurité permet d'empêcher une utilisation non désirée de la machine sous tension, par exemple par des enfants ou des personnes non formées ou non autorisées. Sans la clé, il est impossible de mettre la machine sous tension.
15. **Cette machine ne peut pas être utilisée sur des routes publiques.** L'utilisation de la brouette sur une route publique est illégale et, outre des blessures corporelles, pourrait entraîner des amendes des autorités locales.
16. **Utiliser une plaque solide avec fonction antidérapante et de prévention de la division pendant le chargement et/ou le déchargement de la machine pour le transport, ou le déplacement de la machine entre différents niveaux.** Veiller à ce que l'inclinaison de la plaque ne dépasse pas les 12°, et utiliser la machine lentement et avec précaution. Un fonctionnement instable et rapide peut entraîner un renversement et/ou une chute.
17. **Ne pas démonter, réparer ou modifier la machine.**

Préparatifs

1. **Avant d'utiliser la machine, assurez-vous qu'il n'y a personne à proximité.**
2. **Avant d'utiliser la machine, procédez aux inspections en vous reportant à la section pour l'entretien.**

Utilisation

1. **Pendant l'utilisation de la machine, restez derrière celle-ci et tenez fermement les poignées des deux mains.**
2. **Ne pas utiliser la machine tout en étant présent sur celle-ci.**
3. **Interdire à quiconque de stationner sur la machine.**
4. **Pendant l'utilisation de la machine en marche arrière et à reculons, regardez derrière vous et faites attention où vous mettez les pieds, et veillez à ne pas glisser ou trébucher.**
5. **Ne pas utiliser la machine en cas de faible visibilité car il existe un risque de heurter des obstacles.**
6. **Lorsque vous utilisez la machine sur un terrain accidenté ou passez sur un dénivelé sur la route, diminuez la vitesse et soyez prudent.**
7. **En cas d'utilisation de la machine, éviter le sol mou afin d'empêcher tout renversement dû à l'effondrement du bas-côté du parcours.**
8. **N'utilisez pas la machine sur des pentes supérieures à 12°.**
9. **En cas de découverte d'une anomalie, arrêtez la machine sur un sol plat. Avant toute inspection de la machine, verrouillez le levier de frein, puis mettez la machine hors tension.**
10. **Avant d'utiliser la machine, veillez à ce que la poignée de l'unité de décharge soit tirée à fond et totalement verrouillée.** Si le verrouillage est incomplet, il existe un risque d'accident ou de blessure, car le chariot ou la cuve risque de s'incliner et les objets de tomber dans une pente descendante.
11. **Lorsque vous utilisez la machine près de murs, prenez garde de ne pas coincer vos mains entre la poignée et le mur.**
12. **N'utilisez pas la machine par mauvais temps, particulièrement en cas d'orage.** Vous diminuerez ainsi le risque d'être frappé par la foudre.
13. **Ne touchez pas les pièces métalliques pendant l'utilisation ou après, car elles peuvent être assez chaudes pour vous brûler en raison des rayons du soleil.**
14. **Veiller à ne pas emmêler les cordons avec la charge ou les obstacles.**
15. **Lorsque vous traversez un pont en bois ou autre, assurez-vous que la somme du poids du produit, de la capacité de charge et du poids de l'utilisateur ne dépasse pas la limite de poids du pont et traversez le pont avec précaution à une vitesse constante.**
16. **Portez des gants lorsque vous utilisez la machine dans un environnement à basse température.** Vos mains risquent de rester coller si vous touchez les pièces métalliques avec les mains nues.

17. **En présence de gens ou obstacles dans le sens du déplacement, évitez-les au préalable.**
18. **Ne ramassez pas directement les objets avec le chariot ou la cuve.** Vous risqueriez d'endommager la machine et de provoquer un accident.
19. **Lorsque vous utilisez la machine sur un sol boueux, une pente trempée ou un endroit glissant, faites attention de ne pas perdre l'équilibre.**
20. **Ne plongez pas la machine dans une flaque.**
21. **Lorsque vous quittez la machine pendant que vous travaillez, veillez à ramener complètement l'unité de décharge à sa position d'origine, puis verrouillez le levier de frein et retirez la clé de verrouillage.**
22. **Ne laissez pas la machine sans surveillance alors que des objets sont chargés sur le chariot ou la cuve.**

Utilisation sur des pentes

1. **Ne pas traverser les pentes.**
 2. **Arrêtez avant la pente descendante et veillez à réduire la vitesse tout en faisant preuve de prudence.**
 3. **Si la vitesse est trop rapide lorsque vous vous déplacez sur une pente descendante, un signal sonore est émis. Dans ce cas, ralentissez avec le frein.**
 4. **Faire preuve de prudence en cas de départ ou d'arrêt de la machine sur une pente.**
 5. **Parce que les charges sont moins stables sur les pentes, les sécuriser fermement à l'aide de cordes.**
 6. **Lorsque la machine devient instable en raison de l'état de la route, maintenir la charge à son minimum.**
 7. **Lorsque la charge masque la vue sur les pentes, réduire sa hauteur au minimum.**
 8. **N'arrêtez jamais la machine en pente. Arrêtez la machine sur un sol plat et verrouillez le levier de frein, puis mettez la machine hors tension.**
 9. **Ne pas changer de sens ou de mode de vitesse sur des pentes raides.**
 10. **Ne pas libérer la gâchette sur des pentes montantes.** La machine risque de partir en marche arrière et de provoquer un accident.
 11. **Vérifier que la batterie est suffisamment pleine avant d'utiliser la machine sur un terrain en pente. Si la batterie restante est insuffisante, la charger ou la remplacer par une batterie chargée.**
 12. **Lorsque vous démarrez la machine en pente, ne placez pas votre pied derrière la roue arrière étant donné que la machine recule de quelques centimètres.**
3. **Sécuriser les objets à l'aide de cordes.**
 4. **Chargez les objets dans le chariot ou la cuve.** Si les objets dépassent du chariot ou de la cuve, il existe un risque d'accident dû à la chute d'objets ou au contact avec des obstacles, par exemple des murs.
 5. **Veiller à ce que les objets chargés soient situés au-dessous de la hauteur des yeux.** Une charge trop haute est dangereuse car elle masque la vue. Il existe également un risque de renversement et de blessure car la charge risque d'être déséquilibrée.
 6. **Chargez les objets dans le chariot ou la cuve de manière équilibrée.** Si les objets ne sont pas chargés de manière équilibrée, il existe un risque de renversement et de blessure, car la charge risque d'entraîner un déséquilibre.
 7. **Avant de charger les objets ou d'utiliser la machine, veillez à ce que la poignée de l'unité de décharge soit abaissée à fond et totalement verrouillée.**
 8. **Veiller à charger d'abord les objets lourds pour maintenir l'équilibre.**
 9. **Ne pas déployer les ridelles avant et latérales sur des pentes raides.** Déployer les ridelles latérales lorsque des objets légers sont chargés.
 10. **En cas de déploiement des ridelles avant et latérales, ne pas les déployer au-delà des limites.** Veiller à déployer les ridelles latérales de sorte que les côtés droit et gauche soient de la même longueur et que les objets soient chargés de manière équilibrée.
 11. **Chargez et déchargez les objets sur un sol plat.** Ne chargez ni déchargez jamais des objets en pente.
 12. **En cas de levage et d'inclinaison du chariot ou de la cuve, tenir fermement les poignées et le cadre, et travailler dans une position stable.**

Transport de la machine

1. **Utilisez une rampe au moins 4 fois aussi longue que la hauteur de la plateforme du camion, avec des dispositifs convenant à la plateforme, une surface antidérapante et une largeur suffisante, et capables de supporter le poids de la machine et de l'utilisateur.** Lisez le mode d'emploi de la rampe avec soin avant utilisation.
2. **Avant de charger la machine, déchargez tous les objets de celle-ci et retirez la boue et d'autres débris des pneus.** Installez la rampe sur une surface plane et stable.
3. **Avant de charger ou de décharger la machine, assurez-vous qu'il n'y a personne à proximité de celle-ci et de la rampe.** Chargez ou déchargez la machine à faible vitesse, en prenant soin d'empêcher la chute de la machine de la rampe et de ne pas cogner votre tête sur le plafond du camion. Prenez des précautions extrêmes lorsque vous chargez ou déchargez la machine en arrière.
4. **Lorsque vous transportez la machine, verrouillez le levier de frein, éteignez-la, retirez les batteries et la clé de verrouillage, puis fixez solidement la machine.**

Chargement d'objets

1. **Ne pas surcharger la machine d'objets.** Lors du chargement d'objets, veillez à suivre les instructions et les limites de chargement qui figurent dans le manuel.
2. **Étant donné que plus la charge est volumineuse, plus il est difficile d'opérer la machine, maintenez la charge dans une plage n'affectant pas le fonctionnement.**

Entretien et rangement

1. **Avant de ranger la machine ou d'essayer d'y effectuer une inspection ou un entretien, veillez toujours à arrêter la machine sur un sol plat et à verrouiller le levier de frein, puis à éteindre la machine et à retirer la clé de verrouillage et les batteries.**
2. **Ne laissez pas la machine sans surveillance à l'extérieur sous la pluie.**
3. **Lorsque vous rangez la machine, évitez les endroits exposés aux rayons directs du soleil ou à la pluie, et rangez-la dans un endroit tempéré et sec.**
4. **Cette machine est équipée d'une unité hydraulique sous l'unité de décharge qui permet d'incliner automatiquement l'unité de décharge. Ne modifiez pas l'unité hydraulique ni ne desserrez les boulons de montage de l'unité ou les vis de réglage du clapet de décharge.** Ces actions considérées très dangereuses pourraient entraîner des accidents ou des dysfonctionnements.

Utilisation et entretien des outils fonctionnant sur batterie

1. **Rechargez la batterie uniquement avec le chargeur spécifié par le fabricant.** Un chargeur qui est adapté à un type spécifique de batterie peut présenter un risque d'incendie s'il est utilisé avec un autre type de batterie.
2. **Utilisez un outil électrique uniquement avec la batterie spécifiquement indiquée.** L'utilisation de toute autre batterie peut présenter un risque de blessure et d'incendie.
3. **Lorsque vous n'utilisez pas la batterie, tenez-la à l'écart des objets métalliques, comme des trombones, pièces de monnaie, clés, clous, vis ou autres petits objets métalliques, susceptibles de créer une connexion entre deux bornes.** Court-circuiter les bornes d'une batterie entre elles peut provoquer des brûlures ou un incendie.
4. **Dans des conditions d'utilisation inadéquate, il peut y avoir une fuite de l'électrolyte de la batterie. Le cas échéant, évitez tout contact avec ce liquide. En cas de contact accidentel, rincez à l'eau. Si le liquide pénètre dans les yeux, consultez par ailleurs un médecin.** Le liquide s'échappant de la batterie peut provoquer une irritation ou des brûlures.
5. **N'utilisez pas une batterie ou un outil s'ils sont endommagés ou modifiés.** Une batterie endommagée ou modifiée peut avoir un comportement imprévisible susceptible d'entraîner un incendie, une explosion ou des blessures.
6. **N'exposez pas la batterie ou l'outil au feu ou à une température excessive.** L'exposition au feu ou à une température supérieure à 130 °C peut provoquer une explosion.
7. **Respectez toutes les instructions de charge et ne chargez pas la batterie ou l'outil en dehors de la plage de température indiquée dans les instructions.** Une charge incorrecte ou à une température en dehors de la plage indiquée peut endommager la batterie et augmenter le risque d'incendie.

Sécurité électrique et sécurité des batteries

1. **Ne jetez pas la ou les batteries au feu.** L'élément de la pile pourrait exploser. Consultez les codes locaux pour de possibles instructions de mise au rebut spéciales.
2. **N'ouvrez ni ne manipulez la ou les batteries.** L'électrolyte qui s'échappe de la batterie est corrosif et peut irriter la peau ou les yeux. Il peut être toxique en cas d'ingestion.
3. **Ne chargez pas la batterie sous la pluie ou dans un endroit mouillé.**
4. **Ne pas charger la batterie à l'extérieur.**
5. **Ne manipulez pas le chargeur, y compris la fiche du chargeur et les bornes du chargeur avec les mains mouillées.**
6. **Ne remplacez pas la batterie sous la pluie.**
7. **Ne mouillez pas la borne de la batterie avec un liquide comme de l'eau, ni ne plongez la batterie dans un liquide. Ne laissez pas la batterie sous la pluie et évitez de charger, utiliser ou ranger la batterie dans un endroit humide ou mouillé.** Si la borne est mouillée ou si un liquide pénètre à l'intérieur de la batterie, un court-circuit est possible et risque de provoquer une surchauffe, un incendie ou une explosion.
8. **Après avoir retiré la batterie de la machine ou du chargeur, veillez à fixer le couvercle de batterie sur la batterie et à la ranger dans un endroit sec.**
9. **Ne remplacez pas la batterie avec les mains mouillées.**
10. **Évitez les environnements dangereux. N'utilisez pas la machine dans un endroit humide ni ne l'exposez à la pluie.** Le risque d'électrocution augmente si de l'eau pénètre dans la machine.
11. **Si la batterie est mouillée, videz l'eau à l'intérieur, puis essuyez-la avec un chiffon sec. Séchez complètement la batterie dans un endroit sec avant utilisation.**

CONSERVEZ CES INSTRUCTIONS.

⚠ AVERTISSEMENT : NE vous laissez PAS tromper (au fil d'une utilisation répétée) par un sentiment d'aisance et de familiarité avec le produit, en négligeant le respect rigoureux des consignes de sécurité qui accompagnent le produit en question. La MAUVAISE UTILISATION de l'outil ou l'ignorance des consignes de sécurité indiquées dans ce mode d'emploi peut entraîner de graves blessures.

Consignes de sécurité importantes pour la batterie

1. **Avant d'utiliser la batterie, lisez toutes les instructions et précautions relatives (1) au chargeur de batterie, (2) à la batterie, et (3) au produit utilisant la batterie.**
2. **Ne désassemblez pas et ne modifiez pas la batterie.** Cela pourrait entraîner un incendie, une chaleur excessive ou une explosion.
3. **Cessez immédiatement l'utilisation si le temps de fonctionnement devient excessivement court. Il y a risque de surchauffe, de brûlures, voire d'explosion.**
4. **Si l'électrolyte pénètre dans vos yeux, rincez-les à l'eau claire et consultez immédiatement un médecin. Il y a risque de perte de la vue.**
5. **Ne court-circuitez pas la batterie :**
 - (1) **Ne touchez pas les bornes avec aucun matériau conducteur.**
 - (2) **Évitez de ranger la batterie dans un conteneur avec d'autres objets métalliques, par exemple des clous, des pièces de monnaie, etc.**
 - (3) **N'exposez pas la batterie à l'eau ou à la pluie.**

Un court-circuit de la batterie peut provoquer une intensité de courant élevée, une surchauffe, parfois des brûlures et même une panne.

6. **Ne rangez ni n'utilisez l'outil et la batterie dans un endroit où la température risque d'atteindre ou de dépasser 50 °C.**
7. **Ne jetez pas la batterie au feu même si elle est sérieusement endommagée ou complètement épuisée. La batterie peut exploser au contact du feu.**
8. **Abstenez-vous de clouer, couper, écraser, jeter, laisser tomber la batterie, ou de la heurter contre un objet dur.** Cela pourrait entraîner un incendie, une chaleur excessive ou une explosion.
9. **N'utilisez pas la batterie si elle est endommagée.**
10. **Les batteries au lithium-ion contenues sont soumises aux exigences de la législation sur les marchandises dangereuses.**

Lors du transport commercial par des tierces parties ou des transitaires par exemple, des exigences spécifiques en matière d'étiquetage et d'emballage doivent être respectées.

Pour la préparation de l'article expédié, il est nécessaire de consulter un expert en matériau dangereux. Veuillez également respecter les réglementations nationales susceptibles d'être plus détaillées.

Recouvrez les contacts exposés avec du ruban adhésif ou du ruban de masquage et emballez la batterie de telle sorte qu'elle ne puisse pas bouger dans l'emballage.
11. **Lors de la mise au rebut de la batterie, retirez-la de l'outil et jetez-la en lieu sûr. Suivez les réglementations locales en matière de mise au rebut des batteries.**

12. **Utilisez les batteries uniquement avec les produits spécifiés par Makita.** L'insertion de batteries dans des produits non conformes peut provoquer un incendie, une chaleur excessive, une explosion ou une fuite de l'électrolyte.
13. **Lorsque vous n'utilisez pas l'outil pendant une période prolongée, la batterie doit être retirée de l'outil.**
14. **Pendant et après l'utilisation, la batterie peut chauffer, ce qui peut entraîner des brûlures, y compris en cas de température relativement basse. Manipulez les batteries chaudes avec précaution.**
15. **Ne touchez pas la borne de l'outil immédiatement après utilisation car elle peut être assez chaude pour provoquer des brûlures.**
16. **Évitez que des copeaux, de la poussière ou du sol adhèrent aux bornes, aux trous et aux rainures de la batterie.** Cela peut provoquer un échauffement, un incendie, une explosion ou un dysfonctionnement de l'outil ou de la batterie, ce qui peut entraîner des brûlures ou des blessures.
17. **À moins que l'outil prenne en charge un tel usage, n'utilisez pas la batterie à proximité de lignes électriques haute tension.** Cela pourrait entraîner un dysfonctionnement ou casser l'outil ou la batterie.
18. **Conservez la batterie hors de portée des enfants.**

CONSERVEZ CES INSTRUCTIONS.

ATTENTION : N'utilisez que des batteries Makita d'origine. L'utilisation de batteries de marque autre que Makita ou de batteries modifiées peut provoquer l'explosion des batteries, ce qui présente un risque d'incendie, de dommages matériels et corporels. Cela annulera également la garantie Makita pour l'outil et le chargeur Makita.

Conseils pour assurer la durée de vie optimale de la batterie

1. **Chargez la batterie avant qu'elle ne soit complètement déchargée. Arrêtez toujours l'outil et rechargez la batterie quand vous remarquez que la puissance de l'outil diminue.**
2. **Ne rechargez jamais une batterie complètement chargée. La surcharge réduit la durée de service de la batterie.**
3. **Chargez la batterie à une température ambiante comprise entre 10 °C et 40 °C. Avant de charger une batterie chaude, laissez-la refroidir.**
4. **Lorsque vous n'utilisez pas la batterie, retirez-la de l'outil ou du chargeur.**
5. **Rechargez la batterie si elle est restée inutilisée pendant une période prolongée (plus de six mois).**

DESCRIPTION DES PIÈCES

Lorsque la cuve est installée

► Fig.1

1	Commutateur d'inclinaison	2	Tableau de commande	3	Bouton de signal sonore	4	Gâchette
5	Lampe arrière	6	Poignée	7	Boîtier de batterie	8	Lever de frein
9	Roue arrière	10	Verrou de la roue arrière	11	Lever de verrouillage	12	Unité de décharge
13	Roue avant	14	Lampe avant	15	Cuve	-	-

Lorsque le chariot est installé

► Fig.2

1	Commutateur d'inclinaison	2	Tableau de commande	3	Bouton de signal sonore	4	Gâchette
5	Lampe arrière	6	Poignée	7	Boîtier de batterie	8	Lever de frein
9	Roue arrière	10	Verrou de la roue arrière	11	Lever de verrouillage	12	Roue avant
13	Lampe avant	14	Chariot	-	-	-	-

ASSEMBLAGE

⚠ ATTENTION : Vérifiez toujours que la machine est hors tension et que les batteries sont retirées avant toute intervention sur la machine.

Avant d'installer ou de retirer le chariot ou la cuve, veillez à verrouiller le levier de frein. Pour verrouiller le levier de frein, tirez dessus et tenez-le, puis tirez sur le levier de verrouillage ; relâchez ensuite le levier de frein tout en tirant sur le levier de verrouillage.

► **Fig.3:** 1. Levier de frein 2. Levier de verrouillage

Pose ou dépose de la cuve

Pose de la cuve

1. Sortez la cuve, les logements et le tuyau avant du carton.
► **Fig.4:** 1. Cuve 2. Logement 3. Tuyau avant

2. Insérez le tuyau avant entre le cadre supérieur et le cadre inférieur de l'unité de décharge.

► **Fig.5:** 1. Tuyau avant

3. Placez le logement sur l'unité de décharge, puis serrez provisoirement les boulons sur le logement sur le tuyau avant. Installez l'autre logement sur l'unité de décharge de la même façon.

► **Fig.6:** 1. Logement 2. Boulon

4. Placez la cuve sur le tuyau avant et sur les logements gauche et droit.

Placez la rondelle en caoutchouc sur l'orifice de la cuve et insérez le boulon par le haut. Fixez la rondelle plate et la rondelle à ressort dans l'ordre sur le boulon, puis serrez l'écrou par en dessous. Serrez le reste des boulons et des écrous de la même façon.

► **Fig.7:** 1. Boulon 2. Rondelle en caoutchouc
3. Rondelle plate 4. Rondelle à ressort 5. Écrou

5. Serrez solidement les 4 boulons qui ont été provisoirement serrés à l'étape 3.

Retrait de la cuve

Pour retirer la cuve, effectuez la procédure de pose en sens inverse.

Pose ou dépose du chariot

Accessoire en option

Pose du chariot

1. Retirez le chariot du carton et fixez les ridelles latérales et la ridelle avant sur le cadre de base.

► **Fig.8**

2. Serrez 6 écrous à ailettes ensemble avec les ressorts et les rondelles pour fixer les ridelles.

► **Fig.9:** 1. Écrou à ailettes 2. Ressort 3. Rondelle

3. Placez le chariot sur l'unité de décharge.

Insérez le boulon par le haut. Fixez la rondelle plate et la rondelle à ressort dans l'ordre sur le boulon, puis serrez l'écrou par en dessous. Serrez le reste des boulons et des écrous de la même façon.

► **Fig.10:** 1. Boulon 2. Rondelle plate 3. Rondelle à ressort 4. Écrou

Retrait du chariot

Pour retirer le chariot, effectuez la procédure de pose en sens inverse.

DESCRIPTION DU FONCTIONNEMENT

⚠ ATTENTION : Assurez-vous toujours que la machine est hors tension et que sa batterie est retirée avant de l'ajuster ou de vérifier son fonctionnement.

Insertion ou retrait de la batterie

⚠ ATTENTION : Éteignez toujours la machine et verrouillez le levier de frein avant d'insérer ou de retirer la batterie.

⚠ ATTENTION : Toujours installer la batterie à fond jusqu'à ce que l'indicateur rouge soit invisible. Sinon, elle risque de tomber accidentellement de la machine, ce qui peut blesser l'opérateur ou une autre personne.

⚠ ATTENTION : Ne forcez pas pour insérer la batterie. Si elle ne glisse pas facilement, c'est que vous ne l'insérez pas correctement.

⚠ ATTENTION : Ne pas utiliser la batterie en cas de hautes températures. Lorsque la batterie est utilisée en cas de hautes températures, la machine s'arrête automatiquement avant qu'un bref signal sonore soit émis, ce qui peut entraîner une blessure.

⚠ ATTENTION : Veillez à ne pas vous pincer les doigts lors de l'ouverture ou de la fermeture du couvercle de batterie.

REMARQUE : Veillez à verrouiller le couvercle de batterie avant toute utilisation. Autrement, la boue, les saletés ou l'eau risquent d'endommager le produit ou la batterie.

Installation de la batterie

1. Soulevez le levier de verrouillage, puis ouvrez le couvercle du boîtier de batterie.

► Fig.11: 1. Couvercle 2. Levier de verrouillage

2. Alignez la languette de la batterie sur la fente du boîtier de batterie, puis faites glisser la batterie jusqu'à ce qu'elle s'enclenche en émettant un petit clic.

► Fig.12: 1. Batterie

3. Insérez à fond la clé de verrouillage à l'emplacement indiqué sur la figure et tournez-la dans le sens des aiguilles d'une montre.

► Fig.13: 1. Clé de sécurité

NOTE : Pour tourner la clé de verrouillage, insérez-la complètement.

4. Refermez le couvercle du boîtier de batterie.

► Fig.14: 1. Couvercle

Retrait de la batterie

1. Soulevez le levier de verrouillage, puis ouvrez le couvercle du boîtier de batterie.

2. Extraire la batterie du boîtier de batterie tout en actionnant le bouton situé à l'avant de la batterie.

► Fig.15: 1. Bouton

3. Tournez la clé de verrouillage dans le sens inverse des aiguilles d'une montre et sortez-la.

4. Refermez le couvercle du boîtier de batterie.

Système de protection de la machine/batterie

La machine est dotée d'un système de protection de la machine/batterie. Ce système met automatiquement hors tension le moteur pour accroître l'autonomie de la machine et de la batterie. La machine s'arrête automatiquement pendant le fonctionnement si la machine ou la batterie est dans l'un des états suivants.

Un signal sonore bref ou long est émis avant que la machine s'arrête automatiquement. Les témoins de la batterie et les lampes clignotent sur le tableau de commande tandis que le signal sonore est émis.

NOTE : Pour annuler le signal sonore, relâchez la gâchette et tirez sur le levier de frein.

Protection contre la surcharge

Lorsque le mode d'utilisation de la machine/batterie entraîne un appel de courant anormalement élevé, la machine s'arrête automatiquement et le témoin d'alimentation principale clignote en vert. Dans ce cas, éteignez la machine et arrêtez la tâche ayant provoqué sa surcharge, comme réduire les objets chargés. Puis rallumez la machine pour reprendre la tâche.

Protection contre la surchauffe

En cas de surchauffe de la machine, la machine s'arrête automatiquement et le témoin d'alimentation principale s'allume en rouge. Dans ce cas, laissez la machine et la batterie refroidir avant de rallumer la machine.

Protection contre la décharge totale de la batterie

Si la capacité de la batterie est insuffisante, le témoin d'alimentation principale et le témoin de la batterie correspondant clignotent en rouge. Dans ce cas, commutez les batteries, ou bien remplacez les batteries par des batteries complètement chargées, ou retirez les batteries de la machine et chargez-les.

NOTE : Le témoin d'alimentation principale clignote en rouge lorsque la batterie surchauffe.

Protections contre d'autres causes

REMARQUE : Le témoin d'alimentation principale clignote en vert et en rouge en alternance en cas d'anomalie avec la machine. Dans ce cas, reportez-vous à la section du guide de dépannage.

Le système de protection est également conçu pour d'autres causes qui pourraient endommager la machine et lui permet de s'arrêter automatiquement. Suivez toutes les étapes ci-dessous pour éliminer les causes, lorsque la machine a été arrêtée provisoirement ou a cessé de fonctionner.

1. Éteignez la machine, puis rallumez-la pour la redémarrer.
2. Chargez la ou les batteries ou remplacez-les par des batteries rechargées.
3. Laissez la machine et la ou les batteries refroidir.

REMARQUE : En l'absence d'amélioration ou si la machine s'arrête en raison d'une cause non décrite ci-dessus, reportez-vous à la section du guide de dépannage.

Indication de la charge restante de la batterie

ATTENTION : Avant de vérifier la capacité restante des batteries ou de commuter les batteries, veuillez à arrêter la machine.

ATTENTION : Lorsque la capacité de la batterie faiblit, un bref signal sonore est émis. Dans ce cas, verrouillez le levier de frein, puis commutez les batteries sur des batteries chargées ou bien chargez les batteries. Si vous continuez à utiliser la machine avec une faible capacité de la batterie et que la charge restante de la batterie s'épuise, un long signal sonore est émis et la machine s'arrête automatiquement, ce qui peut provoquer un accident ou des blessures.












ATTENTION : Si le signal sonore est émis pendant l'utilisation de la machine sur une pente, déplacez-la en lieu sûr, verrouillez le levier de frein, puis commutez les batteries sur des batteries chargées ou chargez les batteries.

ATTENTION : Si la charge est volumineuse et que le signal sonore est émis pendant l'utilisation de la machine sur une pente, verrouillez le levier de frein et portez attention à la sécurité, puis commutez les batteries sur des batteries chargées. Déplacez la machine en lieu sûr et verrouillez le levier de frein. Réduisez la charge avant de réutiliser la machine. Pour de plus amples informations, reportez-vous à la section du guide de dépannage.

Vérification du niveau de la batterie sur le boîtier de batterie

► Fig.16: 1. Témoin de la batterie 2. Bouton de vérification

Appuyez sur le bouton de vérification pour indiquer la charge restante de la batterie. Les témoins de batterie correspondent à chaque batterie.

Statut du témoin de la batterie			Capacité restante de la batterie
Allumé	Clignotant	Éteint	
			
			
			
			
			Batterie non installée

NOTE : Si la gâchette continue d'être actionnée même lorsque le bref signal sonore est émis, la machine s'arrête automatiquement. Une fois que la machine s'arrête automatiquement, le signal sonore se poursuit et le frein de soutien est activé. Pour annuler le signal sonore et libérer le frein de soutien, relâchez la gâchette et tirez sur le levier de frein. Ne forcez pas sur la machine sans libérer le frein de soutien.

NOTE : Il est possible de vérifier la capacité restante de la batterie même lorsque la clé de verrouillage n'est pas insérée.

NOTE : Les témoins de la batterie indiquant la charge restante de la batterie sont à titre indicatif uniquement. La charge réelle de la batterie peut varier selon les conditions d'utilisation.

Vérification du niveau de la batterie sur la batterie

Uniquement pour les batteries avec voyant lumineux

Appuyez sur le bouton de vérification sur la batterie pour indiquer la charge restante de la batterie. Les témoins s'allument pendant quelques secondes.

► Fig.17: 1. Témoins 2. Bouton de vérification

Témoins			Charge restante
Allumé	Éteint	Clignotant	
■	□	◻	75 % à 100 %
■ ■ ■ ■	□	□	50 % à 75 %
■ ■	□ □	□	25 % à 50 %
■	□ □ □	□	0 % à 25 %
◻	□ □ □	□	Chargez la batterie.
■ ■	□ □	□ □	Anomalie possible de la batterie.
□ □	■ ■	■ ■	

NOTE : Selon les conditions d'utilisation et la température ambiante, l'indication peut être légèrement différente de la capacité réelle.

NOTE : Le premier témoin (complètement à gauche) clignotera pendant le fonctionnement du système de protection de la batterie.

Commutation de la batterie

► Fig.18: 1. Commutateur de sélection de batterie

La machine utilise deux batteries à la fois pour fonctionner. Il est possible d'installer jusqu'à quatre batteries sur la machine. Avant d'utiliser la machine, sélectionnez les batteries utilisées pour alimenter la machine en tournant le commutateur de sélection de batterie.

REMARQUE : Si la batterie est dans l'une des conditions suivantes, la machine ne fonctionnera pas même si vous commutez la batterie avec le commutateur de sélection de batterie.

- La charge restante d'au moins une des batteries est vide.
- Au moins une des batteries a surchauffé.

Dans ce cas, retirez la batterie vide ou surchauffée, ou encore remplacez la batterie par une batterie chargée.

NOTE : Si seules deux batteries sont installées dans la machine, veillez à sélectionner les batteries installées avec le commutateur de sélection de batterie.

Tableau de commande

ATTENTION : Verrouillez toujours le levier de frein et éteignez la machine lorsque vous ne l'utilisez pas.

Interrupteur d'alimentation

► Fig.19: 1. Témoin d'alimentation principale
2. Interrupteur d'alimentation

Pour allumer la machine, verrouillez le levier de frein, puis appuyez sur l'interrupteur d'alimentation sans enclencher la gâchette. Le témoin d'alimentation principale s'allume en vert. Pour éteindre la machine, relâchez la gâchette et verrouillez le levier de frein, puis appuyez sur l'interrupteur d'alimentation.

NOTE : Un test électrique est réalisé la première fois que vous utilisez la machine après l'avoir mise sous tension. Si un problème est détecté, le témoin d'alimentation principale clignote en rouge ou en vert en alternance. Dans ce cas, reportez-vous à la section du guide de dépannage.

NOTE : Si le témoin d'alimentation principale s'allume en rouge ou clignote en rouge ou en vert, consultez les instructions du système de protection de la machine/batterie ou la section du guide de dépannage.

NOTE : Cette machine dispose d'une fonction de mise hors tension automatique. Pour éviter tout démarrage intempestif, la machine s'éteint automatiquement lorsqu'elle est arrêtée et inutilisée pendant un certain temps après l'avoir mise sous tension.

NOTE : Si vous appuyez sur l'interrupteur d'alimentation tout en enclenchant la gâchette, la machine ne s'allume pas. Relâchez la gâchette, puis appuyez sur l'interrupteur d'alimentation.

Bouton de marche avant/marche arrière et de vitesse

► Fig.20: 1. Bouton marche avant/marche arrière
2. Indicateur de vitesse 3. Bouton de vitesse

Appuyez sur le bouton marche avant/marche arrière pour commuter entre le mode marche avant et le mode marche arrière. Appuyez sur le bouton de vitesse pour commuter entre la vitesse basse, la vitesse moyenne et la vitesse élevée. Lorsque la machine est mise sous tension, le mode marche avant et la vitesse basse sont activés.

NOTE : Le bouton marche avant/marche arrière n'est pas disponible lorsque la gâchette est actionnée.

NOTE : Un bref signal sonore est émis lorsque la machine est utilisée en marche arrière.

NOTE : Le bouton de vitesse n'est pas disponible lorsque la machine est utilisée en marche arrière.

NOTE : Si la machine détecte un problème, les indicateurs de vitesse clignotent en alternance. Dans ce cas, reportez-vous à la section du guide de dépannage.

Bouton de signal sonore

Lorsque vous appuyez sur le bouton de signal sonore, un signal sonore est émis.

► **Fig.21:** 1. Bouton de signal sonore

NOTE : Le bouton de signal sonore est disponible lorsque la machine est sous tension.

NOTE : Le bouton de signal sonore est disponible même si la clé de verrouillage n'est pas insérée dans le boîtier de batterie.

Allumage des lampes

Appuyez sur le bouton des lampes sur le boîtier de batterie pour allumer les lampes avant et la lampe arrière. Pour éteindre les lampes, appuyez à nouveau sur le bouton des lampes.

► **Fig.22:** 1. Bouton des lampes 2. Lampe avant

► **Fig.23:** 1. Lampe arrière

NOTE : Les lampes s'éteignent si la machine n'est pas utilisée pendant un certain temps.

NOTE : Les lampes s'éteignent lorsque la machine est mise hors tension.

NOTE : Il est possible d'allumer les lampes même si la clé de verrouillage n'est pas insérée.

Gâchette et levier de frein

⚠ATTENTION : Avant d'installer la batterie dans la machine, toujours vérifier que la gâchette s'actionne correctement et repasse en position d'arrêt lorsqu'elle est relâchée.

Pour démarrer la machine, enclenchez la gâchette. La vitesse peut être ajustée dans la plage de vitesse définie avec la gâchette. Pour arrêter la machine, libérez la gâchette et tirez le levier de frein.

Pour verrouiller le levier de frein, tirez dessus et tenez-le, puis tirez sur le levier de verrouillage, ensuite relâchez le levier de frein tout en tirant sur le levier de verrouillage.

Pour libérer le verrouillage, tirez le levier de frein.

► **Fig.24:** 1. Gâchette

► **Fig.25:** 1. Levier de frein 2. Levier de verrouillage

Commutateur d'inclinaison

⚠ATTENTION : Veillez à tenir le levier de frein lorsque vous actionnez le commutateur d'inclinaison.

⚠ATTENTION : Avant d'utiliser le commutateur d'inclinaison, assurez-vous que la charge restante de la batterie n'est pas faible. Si la charge restante de la batterie est faible, verrouillez le levier de frein, puis commutuez les batteries sur des batteries chargées ou bien remplacez les batteries par des batteries chargées.

► **Fig.26:** 1. Commutateur d'inclinaison

Vous pouvez incliner la cuve ou le chariot au moyen du commutateur d'inclinaison. Pour incliner la cuve ou le chariot vers l'avant, appuyez sur la partie supérieure du commutateur d'inclinaison tout en tenant le levier de frein. Pour ramener la cuve ou le chariot, appuyez sur la partie inférieure du commutateur d'inclinaison tout en tenant le levier de frein.

NOTE : Un signal sonore est émis lorsque la cuve ou le chariot est en mouvement.

Réglage de la largeur du chariot

REMARQUE : Assurez-vous que les ridelles latérales et la ridelle avant sont fixées solidement après avoir serré les écrous à ailettes.

Desserrez les 6 écrous à ailettes, puis faites glisser les ridelles latérales et la ridelle avant. Serrez les écrous à ailettes pour fixer les ridelles latérales et la ridelle avant.

► **Fig.27:** 1. Ecrrou à ailettes 2. Ridelle

⚠ATTENTION : Ne pas faire coulisser les ridelles au-delà de la marque de limite.

► **Fig.28**

Réglage de la hauteur des poignées

REMARQUE : Fixer les poignées gauche et droite à la même hauteur.

La hauteur de la poignée peut être réglée selon 7 niveaux. Pour ajuster la hauteur de la poignée, desserrez 2 boutons de serrage, puis ajustez la hauteur en alignant l'orifice sur la poignée avec la partie saillante sur le cadre arrière, puis serrez solidement les 2 boutons de serrage. Ajustez la hauteur de l'autre poignée de la même façon.

► **Fig.29:** 1. Bouton de serrage

Verrou de la roue arrière

Vous pouvez fixer le sens des roues arrière au moyen du verrou de la roue arrière.

1. Déplacez légèrement la machine en avant de sorte que les roues arrière soient tournées dans le sens illustré sur la figure.

► **Fig.30:** 1. Roue arrière

2. Tournez le verrou de la roue arrière vers l'arrière.

► **Fig.31:** 1. Verrou de la roue arrière

3. Verrouillez l'autre roue arrière de la même façon.

4. Déplacez légèrement la roue arrière d'avant en arrière et de gauche à droite pour vous assurez qu'elle est bien verrouillée.

Pour relâcher le verrou de la roue arrière, tournez-le de 90° comme illustré sur la figure.

► **Fig.32:** 1. Verrou de la roue arrière

NOTE : Les roues arrière peuvent être fixées dans 4 sens différents comme illustré sur la figure.

► **Fig.33**

Utilisation du niveau

Vous pouvez vérifier si le sol est plat avec le niveau.

► **Fig.34:** 1. Niveau

UTILISATION

ATTENTION : Veillez à verrouiller le levier de frein avant de charger ou décharger des objets.

Utilisation de la machine

REMARQUE : Veillez à insérer la clé de verrouillage avant utilisation. Si la clé de verrouillage n'est pas insérée, un signal sonore est émis lorsque la gâchette est enclenchée. Le signal sonore s'arrête en libérant la gâchette et en tirant le levier de frein.

REMARQUE : Procédez à l'inspection avant d'utiliser la machine, en vous reportant à la section pour l'entretien.

1. Vérifiez que le levier de frein est verrouillé. Mettez les batteries en place, puis insérez la clé de verrouillage et tournez-la dans le sens des aiguilles d'une montre.
2. Sélectionnez les batteries avec le commutateur de sélection de batterie.
3. Pour mettre la machine sous tension, appuyez sur l'interrupteur d'alimentation sur le tableau de commande.
▶ **Fig.35**: 1. Interrupteur d'alimentation
4. Tirer le levier de frein pour le déverrouiller.
▶ **Fig.36**: 1. Levier de frein
5. Tenir fermement les poignées avec les deux mains.
▶ **Fig.37**
6. Enclenchez la gâchette.
▶ **Fig.38**: 1. Gâchette

Chargement d'objets

ATTENTION : Avant de charger des objets sur la machine, vérifiez qu'elle est hors tension et que le levier de frein est verrouillé.

ATTENTION : Avant de charger des objets sur la machine, vérifiez que l'unité de décharge est verrouillée.

ATTENTION : Veillez à charger les objets dans le chariot ou la cuve. Si des objets dépassent du chariot ou de la cuve, ils risquent de tomber ou de s'affaisser s'ils touchent des obstacles.

▶ **Fig.39**

ATTENTION : Veiller à charger les objets de sorte qu'ils soient situés au-dessous de la hauteur des yeux. Une charge trop haute est dangereuse car elle masque la vue. Il existe également un risque de renversement et de blessure car la charge risque d'être déséquilibrée.

▶ **Fig.40**

ATTENTION : Ne chargez pas d'objets au-delà de la hauteur de la cuve. Si vous chargez des objets au-delà de la hauteur de la cuve, la charge risque de tomber ou de s'affaisser.

En cas de chargement d'objets sur le chariot, fixez-les avec des cordes et attachez celles-ci aux crochets à cordes du chariot.

▶ **Fig.41**: 1. Crochet à cordes

Déchargement d'objets

ATTENTION : Lorsque vous soulevez ou ramenez le chariot ou la cuve, n'insérez ni ne placez jamais une partie de votre corps entre l'unité de décharge et le chariot ou la cuve, ou bien sous l'unité de décharge. Vous risqueriez de vous blesser ou de vous brûler.

ATTENTION : Après avoir déchargé les charges, veillez à verrouiller l'unité de décharge en la ramenant à sa position initiale.

ATTENTION : Avant de soulever manuellement le chariot ou la cuve, veillez à verrouiller le levier de frein.

ATTENTION : Soulever le chariot ou la cuve sur un sol plat et stable. Une utilisation sur un sol instable peut entraîner un accident ou une blessure.

ATTENTION : Réduisez la charge au minimum. Si la charge est volumineuse, n'essayez pas de soulever le chariot ou la cuve. Réduisez la charge, puis soulevez le chariot ou la cuve.

ATTENTION : Si la charge est maintenue par des cordes ou d'autres moyens, détachez la charge avant de soulever l'unité de décharge.

ATTENTION : Avant de soulever le chariot ou la cuve, assurez-vous qu'il n'y a pas de gens ou d'obstacles autour de la machine.

Il est possible de décharger les objets en soulevant et en inclinant le chariot ou la cuve.

1. Arrêtez la machine.
2. Inclinez la cuve ou le chariot vers l'avant en appuyant sur la partie supérieure du commutateur d'inclinaison tout en tenant le levier de frein.
▶ **Fig.42**: 1. Commutateur d'inclinaison
3. Pour décharger manuellement les objets laissés dans la cuve ou le chariot, suivez les étapes ci-dessous.
 - Verrouillez le levier de frein, puis tenez-vous sur le côté de la machine.
 - Tournez le levier de verrouillage de l'unité de décharge vers l'avant de la machine pour déverrouiller l'unité de décharge.
 - Tenez la poignée de l'unité de décharge, puis inclinez la cuve ou le chariot vers l'avant pour décharger les objets.
 - Ramenez la cuve ou le chariot sur l'unité de décharge.▶ **Fig.43**: 1. Levier de verrouillage 2. Unité de décharge

ATTENTION : Tenez fermement la poignée de l'unité de décharge et adoptez une posture stable en travaillant.

REMARQUE : Il est conseillé de bloquer les roues avant pour stabiliser la machine.

4. Ramenez la cuve ou le chariot à sa position d'origine en appuyant sur la partie inférieure du commutateur d'inclinaison tout en tenant le levier de frein.

REMARQUE : Veillez à ramener la cuve ou le chariot à sa position d'origine après avoir déchargé des objets. En cas de retour et de verrouillage incomplets de la cuve ou du chariot, la vitesse de déplacement de la machine est limitée à 0,8 km/h.

ENTRETIEN

⚠ ATTENTION : Veiller à toujours stationner la machine sur un sol plat et verrouiller le levier de frein avant de stocker la machine ou d'essayer d'en effectuer une inspection ou un entretien.

⚠ ATTENTION : Toujours vérifier que la clé de verrouillage et la batterie sont retirées de la machine avant de la stocker, de l'inspecter ou d'en assurer l'entretien.

⚠ ATTENTION : Toujours retirer la clé de verrouillage en cas de non-utilisation de la machine. Stocker la clé de verrouillage en lieu sûr, hors de portée des enfants.

Pour assurer la SÉCURITÉ et la FIABILITÉ du produit, toute réparation, tout travail d'entretien ou de réglage doivent être effectués par un centre d'entretien Makita agréé, avec des pièces de rechange Makita.

Inspection avant utilisation

Effectuez les inspections suivantes avant de faire fonctionner la machine.

- Vérifiez que les boulons, les écrous et les boutons de serrage sont fermement serrés.

► Fig.44

- Vérifiez que le frein fonctionne correctement. Si vous sentez que le frein ne serre pas suffisamment, nettoyez-le. En l'absence d'amélioration, demandez à votre centre de service après-vente Makita agréé de le réparer.
- Vérifiez que l'unité de décharge est verrouillée lorsque la poignée de l'unité de décharge est complètement abaissée.

► Fig.45: 1. Poignée

- Vérifiez que les pneus des roues avant et arrière ne sont pas endommagés, et que l'air dans les pneus est suffisant.
- Vérifiez que les lampes avant et la lampe arrière sont propres. Nettoyez-les au besoin.
- Vérifiez que les racleurs sont dans la bonne position. Si le racleur est tourné vers le haut, ajustez son orientation en desserrant les boulons. Lorsque vous serrez les boulons, ne poussez pas le racleur vers l'avant de la machine.

► Fig.46: 1. Racleur

Remplacement des pneus

⚠ ATTENTION : Avant de remplacer les pneus, veillez à décharger tous les objets de la machine.

⚠ ATTENTION : Lorsque vous remplacez les pneus, portez des gants.

Remplacement du pneu de la roue avant

NOTE : Lorsque vous installez le pneu gris, installez-le de sorte que la valve soit tournée vers l'extérieur.

► Fig.49

Remplacement du pneu de la roue arrière

► Fig.50

► Fig.51

Nettoyage de la machine

REMARQUE : N'utilisez jamais d'essence, benzine, diluant, alcool ou autre produit similaire. Cela risquerait de provoquer la décoloration, la déformation ou la fissuration de l'outil.

REMARQUE : N'utilisez pas de nettoyeur haute pression pour le nettoyage.

REMARQUE : Lors du nettoyage de la machine, veillez à fermer le couvercle du boîtier de batterie. Autrement, de l'eau peut pénétrer dans le boîtier de batterie et provoquer un dysfonctionnement de la machine.

Éliminer la boue, la saleté, etc. de la machine. Nettoyer la machine à l'eau courante. Après le nettoyage, essuyer la machine avec un chiffon sec.

Stockage

Verrouillez le levier de frein et retirez les batteries et la clé de verrouillage. Rangez la machine dans un lieu sûr hors de la portée des enfants.

Gonflage du pneu

Vérifiez qu'il y a suffisamment d'air dans le pneu pour les roues avant et arrière. Si l'air dans le pneu est insuffisant, gonflez le pneu avec un gonfleur. La pression d'air est la suivante :

- Pneu de la roue avant : 280 kPa (40 PSI)
- Pneu de la roue arrière : 525 kPa (75 PSI)

Roue avant

► Fig.47

Roue arrière

► Fig.48

GUIDE DE DÉPANNAGE

Avant de faire une demande de réparation, effectuez d'abord vous-même une inspection. Si vous rencontrez un problème non documenté dans le mode d'emploi, ne démontez pas la machine. Demandez plutôt à un centre de service après-vente Makita agréé d'effectuer la réparation au moyen de pièces de rechange Makita.

État d'anomalie	Témoin d'alimentation principale	Cause	Solution
La machine ne s'allume pas.	Éteint.	Les deux batteries ne sont pas installées.	Installez les deux batteries chargées.
		Problème de batterie (tension insuffisante)	Rechargez la batterie. Si vous n'arrivez pas à recharger la batterie, remplacez-la.
		Le commutateur de sélection de batterie n'est pas dans la bonne position.	Sélectionnez la batterie correcte à l'aide du commutateur de sélection de batterie.
La machine ne démarre pas.	Le témoin clignote en rouge.	La charge de la batterie est faible.	Rechargez la batterie. Si vous n'arrivez pas à recharger la batterie, remplacez-la.
		Au moins une des batteries est vide.	Retirez la batterie vide ou remplacez-la par une batterie chargée. Dans ce cas, la lampe la plus à gauche du témoin de la batterie correspondante clignote.
	Le témoin clignote en vert.	La clé de verrouillage n'est pas insérée.	Insérez la clé de verrouillage et tournez-la dans le sens des aiguilles d'une montre.
		La machine s'est arrêtée en raison d'une surcharge.	Réduisez le nombre d'objets chargés.
		Les roues avant ou arrière sont coincées ou bloquées.	Éliminez la cause des roues coincées ou bloquées.
	Le témoin s'allume en rouge.	La machine s'est arrêtée en raison d'une surchauffe.	Laissez la machine et la batterie refroidir.
	Le témoin clignote en rouge et en vert en alternance.	La clé de verrouillage n'est pas insérée.	Insérez la clé de verrouillage et tournez-la dans le sens des aiguilles d'une montre.
		La machine a détecté une anomalie.	Mettez la machine hors tension, puis à nouveau sous tension. Un dysfonctionnement de la machine a eu lieu. Demandez à un centre de service après-vente Makita agréé d'effectuer la réparation.
	Le témoin s'allume en vert.	Le levier de changement neutre n'est pas dans sa position d'origine.	Verrouillez le levier de frein, puis ramenez le levier de changement neutre sur sa position d'origine.
	La machine s'arrête rapidement après utilisation.	Le témoin clignote en rouge.	La charge de la batterie est faible.
La vitesse de déplacement de la machine n'augmente pas.	Le témoin s'allume en vert.	L'unité de décharge n'est pas complètement ramenée ou n'est pas verrouillée.	Ramenez complètement l'unité de décharge et assurez-vous qu'elle est verrouillée.

Dépannage en cas d'arrêt de la machine

⚠ AVERTISSEMENT : Sauf absolue nécessité, ne désactivez jamais le frein de soutien de la machine avec le levier de changement neutre.

Lorsque le frein de soutien de la machine est désactivé, la machine peut se déplacer de manière imprévue et provoquer un accident ou des blessures.

⚠ AVERTISSEMENT : Veillez à ramener le levier de changement neutre sur sa position d'origine après l'avoir tiré vers l'extérieur.

Si la machine ne peut pas être déplacée, car les batteries sont épuisées ou en cas de dysfonctionnement de la machine, vous pouvez déplacer manuellement la machine en tirant le levier de changement neutre vers l'extérieur pour désactiver le frein de soutien.

1. Verrouillez le levier de frein.
2. Déchargez tous les objets de la machine.

⚠ ATTENTION : Veillez à décharger tous les objets de la machine. La machine peut se déplacer accidentellement si vous y laissez des objets.

3. Si la machine est en pente, déverrouillez le levier de frein et orientez la machine de sorte que le levier de frein soit sur le côté supérieur de la pente et que la machine soit parallèle à la pente. Verrouillez le levier de frein.

► Fig.52

4. Assurez-vous que la machine ne se déplace pas et sortez le levier de changement neutre vers l'extérieur.

► Fig.53: 1. Levier de changement neutre

5. Déverrouillez le levier de frein et déplacez manuellement la machine en lieu sûr. Étant donné que le frein de soutien est désactivé, déplacez avec précaution la machine avec le levier de frein de sorte que la vitesse n'augmente pas.

6. Après avoir déplacé la machine en lieu sûr, verrouillez le levier de frein.

7. Ramenez le levier de changement neutre à sa position d'origine. Assurez-vous que le levier de changement neutre est complètement ramené comme illustré sur la figure.

► **Fig.54:** 1. Levier de changement neutre

ACCESSOIRES EN OPTION

⚠ ATTENTION : Ces accessoires ou pièces complémentaires sont recommandés pour l'utilisation avec la machine Makita spécifiée dans ce manuel. L'utilisation de tout autre accessoire peut présenter un risque de blessure. N'utilisez un accessoire que pour son usage prévu.

⚠ ATTENTION : Utiliser uniquement des accessoires ou fixations Makita conçus pour la machine. L'utilisation de tout autre accessoire ou fixation peut entraîner de graves blessures.

Pour obtenir plus de détails sur ces accessoires, contactez votre centre d'entretien local Makita.

- Chariot
- Cuve
- Pneu avant (noir)
- Pneu avant (gris)
- Pneu arrière (gris)
- Batterie et chargeur de marque Makita

NOTE : Il se peut que certains éléments de la liste soient compris dans l'emballage de l'outil en tant qu'accessoires standard. Ils peuvent varier d'un pays à l'autre.

TECHNISCHE DATEN

Modell:		DCU602
Abmessungen (L x B x H)	Bei montiertem Kübel	1.480 mm x 730 mm x 820 - 1.030 mm
	Bei montiertem Träger	1.450 - 1.600 mm x 730 - 1.080 mm x 820 - 1.030 mm
Fahrgeschwindigkeit	Vorwärts	5,0 / 3,5 / 1,5 km/h
	Rückwärts	1,0 km/h
Maximale Tragfähigkeit	Auf ebenem Boden	300 kg
	Auf einem Hang (3° - 12°)	180 kg
Maximale Steigfähigkeit		12°
Minimaler Wenderadius *		1.150 mm
Bremsen		Handbremse und Hilfsbremse
Reifen	Vorderrad	Luftreifen
	Hinterrad	Luftreifen
Nennspannung		36 V Gleichstrom
Nettogewicht	Bei montiertem Kübel	145 - 147 kg
	Bei montiertem Träger	141 - 143 kg
Schutzgrad		IPX4

*: Außendurchmesser beim Wenden mit Vorderrad als Achse

- Wir behalten uns vor, Änderungen der technischen Daten im Zuge der Entwicklung und des technischen Fortschritts ohne vorherige Ankündigung vorzunehmen.
- Die technischen Daten können von Land zu Land unterschiedlich sein.
- Das Gewicht kann abhängig von dem Aufsatz (den Aufsätzen), einschließlich des Akkus, unterschiedlich sein. Die leichteste und die schwerste Kombination, gemäß dem EPTA-Verfahren 01/2014, sind in der Tabelle angegeben.

Zutreffende Akkus und Ladegeräte

Akku	BL1815N / BL1820B / BL1830B / BL1840B / BL1850B / BL1860B
Ladegerät	DC18RC / DC18RD / DC18RE / DC18SD / DC18SE / DC18SF / DC18SH / DC18WC

- Einige der oben aufgelisteten Akkus und Ladegeräte sind je nach Ihrem Wohngebiet eventuell nicht erhältlich.

⚠️ WARNUNG: Verwenden Sie nur die oben aufgeführten Akkus und Ladegeräte. Bei Verwendung irgendwelcher anderer Akkus und Ladegeräte besteht Verletzungs- und/oder Brandgefahr.

⚠️ WARNUNG: Benutzen Sie niemals die rückentragbare Akku-Bank PDC1200 oder PDC01 mit diesem Produkt. Werden sie zusammen verwendet, kann es zu Personenschäden oder einer Funktionsstörung kommen.

Symbole

Nachfolgend werden Symbole beschrieben, die für das Gerät verwendet werden können. Machen Sie sich unbedingt vor der Benutzung mit ihrer Bedeutung vertraut.



Betriebsanleitung lesen.



Unterlassen Sie Richtungsänderungen auf Hängen.



Diese Maschine kann nicht auf öffentlichen Straßen verwendet werden.



Verriegeln Sie vor dem Auf- oder Abladen von Gegenständen die Bremse und die Kippeinheit.



Unterlassen Sie das Auf- und Abladen von Gegenständen an Hängen.



Benutzen Sie die Maschine nicht für den Transport von Personen.



Kippen Sie keine Gegenstände auf Hängen ab. Verriegeln Sie die Kippeinheit nach dem Abladen.



Laden Sie Gegenstände gleichmäßig auf den Kübel oder Träger. Laden Sie Gegenstände nicht ungleichmäßig oder nur auf der Vorderseite.



Einklemm- und Quetschgefahr. Halten Sie während des Betriebs die Hände frei. Halten Sie Ihre Hände oder Körperteile nicht in die beweglichen Teile.



Maximale Tragfähigkeit: 300 kg auf ebenem Boden und 180 kg auf Hängen (bis zu 12°).



Blicken Sie nicht direkt in Lampen.



Waschen Sie die Maschine nicht mit einem Hochdruckreiniger.



Halten Sie Umstehende während des Betriebs von der Maschine fern.



Betreiben Sie die Maschine nicht auf unebenen Flächen.



Betreiben Sie die Maschine nicht, wenn der Kübel oder der Träger nicht vollständig zurückgefahren ist.



Entfernen Sie Seile, bevor Sie Gegenstände abladen.



Tragen Sie immer rutschfestes und schützendes Schuhwerk.



Verriegeln Sie die Bremse, bevor Sie den Neutralschalthebel herausziehen.



Verriegeln Sie die Bremse, bevor Sie den Neutralschalthebel zurückstellen.



Luftdruck: Vorderreifen 280 kPa und Hinterreifen 525 kPa.



Vergewissern Sie sich, dass der Verriegelungshebel verriegelt ist.



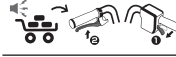
Drehen Sie den Verriegelungshebel zur Vorderseite der Maschine, um die Kippeneinheit zu entriegeln.



Wenn ein Signalton ertönt, verriegeln Sie den Bremshebel.



Wenn Sie den Auslöseschalter freigeben, verriegeln Sie den Bremshebel.



Um den Signalton abzuschalten, geben Sie den Auslöseschalter frei, und betätigen Sie den Bremshebel.



Nur für EU-Länder
Aufgrund des Vorhandenseins gefährlicher Komponenten in der Ausrüstung können Elektro- und Elektronik-Altgeräte, Akkumulatoren und Batterien sich negativ auf die Umwelt und die menschliche Gesundheit auswirken.
Entsorgen Sie Elektro- und Elektronikgeräte oder Batterien nicht mit dem Hausmüll!
In Übereinstimmung mit der Europäischen Richtlinie über Elektro- und Elektronik-Altgeräte, verbrauchte Akkumulatoren und Batterien sowie ihrer Anpassung an nationales Recht sollten Elektro-Altgeräte, Batterien und Akkumulatoren gemäß den Umweltschutzbestimmungen getrennt gelagert und zu einer getrennten Sammelstelle für Siedlungsabfälle geliefert werden.
Dies wird durch das am Gerät angebrachte Symbol der durchgestrichenen Abfalltonne auf Rädern angezeigt.



Garantierter Schalleistungspegel gemäß der EU-Richtlinie über Außenlärm.



Schalleistungspegel gemäß der australischen NSW-Lärmschutzverordnung

Vorgesehene Verwendung

Die Maschine ist für das Laden und Tragen von Gegenständen mit batteriebetriebener Unterstützung vorgesehen.

Geräusch

Der typische A-bewertete Geräuschpegel, ermittelt gemäß EN62841-1 und EN12053, soweit anwendbar: Schalldruckpegel (L_{pA}): 70 dB (A) oder weniger
Messunsicherheit (K): 4 dB (A)

Der Geräuschpegel kann während des Betriebs 80 dB (A) überschreiten.

HINWEIS: Der (Die) angegebene(n) Schallemissionswert(e) wurde(n) im Einklang mit der Standardprüfmethode gemessen und kann (können) für den Vergleich zwischen Werkzeugen herangezogen werden.

HINWEIS: Der (Die) angegebene(n) Schallemissionswert(e) kann (können) auch für eine Vorbewertung des Gefährdungsgrads verwendet werden.

⚠️ WARNUNG: Einen Gehörschutz tragen.

⚠️ WARNUNG: Die Schallemission während der tatsächlichen Benutzung des Elektrowerkzeugs kann je nach der Benutzungsweise des Werkzeugs, und speziell je nach der Art des bearbeiteten Werkstücks, von dem (den) angegebenen Wert(en) abweichen.

⚠️ WARNUNG: Identifizieren Sie Sicherheitsmaßnahmen zum Schutz des Benutzers anhand einer Schätzung des Gefährdungsgrads unter den tatsächlichen Benutzungsbedingungen (unter Berücksichtigung aller Phasen des Arbeitszyklus, wie z. B. Ausschalt- und Leerlaufzeiten des Werkzeugs zusätzlich zur Betriebszeit).

Schwingungen

Schwingungsgesamtwert (Drei-Achsen-Vektorsumme) ermittelt gemäß EN62841-1:

Arbeitsmodus: Leerlaufbetrieb

Schwingungsemission (a_h): 2,5 m/s² oder weniger
Messunsicherheit (K): 1,5 m/s²

HINWEIS: Der (Die) angegebene(n) Vibrationsgesamtwert(e) wurde(n) im Einklang mit der Standardprüfmethode gemessen und kann (können) für den Vergleich zwischen Werkzeugen herangezogen werden.

HINWEIS: Der (Die) angegebene(n) Vibrationsgesamtwert(e) kann (können) auch für eine Vorbewertung des Gefährdungsgrads verwendet werden.

⚠️ WARNUNG: Die Vibrationsemission während der tatsächlichen Benutzung des Elektrowerkzeugs kann je nach der Benutzungsweise des Werkzeugs, und speziell je nach der Art des bearbeiteten Werkstücks, von dem (den) angegebenen Emissionswert(en) abweichen.

⚠️ WARNUNG: Identifizieren Sie Sicherheitsmaßnahmen zum Schutz des Benutzers anhand einer Schätzung des Gefährdungsgrads unter den tatsächlichen Benutzungsbedingungen (unter Berücksichtigung aller Phasen des Arbeitszyklus, wie z. B. Ausschalt- und Leerlaufzeiten des Werkzeugs zusätzlich zur Betriebszeit).

Konformitätserklärungen

Nur für europäische Länder

Die Konformitätserklärungen sind in Anhang A dieser Betriebsanleitung enthalten.

SICHERHEITSWARNUNGEN

Allgemeine Sicherheitswarnungen für Elektrowerkzeuge

⚠️ WARNUNG Lesen Sie alle Sicherheitshinweise, Anweisungen, Abbildungen und Spezifikationen, die diesem Elektrowerkzeug beiliegen. Eine Missachtung der unten aufgeführten Anweisungen kann zu einem elektrischen Schlag, Brand und/oder schweren Verletzungen führen.

Bewahren Sie alle Warnungen und Anweisungen für spätere Bezugnahme auf.

Der Ausdruck „Elektrowerkzeug“ in den Warnhinweisen bezieht sich auf Ihr mit Netzstrom (mit Kabel) oder Akku (ohne Kabel) betriebenes Elektrowerkzeug.

Sicherheitswarnungen für Akku-Schubkarre

1. **Tragen Sie während des Betriebs der Maschine immer rutschfestes und schützendes Schuhwerk.** Rutschfeste Sicherheitstiefel und -schuhe mit geschlossenen Kappen verringern die Verletzungsgefahr.
2. **Prüfen Sie den Weg, bevor Sie Gegenstände/ Material transportieren.** Dass Sie sich mit dem Weg vertraut machen und sicherstellen, dass er breit genug ist, um die beladene Maschine sicher zu navigieren, trägt dazu bei, die Möglichkeit eines Verlusts der Kontrolle über die Maschine zu verringern.
3. **Lassen Sie auf schlüpfrigem, lockerem und instabilem Untergrund äußerste Vorsicht walten.** Nasse und schlüpfrige Oberflächen, wie etwa nasse Grasflächen, Schnee oder Eis, sowie lockerer und instabiler Untergrund, wie etwa Sand- oder Schotteroberflächen, können dazu führen, dass die Maschine die Bodenhaftung verliert, und können Lenkung, Bremsung und Stabilität beeinträchtigen.
4. **Betreiben Sie die Maschine nicht auf übermäßig steilen Hängen.** Dies reduziert die Gefahr des Verlusts der Kontrolle, des Rutschens und Stürzens, was zu Personenschäden führen kann. Hänge, die steiler als die maximale empfohlene Neigung sind, und Seitenneigungen können die Gefahr der Instabilität erhöhen und die Fähigkeit für sicheres Anhalten beeinträchtigen.
5. **Achten Sie beim Arbeiten auf Hängen stets auf Ihren Halt, arbeiten Sie stets quer zur Hangfläche, niemals auf- oder abwärts, und lassen Sie bei Richtungswechseln äußerste Vorsicht walten.** Dies reduziert die Gefahr des Verlusts der Kontrolle, des Rutschens und Stürzens, was zu Personenschäden führen kann.
6. **Benutzen Sie nach Möglichkeit ebene Bereiche zum Anhalten, Be- und Entladen, und lassen Sie die Maschine niemals unbeaufsichtigt auf einem Hang stehen.** Die Maschine ist instabiler, wenn sie auf einem Hang ruht, als auf einer ebenen Fläche.

7. **Wenn Sie die Maschine unbeaufsichtigt lassen, ziehen Sie die Feststellbremse an, nachdem Sie die Maschine in einem sicheren Haltebereich abgestellt haben.** Die Feststellbremse verhindert ungewollte Bewegung des Vorderrads und kann die Stabilität verbessern.
8. **Stellen Sie sicher, dass Rampen sauber, stabil und sicher sind.** Um Verletzungsgefahr zu verringern, müssen alle Rampen frei von lockerem Unrat und stabil genug sein, um dem Gewicht der erwarteten Lasten, die über sie transportiert werden, standzuhalten. Sie müssen angemessene Abstützung auf der Unterseite und auf beiden Seiten haben, um Durchbiegung und seitliche Bewegung unter Belastung zu eliminieren. Alle Rampen müssen breit genug sein, um sicheren Halt zu haben, während Lasten über sie transportiert werden.
9. **Stellen Sie vor Gebrauch sicher, dass alle Sicherungsschrauben fest angezogen sind.** Sicherungsschrauben an den Hinterrädern und den Vorder- und Seitenwänden eines offenen Trägers müssen festgezogen sein, um ungewollte Bewegung dieser einstellbaren Teile der Maschine zu verhindern.
10. **Betreiben Sie die Maschine niemals in überladenen Zustand.** Vergewissern Sie sich, dass die Maschine die korrekte Nennkapazität für die zu transportierenden Gegenstände oder Materialien hat. Übermäßige Lasten erschweren das Manövrieren und Anhalten der Maschine, verlängern die Anhaltezeit und den Anhalteweg und erhöhen die Gefahr von Instabilität.
11. **Betreiben Sie Ihre Maschine niemals in überfülltem Zustand.** Stapeln von Material über den Trägerrand oder die Seiten des Trägers hinaus kann bewirken, dass die Maschine das Gleichgewicht verliert und außer Kontrolle gerät.
12. **Verwenden Sie Behälter und Verzerrungen zum Sichern von Lasten.** Lose und/oder unsichere Lasten neigen eher zu Verlagerung, was zum Verlust der Stabilität und Kontrolle führen kann.
13. **Halten Sie die Handgriffe stets sicher fest.** Verlust der Kontrolle kann die Gefahr von Personenschäden erhöhen.
14. **Ziehen Sie den Sicherheitsschlüssel ab, wenn die Maschine nicht benutzt wird.** Der Sicherheitsschlüssel verhindert unerwünschte, motorgetriebene Benutzung der Maschine, z. B. durch Kinder oder andere ungeschulte oder unbefugte Personen. Ohne den Schlüssel kann die Stromversorgung nicht eingeschaltet werden.
15. **Diese Maschine kann nicht auf öffentlichen Straßen verwendet werden.** Die Verwendung der Schubkarre auf öffentlichen Straßen ist illegal und könnte mit lokalen Geldbußen bestraft werden. Außerdem könnte sie zu Personenschäden führen.
16. **Verwenden Sie eine robuste Platte mit Rutschhemmungs- und Abtrennungsverhinderungsfunktion, wenn Sie diese Maschine zum Transportieren auf- und/oder abladen oder zwischen unterschiedlichen Ebenen bewegen.** Achten Sie darauf, dass die Plattenneigung 12° nicht überschreitet, und betreiben Sie die Maschine langsam und sorgfältig. Instabiler und schneller Betrieb kann zu Umkippen und/oder Herunterfallen führen.
17. **Unterlassen Sie Zerlegen, Reparieren oder Abändern dieser Maschine.**

Vorbereitung

1. **Vergewissern Sie sich vor dem Betrieb der Maschine, dass sich keine Personen im Umfeld der Maschine befinden.**
2. **Führen Sie vor dem Betrieb der Maschine die im Abschnitt für die Wartung beschriebenen Inspektionen durch.**

Betrieb

1. **Stellen Sie sich bei der Bedienung der Maschine hinter die Maschine, und halten Sie die Handgriffe mit beiden Händen fest.**
2. **Setzen Sie sich während des Betriebs nicht auf die Maschine.**
3. **Lassen Sie nicht zu, dass andere Personen auf der Maschine sitzen.**
4. **Wenn Sie die Maschine im Rückwärtsgang betreiben und rückwärts gehen, blicken Sie nach hinten, und achten Sie darauf, dass Sie nicht ausrutschen oder stolpern.**
5. **Benutzen Sie die Maschine nicht bei schlechter Sicht, weil sonst die Gefahr des Anstoßens an Hindernisse besteht.**
6. **Wenn Sie die Maschine auf unwegsamen Gelände oder beim Überfahren von Höhenunterschieden einsetzen, verringern Sie die Geschwindigkeit und lassen Sie Vorsicht walten.**
7. **Vermeiden Sie weichen Untergrund bei Benutzung der Maschine, um Umkippen durch Einbrechen der Bankette zu verhindern.**
8. **Betreiben Sie die Maschine nicht auf Steigungen von mehr als 12°.**
9. **Falls Sie eine Abnormalität feststellen, halten Sie die Maschine auf ebenem Boden an. Bevor Sie die Maschine inspizieren, verriegeln Sie den Bremshebel und schalten Sie den Strom aus.**
10. **Vergewissern Sie sich vor dem Betrieb der Maschine, dass der Handgriff der Kippeinheit ganz nach unten betätigt und vollständig verriegelt ist.** Bei unvollständiger Verriegelung besteht die Gefahr eines Unfalls oder einer Verletzung, da der Träger oder Kübel kippen kann und die Gegenstände beim Bergabfahren herausfallen können.
11. **Achten Sie beim Betrieb der Maschine in der Nähe von Wänden darauf, dass Sie sich nicht die Hände zwischen dem Handgriff und der Wand einklemmen.**
12. **Benutzen Sie die Maschine nicht bei schlechtem Wetter, insbesondere bei Blitzschlaggefahr.** Dadurch wird die Gefahr, von einem Blitz getroffen zu werden, verringert.
13. **Berühren Sie die Metallteile während oder nach der Benutzung nicht, da sie durch die Sonneneinstrahlung so heiß werden können, dass sie Verbrennungen verursachen.**
14. **Achten Sie darauf, dass die Kabel sich nicht an der Ladung oder an Hindernissen verfangen.**
15. **Stellen Sie beim Überqueren einer Holzbrücke usw. sicher, dass die Summe aus Produktgewicht, Tragfähigkeit und Gewicht des Bedieners die Gewichtsgrenze der Brücke nicht überschreitet, und überqueren Sie die Brücke vorsichtig und mit konstanter Geschwindigkeit.**
16. **Tragen Sie die Handschuhe, wenn Sie die Maschine bei niedrigen Temperaturen betreiben.** Das Berühren der Metallteile mit bloßen Händen kann ein Verkleben der Hände verursachen.

17. Falls sich Personen oder Hindernisse in der Fahrtrichtung befinden, weichen Sie diesen im Voraus aus.
18. Schaufeln Sie Gegenstände nicht direkt mit dem Träger oder dem Kübel. Anderenfalls kann die Maschine beschädigt und ein Unfall verursacht werden.
19. Wenn Sie die Maschine auf schlammigem Boden, auf einem nassen Hang oder an einem schlüpfrigen Ort benutzen, achten Sie auf Ihren Stand.
20. Tauchen Sie die Maschine nicht in einen Tümpel ein.
21. Bevor Sie die Maschine während der Arbeit verlassen, stellen Sie die Kippeinheit unbedingt in ihre Ausgangsposition zurück, verriegeln Sie den Bremshebel, und entfernen Sie den Sperrschlüssel.
22. Lassen Sie die Maschine nicht unbeaufsichtigt, während Träger oder Kübel mit Gegenständen beladen sind.

Betrieb auf Hängen

1. Überqueren Sie keine Hänge.
 2. Halten Sie vor der Abwärtsfahrt an, verringern Sie die Geschwindigkeit und lassen Sie Vorsicht walten.
 3. Falls die Geschwindigkeit beim Abwärtsfahren zu hoch ist, ertönt ein Piepton. In diesem Fall sollten Sie die Bremse benutzen.
 4. Lassen Sie beim Anfahren oder Anhalten auf Hängen Vorsicht walten.
 5. Da die Lasten auf Hängen instabiler werden, sichern Sie die Lasten einwandfrei mit Seilen.
 6. Da die Maschine je nach dem Straßenzustand instabil wird, halten Sie die Last auf einem Minimum.
 7. Da die Sicht auf Hängen unklar wird, halten Sie die Höhe der Last auf einem Minimum.
 8. Halten Sie die Maschine niemals auf Hängen an. Halten Sie die Maschine auf ebenem Boden an, verriegeln Sie den Bremshebel, und schalten Sie dann den Strom ab.
 9. Unterlassen Sie Richtungsänderungen oder Umschalten des Geschwindigkeitsmodus auf steilen Hängen.
 10. Lassen Sie den Auslöseschalter auf Steigungen nicht los. Anderenfalls kann die Maschine auf den Rückwärtsgang umschalten und einen Unfall verursachen.
 11. Vergewissern Sie sich vor dem Betrieb auf Hängen, dass die Akku-Restkapazität ausreichend ist. Ist die Akku-Restkapazität nicht ausreichend, laden Sie den Akku auf, oder ersetzen Sie ihn durch einen aufgeladenen.
 12. Wenn Sie die Maschine am Hang starten, stellen Sie Ihren Fuß nicht hinter das Hinterrad, da die Maschine einige Zentimeter zurückweicht.
4. Laden Sie Gegenstände nur innerhalb des Trägers oder Kübels ein. Falls die Gegenstände vom Träger oder Kübel überstehen, besteht die Gefahr von Unfällen durch Herunterfallen von Gegenständen oder Berührung mit Hindernissen, wie z. B. Wänden.
 5. Vergewissern Sie sich, dass die aufgeladenen Gegenstände unterhalb der Augenhöhe sind. Falls die Beladung zu hoch ist, kann es zu einer gefährlichen Beeinträchtigung der Sicht kommen. Außerdem besteht die Gefahr von Umkippen und Verletzungen, weil die Wahrscheinlichkeit eines Ungleichgewichts der Last groß ist.
 6. Laden Sie Gegenstände gleichmäßig in den Träger oder Kübel ein. Werden die Gegenstände ungleichmäßig eingeladen, besteht die Gefahr von Umkippen und Verletzungen, weil die Wahrscheinlichkeit eines Ungleichgewichts der Last groß ist.
 7. Vergewissern Sie sich vor dem Aufladen der Gegenstände oder dem Betrieb der Maschine, dass der Handgriff der Kippeinheit ganz nach unten betätigt und vollständig verriegelt ist.
 8. Laden Sie schwere Gegenstände zuerst ein, um das Gleichgewicht aufrechtzuerhalten.
 9. Fahren Sie die Front- und Seitenholme nicht auf steilen Hängen aus. Fahren Sie die Seitenholme aus, wenn leichte Gegenstände eingeladen werden.
 10. Fahren Sie die Front- und Seitenholme nicht über die Ausfahrgrenze hinaus aus. Fahren Sie die Seitenholme so aus, dass die rechte und linke Seite die gleiche Länge haben, und laden Sie Gegenstände gleichmäßig ein.
 11. Laden Sie Gegenstände auf ebenem Boden ein und aus. Unterlassen Sie das Auf- und Abladen von Gegenständen an Hängen.
 12. Wenn Sie den Träger oder Kübel anheben und kippen, halten Sie die Handgriffe und den Rahmen mit festem Griff, und arbeiten Sie mit stabiler Haltung.

Transport der Maschine

1. Benutzen Sie Leiterschienen, die mindestens viermal so lang sind wie die Höhe der Ladefläche, mit für die Ladefläche geeigneten Halterungen, mit einer rutschfesten Oberfläche und ausreichender Breite, und die das Gewicht der Maschine und des Bedieners tragen können. Lesen Sie die Betriebsanleitung der Leiterschienen vor der Benutzung sorgfältig durch.
 2. Bevor Sie die Maschine beladen, laden Sie alle Gegenstände von der Maschine ab, und entfernen Sie Schlamm und andere Verunreinigungen von den Reifen. Installieren Sie die Leiterschienen auf einer ebenen und stabilen Fläche.
 3. Vergewissern Sie sich vor dem Be- und Entladen der Maschine, dass sich keine Personen im Bereich der Maschine und der Leiterschienen aufhalten. Be- und entladen Sie die Maschine bei niedriger Geschwindigkeit und achten Sie darauf, dass die Maschine nicht von den Leiterschienen fällt und Sie sich nicht den Kopf an der Decke des Lastwagens stoßen. Lassen Sie beim Be- und Entladen der Maschine nach hinten äußerste Vorsicht walten.
1. Überladen Sie die Maschine nicht mit Gegenständen. Befolgen Sie beim Beladen mit Gegenständen unbedingt die Anweisungen und die Belastungsgrenzen in der Anleitung.
 2. Da die Maschine umso schwieriger zu bedienen ist, je größer die Last ist, halten Sie die Last in einem Bereich, der den Betrieb nicht beeinträchtigt.
 3. Sichern Sie die Gegenstände einwandfrei mit Seilen.

Einladen von Gegenständen

4. Wenn Sie die Maschine transportieren, verriegeln Sie den Bremshebel, schalten Sie den Strom aus, entfernen Sie die Batterien und den Sperrschlüssel, und befestigen Sie die Maschine sicher.

Wartung und Lagerung

1. Bevor Sie die Maschine einlagern oder versuchen, Inspektionen oder Wartungsarbeiten durchzuführen, müssen Sie die Maschine immer auf ebenem Boden anhalten, den Bremshebel verriegeln, die Maschine ausschalten und den Sperrschlüssel sowie die Akkus entfernen.
2. Lassen Sie die Maschine nicht unbeaufsichtigt im Freien bei Regen stehen.
3. Lagern Sie die Maschine nicht an einem Ort, der direktem Sonnenlicht und Regen ausgesetzt ist, sondern an einem Ort, an dem es nicht heiß oder feucht wird.
4. Diese Maschine ist an der Unterseite der Kippeinheit mit einer Hydraulikeinheit zum automatischen Kippen der Kippeinheit ausgestattet. Ändern Sie die Hydraulikeinheit nicht ab, und lösen Sie nicht die Befestigungsschrauben der Einheit oder die Einstellungsschrauben des Überdruckventils. Dies ist sehr gefährlich, da Unfälle oder Funktionsstörungen dadurch verursacht werden können.

Gebrauch und Pflege von Akkuwerkzeugen

1. Laden Sie den Akku nur mit dem vom Hersteller vorgeschriebenen Ladegerät. Ein Ladegerät, das für einen Akkutyp geeignet ist, kann bei Verwendung mit einem anderen Akku eine Brandgefahr darstellen.
2. Benutzen Sie Elektrowerkzeuge nur mit den ausdrücklich vorgeschriebenen Akkus. Bei Verwendung irgendwelcher anderer Akkus besteht Verletzungs- und Brandgefahr.
3. Bewahren Sie den Akku bei Nichtgebrauch nicht zusammen mit Metallgegenständen, wie Büroklammern, Münzen, Schlüsseln, Nägeln, Schrauben, und anderen kleinen Metallteilen auf, welche die Kontakte kurzschließen können. Kurzschließen der Akkukontakte kann Verbrennungen oder einen Brand verursachen.
4. Bei Missbrauch kann Flüssigkeit aus dem Akku austreten. Vermeiden Sie Kontakt mit dieser Flüssigkeit. Falls Sie versehentlich mit der Flüssigkeit in Berührung kommen, spülen Sie die betroffenen Stellen mit Wasser ab. Falls die Flüssigkeit in die Augen gelangt, suchen Sie zusätzlich ärztliche Hilfe auf. Die vom Akku austretende Flüssigkeit kann Hautreizungen oder Verätzungen verursachen.
5. Verwenden Sie keinen Akku und auch kein Werkzeug, der (das) beschädigt oder modifiziert ist. Beschädigte oder modifizierte Akkus können unvorhersehbares Verhalten zeigen, das zu einem Brand, einer Explosion oder Verletzungsgefahr führen kann.
6. Setzen Sie einen Akku oder ein Werkzeug nicht Feuer oder übermäßigen Temperaturen aus. Bei Einwirkung von Feuer oder Temperaturen über 130 °C kann es zu einer Explosion kommen.

7. Befolgen Sie alle Ladeanweisungen, und laden Sie den Akku bzw. das Werkzeug nicht außerhalb des in den Anweisungen angegebenen Temperaturbereichs. Wird der Ladevorgang unsachgemäß oder bei Temperaturen außerhalb des angegebenen Bereichs durchgeführt, kann es zu einer Beschädigung des Akkus und erhöhter Brandgefahr kommen.

Sicherheit der Elektrik und des Akkus

1. Werfen Sie den (die) Akku(s) nicht ins Feuer. Die Zelle könnte explodieren. Prüfen Sie die örtlichen Vorschriften für mögliche spezielle Entsorgungsanweisungen.
2. Versuchen Sie nicht, den (die) Akku(s) zu öffnen oder zu verstümmeln. Freigesetzter Elektrolyt ist korrosiv und kann Schäden an Augen oder Haut verursachen. Falls er verschluckt wird, kann er giftig sein.
3. Laden Sie den Akku nicht im Regen oder an nassen Orten.
4. Laden Sie den Akku nicht im Freien.
5. Fassen Sie das Ladegerät, einschließlich des Ladegerätesteckers und der Ladegeräteanschlüsse, nicht mit nassen Händen an.
6. Tauschen Sie den Akku nicht im Regen aus.
7. Vermeiden Sie Benetzen der Akkukontakte mit einer Flüssigkeit, wie z. B. Wasser, oder Untertauchen des Akkus. Lassen Sie den Akku nicht im Regen stehen, und unterlassen Sie Laden, Benutzen oder Lagern des Akkus an einem feuchten oder nassen Ort. Falls die Kontakte nass werden, oder eine Flüssigkeit in den Akku eindringt, kann der Akku kurzgeschlossen werden, und es besteht Überhitzungs-, Brand- oder Explosionsgefahr.
8. Nachdem Sie den Akku von der Maschine oder vom Ladegerät entfernt haben, bringen Sie unbedingt die Akkuabdeckung am Akku an, und lagern Sie ihn an einem trockenen Ort.
9. Tauschen Sie den Akku nicht mit nassen Händen aus.
10. Vermeiden Sie gefährliche Umgebungen. Benutzen Sie die Maschine nicht an feuchten oder nassen Orten, und setzen Sie sie auch keinem Regen aus. Wasser, das in die Maschine eindringt, erhöht die Stromschlaggefahr.
11. Falls der Akku nass wird, lassen Sie das eingedrungene Wasser ab, und wischen Sie ihn dann mit einem trockenen Tuch ab. Lassen Sie den Akku an einem trockenen Ort vollkommen trocknen, bevor Sie ihn benutzen.

DIESE ANWEISUNGEN AUFBEWAHREN.

⚠️ WARNUNG: Lassen Sie sich NICHT durch Bequemlichkeit oder Vertrautheit mit dem Produkt (durch wiederholten Gebrauch erworben) von der strikten Einhaltung der Sicherheitsregeln für das vorliegende Produkt abhalten. MISSBRAUCH oder Missachtung der Sicherheitsvorschriften in dieser Anleitung können schwere Verletzungen verursachen.

Wichtige Sicherheitsanweisungen für Akku

1. **Lesen Sie vor der Benutzung des Akkus alle Anweisungen und Warnhinweise, die an (1) Ladegerät, (2) Akku und (3) Akkuwerkzeug angebracht sind.**
2. **Unterlassen Sie Zerlegen oder Manipulieren des Akkus.** Es kann sonst zu einem Brand, übermäßiger Hitzeentwicklung oder einer Explosion kommen.
3. **Falls die Betriebszeit beträchtlich kürzer geworden ist, stellen Sie den Betrieb sofort ein.** Andernfalls besteht die Gefahr von Überhitzung, möglichen Verbrennungen und sogar einer Explosion.
4. **Falls Elektrolyt in Ihre Augen gelangt, waschen Sie sie mit sauberem Wasser aus, und begeben Sie sich unverzüglich in ärztliche Behandlung.** Andernfalls können Sie Ihre Sehkraft verlieren.
5. **Der Akku darf nicht kurzgeschlossen werden:**
 - (1) **Die Kontakte dürfen nicht mit leitfähigem Material berührt werden.**
 - (2) **Lagern Sie den Akku nicht in einem Behälter zusammen mit anderen Metallgegenständen, wie z. B. Nägel, Münzen usw.**
 - (3) **Setzen Sie den Akku weder Wasser noch Regen aus.**

Ein Kurzschluss des Akkus verursacht starken Stromfluss, der Überhitzung, mögliche Verbrennungen und einen Defekt zur Folge haben kann.

6. **Lagern und benutzen Sie das Werkzeug und den Akku nicht an Orten, an denen die Temperatur 50 °C erreichen oder überschreiten kann.**
7. **Versuchen Sie niemals, den Akku zu verbrennen, selbst wenn er stark beschädigt oder vollkommen verbraucht ist. Der Akku kann im Feuer explodieren.**
8. **Unterlassen Sie Nageln, Schneiden, Zerquetschen, Werfen, Fallenlassen des Akkus oder Schlagen des Akkus mit einem harten Gegenstand.** Eine solche Handlung kann zu einem Brand, übermäßiger Hitzeentwicklung oder einer Explosion führen.
9. **Benutzen Sie keine beschädigten Akkus.**
10. **Die enthaltenen Lithium-Ionen-Akkus unterliegen den Anforderungen der Gefahrengut-Gesetzgebung.**

Für kommerzielle Transporte, z. B. durch Dritte oder Spediteure, müssen besondere Anforderungen zu Verpackung und Etikettierung beachtet werden. Zur Vorbereitung des zu transportierenden Artikels ist eine Beratung durch einen Experten für Gefahrengut erforderlich. Bitte beachten Sie möglicherweise ausführlichere nationale Vorschriften. Überkleben oder verdecken Sie offene Kontakte, und verpacken Sie den Akku so, dass er sich in der Verpackung nicht umher bewegen kann.
11. **Entfernen Sie den Akku zum Entsorgen vom Werkzeug, und entsorgen Sie ihn an einem sicheren Ort. Befolgen Sie die örtlichen Vorschriften bezüglich der Entsorgung von Akkus.**

12. **Verwenden Sie die Akkus nur mit den von Makita angegebenen Produkten.** Das Einsetzen der Akkus in nicht konforme Produkte kann zu einem Brand, übermäßiger Hitzebildung, einer Explosion oder Auslaufen von Elektrolyt führen.
13. **Soll das Werkzeug längere Zeit nicht benutzt werden, muss der Akku vom Werkzeug entfernt werden.**
14. **Bei und nach dem Gebrauch kann der Akku heiß werden, was Verbrennungen oder Niedertemperaturverbrennungen verursachen kann.** Beachten Sie die Handhabung von heißen Akkus.
15. **Berühren Sie nicht den Anschlusskontakt des Werkzeugs unmittelbar nach dem Gebrauch, da er heiß genug werden kann, um Verbrennungen zu verursachen.**
16. **Achten Sie darauf, dass sich keine Späne, Staub oder Schmutz in den Anschlusskontakten, Löchern und Nuten des Akkus absetzen.** Es könnte sonst zu Erhitzung, Brandauslösung, Bersten und Funktionsstörungen des Werkzeugs oder des Akkus kommen, was zu Verbrennungen oder Personenschäden führen kann.
17. **Wenn das Werkzeug den Einsatz in der Nähe einer Hochspannungs-Stromleitung nicht unterstützt, benutzen Sie den Akku nicht in der Nähe einer Hochspannungs-Stromleitung.** Dies kann zu einer Funktionsstörung oder Betriebsstörung des Werkzeugs oder des Akkus führen.
18. **Halten Sie die Batterie von Kindern fern.**

DIESE ANWEISUNGEN AUFBEWAHREN.

⚠ VORSICHT: Verwenden Sie nur Original-Makita-Akkus. Die Verwendung von Nicht-Original-Makita-Akkus oder von Akkus, die abgeändert worden sind, kann zum Bersten des Akkus und daraus resultierenden Bränden, Personenschäden und Beschädigung führen. Außerdem wird dadurch die Makita-Garantie für das Makita-Werkzeug und -Ladegerät ungültig.

Hinweise zur Aufrechterhaltung der maximalen Akku-Nutzungsdauer

1. **Laden Sie den Akku, bevor er vollkommen erschöpft ist. Schalten Sie das Werkzeug stets aus, und laden Sie den Akku, wenn Sie ein Nachlassen der Werkzeugleistung feststellen.**
2. **Unterlassen Sie erneutes Laden eines voll aufgeladenen Akkus. Überladen führt zu einer Verkürzung der Nutzungsdauer des Akkus.**
3. **Laden Sie den Akku bei Raumtemperatur zwischen 10 – 40 °C. Lassen Sie einen heißen Akku abkühlen, bevor Sie ihn laden.**
4. **Wenn Sie den Akku nicht benutzen, nehmen Sie ihn vom Werkzeug oder Ladegerät ab.**
5. **Der Akku muss geladen werden, wenn er lange Zeit (länger als sechs Monate) nicht benutzt wird.**

BEZEICHNUNG DER TEILE

Bei montiertem Kübel

► Abb.1

1	Kippschalter	2	Bedienfeld	3	Signalknopf	4	Auslöseschalter
5	Rückleuchte	6	Handgriff	7	Akkukasten	8	Bremshebel
9	Hinterrad	10	Hinterradsperre	11	Verriegelungshebel	12	Kippeinheit
13	Vorderrad	14	Frontlampe	15	Kübel	-	-

Bei montiertem Träger

► Abb.2

1	Kippschalter	2	Bedienfeld	3	Signalknopf	4	Auslöseschalter
5	Rückleuchte	6	Handgriff	7	Akkukasten	8	Bremshebel
9	Hinterrad	10	Hinterradsperre	11	Verriegelungshebel	12	Vorderrad
13	Frontlampe	14	Träger	-	-	-	-

MONTAGE

⚠ VORSICHT: Vergewissern Sie sich vor der Ausführung von Arbeiten an der Maschine stets, dass die Maschine ausgeschaltet ist und die Akkus abgenommen sind.

Verriegeln Sie unbedingt den Bremshebel, bevor Sie den Träger oder Kübel montieren oder demontieren. Um den Bremshebel zu verriegeln, ziehen Sie den Bremshebel und halten ihn fest; ziehen Sie dann den Verriegelungshebel, und lassen Sie den Bremshebel los, während Sie den Verriegelungshebel ziehen.

► **Abb.3:** 1. Bremshebel 2. Verriegelungshebel

Montieren und Demontieren des Kübels

Montieren des Kübels

1. Nehmen Sie den Kübel, die Streben und das Frontrohr aus dem Karton.

► **Abb.4:** 1. Kübel 2. Strebe 3. Frontrohr

2. Führen Sie das Frontrohr zwischen dem oberen Rahmen und dem unteren Rahmen der Kippeinheit ein.

► **Abb.5:** 1. Frontrohr

3. Setzen Sie die Strebe auf die Kippeinheit, und ziehen Sie dann die Schrauben mit dem Frontrohr provisorisch zusammen an. Montieren Sie die andere Strebe auf dieselbe Weise an der Kippeinheit.

► **Abb.6:** 1. Strebe 2. Schraube

4. Setzen Sie den Kübel auf das Frontrohr und die linke und rechte Strebe.

Setzen Sie die Gummischeibe auf das Loch des Kübels, und führen Sie die Schraube von oben ein. Bringen Sie die Unterlegscheibe und die Federscheibe der Reihe nach an der Schraube an, und ziehen Sie dann die Mutter von unten an. Ziehen Sie die übrigen Schrauben und Mutttern auf die gleiche Weise an.

► **Abb.7:** 1. Schraube 2. Gummischeibe
3. Unterlegscheibe 4. Federscheibe 5. Mutter

5. Ziehen Sie die in Schritt 3 provisorisch angezogenen 4 Schrauben sicher fest.

Demontieren des Kübels

Um den Kübel zu demontieren, führen Sie das Montageverfahren in umgekehrter Reihenfolge durch.

Montieren und Demontieren des Trägers

Sonderzubehör

Montieren des Trägers

1. Nehmen Sie den Träger aus dem Karton, und befestigen Sie die Seitenholme und den Frontholm am Basisrahmen.

► **Abb.8**

2. Ziehen Sie 6 Rändelmuttern zusammen mit Federn und Unterlegscheiben an, um die Holme zu befestigen.

► **Abb.9:** 1. Rändelmutter 2. Feder 3. Unterlegscheibe

3. Setzen Sie den Träger auf die Kippeinheit.

Führen Sie die Schraube von oben ein. Bringen Sie die Unterlegscheibe und die Federscheibe der Reihe nach an der Schraube an, und ziehen Sie die übrigen Schrauben und Mutttern auf die gleiche Weise an.

► **Abb.10:** 1. Schraube 2. Unterlegscheibe
3. Federscheibe 4. Mutter

Demontieren des Trägers

Um den Träger zu demontieren, führen Sie das Montageverfahren in umgekehrter Reihenfolge durch.

FUNKTIONSBESCHREIBUNG

⚠ VORSICHT: Vergewissern Sie sich vor der Durchführung von Einstellungen oder Funktionsprüfungen der Maschine stets, dass die Maschine ausgeschaltet und der Akku abgenommen ist.

Anbringen und Abnehmen des Akkus

⚠ VORSICHT: Schalten Sie die Maschine immer aus und verriegeln Sie den Bremshebel, bevor Sie den Akku installieren oder entfernen.

⚠ VORSICHT: Schieben Sie den Akku stets bis zum Anschlag ein, bis die rote Anzeige nicht mehr sichtbar ist. Anderenfalls kann er versehentlich aus der Maschine herausfallen und Sie oder umstehende Personen verletzen.

⚠ VORSICHT: Unterlassen Sie Gewaltanwendung beim Anbringen der Akkus. Falls die Akkus nicht reibungslos hineingleiten, sind sie nicht richtig ausgerichtet.

⚠ VORSICHT: Verwenden Sie keinen Hochtemperatur-Akku. Wenn der Hochtemperatur-Akku verwendet wird, bleibt die Maschine automatisch stehen, bevor ein kurzer Signalton abgegeben wird, und kann eine Verletzung verursachen.

⚠ VORSICHT: Achten Sie beim Öffnen oder Schließen der Akkuabdeckung darauf, dass Sie sich nicht die Finger klemmen.

ANMERKUNG: Verriegeln Sie unbedingt die Akkuabdeckung vor Gebrauch. Anderenfalls können Schlamm, Schmutz oder Wasser eine Beschädigung des Produkts oder der Akkus verursachen.

Montieren der Akkus

1. Ziehen Sie den Verriegelungshebel hoch, und öffnen Sie dann die Abdeckung des Akkukastens.
▶ **Abb.11:** 1. Abdeckung 2. Verriegelungshebel
2. Richten Sie die Feder am Akku auf den Schlitz am Akkukasten aus, und schieben Sie dann den Akku hinein, bis er mit einem leisen Klicken einrastet.
▶ **Abb.12:** 1. Akku
3. Führen Sie den Sperrschlüssel bis zum Anschlag in die in der Abbildung gezeigte Stelle ein, und drehen Sie ihn im Uhrzeigersinn.
▶ **Abb.13:** 1. Sperrschlüssel

HINWEIS: Um den Sperrschlüssel zu drehen, führen Sie ihn vollständig ein.

4. Schließen Sie die Abdeckung des Akkukastens.
▶ **Abb.14:** 1. Abdeckung

Abnehmen des Akkus

1. Ziehen Sie den Verriegelungshebel hoch, und öffnen Sie dann die Abdeckung des Akkukastens.
2. Ziehen Sie die Akkus aus dem Akkukasten heraus, während Sie den Knopf an der Vorderseite des jeweiligen Akkus verschieben.
▶ **Abb.15:** 1. Knopf
3. Drehen Sie den Sperrschlüssel entgegen dem Uhrzeigersinn, und ziehen Sie ihn ab.
4. Schließen Sie die Abdeckung des Akkukastens.

Maschinen-/Akku-Schutzsystem

Die Maschine ist mit einem Maschinen-/Akku-Schutzsystem ausgestattet. Dieses System schaltet die Stromversorgung des Motors automatisch ab, um die Lebensdauer von Maschine und Akku zu verlängern. Die Maschine bleibt während des Betriebs automatisch stehen, wenn die Maschine oder der Akku einer der folgenden Bedingungen unterliegt. Ein kurzer oder langer Signalton wird abgegeben, bevor die Maschine automatisch stehen bleibt. Die Akku-Anzeigen und die Lampen auf dem Bedienfeld blinken, während ein Signalton ertönt.

HINWEIS: Um den Signalton abzuschalten, geben Sie den Auslöseschalter frei, und betätigen Sie den Bremshebel.

Überlastschutz

Wird die Maschine/der Akku auf eine Weise benutzt, die eine ungewöhnlich hohe Stromaufnahme bewirkt, bleibt die Maschine automatisch stehen, und die Hauptbetriebslampe blinkt in Grün. Schalten Sie in dieser Situation die Maschine aus, und brechen Sie die Anwendung ab, die eine Überlastung der Maschine verursacht hat, indem Sie z. B. die aufgeladenen Gegenstände verringern. Schalten Sie dann die Maschine wieder ein, um sie neu zu starten.

Überhitzungsschutz

Wenn die Maschine überhitzt wird, bleibt die Maschine automatisch stehen, und die Hauptbetriebslampe leuchtet in Rot auf. Lassen Sie die Maschine und den Akku in diesem Fall abkühlen, bevor Sie die Maschine wieder einschalten.

Überentladungsschutz

Wenn die Akkukapazität nicht mehr ausreicht, blinken die Hauptbetriebslampe und die entsprechende Akku-Anzeige in Rot. Tauschen Sie in diesem Fall die Akkus aus, oder ersetzen Sie sie durch vollständig aufgeladene Akkus, oder nehmen Sie die Akkus aus der Maschine und laden Sie sie auf.

HINWEIS: Die Hauptbetriebslampe blinkt in Rot, wenn der Akku überhitzt ist.

Schutz gegen andere Ursachen

ANMERKUNG: Die Hauptbetriebslampe blinkt abwechselnd in Grün und Rot, wenn eine Störung in der Maschine auftritt. Konsultieren Sie in diesem Fall den Abschnitt zur Fehlersuche.

Das Schutzsystem ist auch für andere Ursachen ausgelegt, die eine Beschädigung der Maschine bewirken könnten, und ermöglicht automatisches Anhalten der Maschine. Führen Sie alle folgenden Schritte aus, um die Ursachen zu beseitigen, wenn die Maschine zu einem vorübergehenden Stillstand oder Betriebsstopp gekommen ist.

1. Schalten Sie die Maschine aus und wieder ein, um sie neu zu starten.
2. Laden Sie den/die Akku(s) auf, oder tauschen Sie ihn/sie gegen einen aufgeladenen Akku/aufgeladene Akkus aus.
3. Lassen Sie die Maschine und den/die Akku(s) abkühlen.

ANMERKUNG: Falls keine Besserung eintritt oder die Maschine aufgrund einer anderen als der oben beschriebenen Ursache stehen bleibt, konsultieren Sie den Abschnitt zur Fehlersuche.

Anzeigen der Akku-Restkapazität

⚠ VORSICHT: Halten Sie unbedingt die Maschine an, bevor Sie die Akku-Restkapazität überprüfen oder den Akku umschalten.

⚠ VORSICHT: Wenn die Akkukapazität niedrig wird, wird ein kurzer Signalton abgegeben. Verriegeln Sie in diesem Fall den Bremshebel, und tauschen Sie dann die Akkus gegen geladene aus, oder laden Sie die Akkus auf. Falls Sie den Betrieb der Maschine bei geringer Akkukapazität fortsetzen und die verbleibende Akkukapazität zur Neige geht, ertönt ein langer Signalton, und die Maschine schaltet sich automatisch ab, was einen Unfall oder eine Verletzung verursachen kann.









⚠ VORSICHT: Falls der Signalton während des Betriebs an Hängen ertönt, bringen Sie die Maschine an einen sicheren Ort, verriegeln Sie den Bremshebel, und tauschen Sie dann die Akkus gegen geladene aus, oder laden Sie die Akkus auf.

⚠ VORSICHT: Falls die Last groß ist und der Signalton während des Betriebs an Hängen ertönt, verriegeln Sie den Bremshebel, achten Sie auf die Sicherheit und tauschen Sie die Akkus gegen geladene aus. Bringen Sie die Maschine an einen sicheren Ort, und verriegeln Sie den Bremshebel. Verringern Sie die Last, bevor Sie die Maschine wieder in Betrieb nehmen. Einzelheiten finden Sie im Abschnitt zur Fehlersuche.

Überprüfen des Akkustands am Akkukasten

► **Abb.16:** 1. Akku-Anzeige 2. Prüftaste

Drücken Sie die Prüftaste, um die Akku-Restkapazität anzuzeigen. Jedem Akku sind eigene Akku-Anzeigen zugeordnet.

Status der Akku-Anzeige			Akku-Restkapazität
 Ein	 Blinken	 Aus	
			50% - 100%
			20% - 50%
			0% - 20%
			Leer
			Kein Akku eingesetzt

HINWEIS: Wenn Sie trotz Abgabe des kurzen Signaltons den Auslöseschalter weiter betätigen, bleibt die Maschine automatisch stehen. Der Signalton ertönt nach dem automatischen Maschinenstopp weiter, und die Hilfsbremse wird aktiviert. Um den Signalton abzuschalten und die Hilfsbremse zu lösen, lassen Sie den Auslöseschalter los, und betätigen Sie den Bremshebel. Schieben Sie die Maschine nicht gewaltsam, ohne die Hilfsbremse zu lösen.

HINWEIS: Sie können die Akku-Restkapazität überprüfen, selbst wenn der Sperrschlüssel nicht eingesteckt ist.

















HINWEIS: Die Akku-Anzeigen für die Akku-Restkapazität dienen lediglich als Referenz. Die tatsächliche Akkukapazität kann abhängig von den Benutzungsbedingungen abweichen.

Überprüfen des Akkustands am Akku

Nur für Akkus mit Anzeige

Drücken Sie die Prüftaste am Akku, um die Akku-Restkapazität anzuzeigen. Die Anzeigelampen leuchten wenige Sekunden lang auf.

► **Abb.17:** 1. Anzeigelampen 2. Prüftaste

Anzeigelampen			Restkapazität
Erleuchtet	Aus	Blinkend	
			
			75% bis 100%
			50% bis 75%
			25% bis 50%
			0% bis 25%
			Den Akku aufladen.
			Möglicherweise liegt eine Funktionsstörung im Akku vor.
			

HINWEIS: Abhängig von den Benutzungsbedingungen und der Umgebungstemperatur kann die Anzeige geringfügig von der tatsächlichen Kapazität abweichen.

HINWEIS: Die erste (äußerste linke) Anzeigelampe blinkt, wenn das Akku-Schutzsystem aktiv ist.

Umschalten des Akkus

► **Abb.18:** 1. Akku-Wahlschalter

Die Maschine verwendet jeweils 2 Akkus für den Betrieb. Bis zu 4 Akkus können in die Maschine eingesetzt werden. Wählen Sie vor der Inbetriebnahme der Maschine den für den Betrieb zu benutzenden Akku durch Drehen des Akku-Wahlschalters aus.

ANMERKUNG: Falls sich der Akku in folgendem Zustand befindet, funktioniert die Maschine nicht, auch wenn Sie den Akku mit dem Akku-Wahlschalter wechseln.

- Die Restkapazität von mindestens einem der Akkus ist aufgebraucht.
- Mindestens einer der Akkus ist überhitzt.

Entfernen Sie in diesem Fall den leeren oder überhitzten Akku, oder ersetzen Sie den Akku durch einen geladenen Akku.

HINWEIS: Falls nur 2 Akkus in der Maschine installiert sind, stellen Sie sicher, dass Sie die installierten Akkus mit dem Akku-Wahlschalter auswählen.

Bedienfeld

⚠ VORSICHT: Verriegeln Sie stets den Bremshebel, und schalten Sie die Maschine aus, wenn Sie sie nicht benutzen.

Ein-Aus-Taste

► **Abb.19:** 1. Hauptbetriebslampe 2. Ein-Aus-Taste

Um die Maschine einzuschalten, verriegeln Sie den Bremshebel, und drücken Sie dann die Ein-Aus-Taste, ohne den Auslöseschalter zu ziehen. Die Hauptbetriebslampe leuchtet in Grün auf. Um die Maschine auszuschalten, lassen Sie den Auslöseschalter los, verriegeln Sie den Bremshebel, und drücken Sie dann die Ein-Aus-Taste.

HINWEIS: Ein elektrischer Test wird bei der ersten Fahrt der Maschine durchgeführt, nachdem die Maschine eingeschaltet wurde. Falls ein Problem erkannt wird, blinkt die Hauptbetriebslampe abwechselnd in Rot und Grün. Konsultieren Sie in diesem Fall den Abschnitt zur Fehlersuche.

HINWEIS: Falls die Hauptbetriebslampe in Rot leuchtet oder in Rot oder Grün blinkt, konsultieren Sie die Anweisungen zum Maschinen-/Akku-Schutzsystem oder den Abschnitt zur Fehlersuche.

HINWEIS: Diese Maschine verwendet die Abschaltautomatik. Um unbeabsichtigtes Starten zu vermeiden, schaltet sich die Maschine automatisch ab, wenn sie angehalten und eine bestimmte Zeit lang nicht bedient wird, nachdem die Maschine eingeschaltet wurde.

HINWEIS: Falls Sie die Ein-Aus-Taste drücken, während Sie den Auslöseschalter betätigen, schaltet sich die Maschine nicht ein. Lassen Sie den Auslöseschalter los, und drücken Sie dann die Ein-Aus-Taste.

Vorwärts-/Rückwärts- und Geschwindigkeitstaste

► **Abb.20:** 1. Vorwärts-/Rückwärtstaste
2. Drehzahlanzeige
3. Geschwindigkeitstaste

Drücken Sie die Vorwärts-/Rückwärtstaste, um zwischen dem Vorwärtsmodus und dem Rückwärtsmodus umzuschalten. Drücken Sie die Geschwindigkeitstaste, um zwischen niedriger, mittlerer und hoher Geschwindigkeit umzuschalten. Beim Einschalten der Stromversorgung werden Vorwärtsmodus und niedrige Geschwindigkeit eingestellt.

HINWEIS: Die Vorwärts-/Rückwärtstaste ist nicht verfügbar, während der Auslöseschalter betätigt wird.

HINWEIS: Ein kurzer Signalton ertönt, wenn die Maschine rückwärts betrieben wird.

HINWEIS: Die Geschwindigkeitstaste ist bei Rückwärtsbetrieb der Maschine nicht verfügbar.

HINWEIS: Wenn die Maschine ein Problem erkennt, blinken die Drehzahlanzeigen abwechselnd. Konsultieren Sie in diesem Fall den Abschnitt zur Fehlersuche.

Signalknopf

Wenn Sie den Signalknopf drücken, ertönt ein Signalton.

► **Abb.21:** 1. Signalknopf

HINWEIS: Der Signalknopf ist bei eingeschalteter Maschine verfügbar.

HINWEIS: Der Signalknopf ist auch dann verfügbar, wenn der Sperrschlüssel nicht in den Akkukasten eingeführt ist.

Einschalten der Lampen

Drücken Sie die Lampentaste am Akkukasten, um die Frontlampen und die Rückleuchte einzuschalten. Zum Ausschalten der Lampen drücken Sie die Lampentaste erneut.

► **Abb.22:** 1. Lampentaste 2. Frontlampe

► **Abb.23:** 1. Rückleuchte

HINWEIS: Die Lampen erlöschen, wenn die Maschine eine gewisse Zeit lang nicht betrieben wird.

HINWEIS: Die Lampen erlöschen, wenn die Stromversorgung ausgeschaltet wird.

HINWEIS: Sie können die Lampen einschalten, selbst wenn der Sperrschlüssel nicht eingesteckt ist.

Auslöseschalter und Bremshebel

⚠ VORSICHT: Vergewissern Sie sich vor dem Anbringen des Akkus an der Maschine stets, dass der Auslöseschalter ordnungsgemäß funktioniert und beim Loslassen in die AUS-Stellung zurückkehrt.

Zum Starten der Maschine betätigen Sie den Auslöseschalter. Mit Hilfe des Auslöseschalters kann die Geschwindigkeit innerhalb des eingestellten Geschwindigkeitsbereichs angepasst werden. Zum Stoppen der Maschine lassen Sie den Auslöseschalter los und betätigen den Bremshebel.

Um den Bremshebel zu verriegeln, ziehen Sie den Bremshebel und halten Sie ihn fest, ziehen Sie dann den Verriegelungshebel, und lassen Sie dann den Bremshebel los, während Sie den Verriegelungshebel ziehen. Zum Lösen der Verriegelung betätigen Sie den Bremshebel.

► **Abb.24:** 1. Auslöseschalter

► **Abb.25:** 1. Bremshebel 2. Verriegelungshebel

Kippschalter

⚠ VORSICHT: Halten Sie unbedingt den Bremshebel fest, während Sie den Kippschalter betätigen.

⚠ VORSICHT: Vergewissern Sie sich, dass die Akku-Restkapazität nicht zu niedrig ist, bevor Sie den Kippschalter betätigen. Wenn die Akkukapazität zu niedrig ist, verriegeln Sie den Bremshebel, und schalten Sie dann die Akkus auf die geladenen um, oder tauschen Sie die Akkus gegen geladene aus.

► **Abb.26:** 1. Kippschalter

Sie können den Kübel oder Träger mit dem Kippschalter kippen. Um den Kübel oder Träger vorwärts zu kippen, drücken Sie auf die Oberseite des Kippschalters, während Sie den Bremshebel festhalten. Um den Kübel oder Träger in seine Ausgangsposition zurückzustellen, drücken Sie auf die Unterseite des Kippschalters, während Sie den Bremshebel festhalten.

HINWEIS: Während sich der Kübel oder Träger in Bewegung befindet, ertönt ein Signalton.

Einstellen der Breite des Trägers

ANMERKUNG: Vergewissern Sie sich, dass die Seitenholme und der Frontholm sicher befestigt sind, nachdem Sie die Rändelmuttern angezogen haben.

Lösen Sie die 6 Rändelmuttern, und verschieben Sie dann die Seitenholme und den Frontholm. Ziehen Sie die Rändelmuttern an, um die Seitenholme und den Frontholm zu befestigen.

► **Abb.27:** 1. Rändelmutter 2. Holm

⚠ VORSICHT: Verschieben Sie die Holme nicht über die Grenzmarkierung hinaus.

► **Abb.28**

Einstellen der Handgriffhöhe

ANMERKUNG: Fixieren Sie den linken und rechten Handgriff auf der gleichen Höhe.

Die Höhe des Handgriffs kann in 7 Stufen eingestellt werden. Um die Höhe des Handgriffs einzustellen, lösen Sie 2 Knöpfe, stellen Sie dann die Höhe des Handgriffs ein, indem Sie das Loch am Handgriff auf den Vorsprung am hinteren Rahmen ausrichten, und ziehen Sie dann 2 Knöpfe sicher an. Stellen Sie die Höhe des anderen Handgriffs auf die gleiche Weise ein.

► **Abb.29:** 1. Knopf

Hinterradsperr

Sie können die Richtung der Hinterräder mit Hilfe der Hinterradsperr fixieren.

1. Bewegen Sie die Maschine leicht vorwärts, so dass die Hinterräder in die in der Abbildung gezeigte Richtung zeigen.

► **Abb.30:** 1. Hinterrad

2. Drehen Sie die Hinterradsperr nach hinten.

► **Abb.31:** 1. Hinterradsperr

3. Verriegeln Sie das andere Hinterrad auf dieselbe Weise.

4. Bewegen Sie das Hinterrad leicht hin und her oder nach links und rechts, um sicherzustellen, dass es verriegelt ist.

Um die Hinterradsperr zu lösen, drehen Sie die Hinterradsperr um 90°, wie in der Abbildung gezeigt.

► **Abb.32:** 1. Hinterradsperr

HINWEIS: Die Hinterräder können, wie in der Abbildung gezeigt, in 4 verschiedenen Richtungen befestigt werden.

► **Abb.33**

Verwendung der Wasserwaage

Mit Hilfe der Wasserwaage können Sie überprüfen, ob der Boden eben ist.

► **Abb.34:** 1. Wasserwaage

BETRIEB

⚠ VORSICHT: Verriegeln Sie vor dem Auf- oder Abladen von Gegenständen unbedingt den Bremshebel.

Betreiben der Maschine

ANMERKUNG: Führen Sie vor dem Betrieb unbedingt den Sperrschlüssel ein. Wird der Sperrschlüssel nicht eingesteckt, ertönt ein Signalton beim Betätigen des Auslöseschalters. Der Signalton verstummt bei Loslassen des Auslöseschalters und Betätigen des Bremshebels.

ANMERKUNG: Führen Sie vor dem Betrieb der Maschine die im Abschnitt für die Wartung beschriebene Inspektion durch.

1. Vergewissern Sie sich, dass der Bremshebel verriegelt ist. Installieren Sie die Akkus, führen Sie den Sperrschlüssel ein, und drehen Sie ihn im Uhrzeigersinn.
2. Wählen Sie die Akkus mit dem Akku-Wahlschalter aus.
3. Drücken Sie die Ein-Aus-Taste am Bedienfeld, um die Stromversorgung einzuschalten.
▶ **Abb.35:** 1. Ein-Aus-Taste
4. Betätigen Sie den Bremshebel, um die Verriegelung des Bremshebels zu lösen.
▶ **Abb.36:** 1. Bremshebel
5. Halten Sie die Handgriffe mit beiden Händen fest.
▶ **Abb.37**
6. Betätigen Sie den Auslöseschalter.
▶ **Abb.38:** 1. Auslöseschalter

Einladen von Gegenständen

⚠ VORSICHT: Bevor Sie Gegenstände auf die Maschine laden, vergewissern Sie sich, dass die Maschine ausgeschaltet und der Bremshebel verriegelt ist.

⚠ VORSICHT: Vergewissern Sie sich, dass die Kippeinheit verriegelt ist, bevor Sie Gegenstände auf die Maschine laden.

⚠ VORSICHT: Laden Sie Gegenstände unbedingt nur innerhalb des Trägers oder Kübels ein. Falls Gegenstände aus dem Träger oder Kübel herausragen, können sie bei Berührung von Hindernissen herunterfallen oder zusammenbrechen.

▶ **Abb.39**

⚠ VORSICHT: Laden Sie Gegenstände unbedingt so, dass sie unterhalb der Augenhöhe sind. Falls die Beladung zu hoch ist, kann es zu einer gefährlichen Beeinträchtigung der Sicht kommen. Außerdem besteht die Gefahr von Umkippen und Verletzungen, weil die Wahrscheinlichkeit eines Ungleichgewichts der Last groß ist.

▶ **Abb.40**

⚠ VORSICHT: Laden Sie die Gegenstände nicht über die Höhe des Kübels hinaus. Das Beladen mit Gegenständen, die über die Höhe des Kübels hinausgehen, kann das Herabfallen oder Zusammenbrechen der Ladung verursachen.

Wenn Sie Gegenstände auf den Träger laden, sichern Sie die Gegenstände mit Seilen, und zurren Sie sie an den Seilhaken des Trägers fest.

▶ **Abb.41:** 1. Seilhaken

Abladen von Gegenständen

⚠ VORSICHT: Achten Sie beim Anheben oder Zurücksetzen des Trägers oder Kübels darauf, keinesfalls ein Körperteil zwischen die Kippeinheit und den Träger oder den Kübel oder unter die Kippeinheit einzuführen oder zu legen. Anderenfalls können Verletzungen oder Verbrennungen verursacht werden.

⚠ VORSICHT: Nachdem Sie die Ladung abgeladen haben, verriegeln Sie unbedingt die Kippeinheit, indem Sie sie in ihre Ausgangsposition zurückstellen.

⚠ VORSICHT: Verriegeln Sie unbedingt den Bremshebel, bevor Sie den Träger oder Kübel von Hand anheben.

⚠ VORSICHT: Heben Sie den Träger oder Kübel auf ebenem und stabilem Boden an. Betrieb auf instabilem Boden kann einen Unfall oder Verletzungen verursachen.

⚠ VORSICHT: Halten Sie die Last auf einem Minimum. Falls die Last groß ist, versuchen Sie nicht, den Träger oder Kübel anzuheben. Verringern Sie die Last, und heben Sie dann den Träger oder Kübel an.

⚠ VORSICHT: Falls die Last mit Seilen oder anderen Mitteln befestigt ist, binden Sie die Last los, bevor Sie die Kippeinheit anheben.

⚠ VORSICHT: Vergewissern Sie sich vor dem Anheben des Trägers oder des Kübels, dass sich keine Personen oder Hindernisse im Umfeld der Maschine befinden.

Sie können die Gegenstände abladen, indem Sie den Träger oder Kübel anheben und kippen.

1. Halten Sie die Maschine an.
2. Kippen Sie den Kübel oder Träger vorwärts, indem Sie auf die Oberseite des Kipperschalters drücken, während Sie den Bremshebel festhalten.
▶ **Abb.42:** 1. Kippshalter

3. Um Gegenstände, die im Kübel oder Träger zurückgeblieben sind, von Hand abzuladen, führen Sie die folgenden Schritte aus.

- Verriegeln Sie den Bremshebel, und stellen Sie sich dann neben der Maschine auf.
- Drehen Sie den Verriegelungshebel der Kippeinheit zur Vorderseite der Maschine, um die Kippeinheit zu entriegeln.
- Halten Sie den Handgriff der Kippeinheit, und kippen Sie dann den Kübel oder Träger vorwärts, um die Gegenstände abzuladen.

- Stellen Sie den Kübel oder Träger an die Kippeinheit zurück.
- **Abb.43:** 1. Verriegelungshebel 2. Kippeinheit

⚠ VORSICHT: Halten Sie den Handgriff der Kippeinheit mit festem Griff, und nehmen Sie eine stabilen Haltung ein.

ANMERKUNG: Es wird empfohlen, die Vorderräder zu blockieren, um die Maschine zu stabilisieren.

4. Stellen Sie den Kübel oder Träger in seine Ausgangsposition zurück, indem Sie auf die Unterseite des Kippschalters drücken, während Sie den Bremshebel festhalten.

ANMERKUNG: Achten Sie nach dem Abladen von Gegenständen darauf, den Kübel oder Träger in seine Ausgangsposition zurückzustellen. Wenn der Kübel oder Träger nicht vollständig zurückgestellt und verriegelt wird, ist die Fahrgeschwindigkeit der Maschine auf maximal 0,8 km/h begrenzt.

WARTUNG

⚠ VORSICHT: Parken Sie die Maschine stets auf ebenem Boden, und verriegeln Sie den Bremshebel, bevor Sie die Maschine lagern oder sich anschicken, Inspektions- oder Wartungsarbeiten durchzuführen.

⚠ VORSICHT: Vergewissern Sie sich stets, dass der Sperrschlüssel und die Akkus von der Maschine entfernt worden sind, bevor Sie die Maschine lagern, überprüfen oder warten.

⚠ VORSICHT: Ziehen Sie stets den Sperrschlüssel ab, wenn Sie die Maschine nicht benutzen. Bewahren Sie den Sperrschlüssel an einem sicheren Ort außer Reichweite von Kindern auf.

Um die SICHERHEIT und ZUVERLÄSSIGKEIT dieses Produkts zu gewährleisten, sollten Reparaturen und andere Wartungs- oder Einstellarbeiten nur von Makita-Vertragswerkstätten oder Makita-Kundendienstzentren unter ausschließlicher Verwendung von Makita-Originalersatzteilen ausgeführt werden.

Inspektion vor dem Betrieb

Führen Sie vor dem Betreiben der Maschine die folgenden Kontrollen durch.

- Überprüfen Sie, ob die Schrauben, Muttern und Knöpfe fest angezogen sind.
- **Abb.44**
- Überprüfen Sie, ob die Bremse ordnungsgemäß funktioniert. Falls Sie das Gefühl haben, dass die Bremse nicht ausreichend funktioniert, führen Sie eine Reinigung der Bremse durch. Falls keine Besserung eintritt, wenden Sie sich zur Reparatur an ein autorisiertes Makita-Servicecenter.

- Überprüfen Sie, ob die Kippeinheit verriegelt ist, wenn der Handgriff der Kippeinheit vollständig nach unten gezogen ist.

► **Abb.45:** 1. Handgriff

- Stellen Sie sicher, dass die Reifen der Vorder- und Hinterräder nicht beschädigt sind, und dass die Luft in den Reifen ausreichend ist.
- Überprüfen Sie, ob die Frontlampen und die Rückleuchte sauber sind. Reinigen Sie sie gegebenenfalls.
- Überprüfen Sie, ob sich die Abstreifer in der korrekten Position befinden. Falls der Abstreifer nach oben gerichtet ist, stellen Sie die Ausrichtung des Abstreifers durch Lösen der Schrauben ein. Schieben Sie den Abstreifer beim Anziehen der Schrauben nicht in Richtung der Vorderseite der Maschine.

► **Abb.46:** 1. Abstreifer

Reinigen der Maschine

ANMERKUNG: Verwenden Sie auf keinen Fall Benzin, Waschbenzin, Verdünnern, Alkohol oder dergleichen. Solche Mittel können Verfärbung, Verformung oder Rissbildung verursachen.

ANMERKUNG: Verwenden Sie keinen Hochdruckreiniger zum Reinigen.

ANMERKUNG: Schließen Sie unbedingt die Abdeckung des Akkukastens, bevor Sie die Maschine reinigen. Anderenfalls kann Wasser in den Akkukasten eindringen und eine Fehlfunktion der Maschine verursachen.

Entfernen Sie Schlamm, Schmutz und dergleichen von der Maschine. Reinigen Sie die Maschine mit fließendem Wasser. Wischen Sie die Maschine nach dem Reinigen mit einem trockenen Lappen ab.

Lagerung

Verriegeln Sie den Bremshebel, und entfernen Sie die Akkus und den Sperrschlüssel. Bewahren Sie die Maschine an einem sicheren Ort außer Reichweite von Kindern auf.

Aufpumpen des Reifens mit Luft

Stellen Sie sicher, dass die Reifen der Vorder- und Hinterräder mit Luft aufgepumpt sind. Falls der Luftdruck des Reifens unzureichend ist, pumpen Sie den Reifen mit Hilfe einer Luftpumpe wieder auf. Der Luftdruck ist wie folgt:

- Reifen für Vorderrad: 280 kPa (40 PSI)
- Reifen für Hinterrad: 525 kPa (75 PSI)

Vorderrad

► **Abb.47**

Hinterrad

► **Abb.48**

Reifenwechsel

⚠ VORSICHT: Bevor Sie die Reifen wechseln, müssen Sie alle Gegenstände von der Maschine abladen.

⚠ VORSICHT: Tragen Sie Handschuhe beim Wechseln der Reifen.

Wechseln der Vorderradreifen

HINWEIS: Montieren Sie den grauen Reifen so, dass das Ventil nach außen zeigt.

► Abb.49

Wechseln der Hinterradreifen

► Abb.50

► Abb.51

FEHLERSUCHE

Bevor Sie den Reparaturdienst anrufen, führen Sie zunächst Ihre eigene Inspektion durch. Falls Sie ein Problem finden, das nicht in der Anleitung erläutert wird, zerlegen Sie nicht die Maschine. Wenden Sie sich stattdessen an ein autorisiertes Makita-Servicecenter, und achten Sie darauf, dass stets Makita-Ersatzteile für Reparaturen verwendet werden.

Zustand der Unregelmäßigkeit	Hauptbetriebslampe	Ursache	Abhilfemaßnahme
Die Maschine lässt sich nicht einschalten.	Ausgeschaltet.	Es sind nicht beide Akkus eingesetzt.	Setzen Sie zwei geladene Akkus ein.
		Akkustörung (Unterspannung)	Laden Sie die Akkus auf. Falls Laden nichts nützt, tauschen Sie die Akkus aus.
		Der Akku-Wahlschalter steht nicht in der korrekten Position.	Wählen Sie den korrekten Akku mit dem Akku-Wahlschalter aus.
Die Maschine lässt sich nicht starten.	Die Lampe blinkt in Rot.	Der Ladestand der Akkus ist niedrig.	Laden Sie die Akkus auf. Falls Laden nichts nützt, tauschen Sie die Akkus aus.
		Mindestens einer der Akkus ist leer.	Entfernen Sie den leeren Akku, oder ersetzen Sie ihn durch einen geladenen. In diesem Fall blinkt die äußerste linke Lampe der Akku-Anzeige des entsprechenden Akkus.
	Die Lampe blinkt in Grün.	Der Sperrschlüssel ist nicht eingesteckt.	Führen Sie den Sperrschlüssel ein, und drehen Sie ihn im Uhrzeigersinn.
		Die Maschine ist wegen Überlastung stehen geblieben.	Verringern Sie die geladenen Gegenstände.
	Die Vorder- oder Hinterräder sind blockiert oder verriegelt.		Beseitigen Sie die Ursache für blockierte oder verriegelte Räder.
		Die Lampe leuchtet in Rot auf.	Die Maschine ist wegen Überhitzung stehen geblieben.
	Die Lampe blinkt abwechselnd in Rot und Grün.	Der Sperrschlüssel ist nicht eingesteckt.	Führen Sie den Sperrschlüssel ein, und drehen Sie ihn im Uhrzeigersinn.
Die Maschine hat eine Abnormalität erkannt.			Schalten Sie die Maschine aus und wieder ein. Eine Fehlfunktion der Maschine ist aufgetreten. Wenden Sie sich bezüglich einer Reparatur an ein autorisiertes Makita-Servicecenter.
Die Lampe leuchtet in Grün auf.	Der Neutralschalthebel befindet sich nicht in seiner Ausgangsposition.	Verriegeln Sie den Bremshebel, und bringen Sie den Neutralschalthebel wieder in seine Ausgangsposition.	
Die Maschine bleibt nach kurzer Benutzung stehen.	Die Lampe blinkt in Rot.	Der Ladestand der Akkus ist niedrig.	Laden Sie die Akkus auf. Falls Laden nichts nützt, tauschen Sie die Akkus aus.
Die Fahrgeschwindigkeit der Maschine erhöht sich nicht.	Die Lampe leuchtet in Grün auf.	Die Kippeinheit ist nicht vollständig zurückgestellt, oder sie ist nicht verriegelt.	Stellen Sie die Kippeinheit vollständig zurück, und vergewissern Sie sich, dass sie verriegelt ist.

Fehlersuche für das Anhalten der Maschine

⚠️ WARNUNG: Wenn es nicht unbedingt notwendig ist, darf die Hilfsbremse der Maschine niemals mit dem Neutralschalthebel deaktiviert werden. Da die Hilfsbremse der Maschine deaktiviert ist, kann sich die Maschine unbeabsichtigt bewegen und einen Unfall oder Personenschaden verursachen.

⚠️ WARNUNG: Stellen Sie den Neutralschalthebel unbedingt wieder in seine Ausgangsposition, nachdem Sie ihn nach außen gezogen haben.

Falls sich die Maschine nicht bewegen lässt, weil die Akkus leer sind oder eine Störung der Maschine vorliegt, können Sie die Maschine manuell bewegen, indem Sie den Neutralschalthebel nach außen betätigen, um die Hilfsbremse zu deaktivieren.

1. Verriegeln Sie den Bremshebel.
2. Laden Sie alle Gegenstände von der Maschine ab.

⚠️ VORSICHT: Laden Sie unbedingt alle Gegenstände von der Maschine ab. Falls die Gegenstände auf der Maschine liegen bleiben, kann sich die Maschine ungewollt bewegen.

3. Falls sich die Maschine auf einem Hang befindet, entriegeln Sie den Bremshebel und richten Sie die Maschine so aus, dass sich der Bremshebel auf der Oberseite des Hangs befindet und die Maschine parallel zum Hang steht. Verriegeln Sie den Bremshebel.

► **Abb.52**

4. Vergewissern Sie sich, dass sich die Maschine nicht bewegt, und ziehen Sie den Neutralschalthebel nach außen.

► **Abb.53:** 1. Neutralschalthebel

5. Lösen Sie den Bremshebel, und bringen Sie die Maschine von Hand an einen sicheren Ort. Da die Hilfsbremse deaktiviert ist, bewegen Sie die Maschine vorsichtig mit dem Bremshebel, damit sich die Geschwindigkeit nicht erhöht.

6. Nachdem Sie die Maschine an einen sicheren Ort gebracht haben, verriegeln Sie den Bremshebel.

7. Stellen Sie den Neutralschalthebel auf seine Ausgangsposition zurück. Vergewissern Sie sich, dass der Neutralschalthebel vollständig zurückgestellt ist, wie in der Abbildung gezeigt.

► **Abb.54:** 1. Neutralschalthebel

SONDERZUBEHÖR

⚠️ VORSICHT: Die folgenden Zubehörteile oder Vorrichtungen werden für den Einsatz mit der in dieser Anleitung beschriebenen Makita-Maschine empfohlen. Die Verwendung anderer Zubehörteile oder Vorrichtungen kann eine Verletzungsgefahr darstellen. Verwenden Sie Zubehörteile oder Vorrichtungen nur für ihren vorgesehenen Zweck.

⚠️ VORSICHT: Verwenden Sie nur Makita-Zubehörteile oder -Vorrichtungen für die Maschine. Der Gebrauch anderer Zubehörteile oder Vorrichtungen kann zu schweren Personenschäden führen.

Wenn Sie weitere Einzelheiten bezüglich dieser Zubehörteile benötigen, wenden Sie sich bitte an Ihre Makita-Kundendienststelle.

- Träger
- Kübel
- Vorderreifen (schwarz)
- Vorderreifen (grau)
- Hinterreifen (grau)
- Original-Makita-Akku und -Ladegerät

HINWEIS: Manche Teile in der Liste können als Standardzubehör im Werkzeugsatz enthalten sein. Sie können von Land zu Land unterschiedlich sein.

DATI TECNICI

Modello:		DCU602
Dimensioni (L x P x A)	Quando è installata la vasca	1.480 mm x 730 mm x 820 - 1.030 mm
	Quando è installato il pianale	1.450 - 1.600 mm x 730 - 1.080 mm x 820 - 1.030 mm
Velocità di movimento	In avanti	5,0/3,5/1,5 km/h
	All'indietro	1,0 km/h
Capacità massima di carico	Su terreno in piano	300 kg
	Su pendii (3° - 12°)	180 kg
Capacità massima di salita		12°
Raggio di sterzata minimo*		1.150 mm
Freno		Freno a mano e freno di supporto
Pneumatico	Ruota anteriore	Pneumatico con camera d'aria
	Ruota posteriore	Pneumatico con camera d'aria
Tensione nominale		36 V CC
Peso netto	Quando è installata la vasca	145 - 147 kg
	Quando è installato il pianale	141 - 143 kg
Grado di protezione		IPX4

*: Diametro esterno quando si sterza con la ruota anteriore come asse.

- A causa del nostro programma continuativo di ricerca e sviluppo, i dati tecnici sono soggetti a modifiche senza preavviso.
- I dati tecnici possono variare da nazione a nazione.
- Il peso può variare a seconda dell'accessorio o degli accessori, inclusa la cartuccia della batteria. La combinazione più leggera e quella più pesante, secondo la procedura EPTA 01/2014, sono indicate nella tabella.

Cartuccia della batteria e caricabatterie applicabili

Cartuccia della batteria	BL1815N / BL1820B / BL1830B / BL1840B / BL1850B / BL1860B
Caricabatterie	DC18RC / DC18RD / DC18RE / DC18SD / DC18SE / DC18SF / DC18SH / DC18WC

- Alcune cartucce delle batterie e alcuni caricabatterie elencati sopra potrebbero non essere disponibili a seconda della propria area geografica di residenza.

⚠AVVERTIMENTO: Utilizzare solo le cartucce delle batterie e i caricabatterie elencati sopra. L'utilizzo di altre cartucce delle batterie e di altri caricabatterie potrebbe causare lesioni personali e/o un incendio.

⚠AVVERTIMENTO: Non utilizzare mai il Gruppo di alimentazione portatile PDC1200 o PDC01 con questo prodotto. Qualora li si utilizzi assieme, si potrebbero causare lesioni personali o guasti.

Simboli

Le figure seguenti mostrano i simboli utilizzati per l'apparecchio. accertarsi di comprenderne il significato prima dell'uso.



Leggere il manuale d'uso.



Non cambiare direzione sui pendii.



Non è possibile utilizzare questa macchina su strade pubbliche.



Prima di caricare o scaricare oggetti, bloccare il freno e l'unità di scarico.



Non caricare o scaricare oggetti sui pendii.



Non utilizzare la macchina per trasportare persone.



Non scaricare oggetti sui pendii. Bloccare l'unità di scarico dopo l'operazione di scarico.



Caricare gli oggetti nella vasca o sul pianale disponendoli in modo omogeneo. Non caricare gli oggetti disponendoli in modo disomogeneo o solo sul lato anteriore.



Pericolo di intrappolamento e schiacciamento. Tenere le mani lontane durante l'uso. Non inserire le mani o parti del proprio corpo nelle parti mobili.



Capacità massima di carico: 300 kg su terreno in piano e 180 kg sui pendii (fino a 12°).



Non guardare direttamente le lampade.



Non lavare la macchina con un'idropulitrice ad alta pressione.



Tenere gli astanti lontani dalla macchina durante l'uso.



Non utilizzare la macchina in prossimità di superfici irregolari.



Non far funzionare la macchina quando la vasca o il pianale non sono stati riportati completamente alla posizione iniziale.



Rimuovere le corde prima di scaricare gli oggetti.



Indossare sempre calzature antiscivolo e protettive.



Bloccare il freno prima di tirare fuori la leva di messa in folle.



Bloccare il freno prima di riportare alla posizione iniziale la leva di messa in folle.



Pressione dell'aria: pneumatico anteriore 280 kPa e pneumatico posteriore 525 kPa.



Accertarsi che la leva di blocco sia bloccata.



Ruotare la leva di blocco verso il lato anteriore della macchina per sbloccare l'unità di scarico.



Quando viene emesso un segnale acustico, bloccare la leva del freno.



Quando si rilascia l'interruttore a grilletto, bloccare la leva del freno.



Per annullare il segnale acustico, rilasciare l'interruttore a grilletto e premere la leva del freno.



Ni-MH
Li-ion

Solo per le nazioni dell'EU
A causa della presenza di componenti pericolosi nelle apparecchiature, i rifiuti di apparecchiature elettriche ed elettroniche, accumulatori e batterie potrebbero produrre un impatto negativo sull'ambiente e sulla salute umana.

Non smaltire elettrodomestici elettrici ed elettronici o batterie insieme ai rifiuti domestici!

In conformità alla direttiva europea sui rifiuti di apparecchiature elettriche ed elettroniche (RAEE), sugli accumulatori e le batterie, nonché sui rifiuti di accumulatori e batterie, e al suo adattamento alle normative nazionali, i rifiuti di apparecchiature elettriche ed elettroniche, batterie e accumulatori vanno conservati separatamente e conferiti a un punto di raccolta separato per i rifiuti comunali, operando in conformità alle normative per la protezione dell'ambiente.

Tale requisito viene indicato mediante il simbolo del bidone della spazzatura con ruote barrato apposto sull'apparecchio.



Livello di potenza sonora garantita in base alla Direttiva rumore macchine all'aperto UE.



Livello di potenza sonora in base alla normativa sul controllo del rumore NSW australiana

Utilizzo previsto

La macchina è destinata al carico e al trasporto assistito a batteria di oggetti.

Rumore

Livello tipico di rumore pesato A determinato in base allo standard EN62841-1 e, laddove applicabile, allo standard EN12053:

Livello di pressione sonora (L_{pA}): 70 dB (A) o inferiore
Incertezza (K): 4 dB (A)

Il livello del rumore nelle condizioni di lavoro può superare gli 80 dB (A).

NOTA: Il valore o i valori dichiarati delle emissioni di rumori sono stati misurati in conformità a un metodo standard di verifica, e possono essere utilizzati per confrontare un utensile con un altro.

NOTA: Il valore o i valori dichiarati delle emissioni di rumori possono venire utilizzati anche per una valutazione preliminare dell'esposizione.

⚠AVVERTIMENTO: Indossare protezioni per le orecchie.

⚠AVVERTIMENTO: L'emissione di rumori durante l'utilizzo effettivo dell'utensile elettrico può variare rispetto al valore o ai valori dichiarati, a seconda dei modi in cui viene utilizzato l'utensile e specialmente a seconda di che tipo di pezzo venga lavorato.

⚠AVVERTIMENTO: Accertarsi di identificare misure di sicurezza per la protezione dell'operatore che siano basate su una stima dell'esposizione nelle condizioni effettive di utilizzo (tenendo conto di tutte le parti del ciclo operativo, ad esempio del numero di spegnimenti dell'utensile e di quando giri a vuoto, oltre al tempo di attivazione).

Vibrazioni

Valore totale delle vibrazioni (somma vettoriale triassiale) determinato in base allo standard EN62841-1: Modalità di lavoro: funzionamento a vuoto
Emissione di vibrazioni ($a_{h,v}$): $2,5 \text{ m/s}^2$ o inferiore
Incertezza (K): $1,5 \text{ m/s}^2$

NOTA: Il valore o i valori complessivi delle vibrazioni dichiarati sono stati misurati in conformità a un metodo standard di verifica, e possono essere utilizzati per confrontare un utensile con un altro.

NOTA: Il valore o i valori complessivi delle vibrazioni dichiarati possono venire utilizzati anche per una valutazione preliminare dell'esposizione.

⚠AVVERTIMENTO: L'emissione delle vibrazioni durante l'utilizzo effettivo dell'utensile elettrico può variare rispetto al valore o ai valori dichiarati, a seconda dei modi in cui viene utilizzato l'utensile, specialmente a seconda di che tipo di pezzo venga lavorato.

⚠AVVERTIMENTO: Accertarsi di identificare misure di sicurezza per la protezione dell'operatore che siano basate su una stima dell'esposizione nelle condizioni effettive di utilizzo (tenendo conto di tutte le parti del ciclo operativo, ad esempio del numero di spegnimenti dell'utensile e di quando giri a vuoto, oltre al tempo di attivazione).

Dichiarazioni di conformità

Solo per i paesi europei

Le Dichiarazioni di conformità sono incluse nell'Allegato A al presente manuale d'uso.

AVVERTENZE DI SICUREZZA

Avvertenze generali relative alla sicurezza dell'utensile elettrico

⚠AVVERTIMENTO Leggere tutte le avvertenze di sicurezza, le istruzioni, le illustrazioni e i dati tecnici forniti insieme a questo utensile elettrico. La mancata osservanza di tutte le istruzioni seguenti potrebbe risultare in scosse elettriche, incendi e/o gravi lesioni personali.

Conservare tutte le avvertenze e le istruzioni come riferimento futuro.

Il termine "utensile elettrico" nelle avvertenze si riferisce sia all'utensile elettrico (cablato) nel funzionamento alimentato da rete elettrica che all'utensile elettrico (a batteria) nel funzionamento alimentato a batteria.

Avvertenze per la sicurezza relative alla carriola elettrica a batteria

1. **Durante l'uso della macchina, indossare sempre calzature antiscivolo e protettive.** Stivali e scarpe protettivi antiscivolo a punta chiusa riducono il rischio di lesioni personali.
2. **Ispezionare il percorso prima di trasportare oggetti/materiali.** Se si familiarizza con il percorso e si accerta che sia sufficientemente ampio per guidare con sicurezza la macchina sotto carico, si contribuisce a ridurre le perdite di controllo della macchina.
3. **Adottare estrema cautela su terreno scivoloso, franoso e instabile.** Le superfici bagnate e scivolose, ad esempio aree erbose bagnate, neve o ghiaccio, e il terreno franoso e instabile, come le superfici sabbiose o di ghiaia, potrebbero causare la perdita di trazione della macchina e incidere negativamente su sterzata, frenata e stabilità.
4. **Non far funzionare la macchina su pendii eccessivamente ripidi.** Questa precauzione riduce il rischio di perdite di controllo, scivolate e cadute, che potrebbero causare lesioni personali. Pendii con inclinazione superiore a quella massima consigliata e pendenze laterali possono incrementare il rischio di instabilità e potrebbero incidere negativamente sulla capacità di arrestarsi in sicurezza.
5. **Quando si lavora sui pendii, accertarsi sempre di mantenere un saldo equilibrio sui piedi, lavorare sempre trasversalmente alla facciata dei pendii, mai verso l'alto o verso il basso, e adottare estrema cautela quando si cambia direzione.** Questa precauzione riduce il rischio di perdite di controllo, scivolate e cadute, che potrebbero causare lesioni personali.
6. **Quando è possibile, utilizzare aree in piano per l'arresto, il caricamento e lo scarico, e non lasciare mai la macchina incustodita su un pendio.** La macchina è più instabile quando è appoggiata su un pendio di quando è appoggiata su una superficie in piano.

7. **Quando si intende lasciare la macchina incustodita, inserire il freno di stazionamento una volta che la macchina è situata in un'area di arresto sicura.** Il freno di stazionamento evita il movimento indesiderato della ruota anteriore e può migliorare la stabilità.
8. **Assicurare che le rampe siano pulite, forti e sicure.** Per ridurre il rischio di lesioni personali, tutte le rampe devono essere libere da detriti sparsi e forti abbastanza da sostenere il peso dei carichi previsti che verranno spostati sulle rampe stesse. Devono avere un bloccaggio adeguato al di sotto e su entrambi i lati, per eliminare le deformazioni e i movimenti laterali sotto carico. Tutte le rampe devono essere sufficientemente ampie da avere un appoggio sicuro durante il trasporto dei carichi sulle rampe stesse.
9. **Accertarsi che tutte le viti di blocco siano serrate saldamente prima dell'uso.** Le viti di blocco sulle ruote posteriori e sulle pareti anteriori e laterali dei pianali di tipo aperto devono essere fissate per evitare il movimento indesiderato di queste parti regolabili della macchina.
10. **Non far mai funzionare la macchina in condizione di sovraccarico.** Accertarsi che la macchina abbia la capacità nominale adeguata per gli oggetti o i materiali che devono essere trasportati. Carichi eccessivi rendono la macchina più difficile da manovrare e arrestare, incrementano il tempo e la distanza di arresto, nonché il rischio di instabilità.
11. **Non far mai funzionare la macchina in condizione di accatastamento eccessivo.** L'accatastamento dei materiali al di sopra del bordo o dei lati del cassone può rendere la macchina sbilanciata in modo del tutto incontrollabile.
12. **Utilizzare contenitori e cinghie fermacarico per fissare i carichi.** Carichi liberi e/o non fissati hanno una maggiore probabilità di spostarsi, il che potrebbe risultare nella perdita di stabilità e controllo.
13. **Mantenere sempre una salda presa sulle maniglie.** La perdita di controllo può incrementare il rischio di lesioni personali.
14. **Remove la chiave di sicurezza quando non è in uso.** La chiave di sicurezza evita l'utilizzo a motore indesiderato della macchina, ad esempio da parte di bambini o di altre persone non addestrate o non autorizzate. Senza la chiave, non è possibile attivare l'alimentazione elettrica.
15. **Non è possibile utilizzare questa macchina su strade pubbliche.** L'utilizzo della carriola su strade pubbliche è illegale e potrebbe risultare in sanzioni delle giurisdizioni locali; inoltre, potrebbe risultare in lesioni personali.
16. **Quando si intende caricare e/o scaricare questa macchina per il trasporto, oppure spostare questa macchina tra livelli diversi, utilizzare un piano robusto dotato di funzione antiscivolo e di prevenzione dei distacchi.** Accertarsi che l'inclinazione del piano non superi i 12°, e far funzionare la macchina lentamente e con attenzione. Un funzionamento instabile e rapido potrebbe causare capovolgimenti e/o cadute.
17. **Non smontare, riparare o modificare questa macchina.**

Preparazione

1. **Prima di utilizzare la macchina, accertarsi che non vi siano persone intorno alla macchina.**
2. **Prima di utilizzare la macchina, eseguire le ispezioni facendo riferimento alla sezione relativa alla manutenzione.**

Funzionamento

1. **Quando si utilizza la macchina, posizionarsi dietro la macchina e mantenere saldamente le maniglie con entrambe le mani.**
2. **Non far funzionare la macchina mentre si è a cavalcioni della macchina stessa.**
3. **Non consentire ad altri di salire a cavalcioni della macchina.**
4. **Quando si fa funzionare la macchina a marcia indietro e si cammina all'indietro, guardare dietro di sé, stare attenti a dove si mettono i piedi e far attenzione a non scivolare o inciampare.**
5. **Non utilizzare la macchina in condizioni di scarsa visibilità, poiché sussiste il rischio di colpire degli ostacoli.**
6. **Quando si utilizza la macchina su terreno accidentato o quando si passa sopra un dislivello della strada, ridurre la velocità e adottare cautela.**
7. **Quando si utilizza la macchina, evitare terreni morbidi, per evitare cappottamenti dovuti al collasso del margine stradale.**
8. **Non far funzionare la macchina su pendii con pendenza superiore a 12°.**
9. **Qualora si rilevi un'anomalia, arrestare la macchina su terreno in piano.** Prima di ispezionare la macchina, bloccare la leva del freno, quindi spegnere l'apparecchio.
10. **Prima di utilizzare la macchina, accertarsi che la maniglia dell'unità di scarico sia stata abbassata fino in fondo e che sia completamente bloccata.** Qualora il blocco sia incompleto, sussiste il rischio di incidente o di lesioni personali, poiché il pianale o la vasca potrebbero inclinarsi e gli oggetti potrebbero cadere quando si procede verso il basso.
11. **Quando si utilizza la macchina in prossimità di muri, fare attenzione a non far restare incastrate le mani tra la maniglia e il muro.**
12. **Non utilizzare la macchina in condizioni meteorologiche avverse, specialmente quando sussiste il rischio di fulmini.** In tal modo si riduce il rischio di venire colpiti da un fulmine.
13. **Non toccare le parti in metallo durante l'uso o dopo l'uso, in quanto potrebbero diventare abbastanza calde da causare ustioni dovute alla luce solare.**
14. **Fare attenzione a non far restare impigliati i cavi elettrici nel carico o negli ostacoli.**
15. **Quando si attraversa un ponte di legno, o una struttura simile, accertarsi che la somma del peso del prodotto, della capacità di carico e del peso dell'operatore non ecceda il limite di peso del ponte, quindi attraversare il ponte con cautela a velocità costante.**

16. **Indossare i guanti quando si utilizza la macchina in ambienti a bassa temperatura.** Qualora si tocchino le parti in metallo a mani nude, queste ultime potrebbero restare attaccate.
17. **Qualora siano presenti persone od ostacoli nella direzione di movimento, evitarli in anticipo.**
18. **Non raccogliere oggetti direttamente con il pianale o la vasca.** In caso contrario, si potrebbe danneggiare la macchina e causare un incidente.
19. **Quando si utilizza la macchina su suolo fangoso, pendii bagnati o ubicazioni scivolose, fare attenzione al proprio appoggio sui piedi.**
20. **Non immergere la macchina in una pozzanghera.**
21. **Quando si lascia la macchina durante il lavoro, accertarsi di riportare completamente l'unità di scarico alla sua posizione originale, bloccare la leva del freno e rimuovere la chiave di blocco.**
22. **Non lasciare la macchina incustodita mentre sono caricati degli oggetti sul pianale o nella vasca.**

Funzionamento sui pendii

1. **Non attraversare sui pendii.**
2. **Arrestarsi prima della discesa, e accertarsi di ridurre la velocità e adottare cautela.**
3. **Qualora la velocità sia eccessiva durante il movimento in discesa, viene emesso un segnale acustico. In questo caso, rallentare utilizzando il freno.**
4. **Adottare cautela quando si intende avviare o arrestare la macchina sui pendii.**
5. **Poiché i carichi diventano meno stabili sui pendii, fissare saldamente i carichi con delle corde.**
6. **Poiché la macchina diventa instabile a seconda delle condizioni della strada, mantenere il carico al minimo.**
7. **Poiché la vista è ostacolata sui pendii, mantenere l'altezza del carico al minimo.**
8. **Non arrestare mai la macchina sui pendii. Arrestare la macchina su terreno in piano, bloccare la leva del freno, quindi spegnere l'apparecchio.**
9. **Non cambiare direzione o modalità di velocità su pendii ripidi.**
10. **Non rilasciare l'interruttore a grilletto su pendii in salita.** La macchina potrebbe procedere a marcia indietro e causare un incidente.
11. **Accertarsi che la carica residua della batteria sia sufficiente, prima dell'uso sui pendii.** Qualora la carica residua della batteria non sia sufficiente, caricare la batteria o sostituirla con una carica.
12. **Quando si intende avviare la macchina sui pendii, non posizionare i piedi dietro le ruote posteriori, poiché la macchina si sposta all'indietro di qualche centimetro.**

Caricamento degli oggetti

1. **Non sovraccaricare gli oggetti.** Quando si intende caricare oggetti, accertarsi di attenersi alle istruzioni e ai limiti di carico indicati nel manuale.
2. **Poiché la difficoltà di utilizzo della macchina aumenta di pari passo con la grandezza del carico, mantenere quest'ultimo entro limiti che non influenzino negativamente il funzionamento.**
3. **Fissare saldamente gli oggetti con delle corde.**
4. **Caricare gli oggetti all'interno del pianale o della vasca.** Qualora gli oggetti sporgano dal pianale o dalla vasca, sussiste il rischio di incidenti dovuti alla caduta degli oggetti o al loro contatto con ostacoli quali le pareti.
5. **Accertarsi che gli oggetti caricati siano al di sotto del livello visivo.** Qualora il carico sia troppo alto, sussiste un pericolo dovuto al blocco della visuale. Inoltre, sussiste il rischio di cappottamento e di lesioni personali, in quanto è probabile che il carico diventi sbilanciato.
6. **Caricare gli oggetti sul pianale o nella vasca distribuendoli in modo omogeneo.** Qualora gli oggetti vengano caricati in modo disomogeneo, sussiste il rischio di cappottamento e di lesioni personali, in quanto è probabile che il carico diventi sbilanciato.
7. **Prima di caricare gli oggetti o utilizzare la macchina, accertarsi che la maniglia dell'unità di scarico sia stata abbassata fino in fondo e che sia completamente bloccata.**
8. **Accertarsi di caricare per primi gli oggetti pesanti, per mantenere l'equilibrio.**
9. **Non aprire la sponda anteriore e quelle laterali su pendii ripidi.** Aprire le sponde laterali quando si intende caricare oggetti leggeri.
10. **Quando si aprono la sponda anteriore e quelle laterali, non aprirle oltre il limite di apertura.** Accertarsi di aprire le sponde laterali in modo che i lati destro e sinistro siano alla stessa lunghezza, e caricare gli oggetti in modo omogeneo.
11. **Caricare e scaricare gli oggetti su terreno in piano.** Non caricare o scaricare oggetti sui pendii.
12. **Quando si intende sollevare e inclinare il pianale o la vasca, mantenere le maniglie e il telaio saldamente, e lavorare con una postura stabile.**

Trasporto della macchina

1. **Utilizzare scalette di lunghezza pari ad almeno 4 volte l'altezza del pianale del camion, con dispositivi di aggancio idonei per il pianale, dotate di superfici antiscivolo e larghezza sufficiente, e in grado di sostenere il peso della macchina e dell'operatore.** Leggere con attenzione il manuale d'uso delle scalette, prima dell'uso.
2. **Prima di caricare la macchina, scaricare tutti gli oggetti dalla macchina e rimuovere fango e altri detriti dagli pneumatici.** Installare le scalette su una superficie piana e stabile.

3. **Prima di caricare o scaricare la macchina, accertarsi che non vi siano persone intorno alla macchina e alle scalette. Caricare o scaricare la macchina lentamente, facendo attenzione per evitare di far cadere la macchina dalle scalette, e per non colpire con la testa il tetto del camion. Adottare estrema cautela quando si intende caricare o scaricare la macchina all'indietro.**
4. **Quando si intende trasportare la macchina, bloccare la leva del freno, spegnere l'apparecchio, rimuovere le batterie e la chiave di blocco, quindi fissare saldamente la macchina.**
6. **Non esporre una batteria o un utensile al fuoco o a temperature eccessive.** L'esposizione al fuoco o a temperature superiori ai 130 °C potrebbe causare un'esplosione.
7. **Attenersi a tutte le istruzioni relative alla carica e non caricare la batteria o l'utensile al di fuori della gamma di temperature specificata nelle istruzioni.** Una carica inappropriata o a temperature al di fuori della gamma specificata potrebbe danneggiare la batteria e incrementare il rischio di incendio.

Manutenzione e conservazione

1. **Prima di riporre la macchina o tentare di eseguire interventi di ispezione o manutenzione, accertarsi sempre di arrestare la macchina su terreno in piano, bloccare la leva del freno, spegnere la macchina e rimuovere la chiave di blocco e le cartucce delle batterie.**
2. **Non lasciare la macchina incustodita all'aperto sotto la pioggia.**
3. **Quando si intende riporre la macchina, evitare la luce solare diretta e la pioggia, e riporla in un'ubicazione in cui non sia soggetta a temperature estremamente elevate o umidità.**
4. **Questa macchina è dotata di un'unità idraulica sul lato inferiore dell'unità di scarico, per inclinare automaticamente l'unità di scarico. Non modificare l'unità idraulica, né allentare i bulloni di montaggio dell'unità o le viti di regolazione della valvola di sfiato. Queste operazioni sono molto pericolose, in quanto potrebbero causare incidenti o guasti.**

Uso e manutenzione degli strumenti a batterie

1. **Ricaricare solo con il caricabatterie specificato dal produttore.** Un caricabatterie appropriato per un tipo di batteria potrebbe creare un rischio di incendio, se utilizzato con un'altra batteria.
2. **Utilizzare gli utensili elettrici solo con le batterie specificamente designate.** L'uso di qualsiasi altra batteria potrebbe creare un rischio di lesioni personali e incendi.
3. **Quando la batteria non è in uso, tenerla lontana da altri oggetti metallici, quali graffette, monete, chiavi, chiodi, viti o altri piccoli oggetti metallici, che potrebbero fare contatto tra terminali diversi.** Il cortocircuito dei terminali della batteria può causare ustioni o incendi.
4. **In condizioni di uso improprio, la batteria potrebbe emettere un liquido: evitare il contatto con tale liquido, lavare abbondantemente con acqua. Qualora il liquido entri in contatto con gli occhi, richiedere anche assistenza medica.** Il liquido espulso dalla batteria può causare irritazioni o ustioni.
5. **Non utilizzare una batteria o un utensile che siano danneggiati o che siano stati modificati.** Batterie danneggiate o modificate potrebbero mostrare un comportamento imprevedibile che può risultare in incendi, esplosioni o nel rischio di lesioni personali.

Sicurezza elettrica e della batteria

1. **Non smaltire le batterie nel fuoco.** La cella potrebbe esplodere. Controllare le normative locali per eventuali istruzioni speciali relative allo smaltimento.
2. **Non aprire né fare a pezzi le batterie.** L'elettrolita rilasciato è corrosivo, e potrebbe causare danni agli occhi o alla pelle. Inoltre, potrebbe essere tossico, se inghiottito.
3. **Non caricare la batteria sotto la pioggia o in condizioni di bagnato.**
4. **Non caricare la batteria all'aperto.**
5. **Non maneggiare con le mani bagnate il carica-batterie, inclusa la spina del caricabatterie e i terminali di quest'ultimo.**
6. **Non sostituire la batteria sotto la pioggia.**
7. **Non far bagnare i terminali della batteria con liquidi, ad esempio con acqua, né sommergere la batteria.** Non lasciare la batteria sotto la pioggia e non caricarla, utilizzarla o riporla in un'ubicazione umida o bagnata. Qualora i terminali si bagnino o del liquido penetri all'interno della batteria, quest'ultima potrebbe venire cortocircuitata, e sussiste il rischio di surriscaldamento, incendio o esplosione.
8. **Dopo aver rimosso la batteria dalla macchina o dal caricabatterie, accertarsi di applicare il cappuccio della batteria su quest'ultima e di riporre la batteria in un'ubicazione asciutta.**
9. **Non sostituire la batteria con le mani bagnate.**
10. **Evitare gli ambienti pericolosi. Non utilizzare la macchina in luoghi umidi o bagnati né esporla alla pioggia.** La penetrazione di acqua nella macchina incrementa il rischio di scosse elettriche.
11. **Qualora la cartuccia della batteria si bagni, far fuoriuscire tutta l'acqua dall'interno, quindi pulirla con un panno asciutto. Far asciugare completamente la cartuccia della batteria in un luogo asciutto, prima dell'uso.**

CONSERVARE LE PRESENTI ISTRUZIONI.

⚠AVVERTIMENTO: NON lasciare che la comodità o la familiarità d'uso con il prodotto (acquisita con l'uso ripetuto) sostituiscano la stretta osservanza delle norme di sicurezza. L'USO IMPROPRIO o la mancata osservanza delle norme di sicurezza riportate nel presente manuale manuale di istruzioni potrebbero causare lesioni personali gravi.

Istruzioni di sicurezza importanti per la cartuccia della batteria

1. **Prima di utilizzare la cartuccia della batteria, leggere tutte le istruzioni e le avvertenze riportate (1) sul caricabatteria, (2) sulla batteria e (3) sul prodotto che utilizza la batteria.**
2. **Non smantellare né manomettere la cartuccia della batteria.** In caso contrario, si potrebbe causare un incendio, calore eccessivo o un'esplosione.
3. **Qualora il tempo di utilizzo si riduca eccessivamente, interrompere immediatamente l'utilizzo dell'utensile.** In caso contrario, si può incorrere nel rischio di surriscaldamento, possibili ustioni e persino un'esplosione.
4. **Qualora l'elettrolita entri in contatto con gli occhi, sciacquarli con acqua pulita e richiedere immediatamente assistenza medica.** Questa eventualità può risultare nella perdita della vista.
5. **Non cortocircuitare la cartuccia della batteria:**
 - (1) **Non toccare i terminali con alcun materiale conduttivo.**
 - (2) **Evitare di conservare la cartuccia della batteria in un contenitore insieme ad altri oggetti metallici quali chiodi, monete, e così via.**
 - (3) **Non esporre la cartuccia della batteria all'acqua o alla pioggia.**

Un cortocircuito della batteria può causare un grande flusso di corrente, un surriscaldamento, possibili ustioni e persino un guasto.

6. **Non conservare e utilizzare l'utensile e la cartuccia della batteria in ubicazioni in cui la temperatura possa raggiungere o superare i 50°C.**
7. **Non incenerire la cartuccia della batteria anche qualora sia gravemente danneggiata o completamente esaurita. La cartuccia della batteria può esplodere se a contatto con il fuoco.**
8. **Non inchiodare, tagliare, schiacciare, lanciare o far cadere la cartuccia della batteria, né farla urtare con forza contro un oggetto duro.** Questi comportamenti potrebbero risultare in un incendio, calore eccessivo o un'esplosione.
9. **Non utilizzare una batteria danneggiata.**
10. **Le batterie a ioni di litio contenute sono soggette ai requisiti del regolamento sul trasporto di merci pericolose (Dangerous Goods Legislation).**

Per trasporti commerciali, ad esempio da parte di terzi o spedizionieri, è necessario osservare dei requisiti speciali sull'imballaggio e sull'etichetta. Per la preparazione dell'articolo da spedire, è richiesta la consulenza di un esperto in materiali pericolosi. Attenersi anche alle normative nazionali, che potrebbero essere più dettagliate. Nasstrare o coprire i contatti aperti e imballare la batteria in modo tale che non si possa muovere liberamente all'interno dell'imballaggio.

11. **Quando si intende smaltire la cartuccia della batteria, rimuoverla dall'utensile e smaltirla in un luogo sicuro. Attenersi alle normative locali relative allo smaltimento della batteria.**

12. **Utilizzare le batterie esclusivamente con i prodotti specificati da Makita.** L'installazione delle batterie in prodotti non compatibili potrebbe risultare in incendi, calore eccessivo, esplosioni o perdite di liquido elettrolitico.
13. **Se l'utensile non viene utilizzato per un periodo di tempo prolungato, la batteria deve essere rimossa dall'utensile.**
14. **Durante e dopo l'uso, la cartuccia della batteria potrebbe assorbire calore, che può causare ustioni o ustioni a bassa temperatura. Fare attenzione a come si maneggiano le cartucce delle batterie estremamente calde.**
15. **Non toccare i terminali dell'utensile subito dopo l'uso, in quanto potrebbero diventare estremamente caldi al punto da causare ustioni.**
16. **Evitare di far incastrare schegge, polveri o terreno nei terminali, nei fori e nelle scanalature della cartuccia della batteria.** In caso contrario, l'utensile o la cartuccia della batteria potrebbero riscaldarsi, prendere fuoco, scoppiare o guastarsi, causando ustioni o lesioni personali.
17. **A meno che l'utensile supporti l'uso in prossimità di linee elettriche ad alta tensione, non utilizzare la cartuccia della batteria in prossimità di linee elettriche ad alta tensione.** In caso contrario, si potrebbe causare un malfunzionamento o la rottura dell'utensile o della cartuccia della batteria.
18. **Tenere la batteria lontana dai bambini.**

CONSERVARE LE PRESENTI ISTRUZIONI.

ATTENZIONE: Utilizzare solo batterie originali Makita. L'utilizzo di batterie Makita non originali, o di batterie che siano state alterate, potrebbe risultare nello scoppio della batteria, causando incendi, lesioni personali e danni. Inoltre, ciò potrebbe invalidare la garanzia Makita per l'utensile e il caricabatterie Makita.

Suggerimenti per preservare la durata massima della batteria

1. **Caricare la cartuccia della batteria prima che si scarichi completamente. Smettere sempre di utilizzare l'utensile e caricare la cartuccia della batteria quando si nota che la potenza dell'utensile è diminuita.**
2. **Non ricaricare mai una cartuccia della batteria completamente carica. La sovraccarica riduce la vita utile della batteria.**
3. **Caricare la cartuccia della batteria a una temperatura ambiente compresa tra 10 °C e 40 °C. Lasciar raffreddare una cartuccia della batteria prima di caricarla.**
4. **Quando non si utilizza la cartuccia della batteria, rimuoverla dall'utensile o dal caricabatterie.**
5. **Caricare la cartuccia della batteria se non la si è utilizzata per un periodo di tempo prolungato (più di sei mesi).**

DESCRIZIONE DELLE PARTI

Quando è installata la vasca

► Fig.1

1	Commutatore di inclinazione	2	Quadro comandi	3	Pulsante del segnale acustico	4	Interruttore a grilletto
5	Lampada posteriore	6	Maniglia	7	Alloggiamento delle batterie	8	Leva del freno
9	Ruota posteriore	10	Blocco delle ruote posteriori	11	Leva di blocco	12	Unità di scarico
13	Ruota anteriore	14	Lampada anteriore	15	Vasca	-	-

Quando è installato il pianale

► Fig.2

1	Commutatore di inclinazione	2	Quadro comandi	3	Pulsante del segnale acustico	4	Interruttore a grilletto
5	Lampada posteriore	6	Maniglia	7	Alloggiamento delle batterie	8	Leva del freno
9	Ruota posteriore	10	Blocco delle ruote posteriori	11	Leva di blocco	12	Ruota anteriore
13	Lampada anteriore	14	Pianale	-	-	-	-

MONTAGGIO

⚠ATTENZIONE: Prima di effettuare qualsiasi lavoro sulla macchina, accertarsi sempre che sia spenta e che le cartucce delle batterie siano state rimosse.

Prima di installare o rimuovere il pianale o la vasca, accertarsi di bloccare la leva del freno. Per bloccare la leva del freno, premere e mantenere premuta la leva del freno, quindi premere la leva di blocco, e infine rilasciare la leva del freno mentre si tiene premuta la leva di blocco.

► Fig.3: 1. Leva del freno 2. Leva di blocco

Installazione o rimozione della vasca

Installazione della vasca

1. Estrarre la vasca, i supporti e il tubo anteriore dalla scatola.

► Fig.4: 1. Vasca 2. Supporto 3. Tubo anteriore

2. Inserire il tubo anteriore tra il telaio superiore e il telaio inferiore dell'unità di scarico.

► Fig.5: 1. Tubo anteriore

3. Posizionare il supporto sull'unità di scarico, quindi serrare temporaneamente i bulloni insieme al tubo anteriore. Installare l'altro supporto sull'unità di scarico in modo analogo.

► Fig.6: 1. Supporto 2. Bullone

4. Posizionare la vasca sul tubo anteriore e sui supporti sinistro e destro.

Posizionare la rondella in gomma sul foro della vasca e inserire il bullone dall'alto. Applicare sul bullone la rondella piatta e la rondella spaccata, in quest'ordine, quindi serrare il dado dal basso. Serrare i bulloni e i dadi restanti in modo analogo.

► Fig.7: 1. Bullone 2. Rondella in gomma 3. Rondella piatta 4. Rondella spaccata 5. Dado

5. Serrare saldamente i 4 bulloni che sono stati serrati temporaneamente al punto 3.

Rimozione della vasca

Per rimuovere la vasca, eseguire la procedura di installazione al contrario.

Installazione o rimozione del pianale

Accessorio opzionale

Installazione del pianale

1. Estrarre il pianale dalla scatola, quindi montare le sponde laterali e la sponda anteriore sul telaio di base.

► Fig.8

2. Per fissare le sponde, serrare 6 viti a manopola insieme alle molle e alle rondelle.

► Fig.9: 1. Vite a manopola 2. Molla 3. Rondella

3. Posizionare il pianale sull'unità di scarico.

Inserire il bullone dall'alto. Applicare sul bullone la rondella piatta e la rondella spaccata, in quest'ordine, quindi serrare il dado dal basso. Serrare i bulloni e i dadi restanti in modo analogo.

► Fig.10: 1. Bullone 2. Rondella piatta 3. Rondella spaccata 4. Dado

Rimozione del pianale

Per rimuovere il pianale, eseguire la procedura di installazione al contrario.

DESCRIZIONE DELLE FUNZIONI

⚠ATTENZIONE: Prima di regolare o di controllare il funzionamento della macchina, accertarsi sempre che la macchina sia spenta e che la cartuccia della batteria sia stata rimossa.

Installazione o rimozione della cartuccia della batteria

⚠ATTENZIONE: Spegnerne sempre la macchina e bloccare la leva del freno, prima di installare o rimuovere la cartuccia della batteria.

⚠ATTENZIONE: Installare sempre a fondo la cartuccia della batteria, fino a quando non è più possibile vedere l'indicatore rosso. In caso contrario, la batteria potrebbe cadere accidentalmente fuori dalla macchina, causando lesioni all'operatore o alle persone circostanti.

⚠ATTENZIONE: Non installare forzatamente la cartuccia della batteria. Qualora la batteria non si inserisca scorrendo agevolmente, vuol dire che non viene inserita correttamente.

⚠ATTENZIONE: Non utilizzare una cartuccia della batteria surriscaldata. Quando si utilizza una cartuccia della batteria surriscaldata, la macchina si arresta automaticamente prima dell'emissione di un breve segnale acustico, e si potrebbero causare lesioni personali.

⚠ATTENZIONE: Fare attenzione a non far restare incastrate le dita durante l'apertura o la chiusura del coperchio batterie.

AVVISO: Prima dell'uso, accertarsi di aver bloccato il coperchio batterie. In caso contrario, fango, sporco o acqua potrebbero danneggiare il prodotto o la cartuccia della batteria.

Installazione della cartuccia della batteria

1. Tirare verso l'alto la leva di blocco, quindi aprire il coperchio dell'alloggiamento delle batterie.

► Fig.11: 1. Sportellino 2. Leva di blocco

2. Allineare la linguetta sulla cartuccia della batteria con la scanalatura nell'alloggiamento delle batterie, quindi far scivolare la cartuccia fino a quando si innesta in sede con un piccolo scatto.

► Fig.12: 1. Cartuccia della batteria

3. Inserire la chiave di blocco per tutta la sua lunghezza nella sede mostrata nella figura, quindi girarla in senso orario.

► Fig.13: 1. Chiave di blocco

NOTA: Per girare la chiave di blocco, inserirla fino in fondo.

4. Chiudere il coperchio dell'alloggiamento delle batterie.

► Fig.14: 1. Sportellino

Rimozione della cartuccia della batteria

1. Tirare verso l'alto la leva di blocco, quindi aprire il coperchio dell'alloggiamento delle batterie.

2. Estrarre la cartuccia della batteria dall'alloggiamento delle batterie mentre si fa scivolare il pulsante sulla parte anteriore della cartuccia.

► Fig.15: 1. Pulsante

3. Girare la chiave di blocco in senso antiorario ed estrarla.

4. Chiudere il coperchio dell'alloggiamento delle batterie.

Sistema di protezione della macchina e della batteria

La macchina è dotata di un sistema di protezione della macchina stessa e delle batterie. Questo sistema interrompe automaticamente l'alimentazione al motore per prolungare la vita utile della macchina e delle batterie. La macchina si arresta automaticamente durante l'uso, qualora la macchina stessa o una cartuccia della batteria si trovino in una delle condizioni seguenti.

Un segnale acustico breve o lungo viene emesso prima che la macchina si arresti automaticamente. Gli indicatori delle batterie e gli indicatori luminosi sul quadro comandi lampeggiano, mentre viene emesso il segnale acustico.

NOTA: Per annullare il segnale acustico, rilasciare l'interruttore a grilletto e premere la leva del freno.

Protezione dal sovraccarico

Quando la macchina o le batterie vengono utilizzate in un modo che causi un assorbimento di corrente elevato in modo anomalo, la macchina si arresta automaticamente e l'indicatore luminoso di accensione principale lampeggia in verde. In questa circostanza, spegnere la macchina e interrompere l'applicazione che ha causato il sovraccarico della macchina, ad esempio riducendo gli oggetti caricati. Quindi, accendere la macchina per ricominciare.

Protezione dal surriscaldamento

Quando la macchina è surriscaldata, si arresta automaticamente, e l'indicatore luminoso di accensione principale si illumina in rosso. In tal caso, lasciar raffreddare la macchina e le batterie, prima di riaccendere la macchina.

Protezione dalla sovrascarica

Quando la carica delle batterie non è sufficiente, l'indicatore luminoso di accensione principale e l'indicatore della batteria corrispondente lampeggiano in rosso.

In questo caso, commutare le cartucce delle batterie, sostituirle con cartucce delle batterie completamente cariche o rimuovere le cartucce delle batterie dalla macchina e caricarle.

NOTA: Quando la batteria è surriscaldata, l'indicatore luminoso di accensione principale lampeggia in rosso.

Protezione da altre cause

AVVISO: L'indicatore luminoso di accensione principale lampeggia in verde e rosso alternati, quando si verifica un'anomalia nella macchina. In questo caso, fare riferimento alla sezione relativa alla risoluzione dei problemi.

Il sistema di protezione è progettato anche per altre cause che potrebbero danneggiare la macchina, e consente alla macchina di arrestarsi automaticamente. Adottare tutte le misure seguenti per rimuovere le cause, quando la macchina è stata portata a un'interruzione temporanea o a un arresto del funzionamento.

1. Spegner la macchina, quindi riaccenderla per ricominciare.
2. Caricare la batteria o le batterie, o sostituirla/sostituirla con una batteria o delle batterie ricaricate.
3. Lasciar raffreddare la macchina e la batteria o le batterie.

AVVISO: Qualora non si noti alcun miglioramento, o la macchina si arresti a causa di un motivo non descritto sopra, fare riferimento alla sezione relativa alla risoluzione dei problemi.

Indicazione della carica residua della batteria

ATTENZIONE: Prima di controllare le cariche residue delle batterie o di commutare le cartucce delle batterie, accertarsi di arrestare la macchina.

ATTENZIONE: Quando la carica delle batterie si riduce, viene emesso un breve segnale acustico. In questo caso, bloccare la leva del freno, quindi commutare le cartucce delle batterie su batterie cariche o caricare le cartucce delle batterie. Qualora si continui a utilizzare la macchina con una bassa carica delle batterie, e la carica residua delle batterie si esaurisca, viene emesso un lungo segnale acustico e la macchina si arresta automaticamente; questa circostanza potrebbe causare un incidente o lesioni personali.





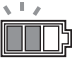
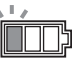


ATTENZIONE: Se viene emesso il segnale acustico durante l'utilizzo sui pendii, spostare la macchina in un luogo sicuro, bloccare la leva del freno, quindi commutare le cartucce delle batterie su batterie cariche, oppure caricare le cartucce delle batterie.

ATTENZIONE: Qualora il carico sia di grandi dimensioni e venga emesso il segnale acustico durante l'utilizzo su pendii, bloccare la leva del freno e fare attenzione alla sicurezza, quindi commutare su cartucce delle batterie cariche. Spostare la macchina in un luogo sicuro e bloccare la leva del freno. Ridurre il carico prima di utilizzare di nuovo la macchina. Per i dettagli, fare riferimento alla sezione relativa alla risoluzione dei problemi.

Controllo del livello delle batterie sull'alloggiamento delle batterie

► Fig.16: 1. Indicatore della batteria 2. Pulsante di controllo

Premere il pulsante di controllo per indicare le cariche residue delle batterie. Gli indicatori delle batterie corrispondono alle rispettive batterie.

Stato dell'indicatore della batteria			Carica residua della batteria
Acceso	Lampeggiante	Spento	
			Dal 50% al 100%
			
			Dal 20% al 50%
			Dallo 0% al 20%
			Scarica
			Batteria non installata

NOTA: Qualora si continui a tenere premuto l'interruttore a grilletto anche se si sente il breve segnale acustico, la macchina si arresta automaticamente. Dopo che la macchina si è arrestata automaticamente, il segnale acustico continua e viene attivato il freno di supporto. Per annullare il segnale acustico e sbloccare il freno di supporto, rilasciare l'interruttore a grilletto e premere la leva del freno. Non spingere forzatamente la macchina senza rilasciare il freno di supporto.

NOTA: È possibile controllare la carica residua della batteria anche se la chiave di blocco non è inserita.

NOTA: Gli indicatori delle batterie per la carica residua di queste ultime rappresentano solo un'indicazione di massima. La carica effettiva delle batterie può variare a seconda delle condizioni di utilizzo.

Controllo del livello della batteria sulla cartuccia della batteria

Solo per cartucce delle batterie dotate di indicatore

Premere il pulsante di controllo sulla cartuccia della batteria per indicare la carica residua della batteria. Gli indicatori luminosi si illuminano per alcuni secondi.

► **Fig. 17:** 1. Indicatori luminosi 2. Pulsante di controllo

Indicatori luminosi			Carica residua
■ Illuminato	□ Spento	◐ Lampeggiante	
■ ■ ■ ■			Dal 75% al 100%
■ ■ ■ □			Dal 50% al 75%
■ ■ □ □			Dal 25% al 50%
■ □ □ □			Dallo 0% al 25%
◐ □ □ □			Caricare la batteria.
■ ■ □ □	↑ ↓	□ □	La batteria potrebbe essersi guastata.

NOTA: A seconda delle condizioni d'uso e della temperatura ambiente, l'indicazione potrebbe variare leggermente rispetto alla carica effettiva.

NOTA: Il primo indicatore luminoso (all'estremità sinistra) lampeggia quando il sistema di protezione della batteria è in funzione.

Commutazione della cartuccia della batteria

► **Fig. 18:** 1. Commutatore di selezione della batteria

La macchina utilizza 2 cartucce delle batterie contemporaneamente per il funzionamento. È possibile installare un massimo di 4 cartucce delle batterie nella macchina. Prima di utilizzare la macchina, selezionare le cartucce delle batterie utilizzate per il funzionamento, ruotando il commutatore di selezione delle batterie.

AVVISO: Qualora una cartuccia della batteria si trovi nella condizione seguente, la macchina non funziona anche se si commuta la batteria con il commutatore di selezione delle batterie.

- La carica residua di almeno una delle cartucce delle batterie è esaurita.
- Almeno una delle cartucce delle batterie è surriscaldata.

In questo caso, rimuovere la cartuccia della batteria scarica o surriscaldata, oppure sostituire la cartuccia della batteria con una carica.

NOTA: Se nella macchina sono installate solo 2 cartucce delle batterie, accertarsi di selezionare le cartucce delle batterie installate mediante il commutatore di selezione delle batterie.

Quadro comandi

ATTENZIONE: Quando non si utilizza la macchina, bloccare sempre la leva del freno e spegnere la macchina.

Pulsante di accensione

► **Fig. 19:** 1. Indicatore luminoso di accensione principale 2. Pulsante di accensione

Per accendere la macchina, bloccare la leva del freno, quindi premere il pulsante di accensione senza premere l'interruttore a grilletto. L'indicatore luminoso di accensione principale si illumina in verde. Per spegnere la macchina, rilasciare l'interruttore a grilletto e bloccare la leva del freno, quindi premere il pulsante di accensione.

NOTA: La prima volta che la macchina viene guidata dopo essere stata accesa, viene eseguito un test elettrico. Qualora venga rilevato un problema, l'indicatore luminoso di accensione principale lampeggia in rosso o in verde alternativamente. In questo caso, fare riferimento alla sezione relativa alla risoluzione dei problemi.

NOTA: Qualora l'indicatore luminoso di accensione principale si illumina in rosso o lampeggia in rosso o in verde, consultare le istruzioni del sistema di protezione della macchina o delle batterie, oppure la sezione relativa alla risoluzione dei problemi.

NOTA: Questa macchina utilizza una funzione di spegnimento automatico. Per evitare l'avvio accidentale, la macchina si spegne automaticamente, quando è arrestata e non viene utilizzata per un determinato periodo di tempo dopo la sua accensione.

NOTA: Se si preme il pulsante di accensione mentre si tiene premuto l'interruttore a grilletto, la macchina non si accende. Rilasciare l'interruttore a grilletto, quindi premere il pulsante di accensione.

Pulsanti avanti/indietro e della velocità

► **Fig. 20:** 1. Pulsante avanti/indietro 2. Indicatore di velocità 3. Pulsante della velocità

Premere il pulsante avanti/indietro per commutare tra la modalità di avanzamento e quella di marcia indietro. Premere il pulsante della velocità per commutare tra bassa velocità, media velocità e alta velocità. Quando si accende la macchina, vengono impostate la modalità di avanzamento e la bassa velocità.

NOTA: Il pulsante avanti/indietro non è disponibile mentre si tiene premuto l'interruttore a grilletto.

NOTA: Un breve segnale acustico viene emesso quando si fa funzionare la macchina a marcia indietro.

NOTA: Il pulsante della velocità non è disponibile quando si fa funzionare la macchina a marcia indietro.

NOTA: Qualora la macchina rilevi un problema, gli indicatori di velocità lampeggiano in modo alternato. In questo caso, fare riferimento alla sezione relativa alla risoluzione dei problemi.

Pulsante del segnale acustico

Quando si preme il pulsante del segnale acustico, viene emesso un segnale acustico.

► **Fig.21:** 1. Pulsante del segnale acustico

NOTA: Il pulsante del segnale acustico è disponibile quando la macchina è accesa.

NOTA: Il pulsante del segnale acustico è disponibile anche se la chiave di blocco non è inserita nell'alloggiamento delle batterie.

Accensione delle lampade

Per accendere le lampade anteriori e quella posteriore, premere il pulsante delle lampade sull'alloggiamento delle batterie. Per spegnere le lampade, premere di nuovo il pulsante delle lampade.

► **Fig.22:** 1. Pulsante delle lampade 2. Lampada anteriore

► **Fig.23:** 1. Lampada posteriore

NOTA: Se la macchina non viene utilizzata per un determinato periodo di tempo, le lampade si spengono.

NOTA: Le lampade si spengono quando si spegne la macchina.

NOTA: È possibile accendere le lampade anche se la chiave di blocco non è inserita.

Interruttore a grilletto e leva del freno

ATTENZIONE: Prima di installare la cartuccia della batteria nella macchina, controllare sempre che l'interruttore a grilletto funzioni correttamente e ritorni sulla posizione di spegnimento quando viene rilasciato.

Per avviare la macchina, premere l'interruttore a grilletto. Utilizzando l'interruttore a grilletto, è possibile regolare la velocità entro la gamma di velocità impostata. Per arrestare la macchina, rilasciare l'interruttore a grilletto e premere la leva del freno.

Per bloccare la leva del freno, premere e mantenere premuta la leva del freno, quindi premere la leva di blocco, e infine rilasciare la leva del freno mentre si tiene premuta la leva di blocco. Per rilasciare il blocco, premere la leva del freno.

► **Fig.24:** 1. Interruttore a grilletto

► **Fig.25:** 1. Leva del freno 2. Leva di blocco

Commutatore di inclinazione

ATTENZIONE: Accertarsi di tenere premuta la leva del freno quando si fa funzionare il commutatore di inclinazione.

ATTENZIONE: Prima di utilizzare il commutatore di inclinazione, accertarsi che la carica residua delle batterie non sia bassa. Qualora la carica delle batterie sia bassa, bloccare la leva del freno, quindi commutare le cartucce delle batterie su cartucce delle batterie cariche o sostituire le cartucce delle batterie con cartucce delle batterie cariche.

► **Fig.26:** 1. Commutatore di inclinazione

È possibile inclinare la vasca o il pianale utilizzando il commutatore di inclinazione. Per inclinare la vasca o il pianale in avanti, premere il lato superiore del commutatore di inclinazione mentre si tiene premuta la leva del freno. Per riportare in posizione la vasca o il pianale, premere il lato inferiore del commutatore di inclinazione mentre si tiene premuta la leva del freno.

NOTA: Mentre la vasca o il pianale sono in movimento, viene emesso un segnale acustico.

Regolazione della larghezza del pianale

AVVISO: Accertarsi che le sponde laterali e quella anteriore siano fissate saldamente, dopo aver serrato le viti a manopola.

Allentare le 6 viti a manopola, quindi far scorrere le sponde laterali e quella anteriore. Serrare le viti a manopola per fissare le sponde laterali e quella anteriore.

► **Fig.27:** 1. Vite a manopola 2. Sponda

ATTENZIONE: Non far scorrere le sponde oltre il segno di limite.

► **Fig.28**

Regolazione dell'altezza delle maniglie

AVVISO: Fissare le maniglie sinistra e destra alla stessa altezza.

È possibile regolare l'altezza delle maniglie su 7 livelli. Per regolare l'altezza delle maniglie, allentare 2 manopole, regolare l'altezza delle maniglie allineando il foro sulla maniglia con la sporgenza sul telaio posteriore, quindi serrare saldamente 2 manopole. Regolare l'altezza dell'altra maniglia in modo analogo.

► **Fig.29:** 1. Manopola

Blocco delle ruote posteriori

È possibile fissare la direzione delle ruote posteriori utilizzando il blocco delle ruote posteriori.

1. Spostare leggermente la macchina in avanti, in modo che le ruote posteriori siano rivolte nella direzione indicata nella figura.

► Fig.30: 1. Ruota posteriore

2. Ruotare il blocco delle ruote posteriori verso il lato posteriore.

► Fig.31: 1. Blocco delle ruote posteriori

3. Bloccare le altre ruote posteriori in modo analogo.

4. Spostare leggermente le ruote posteriori avanti e indietro o a sinistra e a destra per accertarsi che siano bloccate.

Per rilasciare il blocco delle ruote posteriori, ruotarlo di 90° come indicato nella figura.

► Fig.32: 1. Blocco delle ruote posteriori

NOTA: È possibile fissare le ruote posteriori in 4 direzioni diverse, come indicato nella figura.

► Fig.33

Uso della livella

Mediante la livella, è possibile controllare se il terreno sia in piano.

► Fig.34: 1. Livella

FUNZIONAMENTO

ATTENZIONE: Prima di caricare o scaricare oggetti, accertarsi di bloccare la leva del freno.

Utilizzo della macchina

AVVISO: Accertarsi di inserire la chiave di blocco prima dell'uso. Se la chiave di blocco non è inserita, viene emesso un segnale acustico quando si preme l'interruttore a grilletto. Il segnale acustico si arresta rilasciando l'interruttore a grilletto e premendo la leva del freno.

AVVISO: Prima di utilizzare la macchina, eseguirne l'ispezione facendo riferimento alla sezione relativa alla manutenzione.

1. Accertarsi che la leva del freno sia bloccata. Installare le cartucce delle batterie, quindi inserire la chiave di blocco e girarla in senso orario.

2. Selezionare le cartucce delle batterie con il commutatore di selezione delle batterie.

3. Premere il pulsante di accensione sul quadro comandi per accendere la macchina.

► Fig.35: 1. Pulsante di accensione

4. Premere la leva del freno per rilasciare il blocco della leva del freno.

► Fig.36: 1. Leva del freno

5. Mantenere saldamente le maniglie con entrambe le mani.

► Fig.37

6. Premere l'interruttore a grilletto.

► Fig.38: 1. Interruttore a grilletto

Caricamento degli oggetti

ATTENZIONE: Prima di caricare gli oggetti sulla macchina, accertarsi che la macchina sia spenta e che la leva del freno sia bloccata.

ATTENZIONE: Prima di caricare gli oggetti sulla macchina, accertarsi che l'unità di scarico sia bloccata.

ATTENZIONE: Accertarsi di caricare gli oggetti all'interno del pianale o della vasca. Qualora gli oggetti sporgano dal pianale o dalla vasca, potrebbero cadere o crollare, qualora tocchino degli ostacoli.

► Fig.39

ATTENZIONE: Accertarsi di caricare gli oggetti in modo che siano al di sotto del livello visivo. Qualora il carico sia troppo alto, sussiste un pericolo dovuto al blocco della visuale. Inoltre, sussiste il rischio di cappottamento e di lesioni personali, in quanto è probabile che il carico diventi sbilanciato.

► Fig.40

ATTENZIONE: Non caricare oggetti che superino l'altezza della vasca. Qualora si carichino oggetti che superino l'altezza della vasca, si potrebbe causare la caduta o il crollo del carico.

Quando si intende caricare oggetti sul pianale, fissare gli oggetti con delle corde e legare queste ultime ai ganci per le corde del pianale.

► Fig.41: 1. Gancio per le corde

Scarico degli oggetti

ATTENZIONE: Quando si intende sollevare o riportare in posizione il pianale o la vasca, non inserire né posizionare mai una parte del proprio corpo tra l'unità di scarico e il pianale o la vasca, oppure sotto l'unità di scarico. In caso contrario, si potrebbero causare lesioni personali o ustioni.

ATTENZIONE: Dopo aver scaricato i carichi, accertarsi di bloccare l'unità di scarico riportandola alla sua posizione originale.

ATTENZIONE: Prima di sollevare il pianale o la vasca manualmente, accertarsi di bloccare la leva del freno.

ATTENZIONE: Sollevare il pianale o la vasca su terreno in piano e stabile. Il funzionamento su terreno instabile potrebbe causare un incidente o lesioni personali.

ATTENZIONE: Mantenere il carico al minimo. Qualora il carico sia di grandi dimensioni, non provare a sollevare il pianale o la vasca. Ridurre il carico, quindi sollevare il pianale o la vasca.

ATTENZIONE: Se il carico è fissato da corde o mediante altri mezzi, slegare il carico prima di sollevare l'unità di scarico.

ATTENZIONE: Prima di sollevare il pianale o la vasca, accertarsi che non vi siano persone od ostacoli intorno alla macchina.

È possibile scaricare gli oggetti sollevando e inclinando il pianale o la vasca.

1. Arrestare la macchina.
2. Inclinare la vasca o il pianale in avanti premendo il lato superiore del commutatore di inclinazione mentre si tiene premuta la leva del freno.

► **Fig.42:** 1. Commutatore di inclinazione

3. Per scaricare manualmente gli oggetti rimasti nella vasca o sul pianale, attenersi alla procedura seguente.

- Bloccare la leva del freno, quindi posizionarsi in piedi sul fianco della macchina.
- Ruotare la leva di blocco dell'unità di scarico verso il lato anteriore della macchina per sbloccare l'unità di scarico.

• Afferrare la maniglia dell'unità di scarico, quindi inclinare la vasca o il pianale in avanti per scaricare gli oggetti.

• Riportare in posizione la vasca o il pianale sull'unità di scarico.

► **Fig.43:** 1. Leva di blocco 2. Unità di scarico

⚠ATTENZIONE: Afferrare saldamente la maniglia dell'unità di scarico, e lavorare in una posizione stabile.

AVVISO: Si consiglia di fermare con dei cunei le ruote anteriori, per stabilizzare la macchina.

4. Riportare il pianale o la vasca alla loro posizione originale premendo il lato inferiore del commutatore di inclinazione mentre si tiene premuta la leva del freno.

AVVISO: Accertarsi di riportare la vasca o il pianale alla loro posizione originale dopo aver scaricato gli oggetti. Qualora la vasca o il pianale non vengano riportati completamente alla loro posizione e bloccati, la velocità di movimento della macchina viene limitata a un massimo di 0,8 km/h.

MANUTENZIONE

⚠ATTENZIONE: Accertarsi sempre di parcheggiare la macchina su terreno in piano e bloccare la leva del freno, prima di riparla o tentare di effettuare ispezioni o manutenzione.

⚠ATTENZIONE: Accertarsi sempre che la chiave di blocco e la cartuccia della batteria siano state rimosse dalla macchina, prima di riparla, sottoporla a ispezioni o a manutenzione.

⚠ATTENZIONE: Rimuovere sempre la chiave di blocco quando la macchina non è in uso. Conservare la chiave di blocco in un luogo sicuro, fuori dalla portata dei bambini.

Per preservare la SICUREZZA e l'AFFIDABILITÀ del prodotto, le riparazioni e qualsiasi altro intervento di manutenzione e di regolazione devono essere eseguiti da un centro di assistenza autorizzato Makita, utilizzando sempre ricambi Makita.

Ispezione prima dell'uso

Prima di utilizzare la macchina, effettuare le ispezioni seguenti.

- Controllare che i bulloni, i dadi e le manopole siano serrati saldamente.

► **Fig.44**

- Controllare che il freno funzioni correttamente. Qualora si ritenga che il freno non stia funzionando a sufficienza, eseguire la pulizia del freno. Qualora non si noti alcun miglioramento, rivolgersi ai centri di assistenza autorizzati Makita per le riparazioni.
- Verificare che l'unità di scarico venga bloccata quando la maniglia dell'unità di scarico è completamente abbassata.

► **Fig.45:** 1. Maniglia

- Verificare che gli pneumatici delle ruote anteriori e posteriori non siano danneggiati, e che l'aria negli pneumatici sia sufficiente.
- Verificare che le lampade anteriori e la lampada posteriore siano pulite. Se necessario, pulirle.
- Verificare che i raschietti siano nella posizione corretta. Qualora il raschietto sia rivolto verso l'alto, regolare l'orientamento del raschietto allentando i bulloni. Quando si serrano i bulloni, non spingere il raschietto verso il lato anteriore della macchina.

► **Fig.46:** 1. Raschietto

Pulizia della macchina

AVVISO: Non utilizzare mai benzina, benzene, solventi, alcol o altre sostanze simili. In caso contrario, si potrebbero causare scolorimenti, deformazioni o crepe.

AVVISO: Non utilizzare idropulitrici ad alta pressione per la pulizia.

AVVISO: Quando si intende pulire la macchina, accertarsi di chiudere il coperchio dell'alloggiamento delle batterie. In caso contrario, dell'acqua potrebbe penetrare nell'alloggiamento delle batterie e causare un malfunzionamento della macchina.

Rimuovere fango, sporco e simili dalla macchina. Pulire la macchina con acqua corrente. Dopo la pulizia, passare sulla macchina un panno asciutto.

Conservazione

Bloccare la leva del freno, quindi rimuovere le cartucce delle batterie e la chiave di blocco. Riporre la macchina in un luogo sicuro, fuori dalla portata dei bambini.

Gonfiaggio della gomma con aria

Verificare che l'aria negli pneumatici delle ruote anteriori e posteriori non sia insufficiente. Qualora l'aria in uno pneumatico sia insufficiente, rigonfiarlo con aria utilizzando un gonfiatore. La pressione dell'aria è la seguente:

- Pneumatico per ruota anteriore: 280 kPa (40 PSI)
- Pneumatico per ruota posteriore: 525 kPa (75 PSI)

Ruota anteriore

► **Fig.47**

Ruota posteriore

► **Fig.48**

Sostituzione di uno pneumatico

⚠ATTENZIONE: Prima di sostituire gli pneumatici, accertarsi di scaricare tutti gli oggetti dalla macchina.

⚠ATTENZIONE: Quando si intende sostituire gli pneumatici, indossare dei guanti.

Sostituzione dello pneumatico di una ruota anteriore

NOTA: Quando si intende installare lo pneumatico grigio, installarlo in modo che la valvola sia rivolta verso l'esterno.

► Fig.49

Sostituzione dello pneumatico di una ruota posteriore

► Fig.50

► Fig.51

RISOLUZIONE DEI PROBLEMI

Prima di richiedere riparazioni, eseguire un'ispezione personalmente. Qualora si rilevi un problema che non sia illustrato nel manuale, non smontare la macchina. Rivolgersi, invece, ai centri di assistenza autorizzati Makita, utilizzando sempre pezzi di ricambio Makita per le riparazioni.

Stato di anomalia	Indicatore luminoso di accensione principale	Causa	Misura correttiva
La macchina non si accende.	Spento.	Le due cartucce delle batterie non sono installate.	Installare due cartucce delle batterie cariche.
		Problema delle batterie (tensione insufficiente)	Ricaricare la cartuccia della batteria. Qualora la ricarica non abbia effetto, sostituire la cartuccia della batteria.
		Il commutatore di selezione delle batterie non si trova sulla posizione corretta.	Selezionare la batteria corretta utilizzando il commutatore di selezione delle batterie.
La macchina non si avvia.	L'indicatore luminoso lampeggia in rosso.	Il livello di carica della batteria è basso.	Ricaricare la cartuccia della batteria. Qualora la ricarica non abbia effetto, sostituire la cartuccia della batteria.
		Almeno una delle batterie è scarica.	Rimuovere la batteria scarica, oppure sostituirla con una carica. In questo caso, l'indicatore luminoso all'estremità sinistra dell'indicatore della batteria corrispondente lampeggia.
	L'indicatore luminoso lampeggia in verde.	La chiave di blocco non è inserita.	Inserire la chiave di blocco e girarla in senso orario.
		La macchina si è arrestata a causa di un sovraccarico.	Ridurre gli oggetti caricati.
	Le ruote anteriori o posteriori sono incastrate o bloccate.		Rimuovere la causa delle ruote incastrate o bloccate.
		L'indicatore luminoso si illumina in rosso.	La macchina si è arrestata a causa di un surriscaldamento.
	L'indicatore luminoso lampeggia in rosso e in verde alternati.	La chiave di blocco non è inserita.	La macchina ha rilevato un'anomalia.
L'indicatore luminoso si illumina in verde.			La leva di messa in folle non si trova sulla sua posizione originale.
La macchina si arresta dopo un breve utilizzo.	L'indicatore luminoso lampeggia in rosso.	Il livello di carica della batteria è basso.	Ricaricare la cartuccia della batteria. Qualora la ricarica non abbia effetto, sostituire la cartuccia della batteria.
La velocità di movimento della macchina non aumenta.	L'indicatore luminoso si illumina in verde.	L'unità di scarico non è stata riportata completamente alla sua posizione oppure non è bloccata.	Riportare completamente l'unità di scarico alla sua posizione e accertarsi che sia bloccata.

Risoluzione dei problemi relativi all'arresto della macchina

⚠AVVERTIMENTO: Non disattivare mai il freno di supporto della macchina con la leva di messa in folle, se non in caso di assoluta necessità. Dal momento in cui il freno di supporto della macchina viene disattivato, la macchina potrebbe spostarsi accidentalmente e causare un incidente o lesioni personali.

⚠AVVERTIMENTO: Accertarsi di riportare la leva di messa in folle sulla sua posizione originale, dopo aver tirato la leva verso l'esterno.

Qualora non sia possibile spostare la macchina quando le batterie si esauriscono o si è verificato un guasto della macchina, è possibile spostarla manualmente, tirando la leva di messa in folle verso l'esterno per disattivare il freno di supporto.

1. Bloccare la leva del freno.
2. Scaricare tutti gli oggetti dalla macchina.

⚠ATTENZIONE: Accertarsi di scaricare tutti gli oggetti dalla macchina. Qualora gli oggetti vengono lasciati nella macchina, quest'ultima potrebbe spostarsi accidentalmente.

3. Qualora la macchina si trovi su un pendio, sbloccare la leva del freno, quindi orientare la macchina in modo che la leva del freno si trovi sul lato superiore del pendio e la macchina sia parallela al pendio. Bloccare la leva del freno.

► Fig.52

4. Accertarsi che la macchina non si muova, quindi tirare la leva di messa in folle verso l'esterno.

► Fig.53: 1. Leva di messa in folle

5. Sbloccare la leva del freno e spostare manualmente la macchina in un'ubicazione sicura. Poiché il freno di supporto è disattivato, spostare la macchina con cautela con la leva del freno, affinché la velocità non aumenti.

6. Dopo aver spostato la macchina in un'ubicazione sicura, bloccare la leva del freno.

7. Riportare la leva di messa in folle alla sua posizione originale. Accertarsi che la leva di messa in folle sia tornata completamente alla posizione iniziale, come indicato nella figura.

► Fig.54: 1. Leva di messa in folle

ACCESSORI OPZIONALI

⚠ATTENZIONE: Questi accessori o componenti aggiuntivi sono consigliati per l'uso con il prodotto Makita specificato nel presente manuale. L'impiego di altri accessori o componenti aggiuntivi di qualsiasi tipo potrebbe costituire un rischio di lesioni alle persone. Utilizzare un accessorio o un componente aggiuntivo solo per lo scopo a cui è destinato.

⚠ATTENZIONE: Utilizzare esclusivamente accessori o componenti aggiuntivi Makita per la macchina. L'utilizzo di qualsiasi altro accessorio o componente aggiuntivo potrebbe risultare in gravi lesioni personali.

Per ottenere ulteriori dettagli relativamente a questi accessori, rivolgersi a un centro di assistenza Makita.

- Pianale
- Vasca
- Pneumatico anteriore (nero)
- Pneumatico anteriore (grigio)
- Pneumatico posteriore (grigio)
- Batteria e caricabatterie originali Makita

NOTA: Alcuni articoli nell'elenco potrebbero essere inclusi nell'imballaggio dell'utensile come accessori standard. Tali articoli potrebbero variare da nazione a nazione.

TECHNISCHE GEGEVENS

Model:		DCU602
Afmetingen (l x b x h)	Wanneer de laadbak is aangebracht	1.480 mm x 730 mm x 820 - 1.030 mm
	Wanneer het draagrek is aangebracht	1.450 - 1.600 mm x 730 - 1.080 mm x 820 - 1.030 mm
Rijsnelheid	Vooruit	5,0/3,5/1,5 km/h
	Achteruit	1,0 km/h
Maximumlaadvermogen	Op een horizontale ondergrond	300 kg
	Op een helling (3° - 12°)	180 kg
Maximumhellinggraad		12°
Minimumdraaicirkel*		1.150 mm
Rem		Handrem en hulprem
Band	Voorwiel	Luchtband
	Achterwiel	Luchtband
Nominale spanning		36 V gelijkspanning
Nettogewicht	Wanneer de laadbak is aangebracht	145 - 147 kg
	Wanneer het draagrek is aangebracht	141 - 143 kg
Beschermingsklasse		IPX4

*: Buitendiameter bij draaien om het voorwiel.

- In verband met ononderbroken research en ontwikkeling, behouden wij ons het recht voor de bovenstaande technische gegevens zonder voorafgaande kennisgeving te wijzigen.
- De technische gegevens kunnen van land tot land verschillen.
- Het gewicht kan verschillen afhankelijk van de hulpstukken, waaronder de accu. De lichtste en zwaarste combinatie, overeenkomstig de EPTA-procedure 01/2014, worden getoond in de tabel.

Toepasselijke accu's en laders

Accu	BL1815N / BL1820B / BL1830B / BL1840B / BL1850B / BL1860B
Lader	DC18RC / DC18RD / DC18RE / DC18SD / DC18SE / DC18SF / DC18SH / DC18WC

- Sommige van de hierboven vermelde accu's en laders zijn mogelijk niet leverbaar afhankelijk van waar u woont.

⚠️ WAARSCHUWING: Gebruik uitsluitend de accu's en laders die hierboven worden genoemd. Gebruik van enige andere accu of lader kan leiden tot letsel en/of brand.

⚠️ WAARSCHUWING: Gebruik nooit de draagbare voedingseenheid PDC1200 of PDC01 met dit apparaat. Als u deze tezamen gebruikt, kan dit leiden tot persoonlijk letsel of een storing.

Symbolen

Hieronder staan de symbolen die voor het gereedschap kunnen worden gebruikt. Zorg ervoor dat u de betekenis ervan kent voordat u het gereedschap gaat gebruiken.



Lees de gebruiksaanwijzing.



Verander op een helling niet van richting.



Dit gereedschap kan niet worden gebruikt op de openbare weg.



Voordat voorwerpen worden geladen of gelost, moeten de rem en stortenheid worden vergrendeld.



Laad en los geen voorwerpen op een helling.



Gebruik het gereedschap niet om mensen te vervoeren.



Stort geen voorwerpen op hellingen. Vergrendel de stortenheid na het storten.



Laad voorwerpen gelijkmatig in de laadbak of op het draagrek. Laad de voorwerpen niet ongelijkmatig of alleen aan de voorkant.



Gevaar voor beknellen en pletten. Houd uw handen uit de buurt tijdens gebruik. Plaats uw handen of lichaamsdelen niet in de bewegende delen.



Maximumlaadvermogen: 300 kg op een horizontale ondergrond en 180 kg op een helling (maximaal 12°).



Kijk niet rechtstreeks in een lamp.



Was het gereedschap niet met een hogedrukreiniger.



Houd omstanders tijdens gebruik uit de buurt van het gereedschap.



Gebruik het gereedschap niet op een ongelijkmatige ondergrond.



Gebruik het gereedschap niet wanneer de laadbak of het draagrek niet volledig is teruggezet.



Verwijder touwen voordat de voorwerpen worden gestort.



Draag altijd slipvast veiligheidsschoeisel.



Vergrendel de rem voordat u de neutraal-keuzehendel bedient.



Vergrendel de rem voordat u de neutraal-keuzehendel terugzet.



De bandenspanning is voor de voorband 280 kPa en voor de achterband 525 kPa.



Verzeker u ervan dat de vergrendelhendel is vergrendeld.



Draai de vergrendelhendel naar de voorkant van de machine om de stortenheid te ontgrendelen.



Wanneer een pieptoon wordt voorgebracht, vergrendelt u de remhendel.



Wanneer u de trekkerschakelaar loslaat, vergrendelt u de remhendel.



Om de pieptoon te stoppen, laat u de trekkerschakelaar los en knijpt u de remhendel in.



Alleen voor EU-landen
Als gevolg van de aanwezigheid van schadelijke componenten in het apparaat, kunnen oude elektrische en elektronische apparaten, accu's en batterijen negatieve gevolgen hebben voor het milieu en de gezondheid van mensen.
Gooi elektrische en elektronische apparaten en accu's niet met het huisvuil weg!
In overeenstemming met de Europese richtlijn inzake oude elektrische en elektronische apparaten en inzake accu's en batterijen en oude accu's en batterijen, alsmede de toepassing daarvan binnen de nationale wetgeving, dienen oude elektrische apparaten, accu's en batterijen gescheiden te worden opgeslagen en te worden ingeleverd bij een apart inzamelingspunt voor huishoudelijk afval dat de milieubeschermingsvoorschriften in acht neemt.
Dit wordt op het apparaat aangegeven door het symbool van een doorgekruiste afvalcontainer.



Gegarandeerd geluidsvermogen-niveau conform EU-richtlijn inzake geluidsemisatie buitenhuis.



Geluidsvermogen-niveau conform de Regelgeving Geluidsregeling van NSW, Australië

Gebruiksdoelinden

Het gereedschap is bedoeld voor het laden en dragen van voorwerpen ondersteund door accuvoeding.

Geluidsniveau

De typische, A-gewogen geluidsniveaus zijn gemeten volgens EN62841-1 en EN12053 al naar gelang van toepassing:
Geluidsdruk-niveau (L_{PA}): 70 dB (A) of lager
Onzekerheid (K): 4 dB (A)

Het geluidsniveau kan tijdens gebruik hoger worden dan 80 dB (A).

OPMERKING: De opgegeven geluidsemisiewaarde(n) is/zijn gemeten volgens een standaardtestmethode en kan/kunnen worden gebruikt om dit gereedschap te vergelijken met andere gereedschappen.

OPMERKING: De opgegeven geluidsemisiewaarde(n) kan/kunnen ook worden gebruikt voor een beoordeling vooraf van de blootstelling.

⚠ WAARSCHUWING: Draag gehoorbescherming.

⚠ WAARSCHUWING: De geluidsemissie tijdens het gebruik van het elektrisch gereedschap in de praktijk kan verschillen van de opgegeven waarde(n) afhankelijk van de manier waarop het gereedschap wordt gebruikt, met name van het soort werkstuk waarmee wordt gewerkt.

⚠ WAARSCHUWING: Zorg ervoor dat veiligheidsmaatregelen worden getroffen ter bescherming van de gebruiker die zijn gebaseerd op een schatting van de blootstelling onder praktijkomstandigheden (rekening houdend met alle fasen van de bedrijfscyclus, zoals de tijdsduur gedurende welke het gereedschap is uitgeschakeld en stationair draait, naast de ingeschakelde tijdsduur).

Trilling

De totale trillingswaarde (triaxiale vectorsom) zoals vastgesteld volgens EN62841-1:

Gebruikstoepassing: onbelaste werking

Trillingsemissie (a_h): 2,5 m/s² of lager

Onzekerheid (K): 1,5 m/s²

OPMERKING: De totale trillingswaarde(n) is/zijn gemeten volgens een standaardtestmethode en kan/kunnen worden gebruikt om dit gereedschap te vergelijken met andere gereedschappen.

OPMERKING: De opgegeven totale trillingswaarde(n) kan/kunnen ook worden gebruikt voor een beoordeling vooraf van de blootstelling.

⚠ WAARSCHUWING: De trillingsemissie tijdens het gebruik van het elektrisch gereedschap in de praktijk kan verschillen van de opgegeven waarde(n) afhankelijk van de manier waarop het gereedschap wordt gebruikt, met name van het soort werkstuk waarmee wordt gewerkt.

⚠ WAARSCHUWING: Zorg ervoor dat veiligheidsmaatregelen worden getroffen ter bescherming van de gebruiker die zijn gebaseerd op een schatting van de blootstelling onder praktijkomstandigheden (rekening houdend met alle fasen van de bedrijfscyclus, zoals de tijdsduur gedurende welke het gereedschap is uitgeschakeld en stationair draait, naast de ingeschakelde tijdsduur).

Verklaringen van conformiteit

Alleen voor Europese landen

De verklaringen van conformiteit zijn bijgevoegd in Bijlage A bij deze gebruiksaanwijzing.

VEILIGHEIDSWAARSCHUWINGEN

Algemene veiligheidswaarschuwingen voor elektrisch gereedschap

⚠ WAARSCHUWING Lees alle veiligheidswaarschuwingen, instructies, afbeeldingen en technische gegevens die bij dit elektrisch gereedschap worden geleverd. Als niet alle onderstaande instructies worden opgevolgd, kan dat leiden tot een elektrische schok, brand en/of ernstig letsel.

Bewaar alle waarschuwingen en instructies om in de toekomst te kunnen raadplegen.

De term "elektrisch gereedschap" in de veiligheidsvoorschriften duidt op gereedschappen die op stroom van het lichtnet werken (met snoer) of gereedschappen met een accu (snoerloos).

Veiligheidswaarschuwingen voor een accuaangedreven kruiwagen

1. **Draag tijdens gebruik van het gereedschap altijd slipvast veiligheidsschoeisel.** Slipvaste, dichte veiligheidsschoenen of -laarzen verlagen de kans op letsel.
2. **Inspecteer de af te leggen route voordat u voorwerpen/materialen erover transporteert.** Door uzelf bekend te maken met de route en u ervan te verzekeren dat de route breed genoeg is om het gereedschap met lading veilig erover te kunnen manoeuvreren, verlaagt u de kans op verlies van controle over het gereedschap.
3. **Wees uiterst voorzichtig op een gladde, losse en instabiele ondergrond.** Natte en gladde oppervlakken, zoals nat gras, sneeuw en ijs, en losse en instabiele ondergronden, zoals zand of grind, kunnen ertoe leiden dat het gereedschap tractie verliest en kunnen de besturing, het remmen en de stabiliteit nadelig beïnvloeden.
4. **Gebruik het gereedschap niet op zeer steile hellingen.** Hiermee wordt de kans verkleind op verlies van controle, slippen en vallen die kunnen leiden tot persoonlijk letsel. Hellingen steiler dan de maximaal aanbevolen hellinggraad en zijdelingse hellingen kunnen de kans op instabiliteit vergroten en kunnen het vermogen om veilig te stoppen nadelig beïnvloeden.
5. **Verzeker u bij het werken op hellingen er altijd van dat u stevig staat, werk altijd dwars op de helling, nooit hellingopwaarts of -afwaarts, en wees uiterst voorzichtig bij het veranderen van richting.** Hiermee wordt de kans verkleind op verlies van controle, slippen en vallen die kunnen leiden tot persoonlijk letsel.
6. **Gebruik indien mogelijk een vlag gebied om te stoppen, laden en lossen, en laat het gereedschap nooit achter op een helling.** Het gereedschap is instabiel wanneer hij op een helling staat dan wanneer hij op een horizontale ondergrond staat.

7. **Als het gereedschap onbeheerd wordt achtergelaten, zet u het gereedschap op een veilige plaats neer en trekt u de parkeerrem aan.** De parkeerrem voorkomt ongewenste beweging van het voorwiel en kan de stabiliteit verbeteren.
 8. **Zorg ervoor dat oprijplaten schoon, sterk en veilig zijn.** Om de kans op letsel te verkleinen, moeten alle oprijplaten vrij zijn van los afval en sterk genoeg zijn om het gewicht te dragen van de lading die u erover verwacht te vervoeren. Ze moeten eronder en aan de zijkant afdoende gestut zijn om doorbuigen en zijdelingse beweging te voorkomen wanneer een lading erover wordt vervoerd. Alle oprijplaten moeten breed genoeg zijn en stevig geplaatst zijn wanneer ladingen erover vervoerd worden.
 9. **Verzekert u er vóór gebruik van dat alle borgbouten stevig aangedraaid zijn.** Borgbouten op de achterwielen en de voor- en zijwanden van het open draagrek moeten stevig vast zitten om ongewenste beweging van deze verstelbare onderdelen van het gereedschap te voorkomen.
 10. **Gebruik het gereedschap nooit wanneer het overbelast is.** Verzekert u ervan dat het gereedschap het juiste draagvermogen heeft voor de voorwerpen of materialen die u wilt vervoeren. Buitensporige ladingen maken het manoeuvreren en stoppen met het gereedschap moeilijker, verlengen de stoptijd en -afstand, en verhogen het gevaar van instabiliteit.
 11. **Gebruik het gereedschap nooit met te hoog opgestapelde lading.** Als het materiaal tot boven de randen van de laadbak of het draagrek wordt geladen, kan het gereedschap in onbalans raken en onbeheersbaar worden.
 12. **Gebruik containers en trekbanden om de lading vast te zetten.** Losse en/of niet-vastgezette ladingen verschuiven gemakkelijk waardoor onbalans en verlies van controle kunnen ontstaan.
 13. **Houd de handgrepen altijd goed vast.** Verlies van controle kan de kans op persoonlijk letsel verhogen.
 14. **Haal de veiligheidssleutel eruit wanneer het gereedschap niet in gebruik is.** De veiligheidssleutel voorkomt ongewenst aangedreven gebruik van het gereedschap, zoals door kinderen of andere onervaren of onbevoegde personen. Zonder de sleutel kan de elektrische aandrijving niet worden ingeschakeld.
 15. **Dit gereedschap mag niet worden gebruikt op de openbare weg.** Het gebruik van de kruiwagens op de openbare weg is tegen de wet en kan aanleiding geven tot een boete, en kan daarnaast leiden tot persoonlijk letsel.
 16. **Gebruik een stevige rijplaat met een antislipplaat en losbreekbeveiliging wanneer u dit gereedschap voor transport inlaadt of lost, of met dit gereedschap van het ene naar het andere hoogteniveau rijdt.** Verzekert u ervan dat de hellingsgraad van de rijplaat niet groter is dan 12°, en bedien het gereedschap langzaam en voorzichtig. Een instabiele of snelle bediening kan ertoe leiden dat het gereedschap omslaat en/of valt.
 17. **U mag het gereedschap niet uit elkaar halen, repareren of wijzigen.**
- Vorbereidingen**
1. **Voordat u het gereedschap bedient, verzekert u zich ervan dat zich geen mensen rondom het gereedschap bevinden.**
 2. **Voordat u het gereedschap bedient, voert u de inspecties uit door het hoofdstuk over onderhoud te raadplegen.**
- Gebruik**
1. **Sta tijdens gebruik van het gereedschap achter het gereedschap en houd de handgrepen met beide handen stevig vast.**
 2. **Gebruik het gereedschap niet terwijl u op het gereedschap meerijdt.**
 3. **Sta niet toe dat anderen meerijden op het gereedschap.**
 4. **Wanneer het gereedschap in zijn achterruit wordt gebruikt en u achteruit loopt, moet u achterom kijken, goed opletten waar u uw voeten zet en voorzichtig zijn niet uit te glijden of te struikelen.**
 5. **Gebruik het gereedschap niet bij slecht zicht omdat de kans bestaat dat u tegen obstakels botst.**
 6. **Wanneer u het gereedschap op een ongelijke ondergrond gebruikt, of over een hoogteverschil heen rijdt, verlaagt u de snelheid en bent u extra voorzichtig.**
 7. **Vermijd tijdens gebruik van het gereedschap een zachte ondergrond om te voorkomen dat het gereedschap omkiept wanneer de wegberm inzakt.**
 8. **Gebruik het gereedschap niet op hellingen van meer dan 12°.**
 9. **Als u iets abnormaals opmerkt, stopt u het gereedschap op een horizontale ondergrond. Voordat u het gereedschap inspecteert, vergrendelt u de remhendel en schakelt u de voeding uit.**
 10. **Voordat u het gereedschap bedient, verzekert u zich ervan dat de handgreep van de stortheid helemaal omlaag is geduwd en volledig is vergrendeld.** Als de vergrendeling onvolledig is, bestaat de kans op een ongeval omdat het draagrek of de laadbak kan kantelen, en de lading valt terwijl u hellingafwaarts rijdt.
 11. **Wanneer het gereedschap vlakbij een muur wordt gebruikt, bent u voorzichtig dat uw hand niet bekneld raken tussen de handgreep en de muur.**
 12. **Gebruik het gereedschap niet onder slechte weersomstandigheden, met name wanneer de kans op bliksem bestaat.** Dit verkleint de kans om door de bliksem getroffen te worden.
 13. **Raak de metalen onderdelen niet aan tijdens of na gebruik aangezien deze door het zonlicht heet genoeg kunnen worden om brandwonden te veroorzaken.**
 14. **Wees voorzichtig dat de kabels niet in de war raken met de lading of obstakels.**

15. Alvorens over een brug te rijden verzekert u zich ervan dat het totaal van het gewicht van het gereedschap, het laadvermogen en het gewicht van de gebruiker niet hoger is dan het draagvermogen van de brug. Rijd voorzichtig en met een constante snelheid over de brug.
16. Draag handschoenen tijdens gebruik van het gereedschap in een koude omgeving. Als u de metalen onderdelen met blote handen aanraakt, kunnen uw handen vast blijven zitten.
17. Als zich mensen of obstakels in de rijrichting bevinden, vermijdt u deze van tevoren.
18. Schep geen voorwerpen op met de laadbak of het draagrek. Als u dit doet, kan het gereedschap worden beschadigd en een ongeval worden veroorzaakt.
19. Als u het gereedschap op een modderige ondergrond, natte helling of gladde plaats gebruikt, let u erop dat u stevig staat.
20. Dompel het gereedschap niet onder in een waterplas.
21. Wanneer u de machine tijdens het werk achterlaat, moet u de stortheid terugplaatsen in zijn oorspronkelijke positie en de remhendel vergrendelen en de vergrendelsleutel verwijderen.
22. Laat het gereedschap niet onbeheerd achter terwijl voorwerpen zijn geladen op het draagrek of in de laadbak.

Gebruik op hellingen

1. **Kruis geen hellingen.**
2. **Stop voordat u afdaalt en verzeker u ervan de rijsnelheid te verlagen en voorzichtig te zijn.**
3. **Als de rijsnelheid te hoog is terwijl u hellingafwaarts rijdt, klinkt een pieptoon. Vertraag in dat geval met behulp van de rem.**
4. **Wees voorzichtig bij het starten en stoppen van het gereedschap op een helling.**
5. **Aangezien de lading minder stabiel is op een helling, dient u de lading stevig vast te zetten met touwen.**
6. **Aangezien het gereedschap instabiel wordt afhankelijk van de staat van de weg, houdt u de lading zo klein mogelijk.**
7. **Aangezien op een helling het zicht belemmerd wordt, houdt u de hoogte van de lading zo laag mogelijk.**
8. **Stop het gereedschap nooit op een helling. Stop het gereedschap op een horizontale ondergrond, vergrendel de remhendel en schakel de voeding uit.**
9. **Verander op een steile helling niet van richting of snelheidsfunctie.**
10. **Laat de trekkerschakelaar niet los op omhooglopende hellingen. Het gereedschap kan achteruit rollen en een ongeval veroorzaken.**
11. **Verzekert u ervan dat de resterende acculading voldoende is voordat u het gereedschap op een helling gebruikt. Als de resterende acculading onvoldoende is, laad u de accu op of vervangt u deze door een opgeladen accu.**

12. **Wanneer u het gereedschap op een helling wordt gestart, plaatst u uw voet niet achter het achterwiel omdat het gereedschap enkele centimeters achteruit rolt.**

Voorwerpen laden

1. **Laad niet te veel voorwerpen. Zorg ervoor dat u bij het laden van voorwerpen de instructies en laadbepalingen in de gebruiksaanwijzing in acht neemt.**
2. **Hoe zwaarder de lading, hoe moeilijker het is om het gereedschap te bedienen. Houd daarom het gewicht van de lading binnen het bereik waarin dit niet van invloed is op de bediening.**
3. **Zet de voorwerpen stevig vast met touwen.**
4. **Laad de voorwerpen binnen het draagrek of de laadbak. Als de voorwerpen buiten het draagrek of de laadbak steken, bestaat de kans op ongevallen als gevolg van vallende voorwerpen of botsingen met obstakels, zoals muren.**
5. **Zorg ervoor dat geladen voorwerpen onder ooghoogte blijven. Als de lading te hoog is, is het gevaarlijk omdat het zicht wordt belemmerd. Bovendien bestaat de kans op omkiepen en letsel omdat de lading waarschijnlijk niet in balans is.**
6. **Laad de voorwerpen gelijkmatig op het draagrek of in de laadbak. Als de voorwerpen ongelijkmatig worden geladen, bestaat de kans op omkiepen en letsel omdat de lading waarschijnlijk niet in balans is.**
7. **Voordat u de voorwerpen laadt of het gereedschap bedient, verzekert u zich ervan dat de handgreep van de stortheid helemaal omlaag is gedrukt en volledig is vergrendeld.**
8. **Zorg ervoor dat zware voorwerpen eerst worden geladen voor een goede balans.**
9. **Trek de voor- en zijrails niet uit op hellingen. Trek de zijrails uit wanneer lichtgewicht voorwerpen worden geladen.**
10. **Wanneer u de voor- en zijrails uittrekt, trekt u ze niet verder uit dan de grensmarkering. Verzekert u ervan dat de zijrails aan de linker- en rechterkant even ver worden uitgetrokken en de lading gelijkmatig wordt geladen.**
11. **Laad en los de voorwerpen op een horizontale ondergrond. Laad en los voorwerpen nooit op een helling.**
12. **Houd bij het optillen van het draagrek of de laadbak de handgrepen en het frame stevig vast, en werk vanuit een stabiele houding.**

Het gereedschap vervoeren

1. **Gebruik oprijplaten die minstens 4 keer zo lang zijn als de hoogte van de laadvloer, met bevestigingen die passen in de laadvloer, met een slipvast oppervlak, van voldoende breedte, en die het gewicht van het gereedschap en de gebruiker kunnen dragen. Lees vóór gebruik de gebruiksaanwijzing van de oprijplaten aandachtig door.**
2. **Voordat u het gereedschap inlaadt, lost u alle voorwerpen uit het gereedschap en verwijdert u modder en ander vuil vanaf de banden. Plaats de oprijplaten op een horizontale en stabiele ondergrond.**

3. **Voordat u het gereedschap inlaadt of uitlaadt, verzekert u zich ervan dat zich geen mensen rondom het gereedschap en de oprijplaten bevinden. Laad het gereedschap in of uit met een lage rijsnelheid en wees daarbij voorzichtig dat het gereedschap niet van de oprijplaten afvalt. Let op dat u uw hoofd niet stoot tegen het dak van de auto of aanhanger. Wees uiterst voorzichtig wanneer u het gereedschap achterwaarts in- of uitlaadt.**
4. **Tijdens het vervoeren van het gereedschap moet de remhendel zijn vergrendeld, de voeding zijn uitgeschakeld, de accu's en vergrendelsleutel zijn verwijderd, en het gereedschap stevig zijn vastgezet.**

Onderhoud en opslag

1. **Alvorens het gereedschap op te slaan of inspectie- of onderhoudswerkzaamheden uit te voeren, verzekert u zich er altijd van dat het gereedschap op een horizontale ondergrond is gestopt, de remhendel is vergrendeld, en de vergrendelsleutel en de accu's zijn verwijderd.**
2. **Laat het gereedschap niet onbeheerd buiten in de regen staan.**
3. **Wanneer u de machine opbergt, vermijdt u direct zonlicht en regen, en bergt u het op een plaats op die niet heet of vochtig wordt.**
4. **Dit gereedschap is uitgerust met een hydraulische eenheid op de onderkant van de storteenheid die de storteenheid automatisch kan kantelen. Wijzig de hydraulische eenheid niet en draai de bevestigingsbouten van de eenheid of de stelbouten van de ontlastklep niet los. Dit is zeer gevaarlijk aangezien hierdoor ongevallen of storingen kunnen worden veroorzaakt.**

Gebruik en verzorging van gereedschap dat op een accu werkt

1. **Laad alleen op met de acculader aanbevolen door de fabrikant.** Een acculader die geschikt is voor een bepaald type accu, kan brandgevaar opleveren indien gebruikt met een ander type accu.
2. **Gebruik elektrisch gereedschap uitsluitend met de daarvoor bestemde accu.** Gebruik van andere accu's kan gevaar voor letsel of brandgevaar opleveren.
3. **Als de accu niet wordt gebruikt, houdt u deze uit de buurt van metalen voorwerpen, zoals paperclips, muntgeld, sleutels, spijkers, schroeven en andere kleine metalen voorwerpen die een kortsluiting kunnen veroorzaken tussen de accupolen.** Kortsluiting tussen de accupolen kan leiden tot brandwonden of brand.
4. **Onder zware gebruiksomstandigheden kan vloeistof uit de accu komen. Voorkom aanraking!** Als u er per ongeluk mee in aanraking komt, spoelt u het er met water af. Als de vloeistof in uw ogen komt, raadpleegt u tevens een arts. Vloeistof uit de accu kan irritatie en brandwonden veroorzaken.
5. **Gebruik geen accu of gereedschap dat beschadigd of gewijzigd is.** Beschadigde of gewijzigde accu's kunnen onvoorspelbaar gedrag vertonen dat kan leiden tot brand, explosie of gevaar van letsel.

6. **Stel een accu of gereedschap niet bloot aan vuur of buitensporige temperaturen.** Blootstelling aan vuur of temperaturen hoger dan 130 °C kunnen een explosie veroorzaken.
7. **Volg alle oplaadinstructies en laad de accu of het gereedschap niet op buiten het temperatuurbereik opgegeven in de instructies.** Verkeerd opladen of bij een temperatuur buiten het opgegeven bereik kan de accu beschadigen en de kans op brand vergroten.

Elektrische veiligheid en accu

1. **Werp de accu('s) niet in een vuur.** De accu kan exploderen. Raadpleeg de lokale regelgeving voor mogelijke speciale verwerkingsvereisten.
2. **Open of vervorm de accu('s) niet.** Het elektrolyt is agressief en kan letsel toebrengen aan de ogen en huid. Het kan giftig zijn bij inslikken.
3. **Laad de accu niet op in de regen of op een natte plaats.**
4. **Laad de accu niet buitenshuis op.**
5. **Raak de lader, inclusief de stekker en de contacten van de lader, niet met natte handen aan.**
6. **Vervang de accu niet in de regen.**
7. **Laat de aansluitpunten van de accu niet nat worden met een vloeistof, zoals water, en dompel de accu niet onder. Laat de accu niet in de regen liggen en laad of berg de accu niet op een vochtige of natte plaats op.** Als de aansluitpunten nat worden of vloeistof binnendringt in de accu, kan kortsluiting ontstaan in de accu en bestaat de kans op oververhitting, brand of explosie.
8. **Nadat de accu vanaf het gereedschap of de acculader is verwijderd, vergeet u niet het accudeksel op de accu te bevestigen en deze op een droge plaats op te bergen.**
9. **Vervang de accu niet met natte handen.**
10. **Vermijd gevaarlijke omgevingen. Gebruik de machine niet op vochtige of natte plaatsen en stel hem niet bloot aan regen.** Als water binnendringt in de machine, wordt het risico van een elektrische schok hoger.
11. **Als de accu nat wordt, laat u het water eruit lopen en veegt u hem af met een droge doek. Laat de accu volledig drogen op een droge plaats voordat u hem gebruikt.**

BEWAAR DEZE VOORSCHRIFTEN.

⚠️WAARSCHUWING: Laat u NIET misleiden door een vals gevoel van comfort en bekendheid met het gereedschap (na veelvuldig gebruik) en neem alle veiligheidsvoorschriften van het betreffende gereedschap altijd strikt in acht. **VERKEERD GEBRUIK** of het niet naleven van de veiligheidsvoorschriften in deze gebruiksaanwijzing kan leiden tot ernstig letsel.

Belangrijke veiligheidsinstructies voor een accu

1. Lees alle voorschriften en waarschuwingen op (1) de acculader, (2) de accu, en (3) het product waarvoor de accu wordt gebruikt, alvorens de accu in gebruik te nemen.
2. Haal de accu niet uit elkaar en saboteer hem niet. Dit kan leiden tot brand, buitensporige hitte of een explosie.
3. Als de gebruiktijd van een opgeladen accu aanzienlijk korter is geworden, moet u het gebruik ervan onmiddellijk stopzetten. Voortgezet gebruik kan oververhitting, brandwonden en zelfs een ontploffing veroorzaken.
4. Als elektrolyt in uw ogen is terechtgekomen, spoelt u uw ogen met schoon water en roept u onmiddellijk de hulp van een dokter in. Elektrolyt in de ogen kan blindheid veroorzaken.
5. Voorkom kortsluiting van de accu:
 - (1) Raak de accuklemmen nooit aan met een geleidend materiaal.
 - (2) Bewaar de accu niet in een bak waarin andere metalen voorwerpen zoals spijkers, munten e.d. worden bewaard.
 - (3) Stel de accu niet bloot aan water of regen. Kortsluiting van de accu kan oorzaak zijn van een grote stroomafgifte, oververhitting, brandwonden, en zelfs defecten.
6. Bewaar en gebruik het gereedschap en de accu niet op plaatsen waar de temperatuur kan oplopen tot 50 °C of hoger.
7. Werp de accu nooit in het vuur, ook niet wanneer hij zwaar beschadigd of volledig versleten is. De accu kan ontploffen in het vuur.
8. Laat de accu niet vallen, sla er geen spijker in, snijd er niet in, gooi er niet mee en stoot hem niet tegen een hard voorwerp. Dergelijke handelingen kunnen leiden tot brand, buitensporige hitte of een explosie.
9. Gebruik nooit een beschadigde accu.
10. De bijgeleverde lithium-ionbatterijen zijn onderhevig aan de vereisten in de wetgeving omtrent gevaarlijke stoffen.

Voor commercieel transport en dergelijke door derden en transporteurs moeten speciale vereisten ten aanzien van verpakking en etikettering worden nageleefd.

Als voorbereiding van het artikel dat wordt getransporteerd is het noodzakelijk een expert op het gebied van gevaarlijke stoffen te raadplegen. Houd u tevens aan mogelijk strengere nationale regelgeving.

Blootliggende contactpunten moeten worden afgedekt met tape en de accu moet zodanig worden verpakt dat deze niet kan bewegen in de verpakking.
11. Wanneer u de accu wilt weggooien, verwijdert u de accu vanaf het gereedschap en gooit u hem op een veilige manier weg. Volg bij het weggooien van de accu de plaatselijke voorschriften.
12. Gebruik de accu's uitsluitend met de gereedschappen die door Makita zijn aanbevolen. Als de accu's worden aangebracht in niet-compatibele gereedschappen, kan dat leiden tot brand, buitensporige warmteontwikkeling, een explosie of lekkage van elektrolyt.
13. Als u het gereedschap gedurende een lange tijd niet denkt te gaan gebruiken, moet de accu vanaf het gereedschap worden verwijderd.
14. Tijdens en na gebruik, kan de accu heet worden waardoor brandwonden of koude brandwonden kunnen worden veroorzaakt. Wees voorzichtig bij het hanteren van een hete accu.
15. Raak de aansluitpunten van het gereedschap niet onmiddellijk na gebruik aan omdat deze heet genoeg kunnen zijn om brandwonden te veroorzaken.
16. Zorg ervoor dat geen steenslag, stof of grond vast komt te zitten op/in de aansluitpunten, openingen en groeven van de accu. Hierdoor kan oververhitting, brand, een barst en een storing in het gereedschap of de accu ontstaan waardoor brandwonden of persoonlijk letsel kunnen ontstaan.
17. Behalve indien gebruik van het gereedschap is toegestaan in de buurt van hoogspanningsleidingen, mag u de accu niet gebruiken in de buurt van een hoogspanningsleiding. Dit kan leiden tot een storing of een defect van het gereedschap of de accu.
18. Houd de accu uit de buurt van kinderen.

BEWAAR DEZE INSTRUCTIES.

⚠ LET OP: Gebruik uitsluitend originele Makita accu's. Het gebruik van niet-originele accu's, of accu's die zijn gewijzigd, kan ertoe leiden dat de accu ontploft en brand, persoonlijk letsel en schade veroorzaakt. Ook vervalt daarmee de garantie van Makita op het gereedschap en de lader van Makita.

Tips voor een maximale levensduur van de accu

1. Laad de accu op voordat hij volledig ontladen is. Stop het gebruik van het gereedschap en laad de accu op telkens wanneer u vaststelt dat het vermogen van het gereedschap is afgenomen.
2. Laad een volledig opgeladen accu nooit opnieuw op. Te lang opladen verkort de levensduur van de accu.
3. Laad de accu op bij een omgevingstemperatuur tussen 10 °C en 40 °C. Laat een warme accu afkoelen alvorens hem op te laden.
4. Als de accu niet wordt gebruikt, verwijdert u hem vanaf het gereedschap of de lader.
5. Laad de accu op als u deze gedurende een lange tijd (meer dan zes maanden) niet gaat gebruiken.

BESCHRIJVING VAN DE ONDERDELEN

Wanneer de laadbak is aangebracht

► Fig.1

1	Kantelschakelaar	2	Bedieningspaneel	3	Pieptoonknop	4	Trekkerschakelaar
5	Lamp op de achterkant	6	Handgreep	7	Accubak	8	Remhendel
9	Achterwiel	10	Achterwielvergrendeling	11	Vergrendelhendel	12	Storteenheid
13	Voorwiel	14	Lamp op de voorkant	15	Laadbak	-	-

Wanneer het draagrek is aangebracht

► Fig.2

1	Kantelschakelaar	2	Bedieningspaneel	3	Pieptoonknop	4	Trekkerschakelaar
5	Lamp op de achterkant	6	Handgreep	7	Accubak	8	Remhendel
9	Achterwiel	10	Achterwielvergrendeling	11	Vergrendelhendel	12	Voorwiel
13	Lamp op de voorkant	14	Draagrek	-	-	-	-

MONTAGE

⚠ LET OP: Verzeker u er altijd van dat het gereedschap is uitgeschakeld en de accu's zijn verwijderd voordat u enige werkzaamheden aan het gereedschap uitvoert.

Voordat u het draagrek of de laadbak aanbrengt of verwijdert, verzekert u zich ervan de remhendel te vergrendelen. Om de remhendel te vergrendelen houdt u de remhendel aangetrokken, trekt u daarna aan de vergrendelhendel, en laat u vervolgens de remhendel los terwijl u de vergrendelhendel aangetrokken houdt.

► Fig.3: 1. Remhendel 2. Vergrendelhendel

De laadbak aanbrengen en verwijderen

De laadbak aanbrengen

1. Haal de laadbak, steunen en voorpijp uit de doos.

► Fig.4: 1. Laadbak 2. Steun 3. Voorpijp

2. Steek de voorpijp tussen het bovenframe en onderframe van de storteenheid.

► Fig.5: 1. Voorpijp

3. Plaats de steun op de storteenheid en draai daarna tijdelijk de bouten door de voorpijp vast. Bevestig de andere steun op dezelfde manier op de storteenheid.

► Fig.6: 1. Steun 2. Bout

4. Plaats de laadbak op de voorpijp en de linker en rechter steun.

Plaats de rubber ring op het gat in de laadbak en steek de bout er vanaf de bovenkant in. Breng vanaf de onderkant eerst de platte ring en daarna de veerring aan op de bout en draai vervolgens de moer vast. Draai de resterende bouten en moeren op dezelfde manier vast.

► Fig.7: 1. Bout 2. Rubber ring 3. Platte ring 4. Veerring 5. Moer

5. Draai de 4 bouten die in stap 3 tijdelijk waren vastgedraaid nu stevig vast.

De laadbak verwijderen

Om de laadbak te verwijderen, volgt u de procedure voor het aanbrengen in de omgekeerde volgorde.

Het draagrek aanbrengen en verwijderen

Optioneel accessoire

Het draagrek aanbrengen

1. Haal het draagrek uit de doos en bevestig de zijrails en de voorrail aan het bodemrek.

► Fig.8

2. Draai de 6 vingerschroeven tezamen met de veren en ringen vast om de rails te bevestigen.

► Fig.9: 1. Vingerschroef 2. Veer 3. Ring

3. Plaats het draagrek op de storteenheid.

Steek de bout vanaf de bovenkant erin. Breng vanaf de onderkant eerst de platte ring en daarna de veerring aan op de bout en draai vervolgens de moer vast. Draai de resterende bouten en moeren op dezelfde manier vast.

► Fig.10: 1. Bout 2. Platte ring 3. Veerring 4. Moer

Het draagrek verwijderen

Om het draagrek te verwijderen, volgt u de procedure voor het aanbrengen in de omgekeerde volgorde.

BESCHRIJVING VAN DE FUNCTIES

⚠ LET OP: Verzekeer u er altijd van dat het gereedschap is uitgeschakeld en de accu is verwijderd alvorens de functies op het gereedschap af te stellen of te controleren.

De accu aanbrengen en verwijderen

⚠ LET OP: Schakel het gereedschap altijd uit en vergrendel de remhendel voordat u de accu aanbrengt of verwijdert.

⚠ LET OP: Breng de accu altijd helemaal aan totdat het rode deel niet meer zichtbaar is. Als u dit niet doet, kan de accu per ongeluk uit het gereedschap vallen en letsel veroorzaken bij u of anderen in uw omgeving.

⚠ LET OP: Druk de accu er niet met kracht in. Als de accu er niet soepel in schuift, houdt u die waarschijnlijk in de verkeerde stand.

⚠ LET OP: Gebruik niet een accu voor hoge temperatuur. Als u een accu voor hoge temperatuur gebruikt, stopt het gereedschap automatisch en klinkt een korte pieptoon, en kan letsel worden veroorzaakt.

⚠ LET OP: Wees voorzichtig bij het sluiten of openen van het accudeksel dat uw vingers niet bekneld raken.

KENNISGEVING: Zorg dat u voor gebruik het accudeksel stevig afsluit. Anders zou er modder, vuil en water in kunnen komen en het gereedschap of de accu kunnen beschadigen.

De accu aanbrengen

1. Trek de vergrendelhendel omhoog en open daarna het deksel van de accubak.
▶ Fig.11: 1. Deksel 2. Vergrendelhendel
2. Lijn de lip van de accu uit met de gleuf van de accubak, en schuif daarna de accu totdat deze op zijn plaats wordt vergrendeld met een klein klikgeluid.
▶ Fig.12: 1. Accu
3. Steek de vergrendelsleutel, op de plaats die in de afbeelding is aangegeven, zo ver mogelijk erin en draai hem rechtsom.
▶ Fig.13: 1. Vergrendelsleutel

OPMERKING: Om de vergrendelsleutel te kunnen draaien, moet de vergrendelsleutel er helemaal ingestoken zijn.

4. Sluit het deksel van de accubak.
▶ Fig.14: 1. Deksel

De accu verwijderen

1. Trek de vergrendelhendel omhoog en open daarna het deksel van de accubak.
2. Verschuif de knop aan de voorkant van de accu en trek tegelijkertijd de accu uit de accubak.
▶ Fig.15: 1. Knop
3. Draai de vergrendelsleutel linksom en trek hem eruit.
4. Sluit het deksel van de accubak.

Beveiligingssysteem voor gereedschap/accu

Het apparaat is uitgerust met een beveiligingssysteem voor gereedschap/accu. Dit systeem schakelt automatisch de voeding naar de motor uit om de levensduur van het gereedschap en de accu te verlengen. Het gereedschap kan tijdens het gebruik automatisch stoppen als het gereedschap of de accu aan één van de volgende omstandigheden wordt blootgesteld. Een korte of lange pieptoon klinkt voordat het gereedschap automatisch stopt. De accu-indicators en de lampjes op het bedieningspaneel knipperen terwijl de pieptoon klinkt.

OPMERKING: Om de pieptoon te stoppen, laat u de trekverschakelaar los en knijpt u de remhendel in.

Overbelastingsbeveiliging

Als het gereedschap of de accu wordt gebruikt op een manier waardoor een abnormaal hoge stroom wordt getrokken, stopt het apparaat automatisch en knippert de aan-uitlamp groen. Wanneer dat gebeurt, schakelt u het gereedschap uit en stopt u de toepassing die ertoe leidde dat het gereedschap overbelast raakte, zoals het verminderen van de geladen voorwerpen. Schakel vervolgens het gereedschap in om het weer te starten.

Oververhittingsbeveiliging

Wanneer het gereedschap oververhit is, stopt het gereedschap automatisch en gaat de aan-uitlamp rood branden. In dat geval laat u het gereedschap en de accu afkoelen, voordat u het gereedschap opnieuw inschakelt.

Beveiliging tegen te ver ontladen

Wanneer de acculading onvoldoende is, knipperen de aan-uitlamp en de betreffende accu-indicator rood. In dat geval schakelt u over op andere accu's of vervangt u de accu's door volledig opgeladen accu's, of verwijdert u de accu's vanaf het gereedschap en laadt u ze op.

OPMERKING: Wanneer de accu oververhit is, knippert de aan-uitlamp rood.

Beveiligingen tegen andere oorzaken

KENNISGEVING: De aan-uitlamp knippert beurtelings groen en rood wanneer zich een abnormale situatie voordoet in het gereedschap. Raadpleeg in dat geval het hoofdstuk over problemen oplossen.

Het beveiligingssysteem is ook ontworpen voor andere oorzaken die de machine kunnen beschadigen, en zorgt ervoor dat de machine automatisch stopt. Voer alle volgende stappen uit om de oorzaken op te heffen, wanneer de machine tijdelijk is onderbroken of tijdens het gebruik is gestopt.

1. Schakel de machine uit en schakel hem daarna weer in om hem opnieuw te starten.
2. Laad de accu('s) op of vervang hem/ze door (een) opgeladen accu('s).
3. Laat de machine en accu('s) afkoelen.

KENNISGEVING: Als geen verbetering optreedt of als het gereedschap stopt als gevolg van een oorzaak die niet hierboven wordt beschreven, raadpleegt u het hoofdstuk over problemen oplossen.

De resterende acculading controleren

⚠ LET OP: Stop altijd het gereedschap voordat u de resterende acculading controleert of de accu's omschakelt.

⚠ LET OP: Wanneer de acculading laag wordt, klinkt een korte pieptoon. Vergrendel in dat geval de remhendel en schakelt u over op opgeladen accu's of laadt u de accu's op. Als u het gereedschap blijft gebruiken met een lage acculading en de acculading opdraakt, klinkt een lange pieptoon en stopt het gereedschap automatisch waardoor een ongeval of letsel kan worden veroorzaakt.

⚠ LET OP: Als de pieptoon klinkt tijdens het werken op een helling, verplaatst u het gereedschap naar een veilige plaats, vergrendelt u de remhendel, en schakelt u over op opgeladen accu's of laadt u de accu's op.

⚠ LET OP: Als de lading zwaar is en de pieptoon klinkt tijdens het werken op een helling, let u goed op de veiligheid, vergrendelt u de remhendel en schakelt u over op opgeladen accu's. Verplaats het gereedschap naar een veilige plaats en vergrendel de remhendel. Verminder de lading voordat u het gereedschap weer bedient. Raadpleeg voor meer informatie het hoofdstuk over problemen oplossen.

Het laadniveau op de accubak controleren

► Fig.16: 1. Accu-indicator 2. Testknop

Druk op de testknop om de resterende acculadingen te zien. De accu-indicators geven per accu de resterende acculading aan.

Toestand van accu-indicator			Resterende acculading
Aan	Knippert	Uit	
			50% tot 100%
			20% tot 50%
			0% tot 20%
			Leeg
			Accu niet aangebracht

OPMERKING: Als u de trekkerschakelaar blijft inknijpen, ook nadat u de korte pieptoon hebt gehoord, stopt het gereedschap automatisch. Nadat het gereedschap automatisch is gestopt, blijft de pieptoon klinken en wordt de hulprem aangetrokken. Om de pieptoon te stoppen en de hulprem vrij te geven, laat u de trekkerschakelaar los en knijpt u de remhendel in. Duw niet met kracht tegen het gereedschap zonder de hulprem vrij te geven.

OPMERKING: U kunt de resterende acculading ook controleren wanneer de vergrendelsleutel niet is geplaatst.

OPMERKING: De accu-indicators voor de resterende acculading dienen slechts ter referentie. De daadwerkelijke acculading kan variëren afhankelijk van de gebruiksomstandigheden.

Het laadniveau op de accu controleren

Alleen voor accu's met indicatorlampjes

Druk op de testknop op de accu om de resterende acculading te zien. De indicatorlampjes branden gedurende enkele seconden.

► Fig.17: 1. Indicatorlampjes 2. Testknop

Indicatorlampjes			Resterende acculading
Brandt	Uit	Knippert	
			75% tot 100%
			50% tot 75%
			25% tot 50%
			0% tot 25%
			Laad de accu op.
			Er kan een storing zijn opgetreden in de accu.

OPMERKING: Afhankelijk van de gebruiksomstandigheden en de omgevingstemperatuur, is het mogelijk dat de aangegeven acculading verschilt van de werkelijke acculading.

OPMERKING: Het eerste (meest linker) indicatorlampje knippert wanneer het accubeveiligingssysteem in werking is getreden.

De accu omschakelen

► Fig.18: 1. Accukeuzeschakelaar

Het apparaat gebruikt 2 accu's tegelijkertijd. Maximaal 4 accu's kunnen in het gereedschap worden aangebracht. Voordat u het gereedschap bedient, selecteert u de accu's die moeten worden gebruikt door de accukeuzeschakelaar te draaien.

KENNISGEVING: Als de accu zich in de volgende omstandigheid bevindt, werkt het gereedschap niet, zelfs als u de accu's omschakelt met behulp van de accukeuzeschakelaar.

- De resterende acculading van minstens één van de accu's is op.
- Minstens één van de accu's is oververhit.

In dat geval verwijdt u de lege of oververhitte accu, of vervangt u de accu door een opgeladen accu.

OPMERKING: Als slechts 2 accu's in het gereedschap zijn aangebracht, verzekert u zich ervan de accu's te selecteren die zijn aangebracht met behulp van de accukeuzeschakelaar.

Bedieningspaneel

▲LET OP: Vergrendel altijd de remhendel en schakel het gereedschap uit wanneer het niet in gebruik is.

Aan-uitknop

► Fig.19: 1. Aan-uitlamp 2. Aan-uitknop

Om het gereedschap in te schakelen, vergrendelt u en drukt u vervolgens op de aan-uitknop zonder de trekverschakelaar in te knijpen. De aan-uitlamp brandt groen. Om het gereedschap uit te schakelen, laat u de trekverschakelaar los, vergrendelt u de remhendel en drukt u vervolgens op de aan-uitknop.

OPMERKING: Wanneer het gereedschap de eerste keer wordt gebruikt nadat het gereedschap is ingeschakeld, wordt het elektrische systeem getest. Als een probleem wordt gedetecteerd, knippert de aan-uitlamp beurtelings rood en groen. Raadpleeg in dat geval het hoofdstuk over problemen oplossen.

OPMERKING: Als de aan-uitlamp rood brandt, of rood of groen knippert, raadpleegt u de instructies voor het beveiligingssysteem voor gereedschap/accu.

OPMERKING: Dit gereedschap maakt gebruik van de automatische uitschakelfunctie. Om onbedoeld starten te voorkomen, wordt het gereedschap automatisch uitgeschakeld wanneer het gereedschap stilstaat en niet wordt bediend binnen een bepaalde tijdsduur nadat het gereedschap is ingeschakeld.

OPMERKING: Als u op de aan-uitknop drukt terwijl de trekverschakelaar wordt ingeknepen, wordt het gereedschap niet ingeschakeld. Laat de trekverschakelaar los en druk daarna op de aan-uitknop.

Vooruit-achteruit- en snelheidsknop

► Fig.20: 1. Vooruit-achteruitknop 2. Snelheidsindicator 3. Snelheidsknop

Druk op de vooruit-achteruitknop om om te schakelen tussen de vooruitrijfunctie en de achteruitrijfunctie. Druk op de snelheidsknop om om te schakelen tussen lage rijsnelheid, gematigde rijsnelheid en hoge rijsnelheid. Wanneer de voeding wordt ingeschakeld, worden de vooruitrijfunctie en de lage rijsnelheid ingesteld.

OPMERKING: De vooruit-achteruitknop kan niet worden bediend terwijl de trekverschakelaar wordt ingeknepen.

OPMERKING: Een korte piepton kninkt terwijl het gereedschap in zijn achteruit wordt gebruikt.

OPMERKING: De snelheidsknop kan niet worden bediend terwijl het gereedschap in zijn achteruit wordt gebruikt.

OPMERKING: Als het gereedschap een probleem detecteert, knipperen de snelheidsindicatoren beurtelings. Raadpleeg in dat geval het hoofdstuk over problemen oplossen.

Pieptonknop

Wanneer u op de pieptonknop drukt, klinkt de piepton.

► Fig.21: 1. Pieptonknop

OPMERKING: De pieptonknop kan worden bediend wanneer het gereedschap is ingeschakeld.

OPMERKING: De pieptonknop kan zelfs worden bediend wanneer de vergrendelsleutel niet in de accubak is gestoken.

De lampen inschakelen

Druk op de lampknop op de accubak om de lampen op de voorkant en achterkant in te schakelen. Om de lampen uit te schakelen, drukt u nogmaals op de lampknop.

► Fig.22: 1. Lampknop 2. Lamp op de voorkant

► Fig.23: 1. Lamp op de achterkant

OPMERKING: De lampen gaan uit nadat het gereedschap gedurende een bepaalde tijdsduur niet is bediend.

OPMERKING: De lampen gaan uit wanneer de voeding wordt uitgeschakeld.

OPMERKING: U kunt de lampen inschakelen zelfs wanneer de vergrendelsleutel niet is geplaatst.

Trekverschakelaar en remhendel

▲LET OP: Alvorens de accu in het gereedschap aan te brengen, controleert u altijd of de trekverschakelaar correct werkt en na loslaten terugkeert naar de uit-stand.

Om het gereedschap te starten, knijpt u de trekverschakelaar in. Met behulp van de trekverschakelaar kan de rijsnelheid wordt aangepast binnen het geselecteerde snelheidsbereik. Om het gereedschap te stoppen, laat u de trekverschakelaar los en knijpt u de remhendel in. Om de remhendel te vergrendelen houdt u de remhendel aangetrokken, trekt u daarna aan de vergrendelhendel, en laat u vervolgens de remhendel los terwijl u de vergrendelhendel aangetrokken houdt. Om de vergrendeling vrij te geven, knijpt u de remhendel in.

► Fig.24: 1. Trekverschakelaar

► Fig.25: 1. Remhendel 2. Vergrendelhendel

Kantelschakelaar

⚠ LET OP: Verzeker u ervan de remhendel aangetrokken te houden wanneer u de kantelschakelaar bedient.

⚠ LET OP: Voordat u de kantelschakelaar bedient, verzekert u zich ervan dat de resterende acculading niet laag is. Als de acculading laag is, vergrendelt u de remhendel en schakelt u de accu's om naar opgeladen accu's, of vervangt u de accu's door opgeladen accu's.

► Fig.26: 1. Kantelschakelaar

U kunt de laadbak of het draagrek kantelen met behulp van de kantelschakelaar. Om de laadbak of het draagrek voorover te kantelen, houdt u de remhendel aangetrokken en drukt u op de bovenkant van de kantelschakelaar. Om de laadbak of het draagrek terug te plaatsen, houdt u de remhendel aangetrokken en drukt u op de onderkant van de kantelschakelaar.

OPMERKING: Terwijl de laadbak of het draagrek beweegt, klinkt een pieptoon.

De breedte van het draagrek afstellen

KENNISGEVING: Verzeker u ervan dat de zijrails en de voorrail stevig zijn bevestigd nadat de vingerschroeven zijn vastgedraaid.

Draai de 6 vingerschroeven los en verschuif daarna de zijrails en de voorrail. Draai de vingerschroeven vast om de zijrails en de voorrail vast te zetten.

► Fig.27: 1. Vingerschroef 2. Rail

⚠ LET OP: Schuif de rail niet verder dan de grensmarkering.

► Fig.28

De hoogte van de handgreep afstellen

KENNISGEVING: Stel de linker- en rechterhandgreep af op dezelfde hoogte.

De hoogte van de handgreep kan worden afgesteld op 7 hoogten. Om de hoogte van de handgreep af te stellen, draait u de 2 knoppen los, stelt u de hoogte van de handgreep af door het gat in de handgreep uit te lijnen met het uitsteeksel op het achterframe, en draait u vervolgens de 2 knoppen stevig vast. Stel de hoogte van de andere handgreep op dezelfde manier af.

► Fig.29: 1. Knop

Achterwielvergrendeling

U kunt de richting waarin de achterwielen wijzen vergrendelen met behulp van de achterwielvergrendeling.

1. Rijd het gereedschap iets naar voren zodat de achterwielen wijzen in de richting aangegeven in de afbeelding.

► Fig.30: 1. Achterwiel

2. Draai de achterwielvergrendeling naar achteren.

► Fig.31: 1. Achterwielvergrendeling

3. Vergrendel het andere achterwiel op dezelfde manier.

4. Beweeg het achterwiel iets naar voren en achteren of naar links en rechts om er zeker van te zijn dat hij is vergrendeld.

Om de achterwielvergrendeling vrij te geven, draait u de achterwielvergrendeling 90° zoals aangegeven in de afbeelding.

► Fig.32: 1. Achterwielvergrendeling

OPMERKING: De achterwielen kunnen worden vastgezet in 4 verschillende richtingen, zoals aangegeven in de afbeelding.

► Fig.33

De waterpas gebruiken

Door de waterpas te gebruiken, kunt u controleren of de ondergrond horizontaal is.

► Fig.34: 1. Waterpas

BEDIENING

⚠ LET OP: Verzeker u ervan dat de remhendel is vergrendeld voordat u voorwerpen laadt of lost.

Het gereedschap bedienen

KENNISGEVING: Verzeker u ervan vóór gebruik de vergrendelsleutel te plaatsen. Als de vergrendelsleutel niet is geplaatst, klinkt een pieptoon wanneer u de trekkerschakelaar inknipt. De pieptoon stopt wanneer u de trekkerschakelaar loslaat en de remhendel inknipt.

KENNISGEVING: Voer een inspectie uit voordat u het gereedschap bedient door het hoofdstuk over onderhoud te raadplegen.

1. Verzeker u ervan dat de remhendel is vergrendeld. Breng de accu's aan, plaats de vergrendelsleutel en draai hem rechtsom.

2. Kies met behulp van de accukeuzeschakelaar de gewenste accu's.

3. Druk op het bedieningspaneel op de aan-uitknop om de voeding in te schakelen.

► Fig.35: 1. Aan-uitknop

4. Knijp de remhendel in om de vergrendeling van de remhendel vrij te geven.

► Fig.36: 1. Remhendel

5. Houd de handgrepen stevig met beide handen vast.

► Fig.37

6. Knijp de trekkerschakelaar in.

► Fig.38: 1. Trekkerschakelaar

Voorwerpen laden

⚠️ LET OP: Alvorens voorwerpen in het gereedschap te laden, verzekert u zich ervan dat het gereedschap is uitgeschakeld en de remhendel vergrendeld is.

⚠️ LET OP: Alvorens voorwerpen in het gereedschap te laden, verzekert u zich ervan dat de stortheenheid vergrendeld is.

⚠️ LET OP: Verzeker u ervan dat de voorwerpen binnen het draagrek of de laadbak worden geladen. Als voorwerpen uit het draagrek of de laadbak steken, kunnen deze vallen of afbreken als ze tegen obstakels botsen.

► Fig.39

⚠️ LET OP: Zorg ervoor dat de voorwerpen zodanig geladen worden dat ze onder ooghoogte blijven. Als de lading te hoog is, is het gevaarlijk omdat het zicht wordt belemmerd. Bovendien bestaat de kans op omkiepen en letsel omdat de lading waarschijnlijk niet in balans is.

► Fig.40

⚠️ LET OP: Laad geen voorwerpen boven de hoogte van de laadbak. Als voorwerpen hoger worden geladen dan de laadbak, kan de lading vallen of uiteen vallen.

Als voorwerpen op het draagrek worden geladen, zet u de voorwerpen vast met touwen en bindt u deze vast aan de sjarahaken van het draagrek.

► Fig.41: 1. Sjarahak

Voorwerpen storten

⚠️ LET OP: Wanneer u het draagrek of de laadbak kantelt of terugplaatst, mag u nooit enig deel van uw lichaam erin steken, of tussen de stortheenheid en het draagrek of de laadbak, of onder de stortheenheid, steken. Als u dit doet, kan dat leiden tot letsel of brandwonden.

⚠️ LET OP: Na het storten van de lading verzekert u zich ervan de stortheenheid te vergrendelen door de stortheenheid terug te plaatsen in zijn oorspronkelijke stand.

⚠️ LET OP: Voordat u het draagrek of de laadbak handmatig kantelt, verzekert u zich ervan de remhendel te vergrendelen.

⚠️ LET OP: Kantel het draagrek of de laadbak op een horizontale en stabiele ondergrond. Als u dit op een instabiele ondergrond doet, kan dat leiden tot een ongeval of letsel.

⚠️ LET OP: Houd de lading zo klein mogelijk. Als de lading te groot is, mag u niet proberen het draagrek of de laadbak te kantelen. Verklein de lading en kantel vervolgens het draagrek of de laadbak.

⚠️ LET OP: Als de lading is vastgezet met touwen of iets anders, maakt u deze los voordat u de stortheenheid kantelt.

⚠️ LET OP: Voordat u het draagrek of de laadbak kantelt, verzekert u zich ervan dat zich geen mensen of obstakels rondom het gereedschap bevinden.

U kunt de voorwerpen storten door het draagrek of de laadbak op te tillen en te kantelen.

1. Stop het gereedschap.

2. Kantel de laadbak of het draagrek voorover door de remhendel aangetrokken te houden en op de bovenkant van de kantelschakelaar te drukken.

► Fig.42: 1. Kantelschakelaar

3. Om de voorwerpen die zijn achtergebleven in de laadbak of op het draagrek handmatig te storten, voert u de onderstaande stappen uit.

- Vergrendel de remhendel en ga naast het gereedschap staan.

- Draai de vergrendelhendel van de stortheenheid naar de voorkant van het gereedschap om de stortheenheid te ontgrendelen.

- Houd de handgreep van de stortheenheid vast en kantel vervolgens de laadbak of het draagrek voorover om de voorwerpen te storten.

- Plaats de laadbak of het draagrek terug op de stortheenheid.

► Fig.43: 1. Vergrendelhendel 2. Stortheenheid

⚠️ LET OP: Houd de handgreep van de stortheenheid stevig vast en werk vanuit een stabiele houding.

KENNISGEVING: Wij adviseren u de voorwielen te blokkeren om het gereedschap te stabiliseren.

4. Plaats de laadbak of het draagrek terug in zijn oorspronkelijke positie, door de remhendel aangetrokken te houden en op de onderkant van de kantelschakelaar te drukken.

KENNISGEVING: Verzeker u ervan de laadbak of het draagrek in zijn oorspronkelijke positie terug te plaatsen nadat de voorwerpen zijn gestort. Als de laadbak of het draagrek niet volledig is teruggeplaatst en vergrendeld, wordt de rijsnelheid van het gereedschap begrensd op 0,8 km/u.

ONDERHOUD

⚠️ LET OP: Alvorens het gereedschap op te slaan of inspectie- of onderhoudswerkzaamheden uit te voeren, verzekert u zich er altijd van dat het gereedschap op een horizontale ondergrond is geparkeerd en de remhendel is vergrendeld.

⚠️ LET OP: Verzeker u er altijd van dat de vergrendelsleutel en accu uit het gereedschap zijn verwijderd vóór opslag, inspectie en onderhoud.

⚠️ LET OP: Verwijder altijd de vergrendelsleutel wanneer het gereedschap niet in gebruik is. Bewaar de vergrendelsleutel op een veilige plaats buiten bereik van kinderen.

Om de VEILIGHEID en BETROUWBAARHEID van het gereedschap te handhaven, dienen alle reparaties, onderhoud of afstellingen te worden uitgevoerd bij een erkend Makita-servicecentrum of de Makita-fabriek, en altijd met gebruik van Makita-ervangingsonderdelen.

Inspectie vóór gebruik

Voer de volgende inspecties uit voordat u het gereedschap bedient.

- Controleer of de bouten, moeren en knoppen stevig vastgedraaid zijn.

► Fig.44

- Controleer of de rem goed werkt. Als u vindt dat de rem onvoldoende goed werkt, reinigt u de rem. Als geen verbetering optreedt, vraagt u uw erkende Makita-servicecentrum hem te repareren.
- Controleer of de stortheid vergrendeld is wanneer de handgreep van de stortheid helemaal omlaag geduwd is.

► Fig.45: 1. Handgrepen

- Controleer of de banden van de voor- en achterwielen niet beschadigd zijn en er voldoende lucht in de banden zit.
- Controleer of de lampen op de voorkant en achterkant schoon zijn. Reinig ze zo nodig.
- Controleer of de schrapers in de juiste stand staan. Als de schraper omhoog gericht is, past u de stand van de schraper aan door de bouten los te draaien. Duw bij het vastdraaien van de bouten de schraper niet naar de voorkant van het gereedschap.

► Fig.46: 1. Schraper

Het gereedschap reinigen

KENNISGEVING: Gebruik nooit benzine, wasbenzine, thinner, alcohol en dergelijke. Hierdoor kunnen verkleuring, vervormingen en barsten worden veroorzaakt.

KENNISGEVING: Gebruik geen hogedrukreiniger voor het reinigen.

KENNISGEVING: Zorg ervoor dat tijdens het reinigen van het gereedschap het deksel van de accubak gesloten is. Anders kan water in de accubak binnendringen en een storing in het gereedschap veroorzaken.

Verwijder modder, vuil en dergelijke vanaf het gereedschap. Reinig het gereedschap met stromend water. Veeg na het reinigen het gereedschap af met een droge doek.

Opslag

Vergrendel de remhendel en verwijder de accu's en vergrendelsleutel. Sla het gereedschap op een veilige plaats op buiten bereik van kinderen.

De band oppompen

Controleer of er voldoende lucht in de banden van de voor- en achterwielen zit. Als er onvoldoende lucht in de banden zit, pompt u de banden op met behulp van een bandenpomp. De bandenspanning is als volgt:

- Band van het voorwiel: 280 kPa (40 psi)
- Band van het achterwiel: 525 kPa (75 psi)

Voorwiel

► Fig.47

Achterwiel

► Fig.48

Een band vervangen

⚠ LET OP: Voordat u een band vervangt, lost u eerst alle voorwerpen uit/vanaf het gereedschap.

⚠ LET OP: Draag handschoenen wanneer u een band vervangt.

De band van een voorwiel vervangen

OPMERKING: Wanneer u de grijze band monteert, monteert u deze zodanig dat het ventiel aan de buitenzijde zit.

► Fig.49

De band van een achterwiel vervangen

► Fig.50

► Fig.51

PROBLEMEN OPLOSSEN

Alvorens u verzoekt om reparatie, kunt u zelf als volgt het probleem opsporen en oplossen. Als u een probleem ondervindt dat niet in deze gebruiksaanwijzing wordt beschreven, mag u het gereedschap niet uit elkaar halen. Vraag in plaats daarvan een erkend Makita-servicecentrum het gereedschap te repareren, en altijd met gebruikmaking van originele Makita-ervangingsonderdelen.

Probleemomschrijving	Aan-uitlamp	Oorzaak	Oplossing
Het gereedschap wordt niet ingeschakeld.	Uit.	Er zijn nog niet twee volle accu's aangebracht.	Plaats twee opgeladen accu's.
		Probleem met de accu (onvoldoende spanning)	Laad de accu op. Als het opladen geen effect heeft, vervangt u de accu.
		De accukeuzeschakelaar staat niet in de juiste stand.	Kies met behulp van de accukeuzeschakelaar de juiste accu.
Het gereedschap start niet.	De lamp knippert rood.	De accu is bijna leeg.	Laad de accu op. Als het opladen geen effect heeft, vervangt u de accu.
		Minstens één van de accu's is leeg.	Verwijder de lege accu of vervang hem door een opgeladen accu. In dat geval knippert het meest linker lampje van de accu-indicator van de betreffende accu.
	Het lampje knippert groen.	De vergrendelsleutel is niet geplaatst.	Steek de vergrendelsleutel erin en draai hem rechtsom.
		Het gereedschap is gestopt als gevolg van overbelasting.	Verminder de geladen voorwerpen.
		De voor- of achterwielen zitten vast of zijn geblokkeerd.	Hef de oorzaak van de vastzittende of geblokkeerde wielen op.
	Het lampje brandt rood.	Het gereedschap is gestopt als gevolg van oververhitting.	Laat het gereedschap en accu afkoelen.
	De lamp knippert beurtlings rood en groen.	De vergrendelsleutel is niet geplaatst.	Steek de vergrendelsleutel erin en draai hem rechtsom.
Het gereedschap heeft een abnormaliteit gedetecteerd.		Schakel het gereedschap uit en daarna weer in. Er is een storing in het gereedschap opgetreden. Vraag een erkend Makita-servicecentrum het te repareren.	
Het lampje brandt groen.	De neutraal-keuzehendel staat niet in zijn oorspronkelijke stand.	Vergrendel de remhendel en zet daarna de neutraal-keuzehendel terug in zijn oorspronkelijke stand.	
Het gereedschap stopt na kort te zijn gebruikt.	De lamp knippert rood.	De accu is bijna leeg.	Laad de accu op. Als het opladen geen effect heeft, vervangt u de accu.
De rijsnelheid van het gereedschap neemt niet toe.	Het lampje brandt groen.	De stortheid is niet volledig teruggeplaatst of is niet vergrendeld.	Plaats de stortheid volledig terug en verzeker u ervan dat deze vergrendeld is.

Problemen oplossen bij het stoppen van het gereedschap

⚠ WAARSCHUWING: Behalve indien absoluut noodzakelijk, mag u de hulprem van het gereedschap nooit uitschakelen met behulp van de neutraal-keuzehendel. Wanneer de hulprem van het gereedschap is uitgeschakeld, kan het gereedschap onbedoeld bewegen en een ongeval of persoonlijk letsel veroorzaken.

⚠ WAARSCHUWING: Verzeker u ervan de neutraal-keuzehendel terug te zetten in zijn oorspronkelijke stand nadat u de hendel naar buiten hebt getrokken.

Als het gereedschap niet kan worden verplaatst doordat de accu's leeg zijn of als een storing in het gereedschap is opgetreden, kunt u het gereedschap handmatig verplaatsen door de neutraal-keuzehendel naar buiten te trekken om zo de hulprem uit te schakelen.

1. Vergrendel de remhendel.
2. Los alle voorwerpen uit/vanaf het gereedschap.

⚠ LET OP: Verzeker u ervan alle voorwerpen uit/vanaf het gereedschap te lossen. Het gereedschap kan onbedoeld bewegen als de voorwerpen in/op het gereedschap blijven.

3. Als het gereedschap op een helling staat, ontgrendelt u de remhendel en richt u het gereedschap zodanig dat de remhendel aan de bovenkant van de helling zit en het gereedschap parallel aan de helling staat. Vergrendel de remhendel.

► Fig.52

4. Verzeker u ervan dat het gereedschap niet beweegt en trek de neutraal-keuzehendel naar buiten.

► **Fig.53:** 1. Neutraal-keuzehendel

5. Ontgrendel de remhendel en verplaats het gereedschap naar een veilige plaats. Aangezien de hulprem is uitgeschakeld, verplaatst u het gereedschap voorzichtig met de remhendel zodat de snelheid niet oploopt.

6. Nadat het gereedschap naar een veilige plaats is verplaatst, vergrendelt u de remhendel.

7. Zet de neutraal-keuzehendel terug in zijn oorspronkelijke stand. Verzeker u ervan dat de neutraal-keuzehendel volledig is teruggezet, zoals aangegeven in de afbeelding.

► **Fig.54:** 1. Neutraal-keuzehendel

OPTIONELE ACCESSOIRES

⚠ LET OP: Deze accessoires of hulpstukken worden aanbevolen voor gebruik met het Makita-apparaat dat in deze gebruiksaanwijzing wordt beschreven. Het gebruik van andere accessoires of hulpstukken kan gevaar voor persoonlijke verwonding opleveren. Gebruik accessoires of hulpstukken uitsluitend voor de aangegeven doeleinden.

⚠ LET OP: Gebruik uitsluitend Makita-accessoires of -hulpstukken voor het gereedschap. Het gebruik van enige andere accessoire of hulpstuk kan leiden tot ernstig persoonlijk letsel.

Wenst u meer bijzonderheden over deze accessoires, neem dan contact op met het plaatselijke Makita-servicecentrum.

- Draagrek
- Laadbak
- Voorband (zwart)
- Voorband (grijs)
- Achterband (grijs)
- Originele Makita-accu en -acculader

OPMERKING: Sommige items op de lijst kunnen zijn inbegrepen in de doos van het gereedschap als standaard toebehoren. Deze kunnen van land tot land verschillen.

ESPECIFICACIONES

Modelo:		DCU602
Dimensiones (La x An x Al)	Cuando está instalado el cajón	1.480 mm x 730 mm x 820 - 1.030 mm
	Cuando está instalada la portadera	1.450 - 1.600 mm x 730 - 1.080 mm x 820 - 1.030 mm
Velocidad de desplazamiento	Hacia adelante	5,0/3,5/1,5 km/h
	Marcha atrás	1,0 km/h
Capacidad máxima de carga	En suelo plano	300 kg
	En cuesta (3° - 12°)	180 kg
Capacidad máxima en ascenso		12°
Radio mínimo de giro*		1.150 mm
Freno		Freno de mano y freno de servicio
Neumático	Rueda delantera	Neumático
	Rueda trasera	Neumático
Tensión nominal		CC 36 V
Peso neto	Cuando está instalado el cajón	145 - 147 kg
	Cuando está instalada la portadera	141 - 143 kg
Grado de protección		IPX4

*: Diámetro exterior cuando se gira con la rueda delantera como eje.

- Debido a nuestro continuado programa de investigación y desarrollo, las especificaciones aquí dadas están sujetas a cambios sin previo aviso.
- Las especificaciones pueden ser diferentes de país a país.
- El peso puede variar dependiendo del accesorio(s), incluyendo el cartucho de batería. La combinación menos pesada y la más pesada, de acuerdo con el procedimiento EPTA 01/2014, se muestran en la tabla.

Cartucho de batería y cargador aplicables

Cartucho de batería	BL1815N / BL1820B / BL1830B / BL1840B / BL1850B / BL1860B
Cargador	DC18RC / DC18RD / DC18RE / DC18SD / DC18SE / DC18SF / DC18SH / DC18WC




- Algunos de los cartuchos de batería y cargadores indicados arriba puede que no estén disponibles dependiendo de su región de residencia.





⚠ ADVERTENCIA: Utilice solamente los cartuchos de batería y cargadores listados arriba. La utilización de cualquier otro cartucho de batería y cargador puede ocasionar heridas y/o un incendio.

⚠ ADVERTENCIA: No utilice nunca una unidad portátil de alimentación eléctrica PDC1200 ni PDC01 con este producto. La utilización conjunta de ambos puede ocasionar heridas personales o un mal funcionamiento.

Símbolos

A continuación se muestran los símbolos que pueden ser utilizados para el equipo. Asegúrese de que entienda su significado antes de utilizar.

	Lea el manual de instrucciones.
	No cambie la dirección en cuestas.
	Esta máquina no se puede utilizar en carreteras públicas.

	Antes de cargar y descargar objetos, bloquee el freno y la unidad vertedora.
	No cargue ni descargue objetos en cuestas.
	No utilice la máquina para transportar personas.
	No vierta objetos en cuestas. Bloquee la unidad vertedora después de hacer el vertido.



Cargue objetos en el cajón o en la portadera uniformemente. No cargue objetos desigualmente ni solamente en la parte delantera.



Riesgo de pinzamiento o aplastamiento. Mantenga las manos alejadas durante la operación. No ponga las manos ni partes del cuerpo dentro de las partes en movimiento.



Capacidad máxima de carga: 300 kg en suelo plano y 180 kg en cuestas (hasta 12°).



No mire directamente a las lámparas.



No lave la máquina con máquinas de lavar de alta presión.



Mantenga a los transeúntes alejados de la máquina durante la operación.



No maneje la máquina alrededor de superficies irregulares.



No maneje la máquina cuando el cajón o la portadera no haya retornado completamente.



Retire las cuerdas antes de verter objetos.



Póngase siempre calzado antiderrapante y de protección.



Bloquee el freno antes de sacar la palanca de cambio a neutral.



Bloquee el freno antes de retornar la palanca de cambio a neutral.



Presión de aire: neumático delantero 280 kPa y neumático trasero 525 kPa.



Asegúrese de que la palanca de bloqueo está bloqueada.



Gire la palanca de bloqueo hacia la parte delantera de la máquina para desbloquear la unidad vertedora.



Cuando se emita un sonido de pitido, bloquee la palanca del freno.



Cuando suelte el gatillo interruptor, bloquee la palanca del freno.



Para cancelar el sonido de pitido, libere el gatillo interruptor y accione la palanca del freno.



Ni-MH
Li-ion

Sólo para países de la Unión Europea

Debido a la presencia de componentes peligrosos en el equipo, el equipo eléctrico y electrónico, los acumuladores y las baterías desechados pueden tener un impacto negativo para el medioambiente y la salud humana.

¡No tire los aparatos eléctricos y electrónicos ni las baterías junto con los residuos domésticos!

De conformidad con las Directivas Europeas sobre residuos de aparatos eléctricos y electrónicos y sobre acumuladores y baterías y residuos de acumuladores y baterías, así como la adaptación de las mismas a la ley nacional, el equipo eléctrico, las baterías y los acumuladores desechados deberán ser almacenados por separado y trasladados a un punto distinto de recogida de desechos municipales, que cumpla con los reglamentos sobre protección medioambiental.

Esto se indica mediante el símbolo de cubo de basura tachado colocado en el equipo.



L_{WA}
dB

Nivel de potencia del sonido garantizado de acuerdo con la Directiva UE sobre ruido ambiental.



L_{WA}

Nivel de potencia del sonido de acuerdo con el reglamento para el control de ruido en NSW, Australia

Uso previsto

La máquina ha sido prevista para cargar y transportar objetos con apoyo asistido por batería.

Ruido

El nivel de ruido A-ponderado típico determinado de acuerdo con las normas EN62841-1 y EN12053 según sea el caso:

Nivel de presión sonora (L_{PA}): 70 dB (A) o menos
Error (K): 4 dB (A)

El nivel de ruido en situación de trabajo puede exceder 80 dB (A).

NOTA: El valor (o los valores) de emisión de ruido declarado ha sido medido de acuerdo con un método de prueba estándar y se puede utilizar para comparar una herramienta con otra.

NOTA: El valor (o valores) de emisión de ruido declarado también se puede utilizar en una valoración preliminar de exposición.

⚠ADVERTENCIA: Póngase protectores para oídos.

⚠ADVERTENCIA: La emisión de ruido durante la utilización real de la herramienta eléctrica puede variar del valor (o los valores) de emisión declarado dependiendo de las formas en las que la herramienta sea utilizada, especialmente qué tipo de pieza de trabajo se procesa.

⚠ADVERTENCIA: Asegúrese de identificar medidas de seguridad para proteger al operario que estén basadas en una estimación de la exposición en las condiciones reales de utilización (teniendo en cuenta todas las partes del ciclo operativo como las veces cuando la herramienta está apagada y cuando está funcionando en vacío además del tiempo de gatillo).

Vibración

El valor total de la vibración (suma de vectores triaxiales) determinado de acuerdo con la norma EN62841-1: Modo de trabajo: operación sin carga
Emisión de vibración (a_n): 2,5 m/s² o menos
Error (K): 1,5 m/s²

NOTA: El valor (o los valores) total de emisión de vibración declarado ha sido medido de acuerdo con un método de prueba estándar y se puede utilizar para comparar una herramienta con otra.

NOTA: El valor (o los valores) total de emisión de vibración declarado también se puede utilizar en una valoración preliminar de exposición.

⚠ADVERTENCIA: La emisión de vibración durante la utilización real de la herramienta eléctrica puede variar del valor (o los valores) de emisión declarado dependiendo de las formas en las que la herramienta sea utilizada, especialmente qué tipo de pieza de trabajo se procesa.

⚠ADVERTENCIA: Asegúrese de identificar medidas de seguridad para proteger al operario que estén basadas en una estimación de la exposición en las condiciones reales de utilización (teniendo en cuenta todas las partes del ciclo operativo como las veces cuando la herramienta está apagada y cuando está funcionando en vacío además del tiempo de gatillo).

Declaraciones de conformidad

Para países europeos solamente

Las declaraciones de conformidad están incluidas como Anexo A de este manual de instrucciones.

ADVERTENCIAS DE SEGURIDAD

Advertencias de seguridad para herramientas eléctricas en general

⚠ADVERTENCIA Lea todas las advertencias de seguridad, instrucciones, ilustraciones y especificaciones provistas con esta herramienta eléctrica. Si no sigue todas las instrucciones indicadas abajo, podrá resultar en una descarga eléctrica, un incendio y/o heridas graves.

Guarde todas las advertencias e instrucciones para futuras referencias.

El término "herramienta eléctrica" en las advertencias se refiere a su herramienta eléctrica de funcionamiento con conexión a la red eléctrica (con cable) o herramienta eléctrica de funcionamiento a batería (sin cable).

Advertencias de seguridad para la carretilla propulsada a batería

1. **Mientras esté operando la máquina, póngase siempre calzado antideslizante y de protección.** Las botas y zapatos de seguridad antideslizantes cerrados reducirán el riesgo de heridas.
2. **Inspeccione la senda antes de transportar objetos/materiales.** El familiarizarse con la senda y el asegurarse de que es suficientemente ancha como para maniobrar con seguridad la máquina cargada ayudará a reducir la pérdida de control de la máquina.
3. **Extreme las precauciones en terreno resbaladizo, suelto e inestable.** Las superficies mojadas y resbaladizas, tales como las áreas cubiertas de hierva mojada, la nieve o el hielo, y el terreno suelto e inestable, tales como las superficies de arena o grava, podrán ocasionar que la máquina pierda tracción y afecte negativamente a la dirección, el frenado y la estabilidad.
4. **No opere la máquina en cuestas excesivamente empinadas.** Esto reduce el riesgo de la pérdida de control, deslizamiento y caída, que pueden resultar en heridas personales. Las cuestas con pendiente mayor del máximo recomendado y las pendientes laterales pueden incrementar el riesgo de inestabilidad y afectar negativamente a la habilidad de parar de forma segura.
5. **Cuando trabaje en cuestas, asegúrese siempre de que pisa suelo firme, trabaje siempre a través de la cara de las cuestas, nunca hacia arriba o abajo, y extreme las precauciones cuando cambie de dirección.** Esto reduce el riesgo de la pérdida de control, deslizamiento y caída, que pueden resultar en heridas personales.

6. **Siempre que sea posible, utilice áreas niveladas para parar, cargar y descargar y nunca deje la máquina sin atender en una cuesta.** La máquina es más inestable cuando reposa en una cuesta que cuando reposa en una superficie nivelada.
 7. **Cuando deje la máquina sin atender, eche el freno de estacionamiento una vez que la máquina esté ubicada en un área de parada segura.** El freno de estacionamiento evita movimientos no deseados de la rueda delantera y puede mejorar la estabilidad.
 8. **Asegúrese de que las rampas estén limpias, sean fuertes y seguras.** Para reducir el riesgo de heridas, todas las rampas deberán estar despejadas de restos sueltos y ser suficientemente fuertes como para resistir el peso de las cargas anticipadas que van a ser movidas sobre ellas. Deberán tener un bloqueo apropiado debajo de ellas y en ambos lados para eliminar las desviaciones y movimientos laterales bajo carga. Todas las rampas deberán ser suficientemente anchas como para tener un apoyo seguro de los pies mientras se transportan cargas a través de ellas.
 9. **Asegúrese de que todos los tornillos de bloqueo están sujetos firmemente antes de utilizar.** Los tornillos de bloqueo de las ruedas traseras y de las paredes delantera y laterales de la portadera tipo abierto deben estar sujetos para evitar movimientos no deseados de estas partes ajustables de la máquina.
 10. **No opere nunca la máquina en una condición de sobrecarga.** Asegúrese de que la máquina tiene la capacidad nominal apropiada para los objetos o materiales que van a ser transportados. Las cargas excesivas harán que la máquina sea más difícil de maniobrar o parar, aumentarán el tiempo y la distancia de parada, y aumentarán el riesgo de inestabilidad.
 11. **No opere nunca su máquina en una condición de apilamiento excesivo.** El apilado de material por encima del borde de la bandeja o encima de los laterales de la bandeja puede ocasionar que la máquina quede incontrolablemente desequilibrada y fuera de control.
 12. **Utilice contenedores y amarres para sujetar las cargas.** Las cargas flojas y sin sujetar son más propensas a desplazarse lo que puede resultar en la pérdida de la estabilidad y el control.
 13. **Mantenga siempre los mangos empuñados firmemente.** La pérdida de control puede aumentar el riesgo de heridas personales.
 14. **Retire la llave de seguridad cuando no se esté utilizando.** La llave de seguridad evita el uso motorizado no deseado de la máquina, tal como por niños u otras personas no adiestradas o no autorizadas. Sin la llave, la propulsión eléctrica no se puede "activar".
 15. **Esta máquina no se puede utilizar en carreteras públicas.** La utilización de la carretilla en una carretera pública es ilegal y puede resultar en multas de jurisdicción local además de en heridas personales.
 16. **Utilice una placa robusta con función antideslizante y de prevención de desprendimiento cuando cargue y/o descargue esta máquina para su transporte, o mueva esta máquina entre diferentes niveles.** Asegúrese de que la inclinación de la placa no exceda los 12°, y opere la máquina despacio y con cuidado. Una operación inestable y rápida puede resultar en un vuelco y/o caída.
 17. **No desmonte, repare, o modifique esta máquina.**
- Preparación**
1. **Antes de manejar la máquina, asegúrese de que no hay gente alrededor de la máquina.**
 2. **Antes de manejar la máquina, realice las inspecciones consultando la sección para mantenimiento.**
- Operación**
1. **Cuando maneje la máquina, sitúese detrás de la máquina y sujete los mangos firmemente con ambas manos.**
 2. **No opere la máquina estando montado en la máquina.**
 3. **No permita que otras personas se monten en la máquina.**
 4. **Cuando maneje la máquina en marcha atrás y caminando hacia atrás, mire detrás suyo y dónde pisa, y tenga cuidado de no resbalar o tropezar.**
 5. **No utilice la máquina cuando la visibilidad no sea buena porque existe el riesgo de golpear obstáculos.**
 6. **Cuando maneje la máquina en terreno abrupto o vaya sobre el desnivel de la carretera, reduzca la velocidad y tenga cuidado.**
 7. **Cuando utilice la máquina, evite el terreno blando para evitar volcar debido al derrumbe del borde de la carretera.**
 8. **No maneje la máquina en pendientes de más de 12°.**
 9. **Si encuentra una anomalía, pare la máquina sobre terreno llano. Antes de inspeccionar la máquina, bloquee la palanca del freno, y después desconecte la alimentación.**
 10. **Antes de manejar la máquina, asegúrese de que el mango de la unidad vertedora está bajado totalmente y bloqueado completamente.** Si el bloqueo es incompleto, existe el riesgo de accidente o heridas porque la portadera o el cajón puede inclinarse y los objetos caerse cuando vaya cuesta abajo.
 11. **Cuando maneje la máquina cerca de paredes, tenga cuidado de no pillarse las manos entre el mango y la pared.**
 12. **No utilice la máquina en malas condiciones meteorológicas, especialmente cuando haya riesgo de relámpagos.** Esto disminuirá el riesgo de sufrir el impacto de un rayo.
 13. **No toque las partes metálicas durante la utilización ni después de utilizar porque podrán calentarse lo suficiente como para ocasionar quemaduras debido a la luz solar.**
 14. **Tenga cuidado de no enredar los cables con la carga o los obstáculos.**

15. Cuando cruce un puente de madera, etc., asegúrese de que la suma del peso del producto, la capacidad de carga, y el peso del operario no exceda el límite de peso del puente, y cruce el puente con cuidado y a velocidad constante.
16. Póngase guantes cuando maneje la máquina en entornos de baja temperatura. Tocar las partes metálicas con las manos desnudas podrá ocasionar que sus manos se adhieran.
17. Si hay personas u obstáculos en la dirección de desplazamiento, evítelas con anticipación.
18. No recoja objetos directamente con la portadera ni el cajón. Si lo hace podrá dañar la máquina y ocasionar un accidente.
19. Cuando utilice la máquina en suelo enlodado, pendiente mojada, o lugar resbaladizo, preste atención a donde pisa.
20. No sumerja la máquina en un charco.
21. Cuando deje la máquina mientras esté trabajando, asegúrese de retornar completamente la unidad vertedora a su posición original, y de bloquear la palanca del freno y retirar la llave de bloqueo.
22. No deje la máquina desatendida mientras haya objetos cargados en la portadera o el cajón.

Operación en cuestas

1. No atraviese cuestas.
2. Pare antes de bajar una cuesta, y asegúrese de reducir la velocidad y proceder con cuidado.
3. Si es mucha la velocidad cuando se traslada cuesta abajo, se emitirá el sonido de pitido. En este caso, reduzca la velocidad utilizando el freno.
4. Proceda con cuidado cuando ponga en marcha o pare la máquina en cuestas.
5. Como las cargas se vuelven menos estables en cuestas, sujete las cargas firmemente con cuerdas.
6. Como la máquina se vuelve inestable dependiendo de la condición de la carretera, mantenga la carga al mínimo.
7. Como en las cuestas la vista se tapa, mantenga la altura de la carga al mínimo.
8. No pare nunca la máquina en cuestas. Pare la máquina sobre terreno plano, bloquee la palanca del freno, y después desconecte la alimentación.
9. No cambie la dirección o el modo de velocidad en cuestas empinadas.
10. No libere el gatillo interruptor en pendientes hacia arriba. La máquina puede ir en marcha atrás y ocasionar un accidente.
11. Asegúrese de que la capacidad de batería restante es suficiente antes de operar en cuestas. Si la capacidad de batería restante no es suficiente, cargue la batería o reemplácela con una cargada.
12. Cuando ponga en marcha la máquina en cuestas, no ponga el pie detrás de la rueda trasera porque la máquina se moverá hacia atrás unos pocos centímetros.

Para cargar objetos

1. No sobrecargue objetos. Cuando cargue objetos, asegúrese de seguir las instrucciones y los límites de carga indicados en el manual.
2. Como cuanto mayor sea la carga, más difícil será manejar la máquina, mantenga la carga dentro del límite que no afecte al manejo.
3. Sujete los objetos firmemente con cuerdas.
4. Cargue los objetos dentro de la portadera o el cajón. Si los objetos sobresalen de la portadera o el cajón, existe el riesgo de accidentes debido a la caída de los objetos o al contacto con obstáculos tales como paredes.
5. Asegúrese de que los objetos cargados están por debajo del nivel de los ojos. Si la carga es demasiado alta, será peligroso porque tapaná la vista. Además, existe el riesgo de volcar y producir heridas porque es probable que la carga se desequilibre.
6. Cargue los objetos en la portadera o el cajón uniformemente. Si los objetos no están cargados uniformemente, existe el riesgo de volcar y producir heridas porque es probable que la carga se desequilibre.
7. Antes de cargar los objetos o manejar la máquina, asegúrese de que el mango de la unidad vertedora está bajado totalmente y bloqueado completamente.
8. Asegúrese de cargar los objetos pesados primero para mantener el equilibrio.
9. No extienda los rieles delantero y laterales en cuestas empinadas. Extienda los rieles laterales cuando cargue objetos de poco peso.
10. Cuando extienda los rieles delantero y laterales, no los extienda más allá del límite de extensión. Asegúrese de extender los rieles laterales de forma que los lados derecho e izquierdo tengan la misma longitud, y cargue los objetos uniformemente.
11. Cargue y descargue los objetos en terreno plano. No cargue ni descargue nunca objetos en cuesta.
12. Cuando levante e incline la portadera o el cajón, sujete los mangos y el bastidor firmemente, y trabaje adoptando una postura estable.

Transporte de la máquina

1. Utilice rieles de escalera portátil que sean al menos 4 veces más largos que la altura del piso del camión, con aditamentos apropiados para el piso, con una superficie antideslizante y suficiente anchura, y capaz de soportar el peso de la máquina y el operario. Lea el manual de instrucciones de los rieles de escalera portátil atentamente antes de utilizar.
2. Antes de cargar la máquina, descargue todos los objetos de la máquina y retire el barro y otros desechos de los neumáticos. Instale los rieles de la escalera sobre una superficie plana y estable.

3. **Antes cargar o descargar la máquina, asegúrese de que no hay gente alrededor de la máquina ni de los rieles de la escalera portátil.** Cargue o descargue la máquina a baja velocidad, teniendo cuidado de evitar que la máquina se caiga de los rieles de la escalera portátil, y de no golpearse la cabeza con el techo del camión. Tenga sumo cuidado cuando cargue o descargue la máquina retrocediendo.
4. **Cuando transporte la máquina, bloquee la palanca del freno, desconecte la alimentación, retire las baterías y la llave de bloqueo, y sujete la máquina firmemente.**

Mantenimiento y almacenamiento

1. **Antes de almacenar o intentar realizar una inspección o mantenimiento, asegúrese siempre de parar la máquina sobre terreno plano y bloquear la palanca del freno, apagar la máquina, y retirar la llave de bloqueo y los cartuchos de batería.**
2. **No deje la máquina sin atender en exteriores en la lluvia.**
3. **Cuando almacene la máquina, evite la luz solar directa y la lluvia, y almacénela en un lugar donde no se caliente o humedezca.**
4. **Esta máquina está equipada con una unidad hidráulica en la parte inferior de la unidad vertedora para inclinar automáticamente la unidad vertedora. No modifique la unidad hidráulica, ni afloje los pernos de montaje de la unidad ni los tornillos de ajuste de la válvula de seguridad.** Es muy peligroso porque puede ocasionar un accidente o un mal funcionamiento.

Utilización y cuidado de la herramienta a batería

1. **Cargue la batería solamente con el cargador especificado por el fabricante.** Un cargador que es apropiado para un tipo de batería puede crear un riesgo de incendio cuando se utiliza con otra batería.
2. **Utilice las herramientas eléctricas solamente con las baterías designadas específicamente para ellas.** La utilización de cualquier otra batería puede crear un riesgo de heridas o incendio.
3. **Cuando la batería no esté siendo utilizada, guárdela alejada de otros objetos metálicos, como sujetapapeles, monedas, llaves, clavos, tornillos u otros objetos metálicos pequeños, que puedan hacer conexión entre un terminal y el otro.** Si se cortocircuitan entre sí los terminales de la batería podrán producirse quemaduras o un incendio.
4. **En condiciones abusivas, es posible que salga expulsado líquido de la batería; evite el contacto con él.** Si se produce un contacto accidental, enjuague con agua. Si el líquido entra en los ojos, además de enjuagarlos, solicite asistencia médica. El líquido expulsado de la batería puede ocasionar irritación y quemaduras.
5. **No utilice una batería o herramienta que esté dañada o modificada.** Las baterías dañadas o modificadas pueden comportarse de forma impredecible resultando en un incendio, explosión o riesgo de heridas.

6. **No exponga una batería o herramienta al fuego o a temperatura excesiva.** La exposición al fuego o a una temperatura superior a los 130 °C puede ocasionar una explosión.
7. **Siga todas las instrucciones de carga y no cargue la batería o la herramienta fuera del rango de temperatura especificado en las instrucciones.** Cargar incorrectamente o a temperaturas fuera del rango especificado puede dañar la batería y aumentar el riesgo de incendio.

Seguridad eléctrica y de la batería

1. **No deseché la batería(s) arrojándola al fuego.** La célula puede explotar. Compruebe los códigos locales por si hay instrucciones para el posible desecho especial.
2. **No abra o mutile la batería(s).** El electrolito liberado es corrosivo y puede ocasionar daño a los ojos o la piel. Puede ser tóxico si se traga.
3. **No cargue la batería bajo la lluvia, o en lugares mojados.**
4. **No cargue la batería en exteriores.**
5. **No maneje el cargador, incluida la clavija del cargador, y los terminales del cargador con las manos mojadas.**
6. **No reemplace la batería en la lluvia.**
7. **No moje el terminal de la batería con líquido tal como agua, ni sumerja la batería. No deje la batería en la lluvia, ni cargue, utilice, o almacene la batería en un lugar húmedo o mojado.** Si el terminal se moja o si entra líquido al interior de la batería, la batería podrá cortocircuitarse y existe el riesgo de recalentamiento, incendio, o explosión.
8. **Después de retirar la batería de la máquina o el cargador, asegúrese de colocar la tapa de la batería en la batería y guárdela en un lugar seco.**
9. **No reemplace la batería con las manos mojadas.**
10. **Evite los entornos peligrosos. No utilice la máquina en lugares húmedos o mojados ni la esponja a la lluvia.** La entrada de agua en la máquina aumentará el riesgo de que se produzca una descarga eléctrica.
11. **Si el cartucho de batería se moja, retire el agua del interior y después límpielo con un paño seco. Seque el cartucho de batería completamente en un lugar seco antes de utilizarlo.**

GUARDE ESTAS INSTRUCCIONES.

⚠️ ADVERTENCIA: NO deje que la comodidad o familiaridad con el producto (a base de utilizarlo repetidamente) sustituya la estricta observancia de las normas de seguridad para el producto en cuestión. El MAL USO o el no seguir las normas de seguridad establecidas en este manual de instrucciones podrá ocasionar heridas personales graves.

Instrucciones de seguridad importantes para el cartucho de batería

1. Antes de utilizar el cartucho de batería, lea todas las instrucciones e indicaciones de precaución sobre (1) el cargador de baterías, (2) la batería, y (3) el producto con el que se utiliza la batería.
2. No desensamble ni manipule el cartucho de batería. Podrá resultar en un incendio, calor excesivo, o una explosión.
3. Si el tiempo de uso se acorta demasiado, cese la operación inmediatamente. Podría resultar en un riesgo de recalentamiento, posibles quemaduras e incluso una explosión.
4. Si entra electrólito en sus ojos, aclárelos con agua limpia y acuda a un médico inmediatamente. Existe el riesgo de poder perder la vista.
5. No cortocircuite el cartucho de batería:
 - (1) No toque los terminales con ningún material conductor.
 - (2) Evite guardar el cartucho de batería en un cajón junto con otros objetos metálicos, como clavos, monedas, etc.
 - (3) No exponga el cartucho de batería al agua ni a la lluvia.

Un cortocircuito en la batería puede producir una gran circulación de corriente, un recalentamiento, posibles quemaduras e incluso una rotura de la misma.

6. No guarde ni utilice la herramienta y el cartucho de batería en lugares donde la temperatura pueda alcanzar o exceder los 50 °C.
7. Nunca incinere el cartucho de batería incluso en el caso de que esté dañado seriamente o ya no sirva en absoluto. El cartucho de batería puede explotar si se tira al fuego.
8. No clave, corte, aplaste, lance, deje caer el cartucho de batería, ni golpee contra un objeto duro el cartucho de batería. Tal conducta podrá resultar en un incendio, calor excesivo, o una explosión.
9. No utilice una batería dañada.
10. Las baterías de litio-ion contenidas están sujetas a los requisitos de la Legislación para Materiales Peligrosos.

Para transportes comerciales, p.ej., por terceras personas y agentes de transportes, se deberán observar requisitos especiales para el empaquetado y etiquetado.

Para la preparación del artículo que se va a enviar, se requiere consultar con un experto en materiales peligrosos. Por favor, observe también la posibilidad de reglamentos nacionales más detallados.

Cubra con cinta aislante o enmascare los contactos expuestos y empaquete la batería de tal manera que no se pueda mover alrededor dentro del embalaje.
11. Para desechar el cartucho de batería, retírelo de la herramienta y deséchelo en un lugar seguro. Siga los reglamentos locales referentes al desecho de la batería.

12. Utilice las baterías solamente con los productos especificados por Makita. La instalación de las baterías en productos no compatibles puede resultar en un incendio, calor excesivo, explosión, o fuga de electrolito.
13. Si la herramienta no va a ser utilizada durante un periodo de tiempo largo, la batería deberá ser retirada de la herramienta.
14. Durante y después de la utilización, el cartucho de batería podrá acumular calor, lo cual puede ocasionar quemaduras o quemaduras de baja temperatura. Preste atención al manejo de cartuchos de batería calientes.
15. No toque el terminal de la herramienta inmediatamente después de utilizar, dado que puede calentarse lo suficiente como para ocasionar quemaduras.
16. No permita que virutas, polvo, o tierra se adhieran dentro de los terminales, orificios, y ranuras del cartucho de batería. Esto podría ocasionar calentamiento, que coja fuego, reviente y un mal funcionamiento de la herramienta o el cartucho de batería, resultando en quemaduras o heridas personales.
17. A menos que la herramienta pueda utilizarse cerca de cables eléctricos de alta tensión, no utilice el cartucho de batería cerca de cables eléctricos de alta tensión. Podrá resultar en un mal funcionamiento o rotura de la herramienta o el cartucho de batería.
18. Mantenga la batería alejada de los niños.

GUARDE ESTAS INSTRUCCIONES.

⚠PRECAUCIÓN: Utilice solamente baterías genuinas de Makita. La utilización de baterías no genuinas de Makita, o baterías que han sido alteradas, puede resultar en una explosión de la batería ocasionando incendios, heridas personales y daños. También anulará la garantía de Makita para la herramienta y el cargador de Makita.

Consejos para alargar al máximo la vida de servicio de la batería

1. Cargue el cartucho de batería antes de que se descargue completamente. Detenga siempre la operación y cargue el cartucho de batería cuando note menos potencia en la herramienta.
2. No cargue nunca un cartucho de batería que esté completamente cargado. La sobrecarga acortará la vida de servicio de la batería.
3. Cargue el cartucho de batería a temperatura ambiente de 10 °C - 40 °C. Si un cartucho de batería está caliente, déjelo enfriar antes de cargarlo.
4. Cuando no esté utilizando el cartucho de batería, retírelo de la herramienta o del cargador.
5. Cargue el cartucho de batería si no lo utiliza durante un periodo de tiempo prolongado (más de seis meses).

DESCRIPCIÓN DE LAS PARTES

Cuando está instalado el cajón

► Fig.1

1	Interruptor de inclinación	2	Panel de control	3	Botón de pitido	4	Gatillo interruptor
5	Lámpara trasera	6	Mango	7	Caja de batería	8	Palanca del freno
9	Rueda trasera	10	Bloqueo de la rueda trasera	11	Palanca de bloqueo	12	Unidad vertedora
13	Rueda delantera	14	Lámpara delantera	15	Cajón	-	-

Cuando está instalada la portadera

► Fig.2

1	Interruptor de inclinación	2	Panel de control	3	Botón de pitido	4	Gatillo interruptor
5	Lámpara trasera	6	Mango	7	Caja de batería	8	Palanca del freno
9	Rueda trasera	10	Bloqueo de la rueda trasera	11	Palanca de bloqueo	12	Rueda delantera
13	Lámpara delantera	14	Portadera	-	-	-	-

MONTAJE

⚠ PRECAUCIÓN: Asegúrese siempre de que la máquina está apagada y los cartuchos de batería han sido retirados antes de realizar cualquier trabajo en la máquina.

Antes de instalar o retirar la portadera o el cajón, asegúrese de bloquear la palanca del freno. Para bloquear la palanca del freno, mantenga accionada la palanca del freno, después accione la palanca de bloqueo, y después suelte la palanca del freno mientras acciona la palanca de bloqueo.

► Fig.3: 1. Palanca del freno 2. Palanca de bloqueo

Instalación o desmontaje del cajón

Instalación del cajón

1. Extraiga el cajón, los soportes, y el tubo delantero de la caja.

► Fig.4: 1. Cajón 2. Soporte 3. Tubo delantero

2. Inserte el tubo delantero entre el bastidor superior y el bastidor inferior de la unidad vertedora.

► Fig.5: 1. Tubo delantero

3. Ponga el soporte sobre la unidad vertedora, y después apriete temporalmente los pernos junto con el tubo delantero. Instale el otro soporte en la unidad vertedora de la misma forma.

► Fig.6: 1. Soporte 2. Perno

4. Ponga el cajón sobre el tubo delantero y sobre los soportes izquierdo y derecho.

Ponga la arandela de goma sobre el agujero del cajón e inserte el perno desde la parte superior. Coloque la arandela plana y la arandela de resorte en ese orden en el perno, y después apriete la tuerca desde la parte inferior. Apriete el resto de los pernos y tuercas de la misma forma.

► Fig.7: 1. Perno 2. Arandela de goma 3. Arandela plana 4. Arandela de resorte 5. Tuerca

5. Apriete firmemente los 4 pernos que fueron apretados temporalmente en el paso 3.

Desmontaje del cajón

Para retirar el cajón, realice el procedimiento de instalación a la inversa.

Instalación o desmontaje de la portadera

Accesorio opcional

Instalación de la portadera

1. Extraiga la portadera de la caja, y coloque los rieles laterales y el riel frontal en el bastidor básico.

► Fig.8

2. Apriete las 6 tuercas de orejetas junto con los resortes y arandelas para sujetar los rieles.

► Fig.9: 1. Tuerca de orejetas 2. Resorte 3. Arandela

3. Ponga la portadera sobre la unidad vertedora.

Inserte el perno desde la parte superior. Coloque la arandela plana y la arandela de resorte en ese orden en el perno, y después apriete la tuerca desde la parte inferior. Apriete el resto de los pernos y tuercas de la misma forma.

► Fig.10: 1. Perno 2. Arandela plana 3. Arandela de resorte 4. Tuerca

Desmontaje de la portadera

Para retirar la portadera, realice el procedimiento de instalación a la inversa.

DESCRIPCIÓN DEL FUNCIONAMIENTO

⚠ PRECAUCIÓN: Asegúrese siempre de que la máquina está apagada y el cartucho de batería ha sido retirado antes de ajustar o comprobar una función en la máquina.

Instalación o extracción del cartucho de batería

⚠ PRECAUCIÓN: Apague siempre la máquina y bloquee la palanca del freno antes de instalar o retirar el cartucho de batería.

⚠ PRECAUCIÓN: Instale siempre el cartucho de batería completamente hasta que no pueda verse el indicador rojo. En caso contrario, podrá caerse accidentalmente de la máquina y ocasionarle heridas a usted o a alguien alrededor de usted.

⚠ PRECAUCIÓN: No instale el cartucho de batería empleando fuerza. Si el cartucho no se desliza al interior fácilmente, será porque no está siendo insertado correctamente.

⚠ PRECAUCIÓN: No utilice el cartucho de batería de alta temperatura. Cuando se utiliza el cartucho de batería de alta temperatura, la máquina se para automáticamente antes de emitirse un sonido de pitido corto, y puede ocasionar heridas.

⚠ PRECAUCIÓN: Tenga cuidado de no pillarse los dedos cuando abra o cierre la cubierta de la batería.

AVISO: Asegúrese de que ha bloqueado la tapa de la batería antes de la utilización. De lo contrario, el barro, la suciedad o el agua podrán ocasionar daños a la herramienta o al cartucho de batería.

Instalación del cartucho de batería

1. Levante la palanca de bloqueo, y después abra la cubierta de la caja de batería.

► **Fig.11:** 1. Cubierta 2. Palanca de bloqueo

2. Alinee la lengüeta del cartucho de batería con la ranura de la caja de batería, y después deslice el cartucho hasta que se bloquee en su sitio con un pequeño chasquido.

► **Fig.12:** 1. Cartucho de batería

3. Inserte la llave de bloqueo en el lugar mostrado en la figura a tope, y gírela hacia la derecha.

► **Fig.13:** 1. Llave de bloqueo

NOTA: Para girar la llave de bloqueo, insértela completamente.

4. Cierre la cubierta de la caja de batería.

► **Fig.14:** 1. Cubierta

Para retirar el cartucho de batería

1. Levante la palanca de bloqueo, y después abra la cubierta de la caja de batería.

2. Extraiga el cartucho de batería de la caja de batería mientras desliza el botón de la parte delantera del cartucho.

► **Fig.15:** 1. Botón

3. Gire la llave de bloqueo hacia la izquierda, y extráigala.

4. Cierre la cubierta de la caja de batería.

Sistema de protección de la máquina / batería

La máquina está equipada con un sistema de protección de la máquina/batería. Este sistema corta automáticamente la alimentación al motor para alargar la vida útil de la máquina y la batería. La máquina se parará automáticamente durante la operación si la máquina o el cartucho de batería está en una de las siguientes condiciones.

Antes de que la máquina se pare automáticamente se emite un sonido de pitido corto o un sonido de pitido largo. Los indicadores de batería y las lámparas del panel de control parpadean mientras se emite el sonido de pitido.

NOTA: Para cancelar el sonido de pitido, libere el gatillo interruptor y accione la palanca del freno.

Protección contra sobrecarga

Cuando la máquina/batería sea utilizada de una manera que dé lugar a que tenga que absorber una corriente anormalmente alta, la máquina se detendrá automáticamente y la lámpara de alimentación principal parpadeará en verde. En esta situación, apague la máquina y detenga la tarea que ocasiona la sobrecarga de la máquina, tal como reducir los objetos cargados. Después encienda la máquina para volver a empezar.

Protección contra el recalentamiento

Cuando la máquina se recalienta, la máquina se detiene automáticamente y la lámpara de alimentación principal se ilumina en rojo. En este caso, deje que la máquina y la batería se enfrien antes de encender la máquina otra vez.

Protección contra descarga excesiva

Cuando la capacidad de batería no sea suficiente, la lámpara de alimentación principal y el indicador de batería correspondiente parpadearán en rojo. En este caso, intercambie los cartuchos de batería, o cambie los cartuchos de batería por otros completamente cargados, o retire los cartuchos de batería de la máquina y cárguelos.

NOTA: La lámpara de alimentación principal parpadea en rojo cuando la batería se recalienta.

Protecciones contra otras causas

AVISO: La lámpara de alimentación principal parpadeará en verde y rojo alternativamente cuando ocurra una anomalía en la máquina. En este caso, consulte la sección para solución de problemas.

También hay un sistema de protección diseñado para otras causas que pueden dañar la máquina y permite a la máquina detenerse automáticamente. Realice todos los pasos siguientes para despejar las causas, cuando la máquina haya sido llevada a una pausa temporal o a una parada en la operación.

1. Apague la máquina, y después enciéndala otra vez para volver a empezar.
2. Cargue la(s) batería(s) o reemplácela(s) con una batería(s) recargada(s).
3. Deje que la máquina y la(s) batería(s) se enfríen.

AVISO: Si no se encuentra una mejora o la máquina se para debido a una causa no descrita arriba, consulte la sección para solución de problemas.

Modo de indicar la capacidad de batería restante

PRECAUCIÓN: Antes de comprobar las capacidades de batería restantes o cambiar los cartuchos de batería, asegúrese de parar la máquina.

PRECAUCIÓN: Cuando la capacidad de batería se vuelve baja, se emite un sonido de pitido corto. En este caso, bloquee la palanca del freno, y después cambie los cartuchos de batería por otros cargados o cargue los cartuchos de batería. Si continúa manejando la máquina con poca capacidad de batería y la capacidad de batería restante se agota, se emitirá un sonido de pitido largo y la máquina se parará automáticamente y esto podrá ocasionar un accidente o heridas.




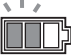
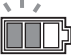
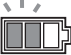









PRECAUCIÓN: Si se emite el sonido de pitido mientras está operando en cuestras, mueva la máquina a un lugar seguro, bloquee la palanca del freno, y después cambie los cartuchos de batería por otros cargados o cargue los cartuchos de batería.

PRECAUCIÓN: Si la carga es grande y se emite el sonido de pitido mientras está operando en cuestras, bloquee la palanca del freno, preste atención a la seguridad, y cambie los cartuchos de batería por otros cargados. Mueva la máquina a un lugar seguro y bloquee la palanca del freno. Reduzca la carga antes de manejar la máquina otra vez. Para más detalles, consulte la sección para solución de problemas.

Comprobación del nivel de batería en la caja de batería

► Fig.16: 1. Indicador de batería 2. Botón de comprobación

Presione el botón de comprobación para indicar las capacidades de batería restantes. Los indicadores de batería corresponden a cada batería.

Estado del indicador de batería			Capacidad de batería restante
Encendido	Parpadeando	Apagado	
			50% - 100%
			20% - 50%
			0% - 20%
			Vacía
			La batería no está instalada

NOTA: Si continúa apretando el gatillo interruptor a pesar de oír el sonido de pitido corto, la máquina se parará automáticamente. Después de que la máquina se pare automáticamente, el sonido de pitido continuará y el freno de servicio se habilitará. Para cancelar el sonido de pitido y liberar el freno de servicio, libere el gatillo interruptor y accione la palanca del freno. No empuje la máquina forzosamente sin liberar el freno de servicio.

NOTA: Puede comprobar la capacidad de batería restante aunque la llave de bloqueo no está insertada.

NOTA: Los indicadores de batería para la capacidad de batería restante son solamente para tener una referencia. La capacidad de batería real puede variar dependiendo de las condiciones de utilización.

Comprobación del nivel de batería en el cartucho de batería

Solamente para cartuchos de batería con el indicador

Presione el botón de comprobación en el cartucho de batería para indicar la capacidad de batería restante. Las lámparas indicadoras se iluminan durante unos pocos segundos.

► **Fig.17:** 1. Lámparas indicadoras 2. Botón de comprobación

Lámparas indicadoras			Capacidad restante
Iluminada	Apagada	Parpadeando	
■	□	◻	75% a 100%
■ ■ ■ ■			
■ ■ ■	□		50% a 75%
■ ■	□ □		25% a 50%
■	□ □ □		0% a 25%
◻	□ □ □ □		Cargue la batería.
■ ■ □ □	□ □	■ ■	Puede que la batería no esté funcionando bien.
□ □ ■ ■			

NOTA: Dependiendo de las condiciones de utilización y de la temperatura ambiente, la indicación podrá variar ligeramente de la capacidad real.

NOTA: La primera lámpara indicadora (extremo izquierdo) parpadeará cuando el sistema de protección de la batería esté funcionando.

Cambio del cartucho de batería

► **Fig.18:** 1. Conmutador de selección de batería

La máquina utiliza 2 cartuchos de batería al mismo tiempo para la operación. En la máquina se pueden instalar hasta 4 cartuchos de batería. Antes de manejar la máquina, seleccione los cartuchos de batería utilizados para la operación girando el conmutador de selección de batería.

AVISO: Si el cartucho de batería está en la condición siguiente, la máquina no funcionará aunque cambie la batería con el conmutador de selección de batería.

- La capacidad restante de al menos uno de los cartuchos de batería está agotada.
- Al menos uno de los cartuchos de batería está recalentado.

En este caso, retire el cartucho de batería vacío o recalentado, o reemplace el cartucho de batería con uno cargado.

NOTA: Si solamente hay instalados 2 cartuchos de batería en la máquina, asegúrese de seleccionar los cartuchos de batería instalados con el conmutador de selección de batería.

Panel de control

PRECAUCIÓN: Bloquee siempre la palanca del freno y apague la máquina cuando no la esté utilizando.

Botón de alimentación

► **Fig.19:** 1. Lámpara de alimentación principal 2. Botón de alimentación

Para encender la máquina, bloquee la palanca del freno, y después presione el botón de alimentación sin apretar el gatillo interruptor. La lámpara de alimentación principal se ilumina en verde. Para apagar la máquina, suelte el gatillo interruptor y bloquee la palanca del freno, y después presione el botón de alimentación.

NOTA: Después de encender la máquina, se realizará un test eléctrico la primera vez que se conduzca la máquina. Si se detecta un problema, la lámpara de alimentación principal parpadeará en rojo o verde alternativamente. En este caso, consulte la sección para solución de problemas.

NOTA: Si la lámpara de alimentación principal se ilumina en rojo o parpadea en rojo o verde, consulte las instrucciones para el sistema de protección de la máquina/batería o la sección para solución de problemas.

NOTA: Esta máquina emplea la función de desconexión automática de la alimentación. Para evitar una puesta en marcha no intencionada, la máquina se inhabilitará automáticamente cuando sea parada y no se maneje durante un cierto periodo de tiempo después de haberla encendido.

NOTA: Si presiona el botón de alimentación mientras aprieta el gatillo interruptor, la máquina no se encenderá. Suelte el gatillo interruptor, y después presione el botón de alimentación.

Botón de desplazamiento hacia adelante/marcha atrás y botón de velocidad

► **Fig.20:** 1. Botón de desplazamiento hacia adelante/marcha atrás 2. Indicador de velocidad 3. Botón de velocidad

Presione el botón de desplazamiento hacia adelante/marcha atrás para cambiar entre el modo de desplazamiento hacia adelante y el modo marcha atrás. Presione el botón de velocidad para cambiar entre velocidad baja, velocidad media y velocidad alta. Cuando se conecta la alimentación, se establecen el modo de desplazamiento hacia adelante y la velocidad baja.

NOTA: El botón de desplazamiento hacia adelante/marcha atrás no está disponible mientras se aprieta el gatillo interruptor.

NOTA: Cuando se opera la máquina en marcha atrás se emite un sonido de pitido corto.

NOTA: Cuando se opera la máquina en marcha atrás el botón de velocidad no está disponible.

NOTA: Si la máquina detecta un problema, los indicadores de velocidad parpadearán alternativamente. En este caso, consulte la sección para solución de problemas.

Botón de pitido

Cuando presione el botón de pitido, se emitirá el sonido de pitido.

► **Fig.21:** 1. Botón de pitido

NOTA: El botón de pitido está disponible cuando la máquina está encendida.

NOTA: El botón de pitido estará disponible aunque la llave de bloqueo no esté insertada en la caja de batería.

Encendido de las lámparas

Presione el botón de las lámparas de la caja de batería para encender las lámparas delanteras y la lámpara trasera. Para apagar las lámparas, presione el botón de las lámparas otra vez.

► **Fig.22:** 1. Botón de las lámparas 2. Lámpara delantera

► **Fig.23:** 1. Lámpara trasera

NOTA: Las lámparas se apagarán si la máquina no es manejada durante un cierto periodo de tiempo.

NOTA: Las lámparas se apagan cuando se desconecta la alimentación.

NOTA: Puede encender las lámparas aunque la llave de bloqueo no está insertada.

Gatillo interruptor y palanca del freno

⚠PRECAUCIÓN: Antes de instalar el cartucho de batería en la máquina, compruebe siempre para ver que el gatillo interruptor se acciona debidamente y que vuelve a la posición "desactivada" cuando se libera.

Para poner en marcha la máquina, apriete el gatillo interruptor. Utilizando el gatillo interruptor, la velocidad se puede ajustar dentro del rango de velocidad establecido. Para parar la máquina, suelte el gatillo interruptor y accione la palanca del freno.

Para bloquear la palanca del freno, accione y sujete la palanca del freno, después accione la palanca de bloqueo, y después suelte la palanca del freno mientras acciona la palanca de bloqueo.

► **Fig.24:** 1. Gatillo interruptor

► **Fig.25:** 1. Palanca del freno 2. Palanca de bloqueo

Interruptor de inclinación

⚠PRECAUCIÓN: Asegúrese de sujetar la palanca del freno cuando accione el interruptor de inclinación.

⚠PRECAUCIÓN: Antes de utilizar el interruptor de inclinación, asegúrese de que la capacidad de batería restante no es baja. Si la capacidad de batería es baja, bloquee la palanca del freno, y después cambie los cartuchos de batería a otros cargados o reemplace los cartuchos de batería con unos cargados.

► **Fig.26:** 1. Interruptor de inclinación

Puede inclinar el cajón o la portadera utilizando el interruptor de inclinación. Para inclinar el cajón o la portadera hacia adelante, presione el lado superior del interruptor de inclinación mientras sujeta la palanca del freno. Para retornar el cajón o la portadera, presione el lado inferior del interruptor de inclinación mientras sujeta la palanca del freno.

NOTA: El sonido de pitido se emite mientras el cajón o la portadera se está moviendo.

Ajuste de la anchura de la portadera

AVISO: Asegúrese de que los rieles laterales y el riel frontal están sujetos firmemente después de apretar las tuercas de orejetas.

Afloje las 6 tuercas de orejetas, y después deslice los rieles laterales y el riel frontal. Apriete las tuercas de orejetas para sujetar los rieles laterales y el riel frontal.

► **Fig.27:** 1. Tuerca de orejetas 2. Riel

⚠PRECAUCIÓN: No deslice los rieles más allá de la marca de límite.

► **Fig.28**

Ajuste de la altura del mango

AVISO: Fije los mangos izquierdo y derecho a la misma altura.

La altura del mango se puede ajustar en 7 niveles. Para ajustar la altura del mango, afloje los 2 pomos, después ajuste la altura del mango alineando el agujero del mango con la protuberancia del bastidor trasero, y después apriete los 2 pomos firmemente. Ajuste la altura del otro mango de la misma forma.

► **Fig.29:** 1. Pomo

Bloqueo de la rueda trasera

Puede fijar la dirección de las ruedas traseras utilizando el bloqueo de la rueda trasera.

1. Mueva ligeramente la máquina hacia delante de manera que las ruedas traseras queden orientadas en la dirección mostrada en la figura.

► **Fig.30:** 1. Rueda trasera

2. Gire el bloqueo de la rueda trasera hacia la parte trasera.

► **Fig.31:** 1. Bloqueo de la rueda trasera

3. Bloquee la otra rueda trasera de la misma manera.

4. Mueva la rueda trasera hacia atrás y hacia delante o hacia la izquierda y hacia la derecha ligeramente para asegurarse de que está bloqueada.

Para liberar el bloqueo de la rueda trasera, gire el bloqueo de la rueda trasera 90° como se muestra en la figura.

► **Fig.32:** 1. Bloqueo de la rueda trasera

NOTA: Las ruedas traseras se pueden fijar en 4 direcciones diferentes como se muestra en la figura.

► **Fig.33**

Utilización del nivel

Utilizando el nivel, puede comprobar si el terreno está nivelado.

► **Fig.34:** 1. Nivel

OPERACIÓN

⚠PRECAUCIÓN: Asegúrese de bloquear la palanca del freno antes de cargar o descargar objetos.

Operación de la máquina

AVISO: Asegúrese de insertar la llave de bloqueo antes de la operación. Si la llave de bloqueo no está insertada, se emitirá un sonido de pitido cuando apriete el gatillo interruptor. El sonido de pitido se detiene liberando el gatillo interruptor y accionando la palanca del freno.

AVISO: Realice la inspección antes de manejar la máquina consultando la sección para mantenimiento.

1. Asegúrese de que la palanca del freno está bloqueada. Instale los cartuchos de batería, e inserte la llave de bloqueo y gírela hacia la derecha.
2. Seleccione los cartuchos de batería con el conmutador de selección de batería.
3. Presione el botón de alimentación del panel de control para conectar la alimentación.
▶ Fig.35: 1. Botón de alimentación
4. Accione la palanca del freno para liberar el bloqueo de la palanca del freno.
▶ Fig.36: 1. Palanca del freno
5. Sujete los mangos firmemente con ambas manos.
▶ Fig.37
6. Apriete el gatillo interruptor.
▶ Fig.38: 1. Gatillo interruptor

Para cargar objetos

⚠PRECAUCIÓN: Antes de cargar objetos en la máquina, asegúrese de que la máquina está apagada y que la palanca del freno está bloqueada.

⚠PRECAUCIÓN: Antes de cargar objetos en la máquina, asegúrese de que la unidad vertedora está bloqueada.

⚠PRECAUCIÓN: Asegúrese de cargar los objetos dentro de la portadera o el cajón. Si los objetos sobresalen de la portadera o el cajón, podrán caerse o colapsar si tocan obstáculos.

▶ Fig.39

⚠PRECAUCIÓN: Asegúrese de cargar los objetos de forma que queden por debajo del nivel de los ojos. Si la carga es demasiado alta, será peligroso porque tapaná la vista. Además, existe el riesgo de volcar y producir heridas porque es probable que la carga se desequilibre.

▶ Fig.40

⚠PRECAUCIÓN: No cargue objetos por encima de la altura del cajón. Cargar objetos por encima de la altura del cajón podrá ocasionar que la carga se caiga o colapse.

Cuando cargue objetos en la portadera, sujete los objetos con cuerdas y ate las cuerdas en los ganchos para cuerdas de la portadera.

▶ Fig.41: 1. Gancho para cuerdas

Para volcar los objetos

⚠PRECAUCIÓN: Cuando levante o retorne la portadera o el cajón, no inserte ni ponga nunca ninguna parte de su cuerpo entre la unidad vertedora y la portadera o el cajón, ni debajo de la unidad vertedora. Si lo hace podrá resultar en heridas o quemaduras.

⚠PRECAUCIÓN: Después de verter cargas, asegúrese de bloquear la unidad vertedora retornando la unidad vertedora en su posición original.

⚠PRECAUCIÓN: Antes de levantar la portadera o el cajón manualmente, asegúrese de bloquear la palanca del freno.

⚠PRECAUCIÓN: Levante la portadera o el cajón en un terreno plano y estable. La operación en un terreno inestable puede ocasionar un accidente o heridas.

⚠PRECAUCIÓN: Mantenga la carga al mínimo. Si la carga es grande, no intente levantar la portadera ni el cajón. Reduzca la carga, y después levante la portadera o el cajón.

⚠PRECAUCIÓN: Si la carga está sujeta con cuerdas u otros medios, desate la carga antes de levantar la unidad vertedora.

⚠PRECAUCIÓN: Antes de levantar la portadera o el cajón, asegúrese de que no haya gente ni obstáculos alrededor de la máquina.

Puede volcar los objetos levantando e inclinando la portadera o el cajón.

1. Pare la máquina.
2. Incline el cajón o la portadera hacia adelante presionando el lado superior del interruptor de inclinación mientras sujeta la palanca del freno.
▶ Fig.42: 1. Interruptor de inclinación

3. Para verter manualmente los objetos que hayan quedado en el cajón o la portadera, siga los pasos de abajo.

- Bloquee la palanca del freno, y después póngase en el costado de la máquina.
- Gire la palanca de bloqueo de la unidad vertedora hacia la parte delantera de la máquina para desbloquear la unidad vertedora.
- Sujete el mango de la unidad vertedora, y después incline el cajón o la portadera hacia adelante para verter los objetos.
- Retorne el cajón o la portadera a la unidad vertedora.
▶ Fig.43: 1. Palanca de bloqueo 2. Unidad vertedora

⚠PRECAUCIÓN: Sujete el mango de la unidad vertedora firmemente, y trabaje en una postura estable.

AVISO: Se recomienda poner cuñas en las ruedas delanteras para estabilizar la máquina.

4. Retorne el cajón o la portadera a su posición original presionando el lado inferior del interruptor de inclinación mientras sujeta la palanca del freno.

AVISO: Asegúrese de retornar el cajón o la portadera a su posición original después de verter objetos. Si no retorna el cajón o la portadera completamente y bloquea, la velocidad de desplazamiento de la máquina estará limitada a 0,8 km/h.

MANTENIMIENTO

⚠PRECAUCIÓN: Asegúrese siempre de estacionar la máquina en terreno plano y bloquear la palanca del freno antes de almacenar o intentar realizar inspecciones o mantenimiento.

⚠PRECAUCIÓN: Asegúrese siempre de que la llave de bloqueo y el cartucho de batería han sido retirados de la máquina antes de almacenar, realizar inspecciones, o mantenimiento.

⚠PRECAUCIÓN: Retire siempre la llave de bloqueo cuando la máquina no esté siendo utilizada. Guarde la llave de bloqueo en un lugar seguro fuera del alcance de los niños.

Para mantener la SEGURIDAD y FIABILIDAD del producto, las reparaciones, y cualquier otra tarea de mantenimiento o ajuste deberán ser realizadas en centros de servicio o de fábrica autorizados por Makita, empleando siempre repuestos Makita.

Inspección antes de la operación

Realice las inspecciones siguientes antes de manejar la máquina.

- Compruebe que los pernos, tuercas y pomos están apretados firmemente.
- Fig.44
- Compruebe que el freno está funcionando debidamente. Si nota que el freno no está funcionando suficientemente bien, realice la limpieza del freno. Si no nota ninguna mejora, pida al centro de servicio autorizado de Makita que le hagan la reparación.
 - Compruebe que la unidad vertedora está bloqueada cuando el mango de la unidad vertedora está completamente bajado.
- Fig.45: 1. Mango
- Compruebe que los neumáticos de las ruedas delanteras y traseras no están dañados, y que estén suficientemente inflados.
 - Compruebe que las lámparas delanteras, y la lámpara trasera están limpias. Límpielas si es necesario.

- Compruebe que los raspadores están en la posición correcta. Si el raspador está orientado hacia arriba, ajuste la orientación del raspador aflojando los pernos. Cuando apriete los pernos, no empuje el raspador hacia la parte delantera de la máquina.

► Fig.46: 1. Raspador

Limpieza de la máquina

AVISO: No utilice nunca gasolina, bencina, disolvente, alcohol o similares. Podría producir descoloración, deformación o grietas.

AVISO: No utilice una máquina de lavar de alta presión para hacer la limpieza.

AVISO: Cuando limpie la máquina, asegúrese de cerrar la cubierta de la caja de batería. De lo contrario, podrá entrar agua dentro de la caja de batería, y ocasionar un mal funcionamiento de la máquina.

Retire el barro, suciedad, y similares de la máquina. Limpie la máquina con agua corriente. Después de la limpieza, pase un paño seco a la máquina.

Almacenamiento

Bloquee la palanca del freno, y retire los cartuchos de batería y la llave de bloqueo. Almacene la máquina en un lugar seguro fuera del alcance de los niños.

Inflado del neumático

Compruebe que el aire de los neumáticos de las ruedas delanteras y traseras no se ha fugado. Si el aire del neumático es insuficiente, infle el neumático utilizando un inflador. La presión de aire es como se indica a continuación:

- Neumáticos de las ruedas delanteras: 280 kPa (40 PSI)
- Neumáticos de las ruedas traseras: 525 kPa (75 PSI)

Rueda delantera

► Fig.47

Rueda trasera

► Fig.48

Reemplazo del neumático

⚠ PRECAUCIÓN: Antes de reemplazar los neumáticos, asegúrese de descargar todos los objetos de la máquina.

⚠ PRECAUCIÓN: Cuando reemplace los neumáticos, póngase guantes.

Reemplazo del neumático de la rueda delantera

NOTA: Cuando instale el neumático gris, instálelo de manera que la válvula quede orientada hacia fuera.

► Fig.49

Reemplazo del neumático de la rueda trasera

► Fig.50

► Fig.51

SOLUCIÓN DE PROBLEMAS

Antes de solicitar reparaciones, realice su propia inspección en primer lugar. Si encuentra un problema que no está explicado en el manual, no desmonte la máquina. En su lugar, solicite la reparación en centros de servicio autorizados de Makita, utilizando siempre piezas de repuesto de Makita.

Estado de anomalía	Lámpara de alimentación principal	Causa	Remedio	
La máquina no se enciende.	Apagada.	No hay instalados dos cartuchos de batería.	Instale dos cartuchos de batería cargados.	
		Problema de batería (poca tensión)	Recargue el cartucho de batería. Si la recarga no se realiza efectivamente, reemplace el cartucho de batería.	
		El conmutador de selección de batería no está en la posición correcta.	Seleccione la batería correcta utilizando el conmutador de selección de batería.	
La máquina no se pone en marcha.	La lámpara parpadea en rojo.	El nivel de carga de la batería es bajo.	Recargue el cartucho de batería. Si la recarga no se realiza efectivamente, reemplace el cartucho de batería.	
		Al menos una de las baterías está vacía.	Retire la batería vacía, o reemplácela con una cargada. En este caso, la lámpara del extremo izquierdo del indicador de batería de la batería correspondiente parpadea.	
	La lámpara parpadea en verde.	La llave de bloqueo no está insertada.	Inserte la llave de bloqueo y gírela hacia la derecha.	
		La máquina se ha parado debido a una sobrecarga.	Reduzca los objetos cargados.	
		Las ruedas delanteras o traseras están atascadas o bloqueadas.	Retire lo que causa el atasco o el bloqueo de las ruedas.	
	La lámpara se ilumina en rojo.	La máquina se ha parado debido a un recalentamiento.	Deje que la máquina y la batería se enfríen.	
	La lámpara parpadea en rojo y verde alternativamente.	La llave de bloqueo no está insertada.	La máquina ha detectado una anomalía.	Apague la máquina, y después vuelva a encenderla. Se ha producido un mal funcionamiento de la máquina. Pida al centro de servicio autorizado de Makita que le hagan la reparación.
			La palanca de cambio a neutral no está en su posición original.	Bloquee la palanca del freno, y después retorne la palanca de cambio a neutral a su posición original.
La máquina se para después de utilizarla un poco.	La lámpara parpadea en rojo.	El nivel de carga de la batería es bajo.	Recargue el cartucho de batería. Si la recarga no se realiza efectivamente, reemplace el cartucho de batería.	
La velocidad de desplazamiento de la máquina no aumenta.	La lámpara se ilumina en verde.	La unidad vertedora no ha sido retornada completamente, o no está bloqueada.	Retorne la unidad vertedora completamente y asegúrese de que está bloqueada.	

Solución de problemas para parada de la máquina

⚠ADVERTENCIA: A menos que sea absolutamente necesario, no inhabilite nunca el freno de servicio de la máquina con la palanca de cambio a neutral. Como el freno de servicio de la máquina se inhabilita, la máquina podrá moverse involuntariamente y ocasionar un accidente o heridas personales.

⚠ADVERTENCIA: Asegúrese de volver a poner la palanca de cambio a neutral a su posición original después de accionar la palanca hacia fuera.

Si la máquina no puede ser movida cuando se agoten las baterías u ocurra un mal funcionamiento de la máquina, podrá mover la máquina manualmente accionando la palanca de cambio a neutral hacia fuera para inhabilitar el freno de servicio.

1. Bloquee la palanca del freno.
2. Descargue todos los objetos de la máquina.

⚠PRECAUCIÓN: Asegúrese de descargar todos los objetos de la máquina. La máquina podrá moverse involuntariamente si los objetos son dejados en la máquina.

3. Si la máquina está en una cuesta, desbloquee la palanca del freno, y oriente la máquina de manera que la palanca del freno quede en el lado de arriba de la cuesta y la máquina esté paralela a la cuesta. Bloquee la palanca del freno.

► Fig.52

4. Asegúrese de que la máquina no se mueva, y accione la palanca de cambio a neutral hacia afuera.

► Fig.53: 1. Palanca de cambio a neutral

5. Desbloquee la palanca del freno y mueva la máquina manualmente a un lugar seguro. Como el freno de servicio está inhabilitado, mueva la máquina con cuidado con la palanca del freno de manera que la velocidad no aumente.

6. Después de mover la máquina a un lugar seguro, bloquee la palanca del freno.

7. Retorne la palanca de cambio a neutral a su posición original. Asegúrese de que la palanca de cambio a neutral ha sido retornada completamente como se muestra en la figura.

► Fig.54: 1. Palanca de cambio a neutral

ACCESORIOS OPCIONALES

⚠PRECAUCIÓN: Estos accesorios o acoplamientos están recomendados para utilizar con su máquina Makita especificada en este manual. La utilización de cualquier otro accesorio o acoplamiento puede presentar un riesgo de heridas a personas. Utilice los accesorios o acoplamientos solamente para su fin establecido.

⚠PRECAUCIÓN: Utilice solamente el accesorio o acoplamiento de Makita para la máquina. La utilización de cualquier otro accesorio o acoplamiento podrá resultar en heridas personales graves.

Si necesita cualquier ayuda para más detalles en relación con estos accesorios, pregunte al centro de servicio Makita local.

- Portadera
- Cajón
- Neumático delantero (negro)
- Neumático delantero (gris)
- Neumático trasero (gris)
- Batería y cargador genuinos de Makita

NOTA: Algunos elementos de la lista podrán estar incluidos en el paquete de la herramienta como accesorios estándar. Pueden variar de un país a otro.

ESPECIFICAÇÕES

Modelo:		DCU602
Dimensões (C x L x A)	Quando o balde estiver instalado	1.480 mm x 730 mm x 820 - 1.030 mm
	Quando o transportador estiver instalado	1.450 - 1.600 mm x 730 - 1.080 mm x 820 - 1.030 mm
Velocidade de deslocação	Avanço	5,0 / 3,5 / 1,5 km/h
	Marcha atrás	1,0 km/h
Capacidade máxima de carga	Em solo plano	300 kg
	Em declives (3° - 12°)	180 kg
Capacidade máxima de subida		12°
Raio de viragem mínimo *		1.150 mm
Travão		Travão de mão e travão de suporte
Pneu	Roda dianteira	Pneumático
	Roda traseira	Pneumático
Tensão nominal		CC 36 V
Peso líquido	Quando o balde estiver instalado	145 - 147 kg
	Quando o transportador estiver instalado	141 - 143 kg
Grau de proteção		IPX4

*: Diâmetro externo durante a viragem com a roda dianteira a servir de eixo.

- Devido a um programa contínuo de pesquisa e desenvolvimento, estas especificações estão sujeitas a alteração sem aviso prévio.
- As especificações podem variar de país para país.
- O peso poderá diferir em função do acessório(s), incluindo a bateria. A combinação mais leve e mais pesada, de acordo com o Procedimento EPTA 01/2014, é apresentada na tabela.

Bateria e carregador aplicável

Bateria	BL1815N / BL1820B / BL1830B / BL1840B / BL1850B / BL1860B
Carregador	DC18RC / DC18RD / DC18RE / DC18SD / DC18SE / DC18SF / DC18SH / DC18WC

- Algumas das baterias e carregadores listados acima poderão não estar disponíveis, dependendo da sua região de residência.

⚠️ AVISO: Utilize apenas as baterias e carregadores listados acima. A utilização de quaisquer outras baterias e carregadores pode causar ferimentos e/ou um incêndio.

⚠️ AVISO: Nunca utilize o adaptador de baterias tipo mochila PDC1200 ou PDC01 com este produto. A utilização destes em conjunto pode causar ferimentos pessoais ou anomalia.

Símbolos

A seguir são apresentados os símbolos que podem ser utilizados para o equipamento. Certifique-se de que compreende o seu significado antes da utilização.



Leia o manual de instruções.



Não mude a direção em declives.



Esta máquina não pode ser utilizada em vias públicas.



Antes de carregar ou descarregar objetos, bloqueie o travão e a unidade de despejo.



Não carregue nem descarregue objetos em declives.



Não utilize a máquina para o transporte de pessoas.



Não despeje objetos em declives. Bloquee a unidade de despejo após o despejo.



Carregue os objetos no balde ou no transportador de maneira uniforme. Não carregue os objetos irregularmente ou apenas na parte dianteira.



Perigo de aperto e esmagamento. Mantenha as mãos afastadas durante a operação. Não coloque as suas mãos ou parte do seu corpo nas peças móveis.



Capacidade máxima de carga: 300 kg em solo plano e 180 kg em declives (até 12°).



Não olhe diretamente para as lâmpadas.



Não lave a máquina com uma lavadora de alta pressão.



Mantenha as pessoas presentes afastadas da máquina durante a operação.



Não opere a máquina em torno de superfícies irregulares.



Não opere a máquina quando o balde ou o transportador não tiver retornado por completo.



Remova as cordas antes de despejar objetos.



Utilize sempre calçado antiderrapante e de proteção.



Bloquee o travão antes de retirar a alavanca de mudança neutra.



Bloquee o travão antes de retornar a alavanca de mudança neutra.



Pressão de ar: pneu dianteiro com 280 kPa e pneu traseiro com 525 kPa.



Certifique-se de que a alavanca de bloqueio está bloqueada.



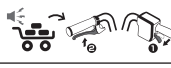
Rode a alavanca de bloqueio para a parte dianteira da máquina para desbloquear a unidade de despejo.



Quando é emitido um sinal sonoro, bloqueie a alavanca do travão.



Quando soltar o gatilho do interruptor, bloqueie a alavanca do travão.



Para cancelar o sinal sonoro, solte o gatilho do interruptor e puxe a alavanca do travão.



Apenas para países da UE
Devido à presença de componentes perigosos no equipamento, os resíduos de equipamentos elétricos e eletrônicos, acumuladores e baterias podem ter um impacto negativo no meio ambiente e na saúde humana.

Não elimine aparelhos elétricos e eletrônicos ou baterias juntamente com resíduos domésticos!
De acordo com a Diretiva europeia relativa aos resíduos de equipamentos elétricos e eletrônicos, acumuladores e baterias devem ser armazenados separadamente e entregues num ponto de recolha separado para resíduos municipais, que opere de acordo com os regulamentos de proteção ambiental. Tal é indicado pelo símbolo de contenedor de lixo com rodas barreado com uma cruz colocado no equipamento.



Nível de potência sonora garantido de acordo com a Diretiva de ruído ambiente da UE.



Nível de potência sonora de acordo com o Regulamento de controlo do ruído de NSW da Austrália

Utilização a que se destina

A máquina destina-se à carga e ao transporte de objetos com assistência alimentada a bateria.

Ruído

O nível de ruído ponderado A típico determinado de acordo com a EN62841-1 e, conforme aplicável, de acordo com a EN12053:

Nível de pressão acústica (L_{pA}) : 70 dB (A) ou menos
Variabilidade (K): 4 dB (A)

O nível de ruído durante o funcionamento pode exceder 80 dB (A).

NOTA: O(s) valor(es) da emissão de ruído indicado(s) foi medido de acordo com um método de teste padrão e pode ser utilizado para comparar duas ferramentas.

NOTA: O(s) valor(es) da emissão de ruído indicado(s) pode também ser utilizado na avaliação preliminar da exposição.

⚠️ AVISO: Utilize protetores auriculares.

⚠️ AVISO: A emissão de ruído durante a utilização real da ferramenta elétrica pode diferir do(s) valor(es) indicado(s), dependendo das formas como a ferramenta é utilizada, especialmente o tipo de peça de trabalho que é processada.

⚠️ AVISO: Certifique-se de identificar as medidas de segurança para proteção do operador que sejam baseadas em uma estimativa de exposição em condições reais de utilização (considerando todas as partes do ciclo de operação, tal como quando a ferramenta está desligada e quando está a funcionar em marcha lenta além do tempo de acionamento).

Vibração

Valor total da vibração (soma vetorial tri-axial) determinado de acordo com a EN62841-1:

Modo de trabalho: funcionamento sem carga

Emissão de vibração (a_h): 2,5 m/s² ou menos

Variabilidade (K): 1,5 m/s²

NOTA: O(s) valor(es) total(ais) de vibração indicado(s) foi medido de acordo com um método de teste padrão e pode ser utilizado para comparar duas ferramentas.

NOTA: O(s) valor(es) total(ais) de vibração indicado(s) pode também ser utilizado na avaliação preliminar da exposição.

⚠️ AVISO: A emissão de vibração durante a utilização real da ferramenta elétrica pode diferir do(s) valor(es) indicado(s), dependendo das formas como a ferramenta é utilizada, especialmente o tipo de peça de trabalho que é processada.

⚠️ AVISO: Certifique-se de identificar as medidas de segurança para proteção do operador que sejam baseadas em uma estimativa de exposição em condições reais de utilização (considerando todas as partes do ciclo de operação, tal como quando a ferramenta está desligada e quando está a funcionar em marcha lenta além do tempo de acionamento).

Declarações de conformidade

Apenas para os países europeus

As Declarações de conformidade estão incluídas no Anexo A deste manual de instruções.

AVISOS DE SEGURANÇA

Avisos gerais de segurança para ferramentas elétricas

⚠️ AVISO Leia todos os avisos de segurança, instruções, ilustrações e especificações fornecidos com esta ferramenta elétrica. O incumprimento de todas as instruções abaixo enumeradas pode resultar em choque elétrico, incêndio e/ou ferimentos graves.

Guarde todos os avisos e instruções para futuras referências.

O termo “ferramenta elétrica” nos avisos refere-se às ferramentas elétricas ligadas à corrente elétrica (com cabo) ou às ferramentas elétricas operadas por meio de bateria (sem cabo).

Avisos de segurança do carrinho de mão a bateria

- 1. Use sempre calçado antiderrapante e de proteção enquanto utiliza a máquina.** As botas e sapatos de proteção antidesslizantes e com biqueira fechada reduzem o risco de lesão.
- 2. Inspeção o percurso antes de transportar objetos/materiais.** Familiarizar-se com o percurso e certificar-se de que este é suficientemente amplo para conduzir a máquina em segurança sob carga irá ajudar a reduzir a perda de controlo da máquina.
- 3. Tenha cuidado extremo em terreno escorregadio, soltos e instáveis.** As superfícies húmidas e escorregadias como, por exemplo, áreas de relvados molhados, neve ou gelo e terreno solto e instável como, por exemplo, superfícies de areia ou gravilha poderão causar a perda de tração da máquina e poderão afetar a condução, a travagem e a estabilidade de forma adversa.
- 4. Não utilize a máquina em terrenos excessivamente íngremes.** Isto reduz o risco de perda de controlo, deslizamento e queda que podem resultar em lesões físicas. Os declives superiores ao grau máximo recomendado e graus laterais podem aumentar o risco de instabilidade e podem afetar, de forma adversa, a capacidade de parar em segurança.
- 5. Quando estiver a trabalhar em declives, certifique-se sempre onde posiciona os pés, trabalhe sempre em toda a face dos declives, nunca para cima ou para baixo e exerça de extremo cuidado quando mudar de direção.** Isto reduz o risco de perda de controlo, deslizamento e queda que podem resultar em lesões físicas.
- 6. Sempre que possível, utilize áreas niveladas para parar, carregar e descarregar a máquina e nunca deixe a máquina sem supervisão num declive.** A máquina é mais instável quando está parada num declive do que quando está parada numa superfície plana.
- 7. Quando deixar a máquina sem supervisão, acione o travão de estacionamento logo que a máquina se encontre numa área de paragem segura.** O travão de estacionamento evita o movimento indesejável da roda dianteira e pode melhorar a estabilidade.
- 8. Assegure que as rampas estão limpas, sólidas e seguras.** De modo a reduzir o risco de lesão, todas as rampas devem estar desimpedidas de resíduos soltos e devem ser suficientemente sólidas para suportar o peso de cargas previstas que serão movidas sobre estas. Devem dispor de bloqueio adequado por baixo e de ambos os lados para eliminar desvios e o movimento de oscilação lateral sob carga. Todas as rampas devem ser suficientemente amplas para dispor de um posicionamento seguro no solo durante o transporte de cargas através destas.

9. **Certifique-se de que todos os parafusos de bloqueio estão firmemente apertados antes de utilizar a máquina.** Os parafusos de bloqueio nas rodas traseiras e nos painéis dianteiros e laterais do transportador aberto devem estar apertados, de modo a evitar o movimento indesejável destas peças ajustáveis da máquina.
10. **Nunca utilize a máquina num estado de sobrecarga.** Certifique-se de que a máquina possui um nível de capacidade apropriado para os objetos ou materiais que têm de ser transportados. As cargas excessivas tornam a máquina mais difícil de manobrar e parar, aumentam o tempo e a distância de paragem e aumentam o risco de instabilidade.
11. **Nunca utilize a máquina num estado de empilhamento excessivo.** Empilhar material acima da orla do tabuleiro ou sobre as laterais do tabuleiro pode provocar o desequilíbrio total e a perda de controlo.
12. **Utilize contentores e amarrações para fixar cargas.** As cargas soltas e/ou inseguras têm maior probabilidade de sofrer desvios que podem resultar na perda de estabilidade e controlo.
13. **Segure as pegas sempre com firmeza.** A perda de controlo pode aumentar o risco de lesões físicas.
14. **Remova a chave de segurança quando não estiver a ser utilizada.** A chave de segurança evita a utilização acionada indesejável da máquina como, por exemplo, por crianças ou outras pessoas sem formação ou não autorizadas. Sem a chave não é possível ligar a alimentação elétrica.
15. **Esta máquina não pode ser utilizada na via pública.** A utilização do carrinho de mão na via pública é ilegal e pode resultar em multas locais, podendo além disso resultar em lesões físicas.
16. **Utilize uma placa robusta com função anti-deslizante e contra desprendimento quando carregar e/ou descarregar esta máquina para transporte ou quando mover esta máquina entre diferentes níveis.** Certifique-se de que a inclinação da placa não excede 12° e utilize a máquina lenta e cuidadosamente. A operação instável e rápida pode resultar em tombamento e/ou queda.
17. **Não desmonte, repare ou modifique esta máquina.**

Preparação

1. **Antes de operar a máquina, certifique-se de que não se encontram pessoas em torno da máquina.**
2. **Antes de operar a máquina, efetue as inspeções consultando a secção relativa à manutenção.**

Funcionamento

1. **Quando operar a máquina, permaneça por trás da máquina e segure firmemente as pegas com as duas mãos.**
2. **Não utilize a máquina enquanto conduz a máquina.**
3. **Não permita que terceiros conduzam a máquina.**

4. **Quando operar a máquina em recuo e a caminhar para trás, esteja atento ao percurso atrás de si, tenha cuidado com o sítio onde põe os pés e tenha cuidado para não escorregar ou tropeçar.**
5. **Não utilize a máquina quando a visibilidade for fraca porque existe o risco de bater em obstáculos.**
6. **Quando operar a máquina em terreno acidentado ou a atravessar uma diferença de nível da estrada, diminua a velocidade e tenha cuidado.**
7. **Quando utilizar a máquina, evite terrenos pouco sólidos, de modo a evitar a capotagem devido ao colapso do acostamento.**
8. **Não utilize a máquina em inclinações superiores a 12°.**
9. **Se detetar uma anomalia, pare a máquina em solo plano.** Antes de inspecionar a máquina, bloqueie a alavanca do travão e, em seguida, desligue a alimentação.
10. **Antes de operar a máquina, certifique-se de que a pega da unidade de despejo está totalmente puxada para baixo e completamente bloqueada.** Se o bloqueio estiver incompleto, existe o risco de acidente ou ferimento, dado que o transportador ou o balde pode ser inclinado e os objetos podem cair quando efetuar a descida.
11. **Quando operar a máquina perto de paredes, tenha cuidado para não ficar com as mãos presas entre a pega e a parede.**
12. **Não utilize a máquina em más condições atmosféricas, especialmente quando houver risco de relâmpagos.** Tal reduz o risco de ser atingido por um relâmpago.
13. **Não toque nas partes metálicas durante a utilização ou após a utilização, uma vez que estas podem ficar suficientemente quentes para causar queimaduras devido à luz solar.**
14. **Tenha cuidado para não emaranhar os cabos com a carga ou obstáculos.**
15. **Quando atravessar uma ponte de madeira, etc., certifique-se de que a soma do peso do produto, da capacidade de carga e do peso do operador não excede o limite de peso da ponte, e atravesse a ponte cuidadosamente a uma velocidade constante.**
16. **Utilize luvas quando operar a máquina em ambientes de baixa temperatura.** Tocar em partes metálicas com as mãos desprotegidas pode fazer com que as mãos fiquem coladas.
17. **Se estiverem pessoas ou obstáculos no sentido de deslocação, evite-os de antemão.**
18. **Não escave os objetos diretamente com o transportador ou o balde.** Se o fizer, pode danificar a máquina e provocar um acidente.
19. **Quando utilizar a máquina em terreno lamacento, declives húmidos ou local escorregadio, preste atenção ao seu posicionamento.**
20. **Não submerja a máquina numa poça.**
21. **Quando deixar a máquina enquanto estiver a trabalhar, certifique-se de que volta a colocar por completo a unidade de despejo na sua posição original, e bloqueie a alavanca do travão e remova a chave de bloqueio.**
22. **Não deixe a máquina sem supervisão enquanto objetos estiverem carregados no transportador ou no balde.**

Funcionamento em declives

1. Não atravesse declives.
2. Pare antes da descida e certifique-se de que diminui a velocidade e tem cuidado.
3. Se a velocidade for demasiado rápida quando se deslocar numa descida, é emitido o sinal sonoro. Neste caso, abrande utilizando o travão.
4. Tenha cuidado quando efetua o arranque ou a paragem da máquina em declives.
5. Dado que as cargas se tornam menos estáveis nos declives, segure as cargas firmemente com cordas.
6. Dado que a máquina se torna instável em função do estado da estrada, mantenha a carga num nível mínimo.
7. Dado que a visibilidade é obscura em declives, mantenha a altura da carga num nível mínimo.
8. Nunca pare a máquina em declives. Pare a máquina em solo plano, bloqueie a alavanca do travão e, em seguida, desligue a alimentação.
9. Não mude a direção ou o modo de velocidade em terrenos íngremes.
10. Não solte o gatilho do interruptor em subidas. A máquina pode efetuar marcha atrás e causar um acidente.
11. Certifique-se de que a capacidade restante da bateria é suficiente antes de utilizar a máquina em declives. Se a capacidade restante da bateria não for suficiente, carregue a bateria ou substitua-a por uma carregada.
12. Quando arrancar a máquina em declives, não coloque o pé atrás da roda traseira uma vez que a máquina recua alguns centímetros.

Carregar objetos

1. Não carregue demasiados objetos. Quando carregar objetos, certifique-se de que segue as instruções e os limites de carga referidos no manual.
2. Uma vez que quanto maior for a carga, mais difícil é a operação da máquina, mantenha a carga dentro da margem que não afeta a operação.
3. Segure os objetos firmemente com cordas.
4. Carregue os objetos dentro do transportador ou balde. Se os objetos saírem do transportador ou do balde, existe o risco de acidentes devido à queda de objetos ou ao contacto com obstáculos como, por exemplo, paredes.
5. Certifique-se de que os objetos carregados se encontram abaixo do nível da visão. Se a carga for demasiado alta representa um perigo porque a visibilidade é obscura. Além disso, existe o risco de capotagem e lesões porque a carga provavelmente não é equilibrada.
6. Carregue os objetos no transportador ou balde uniformemente. Se os objetos forem carregados de modo irregular, existe o risco de capotagem e ferimentos porque a carga provavelmente não fica equilibrada.
7. Antes de carregar os objetos ou operar a máquina, certifique-se de que a pega da unidade de despejo está totalmente puxada para baixo e completamente bloqueada.

8. Certifique-se de que carrega objetos pesados em primeiro lugar para manter o equilíbrio.
9. Não prolongue as longarinas dianteiras e laterais em terrenos íngremes. Prolongue as longarinas laterais quando carregar objetos leves.
10. Quando prolongar as longarinas dianteiras e laterais, não as prolongue além do limite de extensão. Certifique-se de que prolonga as longarinas laterais, de modo que os lados direito e esquerdo possuam o mesmo comprimento e carregue os objetos uniformemente.
11. Carregue e descarregue objetos em solo plano. Nunca carregue nem descarregue objetos em declives.
12. Quando elevar e inclinar o transportador ou balde, segure as pegas e a estrutura firmemente e trabalhe numa postura estável.

Transporte da máquina

1. Utilize as calhas de escada que são, pelo menos, 4 vezes mais compridas do que a altura da base do camião, com equipamentos adequados para a base, com uma superfície antideslizante e largura suficiente, e capaz de suportar o peso da máquina e do operador. Leia atentamente o manual de instruções das calhas de escada antes da utilização.
2. Antes de carregar a máquina, descarregue todos os objetos da máquina e remova a lama e outros detritos dos pneus. Instale as calhas de escada sobre uma superfície plana e estável.
3. Antes de carregar ou descarregar a máquina, certifique-se de que não se encontram pessoas em torno da máquina e das calhas de escada. Carregue ou descarregue a máquina a baixa velocidade, tendo cuidado para evitar a queda da máquina das calhas de escada e para não bater com a cabeça no teto do camião. Tenha cuidado extremo quando carregar ou descarregar a máquina para trás.
4. Quando transportar a máquina, bloqueie a alavanca do travão, desligue a alimentação, remova as baterias e a chave de bloqueio, e fixe firmemente a máquina.

Manutenção e armazenamento

1. Antes de armazenar ou de tentar efetuar ações de inspeção ou manutenção, certifique-se sempre de que para a máquina em solo plano e bloqueia a alavanca do travão, e desligue a máquina e remova a chave de bloqueio e as baterias.
2. Não deixe a máquina sem supervisão no exterior à chuva.
3. Quando guardar a máquina, evite a luz solar direta e a chuva e guarde-a num local onde não fique quente ou húmido.
4. Esta máquina está equipada com uma unidade hidráulica na parte de baixo da unidade de despejo para inclinar automaticamente a unidade de despejo. Não modifique a unidade hidráulica nem solte os pernos de montagem da unidade ou os parafusos de ajuste da válvula de alívio. Tal é muito perigoso uma vez que pode causar acidentes ou avarias.

Utilização e cuidados com a ferramenta a bateria

1. **Recarregue apenas com o carregador especificado pelo fabricante.** Um carregador adequado para um tipo de bateria pode criar um risco de incêndio quando utilizado com outra bateria.
2. **Utilize as ferramentas elétricas apenas com as baterias especificamente designadas.** A utilização de uma bateria diferente pode criar um risco de ferimentos e de incêndio.
3. **Quando a bateria não está a ser utilizada, mantenha-a afastada de outros objetos metálicos, como cliques, moedas, chaves, pregos, parafusos ou outros objetos metálicos pequenos que possam fazer a ligação entre os dois terminais.** Colocar os terminais da bateria em curto-circuito um com o outro pode provocar queimaduras ou um incêndio.
4. **Em condições abusivas, o líquido pode ser ejetado da bateria; evite o contacto com o mesmo. Se ocorrer um contacto accidental, lave com água. Se o líquido entrar em contacto com os olhos, procure também assistência médica.** O líquido ejetado da bateria pode provocar irritações ou queimaduras.
5. **Não utilize um conjunto de baterias ou uma ferramenta que se encontrem danificados ou modificados.** As baterias danificadas ou modificadas poderão exibir um comportamento imprevisível, resultando em incêndio, explosão ou risco de lesão.
6. **Não exponha um conjunto de baterias ou uma ferramenta a incêndio ou temperatura excessiva.** A exposição a incêndio ou a uma temperatura superior a 130 °C poderá causar uma explosão.
7. **Siga todas as instruções de carregamento e não carregue o conjunto de baterias ou ferramenta fora da amplitude de temperaturas especificada nas instruções.** O carregamento impróprio ou a temperaturas fora da amplitude especificada poderá danificar a bateria e aumentar o risco de incêndio.

Segurança elétrica e da bateria

1. **Não elimine a(s) bateria(s) no fogo.** A célula pode explodir. Verifique com os códigos locais as possíveis instruções de eliminação especiais.
2. **Não abra nem mutila a(s) bateria(s).** O eletrólito libertado é corrosivo e pode provocar danos nos olhos ou na pele. Pode ser tóxico se for engolido.
3. **Não carregue a bateria sob chuva ou em locais húmidos.**
4. **Não carregue a bateria ao ar livre.**
5. **Não toque no carregador, incluindo a ficha do carregador e os terminais do carregador, com as mãos molhadas.**
6. **Não substitua a bateria à chuva.**
7. **Não molhe o terminal da bateria com líquido, tal como água, nem submerja a bateria. Não deixe a bateria à chuva nem carregue, utilize ou guarde a bateria num local húmido ou molhado.** Se o terminal ficar molhado ou entrar líquido para a bateria, a bateria pode entrar em curto-circuito e existe um risco de sobreaquecimento, incêndio ou explosão.

8. **Após remover a bateria da máquina ou do carregador, certifique-se de que prende a tampa da bateria à bateria e guarde-a num local seco.**
9. **Não substitua a bateria com as mãos molhadas.**
10. **Evite ambientes perigosos. Não utilize a máquina em locais húmidos ou molhados, nem a exponha à chuva.** A água que entra na máquina aumenta o risco de choque elétrico.
11. **Se a bateria ficar húmida, drene a água no interior e limpe-a com um pano seco. Seque a bateria completamente num local seco antes de utilizá-la.**

GUARDE ESTAS INSTRUÇÕES.

AVISO: NÃO permita que conforto ou familiaridade com o produto (adquirido com o uso repetido) substitua a aderência estrita às regras de segurança da ferramenta. **MÁ INTERPRETAÇÃO** ou não seguimento das regras de segurança estabelecidas neste manual de instruções pode causar danos pessoais sérios.

Instruções de segurança importantes para a bateria

1. **Antes de utilizar a bateria, leia todas as instruções e etiquetas de precaução no (1) carregador de bateria (2) bateria e (3) produto que utiliza a bateria.**
2. **Não desmonte ou manipule a bateria.** Pode resultar num incêndio, em calor excessivo ou numa explosão.
3. **Se o tempo de funcionamento se tornar excessivamente curto, pare o funcionamento imediatamente.** Pode resultar em sobreaquecimento, possíveis queimaduras e mesmo explosão.
4. **Se entrar eletrólito nos seus olhos, lave-os com água e consulte imediatamente um médico.** Pode resultar em perda de visão.
5. **Não coloque a bateria em curto-circuito:**
 - (1) **Não toque nos terminais com qualquer material condutor.**
 - (2) **Evite guardar a bateria juntamente com outros objetos metálicos tais como pregos, moedas, etc.**
 - (3) **Não exponha a bateria à água ou chuva.** Um curto-circuito pode ocasionar um enorme fluxo de corrente, sobreaquecimento, possíveis queimaduras e mesmo estragar-se.
6. **Não guarde nem utilize a ferramenta e a bateria em locais onde a temperatura pode atingir ou exceder 50 °C.**
7. **Não queime a bateria mesmo que esteja estragada ou completamente gasta.** A bateria pode explodir no fogo.
8. **Não pree, corte, esmague, atire, deixe cair a bateria, nem bata a bateria contra um objeto rijo.** Esta conduta pode resultar num incêndio, em calor excessivo ou numa explosão.
9. **Não utilize uma bateria danificada.**

10. **As baterias de iões de lítio contidas na ferramenta são sujeitas aos requisitos da DGL (Dangerous Goods Legislation - Legislação de bens perigosos).**
Para o transporte comercial, por exemplo, por terceiros ou agentes de expedição, têm de ser observados os requisitos referentes à embalagem e etiquetagem.
Para preparação do artigo a ser expedido, é necessário consultar um perito em materiais perigosos. Tenha ainda em conta a possibilidade de existirem regulamentos nacionais mais detalhados.
Coloque fita-cola ou tape os contactos abertos e embale a bateria de tal forma que não possa mover-se dentro da embalagem.
11. **Quando eliminar a bateria, remova-a da ferramenta e elimine-a num local seguro. Siga os regulamentos locais relacionados com a eliminação de baterias.**
12. **Utilize as baterias apenas com os produtos especificados pela Makita.** Instalar as baterias em produtos não-conformes poderá resultar num incêndio, calor excessivo, explosão ou fuga de eletrólito.
13. **Se a ferramenta não for utilizada durante um período de tempo prolongado, a bateria deve ser removida da ferramenta.**
14. **Durante e após a utilização, a bateria pode aquecer, o que pode provocar queimaduras ou queimaduras a baixa temperatura. Preste atenção ao manuseamento de baterias quentes.**
15. **Não toque no terminal da ferramenta imediatamente após a utilização, pois pode ficar suficientemente quente para provocar queimaduras.**
16. **Não permita a adesão de aparas, pó ou sujidade nos terminais, nos orifícios e nas ranhuras da bateria.** Poderá fazer com que a ferramenta ou a bateria aqueça, incendeie, rebente e avarie, resultando em queimaduras ou ferimentos corporais.
17. **A menos que a ferramenta suporte a utilização perto de linhas elétricas de alta tensão, não utilize a bateria perto de linhas elétricas de alta tensão.** Pode resultar no mau funcionamento ou na avaria da ferramenta ou bateria.
18. **Mantenha a bateria afastada das crianças.**

GUARDE ESTAS INSTRUÇÕES.

⚠️PRECAUÇÃO: Utilize apenas baterias genuínas da Makita. A utilização de baterias não genuínas da Makita ou de baterias que foram alteradas, pode resultar no rebentamento da bateria provocando incêndios, ferimentos pessoais e danos. Além disso, anulará da garantia da Makita no que se refere à ferramenta e ao carregador Makita.

Conselhos para manter a máxima vida útil da bateria

1. **Carregue a bateria antes que esteja completamente descarregada. Pare sempre o funcionamento da ferramenta e carregue a bateria quando notar menos poder na ferramenta.**
2. **Nunca carregue uma bateria completamente carregada. Carregamento excessivo diminui a vida útil da bateria.**
3. **Carregue a bateria à temperatura ambiente de 10 °C – 40 °C. Deixe que uma bateria quente arrefeça antes de a carregar.**
4. **Quando não utilizar a bateria, remova-a da ferramenta ou do carregador.**
5. **Carregue a bateria se não a utilizar durante um longo período de tempo (mais de seis meses).**

DESCRIÇÃO DAS PEÇAS

Quando o balde estiver instalado

► Fig.1

1	Interruptor de inclinação	2	Painel de controlo	3	Botão do sinal sonoro	4	Gatilho do interruptor
5	Lâmpada traseira	6	Pega	7	Caixa da bateria	8	Alavanca do travão
9	Roda traseira	10	Bloqueio da roda traseira	11	Alavanca de bloqueio	12	Unidade de despejo
13	Roda dianteira	14	Lâmpada dianteira	15	Balde	-	-

Quando o transportador estiver instalado

► Fig.2

1	Interruptor de inclinação	2	Painel de controlo	3	Botão do sinal sonoro	4	Gatilho do interruptor
5	Lâmpada traseira	6	Pega	7	Caixa da bateria	8	Alavanca do travão
9	Roda traseira	10	Bloqueio da roda traseira	11	Alavanca de bloqueio	12	Roda dianteira
13	Lâmpada dianteira	14	Transportador	-	-	-	-

MONTAGEM

⚠️ PRECAUÇÃO: Certifique-se sempre de que a máquina está desligada e que as baterias são removidas antes de efetuar qualquer trabalho na máquina.

Antes de instalar ou remover o transportador ou o balde, certifique-se de que bloqueia a alavanca do travão. Para bloquear a alavanca do travão, puxe e mantenha a alavanca do travão pressionada e, em seguida, puxe a alavanca de bloqueio e depois solte a alavanca do travão enquanto puxa a alavanca de bloqueio.

► **Fig.3:** 1. Alavanca do travão 2. Alavanca de bloqueio

Instalar ou remover o balde

Instalar o balde

1. Retire o balde, as fixações e o tubo dianteiro da caixa.

► **Fig.4:** 1. Balde 2. Fixação 3. Tubo dianteiro

2. Insira o tubo dianteiro entre a estrutura superior e a estrutura inferior da unidade de despejo.

► **Fig.5:** 1. Tubo dianteiro

3. Coloque a fixação na unidade de despejo e, em seguida, aperte temporariamente os pernos em conjunto com o tubo dianteiro. Instale a outra fixação na unidade de despejo da mesma maneira.

► **Fig.6:** 1. Fixação 2. Perno

4. Coloque o balde no tubo dianteiro e as fixações à esquerda e à direita.

Coloque a anilha de borracha no orifício do balde e insira o perno a partir da parte superior. Prensione a anilha plana e a arruela de pressão por esta ordem no perno e, em seguida, aperte a porca a partir da parte inferior. Aperte o resto dos pernos e das porcas da mesma forma.

► **Fig.7:** 1. Perno 2. Anilha de borracha 3. Anilha plana 4. Arruela de pressão 5. Porca

5. Aperte firmemente os 4 pernos que foram apertados temporariamente no passo 3.

Remover o balde

Para remover o balde, efetue o procedimento de instalação pela ordem inversa.

Instalar ou remover o transportador

Acessório opcional

Instalar o transportador

1. Retire o transportador da caixa e prenda as calhas laterais e a calha dianteira na estrutura base.

► **Fig.8**

2. Aperte as 6 porcas de polegar em conjunto com as molas e as anilhas para fixar as calhas.

► **Fig.9:** 1. Porca de polegar 2. Mola 3. Anilha

3. Coloque o transportador na unidade de despejo.

Insira o perno a partir da parte superior. Prensione a anilha plana e a arruela de pressão por esta ordem no perno e, em seguida, aperte a porca a partir da parte inferior. Aperte o resto dos pernos e das porcas da mesma forma.

► **Fig.10:** 1. Perno 2. Anilha plana 3. Arruela de pressão 4. Porca

Remover o transportador

Para remover o transportador, efetue o procedimento de instalação pela ordem inversa.

DESCRIÇÃO FUNCIONAL

⚠️ PRECAUÇÃO: Certifique-se sempre de que a máquina está desligada e de que a bateria foi retirada antes de regular ou verificar qualquer função na máquina.

Instalação ou remoção da bateria

⚠️ PRECAUÇÃO: Desligue sempre a máquina e bloqueie a alavanca do travão antes de instalar ou remover a bateria.

⚠️ PRECAUÇÃO: Instale sempre a bateria completamente até deixar de ver o indicador vermelho. Caso contrário, pode cair para fora da máquina, causando lesões a si ou a alguém próximo de si.

⚠️ PRECAUÇÃO: Não instale a bateria forçando-a. Se a bateria não entrar com facilidade, é porque não está a inseri-la corretamente.

⚠️ PRECAUÇÃO: Não utilize a bateria de alta temperatura. Quando a bateria de alta temperatura for utilizada, a máquina para automaticamente antes de emitir um breve sinal sonoro e poderá causar lesões.

⚠️ PRECAUÇÃO: Tenha cuidado para não prender os dedos quando abrir ou fechar a tampa da bateria.

OBSERVAÇÃO: Certifique-se de que tranca a tampa da bateria antes de utilizar a ferramenta. Caso contrário a lama, sujidade ou água podem provocar danos no produto ou na bateria.

Instalar a bateria

1. Puxe a alavanca de bloqueio para cima e, em seguida, abra a cobertura da caixa da bateria.
► **Fig.11:** 1. Cobertura 2. Alavanca de bloqueio
2. Alinhe a lingueta na bateria com a ranhura na caixa da bateria e, em seguida, deslize a bateria até bloquear na posição correta com um pequeno clique.
► **Fig.12:** 1. Bateria
3. Insira a chave de bloqueio no local indicado na figura até ao fim e rode-a para a direita.
► **Fig.13:** 1. Chave de segurança

NOTA: Para rodar a chave de bloqueio, insira totalmente a chave de bloqueio.

4. Feche a cobertura da caixa da bateria.
► **Fig.14:** 1. Cobertura

Remover a bateria

1. Puxe a alavanca de bloqueio para cima e, em seguida, abra a cobertura da caixa da bateria.
2. Retire a bateria da caixa da bateria enquanto desliza o botão na parte dianteira da bateria.
► **Fig.15:** 1. Botão
3. Rode a chave de bloqueio para a esquerda e retire-a.
4. Feche a cobertura da caixa da bateria.

Sistema de proteção da máquina / bateria

A máquina está equipada com um sistema de proteção da máquina/bateria. Este sistema desliga automaticamente a alimentação do motor para prolongar a vida útil da máquina e da bateria. A máquina para automaticamente durante o funcionamento se a máquina ou a bateria estiver sob uma das seguintes condições. É emitido um sinal sonoro breve ou um sinal sonoro prolongado antes de a máquina parar automaticamente. Os indicadores da bateria e as lâmpadas no painel de controlo piscam enquanto o sinal sonoro é emitido.

NOTA: Para cancelar o sinal sonoro, solte o gatilho do interruptor e puxe a alavanca do travão.

Proteção contra sobrecarga

Quando a máquina/bateria é utilizada de uma forma que causa a absorção de uma corrente anormalmente alta, a máquina para automaticamente e a lâmpada de alimentação principal pisca a verde. Nesta situação, desligue a máquina e pare a aplicação que causou a sobrecarga da máquina tal como a redução dos objetos carregados. Em seguida, ligue a máquina para reiniciar.

Proteção contra sobreaquecimento

Quando a máquina estiver sobreaquecida, a máquina para automaticamente e a lâmpada de alimentação principal acende a vermelho. Neste caso, deixe a máquina e a bateria arrefecerem antes de ligar novamente a máquina.

Proteção contra descarga excessiva

Quando a capacidade da bateria não for suficiente, a lâmpada de alimentação principal e o indicador da bateria correspondente piscam a vermelho. Neste caso, troque as baterias, substitua as baterias por baterias totalmente carregadas ou remova as baterias da máquina e carregue-as.

NOTA: A lâmpada de alimentação principal pisca a vermelho quando a bateria estiver sobreaquecida.

Proteções contra outras causas

OBSERVAÇÃO: A lâmpada de alimentação principal pisca alternadamente a verde e a vermelho quando ocorre uma anomalia na máquina. Neste caso, consulte a secção de resolução de problemas.

O sistema de proteção foi também concebido para outras causas que possam danificar a máquina e permite à máquina parar automaticamente. Tome todas as medidas que se seguem para eliminar as causas quando a máquina tiver parado ou interrompido temporariamente a operação.

1. Desligue a máquina e, em seguida, volte a ligá-la para reiniciar.
2. Carregue a(s) bateria(s) ou substitua-a(s) por bateria(s) recarregada(s).
3. Deixe a máquina e a(s) bateria(s) arrefecerem.

OBSERVAÇÃO: Se não for possível constatar qualquer melhoria ou se a máquina parar devido a uma causa não descrita acima, consulte a secção de resolução de problemas.

Indicação da capacidade restante da bateria

PRECAUÇÃO: Antes de verificar as capacidades restantes das baterias ou de trocar as baterias, certifique-se de que para a máquina.

PRECAUÇÃO: Quando a capacidade da bateria diminui, é emitido um sinal sonoro breve. Neste caso, bloqueie a alavanca do travão e, em seguida, mude as baterias para baterias carregadas ou carregue as baterias. Se continuar a operar a máquina com uma fraca capacidade da bateria e a restante capacidade da bateria se esgotar, é emitido um sinal sonoro prolongado e a máquina para automaticamente, e tal pode provocar um acidente ou ferimentos.





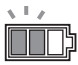
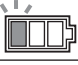


PRECAUÇÃO: Se o sinal sonoro for emitido durante o funcionamento em declives, mova a máquina para um local seguro, bloqueie a alavanca do travão e, em seguida, troque as baterias para baterias carregadas ou carregue as baterias.

PRECAUÇÃO: Se a carga for grande e o sinal sonoro for emitido durante o funcionamento em declives, bloqueie a alavanca do travão, preste atenção à segurança e troque as baterias para baterias carregadas. Mova a máquina para um local seguro e bloqueie a alavanca do travão. Reduza a carga antes de utilizar a máquina novamente. Para obter informações, consulte a secção de resolução de problemas.

Verificar o nível de bateria na caixa da bateria

► **Fig.16:** 1. Indicador da bateria 2. Botão de verificação

Prima o botão de verificação para indicar a capacidade restante das baterias. Os indicadores da bateria correspondem a cada bateria.

Indicador de estado da bateria			Capacidade restante da bateria
 Aceso	 Intermitente	 Apagado	
			50% - 100%
			20% - 50%
			0% - 20%
			Vazia
			Bateria não instalada

NOTA: Se continuar a puxar o gatilho do interruptor mesmo que ouça o sinal sonoro breve, a máquina para automaticamente. Após a máquina parar automaticamente, o sinal sonoro continua e o travão de suporte é acionado. Para cancelar o sinal sonoro e soltar o travão de suporte, solte o gatilho do interruptor e puxe a alavanca do travão. Não empurre a máquina à força sem soltar o travão de suporte.

NOTA: Pode verificar a capacidade restante da bateria mesmo se a chave de bloqueio não estiver inserida.









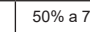


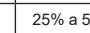


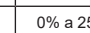


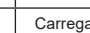


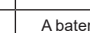


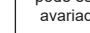
NOTA: Os indicadores da bateria para a restante capacidade da bateria servem apenas de referência. A capacidade efetiva da bateria poderá variar em função das condições de utilização.

Verificar o nível de bateria na bateria

Apenas para baterias com indicador

Prima o botão de verificação na bateria para indicar a capacidade restante da bateria. As luzes indicadoras acendem durante alguns segundos.

► **Fig.17:** 1. Luzes indicadoras 2. Botão de verificação

Luzes indicadoras			Capacidade restante
 Aceso	 Apagado	 A piscar	
			75% a 100%
			50% a 75%
			25% a 50%
			0% a 25%
			Carregar a bateria.
			A bateria pode estar avariada.
			

NOTA: Dependendo das condições de utilização e da temperatura ambiente, a indicação pode ser ligeiramente diferente da capacidade real.

NOTA: A primeira luz indicadora (extremo esquerdo) pisca quando o sistema de proteção da bateria funciona.

Trocar a bateria

► **Fig.18:** 1. Interruptor de seleção da bateria

A máquina utiliza 2 baterias para o funcionamento de cada vez. É possível instalar até 4 baterias na máquina. Antes de utilizar a máquina, selecione as baterias utilizadas para o funcionamento rodando o interruptor de seleção da bateria.

OBSERVAÇÃO: Se a bateria se encontrar na seguinte condição, a máquina não funciona mesmo que mude de bateria com o interruptor de seleção da bateria.

- A restante capacidade de, pelo menos, uma das baterias está vazia.
- Pelo menos, uma das baterias está sobreaquecida.

Neste caso, remova a bateria vazia ou sobreaquecida, ou substitua a bateria por uma bateria carregada.

NOTA: Se apenas estiverem instaladas 2 baterias na máquina, certifique-se de que seleciona as baterias instaladas com o interruptor de seleção da bateria.

Painel de controlo

⚠️ PRECAUÇÃO: Bloqueie sempre a alavanca do travão e desligue a máquina quando não estiver em utilização.

Botão de alimentação

- **Fig.19:** 1. Lâmpada de alimentação principal
2. Botão de alimentação

Para ligar a máquina, bloqueie a alavanca do travão e, em seguida, pressione o botão de alimentação sem puxar o gatilho do interruptor. A lâmpada de alimentação principal acende a verde. Para desligar a máquina, solte o gatilho do interruptor e bloqueie a alavanca do travão e, em seguida, pressione o botão de alimentação.

NOTA: É efetuado um teste elétrico da primeira vez em que a máquina é acionada após a máquina ser ligada. Se for detetado um problema, a lâmpada de alimentação principal pisca alternadamente a vermelho ou a verde. Neste caso, consulte a secção de resolução de problemas.

NOTA: Se a lâmpada de alimentação principal acender a vermelho ou piscar a vermelho ou a verde, consulte as instruções relativas ao sistema de proteção da máquina/bateria ou a secção de resolução de problemas.

NOTA: Esta máquina utiliza a função de desconexão automática. Para evitar o arranque não intencional, a máquina desliga automaticamente quando a máquina é parada e não é utilizada durante um determinado período de tempo depois de se ligar a máquina.

NOTA: Se pressionar o botão de alimentação enquanto puxa o gatilho do interruptor, a máquina não liga. Solte o gatilho do interruptor e, em seguida, pressione o botão de alimentação.

Botão avançar/recuar e de velocidade

- **Fig.20:** 1. Botão avançar/recuar 2. Indicador de velocidade 3. Botão de velocidade

Pressione o botão avançar/recuar para alternar entre o modo de avanço e o modo de recuo. Pressione o botão de velocidade para alternar entre velocidade baixa, velocidade média e velocidade alta. Quando a alimentação estiver ligada, estão definidos o modo de avanço e a velocidade baixa.

NOTA: O botão avançar/recuar não está disponível enquanto puxa o gatilho do interruptor.

NOTA: Um sinal sonoro breve é emitido quando utiliza a máquina em marcha atrás.

NOTA: O botão de velocidade não está disponível quando utiliza a máquina em marcha atrás.

NOTA: Se a máquina detetar um problema, os indicadores de velocidade piscam alternadamente. Neste caso, consulte a secção de resolução de problemas.

Botão do sinal sonoro

Quando pressiona o botão do sinal sonoro, é emitido o sinal sonoro.

- **Fig.21:** 1. Botão do sinal sonoro

NOTA: O botão do sinal sonoro está disponível quando a máquina está ligada.

NOTA: O botão do sinal sonoro está disponível mesmo que a chave de bloqueio não esteja inserida na caixa da bateria.

Acender as lâmpadas

Pressione o botão da lâmpada na caixa da bateria para acender as lâmpadas dianteiras e a lâmpada traseira. Para desligar as lâmpadas, pressione novamente o botão da lâmpada.

- **Fig.22:** 1. Botão da lâmpada 2. Lâmpada dianteira

- **Fig.23:** 1. Lâmpada traseira

NOTA: As lâmpadas apagam-se se a máquina não for utilizada durante um determinado período de tempo.

NOTA: As lâmpadas desligam quando a alimentação é desligada.

NOTA: Pode acender as lâmpadas mesmo se a chave de bloqueio não estiver inserida.

Gatilho do interruptor e alavanca do travão

⚠️ PRECAUÇÃO: Antes de instalar a bateria na máquina, verifique sempre se o gatilho do interruptor atua devidamente e retorna à posição desligado quando é solto.

Para efetuar o arranque da máquina, puxe o gatilho do interruptor. A velocidade pode ser ajustada dentro da gama de velocidades definida utilizando o gatilho do interruptor. Para parar a máquina, solte o gatilho do interruptor e puxe a alavanca do travão.

Para bloquear a alavanca do travão, puxe e mantenha a alavanca do travão pressionada e, em seguida, puxe a alavanca de bloqueio e depois solte a alavanca do travão enquanto puxa a alavanca de bloqueio. Para soltar o bloqueio, puxe a alavanca do travão.

- **Fig.24:** 1. Gatilho do interruptor

- **Fig.25:** 1. Alavanca do travão 2. Alavanca de bloqueio

Interruptor de inclinação

⚠️ PRECAUÇÃO: Certifique-se de que segura a alavanca do travão quando operar o interruptor de inclinação.

⚠️ PRECAUÇÃO: Antes de utilizar o interruptor de inclinação, certifique-se de que a capacidade restante da bateria não está em baixo. Se a capacidade da bateria estiver fraca, bloqueie a alavanca do travão e, em seguida, mude as baterias para baterias carregadas ou substitua as baterias por baterias carregadas.

► **Fig.26:** 1. Interruptor de inclinação

Pode inclinar o balde ou o transportador utilizando o interruptor de inclinação. Para inclinar o balde ou o transportador para a frente, pressione a parte superior do interruptor de inclinação enquanto segura a alavanca do travão. Para voltar a colocar o balde ou o transportador, pressione a parte inferior do interruptor de inclinação enquanto segura a alavanca do travão.

NOTA: O sinal sonoro é emitido enquanto o balde ou o transportador se está a mover.

Ajustar a largura do transportador

OBSERVAÇÃO: Certifique-se de que as calhas laterais e a calha dianteira estão firmemente fixadas após apertar as porcas de polegar.

Solte as 6 porcas de polegar e, em seguida, deslize as calhas laterais e a calha dianteira. Aperte as porcas de polegar para fixar as calhas laterais e a calha dianteira.

► **Fig.27:** 1. Porca de polegar 2. Longarina

⚠️ PRECAUÇÃO: Não deslize as longarinas além da marca de limite.

► **Fig.28**

Ajustar a altura da pega

OBSERVAÇÃO: Fixe as pegas esquerda e direita à mesma altura.

A altura da pega pode ser ajustada em 7 níveis. Para ajustar a altura da pega, solte os 2 botões e, em seguida, ajuste a altura da pega alinhando o orifício na pega com a protusão na estrutura traseira e depois aperte firmemente os 2 botões. Ajuste a altura da outra pega da mesma forma.

► **Fig.29:** 1. Botão

Bloqueio da roda traseira

Pode fixar a direção das rodas traseiras utilizando o bloqueio da roda traseira.

1. Mova a máquina ligeiramente para a frente de modo que as rodas traseiras estejam viradas para a direção indicada na figura.

► **Fig.30:** 1. Roda traseira

2. Rode o bloqueio da roda traseira para a parte traseira.

► **Fig.31:** 1. Bloqueio da roda traseira

3. Bloqueie a outra roda traseira da mesma forma.

4. Mova ligeiramente a roda traseira para a frente e para trás ou para a esquerda e para a direita para se certificar de que está bloqueada.

Para soltar o bloqueio da roda traseira, rode o bloqueio da roda traseira em 90° conforme apresentado na figura.

► **Fig.32:** 1. Bloqueio da roda traseira

NOTA: As rodas traseiras podem ser fixadas em 4 diferentes direções conforme apresentado na figura.

► **Fig.33**

Utilizar o nível

A utilização do nível permite-lhe verificar se o solo está nivelado.

► **Fig.34:** 1. Nível

OPERAÇÃO

⚠️ PRECAUÇÃO: Certifique-se de que bloqueia a alavanca do travão antes de carregar ou descarregar objetos.

Utilizar a máquina

OBSERVAÇÃO: Certifique-se de que insere a chave de bloqueio antes do funcionamento. Se a chave de bloqueio não estiver inserida, é emitido um sinal sonoro quando puxa o gatilho do interruptor. O sinal sonoro para ao soltar o gatilho do interruptor e ao puxar a alavanca do travão.

OBSERVAÇÃO: Efetue a inspeção antes de operar a máquina consultando a secção relativa à manutenção.

1. Certifique-se de que a alavanca do travão está bloqueada. Instale as baterias, insira a chave de bloqueio e rode-a para a direita.

2. Selecione as baterias com o interruptor de seleção da bateria.

3. Pressione o botão de alimentação no painel de controlo para ligar a alimentação.

► **Fig.35:** 1. Botão de alimentação

4. Puxe a alavanca do travão para soltar o bloqueio da alavanca do travão.

► **Fig.36:** 1. Alavanca do travão

5. Segure as pegas firmemente com ambas as mãos.

► **Fig.37**

6. Puxe o gatilho do interruptor.

► **Fig.38:** 1. Gatilho do interruptor

Carregar objetos

⚠️ PRECAUÇÃO: Antes de carregar objetos na máquina, certifique-se de que a máquina está desligada e que a alavanca do travão está bloqueada.

⚠️ PRECAUÇÃO: Antes de carregar objetos na máquina, certifique-se de que a unidade de despejo está bloqueada.

⚠️ PRECAUÇÃO: Certifique-se de que carrega os objetos dentro do transportador ou balde. Se os objetos estiverem a sair do transportador ou do balde, estes podem cair ou sucumbir se tocarem em obstáculos.

► Fig.39

⚠️ PRECAUÇÃO: Certifique-se de que carrega os objetos de forma a se encontrarem abaixo do nível da visão. Se a carga for demasiado alta representa um perigo porque a visibilidade é obscura. Além disso, existe o risco de capotagem e lesões porque a carga provavelmente não é equilibrada.

► Fig.40

⚠️ PRECAUÇÃO: Não carregue os objetos além da altura do balde. O carregamento de objetos além da altura do balde pode fazer com que a carga caia ou sucumba.

Quando carregar objetos no transportador, fixe os objetos com cordas e amarre-os nos ganchos das cordas do transportador.

► Fig.41: 1. Gancho da corda

Despejar objetos

⚠️ PRECAUÇÃO: Quando levantar ou voltar a colocar o transportador ou o balde, nunca insira nem coloque qualquer parte do seu corpo entre a unidade de despejo e o transportador ou o balde, ou sob a unidade de despejo. Se o fizer, pode dar origem a ferimentos ou queimaduras.

⚠️ PRECAUÇÃO: Após despejar as cargas, certifique-se de que bloqueia a unidade de despejo voltando a colocar a unidade de despejo na sua posição original.

⚠️ PRECAUÇÃO: Antes de levantar manualmente o transportador ou o balde, certifique-se de que bloqueia a alavanca do travão.

⚠️ PRECAUÇÃO: Eleve o transportador ou o balde em terreno plano e estável. O funcionamento em terreno instável pode causar um acidente ou lesões.

⚠️ PRECAUÇÃO: Mantenha a carga a um nível mínimo. Se a carga for grande, não tente elevar o transportador ou o balde. Reduza a carga e, em seguida, eleve o transportador ou o balde.

⚠️ PRECAUÇÃO: Se a carga estiver fixada por cordas ou por outros meios, desamarre a carga antes de levantar a unidade de despejo.

⚠️ PRECAUÇÃO: Antes de levantar o transportador ou o balde, certifique-se de que não se encontram pessoas ou obstáculos em torno da máquina.

Pode despejar os objetos ao elevar e inclinar o transportador ou o balde.

1. Pare a máquina.

2. Incline o balde ou o transportador para a frente, pressionando a parte superior do interruptor de inclinação enquanto segura a alavanca do travão.

► Fig.42: 1. Interruptor de inclinação

3. Para despejar manualmente os objetos deixados no balde ou transportador, siga os passos abaixo.

- Bloqueie a alavanca do travão e, em seguida, fique de pé ao lado da máquina.

- Rode a alavanca de bloqueio da unidade de despejo para a parte dianteira da máquina para desbloquear a unidade de despejo.

- Segure a pega da unidade de despejo e, em seguida, incline o balde ou o transportador para a frente para despejar os objetos.

- Volte a colocar o balde ou o transportador na unidade de despejo.

► Fig.43: 1. Alavanca de bloqueio 2. Unidade de despejo

⚠️ PRECAUÇÃO: Segure firmemente a pega da unidade de despejo e trabalhe numa postura estável.

OBSERVAÇÃO: Recomenda-se a colocação de calços nas rodas dianteiras para estabilizar a máquina.

4. Volte a colocar o balde ou o transportador na sua posição original, pressionando a parte inferior do interruptor de inclinação enquanto segura a alavanca do travão.

OBSERVAÇÃO: Certifique-se de que volta a colocar o balde ou o transportador na sua posição original após despejar objetos. Se o balde ou o transportador não for voltado a colocar por completo e bloqueado, a velocidade de deslocação da máquina está limitada até 0,8 km/h.

MANUTENÇÃO

⚠️ PRECAUÇÃO: Certifique-se sempre de que estaciona a máquina em terreno plano e bloqueie a alavanca do travão antes de proceder ao armazenamento ou tentar realizar inspeções ou manutenção.

⚠️ PRECAUÇÃO: Certifique-se sempre de que a chave de bloqueio e a bateria são removidas da máquina antes de proceder ao armazenamento, inspeções ou manutenção.

⚠️ PRECAUÇÃO: Remova sempre a chave de bloqueio quando a máquina não estiver a ser utilizada. Guarde a chave de bloqueio num local seguro, fora do alcance das crianças.

Para manter a SEGURANÇA e a FIABILIDADE do produto, as reparações e qualquer outra manutenção ou ajuste devem ser levados a cabo pelos centros de assistência Makita autorizados ou pelos centros de assistência de fábrica, utilizando sempre peças de substituição Makita.

Inspeção antes da operação

Efetue as seguintes inspeções antes da operação da máquina.

- Verifique se os pernos, as porcas e os botões estão firmemente apertados.
- Fig.44
- Verifique se o travão está a funcionar corretamente. Se sentir que o travão não está a funcionar adequadamente, efetue a limpeza do travão. Se não for possível constatar qualquer melhoria, solicite a reparação nos centros de assistência autorizados da Makita.
 - Verifique se a unidade de despejo está bloqueada quando a pega da unidade de despejo estiver totalmente puxada para baixo.
- Fig.45: 1. Pega
- Verifique se os pneus das rodas dianteiras e traseiras não estão danificados e se o ar nos pneus é suficiente.
 - Verifique se as lâmpadas dianteiras e a lâmpada traseira estão limpas. Limpe-as, se necessário.
 - Verifique se os raspadores estão na posição correta. Se o raspador estiver virado para cima, ajuste a orientação do raspador soltando os pernos. Quando apertar os pernos, não empurre o raspador para a parte dianteira da máquina.
- Fig.46: 1. Raspador

Limpar a máquina

OBSERVAÇÃO: Nunca utilize gasolina, benzina, diluente, álcool ou produtos semelhantes. Pode ocorrer a descoloração, deformação ou rachaduras.

OBSERVAÇÃO: Não utilize a lavadora de alta pressão para efetuar a limpeza.

OBSERVAÇÃO: Quando limpar a máquina, certifique-se de que fecha a cobertura da caixa da bateria. Caso contrário, pode entrar água na caixa da bateria e provocar uma avaria na máquina.

Remova lama, sujidade e similares da máquina. Limpe a máquina com água corrente. Após a limpeza, limpe a máquina com um pano seco.

Armazenamento

Bloqueie a alavanca do travão e remova as baterias e a chave de bloqueio. Armazene a máquina num local seguro fora do alcance das crianças.

Reabastecimento do pneu com ar

Verifique se não falta ar nos pneus das rodas dianteiras e traseiras. Se o ar nos pneus for insuficiente, volte a encher os pneus com ar utilizando uma bomba. A pressão de ar é a seguinte:

- Pneus das rodas dianteiras: 280 kPa (40 PSI)
- Pneus das rodas traseiras: 525 kPa (75 PSI)

Roda dianteira

► Fig.47

Roda traseira

► Fig.48

Substituir os pneus

PRECAUÇÃO: Antes de substituir os pneus, certifique-se de que descarrega todos os objetos da máquina.

PRECAUÇÃO: Utilize luvas quando substituir os pneus.

Substituir o pneu da roda dianteira

NOTA: Quando instalar o pneu cinzento, instale-o de modo que a válvula fique virada para fora.

► Fig.49

Substituir o pneu da roda traseira

► Fig.50

► Fig.51

RESOLUÇÃO DE PROBLEMAS

Antes de solicitar uma reparação, efetue primeiro a sua própria inspeção. Se encontrar um problema que não esteja explicado no manual, não desmonte a máquina. Em vez disso, solicite as reparações nos centros de assistência autorizados da Makita, utilizando sempre peças de substituição da Makita.

Estado da anomalia	Lâmpada de alimentação principal	Causa	Correção
A máquina não liga.	Desligada.	Não estão instaladas duas baterias.	Instale duas baterias carregadas.
		Problema com a bateria (tensão baixa)	Recarregue a bateria. Se recarregar a bateria não solucionar o problema, substitua a bateria.
		O interruptor de seleção da bateria não se encontra na posição correta.	Selecione a bateria correta utilizando o interruptor de seleção da bateria.
A máquina não arranca.	A lâmpada pisca a vermelho.	O nível da carga da bateria está baixo.	Recarregue a bateria. Se recarregar a bateria não solucionar o problema, substitua a bateria.
		Pelo menos, uma das baterias está vazia.	Remova a bateria vazia ou substitua-a por uma bateria carregada. Neste caso, a lâmpada mais à esquerda do indicador da bateria da bateria correspondente pisca.
	A lâmpada pisca a verde.	A chave de bloqueio não está inserida.	Insira a chave de bloqueio e rode-a para a direita.
		A máquina parou devido a sobrecarga.	Reduza os objetos carregados.
		As rodas dianteiras ou traseiras estão presas ou bloqueadas.	Elimine a causa das rodas presas ou bloqueadas.
	A lâmpada acende a vermelho.	A máquina parou devido a sobreaquecimento.	Arrefeça a máquina e a bateria.
	A lâmpada pisca a vermelho e verde alternadamente.	A chave de bloqueio não está inserida.	Insira a chave de bloqueio e rode-a para a direita.
		A máquina detetou uma anomalia.	Desligue a máquina e depois volte a ligá-la. Ocorreu uma avaria na máquina. Solicite a reparação nos centros de assistência autorizados da Makita.
	A lâmpada acende a verde.	A alavanca de mudança neutra não se encontra na sua posição original.	Bloqueie a alavanca do travão e depois volte a colocar a alavanca de mudança neutra na sua posição original.
	A máquina para depois de pouco tempo de utilização.	A lâmpada pisca a vermelho.	O nível da carga da bateria está baixo.
A velocidade de deslocação da máquina não aumenta.	A lâmpada acende a verde.	A unidade de despejo não foi voltada a colocar por completo ou não está bloqueada.	Volte a colocar a unidade de despejo por completo e certifique-se de que está bloqueada.

Resolução de problemas em caso de paragem da máquina

AVISO: A menos que absolutamente necessário, nunca desative o travão de suporte da máquina com a alavanca de mudança neutra. Uma vez que o travão de suporte da máquina está desativado, a máquina pode mover-se acidentalmente e provocar um acidente ou ferimentos pessoais.

AVISO: Certifique-se de que volta a colocar a alavanca de mudança neutra na sua posição original após puxar a alavanca para fora.

Se não for possível mover a máquina quando as baterias ficarem sem carga ou se tiver ocorrido uma avaria na máquina, pode mover a máquina manualmente puxando a alavanca de mudança neutra para fora para desativar o travão de suporte.

1. Bloqueie a alavanca do travão.
2. Descarregue todos os objetos da máquina.

PRECAUÇÃO: Certifique-se de que descarrega todos os objetos da máquina. A máquina pode mover-se involuntariamente se os objetos forem deixados na máquina.

3. Se a máquina se encontrar num declive, desbloqueie a alavanca do travão e oriente a máquina de modo que a alavanca do travão fique na parte superior do declive e a máquina fique paralela ao declive. Bloqueie a alavanca do travão.

► Fig.52

4. Certifique-se de que a máquina não se move e retire a alavanca de mudança neutra para fora.

► Fig.53: 1. Alavanca de mudança neutra

5. Desbloqueie a alavanca do travão e mova a máquina manualmente para um local seguro. Uma vez que o travão de suporte está desativado, mova a máquina cuidadosamente com a alavanca do travão de modo que a velocidade não aumente.

6. Após mover a máquina para um local seguro, bloqueie a alavanca do travão.

7. Volte a colocar a alavanca de mudança neutra na sua posição original. Certifique-se de que a alavanca de mudança neutra está totalmente retornada conforme apresentado na figura.

► **Fig.54:** 1. Alavanca de mudança neutra

ACESSÓRIOS OPCIONAIS

⚠PRECAUÇÃO: Estes acessórios ou acoplamentos são recomendados para utilização com a sua máquina Makita especificada no presente manual. A utilização de quaisquer outros acessórios ou acoplamentos pode representar risco de lesão física. Utilize apenas acessórios ou acoplamentos para os respetivos fins previstos.

⚠PRECAUÇÃO: Utilize apenas o acessório ou ligação Makita para a máquina. A utilização de qualquer outro acessório ou ligação pode resultar em lesão física grave.

Se necessitar de informações adicionais relativas a estes acessórios, solicite-as ao seu centro de assistência Makita.

- Transportador
- Balde
- Pneu dianteiro (preto)
- Pneu dianteiro (cinzento)
- Pneu traseiro (cinzento)
- Bateria e carregador genuínos da Makita

NOTA: Alguns itens da lista podem estar incluídos na embalagem da ferramenta como acessórios padrão. Eles podem variar de país para país.

SPECIFIKATIONER

Model:		DCU602
Mål (L x B x H)	Når spand er monteret	1.480 mm x 730 mm x 820 - 1.030 mm
	Når transportbakke er monteret	1.450 - 1.600 mm x 730 - 1.080 mm x 820 - 1.030 mm
Kørehastighed	Fremad	5,0/3,5/1,5 km/h
	Baglæns	1,0 km/h
Maksimal lastkapacitet	På flad grund	300 kg
	På skråning (3° - 12°)	180 kg
Maksimal klatrekapacitet		12°
Mindste drejeradius *		1.150 mm
Bremse		Håndbremse og støttebremse
Dæk	Forhjul	Pneumatisk dæk
	Baghjul	Pneumatisk dæk
Mærkespænding		D.C. 36 V
Nettovægt	Når spand er monteret	145 - 147 kg
	Når transportbakke er monteret	141 - 143 kg
Beskyttelsesgrad		IPX4

*: Udvendig diameter ved drejning med forhjul som akse.

- På grund af vores kontinuerlige forsknings- og udviklingsprogrammer kan hosstående specifikationer blive ændret uden varsel.
- Specifikationer kan variere fra land til land.
- Vægten kan være anderledes afhængigt af tilbehøret, inklusive akkuen. Den letteste og tungeste kombination i henhold til EPTA-procedure 01/2014 er vist i tabellen.

Anvendelig akku og oplader

Akku	BL1815N / BL1820B / BL1830B / BL1840B / BL1850B / BL1860B
Oplader	DC18RC / DC18RD / DC18RE / DC18SD / DC18SE / DC18SF / DC18SH / DC18WC




- Nogle af de akkuer og opladere, der er angivet ovenfor, er muligvis ikke tilgængelige, afhængigt af hvilket område du bor i.





⚠ ADVARSEL: Brug kun de akkuer og opladere, der er angivet ovenfor. Brug af andre akkuer og opladere kan medføre personskade og/eller brand.

⚠ ADVARSEL: Undlad at bruge bærbar strømforsyning PDC1200 eller PDC01 med dette produkt. Hvis de bruges sammen, kan det medføre personskade eller funktionsfejl.

Symboler

Følgende viser de symboler, der muligvis anvendes til udstyret. Sørg for, at du forstår deres betydning før brugen.

	Læs brugsanvisningen.
	Undlad at skifte retning på skråninger.
	Denne maskine må ikke bruges på offentlig vej.

	Før på- eller aflæsning af genstande, skal bremsen og aflæsningsenheden låses.
	Undlad at på- eller aflæse genstande på skråninger.
	Undlad at bruge maskinen til transport af personer.
	Undlad at aflæse genstande på skråninger. Lås aflæsningsenheden efter tømning.



Pålægs genstande jævnt på spanden eller transportbakken. Undlad at pålæsse genstande ujævnt eller udelukkende på forside.



Klemnings- eller knivspidsfare. Hold hænderne væk under anvendelse. Undlad at stikke hænderne eller en del af kroppen ind i de bevægelige dele.



Maksimal lastkapacitet: 300 kg på flad grund og 180 kg på skråninger (op til 12°).



Undlad at se direkte ind i lamperne.



Undlad at vaske maskinen med en højtryksrensere.



Hold tilskuere væk fra maskinen under anvendelse.



Undlad at betjene maskinen rundt om ujævne overflader.



Undlad at betjene maskinen, når spanden eller transportbakken ikke er helt tilbage.



Afmontér rebene, før du aflæser genstande.



Bær altid skridsikkert og beskyttende fodtøj.



Lås bremsen, før du trækker det neutrale skiftehåndtag ud.



Lås bremsen, før du sætter det neutrale skiftehåndtag tilbage.



Lufttryk: fordæk 280 kPa og bagdæk 525 kPa.



Sørg for, at låsearmen er låst.



Drej låsearmen mod fronten af maskinen for at låse aflæsningsenheden op.



Når der udsendes en biplyd, skal du låse bremsearmen.



Når du slipper afbryderknappen, skal du låse bremsearmen.



For at annullere biplyden skal du slippe afbryderknappen og trække bremsearmen.



Kun for lande inden for EU
På grund af tilstedeværelsen af farlige komponenter i udstyret kan affald af elektrisk og elektronisk udstyr, akkumulatorer og batterier have en negativ indvirkning på miljøet og folkesundheden. Bortskaf ikke elektriske og elektroniske apparater eller batterier sammen med husholdningsaffald!
I overensstemmelse med EF-direktiv om affaldshåndtering af elektrisk og elektronisk udstyr og om akkumulatorer og batterier og affaldsakkumulatorer og -batterier, og i overensstemmelse med national lovgivning, skal brugt elektrisk udstyr, batterier og akkumulatorer opbevares separat og leveres til et separat indsamlingssted for kommunalt affald, der er etableret i henhold til bestemmelserne om miljøbeskyttelse. Dette er angivet ved symbolet på den krydsede skraldespand, der er placeret på udstyret.



Garanteret lyd effektiveau i henhold til EU-direktivet om maskiner til udendørs brug.



Lydeffektiveau i henhold til Australiens NSW forordning om støjemission

Tilsløget anvendelse

Denne maskine er beregnet til at læsse og transportere genstande med batteridrevet hjælp.

Støj

Det typiske A-vægtede støjniveau bestemt i henhold til EN62841-1 og EN12053, alt efter hvad der er relevant: Lydtryksniveau (L_{pA}): 70 dB (A) eller derunder Usikkerhed (K): 4 dB (A)

Støjniveauet under arbejdet kan overskride 80 dB (A).

BEMÆRK: De(n) angivne støjemissionsværdi(er) er målt i overensstemmelse med en standardtestmetode og kan anvendes til at sammenligne en maskine med en anden.

BEMÆRK: De(n) angivne støjemissionsværdi(er) kan også anvendes i en præliminær eksponeringsvurdering.

⚠ ADVARSEL: Bær høreværn.

⚠ ADVARSEL: Støjemissionen under den faktiske anvendelse af maskinen kan være forskellig fra de(n) angivne værdi(er), afhængigt af den måde hvorpå maskinen anvendes, især den type arbejdsemne der behandles.

⚠ ADVARSEL: Sørg for at identificere de sikkerhedsforskrifter til beskyttelse af operatøren, som er baseret på en vurdering af eksponering under de faktiske brugsforhold (med hensyntagen til alle dele i brugscyklussen, f.eks. de gange, hvor maskinen er slukket, og når den kører i tomgang i tilgift til afbrydertiden).

Vibration

Vibrationens totalværdi (tre-aksial vektorsum) bestemt i overensstemmelse med EN62841-1:

Arbejdstilstand: brug uden belastning

Vibrationsemission (a_v): 2,5 m/s² eller mindre

Usikkerhed (K): 1,5 m/s²

BEMÆRK: De(n) angivne totalværdi(er) for vibration er målt i overensstemmelse med en standardtestmetode og kan anvendes til at sammenligne en maskine med en anden.

BEMÆRK: De(n) angivne totalværdi(er) for vibration kan også anvendes i en præliminær eksponeringsvurdering.

⚠ ADVARSEL: Vibrationsemissionen under den faktiske anvendelse af maskinen kan være forskellig fra de(n) angivne værdi(er), afhængigt af den måde hvorpå maskinen anvendes, især den type arbejdsemne der behandles.

⚠ ADVARSEL: Sørg for at identificere de sikkerhedsforskrifter til beskyttelse af operatøren, som er baseret på en vurdering af eksponering under de faktiske brugsforhold (med hensyntagen til alle dele i brugscyklussen, f.eks. de gange, hvor maskinen er slukket, og når den kører i tomgang i tilgift til afbrydertiden).

Overensstemmelseserklæringer

Kun for lande i Europa

Overensstemmelseserklæringerne er inkluderet i Bilag A i denne brugsanvisning.

SIKKERHEDSADVARSLER

Almindelige sikkerhedsregler for el-værktøj

⚠ ADVARSEL Læs alle sikkerhedsadvarsler, instruktioner, illustrationer og specifikationer, der følger med denne maskine. Hvis du ikke følger alle nedenstående instruktioner, kan det medføre elektrisk stød, brand og/eller alvorlig personskade.

Gem alle advarsler og instruktioner til fremtidig reference.

Ordet "el-værktøj" i advarselerne henviser til det netforsynede (netledning) el-værktøj eller batteriforsynede (akku) el-værktøj.

Sikkerhedsadvarsler for batteridrevet trillebør

- 1. Bær altid skridsikkert og beskyttende fodtøj ved brug af maskinen.** Skridsikre lukkede sikkerhedsstøvler og -sko mindsker risikoen for personskade.
- 2. Inspicer transportvejen før transport af genstande/materialer.** Hvis du gør dig selv bekendt med transportvejen og sikrer dig, at den er bred nok til at navigere maskinen sikkert under belastning, hjælper det med til at reducere risikoen for at miste kontrollen med maskinen.
- 3. Udvis den største forsigtighed på glat, løst og ustabil terræn.** Våde og glatte overflader, for eksempel våde græsplæner, sne eller is, samt løst og ustabil terræn, for eksempel sand- eller grusoverflader, kan medføre, at maskinen mister vejgrebet, og kan forringe styring, bremsning og stabilitet.
- 4. Brug ikke maskinen på meget stejle skrænter.** Dette mindsker risikoen for, at du mister kontrollen, glider og falder, hvilket kan medføre persons-kade. Skrænter, der er stejlere end den maksimale anbefalede hældning, og sidehældninger kan forøge risikoen for ustabilitet og kan forringe muligheden for at stoppe på sikker vis.
- 5. Ved arbejde på skrænter skal du altid være sikker på dit fodfæste, altid arbejde på tværs af retningen af skrænten, aldrig op eller ned, og udvis den største agtpågenhed, når du skifter retning.** Dette mindsker risikoen for, at du mister kontrollen, glider og falder, hvilket kan medføre personskade.
- 6. Når det er muligt, skal du bruge jævne områder til at stoppe, læsse og aflæsse og aldrig lade maskinen stå uovervåget på en skrænt.** Maskinen er mere ustabil, når den står på en skrænt, end når den står på en jævn overflade.
- 7. Når maskinen efterlades uden opsyn, skal du aktivere parkeringsbremsen, når maskinen står på et sted, hvor det er sikkert at stoppe.** Parkeringsbremsen forhindrer uønsket bevægelse af forhjulet og kan forbedre stabiliteten.
- 8. Sørg for, at ramper er rene, stærke og sikre.** For at reducere risikoen for personskade skal alle ramper være fri for løse rester og stærke nok til at modstå vægten af de forventede læs, der skal flyttes hen over dem. De skal have passende understøtning nedenunder og til begge sider for at eliminere nedbøjning og sidelæns bevægelse under belastning. Alle ramper skal være brede nok til at give sikkert fodfæste, når læs transporteres over dem.
- 9. Sørg for, at alle låseskruer er strammet forsvarligt før brug.** Låseskruer på baghjulene samt den åbne transportbakkes for- og sidevægge skal være fastgjort for at forhindre, at disse justerbare dele af maskinen bevæger sig uønsket.

10. **Brug aldrig maskinen i overlæsset tilstand.** Sørg for, at maskinen har den rigtige nominelle kapacitet til de genstande eller materialer, der skal transporteres. For store læs kan gøre det vanskeligere at manøvrere og stoppe maskinen, forøger stoptiden og -afstanden og øger risikoen for ustabilitet.
11. **Brug aldrig maskinen med for højt læs.** Stabling af materiale over kanten eller siderne af bakken kan bringe maskinen ukontrollabelt ud af balance og kontrol.
12. **Brug beholdere og bæltter til at fastgøre læs.** Løse og/eller usikre læs har større sandsynlighed for at flytte sig, hvilket kan medføre tab af stabilitet og kontrol.
13. **Oprethold altid et fast greb på håndtagene.** Tab af kontrollen kan øge risikoen for personskade.
14. **Fjern sikkerhedsnøglen, når den ikke er i brug.** Sikkerhedsnøglen forhindrer uønsket brug af maskinen under motorkraft, for eksempel af børn eller andre ikke-oplærte eller uautoriserede personer. Uden nøglen kan den elektriske strøm ikke slås "til".
15. **Denne maskine må ikke benyttes på offentlige veje.** Brug af trillebøren på offentlig vej er ulovligt og kan medføre bøder fra de lokale myndigheder, ud over at det kan medføre personskade.
16. **Brug en solid, skridsikker plade med funktion til forhindring af afmontering ved læsning og/eller aflæsning af denne maskine til transport, eller når maskinen flyttes mellem forskellige højder.** Sørg for, at pladens hældning ikke overskrider 12°, og betjen maskinen langsomt og forsigtigt. Ustabil og hurtig betjening kan medføre, at den vælter og/eller falder.
17. **Undlad at adskille, reparere eller ændre denne maskine.**

Forberedelse

1. **Før du betjener maskinen, skal du sørge for, at der ikke er nogen personer i nærheden af maskinen.**
2. **Før du betjener maskinen, skal du udføre inspektionerne i henhold til afsnittet om vedligeholdelse.**

Brug

1. **Når du betjener maskinen, skal du stå bag maskinen og holde godt fast i håndtagene med begge hænder.**
2. **Brug ikke maskinen, mens du kører på maskinen.**
3. **Lad ikke andre køre på maskinen.**
4. **Når du betjener maskinen i bakgear og går baglæns, skal du se bag dig og holde øje med, hvor du går, og passe på ikke at glide eller snuble.**
5. **Brug ikke maskinen ved dårlig sigtbarhed, da der er risiko for at ramme forhindringer.**
6. **Når du betjener maskinen på ujævn grund eller går over vejens niveauforskel, skal du sænke hastigheden og udvise forsigtighed.**
7. **Ved brug af maskinen skal du undgå blød grund for at forhindre, at den vælter, fordi vejssiden skrider.**

8. **Undlad at betjene maskinen på skråninger, der er stejlere end 12°.**
9. **Hvis du opdager en uregelmæssighed, skal du stoppe maskinen på en flad grund. Før du inspicerer maskinen, skal du låse bremsearmen og derefter slukke for strømmen.**
10. **Før du betjener maskinen, skal du sørge for, at håndtaget på aflæsningsenheden er trukket helt ned og helt låst.** Hvis låsen er tilstrækkelig, er der risiko for uheld eller personskade, da transportbakken eller spanden kan vippes, og genstandene falder ned, når du kører ned ad bakke.
11. **Når du betjener maskinen i nærheden af vægge, skal du passe på ikke at få hænderne i klemme mellem håndtaget og væggen.**
12. **Undlad at bruge maskinen under dårlige vejforhold, især hvis der er risiko for lynnedslag.** Dette mindsker risikoen for at blive ramt af lynnedslag.
13. **Undlad at berøre metaldele under anvendelse eller efter anvendelse, da de kan blive tilstrækkeligt varme til at forårsage forbrændinger på grund af sollys.**
14. **Vær påpasselig med ikke at vikle ledningerne ind i læsset eller forhindringer.**
15. **Når du krydser en træbro osv., skal du sørge for, at produktets samlede vægt, lastkapacitet og operatørens vægt ikke overstiger broens vægtgrænse, og krydse broen forsigtigt med konstant hastighed.**
16. **Bær handsker, når du betjener maskinen i miljøer med lav temperatur.** Hvis du berører metaldele med bare hænder, kan dine hænder sætte sig fast.
17. **Hvis der er personer eller forhindringer i kørselsretningen, skal du undgå dem på forhånd.**
18. **Undlad at skovle genstande direkte med transportbakken eller spanden.** Hvis du gør det, kan det beskadige maskinen og forårsage et uheld.
19. **Vær opmærksom på Deres fodfæste, hvis De bruger maskinen på mudret jord, en våd skråning eller et glat sted.**
20. **Undlad at nedsænke maskinen i en vandpyt.**
21. **Når du forlader maskinen under arbejdet, skal du sørge for at sætte aflæsningsenheden helt tilbage i sin oprindelige position og låse bremsearmen og fjerne låsenøglen.**
22. **Undlad at efterlade maskinen uden opsyn, mens genstande læsses på transportbakken eller spanden.**

Brug på skrænter

1. **Kør ikke på tværs af skrænter.**
2. **Stop før kørsel ned ad bakke, og sørg for at sænke hastigheden og udvise forsigtighed.**
3. **Hvis hastigheden er for høj, når du kører ned ad bakke, lyder der et bip. I dette tilfælde skal du sætte farten ned ved hjælp af bremsen.**
4. **Udvis forsigtighed, når maskinen startes eller stoppes på skrænter.**
5. **Da læs bliver mindre stabile på skrænter, skal du fastgøre læsset med reb.**
6. **Da maskinen kan blive ustabil afhængigt af vejforholdene, skal du holde læsset på et minimum.**

7. Da udsigten er blokeret på skrænter, skal du holde højden af læsset på et minimum.
8. Undlad at stoppe maskinen på skråninger. Stop maskinen på en flad grund, lås bremsearmen, og sluk derefter for strømmen.
9. Skift ikke retning eller hastighedstilstand på stejle skrænter.
10. Frigør ikke afbryderknappen på opadgående skrænter. Maskinen kan rulle baglæns og forårsage en ulykke.
11. Sørg for, at den resterende batteriladning er tilstrækkelig, før brug på skrænter. Hvis den resterende batteriladning er for lav, skal du oplade batteriet eller udskifte det med et, der er opladet.
12. Når maskinen startes på skråninger, skal du undlade at placere foden bag baghjulet, da maskinen kører et par centimeter tilbage.

Læsning af genstande

1. Undlad at overlæsse genstande. Ved læsning af genstande skal du sørge for at følge instruktionerne og belastningsgrænserne i brugsanvisningen.
2. Jo større lasten er, desto vanskeligere er det at betjene maskinen, og derfor skal lasten holdes inden for det område, der ikke påvirker betjeningen.
3. Fastgør genstandene solidt med reb.
4. Læs genstandene i transportbakken eller spanden. Hvis genstandene rager ud fra transportbakken eller spanden, er der risiko for ulykker, fordi genstandene falder ud eller rammer forhindringer såsom vægge.
5. Sørg for, at de læssede genstande er under øjenhøjde. Hvis læsset er for højt, er det farligt, fordi udsynet er blokeret. Desuden er der risiko for at vælte samt for personskade, fordi læsset risikerer at komme ud af balance.
6. Læg genstandene jævnt i transportbakken eller spanden. Hvis genstandene læsses ujævnt, er der risiko for, at de vælter og for personskade, fordi lasten sandsynligvis ikke er i balance.
7. Inden genstandene pålæsses eller maskinen betjenes, skal du sørge for, at håndtaget på aflæsningsenheden er trukket helt ned og helt låst.
8. Sørg for at læsse tunge genstande først for at opretholde balancen.
9. Træk ikke for- og sideskinnerne ud på stejle skrænter. Træk sideskinnerne ud ved læsning af lette genstande.
10. Når for- og sideskinnerne trækkes ud, må du ikke trække dem ud over udvidelsesgrænsen. Sørg for at trække sideskinnerne ud, så højre og venstre side har samme længde, og læs genstandene jævnt.
11. På- og aflæs genstande på flad grund. Undlad at på- eller aflæsse genstande på skråninger.
12. Når transportbakken eller spanden løftes og vippes, skal du holde fast i håndtagene og rammen og arbejde i en stabil arbejdsstilling.

Transport af maskinen

1. Brug stigeskinnerne, der er mindst 4 gange så lange som højden på lastbilens vognbund, med beslag egnet til vognbunden, med en skridsikker overflade og tilstrækkelig bredde, og som kan modstå maskinens og operatørens vægten. Læs brugsanvisningen til stigeskinnerne grundigt før anvendelse.
2. Før maskinen læsses, skal alle genstande fjernes fra maskinen, og mudder og andet snavs fjernes fra dækkene. Monter stigeskinnerne på en flad og stabil overflade.
3. Sørg for, at der ikke er nogen personer omkring maskinen og stigeskinnerne, før maskinen på- eller aflæsses. På- eller aflæs maskinen ved lav hastighed, idet du sørger for at forhindre maskinen i at falde ned fra stigeskinnerne, og ikke rammer hovedet på lastbilens loft. Vær yderst forsigtig, når du på- eller aflæsser maskinen baglæns.
4. Når du transporterer maskinen, skal du låse bremsearmen, slukke for strømmen, afmontere batterierne og låsenøglen og fastgøre maskinen forsvarligt.

Vedligeholdelse og opbevaring

1. Før opbevaring eller forsøg på at udføre inspektioner eller vedligeholdelse skal du altid sørge for at stoppe maskinen på en flad grund og låse bremsearmen, slukke for maskinen og afmontere låsenøglen og akkuerne.
2. Lad ikke maskinen ligge uovervåget udendørs i regnvejr.
3. Undgå direkte sollys og regn ved opbevaring af maskinen, og opbevar den på et sted, hvor det ikke bliver varmt eller fugtigt.
4. Denne maskine er udstyret med en hydraulisk enhed på undersiden af aflæsningsenheden til automatisk at vippe aflæsningsenheden. Undlad at ændre den hydrauliske enhed, og undlad at løse enhedens monteringsbolte eller justeringsskruerne på overtryksventilen. Det er meget farligt, da det kan forårsage ulykker eller funktionsfejl.

Brug og vedligeholdelse af batteriet

1. Oplad kun med den oplader, som producenten angiver. En oplader, der passer til én type batteri, kan forårsage brand, hvis den anvendes med et andet batteri.
2. Brug kun el-værktøjer sammen med de tilhørende batteripakker. Brug af andre batteripakker kan forårsage personskade og brand.
3. Når batteripakker ikke anvendes, skal de holdes borte fra andre metalgenstande som papirclips, mønter, nøgler, søm, skruer og andre små metalgenstande, der kan skabe forbindelse mellem terminalerne. Hvis batteriets terminaler kortsluttes, kan det forårsage brand.
4. I tilfælde af misbrug kan der sprøjte væske ud fra batteriet. Undgå kontakt. Skyl med vand, hvis De kommer i kontakt med væsken. Søg læge, hvis De får væske i øjet. Væske, der sprøjter ud fra batteriet, kan medføre irritation eller forbrændinger.

5. **Undlad at bruge en akku eller maskine, der er beskadiget eller ændret.** Beskadigede eller ændrede batterier kan fungere uforudsigeligt og medføre brand, eksplosion eller risiko for personskade.
6. **Undlad at udsætte en akku eller maskine for brand eller høje temperaturer.** Udsættelse for brand eller temperaturer på over 130 °C kan medføre eksplosion.
7. **Følg alle instruktioner vedrørende opladning, og undlad at oplade akkuen eller maskinen uden for det temperaturinterval, der er angivet i instruktionerne.** Opladning, der udføres forkert eller ved temperaturer uden for det angivne temperaturinterval, kan beskadige batteriet og medføre øget risiko for brand.

Elektrisk sikkerhed og batterisikkerhed

1. **Undlad at kaste batterierne i åben ild.** Cellen kan eksplodere. Tjek de lokale regler for eventuelle særlige instruktioner vedrørende bortskaffelse.
2. **Undlad at åbne eller mishandle batterierne.** Lækket elektrolyt er ætsende og kan medføre skader på øjnene eller huden. Den kan være giftig, hvis den indtages.
3. **Undlad at oplade batteriet i regnvejr eller under våde forhold.**
4. **Oplad ikke batteriet uden døre.**
5. **Håndter ikke oplader, herunder opladerstik, og opladerterminaler med våde hænder.**
6. **Undlad at udskifte batteriet i regnvejr.**
7. **Undgå at gøre batteriets terminal våd med væsker som f.eks. vand eller at nedsænke batteriet.** Undlad at lade batteriet ligge i regnvejr eller at oplade, bruge eller opbevare batteriet på et fugtigt eller vådt sted. Hvis terminalen bliver våd, eller der kommer væske ind i batteriet, kan batteriet blive kortsluttet, og der er risiko for overophedning, brand eller eksplosion.
8. **Når De har fjernet batteriet fra maskinen eller opladeren, skal De sørge for at montere akku-dækslet på batteriet og opbevare det på et tørt sted.**
9. **Undlad at udskifte batteriet med våde hænder.**
10. **Undgå farlige miljøer.** Undlad at anvende maskinen på fugtige eller våde steder, og undlad at udsætte den for regn. Hvis der trænger vand ind i maskinen, øges risikoen for elektrisk stød.
11. **Hvis akkuen bliver våd, skal du tømme vandet ud og derefter tørre den med en tør klud. Tør akkuen helt på et tørt sted før brug.**

GEM DENNE BRUGSANVISNING.

⚠ ADVARSEL: LAD IKKE bekvemmelighed eller kendskab til produktet (opnået gennem gentagen brug) forhindre, at sikkerhedsforskrifterne for produktet nøje overholdes. **MISBRUG** eller forsømmelse af at følge de i denne brugsvejledning givne sikkerhedsforskrifter kan føre til, at De kommer alvorligt til skade.

Vigtige sikkerhedsinstruktioner for akkuen

1. **Læs alle instruktioner og advarselsmærkater på (1) akku-opladeren, (2) akkuen og (3) produktet, som anvender akku.**
2. **Adskil eller ændr ikke akkuen.** Det kan muligvis resultere i en brand, overdreven varme eller eksplosion.
3. **Hold straks op med anvendelsen, hvis brugstiden er blevet stærkt afkortet.** Fortsat anvendelse kan resultere i risiko for overophedning, forbrændinger og endog eksplosion.
4. **Hvis De har fået elektrolytvæske i øjnene, skal De straks skylle den ud med rent vand og derefter øjeblikkeligt søge lægehjælp.** I modsat fald kan De miste synet.
5. **Vær påpasselig med ikke at komme til at kortslutte akkuen:**
 - (1) Rør ikke ved terminalerne med noget ledende materiale.
 - (2) Undgå at opbevare akkuen i en beholder sammen med andre genstande af metal, for eksempel søm, mønter og lignende.
 - (3) Udsæt ikke akkuen for vand eller regn. Kortslutning af akkuen kan forårsage en kraftig øgning af strømmen, overophedning, mulige forbrændinger og endog værktøjstop.
6. **Opbevar og brug ikke maskinen og akkuen på steder, hvor temperaturen muligvis kan nå eller overstige 50 °C.**
7. **Lad være med at brænde akkuen, selv ikke i tilfælde, hvor den har lidt alvorlig skade eller er fuldstændig udtjent.** Akkuen kan eksplodere, hvis man forsøger at brænde den.
8. **Slå ikke søm i, skær ikke i, knus, kast, tab ikke akkuen og stød ikke akkuen mod en hård genstand.** Sådan adfærd kan muligvis resultere i en brand, overdreven varme eller eksplosion.
9. **Anvend ikke en beskadiget akku.**
10. **De indbyggede litium-ion-batterier er underlagt lovkrav vedrørende farligt gods.** Ved kommerciel transport, f.eks. af tredjeparts transportselskaber, skal særlige krav til forpakning og mærkning overholdes. Ved forberedelse af udstyret til forsendelse skal du kontakte en ekspert i farligt gods. Overhold også eventuel mere detaljeret national lovgivning. Tape eller tildæk åbne kontakter, og pak batteriet på en måde, så det ikke kan flytte sig rundt i pakningen.
11. **Når akkuen bortskaffes, skal du fjerne den fra maskinen og bortskaffe den på et sikkert sted.** Følg de lokale love vedrørende bortskaffelsen af batterier.
12. **Brug kun batterierne med de produkter, som Makita specificerer.** Hvis batterierne installeres i ikke-kompatible produkter, kan det medføre brand, kraftig varme, eksplosion eller udsivning af elektrolyt.
13. **Hvis maskinen ikke skal bruges i længere tid ad gangen, skal du fjerne batteriet fra maskinen.**

14. Akkuen kan muligvis under og efter brug være varm, hvilket kan forårsage forbrændinger eller lavtemperaturforbrændinger. Vær påpasselig med håndtering af varme akkuer.
15. Rør ikke terminalen på maskinen straks efter brug, da den bliver varm nok til at forårsage forbrændinger.
16. Sørg for, at spåner, støv eller jord ikke sætter sig fast i akkuens terminaler, huller og riller. Det kan forårsage opvarmning, antændelse, sprængning og funktionsfejl i maskinen eller akkuen, hvilket kan medføre forbrændinger eller personskade.
17. Medmindre maskinen understøtter brugen i nærheden af elektriske højspændingsledninger, skal du ikke anvende akkuen i nærheden af elektriske højspændingsledninger. Det kan muligvis medføre funktionsfejl på eller nedbrud af maskinen eller akkuen.
18. Opbevar batteriet utilgængeligt for børn.

GEM DENNE BRUGSANVISNING.

⚠FORSIGTIG: Brug kun originale batterier fra Makita. Brug af uoriginale Makita-batterier, eller batterier som er blevet ændret, kan muligvis medføre brud på batteriet, hvilket kan forårsage brand, personskade eller beskadigelse. Det ugyldiggør også Makita-garantien for Makita-maskinen og opladeren.

Tips til opnåelse af maksimal akku-levetid

1. Oplad akkuen, inden den er helt afladet. Stop altid værktøjet, og oplad akkuen, hvis De bemærker, at værktøjeffekten er aftagende.
2. Genoplad aldrig en fuldt opladet akku. Overopladning vil afkorte akkuens levetid.
3. Oplad akkuen ved stuetemperatur ved 10 °C - 40 °C. Lad altid en varm akku få tid til at køle af, inden den oplades.
4. Når du ikke anvender akkuen, skal du fjerne den fra maskinen eller opladeren.
5. Oplad akkuen, hvis De ikke skal bruge den i længere tid (mere end seks måneder).

BESKRIVELSE AF DELENE

Når spanden er monteret

► Fig.1

1	Vippekontakt	2	Kontrolpanel	3	Bip-knap	4	Afbryderknap
5	Baglampe	6	Håndtag	7	Batterirum	8	Bremsearm
9	Baghjul	10	Baghjulslås	11	Låsearm	12	Aflæsningsenhed
13	Forhjul	14	Forlampe	15	Spand	-	-

Når transportbakken er monteret

► Fig.2

1	Vippekontakt	2	Kontrolpanel	3	Bip-knap	4	Afbryderknap
5	Baglampe	6	Håndtag	7	Batterirum	8	Bremsearm
9	Baghjul	10	Baghjulslås	11	Låsearm	12	Forhjul
13	Forlampe	14	Transportbakke	-	-	-	-

SAMLING

⚠FORSIGTIG: Sørg altid for, at maskinen er slukket, og at akkuerne er afmonteret, før du udfører noget arbejde på maskinen.

Før du monterer eller afmonterer transportbakken eller spanden, skal du sørge for at låse bremsearmen. For at låse bremsearmen skal du trække i bremsearmen og holde den nede, derefter trække i låsearmen og derefter slippe bremsearmen, mens du trækker i låsearmen.

► Fig.3: 1. Bremsearm 2. Låsearm

Montering eller afmontering af spanden

Montering af spanden

1. Tag spanden, stiverne og det forreste rør ud af kassen.
► **Fig.4:** 1. Spand 2. Stiver 3. Forreste rør
2. Indsæt det forreste rør mellem den øverste ramme og den nederste ramme på aflæsningsenheden.
► **Fig.5:** 1. Forreste rør
3. Placer stiveren på aflæsningsenheden, og tilspænd derefter midlertidigt boltene sammen med det forreste rør. Monter den anden stiver på aflæsningsenheden på samme måde.
► **Fig.6:** 1. Stiver 2. Bolt
4. Placer spanden på det forreste rør og venstre og højre stivere.
Placer gummispændeskiven i hullet på spanden, og indsæt boltene fra oversiden. Fastgør den flade spændeskive og fjederskiven i rækkefølge til boltene, og tilspænd derefter møtrikken fra undersiden. Tilspænd resten af boltene og møtrikkerne på samme måde.
► **Fig.7:** 1. Bolt 2. Gummispændeskive 3. Flad spændeskive 4. Fjederskive 5. Møtrik
5. Tilspænd forsvarligt de 4 bolte, som blev midlertidigt tilspændt i trin 3.

Afmontering af spanden

For at afmontere spanden skal du udføre monteringsproceduren i omvendt rækkefølge.

Montering eller afmontering af transportbakken

Ekstraudstyr

Montering af transportbakken

1. Tag transportbakken ud af kassen, og fastgør sideskinne og den forreste skinne til bundrammen.
► **Fig.8**
2. Tilspænd 6 fingermøtrikker sammen med fjedre og spændeskiver for at fastgøre skinnerne.
► **Fig.9:** 1. Fingermøtrik 2. Fjeder 3. Spændeskive
3. Placer transportbakken på aflæsningsenheden.
Indsæt boltene fra oversiden. Fastgør den flade spændeskive og fjederskiven i rækkefølge til boltene, og tilspænd derefter møtrikken fra undersiden. Tilspænd resten af boltene og møtrikkerne på samme måde.
► **Fig.10:** 1. Bolt 2. Flad spændeskive 3. Fjederskive 4. Møtrik

Afmontering af transportbakken

For at afmontere transportbakken skal du udføre monteringsproceduren i omvendt rækkefølge.

FUNKTIONSBESKRIVELSE

⚠FORSIGTIG: Sørg altid for, at maskinen er slukket, og at akkuen er fjernet, før du justerer eller kontrollerer funktionen på maskinen.

Isætning eller fjernelse af akkuen

⚠FORSIGTIG: Sluk altid for maskinen, og lås bremsearmen, før du monterer eller afmonterer akkuen.

⚠FORSIGTIG: Sæt altid akkuen helt ind, indtil den røde indikator ikke er synlig. Ellers kan den falde ud af maskinen ved et uheld og forårsage personskade på dig eller personer i nærheden.

⚠FORSIGTIG: Installer ikke akkuen med magt. Hvis akkuen ikke glider nemt ind, betyder det, at den ikke sættes korrekt ind.

⚠FORSIGTIG: Anvend ikke akkuen, hvis den er overophedet. Hvis akkuen anvendes, når den er overophedet, stopper maskinen automatisk, før der udsendes en kort biplyd, hvilket kan medføre en personskade.

⚠FORSIGTIG: Pas på ikke at få fingrene i klemme, når du åbner eller lukker batteridækslet.

BEMÆRKNING: Sørg for, at akku-dækslet er låst inden brugen. Ellers kan mudder, snavs eller vand øve skade på produktet eller akkuen.

Montering af akkuen

1. Træk op i låsearmen, og åbn derefter dækslet til batterirummet.
► **Fig.11:** 1. Dæksel 2. Låsearm
2. Justér tungen på akkuen med åbningen på batterirummet, og skub derefter akkuen, indtil den låses på plads med et lille klik.
► **Fig.12:** 1. Akku
3. Indsæt låsenøglen på det sted, der er vist på figuren så langt som den kan komme, og drej den med uret.
► **Fig.13:** 1. Låsenøgle

BEMÆRK: For at dreje låsenøglen skal du indsætte låsenøglen helt.

4. Luk dækslet til batterirummet.
► **Fig.14:** 1. Dæksel

Fjernelse af akkuen

1. Træk op i låsearmen, og åbn derefter dækslet til batterirummet.
2. Træk akkuen ud af batterirummet, idet der skubes på knappen foran på akkuen.
► **Fig.15:** 1. Knop
3. Drej låsenøglen mod uret, og træk den ud.
4. Luk dækslet til batterirummet.

Beskyttelsessystem til maskinen/ batteriet

Maskinen er udstyret med et maskine- /batteribeskyttelsessystem. Dette system afbryder automatisk strømmen til motoren for at forlænge maskinens og batteriets levetid. Maskinen stopper automatisk under anvendelse, hvis maskinen eller akkuen udsættes for et af følgende forhold.

Der udsendes en kort biplyd eller en lang biplyd, inden maskinen stopper automatisk. Batteriindikatorerne og lamperne på kontrolpanelet blinker, mens biplyden udsendes.

BEMÆRK: Hvis du vil annullere biplyden, skal du slippe afbryderknappen og trække i bremsearmen.

Overbelastningsbeskyttelse

Når maskinen/batteriet anvendes på en måde, der får den/det til at forbruge en unormal høj strømstyrke, stopper maskinen automatisk, og hovedstrømlampen blinker grønt. I denne situation skal du slukke for maskinen og stoppe den anvendelse, der medførte, at maskinen blev overbelastet, f.eks. ved at reducere pålæssede genstande. Tænd derefter maskinen for at genstarte.

Beskyttelse mod overophedning

Når maskinen er overophedet, stopper maskinen automatisk, og hovedstrømlampen lyser rødt. Lad i så fald maskinen og batteriet køle af, inden du igen tænder for maskinen.

Beskyttelse mod afladning

Når batteriladningen ikke er tilstrækkelig, blinker hovedstrømlampen og den tilhørende batteriindikator rødt. I dette tilfælde skal du udskifte akkuerne eller udskifte akkuerne med nogle, der er fuldt opladet eller afmontere akkuerne fra maskinen og oplade dem.

BEMÆRK: Hovedstrømlampen blinker rødt, når batteriet er overophedet.

Beskyttelse mod andre årsager

BEMÆRKNING: Hovedstrømlampen blinker skiftevis grønt og rødt, når uregelmæssigheden opstår i maskinen. I dette tilfælde skal du se afsnittet for fejlfinding.

Beskyttelsessystemet er også designet til andre årsager, der kan beskadige maskinen og gør det muligt for maskinen at stoppe automatisk. Benyt alle følgende fremgangsmåde for at fjerne årsagerne, når maskinen er blevet midlertidigt stoppet eller stoppet under betjening.

1. Sluk for maskinen, og tænd den igen for at genstarte.
2. Oplad batteriet/batterierne, eller udskift det/dem med genopladet/genopladede batteri/batterier.
3. Lad maskinen og batteriet/batterierne køle af.

BEMÆRKNING: Hvis der ikke kan findes nogen forbedring, eller hvis maskinen stopper på grund af en årsag, der ikke er beskrevet ovenfor, skal du se afsnittet for fejlfinding.

Indikation af den resterende batteriladning

⚠FORSIGTIG: Før du kontrollerer de resterende batteriladninger eller skifter akkuerne, skal du sørge for at stoppe maskinen.

⚠FORSIGTIG: Når batteriladningen bliver lav, udsendes en kort biplyd. I dette tilfælde skal du låse bremsearmen og derefter udskifte akkuerne med nogle, der er opladet eller oplade akkuerne. Hvis du fortsætter med at betjene maskinen med lav batteriladning, og den resterende batteriladning løber ud, udsendes en lang biplyd, og maskinen stopper automatisk, og dette kan medføre en ulykke eller personskade.









⚠FORSIGTIG: Hvis der udsendes en biplyd under betjening på skråninger, skal du flytte maskinen til et sikkert sted, låse bremsearmen og derefter skifte akkuerne med nogen, der er ladet op, eller oplade akkuerne.

⚠FORSIGTIG: Hvis lasten er stor, og biplyden udsendes under betjening på skråninger, skal du låse bremsearmen og være opmærksom på sikkerheden og skifte akkuerne til opladede akkuer. Flyt maskinen til et sikkert sted, og lås bremsearmen. Reducér lasten, før du betjener maskinen igen. For yderligere oplysninger henvises til afsnittet om fejlfinding.

Kontrol af batteriniveauet i batterirummet

► Fig.16: 1. Batteriindikator 2. Kontrolknap

Tryk på kontrolknappen for at få vist de resterende batteriladning. Batteriindikatorerne svarer til hvert enkelt batteri.

Akku-indikatorstatus			Resterende batteriladning
 Tændt	 Blinker	 Slukket	
			50 % - 100 %
			20 % - 50 %
			0 % - 20 %
			Tom
			Batteri ikke indsat

BEMÆRK: Hvis du fortsætter med at trykke på afbryderknappen, selvom du hører den korte biplyd, stopper maskinen automatisk. Når maskinen stopper automatisk, fortsætter biplyden, og støttebremsen aktiveres. Hvis du vil annullere biplyden og slippe støttebremsen, skal du slippe afbryderknappen og trække i bremsearmen. Undlad at skubbe maskinen med magt uden at slippe støttebremsen.

BEMÆRK: Du kan kontrollere den resterende batteriladning, selvom låsenøglen ikke er indsat.

BEMÆRK: Batteriindikatorerne for den resterende batteriladning er kun til orientering. Den faktiske batteriladning kan variere afhængigt af brugsforholdene.

Kontrol af batteriniveauet på akkuen

Kun til akkuer med indikatoren

Tryk på kontrolknappen på akkuen for at få vist den resterende batteriladning. Indikatorlampen lyser i nogle sekunder.

► **Fig.17:** 1. Indikatorlamper 2. Kontrolknap

Indikatorlamper			Resterende ladning
Tændt	Slukket	Blinker	
			75% til 100%
			50% til 75%
			25% til 50%
			0% til 25%
			Genoplad batteriet.
			Der er muligvis fejl i batteriet.

BEMÆRK: Afhængigt af brugsforholdene og den omgivende temperatur kan indikationen afvige en smule fra den faktiske ladning.

BEMÆRK: Den første indikatorlampe (længst mod venstre) vil blinke, når batteribeskyttelsessystemet aktiveres.

Skift af akku

► **Fig.18:** 1. Kontakt til valg af batteri

Maskinen bruger 2 akkuer til drift ad gangen. Der kan monteres op til 4 akkuer på maskinen. Før du betjener maskinen, skal du vælge de akkuer, der skal bruges til drift, ved at dreje på kontakten til valg af batteri.

BEMÆRKNING: Hvis akkuen er i følgende tilstand, fungerer maskinen ikke, selvom du skifter batteriet med kontakten til valg af batteri.

- Den resterende ladning for mindst én af akkuerne er tom.
- Mindst én af akkuerne er overophedet.

I dette tilfælde skal du afmontere den tomme eller overophedede akku eller udskifte akkuen med en opladet akku.

BEMÆRK: Hvis der kun er monteret 2 akkuer på maskinen, skal du sørge for at vælge de monterede akkuer med kontakten til valg af batteri.

Kontrolpanel

⚠ FORSIGTIG: Lås altid bremsearmen, og sluk maskinen, når den ikke er i brug.

Tænd/sluk-knap

► **Fig.19:** 1. Hovedstrømlampe 2. Tænd/sluk-knap

For at tænde for maskinen skal du låse bremsearmen og derefter trykke på tænd/sluk-knappen uden at trykke på afbryderknappen. Hovedstrømlampen lyser grønt. For at slukke for maskinen skal du slippe afbryderknappen og låse bremsearmen, og derefter trykke på tænd/sluk-knappen.

BEMÆRK: Der udføres en elektrisk test første gang maskinen køres, efter at maskinen er tændt. Hvis der registreres et problem, blinker hovedstrømlampen skiftevis rødt eller grønt. I dette tilfælde skal du se afsnittet for fejlfinding.

BEMÆRK: Hvis hovedstrømlampen lyser rødt eller blinker rødt eller grønt, skal du se instruktionerne til maskine-/batteribeskyttelsessystemet eller afsnittet om fejlfinding.

BEMÆRK: Denne maskine anvender den automatiske slukkefunktion. For at undgå utilsigtet opstart slukkes maskinen automatisk, når maskinen er stoppet og ikke betjenes i en vis periode, efter at maskinen er tændt.

BEMÆRK: Hvis du trykker på tænd/sluk-knappen, mens du trækker i afbryderknappen, tændes maskinen ikke. Udløs afbryderknappen, og tryk derefter på tænd/sluk-knappen.

Fremad/tilbageknap og hastighedsknap

- **Fig.20:** 1. Fremad-/tilbageknap
2. Hastighedsindikator 3. Hastighedsknap

Tryk på fremad-/tilbageknappen for at skifte mellem tilstanden fremad og tilstanden baglæns. Tryk på hastighedsknappen for at skifte mellem lav hastighed, mellem hastighed og høj hastighed. Når der tændes for strømmen, indstilles tilstanden fremad og lav hastighed.

BEMÆRK: Fremad-/tilbageknappen er ikke tilgængelig, mens der trykkes på afbryderknappen.

BEMÆRK: Der udsendes en kort biplyd, når maskinen bruges i baktilstand.

BEMÆRK: Hastighedsknappen er ikke tilgængelig, når maskinen bruges i baktilstand.

BEMÆRK: Hvis maskinen registrerer et problem, blinker hastighedsindikatoren skiftevis. I dette tilfælde skal du læse afsnittet om fejlfinding.

Bip-knap

Når du trykker på bip-knappen, udsendes biplyden.

- **Fig.21:** 1. Bip-knap

BEMÆRK: Bip-knappen er tilgængelig, når maskinen er tændt.

BEMÆRK: Bip-knappen er tilgængelig, selvom låsenøglen ikke er indsat i batterirummet.

Tænding af lamperne

Tryk på lampeknapen på batterirummet for at tænde forlamperne og baglamperne. Hvis du vil slukke lamperne, skal du trykke på lampeknapen igen.

- **Fig.22:** 1. Lampeknap 2. Forlampe

- **Fig.23:** 1. Baglampe

BEMÆRK: Lamperne slukkes, hvis maskinen ikke betjenes i en bestemt periode.

BEMÆRK: Lamperne slukkes, når der slukkes for strømmen.

BEMÆRK: Du kan tænde for lamperne, selvom låsenøglen ikke er indsat.

Afbryderknap og bremsearm

⚠FORSIGTIG: Før akkuen sættes i maskinen, skal du altid kontrollere, at afbryderknappen fungerer korrekt og vender tilbage til "FRA"-stillingen, når du slipper den.

Tryk på afbryderknappen for at starte maskinen. Ved hjælp af afbryderknappen kan hastigheden justeres inden for det indstillede hastighedsområde. For at stoppe maskinen skal du udløse afbryderknappen og trække i bremsearmen.

For at låse bremsearmen skal du trække i bremsearmen og holde den nede, derefter trække i låsearmen og derefter slippe bremsearmen, mens du trækker i låsearmen. For at udløse låsen skal du trække i bremsearmen.

- **Fig.24:** 1. Afbryderknap

- **Fig.25:** 1. Bremsearm 2. Låsearm

Vippekontakt

⚠FORSIGTIG: Sørg for at holde bremsearmen nede, når du betjener vippekontakten.

⚠FORSIGTIG: Før du bruger vippekontakten, skal du sikre dig, at den resterende batteriladning ikke er lav. Hvis batteriladningen er lav, skal du låse bremsearmen og derefter skifte akkuerne til opladede akkuer eller udskifte akkuerne med opladede akkuer.

- **Fig.26:** 1. Vippekontakt

Du kan vippe spanden eller transportbakken ved hjælp af vippekontakten. For at vippe spanden eller transportbakken fremad skal du trykke på oversiden af vippekontakten, mens du holder bremsearmen nede. For at sætte spanden eller transportbakken tilbage skal du trykke på undersiden af vippekontakten, mens du holder bremsearmen nede.

BEMÆRK: Biplyden udsendes, mens spanden eller transportbakken bevæger sig.

Justering af transportbakkens bredde

BEMÆRKNING: Sørg for, at sideskinne og den forreste skinne er fastgjort forsvarligt, når fingermøtrikkerne er tilspændt.

Løsn de 6 fingermøtrikker, og skub derefter sideskinne og den forreste skinne. Tilspænd fingermøtrikkerne for at fastgøre sideskinne og den forreste skinne.

- **Fig.27:** 1. Fingermøtrik 2. Skinne

⚠FORSIGTIG: Undlad at skubbe skinnerne ud over grænsemærket.

- **Fig.28**

Indstilling af håndtagets højde

BEMÆRKNING: Fastgør venstre og højre håndtag i samme højde.

Håndtagets højde kan justeres til 7 niveauer. For at justere håndtagets højde skal du løse de 2 knapper og derefter justere håndtagets højde ved at justere hullet på håndtaget med fremspringet på den bageste ramme og derefter tilspænde de 2 knapper forsvarligt. Justér højden på det andet håndtag på samme måde.

- **Fig.29:** 1. Knap

Baghjulsås

Du kan fastlåse baghjulenes retning ved hjælp af baghjulsåsen.

1. Flyt maskinen lidt fremad, så baghjulene vender i den retning, der er vist på figuren.

► **Fig.30:** 1. Baghjul

2. Drej baghjulsåsen bagud.

► **Fig.31:** 1. Baghjulsås

3. Lås det andet baghjul på samme måde.

4. Flyt baghjulet lidt frem og tilbage eller til venstre og højre for at sikre, at det er låst.

For at udløse baghjulsåsen skal du dreje baghjulsåsen 90° som vist på figuren.

► **Fig.32:** 1. Baghjulsås

BEMÆRK: Baghjulene kan fastgøres i 4 forskellige retninger som vist på figuren.

► **Fig.33**

Brug af nivelleringsinstrumentet

Ved hjælp af nivelleringsinstrumentet kan du kontrollere, om jorden er jævn.

► **Fig.34:** 1. Nivelleringsinstrument

ANVENDELSE

⚠FORSIGTIG: Sørg for at låse bremsearmen, før du lægger eller aflægger genstande.

Betjening af maskinen

BEMÆRKNING: Sørg for at indsætte låsenøglen før anvendelsen. Hvis låsenøglen ikke er indsat, udsendes en biplyd, når du trækker i afbryderknappen. Biplyden stopper ved at udløse afbryderknappen og trække i bremsearmen.

BEMÆRKNING: Udfør inspektionen, før du betjener maskinen, ved at se afsnittet om vedligeholdelse.

1. Sørg for, at bremsearmen er låst. Monter akkuerne, indsæt låsenøglen og drej den med uret.
2. Vælg akkuerne med kontakten til valg af batteri.
3. Tryk på tænd/sluk-knappen på kontrolpanelet for at tænde for strømmen.

► **Fig.35:** 1. Tænd/sluk-knap

4. Træk bremsearmen for at frigøre låsningen af bremsearmen.

► **Fig.36:** 1. Bremsearm

5. Hold fast i håndtagene med begge hænder.

► **Fig.37**

6. Træk i afbryderknappen.

► **Fig.38:** 1. Afbryderknap

Læsning af genstande

⚠FORSIGTIG: Sørg for, at maskinen er slukket, og at bremsearmen er låst, før du lægger genstande på maskinen.

⚠FORSIGTIG: Før du lægger genstande på maskinen, skal du sørge for, at aflæsningsenheden er låst.

⚠FORSIGTIG: Sørg for at lægge genstande inden for transportbakken eller spanden. Hvis genstande stikker ud af transportbakken eller spanden, kan de falde ned eller falde sammen, hvis de rammer forhindringer.

► **Fig.39**

⚠FORSIGTIG: Sørg for at lægge genstande, så de er under øjenhøjde. Hvis læsset er for højt, er det farligt, fordi udsynet er blokeret. Desuden er der risiko for at vælte samt for personskade, fordi læsset risikerer at komme ud af balance.

► **Fig.40**

⚠FORSIGTIG: Undlad at lægge genstande ud over spandens højde. Hvis genstandene lægges over spandens højde, kan det medføre, at lasten falder ned eller falder sammen.

Når du lægger genstande på transportbakken, skal du fastgøre genstandene med reb og fastgøre dem til transportbakkens rebkroge.

► **Fig.41:** 1. Rebkrug

Aflæsning af genstande

⚠FORSIGTIG: Når du løfter eller sætter transportbakken eller spanden tilbage, skal du undlade at indsætte eller placere nogen del af kroppen mellem aflæsningsenheden og transportbakken eller spanden eller under aflæsningsenheden. Hvis du gør det, kan det medføre personskade eller forbrændinger.

⚠FORSIGTIG: Når du har aflæst læs, skal du sørge for at låse aflæsningsenheden ved at sætte aflæsningsenheden tilbage til sin oprindelige position.

⚠FORSIGTIG: Før du løfter transportbakken eller spanden manuelt, skal du sørge for at låse bremsearmen.

⚠FORSIGTIG: Løft transportbakken eller spanden på flad og stabil grund. Betjening på ustabil grund kan medføre en ulykke eller personskade.

⚠FORSIGTIG: Begræns læsset til et minimum. Hvis læsset er stort, skal du undlade at forsøge at løfte transportbakken eller spanden. Reducér læsset, og løft derefter transportbakken eller spanden.

⚠FORSIGTIG: Hvis lasten er fastgjort med reb eller på anden måde, skal du løsne lasten, før du løfter aflæsningsenheden.

⚠FORSIGTIG: Før du løfter transportbakken eller spanden, skal du sørge for, at der ikke er nogen personer eller forhindringer omkring maskinen.

Du kan aflæse genstandene ved at løfte og vippe transportbakken eller spanden.

1. Stop maskinen.
2. Vip spanden eller transportbakken fremad ved at trykke på oversiden af vippekontakten, mens du holder bremsearmen nede.

► **Fig.42:** 1. Vippekontakt

3. Følg nedenstående trin for manuelt at aflæse de genstande, der er tilbage i spanden eller transportbakken.

- Lås bremsearmen, og stil dig derefter ved siden af maskinen.

- Drej aflæsningsenhedens låsearm mod maskinens forside for at låse aflæsningsenheden op.

- Hold fast i aflæsningsenhedens håndtag, og vip derefter spanden eller transportbakken fremad for at aflæse genstandene.

- Sæt spanden eller transportbakken tilbage i aflæsningsenheden.

► **Fig.43:** 1. Låsearm 2. Aflæsningsenhed

⚠FORSIGTIG: Hold godt fast i aflæsningsenhedens håndtag, og arbejd i en stabil stilling.

BEMÆRKNING: Det anbefales at blokere forhjulene for at stabilisere maskinen.

4. Sæt spanden eller transportbakken tilbage til den oprindelige position ved at trykke på undersiden af vippekontakten, mens du holder bremsearmen nede.

BEMÆRKNING: Sørg for at sætte spanden eller transportbakken tilbage til den oprindelige position efter at have aflæst genstande. Hvis spanden eller transportbakken ikke sættes helt tilbage og låses, begrænses maskinens kørehastighed op til 0,8 km/t.

VEDLIGEHOLDELSE

⚠FORSIGTIG: Sørg altid for at parkere maskinen på flad grund og låse bremsearmen før opbevaring eller forsøg på at udføre inspektioner eller vedligeholdelse.

⚠FORSIGTIG: Sørg altid for, at låsenøglen og akkuen er taget ud af maskinen, før opbevaring, inspektion eller vedligeholdelse.

⚠FORSIGTIG: Fjern altid låsenøglen, når maskinen ikke er i brug. Opbevar låsenøglen på et sikkert sted, der er utilgængeligt for børn.

For at opretholde produktets SIKKERHED og PÅLIDELIGHED må reparation, vedligeholdelse eller justering kun udføres af et autoriseret Makita servicecenter eller fabriksservicecenter med anvendelse af Makita reservedele.

Inspektion før anvendelse

Udfør følgende inspektioner, før du betjener maskinen.

- Kontrollér, at boltene, møtrikkerne og knapperne er tilspændt forsvarligt.

► **Fig.44**

- Kontrollér, at bremsen fungerer korrekt. Hvis du føler, at bremsen ikke fungerer tilstrækkeligt, skal du rengøre bremsen. Hvis der ikke kan findes nogen forbedring, anmodes et autoriseret Makita-servicecenter om reparation.

- Kontrollér, at aflæsningsenheden er låst, når håndtaget på aflæsningsenheden er trukket helt ned.

► **Fig.45:** 1. Håndtag

- Kontrollér, at dækkene på for- og baghjulene ikke er beskadiget, og at luften i dækkene er tilstrækkelig.

- Kontrollér, at forlamperne og baglamperne er rene. Rengør dem om nødvendigt.

- Kontrollér, at skraberne er i den korrekte position. Hvis skraberen vender opad, skal du justere skraberens retning ved at løsne boltene. Når boltene tilspændes, må du ikke skubbe skraberen mod maskinens forside.

► **Fig.46:** 1. Skraber

Rengøring af maskinen

BEMÆRKNING: Anvend aldrig benzin, rensbenzin, fortynder, alkohol og lignende. Det kan medføre misfarvning, deformation eller revner.

BEMÆRKNING: Undlad at bruge en højtryksrens til rengøring.

BEMÆRKNING: Når du rengør maskinen, skal du sørge for at lukke dækslet til batterirummet. Ellers kan der trænge vand ind i batterirummet, hvilket kan medføre en funktionsfejl på maskinen.

Fjern mudder, snavs og lignende fra maskinen. Rengør maskinen med rindende vand. Aftør maskinen med en tør klud efter rengøringen.

Opbevaring

Lås bremsearmen, afmonter akkerne og låsenøglen. Opbevar maskinen på et sikkert sted utilgængeligt for børn.

Oppumpning af dækket med luft

Kontrollér, at luften i dækket til for- og baghjulene ikke mangler. Hvis luften i dækket er utilstrækkelig, skal du genopfylde dækket med luft ved hjælp af en luftpumpe. Luftrykket er som følger:

- Dæk til forhjul: 280 kPa (40 PSI)
- Dæk til baghjul: 525 kPa (75 PSI)

Forhjul

► **Fig.47**

Baghjul

► **Fig.48**

Udskiftning af dækket

⚠FORSIGTIG: Før du udskifter dækkene, skal du sørge for at aflæsse alle genstande fra maskinen.

⚠FORSIGTIG: Når dækkene udskiftes, skal du bruge handsker.

Udskiftning af forhjulets dæk

BEMÆRK: Når det grå dæk monteres, skal det monteres, så ventilen vender udad.

► Fig.49

Udskiftning af dækket på baghjulet

► Fig.50

► Fig.51

FEJLFINDING

Før du anmoder om reparation, skal du udføre din egen inspektion først. Hvis du finder et problem, der ikke er forklaret i brugsanvisningen, må du ikke skille maskinen ad. Henvend dig i stedet til et autoriseret Makita servicecenter, der altid bruger Makita-reservedele til reparationer.

Unormal tilstand	Hovedstrømlampe	Årsag	Afhjælpning
Maskinen tænder ikke.	Slukket.	Der er ikke installeret to akkuer.	Installer to opladede akkuer.
		Akku-problem (underspænding)	Genoplad akkuen. Udskift akkuen, hvis genopladningen ikke er effektiv.
		Kontakt til valg af batteri er ikke i den korrekte position.	Vælg det korrekte batteri ved hjælp af kontakten til valg af batteri.
Maskinen starter ikke.	Lampen blinker rødt.	Akkuens ladeniveau er lavt.	Genoplad akkuen. Udskift akkuen, hvis genopladningen ikke er effektiv.
		Mindst et af batterierne er tomt.	Afmontér det tomme batteri, eller udskift det med et opladet batteri. I dette tilfælde blinker lampen længst til venstre på batteriindikatoren på det tilsvarende batteri.
	Lampen blinker grønt.	Låsenøglen er ikke indsat.	Indsæt låsenøglen, og drej den med uret.
		Maskinen blev stoppet på grund af overbelastning.	Reducér de pålæssede genstande.
		For- eller baghjulene sidder fast eller er låst.	Fjern årsagen til fastlåste eller låste hjul.
	Lampen lyser rødt.	Maskinen stoppede på grund af overophedning.	Afkøl maskinen og batteriet.
	Lampen blinker skiftevis rødt og grønt.	Låsenøglen er ikke indsat.	Indsæt låsenøglen, og drej den med uret.
		Maskinen registrerede en uregelmæssighed.	Sluk for maskinen, og tænd den derefter igen. Der er opstået en fejl i maskinen. Anmod et autoriseret Makita servicecenter om reparation.
Lampen lyser grønt.	Det neutrale skiftehåndtag er ikke i sin oprindelige position.	Lås bremsearmen, og sæt derefter det neutrale skiftehåndtag tilbage i sin oprindelige position.	
Maskinen stopper efter lidt anvendelse.	Lampen blinker rødt.	Akkuens ladeniveau er lavt.	Genoplad akkuen. Udskift akkuen, hvis genopladningen ikke er effektiv.
Maskinens kørehastighed øges ikke.	Lampen lyser grønt.	Aflæsningsenheden er ikke sat helt tilbage, eller den er ikke låst.	Sæt aflæsningsenheden helt tilbage, og sørg for, at den er låst.

Fejlfinding af maskinens stop

⚠ ADVARSEL: Medmindre det er absolut nødvendigt, skal du undlade at deaktivere maskinens støttebremse med det neutrale skiftehåndtag. Da maskinens støttebremse er deaktiveret, kan maskinen bevæge sig utilsigtet og forårsage en ulykke eller personskade.

⚠ ADVARSEL: Sørg for at sætte det neutrale skiftehåndtag tilbage i den oprindelige position, når du har trukket håndtaget udad.

Hvis maskinen ikke kan flyttes, når batterierne er løbet tør, eller hvis der er opstået en fejl i maskinen, kan du flytte maskinen manuelt ved at trække det neutrale skiftehåndtag udad for at deaktivere støttebremsen.

1. Lås bremsearmen.
2. Fjern alle genstande fra maskinen.

⚠ FORSIGTIG: Sørg for at fjerne alle genstande fra maskinen. Maskinen kan bevæge sig utilsigtet, hvis der efterlades genstande på maskinen.

3. Hvis maskinen står på en skråning, skal du låse bremsearmen op og vende maskinen, så bremsearmen er på den øverste side af skråningen, og maskinen er parallel med skråningen. Lås bremsearmen.
► **Fig.52**

4. Sørg for, at maskinen ikke bevæger sig, og træk det neutrale skiftehåndtag udad.

► **Fig.53:** 1. Neutralt skiftehåndtag

5. Lås bremsearmen op, og flyt maskinen manuelt til et sikkert sted. Da støttebremsen er deaktiveret, skal du flytte maskinen forsigtigt med bremsearmen, så hastigheden ikke øges.

6. Når du har flyttet maskinen til et sikkert sted, skal du låse bremsearmen.

7. Sæt det neutrale skiftehåndtag tilbage i sin oprindelige position. Sørg for, at det neutrale skiftehåndtag er helt tilbage som vist på figuren.

► **Fig.54:** 1. Neutralt skiftehåndtag

EKSTRAUDSTYR

⚠ FORSIGTIG: Dette tilbehør og ekstraudstyr er anbefalet til brug med din Makita-maskine, der er beskrevet i denne brugsanvisning. Brug af andet ekstraudstyr eller tilbehør kan medføre risiko for personskade. Brug kun ekstraudstyr eller tilbehør til det formål, det er beregnet til.

⚠ FORSIGTIG: Brug kun Makita tilbehør eller ekstraudstyr til maskinen. Brug af andet tilbehør eller ekstraudstyr kan medføre alvorlig personskade.

Hvis De behøver hjælp ved valg af tilbehør eller ønsker yderligere informationer, bedes De kontakte Deres lokale Makita servicecenter.

- Transportbakke
- Spand
- Fordæk (sort)
- Fordæk (gråt)
- Bagdæk (gråt)
- Original Makita akku og oplader

BEMÆRK: Nogle ting på denne liste kan være inkluderet i værktøjspakken som standardtilbehør. Det kan være forskellige fra land til land.

ΠΡΟΔΙΑΓΡΑΦΕΣ

Μοντέλο:		DCU602
Διαστάσεις (Μ x Π x Υ)	Όταν είναι τοποθετημένος ο κάδος	1.480 mm x 730 mm x 820 - 1.030 mm
	Όταν είναι τοποθετημένος ο φορέας	1.450 - 1.600 mm x 730 - 1.080 mm x 820 - 1.030 mm
Ταχύτητα πορείας	Εμπρός	5,0 / 3,5 / 1,5 km/h
	Όπισθεν	1,0 km/h
Μέγιστη ικανότητα φορτίου	Σε επίπεδο έδαφος	300 kg
	Σε κλίση (3° - 12°)	180 kg
Μέγιστη ικανότητα αναρρίχησης		12°
Ελάχιστη ακτίνα στροφής *		1.150 mm
Φρένο		Χειρόφρενο και φρένο στήριξης
Ελαστικό	Μπροστινός τροχός	Πνευματικό ελαστικό
	Πίσω τροχός	Πνευματικό ελαστικό
Ονομαστική τάση		D.C. 36 V
Καθαρό βάρος	Όταν είναι τοποθετημένος ο κάδος	145 - 147 kg
	Όταν είναι τοποθετημένος ο φορέας	141 - 143 kg
Βαθμός προστασίας		IPX4

*: Εξωτερική διάμετρος όταν στρίβει με μπροστινό τροχό ως άξονα.

- Λόγω του συνεχιζόμενου προγράμματος έρευνας και ανάπτυξης, οι προδιαγραφές αυτές υπόκεινται σε αλλαγές χωρίς προειδοποίηση.
- Τα τεχνικά χαρακτηριστικά μπορεί να διαφέρουν από χώρα σε χώρα.
- Το βάρος μπορεί να διαφέρει ανάλογα με τα προσαρτήματα, συμπεριλαμβάνοντας την κασέτα μπαταριών. Ο ελαφρύτερος και ο βαρύτερος συνδυασμός, σύμφωνα με τη διαδικασία ΕΡΤΑ 01/2014, παρουσιάζονται στον πίνακα.

Ισχύουσα κασέτα μπαταριών και φορτιστής

Κασέτα μπαταρίας	BL1815N / BL1820B / BL1830B / BL1840B / BL1850B / BL1860B
Φορτιστής	DC18RC / DC18RD / DC18RE / DC18SD / DC18SE / DC18SF / DC18SH / DC18WC

- Ορισμένες από τις κασέτες και τους φορτιστές μπαταριών που αναγράφονται παραπάνω ίσως να μην είναι διαθέσιμοι, ανάλογα με την τοποθεσία κατοικίας σας.

⚠ ΠΡΟΕΙΔΟΠΟΙΗΣΗ: Να χρησιμοποιείτε μόνο τις κασέτες μπαταριών και τους φορτιστές που παρατίθενται ανωτέρω. Η χρήση οποιασδήποτε άλλης κασέτας μπαταριών ή φορτιστή μπορεί να προκαλέσει τραυματισμό ή/και πυρκαγιά.

⚠ ΠΡΟΕΙΔΟΠΟΙΗΣΗ: Μην χρησιμοποιείτε ποτέ τη φορητή ηλεκτρική τροφοδότηση PDC1200 ή PDC01 με αυτό το προϊόν. Αν τα χρησιμοποιήσετε μαζί, μπορεί να προκληθεί προσωπικός τραυματισμός ή δυσλειτουργία.

Σύμβολα

Παρακάτω παρουσιάζονται τα σύμβολα που μπορούν να χρησιμοποιηθούν για τον εξοπλισμό. Βεβαιωθείτε ότι κατανοείτε τη σημασία τους πριν από τη χρήση.



Διαβάστε το εγχειρίδιο οδηγιών.



Μην αλλάξετε την κατεύθυνση όταν βρίσκεστε σε κλίσεις.



Το μηχάνημα αυτό δεν μπορεί να χρησιμοποιηθεί σε δημόσιους δρόμους.



Πριν φορτώσετε ή εκφορτώσετε αντικείμενα, ασφαλίστε το φρένο και τη μονάδα ρίψης.



Μην φορτώνετε ή εκφορτώνετε αντικείμενα σε κλίσεις.



Μην χρησιμοποιείτε το μηχάνημα για τη μεταφορά ανθρώπων.



Μην πραγματοποιείτε ρίψη αντικειμένων σε κλίσεις. Ασφαλίστε τη μονάδα ρίψης μετά τη ρίψη.



Φορτώστε αντικείμενα στον κάδο ή στον φορέα ομοιόμορφα. Μην φορτώνετε αντικείμενα ανομοιόμορφα ή μόνο στην μπροστινή πλευρά.



Κίνδυνος σύσφιξης και σύνθλιψης. Κρατήστε τα χέρια σας μακριά κατά τη διάρκεια της λειτουργίας. Μην τοποθετείτε τα χέρια ή κάποιο μέρος του σώματός σας μέσα στα κινούμενα εξαρτήματα.



Μέγιστη ικανότητα φορτίου: 300 kg σε επίπεδο έδαφος και 180 kg σε κλίσεις (μέχρι 12°).



Μην κοιτάζετε απευθείας μέσα στις λάμπες.



Μην πλένετε το μηχάνημα με πλυστικό μηχάνημα υψηλής πίεσης.



Απομακρύνετε τους παρευρισκόμενους από το μηχάνημα κατά τη διάρκεια της λειτουργίας.



Μην χρησιμοποιείτε το μηχάνημα σε ανομοιόμορφες επιφάνειες.



Μην χρησιμοποιείτε το μηχάνημα όταν ο κάδος ή ο φορέας δεν έχει επιστραφεί εντελώς.



Αφαιρέστε τα σκονιάκια πριν προβείτε σε ρίψη αντικειμένων.



Να φοράτε πάντα αντιολισθητικά και προστατευτικά υποδήματα.



Ασφαλίστε το φρένο πριν τραβήξετε τον μοχλό αλλαγής νεκράς.



Ασφαλίστε το φρένο πριν επιστρέψετε τον μοχλό αλλαγής νεκράς.



Πίεση αέρα: μπροστινό ελαστικό 280 kPa και πίσω ελαστικό 525 kPa.



Βεβαιωθείτε ότι ο μοχλός ασφάλισης είναι ασφαλισμένος.



Γυρίστε τον μοχλό ασφάλισης προς το μπροστινό μέρος του μηχανήματος για να απασφαλίσετε τη μονάδα ρίψης.



Όταν παραχθεί ένας χαρακτηριστικός ήχος, ασφαλίστε το μοχλό φρένου.



Όταν αφήνετε τη σκανδάλη διακόπτη, ασφαλίστε το μοχλό φρένου.



Για να ακυρώσετε τον χαρακτηριστικό ήχο, αφήστε τη σκανδάλη διακόπτη και τραβήξτε το μοχλό φρένου.



Μόνο για τις χώρες της ΕΕ
Λόγω της παρουσίας των επικίνδυνων συστατικών μερών στον εξοπλισμό, ο απόβλητος ηλεκτρικός και ηλεκτρονικός εξοπλισμός, οι συσσωρευτές και οι μπαταρίες μπορεί να έχουν αρνητική επίδραση στο περιβάλλον και την ανθρώπινη υγεία. Μην απορρίπτετε τις ηλεκτρικές και ηλεκτρονικές συσκευές ή μπαταρίες μαζί με τα οικιακά απορρίμματα! Σύμφωνα με την Ευρωπαϊκή Οδηγία για τον απόβλητο ηλεκτρικό και ηλεκτρονικό εξοπλισμό και για τους συσσωρευτές και μπαταρίες και τους απόβλητους συσσωρευτές και μπαταρίες, καθώς και την προσαρμογή τους στην εθνική νομοθεσία, ο απόβλητος ηλεκτρικός εξοπλισμός, οι μπαταρίες και οι συσσωρευτές θα πρέπει να αποθηκεύονται ξεχωριστά και να παραδίδονται σε ξεχωριστό σημείο συλλογής για δημόσια απόβλητα, το οποίο λειτουργεί σύμφωνα με τους κανονισμούς για την προστασία του περιβάλλοντος. Αυτό υποδεικνύεται από το σύμβολο του διαγραμμένου τροχοφόρου κάδου που βρίσκεται αναρτημένο επάνω στον εξοπλισμό.



Εγγυημένη στάθμη ηχητικής ισχύος σύμφωνα με την Οδηγία της ΕΕ για την εκπομπή θορύβου σε εξωτερικούς χώρους.



Στάθμη ηχητικής ισχύος σύμφωνα με τον Κανονισμό ελέγχου θορύβου της Νέας Νότιας Ουαλίας της Αυστραλίας

Προοριζόμενη χρήση

Το μηχάνημα προορίζεται για τη φόρτωση και τη μεταφορά αντικειμένων, και λειτουργεί με μπαταρία.

Θόρυβος

Το σύνθετος Α-σταθμισμένο επίπεδο θορύβου που έχει καθοριστεί σύμφωνα με τα πρότυπα EN62841-1 και EN12053 όπως ισχύουν:

Στάθμη ηχητικής πίεσης (L_{PA}): 70 dB (A) ή λιγότερο Αρεβαιότητα (K): 4 dB (A)

Η ένταση θορύβου υπό συνθήκες εργασίας μπορεί να υπερβεί τα 80 dB (A).

ΠΑΡΑΤΗΡΗΣΗ: Η δηλωμένη τιμή(ές) εκπομπής θορύβου έχει μετρηθεί σύμφωνα με την πρότυπη μέθοδο δοκιμής και μπορεί να χρησιμοποιηθεί για τη σύγκριση ενός εργαλείου με κάποιο άλλο.

ΠΑΡΑΤΗΡΗΣΗ: Η δηλωμένη τιμή(ές) εκπομπής θορύβου μπορεί να χρησιμοποιηθεί και στην προκαταρκτική αξιολόγηση της έκθεσης.

▲ ΠΡΟΕΙΔΟΠΟΙΗΣΗ: Να φοράτε ωτοασπίδες.

▲ ΠΡΟΕΙΔΟΠΟΙΗΣΗ: Η εκπομπή θορύβου κατά τη χρήση του ηλεκτρικού εργαλείου σε πραγματικές συνθήκες μπορεί να διαφέρει από τη δηλωμένη τιμή(ές) ανάλογα με τους τρόπους χρήσης του εργαλείου, ιδιαίτερα το είδος του τεμαχίου εργασίας που υπόκειται επεξεργασία.

▲ ΠΡΟΕΙΔΟΠΟΙΗΣΗ: Φροντίστε να λάβετε τα κατάλληλα μέτρα προστασίας του χειριστή βάσει ενός υπολογισμού της έκθεσης σε πραγματικές συνθήκες χρήσης (λαμβάνοντας υπόψη όλες τις συνιστώσες του κύκλου λειτουργίας όπως τους χρόνους που το εργαλείο είναι εκτός λειτουργίας και όταν βρίσκεται σε αδρανή λειτουργία πέραν του χρόνου ενεργοποίησης).

Κραδασμός

Η ολική τιμή δόνησης (άθροισμα τρι-αξονικού διανύσματος) καθορίζεται σύμφωνα με το EN62841-1: Είδος εργασίας: λειτουργία χωρίς φορτίο
Εκπομπή δόνησης (a_w): 2,5 m/s² ή λιγότερο
Αβεβαιότητα (K): 1,5 m/s²

ΠΑΡΑΤΗΡΗΣΗ: Η δηλωμένη τιμή(ές) συνολικών κραδασμών έχει μετρηθεί σύμφωνα με την πρότυπη μέθοδο δοκιμής και μπορεί να χρησιμοποιηθεί για τη σύγκριση ενός εργαλείου με κάποιο άλλο.

ΠΑΡΑΤΗΡΗΣΗ: Η δηλωμένη τιμή(ές) συνολικών κραδασμών μπορεί να χρησιμοποιηθεί και στην προκαταρκτική αξιολόγηση της έκθεσης.

▲ ΠΡΟΕΙΔΟΠΟΙΗΣΗ: Η εκπομπή κραδασμών κατά τη χρήση του ηλεκτρικού εργαλείου σε πραγματικές συνθήκες μπορεί να διαφέρει από τη δηλωμένη τιμή(ές) εκπομπής ανάλογα με τους τρόπους χρήσης του εργαλείου, ιδιαίτερα το είδος του τεμαχίου εργασίας που υπόκειται επεξεργασία.

▲ ΠΡΟΕΙΔΟΠΟΙΗΣΗ: Φροντίστε να λάβετε τα κατάλληλα μέτρα προστασίας του χειριστή βάσει ενός υπολογισμού της έκθεσης σε πραγματικές συνθήκες χρήσης (λαμβάνοντας υπόψη όλες τις συνιστώσες του κύκλου λειτουργίας όπως τους χρόνους που το εργαλείο είναι εκτός λειτουργίας και όταν βρίσκεται σε αδρανή λειτουργία πέραν του χρόνου ενεργοποίησης).

Δήλωση Συμμόρφωσης

Μόνο για χώρες της Ευρώπης

Οι Δήλώσεις Συμμόρφωσης περιλαμβάνονται στο Παράρτημα Α στο παρόν εγχειρίδιο οδηγιών.

ΠΡΟΕΙΔΟΠΟΙΗΣΕΙΣ ΑΣΦΑΛΕΙΑΣ

Γενικές προειδοποιήσεις ασφαλείας για το ηλεκτρικό εργαλείο

▲ ΠΡΟΕΙΔΟΠΟΙΗΣΗ Διαβάστε όλες τις προειδοποιήσεις ασφαλείας, οδηγίες, εικονογραφήσεις και προδιαγραφές που παρέχονται με αυτό το ηλεκτρικό εργαλείο. Η μη τήρηση όλων των οδηγιών που αναγράφονται κατωτέρω μπορεί να καταλήξει σε ηλεκτροπληξία, πυρκαγιά ή/και σοβαρό τραυματισμό.

Φυλάξτε όλες τις προειδοποιήσεις και τις οδηγίες για μελλοντική παραπομπή.

Στις προειδοποιήσεις, ο όρος «ηλεκτρικό εργαλείο» αναφέρεται σε ηλεκτρικό εργαλείο που τροφοδοτείται από την κύρια παροχή ηλεκτρικού ρεύματος (με ηλεκτρικό καλώδιο) ή σε ηλεκτρικό εργαλείο που τροφοδοτείται από μπαταρία (χωρίς ηλεκτρικό καλώδιο).

Προειδοποιήσεις ασφαλείας για το καρότσι με μπαταρία

- Κατά τη λειτουργία του μηχανήματος, να φοράτε πάντα αντιολισθητικά και προστατευτικά υποδήματα.** Οι αντιολισθητικές, κλειστές μπότες και παπούτσια ασφαλείας θα μειώσουν τον κίνδυνο τραυματισμού.
- Επιθεωρήστε τη διαδρομή πριν τη μεταφορά αντικειμένων/υλικών.** Αν εξοικειωθείτε με τη διαδρομή και εξασφαλίστε ότι είναι αρκετά πλατιά για να μεταφέρετε με ασφάλεια το μηχάνημα υπό φορτίο, θα συμβάλλετε στη μείωση της απώλειας ελέγχου του μηχανήματος.
- Να είστε πολύ προσεκτικοί σε ολισθηρό, χαλαρό και ασταθές έδαφος.** Οι υγρές και ολισθηρές επιφάνειες, όπως περιοχές με βρεγμένο γρασίδι, χιόνι ή πάγο, και το χαλαρό και ασταθές έδαφος, όπως επιφάνειες με άμμο ή χαλίκια, μπορεί να προκαλέσουν την απώλεια πρόσφυσης και μπορεί να επηρεάσουν δυσμενώς την διεύθυνση, πέδηση και ευστάθεια.
- Μη χειρίζεστε το μηχάνημα σε υπερβολικά μεγάλες κλίσεις.** Αυτό μειώνει τον κίνδυνο για απώλεια ελέγχου, ολισθησης και πτώσης, τα οποία μπορούν να έχουν ως αποτέλεσμα προσωπικό τραυματισμό. Οι ανηφόρες με μεγαλύτερη κλίση από τη μέγιστη συνιστώμενη κλίση και οι πλαγιές μπορεί να αυξήσουν τον κίνδυνο αστάθειας και μπορεί να επηρεάσουν δυσμενώς την ικανότητα της ασφαλούς ακινητοποίησης.
- Όταν εργάζεστε υπό κλίση, να είστε πάντα σίγουροι για το πάτημά σας, να εργάζεστε πάντα κατά πλάτος της πρόσφυσης της κλίσης, ποτέ προς τα πάνω ή κάτω, και να προσέχετε ιδιαίτερα όταν αλλάζετε κατεύθυνση.** Αυτό μειώνει τον κίνδυνο για απώλεια ελέγχου, ολισθησης και πτώσης, τα οποία μπορούν να έχουν ως αποτέλεσμα προσωπικό τραυματισμό.

6. **Όταν είναι δυνατό, να χρησιμοποιείτε επίπεδες περιοχές για την ακινητοποίηση, τη φόρτωση και την εκφόρτωση και ποτέ να μην αφήνετε το μηχανήμα ανεπιτήρητο επάνω σε κλίση.** Το μηχανήμα είναι πιο ασταθές όταν είναι ακινητοποιημένο σε κλίση παρά όταν είναι ακινητοποιημένο σε επίπεδη επιφάνεια.
 7. **Όταν αφήνετε το μηχανήμα χωρίς επιτήρηση, ενεργοποιήστε το φρένο στάθμευσης όταν το μηχανήμα βρίσκεται σε μια περιοχή που είναι ασφαλή για ακινητοποίηση.** Το φρένο στάθμευσης εμποδίζει την ανεπιθύμητη κίνηση του μπροστινού τροχού και μπορεί να βελτιώσει την ευστάθεια.
 8. **Βεβαιωθείτε ότι οι ράμπες είναι καθαρές, δυνατές και ασφαλισμένες.** Προκειμένου να μειωθεί ο κίνδυνος τραυματισμού, δεν πρέπει να υπάρχουν ελεύθερα σκουπίδια επάνω στις ράμπες και οι ράμπες πρέπει να αντέχουν το βάρος των αναμενόμενων φορτίων που θα μεταφερθούν επάνω σε αυτές. Πρέπει να υπάρχουν επαρκείς τάκοι κάτω από αυτές αλλά και στα δύο πλάι, για να εξελιφθούν οι παρεκτροπές και οι πλάινη κίνηση υπό φορτίο. Όλες οι ράμπες πρέπει να είναι αρκετά πλατιές για να είναι ασφαλές το πάτημα σε αυτές κατά τη μεταφορά φορτίων επάνω τους.
 9. **Βεβαιωθείτε ότι όλες οι βίδες ασφάλισης είναι καλά ασφαλισμένες πριν από τη χρήση.** Οι βίδες ασφάλισης στους πίσω τροχούς και στο μπροστινό μέρος και πλάινα τοιχώματα ενός φορέα ανοικτού τύπου πρέπει να είναι ασφαλισμένες για να αποτρέπεται η ανεπιθύμητη κίνηση αυτών των ρυθμιζόμενων μερών του μηχανήματος.
 10. **Μη χειρίζεστε ποτέ το μηχανήμα σε συνθήκες υπερφόρτωσης.** Βεβαιωθείτε ότι το μηχανήμα έχει τη σωστή ονομαστική ικανότητα για τα αντικείμενα ή τα υλικά που πρέπει να μεταφερθούν. Τα υπερβολικά φορτία θα δυσχεραίνουν το χειρισμό και την ακινητοποίηση του μηχανήματος, θα αυξήσουν το χρόνο και την απόσταση ακινητοποίησης και θα αυξήσουν τον κίνδυνο αστάθειας.
 11. **Μη χειρίζεστε ποτέ το μηχανήμα σε συνθήκες υπερβολικής στοίβαξης.** Η στοίβαξη υλικού πάνω από το χείλος του δίσκου ή πέρα από τα πλάινα του δίσκου μπορεί να προκαλέσει την ανεξέλεγκτη απώλεια ισορροπίας και ελέγχου του μηχανήματος.
 12. **Χρησιμοποιήστε δοχεία και προσδέσεις για να ασφαλίσετε τα φορτία.** Τα χαλαρά ή/και μη ασφαλισμένα φορτία είναι πιο πιθανό να μεταοπιστούν, γεγονός που μπορεί να έχει ως αποτέλεσμα την απώλεια της σταθερότητας και του ελέγχου.
 13. **Να διατηρείτε πάντα καλό κράτημα των χειρολαβών.** Η απώλεια του ελέγχου αυξάνει τον κίνδυνο για προσωπικό τραυματισμό.
 14. **Να αφαιρείτε το κλειδί ασφαλείας όταν δεν το χρησιμοποιείτε.** Το κλειδί ασφαλείας αποτρέπει την ανεπιθύμητη ηλεκτροδοτούμενη χρήση του μηχανήματος, όπως από παιδιά ή άλλα μη εκπαιδευμένα ή μη εξουσιοδοτημένα άτομα. Χωρίς κλειδί, δεν είναι δυνατή η ενεργοποίηση της ηλεκτρικής παροχής.
 15. **Το μηχανήμα αυτό δεν μπορεί να χρησιμοποιηθεί σε δημόσιους δρόμους.** Η χρήση του καρτσιού σε δημόσιο δρόμο είναι παράνομη και ενδέχεται να οδηγήσει στην επιβολή κυρώσεων από τις τοπικές αρχές, ενώ παράλληλα ενδέχεται να προκαλέσει τραυματισμό.
 16. **Χρησιμοποιήστε μια ανθεκτική πλάκα με αντιολισθητική λειτουργία και λειτουργία αποφυγής αποσύνδεσης, κατά τη φόρτωση ή/και την εκφόρτωση αυτού του μηχανήματος για να το μεταφέρετε ή κατά τη μετακίνηση του μηχανήματος μεταξύ διαφορετικών επιπέδων.** Βεβαιωθείτε ότι η κλίση της πλάκας δεν υπερβαίνει τις 12° και λειτουργήστε το μηχανήμα αργά και προσεκτικά. Η ασταθής και γρήγορη λειτουργία ενδέχεται να οδηγήσει σε ανατροπή ή/και πτώση.
 17. **Μην αποσυνδέετε, μην επισκευάζετε ή μην τροποποιείτε αυτό το μηχανήμα.**
- Προτοιμασία**
1. Πριν τη λειτουργία του μηχανήματος, βεβαιωθείτε ότι δεν υπάρχουν άνθρωποι γύρω από το μηχανήμα.
 2. Πριν από τη λειτουργία του μηχανήματος, εκτελέστε τις επιθεωρήσεις που αναφέρονται στην ενότητα για τη συντήρηση.
- Λειτουργία**
1. Κατά τη λειτουργία του μηχανήματος, σταθείτε πίσω από το μηχανήμα και κρατήστε καλά τις χειρολαβές με τα δύο χέρια.
 2. Μη χειρίζεστε το μηχανήμα ενώ κάθεστε επάνω στο μηχανήμα και σας μεταφέρει.
 3. Μην επιτρέπετε σε άλλους να κάθονται επάνω στο μηχανήμα για να τους μεταφέρει.
 4. Όταν χειρίζεστε το μηχανήμα με την όπισθεν και περπατάτε προς τα πίσω, να κοιτάτε πίσω σας και να προσέχετε το βήμα σας, ώστε να μη γλιστρήσετε ή σκοντάψετε.
 5. Μη χρησιμοποιείτε το μηχανήμα όταν η ορατότητα είναι κακή επειδή υπάρχει κίνδυνος σύγκρουσης με εμπόδια.
 6. Όταν χρησιμοποιείτε το μηχανήμα σε ανώμαλο έδαφος ή περνάτε κάποιο κράσπεδο στο δρόμο, μειώστε την ταχύτητα και προσέχετε πολύ.
 7. Όταν χρησιμοποιείτε το μηχανήμα, να αποφεύγετε το μαλακό έδαφος για να αποτρέψετε την ανατροπή εξαιτίας της κατάρριψης της άκρης του δρόμου.
 8. Μη χειρίζεστε το μηχανήμα σε κλίσεις μεγαλύτερες από 12°.
 9. Αν συναντήσετε κάποια ανωμαλία, ακινητοποιήστε το μηχανήμα σε επίπεδο έδαφος. Πριν επιθεωρήσετε το μηχανήμα, ασφαλίστε τον μοχλό φρένου και, στη συνέχεια, απενεργοποιήστε την ισχύ.
 10. Πριν θέσετε το μηχανήμα σε λειτουργία, βεβαιωθείτε ότι η χειρολαβή της μονάδας ρίψης είναι πλήρως τραβηγμένη προς τα κάτω και εντελώς ασφαλισμένη. Αν η ασφάλιση είναι ελλειπής, υπάρχει κίνδυνος ατυχήματος ή τραυματισμού επειδή ο φορέας ή ο κάδος μπορεί να βρισκονται υπό κλίση και να πέσουν τα αντικείμενα στην κατηφόρα.
 11. Όταν χρησιμοποιείτε το μηχανήμα κοντά σε τοίχους, προσέχετε να μην πιάσετε τα χέρια σας μεταξύ της χειρολαβής και του τοίχου.
 12. Μην χρησιμοποιείτε το μηχανήμα σε άσχημες καιρικές συνθήκες, ειδικά όταν υπάρχει κίνδυνος κεραυνών. Αυτό μειώνει τον κίνδυνο να χτυπηθείτε από κεραυνό.
 13. Μην αγγίζετε τα μεταλλικά εξαρτήματα κατά τη διάρκεια της χρήσης ή μετά τη χρήση επειδή μπορεί να έχουν ζεσταθεί αρκετά λόγω του ήλιου για να προκαλέσουν έγκαυμα.

14. Προσέχετε να μην μπλέξετε τα καλώδια με το φορτίο ή εμπόδια.
15. Όταν περνάτε μια ξύλινη γέφυρα, κτλ., βεβαιωθείτε ότι το άθροισμα του βάρους του προιόντος, ή χωρητικότητα φορτίου και το βάρος χειριστή δεν ξεπερνάει το όριο βάρους της γέφυρας, και να περνάτε τη γέφυρα προσεκτικά με σταθερή ταχύτητα.
16. Φοράτε γάντια όταν χρησιμοποιείτε το μηχάνημα σε περιβάλλοντα με χαμηλή θερμοκρασία. Αν αγγίξετε τα μεταλλικά εξαρτήματα με γυμνά χέρια, μπορεί να κολλήσουν επάνω τους τα χέρια σας.
17. Αν υπάρχουν άνθρωποι ή εμπόδια στην κατεύθυνση πορείας, αποφεύγετε τους εκ των προτέρων.
18. Μην σηκώνετε αντικείμενα απευθείας με τον φορέα ή κάδο. Αν το κάνουν αυτό, μπορεί να προκληθεί ζημιά στο μηχάνημα και ατύχημα.
19. Όταν χρησιμοποιείτε το μηχάνημα σε λασπώδη έδαφος, βρεγμένες κλίσεις ή ολισθηρό μέρος, να προσέχετε το πάτημά σας.
20. Μην βυθίζετε το μηχάνημα σε λακούβα.
21. Όταν αφήνετε το μηχάνημα ενώ λειτουργεί, φροντίστε να επιστρέψετε εντελώς τη μονάδα ρίψης στην αρχική θέση της, καθώς και να ασφαλίσετε τον μοχλό φρένου και να βγάλετε το κλειδί ασφάλισης.
22. Μην αφήνετε το μηχάνημα χωρίς επίβλεψη ενώ υπάρχουν αντικείμενα φορτωμένα στον φορέα ή στον κάδο.

Λειτουργία σε κλίσεις

1. Μην προσπερνάτε επάνω σε κλίσεις.
2. Σταματήστε πριν από μια κατηφόρα και βεβαιωθείτε να μειώσετε ταχύτητα και να προσέχετε πολύ.
3. Αν η ταχύτητα είναι πολύ μεγάλη όταν ταξιδεύετε σε μια κατηφόρα, παράγεται ένας χαρακτηριστικός ήχος. Σε αυτή την περίπτωση, επιβραδύνετε με τη χρήση του φρένου.
4. Να προσέχετε όταν ξεκινάτε ή σταματάτε το μηχάνημα επάνω σε κλίσεις.
5. Καθώς τα φορτία γίνονται λιγότερο σταθερά στις κλίσεις, ασφαλίστε καλά τα φορτία με σκοινιά.
6. Επειδή το μηχάνημα γίνεται ασταθές, ανάλογα με την κατάσταση του δρόμου, διατηρήστε το φορτίο στο ελάχιστο.
7. Επειδή η ορατότητα εμποδίζεται στις κλίσεις, να διατηρείτε το ύψος του φορτίου στο ελάχιστο.
8. Μην σταματάτε ποτέ το μηχάνημα σε κλίσεις. Σταματήστε το μηχάνημα σε επίπεδο έδαφος, ασφαλίστε τον μοχλό φρένου και, στη συνέχεια, απενεργοποιήστε την ισχύ.
9. Μην αλλάξετε την κατεύθυνση ή ταχύτητα όταν βρίσκεστε σε απότομες κλίσεις.
10. Μην ελευθερώσετε τη σκανδάλη διακόπτη σε ανηφόρες. Το μηχάνημα μπορεί να μεταβεί στην όπισθεν και να προκαλέσει ατύχημα.
11. Βεβαιωθείτε ότι η υπόλοιπη χωρητικότητα μπαταρίας είναι αρκετή πριν τη λειτουργία σε κλίσεις. Αν η εναπομένουσα χωρητικότητα μπαταρίας δεν είναι αρκετή, φορτίστε την μπαταρία ή αντικαταστήστε τη με μια φορτισμένη.

12. Όταν εκκινείτε το μηχάνημα σε κλίσεις, μην τοποθετείτε το πόδι σας πίσω από τον πίσω τροχό επειδή το μηχάνημα μετακινείται προς τα πίσω λίγα εκατοστά.

Φόρτωση αντικειμένων

1. Μην υπερφορτώνετε αντικείμενα. Όταν φορτώνετε αντικείμενα, βεβαιωθείτε ότι ακολουθείτε τις οδηγίες και τα όρια φορτίου που αναφέρονται στο εγχειρίδιο.
2. Επειδή όσο μεγαλύτερο είναι το φορτίο τόσο πιο δύσκολη είναι η χρήση του μηχανήματος, διατηρήστε το φορτίο εντός του αποδεκτού εύρους ώστε να μην επηρεάζει τη λειτουργία.
3. Ασφαλίστε καλά τα αντικείμενα με σκοινιά.
4. Φορτώστε τα αντικείμενα εντός του φορέα ή κάδου. Αν τα αντικείμενα προεξέχουν από το φορέα ή τον κάδο, υπάρχει κίνδυνος ατυχημάτων εξαιτίας της πτώσης αντικειμένων ή της επαφής με εμπόδια, όπως τοίχοι.
5. Βεβαιωθείτε ότι τα φορτωμένα αντικείμενα βρίσκονται κάτω από το επίπεδο του ματιού. Αν το φορτίο είναι πολύ υψηλό, είναι επικίνδυνο επειδή η ορατότητα εμποδίζεται. Επίσης, υπάρχει κίνδυνος ανατροπής και τραυματισμού επειδή είναι πιθανό το φορτίο να μην είναι ισορροπημένο.
6. Φορτώστε τα αντικείμενα στον φορέα ή στον κάδο ομοιόμορφα. Αν τα αντικείμενα φορτωθούν ανομοιόμορφα, υπάρχει κίνδυνος ανατροπής και τραυματισμού επειδή είναι πιθανό το φορτίο να μην είναι ισορροπημένο.
7. Πριν φορτώσετε αντικείμενα ή θέσετε το μηχάνημα σε λειτουργία, βεβαιωθείτε ότι η χειρολαβή της μονάδας ρίψης είναι πλήρως τραβηγμένη προς τα κάτω και εντελώς ασφαλισμένη.
8. Βεβαιωθείτε να φορτώνετε πρώτα τα βαριά αντικείμενα για να διατηρείτε την ισορροπία.
9. Μην προεκτείνετε τα μπροστινά και πλαϊνά κάγκελα σε απότομες κλίσεις. Προεκτείνετε τα πλαϊνά κάγκελα όταν είναι φορτωμένα ελαφριά αντικείμενα.
10. Όταν προεκτείνετε τα μπροστινά και πλαϊνά κάγκελα, μην τα προεκτείνετε πέρα από το όριο προέκτασης. Βεβαιωθείτε να προεκτείνετε τα πλαϊνά κάγκελα με τρόπο ώστε το δεξί και το αριστερό πλαϊνό να είναι το ίδιο μήκος, και να φορτώνετε τα αντικείμενα ομοιόμορφα.
11. Να φορτώνετε και να εκφορτώνετε αντικείμενα σε επίπεδο έδαφος. Μην φορτώνετε ή εκφορτώνετε ποτέ αντικείμενα σε κλίση.
12. Όταν ανυψώνετε και γείρετε το φορέα ή τον κάδο, να κρατάτε καλά τις χειρολαβές και το πλαίσιο και να εργάζεστε με μια σταθερή στάση.

Μεταφορά του μηχανήματος

1. Χρησιμοποιήστε τα κάγκελα σκάλας που έχουν μήκος τουλάχιστον 4 φορές μεγαλύτερο από το ύψος της κλίνης φορτηγού, με στερεώσεις κατάλληλες για την κλίση, με αντιολισθητική επιφάνεια, επαρκή πλάτος και αντοχή στο βάρος του μηχανήματος και χειριστή. Διαβάστε προσεκτικά το εγχειρίδιο οδηγιών των κάγκελων σκάλας πριν από τη χρήση.
2. Πριν τη φόρτωση του μηχανήματος, εκφορτώστε όλα τα αντικείμενα από το μηχάνημα και αφαιρέστε τη λάσπη και τα άλλα απορρίμματα από τα ελαστικά. Τοποθετήστε τα κάγκελα σκάλας σε μια επίπεδη και σταθερή επιφάνεια.

3. Πριν τη φόρτωση ή εκφόρτωση του μηχανήματος, βεβαιωθείτε ότι δεν υπάρχουν άνθρωποι γύρω από το μηχάνημα και τα κάγκελα σκάλας. Να φορτώνετε ή να εκφορτώνετε το μηχάνημα με χαμηλή ταχύτητα, προσέχοντας να μην πέσει το μηχάνημα από τα κάγκελα σκάλας και να μην χτυπήσετε το κεφάλι σας στην οροφή του φορητού. Προσέχετε πολύ όταν φορτώνετε ή εκφορτώνετε το μηχάνημα προς τα πίσω.
4. Όταν μεταφέρετε το μηχάνημα, να ασφαλίσετε τον μοχλό φρένου, να απενεργοποιείτε την ισχύ, να αφαιρείτε τις μπαταρίες και το κλειδί ασφάλισης και να στερεώνετε το μηχάνημα με ασφάλεια.

Συντήρηση και αποθήκευση

1. Πριν την αποθήκευση ή πριν προσπαθήσετε να εκτελέσετε εργασίες επιθεώρησης ή συντήρησης, να βεβαιώνετε πάντα να ασφαλίσετε το μηχάνημα σε επίπεδο έδαφος, να ασφαλίσετε τον μοχλό φρένου, να απενεργοποιείτε το μηχάνημα και να αφαιρείτε το κλειδί ασφάλισης και τις κασέτες μπαταριών.
2. Μην αφήνετε το μηχάνημα χωρίς επιτήρηση σε εξωτερικούς χώρους στη βροχή.
3. Όταν αποθηκεύετε το μηχάνημα, να αποφεύγετε την άμεση ηλιοβολή και τη βροχή, και να το αποθηκεύσετε σε ένα μέρος όπου δεν υπάρχει πολύ ζέση και υγρασία.
4. Αυτό το μηχάνημα είναι εξοπλισμένο με υδραυλική μονάδα στην κάτω πλευρά της μονάδας ρίψης για να δίνει αυτόματα κλίση στη μονάδα ρίψης. Μην τροποποιήσετε την υδραυλική μονάδα και μην χαλαρώσετε τα μπουλόνια στερέωσης της μονάδας ή τις βίδες ρύθμισης της ανακουφιστικής βαλβίδας. Είναι πολύ επικίνδυνο και μπορεί να προκληθούν ατυχήματα ή δυσλειτουργίες.

Χρήση και φροντίδα μπαταριών

1. Να επαναφορτίζετε τις μπαταρίες μόνο με το φορτιστή που καθορίζεται από τον κατασκευαστή. Ένας φορτιστής που είναι κατάλληλος για μια συγκεκριμένη μπαταρία μπορεί να δημιουργήσει κίνδυνο πυρκαγιάς όταν χρησιμοποιείται με μια άλλη μπαταρία.
2. Να χρησιμοποιείτε ηλεκτρικά εργαλεία μόνο με ειδικά καθορισμένες μπαταρίες. Η χρήση κάθε άλλης μπαταρίας μπορεί να δημιουργήσει κίνδυνο τραυματισμού ή πυρκαγιάς.
3. Όταν δεν χρησιμοποιείται η κασέτα μπαταριών, διατηρήστε τη μακριά από άλλα μεταλλικά αντικείμενα, όπως συνδετήρες, κέρματα, κλειδιά, καρφιά, βίδες ή άλλα μικρά μεταλλικά αντικείμενα, με τα οποία μπορεί να δημιουργηθεί σύνδεση από τον έναν ακροδέκτη στον άλλον. Το βραχυκύκλωμα των ακροδεκτών της μπαταρίας μπορεί να προκαλέσει εγκαύματα ή πυρκαγιά.
4. Υπό συνθήκες κατάχρησης, μπορεί να ελαχίστε υγρό από την μπαταρία. Να αποφεύγετε την επαφή. Εάν συμβεί επαφή κατά λάθος, εκπλύνετε με νερό. Εάν το υγρό έρθει σε επαφή με τα μάτια, αναζητήστε και ιατρική βοήθεια. Το υγρό που εξάγεται από την μπαταρία μπορεί να προκαλέσει ερεθισμό ή εγκαύματα.
5. Μην χρησιμοποιείτε μια κασέτα μπαταριών ή εργαλείο που έχει καταστραφεί ή τροποποιηθεί. Οι καταστραμμένες ή τροποποιημένες μπαταρίες μπορεί να παρουσιάσουν απρόβλεπτη συμπεριφορά που έχει ως αποτέλεσμα πυρκαγιά, έκρηξη ή κίνδυνο τραυματισμού.

6. Μην εκθέτετε την κασέτα μπαταριών ή το εργαλείο σε πυρκαγιά ή υπερβολικά υψηλή θερμοκρασία. Η έκθεση στην πυρκαγιά ή στη θερμοκρασία άνω των 130 °C μπορεί να προκαλέσει έκρηξη.
7. Ακολουθήστε όλες τις οδηγίες φόρτισης και μην φορτίσετε την κασέτα μπαταριών ή το εργαλείο εκτός του θερμοκρασιακού εύρους που καθορίζεται στις οδηγίες. Η λανθασμένη φόρτιση ή η φόρτιση σε θερμοκρασίες εκτός του καθορισμένου εύρους μπορεί να προκαλέσει ζημιά στην μπαταρία και να αυξήσει τον κίνδυνο πυρκαγιάς.

Ηλεκτρική ασφάλεια και ασφάλεια μπαταρίας

1. Μην απορρίπτετε την μπαταρία(ίες) στη φωτιά. Το καλί μπορεί να εκραγεί. Συμβουλευτείτε τους τοπικούς κώδικες για πιθανές ειδικές οδηγίες απόρριψης.
2. Μην απορρίπτετε και μην καταστρέψετε την μπαταρία(ίες). Ο ηλεκτρολύτης που εκλύεται είναι διαβρωτικός και μπορεί να προκαλέσει ζημιά στα μάτια ή στο δέρμα. Σε περίπτωση κατάπτωσης, μπορεί να είναι τοξικό.
3. Μην φορτίζετε την μπαταρία στη βροχή, αλλά ούτε σε υγρές τοποθεσίες.
4. Μην φορτίζετε τη μπαταρία σε εξωτερικό χώρο.
5. Μην χειρίζεστε τον φορτιστή, συμπεριλαμβανομένου του φινι φορτιστή, και τους ακροδέκτες φορτιστή με βρεγμένα χέρια.
6. Μην αλλάζετε την μπαταρία στη βροχή.
7. Μην βρέχετε τον πόλο της μπαταρίας με υγρό, όπως το νερό, και μη βυθίζετε την μπαταρία σε υγρό. Μην αφήνετε την μπαταρία στη βροχή, και μην φορτίζετε, χρησιμοποιείτε ή αποθηκεύετε την μπαταρία σε υγρό ή βρεγμένο μέρος. Αν ο πόλος βρεχτεί ή εισέλθει υγρό στο εσωτερικό της μπαταρίας, η μπαταρία μπορεί να βραχυκυκλώσει και να υπάρξει κίνδυνος υπερθέρμανσης, πυρκαγιάς ή έκρηξης.
8. Αφού αφαιρέσετε την μπαταρία από το μηχάνημα ή τον φορτιστή, φροντίστε να συνδέσετε το κάλυμμα μπαταριών στην μπαταρία και να την αποθηκεύσετε σε στεγνό μέρος.
9. Μην αλλάζετε την μπαταρία με βρεγμένα χέρια.
10. Να αποφεύγετε να επικίνδυνο περιβάλλοντα. Μην χρησιμοποιείτε το μηχάνημα σε υγραμένο ή υγρό χώρο ούτε να το εκθέτετε στη βροχή. Η εισοδος νερού στο μηχάνημα μπορεί να αυξήσει τον κίνδυνο πρόκλησης ηλεκτροπληξίας.
11. Αν η κασέτα μπαταριών βραχεί, αποστραγγίστε το νερό από το εσωτερικό και μετά σκουπίστε την με ένα στεγνό πανί. Στεγνώστε την κασέτα μπαταριών εντελώς σε ένα στεγνό μέρος πριν τη χρησιμοποιήσετε.

ΦΥΛΑΞΤΕ ΤΙΣ ΟΔΗΓΙΕΣ ΑΥΤΕΣ.

▲ΠΡΟΕΙΔΟΠΟΙΗΣΗ: ΜΗΝ επιτρέψετε το βαθμό άνεσης ή εξοικείωσης με το προϊόν (λόγω επανειλημμένης χρήσης) να αντικαταστήσει την αυστηρή τήρηση των κανόνων ασφαλείας του παρόντος εργαλείου. Η ΛΑΝΘΑΣΜΕΝΗ ΧΡΗΣΗ ή η αμέλεια να ακολουθήσετε τους κανόνες ασφαλείας που διατυπώνονται στο παρόν χειρίδιο οδηγιών μπορεί να προκαλέσει σοβαρό προσωπικό τραυματισμό.

Σημαντικές οδηγίες ασφάλειας για κασέτα μπαταριών

1. Πριν χρησιμοποιήσετε την κασέτα μπαταριών, διαβάστε όλες τις οδηγίες και σημειώσεις προφύλαξης (1) στον φορτιστή μπαταριών, (2) στην μπαταρία και (3) στο προϊόν που χρησιμοποιεί την μπαταρία.
2. Μην απουναρμολογήσετε ή παραβιάσετε την κασέτα μπαταριών. Μπορεί να έχει ως αποτέλεσμα πυρκαγιά, υπερθέρμανση ή έκρηξη.
3. Εάν ο χρόνος λειτουργίας έχει γίνει υπερβολικά βραχύς, σταματήστε τη λειτουργία αμέσως. Αλλιώς, μπορεί να έχει ως αποτέλεσμα κίνδυνο υπερθέρμανσης, πιθανά εγκαύματα ή ακόμη και έκρηξη.
4. Εάν ηλεκτρολύτης μπει στα μάτια σας, ξεπλύνετε τα με καθαρό νερό και ζητήστε ιατρική φροντίδα αμέσως. Αλλιώς, μπορεί να έχει ως αποτέλεσμα απώλεια της όρασης σας.
5. Μην βραχυκυκλώνετε την κασέτα μπαταριών:
 - (1) Μην αγγίζετε τους πόλους με οτιδήποτε αγώγιμο υλικό.
 - (2) Αποφεύγετε να αποθηκεύετε την κασέτα μπαταριών μέσα σε ένα δοχείο μαζί με άλλα μεταλλικά αντικείμενα όπως καρφιά, νομίσματα, κλπ.
 - (3) Μην εκθέτετε την κασέτα μπαταριών στο νερό ή στη βροχή.Ένα βραχυκύκλωμα μπαταρίας μπορεί να προκαλέσει μεγάλη ροή ρεύματος, υπερθέρμανση, πιθανά εγκαύματα ακόμη και σοβαρή βλάβη.
6. Μην αποθηκεύετε και μην χρησιμοποιείτε το εργαλείο και την κασέτα μπαταριών σε τοποθεσίες όπου η θερμοκρασία μπορεί να φτάσει ή να ξεπεράσει τους 50°C.
7. Μην καίτε την κασέτα μπαταριών ακόμη και εάν έχει σοβαρή ζημιά ή είναι εντελώς φθαρμένη. Η κασέτα μπαταριών μπορεί να εκραγεί στη φωτιά.
8. Μην καρφώσετε, κόψετε, συνθλίψετε, πετάξετε ή ρίξετε κάτω την κασέτα μπαταριών, ούτε να χτυπήσετε ένα σκληρό αντικείμενο επάνω στην κασέτα μπαταριών. Τέτοια συμπεριφορά μπορεί να έχει ως αποτέλεσμα πυρκαγιά, υπερθέρμανση ή έκρηξη.
9. Μην χρησιμοποιείτε μπαταρία που έχει υποστεί ζημία.
10. Οι μπαταρίες ιόντων λιθίου που περιέχονται υπόκεινται στις απαιτήσεις της νομοθεσίας για επικίνδυνα αγαθά.

Για εμπορικές μεταφορές, για παράδειγμα από τρίτα μέρη, πρέπει να τηρούνται οι διαμεταφορές, οι ειδικές απαιτήσεις στη συσκευασία και η επισήμανση. Για προετοιμασία του στοιχείου που αποστέλλεται, είναι απαραίτητο να συμβουλευτείτε έναν ειδικό για επικίνδυνα υλικά. Επίσης, τηρήστε τους πιθανούς, πιο αναλυτικούς εθνικούς κανονισμούς. Καλύψτε με αυτοκόλλητη ταινία ή κρύψτε τις ανοικτές επαφές και συσκευάστε την μπαταρία με τρόπο που να μην μπορεί να μετακινείται μέσα στη συσκευασία.
11. Όταν απορρίπτετε την κασέτα μπαταριών, αφαιρέστε την από το εργαλείο και διαθέστε την σε ένα ασφαλές μέρος. Τηρήστε τους τοπικούς κανονισμούς που σχετίζονται με τη διάθεση της μπαταρίας.

12. Χρησιμοποιήστε τις μπαταρίες μόνο με τα προϊόντα που καθορίζει η Makita. Αν τοποθετήσετε τις μπαταρίες σε μη συμβατά προϊόντα μπορεί να έχει ως αποτέλεσμα πυρκαγιά, υπερβολική θερμότητα, έκρηξη ή διαρροή ηλεκτρολύτη.
13. Αν δεν χρησιμοποιείτε το εργαλείο για μεγάλο χρονικό διάστημα, πρέπει να βγάλετε την μπαταρία από το εργαλείο.
14. Κατά τη διάρκεια και μετά τη χρήση, η κασέτα μπαταριών μπορεί να θερμανθεί, γεγονός που μπορεί να προκαλέσει εγκαύματα ή εγκαύματα από χαμηλή θερμοκρασία. Προσέχετε το χειρισμό των ζεστών κασετών μπαταριών.
15. Μην αγγίζετε τον ακροδέκτη του εργαλείου αμέσως μετά τη χρήση επειδή μπορεί να έχει ζεσταθεί αρκετά για να προκαλέσει εγκαύματα.
16. Μην αφήνετε θραύσματα, σκόνη ή βρομιά να κολλήσει στους ακροδέκτες, τις οπές και τις εγκοπές της κασέτας μπαταριών. Μπορεί να προκαλέσει θέρμανση, φωτιά, έκρηξη και δυσλειτουργία του εργαλείου ή της κασέτας μπαταριών, έχοντας ως αποτέλεσμα εγκαύματα ή προσωπικό τραυματισμό.
17. Εκτός αν το εργαλείο υποστηρίζει τη χρήση κοντά σε ηλεκτρικές γραμμές υψηλής τάσης, μην χρησιμοποιείτε την κασέτα μπαταριών κοντά σε ηλεκτρικές γραμμές υψηλής τάσης. Μπορεί να έχει ως αποτέλεσμα δυσλειτουργία ή στάσιμο του εργαλείου ή της κασέτας μπαταριών.
18. ΚρΦυλάξτε την μπαταρία μακριά από παιδιά.

ΦΥΛΑΞΤΕ ΤΙΣ ΟΔΗΓΙΕΣ ΑΥΤΕΣ.

▲ΠΡΟΣΟΧΗ: Να χρησιμοποιείτε μόνο γνήσιες μπαταρίες της Makita. Η χρήση μη γνήσιων μπαταριών Makita, ή μπαταριών που έχουν τροποποιηθεί, μπορεί να έχει ως αποτέλεσμα τη ρήξη της μπαταρίας, προκαλώντας πυρκαγιά, προσωπικό τραυματισμό και βλάβη. Επίσης, θα ακυρωθεί η εγγύηση της Makita για το εργαλείο και φορτιστή Makita.

Συμβουλές για τη διατήρηση της μέγιστης ζωής μπαταρίας

1. Φορτίζετε την κασέτα μπαταριών πριν από την πλήρη αποφόρτίσή της. Πάντοτε να σταματάτε τη λειτουργία του εργαλείου και να φορτίζετε την κασέτα μπαταριών όταν παρατηρείτε μειωμένη ισχύ εργαλείου.
2. Ποτέ μην επαναφορτίζετε μια πλήρως φορτισμένη κασέτα μπαταριών. Η υπερφόρτιση μειώνει την ωφέλιμη ζωή της μπαταρίας.
3. Να φορτίζετε την κασέτα μπαταριών σε θερμοκρασία δωματίου, δηλαδή στους 10 °C έως 40 °C. Αφήστε μια θερμή κασέτα μπαταριών να κρυώσει πριν την φορτίσετε.
4. Όταν δεν χρησιμοποιείτε την κασέτα μπαταριών, αφαιρέστε την από το εργαλείο ή τον φορτιστή.
5. Να φορτίζετε την κασέτα μπαταριών εάν δεν τη χρησιμοποιείτε για μεγάλη χρονική περίοδο (περισσότερο από έξι μήνες).

ΠΕΡΙΓΡΑΦΗ ΕΞΑΡΤΗΜΑΤΩΝ

Όταν είναι τοποθετημένος ο κάδος

► Εικ.1

1	Διακόπτης κλίσης	2	Πίνακας ελέγχου	3	Κουμπί κόρνας	4	Σκανδάλη διακόπτης
5	Πίσω λάμπα	6	Χειρολαβή	7	Κουτί μπαταριών	8	Μοχλός φρένου
9	Πίσω τροχός	10	Ασφάλιση πίσω τροχού	11	Μοχλός ασφάλισης	12	Μονάδα ρίψης
13	Μπροστινός τροχός	14	Μπροστινή λάμπα	15	Κάδος	-	-

Όταν είναι τοποθετημένος ο φορέας

► Εικ.2

1	Διακόπτης κλίσης	2	Πίνακας ελέγχου	3	Κουμπί κόρνας	4	Σκανδάλη διακόπτης
5	Πίσω λάμπα	6	Χειρολαβή	7	Κουτί μπαταριών	8	Μοχλός φρένου
9	Πίσω τροχός	10	Ασφάλιση πίσω τροχού	11	Μοχλός ασφάλισης	12	Μπροστινός τροχός
13	Μπροστινή λάμπα	14	Φορέας	-	-	-	-

ΣΥΝΑΡΜΟΛΟΓΗΣΗ

▲ ΠΡΟΣΟΧΗ: Να βεβαιώνετε πάντα ότι το μηχάνημα είναι σβηστό και η κασέτα μπαταριών έχει αφαιρεθεί πριν εκτελέσετε κάποια εργασία στο μηχάνημα.

Πριν εγκαταστήσετε ή αφαιρέσετε τον φορέα ή τον κάδο, βεβαιωθείτε να ασφαλίσετε τον μοχλό φρένου. Για να ασφαλίσετε τον μοχλό φρένου, τραβήξτε και κρατήστε τον μοχλό φρένου, μετά τραβήξτε τον μοχλό ασφάλισης και μετά αφήστε τον μοχλό φρένου ενώ τραβάτε τον μοχλό ασφάλισης.

► **Εικ.3:** 1. Μοχλός φρένου 2. Μοχλός ασφάλισης

Τοποθέτηση ή αφαίρεση του κάδου

Τοποθέτηση του κάδου

1. Βγάλτε τον κάδο, τα στηρίγματα και τον μπροστινό σωλήνα από το κουτί.

► **Εικ.4:** 1. Κάδος 2. Στήριγμα 3. Μπροστινός σωλήνας

2. Εισαγάγετε τον μπροστινό σωλήνα μεταξύ του άνω πλαισίου και του κάτω πλαισίου της μονάδας ρίψης.

► **Εικ.5:** 1. Μπροστινός σωλήνας

3. Τοποθετήστε το στήριγμα στη μονάδα ρίψης και, στη συνέχεια, σφίξτε προσωρινά τα μπουλόνια μαζί με τον μπροστινό σωλήνα. Εγκαταστήστε το άλλο στήριγμα στη μονάδα ρίψης με τον ίδιο τρόπο.

► **Εικ.6:** 1. Στήριγμα 2. Μπουλόνι

4. Τοποθετήστε τον κάδο στον μπροστινό σωλήνα και στο αριστερό και το δεξιό στήριγμα.

Τοποθετήστε την ελαστική ροδέλα στην οπή του κάδου και εισαγάγετε το μπουλόνι από το πάνω μέρος. Τοποθετήστε την επίπεδη ροδέλα και το γκρόβερ με τη σειρά στο μπουλόνι και, στη συνέχεια, σφίξτε το παξιμάδι από το κάτω μέρος. Σφίξτε τα υπόλοιπα μπουλόνια και παξιμάδια με τον ίδιο τρόπο.

► **Εικ.7:** 1. Μπουλόνι 2. Ελαστική ροδέλα 3. Επίπεδη ροδέλα 4. Γκρόβερ 5. Παξιμάδι

5. Σφίξτε καλά τα 4 μπουλόνια που σφίξατε προσωρινά στο βήμα 3.

Αφαίρεση του κάδου

Για να αφαιρέσετε τον κάδο, ακολουθήστε τη διαδικασία τοποθέτησης με αντίστροφη σειρά.

Τοποθέτηση ή αφαίρεση του φορέα

Προαιρετικό εξάρτημα

Τοποθέτηση του φορέα

1. Βγάλτε τον φορέα από το κουτί και προσαρτήστε τα πλαϊνά κάγκελα και το μπροστινό κάγκελο στο πλαίσιο βάσης.

► **Εικ.8**

2. Σφίξτε 6 παξιμάδια αντίχειρα, μαζί με τα ελατήρια και ροδέλες, για να στερεώσετε τα κάγκελα.

► **Εικ.9:** 1. Παξιμάδι αντίχειρα 2. Ελατήριο 3. Ροδέλα

3. Τοποθετήστε τον φορέα επάνω στη μονάδα ρίψης.

Εισαγάγετε το μπουλόνι από το πάνω μέρος. Τοποθετήστε την επίπεδη ροδέλα και το γκρόβερ με τη σειρά στο μπουλόνι και, στη συνέχεια, σφίξτε το παξιμάδι από το κάτω μέρος. Σφίξτε τα υπόλοιπα μπουλόνια και παξιμάδια με τον ίδιο τρόπο.

► **Εικ.10:** 1. Μπουλόνι 2. Επίπεδη ροδέλα 3. Γκρόβερ 4. Παξιμάδι

Αφαίρεση του φορέα

Για να αφαιρέσετε τον φορέα, ακολουθήστε τη διαδικασία τοποθέτησης με αντίστροφη σειρά.

ΠΕΡΙΓΡΑΦΗ ΛΕΙΤΟΥΡΓΙΑΣ

ΠΡΟΣΟΧΗ: Να φροντίζετε πάντα για την απενεργοποίηση του μηχανήματος και την αφαίρεση της κασέτας μπαταρίας, πριν από οποιαδήποτε ρύθμιση ή έλεγχο της λειτουργίας του μηχανήματος.

Τοποθέτηση ή αφαίρεση της κασέτας μπαταριών

ΠΡΟΣΟΧΗ: Να σβήνετε πάντα το μηχάνημα και να ασφαρίζετε τον μοχλό φρένου πριν τοποθετήσετε ή αφαιρέσετε την κασέτα μπαταριών.

ΠΡΟΣΟΧΗ: Να τοποθετείτε πάντα την κασέτα μπαταριών πλήρως μέχρι να μη βλέπετε την κόκκινη ένδειξη. Σε αντίθετη περίπτωση, μπορεί να πέσει κατά λάθος από το μηχάνημα και να τραυματίσει εσάς ή κάποιον παρευρισκόμενο.

ΠΡΟΣΟΧΗ: Μην τοποθετείτε την κασέτα μπαταριών με βία. Αν η κασέτα δεν εισέρχεται με ευκολία, δεν είναι τοποθετημένη σωστά.

ΠΡΟΣΟΧΗ: Μη χρησιμοποιείτε την κασέτα μπαταριών υψηλής θερμοκρασίας. Όταν χρησιμοποιείτε κασέτα μπαταριών υψηλής θερμοκρασίας, το μηχάνημα σταματάει αυτόματα πριν παραχθεί ένας σύντομος χαρακτηριστικός ήχος, και μπορεί να προκληθεί και τραυματισμός.

ΠΡΟΣΟΧΗ: Προσέχετε να μην πιάσετε τα δάχτυλά σας όταν ανοίγετε ή κλείνετε το κάλυμμα μπαταριών.

ΕΙΔΟΠΟΙΗΣΗ: Βεβαιωθείτε να ασφαλίσετε το κάλυμμα μπαταριών πριν από τη χρήση. Διαφορετικά, η λάσπη, η σκόνη ή το νερό μπορεί να προκαλέσουν ζημιά στο προϊόν ή στην κασέτα μπαταριών.

Τοποθέτηση της κασέτας μπαταριών

1. Τραβήξτε προς τα πάνω τον μοχλό ασφάλισης και μετά ανοίξτε το κάλυμμα του κουτιού μπαταριών.

► **Εικ.11:** 1. Κάλυμμα 2. Μοχλός ασφάλισης

2. Ευθυγραμμίστε τη γλωττίδα στην κασέτα μπαταριών με τη σχισμή στο κουτί μπαταριών και μετά σύρετε την κασέτα μέχρι να ασφαλίσει στη θέση της με ένα χαρακτηριστικό ήχο.

► **Εικ.12:** 1. Κασέτα μπαταριών

3. Εισαγάγετε το κλειδί ασφάλισης στη θέση που απεικονίζεται στην εικόνα μέχρι τέρμα και περιστρέψτε το δεξιόστροφα.

► **Εικ.13:** 1. Κλειδί ασφάλισης

ΠΑΡΑΤΗΡΗΣΗ: Για να γυρίσετε το κλειδί ασφάλισης, εισαγάγετε το κλειδί ασφάλισης μέχρι τέρμα.

4. Κλείστε το κάλυμμα του κουτιού μπαταριών.

► **Εικ.14:** 1. Κάλυμμα

Αφαίρεση της κασέτας μπαταριών

1. Τραβήξτε προς τα πάνω τον μοχλό ασφάλισης και μετά ανοίξτε το κάλυμμα του κουτιού μπαταριών.

2. Τραβήξτε έξω την κασέτα μπαταριών από το κουτί μπαταριών ενώ σύρετε το κουμπί στο μπροστινό μέρος της κασέτας.

► **Εικ.15:** 1. Κουμπί

3. Γυρίστε το κλειδί ασφάλισης αριστερόστροφα και τραβήξτε το προς τα έξω.

4. Κλείστε το κάλυμμα του κουτιού μπαταριών.

Σύστημα προστασίας μηχανήματος / μπαταρίας

Το μηχάνημα είναι εξοπλισμένο με ένα σύστημα προστασίας μηχανήματος / μπαταρίας. Αυτό το σύστημα αποκόπτει αυτόματα την ισχύ προς το μοτέρ για να παραταθεί η διάρκεια λειτουργίας του μηχανήματος και της μπαταρίας. Το μηχάνημα θα σταματήσει αυτόματα κατά τη διάρκεια της λειτουργίας αν το μηχάνημα ή η κασέτα μπαταριών βρεθούν κάτω από μία από τις παρακάτω συνθήκες.

Παράγεται ένας χαρακτηριστικός ήχος μικρής ή μεγάλης διάρκειας προτού το μηχάνημα σταματήσει αυτόματα. Οι ενδείξεις μπαταρίας και οι λυχνίες στον πίνακα ελέγχου αναβοσβήνουν ενώ παράγεται ο χαρακτηριστικός ήχος.

ΠΑΡΑΤΗΡΗΣΗ: Για να ακυρώσετε τον χαρακτηριστικό ήχο, αφήστε τη σκανδάλη διακόπτη και τραβήξτε το μοχλό φρένου.

Προστασία υπερφόρτωσης

Όταν το μηχάνημα/μπαταρία λειτουργεί με τρόπο που προκαλεί την κατανάλωση ασυνήθιστα υψηλού ηλεκτρικού ρεύματος, το μηχάνημα σταματάει αυτόματα και η λυχνία κύριας λειτουργίας αναβοσβήνει με πράσινο χρώμα. Σε αυτή την κατάσταση, απενεργοποιήστε το μηχάνημα και διακόψτε την εφαρμογή που προκαλεί την υπερφόρτωση του μηχανήματος, όπως η ελάττωση των φορτωμένων αντικειμένων. Μετά, ενεργοποιήστε το μηχάνημα για επανεκκίνηση.

Προστασία υπερθέρμανσης

Όταν το μηχάνημα υπερθερμανθεί, το μηχάνημα σταματάει αυτόματα και η λυχνία κύριας λειτουργίας ανάβει με κόκκινο χρώμα. Σε αυτή την περίπτωση, αφήστε το μηχάνημα και την μπαταρία να κρυώσουν πριν ενεργοποιήσετε ξανά το μηχάνημα.

Προστασία υπερβολικής αποφόρτισης

Όταν η χωρητικότητα μπαταρίας δεν είναι αρκετή, η λυχνία κύριας λειτουργίας και η αντίστοιχη ένδειξη μπαταριών αναβοσβήνει με κόκκινο χρώμα. Σε αυτή την περίπτωση, εναλλάξτε τις κασέτες μπαταριών, αντικαταστήστε τις κασέτες μπαταριών με πλήρως φορτισμένες ή αφαιρέστε τις κασέτες μπαταριών από το μηχάνημα και φορτίστε τις.

ΠΑΡΑΤΗΡΗΣΗ: Η λυχνία κύριας λειτουργίας αναβοσβήνει με κόκκινο χρώμα όταν η μπαταρία υπερθερμανθεί.

Προστασία και από άλλες αιτίες

ΕΙΔΟΠΟΙΗΣΗ: Η λυχνία κύριας λειτουργίας αναβοσβήνει με πράσινο και κόκκινο χρώμα εναλλάξ όταν συμβαίνει πρόβλημα στο μηχάνημα. Σε αυτή την περίπτωση, ανατρέξτε στην ενότητα για την αντιμετώπιση προβλημάτων.

Το σύστημα προστασίας έχει επίσης σχεδιαστεί για άλλες αιτίες που μπορούν να προκαλέσουν ζημιά στο μηχάνημα και επιτρέπει την αυτόματη διακοπή του μηχανήματος. Λάβετε όλα τα ακόλουθα βήματα για να διορθώσετε τις αιτίες, όταν το μηχάνημα τεθεί σε προσωρινή διακοπή ή διακοπή κατά τη διάρκεια της λειτουργίας.

1. Απενεργοποιήστε το μηχάνημα και, στη συνέχεια, ενεργοποιήστε το ξανά για να επανεκκινήση.
2. Φορτίστε την μπαταρία ή τις μπαταρίες ή αντικαταστήστε τις με επαναφορτιζόμενες μπαταρίες.
3. Αφήστε το μηχάνημα και τις μπαταρίες να ψυχθούν.

ΕΙΔΟΠΟΙΗΣΗ: Αν δεν υπάρχει βελτίωση ή το μηχάνημα σταματήσει λόγω μιας αιτίας που δεν περιγράφεται ανωτέρω, ανατρέξτε στην ενότητα για την αντιμετώπιση προβλημάτων.

Εμφάνιση υπολειπόμενης χωρητικότητας μπαταρίας

▲ ΠΡΟΣΟΧΗ: Πριν ελέγξετε τις υπολειπόμενες χωρητικότητες μπαταρίας ή αλλάξετε τις κασέτες μπαταριών, βεβαιωθείτε να διακόψετε τη λειτουργία του μηχανήματος.

▲ ΠΡΟΣΟΧΗ: Όταν μειωθεί η χωρητικότητα μπαταρίας, παράγεται ένας σύντομος χαρακτηριστικός ήχος. Σε αυτή την περίπτωση, ασφαλίστε τον μοχλό φρένου και, στη συνέχεια, αλλάξτε τις κασέτες μπαταριών σε φορτισμένες ή φορτίστε τις κασέτες μπαταριών. Αν συνεχίσετε να χρησιμοποιείτε το μηχάνημα με χαμηλή χωρητικότητα μπαταρίας και η υπόλοιπη χωρητικότητα μπαταρίας εξαντληθεί, παράγεται ένας χαρακτηριστικός ήχος μεγάλης διάρκειας και το μηχάνημα σταματάει αυτόματα, γεγονός που μπορεί να προκαλέσει ατύχημα ή τραυματισμό.




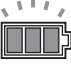
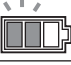



▲ ΠΡΟΣΟΧΗ: Αν ο χαρακτηριστικός ήχος παραχθεί κατά τη λειτουργία σε κλίσεις, μετακινήστε το μηχάνημα σε ένα ασφαλές μέρος, ασφαλίστε τον μοχλό φρένου και μετά αλλάξτε τις κασέτες μπαταριών με φορτισμένες ή φορτίστε τις κασέτες μπαταριών.

▲ ΠΡΟΣΟΧΗ: Αν το φορτίο είναι μεγάλο και παράγεται ο χαρακτηριστικός ήχος κατά τη λειτουργία σε κλίσεις, ασφαλίστε το μοχλό φρένου, προσέχετε και αλλάξτε τις κασέτες μπαταριών σε φορτισμένες. Μετακινήστε το μηχάνημα σε ασφαλές μέρος και ασφαλίστε το μοχλό φρένου. Μειώστε το φορτίο πριν θέσετε ξανά το μηχάνημα σε λειτουργία. Για λεπτομέρειες, ανατρέξτε στην ενότητα για την αντιμετώπιση προβλημάτων.

Έλεγχος του επιπέδου μπαταριών στο κουτί μπαταριών

► **Εικ.16:** 1. Ένδειξη μπαταρίας 2. Κουμπί ελέγχου

Πιέστε το κουμπί ελέγχου για να εμφανιστεί η υπόλοιπη χωρητικότητα της μπαταρίας. Οι ενδείξεις μπαταριών αντιστοιχούν σε κάθε μπαταρία.

Κατάσταση ένδειξης μπαταριών			Υπολειπόμενη χωρητικότητα μπαταρίας
 Αναμμένη	 Αναβοσβήνει	 Σβηστή	
			50% - 100%
			20% - 50%
			0% - 20%
			Άδεια
			Δεν είναι τοποθετημένη μπαταρία

ΠΑΡΑΤΗΡΗΣΗ: Αν συνεχίσετε να τραβάτε τη σκανδάλη διακόπτη ακόμη κι αν ακούσετε έναν σύντομο χαρακτηριστικό ήχο, το μηχάνημα θα σταματήσει αυτόματα. Αφού το μηχάνημα σταματήσει αυτόματα, ο χαρακτηριστικός ήχος συνεχίζει και το φρένο στήριξης ενεργοποιείται. Για να ακυρώσετε τον χαρακτηριστικό ήχο και να ελευθερώσετε το φρένο στήριξης, απελευθερώστε τη σκανδάλη διακόπτη και τραβήξτε το μοχλό φρένου. Μην σπρώξετε το μηχάνημα με δύναμη, χωρίς να ελευθερώσετε το φρένο στήριξης.

ΠΑΡΑΤΗΡΗΣΗ: Μπορείτε να ελέγξετε την εναπομείνουσα χωρητικότητα μπαταρίας ακόμη κι αν το κλειδί ασφάλισης δεν έχει εισαχθεί.

ΠΑΡΑΤΗΡΗΣΗ: Οι ενδείξεις μπαταριών για την υπολειπόμενη χωρητικότητα μπαταρίας προορίζονται μόνο για αναφορά. Η πραγματική χωρητικότητα μπαταρίας μπορεί να διαφέρει ανάλογα με τις συνθήκες χρήσης.

Έλεγχος του επιπέδου μπαταριών στην κασέτα μπαταριών

Μόνο για κασέτες μπαταρίας με την ενδεικτική λυχνία

Πιέστε το κουμπί ελέγχου στην κασέτα μπαταριών για να υποδείξετε την υπολειπόμενη χωρητικότητα μπαταρίας. Οι ενδεικτικές λυχνίες ανάβουν για λίγα δευτερόλεπτα.

► **Εικ.17:** 1. Ενδεικτικές λυχνίες 2. Κουμπί ελέγχου

Ενδεικτικές λυχνίες			Υπολειπόμενη χωρητικότητα
■ Αναμμένες	□ Σβηστές	▲ Αναβοσβήνουν	
■ ■ ■ ■			75% έως 100%
■ ■ ■ □			50% έως 75%
■ ■ □ □			25% έως 50%
■ □ □ □			0% έως 25%
▲ □ □ □			Φορτίστε την μπαταρία.
■ ■ □ □	↑ ↓	□ □ ■ ■	Μπορεί να προέκυψε δυσλειτουργία στην μπαταρία.

ΠΑΡΑΤΗΡΗΣΗ: Ανάλογα με τις συνθήκες χρήσης και τη θερμοκρασία περιβάλλοντος, η ένδειξη μπορεί να διαφέρει λίγο από την πραγματική χωρητικότητα.

ΠΑΡΑΤΗΡΗΣΗ: Η πρώτη (τέρμα αριστερά) ενδεικτική λυχνία θα αναβοσβήνει όταν λειτουργεί το σύστημα προστασίας μπαταρίας.

Αλλαγή της κασέτας μπαταρίας

► **Εικ.18:** 1. Διακόπτης επιλογής μπαταρίας

Για να λειτουργήσει, το μηχάνημα χρησιμοποιεί 2 κασέτες μπαταριών τη φορά. Μπορούν να τοποθετηθούν μέχρι 4 κασέτες μπαταριών στο μηχάνημα. Πριν θέσετε το μηχάνημα σε λειτουργία, επιλέξτε τις κασέτες μπαταριών που χρησιμοποιούνται για τη λειτουργία γυρίζοντας τον διακόπτη επιλογής μπαταριών.

ΕΙΔΟΠΟΙΗΣΗ: Αν η κασέτα μπαταριών βρίσκεται στην ακόλουθη κατάσταση, το μηχάνημα δεν λειτουργεί ακόμη κι αν αλλάξετε την μπαταρία με τον διακόπτη επιλογής μπαταρίας.

- Η υπόλοιπη χωρητικότητα τουλάχιστον ενός από των κασετών μπαταριών είναι άδεια.
- Τουλάχιστον μία από τις κασέτες μπαταριών έχει υπερθερμανθεί.

Σε αυτή την περίπτωση, αφαιρέστε την άδεια ή υπερθερμασμένη κασέτα μπαταριών ή αντικαταστήστε την κασέτα μπαταριών με μια φορτισμένη.

ΠΑΡΑΤΗΡΗΣΗ: Αν στο μηχάνημα είναι τοποθετημένες μόνο 2 κασέτες μπαταριών, βεβαιωθείτε να επιλέξετε τις τοποθετημένες κασέτες μπαταριών με τον διακόπτη επιλογής μπαταρίας.

Πίνακας ελέγχου

▲ ΠΡΟΣΟΧΗ: Να ασφαλίσετε πάντα το μοχλό φρένου και να σβήνετε το μηχάνημα όταν αυτό δεν χρησιμοποιείται.

Κουμπί ισχύος

► **Εικ.19:** 1. Λυχνία κύριας λειτουργίας 2. Κουμπί ισχύος

Για να ενεργοποιήσετε το μηχάνημα, ασφαλίστε τον μοχλό φρένου και, στη συνέχεια, πατήστε το κουμπί ισχύος χωρίς να τραβήξετε τη σκανδάλη διακόπτη. Η λυχνία κύριας λειτουργίας ανάβει με πράσινο χρώμα. Για να απενεργοποιήσετε το μηχάνημα, αφήστε τη σκανδάλη διακόπτη και ασφαλίστε τον μοχλό φρένου και, στη συνέχεια, πατήστε το κουμπί ισχύος.

ΠΑΡΑΤΗΡΗΣΗ: Διεξαγάγετε μια ηλεκτρική δοκιμή την πρώτη φορά που οδηγήσετε το μηχάνημα αφού αυτό ενεργοποιηθεί. Αν εντοπιστεί πρόβλημα, η λυχνία κύριας λειτουργίας αναβοσβήνει με κόκκινο ή πράσινο χρώμα εναλλάξ. Σε αυτή την περίπτωση, ανατρέξτε στην ενότητα για την αντιμετώπιση προβλημάτων.

ΠΑΡΑΤΗΡΗΣΗ: Αν η λυχνία κύριας λειτουργίας ανάβει με κόκκινο χρώμα ή αναβοσβήνει με κόκκινο ή πράσινο χρώμα, ανατρέξτε στις οδηγίες για το σύστημα προστασίας μηχανήματος / μπαταρίας ή στην ενότητα για την αντιμετώπιση προβλημάτων.

ΠΑΡΑΤΗΡΗΣΗ: Αυτό το μηχάνημα χρησιμοποιεί τη λειτουργία αυτόματης απενεργοποίησης. Για να αποφευχθεί η αθέλητη εκκίνηση, το μηχάνημα θα τερματιστεί αυτόματα όταν αυτό σταματήσει και δεν λειτουργεί για ορισμένη χρονική περίοδο αφού ενεργοποιηθεί.

ΠΑΡΑΤΗΡΗΣΗ: Αν πιέσετε το κουμπί ισχύος ενώ τραβάτε τη σκανδάλη διακόπτη, το μηχάνημα δεν ενεργοποιείται. Αφήστε τη σκανδάλη διακόπτη και, στη συνέχεια, πατήστε το κουμπί ισχύος.

Κουμπί εμπροσθοπορείας/όπισθεν και ταχύτητας

► **Εικ.20:** 1. Κουμπί εμπροσθοπορείας/όπισθεν 2. Ένδειξη ταχύτητας 3. Κουμπί ταχύτητας

Πατήστε το κουμπί εμπροσθοπορείας/όπισθεν για να αλλάξετε μεταξύ λειτουργίας εμπροσθοπορείας και λειτουργίας όπισθεν. Πατήστε το κουμπί ταχύτητας για να αλλάξετε μεταξύ χαμηλής ταχύτητας, μεσαίας ταχύτητας και υψηλής ταχύτητας. Όταν η ισχύς είναι ενεργοποιημένη, η λειτουργία εμπροσθοπορείας και η χαμηλή ταχύτητα είναι ρυθμισμένες.

ΠΑΡΑΤΗΡΗΣΗ: Το κουμπί εμπροσθοπορείας/όπισθεν δεν διατίθεται ενώ τραβάτε τη σκανδάλη διακόπτη.

ΠΑΡΑΤΗΡΗΣΗ: Παράγεται ένας σύντομος χαρακτηριστικός ήχος όταν το μηχάνημα λειτουργεί με την όπισθεν.

ΠΑΡΑΤΗΡΗΣΗ: Το κουμπί ταχύτητα δεν διατίθεται όταν το μηχάνημα λειτουργεί με την όπισθεν.

ΠΑΡΑΤΗΡΗΣΗ: Αν το μηχάνημα ανιχνεύσει πρόβλημα, οι δείκτες ταχύτητας αναβοσβήνουν εναλλάξ. Σε αυτή την περίπτωση, ανατρέξτε στην ενότητα για την αντιμετώπιση προβλημάτων.

Κουμπί κόρνας

Όταν πατάτε το κουμπί κόρνας, παράγεται ο χαρακτηριστικός ήχος.

► **Εικ.21:** 1. Κουμπί κόρνας

ΠΑΡΑΤΗΡΗΣΗ: Το κουμπί κόρνας είναι διαθέσιμο όταν το μηχανήμα είναι ενεργοποιημένο.

ΠΑΡΑΤΗΡΗΣΗ: Το κουμπί κόρνας είναι διαθέσιμο ακόμη κι όταν το κλειδί ασφάλισης δεν έχει εισαχθεί στο κουτί μπαταριών.

Άναμμα των λαμπτών

Πατήστε το κουμπί λάμπας στο κουτί μπαταριών για να ανάψετε τις μπροστινές λάμπες και την πίσω λάμπα. Για να σβήσετε τις λάμπες, πατήστε ξανά το κουμπί λάμπας.

► **Εικ.22:** 1. Κουμπί λάμπας 2. Μπροστινή λάμπα

► **Εικ.23:** 1. Πίσω λάμπα

ΠΑΡΑΤΗΡΗΣΗ: Η λάμπα σβήνει αν το μηχανήμα δεν λειτουργεί για ορισμένη χρονική περίοδο.

ΠΑΡΑΤΗΡΗΣΗ: Οι λάμπες σβήνουν όταν η ισχύς είναι απενεργοποιημένη.

ΠΑΡΑΤΗΡΗΣΗ: Μπορείτε να ανάψετε τις λάμπες ακόμη κι αν το κλειδί ασφάλισης δεν έχει εισαχθεί.

Σκανδάλη διακόπτης και μοχλός φρένου

▲ ΠΡΟΣΟΧΗ: Πριν τοποθετείτε την κασέτα μπαταριών στο μηχανήμα, να ελέγχετε πάντα ότι η σκανδάλη διακόπτης ενεργοποιείται κανονικά και επιστρέφει στην ανενεργή θέση “ANENERGH θέση” όταν την αφήνετε.

Για να ξεκινήσετε το μηχανήμα, τραβήξτε τη σκανδάλη διακόπτη. Χρησιμοποιώντας τη σκανδάλη διακόπτη, μπορείτε να προσαρμόσετε την ταχύτητα εντός του ορισμένου εύρους ταχύτητας. Για να σταματήσετε το μηχανήμα, αφήστε τη σκανδάλη διακόπτη και τραβήξτε το μοχλό φρένου. Για να ασφαλίσετε τον μοχλό φρένου, τραβήξτε και κρατήστε τον μοχλό φρένου, μετά τραβήξτε τον μοχλό ασφάλισης και μετά αφήστε τον μοχλό φρένου ενώ τραβάτε τον μοχλό ασφάλισης. Για να ελευθερώσετε την ασφάλιση, τραβήξτε το μοχλό φρένου.

► **Εικ.24:** 1. Σκανδάλη διακόπτης

► **Εικ.25:** 1. Μοχλός φρένου 2. Μοχλός ασφάλισης

Διακόπτης κλίσης

▲ ΠΡΟΣΟΧΗ: Φροντίστε να κρατάτε τον μοχλό φρένου όταν χειρίζεστε τον διακόπτη κλίσης.

▲ ΠΡΟΣΟΧΗ: Πριν χρησιμοποιήσετε τον διακόπτη κλίσης, βεβαιωθείτε ότι η υπόλοιπη χωρητικότητα μπαταρίας δεν είναι χαμηλή. Αν η χωρητικότητα μπαταρίας είναι χαμηλή, ασφαλίστε τον μοχλό φρένου και, στη συνέχεια, φορτίστε τις κασέτες μπαταριών ή αντικαταστήστε τις κασέτες μπαταριών με φορτισμένες.

► **Εικ.26:** 1. Διακόπτης κλίσης

Μπορείτε να γείρετε τον κάδο ή τον φορέα χρησιμοποιώντας τον διακόπτη κλίσης. Για να δώσετε κλίση στον κάδο ή στον φορέα προς τα μπροστά, πατήστε την άνω πλευρά του διακόπτη κλίσης ενώ κρατάτε τον μοχλό φρένου. Για να επιστρέψετε τον κάδο ή τον φορέα, πατήστε την κάτω πλευρά του διακόπτη κλίσης ενώ κρατάτε τον μοχλό φρένου.

ΠΑΡΑΤΗΡΗΣΗ: Παράγεται ένας χαρακτηριστικός ήχος ενώ κινείται ο κάδος ή ο φορέας.

Ρύθμιση του πλάτους του φορέα

ΕΙΔΟΠΟΙΗΣΗ: Βεβαιωθείτε ότι τα πλαινά κάγκελα και το μπροστινό κάγκελο είναι καλά στερεωμένα αφού σφίξετε τα παξιμάδια αντίχειρα.

Χαλαρώστε τα 6 παξιμάδια αντίχειρα και, στη συνέχεια, σύρετε τα πλαινά κάγκελα και το μπροστινό κάγκελο. Σφίξτε τα παξιμάδια αντίχειρα για να στερεώσετε τα πλαινά κάγκελα και το μπροστινό κάγκελο.

► **Εικ.27:** 1. Παξιμάδι αντίχειρα 2. Κάγκελο

▲ ΠΡΟΣΟΧΗ: Μη σύρετε τα κάγκελα πέρα από το σημάδι ορίου.

► **Εικ.28**

Ρύθμιση του ύψους χειρολαβής

ΕΙΔΟΠΟΙΗΣΗ: Στερεώστε την αριστερή και δεξιά χειρολαβή στο ίδιο ύψος.

Το ύψος χειρολαβής μπορεί να ρυθμιστεί σε 7 επίπεδα. Για να προσαρμόσετε το ύψος χειρολαβής, χαλαρώστε 2 κομβία και, στη συνέχεια, προσαρμόστε το ύψος χειρολαβής ευθυγραμμίζοντας την οπή στη χειρολαβή με την προεξοχή στο πίσω πλαίσιο και, στη συνέχεια, σφίξτε καλά τα 2 κομβία. Προσαρμόστε το ύψος της άλλης χειρολαβής με τον ίδιο τρόπο.

► **Εικ.29:** 1. Κομβίο

Ασφάλιση πίσω τροχού

Μπορείτε να επιδιορθώσετε την κατεύθυνση των πίσω τροχών χρησιμοποιώντας την ασφάλιση του πίσω τροχού.

1. Μετακινήστε λίγο το μηχανήμα προς τα μπροστά ώστε οι πίσω τροχοί να είναι στραμμένοι προς την κατεύθυνση που απεικονίζεται στην εικόνα.

► **Εικ.30:** 1. Πίσω τροχός

2. Περιστρέψτε την ασφάλιση πίσω τροχού προς τα πίσω.

► **Εικ.31:** 1. Ασφάλιση πίσω τροχού

3. Ασφαλίστε τον άλλο πίσω τροχό με τον ίδιο τρόπο.

4. Μετακινήστε λίγο τον πίσω τροχό μπροστά-πίσω ή αριστερά-δεξιά για να σιγουρευτείτε ότι είναι ασφαλισμένος.

Για να απασφαλίσετε την ασφάλιση πίσω τροχού, περιστρέψτε την ασφάλιση πίσω τροχού κατά 90° όπως απεικονίζεται στην εικόνα.

► **Εικ.32:** 1. Ασφάλιση πίσω τροχού

ΠΑΡΑΤΗΡΗΣΗ: Οι πίσω τροχοί μπορούν να στερεωθούν σε 4 διαφορετικές κατευθύνσεις όπως απεικονίζεται στην εικόνα.

► **Εικ.33**

Χρήση του αλφαδιού

Με τη χρήση του αλφαδιού, μπορείτε να ελέγξετε εάν το έδαφος είναι επίπεδο.

► **Εικ.34:** 1. Αλφάδι

ΛΕΙΤΟΥΡΓΙΑ

▲ ΠΡΟΣΟΧΗ: Βεβαιωθείτε να ασφαλίσετε τον μοχλό φρένου πριν φορτώσετε ή εκφορτώσετε αντικείμενα.

Λειτουργία του μηχανήματος

ΕΙΔΟΠΟΙΗΣΗ: Φροντίστε να εισαγάγετε το κλειδί ασφάλισης πριν τη λειτουργία. Αν το κλειδί ασφάλισης δεν έχει εισαχθεί, παράγεται ένας χαρακτηριστικός ήχος όταν τραβάτε τη σκανδάλη διακόπτη. Ο χαρακτηριστικός ήχος σταματάει αν αφήσετε τη σκανδάλη διακόπτη και τραβήξετε το μοχλό φρένου.

ΕΙΔΟΠΟΙΗΣΗ: Πριν από τη λειτουργία του μηχανήματος, εκτελέστε την επιθεώρηση που αναφέρονται στην ενότητα για τη συντήρηση.

1. Βεβαιωθείτε ότι ο μοχλός φρένου είναι ασφαλισμένος. Τοποθετήστε τις κασέτες μπαταριών, εισαγάγετε το κλειδί ασφάλισης και γυρίστε το δεξιόστροφα.
2. Επιλέξτε τις κασέτες μπαταριών με τον διακόπτη επιλογής μπαταρίας.
3. Πατήστε το κουμπί ισχύος στον πίνακα ελέγχου για να ενεργοποιήσετε την ισχύ.
▶ **Εικ.35:** 1. Κουμπί ισχύος
4. Τραβήξτε το μοχλό φρένου για να απελευθερώσετε την ασφάλιση του μοχλού φρένου.
▶ **Εικ.36:** 1. Μοχλός φρένου
5. Κρατήστε καλά τις χειρολαβές και με τα δύο χέρια.
▶ **Εικ.37**
6. Τραβήξτε τη σκανδάλη διακόπτη.
▶ **Εικ.38:** 1. Σκανδάλη διακόπτη

Φόρτωση αντικειμένων

▲ ΠΡΟΣΟΧΗ: Πριν φορτώσετε αντικείμενα στο μηχάνημα, βεβαιωθείτε ότι το μηχάνημα είναι απενεργοποιημένο και ο μοχλός φρένου είναι ασφαλισμένος.

▲ ΠΡΟΣΟΧΗ: Πριν φορτώσετε αντικείμενα στο μηχάνημα, βεβαιωθείτε ότι η μονάδα ρίψης είναι ασφαλισμένη.

▲ ΠΡΟΣΟΧΗ: Βεβαιωθείτε να φορτώσετε τα αντικείμενα μέσα στον φορέα ή στον κάδο. Αν προεξέχουν αντικείμενα από τον φορέα ή τον κάδο, μπορεί να πέσουν ή να καταρρεύσουν αν ακουμπήσουν εμπόδια.

▶ **Εικ.39**

▲ ΠΡΟΣΟΧΗ: Βεβαιωθείτε να φορτώνετε αντικείμενα ώστε να βρίσκονται κάτω από το επίπεδο του ματιού. Αν το φορτίο είναι πολύ υψηλό, είναι επικίνδυνο επειδή η ορατότητα εμποδίζεται. Επίσης, υπάρχει κίνδυνος ανατροπής και τραυματισμού επειδή είναι πιθανό το φορτίο να μην είναι ισορροπημένο.

▶ **Εικ.40**

▲ ΠΡΟΣΟΧΗ: Μην φορτώνετε αντικείμενα πέραν του ύψους του κάδου. Αν φορτώσετε τα αντικείμενα πέραν του ύψους του κάδου, μπορεί να προκληθεί η πτώση ή κατάρρευση του φορτίου.

Όταν φορτώνετε αντικείμενα στον φορέα, ασφαλίστε τα αντικείμενα με σκοινιά και δέστε τα στους γάντζους σκοινιού του φορέα.

▶ **Εικ.41:** 1. Γάντζος σκοινιού

Ρίψη αντικειμένων

▲ ΠΡΟΣΟΧΗ: Όταν σηκώνετε ή επιστρέφετε τον φορέα ή τον κάδο, μην εισαγάγετε ποτέ και μην τοποθετείτε ποτέ οποιοδήποτε μέρος του σώματός σας μεταξύ της μονάδας ρίψης και του φορέα ή του κάδου, αλλά ούτε κάτω από τη μονάδα ρίψης. Αν το κάνετε αυτό, μπορεί να έχει ως αποτέλεσμα τραυματισμό ή εγκαύματα.

▲ ΠΡΟΣΟΧΗ: Αφού αδειάσετε τα φορτία, βεβαιωθείτε να ασφαλίσετε τη μονάδα ρίψης επιστρέφοντας τη μονάδα ρίψης στην αρχική της θέση.

▲ ΠΡΟΣΟΧΗ: Πριν σηκώσετε τον φορέα ή τον κάδο με το χέρι, βεβαιωθείτε να ασφαλίσετε τον μοχλό φρένου.

▲ ΠΡΟΣΟΧΗ: Σηκώστε το φορέα ή τον κάδο επάνω σε επίπεδο και σταθερό έδαφος. Η λειτουργία σε ασταθές έδαφος μπορεί να προκαλέσει ατύχημα ή τραυματισμό.

▲ ΠΡΟΣΟΧΗ: Διατηρείτε το φορτίο στο ελάχιστο. Αν το φορτίο είναι μεγάλο, μην προσπαθήσετε να σηκώσετε τον φορέα ή τον κάδο. Μειώστε το φορτίο και μετά σηκώστε τον φορέα ή τον κάδο.

▲ ΠΡΟΣΟΧΗ: Αν το φορτίο είναι στερεωμένο με σκοινιά ή άλλα μέσα, λύστε το φορτίο πριν σηκώσετε τη μονάδα ρίψης.

▲ ΠΡΟΣΟΧΗ: Πριν σηκώσετε τον φορέα ή τον κάδο, βεβαιωθείτε ότι δεν υπάρχουν άνθρωποι ή εμπόδια γύρω από το μηχάνημα.

Μπορείτε να προβείτε σε ρίψη αντικειμένων αν σηκώσετε και γείρετε τον φορέα ή κάδο.

1. Διακόψτε τη λειτουργία του μηχανήματος.

2. Δώστε κλίση στον κάδο ή στον φορέα προς τα μπροστά πατώντας την άνω πλευρά του διακόπτη κλίσης ενώ κρατάτε τον μοχλό φρένου.
▶ **Εικ.42:** 1. Διακόπτης κλίσης

3. Για να αδειάσετε τα αντικείμενα που παραμένουν στον κάδο ή στον φορέα χειροκίνητα, ακολουθήστε τα παρακάτω βήματα.

- Ασφαλίστε τον μοχλό φρένου και, στη συνέχεια, σταθείτε στο πλάι του μηχανήματος.

- Περιστρέψτε το μοχλό ασφάλισης της μονάδας ρίψης προς το μπροστινό μέρος του μηχανήματος για να απασφαλίσετε τη μονάδα ρίψης.

- Κρατήστε τη χειρολαβή της μονάδας ρίψης και, στη συνέχεια, γείρετε τον κάδο ή τον φορέα μπρος τα μπροστά για να αδειάσετε τα αντικείμενα.

- Επιστρέψτε τον κάδο ή τον φορέα στη μονάδα ρίψης.

▶ **Εικ.43:** 1. Μοχλός ασφάλισης 2. Μονάδα ρίψης

▲ ΠΡΟΣΟΧΗ: Να κρατάτε καλά τη χειρολαβή της μονάδας ρίψης, και να εργάζεστε με σταθερή στάση σώματος.

ΕΙΔΟΠΟΙΗΣΗ: Συνιστάται να τοποθετήσετε τάκους στους μπροστινούς τροχούς για να σταθεροποιήσετε το μηχάνημα.

4. Επιστρέψτε τον κάδο ή τον φορέα στην αρχική θέση του πατώντας την κάτω πλευρά του διακόπτη κλίσης ενώ κρατάτε τον μοχλό φρένου.

ΕΙΔΟΠΟΙΗΣΗ: Βεβαιωθείτε να επιστρέψετε τον κάδο ή τον φορέα στην αρχική θέση του μετά το άδειασμα των αντικειμένων. Αν ο κάδος ή ο φορέας δεν επιστρέφει πλήρως και ασφαλίσει, η ταχύτητα πορείας του μηχανήματος περιορίζεται στα 0,8 χλμ/ώ.

ΣΥΝΤΗΡΗΣΗ

▲ ΠΡΟΣΟΧΗ: Φροντίστε πάντα να σταθμεύετε το μηχάνημα σε επίπεδο έδαφος και ασφαλίστε το μοχλό φρένου πριν την αποθήκευση ή την εκτέλεση εργασιών επιθεώρησης ή συντήρησης.

▲ ΠΡΟΣΟΧΗ: Να βεβαιώνετε πάντα ότι έχετε βγάλει το κλειδί ασφάλισης και την κασέτα μπαταριών από το μηχάνημα πριν από την αποθήκευση ή τις εργασίες επιθεώρησης ή συντήρησης.

▲ ΠΡΟΣΟΧΗ: Να αφαιρείτε πάντα το κλειδί ασφάλισης όταν δεν χρησιμοποιείτε το μηχάνημα. Φυλάξτε το κλειδί ασφάλισης σε ένα ασφαλές μέρος μακριά από παιδιά.

Για τη διατήρηση της ΑΣΦΑΛΕΙΑΣ και ΑΞΙΟΠΙΣΤΙΑΣ του προϊόντος, οι επισκευές και οποιαδήποτε άλλη εργασία συντήρησης ή ρύθμισης πρέπει να εκτελούνται από εξουσιοδοτημένα ή εργοστασιακά κέντρα εξυπηρέτησης της Makita, χρησιμοποιώντας πάντοτε ανταλλακτικά της Makita.

Επιθεώρηση πριν τη λειτουργία

Εκτελέστε τις ακόλουθες εργασίες επιθεώρησης πριν τη λειτουργία του μηχανήματος.

- Ελέγξτε αν τα μπουλόνια, τα παξιμάδια και τα κομβία είναι καλά σφιγμένα.
- ▶ **Εικ.44**
- Ελέγξτε ότι το φρένο λειτουργεί σωστά. Αν πιστεύετε ότι το φρένο δεν λειτουργεί επαρκώς, καθαρίστε το φρένο. Αν δεν υπάρχει βελτίωση, απευθυνθείτε σε εξουσιοδοτημένα κέντρα σέρβις της Makita για επισκευή.
- Ελέγξτε ότι η μονάδα ρίψης είναι ασφαλισμένη όταν η χειρολαβή της μονάδας ρίψης είναι τραβηγμένη εντελώς προς τα κάτω.
- ▶ **Εικ.45:** 1. Χειρολαβή
- Ελέγξτε ότι τα ελαστικά των μπροστινών και πίσω τροχών δεν είναι κατεστραμμένα και ο αέρας στα ελαστικά είναι επαρκές.
- Ελέγξτε ότι οι μπροστινές λάμπες και η πίσω λάμπα είναι καθαρές. Καθαρίστε τα, αν απαιτείται.

- Ελέγξτε ότι οι αποξεστήρες βρίσκονται στη σωστή θέση. Αν ο αποξεστήρας είναι στραμμένος προς τα πάνω, προσαρμόστε τον προσανατολισμό του αποξεστήρα χαλαρώνοντας τα μπουλόνια. Όταν σφίγγετε τα μπουλόνια, μην σπρώχνετε τον αποξεστήρα προς το μπροστινό μέρος του μηχανήματος.

▶ **Εικ.46:** 1. Αποξεστήρας

Καθαρισμός του μηχανήματος

ΕΙΔΟΠΟΙΗΣΗ: Μην χρησιμοποιείτε ποτέ βενζίνη, πετρελαϊκό αιθέρα, διαλυτικό, αλκοόλη ή παρόμοιες ουσίες. Μπορεί να προκληθεί αποχρωματισμός, παραμόρφωση ή ρυγμές.

ΕΙΔΟΠΟΙΗΣΗ: Μη χρησιμοποιείτε πλυντρίδα υψηλής πίεσης για τον καθαρισμό.

ΕΙΔΟΠΟΙΗΣΗ: Όταν καθαρίζετε το μηχάνημα, βεβαιωθείτε να κλείσετε το κάλυμμα του κουτιού μπαταριών. Διαφορετικά, μπορεί να εισέλθει νερό στο κουτί μπαταριών και να προκληθεί δυσλειτουργία του μηχανήματος.

Αφαιρέστε τη λάσπη, τη βρομιά και άλλα παρόμοια από το μηχάνημα. Καθαρίστε το μηχάνημα με τρεχούμενο νερό. Μετά τον καθαρισμό, σκουπίστε το μηχάνημα με ένα στεγνό πανί.

Αποθήκευση

Ασφαλίστε τον μοχλό φρένου και αφαιρέστε τις κασέτες μπαταριών και το κλειδί ασφάλισης. Αποθηκεύστε το μηχάνημα σε ένα ασφαλές μέρος μακριά από παιδιά.

Επαναπλήρωση του ελαστικού με αέρα

Ελέγξτε ότι δεν λείπει αέρας από το ελαστικό για τους μπροστινούς και πίσω τροχούς. Αν ο αέρας στο ελαστικό δεν είναι αρκετός, συμπληρώστε το ελαστικό με αέρα χρησιμοποιώντας μία τρόμππα. Η πίεση αέρα είναι ως εξής:

- Ελαστικό για μπροστινό τροχό: 280 kPa (40 PSI)
- Ελαστικό για πίσω τροχό: 525 kPa (75 PSI)

Μπροστινός τροχός

▶ **Εικ.47**

Πίσω τροχός

▶ **Εικ.48**

Αντικατάσταση του ελαστικού

⚠ ΠΡΟΣΟΧΗ: Πριν αλλάξετε τα ελαστικά, βεβαιωθείτε να εκφορτώσετε όλα τα αντικείμενα από το μηχάνημα.

⚠ ΠΡΟΣΟΧΗ: Όταν αλλάξετε τα ελαστικά, να φοράτε γάντια.

Αντικατάσταση του ελαστικού του μπροστινού τροχού

ΠΑΡΑΤΗΡΗΣΗ: Όταν εγκαθιστάτε το γκρι ελαστικό, τοποθετήστε το με τρόπο ώστε η βαλβίδα να είναι στραμμένη προς τα έξω.

► **Εικ.49**

Αντικατάσταση του ελαστικού του πίσω τροχού

► **Εικ.50**

► **Εικ.51**

ΑΝΤΙΜΕΤΩΠΙΣΗ ΠΡΟΒΛΗΜΑΤΩΝ

Πριν ζητήσετε επισκευές, εκτελέστε αρχικά τη δική σας επιθεώρηση. Αν εντοπίσετε πρόβλημα που δεν επεξηγείται στο εγχειρίδιο, αποσυναρμολογήστε το μηχάνημα. Αντ' αυτού, απευθυνθείτε σε εξουσιοδοτημένα κέντρα σέρβις της Makita και χρησιμοποιείτε πάντα ανταλλακτικά της Makita για τις επισκευές.

Κατάσταση προβλήματος	Λυχνία κύριας λειτουργίας	Αιτία	Αποκατάσταση
Το μηχάνημα δεν ενεργοποιείται.	Σβηστή.	Δεν είναι τοποθετημένες δύο κασέτες μπαταριών.	Τοποθετήστε δύο φορτισμένες κασέτες μπαταριών.
		Πρόβλημα μπαταριών (μικρή τάση)	Επαναφορτίστε την κασέτα μπαταριών. Αν η επαναφόρτιση δεν είναι αποτελεσματική, αντικαταστήστε την κασέτα μπαταριών.
		Ο διακόπτης επιλογής μπαταρίας δεν είναι στη σωστή θέση.	Επιλέξτε τη σωστή μπαταρία χρησιμοποιώντας τον διακόπτη επιλογής μπαταρίας.
Το μηχάνημα δεν εκκινείται.	Η λυχνία αναβοσβήνει με κόκκινο χρώμα.	Το επίπεδο φόρτισης μπαταρίας είναι χαμηλό.	Επαναφορτίστε την κασέτα μπαταριών. Αν η επαναφόρτιση δεν είναι αποτελεσματική, αντικαταστήστε την κασέτα μπαταριών.
		Τουλάχιστον μία μπαταρία είναι άδεια.	Αφαιρέστε την άδεια μπαταρία ή αντικαταστήστε την με μια φορτισμένη. Σε αυτή την περίπτωση, η τέρμα αριστερή λυχνία της ένδειξης μπαταρίας της αντίστοιχης μπαταρίας αναβοσβήνει.
	Η λυχνία αναβοσβήνει με πράσινο χρώμα.	Δεν έχετε εισαγάγει το κλειδί ασφάλισης.	Εισαγάγετε το κλειδί ασφάλισης και περιστρέψτε το δεξιόστροφα.
		Το μηχάνημα σταμάτησε λόγω υπεφόρτισης.	Μειώστε τα φορτωμένα αντικείμενα.
	Η λυχνία ανάβει με κόκκινο χρώμα.	Το μηχάνημα σταμάτησε λόγω υπερθέρμανσης.	Αφαιρέστε την αιτία των κολλημένων ή ασφαλισμένων τροχών.
		Η λυχνία ανάβει με κόκκινο και πράσινο χρώμα εναλλάξ.	Δεν έχετε εισαγάγει το κλειδί ασφάλισης. Το μηχάνημα έχει ανιχνεύσει κάποια ανωμαλία.
Η λυχνία ανάβει με πράσινο χρώμα.	Η λυχνία ανάβει με πράσινο χρώμα.	Ο μοχλός αλλαγής νεκράς δεν βρίσκεται στην αρχική του θέση.	Ασφαλίστε τον μοχλό φρένου και, στη συνέχεια, επιστρέψτε τον μοχλό αλλαγής νεκράς στην αρχική του θέση.
Το μηχάνημα σταματάει μετά από χρήση για λίγο χρόνο.	Η λυχνία αναβοσβήνει με κόκκινο χρώμα.	Το επίπεδο φόρτισης μπαταρίας είναι χαμηλό.	Επαναφορτίστε την κασέτα μπαταριών. Αν η επαναφόρτιση δεν είναι αποτελεσματική, αντικαταστήστε την κασέτα μπαταριών.
Η ταχύτητα πορείας του μηχανήματος δεν αυξάνεται.	Η λυχνία ανάβει με πράσινο χρώμα.	Η μονάδα ρίψης δεν επιστρέφει πλήρως ή δεν είναι ασφαλισμένη.	Επιστρέψτε τη μονάδα ρίψης πλήρως και βεβαιωθείτε ότι είναι ασφαλισμένη.

Αντιμετώπιση προβλημάτων για διακοπή του μηχανήματος

⚠ ΠΡΟΕΙΔΟΠΟΙΗΣΗ: Εκτός αν είναι απολύτως απαραίτητο, μην απενεργοποιείτε ποτέ το φρένο στήριξης του μηχανήματος με τον μοχλό αλλαγής νεκράς. Επειδή το φρένο στήριξης του μηχανήματος είναι απενεργοποιημένο, το μηχάνημα μπορεί να μετακινηθεί κατά λάθος και να προκαλέσει ατύχημα ή προσωπικό τραυματισμό.

⚠ ΠΡΟΕΙΔΟΠΟΙΗΣΗ: Βεβαιωθείτε να επιστρέψετε τον μοχλό αλλαγής νεκράς στην αρχική του θέση αφού τραβήξετε τον μοχλό προς τα έξω.

Αν το μηχάνημα δεν μπορεί να κινηθεί όταν έχουν εξαντληθεί οι μπαταρίες ή έχει συμβεί δυσλειτουργία, μπορείτε να μετακινήσετε το μηχάνημα χειροκίνητα αν τραβήξετε τον μοχλό αλλαγής νεκράς προς τα έξω για να απενεργοποιήσετε το φρένο στήριξης.

1. Ασφαλίστε τον μοχλό φρένου.
2. Εκφορτώστε όλα τα αντικείμενα από το μηχάνημα.

⚠ ΠΡΟΣΟΧΗ: Βεβαιωθείτε να εκφορτώσετε όλα τα αντικείμενα από το μηχάνημα. Το μηχάνημα μπορεί να μετακινηθεί απρόσμενα εάν παραμείνουν αντικείμενα επάνω στο μηχάνημα.

3. Αν το μηχάνημα βρίσκεται σε κλίση, απασφαλίστε τον μοχλό φρένου και προσανατολίστε το μηχάνημα με τρόπο ώστε ο μοχλός φρένου να βρίσκεται στην άνω πλευρά της κλίσης και το μηχάνημα να είναι παράλληλο με την κλίση. Ασφαλίστε τον μοχλό φρένου.

► **Εικ.52**

4. Βεβαιωθείτε ότι το μηχάνημα δεν κινείται και τραβήξτε προς τα έξω τον μοχλό αλλαγής νεκράς.

► **Εικ.53:** 1. Μοχλός αλλαγής νεκράς

5. Απασφαλίστε το μοχλό φρένου και μετακινήστε το μηχάνημα σε χειροκίνητα σε ασφαλές μέρος. Επειδή το φρένο στήριξης είναι απενεργοποιημένο, μετακινήστε το μηχάνημα προσεκτικά με τον μοχλό φρένου, ώστε να μην αυξάνεται η ταχύτητα.

6. Αφού μετακινήσετε το μηχάνημα σε ασφαλές μέρος, ασφαλίστε τον μοχλό φρένου.

7. Επιστρέψτε τον μοχλό αλλαγής νεκράς στην αρχική του θέση. Βεβαιωθείτε ότι ο μοχλός αλλαγής νεκράς έχει επιστρέψει πλήρως όπως απεικονίζεται στην εικόνα.

► **Εικ.54:** 1. Μοχλός αλλαγής νεκράς

ΠΡΟΑΙΡΕΤΙΚΑ ΕΞΑΡΤΗΜΑΤΑ

⚠ ΠΡΟΣΟΧΗ: Αυτά τα εξαρτήματα ή προσαρτήματα συνιστώνται για χρήση με το μηχάνημά σας Makita που καθορίζεται στο παρόν εγχειρίδιο. Η χρήση άλλων εξαρτημάτων ή προσαρτημάτων μπορεί να παρουσιάζει κίνδυνο για τραυματισμό ατόμων. Χρησιμοποιήστε εξαρτήματα ή προσαρτήματα μόνο για τον καθορισμένο σκοπό.

⚠ ΠΡΟΣΟΧΗ: Χρησιμοποιείτε στο μηχάνημα μόνο αξεσουάρ ή εξαρτήματα Makita. Η χρήση άλλου αξεσουάρ ή εξαρτημάτων ενδέχεται να προκαλέσει σοβαρό τραυματισμό.

Εάν χρειάζεστε οποιαδήποτε βοήθεια για περισσότερες πληροφορίες σε σχέση με αυτά τα εξαρτήματα, απαντήστε στο τοπικό σας κέντρο εξυπηρέτησης Makita.

- Φορέας
- Κάδος
- Μπροστινό ελαστικό (μάυρο)
- Μπροστινό ελαστικό (γκρι)
- Πίσω ελαστικό (γκρι)
- Γνήσια μπαταρία και φορτιστής της Makita

ΠΑΡΑΤΗΡΗΣΗ: Μερικά στοιχεία στη λίστα μπορεί να συμπεριλαμβάνονται στη συσκευασία εργαλείου ως στάνταρ εξαρτήματα. Μπορεί να διαφέρουν ανάλογα με τη χώρα.

TEKNİK ÖZELLİKLER

Model:		DCU602
Boyutlar (U x G x Y)	Tekne monte edildiğinde	1.480 mm x 730 mm x 820 - 1.030 mm
	Taşıyıcı monte edildiğinde	1.450 - 1.600 mm x 730 - 1.080 mm x 820 - 1.030 mm
Seyahat hızı	İleri	5,0 / 3,5 / 1,5 km/h
	Geri	1,0 km/h
Maksimum yük kapasitesi	Düz zeminde	300 kg
	Yokuşta (3 ° - 12 °)	180 kg
Maksimum tırmanma kapasitesi		12°
Minimum dönüş yarıçapı *		1.150 mm
Fren		El freni ve destek freni
Lastik	Ön tekerlek	Havalı lastik
	Arka tekerlek	Havalı lastik
Nominal voltaj		D.C. 36 V
Net ağırlık	Tekne monte edildiğinde	145 - 147 kg
	Taşıyıcı monte edildiğinde	141 - 143 kg
Koruma sınıfı		IPX4

*: Eksen olarak ön tekerlekle dönerken dış çap.

- Sürekli yapılan araştırma ve geliştirmelerden dolayı, burada belirtilen özellikler önceden bildirilmeksizin değiştirilebilir.
- Özellikler ülkeden ülkeye değişebilir.
- Ağırlık, ekli aksesuar/aksesuarlara ve batarya kartuşuna bağlı olarak farklılık gösterebilir. EPTA-Prosedürü 01/2014'e göre en hafif ve en ağır kombinasyonlar tabloda verilmiştir.

Geçerli batarya kartuşu ve şarj aleti

Batarya kartuşu	BL1815N / BL1820B / BL1830B / BL1840B / BL1850B / BL1860B
Şarj aleti	DC18RC / DC18RD / DC18RE / DC18SD / DC18SE / DC18SF / DC18SH / DC18WC

- Yukarıda listelenen batarya kartuşlarının ve şarj aletlerinin bazıları yaşadığınız bölgeye bağlı olarak mevcut olmayabilir.

UYARI: Sadece yukarıda listelenen batarya kartuşlarını ve şarj aletlerini kullanın. Başka batarya kartuşlarının ve şarj aletlerinin kullanılması yaralanma ve/veya yangına neden olabilir.

UYARI: Taşınabilir Güç Ünitesi PDC1200 veya PDC01'i bu ürünle kesinlikle kullanmayın. Bunların birlikte kullanılması yaralanmaya veya arızaya neden olabilir.

Semboller

Ekipmanı için kullanılacak semboller aşağıda gösterilmiştir. Kullanmadan önce anlamlarını anladığınızdan emin olun.



Kullanma kılavuzunu okuyun.



Yokuşlarda yön değiştirmeyin.



Bu makine umuma açık yollarda kullanılamaz.



Cisimleri yüklemeyen veya indirmeden önce freni ve boşaltma ünitesini kilitleyin.



Cisimleri yokuşta yüklemeyin veya indirin.



Makineyi insan taşımak için kullanmayın.



Cisimleri yokuşta boşaltmayın. Boşalttıktan sonra boşaltma ünitesini kilitleyin.



Cisimleri tekne veya taşıyıcıya eşit olacak şekilde yükleyin. Cisimleri eşit olmayacak şekilde veya sadece ön tarafa yüklemeyin.



Sıkışma ve ezilme tehlikesi. Kullanım sırasında elleri uzak tutun. Ellerinizi veya vücudunuzun uzuvlarını hareketli parçaların içine sokmayın.



Maksimum yük kapasitesi: düz zeminde 300 kg ve (12°'ye kadar) yokuşta 180 kg.



Doğrudan lambalara bakmayın.



Makineyi basınçlı yıkama makinesi ile yıkamayın.



Kullanım sırasında seyircileri makineden uzak tutun.



Makineyi engebeli yüzeylerin civarında kullanmayın.



Tekne veya taşıyıcı tamamen eski haline getirilmeden makineyi kullanmayın.



Cisimleri boşaltmadan öne halatları çıkarın.



Daima kaymaz ve koruyucu ayakkabı giyin.



Boşa alma kolunu dışarı çekmeden önce freni kilitleyin.



Boşa alma kolunu eski haline getirmeden önce freni kilitleyin.



Hava basıncı: ön lastik 280 kPa ve arka lastik 525 kPa.



Kilitleme kolunun kilitlendiğinden emin olun.



Boşaltma ünitesinin kilidini açmak için kilitleme kolunu makinenin önüne doğru çevirin.



Bir bip sesi çıktığında fren kolunu kilitleyin.



Anahtar tetiği bıraktığınızda fren kolunu kilitleyin.



Bip sesini iptal etmek için anahtar tetiği bırakın ve fren kolunu çekin.



Sadece AB ülkeleri için
Ekipmanda tehlikeli bileşenler bulunduğundan dolayı atık elektrikli ve elektronik ekipmanlar, aküler ve bataryalar çevre ve insan sağlığı üzerinde olumsuz etkiye yol açabilir. Elektrikli ve elektronik cihazları veya bataryaları evsel atıklarla birlikte atmayın! Atık elektrikli ve elektronik ekipmanlar ile akümülatörler ve bataryalar hakkındaki Avrupa Direktifi ve söz konusu direktifin ulusal yasalara uyarlanması gereğince atık elektrikli ekipmanlar, bataryalar ve akümülatörler ayrı olarak depolanmalı ve çevre koruma hakkındaki mevzuata uygun olarak faaliyet gösteren ayrı bir kentsel atık toplama noktasına teslim edilmelidir. Bu husus, ekipmanın üzerine yerleştirilmiş üzerinde çarpı işareti bulunan tekerlekli çöp kovası simgesi ile belirtilmiştir.



AB Dış Mekan Gürültü Direktifi uyarınca garanti edilen ses gücü seviyesi.



Avustralya NSW Gürültü Kontrol Mevzuatı uyarınca ses gücü seviyesi

Kullanım amacı

Makine, batarya tahrikli destekle cisimleri yüklemek ve taşımak amacıyla tasarlanmıştır.

Gürültü

EN62841-1 ve EN12053'ye uygulanabilir olarak belirlenen tipik A ağırlıklı gürültü düzeyi:
Ses basınç seviyesi (L_{pA}): 70 dB (A) veya daha az
Belirsizlik (K): 4 dB (A)

İşlem sırasında gürültü seviyesi 80 dB (A)'yi geçebilir.

NOT: Beyan edilen gürültü emisyonu değer(ler)i bir standart test yöntemine uygun şekilde ölçülmüştür ve bir aleti bir başkasıyla karşılaştırmak için kullanılabılır.

NOT: Beyan edilen gürültü emisyonu değer(ler)i bir ön maruz kalma değerlendirmesi olarak da kullanılabılır.

UYARI: Kulak koruyucuları takın.

UYARI: Elektrikli aletin gerçek kullanımı sırasındaki gürültü emisyonu, aletin kullanım biçimlerine, özellikle işlenen iş parçasının türüne bağlı olarak beyan edilen değer(ler)den farklı olabilir.

UYARI: Gerçek kullanım koşullarındaki tahmini maruziyeti baz alan, operatörü koruyacak güvenlik önlemlerini mutlaka belirleyin (çalışma döngüsü içerisinde aletin kapalı olduğu ve aktif durumda olmasının yanı sıra boşta çalıştığı zamanlar gibi, bütün zaman dilimleri göz önünde bulundurarak).

Titreşim

Titreşim toplam değeri (üç eksenli vektör toplamı) (EN62841-1 standardına göre hesaplanan):
Çalışma modu: yüksüz çalışma
Titreşim emisyonu (a_h): 2,5 m/s² den az
Belirsizlik (K): 1,5 m/s²

NOT: Beyan edilen titreşim toplam değer(ler)i bir standart test yöntemine uygun şekilde ölçülmüştür ve bir aleti bir başkasıyla karşılaştırmak için kullanılabilir.

NOT: Beyan edilen titreşim toplam değer(ler)i bir ön maruz kalma değerlendirmesi olarak da kullanılabilir.

UYARI: Elektrikli aletin gerçek kullanımı sırasındaki titreşim emisyonu, aletin kullanım biçimlerine, özellikle işlenen iş parçasının türüne bağlı olarak beyan edilen değer(ler)den farklı olabilir.

UYARI: Gerçek kullanım koşullarındaki tahmini maruziyeti baz alan, operatörü koruyacak güvenlik önlemlerini mutlaka belirleyin (çalışma döngüsü içerisinde aletin kapalı olduğu ve aktif durumda olmasının yanı sıra boşta çalıştığı zamanlar gibi, bütün zaman dilimleri göz önünde bulundurarak).

Uygunluk Beyanları

Sadece Avrupa ülkeleri için

Uygunluk beyanları bu kullanma kılavuzuna Ek A olarak eklenmiştir.

GÜVENLİK UYARILARI

Genel elektrikli alet güvenliği uyarıları

UYARI Bu elektrikli aletle birlikte verilen tüm güvenlik uyarılarını, talimatları, resimli açıklamaları ve teknik özellikleri okuyun. Aşağıda listelenen talimatların herhangi birine uyulmaması elektrik çarpması, yangın ve/veya ciddi yaralanma ile sonuçlanabilir.

Tüm uyarıları ve talimatları iletide başvurmak için saklayın.

Uyarılardaki "elektrikli alet" terimi ile ya prizden çalışan (kordonlu) elektrikli aletiniz ya da kendi aküsü ile çalışan (kordsuz) elektrikli aletiniz kastedilmektedir.

Akülü el arabası güvenlik uyarıları

- Makineyi kullanırken daima kaymaz ve koruyucu ayakkabı giyin.** Kaymaz, kapalı topuklu güvenlik botları ve ayakkabıları yaralanma riskini azaltır.
- Cisimleri/malzemeleri taşımadan önce yolu kontrol edin.** Yolu tanımak ve yük altındaki makineyi güvenli bir şekilde sürmek için yeterince geniş olduğundan emin olmak makinenin kontrolünü kaybetmeyi azaltmaya yardımcı olur.

- Kaygan, oynak ve dengesiz arazide çok dikkatli olun.** Islak çimenlik alanlar, kar veya buz gibi ıslak ve kaygan yüzeyler ile kum veya çakıllı yüzeyler gibi dengesiz arazi makinenin çekiş gücünü kaybetmesine neden olabilir ve manevra yeteneğini, frenleme ve dengeyi olumsuz etkileyebilir.
- Makineyi aşırı dik yokuşlarda kullanmayın.** Bu, yaralanma ile sonuçlanabilecek kontrol kaybı, kayma ve düşme riskini azaltır. Önerilen maksimum eğim ve yan eğimden daha eğimli yokuşlar dengesizlik riskini artırabilir ve güvenli bir şekilde durma yeteneğini olumsuz etkileyebilir.
- Yokuşlarda çalışırken daima yere sağlam basın, her zaman yokuş cephesinde yanlamasına çalışın, asla yokuş aşağı veya yukarı çalışmayın ve yön değiştirirken çok dikkatli olun.** Bu, yaralanma ile sonuçlanabilecek kontrol kaybı, kayma ve düşme riskini azaltır.
- Mümkün olan her durumda durmak, yüklemeye ve boşaltma yapmak için düz alanları kullanın ve makineyi yokuşa asla gözetimsiz bırakmayın.** Makine yokuşta dururken, düz zeminde dururkenkine göre daha dengesizdir.
- Makineyi gözetimsiz bırakırken makine güvenli duruma alınana alınca park frenini çekin.** Park freni ön tekerleğin istenmeyen hareketini engeller ve dengeyi artırabilir.
- Rampaların temiz, güçlü ve emniyetli olduğundan emin olun.** Yaralanma riskini azaltmak için tüm rampalar oynak döktüntülerden temiz olmalı ve üzerinden geçmesi beklenen yüklerin ağırlığına dayanabilecek kadar güçlü olmalıdır. Yük altında bel vermeleri ve bir taraftan diğer tarafa hareketi ortadan kaldırmak için altlarında ve her iki tarafında yeterli blokama mevcut olmalıdır. Tüm rampalar, üzerlerinde yükleri taşıırken yere sağlam basmayı sağlayacak kadar geniş olmalıdır.
- Kullanmadan önce tüm sabitleme vidalarının iyice sıkıldıklarını kontrol edin.** Arka tekerleklerdeki ve açık tip taşıyıcı ön ve yan duvarlarındaki sabitleme vidaları, makinenin bu ayarlanabilir parçalarının istenmeyen hareketini engellemek için sabitlenmelidir.
- Makineyi fazla yüklü durumda asla kullanmayın.** Makinenin taşıyacak cisimler veya malzemeler için uygun kapasite değerine sahip olduğundan emin olun. Fazla yükler makinenin manevra yapmasını ve durmasını zorlaştırır, durma süresini ve mesafesini artırır ve dengesizlik riskini artırır.
- Makineyi hiçbir zaman fazla istiflenmiş durumda kullanmayın.** Tablanın kenar yüksekliğini geçecek veya tablanın kenarlarından sarkacak şekilde malzeme istiflenmesi makinenin kontrol edilemeyecek şekilde denge ve kontrol dışına çıkmasına neden olabilir.
- Yükleri sabitlemek için kaplar ve bağlama tertibatı kullanın.** Oynak ve/veya sabitlenmemiş yüklerin kayma olasılığı daha fazla olup denge ve kontrol kaybına neden olabilir.
- Tutamakları daima sıkıca tutun.** Kontrol kaybı yaralanma riskini artırabilir.
- Güvenlik anahtarını kullanımda değilken çıkarın.** Güvenlik anahtarını makinenin çocuklar veya diğer eğitimsiz ya da yetkisiz kişilerce istenmeyen, tahrikli kullanımını engeller. Anahtar olmadan elektrik gücü "açık" duruma getirilemez.

15. **Bu makine umuma açık yollarda kullanılmaz.** El arabasının umuma açık yollarda kullanılması yasalara aykırıdır ve yerel yargı cezalarına yol açabilir ve ilaveten yaralanmaya neden olabilir.
16. **Bu makineyi nakletmek için yüklerken ve/veya indirirken ya da bu makineyi farklı seviyeler arasında taşıırken kaymaz ve ayrımla önleme işlevli sağlam bir plaka kullanın.** Plaka eğiminin 12°'yi geçmediğinden emin olun ve makine üzerinde yavaş ve dikkatli bir şekilde işlem yapın. Dengesiz ve hızlı işlem, devrilme ve/veya düşmeye neden olabilir.
17. **Bu makineyi parçalarına ayırmayın, onarmayın veya modifiye etmeyin.**

Hazırlık

1. **Makineyi kullanmadan önce makinenin etrafında insan olmadığından emin olun.**
2. **Makineyi kullanmadan önce bakım kısmına bakarak kontrolleri gerçekleştirin.**

Kullanım

1. **Makineyi kullanırken makinenin arkasında durun ve tutamakları her iki elle sıkıca tutun.**
2. **Makineyi, üzerine binerek kullanmayın.**
3. **Makineye başka kişilerin binmesine izin vermayın.**
4. **Makineyi geri geri kullanırken veya arkaya doğru yürürken arkanıza ve adınıza dikkat edin ve kayma veya tökezlemeye karşı dikkatli olun.**
5. **Cisimlere çarpma riski olduğundan görüş zayıfsa makineyi kullanmayın.**
6. **Makineyi bozuk zeminde kullanırken veya yolun seviye farkı olan kısmından geçerken hızı düşürün ve dikkatli olun.**
7. **Makineyi kullanırken banketin çökmesinden dolayı devrilmeyi engellemek için yumuşak zeminde kaçının.**
8. **Makineyi, eğimi 12°'nin üzerinde olan yokuşlarda kullanmayın.**
9. **Herhangi bir anormallik tespit ederseniz makineyi düz bir zeminde durdurun. Makineyi kontrol etmeden önce fren kolunu kilitleyin ve daha sonra gücü kapatın.**
10. **Makineyi kullanmadan önce boşaltma ünitesi tutamağının sonuna kadar aşağı indirilerek tamamen kilitletiğinden emin olun.** Kilit yarım kalırsa yokuş aşağı giderken taşıyıcı veya teknenin yatarak cisimlerin düşmesi sonucu kaza veya yaralanma riski vardır.
11. **Makineyi duvarların yakınında kullanırken ellerinizin tutamak duvarın arasına sıkışmamasına dikkat edin.**
12. **Makineyi kötü hava şartlarında, özellikle yıldırım riski varken kullanmayın.** Bu şekilde yıldırım çarpma riskini azaltabilirsiniz.
13. **Güneş ışığından dolayı yanıklara neden olabilecek kadar ısınabilecekleri için kullanırken veya kullandıktan sonra metal kısımlara dokunmayın.**
14. **Kabloları yük veya cisimlere dolaştırmamaya dikkat edin.**
15. **Ahşap köprü, vb. geçerken ürünün ağırlığı, yük kapasitesi ve operatörün ağırlığı toplamının köprünün ağırlık sınırını aşmadığından emin olun ve köprüyü sabit hızda dikkatlice geçin.**

16. **Makineyi düşük sıcaklıklı ortamlarda kullanırken eldiven giyin.** Metal kısımlara çıplak elle dokunmak ellerinizin yapışmasına neden olabilir.
17. **Seyahat yönünde insan veya engeller varsa bunlardan önceden kaçının.**
18. **Cisimleri doğrudan taşıyıcı veya tekne ile çıkarmayın.** Aksi takdirde makineye zarar verebilir ve kazaya neden olabilir.
19. **Makineyi çamurlu zeminde, ıslak yamaçlarda veya kaygan yerlerde kullanırken dengeye dikkat edin.**
20. **Makineyi su birikintisine sokmayın.**
21. **Çalışırken makineyi bıraktığınızda boşaltma ünitesini orijinal konumuna tamamen geri getirdiğinizden emin olun, fren kolunu kilitleyin ve kilit anahtarını çıkarın.**
22. **Taşıyıcı veya tekneye yük yüklüken makineyi gözetimsiz bırakmayın.**

Yokuşlarda kullanım

1. **Yokuşları aşmayın.**
2. **Yokuşa aşağı gelmeden önce durun, mutlaka hızı düşürün ve dikkatli olun.**
3. **Yokuş aşağı inerken hız çok yüksek olursa bip sesi çıkar. Bu durumda freni kullanarak yavaşlayın.**
4. **Makineyi yokuşlarda başlatırken veya durdururken dikkatli olun.**
5. **Yükler yokuşlarda daha az dengeli hale geldiklerinden yükleri halatlarla sıkıca sabitleyin.**
6. **Yolun durumuna bağlı olarak makine dengesiz hale geldiğinden yükü minimumda tutun.**
7. **Yokuşlarda görüş engellendiğinden yükün yüksekliğini minimumda tutun.**
8. **Makineyi yokuşta asla durdurmayın. Makineyi düz bir zeminde durdurun ve fren kolunu kilitleyin ve daha sonra gücü kapatın.**
9. **Dik yokuşlarda yön veya hız modu değiştirmeyin.**
10. **Yukarı yönlü yokuşlarda anahtar tetiği bırakmayın. Makine geriye giderek kazaya neden olabilir.**
11. **Yokuşlarda çalışma yapmadan önce kalan batarya kapasitesinin yeterli olduğunu kontrol edin. Kalan batarya kapasitesi yeterli değilse bataryayı şarj edin veya şarjlı bir batarya ile değiştirin.**
12. **Makineyi yokuşta çalışırken makine geriye doğru birkaç santimetre gittiğinden ayağınızı arka tekerleğin arkasına koymayın.**

Cisimlerin yüklenmesi

1. **Cisimleri aşırı yüklemeyin. Cisimleri yüklerken kılavuzdaki talimatlara ve yük sınırlarına mutlaka uyun.**
2. **Yük ne kadar büyük olursa makineyi kullanmak o kadar zor olduğundan yükü, kullanımı etkilemeyen aralıkta tutun.**
3. **Cisimleri halatlarla sıkıca sabitleyin.**
4. **Yükleri taşıyıcı veya tekneye yükleyin.** Yükler taşıyıcı veya teknenin dışına çıkarsa yüklerin düşmesi veya duvarlar gibi engellere takılması sonucu kaza riski vardır.
5. **Yüklenen cisimlerin göz hizasının altında kaldığından emin olun.** Yük çok yüksek olursa görüşü engellediğinden tehlike oluşturur. Ayrıca yük muhtemelen dengesiz olacağından devrilme ve yaralanma riski söz konusudur.

6. **Yükleri taşıyıcı veya tekneye eşit olacak şekilde yükleyin.** Yükler eşit olacak şekilde yüklenmezse, yük muhtemelen dengesiz olacağından devrilme ve yaralanma riski söz konusudur.
7. **Cisimleri yüklemeyen veya makineyi kullanmadan önce boşaltma ünitesi tutamağının sonuna kadar aşağı indirilerek tamamen kilitletiğinden emin olun.**
8. **Dengeyi korumak için ilk önce mutlaka ağır cisimleri yükleyin.**
9. **Dik yokuşlarda ön ve yan rayları genişletmeyin. Yan rayları, hafif cisimler yüklendiğinde genişletin.**
10. **Ön ve yan rayları genişletirken bunları genişletme sınırını geçmeyecek şekilde genişletin. Yan rayları mutlaka sağ ve sol tarafları aynı uzunlukta olacak şekilde genişletin ve cisimleri eşit olacak biçimde yükleyin.**
11. **Cisimleri düz zeminde yükleyin ve indirin. Cisimleri asla yokuşta yüklemeyin veya indirmeyin.**
12. **Taşıyıcı veya tekneyi kaldırırken ve yatırırken tutamakları ve şaseyi sıkıca tutun ve vücudunuz dengede çalışsın.**

Makinenin taşınması

1. **Kamyon kasası yüksekliğinin en az 4 katı uzunluğunda, bağlama düzeneği kasaya uygun, yüzeyi kaymayan ve yeterli genişlikte ve makine ile operatörün ağırlığına dayanabilecek merdiven rayları kullanın. Kullanmadan önce merdiven raylarının kullanma kılavuzunu dikkatlice okuyun.**
2. **Makineyi yüklemeyen önce makineden tüm cisimleri indirin ve lastiklerdeki çamur ve diğer döküntüleri temizleyin. Merdiven raylarını düz ve dengeli bir yüzeye takın.**
3. **Makineyi yüklemeyen veya indirmeden önce makinenin ve merdiven raylarının etrafında insan olmadığından emin olun. Makineyi, merdiven raylarından düşmesini önlemeye ve başınızı kamyonun tavanına vurmamaya dikkat ederek düşük hızda yükleyin veya indirin. Makineyi geri geri yüklerken veya indirirken çok dikkatli olun.**
4. **Makineyi taşırken fren kolunu kilitleyin, gücü kapatın, bataryaları ve kilit anahtarını çıkarın ve makineyi güvenli bir şekilde sabitleyin.**

Bakım ve saklama

1. **Depolamadan veya kontrol veya bakım yapmaya kalkışmadan önce mutlaka makineyi düz bir zeminde durdurun, fren kolunu kilitleyin, makineyi kapatın ve kilit anahtarını batarya kartuşlarını çıkarın.**
2. **Makineyi dışarıda yağmur altında gözetimsiz bırakmayın.**
3. **Makineyi depolarken doğrudan güneş ışığı ve yağmurdan sakının, ısınmayacak veya nemlenmeyecek bir yerde depolayın.**
4. **Bu makine, boşaltma ünitesini otomatik olarak devirmek için boşaltma ünitesinin altında bir hidrolik ünitesi ile donatılmıştır. Hidrolik ünitesini modifiye etmeyin veya ünitenin montaj civatalarını ya da emniyet valfinin ayar vidalarını gevşetmeyin. Kaza veya arızalara neden olabileceğinden çok tehlikelidir.**

Bataryalı aletin kullanımı ve bakımı

1. **Sadece üretici tarafından belirtilen şarj aleti ile şarj edin.** Bir batarya kutusu için uygun olan şarj cihazı başka bir batarya kutusu ile kullanıldığında yangın riski oluşturabilir.
2. **Elektrikli aletleri sadece özel olarak belirtilen batarya kutuları ile kullanın.** Başka batarya kutularının kullanımı yaralanma ve yangın riski oluşturabilir.
3. **Batarya kutusu kullanılmadıkça; iki terminal arasında bağlantı kurulmasına sebep olabilecek ataç, bozuk para, anahtar, çivi, vida gibi metal nesnelere ya da küçük metal objelerden uzak tutun.** Batarya terminallerine kısa devre yaptırmak yanıklara ya da yangına yol açabilir.
4. **Kötü koşullarda bataryadan sıvı sızabilir; bu sıvıya temas etmeyin. Eğer istemeden bir temas olursa suyla yıkayın. Sıvı göze temas ederse, suyla yıkadıktan sonra tıbbi yardım alın.** Bataryadan çıkan sıvı tahrişe ya da yanıklara neden olabilir.
5. **Batarya kutusu ya da alet hasar görmüşse ya da üzerinde değişiklik yapılmışsa batarya kutusunu kullanmayın.** Hasar görmüş ya da üzerinde değişiklik yapılmış batarya kutuları yangın, patlama ya da yaralanma riski ile sonuçlanan beklenmedik davranışlar sergileyebilir.
6. **Batarya kutusunu veya aleti ateşe ya da aşırı sıcaklıklara maruz bırakmayın.** Ateşe ya da 130 °C'nin üzerindeki sıcaklıklara maruz bırakmak patlamaya neden olabilir.
7. **Tüm şarj talimatlarına uyun ve batarya kutusunu ya da aleti yönergelerde belirtilen sıcaklık aralığının dışındaki sıcaklıklarda şarj etmeyin.** Uygun olmayan bir şekilde ya da belirtilen sıcaklık aralığının dışında şarj etmek bataryaya zarar verebilir ve yangın riskini artırabilir.

Elektrik ve batarya güvenliği

1. **Bataryayı/bataryaları ateşe atmayın.** Batarya hücresi patlayabilir. Bertaraf etmeye ilişkin olası özel talimatlar için yerel yönetmelikleri kontrol edin.
2. **Bataryayı/bataryaları açmayın ya da batarya(lar) üzerinde değişiklik yapmayın.** Ortaya çıkan elektrolit aşındırıcıdır ve gözlere ya da cilde zarar verebilir. Yutulduğu takdirde zehirli olabilir.
3. **Bataryayı yağmurda veya ıslak yerlerde şarj etmeyin.**
4. **Bataryayı açık alanda şarj etmeyin.**
5. **Şarj aleti fişi ve şarj aleti terminalleri dahil şarj aletine ıslak ellerle dokunmayın.**
6. **Bataryayı yağmurda değiştirmeyin.**
7. **Batarya bağlantı uçlarını su gibi sıvılarla ıslatmayın ya da bataryayı sıvılarla sokmayın.** Bataryayı yağmurda bırakmayın veya bataryayı nemli ya da ıslak yerlerde şarj etmeyin, kullanmayın veya depolamayın. Bağlantı uçları ıslanır veya bataryanın içine sıvı girerse batarya kısa devre olabilir ve aşırı ısınma, yangın veya patlama riski ortaya çıkar.
8. **Bataryayı makine veya şarj aletinden çıkardıktan sonra mutlaka bataryaya batarya kapağını takın ve kuru bir yerde depolayın.**
9. **Bataryayı ıslak ellerle değiştirmeyin.**

10. Tehlikeli ortamlardan kaçının. Makineyi nemli ya da ıslak yerlerde kullanmayın ve yağmura maruz bırakmayın. Makinenin içine su girmesi elektrik çarpması riskini arttıracaktır.
11. Batarya kartuşu ıslanırsa içinden suyu boşaltın ve ardından kuru bir bezle silin. Kullanmadan önce batarya kartuşunu kuru bir yerde tamamen kurulayın.

BU TALİMATLARI SAKLAYIN.

⚠UYARI: Ürünü kullanırken (defalarca kullanınca kazanılan) rahatlık ve tanıdıklık duygusunun ilgili ürünün güvenlik kurallarına sıkı sıkıya bağlı kalmanın yerine geçmesine İZİN VERMEYİN. YANLIŞ KULLANIM veya bu kullanma kılavuzunda belirtilen emniyet kurallarına uymama ciddi yaralanmaya neden olabilir.

Batarya kartuşu hakkında önemli güvenlik talimatları

1. Batarya kartuşunu kullanmadan önce, tüm talimatları ve (1) batarya kartuşu, (2) batarya ve (3) ürün üzerindeki tüm uyarı işaretlerini okuyun.
 2. Batarya kartuşunu parçalarına ayırmayın veya kurcalamayın. Yangın, aşırı ısı veya patlamaya neden olabilir.
 3. Çalışma süresi aşırı derecede kısalmışsa kullanmayı derhal bırakın. Aşırı ısınma, yanma riski hatta patlamaya neden olabilir.
 4. Gözünüze elektrolit kaçarsa, gözlerinizi temiz suyla durulayın ve hemen tıbbi yardım alın. Görme kaybına yol açabilir.
 5. Batarya kartuşuna kısa devre yaptırmayın:
 - (1) Terminallere herhangi bir iletken madde değdirmeyin.
 - (2) Batarya kartuşunu çiviler, madeni paralar, vb. gibi başka metal nesnelere aynı kaba koymaktan kaçının.
 - (3) Batarya kartuşunu yağmura ya da suya maruz bırakmayın.
- Kısa devre, büyük bir akım akışına, aşırı ısınmaya, olası yanıklara hatta bataryanın bozulmasına yol açabilir.
6. Aleti ve batarya kartuşunu sıcaklığın 50°C ya da daha yüksekçe ulaştığı yerlerde saklamayın ve kullanmayın.
 7. Aşırı derecede hasar görmüş ya da tamamen kullanılamaz durumda olsa bile batarya kartuşunu yakmayın. Batarya kartuşu ateşe atılırsa patlayabilir.
 8. Batarya kartuşunu çivilememeyin, kesmeyin, ezmeyin, fırlatmayın, düşürmeyin ya da batarya kartuşuna sert bir nesne ile vurmeyin. Bu eylemler yangın, aşırı ısı veya patlamaya neden olabilir.
 9. Hasarlı bataryayı kullanmayın.
 10. Aletin içerdiği lityum-iyon bataryalar Tehlikeli Eşyalar Yönetmeliğinin gereksinimlerine tabidir. Ticari nakliye işlemleri için, örneğin üçüncü taraflar, nakliye agenteleri tarafından yapılan nakliyelerde, paketleme ve etiketleme gereksinimlerine uyulmalıdır.

Nakliyesi yapılacak ürünün hazırlanması için, tehlikeli maddeler konusunda uzman bir kişiye danışın. Lütfen muhtemelen daha ayrıntılı olan ulusal yönetmeliklere de uyun. Açık kontakları bantlayın ya da maskeleyin ve bataryayı paketin içinde hareket etmeyecek şekilde paketleyin.

11. Batarya kartuşunu bertaraf ederken aletten çıkarın ve güvenli bir yerde bertaraf edin. Bataryanın bertaraf edilmesi ile ilgili yerel düzenlemelere uyunuz.
12. Bataryaları sadece Makita tarafından belirtilen ürünlerle kullanın. Bataryaların uyumsuz ürünlere takılması; yangın, aşırı ısınma, patlama ya da elektrolit sızıntısına neden olabilir.
13. Alet uzun süre kullanılmayacaksa batarya aletten çıkarılmalıdır.
14. Kullanma sırasında ve sonrasında batarya kartuşu ısınarak yanıklara veya düşük sıcaklık yanıklarına yol açabilir. Sıcak batarya kartuşları ile işlem yaparken dikkat edin.
15. Yanıklara neden olabilecek kadar sıcak olabileceğinden kullandıktan hemen sonra aletin terminaline dokunmayın.
16. Batarya kartuşunun terminallerine, deliklerine ve kanallarına micir, tuz veya toprak girmesine izin vermeyin. Aletin veya batarya kartuşunun ısınmasına, alev almasına, patlamasına ve arızalanmasına neden olarak yanıklara veya yaralanmaya yol açabilir.
17. Alet yüksek gerilim elektrik güç hatları yakınında kullanımı desteklemediği sürece batarya kartuşunu yüksek gerilim elektrik güç hatlarının yakınında kullanmayın. Aletin veya batarya kartuşunun arızalanmasına veya bozulmasına neden olabilir.
18. Bataryayı çocuklardan uzak tutun.

BU TALİMATLARI MUHAFAZA EDİNİZ.

⚠DİKKAT: Sadece orijinal Makita bataryalarını kullanın. Orijinal olmayan Makita bataryaları ya da üzerine değişiklik yapılmış bataryaların kullanımı bataryanın patlamasına ve sonuç olarak yangın, kişisel yaralanma ve hasara neden olabilir. Ayrıca Makita aleti ve şarj aletinin Makita tarafından sunulan garantisi de geçersiz olur.

Maksimum batarya ömrü için ipuçları

1. Batarya kartuşunu tamamen boşalmadan önce şarj edin. Aletin gücünün zayıflamaya başladığını fark ettiğinizde aleti durdurun ve batarya kartuşunu şarj edin.
2. Tam dolu bir batarya kartuşunu asla yeniden şarj etmeyin. Aşırı şarj etme bataryanın hizmet ömrünü kısaltır.
3. Batarya kartuşunu 10 °C - 40 °C oda sıcaklığında şarj edin. Sıcak bir batarya kartuşunu şarj etmeden önce soğumasını bekleyin.
4. Batarya kartuşunu kullanmıyorken aletten veya şarj aletinden çıkarın.
5. Uzun bir süre (altı aydan daha fazla) kullanmadığınız durumlarda batarya kartuşunu şarj edin.

PARÇALARIN TANIMI

Tekne monte edildiğinde

► Şek.1

1	Devirme anahtarı	2	Kumanda paneli	3	Bip düğmesi	4	Anahtar tetik
5	Arka lamba	6	Tutamak	7	Batarya kutusu	8	Fren kolu
9	Arka tekerlek	10	Arka tekerlek kilidi	11	Kilitleme kolu	12	Boşaltma ünitesi
13	Ön tekerlek	14	Ön lamba	15	Tekne	-	-

Taşıyıcı monte edildiğinde

► Şek.2

1	Devirme anahtarı	2	Kumanda paneli	3	Bip düğmesi	4	Anahtar tetik
5	Arka lamba	6	Tutamak	7	Batarya kutusu	8	Fren kolu
9	Arka tekerlek	10	Arka tekerlek kilidi	11	Kilitleme kolu	12	Ön tekerlek
13	Ön lamba	14	Taşıyıcı	-	-	-	-

MONTAJ

▲ DİKKAT: Makine üzerinde herhangi bir işlem yapmadan önce mutlaka makinenin kapalı ve batarya kartuşlarının çıkarılmış olduğundan emin olun.

Taşıyıcı veya tekneyi takıp çıkarmadan önce fren kolunu kilitlediğinizden emin olun. Fren kolunu kilitlemek için fren kolunu çekin ve tutun, ardından kilitleme kolunu çekin ve daha sonra kilitleme kolunu çekerken fren kolunu bırakın.

► **Şek.3:** 1. Fren kolu 2. Kilitleme kolu

Teknenin takılması veya çıkarılması

Teknenin takılması

1. Tekne, mesnetler ve ön boruyu kutudan çıkarın.

► **Şek.4:** 1. Tekne 2. Mesnet 3. Ön boru

2. Ön boruyu, boşaltma ünitesinin üst çerçevesi ile alt çerçevesinin arasına takın.

► **Şek.5:** 1. Ön boru

3. Mesnedi boşaltma ünitesinin üzerine yerleştirin ve ardından civataları ön boru ile birlikte geçici olarak sıkın. Diğer mesnedi boşaltma ünitesinin üzerine aynı şekilde takın.

► **Şek.6:** 1. Mesnet 2. Cıvata

4. Tekneyi ön boru ile sol ve sağ mesnetlerin üzerine yerleştirin.

Kauçuk pulu teknenin deliğine yerleştirin ve civatayı üstten takın. Düz pul ve yaylı rondelayı civataya sırayla takın ve ardından somunu alttan sıkın. Kalan civata ve somunları aynı şekilde sıkın.

► **Şek.7:** 1. Cıvata 2. Kauçuk pul 3. Düz pul 4. Yaylı rondela 5. Somun

5. Adım 3'te geçici olarak sıkılan 4 civatayı iyice sıkın.

Teknenin çıkarılması

Tekneyi çıkarmak için, takma işlemini tersinden uygulayın.

Taşıyıcının takılması veya çıkarılması

İsteğe bağlı aksesuar

Taşıyıcının takılması

1. Taşıyıcıyı kutudan çıkarın ve yan raylar ile ön rayı ana çerçeveye takın.

► **Şek.8**

2. Rayları sabitlemek için 6 papatya somunu yaylar ve pullar ile birlikte sıkın.

► **Şek.9:** 1. Papatya somun 2. Yay 3. Pul

3. Taşıyıcıyı boşaltma ünitesinin üzerine yerleştirin.

Cıvatayı üstten takın. Düz pul ve yaylı rondelayı civataya sırayla takın ve ardından somunu alttan sıkın. Kalan civata ve somunları aynı şekilde sıkın.

► **Şek.10:** 1. Cıvata 2. Düz pul 3. Yaylı rondela 4. Somun

Taşıyıcının çıkarılması

Taşıyıcıyı çıkarmak için, takma işlemini tersinden uygulayın.

İŞLEVSEL NİTELİKLER

⚠ DİKKAT: Makine üzerinde ayarlama ya da işleyiş kontrolü yapmadan önce makinenin kapalı ve batarya kartuşunun çıkarılması olduğundan daima emin olun.

Batarya kartuşunun takılması ve çıkarılması

⚠ DİKKAT: Batarya kartuşunu takıp çıkarmadan önce mutlaka makineyi kapatın ve fren kolunu kilitleyin.

⚠ DİKKAT: Batarya kartuşunu daima kırmızı gösterge görülemeyene dek tam olarak takın. Aksi takdirde, makineden kayıp düşebilir ve operatörün veya çevredeki kişilerin yaralanmasına neden olabilir.

⚠ DİKKAT: Batarya kartuşunu zorlayarak takmaya çalışmayın. Kartuş kolayca kaymıyorsa doğru yerleştirilmemiş demektir.

⚠ DİKKAT: Yüksek sıcaklıklı batarya kartuşu kullanmayın. Yüksek sıcaklıklı batarya kartuşu kullanıldığında makine, kısa bir bip sesi çıkmadan otomatik olarak durabilir ve yaralanmaya neden olabilir.

⚠ DİKKAT: Batarya kapağını açıp kapatırken parmaklarınızı sıkıştırmamaya dikkat edin.

ÖNEMLİ NOT: Kullanmadan önce batarya kapağını kilitlediğinizden emin olunuz. Aksi takdirde; çamur, kir veya su ürüne ya da batarya kartuşuna zarar verebilir.

Batarya kartuşunun takılması

1. Kilitleme kolunu yukarı çekin ve daha sonra batarya kutusunun kapağını açın.
► **Şek.11:** 1. Kapak 2. Kilitleme kolu
2. Batarya kartuşunun üzerindeki dili batarya kutusundaki yuva ile aynı hizaya getirin ve daha sonra küçük bir tık sesi ile yerine kilitlenenek kartuşu sokun.
► **Şek.12:** 1. Batarya kartuşu
3. Kilit anahtarını şekilde gösterilen yere sonuna kadar sokun ve saat yönünde çevirin.
► **Şek.13:** 1. Kilit anahtarı

NOT: Kilit anahtarını çevirmek için kilit anahtarını tamamen sokun.

4. Batarya kutusunun kapağını kapatın.
► **Şek.14:** 1. Kapak

Batarya kartuşunun çıkarılması

1. Kilitleme kolunu yukarı çekin ve daha sonra batarya kutusunun kapağını açın.
2. Kartuşun ön kısmındaki düğmeyi kaydırırken batarya kartuşunu batarya kutusundan çekip çıkarın.
► **Şek.15:** 1. Düğme
3. Kilit anahtarını saatin aksi yönünde çevirin ve çekip çıkarın.
4. Batarya kutusunun kapağını kapatın.

Makine / batarya koruma sistemi

Makine bir makine/batarya koruma sistemi ile donatılmıştır. Bu sistem makine ve batarya ömrünü uzatmak için motorun gücünü otomatik olarak keser. Makine veya batarya kartuşu aşağıdaki koşullardan birinde ise çalışırken makine otomatik olarak durur. Makine otomatik olarak durmadan önce kısa bir bip sesi veya uzun bir bip sesi çıkar. Batarya göstergeleri ve kumanda panelindeki lambalar, bip sesi çıkarken yanıp söner.

NOT: Bip sesini iptal etmek için anahtar tetiği bırakın ve fren kolunu çekin.

Aşırı yük koruması

Makine/batarya, anormal derecede yüksek akım çekmesine neden olacak şekilde kullanıldığında, makine otomatik olarak durur ve ana güç lambası yeşil yanıp söner. Bu durumda makineyi kapatın ve yüklü cisimlerin azaltılması gibi makinenin aşırı yüklenmesine neden olan uygulamayı kesin. Ardından makineyi açarak yeniden çalıştırın.

Aşırı ısınma koruması

Makine aşırı ısındığında makine otomatik olarak durur ve ana güç lambası kırmızı yanıp söner. Bu durumda, yeniden çalıştırmadan önce makine ve bataryanın soğumasını bekleyin.

Aşırı deşarj koruması

Batarya kapasitesi yeterli değilse ana güç lambası ve ilgili batarya göstergesi kırmızı yanıp söner. Bu durumda batarya kartuşları arasında geçiş yapın veya batarya kartuşlarını tam şarjlı olanlarla değiştirin ya da batarya kartuşlarını makineden çıkarıp şarj edin.

NOT: Batarya aşırı ısındığında ana güç lambası kırmızı yanıp söner.

Diğer nedenlere karşı korumalar

ÖNEMLİ NOT: Makinede bir anormallik olduğunda ana güç lambası dönüşümlü olarak yeşil ve kırmızı yanıp söner. Bu durumda sorun giderme kısmına bakın.

Koruma sistemi, makineye zarar verebilecek diğer nedenler için de tasarlanmıştır ve makinenin otomatik olarak durmasını sağlar. Makine çalışırken geçici duraklama veya durma yaparsa nedenleri ortadan kaldırmak için aşağıdaki tüm adımları uygulayın.

1. Makineyi kapatın ve ardından tekrar açarak yeniden çalıştırın.
2. Bataryaları şarj edin veya şarjlı bataryalarla değiştirin.
3. Makinenin ve bataryaların soğumasını bekleyin.

ÖNEMLİ NOT: İlerleme kaydedilemezse veya makine yukarıda açıklanmayan bir nedenle durursa sorun giderme kısmına bakın.

Kalan batarya kapasitesinin gösterilmesi

⚠️ DİKKAT: Kalan batarya kapasitelerini kontrol etmeden veya diğer batarya kartuşlarına geçmeden önce makineyi mutlaka durdurun.

⚠️ DİKKAT: Batarya kapasitesi düştüğünde kısa bir bip sesi çıkar. Bu durumda fren kolunu kilitleyin ve ardından batarya kartuşlarını şarjlı olanlarla değiştirin veya batarya kartuşlarını şarj edin. Makineyi düşük batarya kapasitesinde kullanmaya devam eder ve kalan batarya kapasitesi biterse uzun bir bip sesi çıkar ve makine otomatik olarak durur ve bu da bir kaza veya yaralanmaya neden olabilir.








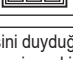
⚠️ DİKKAT: Yokuşta kullanırken bip sesi çıkarsa makineyi güvenli bir yere alın, fren kolunu kilitleyin ve daha sonra batarya kartuşlarını şarjlı olanlarla değiştirin veya batarya kartuşlarını şarj edin.

⚠️ DİKKAT: Yük büyüğe ve yokuşta kullanırken bip sesi çıkarsa fren kolunu kilitleyin, güvenliğe dikkat edin ve batarya kartuşlarını şarjlı olanlarla değiştirin. Makineyi güvenli bir yere alın ve fren kolunu kilitleyin. Makineyi yeniden çalıştırmadan önce yükü azaltın. Ayrıntılar için sorun giderme kısmına bakın.

Batarya kutusunda batarya seviyesini kontrol etme

► **Şek.16:** 1. Batarya göstergesi 2. Kontrol düğmesi

Kalan batarya kapasitesini göstermesi için kontrol düğmesine basın. Batarya göstergelerinin her biri bir bataryaya karşılık gelir.

Batarya göstergesi durumu			Kalan batarya kapasitesi
 Açık	 Yanıp sönüyor	 Kapalı	
			%50 - %100
			%20 - %50
			%0 - %20
			Boş
			Batarya takılı değil

NOT: Kısa bip sesini duyduğunuz halde anahtar tetiği çekmeye devam eterseniz makine otomatik olarak durur. Makine otomatik olarak durduktan sonra bip sesi devam eder ve destek freni devreye sokulur. Bip sesini iptal etmek ve destek frenini bırakmak için anahtar tetiği bırakın ve fren kolunu çekin. Destek frenini bırakmadan makineyi zorlayarak itmeyin.

NOT: Kalan batarya kapasitesini, kilit anahtarını takılı olmasa bile kontrol edebilirsiniz.












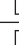









NOT: Kalan batarya kapasitesi batarya göstergeleri yalnızca referans amaçlıdır. Gerçek batarya kapasitesi, kullanım koşullarına bağlı olarak değişebilir.

Batarya kartuşunda batarya seviyesini kontrol etme

Sadece göstergeli batarya kartuşları için

Kalan batarya kapasitesini göstermesi için batarya kartuşu üzerindeki kontrol düğmesine basın. Gösterge lambaları birkaç saniye yanar.

► **Şek.17:** 1. Gösterge lambaları 2. Kontrol düğmesi

Gösterge lambaları			Kalan kapasite
 Yanıyor	 Kapalı	 Yanıp sönüyor	
			%75 ila %100
			%50 ila %75
			%25 ila %50
			%0 ila %25
			Bataryayı şarj edin.
			Batarya arızalanmış olabilir.

NOT: Kullanım koşullarına ve ortam sıcaklığına bağlı olarak, gösterilen değer gerçek kapasiteden biraz farklılık gösterebilir.

NOT: İlk (en soldaki) gösterge lambası, batarya koruma sistemi çalıştığında yanıp söner.

Batarya kartuşunun seçilmesi

► **Şek.18:** 1. Batarya seçme düğmesi

Makine çalışma için bir seferde 2 batarya kartuşu kullanılır. Makineye 4'e kadar batarya kartuşu takılabilir. Makineyi çalıştırmadan önce batarya seçme düğmesini çevirerek çalışma için kullanılacak batarya kartuşunu seçin.

ÖNEMLİ NOT: Batarya kartuşu aşağıdaki durumlarda bataryayı batarya seçme düğmesi ile değiştirirseniz bile makine çalışmaz.

- Batarya kartuşlarından en az birinin kalan kapasitesi boşsa.
- Batarya kartuşlarından en az birisi aşırı ısınmışsa.

Bu durumda boş veya aşırı ısınmış batarya kartuşunu çıkarın veya batarya kartuşunu şarjlı olanla değiştirin.

NOT: Makineye sadece 2 batarya kartuşu takılırsa batarya seçme düğmesi ile takılı batarya kartuşlarını seçtiğinizden emin olun.

Kumanda paneli

⚠DİKKAT: Kullanılmıyorken daima fren kolunu kilitleyin ve makineyi kapatın.

Güç düğmesi

► **Şek.19:** 1. Ana güç lambası 2. Güç düğmesi

Makineyi açmak için fren kolunu kilitleyin ve ardından anahtar tetiği çekmeden güç düğmesine basın. Ana güç lambası yeşil yanar. Makineyi kapatmak için anahtar tetiği bırakın ve fren kolunu kilitleyin ve ardından güç düğmesine basın.

NOT: Makine açıldıktan sonra makine ilk kez sürülürken bir elektrik testi yapılır. Sorun tespit edilirse ana güç lambası dönüşümlü olarak kırmızı veya yeşil yanıp söner. Bu durumda sorun giderme kısmına bakın.

NOT: Ana güç lambası kırmızı yanar veya kırmızı ya da yeşil yanıp sönerse makine/batarya koruma sistemi talimatlarına veya sorun giderme kısmına bakın.

NOT: Bu makine otomatik güç kapama fonksiyonu kullanır. Yanlışlıkla çalışmaları engellemek için makine açıldıktan sonra makine durdurulur ve belirli bir süre kullanılmazsa makine otomatik olarak kapatılır.

NOT: Anahtar tetiği çekerken güç düğmesine basarsanız makine açılmaz. Anahtar tetiği bırakın ve ardından güç düğmesine basın.

İleri/geri ve hız düğmesi

► **Şek.20:** 1. İleri/geri düğmesi 2. Hız göstergesi 3. Hız düğmesi

İleri modu ile geri modu arasında geçiş yapmak için ileri/geri düğmesine basın. Düşük hız, orta hız ve yüksek hız arasında geçiş yapmak için hız düğmesine basın. Güç açıldığında ileri modu ve düşük hız ayarlanır.

NOT: İleri/geri düğmesi, anahtar tetik çekilirken kullanılamaz.

NOT: Makine geri yönde çalıştırılırken kısa bir bip sesi çıkar.

NOT: Makineyi geri yönde çalıştırırken hız düğmesi kullanılamaz.

NOT: Makine bir sorun algıladıysa hız göstergeleri dönüşümlü olarak yanıp söner. Bu durumda sorun giderme kısmına bakın.

Bip düğmesi

Bip düğmesine bastığınızda bip sesi çıkar.

► **Şek.21:** 1. Bip düğmesi

NOT: Bip düğmesi, makine açıkken kullanılabilir.

NOT: Bip düğmesi, kilit anahtar batarya kutusuna takılı olmasa da kullanılabilir.

Lambaların yakılması

Ön lambaları ve arka lambayı yakmak için batarya kutusunun üzerindeki lamba düğmesine basın. Lambaları kapatmak için lamba düğmesine yeniden basın.

► **Şek.22:** 1. Lamba düğmesi 2. Ön lamba

► **Şek.23:** 1. Arka lamba

NOT: Makine belirli bir süre kullanılmazsa lambalar söner.

NOT: Güç kapatıldığında lambalar söner.

NOT: Kilit anahtar takılı olmasa bile lambaları yakabilirsiniz.

Anahtar tetik ve fren kolu

⚠DİKKAT: Bataryayı kartuşu makineye takmadan önce, anahtar tetiğin düzgün çalışıp çalışmadığını ve bırakıldığında kapalı konumuna dönüp dönmediğini daima kontrol edin.

Makineyi çalıştırmak için anahtar tetiği çekin. Hız, ayarlı hız aralığı içinde anahtar tetik kullanılarak ayarlanabilir. Makineyi durdurmak için anahtar tetiği bırakın ve fren kolunu çekin. Fren kolunu kilitlemek için fren kolunu çekin ve tutun, ardından kilitleme kolunu çekin ve daha sonra kilitleme kolunu çekerken fren kolunu bırakın. Kilitli açmak için fren kolunu çekin.

► **Şek.24:** 1. Anahtar tetik

► **Şek.25:** 1. Fren kolu 2. Kilitleme kolu

Devirme anahtarı

⚠DİKKAT: Devirme anahtarını kullanırken fren kolunu mutlaka tutun.

⚠DİKKAT: Devirme anahtarını kullanırken kalan batarya kapasitesinin düşük olmadığından emin olun. Batarya kapasitesi düşüğe fren kolunu kilitleyin ve ardından şarjlı batarya kartuşlarına geçiş yapın veya batarya kartuşlarını şarjlı olanlarla değiştirin.

► **Şek.26:** 1. Devirme anahtarı

Tekne veya taşıyıcıyı devirme anahtarını kullanarak devirebilirsiniz. Tekne veya taşıyıcıyı ileri doğru devirmek için fren kolunu tutarken devirme anahtarının üst kısmına basın. Tekne veya taşıyıcıyı eski haline getirmek için fren kolunu tutarken devirme anahtarının alt kısmına basın.

NOT: Tekne veya taşıyıcı hareket ederken bip sesi çıkar.

Taşıyıcının genişliğinin ayarlanması

ÖNEMLİ NOT: Papatya somunları sıktıktan sonra yan raylar ve ön rayın sıkıca sabitlendiğinden emin olun.

6 papatya somunu gevşetin ve daha sonra yan rayları ve ön rayı kaydırın. Papatya somunları sıkarak yan raylar ve ön rayı sabitleyin.

► **Şek.27:** 1. Papatya somun 2. Ray

⚠DİKKAT: Rayları sınır işaretini geçecek kadar kaydırmayın.

► **Şek.28**

Tutamak yüksekliğinin ayarlanması

ÖNEMLİ NOT: Sol ve sağ tutamakları aynı yükseklikte sabitleyin.

Tutamak yüksekliği 7 seviyede ayarlanabilir. Tutamak yüksekliğini ayarlamak için 2 düğmeyi gevşetin, ardından tutamak üzerindeki deliği arka çerçeve üzerindeki çıkıntı ile hizalayarak tutamak yüksekliğini ayarlayın ve ardından 2 düğmeyi iyice sıkın. Diğer tutamağın yüksekliğini aynı şekilde ayarlayın.

► **Şek.29:** 1. Düğme

Arka tekerlek kilidi

Arka tekerlek kilidini kullanarak arka tekerleklerin yönünü sabitleyebilirsiniz.

1. Arka tekerlekler şekilde gösterilen yöne bakacak şekilde makineyi bir miktar ileri alın.

► **Şek.30:** 1. Arka tekerlek

2. Arka tekerlek kilidini geriye doğru döndürün.

► **Şek.31:** 1. Arka tekerlek kilidi

3. Diğer arka tekerleği aynı şekilde kilitleyin.

4. Kilitletiğinizden emin olmak için arka tekerleği ileri geri veya sağa sola hafifçe hareket ettirin.

Arka tekerlek kilidini açmak için arka tekerlek kilidini şekilde gösterildiği gibi 90° döndürün.

► **Şek.32:** 1. Arka tekerlek kilidi

NOT: Arka tekerlekler şekilde gösterildiği gibi 4 farklı yönde sabitlenebilir.

► **Şek.33**

Su terazisinin kullanılması

Su terazisini kullanarak zeminin düz olup olmadığını kontrol edebilirsiniz.

► **Şek.34:** 1. Su terazisi

KULLANIM

⚠DİKKAT: Yükleri yüklemeyen veya boşaltmadan önce fren kolunu mutlaka kilitleyin.

Makinenin kullanılması

ÖNEMLİ NOT: Kullanmadan önce kilit anahtarını mutlaka takın. Kilit anahtarını takılmazsa anahtar tetik çekildiğinde bir bip sesi çıkar. Anahtar tetiği bırakmak ve fren kolunu çekmek suretiyle bip sesi durur.

ÖNEMLİ NOT: Makineyi kullanmadan önce bakım kısmına bakarak kontrol gerçekleştirin.

1. Fren kolunun kilitletiğinden emin olun. Batarya kartuşlarını takın ve kilit anahtarını takarak saat yönünde çevirin.

2. Batarya seçme düğmesi ile batarya kartuşlarını seçin.

3. Gücü açmak için kumanda paneli üzerindeki güç düğmesine basın.

► **Şek.35:** 1. Güç düğmesi

4. Fren kolunun kilidini açmak için fren kolunu çekin.

► **Şek.36:** 1. Fren kolu

5. Tutamakları iki elinizle sıkıca tutun.

► **Şek.37**

6. Anahtar tetiği çekin.

► **Şek.38:** 1. Anahtar tetik

Cisimlerin yüklenmesi

⚠DİKKAT: Cisimleri makineye yüklemeyen önce makinenin kapalı ve fren kolunun kilitli olduğundan emin olun.

⚠DİKKAT: Cisimleri makineye yüklemeyen önce boşaltma ünitesinin kilitli olduğundan emin olun.

⚠DİKKAT: Yükleri mutlaka taşıyıcı veya teknenin içine yükleyin. Yükler taşıyıcı veya teknenin dışarı çıktığında engellere dokunursa düşebilir veya çökebilir.

► **Şek.39**

⚠DİKKAT: Cisimleri mutlaka göz hizasının altında kalacak şekilde yükleyin. Yük çok yüksek olursa görüşü engellediğinden tehlike oluşturur. Ayrıca yük muhtemelen dengeyi bozacağından devrilme ve yaralanma riski söz konusudur.

► **Şek.40**

⚠DİKKAT: Teknenin yüksekliğini aşan yükler yüklemeyin. Teknenin yüksekliğini aşan yükler yüklemek yükün düşmesine veya çökmesine neden olabilir.

Cisimleri taşıyıcıya yüklerken cisimleri halatlarla sabitleyin ve bunları taşıyıcının halat kancalarına bağlayın.

► **Şek.41:** 1. Halat kancası

Cisimlerin boşaltılması

⚠DİKKAT: Taşıyıcı veya tekneyi kaldırırcan veya eski haline getirirken vücut uzuvlarınızı asla boşaltma ünitesi ile taşıyıcı veya teknenin arasına ya da boşaltma ünitesinin altına koymayın. Aksi durum yaralanma veya yanıklara neden olabilir.

⚠DİKKAT: Yükleri boşalttıktan sonra boşaltma ünitesini orijinal konumuna döndürerek boşaltma ünitesini mutlaka kilitleyin.

⚠DİKKAT: Taşıyıcı veya tekneyi manuel olarak kaldırmadan önce fren kolunu kilitletiğinizden emin olun.

⚠DİKKAT: Taşıyıcı veya tekneyi düz ve dengeli bir zeminde kaldırın. Dengesiz zeminde çalışmak, kaza veya yaralanmaya neden olabilir.

⚠DİKKAT: Yükü minimumda tutun. Yük büyümüş taşıyıcı veya tekneyi kaldırmaya çalışmayın. Yükü azaltın ve daha sonra taşıyıcı veya tekneyi kaldırın.

⚠DİKKAT: Yük halatları veya başka araçlarla sabitlenmişse boşaltma ünitesini kaldırmadan önce yükü çözün.

⚠DİKKAT: Taşıyıcı veya tekneyi kaldırmadan önce makinenin etrafında insan veya engeller olmadığından emin olun.

Cisimler, taşıyıcı veya tekneye kaldırıp yatırarak boşaltılabilir.

1. Makineyi durdurun.
2. Fren kolunu tutarken devirme anahtarının üst kısmına basarak tekne veya taşıyıcı ileri doğru devirin.
► **Şek.42:** 1. Devirme anahtarı

3. Tekne veya taşıyıcıda kalan yükleri manüel olarak boşaltmak için aşağıdaki adımları izleyin.

- Fren kolunu kilitleyin ve ardından makinenin yanında durun.
- Boşaltma ünitesinin kilidini açmak için boşaltma ünitesinin kilitleme kolunu makinenin önüne doğru çevirin.
- Boşaltma ünitesinin tutamağını tutun ve ardından tekne veya taşıyıcıyı ileri doğru devirerek yükleri boşaltın.
- Tekne veya taşıyıcıyı boşaltma ünitesine geri getirin.

► **Şek.43:** 1. Kilitleme kolu 2. Boşaltma ünitesi

⚠DİKKAT: Boşaltma ünitesinin tutamağını sıkıca tutun ve sabit durarak çalışın.

ÖNEMLİ NOT: Makineyi dengede tutmak için ön tekerleklerle takoz konulması tavsiye edilir.

4. Fren kolunu tutarken devirme anahtarının alt kısmına basarak tekne veya taşıyıcıyı orijinal konumuna getirin.

ÖNEMLİ NOT: Yükleri boşalttıktan sonra tekne veya taşıyıcıyı mutlaka orijinal konumuna getirin. Tekne veya taşıyıcı tamamen eski haline getirilip kilitlemezse makinenin seyahat hızı 0,8 km/saat ile sınırlanır.

BAKIM

⚠DİKKAT: Depolamadan veya kontrol veya bakım yapmaya kalkışmadan önce mutlaka makineyi düz bir zemine park edin ve fren kolunu kilitleyin.

⚠DİKKAT: Depolama, kontrol veya bakım öncesinde kilit anahtarı ve batarya kartuşunun makineden çıkarıldığından daima emin olun.

⚠DİKKAT: Makine kullanımda değilken kilit anahtarını mutlaka çıkarın. Kilit anahtarını çocukların ulaşamayacağı güvenli bir yerde saklayın.

Aleti EMNİYETLİ ve ÇALIŞMAYA HAZIR durumda tutmak için onarımlar, başka her türlü bakım ve ayarlamalar daima Makita yedek parçaları kullanılarak Makita yetkili servis merkezleri veya Fabrikanın Servis Merkezleri tarafından yapılmalıdır.

Kullanım öncesi kontrol

Makineyi kullanmadan önce aşağıdaki kontrolleri yapın.

- Cıvatalar, somunlar ve düğmelerin iyice sıkıldıklarını kontrol edin.
► **Şek.44**

- Frenin düzgün çalıştığını kontrol edin. Frenin düzgün çalışmadığını hissederseniz fren temizleme işlemini gerçekleştirin. İlerleme kaydedilemezse Makita Yetkili Servis Merkezlerine tamir ettirin.
- Boşaltma ünitesinin tutamağı aşağıya tamamen çekildiğinde boşaltma ünitesinin kilitlendiğini kontrol edin.
► **Şek.45:** 1. Tutamak

- Ön ve arka tekerleklerin lastiklerinin hasarlı olmadığını ve lastiklerdeki havanın yeterli olduğunu kontrol edin.
- Ön lambaların ve arka lambanın temiz olduğunu kontrol edin. Gerekirse bunları temizleyin.
- Kazıyıcıların doğru konumda olduklarını kontrol edin. Kazıyıcı yukarı doğru bakıyorsa cıvataları gevşeterek kazıyıcının yönünü ayarlayın. Cıvataları sıkarken kazıyıcıyı makinenin önüne doğru itirmeyin.
► **Şek.46:** 1. Kazıyıcı

Makinenin temizlenmesi

ÖNEMLİ NOT: Benzin, tiner, alkol ve benzeri maddeleri kesinlikle kullanmayın. Renk değişimi, deformasyon veya çatlaklar oluşabilir.

ÖNEMLİ NOT: Temizlemek için yüksek basınçlı yıkama makinesi kullanmayın.

ÖNEMLİ NOT: Makineyi temizlerken batarya kutusunun kapağını mutlaka kapatın. Aksi takdirde batarya kutusuna su girebilir ve makinenin arızalanmasına neden olabilir.

Çamur, kir ve benzerlerini makineden temizleyin. Makineyi akan su ile temizleyin. Temizlik sonunda makineyi kuru bir bezle silin.

Depolama

Fren kolunu kilitleyin ve batarya kartuşları ile kilit anahtarını çıkarın. Makineyi çocukların ulaşamayacağı güvenli bir yerde depolayın.

Lastiğe hava basılması

Ön ve arka tekerlekler için lastikteki havanın yetersiz olmadığını kontrol edin. Lastikteki hava yetersizse pompa kullanılarak lastiğe hava basın. Hava basıncı şu şekildedir:

- Ön tekerlek lastiği: 280 kPa (40 PSI)
- Arka tekerlek lastiği: 525 kPa (75 PSI)

Ön tekerlek

► **Şek.47**

Arka tekerlek

► **Şek.48**

Lastiğin deęiştirilmesi

⚠DİKKAT: Lastikleri deęiştirmeden önce makineden tüm cisimleri indirdiğinizden emin olun.

⚠DİKKAT: Lastikleri deęiştirirken eldiven giyin.

Ön tekerleğin lastiğinin deęiştirilmesi

NOT: Gri lastiği takarken supap dışı bakacak şekilde takın.

► Şek.49

Arka tekerleğin lastiğinin deęiştirilmesi

► Şek.50

► Şek.51

SORUN GİDERME

Onarım için servise gitmeden önce kendiniz kontrol edin. Kılavuzda açıklanmayan bir problemle karşılaşırsanız makineyi parçalarına ayırmayın. Bunun yerine, onarım için daima orijinal Makita yedek parçaları kullanan Makita Yetkili Servis Merkezlerine başvurun.

Anormal durum	Ana güç lambası	Neden	Çözüm
Makine açılmıyor.	Kapalı.	İki batarya kartuşu takılı deęil.	İki şarjlı batarya kartuşu takın.
		Batarya sorunu (voltaj yetersiz)	Batarya kartuşunu şarj edin. Şarj etmek işe yaramıyorsa, batarya kartuşunu deęiştirin.
		Batarya seçme düğmesi doğru konumda deęil.	Batarya seçme düğmesi ile doğru bataryayı seçin.
Makine çalışmıyor.	Lamba kırmızı yanıp sönüyor.	Bataryanın şarj seviyesi düşük.	Batarya kartuşunu şarj edin. Şarj etmek işe yaramıyorsa, batarya kartuşunu deęiştirin.
		En az bir batarya boş.	Boş bataryayı çıkarın veya şarjlı olanla deęiştirin. Bu durumda ilgili bataryanın en soldaki batarya göstergesi lambası yanıp söner.
	Lamba yeşil yanıp sönüyor.	Kilit anahtarı takılı deęil.	Kilit anahtarını takın ve saat yönünde çevirin.
		Makine aşırı yüklemeye dayanamaz.	Yüklü cisimleri azaltın.
		Ön veya arka tekerlekler sıkışmış veya kilitlemiş.	Sıkışma veya kilitlemiş tekerleklerin nedenini ortadan kaldırın.
	Lamba kırmızı yanıyor.	Makine aşırı ısınmadan dolayı durmuştur.	Makine ve bataryayı soğutun.
	Lamba dönüşümlü olarak kırmızı ve yeşil yanıp sönüyor.	Kilit anahtarı takılı deęil.	Kilit anahtarını takın ve saat yönünde çevirin.
Makine bir anormallik tespit etti.		Makineyi kapatıp tekrar açın.	
Lamba yeşil yanıyor.		Makinede bir arıza oluştu. Makita Yetkili Servis Merkezlerine tamir ettirin.	
		Boş alma kolu orijinal konumunda deęil.	Fren kolunu kilitleyin ve ardından boş alma kolunu orijinal konumuna döndürün.
Makine kısa bir süre kullandıktan sonra duruyor.	Lamba kırmızı yanıp sönüyor.	Bataryanın şarj seviyesi düşük.	Batarya kartuşunu şarj edin. Şarj etmek işe yaramıyorsa, batarya kartuşunu deęiştirin.
Makinenin seyahat hızı artmıyor.	Lamba yeşil yanıyor.	Boşaltma ünitesi tamamen eski haline getirilmemiş veya kilitlenmemiş.	Boşaltma ünitesi tamamen eski haline getirin ve kilitlendiğinden emin olun.

Makine durursa sorun giderme

⚠UYARI: Kesinlikle gerekmedikçe makinenin destek frenini boşa alma koluyla asla devre dışı bırakmayın. Çünkü makinenin destek freni devre dışı bırakıldığında makine istemsiz olarak hareket edebilir ve kaza veya yaralanmaya neden olabilir.

⚠UYARI: Boşa alma kolunu dışa doğru çektikten sonra kolu orijinal konumuna döndürdüğünüzden emin olun.

Bataryalar bittiğinde veya makine arızası olduğunda makine hareket ettirilmezse destek frenini devre dışı bırakmak için boşa alma kolunu dışa doğru çekerek makineyi elle hareket ettirebilirsiniz.

1. Fren kolunu kilitleyin.
2. Makineden tüm cisimleri indirin.

⚠DİKKAT: Makineden tüm cisimleri indirdiğinizden emin olun. Cisimler makinede bırakılırsa makine kazara hareket edebilir.

3. Makine yokuştaysa fren kolunu açın ve makineyi, fren kolu yokuşun üst tarafında ve makine yokuşa paralel olacak şekilde yönlendirin. Fren kolunu kilitleyin.
► **Şek.52**
4. Makinenin hareket etmediğinden emin olun ve boşa alma kolunu dışa doğru çekin.
► **Şek.53:** 1. Boşa alma kolu
5. Fren kolunu açın ve makineyi elle güvenli bir yere alın. Destek freni devre dışı bırakıldığından makineyi fren kolu ile, hız artmayacak şekilde dikkatlice hareket ettirin.
6. Makineyi güvenli bir yere aldıktan sonra fren kolunu kilitleyin.
7. Boşa alma kolunu orijinal konumuna döndürün. Boşa alma kolunun şekilde gösterildiği gibi tamamen eski haline getirildiğinden emin olun.
► **Şek.54:** 1. Boşa alma kolu

İSTEĞE BAĞLI AKSESUARLAR

⚠DİKKAT: Bu aksesuarlar ve ek parçalar bu el kitabında belirtilen Makita makineniz ile kullanılmak için tavsiye edilmektedir. Herhangi başka bir aksesuar ya da ek parça kullanılması insanlar için bir yaralanma riski getirebilir. Aksesuarları ya da ek parçaları yalnızca belirtilmiş olan kullanım amaçlarına uygun olarak kullanın.

⚠DİKKAT: Makine için sadece Makita aksesuar veya ataşman kullanın. Başka aksesuar veya ataşman kullanılması ciddi yaralanmaya neden olabilir.

Bu aksesuarlarla ilgili daha fazla bilgiye ihtiyaç duyarsanız bulunduğunuz yerdeki yetkili Makita servisine başvurun.

- Taşıyıcı
- Tekne
- Ön lastik (siyah)
- Ön lastik (gri)
- Arka lastik (gri)
- Orijinal Makita batarya ve şarj aleti

NOT: Listedeki parçaların bazıları alet paketi içerisinde standart aksesuar olarak dahil edilmiş olabilir. Bunlar ülkeden ülkeye farklılık gösterebilir.

Makita Europe N.V.

Jan-Baptist Vinkstraat 2, 3070 Kortenberg, Belgium

Makita Corporation

3-11-8, Sumiyoshi-cho, Anjo, Aichi 446-8502 Japan

www.makita.com



885953-999
EN, FR, DE, IT, NL,
ES, PT, DA, EL, TR
20230731