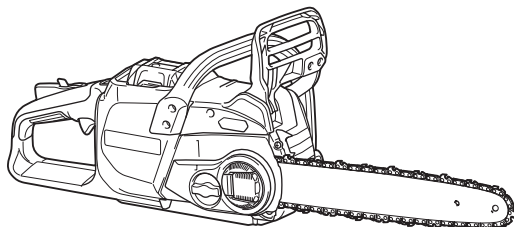




EN	Cordless Chain Saw	INSTRUCTION MANUAL	10
FR	Tronçonneuse sans Fil	MANUEL D'INSTRUCTIONS	23
DE	Akku-Kettensäge	BETRIEBSANLEITUNG	37
IT	Motosega a batteria	ISTRUZIONI PER L'USO	52
NL	Accukettingzaag	GEBRUIKSAANWIJZING	67
ES	Electrosierra Inalámbrica	MANUAL DE INSTRUCCIONES	82
PT	Motosserra a Bateria	MANUAL DE INSTRUÇÕES	97
EL	Φορητό αλυσοπρίονο	ΕΓΧΕΙΡΙΔΙΟ ΟΔΗΓΙΩΝ	111
TR	Akülü Ağaç Kesme	KULLANMA KILAVUZU	127

UC021G
UC022G
UC023G



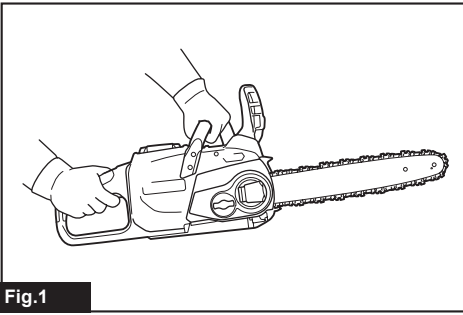


Fig.1

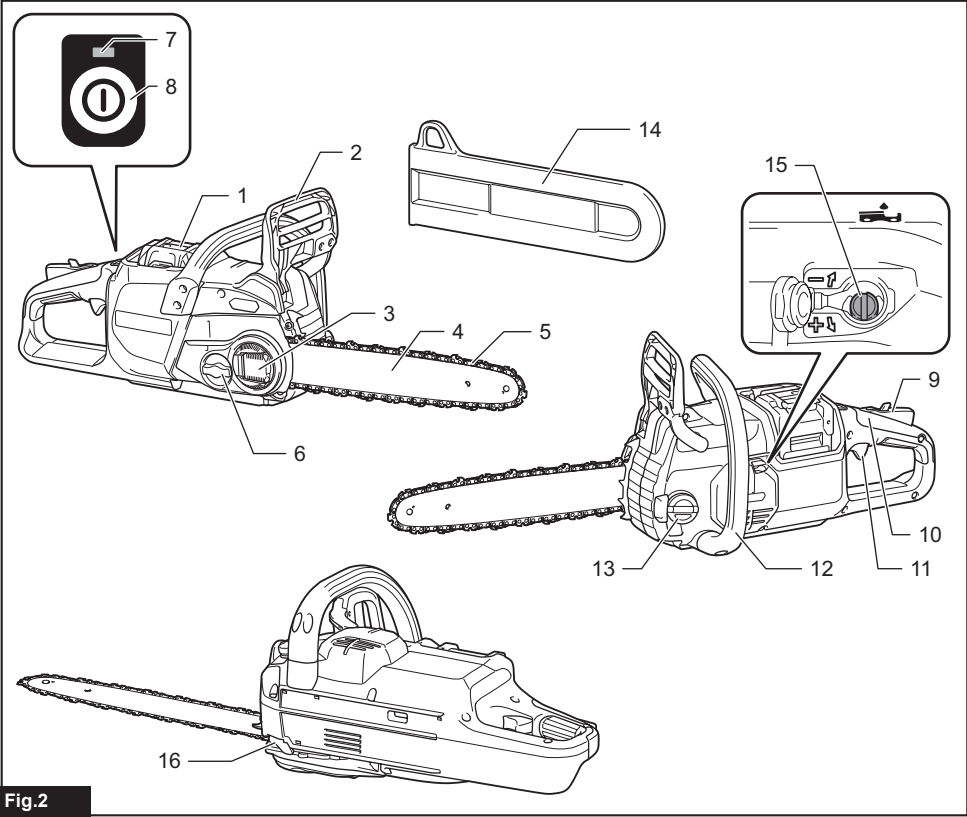


Fig.2

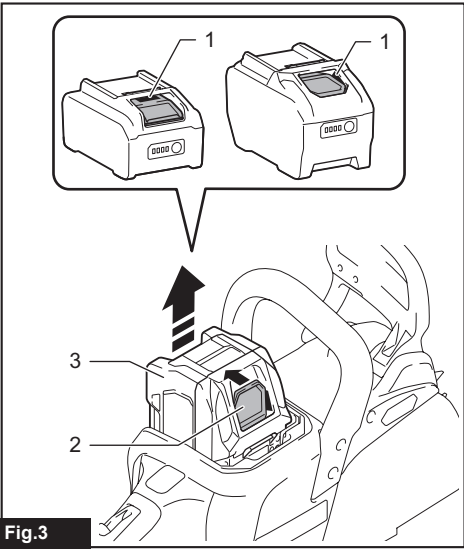


Fig.3

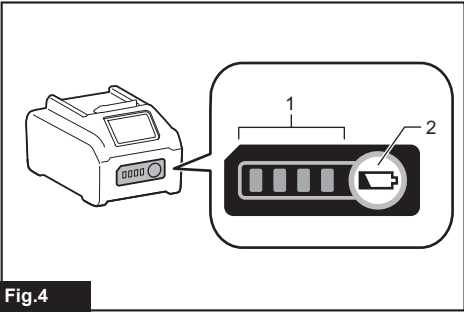


Fig.4

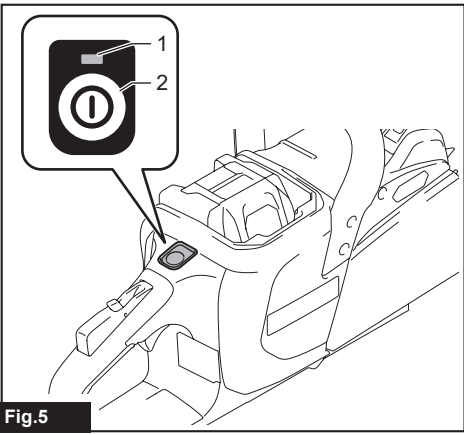


Fig.5

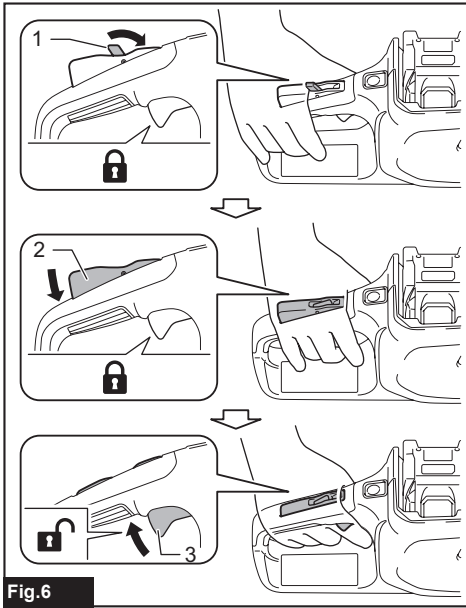


Fig.6

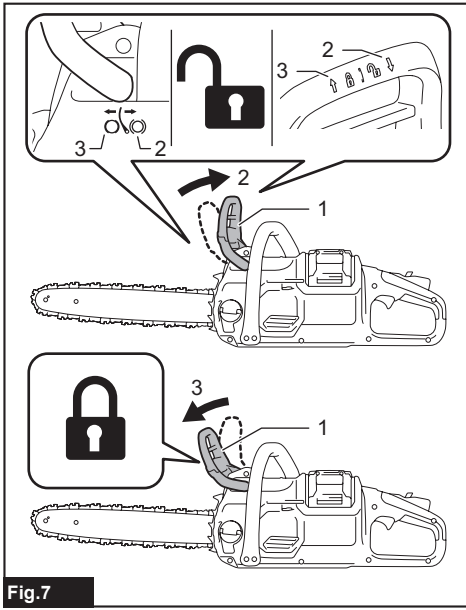
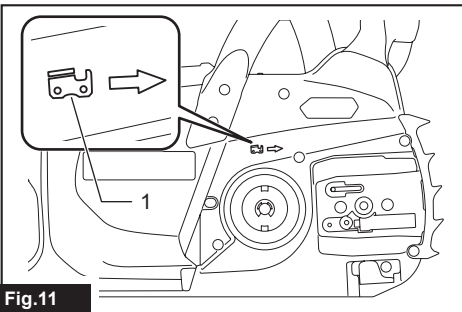
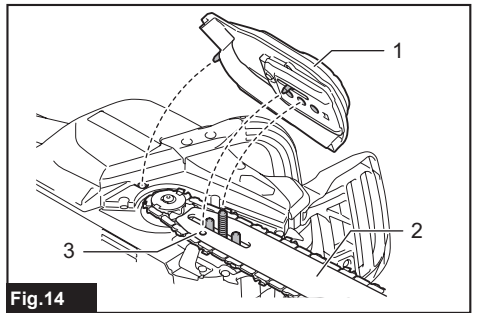
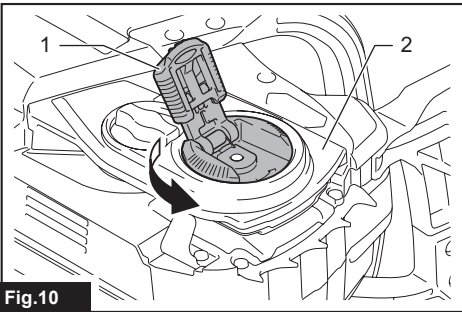
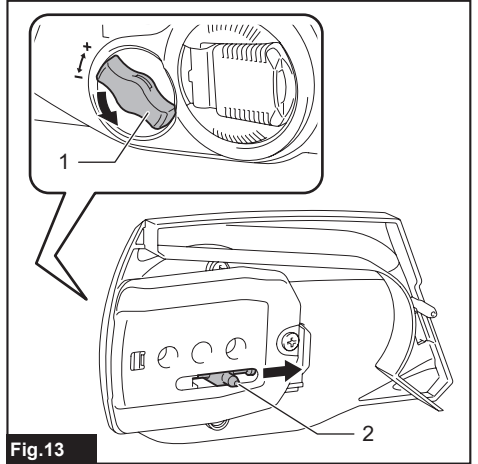
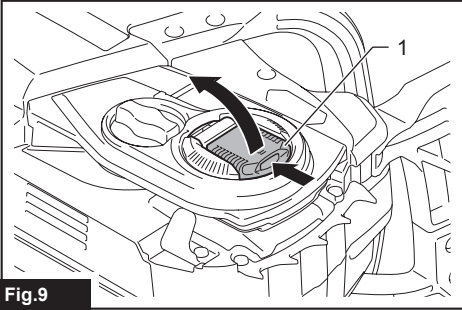
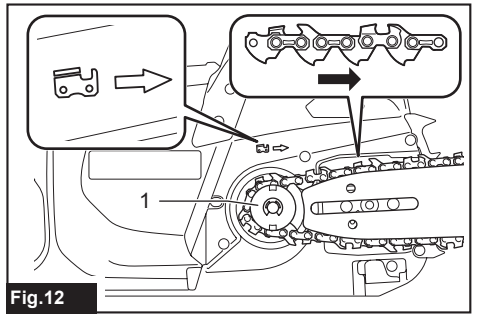
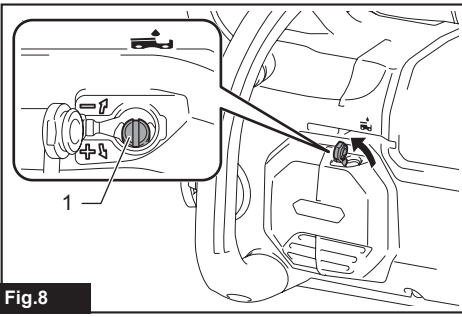


Fig.7



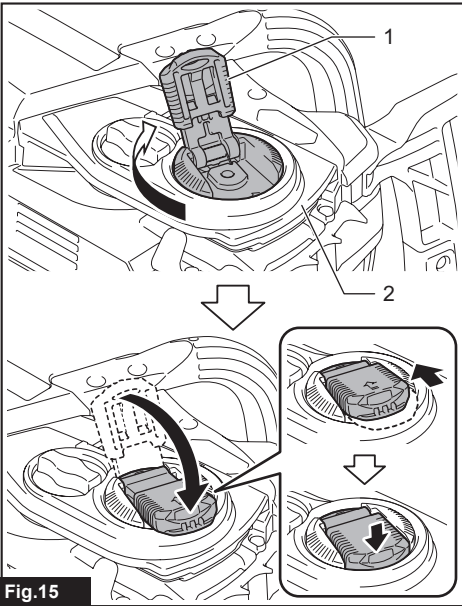


Fig.15

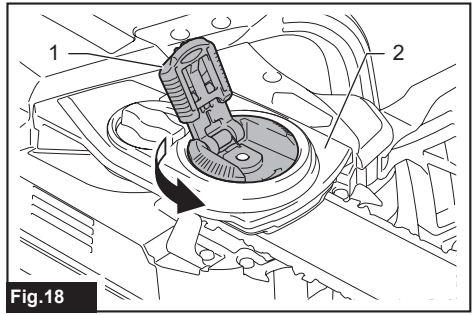


Fig.18

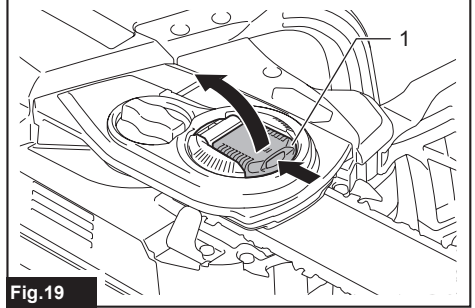


Fig.19

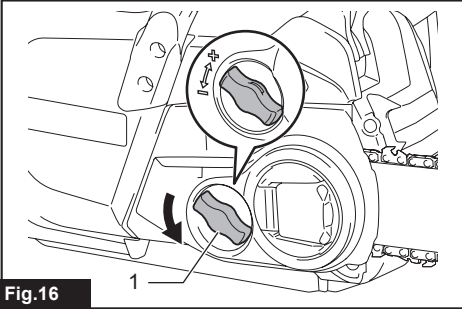


Fig.16

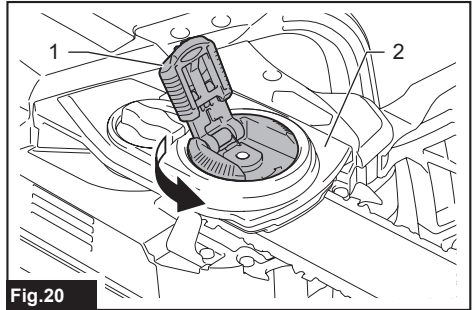


Fig.20

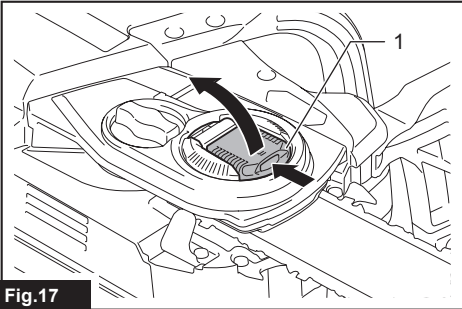


Fig.17

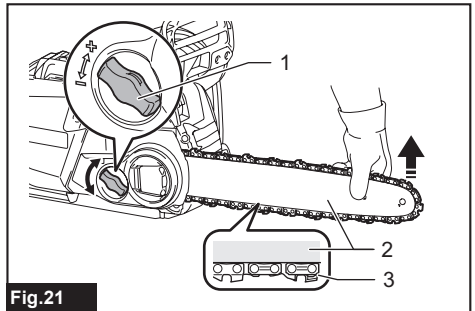


Fig.21

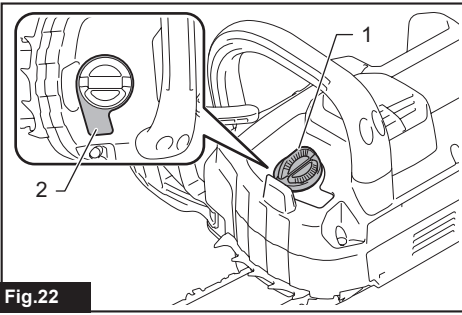


Fig. 22

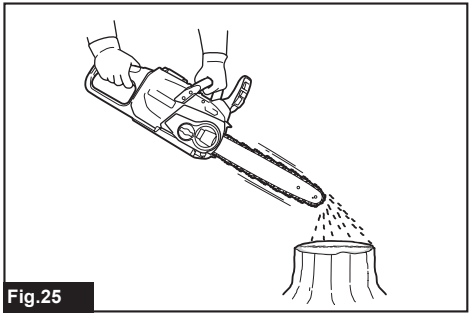


Fig. 25

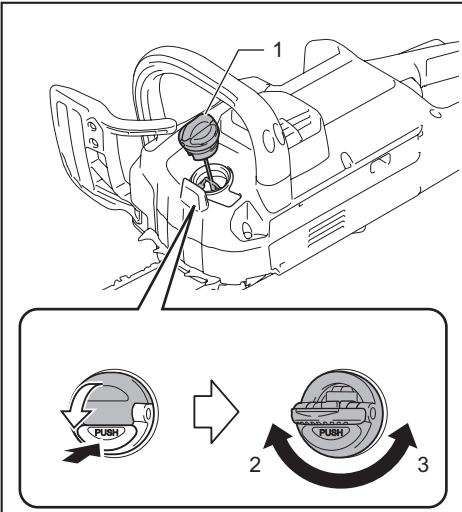


Fig. 23

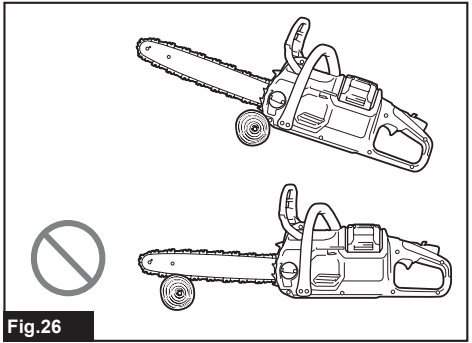


Fig. 26

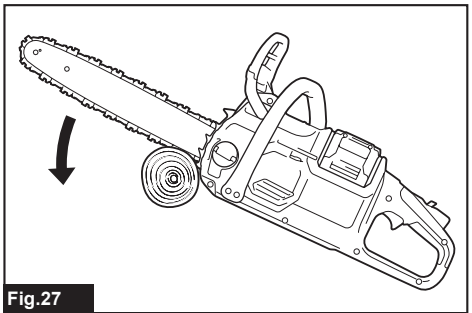


Fig. 27

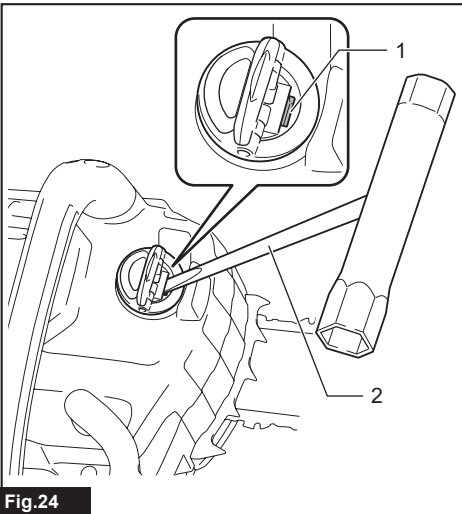


Fig. 24

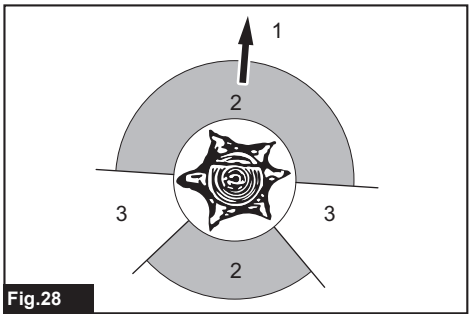


Fig. 28

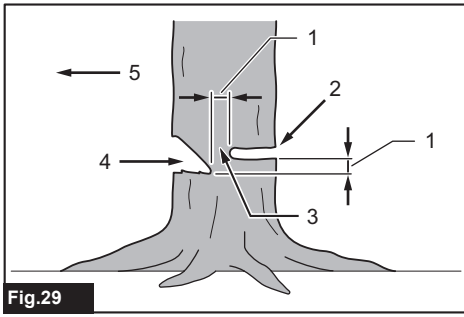


Fig.29

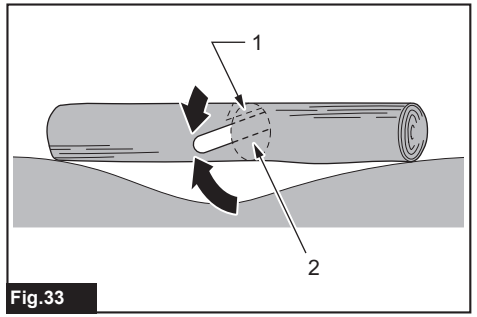


Fig.33

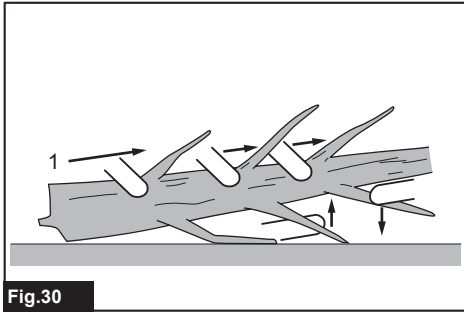


Fig.30

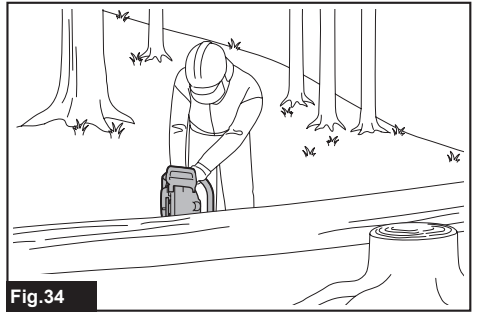


Fig.34

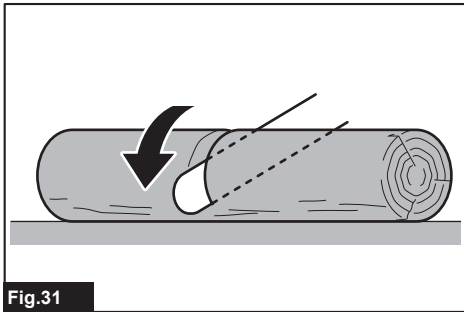


Fig.31

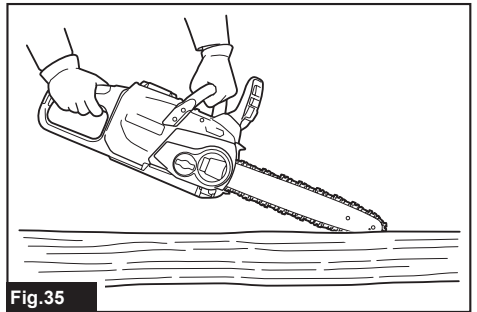


Fig.35

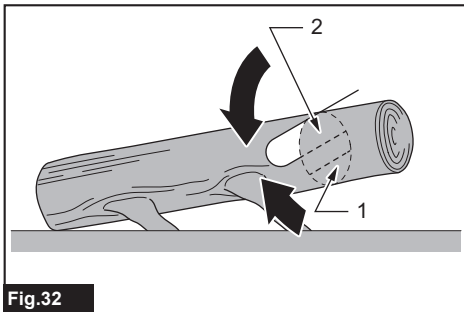


Fig.32

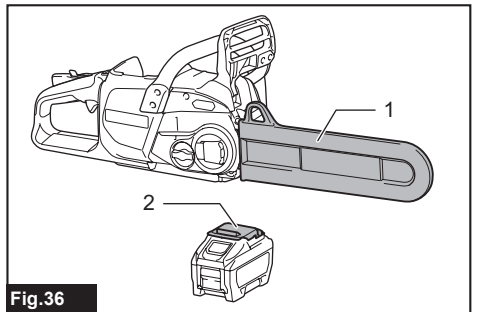
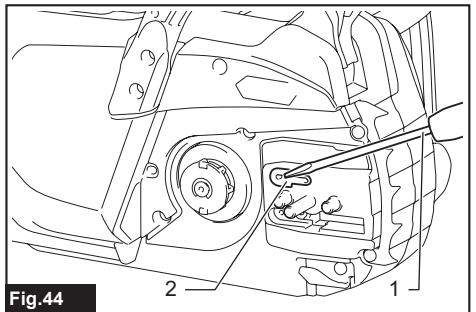
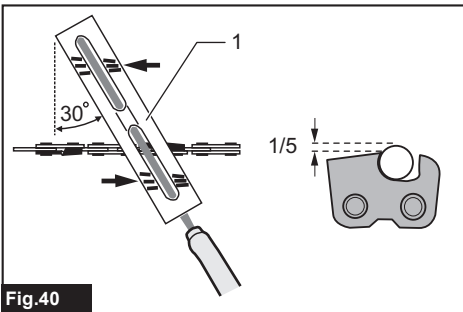
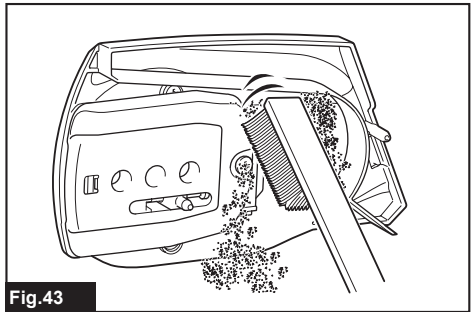
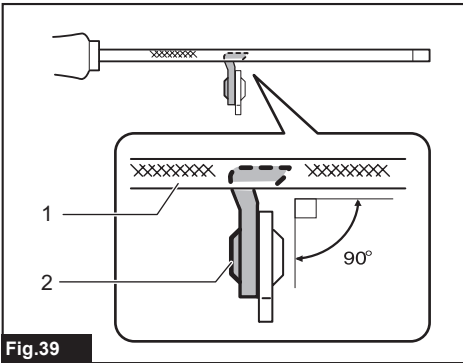
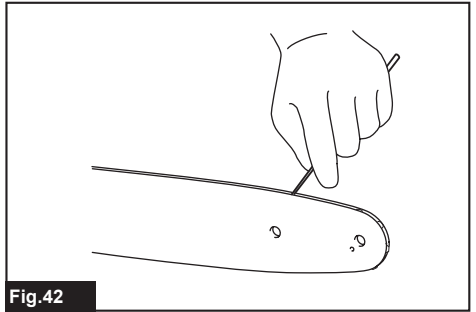
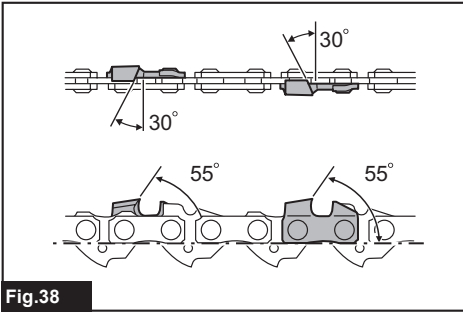
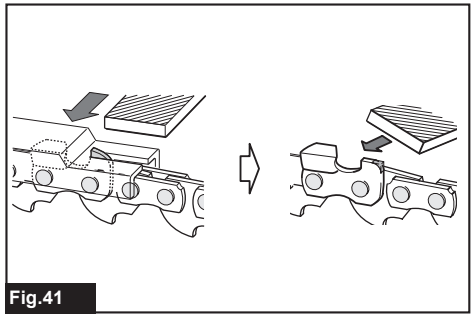
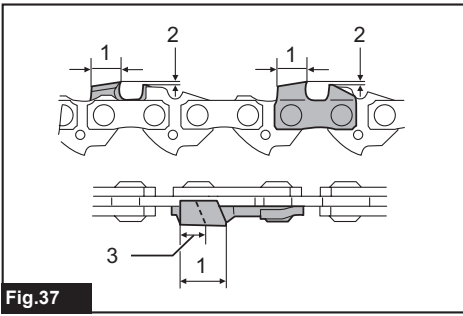
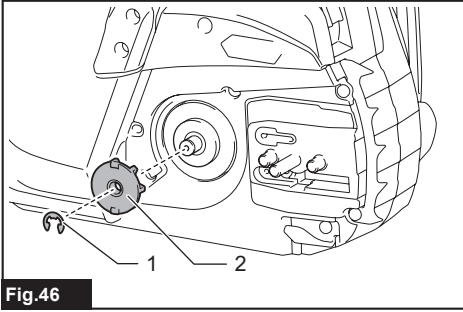
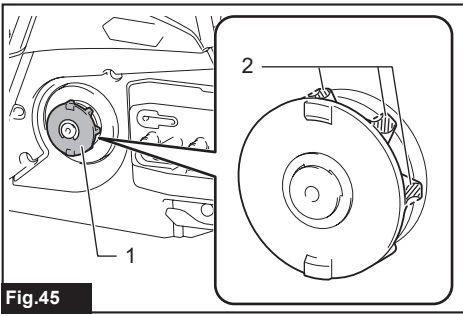


Fig.36





SPECIFICATIONS

Model:		UC021G	UC022G	UC023G
Overall length (without saw chain and guide bar)		430 mm		
Rated voltage		D.C. 36 V - 40 V max		
Net weight	*1	3.4 kg		
	*2	5.0 - 5.3 kg	5.1 - 5.4 kg	5.1 - 5.5 kg
Standard guide bar length		300 mm	350 mm	400 mm
Recommended guide bar length		300 - 400 mm		
Applicable saw chain type (refer to the table below)		80TXL		
Sprocket	Number of teeth	7		
	Pitch	0.325"		
Chain speed		0 - 25.5 m/s (0 - 1,530 m/min)		
Chain oil tank volume		200 cm ³		
Protection degree		IPX4		

- Due to our continuing program of research and development, the specifications herein are subject to change without notice.
 - Specifications may differ from country to country.
- *1: Weight, without the saw chain, guide bar, guide bar cover, oil and battery cartridge(s).
 *2: The lightest and heaviest combination of weight, according to EPTA-Procedure 01/2014. The weight may differ depending on the attachment(s), including the battery cartridge(s).

Saw chain, guide bar, and sprocket combination

Saw chain type		80TXL		
Number of drive links		51	59	64
Guide bar	Guide bar length	300 mm	350 mm	400 mm
	Cutting length	257 mm	323 mm	364 mm
	Pitch	0.325"		
	Gauge	1.1 mm		
	Type	Sprocket nose bar		
Sprocket	Number of teeth	7		
	Pitch	0.325"		

⚠ WARNING: Use appropriate combination of the guide bar and saw chain. Otherwise personal injury may result.

Applicable battery cartridge and charger

Battery cartridge	BL4040 / BL4040F* / BL4050F* * : Recommended battery
Charger	DC40RA / DC40RB / DC40RC / DC40WA

- Some of the battery cartridges and chargers listed above may not be available depending on your region of residence.

⚠ WARNING: Only use the battery cartridges and chargers listed above. Use of any other battery cartridges and chargers may cause injury and/or fire.



Recommended cord connected power source

Portable power pack	PDC01
---------------------	-------

- The cord connected power source(s) listed above may not be available depending on your region of residence.
- Before using the cord connected power source, read instruction and cautionary markings on them.

Symbols

The followings show the symbols which may be used for the equipment. Be sure that you understand their meaning before use.

	Read instruction manual.
	Wear eye protection.
	Wear ear protection.
	Wear a helmet, goggles and ear protection.
	Maximum permissible cut length
	Always use two hands when operating the chain saw.
	Beware of chain saw kickback and avoid contact with bar tip.
	Direction of chain travel
	Saw chain oil adjustment
	<p>Only for EU countries Due to the presence of hazardous components in the equipment, waste electrical and electronic equipment, accumulators and batteries may have a negative impact on the environment and human health. Do not dispose of electrical and electronic appliances or batteries with household waste!</p> <p>In accordance with the European Directive on waste electrical and electronic equipment and on accumulators and batteries and waste accumulators and batteries, as well as their adaptation to national law, waste electrical equipment, batteries and accumulators should be stored separately and delivered to a separate collection point for municipal waste, operating in accordance with the regulations on environmental protection.</p> <p>This is indicated by the symbol of the crossed-out wheeled bin placed on the equipment.</p>
	Guaranteed sound power level according to EU Outdoor Noise Directive.
	Sound power level according to Australia NSW Noise Control Regulation.

Intended use

This chain saw is intended for sawing wood.

Noise

The typical A-weighted noise level determined according to EN62841-4-1:

Model UC021G

Sound pressure level (L_{pA}): 93 dB (A)

Sound power level (L_{WA}): 101 dB (A)

Uncertainty (K): 3 dB (A)

Model UC022G

Sound pressure level (L_{pA}): 93 dB (A)

Sound power level (L_{WA}): 101 dB (A)

Uncertainty (K): 3 dB (A)

Model UC023G

Sound pressure level (L_{pA}): 93 dB (A)

Sound power level (L_{WA}): 101 dB (A)

Uncertainty (K): 3 dB (A)

NOTE: The declared noise emission value(s) has been measured in accordance with a standard test method and may be used for comparing one tool with another.

NOTE: The declared noise emission value(s) may also be used in a preliminary assessment of exposure.

⚠ WARNING: Wear ear protection.

⚠ WARNING: The noise emission during actual use of the power tool can differ from the declared value(s) depending on the ways in which the tool is used especially what kind of workpiece is processed.

⚠ WARNING: Be sure to identify safety measures to protect the operator that are based on an estimation of exposure in the actual conditions of use (taking account of all parts of the operating cycle such as the times when the tool is switched off and when it is running idle in addition to the trigger time).

Vibration

The vibration total value (tri-axial vector sum) determined according to EN62841-4-1:

Model UC021G

Work mode: cutting wood

Vibration emission ($a_{h,w}$): 3.5 m/s^2

Uncertainty (K): 1.5 m/s^2

Model UC022G

Work mode: cutting wood

Vibration emission ($a_{h,w}$): 3.5 m/s^2

Uncertainty (K): 1.5 m/s^2

Model UC023G

Work mode: cutting wood

Vibration emission ($a_{h,w}$): 3.5 m/s^2

Uncertainty (K): 1.5 m/s^2

NOTE: The declared vibration total value(s) has been measured in accordance with a standard test method and may be used for comparing one tool with another.

NOTE: The declared vibration total value(s) may also be used in a preliminary assessment of exposure.

⚠WARNING: The vibration emission during actual use of the power tool can differ from the declared value(s) depending on the ways in which the tool is used especially what kind of workpiece is processed.

⚠WARNING: Be sure to identify safety measures to protect the operator that are based on an estimation of exposure in the actual conditions of use (taking account of all parts of the operating cycle such as the times when the tool is switched off and when it is running idle in addition to the trigger time).

Declarations of Conformity

For European countries only

The Declarations of conformity are included in Annex A to this instruction manual.

SAFETY WARNINGS

General power tool safety warnings

⚠WARNING Read all safety warnings, instructions, illustrations and specifications provided with this power tool. Failure to follow all instructions listed below may result in electric shock, fire and/or serious injury.

Save all warnings and instructions for future reference.

The term "power tool" in the warnings refers to your mains-operated (corded) power tool or battery-operated (cordless) power tool.

General chain saw safety warnings

1. **Keep all parts of the body away from the saw chain when the chain saw is operating. Before you start the chain saw, make sure the saw chain is not contacting anything.** A moment of inattention while operating chain saws may cause entanglement of your clothing or body with the saw chain.
2. **Always hold the chain saw with your right hand on the rear handle and your left hand on the front handle.** Holding the chain saw with a reversed hand configuration increases the risk of personal injury and should never be done.
3. **Hold the chain saw by insulated gripping surfaces only, because the saw chain may contact hidden wiring.** Saw chains contacting a "live" wire may make exposed metal parts of the chain saw "live" and could give the operator an electric shock.
4. **Wear eye protection. Further protective equipment for hearing, head, hands, legs and feet is recommended.** Adequate protective equipment will reduce personal injury from flying debris or accidental contact with the saw chain.

5. **Do not operate a chain saw in a tree, on a ladder, from a rooftop, or any unstable support.** Operation of a chain saw in this manner could result in serious personal injury.
6. **Always keep proper footing and operate the chain saw only when standing on fixed, secure and level surface.** Slippery or unstable surfaces may cause a loss of balance or control of the chain saw.
7. **When cutting a limb that is under tension, be alert for spring back.** When the tension in the wood fibres is released, the spring loaded limb may strike the operator and/or throw the chain saw out of control.
8. **Use extreme caution when cutting brush and saplings.** The slender material may catch the saw chain and be whipped toward you or pull you off balance.
9. **Carry the chain saw by the front handle with the chain saw switched off and away from your body. When transporting or storing the chain saw, always fit the guide bar cover.** Proper handling of the chain saw will reduce the likelihood of accidental contact with the moving saw chain.
10. **Follow instructions for lubricating, chain tensioning and changing the bar and chain.** Improperly tensioned or lubricated chain may either break or increase the chance for kickback.
11. **Cut wood only. Do not use chain saw for purposes not intended. For example: do not use chain saw for cutting metal, plastic, masonry or non-wood building materials.** Use of the chain saw for operations different than intended could result in a hazardous situation.
12. **Do not attempt to fell a tree until you have an understanding of the risks and how to avoid them.** Serious injury could occur to the operator or bystanders while felling a tree.
13. **Causes and operator prevention of kickback:** Kickback may occur when the nose or tip of the guide bar touches an object, or when the wood closes in and pinches the saw chain in the cut. Tip contact in some cases may cause a sudden reverse reaction, kicking the guide bar up and back towards the operator. Pinching the saw chain along the top of the guide bar may push the guide bar rapidly back towards the operator. Either of these reactions may cause you to lose control of the saw which could result in serious personal injury. Do not rely exclusively upon the safety devices built into your saw. As a chain saw user, you should take several steps to keep your cutting jobs free from accident or injury. Kickback is the result of chain saw misuse and/or incorrect operating procedures or conditions and can be avoided by taking proper precautions as given below:
 - **Maintain a firm grip, with thumbs and fingers encircling the chain saw handles, with both hands on the saw and position your body and arm to allow you to resist kickback forces.** Kickback forces can be controlled by the operator, if proper precautions are taken. Do not let go of the chain saw.

► Fig.1

- **Do not overreach and do not cut above shoulder height.** This helps prevent unintended tip contact and enables better control of the chain saw in unexpected situations.
 - **Only use replacement guide bars and saw chains specified by the manufacturer.** Incorrect replacement guide bars and saw chains may cause chain breakage and/or kickback.
 - **Follow the manufacturer's sharpening and maintenance instructions for the saw chain.** Decreasing the depth gauge height can lead to increased kickback.
14. **Follow all instructions when clearing jammed material, storing or servicing the chain saw. Make sure the switch is off and the battery pack is removed.** Unexpected actuation of the chain saw while clearing jammed material or servicing may result in serious personal injury.

Additional Safety Instructions

Personal protective equipment

1. **Clothing must be close-fitting, but must not obstruct mobility.**
2. **Wear the following protective clothing during work:**
 - A tested safety helmet, if a hazard is presented by falling branches or similar;
 - A face mask or goggles;
 - Suitable ear protection (ear muffs, custom or mouldable ear plugs). Octave brand analysis upon request.
 - Firm leather safety gloves;
 - Long trousers manufactured from strong fabric;
 - Protective dungarees of cut-resistant fabric;
 - Safety shoes or boots with non-slip soles, steel toes, and cut-resistant fabric lining;
 - A breathing mask, when carrying out work which produces dust (e.g. sawing dry wood).

Operation

1. **Before starting work, check that the chain saw is in proper working order and that its condition complies with the safety regulations. Check in particular that:**
 - The chain brake is working properly;
 - The run-down brake is working properly;
 - The bar and the sprocket cover are fitted correctly;
 - The chain has been sharpened and tensioned in accordance with the regulations.
2. **Do not start the chain saw with the chain cover being installed on it.** Starting the chain saw with the chain cover being installed on it may cause the chain cover to be thrown out forward resulting in personal injury and damage to objects around the operator.
3. **Always activate the chain brake while the tool is not in use or being carried around.**
4. **When you use the tool on muddy ground, wet slope, or slippery place, pay attention to your footing.**
5. **Do not submerge the tool into a puddle.**
6. **Do not leave the tool unattended outdoors in the rain.**

Electrical and battery safety

1. **Avoid dangerous environment. Don't use the tool in damp or wet locations or expose it to rain. Water entering the tool will increase the risk of electric shock.**
2. **Do not dispose of the battery(ies) in a fire.** The cell may explode. Check with local codes for possible special disposal instructions.
3. **Do not open or mutilate the battery(ies).** Released electrolyte is corrosive and may cause damage to the eyes or skin. It may be toxic if swallowed.
4. **Do not charge battery in rain, or in wet locations.**
5. **Do not charge the battery outdoors.**
6. **Do not handle charger, including charger plug, and charger terminals with wet hands.**
7. **Do not replace the battery in the rain.**
8. **Do not replace the battery with wet hands.**
9. **Do not leave the battery in the rain, nor charge, use, or store the battery in a damp or wet place.**
10. **Do not wet the terminal of battery with liquid such as water, or submerge the battery.** If the terminal gets wet or liquid enters inside of battery, the battery may be short circuited and there is a risk of overheat, fire, or explosion.
11. **After removing the battery from the tool or charger, be sure to attach the battery cover to the battery and store it in a dry place.**
12. **If the battery cartridge gets wet, drain the water inside and then wipe it with a dry cloth. Dry the battery cartridge completely in a dry place before use.**

Maintenance and storage

1. **When storing the tool, avoid direct sunlight and rain, and store it in a place where it does not get hot or humid.**

SAVE THESE INSTRUCTIONS.

⚠WARNING: DO NOT let comfort or familiarity with product (gained from repeated use) replace strict adherence to safety rules for the subject product. MISUSE or failure to follow the safety rules stated in this instruction manual may cause serious personal injury.

Important safety instructions for battery cartridge

1. **Before using battery cartridge, read all instructions and cautionary markings on (1) battery charger, (2) battery, and (3) product using battery.**
2. **Do not disassemble or tamper with the battery cartridge.** It may result in a fire, excessive heat, or explosion.
3. **If operating time has become excessively shorter, stop operating immediately. It may result in a risk of overheating, possible burns and even an explosion.**

4. If electrolyte gets into your eyes, rinse them out with clear water and seek medical attention right away. It may result in loss of your eyesight.
5. Do not short the battery cartridge:
 - (1) Do not touch the terminals with any conductive material.
 - (2) Avoid storing battery cartridge in a container with other metal objects such as nails, coins, etc.
 - (3) Do not expose battery cartridge to water or rain.

A battery short can cause a large current flow, overheating, possible burns and even a breakdown.
6. Do not store and use the tool and battery cartridge in locations where the temperature may reach or exceed 50 °C (122 °F).
7. Do not incinerate the battery cartridge even if it is severely damaged or is completely worn out. The battery cartridge can explode in a fire.
8. Do not nail, cut, crush, throw, drop the battery cartridge, or hit against a hard object to the battery cartridge. Such conduct may result in a fire, excessive heat, or explosion.
9. Do not use a damaged battery.
10. The contained lithium-ion batteries are subject to the Dangerous Goods Legislation requirements.

For commercial transports e.g. by third parties, forwarding agents, special requirement on packaging and labeling must be observed. For preparation of the item being shipped, consulting an expert for hazardous material is required. Please also observe possibly more detailed national regulations.

Tape or mask off open contacts and pack up the battery in such a manner that it cannot move around in the packaging.
11. When disposing the battery cartridge, remove it from the tool and dispose of it in a safe place. Follow your local regulations relating to disposal of battery.
12. Use the batteries only with the products specified by Makita. Installing the batteries to non-compliant products may result in a fire, excessive heat, explosion, or leak of electrolyte.
13. If the tool is not used for a long period of time, the battery must be removed from the tool.
14. During and after use, the battery cartridge may take on heat which can cause burns or low temperature burns. Pay attention to the handling of hot battery cartridges.
15. Do not touch the terminal of the tool immediately after use as it may get hot enough to cause burns.
16. Do not allow chips, dust, or soil stuck into the terminals, holes, and grooves of the battery cartridge. It may cause heating, catching fire, burst and malfunction of the tool or battery cartridge, resulting in burns or personal injury.
17. Unless the tool supports the use near high-voltage electrical power lines, do not use the battery cartridge near high-voltage electrical power lines. It may result in a malfunction or breakdown of the tool or battery cartridge.
18. Keep the battery away from children.

SAVE THESE INSTRUCTIONS.

⚠ CAUTION: Only use genuine Makita batteries. Use of non-genuine Makita batteries, or batteries that have been altered, may result in the battery bursting causing fires, personal injury and damage. It will also void the Makita warranty for the Makita tool and charger.

Tips for maintaining maximum battery life

1. Charge the battery cartridge before completely discharged. Always stop tool operation and charge the battery cartridge when you notice less tool power.
2. Never recharge a fully charged battery cartridge. Overcharging shortens the battery service life.
3. Charge the battery cartridge with room temperature at 10 °C - 40 °C (50 °F - 104 °F). Let a hot battery cartridge cool down before charging it.
4. When not using the battery cartridge, remove it from the tool or the charger.
5. Charge the battery cartridge if you do not use it for a long period (more than six months).

PARTS DESCRIPTION

► Fig.2

1	Battery cartridge	2	Front hand guard	3	Lever
4	Guide bar	5	Saw chain	6	Adjusting dial
7	Main power lamp	8	Main power switch	9	Lock-off lever
10	Rear handle	11	Switch trigger	12	Front handle
13	Oil tank cap	14	Guide bar cover	15	Adjusting screw (for oil pump)
16	Chain catcher	-	-	-	-

FUNCTIONAL DESCRIPTION

⚠ CAUTION: Always be sure that the tool is switched off and the battery cartridge is removed before adjusting or checking function on the tool.

Installing or removing battery cartridge

⚠ CAUTION: Always switch off the tool before installing or removing of the battery cartridge.

⚠ CAUTION: Hold the tool and the battery cartridge firmly when installing or removing battery cartridge. Failure to hold the tool and the battery cartridge firmly may cause them to slip off your hands and result in damage to the tool and battery cartridge and a personal injury.

To install the battery cartridge, align the tongue on the battery cartridge with the groove in the housing and slip it into place. Insert it all the way until it locks in place with a little click. If you can see the red indicator as shown in the figure, it is not locked completely.

To remove the battery cartridge, slide it from the tool while sliding the button on the front of the cartridge.

► **Fig.3:** 1. Red indicator 2. Button 3. Battery cartridge

⚠ CAUTION: Always install the battery cartridge fully until the red indicator cannot be seen. If not, it may accidentally fall out of the tool, causing injury to you or someone around you.

⚠ CAUTION: Do not install the battery cartridge forcibly. If the cartridge does not slide in easily, it is not being inserted correctly.

Indicating the remaining battery capacity

Press the check button on the battery cartridge to indicate the remaining battery capacity. The indicator lamps light up for a few seconds.

► **Fig.4:** 1. Indicator lamps 2. Check button

Indicator lamps			Remaining capacity
Lighted	Off	Blinking	
■	□	▧	75% to 100%
■ ■ ■ ■			
■ ■ ■	□		50% to 75%
■ ■	□ □		25% to 50%
■	□ □ □		0% to 25%
▧	□ □ □		Charge the battery.
■ ■ □ □	↑ ↓	□ □ ■ ■	The battery may have malfunctioned.

NOTE: Depending on the conditions of use and the ambient temperature, the indication may differ slightly from the actual capacity.

NOTE: The first (far left) indicator lamp will blink when the battery protection system works.

Tool / battery protection system

The tool is equipped with a tool/battery protection system. This system automatically cuts off power to the motor to extend tool and battery life. The tool will automatically stop during operation if the tool or battery is placed under one of the following conditions:

Overload protection

When the tool/battery is operated in a manner that causes it to draw an abnormally high current, the tool automatically stops and the main power lamp blinks in green. In this situation, turn the tool off and stop the application that caused the tool to become overloaded. Then turn the tool on to restart.

Overheat protection

When the tool or battery is overheated, the tool stops automatically and the main power lamp lights up in red. In this case, let the tool and battery cool before turning the tool on again.

NOTE: In high temperature environment, the overheat protection likely to work and the tool stops automatically.

Overdischarge protection

When the battery capacity is not enough, the tool stops automatically and the main power lamp blinks in red. In this case, remove the battery from the tool and charge the battery.

Protections against other causes

Protection system is also designed for other causes that could damage the tool and allows the tool to stop automatically. Take all the following steps to clear the causes, when the tool has been brought to a temporary halt or stop in operation.

1. Turn the tool off, and then turn it on again to restart.
2. Charge the battery(ies) or replace it/them with recharged battery(ies).
3. Let the machine and battery(ies) cool down.

If no improvement can be found by restoring protection system, then contact your local Makita Service Center.

NOTICE: If the tool stops due to a cause not described above, refer to the section for troubleshooting.

Main power switch

⚠ WARNING: Always turn off the main power switch when not in use.

To turn on the tool, press the main power switch. The main power lamp lights up in green. To turn off, press the main power switch again.

► **Fig.5:** 1. Main power lamp 2. Main power switch

NOTE: The main power lamp blinks in green if the switch trigger is pulled under unoperable conditions. The lamp blinks in one of the following conditions.

- When you turn on the main power switch while holding down the lock-off lever and pulling the switch trigger.
- When you pull the switch trigger while the chain brake is applied.
- When you release the chain brake while holding down the lock-off lever and pulling the switch trigger.

NOTE: This tool employs the auto power-off function. The main power switch will automatically shut down if the tool is not operated for approximately 5 minute(s).

NOTE: The auto power-off function can be served when the tool stops due to protection system operation. The main power switch will automatically shut down approximately 5 minute(s) after the motor automatically stops and no corrective action is taken against tool protection.

Switch action

⚠ WARNING: For your safety, this tool is equipped with lock-off switch which prevents the tool from unintended starting. NEVER use the tool if it runs when you simply pull the switch trigger without pressing the lock-off lever. Return the tool to our authorized service center for proper repairs BEFORE further usage.

⚠ WARNING: NEVER tape down or defeat purpose and function of lock-off lever.

⚠ CAUTION: Before installing the battery cartridge into the tool, always check to see that the switch trigger actuates properly and returns to the "OFF" position when released.

NOTICE: Do not pull the switch trigger hard without pressing the lock-off lever. This can cause switch breakage.

To prevent the switch trigger from being accidentally pulled, a double lock-off switch is provided for safety. To start the tool, push the lock lever down forward past its normal position using the web of your hand (i.e., the part between thumb and index finger) and squeeze the lock-off lever with your palm. Then pull the switch trigger with the lock-off lever being held. Tool speed is increased by increasing pressure on the switch trigger. Release the switch trigger to stop.

► **Fig.6:** 1. Lock lever 2. Lock-off lever 3. Switch trigger

Checking the chain brake

⚠ CAUTION: Hold the chain saw with both hands when switching it on. Hold the rear handle with your right hand, the front handle with your left. The bar and the chain must not be in contact with any object.

⚠ CAUTION: Should the saw chain not stop immediately when this test is performed, the saw may not be used under any circumstances. Consult our authorized service center.

1. Press the lock-off lever, then pull the switch trigger. The saw chain starts immediately.
2. Push the front hand guard forwards with the back of your hand. Make sure that the chain saw comes to an immediate standstill.

► **Fig.7:** 1. Front hand guard 2. Unlocked position 3. Locked position

Checking the run-down brake

⚠ CAUTION: If the saw chain does not stop within 2 second(s) in this test, stop using the chain saw and consult our authorized service center.

Run the chain saw then release the switch trigger completely. The saw chain must come to a standstill within 2 second(s).

Adjusting the chain lubrication

You can adjust the oil pump feed rate with the adjusting screw. The amount of oil can be adjusted using the tip of the box wrench.

► **Fig.8:** 1. Adjusting screw

Electronic function

The tool is equipped with the electronic function for easy operation.

- Electric brake
This tool is equipped with an electric brake. If the tool consistently fails to stop quickly after the switch trigger is released, have the tool serviced at Makita Authorized Service Center.

ASSEMBLY

⚠ CAUTION: Always be sure that the tool is switched off and the battery cartridge is removed before carrying out any work on the tool.

⚠ CAUTION: Do not touch the saw chain with bare hands. Always wear gloves when handling the saw chain.

Installing or removing saw chain

⚠ CAUTION: The saw chain and the guide bar are still hot just after the operation. Let them cool down enough before carrying out any work on the tool.

⚠ CAUTION: Carry out the procedure of installing or removing saw chain in a clean place free from sawdust and the like.

Installing the saw chain

To install the saw chain, perform the following steps:

1. Release the chain brake by pulling the front hand guard.
2. Pull the lever up while pressing its edge.
▶ **Fig.9:** 1. Lever
3. Turn the lever counterclockwise until the sprocket cover comes off.
▶ **Fig.10:** 1. Lever 2. Sprocket cover
4. Remove the sprocket cover.
5. Check the direction of the saw chain. Match the direction of the saw chain with that of the mark on the chain saw body.
▶ **Fig.11:** 1. Mark on chain saw body
6. Fit one end of the saw chain on the top of the guide bar.
7. Fit the other end of the saw chain around the sprocket, then attach the guide bar to the chain saw body.
▶ **Fig.12:** 1. Sprocket
8. Turn the adjusting dial to "-" direction to slide the adjusting pin in the direction of arrow.
▶ **Fig.13:** 1. Adjusting dial 2. Adjusting pin
9. Place the sprocket cover on the chain saw so that the adjusting pin is positioned in a small hole on the guide bar.
▶ **Fig.14:** 1. Sprocket cover 2. Guide bar 3. Hole
10. Turn the lever clockwise fully and turn back the lever a little to keep looseness for adjusting the chain tension.
11. Adjust the chain tension. Refer to the section for adjusting saw chain tension for procedure.
12. Turn the lever clockwise until the sprocket cover is secured then return it to the original position.
▶ **Fig.15:** 1. Lever 2. Sprocket cover

Removing the saw chain

To remove the saw chain, perform the following steps:

1. Release the chain brake by pulling the front hand guard.
2. Turn the adjusting dial to "-" direction to release the saw chain tension.
▶ **Fig.16:** 1. Adjusting dial
3. Pull the lever up while pressing its edge.
▶ **Fig.17:** 1. Lever
4. Turn the lever counterclockwise until the sprocket cover comes off.
▶ **Fig.18:** 1. Lever 2. Sprocket cover
5. Remove the sprocket cover then remove the saw chain and guide bar from the chain saw body.

Adjusting saw chain tension

CAUTION: Carry out the procedure of installing or removing saw chain in a clean place free from sawdust and the like.

CAUTION: Do not tighten the saw chain too much. Excessively high tension of saw chain may cause breakage of saw chain, wear of the guide bar and breakage of the adjusting dial.

CAUTION: A chain which is too loose can jump off the bar and it may cause an injury accident.

The saw chain may become loose after many hours of use. From time to time check the saw chain tension before use.

1. Pull the lever up while pressing its edge.
▶ **Fig.19:** 1. Lever
2. Turn the lever counterclockwise a little to loosen the sprocket cover lightly.
▶ **Fig.20:** 1. Lever 2. Sprocket cover
3. Lift up the guide bar tip slightly and adjust the chain tension. Turn the adjusting dial to the "-" direction to loosen, turn to the "+" direction to tighten. Tighten the saw chain until the lower side of the saw chain fits in the guide bar rail as illustrated.
▶ **Fig.21:** 1. Adjusting dial 2. Guide bar 3. Saw chain
4. Keep holding the guide bar lightly and tighten the sprocket cover by turning the lever clockwise. Make sure not to loosen the saw chain at the lower side.
5. Return the lever to the original position.

Make sure the saw chain fits snugly against the lower side of the guide bar.

OPERATION

Lubrication

CAUTION: Do not operate the chain saw when the tank is empty. Replenish the oil in due time before the tank is empty.

CAUTION: Prevent the oil from coming into contact with the skin and eyes. Contact with the eyes causes irritation. In the event of eye contact, flush the affected eye immediately with clear water, then consult a doctor at once.

CAUTION: Never use waste oil. Waste oil contains carcinogenic substances. The contaminants in waste oil cause accelerated wear of the oil pump, the bar and the chain. Waste oil is harmful to the environment.

NOTICE: When the chain saw is used for the first time, it may take up to two minutes for the saw chain oil to begin its lubricating effect upon the saw mechanism. Run the saw without load until it does so.

NOTICE: When filling the chain oil for the first time, or refilling the tank after it has been completely emptied, add oil up to the bottom edge of the filler neck. The oil delivery may otherwise be impaired.

NOTICE: Use the saw chain oil exclusively for Makita chain saws or equivalent oil available in the market.

NOTICE: Never use oil including dust and particles or volatile oil.

NOTICE: When pruning trees, use botanical oil. Mineral oil may harm trees.

NOTICE: Before the cutting operation, make sure that the provided oil tank cap is screwed in place.

Saw chain is automatically lubricated when the tool is in operation. Check the amount of remaining oil in the oil tank periodically through the oil inspection window.

► **Fig.22:** 1. Oil tank cap 2. Oil inspection window

To fill the oil, perform the following steps:

1. Clean the area around the oil tank cap thoroughly to prevent any dirt from entering the oil tank.
2. Lay the chain saw on its side.
3. Push the button on the oil tank cap so that the button on the other side stands up, and then remove the oil tank cap by turning it.
► **Fig.23:** 1. Oil tank cap 2. Tighten 3. Loosen
4. Fill the oil tank with the oil. The proper amount of oil is 200 ml.
5. Screw the oil tank cap firmly back in place.
6. Wipe away any spilt chain oil carefully.

NOTE: If it is difficult to remove the oil tank cap, insert the tip of the box wrench into the slot of the oil tank cap, and then remove the oil tank cap by turning it counterclockwise.

► **Fig.24:** 1. Slot 2. Box wrench

After refilling, hold the chain saw away from the tree. Start it and wait until lubrication on saw chain is adequate.

► **Fig.25**

Working with the chain saw

CAUTION: The first time user should, as a minimum practice, do cutting logs on a saw-horse or cradle.

CAUTION: When sawing pre-cut timber, use a safe support (saw horse or cradle). Do not steady the workpiece with your foot, and do not allow anyone else to hold or steady it.

CAUTION: Secure round pieces against rotation.

CAUTION: Keep all parts of the body away from the saw chain when the motor is operating.

CAUTION: Hold the chain saw firmly with both hands when the motor is running.

CAUTION: Do not overreach. Keep proper footing and balance at all times.

CAUTION: When you use the upper side of the guide bar for cutting, be careful since the chain saw may be pushed in your direction if the saw chain is trapped.

NOTICE: Never toss or drop the tool.

NOTICE: Do not cover the vents of the tool.

NOTICE: When making several cuts, switch the chain saw off between cuts.

Bring the bottom edge of the chain saw body into contact with the branch to be cut before switching on. Otherwise it may cause the guide bar to wobble, resulting in injury to operator. Saw the wood to be cut by just moving it down by using the weight of the chain saw.

► **Fig.26**

If you cannot cut the timber right through with a single stroke: Apply light pressure to the handle and continue sawing and draw the chain saw back a little; then apply the spike bumper a little lower and finish the cut by raising the handle.

► **Fig.27**

Felling a tree

CAUTION: Felling work may only be performed by trained persons. The work is hazardous.

When cross-cutting/bucking and felling operations are being performed by two or more persons at the same time, the felling operations should be separated from the cross-cutting/bucking operation by a distance of at least twice the height of the tree being felled. Trees should not be felled in a manner that would endanger any person, strike any utility line or cause any property damage. If the tree does make contact with any utility line, the company should be notified immediately.

The chain saw operator should keep on the uphill side of the terrain as the tree is likely to roll or slide downhill after it is felled.

An escape path should be planned and cleared as necessary before cuts are started. The escape path should extend back and diagonally to the rear of the expected line of fall as illustrated.

► **Fig.28:** 1. Felling direction 2. Danger zone
3. Escape route

Before felling is started, consider the natural lean of the tree, the location of larger branches and the wind direction to judge which way the tree will fall.

Remove dirt, stones, loose bark, nails, staples and wire from the tree.

Notching undercut and felling back cut

CAUTION: Do not cut the hinge under any circumstances. The tree may fall unexpectedly.

NOTICE: Use plastic or aluminum wedges to keep the back cut open. Do not use iron wedges.

► **Fig.29:** 1. 50 mm 2. Felling back cut 3. Hinge 4. Notch 5. Direction of fall

Make the notch 1/3 the diameter of the tree, perpendicular to the direction of falls as illustrated. Make the lower horizontal notching cut first. This will help to avoid pinching either the saw chain or the guide bar when the second notch is being made.

Make the felling back cut at least 50 mm higher than the horizontal notching cut as illustrated. Keep the felling back cut parallel to the horizontal notching cut. Make the felling back cut so enough wood is left to act as a hinge. The hinge wood keeps the tree from twisting and falling in the wrong direction. Do not cut through the hinge.

As the felling gets close to the hinge, the tree should begin to fall. If there is any chance that the tree may not fall in desired direction or it may rock back and bind the saw chain, stop cutting before the felling back cut is complete and use wedges of wood, plastic or aluminium to open the cut and drop the tree along the desired line of fall.

When the tree begins to fall, remove the chain saw from the cut, stop the motor, put the chain saw down, then use the retreat path planned. Be alert for overhead limbs falling and watch your footing.

Limbing a tree

CAUTION: Limbing may only be performed by trained persons. A hazard is presented by the risk of kickback.

Limbing is removing the branches from a fallen tree. When limbing leave larger lower limbs to support the log off the ground. Remove the small limbs in one cut as illustrated. Branches under tension should be cut from the bottom up to avoid binding the chain saw.

► **Fig.30:** 1. Limb cut

Cross-cutting/bucking a log

Cross-cutting/bucking is cutting a log into lengths. It is important to make sure your footing is firm and your weight is evenly distributed on both feet. When possible, the log should be raised and supported by the use of limbs, logs or chocks. Follow the simple directions for easy cutting.

When the log is supported along its entire length as illustrated, it is cut from the top (overbuck).

► **Fig.31**

When the log is supported on one end, as illustrated, cut 1/3 the diameter from the underside (underbuck). Then make the finished cut by overbuck to meet the first cut.

► **Fig.32:** 1. First cut 2. Second cut

When the log is supported on both ends, as illustrated, cut 1/3 the diameter from the top (overbuck). Then make the finished cut by underbuck the lower 2/3 to meet the first cut.

► **Fig.33:** 1. First cut 2. Second cut

When cross-cutting/bucking on a slope always stand on the uphill side of the log, as illustrated. When "cutting through", to maintain complete control, release the cutting pressure near the end of the cut without relaxing your grip on the chain saw handles. Don't let the chain contact the ground. After completing the cut, wait for the saw chain to stop before you move the chain saw. Always stop the motor before moving from tree to tree.

► **Fig.34**

Parallel-to-grain cut

CAUTION: Parallel-to-grain cut may only be performed by trained persons. The possibility of kickback presents a risk of injury.

Perform the parallel-to-grain cut at as shallow an angle as possible.

► **Fig.35**

Carrying tool

Before carrying the tool, always apply the chain brake and remove the battery cartridge from the tool. Then attach the guide bar cover. Also cover the battery cartridge with the battery cover.

► **Fig.36:** 1. Guide bar cover 2. Battery cover

MAINTENANCE

CAUTION: Always be sure that the tool is switched off and the battery cartridge is removed before attempting to perform inspection or maintenance.

CAUTION: Always wear gloves when performing any inspection or maintenance.

NOTICE: Never use gasoline, benzine, thinner, alcohol or the like. Discoloration, deformation or cracks may result.

To maintain product SAFETY and RELIABILITY, repairs, any other maintenance or adjustment should be performed by Makita Authorized or Factory Service Centers, always using Makita replacement parts.

Sharpening the saw chain

Sharpen the saw chain when:

- Mealy sawdust is produced when damp wood is cut;
- The chain penetrates the wood with difficulty, even when heavy pressure is applied;
- The cutting edge is obviously damaged;
- The saw pulls to the left or right in the wood. (caused by uneven sharpening of the saw chain or damage to one side only)

Sharpen the saw chain frequently but a little each time. Two or three strokes with a file are usually sufficient for routine resharpening. When the saw chain has been resharpened several times, have it sharpened in our authorized service center.

Sharpening criteria:

⚠ WARNING: An excessive distance between the cutting edge and depth gauge increases the risk of kickback.

► **Fig.37:** 1. Cutter length 2. Distance between cutting edge and depth gauge 3. Minimum cutter length (3 mm)

- All cutter length must be equal. Different cutter lengths prevent the saw chain from running smoothly and may cause the saw chain to break.
- Do not sharpen the chain when the cutter length has reached 3 mm or shorter. The chain must be replaced with new one.
- The chip thickness is determined by the distance between the depth gauge (round nose) and the cutting edge.
- The best cutting results are obtained with following distance between cutting edge and depth gauge.
 - Chain blade 80TXL : 0.65 mm

► **Fig.38**

- The sharpening angle of 30° must be the same on all cutters. Different cutter angles cause the chain to run roughly and unevenly, accelerate wear, and lead to chain breaks.
- Use a suitable round file so that the proper sharpening angle is kept against the teeth.
 - Chain blade 80TXL : 55°

File and file guiding

- Use a special round file (optional accessory) for saw chains to sharpen the chain. Normal round files are not suitable.
- Diameter of the round file for each saw chain is as follows:
 - Chain blade 80TXL : 4.0 mm
- The file should only engage the cutter on the forward stroke. Lift the file off the cutter on the return stroke.
- Sharpen the shortest cutter first. Then the length of this shortest cutter becomes the standard for all other cutters on the saw chain.
- Guide the file as shown in the figure.

► **Fig.39:** 1. File 2. Saw chain

- The file can be guided more easily if a file holder (optional accessory) is employed. The file holder has markings for the correct sharpening angle of 30° (align the markings parallel to the saw chain) and limits the depth of penetration (to 4/5 of the file diameter).

► **Fig.40:** 1. File holder

- After sharpening the chain, check the height of the depth gauge using the chain gauge tool (optional accessory).

► **Fig.41**

- Remove any projecting material, however small, with a special flat file (optional accessory).
- Round off the front of the depth gauge again.

Cleaning the guide bar

Chips and sawdust will build up in the guide bar groove. They may clog the bar groove and impair the oil flow. Clean out the chips and sawdust every time when you sharpen or replace the saw chain.

► **Fig.42**

Cleaning the sprocket cover

Chips and saw dust will accumulate inside of the sprocket cover. Remove the sprocket cover and saw chain from the tool then clean the chips and saw dust.

► **Fig.43**

Cleaning the oil discharge hole

Small dust or particles may be built up in the oil discharge hole during operation. These dust or particles may impair the oil to flow and cause an insufficient lubrication on the whole saw chain. When a poor chain oil delivery occurs at the top of guide bar, clean the oil discharge hole as follows.

1. Remove the sprocket cover and saw chain from the tool.
2. Remove the small dust or particles using a slotted screwdriver or the like.

► **Fig.44:** 1. Slotted screwdriver 2. Oil discharge hole

3. Insert the battery cartridge into the tool. Pull the switch trigger to flow built-up dust or particles off the oil discharge hole by discharging chain oil.
4. Remove the battery cartridge from the tool. Reinstall the sprocket cover and saw chain on the tool.

Replacing the sprocket

⚠ CAUTION: A worn sprocket will damage a new saw chain. Have the sprocket replaced in this case.

Before fitting a new saw chain, check the condition of the sprocket.

► **Fig.45:** 1. Sprocket 2. Areas to be worn out

Always fit a new locking ring when replacing the sprocket.

► **Fig.46:** 1. Locking ring 2. Sprocket

NOTICE: Make sure that the sprocket is installed as shown in the figure.

Storing the tool

1. Clean the tool before storing. Remove any chips and sawdust from the tool after removing the sprocket cover.
2. After cleaning the tool, run it under no load to lubricate the saw chain and guide bar.
3. Cover the guide bar with the guide bar cover.
4. Empty the oil tank.

Instructions for periodic maintenance

To ensure long life, prevent damage and ensure the full functioning of the safety features, the following maintenance must be performed regularly. Warranty claims can be recognized only if this work is performed regularly and properly. Failure to perform the prescribed maintenance work can lead to accidents! The user of the chain saw must not perform maintenance work which is not described in the instruction manual. All such work must be carried out by our authorized service center.

Check item / Operating time		Before operation	Everyday	Every week	Every 3 month	Annually	Before storage
Chain saw	Inspection.	✓	-	-	-	-	-
	Cleaning.	-	✓	-	-	-	-
	Check at authorized service center.	-	-	-	-	✓	✓
Saw chain	Inspection.	✓	-	-	-	-	-
	Sharpening if necessary.	-	-	-	-	-	✓
Guide bar	Inspection.	✓	✓	-	-	-	-
	Remove from the chain saw.	-	-	-	-	-	✓
Chain brake	Check the function.	✓	-	-	-	-	-
	Have it inspected regularly at authorized service center.	-	-	-	✓	-	-
Chain lubrication	Check the oil feed rate.	✓	-	-	-	-	-
Switch trigger	Inspection.	✓	-	-	-	-	-
Lock-off lever	Inspection.	✓	-	-	-	-	-
Oil tank cap	Check tightness.	✓	-	-	-	-	-
Chain catcher	Inspection.	-	-	✓	-	-	-
Screws and nuts	Inspection.	-	-	✓	-	-	-

TROUBLESHOOTING

Before asking for repairs, conduct your own inspection first. If you find a problem that is not explained in the manual, do not attempt to dismantle the tool. Instead, ask Makita Authorized Service Centers, always using Makita replacement parts for repairs.

Malfunction status	Cause	Action
The chain saw does not start.	Battery cartridge is not installed.	Install a charged battery cartridge.
	Battery problem (low voltage).	Recharge the battery cartridge. If recharging is not effective, replace the battery cartridge.
	Main power switch is off.	The chain saw is automatically turned off if it is un-operated for approximately 5 minute(s). Turn on the main power switch again. The chain saw is automatically turned off when the motor stops due to protection system operation for approximately 5 minute(s). Take remedial action on your tool, and then turn on the main power switch again.
The saw chain does not run.	Chain brake activated.	Release chain brake.
The motor stops running after a little use.	Battery's charge level is low.	Recharge the battery cartridge. If recharging is not effective, replace the battery cartridge.
No oil on the chain.	Oil tank is empty.	Fill the oil tank.
	Oil guide groove is dirty.	Clean the groove.
	Poor oil delivery.	Adjust the amount of oil delivery with the adjusting screw.
The chain saw does not reach maximum RPM.	Battery cartridge is installed improperly.	Install the battery cartridge as described in this manual.
	Battery power is dropping.	Recharge the battery cartridge. If recharging is not effective, replace the battery cartridge.
	The drive system does not work correctly.	Ask the authorized service center in your region for repair.
The main power lamp is blinking in green.	Switch trigger is pulled under an unoperable condition.	Pull the switch trigger after the main power switch is turned on and the chain brake is released.
Chain does not stop even the chain brake is activated: Stop the tool immediately!	The brake band is worn down.	Ask the authorized service center in your region for repair.
Abnormal vibration: Stop the tool immediately!	Loose guide bar or saw chain.	Adjust the guide bar and saw chain tension.
	Tool malfunction.	Ask the authorized service center in your region for repair.
The saw chain cannot be installed.	The combination of saw chain and sprocket is not correct.	Use the correct combination of saw chain and sprocket by referring to the section for specifications.

OPTIONAL ACCESSORIES

CAUTION: These accessories or attachments are recommended for use with your Makita tool specified in this manual. The use of any other accessories or attachments might present a risk of injury to persons. Only use accessory or attachment for its stated purpose.

If you need any assistance for more details regarding these accessories, ask your local Makita Service Center.

- Saw chain
- Guide bar

- Guide bar cover
- Sprocket
- File
- Makita genuine battery and charger

WARNING: If you purchase a guide bar of different length from the standard guide bar, also purchase a suitable guide bar cover together. It must fit and fully cover the guide bar on the chain saw.

NOTE: Some items in the list may be included in the tool package as standard accessories. They may differ from country to country.

SPÉCIFICATIONS

Modèle :		UC021G	UC022G	UC023G
Longueur totale (sans chaîne et guide-chaîne)		430 mm		
Tension nominale		36 V - 40 V c.c. max.		
Poids net	*1	3,4 kg		
	*2	5,0 - 5,3 kg	5,1 - 5,4 kg	5,1 - 5,5 kg
Longueur du guide-chaîne standard		300 mm	350 mm	400 mm
Longueur recommandée du guide-chaîne		300 - 400 mm		
Type de chaîne applicable (Reportez-vous au tableau ci-dessous.)		80TXL		
Pignon	Nombre de dents	7		
	Pas	0,325"		
Vitesse de la chaîne		0 - 25,5 m/s (0 - 1 530 m/min)		
Capacité du réservoir d'huile pour chaîne		200 cm ³		
Degré de protection		IPX4		

- Étant donné l'évolution constante de notre programme de recherche et de développement, les spécifications contenues dans ce manuel sont sujettes à modification sans préavis.
 - Les spécifications peuvent varier suivant les pays.
- *1 : Poids, sans la chaîne, le guide-chaîne, le garde-chaîne, l'huile et la ou les batteries.
 *2 : Le poids combiné le plus léger et le plus lourd selon la procédure EPTA 01/2014. Le poids peut être différent selon le ou les accessoires, notamment la ou les batteries.

Combinaison de chaîne, guide-chaîne et pignon

Type de chaîne		80TXL		
Nombre de maillons d'entraînement		51	59	64
Guide-chaîne	Longueur du guide-chaîne	300 mm	350 mm	400 mm
	Longueur de coupe	257 mm	323 mm	364 mm
	Pas	0,325"		
	Jauge	1,1 mm		
	Type	Guide-chaîne à pignon de renvoi		
Pignon	Nombre de dents	7		
	Pas	0,325"		

⚠ AVERTISSEMENT : Associez correctement guide-chaîne et chaîne. Le non-respect de cette consigne peut entraîner des blessures.

Batterie et chargeur applicables

Batterie	BL4040 / BL4040F* / BL4050F* * : Batterie recommandée
Chargeur	DC40RA / DC40RB / DC40RC / DC40WA

- Certains chargeurs et batteries répertoriés ci-dessus peuvent ne pas être disponibles selon la région où vous résidez.

⚠ AVERTISSEMENT : N'utilisez que les batteries et les chargeurs répertoriés ci-dessus. L'utilisation d'autres batteries et chargeurs peut provoquer des blessures et/ou un incendie.













Source d'alimentation connectée par cordon recommandée

Support d'alimentation portable	PDC01
---------------------------------	-------

- La ou les sources d'alimentation connectées par cordon répertoriées ci-dessus peuvent ne pas être disponibles selon la région où vous résidez.
- Avant d'utiliser la source d'alimentation connectée par cordon, lisez les instructions et les avertissements inscrits dessus.

Symboles

Vous trouverez ci-dessous les symboles susceptibles d'être utilisés pour l'appareil. Veuillez à comprendre leur signification avant toute utilisation.

	Lire le mode d'emploi.
	Portez une protection oculaire.
	Portez un dispositif de protection auditive.
	Portez un casque, des lunettes à coques et un serre-tête antibruit.
	Longueur de coupe maximale admise
	Servez-vous toujours de vos deux mains lorsque vous utilisez la tronçonneuse.
	Méfiez-vous du choc en retour de la tronçonneuse et évitez tout contact avec l'extrémité du guide.
	Sens de déplacement de la chaîne
	Réglage de la lubrification de la chaîne
	Pour les pays de l'Union européenne uniquement En raison de la présence de composants dangereux dans l'équipement, les déchets d'équipements électriques et électroniques, les accumulateurs et les batteries peuvent avoir un impact négatif sur l'environnement et la santé humaine. Ne jetez pas les appareils électriques et électroniques ou les batteries avec les ordures ménagères ! Conformément à la directive européenne relative aux déchets d'équipements électriques et électroniques et aux déchets d'accumulateurs et de batteries, ainsi qu'à son adaptation à la législation nationale, les déchets d'équipements électriques, les batteries et les accumulateurs doivent être collectés séparément et déposés dans un point de collecte distinct pour déchets urbains, conformément aux réglementations en matière de protection de l'environnement. Cela est indiqué par le symbole de la poubelle à roulettes barrée sur l'équipement.
	Niveau de puissance sonore garanti selon la directive européenne sur le bruit dans l'environnement.
	Niveau de puissance sonore selon la réglementation australienne NSW sur le contrôle du bruit

Utilisations

Cette tronçonneuse est conçue pour scier le bois.

Bruit

Niveau de bruit pondéré A typique, déterminé selon EN62841-4-1 :

Modèle UC021G

Niveau de pression sonore (L_{pA}) : 93 dB (A)
Niveau de puissance sonore (L_{WA}) : 101 dB (A)
Incertitude (K) : 3 dB (A)

Modèle UC022G

Niveau de pression sonore (L_{pA}) : 93 dB (A)
Niveau de puissance sonore (L_{WA}) : 101 dB (A)
Incertitude (K) : 3 dB (A)

Modèle UC023G

Niveau de pression sonore (L_{pA}) : 93 dB (A)
Niveau de puissance sonore (L_{WA}) : 101 dB (A)
Incertitude (K) : 3 dB (A)

NOTE : La ou les valeurs d'émission de bruit déclarées ont été mesurées conformément à la méthode de test standard et peuvent être utilisées pour comparer les outils entre eux.

NOTE : La ou les valeurs d'émission de bruit déclarées peuvent aussi être utilisées pour l'évaluation préliminaire de l'exposition.

⚠ AVERTISSEMENT : Portez un serre-tête antibruit.

⚠ AVERTISSEMENT : L'émission de bruit lors de l'usage réel de l'outil électrique peut être différente de la ou des valeurs déclarées, suivant la façon dont l'outil est utilisé, particulièrement selon le type de pièce usinée.

⚠ AVERTISSEMENT : Les mesures de sécurité à prendre pour protéger l'utilisateur doivent être basées sur une estimation de l'exposition dans des conditions réelles d'utilisation (en tenant compte de toutes les composantes du cycle d'utilisation, comme par exemple le moment de sa mise hors tension, lorsqu'il tourne à vide et le moment de son déclenchement).

Vibrations

Valeur totale de vibrations (somme de vecteur triaxial) déterminée selon EN62841-4-1 :

Modèle UC021G

Mode de travail : coupe de bois
Émission de vibrations ($a_{h,w}$) : 3,5 m/s²
Incertitude (K) : 1,5 m/s²

Modèle UC022G

Mode de travail : coupe de bois
Émission de vibrations ($a_{h,w}$) : 3,5 m/s²
Incertitude (K) : 1,5 m/s²

Modèle UC023G

Mode de travail : coupe de bois

Émission de vibrations ($a_{h,w}$) : 3,5 m/s²

Incertitude (K) : 1,5 m/s²

NOTE : La ou les valeurs de vibration totales déclarées ont été mesurées conformément à la méthode de test standard et peuvent être utilisées pour comparer les outils entre eux.

NOTE : La ou les valeurs de vibration totales déclarées peuvent aussi être utilisées pour l'évaluation préliminaire de l'exposition.

⚠ AVERTISSEMENT : L'émission de vibrations lors de l'usage réel de l'outil électrique peut être différente de la ou des valeurs déclarées, suivant la façon dont l'outil est utilisé, particulièrement selon le type de pièce usinée.

⚠ AVERTISSEMENT : Les mesures de sécurité à prendre pour protéger l'utilisateur doivent être basées sur une estimation de l'exposition dans des conditions réelles d'utilisation (en tenant compte de toutes les composantes du cycle d'utilisation, comme par exemple le moment de sa mise hors tension, lorsqu'il tourne à vide et le moment de son déclenchement).

Déclarations de conformité

Pour les pays européens uniquement

Les déclarations de conformité sont fournies en Annexe A à ce mode d'emploi.

CONSIGNES DE SÉCURITÉ

Consignes de sécurité générales pour outils électriques

⚠ AVERTISSEMENT Veuillez lire toutes les consignes de sécurité, instructions, illustrations et spécifications qui accompagnent cet outil électrique. Le non-respect de toutes les instructions indiquées ci-dessous peut entraîner une électrocution, un incendie et/ou de graves blessures.

Conservez toutes les mises en garde et instructions pour référence ultérieure.

Le terme « outil électrique » dans les avertissements fait référence à l'outil électrique alimenté par le secteur (avec cordon d'alimentation) ou à l'outil électrique fonctionnant sur batterie (sans cordon d'alimentation).

Consignes de sécurité générales pour tronçonneuse

1. **Éloignez la tronçonneuse de votre corps pendant l'utilisation. Avant de faire démarrer la tronçonneuse, assurez-vous que la chaîne n'est pas en contact avec quoi que soit.** Restez attentif en permanence, pour éviter tout contact entre la chaîne et votre corps, et que vos vêtements ne se prennent dans la chaîne.
2. **Tenez toujours la tronçonneuse en plaçant votre main droite sur la poignée arrière et votre main gauche sur la poignée avant.** N'inversez jamais les mains pour tenir la tronçonneuse, sous peine d'augmenter les risques de blessure.
3. **Tenez la tronçonneuse uniquement par ses surfaces de prise isolées, car la chaîne pourrait entrer en contact avec le câblage caché.** Le contact des chaînes avec un fil sous tension peut transmettre du courant dans les pièces métalliques exposées de la tronçonneuse et électrocuter l'utilisateur.
4. **Portez une protection oculaire. De plus, nous vous recommandons de porter des équipements de protection pour les oreilles, la tête, les mains, les jambes et les pieds.** Le port d'équipements de protection adéquats réduit le risque de blessure causée par les débris éjectés ou par le contact accidentel avec la chaîne.
5. **N'utilisez pas la tronçonneuse dans un arbre, ou sur une échelle, depuis un toit ou tout support instable.** L'utilisation d'une tronçonneuse de cette façon pourrait provoquer de graves blessures corporelles.
6. **Conservez toujours un bon appui au sol et utilisez toujours la tronçonneuse en vous tenant sur une surface stable, sûre et horizontale.** Vous risquez de perdre l'équilibre ou la maîtrise de la tronçonneuse si vous travaillez sur une surface glissante ou instable.
7. **Lorsque vous coupez une branche en tension, prenez garde au retour de la branche.** Lorsque la tension exercée sur les fibres du bois est libérée, la branche risque de se détendre comme un ressort et de frapper l'utilisateur et/ou de provoquer une perte de maîtrise de la tronçonneuse.
8. **Faites preuve d'une grande prudence lorsque vous coupez des broussailles ou de jeunes arbres.** De fins morceaux de bois peuvent se coincer dans la chaîne et être projetés vers vous ou exercer une traction qui vous ferait perdre l'équilibre.
9. **Pour transporter la tronçonneuse, arrêtez-la, saisissez-la par la poignée avant et éloignez-la de votre corps. Avant de transporter ou de ranger la tronçonneuse, remettez toujours le garde-chaîne en place.** Une manipulation adéquate de la tronçonneuse réduit le risque de contact accidentel avec la chaîne en mouvement.
10. **Suivez les instructions de lubrification, de réglage de la tension de la chaîne et de changement du guide et de la chaîne.** Une mauvaise tension ou une mauvaise lubrification de la chaîne augmente les risques de rupture et de choc en retour.
11. **Coupez uniquement du bois. N'utilisez pas la tronçonneuse à d'autres fins que celles prévues. Par exemple, n'utilisez pas la tronçonneuse pour couper du métal, du plastique, des matériaux de maçonnerie ou des matériaux de construction qui ne sont pas à base de bois.** L'utilisation de la tronçonneuse pour des tâches différentes de celles prévues pourrait entraîner une situation dangereuse.

12. **N'essayez pas d'abattre un arbre avant d'avoir bien compris les risques et de savoir comment les éviter.** L'abattage d'un arbre peut grièvement blesser l'opérateur ou les passants.

13. **Causes des chocs en retour et mesures préventives :**

Il y a un risque de choc en retour lorsque le nez ou l'extrémité du guide-chaîne touche un objet, ou lorsque le bois se referme et coince la chaîne dans sa ligne de coupe.

Dans certains cas, le contact de l'extrémité du guide-chaîne avec un objet peut entraîner une réaction instantanée en sens inverse, qui projette le guide-chaîne vers le haut et l'arrière en direction de l'utilisateur.

Le guide-chaîne risque d'être projeté tout à coup vers l'arrière en direction de l'utilisateur si la chaîne se coince le long de la partie supérieure du guide-chaîne.

L'une ou l'autre de ces réactions peut entraîner une perte de contrôle de la tronçonneuse et entraîner des blessures graves. Ne vous fiez pas uniquement aux dispositifs de sécurité intégrés à la tronçonneuse. En tant qu'utilisateur de la tronçonneuse, vous devez prendre des mesures pour éviter les accidents et les blessures pendant les travaux de coupe.

Le recul est le résultat d'une mauvaise utilisation de la tronçonneuse et/ou de procédures ou de conditions de fonctionnement incorrectes. Il est possible de l'éviter en adoptant les précautions appropriées indiquées ci-dessous :

- **Tenez fermement la tronçonneuse avec vos deux mains, en plaçant vos pouces et vos doigts autour des poignées de la tronçonneuse ; positionnez votre corps et vos bras de manière à résister aux chocs en retour.** L'utilisateur peut contrôler les chocs en retour s'il prend les précautions nécessaires. Ne lâchez pas la tronçonneuse.

► **Fig.1**

- **Ne vous penchez pas trop en avant, et ne coupez pas plus haut que la hauteur des épaules.** Ceci permet d'éviter un contact accidentel de l'extrémité du guide-chaîne avec un objet et de mieux maîtriser la tronçonneuse dans les situations imprévues.
- **Utilisez exclusivement les guides-chaînes et les chaînes de rechange spécifiés par le fabricant.** L'utilisation de guides-chaînes ou de chaînes de rechange inadaptés peut provoquer la rupture de la chaîne et/ou un choc en retour.
- **Suivez les instructions du fabricant concernant l'affûtage et l'entretien de la chaîne.** Réduire la hauteur du limiteur de profondeur augmente le risque de choc en retour.

14. **Suivez toutes les instructions lorsque vous dégagez un matériau bloqué, rangez ou dépannez la tronçonneuse. Assurez-vous que l'interrupteur est sur la position d'arrêt et que la batterie est retirée.** Le déclenchement inopiné de la tronçonneuse pendant que vous dégagez un matériau bloqué ou la dépannez peut provoquer de graves blessures corporelles.

Consignes de sécurité supplémentaires

Équipement de protection individuelle

1. **Les vêtements doivent être ajustés, mais ne pas gêner la mobilité.**
2. **Portez les vêtements de protection suivants pendant le travail :**
 - Un casque de sécurité testé, en cas de risque de chutes de branche ou autres ;
 - Un écran facial ou des lunettes de protection ;
 - Un dispositif de protection auditive approprié (coquilles anti-bruit ou bouchons d'oreille sur mesure ou malléable). Analyse par bande d'octave sur demande.
 - Gants de sécurité en cuir solides ;
 - Pantalons fabriqués dans un tissu résistant ;
 - Salopette de protection dans un tissu résistant aux coupures ;
 - Chaussures ou bottes de sécurité avec semelles antidérapantes, embout protecteur en acier et doublure dans un tissu résistant aux coupures ;
 - Un masque respiratoire lors de tâches produisant de la poussière (p. ex., scier du bois sec).

Fonctionnement

1. **Avant de commencer le travail, assurez-vous que la tronçonneuse fonctionne correctement et satisfait aux réglementations relatives à la sécurité. Vérifiez tout particulièrement les points suivants :**
 - Le frein de chaîne fonctionne correctement.
 - Le frein d'arrêt du moteur fonctionne correctement.
 - Le guide-chaîne et le couvre-pignon sont correctement installés.
 - La chaîne a été aiguisée et tendue conformément aux réglementations.
2. **Ne faites pas démarrer la tronçonneuse sans avoir retiré le garde-chaîne.** Si vous faites démarrer la tronçonneuse sans avoir retiré le garde-chaîne, celui-ci risque d'être éjecté vers l'avant, ce qui peut entraîner des blessures et endommager les objets autour de l'utilisateur.
3. **Activez toujours le frein de chaîne lorsque vous n'utilisez pas l'outil ou que vous le transportez.**
4. **Lorsque vous utilisez l'outil sur un sol boueux, une pente trempée ou un endroit glissant, faites attention de ne pas perdre l'équilibre.**
5. **Ne plongez pas l'outil dans une flaque.**
6. **Ne laissez pas l'outil sans surveillance à l'extérieur sous la pluie.**

Sécurité électrique et sécurité des batteries

1. **Évitez les environnements dangereux. N'utilisez pas l'outil dans un endroit humide, ni ne l'exposez à la pluie. Le risque d'électrocution augmente si de l'eau pénètre dans l'outil.**
2. **Ne jetez pas la ou les batteries au feu.** L'élément de la pile pourrait exploser. Consultez les codes locaux pour de possibles instructions de mise au rebut spéciales.

3. **N'ouvrez ni ne manipulez la ou les batteries.**
L'électrolyte qui s'échappe de la batterie est corrosif et peut irriter la peau ou les yeux. Il peut être toxique en cas d'ingestion.
4. **Ne chargez pas la batterie sous la pluie ou dans un endroit mouillé.**
5. **Ne pas charger la batterie à l'extérieur.**
6. **Ne manipulez pas le chargeur, y compris la fiche du chargeur et les bornes du chargeur avec les mains mouillées.**
7. **Ne remplacez pas la batterie sous la pluie.**
8. **Ne remplacez pas la batterie avec les mains mouillées.**
9. **Ne laissez pas la batterie sous la pluie et évitez de charger, utiliser ou ranger la batterie dans un endroit humide ou mouillé.**
10. **Ne mouillez pas la borne de la batterie avec un liquide comme de l'eau, ni ne plongez la batterie dans un liquide.** Si la borne est mouillée ou si un liquide pénètre à l'intérieur de la batterie, un court-circuit est possible et risque de provoquer une surchauffe, un incendie ou une explosion.
11. **Après avoir retiré la batterie de l'outil ou du chargeur, veillez à fixer le couvercle de la batterie sur la batterie et à la ranger dans un endroit sec.**
12. **Si la batterie est mouillée, videz l'eau à l'intérieur, puis essuyez-la avec un chiffon sec. Séchez complètement la batterie dans un endroit sec avant utilisation.**
5. **Ne court-circuitez pas la batterie :**
 - (1) **Ne touchez les bornes avec aucun matériau conducteur.**
 - (2) **Évitez de ranger la batterie dans un conteneur avec d'autres objets métalliques, par exemple des clous, des pièces de monnaie, etc.**
 - (3) **N'exposez pas la batterie à l'eau ou à la pluie.**

Un court-circuit de la batterie peut provoquer une intensité de courant élevée, une surchauffe, parfois des brûlures et même une panne.
6. **Ne rangez ni n'utilisez l'outil et la batterie dans un endroit où la température risque d'atteindre ou de dépasser 50 °C.**
7. **Ne jetez pas la batterie au feu même si elle est sérieusement endommagée ou complètement épuisée. La batterie peut exploser au contact du feu.**
8. **Abstenez-vous de clouer, couper, écraser, jeter, laisser tomber la batterie, ou de la heurter contre un objet dur.** Cela pourrait entraîner un incendie, une chaleur excessive ou une explosion.
9. **N'utilisez pas la batterie si elle est endommagée.**
10. **Les batteries au lithium-ion contenues sont soumises aux exigences de la législation sur les marchandises dangereuses.**

Lors du transport commercial par des tierces parties ou des transitaires par exemple, des exigences spécifiques en matière d'étiquetage et d'emballage doivent être respectées.

Pour la préparation de l'article expédié, il est nécessaire de consulter un expert en matériel dangereux. Veuillez également respecter les réglementations nationales susceptibles d'être plus détaillées. Recouvrez les contacts exposés avec du ruban adhésif ou du ruban de masquage et emballez la batterie de telle sorte qu'elle ne puisse pas bouger dans l'emballage.

11. **Lors de la mise au rebut de la batterie, retirez-la de l'outil et jetez-la en lieu sûr. Suivez les réglementations locales en matière de mise au rebut des batteries.**
12. **Utilisez les batteries uniquement avec les produits spécifiés par Makita.** L'insertion de batteries dans des produits non conformes peut provoquer un incendie, une chaleur excessive, une explosion ou une fuite de l'électrolyte.
13. **Lorsque vous n'utilisez pas l'outil pendant une période prolongée, la batterie doit être retirée de l'outil.**
14. **Pendant et après l'utilisation, la batterie peut chauffer, ce qui peut entraîner des brûlures, y compris en cas de température relativement basse. Manipulez les batteries chaudes avec précaution.**
15. **Ne touchez pas la borne de l'outil immédiatement après utilisation car elle peut être assez chaude pour provoquer des brûlures.**
16. **Évitez que des copeaux, de la poussière ou du sol adhèrent aux bornes, aux trous et aux rainures de la batterie.** Cela peut provoquer un échauffement, un incendie, une explosion ou un dysfonctionnement de l'outil ou de la batterie, ce qui peut entraîner des brûlures ou des blessures.

Entretien et rangement

1. **Lorsque vous rangez l'outil, évitez les endroits exposés aux rayons directs du soleil ou à la pluie, et rangez-le dans un endroit tempéré et sec.**

CONSERVEZ CES INSTRUCTIONS.

⚠️ AVERTISSEMENT : NE vous laissez PAS tromper (au fil d'une utilisation répétée) par un sentiment d'aisance et de familiarité avec le produit, en négligeant le respect rigoureux des consignes de sécurité qui accompagnent le produit en question. La MAUVAISE UTILISATION de l'outil ou l'ignorance des consignes de sécurité indiquées dans ce mode d'emploi peut entraîner de graves blessures.

Consignes de sécurité importantes pour la batterie

1. **Avant d'utiliser la batterie, lisez toutes les instructions et précautions relatives (1) au chargeur de batterie, (2) à la batterie, et (3) au produit utilisant la batterie.**
2. **Ne désassemblez pas et ne modifiez pas la batterie.** Cela pourrait entraîner un incendie, une chaleur excessive ou une explosion.
3. **Cessez immédiatement l'utilisation si le temps de fonctionnement devient excessivement court. Il y a risque de surchauffe, de brûlures, voire d'explosion.**
4. **Si l'électrolyte pénètre dans vos yeux, rincez-les à l'eau claire et consultez immédiatement un médecin. Il y a risque de perte de la vue.**

17. À moins que l'outil prenne en charge un tel usage, n'utilisez pas la batterie à proximité de lignes électriques haute tension. Cela pourrait entraîner un dysfonctionnement ou casser l'outil ou la batterie.
18. Conservez la batterie hors de portée des enfants.

CONSERVEZ CES INSTRUCTIONS.

⚠ ATTENTION : N'utilisez que des batteries Makita d'origine. L'utilisation de batteries de marque autre que Makita ou de batteries modifiées peut provoquer l'explosion des batteries, ce qui présente un risque d'incendie, de dommages matériels et corporels. Cela annulera également la garantie Makita pour l'outil et le chargeur Makita.

Conseils pour assurer la durée de vie optimale de la batterie

1. Chargez la batterie avant qu'elle ne soit complètement déchargée. Arrêtez toujours l'outil et rechargez la batterie quand vous remarquez que la puissance de l'outil diminue.
2. Ne rechargez jamais une batterie complètement chargée. La surcharge réduit la durée de service de la batterie.
3. Chargez la batterie à une température ambiante comprise entre 10 °C et 40 °C. Avant de charger une batterie chaude, laissez-la refroidir.
4. Lorsque vous n'utilisez pas la batterie, retirez-la de l'outil ou du chargeur.
5. Rechargez la batterie si elle est restée inutilisée pendant une période prolongée (plus de six mois).

DESCRIPTION DES PIÈCES

► Fig.2

1	Batterie	2	Protège-main avant	3	Levier
4	Guide-chaîne	5	Chaîne	6	Molette de réglage
7	Témoin d'alimentation	8	Interrupteur principal	9	Levier de sécurité
10	Poignée arrière	11	Gâchette	12	Poignée avant
13	Bouchon du réservoir d'huile	14	Garde-chaîne	15	Vis de réglage (pour la pompe à huile)
16	Attrape-chaîne	-	-	-	-

DESCRIPTION DU FONCTIONNEMENT

⚠ ATTENTION : Assurez-vous toujours que l'outil est hors tension et que sa batterie est retirée avant de l'ajuster ou de vérifier son fonctionnement.

Insertion ou retrait de la batterie

⚠ ATTENTION : Éteignez toujours l'outil avant de mettre en place ou de retirer la batterie.

⚠ ATTENTION : Tenez fermement l'outil et la batterie lors de la mise en place ou du retrait de la batterie. Si vous ne tenez pas fermement l'outil et la batterie, ils peuvent vous glisser des mains, et s'abîmer ou vous blesser.

Pour mettre la batterie en place, alignez la languette de la batterie avec la rainure du compartiment puis insérez la batterie. Insérez-la entièrement jusqu'à entendre un léger déclic indiquant qu'elle est bien en place. Si vous pouvez voir l'indicateur rouge comme illustré sur la figure, c'est qu'elle n'est pas bien verrouillée.

Pour retirer la batterie, faites-la glisser hors de l'outil tout en faisant glisser le bouton à l'avant de la batterie.

► Fig.3: 1. Indicateur rouge 2. Bouton 3. Batterie

⚠ ATTENTION : Insérez toujours complètement la batterie jusqu'à ce que l'indicateur rouge ne soit plus visible. Sinon, elle pourrait tomber accidentellement de l'outil, au risque de vous blesser ou de blesser quelqu'un se trouvant près de vous.

⚠ ATTENTION : N'insérez pas la batterie de force. Si elle ne glisse pas facilement, c'est que vous ne l'insérez pas correctement.

Indication de la charge restante de la batterie

Appuyez sur le bouton de vérification sur la batterie pour indiquer la charge restante de la batterie. Les témoins s'allument pendant quelques secondes.

► **Fig.4:** 1. Témoins 2. Bouton de vérification

Témoins			Charge restante
Allumé	Éteint	Clignotant	
			75 % à 100 %
			50 % à 75 %
			25 % à 50 %
			0 % à 25 %
			Chargez la batterie.
			Anomalie possible de la batterie.

NOTE : Selon les conditions d'utilisation et la température ambiante, l'indication peut être légèrement différente de la capacité réelle.

NOTE : Le premier témoin (complètement à gauche) clignotera pendant le fonctionnement du système de protection de la batterie.

Système de protection de l'outil/la batterie

L'outil est équipé d'un système de protection de l'outil/la batterie. Ce système coupe automatiquement l'alimentation vers le moteur pour prolonger la durée de vie de l'outil et de la batterie. Si l'outil ou la batterie se trouve dans l'une des situations suivantes, l'outil cessera automatiquement de fonctionner.

Protection contre la surcharge

Lorsque le mode d'utilisation de l'outil ou de la batterie entraîne un appel de courant anormalement élevé, l'outil s'arrête automatiquement et le témoin d'alimentation clignote en vert. Il faut alors mettre l'outil hors tension et arrêter la tâche qui a causé la surcharge. Remettez ensuite l'outil sous tension pour redémarrer.

Protection contre la surchauffe

En cas de surchauffe de l'outil ou de la batterie, l'outil s'arrête automatiquement et le témoin d'alimentation s'allume en rouge. Dans ce cas, laissez l'outil et la batterie refroidir avant de rallumer l'outil.

NOTE : Dans un environnement à température élevée, la protection contre la surchauffe risque de se déclencher et l'outil s'arrêtera automatiquement.

Protection contre la décharge totale de la batterie

Si la charge de la batterie est insuffisante, l'outil s'arrête automatiquement et le témoin d'alimentation s'allume en rouge. Dans ce cas, retirez la batterie de l'outil et chargez-la.

Protections contre d'autres causes

Le système de protection est également conçu pour d'autres causes qui pourraient endommager l'outil et lui permet de s'arrêter automatiquement. Suivez toutes les étapes ci-dessous pour éliminer les causes, lorsque l'outil a été arrêté provisoirement ou a cessé de fonctionner.

1. Éteignez l'outil, puis rallumez-le pour le redémarrer.
2. Chargez la ou les batteries ou remplacez-les par des batteries rechargées.
3. Laissez la machine et la ou les batteries refroidir.

En l'absence d'amélioration après avoir rétabli le système de protection, contactez votre centre de service Makita local.

REMARQUE : Si l'outil s'arrête en raison d'une cause non décrite ci-dessus, reportez-vous à la section de dépannage.

Interrupteur principal

AVERTISSEMENT : Mettez toujours l'interrupteur principal en position d'arrêt lorsque vous n'utilisez pas l'outil.

Pour allumer l'outil, appuyez sur l'interrupteur principal. Le témoin d'alimentation s'allume en vert. Pour l'éteindre, appuyez de nouveau sur l'interrupteur principal.

► **Fig.5:** 1. Témoin d'alimentation 2. Interrupteur principal

NOTE : Le témoin d'alimentation clignote en vert si vous appuyez sur la gâchette dans des conditions ne permettant pas d'utiliser l'outil. Le témoin clignote dans l'une des conditions suivantes.

- Lorsque vous mettez l'interrupteur principal en position de marche tout en maintenant le levier de sécurité enfoncé et la gâchette enclenchée.
- Lorsque vous appuyez sur la gâchette alors que le frein de chaîne est activé.
- Lorsque vous désactivez le frein de chaîne tout en maintenant le levier de sécurité et la gâchette enfoncés.

NOTE : Cet outil dispose d'une fonction de mise hors tension automatique. L'interrupteur principal s'éteindra automatiquement si l'outil n'est pas utilisé pendant environ 5 minute(s).

NOTE : La fonction de mise hors tension automatique peut s'enclencher lorsque l'outil s'arrête en raison du fonctionnement du système de protection. L'interrupteur principal s'éteindra automatiquement environ 5 minute(s) après que le moteur s'arrête automatiquement et qu'aucune mesure corrective n'est prise contre la protection de l'outil.

Fonctionnement de la gâchette

⚠ AVERTISSEMENT : Pour assurer votre sécurité, cet outil est équipé d'un interrupteur de sécurité qui empêche le démarrage intempestif de l'outil. N'utilisez JAMAIS l'outil si vous pouvez le démarrer simplement en appuyant sur la gâchette sans appuyer sur le levier de sécurité. Demandez à un centre technique agréé de réaliser les réparations AVANT toute nouvelle utilisation.

⚠ AVERTISSEMENT : Ne scotchez JAMAIS le levier de sécurité, ni n'ignorez son objectif et sa fonction.

⚠ ATTENTION : Avant d'insérer la batterie dans l'outil, vérifiez toujours que la gâchette fonctionne bien et revient en position d'arrêt lorsque vous la relâchez.

REMARQUE : Évitez d'appuyer sur la gâchette avec force lorsque le levier de sécurité n'est pas enfoncé. Vous risqueriez de briser la gâchette.

Pour éviter tout déclenchement accidentel de la gâchette et par mesure de sécurité, l'outil est muni de deux interrupteurs de sécurité. Pour démarrer l'outil, poussez le levier de verrouillage vers l'avant au-delà de sa position normale entre le pouce et l'index et serrez le levier de sécurité de la paume de votre main. Enclenchez ensuite la gâchette avec le levier de sécurité maintenu dans cette position. La vitesse de l'outil augmente à mesure que vous augmentez la pression sur la gâchette. Pour l'arrêter, relâchez la gâchette.

► **Fig.6:** 1. Levier de verrouillage 2. Levier de sécurité 3. Gâchette

Vérification du frein de chaîne

⚠ ATTENTION : Tenez la tronçonneuse à deux mains lorsque vous la démarrez. Tenez la poignée arrière avec la main droite, et la poignée avant avec la main gauche. Le guide et la chaîne ne doivent entrer en contact avec aucun objet.

⚠ ATTENTION : Si la chaîne ne s'arrête pas immédiatement lors de ce test, la tronçonneuse ne doit être utilisée en aucune circonstance. Consultez un centre technique agréé.

1. Appuyez d'abord sur le levier de sécurité, puis sur la gâchette. La chaîne démarre immédiatement.
2. Poussez le protège-main avant vers l'avant avec le dos de la main. Vérifiez que la tronçonneuse s'arrête immédiatement.

► **Fig.7:** 1. Protège-main avant 2. Position non verrouillée 3. Position verrouillée

Vérification du frein d'arrêt du moteur

⚠ ATTENTION : Si lors de ce test la chaîne ne s'arrête pas dans les 2 secondes, arrêtez immédiatement la tronçonneuse et consultez un centre technique agréé.

Démarrez la tronçonneuse puis relâchez complètement la gâchette. La chaîne doit s'arrêter dans les 2 secondes.

Réglage de la lubrification de la chaîne

Vous pouvez régler le débit de la pompe à huile à l'aide de la vis de réglage. Le réglage du débit d'huile peut être effectué avec le bout de la clé à œil.

► **Fig.8:** 1. Vis de réglage

Fonction électronique

L'outil est doté d'une fonction électronique pour en faciliter le fonctionnement.

- Frein électrique
Cet outil est équipé d'un frein électrique. Si systématiquement l'outil n'arrive pas à s'arrêter rapidement après le relâchement de la gâchette, faites réparer l'outil dans un centre technique Makita agréé.

ASSEMBLAGE

⚠ ATTENTION : Assurez-vous toujours que l'outil est hors tension et que sa batterie est retirée avant d'effectuer toute tâche dessus.

⚠ ATTENTION : Ne touchez pas la chaîne avec les mains nues. Portez toujours des gants lorsque vous manipulez la chaîne.

Pose et dépose de la chaîne

⚠ ATTENTION : La chaîne et le guide-chaîne sont très chauds juste après utilisation. Laissez-les refroidir suffisamment avant tout travail sur l'outil.

⚠ ATTENTION : Procédez à l'installation ou au retrait de la chaîne dans un endroit propre, exempt de sciure et autres.

Pose de la chaîne

Pour installer la chaîne, procédez comme suit :

1. Relâchez le frein de chaîne en tirant sur le protège-main avant.
2. Soulevez le levier tout en appuyant sur son extrémité.
► **Fig.9:** 1. Levier
3. Tournez le levier dans le sens contraire des aiguilles d'une montre jusqu'à ce que le couvre-pignon soit libéré.
► **Fig.10:** 1. Levier 2. Couvre-pignon
4. Retirez le couvre-pignon.
5. Vérifiez le sens de la chaîne. Faites correspondre le sens de la chaîne avec celui du repère sur le corps de la tronçonneuse.
► **Fig.11:** 1. Repère sur le corps de la tronçonneuse
6. Insérez une extrémité de la chaîne sur le dessus du guide-chaîne.
7. Insérez l'autre extrémité de la chaîne autour du pignon, puis fixez le guide-chaîne sur le corps de la tronçonneuse.
► **Fig.12:** 1. Pignon

8. Tournez la molette de réglage dans le sens « - » pour faire glisser la goupille de réglage dans le sens de la flèche.

► **Fig.13:** 1. Molette de réglage 2. Goupille de réglage

9. Placez le couvre-pignon sur la tronçonneuse en positionnant la goupille de réglage dans le petit orifice du guide-chaîne.

► **Fig.14:** 1. Couvre-pignon 2. Guide-chaîne 3. Orifice

10. Tournez le levier à fond dans le sens des aiguilles d'une montre puis un peu dans l'autre sens pour conserver le mou nécessaire au réglage de la tension de la chaîne.

11. Réglez la tension de la chaîne. Voir la section pour régler la tension de la chaîne pour la procédure.

12. Tournez le levier dans le sens des aiguilles d'une montre jusqu'à ce que le couvre-pignon soit bien serré puis remplacez-le dans sa position d'origine.

► **Fig.15:** 1. Levier 2. Couvre-pignon

Retrait de la chaîne

Pour enlever la chaîne, procédez comme suit :

1. Relâchez le frein de chaîne en tirant sur le protège-main avant.

2. Tournez la molette de réglage dans le sens « - » pour relâcher la tension de la chaîne.

► **Fig.16:** 1. Molette de réglage

3. Soulevez le levier tout en appuyant sur son extrémité.

► **Fig.17:** 1. Levier

4. Tournez le levier dans le sens contraire des aiguilles d'une montre jusqu'à ce que le couvre-pignon soit libéré.

► **Fig.18:** 1. Levier 2. Couvre-pignon

5. Retirez le couvre-pignon puis enlevez la chaîne et le guide-chaîne de la tronçonneuse.

Réglage de la tension de la chaîne

⚠ ATTENTION : Procédez à l'installation ou au retrait de la chaîne dans un endroit propre, exempt de sciure et autres.

⚠ ATTENTION : Ne tendez pas trop la chaîne. Une tension excessive de la chaîne peut entraîner la rupture de celle-ci, l'usure du guide-chaîne et la rupture de la molette de réglage.

⚠ ATTENTION : Si la tension de la chaîne est insuffisante, celle-ci risque de sauter du guide-chaîne, ce qui peut entraîner un accident.

La chaîne peut se détendre au bout de plusieurs heures d'utilisation. Vérifiez de temps à autre la tension de la chaîne avant de l'utiliser.

1. Soulevez le levier tout en appuyant sur son extrémité.

► **Fig.19:** 1. Levier

2. Tournez le levier légèrement dans le sens inverse des aiguilles d'une montre pour desserrer un peu le couvre-pignon.

► **Fig.20:** 1. Levier 2. Couvre-pignon

3. Soulevez légèrement l'extrémité du guide-chaîne et ajustez la tension de la chaîne. Tournez la molette de réglage dans le sens « - » pour relâcher la tension de la chaîne et dans le sens « + » pour l'augmenter. Tendez la chaîne jusqu'à ce que sa partie inférieure s'insère dans la rainure du guide-chaîne, comme illustré.

► **Fig.21:** 1. Molette de réglage 2. Guide-chaîne 3. Chaîne

4. Maintenez le guide-chaîne sans forcer et serrez le couvre-pignon en tournant le levier dans le sens des aiguilles d'une montre. Veillez à ne pas desserrer la chaîne sur le côté inférieur.

5. Remplacez le levier dans sa position originale.

Assurez-vous que la chaîne s'ajuste correctement sur le côté inférieur du guide-chaîne.

UTILISATION

Lubrification

⚠ ATTENTION : N'utilisez pas la tronçonneuse si le réservoir est vide. Remplissez d'huile en temps voulu avant que le réservoir soit vide.

⚠ ATTENTION : Empêchez l'huile d'entrer en contact avec la peau et les yeux. Le contact avec les yeux provoque une irritation. En cas de contact avec les yeux, rincez immédiatement l'œil affecté à l'eau claire, puis consultez sans tarder un médecin.

⚠ ATTENTION : N'utilisez jamais d'huile usée. L'huile usée renferme des substances carcinogènes. Les contaminants présents dans l'huile usée accélèrent l'usure de la pompe à huile, du guide et de la chaîne. L'huile usée est nocive pour l'environnement.

REMARQUE : Lors de la première utilisation de la tronçonneuse, deux minutes peuvent être nécessaires avant que l'huile pour chaîne commence son effet de lubrification sur le mécanisme de la scie. Faites fonctionner la scie sans charge jusqu'à ce que l'effet commence.

REMARQUE : La première fois que vous faites le plein d'huile pour chaîne, ou lorsque vous refaites le plein après avoir complètement vidé le réservoir d'huile, ajoutez de l'huile jusqu'au bord inférieur du goulot de remplissage. Sinon, l'alimentation en huile risque de mal fonctionner.

REMARQUE : Utilisez uniquement l'huile pour chaîne destinée aux tronçonneuses Makita ou une huile du commerce équivalente.

REMARQUE : N'utilisez jamais une huile contaminée par des poussières ou des particules, ni une huile volatile.

REMARQUE : Lorsque vous élaguez des arbres, utilisez une huile végétale. Une huile minérale risque d'endommager les arbres.

REMARQUE : Avant de tronçonner, assurez-vous que le bouchon du réservoir d'huile est bien vissé en place.

La chaîne se lubrifie automatiquement pendant l'utilisation de l'outil. Vérifiez régulièrement la quantité d'huile restante dans le réservoir d'huile par la fenêtre d'inspection d'huile.

► **Fig.22:** 1. Bouchon du réservoir d'huile 2. Fenêtre d'inspection d'huile

Pour remplir d'huile, exécutez les étapes suivantes :

1. Nettoyez à fond la zone autour du bouchon du réservoir d'huile pour empêcher la saleté de pénétrer dans le réservoir d'huile.
2. Posez la tronçonneuse de côté.
3. Appuyez sur le bouton du bouchon du réservoir d'huile de sorte que le bouton de l'autre côté se relève, puis retirez le bouchon du réservoir d'huile en le tournant.

► **Fig.23:** 1. Bouchon du réservoir d'huile 2. Serrer 3. Desserrer

4. Remplissez d'huile le réservoir d'huile. La quantité correcte d'huile est de 200 ml.
5. Revissez fermement le bouchon du réservoir d'huile en place.
6. Essayez soigneusement l'huile pour chaîne déversée.

NOTE : S'il est difficile de retirer le bouchon du réservoir d'huile, insérez le bout de la clé à œil dans la fente du bouchon du réservoir d'huile, puis retirez le bouchon du réservoir d'huile en le tournant dans le sens inverse des aiguilles d'une montre.

► **Fig.24:** 1. Fente 2. Clé à œil

Après avoir rempli le réservoir, éloignez la tronçonneuse de l'arbre. Démarrez-la et attendez que la chaîne soit bien lubrifiée.

► **Fig.25**

Utilisation de la tronçonneuse

⚠ATTENTION : Un utilisateur débutant doit commencer par s'entraîner à couper des bûches placées sur un chevalet de sciage ou un berceau.

⚠ATTENTION : Lorsque vous sciez du bois coupé, utilisez un support sûr (chevalet de sciage ou berceau). Ne stabilisez pas la pièce avec votre pied, et ne laissez personne la tenir ou la stabiliser.

⚠ATTENTION : Fixez les pièces rondes pour les empêcher de tourner.

⚠ATTENTION : Éloignez la chaîne de votre corps lorsque le moteur fonctionne.

⚠ATTENTION : Tenez la tronçonneuse fermement des deux mains lorsque le moteur tourne.

⚠ATTENTION : Ne vous penchez pas trop en avant. Conservez un bon appui au sol et gardez votre équilibre en permanence.

⚠ATTENTION : Lorsque vous utilisez la partie supérieure du guide-chaîne pour couper, soyez prudent car la tronçonneuse risque d'être poussée dans votre direction si la chaîne se bloque.

REMARQUE : Ne jetez pas l'outil, ne le laissez pas tomber.

REMARQUE : Ne recouvrez pas les orifices d'aération de l'outil.

REMARQUE : Lorsque vous effectuez plusieurs coupes, arrêtez la tronçonneuse entre les coupes.

Mettez la partie inférieure du corps de la tronçonneuse en contact avec la branche à couper avant de mettre l'outil en marche. Sinon, le guide-chaîne risque d'osciller, ce qui peut entraîner des blessures. Coupez le bois en déplaçant simplement la tronçonneuse vers le bas, en utilisant le poids de la tronçonneuse.

► **Fig.26**

Si vous n'arrivez pas à couper complètement le bois d'un seul coup :

Appuyez légèrement sur la poignée et continuez à scier en déplaçant la tronçonneuse vers l'arrière ; puis placez la griffe de butée un peu plus vers le bas et terminez la coupe en relevant la poignée.

► **Fig.27**

Abattage d'un arbre

⚠ATTENTION : L'abattage doit être effectué uniquement par des personnes qui ont reçu une formation. Ce travail est dangereux.

Lorsque deux personnes ou plus exécutent simultanément des opérations de coupe transversale/tronçonnage et d'abattage, les opérations d'abattage doivent être séparées de l'opération de coupe transversale/tronçonnage d'une distance d'au moins deux fois la hauteur de l'arbre abattu. Les arbres ne doivent pas être abattus d'une manière qui mettrait en danger quiconque, heurterait une ligne électrique ou provoquerait des dommages matériels. Si l'arbre entre en contact avec une ligne électrique, la compagnie d'électricité doit en être immédiatement avertie.

L'opérateur de la tronçonneuse doit rester sur le côté amont du terrain, car l'arbre risque de rouler ou de glisser sur la pente après son abattage.

Une voie de retraite doit être prévue et dégagée au besoin avant de commencer la coupe. La voie de retraite doit s'étendre vers l'arrière et en diagonale par rapport à la ligne de chute prévue, comme illustré.

► **Fig.28:** 1. Direction de la chute 2. Zone de danger 3. Voie de retraite

Avant de commencer l'abattage, tenez compte de l'inclinaison naturelle de l'arbre, de l'emplacement des branches plus grosses et de la direction du vent pour déterminer dans quel sens l'arbre tombera.

Enlevez la saleté, les pierres, les morceaux d'écorce, les clous, les agrafes et les câbles de l'arbre.

Entaille directionnelle et trait d'abattage

⚠ ATTENTION : Ne coupez en aucun cas la charnière. L'arbre pourrait tomber de façon inattendue.

REMARQUE : Utilisez des coins en plastique ou en aluminium pour garder le trait d'abattage ouvert. N'utilisez pas de coins en acier.

► **Fig.29:** 1. 50 mm 2. Trait d'abattage 3. Charnière 4. Entaille 5. Sens de l'abattage

L'entaille doit faire un tiers du diamètre de l'arbre et être perpendiculaire au sens de la chute comme illustré. Effectuez d'abord l'entaille directionnelle horizontale inférieure. Cela permet d'éviter de pincer la chaîne ou le guide-chaîne lors de la réalisation de la deuxième entaille.

Le trait d'abattage doit être au moins 50 mm plus haut que l'entaille directionnelle horizontale, comme illustré. Le trait d'abattage doit être parallèle à l'entaille directionnelle horizontale. Réalisez le trait de manière à ce qu'il reste suffisamment de bois pour servir de charnière. Le bois de charnière empêche l'arbre de se tordre et de tomber dans la mauvaise direction. Ne coupez pas dans la charnière.

Lorsque l'abattage s'approche de la charnière, l'arbre devrait commencer à tomber. S'il y a un risque que l'arbre ne tombe pas dans la direction souhaitée ou qu'il se retourne et coince la chaîne, arrêtez de couper avant la fin du trait d'abattage et utilisez des coins en bois, en plastique ou en aluminium pour ouvrir la coupe et laisser tomber l'arbre le long de la ligne de chute souhaitée.

Lorsque l'arbre commence à tomber, retirez la tronçonneuse de la coupe, arrêtez le moteur, posez la tronçonneuse, puis empruntez la voie de retraite prévue. Prenez garde aux branches tombant du dessus et regardez où vous posez les pieds.

Ébranchage d'un arbre

⚠ ATTENTION : L'ébranchage doit être effectué uniquement par des personnes qui ont reçu une formation. Ce travail présente des risques de choc en retour.

L'ébranchage consiste à retirer les branches d'un arbre abattu. Lors de l'ébranchage, laissez les branches inférieures plus grosses pour soutenir la bûche au-dessus du sol. Retirez les petites branches en une seule coupe, comme illustré. Les branches sous tension doivent être coupées du bas vers le haut pour éviter de coincer la tronçonneuse.

► **Fig.30:** 1. Coupe de branches

Coupe transversale/tronçonnage d'une bûche

La coupe transversale/le tronçonnage consiste à couper une bûche en morceaux. Il est important de vous assurer que votre assise est ferme et que votre poids est réparti de manière égale sur vos deux pieds. Dans la mesure du possible, la bûche doit être soulevée et soutenue par des branches, des rondins ou des cales. Suivez les instructions simples pour une coupe facile.

Lorsque la bûche est soutenue sur toute sa longueur comme illustré, elle est coupée par le haut (surcoupe).

► **Fig.31**

Lorsque la bûche est soutenue à une seule extrémité, comme illustré, coupez un tiers du diamètre par le dessous (sous-coupe). Ensuite, réalisez la coupe finale avec une surcoupe pour rencontrer la première coupe.

► **Fig.32:** 1. Première coupe 2. Deuxième coupe

Lorsque la bûche est soutenue aux deux extrémités, comme illustré, coupez un tiers du diamètre à partir du haut (surcoupe). Ensuite, réalisez la coupe finale avec une sous-coupe sur les deux tiers inférieurs pour rencontrer la première coupe.

► **Fig.33:** 1. Première coupe 2. Deuxième coupe

Lors d'une coupe transversale/d'un tronçonnage en pente, tenez-vous toujours sur le côté amont de la bûche, comme illustré. Lorsque vous « coupez à travers », pour garder un contrôle complet, relâchez la pression de coupe près de la fin de la coupe sans relâcher votre prise sur les poignées de la tronçonneuse. Ne laissez pas la chaîne entrer en contact avec le sol. Après avoir terminé la coupe, attendez l'arrêt de la chaîne avant de déplacer la tronçonneuse. Coupez toujours le moteur avant de passer d'un arbre à l'autre.

► **Fig.34**

Délognage

⚠ ATTENTION : Le délognage doit être effectué uniquement par des personnes qui ont reçu une formation. Ce travail présente des risques de choc en retour et de blessure.

Coupez parallèlement au fil du bois, selon un angle aussi faible que possible.

► **Fig.35**

Transport de l'outil

Avant de transporter l'outil, activez toujours le frein de chaîne et retirez la batterie de l'outil. Remettez ensuite le garde-chaîne en place. Remettez également en place le couvercle de la batterie.

► **Fig.36:** 1. Garde-chaîne 2. Couvercle de batterie

ENTRETIEN

⚠ ATTENTION : Assurez-vous toujours que l'outil est hors tension et que la batterie est retirée avant d'y effectuer tout travail d'inspection ou d'entretien.

⚠ ATTENTION : Portez toujours des gants pour effectuer toute opération d'inspection ou d'entretien.

REMARQUE : N'utilisez jamais d'essence, benzène, diluant, alcool ou autre produit similaire. Cela risquerait de provoquer la décoloration, la déformation ou la fissuration de l'outil.

Pour assurer la SÉCURITÉ et la FIABILITÉ du produit, toute réparation, tout travail d'entretien ou de réglage doivent être effectués par un centre d'entretien Makita agréé, avec des pièces de rechange Makita.

Affûtage de la chaîne

Affûtez la chaîne si :

- la coupe de bois humide produit de la sciure de bois granuleuse ;
- la chaîne pénètre difficilement dans le bois même si vous appliquez une forte pression ;
- le tranchant des gouges est nettement endommagé ;
- la tronçonneuse tire vers la gauche ou la droite dans le bois. (Cela est dû à un affûtage inégal de la chaîne ou au fait qu'elle est endommagée d'un côté seulement.)

Affûtez la chaîne régulièrement, mais légèrement. Deux ou trois coups de lime suffisent généralement pour l'affûtage de routine. Au bout de plusieurs affûtages réalisés par vos soins, faites affûter la chaîne par un centre technique agréé.

Critères d'affûtage :

⚠ AVERTISSEMENT : Une distance excessive entre le tranchant de la gouge et le limiteur de profondeur augmente le risque de choc en retour.

- **Fig.37:** 1. Longueur du tranchant de la gouge
2. Distance entre le tranchant de la gouge et le limiteur de profondeur. 3. Longueur minimale du tranchant de la gouge (3 mm)

- Tous les tranchants de gouge doivent être de la même longueur. Si les tranchants de gouge sont de longueur inégale, la chaîne tourne de manière irrégulière et risque de casser.
- N'affûtez pas la chaîne lorsque la longueur du tranchant de la gouge est inférieure ou égale à 3 mm. Remplacez la chaîne par une chaîne neuve.
- L'épaisseur du copeau est déterminée par la différence de hauteur entre le limiteur de profondeur (nez rond) et le tranchant de la gouge.
- Les meilleurs résultats de coupe sont obtenus pour les différences de hauteur suivantes entre le limiteur de profondeur et le tranchant de la gouge.
 - Chaîne 80TXL : 0,65 mm

► Fig.38

- L'angle d'affûtage de tous les tranchants de gouge doit être de 30°. Si les angles des tranchants sont inégaux, la chaîne tourne de manière irrégulière, s'use plus rapidement et risque de casser.
- Utilisez une lime ronde adaptée pour conserver le bon angle sur tous les tranchants.
 - Chaîne 80TXL : 55°

Lime et limage

- Utilisez une lime ronde spéciale (accessoire en option) pour affûter la chaîne. Les limes rondes ordinaires ne conviennent pas.
- Le diamètre de la lime ronde varie en fonction du type de chaîne :
 - Chaîne 80TXL : 4,0 mm
- La lime ne doit mordre le tranchant de la gouge qu'en avançant. Relevez la lime au retour.
- Affûtez d'abord le tranchant de gouge le plus court. La longueur du tranchant le plus court servira ensuite de référence pour toutes les autres tranchants de gouge de la chaîne.

- Passez la lime comme illustré sur la figure.

► Fig.39: 1. Lime 2. Chaîne

- Le limage sera plus facile si vous utilisez un porte-lime (accessoire en option). Le porte-lime comporte des repères indiquant le bon angle d'affûtage (30°) ; placez les repères parallèlement à la chaîne. Il limite aussi la profondeur de pénétration (max. 4/5 du diamètre de la lime).

► Fig.40: 1. Porte-lime

- Une fois la chaîne affûtée, vérifiez la hauteur du limiteur de profondeur à l'aide du gabarit de la chaîne (accessoire en option).

► Fig.41

- Supprimez toute aspérité restante, aussi petite soit-elle, à l'aide d'une lime plate spéciale (accessoire en option).
- Arrondissez encore une fois l'avant du limiteur de profondeur.

Nettoyage du guide-chaîne

Des copeaux et de la sciure peuvent s'accumuler dans la rainure du guide-chaîne. Ils risquent de boucher la rainure, et d'affecter la lubrification. Enlevez les copeaux et la sciure chaque fois que vous affûtez ou remplacez la chaîne de la tronçonneuse.

► Fig.42

Nettoyage du couvre-pignon

Des copeaux et de la sciure peuvent s'accumuler à l'intérieur du couvre-pignon. Retirez le couvre-pignon et la chaîne de l'outil, puis enlevez les copeaux et la sciure.

► Fig.43

Nettoyage de l'orifice de sortie de l'huile

Des poussières ou particules peuvent s'accumuler dans l'orifice de sortie de l'huile pendant l'utilisation. Ces poussières et particules peuvent affecter l'écoulement de l'huile, ce qui entraînerait une mauvaise lubrification de la totalité de la chaîne. Lorsque la partie supérieure du guide-chaîne n'est pas correctement alimentée en huile, nettoyez l'orifice de sortie de l'huile en procédant comme suit.

1. Retirez le couvre-pignon et la chaîne de l'outil.
2. Enlevez la poussière et les particules à l'aide d'un tournevis plat ou équivalent.

► Fig.44: 1. Tournevis plat 2. Orifice de sortie de l'huile

3. Insérez la batterie dans l'outil. Appuyez sur la gâchette pour que les poussières et particules accumulées dans l'orifice de sortie de l'huile soient évacuées par l'écoulement de l'huile.
4. Retirez la batterie de l'outil. Remettez en place le couvre-pignon et la chaîne sur l'outil.

Remplacement du pignon

⚠ ATTENTION : Si vous utilisez une chaîne neuve avec un pignon usé, vous risquez d'endommager la chaîne. Dans ce cas, remplacez le pignon.

Avant de poser une chaîne neuve, vérifiez l'état du pignon.

► **Fig.45:** 1. Pignon 2. Zones d'usure

Posez toujours un circlip neuf lorsque vous remplacez le pignon.

► **Fig.46:** 1. Circlip 2. Pignon

REMARQUE : Veillez à installer le pignon comme indiqué sur la figure.

Remisage de l'outil

1. Nettoyez l'outil avant de le ranger. Enlevez les copeaux et la sciure de bois de l'outil après avoir retiré le couvre-pignon.
2. Après avoir nettoyé l'outil, faites le tourner à vide pour lubrifier la chaîne et le guide-chaîne.
3. Remettez le garde-chaîne sur le guide-chaîne.
4. Videz le réservoir d'huile.

Instructions d'entretien périodique

Pour assurer une bonne longévité, éviter les détériorations et garantir le bon fonctionnement des dispositifs de sécurité, réalisez régulièrement les travaux d'entretien suivants. La garantie n'est accordée que si ces travaux sont réalisés régulièrement et correctement. Le non-respect des obligations relatives aux travaux d'entretien peut entraîner des accidents ! L'utilisateur de la tronçonneuse ne doit pas réaliser de travaux d'entretien non décrits dans le manuel d'instruction. Tous ces travaux doivent être effectués par un centre technique agréé.

Élément à vérifier/Périodicité		Avant utilisation	Chaque jour	Chaque semaine	Tous les 3 mois	Tous les ans	Avant remisage
Tronçonneuse	Inspection	✓	-	-	-	-	-
	Nettoyage	-	✓	-	-	-	-
	Vérification par un centre technique agréé	-	-	-	-	✓	✓
Chaîne	Inspection	✓	-	-	-	-	-
	Aiguisage si nécessaire	-	-	-	-	-	✓
Guide-chaîne	Inspection	✓	✓	-	-	-	-
	Démontage	-	-	-	-	-	✓
Frein de chaîne	Vérification du fonctionnement	✓	-	-	-	-	-
	Inspection régulière par un centre technique agréé	-	-	-	✓	-	-
Lubrification de la chaîne	Vérification du débit de l'alimentation en huile	✓	-	-	-	-	-
Gâchette	Inspection	✓	-	-	-	-	-
Levier de sécurité	Inspection	✓	-	-	-	-	-
Bouchon du réservoir d'huile	Vérification du serrage	✓	-	-	-	-	-
Attrape-chaîne	Inspection	-	-	✓	-	-	-
Vis et écrous	Inspection	-	-	✓	-	-	-

GUIDE DE DÉPANNAGE

Avant de faire une demande de réparation, effectuez d'abord vous-même une inspection. Si vous rencontrez un problème non documenté dans le mode d'emploi, n'essayez pas de démonter l'outil. Demandez plutôt à un centre de service après-vente Makita agréé d'effectuer la réparation au moyen de pièces de rechange Makita.

Dysfonctionnement	Cause	Remède
La tronçonneuse ne démarre pas.	La batterie n'est pas installée.	Installez une batterie chargée.
	Problème de batterie (faible tension).	Rechargez la batterie. Si vous n'arrivez pas à recharger la batterie, remplacez-la.
	Interrupteur principal en position d'arrêt.	La tronçonneuse s'arrête automatiquement si elle n'est pas utilisée pendant environ 5 minute(s). Mettez à nouveau l'interrupteur principal en position de marche. La tronçonneuse s'éteint automatiquement lorsque le moteur s'arrête en raison du fonctionnement du système de protection pendant environ 5 minute(s). Prenez des mesures correctives pour votre outil, puis mettez à nouveau l'interrupteur principal en position de marche.
La chaîne ne tourne pas.	Frein de chaîne activé.	Relâchez le frein de chaîne.
Le moteur arrête de tourner après une courte utilisation.	Faible niveau de charge de la batterie.	Rechargez la batterie. Si vous n'arrivez pas à recharger la batterie, remplacez-la.
Pas d'huile sur la chaîne.	Réservoir d'huile vide.	Remplissez le réservoir d'huile.
	La rainure de lubrification est encrassée.	Nettoyez la rainure de lubrification.
	Mauvaise alimentation en huile.	Réglez le débit de l'alimentation en huile à l'aide de la vis de réglage.
La tronçonneuse n'atteint pas le plein régime.	La batterie est mal installée.	Suivez les instructions de ce mode d'emploi pour installer la batterie.
	La charge de la batterie baisse.	Rechargez la batterie. Si vous n'arrivez pas à recharger la batterie, remplacez-la.
	Le système d'entraînement ne fonctionne pas correctement.	Ces réparations doivent être effectuées par un centre technique agréé dans votre région.
Le témoin d'alimentation clignote en vert.	Vous appuyez sur la gâchette dans des conditions ne permettant pas d'utiliser l'outil.	Appuyez sur la gâchette après avoir mis l'interrupteur principal en position de marche et libéré le frein de chaîne.
La chaîne ne s'arrête pas même lorsque le frein de chaîne est activé : Arrêtez immédiatement l'outil !	Bande de frein usée.	Ces réparations doivent être effectuées par un centre technique agréé dans votre région.
Vibrations anormales : Arrêtez immédiatement l'outil !	Guide-chaîne ou chaîne desserrés.	Réglez la tension du guide-chaîne et de la chaîne.
	Dysfonctionnement de l'outil.	Ces réparations doivent être effectuées par un centre technique agréé dans votre région.
La chaîne ne peut pas être mise en place.	La combinaison de la chaîne et du pignon est incorrecte.	Utilisez la bonne combinaison de chaîne et de pignon en vous reportant à la section des spécifications.

ACCESSOIRES EN OPTION

ATTENTION : Ces accessoires ou pièces complémentaires sont recommandés pour l'utilisation avec l'outil Makita spécifié dans ce mode d'emploi. L'utilisation de tout autre accessoire ou pièce complémentaire peut comporter un risque de blessure. N'utilisez les accessoires ou pièces complémentaires qu'aux fins auxquelles ils ont été conçus.

Pour obtenir plus de détails sur ces accessoires, contactez votre centre d'entretien local Makita.

- Chaîne
- Guide-chaîne

- Garde-chaîne
- Pignon
- Lime
- Batterie et chargeur de marque Makita

AVERTISSEMENT : Si vous achetez un guide-chaîne dont la longueur est différente de celle du guide-chaîne standard, achetez aussi un garde-chaîne adapté. Il doit être de la bonne taille et couvrir entièrement le guide-chaîne une fois en place.

NOTE : Il se peut que certains éléments de la liste soient compris dans l'emballage de l'outil en tant qu'accessoires standard. Ils peuvent varier d'un pays à l'autre.

TECHNISCHE DATEN

Modell:		UC021G	UC022G	UC023G
Gesamtlänge (ohne Sägekette und Schwert)		430 mm		
Nennspannung		36 V - 40 V Gleichstrom		
Nettogewicht	*1	3,4 kg		
	*2	5,0 - 5,3 kg	5,1 - 5,4 kg	5,1 - 5,5 kg
Standard-Schwertlänge		300 mm	350 mm	400 mm
Empfohlene Länge der Führungsschiene		300 - 400 mm		
Zutreffender Sägekettentyp (siehe die nachstehende Tabelle)		80TXL		
Kettenrad	Zähnezahl	7		
	Teilung	0,325"		
Kettengeschwindigkeit		0 - 25,5 m/s (0 - 1.530 m/min)		
Kettenöltank-Inhalt		200 cm ³		
Schutzgrad		IPX4		

- Wir behalten uns vor, Änderungen der technischen Daten im Zuge der Entwicklung und des technischen Fortschritts ohne vorherige Ankündigung vorzunehmen.
 - Die technischen Daten können von Land zu Land unterschiedlich sein.
- *1: Gewicht, ohne Sägekette, Schwert, Schwertschutzhülle, Öl und Akku(s).
 *2: Leichteste und schwerste Gewichtskombination, gemäß EPTA-Verfahren 01/2014. Das Gewicht kann abhängig von dem Aufsatz (den Aufsätzen), einschließlich des (der) Akkus, unterschiedlich sein.

Sägeketten-, Schwert- und Kettenradkombination

Sägekettentyp		80TXL		
Anzahl der Antriebsglieder		51	59	64
Schwert	Schwertlänge	300 mm	350 mm	400 mm
	Schnittlänge	257 mm	323 mm	364 mm
	Teilung	0,325"		
	Treibgliedstärke	1,1 mm		
	Typ	Umlenksternschwert		
Kettenrad	Zähnezahl	7		
	Teilung	0,325"		

⚠️ WARNUNG: Verwenden Sie eine geeignete Kombination von Schwert und Sägekette. Anderenfalls kann es zu Personenschaden kommen.

Zutreffende Akkus und Ladegeräte

Akku	BL4040 / BL4040F* / BL4050F* * : Empfohlener Akku
Ladegerät	DC40RA / DC40RB / DC40RC / DC40WA

- Einige der oben aufgelisteten Akkus und Ladegeräte sind je nach Ihrem Wohngebiet eventuell nicht erhältlich.

⚠️ WARNUNG: Verwenden Sie nur die oben aufgeführten Akkus und Ladegeräte. Bei Verwendung irgendwelcher anderer Akkus und Ladegeräte besteht Verletzungs- und/oder Brandgefahr.











Empfohlene kabelgebundene Stromquelle



Rückentragbare Akku-Bank	PDC01
--------------------------	-------

- Die oben aufgelisteten kabelgebundenen Stromquellen sind je nach Ihrem Wohngebiet eventuell nicht erhältlich.
- Lesen Sie vor Gebrauch der kabelgebundenen Stromquelle die daran angebrachten Anweisungen und Warnmarkierungen durch.

Symbole

Nachfolgend werden Symbole beschrieben, die für das Gerät verwendet werden können. Machen Sie sich unbedingt vor der Benutzung mit ihrer Bedeutung vertraut.

	Betriebsanleitung lesen.
	Tragen Sie einen Augenschutz.
	Einen Gehörschutz tragen.
	Helm, Schutzbrille und Gehörschutz tragen.
	Höchstzulässige Schnittlänge
	Halten Sie die Kettensäge beim Betrieb immer mit zwei Händen.
	Hüten Sie sich vor Kettensägen-Rückschlag, und vermeiden Sie Kontakt mit der Schwertspitze.
	Kettenumlaufrichtung
	Sägeketten-Öleinstellung
	Nur für EU-Länder Aufgrund des Vorhandenseins gefährlicher Komponenten in der Ausrüstung können Elektro- und Elektronik-Altgeräte, Akkumulatoren und Batterien sich negativ auf die Umwelt und die menschliche Gesundheit auswirken. Entsorgen Sie Elektro- und Elektronikgeräte oder Batterien nicht mit dem Hausmüll! In Übereinstimmung mit der Europäischen Richtlinie über Elektro- und Elektronik-Altgeräte, Akkumulatoren und Batterien, verbrauchte Akkumulatoren und Batterien sowie ihrer Anpassung an nationales Recht sollten Elektro-Altgeräte, Batterien und Akkumulatoren gemäß den Umweltschutzbestimmungen getrennt gelagert und zu einer getrennten Sammelstelle für Siedlungsabfälle geliefert werden. Dies wird durch das am Gerät angebrachte Symbol der durchgestrichenen Abfalltonne auf Rädern angezeigt.

	Garantierter Schallleistungspegel gemäß der EU-Richtlinie über Außenlärm.
	Schallleistungspegel gemäß der australischen NSW-Lärmschutzverordnung

Vorgesehene Verwendung

Diese Kettensäge ist zum Schneiden von Holz vorgesehen.

Geräusch

Typischer A-bewerteter Geräuschpegel ermittelt gemäß EN62841-4-1:

Modell UC021G
Schalldruckpegel (L_{pA}): 93 dB (A)
Schallleistungspegel (L_{WA}): 101 dB (A)
Messunsicherheit (K): 3 dB (A)

Modell UC022G
Schalldruckpegel (L_{pA}): 93 dB (A)
Schallleistungspegel (L_{WA}): 101 dB (A)
Messunsicherheit (K): 3 dB (A)

Modell UC023G
Schalldruckpegel (L_{pA}): 93 dB (A)
Schallleistungspegel (L_{WA}): 101 dB (A)
Messunsicherheit (K): 3 dB (A)

HINWEIS: Der (Die) angegebene(n) Schallemissionswert(e) wurde(n) im Einklang mit der Standardprüfmethode gemessen und kann (können) für den Vergleich zwischen Werkzeugen herangezogen werden.

HINWEIS: Der (Die) angegebene(n) Schallemissionswert(e) kann (können) auch für eine Vorbewertung des Gefährdungsgrads verwendet werden.

⚠️ WARNUNG: Einen Gehörschutz tragen.

⚠️ WARNUNG: Die Schallemission während der tatsächlichen Benutzung des Elektrowerkzeugs kann je nach der Benutzungsweise des Werkzeugs, und speziell je nach der Art des bearbeiteten Werkstücks, von dem (den) angegebenen Wert(en) abweichen.

⚠️ WARNUNG: Identifizieren Sie Sicherheitsmaßnahmen zum Schutz des Benutzers anhand einer Schätzung des Gefährdungsgrads unter den tatsächlichen Benutzungsbedingungen (unter Berücksichtigung aller Phasen des Arbeitszyklus, wie z. B. Ausschalt- und Leerlaufzeiten des Werkzeugs zusätzlich zur Betriebszeit).

Schwingungen

Schwingungsgesamtwert (Drei-Achsen-Vektorsumme) ermittelt gemäß EN62841-4-1:

Modell UC021G

Arbeitsmodus: Schneiden von Holz
Schwingungsemission ($a_{h,w}$): 3,5 m/s²
Messunsicherheit (K): 1,5 m/s²

Modell UC022G

Arbeitsmodus: Schneiden von Holz
Schwingungsemission ($a_{h,w}$): 3,5 m/s²
Messunsicherheit (K): 1,5 m/s²

Modell UC023G

Arbeitsmodus: Schneiden von Holz
Schwingungsemission ($a_{h,w}$): 3,5 m/s²
Messunsicherheit (K): 1,5 m/s²

HINWEIS: Der (Die) angegebene(n) Vibrationsgesamtwert(e) wurde(n) im Einklang mit der Standardprüfmethode gemessen und kann (können) für den Vergleich zwischen Werkzeugen herangezogen werden.

HINWEIS: Der (Die) angegebene(n) Vibrationsgesamtwert(e) kann (können) auch für eine Vorbewertung des Gefährdungsgrads verwendet werden.

⚠️ WARNUNG: Die Vibrationsemission während der tatsächlichen Benutzung des Elektrowerkzeugs kann je nach der Benutzungsweise des Werkzeugs, und speziell je nach der Art des bearbeiteten Werkstücks, von dem (den) angegebenen Emissionswert(en) abweichen.

⚠️ WARNUNG: Identifizieren Sie Sicherheitsmaßnahmen zum Schutz des Benutzers anhand einer Schätzung des Gefährdungsgrads unter den tatsächlichen Benutzungsbedingungen (unter Berücksichtigung aller Phasen des Arbeitszyklus, wie z. B. Ausschalt- und Leerlaufzeiten des Werkzeugs zusätzlich zur Betriebszeit).

Konformitätserklärungen

Nur für europäische Länder

Die Konformitätserklärungen sind in Anhang A dieser Betriebsanleitung enthalten.

SICHERHEITSWARNUNGEN

Allgemeine Sicherheitswarnungen für Elektrowerkzeuge

⚠️ WARNUNG Lesen Sie alle Sicherheitshinweise, Anweisungen, Abbildungen und Spezifikationen, die diesem Elektrowerkzeug beiliegen. Eine Missachtung der unten aufgeführten Anweisungen kann zu einem elektrischen Schlag, Brand und/oder schweren Verletzungen führen.

Bewahren Sie alle Warnungen und Anweisungen für spätere Bezugnahme auf.

Der Ausdruck „Elektrowerkzeug“ in den Warnhinweisen bezieht sich auf Ihr mit Netzstrom (mit Kabel) oder Akku (ohne Kabel) betriebenes Elektrowerkzeug.

Allgemeine Sicherheitswarnungen für Kettensäge

- Halten Sie alle Körperteile während des Betriebs der Kettensäge von der Sägekette fern. Vergewissern Sie sich vor dem Einschalten der Kettensäge, dass die Sägekette nicht mit irgendeinem Gegenstand in Berührung ist.** Ein Augenblick der Unachtsamkeit während des Betriebs von Kettensägen kann dazu führen, dass Ihre Kleidung oder Körperteile von der Sägekette erfasst werden.
- Halten Sie die Kettensäge stets mit Ihrer rechten Hand am hinteren Handgriff und mit Ihrer linken Hand am vorderen Handgriff.** Das Halten der Kettensäge mit vertauschter Handhaltung führt zu erhöhter Verletzungsgefahr und ist daher unbedingt zu vermeiden.
- Halten Sie die Kettensäge nur an den isolierten Griffflächen, weil die Sägekette verborgene Leitungen kontaktieren kann.** Bei Kontakt der Sägekette mit einem Strom führenden Kabel können die freiliegenden Metallteile der Kettensäge ebenfalls Strom führend werden, so dass der Bediener einen elektrischen Schlag erleiden kann.
- Tragen Sie einen Augenschutz. Zusätzliche Schutzausrüstung für Gehör, Kopf, Hände, Beine und Füße wird empfohlen.** Geeignete Schutzausrüstung reduziert die Verletzungsgefahr durch fliegende Trümmer oder versehentlichen Kontakt mit der Sägekette.
- Betreiben Sie die Kettensäge nicht in einem Baum, auf einer Leiter, von einem Dach aus, oder mit einer instabilen Stütze.** Derartige Betrieb einer Kettensäge könnte zu schweren Personenschäden führen.
- Achten Sie stets auf sicheren Stand, und betreiben Sie die Kettensäge nur, wenn Sie auf einer festen, sicheren und ebenen Fläche stehen.** Schlüpfrige oder instabile Standflächen können zu einem Verlust der Balance oder der Kontrolle über die Kettensäge führen.
- Wenn Sie einen unter Spannung stehenden Ast abschneiden, achten Sie auf Zurückschnellen.** Wenn sich die Spannung in den Holzfasern entlädt, kann der unter Spannung stehende Ast die Bedienungsperson treffen und/oder die Kettensäge außer Kontrolle bringen.
- Lassen Sie beim Schneiden von Gestrüpp und jungen Bäumen äußerste Vorsicht walten.** Die dünnen Äste können an der Sägekette hängen bleiben und gegen Sie geschleudert werden oder Sie aus dem Gleichgewicht bringen.

9. **Tragen Sie die Kettensäge nach dem Ausschalten mit Abstand zu Ihrem Körper am vorderen Handgriff. Bringen Sie zum Transportieren oder Lagern der Kettensäge stets die Schwertschutzhülle an.** Sachgemäße Handhabung der Kettensäge reduziert die Wahrscheinlichkeit einer versehentlichen Berührung der umlaufenden Sägekette.
10. **Befolgen Sie die Anweisungen für die Schmierung, die Kettenspannung und den Austausch des Schwerts und der Kette.** Eine unsachgemäß gespannte oder geschmierte Kette kann entweder reißen oder die Gefahr von Rückschlägen erhöhen.
11. **Schneiden Sie nur Holz. Verwenden Sie die Kettensäge nicht für sachfremde Zwecke. Zum Beispiel: Verwenden Sie die Kettensäge nicht zum Schneiden von Metall, Kunststoff, Mauerwerk oder Nicht-Holz-Baumaterial.** Der Gebrauch der Kettensäge für sachfremde Zwecke kann zu einer Gefahrensituation führen.
12. **Versuchen Sie nicht, einen Baum zu fällen, bis Sie die Risiken und die Art und Weise ihrer Vermeidung verstehen.** Anderenfalls könnten während des Fällens eines Baums schwere Verletzungen der Bedienungsperson oder der Umstehenden auftreten.
13. **Ursachen und Verhütung von Rückschlägen:** Rückschläge können auftreten, wenn die Nase oder Spitze des Schwerts ein Objekt berührt, oder wenn das Holz die Sägekette im Schnitt umschließt und einklemmt. Spitzenkontakt kann in manchen Fällen eine plötzliche Gegenreaktion verursachen, so dass das Schwert nach oben oder hinten zur Bedienungsperson geschleudert wird. Durch Einklemmen der Sägekette entlang dem oberen Lauf des Schwerts kann das Schwert zur Bedienungsperson zurückgeschleudert werden. Jede dieser Reaktionen kann zu einem Verlust der Kontrolle über die Säge und daraus resultierenden schweren Verletzungen führen. Verlassen Sie sich nicht ausschließlich auf die in Ihre Säge eingebauten Sicherheitsvorrichtungen. Als Kettensägenbenutzer sollten Sie bestimmte Maßnahmen ergreifen, um Ihre Sägearbeiten unfall- und verletzungsfrei zu halten. Rückschlag ist das Resultat falscher Handhabung der Kettensäge und/oder falscher Arbeitsverfahren oder -bedingungen und kann durch Anwendung der nachstehend angegebenen korrekten Vorsichtsmaßnahmen vermieden werden:
 - **Halten Sie die Kettensäge beidhändig mit festem Griff, wobei Ihre Daumen und Finger die Handgriffe umschließen, und positionieren Sie Körper und Arme so, dass Sie Rückschlagkräfte auffangen können.** Rückschlagkräfte können durch Treffen geeigneter Vorsichtsmaßnahmen von der Bedienungsperson kontrolliert werden. Lassen Sie die Kettensäge nicht los.

► **Abb.1**

- **Übernehmen Sie sich nicht, und schneiden Sie nicht oberhalb der Schulterhöhe.** Dies trägt zur Verhütung unbeabsichtigten Spitzenkontakts bei und ermöglicht bessere Kontrolle der Kettensäge in unerwarteten Situationen.

- **Verwenden Sie nur vom Hersteller empfohlene Schwerter und Sägeketten als Ersatz.** Ungeeignete Schwerter und Sägeketten können Kettenbruch und/oder Rückschlag verursachen.
 - **Befolgen Sie die Herstelleranweisungen zum Schärfen und Warten der Sägekette.** Eine Verringerung der Tiefenbegrenzerhöhe kann zu vermehrten Rückschlägen führen.
14. **Befolgen Sie alle Anweisungen zur Beseitigung von eingeklemmtem Material und zum Lagern oder Warten der Kettensäge. Vergewissern Sie sich, dass der Schalter ausgeschaltet und der Akku abgenommen ist.** Unerwartete Betätigung der Kettensäge beim Beseitigen von eingeklemmtem Material oder Warten kann zu schweren Personenschäden führen.

Zusätzliche Sicherheitsanweisungen

Persönliche Schutzausrüstung

1. **Die Kleidung muss eng anliegen, darf jedoch nicht die Bewegungsfreiheit einschränken.**
2. **Tragen Sie bei der Arbeit folgende Schutzkleidung:**
 - Einen geprüften Schutzhelm, wenn mit herabfallenden Ästen oder Ähnlichem zu rechnen ist;
 - Einen Gesichts- oder Augenschutz;
 - Geeigneten Gehörschutz (Gehörschutzkapseln, maßgeschneiderte oder formbare Gehörschutzstöpsel). Oktavbandanalyse auf Anfrage.
 - Schutzhandschuhe aus festem Leder;
 - Eine lange Hose aus festem Stoff;
 - Eine Sicherheits-Latzhose mit Schnittschutz;
 - Sicherheitsschuhe oder -stiefel mit rutschfesten Sohlen, Stahlkappen und schnittfestem Futter;
 - Eine Atemmaske für Arbeiten mit Staubentwicklung (z. B. Sägen von trockenem Holz).

Betrieb

1. **Stellen Sie vor Arbeitsbeginn sicher, dass die Kettensäge in einwandfreiem Betriebszustand ist, und dass ihr Zustand den Sicherheitsvorschriften entspricht. Prüfen Sie insbesondere, dass:**
 - die Kettenbremse einwandfrei funktioniert;
 - die Auslaufbremse einwandfrei funktioniert;
 - Schwert und Kettenraddeckel korrekt angebracht sind;
 - die Kette vorschriftsmäßig geschärft und gespannt worden ist.
2. **Schalten Sie die Kettensäge nicht mit noch angebrachtem Kettenschutz ein.** Wird die Kettensäge mit noch angebrachtem Kettenschutz eingeschaltet, kann der Kettenschutz nach vorn herausgeschleudert werden, was zu Personenschäden und Beschädigung von Gegenständen im Umfeld des Bedieners führen kann.
3. **Aktivieren Sie immer die Kettenbremse, wenn das Werkzeug nicht benutzt wird oder getragen wird.**

4. Wenn Sie das Werkzeug auf schlammigem Boden, auf einem nassen Hang oder an einem schlüpfrigen Ort benutzen, achten Sie auf Ihren Stand.
5. Tauchen Sie das Werkzeug nicht in einen Tümpel ein.
6. Lassen Sie das Werkzeug bei Regen nicht unbeaufsichtigt im Freien stehen.

Sicherheit der Elektrik und des Akkus

1. Vermeiden Sie gefährliche Umgebungen. Benutzen Sie das Werkzeug nicht an feuchten oder nassen Orten, und setzen Sie es auch keinem Regen aus. Wasser, das in das Werkzeug eindringt, erhöht die Stromschlaggefahr.
2. Werfen Sie den (die) Akku(s) nicht ins Feuer. Die Zelle könnte explodieren. Prüfen Sie die örtlichen Vorschriften für mögliche spezielle Entsorgungsanweisungen.
3. Versuchen Sie nicht, den (die) Akku(s) zu öffnen oder zu verstümmeln. Freigesetzter Elektrolyt ist korrosiv und kann Schäden an Augen oder Haut verursachen. Falls er verschluckt wird, kann er giftig sein.
4. Laden Sie den Akku nicht im Regen oder an nassen Orten.
5. Laden Sie den Akku nicht im Freien.
6. Fassen Sie das Ladegerät, einschließlich des Ladegerätesteckers und der Ladegeräteanschlüsse, nicht mit nassen Händen an.
7. Tauschen Sie den Akku nicht im Regen aus.
8. Tauschen Sie den Akku nicht mit nassen Händen aus.
9. Lassen Sie den Akku nicht im Regen stehen, und unterlassen Sie Laden, Benutzen oder Lagern des Akkus an einem feuchten oder nassen Ort.
10. Vermeiden Sie Benetzen der Akkukontakte mit einer Flüssigkeit, wie z. B. Wasser, oder Untertauchen des Akkus. Falls die Kontakte nass werden, oder eine Flüssigkeit in den Akku eindringt, kann der Akku kurzgeschlossen werden, und es besteht Überhitzungs-, Brand- oder Explosionsgefahr.
11. Nachdem Sie den Akku vom Werkzeug oder Ladegerät entfernt haben, bringen Sie unbedingt die Akkuabdeckung am Akku an, und lagern Sie ihn an einem trockenen Ort.
12. Falls der Akku nass wird, lassen Sie das eingedrungene Wasser ab, und wischen Sie ihn dann mit einem trockenen Tuch ab. Lassen Sie den Akku an einem trockenen Ort vollkommen trocken, bevor Sie ihn benutzen.

Wartung und Lagerung

1. Lagern Sie das Werkzeug nicht an einem Ort, der direktem Sonnenlicht und Regen ausgesetzt ist, sondern an einem Ort, an dem es nicht heiß oder feucht wird.

DIESE ANWEISUNGEN AUFBEWAHREN.

⚠️ WARNUNG: Lassen Sie sich NICHT durch Bequemlichkeit oder Vertrautheit mit dem Produkt (durch wiederholten Gebrauch erworben) von der strikten Einhaltung der Sicherheitsregeln für das vorliegende Produkt abhalten. MISSBRAUCH oder Missachtung der Sicherheitsvorschriften in dieser Anleitung können schwere Verletzungen verursachen.

Wichtige Sicherheitsanweisungen für Akku

1. Lesen Sie vor der Benutzung des Akkus alle Anweisungen und Warnhinweise, die an (1) Ladegerät, (2) Akku und (3) Akkuwerkzeug angebracht sind.
2. Unterlassen Sie Zerlegen oder Manipulieren des Akkus. Es kann sonst zu einem Brand, übermäßiger Hitzeentwicklung oder einer Explosion kommen.
3. Falls die Betriebszeit beträchtlich kürzer geworden ist, stellen Sie den Betrieb sofort ein. Anderenfalls besteht die Gefahr von Überhitzung, möglichen Verbrennungen und sogar einer Explosion.
4. Falls Elektrolyt in Ihre Augen gelangt, waschen Sie sie mit sauberem Wasser aus, und begeben Sie sich unverzüglich in ärztliche Behandlung. Anderenfalls können Sie Ihre Sehkraft verlieren.
5. Der Akku darf nicht kurzgeschlossen werden:
 - (1) Die Kontakte dürfen nicht mit leitfähigem Material berührt werden.
 - (2) Lagern Sie den Akku nicht in einem Behälter zusammen mit anderen Metallgegenständen, wie z. B. Nägel, Münzen usw.
 - (3) Setzen Sie den Akku weder Wasser noch Regen aus.

Ein Kurzschluss des Akkus verursacht starken Stromfluss, der Überhitzung, mögliche Verbrennungen und einen Defekt zur Folge haben kann.
6. Lagern und benutzen Sie das Werkzeug und den Akku nicht an Orten, an denen die Temperatur 50 °C erreichen oder überschreiten kann.
7. Versuchen Sie niemals, den Akku zu verbrennen, selbst wenn er stark beschädigt oder vollkommen verbraucht ist. Der Akku kann im Feuer explodieren.
8. Unterlassen Sie Nageln, Schneiden, Zerquetschen, Werfen, Fallenlassen des Akkus oder Schlagen des Akkus mit einem harten Gegenstand. Eine solche Handlung kann zu einem Brand, übermäßiger Hitzeentwicklung oder einer Explosion führen.
9. Benutzen Sie keine beschädigten Akkus.

10. **Die enthaltenen Lithium-Ionen-Akkus unterliegen den Anforderungen der Gefahrgut-Gesetzgebung.**
Für kommerzielle Transporte, z. B. durch Dritte oder Spediteure, müssen besondere Anforderungen zu Verpackung und Etikettierung beachtet werden.
Zur Vorbereitung des zu transportierenden Artikels ist eine Beratung durch einen Experten für Gefahrgut erforderlich. Bitte beachten Sie möglicherweise ausführlichere nationale Vorschriften. Überkleben oder verdecken Sie offene Kontakte, und verpacken Sie den Akku so, dass er sich in der Verpackung nicht umher bewegen kann.
11. **Entfernen Sie den Akku zum Entsorgen vom Werkzeug, und entsorgen Sie ihn an einem sicheren Ort. Befolgen Sie die örtlichen Vorschriften bezüglich der Entsorgung von Akkus.**
12. **Verwenden Sie die Akkus nur mit den von Makita angegebenen Produkten.** Das Einsetzen der Akkus in nicht konforme Produkte kann zu einem Brand, übermäßiger Hitzebildung, einer Explosion oder Auslaufen von Elektrolyt führen.
13. **Soll das Werkzeug längere Zeit nicht benutzt werden, muss der Akku vom Werkzeug entfernt werden.**
14. **Bei und nach dem Gebrauch kann der Akku heiß werden, was Verbrennungen oder Niedertemperaturverbrennungen verursachen kann. Beachten Sie die Handhabung von heißen Akkus.**
15. **Berühren Sie nicht den Anschlusskontakt des Werkzeugs unmittelbar nach dem Gebrauch, da er heiß genug werden kann, um Verbrennungen zu verursachen.**
16. **Achten Sie darauf, dass sich keine Späne, Staub oder Schmutz in den Anschlusskontakten, Löchern und Nuten des Akkus absetzen.** Es könnte sonst zu Erhitzung, Brandauslösung, Bersten und Funktionsstörungen des Werkzeugs oder des Akkus kommen, was zu Verbrennungen oder Personenschäden führen kann.
17. **Wenn das Werkzeug den Einsatz in der Nähe einer Hochspannungs-Stromleitung nicht unterstützt, benutzen Sie den Akku nicht in der Nähe einer Hochspannungs-Stromleitung.** Dies kann zu einer Funktionsstörung oder Betriebsstörung des Werkzeugs oder des Akkus führen.
18. **Halten Sie die Batterie von Kindern fern.**

DIESE ANWEISUNGEN AUFBEWAHREN.

⚠ VORSICHT: Verwenden Sie nur **Original-Makita-Akkus**. Die Verwendung von Nicht-Original-Makita-Akkus oder von Akkus, die abgeändert worden sind, kann zum Bersten des Akkus und daraus resultierenden Bränden, Personenschäden und Beschädigung führen. Außerdem wird dadurch die Makita-Garantie für das Makita-Werkzeug und -Ladegerät ungültig.

Hinweise zur Aufrechterhaltung der maximalen Akku-Nutzungsdauer

1. **Laden Sie den Akku, bevor er vollkommen erschöpft ist. Schalten Sie das Werkzeug stets aus, und laden Sie den Akku, wenn Sie ein Nachlassen der Werkzeugleistung feststellen.**
2. **Unterlassen Sie erneutes Laden eines voll aufgeladenen Akkus. Überladen führt zu einer Verkürzung der Nutzungsdauer des Akkus.**
3. **Laden Sie den Akku bei Raumtemperatur zwischen 10 – 40 °C. Lassen Sie einen heißen Akku abkühlen, bevor Sie ihn laden.**
4. **Wenn Sie den Akku nicht benutzen, nehmen Sie ihn vom Werkzeug oder Ladegerät ab.**
5. **Der Akku muss geladen werden, wenn er lange Zeit (länger als sechs Monate) nicht benutzt wird.**

BEZEICHNUNG DER TEILE

► Abb.2

1	Akku	2	Vorderer Handschutz	3	Hebel
4	Schwert	5	Sägekette	6	Stellrad
7	Hauptbetriebslampe	8	Hauptbetriebsschalter	9	Einschaltsperrhebel
10	Hinterer Handgriff	11	Auslöseschalter	12	Vorderer Handgriff
13	Öltankverschluss	14	Schwertschutzhülle	15	Einstellschraube (für Ölpumpe)
16	Kettenfänger	-	-	-	-

FUNKTIONSBESCHREIBUNG

⚠ VORSICHT: Vergewissern Sie sich vor der Durchführung von Einstellungen oder Funktionsprüfungen des Werkzeugs stets, dass das Werkzeug ausgeschaltet und der Akku abgenommen ist.

Anbringen und Abnehmen des Akkus

⚠ VORSICHT: Schalten Sie das Werkzeug stets aus, bevor Sie den Akku anbringen oder abnehmen.

⚠ VORSICHT: Halten Sie das Werkzeug und den Akku beim Anbringen oder Abnehmen des Akkus sicher fest. Wenn Sie das Werkzeug und den Akku nicht sicher festhalten, können sie Ihnen aus der Hand rutschen, was zu einer Beschädigung des Werkzeugs und des Akkus und zu Körperverletzungen führen kann.

Richten Sie zum Anbringen des Akkus dessen Führungsfeder auf die Nut im Gehäuse aus, und schieben Sie den Akku hinein. Schieben Sie ihn vollständig ein, bis er mit einem leisen Klicken einrastet. Wenn Sie die rote Anzeige sehen können, wie in der Abbildung gezeigt, ist der Akku nicht vollständig verriegelt.

Ziehen Sie den Akku zum Abnehmen vom Werkzeug ab, während Sie den Knopf an der Vorderseite des Akkus verschieben.
► Abb.3: 1. Rote Anzeige 2. Knopf 3. Akku

⚠ VORSICHT: Schieben Sie den Akku stets bis zum Anschlag ein, bis die rote Anzeige nicht mehr sichtbar ist. Anderenfalls kann er aus dem Werkzeug herausfallen und Sie oder umstehende Personen verletzen.

⚠ VORSICHT: Unterlassen Sie Gewaltanwendung beim Anbringen des Akkus. Falls der Akku nicht reibungslos hineingleitet, ist er nicht richtig ausgerichtet.

Anzeigen der Akku-Restkapazität

Drücken Sie die Prüftaste am Akku, um die Akku-Restkapazität anzuzeigen. Die Anzeigelampen leuchten wenige Sekunden lang auf.
► Abb.4: 1. Anzeigelampen 2. Prüftaste

Anzeigelampen			Restkapazität
Erleuchtet	Aus	Blinkend	
■	□	◐	75% bis 100%
■	■	■	
■	■	□	50% bis 75%
■	□	□	25% bis 50%
■	□	□	0% bis 25%
◐	□	□	Den Akku aufladen.
■	■	□	Möglicherweise liegt eine Funktionsstörung im Akku vor.
□	□	■	

HINWEIS: Abhängig von den Benutzungsbedingungen und der Umgebungstemperatur kann die Anzeige geringfügig von der tatsächlichen Kapazität abweichen.

HINWEIS: Die erste (äußerste linke) Anzeigelampe blinkt, wenn das Akku-Schutzsystem aktiv ist.

Werkzeug/Akku-Schutzsystem

Das Werkzeug ist mit einem Werkzeug/Akku-Schutzsystem ausgestattet. Dieses System schaltet die Stromversorgung des Motors automatisch ab, um die Lebensdauer von Werkzeug und Akku zu verlängern. Das Werkzeug bleibt während des Betriebs automatisch stehen, wenn das Werkzeug oder der Akku einer der folgenden Bedingungen unterliegt:

Überlastschutz

Wird das Werkzeug/der Akku auf eine Weise benutzt, die eine ungewöhnlich hohe Stromaufnahme bewirkt, bleibt das Werkzeug automatisch stehen, und die Hauptbetriebslampe blinkt in Grün. Schalten Sie in dieser Situation das Werkzeug aus, und brechen Sie die Arbeit ab, die eine Überlastung des Werkzeugs verursacht hat. Schalten Sie dann das Werkzeug wieder ein, um die Arbeit fortzusetzen.

Überhitzungsschutz

Wenn das Werkzeug oder der Akku überhitzt wird, bleibt das Werkzeug automatisch stehen, und die Hauptbetriebslampe leuchtet in Rot auf. Lassen Sie das Werkzeug und den Akku in diesem Fall abkühlen, bevor Sie das Werkzeug wieder einschalten.

HINWEIS: Bei hohen Umgebungstemperaturen neigt der Überhitzungsschutz zum Aktivieren, so dass das Werkzeug automatisch stehen bleibt.

Überentladungsschutz

Wenn die Akkukapazität nicht ausreicht, bleibt das Werkzeug automatisch stehen, und die Hauptbetriebslampe blinkt in Rot. Nehmen Sie in diesem Fall den Akku vom Werkzeug ab, und laden Sie ihn auf.

Schutz gegen andere Ursachen

Das Schutzsystem ist auch für andere Ursachen ausgelegt, die eine Beschädigung des Werkzeugs bewirken könnten, und ermöglicht automatisches Anhalten des Werkzeugs. Führen Sie alle folgenden Schritte aus, um die Ursachen zu beseitigen, wenn das Werkzeug zu einem vorübergehenden Stillstand oder Betriebsstopp gekommen ist.

1. Schalten Sie das Werkzeug aus und wieder ein, um es neu zu starten.
2. Laden Sie den/die Akku(s) auf, oder tauschen Sie ihn/sie gegen einen aufgeladenen Akku/aufgeladene Akkus aus.
3. Lassen Sie die Maschine und den/die Akku(s) abkühlen.

Falls die Wiederherstellung des Schutzsystems keine Besserung bringt, wenden Sie sich an Ihr lokales Makita-Service-Center.

ANMERKUNG: Falls das Werkzeug wegen einer oben nicht beschriebenen Ursache stehen bleibt, nehmen Sie auf den Abschnitt zur Fehlersuche Bezug.

Hauptbetriebsschalter

⚠️ WARNUNG: Schalten Sie den Hauptbetriebsschalter stets aus, wenn das Werkzeug nicht benutzt wird.

Zum Einschalten des Werkzeugs drücken Sie den Hauptbetriebsschalter. Die Hauptbetriebslampe leuchtet in Grün auf. Zum Ausschalten des Werkzeugs drücken Sie den Hauptbetriebsschalter erneut.

- **Abb.5:** 1. Hauptbetriebslampe
2. Hauptbetriebsschalter

HINWEIS: Die Hauptbetriebslampe blinkt in Grün, wenn der Auslöseschalter unter betriebsunfähigen Bedingungen betätigt wird. Die Lampe blinkt unter einer der folgenden Bedingungen.

- Wenn Sie den Hauptbetriebsschalter einschalten, während Sie den Einschaltsperrhebel gedrückt halten und den Auslöseschalter betätigen.
- Wenn Sie den Auslöseschalter bei angezogener Kettenbremse betätigen.
- Wenn Sie die Kettenbremse lösen, während Sie den Einschaltsperrhebel gedrückt halten und den Auslöseschalter betätigen.

HINWEIS: Dieses Werkzeug verwendet die Abschaltautomatik. Der Hauptbetriebsschalter schaltet sich automatisch ab, falls das Werkzeug etwa 5 Minuten lang nicht betrieben wird.

HINWEIS: Die automatische Abschaltfunktion kann genutzt werden, wenn das Werkzeug aufgrund des Betriebs des Schutzsystems anhält. Der Hauptbetriebsschalter schaltet sich automatisch ab, nachdem der Motor ca. 5 Minuten angehalten hat und keine Korrekturmaßnahmen zum Schutz des Werkzeugs ergriffen wurden.

Schalterfunktion

⚠️ WARNUNG: Aus Sicherheitsgründen ist dieses Werkzeug mit einem Einschaltsperrschalter ausgestattet, der unbeabsichtigtes Starten des Werkzeugs verhütet. Benutzen Sie das Werkzeug NIEMALS, wenn es durch einfache Betätigung des Auslöseschalters eingeschaltet werden kann, ohne den Einschaltsperrhebel zu drücken. Lassen Sie das Werkzeug von einem unserer autorisierten Service-Center ordnungsgemäß reparieren, BEVOR Sie es weiter benutzen.

⚠️ WARNUNG: Der Einschaltsperrhebel darf NIEMALS festgeklebt oder funktionsunfähig gemacht werden.

⚠️ VORSICHT: Vergewissern Sie sich vor dem Einsetzen des Akkus in das Werkzeug stets, dass der Ein-Aus-Schalter ordnungsgemäß funktioniert und beim Loslassen in die AUS-Stellung zurückkehrt.

ANMERKUNG: Betätigen Sie den Ein-Aus-Schalter nicht gewaltsam, ohne den Einschaltsperrhebel zu drücken. Dies kann zu Beschädigung des Schalters führen.

Um versehentliche Betätigung des Auslöseschalters zu verhüten, ist das Werkzeug zur Sicherheit mit einem doppelten Einschaltsperrschalter ausgestattet.

Um das Werkzeug zu starten, drücken Sie den Verriegelungshebel mit der Schwimmhaut Ihrer Hand (zwischen Daumen und Zeigefinger) nach vorne über die normale Position hinaus, und drücken Sie den Einschaltsperrhebel mit der Handfläche zusammen. Betätigen Sie dann den Auslöseschalter, während Sie den Einschaltsperrhebel halten. Die Drehzahl erhöht sich durch verstärkte Druckausübung auf den Auslöseschalter. Zum Anhalten lassen Sie den Auslöseschalter los.

- **Abb.6:** 1. Verriegelungshebel
2. Einschaltsperrhebel 3. Auslöseschalter

Überprüfen der Kettenbremse

⚠️ VORSICHT: Halten Sie die Kettensäge beim Einschalten mit beiden Händen. Halten Sie den hinteren Handgriff mit der rechten, und den vorderen Handgriff mit der linken Hand. Dabei dürfen Schwert und Kette mit keinem Gegenstand in Berührung sein.

⚠️ VORSICHT: Sollte die Sägekette bei der Durchführung dieser Prüfung nicht sofort anhalten, darf die Säge unter keinen Umständen benutzt werden. Konsultieren Sie unser autorisiertes Service-Center.

1. Drücken Sie den Einschaltsperrhebel, und betätigen Sie dann den Auslöseschalter. Die Sägekette läuft sofort an.
 2. Schieben Sie den vorderen Handschutz mit dem Handrücken vorwärts. Vergewissern Sie sich, dass die Kettensäge zum unverzüglichen Stillstand kommt.
- **Abb.7:** 1. Vorderer Handschutz 2. Entriegelte Position 3. Verriegelte Position

Überprüfen der Auslaufbremse

⚠️ VORSICHT: Falls die Sägekette bei dieser Prüfung nicht innerhalb von 2 Sekunden stehen bleibt, benutzen Sie die Kettensäge nicht weiter, und konsultieren Sie unser autorisiertes Service-Center.

Lassen Sie die Kettensäge laufen, und geben Sie dann den Auslöseschalter vollkommen frei. Die Sägekette muss innerhalb von 2 Sekunden zum Stillstand kommen.

Einstellen der Kettenschmierung

Die Ölpumpen-Fördermenge kann mit der Einstellschraube reguliert werden. Die Ölmenge kann mit der Spitze des Rohrschlüssels eingestellt werden.

- **Abb.8:** 1. Einstellschraube

Elektronikfunktion

Für einfachen Betrieb ist dieses Werkzeug mit einer Elektronikfunktion ausgestattet.

- Elektrische Bremse
Dieses Werkzeug ist mit einer elektrischen Bremse ausgestattet. Falls das Werkzeug ständig nicht sofort anhält, nachdem der Auslöseschalter losgelassen wurde, lassen Sie dieses Werkzeug in einem autorisierten Makita Service-Center reparieren.

MONTAGE

⚠ VORSICHT: Vergewissern Sie sich vor der Ausführung von Arbeiten am Werkzeug stets, dass das Werkzeug ausgeschaltet und der Akku abgenommen ist.

⚠ VORSICHT: Berühren Sie die Sägekette nicht mit bloßen Händen. Tragen Sie stets Handschuhe bei der Handhabung der Sägekette.

Montieren und Demontieren der Sägekette

⚠ VORSICHT: Sägekette und Schwert sind unmittelbar nach dem Betrieb noch heiß. Lassen Sie die Teile ausreichend abkühlen, bevor Sie irgendwelche Arbeiten am Werkzeug ausführen.

⚠ VORSICHT: Führen Sie die Montage oder Demontage der Sägekette an einem sauberen Ort aus, der frei von Sägemehl und dergleichen ist.

Montieren der Sägekette

Zum Anbringen der Sägekette müssen die folgenden Schritte ausgeführt werden:

1. Lösen Sie die Kettenbremse, indem Sie den vorderen Handschutz ziehen.
2. Den Hebel hochziehen, während auf seine Kante gedrückt wird.
▶ **Abb.9:** 1. Hebel
3. Den Hebel entgegen dem Uhrzeigersinn drehen, bis sich der Kettenraddeckel löst.
▶ **Abb.10:** 1. Hebel 2. Kettenraddeckel
4. Entfernen Sie den Kettenraddeckel.
5. Überprüfen Sie die Laufrichtung der Sägekette. Passen Sie die Laufrichtung der Sägekette an die Richtung der Markierung am Kettensägengehäuse an.
▶ **Abb.11:** 1. Markierung am Kettensägen-Hauptgerät
6. Legen Sie ein Ende der Sägekette auf die Oberseite des Schwerts.
7. Legen Sie das andere Ende der Sägekette um das Kettenrad, und befestigen Sie dann das Schwert am Kettensägengehäuse.
▶ **Abb.12:** 1. Kettenrad
8. Das Stellrad in Richtung „-“ drehen, um den Einstellstift in Pfeilrichtung zu schieben.
▶ **Abb.13:** 1. Stellrad 2. Einstellstift
9. Den Kettenraddeckel auf die Kettensäge setzen, so dass der Einstellstift in einem der kleinen Löcher des Schwerts ruht.
▶ **Abb.14:** 1. Kettenraddeckel 2. Schwert 3. Loch
10. Drehen Sie den Hebel ganz im Uhrzeigersinn, und drehen Sie ihn ein wenig zurück, um Spielraum für die Einstellung der Kettenspannung zu haben.
11. Stellen Sie die Kettenspannung ein. Siehe den Abschnitt zum Einstellen der Sägekettenspannung für die Vorgehensweise.
12. Den Hebel im Uhrzeigersinn drehen, bis der Kettenraddeckel gesichert ist, dann auf die Ausgangsposition zurückdrehen.
▶ **Abb.15:** 1. Hebel 2. Kettenraddeckel

Demontieren der Sägekette

Zum Abnehmen der Sägekette müssen die folgenden Schritte ausgeführt werden:

1. Lösen Sie die Kettenbremse, indem Sie den vorderen Handschutz ziehen.
2. Das Stellrad in Richtung „-“ drehen, um die Sägekettenspannung zu verringern.
▶ **Abb.16:** 1. Stellrad
3. Den Hebel hochziehen, während auf seine Kante gedrückt wird.
▶ **Abb.17:** 1. Hebel
4. Den Hebel entgegen dem Uhrzeigersinn drehen, bis sich der Kettenraddeckel löst.
▶ **Abb.18:** 1. Hebel 2. Kettenraddeckel
5. Den Kettenraddeckel entfernen, und dann die Sägekette und das Schwert vom Kettensägen-Hauptteil abnehmen.

Einstellen der Sägekettenspannung

⚠ VORSICHT: Führen Sie die Montage oder Demontage der Sägekette an einem sauberen Ort aus, der frei von Sägemehl und dergleichen ist.

⚠ VORSICHT: Straffen Sie die Sägekette nicht zu sehr. Eine übermäßig hohe Spannung der Sägekette kann zu einem Bruch der Sägekette, Verschleiß des Schwerts und Bruch des Stellrads führen.

⚠ VORSICHT: Eine zu lockere Kette kann vom Schwert springen und stellt somit eine Verletzungsgefahr dar.

Die Sägekette kann sich nach vielen Betriebsstunden lockern. Überprüfen Sie daher die Sägekettenspannung von Zeit zu Zeit vor dem Gebrauch.

1. Den Hebel hochziehen, während auf seine Kante gedrückt wird.
▶ **Abb.19:** 1. Hebel
 2. Drehen Sie den Hebel ein wenig entgegen dem Uhrzeigersinn, um den Kettenraddeckel geringfügig zu lösen.
▶ **Abb.20:** 1. Hebel 2. Kettenraddeckel
 3. Die Schwertschere leicht anheben, und die Kettenspannung einstellen. Das Stellrad zum Lösen in Richtung „-“, und zum Anziehen in Richtung „+“ drehen. Die Sägekette straffen, bis ihr unterer Abschnitt wie abgebildet in der Schwertschiene ruht.
▶ **Abb.21:** 1. Stellrad 2. Schwert 3. Sägekette
 4. Halten Sie das Schwert geringfügig, und ziehen Sie den Kettenraddeckel an, indem Sie den Hebel im Uhrzeigersinn drehen. Vergewissern Sie sich, dass sich die Sägekette nicht auf der unteren Seite löst.
 5. Den Hebel wieder in seine Ausgangsstellung bringen.
- Vergewissern Sie sich, dass die Sägekette fest an der Unterkante des Schwerts anliegt.

BETRIEB

Schmierung

⚠ VORSICHT: Betreiben Sie die Kettensäge nicht mit leerem Tank. Füllen Sie Öl rechtzeitig nach, bevor der Tank leer ist.

⚠ VORSICHT: Vermeiden Sie, dass das Öl mit Haut und Augen in Kontakt kommt. Kontakt mit den Augen verursacht Reizungen. Spülen Sie bei Augenkontakt das betroffene Auge sofort mit klarem Wasser aus, und konsultieren Sie dann sofort einen Arzt.

⚠ VORSICHT: Verwenden Sie niemals Altöl. Altöl enthält krebserregende Stoffe. Die Verunreinigungen im Altöl führen zu einem beschleunigten Verschleiß der Ölpumpe, des Schwerts und der Kette. Altöl ist umweltschädlich.

ANMERKUNG: Wenn die Kettensäge zum ersten Mal benutzt wird, kann es bis zu zwei Minuten dauern, bis das Sägekettenöl seine Schmierwirkung auf den Sägemechanismus entfaltet. Betreiben Sie die Säge bis dahin ohne Last.

ANMERKUNG: Wenn Sie das Kettenöl zum ersten Mal einfüllen oder den völlig leeren Öltank auffüllen, füllen Sie Öl bis zur Unterkante des Einfüllstutzens ein. Anderenfalls kann die Ölzuführung beeinträchtigt werden.

ANMERKUNG: Verwenden Sie exklusives Sägekettenöl für Makita-Kettensägen oder auf dem Markt erhältliches gleichwertiges Öl.

ANMERKUNG: Verwenden Sie keinesfalls Öl, das Staub und Fremdkörper enthält, oder leichtflüchtiges Öl.

ANMERKUNG: Verwenden Sie zum Beschneiden von Bäumen botanisches Öl. Mineralöl kann Bäume schädigen.

ANMERKUNG: Vergewissern Sie sich vor der Schneidarbeit, dass der mitgelieferte Öltankverschluss angebracht ist.

Die Sägekette wird während des Betriebs des Werkzeugs automatisch geschmiert. Überprüfen Sie die im Öltank verbleibende Ölmenge durch das Ölstand-Prüfenfenster.

► **Abb.22:** 1. Öltankverschluss 2. Ölstand-Prüfenfenster

Führen Sie zum Einfüllen des Öls die folgenden Schritte aus:

1. Reinigen Sie den Bereich um den Öltankverschluss gründlich, um Eindringen von Schmutz in den Öltank zu verhindern.
2. Legen Sie die Kettensäge auf ihre Seite.
3. Drücken Sie auf den Knopf des Öltankverschlusses, so dass der Knopf auf der anderen Seite nach oben steht, und nehmen Sie dann den Öltankverschluss durch Drehen ab.
► **Abb.23:** 1. Öltankverschluss 2. Anziehen 3. Lösen
4. Füllen Sie den Öltank mit dem Öl. Die korrekte Ölmenge beträgt 200 ml.
5. Schrauben Sie den Öltankverschluss wieder fest an.

6. Wischen Sie verschüttetes Kettenöl sorgfältig auf.

HINWEIS: Falls das Entfernen des Öltankverschlusses schwierig ist, führen Sie die Spitze des Rohrschlüssels in den Schlitz des Öltankverschlusses ein, und entfernen Sie dann den Öltankverschluss durch Drehen entgegen dem Uhrzeigersinn.

► **Abb.24:** 1. Schlitz 2. Rohrschlüssel

Halten Sie die Kettensäge nach dem Auffüllen vom Baum abgewandt. Starten Sie die Säge, und warten Sie, bis eine angemessene Schmierung der Sägekette erreicht ist.

► **Abb.25**

Arbeiten mit der Kettensäge

⚠ VORSICHT: Anfänger sollten, als minimale Übung, Rundholzstämmen auf einem Sägebock oder einem Gestell schneiden.

⚠ VORSICHT: Verwenden Sie beim Sägen von Schnittholz eine sichere Auflage (Sägebock oder Gestell). Halten Sie das Werkstück nicht mit Ihrem Fuß fest, und lassen Sie es auch nicht von einer anderen Person festhalten.

⚠ VORSICHT: Rundhölzer sind gegen Verdrehen im Schnitt zu sichern.

⚠ VORSICHT: Führen Sie die Kettensäge so, dass sich kein Körperteil im verlängerten Schwenkbereich der Sägekette befindet.

⚠ VORSICHT: Bei jeder Arbeit ist die Kettensäge mit beiden Händen festzuhalten, nur so kann sie jederzeit sicher geführt werden.

⚠ VORSICHT: Beugen Sie sich beim Betrieb nicht zu weit vor. Achten Sie bei der Arbeit stets auf sicheren Stand.

⚠ VORSICHT: Wenn Sie die obere Seite des Schwertes zum Schneiden benutzen, seien Sie vorsichtig, da die Kettensäge in Ihre Richtung geschoben werden kann, falls die Sägekette eingeklemmt ist.

ANMERKUNG: Hinwerfen oder Fallenlassen des Werkzeugs sind unbedingt zu vermeiden.

ANMERKUNG: Verdecken Sie nicht die Lüftungsöffnungen des Werkzeugs.

ANMERKUNG: Wenn Sie mehrere Schnitte ausführen, schalten Sie die Kettensäge zwischen den Schnitten aus.

Bringen Sie die Unterkante des Kettensägen-Hauptteils vor dem Einschalten mit dem zu schneidenden Ast in Berührung. Anderenfalls kann das Schwert ins Flattern geraten, was zu einer Verletzung der Bedienungsperson führen kann. Sägen Sie das zu schneidende Holz, indem Sie die Kettensäge durch ihr Eigengewicht sinken lassen.

► **Abb.26**

Wenn das Holz nicht in einem Arbeitsgang gesägt werden kann: Setzen Sie das Sägen unter leichter Druckausübung auf den Handgriff fort, und ziehen Sie die Kettensäge geringfügig zurück; setzen Sie dann den Krallenanschlag etwas tiefer an, und beenden Sie den Schnitt durch Anheben des Handgriffs.

► **Abb.27**

Fällen eines Baums

⚠ VORSICHT: Fällarbeiten dürfen nur von geschulten Personen durchgeführt werden. Die Arbeit ist gefährlich.

Wenn Abläng-/Kapp- und Fällarbeiten von zwei oder mehr Personen gleichzeitig durchgeführt werden, sollten die Fällarbeiten von den Abläng-/Kapparbeiten durch einen Abstand von mindestens der doppelten Höhe des zu fallenden Baumes getrennt sein. Bäume dürfen nicht in einer Weise gefällt werden, die Personen gefährdet, Versorgungsleitungen trifft oder Sachschäden verursacht. Falls der Baum eine Versorgungsleitung berührt, sollte das Unternehmen sofort benachrichtigt werden.

Der Bediener der Kettensäge sollte sich auf der bergauf gelegenen Seite des Geländes aufhalten, da der Baum nach dem Fällen bergab rollen oder rutschen kann.

Bei Bedarf sollte eine Rückweiche geplant und geräumt werden, bevor die Schnitte begonnen werden. Die Rückweiche sollte sich schräg zur Rückseite der erwarteten Falllinie erstrecken, wie in der Abbildung dargestellt.

► **Abb.28:** 1. Fällrichtung 2. Gefahrenzone 3. Fluchtweg

Bevor die Fällung gestartet wird, sollten Sie die natürliche Neigung des Baumes, die Lage größerer Äste und die Windrichtung berücksichtigen, um zu beurteilen, in welche Richtung der Baum fallen wird.

Entfernen Sie Schmutz, Steine, lose Rinde, Nägel, Heftklammern und Draht vom Baum.

Kerbunterschnitt und Fällrückschnitt

⚠ VORSICHT: Die Bruchleiste darf unter keinen Umständen geschnitten werden. Der Baum könnte sonst unerwartet fallen.

ANMERKUNG: Benutzen Sie Plastik- oder Aluminiumkeile, um den Rückschnitt offen zu halten. Benutzen Sie keine Eisenkeile.

► **Abb.29:** 1. 50 mm 2. Fällrückschnitt 3. Bruchleiste 4. Kerbe 5. Fallrichtung

Die Kerbe sollte 1/3 des Baumdurchmessers betragen und senkrecht zur Fallrichtung verlaufen (siehe Abbildung). Machen Sie zuerst den unteren horizontalen Kerbschnitt. Dadurch wird vermieden, dass die Sägekette oder das Schwert bei dem zweiten Kerbschnitt eingeklemmt wird.

Führen Sie den Fällrückschnitt mindestens 50 mm höher als den horizontalen Kerbschnitt (siehe Abbildung). Halten Sie den Fällrückschnitt parallel zum horizontalen Kerbschnitt. Schneiden Sie den Fällrückschnitt so, dass genug Holz übrig bleibt, um als Scharnier zu dienen. Die Bruchleiste verhindert, dass sich der Baum verdreht und in die falsche Richtung fällt. Schneiden Sie die Bruchleiste nicht durch.

Wenn sich die Fällung der Bruchleiste nähert, sollte der Baum zu fallen beginnen. Falls die Möglichkeit besteht, dass der Baum nicht in die gewünschte Richtung fällt oder zurückkippt und die Sägekette blockiert, halten Sie den Schnitt an, bevor der Fällrückschnitt beendet ist, und benutzen Sie Holz-, Kunststoff- oder Aluminiumkeile, um den Schnitt zu öffnen und den Baum entlang der gewünschten Falllinie fallen zu lassen.

Wenn der Baum zu fallen beginnt, entfernen Sie die Kettensäge aus dem Schnitt, halten Sie den Motor an, stellen Sie die Kettensäge ab und benutzen Sie dann den vorgesehenen Rückzugspfad. Achten Sie auf herabfallende Äste und achten Sie auf Ihren Stand.

Entasten eines Baumes

⚠ VORSICHT: Entasten darf nur von geschulten Personen durchgeführt werden. Es besteht Rückschlaggefahr.

Beim Entasten werden die Äste von einem umgestürzten Baum entfernt. Lassen Sie beim Entasten größere untere Äste stehen, um den Stamm vom Boden abzustützen. Entfernen Sie die kleinen Äste in einem Schnitt wie abgebildet. Unter Spannung stehende Äste sollten von unten nach oben geschnitten werden, um die Kettensäge nicht zu blockieren.

► **Abb.30:** 1. Astschnitt

Ablängen/Kappen eines Baumstammes

Unter Ablängen/Kappen versteht man das Schneiden eines Baumstammes in Längen. Vergewissern Sie sich, dass Sie einen festen Stand haben und Ihr Gewicht gleichmäßig auf beide Füße verteilt ist. Wenn möglich, sollte der Stamm durch Benutzung von Ästen, Stämmen oder Unterlegkeilen angehoben und abgestützt werden. Befolgen Sie die einfachen Richtlinien für ein leichtes Schneiden.

Wenn der Stamm, wie in der Abbildung gezeigt, über seine gesamte Länge gestützt wird, wird er von oben geschnitten (Vorhandschnitt).

► **Abb.31**

Wenn der Stamm, wie in der Abbildung gezeigt, an einem Ende aufliegt, schneiden Sie 1/3 des Durchmessers von der Unterseite her (Rückhandschnitt). Führen Sie dann den endgültigen Schnitt als Vorhandschnitt aus, um den ersten Schnitt zu treffen.

► **Abb.32:** 1. Erster Schnitt 2. Zweiter Schnitt

Wenn der Stamm, wie in der Abbildung gezeigt, an beiden Enden aufliegt, schneiden Sie 1/3 des Durchmessers von oben (Vorhandschnitt). Führen Sie dann den endgültigen Schnitt als Rückhandschnitt der unteren 2/3 aus, um den ersten Schnitt zu treffen.

► **Abb.33:** 1. Erster Schnitt 2. Zweiter Schnitt

Stellen Sie sich beim Ablängen/Kappen am Hang immer auf die bergseitige Seite des Stammes, wie in der Abbildung gezeigt. Um beim „Durchschneiden“ die volle Kontrolle zu behalten, geben Sie den Schneiddruck gegen Ende des Schnitts frei, ohne Ihren Griff an den Handgriffen der Kettensäge zu lockern. Die Kette darf den Boden nicht berühren. Nachdem Sie den Schnitt beendet haben, warten Sie, bis die Sägekette angehalten hat, bevor Sie die Kettensäge bewegen. Halten Sie den Motor immer an, bevor Sie von Baum zu Baum gehen.

► **Abb.34**

Schnitt parallel zur Faserrichtung

⚠ VORSICHT: Das Schneiden parallel zur Faserrichtung darf nur von geschulten Personen durchgeführt werden. Es besteht Verletzungsgefahr durch Rückschläge.

Führen Sie Schnitte parallel zur Faserrichtung mit einem möglichst flachen Winkel durch.

► **Abb.35**

Tragen des Werkzeugs

Ziehen Sie vor dem Tragen des Werkzeugs immer die Kettenbremse an, und nehmen Sie den Akku vom Werkzeug ab. Bringen Sie dann die Schwertschutzhülle an. Decken Sie außerdem den Akku mit der Akkuabdeckung ab.

► **Abb.36:** 1. Schwertschutzhülle 2. Akkuabdeckung

WARTUNG

⚠ VORSICHT: Vergewissern Sie sich vor der Durchführung von Inspektions- oder Wartungsarbeiten stets, dass das Werkzeug ausgeschaltet und der Akku abgenommen ist.

⚠ VORSICHT: Tragen Sie beim Ausführen von Überprüfungs- und Instandhaltungsarbeiten unbedingt Arbeitshandschuhe.

ANMERKUNG: Verwenden Sie auf keinen Fall Benzin, Waschbenzin, Verdünnern, Alkohol oder dergleichen. Solche Mittel können Verfärbung, Verformung oder Rissbildung verursachen.

Um die SICHERHEIT und ZUVERLÄSSIGKEIT dieses Produkts zu gewährleisten, sollten Reparaturen und andere Wartungs- oder Einstellarbeiten nur von Makita-Vertragswerkstätten oder Makita-Kundendienstzentren unter ausschließlicher Verwendung von Makita-Originalersatzteilen ausgeführt werden.

Schärfen der Sägekette

Schärfen Sie die Sägekette, wenn:

- beim Schneiden von feuchtem Holz mehliges Sägemehl erzeugt wird;
- die Kette selbst bei Ausübung starken Drucks nur schwach in das Holz eindringt;
- die Schneidzahnkante sichtbar beschädigt ist;
- die Säge im Holz nach links oder rechts zieht. (Der Grund für dieses Verhalten ist ungleichmäßige Schärfung der Sägekette, oder einseitige Beschädigung.)

Schärfen Sie die Sägekette häufig, aber tragen Sie jedes Mal nur wenig Material ab. Zwei bis drei Hiebe mit einer Feile sind gewöhnlich für eine routinemäßige Nachschärfung ausreichend. Wenn die Sägekette mehrmals nachgeschärft worden ist, lassen Sie sie in unserem autorisierten Service-Center schärfen.

Schärfungskriterien:

⚠ WARNUNG: Ein übermäßiger großer Abstand zwischen der Schneidzahnkante und dem Tiefenbegrenzer erhöht die Rückschlaggefahr.

► **Abb.37:** 1. Schneidzahnlänge 2. Abstand zwischen Schneidzahnkante und Tiefenbegrenzer 3. Minimale Schneidzahnlänge (3 mm)

- Alle Schneidzahnängen müssen gleich sein. Unterschiedliche Schneidzahnängen verhindern reibungslosen Lauf der Sägekette und können einen Bruch der Sägekette verursachen.

- Schärfen Sie die Kette nicht weiter, wenn eine Schneidzahnlänge von 3 mm oder weniger erreicht ist. Die Kette muss durch eine neue ersetzt werden.
- Die Spandicke wird durch den Abstand zwischen dem Tiefenbegrenzer (runde Nase) und der Schneidzahnkante bestimmt.
- Die besten Schneidergebnisse werden mit folgendem Abstand zwischen Schneidzahnkante und Tiefenbegrenzer erzielt.
 - Kettenblatt 80TXL: 0,65 mm

► **Abb.38**

- Der Schärfungswinkel von 30° muss bei allen Schneidgliedern gleich sein. Unterschiedliche Schneidgliedwinkel verursachen rauhen und ungleichmäßigen Kettenlauf, beschleunigen den Verschleiß und führen zu Kettenbruch.
- Verwenden Sie eine geeignete Rundfeile, so dass der korrekte Schärfungswinkel zu den Zähnen eingehalten wird.
 - Kettenblatt 80TXL: 55°

Feile und Feilenführung

- Verwenden Sie eine spezielle Rundfeile (Sonderzubehör) für Sägeketten zum Schärfen der Kette. Normale Rundfeilen sind ungeeignet.
- Der Durchmesser der Rundfeile für die jeweilige Sägekette ist wie folgt:
 - Kettenblatt 80TXL: 4,0 mm
- Nur beim Vorwärtshub der Feile sollte Material abgetragen werden. Heben Sie die Feile beim Rückwärtshub vom Schneidglied ab.
- Schärfen Sie das kürzeste Schneidglied zuerst. Die Länge dieses kürzesten Schneidglieds dient dann als Sollmaß für alle übrigen Schneidglieder der Sägekette.
- Führen Sie die Feile, wie in der Abbildung gezeigt.

► **Abb.39:** 1. Feile 2. Sägekette

- Die Feile kann leichter geführt werden, wenn ein Feilenhalter (Sonderzubehör) verwendet wird. Der Feilenhalter weist Markierungen für den korrekten Schärfungswinkel von 30° auf (die Markierungen parallel zur Sägekette ausrichten) und begrenzt die Eindringtiefe (auf 4/5 des Feilendurchmessers).

► **Abb.40:** 1. Feilenhalter

- Überprüfen Sie nach dem Schärfen der Kette die Höhe des Tiefenbegrenzers mithilfe der Kettenmesslehre (Sonderzubehör).

► **Abb.41**

- Entfernen Sie etwaige Rauigkeiten, wie klein auch immer, mit einer speziellen Flachfeile (Sonderzubehör).
- Runden Sie die Vorderkante des Tiefenbegrenzers erneut ab.

Reinigen des Schwerts

Späne und Sägemehl sammeln sich in der Führungsnut des Schwerts an. Der Führungsnut des Schwerts wird dadurch zugesetzt und der Ölfluss wird behindert. Entfernen Sie Späne und Sägemehl jedes Mal, wenn Sie die Sägekette schärfen oder auswechseln.

► **Abb.42**

Reinigen des Kettenraddeckels

Späne und Sägemehl sammeln sich im Kettenraddeckel an. Entfernen Sie den Kettenraddeckel und die Sägekette vom Werkzeug, und beseitigen Sie dann Späne und Sägemehl.

► **Abb.43**

Reinigen der Ölauslassöffnung

Kleine Staubpartikel oder Fremdkörper können sich während des Betriebs in der Ölauslassöffnung ansammeln. Diese können den Ölfluss behindern und unzureichende Schmierung auf der ganzen Sägekette verursachen. Wenn schlechte Ölzufuhr an der Oberseite des Schwerts auftritt, reinigen Sie die Ölauslassöffnung wie folgt.

1. Entfernen Sie den Kettenraddeckel und die Sägekette vom Werkzeug.
2. Entfernen Sie kleine Staubkörner oder Partikel mit einem Schlitzschraubendreher oder dergleichen.

► **Abb.44:** 1. Schlitzschraubendreher
2. Ölauslassöffnung

3. Setzen Sie den Akku in das Werkzeug ein. Betätigen Sie den Auslöseschalter, um abgelagerte Staubpartikel oder Fremdkörper durch Ablassen des Kettenöls aus der Ölauslassöffnung auszuschwemmen.

4. Nehmen Sie den Akku vom Werkzeug ab. Montieren Sie den Kettenraddeckel und die Sägekette wieder am Werkzeug.

Auswechseln des Kettenrads

⚠ VORSICHT: Ein verschlissenes Kettenrad beschädigt eine neue Sägekette. Wechseln Sie in diesem Fall das Kettenrad aus.

Bevor Sie eine neue Sägekette anbringen, überprüfen Sie den Zustand des Kettenrads.

► **Abb.45:** 1. Kettenrad 2. Abnutzungsbereiche

Bringen Sie beim Auswechseln des Kettenrads stets einen neuen Sicherungsring an.

► **Abb.46:** 1. Sicherungsring 2. Kettenrad

ANMERKUNG: Vergewissern Sie sich, dass das Kettenrad so montiert wird, wie in der Abbildung gezeigt.

Lagern des Werkzeugs

1. Reinigen Sie das Werkzeug vor der Lagerung. Entfernen Sie etwaige Späne und Sägemehl vom Werkzeug, nachdem Sie den Kettenraddeckel abmontiert haben.
2. Lassen Sie das Werkzeug nach der Reinigung unter Nulllast laufen, um die Sägekette und das Schwert zu schmieren.
3. Schützen Sie das Schwert mit der Schwertschutzhülle.
4. Entleeren Sie den Öltank.

Anweisungen für regelmäßige Wartung

Um eine lange Lebensdauer zu gewährleisten, Schäden zu verhüten und die volle Funktion der Sicherheitseinrichtungen sicherzustellen, müssen die folgenden Wartungsarbeiten regelmäßig durchgeführt werden. Garantieansprüche werden nur dann anerkannt, wenn diese Arbeiten regelmäßig und ordnungsgemäß ausgeführt werden. Eine Vernachlässigung der vorgeschriebenen Wartungsarbeiten kann zu Unfällen führen! Der Benutzer der Kettensäge darf nur Wartungsarbeiten durchführen, die in dieser Bedienungsanleitung beschrieben sind. Darüber hinausgehende Arbeiten müssen von unserem autorisierten Service-Center ausgeführt werden.

Prüfpunkt/Betriebszeit		Vor dem Betrieb	Täglich	Wöchentlich	Alle 3 Monate	Jährlich	Vor der Lagerung
Kettensäge	Überprüfung.	✓	-	-	-	-	-
	Reinigung.	-	✓	-	-	-	-
	Von autorisiertem Service-Center prüfen lassen.	-	-	-	-	✓	✓
Sägekette	Überprüfung.	✓	-	-	-	-	-
	Nötigenfalls schärfen.	-	-	-	-	-	✓
Schwert	Überprüfung.	✓	✓	-	-	-	-
	Von der Kettensäge abnehmen.	-	-	-	-	-	✓
Kettenbremse	Funktion überprüfen.	✓	-	-	-	-	-
	Regelmäßig von autorisiertem Service-Center überprüfen lassen.	-	-	-	✓	-	-
Kettenschmierung	Ölfördermenge überprüfen.	✓	-	-	-	-	-
Auslöseschalter	Überprüfung.	✓	-	-	-	-	-
Einschaltperrhebel	Überprüfung.	✓	-	-	-	-	-
Öltankverschluss	Festigkeit überprüfen.	✓	-	-	-	-	-
Kettenfänger	Überprüfung.	-	-	✓	-	-	-
Schrauben und Muttern	Überprüfung.	-	-	✓	-	-	-

FEHLERSUCHE

Bevor Sie den Reparaturdienst anrufen, führen Sie zunächst Ihre eigene Inspektion durch. Falls Sie ein Problem finden, das nicht in der Anleitung erläutert wird, versuchen Sie nicht, das Werkzeug zu zerlegen. Wenden Sie sich stattdessen an autorisierte Makita-Kundendienstzentren, und achten Sie darauf, dass stets Makita-Ersatzteile für Reparaturen verwendet werden.

Störungszustand	Ursache	Abhilfemaßnahme
Die Kettensäge läuft nicht an.	Der Akku ist nicht eingesetzt.	Setzen Sie einen geladenen Akku ein.
	Akkustörung (niedrige Spannung).	Laden Sie den Akku auf. Falls Aufladen unwirksam ist, tauschen Sie den Akku aus.
	Hauptbetriebsschalter ist ausgeschaltet.	Die Kettensäge wird automatisch ausgeschaltet, falls sie ca. 5 Minuten lang nicht betrieben wird. Schalten Sie den Hauptbetriebsschalter wieder ein. Die Kettensäge wird automatisch ausgeschaltet, wenn der Motor aufgrund des Betriebs des Schutzsystems für ca. 5 Minuten anhält. Ergreifen Sie Abhilfemaßnahmen an Ihrem Werkzeug und schalten Sie dann den Hauptbetriebsschalter wieder ein.
Die Sägekette läuft nicht.	Kettenbremse aktiviert.	Kettenbremse lösen.
Der Motor bleibt nach kurzer Zeit stehen.	Der Ladestand des Akkus ist niedrig.	Laden Sie den Akku auf. Falls Aufladen unwirksam ist, tauschen Sie den Akku aus.
Kein Öl auf der Kette.	Der Öltank ist leer.	Öltank füllen.
	Die Ölführungsnut ist verschmutzt.	Nut reinigen.
	Schlechte Ölförderung.	Stellen Sie die Ölfördermenge mit der Einstellschraube ein.
Die Kettensäge erreicht die Maximaldrehzahl nicht.	Der Akku ist falsch eingesetzt.	Setzen Sie den Akku gemäß der Beschreibung in dieser Anleitung ein.
	Die Akkuleistung lässt nach.	Laden Sie den Akku auf. Falls Aufladen unwirksam ist, tauschen Sie den Akku aus.
	Das Antriebssystem funktioniert nicht korrekt.	Wenden Sie sich bezüglich einer Reparatur an ein autorisiertes Service-Center in Ihrer Region.
Die Hauptbetriebslampe blinkt in Grün.	Der Auslöseschalter wird unter einer betriebsunfähigen Bedingung betätigt.	Betätigen Sie den Auslöseschalter erst, nachdem Sie den Hauptbetriebsschalter eingeschaltet haben und die Kettenbremse gelöst worden ist.
Die Kette bleibt trotz Aktivierung der Kettenbremse nicht stehen: Halten Sie das Werkzeug unverzüglich an!	Das Bremsband ist abgenutzt.	Wenden Sie sich bezüglich einer Reparatur an ein autorisiertes Service-Center in Ihrer Region.
Ungewöhnliche Vibration: Halten Sie das Werkzeug unverzüglich an!	Schwert oder Sägekette ist locker.	Schwert und Sägekettenspannung einstellen.
	Fehlfunktion des Werkzeugs.	Wenden Sie sich bezüglich einer Reparatur an ein autorisiertes Service-Center in Ihrer Region.
Die Sägekette kann nicht montiert werden.	Die Kombination von Sägekette und Kettenrad ist nicht korrekt.	Verwenden Sie die korrekte Kombination von Sägekette und Kettenrad, indem Sie auf den Abschnitt für Spezifikationen Bezug nehmen.

SONDERZUBEHÖR

⚠ VORSICHT: Die folgenden Zubehörteile oder Vorrichtungen werden für den Einsatz mit dem in dieser Anleitung beschriebenen Makita-Werkzeug empfohlen. Die Verwendung anderer Zubehörteile oder Vorrichtungen kann eine Verletzungsgefahr darstellen. Verwenden Sie Zubehörteile oder Vorrichtungen nur für ihren vorgesehenen Zweck.

Wenn Sie weitere Einzelheiten bezüglich dieser Zubehörteile benötigen, wenden Sie sich bitte an Ihre Makita-Kundendienststelle.

- Sägekette
- Schwert

- Schwertschutzhülle
- Kettenrad
- Feile
- Original-Makita-Akku und -Ladegerät

⚠ WARNUNG: Wenn Sie ein Schwert kaufen, dessen Länge von der des Standardschwerts abweicht, kaufen Sie gleichzeitig auch eine passende Schwertschutzhülle. Die Schwertschutzhülle muss passen und das Schwert an der Kettensäge vollständig abdecken.

HINWEIS: Manche Teile in der Liste können als Standardzubehör im Werkzeugsatz enthalten sein. Sie können von Land zu Land unterschiedlich sein.

DATI TECNICI

Modello:		UC021G	UC022G	UC023G
Lunghezza complessiva (senza catena della sega e barra guida)		430 mm		
Tensione nominale		36 V - 40 V CC max		
Peso netto	*1	3,4 kg		
	*2	Da 5,0 a 5,3 kg	Da 5,1 a 5,4 kg	Da 5,1 a 5,5 kg
Lunghezza barra guida standard		300 mm	350 mm	400 mm
Lungh. consigliata barra di guida		Da 300 a 400 mm		
Tipo di catena della sega applicabile (fare riferimento alla tabella seguente)		80TXL		
Rocchetto	Numero di denti	7		
	Passo	0,325"		
Velocità catena		Da 0 a 25,5 m/s (Da 0 a 1.530 m/min)		
Volume serbatoio olio catena		200 cm ³		
Grado di protezione		IPX4		

- A causa del nostro programma continuativo di ricerca e sviluppo, i dati tecnici sono soggetti a modifiche senza preavviso.
 - I dati tecnici possono variare da nazione a nazione.
- *1: peso, senza catena della sega, barra guida, copribarra, olio e cartuccia o cartucce delle batterie.
 *2: la combinazione più leggera e più pesante di peso, in base alla EPTA-Procedure 01/2014. Il peso può variare a seconda dell'accessorio o degli accessori, inclusa la cartuccia o le cartucce delle batterie.

Combinazione di catena della sega, barra guida e rocchetto

Tipo di catena della sega		80TXL		
Numero di maglie motrici		51	59	64
Barra guida	Lunghezza barra guida	300 mm	350 mm	400 mm
	Lunghezza di taglio	257 mm	323 mm	364 mm
	Passo	0,325"		
	Spessore	1,1 mm		
	Tipo	Barra con estremità a rocchetto		
Rocchetto	Numero di denti	7		
	Passo	0,325"		

AVVERTIMENTO: Utilizzare una combinazione appropriata di barra di guida e catena della sega. In caso contrario, si potrebbero causare lesioni personali.

Cartuccia della batteria e caricabatterie applicabili

Cartuccia della batteria	BL4040 / BL4040F* / BL4050F* * : Batteria consigliata
Caricabatterie	DC40RA / DC40RB / DC40RC / DC40WA

- Alcune cartucce delle batterie e alcuni caricabatterie elencati sopra potrebbero non essere disponibili a seconda della propria area geografica di residenza.

AVVERTIMENTO: Utilizzare solo le cartucce delle batterie e i caricabatterie elencati sopra. L'utilizzo di altre cartucce delle batterie e di altri caricabatterie potrebbe causare lesioni personali e/o un incendio.

Fonte di alimentazione collegata via cavo consigliata

Gruppo di alimentazione portatile	PDC01
-----------------------------------	-------

- La fonte o le fonti di alimentazione collegate via cavo elencate sopra potrebbero non essere disponibili, a seconda della propria area geografica di residenza.
- Prima di utilizzare la fonte di alimentazione collegata via cavo, leggere le istruzioni e le indicazioni delle avvertenze riportate su quest'ultima.

Simboli

Le figure seguenti mostrano i simboli utilizzati per l'apparecchio. Accertarsi di comprenderne il significato prima dell'uso.

	Leggere il manuale d'uso.
	Indossare una protezione per gli occhi.
	Indossare protezioni per le orecchie.
	Indossare un elmetto, occhiali protettivi e protezioni acustiche.
	Lunghezza di taglio massima consentita
	Utilizzare sempre due mani quando si fa funzionare la motosega.
	Fare attenzione al contraccolpo della motosega ed evitare il contatto con la punta della barra.
	Direzione di corsa della catena
	Regolazione dell'olio per la catena della sega
	Solo per le nazioni dell'EU A causa della presenza di componenti pericolosi nelle apparecchiature, i rifiuti di apparecchiature elettriche ed elettroniche, accumulatori e batterie potrebbero produrre un impatto negativo sull'ambiente e sulla salute umana. Non smaltire elettrodomestici elettrici ed elettronici o batterie insieme ai rifiuti domestici! In conformità alla direttiva europea sui rifiuti di apparecchiature elettriche ed elettroniche (RAEE), sugli accumulatori e le batterie, nonché sui rifiuti di accumulatori e batterie, e al suo adattamento alle normative nazionali, i rifiuti di apparecchiature elettriche ed elettroniche, batterie e accumulatori vanno conservati separatamente e conferiti a un punto di raccolta separato per i rifiuti comunali, operando in conformità alle normative per la protezione dell'ambiente. Tale requisito viene indicato mediante il simbolo del bidone della spazzatura con ruote barrato apposto sull'apparecchio.
	Livello di potenza sonora garantita in base alla Direttiva rumore macchine all'aperto UE.



Livello di potenza sonora in base alla normativa sul controllo del rumore NSW australiana

Utilizzo previsto

Questa motosega è destinata al taglio del legno.

Rumore

Livello tipico di rumore pesato A determinato in base allo standard EN6284 1-4-1:

Modello UC021G

Livello di pressione sonora (L_{pA}): 93 dB (A)
Livello di potenza sonora (L_{WA}): 101 dB (A)
Incertezza (K): 3 dB (A)

Modello UC022G

Livello di pressione sonora (L_{pA}): 93 dB (A)
Livello di potenza sonora (L_{WA}): 101 dB (A)
Incertezza (K): 3 dB (A)

Modello UC023G

Livello di pressione sonora (L_{pA}): 93 dB (A)
Livello di potenza sonora (L_{WA}): 101 dB (A)
Incertezza (K): 3 dB (A)

NOTA: Il valore o i valori dichiarati delle emissioni di rumori sono stati misurati in conformità a un metodo standard di verifica, e possono essere utilizzati per confrontare un utensile con un altro.

NOTA: Il valore o i valori dichiarati delle emissioni di rumori possono venire utilizzati anche per una valutazione preliminare dell'esposizione.

AVVERTIMENTO: Indossare protezioni per le orecchie.

AVVERTIMENTO: L'emissione di rumori durante l'utilizzo effettivo dell'utensile elettrico può variare rispetto al valore o ai valori dichiarati, a seconda dei modi in cui viene utilizzato l'utensile e specialmente a seconda di che tipo di pezzo venga lavorato.

AVVERTIMENTO: Accertarsi di identificare misure di sicurezza per la protezione dell'operatore che siano basate su una stima dell'esposizione nelle condizioni effettive di utilizzo (tenendo conto di tutte le parti del ciclo operativo, ad esempio del numero di spegnimenti dell'utensile e di quando giri a vuoto, oltre al tempo di attivazione).

Vibrazioni

Valore totale delle vibrazioni (somma vettoriale triassiale) determinato in base allo standard EN62841-4-1:

Modello UC021G

Modalità di lavoro: taglio del legno

Emissione di vibrazioni ($a_{h,w}$): 3,5 m/s²

Incertezza (K): 1,5 m/s²

Modello UC022G

Modalità di lavoro: taglio del legno

Emissione di vibrazioni ($a_{h,w}$): 3,5 m/s²

Incertezza (K): 1,5 m/s²

Modello UC023G

Modalità di lavoro: taglio del legno

Emissione di vibrazioni ($a_{h,w}$): 3,5 m/s²

Incertezza (K): 1,5 m/s²

NOTA: Il valore o i valori complessivi delle vibrazioni dichiarati sono stati misurati in conformità a un metodo standard di verifica, e possono essere utilizzati per confrontare un utensile con un altro.

NOTA: Il valore o i valori complessivi delle vibrazioni dichiarati possono venire utilizzati anche per una valutazione preliminare dell'esposizione.

⚠AVVERTIMENTO: L'emissione delle vibrazioni durante l'utilizzo effettivo dell'utensile elettrico può variare rispetto al valore o ai valori dichiarati, a seconda dei modi in cui viene utilizzato l'utensile, specialmente a seconda di che tipo di pezzo venga lavorato.

⚠AVVERTIMENTO: Accertarsi di identificare misure di sicurezza per la protezione dell'operatore che siano basate su una stima dell'esposizione nelle condizioni effettive di utilizzo (tenendo conto di tutte le parti del ciclo operativo, ad esempio del numero di spegnimenti dell'utensile e di quando giri a vuoto, oltre al tempo di attivazione).

Dichiarazioni di conformità

Solo per i paesi europei

Le Dichiarazioni di conformità sono incluse nell'Allegato A al presente manuale d'uso.

AVVERTENZE DI SICUREZZA

Avvertenze generali relative alla sicurezza dell'utensile elettrico

⚠AVVERTIMENTO Leggere tutte le avvertenze di sicurezza, le istruzioni, le illustrazioni e i dati tecnici forniti insieme a questo utensile elettrico. La mancata osservanza di tutte le istruzioni seguenti potrebbe risultare in scosse elettriche, incendi e/o gravi lesioni personali.

Conservare tutte le avvertenze e le istruzioni come riferimento futuro.

Il termine "utensile elettrico" nelle avvertenze si riferisce sia all'utensile elettrico (cablato) nel funzionamento alimentato da rete elettrica che all'utensile elettrico (a batteria) nel funzionamento alimentato a batteria.

Avvertenze di sicurezza generiche relative alle motoseghe

- Tenere tutte le parti del corpo lontane dalla catena della sega quando la motosega è in funzione. Prima di avviare la motosega, accertarsi che la catena della sega non sia in contatto con alcun oggetto.** Un attimo di disattenzione durante l'utilizzo della motosega potrebbe far impigliare gli indumenti indossati o il corpo dell'utente nella catena della sega.
- Tenere sempre la motosega con la mano destra sull'impugnatura posteriore e la mano sinistra sull'impugnatura anteriore.** Qualora si mantenga la motosega con le mani in posizione invertita si aumenta il rischio di lesioni personali, e pertanto ciò va sempre evitato.
- Mantenere la motosega solo per le superfici di impugnatura isolate, in quanto la catena della sega potrebbe entrare in contatto con fili elettrici nascosti.** Qualora una catena della sega entri in contatto con un filo elettrico sotto tensione, potrebbe mettere sotto tensione le parti metalliche esposte della motosega e dare una scossa elettrica all'operatore.
- Indossare una protezione per gli occhi. Si consigliano attrezzature di protezione aggiuntive per udito, testa, mani, gambe e piedi.** Attrezzature di protezione adeguate riducono le lesioni personali dovute ai detriti volanti o al contatto accidentale con la catena della sega.
- Non utilizzare una motosega in un albero, su una scala a pioli, da un tetto o da qualsiasi supporto instabile.** L'utilizzo della motosega in questo modo potrebbe causare gravi lesioni personali.
- Mantenere sempre un appoggio saldo sui piedi e far funzionare la motosega solo mentre si è in piedi su una superficie fissa, stabile e orizzontale.** Le superfici scivolose o instabili potrebbero causare la perdita dell'equilibrio o del controllo della motosega.
- Quando si taglia un grosso ramo sottoposto a tensione, fare attenzione al rinculo.** Quando la tensione delle fibre del legno viene rilasciata, il ramo, caricato come una molla, potrebbe colpire l'operatore e/o lanciare la motosega fuori controllo.
- Adottare la massima attenzione quando si intende tagliare siepi e alberelli.** Il materiale sottile potrebbe rimanere impigliato nella catena della sega e venire scagliato come una frusta verso l'utente o tirarlo facendogli perdere l'equilibrio.
- Trasportare la motosega per l'impugnatura anteriore, tenendola spenta e lontana dal corpo. Quando si intende trasportare o riporre la motosega, montare sempre il copribarra.** Se si maneggia correttamente la motosega, si riduce la probabilità di contatto accidentale con la catena della sega in movimento.
- Seguire le istruzioni per la lubrificazione, il tensionamento della catena e la sostituzione della barra e della catena.** Una catena tensionata o lubrificata in modo errato potrebbe rompersi o incrementare la possibilità di contraccolpi.

11. **Tagliare esclusivamente legno. Non utilizzare la motosega per scopi non previsti. Ad esempio: non utilizzare la motosega per tagliare metallo, plastica, muratura o materiali da costruzione non in legno.** L'utilizzo della motosega per operazioni diverse da quelle previste potrebbe risultare in situazioni pericolose.

12. **Non tentare di abbattere un albero se non si comprendono i rischi inerenti e il modo per evitarli.** Quando si abbatte un albero, potrebbero verificarsi gravi lesioni personali all'operatore o agli astanti.

13. **Cause e prevenzione dei contraccolpi da parte dell'operatore:**

I contraccolpi possono verificarsi quando l'estremità o la punta della barra guida tocca un oggetto, o quando il legno si richiude e fa incastrare la catena della sega nel taglio.

Il contatto della punta in alcuni casi potrebbe causare un'improvvisa reazione inversa, spingendo con forza la barra guida verso l'alto e all'indietro verso l'operatore. Se la catena della sega resta incastrata lungo la parte superiore della barra guida, quest'ultima potrebbe venire spinta rapidamente all'indietro verso l'operatore. Queste reazioni potrebbero causare la perdita di controllo della sega, che potrebbe risultare in gravi lesioni personali. Non affidarsi esclusivamente ai dispositivi di sicurezza incorporati nella sega. L'utente della motosega dovrebbe adottare svariate misure per evitare incidenti o lesioni personali nei lavori di taglio. Il contraccolpo è il risultato di un uso improprio della motosega e/o di procedure operative o di condizioni errate, e può venire evitato adottando le precauzioni corrette, come indicato di seguito:

- **Mantenere una presa salda, con i pollici e le dita che circondano le impugnature della motosega, con entrambe le mani sulla sega, e posizionare il proprio corpo e le braccia in modo da riuscire a resistere alla forza dei contraccolpi.** La forza dei contraccolpi può venire controllata dall'operatore adottando le dovute precauzioni. Non lasciare mai la presa sulla motosega.

► Fig.1

- **Non sporgersi eccessivamente e non tagliare al di sopra dell'altezza delle spalle.** Ciò contribuisce ad evitare il contatto involontario della punta e consente un controllo migliore della motosega in situazioni impreviste.

- **Utilizzare esclusivamente barre guida e catene della sega di ricambio specificate dal produttore.** Barre guida e catene della sega di ricambio errate potrebbero causare la rottura della catena e/o contraccolpi.

- **Attenersi alle istruzioni del produttore per l'affilatura e la manutenzione della catena della sega.** La riduzione dell'altezza del limitatore di profondità può portare a un aumento dei contraccolpi.

14. **Seguire tutte le istruzioni quando si intende rimuovere materiale inceppato, riporre o sottoporre a interventi di assistenza la motosega. Accertarsi che l'interruttore sia disattivato e che la batteria sia stata rimossa.** L'azionamento imprevisto della motosega durante la rimozione di materiale inceppato o l'esecuzione di interventi di assistenza potrebbe risultare in gravi lesioni personali.

Istruzioni di sicurezza aggiuntive

Attrezzatura di protezione personale

1. **Gli indumenti devono essere attillati, ma non devono ostacolare la mobilità.**
2. **Durante il lavoro, indossare gli indumenti protettivi seguenti:**
 - Un elmetto di sicurezza collaudato, qualora si presenti un pericolo dovuto a rami che cadono o simili;
 - Una visiera oppure occhiali;
 - Una protezione idonea per le orecchie (para-orecchie, tappi per le orecchie personalizzati o modellabili). Analisi in banda d'ottava su richiesta.
 - Guanti di sicurezza in pelle solidi;
 - Pantaloni lunghi fabbricati in tessuto resistente;
 - Salopette protettive in tessuto resistente al taglio;
 - Scarpe o stivali di sicurezza dotati di suole antiscivolo, punte in acciaio e rivestimento in tessuto resistente al taglio;
 - Una mascherina respiratoria, quando si intende eseguire un lavoro che produca polveri (ad es. segare legno secco).

Funzionamento

1. **Prima di iniziare il lavoro, verificare che la motosega sia perfettamente funzionante e che le sue condizioni siano conformi alle normative di sicurezza. In particolare verificare quanto segue:**
 - Che il freno catena funzioni correttamente;
 - Che il freno inerziale funzioni correttamente;
 - Che la barra e il coperchio del rochetto siano montati correttamente;
 - Che la catena sia stata affilata e tensionata secondo le normative.
2. **Non avviare la motosega con la copertura della catena installata su quest'ultima.** Qualora si avvii la motosega con la copertura della catena installata su quest'ultima, la copertura potrebbe venire scagliata in avanti, causando lesioni personali e danni alle cose intorno all'operatore.
3. **Attivare sempre il freno catena mentre l'utensile non è in uso o viene trasportato in giro.**
4. **Quando si utilizza l'utensile su suolo fangoso, pendii bagnati o ubicazioni scivolose, fare attenzione al proprio appoggio sui piedi.**
5. **Non immergere l'utensile in una pozzanghera.**
6. **Non lasciare l'utensile incustodito all'aperto sotto la pioggia.**

Sicurezza elettrica e della batteria

1. **Evitare gli ambienti pericolosi. Non utilizzare l'utensile in luoghi umidi o bagnati né esporlo alla pioggia.** La penetrazione di acqua nell'utensile incrementa il rischio di scosse elettriche.
2. **Non smaltire le batterie nel fuoco.** La cella potrebbe esplodere. Controllare le normative locali per eventuali istruzioni speciali relative allo smaltimento.

3. **Non aprire né fare a pezzi le batterie.** L'elettrolita rilasciato è corrosivo, e potrebbe causare danni agli occhi o alla pelle. Inoltre, potrebbe essere tossico, se inghiottito.
4. **Non caricare la batteria sotto la pioggia o in condizioni di bagnato.**
5. **Non caricare la batteria all'aperto.**
6. **Non maneggiare con le mani bagnate il carica-batterie, inclusa la spina del caricabatterie e i terminali di quest'ultimo.**
7. **Non sostituire la batteria sotto la pioggia.**
8. **Non sostituire la batteria con le mani bagnate.**
9. **Non lasciare la batteria sotto la pioggia e non caricarla, utilizzarla o riporla in un'ubicazione umida o bagnata.**
10. **Non far bagnare i terminali della batteria con liquidi, ad esempio con acqua, né sommergere la batteria.** Qualora i terminali si bagnino o del liquido penetri all'interno della batteria, quest'ultima potrebbe venire cortocircuitata, e sussiste il rischio di surriscaldamento, incendio o esplosione.
11. **Dopo aver rimosso la batteria dall'utensile o dai caricabatterie, accertarsi di applicare il cappuccio della batteria su quest'ultima e di riporre la batteria in un'ubicazione asciutta.**
12. **Qualora la cartuccia della batteria si bagni, far fuoriuscire completamente l'acqua dall'interno, quindi pulirla con un panno asciutto. Far asciugare completamente la cartuccia della batteria in un luogo asciutto, prima dell'uso.**

Manutenzione e conservazione

1. **Quando si intende riporre l'utensile, evitare la luce solare diretta e la pioggia, e riporlo in un'ubicazione in cui non sia soggetto a temperature estremamente elevate o umidità.**

CONSERVARE LE PRESENTI ISTRUZIONI.

⚠AVVERTIMENTO: NON lasciare che la comodità o la familiarità d'uso con il prodotto (acquisita con l'uso ripetuto) sostituiscano la stretta osservanza delle norme di sicurezza. L'USO IMPROPRIO o la mancata osservanza delle norme di sicurezza riportate nel presente manuale manuale di istruzioni potrebbero causare lesioni personali gravi.

Istruzioni di sicurezza importanti per la cartuccia della batteria

4. **Qualora l'elettrolita entri in contatto con gli occhi, sciacquarli con acqua pulita e richiedere immediatamente assistenza medica.** Questa evenualità può risultare nella perdita della vista.
5. **Non cortocircuitare la cartuccia della batteria:**
 - (1) **Non toccare i terminali con alcun materiale conduttivo.**
 - (2) **Evitare di conservare la cartuccia della batteria in un contenitore insieme ad altri oggetti metallici quali chiodi, monete, e così via.**
 - (3) **Non esporre la cartuccia della batteria all'acqua o alla pioggia.**

Un cortocircuito della batteria può causare un grande flusso di corrente, un surriscaldamento, possibili ustioni e persino un guasto.
6. **Non conservare e utilizzare l'utensile e la cartuccia della batteria in ubicazioni in cui la temperatura possa raggiungere o superare i 50 °C.**
7. **Non incenerire la cartuccia della batteria anche qualora sia gravemente danneggiata o completamente esaurita. La cartuccia della batteria può esplodere se a contatto con il fuoco.**
8. **Non inchiodare, tagliare, schiacciare, lanciare o far cadere la cartuccia della batteria, né farla urtare con forza contro un oggetto duro.** Questi comportamenti potrebbero risultare in un incendio, calore eccessivo o un'esplosione.
9. **Non utilizzare una batteria danneggiata.**
10. **Le batterie a ioni di litio contenute sono soggette ai requisiti del regolamento sul trasporto di merci pericolose (Dangerous Goods Legislation).** Per trasporti commerciali, ad esempio da parte di terzi o spedizionieri, è necessario osservare dei requisiti speciali sull'imballaggio e sull'etichetta. Per la preparazione dell'articolo da spedire, è richiesta la consulenza di un esperto in materiali pericolosi. Attenersi anche alle normative nazionali, che potrebbero essere più dettagliate. Nastrare o coprire i contatti aperti e imballare la batteria in modo tale che non si possa muovere liberamente all'interno dell'imballaggio.
11. **Quando si intende smaltire la cartuccia della batteria, rimuoverla dall'utensile e smaltirla in un luogo sicuro. Attenersi alle normative locali relative allo smaltimento della batteria.**
12. **Utilizzare le batterie esclusivamente con i prodotti specificati da Makita. L'installazione delle batterie in prodotti non compatibili potrebbe risultare in incendi, calore eccessivo, esplosioni o perdite di liquido elettrolitico.**
13. **Se l'utensile non viene utilizzato per un periodo di tempo prolungato, la batteria deve essere rimossa dall'utensile.**
14. **Durante e dopo l'uso, la cartuccia della batteria potrebbe assorbire calore, che può causare ustioni o ustioni a bassa temperatura. Fare attenzione a come si maneggiano le cartucce delle batterie estremamente calde.**
15. **Non toccare i terminali dell'utensile subito dopo l'uso, in quanto potrebbero diventare estremamente caldi al punto da causare ustioni.**
16. **Evitare di far incastrare schegge, polveri o terreno nei terminali, nei fori e nelle scanalature della cartuccia della batteria.** In caso contrario, l'utensile o la cartuccia della batteria potrebbero riscaldarsi, prendere fuoco, scoppiare o guastarsi, causando ustioni o lesioni personali.

17. **A meno che l'utensile supporti l'uso in prossimità di linee elettriche ad alta tensione, non utilizzare la cartuccia della batteria in prossimità di linee elettriche ad alta tensione.** In caso contrario, si potrebbe causare un malfunzionamento o la rottura dell'utensile o della cartuccia della batteria.
18. **Tenere la batteria lontana dai bambini.**

CONSERVARE LE PRESENTI ISTRUZIONI.

⚠ATTENZIONE: Utilizzare solo batterie originali Makita. L'utilizzo di batterie Makita non originali, o di batterie che siano state alterate, potrebbe risultare nello scoppio della batteria, causando incendi, lesioni personali e danni. Inoltre, ciò potrebbe invalidare la garanzia Makita per l'utensile e il caricabatterie Makita.

Suggerimenti per preservare la durata massima della batteria

1. **Caricare la cartuccia della batteria prima che si scarichi completamente. Smettere sempre di utilizzare l'utensile e caricare la cartuccia della batteria quando si nota che la potenza dell'utensile è diminuita.**
2. **Non ricaricare mai una cartuccia della batteria completamente carica. La sovraccarica riduce la vita utile della batteria.**
3. **Caricare la cartuccia della batteria a una temperatura ambiente compresa tra 10 °C e 40 °C. Lasciar raffreddare una cartuccia della batteria prima di caricarla.**
4. **Quando non si utilizza la cartuccia della batteria, rimuoverla dall'utensile o dal caricabatterie.**
5. **Caricare la cartuccia della batteria se non la si è utilizzata per un periodo di tempo prolungato (più di sei mesi).**

DESCRIZIONE DELLE PARTI

► Fig.2

1	Cartuccia della batteria	2	Paramano anteriore	3	Leva
4	Barra guida	5	Catena della sega	6	Selettore di regolazione
7	Indicatore luminoso di accensione principale	8	Interruttore di accensione principale	9	Leva di sblocco
10	Impugnatura posteriore	11	Interruttore a grilletto	12	Impugnatura anteriore
13	Tappo del serbatoio dell'olio	14	Copribarra	15	Vite di regolazione (per la pompa dell'olio)
16	Fermacatena	-	-	-	-

DESCRIZIONE DELLE FUNZIONI

⚠ATTENZIONE: Accertarsi sempre che l'utensile sia spento e che la cartuccia della batteria sia stata rimossa prima di regolare o di controllare il funzionamento dell'utensile.

Installazione o rimozione della cartuccia della batteria

⚠ATTENZIONE: Spegnerne sempre l'utensile prima di installare o rimuovere la cartuccia della batteria.

⚠ATTENZIONE: Mantenere saldamente lo strumento e la batteria quando si intende installare o rimuovere la cartuccia della batteria. Qualora non si mantengano saldamente lo strumento e la cartuccia della batteria, questi ultimi potrebbero scivolare dalle mani, con la possibilità di causare un danneggiamento dello strumento e della cartuccia della batteria, nonché una lesione personale.

Per installare la cartuccia della batteria, allineare la linguetta sulla cartuccia della batteria con la scanalatura nell'alloggiamento e farla scivolare in sede. Inserirla completamente fino al suo blocco in sede con un leggero scatto. Se è possibile vedere l'indicatore rosso, come indicato nella figura, non è bloccata completamente.

Per rimuovere la cartuccia della batteria, farla scorrere via dall'utensile mentre si fa scorrere allo stesso tempo il pulsante sulla parte anteriore della cartuccia.

► Fig.3: 1. Indicatore rosso 2. Pulsante 3. Cartuccia della batteria

⚠ATTENZIONE: Installare sempre fino in fondo la cartuccia della batteria, fino a quando l'indicatore rosso non è più visibile. In caso contrario, la batteria potrebbe cadere accidentalmente dall'utensile, causando lesioni personali all'operatore o a chi gli è vicino.

⚠ATTENZIONE: Non installare forzatamente la cartuccia della batteria. Qualora la batteria non si inserisca scorrendo agevolmente, vuol dire che non viene inserita correttamente.

Indicazione della carica residua della batteria

Premere il pulsante di controllo sulla cartuccia della batteria per indicare la carica residua della batteria. Gli indicatori luminosi si illuminano per alcuni secondi.

► **Fig. 4:** 1. Indicatori luminosi 2. Pulsante di controllo

Indicatori luminosi			Carica residua
■ Illuminato	□ Spento	▬ Lampeggiante	
■ ■ ■ ■			Dal 75% al 100%
■ ■ ■ □			Dal 50% al 75%
■ ■ □ □			Dal 25% al 50%
■ □ □ □			Dallo 0% al 25%
▬ □ □ □			Caricare la batteria.
■ ■ □ □			La batteria potrebbe essersi guastata.
□ □ ■ ■			

NOTA: A seconda delle condizioni d'uso e della temperatura ambiente, l'indicazione potrebbe variare leggermente rispetto alla carica effettiva.

NOTA: Il primo indicatore luminoso (all'estremità sinistra) lampeggia quando il sistema di protezione della batteria è in funzione.

Sistema di protezione strumento/batteria

L'utensile è dotato di un sistema di protezione dell'utensile stesso e della batteria. Tale sistema interrompe automaticamente l'alimentazione al motore per prolungare la vita utile dell'utensile e della batteria. L'utensile si arresta automaticamente durante il funzionamento, qualora l'utensile o la batteria vengano a trovarsi in una delle condizioni seguenti:

Protezione dal sovraccarico

Quando l'utensile o la batteria vengono utilizzati in un modo che causi un assorbimento di corrente elevato in modo anomalo, l'utensile si arresta automaticamente e l'indicatore luminoso di accensione principale lampeggia in verde. In tal caso, spegnere l'utensile e interrompere l'applicazione che ha causato il sovraccarico. Quindi, riaccendere l'utensile per ricominciare.

Protezione dal surriscaldamento

Quando l'utensile o la batteria sono surriscaldati, l'utensile si arresta automaticamente, e l'indicatore luminoso di accensione principale si illumina in rosso. In tal caso, lasciare che l'utensile e la batteria si raffreddino prima di riaccendere l'utensile.

NOTA: In un ambiente dalla temperatura elevata, è probabile che la protezione dal surriscaldamento entri in funzione e che l'utensile si arresti automaticamente.

Protezione dalla sovraccarica

Quando la carica della batteria non è sufficiente, l'utensile si arresta automaticamente, e l'indicatore luminoso di accensione principale lampeggia in rosso. In tal caso, rimuovere la batteria dall'utensile e caricare la batteria.

Protezioni da altre cause

Il sistema di protezione è progettato anche per altre cause che potrebbero danneggiare l'utensile, e consente all'utensile di arrestarsi automaticamente. Adottare tutte le misure seguenti per rimuovere le cause, quando l'utensile è stato portato a un'interruzione temporanea o a un arresto del funzionamento.

1. Spegner l'utensile, quindi riaccenderlo per ricominciare.
2. Caricare la batteria o le batterie, o sostituirla/sostituirle con una batteria o delle batterie ricaricate.
3. Lasciar raffreddare la macchina e la batteria o le batterie.

Qualora non si riscontri alcun miglioramento ripristinando il sistema di protezione, contattare il proprio centro di assistenza locale Makita.

AVVISO: Qualora l'utensile si arresti a causa di un motivo non descritto sopra, fare riferimento alla sezione relativa alla risoluzione dei problemi.

Interruttore di accensione principale

AVVERTIMENTO: Disattivare sempre l'interruttore di accensione principale quando l'utensile non è in uso.

Per accendere l'utensile, premere l'interruttore di accensione principale. L'indicatore luminoso di accensione principale si illumina in verde. Per spegnere l'utensile, premere di nuovo l'interruttore di accensione principale.

► **Fig. 5:** 1. Indicatore luminoso di accensione principale 2. Interruttore di accensione principale

NOTA: L'indicatore luminoso di accensione principale lampeggia in verde, qualora si prema l'interruttore a grilletto in condizioni che impediscono l'utilizzo. L'indicatore luminoso lampeggia in una delle condizioni seguenti.

- Quando si attiva l'interruttore di accensione principale mentre si tiene premuta la leva di sblocco e si preme l'interruttore a grilletto.
- Quando si preme l'interruttore a grilletto mentre è attivato il freno catena.
- Quando si sblocca il freno catena mentre si tengono premuti la leva di sblocco e l'interruttore a grilletto.

NOTA: Questo utensile utilizza una funzione di spegnimento automatico. L'interruttore di accensione principale si disattiva automaticamente, qualora l'utensile non venga utilizzato per circa 5 minuti.

NOTA: La funzione di spegnimento automatico può venire applicata quando l'utensile si arresta a causa dell'entrata in funzione del sistema di protezione. L'interruttore di accensione principale si disattiva automaticamente circa 5 minuti dopo che il motore si è arrestato automaticamente e non è stata applicata alcuna misura correttiva in relazione alla protezione dell'utensile.

Funzionamento dell'interruttore

⚠AVVERTIMENTO: Per la sicurezza dell'operatore, questo utensile è dotato di un interruttore di sblocco, che ne impedisce l'avvio accidentale. Non utilizzare MAI l'utensile qualora entri in funzione semplicemente premendo l'interruttore a grilletto senza tenere premuta la leva di sblocco. Portare l'utensile a un nostro centro di assistenza autorizzato per le riparazioni appropriate PRIMA di un ulteriore utilizzo.

⚠AVVERTIMENTO: Non bloccare MAI con del nastro adesivo né rendere inefficace lo scopo e il funzionamento della leva di sblocco.

⚠ATTENZIONE: Prima di inserire la cartuccia della batteria nell'utensile, controllare sempre che l'interruttore a grilletto funzioni correttamente e torni sulla posizione "OFF" quando viene rilasciato.

AVVISO: Non premere con forza l'interruttore a grilletto senza tenere premuta la leva di sblocco. In caso contrario, si potrebbe causare la rottura dell'interruttore.

Per evitare che l'interruttore a grilletto venga premuto accidentalmente, l'utensile è dotato di un doppio interruttore di sblocco, per motivi di sicurezza. Per avviare l'utensile, spingere verso il basso e in avanti la leva di blocco oltre la sua normale posizione utilizzando la membrana interdigitale della propria mano (vale a dire la parte tra il pollice e l'indice), e schiacciare la leva di sblocco con il palmo. Quindi, premere l'interruttore a grilletto mentre la leva di sblocco viene tenuta premuta. La velocità dell'utensile aumenta di pari passo con l'incremento della pressione sull'interruttore a grilletto. Per arrestare l'utensile, rilasciare l'interruttore a grilletto.

► Fig.6: 1. Leva di blocco 2. Leva di sblocco
3. Interruttore a grilletto

Controllo del freno catena

⚠ATTENZIONE: Quando si intende accendere la motosega, afferrarla con entrambe le mani. Afferrare l'impugnatura posteriore con la mano destra e l'impugnatura anteriore con la mano sinistra. La barra e la catena non devono essere in contatto con alcun oggetto.

⚠ATTENZIONE: Qualora durante questa prova la catena della sega non si arresti immediatamente, non utilizzare la motosega in alcuna circostanza. Consultare un nostro centro di assistenza autorizzato.

1. Premere la leva di sblocco, quindi premere l'interruttore a grilletto. La catena della sega si avvia immediatamente.
 2. Spingere in avanti il paramano anteriore con il dorso della mano. Accertarsi che la motosega si arresti immediatamente.
- Fig.7: 1. Paramano anteriore 2. Posizione sbloccata 3. Posizione bloccata

Controllo del freno inerziale

⚠ATTENZIONE: Qualora la catena della sega non si arresti entro 2 secondi quando viene effettuata questa prova, interrompere l'utilizzo della motosega e consultare un nostro centro di assistenza autorizzato.

Far funzionare la motosega, quindi rilasciare completamente l'interruttore a grilletto. La catena della sega deve arrestarsi entro 2 secondi.

Regolazione della lubrificazione della catena

È possibile regolare la mandata della pompa dell'olio utilizzando la vite di regolazione. È possibile regolare la quantità d'olio utilizzando la punta della chiave a tubo.

► Fig.8: 1. Vite di regolazione

Funzione elettronica

L'utensile è dotato di una funzione elettronica, per un facile utilizzo.

- Freno elettrico
Questo utensile è dotato di un freno elettrico. Qualora l'utensile non riesca ripetutamente ad arrestarsi rapidamente dopo il rilascio dell'interruttore a grilletto, far sottoporre a riparazione l'utensile presso un centro di assistenza autorizzato Makita.

MONTAGGIO

⚠ATTENZIONE: Accertarsi sempre che l'utensile sia spento e che la cartuccia della batteria sia stata rimossa, prima di effettuare qualsiasi intervento sull'utensile.

⚠ATTENZIONE: Non toccare la catena della sega con le mani nude. Indossare sempre i guanti quando si intende maneggiare la catena della sega.

Installazione o rimozione della catena della sega

⚠ATTENZIONE: La catena della sega e la barra guida sono ancora estremamente calde subito dopo l'uso. Lasciarle raffreddare a sufficienza prima di eseguire qualsiasi operazione sull'utensile.

⚠ATTENZIONE: Eseguire la procedura di installazione o rimozione della catena della sega in un'ubicazione pulita, priva di segatura e simili.

Installazione della catena della sega

Per installare la catena della sega, attenersi alla procedura seguente:

1. Rilasciare il freno catena tirando il paramano anteriore.
2. Tirare la leva verso l'alto premendone contemporaneamente il bordo.
► **Fig.9:** 1. Leva
3. Ruotare la leva in senso antiorario fino a rimuovere il coperchio del rocchetto.
► **Fig.10:** 1. Leva 2. Coperchio del rocchetto
4. Rimuovere il coperchio del rocchetto.
5. Controllare la direzione della catena della sega. Far corrispondere la direzione della catena della sega con quella del simbolo sul corpo della motosega.
► **Fig.11:** 1. Simbolo sul corpo della motosega
6. Disporre un'estremità della catena della sega sopra la barra guida.
7. Disporre l'altra estremità della catena della sega intorno al rocchetto, quindi montare la barra guida sul corpo della motosega.
► **Fig.12:** 1. Rocchetto
8. Ruotare il selettore di regolazione nella direzione "-" per far scivolare lo spinotto di regolazione nella direzione della freccia.
► **Fig.13:** 1. Selettore di regolazione 2. Spinotto di regolazione
9. Applicare il coperchio del rocchetto sulla motosega in modo che lo spinotto di regolazione sia posizionato in un piccolo foro sulla barra guida.
► **Fig.14:** 1. Coperchio del rocchetto 2. Barra guida 3. Foro
10. Ruotare completamente la leva in senso orario, quindi ruotare leggermente all'indietro la leva, per mantenere l'allentamento necessario alla regolazione della tensione della catena.
11. Regolare la tensione della catena. Per la procedura, fare riferimento alla sezione relativa alla regolazione della tensione della catena della sega.
12. Ruotare la leva in senso orario fino a quando il coperchio del rocchetto viene fissato, quindi riportarla alla posizione originale.
► **Fig.15:** 1. Leva 2. Coperchio del rocchetto

Rimozione della catena della sega

Per rimuovere la catena della sega, attenersi alla procedura seguente:

1. Rilasciare il freno catena tirando il paramano anteriore.
2. Ruotare il selettore di regolazione verso "-" per rilasciare la tensione della catena della sega.
► **Fig.16:** 1. Selettore di regolazione
3. Tirare la leva verso l'alto premendone contemporaneamente il bordo.
► **Fig.17:** 1. Leva
4. Ruotare la leva in senso antiorario fino a rimuovere il coperchio del rocchetto.
► **Fig.18:** 1. Leva 2. Coperchio del rocchetto
5. Rimuovere il coperchio del rocchetto, quindi rimuovere la catena della sega e la barra guida dal corpo della motosega.

Regolazione della tensione della catena della sega

⚠ATTENZIONE: Eseguire la procedura di installazione o rimozione della catena della sega in un'ubicazione pulita, priva di segatura e simili.

⚠ATTENZIONE: Non serrare eccessivamente la catena della sega. Una tensione eccessiva della catena della sega potrebbe causare la rottura della catena della sega, l'usura della barra guida e la rottura del selettore di regolazione.

⚠ATTENZIONE: Una catena troppo allentata può saltare fuori dalla barra, e potrebbe causare lesioni personali.

La catena della sega potrebbe allentarsi, dopo molte ore d'uso. Di tanto in tanto, prima dell'uso, verificare la tensione della catena della sega.

1. Tirare la leva verso l'alto premendone contemporaneamente il bordo.
► **Fig.19:** 1. Leva
2. Ruotare la leva di poco in senso antiorario per allentare leggermente il coperchio del rocchetto.
► **Fig.20:** 1. Leva 2. Coperchio del rocchetto
3. Sollevare leggermente la punta della barra guida e regolare la tensione della catena. Ruotare il selettore di regolazione nella direzione "-" per allentarla, e nella direzione "+" per serrarla. Serrare la catena della sega fino a quando il lato inferiore della catena della sega entra nel binario della barra guida, come illustrato nella figura.
► **Fig.21:** 1. Selettore di regolazione 2. Barra guida 3. Catena della sega
4. Continuare a mantenere delicatamente la barra guida e serrare il coperchio del rocchetto ruotando la leva in senso orario. Accertarsi di non allentare la catena della sega dal lato inferiore.
5. Riportare la leva sulla sua posizione originale. Accertarsi che la catena della sega si appoggi in modo aderente contro il lato inferiore della barra guida.

FUNZIONAMENTO

Lubrificazione

⚠ATTENZIONE: Non far funzionare la motosega quando il serbatoio è vuoto. Rabboccare l'olio a tempo debito prima che il serbatoio si svuoti.

⚠ATTENZIONE: Evitare che l'olio entri in contatto con la pelle e gli occhi. Il contatto con gli occhi causa irritazione. In caso di contatto con gli occhi, lavare subito abbondantemente l'occhio interessato con acqua pulita, quindi consultare immediatamente un medico.

⚠ATTENZIONE: Non utilizzare mai olio esausto. L'olio esausto contiene sostanze cancerogene. Le sostanze contaminanti nell'olio esausto causano l'usura accelerata della pompa dell'olio, della barra e della catena. L'olio esausto è pericoloso per l'ambiente.

AVVISO: Quando si utilizza la motosega per la prima volta, potrebbero occorrere fino a due minuti affinché l'olio catena della sega inizi a produrre il proprio effetto lubrificante sul meccanismo della sega. Far funzionare la sega a vuoto fino a tale momento.

AVVISO: Quando si rabbocca l'olio catena per la prima volta, oppure quando si intende riempire il serbatoio dopo che si è svuotato completamente, aggiungere l'olio fino al bordo inferiore del bocchettone. In caso contrario, l'erogazione dell'olio potrebbe venire ostacolata.

AVVISO: Utilizzare olio per catene motosega esclusivo Makita o un olio equivalente disponibile in commercio.

AVVISO: Non utilizzare mai oli contenenti polveri e particelle, oppure oli volatili.

AVVISO: Per la potatura degli alberi, utilizzare oli biologici. Gli oli minerali potrebbero essere nocivi per gli alberi.

AVVISO: Prima dell'operazione di taglio, accertarsi che il tappo del serbatoio dell'olio in dotazione sia avvitato in sede.

La catena della sega viene lubrificata automaticamente quando l'utensile è in uso. Controllare a intervalli regolari attraverso la finestrella di ispezione dell'olio la quantità d'olio restante nel serbatoio dell'olio.

► **Fig.22:** 1. Tappo del serbatoio dell'olio 2. Finestrella di ispezione dell'olio

Per rabboccare l'olio, attenersi alla procedura seguente:

1. Pulire a fondo l'area circostante il tappo del serbatoio dell'olio, per evitare che sporco di qualsiasi genere penetri nel serbatoio dell'olio.
2. Appoggiare la motosega sul fianco.
3. Premere il pulsante sul tappo del serbatoio dell'olio in modo che il pulsante sull'altro lato si sollevi, quindi rimuovere il tappo del serbatoio dell'olio ruotandolo.

► **Fig.23:** 1. Tappo del serbatoio dell'olio 2. Per serrare 3. Per allentare

4. Rabboccare il serbatoio dell'olio con l'olio. La quantità d'olio corretta è pari a 200 ml.
5. Riavvitare saldamente il tappo del serbatoio dell'olio in sede.
6. Pulire con cura con un panno eventuali schizzi d'olio catena.

NOTA: Qualora risulti difficile rimuovere il tappo del serbatoio dell'olio, inserire la punta della chiave a tubo nell'alloggiamento del tappo del serbatoio dell'olio, quindi rimuovere il tappo del serbatoio dell'olio ruotandolo in senso antiorario.

► **Fig.24:** 1. Alloggiamento 2. Chiave a tubo

Dopo il rabbocco, tenere la motosega lontana dall'albero. Avviarla e attendere che la lubrificazione sulla catena della sega sia adeguata.

► **Fig.25**

Utilizzo della motosega

⚠ATTENZIONE: Chi usa l'utensile per la prima volta dovrebbe fare un minimo di pratica tagliando tronchi su un cavalletto per sega o un'intelaiatura di sostegno.

⚠ATTENZIONE: Quando si intende tagliare del legname già tagliato, utilizzare un supporto sicuro (cavalletto per sega o intelaiatura di sostegno). Non tenere fermo il pezzo in lavorazione con un piede, e non farlo mantenere o tenere fermo da altri.

⚠ATTENZIONE: Fissare i pezzi rotondi in modo che non ruotino.

⚠ATTENZIONE: Tenere tutte le parti del corpo lontane dalla catena della sega quando il motore è in funzione.

⚠ATTENZIONE: Mantenere saldamente la motosega con entrambe le mani mentre il motore è in funzione.

⚠ATTENZIONE: Non sporgersi eccessivamente. Mantenere sempre un appoggio corretto sui piedi e l'equilibrio.

⚠ATTENZIONE: Quando si utilizza il lato superiore della barra guida per il taglio, fare attenzione, poiché la motosega potrebbe venire spinta nella direzione dell'utilizzatore, qualora la catena della sega resti intrappolata.

AVVISO: Non lanciare né far cadere mai l'utensile.

AVVISO: Non coprire le aperture di ventilazione dell'utensile.

AVVISO: Quando si intende effettuare svariati tagli, spegnere la motosega tra un taglio e l'altro.

Prima di accendere la motosega, mettere il bordo inferiore del corpo della motosega in contatto con il ramo da tagliare. In caso contrario, si potrebbe causare un'oscillazione della barra guida, con conseguenti lesioni personali per l'operatore. Segare il legno da tagliare semplicemente spostandolo verso il basso utilizzando il peso della motosega.

► **Fig.26**

Qualora non si riesca a tagliare il legname in un solo colpo: Esercitare una leggera pressione sull'impugnatura e continuare a segare e tirare leggermente indietro la motosega; quindi, applicare il rampone leggermente più in basso e finire di tagliare sollevando l'impugnatura.

► **Fig.27**

Abbattimento di un albero

⚠ATTENZIONE: I lavori di abbattimento devono essere effettuati unicamente da personale addestrato. È un tipo di lavoro pericoloso.

Quando si intende effettuare operazioni di taglio trasversale/depezzatura e abbattimento mediante due o più persone contemporaneamente, le operazioni di abbattimento vanno separate dall'operazione di taglio trasversale/depezzatura da una distanza pari ad almeno due volte l'altezza dell'albero che si intende abbattere. Gli alberi non vanno abbattuti in modo tale da mettere in pericolo le persone, colpire le linee di servizi pubblici o causare danni alle cose. Qualora l'albero entri in contatto con una qualsiasi linea di un servizio pubblico, è necessario comunicarlo immediatamente all'azienda.

L'operatore della motosega dovrebbe mantenersi sul lato a monte del terreno, in quanto è probabile che l'albero rotoli o scivoli a valle dopo essere stato abbattuto.

Stabilire e liberare una via di fuga in base alle necessità prima di iniziare a tagliare. La via di fuga deve estendersi posteriormente e diagonalmente al lato posteriore della linea prevista di caduta, come illustrato.

► **Fig.28:** 1. Direzione di abbattimento 2. Zona di pericolo 3. Percorso di fuga

Prima di iniziare l'abbattimento, prendere in considerazione l'inclinazione naturale dell'albero, la posizione dei rami più grandi e la direzione del vento, per valutare in quale modo cadrà l'albero.

Rimuovere sporco, pietre, corteccia allentata, chiodi, grappe e fili metallici dall'albero.

Incisione di tacche di direzione e taglio di abbattimento

⚠ATTENZIONE: Non tagliare la cerniera in alcuna circostanza. L'albero potrebbe cadere improvvisamente.

AVVISO: Utilizzare cunei di plastica o di alluminio per tenere aperto il taglio di abbattimento. Non utilizzare cunei di ferro.

► **Fig.29:** 1. 50 mm 2. Taglio di abbattimento 3. Cerniera 4. Tacca 5. Direzione di caduta

Realizzare una tacca di 1/3 del diametro dell'albero, perpendicolarmente alla direzione di caduta, come illustrato. Effettuare innanzitutto l'incisione della tacca orizzontale inferiore. In tal modo, si contribuisce ad evitare che la catena della sega o la barra guida restino incastrate quando si realizza la seconda tacca.

Realizzare il taglio di abbattimento a un'altezza di almeno 50 mm superiore a quella della tacca orizzontale, come illustrato. Mantenere il taglio di abbattimento parallelo al taglio della tacca orizzontale. Realizzare il taglio di abbattimento in modo da far restare legno sufficiente a fungere da cerniera. Il legno della cerniera evita che l'albero ruoti su se stesso e cada nella direzione sbagliata. Non tagliare la cerniera.

Man mano che l'abbattimento si avvicina alla cerniera, l'albero dovrebbe iniziare a cadere. Qualora sussista una qualsiasi probabilità che l'albero possa cadere in una direzione diversa da quella desiderata, o che possa oscillare all'indietro e far incastrare la catena della sega, arrestare il taglio prima di completare il taglio di abbattimento, e utilizzare cunei di legno, plastica o alluminio per aprire il taglio e far cadere l'albero lungo la linea di caduta desiderata.

Quando l'albero inizia a cadere, rimuovere la motosega dal taglio, arrestare il motore, appoggiare a terra la motosega, quindi utilizzare il percorso di ritirata pianificato. Fare attenzione ai rami cadenti dall'alto e a dove si mettono i piedi.

Sramatura di un albero

⚠ATTENZIONE: La sramatura deve essere effettuata unicamente da personale esperto. Un pericolo è rappresentato dal rischio dei contraccolpi.

La sramatura consiste nella rimozione dei rami da un albero caduto. Durante la sramatura, lasciare intatti i rami più bassi e più ampi, per sostenere il tronco dal suolo. Rimuovere i rami piccoli con un solo taglio, come illustrato. I rami sotto tensione vanno tagliati dal basso verso l'alto, per evitare di far incastrare la motosega.

► **Fig.30:** 1. Taglio dei rami

Taglio trasversale/depezzatura di un tronco

Il taglio trasversale, o depezzatura, consiste nel tagliare un tronco in pezzi. È importante accertarsi di avere un saldo equilibrio sui piedi e che il proprio peso sia distribuito in modo uniforme su entrambi i piedi. Quando possibile, il tronco andrebbe sollevato e sostenuto mediante l'uso di rami, ceppi o zeppe. Attenersi alle semplici indicazioni, per un taglio facile.

Quando il tronco è sostenuto lungo la sua intera lunghezza come illustrato, viene tagliato dall'alto (depezzatura dall'alto).

► **Fig.31**

Quando il tronco è sostenuto da una sola estremità, come illustrato, tagliare 1/3 del diametro dal lato inferiore (depezzatura dal basso). Quindi, realizzare il taglio finito eseguendo la depezzatura dall'alto per incontrare il primo taglio.

► **Fig.32:** 1. Primo taglio 2. Secondo taglio

Quando il tronco è sostenuto da entrambe le estremità, come illustrato, tagliare 1/3 del diametro dal lato superiore (depezzatura dall'alto). Quindi, realizzare il taglio finito depezzando dal basso i 2/3 inferiori per incontrare il primo taglio.

► **Fig.33:** 1. Primo taglio 2. Secondo taglio

Quando si intende eseguire il taglio trasversale/la depezzatura su un pendio, stare sempre in piedi sul lato a monte del tronco, come illustrato. Quando si "passa attraverso" con il taglio, per mantenere il controllo completo, rilasciare la pressione di taglio in prossimità della fine del taglio, senza rilasciare la presa sulle maniglie della motosega. Non consentire alla catena di entrare in contatto con il suolo. Dopo aver completato il taglio, attendere che la catena della sega si arresti, prima di spostare la motosega. Prima di spostarsi da un albero all'altro, arrestare sempre il motore.

► **Fig.34**

Taglio parallelo alla fibratura

⚠ATTENZIONE: Il taglio parallelo alla fibratura deve essere eseguito unicamente da personale addestrato. La possibilità di contraccolpi presenta il rischio di lesioni personali.

Effettuare il taglio parallelo alla fibratura all'angolazione meno profonda possibile.

► **Fig.35**

Trasporto dell'utensile

Prima di trasportare l'utensile, applicare sempre il freno catena e rimuovere la cartuccia della batteria dall'utensile. Quindi, applicare il copribarra. Inoltre, coprire la cartuccia della batteria con il coperchio della batteria.

► **Fig.36:** 1. Copribarra 2. Coperchio della batteria

MANUTENZIONE

⚠ATTENZIONE: Accertarsi sempre che l'utensile sia spento e che la cartuccia della batteria sia stata rimossa prima di tentare di eseguire interventi di ispezione o manutenzione.

⚠ATTENZIONE: Indossare sempre i guanti prima di eseguire qualsiasi ispezione o manutenzione.

AVVISO: Non utilizzare mai benzina, benzene, solventi, alcol o altre sostanze simili. In caso contrario, si potrebbero causare scolorimenti, deformazioni o crepe.

Per preservare la SICUREZZA e l'AFFIDABILITÀ del prodotto, le riparazioni e qualsiasi altro intervento di manutenzione e di regolazione devono essere eseguiti da un centro di assistenza autorizzato Makita, utilizzando sempre ricambi Makita.

Affilatura della catena della sega

Affilare la catena della sega quando:

- Si produce una segatura farinosa quando si taglia il legno umido;
- La catena penetra nel legno con difficoltà, anche quando si applica una forte pressione;
- Il tagliente è visibilmente danneggiato;
- La motosega tira verso sinistra o destra nel legno. (Ciò è causato da un'affilatura non uniforme della catena della sega oppure dal danneggiamento di un solo lato).

Affilare spesso la catena della sega, ma poco alla volta. Per la normale riaffilatura sono generalmente sufficienti due o tre colpi di lima. Quando la catena della sega è stata riaffilata diverse volte, farla affilare in un nostro centro di assistenza autorizzato.

Criteri di affilatura:

⚠AVVERTIMENTO: Una distanza eccessiva tra il tagliente e il limitatore di profondità aumenta il rischio di contraccolpi.

► **Fig.37:** 1. Lunghezza della lama 2. Distanza tra il tagliente e il limitatore di profondità 3. Lunghezza minima della lama (3 mm)

- Tutte le lame devono avere la stessa lunghezza. Le lame con lunghezze diverse impediscono alla catena della sega di scorrere normalmente, e potrebbero causare la rottura della catena della sega.

- Non affilare la catena quando le lame hanno raggiunto la lunghezza minima di 3 mm o inferiore. La catena deve essere sostituita con una nuova.
- Lo spessore delle schegge viene determinato dalla distanza tra il limitatore di profondità (punta rotonda) e il tagliente.
- I risultati di taglio migliori si ottengono con la seguente distanza tra il tagliente e il limitatore di profondità.

- Lama della catena 80TXL: 0,65 mm

► **Fig.38**

- L'angolo di affilatura di 30° deve essere identico su tutte le lame. Angoli diversi tra le lame causano uno scorrimento disordinato e irregolare della catena, accelerano l'usura e portano a rotture delle catene.

- Utilizzare una lima tonda appropriata in modo da conservare l'angolo di affilatura corretta contro i denti.

- Lama della catena 80TXL: 5°

Lima e guida della lima

- Per affilare la catena utilizzare una speciale lima tonda (accessorio opzionale) per catene per motosega. Le comuni lime tonde non sono adatte.

- Il diametro della lima tonda per ciascuna catena della sega è il seguente:

- Lama della catena 80TXL: 4,0 mm

- La lima deve toccare la lama solo nel colpo in avanti. Sollevare la lima dalla lama nel percorso di ritorno.

- Affilare sempre la lama più corta per prima. La lunghezza di questa lama più corta diventa, quindi, il riferimento per tutte le altre lame della catena della sega.

- Guidare la lima come indicato nella figura.

► **Fig.39:** 1. Lima 2. Catena della sega

- La lima può essere guidata più facilmente se si utilizza un portalima (accessorio opzionale). Sul portalima sono presenti dei segni per l'angolo corretto di affilatura di 30° (allineare i segni parallelamente alla catena della sega) e limita la profondità di penetrazione (a 4/5 del diametro della lima).

► **Fig.40:** 1. Portalima

- Dopo aver affilato la catena, controllare l'altezza del limitatore di profondità utilizzando il calibro per catena (accessorio opzionale).

► **Fig.41**

- Rimuovere eventuale materiale sporgente, benché di minima entità, con una speciale lima piatta (accessorio opzionale).

- Arrotondare di nuovo la parte anteriore del limitatore di profondità.

Pulizia della barra guida

Le schegge e la segatura si accumulano nella scanalatura della barra guida; potrebbero intasarla e ostacolare il flusso dell'olio. Rimuovere sempre le schegge e la segatura ogni volta che si affila o si rimonta la catena della sega.

► **Fig.42**

Pulizia del coperchio del rocchetto

Le schegge e la segatura si accumulano all'interno del coperchio del rocchetto. Rimuovere il coperchio del rocchetto e la catena della sega dall'utensile, quindi pulire le schegge e la segatura.

► Fig.43

Pulizia del foro di scarico dell'olio

Durante l'utilizzo, nel foro di scarico dell'olio si potrebbero accumulare polveri fini o particelle. Queste ultime potrebbero ostacolare il flusso dell'olio e causare una lubrificazione insufficiente dell'intera catena della sega. Quando si verifica una scarsa erogazione dell'olio catena nella parte superiore della barra guida, pulire il foro di scarico dell'olio nel modo seguente.

1. Rimuovere dall'utensile il coperchio del rocchetto e la catena della sega.
 2. Rimuovere le polveri fini o le particelle utilizzando un cacciavite a punta piatta o un attrezzo simile.
- Fig.44: 1. Cacciavite a punta piatta 2. Foro di scarico dell'olio
3. Inserire la cartuccia della batteria nell'utensile. Premere l'interruttore a grilletto per far defluire le polveri o le particelle accumulate dal foro di scarico olio scaricando l'olio catena.
 4. Rimuovere la cartuccia della batteria dall'utensile. Reinstallare sull'utensile il coperchio del rocchetto e la catena della sega.

Sostituzione del rocchetto

⚠ATTENZIONE: Un rocchetto usurato danneggia una nuova catena della sega. In tal caso, far sostituire il rocchetto.

Prima di montare una nuova catena della sega, controllare le condizioni del rocchetto.

► Fig.45: 1. Rocchetto 2. Aree usurate

Montare sempre un nuovo anello di blocco quando si sostituisce il rocchetto.

► Fig.46: 1. Anello di blocco 2. Rocchetto

AVVISO: Accertarsi che il rocchetto sia installato come indicato nella figura.

Conservazione dell'utensile

1. Pulire l'utensile prima di riporlo. Rimuovere dall'utensile tutte le schegge e la segatura dopo aver rimosso il coperchio del rocchetto.
2. Dopo aver pulito l'utensile, farlo girare a vuoto per lubrificare la catena della sega e la barra guida.
3. Coprire la barra guida con il copribarra.
4. Svuotare il serbatoio dell'olio.

Istruzioni per la manutenzione periodica

Per assicurare una lunga vita utile dell'utensile, evitare danni e assicurare il pieno funzionamento delle funzioni di sicurezza, è necessario eseguire a intervalli regolari la manutenzione seguente. Le clausole della garanzia sono valide solo se tale lavoro viene eseguito regolarmente e correttamente. La mancata esecuzione del lavoro di manutenzione prescritto può causare incidenti. L'utente della motosega non deve eseguire lavori di manutenzione non descritti nel presente manuale d'uso. Tali lavori devono essere eseguiti da un nostro centro di assistenza autorizzato.

Voce da controllare/tempo di utilizzo		Prima dell'uso	Ogni giorno	Ogni settimana	Ogni 3 mesi	Ogni anno	Prima di riporre l'utensile
Motosega	Ispezione.	✓	-	-	-	-	-
	Pulizia.	-	✓	-	-	-	-
	Controllo presso un centro di assistenza autorizzato.	-	-	-	-	✓	✓
Catena della sega	Ispezione.	✓	-	-	-	-	-
	Affilatura, se necessario.	-	-	-	-	-	✓
Barra guida	Ispezione.	✓	✓	-	-	-	-
	Rimuovere dalla motosega.	-	-	-	-	-	✓
Freno catena	Controllare il funzionamento.	✓	-	-	-	-	-
	Farlo ispezionare a intervalli regolari presso un centro di assistenza autorizzato.	-	-	-	✓	-	-
Lubrificazione della catena	Controllare la velocità di erogazione dell'olio.	✓	-	-	-	-	-
Interruttore a grilletto	Ispezione.	✓	-	-	-	-	-
Leva di sblocco	Ispezione.	✓	-	-	-	-	-
Tappo del serbatoio dell'olio	Controllare il serraggio.	✓	-	-	-	-	-
Fermacatena	Ispezione.	-	-	✓	-	-	-
Viti e dadi	Ispezione.	-	-	✓	-	-	-

RISOLUZIONE DEI PROBLEMI

Prima di richiedere riparazioni, eseguire un'ispezione personalmente. Qualora si rilevi un problema che non è illustrato nel manuale, non tentare di smontare l'utensile. Rivolgersi, invece, a un centro di assistenza autorizzato Makita, utilizzando sempre pezzi di ricambio Makita per le riparazioni.

Condizione di malfunzionamento	Causa	Misura correttiva
La motosega non si avvia.	La cartuccia della batteria non è installata.	Installare una cartuccia della batteria carica.
	Problema con la batteria (tensione bassa).	Ricaricare la cartuccia della batteria. Qualora la ricarica non abbia effetto, sostituire la cartuccia della batteria.
	L'interruttore di accensione principale è disattivato.	La motosega si spegne automaticamente se non viene utilizzata per circa 5 minuti. Riattivare l'interruttore di accensione principale. La motosega viene spenta automaticamente quando il motore si arresta a causa dell'entrata in funzione del sistema di protezione per circa 5 minuti. Adottare delle misure correttive sull'utensile utilizzato, quindi riattivare l'interruttore di accensione principale.
La catena della sega non scorre.	Il freno catena si è attivato.	Sbloccare il freno catena.
Il motore smette di girare dopo un breve utilizzo.	Il livello di carica della batteria è basso.	Ricaricare la cartuccia della batteria. Qualora la ricarica non abbia effetto, sostituire la cartuccia della batteria.
Olio assente sulla catena.	Il serbatoio dell'olio è vuoto.	Riempire il serbatoio dell'olio.
	La scanalatura della guida olio è sporca.	Pulire la scanalatura.
	Erogazione insufficiente dell'olio.	Regolare la quantità d'olio erogata mediante la vite di regolazione.
La motosega non raggiunge il numero massimo di giri al minuto.	La cartuccia della batteria non è installata correttamente.	Installare la cartuccia della batteria come descritto nel presente manuale.
	La carica della batteria sta calando.	Ricaricare la cartuccia della batteria. Qualora la ricarica non abbia effetto, sostituire la cartuccia della batteria.
	Il sistema di trasmissione non funziona correttamente.	Richiedere la riparazione a un centro di assistenza autorizzato nella propria area geografica.
L'indicatore luminoso di accensione principale lampeggia in verde.	L'interruttore a grilletto è stato premuto in condizioni di impossibilità d'uso.	Premere l'interruttore a grilletto dopo che l'interruttore di accensione principale è stato attivato e il freno catena è stato sbloccato.
La catena non si arresta anche se è attivato il freno catena: Arrestare immediatamente l'utensile!	Il nastro del freno è usurato.	Richiedere la riparazione a un centro di assistenza autorizzato nella propria area geografica.
Vibrazione anomala: Arrestare immediatamente l'utensile!	La barra guida o la catena della sega è allentata.	Regolare la tensione della barra guida e della catena della sega.
	Malfunzionamento dell'utensile.	Richiedere la riparazione a un centro di assistenza autorizzato nella propria area geografica.
Non si riesce a installare la catena della sega.	La combinazione di catena della sega e rochetto non è corretta.	Utilizzare la combinazione corretta di catena della sega e rochetto facendo riferimento alla sezione dei dati tecnici.

ACCESSORI OPZIONALI

⚠ATTENZIONE: Questi accessori o componenti aggiuntivi sono consigliati per l'uso con l'utensile Makita specificato nel presente manuale. L'impiego di altri accessori o componenti aggiuntivi può costituire un rischio di lesioni alle persone. Utilizzare gli accessori o i componenti aggiuntivi solo per il loro scopo prefissato.

Per ottenere ulteriori dettagli relativamente a questi accessori, rivolgersi a un centro di assistenza Makita.

- Catena della sega
- Barra guida

- Copribarra
- Rocchetto
- Lima
- Batteria e caricabatterie originali Makita

⚠AVVERTIMENTO: Qualora si acquisti una barra guida di lunghezza diversa rispetto alla barra guida standard, acquistare allo stesso tempo anche un copribarra idoneo. Quest'ultimo deve poter essere inserito e coprire completamente la barra guida sulla motosega.

NOTA: Alcuni articoli nell'elenco potrebbero essere inclusi nell'imballaggio dell'utensile come accessori standard. Tali articoli potrebbero variare da nazione a nazione.

TECHNISCHE GEGEVENS

Model:		UC021G	UC022G	UC023G
Totale lengte (zonder zaagketting en zaagblad)		430 mm		
Nominale spanning		Max. 36 V - 40 V gelijkspanning		
Nettogewicht	*1	3,4 kg		
	*2	5,0 - 5,3 kg	5,1 - 5,4 kg	5,1 - 5,5 kg
Standaard zaagbladlengte		300 mm	350 mm	400 mm
Aanbevolen zaagbladlengte		300 - 400 mm		
Toepasselijk type zaagketting (raadpleeg de onderstaande tabel)		80TXL		
Kettingwiel	Aantal tanden	7		
	Steek	0,325"		
Kettingsnelheid		0 - 25,5 m/s (0 - 1.530 m/min)		
Volume kettingolietank		200 cm ³		
Beschermingsklasse		IPX4		

• In verband met ononderbroken research en ontwikkeling, behouden wij ons het recht voor de bovenstaande technische gegevens zonder voorafgaande kennisgeving te wijzigen.

• De technische gegevens kunnen van land tot land verschillen.

*1: Het gewicht is exclusief de zaagketting, het zaagblad, de zaagbladschede, olie en de accu(s).

*2: De lichtste en zwaarste combinatie in gewicht volgens de EPTA-procedure 01/2014. Het gewicht kan verschillen afhankelijk van de hulpstukken, waaronder de accu(s).

Combinatie van zaagketting, zaagblad en kettingwiel

Type zaagketting		80TXL		
Aantal kettingschakels		51	59	64
Zaagblad	Lengte zaagblad	300 mm	350 mm	400 mm
	Zaaglengte	257 mm	323 mm	364 mm
	Steek	0,325"		
	Maat	1,1 mm		
	Type	Tandwielzaagblad		
Kettingwiel	Aantal tanden	7		
	Steek	0,325"		

WAARSCHUWING: Gebruik de juiste combinatie van zaagblad en zaagketting. Anders loopt u de kans op lichamelijk letsel.

Toepasselijke accu's en laders

Accu	BL4040 / BL4040F* / BL4050F* * : Aanbevolen accu
Lader	DC40RA / DC40RB / DC40RC / DC40WA

• Sommige van de hierboven vermelde accu's en laders zijn mogelijk niet leverbaar afhankelijk van waar u woont.

WAARSCHUWING: Gebruik uitsluitend de accu's en laders die hierboven worden genoemd. Gebruik van enige andere accu of lader kan leiden tot letsel en/of brand.











Aanbevolen bekabelde voedingsbron

Draagbare voedingseenheid	PDC01
---------------------------	-------

- De hierboven vermelde bekabelde voedingsbron(nen) is/zijn mogelijk niet leverbaar afhankelijk van waar u woont.
- Alvorens de bekabelde voedingsbron te gebruiken, leest u de instructies en waarschuwingsopdrachten erop.

Symbolen

Hieronder staan de symbolen die voor het gereedschap kunnen worden gebruikt. Zorg ervoor dat u de betekenis ervan kent voordat u het gereedschap gaat gebruiken.

	Lees de gebruiksaanwijzing.
	Draag oogbescherming.
	Draag gehoorbescherming.
	Draag een veiligheidshelm, veiligheidsbril en gehoorbescherming.
	Maximaal toegestane zaaglengte
	Gebruik altijd twee handen om de kettingzaag te bedienen.
	Wees bedacht op terugslag van de kettingzaag en vermijd zagen met de punt van het zaagblad.
	Draairichting van de ketting
	Afstelling voor zaagkettlingolie
	Alleen voor EU-landen Als gevolg van de aanwezigheid van schadelijke componenten in het apparaat, kunnen oude elektrische en elektronische apparaten, accu's en batterijen negatieve gevolgen hebben voor het milieu en de gezondheid van mensen. Gooi elektrische en elektronische apparaten en accu's niet met het huisvuil weg! In overeenstemming met de Europese richtlijn inzake oude elektrische en elektronische apparaten en inzake accu's en batterijen en oude accu's en batterijen, alsmede de toepassing daarvan binnen de nationale wetgeving, dienen oude elektrische apparaten, accu's en batterijen gescheiden te worden opgeslagen en te worden ingeleverd bij een apart inzamelingspunt voor huishoudelijk afval dat de milieubeschermingsvoorschriften in acht neemt. Dit wordt op het apparaat aangegeven door het symbol van een doorgekruiste afvalcontainer.
	Gegarandeerd geluidsvermogensniveau conform EU-richtlijn inzake geluidsemisatie buitenhuis.
	Geluidsvermogensniveau conform de Regelgeving Geluidsregeling van NSW, Australië

Gebruiksdoeleinden

Deze kettingzaag is bedoeld voor het zagen van hout.

Geluidsniveau

De typische, A-gewogen geluidsniveaus zijn gemeten volgens EN62841-4-1:

Model UC021G
Geluidsdruk niveau (L_{pA}): 93 dB (A)
Geluidsvermogensniveau (L_{WA}): 101 dB (A)
Onzekerheid (K): 3 dB (A)

Model UC022G
Geluidsdruk niveau (L_{pA}): 93 dB (A)
Geluidsvermogensniveau (L_{WA}): 101 dB (A)
Onzekerheid (K): 3 dB (A)

Model UC023G
Geluidsdruk niveau (L_{pA}): 93 dB (A)
Geluidsvermogensniveau (L_{WA}): 101 dB (A)
Onzekerheid (K): 3 dB (A)

OPMERKING: De opgegeven geluidsemisiewaarde(n) is/zijn gemeten volgens een standaardtestmethode en kan/kunnen worden gebruikt om dit gereedschap te vergelijken met andere gereedschappen.

OPMERKING: De opgegeven geluidsemisiewaarde(n) kan/kunnen ook worden gebruikt voor een beoordeling vooraf van de blootstelling.

⚠WAARSCHUWING: Draag gehoorbescherming.

⚠WAARSCHUWING: De geluidsemisatie tijdens het gebruik van het elektrisch gereedschap in de praktijk kan verschillen van de opgegeven waarde(n) afhankelijk van de manier waarop het gereedschap wordt gebruikt, met name van het soort werkstuk waarmee wordt gewerkt.

⚠WAARSCHUWING: Zorg ervoor dat veiligheidsmaatregelen worden getroffen ter bescherming van de gebruiker die zijn gebaseerd op een schatting van de blootstelling onder praktijkomstandigheden (rekening houdend met alle fasen van de bedrijfscyclus, zoals de tijdsduur gedurende welke het gereedschap is uitgeschakeld en stationair draait, naast de ingeschakelde tijdsduur).

Trilling

De totale trillingswaarde (triaxiale vectorsom) zoals vastgesteld volgens EN62841-4-1:

Model UC021G
Gebruikstoepassing: zagen van hout
Trillingsemisatie ($a_{h,W}$): 3,5 m/s²
Onzekerheid (K): 1,5 m/s²

Model UC022G
Gebruikstoepassing: zagen van hout
Trillingsemisatie ($a_{h,W}$): 3,5 m/s²
Onzekerheid (K): 1,5 m/s²

Model UC023G

Gebruikstoepassing: zagen van hout

Trillingsemissie ($a_{h,w}$): 3,5 m/s²

Onzekerheid (K): 1,5 m/s²

OPMERKING: De totale trillingswaarde(n) is/zijn gemeten volgens een standaardtestmethode en kan/kunnen worden gebruikt om dit gereedschap te vergelijken met andere gereedschappen.

OPMERKING: De opgegeven totale trillingswaarde(n) kan/kunnen ook worden gebruikt voor een beoordeling vooraf van de blootstelling.

⚠️WAARSCHUWING: De trillingsemissie tijdens het gebruik van het elektrisch gereedschap in de praktijk kan verschillen van de opgegeven waarde(n) afhankelijk van de manier waarop het gereedschap wordt gebruikt, met name van het soort werkstuk waarmee wordt gewerkt.

⚠️WAARSCHUWING: Zorg ervoor dat veiligheidsmaatregelen worden getroffen ter bescherming van de gebruiker die zijn gebaseerd op een schatting van de blootstelling onder praktijkomstandigheden (rekening houdend met alle fasen van de bedrijfscyclus, zoals de tijdsduur gedurende welke het gereedschap is uitgeschakeld en stationair draait, naast de ingeschakelde tijdsduur).

Verklaringen van conformiteit

Alleen voor Europese landen

De verklaringen van conformiteit zijn bijgevoegd in Bijlage A bij deze gebruiksaanwijzing.

VEILIGHEIDSWAARSCHUWINGEN

Algemene veiligheidswaarschuwingen voor elektrisch gereedschap

⚠️WAARSCHUWING Lees alle veiligheidswaarschuwingen, instructies, afbeeldingen en technische gegevens die bij dit elektrisch gereedschap worden geleverd. Als niet alle onderstaande instructies worden opgevolgd, kan dat leiden tot een elektrische schok, brand en/of ernstig letsel.

Bewaar alle waarschuwingen en instructies om in de toekomst te kunnen raadplegen.

De term "elektrisch gereedschap" in de veiligheidsvoorschriften duidt op gereedschappen die op stroom van het lichtnet werken (met snoer) of gereedschappen met een accu (snoerloos).

Algemene veiligheidswaarschuwingen voor een kettingzaag

- Houd alle lichaamsdelen uit de buurt van de zaagketting terwijl de kettingzaag in gebruik is. Alvorens de kettingzaag te starten, verzekert u zichzelf ervan dat de zaagketting niets raakt.** In slechts een kort moment van onoplettendheid tijdens het gebruik van de kettingzaag kan uw kleding of lichaam in aanraking komen met de zaagketting.
- Houd de kettingzaag altijd vast met uw rechterhand aan de achterhandgreep en uw linkerhand aan de voorhandgreep.** Houd de kettingzaag nooit vast met uw handen verwisseld, omdat dan de kans op lichamelijk letsel groter is.
- Houd de kettingzaag alleen vast aan de geïsoleerde vlakken omdat de zaagketting met verborgen bedrading in aanraking kan komen.** Wanneer de zaagketting in aanraking komt met onder spanning staande draden, zullen de niet-geïsoleerde metalen delen van de kettingzaag onder spanning komen te staan zodat de gebruiker een elektrische schok kan krijgen.
- Draag oogbescherming. Verdere beschermingsmiddelen voor oren, hoofd, handen, benen en voeten worden aanbevolen.** Afdoende beschermingsmiddelen verkleinen de kans op persoonlijk letsel als gevolg van rondvliegend afval of onbedoelde aanraking van de zaagketting.
- Bedien de kettingzaag niet in een boom, op een ladder, op het dak of enige instabiele ondergrond.** Als de kettingzaag op deze manier wordt bediend, kan dat leiden tot ernstig persoonlijk letsel.
- Zorg altijd voor een stevige stand en bedien de kettingzaag alleen terwijl u op een vaste, stabiele en horizontale ondergrond staat.** Op een gladde of instabiele ondergrond kunt u uw evenwicht of de controle over de kettingzaag verliezen.
- Bij het afzagen van een tak die onder spanning staat, let u goed op eventuele terugslag.** Wanneer de spanning in de houtvezels vrij komt, kan de onder spanning staande tak de gebruiker een terugslag geven en/of de controle over de kettingzaag doen verliezen.
- Wees uiterst voorzichtig bij het zagen van struiken en jonge boompjes.** Het dunne materiaal kan zich vasthaken aan de zaagketting en naar u toe geslingerd worden of u uit balans brengen.
- Draag de kettingzaag aan de voorhandgreep terwijl deze uitgeschakeld is en van uw lichaam af gekeerd is. Bij het transporteren of opbergen van de kettingzaag moet altijd de zaagbladschede om het zaagblad worden gedaan.** Een juiste behandeling van de kettingzaag verkleint de kans op het per ongeluk aanraken van de bewegende zaagketting.
- Volg de instructies voor het smeren, ketting spannen en verwisselen van het zaagblad en de zaagketting.** Een verkeerd gespannen of gesmeerde zaagketting kan breken of de kans op terugslag verhogen.
- Zaag uitsluitend hout. Gebruik de kettingzaag niet voor doeleinden waarvoor deze niet bedoeld is. Bijvoorbeeld: gebruik de kettingzaag niet om kunststof, steen of bouwmaterialen anders dan hout te zagen.** Het gebruik van de kettingzaag voor andere werkzaamheden dan waarvoor deze bedoeld is, kan leiden tot gevaarlijke situaties.

12. **Probeer niet een boom te vellen voordat u een goed begrip hebt van de risico's en hoe u deze kunt vermijden.** Bij het vellen van een boom kan ernstig letsel worden toegebracht aan de operator en/of omstanders.

13. **Oorzaken van terugslag en wat de gebruiker hieraan kan doen:**

Terugslag kan optreden wanneer de neus of voorrand van het zaagblad een voorwerp raakt, of wanneer het hout zich sluit en de zaagketting in de zaagsnede vastklemt.

Zagen met alleen de punt van het zaagblad kan een plotselinge, omgekeerde reactie veroorzaken waardoor het zaagblad omhoog geworpen wordt in de richting van de gebruiker.

Het beknellen van de zaagketting langs de bovenzijde van het zaagblad kan het zaagblad snel terugwerpen in de richting van de gebruiker.

Deze beide reacties kunnen ertoe leiden dat u de controle over de kettingzaag verliest waardoor ernstig lichamelijk letsel kan ontstaan. Wees niet afhankelijk van alleen de veiligheidsvoorzieningen die in uw kettingzaag zijn ingebouwd. Als gebruiker van de kettingzaag moet u meerdere stappen ondernemen om ervoor te zorgen dat uw zaagwerkzaamheden zonder ongelukken of letsel verlopen.

Terugslag is het gevolg van misbruik van de kettingzaag en/of onjuiste gebruiksprocedures of -omstandigheden, en kan worden voorkomen door goede voorzorgsmaatregelen te treffen, zoals hieronder vermeld:

- **Houd de kettingzaag stevig met beide handen vast, met uw duimen en vingers rondom de handgrepen van de kettingzaag, en positioneer uw lichaam en armen zodanig dat u een eventuele terugslag kan opvangen.** De kracht van een terugslag kan worden opgevangen door de gebruiker mits de juiste voorzorgsmaatregelen zijn getroffen. Laat de kettingzaag nooit los.

► **Fig.1**

- **Reik niet te ver en zaag nooit boven schouderhoogte.** Dit helpt te voorkomen dat de punt van het zaagblad per ongeluk iets raakt en biedt een betere controle over de kettingzaag in onverwachte situaties.
 - **Gebruik bij het vervangen van het zaagblad of de zaagketting uitsluitend onderdelen die zijn opgegeven door de fabrikant.** Vervanging door een verkeerd zaagblad of zaagketting kan ertoe leiden dat de zaagketting breekt en/of het zaagblad terugslaat.
 - **Volg de instructies van de fabrikant over het slijpen en onderhouden van de zaagketting.** Het verlagen van de hoogte van de dieptevoeler kan leiden tot meer terugslag.
14. **Houd u aan alle instructies bij het verwijderen van vastgelopen materiaal, opbergen of onderhouden van de kettingzaag. Verzeker u ervan dat de schakelaar uit staat en de accu is verwijderd.** Onverwachte inschakeling van de kettingzaag tijdens het verwijderen van vastgelopen materiaal of uitvoeren van onderhoud, kan leiden tot ernstig persoonlijk letsel.

Aanvullende veiligheidsinstructies

Persoonlijke-beschermingsmiddelen

1. **Kleding moet nauwsluitend zijn, maar de bewegelijkheid niet belemmeren.**
2. **Draag de volgende beschermende kleding tijdens het werk:**
 - een goedgekeurde veiligheidshelm, als er gevaar bestaat voor vallende takken en dergelijke;
 - een gezichtsmasker of veiligheidsbril;
 - geschikte gehoorbescherming (oorschelpen, of aangepaste of kneedbare oordoppen). octaafbandanalyse is op verzoek beschikbaar;
 - stevige, lederen veiligheidshandschoenen;
 - een lange broek gemaakt van een sterke stof;
 - een veiligheidsoverall van snijbestendige stof;
 - veiligheidsschoenen of -laarzen met antislipzolen, stalen neus en snijbestendige, stoffen voering;
 - een mondmasker, indien tijdens het werk stof wordt geproduceerd (bijvoorbeeld bij het zagen van droog hout).

Bediening

1. **Alvorens met het werk te beginnen, controleert u of de kettingzaag zich in goede werkende staat bevindt, en dat deze voldoet aan de veiligheidsregels. Controleer met name of:**
 - De kettingrem goed werkt;
 - De uitloprem goed werkt;
 - Het zaagblad en de afdekking van het kettingwiel goed zijn gemonteerd;
 - De ketting is geslepen en gespannen overeenkomstig de regels.
2. **Start de kettingzaag niet terwijl de schede om het zaagblad is geplaatst.** Als de kettingzaag wordt gestart terwijl de schede om het zaagblad is geplaatst, kan de schede naar voren worden weggevoerd, waardoor lichamelijk letsel en materiële schade aan voorwerpen in de buurt van de operator kan worden veroorzaakt.
3. **Trek altijd de kettingrem aan wanneer het gereedschap niet in gebruik is of u het draagt.**
4. **Als u het gereedschap op een modderige ondergrond, natte helling of gladde plaats gebruikt, let u erop dat u stevig staat.**
5. **Dompel het gereedschap niet onder in een waterplas.**
6. **Laat het gereedschap niet onbeheerd buiten in de regen staan.**

Elektrische veiligheid en accu

1. **Vermijd gevaarlijke omgevingen. Gebruik het gereedschap niet op vochtige of natte plaatsen en stel het niet bloot aan regen. Als water binnendringt in het gereedschap, wordt de kans op een elektrische schok groter.**
2. **Werp de accu(s) niet in een vuur.** De accu kan exploderen. Raadpleeg de lokale regelgeving voor mogelijke speciale verwerkingsvereisten.

3. **Open of vervorm de accu(s) niet.** Het elektrolyt is agressief en kan letsel toebrengen aan de ogen en huid. Het kan giftig zijn bij inslikken.
4. **Laad de accu niet op in de regen of op een natte plaats.**
5. **Laad de accu niet buitenshuis op.**
6. **Raak de lader, inclusief de stekker en de contacten van de lader, niet met natte handen aan.**
7. **Vervang de accu niet in de regen.**
8. **Vervang de accu niet met natte handen.**
9. **Laat de accu niet in de regen liggen en laad of berg de accu niet op een vochtige of natte plaats op.**
10. **Laat de aansluitpunten van de accu niet nat worden met een vloeistof, zoals water, en dempel de accu niet onder.** Als de aansluitpunten nat worden of vloeistof binnendringt in de accu, kan kortsluiting ontstaan in de accu en bestaat de kans op oververhitting, brand of explosie.
11. **Nadat de accu vanaf het gereedschap of de acculader is verwijderd, vergeet u niet het accudeksel op de accu te bevestigen en deze op een droge plaats op te bergen.**
12. **Als de accu nat wordt, laat u het water eruit lopen en veegt u hem af met een droge doek. Laat de accu volledig drogen op een droge plaats voordat u hem gebruikt.**

Onderhoud en opslag

1. **Wanneer u het gereedschap opbergt, vermijdt u direct zonlicht en regen, en bergt u het op een plaats op die niet heet of vochtig wordt.**

BEWAAR DEZE GEBRUIKSAANWIJZING.

⚠️ WAARSCHUWING: Laat u NIET misleiden door een vals gevoel van comfort en bekendheid met het gereedschap (na veelvuldig gebruik) en neem alle veiligheidsvoorschriften van het betreffende gereedschap altijd strikt in acht. **VERKEERD GEBRUIK** of het niet naleven van de veiligheidsvoorschriften in deze gebruiksaanwijzing kan leiden tot ernstig letsel.

Belangrijke veiligheidsinstructies voor een accu

1. **Lees alle voorschriften en waarschuwingen op (1) de acculader, (2) de accu, en (3) het product waarvoor de accu wordt gebruikt, alvorens de accu in gebruik te nemen.**
 2. **Haal de accu niet uit elkaar en saboteer hem niet.** Dit kan leiden tot brand, buitensporige hitte of een explosie.
 3. **Als de gebruikstijd van een opgeladen accu aanzienlijk korter is geworden, moet u het gebruik ervan onmiddellijk stopzetten.** Voortgezet gebruik kan oververhitting, brandwonden en zelfs een ontploffing veroorzaken.
 4. **Als elektrolyt in uw ogen is terechtgekomen, spoelt u uw ogen met schoon water en roept u onmiddellijk de hulp van een dokter in.** Elektrolyt in de ogen kan blindheid veroorzaken.
5. **Voorkom kortsluiting van de accu:**
 - (1) **Raak de accuklemmen nooit aan met een geleidend materiaal.**
 - (2) **Bewaar de accu niet in een bak waarin andere metalen voorwerpen zoals spijkers, munten e.d. worden bewaard.**
 - (3) **Stel de accu niet bloot aan water of regen.** Kortsluiting van de accu kan oorzaak zijn van een grote stroomafgifte, oververhitting, brandwonden, en zelfs defecten.
 6. **Bewaar en gebruik het gereedschap en de accu niet op plaatsen waar de temperatuur kan oplopen tot 50 °C of hoger.**
 7. **Werp de accu nooit in het vuur, ook niet wanneer hij zwaar beschadigd of volledig versleten is.** De accu kan ontploffen in het vuur.
 8. **Laat de accu niet vallen, sla er geen spijker in, snijd er niet in, gooi er niet mee en stoot hem niet tegen een hard voorwerp.** Dergelijke handelingen kunnen leiden tot brand, buitensporige hitte of een explosie.
 9. **Gebruik nooit een beschadigde accu.**
 10. **De bijgeleverde lithium-ionbatterijen zijn onderhevig aan de vereisten in de wetgeving omtrent gevaarlijke stoffen.** Voor commercieel transport en dergelijke door derden en transporteurs moeten speciale vereisten ten aanzien van verpakking en etikettering worden nageleefd. Als voorbereiding van het artikel dat wordt getransporteerd is het noodzakelijk een expert op het gebied van gevaarlijke stoffen te raadplegen. Houd u tevens aan mogelijk strengere nationale regelgeving. Blootliggende contactpunten moeten worden afgedekt met tape en de accu moet zodanig worden verpakt dat deze niet kan bewegen in de verpakking.
 11. **Wanneer u de accu wilt weggooien, verwijdert u de accu vanaf het gereedschap en gooit u hem op een veilige manier weg. Volg bij het weggooien van de accu de plaatselijke voorschriften.**
 12. **Gebruik de accu's uitsluitend met de gereedschappen die door Makita zijn aanbevolen.** Als de accu's worden aangebracht in niet-compatibele gereedschappen, kan dat leiden tot brand, buitensporige warmteontwikkeling, een explosie of lekkage van elektrolyt.
 13. **Als u het gereedschap gedurende een lange tijd niet denkt te gaan gebruiken, moet de accu vanaf het gereedschap worden verwijderd.**
 14. **Tijdens en na gebruik, kan de accu heet worden waardoor brandwonden of koude brandwonden kunnen worden veroorzaakt. Wees voorzichtig bij het hanteren van een hete accu.**
 15. **Raak de aansluitpunten van het gereedschap niet onmiddellijk na gebruik aan omdat deze heet genoeg kunnen zijn om brandwonden te veroorzaken.**
 16. **Zorg ervoor dat geen steenslag, stof of grond vast komt te zitten op/in de aansluitpunten, openingen en groeven van de accu.** Hierdoor kan oververhitting, brand, een barst en een storing in het gereedschap of de accu ontstaan waardoor brandwonden of persoonlijk letsel kunnen ontstaan.

- Behalve indien gebruik van het gereedschap is toegestaan in de buurt van hoogspanningsleidingen, mag u de accu niet gebruiken in de buurt van een hoogspanningsleiding. Dit kan leiden tot een storing of een defect van het gereedschap of de accu.
- Houd de accu uit de buurt van kinderen.

BEWAAR DEZE INSTRUCTIES.

⚠ LET OP: Gebruik uitsluitend originele Makita accu's. Het gebruik van niet-originele accu's, of accu's die zijn gewijzigd, kan ertoe leiden dat de accu ontploft en brand, persoonlijk letsel en schade veroorzaakt. Ook vervalt daarmee de garantie van Makita op het gereedschap en de lader van Makita.

Tips voor een maximale levensduur van de accu

- Laad de accu op voordat hij volledig ontladen is. Stop het gebruik van het gereedschap en laad de accu op telkens wanneer u vaststelt dat het vermogen van het gereedschap is afgenomen.
- Laad een volledig opgeladen accu nooit opnieuw op. Te lang opladen verkort de levensduur van de accu.
- Laad de accu op bij een omgevingstemperatuur tussen 10 °C en 40 °C. Laat een warme accu afkoelen alvorens hem op te laden.
- Als de accu niet wordt gebruikt, verwijdert u hem vanaf het gereedschap of de lader.
- Laad de accu op als u deze gedurende een lange tijd (meer dan zes maanden) niet gaat gebruiken.

BESCHRIJVING VAN DE ONDERDELEN

► Fig.2

1	Accu	2	Beschermkap van de voorhandgreep	3	Hendel
4	Zaagblad	5	Zaagketting	6	Stelknop
7	Bedrijfslampje	8	Hoofdschakelaar	9	Uit-vergrendelknop
10	Achterhandgreep	11	Trekverschakelaar	12	Voorhandgreep
13	Olietankdop	14	Zaagbladschede	15	Stelschroef (voor oliepomp)
16	Kettingvanger	-	-	-	-

BESCHRIJVING VAN DE FUNCTIES

⚠ LET OP: Zorg altijd dat het gereedschap is uitgeschakeld en de accu ervan is verwijderd alvorens de functies op het gereedschap af te stellen of te controleren.

⚠ LET OP: Breng de accu altijd helemaal aan totdat het rode deel niet meer zichtbaar is. Als u dit niet doet, kan de accu per ongeluk uit het gereedschap vallen en u of anderen in uw omgeving verwonden.

⚠ LET OP: Breng de accu niet met kracht aan. Als de accu niet gemakkelijk in het gereedschap kan worden geschoven, wordt deze niet goed aangebracht.

De accu aanbrengen en verwijderen

⚠ LET OP: Schakel het gereedschap altijd uit voordat u de accu aanbrengt of verwijdert.

⚠ LET OP: Houd het gereedschap en de accu stevig vast tijdens het aanbrengen of verwijderen van de accu. Als u het gereedschap en de accu niet stevig vasthoudt, kunnen deze uit uw handen glijpen en het gereedschap of de accu beschadigen, of kan persoonlijk letsel worden veroorzaakt.

Om de accu aan te brengen lijnt u de lip op de accu uit met de groef in de behuizing en duwt u de accu op zijn plaats. Steek de accu zo ver mogelijk in het gereedschap tot u een klikgeluid hoort. Wanneer het rode deel zichtbaar is, zoals aangegeven in de afbeelding, is de accu niet geheel vergrendeld.

Om de accu te verwijderen verschuift u de knop aan de voorkant van de accu en schuift u tegelijkertijd de accu uit het gereedschap.

► Fig.3: 1. Rood deel 2. Knop 3. Accu

De resterende acculading controleren

Druk op de testknop op de accu om de resterende acculading te zien. De indicatorlampjes branden gedurende enkele seconden.

► **Fig.4:** 1. Indicatorlampjes 2. Testknop

Indicatorlampjes			Resterende acculading
Brandt	Uit	Knippert	
■	□	▧	75% tot 100%
■	■	■	
■	■	□	50% tot 75%
■	□	□	25% tot 50%
■	□	□	0% tot 25%
▧	□	□	Laad de accu op.
■	■	□	Er kan een storing zijn opgetreden in de accu.
□	□	■	

OPMERKING: Afhankelijk van de gebruiksomstandigheden en de omgevingstemperatuur, is het mogelijk dat de aangegeven acculading verschilt van de werkelijke acculading.

OPMERKING: Het eerste (meest linker) indicatorlampje knippert wanneer het accubeveiligingssysteem in werking is getreden.

Gereedschap-/accubeveiligingssysteem

Het gereedschap is voorzien van een gereedschap-/accubeveiligingssysteem. Dit systeem schakelt automatisch de voeding naar de motor uit om de levensduur van het gereedschap en de accu te verlengen. Het gereedschap kan tijdens het gebruik automatisch stoppen als het gereedschap of de accu aan één van de volgende omstandigheden wordt blootgesteld:

Overbelastingsbeveiliging

Als het gereedschap/de accu wordt gebruikt op een manier waardoor een abnormaal hoge stroom wordt getrokken, stopt het gereedschap automatisch en knippert het bedrijfslampje groen. In dat geval schakelt u het gereedschap uit en stopt u met het gebruik waardoor het gereedschap overbelast raakte. Schakel daarna het gereedschap in om verder te gaan.

Oververhittingsbeveiliging

Wanneer het gereedschap of de accu oververhit is, stopt het gereedschap automatisch en gaat het bedrijfslampje rood branden. In dat geval laat u het gereedschap en de accu afkoelen voordat u het gereedschap opnieuw inschakelt.

OPMERKING: In een omgeving met een hoge temperatuur treedt de oververhittingsbeveiliging sneller in werking waardoor het gereedschap automatisch stopt.

Beveiliging tegen te ver ontladen

Als de acculading onvoldoende is, stopt het gereedschap automatisch en knippert het bedrijfslampje rood. In dat geval verwijfert u de accu vanaf het gereedschap en laadt u de accu op.

Beveiliging tegen andere oorzaken

Het beveiligingssysteem is ook ontworpen voor andere oorzaken die het gereedschap kunnen beschadigen, en zorgt ervoor dat het gereedschap automatisch stopt. Voer alle volgende stappen uit om de oorzaken op te heffen, wanneer het gereedschap tijdelijk is onderbroken of tijdens het gebruik is gestopt.

1. Schakel het gereedschap uit en schakel het daarna weer in om het opnieuw te starten.
2. Laad de accu(s) op of vervang hem/ze door (een) opgeladen accu(s).
3. Laat de machine en accu(s) afkoelen.

Als geen verbetering optreedt nadat het beveiligingssysteem is gereset, neemt u contact op met uw lokale Makita-servicecentrum.

KENNISGEVING: Als het gereedschap stopt als gevolg van een oorzaak die niet hierboven wordt beschreven, raadpleegt u het hoofdstuk **Problemen oplossen**.

Hoofdschakelaar

WAARSCHUWING: Zet altijd de hoofdschakelaar uit indien niet in gebruik.

Om het gereedschap in te schakelen, drukt u op de hoofdschakelaar. Het bedrijfslampje brandt groen. Om uit te schakelen, drukt u opnieuw op de hoofdschakelaar.

► **Fig.5:** 1. Bedrijfslampje 2. Hoofdschakelaar

OPMERKING: Het bedrijfslampje knippert groen als de trekkerschakelaar wordt ingeknepen bij omstandigheden waaronder bediening onmogelijk is. De lamp knippert onder een van de volgende omstandigheden.

- Wanneer u de hoofdschakelaar inschakelt terwijl u de uit-vergrendelknop ingedrukt houdt en de trekkerschakelaar ingeknepen houdt.
- Wanneer u de trekkerschakelaar inknipt terwijl de kettingrem is geactiveerd.
- Wanneer u de kettingrem los zet terwijl u de uit-vergrendelknop ingedrukt houdt en de trekkerschakelaar ingeknepen houdt.

OPMERKING: Dit gereedschap maakt gebruik van de automatische uitschakelfunctie. De hoofdschakelaar wordt automatisch uitgeschakeld nadat het gereedschap gedurende ongeveer 5 minuten niet is bediend.

OPMERKING: De automatische uitschakelfunctie kan in werking treden nadat het gereedschap is gestopt doordat een beveiligingsfunctie is geactiveerd. De hoofdschakelaar zal automatisch worden uitgeschakeld ongeveer 5 minuten nadat de motor automatisch is gestopt en geen corrigerende handeling is uitgevoerd naar aanleiding van de beveiliging van het gereedschap.

De trekkerschakelaar gebruiken

⚠ WAARSCHUWING: Voor uw veiligheid is dit gereedschap uitgerust met een uit-vergrendel-schakelaar die voorkomt dat het gereedschap onbedoeld start. Gebruik het gereedschap **NOOIT** wanneer het start door alleen de trekkerschake-laar in te knijpen zonder de uit-vergrendelknop in te drukken. Stuur het gereedschap naar ons erkende servicecentrum voor deugdelijke repara-tie **ZONDER** het verder te gebruiken.

⚠ WAARSCHUWING: U mag **NOOIT** het doel of de werking van de uit-vergrendelknop teniet doen of deze vastplakken.

⚠ LET OP: Alvorens de accu in het gereed-schap te plaatsen, moet u altijd controleren of de trekkerschakelaar goed werkt en bij het loslaten terugkeert naar de stand "OFF".

KENNISGEVING: Knijp de trekkerschakelaar niet hard in zonder de uit-vergrendelknop in te drukken. Hierdoor kan de schakelaar kapot gaan.

Voor de veiligheid is een dubbele uit-vergrendelschake-laar aanwezig om te voorkomen dat de trekkerschake-laar per ongeluk wordt ingeknepen.

Om het gereedschap te starten, duwt u de vergrendel-hendel naar voren en omlaag tot voorbij zijn normale stand met behulp van de huidplooi tussen uw duim en wijsvinger, en drukt u de uit-vergrendelknop in met uw handpalm. Terwijl de uit-vergrendelknop ingedrukt wordt gehouden, knijpt u de trekkerschakelaar in. Hoe harder u de trekkerschakelaar inknijpt, hoe hoger het toerental van het gereedschap.

Laat de trekkerschakelaar los om te stoppen.

► **Fig.6:** 1. Vergrendelhendel 2. Uit-vergrendelknop
3. Trekkerschakelaar

De kettingrem controleren

⚠ LET OP: Houd de kettingzaag met beide handen vast wanneer u hem inschakelt. Houd de achterhandgreep met uw rechterhand vast en de voorhandgreep met uw linkerhand. Het zaagblad en de zaagketting mogen geen enkel voorwerp raken.

⚠ LET OP: Als de zaagketting niet onmiddellijk tot stilstand komt wanneer deze controle wordt uitgevoerd, mag de kettingzaag onder geen beding worden gebruikt. Neem contact op met ons erkende servicecentrum.

1. Druk eerst de uit-vergrendelknop in en knijp daarna de trekkerschakelaar in. De zaagketting begint onmiddellijk te draaien.
 2. Duw de beschermkap van de voorhandgreep naar voren met de rug van uw hand. Verzeker u ervan dat de zaagketting onmiddellijk tot stilstand komt.
- **Fig.7:** 1. Beschermkap van de voorhandgreep
2. Vrij gezette stand 3. Vergrendelde stand

De uitlooprem controleren

⚠ LET OP: Als de zaagketting bij deze controle niet binnen 2 seconden tot stilstand komt, stopt u met het gebruik van de kettingzaag en neemt u contact op met ons erkende servicecentrum.

Laat de kettingzaag draaien en laat daarna de trekker-schakelaar helemaal los. De zaagketting moet binnen 2 seconden tot stilstand komen.

De kettingsmering afstellen

U kunt de toevoersnelheid van de oliepomp afstellen met behulp van de stelschroef. De hoeveelheid olie kan worden afgesteld met behulp van het uiteinde van een pijpsleutel.

► **Fig.8:** 1. Stelschroef

Elektronische functie

Het gereedschap is uitgerust met elektronische aanstu-ring voor een gemakkelijke bediening.

- Elektrische rem
Dit gereedschap is voorzien van een elektrische rem. Als het gereedschap continu niet snel stil-staat nadat de trekkerschakelaar is losgelaten, laat u het gereedschap onderhouden door een erkend Makita-servicecentrum.

MONTAGE

⚠ LET OP: Zorg altijd dat het gereedschap is uitgeschakeld en de accu ervan is verwijderd alvorens enig werk aan het gereedschap uit te voeren.

⚠ LET OP: Raak de zaagketting niet met blote handen aan. Draag altijd handschoenen wanneer u de zaagketting hanteert.

De zaagketting aanbrengen en verwijderen

⚠ LET OP: De zaagketting en het zaagblad zijn kort na gebruik nog heet. Laat ze eerst afkoelen, voordat u enige werkzaamheden aan het gereed-schap uitvoert.

⚠ LET OP: Voer de procedure voor het aanbrengen of verwijderen van de zaagketting uit in een schone omgeving, vrij van zaagsel en dergelijke.

De zaagketting aanbrengen

Om de zaagketting aan te brengen, gaat u als volgt te werk:

1. Zet de kettingrem los door aan de beschermkap van de voorhandgreep te trekken.
2. Trek de hendel omhoog terwijl u tegen de rand ervan drukt.

► **Fig.9:** 1. Hendel

3. Draai de hendel linksom tot de afdekking van het kettingwiel los komt.

► **Fig.10:** 1. Hendel 2. Afdekking van het kettingwiel

4. Verwijder de afdekking van het kettingwiel.

5. Controleer de richting van de zaagketting. Zorg ervoor dat de richting van de zaagketting hetzelfde is als die van de markering op het kettingzaaghuus.

► **Fig.11:** 1. Markering op de behuizing van de kettingzaag

6. Leg één kant van de zaagketting op de bovenkant van het zaagblad.

7. Leg het andere uiteinde van de zaagketting rond het kettingwiel en bevestig daarna het zaagblad op de behuizing van de kettingzaag.

► **Fig.12:** 1. Kettingwiel

8. Draai de stelknop naar de “-” kant om de stelpen in de richting van de pijl te schuiven.

► **Fig.13:** 1. Stelknop 2. Stelpen

9. Plaats de afdekking van het kettingwiel op de kettingzaag zodat de stelpen in het kleine gat in het zaagblad valt.

► **Fig.14:** 1. Afdekking van het kettingwiel 2. Zaagblad 3. Gat

10. Draai de hendel helemaal rechtsom en draai de hendel iets terug om speling te houden voor het afstellen van de kettingspanning.

11. Stel de kettingspanning af. Raadpleeg het tekstdeel over het afstellen van de kettingspanning voor de procedure.

12. Draai de hendel rechtsom tot de afdekking van het kettingwiel vast zit en zet hem daarna terug in zijn oorspronkelijke stand.

► **Fig.15:** 1. Hendel 2. Afdekking van het kettingwiel

Het zaagketting verwijderen

Om de zaagketting te verwijderen, gaat u als volgt te werk:

1. Zet de kettingrem los door aan de beschermkap van de voorhandgreep te trekken.

2. Draai de stelknop naar de “-” kant om de spanning van de zaagketting af te halen.

► **Fig.16:** 1. Stelknop

3. Trek de hendel omhoog terwijl u tegen de rand ervan drukt.

► **Fig.17:** 1. Hendel

4. Draai de hendel linksom tot de afdekking van het kettingwiel los komt.

► **Fig.18:** 1. Hendel 2. Afdekking van het kettingwiel

5. Verwijder de afdekking van het kettingwiel en verwijder daarna de zaagketting en het zaagblad vanaf de kettingzaag.

De kettingspanning afstellen

⚠ALLET OP: Voer de procedure voor het aanbrengen of verwijderen van de zaagketting uit in een schone omgeving, vrij van zaagsel en dergelijke.

⚠ALLET OP: Span de zaagketting niet te strak. Bij een te hoge spanning kan de zaagketting breken, het zaagblad slijten en de stelknop defect raken.

⚠ALLET OP: Een zaagketting die te los zit kan van het zaagblad af springen en een ongeluk met letsel veroorzaken.

De zaagketting kan na vele gebruiksuren los gaan zitten. Controleer regelmatig de kettingspanning vóór gebruik.

1. Trek de hendel omhoog terwijl u tegen de rand ervan drukt.

► **Fig.19:** 1. Hendel

2. Draai de hendel een beetje linksom om de afdekking van het kettingwiel iets los te zetten.

► **Fig.20:** 1. Hendel 2. Afdekking van het kettingwiel

3. Til het uiteinde van het zaagblad iets omhoog en stel de kettingspanning af. Draai de stelknop naar de “-” kant om de zaagketting lossere te zetten, en naar de “+” kant om de zaagketting strakker te zetten. Zet de zaagketting strakker totdat de onderkant van de zaagketting in de zaagbladrail past zoals afgebeeld.

► **Fig.21:** 1. Stelknop 2. Zaagblad 3. Zaagketting

4. Houd het zaagblad licht vast en draai de hendel rechtsom om de afdekking van het kettingwiel vast te zetten. Verzeker u ervan dat de onderkant van de zaagketting niet doorhangt.

5. Zet de hendel terug in de oorspronkelijke stand.

Verzeker u ervan dat de zaagketting strak langs de onderrand van het zaagblad loopt.

BEDIENING

Smering

⚠ALLET OP: Bedien de kettingzaag niet wanneer de olietank leeg is. Vul tijdig olie bij voordat de olietank leeg is.

⚠ALLET OP: Voorkom dat de olie op uw huid of in uw ogen komt. Olie in het oog veroorzaakt irritatie. In het geval de olie in het oog komt, moet u het betreffende oog onmiddellijk spoelen met schoon water en direct een huisarts raadplegen.

⚠ALLET OP: Gebruik nooit afgewerkte olie. Afgewerkte olie bevat kankerverwekkende bestanddelen. De verontreinigingen in afgewerkte olie veroorzaken een versnelde slijtage van de oliepomp, het zaagblad en de zaagketting. Afgewerkte olie is schadelijk voor het milieu.

Werken met de kettingzaag

KENNISGEVING: Als de kettingzaag voor het eerst wordt gebruikt, kan het maximaal twee minuten duren voordat de zaagkettingolie het zaagmechanisme begint te smeren. Laat gedurende deze tijd de zaagketting onbelast draaien.

KENNISGEVING: Wanneer u voor het eerst kettingolie bijvult, of de olietank bijvult nadat deze geheel leeg is geraakt, vult u olie bij tot aan de onderrand van de vulnek. Anders kan de olietoevoer gehinderd worden.

KENNISGEVING: Gebruik zaagkettingolie exclusief voor Makita-kettingzagen of een in de winkel verkrijgbare gelijkwaardige kettingolie.

KENNISGEVING: Gebruik nooit olie die is verontreinigd met vuil- en stofdeeltjes of vluchtige olie.

KENNISGEVING: Gebruik botanische olie voor het snoeien van bomen. Minerale olie kan schadelijk zijn voor bomen.

KENNISGEVING: Voordat u begint te zagen, controleert u of de bijgeleverde olietankdop erop is gedraaid.

De zaagketting wordt automatisch gesmeerd tijdens het gebruik van het gereedschap. Controleer regelmatig hoeveel olie er nog in de olietank zit door het oliepeilglas.

► **Fig.22:** 1. Olietankdop 2. Oliepeilglas

Om olie bij te vullen, voert u de volgende stappen uit:

1. Reinig het gebied rondom de olietankdop zorgvuldig om te voorkomen dat vuil in de olietank kan komen.
2. Leg de kettingzaag op zijn zijkant.
3. Duw op de knop van de olietankdop zodat de knop aan de ander kant omhoog gaat staan, en verwijder de olietankdop door deze te draaien.

► **Fig.23:** 1. Olietankdop 2. Vastdraaien 3. Losdraaien

4. Vul olie bij in de olietank. De correcte hoeveelheid olie is 200 ml.
5. Draai de olietankdop stevig terug op zijn plaats.
6. Veeg eventueel gemorste zaagkettingolie zorgvuldig af.

OPMERKING: Als het moeilijk is om de olietankdop te verwijderen, steekt u het uiteinde van de pijpsleutel in de gleuf van de olietankdop en verwijdert u de olietankdop door hem linksom te draaien.

► **Fig.24:** 1. Gleuf 2. Pijpsleutel

Houd na het bijvullen de kettingzaag uit de buurt van de boom. Start de kettingzaag en wacht tot de zaagketting voldoende gesmeerd is.

► **Fig.25**

▲LET OP: Als minimale voorbereiding dient een beginnende gebruiker eerst te oefenen door stammen te zagen op een schraag of bok.

▲LET OP: Bij het zagen van losse stukken hout dient u een veilige steun te gebruiken (een schraag of zaagbok). Zet niet uw voet op het werkstuk om dat tegen te houden en vraag ook nooit iemand anders om het vast te houden.

▲LET OP: Zet ronde stukken zo vast dat ze niet kunnen gaan draaien.

▲LET OP: Houd alle delen van uw lichaam uit de buurt van de zaagketting wanneer de motor draait.

▲LET OP: Houd de kettingzaag stevig vast met beide handen wanneer de motor draait.

▲LET OP: Reik niet te ver. Zorg ervoor dat u altijd stevige steun voor de voeten hebt en uw evenwicht behoudt.

▲LET OP: Wees erg voorzichtig wanneer u de bovenrand van het zaagblad gebruikt om te zagen aangezien de kettingzaag in uw richting geduwd kan worden in het geval de zaagketting vastloopt.

KENNISGEVING: Gooi nooit met het gereedschap en laat het niet vallen.

KENNISGEVING: Dek de luchtuitstroomopeningen van het gereedschap niet af.

KENNISGEVING: Als u meerdere zaagsneden maakt, schakelt u de kettingzaag uit tussen de zaagsneden.

Plaats de onderrand van de kettingzaag tegen de af te zagen tak voordat u hem inschakelt. Anders kan het zaagblad gaan wiebelen en de gebruiker verwonden. Zaag het hout door de kettingzaag met behulp van zijn eigen gewicht omlaag te bewegen.

► **Fig.26**

Als u niet in één keer door het hout kunt zagen: Oefen lichte druk uit op de handgreep en ga door met zagen, en trek de kettingzaag een stukje terug. Zet de getande kam vervolgens een stukje lager tegen het hout en zaag de rest van de snede door de handgreep omhoog te brengen.

► **Fig.27**

Een boom omzagen

▲LET OP: Omzagen mag uitsluitend worden uitgevoerd door getrainde personen. Het werk is gevaarlijk.

Wanneer twee of meer personen tegelijkertijd werkzaamheden met doorzagen/afkorten of omzagen uitvoeren, moeten de werkzaamheden met omzagen worden uitgevoerd op een afstand tot de werkzaamheden met doorzagen/afkorten van minstens twee keer de hoogte van de boom die wordt omgezaagd. Bomen mogen niet worden omgezaagd op een manier die gevaar oplevert voor enige persoon, enige nutsleiding beschadigt of enige schade aan eigendommen toebrengt. Als de boom enige nutsleiding raakt, dient het nutsbedrijf onmiddellijk op de hoogte te worden gebracht.

De gebruiker van de kettingzaag dient heuvelopwaarts ten opzichte van de boom te blijven aangezien de boom na het omzagen waarschijnlijk heuvelafwaarts rolt of glijdt.

U dient een vluchtroute te plannen en eventueel vrij te maken voordat u met het zagen begint. De vluchtroute moet diagonaal naar achteren lopen weg van de vallijn, zoals aangegeven.

► **Fig.28:** 1. Valrichting 2. Gevarezone 3. Vluchtroute

Voordat u begint met omzagen, houdt u rekening met eventueel overhellen van de boom, de positie van grotere takken en de windrichting om te bepalen naar welke kant de boom zal vallen.

Verwijder grond, stenen, loszittende bast, spijkers, krammen en draad vanaf de boom.

Valkerf en velsnede zagen

▲LET OP: Onder geen beding mag de breuklijst worden doorgezaagd. De boom kan onverwacht vallen.

KENNISGEVING: Gebruik kunststof of aluminium spieën om de velsnede open te houden. Gebruik geen ijzeren spieën.

► **Fig.29:** 1. 50 mm 2. Velsnede 3. Breuklijst 4. Valkerf 5. Valrichting

De valkerf moet 1/3 van de boomdiameter diep zijn en haaks op de valrichting staan, zoals afgebeeld. Zaag eerst de onderste, horizontale snede van de valkerf. Dit helpt te voorkomen dat de zaagketting of het zaagblad wordt vastgeklemd tijdens het zagen van de schuine snede van de valkerf.

Zaag de velsnede minstens 50 mm hoger dan de onderste, horizontale snede van de valkerf. Zorg ervoor dat de velsnede parallel wordt gezaagd aan de horizontale snede van de valkerf. Zaag de velsnede zodanig dat voldoende hout overblijft om als breuklijst te fungeren. De breuklijst zorgt ervoor dat de boom tijdens het vallen niet verdraait en in de verkeerde richting valt. Zaag de breuklijst niet door.

Wanneer de velsnede dicht bij de breuklijst komt, zal de boom langzaam beginnen te vallen. Als er enige kans is dat de boom niet in de gewenste richting valt of achterover helt en de zaagketting vastklemt, stopt u met zagen voordat de velsnede voltooid is en gebruikt u spieën van hout, kunststof of aluminium om de velsnede open te houden en de boom in de gewenste richting te laten vallen.

Wanneer de boom begint te vallen, haalt u de kettingzaag uit de velsnede, zet u de motor uit, zet u de kettingzaag op de grond en loopt u weg langs de geplande vluchtroute. Wees bedacht op vallende takken van bovenaf en let goed op waar u uw voeten neerzet.

Takken van een boom snoeien

▲LET OP: Takken afzagen mag uitsluitend worden uitgevoerd door getrainde personen. Door het risico van terugslag kan een gevaarlijke situatie ontstaan.

Snoeien is het verwijderen van takken nadat een boom is gevallen. Laat tijdens het snoeien grotere takken aan de onderkant zitten zodat deze de stam van de grond af houden. Verwijder de kleine takken met één snede, zoals afgebeeld. Takken die onder spanning staan, dienen vanaf de onderkant omhoog te worden gezaagd om te voorkomen dat de kettingzaag wordt vastgeklemd.

► **Fig.30:** 1. Takken snoeien

Een stam doorzagen/afkorten

Doorzagen/afkorten is een stam in stukken zagen. Het is belangrijk ervoor te zorgen dat u stevig staat en uw gewicht gelijkmatig is verdeeld over beide voeten. Zo mogelijk moet de stam boven de grond worden ondersteund door takken, stammen of blokken. Volg e eenvoudige aanwijzingen voor gemakkelijk zagen.

Wanneer de stam over zijn hele lengte wordt ondersteund zoals afgebeeld, wordt deze vanaf de bovenkant doorgezaagd.

► **Fig.31**

Wanneer de stam aan één uiteinde wordt ondersteund, zoals afgebeeld, zaagt u vanaf de onderkant tot 1/3 van de diameter van de stam. Zaag vervolgens vanaf de bovenkant de rest van de stam door tot aan de eerste snede.

► **Fig.32:** 1. Eerste snede 2. Tweede snede

Wanneer de stam aan beide uiteinde wordt ondersteund, zoals afgebeeld, zaagt u vanaf de bovenkant tot 1/3 van de diameter van de stam. Zaag vervolgens vanaf de onderkant 2/3 van de stam door tot aan de eerste snede.

► **Fig.33:** 1. Eerste snede 2. Tweede snede

Ga bij het doorzagen/afkorten op een helling altijd hellingopwaarts staan van de stam, zoals afgebeeld. Bij doorzagen vermindert u, voor een goede controle, de zaagdruk vlak voor het einde van de snede, zonder dat u uw grip op de handgrepen van de kettingzaag ontspant. Voorkom dat de zaagketting de grond raakt. Nadat de snede voltooid is, wacht u tot de zaagketting tot stilstand is gekomen voordat u de kettingzaag verwijdert. Zet de moor altijd uit voordat u van de ene boom naar de andere loopt.

► **Fig.34**

In de richting van de houtnerf zagen

▲LET OP: In de richting van de houtnerf zagen mag uitsluitend worden uitgevoerd door getrainde personen. Het risico van terugslag vormt een kans op letsel.

Bij zagen in de richting van de houtnerf houdt u het zaagblad onder een zo klein mogelijke hoek.

► **Fig.35**

Het gereedschap dragen

Alvorens het gereedschap te dragen, trekt u altijd de kettingrem aan en haalt u de accu van het gereedschap af. Breng vervolgens de zaagbladschede aan. Plaats ook het accudeksel op de accu.

► **Fig.36:** 1. Zaagbladschede 2. Accudeksel

ONDERHOUD

▲ LET OP: Zorg altijd dat het gereedschap is uitgeschakeld en de accu ervan is verwijderd alvorens te beginnen met onderhoud of inspectie.

▲ LET OP: Draag bij inspectie- of onderhoudswerkzaamheden altijd handschoenen.

KENNISGEVING: Gebruik nooit benzine, wasbenzine, thinner, alcohol en dergelijke. Hierdoor kunnen verkleuring, vervormingen en barsten worden veroorzaakt.

Om de VEILIGHEID en BETROUWBAARHEID van het gereedschap te handhaven, dienen alle reparaties, onderhoud of afstellingen te worden uitgevoerd bij een erkend Makita-servicecentrum of de Makita-fabriek, en altijd met gebruik van Makita-ervangingsonderdelen.

De zaagketting slijpen

Slijp de zaagketting als:

- Poederachtig zaagsel wordt geproduceerd tijdens het zagen van vochtig hout;
- De zaagketting moeizaam in het hout binnendringt, zelfs wanneer hoge druk wordt uitgeoefend;
- De zaagsnijrand duidelijk beschadigd is;
- De kettingzaag naar links of rechts trekt in het hout. (veroorzaakt door een ongelijkmatige scherpte van de zaagketting, of een beschadiging aan slechts een kant)

Slijp de zaagketting veelvuldig, maar iedere keer slechts weinig. Twee of drie bewegingen met een vijl zijn doorgaans voldoende voor regelmatig bijlijpen. Als de zaagketting meerdere malen is bijgeslepen, laat u deze een keer slijpen door een in ons erkende servicecentrum.

Criteria bij het slijpen:

▲ WAARSCHUWING: Een buitensporige afstand tussen de zaagsnijrand en de dieptevoeler vergroot de kans op terugslag.

► **Fig.37:** 1. Lengte van het mes 2. Afstand tussen de zaagsnijrand en de dieptevoeler 3. Minimumlengte van het mes (3 mm)

- Alle messen moeten gelijk van lengte zijn. Door een verschillende lengten van messen kan de zaagketting niet gelijkmatig lopen en kan de zaagketting breken.
- Slijp de zaagketting niet verder als de lengte van de messen 3 mm of korter is. De zaagketting moet worden vervangen door een nieuwe.

- De dikte van spaanders wordt bepaald door de afstand tussen de zaagsnijrand en de dieptevoeler (ronde neus).
- De beste zaagresultaten verkrijgt u met de volgende afstand tussen de zaagsnijrand en de dieptevoeler.
 - Kettingmes 80TXL: 0,65 mm

► **Fig.38**

- De slijphoek van 30° moet voor alle messen gelijk zijn. Bij verschillende slijphoeken zal de zaagketting ruw en ongelijkmatig lopen, de slijtage toenemen en de zaagketting kunnen breken.
- Gebruik een geschikte ronde vijl tegen de tanden zodat een correcte slijphoek behouden blijft.
 - Kettingmes 80TXL: 55°

Vijl en vijlbeweging

- Gebruik een speciale ronde zaagkettingvijl (optioneel accessoire) voor het slijpen van de ketting. Een gewone ronde vijl is niet geschikt.
- De doorsnede van de ronde vijl voor elke zaagketting is als volgt:
 - Kettingmes 80TXL: 4,0 mm
- De vijl mag het mes alleen in voorwaartse richting raken. Haal de vijl van het mes voor de terugwaartse beweging.
- Slijp eerst het kortste mes. De lengte van dit mes wordt dan de maatstaf voor alle andere messen op de zaagketting.
- Beweeg de vijl zoals aangegeven in de afbeelding.

► **Fig.39:** 1. Vijl 2. Zaagketting

- De vijl kan gemakkelijker worden bewogen als een vijlhouder (optioneel accessoire) wordt gebruikt. Op de vijlhouder staan merktekens voor de juiste slijphoek van 30° (lijn de merktekens parallel uit met de zaagketting) en beperkt de diepte waartoe de vijl doordringt (tot 4/5 van de vijldiameter).

► **Fig.40:** 1. Vijlhouder

- Nadat de zaagketting is geslepen, controleert u de hoogte van de dieptevoeler met behulp van het kettingmeetgereedschap (optioneel accessoire).

► **Fig.41**

- Verwijder eventueel uitstekend materiaal, ongeacht hoe klein, met een speciale vlakke vijl (optioneel accessoire).
- Maak de voorkant van de dieptevoeler weer rond.

Het zaagblad schoonmaken

Spaanders en zaagsel zullen zich in de groef van het zaagblad ophopen. Deze kunnen de groef verstoppelen en de oliestroom belemmeren. Verwijder de spaanders en het zaagsel elke keer wanneer u de zaagketting slijpt of vervangt.

► **Fig.42**

De afdekking van het kettingwiel schoonmaken

Spaanders en zaagsel zullen zich binnenin de afdekking van het kettingwiel ophopen. Verwijder de afdekking van het kettingwiel en de zaagketting vanaf het gereedschap, en verwijder vervolgens de spaanders en het zaagsel.

► Fig.43

De olie-uitstroomopening schoonmaken

Kleine vuil- of stofdeeltjes kunnen zich tijdens gebruik ophopen in de olie-uitstroomopening. Deze vuil- of stofdeeltjes kunnen het uitstromen van de olie belemmeren waardoor de hele zaagketting onvoldoende wordt gesmeerd. Wanneer onvoldoende toevoer van kettingolie optreedt aan het uiteinde van het zaagblad, maakt u de olie-uitstroomopening als volgt schoon.

1. Verwijder de afdekking van het kettingwiel en de zaagketting vanaf het gereedschap.

2. Verwijder de kleine vuil- of stofdeeltjes met een platkopschroevendraaier of iets dergelijks.

► Fig.44: 1. Platkopschroevendraaier
2. Olie-uitstroomopening

3. Plaats de accu in het gereedschap. Knijp de trekverschakelaar in om opgehoopte vuil- en stofdeeltjes uit de olie-uitstroomopening te persen door kettingolie eruit te laten stromen.

4. Verwijder de accu van het gereedschap. Monteer de afdekking van het kettingwiel en de zaagketting weer op het gereedschap.

Het kettingwiel vervangen

⚠ LET OP: Een versleten kettingwiel zal de nieuwe zaagketting beschadigen. Laat in dat geval het kettingwiel vervangen.

Controleer de staat van het kettingwiel voordat u een nieuwe zaagketting monteert.

► Fig.45: 1. Kettingwiel 2. Plaatsen die slijten

Monteer bij het vervangen van het kettingwiel altijd een nieuwe borgring.

► Fig.46: 1. Borgring 2. Kettingwiel

KENNISGEVING: Verzekeer u ervan dat het kettingwiel wordt gemonteerd zoals aangegeven in de afbeelding.

Het gereedschap opbergen

1. Maak het gereedschap schoon voordat u het opbergt. Haal de afdekking van het kettingwiel eraf en verwijder alle spaanders en zaagsel vanaf het gereedschap.

2. Laat na het schoonmaken het gereedschap onbelast draaien om de zaagketting en het zaagblad te smeren.

3. Plaats de zaagbladschede over het zaagblad.

4. Maak de olietank leeg.

Instructies voor periodiek onderhoud

Om zeker te zijn van een lange levensduur, om schade te voorkomen en om zeker te zijn van de volledige werking van de veiligheidsvoorzieningen, moet het volgende onderhoud regelmatig worden uitgevoerd. Garantieclaims kunnen alleen worden geaccepteerd als deze werkzaamheden regelmatig en correct worden uitgevoerd. Als deze voorgeschreven onderhoudswerkzaamheden niet worden uitgevoerd, kan dat ongelukken veroorzaken! De gebruiker van de kettingzaag mag echter geen werkzaamheden uitvoeren die niet worden beschreven in de gebruiksaanwijzing. Dergelijke werkzaamheden moeten worden uitgevoerd door ons erkende servicecentrum.

Controlepunt / Bedrijfstijd		Vóór het gebruik	Elke dag	Elke week	Elke 3 maanden	Jaarlijks	Vóór opbergen
Kettingzaag	Inspecteren.	✓	-	-	-	-	-
	Schoonmaken.	-	✓	-	-	-	-
	Laten controleren door een erkend servicecentrum.	-	-	-	-	✓	✓
Zaagketting	Inspecteren.	✓	-	-	-	-	-
	Slijpen indien nodig.	-	-	-	-	-	✓
Zaagblad	Inspecteren.	✓	✓	-	-	-	-
	Verwijderen van de kettingzaag.	-	-	-	-	-	✓
Kettingrem	Controleren van de werking.	✓	-	-	-	-	-
	Regelmatig laten inspecteren bij een erkend servicecentrum.	-	-	-	✓	-	-
Kettingsmering	Controleren van de olietoevoersnelheid.	✓	-	-	-	-	-
Trekverschakelaar	Inspecteren.	✓	-	-	-	-	-
Uit-vergrendelknop	Inspecteren.	✓	-	-	-	-	-
Olietankdop	Controleren op vastzitten.	✓	-	-	-	-	-
Kettingvanger	Inspecteren.	-	-	✓	-	-	-
Bouten en moeren	Inspecteren.	-	-	✓	-	-	-

PROBLEMEN OPLOSSEN

Alvorens u verzoekt om reparatie, kunt u zelf als volgt het probleem opsporen en oplossen. Als u met een probleem kampt dat in deze handleiding niet wordt beschreven, probeer dan niet het gereedschap te demonteren. Laat reparaties over aan een erkend Makita-servicecentrum, uitsluitend met gebruik van originele Makita-ervangingsonderdelen.

Symptoom of storing	Oorzaak	Handeling
De kettingzaag start niet.	De accu is niet geplaatst.	Plaats een opgeladen accu.
	Probleem met de accu (onvoldoende spanning).	Laad de accu op. Als het opladen geen verbetering brengt, vervangt u de accu door een nieuwe.
	De hoofdschakelaar staat uit.	De kettingzaag wordt automatisch uitgeschakeld wanneer deze gedurende 5 minuten niet wordt bediend. Schakel de hoofdschakelaar weer in. De kettingzaag wordt automatisch uitgeschakeld ongeveer 5 minuten nadat de motor is gestopt doordat een beveiligingsfunctie is geactiveerd. Voer een corrigerende handeling uit op het gereedschap en schakel daarna de hoofdschakelaar weer in.
De zaagketting draait niet.	De kettingrem is aangetrokken.	Zet de kettingrem los.
De motor slaat al na korte tijd af.	De lading van de accu is bijna op.	Laad de accu op. Als het opladen geen verbetering brengt, vervangt u de accu door een nieuwe.
Geen olie op de zaagketting.	De olietank is leeg.	Vul de olietank.
	De olietoevoergroef is verstopt.	Maak de groef schoon.
	Slechte olietoevoer.	Stel de hoeveelheid toegevoerde olie af met behulp van de stelschroef.
Het maximumtoerental van de kettingzaag wordt niet bereikt.	De accu is verkeerd aangebracht.	Breng de accu aan zoals beschreven in deze handleiding.
	De accuspanning wordt minder.	Laad de accu op. Als het opladen geen verbetering brengt, vervangt u de accu door een nieuwe.
	Het aandrijfsysteem werkt niet goed.	Vraag een erkend servicecentrum in uw regio het gereedschap te repareren.
Het bedrijfslampje knippert groen.	De trekkerschakelaar wordt ingeknepen bij omstandigheden waaronder bediening onmogelijk is.	Knijp de trekkerschakelaar in nadat de hoofdschakelaar is ingeschakeld en de kettingrem is los gezet.
De zaagketting stopt niet wanneer de kettingrem wordt aangetrokken: Schakel onmiddellijk het gereedschap uit!	De remband is versleten.	Vraag een erkend servicecentrum in uw regio het gereedschap te repareren.
Abnormale trillingen: Schakel onmiddellijk het gereedschap uit!	Losgeraakt zaagblad of zaagketting.	Stel het zaagblad en de kettingspanning af.
	Het gereedschap is defect.	Vraag een erkend servicecentrum in uw regio het gereedschap te repareren.
De zaagketting kan niet worden aangebracht.	De combinatie van zaagketting en kettingwiel is niet juist.	Gebruik de juiste combinatie van zaagketting en kettingwiel door het hoofdstuk met technische gegevens te raadplegen.

OPTIONELE ACCESSOIRES

⚠ LET OP: Deze accessoires of hulpstukken worden aanbevolen voor gebruik met het Makita gereedschap dat in deze gebruiksaanwijzing is beschreven. Bij gebruik van andere accessoires of hulpstukken bestaat het gevaar van persoonlijke letsel. Gebruik de accessoires of hulpstukken uitsluitend voor hun bestemde doel.

Wenst u meer bijzonderheden over deze accessoires, neem dan contact op met het plaatselijke Makita-servicecentrum.

- Zaagketting
- Zaagblad

- Zaagbladschede
- Kettingwiel
- Vijl
- Originele Makita-accu en -acculader

⚠ WAARSCHUWING: Als u een zaagblad van een andere lengte dan het standaardzaagblad aanschaft, koopt u tevens een bijbehorende zaagbladschede. Deze moet passen en het zaagblad van de kettingzaag volledig bedekken.

OPMERKING: Sommige items op de lijst kunnen zijn inbegrepen in de doos van het gereedschap als standaard toebehoren. Deze kunnen van land tot land verschillen.

ESPECIFICACIONES

Modelo:		UC021G	UC022G	UC023G
Longitud total (sin cadena de sierra ni placa de guía)		430 mm		
Tensión nominal		CC 36 V - 40 V máx.		
Peso neto	*1	3,4 kg		
	*2	5,0 - 5,3 kg	5,1 - 5,4 kg	5,1 - 5,5 kg
Longitud de la placa de guía estándar		300 mm	350 mm	400 mm
Longitud recomendada de la barra de guía		300 - 400 mm		
Tipo de cadena de sierra aplicable (consulte la tabla de abajo)		80TXL		
Piñón	Número de dientes	7		
	Paso	0,325"		
Velocidad de la cadena		0 - 25,5 m/s (0 - 1.530 m/min)		
Volumen del depósito de aceite de la cadena		200 cm ³		
Grado de protección		IPX4		

- Debido a nuestro continuado programa de investigación y desarrollo, las especificaciones aquí dadas están sujetas a cambios sin previo aviso.
 - Las especificaciones pueden ser diferentes de país a país.
- *1: Peso, sin la cadena de sierra, placa de guía, cubierta de la placa de guía, aceite ni cartucho (o cartuchos) de batería.
- *2: La combinación de peso más ligera y la más pesada de acuerdo con el procedimiento EPTA 01/2014. El peso puede variar dependiendo del accesorio (o accesorios), incluyendo el cartucho (o cartuchos) de batería.

Combinación de cadena de sierra, placa de guía, y piñón

Tipo de cadena de sierra		80TXL		
Número de eslabones de arrastre		51	59	64
Placa de guía	Longitud de la placa de guía	300 mm	350 mm	400 mm
	Longitud de corte	257 mm	323 mm	364 mm
	Paso	0,325"		
	Calibre	1,1 mm		
	Tipo	Placa de morro de piñón		
Piñón	Número de dientes	7		
	Paso	0,325"		

⚠ ADVERTENCIA: Utilice la combinación apropiada de placa de guía y cadena de sierra. De lo contrario podrá resultar en heridas personales.

Cartucho de batería y cargador aplicables

Cartucho de batería	BL4040 / BL4040F* / BL4050F* * : Batería recomendada
Cargador	DC40RA / DC40RB / DC40RC / DC40WA

- Algunos de los cartuchos de batería y cargadores indicados arriba puede que no estén disponibles dependiendo de su región de residencia.

⚠ ADVERTENCIA: Utilice solamente los cartuchos de batería y cargadores indicados arriba. La utilización de cualquier otro cartucho de batería y cargador puede ocasionar heridas y/o un incendio.

Fuente de alimentación conectada por cable recomendada

Unidad portátil de alimentación eléctrica	PDC01
---	-------

- La fuente o fuentes de alimentación conectadas por cable indicadas arriba puede que no estén disponibles dependiendo de su región de residencia.
- Antes de utilizar la fuente de alimentación conectada por cable, lea las instrucciones e indicaciones de precaución sobre ella.

Símbolos

A continuación se muestran los símbolos que pueden ser utilizados para el equipo. Asegúrese de que entienda su significado antes de utilizar.

	Lea el manual de instrucciones.
	Póngase protección para los ojos.
	Póngase protección para los oídos.
	Póngase un casco, gafas de seguridad y protección para los oídos.
	Longitud de corte permitida máxima
	Utilice siempre las dos manos cuando opere la sierra de cadena.
	Tenga cuidado con el retroceso brusco de la sierra de cadena y evite el contacto con la punta de la placa.
	Dirección de desplazamiento de la cadena
	Ajuste del aceite de la cadena de sierra
	Ni-MH Li-ion Sólo para países de la Unión Europea Debido a la presencia de componentes peligrosos en el equipo, el equipo eléctrico y electrónico, los acumuladores y las baterías desechados pueden tener un impacto negativo para el medioambiente y la salud humana. ¡No tire los aparatos eléctricos y electrónicos ni las baterías junto con los residuos domésticos! De conformidad con las Directivas Europeas sobre residuos de aparatos eléctricos y electrónicos y sobre acumuladores y baterías y residuos de acumuladores y baterías, así como la adaptación de las mismas a la ley nacional, el equipo eléctrico, las baterías y los acumuladores desechados deberán ser almacenados por separado y trasladados a un punto distinto de recogida de desechos municipales, que cumpla con los reglamentos sobre protección medioambiental. Esto se indica mediante el símbolo de cubo de basura tachado colocado en el equipo.
	Nivel de potencia del sonido garantizado de acuerdo con la Directiva UE sobre ruido ambiental.
	Nivel de potencia del sonido de acuerdo con el reglamento para el control de ruido en NSW, Australia

Uso previsto

Esta sierra de cadena ha sido prevista para serrar madera.

Ruido

El nivel de ruido A-ponderado típico determinado de acuerdo con la norma EN62841-4-1:

Modelo UC021G

Nivel de presión sonora (L_{pA}): 93 dB (A)
 Nivel de potencia sonora (L_{WA}): 101 dB (A)
 Error (K): 3 dB (A)

Modelo UC022G

Nivel de presión sonora (L_{pA}): 93 dB (A)
 Nivel de potencia sonora (L_{WA}): 101 dB (A)
 Error (K): 3 dB (A)

Modelo UC023G

Nivel de presión sonora (L_{pA}): 93 dB (A)
 Nivel de potencia sonora (L_{WA}): 101 dB (A)
 Error (K): 3 dB (A)

NOTA: El valor (o los valores) de emisión de ruido declarado ha sido medido de acuerdo con un método de prueba estándar y se puede utilizar para comparar una herramienta con otra.

NOTA: El valor (o valores) de emisión de ruido declarado también se puede utilizar en una valoración preliminar de exposición.

ADVERTENCIA: Póngase protectores para oídos.

ADVERTENCIA: La emisión de ruido durante la utilización real de la herramienta eléctrica puede variar del valor (o los valores) de emisión declarado dependiendo de las formas en las que la herramienta sea utilizada, especialmente qué tipo de pieza de trabajo se procesa.

ADVERTENCIA: Asegúrese de identificar medidas de seguridad para proteger al operario que estén basadas en una estimación de la exposición en las condiciones reales de utilización (teniendo en cuenta todas las partes del ciclo operativo como las veces cuando la herramienta está apagada y cuando está funcionando en vacío además del tiempo de gatillo).

Vibración

El valor total de la vibración (suma de vectores triaxiales) determinado de acuerdo con la norma EN62841-4-1:

Modelo UC021G

Modo de trabajo: corte de madera
 Emisión de vibración ($a_{h,w}$): 3,5 m/s²
 Error (K): 1,5 m/s²

Modelo UC022G

Modo de trabajo: corte de madera
 Emisión de vibración ($a_{h,w}$): 3,5 m/s²
 Error (K): 1,5 m/s²

Modelo UC023G

Modo de trabajo: corte de madera

Emisión de vibración ($a_{h,w}$): 3,5 m/s²

Error (K) : 1,5 m/s²

NOTA: El valor (o los valores) total de emisión de vibración declarado ha sido medido de acuerdo con un método de prueba estándar y se puede utilizar para comparar una herramienta con otra.

NOTA: El valor (o los valores) total de emisión de vibración declarado también se puede utilizar en una valoración preliminar de exposición.

⚠ADVERTENCIA: La emisión de vibración durante la utilización real de la herramienta eléctrica puede variar del valor (o los valores) de emisión declarado dependiendo de las formas en las que la herramienta sea utilizada, especialmente qué tipo de pieza de trabajo se procesa.

⚠ADVERTENCIA: Asegúrese de identificar medidas de seguridad para proteger al operario que estén basadas en una estimación de la exposición en las condiciones reales de utilización (teniendo en cuenta todas las partes del ciclo operativo como las veces cuando la herramienta está apagada y cuando está funcionando en vacío además del tiempo de gatillo).

Declaraciones de conformidad

Para países europeos solamente

Las declaraciones de conformidad están incluidas como Anexo A de este manual de instrucciones.

ADVERTENCIAS DE SEGURIDAD

Advertencias de seguridad para herramientas eléctricas en general

⚠ADVERTENCIA Lea todas las advertencias de seguridad, instrucciones, ilustraciones y especificaciones provistas con esta herramienta eléctrica. Si no sigue todas las instrucciones indicadas abajo, podrá resultar en una descarga eléctrica, un incendio y/o heridas graves.

Guarde todas las advertencias e instrucciones para futuras referencias.

El término "herramienta eléctrica" en las advertencias se refiere a su herramienta eléctrica de funcionamiento con conexión a la red eléctrica (con cable) o herramienta eléctrica de funcionamiento a batería (sin cable).

Advertencias de seguridad generales para la sierra de cadena

1. **Mantenga todas las partes del cuerpo alejadas de la cadena de sierra cuando esté siendo utilizada la electrosierra. Antes de poner en marcha la electrosierra, asegúrese de que la cadena de sierra no está en contacto con ninguna cosa.** Un momento de desatención mientras se están utilizando electrosierras puede dar lugar a que la cadena de sierra se enrede en sus ropas o cuerpo.
2. **Sujete siempre la electrosierra con la mano derecha en la empuñadura trasera y la mano izquierda en la empuñadura delantera.** Si sujeta la electrosierra con las manos al contrario aumentará el riesgo de heridas personales y por ello no deberá hacerlo nunca.
3. **Sujete la sierra de cadena por las superficies de asimiento aisladas solamente, porque la cadena de sierra puede entrar en contacto con cableado oculto.** El contacto de la cadena de sierra con un cable con corriente podrá hacer que la corriente circule por las partes metálicas expuestas de la sierra de cadena y podrá soltar una descarga eléctrica al operario.
4. **Utilice protección para los ojos. También es recomendable utilizar equipo protector para los oídos, la cabeza, las manos, las piernas y los pies.** El equipo de protección adecuado reducirá las heridas personales debidas a los restos que salen despedidos o al contacto accidental con la cadena de sierra.
5. **No utilice la sierra de cadena subido a un árbol, en una escalera de mano, en un tejado, ni sobre ningún apoyo inestable.** La utilización de una sierra de cadena de esta manera podrá resultar en heridas personales graves.
6. **Mantenga siempre los pies sobre suelo firme y opere la sierra de cadena solamente cuando se encuentre sobre una superficie fija, segura y nivelada.** Las superficies resbaladizas o inestables pueden ocasionar una pérdida del equilibrio o del control de la sierra de cadena.
7. **Cuando corte una rama que esté bajo tensión, manténgase alerta por si retrocede de repente.** Cuando se libera la tensión en las fibras de la madera, la rama bajo tensión puede golpear al operario y/o descontrolar la sierra de cadena.
8. **Extreme las precauciones cuando corte maleza y árboles jóvenes.** El material delgado puede engancharse en la cadena de sierra y producir un latigazo hacia usted o hacerle perder el equilibrio.
9. **Transporte la sierra de cadena agarrándola por la empuñadura delantera teniéndola apagada y alejada de su cuerpo. Cuando transporte o almacene la sierra de cadena, coloque siempre la cubierta de la placa de guía.** Un manejo correcto de la sierra de cadena reducirá la posibilidad de un contacto accidental con la cadena de sierra en movimiento.

10. **Siga las instrucciones para lubricar, tensar la cadena y cambiar la barra y la cadena.** Una cadena tensada o lubricada incorrectamente podrá romperse o aumentar la probabilidad de que se produzca un retroceso brusco.
11. **Corte madera solamente. No utilice la sierra de cadena con fines para los que no ha sido prevista. Por ejemplo: no utilice la sierra de cadena para cortar metal, plástico, mampostería ni materiales de construcción que no sean de madera.** La utilización de la sierra de cadena para operaciones diferentes de las previstas podrá ponerle en una situación peligrosa.
12. **No intente talar un árbol hasta que tenga una noción clara de los riesgos y cómo evitarlos.** Durante la tala de un árbol el operario y los transeúntes pueden sufrir heridas graves.
13. **Causas y prevención de retrocesos bruscos:** El retroceso brusco puede ocurrir cuando el morro o la punta de la placa de guía toca un objeto, o cuando la madera se cierra y aprisiona la cadena de sierra en la hendidura del corte. El contacto de la punta puede ocasionar en algunos casos una reacción brusca hacia atrás, golpeando la placa de guía hacia arriba y hacia atrás en dirección del operario. El aprisionamiento de la cadena de sierra a lo largo de la parte superior de la placa de guía puede empujar la placa de guía rápidamente hacia atrás en dirección del operario. Cualquiera de estas reacciones puede hacerle perder el control de la sierra y resultar en heridas personales graves. No dependa exclusivamente de los dispositivos de seguridad incorporados en la sierra. Como usuario de una sierra de cadena, deberá tomar varias medidas para mantener sus tareas de corte libres de accidentes o heridas. El retroceso brusco es el resultado de un mal uso de la sierra de cadena y/o procedimientos o condiciones de operación incorrectos y se puede evitar tomando las precauciones debidas como se indica abajo:
 - **Mantenga la electrosierra sujeta firmemente, con los pulgares y los dedos rodeando las empuñaduras de la motosierra, con ambas manos en la sierra y posicionando su cuerpo y brazos de forma que pueda resistir las fuerzas del retroceso brusco.** El operario puede controlar las fuerzas del retroceso brusco tomando las precauciones apropiadas. No suelte la electrosierra.
14. **Siga todas las instrucciones cuando despeje material atascado, y cuando almacene o haga el servicio a la sierra de cadena. Asegúrese de que el interruptor está desactivado y la batería ha sido retirada.** Una puesta en marcha inesperada de la sierra de cadena mientras retira material atascado o hace el servicio podrá resultar en heridas personales graves.

Instrucciones de seguridad adicionales

Equipo de protección personal

1. **La ropa debe estar ceñida al cuerpo, pero no debe obstruir la movilidad.**
2. **Póngase la ropa de protección siguiente durante el trabajo:**
 - Un casco de seguridad homologado, si hay riesgo de que caigan ramas o similares;
 - Una pantalla facial o gafas de protección;
 - Protección apropiada para los oídos (orejeras, tapones para los oídos). Análisis de banda de octava a petición.
 - Guantes de seguridad de cuero resistente;
 - Pantalones largos fabricados con tejido fuerte;
 - Overol de protección de tejido resistente a los cortes;
 - Zapatos o botas de seguridad con suelas antideslizantes, puntas de acero, y forro de tejido resistentes a los cortes;
 - Una máscara respiratoria, cuando se haga trabajo que produzca polvo (por ejemplo, aserrar madera seca).

Operación

1. **Antes de comenzar a trabajar, compruebe que la electrosierra está en perfecto estado de funcionamiento y que su condición cumple con los reglamentos de seguridad. Compruebe especialmente que:**
 - El freno de cadena está funcionando debidamente;
 - El freno de retención está funcionando debidamente;
 - La placa y la cubierta del piñón están colocadas correctamente;
 - La cadena ha sido afilada y tensada de acuerdo con los reglamentos.
2. **No ponga en marcha la electrosierra con la cubierta de la cadena instalada en ella.** Si pone en marcha la electrosierra con la cubierta de la cadena instalada en ella, la cubierta de la cadena podrá salir despedida hacia adelante resultando en heridas personales y daños a objetos alrededor del operario.
3. **Actíve siempre el freno de cadena mientras la herramienta no esté siendo usada o la esté llevando de un lado a otro.**

► Fig.1

- **No corte donde no llegue ni a una altura superior a la de sus hombros.** Esto le ayudará a evitar que la punta toque algo sin querer y le permitirá controlar mejor la electrosierra en situaciones inesperadas.
- **Utilice solamente placas de guía y cadenas de sierra de repuesto especificadas por el fabricante.** Las placas de guía y las cadenas de sierra de repuesto incorrectas pueden ocasionar la rotura de la cadena y/o retrocesos bruscos.

4. Cuando utilice la herramienta en suelo enlodado, pendiente mojada, o lugar resbaladizo, preste atención a donde pisa.
5. No sumerja la herramienta en un charco.
6. No deje la herramienta sin atender en exteriores en la lluvia.

Seguridad eléctrica y de la batería

1. Evite los entornos peligrosos. No utilice la herramienta en lugares húmedos o mojados ni la esponja a la lluvia. La entrada de agua en la herramienta aumentará el riesgo de que se produzca una descarga eléctrica.
2. No deseche la batería(s) arrojándola al fuego. La célula puede explotar. Compruebe los códigos locales por si hay instrucciones para el posible desecho especial.
3. No abra o mutile la batería(s). El electrolito liberado es corrosivo y puede ocasionar daño a los ojos o la piel. Puede ser tóxico si se traga.
4. No cargue la batería bajo la lluvia, o en lugares mojados.
5. No cargue la batería en exteriores.
6. No maneje el cargador, incluida la clavija del cargador, y los terminales del cargador con las manos mojadas.
7. No reemplace la batería en la lluvia.
8. No reemplace la batería con las manos mojadas.
9. No deje la batería en la lluvia, ni cargue, utilice, o almacene la batería en un lugar húmedo o mojado.
10. No moje el terminal de la batería con líquido como agua, ni sumerja la batería. Si el terminal se moja o si entra líquido al interior de la batería, la batería podrá cortocircuitarse y existe el riesgo de recalentamiento, incendio, o explosión.
11. Después de retirar la batería de la herramienta o del cargador, asegúrese de colocar la cubierta de la batería en la batería y de guardarla en un lugar seco.
12. Si el cartucho de batería se moja, retire el agua del interior y después límpielo con un paño seco. Seque el cartucho de batería completamente en un lugar seco antes de utilizarlo.

Mantenimiento y almacenamiento

1. Cuando almacene la herramienta, evite la luz solar directa y la lluvia, y almacénela en un lugar donde no se caliente o humedezca.

GUARDE ESTAS INSTRUCCIONES.

⚠ ADVERTENCIA: NO deje que la comodidad o familiaridad con el producto (a base de utilizarlo repetidamente) sustituya la estricta observancia de las normas de seguridad para el producto en cuestión. El MAL USO o el no seguir las normas de seguridad establecidas en este manual de instrucciones podrá ocasionar heridas personales graves.

Instrucciones de seguridad importantes para el cartucho de batería

1. Antes de utilizar el cartucho de batería, lea todas las instrucciones e indicaciones de precaución sobre (1) el cargador de baterías, (2) la batería, y (3) el producto con el que se utiliza la batería.
2. No desensamble ni manipule el cartucho de batería. Podrá resultar en un incendio, calor excesivo, o una explosión.
3. Si el tiempo de uso se acorta demasiado, cese la operación inmediatamente. Podría resultar en un riesgo de recalentamiento, posibles quemaduras e incluso una explosión.
4. Si entra electrolito en sus ojos, aclárelos con agua limpia y acuda a un médico inmediatamente. Existe el riesgo de poder perder la vista.
5. No cortocircuite el cartucho de batería:
 - (1) No toque los terminales con ningún material conductor.
 - (2) Evite guardar el cartucho de batería en un cajón junto con otros objetos metálicos, como clavos, monedas, etc.
 - (3) No exponga el cartucho de batería al agua ni a la lluvia.

Un cortocircuito en la batería puede producir una gran circulación de corriente, un recalentamiento, posibles quemaduras e incluso una rotura de la misma.

6. No guarde ni utilice la herramienta y el cartucho de batería en lugares donde la temperatura pueda alcanzar o exceder los 50 °C.
7. Nunca incinere el cartucho de batería incluso en el caso de que esté dañado seriamente o ya no sirva en absoluto. El cartucho de batería puede explotar si se tira al fuego.
8. No clave, corte, aplaste, lance, deje caer el cartucho de batería, ni golpee contra un objeto duro el cartucho de batería. Tal conducta podrá resultar en un incendio, calor excesivo, o una explosión.
9. No utilice una batería dañada.
10. Las baterías de litio-ion contenidas están sujetas a los requisitos de la Legislación para Materiales Peligrosos.

Para transportes comerciales, p.ej., por terceras personas y agentes de transportes, se deberán observar requisitos especiales para el empaquetado y etiquetado.

Para la preparación del artículo que se va a enviar, se requiere consultar con un experto en materiales peligrosos. Por favor, observe también la posibilidad de reglamentos nacionales más detallados.

Cubra con cinta aislante o enmascare los contactos expuestos y empaquete la batería de tal manera que no se pueda mover alrededor dentro del embalaje.

11. **Para desechar el cartucho de batería, retírelo de la herramienta y deséchelo en un lugar seguro. Siga los reglamentos locales referentes al desecho de la batería.**
12. **Utilice las baterías solamente con los productos especificados por Makita.** La instalación de las baterías en productos no compatibles puede resultar en un incendio, calor excesivo, explosión, o fuga de electrolito.
13. **Si la herramienta no va a ser utilizada durante un periodo de tiempo largo, la batería deberá ser retirada de la herramienta.**
14. **Durante y después de la utilización, el cartucho de batería podrá acumular calor, lo cual puede ocasionar quemaduras o quemaduras de baja temperatura. Preste atención al manejo de cartuchos de batería calientes.**
15. **No toque el terminal de la herramienta inmediatamente después de utilizar, dado que puede calentarse lo suficiente como para ocasionar quemaduras.**
16. **No permita que virutas, polvo, o tierra se adhieran dentro de los terminales, orificios, y ranuras del cartucho de batería.** Esto podría ocasionar calentamiento, que coja fuego, reviente y un mal funcionamiento de la herramienta o el cartucho de batería, resultando en quemaduras o heridas personales.
17. **A menos que la herramienta pueda utilizarse cerca de cables eléctricos de alta tensión, no utilice el cartucho de batería cerca de cables eléctricos de alta tensión.** Podrá resultar en un mal funcionamiento o rotura de la herramienta o el cartucho de batería.
18. **Mantenga la batería alejada de los niños.**

⚠PRECAUCIÓN: Utilice solamente baterías genuinas de Makita. La utilización de baterías no genuinas de Makita, o baterías que han sido alteradas, puede resultar en una explosión de la batería ocasionando incendios, heridas personales y daños. También anulará la garantía de Makita para la herramienta y el cargador de Makita.

Consejos para alargar al máximo la vida de servicio de la batería

1. **Cargue el cartucho de batería antes de que se descargue completamente. Detenga siempre la operación y cargue el cartucho de batería cuando note menos potencia en la herramienta.**
2. **No cargue nunca un cartucho de batería que esté completamente cargado. La sobrecarga acortará la vida de servicio de la batería.**
3. **Cargue el cartucho de batería a temperatura ambiente de 10 °C - 40 °C. Si un cartucho de batería está caliente, déjelo enfriar antes de cargarlo.**
4. **Cuando no esté utilizando el cartucho de batería, retírelo de la herramienta o del cargador.**
5. **Cargue el cartucho de batería si no lo utiliza durante un periodo de tiempo prolongado (más de seis meses).**

GUARDE ESTAS INSTRUCCIONES.

DESCRIPCIÓN DE LAS PARTES

► Fig.2

1	Cartucho de batería	2	Protector de la mano delantera	3	Palanca
4	Placa de guía	5	Cadena de sierra	6	Dial de ajuste
7	Lámpara de alimentación principal	8	Interruptor de alimentación principal	9	Palanca de desbloqueo
10	Empuñadura trasera	11	Gatillo interruptor	12	Empuñadura delantera
13	Tapón del depósito de aceite	14	Cubierta de la placa de guía	15	Tornillo de ajuste (para bomba de aceite)
16	Cubrecadena	-	-	-	-

DESCRIPCIÓN DEL FUNCIONAMIENTO

⚠️ PRECAUCIÓN: Asegúrese siempre de que la herramienta esté apagada y el cartucho de batería retirado antes de realizar cualquier ajuste o comprobación en la herramienta.

Instalación o extracción del cartucho de batería

⚠️ PRECAUCIÓN: Apague siempre la herramienta antes de instalar o retirar el cartucho de batería.

⚠️ PRECAUCIÓN: Sujete la herramienta y el cartucho de batería firmemente cuando instale o retire el cartucho de batería. Si no sujeta la herramienta y el cartucho de batería firmemente podrán caérsele de las manos y resultar en daños a la herramienta y al cartucho de batería y heridas personales.

Para instalar el cartucho de batería, alinee la lengüeta del cartucho de batería con la ranura del alojamiento y deslícelo al interior hasta encajarlo en su sitio. Insértelo por completo hasta que se bloquee en su sitio con un pequeño chasquido. Si puede ver el indicador rojo como se muestra en la figura, no estará bloqueado completamente.

Para retirar el cartucho de batería, deslícelo de la herramienta mientras desliza el botón de la parte frontal del cartucho.

► **Fig. 3:** 1. Indicador rojo 2. Botón 3. Cartucho de batería

⚠️ PRECAUCIÓN: Instale siempre el cartucho de batería completamente hasta que no pueda verse el indicador rojo. En caso contrario, podrá caerse accidentalmente de la herramienta y ocasionarle heridas a usted o a alguien que esté cerca de usted.

⚠️ PRECAUCIÓN: No instale el cartucho de batería empleando fuerza. Si el cartucho no se desliza al interior fácilmente, será porque no está siendo insertado correctamente.

Modo de indicar la capacidad de batería restante

Presione el botón de comprobación en el cartucho de batería para indicar la capacidad de batería restante. Las lámparas indicadoras se iluminan durante unos pocos segundos.

► **Fig. 4:** 1. Lámparas indicadoras 2. Botón de comprobación

Lámparas indicadoras			Capacidad restante
Iluminada	Apagada	Parpadeando	
■	□	▧	75% a 100%
■ ■ ■ ■			
■ ■ ■ □			50% a 75%
■ ■ □ □			25% a 50%
■ □ □ □			0% a 25%
▧ □ □ □			Cargue la batería.
■ ■ □ □			Puede que la batería no esté funcionando bien.
□ □ ■ ■			

NOTA: Dependiendo de las condiciones de utilización y de la temperatura ambiente, la indicación podrá variar ligeramente de la capacidad real.

NOTA: La primera lámpara indicadora (extremo izquierdo) parpadeará cuando el sistema de protección de la batería esté funcionando.

Sistema de protección de la herramienta / batería

La herramienta está equipada con un sistema de protección de la herramienta/batería. Este sistema corta automáticamente la alimentación al motor para alargar la vida de servicio de la herramienta y la batería. La herramienta se detendrá automáticamente durante la operación si la herramienta o la batería es puesta en una de las condiciones siguientes:

Protección contra sobrecarga

Cuando la herramienta/batería sea utilizada de una manera que dé lugar a que tenga que absorber una corriente anormalmente alta, la herramienta se detendrá automáticamente y la lámpara de alimentación principal parpadeará en verde. En esta situación, apague la herramienta y detenga la tarea que ocasiona la sobrecarga de la herramienta. Después encienda la herramienta para volver a empezar.

Protección contra el recalentamiento

Cuando la herramienta o la batería se recalienta, la herramienta se detiene automáticamente y la lámpara de alimentación principal se ilumina en rojo. En este caso, deje que la herramienta y la batería se enfríen antes de encender la herramienta otra vez.

NOTA: En un entorno de alta temperatura, la protección contra recalentamiento probablemente se accione y la herramienta se detendrá automáticamente.

Protección contra descarga excesiva

Cuando la capacidad de batería no sea suficiente, la herramienta se detendrá automáticamente y lámpara de alimentación principal parpadeará en rojo. En este caso, retire la batería de la herramienta y cargue la batería.

Protecciones contra otras causas

También hay un sistema de protección diseñado para otras causas que pueden dañar la herramienta y que permite a la herramienta detenerse automáticamente. Realice todos los pasos siguientes para despejar las causas, cuando la herramienta haya sido llevada a una pausa temporal o a una parada en la operación.

1. Apague la herramienta, y después enciéndala otra vez para volver a empezar.
2. Cargue la(s) batería(s) o reemplácela(s) con una batería(s) recargada(s).
3. Deje que la máquina y la(s) batería(s) se enfríen.

Si no se nota una mejora al restablecer el sistema de protección, póngase en contacto con el centro de servicio Makita local.

AVISO: Si la herramienta se detiene debido a una causa no descrita arriba, consulte la sección para solución de problemas.

Interruptor de alimentación principal

⚠ADVERTENCIA: Desactive siempre el interruptor de alimentación principal cuando la herramienta no esté siendo utilizada.

Para encender la herramienta, presione el interruptor de alimentación principal. La lámpara de alimentación principal se ilumina en verde. Para apagar, presione el interruptor de alimentación principal otra vez.

- **Fig.5:** 1. Lámpara de alimentación principal
2. Interruptor de alimentación principal

NOTA: La lámpara de alimentación principal parpadeará en verde si se aprieta el gatillo interruptor en condiciones en las que la operación no es posible. La lámpara parpadea en una de las condiciones siguientes.

- Cuando activa el interruptor de alimentación principal mientras mantiene presionada la palanca de desbloqueo y apretado el gatillo interruptor.
- Cuando aprieta el gatillo interruptor mientras está aplicado el freno de cadena.
- Cuando suelta el freno de cadena mientras mantiene presionada la palanca de desbloqueo y apretado el gatillo interruptor.

NOTA: Esta herramienta emplea la función de desconexión automática de la alimentación. El interruptor de alimentación principal se inhabilitará automáticamente si la herramienta se deja sin usar 5 minutos aproximadamente.

NOTA: La función de desconexión automática de la alimentación se podrá activar cuando la herramienta se pare debido a la operación del sistema de protección. El interruptor de alimentación principal se inhabilitará automáticamente 5 minutos aproximadamente después de que el motor se pare automáticamente y no se tome ninguna medida correctiva para proteger la herramienta.

Accionamiento del interruptor

⚠ADVERTENCIA: Por su propia seguridad, esta herramienta está equipada con un interruptor de desbloqueo que evita que la herramienta sea puesta en marcha involuntariamente. No utilice **NUNCA** la herramienta si se pone en marcha cuando usted simplemente aprieta el gatillo interruptor sin presionar la palanca de desbloqueo. Lleve la herramienta a nuestro centro de servicio autorizado para que le hagan las reparaciones apropiadas **ANTES** de seguir utilizándola.

⚠ADVERTENCIA: **NUNCA** sujete con cinta adhesiva o anule el propósito o la función de la palanca de desbloqueo.

⚠PRECAUCIÓN: Antes de insertar el cartucho de batería en la herramienta, compruebe siempre para cerciorarse de que el gatillo interruptor se acciona debidamente y que vuelve a la posición "OFF" cuando lo suelta.

AVISO: No apriete con fuerza el gatillo interruptor sin presionar la palanca de desbloqueo. Esto puede ocasionar la rotura del interruptor.

Para evitar que el gatillo interruptor pueda ser apretado accidentalmente, se ha provisto un interruptor de desbloqueo doble por seguridad.

Para poner en marcha la herramienta, empuje la palanca de bloqueo hacia delante más allá de su posición normal usando el pliegue de su mano (es decir, la parte entre los dedos pulgar e índice) y apriete la palanca de desbloqueo con la palma. Después apriete el gatillo interruptor con la palanca de desbloqueo estando apretada. La velocidad de la herramienta incrementa aumentando la presión del gatillo interruptor. Suelte el gatillo interruptor para parar.

- **Fig.6:** 1. Palanca de bloqueo 2. Palanca de desbloqueo 3. Gatillo interruptor

Comprobación del freno de cadena

⚠PRECAUCIÓN: Sujete la electrosierra con ambas manos cuando la encienda. Sujete la empuñadura trasera con su mano derecha, la empuñadura delantera con su mano izquierda. La placa y la cadena no deberán hacer contacto con ningún objeto.

⚠PRECAUCIÓN: Si la cadena de sierra no se detiene inmediatamente cuando realice esta prueba, la sierra no deberá ser utilizada bajo ninguna circunstancia. Consulte con nuestro centro de servicio autorizado.

1. Presione la palanca de desbloqueo, después apriete el gatillo interruptor. La cadena de sierra se pone en marcha inmediatamente.
 2. Empuje el protector de la mano delantera hacia delante con la parte trasera de su mano. Asegúrese de que la electrosierra se detiene inmediatamente.
- **Fig.7:** 1. Protector de la mano delantera 2. Posición desbloqueada 3. Posición bloqueada

Comprobación del freno de retención

⚠ PRECAUCIÓN: Si la cadena de sierra no se para en 2 segundos en esta prueba, deje de utilizar la sierra de cadena y consulte con nuestro centro de servicio autorizado.

Ponga en marcha la sierra de cadena y después suelte el gatillo interruptor completamente. La cadena de sierra deberá detenerse en 2 segundos.

Ajuste de la lubricación de la cadena

Puede ajustar la frecuencia del suministro de la bomba de aceite con el tornillo de ajuste. La cantidad de aceite se puede ajustar utilizando la punta de la llave de tubo.

► **Fig.8:** 1. Tornillo de ajuste

Función electrónica

La herramienta está equipada con una función electrónica para facilitar su manejo.

- Freno eléctrico
Esta herramienta está equipada con un freno eléctrico. Si la herramienta consistentemente deja de pararse rápidamente después de soltar el gatillo interruptor, haga que la herramienta sea servida en un centro de servicio autorizado de Makita.

MONTAJE

⚠ PRECAUCIÓN: Asegúrese siempre de que la herramienta está apagada y el cartucho de batería retirado antes de realizar cualquier trabajo en la herramienta.

⚠ PRECAUCIÓN: No toque la cadena de sierra con las manos desnudas. Póngase siempre guantes cuando maneje la cadena de sierra.

Instalación o desmontaje de la cadena de sierra

⚠ PRECAUCIÓN: La cadena de sierra y la placa de guía estarán todavía calientes justo después de la operación. Déjelas enfriar suficientemente antes de llevar a cabo cualquier trabajo en la herramienta.

⚠ PRECAUCIÓN: Realice el procedimiento de instalación o desmontaje de la cadena de sierra en un lugar limpio y libre de serrín y similares.

Instalación de la cadena de sierra

Para instalar la cadena de sierra, realice los pasos siguientes:

1. Libere el freno de cadena tirando del protector de la mano delantera.
2. Empuje la palanca hacia arriba mientras presiona su borde.
► **Fig.9:** 1. Palanca

3. Gire la palanca hacia la izquierda hasta que la cubierta del piñón se suelte.

► **Fig.10:** 1. Palanca 2. Cubierta del piñón

4. Retire la cubierta del piñón.

5. Compruebe la dirección de la cadena de sierra. Haga coincidir la dirección de la cadena de sierra con la de la marca en el cuerpo de la sierra de cadena.

► **Fig.11:** 1. Marca en el cuerpo de la sierra de cadena

6. Encaje un extremo de la cadena de sierra encima de la placa de guía.

7. Encaje el otro extremo de la cadena de sierra alrededor del piñón, después coloque la placa de guía en el cuerpo de la sierra de cadena.

► **Fig.12:** 1. Piñón

8. Gire el dial de ajuste en la dirección de “-” para deslizar el pasador de ajuste en la dirección de la flecha.

► **Fig.13:** 1. Dial de ajuste 2. Pasador de ajuste

9. Ponga la cubierta del piñón sobre la electrosierra de forma que el pasador de ajuste quede posicionado en un agujero pequeño de la placa de guía.

► **Fig.14:** 1. Cubierta del piñón 2. Placa de guía 3. Agujero

10. Gire la palanca hacia la derecha completamente y gírela un poco hacia atrás para mantener cierta holgura para ajustar la tensión de la cadena.

11. Ajuste la tensión de la cadena. Consulte la sección sobre ajuste de la tensión de la cadena de sierra para ver el procedimiento.

12. Gire la palanca hacia la derecha hasta que la cubierta del piñón esté sujeta y después devuélvala a la posición original.

► **Fig.15:** 1. Palanca 2. Cubierta del piñón

Desmontaje de la cadena de sierra

Para quitar la cadena de sierra, realice los pasos siguientes:

1. Libere el freno de cadena tirando del protector de la mano delantera.

2. Gire el dial de ajuste en la dirección de “-” para aflojar la tensión de la cadena de sierra.

► **Fig.16:** 1. Dial de ajuste

3. Empuje la palanca hacia arriba mientras presiona su borde.

► **Fig.17:** 1. Palanca

4. Gire la palanca hacia la izquierda hasta que la cubierta del piñón se suelte.

► **Fig.18:** 1. Palanca 2. Cubierta del piñón

5. Retire la cubierta del piñón y después retire la cadena de sierra y la placa de guía del cuerpo de la electrosierra.

Ajuste de la tensión de la cadena de sierra

⚠PRECAUCIÓN: Realice el procedimiento de instalación o desmontaje de la cadena de sierra en un lugar limpio y libre de serrín y similares.

⚠PRECAUCIÓN: No apriete demasiado la cadena de sierra. Una tensión excesiva de la cadena de sierra puede ocasionar la rotura de la cadena de sierra, desgaste de la placa de guía y rotura del dial de ajuste.

⚠PRECAUCIÓN: Una cadena muy floja puede saltar de la placa y causar un accidente con heridas.

La cadena de sierra se podrá aflojar después de muchas horas de utilización. De vez en cuando compruebe la tensión de la cadena de sierra antes de utilizarla.

1. Empuje la palanca hacia arriba mientras presiona su borde.

► **Fig.19:** 1. Palanca

2. Gire la palanca hacia la izquierda un poco para aflojar la cubierta del piñón ligeramente.

► **Fig.20:** 1. Palanca 2. Cubierta del piñón

3. Levante la punta de la placa de guía ligeramente y ajuste la tensión de la cadena. Gire el dial de ajuste en la dirección de “-” para aflojar, gire en la dirección de “+” para apretar. Apriete la cadena de sierra hasta que el lado inferior de la cadena de sierra encaje en el riel de la placa de guía como se muestra en la figura.

► **Fig.21:** 1. Dial de ajuste 2. Placa de guía 3. Cadena de sierra

4. Siga sujetando la placa de guía ligeramente y apriete la cubierta del piñón girando la palanca hacia la derecha.

Asegúrese de no aflojar la cadena de sierra en el lado inferior.

5. Devuelva la palanca a la posición original.

Asegúrese de que la cadena de sierra está ceñida al lado inferior de la placa de guía.

OPERACIÓN

Lubricación

⚠PRECAUCIÓN: No utilice la sierra de cadena cuando el depósito esté vacío. Rellene el aceite a su debido tiempo antes de que el depósito se vacíe.

⚠PRECAUCIÓN: Evite que el aceite entre en contacto con la piel y los ojos. El contacto con los ojos ocasiona irritación. En el caso de que haga contacto con los ojos, enjuague el ojo afectado inmediatamente con agua limpia, después consulte a un médico enseguida.

⚠PRECAUCIÓN: No utilice nunca aceite usado. El aceite usado contiene sustancias cancerígenas. Los contaminantes en el aceite usado ocasionan un desgaste acelerado de la bomba de aceite, la barra y la cadena. El aceite usado es dañino para el medioambiente.

AVISO: Cuando la sierra de cadena sea utilizada por primera vez, puede que lleve hasta dos minutos para que el aceite de cadena comience a hacer su efecto lubricante en el mecanismo de la sierra. Haga funcionar la sierra sin carga hasta que haga el efecto.

AVISO: Cuando llene con aceite de cadena por primera vez, o rellene el depósito después de haber sido vaciado completamente, añada aceite hasta el borde inferior de la boca de llenado. De lo contrario el suministro de aceite se podrá obstaculizar.

AVISO: Utilice el aceite de cadena de sierra exclusivamente para electrosierras Makita o aceite equivalente disponible en el comercio.

AVISO: No utilice nunca aceite que contenga polvo y partículas o aceite volátil.

AVISO: Cuando pade árboles, utilice aceite botánico. El aceite mineral puede dañar los árboles.

AVISO: Antes de realizar la operación de corte, asegúrese de que el tapón del depósito de aceite suministrado está roscado en su sitio.

La cadena de sierra se lubrica automáticamente cuando la herramienta está funcionando. Compruebe la cantidad restante de aceite en el depósito de aceite periódicamente a través de la ventanilla de inspección del aceite.

► **Fig.22:** 1. Tapón del depósito de aceite 2. Ventanilla de inspección del aceite

Para llenar aceite, realice los pasos siguientes:

1. Limpie completamente el área alrededor del tapón del depósito de aceite para evitar que entre suciedad en el depósito de aceite.

2. Ponga la sierra de cadena de costado.

3. Presione el botón del tapón del depósito de aceite de manera que el botón del otro lado se levante, y después retire el tapón del depósito de aceite girándolo.

► **Fig.23:** 1. Tapón del depósito de aceite 2. Apretar 3. Aflojar

4. Llene el depósito de aceite con aceite. La cantidad apropiada de aceite es de 200 ml.

5. Vuelva a roscar el tapón del depósito de aceite firmemente en su sitio.

6. Limpie con cuidado con un paño cualquier derrame de aceite de cadena.

NOTA: Si resulta difícil retirar el tapón del depósito de aceite, inserte la punta de la llave de tubo en la ranura del tapón del depósito de aceite, y después retire el tapón del depósito de aceite girándolo hacia la izquierda.

► **Fig.24:** 1. Ranura 2. Llave de tubo

Después de rellenar, sujete la electrosierra alejada del árbol. Póngala en marcha y espere hasta que la lubricación de la cadena de sierra sea apropiada.

► **Fig.25**

Trabajo con la sierra de cadena

⚠ PRECAUCIÓN: El que utilice por primera vez la herramienta deberá, como práctica mínima, realizar corte de troncos sobre un caballete de aserrar o un soporte.

⚠ PRECAUCIÓN: Cuando sierre madera ya cortada, utilice un apoyo seguro (caballete de aserrar o soporte). No establezca la pieza de trabajo con el pie, y no permita que nadie más la sujete o la establezca.

⚠ PRECAUCIÓN: Sujete las piezas redondas para que no giren.

⚠ PRECAUCIÓN: Mantenga todas las partes del cuerpo alejadas de la cadena de sierra cuando el motor esté en marcha.

⚠ PRECAUCIÓN: Sujete la electrosierra firmemente con ambas manos cuando el motor esté en marcha.

⚠ PRECAUCIÓN: No trabaje donde no alcance. Mantenga los pies sobre suelo firme y el equilibrio en todo momento.

⚠ PRECAUCIÓN: Cuando use el lado superior de la placa de guía para cortar, tenga cuidado porque la sierra de cadena puede ser empujada hacia usted si la cadena de sierra se engancha.

AVISO: Nunca arroje o deje caer la herramienta.

AVISO: No cubra las aberturas de ventilación de la herramienta.

AVISO: Cuando haga varios cortes, apague la sierra de cadena entre un corte y otro.

Ponga el borde inferior del cuerpo de la electrosierra en contacto con la rama que quiere cortar antes de ponerla en marcha. De lo contrario podrá ocasionar que la placa de guía bambolee, resultando en heridas al operario. Sierre la madera que quiere cortar simplemente moviéndola hacia abajo utilizando el peso de la electrosierra.

► Fig.26

Si no puede cortar de una sola pasada un trozo de madera:

Aplique una ligera presión sobre la empuñadura, continúe serrando y desplace la electrosierra un poco hacia atrás; después ponga el parachoques de púas un poco más abajo y termine el corte elevando la empuñadura.

► Fig.27

Tala de árboles

⚠ PRECAUCIÓN: El trabajo de talado deberá ser realizado solamente por personas capacitadas. El trabajo es peligroso.

Cuando dos o más personas realicen operaciones de corte transversal/tronzado y talado al mismo tiempo, las operaciones de talado deberán estar separadas de la operación de corte transversal/tronzado por una distancia de al menos el doble de la altura del árbol que se está talando. Los árboles no se deberán talar de una manera que pueda poner en peligro a alguna persona, golpear algún cable del tendido eléctrico o causar algún daño a la propiedad. Si el árbol hace contacto con algún cable del tendido eléctrico, se deberá notificar a la compañía inmediatamente.

El operario de la sierra de cadena deberá mantenerse en el lado de arriba del terreno porque es probable que el árbol ruede o se deslice hacia abajo una vez talado.

Antes de comenzar a cortar será necesario planear una ruta de escape y despejarla según sea necesario. La ruta de escape deberá extenderse hacia atrás y diagonalmente a la parte trasera de la línea de caída esperada como muestra la ilustración.

► Fig.28: 1. Dirección de la tala 2. Zona de peligro 3. Ruta de escape

Antes de iniciar la tala, considere la inclinación natural del árbol, la posición de las ramas grandes y la dirección del viento para entrever hacia dónde va a caer el árbol.

Retire la suciedad, piedras, corteza suelta, clavos, grapas y cables del árbol.

Corte bajo en muesca y corte trasero de tala

⚠ PRECAUCIÓN: No corte el gozne bajo ninguna circunstancia. El árbol podría caer inadvertidamente.

AVISO: Utilice cuñas de plástico o aluminio para mantener el corte trasero abierto. No utilice cuñas de hierro.

► Fig.29: 1. 50 mm 2. Corte trasero de tala 3. Gozne 4. Muesca 5. Dirección de caída

Haga una muesca de 1/3 del diámetro del árbol, perpendicular a la dirección de la caída, como muestra la ilustración. Haga el corte horizontal inferior de la muesca primero. Esto ayudará a evitar que la cadena de sierra o la placa de guía quede aprisionada cuando se esté haciendo el segundo corte de la muesca.

Haga el corte trasero de tala al menos 50 mm más arriba que el corte horizontal de la muesca como muestra la ilustración. Mantenga el corte trasero de tala paralelo al corte horizontal de la muesca. Haga el corte trasero de tala de manera que quede suficiente madera para que actúe como un gozne. La madera del gozne mantendrá el árbol de manera que no se retuerza y caiga en la dirección incorrecta. No corte a través del gozne.

A medida que el corte de tala se acerque al gozne, el árbol deberá comenzar a caer. Si hay alguna posibilidad de que el árbol pueda no caer en la dirección deseada o pueda inclinarse hacia atrás y aprisionar la cadena de sierra, deje de cortar antes de completar el corte trasero de tala y use cuñas de madera, plástico o aluminio para abrir el corte y dejar caer el árbol a lo largo de la línea de caída deseada.

Cuando el árbol comience a caer, retire la sierra de cadena del corte, pare el motor, ponga la sierra de cadena en el suelo, y después use la ruta de escape planeada. Esté atento a las ramas en lo alto que caen y observe el suelo donde pisa.

Desrame de un árbol

⚠PRECAUCIÓN: El corte de las ramas deberá ser realizado solamente por personas capacitadas. Existe un riesgo de que se produzca un retroceso brusco.

Desramar es quitar las ramas de un árbol talado. Cuando desrame, deje las ramas inferiores más grandes para apoyar el tronco sobre el suelo. Retire las ramas pequeñas con un corte como muestra la ilustración. Las ramas bajo tensión deberán ser cortadas desde la parte baja para evitar el bloqueo de la sierra de cadena.

► **Fig.30:** 1. Corte de ramas

Corte transversal/tronzado de un tronco

El corte transversal/tronzado de un tronco es cortar un tronco en trozos. Es importante asegurarse de que pisa suelo firme y que su peso está distribuido uniformemente en ambos pies. Cuando sea posible, el tronco deberá estar elevado y apoyado mediante el uso de ramas, troncos o calzas. Siga las indicaciones sencillas siguientes para facilitar el corte.

Cuando el tronco está apoyado en toda su longitud como muestra la ilustración, se corta desde la parte superior (tronzado superior).

► **Fig.31**

Cuando el tronco está apoyado solo en un extremo como muestra la ilustración, corte 1/3 del diámetro desde la parte inferior (tronzado inferior). Después haga el corte final mediante tronzado superior para llegar hasta el primer corte.

► **Fig.32:** 1. Primer corte 2. Segundo corte

Cuando el tronco está apoyado en ambos extremos como muestra la ilustración, corte 1/3 del diámetro desde la parte superior (tronzado superior). Después haga el corte final mediante tronzado inferior de 2/3 para llegar hasta el primer corte.

► **Fig.33:** 1. Primer corte 2. Segundo corte

Cuando haga corte transversal/tronzado en una pendiente, póngase siempre en el lado de arriba del tronco como muestra la ilustración. Cuando "corte a través", para mantener un control completo, libere la presión de corte cerca del final del corte sin relajar su asimiento de las empuñaduras de la sierra de cadena. No deje que la cadena toque el suelo. Después de completar el corte, espere hasta que la cadena de sierra se pare antes de mover la sierra de cadena. Detenga siempre el motor antes de desplazarse de un árbol a otro.

► **Fig.34**

Corte paralelo a la fibra

⚠PRECAUCIÓN: El corte paralelo a la fibra ha de ser realizado solamente por personas capacitadas. La posibilidad de un retroceso brusco presenta un riesgo de heridas.

Realice los cortes paralelos a la fibra con el menor ángulo posible.

► **Fig.35**

Transporte de la herramienta

Antes de transportar la herramienta, aplique siempre el freno de cadena y retire el cartucho de batería de la herramienta. Después coloque la cubierta de la placa de guía. Cubra también el cartucho de batería con la cubierta de la batería.

► **Fig.36:** 1. Cubierta de la placa de guía 2. Cubierta de la batería

MANTENIMIENTO

⚠PRECAUCIÓN: Asegúrese siempre de que la herramienta está apagada y de que el cartucho de batería está retirado antes de intentar hacer una inspección o mantenimiento.

⚠PRECAUCIÓN: Póngase guantes siempre que vaya a realizar cualquier trabajo de inspección o mantenimiento.

AVISO: No utilice nunca gasolina, bencina, disolvente, alcohol o similares. Podría producir descoloración, deformación o grietas.

Para mantener la SEGURIDAD y FIABILIDAD del producto, las reparaciones, y cualquier otra tarea de mantenimiento o ajuste deberán ser realizadas en centros de servicio o de fábrica autorizados por Makita, empleando siempre repuestos Makita.

Afilado de la cadena de sierra

Afile la cadena de sierra cuando:

- Se produzca serrín granuloso al cortar madera húmeda;
- La cadena penetre la madera con dificultad, aun cuando se aplica fuerte presión;
- El borde cortante esté obviamente dañado;
- La sierra tire hacia la izquierda o hacia la derecha en la madera. (causado por un afilado desigual de la cadena de sierra o daño en un solo lado)

Afile la cadena de sierra con frecuencia pero un poco cada vez. Dos o tres pasadas con una lima son generalmente suficientes para un nuevo afilado rutinario. Cuando la cadena de sierra haya sido nuevamente afilada varias veces, haga que se la afilen nuevamente en nuestro centro de servicio autorizado.

Criterios para afilar:

⚠ADVERTENCIA: Una distancia excesiva entre el borde cortante y el calibre de profundidad aumentará el riesgo de un retroceso brusco.

- **Fig.37:** 1. Longitud de la cuchilla 2. Distancia entre el borde cortante y el calibre de profundidad 3. Longitud mínima de la cuchilla (3 mm)
- La longitud de todas las cuchillas debe ser igual. Las longitudes de cuchilla diferentes evitan que la cadena de sierra gire suavemente y pueden ocasionar que la cadena de sierra se rompa.
 - No afile la cadena cuando la longitud de la cuchilla haya quedado en 3 mm o más corta. La cadena debe ser reemplazada con una nueva.

- El espesor de la viruta se determina mediante la distancia entre el calibre de profundidad (morro redondeado) y el borde cortante.
- Los mejores resultados de corte se obtienen con la distancia siguiente entre el borde cortante y el calibre de profundidad.
 - Hoja de la cadena 80TXL: 0,65 mm

► **Fig.38**

- El ángulo de afilado de 30° deberá ser igual en todas las cuchillas. Los ángulos diferentes de las cuchillas ocasionan que la cadena se desplace brusca y desigualmente, aceleran el desgaste, y acarrear roturas de cadena.
- Utilice una lima redonda apropiada de forma que se mantenga el ángulo de afilado apropiado contra los dientes.
 - Hoja de la cadena 80TXL: 55°

Lima y guía de limado

- Utilice una lima redonda especial (accesorio opcional) para cadenas de sierra para afilar la cadena. Las limas redondas normales no son apropiadas.
- El diámetro de la lima redonda para cada cadena de sierra es como sigue:
 - Hoja de la cadena 80TXL: 4,0 mm
- La lima solamente deberá tocar la cuchilla en el movimiento de avance. Levante la lima de la cuchilla en el movimiento de retroceso.
- Afile primero la cuchilla más corta. Después la longitud de esta cuchilla más corta pasa a ser la longitud estándar para todas las cuchillas de la cadena de sierra.
- Guíe la lima como se muestra en la figura.

► **Fig.39:** 1. Lima 2. Cadena de sierra

- La lima podrá ser guiada más fácilmente si se emplea un soporte de lima (accesorio opcional). El soporte de lima tiene marcas para el ángulo de afilado correcto de 30° (alineé las marcas paralelas a la cadena de sierra) y limita la profundidad de penetración (a 4/5 del diámetro de la lima).

► **Fig.40:** 1. Soporte de lima

- Después de afilar la cadena, compruebe la altura del calibre de profundidad utilizando la herramienta de calibración de cadena (accesorio opcional).

► **Fig.41**

- Quite cualquier material que sobresalga, por pequeño que sea, con una lima plana especial (accesorio opcional).
- Redondee la parte frontal del calibre de profundidad otra vez.

Limpieza de la placa de guía

En la acanaladura de la placa de guía se acumularán virutas y serrín. Estos podrán atascar la acanaladura de la placa y obstaculizar el flujo de aceite. Limpie las virutas y el serrín cada vez cuando afile o reemplace la cadena de sierra.

► **Fig.42**

Limpieza de la cubierta del piñón

Dentro de la cubierta del piñón se acumularán virutas y serrín. Retire la cubierta del piñón y la cadena de sierra de la herramienta y después limpie las virutas y el serrín.

► **Fig.43**

Limpieza del agujero de vaciado de aceite

Durante la operación se pueden acumular polvo fino o partículas en el agujero de vaciado de aceite. Este polvo o partículas pueden obstaculizar el flujo de aceite y ocasionar una lubricación insuficiente en toda la cadena de sierra. Cuando se produzca un deficiente suministro de aceite de cadena en la parte superior de la placa de guía, limpie el agujero de vaciado de aceite de la forma siguiente.

1. Quite la cubierta del piñón y la cadena de sierra de la herramienta.

2. Retire el polvo fino o las partículas utilizando un destornillador de punta plana o similar.

► **Fig.44:** 1. Destornillador de punta plana 2. Agujero de vaciado de aceite

3. Inserte el cartucho de batería en la herramienta. Apriete el gatillo interruptor para que el polvo o las partículas acumulados fluya del agujero de vaciado de aceite vaciando aceite de cadena.

4. Retire el cartucho de batería de la herramienta. Vuelva a instalar la cubierta del piñón y la cadena de sierra en la herramienta.

Reemplazo del piñón

⚠PRECAUCIÓN: Un piñón desgastado dañará una cadena de sierra nueva. En este caso pida que le reemplacen el piñón.

Antes de colocar una cadena de sierra nueva, compruebe la condición del piñón.

► **Fig.45:** 1. Piñón 2. Áreas que se van a desgastar

Coloque siempre un anillo de bloqueo nuevo cuando reemplace el piñón.

► **Fig.46:** 1. Anillo de bloqueo 2. Piñón

⚠AVISO: Asegúrese de que el piñón está instalado como se muestra en la figura.

Almacenamiento de la herramienta

1. Limpie la herramienta antes de almacenarla. Quite todas las virutas y serrín de la herramienta después de retirar la cubierta del piñón.

2. Después de limpiar la herramienta, póngala en marcha sin carga para lubricar la cadena de sierra y la placa de guía.

3. Cubra la placa de guía con la cubierta de la placa de guía.

4. Vacíe el depósito de aceite.

Instrucciones para el mantenimiento periódico

Para asegurar una larga vida de servicio, evitar daños y garantizar el completo funcionamiento de las características de seguridad, el mantenimiento siguiente deberá ser realizado regularmente. La reclamación de la garantía solamente será reconocida si este trabajo es realizado regular y debidamente. ¡No realizar el trabajo de mantenimiento prescrito puede acarrear accidentes! El usuario de la electrosierra no deberá realizar trabajo de mantenimiento que no esté descrito en el manual de instrucciones. Todos esos trabajos deberán ser realizados por nuestro centro de servicio autorizado.

Elemento a comprobar / Tiempo de operación		Antes de la operación	Cada día	Cada semana	Cada 3 meses	Anualmente	Antes del almacenamiento
Electrosierra	Inspección	✓	-	-	-	-	-
	Limpieza	-	✓	-	-	-	-
	Compruebe en el centro de servicio autorizado.	-	-	-	-	✓	✓
Cadena de sierra	Inspección	✓	-	-	-	-	-
	Afilar si es necesario.	-	-	-	-	-	✓
Placa de guía	Inspección	✓	✓	-	-	-	-
	Quítela de la electrosierra.	-	-	-	-	-	✓
Freno de cadena	Compruebe su función.	✓	-	-	-	-	-
	Pida que se lo inspeccionen regularmente en el centro de servicio autorizado.	-	-	-	✓	-	-
Lubricación de la cadena	Compruebe la frecuencia del suministro de aceite.	✓	-	-	-	-	-
Gatillo interruptor	Inspección	✓	-	-	-	-	-
Palanca de desbloqueo	Inspección	✓	-	-	-	-	-
Tapón del depósito de aceite	Compruebe el apriete.	✓	-	-	-	-	-
Cubrecadena	Inspección	-	-	✓	-	-	-
Tornillos y tuercas	Inspección	-	-	✓	-	-	-

SOLUCIÓN DE PROBLEMAS

Antes de solicitar reparaciones, realice su propia inspección en primer lugar. Si encuentra un problema que no está explicado en el manual, no intente desmontar la herramienta. En su lugar, pregunte en los centros de servicio autorizados Makita, utilizando siempre piezas de recambio Makita para las reparaciones.

Estado de mal funcionamiento	Causa	Acción
La sierra de cadena no se pone en marcha.	El cartucho de batería no está instalado.	Instale un cartucho de batería cargado.
	Problema de batería (poca tensión).	Recargue el cartucho de batería. Si la recarga no se realiza de forma efectiva, reemplace el cartucho de batería.
	El interruptor de alimentación principal está desactivado.	La electrosierra se apaga automáticamente si se deja sin usar 5 minutos aproximadamente. Active el interruptor de alimentación principal otra vez. La electrosierra se apaga automáticamente cuando el motor se para 5 minutos aproximadamente debido a la operación del sistema de protección. Tome la acción correctiva en la herramienta, y después vuelva a activar el interruptor de alimentación principal.
La cadena de sierra no gira.	El freno de cadena está accionado.	Suelte el freno de cadena.
El motor se para después de usarlo un poco.	El nivel de carga de la batería es bajo.	Recargue el cartucho de batería. Si la recarga no se realiza de forma efectiva, reemplace el cartucho de batería.
No hay aceite en la cadena.	El depósito de aceite está vacío.	Llene el depósito de aceite.
	La ranura guía del aceite está sucia.	Limpie la ranura.
	Poco suministro de aceite.	Ajuste la cantidad de suministro de aceite con el tornillo de ajuste.
La sierra de cadena no alcanza el máximo de RPM.	El cartucho de batería está instalado incorrectamente.	Instale el cartucho de batería como se describe en este manual.
	La potencia de la batería está cayendo.	Recargue el cartucho de batería. Si la recarga no se realiza de forma efectiva, reemplace el cartucho de batería.
	El sistema de accionamiento no responde correctamente.	Pida al centro de servicio autorizado en su región que le hagan la reparación.
La lámpara de alimentación principal está parpadeando en verde.	El gatillo interruptor ha sido apretado en una condición no operable.	Apriete el gatillo interruptor después de activar el interruptor de alimentación principal y de soltar el freno de cadena.
La cadena no se detiene aunque el freno de cadena está activado: ¡Detenga la herramienta inmediatamente!	La banda de freno está desgastada.	Pida al centro de servicio autorizado en su región que le hagan la reparación.
Vibración anormal: ¡Detenga la herramienta inmediatamente!	Placa de guía o cadena de sierra floja.	Ajuste la placa de guía y la tensión de la cadena de sierra.
	Mal funcionamiento de la herramienta.	Pida al centro de servicio autorizado en su región que le hagan la reparación.
La cadena de sierra no se puede instalar.	La combinación de cadena de sierra y piñón no es correcta.	Utilice la combinación correcta de cadena de sierra y piñón consultando la sección para especificaciones.

ACCESORIOS OPCIONALES

⚠PRECAUCIÓN: Estos accesorios o aditamentos están recomendados para su uso con la herramienta Makita especificada en este manual. El uso de cualquier otro accesorio o aditamento puede suponer un riesgo de heridas personales. Utilice el accesorio o aditamento solamente con la finalidad indicada para el mismo.

Si necesita cualquier ayuda para más detalles en relación con estos accesorios, pregunte al centro de servicio Makita local.

- Cadena de sierra
- Placa de guía

- Cubierta de la placa de guía
- Piñón
- Lima
- Batería y cargador genuinos de Makita

⚠ADVERTENCIA: Si compra una placa de guía de una longitud diferente de la de la placa de guía estándar, compre también junto con ella una cubierta de la placa de guía apropiada. Esta deberá encajar y cubrir completamente la placa de guía de la electrosierra.

NOTA: Algunos elementos de la lista podrán estar incluidos en el paquete de la herramienta como accesorios estándar. Pueden variar de un país a otro.

ESPECIFICAÇÕES

Modelo:		UC021G	UC022G	UC023G
Comprimento total (sem corrente de serra e barra de guia)		430 mm		
Tensão nominal		C.C. 36 V - 40 V máx.		
Peso líquido	*1	3,4 kg		
	*2	5,0 - 5,3 kg	5,1 - 5,4 kg	5,1 - 5,5 kg
Comprimento da barra de guia padrão		300 mm	350 mm	400 mm
Comprimento recomendado da barra guia		300 - 400 mm		
Tipo de corrente de serra aplicável (consulte a tabela seguinte)		80TXL		
Roda de corrente	Número de dentes	7		
	Passo	0,325"		
Velocidade da corrente		0 - 25,5 m/s (0 - 1.530 m/min)		
Volume do depósito de óleo da corrente		200 cm ³		
Grau de proteção		IPX4		

- Devido a um programa contínuo de pesquisa e desenvolvimento, estas especificações estão sujeitas a alteração sem aviso prévio.
 - As especificações podem variar de país para país.
- *1: Peso sem corrente de serra, barra de guia, cobertura da barra de guia, óleo e bateria(s).
 *2: A combinação de peso mais leve e mais pesada, de acordo com o Procedimento EPTA 01/2014. O peso poderá diferir em função do(s) acessório(s), incluindo a(s) bateria(s).

Combinação de corrente de serra, barra de guia e roda de corrente

Tipo de corrente de serra		80TXL		
Número de elos de ligação		51	59	64
Barra de guia	Comprimento da barra de guia	300 mm	350 mm	400 mm
	Comprimento de corte	257 mm	323 mm	364 mm
	Passo	0,325"		
	Calibre	1,1 mm		
	Tipo	Barra do nariz da roda de corrente		
Roda de corrente	Número de dentes	7		
	Passo	0,325"		

AVISO: Utilize a combinação adequada da barra de guia e da corrente de serra. Caso contrário, pode resultar em ferimentos pessoais.

Bateria e carregador aplicável

Bateria	BL4040 / BL4040F* / BL4050F* *: Bateria recomendada
Carregador	DC40RA / DC40RB / DC40RC / DC40WA

- Algumas das baterias e carregadores listados acima poderão não estar disponíveis, dependendo da sua região de residência.

AVISO: Utilize apenas as baterias e carregadores listados acima. A utilização de quaisquer outras baterias e carregadores pode causar ferimentos e/ou um incêndio.

Fonte de alimentação ligada por fio recomendada

Adaptador de baterias tipo mochila	PDC01
------------------------------------	-------

- A(s) fonte(s) de alimentação ligada(s) por fio listada(s) acima pode(m) não estar disponível(eis) dependendo da sua região de residência.
- Antes de utilizar a fonte de alimentação ligada por fio, leia as instruções e etiquetas de precaução na mesma.

Símbolos

A seguir são apresentados os símbolos que podem ser utilizados para o equipamento. Certifique-se de que compreende o seu significado antes da utilização.

	Leia o manual de instruções.
	Utilize proteção ocular.
	Utilize proteção auditiva.
	Use capacetes, óculos de proteção e proteção auricular.
	Comprimento máximo de corte admissível
	Utilize sempre as duas mãos quando utilizar a serra de corrente.
	Tenha cuidado com o recuo da serra de corrente e evite o contacto com a ponta da barra.
	Sentido de movimento da corrente
	Regulação da lubrificação da corrente de serra
	Apenas para países da UE Devido à presença de componentes perigosos no equipamento, os resíduos de equipamentos elétricos e eletrónicos, acumuladores e baterias podem ter um impacto negativo no meio ambiente e na saúde humana. Não elimine aparelhos elétricos e eletrónicos ou baterias juntamente com resíduos domésticos! De acordo com a Diretiva europeia relativa aos resíduos de equipamentos elétricos e eletrónicos, acumuladores e baterias, bem como a respetiva adaptação à legislação nacional, os resíduos de equipamentos elétricos e eletrónicos, acumuladores e baterias devem ser armazenados separadamente e entregues num ponto de recolha separado para resíduos municipais, que opere de acordo com os regulamentos de proteção ambiental. Tal é indicado pelo símbolo de contentor de lixo com rodas barrado com uma cruz colocado no equipamento.
	Nível de potência sonora garantido de acordo com a Diretiva de ruído ambiente da UE.
	Nível de potência sonora de acordo com o Regulamento de controlo do ruído de NSW da Austrália

Utilização a que se destina

Esta serra de corrente destina-se a serrar madeira.

Ruído

A característica do nível de ruído A determinado de acordo com a EN62841-4-1:

Modelo UC021G

Nível de pressão acústica (L_{pA}): 93 dB (A)
Nível de potência acústica (L_{WA}): 101 dB (A)
Variabilidade (K): 3 dB (A)

Modelo UC022G

Nível de pressão acústica (L_{pA}): 93 dB (A)
Nível de potência acústica (L_{WA}): 101 dB (A)
Variabilidade (K): 3 dB (A)

Modelo UC023G

Nível de pressão acústica (L_{pA}): 93 dB (A)
Nível de potência acústica (L_{WA}): 101 dB (A)
Variabilidade (K): 3 dB (A)

NOTA: O(s) valor(es) da emissão de ruído indicado(s) foi medido de acordo com um método de teste padrão e pode ser utilizado para comparar duas ferramentas.

NOTA: O(s) valor(es) da emissão de ruído indicado(s) pode também ser utilizado na avaliação preliminar da exposição.

AVISO: Utilize protetores auriculares.

AVISO: A emissão de ruído durante a utilização real da ferramenta elétrica pode diferir do(s) valor(es) indicado(s), dependendo das formas como a ferramenta é utilizada, especialmente o tipo de peça de trabalho que é processada.

AVISO: Certifique-se de identificar as medidas de segurança para proteção do operador que sejam baseadas em uma estimativa de exposição em condições reais de utilização (considerando todas as partes do ciclo de operação, tal como quando a ferramenta está desligada e quando está a funcionar em marcha lenta além do tempo de acionamento).

Vibração

Valor total da vibração (soma vetorial tri-axial) determinado de acordo com a EN62841-4-1:

Modelo UC021G

Modo de trabalho: cortar madeira
Emissão de vibração ($a_{h,w}$): 3,5 m/s²
Variabilidade (K): 1,5 m/s²

Modelo UC022G

Modo de trabalho: cortar madeira
Emissão de vibração ($a_{h,w}$): 3,5 m/s²
Variabilidade (K): 1,5 m/s²

Modelo UC023G

Modo de trabalho: cortar madeira
Emissão de vibração ($a_{h,w}$): 3,5 m/s²
Variabilidade (K): 1,5 m/s²

NOTA: O(s) valor(es) total(ais) de vibração indicado(s) foi medido de acordo com um método de teste padrão e pode ser utilizado para comparar duas ferramentas.

NOTA: O(s) valor(es) total(ais) de vibração indicado(s) pode também ser utilizado na avaliação preliminar da exposição.

⚠AVISO: A emissão de vibração durante a utilização real da ferramenta elétrica pode diferir do(s) valor(es) indicado(s), dependendo das formas como a ferramenta é utilizada, especialmente o tipo de peça de trabalho que é processada.

⚠AVISO: Certifique-se de identificar as medidas de segurança para proteção do operador que sejam baseadas em uma estimativa de exposição em condições reais de utilização (considerando todas as partes do ciclo de operação, tal como quando a ferramenta está desligada e quando está a funcionar em marcha lenta além do tempo de acionamento).

Declarações de conformidade

Apenas para os países europeus

As Declarações de conformidade estão incluídas no Anexo A deste manual de instruções.

AVISOS DE SEGURANÇA

Avisos gerais de segurança para ferramentas elétricas

⚠AVISO Leia todos os avisos de segurança, instruções, ilustrações e especificações fornecidos com esta ferramenta elétrica. O incumprimento de todas as instruções abaixo enumeradas pode resultar em choque elétrico, incêndio e/ou ferimentos graves.

Guarde todos os avisos e instruções para futuras referências.

O termo "ferramenta elétrica" nos avisos refere-se às ferramentas elétricas ligadas à corrente elétrica (com cabo) ou às ferramentas elétricas operadas por meio de bateria (sem cabo).

Avisos gerais de segurança para a serra de corrente

1. **Mantenha todo o seu corpo afastado da corrente de serra quando a serra de corrente estiver a funcionar. Antes de ligar a serra de corrente, certifique-se de que a corrente de serra não está em contacto com nada.** Um momento de distração ao operar as serras de corrente pode prender as roupas ou o corpo na corrente de serra.
2. **Segure na serra de corrente sempre com a mão direita na pega traseira e a mão esquerda na pega frontal.** Segurar a serra de corrente com as mãos ao contrário da configuração aumenta o risco de ferimentos pessoais e não deve nunca ser feito.

3. **Segure a serra de corrente apenas pelas superfícies de agarrar isoladas, porque a corrente de serra pode entrar em contacto com fios ocultos.** O contacto das correntes de serra com um fio sob tensão pode colocar sob tensão as peças metálicas expostas da serra de corrente e pode provocar um choque elétrico no operador.
4. **Utilize proteção ocular. Recomenda-se a utilização de mais equipamento de proteção da audição, da cabeça, das mãos, das pernas e dos pés.** O equipamento de proteção adequado reduz os ferimentos pessoais causados por detritos projetados ou contacto accidental com a corrente de serra.
5. **Não opere uma serra de corrente numa árvore, em cima de uma escada, em cima de um telhado ou sobre qualquer suporte instável.** A operação de uma serra de corrente desta forma pode dar origem a ferimentos pessoais graves.
6. **Mantenha os pés sempre bem assentes no chão e opere a serra de corrente apenas quando estiver de pé sobre uma superfície fixa, segura e nivelada.** As superfícies escorregadias ou instáveis podem provocar uma perda de equilíbrio ou de controlo da serra de corrente.
7. **Ao cortar um ramo que esteja com alguma tensão, tenha cuidado com a volta do ramo para trás.** Quando a tensão nas fibras de madeira é libertada, o ramo tensionado pode acertar no operador e/ou deixar a serra de corrente fora de controlo.
8. **Tenha muito cuidado especialmente quando está a cortar arbustos e brotos.** O material fino pode ficar preso na corrente de serra e ser atirado contra o operador ou causar a perda de equilíbrio.
9. **Transporte a serra de corrente pela pega frontal com a serra de corrente desligada e afastada do corpo. Ao transportar ou guardar a serra de corrente, coloque sempre a cobertura da barra de guia.** O manuseamento adequado da serra de corrente reduz a probabilidade de contacto accidental com a corrente de serra em movimento.
10. **Siga as instruções para lubrificação, aperto da corrente e substituição da barra e da corrente.** Uma corrente mal lubrificada ou cuja tensão não esteja devidamente regulada pode quebrar ou aumentar a probabilidade de ressaltos.
11. **Corte somente madeira. Não utilize a serra de corrente para finalidades não previstas. Por exemplo: não utilize a serra de corrente para cortar metal, plástico, alvenaria ou materiais de construção que não sejam de madeira.** A utilização da serra de corrente para operações diferentes das previstas pode resultar numa situação perigosa.
12. **Não tente abater uma árvore até ter compreendido os riscos e a forma de os evitar.** Podem ocorrer ferimentos graves no operador ou nas pessoas presentes durante o abate de uma árvore.
13. **Causas de recuo e como o operador as pode prevenir:**
O recuo pode ocorrer quando a ponteira ou a ponta da barra de guia faz contacto com um objeto ou quando a madeira comprime e prende a corrente de serra no corte.
Em alguns casos, o contacto da ponta pode causar uma reação inversa repentina, propulsando a barra de guia para cima e para trás na direção do operador.

Prender a corrente de serra ao longo do topo da barra de guia pode impulsionar a barra de guia rapidamente para trás na direção do operador. Qualquer uma destas reações pode causar a perda de controlo da serra, o que pode provocar graves ferimentos pessoais. Não confie exclusivamente nos mecanismos de segurança incorporados na serra. Como utilizador da serra de corrente, deverá tomar várias medidas para que os seus trabalhos de corte sejam livres de acidentes ou ferimentos. O ressalto é o resultado de utilização incorreta da serra de corrente e/ou de procedimentos ou condições de funcionamento incorretos e pode ser evitado através da adoção de precauções apropriadas, conforme indicado em seguida:

- **Segure a serra de corrente com firmeza, com todos os dedos a circundar as pegas e as duas mãos na serra de corrente e posicione-se de forma que o seu corpo e braço permitam resistir às forças de um recuo.** O operador poderá controlar as forças do recuo se tomar as devidas precauções. Não largue a serra de corrente.

► Fig.1

- **Não se incline e não corte nada acima da altura dos próprios ombros.** Isso ajuda a evitar o contacto accidental da ponta e possibilita maior controlo da serra de corrente em situações imprevistas.
 - **Utilize somente barras de guia e correntes de serra de substituição especificadas pelo fabricante.** As barras de guia e correntes de serra de substituição incorretas podem causar a quebra da corrente e/ou ressalto.
 - **Siga as instruções do fabricante para afiamento e manutenção da corrente de serra.** A diminuição da altura do limitador de profundidade pode provocar o aumento de recuos.
14. **Siga todas as instruções quando limpar material encravado, guardar ou efetuar a manutenção da serra de corrente. Certifique-se de que o interruptor está desligado e que a bateria foi removida.** A atuação inesperada da serra de corrente, ao limpar material encravado ou efetuar a manutenção, pode resultar em ferimentos pessoais graves.

Instruções de segurança adicionais

Equipamento de proteção pessoal

1. **O vestuário deve estar ajustado, mas não deve obstruir a mobilidade.**
2. **Utilize o seguinte vestuário de proteção durante o trabalho:**
 - Um capacete de segurança testado, se houver risco causado pela queda de ramos ou similar;
 - Uma máscara facial ou óculos;
 - Proteção auditiva adequada (protetores auriculares, tampões de ouvidos personalizados ou moldáveis). Análise da marca Octave disponível mediante pedido.
 - Luvas de segurança de pele firme;
 - Calças compridas fabricadas com tecido resistente;
 - Macacão de proteção de tecido resistente a cortes;

- Sapatos ou botas de segurança com solas antiderrapantes, biqueiras de aço e revestimento em tecido resistente a cortes;
- Uma máscara respiratória, quando efetuar trabalho que produza pó (por exemplo, serrar madeira seca).

Operação

1. **Antes de iniciar o trabalho, verifique se a serra de corrente está em boas condições de funcionamento e em conformidade com os regulamentos de segurança. Verifique especialmente se:**
 - O travão da corrente está a funcionar corretamente;
 - O travão de inatividade está a funcionar corretamente;
 - A barra e a cobertura da roda de corrente estão corretamente instaladas;
 - A corrente foi afiada e apertada de acordo com os regulamentos.
2. **Não ligue a serra de corrente se a cobertura da corrente estiver instalada.** Se ligar a serra de corrente com a cobertura da corrente instalada, a cobertura da corrente pode ser lançada para a frente e provocar ferimentos pessoais e danos a objetos nas proximidades do operador.
3. **Ative sempre o travão da corrente enquanto a ferramenta não estiver em utilização ou estiver a ser transportada.**
4. **Quando utilizar a ferramenta em terreno lamacento, declives húmidos ou local escorregadio, preste atenção ao seu posicionamento.**
5. **Não submerja a ferramenta numa poça.**
6. **Não deixe a ferramenta sem supervisão no exterior à chuva.**

Segurança elétrica e da bateria

1. **Evite ambientes perigosos. Não utilize a ferramenta em locais húmidos ou molhados, nem a exponha à chuva. A água que entra na ferramenta aumenta o risco de choque elétrico.**
2. **Não elimine a(s) bateria(s) no fogo.** A célula pode explodir. Verifique com os códigos locais as possíveis instruções de eliminação especiais.
3. **Não abra nem mutile a(s) bateria(s).** O eletrólito libertado é corrosivo e pode provocar danos nos olhos ou na pele. Pode ser tóxico se for engolido.
4. **Não carregue a bateria sob chuva ou em locais húmidos.**
5. **Não carregue a bateria ao ar livre.**
6. **Não toque no carregador, incluindo a ficha do carregador e os terminais do carregador, com as mãos molhadas.**
7. **Não substitua a bateria à chuva.**
8. **Não substitua a bateria com as mãos molhadas.**
9. **Não deixe a bateria à chuva nem carregue, utilize ou guarde a bateria num local húmido ou molhado.**
10. **Não molhe o terminal da bateria com líquido, tal como água, nem submerja a bateria.** Se o terminal ficar molhado ou entrar líquido para a bateria, a bateria pode entrar em curto-circuito e existe um risco de sobreaquecimento, incêndio ou explosão.
11. **Após remover a bateria da ferramenta ou do carregador, certifique-se de que prende a cobertura da bateria na bateria e guarde-a num local seco.**

12. Se a bateria ficar húmida, drene a água no interior e, em seguida, limpe-a com um pano seco. Seque a bateria completamente num local seco antes da utilização.

Manutenção e armazenamento

1. Quando guardar a ferramenta, evite a luz solar direta e a chuva e guarde-a num local onde não fique quente ou húmido.

GUARDE ESTAS INSTRUÇÕES.

⚠️AVISO: NÃO permita que conforto ou familiaridade com o produto (adquirido com o uso repetido) substitua a aderência estrita às regras de segurança da ferramenta. MÁ INTERPRETAÇÃO ou não seguimento das regras de segurança estabelecidas neste manual de instruções pode causar danos pessoais sérios.

Instruções de segurança importantes para a bateria

1. Antes de utilizar a bateria, leia todas as instruções e etiquetas de precaução no (1) carregador de bateria (2) bateria e (3) produto que utiliza a bateria.
2. Não desmonte ou manipule a bateria. Pode resultar num incêndio, em calor excessivo ou numa explosão.
3. Se o tempo de funcionamento se tornar excessivamente curto, pare o funcionamento imediatamente. Pode resultar em sobreaquecimento, possíveis queimaduras e mesmo estragar-se.
4. Se entrar eletrólito nos seus olhos, lave-os com água e consulte imediatamente um médico. Pode resultar em perda de visão.
5. Não coloque a bateria em curto-circuito:
 - (1) Não toque nos terminais com qualquer material condutor.
 - (2) Evite guardar a bateria juntamente com outros objetos metálicos tais como pregos, moedas, etc.
 - (3) Não exponha a bateria à água ou chuva. Um curto-circuito pode ocasionar um enorme fluxo de corrente, sobreaquecimento, possíveis queimaduras e mesmo estragar-se.
6. Não guarde nem utilize a ferramenta e a bateria em locais onde a temperatura pode atingir ou exceder 50 °C.
7. Não queime a bateria mesmo que esteja estragada ou completamente gasta. A bateria pode explodir no fogo.
8. Não preegue, corte, esmague, atire, deixe cair a bateria, nem bata a bateria contra um objeto rijo. Esta conduta pode resultar num incêndio, em calor excessivo ou numa explosão.
9. Não utilize uma bateria danificada.
10. As baterias de íões de lítio contidas na ferramenta são sujeitas aos requisitos da DGL (Dangerous Goods Legislation - Legislação de bens perigosos).

Para o transporte comercial, por exemplo, por terceiros ou agentes de expedição, têm de ser observados os requisitos referentes à embalagem e etiquetagem.

Para preparação do artigo a ser expedido, é necessário consultar um perito em materiais perigosos. Tenha ainda em conta a possibilidade de existirem regulamentos nacionais mais detalhados.

Coloque fita-cola ou tape os contactos abertos e embale a bateria de tal forma que não possa mover-se dentro da embalagem.

11. Quando eliminar a bateria, remova-a da ferramenta e elimine-a num local seguro. Siga os regulamentos locais relacionados com a eliminação de baterias.
12. Utilize as baterias apenas com os produtos especificados pela Makita. Instalar as baterias em produtos não-conformes poderá resultar num incêndio, calor excessivo, explosão ou fuga de eletrólito.
13. Se a ferramenta não for utilizada durante um período de tempo prolongado, a bateria deve ser removida da ferramenta.
14. Durante e após a utilização, a bateria pode aquecer, o que pode provocar queimaduras ou queimaduras a baixa temperatura. Preste atenção ao manuseamento de baterias quentes.
15. Não toque no terminal da ferramenta imediatamente após a utilização, pois pode ficar suficientemente quente para provocar queimaduras.
16. Não permita a adesão de aparas, pó ou sujidade nos terminais, nos orifícios e nas ranhuras da bateria. Poderá fazer com que a ferramenta ou a bateria aqueça, incendeie, rebente e avarie, resultando em queimaduras ou ferimentos corporais.
17. A menos que a ferramenta suporte a utilização perto de linhas elétricas de alta tensão, não utilize a bateria perto de linhas elétricas de alta tensão. Pode resultar no mau funcionamento ou na avaria da ferramenta ou bateria.
18. Mantenha a bateria afastada das crianças.

GUARDE ESTAS INSTRUÇÕES.

⚠️PRECAUÇÃO: Utilize apenas baterias genuínas da Makita. A utilização de baterias não genuínas da Makita ou de baterias que foram alteradas, pode resultar no rebentamento da bateria provocando incêndios, ferimentos pessoais e danos. Além disso, anulará da garantia da Makita no que se refere à ferramenta e ao carregador Makita.

Conselhos para manter a máxima vida útil da bateria

1. Carregue a bateria antes que esteja completamente descarregada. Pare sempre o funcionamento da ferramenta e carregue a bateria quando notar menos poder na ferramenta.
2. Nunca carregue uma bateria completamente carregada. Carregamento excessivo diminui a vida útil da bateria.
3. Carregue a bateria à temperatura ambiente de 10 °C – 40 °C. Deixe que uma bateria quente arrefeça antes de a carregar.
4. Quando não utilizar a bateria, remova-a da ferramenta ou do carregador.
5. Carregue a bateria se não a utilizar durante um longo período de tempo (mais de seis meses).

DESCRIÇÃO DAS PEÇAS

► Fig.2

1	Bateria	2	Protetor frontal das mãos	3	Alavanca
4	Barra de guia	5	Corrente de serra	6	Mostrador de ajuste
7	Lâmpada de alimentação principal	8	Interruptor de alimentação principal	9	Alavanca de segurança
10	Pega traseira	11	Gatilho do interruptor	12	Pega frontal
13	Tampão do depósito de óleo	14	Cobertura da barra de guia	15	Parafuso de ajuste (para bomba de óleo)
16	Fixador da corrente	-	-	-	-

DESCRIÇÃO FUNCIONAL

⚠️ PRECAUÇÃO: Certifique-se sempre de que a ferramenta está desligada e a bateria foi retirada antes de regular ou verificar qualquer função na ferramenta.

Instalação ou remoção da bateria

⚠️ PRECAUÇÃO: Desligue sempre a ferramenta antes de colocar ou retirar a bateria.

⚠️ PRECAUÇÃO: Segure firmemente a ferramenta e a bateria quando instalar ou remover a bateria. Se não segurar firmemente a ferramenta e a bateria pode fazer com que escorreguem das suas mãos resultando em danos na ferramenta e na bateria e ferimentos pessoais.

Para instalar a bateria, alinhe a lingueta na bateria com a ranhura na caixa e deslize-a para a posição correta. Insira-a por completo até bloquear na posição correta com um pequeno clique. Se conseguir ver o indicador vermelho transforme apresentado na figura, não está completamente bloqueada.

Para retirar a bateria, deslize-a para fora da ferramenta enquanto desliza o botão na frente da bateria.

► Fig.3: 1. Indicador vermelho 2. Botão 3. Bateria

⚠️ PRECAUÇÃO: Instale sempre a bateria até ao fim, até deixar de ver o indicador vermelho.

Caso contrário, a bateria poderá cair da ferramenta acidentalmente e provocar ferimentos em si mesmo ou em alguém próximo.

⚠️ PRECAUÇÃO: Não instale a bateria à força. Se a bateria não deslizar facilmente é porque não foi colocada corretamente.

Indicação da capacidade restante da bateria

Prima o botão de verificação na bateria para indicar a capacidade restante da bateria. As luzes indicadoras acendem durante alguns segundos.

► Fig.4: 1. Luzes indicadoras 2. Botão de verificação

Luzes indicadoras			Capacidade restante
Acaso	Apagado	A piscar	
■	□	◐	75% a 100%
■ ■ ■ ■			
■ ■ ■ □			50% a 75%
■ ■ □ □			25% a 50%
■ □ □ □			0% a 25%
◐ □ □ □			Carregar a bateria.
■ ■ □ □			A bateria pode estar avariada.
□ □ ■ ■			

NOTA: Dependendo das condições de utilização e da temperatura ambiente, a indicação pode ser ligeiramente diferente da capacidade real.

NOTA: A primeira luz indicadora (extremo esquerdo) pisca quando o sistema de proteção da bateria funciona.

Sistema de proteção da ferramenta/bateria

A ferramenta está equipada com um sistema de proteção da ferramenta/bateria. Este sistema corta automaticamente a corrente para o motor para aumentar a vida da ferramenta e da bateria. A ferramenta para automaticamente durante o funcionamento se a ferramenta ou bateria for colocada mediante uma das seguintes condições:

Proteção contra sobrecarga

Quando a ferramenta/bateria é utilizada de uma forma que causa a absorção de uma corrente anormalmente alta, a ferramenta para automaticamente e a lâmpada de alimentação principal pisca a verde. Nesta situação, desligue a ferramenta e pare a aplicação que causou a sobrecarga da ferramenta. Em seguida, ligue a ferramenta para reiniciar.

Proteção contra sobreaquecimento

Quando a ferramenta ou bateria estiver sobreaquecida, a ferramenta para automaticamente e a lâmpada de alimentação principal acende a vermelho. Neste caso, deixe a ferramenta e a bateria arrefecerem antes de voltar a ligar a ferramenta.

NOTA: Num ambiente de alta temperatura, a proteção contra sobreaquecimento provavelmente funciona e a ferramenta para automaticamente.

Proteção contra descarga excessiva

Quando a capacidade da bateria não for suficiente, a ferramenta para automaticamente e a lâmpada de alimentação principal pisca a vermelho. Neste caso, remova a bateria da ferramenta e carregue a bateria.

Proteções contra outras causas

O sistema de proteção foi também concebido para outras causas que possam danificar a ferramenta e permite à ferramenta parar automaticamente. Tome todas as medidas que se seguem para eliminar as causas quando a ferramenta tiver parado ou interrompido temporariamente a operação.

1. Desligue a ferramenta e, em seguida, volte a ligá-la para reiniciar.
2. Carregue a(s) bateria(s) ou substitua-a(s) por bateria(s) recarregada(s).
3. Deixe a máquina e a(s) bateria(s) arrefecerem.

Se não for possível constatar qualquer melhoria através do restauro do sistema de proteção, contacte o centro de assistência Makita local.

OBSERVAÇÃO: Se a ferramenta parar devido a uma causa não descrita acima, consulte a secção de resolução de problemas.

Interruptor de alimentação principal

AVISO: Desligue sempre o interruptor de alimentação principal quando não estiver a ser utilizado.

Para ligar a ferramenta, prima o interruptor de alimentação principal. A lâmpada de alimentação principal acende a verde. Para desligar, prima novamente o interruptor de alimentação principal.

- Fig.5: 1. Lâmpada de alimentação principal
2. Interruptor de alimentação principal

NOTA: A lâmpada de alimentação principal pisca a verde se o gatilho do interruptor for premido em condições não-operacionais. A lâmpada pisca numa das seguintes condições.

- Quando ligar o interruptor de alimentação principal enquanto pressiona a alavanca de segurança e puxa o gatilho do interruptor.
- Quando premir o gatilho do interruptor enquanto o travão da corrente está ativado.
- Quando soltar o travão da corrente enquanto pressiona a alavanca de segurança e o gatilho do interruptor.

NOTA: Esta ferramenta utiliza a função de desconexão automática. O interruptor de alimentação principal irá desligar automaticamente se a ferramenta não for operada durante aproximadamente 5 minutos.

NOTA: A função de desconexão automática pode ser operada quando a ferramenta para devido à operação do sistema de proteção. O interruptor de alimentação principal irá desligar automaticamente cerca de 5 minutos após o motor parar automaticamente e não ser tomada qualquer ação corretiva contra a proteção da ferramenta.

Ação do interruptor

AVISO: Para sua segurança, esta ferramenta está equipada com o interruptor de segurança que impede o arranque accidental da ferramenta. **NUNCA** utilize a ferramenta se funcionar quando simplesmente puxa o gatilho do interruptor sem pressionar a alavanca de segurança. Devolva a ferramenta ao nosso centro de assistência autorizado para proceder a reparações adequadas ANTES de continuar a utilizá-la.

AVISO: **NUNCA** utilize fita-cola nem tente anular a finalidade e funcionamento da alavanca de desbloqueio.

PRECAUÇÃO: Antes de colocar a bateria na ferramenta, verifique sempre se o gatilho do interruptor funciona corretamente e volta para a posição "OFF" quando libertado.

OBSERVAÇÃO: Não puxe o gatilho com força sem premir a alavanca de desbloqueio. Pode partir o gatilho.

Para evitar que o gatilho do interruptor seja puxado acidentalmente, é providenciado um interruptor de segurança duplo por motivos de segurança. Para efetuar o arranque da ferramenta, pressione a alavanca de bloqueio para a frente além da sua posição normal utilizando a rede da sua mão (ou seja, a parte entre o polegar e o dedo indicador) e aperte a alavanca de segurança com a sua palma. Em seguida, puxe o gatilho do interruptor com a alavanca de segurança a ser agarrada. A velocidade da ferramenta aumenta à medida que se vai aumentando a pressão no gatilho do interruptor.

Solte o gatilho do interruptor para parar.

- Fig.6: 1. Alavanca de bloqueio 2. Alavanca de segurança 3. Gatilho do interruptor

Verificar o travão da corrente

⚠️ PRECAUÇÃO: Segure a serra de corrente com as duas mãos quando a liga. Segure a pega traseira com a mão direita e a pega frontal com a mão esquerda. A barra e a corrente não devem tocar em nenhum objeto.

⚠️ PRECAUÇÃO: Se a corrente de serra não parar imediatamente ao efetuar este teste, a serra não deve ser utilizada de maneira nenhuma. Consulte o nosso centro de assistência autorizado.

1. Pressione a alavanca de segurança e depois o gatilho do interruptor. A corrente de serra liga imediatamente.
2. Pressione o protetor frontal das mãos para a frente com a parte de trás da sua mão. Certifique-se de que a serra de corrente para imediatamente.
▶ **Fig.7:** 1. Protetor frontal das mãos 2. Posição de desbloqueio 3. Posição de bloqueio

Verificar o travão de inatividade

⚠️ PRECAUÇÃO: Se a corrente de serra não parar dentro de 2 segundos neste teste, pare de utilizar a serra de corrente e consulte o nosso centro de assistência autorizado.

Opere a serra de corrente e depois solte completamente o gatilho do interruptor. A corrente de serra deve parar completamente dentro de 2 segundos.

Ajustar a lubrificação da corrente

Pode ajustar a taxa de alimentação da bomba de óleo com o parafuso de ajuste. A quantidade de óleo pode ser ajustada com a ponta da chave de caixa.

▶ **Fig.8:** 1. Parafuso de ajuste

Função eletrónica

A ferramenta está equipada com a função eletrónica para operação fácil.

- Travão elétrico
Esta ferramenta está equipada com um travão elétrico. Se a ferramenta consistentemente não parar rapidamente após a libertação do gatilho do interruptor, solicite a reparação da ferramenta num centro de assistência autorizado da Makita.

MONTAGEM

⚠️ PRECAUÇÃO: Certifique-se sempre de que a ferramenta está desligada e a bateria retirada antes de executar qualquer trabalho na ferramenta.

⚠️ PRECAUÇÃO: Não toque na corrente de serra com as mãos desprotegidas. Use sempre luvas quando manusear a corrente de serra.

Instalar ou remover a corrente de serra

⚠️ PRECAUÇÃO: A corrente de serra e a barra de guia ainda estão quentes logo após o funcionamento. Deixe-as arrefecer o suficiente antes de efetuar qualquer trabalho na ferramenta.

⚠️ PRECAUÇÃO: Continue a executar o procedimento de instalação ou remoção da corrente de serra num local limpo, sem serradura e outro tipo de sujidade.

Instalar a corrente de serra

Para instalar a corrente de serra, realize as seguintes etapas:

1. Solte o travão da corrente ao puxar o protetor frontal das mãos.
2. Puxe a alavanca para cima enquanto pressiona o seu bordo.
▶ **Fig.9:** 1. Alavanca
3. Gire a alavanca para a esquerda até a cobertura da roda de corrente sair.
▶ **Fig.10:** 1. Alavanca 2. Cobertura da roda de corrente
4. Remova a cobertura da roda de corrente.
5. Verifique a direção da corrente de serra. Corresponda a direção da corrente de serra com a direção da marca no corpo da serra de corrente.
▶ **Fig.11:** 1. Marca no corpo da serra de corrente
6. Encaixe uma extremidade da corrente de serra na parte de cima da barra de guia.
7. Coloque a outra extremidade da corrente de serra em torno da roda de corrente e, em seguida, prenda a barra de guia no corpo da serra de corrente.
▶ **Fig.12:** 1. Roda de corrente
8. Rode o mostrador de ajuste para a direção “-” para deslizar o pino de ajuste na direção da seta.
▶ **Fig.13:** 1. Mostrador de ajuste 2. Pino de ajuste
9. Instale a cobertura da roda de corrente na serra de corrente de modo a que o pino de ajuste fique posicionado num pequeno orifício na barra de guia.
▶ **Fig.14:** 1. Cobertura da roda de corrente 2. Barra de guia 3. Orifício
10. Rode a alavanca completamente para a direita e rode a alavanca um pouco para trás para manter a folga para o ajuste da tensão da corrente.
11. Ajuste a tensão da corrente. Consulte a secção sobre o ajuste da tensão da corrente de serra para ficar a conhecer o procedimento.
12. Gire a alavanca para a direita até a cobertura da roda de corrente estar fixa e depois coloque-a novamente na posição original.
▶ **Fig.15:** 1. Alavanca 2. Cobertura da roda de corrente

Remover a corrente de serra

Para remover a corrente de serra, realize as seguintes etapas:

1. Solte o travão da corrente ao puxar o protetor frontal das mãos.
2. Rode o mostrador de ajuste para a direção “-” para libertar a tensão da corrente de serra.
▶ **Fig.16:** 1. Mostrador de ajuste
3. Puxe a alavanca para cima enquanto pressiona o seu bordo.
▶ **Fig.17:** 1. Alavanca
4. Gire a alavanca para a esquerda até a cobertura da roda de corrente sair.
▶ **Fig.18:** 1. Alavanca 2. Cobertura da roda de corrente
5. Retire a cobertura da roda de corrente e depois remova a corrente de serra e a barra de guia do corpo da serra de corrente.

Ajustar a tensão da corrente de serra

⚠PRECAUÇÃO: Continue a executar o procedimento de instalação ou remoção da corrente de serra num local limpo, sem serradura e outro tipo de sujidade.

⚠PRECAUÇÃO: Não aperte demasiado a corrente de serra. Uma tensão excessivamente alta da corrente de serra pode parti-la, provocar desgaste na barra de guia e partir o mostrador de ajuste.

⚠PRECAUÇÃO: Uma corrente demasiado solta pode saltar para fora da barra e, deste modo, apresentar riscos de acidente.

A corrente de serra pode ficar frouxa após muitas horas de utilização. Verifique de vez em quando a tensão da corrente de serra antes de utilizar a serra.

1. Puxe a alavanca para cima enquanto pressiona o seu bordo.
▶ **Fig.19:** 1. Alavanca
2. Rode a alavanca um pouco para a esquerda para soltar ligeiramente a cobertura da roda de corrente.
▶ **Fig.20:** 1. Alavanca 2. Cobertura da roda de corrente
3. Levante ligeiramente a ponta da barra de guia e ajuste a tensão da corrente. Rode o mostrador de ajuste para a direção “-” para soltar, rode para a direção “+” para apertar. Aperte a corrente de serra até o lado inferior da mesma encaixar na calha da barra de guia, conforme ilustrado.
▶ **Fig.21:** 1. Mostrador de ajuste 2. Barra de guia 3. Corrente de serra
4. Continue a segurar a barra de guia ao de leve e aperte a cobertura da roda de corrente rodando a alavanca para a direita. Certifique-se de que não solta a corrente de serra na parte inferior.
5. Volte a colocar a alavanca na posição original. Certifique-se de que a corrente de serra fica bem encaixada contra a parte inferior da barra de guia.

OPERAÇÃO

Lubrificação

⚠PRECAUÇÃO: Não opere a serra de corrente quando o depósito estiver vazio. Reabasteça o óleo no devido tempo antes de o depósito estar vazio.

⚠PRECAUÇÃO: Evite que o óleo entre em contacto com a pele e os olhos. O contacto com os olhos causa irritação. Em caso de contacto com os olhos, lave o olho afetado imediatamente com água limpa e depois consulte um médico urgentemente.

⚠PRECAUÇÃO: Nunca utilize óleo usado. O óleo usado contém substâncias cancerígenas. Os contaminantes no óleo usado causam o desgaste acelerado da bomba de óleo, da barra e da corrente. O óleo usado é prejudicial para o ambiente.

OBSERVAÇÃO: Quando a serra de corrente é utilizada pela primeira vez, pode demorar até dois minutos para que o óleo de corrente de serra comece o respetivo efeito de lubrificação fazendo uso do mecanismo da serra. Opere a serra sem carga até o fazer.

OBSERVAÇÃO: Ao abastecer de óleo de corrente pela primeira vez ou quando reabastecer o tanque após o mesmo estar completamente vazio, adicione o óleo até à borda inferior do gargalo de enchimento. Caso contrário, o fornecimento de óleo pode ser prejudicado.

OBSERVAÇÃO: Utilize óleo exclusivo para correntes de serra para serras de corrente Makita ou óleos equivalentes disponíveis no mercado.

OBSERVAÇÃO: Nunca utilize óleo com poeira ou partículas nem óleo volátil.

OBSERVAÇÃO: Utilize sempre óleo vegetal quando podar árvores. O óleo mineral pode danificar as árvores.

OBSERVAÇÃO: Antes da operação de corte, certifique-se de que o tampão do depósito de óleo está aparafusado na posição correta.

A corrente de serra é lubrificada automaticamente ao operar com a ferramenta. Verifique periodicamente a quantidade de óleo restante no depósito de óleo através da janela de inspeção de óleo.

▶ **Fig.22:** 1. Tampão do depósito de óleo 2. Janela de inspeção de óleo

Para encher o óleo, efetue os seguintes passos:

1. Limpe cuidadosamente a área em torno do tampão do depósito de óleo para evitar a entrada de qualquer sujidade no depósito de óleo.
2. Coloque a serra de corrente de lado.
3. Prima o botão no tampão do depósito de óleo de modo que o botão no outro lado se levante e depois remova o tampão do depósito de óleo rodando-o.
▶ **Fig.23:** 1. Tampão do depósito de óleo 2. Apertar 3. Desapertar

4. Encha o depósito de óleo com óleo. A quantidade apropriada de óleo é de 200 ml.

5. Volte a apertar firmemente o tampão do depósito de óleo na devida posição.

6. Limpe cuidadosamente qualquer óleo de corrente derramado.

NOTA: Se for difícil remover o tampão do depósito de óleo, insira a ponta da chave de caixa na ranhura do tampão do depósito de óleo e, em seguida, remova o tampão do depósito de óleo rodando-o para a esquerda.

► **Fig.24:** 1. Ranhura 2. Chave de caixa

Segure a serra de corrente afastada da árvore. Ligue-a e aguarde até que a lubrificação na corrente de serra seja adequada.

► **Fig.25**

Trabalhar com a serra de corrente

PRECAUÇÃO: Os utilizadores iniciantes devem antes praticar e cortar troncos sobre um cavalete de serra ou suporte.

PRECAUÇÃO: Quando serrar madeira pré-cortada utilize um suporte de segurança (cavalete de serra ou suporte). Não segure a peça de trabalho com o pé e não permita que ninguém a segure nem a mantenha estável.

PRECAUÇÃO: Fixe as peças circulares contra rotação.

PRECAUÇÃO: Mantenha todo o seu corpo afastado da corrente de serra quando o motor estiver a funcionar.

PRECAUÇÃO: Segure a serra de corrente firmemente com as duas mãos quando o motor estiver a funcionar.

PRECAUÇÃO: Não se incline. Mantenha sempre os pés firmes e em equilíbrio.

PRECAUÇÃO: Quando utiliza a parte superior da barra de guia para cortar, tenha cuidado uma vez que a serra de corrente pode ser empurrada na sua direção se a corrente de serra estiver presa.

OBSERVAÇÃO: Nunca atire ou deixe cair a ferramenta.

OBSERVAÇÃO: Não cubra as aberturas de ventilação da ferramenta.

OBSERVAÇÃO: Quando efetuar diversos cortes, desligue a serra de corrente entre os cortes.

Coloque o bordo inferior da serra de corrente em contacto com o ramo a ser cortado antes de ligar a ferramenta. Caso contrário pode fazer com que a barra de guia oscile, resultando em ferimentos no operador. Serre a madeira que necessita de serrar movendo apenas a serra para baixo usando o peso da serra de corrente.

► **Fig.26**

Se não conseguir cortar a madeira completamente com um simples corte:

Exerça uma pressão ligeira na pega e continue a serrar e recue a serra de corrente um pouco; em seguida coloque o para-choques de pico um pouco mais baixo e acabe o corte levantando a pega.

► **Fig.27**

Abate de uma árvore

PRECAUÇÃO: O trabalho de abate de árvores deve ser executado somente por pessoal qualificado. Este trabalho é muito perigoso.

Quando estão a ser efetuadas operações de cortes transversais e de abate por duas ou mais pessoas ao mesmo tempo, as operações de abate devem ser separadas da operação de cortes transversais por uma distância de, pelo menos, o dobro da altura da árvore a ser abatida. As árvores não devem ser abatidas de maneira a colocar em perigo qualquer pessoa, a atingir qualquer linha de serviços públicos ou a causar quaisquer danos à propriedade. Se a árvore estabelecer contacto com qualquer linha de serviços públicos, a empresa deve ser notificada de imediato.

O operador da serra de corrente deve continuar no lado da subida do terreno uma vez que é provável que a árvore role ou deslize pelo declive depois de ser abatida.

Antes de começar a efetuar cortes, deve-se planejar e abrir um caminho de fuga, conforme necessário. O caminho de fuga deve estender-se diagonalmente para trás da linha prevista da queda, conforme ilustrado.

► **Fig.28:** 1. Direção do abate 2. Zona de perigo 3. Caminho de fuga

Antes de o abate ser iniciado, considere a inclinação natural da árvore, a localização dos ramos maiores e a direção do vento para estimar a maneira como a árvore irá cair.

Remova a sujidade, as pedras, as cascas soltas, os pregos, os agrafes e o fio da árvore.

Corte inferior de entalhe e corte de trás de abate

PRECAUÇÃO: Não corte a articulação em quaisquer circunstâncias. A árvore pode cair inesperadamente.

OBSERVAÇÃO: Utilize cunhas de plástico ou alumínio para manter o corte de trás aberto. Não utilize cunhas de ferro.

► **Fig.29:** 1. 50 mm 2. Corte de trás de abate 3. Articulação 4. Entalhe 5. Direção da queda

Efetue o entalhe em 1/3 do diâmetro da árvore e perpendicular à direção das quedas, conforme ilustrado. Efetue primeiro o corte de entalhe horizontal inferior. Tal irá ajudar a evitar o aperto da corrente de serra ou da barra de guia quando o segundo entalhe estiver a ser efetuado.

Efetue o corte de trás de abate, pelo menos, 50 mm acima do corte de entalhe horizontal, conforme ilustrado. Mantenha o corte de trás de abate paralelo ao corte de entalhe horizontal. Efetue o corte de trás de abate de modo que seja deixada madeira suficiente para funcionar como uma articulação. A madeira de articulação impede a árvore de torcer e cair na direção errada. Não corte a articulação.

À medida que o abate se aproxima da articulação, a árvore deve começar a cair. Se houver alguma hipótese de a árvore poder não cair na direção pretendida ou de esta poder balançar para trás e prender a corrente de serra, pare de cortar antes de o corte de trás de abate estar concluído e utilize cunhas de madeira, plástico ou alumínio para abrir o corte e deixar cair a árvore ao longo da linha prevista da queda.

Quando a árvore começar a cair, remova a serra de corrente do corte, pare o motor, pause a serra de corrente e, em seguida, utilize o caminho de afastamento planeado. Preste atenção à queda de galhos acima da cabeça e tenha cuidado com a sua posição.

Corte de galhos de uma árvore

⚠️ PRECAUÇÃO: O corte de ramos deve ser executado somente por pessoal qualificado. Existe o perigo de recuo.

O corte de galhos consiste em remover os ramos de uma árvore caída. Quando cortar galhos, deixe os galhos inferiores maiores a suportarem o tronco para fora do solo. Remova os pequenos galhos num corte conforme ilustrado. Os ramos sob tensão devem ser cortados de baixo para cima para evitar o aperto da serra de corrente.

► **Fig.30:** 1. Corte de galhos

Corte transversal de um tronco

O corte transversal consiste em cortar um tronco em comprimentos. É importante certificar-se de que a sua posição é firme e que o seu peso está uniformemente distribuído pelos dois pés. Quando possível, o tronco deve ser elevado e suportado pela utilização de galhos, troncos ou calços. Siga as instruções simples para um corte fácil.

Quando o tronco estiver suportado ao longo do seu comprimento total, conforme ilustrado, este é cortado a partir da parte superior (corte transversal superior).

► **Fig.31**

Quando o tronco estiver suportado numa extremidade, conforme ilustrado, corte em 1/3 do diâmetro a partir da parte inferior (corte transversal inferior). Em seguida, efetue o corte final efetuando um corte transversal superior para alcançar o primeiro corte.

► **Fig.32:** 1. Primeiro corte 2. Segundo corte

Quando o tronco estiver suportado nas duas extremidades, conforme ilustrado, corte em 1/3 do diâmetro a partir da parte superior (corte transversal superior). Em seguida, efetue o corte final efetuando um corte transversal inferior nos 2/3 mais baixos para alcançar o primeiro corte.

► **Fig.33:** 1. Primeiro corte 2. Segundo corte

Quando efetuar cortes transversais num declive, fique sempre no lado de subida do tronco, conforme ilustrado. Quando "cortar", para manter o controlo total, solte a pressão de corte perto da extremidade do corte sem relaxar o seu aperto nas pegadas da serra de corrente. Não deixe a corrente entrar em contacto com o solo. Após concluir o corte, aguarde pela paragem da corrente de serra antes de mover a serra de corrente. Pare sempre o motor antes de se mover de árvore para árvore.

► **Fig.34**

Corte paralelo à fibra

⚠️ PRECAUÇÃO: O corte paralelo à fibra só pode ser efetuado por pessoal qualificado. A possibilidade de recuo apresenta risco de ferimentos.

Efetue o corte paralelo à fibra num ângulo o mais raso possível.

► **Fig.35**

Transportar a ferramenta

Antes de transportar a ferramenta, aplique sempre o travão da corrente e remova a bateria da ferramenta. Em seguida, prenda a cobertura da barra de guia. Cubra igualmente a bateria com a cobertura da bateria.

► **Fig.36:** 1. Cobertura da barra de guia 2. Cobertura da bateria

MANUTENÇÃO

⚠️ PRECAUÇÃO: Certifique-se sempre de que a ferramenta se encontra desligada e de que a bateria foi retirada antes de executar qualquer inspeção ou manutenção.

⚠️ PRECAUÇÃO: Use sempre luvas quando executar qualquer inspeção ou manutenção.

OBSERVAÇÃO: Nunca utilize gasolina, benzina, diluente, álcool ou produtos semelhantes. Pode ocorrer a descoloração, deformação ou rachaduras.

Para manter a SEGURANÇA e a FIABILIDADE do produto, as reparações e qualquer outra manutenção ou ajuste devem ser levados a cabo pelos centros de assistência Makita autorizados ou pelos centros de assistência de fábrica, utilizando sempre peças de substituição Makita.

Afiar a corrente de serra

Afie a corrente de serra quando:

- O pó de serragem produzido ao serrar madeira húmida parece farinha;
- A corrente penetra na madeira com dificuldade, mesmo que exerça bastante pressão;
- A extremidade de corte está obviamente danificada;
- A serra puxa para a esquerda ou direita ao serrar a madeira. (isto é devido à afiação irregular da corrente de serra ou danos em apenas um dos lados)

Afie a corrente de serra frequentemente, mas apenas um pouco de cada vez. Normalmente, duas ou três passadas da lima será o suficiente para afiação regular. Leve a corrente de serra para ser afiada no nosso centro de assistência autorizado se já a afiou várias vezes.

Crítérios para afiar:

⚠️ AVISO: A distância excessiva entre a extremidade de corte e o limitador de profundidade aumenta o risco de recuo.

► **Fig.37:** 1. Comprimento da lâmina 2. Distância entre a extremidade de corte e o limitador de profundidade 3. Comprimento mínimo da lâmina (3 mm)

- Todo o comprimento da lâmina tem de ser igual. Diferentes comprimentos da lâmina impedem a corrente de serra de funcionar normalmente e podem fazer com que a corrente de serra parta.

- Não afie mais a corrente a partir do momento em que a lâmina atinge um comprimento de 3 mm ou inferior. A corrente tem de ser substituída por uma nova.
- A espessura da apara é determinada pela distância entre o limitador de profundidade (ponta redonda) e a extremidade de corte.
- Os melhores resultados de corte são obtidos com a seguinte distância entre a extremidade de corte e o limitador de profundidade.
 - Corrente da serra 80TXL: 0,65 mm

► Fig.38

- Um ângulo de afiação de 30° terá de ser o mesmo para todos as lâminas. As diferenças de ângulo fazem com que o funcionamento da serra seja mais difícil e irregular, aceleram o desgaste e fazem com que a serra parta.
- Utilize uma lima circular adequada para que o ângulo de afiação apropriado seja mantido contra os dentes.
 - Corrente da serra 80TXL: 55°

Limas e como trabalhar com elas

- Utilize uma lima circular especial (acessório opcional) para correntes de serra para afiar a serra. As limas circulares normais não são adequadas.
- O diâmetro da lima circular para cada corrente de serra é o seguinte:
 - Corrente da serra 80TXL: 4,0 mm
- A lima só deve engatar nos dentes no curso para a frente. Levante a lima para a retirar do dente no curso de retorno.
- Afie primeiro os dentes mais curtos. Em seguida, o comprimento destes dentes mais curtos passa a ser o padrão para os restantes na corrente de serra.
- Movimente a lima como indicado na ilustração.

► Fig.39: 1. Lima 2. Corrente de serra

- O movimento da lima torna-se mais fácil se utilizar um porta-limas (acessório opcional). O porta-limas é marcado com o ângulo de afiação correto de 30° (alinhar as marcas paralelas com a corrente da serra) e limita a profundidade de penetração (para 4/5 do diâmetro da lima).

► Fig.40: 1. Porta-limas

- Depois de afiar a corrente, verifique a altura do limitador de profundidade utilizando um calibrador de corrente (acessório opcional).

► Fig.41

- Retire qualquer material saliente, por menor que seja, com uma lima plana especial (acessório opcional).
- Arredonde novamente a frente do limitador de profundidade.

Limpar a barra de guia

As partículas e serragem acumulam-se na ranhura da barra de guia. Estas podem obstruir a ranhura da barra e afetar o fluxo de óleo. Retire sempre as partículas e a serragem quando afiar ou substituir a corrente de serra.

► Fig.42

Limpar a cobertura da roda de corrente

As partículas e serragem acumulam-se no interior da cobertura da roda de corrente. Retire a cobertura da roda de corrente e a corrente de serra da ferramenta e, de seguida, limpe as partículas e a serragem.

► Fig.43

Limpar o orifício de saída de óleo

Pó fino ou partículas podem acumular-se no orifício de saída de óleo durante o funcionamento. Este pó ou partículas podem prejudicar o fluxo de óleo e resultar em lubrificação insuficiente de toda a corrente de serra. Se ocorrer a dispensa insuficiente de óleo da corrente no topo da barra de guia, limpe o orifício de saída de óleo como indicado a seguir.

1. Retire a cobertura da roda de corrente e a corrente de serra da ferramenta.

2. Remova as pequenas partículas de poeira ou outras utilizando uma chave de fendas de ponta achatada ou um dispositivo semelhante.

► Fig.44: 1. Chave de fendas de ponta achatada 2. Orifício de saída de óleo

3. Insira a bateria na ferramenta. Aperte o gatilho do interruptor para expelir óleo a fim de remover a poeira e partículas acumuladas no orifício de saída de óleo.

4. Retire a bateria da ferramenta. Reinstale a cobertura da roda de corrente e a corrente de serra na ferramenta.

Substituir a roda de corrente

⚠PRECAUÇÃO: Uma roda de corrente gasta danificará a corrente de serra nova. Substitua a roda de corrente quando estiver gasta.

Antes de instalar uma corrente de serra nova, verifique a condição da roda de corrente.

► Fig.45: 1. Roda de corrente 2. Áreas com desgaste

Coloque sempre um anel de trava novo ao substituir a roda de corrente.

► Fig.46: 1. Anel de trava 2. Roda de corrente

OBSERVAÇÃO: Certifique-se de que a roda de corrente está instalada como indicado na figura.

Armazenar a ferramenta

1. Limpe a ferramenta antes de armazenar. Limpe as partículas e a serragem da ferramenta depois de retirar a cobertura da roda de corrente.

2. Depois de limpar, opere a ferramenta em vazio para lubrificar a corrente de serra e a barra de guia.

3. Cubra a barra de guia com a cobertura da barra de guia.

4. Esvazie o depósito de óleo.

Instruções para manutenção periódica

Para garantir uma vida útil longa, evite danificar e garanta o funcionamento total das funcionalidades de segurança. A manutenção seguinte tem de ser realizada regularmente. Os pedidos de garantia só podem ser aceites se este trabalho for realizado regular e adequadamente. O incumprimento dos trabalhos de manutenção indicados pode levar a acidentes! O utilizador da serra de corrente não pode realizar os trabalhos de manutenção que não estejam descritos no manual de instruções. Esses trabalhos devem ser realizados pelo nosso centro de assistência autorizado.

Verificar item / tempo de funcionamento		Antes do funcionamento	Todos os dias	Todas as semanas	A cada 3 meses	Anualmente	Antes de armazenar
Serra de corrente	Inspeção.	✓	-	-	-	-	-
	Limpeza.	-	✓	-	-	-	-
	Verifique no centro de assistência autorizado.	-	-	-	-	✓	✓
Corrente de serra	Inspeção.	✓	-	-	-	-	-
	Afiar, se necessário.	-	-	-	-	-	✓
Barra de guia	Inspeção.	✓	✓	-	-	-	-
	Remover da serra de corrente.	-	-	-	-	-	✓
Travão da corrente	Verificar o funcionamento.	✓	-	-	-	-	-
	Inspecionar regularmente num centro de assistência autorizado.	-	-	-	✓	-	-
Lubrificação da corrente	Verificar a taxa de alimentação de óleo.	✓	-	-	-	-	-
Gatilho do interruptor	Inspeção.	✓	-	-	-	-	-
Alavanca de segurança	Inspeção.	✓	-	-	-	-	-
Tampão do depósito de óleo	Verificar a estanquidade.	✓	-	-	-	-	-
Fixador da corrente	Inspeção.	-	-	✓	-	-	-
Parafusos e porcas	Inspeção.	-	-	✓	-	-	-

RESOLUÇÃO DE PROBLEMAS

Antes de pedir uma reparação, realize primeiro a sua própria inspeção. Se encontrar um problema que não esteja explicado no manual, não tente desmontar a ferramenta. Em vez disso, peça as reparações nos centros de assistência técnica autorizados da Makita, usando sempre peças de substituição da Makita.

Estado da avaria	Causa	Ação
A serra de corrente não arranca.	A bateria não está instalada.	Instale uma bateria carregada.
	Problema com a bateria (tensão baixa).	Recarregue a bateria. Se o recarregamento não for eficaz, substitua a bateria.
	O interruptor de alimentação principal está desligado.	A serra de corrente é automaticamente desligada caso não seja operada durante aproximadamente 5 minutos. Ligue novamente o interruptor de alimentação principal. A serra de corrente é automaticamente desligada quando o motor para devido à operação do sistema de proteção durante aproximadamente 5 minutos. Tome medidas corretivas na ferramenta e, em seguida, ligue novamente o interruptor de alimentação principal.
A corrente de serra não funciona.	Travão da corrente ativado.	Solte o travão da corrente.
O motor para de funcionar depois de pouco tempo de utilização.	O nível de carga da bateria está baixo.	Recarregue a bateria. Se o recarregamento não for eficaz, substitua a bateria.
Não há óleo na corrente.	O depósito de óleo está vazio.	Encha o depósito de óleo.
	A ranhura da guia do óleo está suja.	Limpe a ranhura.
	Fraca distribuição de óleo.	Ajuste a quantidade de distribuição de óleo com o parafuso de ajuste.
A serra de corrente não atinge as RPM máximas.	A bateria está instalada de forma incorreta.	Instale a bateria conforme descrito neste manual.
	A potência da bateria está a diminuir.	Recarregue a bateria. Se o recarregamento não for eficaz, substitua a bateria.
	O sistema de acionamento não funciona corretamente.	Solicite a reparação no centro de assistência autorizado da sua região.
A lâmpada de alimentação principal está a piscar a verde.	O gatilho do interruptor é puxado em condições não operacionais.	Puxe o gatilho do interruptor após o interruptor de alimentação principal ser ligado e o travão da corrente ser solto.
A corrente não para mesmo quando o travão da corrente está ativado: Pare a ferramenta de imediato!	A banda do travão está desgastada.	Solicite a reparação no centro de assistência autorizado da sua região.
Vibração anormal: Pare a ferramenta de imediato!	A barra de guia ou a corrente de serra está solta.	Ajuste a tensão da barra de guia e da corrente de serra.
	Avaria na ferramenta.	Solicite a reparação no centro de assistência autorizado da sua região.
A corrente de serra não pode ser instalada.	A combinação da corrente de serra e roda de corrente não está correta.	Utilize a combinação correta da corrente de serra e roda de corrente consultando a secção relativa às especificações.

ACESSÓRIOS OPCIONAIS

⚠PRECAUÇÃO: Estes acessórios ou peças são recomendados para utilização com a ferramenta Makita especificada neste manual. A utilização de outros acessórios ou peças pode ser perigosa para as pessoas. Utilize apenas acessórios ou peças para os fins indicados.

Se necessitar de informações adicionais relativas a estes acessórios, solicite-as ao seu centro de assistência Makita.

- Corrente de serra
- Barra de guia
- Cobertura da barra de guia

- Roda de corrente
- Lima
- Bateria e carregador genuínos da Makita

⚠AVISO: Se adquirir uma barra de guia de comprimento diferente do comprimento da barra de guia padrão, adquira também uma cobertura da barra de guia adequada. Esta tem de encaixar e cobrir totalmente a barra de guia na serra de corrente.

NOTA: Alguns itens da lista podem estar incluídos na embalagem da ferramenta como acessórios padrão. Eles podem variar de país para país.

ΠΡΟΔΙΑΓΡΑΦΕΣ

Μοντέλο:		UC021G	UC022G	UC023G
Συνολικό μήκος (χωρίς αλυσίδα πριονιού και κατευθυντήρια λάμα)		430 mm		
Όνομαστική τάση		D.C. 36 V - 40 V μέγ.		
Καθαρό βάρος	*1	3,4 kg		
	*2	5,0 - 5,3 kg	5,1 - 5,4 kg	5,1 - 5,5 kg
Μήκος στάνταρ κατευθυντήριας λάμας		300 mm	350 mm	400 mm
Συνιστώμενο μήκος οδηγητικής λάμας		300 - 400 mm		
Εφαρμόσιμος τύπος αλυσίδας πριονιού (ανατρέξτε στον παρακάτω πίνακα)		80TXL		
Αλυστροχός	Αριθμός δοντιών	7		
	Βήμα	0,325"		
Ταχύτητα αλυσίδας		0 - 25,5 m/s (0 - 1.530 m/min)		
Όγκος δοχείου λαδιού αλυσίδας		200 cm ³		
Βαθμός προστασίας		IPX4		

• Λόγω του συνεχιζόμενου προγράμματος έρευνας και ανάπτυξης, οι προδιαγραφές αυτές υπόκεινται σε αλλαγές χωρίς προειδοποίηση.

• Τα τεχνικά χαρακτηριστικά μπορεί να διαφέρουν από χώρα σε χώρα.

*1: Βάρος, χωρίς την αλυσίδα πριονιού, την κατευθυντήρια λάμα, το κάλυμμα κατευθυντήριας λάμας, το λάδι και τις κασέτες μπαταριών.

*2: Ο μικρότερος και μεγαλύτερος συνδυασμός βάρους, σύμφωνα με τη διαδικασία EPTA 01/2014. Το βάρος μπορεί να διαφέρει ανάλογα με τα προσαρτήματα, συμπεριλαμβανοντας τις κασέτες μπαταριών.

Συνδυασμός αλυσίδας πριονιού, κατευθυντήριας λάμας και αλυστροχού

Τύπος αλυσίδας πριονιού		80TXL		
Αριθμός κινητήριων συνδέσμων		51	59	64
Κατευθυντήρια λάμα	Μήκος κατευθυντήριας λάμας	300 mm	350 mm	400 mm
	Μήκος κοπής	257 mm	323 mm	364 mm
	Βήμα	0,325"		
	Πάχος κινητήριων συνδέσμων	1,1 mm		
	Τύπος	Ράβδος πίεσης αλυστροχού		
Αλυστροχός	Αριθμός δοντιών	7		
	Βήμα	0,325"		

⚠ ΠΡΟΕΙΔΟΠΟΙΗΣΗ: Χρησιμοποιήστε τον κατάλληλο συνδυασμό της κατευθυντήριας λάμας και αλυσίδας πριονιού. Διαφορετικά, μπορεί να προκύψει προσωπικός τραυματισμός.

Ισχύουσα κασέτα μπαταριών και φορτιστής

Κασέτα μπαταρίας	BL4040 / BL4040F* / BL4050F* *: Συνιστώμενη μπαταρία
Φορτιστής	DC40RA / DC40RB / DC40RC / DC40WA

• Ορισμένες από τις κασέτες και τους φορτιστές μπαταριών που αναγράφονται παραπάνω ίσως να μην είναι διαθέσιμοι, ανάλογα με την τοποθεσία κατοικίας σας.

⚠ ΠΡΟΕΙΔΟΠΟΙΗΣΗ: Να χρησιμοποιείτε μόνο τις κασέτες μπαταριών και τους φορτιστές που παρατίθενται ανωτέρω. Η χρήση οποιασδήποτε άλλης κασέτας μπαταριών ή φορτιστή μπορεί να προκαλέσει τραυματισμό ή/και πυρκαγιά.








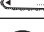





Συνιστώμενη ενσύρματη πηγή τροφοδοσίας



Φορητή ηλεκτρική τροφοδότηση	PDC01
------------------------------	-------

- Οι ενσύρματες πηγές τροφοδοσίας που αναγράφονται παραπάνω μπορεί να μην είναι διαθέσιμες, ανάλογα με την περιοχή της κατοικίας σας.
- Πριν χρησιμοποιήσετε την ενσύρματη πηγή τροφοδοσίας, διαβάστε τις οδηγίες και τις ενδείξεις προφυλάξεων που αναγράφονται σε αυτή.

Σύμβολα

Παρακάτω παρουσιάζονται τα σύμβολα που μπορούν να χρησιμοποιηθούν για τον εξοπλισμό. Βεβαιωθείτε ότι κανονείτε τη σημασία τους πριν από τη χρήση.

	Διαβάστε το εγχειρίδιο οδηγιών.
 	Φοράτε προστατευτικά ματιών.
 	Φοράτε ωτοασπίδες.
 	Να φοράτε κράνος ασφαλείας, προστατευτικά γυαλιά και ωτοασπίδες.
	Μέγιστο επιτρεπόμενο μήκος κοπής
	Όταν χειρίζεστε το αλυσοπρίονο, να χρησιμοποιείτε πάντα και τα δύο χέρια σας.
	Προσέχετε το κλότσημα του αλυσοπριονίου και αποφύγετε την επαφή με τη μήτη ράβδου.
	Κατεύθυνση διαδρομής αλυσίδας
	Ρύθμιση του λαδιού της αλυσίδας πριονιού
 Ni-MH Li-Ion	Μόνο για τις χώρες της ΕΕ Λόγω της παρουσίας των επικίνδυνων συστατικών μερών στον εξοπλισμό, ο απόβλητος ηλεκτρικός και ηλεκτρονικός εξοπλισμός, οι συσσωρευτές και οι μπαταρίες μπορεί να έχουν αρνητική επίδραση στο περιβάλλον και την ανθρώπινη υγεία. Μην απορρίπτετε τις ηλεκτρικές και ηλεκτρονικές συσκευές ή μπαταρίες μαζί με τα οικιακά απορρίμματα! Σύμφωνα με την Ευρωπαϊκή Οδηγία για τον απόβλητο ηλεκτρικό και ηλεκτρονικό εξοπλισμό και για τους συσσωρευτές και μπαταρίες και τους απόβλητους συσσωρευτές και μπαταρίες, καθώς και την προσαρμογή τους στην εθνική νομοθεσία, ο απόβλητος ηλεκτρικός εξοπλισμός, οι μπαταρίες και οι συσσωρευτές θα πρέπει να αποθηκεύονται ξεχωριστά και να παραδίδονται σε ξεχωριστό σημείο συλλογής για δημοτικά απόβλητα, το οποίο λειτουργεί σύμφωνα με τους κανονισμούς για την προστασία του περιβάλλοντος. Αυτό υποδεικνύεται από το σύμβολο του διαγραμμένου τροχοφόρου κάδου που βρίσκεται αναρτημένο επάνω στον εξοπλισμό.

	Εγγυημένη στάθμη ηχητικής ισχύος σύμφωνα με την Οδηγία της ΕΕ για την εκπομπή θορύβου σε εξωτερικούς χώρους.
	Στάθμη ηχητικής ισχύος σύμφωνα με τον Κανονισμό ελέγχου θορύβου της Νέας Νότιας Ουαλίας της Αυστραλίας

Προοριζόμενη χρήση

Αυτό το αλυσοπρίονο προορίζεται για το πριόνισμα ξύλου.

Θόρυβος

Το τυπικό Α επίπεδο καταμετρημένου θορύβου καθορίζεται σύμφωνα με το EN62841-4-1:

Μοντέλο UC021G
Στάθμη ηχητικής πίεσης (L_{pA}): 93 dB (A)
Στάθμη ηχητικής ισχύος (L_{WA}): 101 dB (A)
Αβεβαιότητα (K): 3 dB (A)

Μοντέλο UC022G
Στάθμη ηχητικής πίεσης (L_{pA}): 93 dB (A)
Στάθμη ηχητικής ισχύος (L_{WA}): 101 dB (A)
Αβεβαιότητα (K): 3 dB (A)

Μοντέλο UC023G
Στάθμη ηχητικής πίεσης (L_{pA}): 93 dB (A)
Στάθμη ηχητικής ισχύος (L_{WA}): 101 dB (A)
Αβεβαιότητα (K): 3 dB (A)

ΠΑΡΑΤΗΡΗΣΗ: Η δηλωμένη τιμή(ές) εκπομπής θορύβου έχει μετρηθεί σύμφωνα με την πρότυπη μέθοδο δοκιμής και μπορεί να χρησιμοποιηθεί για τη σύγκριση ενός εργαλείου με κάποιο άλλο.

ΠΑΡΑΤΗΡΗΣΗ: Η δηλωμένη τιμή(ές) εκπομπής θορύβου μπορεί να χρησιμοποιηθεί και στην προκαταρκτική αξιολόγηση της έκθεσης.

- ▲ΠΡΟΕΙΔΟΠΟΙΗΣΗ:** Να φοράτε ωτοασπίδες.
- ▲ΠΡΟΕΙΔΟΠΟΙΗΣΗ:** Η εκπομπή θορύβου κατά τη χρήση του ηλεκτρικού εργαλείου σε πραγματικές συνθήκες μπορεί να διαφέρει από τη δηλωμένη τιμή(ές) ανάλογα με τους τρόπους χρήσης του εργαλείου, ιδιαίτερα το είδος του τεμαχίου εργασίας που υπόκειται επεξεργασία.
- ▲ΠΡΟΕΙΔΟΠΟΙΗΣΗ:** Φροντίστε να λάβετε τα κατάλληλα μέτρα προστασίας του χειριστή βάσει ενός υπολογισμού της έκθεσης σε πραγματικές συνθήκες χρήσης (λαμβάνοντας υπόψη όλες τις συνιστώσες του κύκλου λειτουργίας όπως τους χρόνους που το εργαλείο είναι εκτός λειτουργίας και όταν βρίσκεται σε αδρανή λειτουργία πέραν του χρόνου ενεργοποίησης).

Κραδασμός

Η ολική τιμή δόνησης (άθροισμα τρι-αξονικού διανύσματος) καθορίζεται σύμφωνα με το EN62841-4-1:

Μοντέλο UC021G

Είδος εργασίας: κοπή ξύλου

Εκπομπή δόνησης ($a_{h,w}$): 3,5 m/s²

Αβεβαιότητα (K): 1,5 m/s²

Μοντέλο UC022G

Είδος εργασίας: κοπή ξύλου

Εκπομπή δόνησης ($a_{h,w}$): 3,5 m/s²

Αβεβαιότητα (K): 1,5 m/s²

Μοντέλο UC023G

Είδος εργασίας: κοπή ξύλου

Εκπομπή δόνησης ($a_{h,w}$): 3,5 m/s²

Αβεβαιότητα (K): 1,5 m/s²

ΠΑΡΑΤΗΡΗΣΗ: Η δηλωμένη τιμή(ές) συνολικών κραδασμών έχει μετρηθεί σύμφωνα με την πρότυπη μέθοδο δοκιμής και μπορεί να χρησιμοποιηθεί για τη σύγκριση ενός εργαλείου με κάποιο άλλο.

ΠΑΡΑΤΗΡΗΣΗ: Η δηλωμένη τιμή(ές) συνολικών κραδασμών μπορεί να χρησιμοποιηθεί και στην προκαταρκτική αξιολόγηση της έκθεσης.

▲ΠΡΟΕΙΔΟΠΟΙΗΣΗ: Η εκπομπή κραδασμών κατά τη χρήση του ηλεκτρικού εργαλείου σε πραγματικές συνθήκες μπορεί να διαφέρει από τη δηλωμένη τιμή(ές) εκπομπής ανάλογα με τους τρόπους χρήσης του εργαλείου, ιδιαίτερα το είδος του τεμαχίου εργασίας που υπόκειται επεξεργασία.

▲ΠΡΟΕΙΔΟΠΟΙΗΣΗ: Φροντίστε να λάβετε τα κατάλληλα μέτρα προστασίας του χειριστή βάσει ενός υπολογισμού της έκθεσης σε πραγματικές συνθήκες χρήσης (λαμβάνοντας υπόψη όλες τις συνιστώσες του κύκλου λειτουργίας όπως τους χρόνους που το εργαλείο είναι εκτός λειτουργίας και όταν βρίσκεται σε αδρανή λειτουργία πέραν του χρόνου ενεργοποίησης).

Δήλωση Συμμόρφωσης

Μόνο για χώρες της Ευρώπης

Οι Δηλώσεις Συμμόρφωσης περιλαμβάνονται στο Παράρτημα Α στο παρόν εγχειρίδιο οδηγιών.

ΠΡΟΕΙΔΟΠΟΙΗΣΕΙΣ ΑΣΦΑΛΕΙΑΣ

Γενικές προειδοποιήσεις ασφαλείας για το ηλεκτρικό εργαλείο

▲ΠΡΟΕΙΔΟΠΟΙΗΣΗ Διαβάστε όλες τις προειδοποιήσεις ασφαλείας, οδηγίες, εικονογραφήσεις και προδιαγραφές που παρέχονται με αυτό το ηλεκτρικό εργαλείο. Η μη τήρηση όλων των οδηγιών που αναγράφονται κατωτέρω μπορεί να καταλήξει σε ηλεκτροπληξία, πυρκαγιά ή/και σοβαρό τραυματισμό.

Φυλάξτε όλες τις προειδοποιήσεις και τις οδηγίες για μελλοντική παραπομπή.

Στις προειδοποιήσεις, ο όρος «ηλεκτρικό εργαλείο» αναφέρεται σε ηλεκτρικό εργαλείο που τροφοδοτείται από την κύρια παροχή ηλεκτρικού ρεύματος (με ηλεκτρικό καλώδιο) ή σε ηλεκτρικό εργαλείο που τροφοδοτείται από μπαταρία (χωρίς ηλεκτρικό καλώδιο).

Γενικές προειδοποιήσεις ασφάλειας για το αλυσοπρίονο

1. **Να φροντίζετε ώστε όλα τα μέρη του σώματος να βρίσκονται σε απόσταση από την αλυσίδα πριονιού, όταν το αλυσοπρίονο λειτουργεί. Πριν από την εκκίνηση του αλυσοπριονίου, βεβαιωθείτε ότι η αλυσίδα πριονιού δεν έρχεται σε επαφή με οτιδήποτε. Μια στιγμή απροσεξίας στη διάρκεια χειρισμού ενός αλυσοπριονίου αρκεί για να προκαλέσει εμπλοκή της αλυσίδας πριονιού σε μέρος του ρουχισμού ή του σώματος.**
2. **Να κρατάτε πάντα το αλυσοπρίονο με το δεξί χέρι στην πίσω λαβή και το αριστερό χέρι στην μπροστινή λαβή. Σε περίπτωση κρατήματος του αλυσοπριονίου με αντίστροφο σχηματισμό χεριών αυξάνει ο κίνδυνος προσωπικού τραυματισμού και δεν θα πρέπει να χρησιμοποιείται ποτέ.**
3. **Κρατήστε το αλυσοπρίονο μόνο από τις μονωμένες επιφάνειες συγκράτησης, επειδή η αλυσίδα πριονιού μπορεί να έρθει σε επαφή με κρυφές καλωδιώσεις. Σε περίπτωση επαφής των αλυσίδων πριονιού με «ηλεκτροφόρο» καλώδιο, τα εκτεθειμένα μεταλλικά εξαρτήματα του αλυσοπριονίου μπορεί να καταστούν τα ίδια «ηλεκτροφόρα» και να προκαλέσουν ηλεκτροπληξία στον χειριστή.**
4. **Φοράτε προστατευτικά ματιών. Συνιστάται η χρήση περαιτέρω προστατευτικού εξοπλισμού ακοής, κεφαλιού, χεριών, κνημών, και πτελμάτων. Ο επαρκής προστατευτικός εξοπλισμός μειώνει τον κίνδυνο προσωπικού τραυματισμού λόγω εκτινασόμενων θραυσμάτων ή τυχαίας επαφής με την αλυσίδα πριονιού.**
5. **Μην θέσετε το αλυσοπρίονο σε λειτουργία από δέντρο, σκάλα, σκεπή ή οποιοδήποτε ασταθές στήριγμα. Η λειτουργία του αλυσοπριονίου με αυτόν τον τρόπο μπορεί να έχει ως αποτέλεσμα σοβαρό προσωπικό τραυματισμό.**
6. **Να στέκεστε πάντα σταθερά και να θέτετε το αλυσοπρίονο σε λειτουργία μόνο όταν στέκεστε σε μια σταθερή, ασφαλή και επίπεδη επιφάνεια. Οι ολισθηρές ή ασταθείς επιφάνειες μπορεί να προκαλέσουν απώλεια της ισορροπίας ή του ελέγχου του αλυσοπριονίου.**
7. **Κατά την κοπή κλαδιού που είναι τεντωμένο, να είστε προσεκτικοί σε περίπτωση εκτίναξης προς τα πίσω. Όταν η τάση στις ίνες ξύλου απελευθερωθεί, το φορτωμένο κλαδί μπορεί να χτυπήσει το χειριστή ή/και να φέρει το αλυσοπρίονο εκτός ελέγχου.**
8. **Να είστε εξαιρετικά προσεκτικοί κατά την κοπή χαμόδεντρων και δενδρυλλίων. Το λεπτό υλικό μπορεί να σκαλωσει στην αλυσίδα πριονιού και να εκτιναχθεί προς το μέρος σας ή να προκαλέσει απώλεια της ισορροπίας σας.**

9. **Να μεταφέρετε το αλυσοπρίοιο κρατώντας το από την μπροστινή λαβή και μακριά από το σώμα σας, όταν βρίσκεται εκτός λειτουργίας. Κατά τη μεταφορά ή φύλαξη του αλυσοπριονίου, να τοποθετείτε πάντα το κάλυμμα κατευθυντήριας λάμας.** Ο κατάλληλος χειρισμός του αλυσοπριονίου μειώνει την πιθανότητα τυχαίας επαφής με την κινούμενη αλυσίδα πριονιού.
 10. **Να τηρούνται οι οδηγίες λίπανσης, τεντώματος αλυσίδας και αλλαγής της λάμας και αλυσίδας.** Το ακατάλληλο τέντωμα ή λίπανση της αλυσίδας μπορεί να προκαλέσει θραύση της ή αυξημένη πιθανότητα κλοστήματος.
 11. **Να κόβετε μόνο ξύλα. Να μη χρησιμοποιείτε το αλυσοπρίοιο για σκοπούς για τους οποίους δεν προορίζεται. Για παράδειγμα: μη χρησιμοποιείτε το αλυσοπρίοιο για την κοπή μετάλλων, πλαστικών, τοιχοποιίας ή μη ξύλινων οικοδομικών υλικών.** Η χρήση του αλυσοπριονίου για σκοπούς διαφορετικούς από τους προβλεπόμενους θα μπορούσε να καταλήξει σε επικίνδυνη κατάσταση.
 12. **Μην επιχειρήσετε να ριζέτε ένα δέντρο εάν δεν καταλαβαίνετε τους κινδύνους και τον τρόπο να τους αποφύγετε.** Μπορεί να προκληθεί σοβαρός τραυματισμός στον χειριστή ή στους παρευρισκόμενους κατά την πτώση ενός δέντρου.
 13. **Αίτια και πρόληψη κλοστήματος από το χειριστή:** Το κλότσημα μπορεί να προκληθεί όταν η μύτη ή το άκρο της κατευθυντήριας λάμας ακουμπήσει σε ένα αντικείμενο ή όταν τα δύο τεμάχια του ξύλου κλείσουν και προκαλέσουν σύσφιξη της αλυσίδας πριονιού μέσα στην τομή.
Σε ορισμένες περιπτώσεις, η επαφή του άκρου μπορεί να προκαλέσει ξαφνική ανάστροφη αντίδραση, λακτίζοντας την κατευθυντήρια λάμα προς τα άνω και πίσω προς το μέρος του χειριστή. Η σύσφιξη της αλυσίδας πριονιού σε κάποιο σημείο του άνω μέρους της κατευθυντήριας λάμας μπορεί να ωθήσει τη λάμα τάχιστα προς τα πίσω προς το μέρος του χειριστή.
Οποιαδήποτε από αυτές τις αντιδράσεις μπορεί να προκαλέσει απώλεια ελέγχου του αλυσοπριονίου, πράγμα το οποίο θα μπορούσε να καταλήξει σε σοβαρό προσωπικό τραυματισμό. Μη βασίζεστε αποκλειστικά και μόνο στις ενσωματωμένες διατάξεις ασφαλείας του αλυσοπριονίου. Ως χειριστής αλυσοπριονίου, θα πρέπει να λαμβάνετε ορισμένα μέτρα ασφαλείας ώστε να προλαμβάνετε τυχόν ατυχήματα ή τραυματισμούς κατά την εργασία κοπής.
Το κλότσημα προκαλείται όταν το αλυσοπρίοιο χρησιμοποιείται λανθασμένα ή/και όταν οι διαδικασίες ή οι συνθήκες λειτουργίας είναι λανθασμένες. Μπορεί να αποφευχθεί αν ληφθούν οι κατάλληλες προφυλάξεις που αναφέρονται παρακάτω:
 - **Κρατήστε σταθερά, με τα δάχτυλα και τους αντίχειρες γύρω από τις λαβές του αλυσοπριονίου, με τα δύο χέρια πάνω στο αλυσοπρίοιο και τοποθετήστε σώμα και βραχιόνες έτσι ώστε να ασκείται αντίσταση στις δυνάμεις κλοστήματος.** Ο έλεγχος των δυνάμεων κλοστήματος από το χειριστή είναι εφικτός, εάν ληφθούν οι κατάλληλες προφυλάξεις. Μην επιτρέψτε να σας φύγει το αλυσοπρίοιο.
 - **Μην εκτείνετε υπέρ του δέοντος και μην επιχειρείτε κοπή πάνω από το ύψος των ώμων.** Αυτό βοηθά στην αποφυγή ανεπιθύμητης επαφής του άκρου και διευκολύνει στον καλύτερο έλεγχο του αλυσοπριονίου σε μη αναμενόμενες καταστάσεις.
 - **Να χρησιμοποιείτε μόνο κατευθυντήριες λάμες και αλυσίδες πριονιού που συνιστώνται από τον κατασκευαστή.** Οι κατευθυντήριες λάμες και αλυσίδες πριονιού αντικατάστασης εσφαλμένου τύπου μπορεί να προκαλέσουν θραύση της αλυσίδας ή/και κλότσημα.
 - **Ακολουθήστε τις οδηγίες του κατασκευαστή για το τρόχισμα και τη συντήρηση της αλυσίδας πριονιού.** Η μείωση του ύψους του ρυθμιστή βάθους κοπής μπορεί να οδηγήσει σε αύξηση του κλοστήματος.
14. **Ακολουθήστε όλες τις οδηγίες όταν καθαρίζετε εμπλοκή υλικού, αποθηκεύετε ή εκτελείτε εργασίες συντήρησης στο αλυσοπρίοιο. Βεβαιωθείτε ότι ο διακόπτης είναι κλειστός και η κασέτα μπαταρίας έχει αφαιρεθεί.** Η απόρριψη ενεργοποίηση του αλυσοπριονίου κατά τον καθαρισμό του μπλοκαρισμένου υλικού ή το σέρβις μπορεί να έχει ως αποτέλεσμα σοβαρό προσωπικό τραυματισμό.

Επιπρόσθετες οδηγίες για την ασφάλεια

Προσωπικός προστατευτικός εξοπλισμός

1. **Τα ρούχα πρέπει να είναι στενά, αλλά να μην παρεμποδίζουν την κίνηση.**
2. **Φοράτε τα ακόλουθα προστατευτικά ρούχα κατά την εργασία:**
 - Δοκιμασμένο κράνος ασφαλείας, στην περίπτωση που υπάρχει κίνδυνος λόγω πτώσης κλαδιών ή παρόμοιων αντικειμένων.
 - Μάσκα προσώπου ή προστατευτικά γυαλιά.
 - Κατάλληλη προστασία ακοής (ωτοασπίδες, προσαρμοσμένα ή μορφοποιημένα βύσματα αυτιού). Ανάλυση οκτάτης κατόπιν απαίτησης.
 - Σταθερά, δερμάτινα γάντια ασφαλείας.
 - Μακρύ παντελόνι κατασκευασμένο από ανθεκτικό ύφασμα.
 - Προστατευτικό παντελόνι εργασίας από ύφασμα ανθεκτικό στην κοπή.
 - Παπούτσια ή μπότες ασφαλείας με αντιολισθητική σόλα, ατσάλινη προστασία δαχτύλου και επένδυση από ύφασμα ανθεκτικό στην κοπή.
 - Αντιασφυξιογόνος προσωπίδα, κατά την εκτέλεση εργασιών που παράγουν σκόνη (π.χ. πριόνισμα ξηρού ξύλου).

Λειτουργία

1. **Πριν από την έναρξη της εργασίας, βεβαιωθείτε ότι το αλυσοπρίοιο είναι σε καλή κατάσταση λειτουργίας και ότι η κατάσταση του συμμορφώνεται με τους κανονισμούς ασφαλείας. Συγκεκριμένα, ελέγξτε τα εξής:**
 - Το φρένο αλυσίδας λειτουργεί κατάλληλα,
 - Το φρένο ανάσχεσης λειτουργεί κατάλληλα,

- Το κάλυμμα της λάμας και το κάλυμμα αλυστροχού έχουν τοποθετηθεί κατάλληλα,
 - Η αλυσίδα έχει ακονιστεί και τεντωθεί σύμφωνα με τους κανονισμούς.
2. Μην θέσετε το αλυσοπρίονο σε λειτουργία όταν το κάλυμμα της αλυσίδας δεν έχει αφαιρεθεί. Εάν θέσετε το αλυσοπρίονο σε λειτουργία όταν το κάλυμμα της αλυσίδας δεν έχει αφαιρεθεί, μπορεί να προκληθεί εκτίναξη του καλύμματος προς τα εμπρός με αποτέλεσμα τραυματισμό και την πρόκληση ζημίας σε αντικείμενα που βρίσκονται στο χώρο γύρω από το χειριστή.
 3. Να ενεργοποιείτε πάντα το φρένο αλυσίδας όταν το εργαλείο δεν χρησιμοποιείται ή όταν μεταφέρεται.
 4. Όταν χρησιμοποιείτε το εργαλείο σε λασπώδη έδαφος, βρεγμένες κλίσεις ή ολισθηρό μέρος, να προσέχετε το πάτημά σας.
 5. Μην βυθίζετε το εργαλείο σε λακούβια.
 6. Μην αφήνετε το εργαλείο χωρίς επίτηρηση σε εξωτερικούς χώρους στη βροχή.

Ηλεκτρική ασφάλεια και ασφάλεια μπαταρίας

1. Να αποφεύγετε τα επικίνδυνα περιβάλλοντα. Μη χρησιμοποιείτε το εργαλείο σε υγραμένο ή υγρό χώρο ούτε να το εκθέτετε στη βροχή. Η εισόδος νερού στο εργαλείο μπορεί να αυξήσει τον κίνδυνο πρόκλησης ηλεκτροπληξίας.
2. Μη απορρίπτετε την μπαταρία(ιες) στη φωτιά. Το κελί μπορεί να εκραγεί. Συμβουλευτείτε τους τοπικούς κώδικες για πιθανές ειδικές οδηγίες απόρριψης.
3. Μη απορρίπτετε και μην καταστρέψετε την μπαταρία(ιες). Ο ηλεκτρολύτης που εκλύεται είναι διαβρωτικός και μπορεί να προκαλέσει ζημιά στα μάτια ή στο δέρμα. Σε περίπτωση κατάποσης, μπορεί να είναι τοξικό.
4. Μη φορτίζετε την μπαταρία στη βροχή, αλλά ούτε σε υγρές τοποθεσίες.
5. Μην φορτίζετε τη μπαταρία σε εξωτερικό χώρο.
6. Μην χειρίζεστε τον φορτιστή, συμπεριλαμβανομένου του φως φορτιστή, και τους ακροδέκτες φορτιστή με βρεγμένα χέρια.
7. Μην αλλάζετε την μπαταρία στη βροχή.
8. Μην αλλάζετε την μπαταρία με βρεγμένα χέρια.
9. Μην αφήνετε την μπαταρία στη βροχή, και μην φορτίζετε, χρησιμοποιείτε ή αποθηκεύετε την μπαταρία σε υγρό ή βρεγμένο μέρος.
10. Μην βρέχετε τον πόλο της μπαταρίας με υγρό, όπως το νερό, και μη βυθίζετε την μπαταρία σε υγρό. Αν ο πόλος βρεχτεί ή εισέλθει υγρό στο εσωτερικό της μπαταρίας, η μπαταρία μπορεί να βραχυκυκλώσει και να υπάρχει κίνδυνος υπερθέρμανσης, πυρκαγιάς ή έκρηξης.
11. Αφού αφαιρέσετε την μπαταρία από το εργαλείο ή τον φορτιστή, φροντίστε να συνδέσετε το κάλυμμα μπαταρίας στην μπαταρία και να την αποθηκεύσετε σε στεγνό μέρος.
12. Αν η κασέτα μπαταριών βραχεί, αποστραγγίστε το νερό από το εσωτερικό και μετά σκουπίστε την με ένα στεγνό πανί. Στεγνώστε την κασέτα μπαταριών εντελώς σε ένα στεγνό μέρος πριν τη χρησιμοποιήσετε.

Συντήρηση και αποθήκευση

1. Όταν αποθηκεύετε το εργαλείο, να αποφεύγετε την άμεση ηλιοβολή και τη βροχή, και να το αποθηκεύσετε σε ένα μέρος όπου δεν υπάρχει πολύ ζεστή και υγρασία.

ΦΥΛΑΞΤΕ ΤΙΣ ΟΔΗΓΙΕΣ ΑΥΤΕΣ.

▲ΠΡΟΕΙΔΟΠΟΙΗΣΗ: ΜΗΝ επιτρέψετε το βαθμό άνεσης ή εξοικείωσης με το προϊόν (λόγω επανειλημμένης χρήσης) να αντικαταστήσει την αυστηρή τήρηση των κανόνων ασφαλείας του παρόντος εργαλείου. Η ΛΑΝΘΑΣΜΕΝΗ ΧΡΗΣΗ ή η αμέλεια να ακολουθήσετε τους κανόνες ασφαλείας που διατυπώνονται στο παρόν εγχειρίδιο οδηγιών μπορεί να προκαλέσει σοβαρό προσωπικό τραυματισμό.

Σημαντικές οδηγίες ασφάλειας για κασέτα μπαταριών

1. Πριν χρησιμοποιήσετε την κασέτα μπαταριών, διαβάστε όλες τις οδηγίες και σημειώσεις προφύλαξης (1) στον φορτιστή μπαταριών, (2) στην μπαταρία και (3) στο προϊόν που χρησιμοποιεί την μπαταρία.
2. Μην αποσυναρμολογήσετε ή παραβιάσετε την κασέτα μπαταριών. Μπορεί να έχει ως αποτέλεσμα πυρκαγιά, υπερθέρμανση ή έκρηξη.
3. Εάν ο χρόνος λειτουργίας έχει γίνει υπερβολικά βραχύς, σταματήστε τη λειτουργία αμέσως. Αλλιώς, μπορεί να έχει ως αποτέλεσμα κίνδυνο υπερθέρμανσης, πιθανά εγκαύματα ή ακόμη και έκρηξη.
4. Εάν ηλεκτρολύτης μπει στα μάτια σας, ξεπλύνετε τα με καθαρό νερό και ζητήστε ιατρική φροντίδα αμέσως. Αλλιώς, μπορεί να έχει ως αποτέλεσμα απώλεια της όρασης σας.
5. Μη βραχυκυκλώνετε την κασέτα μπαταριών:
 - (1) Μην αγγίζετε τους πόλους με οτιδήποτε αγώγιμο υλικό.
 - (2) Αποφεύγετε να αποθηκεύετε την κασέτα μπαταριών μέσα σε ένα δοχείο μαζί με άλλα μεταλλικά αντικείμενα όπως καρφιά, νομίσματα, κλπ.
 - (3) Μην εκθέτετε την κασέτα μπαταριών στο νερό ή στη βροχή.
 Ένα βραχυκύκλωμα μπαταρίας μπορεί να προκαλέσει μεγάλη ροή ρεύματος, υπερθέρμανση, πιθανά εγκαύματα ακόμη και σοβαρή βλάβη.
6. Μην αποθηκεύετε και μη χρησιμοποιείτε το εργαλείο και την κασέτα μπαταριών σε τοποθεσίες όπου η θερμοκρασία μπορεί να φτάσει ή να ξεπεράσει τους 50 °C.
7. Μην καίτε την κασέτα μπαταριών ακόμη και εάν έχει σοβαρή ζημιά ή είναι εντελώς φθαρμένη. Η κασέτα μπαταριών μπορεί να εκραγεί στη φωτιά.
8. Μην κοφώσετε, κόψετε, συνθλίψετε, πετάξετε ή ρίξετε κάτω την κασέτα μπαταριών, ούτε να χτυπήσετε ένα σκληρό αντικείμενο επάνω στην κασέτα μπαταριών. Τέτοια συμπεριφορά μπορεί να έχει ως αποτέλεσμα πυρκαγιά, υπερθέρμανση ή έκρηξη.

9. **Μη χρησιμοποιείτε μπαταρία που έχει υποστεί ζημία.**
10. **Οι μπαταρίες ιόντων λιθίου που περιέχονται υπόκεινται στις απαιτήσεις της νομοθεσίας για επικίνδυνα αγαθά.**
Για εμπορικές μεταφορές, για παράδειγμα από τρίτα μέρη, πρέπει να τηρούνται οι διαμεταφορές, οι ειδικές απαιτήσεις στη συσκευασία και η επισήμανση.
Για προετοιμασία του στοιχείου που αποστέλλεται, είναι απαραίτητο να συμβουλευτείτε έναν ειδικό για επικίνδυνα υλικά. Επίσης, τηρήστε τους πιθα- νούς, πιο αναλυτικούς εθνικούς κανονισμούς. Καλύψτε με αυτοκόλλητη ταινία ή κρύψτε τις ανοικτές επαφές και συσκευάστε την μπαταρία με τρόπο που να μην μπορεί να μετακινείται μέσα στη συσκευασία.
11. **Όταν απορρίψετε την κασέτα μπαταριών, αφαιρέστε την από το εργαλείο και διαθέστε την σε ένα ασφαλές μέρος. Τηρήστε τους τοπικούς κανονισμούς που σχετίζονται με τη διάθεση της μπαταρίας.**
12. **Χρησιμοποιήστε τις μπαταρίες μόνο με τα προϊόντα που καθορίζει η Makita.** Αν τοποθετή- σετε τις μπαταρίες σε μη συμβατά προϊόντα μπο- ρεί να έχει ως αποτέλεσμα πυρκαγιά, υπερβολική θερμότητα, έκρηξη ή διαρροή ηλεκτρολύτη.
13. **Αν δεν χρησιμοποιείτε το εργαλείο για μεγάλο χρονικό διάστημα, πρέπει να βγάλετε την μπαταρία από το εργαλείο.**
14. **Κατά τη διάρκεια και μετά τη χρήση, η κασέτα μπαταριών μπορεί να θερμανθεί, γεγονός που μπορεί να προκαλέσει εγκαύματα ή εγκαύματα από χαμηλή θερμοκρασία. Προσέχετε το χειρι- σμό των ζεστών κασετών μπαταριών.**
15. **Μην αγγίζετε τον ακροδέκτη του εργαλείου αμέσως μετά τη χρήση επειδή μπορεί να έχει ζεσταθεί αρκετά για να προκαλέσει εγκαύματα.**
16. **Μην αφήνετε θραύσματα, σκόνη ή βρομιά να κολλήσει στους ακροδέκτες, τις οπές και τις εγχοπές της κασέτας μπαταριών.** Μπορεί να προκαλέσει θέρμανση, φωτιά, έκρηξη και δυσλει- τουργία του εργαλείου ή της κασέτας μπαταριών, έχοντας ως αποτέλεσμα εγκαύματα ή προσωπικό τραυματισμό.
17. **Εκτός αν το εργαλείο υποστηρίζει τη χρήση κοντά σε ηλεκτρικές γραμμές υψηλής τάσης, μην χρησιμοποιείτε την κασέτα μπαταριών κοντά σε ηλεκτρικές γραμμές υψηλής τάσης.** Μπορεί να έχει ως αποτέλεσμα δυσλειτουργία ή στάσιμο του εργαλείου ή της κασέτας μπαταριών.
18. **ΚρΦυλάξτε την μπαταρία μακριά από παιδιά.**

ΦΥΛΑΞΤΕ ΤΙΣ ΟΔΗΓΙΕΣ ΑΥΤΕΣ.

▲ ΠΡΟΣΟΧΗ: Να χρησιμοποιείτε μόνο γνήσιες μπαταρίες της Makita. Η χρήση μη γνήσιων μπατα- ριών Makita, ή μπαταριών που έχουν τροποποιηθεί, μπορεί να έχει ως αποτέλεσμα τη ρήξη της μπατα- ρίας, προκαλώντας πυρκαγιά, προσωπικό τραυματι- σμό και βλάβη. Επίσης, θα ακυρωθεί η εγγύηση της Makita για το εργαλείο και φορτιστή Makita.

Συμβουλές για τη διατήρηση της μέγιστης ζωής μπαταρίας

1. **Φορτίζετε την κασέτα μπαταριών πριν από την πλήρη αποφόρτιση της.** Πάντοτε να σταματάτε τη λειτουργία του εργαλείου και να φορτίζετε την κασέτα μπαταριών όταν παρατηρείτε μειω- μένη ισχύ εργαλείου.
2. **Ποτέ μην επαναφορτίζετε μια πλήρως φορ- τισμένη κασέτα μπαταριών.** Η υπερφόρτιση μειώνει την ωφέλιμη ζωή της μπαταρίας.
3. **Να φορτίζετε την κασέτα μπαταριών σε θερμο- κρασία δωματίου, δηλαδή στους 10 °C έως 40 °C.** Αφήστε μια θερμή κασέτα μπαταριών να κρυώσει πριν την φορτίσετε.
4. **Όταν δεν χρησιμοποιείτε την κασέτα μπατα- ριών, αφαιρέστε την από το εργαλείο ή τον φορτιστή.**
5. **Να φορτίζετε την κασέτα μπαταριών εάν δεν τη χρησιμοποιείτε για μεγάλη χρονική περίοδο (περισσότερο από έξι μήνες).**

ΠΕΡΙΓΡΑΦΗ ΕΞΑΡΤΗΜΑΤΩΝ

► Εικ.2

1	Κασέτα μπαταριών	2	Μπροστινός προφυλακτήρας χεριών	3	Μοχλός
4	Κατευθυντήρια λάμα	5	Αλυσίδα πριονιού	6	Καντράν ρύθμισης
7	Λυχνία κύριας λειτουργίας	8	Διακόπτης κύριας λειτουργίας	9	Μοχλός ασφάλισης
10	Πίσω λαβή	11	Σκανδάλη διακόπτης	12	Μπροστινή λαβή
13	Καπάκι δοχείου λαδιού	14	Κάλυμμα κατευθυντήριας λάμας	15	Βίδα ρύθμισης (για αντίλα λαδιού)
16	Συγκρατήρας αλυσίδας	-	-	-	-

ΠΕΡΙΓΡΑΦΗ ΛΕΙΤΟΥΡΓΙΑΣ

▲ ΠΡΟΣΟΧΗ: Να φροντίζετε πάντα για την απενεργοποίηση του εργαλείου και την αφαίρεση της κασέτας μπαταρίας, πριν από οποιαδήποτε ρύθμιση ή έλεγχο της λειτουργίας του.

Τοποθέτηση ή αφαίρεση της κασέτας μπαταριών

▲ ΠΡΟΣΟΧΗ: Να σβήνετε πάντα το εργαλείο πριν τοποθετήσετε ή αφαιρέσετε την κασέτα μπαταριών.

▲ ΠΡΟΣΟΧΗ: Κρατήστε το εργαλείο και την κασέτα μπαταριών σταθερά κατά την τοποθέτηση ή αφαίρεση της κασέτας μπαταριών. Εάν δεν κρατάτε το εργαλείο και την κασέτα μπαταριών σταθερά μπορεί να γλιστρήσουν από τα χέρια σας και να προκληθεί βλάβη στο εργαλείο και την κασέτα μπαταριών και προσωπικός τραυματισμός.

Για να τοποθετήσετε την κασέτα μπαταριών, ευθυγραμμίστε τη γλώσσα στην κασέτα μπαταριών με την εγκοπή στο περίβλημα και ολισθήστε τη στη θέση της. Τοποθετήστε την μέχρι τέρμα μέχρι να ασφαλίσει στη θέση της, γεγονός που υποδεικνύεται με ένα χαρακτηριστικό ήχο. Αν μπορείτε να δείτε τον κόκκινο δείκτη όπως απεικονίζεται στην εικόνα, δεν έχει κλειδώσει τελείως.

Για να αφαιρέσετε την κασέτα μπαταριών, ολισθήστε την από το εργαλείο ενώ σύρετε το κουμπί στο μπροστινό μέρος της κασέτας.

► **Εικ.3:** 1. Κόκκινος δείκτης 2. Κουμπί 3. Κασέτα μπαταριών

▲ ΠΡΟΣΟΧΗ: Να τοποθετείτε πάντα την κασέτα μπαταριών πλήρως μέχρι να μη βλέπετε τον κόκκινο δείκτη. Εάν δεν ασφαλιστεί, μπορεί να πέσει από το εργαλείο τυχαία, προκαλώντας σωματική βλάβη σε εσάς ή κάποιον άλλο γύρω σας.

▲ ΠΡΟΣΟΧΗ: Μην τοποθετείτε την κασέτα μπαταριών με βία. Εάν η κασέτα δεν ολισθαίνει με ευκολία, τότε δεν έχει τοποθετηθεί κατάλληλα.

Εμφάνιση υπολειπόμενης χωρητικότητας μπαταρίας

Πιέστε το κουμπί ελέγχου στην κασέτα μπαταριών για να υποδείξετε την υπολειπόμενη χωρητικότητα μπαταρίας. Οι ενδεικτικές λυχνίες ανάβουν για λίγα δευτερόλεπτα.

► **Εικ. 4:** 1. Ενδεικτικές λυχνίες 2. Κουμπί ελέγχου

Ενδεικτικές λυχνίες			Υπολειπόμενη χωρητικότητα
Αναμμένες	Σβηστές	Αναβοσβήνουν	
■ ■ ■ ■			75% έως 100%
■ ■ ■ □			50% έως 75%
■ ■ □ □			25% έως 50%
■ □ □ □			0% έως 25%
▣ □ □ □			Φορτίστε την μπαταρία.
■ ■ □ □			Μπορεί να προέκυψε δυσλειτουργία στην μπαταρία.
□ □ ■ ■			

ΠΑΡΑΤΗΡΗΣΗ: Ανάλογα με τις συνθήκες χρήσης και τη θερμοκρασία περιβάλλοντος, η ένδειξη μπορεί να διαφέρει λίγο από την πραγματική χωρητικότητα.

ΠΑΡΑΤΗΡΗΣΗ: Η πρώτη (τέρμα αριστερά) ενδεικτική λυχνία θα αναβοσβήνει όταν λειτουργεί το σύστημα προστασίας μπαταρίας.

Σύστημα προστασίας εργαλείου/μπαταρίας

Το εργαλείο είναι εξοπλισμένο με σύστημα προστασίας εργαλείου/μπαταρίας. Αυτό το σύστημα αποκτάει αυτόματα την ισχύ προς το μοτέρ για να παραταθεί η διάρκεια λειτουργίας του εργαλείου και της μπαταρίας. Το εργαλείο σταματάει αυτόματα κατά τη διάρκεια της λειτουργίας εάν το εργαλείο ή η μπαταρία βρεθούν κάτω από τις παρακάτω συνθήκες:

Προστασία υπερφόρτωσης

Όταν το εργαλείο/μπαταρία λειτουργεί με τρόπο που προκαλεί την κατανάλωση ενός ασυνήθιστα υψηλού ηλεκτρικού ρεύματος, το εργαλείο σταματάει αυτόματα και η λυχνία κύριας λειτουργίας αναβοσβήνει με πράσινο χρώμα. Σε αυτή την περίπτωση, απενεργοποιήστε το εργαλείο και διακόψτε την εφαρμογή που προκάλεσε την υπερφόρτωση του εργαλείου. Μετά ενεργοποιήστε το εργαλείο για επανεκκίνηση.

Προστασία υπερθέρμανσης

Όταν το εργαλείο ή η μπαταρία υπερθερμανθεί, η λειτουργία του εργαλείου σταματάει αυτόματα και η λυχνία κύριας λειτουργίας ανάβει με κόκκινο χρώμα. Σε αυτή την περίπτωση, αφήστε το εργαλείο και την μπαταρία να ψυχθούν πριν ενεργοποιήσετε ξανά το εργαλείο.

ΠΑΡΑΤΗΡΗΣΗ: Σε περιβάλλον υψηλών θερμοκρασιών, είναι πιθανό να τεθεί σε λειτουργία η προστασία υπερθέρμανσης και να σταματήσει αυτόματα η λειτουργία του εργαλείου.

Προστασία υπερβολικής αποφόρτισης

Όταν η χωρητικότητα μπαταρίας δεν είναι αρκετή, η λειτουργία του εργαλείου σταματάει αυτόματα και η λυχνία κύριας λειτουργίας αναβοσβήνει με κόκκινο χρώμα. Σε αυτή την περίπτωση, βγάλτε την μπαταρία από το εργαλείο και φορτίστε την μπαταρία.

Προστασία και από άλλες αιτίες

Το σύστημα προστασίας έχει επίσης σχεδιαστεί για άλλες αιτίες που μπορούν να προκαλέσουν ζημιά στο εργαλείο και επιτρέπει την αυτόματη διακοπή του εργαλείου. Λάβετε όλα τα ακόλουθα βήματα για να διορθώσετε τις αιτίες, όταν το εργαλείο τεθεί σε προσωρινή διακοπή ή διακοπή κατά τη διάρκεια της λειτουργίας.

1. Απενεργοποιήστε το εργαλείο και, στη συνέχεια, ενεργοποιήστε το ξανά για να επανεκκινήσει.
2. Φορτίστε την μπαταρία ή τις μπαταρίες ή αντικαταστήστε τις με επαναφορτιζόμενες μπαταρίες.
3. Αφήστε το μηχάνημα και τις μπαταρίες να ψυχθούν.

Εάν δεν υπάρχει βελτίωση με την επαναφορά του συστήματος προστασίας, επικοινωνήστε με το τοπικό σας κέντρο εξυπηρέτησης της Makita.

ΕΙΔΟΠΟΙΗΣΗ: Αν το εργαλείο σταματήσει λόγω μιας αιτίας που δεν περιγράφεται ανωτέρω, ανατρέξτε στην ενότητα για την επίλυση προβλημάτων.

Διακόπτης κύριας λειτουργίας

ΠΡΟΕΙΔΟΠΟΙΗΣΗ: Να απενεργοποιείτε πάντα το διακόπτη κύριας λειτουργίας όταν δεν χρησιμοποιείτε το εργαλείο.

Για να ενεργοποιήσετε το εργαλείο, πατήστε τον διακόπτη κύριας λειτουργίας. Η λυχνία κύριας λειτουργίας ανάβει με πράσινο χρώμα. Για απενεργοποίηση, πατήστε ξανά το διακόπτη κύριας λειτουργίας.

► **Εικ.5:** 1. Λυχνία κύριας λειτουργίας 2. Διακόπτης κύριας λειτουργίας

ΠΑΡΑΤΗΡΗΣΗ: Η λυχνία κύριας λειτουργίας αναβοσβήνει με πράσινο χρώμα αν τραβήξετε τη σκανδάλη διακόπτη κάτω από μη λειτουργικές συνθήκες. Η λυχνία αναβοσβήνει σε οποιαδήποτε από τις ακόλουθες καταστάσεις.

- Όταν ενεργοποιήσετε τον διακόπτη κύριας λειτουργίας ενώ κρατάτε πατημένο τον μοχλό ασφάλισης και τραβάτε τη σκανδάλη διακόπτη.
- Όταν τραβάτε τη σκανδάλη διακόπτη ενώ εφαρμόζεται το φρένο αλυσίδας.
- Όταν απελευθερώνετε το φρένο αλυσίδας ενώ κρατάτε πατημένο το μοχλό ασφάλισης και τραβάτε τη σκανδάλη διακόπτη.

ΠΑΡΑΤΗΡΗΣΗ: Το εργαλείο αυτό χρησιμοποιεί τη λειτουργία αυτόματης απενεργοποίησης. Ο διακόπτης κύριας λειτουργίας θα σβήσει αυτόματα αν το εργαλείο δεν λειτουργεί για περίπου 5 λεπτά.

ΠΑΡΑΤΗΡΗΣΗ: Η λειτουργία αυτόματης απενεργοποίησης μπορεί να ενεργοποιηθεί όταν το εργαλείο σταματήσει λόγω της ενεργοποίησης του συστήματος προστασίας. Ο διακόπτης κύριας λειτουργίας θα σβήσει αυτόματα περίπου 5 λεπτά αφού το μοτέρ σταματήσει αυτόματα και δεν ληφθεί καμία διορθωτική ενέργεια έναντι της προστασίας εργαλείου.

Δράση διακόπτη

ΠΡΟΕΙΔΟΠΟΙΗΣΗ: Για την ασφάλειά σας, το εργαλείο αυτό παρέχεται με διακόπτη απασφάλισης ο οποίος αποτρέπει την εκκίνηση του εργαλείου κατά λάθος. Μη χρησιμοποιείτε ΠΟΤΕ το εργαλείο εάν μπορείτε να το θέσετε σε λειτουργία πιέζοντας απλά τη σκανδάλη διακόπτη, χωρίς να τραβάτε και τον μοχλό ασφάλισης. Στείλτε το εργαλείο σε εξουσιοδοτημένο κέντρο σέρβις για να το επισκευάσουν σωστά ΠΡΙΝ το χρησιμοποιήσετε ξανά.

ΠΡΟΕΙΔΟΠΟΙΗΣΗ: ΠΟΤΕ μην κολλάτε το μοχλό ασφάλισης στην πατημένη θέση του και ΠΟΤΕ μην παρακάμπετε το σκοπό του μοχλού ασφάλισης.

ΠΡΟΣΟΧΗ: Πριν βάλετε την κασέτα μπαταρίας μέσα στο εργαλείο, να ελέγχετε πάντα να δείτε αν η σκανδάλη διακόπτης ενεργοποιείται κανονικά και επιστρέφει στη θέση «OFF» όταν ελευθερώνεται.

ΕΙΔΟΠΟΙΗΣΗ: Μην τραβάτε τη σκανδάλη διακόπτη με βία χωρίς να πατάτε το μοχλό ασφάλισης. Μπορεί να σπάσει ο διακόπτης.

Για να εμποδιστεί το τυχαίο τράβηγμα της σκανδάλης διακόπτη, υπάρχει ένας διπλός διακόπτης απασφάλισης για ασφάλεια.

Για να ξεκινήσετε το εργαλείο, ωθήστε τον μοχλό ασφάλισης κάτω και μπροστά, πέρα από την κανονική θέση, χρησιμοποιώντας το τμήμα του χεριού σας μεταξύ του αντίχειρα και του δείκτη, και συμπιέστε τον μοχλό ασφάλισης με την παλάμη σας. Στη συνέχεια, τραβήξτε τη σκανδάλη διακόπτη ενώ κρατάτε τον μοχλό ασφάλισης. Η ταχύτητα του εργαλείου αυξάνει αν αυξήσετε την πίεση στη σκανδάλη διακόπτη.

Για διακοπή της λειτουργίας, ελευθερώστε τη σκανδάλη διακόπτη.

► **Εικ.6:** 1. Μοχλός ασφάλισης 2. Μοχλός ασφάλισης 3. Σκανδάλη διακόπτη

Έλεγχος άμεσου φρένου αλυσίδας

ΠΡΟΣΟΧΗ: Κατά την ενεργοποίηση, να κρατάτε το αλυσοπρίονο με τα δύο χέρια. Να κρατάτε την πίσω λαβή με το δεξί χέρι σας και την μπροστινή λαβή με αριστερό χέρι σας. Η λάμα και η αλυσίδα δεν πρέπει να έρχονται σε επαφή με κανένα αντικείμενο.

ΠΡΟΣΟΧΗ: Εάν η αλυσίδα πριονιού δεν ακινητοποιηθεί αμέσως κατά τη διενέργεια αυτής της δοκιμής, απαγορεύεται η χρήση του αλυσοπριονίου σε οποιαδήποτε περίπτωση. Συμβουλευτείτε το εξουσιοδοτημένο κέντρο σέρβις μας.

1. Πιέστε το μοχλό ασφάλισης και κατόπιν τραβήξτε τη σκανδάλη διακόπτη. Η αλυσίδα πριονιού τίθεται αμέσως σε λειτουργία.

2. Σπρώξτε τον μπροστινό προφυλακτήρα χεριών προς τα εμπρός, με το πίσω μέρος του χεριού σας. Βεβαιωθείτε ότι το αλυσοπρίονο ακινητοποιείται αμέσως.

► **Εικ.7:** 1. Μπροστινός προφυλακτήρας χεριών 2. Ξεκλειδωτή θέση 3. Κλειδωμένη θέση

Έλεγχος του φρένου ανάσχεσης

⚠ ΠΡΟΣΟΧΗ: Εάν η αλυσίδα πριονιού δεν σταματήσει εντός 2 δευτερολέπτων σε αυτή τη δοκιμή, σταματήστε να χρησιμοποιείτε το αλυσοπρίονο και συμβουλευτείτε το εξουσιοδοτημένο κέντρο σέρβις μας.

Θέστε το αλυσοπρίονο σε λειτουργία και μετά αφήστε εντελώς τη σκανδάλη διακόπτη. Η αλυσίδα πριονιού πρέπει να ακινητοποιηθεί πλήρως εντός 2 δευτερολέπτων.

Ρύθμιση της λίπανσης αλυσίδας

Μπορείτε να ρυθμίσετε τον ρυθμό παροχής της αντλίας λαδιού με τη βίδα ρύθμισης. Η ποσότητα λαδιού μπορεί να ρυθμιστεί χρησιμοποιώντας την άκρη του σωληνωτού κλειδιού.

► **Εικ.8:** 1. Βίδα ρύθμισης

Ηλεκτρονική λειτουργία

Το εργαλείο είναι εξοπλισμένο με ηλεκτρονική λειτουργία για εύκολη χρήση.

- Ηλεκτρικό φρένο
Το εργαλείο αυτό είναι εξοπλισμένο με ηλεκτρικό φρένο. Αν το εργαλείο αποτυγχάνει συνεχώς να σταματάει γρήγορα αφού αφήνετε τη σκανδάλη διακόπτη, ζητήστε την επισκευή του εργαλείου από εξουσιοδοτημένο κέντρο εξυπηρέτησης της Makita.

ΣΥΝΑΡΜΟΛΟΓΗΣΗ

⚠ ΠΡΟΣΟΧΗ: Να βεβαιώνετε πάντα ότι το εργαλείο είναι σβηστό και η κασέτα μπαταρίας έχει αφαιρεθεί πριν εκτελέσετε κάποια εργασία στο εργαλείο.

⚠ ΠΡΟΣΟΧΗ: Μην αγγίζετε την αλυσίδα πριονιού με γυμνά χέρια. Να φοράτε πάντα γάντια κατά το χειρισμό της αλυσίδας πριονιού.

Τοποθέτηση ή αφαίρεση της αλυσίδας πριονιού

⚠ ΠΡΟΣΟΧΗ: Η αλυσίδα πριονιού και η κατευθυντήρια λάμα είναι ακόμα ζεστές μετά τη λειτουργία. Αφήστε τις να ψυχθούν αρκετά πριν εκτελέσετε οποιαδήποτε εργασία στο εργαλείο.

⚠ ΠΡΟΣΟΧΗ: Η διαδικασία της τοποθέτησης ή αφαίρεσης της αλυσίδας πριονιού θα πρέπει να εκτελείται σε καθαρό μέρος χωρίς πριονίδια και παρόμοια υλικά.

Τοποθέτηση της αλυσίδας πριονιού

Για να τοποθετήσετε την αλυσίδα πριονιού, εκτελέστε τα ακόλουθα βήματα:

1. Αποδεσμεύστε το φρένο αλυσίδας τραβώντας τον μπροστινό προφυλακτήρα χειριών.

2. Τραβήξτε το μοχλό προς τα πάνω ενώ πιέζετε το άκρο του.
► **Εικ.9:** 1. Μοχλός

3. Περιστρέψτε το μοχλό αριστερόστροφα μέχρι να βγει το κάλυμμα αλυσοτροχού.

► **Εικ.10:** 1. Μοχλός 2. Κάλυμμα αλυσοτροχού

4. Αφαιρέστε το κάλυμμα αλυσοτροχού.

5. Ελέγξτε την κατεύθυνση της αλυσίδας πριονιού. Αντιστοιχήστε την κατεύθυνση της αλυσίδας πριονιού με αυτή του σημάδιου στο σώμα του αλυσοπριονιού.

► **Εικ.11:** 1. Ένδειξη στο σώμα αλυσοπριονιού

6. Προσαρμόστε το ένα άκρο της αλυσίδας πριονιού στο επάνω μέρος της κατευθυντήριας λάμας.

7. Προσαρμόστε το άλλο άκρο της αλυσίδας πριονιού γύρω από τον αλυσοτροχό και, στη συνέχεια, συνδέστε την κατευθυντήρια λάμα στο σώμα του αλυσοπριονιού.

► **Εικ.12:** 1. Αλυσοτροχός

8. Περιστρέψτε το καντράν ρύθμισης προς την κατεύθυνση «-» για να ολισθήσει η περόνη ρύθμισης προς την κατεύθυνση του βέλους.

► **Εικ.13:** 1. Καντράν ρύθμισης 2. Πείρος ρύθμισης

9. Τοποθετήστε το κάλυμμα αλυσοτροχού στο αλυσοπρίονο ώστε ο πείρος ρύθμισης να είναι τοποθετημένος σε μια μικρή οπή στην κατευθυντήρια λάμα.

► **Εικ.14:** 1. Κάλυμμα αλυσοτροχού 2. Κατευθυντήρια λάμα 3. Οπή

10. Περιστρέψτε τον μοχλό πλήρως δεξιόστροφα και γυρίστε τον μοχλό λίγο προς τα πίσω για να διατηρήσετε τη χαλαρότητα για τη ρύθμιση του τέντωματος της αλυσίδας.

11. Ρυθμίστε το τέντωμα της αλυσίδας. Για τη διαδικασία, ανατρέξτε στην ενότητα για τη ρύθμιση του τέντωματος της αλυσίδας πριονιού.

12. Περιστρέψτε το μοχλό δεξιόστροφα μέχρι το κάλυμμα αλυσοτροχού να ασφαλιστεί και κατόπιν επιστρέψτε το στην αρχική θέση.

► **Εικ.15:** 1. Μοχλός 2. Κάλυμμα αλυσοτροχού

Αφαίρεση της αλυσίδας πριονιού

Για να αφαιρέσετε την αλυσίδα πριονιού, εκτελέστε τα ακόλουθα βήματα:

1. Αποδεσμεύστε το φρένο αλυσίδας τραβώντας τον μπροστινό προφυλακτήρα χειριών.

2. Περιστρέψτε το καντράν ρύθμισης προς το «-» για να χαλαρώσετε το τέντωμα της αλυσίδας πριονιού.

► **Εικ.16:** 1. Καντράν ρύθμισης

3. Τραβήξτε το μοχλό προς τα πάνω ενώ πιέζετε το άκρο του.
► **Εικ.17:** 1. Μοχλός

4. Περιστρέψτε το μοχλό αριστερόστροφα μέχρι να βγει το κάλυμμα αλυσοτροχού.

► **Εικ.18:** 1. Μοχλός 2. Κάλυμμα αλυσοτροχού

5. Βγάλτε το κάλυμμα αλυσοτροχού και κατόπιν βγάλτε την αλυσίδα πριονιού και την κατευθυντήρια λάμα από το κύριο τμήμα του αλυσοπριονιού.

Ρύθμιση τεντώματος της αλυσίδας πριονιού

▲ ΠΡΟΣΟΧΗ: Η διαδικασία της τοποθέτησης ή αφαίρεσης της αλυσίδας πριονιού θα πρέπει να εκτελείται σε καθαρό μέρος χωρίς πριονίδια και παρόμοια υλικά.

▲ ΠΡΟΣΟΧΗ: Μην σφίξετε την αλυσίδα πριονιού υπερβολικά. Το υπερβολικό τέντωμα της αλυσίδας πριονιού μπορεί να προκαλέσει το σπάσιμο της αλυσίδας πριονιού, τη φθορά της κατευθυντήριας λάμας και το σπάσιμο του καντράν ρύθμισης.

▲ ΠΡΟΣΟΧΗ: Εάν η αλυσίδα είναι πολύ χαλαρή, μπορεί να αναπηδήσει από τη λάμα και να προκαλέσει ατύχημα με τραυματισμό.

Μετά από πολλές ώρες εργασίας, η αλυσίδα πριονιού μπορεί να χαλαρώσει. Περιστασιακά, να ελέγχετε το τέντωμα της αλυσίδας πριονιού πριν από τη χρήση.

1. Τραβήξτε το μοχλό προς τα πάνω ενώ πιέζετε το άκρο του.
▶ **Εικ.19:** 1. Μοχλός

2. Περιστρέψτε τον μοχλό αριστερόστροφα λίγο για να χαλαρώσετε ελαφρά το κάλυμμα αλυστροχού.
▶ **Εικ.20:** 1. Μοχλός 2. Κάλυμμα αλυστροχού

3. Σηκώστε την κατευθυντήρια λάμα λίγο προς τα πάνω και ρυθμίστε το τέντωμα αλυσίδας. Περιστρέψτε το καντράν ρύθμισης προς την κατεύθυνση «-» για χαλάρωση και προς την κατεύθυνση «+» για σφίξιμο. Σφίξτε την αλυσίδα πριονιού μέχρι η κάτω πλευρά της αλυσίδας πριονιού να ταιριάζει στη ράγα της κατευθυντήριας λάμας όπως απεικονίζεται.
▶ **Εικ.21:** 1. Καντράν ρύθμισης 2. Κατευθυντήρια λάμα 3. Αλυσίδα πριονιού

4. Συνεχίστε να κρατάτε την κατευθυντήρια λάμα απαλά και σφίξτε το κάλυμμα αλυστροχού περιστρέφοντας τον μοχλό δεξιόστροφα. Βεβαιωθείτε να μην χαλαρώσετε την αλυσίδα πριονιού στην κάτω πλευρά.

5. Επιστρέψτε το μοχλό στην αρχική θέση.

Βεβαιωθείτε ότι η αλυσίδα πριονιού ταιριάζει καλά επάνω στην κάτω πλευρά της κατευθυντήριας λάμας.

ΛΕΙΤΟΥΡΓΙΑ

Λίπανση

▲ ΠΡΟΣΟΧΗ: Μην θέτετε το αλυσοπρίονο σε λειτουργία όταν το δοχείο είναι άδειο. Γεμίστε έγκαιρα με λάδι πριν αδειάσει το δοχείο.

▲ ΠΡΟΣΟΧΗ: Εμποδίστε την επαφή του λαδιού με το δέρμα και τα μάτια. Η επαφή με τα μάτια μπορεί να προκαλέσει ερεθισμό. Στην περίπτωση επαφής με τα μάτια, εκπλύντε το προσβεβλημένο μάτι αμέσως με καθαρό νερό, μετά συμβουλευτείτε αμέσως γιατρό.

▲ ΠΡΟΣΟΧΗ: Μην χρησιμοποιείτε ποτέ απόβλητο λάδι. Το απόβλητο λάδι περιέχει καρκινογόνες ουσίες. Οι ρύποι στο απόβλητο λάδι προκαλούν επιταχυνόμενη φθορά της αντλίας λαδιού, της λάμας και της αλυσίδας. Το απόβλητο λάδι είναι βλαβερό για το περιβάλλον.

ΕΙΔΟΠΟΙΗΣΗ: Όταν το αλυσοπρίονο χρησιμοποιηθεί για πρώτη φορά, μπορεί να χρειαστούν μέχρι δύο λεπτά για να ξεκινήσει η λιπαντική δράση του λαδιού αλυσίδας πριονιού στο μηχανισμό της αλυσίδας. Θέστε το πριόνι σε λειτουργία χωρίς φορτίο μέχρι να ξεκινήσει η λιπαντική δράση.

ΕΙΔΟΠΟΙΗΣΗ: Όταν γεμίσετε με λάδι αλυσίδας για πρώτη φορά, ή σε επακόλουθη πλήρωση του δοχείου όταν αυτό έχει αδειάσει εντελώς, προσθέστε λάδι μέχρι το κάτω μέρος του στομίου πλήρωσης. Διαφορετικά, μπορεί να παρεμποδίζεται η παροχή λαδιού.

ΕΙΔΟΠΟΙΗΣΗ: Χρησιμοποιήστε το λάδι αλυσίδας πριονιού αποκλειστικά για αλυσοπρίονα Makita ή ισοδύναμο λάδι που διατίθεται στην αγορά.

ΕΙΔΟΠΟΙΗΣΗ: Να μη χρησιμοποιείτε ποτέ λάδι που περιέχει ίχνη σκόνης και σωματίδια ή πτητικό λάδι.

ΕΙΔΟΠΟΙΗΣΗ: Στο κλάδεμα δέντρων, να χρησιμοποιείτε βotanικό λάδι. Το ορυκτέλαιο μπορεί να βλάψει τα δέντρα.

ΕΙΔΟΠΟΙΗΣΗ: Πριν από τη λειτουργία κοπής, βεβαιωθείτε ότι βιδώσατε το καπάκι δοχείου λαδιού που παρέχεται.

Όταν το εργαλείο βρίσκεται σε λειτουργία γίνεται αυτόματη λίπανση της αλυσίδας πριονιού. Ελέγχετε περιοδικά την ποσότητα του υπολειπόμενου λαδιού εντός του δοχείου λαδιού μέσω της θύρας επιθεώρησης λαδιού.
▶ **Εικ.22:** 1. Καπάκι δοχείου λαδιού 2. Θύρα επιθεώρησης λαδιού

Για να συμπληρώσετε λάδι, εκτελέστε τα ακόλουθα βήματα:

1. Καθαρίστε την περιοχή γύρω από το καπάκι του δοχείου λαδιού πολύ καλά για να αποφύγετε την εισοδό τυχόν σκόνης μέσα στο δοχείο λαδιού.

2. Τοποθετήστε το αλυσοπρίονο στο πλάι του.

3. Πατήστε το κουμπί στο καπάκι δοχείου λαδιού ώστε το κουμπί στην άλλη πλευρά να σηκωθεί. Μετά, βγάλτε το καπάκι δοχείου λαδιού περιστρέφοντάς το.
▶ **Εικ.23:** 1. Καπάκι δοχείου λαδιού 2. Σφίξτε 3. Ξεσφίξτε

4. Γεμίστε το δοχείο λαδιού με λάδι. Η σωστή ποσότητα λαδιού είναι 200 ml.

5. Βιδώστε το καπάκι δοχείου λαδιού καλά στη θέση του.

6. Σκουπίστε προσεκτικά τυχόν χυμένο λάδι αλυσίδας.

ΠΑΡΑΤΗΡΗΣΗ: Αν είναι δύσκολο να αφαιρέσετε το καπάκι δοχείου λαδιού, εισαγάγετε την άκρη του σωληνωτού κλειδού στη σχισμή του καπακίου δοχείου λαδιού και μετά βγάλτε το καπάκι δοχείου λαδιού περιστρέφοντάς το αριστερόστροφα.

▶ **Εικ.24:** 1. Σχισμή 2. Σωληνωτό κλειδί

Μετά την επαναπλήρωση, κρατήστε το αλυσοπρίονο μακριά από το δέντρο. Θέστε το σε λειτουργία και περιμένετε, έως ότου η αλυσίδα πριονιού λιπανθεί επαρκώς.
▶ **Εικ.25**

Εργασία με το αλυσοπρίονο

▲ ΠΡΟΣΟΧΗ: Την πρώτη φορά, προς απόκτηση ελάχιστης εμπειρίας, ο χρήστης θα πρέπει να επιχειρήσει να κόψει κούτσουρα πάνω σε τρίποδο πριονίσματος ή βάση στήριξης.

▲ ΠΡΟΣΟΧΗ: Όταν πριονίζετε ξυλεία που έχει ήδη κοπεί, να χρησιμοποιείτε μια ασφαλή υποστήριξη (τρίποδο πριονίσματος ή βάση στήριξης). Μην προσπαθήσετε να κρατήσετε το τεμάχιο εργασίας σταθερό με το πόδι σας, και μην αφήσετε κανέναν να το κρατάει ή να προσπαθεί να το κρατήσει σταθερό.

▲ ΠΡΟΣΟΧΗ: Ασφαλίστε τα στρογγυλά τεμάχια από την περιστροφή.

▲ ΠΡΟΣΟΧΗ: Κρατάτε όλα τα μέρη του σώματός σας μακριά από την αλυσίδα πριονιού όταν το μοτέρ λειτουργεί.

▲ ΠΡΟΣΟΧΗ: Κρατάτε το αλυσοπρίονο γερά με τα δύο σας χέρια όταν το μοτέρ λειτουργεί.

▲ ΠΡΟΣΟΧΗ: Μην υποβάλλετε σε υπερπροσπάθεια. Κρατάτε πάντα σταθερό πάτημα και την ισορροπία σας.

▲ ΠΡΟΣΟΧΗ: Όταν χρησιμοποιείτε την άνω πλευρά της κατευθυντήριας λάμας για κοπή, προσέχετε επειδή το αλυσοπρίονο μπορεί να ωθηθεί προς την κατεύθυνσή σας αν η αλυσίδα πριονιού παγιδευτεί.

ΕΙΔΟΠΟΙΗΣΗ: Ποτέ μην πετάτε και μην ρίχνετε κάτω το εργαλείο.

ΕΙΔΟΠΟΙΗΣΗ: Μην καλύπτετε τις οπές αερισμού του εργαλείου.

ΕΙΔΟΠΟΙΗΣΗ: Όταν εκτελείτε πολλές τομές, να απενεργοποιείτε το αλυσοπρίονο μεταξύ των τομών.

Φέρτε το κάτω άκρο του κυρίως τμήματος του αλυσοπρίονου σε επαφή με το κλαδί που θα κόψετε πριν ενεργοποιήσετε το εργαλείο. Διαφορετικά, μπορεί να προκληθεί η δόνηση της κατευθυντήριας λάμας, έχοντας ως αποτέλεσμα τον τραυματισμό του χειριστή. Πριονίστε το ξύλο που θέλετε να κόψετε απλώς μετακινώντας το αλυσοπρίονο προς τα κάτω χρησιμοποιώντας το βάρος του.

► **Εικ.26**

Εάν δεν μπορείτε να κόψετε το ξύλο τελείως με μια προσπάθεια:

Εφαρμόστε ελαφριά πίεση στη χειρολαβή και συνεχίστε το πριόνισμα και τραβήξτε το αλυσοπρίονο λίγο προς τα πίσω, μετά εφαρμόστε τον αγκυλωτό προφυλακτήρα λίγο πιο κάτω και ολοκληρώστε την κοπή υψώνοντας τη χειρολαβή.

► **Εικ.27**

Υλοτόμηση δέντρου

▲ ΠΡΟΣΟΧΗ: Η εργασία της υλοτόμησης θα πρέπει να διενεργείται μόνο από εκπαιδευμένα άτομα. Η εργασία είναι επικίνδυνη.

Όταν εκτελούνται εργασίες διαμήκου κοπής/τεμαχισμού και υλοτόμησης από δύο ή περισσότερα άτομα ταυτόχρονα, οι εργασίες υλοτόμησης πρέπει να διαχωριστούν από την εργασία διαμήκου κοπής/τεμαχισμού κατά απόσταση τουλάχιστον δύο φορές το ύψος του δέντρου που υλοτομείται. Η υλοτόμηση των δέντρων δεν πρέπει να γίνεται με τρόπο που θα έχετε κάποιο άτομο σε κίνδυνο, θα χτυπούσε κάποια γραμμή κοινής ωφελείας ή θα προκαλούσε οποιαδήποτε ζημιά σε ιδιοκτησία. Αν το δέντρο έρθει σε επαφή με κάποια γραμμή κοινής ωφελείας, η εταιρεία θα πρέπει να ειδοποιηθεί αμέσως.

Ο χειριστής του αλυσοπρίονου θα πρέπει να βρίσκεται στην ανηφορική πλευρά του εδάφους επειδή το δέντρο είναι πιθανό να κυλίσει ή να ολισθήσει καταπορρικά αφού υλοτομηθεί.

Θα πρέπει να σχεδιάσετε οδό διαφυγής και να φροντίσετε για τον κατάλληλο καθαρισμό της, πριν προχωρήσετε στις τομές. Η οδός διαφυγής θα πρέπει να εκτείνεται προς τα πίσω και διαγωνίως έως το πίσω μέρος της αναμενόμενης γραμμής πτώσης όπως απεικονίζεται.

► **Εικ.28:** 1. Κατεύθυνση υλοτόμησης 2. Ζώνη κινδύνου 3. Διαδρομή διαφυγής

Πριν ξεκινήσει η υλοτόμηση, λάβετε υπόψη τη φυσική κλίση του δέντρου, τη θέση των μεγαλύτερων κλαδιών και την κατεύθυνση του ανέμου, για να υπολογίσετε την κατεύθυνση πτώσης του δέντρου.

Αφαιρέστε χώμα, πέτρες, χαλαρό φλοιό, καρφιά, συνδετήρες και σύρματα από το δέντρο.

Υποκοπή εγκοπής και πίσω κοπή υλοτόμησης

▲ ΠΡΟΣΟΧΗ: Σε καμία περίπτωση, μην κόψετε το κομμάτι στήριξης. Το δέντρο μπορεί να πέσει απρόσμενα.

ΕΙΔΟΠΟΙΗΣΗ: Χρησιμοποιήστε πλαστικές ή αλουμιένιες σφήνες για να κρατήσετε ανοιχτή την πίσω κοπή. Μην χρησιμοποιείτε σιδερένιες σφήνες.

► **Εικ.29:** 1. 50 mm 2. Πίσω κοπή υλοτόμησης 3. Κομμάτι στήριξης 4. Εγκοπή 5. Κατεύθυνση πτώσης

Δημιουργήστε εγκοπή που είναι το 1/3 της διαμέτρου του δέντρου, κάθετα προς την κατεύθυνση πτώσης, όπως απεικονίζεται. Δημιουργήστε πρώτα την κάτω οριζόντια κοπή εγκοπής. Αυτό θα βοηθήσει ώστε να αποφευχθεί η σύσφιξη της αλυσίδας πριονιού ή της κατευθυντήριας λάμας όταν δημιουργείται η δεύτερη εγκοπή.

Δημιουργήστε την πίσω κοπή υλοτόμησης τουλάχιστον 50 mm υψηλότερα από την οριζόντια κοπή εγκοπής, όπως απεικονίζεται. Διατηρήστε την πίσω κοπή υλοτόμησης παράλληλη με την οριζόντια κοπή εγκοπής. Δημιουργήστε την πίσω κοπή υλοτόμησης ώστε να παραμείνει αρκετό ξύλο για να λειτουργεί ως στήριξη. Το ξύλο στήριξης αποτρέπει τη συστολή και πτώση του δέντρου προς τη λάθος κατεύθυνση. Μην κόψετε το κομμάτι στήριξης.

Καθώς η υλοτόμηση πλησιάζει το κομμάτι στήριξης, το δέντρο θα πρέπει να αρχίσει να πέφτει. Αν υπάρχει περιπτώση το δέντρο να μην πέσει προς την επιθυμητή κατεύθυνση ή να κουνηθεί προς τα πίσω και να κολλήσει η αλυσίδα πριονιού, σταματήστε την κοπή προτού ολοκληρωθεί η πίσω κοπή υλοτόμησης και χρησιμοποιήστε ξύλινες, πλαστικές ή αλουμιένιες σφήνες για να ανοίξετε την κοπή και να ριζέτε το δέντρο κατά μήκος της επιθυμητής γραμμής πτώσης.

Όταν το δέντρο αρχίσει να πέφτει, αφαιρέστε το αλυσοπρίονο από την κοπή, σταματήστε το μοτέρ, αφήστε το αλυσοπρίονο κάτω και, στη συνέχεια, χρησιμοποιήστε την προγραμματισμένη διαδρομή διαφυγής. Προσέχετε για κλαδιά που πέφτουν από ψηλά και προσέχετε το πάτημά σας.

Κλάδεμα δέντρου

▲ ΠΡΟΣΟΧΗ: Η εργασία της αποκλάδωσης θα πρέπει να εκτελείται μόνο από εκπαιδευμένα άτομα. Η πιθανότητα κλοσήματος αποτελεί κίνδυνο.

Το κλάδεμα είναι η διαδικασία αφαίρεσης κλαδιών από ένα πεσμένο δέντρο. Όταν πραγματοποιείτε κλάδεμα, αφήστε τα μεγαλύτερα κάτω κλαδιά για να στηρίζουν τον κορμό, ώστε να μην ακουμπάτε στο έδαφος. Αφαιρέστε τα μικρά κλαδιά με μια κοπή, όπως απεικονίζεται. Τα κλαδιά υπό πίεση θα πρέπει να κόβονται από το κάτω προς τα πάνω, για να μην κολλήσει το αλυσοπρίονο.

► **Εικ.30:** 1. Κοπή κλαδιού

Διαμήκης κοπή/τεμαχισμός κορμού

Η διαμήκης κοπή/τεμαχισμός κορμού είναι η κοπή ενός κορμού σε κομμάτια. Είναι σημαντικό το πάτημά σας να είναι σταθερό και το βάρος σας να είναι διανεμημένο ομοιόμορφα και στα δύο πόδια. Όταν είναι δυνατό, ο κορμός θα πρέπει να ανυψωθεί και να στηρίζεται με τη χρήση κλαδιών, κούτσουρων ή τάκων. Ακολουθήστε τις απλές οδηγίες για εύκολη κοπή.

Όταν ένας κορμός στηρίζεται σε ολόκληρο το μήκος του όπως απεικονίζεται, κόβεται από το πάνω μέρος (κοπή από πάνω).

► **Εικ.31**

Όταν ο κορμός στηρίζεται στο ένα άκρο, όπως απεικονίζεται, κόψτε το 1/3 της διαμέτρου από την κάτω πλευρά (κοπή από κάτω). Μετά, πραγματοποιήστε την τελική κοπή κόβοντας από πάνω μέχρι να συναντήσετε την πρώτη κοπή.

► **Εικ.32:** 1. Πρώτη κοπή 2. Δεύτερη κοπή

Όταν ο κορμός στηρίζεται και στα δύο άκρα, όπως απεικονίζεται, κόψτε το 1/3 της διαμέτρου από την πάνω πλευρά (κοπή από πάνω). Μετά, πραγματοποιήστε την τελική κοπή κόβοντας από κάτω τα κάτω 2/3 μέχρι να συναντήσετε την πρώτη κοπή.

► **Εικ.33:** 1. Πρώτη κοπή 2. Δεύτερη κοπή

Όταν πραγματοποιείτε διαμήκη κοπή/τεμαχισμό κορμού σε ανηφόρα, να στέκεστε πάντα στην ανηφορική πλευρά του κούτσουρου, όπως απεικονίζεται. Όταν «κόβετε ολοκληρωτικά», για να διατηρήσετε τον πλήρη έλεγχο, ελευθερώστε την πίεση κοπής κοντά στο τέλος της κοπής χωρίς να χαλαρώσετε τη λαβή σας στις χειρολαβές του αλυσοπρίονου. Μην αφήσετε την αλυσίδα να έρθει σε επαφή με το έδαφος. Μετά την ολοκλήρωση της κοπής, περιμένετε να σταματήσει η αλυσίδα πριονιού προτού κινήσετε το αλυσοπρίονο. Να σταματάτε πάντα το μοτέρ πριν μετακινηθείτε από το ένα δέντρο στο επόμενο.

► **Εικ.34**

Κοπή παράλληλη στα νερά ξύλου

▲ ΠΡΟΣΟΧΗ: Η κοπή παράλληλη στα νερά ξύλου θα πρέπει να εκτελείται μόνο από εκπαιδευμένα άτομα. Η πιθανότητα κλοσήματος ενέχει κίνδυνο τραυματισμού.

Εκτελέστε την κοπή παράλληλη με τις ίνες με όσο το δυνατό πιο μικρή γωνία.

► **Εικ.35**

Μεταφορά εργαλείου

Πριν μεταφέρετε το εργαλείο, να εφαρμόζετε πάντα το φρένο αλυσίδας και να αφαιρείτε την κασέτα μπαταριών από το εργαλείο. Κατόπιν, προσαρτήστε το κάλυμμα κατευθυντήριας λάμας. Επίσης, να καλύπτετε την κασέτα μπαταριών με το κάλυμμα μπαταρίας.

► **Εικ.36:** 1. Κάλυμμα κατευθυντήριας λάμας
2. Κάλυμμα μπαταρίας

ΣΥΝΤΗΡΗΣΗ

▲ ΠΡΟΣΟΧΗ: Πριν την εκτέλεση εργασιών επιθεώρησης ή συντήρησης, πάντοτε να βεβαιώνετε ότι η συσκευή απενεργοποιήθηκε και η κασέτα μπαταριών έχει αφαιρεθεί.

▲ ΠΡΟΣΟΧΗ: Να φοράτε πάντα γάντια όταν εκτελείτε έλεγχο ή συντήρηση.

ΕΙΔΟΠΟΙΗΣΗ: Μην χρησιμοποιείτε ποτέ βενζίνη, πετρελαϊκό αιθέρα, διαλυτικό, αλκοόλη ή παρόμοιες ουσίες. Μπορεί να προκληθεί αποχρωματισμός, παραμόρφωση ή ρωγμές.

Για τη διατήρηση της ΑΣΦΑΛΕΙΑΣ και ΑΞΙΟΠΙΣΤΙΑΣ του προϊόντος, οι επισκευές και οποιαδήποτε άλλη εργασία συντήρησης ή ρύθμισης πρέπει να εκτελούνται από εξουσιοδοτημένα ή εργοστασιακά κέντρα εξυπηρέτησης της Makita, χρησιμοποιώντας πάντοτε ανταλλακτικά της Makita.

Ακόνισμα της αλυσίδας πριονιού

Να τροχίζετε την αλυσίδα πριονιού όταν:

- Παράγεται αλευρώδες πριονίδι κατά την κοπή υγρού ξύλου,
- Η αλυσίδα διαπερνά το ξύλο με δυσκολία, ακόμη και όταν ασκείται μεγάλη πίεση,
- Είναι προφανές ότι η ακμή κοπής έχει υποστεί ζημία,
- Το πριόνι ωθείται αριστερά ή δεξιά εντός του ξύλου. (προκαλείται από ακανόνιστο ακόνισμα της αλυσίδας πριονιού ή βλάβη μόνο στη μία πλευρά)

Να ακονίζετε την αλυσίδα πριονιού συχνά, αλλά λίγο κάθε φορά. Δύο ή τρία περάσματα με η λίμα επαρκούν συνήθως για λόγους τροχίσματος ρουτίνας. Όταν έχετε επαναλάβει το ακόνισμα της αλυσίδας πριονιού αρκετές φορές, ζητήστε να ακονιστεί σε ένα εξουσιοδοτημένο κέντρο σέρβις μας.

Κριτήρια ακονίσματος:

▲ ΠΡΟΕΙΔΟΠΟΙΗΣΗ: Μια μεγάλη απόσταση μεταξύ του άκρου κοπής και του ρυθμιστή βάθους αυξάνει τον κίνδυνο κλοστήματος.

► **Εικ.37:** 1. Μήκος κόπτη 2. Απόσταση μεταξύ άκρου κοπής και ρυθμιστή βάθους 3. Ελάχιστο μήκος κόπτη (3 mm)

- Όλο το μήκος κόπτη πρέπει να είναι ίσο. Τα διαφορετικά μήκη κοπτών εμποδίζουν την ομαλή λειτουργία της αλυσίδας πριονιού και μπορεί να προκαλέσουν το σπάσιμο της αλυσίδας πριονιού.
- Μην ακονίζετε την αλυσίδα όταν το ελάχιστο μήκος κοπτών έχει φτάσει στα 3 mm ή λιγότερο. Η αλυσίδα πρέπει να αντικατασταθεί με μια καινούρια.
- Το πάχος θραυσμάτων καθορίζεται από την απόσταση μεταξύ του ρυθμιστή βάθους (στρογγυλή μύτη) και του άκρου κοπής.
- Θα έχετε τα καλύτερα αποτελέσματα κοπής με την ακόλουθη απόσταση μεταξύ του άκρου κοπής και του ρυθμιστή βάθους.
 - Λεπίδα αλυσίδας 80TXL : 0,65 mm

► **Εικ.38**

- Όλοι οι κόπτες θα πρέπει να έχουν την ίδια γωνία ακονίσματος των 30°. Οι διαφορετικές γωνίες κόπτη αναγκάζουν την αλυσίδα να κινείται δύσκολα και ανομοιόμορφα, επιταχύνουν η φθορά και προκαλούν σπάσιμο της αλυσίδας.
- Χρησιμοποιήστε μια κατάλληλη στρογγυλή λίμα ώστε να διατηρείται η σωστή γωνία ακονίσματος σε σχέση με τα δόντια.
 - Λεπίδα αλυσίδας 80TXL : 55°

Λίμα και καθοδήγηση λίμας

- Να χρησιμοποιείτε ειδική στρογγυλή λίμα (προαιρετικό εξάρτημα) για αλυσίδες πριονιού για να ακονίσετε την αλυσίδα. Οι συνθιμασμένες στρογγυλές λίμες δεν είναι κατάλληλες.
- Η διάμετρος της στρογγυλής λίμας για κάθε αλυσίδα πριονιού είναι η εξής:
 - Λεπίδα αλυσίδας 80TXL : 4,0 mm
- Η λίμα θα πρέπει να έρχεται σε επαφή με τον κόπτη μόνο κατά την εμπρόσθια κίνηση. Ανασηκώστε τη λίμα από τον κόπτη κατά τη διαδρομή επιστροφής.
- Ακονίστε πρώτα τον πιο κοντό κόπτη. Μετά, το μήκος αυτού του πιο κοντού κόπτη γίνεται το πρότυπο για όλους τους άλλους κόπτες στην αλυσίδα πριονιού.
- Να οδηγείτε τη λίμα όπως υποδεικνύεται στην εικόνα.

► **Εικ.39:** 1. Λίμα 2. Αλυσίδα πριονιού

- Η οδήγηση της λίμας καθίσταται πιο εύκολη, εάν χρησιμοποιείτε συγκρατητήρα λίμας (προαιρετικό εξάρτημα). Ο συγκρατητήρας λίμας διαθέτει ενδείξεις για την κατάλληλη γωνία τριχοσίματος 30° (ευθυγραμμίστε τις ενδείξεις παράλληλα με την αλυσίδα πριονιού) και περιορίζει το βάθος διεύθυνσης (σε 4/5 της διαμέτρου της λίμας).

► **Εικ.40:** 1. Συγκρατητήρας λίμας

- Μετά από το τρόχισμα της αλυσίδας, ελέγξτε το ύψος του ρυθμιστή βάθους κοπής χρησιμοποιώντας το εργαλείο μέτρησης αλυσίδας (προαιρετικό εξάρτημα).

► **Εικ.41**

- Αφαιρέστε τυχόν προεξέχον υλικό, όσο μικρό και εάν είναι, με ειδική επίπεδη λίμα (προαιρετικό εξάρτημα).
- Αποτελειώστε το μπροστινό μέρος του ρυθμιστή βάθους κοπής ξανά.

Καθαρισμός της κατευθυντήριας λάμας

Ρινίσματα και πριονόσκονη θα συσσωρευτούν στην εγκοπή της κατευθυντήριας λάμας. Μπορεί να βουλώσουν την εγκοπή της λάμας και να ελαττώσουν τη ροή του λαδιού. Να καθαρίζετε τα ρινίσματα και την πριονόσκονη κάθε φορά που ακονίζετε ή αντικαθιστάτε την αλυσίδα πριονιού.

► **Εικ.42**

Καθαρισμός του καλύμματος αλυσοτροχού

Στο εσωτερικό του καλύμματος αλυσοτροχού θα συσσωρευτούν ρινίσματα και πριονόσκονη. Αφαιρέστε το κάλυμμα αλυσοτροχού και την αλυσίδα πριονιού από το εργαλείο και μετά καθαρίστε τα ρινίσματα και την πριονόσκονη.

► **Εικ.43**

Καθαρισμός οπής παροχής λαδιού

Μπορεί να παρουσιαστεί συσσώρευση σκόνης και σωματιδίων εντός της οπής παροχής λαδιού στη διάρκεια της λειτουργίας. Αυτή η σκόνη ή σωματίδια μπορεί να παρεμποδίζει τη ροή λαδιού και να προκαλέσει ανεπαρκή λίπανση ολόκληρης της αλυσίδας πριονιού. Όταν παρατηρηθεί κακή παροχή λαδιού λίπανσης στο πάνω μέρος της κατευθυντήριας λάμας, καθαρίστε την οπή παροχής λαδιού ως ακολούθως.

1. Αφαιρέστε το κάλυμμα αλυσοτροχού και την αλυσίδα πριονιού από το εργαλείο.

2. Αφαιρέστε τη σκόνη ή τα μικρά σωματίδια χρησιμοποιώντας ένα κατασβίδι με επίπεδη μύτη ή κάποιο παρόμοιο εργαλείο.

► **Εικ.44:** 1. Κατασβίδι με επίπεδη μύτη 2. Οπή παροχής λαδιού

3. Τοποθετήστε την κασέτα μπαταριών στο εργαλείο. Τραβήξτε τη σκανδάλη διακόπτη ώστε η συσσωρευμένη σκόνη και τα σωματίδια να αποβληθούν από την οπή παροχής λαδιού μέσω της ροής λαδιού.

4. Αφαιρέστε την κασέτα μπαταριών από το εργαλείο. Τοποθετήστε εκ νέου την αλυσίδα πριονιού και το κάλυμμα αλυσοτροχού στο εργαλείο.

Αντικατάσταση του αλυσοτροχού

⚠ ΠΡΟΣΟΧΗ: Ένας φθαρμένος αλυσοτροχός θα προκαλέσει φθορά στη νέα αλυσίδα πριονιού. Σε αυτή την περίπτωση αντικαταστήστε τον αλυσοτροχό.

Πριν από την τοποθέτηση μιας νέας αλυσίδας πριονιού, ελέγξτε την κατάσταση του αλυσοτροχού.

► **Εικ.45:** 1. Αλυσοτροχός 2. Φθαρμένες περιοχές

Να τοποθετείτε πάντα νέο ασφαλιστικό δακτύλιο, όταν αντικαθιστάτε τον αλυσοτροχό.

► **Εικ.46:** 1. Ασφαλιστικός δακτύλιος 2. Αλυσοτροχός

ΕΙΔΟΠΟΙΗΣΗ: Βεβαιωθείτε ότι ο αλυσοτροχός είναι τοποθετημένος όπως απεικονίζεται στην εικόνα.

Οδηγίες για περιοδική συντήρηση

Για τη διασφάλιση της μακράς ζωής λειτουργίας, την αποφυγή της ζημιάς και τη διασφάλιση της πλήρους λειτουργικότητας των δυνατοτήτων ασφάλειας, πρέπει να εκτελείτε τις ακόλουθες εργασίες συντήρησης σε τακτά χρονικά διαστήματα. Η εγγύηση θα αναγνωριστεί μόνο εάν εκτελείτε σωστά τις εργασίες αυτές σε τακτά χρονικά διαστήματα. Εάν δεν εκτελέσετε τις συνιστώμενες εργασίες συντήρησης, μπορεί να προκληθούν ατυχήματα! Ο χρήστης του αλυσοπριονιού δεν πρέπει να εκτελεί εργασίες συντήρησης που δεν περιγράφονται στο χειριρίδιο οδηγιών. Όλες αυτές οι εργασίες πρέπει να εκτελούνται από εξουσιοδοτημένο κέντρο σέρβις.

Στοιχείο ελέγχου / Χρόνος λειτουργίας		Πριν από τη λειτουργία	Κάθε ημέρα	Κάθε εβδομάδα	Κάθε 3 μήνες	Κάθε χρόνο	Πριν από την αποθήκευση
Αλυσοπριόνιο	Επιθεωρήστε.	✓	-	-	-	-	-
	Καθαρίστε.	-	✓	-	-	-	-
	Ελέγξτε σε εξουσιοδοτημένο κέντρο σέρβις.	-	-	-	-	✓	✓
Αλυσίδα πριονιού	Επιθεωρήστε.	✓	-	-	-	-	-
	Ακονίστε εάν απαιτείται.	-	-	-	-	-	✓
Κατευθυντήρια λάμα	Επιθεωρήστε.	✓	✓	-	-	-	-
	Αφαιρέστε από το αλυσοπριόνιο.	-	-	-	-	-	✓
Φρένο αλυσίδας	Ελέγξτε τη λειτουργία.	✓	-	-	-	-	-
	Πηγαίνετε το σε εξουσιοδοτημένο κέντρο σέρβις για τακτική επιθεώρηση.	-	-	-	✓	-	-
Λίπανση αλυσίδας	Ελέγξτε την παροχή τροφοδοσίας λαδιού.	✓	-	-	-	-	-
Σκανδάλη διακόπτης	Επιθεωρήστε.	✓	-	-	-	-	-
Μοχλός ασφάλισης	Επιθεωρήστε.	✓	-	-	-	-	-
Καπάκι δοχείου λαδιού	Ελέγξτε ότι είναι σφικμένο.	✓	-	-	-	-	-
Συγκρατήρας αλυσίδας	Επιθεωρήστε.	-	-	✓	-	-	-
Βίδες και παξιμάδια	Επιθεωρήστε.	-	-	✓	-	-	-

Αποθήκευση του εργαλείου

1. Καθαρίστε το εργαλείο πριν από τη φύλαξη. Αφαιρέστε τυχόν ροκανίδια και πριονίδι από το εργαλείο μετά από την αφαίρεση του καλύμματος αλυσοτροχού.
2. Μετά από τον καθαρισμό του εργαλείου, αφήστε το σε λειτουργία χωρίς φορτίο ώστε να λιπανθεί η αλυσίδα πριονιού και η κατευθυντήρια λάμα.
3. Καλύψτε την κατευθυντήρια λάμα με το κάλυμμα κατευθυντήριας λάμας.
4. Αδειάστε το δοχείο λαδιού.

ΑΝΤΙΜΕΤΩΠΙΣΗ ΠΡΟΒΛΗΜΑΤΩΝ

Πριν ζητήσετε επισκευές, εκτελέστε αρχικά τη δική σας επιθεώρηση. Αν εντοπίσετε πρόβλημα που δεν επεξηγείται στο εγχειρίδιο, μην επιχειρήσετε να αποσυναρμολογήσετε το εργαλείο. Αντ' αυτού, ζητήστε βοήθεια από εξουσιοδοτημένα κέντρα εξυπηρέτησης της Makita και πάντοτε να χρησιμοποιείτε γνήσια ανταλλακτικά της Makita.

Κατάσταση δυσλειτουργίας	Αιτία	Ενέργεια
Το αλυσοπρίονο δεν ξεκινά.	Δεν είναι τοποθετημένη η κασέτα μπαταριών.	Τοποθετήστε μια φορτισμένη κασέτα μπαταριών.
	Πρόβλημα μπαταρίας (χαμηλή τάση).	Επαναφορτίστε την κασέτα μπαταριών. Εάν η επαναφόρτιση δεν είναι αποτελεσματική, αντικαταστήστε την κασέτα μπαταριών.
	Ο διακόπτης κύριας λειτουργίας είναι ανενεργός.	Το αλυσοπρίονο απενεργοποιείται αυτόματα αν δεν λειτουργεί για περίπου 5 λεπτά. Ενεργοποιήστε ξανά τον διακόπτη κύριας λειτουργίας. Το αλυσοπρίονο απενεργοποιείται αυτόματα όταν το μοτέρ σταματάει λόγω της ενεργοποίησης του συστήματος προστασίας για περίπου 5 λεπτά. Προβείτε σε επιδιορθωτική δράση στο εργαλείο και, στη συνέχεια, ενεργοποιήστε ξανά τον διακόπτη κύριας λειτουργίας.
Η αλυσίδα πριονιού δεν λειτουργεί.	Ενεργοποιημένο φρένο αλυσίδας.	Αποδεσμεύστε το φρένο αλυσίδας.
Το μοτέρ σταματά να λειτουργεί μετά από μικρή χρήση.	Το επίπεδο φόρτισης μπαταρίας είναι χαμηλό.	Επαναφορτίστε την κασέτα μπαταριών. Εάν η επαναφόρτιση δεν είναι αποτελεσματική, αντικαταστήστε την κασέτα μπαταριών.
Δεν υπάρχει λάδι στην αλυσίδα.	Το δοχείο λαδιού είναι άδειο.	Γεμίστε το δοχείο λαδιού.
	Η εγκοπή οδηγού λαδιού είναι βρόμικη.	Καθαρίστε την εγκοπή.
	Κακή παροχή λαδιού.	Ρυθμίστε την ποσότητα της παροχής λαδιού με τη βίδα ρύθμισης.
Το αλυσοπρίονο δεν φτάνει τις μέγιστες ΣΑΛ.	Η κασέτα μπαταριών δεν είναι σωστά τοποθετημένη.	Τοποθετήστε την κασέτα μπαταριών όπως περιγράφεται σε αυτό το εγχειρίδιο.
	Η ισχύς της μπαταρίας μειώνεται.	Επαναφορτίστε την κασέτα μπαταριών. Εάν η επαναφόρτιση δεν είναι αποτελεσματική, αντικαταστήστε την κασέτα μπαταριών.
	Το σύστημα μετάδοσης κίνησης δεν λειτουργεί σωστά.	Απευθυνθείτε στο εξουσιοδοτημένο κέντρο σέρβις της περιοχής σας για επισκευή.
Η λυχνία κύριας λειτουργίας αναβοσβήνει με πράσινο χρώμα.	Τραβήξτε τη σκανδάλη διακόπτη κάτω από μη λειτουργικές συνθήκες.	Τραβήξτε τη σκανδάλη διακόπτη αφού ενεργοποιήσετε το διακόπτη κύριας λειτουργίας και απελευθερώσετε το φρένο αλυσίδας.
Η αλυσίδα δεν σταματάει ακόμη και όταν ενεργοποιείται το φρένο αλυσίδας: Διακόψτε αμέσως τη λειτουργία του εργαλείου!	Ο ιμάντας φρένου είναι φθαρμένος.	Απευθυνθείτε στο εξουσιοδοτημένο κέντρο σέρβις της περιοχής σας για επισκευή.
Ασυνήθιστοι κραδασμοί: Διακόψτε αμέσως τη λειτουργία του εργαλείου!	Η κατευθυντήρια λάμα ή η αλυσίδα πριονιού είναι χαλαρή.	Ρυθμίστε την κατευθυντήρια λάμα και το τέντωμα της αλυσίδας πριονιού.
	Δυσλειτουργία εργαλείου.	Απευθυνθείτε στο εξουσιοδοτημένο κέντρο σέρβις της περιοχής σας για επισκευή.
Η αλυσίδα πριονιού δεν μπορεί να εγκατασταθεί.	Ο συνδυασμός της αλυσίδας πριονιού και του αλυσοτροχού δεν είναι σωστός.	Χρησιμοποιήστε τον σωστό συνδυασμό της αλυσίδας πριονιού και του αλυσοτροχού αναφερόμενοι στην ενότητα με τις προδιαγραφές.

ΠΡΟΑΙΡΕΤΙΚΑ ΕΞΑΡΤΗΜΑΤΑ

⚠ ΠΡΟΣΟΧΗ: Αυτά τα εξαρτήματα ή προσαρτήματα συνιστώνται για χρήση με το εργαλείο Makita που περιγράφηκε στις οδηγίες αυτές. Η χρήση οποιωνδήποτε άλλων εξαρτημάτων ή προσαρτημάτων μπορεί να προκαλέσει κίνδυνο τραυματισμού σε άτομα. Να χρησιμοποιείτε τα εξαρτήματα ή προσαρτήματα μόνο για την χρήση που προορίζονται.

Εάν χρειάζεστε οποιαδήποτε βοήθεια για περισσότερες πληροφορίες σε σχέση με αυτά τα εξαρτήματα, απευθυνθείτε στο τοπικό σας κέντρο εξυπηρέτησης Makita.

- Αλυσίδα πριονιού
- Κατευθυντήρια λάμα
- Κάλυμμα κατευθυντήριας λάμας
- Αλυστροχός
- Λίμα
- Γνήσια μπαταρία και φορτιστής της Makita

⚠ ΠΡΟΕΙΔΟΠΟΙΗΣΗ: Εάν αγοράσετε μια κατευθυντήρια λάμα με μήκος διαφορετικό από αυτό της τυπικής κατευθυντήριας λάμας, αγοράστε επίσης ένα κατάλληλο κάλυμμα κατευθυντήριας λάμας. Πρέπει να ταιριάζει και να καλύπτει πλήρως την κατευθυντήρια λάμα στο αλυσοπρίονο.

ΠΑΡΑΤΗΡΗΣΗ: Μερικά στοιχεία στη λίστα μπορεί να συμπεριλαμβάνονται στη συσκευασία εργαλείου ως στάνταρ εξαρτήματα. Μπορεί να διαφέρουν ανάλογα με τη χώρα.

TEKNİK ÖZELLİKLER

Model:	UC021G	UC022G	UC023G
Tam uzunluk (testere zinciri ve kılavuz çubuk olmadan)	430 mm		
Nominal voltaj	D.C. 36 V - 40 V maks.		
Net ağırlık	*1	3,4 kg	
	*2	5,0 - 5,3 kg	5,1 - 5,4 kg
Standart kılavuz çubuk uzunluğu	300 mm	350 mm	400 mm
Önerilen pala uzunluğu	300 - 400 mm		
Kullanılabilir testere zinciri türü (aşağıdaki tabloya bakın)	80TXL		
Zincir dişlisi	Diş sayısı	7	
	Diş aralığı	0,325"	
Zincir hızı	0 - 25,5 m/s (0 - 1.530 m/dak)		
Zincir yağı tank hacmi	200 cm ³		
Koruma sınıfı	IPX4		

- Sürekli yapılan araştırma ve geliştirmelerden dolayı, burada belirtilen özellikler önceden bildirilmeksizin değiştirilebilir.
- Özellikler ülkeden ülkeye değişebilir.

*1: Ağırlık, testere zinciri, kılavuz çubuk, kılavuz çubuk kılıfı, yağ ve batarya kartuşu/kartuşları olmadan.

*2: EPTA Prosedürü 01/2014 uyarınca en hafif ve en ağır ağırlık kombinasyonu. Ağırlık, ekli aksesuar/aksesuarlara ve batarya kartuşuna/kartuşlarına bağlı olarak farklılık gösterebilir.

Testere zinciri, kılavuz çubuk ve zincir dişlisi kombinasyonu

Testere zinciri türü		80TXL		
Zincir bağlantılarının sayısı		51	59	64
Kılavuz çubuk	Kılavuz çubuk uzunluğu	300 mm	350 mm	400 mm
	Kesme uzunluğu	257 mm	323 mm	364 mm
	Diş aralığı	0,325"		
	Zincir kalınlığı	1,1 mm		
	Tip	Zincir dişlisi pala burnu		
Zincir dişlisi	Diş sayısı	7		
	Diş aralığı	0,325"		

UYARI: Kılavuz çubuk ile testere zincirinin uygun bir kombinasyonunu kullanın. Aksi takdirde kişisel yaralanmalar meydana gelebilir.

Geçerli batarya kartuşu ve şarj aleti

Batarya kartuşu	BL4040 / BL4040F* / BL4050F* * : Önerilen batarya
Şarj aleti	DC40RA / DC40RB / DC40RC / DC40WA

- Yukarıda listelenen batarya kartuşlarının ve şarj aletlerinin bazıları yaşadığınız bölgeye bağlı olarak mevcut olmayabilir.

UYARI: Sadece yukarıda listelenen batarya kartuşlarını ve şarj aletlerini kullanın. Başka batarya kartuşlarının ve şarj aletlerinin kullanılması yaralanma ve/veya yangına neden olabilir.

Önerilen kablo bağlantılı güç kaynağı

Taşınabilir güç ünitesi	PDC01
-------------------------	-------

- Yukarıda listelenen kablo bağlantılı güç kaynakları yaşadığınız bölgeye bağlı olarak mevcut olmayabilir.
- Kablo bağlantılı güç kaynağını kullanmadan önce, üzerindeki uyarı işaretlerini ve talimatı okuyun.

Semboller

Ekipmanı için kullanılacak semboller aşağıda gösterilmiştir. Kullanmadan önce anlamlarını anladığınızdan emin olun.



Kullanma kılavuzunu okuyun.



Koruyucu gözlük takın.



Kulak koruyucuları takın.



Kask, koruyucu gözlük ve kulak koruyucu takın.



İzin verilen maksimum kesme uzunluğu



Zincir testereyi kullanırken daima iki elinizi kullanın.



Zincir testerenin geri tepmesine karşı dikkatli olun ve çubuğun ucuna dokunmaktan kaçının.



Zincir hareketinin yönü



Testere zinciri yağını ayarlama



Ni-MH
Li-Ion

Sadece AB ülkeleri için
Ekipmanda tehlikeli bileşenler bulunduğundan dolayı atık elektrikli ve elektronik ekipmanlar, aküler ve bataryalar çevre ve insan sağlığı üzerinde olumsuz etkiye yol açabilir.
Elektrikli ve elektronik cihazları veya bataryaları evsel atıklarla birlikte atmayın!
Atık elektrikli ve elektronik ekipmanlar ile akümülatörler ve bataryalar hakkındaki Avrupa Direktifi ve söz konusu direktifin ulusal yasalara uyarlanması gereğince atık elektrikli ekipmanlar, bataryalar ve akümülatörler ayrı olarak depolanmalı ve çevre koruma hakkındaki mevzuata uygun olarak faaliyet gösteren ayrı bir kentsel atık toplama noktasına teslim edilmelidir.
Bu husus, ekipmanın üzerine yerleştirilmiş üzerinde çarpı işareti bulunan tekerlekli çöp kovası simgesi ile belirtilmiştir.



AB Dış Mekan Gürültü Direktifi uyarınca garanti edilen ses gücü seviyesi.



Avustralya NSW Gürültü Kontrol Mevzuatı uyarınca ses gücü seviyesi

Kullanım amacı

Bu zincir testere ahşap malzemeleri kesmek için tasarlanmıştır.

Gürültü

Tipik A-ağırlıklı gürültü düzeyi (EN62841-4-1 standardına göre belirlenen):

Model UC021G

Ses basınç seviyesi (L_{PA}): 93 dB (A)

Ses gücü düzeyi (L_{WA}): 101 dB (A)

Belirsizlik (K): 3 dB (A)

Model UC022G

Ses basınç seviyesi (L_{PA}): 93 dB (A)

Ses gücü düzeyi (L_{WA}): 101 dB (A)

Belirsizlik (K): 3 dB (A)

Model UC023G

Ses basınç seviyesi (L_{PA}): 93 dB (A)

Ses gücü düzeyi (L_{WA}): 101 dB (A)

Belirsizlik (K): 3 dB (A)

NOT: Beyan edilen gürültü emisyonu değer(ler) bir standart test yöntemine uygun şekilde ölçülmüştür ve bir aleti bir başkasıyla karşılaştırmak için kullanılabılır.

NOT: Beyan edilen gürültü emisyonu değer(ler) bir ön maruz kalma değerlendirmesi olarak da kullanılabılır.

UYARI: Kulak koruyucuları takın.

UYARI: Elektrikli aletin gerçek kullanımı sırasındaki gürültü emisyonu, aletin kullanım biçimlerine, özellikle işlenen iş parçasının türüne bağlı olarak beyan edilen değer(ler)den farklı olabilir.

UYARI: Gerçek kullanım koşullarındaki tahmini maruziyeti baz alan, operatörü koruyacak güvenlik önlemlerini mutlaka belirleyin (çalışma döngüsü içerisinde aletin kapalı olduğu ve aktif durumda olmasının yanı sıra boşta çalıştığı zamanlar gibi, bütün zaman dilimleri göz önünde bulundurarak).

Titreşim

Titreşim toplam değeri (üç eksenli vektör toplamı) (EN62841-4-1 standardına göre hesaplanan):

Model UC021G

Çalışma modu: ahşap kesme

Titreşim emisyonu (a_{h,W}): 3,5 m/s²

Belirsizlik (K) : 1,5 m/s²

Model UC022G

Çalışma modu: ahşap kesme

Titreşim emisyonu (a_{h,W}): 3,5 m/s²

Belirsizlik (K) : 1,5 m/s²

Model UC023G

Çalışma modu: ahşap kesme

Titreşim emisyonu (a_{h,W}): 3,5 m/s²

Belirsizlik (K) : 1,5 m/s²

NOT: Beyan edilen titreşim toplam değer(ler)i bir standart test yöntemine uygun şekilde ölçülmüştür ve bir aleti bir başkasıyla karşılaştırmak için kullanılabilir.

NOT: Beyan edilen titreşim toplam değer(ler)i bir ön maruz kalma değerlendirmesi olarak da kullanılabilir.

UYARI: Elektrikli aletin gerçek kullanımı sırasındaki titreşim emisyonu, aletin kullanımı biçimlerine, özellikle işlenen iş parçasının türüne bağlı olarak beyan edilen değer(ler)den farklı olabilir.

UYARI: Gerçek kullanım koşullarındaki tahmini maruziyeti baz alan, operatörü koruyacak güvenlik önlemlerini mutlaka belirleyin (çalışma döngüsü içerisinde aletin kapalı olduğu ve aktif durumda olmasının yanı sıra boşta çalıştığı zamanlar gibi, bütün zaman dilimleri göz önünde bulundurarak).

Uygunluk Beyanları

Sadece Avrupa ülkeleri için

Uygunluk beyanları bu kullanma kılavuzuna Ek A olarak eklenmiştir.

GÜVENLİK UYARILARI

Genel elektrikli alet güvenliği uyarıları

UYARI Bu elektrikli aletle birlikte verilen tüm güvenlik uyarılarını, talimatları, resimli açıklamaları ve teknik özellikleri okuyun. Aşağıda listelenen talimatların herhangi birine uyulmaması elektrik çarpması, yangın ve/veya ciddi yaralanma ile sonuçlanabilir.

Tüm uyarıları ve talimatları iletide başvurmak için saklayın.

Uyarılardaki "elektrikli alet" terimi ile ya prizden çalışan (kordonlu) elektrikli aletiniz ya da kendi aküsü ile çalışan (kordonsuz) elektrikli aletiniz kastedilmektedir.

Zincir testere genel güvenlik uyarıları

- Zincir testere çalışırken vücudunuzun her kısmını testere zincirinden uzak tutun. Zincir testereyi çalıştırmadan önce, testere zincirinin hiçbir şeye temas etmediğinden emin olun.** Zincir testereyi kullanırken bir anlık bir dikkatsizlik, gıysınızı veya vücudunuzu testere zincirine kapırmaya neden olabilir.
- Zincir testereyi daima sağ elinizle arka tutamaktan ve sol elinizle ön tutamaktan tutun.** Zincir testereyi ters bir el düzeni ile tutmak yaralanma riskini artırır ve kesinlikle yapılmamalıdır.
- Zincir testereyi sadece yalıtımlı kavrama yüzeyinden tutun, çünkü testere zinciri görünmeyen elektrik kablolarına temas edebilir.** Testere zincirlerinin "akımlı" bir telle temas etmesi zincir testerenin yalıtımsız metal kısımlarını "akımlı" hale getirebilir ve kullanıcıyı elektrik şokuna maruz bırakabilir.

- Koruyucu gözlük takın. İştme, baş, eller, bacaklar ve ayaklar için ayrıca koruyucu donanım kullanılması tavsiye edilir.** Yeterli koruyucu ekipman uçan kırıntılar ve kazayla testere zincirine temas etme nedeniyle yaralanmaları azaltacaktır.
- Zincir testereyi ağaçta, merdivende, çatıdan veya her türlü sabit olmayan destekten çalıştırmayın.** Zincir testerenin bu şekilde çalıştırılması ciddi yaralanmaya neden olabilir.
- Her zaman yere sağlam basın ve zincir testereyi sadece sabit, sağlam ve düzgün bir yüzey üzerinde dururken kullanın.** Sabit olmayan ve kaygan yüzeyler dengeyi veya zincir testerenin kontrolünü kaybetmenize neden olabilir.
- Gerilim altındaki bir dal keserken, geri fırlamaya karşı tetikte olun.** Ağaç liflerindeki gerilim boşaldığı zaman, yaylanma kuvvetiyle yüklü dal operatöre çarpabilir ve/veya zincir testereyi kontrolsüz şekilde fırlatabilir.
- Çalılırları ve fidanları keserken çok dikkatli olun.** İnce dallı malzeme testere zincirini kısırlabilir ve size doğru kamçı gibi çarpabilir veya sizin denge-nizi bozabilir.
- Zincir testereyi güç anahtarı kapalı olarak, vücudunuzdan uzakta, ön tutamaktan tutarak taşıyın.** Zincir testereyi naklederken veya saklamak için kılavuz çubuk kılıfını daima takın. Zincir testerenin doğru şekilde tutulması, hareketli testere zincirine kazayla temas etme olasılığını azaltacaktır.
- Yağlama, zincir germe ve çubuk ve zinciri değiştirme talimatlarına uyun.** Yanlış gerilmiş veya yağlanmış zincir kırılabilir veya geri tepme olasılığı artabilir.
- Sadece ağaç kesin. Zincir testereyi amacı dışında kullanmayın.** Örneğin, zincir testereyi metal, plastik, kağıt malzemeleri veya ahşap olmayan inşaat malzemelerini kesmek için kullanmayın. Zincir testerenin kullanım amacı dışında kullanılması tehlikeli bir durum ortaya çıkarabilir.
- Riskleri ve bunlardan nasıl kaçınacağınızı kavramadan ağaç devirmeye çalışmayın.** Ağaç devirirken kullanıcı veya etrafındakilerde ciddi yaralanma olabilir.
- Geri tepme nedenleri ve operatör tarafından önlenmesi:** Kılavuz çubuğun burmu veya ucu bir cisme değdiği zaman veya ağaç, kesik içindeki testere zincirini kuşatır, kısırdığı zaman geri tepme meydana gelebilir. Bazı durumlarda ucun teması ani bir ters etkiyle kılavuz çubuğu yukarı ve operatöre doğru geri tepmesine neden olabilir. Testere zincirinin kılavuz çubuğun üstü boyunca kısırlılması kılavuz çubuğu hızla operatöre doğru geri itebilir. Bu tepkilerden herhangi biri ciddi yaralanmalarla sonuçlanabilecek şekilde, testerenin kontrolünü kaybetmenize neden olabilir. Sadece testerenizin yapısında bulunan güvenlik aygıtlarına güvenmeyin. Bir zincir testere kullanıcıları olarak, kesme işinin sırasında kaza veya yaralanma olmasını önlemek için birçok önlem almanız gerekir. Geri tepme zincir testerenin yanlış kullanılmasından ve/veya hatalı kullanma prosedürü veya şartlarından kaynaklanır ve aşağıda verilen uygun tedbirler alınarak önlenbilir:

- **Zincir testereyi her iki elinizle, başparmağınız ve diğer parmaklarınız tutamakları saracak şekilde, sıkıca kavrayın ve vücudunuzu ve kolunuzu geri tepme kuvvetlerine karşı koyabilecek şekilde konumlandırın.** Geri tepme kuvvetleri, eğer doğru önlemler alınırsa, operatör tarafından kontrol edilebilir. Zincir testereyi gevşek tutmayın.

► Şek.1

- **Aşırı uzağa uzanmayın ve omuz yüksekliğinin üzerindeki yerleri kesmeyin.** Bu, istenmeyen uç temasının önlenmesine yardımcı olur ve beklenmedik durumlarda zincir testere-nin daha iyi kontrol edilebilmesini sağlar.
 - **Sadece imalatçının belirttiği yedek kılavuz çubukları ve testere zincirlerini kullanın.** Yanlış yedek kılavuz çubukları ve testere zincirleri kullanımı zincir kopmasına ve/veya geri tepmeye neden olabilir.
 - **Testere zinciri için imalatçının bileme ve bakım talimatlarına uyun.** Derinlik ölçüğü yüksekliğinin azaltılması geri tepmenin artmasına yol açabilir.
14. **Sıkışan maddeleri çıkarırken, zincir testereyi depolarken veya bakım yaparken tüm talimatlara uyun. Anahtarın kapalı olduğundan ve batarya takımının çıkarıldığından emin olun.** Sıkışan maddeleri çıkarırken veya bakım yaparken zincir testerenin beklenmedik şekilde çalışmaya başlaması ciddi yaralanmalara neden olabilir.

İlave Güvenlik Talimatları

Kişisel koruyucu ekipman

1. **Çok bol kıyafetler giyilmemeli ama giyilen kıyafet hareket kabiliyetini de engellememelidir.**
2. **Çalışma sırasında aşağıda sıralanan koruyucu kıyafetleri giyin:**
 - Düşen dallar vb. şeylerden kaynaklanabilecek bir tehlike varsa, test edilmiş bir güvenlik kaskı;
 - Yüz maskesi veya gözlük;
 - Uygun bir kulak koruyucu (kulaklık, özel veya şekillendirilebilir kulak tıkacı). Oktav bant frekans analizleri istek üzerine sunulur.
 - Sağlam, deri güvenlik eldivenleri;
 - Sağlam kumaştan yapılmış uzun pantolon;
 - Kesilmeye karşı dayanıklı, kalın işçi tulumu;
 - Kaymayan tabanlı, çelik burunlu ve kesilmeye karşı dayanıklı kumaştan astarı olan güvenlik ayakkabıları veya botlar;
 - Toz oluşmasına neden olan işleri gerçekleştirirken (örn. kuru ahşap kesme) solunum maskesi.

Çalıştırma

1. **Çalışmaya başlamadan önce, zincir testerenin iyi çalışır ve güvenlik yönetmeliklerine uygun durumda olduğunu kontrol edin. Özellikle şunları kontrol edin:**
 - Zincir freninin doğru çalıştığını;
 - Serbest dönüş freninin doğru çalıştığını;
 - Çubuk ve zincir dişlisi kapağının doğru takıldığını;
 - Zincirin yönetmeliklere uygun şekilde bilencilmiş ve gerilmiş olduğunu.

2. **Zincir testereyi zincir kılıfı üstüne takılıyken çalıştırmayın.** Zincir testereyi zincir kılıfı üstündeyken çalıştırmak, zincir kılıfının ileri fırlayarak operatörün etrafındaki insanlara ve eşyalara zarar vermesine neden olabilir.
3. **Alet kullanılmıyorken veya beraberinde taşınırken zincir frenini mutlaka devreye alın.**
4. **Aleti çamurlu zeminde, ıslak yamaçlarda veya kaygan yerlerde kullanırken dengenize dikkat edin.**
5. **Aleti su birikintisine sokmayın.**
6. **Aleti dışarıda yağmur altında gözetimsiz bırakmayın.**

Elektrik ve batarya güvenliği

1. **Tehlikeli ortamlardan kaçının. Aleti nemli ya da ıslak yerlerde kullanmayın ve yağmura maruz bırakmayın. Makinenin içine su girmesi elektrik çarpması riskini arttıracaktır.**
2. **Bataryayı/bataryaları ateşe atmayın.** Batarya hücresi patlayabilir. Bertaraf etmeye ilişkin özel talimatlar için yerel yönetmelikleri kontrol edin.
3. **Bataryayı/bataryaları açmayın ya da batarya(lar) üzerinde değişiklik yapmayın.** Ortaya çıkan elektrolit aşındırıcıdır ve gözlere ya da cilde zarar verebilir. Yutulduğu takdirde zehirli olabilir.
4. **Bataryayı yağmurda veya ıslak yerlerde şarj etmeyin.**
5. **Bataryayı açık alanda şarj etmeyin.**
6. **Şarj aleti fişi ve şarj aleti terminalleri dahil şarj aletine ıslak ellerle dokunmayın.**
7. **Bataryayı yağmurda değiştirmeyin.**
8. **Bataryayı ıslak ellerle değiştirmeyin.**
9. **Bataryayı yağmurda bırakmayın veya bataryayı nemli ya da ıslak yerlerde şarj etmeyin, kullanmayın veya depolayın.**
10. **Batarya bağlantı uçlarını su gibi sıvılarla ıslatmayın ya da bataryayı sıvılara sokmayın.** Bağlantı uçları ıslanır veya bataryanın içine sıvı girerse batarya kısa devre olabilir ve aşırı ısınma, yangın veya patlama riski ortaya çıkar.
11. **Bataryayı alet veya şarj aletinden çıkardıktan sonra mutlaka bataryaya batarya kapağını takın ve kuru bir yerde depolayın.**
12. **Batarya kartuşu ıslanırsa içinden suyu boşaltın ve ardından kuru bir bezle silin. Kullanmadan önce batarya kartuşunu kuru bir yerde tamamen kurulaştırın.**

Bakım ve saklama

1. **Aleti depolarken doğrudan güneş ışığı ve yağmurdan sakının, ısınmayacak veya nemlenmeyecek bir yerde depolayın.**

BU TALİMATLARI SAKLAYIN.

⚠UYARI: Ürünü kullanırken (defalarca kullanınca kazanılan) rahatlık ve tanıdıklık duygusunun ilgili ürünün güvenlik kurallarına sıkı sıkıya bağlı kalmanın yerine geçmesine İZİN VERMEYİN. YANLIŞ KULLANIM veya bu kullanma kılavuzunda belirtilen emniyet kurallarına uymama ciddi yaralanmaya neden olabilir.

Batarya kartuşu hakkında önemli güvenlik talimatları

1. Batarya kartuşunu kullanmadan önce, tüm talimatları ve (1) batarya kartuşu, (2) batarya ve (3) ürün üzerindeki tüm uyarı işaretlerini okuyun.
2. Batarya kartuşunu parçalarına ayırmayın veya kurcalamayın. Yangın, aşırı ısı veya patlamaya neden olabilir.
3. Çalışma süresi aşırı derecede kısalmışsa kullanmayı derhal bırakın. Aşırı ısınma, yanma riski hatta patlamaya neden olabilir.
4. Gözünüze elektrolit kaçarsa, gözlerinizi temiz suyla durulayın ve hemen tıbbi yardım alın. Görme kaybına yol açabilir.
5. Batarya kartuşuna kısa devre yaptırmayın:
 - (1) Terminallere herhangi bir iletken madde değdirmeyin.
 - (2) Batarya kartuşunu çiviler, madeni paralar, vb. gibi başka metal nesnelere aynı kaba koymaktan kaçının.
 - (3) Batarya kartuşunu yağmura ya da suya maruz bırakmayın.Kısa devre, büyük bir akım akışına, aşırı ısınmaya, olası yanıklara hatta bataryanın bozulmasına yol açabilir.
6. Aleti ve batarya kartuşunu sıcaklığın 50 °C ya da daha yükseğe ulaştığı yerlerde saklamayın ve kullanmayın.
7. Aşırı derecede hasar görmüş ya da tamamen kullanılamaz durumda olsa bile batarya kartuşunu yakmayın. Batarya kartuşu ateşe atılırsa patlayabilir.
8. Batarya kartuşunu çivilememeyin, kesmeyin, ezmeyin, fırlatmayın, düşürmeyin ya da batarya kartuşuna sert bir nesne ile vurmeyin. Bu eylemler yangın, aşırı ısı veya patlamaya neden olabilir.
9. Hasarlı bataryayı kullanmayın.
10. Aletin içerdiği lityum-iyon bataryalar Tehlikeli Eşyalar Yönetmeliğinin gereksinimlerine tabidir.

Ticari nakliye işlemleri için, örneğin üçüncü taraflar, nakliye agenteleri tarafından yapılan nakliyelerde, paketleme ve etiketleme gereksinimlerine uyulmalıdır.

Nakliyesi yapılacak ürünün hazırlanması için, tehlikeli maddeler konusunda uzman bir kişiye danışın. Lütfen muhtemelen daha ayrıntılı olan ulusal yönetmeliklere de uyun.

Açık kontakları bantlayın ya da maskeleyin ve bataryayı paketin içinde hareket etmeyecek şekilde paketleyin.
11. Batarya kartuşunu bertaraf ederken aletten çıkarın ve güvenli bir yerde bertaraf edin. Bataryanın bertaraf edilmesi ile ilgili yerel düzenlemelere uyunuz.
12. Bataryaları sadece Makita tarafından belirtilen ürünlerle kullanın. Bataryaların uyumsuz ürünlere takılması; yangın, aşırı ısınma, patlama ya da elektrolit sızıntısına neden olabilir.

13. Alet uzun süre kullanılmıyacaksa batarya aletten çıkarılmalıdır.
14. Kullanma sırasında ve sonrasında batarya kartuşu ısınarak yanıklara veya düşük sıcaklık yanıklarına yol açabilir. Sıcak batarya kartuşları ile işlem yaparken dikkat edin.
15. Yanıklara neden olabilecek kadar sıcak olabileceğinden kullandıktan hemen sonra aletin terminaline dokunmayın.
16. Batarya kartuşunun terminallerine, deliklerine ve kanallarına micir, toz veya toprak girmesine izin vermeyin. Aletin veya batarya kartuşunun ısınmasına, alev almasına, patlamasına ve arızalanmasına neden olarak yanıklara veya yaralanmaya yol açabilir.
17. Alet yüksek gerilim elektrik güç hatları yakınında kullanımı desteklemediği sürece batarya kartuşunu yüksek gerilim elektrik güç hatlarının yakınında kullanmayın. Aletin veya batarya kartuşunun arızalanmasına veya bozulmasına neden olabilir.
18. Bataryayı çocuklardan uzak tutun.

BU TALİMATLARI MUHAFAZA EDİNİZ.

⚠DİKKAT: Sadece orijinal Makita bataryalarını kullanın. Orijinal olmayan Makita bataryaları ya da üzerine değişiklik yapılmış bataryaların kullanımı bataryanın patlamasına ve sonuç olarak yangın, kişisel yaralanma ve hasara neden olabilir. Ayrıca Makita aleti ve şarj aletinin Makita tarafından sunulan garantisini geçersiz olur.

Maksimum batarya ömrü için ipuçları

1. Batarya kartuşunu tamamen boşalmadan önce şarj edin. Aletin gücünün zayıflamaya başladığını fark ettiğinizde aleti durdurun ve batarya kartuşunu şarj edin.
2. Tam dolu bir batarya kartuşunu asla yeniden şarj etmeyin. Aşırı şarj etme bataryanın hizmet ömrünü kısaltır.
3. Batarya kartuşunu 10 °C - 40 °C oda sıcaklığında şarj edin. Sıcak bir batarya kartuşunu şarj etmeden önce soğumasını bekleyin.
4. Batarya kartuşunu kullanmıyorken aletten veya şarj aletinden çıkarın.
5. Uzun bir süre (altı aydan daha fazla) kullanmadığınız durumlarda batarya kartuşunu şarj edin.

PARÇALARIN TANIMI

► Şek.2

1	Batarya kartuşu	2	Ön el siperi	3	Kol
4	Kılavuz çubuk	5	Testere zinciri	6	Ayar kadranı
7	Ana güç lambası	8	Ana güç anahtarı	9	Güvenlik kilidi kolu
10	Arka tutamak	11	Anahtar tetik	12	Ön tutamak
13	Yağ tankı kapağı	14	Kılavuz çubuk kılıfı	15	Ayar vidası (yağ pompası için)
16	Zincir yakalayıcı	-	-	-	-

İŞLEVSEL NİTELİKLER

▲ DİKKAT: Alet üzerinde ayarlama veya işleyiş kontrolü yapmadan önce aletin kapalı ve batarya kartuşunun ayrılmış olduğundan daima emin olun.

Batarya kartuşunun takılması ve çıkarılması

▲ DİKKAT: Batarya kartuşunu takmadan ya da çıkarmadan önce aleti daima kapatın.

▲ DİKKAT: Batarya kartuşunu takarken veya çıkarırken aleti ve batarya kartuşunu sıkıca tutun. Aletin ve batarya kartuşunun sıkıca tutulmaması bunların düşürülmesine sebep olabilir ve alet ve batarya kartuşunun zarar görmesine ya da ciddi yaralanmasına yol açabilir.

Batarya kartuşunu takmak için, batarya kartuşu üzerindeki dili yuvanın oluğu ile hizalayın ve kartuşu yerine oturtun. Kartuşu, küçük bir tık sesi ile yerine sabitlenene dek sonuna kadar itin. Şekilde gösterildiği gibi kırmızı göstergeyi görebiliyorsanız tam olarak kilitlememiş demektir.

Batarya kartuşunu çıkarmak için, kartuşun ön tarafındaki düğmeyi kaydırarak kartuşu aletten çıkarın.

► **Şek.3:** 1. Kırmızı gösterge 2. Düğme 3. Batarya kartuşu








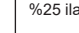










▲ DİKKAT: Batarya kartuşunu daima kırmızı gösterge görünmeyecek şekilde tam olarak takın. Yerine tam oturmazsa, aletten yanlışlıkla düşebilir, sizin ya da çevrenizdeki kişilerin yaralanmasına neden olabilir.

▲ DİKKAT: Batarya kartuşunu zorlayarak takmayın. Kartuş kolay bir şekilde kaymıyorsa doğru yerleştirilmemiş demektir.

Kalan batarya kapasitesinin gösterilmesi

Kalan batarya kapasitesini göstermesi için batarya kartuşu üzerindeki kontrol düğmesine basın. Gösterge lambaları birkaç saniye yanar.

► **Şek.4:** 1. Gösterge lambaları 2. Kontrol düğmesi

Gösterge lambaları			Kalan kapasite
 Yanıyor	 Kapalı	 Yanıp sönüyor	
			%75 ila %100
			%50 ila %75
			%25 ila %50
			%0 ila %25
			Bataryayı şarj edin.
			Batarya arızalanmış olabilir.
			

NOT: Kullanım koşullarına ve ortam sıcaklığına bağlı olarak, gösterilen değer gerçek kapasiteden biraz farklılık gösterebilir.

NOT: İlk (en soldaki) gösterge lambası, batarya koruma sistemi çalıştığı anda yanıp söner.

Alet/batarya koruma sistemi

Bu alet bir alet/batarya koruma sistemi ile donatılmıştır. Bu sistem motora giden gücü otomatik olarak keserek uzun alet ve batarya ömrü sağlar. Alet veya batarya için aşağıdaki durumlardan biri söz konusu olduğunda aletin işleyişi otomatik olarak durur:

Aşırı yük koruması

Alet/batarya, anormal derecede yüksek akım çekmesine neden olacak şekilde kullanıldığında, alet otomatik olarak durur ve ana güç lambası yeşil yanıp söner. Bu durumda, aleti kapatın ve aletin aşırı yüklenmesine neden olan uygulamayı durdurun. Ardından yeniden başlatmak için aleti çalıştırın.

Aşırı ısınma koruması

Alet veya batarya aşırı ısındığında alet otomatik olarak durur ve ana güç lambası kırmızı yanar. Bu durumda, aleti yeniden çalıştırmadan önce aletin ve bataryanın soğumasını bekleyin.

NOT: Yüksek sıcaklık ortamında aşırı ısınma korumasının çalışması muhtemeldir ve alet otomatik olarak durur.

Aşırı deşarj koruması

Batarya kapasitesi yeterli değilse alet otomatik olarak durur ve ana güç lambası kırmızı yanıp söner. Bu durumda, bataryayı aletten çıkarın ve bataryayı şarj edin.

Diğer nedenlere karşı korumalar

Koruma sistemi, alete zarar verebilecek diğer nedenler için de tasarlanmıştır ve aletin otomatik olarak durmasını sağlar. Alet çalışırken geçici duraklama veya durma yaparsa nedenleri ortadan kaldırmak için aşağıdaki tüm adımları uygulayın.

1. Aleti kapatın ve ardından tekrar açarak yeniden çalıştırın.
2. Bataryaları şarj edin veya şarjlı bataryalarla değiştirin.
3. Makinenin ve bataryaların soğumasını bekleyin.

Koruma sistemi eski haline getirilerek ilerleme kaydedilemezse yerel Makita Servis Merkezimize başvurun.

ÖNEMLİ NOT: Alet yukarıda açıklanmayan bir nedenle durursa sorun giderme kısmına bakın.

Ana güç anahtarı

UYARI: Kullanımda değilken ana güç anahtarını daima kapatın.

Aleti açmak için, ana güç anahtarına basın. Ana güç lambası yeşil yanar. Kapatmak için, ana güç anahtarına tekrar basın.

► **Şek.5:** 1. Ana güç lambası 2. Ana güç anahtarı

NOT: Kullanımın mümkün olmadığı durumlarda anahtar tetik çekilirse ana güç lambası yeşil yanıp söner. Lamba aşağıdaki durumlardan birinde yanıp söner.

- Güvenlik kilidi kolunu aşağı doğru bastırıp anahtar tetiği çekerken ana güç anahtarını açtığınızda.
- Zincir freni uygulanırken anahtar tetiği çektiğinizde.
- Güvenlik kilidi kolunu aşağı doğru bastırarak ve anahtar tetiği çekerek zincir frenini serbest bıraktığınızda.

NOT: Bu alet otomatik güç kapama fonksiyonu kullanılır. Alet yaklaşık 5 dakika kullanılmazsa ana güç anahtarı otomatik olarak kapanır.

NOT: Koruma sisteminin çalışması dolayısıyla alet durduğunda otomatik kapama fonksiyonu kullanılabilir. Motor otomatik olarak durduktan ve aleti korumaya karşı düzeltici işlem yapılmadıktan yaklaşık 5 dakika sonra ana güç anahtarı otomatik olarak kapanır.

Anahtar işlemi

UYARI: Güvenliğiniz için, bu alet istem dışı başlatmayı önlemek üzere bir güvenlik kilidi anahtarı ile donatılmıştır. Güvenlik kilidi koluna basmadan sadece anahtar tetik çekildiğinde çalışan bir aleti ASLA kullanmayın. Daha fazla kullanmadan ÖNCE doğru bir şekilde tamir ettirmek için aleti yetkili servis merkezimize götürün.

UYARI: Güvenlik kilidi kolunu ASLA bantlamayın veya amacını ve işlevini engelleyecek şekilde devre dışı bırakmayın.

DİKKAT: Batarya kartuşunu alete takmadan önce anahtar tetiğin doğru çalıştığından ve bırakıldığında "OFF" (kapalı) konumuna döndüğünden emin olun.

ÖNEMLİ NOT: Güvenlik kilidi koluna bastırmanın anahtar tetiği zorlayarak çekmeyin. Bu anahtarın kırılmasına neden olabilir.

Anahtar tetiğinin kazara çekilmesini önlemek için, güvenlik amacıyla bir çift güvenlik kilidi anahtarı sağlanmıştır. Aleti çalıştırmak için elinizin perdesini (yani baş parmak ile işaret parmağı arasındaki kısım) kullanarak kilitleme kolunu normal konumunu geçecek şekilde ileri doğru aşağı bastırın ve güvenlik kilidi kolunu avuç içinizle sıkın. Ardından güvenlik kilidi kolu tutulu durumda anahtar tetiği çekin. Aletin çalışma hızı, anahtar tetiğe uygulanan baskı artırılarak artırılır. Durdurmak için anahtar tetiği bırakın.

- **Şek.6:** 1. Kilitleme kolu 2. Güvenlik kilidi kolu
3. Anahtar tetik

Zincir freninin kontrolü

DİKKAT: Zincir testereyi çalıştıran iki elinizle tutun. Arka tutamağı sağ elinizle, ön tutamağı sol elinizle tutun. Çubuk ve zincir herhangi bir nesneye değmemelidir.

DİKKAT: Bu test yapıldığı zaman testere zinciri derhal durmazsa testere hiçbir şekilde kullanılamaz. Yetkili servis merkezimize danışın.

1. Önce güvenlik kilidi koluna basın, sonra anahtar tetiği çekin. Testere zinciri derhal çalışmaya başlar.
2. Ön el siperini elinizin arkasını kullanarak ileriye doğru bastırın. Zincir testerenin hemen durduğundan emin olun.

- **Şek.7:** 1. Ön el siperi 2. Kilitletli olmayan konum
3. Kilitletli konum

Serbest dönüş freninin kontrolü

DİKKAT: Bu test yapıldığı zaman testere zinciri 2 saniye içinde durmazsa zincir testereyi kullanmayı durdurun ve yetkili servis merkezimize danışın.

Zincir testereyi çalıştırın ardından anahtar tetiği tamamen bırakın. Testere zincirinin 2 saniye içinde hareket-siz kalması gerektir.

Zincir yağlanmasının ayarlanması

Yağ pompasının besleme hızını ayar vidasıyla ayarlayabilirsiniz. Yağ miktarı lokma anahtarının ucu kullanılarak ayarlanabilir.

► **Şek.8:** 1. Ayar vidası

Elektronik fonksiyon

Alet, kolay kullanım için elektronik fonksiyonla donatılmıştır.

- Elektrikli fren
Bu alet bir elektrikli fren ile donatılmıştır. Anahtar tetik bırakıldıktan sonra alet sürekli olarak çabucak durmuyorsa alete Makita Yetkili Servis Merkezinde bakım yaptırın.

MONTAJ

⚠DİKKAT: Alet üzerinde herhangi bir iş yapmadan önce aletin kapalı ve batarya kartuşunun ayrılmış olduğundan daima emin olun.

⚠DİKKAT: Testere zincirine çıplak elle dokunmayın. Testere zincirini tutarken daima eldiven kullanın.

Testere zincirinin takılması veya çıkarılması

⚠DİKKAT: Testere zinciri ve kılavuz çubuk kullanımının hemen ardından hala sıcaktır. Alet üzerinde herhangi bir çalışma yapmadan önce yeterince soğumalarını bekleyin.

⚠DİKKAT: Testere zincirinin takılması ve çıkarılması prosedürünü testereden çıkan tozların vb. maddelerin olmadığı temiz bir yerde gerçekleştirin.

Testere zincirinin takılması

Testere zincirini takmak için aşağıdaki adımları gerçekleştirin:

1. Ön el siperini çekerek zincir frenini serbest bırakın.
2. Kenarına bastırarak kolu yukarı doğru çekin.
► **Şek.9:** 1. Kol
3. Zincir dişlisi kapağı çıkana kadar kolu saat yönünün tersine döndürün.
► **Şek.10:** 1. Kol 2. Zincir dişlisi kapağı
4. Zincir dişlisi kapağını çıkarın.
5. Testere zincirinin yönünü kontrol edin. Testere zincirinin yönünü zincir testere gövdesi üzerindeki işaretin yönüyle eşleştirin.
► **Şek.11:** 1. Zincir testere gövdesindeki işaret
6. Testere zincirinin bir ucunu kılavuz çubuğun üst kısmına takın.
7. Testere zincirinin diğer ucunu zincir dişlisinin etrafına geçirin, ardından kılavuz çubuğu zincir testere gövdesine takın.
► **Şek.12:** 1. Zincir dişlisi
8. Ayar pimini ok yönünde kaydırmak için ayar kadranını "-" yönünde döndürün.
► **Şek.13:** 1. Ayar kadranı 2. Ayar pimi

9. Zincir dişlisi kapağını, ayar pimi kılavuz çubuğun içindeki küçük deliğe konumlanacak şekilde zincir testerenin üzerine yerleştirin.

► **Şek.14:** 1. Zincir dişlisi kapağı 2. Kılavuz çubuk 3. Delik

10. Zincir gerilimini ayarlamak için gevşekliği korumak üzere kolu saat yönünde sonuna kadar çevirin ve kolu geriye bir miktar çevirin.

11. Zincir gerginliğini ayarlayın. Prosedür için testere zinciri gerginliğini ayarlama kısmına bakın.

12. Zincir dişlisi kapağı sabitlenene kadar kolu saat yönünde döndürün, ardından orijinal konumuna döndürün.
► **Şek.15:** 1. Kol 2. Zincir dişlisi kapağı

Testere zincirinin çıkarılması

Testere zincirini çıkarmak için aşağıdaki adımları gerçekleştirin:

1. Ön el siperini çekerek zincir frenini serbest bırakın.
2. Testere zinciri gerilimini azaltmak için ayar kadranını "-" yönünde döndürün.
► **Şek.16:** 1. Ayar kadranı
3. Kenarına bastırarak kolu yukarı doğru çekin.
► **Şek.17:** 1. Kol
4. Zincir dişlisi kapağı çıkana kadar kolu saat yönünün tersine döndürün.
► **Şek.18:** 1. Kol 2. Zincir dişlisi kapağı
5. Zincir dişlisi kapağını ve ardından testere zincirini ve kılavuz çubuğu zincir testere gövdesinden ayırın.

Testere zinciri geriliminin ayarlanması

⚠DİKKAT: Testere zincirinin takılması ve çıkarılması prosedürünü testereden çıkan tozların vb. maddelerin olmadığı temiz bir yerde gerçekleştirin.

⚠DİKKAT: Testere zincirini fazla sıkılamayın. Testere zincirinin aşırı yüksek bir gerilime sahip olması testere zincirinin kırılmasına, kılavuz çubuğun aşınmasına ve ayar kadranının kırılmasına neden olabilir.

⚠DİKKAT: Zincir çok gevşek olursa kılavuz çubuktan fırlayıp çıkabilir ve kaza riski oluşturabilir.

Testere zinciri saatlerce kullanıldıktan sonra gevşeyebilir. Zaman zaman kullanmadan önce testere zincirini kontrol edin.

1. Kenarına bastırarak kolu yukarı doğru çekin.
► **Şek.19:** 1. Kol
2. Zincir dişlisi kapağını hafifçe gevşetmek için kolu saatin aksi yönünde çevirin.
► **Şek.20:** 1. Kol 2. Zincir dişlisi kapağı
3. Kılavuz çubuğun ucunu hafifçe yukarı kaldırın ve zincir gerilimini ayarlayın. Gevşetmek için ayar kadranını "-" yönünde, sıkılaşmak için "+" yönünde döndürün. Testere zincirinin alt tarafı kılavuz çubuk rayına oturana kadar testere zincirini sıkılayın.
► **Şek.21:** 1. Ayar kadranı 2. Kılavuz çubuk 3. Testere zinciri
4. Kılavuz çubuğu hafifçe tutmaya devam edin ve kolu saat yönünde çevirerek zincir dişlisi kapağını sıkın. Testere zincirini alt tarafta gevşetmediğinizden emin olun.
5. Kolu orijinal konumuna döndürün.

Testere zincirinin kılavuz çubuğun alt tarafı ile örtüştüğünden emin olun.

KULLANIM

Yağlama

⚠DİKKAT: Zincir testereyi tank boşken kullanmayın. Tank boşalmadan zamanı gelince yağ doldurun.

⚠DİKKAT: Yağın cilt ve gözlerle temas etmesini önleyin. Gözle teması tahrişe neden olur. Gözle teması halinde, etkilenen gözü derhal suyla yıkayın ve ardından vakit kaybetmeden bir doktora başvurun.

⚠DİKKAT: Asla atık yağ kullanmayın. Atık yağlar kanserojen maddeler içerir. Atık yağların içindeki pislikler; yağ pompası, çubuk ve zincirin hızlı bir şekilde aşınmasına neden olur. Atık yağlar çevreye zararlıdır.

ÖNEMLİ NOT: Zincir testere ilk kez kullanılacağı zaman, testere zinciri yağının testere mekanizmasında yağlayıcı etki göstermeye başlaması iki dakika kadar sürebilir. Etki göstermesi için testereyi yüksüz olarak çalıştırın.

ÖNEMLİ NOT: İlk kez zincir yağı doldurduğunuz zaman veya tankı tamamen boşaldıktan sonra tekrar doldururken, yakıt deposu boynunun alt kenarına kadar yağ doldurun. Aksi takdirde yağ dağıtımı bozulabilir.

ÖNEMLİ NOT: Zincir yağı olarak, özellikle Makita zincir testere için olan veya piyasada bulunan eş değer yağları kullanın.

ÖNEMLİ NOT: Asla içinde toz ve parçacık veya uçucu yağ bulunan yağları kullanmayın.

ÖNEMLİ NOT: Ağaç budarken, botanik yağ kullanın. Mineral yağlar ağaçlara zarar verebilir.

ÖNEMLİ NOT: Kesim işleminden önce, verilen yağ tankı kapağının yerine takılmış olduğundan emin olun.

Alet çalışırken testere zinciri otomatik olarak yağlanır. Yağ tankında kalan yağ miktarını yağ kontrol camından periyodik olarak kontrol edin.

► **Şek.22:** 1. Yağ tankı kapağı 2. Yağ kontrol camı

Yağ doldurmak için aşağıdaki adımları gerçekleştirin:

1. Pisliklerin yağ tankına girmesini önlemek için, yağ tankı kapağının çevresini iyice temizleyin.

2. Zincir testereyi yan yatırın.

3. Yağ tankı kapağındaki düğmeye, diğer taraftaki düğme yukarı çıkacak şekilde basın ve ardından yağ tankı kapağını çevirerek çıkarın.

► **Şek.23:** 1. Yağ tankı kapağı 2. Sıkın 3. Gevşetin

4. Yağ tankına yağ doldurun. Uygun yağ miktarı 200 ml'dir.

5. Yağ tankı kapağını sıkıca geri kapatın.

6. Dökülen zincir yağını dikkatli bir şekilde silin.

NOT: Yağ tankı kapağını çıkarmakta zorlanırsanız yağ tankı kapağının deliğine lokma anahtarının ucunu sokun ve ardından saatin aksi yönünde çevirerek yağ tankı kapağını çıkarın.

► **Şek.24:** 1. Delik 2. Lokma anahtarı

Yeniden doldurduktan sonra, zincir testereyi açtaçtan uzakta tutun. Çalıştırın ve testere zincirinin yeterince yağlanmasını bekleyin.

► **Şek.25**

Zincir testereyle çalışma

⚠DİKKAT: Aleti ilk kez kullananlar, asgari bir yöntem olarak, kütükleri bir bıçkı tezgahı veya kızak üstünde kesmelidirler.

⚠DİKKAT: Önceden kesilmiş keresteleri keserken sağlam bir destek (bıçkı tezgahı veya kızak) kullanın. İş parçasını ayağınızla sabitlemeyin, başka bir kişinin tutup sabitlemesine de izin vermeyin.

⚠DİKKAT: Yuvarlak parçaları dönüş yönünün tersine doğru sabitleyin.

⚠DİKKAT: Motor çalışırken vücudunuzun her kısmını testere zincirden uzak tutun.

⚠DİKKAT: Motor çalışırken zincir testereyi iki elinizle sıkıca tutun.

⚠DİKKAT: Fazla ileriye uzanmaya çalışmayın. Her zaman yere sağlam basın ve dengeyi koruyun.

⚠DİKKAT: Kesmek için kılavuz çubuğun üst tarafını kullanırken testere zinciri sıkırsa zincir testere size doğru ittirilebileceğinden dikkatli olun.

ÖNEMLİ NOT: Aleti bir yere çarpmayın ve düşürmeyin.

ÖNEMLİ NOT: Aletin havalandırma deliklerini örtmeyin.

ÖNEMLİ NOT: Birden fazla kesim yaparken kesimler arasında zincir testereyi kapatın.

Aleti çalıştırmadan önce zincir testere gövdesinin alt kısmını kesilecek dala temas ettirin. Bunun yapılması, kılavuz çubuğun sallanmasına neden olarak kullanıcının yaralanmasına sebebiyet verebilir. Kesilecek odunu sadece aleti aşağı doğru hareket ettirerek zincir testerenin ağırlığını kullanarak kesin.

► **Şek.26**

Eğer ağacı tek bir darbeyle boydan boya kesemezseniz: Tutamağa hafif basınç uygulayarak kesmeye devam edin ve zincir testereyi biraz geriye çekin; sonra sivri uçlu tamponu biraz aşağıya uygulayın ve tutamağı kaldırarak kesme işlemini bitirin.

► **Şek.27**

Ağaç devirme

▲DİKKAT: Devirme işi sadece eğitimli kişiler tarafından yapılabilir. Bu iş tehlikelidir.

Aynı anda iki veya daha fazla kişiyle çapraz kesim/kütüklere ayırma ve devirme işlemleri yapılırken devirme işlemleri çapraz kesim/kütüklere ayırma işleminden devrilecek ağacın yüksekliğinin en az iki katı bir mesafeyle ayrılmalıdır. Ağaçlar insanları tehlikeye düşürebilecek, kablolarla vurabilecek veya maddi hasara neden olabilecek tarzda devrilmemelidir. Ağaç kablolarla temas ederse şirket derhal bilgilendirilmelidir.

Ağaç kesildikten sonra yokuş aşağı yuvarlanacağı veya kayacağı için zincir testere operatörü, arazinin yokuş yukarı tarafında kalmalıdır.

Kesmeye başlanmadan kaçış yolu planlanmalı ve gerektiği gibi temizlenmelidir. Kaçış yolu şeklinde gösterildiği gibi beklenen düşüş hattının gerisine doğru ve çapraz olarak uzanmalıdır.

► **Şek.28:** 1. Devirme yönü 2. Tehlike bölgesi 3. Kaçış yolu

Devirmeye başlamadan önce ağacın hangi yöne devrileceğine karar vermek için ağacın doğal meylini, büyük dalların yerlerini ve rüzgar yönünü dikkate alın.

Ağaçtan toprak, taş, gevşek kabuk, çivi, zımba ve telleri temizleyin.

Ağaç gövdesine çentik atma ve devirme kesliği

▲DİKKAT: Dayanak noktasını hiçbir durumda kesmeyin. Ağaç beklenmedik şekilde devrilebilir.

ÖNEMLİ NOT: Devirme kesliğini açık tutmak için plastik veya alüminyum kamalar kullanın. Demir kamalar kullanmayın.

► **Şek.29:** 1. 50 mm 2. Devirme kesliği 3. Dayanak noktası 4. Çentik 5. Devirme yönü

Şekilde gösterildiği gibi devirme yönünde dik olacak şekilde ağaç çapının 1/3'ü kadarlık bir çentik atın. Önce alt yatay çentiği atın. Bu, ikinci çentik atılırken testere zinciri veya kılavuz çubuğun sıkışmasını engellemeye yardımcı olur.

Devirme kesliğini, şekilde gösterildiği gibi yatay çentikten en az 50 mm yukarıya atın. Devirme kesliğini, yatay çentiğe paralel tutun. Devirme kesliğini, dayanak noktası olarak işlev görecek yeterli ahşap kalacak şekilde atın. Dayanak noktası ahşabı, ağacın bükülmesini ve yanlış yöne devrilmesini önler. Dayanak noktasını kesmeyin.

Devirme kesliği dayanak noktasına yaklaşırken ağaç devrilmeye başlamalıdır. Ağacın istenen yönde devrilmeme veya geriye yaslanıp testere zincirini sıkıştırma ihtimali varsa devirme kesliği tamamlanmadan kesimi durdurun ve kesliği açarak ağacı istenen devirme yönünde devirmeye için ahşap, plastik veya alüminyum kamalar kullanın.

Ağaç devrilmeye başladığında zincir testereyi kesikten çıkarın, motoru durdurun, zincir testereyi yere bırakın, ardından planlanan geri çekilme yolunu kullanın. Düşen yukarıdaki dallara karşı uyanık olun ve bastığınız yere dikkat edin.

Devrilen ağacın dallarını kesme

▲DİKKAT: Dal kesme sadece eğitimli kişiler tarafından yapılabilir. Geri tepme riski bir tehlike oluşturur.

Devrilen ağacın dallarını kesmek, dalları ağaçtan ayırmaktır. Devrilen ağacın dallarını keserken tomruğu yerden yukarıda desteklemek için büyük alt dalları bırakın. Küçük dalları şekilde gösterildiği gibi bir seferde kesin. Gerilim altındaki dallar, zincir testerenin sıkışmasını önlemek için aşağıdan yukarı doğru kesilmelidir.

► **Şek.30:** 1. Dal kesme

Çapraz kesim/kütüklere ayırma

Çapraz kesim/kütüklere ayırma, tomruğu boyuna kesmektir. Ayağınızı sağlam bastığınızdan ve ağırlığının her iki ayağınıza eşit dağıldığından emin olmak önemlidir. Mümkünse tomruk; dallar, kütükler veya takozlar kullanılarak kaldırılıp desteklenmelidir. Kolay kesim için basit talimatlara uyun.

Tomruk şekilde gösterildiği gibi boylu boyunca desteklendiğinde üstten (üstten kütüklere ayırma) kesilir.

► **Şek.31**

Tomruk şekilde gösterildiği gibi sadece bir ucundan desteklendiğinde alt taraftan çapın 1/3'ü kadar kesim (alttan kütüklere ayırma). Ardından ilk kesimi karşılayacak şekilde üstten keserek kesimi tamamlayın.

► **Şek.32:** 1. İlk kesim 2. İkinci kesim

Tomruk şekilde gösterildiği gibi iki ucundan da desteklendiğinde üst taraftan çapın 1/3'ü kadar kesim (üstten kütüklere ayırma). Ardından ilk kesimi karşılayacak şekilde alt 2/3'lük kesimi alttan keserek kesimi tamamlayın.

► **Şek.33:** 1. İlk kesim 2. İkinci kesim

Yokuşta çapraz keserken/kütüklere ayırırken her zaman şekilde gösterildiği gibi tomruğun yokuş yukarısında durun. "Tam kesim" yaparken tüm kontrolü korumak için zincir testere tutamaklarını tutmayı bırakmadan kesimin sonuna doğru kesme basıncını bırakın. Zincirin yere temas etmesine izin vermeyin. Kesimi tamamladıktan sonra zincir testereyi hareket ettirmeden önce testere zincirinin durmasını bekleyin. Ağaçtan ağaca geçmeden önce mutlaka motoru durdurun.

► **Şek.34**

Damara paralel kesim

▲DİKKAT: Damara paralel kesim sadece eğitimli kişiler tarafından yapılabilir. Geri tepme olasılığı yaralanma riski oluşturur.

Damara paralel kesimi, olabildiğince dar bir açı ile gerçekleştirin.

► **Şek.35**

Aletin taşınması

Aleti taşımadan önce, zincir frenini uygulayın ve batarya kartuşunu aletten çıkarın. Ardından kılavuz çubuk kılıfını takın. Ayrıca batarya kartuşunu da batarya kapağı ile kapatın.

► **Şek.36:** 1. Kılavuz çubuk kılıfı 2. Batarya kapağı

BAKIM

⚠️ DİKKAT: Muayene ya da bakım yapmadan önce aletin kapalı ve batarya kartuşunun çıkartılmış olduğundan daima emin olun.

⚠️ DİKKAT: Herhangi bir muayene ya da bakım yaparken daima eldiven giyin.

ÖNEMLİ NOT: Benzin, tiner, alkol ve benzeri maddeleri kesinlikle kullanmayın. Renk değişimi, deformasyon veya çatlaklar oluşabilir.

Aleti EMNİYETLİ ve ÇALIŞMAYA HAZIR durumda tutmak için onarımlar, başka her türlü bakım ve ayarlamalar daima Makita yedek parçaları kullanılarak Makita yetkili servis merkezleri veya Fabrikanın Servis Merkezleri tarafından yapılmalıdır.

Testere zincirinin bilenmesi

Aşağıdaki durumlarda testere zincirini bileyin:

- Islak ağaç kesildiğinde un gibi testere tozu oluştuğu zaman;
- Ağır basınç uygulansa bile zincir ağaca zor girdiği zaman;
- Kesme kenarında gözle görülen hasar olduğu zaman;
- Testere ağaç için içinde sola veya sağa çekme yaptığı zaman. (Bu davranışın nedeni testere zincirinin düzgün bilenmemiş veya sadece bir tarafının hasarlı olmasıdır.)

Testere zincirini sık sık ama her defasında sadece çok az miktarda bileyin. Rutin bileme için eğe ile iki veya üç sürtmeye genellikle yeterlidir. Testere zinciri birçok defa bilendiği zaman, uno yetkili servis merkezimizde bilettirin.

Bileme kriterleri:

⚠️ UYARI: Kesme kenarı ile derinlik ölçüğü arasında fazla mesafe bırakılması geri tepme riskini artırır.

► **Şek.37:** 1. Kesici uzunluğu 2. Kesme kenarı ile derinlik ölçüğü arasındaki mesafe 3. Minimum kesici uzunluğu (3 mm)

- Tüm kesici uzunlukları eşit olmalıdır. Farklı uzunluklardaki kesiciler testere zincirinin düzgün bir şekilde çalışmasını önler ve testere zincirinin kırılmasına neden olabilir.
- Kesici uzunluğu 3 mm'ye ya da daha kısa bir uzunluğa ulaştıktan sonra zinciri tekrar bilemeyin. Zincir yenisiyle değiştirilmelidir.
- Talaş kalınlığı derinlik ölçüğü (yuvarlak burun) ile kesim kenarı arasındaki mesafe ile belirlenir.
- En iyi kesim sonuçları kesim kenarı ile derinlik ölçüğü arasında aşağıdaki mesafe korunarak elde edilir.
 - Zincir bıçak 80TXL : 0,65 mm

► **Şek.38**

- 30°'lik bileme açısı tüm kesiciler üzerinde aynı olmalıdır. Kesici açılarındaki farklılıklar zincirin sert ve dengesiz bir biçimde çalışmasına, aşınmanın hızlanmasına neden olabilir ve zincirin kırılmasına yol açabilir.
- Dişlere karşı doğru bir bileme açısının korunması için uygun bir yuvarlak eğe kullanın.
 - Zincir bıçak 80TXL : 55°

Eğe ve eğeleme

- Testere zincirlerinde zinciri bilemek için özel bir yuvarlak eğe kullanın (isteğe bağlı aksesuar). Normal yuvarlak eğeler uygun değildir.
- Her testere zinciri için yuvarlak eğe çapı aşağıdaki gibidir:
 - Zincir bıçak 80TXL : 4,0 mm
- Eğe sadece ileri doğru sürtmeye kesiciyi sıyrılmalıdır. Geri çekerken eğeyi kesiciden kaldırmayın.
- Önce en kısa kesiciyi bileyin. Bu en kısa kesicinin uzunluğu böylece testere zincirinin tüm diğer kesicileri için standart olur.
- Eğeyi şekilde gösterildiği gibi sürütün.
- **Şek.39:** 1. Eğe 2. Testere zinciri
- Eğer bir eğe tutucu (isteğe bağlı aksesuar) kullanılırsa eğe daha kolay sürülebilir. Eğe tutucuda doğru bileme açısı olan 30° işaretleri (bu işaretleri testere zincirine paralel olarak hizalayın) vardır ve nüfuz etme derinliğini (eğe çapının 4/5 ile) sınırlar.
- **Şek.40:** 1. Eğe tutucu
- Zinciri biledikten sonra, zincir kalınlık masterını (isteğe bağlı aksesuar) kullanarak derinlik ölçüğü yüksekliğini kontrol edin.
- **Şek.41**
- Özel bir yassı eğeyle (isteğe bağlı aksesuar), ne kadar küçük olursa olsun, çıkıntı yapan malzemeleri temizleyin.
- Derinlik ölçüğünün önünü tekrar yuvarlayın.

Kılavuz çubuğun temizlenmesi

Talaşlar ve testere tozları kılavuz çubuğunun altında birikir. Bu birikintiler çubuğun oluğunu tıkayabilir ve yağ akışını engelleyebilir. Testere zincirini bilenken ya da değiştirdiğiniz her seferde talaşları ve testere tozlarını temizleyin.

► **Şek.42**

Zincir dişlisi kapağının temizlenmesi

Zincir dişlisi kapağının içinde talaşlar ve testere tozları birikebilir. Zincir dişlisi kapağını ve testere zincirini aletten çıkarın ve ardından talaşları ve testere tozlarını temizleyin.

► **Şek.43**

Yağ çıkış deliğinin temizlenmesi

Çalışma sırasında yağ çıkış deliğinde küçük tozlar ve parçacıklar birikebilir. Yağ filtresinde biriken bu tozlar ve parçacıklar yağ akışını engelleyebilir ve testere zincirinin tamamına yeterli yağlama yapılamamasına neden olabilir. Kılavuz çubuğunun tepesinde yetersiz zincir yağı iletimi olduğu görülürse yağ çıkış deliğini aşağıdaki gibi temizleyin.

1. Zincir dişlisi kapağını ve testere zincirini aletten çıkarın.
2. Düz uçlu bir tornavida veya benzeri bir alet kullanarak küçük tozları ve parçacıkları temizleyin.
- **Şek.44:** 1. Düz uçlu tornavida 2. Yağ çıkış deliği
3. Batarya kartuşunu alete takın. Zincir yağını boşaltarak kırılmış tozları ve parçacıkları yağ çıkış deliğinden dışarı akıtmak için anahtar tetiği çekin.
4. Aletten batarya kartuşunu çıkarın. Zincir dişlisi kapağını ve testere zincirini tekrar alete takın.

Zincir dişlisinin değiştirilmesi

⚠ DİKKAT: Eskimiş bir zincir dişlisi yeni testere zincirine zarar verir. Bu durumda zincir dişlisini yenisiyle değiştirin.

Yeni bir testere zinciri takmadan önce, zincir dişlisinin durumunu kontrol edin.

► **Şek.45:** 1. Zincir dişlisi 2. Aşınan alanlar

Zincir dişlisini değiştirdiğiniz zaman daima yeni bir tespit halkası takın.

► **Şek.46:** 1. Tespit halkası 2. Zincir dişlisi

ÖNEMLİ NOT: Zincir dişlisinin şekilde gösterildiği gibi takıldığından emin olun.

Aletin saklanması

1. Saklamadan önce aleti temizleyin. Zincir dişlisi kapağını çıkardıktan sonra talaşları ve testere tozlarını aletten temizleyin.
2. Aleti temizledikten sonra, testere zincirini ve kılavuz çubuğu yağlamak için yüksüz çalıştırın.
3. Kılavuz çubuğu, kılavuz çubuk kılıfıyla örtün.
4. Yağ tankını boşaltın.

Periyodik bakım talimatları

Alet ömrünün uzun olmasını sağlamak için, alete hasar gelmesini önleyin ve güvenlik özelliklerinin tam olarak işlediğinden emin olun. Aşağıdaki bakım işlemleri de düzenli olarak yapılmalıdır. Garanti talepleri ancak bu işlemler düzenli olarak ve doğru bir şekilde yapılmışsa dikkate alınacaktır. Tarif edilen bakım işlemlerinin yapılmaması kazalara yol açabilir! Zincir testere kullanıcısı, bu kullanım kılavuzunda açıklanmayan bir bakım işlemi yapmamalıdır. Tüm bu işlemler yetkili servis merkezimiz tarafından gerçekleştirilmelidir.

Öğeyi kontrol edin / Çalışma süresi	Kullanımdan önce	Her gün	Her hafta	3 ayda bir	Yılda bir	Saklamadan önce
Zincir testere	İnceleme.	✓	-	-	-	-
	Temizleme.	-	✓	-	-	-
	Yetkili servis merkezinde kontrol ettirin.	-	-	-	-	✓
Testere zinciri	İnceleme.	✓	-	-	-	-
	Gerekirse bileyin.	-	-	-	-	✓
Kılavuz çubuk	İnceleme.	✓	✓	-	-	-
	Zincir testereden çıkarın.	-	-	-	-	✓
Zincir freni	İşlevini kontrol edin.	✓	-	-	-	-
	Yetkili servis merkezinde düzenli olarak kontrol ettirin.	-	-	-	✓	-
Zincir yağı	Yağ besleme hızını kontrol edin.	✓	-	-	-	-
Anahtar tetik	İnceleme.	✓	-	-	-	-
Güvenlik kilidi kolu	İnceleme.	✓	-	-	-	-
Yağ tankı kapağı	Sıklığını kontrol edin.	✓	-	-	-	-
Zincir yakalayıcı	İnceleme.	-	-	✓	-	-
Vida ve somunlar	İnceleme.	-	-	✓	-	-

SORUN GİDERME

Onarım için servise gitmeden önce kontrolleri yapın. Kılavuzda açıklanmayan bir problemle karşılaşırsanız aleti demonte etmeyin. Bunun yerine, Makita Yetkili Servis Merkezlerine başvurun ve daima orijinal Makita yedek parçaları kullanın.

Arıza durumu	Neden	Çözüm
Zincir testere başlatılamıyor.	Batarya kartuşu takılı değil.	Şarjlı bir batarya kartuşu takın.
	Batarya problemi (düşük voltaj).	Batarya kartuşunu şarj edin. Şarj etmek işe yaramıyorsa, batarya kartuşunu değiştirin.
	Ana güç anahtarı kapalı.	Yaklaşık 5 dakika kullanılmadığında zincir testere otomatik olarak kapanır. Ana güç anahtarını tekrar açın. Koruma sisteminin çalışması nedeniyle motor yaklaşık 5 dakika durduğunda zincir testere otomatik olarak kapatılır. Aletinizde düzeltici işlem yapın ve ardından ana güç anahtarını tekrar açın.
Testere zinciri çalışmıyor.	Zincir freni etkinleştirilmiş.	Zincir frenini serbest bırakın.
Kısa bir kullanımdan sonra motor duruyor.	Bataryanın şarj seviyesi düşük.	Batarya kartuşunu şarj edin. Şarj etmek işe yaramıyorsa, batarya kartuşunu değiştirin.
Zincirde hiç yağ yok.	Yağ tankı boş.	Yağ tankını doldurun.
	Yağ kılavuzu oluğu kirli.	Oluğu temizleyin.
	Yetersiz yağ iletimi.	Ayar vidası ile yağ iletim miktarını ayarlayın.
Zincir testere maksimum dev/dak oranına ulaşmıyor.	Batarya kartuşu düzgün takılmamış.	Batarya kartuşunu bu kılavuzda açıkladığı gibi takın.
	Bataryanın gücü düşüyor.	Batarya kartuşunu şarj edin. Şarj etmek işe yaramıyorsa, batarya kartuşunu değiştirin.
	Tahrik sistemi doğru işlemiyor.	Bölgenizdeki yetkili servis merkezinden tamir etmesini isteyin.
Ana güç lambası yeşil yanıp sönüyor.	Kullanımın mümkün olmadığı bir durumda anahtar tetik çekilmiş.	Ana güç anahtarını açtıktan ve zincir frenini serbest bıraktıktan sonra anahtar tetiği çekin.
Zincir freni etkinleştirilse bile zincir durmuyor: Aleti hemen durdurun!	Fren bandı aşınmış.	Bölgenizdeki yetkili servis merkezinden tamir etmesini isteyin.
Anormal titreşim: Aleti hemen durdurun!	Kılavuz çubuk veya testere zinciri gevşek.	Kılavuz çubuk ve testere zinciri gerilimini ayarlayın.
	Alet arızası.	Bölgenizdeki yetkili servis merkezinden tamir etmesini isteyin.
Testere zinciri takılamıyor.	Testere zinciri ve zincir dişlisi kombinasyonu hatalı.	Teknik özellikler kısmına bakarak doğru testere zinciri ve zincir dişlisi kombinasyonunu kullanın.

İSTEĞE BAĞLI AKSESUARLAR

⚠DİKKAT: Bu aksesuarlar ve ek parçalar bu el kitabında belirtilen Makita aletiniz ile kullanılmak için tavsiye edilmektedir. Herhangi başka bir aksesuar ya da ek parça kullanılması insanlar için bir yaralanma riski getirebilir. Aksesuarları ya da ek parçaları yalnızca belirtilmiş olan kullanım amaçlarına uygun olarak kullanın.

Bu aksesuarlarla ilgili daha fazla bilgiye ihtiyaç duyarsanız bulunduğunuz yerdeki yetkili Makita servisine başvurun.

- Testere zinciri
- Kılavuz çubuk

- Kılavuz çubuk kılıfı
- Zincir dişlisi
- Eğe
- Orijinal Makita batarya ve şarj aleti

⚠UYARI: Standart kılavuz çubuktan farklı uzunlukta bir kılavuz çubuk satın aldıysanız, onunla birlikte uygun bir kılavuz çubuk kılıfı da satın alın. Kılıf, zincir testere üzerindeki kılavuz çubuğa uymalı ve onu tamamen örtmelidir.

NOT: Listedeki parçaların bazıları alet paketi içerisinde standart aksesuar olarak dahil edilmiş olabilir. Bunlar ülkeden ülkeye farklılık gösterebilir.

Makita Europe N.V.

Jan-Baptist Vinkstraat 2, 3070 Kortenberg, Belgium

Makita Corporation

3-11-8, Sumiyoshi-cho, Anjo, Aichi 446-8502 Japan

www.makita.com



885A61-992
EN, FR, DE, IT, NL,
ES, PT, EL, TR
20240123