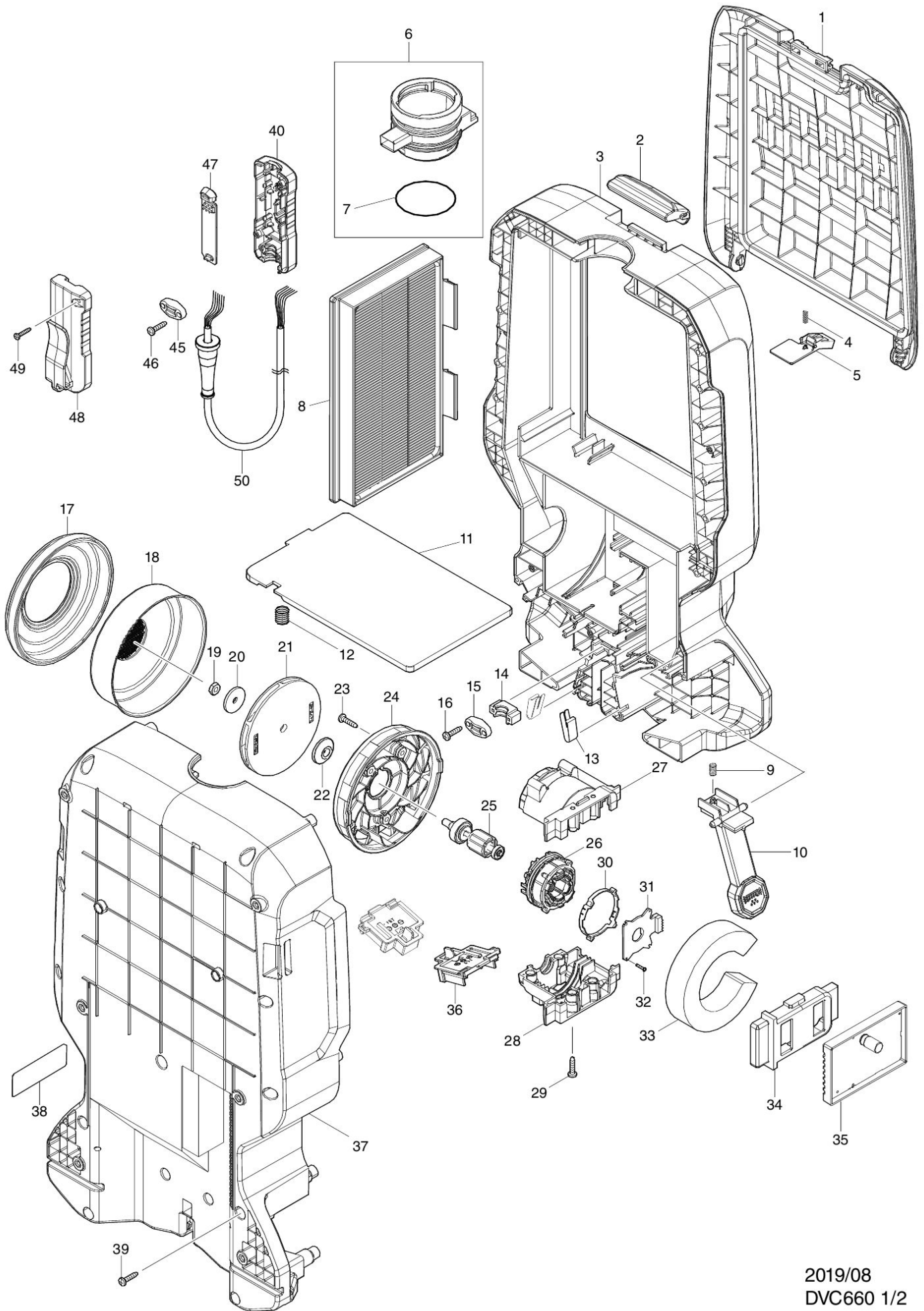


Partdrawing for DVC660Z - Machine



2019/08
DVC660 1/2