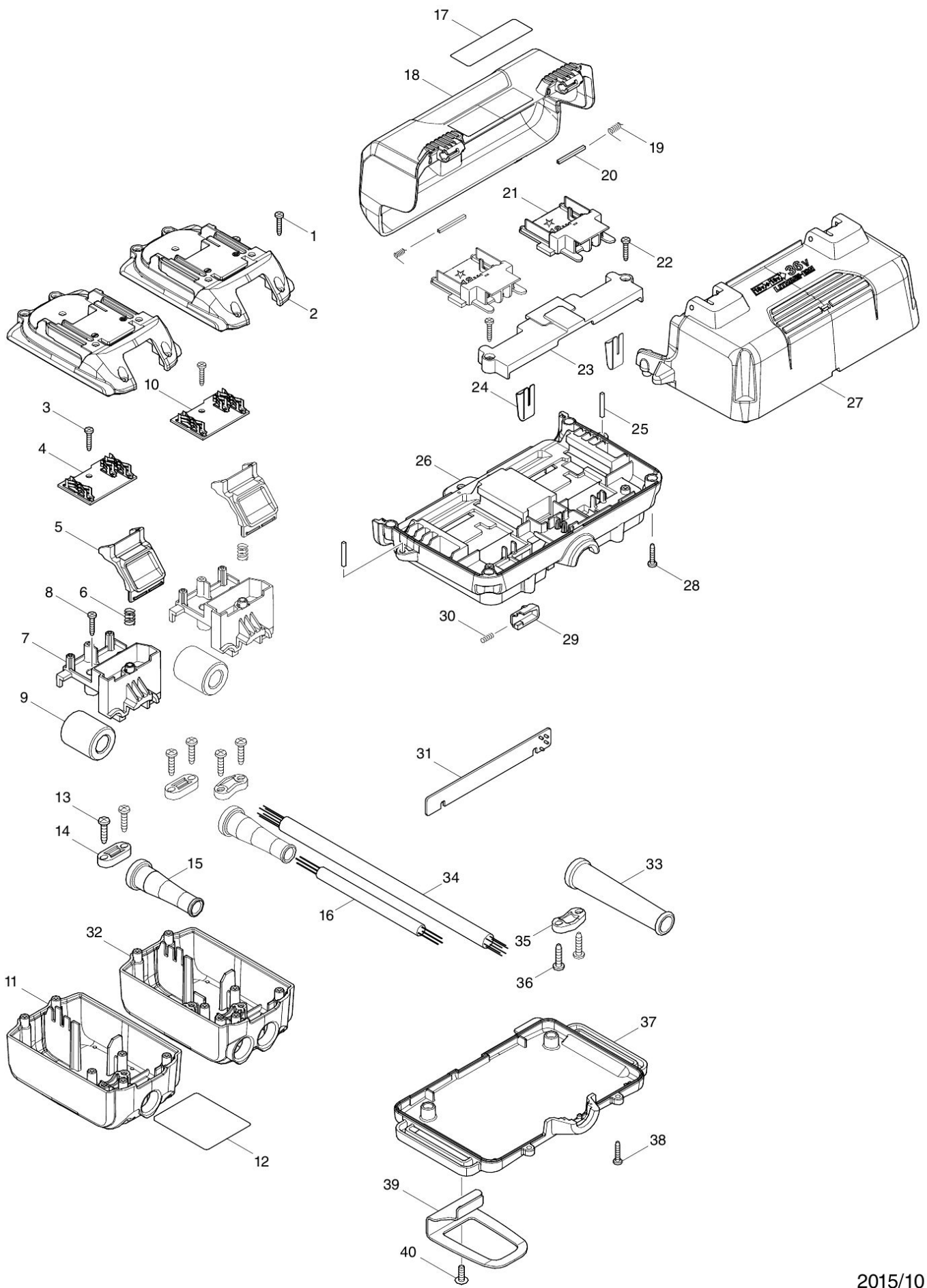


Partdrawing for 197580-6 - Draagadapter BAP182



2015/10
BAP182