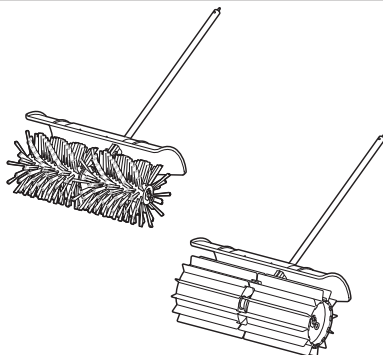




|             |  |                                     |     |
|-------------|--|-------------------------------------|-----|
| <b>EN</b>   | Power Brush Attachment /<br>Power Sweep Attachment   | ORIGINAL INSTRUCTION<br>MANUAL      | 2   |
| <b>FR</b>   | Outil Balai Brosse/Outil Balai Racleur   | INSTRUCTIONS D'EMPLOI               | 14  |
| <b>DE</b>   | Kehrbürstenaufsatz /<br>Kehrwalzenaufsatz  | ORIGINAL-<br>BETRIEBSANLEITUNG      | 26  |
| <b>IT</b>   | Accessorio spazzolone<br>rotativo a motore/<br>Accessorio rullo-spazzola a motore            | MANUALE DI ISTRUZIONI<br>ORIGINALE  | 39  |
| <b>NL</b>   | Borstelhulpstuk / Vegerhulpstuk  | ORIGINELE GEBRUIKSAANWIJZING        | 51  |
| <b>ES</b>   | Accesorio de Cepillado Motorizado /<br>Accesorio Barredor Motorizado                         | MANUAL DE<br>INSTRUCCIONES ORIGINAL | 63  |
| <b>PT</b>   | Implemento Escova para Varrer /<br>Implemento de Borracha para Varrer                        | MANUAL DE INSTRUÇÕES<br>ORIGINAL    | 75  |
| <b>DA</b>   | Tilbehør til motorbørste /<br>Tilbehør til motorfejmaskine                                   | OPRINDELIG<br>BRUGSANVISNING        | 87  |
| <b>EL</b>   | Προσάρτημα μηχανοκίνητης<br>βούρτσας /<br>Προσάρτημα μηχανοκίνητου<br>κυλίνδρου σκουπίσματος | ΠΡΩΤΟΤΥΠΟ ΕΓΧΕΙΡΙΔΙΟ<br>ΟΔΗΓΙΩΝ     | 99  |
| <b>TR</b>   | Tahrikli Fırça Ek Parçası /<br>Tahrikli Süpürge Ek Parçası                                   | ORİJİNAL KULLANIM<br>KILAVUZU       | 112 |
| <b>ZHTW</b> | 毛刷清掃器 / 地面掃除器  | 原始操作手冊                              | 124 |

**BR400MP**  
**SW400MP**



# SPECIFICATIONS

|  |                            |
|--|----------------------------|
| <b>Model:</b>                                      | <b>BR400MP</b>             |
| Dimensions: length x width x height (with brushes) | 1,145 mm x 600 mm x 362 mm |
| Net weight   | 6.3 kg                     |
| Brush width  | 600 mm                     |
| Outer diameter of the brush                        | 250 mm                     |

|  |                            |
|--|----------------------------|
| <b>Model:</b>  | <b>SW400MP</b>             |
| Dimensions: length x width x height (with sweep drums) | 1,159 mm x 600 mm x 362 mm |
| Net weight   | 7.2 kg                     |
| Sweep drum width                                       | 590 mm                     |
| Outer diameter of the sweep drum                       | 265 mm                     |

- Due to our continuing program of research and development, the specifications herein are subject to change without notice.
- Specifications may differ from country to country.

## Approved power unit





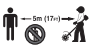


This attachment is approved to use only with the following power unit(s):

- DUX60, DUX18, UX01G Cordless Multi Function Power Head
- EX2650LH Multi Function Power Head

**⚠ WARNING: Never use the attachment with non-approved power unit. Non-approved combination may cause serious injury.**

## Symbols

The following symbols are used on the attachment and this instruction manual. Understand these definitions.

|  |   |
|--|---|
|   | Take Particular care and attention!   |
|  | Read instruction manual.  |
|  | Wear protective helmet, eye and ear protection!   |
|  | Wear sturdy boots with nonslip soles. Steeltoed safety boots are recommended!             |
|  | Keep bystanders at least 5 m (17 ft) away.  |
|  | The brushes or sweep drums rotate in the direction of the arrow.                          |
|  | When attaching the brushes or sweep drums, make sure that the gear case is facing upward. |

## Intended use

### BR400MP

This attachment is designed for only the purpose of sweeping ground and paths in conjunction with an approved power unit. Never use the attachment for other purposes. Abusing the attachment may cause serious injury. This attachment is intended for commercial use.

### SW400MP

This attachment is designed for only the purpose of clearing wet materials, such as leaves, dirt, and removing water from solid surfaces in conjunction with an approved power unit. Never use the attachment for other purposes. Abusing the attachment may cause serious injury. This attachment is intended for commercial use.

## Declarations of Conformity

### For European countries only

We as the manufacturers: **Makita Europe N.V.**, Business address: **Jan-Baptist Vinkstraat 2 3070 Kortenberg BELGIUM**. Authorize **Kazuhisa Makino** for the compilation of the technical file and declare under our sole responsibility that the product(s); Designation: **Power Brush Attachment / Power Sweep Attachment**. Designation of Type(s): **BR400MP / SW400MP**.

Fulfills all the relevant provisions of **2006/42/EC** and are manufactured in accordance with the following Harmonised Standards: **EN 60335-1:2012+A11:2014 +A13:2017+A1:2019+A14:2019+A2:2019+A15:2021, EN 60335-2-72:2012**.

Place and date of declaration: **Kortenberg, Belgium. 1. 8. 2023**

Responsible person: **Kazuhisa Makino, Director - Makita Europe N.V.**



## Declaration of Conformity (For UK)

### For UK only

We as the manufacturers: **Makita Europe N.V.**,  
Business address: **Jan-Baptist Vinkstraat 2 3070  
Kortenberg BELGIUM**. Authorize **Kazuhisa Makino**  
for the compilation of the technical file and declare  
under our sole responsibility that the product(s);  
Designation: **Power Brush Attachment / Power  
Sweep Attachment**. Designation of Type(s): **BR400MP  
/ SW400MP**.

Fulfills all the relevant provisions of **S.I. 2008/1597  
(as amended)** and are manufactured in accordance  
with the following Designated Standards: **EN  
60335-1:2012+A11:2014+A13:2017+A1:2019+A14:20  
19+A2:2019+A15:2021, EN 60335-2-72:2012**.

Place and date of declaration: **Kortenberg, Belgium.**

**1. 8. 2023**

Responsible person: **Kazuhisa Makino, Director -  
Makita Europe N.V.**

Importer: **Makita (UK) Limited, Michigan Drive,  
Tongwell, Milton Keynes, Buckinghamshire, MK15  
8JD, UK**



## SAFETY WARNINGS

### Power brush / power sweep safety warnings

**▲WARNING:** Read all safety warnings, instructions, illustrations and specifications provided with this machine as well as the instruction manual of the power unit before using. Failure to follow all instructions listed below may result in fire and/or serious injury to the operator and/or bystanders.

### Save all warnings and instructions for future reference.

The term "power brush / power sweep" and "machine" in the warnings and precautions refer to the combination of the attachment and the power unit.

The term "motor" in the warnings and precautions refers to the engine or electric motor of the power unit.

### General safety

1. **First-time or inexperienced operator should ask the dealer for training in all operation of the machine. Never allow children, persons with reduced physical, sensory or mental capabilities or lack of experience and knowledge or people unfamiliar with the instructions to use the machine. Children should be supervised to ensure that they do not play with the machine.**
2. **It is recommended only to lend the machine to people who have proven to be experienced. Always hand over the instruction manual.**

3. **Stay alert, watch what you are doing and use common sense when operating the machine. Do not use the machine while you are tired, ill, or under the influence of drugs, alcohol or medication. A moment of inattention while operating the machine may result in serious personal injury.**
4. **Avoid using the machine in bad weather conditions especially when there is a risk of lightning.**
5. **Follow your national and local regulation for use of outdoor power machines.**
6. **Never attempt to modify the machine.**
7. **Keep in mind that the operator or user is responsible for accidents or hazards occurring to other people or their property.**

### Work area safety

**▲WARNING:** Keep the power brush / power sweep away from electric lines and communication cables. Touching or approaching high-voltage lines with power brush / power sweep can result in death or serious injury. Watch power lines and electrical fences around the work area before starting operation.

1. **Operate the machine under good visibility and daylight conditions only. Do not operate the machine in darkness or fog.**
2. **Start and operate the engine only outdoors in a well ventilated area. Operation in a confined or poorly ventilated area can result in death due to suffocation or carbon monoxide poisoning.**
3. **Before operation, examine the work area for wire fences, stones, or other solid objects. They can damage the brushes or sweep drums.**
4. **During operation, never stand on an unstable or slippery surface or a steep slope. During the cold season, beware of ice and snow and always ensure secure footing.**
5. **Avoid working close to fences, stumps or root of trees. They can damage the brushes or sweep drums.**
6. **Avoid working close to buildings, cars and other properties. Stones and debris hit by the power brush / power sweep may damage them.**
7. **Cleaning the synthetic floor may generate static electricity, and there is a risk of electric shock or accidents.**

### Personal protective equipment

1. **Always wear heavy, long pants, sturdy boots, gloves, and a long-sleeve shirt. Do not wear loose clothing, jewelry, short pants, sandals, or go barefoot. Secure hair so it is above shoulder level.**
2. **Always wear protective goggles to protect your eyes from injury when using the machine. The goggles must comply with ANSI Z87.1 in the USA, EN 166 in Europe, or AS/NZS 1336 in Australia/New Zealand. In Australia/New Zealand, it is legally required to wear a face shield to protect your face, too.**



It is an employer's responsibility to enforce the use of appropriate safety protective equipments by the tool operators and by other persons in the immediate working area.

3. **Wear ear protection, such as ear muffs.**  
Exposure to noise can cause hearing loss.
4. **Always wear sturdy shoes with a non-slip sole.** This protects your feet against injuries and ensures a good footing.
5. **Wear a dust mask as necessary.**

## Refueling

1. **Stop the engine before refueling. Keep away from open flames and sparks. Never smoke during refueling.** Otherwise fire and/or explosion may result.
2. **Refuel outdoors.** Refueling in a closed room can cause explosion of fuel vapor.
3. **Avoid contact with fuel or engine oil. Do not inhale fuel vapor. If fuel or oil spills, wipe it off of the machine and/or ground immediately. If fuel spills on your clothes, change it immediately to prevent it from catching fire.**
4. **After refueling, carefully tighten the fuel tank cap and check for fuel leak. Move at least 3 m (10 feet) away from the fueling source and site before starting engine.**
5. **Only transport and store fuel in approved containers. Keep children away from the stored fuel.**

## Starting up the power brush / power sweep

1. **Before assembling or adjusting the machine, switch off the motor and remove the spark plug cap or the battery cartridge.**
2. **Before handling the brushes or sweep drums, wear protective gloves.**
3. **Wear the personal protective equipments before starting the motor.**
4. **Before starting the motor, inspect the machine for damages, loose screws/nuts or improper assembly. Check all control levers and switches for easy action. Clean and dry the handles.**
5. **Never attempt to start the motor if the machine is damaged or not fully assembled with proper guards, plates, or other safety protective devices.** Otherwise serious injury may result.

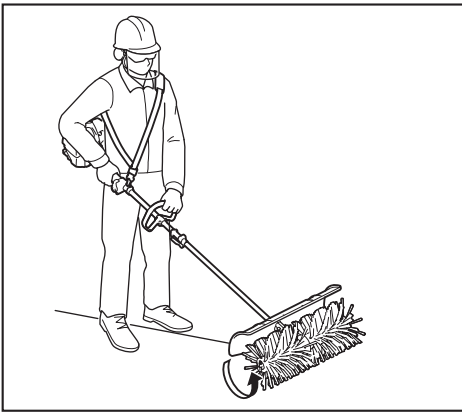
6. **Before starting the motor, carefully check that the brushes or sweep drums are not touching your body and other objects.** Starting the motor with the brushes or sweep drums contacting with foreign object can cause serious accident.
7. **Before starting the motor, make sure that there is no person or animal in the work area.**
8. **Adjust the shoulder harness and hand grip to suit the operator's body size.**
9. **Replace the brushes or sweep drums if they are cracked, bent, or damaged.** Damaged brushes or sweep drums may shatter during operation and cause serious injury.
10. **Start and operate the machine only outdoors in a well ventilated area.** Operation in a confined or poorly ventilated area can result in death due to suffocation or carbon monoxide poisoning.
11. **When starting the engine, place the machine on firm ground and then maintain good balance and secure footing.**
12. **When pulling the starter knob of the engine, hold the power unit firmly against the ground by your left hand. Never step on the drive shaft of the power unit.**
13. **If the brushes or sweep drums rotate at idle, stop the engine and adjust the idle speed down.** Otherwise unintentional contact with moving brushes or sweep drums may result in serious injury.
14. **Stop the motor immediately if you notice any trouble.**
15. **Follow the instruction manual of the power unit for starting the motor.**

## Transportation

1. **Stop the motor during transportation.** Otherwise unintentional start-up may cause injury.
2. **Ensure safe position of the machine during car transportation to avoid fuel leakage.**
3. **Lift the entire machine from the ground when carrying the machine.** Dragging the machine causes fuel tank damage and fuel leakage, resulting in fire.
4. **When transporting the equipment, carry it in a horizontal position by holding the shaft. Keep the hot muffler away from your body.**

## Operation

1. **During operation, keep bystanders or animals at least 5 m (17 ft) away from the power brush / power sweep. Stop the motor as soon as someone approaches.**
2. **In the event of an emergency, switch off the motor immediately.**
3. **If you feel any unusual condition (e.g. noise, vibration) during operation, switch off the motor. Do not use the machine until the cause is recognized and solved.**
4. **With the engine running only at idle, attach the shoulder harness.**
5. **During operation, use the shoulder harness. Keep the machine on your right side firmly.**



6. **Hold the front handle with the left hand and the rear grip with the right hand, no matter you are right-hander or left-hander. Wrap your fingers and thumbs around the handles.**
7. **Never attempt to operate the machine with one hand. Loss of control may result in serious or fatal injury. To reduce the risk of injuries, keep your hands and feet away from the brushes or sweep drums.**
8. **When operating, do not raise the brushes or sweep drums above waist height.**
9. **The brushes or sweep drums continue to move for a short period after releasing the throttle trigger or switching off the motor. Don't rush to contact the brushes or sweep drums.**
10. **Do not overreach. Keep proper footing and balance at all times. Watch for hidden obstacles such as tree stumps, roots and ditches to avoid stumbling.**
11. **Use extreme caution when reversing the brush or sweep drum rotation or pulling the machine toward you. If the power unit has reverse rotation function, do not use it more than necessary. When operated in reverse rotation, the power brush / power sweep will pull you if the brushes or sweep drums are on the ground.**
12. **Do not overload the machine capacity by attempting to push too hard at too fast a rate. The machine will do better work when used with proper load and there is less likelihood of a risk of injury.**
13. **Do not accelerate the motor with the brushes or sweep drums blocked. It increases the load and will damage the machine.**
14. **If the machine gets heavy impact or fall, check the condition before continuing work. Check the fuel system for fuel leakage and the controls and safety devices for malfunction. If there is any damage or doubt, ask our authorized service center for the inspection and repair.**
15. **Do not touch the gear case. The gear case becomes hot during operation.**
16. **Take a rest to prevent loss of control caused by fatigue. We recommend to take a 10 to 20-minute rest every hour.**
17. **When you leave the machine, even if it is a short time, always switch off the engine or remove the battery cartridge. The machine unattended with the engine running may be used by unauthorized person and cause serious accident.**

18. **Follow the instruction manual of the power unit for proper use of the control lever and switch.**
19. **During or after operation, do not put the hot machine onto dry grass or combustible materials.**
20. **If the brushes or sweep drums catch foreign objects, switch off the motor and remove the spark plug cap or battery cartridge, and then remove the obstructions.**
21. **Keep your hands and feet clear of the brushes or sweep drums. Contacting the brushes or sweep drums can result in serious injury. When handling the brushes or sweep drums, stop the motor and remove the spark plug cap or battery cartridge.**
22. **Check the brushes or sweep drums frequently during operation for cracks or damages.**
23. **Always switch off the engine or remove the battery cartridge when removing debris or foreign objects from the brushes or sweep drums.**
24. **Refer to the instruction manual of the power unit for how to start and control the machine.**

## Vibration

Exposing to excessive vibration injures blood vessels or nervous system of the operator and causes the following symptoms in the fingers, hands or wrists: "Falling asleep" (numbness), tingling, pain, stabbing sensation, alteration of skin color or of the skin. If any of these symptoms occur, see a physician.

To reduce the risk of "white finger disease", keep your hands warm during operation and well maintain the machine and accessories.

## Maintenance

1. **Before doing any maintenance or repair work or cleaning the machine, always switch off the motor and remove the spark plug cap or the battery cartridge. Wait until the motor gets cold.**
2. **To reduce the risk of fire, never service the equipment in the vicinity of fire.**
3. **Always wear protective gloves when handling the brushes or sweep drums.**
4. **Always clean dust and dirt off the equipment. Never use gasoline, benzine, thinner, alcohol or the like for the purpose. Discoloration, deformation or cracks of the plastic components may result.**
5. **After each use, tighten all screws and nuts, except for the carburetor adjustment screws.**
6. **Replace the brushes or sweep drums if they are damaged.**
7. **Do not attempt any maintenance or repair not described in this booklet or the instruction manual of the power unit. Ask our authorized service center for such work.**
8. **Follow instructions for lubricating and changing accessories.**
9. **Always use the genuine spare parts and accessories only. Using parts or accessories supplied by a third party may result in the equipment breakdown, property damage and/or serious injury.**
10. **Request our authorized service center to inspect and maintain the machine at regular interval.**

## Storage

1. Before storing the machine, perform full cleaning and maintenance. Remove the spark plug cap or the battery cartridge. Drain the fuel after the engine gets cold.
2. Store the equipment in a dry and high or locked location out of reach of children.
3. Do not prop the equipment against something, such as a wall. Otherwise it may fall suddenly and cause an injury.

## First Aid

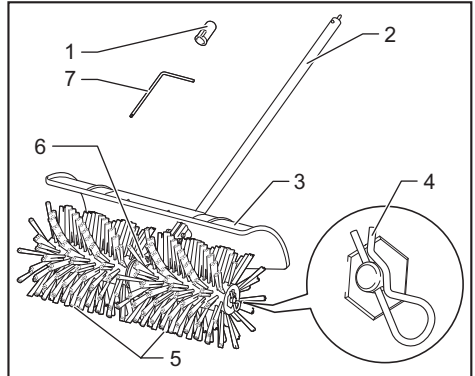
1. In case of accident make sure that a first-aid box is available in the vicinity of the operations. Immediately replace any item taken from the first aid box.
2. When asking for help, give the following information:
  - Place of accident
  - What happened
  - Number of injured persons
  - Kind of injuries
  - Your name

## SAVE THESE INSTRUCTIONS.

**⚠WARNING:** Use of this product can create dust containing chemicals which may cause respiratory or other illnesses. Some examples of these chemicals are compounds found in pesticides, insecticides, fertilizers and herbicides. Your risk from these exposures varies, depending on how often you do this type of work. To reduce your exposure to these chemicals: work in a well ventilated area, and work with approved safety equipment, such as those dust masks that are specially designed to filter out microscopic particles.

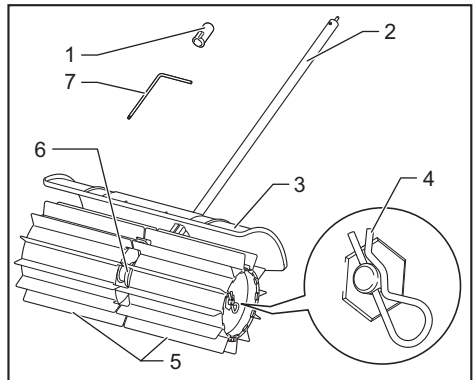
## PARTS DESCRIPTION

### Power brush attachment



- 1. Cap 2. Pipe 3. Protector 4. Clip 5. Brush 6. Gear case 7. Hexalobular wrench

### Power sweep attachment



- 1. Cap 2. Pipe 3. Protector 4. Clip 5. Sweep drum 6. Gear case 7. Hexalobular wrench

# ASSEMBLY

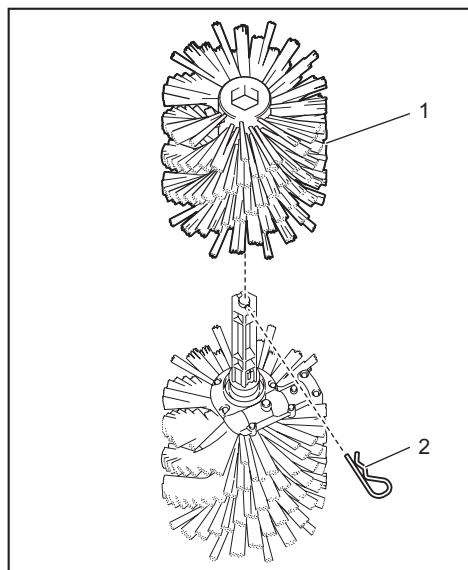
**⚠ WARNING:** Before assembling or adjusting the equipment, switch off the motor or engine and remove the spark plug cap or battery cartridge. Otherwise the brushes, drums, or other parts may move and result in serious injury.

**⚠ WARNING:** When assembling or adjusting the equipment, always put it down. Assembling or adjusting the equipment in an upright position may result in serious injury.

**⚠ WARNING:** Follow the warnings and precautions in the chapter "SAFETY WARNINGS" and the instruction manual of the power unit.

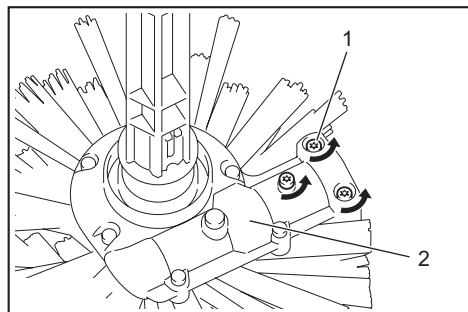
## Assembling the attachment

1. Remove the clip from the brush or sweep drum on the left side of the brush unit or sweep drum unit, and then remove the brush or sweep drum.



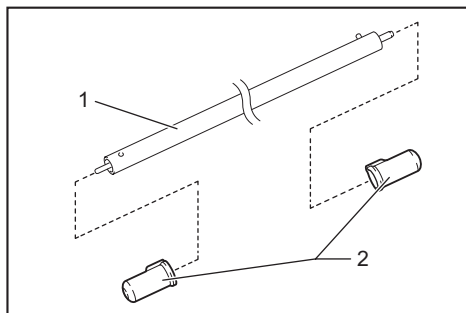
- 1. Brush 2. Clip

2. Loosen 3 screws on the gear case.



- 1. Screw 2. Gear case

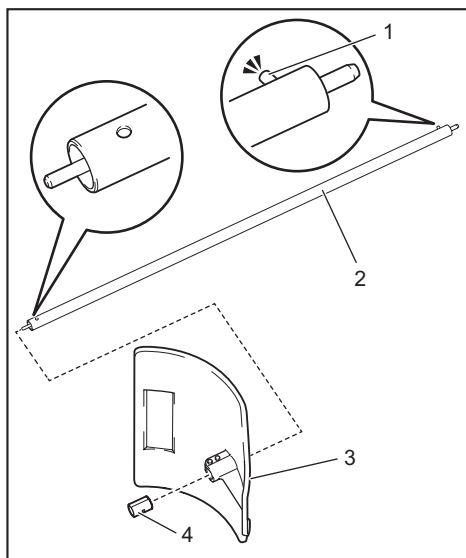
3. Remove 2 caps from both ends of the pipe.



- 1. Pipe 2. Cap

**NOTICE:** Do not dispose of the caps since the cap is necessary for storing the attachment.

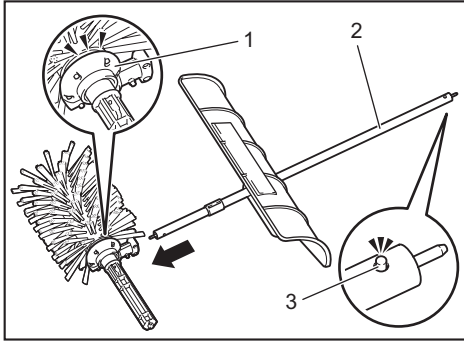
4. Attach the protector and the sleeve to the pipe.



- 1. Pin 2. Pipe 3. Protector 4. Sleeve

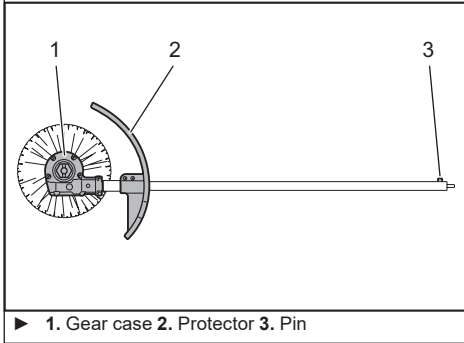
**NOTICE:** Be sure to insert the end of the pipe without the pin into the protector and the sleeve.

5. Make sure that the gear case and the pin on the pipe are facing up, and then insert the pipe into the gear case.



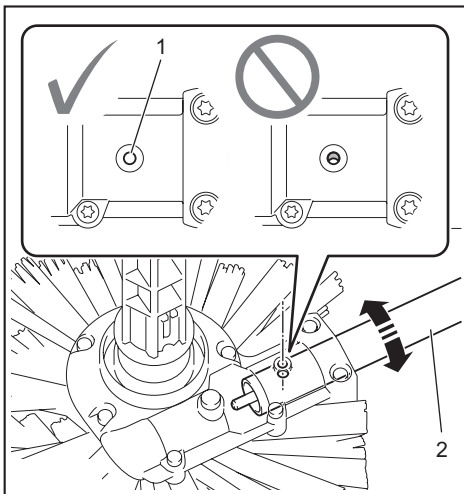
► 1. Gear case 2. Pipe 3. Pin

**NOTICE:** Make sure that the gear case and the pin on the pipe are facing up, and the protector is attached in the direction shown in the figure.



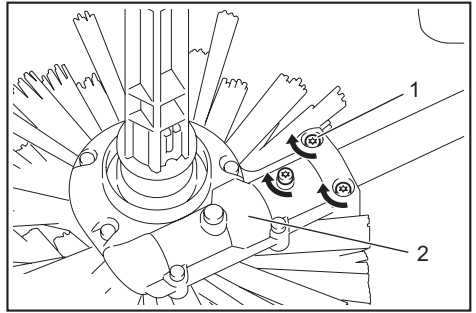
► 1. Gear case 2. Protector 3. Pin

6. Align the screw hole on the pipe with the hole on the gear case by rotating the pipe.



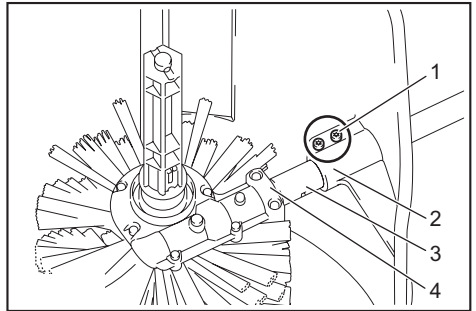
► 1. Hole 2. Pipe

7. Tighten 3 screws on the gear case.



► 1. Screw 2. Gear case

8. Tighten 2 screws on the protector.



► 1. Screw 2. Protector 3. Sleeve 4. Gear case

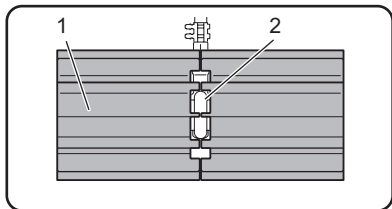
**NOTICE:** Make sure that there is no gap between the gear case and the sleeve, and the sleeve and the protector.



9. Attach the brush or sweep drum to the brush unit or sweep drum unit, and then attach the clip to the brush or sweep drum.

**NOTICE:** When attaching the brushes, be sure to attach them with the Makita logo facing outside.

**NOTICE:** When attaching the sweep drums, be sure to attach them in the direction shown in the figure, so that the sweep drums and the gear case mesh with each other.



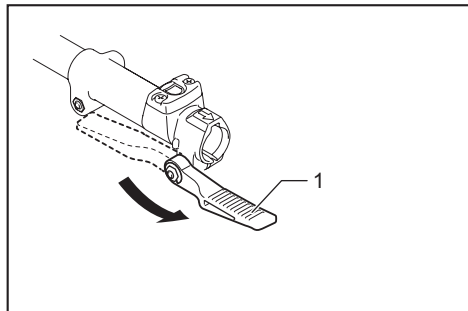
► 1. Sweep drum 2. Gear case

## Mounting the attachment pipe

**CAUTION:** Always check that the attachment pipe is secured after installation. Improper installation may cause the attachment falling off from the power unit and cause personal injury.

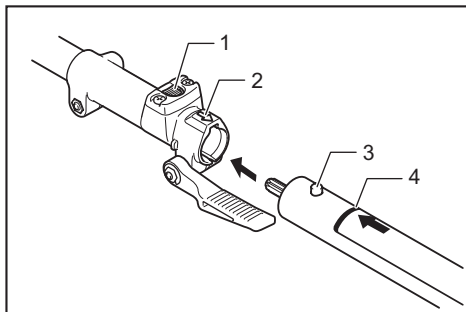
Mount the attachment pipe to the power unit.

1. Turn the lever toward the attachment.



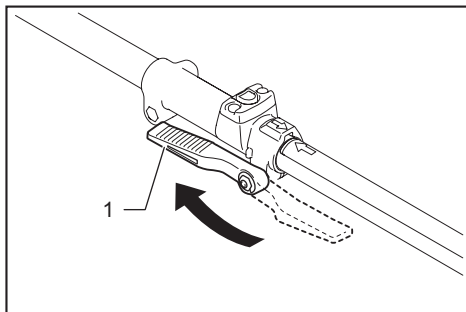
► 1. Lever

2. Align the pin with the arrow mark. Insert the attachment pipe until the release button pops up. Make sure that the position line is on the tip of the arrow mark.



► 1. Release button 2. Arrow mark 3. Pin 4. Position line

3. Turn the lever toward the power unit.

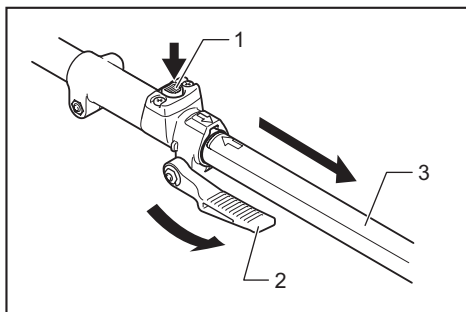


► 1. Lever

Make sure that the surface of the lever is parallel to the pipe.

**NOTICE:** Do not tighten the lever without the attachment pipe inserted. Otherwise the lever may tighten the entrance of the drive shaft too much and damage it.

To remove the pipe, turn the lever toward the attachment and pull the pipe out while pressing down the release button.



► 1. Release button 2. Lever 3. Pipe

## OPERATION

**⚠WARNING:** Follow the warnings and precautions in the chapter “SAFETY WARNINGS” and the instruction manual of the power unit.

**⚠WARNING:** Adjust the hanger position and shoulder harness to your comfortable position before operating.

**⚠WARNING:** Wear dust mask and well ventilate the work area. Some material contains chemicals which may be toxic. Take caution to prevent dust inhalation and skin contact.

**⚠CAUTION:** Before operation, remove hard and/or long objects such as stones, cans, and ropes from the working area. They may damage the brushes or sweep drums or hinder the rotation of the brushes or sweep drums.

If the surface to be cleaned is dry, spray it with water to reduce the dust. Hold the power brush / power sweep at a shallow angle, and push the power brush / power sweep at walking speed.



**⚠CAUTION:** The steeper the angle becomes, the more difficult it is to control the power brush / power sweep, and the more likely you are pushed back by the power brush / power sweep.

## MAINTENANCE

**⚠WARNING:** Before inspecting or maintaining the equipment, switch off the motor and remove the spark plug cap or battery cartridge. Otherwise the brush, sweep drum, or other parts may move and result in serious injury.

**⚠WARNING:** When inspecting or maintaining the equipment, always put it down. Assembling or adjusting the equipment in an upright position may result in serious injury.

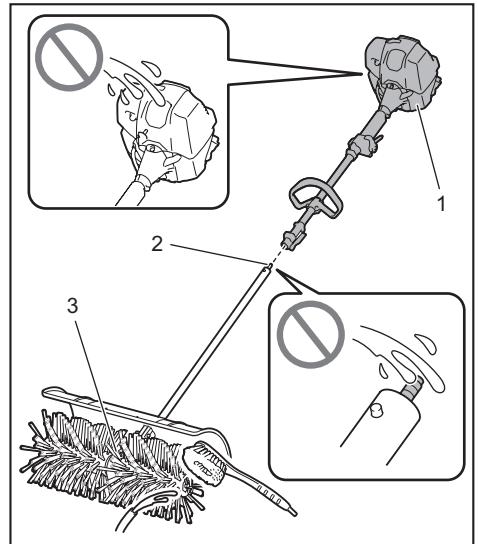
**⚠WARNING:** Follow the warnings and precautions in the chapter “SAFETY WARNINGS” and the instruction manual of the power unit.

**NOTICE:** Never use gasoline, benzine, thinner, alcohol or the like. Discoloration, deformation or cracks may result.

To maintain product SAFETY and RELIABILITY, repairs, any other maintenance or adjustment should be performed by Makita Authorized or Factory Service Centers, always using Makita replacement parts.

### Cleaning the attachment

The attachment can be washed with water. Use a nylon brush or the similar to wash off dirt.



► 1. Power unit 2. Pipe end 3. Gear case

**NOTICE:** Do not pour water over the power unit and pipe end. It may cause a malfunction of the attachment.

For ease of cleaning, you can remove the brush or sweep drum from the brush unit or sweep drum unit. Refer to the instructions for replacing the brushes or sweep drums in this manual.

## Overall inspection

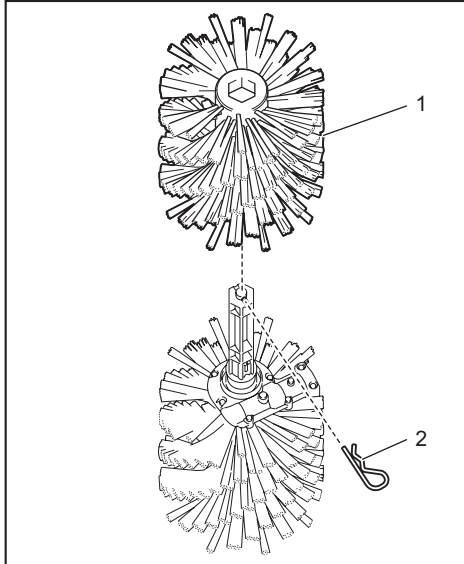
- Tighten loose bolts, nuts and screws.
- Check for damaged parts, brushes, or sweep drums. Ask our authorized service center to replace them if necessary.

## Inspecting the brushes, sweep drums, and protector

Check and clean the brushes, sweep drums, and protector daily. If they are worn, bent and cracked, replace them.

## Replacing the brushes or sweep drums

1. Remove the clips from the brushes or sweep drums, and then remove the brushes or sweep drums.

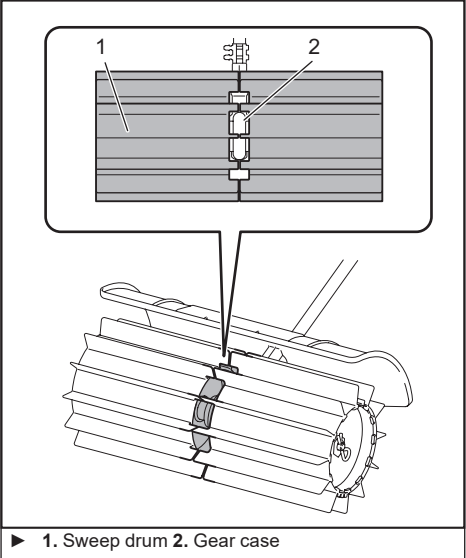


- 1. Brush 2. Clip

2. Attach the brushes or sweep drums to the brush unit or sweep drum unit, and then attach the clips.

**NOTICE:** When attaching the brushes, be sure to attach them with the Makita logo facing outside.

**NOTICE:** When attaching the sweep drums, be sure to attach them in the direction shown in the figure, so that the sweep drums and the gear case mesh with each other.



- 1. Sweep drum 2. Gear case

## Lubricating moving parts

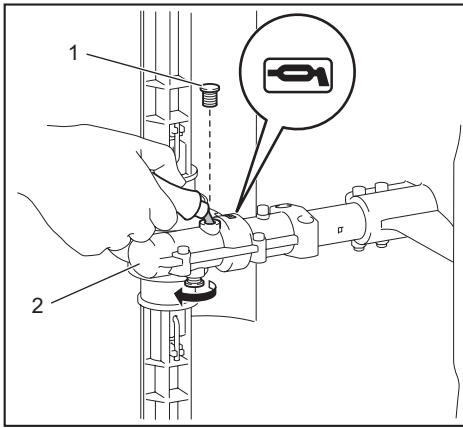
**NOTICE:** Follow the instruction of the frequency and amount of grease supplied. Otherwise insufficient lubrication may damage moving parts.

### Gear case:

**CAUTION:** Do not apply grease when the gear case is hot. Hot gear case can cause burn injury.

Fill approx. 30 ml of grease (Makita grease SG No.0) through the grease port evenly every 25 hours of operation.

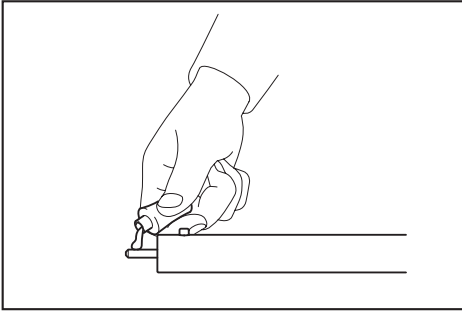
With the supplied hexalobular wrench, remove the bolt near the lubrication marking on the gear case. Loosen the bolt on the other side so that the air in the gear case can be released when applying the grease. After applying the grease, be sure to tighten the bolts.



► 1. Bolt 2. Gear case

### Drive axle:

Apply grease (Makita grease SG No.0) every 25 hours of operation.

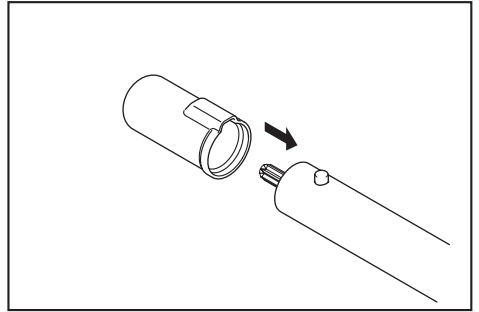


**NOTE:** Genuine Makita grease may be purchased from your local Makita dealer.

### Storage

**⚠ WARNING:** Follow the warnings and precautions in the chapter “SAFETY WARNINGS” and the instruction manual of the power unit.

When storing the attachment separated from the power unit, put the cap onto the end of the shaft.



### Interval of inspection and maintenance

| Operating hour                      |   | Before Operation | Daily (10h) | 25h |
|-------------------------------------|---|------------------|-------------|-----|
| Whole unit                          | Visually inspect for damaged parts                | ✓                | -           | -   |
| All fixing screws and nuts          | Tighten   | ✓                | -           | -   |
| Brushes, sweep drums, and protector | Clean and visually inspect for damaged parts      | -                | ✓           | -   |
| Gear case                           | Supply grease                                     | -                | -           | ✓   |
| Drive axle                          | Supply grease                                     | -                | -           | ✓   |
| Power unit                          | Refer to the instruction manual of the power unit |                  |             |     |

# TROUBLESHOOTING

Before asking for repairs, conduct your own inspection first. If you find a problem that is not explained in the manual, do not attempt to dismantle the machine. Instead, ask Makita Authorized Service Centers, always using Makita replacement parts for repairs.

| State of abnormality   | Probable cause (malfunction)   | Remedy  |
|--|--|---|
| Motor or engine does not start.  | -  | Refer to the instruction manual of the power unit.  |
| Motor or engine stops soon.  | -  | Refer to the instruction manual of the power unit.  |
| Motor or engine speed does not increase.   | -  | Refer to the instruction manual of the power unit.  |
| Brushes or sweep drums do not rotate.<br>⇒ Stop the motor or engine immediately.   | The pipes of the power unit and the attachment are not connected properly. | Connect the pipes in the correct way.   |
|  | Brushes or sweep drums caught a foreign matter.                            | Remove the foreign matter.  |
|  | Abnormal drive system  | Contact an authorized service center for repairs.   |
| Power unit vibrates abnormally.<br>⇒ Stop the motor or engine immediately.   | Brushes or sweep drums are bent or broken.                                 | Replace the brushes or sweep drums.   |
|  | Loose attachment of the brushes or sweep drums                             | Attach the clips for the brushes or sweep drums securely.   |
|  | Irregular attachment of the brushes or sweep drums                         | Install the brushes or sweep drums in the correct way.  |
|  | Abnormal drive system  | Contact an authorized service center for repairs.   |
| Brushes or sweep drums continue to rotate even if the switch trigger/lever is released.<br>⇒ Stop the motor or engine immediately. | The power unit does not work properly.                                     | Adjust the idle speed if the power unit is engine-operated. Contact an authorized service center for repairs. |

## SPÉCIFICATIONS

|  |                            |
|--|----------------------------|
| <b>Modèle :</b>  | <b>BR400MP</b>             |
| Dimensions : longueur x largeur x hauteur (brosses incluses) | 1 145 mm x 600 mm x 362 mm |
| Poids net  | 6,3 kg                     |
| Largeur de la brosse   | 600 mm                     |
| Diamètre externe de la brosse                                | 250 mm                     |

|  |                            |
|--|----------------------------|
| <b>Modèle :</b>  | <b>SW400MP</b>             |
| Dimensions : longueur x largeur x hauteur (rouleaux racleurs inclus) | 1 159 mm x 600 mm x 362 mm |
| Poids net  | 7,2 kg                     |
| Largeur du rouleau racleur   | 590 mm                     |
| Diamètre externe du rouleau racleur                                  | 265 mm                     |

- Étant donné l'évolution constante de notre programme de recherche et de développement, les spécifications contenues dans ce manuel sont sujettes à modification sans préavis.
- Les spécifications peuvent varier suivant les pays.

### Unité motorisée approuvée








Cet accessoire est approuvé pour être utilisé avec le ou les unités motorisées suivantes :

- Moteur Multi-Fonctions Sans Fil DUX60, DUX18, UX01G
- Moteur multi-fonctions EX2650LH

**⚠ AVERTISSEMENT : Ne jamais utiliser l'accessoire avec une unité motorisée non approuvée. Une combinaison non approuvée peut provoquer de graves blessures.**

### Symboles

Les symboles suivants sont utilisés sur l'accessoire et dans ce manuel d'instructions. Ces définitions doivent être comprises.

|  |   |
|--|---|
|  | Redoubler de précaution et d'attention !  |
|  | Lire le mode d'emploi.  |
|  | Porter un casque de sécurité, des lunettes de protection et un serre-tête antibruit !                                     |
|  | Portez des bottes robustes à semelles antidérapantes. Il est conseillé de porter des chaussures avec embout de sécurité.  |
|  | Éloignez les badauds d'au moins 5 m.  |
|  | Les brosses ou les rouleaux racleurs tournent dans le sens de la flèche.  |
|  | Lorsque vous fixez les brosses ou les rouleaux racleurs, assurez-vous que le boîtier d'engrenage est tourné vers le haut. |

### Utilisations

#### BR400MP

Cet accessoire est conçu uniquement pour balayer le sol et les chemins en association avec un outil motorisé approuvé. N'utilisez jamais l'accessoire à toutes autres fins. Une mauvaise utilisation de l'accessoire peut entraîner de graves blessures. Cet accessoire est conçu pour un usage commercial.

#### SW400MP

Cet accessoire est conçu uniquement pour dégager les matières humides comme les feuilles, la saleté et retirer l'eau de surfaces solides en association avec un outil motorisé approuvé. N'utilisez jamais l'accessoire à toutes autres fins. Une mauvaise utilisation de l'accessoire peut entraîner de graves blessures. Cet accessoire est conçu pour un usage commercial.

### Déclarations de conformité

#### Pour les pays européens uniquement

Nous, fabricants : **Makita Europe N.V.**, adresse commerciale : **Jan-Baptist Vinkstraat 2 3070 Kortenberg BELGIQUE**. Autorisons **Kazuhisa Makino** pour la compilation du fichier technique et déclarons sous notre seule responsabilité que le ou les produits ; Désignation : **Outil Balai Brosse/Outil Balai Racleur**. Désignation du ou des types : **BR400MP /SW400MP**. Satisfait toutes les dispositions pertinentes de **2006/42/CE** et est fabriqué conformément aux normes standardisées suivantes : **EN 60335-1:2012+A11:2014+A13:2017+A1:2019+A14:2019+A2:2019+A15:2021, EN 60335-2-72:2012**.

Lieu et date de déclaration : **Kortenberg, Belgique. 1. 8. 2023**  
 Personne responsable : **Kazuhisa Makino, Directeur - Makita Europe N.V.**



# CONSIGNES DE SÉCURITÉ

## Consignes de sécurité pour balai brosse/balai racleur

**⚠️ AVERTISSEMENT :** Lisez toutes les consignes de sécurité, instructions, illustrations et spécifications accompagnant cette machine ainsi que le mode d'emploi de l'outil motorisé avant utilisation. Le non-respect de toutes les instructions indiquées ci-dessous peut entraîner un incendie et/ou de graves blessures pour l'opérateur et/ou les badauds.

## Garder tous les avertissements et instructions pour consultation ultérieure.

Les termes « balai brosse/balai racleur » et « machine » dans les avertissements et les précautions se rapportent à la combinaison de l'accessoire et de l'outil motorisé.

Le terme « moteur » dans les avertissements et les précautions se rapporte au moteur thermique ou électrique de l'unité motorisée.

## Consignes générales de sécurité

1. Les utilisateurs novices ou inexpérimentés doivent solliciter au revendeur une formation sur toutes les utilisations de cette machine. Ne laissez jamais les enfants, les personnes aux capacités physiques, sensorielles ou mentales réduites, qui manquent d'expérience ou de connaissances, ou les personnes qui ne sont pas familiarisées avec ces instructions utiliser la machine. Les enfants doivent être sous la surveillance d'un adulte afin de s'assurer qu'ils ne jouent pas avec la machine.
2. Il est conseillé de ne prêter la machine qu'aux personnes ayant déjà une certaine expérience. Remettez toujours le manuel d'instructions.
3. Restez vigilant, surveillez vos gestes et faites preuve de bon sens lorsque vous utilisez la machine. N'utilisez pas la machine lorsque vous êtes fatigué, malade ou sous l'emprise de drogues, d'alcool ou de médicaments. Un moment d'inattention durant l'utilisation de la machine peut entraîner de graves blessures corporelles.
4. Évitez d'utiliser la machine dans de mauvaises conditions climatiques, notamment en cas de risque de foudre.
5. Suivez votre réglementation nationale et locale relative à l'utilisation des machines motorisées pour usage extérieur.
6. N'essayez jamais de modifier la machine.
7. Gardez à l'esprit que l'opérateur ou l'utilisateur est responsable des accidents ou risques encourus par les personnes ou leur propriété.

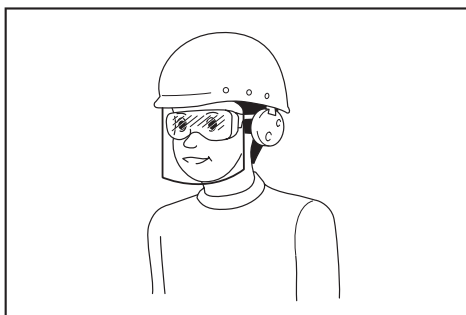
## Sécurité de l'aire de travail

**⚠️ AVERTISSEMENT :** Tenez le balai brosse/balai racleur à l'écart des lignes électriques et des câbles de communication. Le contact du balai brosse/balai racleur ou la proximité avec des lignes haute tension peut provoquer des blessures graves, voire mortelles. Surveillez les lignes haute tension et les clôtures électriques autour de l'aire de travail avant de mettre en marche l'outil.

1. Utilisez uniquement la machine si vous avez une bonne visibilité et à la lumière du jour. N'utilisez pas la machine dans l'obscurité ou le brouillard.
2. Ne démarrez et ne faites tourner le moteur qu'à l'extérieur dans un endroit bien aéré. Faire fonctionner l'outil dans un endroit confiné ou mal aéré peut entraîner la mort par asphyxie ou empoisonnement au monoxyde de carbone.
3. Avant toute utilisation, examinez l'aire de travail pour vous assurer qu'elle ne présente pas de fils barbelés, pierres ou d'autres objets durs. Ils peuvent endommager les brosses ou les rouleaux racleurs.
4. Pendant le fonctionnement, ne vous tenez jamais sur une surface instable ou glissante ou sur une pente abrupte. En hiver, faites attention au verglas et à la neige et assurez-vous toujours d'avoir une bonne assise.
5. Évitez de travailler près de clôtures, souches ou racines d'arbre. Elles peuvent endommager les brosses ou les rouleaux racleurs.
6. Évitez de travailler près de bâtiments, voitures et autres propriétés. Les pierres et les débris frappés par le balai brosse/balai racleur peuvent les endommager.
7. Le nettoyage de sols synthétiques peut générer de l'électricité statique, ce qui présente un risque d'électrocution ou d'accidents.

## Équipement de protection individuelle

1. Portez toujours un pantalon robuste et long, des chaussures solides, des gants et une chemise à manches longues. Ne portez pas de vêtements amples, de bijoux, de shorts, de sandales et ne marchez pas pieds nus. Veillez à ce que vos cheveux ne descendent pas au-dessous des épaules.
2. Pour protéger vos yeux des blessures lorsque vous utilisez la machine, portez toujours des lunettes de protection. Les lunettes de protection doivent être conformes à ANSI Z87.1 aux États-Unis, EN 166 en Europe ou AS/NZS 1336 en Australie/Nouvelle-Zélande. En Australie/Nouvelle-Zélande, il est également obligatoire de porter un écran facial pour protéger votre visage.



Il est de la responsabilité de l'employeur d'imposer l'utilisation d'équipements de sécurité adaptés aux opérateurs d'outils et aux autres personnes situées à proximité immédiate de la zone de travail.

3. **Portez une protection auditive, comme un serre-tête antibruit.** L'exposition au bruit peut entraîner une perte auditive.
4. **Portez toujours des chaussures robustes à semelles antidérapantes.** Elles protégeront vos pieds des blessures et garantiront un bon appui.
5. **Portez un masque anti-poussière au besoin.**

## Plein de carburant

1. **Coupez le moteur avant de faire le plein. Tenez-vous à l'écart des flammes nues et des étincelles. Ne fumez jamais pendant que vous faites le plein.** Vous risqueriez de déclencher un incendie et/ou une explosion.
2. **Faites le plein à l'air libre.** Faire le plein dans une pièce fermée peut provoquer l'explosion des vapeurs de carburant.
3. **Évitez tout contact avec le carburant ou l'huile pour moteur. N'inhalez pas les vapeurs de carburant.** En cas de déversement de carburant ou d'huile, essuyez immédiatement la machine et/ou le sol. **Changez-vous immédiatement en cas de déversement de carburant sur vos vêtements, afin d'éviter qu'ils ne prennent feu.**
4. **Après avoir fait le plein, serrez soigneusement le bouchon du réservoir de carburant et vérifiez qu'il ne fuit pas.** Avant de démarrer le moteur, écartez-vous d'au moins 3 m de la source d'approvisionnement en carburant et du site d'approvisionnement.
5. **Ne transportez et ne stockez le carburant que dans des conteneurs homologués. Maintenez les enfants à l'écart du carburant stocké.**

## Démarrage du balai brosse/balai racleur

1. **Avant d'assembler ou de régler la machine, coupez le moteur et retirez le capuchon de la bougie d'allumage ou la batterie.**
2. **Avant de manipuler les brosses ou les rouleaux racleurs, mettez des gants de protection.**
3. **Mettez l'équipement de protection individuelle avant de démarrer le moteur.**
4. **Avant de démarrer le moteur, inspectez la machine pour vous assurer qu'elle n'est pas endommagée, mal assemblée ou que les vis/écrous sont desserrés. Vérifiez que tous les leviers de commande et les interrupteurs fonctionnent sans problème. Nettoyez et séchez les poignées.**

5. **N'essayez jamais de démarrer le moteur si la machine est endommagée ou pas entièrement assemblée avec les carters de protection, plaques ou autres dispositifs de sécurité adéquats.** Sinon, vous pourriez gravement vous blesser.
6. **Avant de démarrer le moteur, vérifiez soigneusement que les brosses ou les rouleaux racleurs ne touchent pas votre corps ou d'autres objets.** Démarrer le moteur avec les brosses ou les rouleaux racleurs en contact avec un corps étranger présente un risque d'accident grave.
7. **Avant de démarrer le moteur, assurez-vous qu'il n'y a pas de personne ou d'animal dans l'aire de travail.**
8. **Réglez la bandoulière et la poignée selon la corpulence de l'opérateur.**
9. **Remplacez les brosses ou les rouleaux racleurs s'ils sont fissurés, tordus ou abîmés.** Des brosses ou des rouleaux racleurs abîmés pourraient se briser en éclats pendant le fonctionnement et provoquer de graves blessures.
10. **Démarré et utilisez la machine uniquement à l'extérieur dans un endroit bien aéré.** Faire fonctionner l'outil dans un endroit confiné ou mal aéré peut entraîner la mort par asphyxie ou empoisonnement au monoxyde de carbone.
11. **Lorsque vous démarrez le moteur, placez la machine sur un sol dur, puis maintenez un bon équilibre et une bonne assise.**
12. **Lorsque vous enclenchez la poignée de démarrage du moteur, tenez l'outil motorisé de la main gauche fermement contre le sol. Ne marchez jamais sur l'arbre d'entraînement de l'outil motorisé.**
13. **Si les brosses ou les rouleaux racleurs tournent au ralenti, coupez le moteur et baissez la vitesse de ralenti.** Sinon, un contact accidentel avec les brosses ou les rouleaux racleurs en mouvement peut entraîner de graves blessures.
14. **Coupez immédiatement le moteur si vous remarquez une défaillance.**
15. **Respectez le mode d'emploi de l'outil motorisé pour le démarrage du moteur.**

## Transport

1. **Coupez le moteur pendant le transport.** Sinon, un démarrage intempestif peut provoquer des blessures.
2. **Lorsque vous transportez la machine en voiture, assurez-vous qu'elle est positionnée de façon à éviter les fuites de carburant.**
3. **Pour transporter la machine, soulevez-la complètement.** Traîner la machine au sol entraîne un endommagement du réservoir de carburant et une fuite, ce qui peut provoquer un incendie.
4. **Transportez l'appareil à l'horizontale en le tenant par la tige. Éloignez le silencieux chaud de votre corps.**



## Fonctionnement

1. Pendant le fonctionnement, éloignez les badauds ou les animaux d'au moins 5 m du balai brosse/balai racleur. Coupez le moteur aussitôt que quelqu'un s'approche.
2. En cas d'urgence, coupez immédiatement le moteur.
3. Si vous détectez une anomalie (par exemple, bruit ou vibration) en cours de fonctionnement, coupez le moteur. N'utilisez pas la machine tant que la cause n'est pas connue et résolue.
4. Ne fixez la bandoulière qu'avec le moteur tournant au ralenti.
5. Pendant le fonctionnement, utilisez la bandoulière. Maintenez fermement la machine contre vous du côté droit.



6. Tenez la poignée avant de la main gauche et la poignée arrière de la main droite que vous soyez droitier ou gaucher. Enveloppez les poignées avec vos doigts et vos pouces.
7. N'essayez jamais de faire fonctionner la machine d'une main. Une perte de maîtrise peut entraîner des blessures graves, voire mortelles. Afin de réduire le risque de blessures, tenez vos mains et vos pieds à l'écart des brosses ou des rouleaux racleurs.
8. Pendant le fonctionnement, ne soulevez pas les brosses ou les rouleaux racleurs plus haut que votre taille.
9. Les brosses ou les rouleaux racleurs continuent de bouger pendant un bref instant après avoir relâché la gâchette de commande d'accélération ou coupé le moteur. Ne vous précipitez pas pour toucher les brosses ou les rouleaux racleurs.
10. Ne vous penchez pas trop loin. Maintenez constamment une bonne assise et un bon équilibre. Soyez attentif aux obstacles cachés comme les souches d'arbre, racines ou fossés pour éviter de trébucher.
11. Soyez très prudent lorsque vous inversez la rotation de la brosse ou du rouleau racleur ou tirez la machine vers vous. Si l'outil motorisé est pourvu d'une fonction de rotation inverse, ne l'utilisez pas plus que nécessaire. Lorsque vous utilisez la rotation inverse, le balai brosse/balai racleur vous poussera si les brosses ou les rouleaux racleurs sont sur le sol.

12. Ne surchargez pas la machine en essayant de pousser trop fort à un rythme trop rapide. La machine réalisera un travail de meilleure qualité et avec moins de risque de blessures si vous l'utilisez avec la charge appropriée.
13. N'accélérez pas le moteur si les brosses ou les rouleaux racleurs sont bloqués. La charge en est augmentée et cela endommagera la machine.
14. Si la machine subit un choc violent ou tombe, vérifiez son état avant de poursuivre la tâche. Vérifiez que le système de carburant ne fuit pas et que les commandes et les dispositifs de sécurité fonctionnent correctement. En cas de dommage ou de doute, confiez l'inspection et la réparation à notre service après-vente agréé.
15. Ne touchez pas le boîtier d'engrenage. Le boîtier d'engrenage chauffe pendant l'utilisation.
16. Reposez-vous régulièrement pour empêcher la perte du contrôle due à la fatigue. Nous recommandons de faire une pause de 10 à 20 minutes toutes les heures.
17. Lorsque vous abandonnez la machine, même pendant un court instant, coupez toujours le moteur ou retirez la batterie. Une machine sans surveillance dont le moteur tourne peut être utilisée par une personne non autorisée et provoquer de graves accidents.
18. Respectez le mode d'emploi de l'outil motorisé pour une utilisation correcte du levier de commande et de l'interrupteur.
19. En cours de fonctionnement et après, ne posez pas la machine encore chaude sur de l'herbe sèche ou un matériau combustible.
20. Si les brosses ou les rouleaux racleurs attrapent des corps étrangers, coupez le moteur et retirez le capuchon de la bougie d'allumage ou la batterie, puis retirez l'obstacle.
21. Éloignez vos mains et pieds des brosses ou des rouleaux racleurs. Un contact avec les brosses ou les rouleaux racleurs peut provoquer de graves blessures. Lorsque vous manipulez les brosses ou les rouleaux racleurs, coupez le moteur et retirez le capuchon de la bougie d'allumage ou la batterie.
22. Vérifiez fréquemment au cours du fonctionnement que les brosses ou les rouleaux racleurs ne présentent pas de fissures ou de dégâts.
23. Coupez toujours le moteur ou retirez la batterie lorsque vous retirez des débris ou des corps étrangers des brosses ou des rouleaux racleurs.
24. Reportez-vous au mode d'emploi de l'outil motorisé pour savoir comment démarrer et contrôler la machine.

## Vibration

Une exposition à des vibrations excessives altère les vaisseaux sanguins ou le système nerveux de l'utilisateur et provoque les symptômes suivants dans les doigts, les mains ou les poignets : engourdissement, picotement, douleur, douleur lancinante, changement de couleur de la peau ou de la peau elle-même. Si un ou plusieurs de ces symptômes apparaissent, consultez un médecin.

Pour réduire le risque du syndrome de Raynaud, gardez vos mains au chaud pendant l'utilisation et maintenez en bon état la machine et les accessoires.

## Entretien

1. Avant de réaliser une tâche d'entretien ou de réparation ou le nettoyage de la machine, coupez toujours le moteur et retirez le capuchon de la bougie d'allumage ou la batterie. Patientez jusqu'à ce que le moteur devienne froid.
2. Pour réduire le risque d'incendie, ne dépannez pas l'appareil près d'un feu.
3. Portez toujours des gants de protection pour manipuler les brosses ou les rouleaux racleurs.
4. Retirez toujours la poussière et la saleté de l'appareil. N'utilisez jamais d'essence, benzine, diluant, alcool ou autre produit similaire à cet effet. Ils présentent un risque de décoloration, de déformation ou de fissuration des pièces en plastique.
5. Après chaque utilisation, serrez toutes les vis et tous les écrous, sauf les vis de réglage du carburateur.
6. Remplacez les brosses ou les rouleaux racleurs s'ils sont abîmés.
7. N'essayez pas de réaliser des procédures d'entretien ou de réparation non décrites dans ce livret ou le mode d'emploi de l'outil motorisé. Ces tâches doivent être effectuées par notre service après-vente agréé.
8. Suivez les instructions pour la lubrification et le remplacement des accessoires.
9. Utilisez toujours des pièces de rechange et accessoires d'origine uniquement. L'utilisation de pièces ou accessoires fournis par un tiers peut entraîner la panne de l'appareil, des dommages matériels et/ou corporels graves.
10. Confiez régulièrement l'inspection et l'entretien de la machine à notre service après-vente agréé.

## Rangement

1. Avant de ranger la machine, procédez à un nettoyage et un entretien complets. Retirez le capuchon de la bougie d'allumage ou la batterie. Videz le carburant une fois que le moteur a refroidi.
2. Rangez l'appareil dans un endroit sec en hauteur ou verrouillé hors de la portée des enfants.
3. N'appuyez pas l'appareil contre un mur, par exemple. Il risquerait de tomber brusquement et de provoquer des blessures.

## Premiers secours

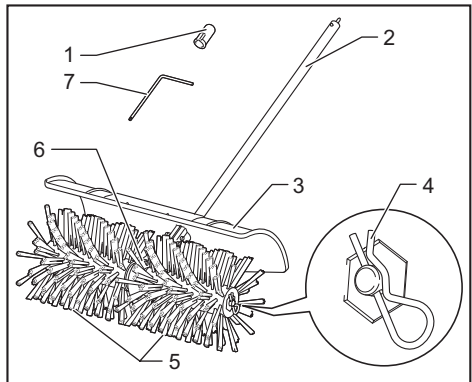
1. En cas d'accident, assurez-vous qu'une trousse de premiers secours est disponible à proximité des opérations. Remplacez immédiatement tout article pris dans la trousse de premiers secours.
2. Lorsque vous appelez les secours, fournissez les informations suivantes :
  - Le lieu de l'accident
  - Les circonstances de l'accident
  - Le nombre de personnes blessées
  - Le type de blessures
  - Votre nom

**CONSERVEZ CES INSTRUCTIONS.**

**⚠AVERTISSEMENT :** L'utilisation de ce produit peut créer de la poussière contenant des produits chimiques susceptibles de provoquer des maladies respiratoires ou autres. Parmi ces produits chimiques, on trouve des composés présents dans les pesticides, insecticides, fertilisants et herbicides. Le risque présenté par l'exposition à ces produits varie en fonction de la fréquence de ce type de travail. Pour réduire votre degré d'exposition à ces produits chimiques : travaillez dans une aire de travail bien aérée et en utilisant des dispositifs de sécurité approuvés, comme des masques anti-poussière spécialement conçus pour filtrer les particules microscopiques.

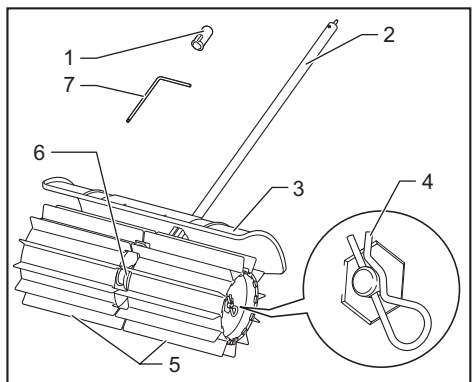
## DESCRIPTION DES PIÈCES

### Outil Balai Brosse



- 1. Capuchon 2. Tuyau 3. Protecteur 4. Attache  
5. Brosse 6. Boîtier d'engrenage 7. Clé hexalobulaire

### Outil Balai Racleur



- 1. Capuchon 2. Tuyau 3. Protecteur 4. Attache  
5. Rouleau racleur 6. Boîtier d'engrenage 7. Clé hexalobulaire

# ASSEMBLAGE

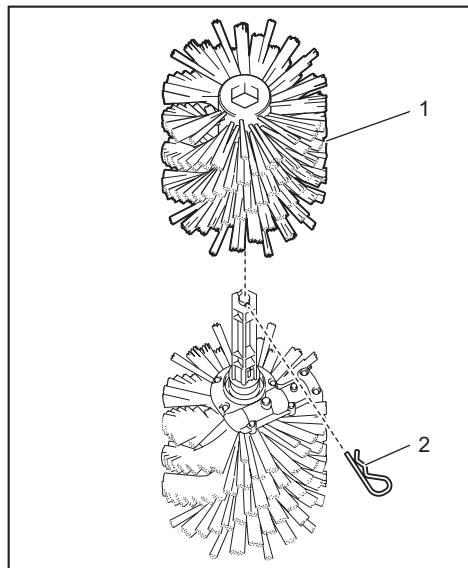
**⚠️ AVERTISSEMENT :** Avant de monter ou de régler l'équipement, coupez le moteur et retirez le capuchon de la bougie d'allumage ou la batterie. Sinon, les brosses, les rouleaux ou d'autres pièces peuvent tourner et provoquer de graves blessures.

**⚠️ AVERTISSEMENT :** Lorsque vous montez ou réglez l'équipement, posez-le toujours. Le montage ou le réglage de l'équipement en position verticale peut entraîner de graves blessures.

**⚠️ AVERTISSEMENT :** Suivez les avertissements et les précautions du chapitre « CONSIGNES DE SÉCURITÉ » et le manuel d'instructions de l'unité motorisée.

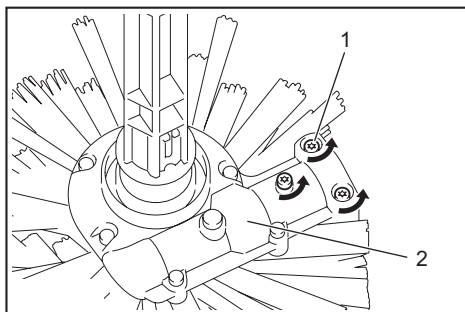
## Assemblage de l'accessoire

1. Retirez l'attache de la brosse ou du rouleau racleur sur le côté gauche de l'ensemble de la brosse ou du rouleau racleur, puis retirez la brosse ou le rouleau racleur.



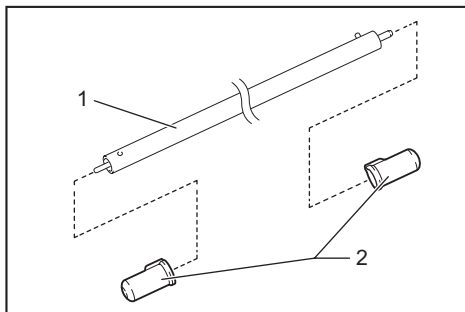
- 1. Brosse 2. Attache

2. Desserrez 3 vis sur le boîtier d'engrenage.



- 1. Vis 2. Boîtier d'engrenage

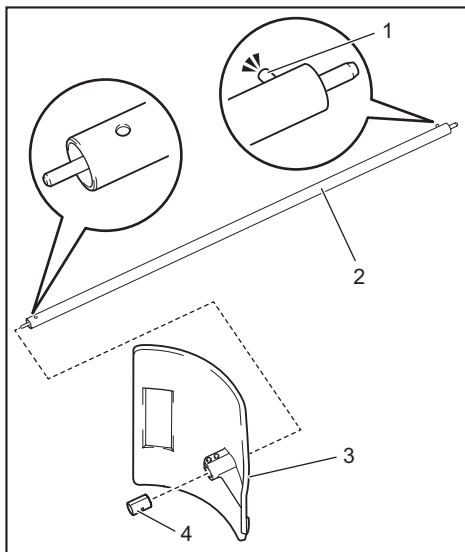
3. Retirez 2 capuchons des deux extrémités du tuyau.



- 1. Tuyau 2. Capuchon

**REMARQUE :** Ne jetez pas les capuchons, car ils sont nécessaires pour ranger l'accessoire.

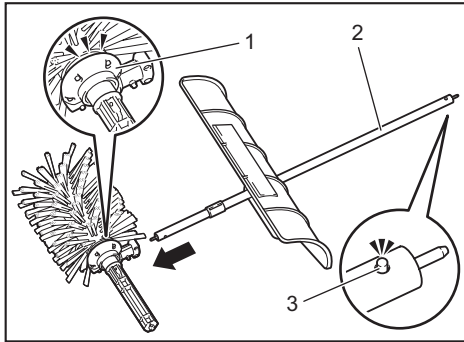
4. Fixez le protecteur et le manchon sur le tuyau.



- 1. Goupille 2. Tuyau 3. Protecteur 4. Manchon

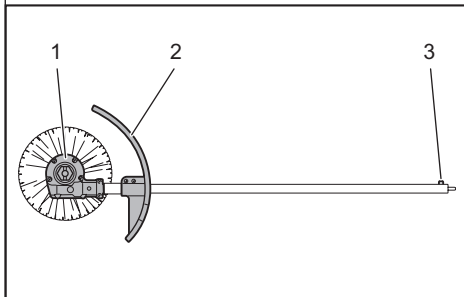
**REMARQUE :** Veillez à insérer l'extrémité du tuyau sans la goupille dans le protecteur et le manchon.

5. Assurez-vous que le boîtier d'engrenage et la goupille sur le tuyau sont tournés vers le haut, puis insérez le tuyau dans le boîtier d'engrenage.



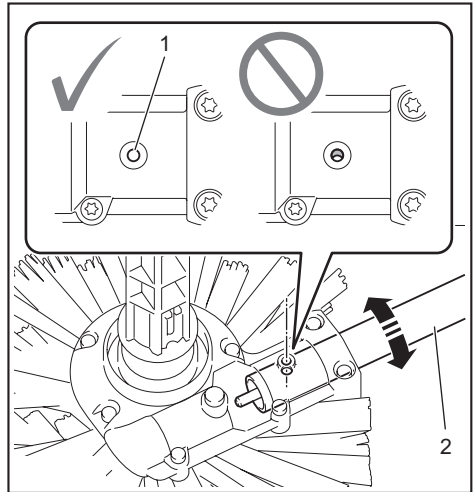
► 1. Boîtier d'engrenage 2. Tuyau 3. Goupille

**REMARQUE :** Assurez-vous que le boîtier d'engrenage et la goupille sur le tuyau sont tournés vers le haut, et que le protecteur est fixé dans le sens indiqué sur la figure.



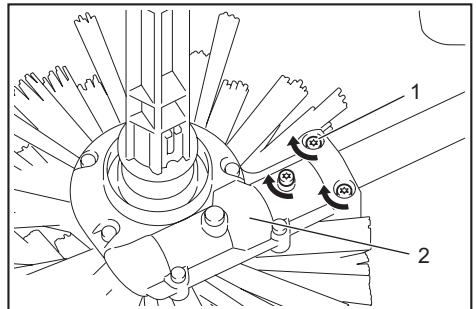
► 1. Boîtier d'engrenage 2. Protecteur 3. Goupille

6. Alignez le trou de vis sur le tuyau avec le trou sur le boîtier d'engrenage en tournant le tuyau.



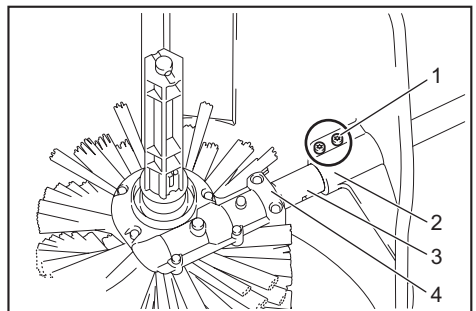
► 1. Trou 2. Tuyau

7. Serrez 3 vis sur le boîtier d'engrenage.



► 1. Vis 2. Boîtier d'engrenage

8. Serrez 2 vis sur le protecteur.



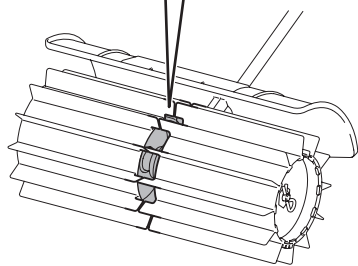
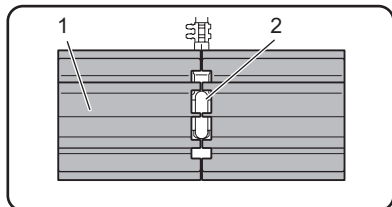
► 1. Vis 2. Protecteur 3. Manchon 4. Boîtier d'engrenage

**REMARQUE :** Assurez-vous qu'il n'y a pas d'espace entre le boîtier d'engrenage et le manchon, et entre le manchon et le protecteur.

9. Fixez la brosse ou le rouleau racler sur l'ensemble de la brosse ou du rouleau racler, puis fixez l'attache sur la brosse ou le rouleau racler.

**REMARQUE :** Lorsque vous fixez les brosses, veillez à les fixer avec le logo Makita tourné vers l'extérieur.

**REMARQUE :** Lorsque vous fixez les rouleaux raclers, veillez à les fixer dans le sens indiqué sur la figure, de sorte que les rouleaux raclers et le boîtier d'engrenage se mettent en prise.



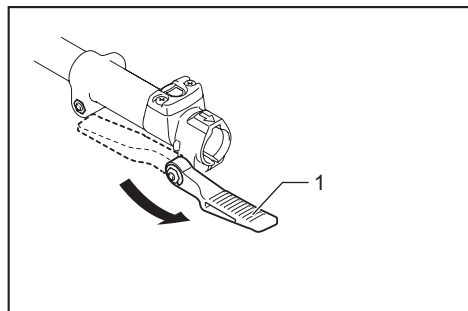
► 1. Rouleau racler 2. Boîtier d'engrenage

## Fixation du tuyau pour accessoire

**ATTENTION :** Vérifiez toujours que le tuyau pour accessoire est fixé en place après l'installation. Une installation incorrecte peut faire tomber l'accessoire de l'outil motorisé et provoquer des blessures.

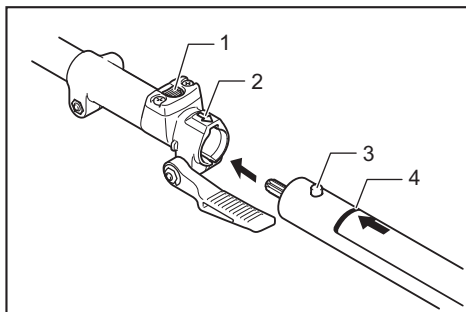
Fixez le tuyau pour accessoire à l'outil motorisé.

1. Actionnez le levier vers l'accessoire.



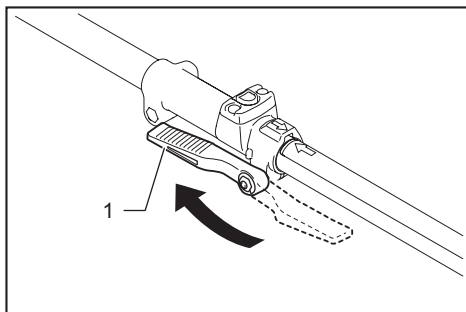
► 1. Levier

2. Alignez la goupille sur le repère fléché. Insérez le tuyau pour accessoire jusqu'à ce que le bouton de dégagement sorte. Assurez-vous que la ligne de position se trouve sur la pointe du repère fléché.



► 1. Bouton de dégagement 2. Flèche 3. Goupille 4. Ligne de position

3. Actionnez le levier vers l'outil motorisé.

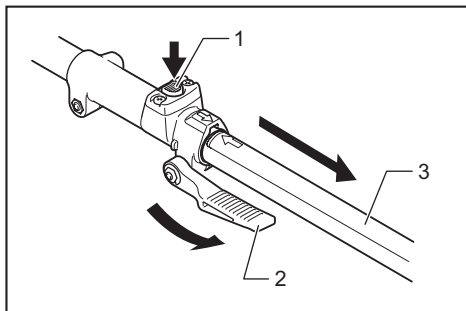


► 1. Levier

Assurez-vous que la surface du levier est parallèle au tuyau.

**REMARQUE :** Ne serrez pas le levier sans avoir inséré le tuyau pour accessoire. Le levier pourrait autrement trop serrer l'entrée de l'arbre d'entraînement et l'endommager.

Pour retirer le tuyau, actionnez le levier vers l'accessoire et tirez sur le tuyau pour le sortir tout en appuyant sur le bouton de dégagement.



► 1. Bouton de dégagement 2. Levier 3. Tuyau

## UTILISATION

**⚠️ AVERTISSEMENT :** Suivez les avertissements et les précautions du chapitre « CONSIGNES DE SÉCURITÉ » et le manuel d'instructions de l'unité motorisée.

**⚠️ AVERTISSEMENT :** Réglez la position du dispositif de suspension et la bandoulière sur une position confortable pour vous avant utilisation.

**⚠️ AVERTISSEMENT :** Portez un masque anti-poussières et aérez bien la zone de travail. Certains matériaux contiennent des produits chimiques susceptibles d'être toxiques. Prenez les précautions nécessaires pour ne pas inhaler les poussières qu'ils dégagent et pour éviter tout contact avec la peau.

**⚠️ ATTENTION :** Avant utilisation, retirez les objets longs et/ou durs comme des pierres, des canettes et des cordes de la zone de travail. Ils peuvent endommager les brosses ou les rouleaux racleurs ou empêcher leur rotation.

Si la surface à nettoyer est sèche, pulvérisez-la d'eau pour réduire la poussière. Tenez le balai brosse/balai racleur à un angle peu prononcé et poussez-le en marchant.



**⚠️ ATTENTION :** Plus l'angle est prononcé et plus il est difficile de contrôler le balai brosse/balai racleur, et plus celui-ci aura tendance à vous pousser en arrière.

## ENTRETIEN

**⚠️ AVERTISSEMENT :** Avant l'inspection ou l'entretien de l'appareil, coupez le moteur et retirez le capuchon de la bougie d'allumage ou la batterie. Sinon, la brosse, le rouleau racleur ou d'autres pièces peuvent tourner et provoquer de graves blessures.

**⚠️ AVERTISSEMENT :** Lorsque vous inspectez ou entretenez l'équipement, posez-le toujours. Le montage ou le réglage de l'équipement en position verticale peut entraîner de graves blessures.

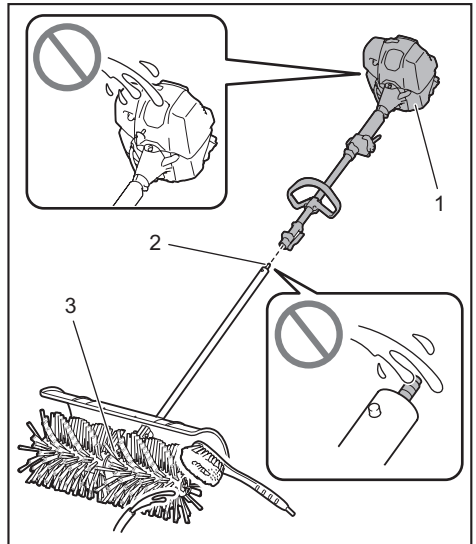
**⚠️ AVERTISSEMENT :** Suivez les avertissements et les précautions du chapitre « CONSIGNES DE SÉCURITÉ » et le manuel d'instructions de l'unité motorisée.

**REMARQUE :** N'utilisez jamais d'essence, benzine, diluant, alcool ou autre produit similaire. Cela risquerait de provoquer la décoloration, la déformation ou la fissuration de l'outil.

Pour assurer la SÉCURITÉ et la FIABILITÉ du produit, toute réparation, tout travail d'entretien ou de réglage doivent être effectués par un centre d'entretien Makita agréé, avec des pièces de rechange Makita.

### Nettoyage de l'accessoire

L'accessoire peut être lavé à l'eau. Utilisez une brosse en nylon ou autre pour retirer la saleté.



► 1. Outil motorisé 2. Extrémité du tuyau 3. Boîtier d'engrenage

**REMARQUE :** Ne versez pas d'eau sur l'outil motorisé et l'extrémité du tuyau. Cela pourrait provoquer un dysfonctionnement de l'accessoire.

Pour faciliter le nettoyage, vous pouvez retirer la brosse ou le rouleau racleur de l'ensemble de la brosse ou du rouleau racleur. Consultez les instructions de remplacement des brosses ou des rouleaux racleurs dans ce mode d'emploi.

## Inspection générale

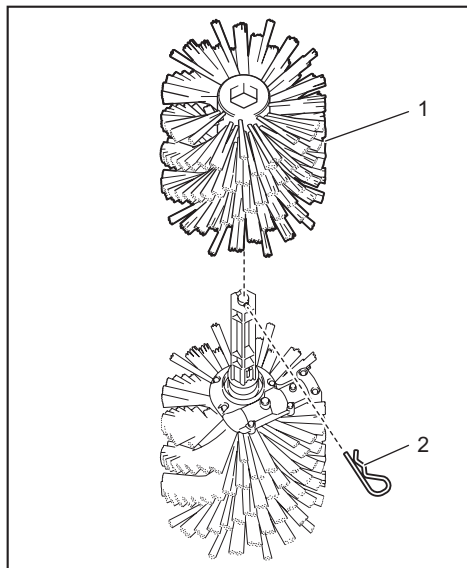
- Serrez les boulons, écrous et vis desserrés.
- Vérifiez que les pièces, les brosses ou les rouleaux racleurs ne sont pas abîmés. Au besoin, confiez leur remplacement à notre service après-vente agréé.

## Inspection des brosses, des rouleaux racleurs et du protecteur

Vérifiez et nettoyez les brosses, les rouleaux racleurs et le protecteur tous les jours. S'ils sont usés, tordus ou fissurés, remplacez-les.

## Remplacement des brosses ou des rouleaux racleurs

1. Retirez les attaches des brosses ou des rouleaux racleurs, puis retirez les brosses ou les rouleaux racleurs.

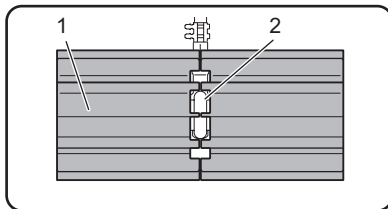


► 1. Brosse 2. Attache

2. Fixez les brosses ou les rouleaux racleurs sur l'ensemble de la brosse ou du rouleau racleur, puis fixez les attaches.

**REMARQUE :** Lorsque vous fixez les brosses, veillez à les fixer avec le logo Makita tourné vers l'extérieur.

**REMARQUE :** Lorsque vous fixez les rouleaux racleurs, veillez à les fixer dans le sens indiqué sur la figure, de sorte que les rouleaux racleurs et le boîtier d'engrenage se mettent en prise.



► 1. Rouleau racleur 2. Boîtier d'engrenage

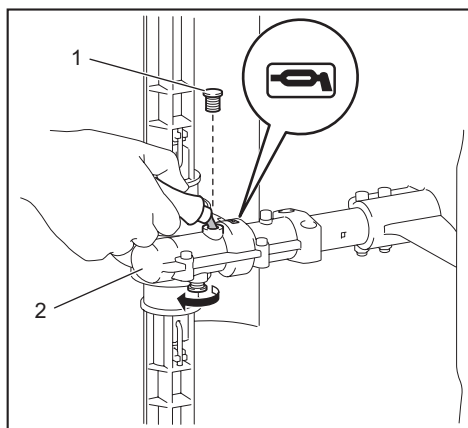
## Lubrification des pièces mobiles

**REMARQUE :** Suivez les instructions sur la fréquence et la quantité de graisse fournie. Autrement une lubrification insuffisante pourrait endommager les pièces mobiles.

### Boîtier d'engrenage :

**⚠ATTENTION :** Ne lubrifiez pas alors que le boîtier d'engrenage est chaud. Un boîtier d'engrenage chaud peut entraîner des brûlures.

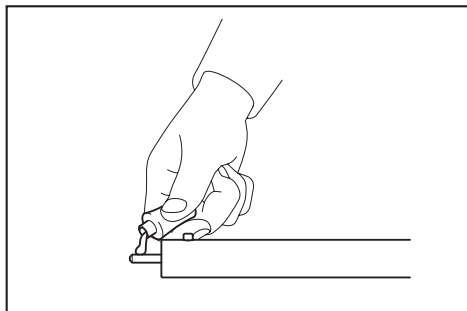
Remplissez environ 30 ml de graisse (graisse Makita SG No.0) par l'orifice de graisse de manière uniforme toutes les 25 heures de fonctionnement. Avec la clé hexalobulaire fournie, retirez le boulon près du marquage de lubrification sur le boîtier d'engrenage. Desserrez le boulon de l'autre côté de sorte que l'air dans le boîtier d'engrenage puisse être libéré lorsque la graisse est appliquée. Après avoir appliqué la graisse, veillez à serrer les boulons.



► 1. Boulon 2. Boîtier d'engrenage

### Essieu moteur :

Appliquez la graisse (graisse Makita SG No.0) toutes les 25 heures de fonctionnement.

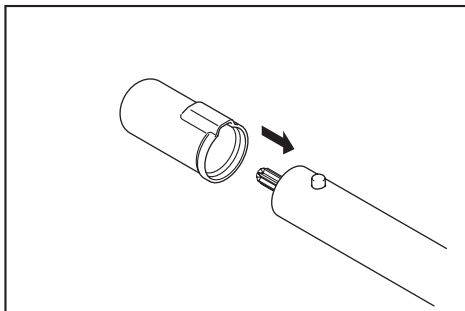


**NOTE :** Vous pouvez acheter de la graisse de marque Makita auprès de votre revendeur local Makita.

### Rangement

**⚠ AVERTISSEMENT :** Suivez les avertissements et les précautions du chapitre « CONSIGNES DE SÉCURITÉ » et le manuel d'instructions de l'unité motorisée.

Lorsque vous rangez l'accessoire séparément de l'outil motorisé, placez le capuchon sur l'extrémité de la tige.



### Intervalle d'inspection et de nettoyage

| Heure de fonctionnement                  |   | Avant utilisation | Quotidien (10 h) | 25 h |
|--|---|-------------------|------------------|------|
| Unité complète                           | Inspection visuelle de la présence de pièces détériorées                | ✓                 | -                | -    |
| Toutes les écrous et vis de fixation     | Serrer  | ✓                 | -                | -    |
| Brosses, rouleaux racleurs et protecteur | Nettoyez et vérifiez visuellement si les pièces ne sont pas endommagées | -                 | ✓                | -    |
| Boîtier d'engrenage                      | Appliquer graisse   | -                 | -                | ✓    |
| Essieu moteur                            | Appliquer graisse   | -                 | -                | ✓    |
| Unité motorisée                          | Consultez le manuel d'instructions de l'unité motorisée.                |                   |                  |      |



# GUIDE DE DÉPANNAGE

Avant de faire une demande de réparation, effectuez d'abord vous-même une inspection. Si vous rencontrez un problème non documenté dans le mode d'emploi, n'essayez pas de démonter la machine. Demandez plutôt à un centre de service après-vente Makita agréé d'effectuer la réparation au moyen de pièces de rechange Makita.

| État d'anomalie  | Cause probable (dysfonctionnement)  | Solution   |
|--|---|--|
| Le moteur ne démarre pas.  | -   | Consultez le manuel d'instructions de l'unité motorisée.   |
| Le moteur s'arrête rapidement.   | -   | Consultez le manuel d'instructions de l'unité motorisée.   |
| Le moteur n'accélère pas.  | -   | Consultez le manuel d'instructions de l'unité motorisée.   |
| Les brosses ou les rouleaux racleurs ne tournent pas.<br>⇒ Arrêtez immédiatement le moteur.  | Les tuyaux de l'outil motorisé et de l'accessoire ne sont pas correctement connectés. | Connectez les tuyaux correctement.   |
|  | Un corps étranger est pris dans les brosses ou les rouleaux racleurs.                 | Enlevez le corps étranger.   |
|  | Anomalie du système d'entraînement  | Contactez un centre de service après-vente agréé pour les réparations.   |
| L'outil motorisé vibre anormalement.<br>⇒ Arrêtez immédiatement le moteur.   | Les brosses ou les rouleaux racleurs sont tordus ou cassés.                           | Remplacez les brosses ou les rouleaux racleurs.  |
|  | Fixation lâche des brosses ou des rouleaux racleurs                                   | Fixez solidement les attaches pour brosses ou rouleaux racleurs.   |
|  | Fixation irrégulière des brosses ou des rouleaux racleurs                             | Installez correctement les brosses ou les rouleaux racleurs.   |
|  | Anomalie du système d'entraînement  | Contactez un centre de service après-vente agréé pour les réparations.   |
| Les brosses ou les rouleaux racleurs continuent de tourner même si la gâchette/le levier est relâché(e).<br>⇒ Arrêtez immédiatement le moteur. | L'unité motorisée ne fonctionne pas correctement.                                     | Réglez la vitesse de ralenti si l'outil motorisé est actionné par moteur à essence. Contactez un centre de service après-vente agréé pour les réparations. |

## TECHNISCHE DATEN

|  |                            |
|--|----------------------------|
| <b>Modell:</b>                                   | <b>BR400MP</b>             |
| Abmessungen: Länge x Breite x Höhe (mit Bürsten) | 1.145 mm x 600 mm x 362 mm |
| Nettogewicht                                     | 6,3 kg                     |
| Bürstenbreite                                    | 600 mm                     |
| Außendurchmesser der Bürste                      | 250 mm                     |

|   |                            |
|---|----------------------------|
| <b>Modell:</b>  | <b>SW400MP</b>             |
| Abmessungen: Länge x Breite x Höhe (mit Besentrommel) | 1.159 mm x 600 mm x 362 mm |
| Nettogewicht  | 7,2 kg                     |
| Besentrommelbreite                                    | 590 mm                     |
| Außendurchmesser der Besentrommel                     | 265 mm                     |

- Wir behalten uns vor, Änderungen der technischen Daten im Zuge der Entwicklung und des technischen Fortschritts ohne vorherige Ankündigung vorzunehmen.
- Die technischen Daten können von Land zu Land unterschiedlich sein.

### Zugelassenes Antriebsaggregat

Dieser Aufsatz ist nur für den Einsatz mit dem (den) folgenden Antriebsaggregat(en) zugelassen:

- Multifunktions-Antrieb DUX60, DUX18, UX01G
- Multifunktionsantrieb EX2650LH

**⚠️ WARNUNG: Benutzen Sie den Aufsatz niemals mit einem nicht zugelassenen Antriebsaggregat. Eine nicht zugelassene Kombination kann schwere Verletzungen verursachen.**

### Symbole

Die folgenden Symbole werden am Aufsatz und in dieser Betriebsanleitung verwendet. Machen Sie sich mit diesen Definitionen vertraut.

|  |  |
|--|--|
|  | Besondere Sorgfalt und Aufmerksamkeit erforderlich!  |
|  | Betriebsanleitung lesen.   |
|  | Schutzhelm, Schutzbrille und Gehörschutz tragen!   |
|  | Festes Schuhwerk mit rutschfesten Sohlen tragen. Sicherheitsschuhe mit Stahlkappen werden empfohlen!               |
|  | Halten Sie Umstehende in einem Abstand von mindestens 5 m.   |
|  | Die Bürsten oder Besentrommeln drehen sich in Pfeilrichtung.   |
|  | Achten Sie beim Anbringen der Bürsten oder Besentrommeln darauf, dass das Antriebsgehäuse nach oben gerichtet ist. |

### Vorgesehene Verwendung

#### BR400MP

Dieser Aufsatz ist ausschließlich zum Fegen von Boden und Pfaden in Verbindung mit einem zugelassenen Antriebsaggregat vorgesehen. Benutzen Sie den Aufsatz niemals für andere Zwecke. Missbrauch des Aufsatzes kann schwere Verletzungen verursachen. Dieser Aufsatz ist für kommerzielle Nutzung vorgesehen.

#### SW400MP

Dieser Aufsatz ist ausschließlich zum Wegräumen von nassem Materialien, wie z. B. Blätter und Schmutz, sowie zum Entfernen von Wasser auf festen Oberflächen in Verbindung mit einem zugelassenen Antriebsaggregat vorgesehen. Benutzen Sie den Aufsatz niemals für andere Zwecke. Missbrauch des Aufsatzes kann schwere Verletzungen verursachen. Dieser Aufsatz ist für kommerzielle Nutzung vorgesehen.

### Konformitätserklärungen

#### Nur für europäische Länder

Wir als die Hersteller: **Makita Europe N.V.**,  
Geschäftsadresse: **Jan-Baptist Vinkstraat 2 3070 Kortenberg BELGIEN**. Beauftragen **Kazuhisa Makino** mit der Zusammenstellung der technischen Dokumentation und erklären unter unserer alleinigen Verantwortung, dass das (die) Produkt(e);  
Bezeichnung: **Kehrbürstenaufsatz / Kehrwalzenaufsatz** Bezeichnung des (der) Typs (Typen): **BR400MP / SW400MP**.  
alle relevanten Vorschriften von **2006/42/EG** erfüllt und im Einklang mit den folgenden harmonisierten Normen steht: **EN 60335-1:2012+A11:2014+A13:2 017+A1:2019+A14:2019+A2:2019+A15:2021, EN 60335-2-72:2012**.

Ort und Datum der Erklärung: **Kortenberg, Belgien, 1. 8. 2023**  
Verantwortliche Person: **Kazuhisa Makino, Direktor - Makita Europe N.V.**



# SICHERHEITSWARNUNGEN

## Sicherheitswarnungen für Motorbürste / Motorbesen

**⚠️ WARNUNG:** Lesen Sie vor Gebrauch alle Sicherheitswarnungen, Anweisungen, Abbildungen und Spezifikationen im Lieferumfang dieser Maschine sowie die Gebrauchsanleitung des Antriebsaggregats durch. Eine Missachtung aller nachstehend aufgeführten Anweisungen kann zu einem Brand und/oder ernsthaften Verletzungen des Bedieners und/oder von Umstehenden führen.

## Bewahren Sie alle Warnungen und Anweisungen für spätere Bezugnahme auf.

Der Ausdruck „Motorbürste/Motorbesen“ und „Maschine“ in den Warn- und Vorsichtshinweisen bezieht sich auf die Kombination von Aufsatz und Antriebsaggregat. Der Ausdruck „Motor“ in den Warn- und Vorsichtshinweisen bezieht sich auf den Verbrennungsmotor bzw. Elektromotor des Antriebsaggregats.

## Allgemeine Sicherheit

1. **Einsteiger oder unerfahrene Bediener sollten den Händler um eine Schulung im allgemeinen Betrieb dieser Maschine bitten. Lassen Sie niemals zu, dass Kinder, Personen mit verminderten körperlichen, sensorischen oder geistigen Fähigkeiten oder Mangel an Erfahrung und Kenntnissen, oder Personen, die nicht mit den Anweisungen vertraut sind, die Maschine benutzen. Kinder sollten beaufsichtigt werden, um sicherzugehen, dass sie nicht mit der Maschine spielen.**
2. **Verleihen Sie die Maschine nur an Personen, die nachweislich Erfahrung im Umgang mit derartigen Geräten haben. Dabei ist auch stets die Bedienungsanleitung auszuhändigen.**
3. **Bleiben Sie wachsam, und lassen Sie beim Umgang mit der Maschine Vorsicht und gesunden Menschenverstand walten. Benutzen Sie die Maschine nicht, wenn Sie müde oder krank sind oder unter dem Einfluss von Drogen, Alkohol oder Medikamenten stehen. Ein Augenblick der Unachtsamkeit während der Benutzung der Maschine kann zu schweren Personenschäden führen.**
4. **Vermeiden Sie die Benutzung der Maschine bei schlechten Witterungsverhältnissen, besonders bei Blitzschlaggefahr.**
5. **Befolgen Sie Ihre nationalen und lokalen Vorschriften zum Gebrauch von Motormaschinen im Freien.**
6. **Versuchen Sie niemals, die Maschine zu modifizieren.**
7. **Beachten Sie, dass der Bediener oder Benutzer für Unfälle oder Gefahren verantwortlich ist, die an anderen Personen oder deren Eigentum auftreten.**

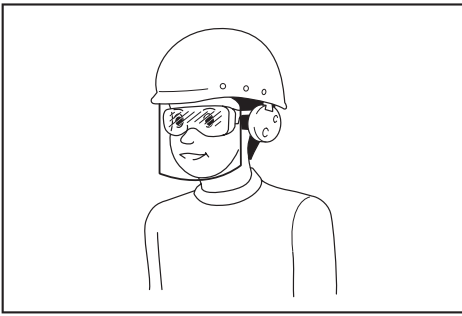
## Sicherheit im Arbeitsbereich

**⚠️ WARNUNG:** Halten Sie die Motorbürste/ den Motorbesen von elektrischen Leitungen und Kommunikationskabeln fern. Eine Berührung von oder Annäherung an Hochspannungsleitungen mit der Motorbürste/dem Motorbesen kann zum Tod oder schweren Verletzungen führen. Achten Sie auf Starkstromleitungen und elektrische Zäune im Umfeld des Arbeitsbereichs, bevor Sie mit der Arbeit beginnen.

1. **Betreiben Sie die Maschine nur bei Tageslicht unter guten Sichtverhältnissen. Betreiben Sie die Maschine nicht bei Dunkelheit oder Nebel.**
2. **Starten und betreiben Sie den Motor nur im Freien in gut belüfteter Umgebung. Der Betrieb in einem geschlossenen oder schlecht belüfteten Raum kann zum Tod durch Ersticken oder Kohlenmonoxidvergiftung führen.**
3. **Untersuchen Sie den Arbeitsbereich vor Arbeitsbeginn auf Drahtzäune, Steine oder andere feste Objekte. Diese können die Bürsten oder Besentrommeln beschädigen.**
4. **Stellen Sie sich während der Arbeit niemals auf eine instabile oder schlüpfrige Fläche oder einen steilen Hang. Nehmen Sie sich während der kalten Jahreszeit vor Eis und Schnee in Acht, und achten Sie stets auf sicheren Stand.**
5. **Vermeiden Sie Arbeiten in der Nähe von Zäunen und Baumstümpfen oder -wurzeln. Diese können die Bürsten oder Besentrommeln beschädigen.**
6. **Vermeiden Sie Arbeiten in der Nähe von Gebäuden, Autos und anderen Besitztümern. Diese können durch Steine und Unrat, die von der Motorbürste/dem Motorbesen hochgeschleudert werden, beschädigt werden.**
7. **Beim Reinigen von Synthetikböden kann statische Elektrizität erzeugt werden, und es besteht die Gefahr von Stromschlag oder Unfällen.**

## Persönliche Schutzausrüstung

1. **Tragen Sie immer eine strapazierfähige lange Hose, robuste Stiefel, Handschuhe und ein langärmeliges Hemd. Tragen Sie keine weite Kleidung, Schmuck, kurze Hose, Sandalen, und gehen Sie niemals barfuß. Sichern Sie Ihr Haar oberhalb der Schulterhöhe.**
2. **Tragen Sie stets eine Schutzbrille, um Ihre Augen beim Gebrauch der Maschine vor Verletzungen zu schützen. Die Brille muss den Vorschriften ANSI Z87.1 in den USA, EN 166 in Europa oder AS/NZS 1336 in Australien/Neuseeland entsprechen. In Australien/Neuseeland ist das Tragen eines Gesichtsschutzes gesetzlich vorgeschrieben, um auch Ihr Gesicht zu schützen.**



Der Arbeitgeber ist dafür verantwortlich, den Gebrauch von angemessener Schutzausrüstung für die Werkzeugbenutzer und andere Personen im unmittelbaren Arbeitsbereich durchzusetzen.

3. Tragen Sie stets einen Gehörschutz, wie z. B. Ohrenschrützer. Lärmeinwirkung kann Gehörschädigung verursachen.
4. Tragen Sie stets feste Schuhe mit rutschfester Sohle. Dies schützt Ihre Füße vor Verletzungen und gewährleistet sicheren Halt.
5. Tragen Sie nötigenfalls eine Staubmaske.

## Auftanken

1. Stellen Sie den Motor vor dem Auftanken ab. Halten Sie Abstand von offenen Flammen und Funken. Unterlassen Sie Rauchen beim Auftanken. Anderenfalls kann es zu einem Brand und/oder einer Explosion kommen.
2. Tanken Sie im Freien auf. Auftanken in einem geschlossenen Raum kann eine Explosion von Kraftstoffdampf verursachen.
3. Vermeiden Sie Kontakt mit Kraftstoff oder Motoröl. Atmen Sie keine Kraftstoffdämpfe ein. Falls Kraftstoff oder Öl verschüttet wird, wischen Sie die Maschine und/oder den Boden unverzüglich trocken. Falls Kraftstoff auf Ihre Kleidung verschüttet wird, wechseln Sie die Kleidung unverzüglich, um zu verhindern, dass sie in Brand gerät.
4. Ziehen Sie den Kraftstofftankdeckel nach dem Auftanken sorgfältig fest, und prüfen Sie, ob Kraftstofflecks vorhanden sind. Bewegen Sie sich mindestens 3 m von der Quelle und dem Ort des Auftankens fort, bevor Sie den Motor starten.
5. Transportieren und lagern Sie Kraftstoff nur in zugelassenen Behältern. Halten Sie Kinder von dem gelagerten Kraftstoff fern.

## Starten der Motorbürste / des Motorbesens

1. Stellen Sie vor dem Zusammenbauen oder Einstellen der Maschine den Motor ab, und entfernen Sie den Zündkerzenstecker bzw. den Akku.
2. Ziehen Sie Schutzhandschuhe an, bevor Sie die Bürsten oder Besentrommeln anfassen.
3. Ziehen Sie persönliche Schutzausrüstung an, bevor Sie den Motor starten.

4. Überprüfen Sie die Maschine auf Beschädigung, lose Schrauben/Muttern oder falschen Zusammenbau, bevor Sie den Motor starten. Überprüfen Sie alle Bedienungshebel und Schalter auf Leichtgängigkeit. Säubern und trocknen Sie die Handgriffe.
5. Versuchen Sie niemals, den Motor zu starten, wenn die Maschine beschädigt oder nicht vollständig mit korrekten Schutzhauben, Schutzblechen oder anderen Sicherheitsschutzvorrichtungen zusammengebaut ist. Anderenfalls kann es zu ernsthaften Verletzungen kommen.
6. Bevor Sie den Motor starten, prüfen Sie sorgfältig, dass die Bürsten oder Besentrommeln nicht Ihren Körper und andere Objekte berühren. Wird der Motor gestartet, während die Bürsten oder Besentrommeln mit Fremdkörpern in Berührung stehen, kann es zu einem schweren Unfall kommen.
7. Vergewissern Sie sich vor dem Starten des Motors, dass sich keine Personen oder Tiere im Arbeitsbereich aufhalten.
8. Stellen Sie den Schultergurt und den Handgriff auf die Körpergröße des Bedieners ein.
9. Tauschen Sie die Bürsten oder Besentrommeln aus, falls sie gerissen, verbogen oder beschädigt sind. Beschädigte Bürsten oder Besentrommeln können während des Betriebs zerbrechen und schwere Verletzungen verursachen.
10. Starten und betreiben Sie die Maschine nur im Freien in gut belüfteter Umgebung. Der Betrieb in einem geschlossenen oder schlecht belüfteten Bereich kann zum Tod durch Ersticken oder Kohlenmonoxidvergiftung führen.
11. Stellen Sie die Maschine beim Starten des Motors auf festen Boden, und behaften Sie dann gutes Gleichgewicht und sicheren Stand bei.
12. Wenn Sie den Startergriff des Motors ziehen, halten Sie das Antriebsaggregat mit Ihrer linken Hand fest gegen den Boden. Treten Sie niemals auf die Antriebswelle des Antriebsaggregats.
13. Falls sich die Bürsten oder Besentrommeln bei Leerlaufdrehzahl drehen, stellen Sie den Motor ab, und verringern Sie die Leerlaufdrehzahl. Anderenfalls kann unbeabsichtigter Kontakt mit den rotierenden Bürsten oder Besentrommeln zu einer ernsthaften Verletzung führen.
14. Stellen Sie den Motor unverzüglich ab, falls Sie irgendeine Störung bemerken.
15. Befolgen Sie die Gebrauchsanleitung des Antriebsaggregats zum Starten des Motors.

## Transport

1. Stellen Sie den Motor während des Transports ab. Anderenfalls kann unbeabsichtigtes Anlaufen eine Verletzung verursachen.
2. Verstauen Sie die Maschine während des Transports in einem Fahrzeug in einer sicheren Position, um Austreten von Kraftstoff zu vermeiden.
3. Heben Sie die gesamte Maschine zum Tragen vom Boden ab. Ziehen der Maschine kann eine Beschädigung des Kraftstofftanks und ein Kraftstoffleck verursachen, das zu einem Brand führen kann.

4. Wenn Sie das Gerät transportieren, tragen Sie es in waagerechter Stellung, indem Sie die Welle halten. Halten Sie den heißen Schalldämpfer von Ihrem Körper fern.

## Betrieb

1. Halten Sie Umstehende oder Tiere während des Betriebs mindestens 5 m von der Motorbürste/dem Motorbesen entfernt. Stellen Sie den Motor ab, sobald jemand sich nähert.
2. Schalten Sie den Motor im Notfall unverzüglich aus.
3. Falls Sie während des Betriebs einen ungewöhnlichen Zustand (z. B. Geräusche, Vibrationen) feststellen, schalten Sie den Motor aus. Benutzen Sie die Maschine erst wieder, nachdem die Ursache festgestellt und behoben worden ist.
4. Legen Sie den Schultergurt an, während der Motor nur im Leerlauf läuft.
5. Benutzen Sie den Schultergurt während des Betriebs. Halten Sie die Maschine sicher auf Ihrer rechten Seite.



6. Halten Sie dabei den vorderen Griff mit der linken Hand und den hinteren Griff mit der rechten Hand, egal ob Sie Rechts- oder Linkshänder sind. Umschließen Sie die Griffe mit Ihren Fingern und Daumen.
7. Versuchen Sie niemals, die Maschine mit nur einer Hand zu bedienen. Ein Verlust der Kontrolle kann zu schweren oder tödlichen Verletzungen führen. Um die Gefahr von Verletzungen zu verringern, halten Sie Ihre Hände und Füße von den Bürsten oder Besentrommeln fern.
8. Heben Sie die Bürsten oder Besentrommeln während des Betriebs nicht über die Taillenhöhe an.
9. Die Bürsten oder Besentrommeln bewegen sich noch kurzzeitig weiter, nachdem der Gasabzug losgelassen oder der Motor ausgeschaltet worden ist. Berühren Sie daher die Bürsten oder Besentrommeln nicht voreilig.
10. Übernehmen Sie sich nicht. Achten Sie stets auf sicheren Stand und gute Balance. Achten Sie auf verborgene Hindernisse, wie z. B. Baumstümpfe, Wurzeln und Gräben, um Stolpern zu vermeiden.

11. Lassen Sie äußerste Vorsicht walten, wenn Sie die Drehrichtung der Bürsten oder Besentrommeln umkehren oder die Maschine auf sich zu ziehen. Falls das Antriebsaggregat eine Rückwärtsdrehfunktion besitzt, benutzen Sie diese nicht mehr als nötig. Beim Rückwärtsdrehbetrieb werden Sie von der Motorbürste/dem Motorbesen gezogen, wenn sich die Bürsten oder Besentrommeln auf dem Boden befinden.
12. Überlasten Sie die Maschinenkapazität nicht, indem Sie versuchen, bei zu hoher Geschwindigkeit zu fest zu drücken. Bei korrekter Last verrichtet die Maschine bessere Arbeit, und die Wahrscheinlichkeit einer Verletzungsgefahr ist geringer.
13. Erhöhen Sie die Motordrehzahl nicht bei blockierten Bürsten oder Besentrommeln. Dadurch wird die Last erhöht und die Maschine beschädigt.
14. Falls die Maschine einen schweren Aufprall oder Sturz erleidet, überprüfen Sie ihren Zustand, bevor Sie die Arbeit fortsetzen. Überprüfen Sie das Kraftstoffsystem auf Leckagen und die Bedienelemente und Sicherheitsvorrichtungen auf Fehlfunktionen. Wenn Sie einen Schaden feststellen oder Zweifel haben, wenden Sie sich zur Inspektion und Reparatur an unser autorisiertes Kundendienstzentrum.
15. Berühren Sie nicht das Antriebsgehäuse. Das Antriebsgehäuse wird während des Betriebs heiß.
16. Machen Sie eine Pause, um durch Müdigkeit verursachten Verlust der Kontrolle zu verhindern. Wir empfehlen, jede Stunde eine Pause von 10 bis 20 Minuten einzulegen.
17. Wenn Sie die Maschine unbeaufsichtigt lassen, auch nur für kurze Zeit, stellen Sie stets den Motor ab, bzw. entfernen Sie den Akku. Wenn Sie den Motor der unbeaufsichtigten Maschine laufen lassen, kann die Maschine von einer unbefugten Person benutzt werden und einen schweren Unfall verursachen.
18. Befolgen Sie die Gebrauchsanleitung des Antriebsaggregats, um ordnungsgemäße Benutzung des Steuerhebels und Steuerschalters zu gewährleisten.
19. Legen Sie die heiße Maschine während oder nach dem Betrieb nicht auf trockenes Gras oder brennbare Materialien.
20. Falls die Bürsten oder Besentrommeln Fremdkörper erfassen, schalten Sie den Motor aus, entfernen Sie den Zündkerzenstecker bzw. den Akku, und beseitigen Sie dann die Behinderungen.
21. Halten Sie Ihre Hände und Füße von den Bürsten oder Besentrommeln fern. Kontakt mit den Bürsten oder Besentrommeln kann zu einer ernsthaften Verletzung führen. Bevor Sie die Bürsten oder Besentrommeln anfassen, stellen Sie den Motor ab, und entfernen Sie den Zündkerzenstecker bzw. den Akku.
22. Überprüfen Sie die Bürsten oder Besentrommeln während des Betriebs öfter auf Risse oder Beschädigung.
23. Stellen Sie immer den Motor ab, bzw. nehmen Sie den Akku ab, bevor Sie Unrat oder Fremdkörper von den Bürsten oder Besentrommeln entfernen.
24. Das Verfahren zum Starten und Steuern der Maschine entnehmen Sie bitte der Gebrauchsanleitung des Antriebsaggregats.

## Vibrationen

Einwirkung von übermäßigen Vibrationen kann zu einer Verletzung der Blutgefäße oder des Nervensystems des Bedieners führen und kann die folgenden Symptome in den Fingern, Händen oder Handgelenken verursachen: „Einschlafen“ (Taubheit) von Körperteilen, Kribbeln, Schmerz, Stechen, Veränderung von Hautfarbe oder Haut. Falls eines dieser Symptome auftritt, suchen Sie einen Arzt auf.

Um das Risiko der „Weißfingerkrankheit“ zu verringern, halten Sie Ihre Hände während der Arbeit warm, und warten und pflegen Sie die Maschine und Zubehörteile gut.

## Wartung

1. Stellen Sie stets den Motor ab, und entfernen Sie den Zündkerzenstecker bzw. den Akku, bevor Sie Wartungs- oder Reparaturarbeiten durchführen oder die Maschine reinigen. Warten Sie, bis der Motor abgekühlt ist.
2. Um Brandgefahr zu verringern, warten Sie das Gerät niemals in der Nähe von Feuer.
3. Tragen Sie stets Schutzhandschuhe bei der Handhabung der Bürsten oder Besentrommeln.
4. Säubern Sie das Gerät immer von Staub und Schmutz. Verwenden Sie auf keinen Fall Benzin, Waschbenzin, Verdünnern, Alkohol oder dergleichen zu diesem Zweck. Es kann sonst zu Verfärbung, Verformung oder Rissbildung der Kunststoffteile kommen.
5. Ziehen Sie nach jedem Gebrauch alle Schrauben und Muttern mit Ausnahme der Vergaser-Einstellschrauben fest.
6. Tauschen Sie die Bürsten oder Besentrommeln aus, falls sie beschädigt sind.
7. Versuchen Sie nicht, Wartungs- oder Reparaturarbeiten durchzuführen, die nicht in dieser Broschüre oder in der Gebrauchsanleitung des Antriebsaggregats beschrieben sind. Überlassen Sie solche Arbeiten unserem autorisierten Kundendienstzentrum.
8. Befolgen Sie die Anweisungen für die Schmierung und den Austausch von Zubehör.
9. Verwenden Sie immer nur Original-Ersatz- und Zubehörteile. Die Verwendung von Ersatz- oder Zubehörteilen von Drittherstellern kann zu einem Ausfall des Geräts, Sachschäden und/oder schweren Verletzungen führen.
10. Lassen Sie die Maschine von unserem autorisierten Service-Center in regelmäßigen Abständen inspizieren und warten.

## Lagerung

1. Bevor Sie die Maschine lagern, führen Sie eine vollständige Reinigung und Wartung durch. Entfernen Sie den Zündkerzenstecker bzw. den Akku. Lassen Sie den Kraftstoff ab, nachdem der Motor abgekühlt ist.
2. Lagern Sie das Gerät an einem trockenen und hohen oder abschließbaren Ort außer Reichweite von Kindern.
3. Lehnen Sie das Gerät nicht gegen eine Wand oder dergleichen. Anderenfalls kann es plötzlich umkippen und Verletzungen verursachen.

## Erste Hilfe

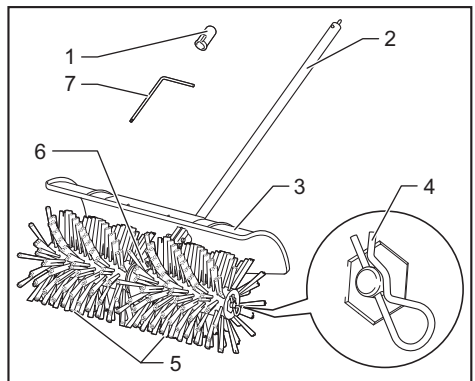
1. Stellen Sie für den Fall eines Unfalls sicher, dass in der Nähe der Arbeiten ein Erste-Hilfe-Kasten verfügbar ist. Ersetzen Sie aus dem Erste-Hilfe-Kasten entnommene Materialien sofort.
2. Wenn Sie Hilfe anfordern, machen Sie bitte folgende Angaben:
  - Ort des Unfalls
  - Art des Unfalls
  - Zahl der Verletzten
  - Art der Verletzungen
  - Ihr Name

## DIESE ANWEISUNGEN AUFBEWAHREN.

**⚠️ WARNUNG:** Durch die Benutzung dieses Produkts kann Staub aufgewirbelt werden, der Chemikalien enthält, die Erkrankungen der Atemwege oder andere Krankheiten verursachen können. Beispiele solcher Chemikalien sind Stoffe, die in Pestiziden, Insektiziden, Düngemitteln und Herbiziden anzutreffen sind. Ihre Gefährdung durch den Umgang mit solchen Chemikalien hängt davon ab, wie oft Sie diese Arbeiten verrichten. Um Ihre Gefährdung durch diese Chemikalien zu reduzieren: Arbeiten Sie in gut belüfteter Umgebung, und verwenden Sie geprüfte Sicherheitsvorrichtungen, wie z. B. Staubmasken, die mikroskopische Teilchen herausfiltern.

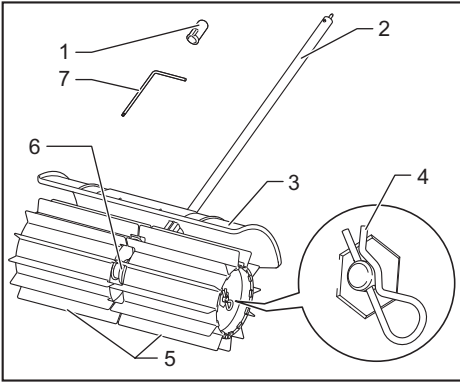
## BEZEICHNUNG DER TEILE

### Kehrbürstenaufsatz



- 1. Kappe 2. Rohr 3. Schutzhaube  
4. Klammer 5. Bürste 6. Antriebsgehäuse  
7. Innensechsrundschlüssel

## Kehrwalzenaufsatz



- 1. Kappe 2. Rohr 3. Schutzhaube 4. Klammer  
5. Besentrommel 6. Antriebsgehäuse  
7. Innensechsrundschlüssel

## MONTAGE

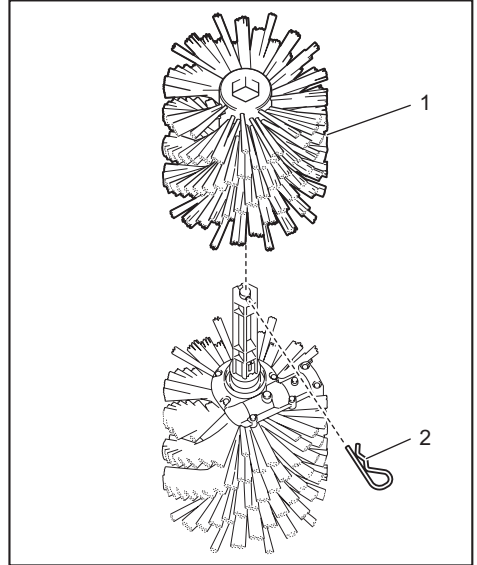
**⚠️ WARNUNG:** Bevor Sie das Gerät zusammenbauen oder einstellen, stellen Sie den Elektromotor bzw. den Benzinmotor ab, und entfernen Sie den Zündkerzenstecker bzw. den Akku. Andernfalls können sich die Bürsten, Trommeln oder andere Teile bewegen und schwere Verletzungen verursachen.

**⚠️ WARNUNG:** Legen Sie das Gerät zum Zusammenbauen oder Einstellen immer hin. Wird das Gerät in aufrechter Stellung zusammengebaut oder eingestellt, kann es zu schweren Verletzungen kommen.

**⚠️ WARNUNG:** Befolgen Sie die Warnungen und Vorsichtsmaßnahmen im Kapitel „SICHERHEITSWARNUNGEN“ und in der Gebrauchsanleitung des Antriebsaggregats.

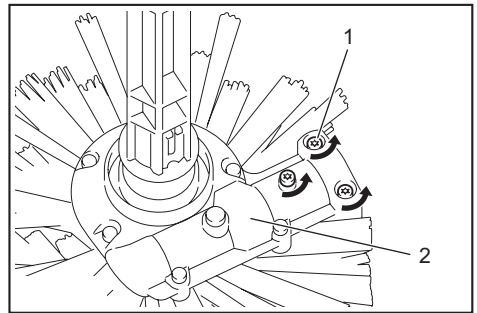
## Montieren des Aufsatzes

1. Entfernen Sie die Klammer von der Bürste oder Besentrommel auf der linken Seite der Bürsteneinheit bzw. der Besentrommel, und nehmen Sie dann die Bürste oder Besentrommel ab.



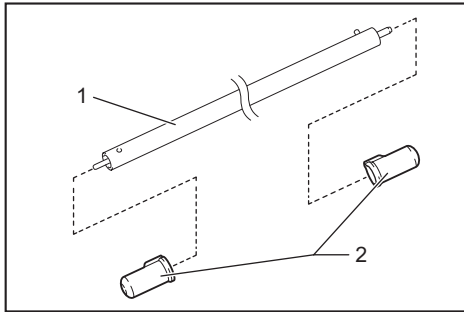
- 1. Bürste 2. Klammer

2. Lösen Sie die 3 Schrauben am Antriebsgehäuse.



- 1. Schraube 2. Antriebsgehäuse

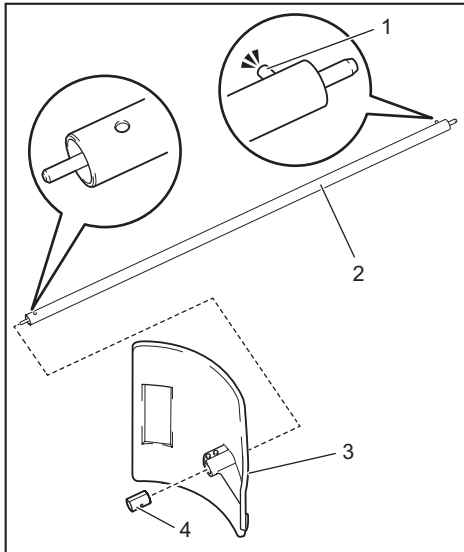
3. Entfernen Sie 2 Kappen von beiden Enden des Rohrs.



► 1. Rohr 2. Kappe

**ANMERKUNG:** Werfen Sie die Kappen nicht weg, da sie für die Lagerung des Aufsatzes notwendig sind.

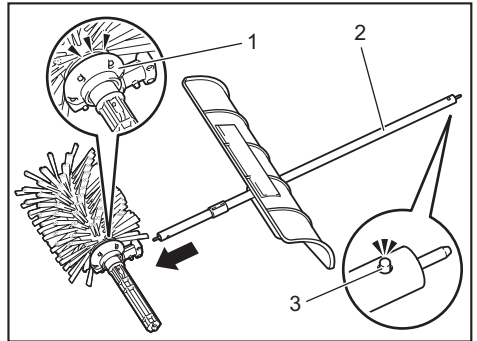
4. Bringen Sie die Schutzhaube und die Hülse am Rohr an.



► 1. Stift 2. Rohr 3. Schutzhaube 4. Hülse

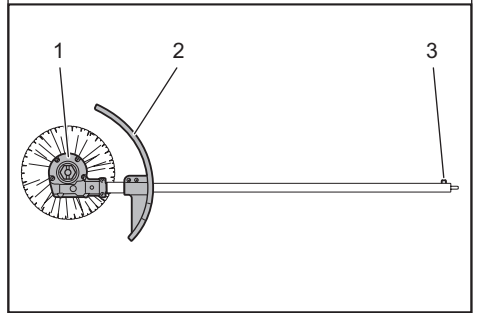
**ANMERKUNG:** Führen Sie das Ende des Rohrs unbedingt ohne den Stift in die Schutzhaube und die Hülse ein.

5. Achten Sie darauf, dass das Antriebsgehäuse und der Stift des Rohrs nach oben gerichtet sind, und führen Sie dann das Rohr in das Antriebsgehäuse ein.



► 1. Antriebsgehäuse 2. Rohr 3. Stift

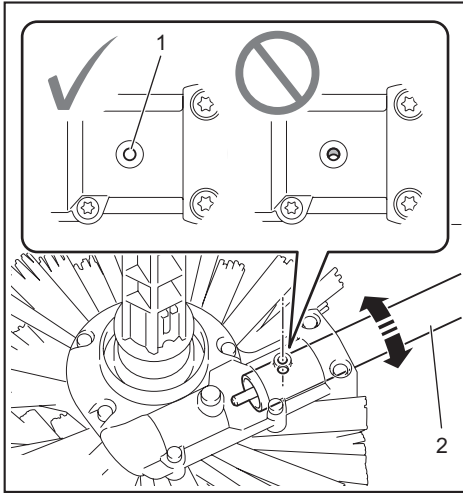
**ANMERKUNG:** Achten Sie darauf, dass das Antriebsgehäuse und der Stift des Rohrs nach oben gerichtet sind, und dass die Schutzhaube in der in der Abbildung gezeigten Richtung angebracht ist.



► 1. Antriebsgehäuse 2. Schutzhaube 3. Stift

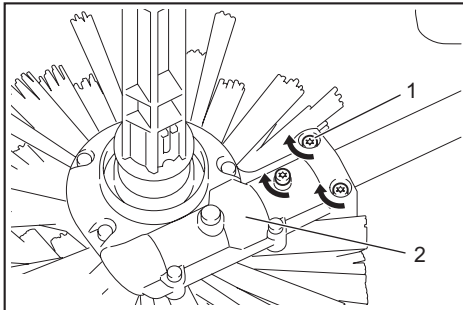


6. Richten Sie das Schraubenloch im Rohr durch Drehen des Rohrs auf das Loch im Antriebsgehäuse aus.



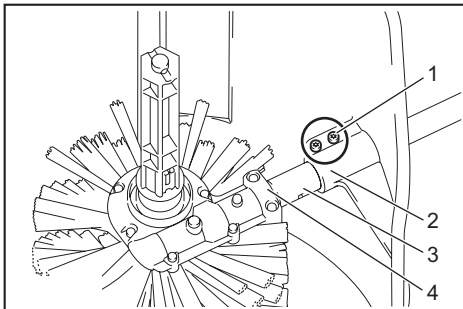
► 1. Loch 2. Rohr

7. Ziehen Sie die 3 Schrauben am Antriebsgehäuse fest.



► 1. Schraube 2. Antriebsgehäuse

8. Ziehen Sie die 2 Schrauben an der Schutzhaube fest.



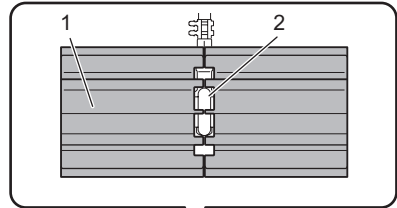
► 1. Schraube 2. Schutzhaube 3. Hülse 4. Antriebsgehäuse

**ANMERKUNG:** Vergewissern Sie sich, dass kein Spalt zwischen dem Antriebsgehäuse und der Hülse und zwischen der Hülse und der Schutzhaube vorhanden ist.

9. Befestigen Sie zunächst die Bürste bzw. Besentrommel an der Bürsteneinheit bzw. Besentrommeleinheit, und dann die Klammer an der Bürste bzw. Besentrommel.

**ANMERKUNG:** Achten Sie beim Anbringen der Bürsten darauf, dass das Makita-Logo nach außen gerichtet ist.

**ANMERKUNG:** Befestigen Sie die Besentrommeln unbedingt in der in der Abbildung gezeigten Richtung, so dass die Besentrommeln und das Antriebsgehäuse ineinander greifen.



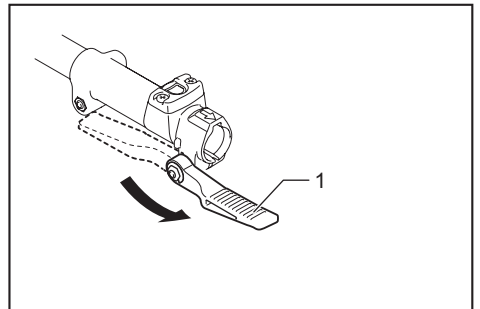
► 1. Besentrommel 2. Antriebsgehäuse

## Montieren des Zubehörrohrs

**⚠VORSICHT:** Prüfen Sie nach der Installation stets nach, ob das Zubehörrohr gesichert ist. Falsche Installation kann dazu führen, dass sich der Aufsatz vom Antriebsaggregat löst und Personenschäden verursacht.

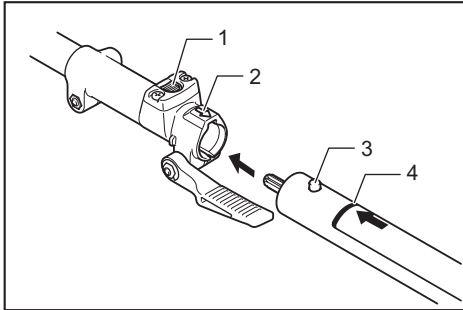
Montieren Sie das Zubehörrohr am Antriebsaggregat.

1. Schwenken Sie den Hebel in Richtung des Aufsatzes.



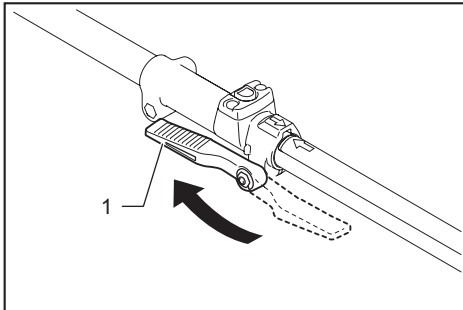
► 1. Hebel

2. Richten Sie den Stift auf die Pfeilmarkierung aus. Führen Sie das Zubehörrohr ein, bis der Entriegelungsknopf hochspringt. Vergewissern Sie sich, dass sich die Positionslinie an der Spitze der Pfeilmarkierung befindet.



- 1. Entriegelungsknopf 2. Pfeilmarkierung 3. Stift  
4. Positionslinie

3. Schwenken Sie den Hebel in Richtung des Antriebsaggregats.

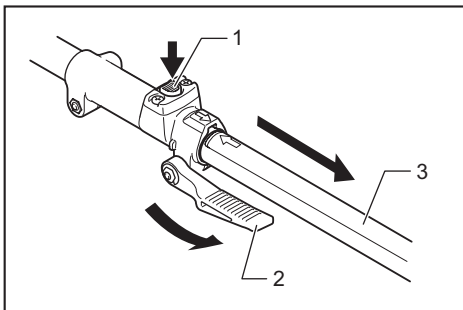


- 1. Hebel

Vergewissern Sie sich, dass die Oberfläche des Hebels parallel zum Rohr ist.

**ANMERKUNG:** Ziehen Sie den Hebel nicht an, ohne dass das Zubehörrohr eingeführt ist. Andernfalls kann der Hebel den Eingang der Antriebswelle zu sehr verengen und ihn beschädigen.

Zum Entfernen des Rohrs schwenken Sie den Hebel in Richtung des Aufsatzes, und ziehen Sie das Rohr heraus, während Sie den Entriegelungsknopf niederdrücken.



- 1. Entriegelungsknopf 2. Hebel 3. Rohr

## BETRIEB

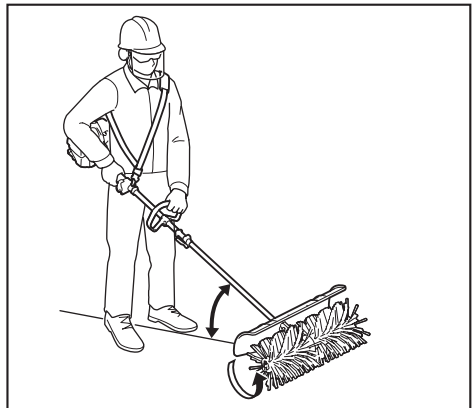
**⚠️ WARNUNG:** Befolgen Sie die Warnungen und Vorsichtsmaßnahmen im Kapitel „SICHERHEITSWARNUNGEN“ und in der Gebrauchsanleitung des Antriebsaggregats.

**⚠️ WARNUNG:** Stellen Sie die Aufhängerposition und den Schultergurt vor dem Betrieb auf eine für Sie komfortable Position ein.

**⚠️ WARNUNG:** Tragen Sie eine Staubmaske, und sorgen Sie für ausreichende Belüftung des Arbeitsbereichs. Manche Materialien können giftige Chemikalien enthalten. Treffen Sie Vorsichtsmaßnahmen, um das Einatmen von Arbeitsstaub und Hautkontakt zu verhüten.

**⚠️ VORSICHT:** Entfernen Sie vor dem Betrieb harte und/oder lange Objekte, wie z. B. Steine, Dosen und Seile aus dem Arbeitsbereich. Diese können die Bürsten oder Besentrommeln beschädigen oder die Drehung der Bürsten oder Besentrommeln behindern.

Falls die zu reinigende Oberfläche trocken ist, besprühen Sie sie mit Wasser, um die Staubentwicklung zu verringern. Halten Sie die Motorbürste / den Motorbesen in einem flachen Winkel, und schieben Sie die Motorbürste / den Motorbesen mit Schrittgeschwindigkeit vor.



**⚠️ VORSICHT:** Je steiler der Winkel wird, desto schwieriger ist es, die Motorbürste / den Motorbesen zu kontrollieren, und desto größer ist die Wahrscheinlichkeit, dass Sie von der Motorbürste / dem Motorbesen zurückgeschoben werden.

# WARTUNG

**⚠️ WARNUNG:** Bevor Sie das Gerät überprüfen oder warten, stellen Sie den Motor ab, und entfernen Sie den Zündkerzenstecker bzw. den Akku. Anderenfalls können sich die Bürsten, Besentrommeln oder andere Teile bewegen und schwere Verletzungen verursachen.

**⚠️ WARNUNG:** Legen Sie das Gerät immer ab, um es zu überprüfen oder zu warten. Wird das Gerät in aufrechter Stellung zusammengebaut oder eingestellt, kann es zu schweren Verletzungen kommen.

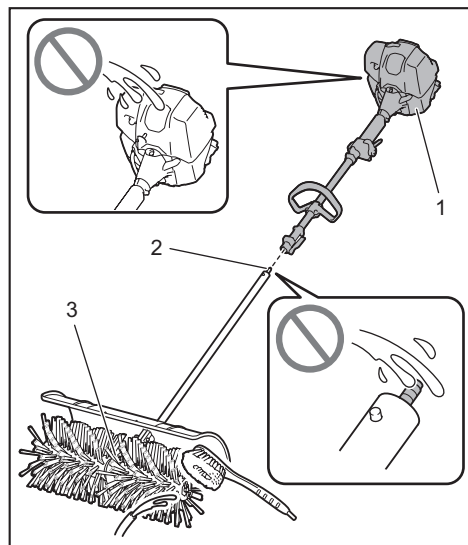
**⚠️ WARNUNG:** Befolgen Sie die Warnungen und Vorsichtsmaßnahmen im Kapitel „SICHERHEITSWARNUNGEN“ und in der Gebrauchsanleitung des Antriebsaggregats.

**ANMERKUNG:** Verwenden Sie auf keinen Fall Benzin, Waschbenzin, Verdünnern, Alkohol oder dergleichen. Solche Mittel können Verfärbung, Verformung oder Rissbildung verursachen.

Um die SICHERHEIT und ZUVERLÄSSIGKEIT dieses Produkts zu gewährleisten, sollten Reparaturen und andere Wartungs- oder Einstellarbeiten nur von Makita-Vertragswerkstätten oder Makita-Kundendienstzentren unter ausschließlicher Verwendung von Makita-Originalersatzteilen ausgeführt werden.

## Reinigen des Aufsatzes

Der Aufsatz kann mit Wasser gewaschen werden. Verwenden Sie eine Nylonbürste oder dergleichen, um Schmutz abzuwaschen.



- 1. Antriebsaggregat 2. Rohrende  
3. Antriebsgehäuse

**ANMERKUNG:** Gießen Sie kein Wasser über das Antriebsaggregat und das Rohrende. Anderenfalls kann es zu einer Funktionsstörung des Aufsatzes kommen.

Um die Reinigung zu erleichtern, können Sie die Bürste bzw. Besentrommel von der Bürsteneinheit bzw. Besentrommleinheit abnehmen. Nehmen Sie auf die Anweisungen zum Austauschen der Bürsten bzw. Besentrommeln in dieser Anleitung Bezug.

## Gesamtinspektion

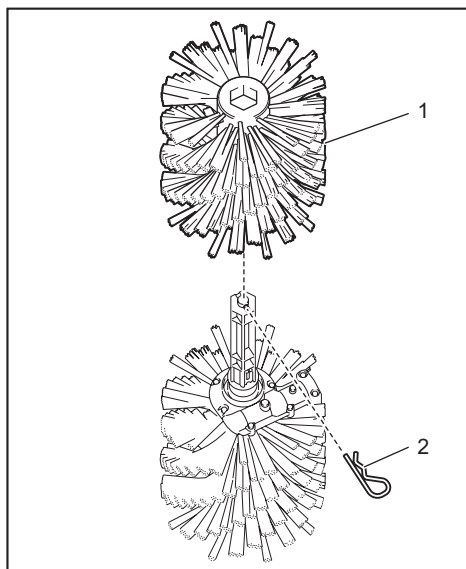
- Ziehen Sie alle Bolzen, Muttern und Schrauben fest.
- Überprüfen Sie die Bürsten bzw. Besentrommeln auf beschädigte Teile. Wenden Sie sich an unser autorisiertes Kundendienstzentrum, um Teile bei Bedarf austauschen zu lassen.

## Überprüfen der Bürsten, Besentrommeln und Schutzhaube

Überprüfen und reinigen Sie die Bürsten, die Besentrommeln und die Schutzhaube täglich. Tauschen Sie sie aus, falls sie verschlissen, verbogen und gerissen sind.

## Austauschen der Bürsten bzw. Besentrommeln

1. Entfernen Sie die Klammern von den Bürsten oder Besentrommeln, und nehmen Sie dann die Bürsten oder Besentrommeln ab.

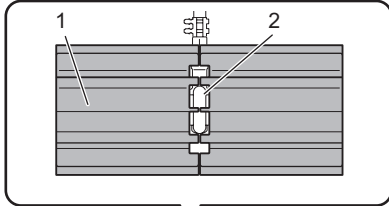


- 1. Bürste 2. Klammer

2. Befestigen Sie zunächst die Bürsten bzw. Besentrommeln an der Bürsteneinheit bzw. Besentrommeleinheit, und bringen Sie dann die Klammern an.

**ANMERKUNG:** Achten Sie beim Anbringen der Bürsten darauf, dass das Makita-Logo nach außen gerichtet ist.

**ANMERKUNG:** Befestigen Sie die Besentrommeln unbedingt in der in der Abbildung gezeigten Richtung, so dass die Besentrommeln und das Antriebsgehäuse ineinander greifen.



► 1. Besentrommel 2. Antriebsgehäuse

## Schmieren der beweglichen Teile

**ANMERKUNG:** Befolgen Sie die Anweisung zu Häufigkeit der Schmierung und der zugeführten Schmierfettmenge. Anderenfalls kann unzureichende Schmierung zu einer Beschädigung der beweglichen Teile führen.

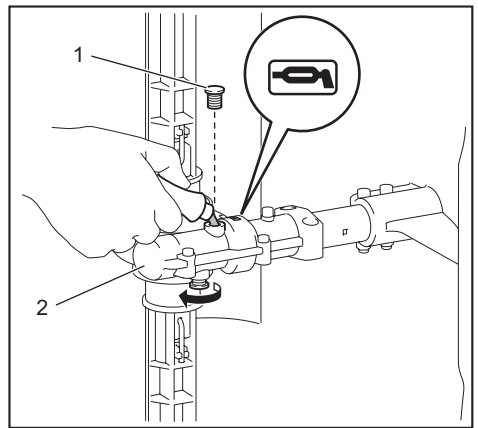
## Antriebsgehäuse:

**⚠ VORSICHT:** Tragen Sie kein Fett auf, wenn das Antriebsgehäuse heiß ist. Ein heißes Antriebsgehäuse kann Verbrennungen verursachen.

Füllen Sie ca. 30 ml Schmierfett (Makita-Schmierfett SG No. 0) alle 25 Betriebsstunden gleichmäßig durch den Schmiernippel ein.

Entfernen Sie die Schraube in der Nähe der Schmierungsmarkierung am Antriebsgehäuse mit dem mitgelieferten Innensechsrundschlüssel. Lösen Sie die Schraube auf der anderen Seite, so dass die Luft im Antriebsgehäuse beim Einfüllen des Schmierfetts entweichen kann.

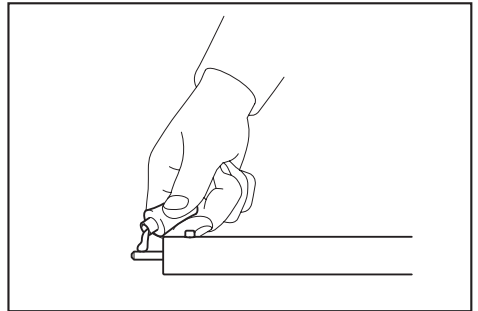
Ziehen Sie die Schrauben nach dem Einfüllen des Schmierfetts unbedingt wieder fest.



► 1. Schraube 2. Antriebsgehäuse

## Antriebsachse:

Tragen Sie Schmierfett (Makita-Schmierfett SG No. 0) alle 25 Betriebsstunden auf.

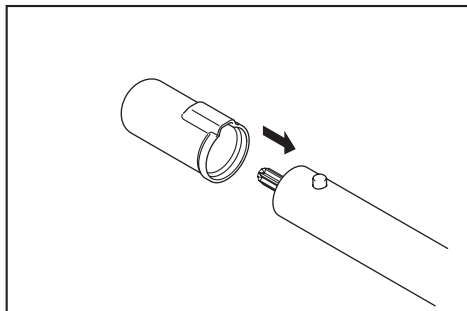


**HINWEIS:** Original-Makita-Schmierfett erhalten Sie bei Ihrem Makita-Händler.

## Lagerung

**⚠️ WARNUNG:** Befolgen Sie die Warnungen und Vorsichtsmaßnahmen im Kapitel „SICHERHEITSWARNUNGEN“ und in der Gebrauchsanleitung des Antriebsaggregats.

Wenn Sie den Aufsatz getrennt vom Antriebsaggregat lagern, setzen Sie die Kappe auf das Ende der Welle.



## Überprüfungs- und Wartungsintervall

| Betriebsstunden                         |   | Vor dem Betrieb | Täglich (10 Std.) | 25 Std. |
|---|---|-----------------|-------------------|---------|
| Ganze Einheit                           | Visuell auf beschädigte Teile überprüfen                      | ✓               | -                 | -       |
| Alle Befestigungsschrauben und -muttern | Anziehen  | ✓               | -                 | -       |
| Bürsten, Besentrommeln und Schutzhaube  | Reinigen und visuell auf beschädigte Teile überprüfen         | -               | ✓                 | -       |
| Antriebsgehäuse                         | Schmierfett zuführen  | -               | -                 | ✓       |
| Antriebsachse                           | Schmierfett zuführen  | -               | -                 | ✓       |
| Antriebsaggregat                        | In der Gebrauchsanleitung des Antriebsaggregats nachschlagen. |                 |                   |         |

# FEHLERSUCHE

Bevor Sie den Reparatordienst anrufen, führen Sie zunächst Ihre eigene Inspektion durch. Falls Sie ein Problem finden, das nicht in der Anleitung erläutert wird, versuchen Sie nicht, die Maschine zu zerlegen. Wenden Sie sich stattdessen an autorisierte Makita-Service-Center, und achten Sie darauf, dass stets Makita-Ersatzteile für Reparaturen verwendet werden.

| Zustand der Unregelmäßigkeit   | Wahrscheinliche Ursache (Funktionsstörung)  | Abhilfemaßnahme   |
|--|---|---|
| Der Elektromotor bzw. Benzinmotor läuft nicht an.  | -   | In der Gebrauchsanleitung des Antriebsaggregats nachschlagen.   |
| Der Elektromotor bzw. Benzinmotor bleibt sofort wieder stehen.   | -   | In der Gebrauchsanleitung des Antriebsaggregats nachschlagen.   |
| Die Drehzahl des Elektromotors bzw. Benzinmotors nimmt nicht zu.   | -   | In der Gebrauchsanleitung des Antriebsaggregats nachschlagen.   |
| Die Bürsten oder Besentrommeln drehen sich nicht.<br>⇒ Stellen Sie den Elektromotor bzw. Benzinmotor unverzüglich ab.  | Die Rohre des Antriebsaggregats und des Aufsatzes sind nicht ordnungsgemäß verbunden. | Verbinden Sie die Rohre auf korrekte Weise.   |
|  | Die Bürsten oder Besentrommeln haben einen Fremdkörper erfaßt.                        | Den Fremdkörper entfernen.  |
|  | Anomales Antriebssystem   | Wenden Sie sich bezüglich einer Reparatur an ein autorisiertes Service-Center.  |
| Das Antriebsaggregat vibriert ungewöhnlich stark.<br>⇒ Stellen Sie den Elektromotor bzw. Benzinmotor unverzüglich ab.  | Die Bürsten oder Besentrommeln sind verbogen oder zerbrochen.                         | Tauschen Sie die Bürsten oder Besentrommeln aus.  |
|  | Lockere Anbringung der Bürsten oder Besentrommeln                                     | Bringen Sie die Klammern für die Bürsten oder Besentrommeln sicher an.  |
|  | Vorschriftswidrige Anbringung der Bürsten oder Besentrommeln                          | Montieren Sie die Bürsten oder Besentrommeln auf korrekte Weise.  |
|  | Anomales Antriebssystem   | Wenden Sie sich bezüglich einer Reparatur an ein autorisiertes Service-Center.  |
| Die Bürsten oder Besentrommeln drehen sich weiter, selbst wenn der Auslöseschalter/Hebel losgelassen wird.<br>⇒ Stellen Sie den Elektromotor bzw. Benzinmotor unverzüglich ab. | Das Antriebsaggregat funktioniert nicht ordnungsgemäß.                                | Stellen Sie die Leerlaufdrehzahl ein, falls das Antriebsaggregat von einem Verbrennungsmotor angetrieben wird. Wenden Sie sich bezüglich einer Reparatur an ein autorisiertes Service-Center. |

## DATI TECNICI

|   |                            |
|---|----------------------------|
| <b>Modello:</b>   | <b>BR400MP</b>             |
| Dimensioni: lunghezza x larghezza x altezza (spazzoloni rotativi inclusi) | 1.145 mm x 600 mm x 362 mm |
| Peso netto  | 6,3 kg                     |
| Larghezza spazzolone rotativo   | 600 mm                     |
| Diametro esterno dello spazzolone rotativo                                | 250 mm                     |

|  |                            |
|--|----------------------------|
| <b>Modello:</b>  | <b>SW400MP</b>             |
| Dimensioni: lunghezza x larghezza x altezza (tamburi rulli-spazzole inclusi) | 1.159 mm x 600 mm x 362 mm |
| Peso netto   | 7,2 kg                     |
| Larghezza tamburo rullo-spazzola   | 590 mm                     |
| Diametro esterno del tamburo rullo-spazzola                                  | 265 mm                     |

- In conseguenza del nostro programma di ricerca e sviluppo continui, i dati tecnici nel presente manuale sono soggetti a modifiche senza preavviso.
- I dati tecnici possono variare da nazione a nazione.

### Unità motore approvata

Questo accessorio è approvato per l'uso solo con l'unità o le unità motore seguenti:

- Testa motorizzata multifunzione a batteria DUX60, DUX18, UX01G
- Testa motorizzata multifunzione EX2650LH

**⚠AVVERTIMENTO:** Non utilizzare mai l'accessorio con un'unità motore non approvata. Una combinazione non approvata potrebbe causare gravi lesioni personali.

### Simboli

Sull'accessorio e nel presente manuale d'uso vengono utilizzati i simboli seguenti. Comprendere queste definizioni.

|  |  |
|--|--|
|  | Adottare cautela e attenzione particolari!   |
|  | Leggere il manuale d'uso.  |
|  | Indossare un elmetto protettivo, protezioni per gli occhi e per le orecchie!   |
|  | Indossare stivali robusti con soles antiscivolo. Si consiglia l'utilizzo di stivali antinfortunistici con puntale in acciaio!                      |
|  | Mantenere gli astanti a una distanza di almeno 5 m.  |
|  | Gli spazzoloni rotativi o i tamburi rulli-spazzole ruotano nella direzione indicata dalla freccia.   |
|  | Quando si intende montare gli spazzoloni rotativi o i tamburi rulli-spazzole, accertarsi che la scatola degli ingranaggi sia rivolta verso l'alto. |

### Utilizzo previsto

#### BR400MP

Questo accessorio è progettato esclusivamente allo scopo di spazzare suolo e sentieri in combinazione con un'unità motore approvata. Non utilizzare mai l'accessorio per altri scopi. Un utilizzo improprio dell'accessorio potrebbe causare gravi lesioni personali. Questo accessorio è destinato a usi commerciali.

#### SW400MP

Questo accessorio è progettato esclusivamente allo scopo di pulire materiali bagnati, ad esempio foglie e terra, nonché a rimuovere acqua da superfici solide, in combinazione con un'unità motore approvata. Non utilizzare mai l'accessorio per altri scopi. Un utilizzo improprio dell'accessorio potrebbe causare gravi lesioni personali. Questo accessorio è destinato a usi commerciali.

### Dichiarazioni di conformità

#### Solo per i paesi europei

In qualità di fabbricante, **Makita Europe N.V.**, con indirizzo aziendale **Jan-Baptist Vinkstraat 2 3070 Kortenberg BELGIO**, autorizza **Kazuhisa Makino** alla compilazione della documentazione tecnica e dichiara, sotto la propria ed esclusiva responsabilità, che il prodotto o i prodotti

con designazione **Accessorio spazzolone rotativo a motore/Accessorio rullo-spazzola a motore**, con designazione del tipo o dei tipi: **BR400MP / SW400MP**, sono conformi a tutte le disposizioni rilevanti della normativa **2006/42/CE**, e sono fabbricati in conformità agli Standard Armonizzati seguenti: **EN 60335-1:2012+A11:2014+A13:2017+A1:2019+A14:2019+A2:2019+A15:2021, EN 60335-2-72:2012**.

Luogo e data della dichiarazione: **Kortenberg, Belgio.**

**1. 8. 2023**

Responsabile: **Kazuhisa Makino, Direttore - Makita Europe N.V.**



# AVVERTENZE DI SICUREZZA

## Avvertenze per la sicurezza relative allo spazzolone rotativo a motore o al rullo-spazzola a motore

**⚠AVVERTIMENTO:** Prima dell'uso, leggere tutte le avvertenze di sicurezza, le istruzioni, le illustrazioni e i dati tecnici forniti con questa macchina, nonché il manuale d'uso dell'unità motore. La mancata osservanza di tutte le istruzioni elencate di seguito potrebbe risultare in un incendio e/o in gravi lesioni personali all'operatore e/o agli astanti.

## Conservare tutte le avvertenze e le istruzioni per consultazioni future.

I termini "spazzolone rotativo a motore / rullo-spazzola a motore" e "macchina" nelle avvertenze e nelle precauzioni si riferiscono alla combinazione dell'accessorio con l'unità motore.

Il termine "motore" nelle avvertenze e nelle precauzioni si riferisce al motore o al motore elettrico dell'unità motore.

## Sicurezza generale

1. **Gli operatori che utilizzano la macchina per la prima volta o quelli inesperti dovrebbero richiedere al rivenditore l'addestramento a tutti gli utilizzi della macchina. Non consentire l'utilizzo della macchina a bambini, persone dalle capacità fisiche, sensoriali o mentali ridotte o con carenza di esperienza e preparazione, o persone che non abbiano familiarità con le istruzioni. I bambini vanno tenuti sotto controllo per accertarsi che non giochino con la macchina.**
2. **Si consiglia di prestare la macchina esclusivamente a persone di collaudata esperienza. Consegnare sempre le istruzioni per l'uso.**
3. **Durante l'uso della macchina restare vigili, fare attenzione a quello che si sta facendo e adottare il buon senso. Non utilizzare la macchina quando si è stanchi, ammalati o sotto l'effetto di droghe, alcool o farmaci. Un attimo di disattenzione durante l'uso della macchina potrebbe risultare in gravi lesioni personali.**
4. **Evitare di utilizzare la macchina in condizioni meteorologiche avverse, specialmente quando sussiste il rischio di fulmini.**
5. **Attenersi alle normative nazionali e locali relative all'utilizzo di apparecchi motorizzati all'aperto.**
6. **Non tentare mai di modificare la macchina.**
7. **Tenere a mente che l'operatore o l'utente è responsabile per eventuali incidenti o pericoli che si verificano nei confronti di altre persone o delle loro proprietà.**

## Sicurezza dell'area di lavoro

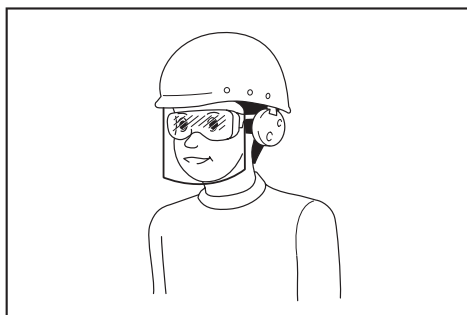
**⚠AVVERTIMENTO:** Tenere lo spazzolone rotativo a motore o il rullo-spazzola a motore lontani da linee elettriche e cavi di comunicazione. Il contatto con linee ad alta tensione o l'avvicinamento a queste ultime dello spazzolone rotativo a motore o del rullo-spazzola a motore potrebbe causare la morte o gravi lesioni personali. Osservare le linee elettriche e le recinzioni elettrificate intorno all'area di lavoro, prima di iniziare l'uso.

1. **Far funzionare il coltivatore esclusivamente in condizioni di buona visibilità e sotto luce diurna. Non far funzionare la macchina al buio o nella nebbia.**
2. **Avviare e utilizzare il motore esclusivamente all'aperto, in un'area ben ventilata.** Il funzionamento in un'area confinata o scarsamente ventilata può risultare nella morte dovuta a soffocamento o avvelenamento da monossido di carbonio.
3. **Prima dell'uso, esaminare l'eventuale presenza nell'area di lavoro di recinzioni metalliche, pietre o altri oggetti solidi.** Tali oggetti possono danneggiare gli spazzoloni rotativi o i tamburi rulli-spazzole.
4. **Durante l'uso, non stare mai in piedi su superfici instabili o scivolose o su pendii ripidi. Durante la stagione fredda, fare attenzione al ghiaccio e alla neve e assicurare sempre un saldo equilibrio sui piedi.**
5. **Evitare di lavorare in prossimità di recinzioni, ceppi o radici di alberi.** Tali oggetti possono danneggiare gli spazzoloni rotativi o i tamburi rulli-spazzole.
6. **Evitare di lavorare in prossimità di edifici, automobili e altre proprietà.** Pietre e detriti colpiti dallo spazzolone rotativo a motore o dal rullo-spazzola a motore potrebbero danneggiarli.
7. **La pulizia di pavimenti sintetici potrebbe generare elettricità statica, e sussiste il rischio di scosse elettriche o incidenti.**

## Attrezzatura di protezione personale

1. **Indossare sempre pantaloni lunghi e pesanti, stivali robusti, guanti e una camicia a maniche lunghe. Non indossare indumenti abbondanti, gioielli, pantaloni corti, sandali, né camminare a piedi scalzi. Fissare i capelli in modo che si trovino al di sopra del livello delle spalle.**
2. **Indossare sempre occhiali protettivi per proteggere gli occhi da lesioni personali durante l'utilizzo della macchina. Gli occhiali devono essere conformi allo standard ANSI Z87.1 negli Stati Uniti, allo standard EN 166 in Europa o allo standard AS/NZS 1336 in Australia/Nuova Zelanda. In Australia/Nuova Zelanda, è obbligatorio per legge di indossare anche una visiera per proteggere il viso.**





È responsabilità del datore di lavoro far rispettare l'utilizzo delle attrezzature protettive di sicurezza appropriate da parte degli operatori degli utensili e di altre persone nelle immediate vicinanze dell'area di lavoro.

3. **Indossare protezioni per l'udito, ad esempio cuffie antirumore.** L'esposizione al rumore può causare la perdita dell'udito.
4. **Indossare sempre scarpe robuste dotate di soles antiscivolo.** Questa misura protegge i piedi dalle lesioni personali e assicura un buon appoggio con i piedi.
5. **Se necessario, indossare una maschera antipolvere.**

## Rifornimento del carburante

1. **Arrestare il motore, prima di effettuare il rifornimento del carburante. Tenersi a distanza da fiamme esposte e scintille. Non fumare mai durante il rifornimento di carburante.** In caso contrario, si potrebbero causare incendi e/o esplosioni.
2. **Effettuare il rifornimento di carburante all'aperto.** Il rifornimento di carburante in una stanza chiusa può causare l'esplosione dei vapori di carburante.
3. **Evitare il contatto con il carburante o con l'olio motore. Non inalare i vapori del carburante. Qualora si verificano fuoriuscite di carburante o di olio, pulirli immediatamente dalla macchina e/o dal terreno. Qualora del carburante si rovesci sui propri indumenti, cambiarli immediatamente per evitare che prendano fuoco.**
4. **Dopo il rifornimento di carburante, serrare saldamente il tappo del serbatoio del carburante e controllare eventuali perdite di carburante. Allontanarsi di almeno 3 m dalla sorgente e dalla sede del rifornimento prima di avviare il motore.**
5. **Trasportare e conservare il carburante esclusivamente in contenitori approvati. Tenere i bambini lontani dal carburante conservato.**

## Avvio dello spazzolone rotativo a motore o del rullo-spazzola a motore

1. **Prima di assemblare o regolare la macchina, spegnere il motore e rimuovere il cappuccio della candela o la cartuccia della batteria.**
2. **Prima di maneggiare gli spazzoloni rotativi o i tamburi rulli-spazzole, indossare guanti protettivi.**
3. **Prima di avviare il motore, indossare le attrezzature di protezione personale.**

4. **Prima di avviare il motore, ispezionare la macchina alla ricerca di eventuali danni, viti/dadi allentati o montaggio errato. Verificare che tutte le leve e gli interruttori di controllo funzionino agevolmente. Pulire e asciugare le maniglie.**
5. **Non tentare mai di avviare il motore qualora la macchina sia danneggiata o non completamente assemblata con protezioni, piastre o altri dispositivi protettivi di sicurezza appropriati. In caso contrario, si potrebbero causare gravi lesioni personali.**
6. **Prima di avviare il motore, controllare con cura che gli spazzoloni rotativi o i tamburi rulli-spazzole non stiano toccando il proprio corpo e altri oggetti.** L'avvio del motore con gli spazzoloni rotativi o i tamburi rulli-spazzole in contatto con un corpo estraneo può causare gravi incidenti.
7. **Prima di avviare il motore, accertarsi che non vi siano persone o animali nell'area di lavoro.**
8. **Regolare la tracolla e l'impugnatura per adattarle alla taglia del corpo dell'operatore.**
9. **Qualora gli spazzoloni rotativi o i tamburi rulli-spazzole siano spaccati, piegati o danneggiati, sostituirli.** Spazzoloni rotativi o tamburi rulli-spazzole danneggiati potrebbero frantumarsi durante l'uso e causare gravi lesioni personali.
10. **Avviare e far funzionare la macchina solo all'aperto, in un'area ben ventilata.** Il funzionamento in un'area confinata o scarsamente ventilata potrebbe risultare nella morte dovuta a soffocamento o ad avvelenamento da monossido di carbonio.
11. **Quando si intende avviare il motore, collocare la macchina su suolo stabile, quindi mantenere un buon equilibrio e un saldo appoggio sui piedi.**
12. **Quando si intende tirare la maniglia dello starter del motore, tenere l'unità motore saldamente ferma al suolo utilizzando la mano sinistra. Non calpestare mai l'albero di trasmissione dell'unità motore.**
13. **Qualora gli spazzoloni rotativi o i tamburi rulli-spazzole ruotino in folle, arrestare il motore e regolare il regime di minimo per abbassarlo.** In caso contrario, il contatto accidentale con spazzoloni rotativi o tamburi rulli-spazzole in movimento potrebbe causare gravi lesioni personali.
14. **Qualora si noti qualsiasi problema, arrestare il motore immediatamente.**
15. **Per avviare il motore, seguire il manuale d'uso dell'unità motore.**

## Trasporto

1. **Arrestare il motore durante il trasporto.** In caso contrario, l'avvio accidentale potrebbe causare lesioni personali.
2. **Per evitare perdite di carburante, accertarsi di sistemare in sicurezza la macchina durante il trasporto in auto.**
3. **Quando si intende trasportare la macchina, sollevare l'intera macchina dal suolo.** Il trascinamento della macchina causa danni al serbatoio di carburante e perdite di carburante, causando un incendio.
4. **Quando si intende trasportare l'apparecchio, trasportarlo in posizione orizzontale mantenendo l'albero. Tenere la marmitta calda lontana dal corpo.**

## Funzionamento

1. Durante l'uso, tenere astanti o animali a una distanza di almeno 5 m dallo spazzolone rotativo a motore o dal rullo-spazzola a motore. Arrestare il motore non appena si avvicina qualcuno.
2. In caso di emergenza, spegnere immediatamente il motore.
3. Qualora si avvertano condizioni anomale (ad esempio rumori e vibrazioni) durante l'uso, spegnere il motore. Non utilizzare la macchina fino all'identificazione e alla risoluzione della causa.
4. Montare la tracolla esclusivamente mentre il motore funziona in folle.
5. Durante l'uso, utilizzare la tracolla. Mantenere la macchina saldamente sul proprio lato destro.



6. Tenere la maniglia anteriore con la mano sinistra e l'impugnatura posteriore con la mano destra, indipendentemente dal fatto che l'operatore sia destrorso o mancino. Avvolgere le dita e i pollici intorno alle maniglie.
7. Non tentare mai di far funzionare la macchina con una sola mano. La perdita di controllo potrebbe risultare in lesioni personali gravi o letali. Per ridurre il rischio di lesioni personali, tenere mani e piedi lontani dagli spazzoloni rotativi o dai tamburi rulli-spazzole.
8. Durante l'uso, non sollevare gli spazzoloni rotativi o i tamburi rulli-spazzole al di sopra dell'altezza della propria vita.
9. Gli spazzoloni rotativi o i tamburi rulli-spazzole continuano a muoversi per un breve periodo di tempo dopo il rilascio del grilletto dell'acceleratore o lo spegnimento del motore. Non affrettare il contatto con gli spazzoloni rotativi o i tamburi rulli-spazzole.
10. Non sporgersi. Mantenere sempre saldamente la posizione e l'equilibrio sui piedi. Fare attenzione a ostacoli nascosti, quali ceppi d'albero, radici e fossi, per evitare di inciampare.
11. Adottare estrema cautela quando si intende invertire la rotazione degli spazzoloni rotativi o dei tamburi rulli-spazzole o tirare la macchina verso di sé. Se l'unità motore è dotata di funzione di inversione della rotazione, non utilizzarla più del necessario. Quando lo spazzolone rotativo a motore o il rullo-spazzola a motore vengono fatti funzionare con rotazione invertita, esercitano una trazione sull'operatore, qualora gli spazzoloni rotativi o i tamburi rulli-spazzole siano in contatto con il suolo.
12. **Non sovraccaricare la capacità della macchina tentando di spingere con forza eccessiva a una velocità troppo elevata.** La macchina funziona in maniera ottimale quando viene utilizzata con un carico appropriato, e sussiste una minore probabilità di rischio di lesioni personali.
13. **Non accelerare il motore con gli spazzoloni rotativi o i tamburi rulli-spazzole bloccati.** In caso contrario, si incrementa il carico e si danneggia la macchina.
14. **Qualora la macchina subisca un forte impatto o una forte caduta, controllarne le condizioni prima di continuare il lavoro. Controllare eventuali perdite di carburante del sistema del carburante ed eventuali malfunzionamenti dei controlli e dei dispositivi di sicurezza. In presenza di qualsiasi danno o in caso di dubbi, richiedere l'ispezione e la riparazione a un nostro centro di assistenza autorizzato.**
15. **Non toccare la scatola degli ingranaggi. La scatola degli ingranaggi raggiunge una temperatura estremamente elevata durante l'uso.**
16. **Fare delle pause per evitare la perdita di controllo causata dall'affaticamento.** Si consiglia di fare una pausa di lunghezza compresa tra 10 e 20 minuti ogni ora.
17. **Quando si lascia la macchina, anche se per un breve periodo di tempo, spegnere sempre il motore o rimuovere la cartuccia della batteria.** La macchina lasciata incustodita con il motore in funzione potrebbe venire utilizzata da persone non autorizzate e causare un grave incidente.
18. **Per un utilizzo corretto della leva di controllo e dell'interruttore, seguire il manuale d'uso dell'unità motore.**
19. **Durante o dopo l'uso, non appoggiare la macchina calda su erba asciutta o materiali combustibili.**
20. **Qualora gli spazzoloni rotativi o i tamburi rulli-spazzole si inceppino in corpi estranei, spegnere il motore e rimuovere il cappuccio della candela o la cartuccia della batteria, quindi rimuovere le ostruzioni.**
21. **Tenere mani e piedi lontani dagli spazzoloni rotativi o dai tamburi rulli-spazzole. Il contatto con gli spazzoloni rotativi o i tamburi rulli-spazzole può risultare in gravi lesioni personali. Quando si intende maneggiare gli spazzoloni rotativi o i tamburi rulli-spazzole, arrestare il motore e rimuovere il cappuccio della candela o la cartuccia della batteria.**
22. **Controllare spesso l'eventuale presenza di spaccature o danneggiamenti degli spazzoloni rotativi o dei tamburi rulli-spazzole durante l'uso.**
23. **Spegnere sempre il motore o rimuovere sempre la cartuccia della batteria, quando si intende rimuovere detriti o corpi estranei dagli spazzoloni rotativi o dai tamburi rulli-spazzole.**
24. **Per informazioni su come avviare e controllare la macchina, fare riferimento al manuale d'uso dell'unità motore.**

## Vibrazioni

L'esposizione a vibrazioni eccessive causa lesioni ai vasi sanguigni o al sistema nervoso dell'operatore e causa i sintomi seguenti nelle dita, nelle mani o nei polsi: Sensazioni di "addormentamento" (intorpidimento), formicolii, dolori, fitte, alterazione del colore della pelle o della pelle stessa. Qualora si verifichi uno di questi sintomi, consultare un medico.

Per ridurre il rischio di "sindrome del dito bianco", tenere le mani calde durante l'uso e mantenere bene l'apparecchio e gli accessori.

## Manutenzione

1. Prima di effettuare qualsiasi intervento di manutenzione o di riparazione, o prima di pulire la macchina, accertarsi sempre di spegnere il motore e rimuovere il cappuccio della candela o la cartuccia della batteria. Attendere che il motore si raffreddi.
2. Per ridurre il rischio di incendi, non effettuare mai la manutenzione dell'apparecchio in prossimità del fuoco.
3. Indossare sempre guanti protettivi quando si intende maneggiare gli spazzoloni rotativi o i tamburi rulli-spazzole.
4. Rimuovere sempre polvere e sporco dall'apparecchio. Non utilizzare mai benzina per motori o per smacchiare, diluenti, alcool o sostanze simili a tale scopo. In caso contrario, si potrebbero causare scolorimento, deformazione o spaccature dei componenti in plastica.
5. Dopo ciascun utilizzo, serrare tutte le viti e i dadi, eccettuate le viti di regolazione del carburatore.
6. Qualora gli spazzoloni rotativi o i tamburi rulli-spazzole siano danneggiati, sostituirli.
7. Non tentare alcun intervento di manutenzione o riparazione non descritto nel presente libretto o nel manuale d'uso dell'unità motore. Contattare il nostro centro di assistenza autorizzato per tale tipo di lavoro.
8. Per lubrificare e sostituire gli accessori, attenersi alle istruzioni.
9. Utilizzare sempre esclusivamente pezzi di ricambio e accessori originali. L'utilizzo di pezzi o accessori forniti da terze parti potrebbe risultare in rottura dell'apparecchio, danni alle cose e/o gravi lesioni personali.
10. Richiedere a un nostro centro di assistenza autorizzato di ispezionare e sottoporre a manutenzione la macchina a intervalli regolari.

## Conservazione

1. Prima di conservare la macchina, effettuare la pulizia e la manutenzione complete. Rimuovere il cappuccio della candela o la cartuccia della batteria. Scaricare completamente il carburante dopo che il motore si è raffreddato.
2. Conservare l'apparecchio in un luogo asciutto e in posizione elevata, o chiuso a chiave, fuori dalla portata dei bambini.
3. Non appoggiare l'apparecchio contro qualcosa, ad esempio una parete. In caso contrario, potrebbe cadere improvvisamente e causare lesioni personali.

## Primo soccorso

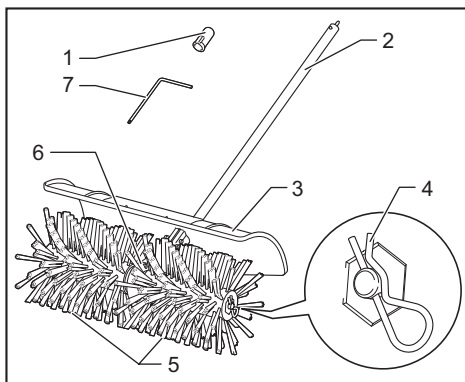
1. Accertarsi che sia disponibile una cassetta di pronto soccorso in prossimità delle operazioni, in caso di incidente. Sostituire immediatamente qualsiasi oggetto prelevato dalla cassetta di pronto soccorso.
2. Quando si intende chiedere aiuto, fornire le informazioni seguenti:
  - Luogo dell'incidente
  - Cosa è accaduto
  - Numero delle persone ferite
  - Tipo di ferite
  - Il proprio nome

## CONSERVARE LE PRESENTI ISTRUZIONI.

**AVVERTIMENTO:** L'utilizzo del presente prodotto può creare polveri contenenti prodotti chimici, che potrebbero causare malattie respiratorie o di altro genere. Alcuni esempi di tali prodotti chimici sono i composti comunemente utilizzati in pesticidi, insetticidi, fertilizzanti ed erbicidi. Il rischio dell'utilizzatore dovuto a tali esposizioni varia a seconda della frequenza con cui si svolge questo tipo di lavoro. Per ridurre la propria esposizione a questi prodotti chimici, lavorare in un'area ben ventilata e con attrezzature di sicurezza approvate, ad esempio maschere antipolvere progettate specificamente per filtrare i particolati microscopici.

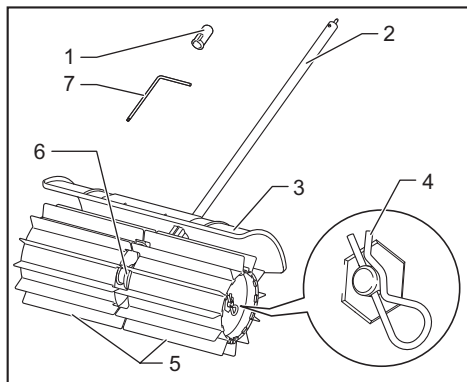
## DESCRIZIONE DELLE PARTI

### Accessorio spazzolone rotativo a motore



- 1. Cappuccio 2. Tubo 3. Protezione 4. Copiglia elastica 5. Spazzolone rotativo 6. Scatola degli ingranaggi 7. Chiave esalobata

## Accessorio rullo-spazzola a motore



- 1. Cappuccio 2. Tubo 3. Protezione 4. Copiglia elastica 5. Tamburo rullo-spazzola 6. Scatola degli ingranaggi 7. Chiave esalobata

## MONTAGGIO

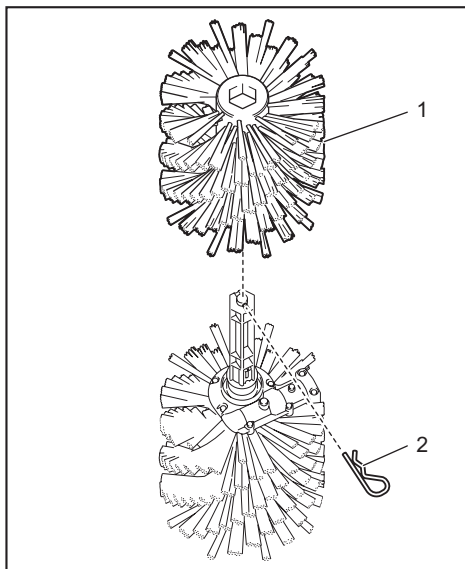
**⚠AVVERTIMENTO:** Prima di montare o regolare l'apparecchio, spegnere il motore elettrico o a benzina e rimuovere il cappuccio della candela o la cartuccia della batteria. In caso contrario, gli spazzoloni rotativi, i tamburi o altre parti potrebbero muoversi e causare gravi lesioni personali.

**⚠AVVERTIMENTO:** Quando si intende montare o regolare l'apparecchio, appoggiarlo sempre. Il montaggio o la regolazione dell'apparecchio in posizione verticale potrebbero causare gravi lesioni personali.

**⚠AVVERTIMENTO:** Attenersi alle avvertenze e alle precauzioni nel capitolo "AVVERTENZE DI SICUREZZA" e nel manuale d'uso dell'unità motore.

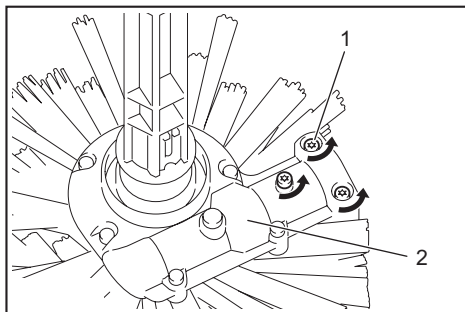
## Montaggio dell'accessorio

1. Rimuovere la copiglia elastica dallo spazzolone rotativo o dal tamburo rullo-spazzola sul lato sinistro dell'unità spazzolone rotativo o dell'unità tamburo rullo-spazzola, quindi rimuovere lo spazzolone rotativo o il tamburo rullo-spazzola.



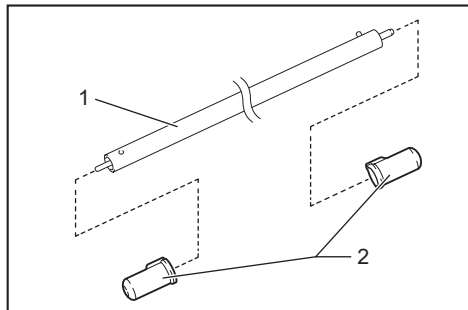
- 1. Spazzolone rotativo 2. Copiglia elastica

2. Allentare 3 viti sulla scatola degli ingranaggi.



- 1. Vite 2. Scatola degli ingranaggi

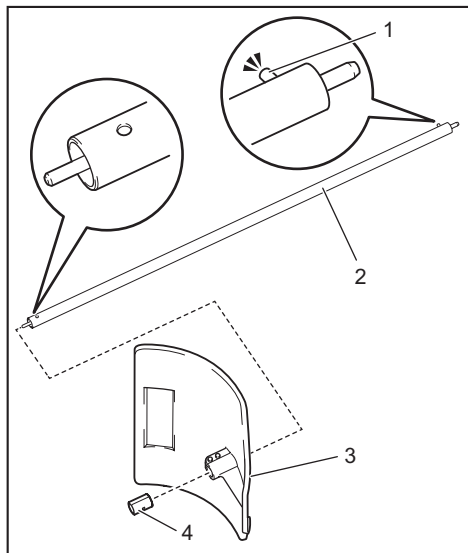
3. Rimuovere 2 cappucci da entrambe le estremità del tubo.



► 1. Tubo 2. Cappuccio

**AVVISO:** Non smaltire i cappucci, poiché il cappuccio è necessario per riporre l'accessorio.

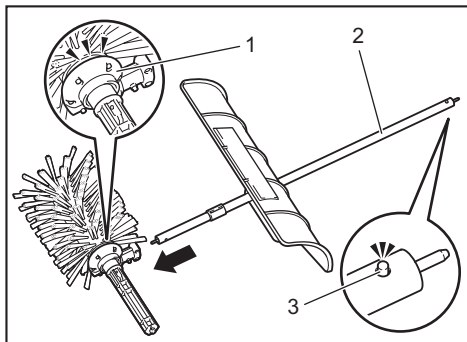
4. Montare la protezione e quindi il manicotto sul tubo.



► 1. Perno 2. Tubo 3. Protezione 4. Manicotto

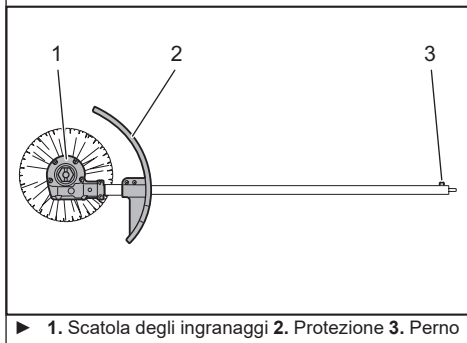
**AVVISO:** Accertarsi di inserire l'estremità del tubo senza il perno nella protezione e nel manicotto.

5. Accertarsi che la scatola degli ingranaggi e il perno sul tubo siano rivolti verso l'alto, quindi inserire il tubo nella scatola degli ingranaggi.



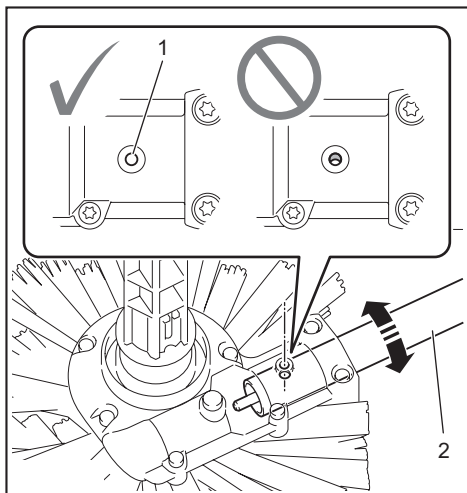
► 1. Scatola degli ingranaggi 2. Tubo 3. Perno

**AVVISO:** Accertarsi che la scatola degli ingranaggi e il perno sul tubo siano rivolti verso l'alto, e che la protezione sia montata nella direzione indicata nella figura.



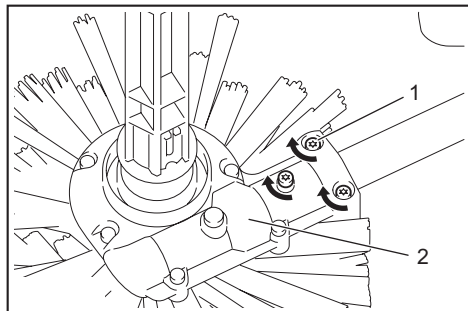
► 1. Scatola degli ingranaggi 2. Protezione 3. Perno

6. Allineare il foro per la vite presente sul tubo con il foro presente sulla scatola degli ingranaggi, ruotando il tubo.



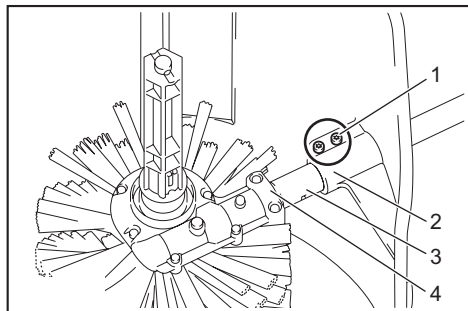
► 1. Foro 2. Tubo

7. Serrare 3 viti sulla scatola degli ingranaggi.



► 1. Vite 2. Scatola degli ingranaggi

8. Serrare 2 viti sulla protezione.



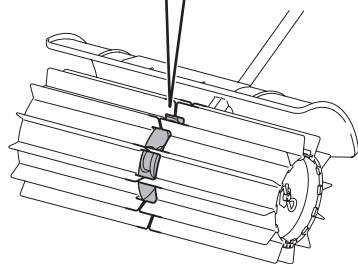
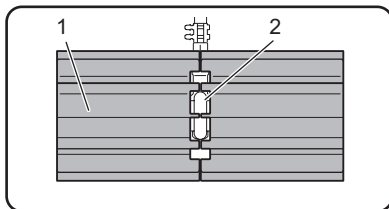
► 1. Vite 2. Protezione 3. Manicotto 4. Scatola degli ingranaggi

**AVVISO:** Accertarsi che non vi sia alcuno spazio tra la scatola degli ingranaggi e il manicotto, né tra il manicotto e la protezione.

9. Montare lo spazzolone rotativo o il tamburo rullo-spazzola sull'unità spazzolone rotativo o sull'unità tamburo rullo-spazzola, quindi montare la copiglia elastica sullo spazzolone rotativo o sul tamburo rullo-spazzola.

**AVVISO:** Quando si intende montare gli spazzoloni rotativi, accertarsi di montarli con il logo Makita rivolto verso l'esterno.

**AVVISO:** Quando si intende montare i tamburi rulli-spazzole, accertarsi di montarli nella direzione indicata nella figura, in modo che i tamburi rulli-spazzole e la scatola degli ingranaggi si innestino tra di loro.



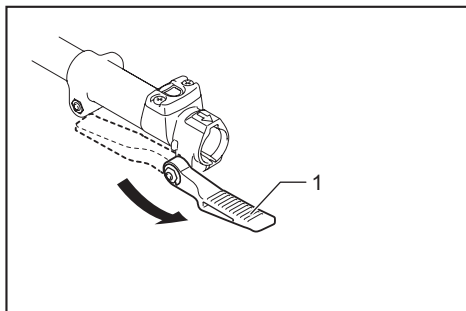
► 1. Tamburo rullo-spazzola 2. Scatola degli ingranaggi

## Montaggio del tubo degli accessori

**ATTENZIONE:** Controllare sempre che il tubo dell'accessorio sia fissato dopo l'installazione. Un'installazione inappropriata potrebbe causare la caduta dell'accessorio dall'unità motore e causare lesioni personali.

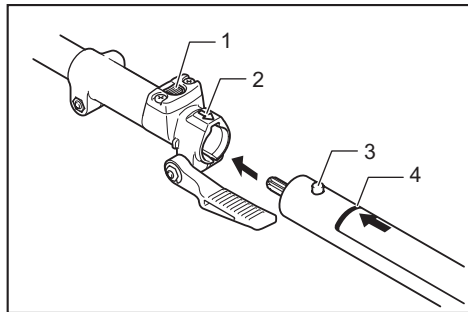
Montare il tubo degli accessori sull'unità motore.

1. Ruotare la leva verso l'accessorio.



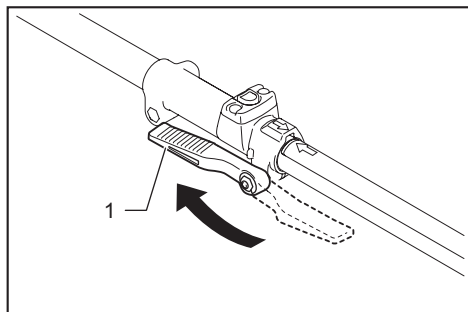
► 1. Leva

2. Allineare il perno con il simbolo della freccia. Inserire il tubo dell'accessorio fino a quando il pulsante di sblocco scatta verso l'alto. Accertarsi che la linea di posizione si trovi in corrispondenza della punta del simbolo della freccia.



► 1. Pulsante di sblocco 2. Simbolo della freccia  
3. Perno 4. Linea di posizione

3. Ruotare la leva verso l'unità motore.

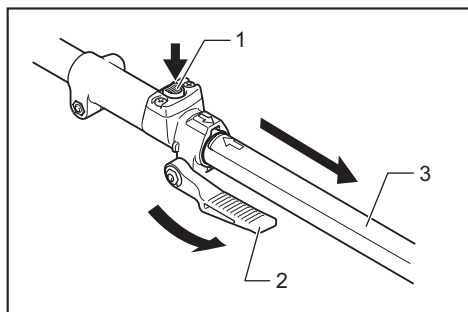


► 1. Leva

Accertarsi che la superficie della leva sia parallela al tubo.

**AVVISO:** Non serrare la leva senza aver inserito il tubo dell'accessorio. In caso contrario, la leva potrebbe serrare eccessivamente l'entrata dell'albero di trasmissione e danneggiarla.

Per rimuovere il tubo, ruotare la leva verso l'accessorio ed estrarre il tubo mentre si tiene premuto il pulsante di sblocco.



► 1. Pulsante di sblocco 2. Leva 3. Tubo

## FUNZIONAMENTO

**AVVERTIMENTO:** Attenersi alle avvertenze e alle precauzioni nel capitolo "AVVERTENZE DI SICUREZZA" e nel manuale d'uso dell'unità motore.

**AVVERTIMENTO:** Regolare la posizione dell'anello di aggancio e della tracolla su una posizione comoda per l'operatore prima dell'uso.

**AVVERTIMENTO:** Indossare una maschera antipolvere e ventilare bene l'area di lavoro. Alcuni materiali contengono sostanze chimiche che potrebbero essere tossiche. Adottare cautela per evitare l'inalazione delle polveri e il contatto con la pelle.

**ATTENZIONE:** Prima dell'uso, rimuovere oggetti duri e/o lunghi quali pietre, lattine e corde dall'area di lavoro. Potrebbero danneggiare gli spazzoloni rotativi o i tamburi rulli-spazzole o impedirne la rotazione.

Qualora la superficie da pulire sia asciutta, spruzzarvi sopra dell'acqua per ridurre le polveri. Mantenere lo spazzolone rotativo a motore o il rullo-spazzola a motore a un'angolazione bassa, quindi spingere lo spazzolone rotativo a motore o il rullo-spazzola a motore camminando a velocità normale.



**ATTENZIONE:** Con l'aumento dell'angolazione diventa di pari passo più difficile controllare lo spazzolone rotativo a motore o il rullo-spazzola a motore, e si incrementa la probabilità di venire spinti all'indietro dallo spazzolone rotativo a motore o dal rullo-spazzola a motore.

# MANUTENZIONE

**⚠AVVERTIMENTO:** Prima di ispezionare o sottoporre a manutenzione l'apparecchio, spegnere il motore e rimuovere il cappuccio della candela o la cartuccia della batteria. In caso contrario, lo spazzolone rotativo, il tamburo rullo-spazzola o altre parti potrebbero muoversi e causare gravi lesioni personali.

**⚠AVVERTIMENTO:** Quando si intende ispezionare o sottoporre a manutenzione l'apparecchio, appoggiarlo sempre. Il montaggio o la regolazione dell'apparecchio in posizione verticale potrebbero causare gravi lesioni personali.

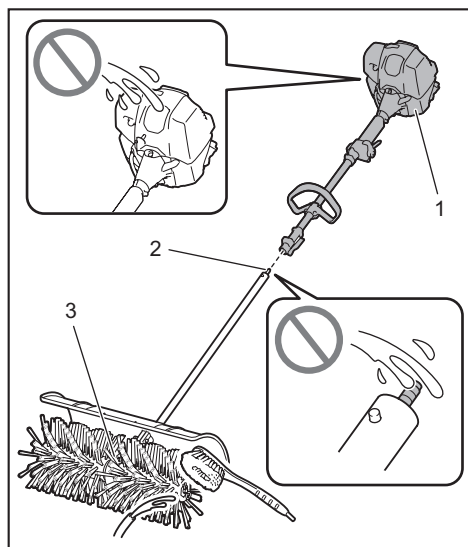
**⚠AVVERTIMENTO:** Attenersi alle avvertenze e alle precauzioni nel capitolo "AVVERTENZE DI SICUREZZA" e nel manuale d'uso dell'unità motore.

**AVVISO:** Non utilizzare mai benzina, benzene, solventi, alcol o altre sostanze simili. In caso contrario, si potrebbero causare scolorimenti, deformazioni o crepe.

Per preservare la SICUREZZA e l'AFFIDABILITÀ del prodotto, le riparazioni e qualsiasi altro intervento di manutenzione e di regolazione devono essere eseguiti da un centro di assistenza autorizzato Makita, utilizzando sempre ricambi Makita.

## Pulizia dell'accessorio

È possibile lavare l'accessorio con acqua. Utilizzare una spazzola in nylon o simile per lavare via lo sporco.



► 1. Unità motore 2. Estremità del tubo 3. Scatola degli ingranaggi

**AVVISO:** Non versare acqua sul unità motore e sull'estremità del tubo. In caso contrario, si potrebbe causare un malfunzionamento dell'accessorio.

Per facilitare la pulizia, è possibile rimuovere lo spazzolone rotativo o il tamburo rullo-spazzola dall'unità spazzolone rotativo o dall'unità tamburo rullo-spazzola. Per sostituire gli spazzoloni rotativi o i tamburi rulli-spazzole, consultare le istruzioni nel presente manuale.

## Ispezione generale

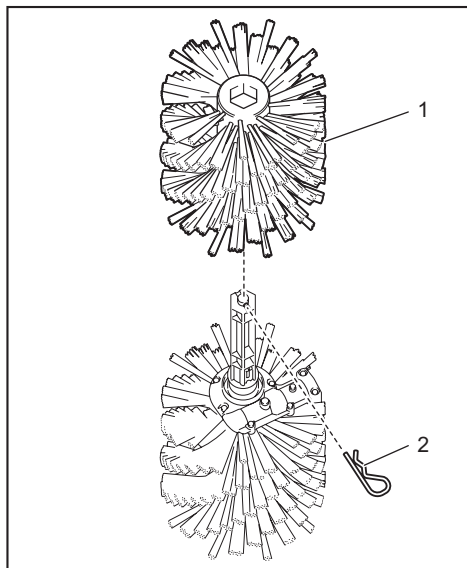
- Serrare bulloni, dadi e viti allentati.
- Controllare l'eventuale presenza di danneggiamenti delle parti, degli spazzoloni rotativi o dei tamburi rulli-spazzole. Se necessario, rivolgersi a un nostro centro di assistenza autorizzato per sostituirli.

## Ispezione degli spazzoloni rotativi, dei tamburi rulli-spazzole e della protezione

Controllare e pulire gli spazzoloni rotativi, i tamburi rulli-spazzole e la protezione ogni giorno. Qualora siano usurate, piegate e spaccate, sostituirli.

## Sostituzione degli spazzoloni rotativi o dei tamburi rulli-spazzole

1. Rimuovere le copiglie elastiche dagli spazzoloni rotativi o dai tamburi rulli-spazzole, quindi rimuovere gli spazzoloni rotativi o i tamburi rulli-spazzole.



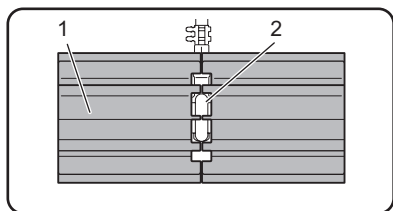
► 1. Spazzolone rotativo 2. Copiglia elastica



2. Montare gli spazzoloni rotativi o i tamburi rulli-spazzole sull'unità spazzolone rotativo o sull'unità tamburo rullo-spazzola, quindi montare le copiglie elastiche.

**AVVISO:** Quando si intende montare gli spazzoloni rotativi, accertarsi di montarli con il logo Makita rivolto verso l'esterno.

**AVVISO:** Quando si intende montare i tamburi rulli-spazzole, accertarsi di montarli nella direzione indicata nella figura, in modo che i tamburi rulli-spazzole e la scatola degli ingranaggi si innestino tra di loro.



► 1. Tamburo rullo-spazzola 2. Scatola degli ingranaggi

## Lubrificazione delle parti mobili

**AVVISO:** Attenersi alle istruzioni relative alla frequenza e alla quantità di grasso applicato.

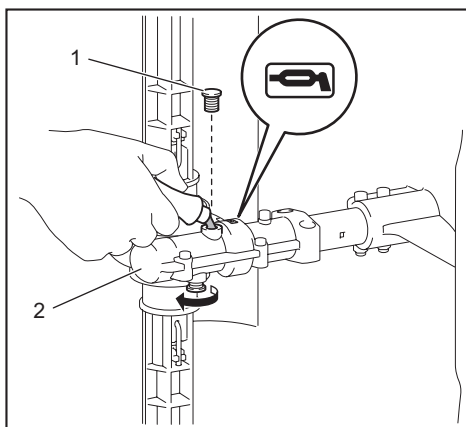
In caso contrario, una lubrificazione insufficiente potrebbe danneggiare le parti mobili.

## Scatola degli ingranaggi:

**ATTENZIONE:** Non applicare grasso quando la scatola degli ingranaggi è molto calda. Una scatola degli ingranaggi molto calda può causare ustioni.

Riempire in modo uniforme con circa 30 ml di grasso (grasso Makita SG No.0) attraverso l'apertura per il grasso ogni 25 ore di funzionamento.

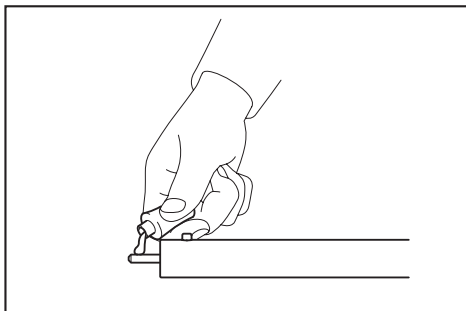
Con la chiave esalobata in dotazione, rimuovere il bullone in prossimità del simbolo di lubrificazione sulla scatola degli ingranaggi. Allentare il bullone sull'altro lato, in modo che sia possibile far fuoriuscire l'aria nella scatola degli ingranaggi quando si applica il grasso. Dopo aver applicato il grasso, accertarsi di serrare i bulloni.



► 1. Bullone 2. Scatola degli ingranaggi

## Asse della trasmissione:

Applicare il grasso (grasso Makita SG No.0) ogni 25 ore di funzionamento.

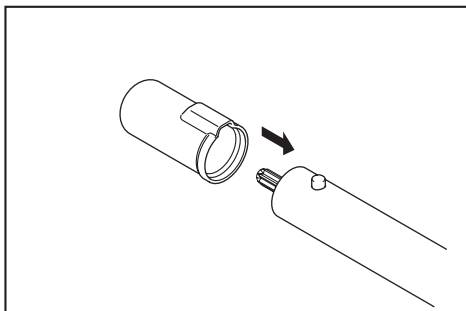


**NOTA:** È possibile acquistare grasso originale Makita dal proprio rivenditore locale Makita.

## Conservazione

**AVVERTIMENTO:** Attenersi alle avvertenze e alle precauzioni nel capitolo "AVVERTENZE DI SICUREZZA" e nel manuale d'uso dell'unità motore.

Quando si intende riporre l'accessorio separatamente dall'unità motore, applicare il cappuccio sull'estremità dell'albero.



## Intervallo di controllo e manutenzione

| Ore di funzionamento                                     |  | Prima dell'uso | Ogni giorno (10h) | 25 h |
|--|--|----------------|-------------------|------|
| Intera unità   | Cercare visivamente eventuali parti danneggiate          | ✓              | -                 | -    |
| Tutte le viti e i dadi di fissaggio                      | Serrare  | ✓              | -                 | -    |
| Spazzoloni rotativi, tamburi rulli-spazzole e protezione | Pulire e cercare visivamente eventuali parti danneggiate | -              | ✓                 | -    |
| Scatola degli ingranaggi                                 | Rifornire di grasso                                      | -              | -                 | ✓    |
| Asse della trasmissione                                  | Rifornire di grasso                                      | -              | -                 | ✓    |
| Unità motore   | Consultare il manuale d'uso dell'unità motore.           |                |                   |      |

## RISOLUZIONE DEI PROBLEMI

Prima di richiedere interventi di riparazione, eseguire personalmente un'ispezione. Qualora si rilevi un problema che non sia illustrato nel presente manuale, non tentare di smontare la macchina. Rivolgersi, invece, a centri di assistenza autorizzati Makita, utilizzando sempre pezzi di ricambio Makita per le riparazioni.

| Stato di anomalia  | Causa probabile (guasto)   | Azione correttiva  |
|--|--|--|
| Il motore elettrico o il motore a benzina non si avvia.  | -  | Consultare il manuale d'uso dell'unità motore.   |
| Il motore elettrico o il motore a benzina si arresta dopo poco tempo.  | -  | Consultare il manuale d'uso dell'unità motore.   |
| La velocità del motore elettrico o del motore a benzina non aumenta.   | -  | Consultare il manuale d'uso dell'unità motore.   |
| Gli spazzoloni rotativi o i tamburi rulli-spazzole non girano.<br>⇒ Arrestare immediatamente il motore elettrico o il motore a benzina.  | I tubi dell'unità motore e dell'accessorio non sono collegati correttamente.               | Collegare i tubi in modo corretto.   |
|  | Gli spazzoloni rotativi o i tamburi rulli-spazzole si sono inceppati in un corpo estraneo. | Rimuovere il corpo estraneo.   |
|  | Anomalia del sistema di trasmissione   | Contattare un centro di assistenza autorizzato per la riparazione.   |
| L'unità motore vibra in modo anomalo.<br>⇒ Arrestare immediatamente il motore elettrico o il motore a benzina.   | Gli spazzoloni rotativi o i tamburi rulli-spazzole sono piegati o rotti.                   | Sostituire gli spazzoloni rotativi o i tamburi rulli-spazzole.   |
|  | Fissaggio allentato degli spazzoloni rotativi o dei tamburi rulli-spazzole                 | Montare saldamente le copiglie elastiche per gli spazzoloni rotativi o i tamburi rulli-spazzole.   |
|  | Fissaggio irregolare degli spazzoloni rotativi o dei tamburi rulli-spazzole                | Installare gli spazzoloni rotativi o i tamburi rulli-spazzole in modo corretto.  |
|  | Anomalia del sistema di trasmissione   | Contattare un centro di assistenza autorizzato per la riparazione.   |
| Gli spazzoloni rotativi o i tamburi rulli-spazzole continuano a girare anche se si rilascia l'interruttore a grilletto o la leva dell'interruttore.<br>⇒ Arrestare immediatamente il motore elettrico o il motore a benzina. | L'unità motore non funziona correttamente.   | Regolare il regime di minimo, qualora l'unità motore sia alimentata da un motore a scoppio. Contattare un centro di assistenza autorizzato per la riparazione. |

## TECHNISCHE GEGEVENS

|  |                            |
|--|----------------------------|
| <b>Model:</b>  | <b>BR400MP</b>             |
| Afmetingen: lengte x breedte x hoogte (met borstels) | 1.145 mm x 600 mm x 362 mm |
| Nettogewicht   | 6,3 kg                     |
| Breedte van borstel                                  | 600 mm                     |
| Buitendiameter van borstel                           | 250 mm                     |

|  |                            |
|--|----------------------------|
| <b>Model:</b>  | <b>SW400MP</b>             |
| Afmetingen: lengte x breedte x hoogte (met veegtrommels) | 1.159 mm x 600 mm x 362 mm |
| Nettogewicht   | 7,2 kg                     |
| Breedte van veegtrommel                                  | 590 mm                     |
| Buitendiameter van veegtrommel                           | 265 mm                     |

- In verband met ononderbroken research en ontwikkeling behouden wij ons het recht voor bovenstaande technische gegevens te wijzigen zonder voorafgaande kennisgeving.
- De technische gegevens kunnen van land tot land verschillen.

### Goedgekeurd aandrijfsysteem

Dit hulpstuk is alleen goedgekeurd voor gebruik met de volgende aandrijfsystemen:

- Multifunctioneel accuaandrijfsysteem DUX60, DUX18, UX01G
- Multifunctioneel aandrijfsysteem EX2650LH

**⚠ WAARSCHUWING:** Gebruik het hulpstuk nooit met een niet-goedgekeurd aandrijfsysteem. Een niet-goedgekeurde combinatie kan leiden tot ernstig letsel.

### Symbolen

Hieronder staan de symbolen die op het hulpstuk en in deze gebruiksaanwijzing worden gebruikt. U dient de betekenis ervan te kennen.

|  |  |
|--|--|
|  | Besteed bijzondere zorg en aandacht!   |
|  | Lees de gebruiksaanwijzing.  |
|  | Draag een veiligheidshelm, oog- en gehoorbescherming!  |
|  | Draag stevige schoenen met antislipzolen. Veiligheidsschoenen met stalen neuzen worden aanbevolen! |
|  | Houd omstanders op minstens 5 m afstand.   |
|  | De borstels en veegtrommels draaien in de richting aangegeven door de pijl.                        |
|  | Let er bij het aanbrengen van de borstels of veegtrommels op dat het tandwielhuis omhoog wijst.    |

### Gebruiksdoeleinden

#### BR400MP

Dit hulpstuk is uitsluitend bedoeld voor het vegen van de ondergrond en paden in combinatie met een goedgekeurd aandrijfsysteem. Gebruik het hulpstuk nooit voor andere doeleinden. Misbruik van het hulpstuk kan leiden tot ernstig letsel. Dit hulpstuk is bedoeld voor commercieel gebruik.

#### SW400MP

Dit hulpstuk is uitsluitend bedoeld voor het opruimen van nat materiaal, zoals bladeren en vuil, en voor het verwijderen van water vanaf harde ondergronden in combinatie met een goedgekeurd aandrijfsysteem. Gebruik het hulpstuk nooit voor andere doeleinden. Misbruik van het hulpstuk kan leiden tot ernstig letsel. Dit hulpstuk is bedoeld voor commercieel gebruik.

### Verklaringen van conformiteit

#### Alleen voor Europese landen

Wij als de fabrikanten: **Makita Europe N.V.**,  
Bedrijfsadres: **Jan-Baptist Vinkstraat 2, 3070 Kortenberg, BELGIË**. Stellen **Kazuhisa Makino** aan om het technische bestand samen te stellen en verklaren onder eigen verantwoordelijkheid dat het/de product(en);  
Aanduiding: **Borstelhulpstuk / Vegerhulpstuk**.  
Aanduiding van type(n): **BR400MP / SW400MP**.  
Voldoet aan de relevante voorwaarden van **2006/42/EG** en zijn gefabriceerd in overeenstemming met de volgende geharmoniseerde normen: **EN 60335-1:2012+A11:2014+A13:2017+A1:2019+A14:2019+A2:2019+A15:2021, EN 60335-2-72:2012**.  
Plaats en datum van verklaring: **Kortenberg, België. 1. 8. 2023**  
Verantwoordelijke persoon: **Kazuhisa Makino, directeur - Makita Europe N.V.**



# VEILIGHEIDSWAARSCHUWINGEN

## Veiligheidswaarschuwingen voor een aangedreven borstel/aangedreven veger

**⚠ WAARSCHUWING:** Lees voor gebruik alle veiligheidswaarschuwingen, instructies, afbeeldingen en technische gegevens die bij dit apparaat werden geleverd, en tevens de gebruiksaanwijzing van het aandrijfsysteem. Als niet alle onderstaande instructies worden opgevolgd, kan dat leiden tot brand en/of ernstig letsel van de gebruiker en/of omstanders.

## Bewaar alle waarschuwingen en instructies om in de toekomst te kunnen raadplegen.

De termen "aangedreven borstel/aangedreven veger" en "apparaat" in de waarschuwingen en voorzorgsmaatregelen verwijzen naar de combinatie van het hulpstuk en het aandrijfsysteem.

De term "motor" in de waarschuwingen en voorzorgsmaatregelen verwijst naar de benzinemotor of elektromotor van het aandrijfsysteem.

## Algemene veiligheid

1. Een beginnende of onervaren gebruiker moet zich door de dealer laten instrueren in de volledige bediening van dit apparaat. Laat in geen geval kinderen, personen met een verminderd lichamelijk, zintuiglijk of geestelijk vermogen, of gebrek aan kennis en ervaring, en personen die de gebruiksaanwijzing niet gelezen hebben, het apparaat gebruiken. Kinderen dienen onder toezicht te staan om ervoor te zorgen dat zij niet met het apparaat spelen.
2. Het verdient aanbeveling het apparaat uitsluitend uit te lenen aan mensen die bewezen hebben ervaren te zijn. Geef altijd de gebruiksaanwijzing mee.
3. Let altijd goed op, kijk naar wat u aan het doen bent, en gebruik uw gezond verstand tijdens het werken met het apparaat. Gebruik het apparaat niet wanneer u moe bent, of onder invloed staat van drugs, alcohol of medicijnen. Een ogenblik van onoplettendheid kan tijdens het gebruik van het apparaat leiden tot ernstig persoonlijk letsel.
4. Vermijd het gebruik van het apparaat onder slechte weersomstandigheden, met name wanneer de kans op bliksem bestaat.
5. Houd u aan alle nationale en lokale regelgeving omtrent het gebruik van elektrische apparaten buitenshuis.
6. Probeer nooit het apparaat te wijzigen.
7. Denk eraan dat de gebruiker verantwoordelijk is voor ongevallen en gevaren die personen of hun eigendommen kunnen overkomen.

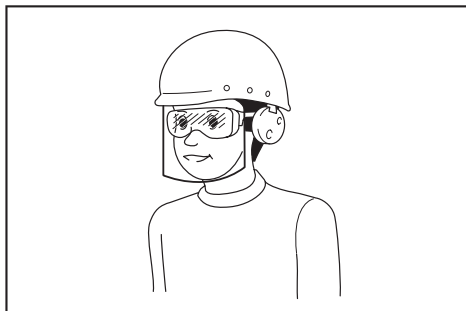
## Veiligheid op de werkplek

**⚠ WAARSCHUWING:** Houd de aangedreven borstel/aangedreven veger uit de buurt van hoogspanningsleidingen en communicatiekabels. Als u een hoogspanningsleiding nadert of aanraakt met de aangedreven borstel/aangedreven veger, kan dat leiden tot de dood of ernstig letsel. Kijk of er hoogspanningsleidingen of schrikdraadafrasteringen in de buurt van het werkgebied zijn voordat u met de werkzaamheden begint.

1. Bedien het apparaat alleen bij goed zicht en daglicht. Bedien het apparaat niet in het donker of in mist.
2. Start en bedien de motor alleen buitenshuis op een goed geventileerde plaats. Gebruik in een gesloten ruimte of op een slecht geventileerde plaats kan leiden tot de dood als gevolg van verstikking of koolmonoxidevergiftiging.
3. Onderzoek het werkgebied op draadafrasteringen, stenen en andere massieve voorwerpen voordat u met de werkzaamheden begint. Zij kunnen de borstels of veegtrommels beschadigen.
4. Tijdens gebruik mag u nooit op een instabiele of gladde ondergrond of op een steile helling staan. Let in de winter op ijs en sneeuw, en zorg er altijd voor dat u stevig staat.
5. Werk niet in de buurt van afrasteringen, stronken of boomwortels. Zij kunnen de borstels of veegtrommels beschadigen.
6. Werk niet in de buurt van gebouwen, auto's en andere eigendommen. Deze kunnen worden beschadigd door stenen en rommel die door de aangedreven borstel/aangedreven veger worden geraakt.
7. Het reinigen van een synthetische vloer kan statische elektriciteit genereren, en er is kans op een elektrische schok of ongeval.

## Persoonlijke-veiligheidsmiddelen

1. Draag altijd een sterke lange broek, stevige schoenen, handschoenen en een shirt met lange mouwen. Draag geen loszittende kleding, sieraden, een korte broek of sandalen, en werk niet blootsvoets. Bind uw haar op tot boven schouderhoogte.
2. Draag altijd een veiligheidsbril om uw ogen tegen letsel te beschermen tijdens het gebruik van het apparaat. De veiligheidsbril moet voldoen aan ANSI Z87.1 in de VS, EN 166 in Europa, of AS/NZS 1336 in Australië/Nieuw-Zeeland. In Australië/Nieuw-Zeeland is het wettelijk verplicht om ook een spatscherm te dragen om uw gezicht te beschermen.



Het is de verantwoordelijkheid van de werkgever om ervoor te zorgen dat veiligheidsmiddelen gebruikt worden door de gebruikers van het gereedschap en anderen in de onmiddellijke omgeving van de werkplek.

3. **Draag gehoorbescherming, zoals oorkappen.** Blootstelling aan harde geluiden kan leiden tot gehoorbeschadiging.
4. **Draag altijd stevige schoenen met een antislipzool.** Dit beschermt uw voeten tegen letsel en garandeert dat u stevig staat.
5. **Draag zo nodig een stofmasker.**

## Brandstof bijvullen

1. **Zet de motor uit voordat u brandstof bijvult. Blijf uit de buurt van open vuur en vonken. Rook nooit tijdens het bijvullen van de brandstof.** Anders kan brand en/of een explosie ontstaan.
2. **Vul brandstof alleen bij in de open lucht.** Als u brandstof bijvult in een afgesloten vertrek, kan de brandstofdamp exploderen.
3. **Vermijd contact met brandstof en motorolie. Adem geen brandstofdampen in. Als brandstof of olie wordt gemorst, veegt u het onmiddellijk van het apparaat of de grond af. Als brandstof wordt gemorst op uw kleren, moet u onmiddellijk andere kleren aantrekken om te voorkomen dat deze vlam vatten.**
4. **Draai na het bijvullen van brandstof de brandstoftankdop stevig vast en controleer op brandstoflekage. Start de motor op een afstand van minstens 3 m van de brandstofbron en bijvulplaats.**
5. **Vervoer en bewaar brandstof uitsluitend in goedgekeurde jerrycans. Houd kinderen uit de buurt van de opgeslagen brandstof.**

## De aangedreven borstel/aangedreven veger starten

1. **Alvorens het apparaat te monteren of af te stellen, zet u de motor uit en trekt u de bougiekap eraf of verwijdert u de accu.**
2. **Trek veiligheidshandschoenen aan voordat u de borstels of veegtrommels hanteert.**
3. **Draag de persoonlijke-beschermingsmiddelen voordat u de motor start.**
4. **Voordat u de motor start, inspecteert u het apparaat op beschadigingen, losse schroeven/moeren en verkeerde montage. Controleer of alle bedieningshendels en -schakelaars gemakkelijk kunnen worden bediend. Maak de handgrepen schoon en droog.**
5. **Probeer nooit de motor te starten als het apparaat beschadigd is of nog niet volledig gemonteerd is met de juiste beschermkappen, platen of andere veiligheidsmiddelen. Anders kan ernstig letsel ontstaan.**
6. **Voordat u de motor start, controleert u zorgvuldig of de borstels of veegtrommels niet uw lichaam of andere voorwerpen raken. Als u de motor start terwijl de borstels of veegtrommels een vreemd voorwerp raken, kan dat leiden tot een ernstig ongeval.**

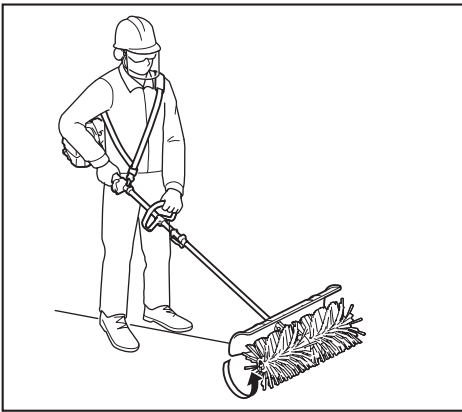
7. **Voordat u de motor start, verzekert u zich ervan dat zich geen personen of dieren binnen het werkgebied bevinden.**
8. **Stel het schouderdraagstel en de handgreep af op de lichaamsgrootte van de gebruiker.**
9. **Vervang de borstels of veegtrommels als deze gebarsten, verbogen of beschadigd zijn.** Beschadigde borstels of veegtrommels kunnen tijdens gebruik in stukken uiteen vliegen en ernstig letsel veroorzaken.
10. **Start en bedien het apparaat alleen buitenshuis in een goed eventileerde omgeving.** Gebruik in een gesloten ruimte of op een slecht eventileerde plaats kan leiden tot de dood als gevolg van verstikking of koolmonoxidevergiftiging.
11. **Wanneer u de motor start, zet u het apparaat op een stevige ondergrond, bewaart u goed uw evenwicht en zorgt u ervoor dat u stevig staat.**
12. **Wanneer u aan de trekstarthandgreep van de motor trekt, houdt u het aandrijfsysteem met uw linkerhand stevig tegen de grond gedrukt. Ga nooit op de aandrijfschacht van het aandrijfsysteem staan.**
13. **Als de borstels of veegtrommels bij stationair toerental ronddraaien, zet u de motor uit en verlaagt u het stationair toerental.** Anders kan onbedoeld aanraken van ronddraaiende borstels of veegtrommels leiden tot ernstig letsel.
14. **Zet de motor onmiddellijk uit als u enige storing waarneemt.**
15. **Raadpleeg de gebruiksaanwijzing van het aandrijfsysteem om de motor te starten.**

## Vervoeren

1. **Zet de motor uit tijdens het vervoeren.** Anders kan door onbedoeld starten kan letsel ontstaan.
2. **Verzekert u ervan dat tijdens vervoer per auto het apparaat op een veilige plaats ligt om te voorkomen dat er brandstof uit lekt.**
3. **Til het hele apparaat op van de grond wanneer u het apparaat draagt.** Als u het apparaat sleept, wordt de brandstoftank beschadigd en een lekkage veroorzaakt waardoor brand ontstaat.
4. **Wanneer u het gereedschap vervoert, draagt u het horizontaal door de schacht vast te pakken. Houd de hete uitlaatdemper uit de buurt van uw lichaam.**

## Bediening

1. **Houd tijdens gebruik omstanders en dieren ten minste 5 meter uit de buurt van de aangedreven borstel/aangedreven veger. Zet de motor uit zodra iemand dichterbij komt.**
2. **In geval van nood zet u de motor onmiddellijk uit.**
3. **Als u tijdens gebruik een ongebruikelijke situatie opmerkt (bijv. geluid, trillingen), schakelt u de motor uit. Gebruik het apparaat niet meer totdat de oorzaak is opgespoord en verholpen.**
4. **Terwijl de motor slechts stationair loopt, maakt u het gereedschap vast aan het schouderdraagstel.**
5. **Gebruik tijdens het werk het schouderdraagstel. Houd het apparaat stevig tegen uw rechterzij.**



6. Houd de voorhandgreep met uw linkerhand vast, en houd de achterhandgreep met uw rechterhand vast, ongeacht of u links- of rechtshandig bent. Vouw uw vingers en duimen om de handgrepen.
7. Probeer nooit het apparaat met één hand te bedienen. Als u de controle over het apparaat verliest, kan dat leiden tot ernstig of fataal letsel. Om de kans op letsel te verkleinen, houdt u uw handen en voeten uit de buurt van de borstels of veegtrommels.
8. Breng tijdens gebruik de borstels of veegtrommels nooit hoger dan heuphoogte.
9. De borstels of veegtrommels blijven gedurende een korte tijd doordraaien nadat de gashendel is losgelaten of de motor is uitgezet. Raak de borstels of veegtrommels niet onmiddellijk aan.
10. Reik niet te ver. Zorg altijd voor een stevige stand en goede lichaamsbalans. Kijk uit voor verborgen obstakels, zoals boomstronken, boomwortels en greppels, om te voorkomen dat u valt.
11. Wees bijzonder voorzichtig wanneer u de draairichting van de borstels of veegtrommels omkeert of het apparaat naar u toe trekt. Als het aandrijfsysteem de draairichting kan omkeren, gebruikt u dit alleen wanneer het noodzakelijk is. Tijdens gebruik met omgekeerde draairichting, zal de aangedreven borstel/aangedreven veger aan u trekken wanneer de borstels of veegtrommels de grond raken.
12. Overbelast het apparaat niet door te proberen te hard of te snel te duwen. Het apparaat zal onder de juiste belasting beter werken en er is dan een lager risico op letsel.
13. Verhoog het toerental van de motor niet terwijl de borstels of veegtrommels geblokkeerd worden. Hierdoor neemt de belasting toe en zal het apparaat beschadigd worden.
14. Nadat tegen het apparaat is gestoten of het is gevallen, controleert u de staat van het apparaat voordat u de werkzaamheden hervat. Controleer het brandstofsysteem op brandstoflekkage, en de bedieningselementen en veiligheidsvoorzieningen op juiste werking. Als enige beschadiging zichtbaar is of u twijfelt, vraagt u ons erkende servicecentrum om inspectie en reparatie.

15. Raak het tandwielhuis niet aan. Het tandwielhuis wordt tijdens gebruik erg warm.
16. Neem een pauze om te voorkomen dat u door vermoeidheid de controle over het gereedschap verliest. Wij adviseren u ieder uur 10 tot 20 minuten te rusten.
17. Wanneer u het apparaat achterlaat, al is het maar even, zet u altijd de motor uit of verwijderd u de accu. Een onbeheerd apparaat met een draaiende motor kan door onbevoegden worden gebruikt en tot een ernstig ongeval leiden.
18. Raadpleeg de gebruiksaanwijzing van het aandrijfsysteem voor het juiste gebruik van de gashendel en schakelaar.
19. Leg tijdens of na gebruik het warme apparaat niet op droog gras of brandbare materialen.
20. Als vreemde voorwerpen verstrikt raken in de borstels of veegtrommels, zet u de motor uit, trekt u de bougiekap eraf of verwijderd u de accu, en verwijderd u de obstakels.
21. Houd uw handen en voeten uit de buurt van de borstels of veegtrommels. Aanraking van de borstels of veegtrommels kan leiden tot ernstig letsel. Alvorens de borstels of veegtrommels te hanteren, zet u de motor uit en trekt u de bougiekap eraf of verwijderd u de accu.
22. Controleer de borstels of veegtrommels vaak tijdens gebruik op barsten of beschadigingen.
23. Zet altijd de motor uit of verwijderd de accu voordat u rommel of vreemde voorwerpen verwijderd vanaf de borstels of veegtrommels.
24. Raadpleeg de gebruiksaanwijzing van het aandrijfsysteem voor informatie over het starten en bedienen van het apparaat.

## Trillingen

Blootstelling aan buitensporige trillingen beschaadigt de bloedvaten of het zenuwstelsel van de gebruiker en veroorzaakt de volgende symptomen in de vingers, handen of polsen: 'slapen' (gevoelloosheid), tintelen, pijn, stekend gevoel, veranderen van huidskleur of van de huid. Als een van deze symptomen zich voordoet, raadpleegt u uw dokter.

Om de kans op deze 'witte-vingerziekte' te verkleinen, houdt u uw handen warm tijdens gebruik en onderhoudt u het apparaat en de accessoires goed.

## Onderhoud uitvoeren

1. Voordat u enige onderhouds-, reparatie- of schoonmaakwerkzaamheden uitvoert aan het apparaat, zet u altijd de motor uit en trekt u de bougiekap eraf of verwijderd u de accu. Wacht totdat de motor is afgekoeld.
2. Om de kans op brand te verkleinen, mag u nooit onderhouds- of reparatiewerkzaamheden uitvoeren in de buurt van een vuur.
3. Draag altijd veiligheidschambrons wanneer u de borstels of veegtrommels hanteert.
4. Verwijder altijd stof en vuil vanaf het gereedschap. Gebruik voor dit doel nooit benzine, wasbenzine, thinner, alcohol, enz. Dit kan leiden tot verkleuren, vervormen of barsten van de kunststofdelen.
5. Draai na gebruik alle schroeven en moeren vast, uitgezonderd de stelschroeven van de carburateur.

6. Vervang de borstels of veegtrommels als deze beschadigd zijn.
7. Probeer geen onderhoud of reparatie uit te voeren die niet in deze gebruiksaanwijzing of de gebruiksaanwijzing van het aandrijfsysteem wordt beschreven. Vraag ons erkend servicecentrum om dergelijke werkzaamheden uit te voeren.
8. Volg de instructies voor het smeren en het vervangen van accessoires.
9. Gebruik altijd uitsluitend originele vervangingsonderdelen en accessoires. Als u onderdelen of accessoire van derden gebruikt, kan het gereedschap defect raken, eigendommen worden beschadigd en/of ernstig letsel worden veroorzaakt.
10. Verzoek regelmatig ons erkend servicecentrum om het apparaat te inspecteren en onderhouden.

## Opslag

1. Alvorens het apparaat op te bergen, voert u alle schoonmaak- en onderhoudswerkzaamheden uit. Trek de bougiekap eraf of verwijder de accu. Tap de brandstof af nadat de motor is afgekoeld.
2. Berg het gereedschap op een droge en hoge of afgesloten plaats op, buiten bereik van kinderen.
3. Laat het gereedschap nooit ergens tegenaan leunen, zoals tegen een muur. Als u dit doet, kan het plotseling vallen en letsel veroorzaken.

## EHBO

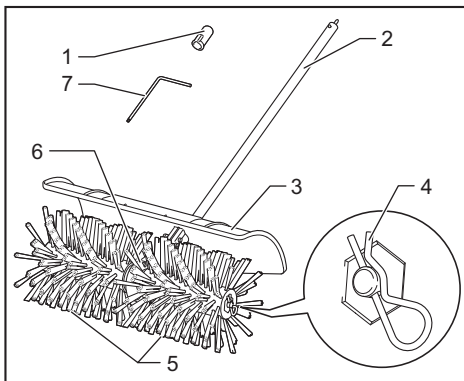
1. Zorg dat ervoor dat een EHBO-doos beschikbaar is in de buurt waar wordt gewerkt om eerste hulp te bieden bij een eventueel ongeval. Vul direct na gebruik van de inhoud de EHBO-doos weer aan.
2. Geef de volgende informatie wanneer u om hulp vraagt:
  - Plaats van het ongeval
  - Beschrijving van het ongeval
  - Aantal gewonden
  - Soort letsels
  - Uw naam

## BEWAAR DEZE VOORSCHRIFTEN.

**⚠️ WAARSCHUWING:** Het gebruik van dit gereedschap kan stof opwerpen waarin chemische bestanddelen kunnen zitten die ziekten aan de luchtwegen of andere ziekten kunnen veroorzaken. Enkele voorbeelden van deze chemische bestanddelen zijn verbindingen die gevonden worden in pesticiden, insecticiden, meststoffen en herbiciden. Het risico van deze blootstellingen varieert en hangt af van hoe vaak u dit soort werkzaamheden uitvoert. Om blootstelling aan deze chemische stoffen te verminderen: moeten de werkzaamheden uitgevoerd worden in een goed geventileerde werkomgeving en gebruikmakend van goedgekeurde beschermingsmiddelen, zoals stofmaskers die ontworpen zijn om microscopisch kleine deeltjes te kunnen filteren.

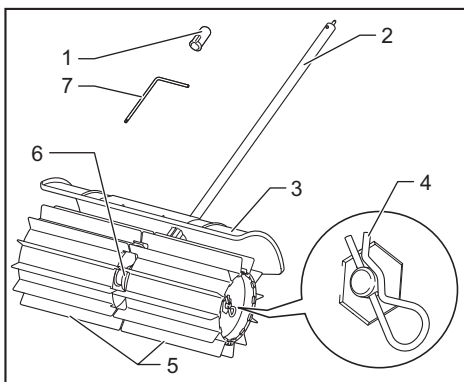
## BESCHRIJVING VAN DE ONDERDELEN

### Borstelhulpstuk



- 1. Dop 2. Pijp 3. Beschermkap 4. Klem 5. Borstel  
6. Tandwielhuis 7. Torxsleutel

### Vegerhulpstuk



- 1. Dop 2. Pijp 3. Beschermkap 4. Klem  
5. Veegtrommel 6. Tandwielhuis 7. Torxsleutel

# MONTAGE

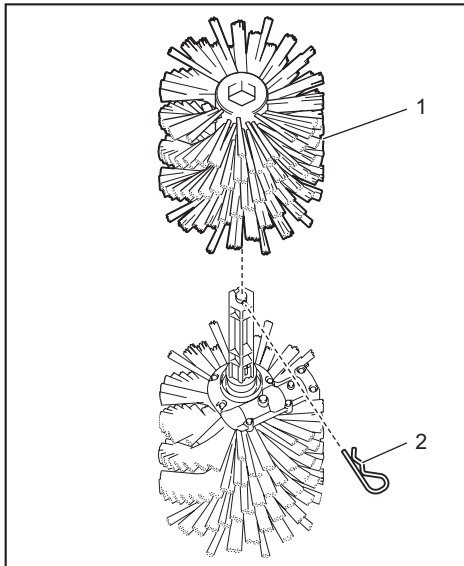
**⚠WAARSCHUWING:** Alvorens het gereedschap te monteren of af te stellen, zet u de (benzine- of elektro)motor uit en trekt u de bougiekap eraf of verwijdert u de accu. Anders kunnen de borstels, trommels of andere onderdelen gaan ronddraaien en ernstig letsel veroorzaken.

**⚠WAARSCHUWING:** Leg het gereedschap altijd op de grond wanneer u het afstelt of onderdelen aanbrengt. Als u onderdelen aanbrengt of het gereedschap afstelt terwijl het rechtop staat, kan ernstig letsel worden veroorzaakt.

**⚠WAARSCHUWING:** Volg de waarschuwingen en voorzorgsmaatregelen in het hoofdstuk "VEILIGHEIDSWAARSCHUWINGEN" op en raadpleeg de gebruiksaanwijzing van het aandrijfsysteem.

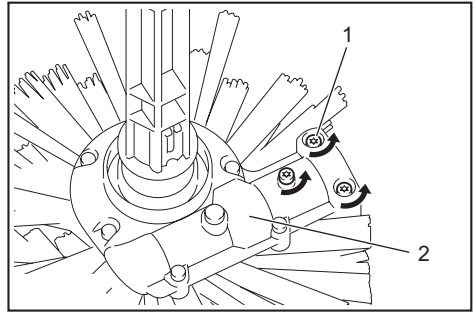
## Het hulpstuk aanbrengen

1. Verwijder de klem vanaf de borstel of veegtrommel aan de linkerkant van de borstel-eenheid of veegtrommel-eenheid, en verwijder daarna de borstel of veegtrommel.



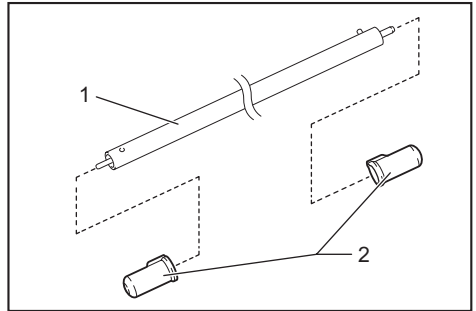
► 1. Borstel 2. Klem

2. Draai de 3 schroeven op het tandwielhuis los.



► 1. Schroef 2. Tandwielhuis

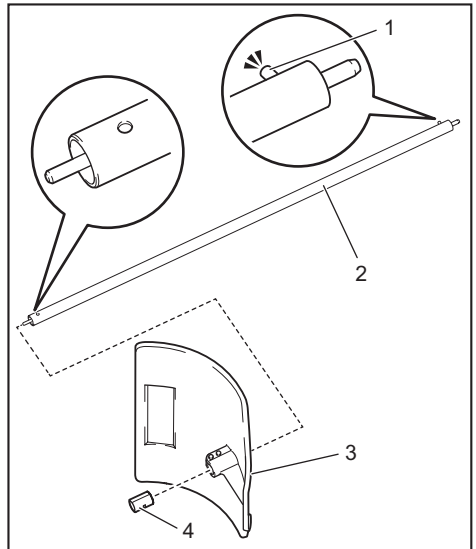
3. Verwijder de 2 doppen vanaf beide uiteinden van de pijp.



► 1. Pijp 2. Dop

**KENNISGEVING:** Gooi de doppen niet weg omdat deze weer nodig zijn voor het opbergen van het hulpstuk.

4. Bevestig de beschermkap en de bus aan de pijp.

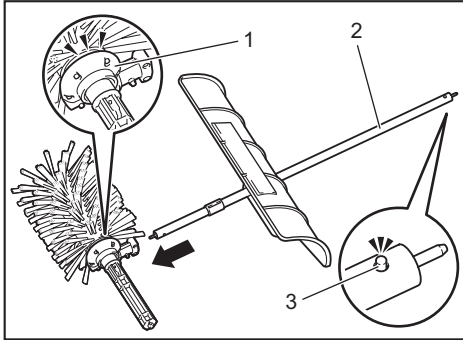


► 1. Pen 2. Pijp 3. Beschermkap 4. Bus



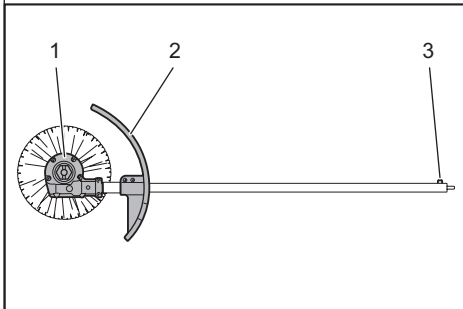
**KENNISGEVING:** Steek het uiteinde van de pijp waar geen pen op zit in de beschermkap en de bus.

5. Zorg ervoor dat het tandwielhuis en de pen op de pijp omhoog wijzen en steek vervolgens de pijp in het tandwielhuis.



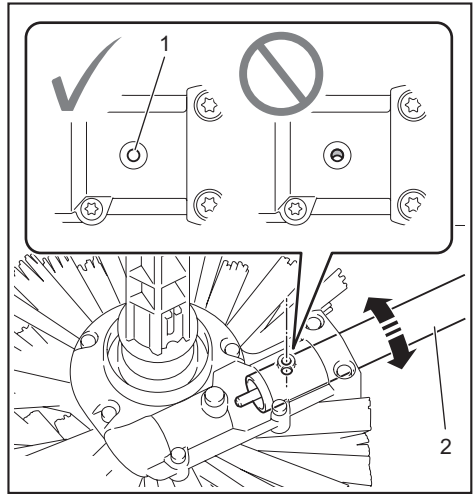
► 1. Tandwielhuis 2. Pijp 3. Pen

**KENNISGEVING:** Zorg ervoor dat het tandwielhuis en de pen op de pijp omhoog wijzen en de beschermkap is bevestigd in de richting aangegeven in de afbeelding.



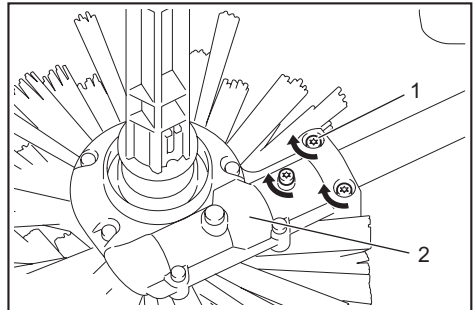
► 1. Tandwielhuis 2. Beschermkap 3. Pen

6. Lijn het schroefgat in de pijp uit met het gat in het tandwielhuis door de pijp rond te draaien.



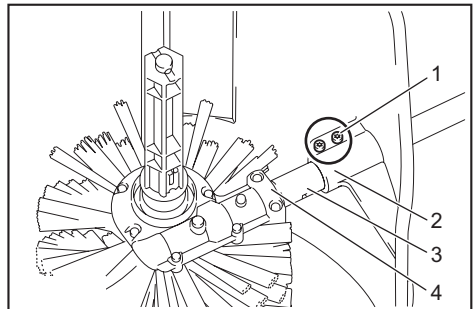
► 1. Gat 2. Pijp

7. Draai de 3 schroeven op het tandwielhuis vast.



► 1. Schroef 2. Tandwielhuis

8. Draai de 2 schroeven op de beschermkap vast.



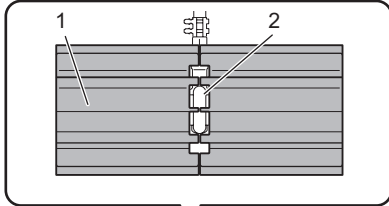
► 1. Schroef 2. Beschermkap 3. Bus 4. Tandwielhuis

**KENNISGEVING:** Zorg ervoor dat er geen opening zit tussen het tandwielhuis en de bus, en ook niet tussen de bus en de beschermkap.

9. Breng de borstel of veegtrommel aan op de borstel-eenheid of veegtrommel-eenheid, en bevestig daarna de klem aan op de borstel of veegtrommel.

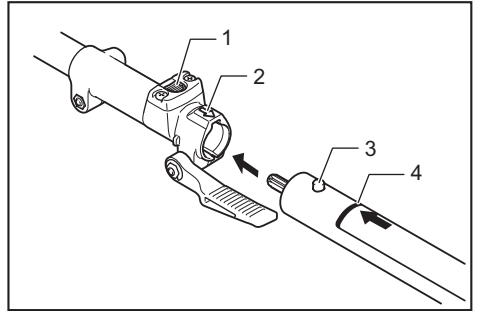
**KENNISGEVING:** Let er bij het aanbrengen van de borstels op dat het Makita-logo naar buiten wijst.

**KENNISGEVING:** Let er bij het aanbrengen van de veegtrommels op dat ze worden aangebracht in de richting aangegeven in de afbeelding zodat de veegtrommels en het tandwielhuis in elkaar aangrijpen.



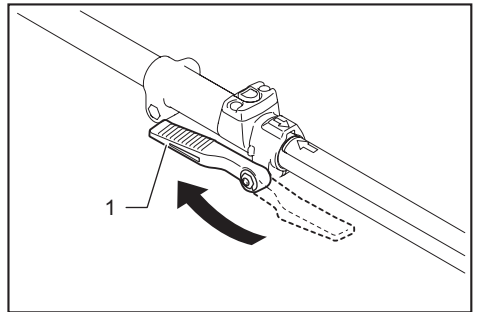
► 1. Veegtrommel 2. Tandwielhuis

2. Lijn de pen uit met de pijlmarkering. Steek de hulpstukpijp erin tot de ontgrendelknop omhoog springt. Zorg ervoor dat de positielijn tegen de punt van de pijlmarkering ligt.



► 1. Ontgrendelknop 2. Pijlmarkering 3. Pen 4. Positielijn

3. Kantel de hendel naar het aandrijfsysteem.



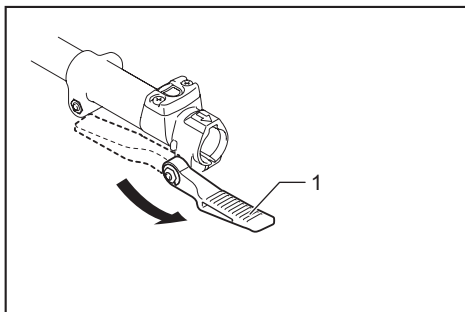
► 1. Hendel

## De hulpstukpijp bevestigen

**⚠ LET OP:** Controleer na het aanbrengen altijd of de hulpstukpijp stevig is bevestigd. Door onjuist aanbrengen kan het hulpstuk van het aandrijfsysteem af vallen en persoonlijk letsel veroorzaken.

Bevestig de pijp van het hulpstuk aan het aandrijfsysteem.

1. Kantel de hendel naar het hulpstuk.

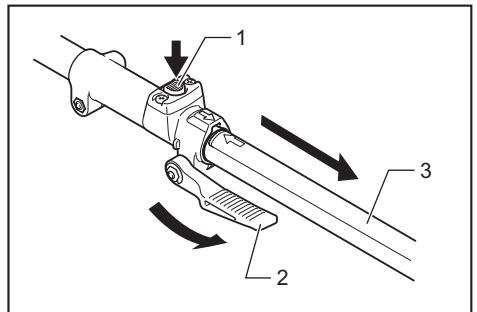


► 1. Hendel

Zorg ervoor dat het bovenvlak van de hendel parallel ligt aan de pijp.

**KENNISGEVING:** Zet de hendel niet vast zonder dat de hulpstukpijp erin is gestoken. Als u dit doet, kan de hendel de ingang voor de aandrijfschacht te ver dichtknijpen en beschadigen.

Om de pijp te verwijderen, kantelt u de hendel naar het hulpstuk en trekt u de pijp eruit terwijl u de ontgrendelknop ingedrukt houdt.



► 1. Ontgrendelknop 2. Hendel 3. Pijp

## BEDIENING

**⚠️ WAARSCHUWING:** Volg de waarschuwingen en voorzorgsmaatregelen in het hoofdstuk “VEILIGHEIDSWAARSCHUWINGEN” op en raadpleeg de gebruiksaanwijzing van het aandrijfsysteem.

**⚠️ WAARSCHUWING:** Stel voor gebruik de positie van het bevestigingsoog en het schouderdraagstel af op comfortabel gebruik.

**⚠️ WAARSCHUWING:** Draag een stofmasker en zorg voor een goede ventilatie in het werkgebied. Sommige materialen bevatten chemische stoffen die giftig kunnen zijn. Let op dat u geen stof inademt en zorg dat er niets op uw huid komt.

**⚠️ LET OP:** Verwijder voor gebruik harde en/of lange voorwerpen, zoals stenen, blikjes en touwen, uit het werkgebied. Deze kunnen de borstels of veegtrommels beschadigen, of het draaien van de borstels of veegtrommels hinderen.

Als het te reinigen oppervlak droog is, sprenkelt u er water op om het opwerpen van stof te verminderen. Houd de aangedreven borstel/aangedreven veger onder een kleine hoek en duw de aangedreven borstel/aangedreven veger met loopsnelheid vooruit.



**⚠️ LET OP:** Hoe groter de hoek wordt, hoe moeilijker het is om de aangedreven borstel/aangedreven veger onder controle te houden, en hoe waarschijnlijker het is dat u naar achteren wordt geduwd door de aangedreven borstel/aangedreven veger.

## ONDERHOUD

**⚠️ WAARSCHUWING:** Alvorens het gereedschap te inspecteren of te onderhouden, zet u de motor uit en trek u de bougiekap eraf of verwijder u de accu. Anders kan de borstel, veegtrommel of andere onderdelen gaan ronddraaien en ernstig letsel veroorzaken.

**⚠️ WAARSCHUWING:** Leg het gereedschap altijd op de grond wanneer u het inspecteert of onderhoudt. Als u onderdelen aanbrengt of het gereedschap afstelt terwijl het rechtop staat, kan ernstig letsel worden veroorzaakt.

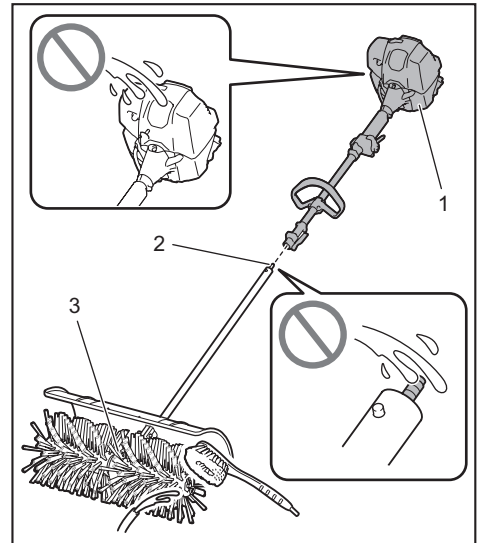
**⚠️ WAARSCHUWING:** Volg de waarschuwingen en voorzorgsmaatregelen in het hoofdstuk “VEILIGHEIDSWAARSCHUWINGEN” op en raadpleeg de gebruiksaanwijzing van het aandrijfsysteem.

**KENNISGEVING:** Gebruik nooit benzine, wasbenzine, thinner, alcohol en dergelijke. Hierdoor kunnen verkleuring, vervormingen en barsten worden veroorzaakt.

Om de VEILIGHEID en BETROUWBAARHEID van het gereedschap te handhaven, dienen alle reparaties, onderhoud of afstellingen te worden uitgevoerd bij een erkend Makita-servicecentrum of de Makita-fabriek, en altijd met gebruik van Makita-vervangingsonderdelen.

### Het hulpstuk reinigen

Het hulpstuk kan met water worden gewassen. Gebruik een nylonborstel of iets soortgelijks om het vuil eraf te wassen.



▶ 1. Aandrijfsysteem 2. Pijpuitende 3. Tandwielhuis

**KENNISGEVING:** Giet geen water over het aandrijfsysteem en het pijpuiteinde. Hierdoor kan een storing van het hulpstuk ontstaan.

Voor gemakkelijker reinigen kunt u de borstel of veegtrommel verwijderen vanaf de borstel-eenheid of veegtrommel-eenheid. Raadpleeg de instructies voor het vervangen van de borstels of veegtrommels in deze gebruiksaanwijzing.

## Algehele inspectie

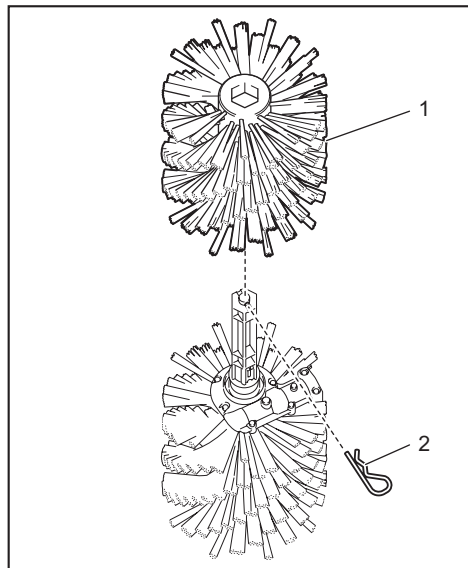
- Draai losse bouten, moeren en schroeven vast.
- Controleer op beschadigde onderdelen, borstels of veegtrommels. Vraag ons erkende servicecentrum om het zo nodig te vervangen.

## De borstels, veegtrommels en beschermkap inspecteren

Controleer en reinig de borstels, veegtrommels en beschermkap dagelijks. Als deze versleten, verbogen of gebarsten zijn, vervangt u ze.

## De borstels of veegtrommels vervangen

1. Verwijder de klemmen vanaf de borstels of veegtrommels, en verwijder daarna de borstels of veegtrommels.

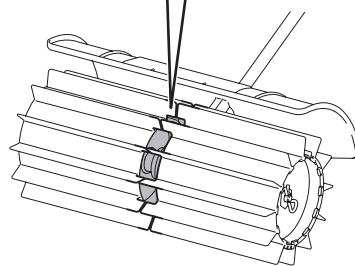
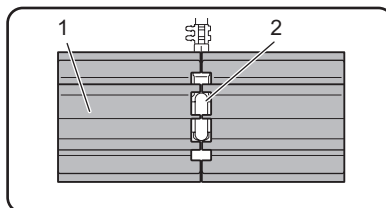


► 1. Borstel 2. Klem

2. Breng de borstels of veegtrommels aan op de borstel-eenheid of veegtrommel-eenheid, en bevestig daarna de klemmen.

**KENNISGEVING:** Let er bij het aanbrengen van de borstels op dat het Makita-logo naar buiten wijst.

**KENNISGEVING:** Let er bij het aanbrengen van de veegtrommels op dat ze worden aangebracht in de richting aangegeven in de afbeelding zodat de veegtrommels en het tandwielhuis in elkaar aangrijpen.



► 1. Veegtrommel 2. Tandwielhuis

## Bewegende delen smeren

**KENNISGEVING:** Houd u aan de frequentie en de opgegeven hoeveelheid vet. Als u dat niet doet, kunnen door onvoldoende smering de bewegende delen worden beschadigd.

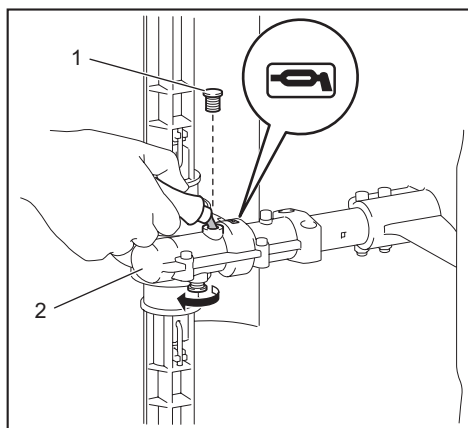
## Tandwielhuis:

**⚠ LET OP:** Breng geen vet aan terwijl het tandwielhuis heet is. Het hete tandwielhuis kan brandwonden veroorzaken.

Vul ongeveer 30 ml smeervet (Makita-smeervet SG No.0) gelijkmatig bij via de smeropening elke 25 bedrijfsuren.

Verwijder met behulp van de bijgeleverde torxsleutel de bout naast de smerpunt-markering op het tandwielhuis. Draai de bout aan de andere kant los zodat de lucht in het tandwielhuis kan ontsnappen wanneer u smeervet bijvult.

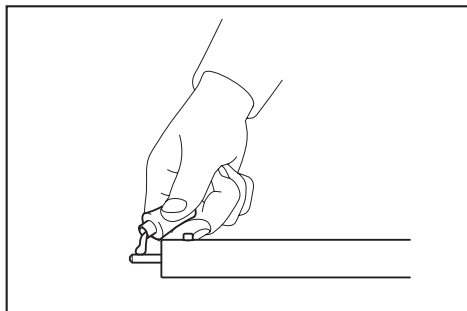
Nadat het smeervet is bijgevuld, draait u de bouten weer vast.



► 1. Bout 2. Tandwielhuis

### Aandrijfjas:

Vul smeervet (Makita-smeervet SG No.0) bij elke 25 bedrijfsuren.

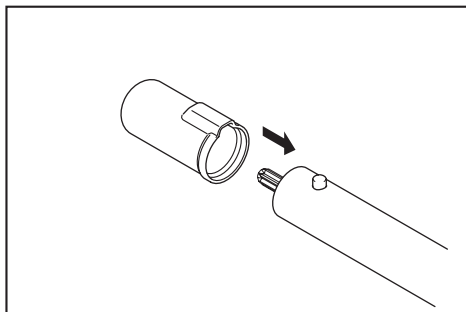


**OPMERKING:** Origineel Makita-smeervet kan worden aangeschaft bij uw plaatselijke Makita-dealer.

### Opslag

**⚠ WAARSCHUWING:** Volg de waarschuwingen en voorzorgsmaatregelen in het hoofdstuk “VEILIGHEIDSWAARSCHUWINGEN” op en raadpleeg de gebruiksaanwijzing van het aandrijfsysteem.

Als het hulpstuk los van het aandrijfsysteem wordt opgeborgen, brengt u de dop aan op het uiteinde van de schacht.



### Interval voor inspectie en onderhoud

| Bedrijfsuren                          |   | Vóór gebruik | Dagelijks (10 uur) | 25 uur |
|---------------------------------------|---|--------------|--------------------|--------|
| Hele apparaat                         | Visueel inspecteren op beschadigde onderdelen             | ✓            | -                  | -      |
| Alle bevestigingsschroeven en -moeren | Vastdraaien   | ✓            | -                  | -      |
| Borstels, veegtrommels en beschermkap | Reinigen en visueel inspecteren op beschadigde onderdelen | -            | ✓                  | -      |
| Tandwielhuis                          | Smeervet aanbrengen                                       | -            | -                  | ✓      |
| Aandrijfjas                           | Smeervet aanbrengen                                       | -            | -                  | ✓      |
| Aandrijfsysteem                       | Raadpleeg de gebruiksaanwijzing van het aandrijfsysteem.  |              |                    |        |

# PROBLEMEN OPLOSSEN

Alvorens om reparatie te vragen, voert u eerst uw eigen inspectie uit. Als u een probleem ondervindt dat niet wordt beschreven in deze gebruiksaanwijzing, mag u niet proberen het apparaat te demonteren. In plaats daarvan vraagt u een erkend Makita-servicecentrum, dat altijd Makita-vervangingsonderdelen gebruikt, om het apparaat te repareren.

| Probleemomschrijving  | Waarschijnlijke oorzaak (storing)  | Oplossing  |
|---|--|--|
| De (benzine- of elektro)motor start niet.   | -  | Raadpleeg de gebruiksaanwijzing van het aandrijfsysteem.   |
| De (benzine- of elektro)motor stopt spoedig.  | -  | Raadpleeg de gebruiksaanwijzing van het aandrijfsysteem.   |
| Het (benzine- of elektro)motortoerental neemt niet toe.   | -  | Raadpleeg de gebruiksaanwijzing van het aandrijfsysteem.   |
| De borstels of veegtrommels draaien niet rond.<br>⇒ Zet de (benzine- of elektro)motor onmiddellijk uit.   | De pijpen van het aandrijfsysteem en het hulpstuk zijn niet goed met elkaar verbonden. | Verbind de pijpen op de juiste manier met elkaar.  |
|   | Vreemde voorwerp zit verstrikt in de borstels of veegtrommels.                         | Verwijder het vreemde voorwerp.  |
|   | Probleem met het aandrijfsysteem   | Neem contact op met een erkend servicecentrum voor reparatie.  |
| Het aandrijfsysteem trilt abnormaal.<br>⇒ Zet de (benzine- of elektro)motor onmiddellijk uit.   | De borstels of veegtrommels zijn verbogen of gebroken.                                 | Vervang de borstels of veegtrommels.   |
|   | Losgeraakte bevestiging van de borstels of veegtrommels                                | Bevestig de klemmen van de borstels of veegtrommels stevig.  |
|   | Verkeerde bevestiging van de borstels of veegtrommels                                  | Breng de borstels of veegtrommels correct aan.   |
|   | Probleem met het aandrijfsysteem   | Neem contact op met een erkend servicecentrum voor reparatie.  |
| De borstels of veegtrommels blijven ronddraaien, zelfs als de trekker-schakelaar/hendel is losgelaten.<br>⇒ Zet de (benzine- of elektro)motor onmiddellijk uit. | Het aandrijfsysteem werkt niet goed.   | Stel het stationair toerental af in het geval het aandrijfsysteem een motor heeft. Neem contact op met een erkend servicecentrum voor reparatie. |

# ESPECIFICACIONES

|   |                            |
|---|----------------------------|
| <b>Modelo:</b>  | <b>BR400MP</b>             |
| Dimensiones: longitud x anchura x altura (con cepillos) | 1.145 mm x 600 mm x 362 mm |
| Peso neto   | 6,3 kg                     |
| Anchura del cepillo                                     | 600 mm                     |
| Diámetro exterior del cepillo                           | 250 mm                     |

|  |                            |
|--|----------------------------|
| <b>Modelo:</b>   | <b>SW400MP</b>             |
| Dimensiones: longitud x anchura x altura (con tambores barredores) | 1.159 mm x 600 mm x 362 mm |
| Peso neto  | 7,2 kg                     |
| Anchura del tambor barredor  | 590 mm                     |
| Diámetro exterior del tambor barredor                              | 265 mm                     |

- Debido a nuestro continuado programa de investigación y desarrollo, las especificaciones aquí dadas están sujetas a cambios sin previo aviso.
- Las especificaciones pueden ser diferentes de país a país.

## Unidad motriz homologada

Este accesorio ha sido homologado para ser utilizado solamente con la unidad(es) motriz siguiente:

- DUX60, DUX18, UX01G Herramienta Multifuncional Inalámbrica
- EX2650LH Herramienta multifuncional

**⚠ ADVERTENCIA:** No utilice nunca el accesorio con una unidad motriz no homologada. Una combinación no homologada puede ocasionar heridas graves.

## Símbolos

En el accesorio y en este manual de instrucciones se utilizan los símbolos siguientes. Entienda estas definiciones.

|  |  |
|--|--|
|  | ¡Ponga cuidado y atención especiales!  |
|  | Lea el manual de instrucciones.  |
|  | Póngase un casco, gafas de seguridad y protección para los oídos.  |
|  | Utilice botas robustas con suelas antideslizantes. Se recomienda utilizar botas de seguridad con puntera de acero.     |
|  | Mantenga una distancia de al menos 5 m respecto a los transeúntes.   |
|  | Los cepillos o tambores barredores giran en la dirección de la flecha.   |
|  | Cuando coloque los cepillos o tambores barredores, asegúrese de que la caja de engranajes está orientada hacia arriba. |

## Uso previsto

### BR400MP

Este accesorio ha sido diseñado para la sola finalidad de barrer el suelo y caminos en conjunción con una unidad motriz homologada. No utilice nunca el accesorio para otras finalidades. Abusar del accesorio puede ocasionar heridas graves. Este accesorio ha sido previsto para uso comercial.

### SW400MP

Este accesorio ha sido diseñado para la sola finalidad de quitar de en medio materiales mojados, como hojas, suciedad, y retirar agua de superficies sólidas en conjunción con una unidad motriz homologada. No utilice nunca el accesorio para otras finalidades. Abusar del accesorio puede ocasionar heridas graves. Este accesorio ha sido previsto para uso comercial.

## Declaraciones de conformidad

### Para países europeos solamente

Nosotros como los fabricantes: **Makita Europe N.V.**, Dirección comercial: **Jan-Baptist Vinkstraat 2 3070 Kortenberg BÉLGICA**. Autorizamos a **Kazuhisa Makino** para la compilación del archivo técnico y declaramos ante nuestra sola responsabilidad que el(los) producto(s);

Designación: **Accesorio de Cepillado Motorizado / Accesorio Barredor Motorizado**. Designación de tipo(s): **BR400MP / SW400MP**.

Cumple todas las provisiones pertinentes de **2006/42/EC** y está fabricado de acuerdo con los estándares unificados siguientes: **EN 60335-1:2012+A11:2014+A13:2017+A1:2019+A14:2019+A2:2019+A15:2021, EN 60335-2-72:2012**.

Lugar y fecha de la declaración: **Kortenberg, Bélgica. 1. 8. 2023**

Persona responsable: **Kazuhisa Makino, Director - Makita Europe N.V.**



# ADVERTENCIAS DE SEGURIDAD

## Advertencias de seguridad para el cepillo motorizado / barredor motorizado

**⚠️ ADVERTENCIA:** Lea todas las advertencias de seguridad, instrucciones, ilustraciones y especificaciones provistas con esta máquina, así como el manual de instrucciones de la unidad motriz, antes de usar. No seguir todas las instrucciones indicadas abajo puede resultar en un incendio y/o heridas graves al operario y/o a los transeúntes.

## Guarde todas las advertencias e instrucciones para futuras consultas.

El término "cepillo motorizado / barredor motorizado" y "máquina" en las advertencias y precauciones se refieren a la combinación del accesorio y la unidad motriz. El término "motor" en las advertencias y precauciones se refiere al motor o motor eléctrico de la unidad motriz.

## Seguridad general

1. El operario novato o sin experiencia debe pedir al distribuidor que le proporcione formación sobre todo el funcionamiento de la máquina. No permita nunca que niños, personas con capacidades físicas, sensoriales o mentales reducidas o falta de experiencia y conocimiento o personas no familiarizadas con las instrucciones utilicen la máquina. Los niños deberán ser supervisados para asegurarse de que no juegan con la máquina.
2. Se recomienda prestar la máquina solamente a personas que demuestren tener experiencia. Entregue siempre el manual de instrucciones.
3. Manténgase alerta, mire lo que está haciendo y aplique el sentido común cuando utilice la máquina. No utilice la máquina cuando esté cansado, se sienta enfermo o esté bajo la influencia de drogas, alcohol o medicamentos. Un momento de despiste mientras utiliza la máquina puede tener como resultado heridas personales graves.
4. Evite utilizar la máquina en malas condiciones meteorológicas especialmente cuando haya riesgo de relámpagos.
5. Siga sus normativas nacional y local para la utilización de máquinas motorizadas en exteriores.
6. No intente nunca modificar la máquina.
7. Tenga en cuenta que el operario o usuario es el responsable de los accidentes o riesgos ocasionados a otras personas o a sus propiedades.

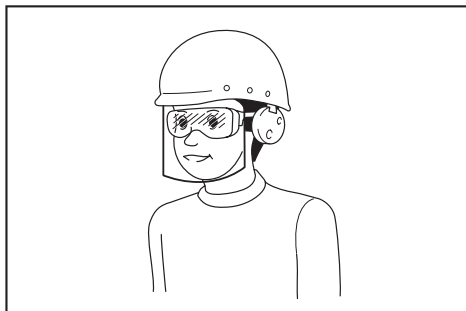
## Seguridad en el área de trabajo

**⚠️ ADVERTENCIA:** Mantenga el cepillo motorizado / barredor motorizado alejado de cables eléctricos y cables de comunicación. Tocar o acercarse a cables de alta tensión con el cepillo motorizado / barredor motorizado puede resultar en la muerte o heridas graves. Observe si hay cables eléctricos y vallas eléctricas alrededor del área de trabajo antes de comenzar la operación.

1. Utilice la máquina en buenas condiciones de visibilidad y a la luz del día solamente. No utilice la máquina en la oscuridad o con niebla.
2. Ponga en marcha y utilice el motor solamente en exteriores en un área bien ventilada. La utilización en un área confinada o mal ventilada puede resultar en la muerte debido a sofocación o envenenamiento por monóxido de carbono.
3. Antes de la operación, examine el área de trabajo por si hay cercas alambradas, piedras u otros objetos sólidos. Ellos pueden dañar los cepillos o tambores barredores.
4. Durante la operación, no se ponga nunca sobre una superficie inestable o resbaladiza o en una pendiente empinada. Durante la estación fría tenga cuidado con el hielo y la nieve y asegúrese siempre de que pisa suelo firme.
5. Evite trabajar junto a cercas, troncos cortados o raíces de árboles. Ellos pueden dañar los cepillos o tambores barredores.
6. Evite trabajar junto a edificios, automóviles y otras propiedades. Las piedras y desechos que el cepillo motorizado / barredor motorizado golpee pueden dañarlos.
7. La limpieza de suelos sintéticos puede generar electricidad estática, y existe el riesgo de descarga eléctrica o accidentes.

## Equipo de protección personal

1. Póngase siempre pantalones gruesos y largos, botas robustas, guantes, y camisa de mangas largas. No lleve ropa suelta, joyas, pantalones cortos, sandalias ni vaya descalzo. Recójase el pelo de forma que quede por encima del nivel de los hombros.
2. Póngase siempre gafas de protección para proteger sus ojos de heridas cuando utilice la máquina. Las gafas de protección deben cumplir con las normas ANSI Z87.1 en los Estados Unidos de América, EN 166 en Europa, o AS/NZS 1336 en Australia/Nueva Zelanda. En Australia/ Nueva Zelanda, se requiere, también, legalmente ponerse pantalla facial para proteger la cara.





Es una responsabilidad del empresario imponer a los operarios de la herramienta y a otras personas en las inmediaciones del área de trabajo el uso de equipos de protección de seguridad apropiados.

3. **Póngase protección para los oídos, tal como orejeras.** La exposición al ruido puede provocar pérdida de audición.
4. **Use siempre zapatos robustos con suelas anti-deslizantes.** Esto protege sus pies contra heridas y garantiza una posición firme de los pies.
5. **Póngase una máscara contra el polvo según sea necesario.**

## Repostaje

1. **Pare el motor antes de repostar. Manténgalo alejado de llamas abiertas y chispas. No fume nunca durante el repostaje.** De lo contrario, podrá resultar en un incendio y/o explosión.
2. **Reposte en el exterior.** Repostar en una habitación cerrada puede ocasionar una explosión de vapores combustibles.
3. **Evite el contacto con el combustible o el aceite de motor. No inhale vapor de combustible. Si derrama combustible o aceite, límpielo de la máquina o del suelo inmediatamente. Si derrama combustible en sus ropas, cámbiese de ropa inmediatamente para evitar que prendan fuego.**
4. **Después de repostar, apriete con cuidado el tapón del depósito de combustible y compruebe por si hay fugas de combustible. Aléjese al menos 3 m de la fuente y lugar del repostaje antes de poner en marcha el motor.**
5. **Transporte y almacene el combustible en recipientes homologados solamente. Mantenga a los niños alejados del combustible almacenado.**

## Puesta en marcha del cepillo motorizado / barredor motorizado

1. **Antes de ensamblar o ajustar la máquina, apague el motor y retire el capuchón de la bujía o el cartucho de batería.**
2. **Antes de manejar los cepillos o tambores barredores, póngase guantes de protección.**
3. **Póngase equipo de protección personal antes de poner en marcha el motor.**
4. **Antes de poner en marcha el motor, inspeccione la máquina por si hay daños, tornillos/tuercas flojos o un ensamblaje incorrecto. Compruebe todas las palancas de control e interruptores para ver que se accionan con facilidad. Limpie y seque los mangos.**
5. **No intente nunca poner en marcha el motor si la máquina está dañada o no ensamblada completamente con protectores, placas, u otros dispositivos protectores de seguridad adecuados. De lo contrario, podrá resultar en heridas graves.**
6. **Antes de poner en marcha el motor, compruebe con cuidado que los cepillos o tambores barredores no estén tocando su cuerpo y otros objetos. Poner en marcha el motor con los cepillos o tambores barredores haciendo contacto con un objeto extraño puede ocasionar un accidente grave.**

7. **Antes de poner en marcha el motor, asegúrese de que no hay ninguna persona o animal en el área de trabajo.**
8. **Ajuste el arnés de hombro y la empuñadura para acomodarlos al tamaño del cuerpo del operario.**
9. **Reemplace los cepillos o tambores barredores si están agrietados, torcidos o dañados.** Los cepillos o tambores barredores dañados se pueden hacer pedazos durante la operación y ocasionar heridas graves.
10. **Arranque y opere la máquina solamente en exteriores en una zona bien ventilada.** Su utilización en un área confinada o mal ventilada puede tener consecuencias fatales por asfixia o envenenamiento por monóxido de carbono.
11. **Cuando ponga en marcha el motor, coloque la máquina sobre suelo firme y después mantenga un buen equilibrio y los pies sobre suelo estable.**
12. **Cuando tire del tirador de arranque del motor, sujete la unidad motriz firmemente contra el suelo con su mano izquierda. No se suba nunca encima del eje motriz de la unidad motriz.**
13. **Si los cepillos o tambores barredores giran a ralentí, detenga el motor y ajuste la velocidad a ralentí a una velocidad menor.** De lo contrario, un contacto no intencionado con los cepillos o tambores barredores en movimiento puede resultar en heridas graves.
14. **Detenga el motor inmediatamente si nota algún problema.**
15. **Siga el manual de instrucciones de la unidad motriz para poner en marcha el motor.**

## Transporte

1. **Detenga el motor durante el transporte.** De lo contrario, una puesta en marcha no intencionada podrá ocasionar heridas.
2. **Establezca una posición segura para la máquina durante el transporte en un vehículo para evitar fugas de combustible.**
3. **Levante del suelo la máquina entera cuando transporte la máquina.** Arrastrar la máquina ocasionará que el depósito de combustible se dañe y fugas de combustible, resultando en un incendio.
4. **Cuando transporte el equipo, llévelo siempre en posición horizontal cogiéndolo por el eje. Mantenga el silenciador caliente alejado de su cuerpo.**

## Operación

1. **Durante la operación, mantenga a los transeúntes o los animales alejados al menos 5 m del cepillo motorizado / barredor motorizado. Pare el motor en cuanto alguien se acerque.**
2. **En el caso de una emergencia, apague el motor inmediatamente.**
3. **Si siente cualquier condición inusual (por ejemplo, ruido, vibración) durante la operación, apague el motor. No utilice la máquina hasta haber reconocido y resuelto la causa.**
4. **Con el motor en marcha solamente a ralentí, coloque el arnés de hombro.**

5. Durante la operación, utilice el arnés de hombro. Mantenga la máquina en su costado derecho firmemente.



6. Sujete el mango delantero con la mano izquierda y la empuñadura trasera con la mano derecha, independientemente de si usted es diestro o zurdo. Pliegue sus dedos y pulgares alrededor de los mangos.
7. No intente nunca utilizar la máquina con una sola mano. La pérdida de control puede resultar en heridas graves o fatales. Para reducir el riesgo de sufrir heridas, mantenga las manos y los pies alejados de los cepillos o tambores barredores.
8. Durante la operación, no levante los cepillos o tambores barredores por encima de la altura de la cintura.
9. Los cepillos o tambores barredores continúan moviéndose durante un periodo corto después de soltar el gatillo acelerador o apagar el motor. No se precipite a tocar los cepillos o tambores barredores.
10. No trabaje donde no alcance. Mantenga los pies sobre suelo firme y el equilibrio en todo momento. Observe por si hay obstáculos ocultos como troncos de árboles cortados, raíces y zanjas para evitar tropezar.
11. Utilice mucha precaución cuando invierta el giro del cepillo o tambor barredor o tire de la máquina hacia usted. Si la unidad motriz tiene función de giro inverso, no la utilice más de lo necesario. Cuando sea operado en giro inverso, el cepillo motorizado / barredor motorizado tirará de usted si los cepillos o tambores barredores están sobre el suelo.
12. No sobrecargue la capacidad de la máquina intentando empujar demasiado fuerte a paso muy rápido. La máquina trabajará mejor cuando sea utilizada a la carga apropiada y habrá menos posibilidad de riesgo de heridas.
13. No acelere el motor con los cepillos o tambores barredores bloqueados. Ello aumenta la carga y dañará la máquina.
14. Si la máquina sufre un impacto fuerte o se cae, compruebe la condición antes de continuar trabajando. Compruebe el sistema de combustible por si hay fugas de combustible y los controles y dispositivos de seguridad por si funcionan mal. Si hay cualquier daño o tiene dudas, pida a nuestro centro de servicio autorizado que hagan la inspección y reparación.
15. No toque la caja de engranajes. La caja de engranajes se vuelve caliente durante la operación.
16. Descanse para evitar la pérdida de control a causa de la fatiga. Recomendamos descansar de 10 a 20 minutos cada hora.
17. Cuando deje la máquina, aunque solo sea durante un tiempo corto, apague siempre el motor o retire el cartucho de batería. La máquina sin atender con el motor en marcha puede ser utilizada por una persona no autorizada y ocasionar un accidente grave.
18. Siga el manual de instrucciones de la unidad motriz para hacer un uso apropiado de la palanca de control y el interruptor.
19. Durante o después de la operación, no ponga la máquina caliente sobre hierba seca o materiales combustibles.
20. Si los cepillos o tambores barredores agarran objetos extraños, apague el motor y retire el capuchón de la bujía o el cartucho de batería, y después retire las obstrucciones.
21. Mantenga las manos y los pies alejados de los cepillos o tambores barredores. El contacto con los cepillos o tambores barredores puede resultar en heridas graves. Cuando maneje los cepillos o tambores barredores, pare el motor y retire el capuchón de la bujía o el cartucho de batería.
22. Compruebe los cepillos o tambores barredores con frecuencia durante la operación por si tienen grietas o daños.
23. Apague siempre el motor o retire el cartucho de batería cuando vaya a retirar desechos u objetos extraños de los cepillos o tambores barredores.
24. Consulte el manual de instrucciones de la unidad motriz para ver cómo poner en marcha y controlar la máquina.

## Vibración

La exposición a una vibración excesiva herirá los vasos sanguíneos o el sistema nervioso del operario y ocasionará los síntomas siguientes en los dedos, manos o muñecas: “adormecimiento” (entumecimiento), hormigueo, dolor, sensación de pinchazos, alteración del color de la piel o alteración de la piel. Si se produce cualquiera de estos síntomas, acuda a un médico.

Para reducir el riesgo del “mal de dedos blancos”, mantenga calientes las manos durante la operación y realice correctamente el mantenimiento de la máquina y los accesorios.

## Mantenimiento

1. Antes de hacer cualquier trabajo de mantenimiento o reparación o limpiar la máquina, apague siempre el motor y retire el capuchón de la bujía o el cartucho de batería. Espere hasta que el motor se enfríe.
2. Para reducir el riesgo de un incendio, no haga nunca el servicio al equipo cerca de fuego.
3. Póngase siempre guantes de protección cuando maneje los cepillos o tambores barredores.
4. Limpie siempre el polvo y la suciedad del equipo. No utilice nunca gasolina, bencina, diluyente, alcohol o similar para el propósito. Puede resultar en decoloración, deformación o agrietamiento de los componentes de plástico.
5. Después de cada utilización, apriete todos los tornillos y tuercas, excepto los tornillos de ajuste del carburador.
6. Reemplace los cepillos o tambores barredores si están dañados.
7. No intente realizar ningún mantenimiento o reparación no descrito en este folleto o el manual de instrucciones de la unidad motriz. Pida a nuestro centro de servicio autorizado que hagan esos trabajos.
8. Siga las instrucciones para lubricar y cambiar los accesorios.
9. Utilice siempre piezas de repuesto y accesorios genuinos solamente. Utilizar piezas o accesorios suministrados por un tercero puede resultar en una rotura del equipo, daños a la propiedad y/o heridas graves.
10. Solicite a nuestro centro de servicio autorizado que inspeccionen y hagan el mantenimiento a la máquina a intervalos regulares.

## Almacenamiento

1. Antes de almacenar la máquina, realice una limpieza y mantenimiento completos. Retire el capuchón de la bujía o el cartucho de batería. Drene el combustible después de que el motor se haya enfriado.
2. Almacene el equipo en un lugar seco y alto o cerrado con llave fuera del alcance de los niños.
3. No apoye el equipo contra algo, como una pared. De lo contrario, podrá caerse de repente y ocasionar heridas.

## Primeros auxilios

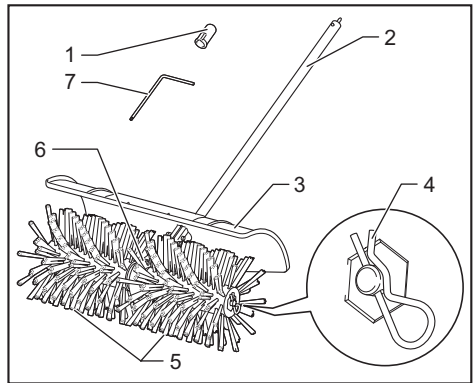
1. En caso de accidente asegúrese de que hay disponible un botiquín de primeros auxilios en las inmediaciones de las operaciones. Reemplace inmediatamente cualquier artículo que coja del botiquín de primeros auxilios.
2. Cuando pida ayuda, ofrezca la información siguiente:
  - Lugar del accidente
  - Qué ha ocurrido
  - Número de personas heridas
  - Tipo de heridas
  - Su nombre

## GUARDE ESTAS INSTRUCCIONES.

**ADVERTENCIA:** La utilización de este producto puede crear polvo con contenido de sustancias químicas que puede ocasionar trastornos respiratorios y otros males. Algunos ejemplos de estas sustancias químicas son los compuestos hallados en pesticidas, insecticidas, fertilizantes y herbicidas. El riesgo que usted corre a causa de estas exposiciones varía dependiendo de la frecuencia con que haga este tipo de trabajo. Para reducir su exposición a estas sustancias químicas: trabaje en un área bien ventilada, y trabaje con equipo de seguridad homologado, como esas máscaras contra el polvo que están especialmente diseñadas para filtrar partículas microscópicas.

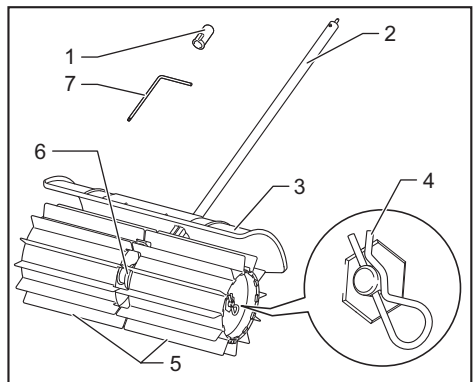
## DESCRIPCIÓN DE LAS PARTES

### Accesorio de cepillado motorizado



- 1. Tapa 2. Tubo 3. Protector 4. Clip 5. Cepillo  
6. Caja de engranajes 7. Llave hexabolular

### Accesorio barredor motorizado



- 1. Tapa 2. Tubo 3. Protector 4. Clip 5. Tambor barredor 6. Caja de engranajes 7. Llave hexabolular

# MONTAJE

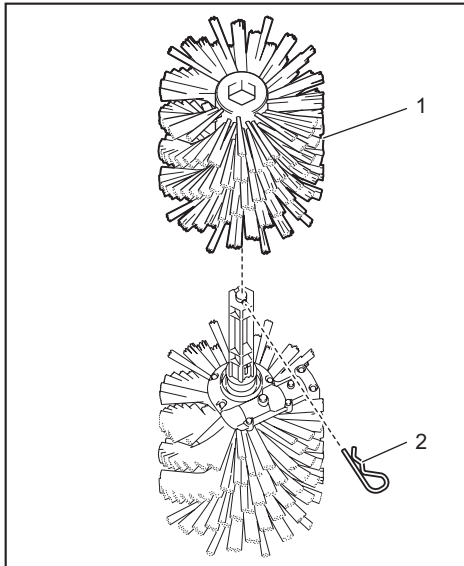
**⚠ADVERTENCIA:** Antes de ensamblar o ajustar el equipo, apague el motor eléctrico o el motor y retire el capuchón de la bujía o el cartucho de batería. De lo contrario los cepillos, tambores, u otras partes podrán moverse y resultar en heridas graves.

**⚠ADVERTENCIA:** Cuando ensamble o ajuste el equipo, póngalo siempre en el suelo. Ensamblar o ajustar el equipo en una posición vertical puede resultar en heridas graves.

**⚠ADVERTENCIA:** Siga las advertencias y precauciones del capítulo "ADVERTENCIAS DE SEGURIDAD" y del manual de instrucciones de la unidad motriz.

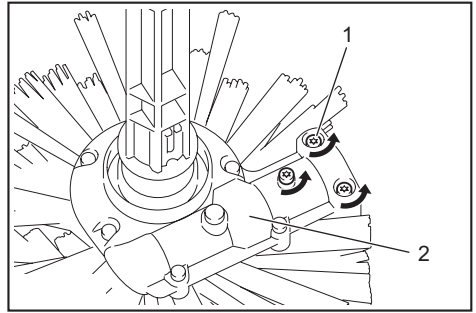
## Ensamblaje del accesorio

1. Retire el clip del cepillo o tambor barredor en el lado izquierdo de la unidad del cepillo o la unidad del tambor barredor, y después retire el cepillo o tambor barredor.



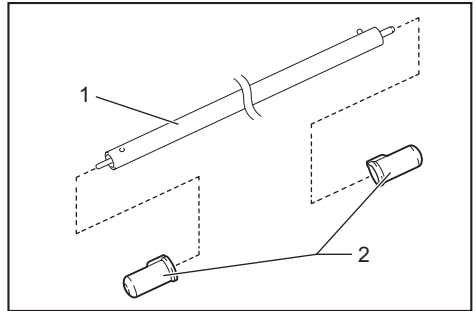
- 1. Cepillo 2. Clip

2. Afloje los 3 tornillos de la caja de engranajes.



- 1. Tornillo 2. Caja de engranajes

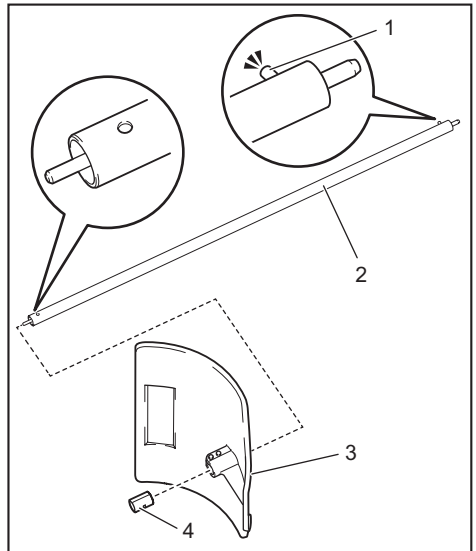
3. Retire las 2 tapas de ambos extremos del tubo.



- 1. Tubo 2. Tapa

**AVISO:** No deseche las tapas porque las necesitará para guardar el accesorio.

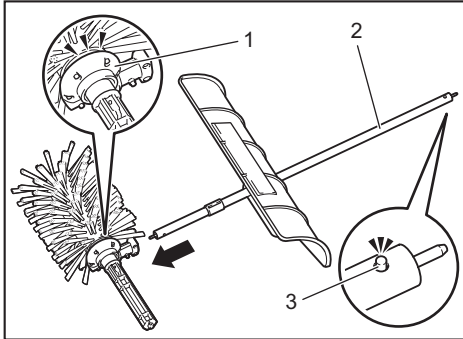
4. Coloque el protector y el manguito en el tubo.



- 1. Pasador 2. Tubo 3. Protector 4. Manguito

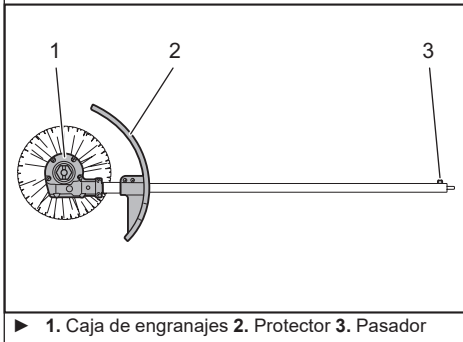
**AVISO:** Asegúrese de insertar el extremo del tubo sin el pasador en el protector y el manguito.

5. Asegúrese de que la caja de engranajes y el pasador del tubo están orientados hacia arriba, y después inserte el tubo en la caja de engranajes.



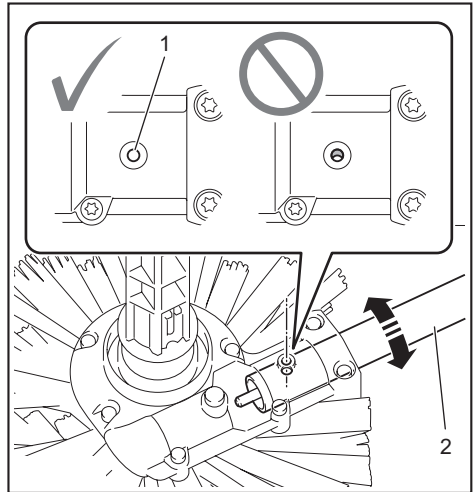
► 1. Caja de engranajes 2. Tubo 3. Pasador

**AVISO:** Asegúrese de que la caja de engranajes y el pasador del tubo están orientados hacia arriba, y el protector está colocado en la dirección mostrada en la figura.



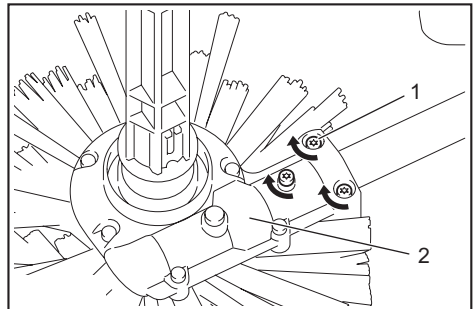
► 1. Caja de engranajes 2. Protector 3. Pasador

6. Alinee el orificio para tornillo en el tubo con el orificio en la caja de engranajes girando el tubo.



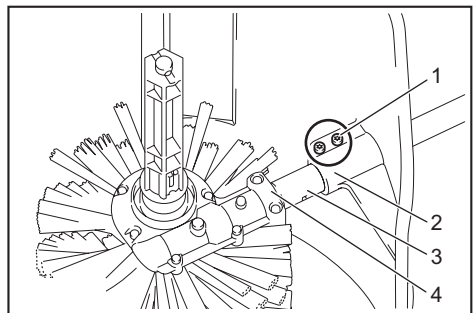
► 1. Orificio 2. Tubo

7. Apriete los 3 tornillos de la caja de engranajes.



► 1. Tornillo 2. Caja de engranajes

8. Apriete los 2 tornillos del protector.



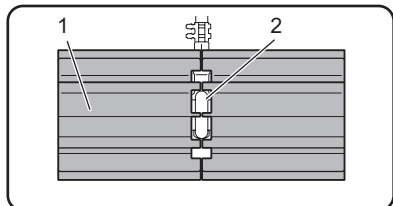
► 1. Tornillo 2. Protector 3. Manguito 4. Caja de engranajes

**AVISO:** Asegúrese de que no hay holgura entre la caja de engranajes y el manguito, y entre el manguito y el protector.

9. Coloque el cepillo o tambor barredor en la unidad del cepillo o la unidad del tambor barredor, y después coloque el clip en el cepillo o tambor barredor.

**AVISO:** Cuando coloque los cepillos, asegúrese de colocarlos con el logotipo de Makita orientado hacia afuera.

**AVISO:** Cuando coloque los tambores barredores, asegúrese de colocarlos en la dirección mostrada en la figura, de forma que los tambores barredores y la caja de engranajes engranen entre sí.



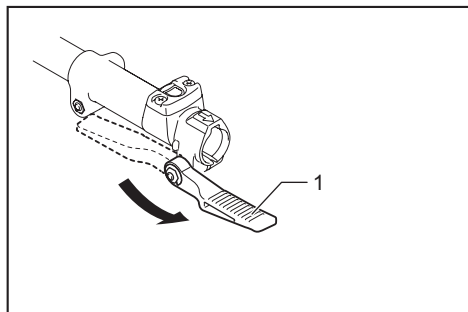
► 1. Tambor barredor 2. Caja de engranajes

## Montaje del tubo accesorio

**PRECAUCIÓN:** Compruebe siempre que el tubo accesorio está sujeto después de la instalación. Una instalación incorrecta puede ocasionar que el accesorio se caiga de la unidad motriz y causar heridas personales.

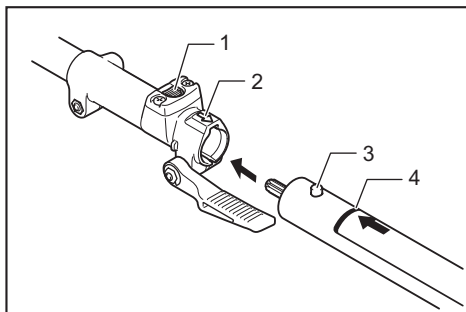
Monte el tubo accesorio en la unidad de alimentación.

1. Gire la palanca hacia el accesorio.



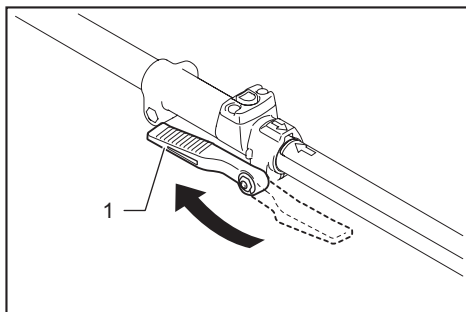
► 1. Palanca

2. Alinee el pasador con la marca de flecha. Inserte el tubo accesorio hasta que emerja el botón de liberación. Asegúrese de que la línea de posición está en la punta de la marca de flecha.



► 1. Botón de liberación 2. Marca de flecha  
3. Pasador 4. Línea de posición

3. Gire la palanca hacia la unidad de alimentación.

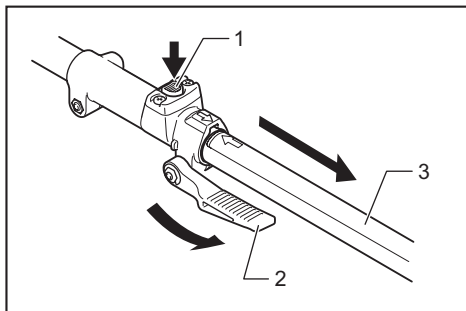


► 1. Palanca

Asegúrese de que la superficie de la palanca está paralela al tubo.

**AVISO:** No apriete la palanca sin estar insertado el tubo accesorio. De lo contrario la palanca podrá apretar demasiado la entrada del eje motriz y dañarla.

Para retirar el tubo, gire la palanca hacia el accesorio y extraiga el tubo mientras mantiene presionado el botón de liberación.



► 1. Botón de liberación 2. Palanca 3. Tubo

## OPERACIÓN

**⚠ADVERTENCIA:** Siga las advertencias y precauciones del capítulo “ADVERTENCIAS DE SEGURIDAD” y del manual de instrucciones de la unidad motriz.

**⚠ADVERTENCIA:** Ajuste la posición del colgador y el arnés de hombro en la posición que le resulte cómoda antes de la operación.

**⚠ADVERTENCIA:** Póngase máscara contra el polvo y ventile bien el área de trabajo. Algunos materiales contienen sustancias químicas que pueden ser tóxicas. Tenga precaución para evitar la inhalación de polvo y el contacto con la piel.

**⚠PRECAUCIÓN:** Antes de la operación, retire los objetos duros y/o largos, tales como piedras, latas, y cuerdas del área de trabajo. Ellos pueden dañar los cepillos o tambores barredores u obstaculizar el giro de los cepillos o tambores barredores.

Si la superficie que se va a limpiar está seca, rocíe agua sobre ella para reducir el polvo. Sujete el cepillo motorizado / barredor motorizado a un ángulo poco pronunciado, y empuje el cepillo motorizado / barredor motorizado a la velocidad a la que camina.



**⚠PRECAUCIÓN:** Cuanto más pronunciado sea el ángulo, más difícil será controlar el cepillo motorizado / barredor motorizado, y más probabilidad habrá de que el cepillo motorizado / barredor motorizado le empuje hacia atrás.

## MANTENIMIENTO

**⚠ADVERTENCIA:** Antes de inspeccionar o hacer el mantenimiento al equipo, apague el motor y retire el capuchón de la bujía o el cartucho de batería. De lo contrario el cepillo, tambor barredor, u otras partes podrán moverse y resultar en heridas graves.

**⚠ADVERTENCIA:** Cuando inspeccione o haga el mantenimiento al equipo, póngalo siempre en el suelo. Ensamblar o ajustar el equipo en una posición vertical puede resultar en heridas graves.

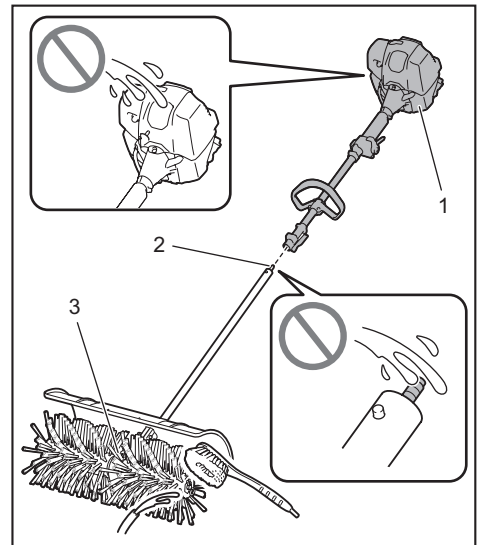
**⚠ADVERTENCIA:** Siga las advertencias y precauciones del capítulo “ADVERTENCIAS DE SEGURIDAD” y del manual de instrucciones de la unidad motriz.

**AVISO:** No utilice nunca gasolina, bencina, disolvente, alcohol o similares. Podría producir descoloración, deformación o grietas.

Para mantener la SEGURIDAD y FIABILIDAD del producto, las reparaciones, y cualquier otra tarea de mantenimiento o ajuste deberán ser realizadas en centros de servicio o de fábrica autorizados por Makita, empleando siempre repuestos Makita.

### Limpieza del accesorio

El accesorio se puede lavar con agua. Utilice un cepillo de nylon o similar para retirar la suciedad lavando.



▶ 1. Unidad motriz 2. Extremo del tubo 3. Caja de engranajes

**AVISO:** No derrame agua sobre la unidad motriz y el extremo del tubo. Ello puede ocasionar un mal funcionamiento del accesorio.

Para facilitar la limpieza, puede retirar el cepillo o tambor barredor de la unidad del cepillo o la unidad del tambor barredor. Consulte las instrucciones para reemplazar los cepillos o tambores barredores en este manual.

## Inspección general

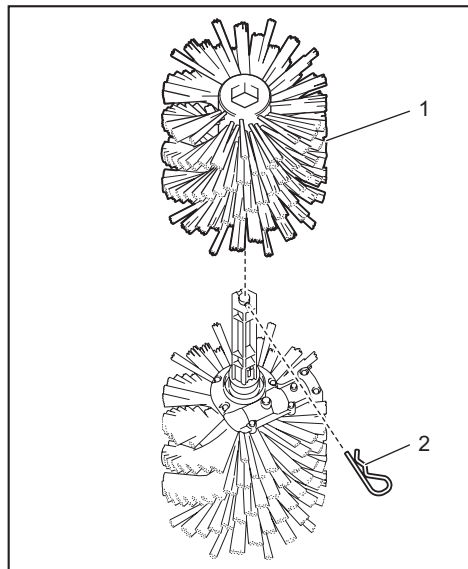
- Apriete los pernos, tuercas y tornillos flojos.
- Compruebe por si hay partes, cepillos, o tambores barredores dañados. Pida a nuestro centro de servicio autorizado que los reemplacen si es necesario.

## Inspección de los cepillos, tambores barredores, y el protector

Compruebe y limpie los cepillos, tambores barredores, y el protector diariamente. Si están desgastados, torcidos y agrietados, reemplácelos.

## Reemplazo de los cepillos o tambores barredores

1. Retire los clips de los cepillos o tambores barredores, y después retire los cepillos o tambores barredores.

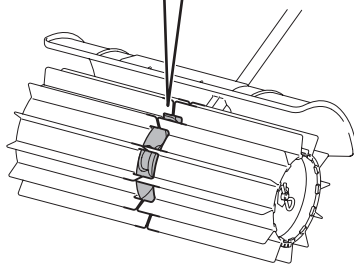
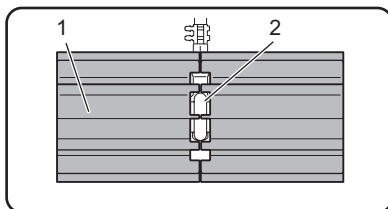


► 1. Cepillo 2. Clip

2. Coloque los cepillos o tambores barredores en la unidad del cepillo o la unidad del tambor barredor, y después coloque los clips.

**AVISO:** Cuando coloque los cepillos, asegúrese de colocarlos con el logotipo de Makita orientado hacia afuera.

**AVISO:** Cuando coloque los tambores barredores, asegúrese de colocarlos en la dirección mostrada en la figura, de forma que los tambores barredores y la caja de engranajes engranen entre sí.



► 1. Tambor barredor 2. Caja de engranajes

## Lubricación de las partes móviles

**AVISO:** Siga las instrucciones para la frecuencia y cantidad de grasa a suministrar. De lo contrario una lubricación insuficiente podrá dañar las partes móviles.

## Caja de engranajes:

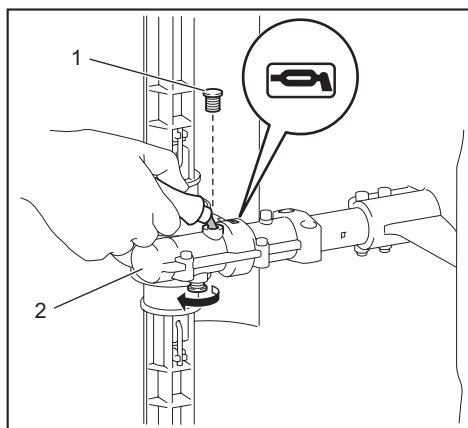
**⚠PRECAUCIÓN:** No aplique grasa cuando la caja de engranajes esté caliente. Una caja de engranajes caliente puede ocasionar heridas por quemadura.

Llene aprox. 30 ml de grasa (grasa de Makita SG No.0) a través de la boca de engrase uniformemente cada 25 horas de operación.

Con la llave hexalobular suministrada, retire el perno de al lado de la marca de lubricación de la caja de engranajes. Afloje el perno del otro lado de forma que el aire dentro de la caja de engranajes se pueda liberar cuando aplique la grasa.

Después de aplicar la grasa, asegúrese de apretar los pernos.

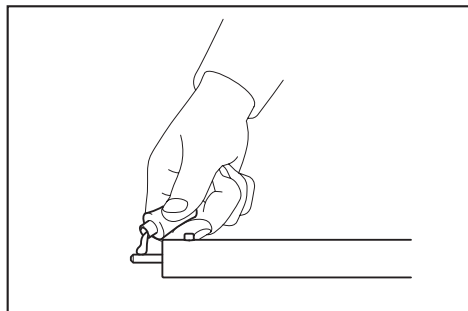




► 1. Perno 2. Caja de engranajes

### Eje propulsor:

Aplique grasa (grasa de Makita SG No.0) cada 25 horas de operación.

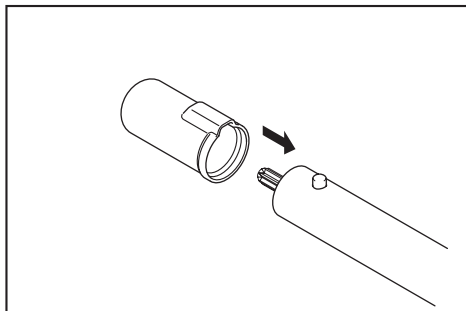


**NOTA:** Puede comprar grasa genuina de Makita en su distribuidor Makita local.

## Almacenamiento

**⚠ ADVERTENCIA:** Siga las advertencias y precauciones del capítulo “ADVERTENCIAS DE SEGURIDAD” y del manual de instrucciones de la unidad motriz.

Quando almacene el accesorio separado de la unidad motriz, ponga la tapa en el extremo del eje.



## Intervalo de inspección y mantenimiento

| Hora de operación                          |   | Antes de la operación | Diariamente (10 h) | 25 h |
|--|---|-----------------------|--------------------|------|
| Toda la unidad                             | Inspeccione visualmente por si hay partes dañadas           | ✓                     | -                  | -    |
| Todos los tornillos y tuercas de fijación  | Apretar   | ✓                     | -                  | -    |
| Cepillos, tambores barredores, y protector | Limpie e inspeccione visualmente por si hay partes dañadas. | -                     | ✓                  | -    |
| Caja de engranajes                         | Suministre grasa  | -                     | -                  | ✓    |
| Eje propulsor                              | Suministre grasa  | -                     | -                  | ✓    |
| Unidad motriz                              | Consulte el manual de instrucciones de la unidad motriz     |                       |                    |      |

# SOLUCIÓN DE PROBLEMAS

Antes de solicitar reparaciones, realice su propia inspección en primer lugar. Si encuentra un problema que no esté explicado en el manual, no intente desmontar la máquina. En su lugar, pregunte en centros de servicio autorizados de Makita, utilizando siempre piezas de recambio Makita para las reparaciones.

| Estado de anomalía  | Causa probable (mal funcionamiento)   | Remedio  |
|---|---|--|
| El motor eléctrico o el motor no arranca.   | -   | Consulte el manual de instrucciones de la unidad motriz.   |
| El motor eléctrico o el motor se para enseguida.  | -   | Consulte el manual de instrucciones de la unidad motriz.   |
| La velocidad del motor eléctrico o el motor no aumenta.   | -   | Consulte el manual de instrucciones de la unidad motriz.   |
| Los cepillos o tambores barredores no giran.<br>⇒ Detenga el motor eléctrico o el motor inmediatamente.   | Los tubos de la unidad motriz y el accesorio no están conectados debidamente. | Conecte los tubos de la forma correcta.  |
|   | Los cepillos o tambores barredores han agarrado materia extraña.              | Retire la materia extraña.   |
|   | Anomalía en el sistema de accionamiento                                       | Póngase en contacto con un centro de servicio autorizado para la reparación.   |
| La unidad motriz vibra de manera anómala.<br>⇒ Detenga el motor eléctrico o el motor inmediatamente.  | Los cepillos o tambores barredores están torcidos o rotos.                    | Reemplace los cepillos o tambores barredores.  |
|   | Fijación floja de los cepillos o tambores barredores                          | Coloque los clips para los cepillos o tambores barredores firmemente.  |
|   | Fijación irregular de los cepillos o tambores barredores                      | Instale los cepillos o tambores barredores de la forma correcta.   |
|   | Anomalía en el sistema de accionamiento                                       | Póngase en contacto con un centro de servicio autorizado para la reparación.   |
| Los cepillos o tambores barredores continúan girando aunque el gatillo interruptor/interruptor de palanca está liberado.<br>⇒ Detenga el motor eléctrico o el motor inmediatamente. | La unidad motriz no funciona debidamente.                                     | Ajuste la velocidad a ralentí si la unidad motriz es accionada por motor de gasolina. Póngase en contacto con un centro de servicio autorizado para la reparación. |

## ESPECIFICAÇÕES

|   |                            |
|---|----------------------------|
| <b>Modelo:</b>  | <b>BR400MP</b>             |
| Dimensões: comprimento x largura x altura (com escovas) | 1.145 mm x 600 mm x 362 mm |
| Peso líquido  | 6,3 kg                     |
| Largura da escova                                       | 600 mm                     |
| Diâmetro externo da escova                              | 250 mm                     |

|   |                            |
|---|----------------------------|
| <b>Modelo:</b>  | <b>SW400MP</b>             |
| Dimensões: comprimento x largura x altura (com cilindros de varrer) | 1.159 mm x 600 mm x 362 mm |
| Peso líquido  | 7,2 kg                     |
| Largura do cilindro de varrer                                       | 590 mm                     |
| Diâmetro externo do cilindro de varrer                              | 265 mm                     |

- Devido a um programa contínuo de pesquisa e desenvolvimento, estas especificações podem ser alteradas sem aviso prévio.
- As especificações podem variar de país para país.

### Unidade de alimentação aprovada








Este implemento foi aprovado para utilização apenas com a(s) seguinte(s) unidade(s) de alimentação:

- FERRAMENTA MULTIFUNCIONAL A BATERIA DUX60, DUX18, UX01G
- Ferramenta multifuncional EX2650LH

**⚠ AVISO: Nunca utilize o implemento com uma unidade de alimentação não aprovada. A combinação não aprovada pode provocar ferimentos graves.**

### Símbolos

Os símbolos que se seguem são utilizados neste manual de instruções e no implemento. Compreenda as suas definições.

|  |  |
|--|--|
|  | Tenha particular cuidado e atenção!  |
|  | Leia o manual de instruções.   |
|  | Use capacete de proteção, óculos de proteção e proteção auricular!   |
|  | Use botas robustas com solas antideslizantes. Recomendamos botas com biqueira de aço!                            |
|  | Mantenha as pessoas presentes a, pelo menos, 5 m de distância.   |
|  | As escovas ou os cilindros de varrer rodam na direção da seta.   |
|  | Quando instalar as escovas ou os cilindros de varrer, assegure que a caixa de engrenagens fica virada para cima. |

### Utilização a que se destina

#### BR400MP

Este implemento foi concebido apenas para o fim de varrer o chão e vias em conjunto com uma unidade de alimentação aprovada. Nunca utilize o implemento para outros fins. A utilização abusiva do implemento pode provocar ferimentos graves. Este implemento destina-se a utilização comercial.

#### SW400MP

Este implemento foi concebido apenas para o fim de desimpedir materiais molhados, tais como folhas, sujidade e retirar água de superfícies sólidas em conjunto com uma unidade de alimentação aprovada. Nunca utilize o implemento para outros fins. A utilização abusiva do implemento pode provocar ferimentos graves. Este implemento destina-se a utilização comercial.

### Declarações de conformidade

#### Apenas para os países europeus

Nós, na qualidade de fabricantes: **Makita Europe N.V.**, Endereço comercial: **Jan-Baptist Vinkstraat 2 3070 Kortenberg BÉLGICA**. Autorizamos **Kazuhiha Makino** a compilar o ficheiro técnico e declaramos, mediante a nossa única responsabilidade, que o(s) produto(s); Designação: **Implemento Escova para Varrer / Implemento de Borracha para Varrer**. Designação do(s) tipo(s): **BR400MP / SW400MP**. Satisfaz todas as provisões relevantes da **2006/42/CE** e são fabricados de acordo com as seguintes Normas Harmonizadas: **EN 60335-1:2012+A11:2014+A13:2017+A1:2019+A14:2019+A2:2019+A15:2021, EN 60335-2-72:2012**.

Local e data da declaração: **Kortenberg, Bélgica. 1. 8. 2023**  
 Pessoa responsável: **Kazuhiha Makino, Diretor - Makita Europe N.V.**



# AVISOS DE SEGURANÇA

## Avisos de segurança relativos ao rodo motorizado / escova motorizada

**AVISO:** Leia todos os avisos de segurança, instruções, ilustrações e especificações fornecidos com esta máquina, bem como o manual de instruções da unidade de alimentação antes de utilizá-la. Caso não cumpra todas as instruções listadas em seguida, tal pode resultar em incêndio e/ou provocar ferimentos graves no operador e/ou nas pessoas presentes.

## Guarde todos os avisos e instruções para referência futura.

Os termos “rodo motorizado / escova motorizada” e “máquina” nos avisos e precauções referem-se à combinação do implemento e da unidade de alimentação. O termo “motor” nos avisos e precauções referem-se ao motor ou ao motor elétrico da unidade de alimentação.

## Segurança geral

1. Os operadores que trabalham pela primeira vez com a ferramenta ou os operadores inexperientes devem solicitar formação ao distribuidor sobre todas as operações da máquina. Nunca permita a utilização da máquina por crianças, pessoas com capacidades físicas, sensoriais ou mentais reduzidas ou com falta de experiência e conhecimentos, ou por pessoas que não estão familiarizadas com as instruções. As crianças devem ser supervisionadas, de modo a assegurar que não brincam com a máquina.
2. Recomenda-se emprestar a máquina apenas a pessoas que provaram ter experiência com esta máquina. Entregue sempre o manual de instruções.
3. Mantenha-se alerta, esteja atento ao seu trabalho e use de senso comum quando operar a máquina. Não utilize a máquina se estiver cansado, doente, ou sob a influência de drogas, álcool ou medicamentos. Um momento de desatenção enquanto opera a máquina pode resultar em ferimentos pessoais graves.
4. Evite usar a máquina com más condições atmosféricas, especialmente quando há o risco de trovoadas.
5. Siga todas as normas nacionais e locais relativas ao uso de máquinas motorizadas ao ar livre.
6. Nunca tente modificar a máquina.
7. Tenha em mente que o operador ou utilizador é responsável por acidentes ou perigos que ocorram a outras pessoas ou à respetiva propriedade.

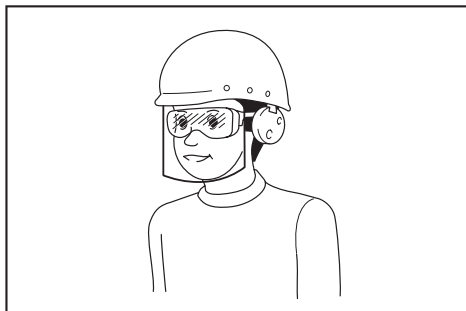
## Segurança da área de trabalho

**AVISO:** Mantenha o rodo motorizado / escova motorizada afastado das linhas elétricas e dos cabos de comunicação. Tocar ou aproximar-se de linhas de alta tensão com o rodo motorizado / escova motorizada pode resultar em morte ou ferimentos graves. Observe onde estão as linhas de alimentação e as cercas eletrificadas em volta da área de trabalho antes de iniciar a operação.

1. Opere a máquina apenas em condições de boa visibilidade e durante o dia. Não opere a máquina em ambiente escuro ou de nevoeiro.
2. Ponha o motor a trabalhar e opere-o apenas no exterior, numa área bem ventilada. A operação numa área confinada ou mal ventilada pode resultar em morte devido a sufocação ou a envenenamento por monóxido de carbono.
3. Antes da operação, examine a área de trabalho para ver se há cercas de arame, pedras ou outros objetos sólidos. Estes podem danificar as escovas ou os cilindros de varrer.
4. Durante a operação, nunca esteja numa superfície instável ou escorregadia, nem numa zona muito inclinada. Durante a época fria, tenha cuidado com o gelo e a neve e garanta sempre uma base segura.
5. Evite trabalhar perto de cercas, tocos de árvores ou raízes. Estes podem danificar as escovas ou os cilindros de varrer.
6. Evite trabalhar perto de edifícios, veículos e outras propriedades. As pedras e os detritos atingidos pelo rodo motorizado / escova motorizada podem causar danos nestes.
7. Limpar o chão sintético pode gerar eletricidade estática e existe o risco de choque elétrico ou acidentes.

## Equipamento de proteção pessoal

1. Use sempre calças compridas resistentes, botas robustas, luvas e uma camisola de manga comprida. Não use roupa larga, adornos, calções, sandálias nem ande descalço. Prenda o cabelo de modo a ficar acima do nível do ombro.
2. Use sempre óculos de proteção para se proteger contra ferimentos quando utilizar a máquina. Os óculos devem cumprir a ANSI Z87.1 nos EUA, a EN 166 na Europa ou a AS/NZS 1336 na Austrália/ Nova Zelândia. Na Austrália/Nova Zelândia, também é legalmente obrigatório usar um protetor de rosto para proteger também o rosto.



- É responsabilidade da entidade patronal fazer cumprir a utilização dos equipamentos de proteção de segurança adequados por parte dos operadores da ferramenta e por parte de outras pessoas na área de trabalho imediata.
- Use proteção auditiva, tais como tampões para os ouvidos. A exposição ao ruído pode causar a perda de audição.
  - Use sempre sapatos robustos com solas que não escorreguem. Estes protegem os seus pés contra ferimentos e garantem uma base sólida.
  - Use uma máscara para poeira, conforme necessário.
  - Antes de efetuar o arranque do motor, verifique com cuidado se as escovas ou os cilindros de varrer não estão a tocar no seu corpo e noutros objetos. Efetuar o arranque do motor com as escovas ou os cilindros de varrer em contacto com um objeto estranho pode provocar acidentes graves.
  - Antes de pôr o motor a funcionar, verifique se não existem pessoas ou animais presentes na área de trabalho.
  - Ajuste o arnês para o ombro e a pega manual de modo a adequar-se ao tamanho do corpo do operador.
  - Substitua as escovas ou os cilindros de varrer se estes estiverem rachados, dobrados ou danificados. As escovas ou os cilindros de varrer danificados podem partir durante o funcionamento e causar ferimentos graves.

## Reabastecimento de combustível

- Pare o motor antes de realizar o reabastecimento de combustível. Mantenha-se afastado de chamas abertas e faíscas. Nunca fume durante o reabastecimento de combustível. Caso contrário, pode resultar em incêndio e/ou explosão.
- Reabastecer de combustível no exterior. Reabastecer com combustível num espaço fechado pode causar uma explosão de vapor de combustível.
- Evite o contacto com combustível ou óleo do motor. Não inale os vapores de combustível. Se ocorrer o derrame de combustível ou de óleo, limpe-o imediatamente da máquina e/ou do chão. Se ocorrer o derrame de combustível na sua roupa, mude-a imediatamente, de modo a evitar que se incendeie.
- Após reabastecer com combustível, aperte cuidadosamente a tampa do depósito de combustível e verifique se há uma eventual fuga de combustível. Afaste-se pelo menos 3 m de distância da fonte e local de abastecimento de combustível antes de efetuar o arranque do motor.
- Transporte e armazene o combustível apenas em recipientes aprovados. Mantenha as crianças afastadas do combustível armazenado.
- Efetue o arranque da máquina e opere-a apenas ao ar livre numa área bem ventilada. A operação numa área fechada ou com pouca ventilação pode resultar em morte devido a asfixia ou envenenamento por monóxido de carbono.
- Quando efetuar o arranque do motor, coloque a máquina em solo firme e, em seguida, mantenha um bom equilíbrio e uma posição segura.
- Quando puxar a pega do motor de arranque, segure a unidade de alimentação firmemente contra o solo com a mão esquerda. Nunca pise o eixo de acionamento da unidade de alimentação.
- Se as escovas ou os cilindros de varrer rodarem ao ralenti, pare o motor e ajuste a velocidade de ralenti do motor para uma velocidade inferior. Caso contrário, o contacto involuntário com as escovas ou os cilindros de varrer em funcionamento pode resultar em ferimentos graves.
- Pare o motor imediatamente se notar qualquer problema.
- Siga o manual de instruções da unidade de alimentação para efetuar o arranque do motor.

## Efetuar o arranque do rodo motorizado / escova motorizada

- Antes de montar ou ajustar a máquina, desligue o motor e retire a tampa da vela de ignição ou a bateria.
- Use luvas de proteção antes de manusear as escovas ou os cilindros de varrer.
- Use os equipamentos de proteção pessoal antes de efetuar o arranque do motor.
- Antes de pôr o motor a trabalhar, inspecione a máquina quanto a danos, parafusos/porcas soltos ou montagem inadequada. Verifique todas as alavancas de controlo e interruptores quanto a um funcionamento fácil. Limpe e seque os punhos.
- Nunca tente pôr o motor a funcionar se a máquina estiver danificada ou não estiver totalmente montada com proteções adequadas, placas ou outros dispositivos de proteção e segurança. Caso contrário, pode resultar em ferimentos graves.
- Levante a máquina do solo na totalidade quando realizar o seu transporte. Arrastar a máquina causa danos no depósito de combustível e fuga de combustível, resultando em incêndio.
- Quando transportar o equipamento, faça-o numa posição horizontal segurando-o pelo eixo. Mantenha o silencioso quente afastado do corpo.
- Durante a operação, mantenha as pessoas ou animais presentes a, pelo menos, 5 m de distância do rodo motorizado / escova motorizada. Pare o motor assim que alguém se aproximar.
- Caso ocorra uma emergência, desligue imediatamente o motor.

## Transporte

- Pare o motor durante o transporte. Caso contrário, o arranque involuntário pode causar ferimentos.
- Garanta a posição segura da máquina durante o transporte de carro para evitar fugas de combustível.
- Levante a máquina do solo na totalidade quando realizar o seu transporte. Arrastar a máquina causa danos no depósito de combustível e fuga de combustível, resultando em incêndio.
- Quando transportar o equipamento, faça-o numa posição horizontal segurando-o pelo eixo. Mantenha o silencioso quente afastado do corpo.

## Operação

- Durante a operação, mantenha as pessoas ou animais presentes a, pelo menos, 5 m de distância do rodo motorizado / escova motorizada. Pare o motor assim que alguém se aproximar.
- Caso ocorra uma emergência, desligue imediatamente o motor.

3. Se sentir alguma condição fora do comum (por exemplo, ruído, vibração) durante a operação, desligue o motor. Não utilize a máquina até a causa ser reconhecida e solucionada.
4. Com o motor a funcionar apenas ao ralenti, coloque o arnês para o ombro.
5. Durante a operação, utilize o arnês para o ombro. Mantenha a máquina firmemente do seu lado direito.



6. Segure no punho frontal com a mão esquerda e na pega traseira com a mão direita independentemente de ser canhoto ou destro. Enrole os dedos e os polegares em volta dos punhos.
7. Nunca tente operar a máquina com uma mão. A perda de controlo pode resultar em ferimentos graves ou fatais. Para reduzir o risco de ferimentos, mantenha as mãos e os pés afastados das escovas ou dos cilindros de varrer.
8. Quando utilizar a máquina, não eleve as escovas ou os cilindros de varrer acima da altura da cintura.
9. As escovas ou os cilindros de varrer continuam a mover-se por um período curto depois de libertar o gatilho do acelerador ou depois de desligar o motor. Não tenha pressa em tocar nas escovas ou nos cilindros de varrer.
10. Não se estique para tentar chegar. Mantenha em todos os momentos uma base e equilíbrio adequados. Cuidado com os obstáculos ocultos, como tocos de árvores, raízes e valas para evitar cair.
11. Tenha extremamente cuidado quando inverter o sentido de rotação da escova ou do cilindro de varrer ou ao puxar a máquina na sua direção. Se a unidade de alimentação tiver a função de rotação inversa, não a utilize mais do que o necessário. Quando utilizada no sentido de rotação inverso, o rodo motorizado / escova motorizada puxa-o se as escovas ou os cilindros de varrer estiverem no solo.
12. Não sobrecarregue a capacidade da máquina ao tentar empurrar com demasiada força a um ritmo demasiado rápido. A máquina realiza um melhor trabalho quando utilizada com carga apropriada e existe menor probabilidade de risco de ferimentos.
13. Não acelere o motor com as escovas ou os cilindros de varrer bloqueados. Isso aumenta a carga e danifica a máquina.

14. Se a máquina receber um impacto forte ou cair, verifique o estado da mesma antes de continuar a trabalhar. Verifique o sistema de combustível quanto a fugas e os comandos e dispositivos de segurança para ver se estão com avarias. Se houver qualquer dano ou se tiver dúvidas, peça ao nosso centro de assistência autorizado uma inspeção e reparação.
15. Não toque na caixa de engrenagens. A caixa de engrenagens aquece durante o funcionamento.
16. Descanse para evitar a perda de controlo provocada pela fadiga. Recomendamos que faça uma pausa de 10 a 20 minutos por hora.
17. Quando deixar a máquina, mesmo que seja por um curto espaço de tempo, desligue sempre o motor ou retire a bateria. A máquina sem supervisão com o motor a funcionar, pode ser utilizada por pessoas não autorizadas e provocar acidentes graves.
18. Siga o manual de instruções da unidade de alimentação para ficar a conhecer a utilização adequada da alavanca de controlo e do interruptor.
19. Durante ou após a operação, não coloque a máquina quente sobre relva seca ou materiais combustíveis.
20. Se as escovas ou os cilindros de varrer prenderem objetos estranhos, desligue o motor e remova o cachimbo da vela de ignição ou a bateria e, em seguida, remova as obstruções.
21. Mantenha as mãos e os pés afastados das escovas ou dos cilindros de varrer. O contacto com as escovas ou os cilindros de varrer pode resultar em lesões físicas graves. Quando manusear as escovas ou os cilindros de varrer, pare o motor e retire o cachimbo da vela de ignição ou a bateria.
22. Verifique as escovas ou os cilindros de varrer com frequência durante a operação para ver se apresentam rachas ou danos.
23. Desligue sempre o motor ou retire a bateria quando remover os detritos ou objetos estranhos das escovas ou dos cilindros de varrer.
24. Siga o manual de instruções da unidade de alimentação para saber como efetuar o arranque e o controlo da máquina.

## Vibração

A exposição a uma vibração excessiva lesiona os vasos sanguíneos ou o sistema nervoso do operador e provoca os seguintes sintomas nos dedos, mãos ou pulsos: “Adormecimento” (dormência), formigamento, dor, sensação aguda, alteração da cor da pele ou alteração da pele. Caso ocorra algum destes sintomas, consulte um médico.

Para reduzir o risco de “doença do dedo branco”, mantenha as mãos quentes durante a operação e mantenha a máquina e os acessórios de forma adequada.

## Manutenção

1. Antes de realizar quaisquer trabalhos de manutenção ou reparação ou de limpar a máquina, desligue sempre o motor e retire a tampa da vela de ignição ou a bateria. Aguarde até o motor arrefecer.
2. Para reduzir o risco de incêndio, nunca realize qualquer assistência ao equipamento junto de fogo.
3. Use sempre luvas de proteção quando manusear as escovas ou os cilindros de varrer.
4. Limpe sempre a poeira e sujidade do equipamento. Nunca utilize gasolina, benzina, diluente, álcool ou outro para esse fim. Pode resultar em descoloração, deformação ou rachas dos componentes de plástico.
5. Após cada utilização, aperte todos os parafusos e porcas, exceto os parafusos de ajuste do carburador.
6. Substitua as escovas ou os cilindros de varrer se estiverem danificados.
7. Não tente realizar qualquer manutenção ou reparação que não estejam descritas neste livro ou no manual de instruções da unidade de alimentação. Peça ao nosso centro de assistência autorizado para realizar esse trabalho.
8. Siga as instruções para lubrificar e substituir acessórios.
9. Utilize sempre apenas peças sobressalentes e acessórios genuínos. A utilização de peças ou acessórios fornecidos por terceiros pode resultar na avaria do equipamento, danos na propriedade e/ou ferimentos graves.
10. Peça ao nosso centro de assistência autorizado para inspecionar e realizar a manutenção da máquina em intervalos regulares.

## Armazenamento

1. Antes de armazenar a máquina, realize uma limpeza e manutenção totais. Remova a tampa da vela de ignição ou a bateria. Drene o combustível após o motor arrefecer.
2. Armazene o equipamento num local seco e alto ou trancado, longe do alcance das crianças.
3. Não deixe o equipamento encostado a nada, como uma parede. Caso contrário, pode cair repentinamente e provocar um ferimento.

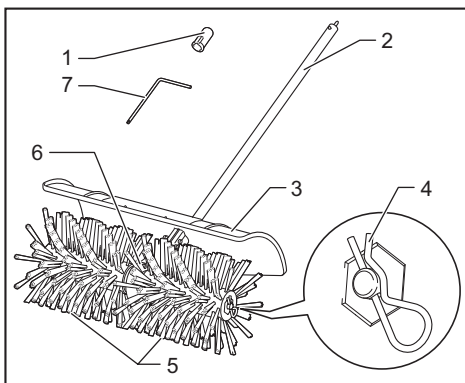
## Primeiros socorros

1. Em caso de acidente, certifique-se de que tem disponível uma caixa de primeiros socorros o mais completo possível nas proximidades das operações. Substitua imediatamente qualquer item que tenha sido retirado da caixa de primeiros socorros.
2. Quando pedir ajuda, indique a seguinte informação:
  - Local do acidente
  - O que aconteceu
  - Número de pessoas feridas
  - Tipo de lesões
  - O seu nome

**AVISO:** A utilização deste produto pode criar poeiras que contêm químicos que podem provocar doenças respiratórias ou outras. Alguns exemplos destes químicos são os compostos encontrados nos pesticidas, inseticidas, fertilizantes e herbicidas. O risco a que pode ser submetido devido a esta exposição varia, dependendo da frequência com que realiza este tipo de trabalho. Para reduzir a exposição a estes químicos: trabalhe numa área bem ventilada e trabalhe com equipamentos de segurança aprovados, como as máscaras para poeiras especialmente concebidas para filtrar partículas microscópicas.

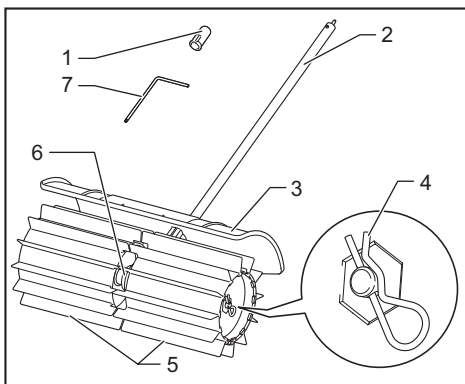
## DESCRIÇÃO DAS PEÇAS

### Implemento Escova para Varrer



- 1. Tampa 2. Tubo 3. Protetor 4. Clipe 5. Escova  
6. Caixa de engrenagens 7. Chave hexabolular

### Implemento de Borracha para Varrer



- 1. Tampa 2. Tubo 3. Protetor 4. Clipe 5. Cilindro de varrer 6. Caixa de engrenagens 7. Chave hexabolular

## GUARDE ESTAS INSTRUÇÕES.

# MONTAGEM

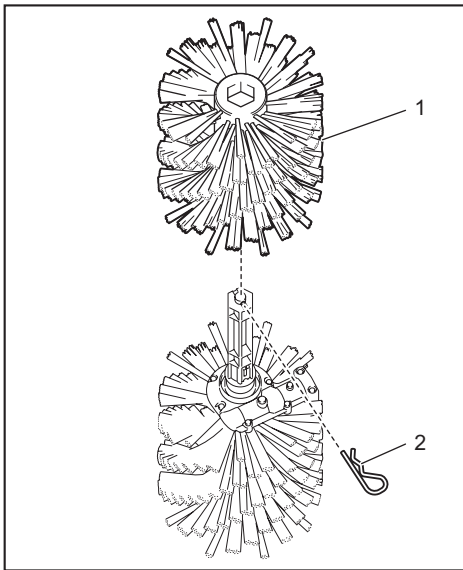
**⚠️ AVISO:** Antes de montar ou regular o equipamento, desligue o motor e retire o cachimbo da vela de ignição ou a bateria. Caso contrário, as escovas, os cilindros ou outras peças podem mover-se e resultar em ferimentos graves.

**⚠️ AVISO:** Quando montar ou regular o equipamento, **ponha-o sempre**. A montagem ou regulação do equipamento numa posição vertical pode resultar em ferimentos graves.

**⚠️ AVISO:** Siga os avisos e precauções no capítulo "AVISOS DE SEGURANÇA" e o manual de instruções da unidade de alimentação.

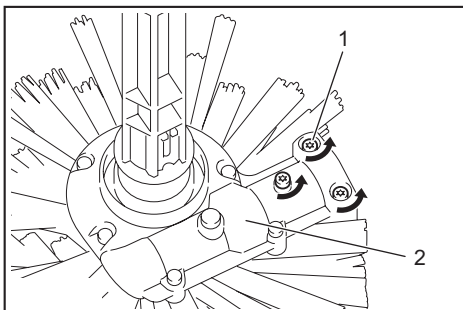
## Montar o implemento

1. Remova o clipe da escova ou do cilindro de varrer no lado esquerdo da unidade da escova ou da unidade do cilindro de varrer e, em seguida, remova a escova ou o cilindro de varrer.



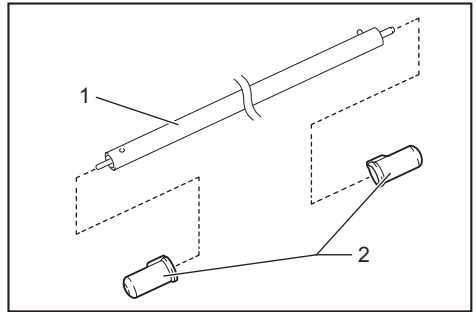
► 1. Escova 2. Clipe

2. Solte 3 parafusos na caixa de engrenagens.



► 1. Parafuso 2. Caixa de engrenagens

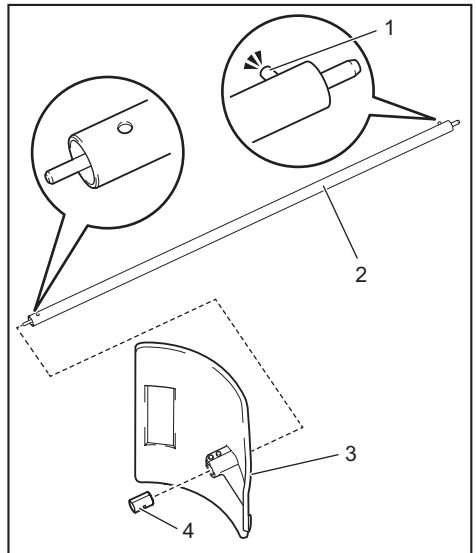
3. Remova 2 tampas de ambas as extremidades do tubo.



► 1. Tubo 2. Tampa

**OBSERVAÇÃO:** Não elimine as tampas, pois a tampa é necessária para armazenar o implemento.

4. Prenda o protetor e a manga ao tubo.

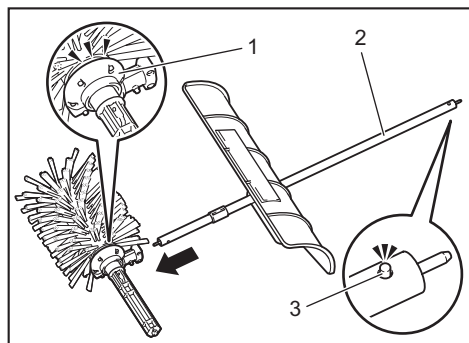


► 1. Pino 2. Tubo 3. Protetor 4. Manga

**OBSERVAÇÃO:** Certifique-se de que insere a extremidade do tubo sem o pino no protetor e na manga.

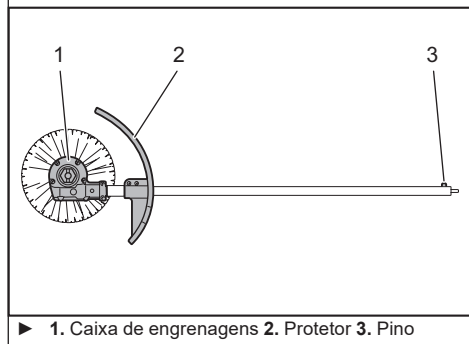


5. Assegure que a caixa de engrenagens e o pino no tubo estão virados para cima e, em seguida, insira o tubo na caixa de engrenagens.



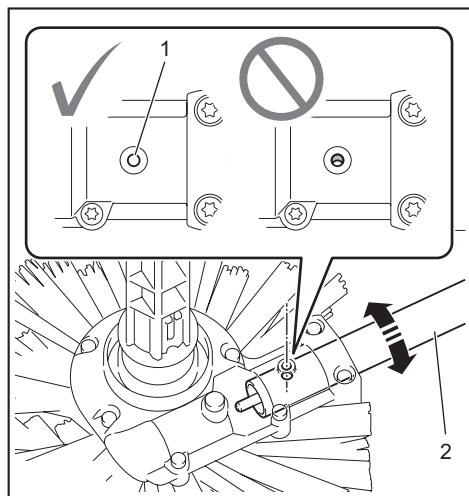
► 1. Caixa de engrenagens 2. Tubo 3. Pino

**OBSERVAÇÃO:** Assegure que a caixa de engrenagens e o pino no tubo estão virados para cima e que o protetor está preso na direção ilustrada na figura.



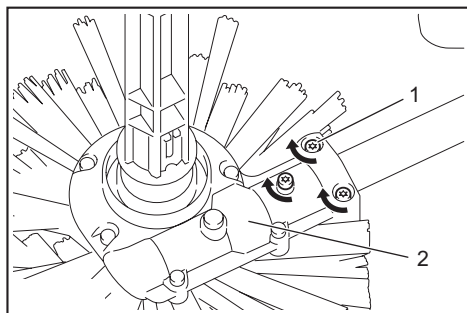
► 1. Caixa de engrenagens 2. Protetor 3. Pino

6. Alinhe o orifício do parafuso no tubo com o orifício na caixa de engrenagens rodando o tubo.



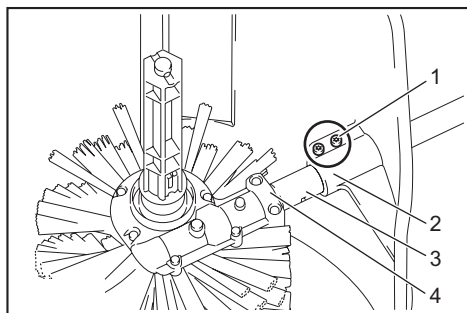
► 1. Orifício 2. Tubo

7. Aperte 3 parafusos na caixa de engrenagens.



► 1. Parafuso 2. Caixa de engrenagens

8. Aperte 2 parafusos no protetor.



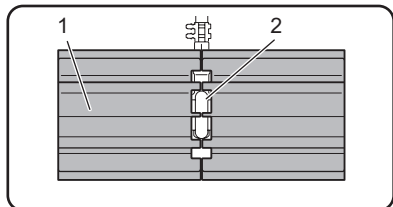
► 1. Parafuso 2. Protetor 3. Manga 4. Caixa de engrenagens

**OBSERVAÇÃO:** Certifique-se de que não existe nenhum intervalo entre a caixa de engrenagens e a manga e entre a manga e o protetor.

9. Prenda a escova ou o cilindro de varrer na unidade da escova ou na unidade do cilindro de varrer e, em seguida, prenda o clipe na escova ou no cilindro de varrer.

**OBSERVAÇÃO:** Quando instalar as escovas, assegure que as prende com o logótipo da Makita virado para fora.

**OBSERVAÇÃO:** Quando prender os cilindros de varrer, assegure que os prende na direção ilustrada na figura, de modo que os cilindros de varrer e a caixa de engrenagens enredem entre si.



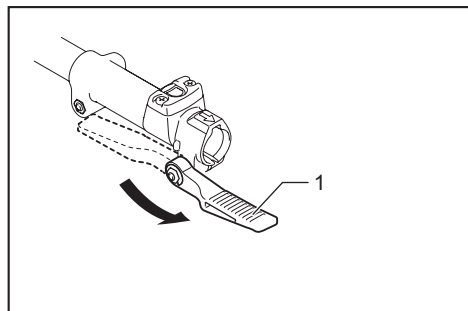
► 1. Cilindro de varrer 2. Caixa de engrenagens

## Montar o tubo de fixação

**PRECAUÇÃO:** Verifique sempre se o tubo de fixação está fixo após a instalação. A instalação incorreta pode causar a queda do implemento da unidade de alimentação e causar ferimentos.

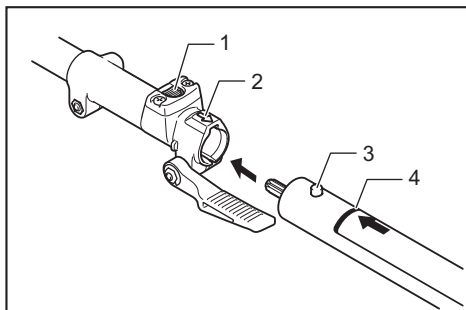
Montar o tubo de fixação na unidade de alimentação.

1. Rode a alavanca em direção ao implemento.



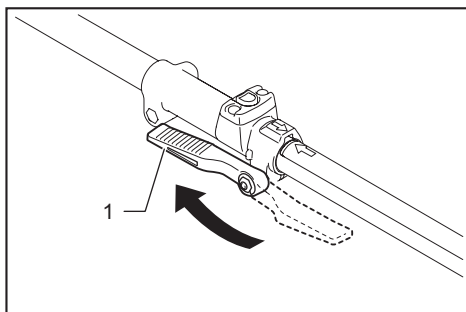
► 1. Alavanca

2. Alinhe o pino com a marca da seta. Insira o tubo de fixação até o botão de libertação sair. Certifique-se de que a linha de posição está localizada na ponta da marca da seta.



► 1. Botão de libertação 2. Marca da seta 3. Pino 4. Linha de posição

3. Rode a alavanca em direção à unidade de alimentação.

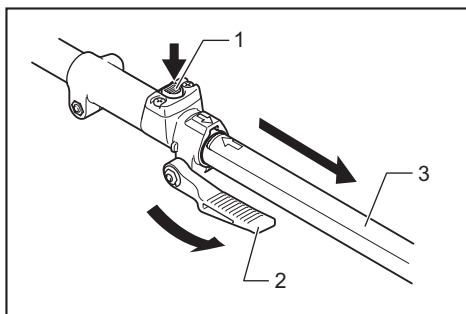


► 1. Alavanca

Certifique-se de que a superfície da alavanca está paralela ao tubo.

**OBSERVAÇÃO:** Não aperte a alavanca sem que o tubo de fixação esteja inserido. Caso contrário, a alavanca pode apertar demasiado a entrada do eixo de acionamento e danificá-lo.

Para remover o tubo, rode a alavanca na direção do implemento e puxe o tubo para fora, pressionando ao mesmo tempo o botão de libertação para baixo.



► 1. Botão de libertação 2. Alavanca 3. Tubo

## OPERAÇÃO

**⚠️ AVISO:** Siga os avisos e precauções no capítulo "AVISOS DE SEGURANÇA" e o manual de instruções da unidade de alimentação.

**⚠️ AVISO:** Ajuste a posição do anexo e o arnês para o ombro à sua posição de conforto antes de utilizar.

**⚠️ AVISO:** Use máscara para poeira e ventile bem a área de trabalho. Algum material contém produtos químicos que podem ser tóxicos. Tenha cuidado para evitar a inalação de pó e o contacto com a pele.

**⚠️ PRECAUÇÃO:** Antes da utilização, remova objetos duros e/ou longos, tais como pedras, latas e cordas da área de trabalho. Estes podem danificar as escovas ou os cilindros de varrer ou prejudicar a rotação destes.

Se a superfície a limpar estiver seca, pulverize-a com água para reduzir o pó. Segure o rodo motorizado / escova motorizada num ângulo raso e empurre o rodo motorizado / escova motorizada à velocidade de caminhada.



**⚠️ PRECAUÇÃO:** Quanto mais acentuado ficar o ângulo, mais difícil é controlar o rodo motorizado / escova motorizada e maior é a probabilidade de ser empurrado para trás pelo rodo motorizado / escova motorizada.

## MANUTENÇÃO

**⚠️ AVISO:** Antes de inspecionar ou realizar manutenções no equipamento, desligue o motor e retire o cachimbo da vela de ignição ou a bateria. Caso contrário, a escova, o cilindro de varrer ou outras peças podem mover-se e resultar em ferimentos graves.

**⚠️ AVISO:** Quando inspecionar ou realizar manutenções no equipamento, pouse-o sempre. A montagem ou regulação do equipamento numa posição vertical pode resultar em ferimentos graves.

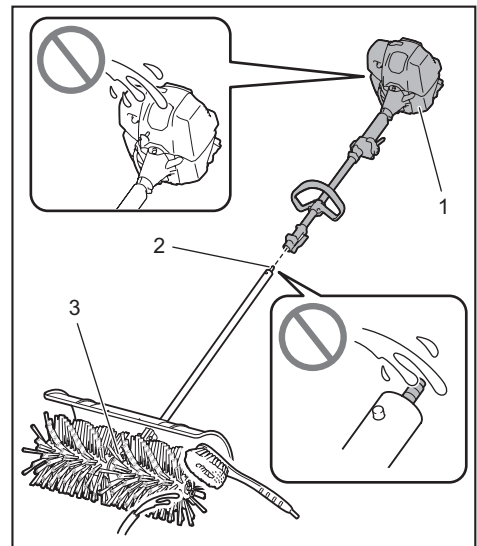
**⚠️ AVISO:** Siga os avisos e precauções no capítulo "AVISOS DE SEGURANÇA" e o manual de instruções da unidade de alimentação.

**⚠️ OBSERVAÇÃO:** Nunca utilize gasolina, benzina, diluente, álcool ou produtos semelhantes. Pode ocorrer a descoloração, deformação ou rachaduras.

Para manter a SEGURANÇA e a FIABILIDADE do produto, as reparações e qualquer outra manutenção ou ajuste devem ser levados a cabo pelos centros de assistência Makita autorizados ou pelos centros de assistência de fábrica, utilizando sempre peças de substituição Makita.

### Limpar o implemento

O implemento pode ser lavado com água. Utilize uma escova de nylon ou similar para lavar a sujidade.



- ▶ 1. Unidade de alimentação
- ▶ 2. Extremidade do tubo
- ▶ 3. Caixa de engrenagens

**⚠️ OBSERVAÇÃO:** Não verta água sobre a unidade de alimentação e a extremidade do tubo. Pode causar uma anomalia do implemento.

Para facilitar a limpeza, pode remover a escova ou o cilindro de varrer da unidade da escova ou da unidade do cilindro de varrer. Consulte as instruções para substituir as escovas ou os cilindros de varrer no presente manual.

## Inspeção geral

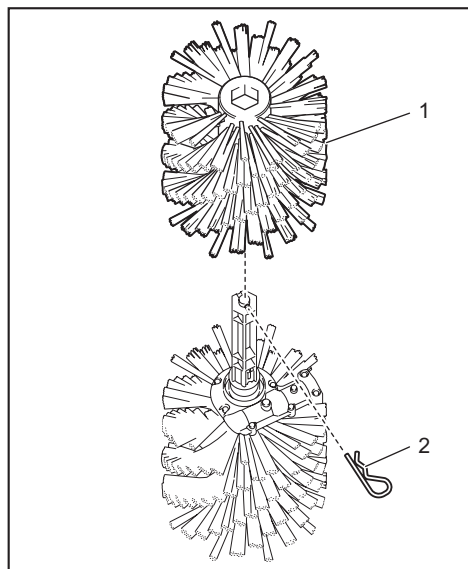
- Aperte os parafusos, porcas e parafusos soltos.
- Verifique se as peças, as escovas ou os cilindros de varrer estão danificados. Peça ao nosso centro de assistência autorizado para as substituir, se necessário.

## Inspeção das escovas, cilindros de varrer e protetor

Verifique e limpe as escovas, os cilindros de varrer e o protetor diariamente. Substitua-os se estiverem gastos, dobrados ou rachados.

## Substituir as escovas ou os cilindros de varrer

1. Remova os cliques das escovas ou dos cilindros de varrer e, em seguida, remova as escovas ou os cilindros de varrer.

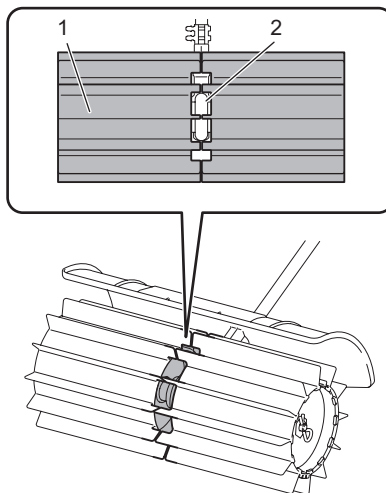


► 1. Escova 2. Clipe

2. Prenda as escovas ou os cilindros de varrer na unidade da escova ou na unidade do cilindro de varrer e, em seguida, prenda os cliques.

**OBSERVAÇÃO:** Quando instalar as escovas, assegure que as prenda com o logótipo da Makita virado para fora.

**OBSERVAÇÃO:** Quando prender os cilindros de varrer, assegure que os prenda na direção ilustrada na figura, de modo que os cilindros de varrer e a caixa de engrenagens enredem entre si.



► 1. Cilindro de varrer 2. Caixa de engrenagens

## Lubrificar as peças móveis

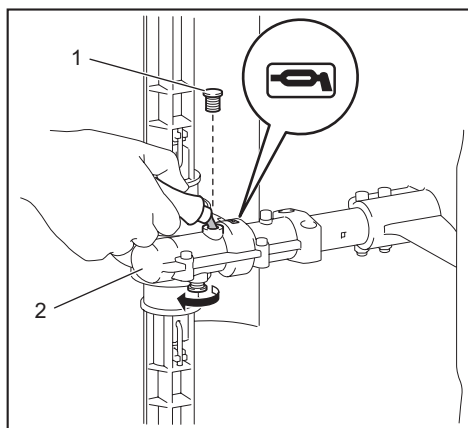
**OBSERVAÇÃO:** Siga as instruções referentes à frequência e à quantidade de massa lubrificante fornecida. Caso contrário, uma lubrificação insuficiente, pode danificar as peças móveis.

## Caixa de engrenagens:

**⚠PRECAUÇÃO:** Não aplique massa lubrificante se a caixa de engrenagens estiver quente. A caixa de engrenagens quente pode provocar ferimentos por queimadura.

Encha aprox. 30 ml de massa lubrificante (massa lubrificante Makita SG N.º 0) através da porta de lubrificação uniformemente a cada 25 horas de funcionamento. Remova o perno perto da marca de lubrificação na caixa de engrenagens com a chave hexalobular fornecida. Solte o perno no lado oposto, de modo que o ar na caixa de engrenagens pode ser libertado quando aplicar a massa lubrificante.

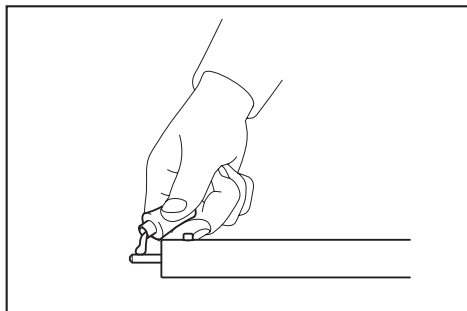
Após aplicar a massa lubrificante, assegure que aperta os parafusos.



► 1. Perno 2. Caixa de engrenagens

### Eixo motor:

Aplique massa lubrificante (massa lubrificante Makita SG N.º 0) a cada 25 horas de funcionamento.

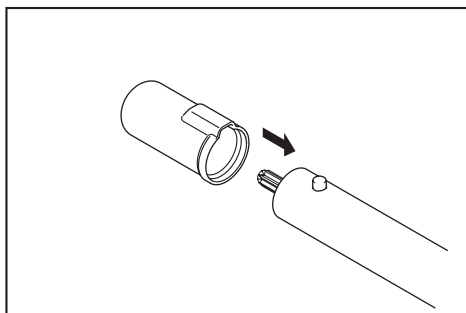


**NOTA:** Pode adquirir massa lubrificante genuína da Makita no seu distribuidor Makita local.

## Armazenamento

**AVISO:** Siga os avisos e precauções no capítulo “AVISOS DE SEGURANÇA” e o manual de instruções da unidade de alimentação.

Quando armazenar o implemento separado da unidade de alimentação, coloque a tampa sobre a extremidade do eixo.



## Intervalo de inspeção e manutenção

| Horas de funcionamento                  |   | Antes da operação | Diariamente (10 h) | 25 h |
|---|---|-------------------|--------------------|------|
| Unidade completa                        | Inspecione visualmente se há peças danificadas            | ✓                 | -                  | -    |
| Todos os parafusos de fixação e porcas  | Apertar   | ✓                 | -                  | -    |
| Escovas, cilindros de varrer e protetor | Limpe e inspecione visualmente se há peças danificadas    | -                 | ✓                  | -    |
| Caixa de engrenagens                    | Fornecer massa lubrificante                               | -                 | -                  | ✓    |
| Eixo motor                              | Fornecer massa lubrificante                               | -                 | -                  | ✓    |
| Unidade de alimentação                  | Consulte o manual de instruções da unidade de alimentação |                   |                    |      |

# RESOLUÇÃO DE PROBLEMAS

Antes de pedir reparações, realize primeiro a sua própria inspeção. Se encontrar um problema que não esteja explicado no manual, não tente desmontar a máquina. Em vez disso, peça aos centros de assistência autorizados da Makita, usando sempre as peças de substituição Makita para reparações.

| Estado da anomalia   | Causa provável (avaria)  | Correção   |
|--|--|--|
| O motor não arranca.   | -  | Consulte o manual de instruções da unidade de alimentação.   |
| O motor para em breve.   | -  | Consulte o manual de instruções da unidade de alimentação.   |
| A velocidade do motor não aumenta.   | -  | Consulte o manual de instruções da unidade de alimentação.   |
| As escovas ou os cilindros de varrer não rodam.<br>⇒ Pare o motor imediatamente.   | Os tubos da unidade de alimentação e o implemento não estão devidamente ligados. | Ligue os tubos corretamente.   |
|  | As escovas ou os cilindros de varrer ficam presos numa matéria estranha.         | Retire a matéria estranha.   |
|  | Sistema de acionamento anómalo   | Contacte um centro de assistência autorizado e solicite a reparação.   |
| A unidade de alimentação vibra de forma anormal.<br>⇒ Pare o motor imediatamente.  | As escovas ou os cilindros de varrer estão dobrados ou danificados.              | Substitua as escovas ou os cilindros de varrer.  |
|  | Fixação solta das escovas ou dos cilindros de varrer                             | Prenda firmemente os cliques das escovas ou dos cilindros de varrer.   |
|  | Fixação irregular das escovas ou dos cilindros de varrer                         | Instale as escovas ou os cilindros de varrer corretamente.   |
|  | Sistema de acionamento anómalo   | Contacte um centro de assistência autorizado e solicite a reparação.   |
| As escovas ou os cilindros de varrer continuam a rodar mesmo se o gatilho do interruptor/alavanca for solto(a).<br>⇒ Pare o motor imediatamente. | A unidade de alimentação não funciona corretamente.                              | Ajuste a velocidade ao ralenti se a unidade de alimentação for acionada por motor a gasolina. Contacte um centro de assistência autorizado e solicite a reparação. |

## SPECIFIKATIONER

|  |                            |
|--|----------------------------|
| <b>Model:</b>                                      | <b>BR400MP</b>             |
| Dimensioner: længde x bredde x højde (med børster) | 1.145 mm x 600 mm x 362 mm |
| Nettovægt  | 6,3 kg                     |
| Bredde af børste                                   | 600 mm                     |
| Ydre diameter af børste                            | 250 mm                     |

|   |                            |
|---|----------------------------|
| <b>Model:</b>   | <b>SW400MP</b>             |
| Dimensioner: længde x bredde x højde (med fejjetromler) | 1.159 mm x 600 mm x 362 mm |
| Nettovægt   | 7,2 kg                     |
| Bredde af fejjetromle                                   | 590 mm                     |
| Ydre diameter af fejjetromle                            | 265 mm                     |

- På grund af vores kontinuerlige forsknings- og udviklingsprogrammer kan hosstående specifikationer blive ændret uden varsel.
- Specifikationer kan variere fra land til land.

### Godkendt motorenhed

Dette tilbehør er kun godkendt til brug sammen med følgende motorenhed(er):

- DUX60, DUX18, UX01G Akku flerfunktions motorhoved
- EX2650LH Flerfunktions motorhoved

**⚠ ADVARSEL: Brug aldrig tilbehøret med en motorenhed, der ikke er godkendt. En ikke-godkendt kombination kan medføre alvorlig personskade.**

### Symboler

Følgende symboler bruges på tilbehøret og i denne brugsanvisning. Du skal forstå disse definitioner.

|  |  |
|--|--|
|  | Vær særligt forsigtig og opmærksom!  |
|  | Læs betjeningsvejledningen.  |
|  | Bær sikkerhedshjelm, beskyttelsesbriller og høreværn!  |
|  | Bær solide støvler med skridsikre såler. Sikkerhedsstøvler med stålspidis anbefales!         |
|  | Hold tilskuere mindst 5 m (17 fod) borte.  |
|  | Børsterne eller fejjetromlerne roterer i pilens retning.                                     |
|  | Ved montering af børsterne eller fejjetromlerne skal du sikre dig, at gearhuset vender opad. |

### Tilsligtet anvendelse

#### BR400MP

Dette tilbehør er kun udviklet til at feje jord og stier sammen med en godkendt effektenhed. Brug aldrig tilbehøret til andre formål. Misbrug af tilbehøret kan medføre alvorlig personskade. Dette tilbehør er beregnet til kommerciel brug.

#### SW400MP

Dette tilbehør er kun udviklet til at fjerne våde materialer som blade, snavs og fjerne vand fra faste overflader sammen med en godkendt effektenhed. Brug aldrig tilbehøret til andre formål. Misbrug af tilbehøret kan medføre alvorlig personskade. Dette tilbehør er beregnet til kommerciel brug.

### Overensstemmelseserklæringer

#### Kun for lande i Europa

Vi som producenter: **Makita Europe N.V.**,  
 Forretningsadresse: **Jan-Baptist Vinkstraat 2 3070 Kortenberg BELGIEN**. Godkender **Kazuhiisa Makino** til at udarbejde den tekniske fil og erklærer på eget ansvar, at produktet/produkterne; betegnelse: **Tilbehør til motorbørste / Tilbehør til motorfejmaskine**. Betegnelse for type(r): **BR400MP / SW400MP**.  
 Overholder alle de relevante bestemmelser i **2006/42/EF** og er fremstillet i overensstemmelse med følgende harmoniserede standarder: **EN 60335-1:2012+A11:2014+A13:2017+A1:2019+A14:2019+A2:2019+A15:2021, EN 60335-2-72:2012**.  
 Sted og dato for erklæringen: **Kortenberg, Belgien. 1. 8. 2023**  
 Ansvarlig person: **Kazuhiisa Makino, Direktør - Makita Europe N.V.**



# SIKKERHEDSADVARSLER

## Sikkerhedsadvarsler for motorbørste/motorfejmaskine

**⚠ADVARSEL:** Læs alle sikkerhedsadvarsler, instruktioner, illustrationer og specifikationer, der følger med denne maskine, samt brugsanvisningen til effektiviteten før brugen. Manglende overholdelse af alle nedenstående instruktioner kan medføre brand og/eller alvorlig personskade for operatøren og/eller tilskuerne.

### Gem alle advarsler og instruktioner til senere reference.

Ordene "motorbørste/motorfejmaskine" og "maskine" i advarslerne og forholdsreglerne refererer til kombinationen af tilbehøret og effektiviteten.

Ordet "motor" i advarslerne og forholdsreglerne refererer til motoren eller den elektriske motor i motorenheden.

### Generel sikkerhed

1. En førstegangsbruger eller uerfaren operatør bør bede forhandleren om oplæring i brugen af denne maskine. Lad aldrig børn, personer med reducerede fysiske, motoriske eller mentale færdigheder eller manglende erfaring og viden eller personer, der ikke er bekendt med instruktionerne, anvende maskinen. Børn skal overvåges for at sikre, at de ikke leger med maskinen.
2. Det anbefales kun at udlåne maskinen til personer, som har dokumenteret erfaring. Giv altid brugsanvisningen med.
3. Vær opmærksom, se på det, du arbejder med, og brug din sunde fornuft ved betjening af maskinen. Brug ikke maskinen, hvis du er træt, syg eller påvirket af stoffer, alkohol eller medicin. Ved brug af maskinen kan ét øjeblikvis uopmærksomhed medføre alvorlig personskade.
4. Undgå at bruge maskinen i dårligt vejr, især hvis der er risiko for lynnedslag.
5. Overhold dine nationale og lokale regler vedrørende brug af udendørs maskiner.
6. Forsøg aldrig at ændre maskinen.
7. Husk, at operatøren eller brugeren er ansvarlig for ulykker eller farlige situationer, der sker på andre personer eller deres ejendom.

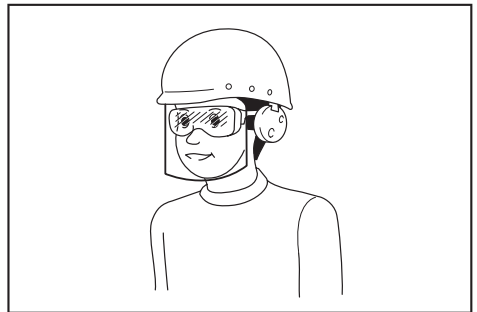
### Sikkerhed i arbejdsområdet

**⚠ADVARSEL:** Hold motorbørsten/motorfejmaskinen på afstand af elektriske ledninger og kommunikationskabler. Hvis motorbørsten/motorfejmaskinen berører eller kommer i nærheden af højspændingsledninger, kan det medføre dødsfald eller alvorlig personskade. Læg mærke til strømforsyningsledninger og elektriske hegn omkring arbejdsområdet, før du påbegynder brugen.

1. Brug kun maskinen i god sigtbarhed og dagslys. Brug ikke maskinen i mørke eller tåge.
2. Start og betjen kun motoren udendørs i et godt ventileret område. Brug i et begrænset eller dårligt ventileret område kan medføre dødsfald på grund af kvælning eller kulilteforgiftning.
3. Før brugen skal du kontrollere arbejdsområdet for trådhegn, sten eller andre hårde genstande. De kan beskadige børsterne eller fejjetromlerne.
4. Under brug må du aldrig stå på en ustabil eller glat overflade eller en stejle bakke. I den kolde årstid skal du være opmærksom på is og sne og altid sørge for sikkert fodfæste.
5. Undgå at arbejde i nærheden af hegn, træstubbe eller trærødder. De kan beskadige børsterne eller fejjetromlerne.
6. Undgå at arbejde i nærheden af bygninger, biler og anden ejendom. Sten og rester, der rammes af motorbørsten/motorfejmaskinen, kan beskadige dem.
7. Rengøring af syntetiske gulve kan frembringe statisk elektricitet, og der er risiko for elektrisk stød eller ulykker.

### Personligt beskyttelsesudstyr

1. Bær altid kraftige, lange bukser, solide støvler, handsker og en langærmet skjorte. Undgå at bære løs påklædning, smykker, korte bukser, sandaler eller at være barfodet. Fastgør hår, så det sidder over skulderhøjde.
2. Bær altid beskyttelsesbriller for at beskytte øjnene mod skade, når du bruger maskinen. Beskyttelsesbrillerne skal overholde ANSI Z87.1 i USA, EN 166 i Europa eller AS/NZS 1336 i Australien/New Zealand. I Australien/New Zealand er det desuden påbudt ved lov at bære ansigtsskærm for at beskytte dit ansigt.



Det er arbejdsgiverens ansvar at påbyde brugerne af maskinen samt andre personer i det umiddelbare arbejdsområde at bære passende sikkerhedsbeskyttelsesudstyr.

3. Bær høreværn som f.eks. ørepropper. Udsættelse for støj kan medføre høreskader.
4. Bær altid solide sko med en skridsikker sål. Dette beskytter dine fødder mod personskade og sørger for et solidt fodfæste.
5. Brug en støvmaske efter behov.



## Påfyldning af brændstof

1. **Stop motoren, før der påfyldes brændstof. Hold afstand til åben ild og gnister. Ryg aldrig under påfyldning af brændstof.** Ellers kan det medføre brand og/eller eksplosion.
2. **Påfyld brændstof udendørs.** Påfyldning i et lukket rum kan medføre, at brændstoffdampe eksploderer.
3. **Undgå kontakt med brændstof eller motorolie.** Inhaler ikke brændstoffdampe. Hvis der spildes brændstof eller olie, skal du med det samme tørre det af maskinen og/eller op fra jorden. Hvis der spildes brændstof på dit tøj, skal du skifte tøj med det samme for at undgå, at der går ild i det.
4. **Efter påfyldning skal du stramme brændstoff-ankhætten omhyggeligt og se efter brændstoff-lækager.** Gå mindst 3 m væk fra brændstoffkilden og stedet, før du starter motoren.
5. **Brændstof må kun transporteres og opbevares i godkendte beholdere. Hold børn væk fra det opbevarede brændstof.**

## Start af motorbørsten/ motorfejmaskinen

1. **Før samling eller justering af maskinen skal du slukke for motoren og fjerne tændrørshætten eller akkuen.**
2. **Bær arbejdshandsker, før du håndterer børsterne eller fejjetromlerne.**
3. **Bær det personlige beskyttelsesudstyr, før du starter motoren.**
4. **Før du starter motoren, skal du inspicere maskinen for skader, løse skruer/møtrikker eller forkert samling. Kontroller, at alle kontrolhåndtag og kontakter nemt kan betjenes. Rengør og aftør håndtagene.**
5. **Forsøg aldrig at starte motoren, hvis maskinen er beskadiget eller ikke fuldt samlet med de korrekte beskyttelsesskærme, plader eller andre sikkerhedsanordninger.** Ellers kan det medføre alvorlig personskade.
6. **Før du starter motoren, skal du omhyggeligt kontrollere, at børsterne eller fejjetromlerne ikke rører ved din krop og andre genstande.** Hvis motoren startes, mens børsterne eller fejjetromlerne berører et fremmedlegeme, kan det medføre alvorlige ulykker.
7. **Før du starter motoren, skal du sikre dig, at der ikke er personer eller dyr i arbejdsområdet.**
8. **Juster skulderselen og håndgrebet, så de passer til operatørens størrelse.**
9. **Udskift børsterne eller fejjetromlerne, hvis de er revnede, bøjedede eller beskadigede.** Beskadigede børster eller fejjetromler kan brække under brugen og forårsage alvorlig personskade.
10. **Start og betjen kun maskinen udendørs i et godt ventileret område.** Brug i et begrænset eller dårligt ventileret område kan medføre dødsfald på grund af kvælning eller kulilteforgiftning.
11. **Når du starter motoren, skal du placere maskinen på et fast underlag og derefter opretholde god balance og sikkert fodfæste.**

12. **Når du trækker i starterknappen til motoren, skal du holde effektenheden fast mod jorden med venstre hånd. Træd aldrig på effektenhedens drevskaft.**
13. **Hvis børsterne eller fejjetromlerne roterer i tomgang, skal du stoppe motoren og reducere tomgangshastigheden.** Ellers kan utilsigtet kontakt med børster eller fejjetromler i bevægelse medføre alvorlig personskade.
14. **Stop motoren med det samme, hvis du bemærker problemer.**
15. **Følg brugsanvisningen til effektenheden vedrørende start af motoren.**

## Transport

1. **Stop motoren under transport.** Ellers kan utilsigtet start medføre personskade.
2. **Kontroller, at maskinen er placeret sikkert ved transport i bil, for at undgå brændstofflækage.**
3. **Løft hele maskinen fra jorden, når du bærer maskinen.** Hvis du trækker maskinen, medfører det beskadigelse af brændstofftanken og brændstofflækage, hvilket kan forårsage brand.
4. **Når du transporterer udstyret, skal du bære det i vandret stilling ved at holde i skaftet. Hold den varme lydpotte væk fra din krop.**

## Brug

1. **Hold tilskuere og dyr mindst 5 m væk fra motorbørsten/motorfejmaskinen under brugen. Stop med det samme motoren, hvis nogen nærmer sig.**
2. **Sluk med det samme for motoren i nødsituationer.**
3. **Sluk for motoren, hvis du oplever unormale forhold (f.eks. støj, vibration) under brugen. Brug ikke maskinen, før årsagen er identificeret og afhjulpet.**
4. **Monter skulderselen, mens motoren kun kører i tomgang.**
5. **Brug skulderselen under anvendelse. Hold maskinen fast på din højre side.**



6. **Hold i det forreste håndtag med venstre hånd og i det bageste greb med højre hånd, uanset om du er højrehåndet eller venstrehåndet. Placer fingrene og tommelfingrene omkring håndtagene.**

7. Forsøg aldrig at betjene maskinen med én hånd. Tab af kontrollen kan medføre alvorlig eller dødelig personskade. Hold hænderne og fødderne på afstand af børsterne eller fejjetromlerne for at mindske risikoen for personskade.
8. Løft ikke børsterne eller fejjetromlerne over hoftehøjde under brugen.
9. Børsterne eller fejjetromlerne fortsætter med at rotere i et kort tidsrum, efter at du har sluppet gaspældstriggeren eller slukket for motoren. Berør ikke børsterne eller fejjetromlerne for hurtigt.
10. Stræk dig ikke for langt. Oprethold til enhver tid korrekt fodfæste og balance. Se efter skjulte hindringer som f.eks. træstubbe, rødder og grøfter for at undgå at snuble.
11. Udvis den største forsigtighed, når du vender børstens eller fejjetromlens rotationsretning eller trækker maskinen imod dig selv. Hvis effektenheden har en baglæns rotationsfunktion, må du ikke bruge den mere end højst nødvendigt. Når motorbørsten/motorfejjemaskinen anvendes med baglæns rotation, vil de trække i dig, hvis børsterne eller fejjetromlerne berører jorden.
12. Undlad at overbelaste maskinkapaciteten ved at forsøge at skubbe for hårdt for hurtigt. Maskinen vil udføre et bedre stykke arbejde, når den bruges med korrekt belastning, og der er mindre risiko for personskade.
13. Undlad at accelerere motoren, når børsterne eller fejjetromlerne er blokeret. Dette forøger belastningen og vil beskadige maskinen.
14. Hvis maskinen udsættes for hårde stød, eller den tabes, skal du kontrollere dens tilstand, før du fortsætter med arbejdet. Kontroller brændstofsyste­met for brændstøflækage og kontrollererne og sikkerhedsenhederne for fejl. Hvis der er nogen beskadigelse eller tvivl, skal du bede vores autoriserede servicecenter om at udføre inspektion og reparation.
15. Berør ikke gearhuset. Gearhuset bliver varm under brugen.
16. Hold pause for at undgå at miste kontrollen på grund af træthed. Vi anbefaler, at du holder 10 til 20 minutters hvil hver time.
17. Når du forlader maskinen, skal du altid slukke for motoren eller fjerne akkuen, også selvom det kun er i kort tid. Hvis maskinen efterlades uden opsyn med kørende motor, kan uautoriserede personer bruge den og forårsage en alvorlig ulykke.
18. Følg brugsanvisningen til effektenheden vedrørende korrekt brug af kontrolhåndtaget og kontakten.
19. Under eller efter brug må du ikke placere den varme maskine på tørt græs eller brændbare materialer.
20. Hvis børsterne eller fejjetromlerne griber fat i fremmedlegemer, skal du slukke for motoren og fjerne tændrørshætten eller akkuen og derefter fjerne forhindringerne.
21. Hold hænderne og fødderne væk fra børsterne eller fejjetromlerne. Kontakt med børsterne eller fejjetromlerne kan medføre alvorlig personskade. Ved håndtering af børsterne eller fejjetromlerne skal du stoppe motoren og fjerne tændrørshætten eller akkuen.
22. Kontroller hyppigt børsterne eller fejjetromlerne for revner eller skader under brugen.
23. Sluk altid for motoren, eller fjern akkuen, når du fjerner rester eller fremmedlegemer fra børsterne eller fejjetromlerne.
24. Se i brugsanvisningen til effektenheden vedrørende start og kontrol af maskinen.

## Vibration

Udsættelse for kraftig vibration beskadiger operatørens blodkar eller nervesystem og medfører følgende symptomer i fingre, hænder eller hændled: "Sovende" led (følelsesløshed), prikken, smerte, stikkende fornemmelse, ændring af hudfarven eller af huden. Søg læge, hvis nogen af disse symptomer opstår.

For at undgå risiko for "hvide fingre" skal du holde dine hænder varme under brugen og holde maskinen og tilbehøret i god stand.

## Vedligeholdelse

1. Før der udføres nogen form for vedligeholdelse eller reparation eller rengøring af maskinen, skal du altid slukke for motoren og fjerne tændrørshætten eller akkuen. Vent, til motoren køler af.
2. For at reducere risikoen for brand må du aldrig udføre service på udstyret i nærheden af ild.
3. Bær altid arbejdshandsker, når du håndterer børsterne eller fejjetromlerne.
4. Fjern altid støv og snavs fra udstyret. Brug aldrig benzin, rensbenzin, fortynder, alkohol eller lignende til dette formål. Det kan medføre misfarvning, deformation eller revner i plastikkomponenterne.
5. Tilspænd alle skruer og møtrikker efter hver brug, undtagen skruerne til justering af karburatoren.
6. Udskift børsterne eller fejjetromlerne, hvis de er beskadigede.
7. Forsøg ikke at udføre vedligeholdelse eller reparationsarbejde, der ikke er beskrevet i dette hæfte eller brugsanvisningen til effektenheden. Bed vores autoriserede servicecenter om at udføre sådant arbejde.
8. Følg instruktionerne for smøring og udskiftning af tilbehør.
9. Brug altid kun ægte reservedele og tilbehør. Brug af dele eller tilbehør fra tredjepart kan medføre sammenbrud af udstyret, tingskade og/eller alvorlig personskade.
10. Bed regelmæssigt vores autoriserede servicecenter om at efterse og vedligeholde maskinen.

## Opbevaring

1. Udfør komplet rengøring og vedligeholdelse, før maskinen opbevares. Fjern tændrørshætten eller akkuen. Aftøm brændstoffet, når motoren er blevet kold.
2. Opbevar udstyret på et tørt og højtliggende eller aflåst sted, der er utilgængeligt for børn.
3. Stil ikke udstyret op ad noget som f.eks. en væg. Ellers kan det vælte pludseligt og forårsage personskade.

## Førstehjælp

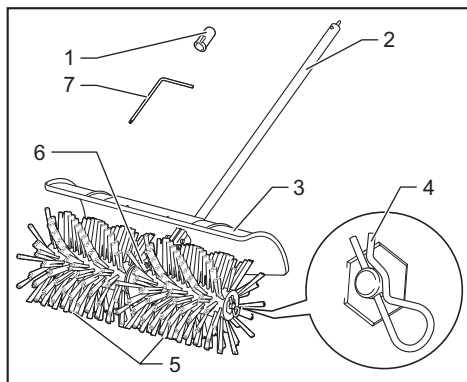
1. Sørg for, at der findes en førstehjælpskasse i nærheden af arbejdsstedet, hvis der skulle ske en ulykke. Erstat straks enhver genstand, der fjernes fra førstehjælpskassen.
2. Opgiv følgende oplysninger, når du ringer efter hjælp:
  - Hvor ulykken er sket
  - Hvad der er sket
  - Antallet af tilskadekomne personer
  - Typen af personskader
  - Dit navn

## GEM DENNE BRUGSANVISNING.

**⚠ADVARSEL:** Brug af dette produkt kan frembringe støv, der indeholder kemikalier, som kan forårsage åndedrætslidelser eller andre sygdomme. Nogle eksempler på disse kemikalier er kemiske forbindelser i pesticider, insektmidler, gødningsstoffer og ukrudtsmidler. Risikoen ved udsættelse for disse stoffer varierer, afhængigt af hvor ofte du udfører denne type arbejde. Sådan reducerer du din udsættelse for disse kemikalier: Arbejd i et godt ventileret område, og arbejd med godkendt sikkerhedsudstyr, f.eks. støvmasker, der er specielt udviklet til at filtrere mikroskopiske partikler.

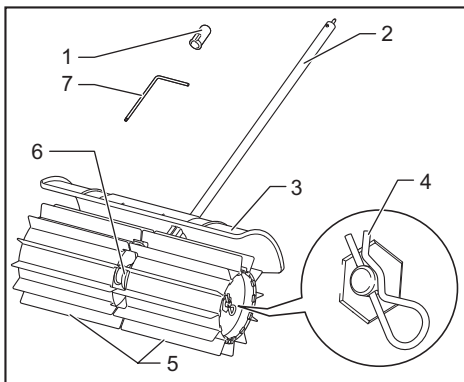
## BESKRIVELSE AF DELENE

### Tilbehør til motorbørste



- 1. Hætte 2. Rør 3. Skærm 4. Klemme 5. Børste  
6. Gearhus 7. Sekskantet skruenøgle

### Tilbehør til motorfejmaskine



- 1. Hætte 2. Rør 3. Skærm 4. Klemme 5. Fejetromle  
6. Gearhus 7. Sekskantet skruenøgle

## SAMLING

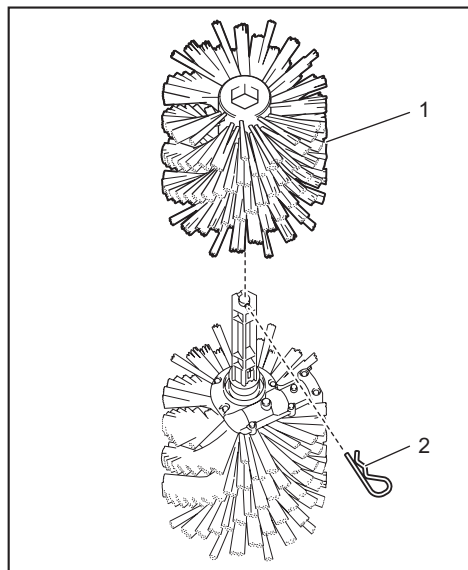
**⚠ADVARSEL:** Før samling eller justering af udstyret skal du slukke for elektromotoren eller benzinmotoren og fjerne tændrørshætten eller akkuen. Ellers kan børsterne, tromlerne eller andre dele bevæge sig og medføre alvorlig personskade.

**⚠ADVARSEL:** Ved samling eller justering af udstyret skal du altid lægge det ned. Samling eller justering af udstyret i stående position kan medføre alvorlig personskade.

**⚠ADVARSEL:** Følg advarselserne og forholdsreglerne i kapitlet "SIKKERHEDSADVARSLER" samt brugsanvisningen til motorenheden.

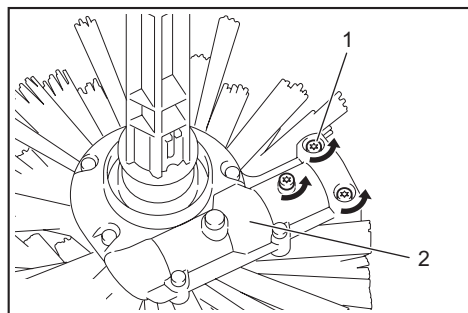
## Samling af tilbehøret

1. Fjern klemmen fra børsten eller fejjetromlen i venstre side af børsteenheden eller fejjetromleenheden, og fjern derefter børsten eller fejjetromlen.



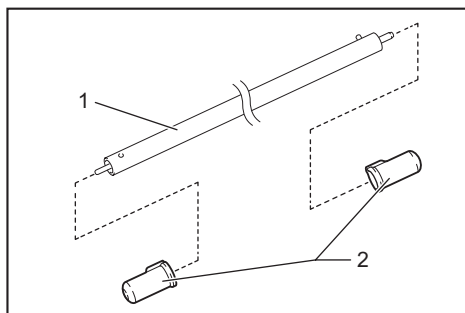
- 1. Børste 2. Klemme

2. Løsn 3 skruer på gearhuset.



- 1. Skruer 2. Gearhus

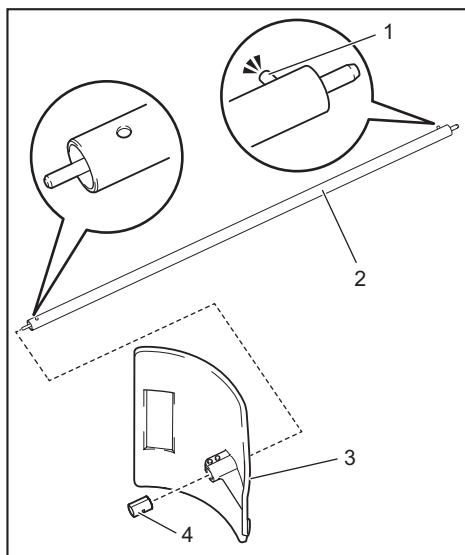
3. Fjern 2 hætter fra begge ender af røret.



- 1. Rør 2. Hætte

**BEMÆRKNING:** Undlad at kassere hæfterne, da hæften er påkrævet til opbevaring af tilbehøret.

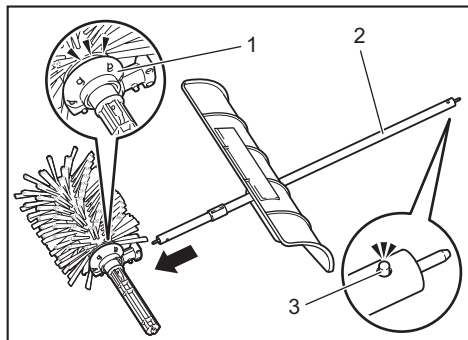
4. Monter skærmen og muffen på røret.



- 1. Stift 2. Rør 3. Skærm 4. Muffe

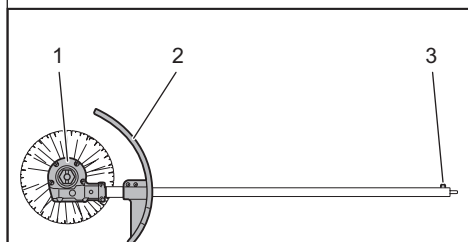
**BEMÆRKNING:** Sørg for at sætte enden af røret uden stiften ind i skærmen og muffen.

5. Sørg for, at gearhuset og stiften på røret vender opad, og sæt derefter røret ind i gearhuset.



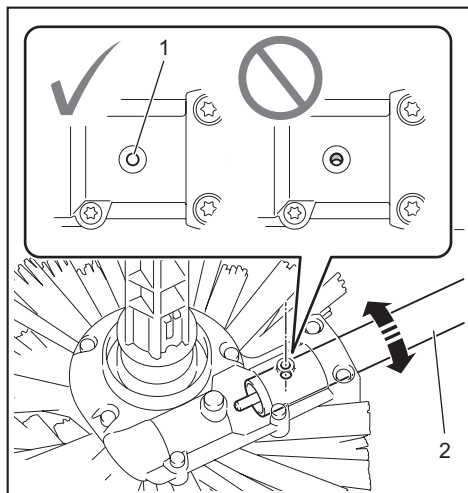
- 1. Gearhus 2. Rør 3. Stift

**BEMÆRKNING:** Sørg for, at gearhuset og stiften på røret vender opad, og at skærmen er monteret i den retning, der er vist på figuren.



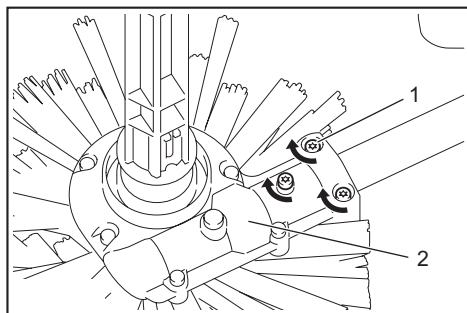
- 1. Gearhus 2. Skærm 3. Stift

6. Juster skruehullet på røret i forhold til hullet på gearhuset ved at dreje røret.



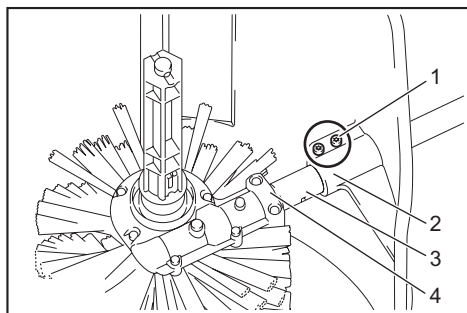
- 1. Hul 2. Rør

7. Stram 3 skruer på gearhuset.



- 1. Skru 2. Gearhus

8. Stram 2 skruer på skærmen.



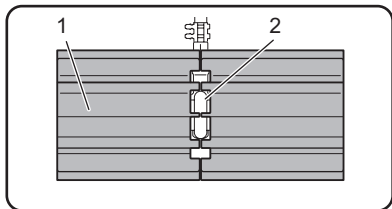
- 1. Skru 2. Skærm 3. Muffe 4. Gearhus

**BEMÆRKNING:** Sørg for, at der ikke er mellemrum mellem gearhuset og muffen og mellem muffen og skærmen.

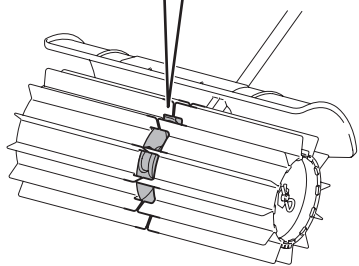
9. Monter børsten eller fejjetromlen på børsteenheten eller fejjetromleenheden, og monter derefter klemmen på børsten eller fejjetromlen.

**BEMÆRKNING:** Ved montering af børsterne skal du sørge for at montere dem, så Makita-logoet vender udad.

**BEMÆRKNING:** Ved montering af fejjetromlerne skal du sørge for at montere dem i den retning, der er vist på figuren, så fejjetromlerne og gearhuset griber ind i hinanden.



► 1. Fejjetromle 2. Gearhus

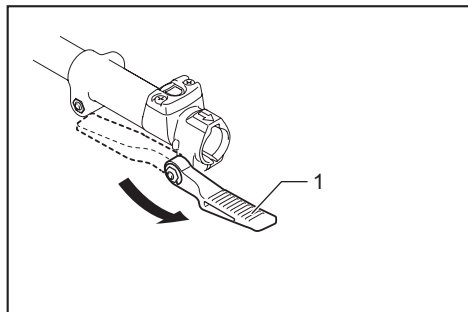


## Montering af monteringsrøret

**⚠FORSIGTIG:** Kontroller altid, at monteringsrøret sidder fast efter installationen. Forkert installation kan medføre, at tilbehøret falder af effektenheden og forårsager personskade.

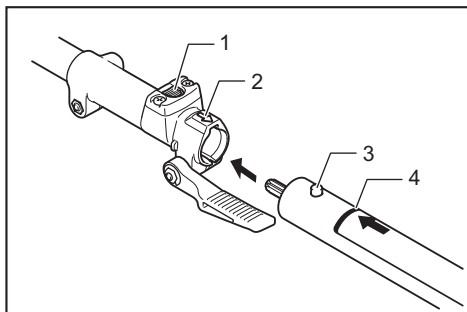
Monter monteringsrøret på effektenheden.

1. Drej håndtaget mod tilbehøret.



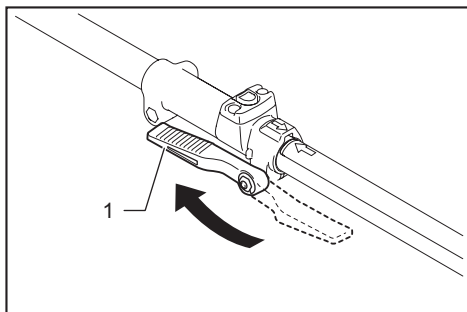
► 1. Håndtag

2. Juster stiften i forhold til pilemærket. Indsæt monteringsrøret, indtil udløserknappen kommer op. Kontroller, at positionslinjen befinder sig ved spidsen af pilemærket.



► 1. Udløserknop 2. Pilemærke 3. Stift  
4. Positionsmærke

3. Drej håndtaget mod motorenheden.

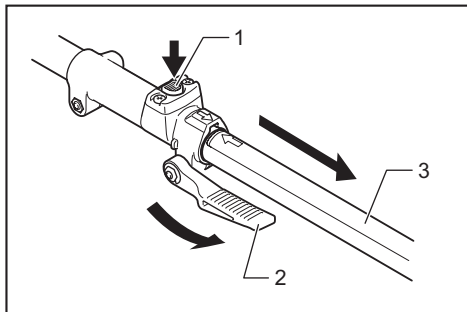


► 1. Håndtag

Sørg for, at overfladen på håndtaget ligger parallelt med røret.

**BEMÆRKNING:** Stram ikke håndtaget, uden at monteringsrøret er indsat. Ellers kan håndtaget stramme indgangen til drevskafet for hårdt og beskadige det.

For at fjerne røret skal du dreje håndtaget mod tilbehøret og trække røret ud, idet der trykkes ned på udløserknappen.



► 1. Udløserknop 2. Håndtag 3. Rør

## ANVENDELSE

**⚠ADVARSEL:** Følg advarslerne og forholdsreglerne i kapitlet "SIKKERHEDSADVARSLER" samt brugsanvisningen til motorenheden.

**⚠ADVARSEL:** Juster bøjlepositionen og skuldreselen til en komfortabel position før brugen.

**⚠ADVARSEL:** Bær støvmaske, og sørg for, at arbejdsområdet er godt ventileret. Nogle materialer indeholder kemikalier, der kan være giftige. Sørg for at undgå indånding af støv samt kontakt med huden.

**⚠FORSIGTIG:** Før brugen skal du fjerne hårde og/eller lange genstande som f.eks. sten, dåser og reb fra arbejdsområdet. De kan beskadige børsterne eller fejjetromlerne eller forhindre børsterne eller fejjetromlerne i at rotere.

Hvis den overflade, der skal rengøres, er tør, skal du sprøjte vand på den for at reducere støvet. Hold motorbørsten/motorfejmaskinen i en lille vinkel, og skub motorbørsten/motorfejmaskinen fremad med ganghastighed.



**⚠FORSIGTIG:** Jo stejlere vinklen er, desto sværere er det at kontrollere motorbørsten/motorfejmaskinen, og desto mere sandsynligt er det, at du bliver skubbet bagud af motorbørsten/motorfejmaskinen.

## VEDLIGEHOLDELSE

**⚠ADVARSEL:** Før inspektion eller vedligeholdelse af udstyret skal du slukke for motoren og fjerne tændrørshætten eller akkuen. Ellers kan børsten, fejjetromlen eller andre dele bevæge sig og medføre alvorlig personskade.

**⚠ADVARSEL:** Ved inspektion eller vedligeholdelse af udstyret skal du altid lægge det ned. Samling eller justering af udstyret i stående position kan medføre alvorlig personskade.

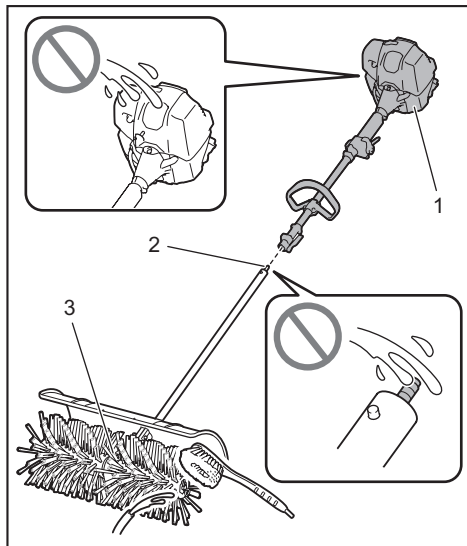
**⚠ADVARSEL:** Følg advarslerne og forholdsreglerne i kapitlet "SIKKERHEDSADVARSLER" samt brugsanvisningen til motorenheden.

**BEMÆRKNING:** Anvend aldrig benzin, rensebenzin, fortynder, alkohol og lignende. Det kan medføre misfarvning, deformation eller revner.

For at opretholde produktets SIKKERHED og PÅLIDELIGHED må reparation, vedligeholdelse eller justering kun udføres af et autoriseret Makita servicecenter eller fabrikksservicecenter med anvendelse af Makita reservedele.

## Rengøring af tilbehøret

Tilbehøret kan vaskes med vand. Brug en nylonbørste eller lignende til at vaske snavs bort.



► 1. Effektenhed 2. Rørende 3. Gearhus

**BEMÆRKNING:** Undlad at hælde vand ud over effektenheden og rørende. Det kan medføre funktionsfejl i tilbehøret.

Du kan gøre rengøringen lettere ved at fjerne børsten eller fejjetromlen fra børsteenheden eller fejjetromleenheden. Se i instruktionerne i denne brugsanvisning vedrørende udskiftning af børsterne eller fejjetromlerne.

## Overordnet inspektion

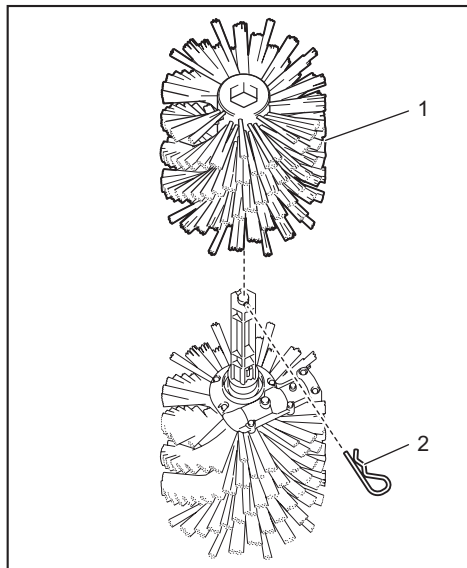
- Stram løse bolte, møtrikker og skruer.
- Se efter beskadigede dele, børster eller fejjetromler. Bed om nødvendigt vores autoriserede servicecenter for at udskifte dem.

## Inspektion af børsterne, fejjetromlerne og skærmen

Kontroller og rengør børsterne, fejjetromlerne og skærmen hver dag. Udskift dem, hvis de er slidt, bøjet og revnet.

## Udskiftning af børsterne eller fejjetromlerne

1. Fjern klemmerne fra børsterne eller fejjetromlerne, og fjern derefter børsterne eller fejjetromlerne.

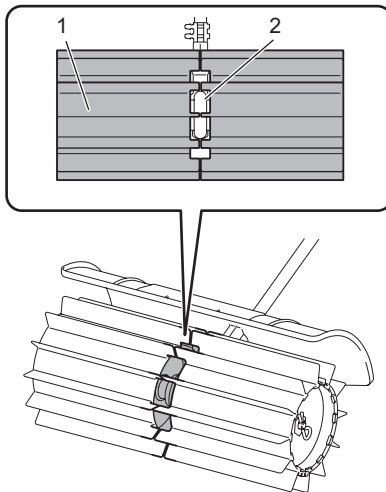


► 1. Børste 2. Klemme

2. Monter børsterne eller fejjetromlerne på børsteenheden eller fejjetromleenheden, og monter derefter klemmerne.

**BEMÆRKNING:** Ved montering af børsterne skal du sørge for at montere dem, så Makita-logoet vender udad.

**BEMÆRKNING:** Ved montering af fejjetromlerne skal du sørge for at montere dem i den retning, der er vist på figuren, så fejjetromlerne og gearhuset griber ind i hinanden.



► 1. Fejjetromle 2. Gearhus

## Smøring af bevægelige dele

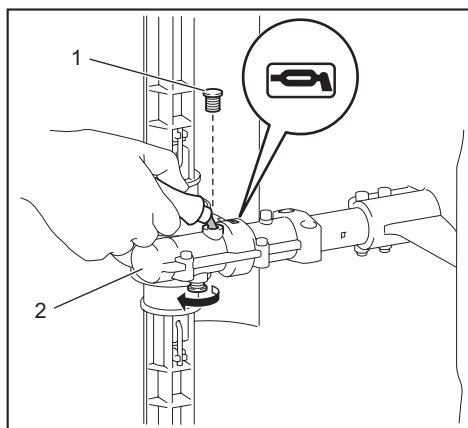
**BEMÆRKNING:** Følg instruktionerne vedrørende hyppighed og tilført mængde fedtstof. Ellers kan manglende smøring beskadige de bevægelige dele.

## Gearkasse:

**⚠FORSIGTIG:** Tilfør ikke fedtstof, når gearkassen er varm. Varmt gearkasse kan medføre forbrændinger.

Påfyld cirka 30 ml fedtstof (Makita fedtstof SG No.0) gennem fedtåbningen jævnt for hver 25 timers drift. Brug den medfølgende sekskantede skrue nøgle til at fjerne bolten nær smøremærkerne på gearhuset. Løsn bolten på den anden side, så luften i gearhuset kan slippe ud, når der tilføres fedtstof. Sørg for at stramme bolten efter tilføring af fedtstof.



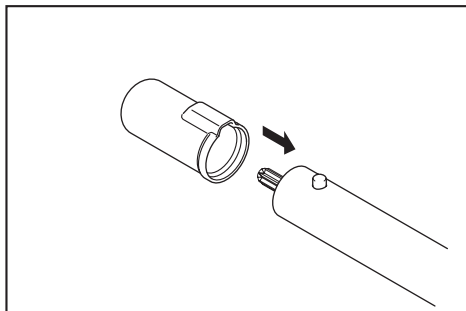


► 1. Bolt 2. Gearhus

## Opbevaring

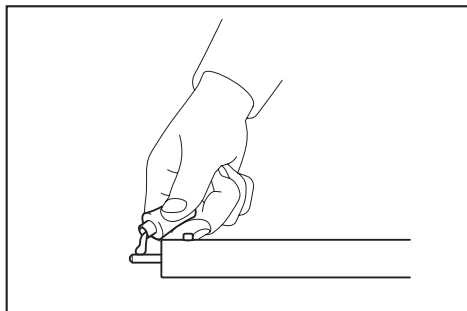
**⚠ ADVARSEL:** Følg advarslerne og forholdsreglerne i kapitlet "SIKKERHEDSADVARSLER" samt brugsanvisningen til motorenheden.

Hvis tilbehøret opbevares adskilt fra effektenheden, skal hættens sættes på enden af skaftet.



## Drevaksel:

Tilfør fedtstof (Makita fedtstof SG No.0) for hver 25 timers drift.



**BEMÆRK:** Ægte Makita-fedtstof kan købes fra din lokale Makita-forhandler.

## Interval for inspektion og vedligeholdelse

| Driftstimer                          |   | Inden brug | Dagligt (10 timer) | 25 timer |
|--------------------------------------|---|------------|--------------------|----------|
| Hele enheden                         | Inspicer visuelt for beskadigede dele           | ✓          | -                  | -        |
| Alle fastgøringsskruer og -møtrikker | Stram   | ✓          | -                  | -        |
| Børster, fejjetromler og skærm       | Rengør og inspicer visuelt for beskadigede dele | -          | ✓                  | -        |
| Gearhus                              | Tilfør fedtstof                                 | -          | -                  | ✓        |
| Drevaksel                            | Tilfør fedtstof                                 | -          | -                  | ✓        |
| Motorenhed                           | Se i brugsanvisningen til motorenheden          |            |                    |          |

# FEJLFINDING

Inden du beder om reparation, skal du først udføre din egen inspektion. Hvis du finder et problem, der ikke er beskrevet i brugsanvisningen, må du ikke forsøge at skille maskinen ad. Henvend dig i stedet til et Makita autoriseret servicecenter, og benyt altid Makita-reservedele til reparation.

| Unormal tilstand   | Sandsynlig årsag (fejl)  | Afhjælpning   |
|--|--|---|
| Elektromotoren eller benzinmotoren starter ikke.   | -  | Se i brugsanvisningen til motorenheden.   |
| Elektromotoren eller benzinmotoren stopper hurtigt.  | -  | Se i brugsanvisningen til motorenheden.   |
| Elektromotor- eller benzinmotorhastigheden øges ikke.  | -  | Se i brugsanvisningen til motorenheden.   |
| Børster eller fejjetromler roterer ikke.<br>⇒ Stop elektromotoren eller benzinmotoren med det samme.   | Rørene på effektenheden og tilbehøret er ikke forbundet korrekt. | Tilslut rørene korrekt.   |
|  | Børster eller fejjetromler griber fast i et fremmedlegeme.       | Fjern fremmedlegemet.   |
|  | Unormalt drevsystem  | Kontakt et autoriseret servicecenter for reparation.  |
| Effektenheden ryster unormalt.<br>⇒ Stop elektromotoren eller benzinmotoren med det samme.   | Børster eller fejjetromler er bøjet eller knækket.               | Udskift børsterne eller fejjetromlerne.   |
|  | Løs montering af børsterne eller fejjetromlerne                  | Monter klemmerne til børsterne eller fejjetromlerne forsvarligt.  |
|  | Uregelmæssig montering af børsterne eller fejjetromlerne         | Monter børsterne eller fejjetromlerne på den korrekte måde.   |
|  | Unormalt drevsystem  | Kontakt et autoriseret servicecenter for reparation.  |
| Børsterne eller fejjetromlerne fortsætter med at rotere, selvom afbryderknappen/håndtaget slippes.<br>⇒ Stop elektromotoren eller benzinmotoren med det samme. | Motorenheden fungerer ikke korrekt.                              | Juster tomgangshastigheden, hvis effektenheden drives af en benzinmotor. Kontakt et autoriseret servicecenter for reparation. |

## ΠΡΟΔΙΑΓΡΑΦΕΣ

| Μοντέλο:  | BR400MP                    |
|---|----------------------------|
| Διαστάσεις: μήκος x πλάτος x ύψος (με βούρτσες) | 1.145 mm x 600 mm x 362 mm |
| Καθαρό βάρος                                    | 6,3 kg                     |
| Πλάτος βούρτσας                                 | 600 mm                     |
| Εξωτερική διάμετρος της βούρτσας                | 250 mm                     |

| Μοντέλο:   | SW400MP                    |
|--|----------------------------|
| Διαστάσεις: μήκος x πλάτος x ύψος (με κυλίνδρους σκουπίσματος) | 1.159 mm x 600 mm x 362 mm |
| Καθαρό βάρος   | 7,2 kg                     |
| Πλάτος κυλίνδρου σκουπίσματος                                  | 590 mm                     |
| Εξωτερική διάμετρος του κυλίνδρου σκουπίσματος                 | 265 mm                     |

- Λόγω του συνεχόμενου προγράμματος που εφαρμόζουμε για έρευνα και ανάπτυξη, τα τεχνικά χαρακτηριστικά στο παρόν έντυπο υπόκεινται σε αλλαγή χωρίς προειδοποίηση.
- Τα τεχνικά χαρακτηριστικά μπορεί να διαφέρουν από χώρα σε χώρα.

### Εγκεκριμένη ηλεκτρική μονάδα


Αυτό το προσάρτημα εγκρίνεται για χρήση μόνο με τις ακόλουθες ηλεκτρικές μονάδες:

- DUX60, DUX18, UX01G Φορητή πολυλειτουργική ηλεκτρική κεφαλή
- EX2650LH Πολυλειτουργική ηλεκτρική κεφαλή

**⚠ ΠΡΟΕΙΔΟΠΟΙΗΣΗ:** Μη χρησιμοποιείτε ποτέ το προσάρτημα με μη εγκεκριμένη ηλεκτρική μονάδα. Ο μη εγκεκριμένος συνδυασμός μπορεί να προκαλέσει σοβαρό τραυματισμό.

### Σύμβολα

Τα ακόλουθα σύμβολα χρησιμοποιούνται στο εγχειρίδιο οδηγιών του προσαρτήματος και στο παρόν εγχειρίδιο οδηγιών. Κατανοήστε αυτούς τους ορισμούς.

|  |  |
|--|--|
|  | Δώστε ιδιαίτερη φροντίδα και προσοχή!  |
|  | Διαβάστε το εγχειρίδιο οδηγιών.  |
|  | Να φοράτε κράνος ασφαλείας, προστατευτικά γυαλιά και ωτοασπίδες!   |
|  | Να φοράτε ανθεκτικές μπότες με αντιολισθητικές σόλες. Συνιστώνται μπότες ασφαλείας με ασφάλια προστατευτικά για τα δάκτυλα των ποδιών!   |
|  | Κρατήστε τους παρευρισκόμενους σε απόσταση τουλάχιστον 5 m μακριά.   |
|  | Οι βούρτσες και οι κυλίνδροι σκουπίσματος περιστρέφονται προς την κατεύθυνση του βέλους.   |
|  | Όταν προσαρμόζετε τις βούρτσες ή τους κυλίνδρους σκουπίσματος, βεβαιωθείτε ότι το κιβώτιο οδοντωτών τροχών είναι στραμμένο προς τα πάνω. |

### Προοριζόμενη χρήση

#### BR400MP

Αυτό το προσάρτημα έχει σχεδιαστεί μόνο για το σκούπισμα του εδάφους και μονοπατιών σε συνδυασμό με εγκεκριμένη μονάδα ισχύος. Μη χρησιμοποιείτε ποτέ το προσάρτημα για άλλους σκοπούς. Η κακή χρήση του προσαρτήματος μπορεί να προκαλέσει σοβαρό τραυματισμό. Το προσάρτημα αυτό προορίζεται για εμπορική χρήση.

#### SW400MP

Αυτό το προσάρτημα έχει σχεδιαστεί μόνο για τον καθαρισμό υγρών υλικών, όπως φύλλα, χώμα, καθώς και την απομάκρυνση νερού από στερεές επιφάνειες σε συνδυασμό με εγκεκριμένη μονάδα ισχύος. Μη χρησιμοποιείτε ποτέ το προσάρτημα για άλλους σκοπούς. Η κακή χρήση του προσαρτήματος μπορεί να προκαλέσει σοβαρό τραυματισμό. Το προσάρτημα αυτό προορίζεται για εμπορική χρήση.

### Δήλωση Συμμόρφωσης

#### Μόνο για χώρες της Ευρώπης

Εμείς ως οι κατασκευαστές: **Makita Europe N.V.**, Διεύθυνση επιχείρησης: **Jan-Baptist Vinkstraat 2 3070 Kortenberg BELGIUM (Βέλγιο)**. Εξουσιοδοτούμε τον **Kazuhiisa Makino** για τη σύνταξη του τεχνικού αρχείου και δηλώνουμε, υπό την αποκλειστική μας ευθύνη, ότι το(α) προϊόν(τα),

Χαρακτηρισμός: **Προσάρτημα μηχανοκίνητης βούρτσας / Προσάρτημα μηχανοκίνητου κυλίνδρου σκουπίσματος**. Προσδιορισμός τύπων: **BR400MP / SW400MP**.

Πληρούν όλες τις σχετικές διατάξεις της Οδηγίας **2006/42/EK** και κατασκευάζονται σύμφωνα με τα ακόλουθα εναρμονισμένα πρότυπα: **EN 60335-1:2012+A11:2014+A13:2017+A1:2019+A14:2019+A2:2019+A15:2021, EN 60335-2-72:2012**.

Τόπος και ημερομηνία δήλωσης: **Kortenberg, Βέλγιο. 1. 8. 2023**  
Υπεύθυνος: **Kazuhiisa Makino, Διευθυντής - Makita Europe N.V.**



# ΠΡΟΕΙΔΟΠΟΙΗΣΕΙΣ ΑΣΦΑΛΕΙΑΣ

## Προειδοποιήσεις ασφάλειας για την μηχανοκίνητη βούρτσα / μηχανοκίνητο κύλινδρο σκουπίσματος

**▲ ΠΡΟΕΙΔΟΠΟΙΗΣΗ:** Διαβάστε όλες τις προειδοποιήσεις ασφάλειας, οδηγίες, εικόνες και προδιαγραφές που συνοδεύουν το παρόν μηχανήμα καθώς και το εγχειρίδιο οδηγιών της μονάδας ισχύος, πριν τη χρήση. Η μη τήρηση όλων των οδηγιών που αναγράφονται παρακάτω μπορεί να έχει ως αποτέλεσμα την πυρκαγιά ή/και τον σοβαρό τραυματισμό του χειριστή ή/και των παρευρισκόμενων.

## Φυλάξτε όλες τις προειδοποιήσεις και τις οδηγίες για μελλοντική παραπομπή.

Ο όρος «μηχανοκίνητη βούρτσα / μηχανοκίνητος κύλινδρος σκουπίσματος» και «μηχάνημα» στις προειδοποιήσεις και τις προφυλάξεις αναφέρεται στο συνδυασμό του προσαρτήματος και της μονάδας ισχύος.

Ο όρος «μοτέρ» στις προειδοποιήσεις και τις προφυλάξεις αναφέρεται στον κινητήρα ή στο ηλεκτρικό μοτέρ της ηλεκτρικής μονάδας.

## Γενική ασφάλεια

1. Οι αρχάριοι ή άπειροι χειριστές θα πρέπει να ζητήσουν από τον αντιπρόσωπο εκπαίδευση σε όλες τις λειτουργίες του μηχανήματος. Μην επιτρέπετε ποτέ σε παιδιά, σε άτομα με μειωμένες σωματικές, αισθητήριες ή διανοητικές ικανότητες ή χωρίς πείρα και γνώσεις ή σε άτομα που δεν γνωρίζουν τις οδηγίες να χρησιμοποιούν το μηχανήμα. Τα παιδιά θα πρέπει να επιτηρούνται για να εξασφαλιστεί ότι δεν παίζουν με το μηχανήμα.
2. Συνιστάται να δανείζετε το μηχανήμα μόνο στα άτομα που έχουν αποδεδειγμένη εμπειρία στο χειρισμό της. Πάντα να παραδίδετε το εγχειρίδιο οδηγιών.
3. Όταν χειρίζεστε το μηχανήμα, να είσαστε σε ετοιμότητα, να προσέχετε τι κάνετε και να χρησιμοποιείτε κοινή λογική. Μην χρησιμοποιείτε το μηχανήμα όταν είστε κουρασμένοι, άρρωστοι ή βρίσκεστε υπό την επίδραση ναρκωτικών ουσιών, αλκοόλ ή φαρμάκων. Μια στιγμή απροσεξίας κατά τη διάρκεια χειρισμού του μηχανήματος μπορεί να προκαλέσει σοβαρό προσωπικό τραυματισμό.
4. Να αποφεύγετε τη χρήση του μηχανήματος σε κακές καιρικές συνθήκες, ιδιαίτερα όταν υπάρχει κίνδυνος για εμφάνιση κεραυνών.
5. Τηρήστε τους εθνικούς και τοπικούς κανονισμούς για τη χρήση ηλεκτρικών μηχανημάτων για εξωτερικούς χώρους.
6. Μην επιχειρήσετε ποτέ να τροποποιήσετε το μηχανήμα.
7. Να θυμάστε ότι ο χειριστής ή ο χρήστης είναι υπεύθυνος για ατυχήματα ή κινδύνους που υφίστανται άλλα άτομα ή η ιδιοκτησία τους.

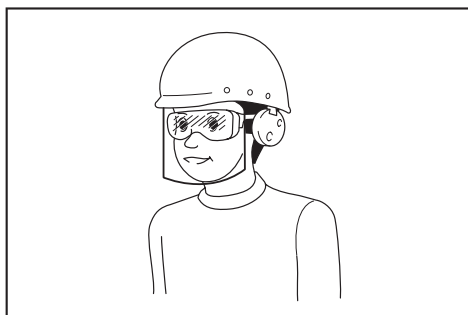
## Ασφάλεια στο χώρο εργασίας

**▲ ΠΡΟΕΙΔΟΠΟΙΗΣΗ:** Να διατηρείτε την μηχανοκίνητη βούρτσα / μηχανοκίνητο κύλινδρο σκουπίσματος μακριά από ηλεκτρικές γραμμές και τηλεπικοινωνιακά καλώδια. Αν αγγίξετε ή πλησιάσετε τις γραμμές υψηλής τάσης με την μηχανοκίνητη βούρτσα / μηχανοκίνητο κύλινδρο σκουπίσματος, μπορεί να προκληθεί θάνατος ή σοβαρός τραυματισμός. Παρακολουθήστε τις ηλεκτρικές γραμμές και τους ηλεκτρικούς φράκτες γύρω από την περιοχή εργασίας πριν αρχίσετε την εργασία.

1. Να χειρίζεστε το μηχανήμα μόνο κάτω από συνθήκες καλής ορατότητας και όταν έχει ακόμα φως έξω. Μην χειρίζεστε το μηχανήμα στο σκοτάδι ή όταν υπάρχει ομίχλη.
2. Να ξεκινάτε και να χρησιμοποιείτε τον κινητήρα μόνο σε εξωτερικό χώρο, σε καλά αεριζόμενο μέρος. Η λειτουργία σε μια περιορισμένη και ανεπαρκώς αεριζόμενη περιοχή μπορεί να έχει ως αποτέλεσμα το θάνατο λόγω ασφυξίας ή δηλητηρίασης από μονοξείδιο του άνθρακα.
3. Πριν τη λειτουργία, εξετάστε αν υπάρχουν συρματινοί φράκτες, πέτρες ή άλλα στερεά αντικείμενα στην περιοχή εργασίας. Μπορεί να προκαλέσουν ζημιά στις βούρτσες ή κυλίνδρου σκουπίσματος.
4. Κατά τη διάρκεια της λειτουργίας, μην στέκεστε ποτέ σε ασαφή ή ολισθηρή επιφάνεια ή σε κατηφόρα. Κατά τις κρύες εποχές, να προσέχετε τον πάγο και το χιόνι και να φροντίζετε ώστε να πατάτε καλά.
5. Αποφύγετε την εργασία κοντά σε φράκτες, κούτσουρα ή ριζές δέντρων. Μπορεί να προκαλέσουν ζημιά στις βούρτσες ή κυλίνδρου σκουπίσματος.
6. Αποφύγετε την εργασία κοντά σε κτίρια, αυτοκίνητα και άλλη ιδιοκτησία. Οι πέτρες και τα σκουπίδια που χτυπάει η μηχανοκίνητη βούρτσα / μηχανοκίνητος κύλινδρος μπορεί να προκαλέσουν ζημιά.
7. Ο καθαρισμός του συνθετικού δαπέδου μπορεί να παράγει στατικό ηλεκτρικό και υπάρχει κίνδυνος ηλεκτροπληξίας ή ατυχημάτων.

## Προσωπικός προστατευτικός εξοπλισμός

1. Πάντα να φοράτε χονδρό, μακρύ παντελόνι, σταθερές μπότες, γάντια και μακρυμάνικη μπλούζα. Μην φοράτε φαρδιά ρούχα, κοσμήματα, κοντά παντελόνια ή σαγιονάρες και μην περπατάτε ξυπόλητοι. Δέστε τα μαλλιά σας για να μην ξεπερνούν το ύψος των ώμων σας.
2. Να φοράτε πάντα προστατευτικά γυαλιά για να προστατεύετε τα μάτια σας από τραυματισμό όταν χρησιμοποιείτε το μηχανήμα. Τα προστατευτικά γυαλιά πρέπει να συμμορφώνονται με το πρότυπο ANSI Z87.1 στις ΗΠΑ, το πρότυπο EN 166 στην Ευρώπη ή το πρότυπο AS/NZS 1336 στην Αυστραλία/Νέα Ζηλανδία. Στην Αυστραλία/Νέα Ζηλανδία, απαιτείται από το νόμο να φοράτε και προσταγεία για την προστασία του προσώπου σας.



Ο εργοδότης έχει την ευθύνη να επιβάλλει τη χρήση κατάλληλου προστατευτικού εξοπλισμού ασφαλείας από τους χειριστές του εργαλείου και από άλλα άτομα που βρίσκονται στην άμεση περιοχή εργασίας.

3. Να φοράτε προστατευτικά για την ακοή, όπως ωτοασπίδες. Η έκθεση σε θόρυβο μπορεί να προκαλέσει απώλεια ακοής.
4. Πάντα να φοράτε σταθερά παπούτσια με αντιολισθητική σόλα. Αυτά προστατεύουν τα πόδια σας από τραυματισμούς και διασφαλίζουν το καλό πάτημα.
5. Να φοράτε μάσκα κατά της σκόνης αν απαιτείται.

## Ανεφοδιασμός

1. Διακόπτε τη λειτουργία του κινητήρα πριν από τον ανεφοδιασμό. Μείνετε μακριά από γυμνές φλόγες και σπινθήρες. Μην καπνίζετε ποτέ κατά τον ανεφοδιασμό. Διαφορετικά, μπορεί να προκληθεί πυρκαγιά ή/και έκρηξη.
2. Να πραγματοποιείτε τον ανεφοδιασμό σε εξωτερικούς χώρους. Ο ανεφοδιασμός σε κλειστό δωμάτιο μπορεί να προκαλέσει έκρηξη του ατμού καυσίμου.
3. Αποφύγετε την επαφή με το καύσιμο ή το λάδι κινητήρα. Μην εισπνέετε τον ατμό καυσίμου. Αν χυθεί καύσιμο ή λάδι, σκουπίστε το αμέσως από το μηχάνημα ή/και το έδαφος. Αν χυθεί καύσιμο στα ρούχα σας, αλλάξτε τα αμέσως για να μην πιάσουν φωτιά.
4. Μετά τον ανεφοδιασμό, σφίξτε προσεκτικά την τάπα ρεζερβουάρ καυσίμου και ελέγξτε για διαρροές καυσίμου. Απομακρυνθείτε τουλάχιστον 3 μέτρα από την πηγή και τις εγκαταστάσεις ανεφοδιασμού πριν εκκινήσετε τον κινητήρα.
5. Να μεταφέρετε και να αποθηκεύετε το καύσιμο σε κατάλληλα δοχεία. Να κρατάτε τα παιδιά μακριά από το αποθηκευμένο καύσιμο.

## Εκκίνηση μηχανοκίνητης βούρτσας / μηχανοκίνητου κυλίνδρου σκουπίσματος

1. Πριν συναρμολογήσετε ή ρυθμίσετε το μηχάνημα, σβήστε το μοτέρ και βγάλτε το καπάκι μπουζί ή την κασέτα μπαταριών.
2. Πριν το χειρισμό των βουρτσών ή κυλίνδρων σκουπίσματος, να φοράτε προστατευτικά γάντια.

3. Να φοράτε προσωπικό προστατευτικό εξοπλισμό πριν ξεκινήσετε το μοτέρ.
4. Πριν εκκινήσετε το μοτέρ, επιθεωρήστε το μηχάνημα για ζημιές, χαλαρές βίδες/παξιμάδια ή λανθασμένη συναρμολόγηση. Ελέγξτε όλους τους μοχλούς ελέγχου και διακόπτες για εύκολη δράση. Καθαρίστε και στεγνώστε τις λαβές.
5. Μην επιχειρήσετε ποτέ να εκκινήσετε το μοτέρ αν το μηχάνημα είναι κατεστραμμένο ή δεν είναι πλήρως συναρμολογημένο με σωστά προστατευτικά, πλάκες ή άλλες προστατευτικές συσκευές. Διαφορετικά μπορεί να προκληθεί σοβαρός τραυματισμός.
6. Πριν εκκινήσετε το μοτέρ, ελέγξτε προσεκτικά ότι οι βούρτσες ή οι κύλινδροι σκουπίσματος δεν αγγίζουν το σώμα σας ή άλλα αντικείμενα. Αν εκκινήσετε το μοτέρ με τις βούρτσες ή τους κυλίνδρους σκουπίσματος να έρχονται σε επαφή με ξένο αντικείμενο, μπορεί να προκληθεί σοβαρό ατύχημα.
7. Πριν εκκινήσετε το μοτέρ, βεβαιωθείτε ότι δεν υπάρχει κανένα άτομο ή ζώο στην περιοχή εργασίας.
8. Ρυθμίστε τον ιμάντα ώμου και τη λαβή για να ταιριάζει με το μέγεθος σώματος του χειριστή.
9. Αντικαταστήστε τις βούρτσες ή τους κυλίνδρους σκουπίσματος αν είναι ραγισμένες, λυγισμένες ή κατεστραμμένες. Οι κατεστραμμένες βούρτσες ή κύλινδροι σκουπίσματος μπορεί να σπάσουν κατά τη λειτουργία και να προκαλέσουν σοβαρό τραυματισμό.
10. Να ξεκινάτε και να χρησιμοποιείτε το μηχάνημα μόνο σε εξωτερικό χώρο, σε καλά αεριζόμενο μέρος. Η λειτουργία σε μια περιορισμένη ή ανεπαρκώς αεριζόμενη περιοχή μπορεί να έχει ως αποτέλεσμα το θάνατο λόγω ασφυξίας ή δηλητηρίασης από μονοξείδιο του άνθρακα.
11. Κατά την εκκίνηση του κινητήρα, τοποθετήστε το μηχάνημα σε σταθερό έδαφος και μετά διατηρήστε καλή ισορροπία και ασφαλές πάτημα.
12. Όταν κρατάτε τη λαβή εκκινήτη του κινητήρα, να κρατάτε τη μονάδα ισχύος καλά επάνω στο έδαφος με το αριστερό χέρι σας. Μην πατάτε ποτέ επάνω στον άξονα οδήγησης της μονάδας ισχύος.
13. Αν οι βούρτσες ή οι κύλινδροι σκουπίσματος περιστρέφονται στο ρελαντί, σταματήστε τον κινητήρα και μειώστε την ταχύτητα ρελαντί. Διαφορετικά, η ακούσια επαφή με τις κινούμενες βούρτσες ή κυλίνδρους σκουπίσματος μπορεί να έχει ως αποτέλεσμα σοβαρό τραυματισμό.
14. Διακόψτε αμέσως τη λειτουργία του μοτέρ αν παρατηρήσετε οποιοδήποτε πρόβλημα.
15. Τηρήστε το εγχειρίδιο οδηγιών της μονάδας ισχύος για την εκκίνηση του μοτέρ.

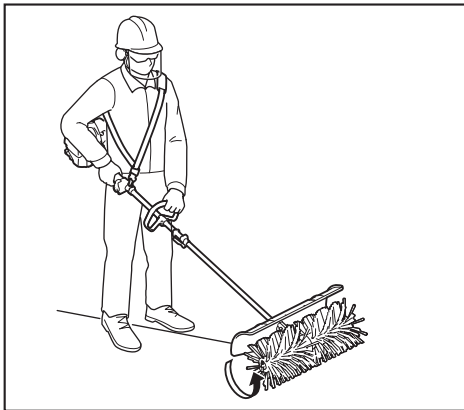
## Μεταφορά

1. Διακόψτε τη λειτουργία του μοτέρ κατά τη μεταφορά. Διαφορετικά, η ακούσια εκκίνηση μπορεί να προκαλέσει τραυματισμό.
2. Διασφαλίστε την ασφαλή τοποθέτηση του μηχανήματος κατά τη μεταφορά με αυτοκίνητο για την αποφυγή της διαρροής καυσίμου.

3. Να σηκώνετε ολόκληρο το μηχάνημα από το έδαφος όταν μεταφέρετε το μηχάνημα. Αν σέρνετε το μηχάνημα μπορεί να προκληθεί ζημιά στο ρεζερβουάρ καυσίμου και διαρροή καυσίμου, έχοντας ως αποτέλεσμα την πυρκαγιά.
4. Όταν μεταφέρετε τον εξοπλισμό, να το κρατάτε σε οριζόντια θέση από τον άξονα. Διατηρείτε τον ζεστό σιγαστήρα μακριά από το σώμα σας.
9. Οι βούρτσες ή οι κύλινδροι σκουπίσματος συνεχίζουν να κινούνται για σύντομο διάστημα αφού αφήσετε τη σκανδάλη στραγγαλισμού ή σβήσετε το μοτέρ. Μη βιαστείτε να ακουμπήσετε τις βούρτσες ή τους κύλινδρους σκουπίσματος.
10. Μην τεντώνετε υπερβολικά. Να στέκεστε πάντα σταθερά και ισορροπημένα. Προσέχετε για κρυμμένα εμπόδια, όπως κούτσουρα, ρίζες και χαντάκια, για να αποφύγετε να σκοντάψετε.

## Λειτουργία

1. Κατά τη διάρκεια της λειτουργίας, οι παρευρισκόμενοι ή τα ζώα πρέπει να παραμένουν τουλάχιστον 5 m μακριά από την μηχανοκίνητη βούρτσα / μηχανοκίνητο κύλινδρο σκουπίσματος. Να σταματάτε το μοτέρ μόλις κάποιος πλησιάσει.
2. Σε περίπτωση επείγουσας ανάγκης, σβήστε αμέσως το μοτέρ.
3. Αν βιώσετε οποιαδήποτε ασυνήθιστη κατάσταση (π.χ. θόρυβος, δόνηση) κατά τη διάρκεια της λειτουργίας, σβήστε το μοτέρ. Μη χρησιμοποιήσετε το μηχάνημα μέχρι να αναγνωριστεί και να επιλυθεί η αιτία.
4. Με τον κινητήρα να λειτουργεί μόνο στο ρελατί, συνδέστε τον ιμάντα ώμου.
5. Κατά τη διάρκεια της λειτουργίας, να χρησιμοποιείτε τον ιμάντα ώμου. Κρατήστε το μηχάνημα σταθερά στη δεξιά πλευρά σας.
11. Να είστε ιδιαίτερα προσεκτικοί όταν αντιστρέψετε την περιστροφή της βούρτσας ή του κυλίνδρου σκουπίσματος ή τραβάτε τη μηχανή προς το μέρος σας. Αν η μονάδα ισχύος διαθέτει λειτουργία αντιστροφή περιστροφής, μην τη χρησιμοποιείτε περισσότερο από ό,τι απαιτείται. Κατά τη λειτουργία με αντίστροφη περιστροφή, η μηχανοκίνητη βούρτσα / μηχανοκίνητος κύλινδρος σκουπίσματος θα σας τραβήξει αν οι βούρτσες ή οι κύλινδροι σκουπίσματος βρίσκονται στο έδαφος.
12. Μην υπερβαίνετε την ικανότητα του μηχανήματος προσπαθώντας να στρώξετε πολύ δυνατά, με πολύ γρήγορο ρυθμό. Το μηχάνημα θα λειτουργεί καλύτερα όταν χρησιμοποιείται με σωστό φόρτο και υπάρχει μικρότερη πιθανότητα για κίνδυνο τραυματισμού.
13. Μην επιταχύνετε το μοτέρ με τις βούρτσες ή τους κύλινδρους σκουπίσματος φραγμένους. Αυξάνει το φόρτο και θα προκληθεί ζημιά στο μηχάνημα.



6. Κρατήστε την μπροστινή λαβή με το αριστερό χέρι και την πίσω λαβή με το δεξί χέρι, ανεξάρτητα αν είστε δεξιόχειρας ή αριστερόχειρας. Τυλίξτε τα δάκτυλα και τους αντίχειρές σας γύρω από τις λαβές.
7. Μην επιχειρήσετε ποτέ να θέσετε το μηχάνημα σε λειτουργία με το ένα χέρι. Η απώλεια του ελέγχου μπορεί να έχει ως αποτέλεσμα σοβαρό ή θανατηφόρο τραυματισμό. Για να μειώσετε τον κίνδυνο τραυματισμού, να κρατάτε τα χέρια και τα πόδια σας μακριά από τις βούρτσες ή τους κύλινδρους σκουπίσματος.
8. Κατά τη λειτουργία, μη σηκώνετε τις βούρτσες ή τους κύλινδρους σκουπίσματος πάνω από το ύψος της μέσης.
14. Αν το μηχάνημα χτυπήσει δυνατά κατά την πτώση, ελέγξτε την κατάσταση πριν συνεχίσετε την εργασία. Ελέγξτε το σύστημα καυσίμου για ύπαρξη διαρροής καυσίμου αλλά και τα χειριστήρια και τις διατάξεις ασφαλείας για ύπαρξη δυσλειτουργίας. Αν υπάρχει οποιαδήποτε ζημιά ή αν έχετε αμφιβολίες, επικοινωνήστε με το δικό μας εξουσιοδοτημένο κέντρο εξυπηρέτησης για επιθεώρηση και επισκευή.
15. Μην αγγίζετε το κιβώτιο ταχυτήτων. Το κιβώτιο ταχυτήτων ζεσταίνεται κατά τη διάρκεια της λειτουργίας.
16. Κάντε ένα διάλειμμα για να αποφύγετε την απώλεια του ελέγχου που προκαλείται από την κόπωση. Σας συνιστούμε να κάνετε 10 έως 20 λεπτά διάλειμμα κάθε ώρα.
17. Όταν αφήσετε το μηχάνημα, ακόμη κι αν είναι για σύντομο χρόνο, να σβήνετε πάντα τον κινητήρα ή να αφαιρείτε την κασέτα μπαταριών. Αν το μηχάνημα δεν επιτηρείται ενώ ο κινητήρας βρίσκεται σε λειτουργία, μπορεί να χρησιμοποιηθεί από μη εξουσιοδοτημένο άτομο και να προκληθεί σοβαρό ατύχημα.
18. Τηρήστε το εγχειρίδιο οδηγιών της μονάδας ισχύος για τη σωστή χρήση του μοχλού ελέγχου και του διακόπτη.
19. Κατά τη διάρκεια ή μετά τη λειτουργία, μην τοποθετείτε το ζεστό μηχάνημα επάνω σε ξηρό χορτάρι ή εύφλεκτα υλικά.
20. Αν οι βούρτσες ή οι κύλινδροι σκουπίσματος πιαστούν σε ξένα αντικείμενα, σβήστε το μοτέρ και βγάλτε την πίπα μπουζί ή την κασέτα μπαταριών και μετά απομακρύνετε τα εμπόδια.

21. Διατηρείτε τα χέρια και τα πόδια σας μακριά από τις βούρτσες ή τους κυλίνδρους σκουπίσματος. Η επαφή με τις βούρτσες ή τους κυλίνδρους σκουπίσματος μπορεί να έχει ως αποτέλεσμα σοβαρό τραυματισμό. Όταν χειρίζεστε τις βούρτσες ή τους κυλίνδρους σκουπίσματος, σβήστε το μοτέρ και βγάλτε την πίπα μπουζί ή την κασέτα μπαταριών.
22. Να ελέγχετε συχνά τις βούρτσες ή τους κυλίνδρους σκουπίσματος για ρωγμές ή ζημιές κατά τη διάρκεια της λειτουργίας.
23. Να σβήνετε πάντα τον κινητήρα ή να αφαιρείτε την κασέτα μπαταριών όταν απομακρύνετε τα υπολείμματα ή τα ξένα αντικείμενα από τις βούρτσες ή τους κυλίνδρους σκουπίσματος.
24. Ανατρέξτε στο εγχειρίδιο οδηγιών της μονάδας ισχύος για τον τρόπο εκκίνησης και ελέγχου του μηχανήματος.
8. Να ακολουθείτε τις οδηγίες για τη λίπανση και την αλλαγή των εξαρτημάτων.
9. Να χρησιμοποιείτε πάντα γνήσια ανταλλακτικά και εξαρτήματα μόνο. Η χρήση εξαρτημάτων ή αξεσουάρ που παρέχονται από άλλον κατασκευαστή μπορεί να έχουν ως αποτέλεσμα το σπάσιμο του εξοπλισμού, την πρόκληση ζημίας σε ιδιοκτησία ή/και σοβαρό τραυματισμό.
10. Ζητήστε από εξουσιοδοτημένο κέντρο σέρβις να επιθεωρήσει και να συντηρήσει το μηχάνημα σε τακτά χρονικά διαστήματα.

## Αποθήκευση

1. Πριν τη φύλαξη του μηχανήματος, εκτελέστε πλήρη καθαρισμό και συντήρηση. Βγάλτε το καπάκι μπουζί ή την κασέτα μπαταριών. Αποστραγγίστε το καύσιμο αφού ο κινητήρας κρυσώσει.
2. Φυλάξτε τον εξοπλισμό σε ένα ψηλό ή κλειδωμένο μέρος χωρίς υγρασία, μακριά από παιδιά.
3. Μην ακουμπάτε τον εξοπλισμό επάνω σε κάτι, όπως σε έναν τοίχο. Διαφορετικά, μπορεί να πέσει ξαφνικά και να προκληθεί τραυματισμός.

## Κραδασμός

Η έκθεση σε υπερβολικούς κραδασμούς μπορεί να τραυματίσει τα αιμοφόρα αγγεία ή το νευρικό σύστημα του χειριστή και να προκαλέσει τα ακόλουθα συμπτώματα στα δάκτυλα, στα χέρια ή στους καρπούς: «Κοίμηση» (μούδιασμα), μυρμήγκιασμα, αλλαγή χρώματος ή παραμόρφωση του δέρματος. Αν προκύψει οποιοδήποτε από αυτά τα συμπτώματα, επισκεφτείτε γιατρό.

Για να περιορίσετε τον κίνδυνο της «ασθένειας των άσπρων δακτύλων», διατηρείτε τα χέρια σας ζεστά κατά τη λειτουργία και διατηρείτε σε καλή κατάσταση το μηχάνημα και τα αξεσουάρ.

## Συντήρηση

1. Πριν πραγματοποιήσετε οποιαδήποτε εργασία συντήρησης ή επισκευής ή καθαρισμού του μηχανήματος, να σβήνετε πάντα το μοτέρ και να βγάξετε το καπάκι μπουζί ή την κασέτα μπαταριών. Περιμένετε μέχρι να κρυσώσει το μοτέρ.
2. Για να μειώσετε τον κίνδυνο πυρκαγιάς, μην εκτελείτε ποτέ εργασίες συντήρησης κοντά σε πυρκαγιά.
3. Να φοράτε πάντα προστατευτικά γάντια κατά το χειρισμό των βουρτσών ή των κυλίνδρων σκουπίσματος.
4. Να καθαρίζετε πάντα τη σκόνη και τη βρομιά από τον εξοπλισμό. Μην χρησιμοποιείτε ποτέ βενζίνη, πετρελαϊκό αιθέρα, διαλυτικό, αλκοόλη ή παρόμοιες ουσίες για το συγκεκριμένο σκοπό. Μπορεί να προκληθεί αποχρωματισμός ή ράγισμα των πλαστικών εξαρτημάτων.
5. Μετά από κάθε χρήση, σφίξτε όλες τις βίδες και παξιμάδια, εκτός από τις βίδες ρύθμισης του καρμπυρατέρ.
6. Αντικαταστήστε τις βούρτσες ή τους κυλίνδρους σκουπίσματος αν είναι κατεστραμμένοι.
7. Μην επιχειρήσετε οποιαδήποτε εργασία συντήρησης ή επισκευής που δεν περιγράφεται στο παρόν φυλλάδιο ή στο εγχειρίδιο οδηγιών της μονάδας ισχύος. Ζητήστε από ένα εξουσιοδοτημένο κέντρο σέρβις μας για μια τέτοια εργασία.

## Πρώτες βοήθειες

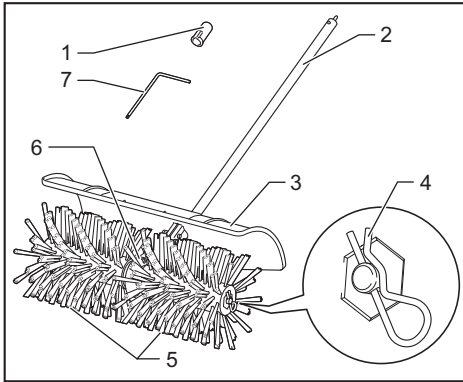
1. Για την περίπτωση ατυχήματος, φροντίστε να υπάρχει διαθέσιμο ένα κουτί πρώτων βοηθειών στην περιοχή όπου εκτελούνται οι εργασίες. Αντικαταστήστε αμέσως το οποιοδήποτε αντικείμενο που πάθηκε από το κουτί των πρώτων βοηθειών.
2. Όταν ζητάτε βοήθεια, δώστε τις ακόλουθες πληροφορίες:
  - Τόπος ατυχήματος
  - Τι συνέβη
  - Αριθμός τραυματισμένων ατόμων
  - Είδος τραυματισμών
  - Το όνομά σας

## ΦΥΛΑΞΤΕ ΤΙΣ ΟΔΗΓΙΕΣ ΑΥΤΕΣ.

**▲ΠΡΟΕΙΔΟΠΟΙΗΣΗ:** Η χρήση αυτού του προϊόντος μπορεί να δημιουργήσει κούνη που περιέχει χημικές ουσίες, οι οποίες προκαλούν αναπνευστικές ή άλλες ασθένειες. Μερικά παραδείγματα αυτών των χημικών ουσιών είναι ενώσεις που συναντώνται σε φυτοφάρμακα, εντομοκτόνα, λιπάσματα και ζιζανιοκτόνα. Ο κίνδυνος από την έκθεσή σας στα παραπάνω ποικίλλει ανάλογα με τη συχνότητα με την οποία εκτελείτε αυτού του είδους εργασίες. Για να μειώσετε την έκθεσή σας σε αυτές τις χημικές ουσίες: να εργάζεστε σε χώρο με καλό εξαερισμό και να εργάζεστε με εγκεκριμένο εξοπλισμό ασφάλειας, όπως προσταπίδα κατά της σκόνης που είναι ειδικά σχεδιασμένη να φιλτράρει μικροσκοπικά σωματίδια.

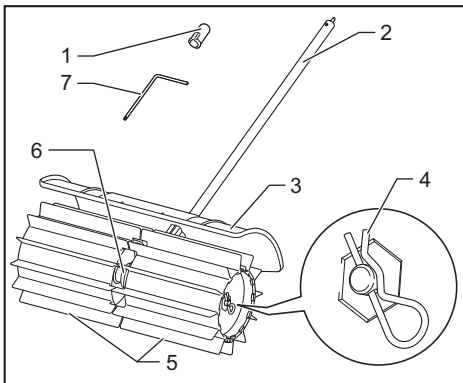
## ΠΕΡΙΓΡΑΦΗ ΕΞΑΡΤΗΜΑΤΩΝ

### Προσάρτημα μηχανοκίνητης βούρτσας



- 1. Καπάκι 2. Σωλήνας 3. Προστατευτικό 4. Κλιπ  
5. Βούρτσα 6. Κιβώτιο οδοντωτών τροχών 7. Κλειδί  
έξι λοβών

### Προσάρτημα μηχανοκίνητου κυλίνδρου σκουπίσματος



- 1. Καπάκι 2. Σωλήνας 3. Προστατευτικό 4. Κλιπ  
5. Κύλινδρος σκουπίσματος 6. Κιβώτιο οδοντωτών  
τροχών 7. Κλειδί έξι λοβών

## ΣΥΝΑΡΜΟΛΟΓΗΣΗ

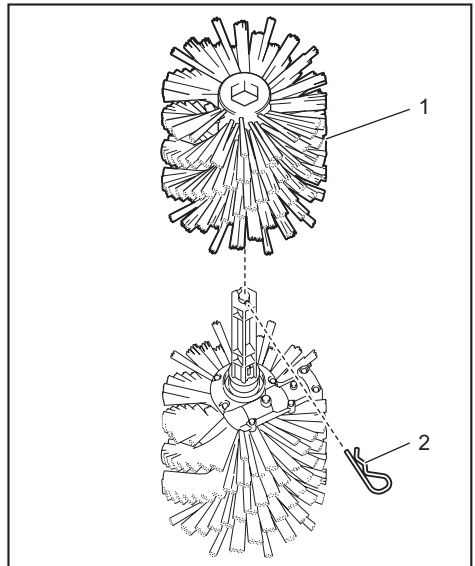
**▲ΠΡΟΕΙΔΟΠΟΙΗΣΗ:** Πριν συναρμολογήσετε ή ρυθμίσετε τον εξοπλισμό, σβήστε το μοτέρ ή τον κινητήρα και βγάλτε την πίπα μπουζί ή την κασέτα μπαταριών. Διαφορετικά, οι βούρτσες, οι κύλινδροι ή άλλα μέρη μπορεί να μετακινηθούν και να προκληθεί σοβαρός τραυματισμός.

**▲ΠΡΟΕΙΔΟΠΟΙΗΣΗ:** Όταν συναρμολογείτε ή ρυθμίζετε τον εξοπλισμό, να τον αφήνετε πάντα κάτω. Η συναρμολόγηση ή ρύθμιση του εξοπλισμού σε όρθια θέση μπορεί να έχει ως αποτέλεσμα σοβαρό τραυματισμό.

**▲ΠΡΟΕΙΔΟΠΟΙΗΣΗ:** Ακολουθήστε τις προειδοποιήσεις και προφυλάξεις στο κεφάλαιο «ΠΡΟΕΙΔΟΠΟΙΗΣΕΙΣ ΑΣΦΑΛΕΙΑΣ» και το εγχειρίδιο οδηγιών της ηλεκτρικής μονάδας.

### Συναρμολόγηση προσαρτήματος

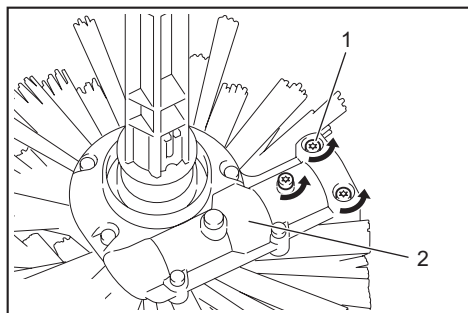
1. Αφαιρέστε το κλιπ από τη βούρτσα ή τον κύλινδρο σκουπίσματος στην αριστερή πλευρά της μονάδας βούρτσας ή μονάδας κυλίνδρου σκουπίσματος, και μετά αφαιρέστε τη βούρτσα ή τον κύλινδρο σκουπίσματος.



- 1. Βούρτσα 2. Κλιπ

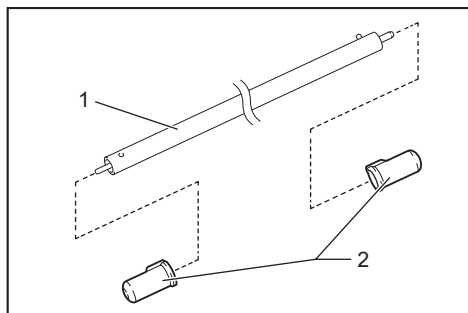


2. Χαλαρώστε τις 3 βίδες στο κιβώτιο οδοντωτών τροχών.



- 1. Βίδα 2. Κιβώτιο οδοντωτών τροχών

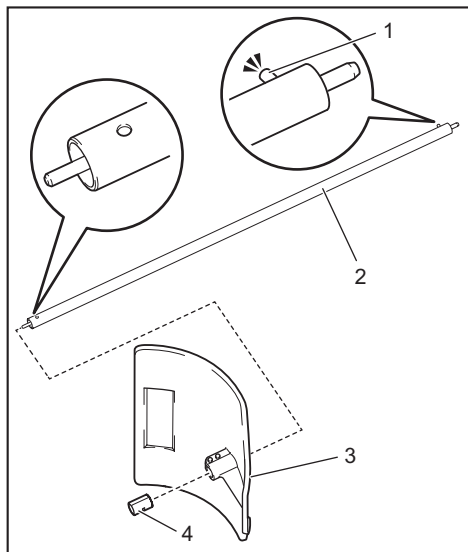
3. Αφαιρέστε 2 καπάκια από τα δύο άκρα του σωλήνα.



- 1. Σωλήνας 2. Καπάκι

**ΕΙΔΟΠΟΙΗΣΗ:** Μην απορρίψετε τα καπάκια επειδή το καπάκι είναι απαραίτητο για την αποθήκευση του προσαρτήματος.

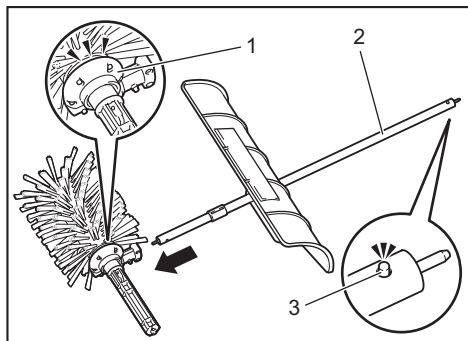
4. Προσαρμόστε το προστατευτικό και το χιτώνιο στο σωλήνα.



- 1. Πείρος 2. Σωλήνας 3. Προστατευτικό 4. Χιτώνιο

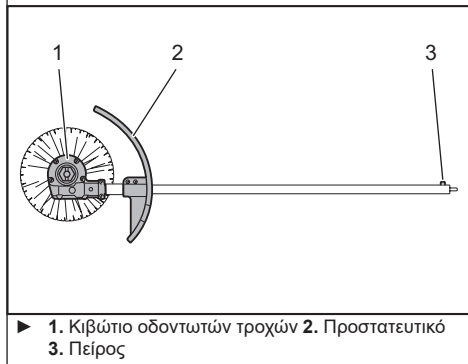
**ΕΙΔΟΠΟΙΗΣΗ:** Βεβαιωθείτε να εισαγάγετε το άκρο του σωλήνα χωρίς πείρο μέσα στο προστατευτικό και το χιτώνιο.

5. Βεβαιωθείτε ότι το κιβώτιο οδοντωτών τροχών και ο πείρος στο σωλήνα είναι στραμμένοι προς τα πάνω, και μετά εισαγάγετε το σωλήνα μέσα στο κιβώτιο οδοντωτών τροχών.



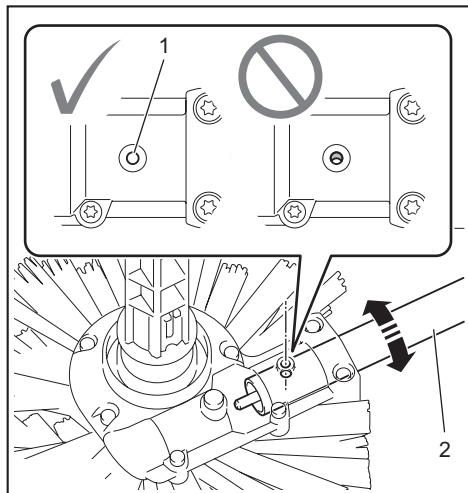
- 1. Κιβώτιο οδοντωτών τροχών 2. Σωλήνας 3. Πείρος

**ΕΙΔΟΠΟΙΗΣΗ:** Βεβαιωθείτε ότι το κιβώτιο οδοντωτών τροχών και ο πείρος στο σωλήνα είναι στραμμένοι προς τα πάνω και το προστατευτικό είναι συνδεδεμένο στην κατεύθυνση που απεικονίζεται στην εικόνα.



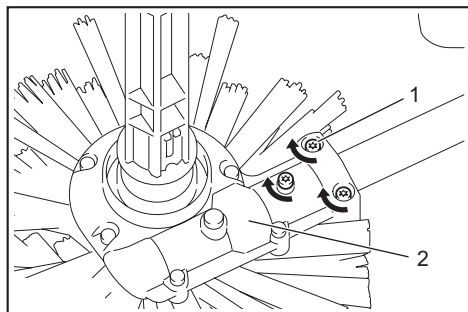
- 1. Κιβώτιο οδοντωτών τροχών 2. Προστατευτικό 3. Πείρος

6. Ευθυγραμμίστε την οπή βίδας στο σωλήνα με την οπή στο κιβώτιο οδοντωτών τροχών περιστρέφοντας το σωλήνα.



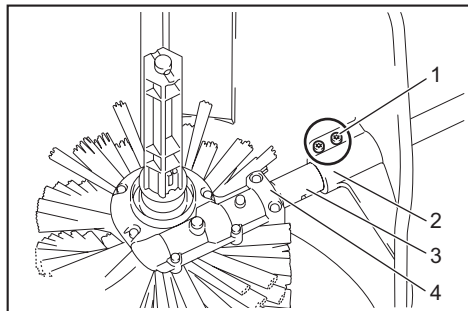
► 1. Οπή 2. Σωλήνας

7. Σφίξτε τις 3 βίδες στο κιβώτιο οδοντωτών τροχών.



► 1. Βίδα 2. Κιβώτιο οδοντωτών τροχών

8. Σφίξτε τις 2 βίδες στο προστατευτικό.



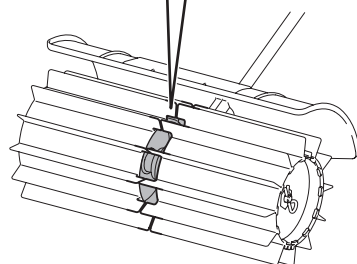
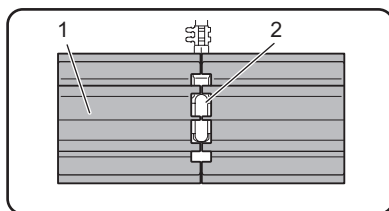
► 1. Βίδα 2. Προστατευτικό 3. Χιτώνιο 4. Κιβώτιο οδοντωτών τροχών

**ΕΙΔΟΠΟΙΗΣΗ:** Βεβαιωθείτε ότι δεν υπάρχει κενό μεταξύ του κιβωτίου οδοντωτών τροχών και του χιτωνίου, καθώς και μεταξύ του χιτωνίου και του προστατευτικού.

9. Προσαρμόστε τη βούρτσα ή τον κύλινδρο σκουπίσματος στη μονάδα βούρτσας ή στη μονάδα κυλίνδρου σκουπίσματος, και μετά προσαρμόστε το κλιπ στη βούρτσα ή στον κύλινδρο σκουπίσματος.

**ΕΙΔΟΠΟΙΗΣΗ:** Όταν προσαρμόζετε τις βούρτσες, βεβαιωθείτε να τις προσαρμόσετε με το λογότυπο Makita στραμμένο προς τα έξω.

**ΕΙΔΟΠΟΙΗΣΗ:** Όταν προσαρμόζετε τους κύλινδρους σκουπίσματος, βεβαιωθείτε να τους προσαρμόσετε με την κατεύθυνση που απεικονίζεται στην εικόνα, με τρόπο ώστε οι κύλινδροι σκουπίσματος και το κιβώτιο οδοντωτών τροχών να αλληλοσυνδέονται.



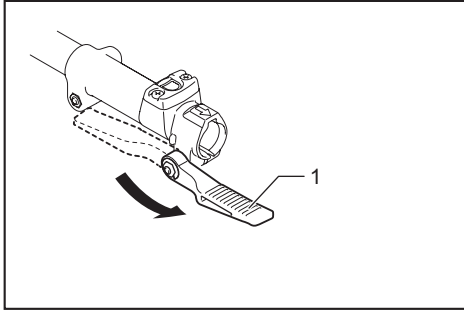
► 1. Κύλινδρος σκουπίσματος 2. Κιβώτιο οδοντωτών τροχών

## Τοποθέτηση του πρόσθετου σωλήνα

**▲ΠΡΟΣΟΧΗ:** Να ελέγχετε πάντα ότι ο πρόσθετος σωλήνας είναι ασφαλισμένος μετά την τοποθέτηση. Η λανθασμένη τοποθέτηση μπορεί να προκαλέσει την πτώση του προσαρτήματος από την ηλεκτρική μονάδα και προσωπικό τραυματισμό.

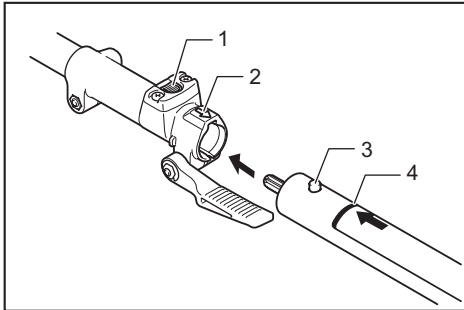
Τοποθετήστε τον πρόσθετο σωλήνα στην ηλεκτροκίνητη μονάδα.

1. Γυρίστε το μοχλό προς το προσάρτημα.



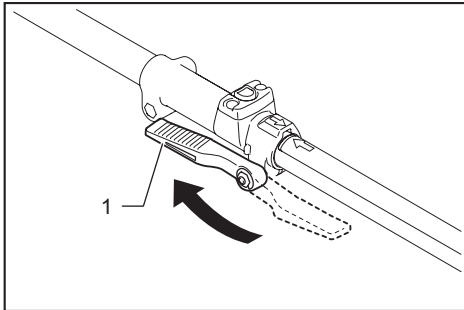
1. Μοχλός

2. Ευθυγραμμίστε τον πείρο με το σημάδι βέλους. Εισαγάγετε τον πρόσθετο σωλήνα μέχρι να πεταχτεί το κουμπί απασφάλισης. Βεβαιωθείτε ότι η γραμμή τοποθέτησης βρίσκεται στη μύτη του σημαδιού βέλους.



1. Κουμπί απασφάλισης 2. Σημάδι βέλους 3. Πείρος 4. Γραμμή τοποθέτησης

3. Γυρίστε το μοχλό προς την ηλεκτρική μονάδα.

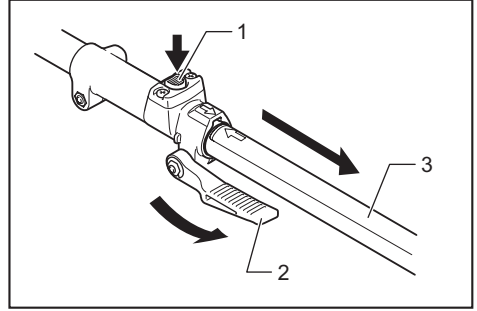


1. Μοχλός

Βεβαιωθείτε ότι η επιφάνεια του μοχλού είναι παράλληλη προς το σωλήνα.

**ΕΙΔΟΠΟΙΗΣΗ:** Μη σφίξετε το μοχλό χωρίς να έχετε εισαγάγει τον πρόσθετο σωλήνα. Διαφορετικά, ο μοχλός μπορεί να σφίξει πολύ την είσοδο του άξονα κίνησης και να προκαλέσει ζημιά σε αυτή.

Για να αφαιρέσετε το σωλήνα, γυρίστε το μοχλό προς το προσάρτημα και τραβήξτε το σωλήνα προς τα έξω ενώ πιέζετε ταυτόχρονα προς τα κάτω το κουμπί απασφάλισης.



1. Κουμπί απασφάλισης 2. Μοχλός 3. Σωλήνας

## ΛΕΙΤΟΥΡΓΙΑ

**▲ΠΡΟΕΙΔΟΠΟΙΗΣΗ:** Ακολουθήστε τις προειδοποιήσεις και προφυλάξεις στο κεφάλαιο «ΠΡΟΕΙΔΟΠΟΙΗΣΕΙΣ ΑΣΦΑΛΕΙΑΣ» και το εγχειρίδιο οδηγιών της ηλεκτρικής μονάδας.

**▲ΠΡΟΕΙΔΟΠΟΙΗΣΗ:** Ρυθμίστε τον αναρτήρα και τον ιμάντα ώμου σε μια άνετη θέση πριν τη λειτουργία.

**▲ΠΡΟΕΙΔΟΠΟΙΗΣΗ:** Να φοράτε μάσκα σκόνης και να αερίζετε την περιοχή εργασίας. Μερικά υλικά περιέχουν χημικά που μπορεί να είναι τοξικά. Να προσέχετε ώστε να αποφεύγετε την εισπνοή σκόνης και την επαφή με το δέρμα.

**▲ΠΡΟΣΟΧΗ:** Πριν τη λειτουργία, αφαιρέστε τα σκληρά ή/και μακριά αντικείμενα, όπως πέτρες, κουτιά και σχοινιά, από την περιοχή εργασίας. Μπορεί να προκαλέσουν ζημιά στις βούρτσες ή στους κυλίνδρους σκουπίσματος ή να εμποδίσουν την περιστροφή των βουρτσών ή των κυλίνδρων σκουπίσματος.

Αν η επιφάνεια για καθαρισμό είναι στεγνή, ψεκάστε τη με νερό για να μειώσετε τη δημιουργία σκόνης. Κρατήστε την μηχανοκίνητη βούρτσα / μηχανοκίνητο κύλινδρο σκουπίσματος με μικρή γωνία και σπρώξτε την μηχανοκίνητη βούρτσα / μηχανοκίνητο κύλινδρο σκουπίσματος με ταχύτητα περπατήματος.



**ΠΡΟΣΟΧΗ:** Όσο πιο μεγάλη γίνεται η γωνία, τόσο πιο δύσκολος είναι ο έλεγχος της μηχανοκίνητης βούρτσας / μηχανοκίνητου κυλίνδρου σκουπίσματος, και τόσο πιο πιθανό είναι να σας σπρώξει προς τα πίσω η μηχανοκίνητη βούρτσα / μηχανοκίνητος κύλινδρος σκουπίσματος.

## ΣΥΝΤΗΡΗΣΗ

**ΠΡΟΕΙΔΟΠΟΙΗΣΗ:** Πριν επιθεωρήσετε ή συντηρήσετε τον εξοπλισμό, σβήστε το μοτέρ και βγάλτε την πίπα μπουζί ή την κασέτα μπαταριών. Διαφορετικά, η βούρτσα, ο κύλινδρος σκουπίσματος ή τα άλλα μέρη μπορεί να μετακινηθούν και να προκληθεί σοβαρός τραυματισμός.

**ΠΡΟΕΙΔΟΠΟΙΗΣΗ:** Όταν επιθεωρείτε ή συντηρείτε τον εξοπλισμό, να τον αφήνετε πάντα κάτω. Η συναρμολόγηση ή ρύθμιση του εξοπλισμού σε όρθια θέση μπορεί να έχει ως αποτέλεσμα σοβαρό τραυματισμό.

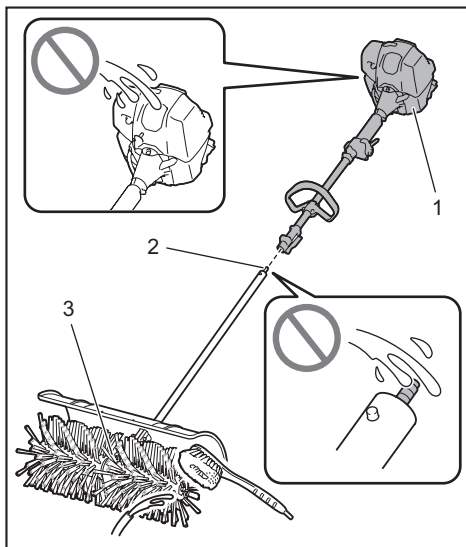
**ΠΡΟΕΙΔΟΠΟΙΗΣΗ:** Ακολουθήστε τις προειδοποιήσεις και προφυλάξεις στο κεφάλαιο «ΠΡΟΕΙΔΟΠΟΙΗΣΕΙΣ ΑΣΦΑΛΕΙΑΣ» και το εγχειρίδιο οδηγιών της ηλεκτρικής μονάδας.

**ΕΙΔΟΠΟΙΗΣΗ:** Μην χρησιμοποιείτε ποτέ βενζίνη, πετρελαϊκό αιθέρα, διαλυτικό, αλκοόλη ή παρόμοιες ουσίες. Μπορεί να προκληθεί αποχρωματισμός, παραμόρφωση ή ρωγμές.

Για τη διατήρηση της ΑΣΦΑΛΕΙΑΣ και ΑΞΙΟΠΙΣΤΙΑΣ του προϊόντος, οι επισκευές και οποιαδήποτε άλλη εργασία συντήρησης ή ρύθμισης πρέπει να εκτελούνται από εξουσιοδοτημένα ή εργοστασιακά κέντρα εξυπηρέτησης της Makita, χρησιμοποιώντας πάντοτε ανταλλακτικά της Makita.

## Καθαρισμός του προσαρτήματος

Το προσάρτημα μπορεί να πλυθεί με νερό. Χρησιμοποιήστε μια νάιλον βούρτσα ή παρόμοιο εργαλείο για να απομακρύνετε τη βρομιά.



▶ 1. Μονάδα ισχύος 2. Άκρο σωλήνα 3. Κιβώτιο οδοντωτών τροχών

**ΕΙΔΟΠΟΙΗΣΗ:** Μην ρίξετε νερό πάνω στην μονάδα ισχύος και στο άκρο σωλήνα. Μπορεί να προκαλέσει δυσλειτουργία του προσαρτήματος.

Για να διευκολυνθείτε στον καθαρισμό, μπορείτε να αφαιρέσετε τη βούρτσα ή τον κύλινδρο σκουπίσματος από τη μονάδα βούρτσας ή τη μονάδα κυλίνδρου σκουπίσματος. Ανατρέξτε στις οδηγίες για την αντικατάσταση των βουρτσών ή των κυλίνδρων σκουπίσματος στο παρόν εγχειρίδιο.

## Γενική επιθεώρηση

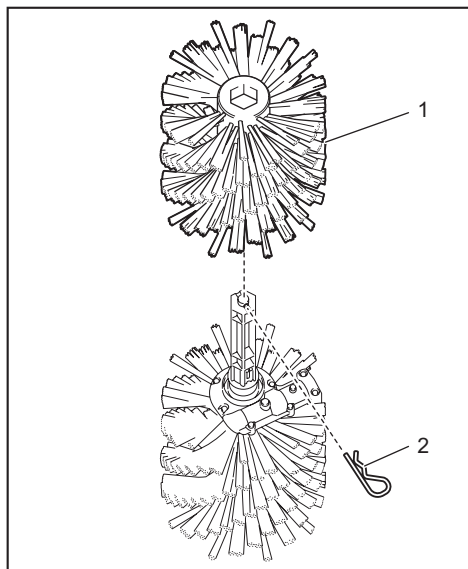
- Σφίξτε τα χαλαρά μπουλόνια, παξιμάδια και βίδες.
- Ελέγξτε για μέρη, βούρτσες ή κυλίνδρους σκουπίσματος με ζημιά. Ζητήστε από ένα εξουσιοδοτημένο κέντρο σέρβις μας να τα αντικαταστήσει αν είναι απαραίτητα.

## Επιθεώρηση των βουρτσών, κυλίνδρων σκουπίσματος και προστατευτικού

Να ελέγχετε και να καθαρίζετε τις βούρτσες, τους κυλίνδρους σκουπίσματος και το προστατευτικό κάθε ημέρα. Αν είναι φθαρμένα, λυγισμένα ή ραγισμένα, αντικαταστήστε τα.

## Αντικατάσταση βούρτσων ή κυλίνδρων σκουπίσματος

1. Αφαιρέστε τα κλιπ από τις βούρτσες ή τους κυλίνδρους σκουπίσματος, και μετά αφαιρέστε τις βούρτσες ή τους κυλίνδρους σκουπίσματος.

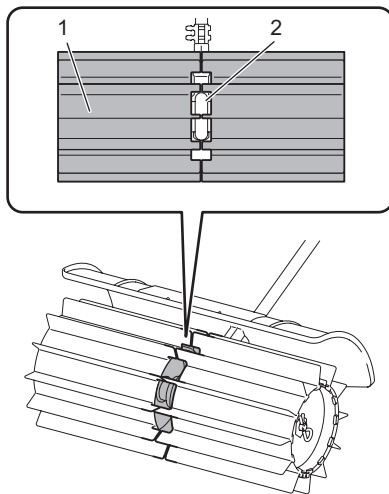


► 1. Βούρτσα 2. Κλιπ

2. Προσαρμόστε τις βούρτσες ή τους κυλίνδρους σκουπίσματος στη μονάδα βούρτσας ή στη μονάδα κυλίνδρου σκουπίσματος, και μετά προσαρμόστε τα κλιπ.

**ΕΙΔΟΠΟΙΗΣΗ:** Όταν προσαρμόζετε τις βούρτσες, βεβαιωθείτε να τις προσαρμόσετε με το λογότυπο Makita στραμμένο προς τα έξω.

**ΕΙΔΟΠΟΙΗΣΗ:** Όταν προσαρμόζετε τους κυλίνδρους σκουπίσματος, βεβαιωθείτε να τους προσαρμόσετε με την κατεύθυνση που απεικονίζεται στην εικόνα, με τρόπο ώστε οι κύλινδροι σκουπίσματος και το κιβώτιο οδοντωτών τροχών να αλληλοσυνδέονται.



► 1. Κύλινδρος σκουπίσματος 2. Κιβώτιο οδοντωτών τροχών

## Λίπανση κινούμενων μερών

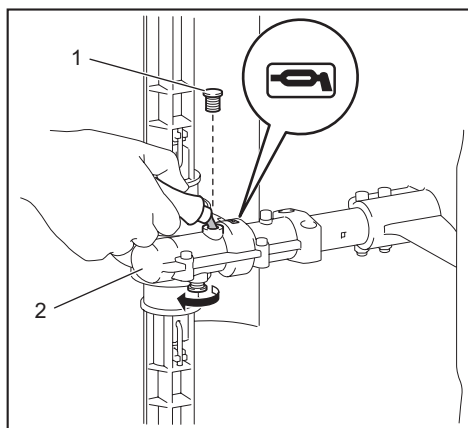
**ΕΙΔΟΠΟΙΗΣΗ:** Ακολουθήστε τις οδηγίες για τη συχνότητα και την παρεχόμενη ποσότητα γράσου. Διαφορετικά, η ανεπαρκής λίπανση μπορεί να προκαλέσει ζημιά στα κινούμενα μέρη.

## Κιβώτιο ταχυτήτων:

**▲ΠΡΟΣΟΧΗ:** Μην εφαρμόζετε γράσο όταν το κιβώτιο ταχυτήτων είναι ζεστό. Ένα ζεστό κιβώτιο ταχυτήτων μπορεί να προκαλέσει τραυματισμό λόγω εγκαύματος.

Ρίξτε ομοιόμορφα περίπου 30 ml γράσο (γράσο Makita SG No.0) μέσα στο γρασαδοράκι κάθε 25 ώρες λειτουργίας.

Με το παρεχόμενο κλειδί έξι λοβών, αφαιρέστε το μπουλόνι κοντά στην ένδειξη λίπανσης στο κιβώτιο οδοντωτών τροχών. Χαλαρώστε το μπουλόνι στην άλλη πλευρά ώστε να απελευθερωθεί ο αέρας στο κιβώτιο οδοντωτών τροχών όταν ρίχνετε το γράσο. Όταν ρίχνετε το γράσο, βεβαιωθείτε να σφίξετε τα μπουλόνια.

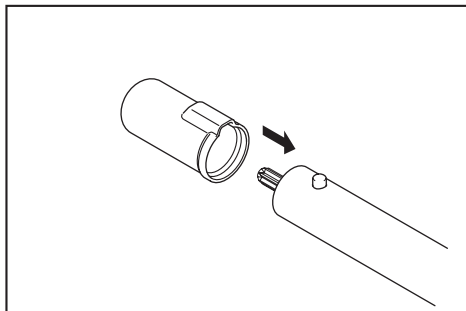


► 1. Μπουλόνι 2. Κιβώτιο οδοντωτών τροχών

## Αποθήκευση

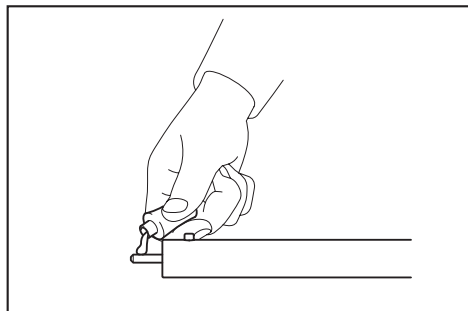
**⚠ ΠΡΟΕΙΔΟΠΟΙΗΣΗ:** Ακολουθήστε τις προειδοποιήσεις και προφυλάξεις στο κεφάλαιο «ΠΡΟΕΙΔΟΠΟΙΗΣΕΙΣ ΑΣΦΑΛΕΙΑΣ» και το εγχειρίδιο οδηγιών της ηλεκτρικής μονάδας.

Όταν αποθηκεύετε το προσάρτημα ξεχωριστά από τη μονάδα ισχύος, τοποθετήστε το καπάκι στο άκρο του άξονα.



## Άξονας οδήγησης:

Εφαρμόστε γράσο (γράσο Makita SG No.0) κάθε 25 ώρες λειτουργίας.



**ΠΑΡΑΤΗΡΗΣΗ:** Μπορείτε να αγοράσετε αυθεντικό γράσο της Makita από τον τοπικό σας αντιπρόσωπο της Makita.

## Μεσοδιάστημα επιθεώρησης και συντήρησης

| Ώρα λειτουργίας                                    |   | Πριν από τη λειτουργία | Κάθε ημέρα (10 ώρες) | 25 ώρες |
|--|---|------------------------|----------------------|---------|
| Ολόκληρη μονάδα                                    | Επιθεωρήστε οπτικά για κατεστραμμένα μέρη               | ✓                      | -                    | -       |
| Όλες οι βίδες και παξιμάδια στερέωσης              | Σφίξτε  | ✓                      | -                    | -       |
| Βούρτσες, κύλινδροι σκουπίσματος και προστατευτικό | Καθαρίστε και επιθεωρήστε οπτικά για κατεστραμμένα μέρη | -                      | ✓                    | -       |
| Κιβώτιο οδοντωτών τροχών                           | Χορηγήστε γράσο   | -                      | -                    | ✓       |
| Άξονας οδήγησης                                    | Χορηγήστε γράσο   | -                      | -                    | ✓       |
| Ηλεκτρική μονάδα                                   | Ανατρέξτε στο εγχειρίδιο οδηγιών της ηλεκτρικής μονάδας |                        |                      |         |

# ΑΝΤΙΜΕΤΩΠΙΣΗ ΠΡΟΒΛΗΜΑΤΩΝ

Πριν ζητήσετε επισκευές, εκτελέστε αρχικά τη δική σας επιθεώρηση. Αν εντοπίσετε πρόβλημα που δεν επεξηγείται στο εγχειρίδιο, μην επιχειρήσετε να αποσυναρμολογήσετε το μηχάνημα. Αντ' αυτού, ζητήστε βοήθεια από τα εξουσιοδοτημένα κέντρα εξυπηρέτησης της Makita και πάντα να χρησιμοποιείτε ανταλλακτικά της Makita για τις επισκευές.

| Κατάσταση προβλήματος  | Πιθανή αιτία (δυσλειτουργία)  | Αποκατάσταση  |
|--|---|---|
| Το μοτέρ ή ο κινητήρας δεν ξεκινά.   | -   | Ανατρέξτε στο εγχειρίδιο οδηγιών της ηλεκτρικής μονάδας.  |
| Το μοτέρ ή ο κινητήρας σταματά γρήγορα.  | -   | Ανατρέξτε στο εγχειρίδιο οδηγιών της ηλεκτρικής μονάδας.  |
| Οι στροφές μοτέρ ή κινητήρα δεν αυξάνονται.  | -   | Ανατρέξτε στο εγχειρίδιο οδηγιών της ηλεκτρικής μονάδας.  |
| Οι βούρτσες ή οι κύλινδροι σκουπίσματος δεν περιστρέφονται.<br>⇒ Σταματήστε το μοτέρ ή τον κινητήρα αμέσως.  | Οι σωλίνες της μονάδας ισχύος και του προσαρτήματος δεν είναι συνδεδεμένες σωστά. | Συνδέστε τους σωλίνες σωστά.  |
|  | Στις βούρτσες ή στους κυλίνδρους σκουπίσματος πιέστηκε ξένο αντικείμενο.          | Αφαιρέστε την ξένη ύλη.   |
|  | Μη φυσιολογικό σύστημα μετάδοσης  | Απευθυνθείτε σε εξουσιοδοτημένο κέντρο σέρβις για επισκευή.   |
| Η μονάδα ισχύος υφίσταται ανώμαλη δόνηση.<br>⇒ Σταματήστε το μοτέρ ή τον κινητήρα αμέσως.  | Οι βούρτσες ή οι κύλινδροι σκουπίσματος είναι λυγισμένοι ή σπασμένοι.             | Αντικαταστήστε τις βούρτσες ή τους κυλίνδρους σκουπίσματος.   |
|  | Χαλαρή σύνδεση των βουρτσών ή κυλίνδρων σκουπίσματος                              | Συνδέστε καλά τα κλιπ για τις βούρτσες ή τους κυλίνδρους σκουπίσματος.  |
|  | Ακανόνιστη σύνδεση των βουρτσών ή κυλίνδρων σκουπίσματος                          | Τοποθετήστε σωστά τις βούρτσες ή τους κυλίνδρους σκουπίσματος.  |
|  | Μη φυσιολογικό σύστημα μετάδοσης  | Απευθυνθείτε σε εξουσιοδοτημένο κέντρο σέρβις για επισκευή.   |
| Οι βούρτσες ή οι κύλινδροι σκουπίσματος συνεχίζουν να περιστρέφονται ακόμη κι αν αφήσετε τη σκανδάλη διακόπτη/μοχλό.<br>⇒ Σταματήστε το μοτέρ ή τον κινητήρα αμέσως. | Η ηλεκτρική μονάδα δεν λειτουργεί σωστά.  | Ρυθμίστε την ταχύτητα ρελαντί αν η μονάδα ισχύος λειτουργεί με βενζινοκινητήρα. Απευθυνθείτε σε εξουσιοδοτημένο κέντρο σέρβις για επισκευή. |

## TEKNİK ÖZELLİKLER

|   |                            |
|---|----------------------------|
| Model:  | BR400MP                    |
| Boyutlar: uzunluk x genişlik x yükseklik (fırçalarla) | 1.145 mm x 600 mm x 362 mm |
| Net ağırlık   | 6,3 kg                     |
| Fırça genişliği                                       | 600 mm                     |
| Fırça dış çapı  | 250 mm                     |

|  |                            |
|--|----------------------------|
| Model:   | SW400MP                    |
| Boyutlar: uzunluk x genişlik x yükseklik (süpürme silindirleriyle) | 1.159 mm x 600 mm x 362 mm |
| Net ağırlık  | 7,2 kg                     |
| Süpürme silindiri genişliği  | 590 mm                     |
| Süpürme silindiri dış çapı   | 265 mm                     |

- Sürekli yapılan araştırma ve geliştirmelerden dolayı, burada belirtilen özellikler önceden bildirimlemeden değiştirilebilir.
- Özellikler ülkeden ülkeye değişebilir.

### Onaylı güç ünitesi

Bu ek parça sadece aşağıdaki güç ünitesi(üniteleri) ile kullanım için onaylanmıştır:

- DUX60, DUX18, UX01G Kablosuz Çok Fonksiyonlu Akülü Kafa
- EX2650LH Çok fonksiyonlu akülü kafa

**⚠UYARI:** Ek parçayı hiçbir zaman onaysız güç ünitesi ile kullanmayın. Onaysız kombinasyon ciddi yaralanmalara neden olabilir.

### Semboller

Ek parça üzerinde ve bu kullanma kılavuzunda aşağıdaki semboller kullanılmıştır. Bu tanımları anlayın.



Özel önem ve dikkat gösterin!



El kitabını okuyun.



Koruyucu kask, gözlük ve kulak koruyucu takın!



Altı kaymayan sağlam ayakkabılar giyin. Çelik burunlu güvenlik ayakkabıları önerilir!



Çevredekileri en az 5 m uzakta tutun.



Fırçalar veya süpürme silindirleri ok yönünde döner.



Fırçaları veya süpürme silindirlerini takarken dişli kutusunun yukarı doğru baktığından emin olun.

### Kullanım amacı

#### BR400MP

Bu ek parça, sadece onaylı bir güç ünitesiyle birlikte zemini ve yolları süpürmek amacıyla tasarlanmıştır. Ek parçayı hiçbir zaman başka amaçlarla kullanmayın. Ek parçanın amacı dışında kullanılması ciddi yaralanmalara neden olabilir. Bu ek parça yalnızca ticari kullanım için tasarlanmıştır.

#### SW400MP

Bu ek parça, sadece onaylı bir güç ünitesiyle birlikte yapraklar gibi ıslak malzemeleri temizlemek ve katı yüzeylerden suyu gidermek amacıyla tasarlanmıştır. Ek parçayı hiçbir zaman başka amaçlarla kullanmayın. Ek parçanın amacı dışında kullanılması ciddi yaralanmalara neden olabilir. Bu ek parça yalnızca ticari kullanım için tasarlanmıştır.

### Uygunluk Beyanları

#### Sadece Avrupa ülkeleri için

Üretici firma: **Makita Europe N.V.**, İş adresi: **Jan-Baptist Vinkstraat 2 3070 Kortenberg BELÇİKA.** **Kazuhisa Makino**'ya teknik dosyayı derleme yetkisi verir ve yegane bizim sorumluluğumuzda aşağıda adı verilen ürün/ürünlerin;

Adı: **Tahrikli Fırça Ek Parçası / Tahrikli Süpürge Ek Parçası.** Tip Adı: **BR400MP / SW400MP.**

**2006/42/EC** ilgili hükümlerini karşıladığını ve aşağıdaki Uyumlu Hale Getirilmiş Standartlara uygun olarak imal edildiğini beyan ederiz: **EN 60335-1:2012+A11:2014+A13:2017+A1:2019+A14:2019+A2:2019+A15:2021, EN 60335-2-72:2012.**

Beyan yeri ve tarihi: **Kortenberg, Belçika. 1. 8. 2023**

Sorumlu kişi: **Kazuhisa Makino, Direktör - Makita Europe N.V.**



# GÜVENLİK UYARILARI

## Tahrikli fırça / tahrikli süpürge güvenlik uyarıları

**▲UYARI:** Kullanmadan önce bu makine ile verilen tüm güvenlik uyarıları, talimatlar, resimler ve teknik özellikler ile güç ünitesinin kullanım kılavuzunu okuyun. Aşağıda listelenen tüm talimatların takip edilmemesi yangına ve/veya kullanıcı ve/veya çevredekilerin ciddi şekilde yaralanmasına neden olabilir.

## Tüm uyarıları ve talimatları ile- ride başvurmak için saklayın.

Uyarılarda ve önlemlerdeki "tahrikli fırça / tahrikli süpürge" ve "makine" terimi, ek parça ve güç ünitesi kombinasyonunu ifade eder.

Uyarılarda ve önlemlerdeki "motor" terimi, motoru veya güç ünitesinin elektrik motorunu ifade eder.

## Genel güvenlik

1. İlk kez kullanan veya deneyimsiz kullanıcı bayiden makinenin tüm kullanımı ile ilgili eğitim talep etmelidir. Çocukların, fiziksel, duyuşsal ya da zihinsel yetenekleri kısıtlı olan veya deneyim ya da bilgileri olmayan kişilerin veya kullanma talimatlarına aşina olmayan insanların makineyi kullanmasına asla izin vermeyin. Makine ile oynamalarını sağlamak için çocuklara nezaret edilmelidir.
2. Makinenin sadece deneyimli olduklarını ispatlamış kişilere ödünç verilmesi önerilir. Her zaman kullanma kılavuzunu da verin.
3. Makineyi kullanırken uyanık olun, ne yaptığınızı gözleyin ve sağduyunuzu kullanın. Yorgun veya hastayken veya uyuşturucu madde, alkol ya da ilacın etkisi altındayken makineyi kullanmayın. Makineyi kullanırken bir anlık bir dikkatsizlik ciddi kişisel yaralanmayla sonuçlanabilir.
4. Makineyi kötü hava şartlarında, özellikle yıldırım riski varken kullanmaktan sakının.
5. Dışarıda kullanılan elektrikli/benzinli makinele-  
rin kullanımı ile ilgili ulusal ve yerel mevzuatınıza uyun.
6. Makine üzerinde asla değişiklik yapmaya kalkışmayın.
7. Diğer insanlara ya da mallarına gelecek zararlardan ve kazalardan kullanıcının sorumlu olduğunu unutmayın.

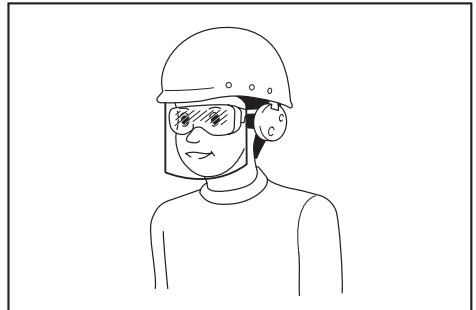
## Çalışma alanı güvenliği

**▲UYARI:** Tahrikli fırça / tahrikli süpürgeyi elektrik hatlarından ve iletişim kablolarından uzak tutun. Yüksek gerilim hatlarına tahrikli fırça / tahrikli süpürge ile dokunulması ya da yaklaşılması ölüme ya da ciddi yaralanmalara neden olabilir. Çalışmaya başlamadan önce, çalışma alanının etrafındaki elektrik hatlarına ve elektrikli çitlere dikkat edin.

1. Makineyi sadece aydınlık bir ortamda ve gün ışığında kullanın. Makineyi karanlıkta ya da sisli havada kullanmayın.
2. Motoru sadece dışarıda, iyi havalandırılan bir alanda başlatın ve çalıştırın. Kapalı veya iyi havalandırılmayan bir alanda çalıştırma, boğulma veya karbonmonoksit zehirlenmesi neticesi ölümlere yol açabilir.
3. Çalıştırmadan önce, çalışma alanında tel örgü, taş ya da başka katı nesnelere olup olmadığına bakın. Bunlar fırçalara veya süpürge silindirlere zarar verebilir.
4. Kullanım sırasında, asla sabit olmayan ya da kaygan bir yüzeyde veya dik meyilli bir yerde durmayın. Soğuk mevsimlerde, buz ve kara karşı dikkatli olun ve her zaman yere sağlam bastığınızdan emin olun.
5. Çitlere, kütüklere veya ağaç köklerine yakın çalışmaktan kaçının. Bunlar fırçalara veya süpürge silindirlere zarar verebilir.
6. Binalara, araçlara ve diğer eşyalara yakın çalışmaktan kaçının. Tahrikli fırça / tahrikli süpürge tarafından vurulan taşlar ve birikintiler bunlara zarar verebilir.
7. Sentetik zeminin temizlenmesi statik elektrik üretebilecek olup elektrik çarpması veya kaza riski mevcuttur.

## Kişisel koruyucu ekipmanlar

1. Daima kalın, uzun pantolon, sağlam ayakkabı, eldiven ve uzun kollu gömlek giyin. Bol kıyafet, takı, kısa pantolon, sandalet giymeyin veya çiplak ayakla kullanmayın. Saçlarınızı omuz hizasının üzerinde kalacak şekilde bağlayın.
2. Makineyi kullanırken gözlerinizi yaralanmaya karşı korumak için her zaman koruyucu gözlük takın. Gözlükler ABD'de ANSI Z87.1, Avrupa'da EN 166 veya Avustralya/Yeni Zelanda'da AS/NZS 1336 ile uyumlu olmalıdır. Avustralya/Yeni Zelanda'da yüzünüzü korumak için yüz siperi takılması da yasal olarak zorunludur.



Aleti kullananların ve çalışma alanının hemen yakınında bulunanların uygun güvenlik koruyucu ekipman kullanmalarını mecbur etmek iş verenin sorumluluğundadır.

3. Kulak tıkacı gibi kulak koruyucu takın. Gürültüye maruz kalmak işitme kaybına neden olabilir.
4. Daima kaymaz tabanlı sağlam ayakkabı giyin. Bu, ayaklarınızın yaralanmasını önler ve yere sağlam basmanızı sağlar.
5. Gerektiğinde toz maskesi takın.

## Yakıt doldurma

1. Yakıt doldurmadan önce motoru durdurun. Açık alev ve kıvılcıklardan uzak tutun. Yakıt doldurma esnasında asla sigara içmeyin. Aksi takdirde yangın ve/veya patlamaya neden olabilir.
2. Yakıt doldurma işini dışarıda yapın. Kapalı odada yakıt doldurulması yakıt buharının patlamasına neden olabilir.
3. Yakıt veya motor yağı ile temas etmekten kaçının. Yakıt buharını solumayın. Yakıt veya yağ dökülürse makineden ve/veya zeminden derhal silerek temizleyin. Yakıt elbiselerinize dökülürse elbisenizin tutuşmasını engellemek için elbisenizi hemen değiştirin.
4. Yakıt doldurduktan sonra yakıt deposu kapağını dikkatlice sıkın ve yakıt kaçağı olup olmadığını kontrol edin. Motoru çalıştırmadan önce yakıt doldurma kaynağından veya alanından en az 3 m uzaklaşın.
5. Yakıtı yalnızca onaylı kaplarda taşıyın ve depolayın. Çocukları depolanan yakıttan uzan tutun.

## Tahrikli fırça / tahrikli süpürge'nin başlatılması

1. Makineyi monte etmeye veya ayarlamaya başlamadan önce, motoru kapatın ve buji kapağını ya da batarya kartuşunu çıkarın.
2. Fırçalar veya süpürme silindiriyle işlem yapmadan önce koruyucu eldiven giyin.
3. Motoru çalıştırmadan önce kişisel koruyucu ekipman giyin.
4. Motoru çalıştırmadan önce makineyi hasarlara, gevşek vidalara/somunlara veya hatalı montaja karşı kontrol edin. Rahat çalışmak için tüm kontrol kollarını ve anahtarları kontrol edin. Tutamakları temizleyin ve kurulaştırın.
5. Makine hasarlıysa veya uygun siperler, plakalar veya diğer koruyucu güvenlik aygıtlarıyla montajı tam olarak yapılmamışsa motoru asla çalıştırmayı denemeyin. Aksi takdirde ciddi yaralanmaya neden olabilir.
6. Motoru çalıştırmadan önce, fırçaların veya süpürme silindirlerinin vücudunuza ya da başka nesnelere değmediğinden emin olun. Fırçalar veya süpürme silindirleri yabancı bir nesneye temas ederken motoru çalıştırmak ciddi kazalara neden olabilir.
7. Motoru çalıştırmadan önce, çalışma alanında insan veya hayvan olmadığından emin olun.
8. Omuz askısı ve kulpu, kullanıcının vücut ölçüsüne uyacak şekilde ayarlayın.
9. Çatlak, bükük ya da hasarlı ise fırçaları veya süpürme silindirlerini değiştirin. Hasarlı fırçalar veya süpürme silindirleri çalışma sırasında parçalanabilir ve ciddi yaralanmaya neden olabilir.
10. Makineyi yalnızca dışarıda iyi havalandırılan bir yerde çalıştırın ve kullanın. Kapalı veya yetersiz havalandırılan bir yerde çalışmak boğulma veya karbonmonoksit zehirlenmesi nedeniyle ölüme neden olabilir.
11. Motoru çalıştırırken makineyi sağlam bir zemine yerleştirin, dengenizi koruyun ve yere sağlam basın.

12. Motorun marş kolunu çekerken güç ünitesini sol ayağınızla yere doğru sıkıca bastırın. Asla güç ünitesinin tahrik miline basmayın.
13. Fırçalar veya süpürme silindirleri rölantide dönüyorsa motoru durdurun ve rölanti devrini düşürün. Aksi takdirde hareketli fırçalara veya süpürme silindirlerine yanlışlıkla temas edilmediği yaralanmayla sonuçlanabilir.
14. Herhangi bir sorun fark ederseniz motoru hemen durdurun.
15. Motoru çalıştırmak için güç ünitesinin kullanım kılavuzuna bakın.

## Nakliye

1. Nakliye sırasında motoru durdurun. Aksi takdirde yanlışlıkla çalıştırmak yaralanmaya sebep olabilir.
2. Yakıt kaçaqlarını engellemek için araba ile nakledeceğiniz makinenin güvenli konumda olmasını sağlayın.
3. Makineyi taşıırken tüm makineyi yerden kaldırın. Makinenin sürüklenmesi yakıt deposunun hasar görmesine ve yakıt kaçağına neden olarak yangına yol açabilir.
4. Cihazı nakledeceğiniz, şaftı tutarak yatay konumda taşıyın. Sıcak susturucuyu vücudunuzdan uzak tutun.

## Çalıştırma

1. Kullanım sırasında, etrafınızdaki kişileri ya da hayvanları tahrikli fırça / tahrikli süpürge'den en az 5 m uzakta tutun. Biri yaklaştığı anda motoru durdurun.
2. Acil bir durumda, motoru derhal kapatın.
3. İşlem sırasında herhangi bir olağan dışı koşul sezinlerseniz (örneğin gürültü, titreşim) motoru kapatın. Durumun nedeni anlaşılıp çözülene kadar makineyi kullanmayın.
4. Omuz askısını motor sadece rölantide çalışırken takın.
5. İşlem sırasında, omuz askısını kullanın. Makineyi sağ tarafınızda sıkı bir şekilde tutun.



6. İster sağlak, ister solak olun; ön sapı sol elinizle, arka sapı sağ elinizle tutun. Parmaklarınızı baş parmaklarınızla birlikte sapların etrafına kenetleyin.

7. Makineyi asla tek elle kullanmaya çalışmayın. Kontrolün kaybedilmesi ciddi ya da ölümcül yaralanmalarla sonuçlanabilir. Yaralanma riskini azaltmak için, ellerinizi ve ayaklarınızı fırçalardan veya süpürme silindirlerinden uzak tutun.
8. Çalışma sırasında fırçaları veya süpürme silindirlerini bel yüksekliğinden yukarı kaldırmayın.
9. Gaz düğmesi serbest bırakıldıktan ya da motor kapatıldıktan sonra da fırçalar veya süpürme silindirleri kısa bir süre hareket etmeye devam eder. Fırçalara veya süpürme silindirlerine dokunmak için acele etmeyin.
10. Fazla ileriye uzanmaya çalışmayın. Her zaman yere sağlam basın ve dengeyi koruyun. Tökezlemek için, ağaç kütükleri, kökler ve çukur alanlar gibi gizli engellere dikkat edin.
11. Fırça veya süpürme silindiri dönüş yönünü değiştiren veya makineyi kendinize doğru çekerken çok dikkatli olun. Güç ünitesinin ters dönüş fonksiyonu varsa bu fonksiyonu gereğinden fazla kullanmayın. Ters dönüşle kullanılırken tahrikli fırça / tahrikli süpürge, fırçalara veya süpürme silindirleri zeminde ise sizi çekecektir.
12. Çok hızlı bir şekilde çok sert iterek makine kapasitesini aşırı yüklemeyin. Makine uygun yükte kullanılırken daha iyi iş çıkaracaktır ve yaralanma riski azalacaktır.
13. Fırçalara veya süpürme silindirleri bloke durumda motorun devrini artırmayın. Yükü artırır ve makineye hasar verir.
14. Makine ağır bir darbe alır ya da düşerse, çalışmaya devam etmeden önce durumunu kontrol edin. Yakıt kaçağı olup olmadığını tespit etmek için yakıt sistemini ve arıza olup olmadığını tespit etmek için kontrol ve güvenli cihazlarını kontrol edin. Herhangi bir hasar ya da şüpheli bir durum varsa, inceleme ve tamir için yetkili servis merkezimize başvurun.
15. Dişli kutusuna dokunmayın. Kullanım sırasında dişli kutusu ısınır.
16. Yorgunluk nedeniyle kontrol kaybı oluşmasını önlemek için dinlenin. Saat başına 10 ila 20 dakika dinlenmeniz önerilir.
17. Makine kısa bir süreliğine bile olsa bıraktığınızda, daima motoru kapatın veya batarya kartuşunu çıkarın. Motor çalışır haldeyken gözetimsiz bir şekilde bırakılan makine yetkisiz bir kişi tarafından kullanılabilir ve ciddi kazalara sebep olabilir.
18. Kontrol kolunun ve anahtarın doğru kullanımı için güç ünitesinin kullanım kılavuzuna bakın.
19. Çalıştırma sırasında veya sonrasında, sıcak makineyi kuru otları ya da tutuşabilecek malzemelerin üzerine koymayın.
20. Fırçalar veya süpürme silindirleri yabancı maddeler kaparsa motoru kapatın ve buji başlığını veya batarya kartuşunu çıkarın, ardından engelleri temizleyin.
21. Ellerinizi ve ayaklarınızı fırçalara veya süpürme silindirlerinden uzak tutun. Fırçalara veya süpürme silindirlerine temas edilmesi ciddi yaralanmayla sonuçlanabilir. Fırçalara veya süpürme silindirleri ile işlem yaparken motoru durdurun ve buji başlığını veya batarya kartuşunu çıkarın.
22. Çalışma sırasında fırçaları veya süpürme silindirlerini çatlaklara veya hasarlara karşı sık sık kontrol edin.
23. Fırçalardan veya süpürme silindirlerinden artıkları veya yabancı maddeleri temizlerken mutlaka motoru kapatın veya batarya kartuşunu çıkarın.
24. Makineyi çalıştırma ve kontrol etme hakkında bilgi için güç ünitesinin kullanım kılavuzuna bakın.

## Titreşim

Aşırı titreşime maruz kalmak kullanıcının kan damarlarına veya sinir sistemine zarar verir ve parmaklarda, ellerde veya bileklerde aşağıdaki belirtilere neden olur: Uyuşma, karıncalanma, ağrı, bıçak saplanıyor hissi, cilt renginde değişme. Bu belirtilerden herhangi biri oluşursa doktora görünün.

“Beyaz parmak hastalığı” riskini azaltmak için kullanım sırasında ellerinizi sıcak tutun ve makine ve aksesuarlara iyi bakın.

## Bakım

1. Herhangi bir bakım veya tamir işlemi yapmadan ya da makineyi temizlemeden önce daima motoru kapatın ve buji kapağını veya batarya kartuşunu çıkarın. Motor soğuyana kadar bekleyin.
2. Yangın riskini azaltmak için, cihazın servis işlemlerini asla ateşin yakınında yapmayın.
3. Fırçalara veya süpürme silindirleri ile uğraşırken daima koruyucu eldiven kullanın.
4. Cihazı daima toz ve kire karşı temiz tutun. Bu iş için asla benzin, tiner, alkol ve benzeri maddeleri kullanmayın. Plastik parçalarda renk değişimi, deformasyon veya çatlaklar oluşabilir.
5. Her kullanımdan sonra, karbüratör ayar vidalarını hariç tüm vidaları ve somunları sıkılayın.
6. Hasarlı iseler fırçalara veya süpürme silindirlerini değiştirin.
7. Bu kitapçıkta ya da güç ünitesinin kullanım kılavuzunda açıklananlar dışında bir bakım veya onarım işlemi yapmayı denemeyin. Bu tür işlemler için yetkili servis merkezimize başvurun.
8. Yağlama ve aksesuar değişimi için talimatları izleyin.
9. Daima ve sadece orijinal yedek parçalar ve aksesuarlar kullanın. Üçüncü taraflarca sağlanan parça veya aksesuarların kullanımı aletin arızalanması, eşyaların hasar görmesi ve/veya ciddi yaralanmaya neden olabilir.
10. Yetkili servis merkezimizden düzenli aralıklarla makinenin kontrol edilmesini ve bakımının yapılmasını isteyin.

## Saklama

1. Makineyi saklamadan önce, tam bir temizlik ve bakım yapın. Buji kapağını veya batarya kartuşunu çıkarın. Motor soğuduktan sonra yakıtı boşaltın.
2. Cihazı, çocukların ulaşamayacağı, kuru ve yüksek ya da kilitli bir yerde saklayın.
3. Cihazı herhangi bir yere, örneğin duvara, dayamayın. Aksi takdirde aniden düşebilir ve yaralanmaya neden olabilir.

## İlk yardım

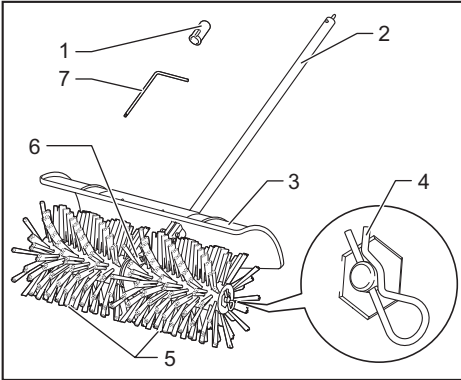
1. Kaza durumuna karşı çalışılan yere yakın bir yerde bir ilk yardım seti olmasını sağlayın. İlk yardım setinden alınan tüm malzemelerin yerini derhal doldurun.
2. Yardım isterken aşağıdaki bilgileri verin:
  - Kazanın yeri
  - Ne olduğu
  - Yaralı kişi sayısı
  - Yaralanma türü
  - Adınız

## BU TALİMATLARI SAKLAYIN.

**⚠UYARI:** Bu ürünün kullanımı, toz içeren ve solunum rahatsızlığı ya da başka hastalıklara yol açabilecek kimyasallar içeren toz yaratabilir. Bu kimyasalların bazı örnekleri, böcek ilaçlarında, suni gübrelerde ve bitki öldürücülerde bulunan bileşimlerdir. Bu kimyasallara maruz kalmanızdan dolayı oluşacak risk, bu tip işleri ne sıklıkla yaptığınıza göre değişir. Bu kimyasallara maruziyetinizi azaltmak için: İyi havalandırılmış bir alanda ve mikroskobik parçacıkları filtrelemek için tasarlanmış toz maskeleri gibi onaylanan güvenlik ekipmanları ile çalışın.

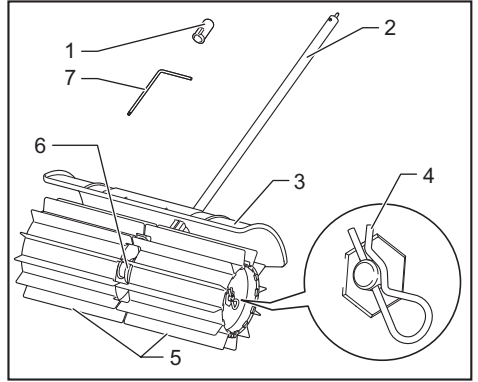
## PARÇALARIN TANIMI

### Tahrikli fırça ek parçası



- 1. Başlık 2. Boru 3. Koruyucu 4. Firkete 5. Fırça  
6. Dişli kutusu 7. Altı kanallı anahtar

### Tahrikli süpürge ek parçası



- 1. Başlık 2. Boru 3. Koruyucu 4. Firkete 5. Süpürme silindiri 6. Dişli kutusu 7. Altı kanallı anahtar

## MONTAJ

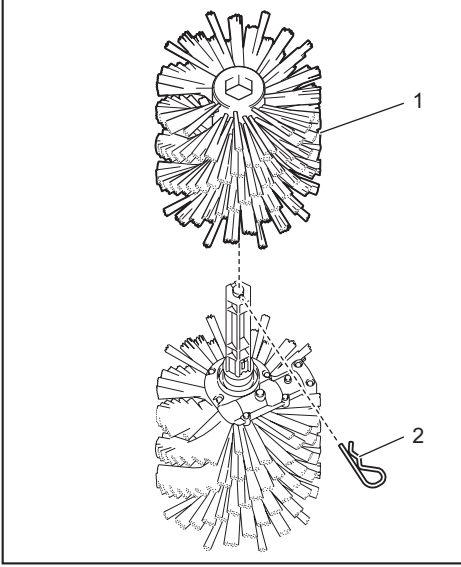
**⚠UYARI:** Ekipmanı monte etmeden veya ayarlamadan önce motoru kapatın ve buji başlığını veya batarya kartuşunu çıkarın. Aksi takdirde fırçalar, silindirlere veya diğer parçalar hareket ederek ciddi yaralanmaya yol açabilir.

**⚠UYARI:** Ekipmanı monte ederken veya ayarlarken daima yere koyun. Ekipmanın dik konumda monte edilmesi veya ayarlanması ciddi yaralanmaya neden olabilir.

**⚠UYARI:** “GÜVENLİK UYARILARI” bölümündeki ve güç ünitesinin kullanma kılavuzundaki uyarılara ve önlemlere uyun.

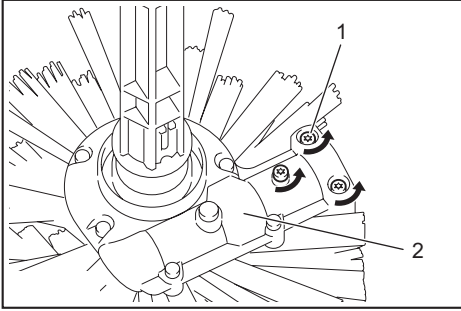
## Ek parçanın monte edilmesi

1. Fırça ünitesi veya süpürme silindiri ünitesinin sol tarafındaki fırça veya süpürme silindirden firkeyi çıkarın ve ardından fırça veya süpürme silindirini çıkarın.



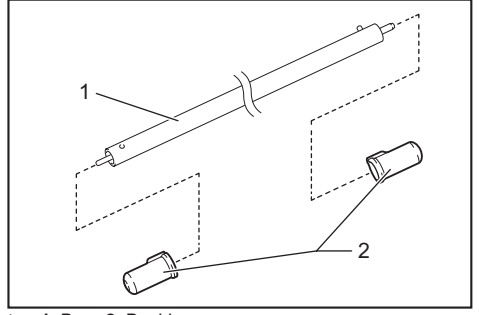
► 1. Fırça 2. Firkete

2. Dişli kutusu üzerindeki 3 vidayı gevşetin.



► 1. Vida 2. Dişli kutusu

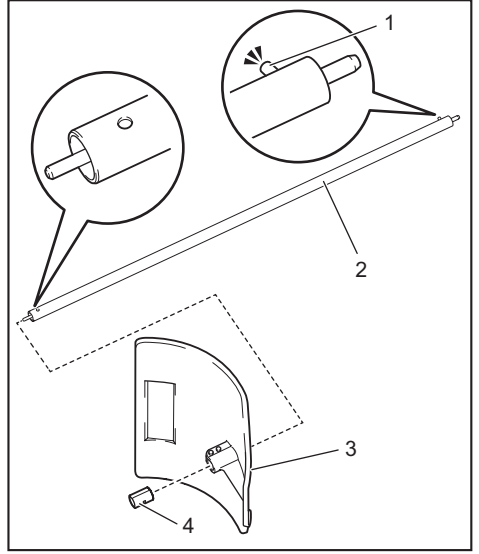
3. Borunun her iki ucundan 2 başlığı çıkarın.



► 1. Boru 2. Başlık

**ÖNEMLİ NOT:** Ek parçayı depolamak için başlıkları atmayın.

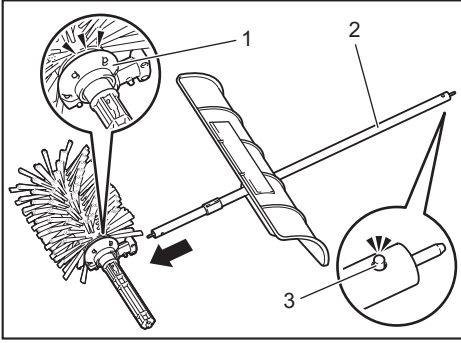
4. Korumayı ve manşonu boruya takın.



► 1. Pim 2. Boru 3. Korumayı 4. Manşon

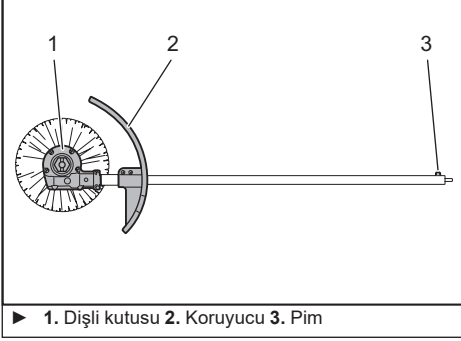
**ÖNEMLİ NOT:** Borunun pim bulunmayan ucunu koruyucu ve manşona taktığınızdan emin olun.

5. Dişli kutusu ve boru üzerindeki pimmin yukarı doğru baktığından emin olun ve ardından boruyu dişli kutusuna sokun.



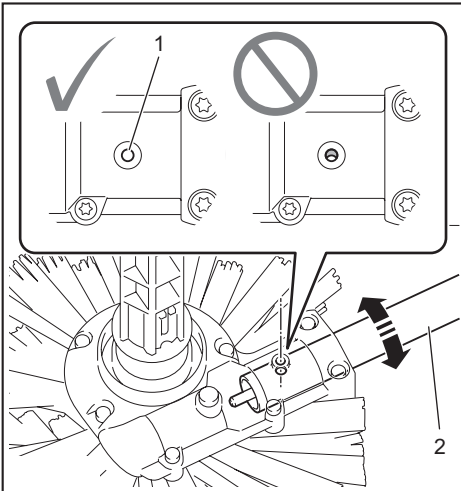
► 1. Dişli kutusu 2. Boru 3. Pim

**ÖNEMLİ NOT:** Dişli kutusu ve boru üzerindeki pimmin yukarı doğru baktığından ve koruyucunun şekilde gösterilen yönde takıldığından emin olun.



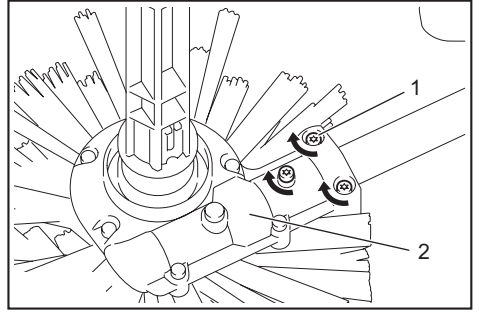
► 1. Dişli kutusu 2. Koruyucu 3. Pim

6. Boru üzerindeki vida deliğini, boruyu çevirerek dişli kutusu üzerindeki delik ile aynı hizaya getirin.



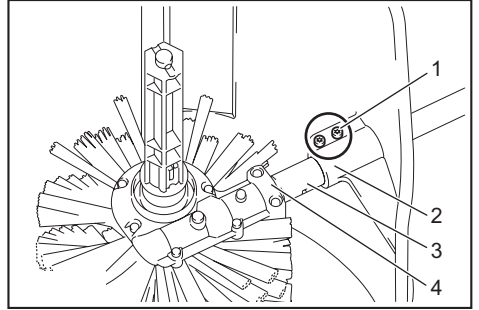
► 1. Delik 2. Boru

7. Dişli kutusu üzerindeki 3 vidayı sıkın.



► 1. Vida 2. Dişli kutusu

8. Koruyucu üzerindeki 2 vidayı sıkın.



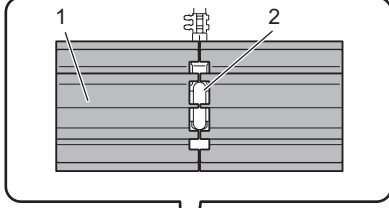
► 1. Vida 2. Koruyucu 3. Manşon 4. Dişli kutusu

**ÖNEMLİ NOT:** Dişli kutusu ile manşon arasında ve manşon ile koruyucu arasında boşluk olmadığından emin olun.

9. Fırça veya süpürme silindiri fırça ünitesi veya süpürme silindiri ünitesine takın ve ardından firketeyi fırça veya süpürme silindirinize takın.

**ÖNEMLİ NOT:** Fırçaları takarken Makita logosu dışarı bakacak şekilde taktığınızdan emin olun.

**ÖNEMLİ NOT:** Süpürme silindirlerini takarken, süpürme silindirleri ve dişli kutusu iç içe geçecek biçimde, şekilde gösterilen yönde taktığınızdan emin olun.



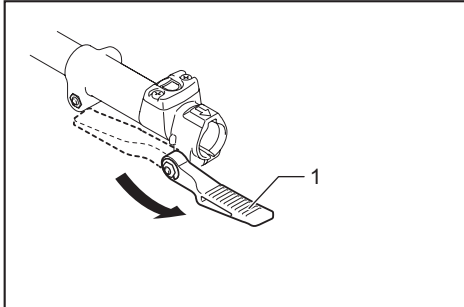
► 1. Süpürme silindiri 2. Dişli kutusu

## Ek borunun takılması

**⚠ DİKKAT:** Monte ettikten sonra ek borunun sabitlenmiş olduğunu mutlaka kontrol edin. Hatalı montaj ek parçanın güç ünitesinden düşmesine neden olabilir ve yaralanmaya yol açabilir.

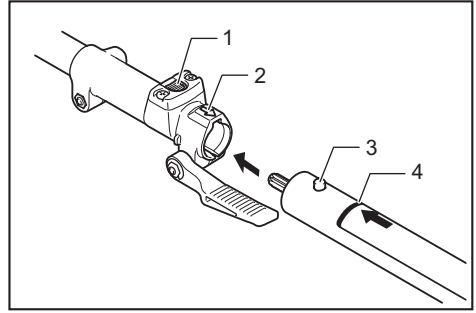
Ek boruyu ana üniteye takın.

1. Mandalı ek parçaya doğru çevirin.



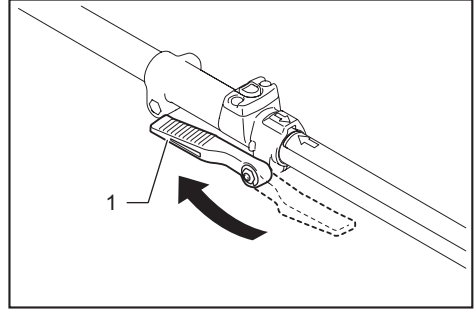
► 1. Mandal

2. Pimi ok işaretleriyle hizalayın. Serbest bırakma düğmesi yukarı çıkana dek ek boruyu sokun. Konum çizgisinin ok işaretinin ucunda olduğundan emin olun.



► 1. Serbest bırakma düğmesi 2. Ok işareti 3. Pim 4. Konum çizgisi

3. Mandalı güç ünitesine doğru çevirin.

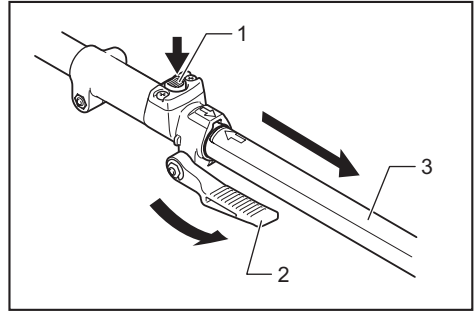


► 1. Mandal

Mandalın yüzeyinin boruya paralel olduğundan emin olun.

**ÖNEMLİ NOT:** Mandalı, ek boru takılmadan sıkımayın. Aksi takdirde mandal, tahrik milinin girişini çok fazla sıkıp ona zarar verebilir.

Boruyu çıkarmak için, mandalı ek parçaya doğru çevirin ve serbest bırakma düğmesine basarak boruyu çekip çıkarın.



► 1. Serbest bırakma düğmesi 2. Mandal 3. Boru

## KULLANIM

**⚠UYARI:** “GÜVENLİK UYARILARI” bölümündeki ve güç ünitesinin kullanma kılavuzundaki uyarılara ve önlemlere uyun.

**⚠UYARI:** Kullanmadan önce askının konumunu ve omuz askısını rahat hissettiğiniz konuma ayarlayın.

**⚠UYARI:** Toz maskesi takın ve çalışma alanını iyice havalandırın. Bazı materyaller zehirli olabilecek kimyasal maddeler içerebilir. Tozu solumayı ve cilde temas etmesini engellemek için dikkatli olun.

**⚠DİKKAT:** Çalıştırmadan önce çalışma alanındaki taşlar, tenekeler ve halatlar gibi sert ve/veya uzun nesnelere kaldırın. Bunlar fırçalara veya süpürme silindirlere zarar verebilir ya da fırçaların veya süpürme silindirlere dönmesine engel olabilir.

Temizlenecek yüzey kuru ise tozu azaltmak için su püskürtün. Tahrikli fırça / tahrikli süpürgeyi yüzeye yakın bir açı ile tutun ve tahrikli fırça / tahrikli süpürgeyi yürütme hızında itinirin.



**⚠DİKKAT:** Açı ne kadar dik olursa tahrikli fırça / tahrikli süpürgeyi kontrol etmek o kadar zor olur ve tahrikli fırça / tahrikli süpürge tarafından geri itilme ihtimaliniz o kadar artar.

## BAKIM

**⚠UYARI:** Ekipmanı kontrol etmeden veya bakımını yapmadan önce motoru kapatın ve buji başlığını veya batarya kartuşunu çıkarın. Aksi takdirde fırça, süpürme silindiri veya diğer parçalar hareket ederek ciddi yaralanmaya yol açabilir.

**⚠UYARI:** Ekipmanı kontrol ederken veya bakımını yaparken daima yere koyun. Ekipmanın dik konumda monte edilmesi veya ayarlanması ciddi yaralanmaya neden olabilir.

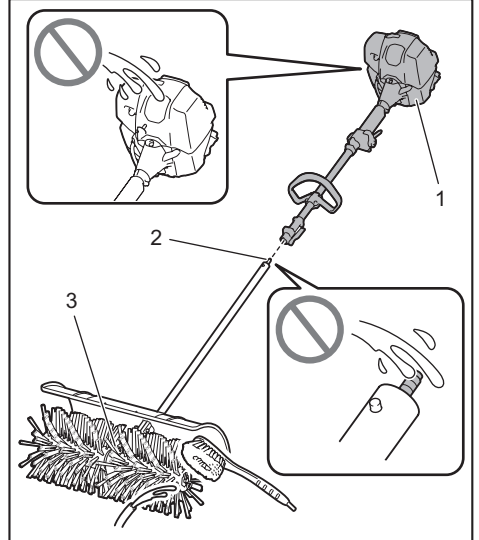
**⚠UYARI:** “GÜVENLİK UYARILARI” bölümündeki ve güç ünitesinin kullanma kılavuzundaki uyarılara ve önlemlere uyun.

**ÖNEMLİ NOT:** Benzin, tiner, alkol ve benzeri maddeleri kesinlikle kullanmayın. Renk değişimi, deformasyon veya çatlaklar oluşabilir.

Aleti EMNİYETLİ ve ÇALIŞMAYA HAZIR durumda tutmak için onarımlar, başka her türlü bakım ve ayarlamalar daima Makita yedek parçaları kullanılarak Makita yetkili servis merkezleri veya Fabrikanın Servis Merkezleri tarafından yapılmalıdır.

### Ek parçanın temizlenmesi

Ek parça su ile yıkanabilir. Yıkamak için naylon fırça vb. kullanın.



► 1. Güç ünitesi 2. Boru ucu 3. Dişli kutusu

**ÖNEMLİ NOT:** Güç ünitesinin ve boru ucunun üzerine su dökmeyin. Ek parçanın arızalanmasına neden olabilir.

Kolay temizlik için fırça veya süpürme silindiri fırça ünitesi veya süpürme silindiri ünitesinden çıkarabilirsiniz. Bu kılavuzdaki fırçaların veya süpürme silindirlere değiştirilmesi talimatlarına bakın.



## Genel kontrol

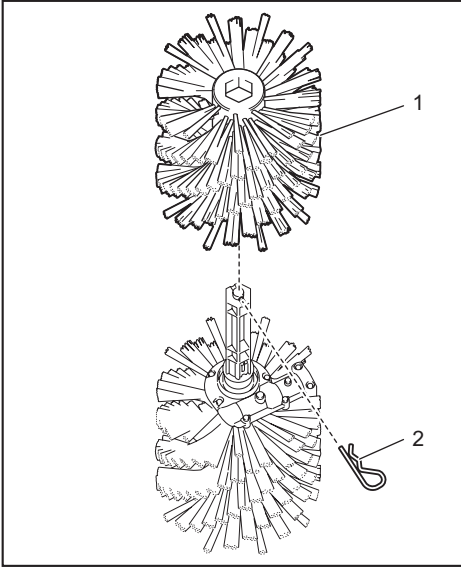
- Gevşek civataları, vidaları ve somunları sıkılayın.
- Hasarlı parça, fırça veya süpürme silindiri olup olmadığını kontrol edin. Gerekirse yetkili servis merkezinde bu parçaları değiştirin.

## Fırçaların, süpürme silindirlerinin ve koruyucunun kontrol edilmesi

Fırçaları, süpürme silindirlerini ve koruyucuyu her gün kontrol edin ve temizleyin. Aşınmış, bükülmüş veya çatlamışsa değiştirin.

## Fırçaların veya süpürme silindirlerinin değiştirilmesi

1. Fırçalardan veya süpürme silindirlerinden firketeleri çıkarın ve ardından fırçaları veya süpürme silindirlerini çıkarın.

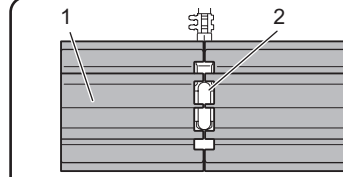


► 1. Fırça 2. Firkete

2. Fırçaları veya süpürme silindirlerini fırça ünitesi veya süpürme silindiri ünitesine takın ve ardından firketeleri takın.

**ÖNEMLİ NOT:** Fırçaları takarken Makita logosu dışarı bakacak şekilde taktığınızdan emin olun.

**ÖNEMLİ NOT:** Süpürme silindirlerini takarken, süpürme silindirleri ve dişli kutusu iç içe geçecek biçimde, şekilde gösterilen yönde taktığınızdan emin olun.



► 1. Süpürme silindiri 2. Dişli kutusu

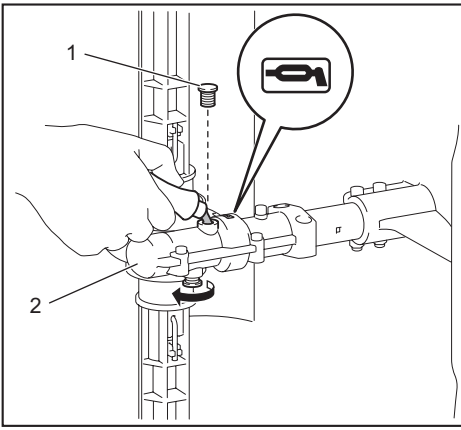
## Hareketli parçaların yağlanması

**ÖNEMLİ NOT:** Sıklık ve sağlanan gres miktarına ilişkin talimatları takip edin. Aksi takdirde yetersiz yağlama hareketli parçalara zarar verebilir.

## Dişli kutusu:

**⚠DİKKAT:** Dişli kutusu sıcakken yağlama yapmayın. Sıcak dişli kutusu, yanık yaralarına sebep olabilir.

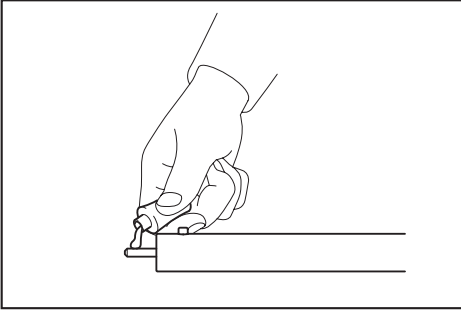
Her 25 saat çalışma sonunda gresörlüğe yaklaşık 30 ml gresi (Makita gres SG No.0) eşit şekilde doldurun. Verilen altı kanallı anahtar ile dişli kutusunun üzerindeki yağlama işaretinin yanındaki civatayı sökün. Gres basarken dişli kutusundaki havanın kaçabilmesi için diğer taraftaki civatayı gevşetin. Gres bastıktan sonra civataları mutlaka sıkın.



► 1. Civata 2. Dişli kutusu

### Tahrik mili:

Her 25 saat çalışma sonunda gres (Makita gres SG No.0) basın.

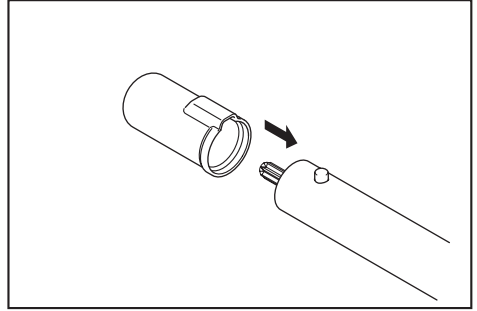


**NOT:** Makita bayinizden orijinal Makita gres satın alabilirsiniz.

### Saklama

**⚠UYARI:** “GÜVENLİK UYARILARI” bölümündeki ve güç ünitesinin kullanma kılavuzundaki uyarılara ve önlemlere uyun.

Güç ünitesinden ayrılmış ek parçayı depolarken şaftın ucuna başlığı takın.



### Kontrol ve bakım aralıkları

| Çalışma saati                              |  | Çalıştırmadan Önce | Her gün (10 saat) | 25 saat |
|--|--|--------------------|-------------------|---------|
| Tüm ünite                                  | Hasarlı parça olup olmadığını gözle kontrol edin               | ✓                  | -                 | -       |
| Tüm sabitleme vidaları ve somunlar         | Sıkıla   | ✓                  | -                 | -       |
| Fırçalar, süpürme silindirleri ve koruyucu | Temizleyin ve hasarlı parça olup olmadığını gözle kontrol edin | -                  | ✓                 | -       |
| Dişli kutusu                               | Gres basın   | -                  | -                 | ✓       |
| Tahrik mili                                | Gres basın   | -                  | -                 | ✓       |
| Güç ünitesi                                | Güç ünitesi kullanma kılavuzuna bakın                          |                    |                   |         |

# SORUN GİDERME

Onarım için servise gitmeden önce kendi kontrollerinizi yapın. Kılavuzda açıklanmayan bir problemle karşılaşırsanız makineyi demonte etmeye çalışmayın. Bunun yerine, Makita yetkili servis merkezlerine başvurun ve daima orijinal Makita yedek parçaları kullanın.

| Anormal durum  | Olası nedeni (arıza)   | Çözümü  |
|--|--|---|
| Motor çalışmıyor.  | -  | Güç ünitesi kullanma kılavuzuna bakın.  |
| Motor hemen duruyor.   | -  | Güç ünitesi kullanma kılavuzuna bakın.  |
| Motor devri yükselmiyor.   | -  | Güç ünitesi kullanma kılavuzuna bakın.  |
| Fırçalar veya süpürme silindirleri dönmüyor.<br>⇒ Motoru hemen durdurun.   | Güç ünitesinin boruları ve ek parça düzgün bağlanmamış.      | Boruları düzgün bağlayın.   |
|  | Fırçalar veya süpürme silindirlerine yabancı cisim takılmış. | Yabancı cisim çıkarın.  |
|  | Anormal tahrik sistemi                                       | Tamir için yetkili servis merkezine başvurun.   |
| Güç ünitesi anormal derecede titreşiyor.<br>⇒ Motoru hemen durdurun.   | Fırçalar veya süpürme silindirleri bükülmüş veya kırık.      | Fırçaları veya süpürme silindirlerini değiştirin.   |
|  | Fırçalar veya süpürme silindirleri gevşek takılmış           | Fırçalar veya süpürme silindirleri için olan firketeleri sıkıca takın.                                |
|  | Fırçalar veya süpürme silindirleri yanlış takılmış           | Fırçaları veya süpürme silindirlerini doğru şekilde takın.  |
|  | Anormal tahrik sistemi                                       | Tamir için yetkili servis merkezine başvurun.   |
| Anahtar tetik/mandal bırakılsa bile fırçalar veya süpürme silindirleri dönmeye devam ediyor.<br>⇒ Motoru hemen durdurun. | Güç ünitesi düzgün çalışmıyor.                               | Güç ünitesi benzinli motorsa rölanti devrini ayarlayın. Tamir için yetkili servis merkezine başvurun. |

## 規格

|                    |                            |
|--------------------|----------------------------|
| 型號：                | <b>BR400MP</b>             |
| 尺寸：長 x 寬 x 高 (含毛刷) | 1,145 mm x 600 mm x 362 mm |
| 淨重                 | 6.3 kg                     |
| 毛刷寬度               | 600 mm                     |
| 毛刷外徑               | 250 mm                     |

|                      |                            |
|----------------------|----------------------------|
| 型號：                  | <b>SW400MP</b>             |
| 尺寸：長 x 寬 x 高 (含掃除刀筒) | 1,159 mm x 600 mm x 362 mm |
| 淨重                   | 7.2 kg                     |
| 掃除刀筒寬度               | 590 mm                     |
| 掃除刀筒外徑               | 265 mm                     |

- 生產者保留變更規格不另行通知之權利。
- 規格可能因銷往國家之不同而異。

## 認可的動力裝置

該組件僅可與以下認可的動力裝置組合使用：

- DUX60, DUX18, UX01G 充電式多功能動力機
- EX2650LH 多功能動力機

**警告：**切勿將本組件和未經認可的動力裝置組合使用。未經認可的組合可能會造成嚴重的傷害。

## 符號

組件及本說明手冊使用下列符號。請瞭解其定義。



特別小心和注意！



請仔細閱讀使用說明書。



請佩戴保護頭盔、護目鏡和保護耳罩！



穿著具有防滑底的結實靴。建議穿著鐵頭安全靴！



旁人至少須距離 5 m (17 ft) 遠。



毛刷或掃除刀筒會依箭頭方向旋轉。



安裝毛刷或掃除刀筒時，請確認齒輪箱朝上。

## 用途

### BR400MP

該組件用於打掃地板和走道，須與核可的動力裝置組合使用。切勿將該組件挪作他用，不正當使用該組件可能造成嚴重的人身傷害。本組件為商用器具。

### SW400MP

本組件旨在清潔樹葉和泥土等潮溼物質，以及去除固定表面上的水分，須與核可的動力裝置組合使用。切勿將該組件挪作他用，不正當使用該組件可能造成嚴重的人身傷害。本組件為商用器具。

## 符合性聲明

### 僅用於歐洲國家

我們作為製造商：**Makita Europe N.V.**，公司地址：**Jan-Baptist Vinkstraat 2 3070 Kortenberg BELGIUM**。授予 **Kazuhisa Makino** 編寫技術檔案之權利，並在權責範圍內發表以下產品聲明；名稱：**毛刷清掃器 / 地面掃除器**。型式：**BR400MP / SW400MP**。

符合 **2006/42/EC** 所有相關規定並依據以下 Harmonised 標準製造：**EN 60335-1:2012+A11:2014+A13:2017+A1:2019+A14:2019+A2:2019+A15:2021, EN 60335-2-72:2012**。

聲明地點和日期：**Kortenberg, Belgium**。1. 8. 2023

負責人：**Makita Europe N.V. 董事 - Kazuhisa Makino**。

## 安全警告

### 毛刷清掃器／地面掃除器安全警告

**警告：**使用前務必詳閱本組件隨附文件以及動力裝置使用說明書中的所有安全警告、說明、圖解及規格。若未遵循下列說明，則可能導致火災及／或對操作人員及／或旁人造成嚴重傷害。

### 妥善保存所有的警告和安全事項說明以備將來參考。

警告和注意事項中的術語「毛刷清掃器／地面掃除器」和「機器」是指該組件和動力裝置的組合。

警告和注意事項中的術語「馬達」是指動力裝置的引擎或電動馬達。

#### 一般安全規則

1. 首次使用或無經驗的操作人員應請經銷商提供本機器所有操作的訓練。切勿讓兒童及具生理、感官或心理障礙的人，或缺乏使用經驗與知識者，以及不熟悉操作說明的人員使用本機器。應監護好兒童，確保他們不會將本機器當成玩具。
2. 本機器僅能交給確實有相關經驗的人員操作。務必遞交說明手冊。
3. 當操作本機器時，請保持警覺，關注進行中的操作並善用常識。請勿在疲勞、生病或受到毒品、酒精或藥物影響時操作本機器。在操作本機器期間分心，可能會導致嚴重人身傷害。
4. 切勿在惡劣天氣環境下（尤其是雷雨）使用本機器。
5. 請遵守戶外動力機器專用國家與當地法規。
6. 切勿嘗試改裝機器。
7. 操作時要時刻謹記，如果對他人及其財產造成損失，操作人員或用戶必須為此負責。

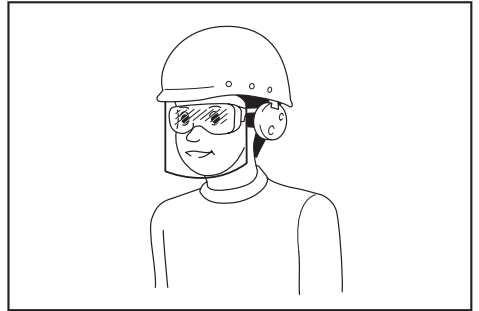
#### 工作場地安全

**警告：**務必使毛刷清掃器／地面掃除器遠離電氣線路和通信電纜。毛刷清掃器／地面掃除器接觸或靠近高壓線，會導致死亡或嚴重人身傷害。開始操作前，請檢查工作區域的電氣線路和帶電圍欄。

1. 務必在視線良好且光線充足的條件下，操作耕耘器。請勿在光線昏暗或模糊的情況下操作耕耘器。
2. 僅可在通風良好的戶外條件下，啟動和操作引擎。在狹小封閉或通風條件差的環境下操作，將會導致人體因缺氧和一氧化碳中毒而死亡。
3. 操作之前，請檢查作業區域是否有鐵絲柵欄、石塊或其他堅硬物體。可能會損壞毛刷或掃除刀筒。
4. 操作期間，切勿站在不穩固、打滑或陡坡地面上。在冬季，要注意冰雪並確保立足穩固。
5. 避免在籬笆、樹樁或樹根附近作業。可能會損壞毛刷或掃除刀筒。
6. 避免在建築物、汽車或其他物產附近作業。毛刷清掃器／地面掃除器擊出的石頭及碎屑，會對上述物件造成損傷。
7. 清潔合成地板可能產生靜電，會有觸電或發生意外的風險。

#### 個人防護設備

1. 務必穿著厚長褲、結實靴、手套及長袖上衣。請勿穿戴寬鬆衣物、珠寶、短褲、涼鞋或是赤腳。將頭髮綁起，勿過肩。
2. 使用機器時務必配戴護目鏡，避免眼部遭受傷害。護目鏡必須符合所在地的法規，例如：美國地區的 **ANSI Z87.1**、歐洲地區的 **EN 166** 或澳洲／紐西蘭地區的 **AS/NZS 1336**。若於澳洲／紐西蘭地區，法定需配戴面罩保護臉部。



雇主有責任監督工具操作者和其他鄰近工作區域的人員穿戴合適的安全保護裝備。

3. 務必配戴耳朵保護裝備，例如耳罩。暴露於噪音下可能會導致聽力受損。
4. 務必穿上具有防滑底的結實靴。結實靴能保護雙腳免於受傷並讓您站穩。
5. 必要時請配戴防塵面罩。

## 補充燃油

1. 請先停止引擎再補充燃油。請遠離明火和火花。補充燃油時切勿抽菸。否則可能會造成火災和／或爆炸。
2. 在戶外補充燃油。在密閉空間中補充燃油可能會造成油汽爆炸。
3. 避免接觸燃油或引擎機油。請勿吸入油汽。若燃油或油溢出，請立即擦淨本機器和／或地面上的油漬。若衣物沾到燃油，請立即更衣並避免衣物著火。
4. 補充燃油後，請蓋緊油箱蓋並確保無漏油情形。先遠離油源和加油地點至少 **3 m (10 ft)** 遠，再啟動引擎。
5. 務必以認證容器運送和存放燃油。務必讓孩童遠離存放的燃油。

## 啟動毛刷清掃器／地面掃除器

1. 組裝或調節本機器前，請關閉馬達並取下火星塞帽或電池組。
2. 處理毛刷或掃除刀筒前，請先戴上防護手套。
3. 啟動馬達前，請先將個人防護裝備穿戴妥當。
4. 啟動馬達前，請檢查是否有機器受損、螺絲／螺帽鬆脫或裝配錯誤等異常狀況。檢查所有控制桿和開關，確保其可操作自如。清潔並乾燥手柄。
5. 若發現機器有受損情形或必須配備的護罩、護板或其他安全保護裝置尚未完全組裝，切不可嘗試啟動馬達。否則可能會造成嚴重的人身傷害。
6. 啟動馬達前，請小心檢查毛刷或掃除刀筒並未接觸您的身體和其他物體。啟動馬達時，若毛刷或掃除刀筒接觸到異物，則可能造成嚴重意外。
7. 啟動馬達前，請檢查工作區域內已淨空人員及牲畜。
8. 依據操作者的體型，適當調整肩帶和手柄。
9. 毛刷或掃除刀筒若出現裂縫、彎折或受損等情形，請加以更換。受損的毛刷或掃除刀筒可能會在操作期間斷裂飛濺並造成嚴重傷害。
10. 僅可在通風良好的戶外啟動和操作本機器。在狹小封閉或通風條件差的環境下操作會導致人體因缺氧和一氧化碳中毒而死亡。
11. 啟動引擎時，先將機器放置於堅固的地面，然後保持良好的平衡和穩固的立足點。

12. 拉動引擎的啟動鈕時，用左手將動力裝置穩穩的壓在地面上。切勿踩踏動力裝置的傳動軸。
13. 若毛刷或掃除刀筒以怠速運轉，先將引擎熄火，再將怠速調低。否則意外接觸到轉動中的毛刷或掃除刀筒，可能會造成嚴重傷害。
14. 若發現任何問題，請立即停止馬達。
15. 請依照動力裝置的使用說明書啟動馬達。

## 運輸

1. 運輸期間請停止馬達。否則意外啟動可能會導致受傷。
2. 確保在車輛運輸期間將本機器放在安全位置，以免漏油。
3. 搬運本機器時，請將本機器從地面整個提起。拖曳本機器可能會造成油箱損壞及漏油情形，並釀成火災。
4. 搬運設備時，請以握穩軸身的方式水平搬運。身體遠離發熱的消音器。

## 操作

1. 操作期間，保持毛刷清掃器／地面掃除器的 **5 公尺 (17 英尺)** 範圍內沒有旁人或動物。若有他人靠近，請立即停止馬達。
2. 出現緊急情況時，請立即關閉馬達。
3. 如果操作期間察覺到任何異常（例如：噪音、振動），請關閉馬達。尚未查出並解除故障原因之前，請勿使用耕耘器。
4. 當引擎僅怠速運行時，安裝肩帶。
5. 操作時，請使用肩帶。將機器牢固地置於右手側。



6. 無論您習慣使用左手還是右手，請都用左手握住前把手，右手握住後把手。五指握住把手。
7. 切勿嘗試單手操作本機器，失控會導致嚴重或致命傷害。為降低受傷的風險，手部和腳務必遠離毛刷或掃除刀筒。
8. 操作時，毛刷或掃除刀筒不可超過腰部高度。
9. 鬆開油門扳機或關閉馬達後，毛刷或掃除刀筒在短時間內仍會繼續轉動。切勿急於接觸毛刷或掃除刀筒。
10. 操作時手不要伸得太長。使用時請雙腳站穩，時刻保持平衡。注意樹株、樹根和壕溝等不明顯的障礙物，避免絆倒。
11. 反轉毛刷或掃除刀筒或向自身拉近機器時，務必格外謹慎。若動力裝置具有反轉功能，非必要狀況下請勿使用。反轉操作時，若毛刷或掃除刀筒接觸地面，毛刷清掃器／地面掃除器會對您產生推力。
12. 切勿嘗試以過快的速度用力推動機器，否則會造成機器過載。機器在正當負載下的工作效率最佳，受傷的風險也較低。
13. 毛刷或掃除刀筒受阻時，切勿提高馬達轉速。此舉不僅提高負載，也會造成馬達受損。
14. 若機器遭受重擊或跌落，請在繼續使用之前檢查其運作狀況。檢查燃料系統是否存在燃料洩露，控制和 safety 裝置是否存在故障。如果有任何損壞或疑問，請將其交由授權維修服務中心進行檢查和維修。
15. 不可觸摸齒輪箱。操作期間，齒輪箱會發燙。
16. 讓工具休息一段時間，避免因過度使用而失控。建議每小時休息 10 到 20 分鐘。
17. 即使是短時間的離開機器，也務必關閉引擎或取出電池組。無人看管而引擎仍在運轉的機器，可能會遭未獲授權人員使用並造成嚴重事故。
18. 按照動力裝置的使用說明書合理使用控制拉桿和開關。
19. 操作期間或操作結束後，請勿將發熱的機器放置於乾草或易燃物體上。
20. 若毛刷或掃除刀筒卡入異物，請先關閉馬達並取出火星塞帽或電池組，再清除阻礙物。
21. 手部和腳部務必遠離毛刷或掃除刀筒。碰觸到毛刷或掃除刀筒會造成嚴重傷害。處理毛刷或掃除刀筒時，請關閉馬達並取下火星塞帽或電池組。
22. 操作期間，請經常檢查毛刷或掃除刀筒是否有裂縫或受損的情形。
23. 要清除毛刷或掃除刀筒的碎屑或異物時，務必先關閉引擎或取出電池組。
24. 啟動及控制機器的方式，請參閱動力裝置的使用說明書。

## 振動

暴露在過多振動下，會傷害到操作人員的血管或神經系統，並使手指、手或手腕出現以下症狀：「發麻」（麻木）、刺痛、疼痛、刀刺痛、膚色或皮膚產生變化。若出現任何上述症狀，請立即就醫。

為降低「白指症」的風險，請在操作期間做好雙手保暖，並妥善保養機器和配件。

## 保養

1. 進行機器的任何保養、維修或清潔工作之前，請務必關閉馬達並取下火星塞帽或電池組。等待馬達冷卻。
2. 為降低火災風險，切勿在火源附近維修設備。
3. 處理毛刷或掃除刀筒時，務必配戴防護手套。
4. 務必清除設備上的灰塵及塵垢。切勿使用汽油、苯、稀釋劑、酒精或類似物品清潔工具。否則可能會導致塑料零件變色、變形或出現裂縫。
5. 每次使用完畢後，請緊固所有螺絲和螺母，化油器調節螺絲除外。
6. 毛刷或掃除刀筒如果受損，請加以更換。
7. 請勿嘗試進行本手冊或動力裝置使用說明書中未介紹的任何保養或維修，請將此類工作交由牧田授權的維修服務中心執行。
8. 請遵循本說明書指示進行組件的潤滑及更換。
9. 務必使用 Makita（牧田）正廠備件和附件。使用第三方供應的零件或附件可能會導致設備破損、財產損失和／或嚴重傷害。
10. 定期將機器交由牧田授權的維修中心進行檢查和保養。

## 存放

1. 儲放機器之前，請進行徹底的清潔和保養。取下火星塞帽或電池組。引擎冷卻後，洩出燃油。
2. 將設備存放在兒童接觸不到的乾燥高處或加鎖位置。
3. 請勿將設備倚靠在牆壁等物體上。否則設備可能會突然跌落並造成傷害。

## 急救

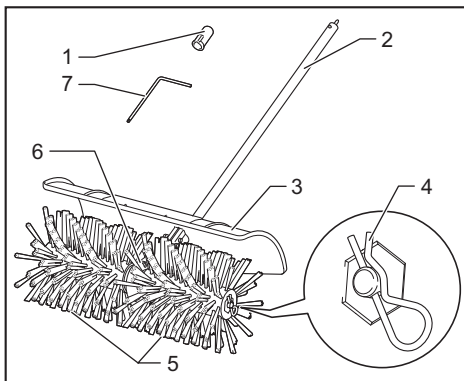
1. 若發生意外，請確保作業區附近有急救箱可用。從急救箱中取用的任何物品應立即補充。
2. 請求幫助時，請提供以下資訊：
  - 事故發生位置
  - 發生什麼事故
  - 受傷人數
  - 受傷種類
  - 您的姓名

## 妥善保存這些手冊。

**警告：** 使用本產品可能會擊起含有化學物質的粉塵，這可能會導致呼吸困難或其他疾病。例如，這些化學物質可能含有殺蟲劑、肥料和除草劑。暴露於此類物質的危害程度取決於您做該類工作的頻度。為降低您暴露於此類化學物質的程度：請在通風良好的區域進行作業並使用經認可的安全裝置，如特別設計用於過濾細微顆粒的防塵面罩。

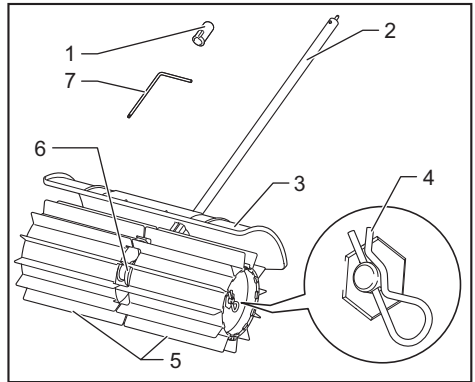
## 部件說明

### 毛刷清掃器



- 1. 蓋子 2. 外管 3. 安全保護裝置 4. 固定夾 5. 研光刷 6. 齒輪箱 7. 梅花扳手

## 地面掃除器



- 1. 蓋子 2. 外管 3. 安全保護裝置 4. 固定夾 5. 掃除刀筒 6. 齒輪箱 7. 梅花扳手

## 裝配

**警告：** 組裝和調整本設備前，請關閉馬達或引擎並取下火星塞帽或電池組。否則毛刷、刀筒或其他零件可能會作動並造成嚴重傷害。

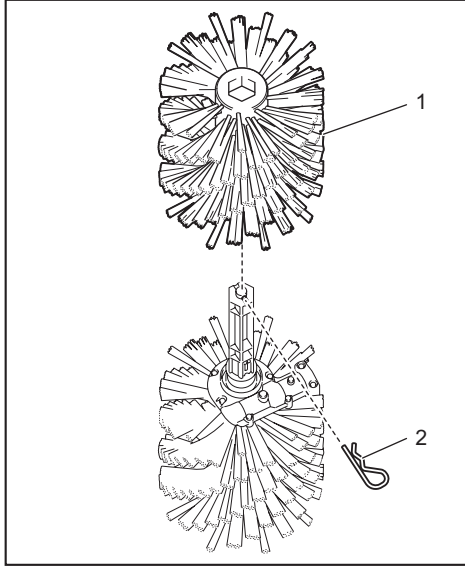
**警告：** 組裝或調整設備時，請始終將其放倒。組裝或調整設備時直立放置設備可能造成嚴重人身傷害。

**警告：** 遵循「安全警告」一節以及動力裝置使用說明書中的警告和注意事項。



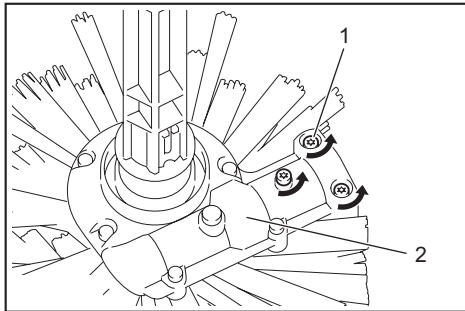
## 組裝裝置

1. 取下毛刷單元或掃除刀筒單元左側的毛刷或掃除刀筒固定夾，然後取下毛刷或掃除刀筒。



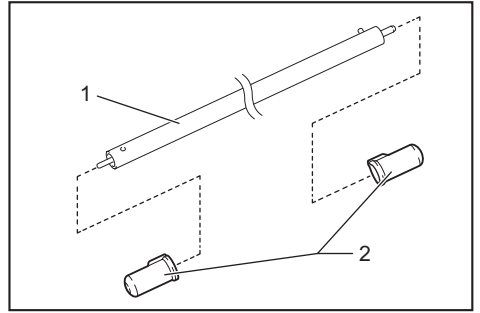
► 1. 研光刷 2. 固定夾

2. 鬆開齒輪箱上的 3 顆螺絲。



► 1. 螺絲 2. 齒輪箱

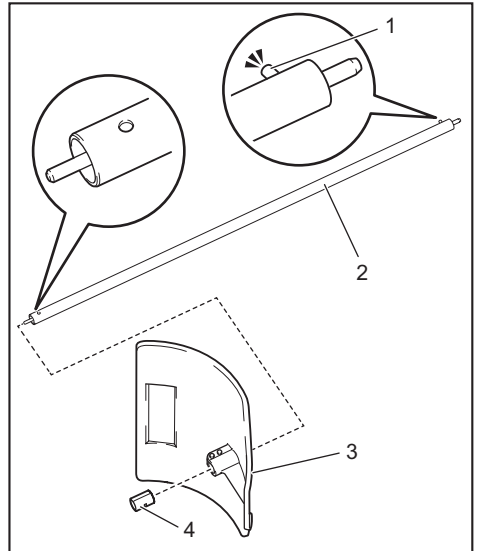
3. 取下外管兩端的 2 個蓋子。



► 1. 外管 2. 蓋子

**注意：** 蓋子請勿丟棄，於收納本組件時會用到。

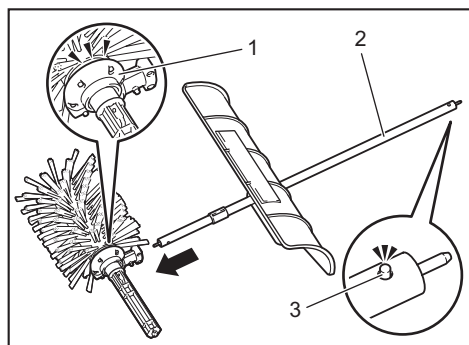
4. 在外管裝上安全保護裝置和套筒。



► 1. 插銷 2. 外管 3. 安全保護裝置 4. 套筒

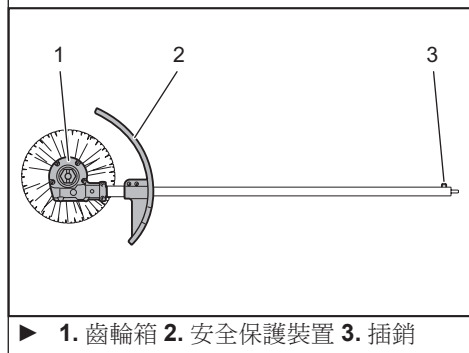
**注意：** 請務必將無插銷的外管末端插入安全保護裝置和套筒中。

5. 請確認齒輪箱和外管上的插銷朝上，然後將外管插入齒輪箱。



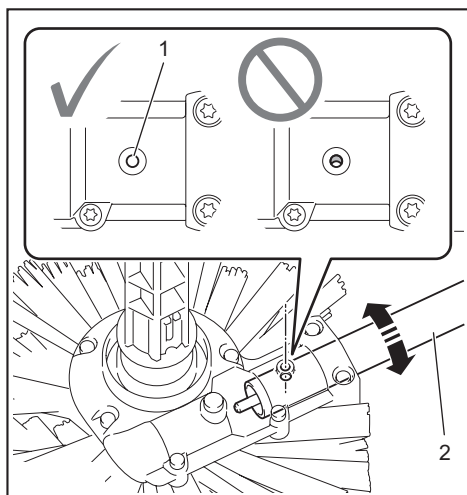
► 1. 齒輪箱 2. 外管 3. 插銷

**注意：**請確認齒輪箱和外管上的插銷朝上，然後依圖中所示方向裝上安全保護裝置。



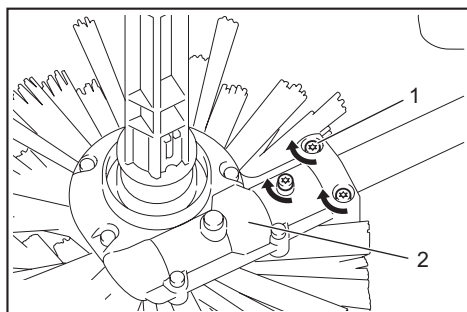
► 1. 齒輪箱 2. 安全保護裝置 3. 插銷

6. 旋轉外管，對齊外管上的螺絲孔和齒輪箱上的開孔。



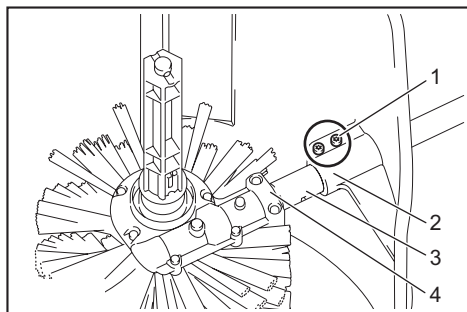
► 1. 開孔 2. 外管

7. 鎖緊齒輪箱上的3顆螺絲。



► 1. 螺絲 2. 齒輪箱

8. 鎖緊安全保護裝置上的2顆螺絲。



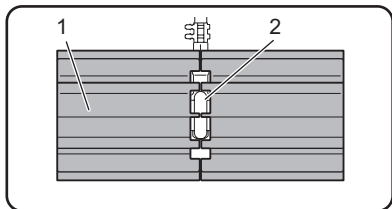
► 1. 螺絲 2. 安全保護裝置 3. 套筒  
4. 齒輪箱

**注意：**請確認齒輪箱和套筒、以及套筒和安全保護裝置之間緊密無空隙。

9. 將毛刷或掃除刀筒裝到毛刷單元或掃除刀筒單元，然後將固定夾裝到毛刷或掃除刀筒上。

**注意：**裝上毛刷時，請務必將 Makita 標誌朝外裝回。

**注意：**裝上掃除刀筒時，請務必依圖中所示方向裝回，這樣掃除刀筒和齒輪箱就能相互嚙合。



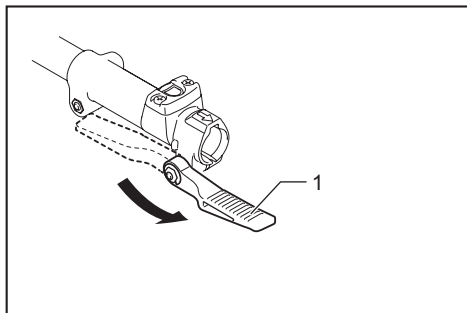
▶ 1. 掃除刀筒 2. 齒輪箱

## 安裝連接管

**⚠️ 小心：**安裝完成後，務必檢查組件外管已確實固定。安裝不當可能造成組件自動力裝置脫落並導致人員受傷。

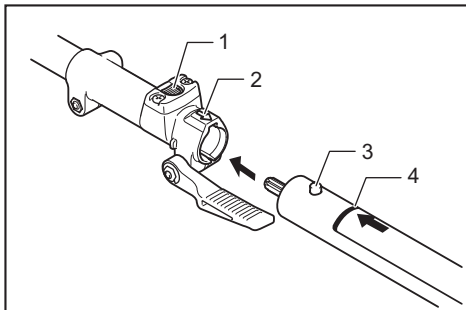
將連接管安裝於動力裝置。

1. 將固定桿朝組件轉動。



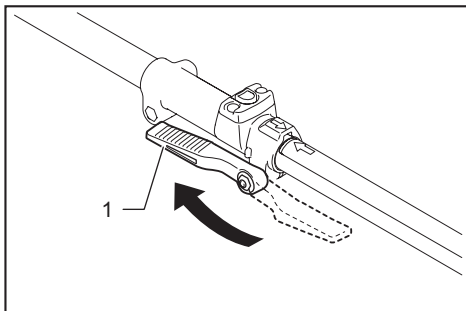
▶ 1. 固定桿

2. 將插銷對齊箭頭標誌。插入組件外管，直到釋放按鈕彈出。確認位置線位於箭頭標誌的尖端。



▶ 1. 釋放按鈕 2. 箭頭標誌 3. 銷 4. 位置線

3. 將固定桿朝動力裝置轉動。

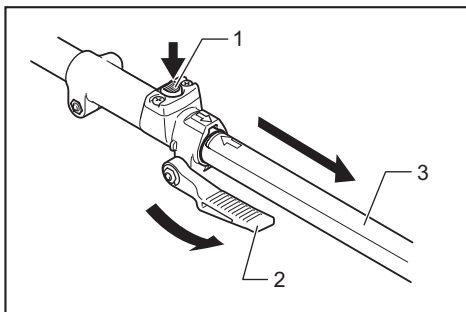


▶ 1. 固定桿

確認固定桿表面與連接管平行。

**注意：**請勿在未插入組件外管的情況下鎖緊固定桿。否則固定桿可能會過度鎖緊傳動軸的入口並造成損壞。

若要取下組件外管，請將固定桿朝組件轉動，並於壓下釋放按鈕的同時拉出外管。



▶ 1. 釋放按鈕 2. 固定桿 3. 連接管

## 操作

**警告：** 遵循「安全警告」一節以及動力裝置使用說明書中的警告和注意事項。

**警告：** 操作前，將把手位置及肩帶調整至最舒適的位置。

**警告：** 請配戴防塵面罩並保持工作區域通風良好。有些材料含有毒化學物質。小心切勿吸入粉塵，並避免皮膚接觸。

**小心：** 操作前，先清除工作區域內石頭、瓶罐及繩索等的堅硬及／或長形物體。這些物品可能會損壞毛刷或掃除刀筒，或是妨礙毛刷或掃除刀筒的運轉。

如果要清潔的表面較乾，請在上面噴點水減少灰塵。以小角度握住毛刷清掃器／地面掃除器，然後依行走速度推動毛刷清掃器／地面掃除器。



**小心：** 角度越陡，越不易控制毛刷清掃器／地面掃除器，而且毛刷清掃器／地面掃除器所產生的推力也會越大。

## 保養

**警告：** 檢查和保養本設備前，請先關閉馬達並取下火星塞帽或電池組。否則毛刷、掃除刀筒或其他零件可能會作動並造成嚴重傷害。

**警告：** 檢查或保養本設備時，請一律將其放倒。組裝或調整設備時直立放置設備可能造成嚴重人身傷害。

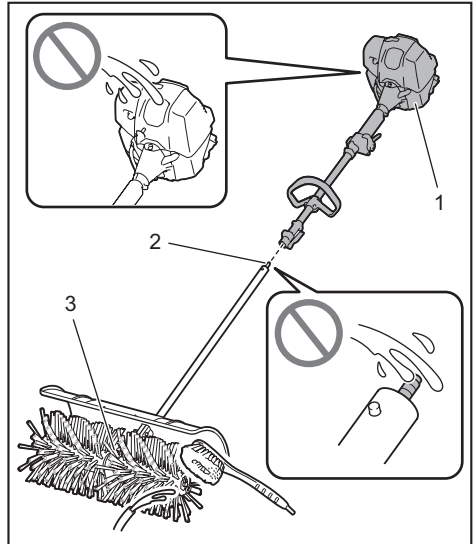
**警告：** 遵循「安全警告」一節以及動力裝置使用說明書中的警告和注意事項。

**注意：** 切勿使用汽油、苯、稀釋劑、酒精或類似物品清潔工具。否則可能會導致工具變色、變形或出現裂縫。

為了保證產品的安全與可靠性，任何維修或其他維修保養工作需由Makita（牧田）授權的或工廠維修服務中心來進行。務必使用Makita（牧田）的更換部件。

## 清潔組件

本組件可用水清洗。使用尼龍刷或類似物品洗淨汙物。



► 1. 動力裝置 2. 外管末端 3. 齒輪箱

**注意：** 切勿將水倒入動力裝置和外管末端。否則可能造成本組件運作異常。

為了方便清潔，可以從毛刷單元或掃除刀筒單元拆下毛刷或掃除刀筒。若要更換毛刷或掃除刀筒，請參閱本手冊的相關說明。

## 整機檢查

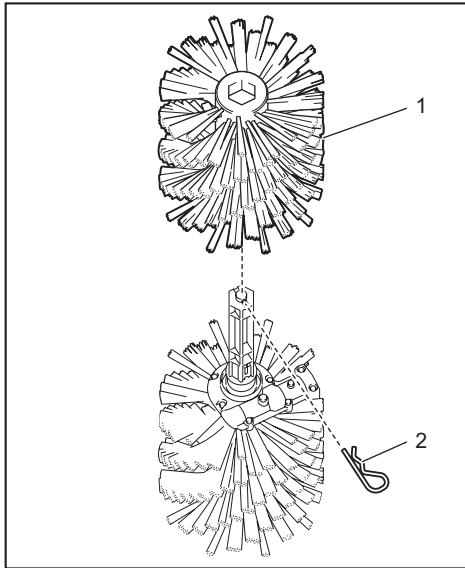
- 緊固鬆開的螺栓、螺母和螺絲。
- 請檢查零件、毛刷或掃除刀筒是否受損。如需更換，請聯繫Makita（牧田）授權的維修服務中心進行更換。

## 檢查毛刷、掃除刀筒及安全保護裝置

每日檢查並清潔毛刷、掃除刀筒及安全保護裝置。若發現磨損、彎曲及龜裂等情形，請予以更換。

## 更換毛刷或掃除刀筒

1. 取下毛刷或掃除刀筒上的固定夾，然後取下毛刷或掃除刀筒。

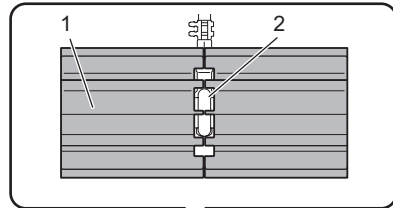


- 1. 研光刷 2. 固定夾

2. 將毛刷或掃除刀筒裝到毛刷單元或掃除刀筒單元，然後裝上固定夾。

**注意：**裝上毛刷時，請務必將Makita標誌朝外裝回。

**注意：**裝上掃除刀筒時，請務必依圖中所示方向裝回，這樣掃除刀筒和齒輪箱就能相互吻合。



- 1. 掃除刀筒 2. 齒輪箱

## 潤滑移動部件

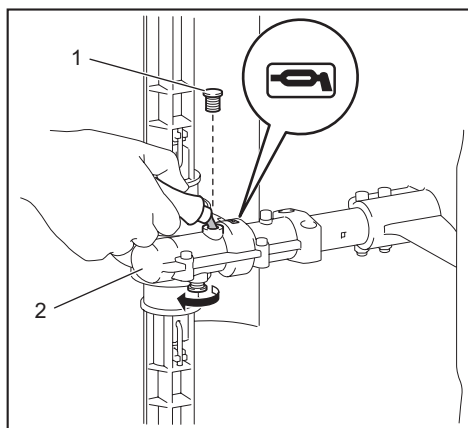
**注意：**按照頻度說明塗抹一定量的油脂。否則不充分的潤滑可能會損壞運動部件。

## 齒輪箱：

**小心：**請勿在齒輪箱灼熱時塗抹油脂。灼熱的齒輪箱會造成燙傷。

透過加油口均勻添加約 30 ml 的潤滑脂（Makita 潤滑脂 SG No.0），每操作 25 小時添加一次。

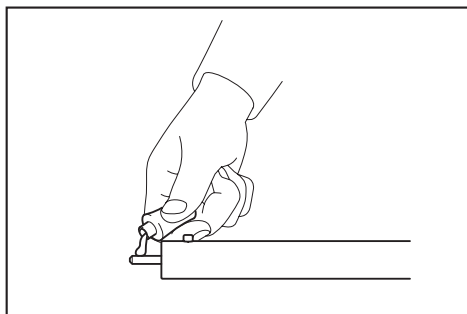
利用隨附的梅花扳手取下齒輪箱上靠近潤滑標記的螺栓。鬆開另一側的螺栓，以利添加潤滑脂時可排出齒輪箱內的空氣。添加潤滑脂完成後，務必鎖緊螺栓。



► 1. 螺栓 2. 齒輪箱

### 驅動軸：

每操作 25 小時塗抹潤滑脂（Makita 潤滑脂 SG No.0）。

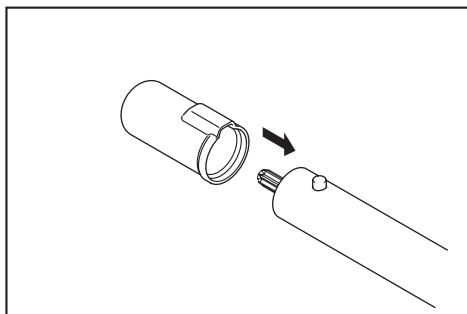


注：Makita 原廠潤滑脂可向 Makita 當地經銷商購買。

### 存放

**警告：** 遵循「安全警告」一節以及動力裝置使用說明書中的警告和注意事項。

儲放由動力裝置分離的組件時，請蓋上軸末端的封蓋。



### 檢查和保養間隔

| 操作時數           |                | 操作前 | 日常維護<br>(10 小時) | 25 小時 |
|----------------|----------------|-----|-----------------|-------|
| 整體裝置           | 目測檢查是否有部件受損    | ✓   | -               | -     |
| 所有起固定作用的螺絲和螺帽  | 旋緊             | ✓   | -               | -     |
| 毛刷、掃除刀筒及安全保護裝置 | 清潔及目測檢查是否有受損零件 | -   | ✓               | -     |
| 齒輪箱            | 添加潤滑脂          | -   | -               | ✓     |
| 驅動軸            | 添加潤滑脂          | -   | -               | ✓     |
| 動力裝置           | 請參閱動力裝置的使用說明書  |     |                 |       |

## 故障排除

請廠商維修前，請先自行執行檢查。若發現到手冊中未說明的問題，請勿嘗試拆開機器。務必至牧田授權維修中心，使用牧田替換零件進行維修。

| 異常狀態                                       | 可能原因（故障）          | 糾正措施                             |
|--|-------------------|----------------------------------|
| 馬達或引擎未啟動。                                  | -                 | 請參閱動力裝置的使用說明書。                   |
| 馬達或引擎很快停止。                                 | -                 | 請參閱動力裝置的使用說明書。                   |
| 馬達或引擎速度未變快。                                | -                 | 請參閱動力裝置的使用說明書。                   |
| 毛刷或掃除刀筒未旋轉。<br>⇒ 立即停止馬達或引擎。                | 動力裝置和本組件的外管未正確連接。 | 以正確方式連接外管。                       |
|  | 毛刷或掃除刀筒遭異物卡住。     | 清除異物。                            |
|  | 驅動系統異常            | 請聯絡授權服務中心進行維修。                   |
| 動力裝置異常振動。<br>⇒ 立即停止馬達或引擎。                  | 毛刷或掃除刀筒彎折或受損。     | 更換毛刷或掃除刀筒。                       |
|  | 毛刷或掃除刀筒安裝不牢固。     | 牢固地裝上毛刷或掃除刀筒的固定夾。                |
|  | 毛刷或掃除刀筒安裝異常。      | 依正確方式安裝毛刷或掃除刀筒。                  |
|  | 驅動系統異常            | 請聯絡授權服務中心進行維修。                   |
| 即使已放開開關扳機／拉桿，毛刷或掃除刀筒仍繼續轉動。<br>⇒ 立即停止馬達或引擎。 | 動力裝置未正常運作。        | 若動力裝置採用引擎驅動，請調整怠速。請聯絡授權服務中心進行維修。 |

# Makita Europe N.V.

Jan-Baptist Vinkstraat 2, 3070 Kortenberg, Belgium

# Makita Corporation

3-11-8, Sumiyoshi-cho, Anjo, Aichi 446-8502 Japan

[www.makita.com](http://www.makita.com)



885649E992  
EN, FR, DE, IT, NL,  
ES, PT, DA, EL, TR,  
ZHTW  
20181004