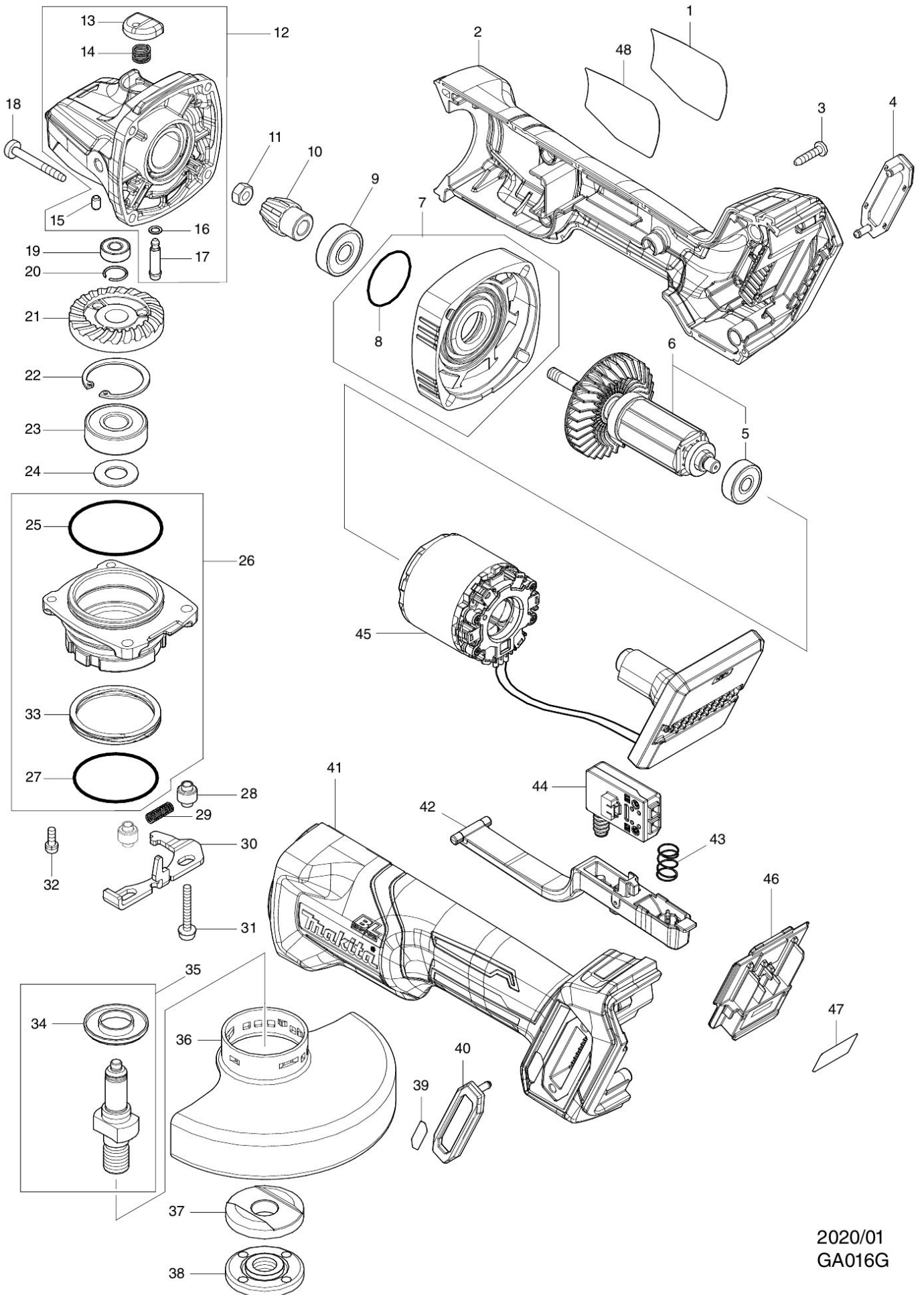


# Partdrawing for GA016GZ - Haakse slijper



2020/01  
GA016G