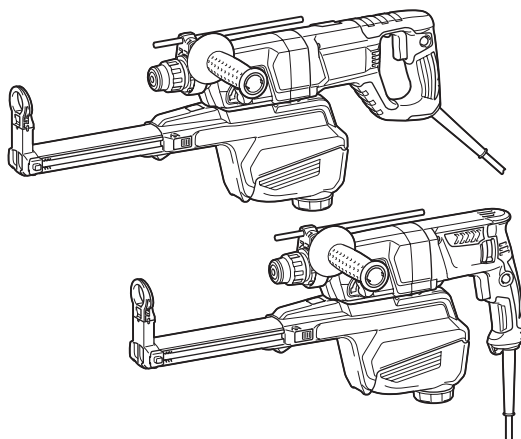




EN	Combination Hammer With Self Dust Collection	INSTRUCTION MANUAL	8
FR	Perforateur Burineur Avec Système d'Aspiration De Poussières	MANUEL D'INSTRUCTIONS	15
DE	Kombihammer mit Staubabsaugung	BETRIEBSANLEITUNG	23
IT	Tassellatore combinato con raccolta polveri automatica	ISTRUZIONI PER L'USO	31
NL	Combinatiehamer met stofopvang	GEBRUIKSAANWIJZING	40
ES	Martillo Combinado con Recolección Automática de Polvo	MANUAL DE INSTRUCCIONES	48
PT	Martelete Combinado com Coleta Automática de Pó	MANUAL DE INSTRUÇÕES	56
DA	Kombinationshammer med automatisk støvopsamling	BRUGSANVISNING	64
EL	Κρουστικό πιστολέτο με αυτόματη συλλογή σκόνης	ΕΓΧΕΙΡΙΔΙΟ ΟΔΗΓΙΩΝ	72
TR	Otomatik Toz Toplayan Kombine Darbeli Matkap	KULLANMA KILAVUZU	81

HR2652
HR2653
HR2653T
HR2663



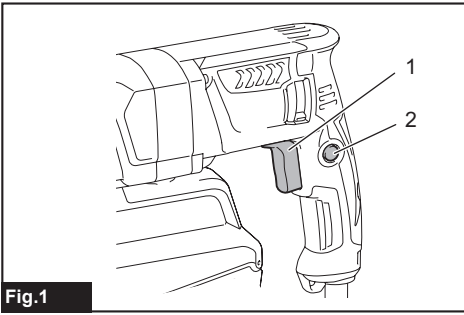


Fig.1

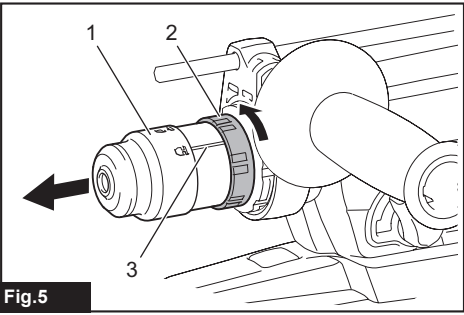


Fig.5

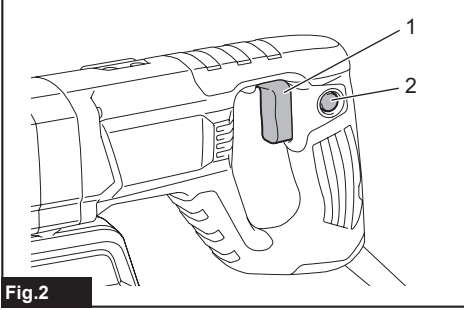


Fig.2

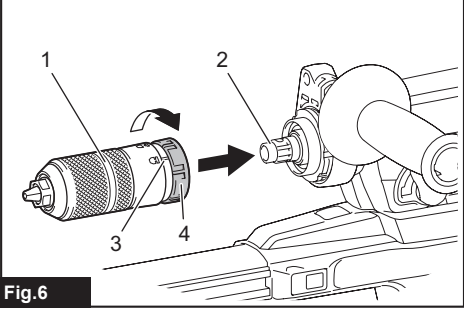


Fig.6

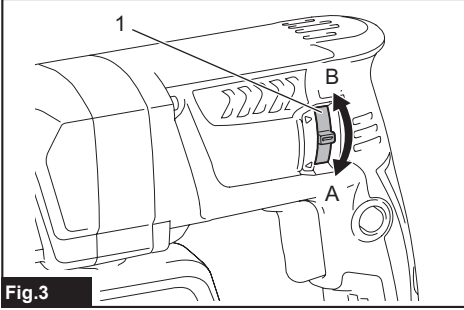


Fig.3

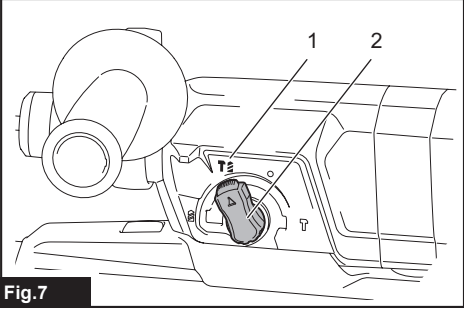


Fig.7

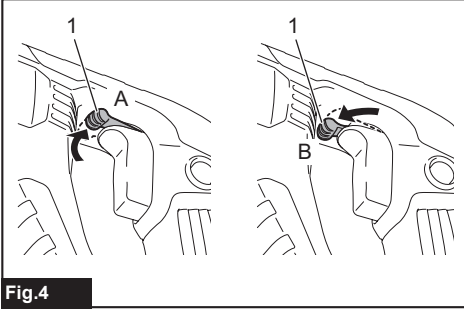


Fig.4

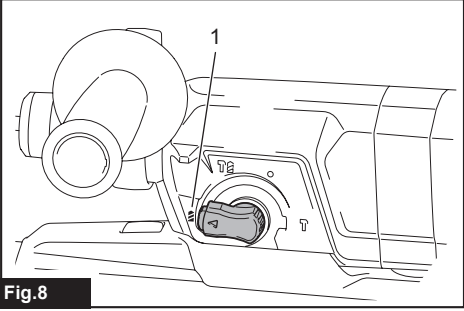


Fig.8

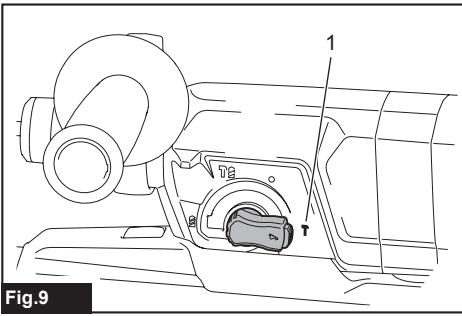


Fig.9

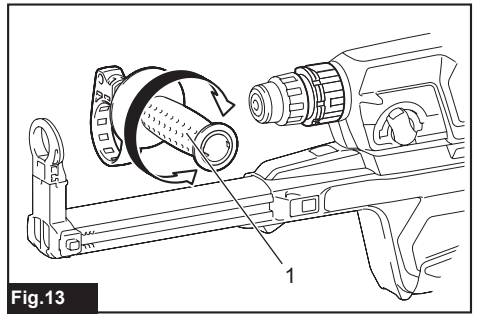


Fig.13

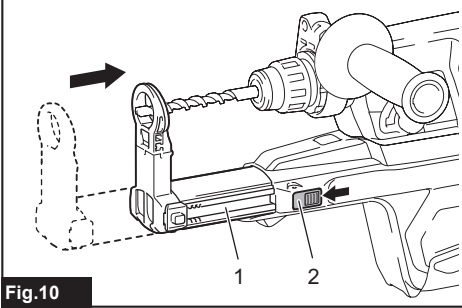


Fig.10

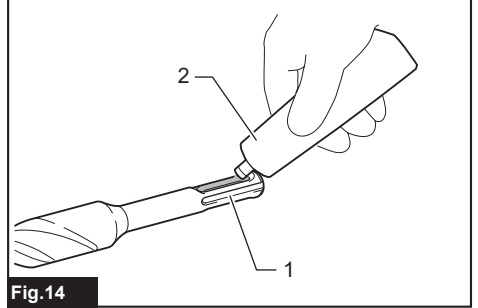


Fig.14

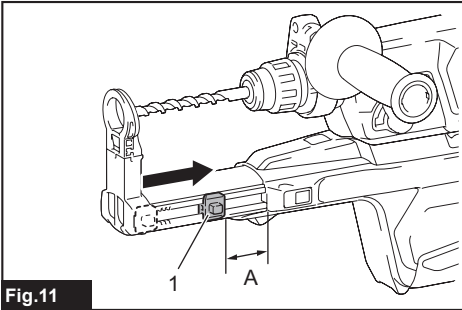


Fig.11

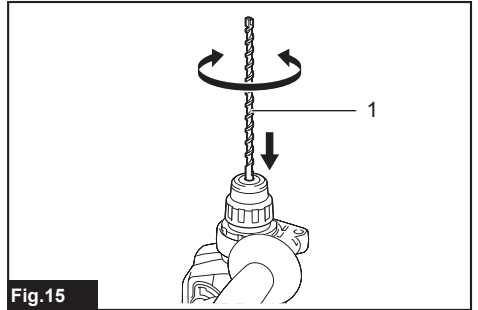


Fig.15

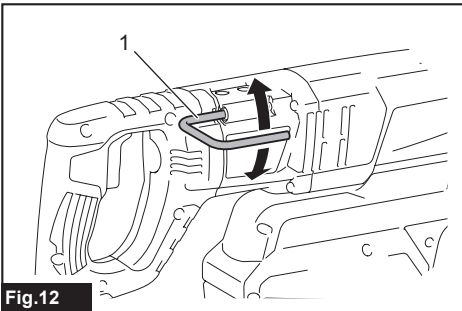


Fig.12

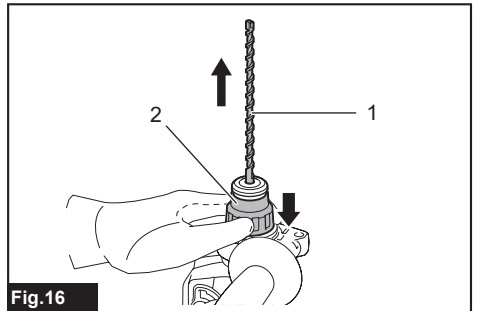


Fig.16

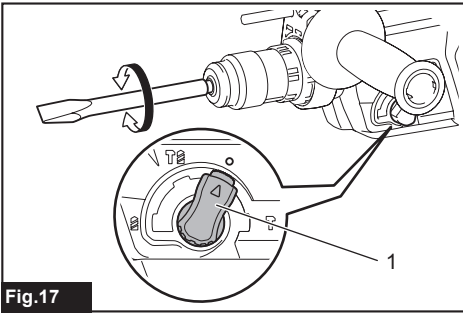


Fig.17

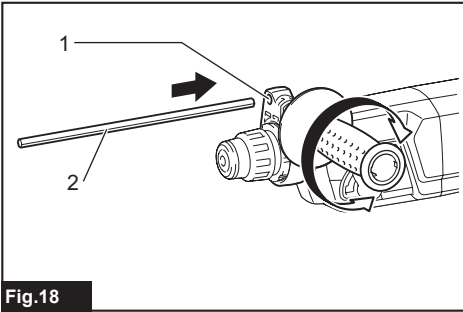


Fig.18

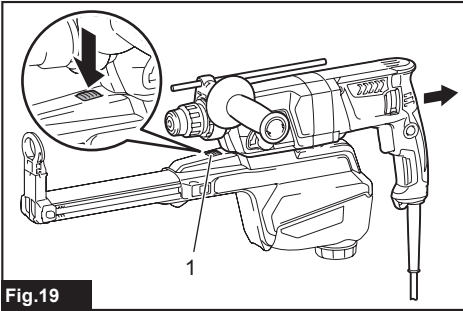


Fig.19

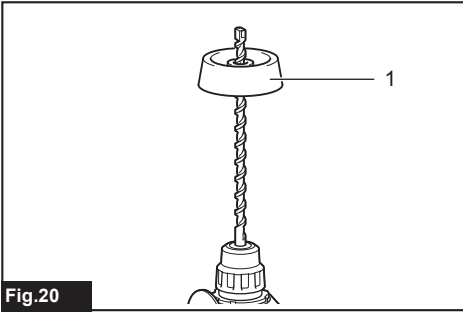


Fig.20

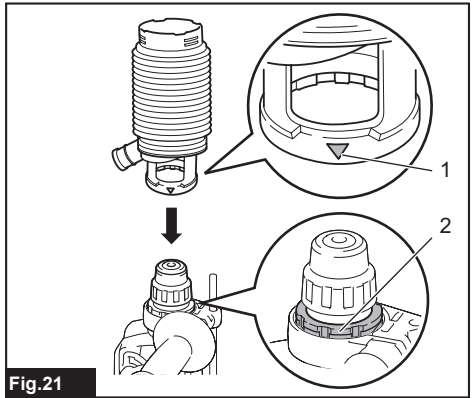


Fig.21

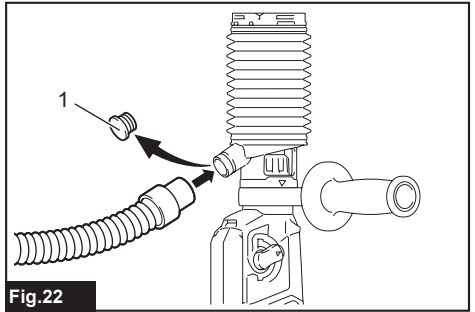


Fig.22

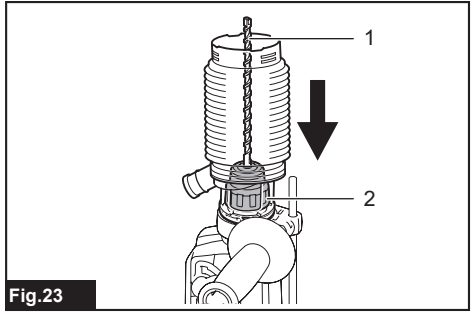


Fig.23

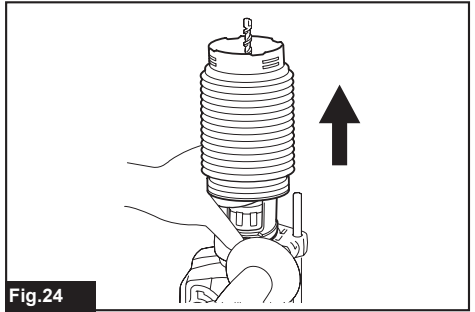


Fig.24

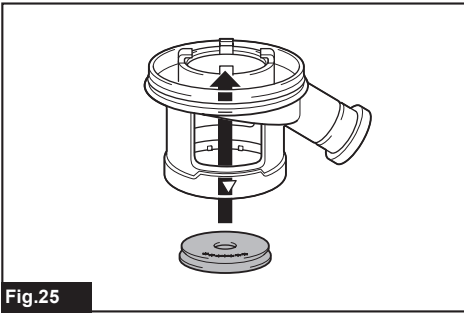


Fig.25

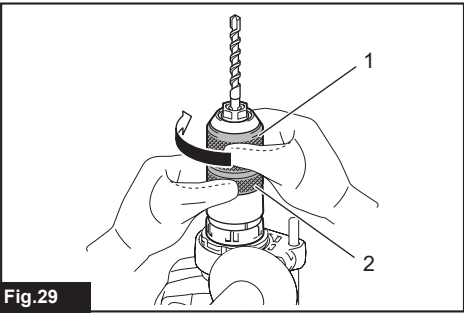


Fig.29

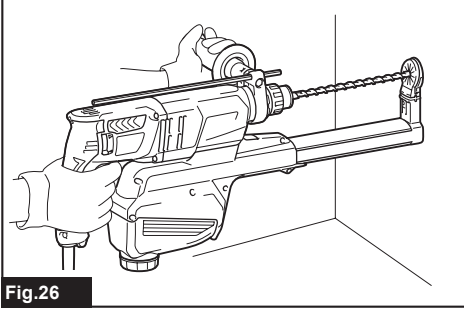


Fig.26

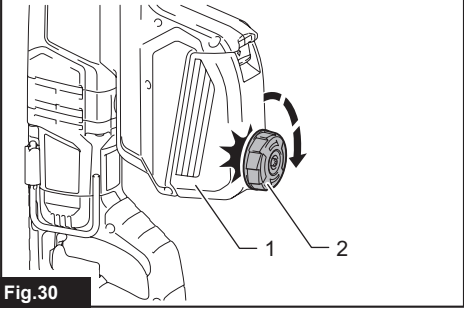


Fig.30

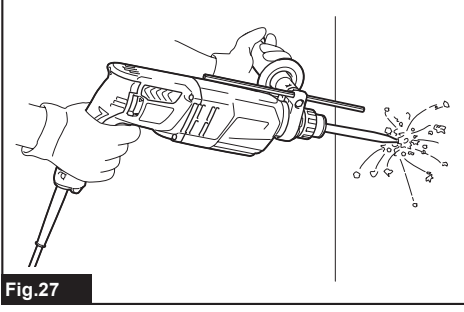


Fig.27

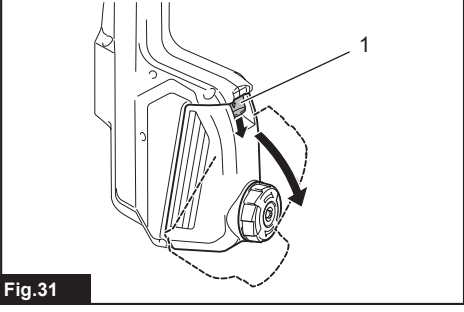


Fig.31

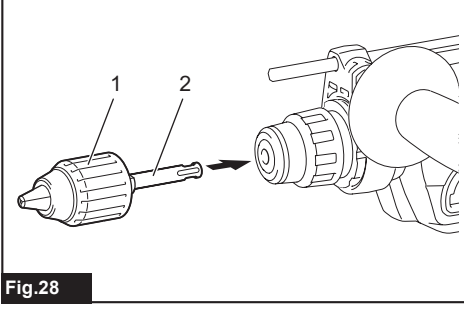


Fig.28

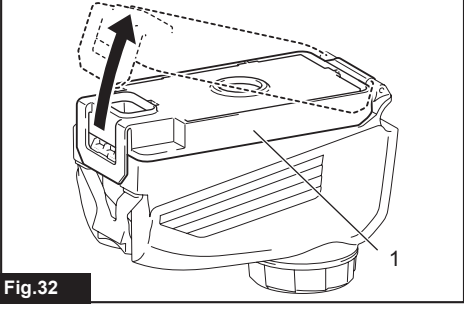
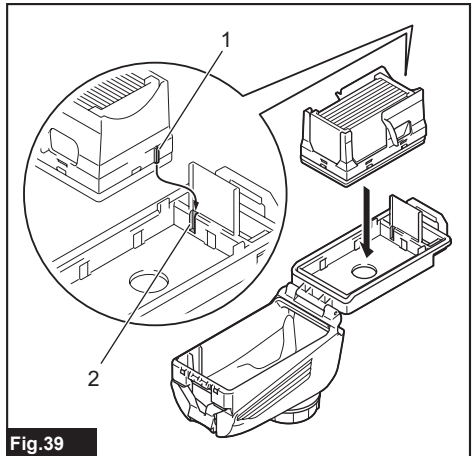
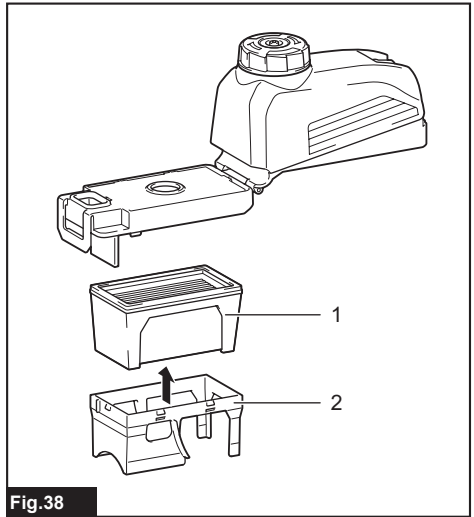
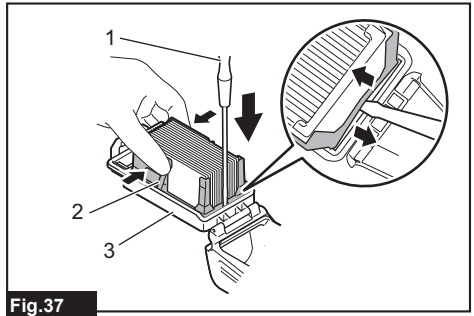
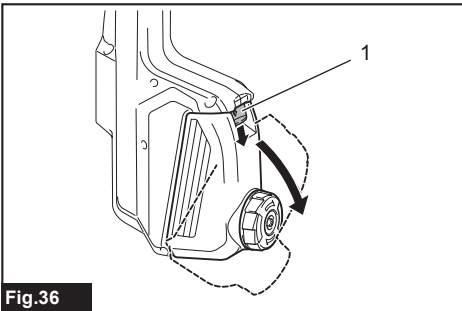
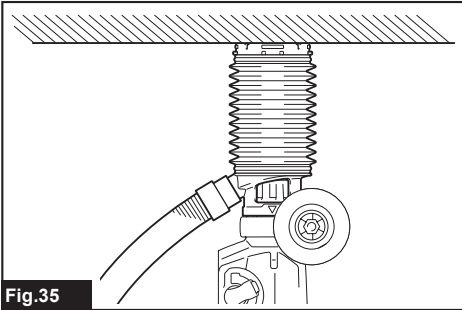
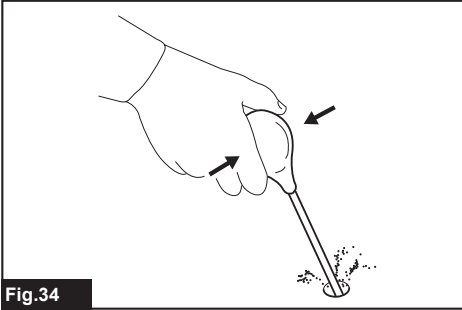
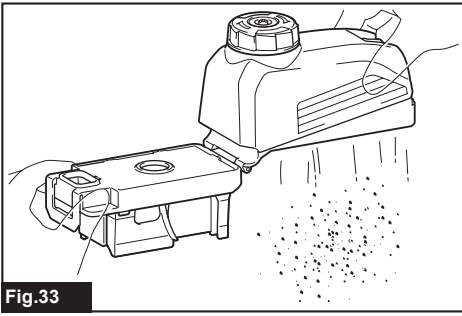


Fig.32



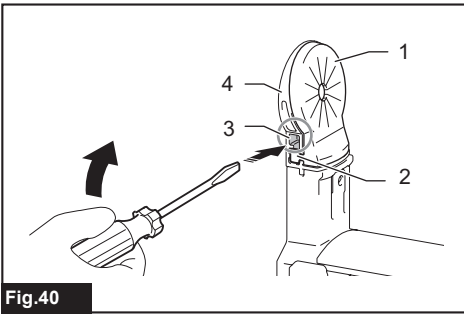


Fig.40

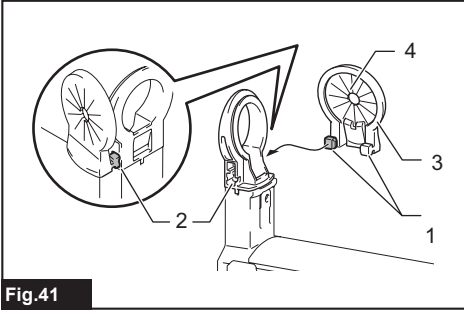


Fig.41

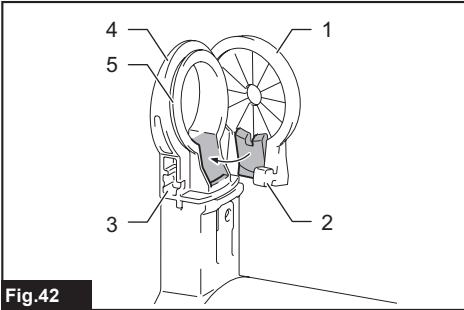


Fig.42

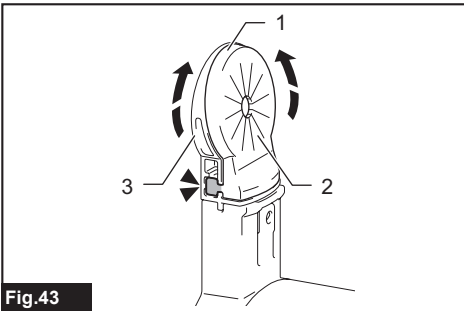


Fig.43

SPECIFICATIONS

Model:		HR2652	HR2653	HR2653T	HR2663
Capacities	Concrete	26 mm			
	Core bit	68 mm			
	Diamond core bit (dry type)	80 mm			
	Steel	13 mm			
	Wood	32 mm			
No load speed		0 - 1,200 min ⁻¹			0 - 1,100 min ⁻¹
Blows per minute		0 - 4,600 min ⁻¹			0 - 4,500 min ⁻¹
Overall length		604 mm		630 mm	666 mm
Net weight		3.0 - 4.2 kg	3.1 - 4.3 kg	3.2 - 4.4 kg	3.3 - 4.5 kg
Safety class		□/II			

- Due to our continuing program of research and development, the specifications herein are subject to change without notice.
- Specifications may differ from country to country.
- The weight may differ depending on the attachment(s). The lightest and heaviest combinations, according to EPTA-Procedure 01/2014, are shown in the table.

Intended use

The tool is intended for hammer drilling and drilling in brick, concrete and stone. It is also suitable for drilling without impact in wood, metal, ceramic and plastic.

Power supply

The tool should be connected only to a power supply of the same voltage as indicated on the nameplate, and can only be operated on single-phase AC supply. They are double-insulated and can, therefore, also be used from sockets without earth wire.

Noise

The typical A-weighted noise level determined according to EN62841-2-6:

Sound pressure level (L_{pA}): 91 dB (A)

Sound power level (L_{WA}): 102 dB (A)

Uncertainty (K): 3 dB (A)

NOTE: The declared noise emission value(s) has been measured in accordance with a standard test method and may be used for comparing one tool with another.

NOTE: The declared noise emission value(s) may also be used in a preliminary assessment of exposure.

⚠ WARNING: Wear ear protection.

⚠ WARNING: The noise emission during actual use of the power tool can differ from the declared value(s) depending on the ways in which the tool is used especially what kind of workpiece is processed.

⚠ WARNING: Be sure to identify safety measures to protect the operator that are based on an estimation of exposure in the actual conditions of use (taking account of all parts of the operating cycle such as the times when the tool is switched off and when it is running idle in addition to the trigger time).

Vibration

The following table shows the vibration total value (tri-axial vector sum) determined according to applicable standard.

Model HR2652

Work mode	Vibration emission	Uncertainty (K)	Applicable standard
Hammer drilling into concrete ($a_{h,HD}$)	13.1 m/s ²	1.5 m/s ²	EN62841-2-6
Chiselling ($a_{h,ChEq}$)	10.9 m/s ²	1.5 m/s ²	EN62841-2-6

Model HR2653

Work mode	Vibration emission	Uncertainty (K)	Applicable standard
Hammer drilling into concrete ($a_{h, HD}$)	11.2 m/s ²	1.5 m/s ²	EN62841-2-6
Chiselling ($a_{h, CHex}$)	9.3 m/s ²	1.5 m/s ²	EN62841-2-6

Model HR2653T

Work mode	Vibration emission	Uncertainty (K)	Applicable standard
Hammer drilling into concrete ($a_{h, HD}$)	10.9 m/s ²	1.5 m/s ²	EN62841-2-6
Chiselling ($a_{h, CHex}$)	9.6 m/s ²	1.5 m/s ²	EN62841-2-6

Model HR2663

Work mode	Vibration emission	Uncertainty (K)	Applicable standard
Hammer drilling into concrete ($a_{h, HD}$)	9.3 m/s ²	1.5 m/s ²	EN62841-2-6
Chiselling ($a_{h, CHex}$)	7.0 m/s ²	1.5 m/s ²	EN62841-2-6

NOTE: The declared vibration total value(s) has been measured in accordance with a standard test method and may be used for comparing one tool with another.

NOTE: The declared vibration total value(s) may also be used in a preliminary assessment of exposure.

⚠WARNING: The vibration emission during actual use of the power tool can differ from the declared value(s) depending on the ways in which the tool is used especially what kind of workpiece is processed.

⚠WARNING: Be sure to identify safety measures to protect the operator that are based on an estimation of exposure in the actual conditions of use (taking account of all parts of the operating cycle such as the times when the tool is switched off and when it is running idle in addition to the trigger time).

EC Declaration of Conformity

For European countries only

The EC declaration of conformity is included as Annex A to this instruction manual.

SAFETY WARNINGS

General power tool safety warnings

⚠WARNING: Read all safety warnings, instructions, illustrations and specifications provided with this power tool. Failure to follow all instructions listed below may result in electric shock, fire and/or serious injury.

Save all warnings and instructions for future reference.

The term "power tool" in the warnings refers to your mains-operated (corded) power tool or battery-operated (cordless) power tool.

ROTARY HAMMER SAFETY WARNINGS

Safety instructions for all operations

1. **Wear ear protectors.** Exposure to noise can cause hearing loss.
2. **Use auxiliary handle(s), if supplied with the tool.** Loss of control can cause personal injury.
3. **Hold the power tool by insulated gripping surfaces, when performing an operation where the cutting accessory may contact hidden wiring or its own cord.** Cutting accessory contacting a "live" wire may make exposed metal parts of the power tool "live" and could give the operator an electric shock.

Safety instructions when using long drill bits with rotary hammers

1. **Always start drilling at low speed and with the bit tip in contact with the workpiece.** At higher speeds, the bit is likely to bend if allowed to rotate freely without contacting the workpiece, resulting in personal injury.
2. **Apply pressure only in direct line with the bit and do not apply excessive pressure.** Bits can bend, causing breakage or loss of control, resulting in personal injury.

Additional safety warnings

1. **Wear a hard hat (safety helmet), safety glasses and/or face shield.** Ordinary eye or sun glasses are NOT safety glasses. It is also highly recommended that you wear a dust mask and thickly padded gloves.
2. **Be sure the bit is secured in place before operation.**
3. **Under normal operation, the tool is designed to produce vibration.** The screws can come loose easily, causing a breakdown or accident. Check tightness of screws carefully before operation.
4. **In cold weather or when the tool has not been used for a long time, let the tool warm up for a while by operating it under no load.** This will loosen up the lubrication. Without proper warm-up, hammering operation is difficult.
5. **Always be sure you have a firm footing.** Be sure no one is below when using the tool in high locations.
6. **Hold the tool firmly with both hands.**
7. **Keep hands away from moving parts.**
8. **Do not leave the tool running.** Operate the tool only when hand-held.

9. Do not point the tool at any one in the area when operating. The bit could fly out and injure someone seriously.
10. Do not touch the bit, parts close to the bit, or workpiece immediately after operation; they may be extremely hot and could burn your skin.
11. Some material contains chemicals which may be toxic. Take caution to prevent dust inhalation and skin contact. Follow material supplier safety data.
12. Do not touch the power plug with wet hands.

SAVE THESE INSTRUCTIONS.

⚠ WARNING: DO NOT let comfort or familiarity with product (gained from repeated use) replace strict adherence to safety rules for the subject product. MISUSE or failure to follow the safety rules stated in this instruction manual may cause serious personal injury.

FUNCTIONAL DESCRIPTION

⚠ CAUTION: Always be sure that the tool is switched off and unplugged before adjusting or checking function on the tool.

Switch action

⚠ CAUTION: Before plugging in the tool, always check to see that the switch trigger actuates properly and returns to the "OFF" position when released.

⚠ CAUTION: Switch can be locked in "ON" position for ease of operator comfort during extended use. Apply caution when locking tool in "ON" position and maintain firm grasp on tool.

- Fig.1: 1. Switch trigger 2. Lock button
 ► Fig.2: 1. Switch trigger 2. Lock button


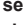


To start the tool, simply pull the switch trigger. Tool speed is increased by increasing pressure on the switch trigger. Release the switch trigger to stop.

For continuous operation, pull the switch trigger, push in the lock button and then release the switch trigger. To stop the tool from the locked position, pull the switch trigger fully, then release it.



Reversing switch action

⚠ CAUTION: Always check the direction of rotation before operation.

NOTICE: Use the reversing switch only after the tool comes to a complete stop. Changing the direction of rotation before the tool stops may damage the tool.



NOTICE: If the switch trigger cannot be depressed, check to see that the reversing switch is fully set to position  /  (A side) or  /  (B side).

For HR2652/HR2653/HR2653T

This tool has a reversing switch to change the direction of rotation. Move the reversing switch lever to the position  (A side) for clockwise rotation or to the position  (B side) for counterclockwise rotation.

- Fig.3: 1. Reversing switch lever

For HR2663

This tool has a reversing switch to change the direction of rotation. Move the reversing switch lever to the  position (A side) for clockwise rotation or the  position (B side) for counterclockwise rotation.

- Fig.4: 1. Reversing switch lever

NOTE: When you operate the tool in counterclockwise rotation, the switch trigger is pulled only halfway and the tool runs at half speed. For counterclockwise rotation, you cannot push in the lock button.



Changing the quick change chuck for SDS-plus

For HR2653T

The quick change chuck for SDS-plus can be easily exchanged for the quick change drill chuck.




Removing the quick change chuck for SDS-plus

⚠ CAUTION: Before removing the quick change chuck for SDS-plus, be sure to remove the bit.

Grasp the change cover of the quick change chuck for SDS-plus and turn in the direction of the arrow until the change cover line moves from the  symbol to the  symbol. Pull forcefully in the direction of the arrow.

- Fig.5: 1. Quick change chuck for SDS-plus
 2. Change cover 3. Change cover line

Installing the quick change drill chuck

Check the line of the quick change drill chuck shows the  symbol. Grasp the change cover of the quick change drill chuck and set the line to the  symbol. Place the quick change drill chuck on the spindle of the tool. Grasp the change cover of the quick change drill chuck and turn the change cover line to the  symbol until a click can clearly be heard.


- Fig.6: 1. Quick change drill chuck 2. Spindle
 3. Change cover line 4. Change cover

Selecting the action mode

NOTICE: Do not rotate the action mode changing knob when the tool is running. The tool will be damaged.


NOTICE: To avoid rapid wear on the mode change mechanism, be sure that the action mode changing knob is always positively located in one of the three action mode positions.

Rotation with hammering

For drilling in concrete, masonry, etc., rotate the action mode changing knob to the  symbol. Use a tungsten-carbide tipped bit (optional accessory).


► **Fig.7:** 1. Rotation with hammering 2. Action mode changing knob

Rotation only

For drilling in wood, metal or plastic materials, rotate the action mode changing knob to the  symbol. Use a twist drill bit or wood drill bit.

► **Fig.8:** 1. Rotation only

Hammering only

For chipping, scaling or demolition operations, rotate the action mode changing knob to the  symbol. Use a bull point, cold chisel, scaling chisel, etc.

► **Fig.9:** 1. Hammering only

Adjusting the nozzle position

Push in the guide while pressing the guide adjustment button, and then release the button at the desired position.

► **Fig.10:** 1. Guide 2. Guide adjustment button

NOTE: Before adjusting the nozzle position, release the nozzle forward completely by pressing the guide adjustment button.

Adjusting the drilling depth

Slide the depth adjustment button to the desired position while pressing it. The distance (A) is the drilling depth.

► **Fig.11:** 1. Depth adjustment button

Torque limiter

NOTICE: As soon as the torque limiter actuates, switch off the tool immediately. This will help prevent premature wear of the tool.

NOTICE: Drill bits such as hole saw, which tend to pinch or catch easily in the hole, are not appropriate for this tool. This is because they will cause the torque limiter to actuate too frequently.

The torque limiter will actuate when a certain torque level is reached. The motor will disengage from the output shaft. When this happens, the drill bit will stop turning.

Hook

CAUTION: Never hook the tool at high location or on potentially unstable surface.

For HR2663

► **Fig.12:** 1. Hook

The hook is convenient for temporarily hanging the tool. To use the hook, simply lift up hook until it snaps into the open position. When not in use, always lower hook until it snaps into the closed position.

ASSEMBLY

CAUTION: Always be sure that the tool is switched off and unplugged before carrying out any work on the tool.

Side grip (auxiliary handle)

CAUTION: Always use the side grip to ensure safe operation.

CAUTION: After installing or adjusting the side grip, make sure that the side grip is firmly secured.

Install the side grip so that the grooves on the grip fit in the protrusions on the tool barrel. Turn the grip clockwise to secure it. The grip can be fixed at desired angle.

► **Fig.13:** 1. Side grip

Grease

Coat the shank end of the drill bit beforehand with a small amount of grease (about 0.5 - 1 g). This chuck lubrication assures smooth action and longer service life.

Installing or removing drill bit

Clean the shank end of the drill bit and apply grease before installing the drill bit.

► **Fig.14:** 1. Shank end 2. Grease

Insert the drill bit into the tool. Turn the drill bit and push it in until it engages.


After installing the drill bit, always make sure that the drill bit is securely held in place by trying to pull it out.

► **Fig.15:** 1. Drill bit


To remove the drill bit, pull the chuck cover down all the way and pull the drill bit out.

► **Fig.16:** 1. Drill bit 2. Chuck cover

Chisel angle (when chipping, scaling or demolishing)

The chisel can be secured at the desired angle. To change the chisel angle, rotate the action mode changing knob to the  symbol. Turn the chisel to the desired angle.

► **Fig.17:** 1. Action mode changing knob

Rotate the action mode changing knob to the  symbol. Then make sure that the chisel is securely held in place by turning it slightly.

Depth gauge

The depth gauge is convenient for drilling holes of uniform depth. Loosen the side grip and insert the depth gauge into the hole on the side grip. Adjust the depth gauge to the desired depth and tighten the side grip firmly.

► **Fig.18:** 1. Hole 2. Depth gauge

NOTE: Make sure that the depth gauge does not touch the main body of the tool when attaching it.

Installing or removing dust collection system

To remove the dust collection system, pull the tool while pressing the lock-off button. To install it, insert the tool into the dust collection system all the way until it locks in place with a little click.

► **Fig.19:** 1. Lock-off button

Dust cup

Optional accessory

Use the dust cup to prevent dust from falling over the tool and on yourself when performing overhead drilling operations. Attach the dust cup to the bit as shown in the figure. The size of bits which the dust cup can be attached to is as follows.

Model	Bit diameter
Dust cup 5	6 mm - 14.5 mm
Dust cup 9	12 mm - 16 mm

► **Fig.20:** 1. Dust cup

Dust cup set

Optional accessory

Before installing the dust cup set, remove the bit from the tool if installed.

Install the dust cup set on the tool so that the \triangle symbol on the dust cup is aligned with the groove in the tool.

► **Fig.21:** 1. \triangle symbol 2. Groove

NOTE: If you connect a vacuum cleaner to the dust cup set, remove the dust cap before connecting it.

► **Fig.22:** 1. Dust cap

To remove the dust cup set, remove the bit while pulling the chuck cover in the direction of the arrow.

► **Fig.23:** 1. Bit 2. Chuck cover

Hold the root of dust cup and pull it out.

► **Fig.24**

NOTE: If the cap comes off from the dust cup, attach it with its printed side facing up so that groove on the cap fits in the inside periphery of the attachment.

► **Fig.25**

OPERATION

CAUTION: Always use the side grip (auxiliary handle) and firmly hold the tool by both side grip and switch handle during operations.

CAUTION: Always make sure that the work-piece is secured before operation.

CAUTION: The dust collection system is intended for drilling in concrete only. Do not use the dust collection system for drilling in metal or wood.

CAUTION: When using the tool with the dust collection system, be sure to attach the filter to the dust collection system to prevent dust inhalation.

CAUTION: Before using the dust collection system, check that the filter is not damaged. Failure to do so may cause dust inhalation.

CAUTION: The dust collection system collects the generated dust at a considerable rate, but not all dust can be collected.


NOTICE: Do not use the dust collection system for core drilling or chiseling.

NOTICE: Do not use the dust collection system for drilling in wet concrete or use this system in wet environment. Failure to do so may cause malfunction.

► **Fig.26**

Hammer drilling operation


CAUTION: There is tremendous and sudden twisting force exerted on the tool/drill bit at the time of hole break-through, when the hole becomes clogged with chips and particles, or when striking reinforcing rods embedded in the concrete. **Always use the side grip (auxiliary handle) and firmly hold the tool by both side grip and switch handle during operations.** Failure to do so may result in the loss of control of the tool and potentially severe injury.

Set the action mode changing knob to the  symbol. Position the drill bit at the desired location for the hole, then pull the switch trigger. Do not force the tool. Light pressure gives best results. Keep the tool in position and prevent it from slipping away from the hole.

Do not apply more pressure when the hole becomes clogged with chips or particles. Instead, run the tool at an idle, then remove the drill bit partially from the hole. By repeating this several times, the hole will be cleaned out and normal drilling may be resumed.

NOTE: Eccentricity in the drill bit rotation may occur while operating the tool with no load. The tool automatically centers itself during operation. This does not affect the drilling precision.

Chipping/Scaling/Demolition

Set the action mode changing knob to the  symbol. Hold the tool firmly with both hands. Turn the tool on and apply slight pressure on the tool so that the tool will not bounce around, uncontrolled. Pressing very hard on the tool will not increase the efficiency.

► Fig.27

Drilling in wood or metal

CAUTION: Hold the tool firmly and exert care when the drill bit begins to break through the workpiece. There is a tremendous force exerted on the tool/drill bit at the time of hole break through.

CAUTION: A stuck drill bit can be removed simply by setting the reversing switch to reverse rotation in order to back out. However, the tool may back out abruptly if you do not hold it firmly.

CAUTION: Always secure workpieces in a vise or similar hold-down device.

NOTICE: Never use "rotation with hammering" when the drill chuck is installed on the tool. The drill chuck may be damaged.

Also, the drill chuck will come off when reversing the tool.

NOTICE: Pressing excessively on the tool will not speed up the drilling. In fact, this excessive pressure will only serve to damage the tip of your drill bit, decrease the tool performance and shorten the service life of the tool.

Set the action mode changing knob to the  symbol.

For HR2652/HR2653/HR2663

Optional accessory

Attach the chuck adapter to a keyless drill chuck to which 1/2"-20 size screw can be installed, and then install them to the tool. When installing it, refer to the section "Installing or removing drill bit".

► Fig.28: 1. Keyless drill chuck 2. Chuck adapter

For HR2653T

Use the quick change drill chuck as standard equipment. When installing it, refer to "changing the quick change chuck for SDS-plus".


Hold the ring and turn the sleeve counterclockwise to open the chuck jaws. Place the bit in the chuck as far as it will go. Hold the ring firmly and turn the sleeve clockwise to tighten the chuck.

► Fig.29: 1. Sleeve 2. Ring

To remove the bit, hold the ring and turn the sleeve counterclockwise.

Diamond core drilling

NOTICE: If performing diamond core drilling operations using "rotation with hammering" action, the diamond core bit may be damaged.

When performing diamond core drilling operations, always set the action mode changing knob to the  position to use "rotation only" action.

Beating dust on the filter

CAUTION: Do not turn the dial on the dust case while the dust case is removed from the dust collection system. Doing so may cause dust inhalation.

CAUTION: Always switch off the tool when turning the dial on the dust case. Turning the dial while the tool is running may result in the loss of control of the tool.

By beating the dust on the filter inside the dust case, you can keep the vacuum efficiency and also reduce the number of times to dispose of the dust.

Turn the dial on the dust case three times after collecting every 50,000 mm³ of dust or when you feel the vacuum performance declined.

NOTE: 50,000 mm³ of dust equivalents to drilling 10 holes of \varnothing 10 mm and 65 mm depth (14 holes of \varnothing 3/8" and 2" depth).

► Fig.30: 1. Dust case 2. Dial

Disposing of dust

CAUTION: Always be sure that the tool is switched off and unplugged before carrying out any work on the tool.

CAUTION: Be sure to wear dust mask when disposing of dust.

CAUTION: Empty the dust case regularly before the dust case becomes full. Failure to do so may decrease the dust collection performance and cause dust inhalation.

CAUTION: The performance of dust collection decreases if the filter in the dust case become clogged. Replace the filter with new one after approximately 200 times of dust fulfillment as a guide. Failure to do so may cause dust inhalation.

1. Remove the dust case while pressing down the lever of the dust case.

► Fig.31: 1. Lever

2. Open the cover of the dust case.

► Fig.32: 1. Cover

3. Dispose of the dust, and then clean the filter.

► Fig.33

NOTICE: When cleaning the filter, do not touch the filter with brush or similar, or blow compressed air on the filter. It may damage the filter.

Blow-out bulb

Optional accessory

After drilling the hole, use the blow-out bulb to clean the dust out of the hole.

► Fig.34

Using dust cup set

Optional accessory

Fit the dust cup set against the ceiling when operating the tool.

► Fig.35

NOTICE: Do not use the dust cup set when drilling in metal or similar. It may damage the dust cup set due to the heat produced by small metal dust or similar.

NOTICE: Do not install or remove the dust cup set with the drill bit installed in the tool. It may damage the dust cup set and cause dust leak.

MAINTENANCE

CAUTION: Always be sure that the tool is switched off and unplugged before attempting to perform inspection or maintenance.

NOTICE: Never use gasoline, benzene, thinner, alcohol or the like. Discoloration, deformation or cracks may result.

To maintain product SAFETY and RELIABILITY, repairs, any other maintenance or adjustment should be performed by Makita Authorized or Factory Service Centers, always using Makita replacement parts.

Replacing filter of dust case

1. Remove the dust case while pressing down the lever of the dust case.
► Fig.36: 1. Lever
2. Insert a flat-blade screwdriver between the filter case and the cover of the dust case as shown in the figure. While pressing and bending the sides of filter case, lift up the filter case with the flat-blade screwdriver and remove the filter case.
► Fig.37: 1. Flat-blade screwdriver 2. Filter case
3. Cover of the dust case
3. To remove the filter from the filter case, turn them upside down and push up the filter as shown in the figure.
► Fig.38: 1. Filter 2. Filter case
4. Attach a new filter to the filter case, and then attach them to the dust case aligning the sides of filter case with the groove on the dust case.
► Fig.39: 1. Protrusion 2. Groove
5. Close the cover of the dust case, and then attach it to the tool.

Replacing sealing cap

Optional accessory

Replace a sealing cap at regular intervals as a worn or damaged sealing cap may affect the suction performance.

1. Insert a flat-blade screwdriver, with its flat surfaces vertical, into one of the release holes placed on the sides of the nozzle head. Tilt the flat-blade screwdriver at an angle to squeeze and pop the cube hook of the sealing cap out of the molded receptacle. Then peel the rubber edges of the sealing cap away from the rims of the nozzle head opening.
► Fig.40: 1. Sealing cap 2. Cube hook 3. Release hole 4. Nozzle head
2. Set one of cube hooks of a renewed sealing cap into the molded receptacle in the nozzle head with a recessed surface of the sealing cap facing forwards.
► Fig.41: 1. Cube hooks 2. Receptacles 3. Sealing cap 4. Recessed surface
3. Place the other hook into the receptacle on the opposite side of the nozzle head, while repositioning the sealing cap to fit finely to the nozzle head.
► Fig.42: 1. Sealing cap 2. Cube hook 3. Receptacle 4. Nozzle head 5. Rims
4. Gently lay the rubber edges of the sealing cap down over the rims of the nozzle head opening from bottom to top.
► Fig.43: 1. Rubber edges 2. Sealing cap 3. Nozzle head

OPTIONAL ACCESSORIES

CAUTION: These accessories or attachments are recommended for use with your Makita tool specified in this manual. The use of any other accessories or attachments might present a risk of injury to persons. Only use accessory or attachment for its stated purpose.

If you need any assistance for more details regarding these accessories, ask your local Makita Service Center.

- Carbide-tipped drill bits (SDS-Plus carbide-tipped bits)
- Core bit
- Bull point
- Diamond core bit
- Cold chisel
- Scaling chisel
- Grooving chisel
- Chuck adapter
- Keyless drill chuck
- Bit grease
- Depth gauge
- Blow-out bulb
- Dust cup
- Dust cup set
- Safety goggles
- Plastic carrying case

NOTE: Some items in the list may be included in the tool package as standard accessories. They may differ from country to country.

SPÉCIFICATIONS

Modèle :		HR2652	HR2653	HR2653T	HR2663
Capacités	Béton	26 mm			
	Trépan	68 mm			
	Trépan diamant (type sec)	80 mm			
	Acier	13 mm			
	Bois	32 mm			
Vitesse à vide		0 à 1 200 min ⁻¹			0 à 1 100 min ⁻¹
Frappes par minute		0 à 4 600 min ⁻¹			0 à 4 500 min ⁻¹
Longueur totale		604 mm		630 mm	666 mm
Poids net		3,0 à 4,2 kg	3,1 à 4,3 kg	3,2 à 4,4 kg	3,3 à 4,5 kg
Catégorie de sécurité		II/III			

- Étant donné l'évolution constante de notre programme de recherche et de développement, les spécifications contenues dans ce manuel sont sujettes à modification sans préavis.
- Les spécifications peuvent varier suivant les pays.
- Le poids peut être différent selon les accessoires. Les associations la plus légère et la plus lourde, conformément à la procédure EPTA 01/2014, sont indiquées dans le tableau.

Utilisation prévue

L'outil est conçu pour le perçage avec martelage et le perçage dans la brique, le béton et la pierre. Il convient également au perçage sans impact dans le bois, le métal, la céramique et le plastique.

Alimentation

L'outil ne devra être raccordé qu'à une alimentation de la même tension que celle qui figure sur la plaque signalétique, et il ne pourra fonctionner que sur un courant secteur monophasé. Réalisé avec une double isolation, il peut de ce fait être alimenté par une prise sans mise à la terre.

Bruit

Niveau de bruit pondéré A typique, déterminé selon EN62841-2-6 :
 Niveau de pression sonore (L_{pA}) : 91 dB (A)
 Niveau de puissance sonore (L_{WA}) : 102 dB (A)
 Incertitude (K) : 3 dB (A)

NOTE : La ou les valeurs d'émission de bruit déclarées ont été mesurées conformément à la méthode de test standard et peuvent être utilisées pour comparer les outils entre eux.

NOTE : La ou les valeurs d'émission de bruit déclarées peuvent aussi être utilisées pour l'évaluation préliminaire de l'exposition.

⚠ AVERTISSEMENT : Portez un serre-tête antibruit.

⚠ AVERTISSEMENT : L'émission de bruit lors de l'usage réel de l'outil électrique peut être différente de la ou des valeurs déclarées, suivant la façon dont l'outil est utilisé, particulièrement selon le type de pièce usinée.

⚠ AVERTISSEMENT : Les mesures de sécurité à prendre pour protéger l'utilisateur doivent être basées sur une estimation de l'exposition dans des conditions réelles d'utilisation (en tenant compte de toutes les composantes du cycle d'utilisation, comme par exemple le moment de sa mise hors tension, lorsqu'il tourne à vide et le moment de son déclenchement).

Vibrations

Le tableau suivant indique la valeur totale de vibrations (somme de vecteur triaxial) déterminée selon la norme applicable.

Modèle HR2652

Mode de travail	Émission de vibrations	Incertitude (K)	Norme applicable
Perçage avec martelage dans le béton ($a_{h,HD}$)	13,1 m/s ²	1,5 m/s ²	EN62841-2-6
Ciselage ($a_{h,CHC}$)	10,9 m/s ²	1,5 m/s ²	EN62841-2-6

Modèle HR2653

Mode de travail	Émission de vibrations	Incertitude (K)	Norme applicable
Perçage avec martelage dans le béton ($a_{h, HD}$)	11,2 m/s ²	1,5 m/s ²	EN62841-2-6
Ciselage ($a_{h, Chet}$)	9,3 m/s ²	1,5 m/s ²	EN62841-2-6

Modèle HR2653T

Mode de travail	Émission de vibrations	Incertitude (K)	Norme applicable
Perçage avec martelage dans le béton ($a_{h, HD}$)	10,9 m/s ²	1,5 m/s ²	EN62841-2-6
Ciselage ($a_{h, Chet}$)	9,6 m/s ²	1,5 m/s ²	EN62841-2-6

Modèle HR2663

Mode de travail	Émission de vibrations	Incertitude (K)	Norme applicable
Perçage avec martelage dans le béton ($a_{h, HD}$)	9,3 m/s ²	1,5 m/s ²	EN62841-2-6
Ciselage ($a_{h, Chet}$)	7,0 m/s ²	1,5 m/s ²	EN62841-2-6

NOTE : La ou les valeurs de vibration totales déclarées ont été mesurées conformément à la méthode de test standard et peuvent être utilisées pour comparer les outils entre eux.

NOTE : La ou les valeurs de vibration totales déclarées peuvent aussi être utilisées pour l'évaluation préliminaire de l'exposition.

⚠ AVERTISSEMENT : L'émission de vibrations lors de l'usage réel de l'outil électrique peut être différente de la ou des valeurs déclarées, suivant la façon dont l'outil est utilisé, particulièrement selon le type de pièce usinée.

⚠ AVERTISSEMENT : Les mesures de sécurité à prendre pour protéger l'utilisateur doivent être basées sur une estimation de l'exposition dans des conditions réelles d'utilisation (en tenant compte de toutes les composantes du cycle d'utilisation, comme par exemple le moment de sa mise hors tension, lorsqu'il tourne à vide et le moment de son déclenchement).

Déclaration de conformité CE

Pour les pays européens uniquement

La déclaration de conformité CE est fournie en Annexe A à ce mode d'emploi.

CONSIGNES DE SÉCURITÉ

Consignes de sécurité générales pour outils électriques

⚠ AVERTISSEMENT : Veuillez lire les consignes de sécurité, instructions, illustrations et spécifications qui accompagnent cet outil électrique. Le non-respect de toutes les instructions indiquées ci-dessous peut entraîner une électrocution, un incendie et/ou de graves blessures.

Conservez toutes les mises en garde et instructions pour référence ultérieure.

Le terme « outil électrique » dans les avertissements fait référence à l'outil électrique alimenté par le secteur (avec cordon d'alimentation) ou à l'outil électrique fonctionnant sur batterie (sans cordon d'alimentation).

CONSIGNES DE SÉCURITÉ POUR LE MARTEAU PERFORATEUR

Consignes de sécurité pour toutes les tâches

1. **Portez des protecteurs d'oreilles.** L'exposition au bruit peut entraîner la surdité.
2. **Utilisez la ou les poignées auxiliaires, si l'outil en possède.** Toute perte de maîtrise de l'outil comporte un risque de blessure.
3. **Tenez l'outil électrique par des surfaces de prise isolées lorsque vous effectuez une tâche au cours de laquelle l'accessoire de coupe peut entrer en contact avec des fils cachés ou son propre cordon.** Le contact de l'accessoire de coupe avec un fil sous tension peut transmettre du courant dans les pièces métalliques exposées de l'outil électrique et électrocuter l'opérateur.

Consignes de sécurité en cas d'utilisation de forets longs avec un marteau perforateur

1. **Commencez toujours le perçage à basse vitesse avec la pointe du foret en contact avec la pièce.** À une vitesse plus élevée, le foret risque de se tordre s'il lui est permis de tourner librement sans toucher la pièce, ce qui présente un risque de blessure.
2. **Appliquez une pression uniquement en ligne directe avec le foret et n'exercez pas une pression excessive.** Les forets peuvent se tordre et se casser ou provoquer la perte de contrôle, ce qui présente un risque de blessure.

Consignes de sécurité supplémentaires

1. **Portez un casque de sécurité (casque de chantier), des lunettes de sécurité et/ou un écran facial.** Les lunettes de vue ou les lunettes de soleil NE sont PAS des lunettes de sécurité. Il est également vivement recommandé de porter un masque anti-poussière et des gants matelassés.

2. Avant utilisation, assurez-vous que le foret est bien fixé en place.
3. Dans des conditions normales de fonctionnement, l'outil est conçu pour émettre des vibrations. Les vis peuvent se desserrer facilement et provoquer une panne ou un accident. Avant utilisation, vérifiez soigneusement que les vis sont bien serrées.
4. Par temps froid ou si l'outil n'a pas été utilisé pendant longtemps, laissez-le chauffer un instant en le faisant fonctionner à vide. Cela ramollira le lubrifiant. Si vous ne chauffez pas adéquatement l'outil, le martelage s'exécutera difficilement.
5. Assurez-vous toujours de travailler en position stable. Veillez à ce que personne ne se trouve en dessous de vous quand vous utilisez l'outil en hauteur.
6. Tenez l'outil fermement à deux mains.
7. Éloignez les mains des pièces en mouvement.
8. Ne vous éloignez pas en laissant l'outil tourner. Ne le faites fonctionner que lorsque vous l'avez bien en main.
9. Ne pointez l'outil vers personne dans la zone d'utilisation. Le foret peut être projeté et blesser gravement quelqu'un.
10. Ne touchez pas le foret, les pièces situées près du foret ou la pièce immédiatement après utilisation ; ils peuvent être extrêmement chauds et vous brûler la peau.
11. Certains matériaux contiennent des produits chimiques qui peuvent être toxiques. Prenez garde de ne pas avaler la poussière et évitez tout contact avec la peau. Suivez les données de sécurité du fournisseur du matériau.
12. Ne touchez pas la prise d'alimentation avec des mains humides.

CONSERVEZ CES INSTRUCTIONS.

⚠️ AVERTISSEMENT : NE vous laissez PAS tromper (au fil d'une utilisation répétée) par un sentiment d'aisance et de familiarité avec le produit, en négligeant le respect rigoureux des consignes de sécurité qui accompagnent le produit en question. La MAUVAISE UTILISATION de l'outil ou l'ignorance des consignes de sécurité indiquées dans ce mode d'emploi peut entraîner de graves blessures.

DESCRIPTION DU FONCTIONNEMENT

⚠️ ATTENTION : Assurez-vous toujours que l'outil est hors tension et débranché avant de l'ajuster ou de vérifier son fonctionnement.

Fonctionnement de la gâchette

⚠️ ATTENTION : Avant de brancher l'outil, assurez-vous toujours que la gâchette fonctionne correctement et revient en position d'arrêt une fois relâchée.

⚠️ ATTENTION : L'interrupteur peut être verrouillé sur la position « Marche » pour améliorer le confort de l'utilisateur pendant une utilisation prolongée. Soyez prudent lorsque vous verrouillez l'outil sur la position « Marche » et tenez-le fermement.

► Fig.1: 1. Gâchette 2. Bouton de sécurité

► Fig.2: 1. Gâchette 2. Bouton de verrouillage




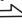
Il suffit d'enclencher la gâchette pour démarrer l'outil. La vitesse de l'outil augmente à mesure que l'on accroît la pression exercée sur la gâchette. Pour l'arrêter, relâchez la gâchette.

Pour un fonctionnement continu, enclenchez la gâchette et poussez le bouton de verrouillage, puis relâchez la gâchette. Pour arrêter l'outil sur la position verrouillée, enclenchez à fond la gâchette puis relâchez-la.

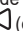

Fonctionnement de l'inverseur

⚠️ ATTENTION : Vérifiez toujours le sens de rotation avant d'utiliser l'outil.

REMARQUE : N'utilisez l'inverseur qu'une fois que l'outil est complètement arrêté. Si vous changez le sens de rotation avant l'arrêt de l'outil, vous risquez de l'endommager.



REMARQUE : Si la gâchette ne peut pas être enfoncée, vérifiez que l'inverseur est parfaitement placé sur la position  /  (côté A) ou  /  (côté B).

Pour HR2652/HR2653/HR2653T

Cet outil est équipé d'un inverseur permettant de changer le sens de rotation. Déplacez le levier inverseur sur la position  (côté A) pour une rotation dans le sens des aiguilles d'une montre ou sur la position  (côté B) pour une rotation dans le sens inverse des aiguilles d'une montre.

► Fig.3: 1. Levier inverseur

Pour HR2663

Cet outil est équipé d'un inverseur permettant de changer le sens de rotation. Déplacez le levier inverseur sur la position  (côté A) pour une rotation dans le sens des aiguilles d'une montre ou sur la position  (côté B) pour une rotation dans le sens inverse des aiguilles d'une montre.

► Fig.4: 1. Levier inverseur

NOTE : Lorsque vous utilisez l'outil dans le sens inverse des aiguilles d'une montre, la gâchette est actionnée seulement à mi-course et l'outil fonctionne deux fois moins vite. En rotation dans le sens inverse des aiguilles d'une montre, vous ne pouvez pas enfoncer le bouton de verrouillage.



Remplacement du mandrin de remplacement rapide pour SDS-plus

Pour HR2653T

Il est facile de remplacer le mandrin de remplacement rapide pour SDS-plus par le mandrin à foret de remplacement rapide.




Retrait du mandrin de remplacement rapide pour SDS-plus

ATTENTION : Avant de retirer le mandrin de remplacement rapide pour SDS-plus, veillez à retirer le foret.

Saisissez le couvercle de remplacement du mandrin de remplacement rapide pour SDS-plus et tournez dans le sens de la flèche jusqu'à ce que la ligne du couvercle de remplacement passe du symbole  au symbole . Tirez fortement dans le sens de la flèche.

► **Fig.5:** 1. Mandrin de remplacement rapide pour SDS-plus 2. Couvercle de remplacement 3. Ligne du couvercle de remplacement

Installation du mandrin à foret de remplacement rapide

Vérifiez que la ligne du mandrin à foret de remplacement rapide présente le symbole . Saisissez le couvercle de remplacement du mandrin à foret de remplacement rapide et réglez la ligne sur le symbole . Placez le mandrin à foret de remplacement rapide sur l'axe de l'outil. Saisissez le couvercle de remplacement du mandrin à foret de remplacement rapide et faites tourner la ligne du couvercle de remplacement sur le symbole  jusqu'à ce qu'un clic se fasse clairement entendre.


► **Fig.6:** 1. Mandrin à foret de remplacement rapide 2. Axe 3. Ligne du couvercle de remplacement 4. Couvercle de remplacement

Sélection du mode de fonctionnement

REMARQUE : Ne tournez pas le bouton de changement de mode pendant que l'outil fonctionne. L'outil serait endommagé.


REMARQUE : Pour éviter que le mécanisme de changement de mode ne s'use rapidement, vous devez toujours vous assurer que le bouton de changement de mode est placé avec exactitude sur l'une des trois positions du mode de fonctionnement.

Rotation avec martelage

Pour percer dans le béton, de la maçonnerie, etc., tournez le bouton de changement de mode jusqu'au symbole . Utilisez un foret à pointe en carbure de tungstène (accessoire en option).

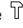
► **Fig.7:** 1. Rotation avec martelage 2. Bouton de changement de mode

Rotation uniquement

Pour percer dans le bois, le métal ou des matériaux en plastique, tournez le bouton de changement de mode jusqu'au symbole . Utilisez un foret hélicoïdal ou à bois.

► **Fig.8:** 1. Rotation uniquement

Martelage uniquement

Pour le burinage, l'écaillage ou la démolition, tournez le bouton de changement de mode jusqu'au symbole . Utilisez un pic, un ciseau à froid, un ciseau à écailler, etc.

► **Fig.9:** 1. Martelage uniquement

Réglage de la position de la buse

Appuyez sur le guide tout en appuyant sur le bouton de réglage du guide, puis relâchez le bouton à la position souhaitée.

► **Fig.10:** 1. Guide 2. Bouton de réglage du guide

NOTE : Avant de régler la position de la buse, relâchez totalement la buse vers l'avant en appuyant sur le bouton de réglage du guide.

Réglage de la profondeur de perçage

Faites coulisser le bouton de réglage de la profondeur jusqu'à la position souhaitée en le maintenant enfoncé. La distance (A) est la profondeur du perçage.

► **Fig.11:** 1. Bouton de réglage de la profondeur

Limiteur de couple

REMARQUE : Si le limiteur de couple se déclenche, éteignez immédiatement l'outil. Ceci permettra d'éviter l'usure prématurée de l'outil.

REMARQUE : Les forets, comme les scies cloches qui ont tendance à se coincer ou se prendre facilement dans le trou, ne sont pas appropriés pour cet outil. Ils déclenchent trop fréquemment le limiteur de couple.

Le limiteur de couple se déclenche lorsqu'un certain niveau de couple est atteint. Le moteur se dégage de l'arbre de sortie. Dans ce cas, le foret cesse de tourner.

Crochet

ATTENTION : N'accrochez jamais l'outil dans un emplacement élevé ou sur une surface potentiellement instable.

Pour HR2663

► **Fig.12:** 1. Crochet

Le crochet est pratique pour suspendre momentanément l'outil.

Pour utiliser le crochet, il suffit de le soulever jusqu'à ce qu'il passe en position ouverte. Lorsque vous ne l'utilisez pas, abaissez toujours le crochet jusqu'à ce qu'il passe en position fermée.

ASSEMBLAGE

⚠ ATTENTION : Avant d'effectuer toute intervention sur l'outil, assurez-vous toujours qu'il est hors tension et débranché.

Poignée latérale (poignée auxiliaire)

⚠ ATTENTION : Utilisez toujours la poignée latérale pour garantir votre sécurité.

⚠ ATTENTION : Après avoir mis en place ou réglé la poignée latérale, assurez-vous qu'elle est solidement fixée.

Installez la poignée latérale de sorte que les rainures de la poignée pénètrent dans les parties saillantes du barillet de l'outil. Tournez la poignée dans le sens des aiguilles d'une montre pour la serrer en place. La poignée peut être fixée à l'angle souhaité.

► Fig.13: 1. Poignée latérale

Graisse

Enduisez au préalable l'extrémité de la tige du foret avec une petite quantité de graisse (environ 0,5 à 1 g). Cette lubrification du mandrin garantit un mouvement fluide et prolonge la durée de vie utile.

Pose ou retrait du foret

Nettoyez l'extrémité de la tige du foret et appliquez de la graisse avant de poser le foret.

► Fig.14: 1. Extrémité de la tige 2. Graisse

Insérez le foret dans l'outil. Tournez le foret et enfoncez-le jusqu'à ce qu'il s'engage.

Après avoir posé le foret, assurez-vous toujours qu'il est solidement maintenu en place en essayant de le sortir.

► Fig.15: 1. Foret


Pour retirer le foret, tirez le carter du mandrin à fond vers le bas puis dégagez le foret.

► Fig.16: 1. Foret 2. Carter du mandrin

Angle du burin (lors du burinage, de l'écaillage ou de la démolition)

Le burin peut être fixé à l'angle souhaité. Pour changer l'angle du burin, tournez le bouton de changement de mode jusqu'au symbole O. Tournez le burin sur l'angle souhaité.

► Fig.17: 1. Bouton de changement de mode

Tournez le bouton de changement de mode jusqu'au symbole . Puis assurez-vous toujours que le burin est solidement maintenu en place en le tournant légèrement.

Jauge de profondeur

La jauge de profondeur est utile pour percer des trous de même profondeur. Desserrez la poignée latérale et insérez la jauge de profondeur dans l'orifice sur la poignée latérale. Réglez la jauge de profondeur sur la profondeur désirée et serrez fermement la poignée latérale.

► Fig.18: 1. Orifice 2. Jauge de profondeur

NOTE : Assurez-vous que la jauge de profondeur n'entre pas en contact avec le corps principal de l'outil lorsque vous la fixez.

Installation ou retrait du système de collecte des poussières

Pour retirer le système de collecte des poussières, tirez sur l'outil tout en appuyant sur le bouton de déverrouillage. Pour l'installer, insérez à fond l'outil dans le système de collecte des poussières, jusqu'à ce qu'il s'enclenche en émettant un petit clic.

► Fig.19: 1. Bouton de déverrouillage

Collecteur de poussières

Accessoire en option


Utilisez le collecteur de poussières pour éviter que la poussière ne tombe sur l'outil et sur vous-même lorsque vous percez au-dessus de votre tête. Fixez le collecteur de poussières au foret comme illustré sur la figure. Le collecteur de poussières peut être fixé aux forets des tailles suivantes.


Modèle	Diamètre du foret
Collecteur de poussières 5	6 mm à 14,5 mm
Collecteur de poussières 9	12 mm à 16 mm

► Fig.20: 1. Collecteur de poussières

Ensemble du collecteur de poussières

Accessoire en option

Avant d'installer l'ensemble du collecteur de poussières, retirez le foret de l'outil le cas échéant. Installez l'ensemble du collecteur de poussières sur l'outil de sorte que le symbole  sur le collecteur de poussières soit aligné sur la rainure de l'outil.

► Fig.21: 1.  symbole 2. Rainure

NOTE : Si vous raccordez un aspirateur à l'ensemble du collecteur de poussières, retirez le bouchon à poussière avant de le raccorder.

► Fig.22: 1. Bouchon à poussière

Pour retirer l'ensemble du collecteur de poussières, retirez le foret tout en tirant sur le carter du mandrin dans le sens de la flèche.

► Fig.23: 1. Foret 2. Carter du mandrin

Saisissez la base du collecteur de poussières et extrayez-le.

► Fig.24

NOTE : Si le bouchon se détache du collecteur de poussières, fixez-le avec le côté imprimé tourné vers le haut de sorte que la rainure sur le bouchon s'insère dans la périphérie interne de l'accessoire.

► Fig.25

UTILISATION

ATTENTION : Utilisez toujours la poignée latérale (poignée auxiliaire) et saisissez l'outil fermement par la poignée latérale et la poignée pistolet pendant l'utilisation.

ATTENTION : Avant l'utilisation, assurez-vous toujours que la pièce est bien fixée.

ATTENTION : Le système de collecte des poussières est exclusivement conçu pour le perçage du béton. N'utilisez pas le système de collecte des poussières pour le perçage du métal ou du bois.

ATTENTION : Lorsque vous utilisez l'outil avec le système de collecte des poussières, veillez à y fixer le filtre pour éviter d'inhaler des poussières.

ATTENTION : Avant d'utiliser le système de collecte des poussières, vérifiez que le filtre n'est pas endommagé. Le non-respect de cette règle peut entraîner une inhalation de poussières.

ATTENTION : Bien que le système de collecte des poussières collecte en grande partie les poussières générées, toute la poussière ne peut pas être collectée.


REMARQUE : N'utilisez pas le système de collecte des poussières pour le perçage avec un trépan ou le burinage.

REMARQUE : N'utilisez pas le système de collecte des poussières pour le perçage dans du béton humide ou dans un environnement humide. Le non-respect de cette règle peut entraîner un dysfonctionnement.

► Fig.26

Perçage avec percussion


ATTENTION : Une très grande force de torsion s'exerce soudainement sur l'outil ou le foret lorsqu'il émerge sur la face opposée, lorsque le trou est bouché par des copeaux ou particules ou lors du contact avec des armatures dans le béton. **Utilisez toujours la poignée latérale (poignée auxiliaire) et saisissez l'outil fermement par la poignée latérale et la poignée pistolet pendant l'utilisation.** Si vous ne suivez pas cette directive, vous risquerez de perdre la maîtrise de l'outil et de vous blesser grièvement.

Réglez le bouton de changement de mode sur le symbole . Placez le foret à l'emplacement désiré pour percer le trou, puis enclenchez la gâchette. Ne forcez pas l'outil. Vous obtiendrez de meilleurs résultats avec une légère pression. Gardez l'outil en position et empêchez-le de glisser hors du trou.

N'appliquez pas plus de pression lorsque le trou est bouché par des copeaux ou particules. Laissez plutôt l'outil tourner au ralenti et retirez partiellement le foret du trou. En répétant cette opération plusieurs fois, le trou se débouchera et vous pourrez reprendre le perçage normalement.

NOTE : Lorsque l'outil fonctionne à vide, il se peut que le foret tourne de manière excentrique. L'outil se centrera lui-même automatiquement lors de l'utilisation avec charge. La précision du perçage n'est donc pas affectée.

Burinage/Écaillage/Démolition

Réglez le bouton de changement de mode sur le symbole .

Tenez l'outil fermement à deux mains. Mettez l'outil sous tension et exercez une légère pression dessus de façon à en garder la maîtrise et à éviter qu'il ne saute d'un côté ou de l'autre.

Exercer une très grande pression sur l'outil n'augmentera pas l'efficacité de l'opération.

► Fig.27

Perçage dans le bois ou le métal

ATTENTION : Tenez l'outil fermement et redoublez d'attention lorsque le foret commence à sortir par la face opposée de la pièce. Une très grande force s'exerce sur l'outil/foret lorsque celui-ci émerge sur la face opposée.


ATTENTION : Un foret coincé peut être retiré en réglant simplement l'inverseur sur la rotation inverse pour faire marche arrière. L'outil peut toutefois faire brusquement marche arrière si vous ne le tenez pas fermement.

ATTENTION : Immobilisez toujours les pièces à travailler dans un étau ou un dispositif de retenue similaire.

REMARQUE : N'utilisez jamais la « rotation avec martelage » lorsque le mandrin à foret est installé sur l'outil. Le mandrin à foret risquerait d'être endommagé.

De plus, le mandrin à foret se détacherait lors de l'inversion de la rotation de l'outil.

REMARQUE : Une pression excessive sur l'outil n'accéléra pas le perçage. En fait, la pression excessive abîmera la pointe du foret, provoquera une baisse de rendement de l'outil et réduira sa durée de service.

Réglez le bouton de changement de mode sur le symbole .

Pour HR2652/HR2653/HR2663

Accessoire en option

Fixez l'adaptateur de mandrin à un mandrin à foret sans clé sur lequel une vis de taille 1/2"-20 peut être installée, puis installez-les sur l'outil. Lors de l'installation, reportez-vous à la section « Pose ou retrait du foret ».

► Fig.28: 1. Mandrin à foret sans clé 2. Adaptateur de mandrin

Pour HR2653T

Utilisez le mandrin à foret de remplacement rapide comme équipement standard. Pour l'installer, reportez-vous à « Remplacement du mandrin de remplacement rapide pour SDS-plus ».


Maintenez la bague et faites tourner le manchon dans le sens inverse des aiguilles d'une montre pour ouvrir les mors du mandrin. Posez le foret dans le mandrin en l'insérant à fond. Maintenez fermement la bague et faites tourner le manchon dans le sens des aiguilles d'une montre pour serrer le mandrin.

► **Fig.29:** 1. Manchon 2. Bague

Pour retirer le foret, maintenez la bague et faites tourner le manchon dans le sens inverse des aiguilles d'une montre.

Perçage avec trépan diamant

REMARQUE : Percer avec un trépan diamant en mode « Rotation avec martelage » peut endommager le trépan diamant.

Pour percer avec un trépan diamant, réglez toujours le bouton de changement de mode sur la position  afin d'utiliser le mode « Rotation uniquement ».

Battre la poussière sur le filtre

ATTENTION : Ne tournez pas le cadran sur le logement à poussières alors que le logement à poussières est détaché du système de collecte des poussières. Vous risqueriez d'inhaler la poussière.

ATTENTION : Éteignez toujours l'outil lorsque vous tournez le cadran sur le logement à poussières. Si vous tournez le cadran alors que l'outil fonctionne, vous risquez de perdre la maîtrise de l'outil.

En battant la poussière sur le filtre à l'intérieur du logement à poussières, vous pouvez conserver l'efficacité de l'aspiration et également réduire le nombre de retraits de la poussière.

Tournez le cadran sur le logement à poussières trois fois après avoir recueilli 50 000 mm³ de poussière ou lorsque vous trouvez que la performance d'aspiration a diminué.

NOTE : 50 000 mm³ de poussière est équivalent au perçage de 10 orifices de 10 mm de diamètre et 65 mm de profondeur (14 orifices de 3/8" de diamètre et 2" de profondeur).

► **Fig.30:** 1. Logement à poussières 2. Cadran

Élimination des poussières

ATTENTION : Avant d'effectuer toute intervention sur l'outil, assurez-vous toujours qu'il est hors tension et débranché.

ATTENTION : Veillez à porter un masque anti-poussière lorsque vous éliminez les poussières.

ATTENTION : Videz régulièrement le logement à poussières avant qu'il soit plein. Le non-respect de cette règle peut réduire les performances de collecte des poussières et entraîner une inhalation des poussières.

ATTENTION : Les performances de la collecte des poussières réduisent si le filtre présent dans le logement à poussières est obstrué. Pour référence, remplacez le filtre par un filtre neuf après environ 200 remplissages. Le non-respect de cette règle peut entraîner une inhalation de poussières.

1. Retirez le logement à poussières en appuyant sur son levier.
► **Fig.31:** 1. Levier
2. Ouvrez le couvercle du logement à poussières.
► **Fig.32:** 1. Couvercle
3. Éliminez la poussière, puis nettoyez le filtre.
► **Fig.33**

REMARQUE : Pendant le nettoyage du filtre, ne touchez pas le filtre avec une brosse ou un objet similaire, ou ne soufflez pas de l'air comprimé sur le filtre. Cela peut détériorer le filtre.

Poire soufflante

Accessoire en option

Une fois le trou percé, utilisez la poire soufflante pour en retirer la poussière.

► **Fig.34**

Utilisation de l'ensemble du collecteur de poussières

Accessoire en option

Appuyez l'ensemble du collecteur de poussières contre le plafond lorsque vous utilisez l'outil.

► **Fig.35**

REMARQUE : N'utilisez pas l'ensemble du collecteur de poussières pour le perçage du métal ou d'une matière similaire. Cela pourrait détériorer l'ensemble du collecteur de poussières en raison de la chaleur générée par les petites poussières métalliques ou similaires.

REMARQUE : N'installez pas ou ne retirez pas l'ensemble du collecteur de poussières avec le foret installé dans l'outil. Cela pourrait détériorer l'ensemble du collecteur de poussières et entraîner une fuite des poussières.

ENTRETIEN

⚠ ATTENTION : Assurez-vous toujours que l'outil est hors tension et débranché avant d'y effectuer tout travail d'inspection ou d'entretien.

REMARQUE : N'utilisez jamais d'essence, benzine, diluant, alcool ou autre produit similaire. Cela risquerait de provoquer la décoloration, la déformation ou la fissuration de l'outil.

Pour assurer la SÉCURITÉ et la FIABILITÉ du produit, toute réparation, tout travail d'entretien ou de réglage doivent être effectués par un centre d'entretien Makita agréé, avec des pièces de rechange Makita.

Remplacement du filtre du logement à poussières

1. Retirez le logement à poussières en appuyant sur son levier.

► Fig.36: 1. Levier

2. Insérez un tournevis à lame plate entre le logement du filtre et le couvercle du logement à poussières, comme illustré sur la figure. Tout en appuyant sur les côtés du logement du filtre et en les pliant, soulevez le logement du filtre avec le tournevis à lame plate et retirez le logement du filtre.

► Fig.37: 1. Tournevis à lame plate 2. Logement du filtre 3. Couvercle du logement à poussières

3. Pour retirer le filtre du logement du filtre, retournez-les et poussez le filtre vers le haut, comme illustré sur la figure.

► Fig.38: 1. Filtre 2. Logement du filtre

4. Fixez un nouveau filtre dans le logement, puis fixez l'ensemble au logement à poussières en alignant la saillie du logement du filtre à la rainure présente sur le logement à poussières.

► Fig.39: 1. Saillie 2. Rainure

5. Fermez le couvercle du logement à poussières, puis fixez celui-ci à l'outil.

Remplacement du bouchon hermétique

Accessoire en option

Remplacez les bouchons hermétiques à intervalles réguliers, car un bouchon hermétique usé ou endommagé peut affecter les performances d'aspiration.

1. Insérez un tournevis à lame plate, avec ses surfaces planes à la verticale, dans l'un des orifices de dégagement situés sur les côtés de la tête de la buse. Inclinez le tournevis à lame plate en angle de manière à comprimer et extraire le crochet en forme de cube du bouchon hermétique hors du réceptacle moulé. Retirez ensuite les bords en caoutchouc du bouchon hermétique des bords de l'ouverture de la tête de la buse.

► Fig.40: 1. Bouchon hermétique 2. Crochet en forme de cube 3. Orifice de dégagement 4. Tête de la buse

2. Placez l'un des crochets en forme de cube d'un bouchon hermétique neuf dans le réceptacle moulé de la tête de la buse, avec une surface encastrée du bouchon hermétique tournée vers l'avant.

► Fig.41: 1. Crochets en forme de cube
2. Réceptacles 3. Bouchon hermétique
4. Surface encastrée

3. Placez l'autre crochet dans le réceptacle du côté opposé de la tête de la buse, tout en repositionnant le bouchon hermétique pour qu'il s'adapte parfaitement à la tête de la buse.

► Fig.42: 1. Bouchon hermétique 2. Crochet en forme de cube 3. Réceptacle 4. Tête de la buse
5. Bords

4. Posez délicatement les bords en caoutchouc du bouchon hermétique sur les bords de l'ouverture de la tête de la buse, de bas en haut.

► Fig.43: 1. Bords en caoutchouc 2. Bouchon hermétique 3. Tête de la buse

ACCESSOIRES EN OPTION

⚠ ATTENTION : Ces accessoires ou pièces complémentaires sont recommandés pour l'utilisation avec l'outil Makita spécifié dans ce mode d'emploi. L'utilisation de tout autre accessoire ou pièce complémentaire peut comporter un risque de blessure. N'utilisez les accessoires ou pièces complémentaires qu'aux fins auxquelles ils ont été conçus.

Pour obtenir plus de détails sur ces accessoires, contactez votre centre d'entretien local Makita.

- Forets à pointe de carbure (forets à pointe de carbure SDS-plus)
- Trépan
- Pic
- Trépan diamant
- Ciseau à froid
- Ciseau à écailler
- Ciseau à rainurer
- Adaptateur de mandrin
- Mandrin à foret sans clé
- Graisse à foret
- Jauge de profondeur
- Poire soufflante
- Collecteur de poussières
- Ensemble du collecteur de poussières
- Lunettes de sécurité
- Étui de transport en plastique

NOTE : Il se peut que certains éléments de la liste soient compris dans l'emballage de l'outil en tant qu'accessoires standard. Ils peuvent varier d'un pays à l'autre.

TECHNISCHE DATEN

Modell:		HR2652	HR2653	HR2653T	HR2663
Kapazitäten	Beton	26 mm			
	Bohrkrone	68 mm			
	Diamant-Bohrkrone (Trockentyp)	80 mm			
	Stahl	13 mm			
	Holz	32 mm			
Leerlaufdrehzahl		0 - 1.200 min ⁻¹			0 - 1.100 min ⁻¹
Schlagzahl pro Minute		0 - 4.600 min ⁻¹			0 - 4.500 min ⁻¹
Gesamtlänge		604 mm		630 mm	
Nettogewicht		3,0 - 4,2 kg	3,1 - 4,3 kg	3,2 - 4,4 kg	3,3 - 4,5 kg
Sicherheitsklasse		□/II			

- Wir behalten uns vor, Änderungen der technischen Daten im Zuge der Entwicklung und des technischen Fortschritts ohne vorherige Ankündigung vorzunehmen.
- Die technischen Daten können von Land zu Land unterschiedlich sein.
- Das Gewicht kann abhängig von den Aufsätzen unterschiedlich sein. Die leichteste und die schwerste Kombination, gemäß dem EPTA-Verfahren 01/2014, sind in der Tabelle angegeben.

Vorgesehene Verwendung

Das Werkzeug ist für Hammerbohren und Bohren in Ziegeln, Beton und Stein vorgesehen. Es eignet sich auch für normales Bohren in Holz, Metall, Keramik und Kunststoff.

Stromversorgung

Das Werkzeug sollte nur an eine Stromquelle angeschlossen werden, deren Spannung mit der Angabe auf dem Typenschild übereinstimmt, und kann nur mit Einphasen-Wechselstrom betrieben werden. Diese sind doppelt schutzisoliert und können daher auch an Steckdosen ohne Erdleiter verwendet werden.

Geräusch

Typischer A-bewerteter Geräuschpegel ermittelt gemäß EN62841-2-6:

Schalldruckpegel (L_{pA}): 91 dB (A)
 Schalleistungspegel (L_{WA}): 102 dB (A)
 Messunsicherheit (K): 3 dB (A)

HINWEIS: Der (Die) angegebene(n)

Schallemissionswert(e) wurde(n) im Einklang mit der Standardprüfmethode gemessen und kann (können) für den Vergleich zwischen Werkzeugen herangezogen werden.

HINWEIS: Der (Die) angegebene(n)

Schallemissionswert(e) kann (können) auch für eine Vorbewertung des Gefährdungsgrads verwendet werden.

⚠️ WARNUNG: Einen Gehörschutz tragen.

⚠️ WARNUNG: Die Schallemission während der tatsächlichen Benutzung des Elektrowerkzeugs kann je nach der Benutzungsweise des Werkzeugs, und speziell je nach der Art des bearbeiteten Werkstücks, von dem (den) angegebenen Wert(en) abweichen.

⚠️ WARNUNG: Identifizieren Sie Sicherheitsmaßnahmen zum Schutz des Benutzers anhand einer Schätzung des Gefährdungsgrads unter den tatsächlichen Benutzungsbedingungen (unter Berücksichtigung aller Phasen des Arbeitszyklus, wie z. B. Ausschalt- und Leerlaufzeiten des Werkzeugs zusätzlich zur Betriebszeit).

Schwingungen

Die folgende Tabelle zeigt den gemäß dem zutreffenden Standard ermittelten Vibrationsgesamtwert (Drei-Achsen-Vektorsumme).

Modell HR2652

Arbeitsmodus	Vibrationsemission	Messunsicherheit (K)	Zutreffender Standard
Hammerbohren in Beton (a _{h, HD})	13,1 m/s ²	1,5 m/s ²	EN62841-2-6
Stemmen (a _{h, CHeq})	10,9 m/s ²	1,5 m/s ²	EN62841-2-6

Modell HR2653

Arbeitsmodus	Vibrationsemission	Messunsicherheit (K)	Zutreffender Standard
Hammerbohren in Beton ($a_{h, HD}$)	11,2 m/s ²	1,5 m/s ²	EN62841-2-6
Stemmen ($\hat{a}_{h, CHeg}$)	9,3 m/s ²	1,5 m/s ²	EN62841-2-6

Modell HR2653T

Arbeitsmodus	Vibrationsemission	Messunsicherheit (K)	Zutreffender Standard
Hammerbohren in Beton ($a_{h, HD}$)	10,9 m/s ²	1,5 m/s ²	EN62841-2-6
Stemmen ($\hat{a}_{h, CHeg}$)	9,6 m/s ²	1,5 m/s ²	EN62841-2-6

Modell HR2663

Arbeitsmodus	Vibrationsemission	Messunsicherheit (K)	Zutreffender Standard
Hammerbohren in Beton ($a_{h, HD}$)	9,3 m/s ²	1,5 m/s ²	EN62841-2-6
Stemmen ($\hat{a}_{h, CHeg}$)	7,0 m/s ²	1,5 m/s ²	EN62841-2-6

HINWEIS: Der (Die) angegebene(n) Vibrationsgesamtwert(e) wurde(n) im Einklang mit der Standardprüfmethode gemessen und kann (können) für den Vergleich zwischen Werkzeugen herangezogen werden.

HINWEIS: Der (Die) angegebene(n) Vibrationsgesamtwert(e) kann (können) auch für eine Vorbewertung des Gefährdungsgrads verwendet werden.

⚠️ WARNUNG: Die Vibrationsemission während der tatsächlichen Benutzung des Elektrowerkzeugs kann je nach der Benutzungsweise des Werkzeugs, und speziell je nach der Art des bearbeiteten Werkstücks, von dem (den) angegebenen Emissionswert(en) abweichen.

⚠️ WARNUNG: Identifizieren Sie Sicherheitsmaßnahmen zum Schutz des Benutzers anhand einer Schätzung des Gefährdungsgrads unter den tatsächlichen Benutzungsbedingungen (unter Berücksichtigung aller Phasen des Arbeitszyklus, wie z. B. Ausschalt- und Leerlaufzeiten des Werkzeugs zusätzlich zur Betriebszeit).

EG-Konformitätserklärung

Nur für europäische Länder

Die EG-Konformitätserklärung ist als Anhang A in dieser Bedienungsanleitung enthalten.

SICHERHEITSWARNUNGEN

Allgemeine Sicherheitswarnungen für Elektrowerkzeuge

⚠️ WARNUNG: Lesen Sie alle mit diesem Elektrowerkzeug gelieferten Sicherheitswarnungen, Anweisungen, Abbildungen und technischen Daten durch. Eine Missachtung der unten aufgeführten Anweisungen kann zu einem elektrischen Schlag, Brand und/oder schweren Verletzungen führen.

Bewahren Sie alle Warnungen und Anweisungen für spätere Bezugnahme auf.

Der Ausdruck „Elektrowerkzeug“ in den Warnhinweisen bezieht sich auf Ihr mit Netzstrom (mit Kabel) oder Akku (ohne Kabel) betriebenes Elektrowerkzeug.

SICHERHEITSWARNUNGEN FÜR BOHRHAMMER

Sicherheitsanweisungen für alle Betriebsvorgänge

1. **Tragen Sie Gehörschützer.** Lärmeinwirkung kann Gehörschädigung verursachen.
2. **Benutzen Sie (einen) Zusatzgriff(e), sofern er (sie) mit dem Werkzeug geliefert wurde(n).** Verlust der Kontrolle kann Personenschäden verursachen.
3. **Halten Sie das Elektrowerkzeug an den isolierten Griffflächen, wenn Sie Arbeiten ausführen, bei denen die Gefahr besteht, dass das Schneidzubehör verborgene Kabel oder das eigene Kabel kontaktiert.** Wenn das Schneidzubehör ein Strom führendes Kabel kontaktiert, können die freiliegenden Metallteile des Elektrowerkzeugs ebenfalls Strom führend werden, so dass der Benutzer einen elektrischen Schlag erleiden kann.

Sicherheitsanweisungen bei Verwendung von langen Bohrerinsätzen mit Bohrhämmern

1. **Starten Sie den Bohrvorgang immer mit einer niedrigen Drehzahl und bei Kontakt der Einsatzspitze mit dem Werkstück.** Bei höheren Drehzahlen besteht die Gefahr, dass sich der Einsatz verbiegt, wenn zugelassen wird, dass er ohne Kontakt mit dem Werkstück frei rotiert, was zu Personenschäden führen kann.
2. **Üben Sie Druck nur in direkter Linie mit dem Einsatz aus, und wenden Sie keinen übermäßigen Druck an.** Einsätze können sich verbiegen, was Bruch oder Verlust der Kontrolle verursachen und zu Personenschäden führen kann.

Zusätzliche Sicherheitswarnungen

1. Tragen Sie Schutzhelm, Schutzbrille und/oder Gesichtsschutz. Eine gewöhnliche Brille oder Sonnenbrille ist KEIN Ersatz für eine Schutzbrille. Das Tragen einer Staubmaske und dick gepolsterter Handschuhe ist ebenfalls zu empfehlen.
2. Vergewissern Sie sich vor der Arbeit, dass der Einsatz sicher montiert ist.
3. Das Werkzeug erzeugt konstruktionsbedingt Vibrationen bei normalem Betrieb. Durch Lockerung von Schrauben kann es zu einem Ausfall oder Unfall kommen. Unterziehen Sie die Schrauben vor der Arbeit einer sorgfältigen Festigkeitsprüfung.
4. Lassen Sie das Werkzeug bei niedrigen Temperaturen oder nach längerer Nichtbenutzung eine Zeit lang im Leerlauf warm laufen. Dadurch wird die Schmierung verbessert. Betrieb im kalten Zustand erschwert die Schlagbohrarbeit.
5. Achten Sie stets auf sicheren Stand. Vergewissern Sie sich bei Einsatz des Werkzeugs an hochgelegenen Arbeitsplätzen, dass sich keine Personen darunter aufhalten.
6. Halten Sie das Werkzeug mit beiden Händen fest.
7. Halten Sie Ihre Hände von beweglichen Teilen fern.
8. Lassen Sie das Werkzeug nicht unbeaufsichtigt laufen. Benutzen Sie das Werkzeug nur mit Handhaltung.
9. Richten Sie das Werkzeug während des Betriebs nicht auf umstehende Personen. Der Einsatz könnte herausschnellen und schwere Verletzungen verursachen.
10. Vermeiden Sie eine Berührung des Einsatzes, der umliegenden Teile oder des Werkstücks unmittelbar nach der Bearbeitung, weil die Teile noch sehr heiß sind und Hautverbrennungen verursachen können.
11. Manche Materialien können giftige Chemikalien enthalten. Treffen Sie Vorsichtsmaßnahmen, um das Einatmen von Arbeitsstaub und Hautkontakt zu verhindern. Befolgen Sie die Sicherheitsdaten des Materiallieferanten.
12. Fassen Sie den Netzstecker nicht mit nassen Händen an.

DIESE ANWEISUNGEN AUFBEWAHREN.

⚠️ WARNUNG: Lassen Sie sich NICHT durch Bequemlichkeit oder Vertrautheit mit dem Produkt (durch wiederholten Gebrauch erworben) von der strikten Einhaltung der Sicherheitsregeln für das vorliegende Produkt abhalten. MISSBRAUCH oder Missachtung der Sicherheitsvorschriften in dieser Anleitung können schwere Verletzungen verursachen.

FUNKTIONSBESCHREIBUNG

⚠️ VORSICHT: Vergewissern Sie sich vor jeder Einstellung oder Funktionsprüfung des Werkzeugs stets, dass es ausgeschaltet und vom Stromnetz getrennt ist.

Schalterfunktion

⚠️ VORSICHT: Vergewissern Sie sich vor dem Anschließen des Werkzeugs an das Stromnetz stets, dass der Ein-Aus-Schalter ordnungsgemäß funktioniert und beim Loslassen in die AUS-Stellung zurückkehrt.

⚠️ VORSICHT: Der Schalter kann zur Arbeitserleichterung bei längerem Einsatz in der „EIN“-Stellung verriegelt werden. Lassen Sie Vorsicht walten, wenn Sie den Schalter in der „EIN“-Stellung verriegeln, und halten Sie das Werkzeug mit festem Griff.

► **Abb.1:** 1. Ein-Aus-Schalter 2. Arretierknopf

► **Abb.2:** 1. Ein-Aus-Schalter 2. Arretierknopf



Drücken Sie zum Einschalten des Werkzeugs einfach den Ein-Aus-Schalter. Die Drehzahl erhöht sich durch verstärkte Druckausübung auf den Ein-Aus-Schalter. Lassen Sie den Ein-Aus-Schalter zum Anhalten los.

Für Dauerbetrieb den Ein-Aus-Schalter betätigen, den Arretierknopf hineindrücken, und dann den Ein-Aus-Schalter loslassen. Zum Ausrasten der Sperre den Ein-Aus-Schalter bis zum Anschlag hineindrücken und dann loslassen.



Funktion des Drehrichtungsumschalters

⚠️ VORSICHT: Prüfen Sie stets die Drehrichtung, bevor Sie mit der Arbeit beginnen.

ANMERKUNG: Betätigen Sie den Drehrichtungsumschalter erst, nachdem das Werkzeug völlig zum Stillstand gekommen ist. Durch Umschalten der Drehrichtung bei noch laufendem Werkzeug kann das Werkzeug beschädigt werden.



ANMERKUNG: Falls sich der Auslöseschalter nicht hineindrücken lässt, prüfen Sie, ob der Drehrichtungsumschalter vollständig auf der Position  (Seite A) oder  (Seite B) steht.

Für HR2652/HR2653/HR2653T

Dieses Werkzeug besitzt einen Drehrichtungsumschalter. Stellen Sie den Drehrichtungsumschalthebel für Drehung im Uhrzeigersinn auf die Position  (Seite A) oder für Drehung gegen den Uhrzeigersinn auf die Position  (Seite B).

► **Abb.3:** 1. Drehrichtungsumschalthebel

Für HR2663

Dieses Werkzeug besitzt einen Drehrichtungsumschalter. Stellen Sie den Drehrichtungsumschalthebel für Drehung im Uhrzeigersinn auf die Position  (Seite A) oder für Drehung entgegen dem Uhrzeigersinn auf die Position  (Seite B).

► **Abb.4:** 1. Drehrichtungsumschalthebel

HINWEIS: Wenn das Werkzeug mit Drehung entgegen dem Uhrzeigersinn betrieben wird, lässt sich der Auslöseschalter nur halb betätigen, und das Werkzeug läuft nur mit halber Drehzahl. Bei Drehung entgegen dem Uhrzeigersinn lässt sich der Arretierknopf nicht hineindrücken.



Auswechseln des Schnellwechselfutters für SDS-plus

Für HR2653T

Das Schnellwechselfutter für SDS-plus kann leicht gegen das Schnellwechsel-Bohrfutter ausgetauscht werden.




Entfernen des Schnellwechselfutters für SDS-plus

⚠ VORSICHT: Nehmen Sie unbedingt den Einsatz heraus, bevor Sie das Schnellwechselfutter für SDS-plus entfernen.

Fassen Sie die Wechselhülse des Schnellwechselfutters für SDS-plus, und drehen Sie sie in Pfeilrichtung, um die Wechselhülse vom Symbol  zum Symbol  zu verstellen. Ziehen Sie kräftig in Pfeilrichtung.

- **Abb.5:** 1. Schnellwechselfutter für SDS-plus
2. Wechselhülse 3. Wechselhülse

Montieren des Schnellwechsel-Bohrfutters

Vergewissern Sie sich, dass die Linie des Schnellwechsel-Bohrfutters auf das Symbol  zeigt. Fassen Sie die Wechselhülse des Schnellwechsel-Bohrfutters, und richten Sie die Linie auf das Symbol  aus. Setzen Sie das Schnellwechsel-Bohrfutter auf die Spindel des Werkzeugs. Fassen Sie die Wechselhülse des Schnellwechsel-Bohrfutters, und drehen Sie die Wechselhülse zum Symbol  bis ein deutliches Klicken zu hören ist.


- **Abb.6:** 1. Schnellwechsel-Bohrfutter 2. Spindel
3. Wechselhülse 4. Wechselhülse

Wahl der Betriebsart

ANMERKUNG: Betätigen Sie den Betriebsart-Umschaltknopf nicht bei laufendem Werkzeug. Das Werkzeug kann sonst beschädigt werden.

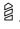
ANMERKUNG: Um schnellen Verschleiß des Betriebsart-Umschaltmechanismus zu vermeiden, achten Sie stets darauf, dass der Betriebsart-Umschaltknopf einwandfrei in einer der drei Betriebsartpositionen eingerastet ist.

Schlagbohren

Für Bohren in Beton, Mauerwerk usw. drehen Sie den Betriebsart-Umschaltknopf auf das Symbol . Verwenden Sie einen Einsatz mit Hartmetallspitze (Sonderzubehör).


- **Abb.7:** 1. Schlagbohren
2. Betriebsart-Umschaltknopf

Bohren

Für Bohren in Holz-, Metall- oder Kunststoffmaterial drehen Sie den Betriebsart-Umschaltknopf auf das Symbol . Verwenden Sie einen Spiralbohrer oder Holzbohrer.

- **Abb.8:** 1. Bohren

Schlagen

Für Meißeln, Abklopfen oder Demolieren drehen Sie den Betriebsart-Umschaltknopf auf das Symbol . Verwenden Sie einen Spitzmeißel, Flachmeißel, Putzmeißel usw.

- **Abb.9:** 1. Schlagen

Einstellen der Düsenposition

Schieben Sie die Führung hinein, während Sie den Führungseinstellknopf drücken, und lassen Sie dann den Knopf an der gewünschten Position los.

- **Abb.10:** 1. Führung 2. Führungseinstellknopf

HINWEIS: Bevor Sie die Düsenposition einstellen, geben Sie die Düse vollständig nach vorn frei, indem Sie den Führungseinstellknopf drücken.

Einstellen der Bohrtiefe

Schieben Sie den Tiefeneinstellknopf auf die gewünschte Position, während Sie ihn drücken. Der Abstand (A) ist die Bohrtiefe.

- **Abb.11:** 1. Tiefeneinstellknopf

Drehmomentbegrenzer

ANMERKUNG: Schalten Sie das Werkzeug bei Aktivierung des Drehmomentbegrenzers sofort aus. Dies verhindert vorzeitigen Verschleiß des Werkzeugs.

ANMERKUNG: Bohrerersatz, wie z. B. eine Lochsäge, die zum Klemmen oder Hängenbleiben in der Bohrung neigen, sind für dieses Werkzeug nicht geeignet. Dies liegt daran, dass sie eine zu häufige Aktivierung des Drehmomentbegrenzers verursachen.

Der Drehmomentbegrenzer wird bei Erreichen eines bestimmten Drehmoments ausgelöst. Der Motor wird von der Ausgangswelle abgekuppelt. Wenn dies eintritt, bleibt der Bohrer einsatz stehen.

Haken

⚠ VORSICHT: Hängen Sie das Werkzeug auf keinen Fall an hoch gelegenen Stellen oder an einer potentiell instabilen Fläche auf.

Für HR2663

- **Abb.12:** 1. Haken

Der Aufhänger ist praktisch, um das Werkzeug vorübergehend aufzuhängen.

Um den Aufhänger zu benutzen, heben Sie ihn einfach an, bis er in die geöffnete Position einrastet. Wenn er nicht benutzt wird, senken Sie den Aufhänger stets ab, bis er in die geschlossene Position einrastet.

MONTAGE

⚠ VORSICHT: Vergewissern Sie sich vor der Ausführung von Arbeiten am Werkzeug stets, dass es ausgeschaltet und vom Stromnetz getrennt ist.

Seitengriff (Zusatzgriff)

⚠ VORSICHT: Verwenden Sie stets den Seitengriff, um sicheren Betrieb zu gewährleisten.

⚠ VORSICHT: Vergewissern Sie sich nach dem Montieren oder Einstellen des Seitengriffs, dass er einwandfrei gesichert ist.

Montieren Sie den Seitengriff so, dass die Vorsprünge am Werkzeuggehäuse in die Nuten des Griffs eingreifen. Drehen Sie den Griff im Uhrzeigersinn, um ihn zu sichern. Der Griff kann in jedem gewünschten Winkel fixiert werden.

► **Abb.13:** 1. Seitengriff

Schmierfett

Tragen Sie vor der Arbeit eine kleine Menge Schmierfett (etwa 0,5 - 1 g) auf das Schaftende des Bohrereinsatzes auf.

Diese Futterschmierung gewährleistet reibungslosen Betrieb und längere Lebensdauer.

Montage und Demontage des Bohrereinsatzes

Reinigen Sie das Schaftende des Bohrereinsatzes, und tragen Sie Schmierfett auf, bevor Sie den Bohrereinsatz montieren.

► **Abb.14:** 1. Schaftende 2. Schmierfett

Führen Sie den Bohrereinsatz in das Werkzeug ein. Drehen Sie den Bohrereinsatz, und drücken Sie ihn hinein, bis er einrastet. Vergewissern Sie sich nach dem Montieren des Bohrereinsatzes immer, dass der Bohrereinsatz sicher sitzt, indem Sie versuchen, ihn herauszuziehen.

► **Abb.15:** 1. Bohrereinsatz

Um den Bohrereinsatz zu entfernen, ziehen Sie die Futterabdeckung vollständig nach unten, und ziehen Sie den Bohrereinsatz heraus.

► **Abb.16:** 1. Bohrereinsatz 2. Futterabdeckung

Meißelwinkel (beim Meißeln, Abklopfen oder Demolieren)

Der Meißel kann im gewünschten Winkel eingespannt werden. Um den Meißelwinkel zu ändern, drehen Sie den Betriebsart-Umschaltknopf auf das Symbol O. Drehen Sie den Meißel auf den gewünschten Winkel.

► **Abb.17:** 1. Betriebsart-Umschaltknopf

Drehen Sie den Betriebsart-Umschaltknopf auf die Position des Symbols $\overline{\text{T}}$. Vergewissern Sie sich dann durch leichtes Drehen, dass der Meißel einwandfrei gesichert ist.

Tiefenanschlag

Der Tiefenanschlag ist praktisch, um Löcher von gleicher Tiefe zu bohren. Lösen Sie den Seitengriff, und führen Sie den Tiefenanschlag in das Loch im Seitengriff ein. Den Tiefenanschlag auf die gewünschte Bohrtiefe einstellen, und den Seitengriff fest anziehen.

► **Abb.18:** 1. Loch 2. Tiefenanschlag

HINWEIS: Vergewissern Sie sich beim Anbringen, dass der Tiefenanschlag nicht den Hauptteil des Werkzeugs berührt.

Anbringen und Abnehmen des Staubabsaugsystems

Um das Staubabsaugsystem abzunehmen, ziehen Sie das Werkzeug, während Sie den Verriegelungsknopf drücken. Um es anzubringen, führen Sie das Werkzeug vollständig in das Staubabsaugsystem ein, bis es mit einem leisen Klicken einrastet.

► **Abb.19:** 1. Verriegelungsknopf

Staubfangteller

Sonderzubehör

Verwenden Sie bei Überkopf-Bohrarbeiten den Staubfangteller, um zu verhindern, dass Staub auf Sie und das Werkzeug fällt. Bringen Sie den Staubfangteller so am Einsatz an, wie in der Abbildung gezeigt. Der Staubfangteller kann an Einsätzen der folgenden Größen angebracht werden.

Modell	Einsatzdurchmesser
Staubfangteller 5	6 mm - 14,5 mm
Staubfangteller 9	12 mm - 16 mm

► **Abb.20:** 1. Staubfangteller

Staubfangtellersatz

Sonderzubehör

Bevor Sie den Staubfangtellersatz anbringen, entfernen Sie den Einsatz vom Werkzeug, falls einer montiert ist. Bringen Sie den Staubfangtellersatz so am Werkzeug an, dass das Symbol \triangle am Staubfangteller auf die Nute im Werkzeug ausgerichtet ist.

► **Abb.21:** 1. \triangle Symbol 2. Nut

HINWEIS: Wenn Sie ein Sauggerät an den Staubfangtellersatz anschließen, entfernen Sie den Staubfangteller vor dem Anschließen.

► **Abb.22:** 1. Staubkappe

Um den Staubfangtellersatz abzunehmen, entfernen Sie den Einsatz, während Sie die Futterabdeckung in Pfeilrichtung ziehen.

► **Abb.23:** 1. Einsatz 2. Futterabdeckung

Halten Sie den Staubfangteller am Ansatz, und ziehen Sie ihn heraus.

► **Abb.24**

HINWEIS: Falls sich die Kappe vom Staubfangteller löst, bringen Sie sie mit der bedruckten Seite nach oben so an, dass die Nut der Kappe auf den Innenrand des Aufsatzes passt.

► **Abb.25**

BETRIEB

⚠ VORSICHT: Montieren Sie stets den Seitengriff (Zusatzgriff), und halten Sie das Werkzeug während der Arbeit mit beiden Händen am Seitengriff und Schaltergriff fest.

⚠ VORSICHT: Vergewissern Sie sich vor der Arbeit immer, dass das Werkstück gesichert ist.

⚠ VORSICHT: Das Staubabsaugsystem ist nur für Bohren in Beton vorgesehen. Benutzen Sie das Staubabsaugsystem nicht zum Bohren in Metall oder Holz.

⚠ VORSICHT: Wenn Sie das Werkzeug mit dem Staubabsaugsystem verwenden, bringen Sie unbedingt den Filter am Staubabsaugsystem an, um Einatmen von Staub zu verhindern.

⚠ VORSICHT: Bevor Sie das Staubabsaugsystem benutzen, stellen Sie sicher, dass der Filter nicht beschädigt ist. Anderenfalls kann es zu Einatmen von Staub kommen.

⚠ VORSICHT: Das Staubabsaugsystem sammelt einen Großteil des erzeugten Staubs auf, aber es kann nicht den ganzen Staub auf sammeln.

ANMERKUNG: Verwenden Sie das Staubabsaugsystem nicht für Kernbohr- oder Stemmarbeiten.

ANMERKUNG: Verwenden Sie das Staubabsaugsystem nicht zum Bohren in nassem Beton, und benutzen Sie dieses System auch nicht in nasser Umgebung. Anderenfalls kann es zu einer Funktionsstörung kommen.

► Abb.26

Hammerbohren

⚠ VORSICHT: Beim Durchbruch der Bohrung, bei Verstopfung der Bohrung mit Spänen und Partikeln, oder beim Auftreffen auf Betonstahl wirkt eine starke, plötzliche Drehkraft auf Werkzeug und Bohrereinsatz. **Montieren Sie stets den Seitengriff (Zusatzgriff), und halten Sie das Werkzeug während der Arbeit mit beiden Händen am Seitengriff und Schaltergriff fest.** Eine Missachtung dieser Vorsichtsmaßnahme kann den Verlust der Kontrolle über das Werkzeug und mögliche schwere Verletzungen zur Folge haben.


Stellen Sie den Betriebsart-Umschaltknopf auf die Position des Symbols .

Setzen Sie den Bohrereinsatz auf die gewünschte Bohrstelle, und drücken Sie dann den Auslöseschalter. Üben Sie keinen übermäßigen Druck auf das Werkzeug aus. Leichter Druck liefert die besten Ergebnisse. Halten Sie das Werkzeug in Position, und vermeiden Sie Abrutschen vom Loch.

Üben Sie keinen stärkeren Druck aus, wenn das Bohrloch mit Spänen oder Bohrmehl zugesetzt wird. Lassen Sie statt dessen das Werkzeug leer laufen, und ziehen Sie dann den Bohrereinsatz teilweise aus dem Bohrloch heraus. Durch mehrmaliges Wiederholen dieses Vorgangs wird das Bohrloch ausgeräumt, so dass der normale Bohrbetrieb fortgesetzt werden kann.

HINWEIS: Es kann zu einer Rundlaufabweichung in der Bohrereinsatzdrehung kommen, wenn das Werkzeug mit Nulllast betrieben wird. Während des Betriebs zentriert sich das Werkzeug automatisch. Dies hat keinen Einfluss auf die Bohrgenauigkeit.

Meißeln/Abklopfen/Demolieren

Stellen Sie den Betriebsart-Umschaltknopf auf die Position des Symbols .

Halten Sie das Werkzeug mit beiden Händen fest. Schalten Sie das Werkzeug ein, und führen Sie es mit leichtem Druck, damit es nicht unkontrolliert springt. Übermäßige Druckausübung auf das Werkzeug bewirkt keine Erhöhung der Arbeitsleistung.

► Abb.27

Bohren in Holz oder Metall

⚠ VORSICHT: Halten Sie daher das Werkzeug mit festem Griff und lassen Sie Vorsicht walten, wenn der Bohrereinsatz im Begriff ist, aus dem Werkstück auszutreten. Beim Bohrungsdurchbruch wirkt ein hohes Rückdrehmoment auf Werkzeug und Bohrereinsatz.

⚠ VORSICHT: Ein festsitzender Bohrereinsatz lässt sich durch einfaches Umschalten der Drehrichtung wieder herausdrehen. Dabei sollten Sie aber das Werkzeug gut festhalten, damit es nicht ruckartig herausgestoßen wird.

⚠ VORSICHT: Spannen Sie Werkstücke stets in einen Schraubstock oder eine ähnliche Aufspannvorrichtung ein.

ANMERKUNG: Verwenden Sie keinesfalls die Betriebsart „Schlagbohren“, wenn das Bohrfutter am Werkzeug angebracht ist. Das Bohrfutter kann sonst beschädigt werden. Außerdem löst sich das Bohrfutter beim Umschalten der Drehrichtung.

ANMERKUNG: Übermäßige Druckausübung auf das Werkzeug bewirkt keine Beschleunigung der Bohrleistung. Im Gegenteil; übermäßiger Druck führt zu einer Beschädigung der Spitze des Bohrereinsatzes und damit zu einer Verringerung der Leistungsfähigkeit sowie zu einer Verkürzung der Lebensdauer des Werkzeugs.

Stellen Sie den Betriebsart-Umschaltknopf auf die Position des Symbols .

Für HR2652/HR2653/HR2663

Sonderzubehör

Bringen Sie den Futteradapter an einem schlüssellosen Bohrfutter an, an dem eine Schraube der Größe 1/2"-20 montiert werden kann, und montieren Sie dann die Teile am Werkzeug. Nehmen Sie zur Montage auf den Abschnitt „Montage und Demontage des Bohrereinsatzes“ Bezug.

► **Abb.28:** 1. Schlüsselloses Bohrfutter 2. Futteradapter

Für HR2653T


Verwenden Sie das Schnellwechsel-Bohrfutter als Standardausstattung. Nehmen Sie zur Montage auf den Abschnitt „Auswechseln des Schnellwechselfutters für SDS-plus“ Bezug. Halten Sie den Klemmring fest, und drehen Sie die Werkzeugaufnahme entgegen dem Uhrzeigersinn, um die Futterbacken zu öffnen. Führen Sie den Einsatz bis zum Anschlag in das Spannfutter ein. Halten Sie den Klemmring fest, und drehen Sie die Werkzeugaufnahme im Uhrzeigersinn, um das Spannfutter festzuziehen.

► **Abb.29:** 1. Werkzeugaufnahme 2. Klemmring

Zum Entfernen des Einsatzes halten Sie den Klemmring, und drehen Sie die Werkzeugaufnahme entgegen dem Uhrzeigersinn.

Bohren mit Diamant-Bohrkrone

ANMERKUNG: Werden Bohrarbeiten mit Diamant-Bohrkrone in der Betriebsart „Schlagbohren“ durchgeführt, kann die Diamant-Bohrkrone beschädigt werden.

Stellen Sie den Betriebsart-Umschaltknopf zum Bohren mit Diamant-Bohrkrone immer auf die Position , um die Betriebsart „Bohren“ zu benutzen.

Ausklopfen des Filters

⚠ VORSICHT: Drehen Sie nicht das Einstellrad am Staubsammelbehälter, während der Staubsammelbehälter vom Staubabsaugsystem entfernt ist. Anderenfalls kann es zu Einatmen von Staub kommen.

⚠ VORSICHT: Schalten Sie stets das Werkzeug aus, wenn Sie das Einstellrad am Staubsammelbehälter drehen. Drehen des Einstellrads bei laufendem Werkzeug kann zum Verlust der Kontrolle über das Werkzeug führen.

Durch Ausklopfen des Filters im Staubsammelbehälter können Sie die Saugeffizienz aufrechterhalten und auch die Anzahl der Staubentleerungen verringern. Drehen Sie das Einstellrad am Staubsammelbehälter dreimal, nachdem sich jeweils 50.000 mm³ Staub angesammelt haben, oder wenn Sie das Gefühl haben, dass die Saugleistung nachgelassen hat.

HINWEIS: 50.000 mm³ Staub entsprechen dem Bohren von 10 Löchern von ø10 mm und 65 mm Tiefe (14 Löcher von ø3/8" und 2" Tiefe).

► **Abb.30:** 1. Staubsammelbehälter 2. Einstellrad

Staubentsorgung

⚠ VORSICHT: Vergewissern Sie sich vor der Ausführung von Arbeiten am Werkzeug stets, dass es ausgeschaltet und vom Stromnetz getrennt ist.

⚠ VORSICHT: Tragen Sie beim Entsorgen von Staub unbedingt eine Staubmaske.

⚠ VORSICHT: Leeren Sie den Staubsammelbehälter regelmäßig, bevor er voll wird. Anderenfalls kann die Staubsammelleistung nachlassen, so dass es zu Einatmen von Staub kommt.

⚠ VORSICHT: Die Staubsammelleistung lässt nach, wenn der Filter im Staubsammelbehälter zugesetzt wird. Ersetzen Sie den Filter als Richtlinie nach etwa 200 Stauffüllungen durch einen neuen. Anderenfalls kann es zu Einatmen von Staub kommen.

1. Entfernen Sie den Staubsammelbehälter, während Sie den Hebel des Staubsammelbehälters nach unten drücken.

► **Abb.31:** 1. Hebel

2. Öffnen Sie die Abdeckung des Staubsammelbehälters.

► **Abb.32:** 1. Abdeckung

3. Entsorgen Sie den Staub, und reinigen Sie dann den Filter.

► **Abb.33**

ANMERKUNG: Berühren Sie den Filter beim Reinigen nicht mit einer Bürste oder dergleichen, und blasen Sie auch keine Druckluft auf den Filter. Dadurch kann der Filter beschädigt werden.

Ausblaspipette

Sonderzubehör

Blasen Sie den Staub nach dem Bohren des Lochs mit einer Ausblaspipette aus dem Loch.

► **Abb.34**

Verwendung des Staubfangtellersatzes

Sonderzubehör

Halten Sie den Staubfangtellersatz beim Betreiben des Werkzeugs gegen die Decke.

► **Abb.35**

ANMERKUNG: Benutzen Sie den Staubfangtellersatz nicht, wenn Sie in Metall oder ähnlichem Material bohren. Der Staubfangtellersatz kann sonst durch die von feinem Metallstaub o. Ä. erzeugten Wärme beschädigt werden.

ANMERKUNG: Unterlassen Sie das Montieren oder Demontieren des Staubfangtellersatzes, wenn der Bohrerersatz im Werkzeug montiert ist. Sonst kann der Staubfangtellersatz beschädigt und ein Staubleck verursacht werden.

WARTUNG

⚠ VORSICHT: Vergewissern Sie sich vor der Durchführung von Überprüfungen oder Wartungsarbeiten des Werkzeugs stets, dass es ausgeschaltet und vom Stromnetz getrennt ist.

ANMERKUNG: Verwenden Sie auf keinen Fall Benzin, Waschbenzin, Verdünnern, Alkohol oder dergleichen. Solche Mittel können Verfärbung, Verformung oder Rissbildung verursachen.

Um die SICHERHEIT und ZUVERLÄSSIGKEIT dieses Produkts zu gewährleisten, sollten Reparaturen und andere Wartungs- oder Einstellarbeiten nur von Makita-Vertragswerkstätten oder Makita-Kundendienstzentren unter ausschließlicher Verwendung von Makita-Originalersatzteilen ausgeführt werden.

Austauschen des Filters des Staubsammelbehälters

- Entfernen Sie den Staubsammelbehälter, während Sie den Hebel des Staubsammelbehälters nach unten drücken.
► **Abb.36:** 1. Hebel
- Führen Sie einen Flachklingen-Schraubendreher zwischen das Filtergehäuse und die Abdeckung des Staubsammelbehälters ein, wie in der Abbildung gezeigt. Während Sie die Seiten des Filtergehäuses drücken und biegen, heben Sie das Filtergehäuse mit dem Flachklingen-Schraubendreher hoch, und entfernen Sie das Filtergehäuse.
► **Abb.37:** 1. Flachklingen-Schraubendreher
2. Filtergehäuse 3. Abdeckung des Staubsammelbehälters
- Um den Filter aus dem Filtergehäuse zu entfernen, drehen Sie ihn auf den Kopf, und schieben Sie den Filter nach oben, wie in der Abbildung gezeigt.
► **Abb.38:** 1. Filter 2. Filtergehäuse
- Setzen Sie einen neuen Filter in das Filtergehäuse ein, und führen Sie dann die Teile in den Staubsammelbehälter ein, wobei Sie den Vorsprung am Filtergehäuse auf die Führungsnut im Staubsammelbehälter ausrichten.
► **Abb.39:** 1. Vorsprung 2. Führungsnut
- Schließen Sie die Abdeckung des Staubsammelbehälters, und bringen Sie ihn dann am Werkzeug an.

Austauschen der Dichtkappe

Sonderzubehör

Tauschen Sie eine Dichtkappe in regelmäßigen Abständen aus, da eine verschlissene oder beschädigte Dichtkappe die Saugleistung beeinträchtigen kann.

- Führen Sie einen Flachklingen-Schraubendreher mit den flachen Flächen senkrecht in eines der Freigabelöcher an den Seiten des Düsenkopfs ein. Kippen Sie den Flachklingen-Schraubendreher schräg, um den Würfelhaken der Dichtkappe zu quetschen und aus der Formaufnahme herauszudrücken. Ziehen Sie dann die Gummiränder der Dichtkappe von den Rändern der Düsenkopfoffnung ab.
► **Abb.40:** 1. Dichtkappe 2. Würfelhaken
3. Freigabeloch 4. Düsenkopf
- Setzen Sie einen der Würfelhaken einer erneuerten Dichtkappe in die geformte Aufnahme im Düsenkopf ein, so dass eine vertiefte Fläche der Dichtkappe nach vorne zeigt.
► **Abb.41:** 1. Würfelhaken 2. Aufnahmen
3. Dichtkappe 4. Vertiefte Fläche
- Setzen Sie den anderen Haken in die Aufnahme auf der gegenüberliegenden Seite des Düsenkopfs ein, während Sie die Dichtkappe wieder so positionieren, dass sie gut am Düsenkopf anliegt.
► **Abb.42:** 1. Dichtkappe 2. Würfelhaken 3. Aufnahme
4. Düsenkopf 5. Ränder
- Legen Sie die Gummiränder der Dichtkappe vorsichtig von unten nach oben über die Ränder der Düsenkopfoffnung.
► **Abb.43:** 1. Gummiränder 2. Dichtkappe
3. Düsenkopf

SONDERZUBEHÖR

⚠VORSICHT: Die folgenden Zubehörteile oder Vorrichtungen werden für den Einsatz mit dem in dieser Anleitung beschriebenen Makita-Werkzeug empfohlen. Die Verwendung anderer Zubehörteile oder Vorrichtungen kann eine Verletzungsgefahr darstellen. Verwenden Sie Zubehörteile oder Vorrichtungen nur für ihren vorgesehenen Zweck.

Wenn Sie weitere Einzelheiten bezüglich dieser Zubehörteile benötigen, wenden Sie sich bitte an Ihre Makita-Kundendienststelle.

- Bohrereinsätze mit Hartmetallschneide (SDS-plus-Einsätze mit Hartmetallschneide)
- Bohrkronen
- Spitzmeißel
- Diamant-Bohrkronen
- Flachmeißel
- Putzmeißel
- Nutenmeißel
- Futteradapter
- Schlüsselloses Bohrfutter
- Bohrerfert
- Tiefenanschlag
- Ausblaspipette
- Staubfangteller
- Staubfangtellersatz
- Schutzbrille
- Plastikoffen

HINWEIS: Manche Teile in der Liste können als Standardzubehör im Werkzeugsatz enthalten sein. Sie können von Land zu Land unterschiedlich sein.

DATI TECNICI

Modello:		HR2652	HR2653	HR2653T	HR2663
Capacità	Cemento	26 mm			
	Punta a corona	68 mm			
	Punta a corona diamantata (tipo a secco)	80 mm			
	Acciaio	13 mm			
	Legno	32 mm			
Velocità a vuoto		0 - 1.200 min ⁻¹			0 - 1.100 min ⁻¹
Colpi al minuto		0 - 4.600 min ⁻¹			0 - 4.500 min ⁻¹
Lunghezza totale		604 mm		630 mm	666 mm
Peso netto		3,0 - 4,2 kg	3,1 - 4,3 kg	3,2 - 4,4 kg	3,3 - 4,5 kg
Classe di sicurezza		□/II			

- In conseguenza del nostro programma di ricerca e sviluppo continui, i dati tecnici nel presente manuale sono soggetti a modifiche senza preavviso.
- I dati tecnici possono variare da nazione a nazione.
- Il peso può variare a seconda dell'accessorio o degli accessori. La combinazione più leggera e quella più pesante, in base alla Procedura EPTA 01/2014, sono indicate nella tabella.

Uso previsto

Questo utensile è destinato alla foratura a percussione e normale di mattoni, calcestruzzo e pietra. L'utensile è anche adatto alla foratura senza impulsi di legno, metallo, ceramica e plastica.

Alimentazione

L'utensile deve essere collegato a una fonte di alimentazione con la stessa tensione indicata sulla targhetta del nome, e può funzionare solo a corrente alternata monofase. L'utensile è dotato di doppio isolamento, per cui può essere utilizzato con prese elettriche sprovviste di messa a terra.

Rumore

Livello tipico di rumore pesato A determinato in base allo standard EN62841-2-6:

Livello di pressione sonora (L_{pA}): 91 dB (A)

Livello di potenza sonora (L_{WA}): 102 dB (A)

Incertezza (K): 3 dB (A)

NOTA: Il valore o i valori dichiarati delle emissioni di rumori sono stati misurati in conformità a un metodo standard di verifica, e possono essere utilizzati per confrontare un utensile con un altro.

NOTA: Il valore o i valori dichiarati delle emissioni di rumori possono venire utilizzati anche per una valutazione preliminare dell'esposizione.

⚠AVVERTIMENTO: Indossare protezioni per le orecchie.

⚠AVVERTIMENTO: L'emissione di rumori durante l'utilizzo effettivo dell'utensile elettrico può variare rispetto al valore o ai valori dichiarati, a seconda dei modi in cui viene utilizzato l'utensile e specialmente a seconda di che tipo di pezzo venga lavorato.

⚠AVVERTIMENTO: Accertarsi di identificare misure di sicurezza per la protezione dell'operatore che siano basate su una stima dell'esposizione nelle condizioni effettive di utilizzo (tenendo conto di tutte le parti del ciclo operativo, ad esempio del numero di spegnimenti dell'utensile e di quando giri a vuoto, oltre al tempo di attivazione).

Vibrazioni

La tabella seguente mostra il valore complessivo delle vibrazioni (somma vettoriale triassiale) determinato in base allo standard applicabile.

Modello HR2652

Modalità operativa	Emissione di vibrazioni	Incertezza (K)	Standard applicabile
Foratura a percussione del calcestruzzo ($a_{h, HD}$)	13,1 m/s ²	1,5 m/s ²	EN62841-2-6
Scalpellatura ($a_{h, CHeg}$)	10,9 m/s ²	1,5 m/s ²	EN62841-2-6

Modello HR2653

Modalità operativa	Emissione di vibrazioni	Incertezza (K)	Standard applicabile
Foratura a percussione del calcestruzzo ($a_{h,HD}$)	11,2 m/s ²	1,5 m/s ²	EN62841-2-6
Scalpellatura ($a_{h,CHeq}$)	9,3 m/s ²	1,5 m/s ²	EN62841-2-6

Modello HR2653T

Modalità operativa	Emissione di vibrazioni	Incertezza (K)	Standard applicabile
Foratura a percussione del calcestruzzo ($a_{h,HD}$)	10,9 m/s ²	1,5 m/s ²	EN62841-2-6
Scalpellatura ($a_{h,CHeq}$)	9,6 m/s ²	1,5 m/s ²	EN62841-2-6

Modello HR2663

Modalità operativa	Emissione di vibrazioni	Incertezza (K)	Standard applicabile
Foratura a percussione del calcestruzzo ($a_{h,HD}$)	9,3 m/s ²	1,5 m/s ²	EN62841-2-6
Scalpellatura ($a_{h,CHeq}$)	7,0 m/s ²	1,5 m/s ²	EN62841-2-6

NOTA: Il valore o i valori complessivi delle vibrazioni dichiarati sono stati misurati in conformità a un metodo standard di verifica, e possono essere utilizzati per confrontare un utensile con un altro.

NOTA: Il valore o i valori complessivi delle vibrazioni dichiarati possono venire utilizzati anche per una valutazione preliminare dell'esposizione.

⚠AVVERTIMENTO: L'emissione delle vibrazioni durante l'utilizzo effettivo dell'utensile elettrico può variare rispetto al valore o ai valori dichiarati, a seconda dei modi in cui viene utilizzato l'utensile, specialmente a seconda di che tipo di pezzo venga lavorato.

⚠AVVERTIMENTO: Accertarsi di identificare misure di sicurezza per la protezione dell'operatore che siano basate su una stima dell'esposizione nelle condizioni effettive di utilizzo (tenendo conto di tutte le parti del ciclo operativo, ad esempio del numero di spegnimenti dell'utensile e di quando giri a vuoto, oltre al tempo di attivazione).

Dichiarazione di conformità CE

Solo per i paesi europei

La dichiarazione di conformità CE è inclusa nell'Allegato A al presente manuale di istruzioni.

AVVERTENZE DI SICUREZZA

Avvertenze generali relative alla sicurezza dell'utensile elettrico

⚠AVVERTIMENTO: Leggere tutte le avvertenze di sicurezza, le istruzioni, le illustrazioni e i dati tecnici forniti con il presente utensile elettrico. La mancata osservanza di tutte le istruzioni elencate di seguito potrebbe risultare in scosse elettriche, incendi e/o gravi lesioni personali.

Conservare tutte le avvertenze e le istruzioni come riferimento futuro.

Il termine "utensile elettrico" nelle avvertenze si riferisce sia all'utensile elettrico (cablato) nel funzionamento alimentato da rete elettrica che all'utensile elettrico (a batteria) nel funzionamento alimentato a batteria.

AVVERTENZE PER LA SICUREZZA DEL MARTELLO ROTATIVO

Istruzioni di sicurezza relative a tutte le operazioni

1. **Indossare protezioni per le orecchie.** L'esposizione al rumore può causare la perdita dell'udito.
2. **Utilizzare la maniglia o le maniglie ausiliarie, se in dotazione con l'utensile.** La perdita di controllo può causare lesioni personali.
3. **Mantenere l'utensile elettrico per le superfici di impugnatura isolate, quando si intende eseguire un'operazione in cui l'accessorio da taglio potrebbe entrare in contatto con fili elettrici nascosti o con il proprio cavo.** Qualora l'accessorio da taglio entri in contatto con un cavo sotto tensione, potrebbe mettere sotto tensione le parti metalliche esposte dell'utensile elettrico e trasmettere una scossa elettrica all'operatore.

Istruzioni di sicurezza quando si utilizzano punte per trapano lunghe con martelli rotativi

1. **Iniziare sempre a perforare a bassa velocità e con l'estremità della punta in contatto con il pezzo in lavorazione.** Alle velocità più elevate, è probabile che la punta si pieghi, qualora la si lasci ruotare liberamente senza entrare in contatto con il pezzo in lavorazione, il che potrebbe risultare in lesioni personali.
2. **Applicare pressione solo allineandosi senza inclinazioni con la punta, e non applicare pressione eccessiva.** Le punte possono piegarsi, causando rotture o perdita di controllo e risultando in lesioni personali.

Avvertenze aggiuntive per la sicurezza

1. **Indossare un casco (elmetto di protezione), occhiali di sicurezza e/o una visiera.** I normali occhiali da vista o da sole **NON** sono occhiali di sicurezza. Inoltre, si consiglia caldamente di indossare una mascherina antipolvere e guanti dall'imbottitura spessa.

2. Accertarsi che la punta sia fissata saldamente in sede prima dell'utilizzo.
3. Nell'utilizzo normale, l'utensile è progettato per produrre vibrazioni. Le viti potrebbero allentarsi facilmente, causando un guasto o un incidente. Controllare con cura che le viti siano serrate prima dell'uso.
4. In condizioni di bassa temperatura o quando l'utensile non è stato utilizzato per un periodo di tempo prolungato, lasciar riscaldare l'utensile per un po' di tempo facendolo funzionare a vuoto. Questa operazione ammorbidisce il lubrificante. Senza un appropriato riscaldamento, l'operazione di percussione risulta difficile.
5. Accertarsi sempre di appoggiare i piedi saldamente. Quando si intende utilizzare l'utensile in ubicazioni elevate, accertarsi sempre che non sia presente alcuna persona sotto.
6. Tenere l'utensile saldamente con entrambe le mani.
7. Tenere le mani lontane dalle parti mobili.
8. Non lasciare l'utensile mentre sta funzionando. Far funzionare l'utensile solo mentre lo si tiene in mano.
9. Non puntare l'utensile verso alcuna persona nelle vicinanze durante l'uso. La punta potrebbe volare via e causare gravi lesioni personali.
10. Non toccare la punta, le parti vicine alla punta o il pezzo in lavorazione subito dopo l'uso; potrebbero essere estremamente caldi e causare ustioni.
11. Alcuni materiali contengono sostanze chimiche che potrebbero essere tossiche. Fare attenzione a evitare l'inalazione della polvere e il contatto con la pelle. Attenersi ai dati relativi alla sicurezza del fornitore del materiale.
12. Non toccare la spina dell'alimentazione elettrica con le mani bagnate.

CONSERVARE LE PRESENTI ISTRUZIONI.

AVVERTIMENTO: NON lasciare che la comodità o la familiarità d'uso con il prodotto (acquisita con l'uso ripetuto) sostituiscano la stretta osservanza delle norme di sicurezza. L'USO IMPROPRIO o la mancata osservanza delle norme di sicurezza riportate nel presente manuale manuale di istruzioni potrebbero causare lesioni personali gravi.

DESCRIZIONE DELLE FUNZIONI

ATTENZIONE: Accertarsi sempre che l'utensile sia spento e scollegato dall'alimentazione prima di regolare o controllare le sue funzioni.

Funzionamento dell'interruttore

ATTENZIONE: Prima di collegare l'utensile all'alimentazione elettrica, controllare sempre che l'interruttore a grilletto funzioni correttamente e che torni sulla posizione "OFF" quando viene rilasciato.

ATTENZIONE: È possibile bloccare l'interruttore sulla posizione "ON" (accensione) per la comodità dell'operatore durante l'utilizzo prolungato. Fare attenzione quando si intende bloccare l'utensile nella posizione "ON" (accensione) e mantenere una salda presa sull'utensile.

► Fig.1: 1. Interruttore a grilletto 2. Pulsante di sblocco

► Fig.2: 1. Interruttore a grilletto 2. Pulsante di blocco

Per avviare l'utensile, è sufficiente premere l'interruttore a grilletto. La velocità dell'utensile viene aumentata incrementando la pressione sull'interruttore a grilletto. Rilasciare l'interruttore a grilletto per arrestare l'utensile.

Per il funzionamento continuo, premere l'interruttore a grilletto, far rientrare il pulsante di blocco premendolo, quindi rilasciare l'interruttore a grilletto. Per arrestare l'utensile dalla posizione bloccata, premere a fondo l'interruttore a grilletto, quindi rilasciarlo.

Uso del commutatore di inversione della rotazione

ATTENZIONE: Controllare sempre la direzione di rotazione prima dell'uso.

AVVISO: Utilizzare il commutatore di inversione della rotazione solo dopo l'arresto completo dell'utensile. Qualora si cambi la direzione di rotazione prima dell'arresto dell'utensile, si potrebbe danneggiare quest'ultimo.


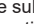
AVVISO: Qualora non sia possibile premere l'interruttore a grilletto, verificare che il commutatore di inversione sia impostato a fondo sulla posizione ◁ / ▷ (lato A) o ▷ / ▷ (lato B).

Per i modelli HR2652/HR2653/HR2653T

Questo utensile è dotato di un commutatore di inversione per modificare la direzione di rotazione. Spostare la leva del commutatore di inversione sulla posizione ◁ (lato A) per la rotazione in senso orario, oppure sulla posizione ▷ (lato B) per la rotazione in senso antiorario.

► Fig.3: 1. Leva del commutatore di inversione

Per il modello HR2663

Questo utensile è dotato di un commutatore di inversione per modificare la direzione di rotazione. Spostare la leva del commutatore di inversione sulla posizione  (lato A) per la rotazione in senso orario, oppure sulla posizione  (lato B) per la rotazione in senso antiorario.

► **Fig.4:** 1. Leva del commutatore di inversione

NOTA: Quando si utilizza l'utensile in rotazione antioraria, il grilletto dell'interruttore viene premuto solo a metà e l'utensile gira a mezza velocità. Per la rotazione in senso antiorario, non è possibile far rientrare il pulsante di blocco premendolo.



Sostituzione del mandrino a sgancio rapido per SDS-plus

Per il modello HR2653T

Il mandrino a sgancio rapido per SDS-plus può venire sostituito facilmente con il mandrino a sgancio rapido.




Rimozione del mandrino a sgancio rapido per SDS-plus

ATTENZIONE: Prima di rimuovere il mandrino a sgancio rapido per SDS-plus, accertarsi di rimuovere la punta.

Afferrare la copertura di sgancio del mandrino a sgancio rapido per SDS-plus e ruotarla nella direzione della freccia fino a quando la linea della copertura di sgancio si sposta dal simbolo  al simbolo . Tirare con forza nella direzione della freccia.

► **Fig.5:** 1. Mandrino a sgancio rapido per SDS-plus
2. Copertura di sgancio 3. Linea della copertura di sgancio

Installazione del mandrino a sgancio rapido

Verificare che la linea del mandrino a sgancio rapido mostri il simbolo . Afferrare la copertura di sgancio del mandrino a sgancio rapido e impostare la linea sul simbolo . Posizionare il mandrino a sgancio rapido sull'albero dell'utensile. Afferrare la copertura di sgancio del mandrino a sgancio rapido e ruotare la linea della copertura di sgancio sul simbolo  fino a sentire chiaramente uno scatto.


► **Fig.6:** 1. Mandrino a sgancio rapido 2. Albero
3. Linea della copertura di sgancio
4. Copertura di sgancio

Selezione della modalità operativa

AVVISO: Non ruotare la manopola di modifica della modalità operativa mentre l'utensile è in funzione. In caso contrario, l'utensile viene danneggiato.


AVVISO: Per evitare una rapida usura del meccanismo di modifica della modalità, accertarsi che la manopola di modifica della modalità operativa sia sempre posizionata con precisione in una delle tre posizioni delle modalità operative.

Rotazione con percussione

Per forare calcestruzzo, muratura, e così via, ruotare la manopola di modifica della modalità operativa sul simbolo . Utilizzare una punta con estremità al carburo di tungsteno (accessorio opzionale).


► **Fig.7:** 1. Rotazione con percussione 2. Manopola di modifica della modalità operativa

Solo rotazione

Per forare legno, metallo o materiali in plastica, ruotare la manopola di modifica della modalità operativa sul simbolo . Utilizzare una punta per trapano elicoidale o una punta per trapano per legno.

► **Fig.8:** 1. Solo rotazione

Solo percussione

Per operazioni di scalpellatura, disincrostazione o demolizione, ruotare la manopola di modifica della modalità operativa sul simbolo . Utilizzare uno scalpello per cemento, un tagliolo a freddo, uno scalpello largo, e così via.

► **Fig.9:** 1. Solo percussione

Regolazione della posizione della bocchetta

Far rientrare la guida premendola mentre si tiene premuto il pulsante di regolazione della guida, quindi rilasciare il pulsante alla posizione desiderata.

► **Fig.10:** 1. Guida 2. Pulsante di regolazione della guida

NOTA: Prima di regolare la posizione della bocchetta, sbloccare completamente la bocchetta in avanti premendo il pulsante di regolazione della guida.

Regolazione della profondità di foratura

Far scorrere il pulsante di regolazione della profondità sulla posizione desiderata mentre lo si tiene premuto. La distanza (A) è la profondità di foratura.

► **Fig.11:** 1. Pulsante di regolazione della profondità

Limitatore di coppia

AVVISO: Non appena si attiva il limitatore di coppia, spegnere immediatamente l'utensile. Questa operazione contribuisce a evitare un'usura prematura dell'utensile.

AVVISO: Le punte per trapano come le seghe a tazza, che tendono a incepparsi o incastrarsi facilmente nel foro, non sono appropriate per questo utensile. Ciò è dovuto al fatto che causano un'attivazione troppo frequente del limitatore di coppia.

Il limitatore di coppia si attiva quando si raggiunge un determinato livello di coppia. Il motore si sgancia dall'albero condotto. Quando si verifica questa eventualità, la punta per trapano smette di girare.

Gancio

ATTENZIONE: Non appendere mai l'utensile in un'ubicazione elevata o su una superficie potenzialmente instabile.

Per il modello HR2663

► Fig.12: 1. Gancio

Il gancio è comodo per appendere temporaneamente l'utensile. Per utilizzare il gancio, è sufficiente sollevare il gancio fino a quando si innesta nella posizione aperta. Quando il gancio non è in uso, abbassarlo sempre fino a quando si innesta nella posizione chiusa.

MONTAGGIO

ATTENZIONE: Accertarsi sempre che l'utensile sia spento e scollegato dall'alimentazione elettrica, prima di effettuare qualsiasi intervento su di esso.

Impugnatura laterale (maniglia ausiliaria)

ATTENZIONE: Utilizzare sempre l'impugnatura laterale per garantire un funzionamento in sicurezza.

ATTENZIONE: Dopo aver installato o regolato l'impugnatura laterale, accertarsi che quest'ultima sia fissata saldamente.

Installare l'impugnatura laterale in modo che le scanalature sull'impugnatura si inseriscano nelle sporgenze presenti sul cilindro dell'utensile. Ruotare l'impugnatura in senso orario per fissarla. È possibile fissare l'impugnatura all'angolazione desiderata.

► Fig.13: 1. Impugnatura laterale

Grasso

Ricoprire anticipatamente l'estremità con il gambo della punta per trapano con una piccola quantità di grasso (circa 0,5 - 1 g).

Questa lubrificazione del mandrino assicura un azionamento fluido e ne prolunga la vita utile.

Installazione o rimozione della punta per trapano

Pulire l'estremità con il gambo della punta per trapano e applicare il grasso prima di installare la punta per trapano.

► Fig.14: 1. Estremità con il gambo 2. Grasso

Inserire la punta per trapano nell'utensile. Ruotare la punta per trapano e premerla verso l'interno fino a quando si innesta.

Dopo aver installato la punta per trapano, accertarsi sempre che quest'ultima sia fissata saldamente in sede provando a tirarla fuori.

► Fig.15: 1. Punta per trapano

Per rimuovere la punta per trapano, tirare giù fino in fondo la copertura del mandrino ed estrarre la punta per trapano.

► Fig.16: 1. Punta per trapano 2. Copertura del mandrino

Angolazione dello scalpello (durante le operazioni di scalpellatura, disincrostazione o demolizione)

È possibile fissare lo scalpello all'angolazione desiderata. Per modificare l'angolazione dello scalpello, ruotare la manopola di modifica della modalità operativa sul simbolo O. Ruotare lo scalpello sull'angolazione desiderata.

► Fig.17: 1. Manopola di modifica della modalità operativa

Ruotare la manopola di modifica della modalità operativa sul simbolo T. Quindi, accertarsi che lo scalpello sia fissato saldamente in sede ruotandolo leggermente.

Calibro di profondità

Il calibro di profondità è comodo per praticare fori di profondità uniforme. Allentare l'impugnatura laterale, quindi inserire il calibro di profondità nel foro presente sull'impugnatura laterale. Regolare il calibro di profondità sulla profondità desiderata e serrare saldamente l'impugnatura laterale.

► Fig.18: 1. Foro 2. Calibro di profondità

NOTA: Accertarsi che il calibro di profondità non tocchi il corpo principale dell'utensile quando lo si monta.

Installazione o rimozione del sistema di raccolta polveri

Per rimuovere il sistema di raccolta polveri, tirare l'utensile mentre si tiene premuto il pulsante di sblocco. Per installarlo, inserire completamente l'utensile nel sistema di raccolta polveri fino a quando si innesta in sede con un piccolo scatto.

► Fig.19: 1. Pulsante di sblocco

Coppa raccoglipolvere

Accessorio opzionale

Utilizzare la coppa raccoglipolvere per evitare che la polvere cada sull'utensile e sull'operatore quando si effettuano operazioni di perforazione al di sopra della testa. Montare la coppa raccoglipolvere sulla punta come indicato nella figura. Le dimensioni delle punte su cui è possibile montare la coppa raccoglipolvere sono le seguenti.

Modello	Diametro della punta
Coppa raccoglipolvere 5	Da 6 mm a 14,5 mm
Coppa raccoglipolvere 9	Da 12 mm a 16 mm

► Fig.20: 1. Coppa raccoglipolvere

Kit coppa antipolvere

Accessorio opzionale

Prima di installare il kit coppa raccoglipolvere, rimuovere la punta dall'utensile, se è installata. Installare il kit coppa antipolvere sull'utensile in modo che il simbolo \triangle sulla coppa raccoglipolvere sia allineato con la scanalatura nell'utensile.

► Fig.21: 1. \triangle simbolo 2. Scanalatura

NOTA: Se si intende collegare un aspirapolvere al kit coppa raccoglipolvere, rimuovere il tappo della polvere prima di collegarlo.

► Fig.22: 1. Tappo della polvere

Per rimuovere il kit coppa antipolvere, rimuovere la punta mentre si tira la copertura del mandrino nella direzione della freccia.

► Fig.23: 1. Punta 2. Copertura del mandrino

Mantenere la base della coppa raccoglipolvere e tirarla per estrarla.

► Fig.24

NOTA: Qualora il tappo si stacchi dalla coppa raccoglipolvere, montarlo con il suo lato stampato rivolto verso l'alto, in modo che la scanalatura presente sul tappo si inserisca nella parte periferica interna dell'attacco.

► Fig.25

FUNZIONAMENTO

ATTENZIONE: Utilizzare sempre l'impugnatura laterale (manico ausiliario) e mantenere saldamente l'utensile utilizzando sia l'impugnatura laterale che il manico con l'interruttore durante l'uso.

ATTENZIONE: Accertarsi sempre che il pezzo in lavorazione sia fissato prima dell'operazione.

ATTENZIONE: Il sistema di raccolta polveri è destinato esclusivamente alla foratura nel calcestruzzo. Non utilizzare il sistema di raccolta polveri per la foratura nel metallo o nel legno.

ATTENZIONE: Quando si intende utilizzare l'utensile con il sistema di raccolta polveri, accertarsi di montare il filtro sul sistema di raccolta polveri, per evitare l'inalazione delle polveri.

ATTENZIONE: Prima di utilizzare il sistema di raccolta polveri, verificare che il filtro non sia danneggiato. La mancata osservanza di questa indicazione potrebbe causare l'inalazione delle polveri.

ATTENZIONE: Il sistema di raccolta polveri raccoglie una percentuale notevole delle polveri generate, ma non è possibile raccogliere tutte le polveri.

AVVISO: Non utilizzare il sistema di raccolta polveri per i carotaggi o la cesellatura.

AVVISO: Non utilizzare il sistema di raccolta polveri per la foratura nel calcestruzzo bagnato, né utilizzare questo sistema in ambiente bagnato. La mancata osservanza di questa indicazione potrebbe causare un malfunzionamento.

► Fig.26

Operazione di foratura a percussione

ATTENZIONE: Sull'utensile/punta per trapano viene esercitata una fortissima e improvvisa forza torcente quando si verifica la fuoriuscita dal foro, qualora il foro diventi intasato di trucioli e scorie o qualora si colpiscono i tondini per armatura incorporati nel cemento. Utilizzare sempre l'impugnatura laterale (manico ausiliario) e mantenere saldamente l'utensile utilizzando sia l'impugnatura laterale che il manico con l'interruttore durante l'uso. In caso contrario, si potrebbe causare la perdita di controllo dell'utensile e la possibilità di gravi lesioni personali.


Impostare la manopola di modifica della modalità operativa sul simbolo

Posizionare la punta per trapano sul punto desiderato per il foro, quindi premere l'interruttore a grilletto. Non forzare l'utensile. Una leggera pressione produce i risultati migliori. Mantenere l'utensile in posizione ed evitare che scivoli via dal foro.

Non esercitare una pressione maggiore se il foro diventa intasato di trucioli o scorie. Far girare a vuoto l'utensile, invece, quindi rimuovere parzialmente la punta per trapano dal foro. Ripetendo tale procedura diverse volte, il foro si ripulisce e si può continuare con la foratura normale.

NOTA: Durante il funzionamento dell'utensile a vuoto, potrebbe verificarsi un'eccentricità nella rotazione della punta per trapano. L'utensile si centra automaticamente durante l'uso. Ciò non influenza negativamente la precisione della foratura.

Scalpellatura/disincrostazione/ demolizione

Impostare la manopola di modifica della modalità operativa sul simbolo .

Mantenere saldamente l'utensile con entrambe le mani. Accendere l'utensile e applicare una leggera pressione su quest'ultimo, in modo che non rimbalzi da tutte le parti incontrollato.

Una forte pressione sull'utensile non ne incrementa l'efficienza.

► **Fig.27**

Foratura di legno o metallo


⚠ATTENZIONE: Tenere saldamente l'utensile e fare attenzione quando la punta per trapano inizia a fuoriuscire dal pezzo. Sull'utensile/punta per trapano viene esercitata una forza estrema al momento della fuoriuscita dal foro.

⚠ATTENZIONE: Una punta per trapano incastrata può venire rimossa semplicemente impostando il commutatore di inversione della rotazione sulla rotazione invertita, in modo da far tornare indietro l'utensile. Tuttavia, l'utensile potrebbe tornare indietro bruscamente, qualora non venga impugnato saldamente.

⚠ATTENZIONE: Fissare sempre i pezzi in lavorazione in una morsa o un dispositivo simile per tenerli fermi.

AVVISO: Non utilizzare mai la "rotazione con percussione" quando sull'utensile è installato il mandrino per trapano. In caso contrario, il mandrino per trapano potrebbe venire danneggiato. Inoltre, il mandrino per trapano si stacca durante l'inversione della rotazione dell'utensile.

AVVISO: Se si esercita una pressione eccessiva sull'utensile, non si accelera la foratura. In realtà, tale pressione eccessiva produce solo l'effetto di danneggiare l'estremità della punta per trapano e di ridurre le prestazioni e la vita utile dell'utensile.

Impostare la manopola di modifica della modalità operativa sul simbolo .

Per i modelli HR2652/HR2653/HR2663

Accessorio opzionale

Montare l'adattatore per mandrino su un mandrino autoserrante per trapano su cui sia possibile installare una vite di dimensioni 1/2"-20, quindi installarli sull'utensile. Durante la sua installazione, fare riferimento alla sezione "Installazione o rimozione della punta per trapano".

► **Fig.28:** 1. Mandrino autoserrante per trapano
2. Adattatore per mandrino

Per il modello HR2653T

Utilizzare il mandrino a sgancio rapido come attrezzatura standard. Quando lo si installa, fare riferimento alla sezione "Sostituzione del mandrino a sgancio rapido per SDS-plus".


Mantenere l'anello e ruotare il manicotto in senso antiorario per aprire le griffe del mandrino. Inserire fino in fondo la punta nel mandrino. Mantenere saldamente l'anello e ruotare il manicotto in senso orario per serrare il mandrino.

► **Fig.29:** 1. Manicotto 2. Anello

Per rimuovere la punta, mantenere l'anello e ruotare il manicotto in senso antiorario.

Foratura con punta a corona diamantata

AVVISO: Se si effettuano operazioni di foratura con punta a corona diamantata utilizzando la modalità operativa "rotazione con percussione", la punta a corona diamantata potrebbe venire danneggiata.

Quando si intende effettuare operazioni di foratura con punta a corona diamantata, impostare sempre la manopola di modifica della modalità operativa sulla posizione  per utilizzare la modalità operativa "solo rotazione".

Abbattimento delle polveri presenti sul filtro

⚠ATTENZIONE: Non ruotare la manopola sul contenitore polveri mentre quest'ultimo è rimosso dal sistema di raccolta polveri. In caso contrario, si potrebbe causare l'inalazione delle polveri.

⚠ATTENZIONE: Spegnerne sempre l'utensile quando si intende ruotare la manopola sul contenitore polveri. Qualora si ruoti la manopola mentre l'utensile è in funzione, si potrebbe causare la perdita di controllo dell'utensile.

Abbattendo le polveri presenti sul filtro all'interno del contenitore polveri, è possibile preservare l'efficienza dell'aspiratore, nonché ridurre il numero di interventi di smaltimento delle polveri.

Ruotare la manopola sul contenitore polveri tre volte ogni volta che sono stati raccolti circa 50.000 mm³ di polveri o quando si nota che le prestazioni di aspirazione si sono ridotte.

NOTA: 50.000 mm³ di polveri sono equivalenti alla perforazione di 10 fori di diametro pari a 10 mm e di profondità pari a 65 mm (14 fori di diametro pari a 3/8" e di profondità pari a 2").

► **Fig.30:** 1. Contenitore polveri 2. Manopola

Smaltimento delle polveri

⚠ATTENZIONE: Accertarsi sempre che l'utensile sia spento e scollegato dall'alimentazione elettrica, prima di effettuare qualsiasi intervento su di esso.

⚠ATTENZIONE: Quando si intende smaltire le polveri, accertarsi di indossare una maschera antipolvere.

⚠ATTENZIONE: Svuotare a intervalli regolari il contenitore polveri prima che diventi pieno. La mancata osservanza di questa indicazione potrebbe ridurre le prestazioni di raccolta delle polveri e causare l'inalazione delle polveri.

⚠ATTENZIONE: Le prestazioni di raccolta delle polveri si riducono, qualora il filtro nel contenitore polveri diventi intasato. Come riferimento, sostituire il filtro con uno nuovo dopo circa 200 riempimenti di polveri. La mancata osservanza di questa indicazione potrebbe causare l'inalazione delle polveri.

1. Rimuovere il contenitore polveri tenendo premuta la leva del contenitore polveri.
▶ Fig.31: 1. Leva
2. Aprire lo sportellino del contenitore polveri.
▶ Fig.32: 1. Sportellino
3. Smaltire le polveri, quindi pulire il filtro.
▶ Fig.33

AVVISO: Quando si intende pulire il filtro, non toccare il filtro con una spazzola o simili, né soffiare aria compressa sul filtro. Queste operazioni potrebbero danneggiare il filtro.

Soffietto a peretta

Accessorio opzionale

Dopo aver praticato il foro, utilizzare il soffietto a peretta per pulire la polvere dal foro.
▶ Fig.34

Uso del kit coppa antipolvere

Accessorio opzionale

Applicare il kit coppa antipolvere contro il soffitto, quando si utilizza l'utensile.
▶ Fig.35

AVVISO: Non utilizzare il kit coppa antipolvere durante la foratura nel metallo o in materiali simili. In caso contrario, si potrebbe danneggiare il kit coppa antipolvere, a causa del calore prodotto dalle polveri sottili del metallo o di materiali simili.

AVVISO: Non installare né rimuovere il kit coppa antipolvere quando nell'utensile è installata la punta per trapano. In caso contrario, si potrebbe danneggiare il kit coppa antipolvere e causare fuoriuscite di polveri.

MANUTENZIONE

⚠ATTENZIONE: Accertarsi sempre che l'utensile sia spento e scollegato dall'alimentazione elettrica, prima di tentare di eseguire interventi di ispezione o manutenzione.

AVVISO: Non utilizzare mai benzina, benzene, solventi, alcol o altre sostanze simili. In caso contrario, si potrebbero causare scolorimenti, deformazioni o crepe.

Per preservare la SICUREZZA e l'AFFIDABILITÀ del prodotto, le riparazioni e qualsiasi altro intervento di manutenzione e di regolazione devono essere eseguiti da un centro di assistenza autorizzato Makita, utilizzando sempre ricambi Makita.

Sostituzione del filtro del contenitore polveri

1. Rimuovere il contenitore polveri tenendo premuta la leva del contenitore polveri.
▶ Fig.36: 1. Leva
2. Inserire un cacciavite a punta piatta tra il contenitore del filtro e lo sportellino del contenitore polveri, come indicato nella figura. Mentre si tengono premuti e si piegano i lati del contenitore del filtro, sollevare il contenitore del filtro con il cacciavite a punta piatta e rimuovere il contenitore del filtro.
▶ Fig.37: 1. Cacciavite a punta piatta 2. Contenitore del filtro 3. Sportellino del contenitore polveri
3. Per rimuovere il filtro dal contenitore del filtro, capovolgerlo e premere verso l'alto il filtro, come indicato nella figura.
▶ Fig.38: 1. Filtro 2. Contenitore del filtro
4. Montare un nuovo filtro nel contenitore del filtro, quindi montarli nel contenitore polveri allineando la sporgenza sul contenitore filtro con la scanalatura sul contenitore polveri.
▶ Fig.39: 1. Sporgenza 2. Scanalatura
5. Chiudere lo sportellino del contenitore polveri, quindi montare quest'ultimo sull'utensile.

Sostituzione del cappuccio sigillante

Accessorio opzionale

Sostituire il cappuccio sigillante a intervalli regolari, poiché un cappuccio sigillante usurato o danneggiato potrebbe influenzare negativamente le prestazioni di aspirazione.

1. Inserire un cacciavite a punta piatta, con le sue superfici piate orientate verticalmente, in uno dei fori di sgancio posizionati sui lati della testa della bocchetta. Inclinare il cacciavite a punta piatta ad angolo per schiacciare e far fuoriuscire il gancio a cubo del cappuccio sigillante dall'alloggiamento sagomato. Quindi, staccare i bordi in gomma del cappuccio sigillante dai margini dell'apertura della testa della bocchetta.
▶ Fig.40: 1. Cappuccio sigillante 2. Gancio a cubo 3. Foro di sgancio 4. Testa della bocchetta

2. Inserire uno dei ganci a cubo di un nuovo cappuccio sigillante nell'alloggiamento sagomato nella testa della bocchetta, con la superficie incassata del cappuccio sigillante rivolta in avanti.

► **Fig.41:** 1. Ganci a cubo 2. Alloggiamenti
3. Cappuccio sigillante 4. Superficie incassata

3. Inserire l'altro gancio nell'alloggiamento sul lato opposto della testa della bocchetta, riposizionando al tempo stesso il cappuccio sigillante per inserirlo con precisione sulla testa della bocchetta.

► **Fig.42:** 1. Cappuccio sigillante 2. Gancio a cubo
3. Alloggiamento 4. Testa della bocchetta
5. Margini

4. Disporre delicatamente i bordi in gomma del cappuccio sigillante sui margini dell'apertura della testa della bocchetta, dal basso verso l'alto.

► **Fig.43:** 1. Bordi in gomma 2. Cappuccio sigillante
3. Testa della bocchetta

ACCESSORI OPZIONALI

⚠ATTENZIONE: Questi accessori o componenti aggiuntivi sono consigliati per l'uso con l'utensile Makita specificato nel presente manuale.

L'impiego di altri accessori o componenti aggiuntivi può costituire un rischio di lesioni alle persone.

Utilizzare gli accessori o i componenti aggiuntivi solo per il loro scopo prefissato.

Per ottenere ulteriori dettagli relativamente a questi accessori, rivolgersi a un centro di assistenza Makita.

- Punta per trapano rivestite in carburo (punte SDS-plus rivestite in carburo)
- Punta a corona
- Scalpello per cemento
- Punta a corona diamantata
- Tagliolo a freddo
- Scalpello largo
- Scalpello per scanalatura
- Adattatore per mandrino
- Mandrino autoserrante per trapano
- Grasso per punte
- Calibro di profondità
- Soffietto a peretta
- Coppa raccogli-polvere
- Kit coppa raccogli-polvere
- Occhiali di sicurezza
- Custodia da trasporto in plastica

NOTA: Alcuni articoli nell'elenco potrebbero essere inclusi nell'imballaggio dell'utensile come accessori standard. Tali articoli potrebbero variare da nazione a nazione.

TECHNISCHE GEGEVENS

Model:		HR2652	HR2653	HR2653T	HR2663
Capaciteiten	Steen/cement	26 mm			
	Kernboor	68 mm			
	Diamantkernboor (droog type)	80 mm			
	Staal	13 mm			
	Hout	32 mm			
Nullasttoerental		0 - 1.200 min ⁻¹			0 - 1.100 min ⁻¹
Slagen per minuut		0 - 4.600 min ⁻¹			0 - 4.500 min ⁻¹
Totale lengte		604 mm		630 mm	666 mm
Nettogewicht		3,0 - 4,2 kg	3,1 - 4,3 kg	3,2 - 4,4 kg	3,3 - 4,5 kg
Veiligheidsklasse		□/II			

- In verband met ononderbroken research en ontwikkeling behouden wij ons het recht voor bovenstaande technische gegevens te wijzigen zonder voorafgaande kennisgeving.
- De technische gegevens kunnen van land tot land verschillen.
- Het gewicht kan verschillen afhankelijk van de hulpstukken. De lichtste en zwaarste combinatie, volgens EPTA-procedure 01/2014, worden vermeld in de tabel.

Bedoeld gebruik

Dit gereedschap is bedoeld voor hamerboren en boren in baksteen, beton en steen.

Het is ook geschikt voor boren zonder slagwerking in hout, metaal, keramisch materiaal en kunststof.

Voeding

Het gereedschap mag alleen worden aangesloten op een voeding van dezelfde spanning als aangegeven op het typeplaatje, en kan alleen worden gebruikt op enkelfase-wisselstroom. Het gereedschap is dubbel-gesoleerd en kan derhalve ook op een niet-geaard stop-contact worden aangesloten.

Geluidsniveau

De typische, A-gewogen geluidsniveaus zijn gemeten volgens EN62841-2-6:

Geluidsdrukniveau (L_{pA}): 91 dB (A)

Geluidsvermogeniveau (L_{WA}): 102 dB (A)

Onzekerheid (K): 3 dB (A)

OPMERKING: De opgegeven geluidsemissiewaarde(n) is/zijn gemeten volgens een standaardtestmethode en kan/kunnen worden gebruikt om dit gereedschap te vergelijken met andere gereedschappen.

OPMERKING: De opgegeven geluidsemissiewaarde(n) kan/kunnen ook worden gebruikt voor een beoordeling vooraf van de blootstelling.

⚠WAARSCHUWING: Draag gehoorbescherming.

⚠WAARSCHUWING: De geluidsemissie tijdens het gebruik van het elektrisch gereedschap in de praktijk kan verschillen van de opgegeven waarde(n) afhankelijk van de manier waarop het gereedschap wordt gebruikt, met name van het soort werkstuk waarmee wordt gewerkt.

⚠WAARSCHUWING: Zorg ervoor dat veiligheidsmaatregelen worden getroffen ter bescherming van de gebruiker die zijn gebaseerd op een schatting van de blootstelling onder praktijkomstandigheden (rekening houdend met alle fasen van de bedrijfscyclus, zoals de tijdsduur gedurende welke het gereedschap is uitgeschakeld en stationair draait, naast de ingeschakelde tijdsduur).

Trilling

De volgende tabel toont de trillingstotaalwaarde (triaxiale vectorsom) zoals vastgesteld conform de toepasselijke norm:

Model HR2652

Toepassing	Trillingsemissie	Onzekerheid (K)	Toepasselijke norm
Hamberboren in beton ($a_{h, HD}$)	13,1 m/s ²	1,5 m/s ²	EN62841-2-6
Beitelen ($a_{h, Chq}$)	10,9 m/s ²	1,5 m/s ²	EN62841-2-6

Model HR2653

Toepassing	Trillingsemisatie	Onzekerheid (K)	Toepasselijke norm
Hamerboren in beton ($a_{n, HD}$)	11,2 m/s ²	1,5 m/s ²	EN62841-2-6
Beitelen ($a_{n, CHeg}$)	9,3 m/s ²	1,5 m/s ²	EN62841-2-6

Model HR2653T

Toepassing	Trillingsemisatie	Onzekerheid (K)	Toepasselijke norm
Hamerboren in beton ($a_{n, HD}$)	10,9 m/s ²	1,5 m/s ²	EN62841-2-6
Beitelen ($a_{n, CHeg}$)	9,6 m/s ²	1,5 m/s ²	EN62841-2-6

Model HR2663

Toepassing	Trillingsemisatie	Onzekerheid (K)	Toepasselijke norm
Hamerboren in beton ($a_{n, HD}$)	9,3 m/s ²	1,5 m/s ²	EN62841-2-6
Beitelen ($a_{n, CHeg}$)	7,0 m/s ²	1,5 m/s ²	EN62841-2-6

OPMERKING: De totale trillingswaarde(n) is/zijn gemeten volgens een standaardtestmethode en kan/kunnen worden gebruikt om dit gereedschap te vergelijken met andere gereedschappen.

OPMERKING: De opgegeven totale trillingswaarde(n) kan/kunnen ook worden gebruikt voor een beoordeling vooraf van de blootstelling.

⚠ WAARSCHUWING: De trillingsemisatie tijdens het gebruik van het elektrisch gereedschap in de praktijk kan verschillen van de opgegeven waarde(n) afhankelijk van de manier waarop het gereedschap wordt gebruikt, met name van het soort werkstuk waarmee wordt gewerkt.

⚠ WAARSCHUWING: Zorg ervoor dat veiligheidsmaatregelen worden getroffen ter bescherming van de gebruiker die zijn gebaseerd op een schatting van de blootstelling onder praktijkomstandigheden (rekening houdend met alle fasen van de bedrijfscyclus, zoals de tijdsduur gedurende welke het gereedschap is uitgeschakeld en stationair draait, naast de ingeschakelde tijdsduur).

EG-verklaring van conformiteit

Alleen voor Europese landen

De EG-verklaring van conformiteit is bijgevoegd als Bijlage A bij deze gebruiksaanwijzing.

VEILIGHEIDSWAARSCHUWINGEN

Algemene veiligheids waarschuwingen voor elektrisch gereedschap

⚠ WAARSCHUWING: Lees alle veiligheids waarschuwingen, aanwijzingen, afbeeldingen en technische gegevens behorend bij dit elektrische gereedschap aandachtig door. Als u niet alle onderstaande aanwijzingen naleeft, kan dat resulteren in brand, elektrische schokken en/of ernstig letsel.

Bewaar alle waarschuwingen en instructies om in de toekomst te kunnen raadplegen.

De term "elektrisch gereedschap" in de veiligheidsvoor- schriften duidt op gereedschappen die op stroom van het lichtnet werken (met snoer) of gereedschappen met een accu (snoerloos).

VEILIGHEIDSWAARSCHUWINGEN VOOR EEN BOORHAMER

Veiligheidsinstructies voor alle werkzaamheden

1. **Draag gehoorbescherming.** Blootstelling aan het lawaai kan uw gehoor aantasten.
2. **Gebruik hulphandgreep (hulphandgrepen), indien bij het gereedschap geleverd.** Verliezen van de macht over het gereedschap kan letsel veroorzaken.
3. **Houd het elektrisch gereedschap vast aan het geïsoleerde oppervlak van de handgrepen wanneer u werkt op plaatsen waar het accessoire met verborgen bedrading of zijn eigen snoer in aanraking kan komen.** Wanneer het accessoire in aanraking komt met onder spanning staande draden, zullen de niet-geïsoleerde meta- len delen van het gereedschap onder spanning komen te staan zodat de gebruiker een elektrische schok kan krijgen.

Veiligheidsinstructies bij gebruik van lange boor- bits in boorhamers

1. **Begin altijd te boren op een laag toerental en terwijl de punt van het bit contact maakt met het werkstuk.** Op een hoger toerental zal het bit waarschijnlijk verbuigen als het vrij ronddraait zonder contact met het werkstuk, waardoor per- soonlijk letsel kan ontstaan.
2. **Oefen alleen druk uit in een rechte lijn met het bit en oefen geen buitensporige druk uit.** Bits kunnen verbuigen, waardoor ze kunnen breken of u de controle kunt verliezen, met persoonlijk letsel tot gevolg.

Aanvullende veiligheidsvoorschriften

1. Draag een helm (veiligheidshelm), veiligheidsbril en/of spatscherm. Een gewone bril of een zonnebril is GEEN veiligheidsbril. Het wordt tevens sterk aanbevolen een stofmasker en dik gevoerde handschoenen te dragen.
2. Controleer of het bit stevig op zijn plaats zit voordat u het gereedschap gebruikt.
3. Bij normale bediening behoort het gereedschap te trillen. De schroeven kunnen gemakkelijk losraken, waardoor een defect of ongeval kan ontstaan. Controleer of de schroeven goed zijn aangedraaid, alvorens het gereedschap te gebruiken.
4. In koude weersomstandigheden of wanneer het gereedschap gedurende een lange tijd niet is gebruikt, laat u het gereedschap eerst opwarmen door het onbelast te laten werken. Hierdoor zal de smering worden verbeterd. Zonder degelijk opwarmen, zal de hamerwerking moeilijk zijn.
5. Zorg ook altijd dat u stevig op een solide bodem staat. Let bij het werken op hoge plaatsen op dat er zich niemand recht onder u bevindt.
6. Houd het gereedschap stevig met beide handen vast.
7. Houd uw handen uit de buurt van bewegende delen.
8. Laat het gereedschap niet draaiend achter. Schakel het gereedschap alleen in wanneer u het stevig vasthoudt.
9. Richt het gereedschap niet op iemand in de buurt terwijl het is ingeschakeld. Het bit zou eruit kunnen vliegen en iemand ernstig verwonden.
10. Raak het bit, onderdelen in de buurt van het bit en het werkstuk niet onmiddellijk na gebruik aan. Zij kunnen bijzonder heet zijn en brandwonden op uw huid veroorzaken.
11. Bepaalde materialen kunnen giftige chemicaliën bevatten. Vermijd contact met uw huid en zorg dat u geen stof inademt. Volg de veiligheidsvoorschriften van de fabrikant van het materiaal.
12. Raak de stekker niet met natte handen aan.

BEWAAR DEZE VOORSCHRIFTEN.

WAARSCHUWING: Laat u NIET misleiden door een vals gevoel van comfort en bekendheid met het gereedschap (na veelvuldig gebruik) en neem alle veiligheidsvoorschriften van het betreffende gereedschap altijd strikt in acht. VERKEERD GEBRUIK of het niet naleven van de veiligheidsvoorschriften in deze gebruiksaanwijzing kan leiden tot ernstig letsel.

BESCHRIJVING VAN DE FUNCTIES

LET OP: Controleer altijd of het gereedschap is uitgeschakeld en de stekker ervan uit het stopcontact is verwijderd alvorens de functies op het gereedschap te controleren of af te stellen.

De trekkerschakelaar gebruiken

LET OP: Controleer altijd, voordat u de stekker in het stopcontact steekt, of de trekkerschakelaar op de juiste manier schakelt en weer terugkeert naar de uit-stand nadat deze is losgelaten.

LET OP: De schakelaar kan worden vergrendeld in de aan-stand ten behoeve van het gebruikersgemak bij langdurig gebruik. Wees voorzichtig wanneer het gereedschap in de aan-stand is vergrendeld en houd het gereedschap stevig vast.

► Fig.1: 1. Trekkerschakelaar 2. Uit-vergrendelknop

► Fig.2: 1. Trekkerschakelaar 2. Vergrendelknop





Om het gereedschap te starten, knijpt u gewoon de trekkerschakelaar in. Hoe harder u de trekkerschakelaar inknijpt, hoe sneller het gereedschap draait. Laat de trekkerschakelaar los om het gereedschap te stoppen.

Voor ononderbroken gebruik, knijpt u de trekkerschakelaar in, drukt u de vergrendelknop in en laat u vervolgens de trekkerschakelaar los. Om het gereedschap vanuit de vergrendelde stand te stoppen, knijpt u de trekkerschakelaar helemaal in en laat u deze vervolgens los.



De omkeerschakelaar bedienen

LET OP: Controleer altijd de draairichting alvorens het gereedschap te starten.

KENNISGEVING: Verander de stand van de omkeerschakelaar alleen nadat het gereedschap volledig tot stilstand is gekomen. Als u de draairichting verandert terwijl het gereedschap nog draait, kan het gereedschap beschadigd raken.



KENNISGEVING: Als de trekkerschakelaar niet kan worden ingeknepen, controleert u of de omkeerschakelaar helemaal in de stand  /  (kant A) of naar de stand  /  (kant B) is gezet.

Voor HR2652/HR2653/HR2653T

Dit gereedschap heeft een omkeerschakelaar voor het veranderen van de draairichting. Druk de omkeerschakelaar naar de stand  (kant A) voor de draairichting rechtsom, of naar stand  (kant B) voor de draairichting linksom.

► Fig.3: 1. Omkeerschakelaar

Voor HR2663

Dit gereedschap heeft een omkeerschakelaar voor het veranderen van de draairichting. Druk de omkeerschakelaar naar de stand  (kant A) voor de draairichting rechtsonder, of naar de stand  (kant B) voor de draairichting linksom.

► **Fig.4:** 1. Omkeerschakelaar

OPMERKING: Als u het gereedschap gebruikt in de draairichting linksom, kan de trekkerschakelaar slechts tot halverwege worden ingeknepen en draait het gereedschap op de helft van het normale toeren-tal. Bij de draairichting linksom kunt u de vergrendelknop niet indrukken.



De snelwisselkop voor SDS-plus verwisselen

Voor HR2653T

De snelwisselkop voor SDS-plus kan eenvoudig worden verwisseld voor een snelwisselboorkop.



De snelwisselkop voor SDS-plus verwijderen

⚠ LET OP: Voordat u de snelwisselkop voor SDS-plus verwijdert, moet u eerst het bit verwijderen.

Pak de wisselmof van de snelwisselkop voor SDS-plus vast en draai hem in de richting van de pijl totdat de wisselmoflijn is verplaatst van het symbool  naar het symbool . Trek krachtig in de richting van de pijl.

► **Fig.5:** 1. Snelwisselkop voor SDS-plus
2. Wisselmof 3. Wisselmoflijn

De snelwisselboorkop aanbrengen

Controleer of de lijn van de snelwisselboorkop op het symbool  staat. Pak de wisselmof van de snelwisselboorkop vast en beweeg de lijn naar het symbool . Plaats de snelwisselboorkop op de as van het gereedschap. Pak de wisselmof van de snelwisselboorkop vast en draai de wisselmoflijn naar het symbool  totdat een klinkgeluid duidelijk hoorbaar is.


► **Fig.6:** 1. Snelwisselboorkop 2. As 3. Wisselmoflijn
4. Wisselmof

De werkingsfunctie kiezen

KENNISGEVING: Draai de werkingsfunctiekeuzeknop niet terwijl het gereedschap draait. Het gereedschap zal hierdoor worden beschadigd.


KENNISGEVING: Om snelle slijtage van het werkingsfunctiekeuzemechanisme te voorkomen, zorgt u ervoor dat de werkingsfunctiekeuzeknop altijd precies in een van de drie werkingsfunctiestanden staat.

Hamerboren

Voor het boren in beton, metselwerk, enz., draait u de werkingsfunctiekeuzeknop naar het symbool . Gebruik een bit met een hardmetalen punt (optioneel accessoire).


► **Fig.7:** 1. Hamerboren 2. Werkingsfunctiekeuzeknop

Alleen boren

Voor het boren in hout, metaal of kunststofmaterialen, draait u de werkingsfunctiekeuzeknop naar het symbool . Gebruik een spiraalboor of houtboor.

► **Fig.8:** 1. Alleen boren

Alleen hameren

Voor het beitelen, bikken of sloopwerkzaamheden, draait u de werkingsfunctiekeuzeknop naar het symbool . Gebruik een puntbeitel, koudbeitel, bikbeitel, enz.

► **Fig.9:** 1. Alleen hameren

De stand van het mondstuk afstellen

Houd de ontgrendelknop van de schuifarm ingedrukt en duw de schuifarm naar binnen, en laat de knop los in de gewenste stand.

► **Fig.10:** 1. Schuifarm 2. Ontgrendelknop van de schuifarm

OPMERKING: Voordat u de stand van het mondstuk afstelt, zet u eerst het mondstuk helemaal in de voorste stand door op de ontgrendelknop van de schuifarm te drukken.

De boordiepte instellen

Houd de instelknop voor de boordiepte ingedrukt en schuif deze naar de gewenste stand. De afstand (A) is de boordiepte.

► **Fig.11:** 1. Instelknop voor de boordiepte

Koppelbegrenzer

KENNISGEVING: Schakel het gereedschap onmiddellijk uit wanneer de koppelbegrenzer in werking treedt. Hiermee helpt u vroegtijdige slijtage van het gereedschap te voorkomen.

KENNISGEVING: Boren, zoals gatenzagen, die gemakkelijk beknelde raken in het boorgat, mogen niet worden gebruikt met dit gereedschap. Dit is omdat zij de koppelbegrenzer te vaak in werking doen treden.

De koppelbegrenzer treedt in werking wanneer de motor een bepaald koppel bereikt. De motor wordt dan ontkoppeld van de uitgaande as. Wanneer dit gebeurt, zal de boor ophouden met draaien.

Haak

⚠ LET OP: Hang het gereedschap nooit op een hoge plaats of aan een mogelijk instabiel oppervlak.

Voor HR2663

► **Fig.12:** 1. Haak

De haak is handig om het gereedschap tijdelijk aan op te hangen.

Om de haak te gebruiken, draait u de haak gewoon omhoog totdat deze vastklikt in de geopende stand. Als u de haak niet gebruikt, vouwt u deze weer omlaag totdat deze vastklikt in de gesloten stand.

MONTAGE

⚠ LET OP: Zorg altijd dat het gereedschap is uitgeschakeld en dat zijn stekker uit het stopcontact is verwijderd alvorens enig werk aan het gereedschap uit te voeren.

Zijhandgreep (extra handgreep)

⚠ LET OP: Gebruik altijd de zijhandgreep om veilig te kunnen werken.

⚠ LET OP: Na het aanbrengen of afstellen van de zijhandgreep, controleer u of de zijhandgreep stevig is vastgezet.

Breng de zijhandgreep zodanig aan dat de groeven op de greep om de uitsteeksels op de schacht van het gereedschap vallen. Draai de greep rechtsom om hem te bevestigen. De greep kan onder de gewenste hoek worden vastgezet.

► Fig.13: 1. Zijhandgreep

Smeren

Smeer het uiteinde van de schacht van de boor vooraf in met een beetje vet (ong. 0,5 tot 1 gram). Met een ingevette boorkop zal het gereedschap beter werken en langer meegaan.

De boor aanbrengen en verwijderen

Reinig het uiteinde van de schacht van de boor en smeer het met vet voordat u de boor aanbrengt.

► Fig.14: 1. Uiteinde van de schacht 2. Smeren

Breng de boor aan in het gereedschap. Draai de boor en duw hem naar binnen tot hij vergrendelt. Controleer na het aanbrengen van de boor altijd of de boor stevig in het gereedschap is bevestigd door te proberen hem eruit te trekken.

► Fig.15: 1. Boor

Om de boor te verwijderen, trekt u de boorkopmf of helemaal omlaag en trekt u de boor eruit.

► Fig.16: 1. Boor 2. Boorkopmf

Beitelhoek (bij beitelten, bikken of slopen)

De beitel kan onder de gewenste hoek worden vastgezet. Om de beitelhoek te veranderen, draait u de werkingsfunctiekeuzeknop naar het symbool O. Draai de beitel naar de gewenste hoek.

► Fig.17: 1. Werkingsfunctiekeuzeknop

Draai de werkingsfunctiekeuzeknop naar het symbool T. Controleer daarna of de beitel stevig op zijn plaats vastzit door deze iets te verdraaien.

Dieptemaat

De dieptemaat is nuttig voor het boren van gaten van gelijke diepte. Maak de zijhandgreep los en steek de dieptemaat in het gat in de basis van de zijhandgreep. Stel de dieptemaat af op de gewenste diepte en zet de zijhandgreep vast.

► Fig.18: 1. Gat 2. Dieptemaat

OPMERKING: Zorg ervoor dat de dieptemaat niet tegen de behuizing van het gereedschap aan komt wanneer u hem aanbrengt.

Het stofopvangsysteem aanbrengen en verwijderen

Om het stofopvangsysteem te verwijderen, houdt u de ontgrendelknop ingedrukt en trekt u het gereedschap van het stofopvangsysteem af. Om het aan te brengen, schuift u het gereedschap zo ver mogelijk op het stofopvangsysteem tot het met een kleine klik op zijn plaats wordt vergrendeld.

► Fig.19: 1. Ontgrendelknop

Stofvanger

Optioneel accessoire

Gebruik de stofvanger om te voorkomen dat stof op het gereedschap en op uzelf terecht komt wanneer u boven uw hoofd boort. Bevestig de stofvanger aan het bit zoals aangegeven in de afbeelding. De diameter van de bits waaraan de stofvanger kan worden bevestigd is als volgt.

Model	Bitdiameter
Stofvanger 5	6 mm - 14,5 mm
Stofvanger 9	12 mm - 16 mm

► Fig.20: 1. Stofvanger

Stofvangerset

Optioneel accessoire

Alvorens de stofvangerset aan te brengen, verwijderd u het bit vanaf het gereedschap indien deze is aangebracht.

Breng de stofvangerset aan op het gereedschap door het symbool Δ op de stofvanger uit te lijnen met de groef in het gereedschap.

► Fig.21: 1. Δ Symbool 2. Groef

OPMERKING: Als u een stofzuiger aansluit op de stofvangerset, verwijdert u de stofdop voordat u hem aansluit.

► Fig.22: 1. Stofdop

Om de stofvangerset te verwijderen, trekt u de boorkopmf in de richting van de pijl en verwijdert u het bit.

► Fig.23: 1. Bit 2. Boorkopmf

Houd de voet van de stofvanger vast en trek hem eraf.

► Fig.24

OPMERKING: Als de dop loskomt uit de stofvanger, brengt u deze weer aan met de bedrukte kant naar boven gericht zodat de groef op de dop in de binnenomtrek van zijn bevestiging valt.

► Fig.25

BEDIENING

⚠ALLET OP: Gebruik altijd de zijhandgreep (hulp-handgreep) en houd het gereedschap tijdens het gebruik stevig vast bij zowel de zijhandgreep als de hoofdhandgreep.

⚠ALLET OP: Zorg er altijd vóór gebruik voor dat het werkstuk stevig vast staat.

⚠ALLET OP: Het stofopvangsysteem is alleen bedoeld voor het boren in beton. Gebruik het stofopvangsysteem niet bij het boren in metaal of hout.

⚠ALLET OP: Als u het gereedschap gebruikt met het stofopvangsysteem, zorgt u ervoor dat het filter is bevestigd aan het stofopvangsysteem om inademing van stof te voorkomen.

⚠ALLET OP: Voordat u het stofopvangsysteem gebruikt, controleert u of het filter niet beschadigd is. Als u dit niet doet, kan dat leiden tot inademing van stof.

⚠ALLET OP: Het stofopvangsysteem voert het vrijgekomen stof met hoge snelheid af, maar niet al het stof kan worden afgevoerd.

KENNISGEVING: Gebruik het stofopvangsysteem niet bij kernboren of beitelen.

KENNISGEVING: Gebruik het stofopvangsysteem niet bij het boren in nat beton en gebruik dit systeem niet in een natte omgeving. Als u dit toch doet, kan dat leiden tot een storing.

► Fig.26

Gebruik als hamerboor


⚠ALLET OP: Op het moment dat het boorgat doorbreekt, het boorgat verstopt raakt met schilfertjes of metaaldeeltjes, of de klopper de bewapening in het steen raakt, wordt een plotselinge en enorme torsiekracht uitgeoefend op het gereedschap/boorbit. **Gebruik altijd de zijhandgreep (hulp-handgreep) en houd het gereedschap tijdens het gebruik stevig vast bij zowel de zijhandgreep als de hoofdhandgreep.** Als u dit niet doet, kunt u de controle over het gereedschap verliezen en mogelijk ernstig letsel veroorzaken.

Draai de werksfunctiekeuzeknop naar het symbool . Plaats de punt van de boor op de plaats waar u een gat wilt boren en knijp dan de trekkerschakelaar in. Forceer het gereedschap niet. Een lichte druk geeft de beste resultaten. Houd het gereedschap zorgvuldig op zijn plaats en zorg dat het niet uit het boorgat raakt.

Oefen niet méér druk uit wanneer het boorgat verstopt raakt met schilfertjes of boorgruis. Laat daarentegen het gereedschap "stationair" draaien en trek de boor gedeeltelijk terug uit het boorgat. Door dit enkele malen te herhalen, kunt u het boorgat gruisvrij maken, zodat u het normale boren kunt hervatten.

OPMERKING: Terwijl het gereedschap onbelast wordt gebruikt, kan de boor excentrisch draaien. Het gereedschap centreert zichzelf automatisch tijdens het gebruik. Dit heeft geen nadelige invloed op de nauwkeurigheid van het boren.

Beitelen, bikken en slopen

Draai de werksfunctiekeuzeknop naar het symbool . Houd het gereedschap met beide handen stevig vast. Schakel het gereedschap in en oefen er enige kracht op uit zodat het gereedschap niet oncontroleerbaar in het rond springt. Het gereedschap werkt niet efficiënter als u grote druk op het gereedschap uitoefent.

► Fig.27

Boren in hout of metaal

⚠ALLET OP: Houd het gereedschap stevig vast en let vooral goed op wanneer het boorbit door het werkstuk heen breekt. Op het moment dat het boorgat doorbreekt wordt een enorme wringende kracht uitgeoefend op het gereedschap/boorbit.

⚠ALLET OP: Een vastgelopen boorbit kan eenvoudig verwijderd worden door de draairichting te veranderen met de omkeerschakelaar, om zo het boorbit eruit te draaien. Houd het gereedschap daarbij wel stevig vast, want er is kans op een plotselinge terugslag.

⚠ALLET OP: Zet het werkstuk altijd vast in een bankschroef of soortgelijke klemvoorziening.

KENNISGEVING: Gebruik nooit "Hamerboren" wanneer de adapterboorkop op het gereedschap is aangebracht. De adapterboorkop kan worden beschadigd. Bovendien zal de adapterboorkop loskomen wanneer de draairichting van het gereedschap wordt omgekeerd.

KENNISGEVING: Het boren zal niet sneller verlopen als u hard op het gereedschap drukt. In feite zal dergelijk hard drukken alleen maar leiden tot beschadiging van het boorbit, lagere prestaties van het gereedschap en een kortere levensduur van het gereedschap.

Draai de werksfunctiekeuzeknop naar het symbool .

Voor HR2652/HR2653/HR2663

Optioneel accessoire

Bevestig de boorkopadapter op een sleutellose boorkop waarop een schroefmaat 1/2"-20 kan worden gemonteerd, en breng het geheel aan op het gereedschap. Voor het aanbrengen raadpleegt u het tekstdeel "Het boorbit aanbrengen of verwijderen".

► Fig.28: 1. Sleutellose boorkop 2. Boorkopadapter

Voor HR2653T

Gebruik de snelwisselboorkop als standaarduitrusting. Voor het aanbrengen raadpleegt u het tekstdeel "De snelwisselkop voor SDS-plus verwisselen".


Houd de ring vast en draai de bus linksom om de klauwen van de boorkop te openen. Steek het bit zo ver mogelijk in de boorkop. Houd de ring stevig vast en draai de bus rechtsom om de boorkop te sluiten.

► Fig.29: 1. Bus 2. Ring

Om het bit te verwijderen, houdt u de ring vast en draait u de bus linksom.

Diamantkernboren

KENNISGEVING: Als u werkzaamheden met diamantkernboren uitvoert in de stand "hamerboren", kan de diamantkernboor worden beschadigd.

Als u werkzaamheden met diamantkernboren uitvoert, draait u de werkingsfunctiekeuzeknop altijd naar de stand  om "alleen boren" te gebruiken.

Het stof van het filter afkloppen

⚠ LET OP: Draai de knop op de stofopvangdoos niet terwijl de stofopvangdoos van het stofopvangsysteem af is gehaald. Als u dit toch doet, kan dat leiden tot inademing van stof.

⚠ LET OP: Schakel het gereedschap altijd uit voordat u de knop op de stofopvangdoos draait. Als u de knop draait terwijl het gereedschap in werking is, kunt u de controle over het gereedschap verliezen.

Door het stof van het filter binnenin de stofopvangdoos af te kloppen, behoudt u de efficiëntie van de stofzuiger en verlaagt u tevens het aantal keren dat u het stof moet weggooiden. Draai de knop op de stofopvangdoos drie keer rond na het verzamelen van 50.000 mm³ aan stof, of wanneer u de indruk krijgt dat de prestaties van de stofzuiger zijn afgenomen.

OPMERKING: 50.000 mm³ aan stof komt overeen met het boren van 10 gaten van $\varnothing 10$ mm en 65 mm diep (14 gaten van $\varnothing 3/8"$ en 2" diep).

► Fig.30: 1. Stofopvangdoos 2. Knop

Het stof weggooiden

⚠ LET OP: Zorg altijd dat het gereedschap is uitgeschakeld en dat zijn stekker uit het stopcontact is verwijderd alvorens enig werk aan het gereedschap uit te voeren.

⚠ LET OP: U moet een stofmasker dragen wanneer u het stof weggooid.

⚠ LET OP: Maak de stofopvangdoos regelmatig leeg, voordat hij vol is. Als u dit niet doet, wordt het stof mogelijk minder goed opgevangen en kan dat leiden tot inademing van stof.

⚠ LET OP: Het stof wordt minder goed opgevangen als het filter in de stofopvangdoos verstopt is. Vervang het filter door een nieuwe nadat de stofopvangdoos ongeveer 200 keer is geleegd. Als u dit niet doet, kan dat leiden tot inademing van stof.

1. Houd de hendel van de stofopvangdoos omlaag gedrukt en verwijder de stofopvangdoos.

► Fig.31: 1. Hendel

2. Open het deksel van de stofopvangdoos.

► Fig.32: 1. Deksel

3. Gooi het stof weg en reinig het filter.

► Fig.33

KENNISGEVING: Voor het reinigen van het filter mag u geen borstel of iets dergelijks gebruiken, en geen perslucht tegen het filter blazen. Hierdoor kan het filter worden beschadigd.

Luchtblazer

Optioneel accessoire

Nadat het gat geboord is, gebruikt u de luchtblazer om het stof uit het gat te blazen.

► Fig.34

De stofvangerset gebruiken

Optioneel accessoire

Houd de stofvangerset tegen het plafond wanneer u het gereedschap bedient.

► Fig.35

KENNISGEVING: Gebruik de stofvangerset niet bij het boren in metaal of dergelijke. Door de warmte die wordt gegenereerd door kleine metalen deeltjes en dergelijke kan de stofvangerset worden beschadigd.

KENNISGEVING: U mag de stofvangerset niet aanbrengen of verwijderen terwijl het boorbit in het gereedschap is aangebracht. Hierdoor kan de stofvangerset worden beschadigd waardoor stof vrijkomt.

ONDERHOUD

⚠ LET OP: Zorg altijd dat het gereedschap is uitgeschakeld en zijn stekker uit het stopcontact is verwijderd alvorens te beginnen met inspectie of onderhoud.

KENNISGEVING: Gebruik nooit benzine, wasbenzine, thinner, alcohol en dergelijke. Hierdoor kunnen verkleuring, vervormingen en barsten worden veroorzaakt.

Om de VEILIGHEID en BETROUWBAARHEID van het gereedschap te handhaven, dienen alle reparaties, onderhoud of afstellingen te worden uitgevoerd bij een erkend Makita-servicecentrum of de Makita-fabriek, en altijd met gebruik van Makita-ervangingsonderdelen.

Het filter in de stofopvangdoos vervangen

1. Houd de hendel van de stofopvangdoos omlaag gedrukt en verwijder de stofopvangdoos.

► Fig.36: 1. Hendel

2. Steek een platkopschroevendraaier tussen het filterhuis en het deksel van de stofopvangdoos, zoals aangegeven in de afbeelding. Terwijl u de zijanten van het filterhuis indrukt en verbuigt, tilt u het filterhuis op met de platkopschroevendraaier en verwijdert u het filterhuis.

► Fig.37: 1. Platkopschroevendraaier 2. Filterhuis 3. Deksel van de stofopvangdoos

3. Om het filter uit het filterhuis te verwijderen, houdt u deze ondersteboven en duwt u het filter omhoog, zoals aangegeven in de afbeelding.

► **Fig.38:** 1. Filter 2. Filterhuis

4. Bevestig een nieuw filter in het filterhuis en bevestig deze daarna aan het deksel van de stofopvangdoos door het uitsteeksel op het filterhuis uit te lijnen met de groef in het deksel van de stofopvangdoos.

► **Fig.39:** 1. Uitsteeksel 2. Groef

5. Sluit het deksel van de stofopvangdoos en bevestig deze daarna aan het gereedschap.

De afdichtdop vervangen

Optioneel accessoire

Vervang de afdichtdop regelmatig aangezien een versleten of beschadigde afdichtdop de zuigprestaties kan verlagen.

1. Steek een platkopschroevendraaier met zijn platte zijde verticaal in één van de ontgrendelgaten aan de zij-kanten van de mondstukkop. Kantel de platkopschroevendraaier onder een hoek om de kubushaak van de afdichtdop los te wrikken uit de voorgevormde uitsparing en eruit te wippen. Pel de rubber randen van de afdichtdop los van de randen van de mondstukopening.

► **Fig.40:** 1. Afdichtdop 2. Kubushaak
3. Ontgrendelingsgat 4. Mondstukkop

2. Plaats één van de kubushaken van de nieuwe afdichtdop in de voorgevormde uitsparing in de mondstukkop zodanig dat het holle oppervlak naar voren is gericht.

► **Fig.41:** 1. Kubushaken 2. Uitsparingen
3. Afdichtdop 4. Holle oppervlak

3. Plaats de andere haak in de uitsparing aan de tegenoverliggende kant van de mondstukkop terwijl u de stand van de afdichtdop aanpast zodat deze goed op de mondstukkop past.

► **Fig.42:** 1. Afdichtdop 2. Kubushaak 3. Uitsparing
4. Mondstukkop 5. Randen

4. Leg voorzichtig de rubber randen van de afdichtdop vanaf onder naar boven over de randen van de mondstukopening.

► **Fig.43:** 1. Rubber randen 2. Afdichtdop
3. Mondstukkop

OPTIONELE ACCESSOIRES

⚠ LET OP: Deze accessoires of hulpstukken worden aanbevolen voor gebruik met het Makita gereedschap dat in deze gebruiksaanwijzing is beschreven. Bij gebruik van andere accessoires of hulpstukken bestaat het gevaar van persoonlijke letsel. Gebruik de accessoires of hulpstukken uitsluitend voor hun bestemde doel.

Went u meer bijzonderheden over deze accessoires, neem dan contact op met het plaatselijke Makita-servicecentrum.

- Boren met een hardmetalen punt (SDS-plus-bits met een hardmetalen punt)
- Kernboor
- Puntbeitel
- Diamantkernboor
- Koudbeitel
- Bikbeitel
- Groefbeitel
- Boorkopadapter
- Sleutellose boorkop
- Boorvet
- Dieptemaat
- Luchtblazer
- Stofvanger
- Stofvangerset
- Veiligheidsbril
- Kunststof koffer

OPMERKING: Sommige items op de lijst kunnen zijn inbegrepen in de doos van het gereedschap als standaard toebehoren. Deze kunnen van land tot land verschillen.

ESPECIFICACIONES

Modelo:		HR2652	HR2653	HR2653T	HR2663
Capacidades	Cemento	26 mm			
	Barrena tubular	68 mm			
	Barrena tubular de diamante (tipo seco)	80 mm			
	Acero	13 mm			
	Madera	32 mm			
Velocidad sin carga		0 - 1.200 min ⁻¹			0 - 1.100 min ⁻¹
Percusiones por minuto		0 - 4.600 min ⁻¹			0 - 4.500 min ⁻¹
Longitud total		604 mm		630 mm	666 mm
Peso neto		3,0 - 4,2 kg	3,1 - 4,3 kg	3,2 - 4,4 kg	3,3 - 4,5 kg
Clase de seguridad		□/II			

- Debido a nuestro continuado programa de investigación y desarrollo, las especificaciones aquí dadas están sujetas a cambios sin previo aviso.
- Las especificaciones pueden ser diferentes de país a país.
- El peso puede variar dependiendo del accesorio(s). La combinación menos pesada y la más pesada, de acuerdo con el procedimiento EPTA 01/2014, se muestran en la tabla.

Uso previsto

La herramienta ha sido prevista para perforar con percusión y perforar en ladrillo, hormigón y piedra. También es apropiada para perforar sin impacto en madera, metal, cerámica y plástico.

Alimentación

La herramienta deberá ser conectada solamente a una fuente de alimentación de la misma tensión que la indicada en la placa de características, y solamente puede ser utilizada con alimentación de CA monofásica. La herramienta tiene doble aislamiento y puede, por lo tanto, utilizarse también en tomas de corriente sin conductor de tierra.

Ruido

El nivel de ruido A-ponderado típico determinado de acuerdo con la norma EN62841-2-6:

Nivel de presión sonora (L_{pA}): 91 dB (A)

Nivel de potencia sonora (L_{wA}): 102 dB (A)

Error (K): 3 dB (A)

NOTA: El valor (o los valores) de emisión de ruido declarado ha sido medido de acuerdo con un método de prueba estándar y se puede utilizar para comparar una herramienta con otra.

NOTA: El valor (o valores) de emisión de ruido declarado también se puede utilizar en una valoración preliminar de exposición.

⚠ ADVERTENCIA: Póngase protectores para oídos.

⚠ ADVERTENCIA: La emisión de ruido durante la utilización real de la herramienta eléctrica puede variar del valor (o los valores) de emisión declarado dependiendo de las formas en las que la herramienta sea utilizada, especialmente qué tipo de pieza de trabajo se procesa.

⚠ ADVERTENCIA: Asegúrese de identificar medidas de seguridad para proteger al operario que estén basadas en una estimación de la exposición en las condiciones reales de utilización (teniendo en cuenta todas las partes del ciclo operativo como las veces cuando la herramienta está apagada y cuando está funcionando en vacío además del tiempo de gatillo).

Vibración

La tabla siguiente muestra el valor total de la vibración (suma de vectores triaxiales) determinado de acuerdo con el estándar aplicable.

Modelo HR2652

Modo de trabajo	Emisión de vibración	Incertidumbre (K)	Estándar aplicable
Perforación con percusión en hormigón ($a_{h,HD}$)	13,1 m/s ²	1,5 m/s ²	EN62841-2-6
Cincelado ($a_{h,CHeq}$)	10,9 m/s ²	1,5 m/s ²	EN62841-2-6

Modelo HR2653

Modo de trabajo	Emisión de vibración	Incertidumbre (K)	Estándar aplicable
Perforación con percusión en hormigón ($a_{h,HD}$)	11,2 m/s ²	1,5 m/s ²	EN62841-2-6
Cincelado ($a_{h,CHeq}$)	9,3 m/s ²	1,5 m/s ²	EN62841-2-6

Modelo HR2653T

Modo de trabajo	Emisión de vibración	Incertidumbre (K)	Estándar aplicable
Perforación con percusión en hormigón ($a_{h,HD}$)	10,9 m/s ²	1,5 m/s ²	EN62841-2-6
Cincelado ($a_{h,CHeq}$)	9,6 m/s ²	1,5 m/s ²	EN62841-2-6

Modelo HR2663

Modo de trabajo	Emisión de vibración	Incertidumbre (K)	Estándar aplicable
Perforación con percusión en hormigón ($a_{h,HD}$)	9,3 m/s ²	1,5 m/s ²	EN62841-2-6
Cincelado ($a_{h,CHeq}$)	7,0 m/s ²	1,5 m/s ²	EN62841-2-6

NOTA: El valor (o los valores) total de emisión de vibración declarado ha sido medido de acuerdo con un método de prueba estándar y se puede utilizar para comparar una herramienta con otra.

NOTA: El valor (o los valores) total de emisión de vibración declarado también se puede utilizar en una valoración preliminar de exposición.

⚠️ ADVERTENCIA: La emisión de vibración durante la utilización real de la herramienta eléctrica puede variar del valor (o los valores) de emisión declarado dependiendo de las formas en las que la herramienta sea utilizada, especialmente qué tipo de pieza de trabajo se procesa.

⚠️ ADVERTENCIA: Asegúrese de identificar medidas de seguridad para proteger al operario que estén basadas en una estimación de la exposición en las condiciones reales de utilización (teniendo en cuenta todas las partes del ciclo operativo como las veces cuando la herramienta está apagada y cuando está funcionando en vacío además del tiempo de gatillo).

Declaración CE de conformidad

Para países europeos solamente

La declaración CE de conformidad está incluida como Anexo A de esta manual de instrucciones.

ADVERTENCIAS DE SEGURIDAD

Advertencias de seguridad para herramientas eléctricas en general

⚠️ ADVERTENCIA: Lea todas las advertencias de seguridad, instrucciones, ilustraciones y especificaciones provistas con esta herramienta eléctrica. Si no sigue todas las instrucciones indicadas abajo podrá resultar en una descarga eléctrica, un incendio y/o heridas graves.

Guarde todas las advertencias e instrucciones para futuras referencias.

El término "herramienta eléctrica" en las advertencias se refiere a su herramienta eléctrica de funcionamiento con conexión a la red eléctrica (con cable) o herramienta eléctrica de funcionamiento a batería (sin cable).

ADVERTENCIAS DE SEGURIDAD PARA EL MARTILLO ROTATIVO

Instrucciones de seguridad para todas las operaciones

1. **Póngase protectores de oídos.** La exposición al ruido puede ocasionar pérdida auditiva.
2. **Utilice el mango(s) auxiliar, si se suministra con la herramienta.** Una pérdida del control puede ocasionar heridas personales.
3. **Cuando realice una operación en la que el accesorio de corte pueda entrar en contacto con cableado oculto o con su propio cable, sujete la herramienta eléctrica por las superficies de asiento aisladas.** El contacto del accesorio de corte con un cable con corriente puede hacer que la corriente circule por las partes metálicas expuestas de la herramienta eléctrica y soltar una descarga eléctrica al operario.

Instrucciones de seguridad cuando se utilizan brocas largas con martillos rotativos

1. **Comience a perforar siempre a velocidad baja y con la punta de la broca haciendo contacto con la pieza de trabajo.** A velocidades más altas, es probable que la broca se doble si se deja girar libremente sin hacer contacto con la pieza de trabajo, resultando en heridas personales.
2. **Aplique presión solamente en línea directa con la broca y no aplique una presión excesiva.** Las brocas se pueden doblar, ocasionando su rotura o la pérdida de control, resultando en heridas personales.

Advertencias de seguridad adicionales

1. Póngase casco protector (casco de seguridad), gafas de seguridad y/o pantalla facial. Las gafas normales o de sol NO sirven para proteger los ojos. También es muy recomendable ponerse una máscara contra el polvo y guantes espesamente acolchados.
2. Asegúrese de que la broca está sujeta en su sitio antes de iniciar la operación.
3. La herramienta ha sido diseñada de modo que produzca vibración durante la utilización normal. Los tornillos se pueden aflojar fácilmente, ocasionando una rotura o un accidente. Compruebe con cuidado el apriete de los tornillos antes de iniciar la operación.
4. En clima frío o cuando la herramienta no haya sido utilizada durante un tiempo largo, deje que la herramienta se caliente durante un rato utilizándola sin carga. Esto diluirá la lubricación. Sin un calentamiento apropiado, la operación de percusión resultará difícil.
5. Asegúrese siempre de apoyar los pies firmemente. Asegúrese de que no haya nadie debajo cuando utilice la herramienta en lugares altos.
6. Sujete la herramienta firmemente con ambas manos.
7. Mantenga las manos alejadas de las partes en movimiento.
8. No deje la herramienta en marcha. Tenga en marcha la herramienta solamente cuando la tenga en la mano.
9. No apunte la herramienta hacia nadie que esté en el área cuando la esté utilizando. La broca puede salir despedida y herir a alguien gravemente.
10. No toque la broca, las partes cerca de la broca o la pieza de trabajo inmediatamente después de la operación; podrán estar muy calientes y quemarle la piel.
11. Algunos materiales contienen sustancias químicas que pueden ser tóxicas. Tenga precaución para evitar la inhalación de polvo y el contacto con la piel. Siga los datos de seguridad del abastecedor del material.
12. No toque el enchufe con las manos mojadas.

GUARDE ESTAS INSTRUCCIONES.

⚠ ADVERTENCIA: NO deje que la comodidad o familiaridad con el producto (a base de utilizarlo repetidamente) sustituya la estricta observancia de las normas de seguridad para el producto en cuestión. El MAL USO o el no seguir las normas de seguridad establecidas en este manual de instrucciones podrá ocasionar heridas personales graves.

DESCRIPCIÓN DEL FUNCIONAMIENTO

⚠ PRECAUCIÓN: Asegúrese siempre de que la herramienta está apagada y desenchufada antes de intentar realizar cualquier tipo de ajuste o comprobación en ella.

Accionamiento del interruptor

⚠ PRECAUCIÓN: Antes de enchufar la herramienta, compruebe siempre para cerciorarse de que el gatillo interruptor se acciona debidamente y que vuelve a la posición "OFF" cuando lo suelta.

⚠ PRECAUCIÓN: El interruptor puede ser bloqueado en posición "encendida" para mayor comodidad del operario durante una utilización prolongada. Tenga precaución cuando bloquee la herramienta en posición "encendida" y mantenga la herramienta firmemente empuñada.

► Fig.1: 1. Gatillo interruptor 2. Botón de bloqueo

► Fig.2: 1. Gatillo interruptor 2. Botón de bloqueo



Para poner en marcha la herramienta, simplemente apriete el gatillo interruptor. La velocidad de la herramienta aumenta incrementando la presión en el gatillo interruptor. Suelte el gatillo interruptor para parar.

Para una operación continua, apriete el gatillo interruptor, empuje hacia dentro el botón de bloqueo y después suelte el gatillo interruptor. Para parar la herramienta desde la posición bloqueada, apriete el gatillo interruptor completamente, después suéltelo.



Accionamiento del interruptor inversor

⚠ PRECAUCIÓN: Confirme siempre la dirección de giro antes de la operación.

AVISO: Utilice el interruptor inversor solamente después de que la herramienta se haya parado completamente. Si cambia la dirección de giro antes de que la herramienta se haya parado podrá dañarla.



AVISO: Si el gatillo interruptor no se puede apretar, compruebe para ver que el interruptor inversor está ajustado completamente en la posición  (lado A) o  (lado B).

Para HR2652/HR2653/HR2653T

Esta herramienta tiene un interruptor inversor para cambiar la dirección de giro. Mueva la palanca del interruptor inversor a la posición  (lado A) para giro hacia la derecha o a la posición  (lado B) para giro hacia la izquierda.

► Fig.3: 1. Palanca del interruptor inversor

Para HR2663

Esta herramienta tiene un interruptor inversor para cambiar la dirección de giro. Mueva la palanca del interruptor inversor a la posición  (lado A) para giro hacia la derecha o a la posición  (lado B) para giro hacia la izquierda.

► **Fig.4:** 1. Palanca del interruptor inversor

NOTA: Cuando utiliza la herramienta en giro hacia la izquierda, el gatillo interruptor se aprieta solo hasta la mitad y la herramienta funciona a media velocidad. Para el giro hacia la izquierda, no se puede empujar el botón de bloqueo.



Cambio del mandril de cambio rápido para SDS-plus

Para HR2653T

El mandril de cambio rápido para SDS-plus se puede intercambiar fácilmente por el mandril para taladro de cambio rápido.


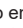
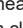
Extracción del mandril de cambio rápido para SDS-plus

⚠PRECAUCIÓN: Antes de extraer el mandril de cambio rápido para SDS-plus, asegúrese de retirar la broca.

Sujete la cubierta de cambio del mandril de cambio rápido para SDS-plus y gírela en la dirección de la flecha hasta que la línea de la cubierta de cambio se mueva del símbolo  al símbolo . Empuje con fuerza en la dirección de la flecha.

► **Fig.5:** 1. Mandril de cambio rápido para SDS-plus
2. Cubierta de cambio 3. Línea de la cubierta de cambio

Instalación del mandril para taladro de cambio rápido

Compruebe que la línea del mandril para taladro de cambio rápido muestre el símbolo . Sujete la cubierta de cambio del mandril para taladro de cambio rápido y alinee la línea con el símbolo . Coloque el mandril para taladro de cambio rápido en el eje giratorio de la herramienta. Sujete la cubierta de cambio del mandril para taladro de cambio rápido y gire la línea de la cubierta de cambio para alinearla con el símbolo  hasta que se pueda oír un claro chasquido.


► **Fig.6:** 1. Mandril para taladro de cambio rápido
2. Eje giratorio 3. Línea de la cubierta de cambio 4. Cubierta de cambio

Selección del modo de accionamiento

AVISO: No gire el pomo de cambio del modo de accionamiento cuando la herramienta esté en marcha. La herramienta se dañará.


AVISO: Para evitar un desgaste rápido del mecanismo de cambio de modo, asegúrese de que el pomo de cambio del modo de accionamiento está siempre situado en uno de los tres modos de accionamiento.

Giro con percusión

Para perforar en hormigón, mampostería, etc., gire el pomo de cambio del modo de accionamiento hasta el símbolo . Utilice una broca con punta de carburo de tungsteno (accesorio opcional).


► **Fig.7:** 1. Giro con percusión 2. Pomo de cambio del modo de accionamiento

Giro solamente

Para perforar en madera, metal o materiales de plástico, gire el pomo de cambio del modo de accionamiento hasta el símbolo . Utilice una broca helicoidal o broca para madera.

► **Fig.8:** 1. Giro solamente

Percusión solamente

Para operaciones de desincrustar, decapar o demoler, gire el pomo de cambio del modo de accionamiento hasta el símbolo . Utilice un barreno, cortafriós, cincel desincrustador, etc.

► **Fig.9:** 1. Percusión solamente

Ajuste de la posición de la boquilla

Empuje la guía mientras presiona el botón de ajuste de la guía y, luego, suelte el botón en la posición deseada.

► **Fig.10:** 1. Guía 2. Botón de ajuste de la guía

NOTA: Antes de ajustar la posición de la boquilla, suelte la boquilla hacia delante por completo presionando el botón de ajuste de la guía.

Ajuste de la profundidad de perforación

Deslice el botón de ajuste de la profundidad hasta la posición deseada mientras lo presiona. La distancia (A) es la profundidad de perforación.

► **Fig.11:** 1. Botón de ajuste de la profundidad

Limitador del par de torsión

AVISO: En cuanto se accione el limitador del par de torsión, apague la herramienta inmediatamente. Esto ayudará a evitar un desgaste prematuro de la herramienta.

AVISO: Las brocas tales como las sierras cilíndricas, que tienden a pincharse o engancharse fácilmente en el agujero, no son apropiadas para esta herramienta. Esto es así porque harán que el limitador del par de torsión actúe con mucha frecuencia.

El limitador del par de torsión se acciona cuando se alcanza un cierto nivel de torsión. El motor se desembragará del eje de salida. Cuando ocurra esto, la broca dejará de girar.

Gancho

⚠ PRECAUCIÓN: No cuelgue nunca la herramienta en un lugar alto o en una superficie potencialmente inestable.

Para HR2663

► **Fig.12:** 1. Gancho

El gancho es útil para colgar la herramienta temporalmente.

Para utilizar el gancho, solo tiene que levantar el gancho hasta que quede en la posición abierta con un chasquido. Cuando no lo utilice, siempre baje el gancho hasta que quede en la posición cerrada con un chasquido.

MONTAJE

⚠ PRECAUCIÓN: Asegúrese siempre de que la herramienta está apagada y desenchufada antes de realizar cualquier trabajo en la herramienta.

Empuñadura lateral (mango auxiliar)

⚠ PRECAUCIÓN: Utilice siempre la empuñadura lateral para garantizar una operación segura.

⚠ PRECAUCIÓN: Después de instalar o ajustar la empuñadura lateral, asegúrese de que la empuñadura lateral está sujeta firmemente.

Instale la empuñadura lateral de forma que las acanaladuras en la empuñadura encajen en las protuberancias en el barril de la herramienta. Gire la empuñadura hacia la derecha para sujetarla. La empuñadura se puede fijar en el ángulo deseado.

► **Fig.13:** 1. Empuñadura lateral

Grasa

Cubra el extremo de la espiga de la broca previamente con una pequeña cantidad de grasa (aprox. 0,5 - 1 g). Esta lubricación del mandril asegurará un accionamiento suave y una vida de servicio más larga.

Instalación o desmontaje de la broca

Limpie el extremo de la espiga de la broca y aplique grasa antes de instalar la broca.

► **Fig.14:** 1. Extremo de la espiga 2. Grasa

Inserte la broca en la herramienta. Gire la broca y empújela hasta que se acople.

Después de instalar la broca, asegúrese siempre de que la broca está sujeta firmemente en su sitio intentando sacarla.

► **Fig.15:** 1. Broca


Para retirar la broca, tire de la cubierta del mandril hacia abajo a tope y extraiga la broca.

► **Fig.16:** 1. Broca 2. Cubierta del mandril

Ángulo del cincel (para desincrustar, decapar o demoler)

El cincel se puede sujetar en el ángulo deseado. Para cambiar el ángulo del cincel, gire el pomo de cambio del modo de accionamiento hasta el símbolo O. Gire el cincel hasta el ángulo que desee.

► **Fig.17:** 1. Pomo de cambio del modo de accionamiento

Gire el pomo de cambio del modo de accionamiento hasta el símbolo . Después asegúrese siempre de que el cincel está sujetado firmemente en su sitio girándolo ligeramente.

Tope de profundidad

El tope de profundidad resulta útil para perforar agujeros de profundidad uniforme. Afloje la empuñadura lateral e inserte el tope de profundidad en el orificio de la empuñadura lateral. Ajuste el tope de profundidad a la profundidad deseada y apriete la empuñadura lateral firmemente.

► **Fig.18:** 1. Orificio 2. Tope de profundidad

NOTA: Asegúrese de que el tope de profundidad no toca el cuerpo principal de la herramienta cuando lo coloque.

Instalación o extracción del sistema de recolección de polvo

Para extraer el sistema de recolección de polvo, empuje la herramienta mientras presiona el botón de seguridad. Para instalarlo, inserte la herramienta a tope en el sistema de recolección de polvo hasta que se bloquee en el lugar con un pequeño chasquido.

► **Fig.19:** 1. Botón de seguridad

Colector de polvo

Accesorio opcional

Utilice el colector de polvo para evitar que el polvo caiga sobre la herramienta y sobre usted cuando realice operaciones de perforación en lo alto. Coloque el colector de polvo en la broca como se muestra en la figura. El tamaño de las brocas en las que se puede colocar el colector de polvo es como se indica a continuación.

Modelo	Diámetro de la broca
Colector de polvo 5	6 mm - 14,5 mm
Colector de polvo 9	12 mm - 16 mm

► **Fig.20:** 1. Colector de polvo

Juego colector de polvo

Accesorio opcional

Antes de instalar el juego colector de polvo, retire la broca de la herramienta si está instalada. Instale el juego colector de polvo en la herramienta de manera que el símbolo Δ del colector de polvo quede alineado con la ranura de la herramienta.

► **Fig.21:** 1. Δ símbolo 2. Ranura

NOTA: Si conecta un aspirador al juego colector de polvo, retire la tapa de polvo antes de conectarlo.

► **Fig.22:** 1. Tapa de polvo

Para retirar el juego colector de polvo, retire la broca mientras empuja la cubierta del mandril en la dirección de la flecha.

► **Fig.23:** 1. Broca 2. Cubierta del mandril

Sujete la base del colector de polvo y retírelo.

► **Fig.24**

NOTA: Si la tapa se sale del colector de polvo, colóquela con el lado impreso orientado hacia arriba de tal forma que la acanaladura en la tapa encaje en la periferia interior del accesorio.

► **Fig.25**

OPERACIÓN

⚠PRECAUCIÓN: Utilice siempre la empuñadura lateral (mango auxiliar) y sujete la herramienta firmemente por ambos la empuñadura lateral y el mango del interruptor durante las operaciones.

⚠PRECAUCIÓN: Asegúrese siempre de que la pieza de trabajo está sujeta firmemente antes de iniciar la operación.

⚠PRECAUCIÓN: El sistema de recolección de polvo está diseñado únicamente para perforar en hormigón. No utilice el sistema de recolección de polvo para perforar en metal o en madera.

⚠PRECAUCIÓN: Cuando utilice la herramienta con el sistema de recolección de polvo, asegúrese de colocar el filtro en el sistema de recolección de polvo para evitar inhalar el polvo.

⚠PRECAUCIÓN: Antes de utilizar el sistema de recolección de polvo, compruebe que el filtro no esté dañado. En caso contrario, es posible que inhale polvo.

⚠PRECAUCIÓN: El sistema de recolección de polvo recolecta el polvo generado a un ritmo considerable, pero no se recolecta todo el polvo.

AVISO: No utilice el sistema de recolección de polvo para perforar con corona o cincelar.

AVISO: No utilice el sistema de recolección de polvo para perforar en hormigón mojado y no lo utilice en un ambiente húmedo. En caso contrario, es posible que funcione mal.

► **Fig.26**

Operación de perforación con percusión

⚠PRECAUCIÓN: En el momento de comenzar a penetrar, cuando se atasca el agujero con virutas y partículas, o cuando se topa con varillas de refuerzo incrustadas en el hormigón, se ejerce una tremenda y repentina fuerza de contorsión sobre la herramienta/broca. **Utilice siempre la empuñadura lateral (mango auxiliar) y sujete la herramienta firmemente por ambos la empuñadura lateral y el mango del interruptor durante las operaciones.** De lo contrario, podrá resultar en la pérdida del control de la herramienta y potencialmente heridas graves.

Ajuste el pomo de cambio del modo de accionamiento en el símbolo \uparrow .

Coloque la broca en el lugar deseado para el agujero, después apriete el gatillo interruptor. No fuerce la herramienta. Los mejores resultados se obtienen con una ligera presión. Mantenga la herramienta en posición y evite que se deslice y salga del agujero.

No aplique más presión cuando el agujero se atasque con virutas o partículas. En su lugar, haga funcionar la herramienta sin ejercer presión, y después saque parcialmente la broca del agujero. Repitiendo esto varias veces, se limpiará el agujero y podrá reanudarse la perforación normal.

NOTA: Es posible que se produzca excentricidad en el giro de la broca mientras la herramienta funciona sin carga. La herramienta se vuelve a centrar automáticamente durante la operación. Esto no afecta a la precisión de perforación.

Desincrustar/decapar/demoler

Ajuste el pomo de cambio del modo de accionamiento en el símbolo \uparrow .

Sujete la herramienta firmemente con ambas manos. Encienda la herramienta y aplique una ligera presión sobre ella de forma que no rebote descontrolada. Presionando muy fuerte en la herramienta no aumentará la eficacia.

► **Fig.27**

Perforación en madera o metal

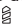
⚠PRECAUCIÓN: Sujete la herramienta firmemente y tenga cuidado cuando la broca comience a penetrar en la pieza de trabajo. En el momento de comenzar a penetrar se ejerce una fuerza tremenda sobre la herramienta/broca.

⚠PRECAUCIÓN: Una broca atascada podrá extraerse simplemente poniendo el interruptor inversor en giro inverso para que retroceda. Sin embargo, la herramienta podrá retroceder bruscamente si no la sujeta firmemente.

⚠PRECAUCIÓN: Sujete siempre las piezas de trabajo en un tornillo de banco o dispositivo de sujeción similar.

AVISO: No utilice nunca “giro con percusión” cuando esté instalado el mandril para taladro en la herramienta. El mandril para taladro podrá dañarse. Además, el mandril para taladro se caerá cuando invierta el giro de la herramienta.

AVISO: Con ejercer una presión excesiva sobre la herramienta no conseguirá perforar más rápido. De hecho, esta presión excesiva sólo servirá para dañar la punta de la broca, disminuir el rendimiento de la herramienta y acortar la vida de servicio de la herramienta.

Ajuste el pomo de cambio del modo de accionamiento en el símbolo .

Para HR2652/HR2653/HR2663

Accesorio opcional

Coloque el adaptador de mandril en un mandril para taladro sin llave en el que se pueda instalar un tornillo de 1/2"-20. Luego, instálelos en la herramienta. Cuando lo instale, consulte la sección “Instalación o extracción de la broca”.

- **Fig.28:** 1. Mandril para taladro sin llave
2. Adaptador de mandril

Para HR2653T


Utilice el mandril para taladro de cambio rápido como un equipo estándar. Cuando lo instale, consulte “Cambio del mandril de cambio rápido para SDS-plus”. Sostenga el anillo y gire el manguito hacia la izquierda para abrir las mordazas del mandril. Coloque la broca a fondo en el mandril. Sostenga el anillo con firmeza y gire el manguito hacia la derecha para apretar el mandril.

- **Fig.29:** 1. Manguito 2. Anillo

Para retirar la broca, sostenga el anillo y gire el manguito hacia la izquierda.

Perforación con corona de diamante

AVISO: Si realiza operaciones de perforación con corona de diamante utilizando el accionamiento de “giro con percusión”, es posible que la barrena tubular de diamante se dañe.

Cuando realice operaciones de perforación con corona de diamante, ponga siempre el pomo de cambio del modo de accionamiento en la posición  para utilizar el accionamiento de “giro solamente”.

Sacudir el polvo del filtro

PRECAUCIÓN: No gire el dial del recipiente para polvo mientras el recipiente para polvo está retirado del sistema de recolección de polvo. Si lo hace podrá ocasionar inhalación de polvo.

PRECAUCIÓN: Apague siempre la herramienta cuando vaya a girar el dial del recipiente para polvo. Si gira el dial mientras la herramienta está en marcha podrá resultar en la pérdida del control de la herramienta.

Al sacudir el polvo del filtro de dentro del recipiente para polvo, puede mantener la eficacia de aspiración y también reducir el número de veces que hay que desechar el polvo. Gire el dial del recipiente para polvo tres veces después de la recogida de cada 50.000 mm³ de polvo o cuando sienta que el rendimiento de aspiración ha disminuido.

NOTA: 50.000 mm³ de polvo equivale a perforar 10 agujeros de ø10 mm y 65 mm de profundidad (14 agujeros de ø3/8" y 2" de profundidad).

- **Fig.30:** 1. Recipiente para polvo 2. Dial

Desechado del polvo

PRECAUCIÓN: Asegúrese siempre de que la herramienta está apagada y desenchufada antes de realizar cualquier trabajo en la herramienta.

PRECAUCIÓN: Utilice una máscara contra el polvo cuando deseche el polvo.

PRECAUCIÓN: Vacíe el recipiente para polvo con regularidad antes de que el recipiente se llene. En caso contrario, es posible que disminuya el rendimiento de la recolección de polvo y usted inhale polvo.

PRECAUCIÓN: El rendimiento de la recolección de polvo disminuye si el filtro del recipiente para polvo se atasca. Reemplace el filtro por uno nuevo después de que el recipiente se haya llenado unas 200 veces. En caso contrario, es posible que inhale polvo.

1. Retire el recipiente para polvo mientras presiona la palanca del recipiente para polvo.

- **Fig.31:** 1. Palanca

2. Abra la cubierta del recipiente para polvo.

- **Fig.32:** 1. Cubierta

3. Deseche el polvo y luego limpie el filtro.

- **Fig.33**

AVISO: Cuando limpie el filtro, no toque el filtro con un cepillo u otro elemento similar ni sople el filtro con aire comprimido. Esto podría dañar el filtro.

Soplador

Accesorio opcional

Después de perforar un orificio, utilice el soplador para limpiar el polvo del orificio.

- **Fig.34**

Utilización del juego colector de polvo

Accesorio opcional

Encaje el juego colector de polvo contra el techo cuando utilice la herramienta.

- **Fig.35**

AVISO: No utilice el juego colector de polvo para perforar en metal o un material similar. Esto podría dañar el juego colector de polvo debido al calor producido por las pequeñas partículas metálicas u otras partículas similares.

AVISO: No instale ni extraiga el juego colector de polvo si la broca está instalada en la herramienta. Esto podría dañar el juego colector de polvo y hacer que el polvo se filtre.

MANTENIMIENTO

⚠PRECAUCIÓN: Asegúrese siempre de que la herramienta está apagada y desenchufada antes de intentar realizar la inspección o el mantenimiento.

AVISO: No utilice nunca gasolina, bencina, disolvente, alcohol o similares. Podría producir descoloración, deformación o grietas.

Para mantener la SEGURIDAD y FIABILIDAD del producto, las reparaciones, y cualquier otra tarea de mantenimiento o ajuste deberán ser realizadas en centros de servicio o de fábrica autorizados por Makita, empleando siempre repuestos Makita.

Reemplazo del filtro del recipiente para polvo

1. Retire el recipiente para polvo mientras presiona la palanca del recipiente para polvo.
▶ **Fig.36:** 1. Palanca
2. Inserte un destornillador de punta plana entre la caja del filtro y la cubierta del recipiente para polvo como se muestra en la figura. Mientras presiona y dobla los laterales de la caja del filtro, levante la caja del filtro con un destornillador de punta plana y retire la caja del filtro.
▶ **Fig.37:** 1. Destornillador de punta plana 2. Caja del filtro 3. Cubierta del recipiente para polvo
3. Para retirar el filtro de la caja del filtro, póngalos al revés y empuje hacia arriba el filtro como se muestra en la figura.
▶ **Fig.38:** 1. Filtro 2. Caja del filtro
4. Coloque un filtro nuevo en la caja del filtro. Luego, coloque ambos en el recipiente para polvo alineando la protuberancia de la caja del filtro con la ranura del recipiente para polvo.
▶ **Fig.39:** 1. Protuberancia 2. Ranura
5. Cierre la cubierta del recipiente para polvo y luego colóquelo en la herramienta.

Reemplazo de la tapa de sellado

Accesorio opcional

Reemplace la tapa de sellado a intervalos regulares porque una tapa de sellado gastada o dañada puede afectar al rendimiento de succión.

1. Inserte un destornillador de punta plana, con su superficie plana en vertical, en uno de los agujeros de liberación situados en los laterales de la cabeza de la boquilla. Incline el destornillador de punta plana a un ángulo para retorcer y desprender el gancho en cubo de la tapa de sellado y sacarlo del receptáculo moldeado. Después desprenda los bordes de goma de la tapa de sellado retirándolos de los rebordes de la abertura de la cabeza de la boquilla.
▶ **Fig.40:** 1. Tapa de sellado 2. Gancho en cubo 3. Agujero de liberación 4. Cabeza de la boquilla

2. Ponga uno de los ganchos en cubo de una tapa de sellado renovada en el receptáculo moldeado de la cabeza de la boquilla con la superficie embutida de la tapa de sellado orientada hacia adelante.

▶ **Fig.41:** 1. Ganchos en cubo 2. Receptáculos 3. Tapa de sellado 4. Superficie embutida

3. Coloque el otro gancho en el receptáculo de lado opuesto de la cabeza de la boquilla, mientras reposiciona la tapa de sellado de forma que encaje con precisión en la cabeza de la boquilla.

▶ **Fig.42:** 1. Tapa de sellado 2. Gancho en cubo 3. Receptáculo 4. Cabeza de la boquilla 5. Rebordes

4. Coloque con cuidado los bordes de goma de la tapa de sellado sobre los rebordes de la abertura de la cabeza de la boquilla desde abajo hacia arriba.

▶ **Fig.43:** 1. Bordes de goma 2. Tapa de sellado 3. Cabeza de la boquilla

ACCESORIOS OPCIONALES

⚠PRECAUCIÓN: Estos accesorios o aditamentos están recomendados para su uso con la herramienta Makita especificada en este manual. El uso de cualquier otro accesorio o aditamento puede suponer un riesgo de heridas personales. Utilice el accesorio o aditamento solamente con la finalidad indicada para el mismo.

Si necesita cualquier ayuda para más detalles en relación con estos accesorios, pregunte al centro de servicio Makita local.

- Brocas con punta de carburo (brocas con punta de carburo SDS-Plus)
- Barrena tubular
- Barreno
- Barrena tubular de diamante
- Cortafíos
- Cíncel desincrustador
- Cíncel para ranuras
- Adaptador de mandril
- Mandril de broca sin llave
- Grasa para brocas
- Tope de profundidad
- Soplador
- Colector de polvo
- Juego colector de polvo
- Gafas de seguridad
- Maletín de transporte de plástico

NOTA: Algunos elementos de la lista podrán estar incluidos en el paquete de la herramienta como accesorios estándar. Pueden variar de un país a otro.

ESPECIFICAÇÕES

Modelo:		HR2652	HR2653	HR2653T	HR2663
Capacidades	Cimento	26 mm			
	Broca de núcleo	68 mm			
	Broca de núcleo diamantada (tipo seca)	80 mm			
	Aço	13 mm			
	Madeira	32 mm			
Velocidade sem carga		0 - 1.200 min ⁻¹			0 - 1.100 min ⁻¹
Impactos por minuto		0 - 4.600 min ⁻¹			0 - 4.500 min ⁻¹
Comprimento total		604 mm		630 mm	666 mm
Peso líquido		3,0 - 4,2 kg	3,1 - 4,3 kg	3,2 - 4,4 kg	3,3 - 4,5 kg
Classe de segurança		□/II			

- Devido a um programa contínuo de pesquisa e desenvolvimento, estas especificações podem ser alteradas sem aviso prévio.
- As especificações podem variar de país para país.
- O peso poderá diferir em função do(s) acessório(s). A combinação mais leve e a mais pesada, de acordo com o Procedimento EPTA 01/2014, são apresentadas na tabela.

Utilização prevista

A ferramenta serve para perfuração com martelo e perfuração em tijolo, cimento e pedra. É também adequada para perfurar sem impacto em madeira, metal, cerâmica e plástico.

Alimentação

A ferramenta só deve ser ligada a uma fonte de alimentação com a mesma tensão da indicada na placa de características, e só funciona com alimentação de corrente alterna (CA) monofásica. Tem um sistema de isolamento duplo e pode, por isso, utilizar tomadas sem ligação à terra.

Ruído

A característica do nível de ruído A determinado de acordo com a EN62841-2-6:

Nível de pressão acústica (L_{pA}): 91 dB (A)

Nível de potência acústica (L_{WA}): 102 dB (A)

Variabilidade (K): 3 dB (A)

NOTA: O(s) valor(es) da emissão de ruído indicado(s) foi medido de acordo com um método de teste padrão e pode ser utilizado para comparar duas ferramentas.

NOTA: O(s) valor(es) da emissão de ruído indicado(s) pode também ser utilizado na avaliação preliminar da exposição.

⚠️ AVISO: Utilize protetores auriculares.

⚠️ AVISO: A emissão de ruído durante a utilização real da ferramenta elétrica pode diferir do(s) valor(es) indicado(s), dependendo das formas como a ferramenta é utilizada, especialmente o tipo de peça de trabalho que é processada.

⚠️ AVISO: Certifique-se de identificar as medidas de segurança para proteção do operador que sejam baseadas em uma estimativa de exposição em condições reais de utilização (considerando todas as partes do ciclo de operação, tal como quando a ferramenta está desligada e quando está a funcionar em marcha lenta além do tempo de acionamento).

Vibração

A tabela seguinte mostra o valor total da vibração (soma vetorial tri-axial) determinado de acordo com o padrão aplicável:

Modelo HR2652

Modo de funcionamento	Emissão de vibração	Incerteza (K)	Padrão aplicável
Perfuração com martelo em cimento ($a_{h, HD}$)	13,1 m/s ²	1,5 m/s ²	EN62841-2-6
Burilagem ($a_{h, Cheq}$)	10,9 m/s ²	1,5 m/s ²	EN62841-2-6

Modelo HR2653

Modo de funcionamento	Emissão de vibração	Incerteza (K)	Padrão aplicável
Perfuração com martelo em cimento ($a_{h, HD}$)	11,2 m/s ²	1,5 m/s ²	EN62841-2-6
Burilagem ($a_{h, CHeq}$)	9,3 m/s ²	1,5 m/s ²	EN62841-2-6

Modelo HR2653T

Modo de funcionamento	Emissão de vibração	Incerteza (K)	Padrão aplicável
Perfuração com martelo em cimento ($a_{h, HD}$)	10,9 m/s ²	1,5 m/s ²	EN62841-2-6
Burilagem ($a_{h, CHeq}$)	9,6 m/s ²	1,5 m/s ²	EN62841-2-6

Modelo HR2663

Modo de funcionamento	Emissão de vibração	Incerteza (K)	Padrão aplicável
Perfuração com martelo em cimento ($a_{h, HD}$)	9,3 m/s ²	1,5 m/s ²	EN62841-2-6
Burilagem ($a_{h, CHeq}$)	7,0 m/s ²	1,5 m/s ²	EN62841-2-6

NOTA: O(s) valor(es) total(ais) de vibração indicado(s) foi medido de acordo com um método de teste padrão e pode ser utilizado para comparar duas ferramentas.

NOTA: O(s) valor(es) total(ais) de vibração indicado(s) pode também ser utilizado na avaliação preliminar da exposição.

⚠️ AVISO: A emissão de vibração durante a utilização real da ferramenta elétrica pode diferir do(s) valor(es) indicado(s), dependendo das formas como a ferramenta é utilizada, especialmente o tipo de peça de trabalho que é processada.

⚠️ AVISO: Certifique-se de identificar as medidas de segurança para proteção do operador que sejam baseadas em uma estimativa de exposição em condições reais de utilização (considerando todas as partes do ciclo de operação, tal como quando a ferramenta está desligada e quando está a funcionar em marcha lenta além do tempo de acionamento).

Declaração de conformidade da CE

Apenas para os países europeus

A declaração de conformidade da CE está incluída como Anexo A neste manual de instruções.

AVISOS DE SEGURANÇA

Avisos gerais de segurança para ferramentas elétricas

⚠️ AVISO: Leia todos os avisos de segurança, instruções, ilustrações e especificações fornecidos com esta ferramenta elétrica. O não cumprimento de todas as instruções indicadas em baixo pode resultar em choque elétrico, incêndio e/ou ferimentos graves.

Guarde todos os avisos e instruções para futuras referências.

O termo "ferramenta elétrica" nos avisos refere-se às ferramentas elétricas ligadas à corrente elétrica (com cabo) ou às ferramentas elétricas operadas por meio de bateria (sem cabo).

AVISOS DE SEGURANÇA PARA MARTELETE ROTATIVO

Instruções de segurança para todas as operações

1. **Use protetores auditivos.** A exposição ao ruído pode causar perda auditiva.
2. **Utilize pega(s) auxiliar(es), se fornecida(s) com a ferramenta.** A perda de controlo pode causar ferimentos pessoais.
3. **Segure a ferramenta elétrica pelas superfícies de agarrar isoladas, quando executar uma operação em que o acessório de corte possa entrar em contacto com fios ocultos ou o próprio cabo.** O contacto do acessório de corte com um fio sob tensão pode colocar as peças metálicas expostas da ferramenta elétrica sob tensão e pode provocar um choque elétrico no operador.

Instruções de segurança quando utilizar brocas de perfuração longas com marteletes rotativos

1. **Comece sempre a perfurar a baixa velocidade e com a ponta da broca em contacto com a peça de trabalho.** A velocidades mais elevadas, é provável que a broca se dobre se for permitida a respetiva rotação livre sem entrar em contacto com a peça de trabalho, resultando em ferimentos pessoais.
2. **Aplique pressão apenas em linha direta com a broca e não aplique pressão excessiva.** As brocas podem dobrar-se provocando quebra ou perda de controlo, resultando em ferimentos pessoais.

Avisos adicionais de segurança

1. **Use capacete (capacete de segurança), óculos de proteção e/ou viseira.** Os óculos com graduação ou óculos de sol **NÃO** são óculos de segurança. **Recomenda-se também o uso de uma máscara antipoeira e luvas forradas grossas.**

2. Certifique-se de que a broca está fixa na posição correta antes da operação.
3. Nas condições normais de operação, a ferramenta destina-se a produzir vibração. Os parafusos podem ser facilmente desapertados, causando uma avaria ou acidente. Verifique cuidadosamente o aperto dos parafusos antes da operação.
4. No tempo frio ou no caso de a ferramenta não ter sido utilizada por um longo período, deixe a ferramenta a aquecer durante algum tempo, operando-a sem carga. Isto irá soltar a lubrificação. Sem o aquecimento apropriado, a operação de martelagem torna-se difícil.
5. Certifique-se sempre que possui uma base firme. Certifique-se de que ninguém está por baixo quando usa a ferramenta em locais elevados.
6. Segure a ferramenta firmemente com as duas mãos.
7. Mantenha as mãos afastadas das peças móveis.
8. Não deixe a ferramenta a funcionar. Opere a ferramenta apenas quando a estiver a agarrar.
9. Não aponte a ferramenta a ninguém que se encontre na área quando estiver a operá-la. A broca pode ser projetada e ferir alguém gravemente.
10. Não toque na broca, nas peças próximas da broca ou na peça de trabalho imediatamente após a operação; podem estar extremamente quentes e queimar a sua pele.
11. Alguns materiais contêm químicos que podem ser tóxicos. Tome cuidado para evitar a inalação de poeira e o contacto com a pele. Siga os dados de segurança do fornecedor do material.
12. Não toque na ficha elétrica as mãos molhadas.

GUARDE ESTAS INSTRUÇÕES.

⚠️ AVISO: NÃO permita que conforto ou familiaridade com o produto (adquirido com o uso repetido) substitua a aderência estrita às regras de segurança da ferramenta. MÁ INTERPRETAÇÃO ou não seguimento das regras de segurança estabelecidas neste manual de instruções pode causar danos pessoais sérios.

DESCRIÇÃO FUNCIONAL

⚠️ PRECAUÇÃO: Certifique-se sempre de que a ferramenta está desligada e com a ficha retirada da tomada, antes de proceder a afinações ou de verificar o funcionamento da respetiva ferramenta.

Ação do interruptor

⚠️ PRECAUÇÃO: Antes de ligar a ferramenta à corrente, verifique sempre se o gatilho funciona corretamente e volta para a posição “OFF” quando libertado.

⚠️ PRECAUÇÃO: O interruptor pode ser bloqueado na posição “ligado” para facilidade e conforto de utilização durante a utilização prolongada. Tome todo cuidado quando bloquear a ferramenta na posição “ligado” e mantenha a ferramenta firme e bem segura.

► Fig.1: 1. Gatilho 2. Botão de desbloqueio

► Fig.2: 1. Gatilho do interruptor 2. Botão de bloqueio




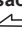
Para iniciar a ferramenta, carregue simplesmente no gatilho. A velocidade da ferramenta aumenta quando aumenta a pressão no gatilho. Liberte o gatilho para parar.

Para funcionamento contínuo, puxe o gatilho, empurre o botão de bloqueio para dentro e solte o gatilho. Para parar a ferramenta a partir da posição de bloqueada, puxe o gatilho até ao fim e solte-o.



Ação do interruptor de inversão

⚠️ PRECAUÇÃO: Verifique sempre a direção de rotação antes da operação.

OBSERVAÇÃO: Só utilize o interruptor de inversão depois de a ferramenta estar completamente parada. Mudar a direção de rotação antes de a ferramenta parar pode estragar a ferramenta.



OBSERVAÇÃO: Se não for possível soltar o gatilho do interruptor, verifique se o interruptor de inversão está totalmente definido para a posição  /  (lado A) ou  /  (lado B).

Para HR2652/HR2653/HR2653T

Esta ferramenta possui um interruptor de inversão para alterar o sentido de rotação. Mova a alavanca do interruptor de inversão para a posição  (lado A) para rotação para a direita ou para a posição  (lado B) para rotação para a esquerda.

► Fig.3: 1. Alavanca do interruptor de inversão

Para HR2663

Esta ferramenta possui um interruptor de inversão para alterar o sentido de rotação. Mova a alavanca do interruptor de inversão para a posição  (lado A) para rotação para a direita ou para a posição  (lado B) para rotação para a esquerda.

► Fig.4: 1. Alavanca do interruptor de inversão

NOTA: Quando opera a ferramenta na rotação para a esquerda, o gatilho do interruptor é puxado apenas até meio e a ferramenta funciona a metade da velocidade. Para a rotação para a esquerda, não pode pressionar o botão de bloqueio.



Substituir o mandril de troca rápida para SDS-plus

Para HR2653T

O mandril de troca rápida para SDS-plus pode ser facilmente substituído pelo mandril da broca de troca rápida.




Remover o mandril de troca rápida para SDS-plus

⚠PRECAUÇÃO: Antes de remover o mandril de troca rápida para SDS-plus certifique-se de que remove a broca.

Agarre na tampa de troca do mandril de troca rápida para SDS-plus e rode-a no sentido da seta até a linha da tampa de troca se mover do símbolo  para o símbolo . Puxe com força no sentido da seta.

► **Fig.5:** 1. Mandril de troca rápida para SDS-plus
2. Tampa de troca 3. Linha da tampa de troca

Instalar o mandril da broca de troca rápida

Verifique se a linha do mandril da broca de troca rápida indica o símbolo . Agarre a tampa de troca do mandril da broca de troca rápida e defina a linha para o símbolo . Coloque o mandril da broca de troca rápida no eixo da ferramenta. Agarre a tampa de troca do mandril da broca de troca rápida e rode a linha da tampa de troca para o símbolo  até ouvir claramente a encaixar.


► **Fig.6:** 1. Mandril da broca de troca rápida 2. Eixo
3. Linha da tampa de troca 4. Tampa de troca

Selecionar o modo de ação

OBSERVAÇÃO: Não rode o botão de alteração do modo de ação quando a ferramenta estiver em funcionamento. A ferramenta sofrerá danos.


OBSERVAÇÃO: Para evitar o desgaste rápido no mecanismo de alteração do modo, certifique-se de que o botão de alteração do modo de ação está sempre posicionado numa das três posições do modo de ação.

Rotação com martelagem

Para perfuração em cimento, alvenaria, etc. rode o botão de alteração do modo de ação para o símbolo . Utilize uma broca com ponta em carboneto de tungsténio (acessório opcional).


► **Fig.7:** 1. Rotação com martelagem 2. Botão de alteração do modo de ação

Apenas rotação

Para perfurar em materiais de madeira, metal ou plástico, rode o botão de alteração do modo de ação para o símbolo . Utilize uma broca de perfurar helicoidal ou broca de perfurar em madeira.

► **Fig.8:** 1. Apenas rotação

Apenas martelagem

Para operações de aparamento, raspagem ou demolição, rode o botão de alteração do modo de ação para o símbolo . Utilize um buril de ponta, buril, buril de raspagem, etc.

► **Fig.9:** 1. Apenas martelagem

Ajustar a posição do bocal

Empurre a guia para dentro enquanto pressiona o botão de ajuste da guia e, de seguida, solte o botão na posição desejada.

► **Fig.10:** 1. Guia 2. Botão de ajuste da guia

NOTA: Antes de ajustar a posição do bocal, solte o bocal completamente para a frente pressionando o botão de ajuste da guia.

Ajustar a profundidade de perfuração

Deslize o botão de ajuste da profundidade para a posição pretendida enquanto o mantém premido. A distância (A) é a profundidade de perfuração.

► **Fig.11:** 1. Botão de ajuste da profundidade

Limitador de binário

OBSERVAÇÃO: Logo que o limitador de binário atuar, desligue imediatamente a ferramenta. Isto irá ajudar a prevenir o desgaste prematuro da ferramenta.

OBSERVAÇÃO: As brocas de perfurar, tais como serra-copo com tendência a apertar ou a ficar facilmente presa no orifício, não são apropriadas para esta ferramenta. Isto deve-se ao facto de estas causarem a atuação demasiado frequente do limitador de binário.

O limitador de binário atua quando é atingido um determinado nível de binário. O motor desengata do eixo de saída. Quando isso acontece, a broca de perfurar pára de rodar.

Gancho

⚠PRECAUÇÃO: Nunca enganche a ferramenta num local alto ou numa superfície potencialmente instável.

Para HR2663

► **Fig.12:** 1. Gancho

O gancho é conveniente para pendurar a ferramenta temporariamente.

Para utilizar o gancho, levante o gancho até encaixar na posição aberta. Quando não estiver a utilizar o gancho, desça sempre o gancho até encaixar na posição fechada.

MONTAGEM

⚠️ PRECAUÇÃO: Certifique-se sempre de que a ferramenta está desligada e com a ficha retirada da tomada antes de executar quaisquer trabalhos na ferramenta.

Pega lateral (pega auxiliar)

⚠️ PRECAUÇÃO: Utilize sempre a pega lateral para garantir uma operação segura.

⚠️ PRECAUÇÃO: Após instalar ou ajustar a pega lateral, certifique-se de que a pega lateral está firmemente segura.

Instale o punho lateral de modo a que os entalhes no punho encaixem nas saliências no cilindro da ferramenta. Rode o punho para a direita para fixá-lo. O punho pode ser fixo no ângulo pretendido.

► **Fig.13:** 1. Pega lateral

Massa lubrificante

Aplique previamente uma pequena camada de massa lubrificante (cerca de 0,5 - 1 g) na extremidade da haste da broca de perfurar.

Esta lubrificação do mandril garante uma ação sem problemas e uma vida útil mais prolongada.

Instalar ou remover a broca de perfurar

Limpe a extremidade da haste da broca de perfurar e aplique massa lubrificante antes de instalar a broca de perfurar.

► **Fig.14:** 1. Extremidade da haste 2. Massa lubrificante

Insira a broca de perfurar na ferramenta. Rode a broca de perfurar e empurre-a para dentro até engatar. Após instalar a broca de perfurar, certifique-se de que a broca de perfurar está bem segura na posição correta, tentando retirá-la.

► **Fig.15:** 1. Broca de perfurar


Para remover a broca de perfurar, puxe a tampa do mandril completamente para baixo e extraia a broca de perfurar.

► **Fig.16:** 1. Broca de perfurar 2. Tampa do mandril

Ângulo do buril (nas operações de aparamento, raspagem ou demolição)

O buril pode ser fixo no ângulo pretendido. Para alterar o ângulo do buril, rode o botão de alteração do modo de ação para o símbolo O. Rode o buril para o ângulo pretendido.

► **Fig.17:** 1. Botão de alteração do modo de ação

Rode o botão de alteração do modo de ação para o símbolo . De seguida, certifique-se de que o buril está bem seguro na posição correta, rodando-o ligeiramente.

Micrómetro de profundidade

O micrómetro de profundidade é conveniente para perfurar orifícios de profundidade uniforme. Solte o punho lateral e insira o micrómetro de profundidade no orifício no punho lateral. Ajuste o micrómetro de profundidade para a profundidade pretendida e aperte firmemente o punho lateral.

► **Fig.18:** 1. Orifício 2. Micrómetro de profundidade

NOTA: Certifique-se de que o micrómetro de profundidade não toca no corpo principal da ferramenta quando o liga.

Instalar ou remover o sistema de coleta de pó

Para remover o sistema de coleta de pó, puxe a ferramenta enquanto pressiona o botão de desbloqueio. Para instalá-lo, insira a ferramenta no sistema de coleta de pó completamente até ficar bloqueada na posição correta com um pequeno clique.

► **Fig.19:** 1. Botão de desbloqueio

Reservatório de pó

Acessório opcional


Utilize o reservatório de pó para evitar que o pó caia sobre a ferramenta e sobre si quando realizar operações de perfuração acima da cabeça. Ligue o reservatório de pó à broca, conforme indicado na figura. O tamanho das brocas às quais o reservatório de pó pode ser ligado é o seguinte.


Modelo	Diâmetro da broca
Reservatório de pó 5	6 mm - 14,5 mm
Reservatório de pó 9	12 mm - 16 mm

► **Fig.20:** 1. Reservatório de pó

Conjunto do reservatório de pó

Acessório opcional

Antes de instalar o conjunto do reservatório de pó, remova a broca da ferramenta, caso instalada. Instale o conjunto do reservatório de pó na ferramenta de modo a que o símbolo  no reservatório de pó fique alinhado com a ranhura na ferramenta.

► **Fig.21:** 1.  símbolo 2. Ranhura

NOTA: Se ligar um aspirador ao conjunto do reservatório de pó, remova a tampa de pó antes de ligá-lo.

► **Fig.22:** 1. Tampa de pó

Para remover o conjunto do reservatório de pó, remova a broca enquanto puxa a tampa do mandril no sentido da seta.

► **Fig.23:** 1. Broca 2. Tampa do mandril

Segure na base do reservatório de pó e retire-a.

► **Fig.24**

NOTA: Se a tampa sair do reservatório de pó, ligue-a com o lado impresso virado para cima, de modo a que a ranhura na tampa encaixe na periferia interior do acessório.

► **Fig.25**

OPERAÇÃO

⚠️ PRECAUÇÃO: Utilize sempre o punho lateral (pega auxiliar) e segure firmemente a ferramenta pelos dois punhos laterais e troque a pega durante as operações.

⚠️ PRECAUÇÃO: Certifique-se sempre de que a peça de trabalho está fixa antes da operação.

⚠️ PRECAUÇÃO: O sistema de coleta de pó destina-se à perfuração unicamente em cimento. Não utilize o sistema de coleta de pó para perfurar em metal ou madeira.

⚠️ PRECAUÇÃO: Quando utilizar a ferramenta com o sistema de coleta de pó, certifique-se de que coloca o filtro no sistema de coleta de pó para evitar a inalação de pó.

⚠️ PRECAUÇÃO: Antes de utilizar o sistema de coleta de pó, verifique se o filtro não está danificado. Caso não o faça, pode causar a inalação de pó.

⚠️ PRECAUÇÃO: O sistema de coleta de pó recolhe o pó produzido a uma taxa considerável, mas nem todo o pó pode ser recolhido.


OBSERVAÇÃO: Não utilize o sistema de coleta de pó para perfurar com broca de núcleo ou burilar.

OBSERVAÇÃO: Não utilize o sistema de coleta de pó para perfurar em cimento molhado nem utilize este sistema num ambiente húmido. Caso não o faça, pode provocar anomalias.

► Fig.26

Operação de perfuração com martelo


⚠️ PRECAUÇÃO: Uma força de torção enorme e repentina é exercida na ferramenta/broca de perfuração na altura em que o orifício avança, quando o orifício fica bloqueado com aparas ou partículas ou quando bate em vigas reforçadas no cimento. **Utilize sempre o punho lateral (pega auxiliar) e segure firmemente a ferramenta pelos dois punhos laterais e troque a pega durante as operações.** Se assim não for pode resultar em perda de controlo da ferramenta e possíveis ferimentos graves.

Defina o botão de alteração do modo de ação para o símbolo . Coloque a broca de perfurar na posição pretendida para o orifício e carregue no gatilho do interruptor. Não force a ferramenta. Uma pressão ligeira oferece melhores resultados. Mantenha a ferramenta em posição e evite que deslize para fora do orifício.

Não aplique mais pressão quando o orifício fica bloqueado com aparas ou partículas. Em vez disso, coloque a ferramenta em ponto morto e retire a broca de perfurar parcialmente do orifício. Repetindo isto várias vezes, o orifício ficará limpo e pode voltar à perfuração normal.

NOTA: A excentricidade na rotação da broca de perfurar poderá ocorrer enquanto opera a ferramenta sem carga. A ferramenta centra-se automaticamente durante a operação. Isto não afeta a precisão de perfuração.

Aparamento/raspagem/demolição

Defina o botão de alteração do modo de ação para o símbolo . Segure a ferramenta firmemente com as duas mãos. Ligue a ferramenta e aplique pressão ligeira na ferramenta para que a ferramenta não salte de forma descontrolada. Pressionar a ferramenta com muita força não aumenta a sua eficiência.

► Fig.27

Perfuração em madeira ou metal

⚠️ PRECAUÇÃO: Segure a ferramenta com firmeza e tenha cuidado quando a broca de perfuração começar a atravessar a peça de trabalho. No momento de atravessar o orifício, exercer-se-á uma enorme força na ferramenta/broca de perfuração.


⚠️ PRECAUÇÃO: Uma broca de perfuração presa pode ser retirada colocando-se simplesmente o interruptor de inversão para rotação inversa para fazê-la sair. No entanto, a ferramenta pode saltar para trás de repente se não a agarrar firmemente.

⚠️ PRECAUÇÃO: Fixe sempre as peças de trabalho num torno ou outro dispositivo de fixação semelhante.

OBSERVAÇÃO: Nunca utilize “rotação com martelagem” quando o mandril porta-broca estiver instalado na ferramenta. O mandril porta-brocas sofrerá danos.

Além disso, o mandril porta-brocas será extraído quando a ferramenta efetuar a rotação.

OBSERVAÇÃO: Não acelerará a perfuração se exercer demasiada pressão na ferramenta. Na realidade, esta pressão excessiva servirá apenas para danificar a ponta da broca de perfuração, diminuir o desempenho da ferramenta e encurtar o tempo de vida útil da ferramenta.

Defina o botão de alteração do modo de ação para o símbolo .

Para HR2652/HR2653/HR2663

Acessório opcional

Aperte o adaptador do mandril num mandril da broca sem chave no qual pode ser instalado o parafuso de tamanho 1/2"-20 e, de seguida, instale-os na ferramenta. Quando instalá-lo, consulte a secção “Instalar ou remover a broca de perfurar”.

► Fig.28: 1. Mandril da broca sem chave 2. Adaptador do mandril

Para HR2653T


Utilize o mandril da broca de troca rápida como equipamento padrão. Quando instalá-lo, consulte o capítulo “Substituir o mandril de troca rápida para SDS-plus”. Segure no anel e rode a manga para a esquerda para abrir os mordentes do mandril. Coloque a broca no mandril até ao fim. Segure no anel firmemente e rode a manga para a direita para apertar o mandril.

► Fig.29: 1. Manga 2. Anel

Para remover a broca, segure no anel e rode a manga para a esquerda.

Perfuração com broca de núcleo diamantada

OBSERVAÇÃO: Se realizar operações de perfuração com broca de núcleo diamantada com a ação “rotação com martelagem”, a broca de núcleo diamantada poderá sofrer danos.

Quando realizar operações de perfuração com broca de núcleo diamantada, coloque sempre o botão de alteração do modo de ação na posição  para utilizar a ação de “apenas rotação”.

Bater no filtro para sacudir o pó

PRECAUÇÃO: Não rode o indicador na caixa do pó enquanto esta é removida do sistema de coleta de pó. Se o fizer, pode causar a inalação de pó.

PRECAUÇÃO: Desligue sempre a ferramenta quando rodar o indicador na caixa do pó. Rodar o indicador enquanto a ferramenta estiver a funcionar pode resultar na perda de controlo da ferramenta.

Ao bater no filtro para sacudir o pó no interior da caixa do pó, pode manter a eficiência de aspiração e também reduzir o número de vezes que elimina o pó. Rode o indicador na caixa do pó três vezes após recolher cada 50.000 mm³ de pó ou quando detetar a redução do desempenho de aspiração.

NOTA: 50.000 mm³ de pó equivale a perfurar 10 orifícios de \varnothing 10 mm e 65 mm de profundidade (14 orifícios de \varnothing 3/8" e 2" de profundidade).

► Fig.30: 1. Caixa do pó 2. Indicador

Eliminação de pó

PRECAUÇÃO: Certifique-se sempre de que a ferramenta está desligada e com a ficha retirada da tomada antes de executar quaisquer trabalhos na ferramenta.

PRECAUÇÃO: Certifique-se de que usa máscara antipoeira quando elimina o pó.

PRECAUÇÃO: Esvazie a caixa do pó regularmente antes de esta ficar cheia. Caso não o faça, pode diminuir o desempenho da coleta de pó e causar a inalação de pó.

PRECAUÇÃO: O desempenho da coleta de pó diminui se o filtro na caixa do pó ficar obstruído. Substitua o filtro por um novo após aproximadamente 200 vezes de enchimento de pó como guia. Caso não o faça, pode causar a inalação de pó.

1. Remova a caixa do pó enquanto pressiona a alavanca da caixa do pó para baixo.

► Fig.31: 1. Alavanca

2. Abra a tampa da caixa do pó.

► Fig.32: 1. Tampa

3. Elimine o pó e, de seguida, limpe o filtro.

► Fig.33

OBSERVAÇÃO: Quando limpar o filtro não toque no filtro com a escova ou um objeto similar nem sobre ar comprimido para o filtro. Pode danificar o filtro.

Ampola de sopragem

Acessório opcional

Após perfurar o orifício, utilize a ampola de sopragem para limpar o pó do orifício.

► Fig.34

Utilizar o conjunto do reservatório de pó

Acessório opcional

Encaixe o conjunto do reservatório de pó contra o teto quando operar a ferramenta.

► Fig.35

OBSERVAÇÃO: Não utilize o conjunto do reservatório de pó para perfurar em metal ou materiais similares. Pode danificar o conjunto do reservatório de pó devido ao calor produzido por pó metálico pequeno ou outro similar.

OBSERVAÇÃO: Não instale ou remova o conjunto do reservatório de pó com a broca de perfurar instalada na ferramenta. Pode danificar o conjunto do reservatório de pó e causar a fuga de pó.

MANUTENÇÃO

PRECAUÇÃO: Certifique-se sempre de que a ferramenta está desligada e com a ficha retirada da tomada antes de tentar proceder à inspeção ou à manutenção.

OBSERVAÇÃO: Nunca utilize gasolina, benzina, diluente, álcool ou produtos semelhantes. Pode ocorrer a descoloração, deformação ou rachaduras.

Para manter a SEGURANÇA e a FIABILIDADE do produto, as reparações e qualquer outra manutenção ou ajuste devem ser levados a cabo pelos centros de assistência Makita autorizados ou pelos centros de assistência de fábrica, utilizando sempre peças de substituição Makita.

Substituir o filtro da caixa do pó

1. Remova a caixa do pó enquanto pressiona a alavanca da caixa do pó para baixo.

► Fig.36: 1. Alavanca

2. Insira uma aparafusadora de lâmina plana entre a caixa do filtro e a tampa da caixa do pó conforme apresentado na figura. Enquanto pressiona e dobra as laterais da caixa do filtro, levante a caixa do filtro com a aparafusadora de lâmina plana e remova a caixa do filtro.

► Fig.37: 1. Aparafusadora de lâmina plana 2. Caixa do filtro 3. Tampa da caixa do pó

3. Para remover o filtro da caixa do filtro, rode-os ao contrário e empurre o filtro para cima conforme apresentado na figura.

► **Fig.38:** 1. Filtro 2. Caixa do filtro

4. Coloque um novo filtro na caixa do filtro e, de seguida, aperte-os na caixa do pó, alinhando a protusão na caixa do filtro com a ranhura na caixa do pó.

► **Fig.39:** 1. Protusão 2. Ranhura

5. Feche a tampa da caixa do pó e, de seguida, coloque-a na ferramenta.

Substituir a tampa do vedante

Acessório opcional

Substitua regularmente a tampa do vedante uma vez que uma tampa do vedante desgastada ou danificada pode afetar o desempenho de sucção.

1. Insira uma aparafusadora de lâmina plana, com as respetivas superfícies planas na vertical, num dos orifícios de libertação situados nos lados da cabeça do bocal. Incline a aparafusadora de lâmina plana num ângulo para apertar e fazer com que o gancho do cubo da tampa do vedante saia do recetáculo moldado. Em seguida, remova os bordos em borracha da tampa do vedante das bordas da abertura da cabeça do bocal.

► **Fig.40:** 1. Tampa do vedante 2. Gancho do cubo 3. Orifício de libertação 4. Cabeça do bocal

2. Coloque um dos ganchos do cubo de uma tampa do vedante renovada no recetáculo moldado na cabeça do bocal com uma superfície com recesso da tampa do vedante virada para a frente.

► **Fig.41:** 1. Ganchos do cubo 2. Recetáculos 3. Tampa do vedante 4. Superfície com recesso

3. Coloque o outro gancho no recetáculo no lado oposto da cabeça do bocal, enquanto reposiciona a tampa do vedante para encaixar minuciosamente na cabeça do bocal.

► **Fig.42:** 1. Tampa do vedante 2. Gancho do cubo 3. Recetáculo 4. Cabeça do bocal 5. Bordas

4. Coloque delicadamente os bordos em borracha da tampa do vedante sobre as bordas da abertura da cabeça do bocal, de baixo para cima.

► **Fig.43:** 1. Bordos em borracha 2. Tampa do vedante 3. Cabeça do bocal

ACESSÓRIOS OPCIONAIS

⚠PRECAUÇÃO: Estes acessórios ou peças são recomendados para utilização com a ferramenta Makita especificada neste manual. A utilização de outros acessórios ou peças pode ser perigosa para as pessoas. Utilize apenas acessórios ou peças para os fins indicados.

Se necessitar de informações adicionais relativas a estes acessórios, solicite-as ao seu centro de assistência Makita.

- Brocas de perfurar com ponta de carboneto (brocas de perfurar com ponta de carboneto SDS-plus)
- Broca de núcleo
- Butil de ponta
- Broca de núcleo diamantada
- Butil
- Butil de raspagem
- Butil para ranhuras
- Adaptador do mandril
- Mandril da broca sem chave
- Massa lubrificante da broca
- Micrómetro de profundidade
- Ampola de sopragem
- Reservatório de pó
- Conjunto do reservatório de pó
- Óculos de segurança
- Mala de transporte em plástico

NOTA: Alguns itens da lista podem estar incluídos na embalagem da ferramenta como acessórios padrão. Eles podem variar de país para país.

SPECIFIKATIONER

Model:		HR2652	HR2653	HR2653T	HR2663
Kapacitet	Beton	26 mm			
	Kernebit	68 mm			
	Diamantkernebit (tør type)	80 mm			
	Stål	13 mm			
	Træ	32 mm			
Hastighed uden belastning		0 - 1.200 min ⁻¹			0 - 1.100 min ⁻¹
Slag pr. minut		0 - 4.600 min ⁻¹			0 - 4.500 min ⁻¹
Længde i alt		604 mm		630 mm	666 mm
Nettovægt		3,0 - 4,2 kg	3,1 - 4,3 kg	3,2 - 4,4 kg	3,3 - 4,5 kg
Sikkerhedsklasse		□/II			

- På grund af vores kontinuerlige forsknings- og udviklingsprogrammer kan hosstående specifikationer blive ændret uden varsel.
- Specifikationer kan variere fra land til land.
- Vægten kan være anderledes afhængigt af tilbehøret. Den letteste og tungeste kombination i henhold til EPTA-procedure 01/2014 er vist i tabellen.

Tilsluttet brug

Denne maskine er beregnet til slagboring og boring i mursten, beton og sten.

Den er også egnet til boring uden slag i træ, metal, keramik og plastik.

Strømforsyning

Maskinen må kun tilsluttes en strømforsyning med samme spænding som angivet på typeskiltet og kan kun anvendes på enfaset vekselstrømforsyning. Den er dobbeltisoleret og kan derfor også tilsluttes netstik uden jordforbindelse.

Støj

Det typiske A-vægtede støjniveau bestemt i overensstemmelse med EN62841-2-6:

Lydtryksniveau ($L_{p(A)}$): 91 dB (A)

Lydeffektniveau (L_{WA}): 102 dB (A)

Usikkerhed (K): 3 dB (A)

BEMÆRK: De(n) angivne støjemissionsværdi(er) er målt i overensstemmelse med en standardtestmetode og kan anvendes til at sammenligne en maskine med en anden.

BEMÆRK: De(n) angivne støjemissionsværdi(er) kan også anvendes i en præliminær eksponeringsvurdering.

⚠ ADVARSEL: Bær høreværn.

⚠ ADVARSEL: Støjemissionen under den faktiske anvendelse af maskinen kan være forskellig fra de(n) angivne værdi(er), afhængigt af den måde hvorpå maskinen anvendes, især den type arbejdsemne der behandles.

⚠ ADVARSEL: Sørg for at identificere de sikkerhedsforskrifter til beskyttelse af operatøren, som er baseret på en vurdering af eksponering under de faktiske brugsforhold (med hensyntagen til alle dele i brugscyklussen, f.eks. de gange, hvor maskinen er slukket, og når den kører i tomgang i tilgift til afbrydertiden).

Vibration

Følgende tabel viser vibrationens totalværdi (tre-aksial vektorsum) bestemt i overensstemmelse med den gældende standard.

Model HR2652

Arbejdstilstand	Vibrationsemission	Usikkerhed (K)	Gældende standard
Slagboring i beton ($a_{h, HD}$)	13,1 m/s ²	1,5 m/s ²	EN62841-2-6
Mejsling ($a_{h, ChEq}$)	10,9 m/s ²	1,5 m/s ²	EN62841-2-6

Model HR2653

Arbejdstilstand	Vibrationsemission	Usikkerhed (K)	Gældende standard
Slagboring i beton ($a_{h, HD}$)	11,2 m/s ²	1,5 m/s ²	EN62841-2-6
Mejsling ($a_{h, ChEq}$)	9,3 m/s ²	1,5 m/s ²	EN62841-2-6

Model HR2653T

Arbejdstilstand	Vibrationsemission	Usikkerhed (K)	Gældende standard
Slagboring i beton ($a_{h, HD}$)	10,9 m/s ²	1,5 m/s ²	EN62841-2-6
Mejsling ($a_{h, CHet}$)	9,6 m/s ²	1,5 m/s ²	EN62841-2-6

Model HR2663

Arbejdstilstand	Vibrationsemission	Usikkerhed (K)	Gældende standard
Slagboring i beton ($a_{h, HD}$)	9,3 m/s ²	1,5 m/s ²	EN62841-2-6
Mejsling ($a_{h, CHet}$)	7,0 m/s ²	1,5 m/s ²	EN62841-2-6

BEMÆRK: De(n) angivne totalværdi(er) for vibration er målt i overensstemmelse med en standardtestmetode og kan anvendes til at sammenligne en maskine med en anden.

BEMÆRK: De(n) angivne totalværdi(er) for vibration kan også anvendes i en præliminær eksponeringsvurdering.

⚠ ADVARSEL: Vibrationsemissionen under den faktiske anvendelse af maskinen kan være forskellig fra de(n) angivne værdi(er), afhængigt af den måde hvorpå maskinen anvendes, især den type arbejdsemne der behandles.

⚠ ADVARSEL: Sørg for at identificere de sikkerhedsforskrifter til beskyttelse af operatøren, som er baseret på en vurdering af eksponering under de faktiske brugsforhold (med hensyntagen til alle dele i brugscyklussen, f.eks. de gange, hvor maskinen er slukket, og når den kører i tomgang i tilgift til afbrydertiden).

EF-overensstemmelseserklæring

Kun for lande i Europa

EF-overensstemmelseserklæringen er inkluderet som Bilag A i denne brugsanvisning.

SIKKERHEDSADVARSLER

Almindelige sikkerhedsregler for el-værktøj

⚠ ADVARSEL: Læs alle de sikkerhedsadvarsler, instruktioner, illustrationer og specifikationer, der følger med denne maskine. Forsømmelse af at overholde alle nedenstående instruktioner kan medføre elektrisk stød, brand og/eller alvorlig personskade.

Gem alle advarsler og instruktioner til fremtidig reference.

Ordet "el-værktøj" i advarslerne henviser til det netforsyede (netledning) el-værktøj eller batteriforsyede (akku) el-værktøj.

SIKKERHEDSADVARSLER FOR BOREHAMMER

Sikkerhedsinstruktioner for alle betjening

- Bær høreværn.** Udsættelse for støj kan medføre høreskade.
- Brug hjælpéhåndtaget (-håndtagene), hvis sådanne følger med maskinen.** Hvis herredømt over maskinen mistes, kan det føre til tilskadekomst.
- Hold maskinen i de isolerede gribeblader, når du udfører et arbejde, hvor skæretilbehøret kan komme i kontakt med skjulte ledninger eller sin egen ledning.** Skæretilbehøret, der kommer i kontakt med en "strømførende" ledning, kan gøre maskinens udsatte metaldele "strømførende" og kan give operatøren et elektrisk stød.

Sikkerhedsinstruktioner under brug af lange borebits med borehamre

- Begynd altid at bore ved lav hastighed og med bitspidsen i kontakt med arbejdsemnet.** Ved højere hastigheder vil bittens sandsynligvis bøje, hvis den tillades at rotere frit uden at berøre arbejdsemnet, hvilket resulterer i personskade.
- Påfør kun tryk i bittens retning og påfør ikke for stort tryk.** Bits kan bøje, hvilket forårsager brud eller tab af kontrol, hvilket resulterer i personskade.

Supplerende sikkerhedsforskrifter

- Bær hjelm (sikkerhedshjelm), sikkerhedsbriller og/eller ansigtsskjold.** Almindelige briller eller solbriller er IKKE sikkerhedsbriller. Det anbefales desuden på det kraftigste at bære støvmaske og kraftigt polstrede handsker.
- Sørg for, at bittens sidder godt fast før brugen.**
- Maskinen er designet til at forårsage vibration ved normal brug.** Skruerne kan nemt løsne sig og medføre et nedbrud eller en ulykke. **Kontroller før brugen, at skruerne sidder stramt.**
- I koldt vejr, eller hvis maskinen ikke har været anvendt i længere tid, skal du lade maskinen varme op et stykke tid ved at lade den køre i tomgang.** Derved blødgøres smøremidlet. Uden korrekt opvarmning kan det være vanskeligt at betjene hammeren.
- Vær altid sikker på, at De har et godt fodfæste.** Vær sikker på, at der ikke befinder sig nogen nedeunder, når maskinen anvendes i højden.
- Hold godt fast i maskinen med begge hænder.**
- Hold hænderne på afstand fra bevægelige dele.**
- Lad ikke maskinen køre i tomgang.** Anvend kun maskinen håndholdt.
- Ret ikke maskinen mod personer i nærheden, mens den kører.** Bittens kan flyve ud og forårsage alvorlig personskade.
- Rør ikke ved bittens eller dele i nærheden af bittens eller arbejdsemnet umiddelbart efter brugen.** De kan være meget varme og kan forårsage forbrændinger af huden.
- Nogle materialer indeholder kemikalier, som kan være giftige.** Vær påpasselig med at forhindre inhalering af støv og hudkontakt. Følg materiale-leverandørens sikkerhedsdata.

12. Undlad at berøre strømforsyningsstikket med våde hænder.

GEM DENNE BRUGSANVISNING.

⚠ ADVARSEL: LAD IKKE bekvemmelighed eller kendskab til produktet (opnået gennem gentagen brug) forhindre, at sikkerhedsforskrifterne for produktet nøje overholdes. MISBRUG eller forsømmelse af at følge de i denne brugsvejledning givne sikkerhedsforskrifter kan føre til, at De kommer alvorligt til skade.

FUNKTIONSBESKRIVELSE

⚠ FORSIGTIG: Kontrollér altid, at maskinen er slået fra, og at netstikket er trukket ud, før der udføres justeringer, eller funktioner kontrolleres på maskinen.

Afbryderbetjening

⚠ FORSIGTIG: Før maskinen sættes i stikkontakten, skal De altid kontrollere, at afbryderknappen fungerer korrekt og returnerer til "OFF"-positionen, når den slippes.

⚠ FORSIGTIG: Afbryderen kan låses i "TIL"-positionen af hensyn til operatørens komfort ved længerevarende brug. Vær forsigtig, når maskinen låses i "TIL"-positionen, og hold godt fast i maskinen.

► Fig.1: 1. Afbryderknap 2. Lås fra-knap

► Fig.2: 1. Afbryderknap 2. Låseknap




For at starte maskinen trykkes der blot på afbryderknappen. Maskinens hastighed øges ved at øge trykket på afbryderknappen. Slip afbryderknappen for at stoppe.

For kontinuerlig brug skal du trykke på afbryderknappen, trykke låseknapen ind og derefter slippe afbryderknappen. For at stoppe maskinen fra låst position skal du trykke afbryderknappen helt ind og derefter slippe den.

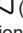

Omløbsvælgerbetjening

⚠ FORSIGTIG: Kontrollér altid omløbsretningen, inden arbejdet påbegyndes.

BEMÆRKNING: Flyt kun omløbsvælgeren, når maskinen er helt standset. Hvis omløbsretningen ændres, inden maskinen er helt stoppet, kan det beskadige maskinen.


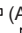
BEMÆRKNING: Hvis afbryderknappen ikke kan trykkes ind, skal du kontrollere, om omløbsvælgeren er stillet helt i position  /  (A-siden) eller  /  (B-siden).

For HR2652/HR2653/HR2653T

Maskinen har en omløbsvælger til at ændre rotationsretningen. Flyt omløbsvælgergrebet til position  (A-siden) for rotation i retningen med uret eller til position  (B-siden) for rotation i retningen mod uret.

► Fig.3: 1. Omløbsvælgergreb

For HR2663

Maskinen har en omløbsvælger til at ændre rotationsretningen. Flyt omløbsvælgergrebet til position  (A-siden) for rotation i retningen med uret eller position  (B-siden) for rotation i retningen mod uret.

► Fig.4: 1. Omløbsvælgergreb

BEMÆRK: Når du bruger maskinen med rotation i retningen mod uret, er afbryderknappen kun trykket halvvejs ind, og maskinen kører ved halv hastighed. For rotation i retningen mod uret kan du ikke trykke låseknapen ind.



Udskiftning af patron til hurtigskift til SDS-plus

For HR2653T

Det er let at skifte patronen til hurtigskift til SDS-plus ud med borepatronen til hurtigskift.




Fjernelse af patronen til hurtigskift til SDS-plus

⚠ FORSIGTIG: Sørg altid for at fjerne bitten, før patronen til hurtigskift til SDS-plus fjernes.

Tag fat i skifteholderen på patronen til hurtigskift til SDS-plus, og drej den i pilens retning, indtil skifteholderlinjen flytter sig fra -symbolet til -symbolet. Træk kraftigt i pilens retning.

► Fig.5: 1. Patron til hurtigskift til SDS-plus
2. Skifteholder 3. Skifteholderlinje

Montering af borepatronen til hurtigskift

Kontroller, at linjen på borepatronen til hurtigskift viser -symbolet. Tag fat i skifteholderen på borepatronen til hurtigskift, og indstil linjen til -symbolet. Sæt borepatronen til hurtigskift på maskinens spindel. Tag fat i skifteholderen på borepatronen til hurtigskift, og drej skifteholderlinjen til -symbolet, indtil der høres et tydeligt klik.


► Fig.6: 1. Borepatron til hurtigskift 2. Spindel
3. Skifteholderlinje 4. Skifteholder

Valg af funktionsmåden

BEMÆRKNING: Undlad at dreje omskifterknappen til ændring af funktionsmåde, mens maskinen kører. Maskinen vil blive beskadiget.


BEMÆRKNING: For at undgå hurtigt slid på mekanismen til funktionsskift skal du sikre dig, at omskifterknappen til ændring af funktionsmåde altid er forsvarligt placeret i en af de tre funktionspositioner.

Rotation med hamring

Ved boring i beton, murværk osv. skal omskifterknappen til ændring af funktionsmåde drejes til -symbolet. Brug en bit med tungstenkarbidspids (ekstraudstyr).

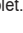
► **Fig.7:** 1. Rotation med hamring 2. Omskifterknop til ændring af funktionsmåde

Kun rotation

Ved boring i træ, metal eller plastikmaterialer skal omskifterknappen til ændring af funktionsmåde drejes til -symbolet. Brug en snegleborsbit eller en træborsbit.

► **Fig.8:** 1. Kun rotation

Kun hamring

Til mejslings-, afbanknings- eller nedrivningsformål skal omskifterknappen til ændring af funktionsmåde drejes til -symbolet. Brug en spidshammer, koldmejsel, afbankningsmejsel osv.

► **Fig.9:** 1. Kun hamring

Justering af studsens position

Tryk styret ind, idet der trykkes på styrjusteringsknappen, og slip derefter knappen i den ønskede position.

► **Fig.10:** 1. Styr 2. Styrjusteringsknop

BEMÆRK: Før du justerer studsens position, skal du skubbe studsen helt frem ved at trykke på styrjusteringsknappen.

Justering af boreddyben

Flyt derefter dybdejusteringsknappen til den ønskede position, idet der trykkes på den. Afstanden (A) er boreddyben.

► **Fig.11:** 1. Dybdejusteringsknop

Momentbegrænsere

BEMÆRKNING: Så snart momentbegrænsingen udløses, skal du med det samme slukke for maskinen. Dette hjælper med til at forhindre, at maskinen nedslides for tidligt.

BEMÆRKNING: Borebits som f.eks. hulsave, der nemt kommer i klemme eller sætter sig fast i hullet, er ikke egnede til brug sammen med denne maskine. Dette skyldes, at de vil få momentbegrænseren til at blive udløst for tit.

Momentbegrænseren udløses, når et vist momentniveau nås. Motoren vil koble fra udgangsakslen. Når dette sker, holder borebitten op med at dreje rundt.

Krog

⚠FORSIGTIG: Hæng aldrig maskinen på et højt sted eller på en potentielt ustabil overflade.

For HR2663

► **Fig.12:** 1. Krog

Krogen er praktisk til midlertidig ophængning af maskinen.

For at benytte krogen skal du blot løfte krogen opad, indtil den klikker på plads i den åbne stilling. Sænk altid krogen, indtil den klikker på plads i den lukkede stilling, når den ikke benyttes.

SAMLING

⚠FORSIGTIG: Sørg altid for, at maskinen er slukket og taget ud af forbindelse, inden der udføres nogen form for arbejde på maskinen.

Sidehåndtag (ekstra håndtag)

⚠FORSIGTIG: Brug altid sidehåndtaget for sikker betjening.

⚠FORSIGTIG: Efter montering eller justering af sidehåndtaget skal du sikre dig, at sidehåndtaget er sikkert fastgjort.

Monter sidehåndtaget, så rillerne på håndtaget passer i fremspringene på maskincylindere. Drej håndtaget i retning med uret for at fastgøre det. Håndtaget kan fastgøres i den ønskede vinkel.

► **Fig.13:** 1. Sidehåndtag

Fedtstof

Dæk skaftenden af borebitten med en lille smule fedtstof (cirka 0,5 - 1 g) på forhånd.

Denne smøring af patronen sikrer en jævn funktion og længere levetid.

Montering eller afmontering af borebitten

Rengør skaftenden på borebitten, og påsmør fedtstof, før borebitten monteres.

► **Fig.14:** 1. Skaftende 2. Fedtstof

Sæt borebitten i maskinen. Drej borebitten, og tryk den ind, indtil den griber fat.

Efter montering af borebitten skal du altid sikre dig, at borebitten sidder godt fast, ved at forsøge at trække den ud.

► **Fig.15:** 1. Borebit


For at fjerne borebitten skal du trække patrondækslet helt ned og derefter trække borebitten ud.

► **Fig.16:** 1. Borebit 2. Patrondæksel

Vinkel på mejsl (under mejslng, afbankng eller nedrvng)

Mejlsen kan fastgøres i den ønskede vinkel. Hvis du vil ændre vinklen på mejslen, skal du dreje omskifterknappen til ændring af funktionsmåde til O-symbolet. Drej mejslen til den ønskede vinkel.

► **Fig.17:** 1. Omskifterknop til ændring af funktionsmåde

Drej omskifterknappen til ændring af funktionsmåde til -symbolet. Sørg derefter for, at mejslen sidder fast på plads, ved at dreje den en smule.

Dybdemåler

Dybdemåleren er praktisk til at bore huller med den samme dybde. Løsn sidehåndtaget, og isæt dybdemåleren i hullet på sidehåndtaget. Juster dybdemåleren, så den har den ønskede dybde, og spænd derefter sidehåndtaget godt til.

► **Fig.18:** 1. Hul 2. Dybdemåler

BEMÆRK: Sørg for, at dybdemåleren ikke berører maskinens kabinet, når den monteres.

Montering eller fjernelse af systemet til støvopsamling

Hvis du vil fjerne systemet til støvopsamling, skal du trække i maskinen, idet der trykkes på lås fra-knappen. For at montere det skal du sætte maskinen hele vejen ind i systemet til støvopsamling, indtil det låses på plads med et lille klik.

► **Fig.19:** 1. Lås fra-knap

Støvsamler

Ekstraudstyr

Brug støvsamleren til at undgå, at støv falder ned over maskinen og dig selv, når du borer over hovedet på dig selv. Monter støvsamleren på bittens som vist i figuren. Størrelsen af de bits, som støvsamleren kan monteres på, er som følger.


Model	Bitdiameter
Støvsamler 5	6 mm - 14,5 mm
Støvsamler 9	12 mm - 16 mm

► **Fig.20:** 1. Støvsamler

Støvsamlersæt

Ekstraudstyr

Tag bittens ud af maskinen, hvis den er monteret, før støvsamlersættet monteres.

Monter støvsamlersættet på maskinen, så -symbolet på støvsamleren er justeret i forhold til rillen på maskinen.

► **Fig.21:** 1.  symbol 2. Rille

BEMÆRK: Hvis du forbinder en støvsuger til støvsamlersættet, skal du fjerne støvhætten, før du tilslutter den.

► **Fig.22:** 1. Støvhætte

Hvis du vil afmontere støvsamlersættet, skal du fjerne bittens, idet du trækker patrondækslet i pilens retning.

► **Fig.23:** 1. Bit 2. Patrondæksel

Hold i roden af støvsamleren, og træk den ud.

► **Fig.24**

BEMÆRK: Hvis hættens falder af støvsamleren, skal du montere den med den trykte side opad, så rillen på hættens passer i den indvendige kant af tilbehørsdelen.

► **Fig.25**

ANVENDELSE

⚠FORSIGTIG: Brug altid sidehåndtaget (ekstra håndtag), og hold godt fast i maskinen i både sidehåndtaget og omskifterhåndtaget under brug.

⚠FORSIGTIG: Sørg altid for, at arbejdsmønt er fastgjort før anvendelsen.

⚠FORSIGTIG: Systemet til støvopsamling er kun beregnet til boring i beton. Brug ikke systemet til støvopsamling til boring i metal eller lignende.

⚠FORSIGTIG: Når maskinen bruges sammen med systemet til støvopsamling, skal du sørge for at montere filteret på systemet til støvopsamling for at undgå at indånde støv.

⚠FORSIGTIG: Før du bruger systemet til støvopsamling, skal du kontrollere, at filteret ikke er beskadiget. Hvis du ikke gør dette, kan det medføre indånding af støv.

⚠FORSIGTIG: Systemet til støvopsamling indsamler det genererede støv med stor hastighed, men ikke alt støv kan opsamles.


BEMÆRKNING: Brug ikke systemet til støvopsamling til boring med kerne eller mejslng.

BEMÆRKNING: Brug ikke systemet til støvopsamling til boring i våd beton, og brug ikke systemet i våde omgivelser. Undladelse af dette kan medføre fejlfunktion.

► **Fig.26**

Hammerboring

⚠FORSIGTIG: Maskinen/borebittens udsættes for kraftig og pludselig vriddning på det tidspunkt, hvor der brydes igennem hullet, når hullet bliver tilstoppet med spåner og partikler, eller hvis forstærkningsrørene i betonen rammes. **Brug altid sidehåndtaget (ekstra håndtag), og hold godt fast i maskinen i både sidehåndtaget og omskifterhåndtaget under brug.** Hvis du ikke gør dette, kan det medføre tab af kontrol og risiko for alvorlig personskaade.


Indstil omskifterknappen til ændring af funktionsmåde til -symbolet.

Anbring borebitten på det ønskede sted, hvor huller skal være, og tryk derefter afbryderknappen ind. Anvend ikke magt på maskinen. Et let tryk giver det bedste resultat. Hold maskinen i stilling, og sørg for at forhindre, at den glider væk fra huller.

Udøv ikke et større tryk, når huller bliver tilstoppet af spåner eller partikler. Kør i stedet maskinen i tomgang, og fjern derefter borebitten delvist fra huller. Ved at gentage dette flere gange vil huller blive rensede ud, og normal boring kan genoptages.

BEMÆRK: Der kan forekomme excentricitet i borebitens rotation, når maskinen betjenes uden belastning. Maskinen centrerer automatisk sig selv under brug. Dette har ikke betydning for præcisionen under boring.

Mejsling/afbankning/nedrivning

Indstil omskifterknappen til ændring af funktionsmåde til -symbolet. Hold godt fast i maskinen med begge hænder. Tænd for maskinen, og tryk let på maskinen, så den ikke kommer ud af kontrol. Effektiviteten forøges ikke ved at trykke meget hårdt på maskinen.

► Fig.27

Boring i træ eller metal


⚠FORSIGTIG: Hold godt fast i maskinen og udvis forsigtighed, når borebiten begynder at bryde igennem arbejdsstykket. Maskinen/borebiten udsættes for en kraftig påvirkning på det tidspunkt, hvor der brydes igennem huller.

⚠FORSIGTIG: En borebit, der har sat sig fast, kan fjernes ved at man ganske enkelt sætter omløbsvælgeren til baglæns rotation for at bakke ud. Imidlertid kan maskinen pludselig bakke ud, hvis man ikke holder godt fast i den.

⚠FORSIGTIG: Fastgør altid arbejdsemner i en skruestik eller lignende udstyr til fastgørelse.

BEMÆRKNING: Brug aldrig "rotation med hamring", når borepatronen er monteret på maskinen. Borepatronen kan blive beskadiget. Borepatronen vil desuden blive frigjort, når maskinen kører baglæns.

BEMÆRKNING: Et kraftigere tryk på maskinen vil ikke gøre boringen hurtigere. Faktisk vil et kraftigere tryk kun føre til skade på spidsen af borebiten, nedsætte maskinen ydelse og afkorte maskinens levetid.

Indstil omskifterknappen til ændring af funktionsmåde til -symbolet.

For HR2652/HR2653/HR2663

Ekstraudstyr

Monter patronadapteren på en nøglefri borepatron, hvor der kan monteres en skrue i størrelse 1/2"-20, og monter dem derefter på maskinen. Se afsnittet "Isætning eller fjernelse af borebit" under monteringen.

► Fig.28: 1. Nøglefri borepatron 2. Patronadapter

For HR2653T

Brug borepatronen til hurtigskift som standardudstyr. Se under "Udskiftning af patron til hurtigskift til SDS-plus" under monteringen.

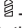
Hold i ringen, og drej muffen i retningen mod uret for at åbne patronkæberne. Sæt bitten så langt ind i patronen, som den kan komme. Hold godt fast i ringen, og drej muffen i retningen med uret for at stramme patronen.

► Fig.29: 1. Muffe 2. Ring

Hold fast i ringen, og drej muffen i retningen mod uret for at fjerne bitten.

Boring med diamantkerne

BEMÆRKNING: Hvis der bores med diamantkerne med indstillingen "rotation med hamring", kan diamantkernebitten blive beskadiget.

Når der bores med diamantkerne, skal omskifterknappen til ændring af funktionsmåde altid indstilles til -positionen for at benytte funktionsmåden "kun rotation".

Afbankning af støv på filteret

⚠FORSIGTIG: Drej ikke drejeknappen på støvbakken, mens støvbakken er fjernet fra systemet til støvopsamling. Gør du det, kan du komme til at inhalere støvet.

⚠FORSIGTIG: Sluk altid maskinen, mens du drejer drejeknappen på støvbakken. Hvis du drejer drejeknappen, mens maskinen kører, kan det medføre, at du mister kontrollen over maskinen.

Hvis du banker støvet af filteret i støvbakken, kan du holde støvsugerens effektivt og reducerer, hvor ofte du skal bortsuffe støvet.

Drej på drejeknappen på støvbakken tre gange efter opsamling af hver 50.000 mm³ støv, eller når du føler, at støvsugerens ydelse er forringet.

BEMÆRK: 50.000 mm³ støv svarer til at bore 10 huller på ø10 mm og 65 mm dybde (14 huller på ø3/8" og 2" dybde).

► Fig.30: 1. Støvbakke 2. Drejeknap

Bortskaffelse af støv

⚠FORSIGTIG: Sørg altid for, at maskinen er slukket og taget ud af forbindelse, inden der udføres nogen form for arbejde på maskinen.

⚠FORSIGTIG: Sørg for at bære støvmaske, når du bortskaffer støv.

⚠FORSIGTIG: Tøm støvbakken regelmæssigt, før den bliver fuld. Hvis du ikke gør dette, kan det reducere ydelsen af støvopsamlingen og medføre indånding af støv.

⚠FORSIGTIG: Ydelsen af støvopsamlingen reduceres, hvis filteret i støvbakken bliver tilstoppet. Udskift som tommelfingerregel filteret med et nyt efter cirka 200 støvtømninger. Hvis du ikke gør dette, kan det medføre indånding af støv.

1. Fjern støvbakken, idet der trykkes ned på håndtaget på støvbakken.

► **Fig.31:** 1. Håndtag

2. Åbn dækslet på støvbakken.

► **Fig.32:** 1. Dæksel

3. Bortskaf støvet, og rengør derefter filteret.

► **Fig.33**

BEMÆRKNING: Ved rengøringen af filteret må du ikke berøre filteret med en børste eller lignende eller blæse komprimeret luft på filteret. Dette kan beskadige filteret.

Udblæsningskolbe

Ekstraudstyr

Når hullet er boret, skal du bruge udblæsningskolben til at fjerne støv fra hullet.

► **Fig.34**

Brug af støvopsamlersættet

Ekstraudstyr

Monter støvopsamlersættet mod loftet under betjening af maskinen.

► **Fig.35**

BEMÆRKNING: Brug ikke støvopsamlersættet, når du borer i metal eller lignende. Dette kan beskadige støvopsamlersættet på grund af den varme, som fint metalstøv eller lignende frembringer.

BEMÆRKNING: Undlad at montere eller fjerne støvopsamlersættet, mens borebitten er monteret på maskinen. Dette kan beskadige støvopsamlersættet og forårsage lækage af støv.

VEDLIGEHOLDELSE

⚠FORSIGTIG: Kontrollér altid, at der er slukket for maskinen, og at netstikket er trukket ud, før der udføres eftersyn eller vedligeholdelse.

BEMÆRKNING: Anvend aldrig benzin, rensebenzin, fortynder, alkohol og lignende. Det kan medføre misfarvning, deformation eller revner.

For at opretholde produktets SIKKERHED og PÅLIDELIGHED må reparation, vedligeholdelse eller justering kun udføres af et autoriseret Makita servicecenter eller fabrikksservicecenter med anvendelse af Makita reservedele.

Udskiftning af filteret på støvbakken

1. Fjern støvbakken, idet der trykkes ned på håndtaget på støvbakken.

► **Fig.36:** 1. Håndtag

2. Indsæt en flad skruetrækker mellem filterhuset og dækslet på støvbakken som vist i figuren. Mens du trykker på og bøjer siderne på filterhuset, skal du løfte filterhuset med den flade skruetrækker og afmontere filterhuset.

► **Fig.37:** 1. Flad skruetrækker 2. Filterhus 3. Dæksel på støvbakken

3. For at afmontere filteret fra filterhuset skal du vende dem på hovedet og skubbe filteret op som vist i figuren.

► **Fig.38:** 1. Filter 2. Filterhus

4. Sæt et nyt filter i filterhuset, og monter dem derefter i støvbakken, idet fremspringet på filterhuset justeres med rillen på støvbakken.

► **Fig.39:** 1. Fremspring 2. Rille

5. Luk dækslet på støvbakken, og monter den derefter på maskinen.

Udskiftning af tætningshætten

Ekstraudstyr

Udskift en tætningshætte med regelmæssige mellemrum, da en slidt eller beskadiget tætningshætte kan påvirke sugevnen.

1. Indsæt en flad skruetrækker med dens flade overflader lodret i et af udløsningshullerne, der er placeret på siderne af studshovedet. Vip den flade skruetrækker i en vinkel for at klemme og skubbe lukkekrogen på tætningshætten ud af den støbte beholder. Træk derefter gummikanterne på tætningshætten væk fra kanterne på studshovedets åbning.

► **Fig.40:** 1. Tætningshætte 2. Lukkekrog 3. Udløsningshul 4. Studshoved

2. Sæt en af lukkekrogene på en fornyet tætningshætte i den støbte beholder i studshovedet med en forsænket overflade på tætningshætten vendt fremad.

► **Fig.41:** 1. Lukkekroge 2. Beholdere 3. Tætningshætte 4. Forsænket overflade

3. Anbring den anden krog i beholderen på den modsatte side af studshovedet, mens tætningshætten sættes på plads, så den passer fint til studshovedet.

► **Fig.42:** 1. Tætningshætte 2. Lukkekrog 3. Beholder 4. Studshoved 5. Kanter

4. Læg forsigtigt tætningshættens gummikanter ned over kanterne på studshovedets åbning fra bund til top.

► **Fig.43:** 1. Gummikanter 2. Tætningshætte 3. Studshoved

EKSTRAUDSTYR

⚠ FORSIGTIG: Det følgende tilbehør og ekstraudstyr er anbefalet til brug med Deres Makita maskine, der er beskrevet i denne brugsanvisning. Anvendelse af andet tilbehør eller ekstraudstyr kan udgøre en risiko for personskade. Anvend kun tilbehør og ekstraudstyr til det beskrevne formål.

Hvis De behøver hjælp ved valg af tilbehør eller ønsker yderligere informationer, bedes De kontakte Deres lokale Makita servicecenter.

- Karbidforstærkede borebits (SDS-plus karbidforstærkede bits)
- Kernebit
- Spidshammer
- Diamantkernebit
- Koldmejsel
- Afbankningsmejsel
- Kanalmejsel
- Patronadapter
- Nøglefri borepatron
- Smørelse til bit
- Dybdemåler
- Udblæsningskolbe
- Støvopsamler
- Støvopsamlersæt
- Beskyttelsesbriller
- Plastikbæretaske

BEMÆRK: Nogle ting på denne liste kan være inkluderet i værktøjsspakken som standardtilbehør. Det kan være forskellige fra land til land.

ΠΡΟΔΙΑΓΡΑΦΕΣ

Μοντέλο:		HR2652	HR2653	HR2653T	HR2663
Ικανότητες	Τσιμέντο	26 mm			
	Μύτη πυρήνα	68 mm			
	Μύτη αδαμάντινου πυρήνα (ξηρού τύπου)	80 mm			
	Ατσάλι	13 mm			
	Ξύλο	32 mm			
Ταχύτητα χωρίς φορτίο		0 - 1.200 min ⁻¹			0 - 1.100 min ⁻¹
Κρούσεις το λεπτό		0 - 4.600 min ⁻¹			0 - 4.500 min ⁻¹
Συνολικό μήκος		604 mm		630 mm	666 mm
Καθαρό βάρος		3,0 - 4,2 kg	3,1 - 4,3 kg	3,2 - 4,4 kg	3,3 - 4,5 kg
Κατηγορία ασφάλειας		☐/II			

- Λόγω του συνεχόμενου προγράμματος που εφαρμόζουμε για έρευνα και ανάπτυξη, τα τεχνικά χαρακτηριστικά στο παρόν έντυπο υπόκεινται σε αλλαγή χωρίς προειδοποίηση.
- Τα τεχνικά χαρακτηριστικά μπορεί να διαφέρουν από χώρα σε χώρα.
- Το βάρος μπορεί να διαφέρει ανάλογα με το(α) εξάρτημα(τα). Ο ελαφρύτερος και βαρύτερος συνδυασμός, σύμφωνα με τη διαδικασία EPTA 01/2014, απεικονίζονται στον πίνακα.

Προβλεπόμενη χρήση

Το εργαλείο προορίζεται για κρουστικό τρυπάνισμα και τρυπάνισμα σε τούβλα, τσιμέντο και πέτρα. Είναι επίσης κατάλληλο για διάτρηση χωρίς κρούση σε ξύλο, μέταλλο, κεραμικό και πλαστικό.

Ηλεκτρική παροχή

Το εργαλείο πρέπει να συνδέεται μόνο με ηλεκτρική παροχή της ίδιας τάσης με αυτή που αναγράφεται στην πινακίδα ονομαστικών τιμών και μπορεί να λειτουργήσει μόνο με εναλλασσόμενο μονοφασικό ρεύμα. Υπάρχει διπλή μόνωση και κατά συνέπεια, μπορεί να γίνει σύνδεση σε ακροδέκτες χωρίς σύρμα γείωσης.

Θόρυβος

Το τυπικό Α επίπεδο καταμετρημένου θορύβου καθορίζεται σύμφωνα με το EN62841-2-6:
 Στάθμη ηχητικής πίεσης (L_{PA}): 91 dB (A)
 Στάθμη ηχητικής ισχύος (L_{WA}): 102 dB (A)
 Αβεβαιότητα (K): 3 dB (A)

ΠΑΡΑΤΗΡΗΣΗ: Η δηλωμένη τιμή(ές) εκπομπής θορύβου έχει μετρηθεί σύμφωνα με την πρότυπη μέθοδο δοκιμής και μπορεί να χρησιμοποιηθεί για τη σύγκριση ενός εργαλείου με κάποιο άλλο.

ΠΑΡΑΤΗΡΗΣΗ: Η δηλωμένη τιμή(ές) εκπομπής θορύβου μπορεί να χρησιμοποιηθεί και στην προκαταρκτική αξιολόγηση της έκθεσης.

▲ΠΡΟΕΙΔΟΠΟΙΗΣΗ: Να φοράτε ωτοασπίδες.

▲ΠΡΟΕΙΔΟΠΟΙΗΣΗ: Η εκπομπή θορύβου κατά τη χρήση του ηλεκτρικού εργαλείου σε πραγματικές συνθήκες μπορεί να διαφέρει από τη δηλωμένη τιμή(ές) ανάλογα με τους τρόπους χρήσης του εργαλείου, ιδιαίτερα το είδος του τεμαχίου εργασίας που υπόκειται επεξεργασία.

▲ΠΡΟΕΙΔΟΠΟΙΗΣΗ: Φροντίστε να λάβετε τα κατάλληλα μέτρα προστασίας του χειριστή βάσει ενός υπολογισμού της έκθεσης σε πραγματικές συνθήκες χρήσης (λαμβάνοντας υπόψη όλες τις συνιστώσες του κύκλου λειτουργίας όπως τους χρόνους που το εργαλείο είναι εκτός λειτουργίας και όταν βρίσκεται σε αδρανή λειτουργία πέραν του χρόνου ενεργοποίησης).

Κραδασμός

Στον πίνακα που ακολουθεί φαίνεται η ολική τιμή κραδασμών (άθροισμα τρι-αξονικού διανύσματος) που καθορίζεται σύμφωνα με το ισχύον πρότυπο.

Μοντέλο HR2652

Είδος εργασίας	Εκπομπή κραδασμών	Αβεβαιότητα (K)	Ισχύον πρότυπο
Κρουστική διάτρηση σε σκυροδέμα (a _{h, HD})	13,1 m/s ²	1,5 m/s ²	EN62841-2-6
Καλέμισμα (a _{h, CHeq})	10,9 m/s ²	1,5 m/s ²	EN62841-2-6

Μοντέλο HR2653

Είδος εργασίας	Εκπομπή κραδασμών	Αβεβαιότητα (Κ)	Ισχύον πρότυπο
Κρουστική διάτρηση σε σκυρόδεμα (a _{h, HD})	11,2 m/s ²	1,5 m/s ²	EN62841-2-6
Καλέμισμα (a _{h, CHed})	9,3 m/s ²	1,5 m/s ²	EN62841-2-6

Μοντέλο HR2653T

Είδος εργασίας	Εκπομπή κραδασμών	Αβεβαιότητα (Κ)	Ισχύον πρότυπο
Κρουστική διάτρηση σε σκυρόδεμα (a _{h, HD})	10,9 m/s ²	1,5 m/s ²	EN62841-2-6
Καλέμισμα (a _{h, CHed})	9,6 m/s ²	1,5 m/s ²	EN62841-2-6

Μοντέλο HR2663

Είδος εργασίας	Εκπομπή κραδασμών	Αβεβαιότητα (Κ)	Ισχύον πρότυπο
Κρουστική διάτρηση σε σκυρόδεμα (a _{h, HD})	9,3 m/s ²	1,5 m/s ²	EN62841-2-6
Καλέμισμα (a _{h, CHed})	7,0 m/s ²	1,5 m/s ²	EN62841-2-6

ΠΑΡΑΤΗΡΗΣΗ: Η δηλωμένη τιμή(ές) συνολικών κραδασμών έχει μετρηθεί σύμφωνα με την πρότυπη μέθοδο δοκιμής και μπορεί να χρησιμοποιηθεί για τη σύγκριση ενός εργαλείου με κάποιο άλλο.

ΠΑΡΑΤΗΡΗΣΗ: Η δηλωμένη τιμή(ές) συνολικών κραδασμών μπορεί να χρησιμοποιηθεί και στην προκαταρκτική αξιολόγηση της έκθεσης.

▲ΠΡΟΕΙΔΟΠΟΙΗΣΗ: Η εκπομπή κραδασμών κατά τη χρήση του ηλεκτρικού εργαλείου σε πραγματικές συνθήκες μπορεί να διαφέρει από τη δηλωμένη τιμή(ές) εκπομπής ανάλογα με τους τρόπους χρήσης του εργαλείου, ιδιαίτερα το είδος του τεμαχίου εργασίας που υπόκειται επεξεργασία.

▲ΠΡΟΕΙΔΟΠΟΙΗΣΗ: Φροντίστε να λάβετε τα κατάλληλα μέτρα προστασίας του χειριστή βάσει ενός υπολογισμού της έκθεσης σε πραγματικές συνθήκες χρήσης (λαμβάνοντας υπόψη όλες τις συνιστώσες του κύκλου λειτουργίας όπως τους χρόνους που το εργαλείο είναι εκτός λειτουργίας και όταν βρίσκεται σε αδρανή λειτουργία πέραν του χρόνου ενεργοποίησης).

Δήλωση συμμόρφωσης ΕΚ

Μόνο για χώρες της Ευρώπης

Η δήλωση συμμόρφωσης ΕΚ περιλαμβάνεται ως Παράρτημα Α στο παρόν εγχειρίδιο οδηγιών.

ΠΡΟΕΙΔΟΠΟΙΗΣΕΙΣ ΑΣΦΑΛΕΙΑΣ

Γενικές προειδοποιήσεις ασφαλείας για το ηλεκτρικό εργαλείο

▲ΠΡΟΕΙΔΟΠΟΙΗΣΗ: Διαβάστε όλες τις προειδοποιήσεις ασφαλείας, οδηγίες, εικονογραφίες και προδιαγραφές που παρέχονται με αυτό το ηλεκτρικό εργαλείο. Η μη τήρηση όλων των οδηγιών που αναγράφονται κατωτέρω μπορεί να καταλήξει σε ηλεκτροπληξία, πυρκαγιά ή/και σοβαρό τραυματισμό.

Φυλάξτε όλες τις προειδοποιήσεις και τις οδηγίες για μελλοντική παραπομπή.

Στις προειδοποιήσεις, ο όρος «ηλεκτρικό εργαλείο» αναφέρεται σε ηλεκτρικό εργαλείο που τροφοδοτείται από την κύρια παροχή ηλεκτρικού ρεύματος (με ηλεκτρικό καλώδιο) ή σε ηλεκτρικό εργαλείο που τροφοδοτείται από μπαταρία (χωρίς ηλεκτρικό καλώδιο).

ΠΡΟΕΙΔΟΠΟΙΗΣΕΙΣ ΑΣΦΑΛΕΙΑΣ ΣΦΥΡΟΤΡΥΠΑΝΟΥ

Οδηγίες ασφαλείας για όλες τις εργασίες

1. **Φοράτε υποασπίδες.** Η έκθεση σε θόρυβο μπορεί να προκαλέσει απώλεια ακοής.
2. **Να χρησιμοποιείτε τις βοηθητικές λαβές, εάν παρέχονται με το εργαλείο.** Η απώλεια του ελέγχου μπορεί να προκαλέσει προσωπικό τραυματισμό.
3. **Να κρατάτε το ηλεκτρικό εργαλείο από τις λαβές με μόνωση** όταν εκτελείτε εργασίες κατά τις οποίες το εξάρτημα κοπής μπορεί να έρθει σε επαφή με κρυμμένα καλώδια ή με το ίδιο του το καλώδιο. Σε περίπτωση επαφής του εξαρτήματος κοπής με ηλεκτροφόρο καλώδιο, μπορεί να εκτεθειμένα μεταλλικά εξαρτήματα του ηλεκτρικού εργαλείου να καταστούν τα ίδια ηλεκτροφόρα και να προκαλέσουν ηλεκτροπληξία στο χειριστή.

Οδηγίες ασφαλείας όταν χρησιμοποιείται μακρής μήτρες τρυπανιού με σφυροτύπανα

1. **Να αρχίζετε πάντα να τρυπνίζετε σε χαμηλή ταχύτητα και με τη μύτη τρυπανίσματος σε επαφή με το τεμάχιο εργασίας.** Σε υψηλότερες ταχύτητες, η μύτη είναι πιθανό να λυγίσει αν επιτραπεί να περιστραφεί ελεύθερα χωρίς να έρχεται σε επαφή με το τεμάχιο εργασίας, έχοντας ως αποτέλεσμα προσωπικό τραυματισμό.
2. **Να ασκείτε πίεση μόνο σε ευθεία γραμμή με τη μύτη και μην ασκείτε υπερβολική πίεση.** Οι μύτες μπορούν να λυγίσουν προκαλώντας σπάσιμο ή απώλεια ελέγχου, έχοντας ως αποτέλεσμα προσωπικό τραυματισμό.

Πρόσθετες προειδοποιήσεις ασφάλειας

1. Φοράτε σκληρό καπέλο (κράνος ασφαλείας), γυαλιά ασφαλείας και/ή προσωπίδα. Τα κοινά γυαλιά οράσεως ή ηλίου ΔΕΝ είναι γυαλιά ασφαλείας. Επίσης, συνιστάται ιδιαίτέρως να φοράτε μάσκα προστασίας από τη σκόνη και γάντια με χοντρή επένδυση.
2. Πριν από τη λειτουργία, βεβαιωθείτε ότι η μύτη έχει ασφαλίσει.
3. Σε κανονικές συνθήκες λειτουργίας, το εργαλείο είναι σχεδιασμένο να παράγει κραδασμούς. Οι βίδες μπορεί να χαλαρώσουν εύκολα, προκαλώντας βλάβη ή ατύχημα. Ελέγξτε προσεκτικά το σφίξιμο των βιδών πριν από τη λειτουργία.
4. Όταν κάνει κρύο ή αν δεν έχετε χρησιμοποιήσει το εργαλείο για μεγάλο χρονικό διάστημα, αφήστε το να ζεσταθεί για λίγο επιτρέποντάς του να λειτουργήσει χωρίς φορτίο. Με αυτόν τον τρόπο βελτιώνεται η λίπανση. Αν δεν ζεσταθεί σωστά, η κρουστική λειτουργία είναι δύσκολη.
5. Να βεβαιώνετε πάντοτε ότι στέκεστε σταθερά. Όταν χρησιμοποιείτε το εργαλείο σε υψηλές τοποθεσίες, να βεβαιώνετε ότι δεν βρίσκεται κανένας από κάτω.
6. Κρατήστε το εργαλείο σταθερά με τα δύο χέρια.
7. Διατηρείτε τα χέρια σας μακριά από κινούμενα μέρη.
8. Μην αφήνετε το εργαλείο σε λειτουργία. Το εργαλείο πρέπει να βρίσκεται σε λειτουργία μόνο όταν το κρατάτε.
9. Μην στρέφετε το εργαλείο στους παρευρισκόμενους στο χώρο όταν το χρησιμοποιείτε. Η μύτη μπορεί να εκτοξευτεί και να προκαλέσει σοβαρό τραυματισμό.
10. Μην αγγίζετε τη μύτη, τμήματα κοντά στη μύτη ή το τεμάχιο εργασίας αμέσως μετά τη λειτουργία. Μπορεί να είναι εξαιρετικά ζεστά και να προκληθεί έγκαυμα στο δέρμα σας.
11. Μερικά υλικά περιέχουν χημικά που μπορεί να είναι τοξικά. Προσέχετε ώστε να αποφεύγετε την εισπνοή σκόνης και την επαφή με το δέρμα. Ακολουθείτε τα δεδομένα ασφαλείας του υλικού που παρέχονται από τον προμηθευτή.
12. Μην αγγίζετε το φως του ηλεκτρικού καλωδίου με βρεγμένα χέρια.

ΦΥΛΑΞΤΕ ΤΙΣ ΟΔΗΓΙΕΣ ΑΥΤΕΣ.

▲ΠΡΟΕΙΔΟΠΟΙΗΣΗ: ΜΗΝ επιτρέψετε το βαθμό άνεσης ή εξοικείωσης με το προϊόν (λόγω επανειλημμένης χρήσης) να αντικαταστήσει την αυστηρή τήρηση των κανόνων ασφαλείας του παρόντος εργαλείου. Η ΛΑΝΘΑΣΜΕΝΗ ΧΡΗΣΗ ή η αμέλεια να ακολουθήσετε τους κανόνες ασφαλείας που διατυπώνονται στο παρόν εγχειρίδιο οδηγίων μπορεί να προκαλέσει σοβαρό προσωπικό τραυματισμό.

ΠΕΡΙΓΡΑΦΗ ΛΕΙΤΟΥΡΓΙΑΣ

▲ΠΡΟΣΟΧΗ: Να βεβαιώνετε πάντα ότι το εργαλείο είναι σβηστό και αποσυνδεδεμένο από την ηλεκτρική παροχή πριν ρυθμίσετε ή ελέγχετε κάποια λειτουργία του.

Δράση διακόπτη

▲ΠΡΟΣΟΧΗ: Πριν από τη σύνδεση του εργαλείου στην ηλεκτρική παροχή, να ελέγχετε πάντα ότι η σκανδάλη διακόπτης ενεργοποιείται σωστά και επιστρέφει στη θέση «OFF» όταν την αφήνετε.

▲ΠΡΟΣΟΧΗ: Ο διακόπτης μπορεί να ασφαλιστεί στη θέση «ENERG» προς διευκόλυνση του χειριστή στη διάρκεια παρατεταμένης χρήσης. Να είστε προσεκτικοί όταν ασφαλίσετε το εργαλείο στη θέση «ENERG» και να κρατάτε το εργαλείο σταθερά.

► **Εικ. 1:** 1. Σκανδάλη διακόπτης 2. Κομπί απασφάλισης

► **Εικ. 2:** 1. Σκανδάλη διακόπτης 2. Κομπί ασφάλισης



Για να ξεκινήσετε το εργαλείο, απλώς τραβήξτε τη σκανδάλη διακόπτη. Η ταχύτητα του εργαλείου αυξάνει αν αυξήσετε την πίεση στη σκανδάλη διακόπτη. Ελευθερώστε τη σκανδάλη διακόπτη για να σταματήσει.

Για συνεχόμενη λειτουργία, τραβήξτε τη σκανδάλη διακόπτη, πατήστε το κομπί ασφάλισης και μετά αφήστε τη σκανδάλη διακόπτη. Για να σταματήσετε το εργαλείο από την κλειδωμένη θέση, τραβήξτε πλήρως τη σκανδάλη διακόπτη και κατόπιν αφήστε την.



Δράση διακόπτη αντιστροφής

▲ΠΡΟΣΟΧΗ: Να ελέγχετε πάντα τη διεύθυνση περιστροφής πριν από τη λειτουργία.

ΕΙΔΟΠΟΙΗΣΗ: Να χρησιμοποιείτε τον διακόπτη αντιστροφής μόνο αφού το εργαλείο σταματήσει εντελώς. Η αλλαγή της διεύθυνσης περιστροφής πριν σταματήσει το εργαλείο μπορεί να προκαλέσει ζημιά στο εργαλείο.



ΕΙΔΟΠΟΙΗΣΗ: Αν δεν μπορείτε να πατήσετε τη σκανδάλη διακόπτη, ελέγξτε αν ο διακόπτης αντιστροφής έχει μετακινηθεί πλήρως στη θέση  (πλευρά A) ή  (πλευρά B).

Για HR2652/HR2653/HR2653T

Το εργαλείο αυτό διαθέτει ένα διακόπτη αναστροφής, που αλλάζει τη φορά περιστροφής. Μετακινήστε το μοχλό του διακόπτη αναστροφής στη θέση  (πλευρά A) για δεξιόστροφη περιστροφή ή στη θέση  (πλευρά B) για αριστερόστροφη περιστροφή.

► **Εικ. 3:** 1. Μοχλός διακόπτη αντιστροφής

Για HR2663

Το εργαλείο αυτό διαθέτει ένα διακόπτη αναστροφής, που αλλάζει τη φορά περιστροφής. Μετακινήστε το μοχλό διακόπτη αντιστροφής στη θέση  (πλευρά Α) για δεξιόστροφη περιστροφή ή στη θέση  (πλευρά Β) για αριστερόστροφη περιστροφή.

► **Εικ.4:** 1. Μοχλός διακόπτη αντιστροφής

ΠΑΡΑΤΗΡΗΣΗ: Όταν χρησιμοποιείτε το εργαλείο με αριστερόστροφη περιστροφή, η σκανδάλη διακόπτης τραβιέται μόνο μέχρι τη μέση και το εργαλείο λειτουργεί στη μισή ταχύτητα. Για αριστερόστροφη περιστροφή, δεν μπορείτε να πατήσετε το κουμπί ασφάλισης.

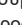

Αλλαγή σφιγκτήρα ταχείας αλλαγής για SDS-plus

Για HR2653T

Μπορείτε να αλλάξετε με ευκολία το σφιγκτήρα ταχείας αλλαγής για SDS-plus με το σφιγκτήρα ταχείας αλλαγής τρυπανιού.




Αφαίρεση του σφιγκτήρα ταχείας αλλαγής για SDS-plus

▲ ΠΡΟΣΟΧΗ: Πριν από την αφαίρεση του σφιγκτήρα ταχείας αλλαγής για SDS-plus, βεβαιωθείτε ότι έχετε αφαιρέσει τη μύτη.

Κρατήστε το κάλυμμα αλλαγής του σφιγκτήρα ταχείας αλλαγής για SDS-plus και περιστρέψτε το προς την κατεύθυνση του βέλους έως ότου η γραμμή καλύμματος αλλαγής μετακινηθεί από το σύμβολο  στο σύμβολο . Τραβήξτε με δύναμη προς την κατεύθυνση του βέλους.

► **Εικ.5:** 1. Σφιγκτήρας ταχείας αλλαγής για SDS-plus 2. Κάλυμμα αλλαγής 3. Γραμμή καλύμματος αλλαγής

Τοποθέτηση του σφιγκτήρα ταχείας αλλαγής τρυπανιού

Ελέγξτε εάν η γραμμή του σφιγκτήρα ταχείας αλλαγής τρυπανιού υποδεικνύει το σύμβολο . Κρατήστε το κάλυμμα αλλαγής του σφιγκτήρα ταχείας αλλαγής τρυπανιού και ρυθμίστε τη γραμμή στο σύμβολο . Τοποθετήστε το σφιγκτήρα ταχείας αλλαγής τρυπανιού στην άτρακτο του εργαλείου. Κρατήστε το κάλυμμα αλλαγής του σφιγκτήρα ταχείας αλλαγής τρυπανιού και ρυθμίστε τη γραμμή καλύμματος αλλαγής στο σύμβολο  μέχρι να ακουστεί καθαρά ένας χαρακτηριστικός ήχος ασφάλισης.

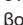
► **Εικ.6:** 1. Σφιγκτήρας ταχείας αλλαγής τρυπανιού 2. Άτρακτος 3. Γραμμή καλύμματος αλλαγής 4. Κάλυμμα αλλαγής

Επιλογή τρόπου λειτουργίας δράσης

ΕΙΔΟΠΟΙΗΣΗ: Μη γυρίζετε το κουμπί αλλαγής τρόπου λειτουργίας ενώ λειτουργεί το εργαλείο. Θα υποστεί ζημιά το εργαλείο.

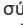
ΕΙΔΟΠΟΙΗΣΗ: Για να αποφευχθεί η γρήγορη φθορά του μηχανισμού αλλαγής τρόπου λειτουργίας, βεβαιωθείτε ότι το κουμπί αλλαγής τρόπου λειτουργίας βρίσκεται πάντοτε ακριβώς σε κάποια από τις τρεις θέσεις τρόπου λειτουργίας.

Περιστροφή με κρούση

Για τη διάτρηση σε σκυρόδεμα, τοιχοποιία κτλ., γυρίστε το κουμπί αλλαγής τρόπου λειτουργίας στο σύμβολο . Χρησιμοποιήστε μύτη με άκρο από καρβίδιο βολφραμίου (προαιρετικό εξάρτημα).

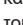
► **Εικ.7:** 1. Περιστροφή με κρούση 2. Κουμπί αλλαγής τρόπου λειτουργίας

Μόνο περιστροφή

Για τη διάτρηση σε ξύλο, μέταλλο ή πλαστικά υλικά, γυρίστε το κουμπί αλλαγής τρόπου λειτουργίας στο σύμβολο . Χρησιμοποιήστε μύτη με ελικοειδές τρυπάνι ή τρυπάνι για ξύλο.

► **Εικ.8:** 1. Μόνο περιστροφή

Μόνο κρούση

Για εργασίες κοπιδιάσματος, αφαίρεσης σκουριάς ή κατεδάφισης, γυρίστε το κουμπί αλλαγής τρόπου λειτουργίας στο σύμβολο . Χρησιμοποιήστε διατρητική βελόνα, κοπίδι χαρακτών, κοπίδι αφαίρεσης σκουριάς κτλ.

► **Εικ.9:** 1. Μόνο κρούση

Ρύθμιση της θέσης ακροφυσίου

Σπρώξτε μέσα τον οδηγό ενώ πατάτε το κουμπί ρύθμισης οδηγού και μετά αφήστε το κουμπί στην επιθυμητή θέση.

► **Εικ.10:** 1. Οδηγός 2. Κουμπί ρύθμισης οδηγού

ΠΑΡΑΤΗΡΗΣΗ: Πριν ρυθμίσετε τη θέση ακροφυσίου, πατήστε το κουμπί ρύθμισης οδηγού για να αφήσετε εντελώς το ακροφύσιο προς τα μπροστά.

Ρύθμιση του βάθους τρυπανίσματος

Σύρετε το κουμπί ρύθμισης βάθους στην επιθυμητή θέση ενώ το πατάτε. Η απόσταση (Α) είναι το βάθος τρυπανίσματος.

► **Εικ.11:** 1. Κουμπί ρύθμισης βάθους

Περιοριστής ροπής

ΕΙΔΟΠΟΙΗΣΗ: Μόλις ενεργοποιηθεί ο περιοριστής ροπής, απενεργοποιήστε αμέσως το εργαλείο. Έτσι αποτρέπεται η πρόωρη φθορά του εργαλείου.

ΕΙΔΟΠΟΙΗΣΗ: Κάποιες μύτες, όπως τα ποτηροτρύπανα, που έχουν τάση να μαγκώνουν ή να σκαλώνουν εύκολα μέσα την οπή, δεν είναι κατάλληλες για αυτό το εργαλείο. Αυτό οφείλεται στο γεγονός ότι προκαλούν την πολύ συχνή ενεργοποίηση του περιοριστή ροπής.

Ο περιοριστής ροπής ενεργοποιείται όταν επιτευχθεί συγκεκριμένο επίπεδο ροπής. Το μοτέρ απουσιμπλέκεται από τον άξονα εξόδου. Όταν συμβεί αυτό, η μύτη σταματά να περιστρέφεται.

Γάντζος

ΠΡΟΣΟΧΗ: Ποτέ μην κρεμάτε το εργαλείο σε υψηλές τοποθεσίες ή σε δυνητικά ασταθείς επιφάνειες.

Για HR2663

► **Εικ.12:** 1. Γάντζος

Ο γάντζος είναι βολικός για το προσωρινό κρέμασμα του εργαλείου.

Για να χρησιμοποιήσετε το γάντζο, απλώς σηκώστε τον έως ότου ασφαλίσει στην ανοιχτή θέση. Όταν δεν χρησιμοποιείτε το γάντζο, πάντα να τον χαμηλώνετε έως ότου ασφαλίσει στην κλειστή θέση.

ΣΥΝΑΡΜΟΛΟΓΗΣΗ

ΠΡΟΣΟΧΗ: Να βεβαιώνετε πάντα ότι το εργαλείο είναι αβηστό και αποσυνδεδεμένο από την ηλεκτρική παροχή πριν εκτελέσετε οποιαδήποτε εργασία σε αυτό.

Πλευρική λαβή (βοηθητική χειρολαβή)

ΠΡΟΣΟΧΗ: Χρησιμοποιείτε πάντοτε την πλευρική λαβή, έτσι ώστε να διασφαλίζεται η ασφαλής λειτουργία.

ΠΡΟΣΟΧΗ: Μετά την τοποθέτηση ή τη ρύθμιση της πλευρικής λαβής, βεβαιωθείτε ότι η πλευρική λαβή έχει ασφαλίσει σταθερά.

Τοποθετήστε την πλευρική λαβή με τρόπο ώστε οι αυλακώσεις στη λαβή να εφαρμόζουν στις προεξοχές στον κύλινδρο του εργαλείου. Περιστρέψτε τη λαβή δεξιόστροφα για να την ασφαλίσετε. Η λαβή μπορεί να σταθεροποιηθεί σε μια επιθυμητή γωνία.

► **Εικ.13:** 1. Πλευρική λαβή

Γράσο

Επαλείψτε από πριν το άκρο στελέχους της μύτης τρυπανιού με μια μικρή ποσότητα γράσου (περίπου 0,5 - 1 g).

Η λίπανση του σφιγκτήρα εξασφαλίζει ομαλή λειτουργία και μεγαλύτερη διάρκεια ζωής.

Τοποθέτηση ή αφαίρεση μύτης τρυπανιού

Καθαρίστε το άκρο στελέχους της μύτης τρυπανιού και βάλτε γράσο πριν τοποθετήσετε τη μύτη τρυπανιού.

► **Εικ.14:** 1. Άκρο στελέχους 2. Γράσο

Τοποθετήστε τη μύτη τρυπανιού στο εργαλείο.

Περιστρέψτε τη μύτη τρυπανιού και ωθήστε την προς τα μέσα μέχρι να ασφαλίσει.

Μετά την τοποθέτηση της μύτης τρυπανιού, να βεβαιώνετε πάντα ότι η μύτη τρυπανιού έχει ασφαλίσει τραβώντας την προς τα έξω.

► **Εικ.15:** 1. Μύτη τρυπανιού

Για να αφαιρέσετε τη μύτη τρυπανιού, τραβήξτε το κάλυμμα σφιγκτήρα εντελώς προς τα κάτω και μετά τραβήξτε τη μύτη τρυπανιού προς τα έξω.

► **Εικ.16:** 1. Μύτη τρυπανιού 2. Κάλυμμα σφιγκτήρα

Γωνία καλεμιού (κατά το κοπιδίασμα, την αφαίρεση σκουριάς ή την κατεδάφιση)

Το καλέμι μπορεί να ασφαλίσει στην επιθυμητή γωνία.

Για να αλλάξετε τη γωνία του καλεμιού, γυρίστε το κουμπί αλλαγής τρόπου λειτουργίας στο σύμβολο O. Στρέψτε το καλέμι στην επιθυμητή γωνία.

► **Εικ.17:** 1. Κουμπί αλλαγής τρόπου λειτουργίας

Γυρίστε το κουμπί αλλαγής τρόπου λειτουργίας στο σύμβολο T. Στη συνέχεια, βεβαιωθείτε ότι το καλέμι έχει ασφαλίσει σταθερά περιστρέφοντας το απαλά.

Ρυθμιστής βάθους

Ο ρυθμιστής βάθους διευκολύνει τη διάνοιξη οπών ομοιόμορφου βάθους. Χαλαρώστε την πλευρική λαβή και τοποθετήστε τον ρυθμιστή βάθους στην οπή στην πλευρική λαβή. Ρυθμίστε τον ρυθμιστή βάθους στο επιθυμητό βάθος και σφίξτε καλά την πλευρική λαβή.

► **Εικ.18:** 1. Οπή 2. Ρυθμιστής βάθους

ΠΑΡΑΤΗΡΗΣΗ: Βεβαιωθείτε ότι ο ρυθμιστής βάθους δεν αγγίζει το κυρίως σώμα του εργαλείου όταν το συνδέετε.

Τοποθέτηση ή αφαίρεση του συστήματος συλλογής σκόνης

Για να αφαιρέσετε το σύστημα συλλογής σκόνης, τραβήξτε το εργαλείο ενώ πατάτε το κουμπί απασφάλισης. Για να το τοποθετήσετε, εισαγάγετε το εργαλείο στο σύστημα συλλογής σκόνης μέχρι τέρμα μέχρι να ασφαλίσει στη θέση του, γεγονός που υποδεικνύεται με ένα χαρακτηριστικό ήχο ασφάλισης.

► **Εικ.19:** 1. Κουμπί απασφάλισης

Κάλυμμα σκόνης

Προαιρετικό εξάρτημα

Χρησιμοποιήστε το κάλυμμα σκόνης για να αποτρέψετε την πτώση της σκόνης πάνω στο εργαλείο και στον εαυτό σας όταν εκτελείτε εργασίες διάτρησης σε κάποιο σημείο πάνω από το κεφάλι σας. Προσαρμόστε το κάλυμμα σκόνης στη μύτη, όπως απεικονίζεται στην εικόνα. Ακολουθεί πίνακας με τα μεγέθη των μυτών στις οποίες μπορείτε να προσαρμόσετε το κάλυμμα σκόνης.

Μοντέλο	Διάμετρος μύτης
Κάλυμμα σκόνης 5	6 mm - 14,5 mm
Κάλυμμα σκόνης 9	12 mm - 16 mm

► **Εικ.20:** 1. Κάλυμμα σκόνης

Σετ καλύμματος σκόνης

Προαιρετικό εξάρτημα

Πριν τοποθετήσετε το σετ καλύμματος σκόνης, αφαιρέστε τη μύτη από το εργαλείο, αν είναι τοποθετημένη. Τοποθετήστε το σετ καλύμματος σκόνης στο εργαλείο με τρόπο ώστε το σύμβολο Δ στο κάλυμμα σκόνης να είναι ευθυγραμμισμένο με την εγκοπή στο εργαλείο.

► **Εικ.21:** 1. Δ σύμβολο 2. Εγκοπή

ΠΑΡΑΤΗΡΗΣΗ: Αν συνδέσετε ηλεκτρική σκούπα στο σετ καλύμματος σκόνης, αφαιρέστε το καπάκι σκόνης πριν την συνδέσετε.

► **Εικ.22:** 1. Καπάκι σκόνης

Για να αφαιρέσετε το σετ καλύμματος σκόνης, αφαιρέστε τη μύτη ενώ τραβάτε το κάλυμμα σφικκίτσα προς την κατεύθυνση του βέλους.

► **Εικ.23:** 1. Μύτη 2. Κάλυμμα σφικκίτσα

Κρατήστε τη βάση του καλύμματος σκόνης και τραβήξτε το προς τα έξω.

► **Εικ.24**

ΠΑΡΑΤΗΡΗΣΗ: Αν το καπάκι βγει από το κάλυμμα σκόνης, συνδέστε το με την εκτυπωμένη πλευρά στραμμένη ώστε η αυλάκωση στο καπάκι να εφαρμόζει στην εσωτερική περιφέρεια του εξαρτήματος.

► **Εικ.25**

ΛΕΙΤΟΥΡΓΙΑ

▲ ΠΡΟΣΟΧΗ: Να χρησιμοποιείτε πάντα την πλάγια λαβή (βοηθητική λαβή) και να κρατάτε σταθερά το εργαλείο από την πλάγια λαβή και τη λαβή διακόπτη κατά την εκτέλεση των εργασιών.

▲ ΠΡΟΣΟΧΗ: Πριν από τη λειτουργία, ββαιώννεστε πάντα ότι το τεμάχιο εργασίας έχει ασφαλίσει.

▲ ΠΡΟΣΟΧΗ: Το σύστημα συλλογής σκόνης προορίζεται μόνο για τρυπάνισμα σε τσιμέντο. Μη χρησιμοποιείτε το σύστημα συλλογής σκόνης για τρυπάνισμα σε μέταλλο ή ξύλο.

▲ ΠΡΟΣΟΧΗ: Όταν χρησιμοποιείτε το εργαλείο με το σύστημα συλλογής σκόνης, βεβαιωθείτε να συνδέσετε το φίλτρο στο σύστημα συλλογής σκόνης για να αποφύγετε την εισπνοή σκόνης.

▲ ΠΡΟΣΟΧΗ: Πριν χρησιμοποιείτε το σύστημα συλλογής σκόνης, ελέγξτε ότι το φίλτρο δεν είναι κατεστραμμένο. Αν δεν τηρήσετε αυτή την οδηγία, μπορεί να προκληθεί εισπνοή της σκόνης.

▲ ΠΡΟΣΟΧΗ: Το σύστημα συλλογής σκόνης συλλέγει τη σκόνη που παράγεται σε σημαντικό ποσοστό, αλλά δεν είναι δυνατό να γίνει συλλογή όλης της σκόνης.

ΕΙΔΟΠΟΙΗΣΗ: Μη χρησιμοποιείτε το σύστημα συλλογής σκόνης για πυρηνοληψία ή σμίλευμα.

ΕΙΔΟΠΟΙΗΣΗ: Μη χρησιμοποιείτε το σύστημα συλλογής σκόνης για τρυπάνισμα σε υγρό τσιμέντο και μη χρησιμοποιείτε αυτό το σύστημα σε υγρό περιβάλλον. Αν δεν τηρήσετε αυτή την οδηγία, μπορεί να προκληθεί δυσλειτουργία.

► **Εικ.26**

Λειτουργία κρουστικού τρυπανιού

▲ ΠΡΟΣΟΧΗ: Το εργαλείο/μύτη τρυπανιού υφίσταται ισχυρή και ξαφνική περιστροφική δύναμη τη στιγμή που διέρχεται από την οπή, όταν η οπή παρουσιάζει έμφραξη με θραύσματα και σωματίδια ή όταν συναντήσει βέργες ενίσχυσης πακτωμένες στο σκυρόδεμα. **Να χρησιμοποιείτε πάντα την πλάγια λαβή (βοηθητική λαβή) και να κρατάτε σταθερά το εργαλείο από την πλάγια λαβή και τη λαβή διακόπτη κατά την εκτέλεση των εργασιών.** Η μη συμμόρφωση μπορεί να έχει ως αποτέλεσμα την απώλεια ελέγχου του εργαλείου και την ενδεχόμενη πρόκληση σοβαρού τραυματισμού.

Ρυθμίστε το κουμπί αλλαγής τρόπου λειτουργίας στο σύμβολο Γ .

Τοποθετήστε τη μύτη στο επιθυμητό σημείο για διάνοιξη της οπής και μετά τραβήξτε τη σκανδάλη διακόπτη. Μην ασκείτε δύναμη στο εργαλείο. Η μικρή πίεση έχει ως αποτέλεσμα βέλπιστα αποτελέσματα. Κρατήστε το εργαλείο στη θέση του και εμποδίστε το να γλιστρήσει από την οπή.

Μην ασκείτε μεγαλύτερη πίεση, όταν η οπή βουλώσει με θραύσματα ή σωματίδια. Αντ' αυτού, θέστε το εργαλείο στη λειτουργία ρελαντί και μετά τραβήξτε ελαφρώς τη μύτη έξω από την οπή. Αν επαναλάβετε το ίδιο αρκετές φορές, η οπή καθαρίζει από τα θραύσματα και μπορείτε να συνεχίσετε την εργασία διάτρησης.

ΠΑΡΑΤΗΡΗΣΗ: Όταν χρησιμοποιείτε το εργαλείο χωρίς φορτίο, μπορεί να παρουσιαστεί σφάλμα ομοκεντρότητας στην περιστροφή της μύτης. Το εργαλείο αυτοκεντράρεται αυτόματα κατά τη διάρκεια της λειτουργίας. Αυτό δεν επηρεάζει την ακρίβεια της διάτρησης.

Κοπή/αφαίρεση σκουριάς/ κατεδάφιση

Ρυθμίστε το κουμπί αλλαγής τρόπου λειτουργίας στο σύμβολο .

Κρατήστε σταθερά το εργαλείο με τα δύο χέρια. Ενεργοποιήστε το εργαλείο και ασκήστε μικρή πίεση στο εργαλείο, έτσι ώστε να μην αναπηδήσει ανεξέλεγκτα.

Αν πιέσετε το εργαλείο πολύ δυνατά, δεν αυξάνει η αποτελεσματικότητά του.

► **Εικ.27**

Διάτρηση σε ξύλο ή μέταλλο

▲ ΠΡΟΣΟΧΗ: Κρατήστε σταθερά το εργαλείο και προσέχετε ιδιαίτερα τη στιγμή που η μύτη τρυπανιού διέρχεται από το άλλο άκρο της οπής. Ασκείται τεράστια δύναμη στο εργαλείο/μύτη τρυπανιού τη στιγμή που διαπερνάει η οπή.

▲ ΠΡΟΣΟΧΗ: Μπορείτε να αφαιρέσετε μια μπλοκαρισμένη μύτη τρυπανιού με απλή ρύθμιση του διακόπτη αντιστροφής στη θέση αντίστροφης περιστροφής, ώστε η μύτη να οπισθοχωρήσει. Ωστόσο, το εργαλείο μπορεί να οπισθοχωρήσει έξω από την οπή απότομα, αν δεν το κρατάτε σταθερά.

▲ ΠΡΟΣΟΧΗ: Να ασφαρίζετε πάντα τα τεμάχια εργασίας σε μέγγενη ή παρόμοια διάταξη συγκράτησης.

ΕΙΔΟΠΟΙΗΣΗ: Μη χρησιμοποιήσετε ποτέ την «περιστροφή με κρούση» όταν εργαλείο είναι τοποθετημένος ο σφιγκτήρας του τρυπανιού. Μπορεί να υποστεί ζημιά ο σφιγκτήρας του τρυπανιού.

Επίσης, ο σφιγκτήρας του τρυπανιού θα βγει κατά την αναστροφή της κίνησης του εργαλείου.

ΕΙΔΟΠΟΙΗΣΗ: Η υπερβολική πίεση στο εργαλείο δεν επιταχύνει τη διάτρηση. Στην πραγματικότητα, αυτή η υπερβολική πίεση προκαλεί ζημιά στο άκρο της μύτης τρυπανιού, μείωση της απόδοσης όπως και της διάρκειας ζωής του εργαλείου.

Ρυθμίστε το κουμπί αλλαγής τρόπου λειτουργίας στο σύμβολο .

Για HR2652/HR2653/HR2663

Προαιρετικό εξάρτημα

Συνδέστε τον προσαρμογέα σφιγκτήρα με σφιγκτήρα τρυπανιού χωρίς κλειδί στο οποίο μπορεί να τοποθετηθεί βίδα μεγέθους 1/2"-20 και μετά τοποθετήστε τους στο εργαλείο. Κατά την τοποθέτησή του, ανατρέξτε στην παράγραφο «Τοποθέτηση ή αφαίρεση μύτης τρυπανιού».

► **Εικ.28:** 1. Σφιγκτήρας τρυπανιού χωρίς κλειδί
2. Προσαρμογέας σφιγκτήρα

Για HR2653T

Χρησιμοποιήστε το σφιγκτήρα ταχείας αλλαγής τρυπανιού ως τυπικό εξοπλισμό. Κατά την τοποθέτησή του, ανατρέξτε στην ενότητα «Αλλαγή σφιγκτήρα ταχείας αλλαγής για SDS-plus».


Κρατήστε το δακτύλιο και γυρίστε το σοκ αριστερόστροφα για να ανοίξετε τις σιαγόνες του σφιγκτήρα. Τοποθετήστε τη μύτη στο σφιγκτήρα μέχρι τέρμα. Κρατήστε σταθερά το δακτύλιο και γυρίστε το σοκ δεξιόστροφα για να σφίξετε το σφιγκτήρα.

► **Εικ.29:** 1. Σοκ 2. Δακτύλιο

Για να αφαιρέσετε τη μύτη, κρατήστε το δακτύλιο και γυρίστε το σοκ αριστερόστροφα.

Διάτρηση με αδαμάντινο πυρήνα

ΕΙΔΟΠΟΙΗΣΗ: Κατά την εκτέλεση εργασιών διάτρησης με αδαμάντινο πυρήνα σε συνδυασμό με την «περιστροφή με κρούση», μπορεί να υποστεί ζημιά η μύτη αδαμάντινου πυρήνα.

Κατά την εκτέλεση εργασιών διάτρησης με αδαμάντινο πυρήνα, να ρυθμίζετε πάντα το κουμπί αλλαγής του τρόπου λειτουργίας στη θέση  για να χρησιμοποιήσετε τη λειτουργία «μόνο περιστροφή».

Κτύπημα σκόνης στο φίλτρο

▲ ΠΡΟΣΟΧΗ: Μη γυρίσετε τον επιλογέα στη θήκη σκόνης ενώ η θήκη σκόνης έχει αφαιρεθεί από το σύστημα συλλογής σκόνης. Αν το κάνετε αυτό, μπορεί να προκληθεί εισπνοή της σκόνης.

▲ ΠΡΟΣΟΧΗ: Να σβήνετε πάντα το εργαλείο όταν γυρίσετε τον επιλογέα στη θήκη σκόνης. Αν γυρίσετε τον επιλογέα ενώ το εργαλείο λειτουργεί, μπορεί να έχει ως αποτέλεσμα την απώλεια ελέγχου του εργαλείου.

Αν κτυπήσετε τη σκόνη στο φίλτρο μέσα στη θήκη σκόνης, μπορείτε να διατηρήσετε την αποδοτικότητα αναρρόφησης και επίσης να μειώσετε τον αριθμό των φορών που θα απορρίψετε τη σκόνη.

Γυρίστε τον επιλογέα στη θήκη σκόνης τρεις φορές μετά τη συλλογή 50.000 mm³ σκόνης ή όταν πιστεύετε ότι η απόδοση αναρρόφησης έχει μειωθεί.

ΠΑΡΑΤΗΡΗΣΗ: 50.000 mm³ σκόνης ισοδυναμούν με τρυπάνισμα 10 οπών με \varnothing 10 mm και βάθος 65 mm (14 οπές με \varnothing 3/8" και βάθος 2").

► **Εικ.30:** 1. Θήκη σκόνης 2. Επιλογέας

Απόρριψη της σκόνης

▲ ΠΡΟΣΟΧΗ: Να βεβαιώνεστε πάντα ότι το εργαλείο είναι σβηστό και αποσυνδεδεμένο από την ηλεκτρική παροχή πριν εκτελέσετε οποιαδήποτε εργασία σε αυτό.

▲ ΠΡΟΣΟΧΗ: Να φροντίζετε να φοράτε μάσκα για τη σκόνη όταν απορρίπτετε τη σκόνη.

▲ ΠΡΟΣΟΧΗ: Να αδειάζετε τη θήκη σκόνης τακτικά πριν γεμίσει η θήκη σκόνης. Αν δεν τηρήσετε αυτή την οδηγία, μπορεί να μειωθεί η απόδοση συλλογής σκόνης και να προσκληθεί εισπνοή της σκόνης.

▲ ΠΡΟΣΟΧΗ: Η απόδοση της συλλογής σκόνης μειώνεται αν φράξει το φίλτρο στη θήκη σκόνης. Ως οδηγό, να αντικαθιστάτε το φίλτρο με ένα καινούριο μετά από περίπου 200 φορές πλήρωσής του με σκόνη. Αν δεν τηρήσετε αυτή την οδηγία, μπορεί να προκληθεί εισπνοή της σκόνης.

1. Αφαιρέστε τη θήκη σκόνης ενώ πατάτε το μοχλό της θήκης σκόνης.
► **Εικ.31:** 1. Μοχλός
2. Ανοίξτε το κάλυμμα της θήκης σκόνης.
► **Εικ.32:** 1. Κάλυμμα
3. Απορρίψτε τη σκόνη και μετά καθαρίστε το φίλτρο.
► **Εικ.33**

ΕΙΔΟΠΟΙΗΣΗ: Όταν καθαρίζετε το φίλτρο, μην αγγίζετε το φίλτρο με βούρτσα ή παρόμοιο και μη φυσάτε πεπιεσμένο αέρα στο φίλτρο. Μπορεί να προκληθεί ζημιά στο φίλτρο.

Φυσερό

Προαιρετικό εξάρτημα

Μετά από τη διάτρηση της οπής, χρησιμοποιήστε το φυσερό για να καθαρίσετε τη σκόνη από το εσωτερικό της οπής.
► **Εικ.34**

Χρήση του σετ καλύμματος σκόνης

Προαιρετικό εξάρτημα

Τοποθετήστε το σετ καλύμματος σκόνης επάνω στην οροφή όταν χρησιμοποιείτε το εργαλείο.
► **Εικ.35**

ΕΙΔΟΠΟΙΗΣΗ: Μη χρησιμοποιείτε το σετ καλύμματος σκόνης κατά το τρυπάνισμα σε μέταλλο ή παρόμοιο. Μπορεί να προκληθεί ζημιά στο σετ καλύμματος σκόνης λόγω της θερμότητας που παράγεται από τη μικρή σκόνη μετάλλου ή παρόμοιο.

ΕΙΔΟΠΟΙΗΣΗ: Μη τοποθετείτε και μην αφαιρείτε το σετ καλύμματος σκόνης με τη μύτη τρυπανιού τοποθετημένη στο εργαλείο. Μπορεί να προκληθεί ζημιά στο σετ καλύμματος σκόνης και να προκληθεί διαρροή σκόνης.

ΣΥΝΤΗΡΗΣΗ

▲ ΠΡΟΣΟΧΗ: Να βεβαιώνεστε πάντα ότι το εργαλείο είναι σβηστό και αποσυνδεδεμένο από την ηλεκτρική παροχή πριν εκτελέσετε οποιαδήποτε εργασία επιθεώρησης ή συντήρησης σε αυτό.

ΕΙΔΟΠΟΙΗΣΗ: Μη χρησιμοποιείτε ποτέ βενζίνη, πετρελαϊκό αιθέρα, διαλυτικό, αλκοόλη ή παρόμοιες ουσίες. Μπορεί να προκληθεί αποχρωματισμός, παραμόρφωση ή ρυγμές.

Για τη διατήρηση της ΑΣΦΑΛΕΙΑΣ και ΑΞΙΟΠΙΣΤΙΑΣ του προϊόντος, οι επισκευές και οποιαδήποτε άλλη εργασία συντήρησης ή ρύθμισης πρέπει να εκτελούνται από εξουσιοδοτημένα ή εργοστασιακά κέντρα εξυπηρέτησης της Makita, χρησιμοποιώντας πάντοτε ανταλλακτικά της Makita.

Αντικατάσταση του φίλτρου της θήκης σκόνης

1. Αφαιρέστε τη θήκη σκόνης ενώ πατάτε το μοχλό της θήκης σκόνης.
► **Εικ.36:** 1. Μοχλός
2. Εισαγάγετε ένα κατσαβίδι με επίπεδη κεφαλή μεταξύ της θήκης φίλτρου και του καλύμματος της θήκης σκόνης όπως απεικονίζεται στην εικόνα. Ενώ πιέζετε και λυγίζετε τα πλαινά της θήκης φίλτρου, ανυψώστε τη θήκη φίλτρου με το κατσαβίδι με επίπεδη κεφαλή και αφαιρέστε τη θήκη φίλτρου.
► **Εικ.37:** 1. Κατσαβίδι με επίπεδη κεφαλή 2. Θήκη φίλτρου 3. Κάλυμμα της θήκης σκόνης
3. Για να αφαιρέσετε το φίλτρο από τη θήκη φίλτρου, γυρίστε τα αναπόδα και απλώστε το φίλτρο προς τα πάνω όπως απεικονίζεται στην εικόνα.
► **Εικ.38:** 1. Φίλτρο 2. Θήκη φίλτρου
4. Συνδέστε ένα καινούριο φίλτρο στη θήκη φίλτρου και μετά συνδέστε τα στη θήκη σκόνης ευθυγραμμίζοντας την προεσοχή στη θήκη φίλτρου με την εγκοπή στη θήκη σκόνης.
► **Εικ.39:** 1. Προεσοχή 2. Εγκοπή
5. Κλείστε το κάλυμμα της θήκης σκόνης και μετά συνδέστε το στο εργαλείο.

Αντικατάσταση του κατακτιού σφράγισης

Προαιρετικό εξάρτημα

Αντικαταστήστε το κατακί σφράγισης στα τακτά χρονικά διαστήματα, επειδή ένα φθαρμένο ή κατεστραμμένο κατακί σφράγισης μπορεί να επηρεάσει την απόδοση αναρρόφησης.

1. Εισαγάγετε ένα κατσαβίδι με επίπεδη κεφαλή, με τις επίπεδες επιφάνειές του κατακόρυφα, μέσα σε μία από τις οπές απελευθέρωσης στα πλαινά της κεφαλής ακροφυσίου. Γείρετε το κατσαβίδι με επίπεδη κεφαλή υπό γωνία για να πιέσετε και να πετάξετε τον κυβικό γάντζο του κατακτιού σφράγισης έξω από τη χυτή υποδοχή. Στη συνέχεια, αφαιρέστε τα λαστιχένια άκρα του κατακτιού σφράγισης από τα άκρα του ανοίγματος της κεφαλής ακροφυσίου.
► **Εικ.40:** 1. Κατάκτι σφράγισης 2. Κυβικός γάντζος 3. Οπή απελευθέρωσης 4. Κεφαλή ακροφυσίου

2. Τοποθετήστε έναν από τους κυβικούς γάντζους ενός ανανεωμένου καπακιού σφράγισης στη χυτή υποδοχή στην κεφαλή ακροφυσίου με την επιφάνεια με εσοχές του καπακιού σφράγισης στραμμένη προς τα μπροστά.

► **Εικ.41:** 1. Κυβικοί γάντζοι 2. Υποδοχές 3. Καπάκι σφράγισης 4. Επιφάνεια με εσοχές

3. Τοποθετήστε τον άλλο γάντζο μέσα στην υποδοχή στην αντίθετη πλευρά της κεφαλής ακροφυσίου, ενώ επανατοποθετείτε το καπάκι σφράγισης για να προσαρμοστεί καλά στην κεφαλή ακροφυσίου.

► **Εικ.42:** 1. Καπάκι σφράγισης 2. Κυβικός γάντζος 3. Υποδοχή 4. Κεφαλή ακροφυσίου 5. Άκρα

4. Ακουμπήστε απαλά τα λαστιχένια άκρα του καπακιού σφράγισης επάνω στα άκρα του ανοίγματος της κεφαλής ακροφυσίου από τα κάτω προς τα πάνω.

► **Εικ.43:** 1. Λαστιχένια άκρα 2. Καπάκι σφράγισης 3. Κεφαλή ακροφυσίου

ΠΡΟΑΙΡΕΤΙΚΑ ΕΞΑΡΤΗΜΑΤΑ

⚠ ΠΡΟΣΟΧΗ: Αυτά τα εξαρτήματα ή προσαρτήματα συνιστώνται για χρήση με το εργαλείο Makita που περιγράφηκε στις οδηγίες αυτές. Η χρήση οποιωνδήποτε άλλων εξαρτημάτων ή προσαρτημάτων μπορεί να προκαλέσει κίνδυνο τραυματισμού σε άτομα. Να χρησιμοποιείτε τα εξαρτήματα ή προσαρτήματα μόνο για την χρήση που προορίζονται.

Εάν χρειάζεστε οποιαδήποτε βοήθεια για περισσότερες πληροφορίες σε σχέση με αυτά τα εξαρτήματα, απευθυνθείτε στο τοπικό σας κέντρο εξυπηρέτησης Makita.

- Μύτες τρυπανιού με άκρο καρβιδίου (μύτες με άκρο καρβιδίου SDS-plus)
- Μύτη πυρήνα
- Διατρητική βελόνα
- Μύτη με αδαμάντινο πυρήνα
- Κοπίδι χαρακτών
- Κοπίδι αφαίρεσης σκουριάς
- Κοπίδι δημιουργίας αυλάκων
- Προσαρμογέας σφιγκτήρα
- Σφιγκτήρας τρυπανιού χωρίς κλειδί
- Γράσο μυτών
- Ρυθμιστής βάθους
- Φουσερό
- Κάλυμμα σκόνης
- Σετ καλύμματος σκόνης
- Προστατευτικά γυαλιά
- Πλαστική θήκη μεταφοράς

ΠΑΡΑΤΗΡΗΣΗ: Μερικά στοιχεία στη λίστα μπορεί να συμπεριλαμβάνονται στη συσκευασία εργαλείου ως στάνταρ εξαρτήματα. Μπορεί να διαφέρουν ανάλογα με τη χώρα.

TEKNİK ÖZELLİKLER

Model:		HR2652	HR2653	HR2653T	HR2663
Kapasiteler	Beton	26 mm			
	Karot matkap ucu	68 mm			
	Elmas karot matkap ucu (kuru tip)	80 mm			
	Çelik	13 mm			
	Tahta	32 mm			
Yüksüz hız	0 - 1.200 min ⁻¹			0 - 1.100 min ⁻¹	
Dakikadaki darbe sayısı	0 - 4.600 min ⁻¹			0 - 4.500 min ⁻¹	
Toplam uzunluk	604 mm		630 mm		666 mm
Net ağırlık	3,0 - 4,2 kg	3,1 - 4,3 kg	3,2 - 4,4 kg	3,3 - 4,5 kg	
Emniyet sınıfı	II/II				

- Sürekli yapılan araştırma ve geliştirmelerden dolayı, burada belirtilen özellikler önceden bildirilmeksizin değiştirilebilir.
- Özellikler ülkeden ülkeye değişebilir.
- Ağırlık, ek parçaya(parçalara) bağlı olarak değişebilir. En hafif ve en ağır kombinasyon, EPTA Prosedürü 01/2014'e göre, tabloda gösterilmiştir.

Kullanım amacı

Bu alet tuğla, beton ve taş malzemelerde darbeli delme işlemi için tasarlanmıştır.

Bu alet ahşap, metal, seramik ve plastik malzemelerde darbesiz delme işlemleri için de uygundur.

Güç kaynağı

Aletin, yalnızca isim levhasında belirtilenle aynı voltajlı güç kaynağına bağlanması gerekir ve yalnızca tek fazlı AC güç kaynağıyla çalıştırılabilir. Çifte yalıtımlıdır ve topraklamasız prizlerle de kullanılabilir.

Gürültü

Tipik A-ağırlıklı gürültü düzeyi (EN62841-2-6 standardına göre belirlenen):

Ses basınç seviyesi (L_{pA}): 91 dB (A)

Ses gücü düzeyi (L_{WA}): 102 dB (A)

Belirsizlik (K): 3 dB (A)

NOT: Beyan edilen gürültü emisyonu değer(ler)i bir standart test yöntemine uygun şekilde ölçülmüştür ve bir aleti bir başkasıyla karşılaştırmak için kullanılabilir.

NOT: Beyan edilen gürültü emisyonu değer(ler)i bir ön maruz kalma değerlendirmesi olarak da kullanılabilir.

UYARI: Kulak koruyucuları takın.

UYARI: Elektrikli aletin gerçek kullanımı sırasındaki gürültü emisyonu, aletin kullanım biçimlerine, özellikle işlenen iş parçasının türüne bağlı olarak beyan edilen değer(ler)den farklı olabilir.

UYARI: Gerçek kullanım koşullarındaki tahmini maruziyeti baz alan, operatörü koruyacak güvenlik önlemlerini mutlaka belirleyin (çalışma döngüsü içerisinde aletin kapalı olduğu ve aktif durumda olmasının yanı sıra boşta çalıştığı zamanlar gibi, bütün zaman dilimleri göz önünde bulundurarak).

Titreşim

Aşağıdaki tabloda ilgili standarda uygun olarak belirlenmiş olan titreşim toplam değeri (üç eksenli vektör toplamı) gösterilmiştir.

Model HR2652

Çalışma modu	Titreşim emisyonu	Belirsizlik (K)	Geçerli standart
Darbeli beton delme (a _{n,HD})	13,1 m/s ²	1,5 m/s ²	EN62841-2-6
Yontma (a _{n,Chgq})	10,9 m/s ²	1,5 m/s ²	EN62841-2-6

Model HR2653

Çalışma modu	Titreşim emisyonu	Belirsizlik (K)	Geçerli standart
Darbeli beton delme (a _{n,HD})	11,2 m/s ²	1,5 m/s ²	EN62841-2-6
Yontma (a _{n,Chgq})	9,3 m/s ²	1,5 m/s ²	EN62841-2-6

Model HR2653T

Çalışma modu	Titreşim emisyonu	Belirsizlik (K)	Geçerli standart
Darbeli beton delme ($a_{h, HD}$)	10,9 m/s ²	1,5 m/s ²	EN62841-2-6
Yontma ($a_{h, CHet}$)	9,6 m/s ²	1,5 m/s ²	EN62841-2-6

Model HR2663

Çalışma modu	Titreşim emisyonu	Belirsizlik (K)	Geçerli standart
Darbeli beton delme ($a_{h, HD}$)	9,3 m/s ²	1,5 m/s ²	EN62841-2-6
Yontma ($a_{h, CHet}$)	7,0 m/s ²	1,5 m/s ²	EN62841-2-6

NOT: Beyan edilen titreşim toplam değer(ler)i bir standart test yöntemine uygun şekilde ölçülmüştür ve bir aleti bir başkasıyla karşılaştırmak için kullanılabilir.

NOT: Beyan edilen titreşim toplam değer(ler)i bir ön maruz kalma değerlendirmesi olarak da kullanılabilir.

⚠UYARI: Elektrikli aletin gerçek kullanımı sırasındaki titreşim emisyonu, aletin kullanım biçimlerine, özellikle işlenen iş parçasının türüne bağlı olarak beyan edilen değer(ler)den farklı olabilir.

⚠UYARI: Gerçek kullanım koşullarındaki tahmini maruziyeti baz alan, operatörü koruyacak güvenlik önlemlerini mutlaka belirleyin (çalışma döngüsü içerisinde aletin kapalı olduğu ve aktif durumda olmasının yanı sıra boşta çalıştığı zamanlar gibi, bütün zaman dilimleri göz önünde bulundurarak).

EC Uygunluk Beyanı

Sadece Avrupa ülkeleri için

EC uygunluk beyanı bu kullanım kılavuzuna Ek A olarak eklenmiştir.

GÜVENLİK UYARILARI

Genel elektrikli alet güvenliği uyarıları

⚠UYARI: Bu elektrikli aletle birlikte sunulan tüm güvenlik uyarılarını, talimatları, çizimleri ve teknik özellikleri okuyun. Aşağıda verilen talimatlara uyulmaması elektrik şoku, yangın ve/veya ciddi yaralanmalar ile sonuçlanabilir.

Tüm uyarıları ve talimatları ile-ride başvurmak için saklayın.

Uyarılardaki "elektrikli alet" terimi ile ya prizden çalışan (kordonlu) elektrikli aletiniz ya da kendi aküsü ile çalışan (kordonsuz) elektrikli aletiniz kastedilmektedir.

KIRICI DELİCİ İLE İLGİLİ GÜVENLİK UYARILARI

Tüm işlemler için güvenlik talimatları

- Kulak koruyucuları takın.** Gürültüye maruz kalmak işitme kaybına neden olabilir.
- Aletle birlikte sağlanmışsa yardımcı tutamağı/tutamakları kullanın.** Kontrol kaybı yaralanmaya neden olabilir.

- Kesici aksesuarın görünmeyen kablolarına ya da aletin kendi kablosuna temas etme olasılığı bulunan yerlerde çalışırken elektrikli aletleri yalıtımlı kavrama yüzeylerinden tutun.** Kesici aksesuarın "akımlı" bir telle temas etmesi elektrikli aletin yalıtımsız metal kısımlarını "akımlı" hale getirebilir ve kullanıcıyı elektrik çarpmasına maruz bırakabilir.

Kırcı delicilerle uzun matkap uçları kullanırken güvenlik talimatları

- Her zaman düşük devirde ve uç, iş parçasına temas edecek şekilde delmeye başlayın.** Yüksek devirlerde, iş parçasına dokunmadan serbest dönmesine izin verilirse ucun bükülmesi muhtemel olup yaralanmaya neden olabilir.
- Sadece uç ile aynı hatta baskı uygulayın ve fazla baskı uygulamayın.** Uçlar bükülerek kırılma veya kontrol kaybına neden olmak suretiyle yaralanmaya yol açabilir.

Ek güvenlik uyarıları

- Sert bir başlık (emniyet kaskı), koruyucu gözlük ve/veya yüz siperi kullanın.** Normal gözlük veya güneş gözlükleri koruyucu gözlük DEĞİLDİR. Ayrıca bir toz maskesi ve kalın eldivenler giymeniz de önerilir.
- Çalışmaya başlamadan önce ucun yerine sağlam bir şekilde takıldığından emin olun.**
- Normal kullanımda, alet titreşim üretecek şekilde tasarlanmıştır.** Vidalar kolayca gevşeyebilir, arızaya ya da kazaya sebep olabilir. Kullanmadan önce vidaların sıkılığını kontrol edin.
- Soğuk havalarda ya da alet uzun bir süre kullanılmamışsa, yüksek olarak bir müddet çalıştırıp aletin ısınmasını sağlayın.** Bu işlem yağın çözülmesini sağlar. Uygun bir şekilde ısıtılmadığında, kırma işleminde zorluk görülür.
- Her zaman yere sağlam basın.** Aleti yüksekte kullandığınızda, altında kimsenin olmadığından emin olun.
- Aleti iki elle sıkıca tutun.**
- Ellerinizi hareketli parçalardan uzak tutun.**
- Aleti çalışır durumda bırakmayın.** Aleti sadece elinizde iken çalıştırın.
- Kullanım sırasında aleti etraftaki herhangi birine doğrultmayın.** Uç yerinden fırlayıp ciddi yaralanmalara sebep olabilir.
- Ucu, uca yakın parçaları veya iş parçasını işlemden hemen sonra ellemeyin;** bunlar çok sıcak olup derinizi yakabilir.
- Bazı malzemeler zehirli olabilen kimyasallar içerirler.** Toz yutmayı ve cilt temasını önlemek için tedbir alın. Malzeme sağlayıcısının güvenlik bilgilerine uyun.
- Elektrik fişine ıslak ellerle dokunmayın.**

BU TALİMATLARI SAKLAYIN.

⚠UYARI: Ürünü kullanırken (defalarca kullanınca kazanılan) rahatlık ve tanıdıklık duygusunun ilgili ürünün güvenlik kurallarına sıkı sıkıya bağlı kalmanızı yerine geçmesine İZİN VERMEYİN. YANLIŞ KULLANIM veya bu kullanma kılavuzunda belirtilen emniyet kurallarına uymama ciddi yaralanmaya neden olabilir.

İŞLEVSEL NİTELİKLER

⚠ DİKKAT: Alet üzerinde ayarlama ya da işleyiş kontrolü yapmadan önce aletin kapalı ve fişinin çekili olduğundan daima emin olun.

Anahtar işlemi

⚠ DİKKAT: Aleti fişe takmadan önce anahtar tetiğinin doğru çalıştığından ve bırakıldığında "OFF" (kapalı) konumuna döndüğünden emin olun.

⚠ DİKKAT: Uzun süreli kullanım sırasında kullanıcının rahatı için anahtar "ON" (açık) konumunda kilitlenebilir. Anahtar "ON" (açık) konumunda kilitliyi dikkatli olun ve aleti sıkı kavrayın.

- **Şek.1:** 1. Anahtar tetik 2. Kilitleme düğmesi
► **Şek.2:** 1. Anahtar tetik 2. Kilitleme düğmesi



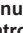
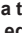
Aleti çalıştırmak için, sadece anahtar tetiği çekin. Aletin çalışma hızı anahtar tetik üstüne daha fazla baskı yapılarak artırılır. Durdurmak için anahtar tetiği serbest bırakın.

Sürekli çalıştırma için, anahtar tetiği çekin, kilitleme düğmesini itin ve ardından anahtar tetiği serbest bırakın. Aleti kilitli pozisyonundan çıkarmak için, anahtar tetiği tamamen çekip sonra serbest bırakın.


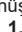
Ters dönüş mandalı işlemi

⚠ DİKKAT: Kullanmadan önce dönüş yönünü daima kontrol edin.

ÖNEMLİ NOT: Ters döndürme anahtarını sadece alet tamamen durduktan sonra kullanın. Dönüş yönünün alet durmadan önce değiştirilmesi alete zarar verebilir.


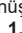
ÖNEMLİ NOT: Anahtar tetiğe basılıyorsa, ters dönüş anahtarının  /  (A tarafı) veya  /  (B tarafı) pozisyonuna tam olarak ayarlanıp ayarlanmadığını kontrol edin.

HR2652/HR2653/HR2653T için

Bu aletin dönme yönünü değiştirmek için ters dönüş anahtarları vardır. Saat yönüne dönüş için, ters dönüş mandalını  pozisyonuna (A tarafı), saat yönünün tersine dönüş için de  pozisyonuna (B tarafı) getirin.

- **Şek.3:** 1. Ters dönüş mandalı

HR2663 için

Bu aletin dönme yönünü değiştirmek için ters dönüş anahtarları vardır. Saat yönüne dönüş için, ters dönüş mandalını  pozisyonuna (A tarafı), saat yönünün tersine dönüş için de  pozisyonuna (B tarafı) getirin.

- **Şek.4:** 1. Ters dönüş mandalı

NOT: Aleti saatin aksi yönünde dönüşle kullanırken anahtar tetik sadece yarısına kadar çekilebilir ve alet yarım hızda çalışır. Saatin aksi yönünde dönüş için kilitleme düğmesine basılamaz.


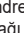
SDS-plus için hızlı değiştirilebilir mandrenin değiştirilmesi

HR2653T için

SDS-plus için hızlı değiştirilebilir mandren, hızlı değiştirilebilir matkap mandreni için kolayca değiştirilebilir.


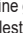

SDS-plus için hızlı değiştirilebilir mandrenin çıkarılması

⚠ DİKKAT: SDS-plus için hızlı değiştirilebilir mandreni çıkarmadan önce ucu çıkardığınızdan emin olun.

SDS-plus için hızlı değiştirilebilir mandrenin değiştirme kapağını kavrayın ve değiştirme kapağı çizgisi,  simgesinden  simgesine gelene kadar ok yönünde çevirin. Ok yönünde güçlü bir şekilde çekin.

- **Şek.5:** 1. SDS-plus için hızlı değiştirilebilir mandren 2. Değiştirme kapağı 3. Değiştirme kapağı çizgisi

Hızlı değiştirilebilir matkap mandreninin takılması

Hızlı değiştirilebilir matkap mandreninin çizgisinin  simgesini gösterdiğinden emin olun. Hızlı değiştirilebilir matkap mandreninin değiştirme kapağını kavrayın ve çizgiyi  simgesine getirin. Hızlı değiştirilebilir matkap mandrenini aletin miline yerleştirin. Hızlı değiştirilebilir matkap mandreninin değiştirme kapağını kavrayın ve bir tık sesi duyulana dek değiştirme kapağı çizgisini  simgesine çevirin.

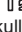
- **Şek.6:** 1. Hızlı değiştirilebilir matkap mandreni 2. Mil 3. Değiştirme kapağı çizgisi 4. Değiştirme kapağı

Bir eylem modu seçme

ÖNEMLİ NOT: Alet çalışırken eylem modu değiştirme düğmesini döndürmeyin. Alet zarar görebilir.

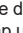
ÖNEMLİ NOT: Mod değiştirme mekanizmasının hızlı aşınmasını önlemek için, eylem modu değiştirme düğmesinin üç eylem modu pozisyonundan birine tam olarak döndürüldüğünden emin olun.

Kırmalı dönüş

Beton, taş vb. delerken, eylem modu değiştirme düğmesini  sembolüne doğru döndürün. Tungsten karbür uç kullanın (isteğe bağlı aksesuar).

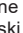
- **Şek.7:** 1. Kırmalı dönüş 2. Eylem modu değiştirme düğmesi

Sadece dönüş

Tahta, metal veya plastik malzemeleri delerken, eylem modu değiştirme düğmesini  sembolüne doğru döndürün. Spiral matkap ucu veya aşıp matkap ucu kullanın.

- **Şek.8:** 1. Sadece dönüş

Sadece kırma

Yontma, raspalama veya kırma işlemleri için, eylem modu değiştirme düğmesini  sembolüne doğru döndürün. Sivri keski, soğuk keski, yassı keski vb. kullanın.

- **Şek.9:** 1. Sadece kırma

Emme ünitesinin konumunun ayarlanması

Kılavuz ayarlama düğmesine basarak kılavuzu içeri itirin ve düğmeyi istenen konumda bırakın.

► **Şek.10:** 1. Kılavuz 2. Kılavuz ayarlama düğmesi

NOT: Emme ünitesinin konumunu ayarlamadan önce kılavuz ayarlama düğmesine basarak emme ünitesini ileri doğru sonuna kadar salın.

Delme derinliğinin ayarlanması

Derinlik ayarlama düğmesini, basarak istediğiniz konuma getirin. (A) mesafesi, delme derinliğidir.

► **Şek.11:** 1. Derinlik ayarlama düğmesi

Tork sınırlandırıcı

ÖNEMLİ NOT: Tork sınırlandırıcı etkinleştildiğinde, aleti hemen kapatın. Bu işlem, aletin erkenden aşınmasını önler.

ÖNEMLİ NOT: Delik açma testeresi gibi, kolayca deliğe sıkışma veya takılma olasılığı bulunan matkap uçları bu aletle kullanım için uygun değildir. Bunun nedeni, tork sınırlandırıcının çok sık etkinleşmesine neden olmalarıdır.

Belli bir tork seviyesine ulaştığında tork sınırlandırıcı etkinleştirilir. Motor, çıkış şaftından ayrılır. Bunun sonucunda da matkap ucunun dönmesi durur.

Kanca

⚠ DİKKAT: Aleti hiçbir zaman yüksek bir yere veya potansiyel olarak dengesiz bir zemine asmayın.

HR2663 için

► **Şek.12:** 1. Kanca

Kanca, aleti geçici olarak asmak için kullanışlıdır. Kancayı kullanmak için açık konuma oturana dek kancayı kaldırın. Kullanmıyorken daima kancayı indirerek kapalı konuma oturtun.

MONTAJ

⚠ DİKKAT: Alet üzerinde herhangi bir iş yapmadan önce aletin kapalı ve fişinin çekili olduğundan daima emin olun.

Yan kavrama kolu (yardımcı tutamak)

⚠ DİKKAT: Çalışma güvenliği için daima yan kavrama kolunu kullanın.

⚠ DİKKAT: Yan kavrama kolunu takıp ayarladıktan sonra yerine iyice sabitlendiğinden emin olun.

Yan kavrama kolu üzerindeki oluklar alet gövdesindeki çıkıntılarının arasına denk gelecek şekilde takın. Kavrama kolunu sabitlemek için saat yönünde döndürün. Kavrama kolu istenen açıda sabitlenebilir.

► **Şek.13:** 1. Yan kavrama kolu

Gres yağı

Matkap ucunun mil ucunu önceden küçük bir miktar gres ile yağlayın (yaklaşık 0,5 - 1 g). Mandrenin yağlanması yumuşak bir çalışma ve daha uzun servis ömrü sağlar.

Matkap ucunun takılması veya çıkarılması

Matkap ucunu takmadan önce matkap ucunun mil ucunu temizleyin ve gres ile yağlayın.

► **Şek.14:** 1. Mil ucu 2. Gres yağı

Matkap ucunu alete takın. Matkap ucunu çevirip yerine oturana kadar itin.

Matkap ucunu taktıktan sonra çekmeye çalışarak matkap ucunun yerine sağlam bir şekilde oturduğundan daima emin olun.

► **Şek.15:** 1. Matkap ucu


Matkap ucunu çıkarmak için, mandren kapağını tamamen aşağı çekin ve matkap ucunu çekip çıkarın.

► **Şek.16:** 1. Matkap ucu 2. Mandren kapağı

Keski açısı (yontma, raspalama veya kırma sırasında)

Keski, istenen açıda sabitlenebilir. Keski açısını değiştirmek için, eylem modu değiştirme düğmesini O sembolüne doğru döndürün. Keskiyi istenen açıya döndürün.

► **Şek.17:** 1. Eylem modu değiştirme düğmesi

Eylem modu değiştirme düğmesini  sembolüne ayarlayın. Ardından, keskiyi hafifçe döndürerek yerine sağlam bir şekilde oturduğundan emin olun.

Derinlik mastarı

Derinlik mastarı eşit derinlikte delikler delmeye yarar. Yan kavrama kolunu gevşetin ve derinlik mastarını yan kavrama kolundaki deliğin içine yerleştirin. Derinlik mastarını istenilen derinliğe ayarlayın ve yan kavrama kolunu iyice sıkıştırın.

► **Şek.18:** 1. Delik 2. Derinlik mastarı

NOT: Derinlik mastarını takarken, derinlik mastarının aletin ana gövdesine temas etmediğinden emin olun.

Toz toplama sisteminin takılması veya çıkarılması

Toz toplama sistemini çıkarmak için kilit açma düğmesine basarak aleti çekin. Takmak için aleti toz toplama sistemine, hafif bir tık sesi ile yerine kilitlenene dek sonuna kadar sokun.

► **Şek.19:** 1. Kilit açma düğmesi

Toz başlığı

İsteğe bağlı aksesuarlar

Tozun yere ve üzerinize dökülmesini önlemek için başınızdan daha yukarıdaki delme işlemlerini gerçekleştirirken toz başlığını kullanın. Toz başlığını şekilde gösterildiği gibi uca takın. Toz başlığının takılabileceği uç boyutları aşağıda verilmiştir.

Model	Uç çapı
Toz başlığı 5	6 mm - 14,5 mm
Toz başlığı 9	12 mm - 16 mm

► **Şek.20:** 1. Toz başlığı

Toz başlığı seti

İsteğe bağlı aksesuarlar

Toz başlığı setini takmadan önce ucun takılı olması durumunda ucu aletten çıkarın.

Toz başlığı setini alete, toz başlığının üzerindeki Δ simgesi aletin üzerindeki kanalla aynı hizada olacak şekilde takın.

► **Şek.21:** 1. Δ simgesi 2. Kanal

NOT: Toz başlığı setine bir elektrikli süpürge bağlıyorsanız, bunu yapmadan önce toz kapağını çıkarın.

► **Şek.22:** 1. Toz kapağı

Toz başlığı setini çıkarmak için mandren kapağını ok yönünde çekerken ucu çıkarın.

► **Şek.23:** 1. Uç 2. Mandren kapağı

Toz başlığının altını tutun ve çekerek çıkarın.

► **Şek.24**

NOT: Toz başlığının kapağı çıkarsa, yazılı kısmı yukarı bakacak ve kapağın üzerindeki oluk ek parçanın çevreyeyen kısmının içine oturacak şekilde takın.

► **Şek.25**

KULLANIM

⚠DİKKAT: Çalışırken daima yan kavrama kolunu (yardımcı tutamak) kullanın ve aleti hem yan kavrama kolundan hem de anahtar kabzasından sıkıca kavrayın.

⚠DİKKAT: Çalışmaya başlamadan önce iş parçasının sabitlenmiş olduğundan daima emin olun.

⚠DİKKAT: Toz toplama sistemi sadece beton delme işlemi için tasarlanmıştır. Toz toplama sistemini metal veya tahta delme işlemi için kullanmayın.

⚠DİKKAT: Aleti toz toplama sistemi ile kullanırken toz solumayı engellemek için toz toplama sistemine mutlaka filtre takın.

⚠DİKKAT: Toz toplama sistemini kullanmadan önce filtrenin hasarlı olmadığını kontrol edin. Aksi takdirde toz solunmasına neden olabilir.

⚠DİKKAT: Toz toplama sistemi üretilen tozu makul bir oranda toplar, ancak tozun tamamı toplanamayabilir.

ÖNEMLİ NOT: Toz toplama sistemini karotla delme veya yontma işlemi için kullanmayın.

ÖNEMLİ NOT: Toz toplama sistemini yaş beton delme işlemi için veya ıslak ortamda kullanmayın. Aksi takdirde arzaya neden olabilir.

► **Şek.26**

Darbeli matkap işleyişi

⚠DİKKAT: Delik delme sırasında delik talaşlar ya da parçacıklarla tıkandığı ya da betona gömülü betonarme demirlerine çarpıldığı zaman, alet/matkap ucu üstüne çok büyük ve ani bir burulma kuvveti etki eder. **Çalışırken daima yan kavrama kolunu (yardımcı tutamak) kullanın ve aleti hem yan kavrama kolundan hem de anahtar kabzasından sıkıca kavrayın.** Bunu yapmazsanız aletin kontrolünü kaybedebilirsiniz. ciddi şekilde yaralanmaya neden olabilirsiniz.

Eylem modu değiştirme düğmesini T sembolüne ayarlayın.

Matkap ucunu delmek istediğiniz noktaya yerleştirin ve ardından anahtar tetiği çekin. Aleti zorlamayın. En iyi sonucu almak için hafif bir basınç uygulamanız yeterlidir. Aletin konumunu koruyun ve deliğin dışına kaymasını önleyin.

Delik talaş ya da parçacıklardan dolayı tıkanırsa daha fazla basınç uygulamayın. Bunun yerine aleti rölantide çalıştırın ve ardından matkap ucunu kısmen delikten çıkarın. Bunu birkaç kez tekrarladığınızda delik temizler ve normal delme işlemine devam edebilirsiniz.

NOT: Alet yüksüz olarak çalıştığında matkap ucunun dönüşünde merkezden sapma meydana gelebilir. Kullanım sırasında alet otomatik olarak konumu düzeltilir. Delme işleminin kesinliği etkilenmez.

Yontma/Raspalama/Kırma

Eylem modu değiştirme düğmesini T sembolüne ayarlayın.

Aleti iki elle sıkıca tutun. Aleti çalıştırın ve tepme yapmadan kontrollü bir şekilde kullanılması için hafif bir basınç uygulayın.

Alete çok fazla bastırmak daha verimli bir kullanım sağlamaz.

► **Şek.27**

Tahta veya metal delme

⚠DİKKAT: Matkap ucu, iş parçasını delip çıkmaya başladığında aleti sıkı tutun ve dikkat sarf edin. Deliğin açılması sırasında alet/matkap ucu üzerine çok büyük güç uygulanır.

⚠DİKKAT: Sıkışan bir matkap ucu, aleti ters yöne döndürerek kolayca çıkartılabilir. Fakat bu durumda aleti sıkıca tutmak gerekir, aksi halde alet darbe ile aniden elden çıkabilir.

⚠DİKKAT: İş parçalarını daima bir mengene ya da benzer sıkıştırma aygıtlarıyla sabitleyin.

ÖNEMLİ NOT: Matkap mandreni aletin üzerine takılı olduğunda “kırmalı dönüş” özelliğini asla kullanmayın. Matkap mandreni zarar görebilir. Ayrıca, alet ters dönerken matkap mandreni yerinden çıkar.

ÖNEMLİ NOT: Alete aşırı baskı yapıldığında delme işlemi hızlanmayacaktır. Aşırı baskı matkap ucunun yıpranmasına, alet performansının düşmesine ve aletin kullanım ömrünün kısalmasına yol açacaktır.

Eylem modu değiştirme düğmesini  sembolüne ayarlayın.

HR2652/HR2653/HR2663 için

İsteğe bağlı aksesuarlar

Mandren adaptörünü, 1/2"-20 boy vida takılabilen anahtarsız matkap mandrenine takın ve daha sonra bunları alete takın. Takarken, “Matkap ucunun takılması veya çıkarılması” bölümüne başvurun.

► **Şek.28:** 1. Anahtarsız matkap mandreni 2. Mandren adaptörü

HR2653T için

Hızlı değiştirilebilir matkap mandrenini standart ekipman olarak kullanın. Takarken “SDS-plus için hızlı değiştirilebilir mandrenin değiştirilmesi” bölümüne başvurun.


Bileziği tutun ve kovani saatin aksi yönünde çevirerek mandren çenelerini açın. Ucu mandrenin içinde gidebileceği yere kadar iterek yerleştirin. Bileziği sıkıca tutun ve kovani saat yönünde çevirerek mandreni sıkın.

► **Şek.29:** 1. Kovani 2. Bilezik

Ucu çıkarmak için bileziği tutun ve kovani saatin aksi yönünde çevirin.

Elmas karotla delme

ÖNEMLİ NOT: “Kırmalı dönüş” eylem modu kullanılarak elmas karotla delme işlemi gerçekleştirilirse, elmas karot matkap ucu zarar görebilir.

Elmas karotla delme işlemleri sırasında “sadece dönüş” eylemini kullanmak için eylem modu değiştirme düğmesini daima  konumuna ayarlayın.

Filtre üzerindeki tozun vurarak çıkarılması

⚠DİKKAT: Toz kutusu toz toplama sisteminden çıkarılmışken toz kutusu üzerindeki kadranı çevirmeyin. Böyle yapılması toz solunmasına neden olabilir.

⚠DİKKAT: Toz kutusu üzerindeki kadranı çeviren aleti daima kapatın. Alet çalışırken kadranın çevirmesi aletin kontrolünün kaybedilmesine neden olabilir.

Toz kutusunun içindeki filtre üzerindeki tozu vurarak çıkarmak suretiyle vakum etkisini koruyabilir ve tozu boşaltma sayısını azaltabilirsiniz.

Her 50.000 mm³ toz topladıktan sonra veya vakum performansının düştüğünü hissettiğinizde toz kutusu üzerindeki kadranı üç kez çevirin.

NOT: 50.000 mm³ toz, 10 mm çapında ve 65 mm derinliğinde 10 delik (3/8" çapında ve 2" derinliğinde 14 delik) açmaya denk gelir.

► **Şek.30:** 1. Toz kutusu 2. Kadran

Tozun atılması

⚠DİKKAT: Alet üzerinde herhangi bir iş yapmadan önce aletin kapalı ve fişinin çekili olduğundan daima emin olun.

⚠DİKKAT: Tozu atarken mutlaka toz maskesi takın.

⚠DİKKAT: Toz kutusunu düzenli olarak, toz kutusu dolmadan önce boşaltın. Aksi davranış toz toplama performansını düşürebilir ve tozun solunmasına neden olabilir.

⚠DİKKAT: Toz toplama performansı, toz kutusundaki filtre tıkanırsa düşer. Bir rehber olarak yaklaşık 200 toz toplama işleminin ardından filtreyi yenisi ile değiştirin. Aksi takdirde toz solunmasına neden olabilir.

1. Toz kutusunun kolunu aşağı bastırarak toz kutusunu çıkarın.

► **Şek.31:** 1. Kol

2. Toz kutusunun kapağını açın.

► **Şek.32:** 1. Kapak

3. Tozu boşaltın ve daha sonra filtreyi temizleyin.

► **Şek.33**

ÖNEMLİ NOT: Filtreyi temizlerken filtreye fırça veya benzeri bir cisimle dokunmayın ya da filtrenin üzerine basınçlı hava üflemeyin. Filtreye zarar verebilir.

Toz üfleme aparatı

İsteğe bağlı aksesuarlar

Deliği deldikten sonra, deliğin içindeki tozu temizlemek için toz üfleme aparatını kullanın.

► **Şek.34**

Toz başlığı setinin kullanılması

İsteğe bağlı aksesuarlar

Aleti kullanırken toz başlığı setini tavana yerleştirin.

► **Şek.35**

ÖNEMLİ NOT: Toz başlığı setini metal veya benzeri materyal üzerinde delme işlemi yaparken kullanmayın. Küçük metal tozu veya benzeri taraftan üretilen ısıdan dolayı, toz başlığı setine zarar verebilir.

ÖNEMLİ NOT: Alete matkap ucu takılı iken toz başlığı setini takmayın veya çıkarmayın. Toz başlığı setine zarar verebilir ve toz sızıntısına neden olabilir.

BAKIM

⚠ DİKKAT: Muayene ya da bakım yapmadan önce aletin kapalı ve fişinin çekili olduğundan daima emin olun.

ÖNEMLİ NOT: Benzin, tiner, alkol ve benzeri maddeleri kesinlikle kullanmayın. Renk değişimi, deformasyon veya çatlaklar oluşabilir.

Aleti EMNİYETLİ ve ÇALIŞMAYA HAZIR durumda tutmak için onarımlar, başka her türlü bakım ve ayarlamalar daima Makita yedek parçaları kullanılarak Makita yetkili servis merkezleri veya Fabrikanın Servis Merkezleri tarafından yapılmalıdır.

Toz kutusunun filtresinin değiştirilmesi

1. Toz kutusunun kolunu aşağı bastırarak toz kutusunu çıkarın.
► **Şek.36:** 1. Kol
2. Şekilde gösterildiği gibi filtre mahfazası ile toz kutusu kapağının arasına bir düz tornavida sokun. Filtre mahfazasının kenarlarına bastırıp bükerken filtre mahfazasını düz tornavida ile kaldırın ve filtre mahfazasını çıkarın.
► **Şek.37:** 1. Düz tornavida 2. Filtre mahfazası 3. Toz kutusu kapağı
3. Filtre mahfazasından filtreyi çıkarmak için şekilde gösterildiği gibi bunları ters çevirin ve filtreyi yukarı ittirin.
► **Şek.38:** 1. Filtre 2. Filtre mahfazası
4. Filtre mahfazasına yeni bir filtre takın, ardından filtre mahfazasının üzerindeki çıkıntıyı toz kutusunun üzerindeki kanal ile aynı hizaya getirerek bunları toz kutusuna takın.
► **Şek.39:** 1. Çıkıntı 2. Kanal
5. Toz kutusunun kapağını kapatın ve daha sonra toz kutusunu alete takın.

Sızdırmazlık başlığının değiştirilmesi

İsteğe bağlı aksesuarlar

Aşınmış veya hasarlı bir sızdırmazlık başlığı emme performansını etkileyebileceğinden sızdırmazlık başlığını düzenli aralıklarla değiştirin.

1. Yassı yüzeyleri dik olacak şekilde bir düz tornavidayı emme ünitesi kafasının yanlarında bulunan serbest bırakma deliklerinden birine sokun. Düz tornavidayı bir açıyla çevirerek sızdırmazlık başlığının küp kancasını sıkıp kalıplanmış yuvadan çıkarın. Ardından sızdırmazlık başlığının kauçuk kenarlarını emme ünitesi kafası açıklığının çerçevesinden soyup çıkarın.
► **Şek.40:** 1. Sızdırmazlık başlığı 2. Küp kanca 3. Bırakma deliği 4. Emme ünitesi kafası
2. Yenilenen sızdırmazlık başlığının küp kancalarından birini, sızdırmazlık başlığının girintili yüzeyi ileri bakacak şekilde emme ünitesi kafasındaki kalıplanmış yuvaya yerleştirin.
► **Şek.41:** 1. Küp kancalar 2. Yuvalar 3. Sızdırmazlık başlığı 4. Girintili yüzey

3. Emme ünitesi kafasına hassas bir şekilde oturmak için sızdırmazlık başlığını yeniden konumlandırırken diğer kancayı emme ünitesi kafasının diğer tarafındaki yuvaya yerleştirin.
► **Şek.42:** 1. Sızdırmazlık başlığı 2. Küp kanca 3. Yuva 4. Emme ünitesi kafası 5. Çerçeve
4. Sızdırmazlık başlığının kauçuk kenarlarını emme ünitesi kafası açıklığının çerçevesine aşağıdan yukarı doğru hafifçe döşeyin.
► **Şek.43:** 1. Kauçuk kenarlar 2. Sızdırmazlık başlığı 3. Emme ünitesi kafası

İSTEĞE BAĞLI AKSESUARLAR

⚠ DİKKAT: Bu aksesuarlar ve ek parçalar bu el kitabında belirtilen Makita aletinin ile kullanılmak için tavsiye edilmektedir. Herhangi başka bir aksesuar ya da ek parça kullanılması insanlar için bir yaralanma riski getirebilir. Aksesuarları ya da ek parçaları yalnızca belirtilmiş olan kullanım amaçlarına uygun olarak kullanın.

Bu aksesuarlarla ilgili daha fazla bilgiye ihtiyaç duyar-sanız bulunduğunuz yerdeki yetkili Makita servisine başvurun.

- Karbür matkap uçları (SDS-plus karbür matkap uçları)
- Karot matkap ucu
- Sivri keski
- Elmas karot matkap ucu
- Soğuk keski
- Yassı keski
- Kanal açma keskisi
- Mandren adaptörü
- Anahtarsız matkap mandreni
- Uç gresi
- Derinlik mastarı
- Toz üfleme aparatı
- Toz başlığı
- Toz başlığı seti
- Toruyucu gözlük
- Plastik taşıma çantası

NOT: Listedeki parçaların bazıları alet paketi içerisinde standart aksesuar olarak dahil edilmiş olabilir. Bunlar ülkeden ülkeye farklılık gösterebilir.

Makita Europe N.V. Jan-Baptist Vinkstraat 2,
3070 Kortenberg, Belgium

Makita Corporation 3-11-8, Sumiyoshi-cho,
Anjo, Aichi 446-8502 Japan

www.makita.com

885675D991
EN, FR, DE, IT, NL,
ES, PT, DA, EL, TR
20220621