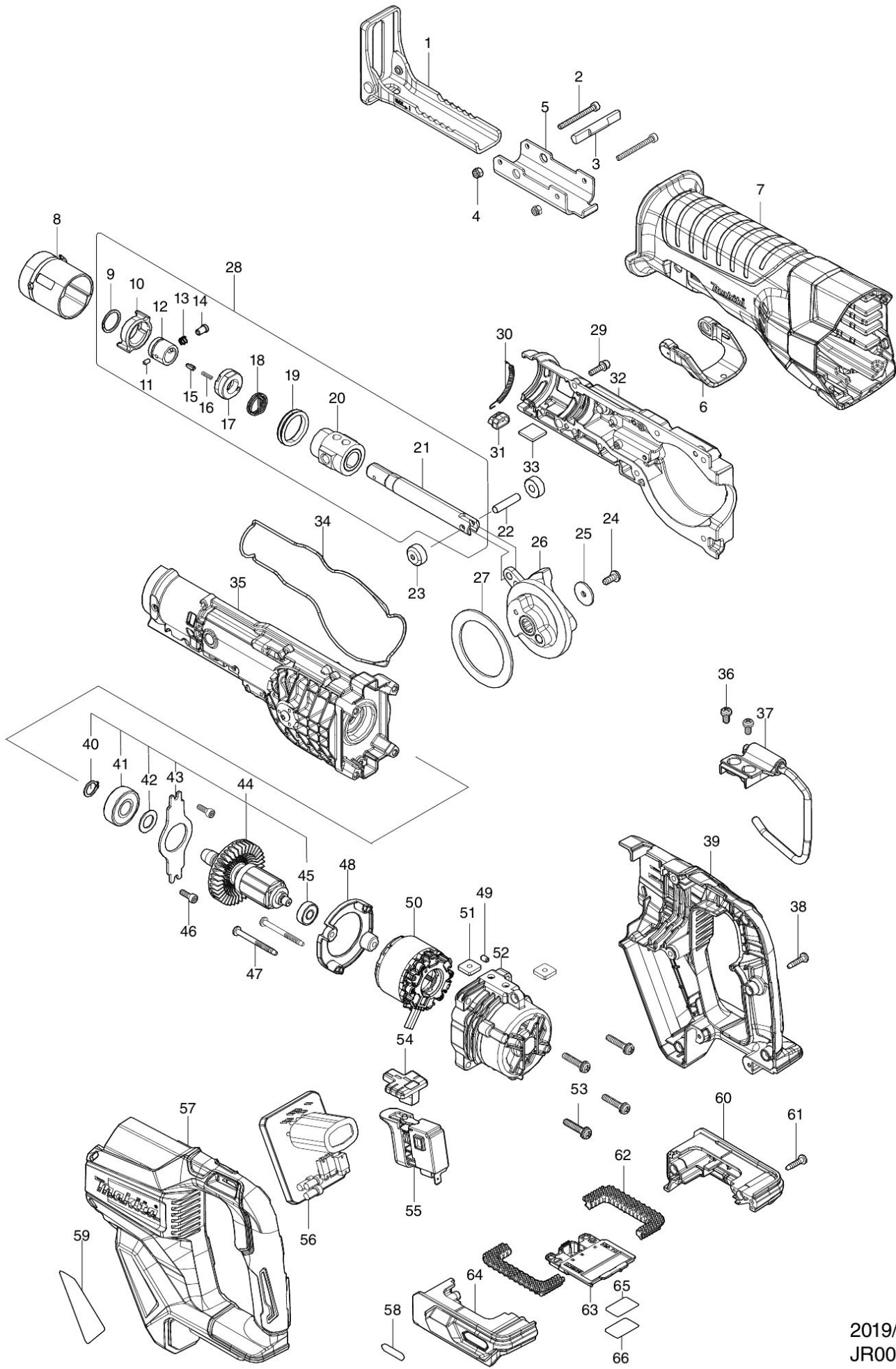


Partdrawing for JR001GZ - Reciprozaag



2019/10
JR001G