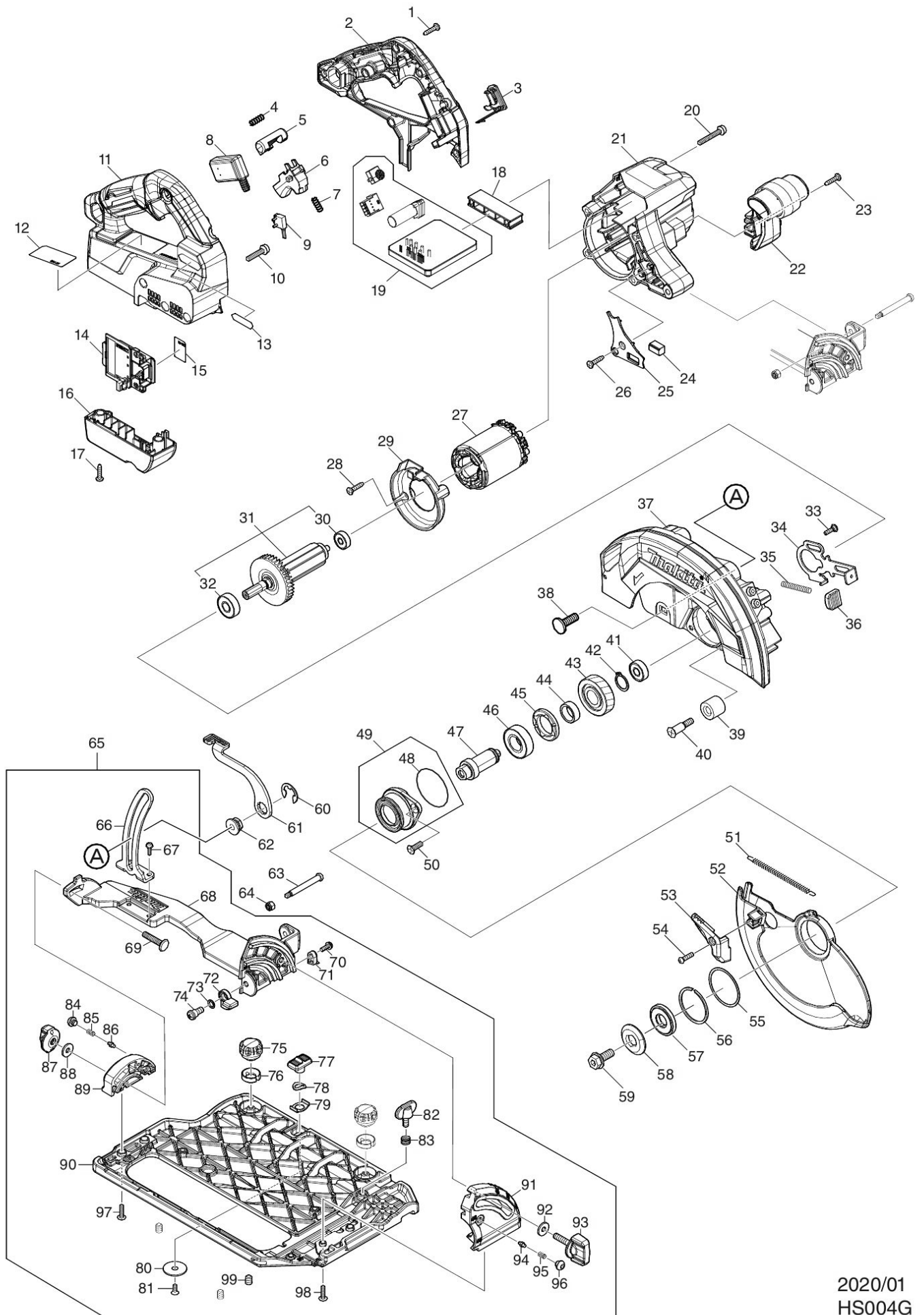


# Partdrawing for HS004GZ01 - Cirkelzaag



2020/01  
HS004G