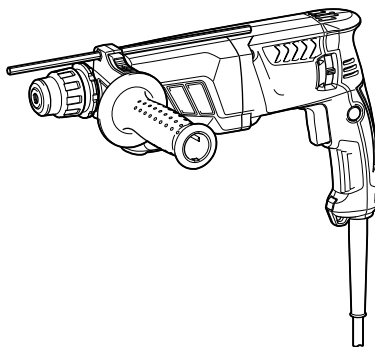
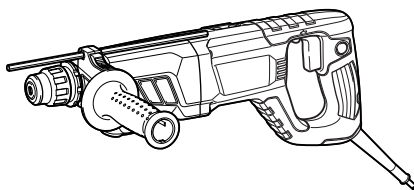
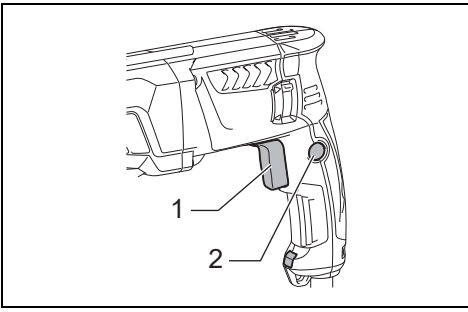




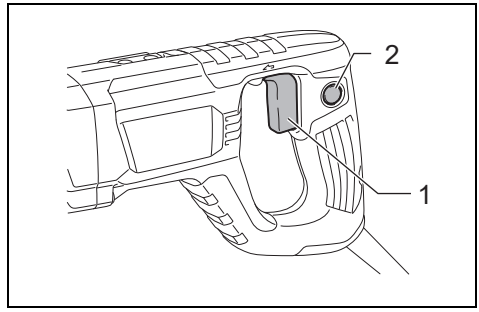
GB	Combination Hammer	Instruction Manual
F	Marteau Combi	Manuel d'instructions
D	Kombi-Hammer	Betriebsanleitung
I	Martello multifunzione	Istruzioni per l'uso
NL	Combinatiehamer	Gebruiksaanwijzing
E	Martillo Rotativo Combinado	Manual de instrucciones
P	Martele Combinado	Manual de instruções
DK	Kombinationshammer	Brugsanvisning
GR	Σφυρί συνδυασμού	Οδηγίες χρήσεως
TR	Kombine Darbeli Matkap	Kullanma kılavuzu

HR2631F
HR2631FT
HR2641
HR2320T
HR2630
HR2630T

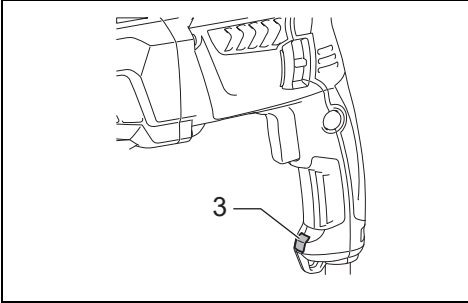




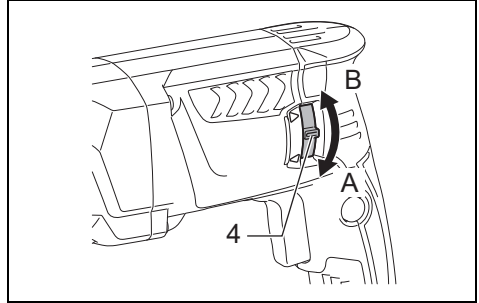
1 015336



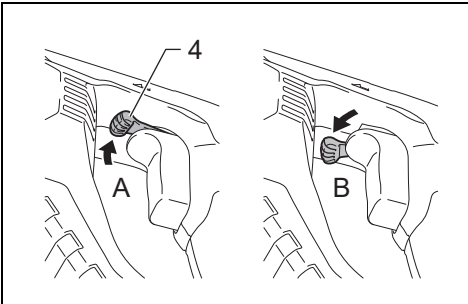
2 015360



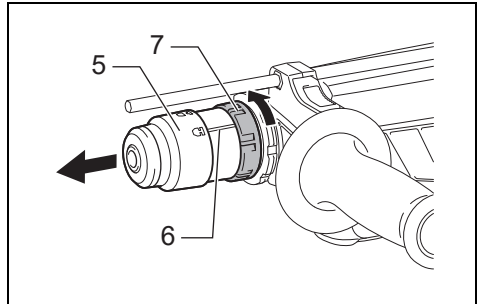
3 015337



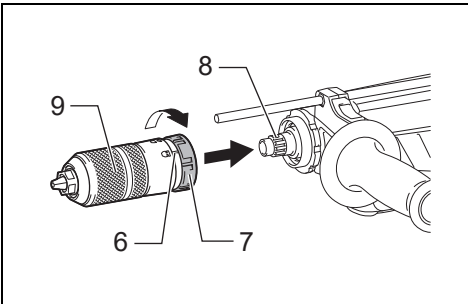
4 015338



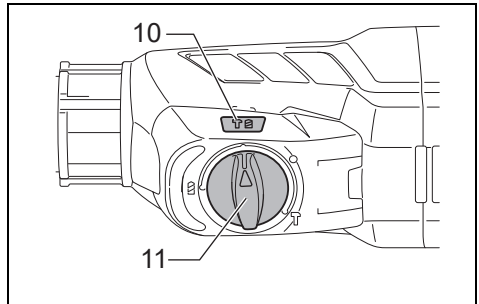
5 015361



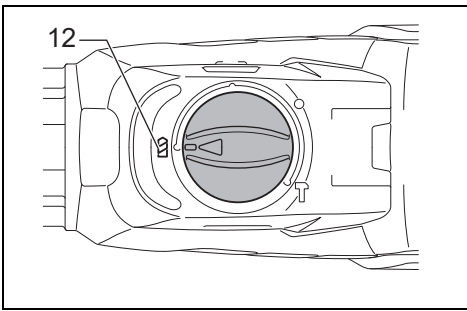
6 015339



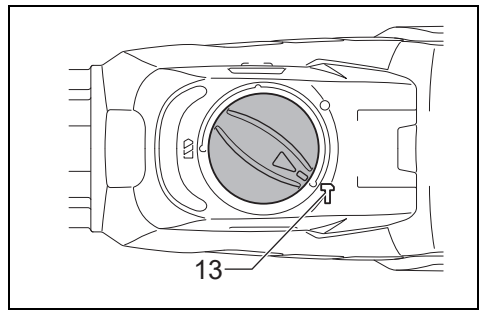
7 015340



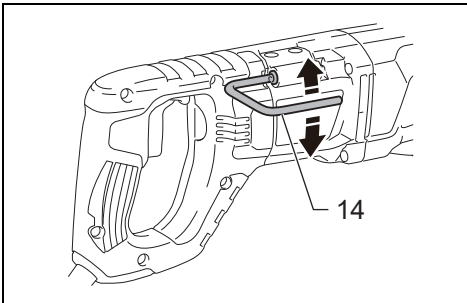
8 015341



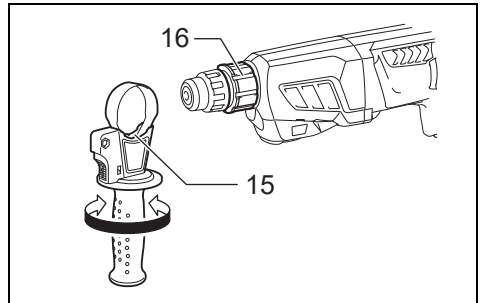
9 015343



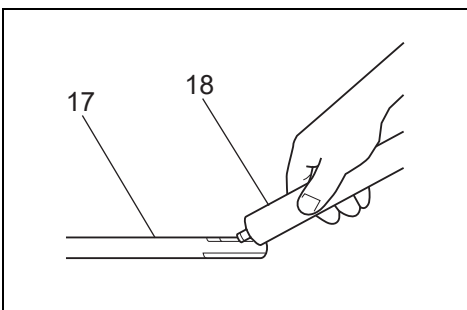
10 015342



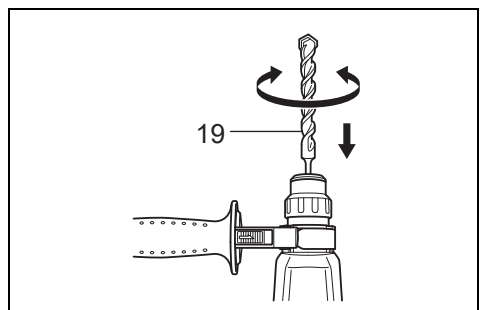
11 015362



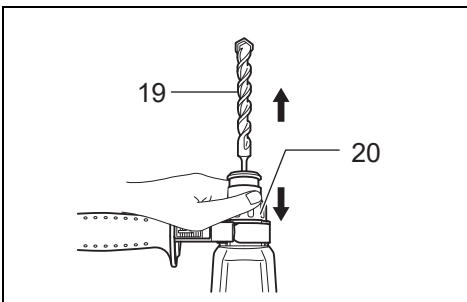
12 015344



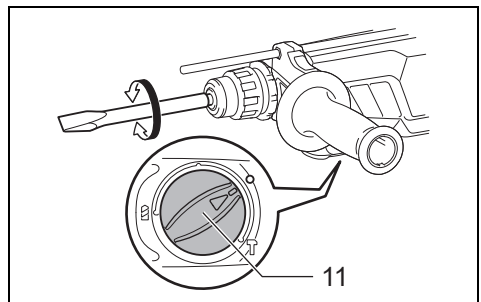
13 003150



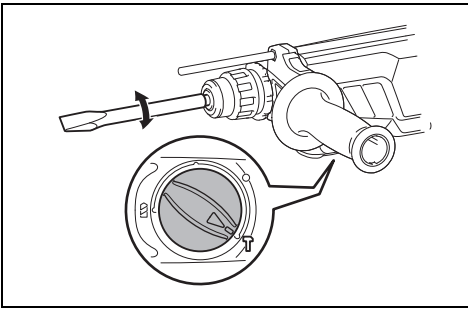
14 015254



15 015255

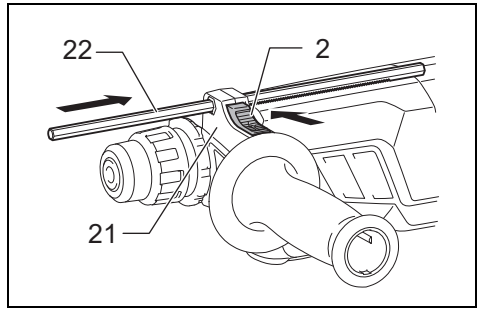


16 015345



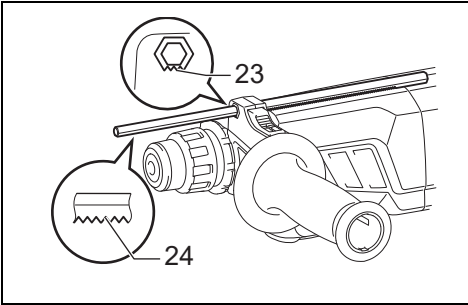
17

015346



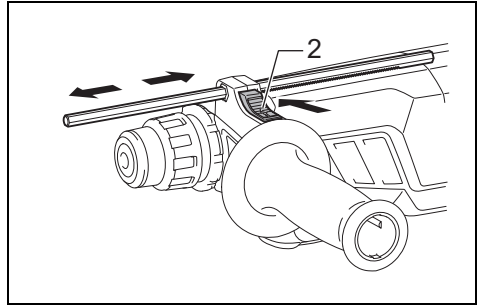
18

015347



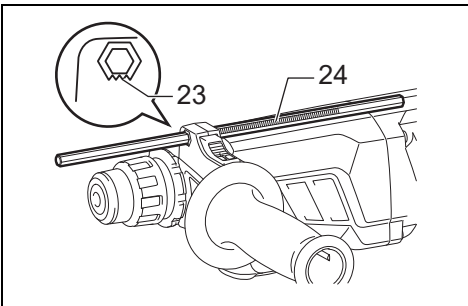
19

015348



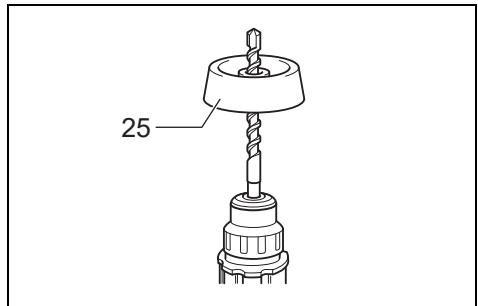
20

015349



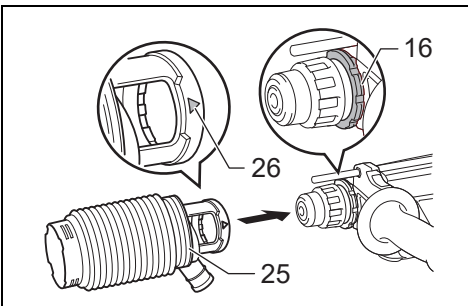
21

015350



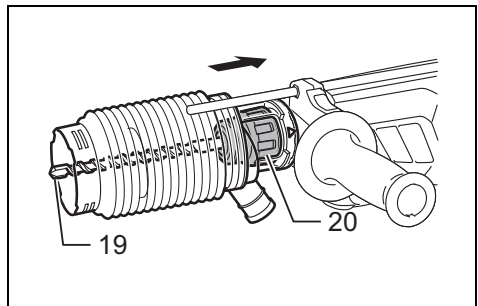
22

010731



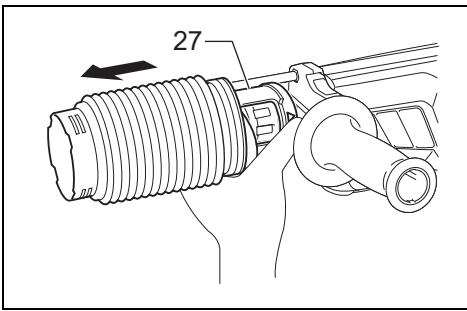
23

015351



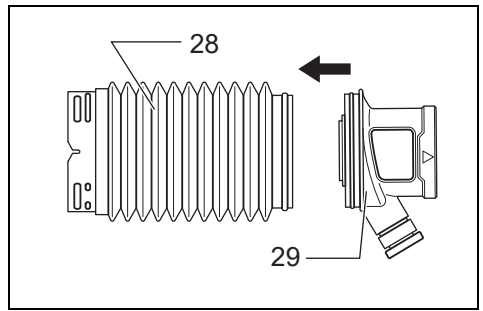
24

015352



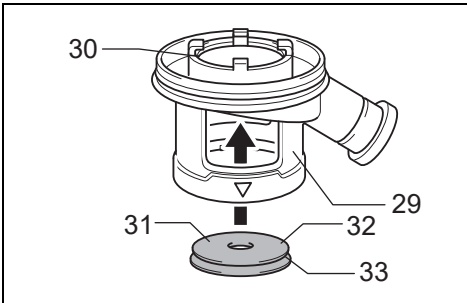
25

015353



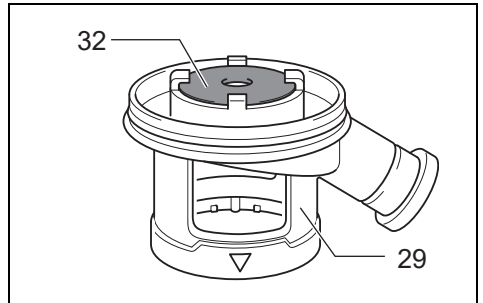
26

011507



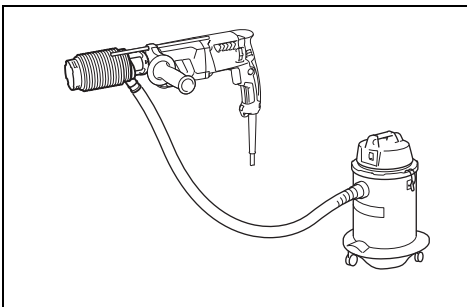
27

015256



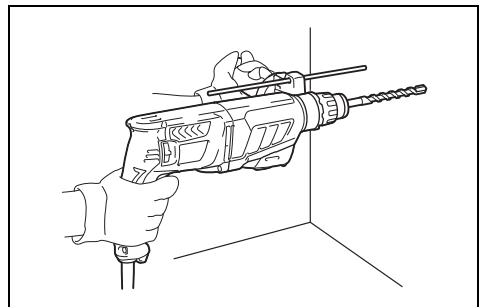
28

012896



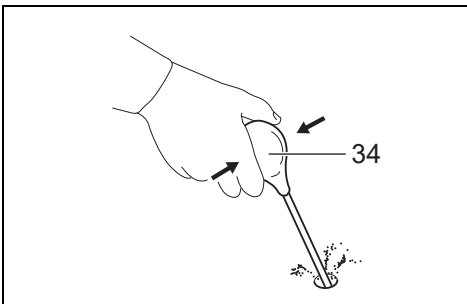
29

015354



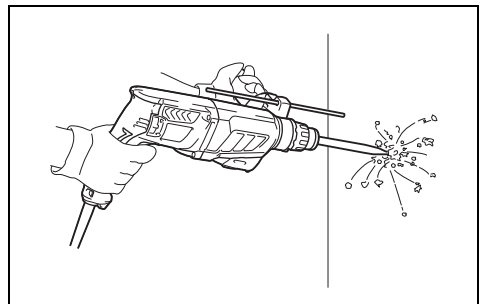
30

015355



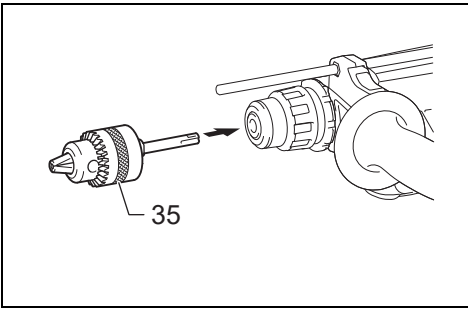
31

002449

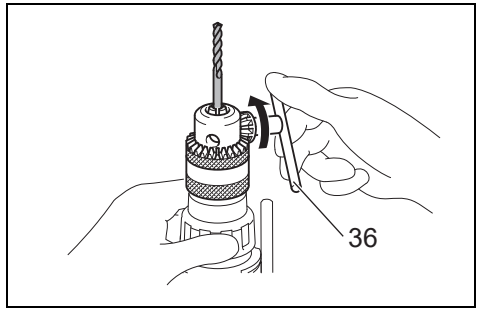


32

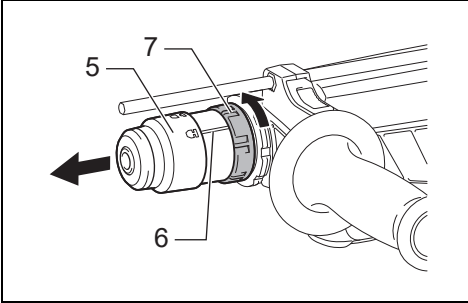
015356



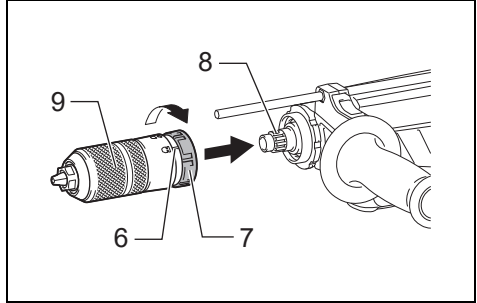
33 015357



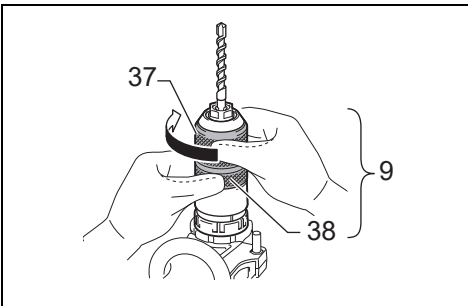
34 015358



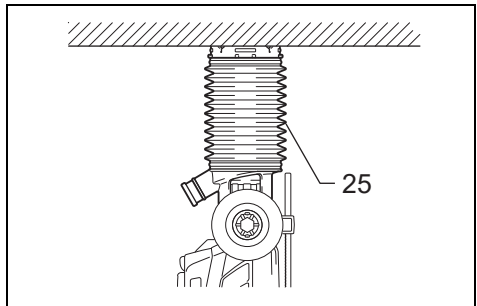
35 015339



36 015340



37 015363



38 015359

Explanation of general view

1 Switch trigger	14 Hook	27 Attachment at the foot of dust cup
2 Lock button	15 Protrusions	28 Bellows
3 Lamp	16 Grooves	29 Attachment
4 Reversing switch lever	17 Bit shank	30 Inside periphery
5 Quick change chuck for SDS-plus	18 Bit grease	31 Flat side
6 Change cover line	19 Bit	32 Cap
7 Change cover	20 Chuck cover	33 Groove
8 Spindle	21 Grip base	34 Blow-out bulb
9 Quick change drill chuck	22 Depth gauge	35 Drill chuck assembly (optional accessory)
10 Rotation with hammering	23 Toothed side of hex hole marking on the grip base	36 Chuck key
11 Action mode changing knob	24 Toothed side of the depth gauge	37 Sleeve
12 Rotation only	25 Dust cup	38 Ring
13 Hammering only	26 \triangle symbol	

SPECIFICATIONS

Model		HR2631F	HR2631FT	HR2641	HR2320T	HR2630	HR2630T
Capacities	Concrete	26 mm			23 mm	26 mm	
	Core bit	68 mm					
	Diamond core bit (dry type)	80 mm			70 mm	80 mm	
	Steel	13 mm					
	Wood	32 mm					
No load speed		0 – 1,200 min ⁻¹		0 – 1,100 min ⁻¹	0 – 1,200 min ⁻¹		
Blows per minute		0 – 4,600 min ⁻¹		0 – 4,500 min ⁻¹	0 – 4,600 min ⁻¹		
Overall length		361 mm	385 mm	422 mm	380 mm	361 mm	385 mm
Net weight		2.9 – 3.4 kg	3.1 – 3.6 kg	3.1 – 3.5 kg	2.9 – 3.2 kg	2.8 – 3.3 kg	3.0 – 3.5 kg
Safety class		II					

- Due to our continuing program of research and development, the specifications herein are subject to change without notice.
- Specifications may differ from country to country.
- The weight may differ depending on the attachment(s). The lightest and heaviest combination, according to EPTA-Procedure 01/2014, are shown in the table.

ENE042-1

GEA010-2

Intended use

The tool is intended for hammer drilling and drilling in brick, concrete and stone. It is also suitable for drilling without impact in wood, metal, ceramic and plastic.

ENF002-2

Power supply

The tool should be connected only to a power supply of the same voltage as indicated on the nameplate, and can only be operated on single-phase AC supply. They are double-insulated and can, therefore, also be used from sockets without earth wire.

General power tool safety warnings

⚠ WARNING: Read all safety warnings, instructions, illustrations and specifications provided with this power tool. Failure to follow all instructions listed below may result in electric shock, fire and/or serious injury.

Save all warnings and instructions for future reference.

The term "power tool" in the warnings refers to your mains-operated (corded) power tool or battery-operated (cordless) power tool.

ROTARY HAMMER SAFETY WARNINGS

Safety instructions for all operations

1. **Wear ear protectors.** Exposure to noise can cause hearing loss.
2. **Use auxiliary handle(s), if supplied with the tool.** Loss of control can cause personal injury.
3. **Hold the power tool by insulated gripping surfaces, when performing an operation where the cutting accessory may contact hidden wiring or its own cord.** Cutting accessory contacting a “live” wire may make exposed metal parts of the power tool “live” and could give the operator an electric shock.

Safety instructions when using long drill bits with rotary hammers

1. **Always start drilling at low speed and with the bit tip in contact with the workpiece.** At higher speeds, the bit is likely to bend if allowed to rotate freely without contacting the workpiece, resulting in personal injury.
2. **Apply pressure only in direct line with the bit and do not apply excessive pressure.** Bits can bend, causing breakage or loss of control, resulting in personal injury.

Additional safety warnings

1. **Wear a hard hat (safety helmet), safety glasses and/or face shield. Ordinary eye or sun glasses are NOT safety glasses. It is also highly recommended that you wear a dust mask and thickly padded gloves.**
2. **Be sure the bit is secured in place before operation.**
3. **Under normal operation, the tool is designed to produce vibration. The screws can come loose easily, causing a breakdown or accident. Check tightness of screws carefully before operation.**
4. **In cold weather or when the tool has not been used for a long time, let the tool warm up for a while by operating it under no load. This will loosen up the lubrication. Without proper warm-up, hammering operation is difficult.**
5. **Always be sure you have a firm footing. Be sure no one is below when using the tool in high locations.**
6. **Hold the tool firmly with both hands.**
7. **Keep hands away from moving parts.**
8. **Do not leave the tool running. Operate the tool only when hand-held.**
9. **Do not point the tool at any one in the area when operating. The bit could fly out and injure someone seriously.**
10. **Do not touch the bit, parts close to the bit, or workpiece immediately after operation; they may be extremely hot and could burn your skin.**
11. **Some material contains chemicals which may be toxic. Take caution to prevent dust inhalation and skin contact. Follow material supplier safety data.**
12. **Do not touch the power plug with wet hands.**

SAVE THESE INSTRUCTIONS.

WARNING:

DO NOT let comfort or familiarity with product (gained from repeated use) replace strict adherence to safety rules for the subject product. **MISUSE** or failure to follow the safety rules stated in this instruction manual may cause serious personal injury.

FUNCTIONAL DESCRIPTION

CAUTION:

- Always be sure that the tool is switched off and unplugged before adjusting or checking function on the tool.

Switch action (Fig. 1 & 2)

CAUTION:

- Before plugging in the tool, always check to see that the switch trigger actuates properly and returns to the “OFF” position when released.

To start the tool, simply pull the switch trigger. Tool speed is increased by increasing pressure on the switch trigger. Release the switch trigger to stop. For continuous operation, pull the switch trigger, push in the lock button and then release the switch trigger. To stop the tool from the locked position, pull the switch trigger fully, then release it.

Lighting up the lamps (Fig. 3)

For Model HR2631F, HR2631FT

CAUTION:

- Do not look in the light or see the source of light directly.

To turn on the lamp, pull the trigger. Release the trigger to turn it off.

NOTE:

- Use a dry cloth to wipe the dirt off the lens of lamp. Be careful not to scratch the lens of lamp, or it may lower the illumination.
- Do not use thinner or gasoline to clean the lamp. Such solvents may damage it.

Reversing switch action (Fig. 4 & 5)

CAUTION:

- Always check the direction of rotation before operation.
- Use the reversing switch only after the tool comes to a complete stop. Changing the direction of rotation before the tool stops may damage the tool.

For Model HR2631F, HR2631FT, HR2320T, HR2630, HR2630T

CAUTION:

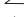

- If the switch trigger can not be depressed, check to see that the reversing switch is fully set to position ◁ (A side) or ▷ (B side).

This tool has a reversing switch to change the direction of rotation. Move the reversing switch lever to the ◁ position (A side) for clockwise rotation or to the ▷ position (B side) for counterclockwise rotation.

For Model HR2641

NOTE:

- When you operate the tool in counterclockwise rotation, the switch trigger is pulled only halfway and the tool runs at half speed. For counterclockwise rotation, you cannot push in the lock button.

This tool has a reversing switch to change the direction of rotation. Move the reversing switch lever to the  position (A side) for clockwise rotation or the  position (B side) for counterclockwise rotation.

Changing the quick change chuck for SDS-plus

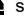

For Model HR2631FT, HR2320T, HR2630T

The quick change chuck for SDS-plus can be easily exchanged for the quick change drill chuck.

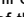

Removing the quick change chuck for SDS-plus (Fig. 6)

CAUTION:


- Before removing the quick change chuck for SDS-plus, always remove the bit.

Grasp the change cover of the quick change chuck for SDS-plus and turn in the direction of the arrow until the change cover line moves from the  symbol to the  symbol. Pull forcefully in the direction of the arrow.

Attaching the quick change drill chuck (Fig. 7)

Check the line of the quick change drill chuck shows the  symbol. Grasp the change cover of the quick change drill chuck and set the line to the  symbol.

Place the quick change drill chuck on the spindle of the tool.


Grasp the change cover of the quick change drill chuck and turn the change cover line to the  symbol until a click can clearly be heard.

Selecting action mode


CAUTION:

- Do not rotate the action mode changing knob when the tool is running. The tool will be damaged.
- To avoid rapid wear on the mode change mechanism, be sure that the action mode changing knob is always positively located in one of the three action mode positions.


Rotation with hammering (Fig. 8)

For drilling in concrete, masonry, etc., rotate the action mode changing knob to the  symbol. Use a tungsten-carbide tipped bit.

Rotation only (Fig. 9)

For drilling in wood, metal or plastic materials, rotate the action mode changing knob to the  symbol. Use a twist drill bit or wood bit.

Hammering only (Fig. 10)

For chipping, scaling or demolition operations, rotate the action mode changing knob to the  symbol. Use a ball point, cold chisel, scaling chisel, etc.

Torque limiter

CAUTION:

- As soon as the torque limiter actuates, switch off the tool immediately. This will help prevent premature wear of the tool.
- Bits such as hole saw, which tend to pinch or catch easily in the hole, are not appropriate for this tool. This is because they will cause the torque limiter to actuate too frequently.

The torque limiter will actuate when a certain torque level is reached. The motor will disengage from the output shaft. When this happens, the bit will stop turning.

Hook (Fig. 11)

For Model HR2641

CAUTION:

- Never hook the tool at high location or on potentially unstable surface.

The hook is convenient for hanging the tool temporarily. To use the hook, simply lift up hook until it snaps into the open position.

When not in use, always lower hook until it snaps into the closed position.

ASSEMBLY

CAUTION:

- Always be sure that the tool is switched off and unplugged before carrying out any work on the tool.

Side grip (auxiliary handle) (Fig. 12)

CAUTION:

- Always use the side grip to ensure operating safety.

Install the side grip so that the protrusions on the grip fit in between the grooves on the tool barrel. Then tighten the grip by turning clockwise at the desired position. It may be swung 360° so as to be secured at any position.

Bit grease

Coat the bit shank head beforehand with a small amount of bit grease (about 0.5 – 1 g).

This chuck lubrication assures smooth action and longer service life.

Installing or removing the bit



Clean the bit shank and apply bit grease before installing the bit. (Fig. 13)

Insert the bit into the tool. Turn the bit and push it in until it engages. (Fig. 14)

After installing, always make sure that the bit is securely held in place by trying to pull it out.

To remove the bit, pull the chuck cover down all the way and pull the bit out. (Fig. 15)

Bit angle (when chipping, scaling or demolishing)

The bit can be secured at the desired angle. To change the bit angle, rotate the action mode changing knob to the  symbol. Turn the bit to the desired angle. (Fig. 16) Rotate the action mode changing knob to the  symbol. (Fig. 17)

Then make sure that the bit is securely held in place by turning it slightly.

Depth gauge

The depth gauge is convenient for drilling holes of uniform depth. (Fig. 18)

Press the lock button on the grip base in the direction of arrow shown in the figure and with the lock button being pressed insert the depth gauge into the hex. hole in the grip base. (Fig. 19)

At this time, the depth gauge needs to be inserted so that its toothed side is directed to the toothed side of hex hole marking on the grip base as shown in the figure. (Fig. 20) Adjust the depth gauge to the desired depth by moving it back and forth while pressing the lock button. After the adjustment, release the lock button to lock the depth gauge. (Fig. 21)

NOTE:

- Inserting the depth gauge with its toothed side not directed to the toothed side of hex hole marking on the grip base as shown in the figure does not allow the depth gauge to be locked.

Dust cup (optional accessory) (Fig. 22)

Use the dust cup to prevent dust from falling over the tool and on yourself when performing overhead drilling operations. Attach the dust cup to the bit as shown in the figure. The size of bits which the dust cup can be attached to is as follows.

	Bit diameter
Dust cup 5	6 mm – 14.5 mm
Dust cup 9	12 mm – 16 mm

006406

There is another type of dust cup (optional accessory) which helps you prevent dust from falling over the tool and on yourself when performing overhead drilling operations.

Installing or removing the dust cup (optional accessory)

Before installing the dust cup, remove the bit from the tool if installed on the tool. Install the dust cup (optional accessory) on the tool so that the \triangle symbol on the dust cup is aligned with the grooves in the tool. (Fig. 23)

To remove the dust cup, pull the chuck cover in the direction as shown in the figure and with the chuck cover pulled take the bit out of the tool. (Fig. 24)

And then grab the attachment at the foot of dust cup and take it out. (Fig. 25)

NOTE:

- When installing or removing the dust cup, the cap may come off the dust cup. At that time, proceed as follows. Remove the bellows from the attachment and fit the cap from the side shown in the figure with its flat side facing upward so that the groove in the cap fits in the inside periphery of the attachment. Finally, mount the bellows that has been removed. (Fig. 26, 27 & 28)

NOTE:

- If you connect a vacuum cleaner to your hammer, cleaner operations can be performed. Dust cap needs to be removed from the dust cup before the connection. (Fig. 29)

OPERATION**⚠ CAUTION:**

- Always use the side grip (auxiliary handle) and firmly hold the tool by both side grip and switch handle during operations.

Hammer drilling operation (Fig. 30)**⚠ CAUTION:**

- There is tremendous and sudden twisting force exerted on the tool/bit at the time of hole break-through, when the hole becomes clogged with chips and particles, or when striking reinforcing rods embedded in the concrete. Always use the side grip (auxiliary handle) and firmly hold the tool by both side grip and switch handle during operations. Failure to do so may result in the loss of control of the tool and potentially severe injury.

Set the action mode changing knob to the ∇ symbol.

Position the bit at the desired location for the hole, then pull the switch trigger. Do not force the tool. Light pressure gives best results. Keep the tool in position and prevent it from slipping away from the hole.

Do not apply more pressure when the hole becomes clogged with chips or particles. Instead, run the tool at an idle, then remove the bit partially from the hole. By repeating this several times, the hole will be cleaned out and normal drilling may be resumed.

NOTE:

- Eccentricity in the bit rotation may occur while operating the tool with no load. The tool automatically centers itself during operation. This does not affect the drilling precision.

Blow-out bulb (optional accessory) (Fig. 31)

After drilling the hole, use the blow-out bulb to clean the dust out of the hole.

Chipping/Scaling/Demolition (Fig. 32)

Set the action mode changing knob to the ∇ symbol. Hold the tool firmly with both hands. Turn the tool on and apply slight pressure on the tool so that the tool will not bounce around, uncontrolled. Pressing very hard on the tool will not increase the efficiency.

Drilling in wood or metal**⚠ CAUTION:**

- Never use "rotation with hammering" when the quick change drill chuck is installed on the tool. The quick change drill chuck may be damaged. Also, the drill chuck will come off when reversing the tool.
- Pressing excessively on the tool will not speed up the drilling. In fact, this excessive pressure will only serve to damage the tip of your bit, decrease the tool performance and shorten the service life of the tool.
- There is a tremendous twisting force exerted on the tool/bit at the time of hole breakthrough. Hold the tool firmly and exert care when the bit begins to break through the workpiece.
- A stuck bit can be removed simply by setting the reversing switch to reverse rotation in order to back out. However, the tool may back out abruptly if you do not hold it firmly.
- Always secure small workpieces in a vise or similar hold-down device.

Set the action mode changing knob to the ∇ symbol.

You can drill up to 13 mm diameter in metal and up to 32 mm diameter in wood.

For Model HR2631F, HR2641, HR2630

Use the drill chuck assembly (optional accessory). When installing it, refer to "Installing or removing the bit" described on the previous page. (Fig. 33)

To install the bit, place it in the chuck as far as it will go. Tighten the chuck by hand. Place the chuck key in each of the three holes and tighten clockwise. Be sure to tighten all three chuck holes evenly.

To remove the bit, turn the chuck key counterclockwise in just one hole, then loosen the chuck by hand. (Fig. 34)

For Model HR2631FT, HR2320T, HR2630T

Use the quick change drill chuck as standard equipment. When installing it, refer to "changing the quick change chuck for SDS-plus" described on the previous page. (Fig. 35 & 36)


Hold the ring and turn the sleeve counterclockwise to open the chuck jaws. Place the bit in the chuck as far as it will go. Hold the ring firmly and turn the sleeve clockwise to tighten the chuck.

To remove the bit, hold the ring and turn the sleeve counterclockwise. (Fig. 37)

Diamond core drilling

CAUTION:

- If performing diamond core drilling operations using "rotation with hammering" action, the diamond core bit may be damaged.

When performing diamond core drilling operations, always set the change lever to the  position to use "rotation only" action.

Operation when using the dust cup (optional accessory) (Fig. 38)

Operate the tool with the dust cup against the ceiling surface.

NOTE:

- The dust cup (optional accessory) is intended only for drilling in the ceramic workpiece such as concrete and mortar. Do not use the tool with the dust cup when drilling in metal or similar. Using the dust cup for drilling in the metal may damage the dust cup due to the heat produced by small metal dust or similar.
- Empty the dust cup before removing a drill bit.
- When using the dust cup, make sure that the dust cap is mounted on it securely.

MAINTENANCE

CAUTION:

- Always be sure that the tool is switched off and unplugged before attempting to perform inspection or maintenance.
- Never use gasoline, benzine, thinner, alcohol or the like. Discoloration, deformation or cracks may result.

To maintain product SAFETY and RELIABILITY, repairs, carbon brush inspection and replacement, any other maintenance or adjustment should be performed by Makita Authorized Service Centers, always using Makita replacement parts.

OPTIONAL ACCESSORIES

CAUTION:

- These accessories or attachments are recommended for use with your Makita tool specified in this manual. The use of any other accessories or attachments might present a risk of injury to persons. Only use accessory or attachment for its stated purpose.

If you need any assistance for more details regarding these accessories, ask your local Makita Service Center.

- SDS-Plus Carbide-tipped bits
- Core bit
- Bull point
- Diamond core bit
- Cold chisel
- Scaling chisel
- Grooving chisel
- Drill chuck assembly
- Drill chuck S13
- Chuck adapter
- Chuck key S13

- Bit grease
- Side grip
- Depth gauge
- Blow-out bulb
- Dust cup
- Plastic carrying case
- Keyless drill chuck

NOTE

- Some items in the list may be included in the tool package as standard accessories. They may differ from country to country.

ENG905-1

Noise

The typical A-weighted noise level determined according to EN62841-2-6:

Model HR2631F

Sound pressure level (L_{pA}): 95 dB (A)
Sound power level (L_{WA}): 103 dB (A)
Uncertainty (K): 3 dB (A)

Model HR2631FT

Sound pressure level (L_{pA}): 94 dB (A)
Sound power level (L_{WA}): 102 dB (A)
Uncertainty (K): 3 dB (A)

Model HR2641, HR2320T, HR2630, HR2630T

Sound pressure level (L_{pA}): 93 dB (A)
Sound power level (L_{WA}): 101 dB (A)
Uncertainty (K): 3 dB (A)

ENG907-1

NOTE:

- The declared noise emission value(s) has been measured in accordance with a standard test method and may be used for comparing one tool with another.
- The declared noise emission value(s) may also be used in a preliminary assessment of exposure.

WARNING:

- **Wear ear protection.**
- **The noise emission during actual use of the power tool can differ from the declared value(s) depending on the ways in which the tool is used especially what kind of workpiece is processed.**
- **Be sure to identify safety measures to protect the operator that are based on an estimation of exposure in the actual conditions of use (taking account of all parts of the operating cycle such as the times when the tool is switched off and when it is running idle in addition to the trigger time).**

ENG900-1

Vibration

The vibration total value (tri-axial vector sum) determined according to EN62841-2-6:

Model HR2631F

Work mode: hammer drilling into concrete
Vibration emission ($a_{h, HP}$): 12.4 m/s²
Uncertainty (K): 1.5 m/s²

Work mode: chiselling function with side grip
Vibration emission ($a_{h, Cheq}$): 9.2 m/s²
Uncertainty (K): 1.5 m/s²

Model HR2631FT

Work mode: hammer drilling into concrete
Vibration emission ($a_{h, HP}$): 11.6 m/s²
Uncertainty (K): 1.5 m/s²

Work mode: chiselling function with side grip
Vibration emission ($a_{h, C_{heq}}$): 9.8 m/s²
Uncertainty (K): 1.5 m/s²

Model HR2641

Work mode: hammer drilling into concrete
Vibration emission ($a_{h, HD}$): 11.6 m/s²
Uncertainty (K): 1.5 m/s²

Work mode: chiselling function with side grip
Vibration emission ($a_{h, C_{heq}}$): 8.1 m/s²
Uncertainty (K): 1.5 m/s²

Model HR2320T

Work mode: hammer drilling into concrete
Vibration emission ($a_{h, HD}$): 15.9 m/s²
Uncertainty (K): 1.5 m/s²

Work mode: chiselling function with side grip
Vibration emission ($a_{h, C_{heq}}$): 12.8 m/s²
Uncertainty (K): 1.5 m/s²

Model HR2630

Work mode: hammer drilling into concrete
Vibration emission ($a_{h, HD}$): 15.4 m/s²
Uncertainty (K): 1.5 m/s²

Work mode: chiselling function with side grip
Vibration emission ($a_{h, C_{heq}}$): 10.8 m/s²
Uncertainty (K): 1.5 m/s²

Model HR2630T

Work mode: hammer drilling into concrete
Vibration emission ($a_{h, HD}$): 14.5 m/s²
Uncertainty (K): 1.5 m/s²

Work mode: chiselling function with side grip
Vibration emission ($a_{h, C_{heq}}$): 10.9 m/s²
Uncertainty (K): 1.5 m/s²

ENG901-2

NOTE:

- The declared vibration total value(s) has been measured in accordance with a standard test method and may be used for comparing one tool with another.
- The declared vibration total value(s) may also be used in a preliminary assessment of exposure.

⚠ WARNING:

- **The vibration emission during actual use of the power tool can differ from the declared value(s) depending on the ways in which the tool is used especially what kind of workpiece is processed.**
- **Be sure to identify safety measures to protect the operator that are based on an estimation of exposure in the actual conditions of use (taking account of all parts of the operating cycle such as the times when the tool is switched off and when it is running idle in addition to the trigger time).**

DECLARATIONS OF CONFORMITY

For European countries only

The Declarations of conformity are included in Annex A to this instruction manual.

Descriptif

1 Gâchette	14 Crochet	26 Symbole \triangle
2 Bouton de verrouillage	15 Parties saillantes	27 Fixation au pied du collecteur de poussières
3 Lampe	16 Rainures	28 Soufflet
4 Levier de l'inverseur	17 Queue du foret	29 Fixation
5 Mandrin à changement rapide pour SDS-plus	18 Graisse à foret	30 Pourtour intérieur
6 Ligne du carter de changement	19 Foret	31 Côté plat
7 Carter de changement	20 Carter du mandrin	32 Capuchon
8 Arbre	21 Base de la poignée	33 Rainure
9 Mandrin à changement rapide	22 Jauge de profondeur	34 Poire soufflante
10 Rotation avec percussion	23 Face dentelée de la marque d'orifice hexagonal sur la base de la poignée	35 Mandrin porte-foret (accessoire optionnel)
11 Bouton de changement de mode	24 Face dentelée de la jauge de profondeur	36 Clé de mandrin
12 Rotation sans percussion	25 Collecteur de poussières	37 Manchon
13 Percussion sans rotation		38 Bague

SPÉCIFICATIONS

Modèle		HR2631F	HR2631FT	HR2641	HR2320T	HR2630	HR2630T
Capacités	Béton	26 mm			23 mm	26 mm	
	Trépan	68 mm					
	Trépan diamanté (de type sec)	80 mm			70 mm	80 mm	
	Acier	13 mm					
	Bois	32 mm					
Vitesse à vide		0 – 1 200 min ⁻¹		0 – 1 100 min ⁻¹	0 – 1 200 min ⁻¹		
Percussions par minute		0 – 4 600 min ⁻¹		0 – 4 500 min ⁻¹	0 – 4 600 min ⁻¹		
Longueur totale		361 mm	385 mm	422 mm	380 mm	361 mm	385 mm
Poids net		2,9 – 3,4 kg	3,1 – 3,6 kg	3,1 – 3,5 kg	2,9 – 3,2 kg	2,8 – 3,3 kg	3,0 – 3,5 kg
Catégorie de sécurité		☐/II					

- Étant donné l'évolution constante de notre programme de recherche et de développement, les spécifications contenues dans ce manuel sont sujettes à modification sans préavis.
- Les spécifications peuvent varier suivant les pays.
- Le poids peut être différent selon les accessoires. Les associations la plus légère et la plus lourde, conformément à la procédure EPTA 01/2014, sont indiquées dans le tableau.

ENE042-1

GEA010-2

Utilisations

L'outil est conçu pour le perçage, avec ou sans percussion, dans la brique, le béton et la pierre. Il convient aussi pour le perçage sans percussion dans le bois, le métal, la céramique et le plastique.

ENF002-2

Alimentation

L'outil ne devra être raccordé qu'à une alimentation de la même tension que celle qui figure sur la plaque signalétique, et il ne pourra fonctionner que sur un courant secteur monophasé. Réalisé avec une double isolation, il peut de ce fait être alimenté sans mise à la terre.

Consignes de sécurité générales pour outils électriques

⚠ AVERTISSEMENT: Veuillez lire les consignes de sécurité, instructions, illustrations et spécifications qui accompagnent cet outil électrique. Le non-respect de toutes les instructions indiquées ci-dessous peut entraîner une électrocution, un incendie et/ou de graves blessures.

Conservez toutes les mises en garde et instructions pour référence ultérieure.

Le terme "outil électrique" dans les avertissements fait référence à l'outil électrique alimenté par le secteur (avec cordon d'alimentation) ou à l'outil électrique fonctionnant sur batterie (sans cordon d'alimentation).

CONSIGNES DE SÉCURITÉ POUR LE MARTEAU PERFORATEUR

Consignes de sécurité pour toutes les tâches

1. **Portez des protecteurs d'oreilles.** L'exposition au bruit peut entraîner la surdité.
2. **Utilisez la ou les poignées auxiliaires, si l'outil en possède.** Toute perte de maîtrise de l'outil comporte un risque de blessure.
3. **Tenez l'outil électrique par des surfaces de prise isolées lorsque vous effectuez une tâche au cours de laquelle l'accessoire de coupe peut entrer en contact avec des fils cachés ou son propre cordon.** Le contact de l'accessoire de coupe avec un fil sous tension peut transmettre du courant dans les pièces métalliques exposées de l'outil électrique et électrocuter l'opérateur.

Consignes de sécurité en cas d'utilisation de forets longs avec un marteau perforateur

1. **Commencez toujours le perçage à basse vitesse avec la pointe du foret en contact avec la pièce.** À une vitesse plus élevée, le foret risque de se tordre s'il lui est permis de tourner librement sans toucher la pièce, ce qui présente un risque de blessure.
2. **Appliquez une pression uniquement en ligne directe avec le foret et n'exercez pas une pression excessive.** Les forets peuvent se tordre et se casser ou provoquer la perte de contrôle, ce qui présente un risque de blessure.

Consignes de sécurité supplémentaires

1. **Portez un casque de sécurité (casque de chantier), des lunettes de sécurité et/ou un écran facial. Les lunettes de vue ou les lunettes de soleil NE sont PAS des lunettes de sécurité. Il est également vivement recommandé de porter un masque anti-poussière et des gants matelés.**
2. **Avant utilisation, assurez-vous que le foret est bien fixé en place.**
3. **Dans des conditions normales de fonctionnement, l'outil est conçu pour émettre des vibrations. Les vis peuvent se desserrer facilement et provoquer une panne ou un accident. Avant utilisation, vérifiez soigneusement que les vis sont bien serrées.**
4. **Par temps froid ou si l'outil n'a pas été utilisé pendant longtemps, laissez-le chauffer un instant en le faisant fonctionner à vide. Cela ramollira le lubrifiant. Si vous ne chauffez pas adéquatement l'outil, le martelage s'exécutera difficilement.**
5. **Assurez-vous toujours de travailler en position stable. Veillez à ce que personne ne se trouve en dessous de vous quand vous utilisez l'outil en hauteur.**
6. **Tenez l'outil fermement à deux mains.**
7. **Éloignez les mains des pièces en mouvement.**
8. **Ne vous éloignez pas en laissant l'outil tourner. Ne le faites fonctionner que lorsque vous l'avez bien en main.**
9. **Ne pointez l'outil vers personne dans la zone d'utilisation. Le foret peut être projeté et blesser gravement quelqu'un.**

10. **Ne touchez pas le foret, les pièces situées près du foret ou la pièce immédiatement après utilisation ; ils peuvent être extrêmement chauds et vous brûler la peau.**
11. **Certains matériaux contiennent des produits chimiques qui peuvent être toxiques. Prenez garde de ne pas avaler la poussière et évitez tout contact avec la peau. Suivez les données de sécurité du fournisseur du matériau.**
12. **Ne touchez pas la prise d'alimentation avec des mains humides.**

CONSERVEZ CES INSTRUCTIONS.

⚠ AVERTISSEMENT :

NE vous laissez PAS tromper (au fil d'une utilisation répétée) par un sentiment d'aisance et de familiarité avec le produit, en négligeant le respect rigoureux des consignes de sécurité qui accompagnent le produit en question. La MAUVAISE UTILISATION de l'outil ou l'ignorance des consignes de sécurité indiquées dans ce mode d'emploi peut entraîner de graves blessures.

DESCRIPTION DU FONCTIONNEMENT

⚠ ATTENTION :

- Vérifiez toujours que l'outil est hors tension et débranché avant de l'ajuster ou de vérifier son fonctionnement.

Interrupteur (Fig. 1 et 2)

⚠ ATTENTION :

- Avant de brancher l'outil, vérifiez toujours que la gâchette fonctionne correctement et revient sur la position "OFF" une fois relâchée.

Pour mettre l'outil en marche, tirez simplement sur la gâchette. La vitesse de l'outil augmente quand vous augmentez la pression sur la gâchette. Pour arrêter l'outil, relâchez la gâchette. Pour obtenir un fonctionnement continu, tirez sur la gâchette, enfoncez le bouton de verrouillage puis relâchez la gâchette. Pour arrêter l'outil lorsqu'il fonctionne en continu, tirez à fond sur la gâchette puis relâchez-la.

Allumer les lampes (Fig. 3)

Pour le modèle HR2631F, HR2631FT

⚠ ATTENTION :

- Ne regardez pas directement la lumière ou la source de lumière.

Pour allumer la lampe, tirez sur la gâchette. Pour éteindre la lampe, relâchez la gâchette.

NOTE :

- Utilisez un chiffon sec pour essuyer les saletés sur la lentille de la lampe. Évitez de rayer la lentille de la lampe, autrement sa capacité d'éclairage diminuera.
- N'utilisez ni diluant ni essence pour nettoyer la lampe. Les solvants peuvent endommager la lampe.

Fonctionnement de l'inverseur (Fig. 4 et 5)

⚠ ATTENTION :

- Vérifiez toujours le sens de la rotation avant de commencer le travail.
- N'activez l'inverseur qu'une fois l'outil parfaitement arrêté. Vous risqueriez d'abîmer l'outil en changeant le sens de rotation avant l'arrêt complet.

Pour le modèle HR2631F, HR2631FT, HR2320T, HR2630, HR2630T

⚠ ATTENTION :

- S'il n'est pas possible d'enfoncer la gâchette, assurez-vous que l'inverseur se trouve parfaitement sur la position ◁ (côté A) ou ▷ (côté B).

Cet outil possède un inverseur qui permet de changer le sens de la rotation. Déplacez le levier de l'inverseur jusqu'à la position ◁ (côté A) pour une rotation dans le sens des aiguilles d'une montre, ou jusqu'à la position ▷ (côté B) pour une rotation dans le sens contraire des aiguilles d'une montre.

Pour le modèle HR2641

NOTE :

- Lorsque vous sélectionnez la rotation dans le sens contraire des aiguilles d'une montre, la gâchette ne s'enfonçe qu'à moitié et la vitesse de l'outil est réduite de moitié. La sélection de la rotation dans le sens contraire des aiguilles d'une montre désactive le bouton de verrouillage.

Cet outil possède un inverseur qui permet de changer le sens de la rotation. Déplacez le levier de l'inverseur jusqu'à la position ⇐ (côté A) pour une rotation dans le sens des aiguilles d'une montre, ou jusqu'à la position ⇒ (côté B) pour une rotation dans le sens contraire des aiguilles d'une montre.

Remplacer le mandrin à changement rapide pour SDS-plus



Pour le modèle HR2631FT, HR2320T, HR2630T

Le mandrin à changement rapide pour SDS-plus peut être rapidement remplacé par le mandrin à changement rapide.



Retirer le mandrin à changement rapide pour SDS-plus (Fig. 6)

⚠ ATTENTION :

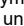
- Retirez toujours le foret avant de retirer le mandrin à changement rapide pour SDS-plus.

Saisissez le carter de changement du mandrin à changement rapide pour SDS-plus et tournez-le dans le sens de la flèche jusqu'à ce que la ligne du carter de changement se déplace du symbole  au symbole . Tirez énergiquement dans le sens de la flèche.

Fixer le mandrin à changement rapide (Fig. 7)

Assurez-vous que la ligne du mandrin à changement rapide indique le symbole . Saisissez le carter de changement du mandrin à changement rapide, et mettez la ligne sur le symbole .

Mettez le mandrin à changement rapide sur l'arbre de l'outil.


Saisissez le carter de changement du mandrin à changement rapide, et tournez la ligne du carter de changement jusqu'au symbole  jusqu'à ce que vous entendiez distinctement un bruit de dé clic.

Sélection du mode de fonctionnement

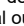
⚠ ATTENTION :

- Ne tournez pas le bouton de changement de mode pendant que l'outil tourne. L'outil serait endommagé.
- Pour éviter que le mécanisme de changement de mode ne s'use rapidement, vous devez toujours vous assurer que le bouton de changement de mode est placé avec exactitude sur une des trois positions de mode.

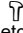
Rotation avec percussion (Fig. 8)

Pour percer dans le béton, la maçonnerie, etc., tournez le bouton de changement de mode jusqu'au symbole . Utilisez un foret à pointe de carbure de tungstène.

Rotation sans percussion (Fig. 9)

Pour percer dans le bois, le métal ou le plastique, tournez le bouton de changement de mode jusqu'au symbole . Utilisez un foret hélicoïdal ou un foret à bois.

Percussion sans rotation (Fig. 10)

Pour le burinage, l'écaillage ou la démolition, tournez le bouton de changement de mode jusqu'au symbole . Utilisez un pic, un ciseau à froid, un ciseau à écailler, etc.

Limiteur de couple

⚠ ATTENTION :

- Mettez l'outil hors tension dès que le limiteur de couple se déclenche. Cela aidera à éviter l'usure trop rapide de l'outil.
- Cet outil n'est pas conçu pour l'utilisation des scies cloches, car elles ont tendance à se coincer facilement dans le trou pendant le perçage. Cela cause donc le déclenchement trop fréquent du limiteur de couple.

Le limiteur de couple s'active lorsqu'un certain niveau de couple est atteint. L'embrayage se met alors à patiner. Dès que cela se produit, le foret arrête de tourner.

Crochet (Fig. 11)

Pour le modèle HR2641

⚠ ATTENTION :

- N'accrochez jamais l'outil en hauteur ou sur une surface potentiellement instable.

Le crochet est pratique pour accrocher temporairement l'outil.

Pour utiliser le crochet, relevez-le jusqu'à ce qu'il se bloque en position ouverte avec un clic.

Lorsque vous n'utilisez pas le crochet, placez-le toujours en position fermée en l'abaissant jusqu'à ce qu'il se bloque avec un clic.

ASSEMBLAGE

⚠ ATTENTION :

- Avant toute intervention sur l'outil, assurez-vous toujours que le contact est coupé et l'outil débranché.

Poignée latérale (poignée auxiliaire) (Fig. 12)

⚠ ATTENTION :

- Utilisez toujours la poignée latérale pour assurer votre sécurité.

Installez la poignée latérale de sorte que les parties saillantes de la poignée pénètrent dans les rainures du barillet de l'outil. Serrez ensuite la poignée en la tournant dans le sens des aiguilles d'une montre jusqu'à la position désirée. Vous pouvez la faire pivoter sur 360° et la fixer sur toute position désirée.

Graisse à foret

Avant l'utilisation, recouvrez d'une petite quantité de graisse à foret le bout de la queue du foret (environ 0,5 – 1 g).

La lubrification du mandrin assurera un mouvement en douceur et une plus longue durée de service.

Pose ou retrait du foret

Avant de poser le foret, nettoyez la queue du foret et appliquez de la graisse à foret. (Fig. 13)

Insérez le foret dans l'outil. Enfoncez le foret en le faisant tourner, jusqu'à ce qu'il s'engage. (Fig. 14)

Une fois le foret posé, assurez-vous toujours qu'il est fermement fixé, en tirant dessus.

Pour retirer le foret, abaissez complètement le carter de mandrin et tirez sur le foret. (Fig. 15)

Angle du foret (pour le burinage, l'écaillage ou la démolition)

Vous pouvez fixer le foret sur l'angle désiré. Pour modifier l'angle du foret, tournez le bouton de changement de mode jusqu'au symbole **O**. Tournez le foret jusqu'à l'angle désiré. (Fig. 16)

Tournez le bouton de changement de mode jusqu'au symbole **T**. (Fig. 17)

Assurez-vous ensuite que le foret demeure fermement en place, en essayant de le faire tourner un peu.

Jauge de profondeur

La jauge de profondeur est utile pour percer des trous de même profondeur. (Fig. 18)

Enfoncez le bouton de verrouillage de la base de la poignée dans le sens de la flèche, tel qu'illustré, et tout en la maintenant enfoncée insérez la jauge de profondeur dans l'orifice hexagonal de la base de la poignée. (Fig. 19)

La jauge de profondeur doit alors être insérée de sorte que sa face dentelée soit dirigée vers la face dentelée de la marque d'orifice hexagonal sur la base de la poignée, tel qu'illustré sur la figure. (Fig. 20)

Régalez la jauge sur la profondeur désirée, en la déplaçant vers l'arrière et l'avant tout en appuyant sur le bouton de verrouillage. Après le réglage, relâchez le bouton de verrouillage pour verrouiller la jauge de profondeur. (Fig. 21)

NOTE :

- Si vous insérez la jauge de profondeur sans diriger sa face dentelée vers la face dentelée de la marque d'orifice hexagonal sur la base de la poignée, tel qu'illustré, il ne sera pas possible de verrouiller la jauge de profondeur.

Collecteur de poussières (accessoire en option) (Fig. 22)

Utilisez le collecteur de poussières pour éviter qu'elles ne tombent sur l'outil et sur vous-même lorsque vous percez au-dessus de votre tête. Fixez le collecteur de poussières au foret, comme indiqué sur la figure. Le collecteur de poussières peut être fixé aux forets des tailles suivantes.

	Diamètre du foret
Collecteur de poussières 5	6 mm à 14,5 mm
Collecteur de poussières 9	12 mm à 16 mm

006406

Il existe un autre type de collecteur de poussières (accessoire en option) pour éviter qu'elles ne tombent sur l'outil et sur vous-même lorsque vous percez au-dessus de votre tête.

Pose ou retrait du collecteur de poussières (accessoire en option)

Avant de poser le collecteur de poussières, retirez le foret de l'outil s'il y est inséré. Posez le collecteur de poussières (accessoire en option) sur l'outil de sorte que le symbole Δ du collecteur de poussières soit aligné sur les rainures de l'outil. (Fig. 23)

Pour retirer le collecteur de poussières, tirez le carter de mandrin dans le sens indiqué sur la figure, et, sans arrêter de tirer sur le carter de mandrin, retirez le foret de l'outil. (Fig. 24)

Saisissez ensuite la fixation au pied du collecteur de poussières et retirez-la. (Fig. 25)

NOTE :

- Il se peut que le capuchon se détache du collecteur de poussières lorsque vous posez ou retirez le collecteur. Le cas échéant, procédez comme suit. Retirez le soufflet de la fixation et fixez le capuchon du côté illustré sur la figure, en plaçant son côté plat vers le haut de sorte que la rainure à l'intérieur du capuchon s'insère dans le pourtour intérieur de la fixation. Finalement, remontez le soufflet qui a été retiré. (Fig. 26, 27 et 28)

NOTE :

- Vous effectuerez un travail plus propre en raccordant un aspirateur à votre marteau. Le capuchon doit être retiré du collecteur de poussières avant d'effectuer le raccordement. (Fig. 29)

UTILISATION

Δ ATTENTION :

- Utilisez toujours la poignée latérale (poignée auxiliaire) et saisissez l'outil fermement par la poignée latérale et la poignée pistolet pendant l'utilisation.

Perçage avec percussion (Fig. 30)

Δ ATTENTION :

- Une force de torsion énorme s'exerce sur l'outil/le foret lorsque le foret émerge sur la face opposée, lorsque le trou est bouché par des copeaux ou particules, ou lorsque le foret entre en contact avec des armatures dans le béton. Utilisez toujours la poignée latérale (poignée auxiliaire) et saisissez l'outil fermement par la poignée latérale et la poignée pistolet pendant l'utilisation. Si vous ne suivez pas cette directive, vous risquez de perdre la maîtrise de l'outil et de vous blesser grièvement.

Mettez le bouton de changement de mode sur le symbole **T**.

Placez le foret à l'emplacement désiré pour l'orifice, puis tirez sur la gâchette. Ne forcez pas l'outil. Vous obtiendrez de meilleurs résultats avec une légère pression. Gardez l'outil en position et empêchez-le de glisser hors du trou.

N'appliquez pas plus de pression lorsque le trou est bouché par des copeaux ou particules. Laissez plutôt l'outil tourner au ralenti et retirez partiellement le foret du trou. En répétant cette opération quelques fois, le trou se débouchera et vous pourrez reprendre le perçage normal.

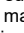
NOTE :

- Lorsque l'outil fonctionne à vide, il se peut que le foret tourne de manière excentrique. L'outil se centrera lui-même lors de l'utilisation avec charge. La précision du perçage n'est donc pas affectée.

Poire soufflante (accessoire en option) (Fig. 31)

Une fois le trou percé, utilisez la poire soufflante pour en retirer les poussières.


Burinage/Écaillage/Démolition (Fig. 32)

Mettez le bouton de changement de mode sur le symbole . Tenez l'outil fermement à deux mains. Mettez le contact et appliquez une légère pression sur l'outil de façon à en garder la maîtrise et à éviter qu'il ne saute d'un côté ou de l'autre. L'application d'une très grande pression sur l'outil n'augmentera pas l'efficacité de l'opération.

Perçage du bois ou du métal

ATTENTION :

- N'utilisez jamais la "rotation avec percussion" lorsque le mandrin à changement rapide est posé sur l'outil. Vous risqueriez d'abîmer le mandrin à changement rapide. De plus, le mandrin se détacherait lors de l'inversion de l'outil.
- Une pression excessive sur l'outil n'accélère pas le perçage. En fait, la pression excessive abîmera le bout du foret, causera une baisse des performances de l'outil et réduira sa durée de service.
- Une force de torsion énorme s'exerce sur l'outil/le foret lorsque le foret émerge sur la face opposée. Tenez l'outil fermement et faites bien attention lorsque le foret commence à sortir de la face opposée de la pièce.
- Un foret coincé peut être retiré en réglant simplement l'inverseur sur la rotation inverse pour faire marche arrière. L'outil peut toutefois faire brusquement marche arrière si vous ne le tenez pas fermement.
- Immobilisez toujours les petites pièces à travailler dans un étau ou un dispositif de retenue similaire.

Mettez le bouton de changement de mode sur le symbole .

Vous pouvez percer avec un diamètre maximal de 13 mm dans le métal, et de 32 mm dans le bois.

Pour le modèle HR2631F, HR2641, HR2630

Utilisez le mandrin porte-foret (accessoire optionnel). Pour l'installer, reportez-vous à la section "Pose ou retrait du foret" à la page précédente. (Fig. 33)

Pour installer le foret, insérez-le à fond dans le mandrin. Serrez le mandrin à la main. Insérez la clé de mandrin dans chacun des trois orifices et tournez-la dans le sens des aiguilles d'une montre pour serrer. Le serrage doit être uniforme au niveau des trois orifices du mandrin.

Pour retirer le foret, tournez la clé de mandrin dans le sens contraire des aiguilles d'une montre dans un seul des orifices, puis desserrez le mandrin à la main. (Fig. 34)

Pour le modèle HR2631FT, HR2320T, HR2630T

Utilisez le mandrin à changement rapide fourni en équipement standard. Pour l'installer, reportez-vous à la section "Remplacer le mandrin à changement rapide pour SDS-plus" à la page précédente. (Fig. 35 et 36)

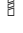
Tenez la bague et tournez le manchon dans le sens contraire des aiguilles d'une montre pour ouvrir les mâchoires du mandrin. Insérez le foret à fond dans le mandrin. Tenez fermement la bague et tournez le manchon dans le sens des aiguilles d'une montre pour serrer le mandrin.

Pour retirer le foret, tenez la bague et tournez le manchon dans le sens contraire des aiguilles d'une montre. (Fig. 37)

Perçage avec un trépan diamanté

ATTENTION :

- Vous risquez d'abîmer le trépan diamanté si vous percez avec un trépan diamanté en mode "rotation avec percussion".

Pour percer avec un trépan diamanté, réglez toujours le levier de changement de mode sur la position  pour un mouvement de "rotation sans percussion".

Utilisation avec le collecteur de poussières (accessoire en option) (Fig. 38)

Utilisez l'outil en plaçant le collecteur de poussières contre la surface du plafond.

NOTE :

- Le collecteur de poussières (accessoire en option) est conçu uniquement pour le perçage dans les objets de céramique, de béton ou de mortier. N'utilisez pas l'outil avec le collecteur de poussières lorsque vous percez dans le métal ou un matériau similaire. Vous risquez d'abîmer le collecteur de poussières si vous l'utilisez lors du perçage dans le métal, à cause de la chaleur dégagée par les poussières de métal et autres particules.
- Videz le collecteur de poussières avant de retirer le foret.
- Lorsque vous utilisez le collecteur de poussières, assurez-vous que son capuchon est fermement fixé.

ENTRETIEN

ATTENTION :

- Assurez-vous toujours que l'outil est hors tension et débranché avant d'y effectuer tout travail d'inspection ou d'entretien.
- N'utilisez jamais d'essence, de benzine, de diluant, d'alcool ou produits similaires. Il y a risque de décoloration, de déformation ou de fissuration.

Pour maintenir la SÉCURITÉ et la FIABILITÉ du produit, les réparations, l'inspection et le remplacement des charbons, et tout autre travail d'entretien ou de réglage doivent être effectués dans un centre de service Makita agréé, exclusivement avec des pièces de rechange Makita.

ACCESSOIRES EN OPTION

ATTENTION :

- Ces accessoires ou pièces complémentaires sont recommandés pour l'utilisation avec l'outil Makita spécifié dans ce manuel d'instructions. L'utilisation de tout autre accessoire ou pièce peut comporter un risque de blessure. N'utilisez les accessoires ou pièces qu'aux fins pour lesquelles ils ont été conçus.

Si vous désirez obtenir plus de détails concernant ces accessoires, veuillez contacter le centre de service après-vente Makita le plus près.

- Forets à pointe de carbure SDS-Plus
- Trépan
- Pic
- Trépan diamanté
- Ciseau à froid
- Ciseau à écailler
- Burin à rainures
- Mandrin porte-foret
- Mandrin S13
- Adaptateur de mandrin

- Clé de mandrin S13
- Graisse à foret
- Poignée latérale
- Jauge de profondeur
- Poire soufflante
- Collecteur de poussières
- Étui en plastique
- Mandrin sans clé

NOTE :

- Il se peut que certains éléments de la liste soient compris dans l'emballage de l'outil en tant qu'accessoires standard. Ils peuvent varier d'un pays à l'autre.

ENG905-1

Bruit

Niveau de bruit pondéré A typique, déterminé selon EN62841-2-6 :

Modèle HR2631F

Niveau de pression sonore (L_{pA}) : 95 dB (A)

Niveau de puissance sonore (L_{WA}) : 103 dB (A)

Incertitude (K) : 3 dB (A)

Modèle HR2631FT

Niveau de pression sonore (L_{pA}) : 94 dB (A)

Niveau de puissance sonore (L_{WA}) : 102 dB (A)

Incertitude (K) : 3 dB (A)

Modèle HR2641, HR2320T, HR2630, HR2630T

Niveau de pression sonore (L_{pA}) : 93 dB (A)

Niveau de puissance sonore (L_{WA}) : 101 dB (A)

Incertitude (K) : 3 dB (A)

ENG907-1

NOTE :

- La ou les valeurs d'émission de bruit déclarées ont été mesurées conformément à la méthode de test standard et peuvent être utilisées pour comparer les outils entre eux.
- La ou les valeurs d'émission de bruit déclarées peuvent aussi être utilisées pour l'évaluation préliminaire de l'exposition.

⚠ AVERTISSEMENT :

- **Portez un serre-tête antibruit.**
- **L'émission de bruit lors de l'usage réel de l'outil électrique peut être différente de la ou des valeurs déclarées, suivant la façon dont l'outil est utilisé, particulièrement selon le type de pièce usinée.**
- **Les mesures de sécurité à prendre pour protéger l'utilisateur doivent être basées sur une estimation de l'exposition dans des conditions réelles d'utilisation (en tenant compte de toutes les composantes du cycle d'utilisation, comme par exemple le moment de sa mise hors tension, lorsqu'il tourne à vide et le moment de son déclenchement).**

Vibrations

Valeur totale de vibrations (somme de vecteur triaxial) déterminée selon EN62841-2-6 :

Modèle HR2631F

Mode de travail : perçage avec martelage dans le béton

Émission de vibrations ($a_{h,HD}$) : 12,4 m/s²

Incertitude (K) : 1,5 m/s²

Mode de travail : fonction de ciselage avec le manche latéral

Émission de vibrations ($a_{h,Cheq}$) : 9,2 m/s²

Incertitude (K) : 1,5 m/s²

Modèle HR2631FT

Mode de travail : perçage avec martelage dans le béton

Émission de vibrations ($a_{h,HD}$) : 11,6 m/s²

Incertitude (K) : 1,5 m/s²

Mode de travail : fonction de ciselage avec le manche latéral

Émission de vibrations ($a_{h,Cheq}$) : 9,8 m/s²

Incertitude (K) : 1,5 m/s²

Modèle HR2641

Mode de travail : perçage avec martelage dans le béton

Émission de vibrations ($a_{h,HD}$) : 11,6 m/s²

Incertitude (K) : 1,5 m/s²

Mode de travail : fonction de ciselage avec le manche latéral

Émission de vibrations ($a_{h,Cheq}$) : 8,1 m/s²

Incertitude (K) : 1,5 m/s²

Modèle HR2320T

Mode de travail : perçage avec martelage dans le béton

Émission de vibrations ($a_{h,HD}$) : 15,9 m/s²

Incertitude (K) : 1,5 m/s²

Mode de travail : fonction de ciselage avec le manche latéral

Émission de vibrations ($a_{h,Cheq}$) : 12,8 m/s²

Incertitude (K) : 1,5 m/s²

Modèle HR2630

Mode de travail : perçage avec martelage dans le béton

Émission de vibrations ($a_{h,HD}$) : 15,4 m/s²

Incertitude (K) : 1,5 m/s²

Mode de travail : fonction de ciselage avec le manche latéral

Émission de vibrations ($a_{h,Cheq}$) : 10,8 m/s²

Incertitude (K) : 1,5 m/s²

Modèle HR2630T

Mode de travail : perçage avec martelage dans le béton

Émission de vibrations ($a_{h,HD}$) : 14,5 m/s²

Incertitude (K) : 1,5 m/s²

Mode de travail : fonction de ciselage avec le manche latéral

Émission de vibrations ($a_{h,Cheq}$) : 10,9 m/s²

Incertitude (K) : 1,5 m/s²

NOTE :

- La ou les valeurs de vibration totales déclarées ont été mesurées conformément à la méthode de test standard et peuvent être utilisées pour comparer les outils entre eux.
- La ou les valeurs de vibration totales déclarées peuvent aussi être utilisées pour l'évaluation préliminaire de l'exposition.

**AVERTISSEMENT :**

- **L'émission de vibrations lors de l'usage réel de l'outil électrique peut être différente de la ou des valeurs déclarées, suivant la façon dont l'outil est utilisé, particulièrement selon le type de pièce usinée.**
- **Les mesures de sécurité à prendre pour protéger l'utilisateur doivent être basées sur une estimation de l'exposition dans des conditions réelles d'utilisation (en tenant compte de toutes les composantes du cycle d'utilisation, comme par exemple le moment de sa mise hors tension, lorsqu'il tourne à vide et le moment de son déclenchement).**

DÉCLARATIONS DE CONFORMITÉ**Pour les pays européens uniquement**

Les déclarations de conformité sont fournies en Annexe A à ce mode d'emploi.

Übersicht

1	Elektronikschalter	15	Vorsprünge	27	Aufsatz am Fuß der Staubschutzkappe
2	Arretierknopf	16	Führungsnuten	28	Balgen
3	Lampe	17	Einsatzschaft	29	Aufsatz
4	Drehrichtungsumschalter	18	Bohrer-/Meißelfett	30	Innenrand
5	Schnellwechselfutter für SDS- plus	19	Einsatz	31	Flache Seite
6	Wechselhülse	20	Futterabdeckung	32	Kappe
7	Wechselhülse	21	Griffbasis	33	Führungsnut
8	Spindel	22	Tiefenanschlag	34	Ausblaspipette
9	Schnellwechselbohrfutter	23	Verzahnung der Sechskantlochmarkierung an der Griffbasis	35	Bohrfuttereinheit (Sonderzubehör)
10	Schlagbohren	24	Verzahnung des Tiefenanschlags	36	Futterschlüssel
11	Betriebsart-Umschaltknopf	25	Staubschutzkappe	37	Werkzeugaufnahme
12	Bohren	26	△-Symbol	38	Klemmring
13	Nur Schlagen				
14	Haken				

TECHNISCHE DATEN

Modell		HR2631F	HR2631FT	HR2641	HR2320T	HR2630	HR2630T
Bohrleistung	Beton	26 mm			23 mm	26 mm	
	Bohrkrone	68 mm					
	Diamant-Bohrkrone (Trocentyp)	80 mm			70 mm	80 mm	
	Stahl	13 mm					
	Holz	32 mm					
Leerlaufdrehzahl		0 – 1 200 min ⁻¹		0 – 1 100 min ⁻¹	0 – 1 200 min ⁻¹		
Blaszahl per Minute		0 – 4 600 min ⁻¹		0 – 4 500 min ⁻¹	0 – 4 600 min ⁻¹		
Gesamtlänge		361 mm	385 mm	422 mm	380 mm	361 mm	385 mm
Nettogewicht		2,9 – 3,4 kg	3,1 – 3,6 kg	3,1 – 3,5 kg	2,9 – 3,2 kg	2,8 – 3,3 kg	3,0 – 3,5 kg
Sicherheitsklasse		□/II					

- Wir behalten uns vor, Änderungen der technischen Daten im Zuge der Entwicklung und des technischen Fortschritts ohne vorherige Ankündigung vorzunehmen.
- Die technischen Daten können von Land zu Land unterschiedlich sein.
- Das Gewicht kann abhängig von den Aufsätzen unterschiedlich sein. Die leichteste und die schwerste Kombination, gemäß dem EPTA-Verfahren 01/2014, sind in der Tabelle angegeben.

ENE042-1

GEA010-2

Vorgesehene Verwendung

Die Maschine ist für Schlagbohren und Bohren in Ziegeln, Beton und Stein vorgesehen. Sie eignet sich auch für normales Bohren in Holz, Metall, Keramik und Kunststoff.

ENF002-2

Netzanschluss

Die Maschine darf nur an die auf dem Typenschild angegebene Spannung angeschlossen werden und arbeitet nur mit Einphasen-Wechselspannung. Sie ist doppelt schutzisoliert und kann daher auch an Steckdosen ohne Erdanschluss betrieben werden.

Allgemeine Sicherheitswarnungen für Elektrowerkzeuge

⚠️ WARNUNG: Lesen Sie alle mit diesem Elektrowerkzeug gelieferten Sicherheitswarnungen, Anweisungen, Abbildungen und technischen Daten durch. Eine Missachtung der unten aufgeführten Anweisungen kann zu einem elektrischen Schlag, Brand und/oder schweren Verletzungen führen.

Bewahren Sie alle Warnungen und Anweisungen für spätere Bezugnahme auf.

Der Ausdruck „Elektrowerkzeug“ in den Warnhinweisen bezieht sich auf Ihr mit Netzstrom (mit Kabel) oder Akku (ohne Kabel) betriebenes Elektrowerkzeug.

SICHERHEITSWARNUNGEN FÜR BOHRHAMMER

Sicherheitsanweisungen für alle Betriebsvorgänge

1. **Tragen Sie Gehörschützer.** Lärmeinwirkung kann Gehörschädigung verursachen.
2. **Benutzen Sie (einen) Zusatzgriff(e), sofern er (sie) mit dem Werkzeug geliefert wurde(n).** Verlust der Kontrolle kann Personenschäden verursachen.
3. **Halten Sie das Elektrowerkzeug an den isolierten Griffflächen, wenn Sie Arbeiten ausführen, bei denen die Gefahr besteht, dass das Schneidzubehör verborgene Kabel oder das eigene Kabel kontaktiert.** Wenn das Schneidzubehör ein Strom führendes Kabel kontaktiert, können die freiliegenden Metallteile des Elektrowerkzeugs ebenfalls Strom führend werden, so dass der Benutzer einen elektrischen Schlag erleiden kann.

Sicherheitsanweisungen bei Verwendung von langen Bohrereinsätzen mit Bohrhämmern

1. **Starten Sie den Bohrvorgang immer mit einer niedrigen Drehzahl und bei Kontakt der Einsatzspitze mit dem Werkstück.** Bei höheren Drehzahlen besteht die Gefahr, dass sich der Einsatz verbiegt, wenn zugelassen wird, dass er ohne Kontakt mit dem Werkstück frei rotiert, was zu Personenschäden führen kann.
2. **Üben Sie Druck nur in direkter Linie mit dem Einsatz aus, und wenden Sie keinen übermäßigen Druck an.** Einsätze können sich verbiegen, was Bruch oder Verlust der Kontrolle verursachen und zu Personenschäden führen kann.

Zusätzliche Sicherheitswarnungen

1. **Tragen Sie Schutzhelm, Schutzbrille und/oder Gesichtsschutz.** Eine gewöhnliche Brille oder Sonnenbrille ist KEIN Ersatz für eine Schutzbrille. Das Tragen einer Staubmaske und dick gepolsterter Handschuhe ist ebenfalls zu empfehlen.
2. **Vergewissern Sie sich vor der Arbeit, dass der Einsatz sicher montiert ist.**
3. **Das Werkzeug erzeugt konstruktionsbedingt Vibrationen bei normalem Betrieb.** Durch Lockerung von Schrauben kann es zu einem Ausfall oder Unfall kommen. Unterziehen Sie die Schrauben vor der Arbeit einer sorgfältigen Festigkeitsprüfung.
4. **Lassen Sie das Werkzeug bei niedrigen Temperaturen oder nach längerer Nichtbenutzung eine Zeit lang im Leerlauf warm laufen.** Dadurch wird die Schmierung verbessert. Betrieb im kalten Zustand erschwert die Schlagbohrarbeit.
5. **Achten Sie stets auf sicheren Stand.** Vergewissern Sie sich bei Einsatz des Werkzeugs an hochgelegenen Arbeitsplätzen, dass sich keine Personen darunter aufhalten.
6. **Halten Sie das Werkzeug mit beiden Händen fest.**
7. **Halten Sie Ihre Hände von beweglichen Teilen fern.**

8. **Lassen Sie das Werkzeug nicht unbeaufsichtigt laufen.** Benutzen Sie das Werkzeug nur mit Handhaltung.
9. **Richten Sie das Werkzeug während des Betriebs nicht auf umstehende Personen.** Der Einsatz könnte herausschnellen und schwere Verletzungen verursachen.
10. **Vermeiden Sie eine Berührung des Einsatzes, der umliegenden Teile oder des Werkstücks unmittelbar nach der Bearbeitung, weil die Teile noch sehr heiß sind und Hautverbrennungen verursachen können.**
11. **Manche Materialien können giftige Chemikalien enthalten.** Treffen Sie Vorsichtsmaßnahmen, um das Einatmen von Arbeitsstaub und Hautkontakt zu verhüten. Befolgen Sie die Sicherheitsdaten des Materiallieferanten.
12. **Fassen Sie den Netzstecker nicht mit nassen Händen an.**

DIESE ANWEISUNGEN AUFBEWAHREN.

WARNUNG:

Lassen Sie sich NICHT durch Bequemlichkeit oder Vertrautheit mit dem Produkt (durch wiederholten Gebrauch erworben) von der strikten Einhaltung der Sicherheitsregeln für das vorliegende Produkt abhalten. MISSBRAUCH oder Missachtung der Sicherheitsvorschriften in dieser Anleitung können schwere Verletzungen verursachen.

FUNKTIONSBESCHREIBUNG

VORSICHT:

- Vergewissern Sie sich vor jeder Einstellung oder Funktionsprüfung der Maschine stets, dass sie ausgeschaltet und vom Stromnetz getrennt ist.

Schalterfunktion (Abb. 1 und 2)

VORSICHT:

- Vergewissern Sie sich vor dem Anschließen der Maschine an das Stromnetz stets, dass der Elektronikschalter ordnungsgemäß funktioniert und beim Loslassen in die AUS-Stellung zurückkehrt.

Zum Einschalten der Maschine einfach den Elektronikschalter drücken. Die Drehzahl erhöht sich durch verstärkte Druckausübung auf den Elektronikschalter. Zum Ausschalten den Elektronikschalter loslassen. Für Dauerbetrieb den Elektronikschalter betätigen, dann den Arretierknopf hineindrücken, und den Elektronikschalter loslassen. Zum Ausrasten der Sperre den Elektronikschalter bis zum Anschlag hineindrücken und dann loslassen.

Einschalten der Lampen (Abb. 3)

Für Modell HR2631F, HR2631FT

VORSICHT:

- Blicken Sie nicht direkt in die Lampe oder die Lichtquelle.

Betätigen Sie den Elektronikschalter zum Einschalten der Lampe. Lassen Sie den Elektronikschalter zum Ausschalten der Lampe los.

HINWEIS:

- Wischen Sie Schmutz auf der Lampenlinse mit einem trockenen Tuch ab. Achten Sie sorgfältig darauf, dass Sie die Lampenlinse nicht verkratzen, weil sich sonst die Lichtstärke verringert.

- Verwenden Sie keinen Verdünnern oder Benzin zum Reinigen der Lampe. Solche Lösungsmittel können die Lampe beschädigen.

Funktion des Drehrichtungsumschalters (Abb. 4 und 5)

⚠ VORSICHT:

- Prüfen Sie stets die Drehrichtung, bevor Sie mit der Arbeit beginnen.
- Betätigen Sie den Drehrichtungsumschalter erst, nachdem die Maschine völlig zum Stillstand gekommen ist. Durch Umschalten der Drehrichtung bei noch laufender Maschine kann die Maschine beschädigt werden.

Für Modell HR2631F, HR2631FT, HR2320T, HR2630, HR2630T

⚠ VORSICHT:

- Falls sich der Elektronikschalter nicht hineindrücken lässt, prüfen Sie, ob der Drehrichtungsumschalter vollständig auf der Stellung ◁ (Seite A) oder ▷ (Seite B) steht.

Diese Maschine besitzt einen Drehrichtungsumschalter. Stellen Sie den Drehrichtungsumschalthebel für Rechtsdrehung auf die Stellung ◁ (Seite A) oder für Linksdrehung auf die Stellung ▷ (Seite B).

Für Modell HR2641

HINWEIS:

- Wenn das Werkzeug mit Linksdrehung betrieben wird, lässt sich der Elektronikschalter nur halb betätigen, und das Werkzeug läuft nur mit halber Drehzahl. Bei Linksdrehung lässt sich der Arretierknopf nicht hineindrücken.

Diese Maschine besitzt einen Drehrichtungsumschalter. Stellen Sie den Drehrichtungsumschalthebel für Rechtsdrehung auf die Stellung ↶ (Seite A) oder für Linksdrehung auf die Stellung ↷ (Seite B).

Auswechseln des Schnellwechselfutters für SDS-plus

Für Modell HR2631FT, HR2320T, HR2630T

Das Schnellwechselfutter für SDS-plus kann leicht gegen das Schnellwechsel-Bohrfutter ausgewechselt werden.

Entfernen des Schnellwechselfutters für SDS-plus (Abb. 6)

⚠ VORSICHT:

- Nehmen Sie stets den Einsatz heraus, bevor Sie das Schnellwechselfutter für SDS-plus entfernen.

Fassen Sie die Wechselhülse des Schnellwechselfutters für SDS-plus, und drehen Sie sie in Pfeilrichtung, um die Wechselhülse vom Symbol ⚙ zum Symbol ⚙ zu verstellen. Ziehen Sie kräftig in Pfeilrichtung.

Anbringen des Schnellwechsel-Bohrfutters (Abb. 7)

Vergewissern Sie sich, dass die Linie des Schnellwechsel-Bohrfutters auf das Symbol ⚙ zeigt. Fassen Sie die Wechselhülse des Schnellwechsel-Bohrfutters, und richten Sie die Linie auf das Symbol ⚙ aus.

Setzen Sie das Schnellwechsel-Bohrfutter auf die Spindel der Maschine.

Fassen Sie die Wechselhülse des Schnellwechsel-Bohrfutters, und drehen Sie die Wechselhülse zum Symbol ⚙, bis ein deutliches Klicken zu hören ist.

Wahl der Betriebsart

⚠ VORSICHT:

- Betätigen Sie den Betriebsart-Umschaltknopf nicht, wenn die Maschine läuft. Die Maschine kann sonst beschädigt werden.
- Um schnellen Verschleiß des Betriebsart-Umschaltmechanismus zu vermeiden, achten Sie stets darauf, dass der Betriebsart-Umschaltknopf einwandfrei in einer der drei Betriebsartpositionen eingerastet ist.

Schlagbohren (Abb. 8)

Für Bohren in Beton, Mauerwerk usw. drehen Sie den Betriebsart-Umschaltknopf auf das Symbol ⚙. Verwenden Sie einen Bohrer mit Hartmetallschneide.

Bohren (Abb. 9)

Für Bohren in Holz-, Metall- oder Kunststoffmaterial drehen Sie den Betriebsart-Umschaltknopf auf das Symbol ⚙. Verwenden Sie einen Spiralbohrer oder Holzbohrer.

Schlagbohren (Abb. 10)

Für Meißeln, Abklopfen oder Demolieren drehen Sie den Betriebsart-Umschaltknopf auf das Symbol ⚙. Verwenden Sie einen Spitzmeißel, Flachmeißel, Putzmeißel usw.

Drehmomentbegrenzer

⚠ VORSICHT:

- Schalten Sie die Maschine bei Aktivierung des Drehmomentbegrenzers sofort aus. Dies verhindert vorzeitigen Verschleiß der Maschine.
- Einsätze, wie z. B. eine Lochsäge, die zum Klemmen oder Hängenbleiben in der Bohrung neigen, sind für diese Maschine nicht geeignet. Dies liegt daran, dass sie eine zu häufige Aktivierung des Drehmomentbegrenzers verursachen.

Der Drehmomentbegrenzer wird bei Erreichen eines bestimmten Drehmoments ausgelöst. Der Motor wird von der Ausgangswelle abgekuppelt. Wenn dies eintritt, bleibt der Bohrer stehen.

Haken (Abb. 11)

Für Modell HR2641

⚠ VORSICHT:

- Hängen Sie das Werkzeug auf keinen Fall an hoch gelegenen Stellen oder an einer potentiell instabilen Fläche auf.

Der Haken ist praktisch, um das Werkzeug vorübergehend aufzuhängen.

Um den Haken zu benutzen, heben Sie ihn einfach an, bis er in die geöffnete Position einrastet.

Wenn er nicht benutzt wird, senken Sie den Haken stets ab, bis er in die geschlossene Position einrastet.

MONTAGE

⚠ VORSICHT:

- Vergewissern Sie sich vor der Ausführung von Arbeiten an der Maschine stets, dass sie ausgeschaltet und vom Stromnetz getrennt ist.

Seitengriff (Zusatzgriff) (Abb. 12)

⚠ VORSICHT:

- Verwenden Sie stets den Seitengriff, um Betriebssicherheit zu gewährleisten.

Montieren Sie den Seitengriff so, dass die Vorsprünge am Griff in die Führungsnuten des Maschinengehäuses eingreifen. Ziehen Sie dann den Griff fest, indem Sie ihn an der gewünschten Position im Uhrzeigersinn drehen. Der Griff kann um 360° geschwenkt und in jeder beliebigen Position gesichert werden.

	Einsatzdurchmesser
Staubschutzkappe 5	6 mm – 14,5 mm
Staubschutzkappe 9	12 mm – 16 mm

006406

Ein weiterer Staubschutzkappentyp (Sonderzubehör), der verhindert, dass Staub auf die Maschine und den Benutzer fällt, wenn Überkopf-Bohrarbeiten durchgeführt werden, ist erhältlich.

Bohrer-/Meißelfett

Tragen Sie vor der Arbeit eine kleine Menge Bohrer-/Meißelfett (etwa 0,5 – 1 g) auf den Einsatzschaft auf. Diese Futterschmierung gewährleistet reibungslosen Betrieb und längere Lebensdauer.

Montage und Demontage des Einsatzes

Den Einsatzschaft vor der Montage des Einsatzes reinigen und mit dem mitgelieferten Bohrer-/Meißelfett schmieren. **(Abb. 13)**

Den Einsatz in die Maschine einführen. Den Einsatz drehen und hineindrücken, bis er einrastet. **(Abb. 14)**

Prüfen Sie nach der Montage stets den sicheren Sitz des Einsatzes durch Zugversuch.

Zum Entfernen des Einsatzes die Futterabdeckung bis zum Anschlag nach unten ziehen und den Einsatz herausziehen. **(Abb. 15)**

Einsatzwinkel (beim Meißeln, Abklopfen oder Demolieren)

Der Einsatz kann im gewünschten Winkel eingespannt werden. Um den Einsatzwinkel zu ändern, drehen Sie den Betriebsart-Umschaltknopf auf das Symbol **O**. Den Einsatz auf den gewünschten Winkel drehen. **(Abb. 16)** Stellen Sie den Betriebsart-Umschaltknopf auf die Position des Symbols \uparrow . **(Abb. 17)**

Vergewissern Sie sich dann durch leichtes Drehen, dass der Einsatz einwandfrei gesichert ist.

Tiefenanschlag

Der Tiefenanschlag ist praktisch, um Löcher von gleicher Tiefe zu bohren. **(Abb. 18)**

Drücken Sie den Arretierknopf an der Griffbasis in Richtung des in der Abbildung gezeigten Pfeils, und führen Sie den Tiefenanschlag bei gedrücktem Arretierknopf in das Sechskantloch der Griffbasis ein. **(Abb. 19)**

Dabei muss der Tiefenanschlag so eingeführt werden, dass seine Verzahnung auf die Verzahnung der Sechskantlochmarkierung an der Griffbasis ausgerichtet ist, wie in der Abbildung gezeigt. **(Abb. 20)**

Stellen Sie den Tiefenanschlag auf die gewünschte Tiefe ein, indem Sie ihn bei gedrücktem Arretierknopf vor und zurück schieben. Lassen Sie nach der Einstellung den Arretierknopf los, um den Tiefenanschlag zu verriegeln. **(Abb. 21)**

HINWEIS:

- Wird der Tiefenanschlag so eingeführt, dass seine Verzahnung nicht in die Verzahnung der Sechskantlochmarkierung an der Griffbasis eingreift, wie in der Abbildung gezeigt, kann der Tiefenanschlag nicht verriegelt werden.

Staubschutzkappe (Sonderzubehör) (Abb. 22)

Verwenden Sie bei Überkopf-Bohrarbeiten die Staubschutzkappe, um zu verhindern, dass Staub auf Sie und die Maschine fällt. Bringen Sie die Staubschutzkappe so am Einsatz an, wie in der Abbildung gezeigt. Die Staubschutzkappe kann an Einsätzen der folgenden Größen angebracht werden.

Anbringen und Abnehmen der Staubschutzkappe (Sonderzubehör)

Bevor Sie die Staubschutzkappe anbringen, entfernen Sie den Einsatz von der Maschine, falls einer installiert ist. Bringen Sie die Staubschutzkappe (Sonderzubehör) so an der Maschine an, dass das Symbol \triangle an der Staubschutzkappe auf die Führungsnuten in der Maschine ausgerichtet ist. **(Abb. 23)**

Um die Staubschutzkappe abzunehmen, ziehen Sie die Futterabdeckung in die in der Abbildung gezeigte Richtung, und nehmen Sie den Einsatz bei gezogener Futterabdeckung aus der Maschine heraus. **(Abb. 24)**

Fassen Sie dann den Aufsatz am Fuß der Staubschutzkappe, und nehmen Sie ihn heraus. **(Abb. 25)**

HINWEIS:

- Beim Anbringen oder Abnehmen der Staubschutzkappe kann sich die Abdeckung von der Staubschutzkappe lösen. In diesem Fall folgendermaßen vorgehen: Entfernen Sie den Balgen vom Aufsatz, und bringen Sie die Kappe von der in der Abbildung gezeigten Seite mit der flachen Seite nach oben gerichtet so an, dass die Führungsnut in der Kappe in den Innenrand des Aufsatzes passt. Zum Schluss den entfernten Balgen wieder anbringen. **(Abb. 26, 27 und 28)**

HINWEIS:

- Wenn Sie einen Staubsauger an Ihren Bohrhammer anschließen, können Sie noch sauberer arbeiten. Vor dem Anschluss muss die Staubabdeckung von der Staubschutzkappe abgenommen werden. **(Abb. 29)**

BETRIEB

\triangle VORSICHT:

- Montieren Sie stets den Seitengriff (Zusatzgriff), und halten Sie die Maschine während der Arbeit mit beiden Händen an Seitengriff und Schaltergriff fest.

Schlagbohrbetrieb (Abb. 30)

\triangle VORSICHT:

- Beim Durchbruch der Bohrung, bei Verstopfung der Bohrung mit Spänen und Partikeln, oder beim Auftreffen auf Betonstahl wirkt eine starke, plötzliche Drehkraft auf Werkzeug und Bohrer. Montieren Sie stets den Seitengriff (Zusatzgriff), und halten Sie die Maschine während der Arbeit mit beiden Händen an Seitengriff und Schaltergriff fest. Eine Missachtung dieser Vorsichtsmaßnahme kann den Verlust der Kontrolle über die Maschine und mögliche schwere Verletzungen zur Folge haben.

Stellen Sie den Betriebsart-Umschaltknopf auf die Position \uparrow .

Setzen Sie den Bohrer auf die gewünschte Bohrstelle, und drücken Sie dann den Elektronikschalter. Üben Sie keinen übermäßigen Druck auf die Maschine aus. Leichter Druck liefert die besten Ergebnisse. Halten Sie die Maschine in Position, und vermeiden Sie Abrutschen vom Loch.

Üben Sie keinen stärkeren Druck aus, wenn das Bohrloch mit Spänen oder Bohrmehl zugesetzt wird. Lassen Sie statt dessen die Maschine leer laufen, und ziehen Sie dann den Bohrer teilweise aus dem Bohrloch heraus. Durch mehrmaliges Wiederholen dieses Vorgangs wird das Bohrloch ausgeräumt, so dass der normale Bohrbetrieb fortgesetzt werden kann.


HINWEIS:

- Es kann zu einer Rundlaufabweichung in der Bohrerrotation kommen, wenn die Maschine mit Nulllast betrieben wird. Während des Betriebs zentriert sich die Maschine automatisch. Dies hat keinen Einfluss auf die Bohrgenauigkeit.

Ausblaspipette (Sonderzubehör) (Abb. 31)

Blasen Sie den Staub nach dem Bohren des Lochs mit einer Ausblaspipette aus dem Loch.


Meißeln/Abklopfen/Demolieren (Abb. 32)

Stellen Sie den Betriebsart-Umschaltknopf auf die Position des Symbols . Halten Sie die Maschine mit beiden Händen fest. Schalten Sie die Maschine ein, und führen Sie sie mit leichtem Druck, damit sie nicht unkontrolliert springt. Übermäßige Druckausübung auf die Maschine bewirkt keine Erhöhung der Arbeitsleistung.

Bohren in Holz oder Metall

VORSICHT:

- Verwenden Sie keinesfalls die Betriebsart „Schlagbohren“, wenn das Schnellwechselbohrfutter an der Maschine angebracht ist. Das Schnellwechselbohrfutter kann sonst beschädigt werden. Außerdem löst sich das Bohrfutter beim Umschalten der Drehrichtung.
- Übermäßige Druckausübung auf die Maschine bewirkt keine Beschleunigung der Bohrleistung. Im Gegenteil; übermäßiger Druck führt zu einer Beschädigung der Bohrspitze und damit zu einer Verringerung der Bohrleistung sowie zu einer Verkürzung der Lebensdauer der Maschine.
- Beim Bohrungsdurchbruch wirkt ein hohes Rückdrehmoment auf Maschine und Bohrer. Halten Sie daher die Maschine mit festem Griff und lassen Sie Vorsicht walten, wenn der Bohrer im Begriff ist, aus dem Werkstück auszutreten.
- Ein festsitzender Bohrer lässt sich durch einfaches Umschalten der Drehrichtung wieder herausdrehen. Dabei sollten Sie aber die Maschine gut festhalten, damit sie nicht ruckartig herausgestoßen wird.
- Spannen Sie kleine Werkstücke stets in einen Schraubstock oder eine ähnliche Aufspannvorrichtung ein.

Stellen Sie den Betriebsart-Umschaltknopf auf die Position des Symbols . Der Bohrdurchmesser kann bis zu 13 mm in Metall und bis zu 32 mm in Holz betragen.

Für Modell HR2631F, HR2641, HR2630

Verwenden Sie die Bohrfuttereinheit (Sonderzubehör). Nehmen Sie zur Montage auf den Abschnitt „Montage und Demontage des Einsatzes“ auf der vorhergehenden Seite Bezug. (**Abb. 33**)

Den Bohreinsatz zum Montieren bis zum Anschlag in das Futter einführen.

Das Futter von Hand anziehen. Den Futterschlüssel in jedes der drei Löcher einsetzen und im Uhrzeigersinn drehen. Das Futter in allen drei Löchern mit gleicher Kraft anziehen.

Den Futterschlüssel zum Demontieren des Bohreinsatzes nur in ein Loch einführen und entgegen dem Uhrzeigersinn drehen, bevor das Futter von Hand gelöst wird. (**Abb. 34**)

Für Modell HR2631FT, HR2320T, HR2630T

Verwenden Sie das Schnellwechselbohrfutter als Standardausstattung. Nehmen Sie zur Montage auf den Abschnitt „Austausch des Schnellwechselfutters für SDS-plus“ auf der vorhergehenden Seite Bezug. (**Abb. 35 und 36**)


Halten Sie den Klemmring fest, und drehen Sie die Werkzeugaufnahme entgegen dem Uhrzeigersinn, um die Bohrfutterbacken zu öffnen. Führen Sie den Einsatz bis zum Anschlag in das Bohrfutter ein. Halten Sie den Klemmring fest, und drehen Sie die Werkzeugaufnahme im Uhrzeigersinn, um das Bohrfutter festzuziehen.

Zum Entfernen des Einsatzes halten Sie den Klemmring und drehen die Werkzeugaufnahme entgegen dem Uhrzeigersinn. (**Abb. 37**)

Bohren mit Diamant-Bohrkrone

VORSICHT:

- Werden Bohrarbeiten mit Diamant-Bohrkrone in der Betriebsart „Schlagbohren“ durchgeführt, kann die Diamant-Bohrkrone beschädigt werden.

Stellen Sie den Umschalthebel zum Bohren mit Diamant-Bohrkrone immer auf die Position  (Betriebsart „Nur bohren“).

Betrieb bei Verwendung der Staubschutzkappe (Sonderzubehör) (Abb. 38)

Betreiben Sie die Maschine mit der Staubschutzkappe zur Deckenfläche gerichtet.

HINWEIS:

- Die Staubschutzkappe (Sonderzubehör) ist nur für Bohren in Keramik-Werkstücken wie Beton oder Mörtel vorgesehen. Bringen Sie die Staubschutzkappe nicht an der Maschine an, wenn Sie in Metall oder ähnlichem Material bohren. Wird die Staubschutzkappe zum Bohren in Metall benutzt, kann sie durch die von feinem Metallstaub o. Ä. erzeugten Wärme beschädigt werden.
- Leeren Sie die Staubschutzkappe, bevor Sie einen Bohrer entfernen.
- Vergewissern Sie sich bei Verwendung der Staubschutzkappe, dass die Staubabdeckung sicher montiert ist.

WARTUNG

VORSICHT:

- Denken Sie vor der Durchführung von Überprüfungen oder Wartungsarbeiten stets daran, die Maschine auszuschalten und vom Stromnetz zu trennen.

- Verwenden Sie auf keinen Fall Benzin, Benzol, Verdünnern, Alkohol oder dergleichen. Solche Mittel können Verfärbung, Verformung oder Rissbildung verursachen.

Um die SICHERHEIT und ZUVERLÄSSIGKEIT dieses Produkts aufrechtzuerhalten, sollten Reparaturen, Überprüfung und Austausch der Kohlebürsten und andere Wartungs- oder Einstellarbeiten nur von Makita-Kundendienstzentren unter ausschließlicher Verwendung von Makita-Originalersatzteilen ausgeführt werden.

SONDERZUBEHÖR

⚠ VORSICHT:

- Die folgenden Zubehörteile oder Vorrichtungen werden für den Einsatz mit dem in dieser Anleitung beschriebenen Makita-Gerät empfohlen. Die Verwendung anderer Zubehörteile oder Vorrichtungen kann eine Verletzungsgefahr darstellen. Verwenden Sie Zubehörteile oder Vorrichtungen nur für ihren vorgesehenen Zweck.

Wenn Sie weitere Einzelheiten bezüglich dieser Zubehörteile benötigen, wenden Sie sich bitte an Ihre Makita-Kundendienststelle.

- SDS-Plus-Bohrer mit Hartmetallschneide
- Bohrkronen
- Spitzmeißel
- Diamant-Bohrkronen
- Flachmeißel
- Putzmeißel
- Nutenmeißel
- Bohrfuttereinheit
- Bohrfutter S13
- Futteradapter
- Futterschlüssel S13
- Bohrer-/Meißelfett
- Seitengriff
- Tiefenanschlag
- Ausblaspipette
- Staubschutzkappe
- Plastikkoffer
- Schlüsselloses Bohrfutter

HINWEIS:

- Manche Teile in der Liste können als Standardzubehör im Werkzeugsatz enthalten sein. Sie können von Land zu Land unterschiedlich sein.

ENG905-1

Geräusch

Typischer A-bewerteter Geräuschpegel ermittelt gemäß EN62841-2-6:

Modell HR2631F

Schalldruckpegel (L_{pA}): 95 dB (A)
Schalleistungspegel (L_{WA}): 103 dB (A)
Ungewissheit (K): 3 dB (A)

Modell HR2631FT

Schalldruckpegel (L_{pA}): 94 dB (A)
Schalleistungspegel (L_{WA}): 102 dB (A)
Ungewissheit (K): 3 dB (A)

Modell HR2641, HR2320T, HR2630, HR2630T

Schalldruckpegel (L_{pA}): 93 dB (A)
Schalleistungspegel (L_{WA}): 101 dB (A)
Ungewissheit (K): 3 dB (A)

HINWEIS:

- Der (Die) angegebene(n) Schallemissionswert(e) wurde(n) im Einklang mit der Standardprüfmethode gemessen und kann (können) für den Vergleich zwischen Werkzeugen herangezogen werden.
- Der (Die) angegebene(n) Schallemissionswert(e) kann (können) auch für eine Vorbewertung des Gefährungsgrads verwendet werden.

⚠ WARNUNG:

- **Einen Gehörschutz tragen.**
- **Die Schallemission während der tatsächlichen Benutzung des Elektrowerkzeugs kann je nach der Benutzungsweise des Werkzeugs, und speziell je nach der Art des bearbeiteten Werkstücks, von dem (den) angegebenen Wert(en) abweichen.**
- **Identifizieren Sie Sicherheitsmaßnahmen zum Schutz des Benutzers anhand einer Schätzung des Gefährungsgrads unter den tatsächlichen Benutzungsbedingungen (unter Berücksichtigung aller Phasen des Arbeitszyklus, wie z. B. Ausschalt- und Leerlaufzeiten des Werkzeugs zusätzlich zur Betriebszeit).**

ENG900-1

Vibration

Vibrationsgesamtwert (Drei-Achsen-Vektorsumme) ermittelt gemäß EN62841-2-6:

Modell HR2631F

Arbeitsmodus: Schlagbohren in Beton
Vibrationsemission ($a_{h, HD}$): 12,4 m/s²
Ungewissheit (K): 1,5 m/s²

Arbeitsmodus: Meißelfunktion mit Seitengriff
Vibrationsemission ($a_{h, Cheg}$): 9,2 m/s²
Ungewissheit (K): 1,5 m/s²

Modell HR2631FT

Arbeitsmodus: Schlagbohren in Beton
Vibrationsemission ($a_{h, HD}$): 11,6 m/s²
Ungewissheit (K): 1,5 m/s²

Arbeitsmodus: Meißelfunktion mit Seitengriff
Vibrationsemission ($a_{h, Cheg}$): 9,8 m/s²
Ungewissheit (K): 1,5 m/s²

Modell HR2641

Arbeitsmodus: Schlagbohren in Beton
Vibrationsemission ($a_{h, HD}$): 11,6 m/s²
Ungewissheit (K): 1,5 m/s²

Arbeitsmodus: Meißelfunktion mit Seitengriff
Vibrationsemission ($a_{h, Cheg}$): 8,1 m/s²
Ungewissheit (K): 1,5 m/s²

Modell HR2320T

Arbeitsmodus: Schlagbohren in Beton
Vibrationsemission ($a_{h, HD}$): 15,9 m/s²
Ungewissheit (K): 1,5 m/s²

Arbeitsmodus: Meißelfunktion mit Seitengriff
Vibrationsemission ($a_{h, Cheg}$): 12,8 m/s²
Ungewissheit (K): 1,5 m/s²

Modell HR2630

Arbeitsmodus: Schlagbohren in Beton
Vibrationsemission ($a_{h, HD}$): 15,4 m/s²
Ungewissheit (K): 1,5 m/s²

Arbeitsmodus: Meißelfunktion mit Seitengriff
Vibrationsemission ($a_{h, Cheg}$): 10,8 m/s²
Ungewissheit (K): 1,5 m/s²

Modell HR2630T

Arbeitsmodus: Schlagbohren in Beton

Vibrationsemission ($a_{h,HD}$): 14,5 m/s²

Ungewissheit (K): 1,5 m/s²

Arbeitsmodus: Meißelfunktion mit Seitengriff

Vibrationsemission ($a_{h,Cheg}$): 10,9 m/s²

Ungewissheit (K): 1,5 m/s²

ENG901-2

HINWEIS:

- Der (Die) angegebene(n) Vibrationsgesamtwert(e) wurde(n) im Einklang mit der Standardprüfmethode gemessen und kann (können) für den Vergleich zwischen Werkzeugen herangezogen werden.
- Der (Die) angegebene(n) Vibrationsgesamtwert(e) kann (können) auch für eine Vorbewertung des Gefährdungsgrads verwendet werden.



WARNUNG:

- Die Vibrationsemission während der tatsächlichen Benutzung des Elektrowerkzeugs kann je nach der Benutzungsweise des Werkzeugs, und speziell je nach der Art des bearbeiteten Werkstücks, von dem (den) angegebenen Emissionswert(en) abweichen.
- Identifizieren Sie Sicherheitsmaßnahmen zum Schutz des Benutzers anhand einer Schätzung des Gefährdungsgrads unter den tatsächlichen Benutzungsbedingungen (unter Berücksichtigung aller Phasen des Arbeitszyklus, wie z. B. Ausschalt- und Leerlaufzeiten des Werkzeugs zusätzlich zur Betriebszeit).

KONFORMITÄTSERKLÄRUNGEN

Nur für europäische Länder

Die Konformitätserklärungen sind in Anhang A dieser Betriebsanleitung enthalten.

Visione generale

1	Grilletto dell'interruttore	13	Martellamento soltanto	25	Coppa polvere
2	Bottone di bloccaggio	14	Gancio	26	Simbolo Δ
3	Lampadina	15	Sporgenze	27	Attacco al piede coppa polvere
4	Leva interruttore di inversione	16	Scanalature	28	Soffietto
5	Portapunta di cambio rapido per SDS-plus	17	Codolo punta	29	Attacco
6	Linea coperchio di cambio	18	Grasso punta	30	Periferia interna
7	Coperchio di cambio	19	Punta	31	Lato piatto
8	Mandrino	20	Coperchio portapunta	32	Tappo
9	Portapunta trapano di cambio rapido	21	Base dell'impugnatura	33	Scanalatura
10	Rotazione con martellamento	22	Calibro di profondità	34	Pompetta soffiatrice
11	Manopola di cambio modalità di azione	23	Lato dentato contrassegno foro esagonale sulla base impugnatura	35	Gruppo portapunta trapano (accessorio opzionale)
12	Rotazione soltanto	24	Lato dentato calibro di profondità	36	Chiave portapunta
				37	Manicotto
				38	Anello

DATI TECNICI

Modello		HR2631F	HR2631FT	HR2641	HR2320T	HR2630	HR2630T
Capacità	Calcestruzzo	26 mm			23 mm	26 mm	
	Punta corona	68 mm					
	Punta corona diamantata (tipo secco)	80 mm			70 mm	80 mm	
	Acciaio	13 mm					
	Legno	32 mm					
Velocità senza carico		0 – 1.200 min ⁻¹		0 – 1.100 min ⁻¹	0 – 1.200 min ⁻¹		
Colpi al minuto		0 – 4.600 min ⁻¹		0 – 4.500 min ⁻¹	0 – 4.600 min ⁻¹		
Lunghezza totale		361 mm	385 mm	422 mm	380 mm	361 mm	385 mm
Peso netto		2,9 – 3,4 kg	3,1 – 3,6 kg	3,1 – 3,5 kg	2,9 – 3,2 kg	2,8 – 3,3 kg	3,0 – 3,5 kg
Classe di sicurezza		□/II					

- In conseguenza del nostro programma di ricerca e sviluppo continui, i dati tecnici nel presente manuale sono soggetti a modifiche senza preavviso.
- I dati tecnici possono variare da nazione a nazione.
- Il peso può variare a seconda dell'accessorio o degli accessori. La combinazione più leggera e quella più pesante, in base alla Procedura EPTA 01/2014, sono indicate nella tabella.

ENE042-1

GEA010-2

Utilizzo previsto

Questo utensile è progettato per la foratura con martellamento e la foratura dei mattoni, calcestruzzo e pietre.

Esso è adatto anche alla foratura senza impatto del legno, metallo, ceramica e plastica.

ENF002-2

Alimentazione

L'utensile deve essere collegato ad una presa di corrente con la stessa tensione indicata sulla targhetta del nome, e può funzionare soltanto con la corrente alternata monofase. Esso ha un doppio isolamento, per cui può essere usato con le prese di corrente sprovviste della messa a terra.

Avvertenze generali relative alla sicurezza dell'utensile elettrico

⚠ AVVERTIMENTO: Leggere tutte le avvertenze di sicurezza, le istruzioni, le illustrazioni e i dati tecnici forniti con il presente utensile elettrico. La mancata osservanza di tutte le istruzioni elencate di seguito potrebbe risultare in scosse elettriche, incendi e/o gravi lesioni personali.

Conservare tutte le avvertenze e le istruzioni come riferimento futuro.

Il termine "utensile elettrico" nelle avvertenze si riferisce sia all'utensile elettrico (cablato) nel funzionamento alimentato da rete elettrica che all'utensile elettrico (a batteria) nel funzionamento alimentato a batteria.

AVVERTENZE PER LA SICUREZZA DEL MARTELLO ROTATIVO

Istruzioni di sicurezza relative a tutte le operazioni

1. **Indossare protezioni per le orecchie.** L'esposizione al rumore può causare la perdita dell'udito.
2. **Utilizzare la maniglia o le maniglie ausiliarie, se in dotazione con l'utensile.** La perdita di controllo può causare lesioni personali.
3. **Mantenere l'utensile elettrico per le superfici di impugnatura isolate, quando si intende eseguire un'operazione in cui l'accessorio da taglio potrebbe entrare in contatto con fili elettrici nascosti o con il proprio cavo.** Qualora l'accessorio da taglio entri in contatto con un cavo sotto tensione, potrebbe mettere sotto tensione le parti metalliche esposte dell'utensile elettrico e trasmettere una scossa elettrica all'operatore.

Istruzioni di sicurezza quando si utilizzano punte per trapano lunghe con martelli rotativi

1. **Iniziare sempre a perforare a bassa velocità e con l'estremità della punta in contatto con il pezzo in lavorazione.** Alle velocità più elevate, è probabile che la punta si pieghi, qualora la si lasci ruotare liberamente senza entrare in contatto con il pezzo in lavorazione, il che potrebbe risultare in lesioni personali.
2. **Applicare pressione solo allineandosi senza inclinazioni con la punta, e non applicare pressione eccessiva.** Le punte possono piegarsi, causando rotture o perdita di controllo e risultando in lesioni personali.

Avvertenze aggiuntive per la sicurezza

1. **Indossare un casco (elmetto di protezione), occhiali di sicurezza e/o una visiera.** I normali occhiali da vista o da sole **NON** sono occhiali di sicurezza. Inoltre, si consiglia caldamente di indossare una mascherina antipolvere e guanti dall'imbottitura spessa.
2. **Accertarsi che la punta sia fissata saldamente in sede prima dell'utilizzo.**
3. **Nell'utilizzo normale, l'utensile è progettato per produrre vibrazioni.** Le viti potrebbero allentarsi facilmente, causando un guasto o un incidente. Controllare con cura che le viti siano serrate prima dell'uso.
4. **In condizioni di bassa temperatura o quando l'utensile non è stato utilizzato per un periodo di tempo prolungato, lasciar riscaldare l'utensile per un po' di tempo facendolo funzionare a vuoto.** Questa operazione ammorbidisce il lubrificante. Senza un appropriato riscaldamento, l'operazione di percussione risulta difficile.
5. **Accertarsi sempre di appoggiare i piedi saldamente.** Quando si intende utilizzare l'utensile in ubicazioni elevate, accertarsi sempre che non sia presente alcuna persona sotto.
6. **Tenere l'utensile saldamente con entrambe le mani.**
7. **Tenere le mani lontane dalle parti mobili.**

8. **Non lasciare l'utensile mentre sta funzionando.** Far funzionare l'utensile solo mentre lo si tiene in mano.
9. **Non puntare l'utensile verso alcuna persona nelle vicinanze durante l'uso.** La punta potrebbe volare via e causare gravi lesioni personali.
10. **Non toccare la punta, le parti vicine alla punta o il pezzo in lavorazione subito dopo l'uso;** potrebbero essere estremamente caldi e causare ustioni.
11. **Alcuni materiali contengono sostanze chimiche che potrebbero essere tossiche.** Fare attenzione a evitare l'inalazione della polvere e il contatto con la pelle. Attenersi ai dati relativi alla sicurezza del fornitore del materiale.
12. **Non toccare la spina dell'alimentazione elettrica con le mani bagnate.**

CONSERVARE LE PRESENTI ISTRUZIONI.

⚠ AVVERTIMENTO:

NON lasciare che la comodità o la familiarità d'uso con il prodotto (acquisita con l'uso ripetuto) sostituiscano la stretta osservanza delle norme di sicurezza. L'USO IMPROPRIO o la mancata osservanza delle norme di sicurezza riportate nel presente manuale manuale di istruzioni potrebbero causare lesioni personali gravi.

DESCRIZIONE DEL FUNZIONAMENTO

⚠ ATTENZIONE:

- Accertarsi sempre che l'utensile sia spento e staccato dalla presa di corrente prima di regolarlo o di controllare le sue funzioni.

Funzionamento dell'interruttore (Fig. 1 e 2)

⚠ ATTENZIONE:

- Prima di collegare l'utensile alla presa di corrente, controllare sempre che il grilletto dell'interruttore funzioni correttamente e che ritorni sulla posizione "OFF" quando viene rilasciato.

Per avviare l'utensile, schiacciare semplicemente il grilletto dell'interruttore. La velocità dell'utensile si aumenta aumentando la pressione sul grilletto dell'interruttore. Rilasciare il grilletto dell'interruttore per fermarlo. Per il funzionamento continuo, schiacciare il grilletto dell'interruttore, spingere dentro il bottone di bloccaggio e rilasciare poi il grilletto dell'interruttore. Per arrestare l'utensile dalla posizione di bloccaggio, schiacciare completamente il grilletto dell'interruttore e poi rilasciarlo.

Accensione delle lampadine (Fig. 3)

Modello HR2631F, HR2631FT

⚠ ATTENZIONE:

- Non guardare direttamente la lampadina o la sorgente della luce.

Per accendere la lampadina, schiacciare il grilletto. Rilasciare il grilletto per spegnerla.

NOTA:

- Usare un panno asciutto per togliere lo sporco dalla lente della lampadina. Fare attenzione a non graffiare la lente della lampadina, perché altrimenti l'illuminazione potrebbe ridursi.
- Per pulire la lampadina non si devono usare solventi o benzina. Tali sostanze potrebbero danneggiarla.

Funzionamento dell'interruttore di inversione

(Fig. 4 e 5)

⚠ ATTENZIONE:

- Controllare sempre la direzione di rotazione prima di cominciare il lavoro.
- Usare l'interruttore di inversione soltanto dopo che l'utensile si è arrestato completamente. Se si cambia la direzione di rotazione prima del suo arresto completo, si potrebbe danneggiare l'utensile.

Modello HR2631F, HR2631FT, HR2320T, HR2630, HR2630T

⚠ ATTENZIONE:

- Se il grilletto interruttore non può essere schiacciato, controllare se l'interruttore di inversione è regolato completamente sulla posizione ◁ (lato A) o ▷ (lato B).

Questo utensile è dotato di un interruttore di inversione per il cambiamento della direzione di rotazione. Spostare la leva interruttore di inversione sulla posizione ◁ (lato A) per la rotazione in senso orario, oppure sulla posizione ▷ (lato B) per la rotazione in senso antiorario.

Modello HR2641

NOTA:

- Quando si fa funzionare l'utensile con la rotazione in senso antiorario, il grilletto dell'interruttore può essere schiacciato soltanto a metà e l'utensile gira a metà velocità. Con la rotazione in senso antiorario non è possibile spingere dentro il bottone di bloccaggio.

Questo utensile è dotato di un interruttore di inversione per il cambiamento della direzione di rotazione. Spostare la leva interruttore di inversione sulla posizione ↻ (lato A) per la rotazione in senso orario, oppure sulla posizione ↺ (lato B) per la rotazione in senso antiorario.

Cambiamento del portapunta di cambio rapido per SDS-plus



Modello HR2631FT, HR2320T, HR2630T

Il portapunta di cambio rapido per SDS-plus può essere facilmente cambiato con il portapunta trapano di cambio rapido.



Modo di rimuovere il portapunta di cambio rapido per SDS-plus (Fig. 6)

⚠ ATTENZIONE:


- Prima di rimuovere il portapunta di cambio rapido per SDS-plus, rimuovere sempre la punta.

Afferrare il coperchio di cambio del portapunta di cambio rapido per SDS-plus e girarlo nella direzione della freccia finché la linea coperchio di cambio si sposta dal simbolo  al simbolo . Tirare con forza nella direzione della freccia.

Modo di attaccare il portapunta trapano di cambio rapido (Fig. 7)

Accertarsi che la linea del portapunta trapano di cambio rapido mostri il simbolo . Afferrare il coperchio di cambio del portapunta trapano di cambio rapido e regolare la linea sul simbolo .

Mettere il portapunta trapano di cambio rapido sul mandrino dell'utensile.


Afferrare il coperchio di cambio del portapunta trapano di cambio rapido e girare la linea coperchio di cambio sul simbolo  finché si sente chiaramente uno scatto.

Selezione delle modalità di azione


⚠ ATTENZIONE:

- La manopola di cambio modalità di azione non deve essere ruotata mentre l'utensile sta funzionando. Si potrebbe danneggiare l'utensile.
- Per evitare la rapida usura del meccanismo di cambio della modalità, accertarsi sempre che la manopola di cambio modalità di azione sia regolata pienamente su una delle tre posizioni della modalità di azione.


Rotazione con martellamento (Fig. 8)

Per forare il calcestruzzo, murature, ecc., ruotare la manopola di cambio modalità di azione sul simbolo . Usare una punta al carburo di tungsteno.

Rotazione soltanto (Fig. 9)

Per forare il legno, metallo o materiali di plastica, ruotare la manopola di cambio modalità di azione sul simbolo . Usare una punta trapano elicoidale o una punta per legno.

Martellamento soltanto (Fig. 10)

Per le operazioni di scalpellatura, disincrostazione o demolizione, ruotare la manopola di cambio modalità di azione sul simbolo . Usare uno scalpello a punta, scalpello a freddo, scalpello di disincrostazione, ecc.

Limitatore di coppia

⚠ ATTENZIONE:

- Spegnere immediatamente l'utensile non appena interviene il limitatore di coppia. Ciò aiuta a prevenire l'usura prematura dell'utensile.
- Le punte quali le seghe frontali a corona non sono adatte a questo utensile, perché hanno la tendenza a rimanere facilmente strette o incastrate nel foro. Ciò perché causano l'intervento troppo frequente del limitatore di coppia.

Il limitatore di coppia interviene quando viene raggiunto un certo livello di coppia. Il motore si disinnesta allora dall'albero lento. Quando si verifica ciò, la punta smette di girare.

Gancio (Fig. 11)

Modello HR2641

⚠ ATTENZIONE:

- L'utensile non deve mai essere agganciato a un posto alto o a una superficie potenzialmente instabile.

Il gancio è comodo per appendere temporaneamente l'utensile.

Per usare il gancio, sollevare semplicemente il gancio finché scatta nella posizione di apertura.

Quando non viene usato, abbassare sempre il gancio nella posizione di chiusura.

MONTAGGIO

⚠ ATTENZIONE:

- Accertarsi sempre che l'utensile sia spento e staccato dalla presa di corrente prima di procedere a un qualsiasi lavoro su di esso.

Impugnatura laterale (manico ausiliario) (Fig. 12)

⚠ ATTENZIONE:

- Usare sempre l'impugnatura laterale per lavorare con maggior sicurezza.

Installare l'impugnatura laterale in modo che le sporgenze dell'impugnatura entrino nelle scanalature del tamburo dell'utensile. Stringere poi l'impugnatura girandola in senso orario sulla posizione desiderata. Essa può essere girata di 360°, in modo da poter essere fissata in qualsiasi posizione.

Grasso punta

Spalmare in precedenza la testa del codolo punta con una piccola quantità di grasso per punte (0,5 – 1 g circa). Questa lubrificazione del portapunta assicura un funzionamento normale e una vita di servizio più lunga.

Installazione o rimozione della punta

Pulire il codolo punta e spalmarlo di grasso per punte prima di installare la punta. (Fig. 13)

Inserire la punta nell'utensile. Girare la punta e spingerla dentro finché rimane agganciata. (Fig. 14)

Dopo l'installazione, accertarsi sempre che la punta sia fissata saldamente in posizione cercando di tirarla fuori. Per rimuovere la punta, spingere completamente giù il coperchio portapunta e tirar fuori la punta. (Fig. 15)

Angolo punta (per la scalpellatura, disinquinamento o demolizione)

La punta può essere fissata all'angolo desiderato. Per cambiare l'angolo della punta, ruotare la manopola di cambio modalità di azione sul simbolo **O**. Girare la punta sull'angolo desiderato. (Fig. 16)

Ruotare la manopola di cambio modalità di azione sul simbolo ∇ . (Fig. 17)

Accertarsi poi che la punta sia fissata saldamente in posizione girandola leggermente.

Calibro di profondità

Il calibro di profondità è comodo per praticare fori di profondità uniforme. (Fig. 18)

Premere il bottone di bloccaggio sulla base dell'impugnatura nella direzione della freccia mostrata nella illustrazione e, mantenendolo premuto, inserire il calibro di profondità nel foro esagonale nella base dell'impugnatura. (Fig. 19)

A questo punto è necessario inserire il calibro di profondità in modo che il suo lato dentato sia rivolto sul lato dentato del contrassegno foro esagonale sulla base dell'impugnatura, come mostrato in figura. (Fig. 20)

Regolare il calibro di profondità alla profondità desiderata muovendolo avanti e indietro mentre si preme il bottone di bloccaggio. Dopo la regolazione, rilasciare il bottone di bloccaggio per bloccare il calibro di profondità. (Fig. 21)

NOTA:

- Il calibro di profondità non può essere bloccato se viene inserito senza che il suo lato dentato sia rivolto sul lato dentato del contrassegno foro esagonale sulla base dell'impugnatura, come mostrato nella illustrazione.

Coppa polvere (accessorio opzionale) (Fig. 22)

Usare la coppa polvere per evitare di impolverare l'utensile e sé stessi quando si eseguono operazioni di foratura in alto. Attaccare la coppa polvere alla punta come mostrato in figura. Le dimensioni delle punte a cui si può attaccare la coppa polvere sono come segue.

	Diametro punta
Coppa polvere 5	6 mm – 14,5 mm
Coppa polvere 9	12 mm – 16 mm

C'è un altro tipo di coppa polvere (accessorio opzionale) che aiuta a evitare di impolverare l'utensile e sé stessi quando si eseguono operazioni di foratura in alto.

Installazione o rimozione della coppa polvere (accessorio opzionale)

Prima di installare la coppa polvere, rimuovere la punta dall'utensile se vi è installata. Installare la coppa polvere (accessorio opzionale) sull'utensile in modo che il simbolo \triangle sulla coppa polvere sia allineato sulle scanalature nell'utensile. (Fig. 23)

Per rimuovere la coppa polvere, tirare il coperchio portapunta nella direzione mostrata in figura e, mantenendo tirato il coperchio portapunta, togliere via la punta dall'utensile. (Fig. 24)

Afferrare poi l'attacco al piede coppa polvere e tirarlo via. (Fig. 25)

NOTA:

- Quando si installa o si rimuove la coppa polvere, il tappo potrebbe staccarsi dalla coppa polvere. In tal caso, procedere come segue. Rimuovere il soffietto dall'attacco e montare il tappo dal lato mostrato in figura con il suo lato piatto rivolto in alto, in modo che la scanalatura del tappo entri dentro la periferia dell'attacco. Montare infine il soffietto che era stato rimosso. (Fig. 26, 27 e 28)

NOTA:

- Collegando un aspiratore al martello si possono eseguire operazioni più pulite. Prima del collegamento bisogna rimuovere il tappo polvere dalla coppa polvere. (Fig. 29)

FUNZIONAMENTO

\triangle ATTENZIONE:

- Usare sempre l'impugnatura laterale (manico ausiliario), e tenere saldamente l'utensile per entrambi l'impugnatura laterale e il manico interruttore durante le operazioni.

Operazione di foratura con martellamento (Fig. 30)

\triangle ATTENZIONE:

- Sull'utensile/punta viene esercitata una fortissima e improvvisa forza torcente al momento in cui la punta fuoriesce dal foro, se il foro diventa intasato di trucioli e particelle, o se la punta urta contro le barre di rinforzo incorporate nel cemento armato. Usare sempre l'impugnatura laterale (manico ausiliario), e tenere saldamente l'utensile per entrambi l'impugnatura laterale e il manico interruttore durante le operazioni. Non facendo ciò si potrebbe perdere il controllo dell'utensile, con il potenziale pericolo di un serio incidente.

Regolare la manopola di cambio modalità di azione sul simbolo ∇ .

Posizionare la punta sul punto desiderato del foro, e schiacciare poi il grilletto dell'interruttore. Non forzare l'utensile. Una leggera pressione produce i risultati migliori. Mantenere l'utensile in posizione ed evitare che scivoli via dal foro.

Non applicare ulteriori pressioni se il foro diventa intasato di trucioli o particelle. Fare girare invece l'utensile a vuoto, e rimuovere poi parzialmente la punta dal foro. Ripetendo questo procedimento diverse volte, il foro si pulisce e si può continuare con la foratura normale.

NOTA:

- Durante il funzionamento senza carico dell'utensile si potrebbe verificare l'eccentricità nella rotazione della punta. L'utensile si centra automaticamente da solo durante il funzionamento. Ciò non ha alcun effetto sulla precisione della foratura.

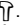
Pompetta soffiatrice (accessorio opzionale)

(Fig. 31)

Dopo la foratura, usare la pompetta soffiatrice per togliere la polvere dal foro.

Scalpellatura/disincrostazione/demolizione

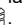
(Fig. 32)

Regolare la manopola di cambio modalità di azione sul simbolo . Tenere saldamente l'utensile con entrambe le mani. Accendere l'utensile ed esercitare una leggera pressione su di esso in modo che non rimbalzi intorno fuori controllo. Premono con molta forza sull'utensile non se ne aumenta l'efficienza.

Foratura del legno o metallo

ATTENZIONE:

- Non si deve mai usare la "rotazione con martellamento" quando sull'utensile si è installato il portapunta trapano di cambio rapido. Si potrebbe danneggiare il portapunta trapano di cambio rapido.
- Inoltre, il portapunta trapano si stacca quando si inverte l'utensile.
- Una pressione eccessiva sull'utensile non rende più veloce la foratura. Al contrario, tale pressione eccessiva serve soltanto a danneggiare la punta e a ridurre le prestazioni e la vita di servizio dell'utensile.
- Sull'utensile/punta viene esercitata una fortissima forza torcente al momento in cui la punta fuoriesce dal foro. Tenere saldamente l'utensile e fare attenzione quando la punta comincia a fuoriuscire dal pezzo.
- La punta incastrata può essere rimossa regolando semplicemente l'interruttore di inversione nella modalità di rotazione inversa per farla retrocedere. L'utensile potrebbe però liberarsi improvvisamente se non viene tenuto saldamente.
- Fissare sempre i piccoli pezzi con una morsa o altro dispositivo simile.

Regolare la manopola di cambio modalità di azione sul simbolo .

Si può forare fino a 13 mm di diametro nel metallo, e fino a 32 mm di diametro nel legno.

Modello HR2631F, HR2641, HR2630

Utilizzare il portapunta trapano (accessorio opzionale). Per la sua installazione, vedere la descrizione di "Installazione o rimozione della punta" alla pagina precedente. (Fig. 33)

Per installare la punta, inserirla nel portapunta finché non può andare più oltre.

Stringere il portapunta a mano. Inserire la chiave portapunta in ciascuno dei tre fori, e stringere in senso orario. Tutti e tre i fori vanno stretti in modo uniforme.

Per rimuovere la punta, girare la chiave portapunta in senso antiorario in un solo foro, e allentare poi il portapunta a mano. (Fig. 34)

Modello HR2631FT, HR2320T, HR2630T


Usare il portapunta trapano di cambio rapido come attrezzatura standard. Per installarlo, vedere la descrizione di "Cambiamento del portapunta di cambio rapido per SDS-plus" alla pagina precedente. (Fig. 35 e 36)

Tenere fermo l'anello e girare il manicotto in senso antiorario per aprire le ganasce del portapunta. Inserire la punta nel portapunta finché non può andare più oltre. Tenere fermo saldamente l'anello e girare il manicotto in senso orario per stringere il portapunta. Per rimuovere la punta, tenere fermo l'anello e girare il manicotto in senso antiorario. (Fig. 37)

Foratura con corona diamantata

ATTENZIONE:

- Se si eseguono le operazioni di foratura con corona diamantata usando la modalità di "rotazione con martellamento", si potrebbe danneggiare la corona diamantata.

Quando si eseguono le operazioni di foratura con corona diamantata, regolare sempre la leva di cambio sulla posizione  per usare la modalità di "rotazione soltanto".

Funzionamento usando la coppa polvere

(accessorio opzionale) (Fig. 38)

Far funzionare l'utensile con la coppa polvere appoggiata alla superficie del soffitto.

NOTA:

- La coppa polvere (accessorio opzionale) è progettata soltanto per la foratura di materiali di ceramica, come calcestruzzo e malta. Per la foratura dei metalli e materiali similari, l'utensile non deve essere usato con la coppa polvere. Se si usa la coppa polvere per la foratura dei metalli, si potrebbe danneggiare la coppa polvere a causa del calore prodotto da piccola polvere metallica o particelle similari.
- Svuotare la coppa polvere prima di rimuovere una punta trapano.
- Quando si usa la coppa polvere, accertarsi che il tappo polvere sia montato saldamente su di essa.

MANUTENZIONE

ATTENZIONE:

- Accertarsi sempre che l'utensile sia spento e staccato dalla presa di corrente prima di cercare di eseguire qualsiasi intervento di ispezione o manutenzione.
- Non si devono mai usare benzina, benzolo, solventi, alcol o sostanze similari. Si potrebbero causare scolorimenti, deformazioni o crepe.

Per preservare la SICUREZZA e l'AFFIDABILITÀ del prodotto, le riparazioni, l'ispezione e il cambio delle spazzole di carbone e qualsiasi altra manutenzione o regolazione devono essere eseguiti da un Centro di assistenza Makita autorizzato usando sempre ricambi Makita.

ACCESSORI OPZIONALI

ATTENZIONE:

- Per l'utilizzo con l'utensile Makita specificato in questo manuale si consigliano questi accessori o ricambi. L'utilizzo di altri accessori o ricambi potrebbe costituire un pericolo di incidenti. Gli accessori e i ricambi devono essere usati soltanto per i loro scopi specificati.

Per maggiori dettagli su questi accessori, rivolgersi al Centro di assistenza Makita locale.

- Punta al carburo SDS-plus
- Punta corona
- Scalpello a punta
- Punta corona diamantata

- Scalpello a freddo
- Scalpello di disincrostazione
- Scalpello di scanalatura
- Gruppo portapunta trapano
- Portapunta trapano S13
- Adattatore portapunta
- Chiave portapunta S13
- Grasso punta
- Impugnatura laterale
- Calibro di profondità
- Pompetta soffiatrice
- Coppa polvere
- Valigetta di trasporto in plastica
- Portapunta trapano senza chiave

NOTA:

- Alcuni articoli nella lista potrebbero essere inclusi nell'imballo dell'utensile come accessori standard. Essi potrebbero differire da Paese a Paese.

ENG905-1

Rumore

Il tipico livello di rumore pesato-A determinato secondo EN62841-2-6:

Modello HR2631F

Livello di pressione sonora (L_{pA}): 95 dB (A)

Livello di potenza sonora (L_{WA}): 103 dB (A)

Incertezza (K): 3 dB (A)

Modello HR2631FT

Livello di pressione sonora (L_{pA}): 94 dB (A)

Livello di potenza sonora (L_{WA}): 102 dB (A)

Incertezza (K): 3 dB (A)

Modello HR2641, HR2320T, HR2630, HR2630T

Livello di pressione sonora (L_{pA}): 93 dB (A)

Livello di potenza sonora (L_{WA}): 101 dB (A)

Incertezza (K): 3 dB (A)

ENG907-1

NOTA:

- Il valore o i valori dichiarati delle emissioni di rumori sono stati misurati in conformità a un metodo standard di verifica, e possono essere utilizzati per confrontare un utensile con un altro.
- Il valore o i valori dichiarati delle emissioni di rumori possono venire utilizzati anche per una valutazione preliminare dell'esposizione.

⚠ AVVERTIMENTO:

- **Indossare protezioni per le orecchie.**
- **L'emissione di rumori durante l'utilizzo effettivo dell'utensile elettrico può variare rispetto al valore o ai valori dichiarati, a seconda dei modi in cui viene utilizzato l'utensile e specialmente a seconda di che tipo di pezzo venga lavorato.**
- **Accertarsi di identificare misure di sicurezza per la protezione dell'operatore che siano basate su una stima dell'esposizione nelle condizioni effettive di utilizzo (tenendo conto di tutte le parti del ciclo operativo, ad esempio del numero di spegnimenti dell'utensile e di quando giri a vuoto, oltre al tempo di attivazione).**

Vibrazioni

Il valore totale delle vibrazioni (somma vettore triassiale) determinato secondo EN62841-2-6:

Modello HR2631F

Modalità di lavoro: foratura con martellamento nel cemento

Emissione vibrazioni ($a_{h, HD}$): 12,4 m/s²

Incertezza (K): 1,5 m/s²

Modalità di lavoro: funzione di scalpellamento con impugnatura laterale

Emissione vibrazioni ($a_{h, Cheq}$): 9,2 m/s²

Incertezza (K): 1,5 m/s²

Modello HR2631FT

Modalità di lavoro: foratura con martellamento nel cemento

Emissione vibrazioni ($a_{h, HD}$): 11,6 m/s²

Incertezza (K): 1,5 m/s²

Modalità di lavoro: funzione di scalpellamento con impugnatura laterale

Emissione vibrazioni ($a_{h, Cheq}$): 9,8 m/s²

Incertezza (K): 1,5 m/s²

Modello HR2641

Modalità di lavoro: foratura con martellamento nel cemento

Emissione vibrazioni ($a_{h, HD}$): 11,6 m/s²

Incertezza (K): 1,5 m/s²

Modalità di lavoro: funzione di scalpellamento con impugnatura laterale

Emissione vibrazioni ($a_{h, Cheq}$): 8,1 m/s²

Incertezza (K): 1,5 m/s²

Modello HR2320T

Modalità di lavoro: foratura con martellamento nel cemento

Emissione vibrazioni ($a_{h, HD}$): 15,9 m/s²

Incertezza (K): 1,5 m/s²

Modalità di lavoro: funzione di scalpellamento con impugnatura laterale

Emissione vibrazioni ($a_{h, Cheq}$): 12,8 m/s²

Incertezza (K): 1,5 m/s²

Modello HR2630

Modalità di lavoro: foratura con martellamento nel cemento

Emissione vibrazioni ($a_{h, HD}$): 15,4 m/s²

Incertezza (K): 1,5 m/s²

Modalità di lavoro: funzione di scalpellamento con impugnatura laterale

Emissione vibrazioni ($a_{h, Cheq}$): 10,8 m/s²

Incertezza (K): 1,5 m/s²

Modello HR2630T

Modalità di lavoro: foratura con martellamento nel cemento

Emissione vibrazioni ($a_{h, HD}$): 14,5 m/s²

Incertezza (K): 1,5 m/s²

Modalità di lavoro: funzione di scalpellamento con impugnatura laterale

Emissione vibrazioni ($a_{h, Cheq}$): 10,9 m/s²

Incertezza (K): 1,5 m/s²

NOTA:

- Il valore o i valori complessivi delle vibrazioni dichiarati sono stati misurati in conformità a un metodo standard di verifica, e possono essere utilizzati per confrontare un utensile con un altro.
- Il valore o i valori complessivi delle vibrazioni dichiarati possono venire utilizzati anche per una valutazione preliminare dell'esposizione.

 AVVERTIMENTO:

- **L'emissione delle vibrazioni durante l'utilizzo effettivo dell'utensile elettrico può variare rispetto al valore o ai valori dichiarati, a seconda dei modi in cui viene utilizzato l'utensile, specialmente a seconda di che tipo di pezzo venga lavorato.**
- **Accertarsi di identificare misure di sicurezza per la protezione dell'operatore che siano basate su una stima dell'esposizione nelle condizioni effettive di utilizzo (tenendo conto di tutte le parti del ciclo operativo, ad esempio del numero di spegnimenti dell'utensile e di quando giri a vuoto, oltre al tempo di attivazione).**

DICHIARAZIONI DI CONFORMITÀ**Solo per i paesi europei**

Le Dichiarazioni di conformità sono incluse nell'Allegato A al presente manuale d'uso.

Verklaring van algemene gegevens

1 Aan/uit-schakelaar	15 Uitsteeksels	26 Symbool Δ
2 Vergrendelknop	16 Groeven	27 Voetstuk van de stofvanger
3 Lampje	17 Boorschacht	28 Balg
4 Omkeerschakelaar	18 Boorvet	29 Voetstuk
5 Snelwisselkop voor SDS-plus	19 Boor	30 Binnenomtrek
6 Streep op wisselmof	20 Boorkopmof	31 Platte kant
7 Wisselmof	21 Basis van de zijhandgreep	32 Dop
8 As	22 Diepteaanslag	33 Groef
9 Snelwisselboorkop	23 Getande kant van de zeskantgatmarkering op de basis van de zijhandgreep	34 Blaasbalgje
10 Rondraaien met hameren	24 Getande zijde van de diepteaanslag	35 Complete boorkop (optioneel accessoire)
11 Werkingfunctie-keuzeknop	25 Stofvanger	36 Boorkopsleutel
12 Alleen rondraaien		37 Bus
13 Alleen hameren		38 Ring
14 Ophanghaak		

TECHNISCHE GEGEVENS

Model		HR2631F	HR2631FT	HR2641	HR2320T	HR2630	HR2630T
Capaciteiten	Beton	26 mm			23 mm	26 mm	
	Kroonboor	68 mm					
	Diamantkroonboor (droog type)	80 mm			70 mm	80 mm	
	Staal	13 mm					
	Hout	32 mm					
Nullasttoerental		0 – 1 200 min ⁻¹		0 – 1 100 min ⁻¹	0 – 1 200 min ⁻¹		
Aantal slagen/minuut		0 – 4 600 min ⁻¹		0 – 4 500 min ⁻¹	0 – 4 600 min ⁻¹		
Totale lengte		361 mm	385 mm	422 mm	380 mm	361 mm	385 mm
Nettogewicht		2,9 – 3,4 kg	3,1 – 3,6 kg	3,1 – 3,5 kg	2,9 – 3,2 kg	2,8 – 3,3 kg	3,0 – 3,5 kg
Veiligheidsklasse		II/II					

- In verband met ononderbroken research en ontwikkeling behouden wij ons het recht voor bovenstaande technische gegevens te wijzigen zonder voorafgaande kennisgeving.
- De technische gegevens kunnen van land tot land verschillen.
- Het gewicht kan verschillen afhankelijk van de hulpstukken. De lichtste en zwaarste combinatie, volgens EPTA-procedure 01/2014, worden vermeld in de tabel.

ENE042-1

GEA010-2

Gebruiksdoeleinden

Het gereedschap is bedoeld voor hamerboren en boren in baksteen, beton en steen. Het is ook geschikt voor boren zonder slagwerking in hout, metaal, keramisch materiaal en kunststof.

ENF002-2

Stroomvoorziening

Het gereedschap mag alleen worden aangesloten op een stroombron van hetzelfde voltage als aangegeven op de naamplaat, en kan alleen op enkel-fase wisselstroom worden gebruikt. Het gereedschap is dubbel-geïsoleerd en kan derhalve ook op een niet-geaard stopcontact worden aangesloten.

Algemene veiligheidswaarschuwingen voor elektrisch gereedschap

⚠ WAARSCHUWING: Lees alle veiligheidswaarschuwingen, aanwijzingen, afbeeldingen en technische gegevens behorend bij dit elektrische gereedschap aandachtig door. Als u niet alle onderstaande aanwijzingen naleeft, kan dat resulteren in brand, elektrische schokken en/of ernstig letsel.

Bewaar alle waarschuwingen en instructies om in de toekomst te kunnen raadplegen.

De term “elektrisch gereedschap” in de veiligheidsvoorschriften duidt op gereedschappen die op stroom van het lichtnet werken (met snoer) of gereedschappen met een accu (snoerloos).

VEILIGHEIDSWAARSCHUWINGEN VOOR EEN BOORHAMER

Veiligheidsinstructies voor alle werkzaamheden

1. **Draag gehoorbescherming.** Blootstelling aan het lawaai kan uw gehoor aantasten.
2. **Gebruik hulphandgreep (hulphandgrepen), indien bij het gereedschap geleverd.** Verliezen van de macht over het gereedschap kan letsel veroorzaken.
3. **Houd het elektrisch gereedschap vast aan het geïsoleerde oppervlak van de handgrepen wanneer u werkt op plaatsen waar het accessoire met verborgen bedrading of zijn eigen snoer in aanraking kan komen.** Wanneer het accessoire in aanraking komt met onder spanning staande draden, zullen de niet-geïsoleerde metalen delen van het gereedschap onder spanning komen te staan zodat de gebruiker een elektrische schok kan krijgen.

Veiligheidsinstructies bij gebruik van lange boorbits in boorhamers

1. **Begin altijd te boren op een laag toerental en terwijl de punt van het bit contact maakt met het werkstuk.** Op een hoger toerental zal het bit waarschijnlijk verbuigen als het vrij ronddraait zonder contact met het werkstuk, waardoor persoonlijk letsel kan ontstaan.
2. **Oefen alleen druk uit in een rechte lijn met het bit en oefen geen buitensporige druk uit.** Bits kunnen verbuigen, waardoor ze kunnen breken of u de controle kunt verliezen, met persoonlijk letsel tot gevolg.

Aanvullende veiligheidsvoorschriften

1. **Draag een helm (veiligheidshelm), veiligheidsbril en/of spatscherm. Een gewone bril of een zonnebril is GEEN veiligheidsbril. Het wordt tevens sterk aanbevolen een stofmasker en dik gevoerde handschoenen te dragen.**
2. **Controleer of het bit stevig op zijn plaats zit voordat u het gereedschap gebruikt.**
3. **Bij normale bediening behoort het gereedschap te trillen. De schroeven kunnen gemakkelijk losraken, waardoor een defect of ongeval kan ontstaan. Controleer of de schroeven goed zijn aangedraaid, alvorens het gereedschap te gebruiken.**
4. **In koude weersomstandigheden of wanneer het gereedschap gedurende een lange tijd niet is gebruikt, laat u het gereedschap eerst opwarmen door het onbelast te laten werken. Hierdoor zal de smering worden verbeterd. Zonder degelijk opwarmen, zal de hamerwerking moeilijk zijn.**
5. **Zorg ook altijd dat u stevig op een solide bodem staat. Let bij het werken op hoge plaatsen op dat er zich niemand recht onder u bevindt.**
6. **Houd het gereedschap stevig met beide handen vast.**
7. **Houd uw handen uit de buurt van bewegende delen.**
8. **Laat het gereedschap niet draaiend achter. Schakel het gereedschap alleen in wanneer u het stevig vasthoudt.**

9. **Richt het gereedschap niet op iemand in de buurt terwijl het is ingeschakeld. Het bit zou eruit kunnen vliegen en iemand ernstig verwonden.**
10. **Raak het bit, onderdelen in de buurt van het bit en het werkstuk niet onmiddellijk na gebruik aan. Zij kunnen bijzonder heet zijn en brandwonden op uw huid veroorzaken.**
11. **Bepaalde materialen kunnen giftige chemicaliën bevatten. Vermijd contact met uw huid en zorg dat u geen stof inademt. Volg de veiligheidsvoorschriften van de fabrikant van het materiaal.**
12. **Raak de stekker niet met natte handen aan.**

BEWAAR DEZE VOORSCHRIFTEN.

⚠ WAARSCHUWING:

Laat u NIET misleiden door een vals gevoel van comfort en bekendheid met het gereedschap (na veelvuldig gebruik) en neem alle veiligheidsvoorschriften van het betreffende gereedschap altijd strikt in acht. **VERKEERD GEBRUIK** of het niet naleven van de veiligheidsvoorschriften in deze gebruiksaanwijzing kan leiden tot ernstig letsel.

BESCHRIJVING VAN DE FUNCTIES

⚠ LET OP:

- Controleer altijd of het gereedschap is uitgeschakeld en de stekker uit het stopcontact is getrokken alvorens de functies van het gereedschap te controleren of af te stellen.

Aan- en uit-knoppen (Fig. 1 en 2)

⚠ LET OP:

- Controleer altijd, voordat u de stekker in het stopcontact steekt, of de aan/uit-schakelaar op de juiste manier schakelt en weer terugkeert naar de uitstand nadat deze is losgelaten.

Om het gereedschap in te schakelen, knijpt u gewoon de aan/uit-schakelaar in. De draaisnelheid van het gereedschap neemt toe naarmate u meer druk uitoefent op de aan/uit-schakelaar. Laat de aan/uit-schakelaar los om het gereedschap te stoppen. Om het gereedschap continu te laten werken, knijpt u eerst de aan/uit-schakelaar in, drukt u daarna de vergrendelknop in, en laat u tenslotte de aan/uit-schakelaar los. Om vanuit de vergrendelde werking het gereedschap te stoppen, knijpt u de aan/uit-schakelaar helemaal in en laat u deze vervolgens weer los.

De lamp inschakelen (Fig. 3)

Voor model HR2631F, HR2631FT

⚠ LET OP:

- Kijk niet rechtstreeks in het licht of naar de bron van de lamp.

Trek aan de aan/uit-schakelaar om de lamp in te schakelen. Laat de aan/uit-schakelaar los om de lamp uit te schakelen.

OPMERKING:

- Gebruik een droge doek om het vuil van de lens van de lamp te vegen. Wees voorzichtig de lens van de lamp niet te bekrassen om de lichtopbrengst niet te verlagen.

- Maak de lens van de lamp niet schoon met verdunner of benzine. Dergelijke oplosmiddelen kunnen de lens van de lamp beschadigen.

Werking van de omkeerschakelaar (Fig. 4 en 5)

⚠ LET OP:

- Controleer altijd de draairichting alvorens het gereedschap te gebruiken.
- Gebruik de omkeerschakelaar alleen nadat het gereedschap volledig tot stilstand is gekomen. Als u de draairichting verandert voordat het gereedschap volledig stilstaat, kan het gereedschap worden beschadigd.

Voor model HR2631F, HR2631FT, HR2320T, HR2630, HR2630T

⚠ LET OP:

- Als de aan/uit-schakelaar niet kan worden ingeknepen, controleer u dat de omkeerschakelaar helemaal naar de stand ◁ (kant A) of naar de stand ▷ (kant B) is gezet.

Dit gereedschap is uitgerust met een omkeerschakelaar waarmee u de draairichting kunt omkeren. Duw de omkeerschakelaar naar stand ◁ (kant A) voor de draairichting rechtsom, of naar stand ▷ (kant B) voor de draairichting linksom.

Voor model HR2641

OPMERKING:

- Wanneer u de linkse draairichting van het gereedschap gebruikt, is de trekkerschakelaar niet verder dan halverwege in te drukken en draait het gereedschap slechts op halve snelheid. Bovendien kunt u bij de linkse draairichting de vergrendelknop niet indrukken.

Dit gereedschap is uitgerust met een omkeerschakelaar waarmee u de draairichting kunt omkeren. Duw de omkeerschakelaar naar stand ⇐ (kant A) voor de draairichting rechtsom, of naar stand ⇒ (kant B) voor de draairichting linksom.

De snelwisselkop voor SDS-plus vervangen



Voor model HR2631FT, HR2320T, HR2630T

De snelwisselkop voor SDS-plus kan eenvoudig worden vervangen door de snelwisselboorkop.


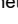
De snelwisselkop voor SDS-plus verwijderen (Fig. 6)

⚠ LET OP:

- Haal altijd de boor eruit voordat u de snelwisselkop voor SDS-plus verwijdt.

Pak de wisselmof van de snelwisselkop voor SDS-plus vast en draai deze in de richting van de pijl totdat de streep op de wisselmof van het symbool  naar het symbool  is verplaatst. Trek krachtig in de richting van de pijl.

De snelwisselboorkop aanbrengen (Fig. 7)

Controleer of de streep op de snelwisselboorkop bij het symbool  staat. Pak de wisselmof van de snelwisselboorkop vast en zet de streep bij het symbool .

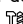
Zet de snelwisselboorkop op de as van het gereedschap. Pak de wisselmof van de snelwisselboorkop en draai de streep op de wisselmof naar het symbool  totdat een duidelijke klik wordt gehoord.

De werksingsfunctie kiezen

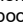
⚠ LET OP:

- Draai de werksingsfunctie-keuzeknop niet terwijl het gereedschap draait. Het gereedschap zal hierdoor worden beschadigd.
- Om snelle slijtage van het omschakelmechanisme te voorkomen, zorgt u ervoor dat de werksingsfunctie-keuzeknop altijd precies in een van de drie standen staat.


Ronddraaien met hameren (Fig. 8)

Voor het boren in beton, metselwerk, enz., draait u de werksingsfunctie-keuzeknop naar het symbool . Gebruik een boor met een wolframcarbide punt.

Alleen ronddraaien (Fig. 9)

Voor het boren in hout, metaal of kunststofmaterialen, draait u de werksingsfunctie-keuzeknop naar het symbool . Gebruik een spiraalboor of houtboor.

Alleen hameren (Fig. 10)

Voor het beitelen, bikken of sloopwerkzaamheden, draait u de werksingsfunctie-keuzeknop naar het symbool . Gebruik een rond boor, koudbeitel, bikbeitel, enz.

Koppelbegrenzer

⚠ LET OP:

- Schakel het gereedschap onmiddellijk uit wanneer de koppelbegrenzer in werking treedt. Hiermee helpt u vroegtijdige slijtage van het gereedschap voorkomen.
- Opzetstukken, zoals gatenzagen, die gemakkelijk bekneld raken in het boorgat, mogen niet worden gebruikt met dit gereedschap. Dit is omdat zij de koppelbegrenzer te vaak in werking doen treden.

De koppelbegrenzer treedt in werking wanneer de motor een bepaald koppel bereikt. De motor wordt dan ontkoppeld van de uitgaande as. Wanneer dit gebeurt, zal de boor ophouden met draaien.

Ophanghaak (Fig. 11)

Voor model HR2641

⚠ LET OP:

- Hang het gereedschap nooit op een hoge plaats of aan een mogelijk onstabiel oppervlak op.

De ophanghaak kan handig zijn om het gereedschap tussendoor even op te hangen.

Voor het gebruik van de ophanghaak tilt u eenvoudigweg de haak op totdat die in de open stand vastklikt.

Wanneer u de ophanghaak niet gebruikt, zet u de haak omlaag zodat die in de gesloten stand vastklikt.

INEENZETTEN

⚠ LET OP:

- Controleer altijd of het gereedschap is uitgeschakeld en de stekker uit het stopcontact is getrokken alvorens enige werk aan het gereedschap uit te voeren.

Zijhandgreep (hulphandgreep) (Fig. 12)

⚠ LET OP:

- Gebruik altijd de zijhandgreep om veilig te kunnen werken.

Plaats de zijhandgreep zodanig over de kop van het gereedschap dat de uitsteeksels van de zijhandgreep in de groeven van het gereedschap passen. Draai daarna de zijhandgreep vast door deze in de gewenste stand rechtsom te draaien. De zijhandgreep kan 360° rond het gereedschap gedraaid worden en in iedere gewenste stand worden vastgezet.

Boorvet

Voordat u de boor aanbrengt, smeert u een beetje boorvet (ong. 0,5 tot 1 gram) op de kop van de boorschacht.

Met een ingevette boorkop zal het gereedschap beter werken en langer meegaan.

Aanbrengen en verwijderen van de boor

Reinig de boorschacht en smeer er boorvet op alvorens de boor te plaatsen. (Fig. 13)

Steek de boor in het gereedschap. Draai de boor en duw deze naar binnen tot zij vergrendelt. (Fig. 14)

Controleer na het aanbrengen altijd of de boor stevig in het gereedschap is bevestigd door te proberen deze eruit te trekken.

Om de boor te verwijderen, trekt u de boorkopmf helemaal omlaag en vervolgens de boor eruit. (Fig. 15)

Boorhoek (bij beitelen, bikken of slopen)

De boor kan onder de gewenste hoek worden vastgezet. Om de boorhoek te veranderen, draait u de werkingsfunctie-keuzeknop naar het symbool **O**. Draai de boor naar de gewenste hoek. (Fig. 16)

Draai de werkingsfunctie-keuzeknop naar het symbool **↑**. (Fig. 17)

Controleer daarna of de boor stevig op zijn plaats vastzit door deze iets te verdraaien.

Diepteaanslag

De diepteaanslag is handig voor het boren van gaten van gelijke diepte. (Fig. 18)

Houd de vergrendelknop op de basis van de zijhandgreep ingedrukt in de richting van de pijl aangegeven in de afbeelding, en steek tegelijkertijd de diepteaanslag in het zeskantgat in de zijhandgreep. (Fig. 19)

De diepteaanslag moet zodanig in het zeskantgat worden ingestoken dat de getande zijde van de diepteaanslag wijst naar de getande zijde van de zeskantgatmarkering op de zijhandgreep, zoals aangegeven in de afbeelding. (Fig. 20)

Stel de diepteaanslag af op de gewenste diepte door deze heen en weer te bewegen terwijl u de vergrendelknop ingedrukt houdt. Nadat de diepteaanslag is afgesteld, laat u de vergrendelknop los om de diepteaanslag te vergrendelen. (Fig. 21)

OPMERKING:

- Als de diepteaanslag in het zeskantgat wordt ingestoken terwijl de getande zijde van de diepteaanslag niet wijst naar de getande zijde van de zeskantgatmarkering op de zijhandgreep, zoals aangegeven in afbeelding, kan de diepteaanslag niet worden vergrendeld.

Stofvanger (optioneel accessoire) (Fig. 22)

Gebruik de stofvanger om te voorkomen dat stof op het gereedschap en op uzelf terecht komt wanneer u boven uw hoofd boort. Bevestig de stofvanger op de boor zoals aangegeven in de afbeelding. De diameter van de boren waaraan de stofvanger kan worden bevestigd is als volgt.

	Boordiameter
Stofvanger 5	6 mm – 14,5 mm
Stofvanger 9	12 mm – 16 mm

006406

Er is ook een ander type stofvanger (optioneel accessoire) verkrijgbaar dat helpt voorkomen dat stof op het gereedschap en op uzelf terecht komt wanneer u boven uw hoofd boort.

De stofvanger aanbrengen en verwijderen (optioneel accessoire)

Alvorens de stofvanger aan te brengen, verwijdert u de boor zo nodig uit het gereedschap. Breng de stofvanger (optioneel accessoire) zodanig op het gereedschap aan dat het symbool **△** op de stofvanger is uitgelijnd met de groeven op het gereedschap. (Fig. 23)

Om de stofvanger te verwijderen, houdt u de boorkopmf getrokken in de richting aangegeven in de afbeelding en trekt u tegelijkertijd de boor uit het gereedschap. (Fig. 24)

Pak vervolgens het voetstuk van de stofvanger vast en trek het van het gereedschap af. (Fig. 25)

OPMERKING:

- Bij het aanbrengen of verwijderen van de stofvanger kan de dop losraken. Als dat gebeurt, gaat u als volgt te werk. Verwijder de balg van het voetstuk en pas de dop vanaf de zijkant zoals in de afbeelding getoond met de platte kant omhoog er op, zodat de groef in de dop past in de binnenrand van het voetstuk. Plaats ten slotte de balg terug op het voetstuk. (Fig. 26, 27 en 28)

OPMERKING:

- Als u een stofzuiger aansluit op uw boorhamer, kunt u nog schoner werken. De dop moet uit de stofvanger worden verwijderd voordat u de stofzuiger aansluit. (Fig. 29)

BEDIENING


△ LET OP:

- Gebruik altijd de zijhandgreep (hulphandgreep) en houd het gereedschap tijdens gebruik stevig vast aan zowel de zijhandgreep als de hoofdhandgreep.

Gebruik als boorhamer (Fig. 30)

△ LET OP:

- Op het moment dat het boorgat doorbreekt, het boorgat verstopt raakt met schilfertjes of metaaldeeltjes, of de boorhamer de bewapening in het beton raakt, wordt een enorme en plotselinge kracht uitgeoefend op het gereedschap/de boor. Gebruik altijd de zijhandgreep (hulphandgreep) en houd het gereedschap tijdens gebruik stevig vast aan zowel de zijhandgreep als de hoofdhandgreep. Als u dit niet doet, kunt u de controle over het gereedschap verliezen en mogelijk ernstig letsel veroorzaken.

Draai de werkingsfunctie-keuzeknop naar het symbool .

Plaats de punt van de boor op de gewenste plaats waar het boorgat moet komen en knijp vervolgens de aan/uitschakelaar in. Forceer het gereedschap niet. Een lichte druk geeft de beste resultaten. Houd het gereedschap stevig vast en zorg dat het niet uitglidt.

Oefen geen grotere druk uit wanneer het boorgat verstopt raakt met schilfertjes of metaaldeeltjes. Laat in zo'n geval het gereedschap langzaam lopen en verwijder de boor gedeeltelijk uit het boorgat. Wanneer dit verschillende keren wordt herhaald, zal het boorgat schoon worden en kunt u normaal verder boren.


OPMERKING:

- Terwijl het gereedschap onbelast wordt gebruikt, kan de boor excentrisch draaien. Het gereedschap centreert zichzelf automatisch tijdens het gebruik. Dit heeft geen nadelige invloed op de nauwkeurigheid van het boren.

Blaasbalgje (optioneel accessoire) (Fig. 31)

Gebruik na het boren het blaasbalgje om het stof uit het boorgat te blazen.


Beitelen/bikken/slopen (Fig. 32)

Draai de werkingsfunctie-keuzeknop naar het symbool . Houd het gereedschap met beide handen stevig vast. Schakel het gereedschap in en oefen er enige kracht op uit zodat het gereedschap niet oncontroleerbaar in het rond springt. Het gereedschap werkt niet efficiënter als u grote druk op het gereedschap uitoefent.

Boren in hout of metaal

LET OP:

- Gebruik nooit "Ronddraaien met hameren" wanneer de snelwisselboorkop op het gereedschap is aangebracht. De snelwisselboorkop kan worden beschadigd. Bovendien zal de boorkop loskomen wanneer de draairichting van het gereedschap wordt omgekeerd.
- Het boren zal niet sneller verlopen als u hard op het gereedschap drukt. In feite zal dergelijk hard drukken alleen maar leiden tot beschadiging van de boor, verlaging van de prestaties van het gereedschap, en verkorting van de levensduur van het gereedschap.
- Op het moment dat het boorgat doorbreekt wordt een enorme draaikracht uitgeoefend op het gereedschap/de boor. Houd het gereedschap stevig vast en let goed op wanneer de boor door het werkstuk breekt.
- Een vastgelopen boor kan eenvoudigweg worden verwijderd door de omkeerschakelaar in de stand voor achteruitdraaien te zetten en de boor achteruit uit het gat te laten draaien. Het gereedschap kan echter plotseling achteruit komen als u het niet stevig vasthoudt.
- Zet kleine werkstukken altijd vast in een bankschroef of soortgelijk bevestigingsmiddel.

Draai de werkingsfunctie-keuzeknop naar het symbool . U kunt gaten tot een diameter van 13 mm in metaal en tot een diameter van 32 mm in hout boren.

Voor model HR2631F, HR2641, HR2630

Gebruik de complete boorkop (optioneel accessoire). Om deze aan te brengen, zie "Aanbrengen en verwijderen van de boor" op de vorige pagina. (Fig. 33) Om de boor te installeren, steekt u die zo ver mogelijk in de boorkop.

Draai de boorkop met de hand vast. Steek de boorkopsleutel in elk van de drie gaten en draai ze rechtsom vast. Zorg dat u alle drie gaten in gelijke mate vastdraait.

Om de boor te verwijderen, draait u de boorkopsleutel in één van de drie gaten linksom los en dan draait u de boorkop verder met de hand los. (Fig. 34)

Voor model HR2631FT, HR2320T, HR2630T

Gebruik de snelwisselboorkop als standaarduitrusting. Om deze aan te brengen, zie "De snelwisselkop voor SDS-plus vervangen" op de vorige pagina. (Fig. 35 en 36)


Houd de ring op zijn plaats en draai de bus linksom om de klauwen in de boorkop te openen. Steek de boor zo ver mogelijk in de boorkop. Houd de ring stevig op zijn plaats en draai de bus rechtsom om de klauwen in de boorkop te sluiten.

Om de boor te verwijderen, houdt u de ring op zijn plaats en draait u de bus linksom. (Fig. 37)

Diamantkroonboren

LET OP:

- Als u werkzaamheden met diamantkroonboren uitvoert in de stand "ronddraaien met hameren" kan de diamantkroonboor beschadigd raken.

Wanneer u werkzaamheden met diamantkroonboren uitvoert, moet u de keuzeknop altijd naar het symbool  draaien voor "alleen ronddraaien".

Gebruik van de stofvanger (optioneel accessoire) (Fig. 38)

Bedien het gereedschap met de stofvanger tegen het plafond aan gedrukt.

OPMERKING:

- De stofvanger (optioneel accessoire) is uitsluitend bedoeld voor boren in keramische werkstukken, zoals beton en cement. Gebruik het gereedschap niet met de stofvanger wanneer u in metaal of soortgelijk materiaal boort. Bij gebruik van de stofvanger tijdens het boren in metaal kan de stofvanger worden beschadigd als gevolg van de warmte die door kleine metaaldeeltjes en dergelijke wordt gegenereerd.
- Maak de stofvanger leeg voordat u de boor verwijderd.
- Zorg ervoor dat bij gebruik van de stofvanger de dop stevig op zijn plaats is aangebracht.

ONDERHOUD

LET OP:

- Zorg er altijd voor dat het gereedschap is uitgeschakeld en de stekker uit het stopcontact is getrokken, voordat u een inspectie of onderhoud uitvoert.
- Gebruik nooit benzine, wasbenzine, verdunner, alcohol, enz. Dit kan leiden tot verkleuren, vervormen of barsten.

Om de VEILIGHEID en BETROUWBAARHEID van het gereedschap te handhaven, dienen alle reparaties, controle en vervanging van de koolborstels, onderhoud en afstellingen te worden uitgevoerd door een erkend Makita-servicecentrum, en altijd met gebruikmaking van originele Makita-vervangingsonderdelen.

OPTIONELE ACCESSOIRES

⚠ LET OP:

- Deze accessoires of hulpstukken worden aanbevolen voor gebruik met het Makita-gereedschap dat in deze gebruiksaanwijzing wordt beschreven. Het gebruik van andere accessoires of hulpstukken kan gevaar voor persoonlijk letsel opleveren. Gebruik de accessoires of hulpstukken uitsluitend voor de aangegeven gebruiksdoeleinden.

Mocht u meer informatie willen hebben over deze accessoires, dan kunt u contact opnemen met uw plaatselijke Makita-servicecentrum.

- SDS-Plus boren met een wolframcarbide punt
- Kroonboor
- Puntbeitel
- Diamantkroonboor
- Koudbeitel
- Bikbeitel
- Sleuvenbeitel
- Complete boorkop
- Boorkop S13
- Boorkopadapter
- Boorkopsleutel S13
- Boorvet
- Zijhandgreep
- Diepteaanslag
- Blaasbalgje
- Stofvangervang
- Plastic draagkoffer
- Sleutellose boorkop

OPMERKING:

• Sommige van de onderdelen in deze lijst kunnen bijgeleverd zijn als standaard-accessoires. Deze accessoires kunnen per land verschillend zijn.

ENG905-1

Geluid

De typische, A-gewogen geluidsniveaus zijn gemeten volgens EN62841-2-6:

Model HR2631F

Geluidsdrukniveau (L_{pA}): 95 dB (A)
Geluidsvermogeniveau (L_{WA}): 103 dB (A)
Onnauwkeurigheid (K): 3 dB (A)

Model HR2631FT

Geluidsdrukniveau (L_{pA}): 94 dB (A)
Geluidsvermogeniveau (L_{WA}): 102 dB (A)
Onnauwkeurigheid (K): 3 dB (A)

Model HR2641, HR2320T, HR2630, HR2630T

Geluidsdrukniveau (L_{pA}): 93 dB (A)
Geluidsvermogeniveau (L_{WA}): 101 dB (A)
Onnauwkeurigheid (K): 3 dB (A)

ENG907-1

OPMERKING:

- De opgegeven geluidsemisiewaarde(n) is/zijn gemeten volgens een standaardtestmethode en kan/kunnen worden gebruikt om dit gereedschap te vergelijken met andere gereedschappen.
- De opgegeven geluidsemisiewaarde(n) kan/kunnen ook worden gebruikt voor een beoordeling vooraf van de blootstelling.

⚠ WAARSCHUWING:

- Draag gehoorbescherming.
- De geluidsemisie tijdens het gebruik van het elektrisch gereedschap in de praktijk kan verschillen van de opgegeven waarde(n) afhankelijk van de manier waarop het gereedschap wordt gebruikt, met name van het soort werkstuk waarmee wordt gewerkt.
- Zorg ervoor dat veiligheidsmaatregelen worden getroffen ter bescherming van de gebruiker die zijn gebaseerd op een schatting van de blootstelling onder praktijkomstandigheden (rekening houdend met alle fasen van de bedrijfscyclus, zoals de tijdsduur gedurende welke het gereedschap is uitgeschakeld en stationair draait, naast de ingeschakelde tijdsduur).

ENG900-1

Trillingen

De totale trillingswaarde (triaxiale vectorsom) zoals vastgesteld volgens EN62841-2-6:

Model HR2631F

Gebruikstoepassing: klopboren in beton
Trillingsemisie ($a_{h,HD}$): 12,4 m/s^2
Onnauwkeurigheid (K): 1,5 m/s^2

Gebruikstoepassing: beitelen met extra zijhandgreep
Trillingsemisie ($a_{h,Cheq}$): 9,2 m/s^2
Onnauwkeurigheid (K): 1,5 m/s^2

Model HR2631FT

Gebruikstoepassing: klopboren in beton
Trillingsemisie ($a_{h,HD}$): 11,6 m/s^2
Onnauwkeurigheid (K): 1,5 m/s^2

Gebruikstoepassing: beitelen met extra zijhandgreep
Trillingsemisie ($a_{h,Cheq}$): 9,8 m/s^2
Onnauwkeurigheid (K): 1,5 m/s^2

Model HR2641

Gebruikstoepassing: klopboren in beton
Trillingsemisie ($a_{h,HD}$): 11,6 m/s^2
Onnauwkeurigheid (K): 1,5 m/s^2

Gebruikstoepassing: beitelen met extra zijhandgreep
Trillingsemisie ($a_{h,Cheq}$): 8,1 m/s^2
Onnauwkeurigheid (K): 1,5 m/s^2

Model HR2320T

Gebruikstoepassing: klopboren in beton
Trillingsemisie ($a_{h,HD}$): 15,9 m/s^2
Onnauwkeurigheid (K): 1,5 m/s^2

Gebruikstoepassing: beitelen met extra zijhandgreep
Trillingsemisie ($a_{h,Cheq}$): 12,8 m/s^2
Onnauwkeurigheid (K): 1,5 m/s^2

Model HR2630

Gebruikstoepassing: klopboren in beton
Trillingsemisie ($a_{h,HD}$): 15,4 m/s^2
Onnauwkeurigheid (K): 1,5 m/s^2

Gebruikstoepassing: beitelen met extra zijhandgreep
Trillingsemisie ($a_{h,Cheq}$): 10,8 m/s^2
Onnauwkeurigheid (K): 1,5 m/s^2

Model HR2630T

Gebruikstoepassing: klopboren in beton
Trillingsemisie ($a_{h,HD}$): 14,5 m/s^2
Onnauwkeurigheid (K): 1,5 m/s^2

Gebruikstoepassing: beitelen met extra zijhandgreep
Trillingsemissie ($a_{h, \text{Cheq}}$): 10,9 m/s²
Onnauwkeurigheid (K): 1,5 m/s²

ENG901-2

OPMERKING:

- De totale trillingswaarde(n) is/zijn gemeten volgens een standaardtestmethode en kan/kunnen worden gebruikt om dit gereedschap te vergelijken met andere gereedschappen.
- De opgegeven totale trillingswaarde(n) kan/kunnen ook worden gebruikt voor een beoordeling vooraf van de blootstelling.

⚠ WAARSCHUWING:

- De trillingsemissie tijdens het gebruik van het elektrisch gereedschap in de praktijk kan verschillen van de opgegeven waarde(n) afhankelijk van de manier waarop het gereedschap wordt gebruikt, met name van het soort werkstuk waarmee wordt gewerkt.
- Zorg ervoor dat veiligheidsmaatregelen worden getroffen ter bescherming van de gebruiker die zijn gebaseerd op een schatting van de blootstelling onder praktijkomstandigheden (rekening houdend met alle fasen van de bedrijfscyclus, zoals de tijdsduur gedurende welke het gereedschap is uitgeschakeld en stationair draait, naast de ingeschakelde tijdsduur).

VERKLARINGEN VAN CONFORMITEIT


Alleen voor Europese landen

De verklaringen van conformiteit zijn bijgevoegd in Bijlage A bij deze gebruiksaanwijzing.

Explicación de los dibujos

1	Gatillo interruptor	13	Percusión solamente	26	Símbolo \triangle
2	Botón de bloqueo	14	Gancho	27	Accesorio en la base del guardapolvo
3	Lámpara	15	Protuberancias	28	Fuelle
4	Palanca del interruptor de inversión	16	Ranuras	29	Accesorio
5	Mandril de cambio rápido para SDS-plus	17	Espiga de la broca	30	Periferia interior
6	Línea de la cubierta de cambio	18	Grasa para brocas	31	Lado plano
7	Cubierta de cambio	19	Broca	32	Tapa
8	Eje	20	Cubierta del mandril	33	Ranura
9	Mandril de cambio rápido para taladro	21	Base de la empuñadura	34	Soplador
10	Giro con percusión	22	Tope de profundidad	35	Conjunto de mandril para taladro (accesorio opcional)
11	Pomo de cambio del modo de accionamiento	23	Lado dentado de la marca del agujero hexagonal en la base de la empuñadura	36	Llave de mandril
12	Giro solamente	24	Lado dentado del tope de profundidad	37	Manguito
		25	Guardapolvo	38	Anillo

ESPECIFICACIONES

Modelo		HR2631F	HR2631FT	HR2641	HR2320T	HR2630	HR2630T
Capacidades	Cemento	26 mm			23 mm	26 mm	
	Broca de corona	68 mm					
	Broca de corona de diamante (tipo seco)	80 mm			70 mm	80 mm	
	Acero	13 mm					
	Madera	32 mm					
Velocidad en vacío		0 – 1.200 min ⁻¹		0 – 1.100 min ⁻¹	0 – 1.200 min ⁻¹		
Percusiones por minuto		0 – 4.600 min ⁻¹		0 – 4.500 min ⁻¹	0 – 4.600 min ⁻¹		
Longitud total		361 mm	385 mm	422 mm	380 mm	361 mm	385 mm
Peso neto		2,9 – 3,4 kg	3,1 – 3,6 kg	3,1 – 3,5 kg	2,9 – 3,2 kg	2,8 – 3,3 kg	3,0 – 3,5 kg
Clase de seguridad		 II					

- Debido a nuestro continuado programa de investigación y desarrollo, las especificaciones aquí dadas están sujetas a cambios sin previo aviso.
- Las especificaciones pueden ser diferentes de país a país.
- El peso puede variar dependiendo del accesorio(s). La combinación menos pesada y la más pesada, de acuerdo con el procedimiento EPTA 01/2014, se muestran en la tabla.

Uso previsto

La herramienta ha sido prevista para perforar con percusión y perforar en ladrillo, cemento y piedra. También es apropiada para perforar sin impacto en madera, metal, cerámica y plástico.

ENE042-1

GEA010-2

Advertencias de seguridad para herramientas eléctricas en general

⚠ ADVERTENCIA: Lea todas las advertencias de seguridad, instrucciones, ilustraciones y especificaciones provistas con esta herramienta eléctrica. Si no sigue todas las instrucciones indicadas abajo podrá resultar en una descarga eléctrica, un incendio y/o heridas graves.

Guarde todas las advertencias e instrucciones para futuras referencias.

El término "herramienta eléctrica" en las advertencias se refiere a su herramienta eléctrica de funcionamiento con conexión a la red eléctrica (con cable) o herramienta eléctrica de funcionamiento a batería (sin cable).

Alimentación

La herramienta ha de conectarse solamente a una fuente de alimentación de la misma tensión que la indicada en la placa de características, y sólo puede funcionar con corriente alterna monofásica. El sistema de doble aislamiento de la herramienta puede, por lo tanto, usarse también en enchufes hembra sin conductor de tierra.

ENF002-2

ADVERTENCIAS DE SEGURIDAD PARA EL MARTILLO ROTATIVO

Instrucciones de seguridad para todas las operaciones

1. **Póngase protectores de oídos.** La exposición al ruido puede ocasionar pérdida auditiva.
2. **Utilice el mango(s) auxiliar, si se suministra con la herramienta.** Una pérdida del control puede ocasionar heridas personales.
3. **Cuando realice una operación en la que el accesorio de corte pueda entrar en contacto con cableado oculto o con su propio cable, sujete la herramienta eléctrica por las superficies de aislamiento aisladas.** El contacto del accesorio de corte con un cable con corriente puede hacer que la corriente circule por las partes metálicas expuestas de la herramienta eléctrica y soltar una descarga eléctrica al operario.

Instrucciones de seguridad cuando se utilizan brocas largas con martillos rotativos

1. **Comience a perforar siempre a velocidad baja y con la punta de la broca haciendo contacto con la pieza de trabajo.** A velocidades más altas, es probable que la broca se doble si se deja girar libremente sin hacer contacto con la pieza de trabajo, resultando en heridas personales.
2. **Aplique presión solamente en línea directa con la broca y no aplique una presión excesiva.** Las brocas se pueden doblar, ocasionando su rotura o la pérdida de control, resultando en heridas personales.

Advertencias de seguridad adicionales

1. **Póngase casco protector (casco de seguridad), gafas de seguridad y/o pantalla facial. Las gafas normales o de sol NO sirven para proteger los ojos. También es muy recomendable ponerse una máscara contra el polvo y guantes especialmente acolchados.**
2. **Asegúrese de que la broca está sujeta en su sitio antes de iniciar la operación.**
3. **La herramienta ha sido diseñada de modo que produzca vibración durante la utilización normal. Los tornillos se pueden aflojar fácilmente, ocasionando una rotura o un accidente. Compruebe con cuidado el apriete de los tornillos antes de iniciar la operación.**
4. **En clima frío o cuando la herramienta no haya sido utilizada durante un tiempo largo, deje que la herramienta se caliente durante un rato utilizándola sin carga. Esto diluirá la lubricación. Sin un calentamiento apropiado, la operación de percusión resultará difícil.**
5. **Asegúrese siempre de apoyar los pies firmemente. Asegúrese de que no haya nadie debajo cuando utilice la herramienta en lugares altos.**
6. **Sujete la herramienta firmemente con ambas manos.**
7. **Mantenga las manos alejadas de las partes en movimiento.**
8. **No deje la herramienta en marcha. Tenga en marcha la herramienta solamente cuando la tenga en la mano.**

9. **No apunte la herramienta hacia nadie que esté en el área cuando la esté utilizando. La broca puede salir despedida y herir a alguien gravemente.**
10. **No toque la broca, las partes cerca de la broca o la pieza de trabajo inmediatamente después de la operación; podrán estar muy calientes y quemarle la piel.**
11. **Algunos materiales contienen sustancias químicas que pueden ser tóxicas. Tenga precaución para evitar la inhalación de polvo y el contacto con la piel. siga los datos de seguridad del abastecedor del material.**
12. **No toque el enchufe con las manos mojadas.**

GUARDE ESTAS INSTRUCCIONES.

⚠️ ADVERTENCIA:

NO deje que la comodidad o familiaridad con el producto (a base de utilizarlo repetidamente) sustituya la estricta observancia de las normas de seguridad para el producto en cuestión. El **MAL USO** o el **no seguir las normas de seguridad** establecidas en este manual de instrucciones podrá ocasionar heridas personales graves.

DESCRIPCIÓN DEL FUNCIONAMIENTO

⚠️ PRECAUCIÓN:

- Asegúrese siempre de que la herramienta esté apagada y desenchufada antes de ajustar o comprobar cualquier función de la herramienta.

Accionamiento del interruptor (Fig. 1 y 2)

⚠️ PRECAUCIÓN:

- Antes de enchufar la herramienta, compruebe siempre para cerciorarse de que el gatillo interruptor se acciona debidamente y que vuelve a la posición "OFF" cuando lo suelta.

Para poner en marcha la herramienta, simplemente apriete el gatillo interruptor. La velocidad de la herramienta aumenta incrementando la presión en el gatillo interruptor. Suelte el gatillo interruptor para parar. Para una operación continua, apriete el gatillo interruptor y después presione hacia dentro el botón de bloqueo y después suelte el gatillo interruptor. Para parar la herramienta desde la posición bloqueada, apriete el gatillo interruptor completamente, y después suéltelo.

Encendido de las lámparas (Fig. 3)

Para el modelo HR2631F, HR2631FT

⚠️ PRECAUCIÓN:

- No mire a la luz ni vea la fuente de luz directamente.

Para encender la lámpara, apriete el gatillo. Suelte el gatillo para apagarla.

NOTA:

- Utilice un paño seco para quitar la suciedad de la lente de la lámpara. Tenga cuidado de no rayar la lente de la lámpara, porque podrá disminuir la iluminación.
- No utilice diluyente ni gasolina para limpiar la lámpara. Tales disolventes podrán dañarla.

Accionamiento del interruptor de inversión (Fig. 4 y 5)

⚠️ PRECAUCIÓN:

- Confirme siempre la dirección de giro antes de iniciar la operación.

- Utilice el interruptor de inversión solamente después de que la herramienta se haya parado completamente. Si cambia la dirección de giro antes de que la herramienta se haya parado podrá dañarla.

Para el modelo HR2631F, HR2631FT, HR2320T, HR2630, HR2630T

PRECAUCIÓN:

- Si el gatillo interruptor no puede apretarse, mire el interruptor de inversión para confirmar que está puesto completamente en la posición ◁ (lado A) o ▷ (lado B).

Esta herramienta tiene un interruptor de inversión para cambiar la dirección de giro. Mueva la palanca del interruptor de inversión a la posición ◁ (lado A) para giro a la derecha o a la posición ▷ (lado B) para giro a la izquierda.

Para el modelo HR2641

NOTA:

- Cuando la herramienta se utiliza en giro hacia la izquierda, el gatillo interruptor sólo puede apretarse hasta la mitad y la herramienta funciona a media velocidad. En giro hacia la izquierda, no es posible empujar hacia dentro el botón de bloqueo.

Esta herramienta tiene un interruptor de inversión para cambiar la dirección de giro. Mueva la palanca del interruptor de inversión a la posición ≡ (lado A) para giro a la derecha o a la posición ≡ (lado B) para giro a la izquierda.

Cambio del mandril de cambio rápido para SDS-plus


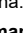
Para el modelo HR2631FT, HR2320T, HR2630T

El mandril de cambio rápido para SDS-plus se puede sustituir fácilmente por el mandril de cambio rápido para taladro.


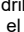
Desmontaje del mandril de cambio rápido para SDS-plus (Fig. 6)

PRECAUCIÓN:

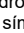
- Antes de desmontar el mandril de cambio rápido para SDS-plus, retire siempre la broca.

Agarre la cubierta de cambio del mandril de cambio rápido para SDS-plus y gírela en el sentido de la flecha hasta que la línea de la cubierta de cambio se mueva desde el símbolo  al símbolo . Tire con fuerza en el sentido de la flecha.

Instalación del mandril de cambio rápido para taladro (Fig. 7)

Compruebe que la línea del mandril de cambio rápido para taladro muestra el símbolo . Agarre la cubierta de cambio del mandril de cambio rápido para taladro y ponga la línea en el símbolo .

Ponga el mandril de cambio rápido para taladro en el eje de la herramienta.

Agarre la cubierta de cambio del mandril de cambio rápido para taladro y gire la línea de la cubierta de cambio hacia el símbolo  hasta que se oiga un clic claramente.

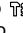
Selección del modo de accionamiento

PRECAUCIÓN:

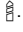
- No gire el pomo de cambio del modo de accionamiento cuando la herramienta esté en funcionamiento. Se dañará la herramienta.

- Para evitar un desgaste rápido del mecanismo de cambio de modo, asegúrese de que el pomo de cambio del modo de accionamiento esté siempre puesto exactamente en una de las tres posiciones de modo de accionamiento.


Giro con percusión (Fig. 8)

Para perforar en cemento, mampostería, etc., gire el pomo de cambio del modo de accionamiento a la posición del símbolo . Utilice una broca con punta de carburo de tungsteno.

Giro solamente (Fig. 9)

Para perforar en madera, metal o materiales de plástico, gire el pomo de cambio del modo de accionamiento a la posición del símbolo . Utilice una broca helicoidal o una broca para madera.

Percusión solamente (Fig. 10)

Para operaciones de desincrustar, decapar o demoler, gire el pomo de cambio del modo de accionamiento a la posición del símbolo . Utilice un barreno, cortafrios, cincel desincrustador, etc.

Limitador del par de torsión

PRECAUCIÓN:

- Apague la herramienta inmediatamente en cuanto actúe el limitador del par de torsión. De esta forma evitará un desgaste prematuro de la herramienta.
- Las brocas tales como las sierras cilíndricas, que tienden a pincharse o engancharse fácilmente en el agujero, no son apropiadas para esta herramienta. Esto es así porque harán que el limitador del par de torsión actúe con mucha frecuencia.

El limitador del par de torsión se acciona cuando se alcanza un cierto nivel de torsión. El motor se desembragará del eje de salida. Cuando ocurra esto, la broca dejará de girar.

Gancho (Fig. 11)

Para el modelo HR2641

PRECAUCIÓN:

- No cuelgue nunca la herramienta en un lugar alto ni en una superficie potencialmente inestable.

El gancho resulta útil para colgar temporalmente la herramienta.

Para utilizar el gancho, simplemente levántelo hasta que quede en posición abierta produciendo un chasquido.

Cuando no se utilice, baje siempre el gancho hasta que quede en posición cerrada produciendo un chasquido.

MONTAJE

PRECAUCIÓN:

- Asegúrese siempre de que la herramienta esté apagada y desenchufada antes de realizar cualquier trabajo en ella.

Empuñadura lateral (mango auxiliar) (Fig. 12)

PRECAUCIÓN:

- Utilice siempre la empuñadura lateral para garantizar una operación segura.

Instale la empuñadura lateral de forma que las protuberancias de la misma encajen entre las ranuras del barril de la herramienta. Después apriete la empuñadura girándola hacia la derecha en la posición deseada. Puede girarse 360° para poder sujetarla en cualquier posición.

Grasa para brocas

Cubra la cabeza de la espiga de la broca antes de la tarea con una pequeña cantidad de grasa para brocas (aprox. 0,5 – 1 g).

Esta lubricación del mandril asegurará un accionamiento suave y una vida de servicio más larga.

Instalación o desmontaje de la broca


Limpie la espiga de la broca y aplique grasa para brocas antes de instalar la broca. (Fig. 13)

Inserte la broca en la herramienta. Gire la broca y presiónela hacia dentro hasta que quede encajada. (Fig. 14)

Después de la instalación, asegúrese siempre de que la broca esté bien sujeta en el mandril intentando sacarla. Para extraer la broca, tire de la cubierta del mandril hacia abajo a tope y extraiga la broca. (Fig. 15)

Ángulo de la broca (para desincrustar, decapar o demoler)

La broca puede sujetarse en el ángulo deseado. Para cambiar el ángulo de la broca, gire el pomo de cambio del modo de accionamiento hasta el símbolo **O**. Gire la broca hasta el ángulo que desee. (Fig. 16)

Gire el pomo de cambio del modo de accionamiento a la posición del símbolo . (Fig. 17)

Después asegúrese de que la broca esté bien sujeta en el mandril girándola ligeramente.

Tope de profundidad

El tope de profundidad sirve para perforar agujeros a una profundidad uniforme. (Fig. 18)

Presione el botón de bloqueo de la base de la empuñadura en la dirección de la flecha como se muestra en la figura y con el botón de bloqueo presionado inserte el tope de profundidad en el interior del agujero hexagonal de la base de la empuñadura. (Fig. 19)

Ahora, es necesario insertar el tope de profundidad de modo que su lado dentado esté orientado hacia el lado dentado de la marca del agujero hexagonal en la base de la empuñadura como se muestra en la figura. (Fig. 20)

Ajuste el tope de profundidad en la profundidad deseada moviéndolo hacia atrás y hacia delante mientras presiona el botón de bloqueo. Después de hacer el ajuste, suelte el botón de bloqueo para bloquear el tope de profundidad. (Fig. 21)

NOTA:

- Si se inserta el tope de profundidad con el lado dentado no orientado hacia el lado dentado de la marca del agujero hexagonal en la base de la empuñadura como se muestra en la ilustración no se podrá bloquear el tope de profundidad.

Guardapolvo (accesorio opcional) (Fig. 22)

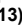
Utilice el guardapolvo para evitar que el polvo caiga sobre la herramienta y usted cuando realice operaciones de perforación elevadas. Coloque el guardapolvo en la broca como se muestra en la figura. El guardapolvo puede instalarse en brocas de los siguientes tamaños.

	Diámetro de la broca
Guardapolvo 5	6 mm – 14,5 mm
Guardapolvo 9	12 mm – 16 mm

006406

Hay otro tipo de guardapolvo (accesorio opcional) que ayuda a evitar que el polvo caiga sobre la herramienta y usted cuando realice operaciones de perforación elevadas.

Instalación o desmontaje del guardapolvo (accesorio opcional)

Antes de instalar el guardapolvo, quite la broca de la herramienta si está instalada en la herramienta. Instale el guardapolvo (accesorio opcional) en la herramienta de forma que el símbolo  del guardapolvo esté alineado con las ranuras de la herramienta. (Fig. 23)

Para retirar el guardapolvo, tire de la cubierta del mandril en la dirección mostrada en la figura y con la cubierta del mandril sacada extraiga la broca de la herramienta. (Fig. 24)

Y después agarre el accesorio en la base del guardapolvo y extráigalo. (Fig. 25)

NOTA:

- Cuando vaya a instalar o desinstalar el guardapolvo, la tapa podrá soltarse del guardapolvo. Ahora, proceda de la forma siguiente. Retire el fuelle del accesorio y encaje la tapa desde el lado mostrado en la figura con su lado plano orientado hacia arriba de forma que la ranura de la tapa encaje en la periferia interior del accesorio. Finalmente, monte el fuelle que ha desmontado. (Fig. 26, 27 y 28)

NOTA:

- Si conecta un aspirador a su martillo, podrá realizar operaciones más limpias. La tapa para polvo hay que desmontarla del guardapolvo antes de hacer la conexión. (Fig. 29)

OPERACIÓN

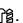
PRECAUCIÓN:

- Utilice siempre la empuñadura lateral (mango auxiliar) y sujete la herramienta firmemente por ambas empuñaduras lateral y del interruptor durante las operaciones.

Operación de perforación con percusión (Fig. 30)

PRECAUCIÓN:

- En el momento de comenzar a penetrar, cuando se atasca el agujero con virutas y partículas, o cuando se topa contra varillas de refuerzo de hormigón armado, se ejerce una tremenda y repentina fuerza de torsión sobre la herramienta/broca. Utilice siempre la empuñadura lateral (mango auxiliar) y sujete la herramienta firmemente por ambas empuñaduras lateral y del interruptor durante las operaciones. En caso contrario podrá perder el control de la herramienta y posiblemente sufrir graves heridas.

Ponga el pomo de cambio del modo de accionamiento en la posición del símbolo .

Coloque la broca en el lugar donde desee hacer el agujero y a continuación apriete el gatillo interruptor. No fuerce la herramienta. Los mejores resultados se obtienen con una ligera presión. Mantenga la herramienta en posición y evite que se deslice y salga del agujero.

No aplique más presión cuando el agujero se atasque con fragmentos o partículas. En su lugar, haga funcionar la herramienta sin ejercer presión, y después saque parcialmente la broca del agujero. Repitiendo esto varias veces, se limpiará el agujero y podrá reanudarse la perforación normal.


NOTA:

- Es posible que se produzca excentricidad en el giro de la broca mientras la herramienta funciona sin carga. La herramienta se vuelve a centrar automáticamente durante la operación. Esto no afecta a la operación de perforación.

Soplador (accesorio opcional) (Fig. 31)

Después de perforar el agujero, utilice el soplador para extraer el polvo del agujero.

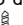
Desincrustar/decapar/demoler (Fig. 32)

Ponga el pomo de cambio del modo de accionamiento en la posición del símbolo . Sujete la herramienta firmemente con ambas manos. Encienda la herramienta y aplique una ligera presión sobre ella de forma que no rebote descontrolada. Presionando muy fuerte en la herramienta no aumentará la eficacia.

Perforación en madera o metal

PRECAUCIÓN:

- No utilice nunca "giro con percusión" cuando esté instalado el mandril de cambio rápido para taladro en la herramienta. El mandril de cambio rápido para taladro podrá dañarse. Además, el mandril para taladro se caerá cuando invierta el giro de la herramienta.
- Con ejercer una presión excesiva sobre la herramienta no conseguirá perforar más rápido. De hecho, esta presión excesiva sólo servirá para dañar la punta de la broca, disminuir el rendimiento de la herramienta y acortar su vida de servicio.
- En el momento de comenzar a penetrar se ejerce una tremenda fuerza de torsión sobre la herramienta/broca. Sujete la herramienta firmemente y tenga cuidado cuando la broca comience a penetrar en la pieza de trabajo.
- Una broca atascada podrá extraerse simplemente poniendo el interruptor de inversión en giro inverso para que retroceda. Sin embargo, la herramienta podrá retroceder bruscamente si no la sujeta firmemente.
- Sujete siempre las piezas de trabajo pequeñas en un tornillo de banco o herramienta de sujeción similar.

Ponga el pomo de cambio del modo de accionamiento en la posición del símbolo .

Se pueden perforar agujeros de hasta 13 mm de diámetro en metal y de hasta 32 mm de diámetro en madera.

Para el modelo HR2631F, HR2641, HR2630

Utilice el conjunto de mandril para taladro (accesorio opcional). Cuando lo instale, consulte "Instalación o desmontaje de la broca" descrito en la página anterior. (Fig. 33)

Para instalar la broca, introdúzcala en el mandril hasta el fondo.

Apriete el mandril a mano. Ponga la llave de mandril en cada uno de los tres agujeros y apriete hacia la derecha. Asegúrese de apretar los tres agujeros del mandril uniformemente.

Para quitar la broca, gire la llave de mandril hacia la izquierda en uno de los agujeros solamente, después afloje el mandril a mano. (Fig. 34)

Para el modelo HR2631FT, HR2320T, HR2630T

Utilice el mandril de cambio rápido para taladro como equipo estándar. Cuando lo instale, consulte "Cambio del mandril de cambio rápido para SDS-plus" descrito en la página anterior. (Fig. 35 y 36)


Sujete el anillo y gire el manguito hacia la izquierda para abrir las mordazas del mandril. Ponga la broca en el mandril a fondo. Sujete el anillo firmemente y gire el manguito hacia la derecha para apretar el mandril.

Para desmontar la broca, sujete el anillo y gire el manguito hacia la izquierda. (Fig. 37)

Perforación con corona de diamante

PRECAUCIÓN:

- Si realiza operaciones de perforación con corona de diamante utilizando el accionamiento de "giro con percusión", es posible que la broca de corona de diamante se dañe.

Cuando realice operaciones de perforación con corona de diamante, ponga siempre la palanca de cambio en la posición  para utilizar el accionamiento de "giro solamente".

Operación cuando utilice el guardapolvo (accesorio opcional) (Fig. 38)

Utilice la herramienta con el guardapolvo puesto contra la superficie del techo.

NOTA:

- El guardapolvo (accesorio opcional) ha sido previsto solamente para perforar en piezas de trabajo de cerámica tales como cemento y mortero. No utilice la herramienta con el guardapolvo cuando taladre en metal o similar. La utilización del guardapolvo para perforar en metal podrá dañar el guardapolvo debido al calor producido por el polvo metálico diminuto o similar.
- Vacíe el guardapolvo antes de desmontar una broca.
- Cuando utilice el guardapolvo, asegúrese de que la tapa para el polvo esté montada firmemente.

MANTENIMIENTO

PRECAUCIÓN:

- Asegúrese siempre de que la herramienta esté apagada y desenchufada antes de intentar realizar una inspección o mantenimiento.
- No utilice nunca gasolina, bencina, disolvente, alcohol o similares. Podría producir descoloración, deformación o grietas.

Para mantener la SEGURIDAD y FIABILIDAD del producto, las reparaciones, la inspección y sustitución de las escobillas de carbón, y cualquier otro mantenimiento o ajuste deberán ser realizados en Centros de servicio Makita autorizados, empleando siempre piezas de repuesto de Makita.

ACCESORIOS OPCIONALES

⚠ PRECAUCIÓN:

- Estos accesorios o acoplamientos están recomendados para utilizar con la herramienta Makita especificada en este manual. La utilización de cualquier otro accesorio o acoplamiento podrá suponer un riesgo de sufrir heridas personales. Utilice los accesorios o acoplamientos solamente para el propósito que han sido diseñados.

Si necesita cualquier tipo de asistencia para obtener más detalles en relación con estos accesorios, pregunte al centro de servicio Makita local.

- Brocas con punta de carburo SDS-Plus
- Broca de corona
- Barreno
- Broca de corona de diamante
- Cortafrios
- Cíncel desincrustador
- Cortafrió ranurado
- Conjunto de mandril para taladro
- Mandril para taladro S13
- Adaptador de mandril
- Llave de mandril S13
- Grasa para brocas
- Empuñadura lateral
- Tope de profundidad
- Soplador
- Guardapolvo
- Maletín de transporte de plástico
- Mandril autoblocante para taladro

NOTA:

- Algunos elementos de la lista podrán estar incluidos en el paquete de la herramienta como accesorios estándar. Pueden variar de un país a otro.

ENG905-1

Ruido

El nivel de ruido A-ponderado típico determinado de acuerdo con la norma EN62841-2-6:

Modelo HR2631F

Nivel de presión sonora (L_{pA}): 95 dB (A)
Nivel de potencia sonora (L_{WA}): 103 dB (A)
Error (K): 3 dB (A)

Modelo HR2631FT

Nivel de presión sonora (L_{pA}): 94 dB (A)
Nivel de potencia sonora (L_{WA}): 102 dB (A)
Error (K): 3 dB (A)

Modelo HR2641, HR2320T, HR2630, HR2630T

Nivel de presión sonora (L_{pA}): 93 dB (A)
Nivel de potencia sonora (L_{WA}): 101 dB (A)
Error (K): 3 dB (A)

ENG907-1

NOTA:

- El valor (o los valores) de emisión de ruido declarado ha sido medido de acuerdo con un método de prueba estándar y se puede utilizar para comparar una herramienta con otra.
- El valor (o valores) de emisión de ruido declarado también se puede utilizar en una valoración preliminar de exposición.

⚠ ADVERTENCIA:

- Póngase protectores para oídos.
- La emisión de ruido durante la utilización real de la herramienta eléctrica puede variar del valor (o los valores) de emisión declarado dependiendo de las formas en las que la herramienta sea utilizada, especialmente qué tipo de pieza de trabajo se procesa.
- Asegúrese de identificar medidas de seguridad para proteger al operario que estén basadas en una estimación de la exposición en las condiciones reales de utilización (teniendo en cuenta todas las partes del ciclo operativo como las veces cuando la herramienta está apagada y cuando está funcionando en vacío además del tiempo de gatillo).

ENG900-1

Vibración

El valor total de la vibración (suma de vectores triaxiales) determinado de acuerdo con la norma EN62841-2-6:

Modelo HR2631F

Modo de trabajo: taladrado con percusión en cemento
Emisión de vibración ($a_{h, HD}$): 12,4 m/s²
Error (K): 1,5 m/s²

Modo de trabajo: función de cíncelado con la empuñadura lateral
Emisión de vibración ($a_{h, Cheq}$): 9,2 m/s²
Error (K): 1,5 m/s²

Modelo HR2631FT

Modo de trabajo: taladrado con percusión en cemento
Emisión de vibración ($a_{h, HD}$): 11,6 m/s²
Error (K): 1,5 m/s²

Modo de trabajo: función de cíncelado con la empuñadura lateral
Emisión de vibración ($a_{h, Cheq}$): 9,8 m/s²
Error (K): 1,5 m/s²

Modelo HR2641

Modo de trabajo: taladrado con percusión en cemento
Emisión de vibración ($a_{h, HD}$): 11,6 m/s²
Error (K): 1,5 m/s²

Modo de trabajo: función de cíncelado con la empuñadura lateral
Emisión de vibración ($a_{h, Cheq}$): 8,1 m/s²
Error (K): 1,5 m/s²

Modelo HR2320T

Modo de trabajo: taladrado con percusión en cemento
Emisión de vibración ($a_{h, HD}$): 15,9 m/s²
Error (K): 1,5 m/s²

Modo de trabajo: función de cíncelado con la empuñadura lateral
Emisión de vibración ($a_{h, Cheq}$): 12,8 m/s²
Error (K): 1,5 m/s²

Modelo HR2630

Modo de trabajo: taladrado con percusión en cemento
Emisión de vibración ($a_{h, HD}$): 15,4 m/s²
Error (K): 1,5 m/s²

Modo de trabajo: función de cíncelado con la empuñadura lateral
Emisión de vibración ($a_{h, Cheq}$): 10,8 m/s²
Error (K): 1,5 m/s²

Modelo HR2630T

Modo de trabajo: taladrado con percusión en cemento

Emisión de vibración ($a_{n, HD}$): 14,5 m/s²

Error (K): 1,5 m/s²

Modo de trabajo: función de cincelado con la empuñadura lateral

Emisión de vibración ($a_{n, Cheq}$): 10,9 m/s²

Error (K): 1,5 m/s²

ENG901-2

NOTA:

- El valor (o los valores) total de emisión de vibración declarado ha sido medido de acuerdo con un método de prueba estándar y se puede utilizar para comparar una herramienta con otra.
- El valor (o los valores) total de emisión de vibración declarado también se puede utilizar en una valoración preliminar de exposición.

ADVERTENCIA:

- **La emisión de vibración durante la utilización real de la herramienta eléctrica puede variar del valor (o los valores) de emisión declarado dependiendo de las formas en las que la herramienta sea utilizada, especialmente qué tipo de pieza de trabajo se procesa.**
- **Asegúrese de identificar medidas de seguridad para proteger al operario que estén basadas en una estimación de la exposición en las condiciones reales de utilización (teniendo en cuenta todas las partes del ciclo operativo como las veces cuando la herramienta está apagada y cuando está funcionando en vacío además del tiempo de gatillo).**

DECLARACIONES DE CONFORMIDAD

Para países europeos solamente

Las declaraciones de conformidad están incluidas como Anexo A de este manual de instrucciones.

Explicação geral

1 Gatilho do interruptor	13 Só martelo	27 Acoplamentos na base do recipiente para o pó
2 Botão de bloqueio	14 Gancho	28 Fole
3 Lâmpada	15 Saliências	29 Acoplamento
4 Alavanca do interruptor de inversão	16 Entalhes	30 Perímetro interior
5 Mandril de mudança rápida para SDS-plus	17 Encaixe da broca	31 Lado achatado
6 Linha da cobertura de mudança	18 Lubrificante de brocas	32 Tampa
7 Cobertura de mudança	19 Broca	33 Entalhe
8 Veio	20 Cobertura do mandril	34 Soprador
9 Mandril de perfuração de mudança rápida	21 Base do punho	35 Conjunto do mandril de perfuração (acessório opcional)
10 Rotação com martelo	22 Guia de profundidade	36 Chave de mandril
11 Botão de mudança do modo de acção	23 Lado dentado da marca do furo hexagonal na base do punho	37 Manga
12 Só rotação	24 Lado dentado da guia de profundidade	38 Anel
	25 Recipiente para o pó	
	26 Símbolo \triangle	

ESPECIFICAÇÕES

Modelo		HR2631F	HR2631FT	HR2641	HR2320T	HR2630	HR2630T
Capacidades	Cimento	26 mm			23 mm	26 mm	
	Broca de coroa	68 mm					
	Broca de coroa de diamante (tipo seco)	80 mm			70 mm	80 mm	
	Aço	13 mm					
	Madeira	32 mm					
Velocidade em vazio		0 – 1.200 min ⁻¹		0 – 1.100 min ⁻¹	0 – 1.200 min ⁻¹		
Impactos por minuto		0 – 4.600 min ⁻¹		0 – 4.500 min ⁻¹	0 – 4.600 min ⁻¹		
Comprimento total		361 mm	385 mm	422 mm	380 mm	361 mm	385 mm
Peso líquido		2,9 – 3,4 kg	3,1 – 3,6 kg	3,1 – 3,5 kg	2,9 – 3,2 kg	2,8 – 3,3 kg	3,0 – 3,5 kg
Classe de segurança		II					

- Devido a um programa contínuo de pesquisa e desenvolvimento, estas especificações podem ser alteradas sem aviso prévio.
- As especificações podem variar de país para país.
- O peso poderá diferir em função do(s) acessório(s). A combinação mais leve e a mais pesada, de acordo com o Procedimento EPTA 01/2014, são apresentadas na tabela.

ENE002-1

ENF002-2

Utilização pretendida

A ferramenta foi concebida para perfuração com martelo e perfuração em tijolo, cimento e pedra. Também é adequada para perfuração sem impacto em madeira, metal, cerâmica e plástico.

Alimentação

A ferramenta só deve ser ligada a uma fonte de alimentação com a mesma voltagem da indicada na placa de características, e só funciona com alimentação de corrente alterna monofásica. Tem um sistema de isolamento duplo e pode, por isso, utilizar tomadas sem ligação à terra.

Avisos gerais de segurança para ferramentas elétricas

⚠ AVISO: Leia todos os avisos de segurança, instruções, ilustrações e especificações fornecidos com esta ferramenta elétrica. O não cumprimento de todas as instruções indicadas em baixo pode resultar em choque elétrico, incêndio e/ou ferimentos graves.

Guarde todos os avisos e instruções para futuras referências.

O termo "ferramenta elétrica" nos avisos refere-se às ferramentas elétricas ligadas à corrente elétrica (com cabo) ou às ferramentas elétricas operadas por meio de bateria (sem cabo).

AVISOS DE SEGURANÇA PARA MARTELETE ROTATIVO

Instruções de segurança para todas as operações

1. **Use protetores auditivos.** A exposição ao ruído pode causar perda auditiva.
2. **Utilize pega(s) auxiliar(es), se fornecida(s) com a ferramenta.** A perda de controlo pode causar ferimentos pessoais.
3. **Segure a ferramenta elétrica pelas superfícies de agarrar isoladas, quando executar uma operação em que o acessório de corte possa entrar em contacto com fios ocultos ou o próprio cabo.** O contacto do acessório de corte com um fio sob tensão pode colocar as peças metálicas expostas da ferramenta elétrica sob tensão e pode provocar um choque elétrico no operador.

Instruções de segurança quando utilizar brocas de perfuração longas com marteletes rotativos

1. **Comece sempre a perfurar a baixa velocidade e com a ponta da broca em contacto com a peça de trabalho.** A velocidades mais elevadas, é provável que a broca se dobre se for permitida a respetiva rotação livre sem entrar em contacto com a peça de trabalho, resultando em ferimentos pessoais.
2. **Aplique pressão apenas em linha direta com a broca e não aplique pressão excessiva.** As brocas podem dobrar-se provocando quebra ou perda de controlo, resultando em ferimentos pessoais.

Avisos adicionais de segurança

1. **Use capacete (capacete de segurança), óculos de proteção e/ou viseira. Os óculos com graduação ou óculos de sol NÃO são óculos de segurança. Recomenda-se também o uso de uma máscara antipoeira e luvas forradas grossas.**
2. **Certifique-se de que a broca está fixa na posição correta antes da operação.**
3. **Nas condições normais de operação, a ferramenta destina-se a produzir vibração. Os parafusos podem ser facilmente desapertados, causando uma avaria ou acidente. Verifique cuidadosamente o aperto dos parafusos antes da operação.**

4. **No tempo frio ou no caso de a ferramenta não ter sido utilizada por um longo período, deixe a ferramenta a aquecer durante algum tempo, operando-a sem carga. Isto irá soltar a lubrificação. Sem o aquecimento apropriado, a operação de martelagem torna-se difícil.**
5. **Certifique-se sempre que possui uma base firme. Certifique-se de que ninguém está por baixo quando usa a ferramenta em locais elevados.**
6. **Segure a ferramenta firmemente com as duas mãos.**
7. **Mantenha as mãos afastadas das peças móveis.**
8. **Não deixe a ferramenta a funcionar. Opere a ferramenta apenas quando a estiver a agarrar.**
9. **Não aponte a ferramenta a ninguém que se encontre na área quando estiver a operá-la. A broca pode ser projetada e ferir alguém gravemente.**
10. **Não toque na broca, nas peças próximas da broca ou na peça de trabalho imediatamente após a operação; podem estar extremamente quentes e queimar a sua pele.**
11. **Alguns materiais contêm químicos que podem ser tóxicos. Tome cuidado para evitar a inalação de poeira e o contacto com a pele. Siga os dados de segurança do fornecedor do material.**
12. **Não toque na ficha elétrica as mãos molhadas.**

GUARDE ESTAS INSTRUÇÕES.

⚠ AVISO:

NÃO permita que conforto ou familiaridade com o produto (adquirido com o uso repetido) substitua a aderência estrita às regras de segurança da ferramenta. MÃ INTERPRETAÇÃO ou não seguimento das regras de segurança estabelecidas neste manual de instruções pode causar danos pessoais sérios.

DESCRIÇÃO DO FUNCIONAMENTO

⚠ PRECAUÇÃO:

- Certifique-se sempre de que a ferramenta esteja desligada e a ficha retirada da tomada antes de ajustar ou verificar o seu funcionamento.

Ação do interruptor (Fig. 1 e 2)

⚠ PRECAUÇÃO:

- Antes de ligar a ferramenta na tomada, verifique sempre se o gatilho do interruptor funciona correctamente e volta à posição de desligado (OFF) quando libertado.

Para ligar a ferramenta, carregue simplesmente no gatilho do interruptor. A velocidade da ferramenta aumenta de acordo com a pressão no gatilho do interruptor. Liberte o gatilho do interruptor para parar. Para operação contínua, carregue no gatilho, empurre o botão de bloqueio e liberte o gatilho. Para parar a ferramenta a partir da posição de bloqueio, carregue completamente no gatilho e liberte-o.

Acender a luz (Fig. 3)

Para modelo HR2631F, HR2631FT

⚠ PRECAUÇÃO:

- Não olhe para a luz nem na fonte luminosa directamente.

Carregue no gatilho para acender a luz. Liberte-o para apagar.

NOTA:

- Use um pano seco para limpar a sujidade da lente da lâmpada. Tenha cuidado para não riscar a lente, pois isso poderá diminuir a iluminação.
- Não use diluente nem gasolina para limpar a lâmpada. Esses solventes podem danificá-la.

Acção do interruptor de inversão (Fig. 4 e 5)

⚠ PRECAUÇÃO:

- Verifique sempre a direcção de rotação antes da operação.
- Utilize o interruptor de inversão só depois da ferramenta estar completamente parada. Mudar a direcção de rotação antes da ferramenta parar poderá danificá-la.

Para modelo HR2631F, HR2631FT, HR2320T, HR2630, HR2630T

⚠ PRECAUÇÃO:

- Se não puder carregar no gatilho do interruptor, verifique se o interruptor de inversão está colocado exactamente na posição ◁ (lado A) ou ▷ (lado B).

Esta ferramenta tem um interruptor de inversão para mudar a direcção de rotação. Desloque a alavanca do interruptor de inversão para a posição ◁ (lado A) para rotação para a direita ou a posição ▷ (lado B) para rotação para a esquerda.

Para modelo HR2641

NOTA:

- Quando utilizar a ferramenta no sentido contrário ao dos ponteiros do relógio, o gatilho do interruptor é puxado apenas até meio e a ferramenta funciona a meia velocidade. Para a rotação contrária ao dos ponteiros do relógio, não é possível premir o botão de bloqueio.

Esta ferramenta tem um interruptor de inversão para mudar a direcção de rotação. Desloque a alavanca do interruptor de inversão para a posição ≡ (lado A) para rotação para a direita ou a posição ≡ (lado B) para rotação para a esquerda.

Mudar o mandril de mudança rápida para SDS-plus



Para modelo HR2631FT, HR2320T, HR2630T

O mandril de mudança rápida para SDS-plus pode ser facilmente mudado pelo mandril de perfuração de mudança rápida.


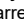
Retirar o mandril de mudança rápida para SDS-plus (Fig. 6)


⚠ PRECAUÇÃO:

- Antes de retirar o mandril de mudança rápida para SDS-plus, retire sempre a broca.

Agarre na cobertura de mudança do mandril de mudança rápida para SDS-plus e rode-o na direcção da seta até que a linha da cobertura de mudança se desloque do símbolo  para o símbolo . Puxe com força na direcção da seta.

Instalar o mandril de perfuração de mudança rápida (Fig. 7)

Certifique-se de que a linha do mandril de perfuração de mudança rápida indica o símbolo . Agarre na cobertura de mudança do mandril de perfuração de mudança rápida e regule a linha para o símbolo . Coloque o mandril de perfuração de mudança rápida no veio da ferramenta.

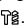
Agarre na cobertura de mudança do mandril de perfuração de mudança rápida e rode a linha da cobertura de mudança para o símbolo  até ouvir nitidamente um clique.

Seleção do modo de acção

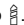
⚠ PRECAUÇÃO:

- Não rode o botão de mudança do modo de acção quando a ferramenta está a funcionar. Pode estragar a ferramenta.
- Para evitar o desgaste rápido do mecanismo de mudança de modo, certifique-se de que o botão de mudança do modo de acção está bem colocado numa das três posições do modo de acção.

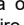
Rotação com martelo (Fig. 8)

Para perfuração em cimento, alvenaria, etc., rode o botão de mudança do modo de acção para o símbolo . Utilize uma broca de carboneto de tungsténio.

Só rotação (Fig. 9)

Para perfuração em madeira, metal ou plástico, rode o botão de mudança do modo de acção para o símbolo . Utilize uma broca de torção ou broca de madeira.

Só martelo (Fig. 10)

Para operações de lascar, descasque ou demolição, rode o botão de mudança do modo de acção para o símbolo . Utilize um ponteiro, cinzel para ferro, cinzel para descasque, etc.

Limitador do binário

⚠ PRECAUÇÃO:

- Assim que o limitador do binário actua, desligue imediatamente a ferramenta. Isto ajudará a evitar o desgaste prematuro da ferramenta.
- Brocas como serras de orifício não podem ser utilizadas com esta ferramenta, já que elas têm tendência a prender ou a agarrar no orifício. Isto é porque elas fazem com que o limitador do binário actue muito frequentemente.

O limitador do binário actua quando é atingido um certo nível de binário. O motor solta-se do veio exterior. Quando isso acontece, a broca pára de rodar.

Gancho (Fig. 11)

Para modelo HR2641

⚠ PRECAUÇÃO:

- Nunca pendure a ferramenta pelo gancho num local elevado ou numa superfície potencialmente instável.

O gancho é conveniente para pendurar temporariamente a ferramenta.

Para usar o gancho, basta levantá-lo até ficar na posição de aberto.

Quando não está a ser utilizado, baixe sempre o gancho até ficar na posição de fechado.

MONTAGEM

⚠ PRECAUÇÃO:

- Certifique-se sempre de que a ferramenta esteja desligada e com a ficha retirada da tomada antes de efectuar qualquer trabalho na ferramenta.

Punho lateral (pega auxiliar) (Fig. 12)

⚠ PRECAUÇÃO:

- Utilize sempre o punho lateral para assegurar uma operação segura.

Instale o punho lateral de modo a que as saliências no punho encaixem nos entalhes no cilindro da ferramenta. Em seguida, aperte o punho rodando para a direita até a posição desejada. Pode ser rodado 360° e preso em qualquer posição.

Lubrificante de brocas

Cubra a ponta da parte do encaixe da broca anteriormente com uma pequena quantidade de lubrificante de brocas (cerca de 0,5 – 1 g). Esta lubrificação do mandril assegura uma acção mais suave e maior duração.

Instalar ou retirar a broca

Limpe o encaixe da broca e aplique lubrificante de brocas antes de instalar a broca. (Fig. 13)

Coloque a broca na ferramenta. Rode a broca e empurre-a até que se encaixe. (Fig. 14)

Depois de instalar, certifique-se sempre de que a broca está bem presa no seu lugar tentando tirá-la para fora.

Para retirar a broca, empurre a cobertura do mandril totalmente para baixo e tire a broca. (Fig. 15)

Ângulo da broca (para lascas, descascar ou demolir)

A broca pode ser presa no ângulo desejado. Para mudar o ângulo da broca, rode o botão de mudança do modo de acção para o símbolo **O**. Rode a broca para o ângulo desejado. (Fig. 16)

Rode o botão de mudança do modo de acção para o símbolo **∩**. (Fig. 17)

Em seguida, certifique-se de que a broca está bem presa no seu lugar rodando-a ligeiramente.

Guia de profundidade

A guia de profundidade é conveniente para perfurar orifícios de profundidade uniforme. (Fig. 18)

Pressione o botão de bloqueio na base do punho na direcção da seta mostrada na ilustração e, enquanto pressiona o botão de bloqueio, insira a guia de profundidade no orifício sextavado na base do punho. (Fig. 19)

A guia de profundidade deve ser inserida de forma que o lado dentado fique voltado para o lado dentado da marca do furo hexagonal na base do punho como ilustrado na figura. (Fig. 20)

Regule a guia na profundidade desejada movendo-a para a frente e para trás enquanto carrega no botão de bloqueio. Depois de regular, liberte o botão de bloqueio para bloquear a guia de profundidade. (Fig. 21)

NOTA:

- Se não inserir a guia de profundidade com o lado dentado voltado para o lado dentado da marca do furo hexagonal na base do punho como ilustrado na figura, não será possível bloqueá-lo.

Recipiente para o pó (acessório opcional)

(Fig. 22)

Utilize o recipiente para o pó para evitar que o pó caia sobre a ferramenta e em si quando executa perfurações em locais acima da altura da cabeça. Instale o recipiente para o pó à broca como ilustrado na figura. O tamanho das brocas a que pode instalar o recipiente para o pó é o seguinte:

	Diâmetro da broca
Recipiente para o pó 5	6 mm – 14,5 mm
Recipiente para o pó 9	12 mm – 16 mm

006406

Existe um outro tipo de recipiente para o pó (acessório opcional) que ajuda a prevenir que o pó caia na ferramenta e em você mesmo quando efectuando perfurações acima da altura da cabeça.

Instalar ou retirar o recipiente para o pó (acessório opcional)

Antes de instalar o recipiente para o pó, retire a broca da ferramenta se estiver instalada. Instale o recipiente para o pó (acessório opcional) na ferramenta de modo a que o símbolo **△** no recipiente fique alinhado com os entalhes na ferramenta. (Fig. 23)

Para retirar o recipiente para o pó, puxe a cobertura do mandril na direcção mostrada na figura e, com a cobertura do mandril puxada, retire a broca da ferramenta. (Fig. 24)

Em seguida, agarre o acoplamento na base do recipiente para o pó e retire-o. (Fig. 25)

NOTA:

- A tampa do recipiente para o pó pode sair ao instalar ou retirar o recipiente para o pó. Se isso acontecer, prossiga como a seguir. Retire os foles do acoplamento e instale a tampa a partir do lado apresentado na figura com o lado achatado virado para cima de forma a que a entalhe na tampa encaixe na periferia interior do acoplamento. Por fim, instale o fole que foi retirado. (Fig. 26, 27 e 28)

NOTA:

- Se ligar um aspirador de pó ao martelo, pode realizar operações mais limpas. A tampa do recipiente para o pó deve ser retirada antes de fazer a conexão. (Fig. 29)

OPERAÇÃO


⚠ PRECAUÇÃO:

- Utilize sempre o punho lateral (pega auxiliar) e segure a ferramenta firmemente pelo punho lateral e pela pega interruptora durante a operação.

Perfuração com martelo (Fig. 30)

⚠ PRECAUÇÃO:

- Uma força de torção enorme e repentina é exercida na ferramenta/broca na altura em que faz o orifício, quando o orifício fica bloqueado com aparas ou partículas ou quando bate em varões reforçados no cimento. Utilize sempre o punho lateral (pega auxiliar) e segure a ferramenta firmemente pelo punho lateral e pela pega interruptora durante a operação. Se assim não for, pode resultar em perda de controlo da ferramenta e danos severos.

Coloque o botão de mudança do modo de acção no símbolo .

Coloque a broca na posição desejada para o orifício e carregue no gatilho do interruptor. Não force a ferramenta. Pressão ligeira oferece melhores resultados. Mantenha a ferramenta em posição e evite que deslize para fora do orifício.

Não aplique mais pressão quando o orifício fica bloqueado com aparas ou partículas. Em vez disso, coloque a ferramenta em ponto morto e retire a broca parcialmente do orifício. Repetindo isto várias vezes, o orifício ficará limpo e pode voltar para a perfuração normal.

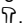
NOTA:

- Pode ocorrer excentricidade na rotação da broca quando funciona com a ferramenta em vazio. A ferramenta centra-se automaticamente durante a operação. Isto não afecta a precisão da perfuração.

Soprador (acessório opcional) (Fig. 31)

Depois de perfurar o orifício, utilize o soprador para retirar o pó do orifício.

Lascar/Descascar/Demolir (Fig. 32)

Coloque o botão de mudança de modo de acção no símbolo . Agarre na ferramenta firmemente com as duas mãos. Ligue a ferramenta e aplique pressão ligeira na ferramenta de modo a que não salte descontrolada. Pressionar demasiado na ferramenta não aumentará a eficiência.


Perfuração em madeira ou metal

PRECAUÇÃO:

• Nunca utilize “rotação com martelo” se o mandril de perfuração de mudança rápida estiver instalado na ferramenta. Pode estragar o mandril de perfuração de mudança rápida.

Além disso, o mandril de perfuração pode saltar quando inverter a direcção de rotação da ferramenta.

- Não acelerará a perfuração se exercer demasiada pressão na ferramenta. Se o fizer, poderá danificar a ponta da broca, diminuir o seu rendimento e encurtar o tempo de vida útil da ferramenta.
- No momento de atravessar o orifício, exercer-se-á uma enorme força na ferramenta/broca. Segure a ferramenta com firmeza e tenha cuidado quando a broca começar a atravessar a superfície de trabalho.
- Uma broca presa pode ser retirada colocando-se simplesmente o interruptor de inversão para rotação inversa e fazê-la sair. No entanto, a ferramenta pode saltar para trás de repente se não a agarrar firmemente.
- Prenda sempre peças de trabalho pequenas num torno ou dispositivo de fixação similar.

Coloque o botão de mudança do modo de acção no símbolo .

Pode perfurar até 13 mm de diâmetro em metal e até 32 mm em madeira.

Para modelo HR2631F, HR2641, HR2630

Utilize o conjunto do mandril de perfuração (acessório opcional). Quando o instala, refira-se a “instalar ou retirar a broca” na página anterior. (Fig. 33)

Para instalar a broca, coloque-a no mandril até onde puder ir.

Aperte o mandril à mão. Coloque a chave de mandril em cada um dos três orifícios e aperte para a direita. Certifique-se de que aperta uniformemente todos os três orifícios do mandril.

Para retirar a broca, rode a chave de mandril para a esquerda em apenas um orifício, depois solte o mandril à mão. (Fig. 34)

Para modelo HR2631FT, HR2320T, HR2630T

Utilize o mandril de perfuração de mudança rápida como equipamento padrão. Quando o instala, refira-se a “Mudar o mandril de mudança rápida para SDS-plus” na página anterior. (Fig. 35 e 36)


Agarre no anel e rode a manga para a esquerda para abrir as garras do mandril. Coloque a broca no mandril o mais fundo possível. Agarre no anel com firmeza e rode a manga para a direita para apertar o mandril.

Para retirar a broca, agarre no anel e rode a manga para a esquerda. (Fig. 37)

Perfuração com a coroa de diamante

PRECAUÇÃO:

- Se executar operações de perfuração com a coroa de diamante utilizando “rotação com martelo”, a broca de coroa de diamante pode estragar-se.

Quando executa operações de perfuração com a coroa de diamante, coloque sempre o botão de mudança na posição  para utilizar o modo “só rotação.”

Operação com o recipiente para o pó (acessório opcional) (Fig. 38)

Utilize a ferramenta com o recipiente para o pó contra a superfície do tecto.

NOTA:

- O recipiente para o pó (acessório opcional) é para ser utilizado só para perfurar peças de cerâmica, como betão ou argamassa. Não utilize a ferramenta com o recipiente para o pó quando perfurando metal ou algo semelhante. Utilizar o recipiente para o pó para perfurar metal poderá danificá-lo devido ao calor produzido pelas partículas de metal, etc.
- Esvazie o recipiente para o pó antes de retirar a broca.
- Quando utiliza o recipiente para o pó, certifique-se de que a tampa do mesmo esteja colocada seguramente.

MANUTENÇÃO

PRECAUÇÃO:

- Certifique-se sempre de que a ferramenta esteja desligada e a ficha retirada da tomada antes de fazer uma inspecção ou manutenção.
- Nunca use gasolina, benzina, diluente, álcool ou produtos semelhantes. Pode ocorrer a descoloração, deformação ou rachaduras.

Para manter a SEGURANÇA do produto e FIABILIDADE, reparações, inspecção e substituição das escovas de carvão e qualquer outra manutenção ou regulação devem ser sempre executadas por Serviços de Assistência Autorizados da Makita, utilizando sempre peças de substituição originais Makita.

ACESSÓRIOS OPCIONAIS

PRECAUÇÃO:

- Estes acessórios ou acoplamentos são recomendados para uso na ferramenta Makita especificada neste manual. A utilização de qualquer outro acessório ou acoplamento poderá ser perigosa para o operador. Utilize o acessório ou acoplamento apenas para o fim a que se destina.

Se necessitar de informações adicionais acerca destes acessórios, solicite-as ao seu centro de assistência local da Makita.

- Brocas de carboneto SDS-plus
- Broca de coroa
- Ponteiro
- Broca de coroa de diamante
- Cinzel para ferro
- Cinzel para descasque
- Cinzel para ranhuras
- Conjunto do mandril de perfuração
- Mandril de perfuração S13
- Adaptador do mandril
- Chave do mandril S13
- Lubrificante de brocas
- Punho lateral
- Guia de profundidade
- Soprador
- Recipiente para o pó
- Mala de plástico para transporte
- Mandril de berbequim sem chave

NOTA:

- Alguns itens da lista podem estar incluídos na embalagem da ferramenta como acessórios padrão. Eles podem variar de país para país.

ENG905-1

Ruído

A característica do nível de ruído A determinado de acordo com EN62841-2-6:

Modelo HR2631F

Nível de pressão de som (L_{pA}): 95 dB (A)
Nível de potência de som (L_{WA}): 103 dB (A)
Variabilidade (K): 3 dB (A)

Modelo HR2631FT

Nível de pressão de som (L_{pA}): 94 dB (A)
Nível de potência de som (L_{WA}): 102 dB (A)
Variabilidade (K): 3 dB (A)

Modelo HR2641, HR2320T, HR2630, HR2630T

Nível de pressão de som (L_{pA}): 93 dB (A)
Nível de potência de som (L_{WA}): 101 dB (A)
Variabilidade (K): 3 dB (A)

ENG907-1

NOTA:

- O(s) valor(es) da emissão de ruído indicado(s) foi medido de acordo com um método de teste padrão e pode ser utilizado para comparar duas ferramentas.
- O(s) valor(es) da emissão de ruído indicado(s) pode também ser utilizado na avaliação preliminar da exposição.

AVISO:

- Utilize protetores auriculares.

- A emissão de ruído durante a utilização real da ferramenta elétrica pode diferir do(s) valor(es) indicado(s), dependendo das formas como a ferramenta é utilizada, especialmente o tipo de peça de trabalho que é processada.
- Certifique-se de identificar as medidas de segurança para proteção do operador que sejam baseadas em uma estimativa de exposição em condições reais de utilização (considerando todas as partes do ciclo de operação, tal como quando a ferramenta está desligada e quando está a funcionar em marcha lenta além do tempo de acionamento).

ENG900-1

Vibração

Valor total da vibração (soma vetorial triaxial) determinado de acordo com EN62841-2-6:

Modelo HR2631F

Modo de funcionamento: perfuração com martelo em cimento

Emissão de vibração ($a_{h,HD}$): 12,4 m/s²

Variabilidade (K): 1,5 m/s²

Modo de funcionamento: função de cinzelamento com o punho lateral

Emissão de vibração ($a_{h,Cheq}$): 9,2 m/s²

Variabilidade (K): 1,5 m/s²

Modelo HR2631FT

Modo de funcionamento: perfuração com martelo em cimento

Emissão de vibração ($a_{h,HD}$): 11,6 m/s²

Variabilidade (K): 1,5 m/s²

Modo de funcionamento: função de cinzelamento com o punho lateral

Emissão de vibração ($a_{h,Cheq}$): 9,8 m/s²

Variabilidade (K): 1,5 m/s²

Modelo HR2641

Modo de funcionamento: perfuração com martelo em cimento

Emissão de vibração ($a_{h,HD}$): 11,6 m/s²

Variabilidade (K): 1,5 m/s²

Modo de funcionamento: função de cinzelamento com o punho lateral

Emissão de vibração ($a_{h,Cheq}$): 8,1 m/s²

Variabilidade (K): 1,5 m/s²

Modelo HR2320T

Modo de funcionamento: perfuração com martelo em cimento

Emissão de vibração ($a_{h,HD}$): 15,9 m/s²

Variabilidade (K): 1,5 m/s²

Modo de funcionamento: função de cinzelamento com o punho lateral

Emissão de vibração ($a_{h,Cheq}$): 12,8 m/s²

Variabilidade (K): 1,5 m/s²

Modelo HR2630

Modo de funcionamento: perfuração com martelo em cimento

Emissão de vibração ($a_{h,HD}$): 15,4 m/s²

Variabilidade (K): 1,5 m/s²

Modo de funcionamento: função de cinzelamento com o punho lateral

Emissão de vibração ($a_{h,Cheq}$): 10,8 m/s²

Variabilidade (K): 1,5 m/s²

Modelo HR2630T

Modo de funcionamento: perfuração com martelo em cimento

Emissão de vibração ($a_{h,HD}$): 14,5 m/s²

Variabilidade (K): 1,5 m/s²

Modo de funcionamento: função de cinzelamento com o punho lateral

Emissão de vibração ($a_{h,Cheq}$): 10,9 m/s²

Variabilidade (K): 1,5 m/s²

ENG901-2

NOTA:

- O(s) valor(es) total(ais) de vibração indicado(s) foi medido de acordo com um método de teste padrão e pode ser utilizado para comparar duas ferramentas.
- O(s) valor(es) total(ais) de vibração indicado(s) pode também ser utilizado na avaliação preliminar da exposição.

AVISO:

- **A emissão de vibração durante a utilização real da ferramenta elétrica pode diferir do(s) valor(es) indicado(s), dependendo das formas como a ferramenta é utilizada, especialmente o tipo de peça de trabalho que é processada.**
- **Certifique-se de identificar as medidas de segurança para proteção do operador que sejam baseadas em uma estimativa de exposição em condições reais de utilização (considerando todas as partes do ciclo de operação, tal como quando a ferramenta está desligada e quando está a funcionar em marcha lenta além do tempo de acionamento).**

DECLARAÇÕES DE CONFORMIDADE

Apenas para os países europeus

As Declarações de conformidade estão incluídas no Anexo A deste manual de instruções.

Illustrationsoversigt

1 Afbryder	13 Kun hammerboring	26 \triangle symbol
2 Låseknop	14 Krog	27 Tilbehør på foden af støvopsamleren
3 Lampe	15 Fremspring	28 Bælte
4 Omdrejningsvælger	16 Riller	29 Tilbehør
5 Hurtigskift-borpatron for SDS-plus	17 Borskraft	30 Indvendig omkreds
6 Skiftedæksellinje	18 Smørelse til bor	31 Flad side
7 Skiftedæksel	19 Bor	32 Hætte
8 Spindel	20 Borpatrondæksel	33 Rille
9 Hurtigskift-borepatron	21 Grebbase	34 Udblæsningskugle
10 Rotation med hammerboring	22 Dybdeanslag	35 Borpatronenhed (ekstraudstyr)
11 Knop til ændring af funktionsmåde	23 Tandside på sekskantet hulmarkering på grebbasen	36 Borpatronnøgle
12 Kun rotation	24 Tandside på dybdeanslag	37 Manchet
	25 Støvopsamler	38 Ring

SPECIFIKATIONER

Model		HR2631F	HR2631FT	HR2641	HR2320T	HR2630	HR2630T
Kapacitet	Beton	26 mm			23 mm	26 mm	
	Kernebor	68 mm					
	Diamantkernebor (tør type)	80 mm			70 mm	80 mm	
	Stål	13 mm					
	Træ	32 mm					
Hastighed uden belastning		0 – 1 200 min ⁻¹		0 – 1 100 min ⁻¹	0 – 1 200 min ⁻¹		
Slag i minuttet		0 – 4 600 min ⁻¹		0 – 4 500 min ⁻¹	0 – 4 600 min ⁻¹		
Total længde		361 mm	385 mm	422 mm	380 mm	361 mm	385 mm
Nettovægt		2,9 – 3,4 kg	3,1 – 3,6 kg	3,1 – 3,5 kg	2,9 – 3,2 kg	2,8 – 3,3 kg	3,0 – 3,5 kg
Sikkerhedsklasse		II					

- På grund af vores kontinuerlige forsknings- og udviklingsprogrammer kan hosstående specifikationer blive ændret uden varsel.
- Specifikationer kan variere fra land til land.
- Vægten kan være anderledes afhængigt af tilbehøret. Den letteste og tungeste kombination i henhold til EPTA-procedure 01/2014 er vist i tabellen.

ENE042-1

GEA010-2

Tilsigtet anvendelse

Denne maskine er beregnet til hammerboring og boring i mursten, beton og sten. Den er også egnet til boring uden slag i træ, metal, keramik og plastrmaterialer.

ENF002-2

Strømforsyning

Maskinen må kun tilsluttes en strømforsyning med samme spænding som angivet på typeskiltet, og kan kun anvendes på enfaset vekselstrømforsyning. Den er dobbeltisoleret og kan derfor også tilsluttes netstik uden jordforbindelse.

Almindelige sikkerhedsregler for el-værktøj

⚠ ADVARSEL: Læs alle de sikkerhedsadvarsler, instruktioner, illustrationer og specifikationer, der følger med denne maskine. Forsømmelse af at overholde alle nedenstående instruktioner kan medføre elektrisk stød, brand og/eller alvorlig personskade.

Gem alle advarsler og instruktioner til fremtidig reference.

Ordet "el-værktøj" i advarslerne henviser til det netforsynede (netledning) el-værktøj eller batteriforsynede (akku) el-værktøj.

SIKKERHEDSADVARSLER FOR BOREHAMMER

Sikkerhedsinstruktioner for alle betjenerer

1. **Bær høreværn.** Udsættelse for støj kan medføre høreskader.
2. **Brug hjælpéhåndtaget (-håndtagene), hvis sådanne følger med maskinen.** Hvis herredømmet over maskinen mistes, kan det føre til tilskadekomst.
3. **Hold maskinen i de isolerede gribeflader, når du udfører et arbejde, hvor skæretilbehøret kan komme i kontakt med skjulte ledninger eller sin egen ledning.** Skæretilbehør, der kommer i kontakt med en "strømførende" ledning, kan gøre maskinens udsatte metaldele "strømførende" og kan give operatøren et elektrisk stød.

Sikkerhedsinstruktioner under brug af lange borebits med borehammer

1. **Begynd altid at bore ved lav hastighed og med bitspidsen i kontakt med arbejdsområdet.** Ved højere hastigheder vil bittens sandsynligvis bøje, hvis den tillades at rotere frit uden at berøre arbejdsområdet, hvilket resulterer i personskade.
2. **Påfør kun tryk i bittens retning og påfør ikke for stort tryk.** Bits kan bøje, hvilket forårsager brud eller tab af kontrol, hvilket resulterer i personskade.

Supplerende sikkerhedsforskrifter

1. **Bær hjelm (sikkerhedshjelm), sikkerhedsbriller og/eller ansigtsskjold.** Almindelige briller eller solbriller er IKKE sikkerhedsbriller. Det anbefales desuden på det kraftigste at bære støvmaske og kraftigt polstrede handsker.
2. **Sørg for, at bittens sidder godt fast før brugen.**
3. **Maskinen er designet til at forårsage vibration ved normal brug.** Skruerne kan nemt løse sig og medføre et nedbrud eller en ulykke. **Kontroller før brugen, at skruerne sidder stramt.**
4. **I koldt vejr, eller hvis maskinen ikke har været anvendt i længere tid, skal du lade maskinen varme op et stykke tid ved at lade den køre i tomgang.** Derved blødgøres smøremidlet. Uden korrekt opvarmning kan det være vanskeligt at betjene hammeren.
5. **Vær altid sikker på, at De har et godt fodfæste.** Vær sikker på, at der ikke befinder sig nogen nedenunder, når maskinen anvendes i højden.
6. **Hold godt fast i maskinen med begge hænder.**
7. **Hold hænderne på afstand fra bevægelige dele.**
8. **Lad ikke maskinen køre i tomgang.** Anvend kun maskinen håndholdt.
9. **Ret ikke maskinen mod personer i nærheden, mens den kører.** Bittens kan flyve ud og forårsage alvorlig personskade.
10. **Rør ikke ved bittens eller dele i nærheden af bittens eller arbejdsområdet umiddelbart efter brugen.** De kan være meget varme og kan forårsage forbrændinger af huden.
11. **Nogle materialer indeholder kemikalier, som kan være giftige.** Vær påpasselig med at forhindre inhalering af støv og hudkontakt. Følg materialeleverandørens sikkerhedsdata.
12. **Undlad at berøre strømforsyningsstikket med våde hænder.**

GEM DENNE BRUGSANVISNING.

⚠ ADVARSEL:

LAD IKKE bekvemmelighed eller kendskab til produktet (opnået gennem gentagen brug) forhindre, at sikkerhedsforskrifterne for produktet nøje overholdes. MISBRUG eller forsømmelse af at følge de i denne brugsvejledning givne sikkerhedsforskrifter kan føre til, at De kommer alvorligt til skade.

FUNKTIONSBESKRIVELSE

⚠ FORSIGTIG:

- Kontroller altid, at maskinen er slået fra og at netstikket er trukket ud, før der udføres justeringer eller kontrolleres funktioner på maskinen.

Afbryderfunktion (Fig. 1 og 2)

⚠ FORSIGTIG:

- Før De sætter maskinen i forbindelse, skal De altid kontrollere, at afbryderen fungerer korrekt og går tilbage til stilling "OFF", når den slippes.

Før at starte maskinen, trykker man ganske enkelt på afbryderen. Maskinens hastighed øges ved at man øger trykket på afbryderen. Slip afbryderen for at stoppe. For kontinuerlig anvendelse trykkes afbryderen ind, hvorefter låsekappen trykkes ind. Derefter slippes afbryderen. For at stoppe maskinen fra den låste position, trykkes afbryderen helt ind, hvorefter den slippes igen.

Tænding af lamperne (Fig. 3)

For model HR2631F, HR2631FT

⚠ FORSIGTIG:

- Se ikke direkte ind i lyset eller lyskilden.

Før at tænde for lampen, trykkes afbryderen ind. For at slukke for den, slippes afbryderen.

BEMÆRK:

- Brug en tør klud til at tørre snavs bort fra lampens linse. Vær påpasselig med ikke at ridses lampens linse, da dette kan svække belysningen.
- Anvend ikke fortynder eller benzin til at rengøre lampen. Sådanne opløsningsmidler kan beskadige den.

Anvendelse af omdrejningsvælger (Fig. 4 og 5)

⚠ FORSIGTIG:

- Kontroller altid omdrejningsretningen, før arbejdet påbegyndes.
- Anvend kun omdrejningsvælgeren, efter at maskinen er helt stoppet. Hvis omdrejningsretningen ændres, før maskinen er helt stoppet, kan maskinen lide skade.

For model HR2631F, HR2631FT, HR2320T, HR2630, HR2630T

⚠ FORSIGTIG:


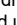
- Hvis afbryderen ikke kan trykkes helt ind, skal det kontrolleres, at omdrejningsvælgeren er sat hele vejen til stilling ◀ (A side) eller ▶ (B side).

Denne maskine har en omdrejningsvælger til ændring af omdrejningsretningen. Flyt omdrejningsvælgeren til ◀ (A side) for omdrejning med uret eller til ▶ (B side) for omdrejning mod uret.

For model HR2641

BEMÆRK:

- Når maskinen bruges med rotation mod uret, trækkes afbryderen kun halvvejs ind, og maskinen kører med halv hastighed. Ved rotation mod uret, kan man ikke trykke låseknappen ind.

Denne maskine har en omdrejningsvælger til ændring af omdrejningsretningen. Flyt omdrejningsvælgeren til  (A side) for omdrejning med uret eller til  (B side) for omdrejning mod uret.

Ændring af hurtigskift-borepatronen for SDS-plus

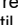

For model HR2631FT, HR2320T, HR2630T

Hurtigskift-borepatronen for SDS-plus kan nemt udskiftes med hurtigskift-borepatronen.


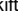
Fjernelse af hurtigskift-borepatronen for SDS-plus (Fig. 6)


FORSIGTIG:

- Inden De fjerner hurtigskift-borepatronen for SDS-plus, skal De altid fjerne boret.

Tag fat i skiftedækslet på hurtigskift-borepatronen for SDS-plus og drej den i pilens retning, indtil skiftedækslets linje flytter fra  symbolet til  symbolet. Træk kraftigt i pilens retning.

Påsatning af hurtigskift-borepatronen (Fig. 7)

Tjek at linjen på hurtigskift-borepatronen viser  symbolet. Tag fat i skiftedækslet på hurtigskift-borepatronen og sæt linjen til  symbol.


Anbring hurtigskift-borepatronen på maskinens spindel. Tag fat i skiftedækslet på hurtigskift-borepatronen og drej skiftedæksellinjen til  symbolet, indtil et klik tydeligt høres.

Valg af funktionsmåde


FORSIGTIG:

- Drej ikke knappen til ændring af funktionsmåden, når maskinen kører. Dette vil bevirke, at maskinen lider overlast.
- For at undgå slitage af funktionsvælgermekanismen, skal man sørge for, at knappen til ændring af funktionsmåden altid står i en af de tre funktionsmådestillinger.

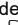
Rotation med hammerboring (Fig. 8)

For boring i beton, murværk etc. drejes knappen til ændring af funktionsmåden til  symbolet. Anvend et bor med hårdmetalskær.

Kun rotation (Fig. 9)

For boring i træ, metal eller plasticmaterialer drejes knappen til ændring af funktionsmåden til  symbolet. Anvend et spiralbor eller et træbor.

Kun hammerboring (Fig. 10)

For mejsling, afskalning eller nedbrydningsarbejde, drejes knappen til ændring af funktionsmåden til  symbolet. Anvend en spidsmejsel, en fladmejsel, en afskalningsmejsel eller lignende.

Skridkobling

FORSIGTIG:

- Afbryd straks maskinen, når skridkoblingen slår til. Dette vil forhindre unødigt slid på maskinen.
- Bor som f.eks. hulsave, som har tendens til nemt at sætte sig fast eller klemmes fast, er ikke velegnede til denne maskine. Det skyldes, at de bevirker, at skridkoblingen ofte slår til.

Skridkoblingen slår til, når et vist omdrejningsmoment nås. Motoren kobles fra drivakslen. Hvis dette sker, vil boret holde op med at dreje.

Krog (Fig. 11)

For model HR2641

FORSIGTIG:

- Hæng aldrig maskinen op på et højt sted eller på en potentielt ustabil overflade.

Krogen er bekvem til midlertidig ophængning af maskinen.

For at bruge krogen, skal man blot løfte den op, så den går ind i den åbne position.

Når krogen ikke bruges, skal den altid sænkes, så den går ind i den lukkede position.

SAMLING

FORSIGTIG:

- Sørg altid for, at maskinen er slukket og netstikket trukket ud, før der foretages noget arbejde på maskinen.

Sidegreb (hjælpegreb) (Fig. 12)

FORSIGTIG:

- Brug altid sidegrebet af hensyn til betjeningsikkerheden.

Monter sidegrebet således, at fremspringene på grebet passer ind i rillerne på maskintromlen. Stram derefter grebet ved at dreje det med uret til den ønskede position. Sidegrebet kan svinges 360°, så det kan fastgøres i en hvilken som helst position.

Smørelse til bor

Smør borhalsens hoved på forhånd med en smule borsmørelse (omkring 0,5 – 1 g).

Denne borepatronsmørelse sikrer problemfri anvendelse og en længere levetid.

Montering og afmontering af boret


Rengør borskaffet og smør med fedt, inden boret monteres. (Fig. 13)


Sæt boret i maskinen. Drej boret og tryk det ind, til det låses fast. (Fig. 14)

Bekræft efter monteringen, at boret er ordentligt fastgjort ved at prøve at trække det ud.

Boret tages ud ved at man trækker borepatrondækslet hele vejen ned og trækker boret ud. (Fig. 15)

Borvinkel (ved mejsling, afskalning og nedbrydning)

Boret kan fastgøres i den ønskede vinkel. Hvis borvinklen ønskes ændret, skal man dreje knappen til ændring af funktionsmåden til  symbolet. Drej boret til den ønskede vinkel. (Fig. 16)

Drej knappen til ændring af funktionsmåden til  symbolet. (Fig. 17)

Bekræft derefter, at boret sidder ordentligt fast ved at dreje det en smule.

Dybdeanslag

Dybdeanslaget er bekvemt til boring af huller af ens dybde. (Fig. 18)

Tryk låseknappen på grebbasen i pilens retning som vist på illustrationen, og med låseknappen trykket ind sættes dybdeanslaget ind i sekskantede hul i grebbasen. (Fig. 19)

På dette tidspunkt skal dybdeanslaget sættes således ind, at dets tandside dirigeres til tandsiden på det sekskantede hulls markering på grebbasen som vist på illustrationen. (Fig. 20)

Indstil dybdeanslaget til den ønskede dybde ved at flytte det frem og tilbage, mens De trykker på låseknappen. Slip låseknappen efter justeringen for at låse dybdeanslaget. (Fig. 21)

BEMÆRK:

- Indsætning af dybdeanslaget med dets tandside vendende bort fra tandsiden på sekskanthullets markering på grebbasen som vist på illustrationen tillader ikke at dybdeanslaget låses.

Støvopsamler (ekstraudstyr) (Fig. 22)

Anvend støvopsamleren til at forhindre, at støv lægger sig på maskinen og Dem selv, når De udfører boring i højden. Monter støvopsamleren på boret som vist på illustrationen. Størrelsen af de bor, på hvilke støvopsamleren kan monteres, er som følger.

	Bordiameter
Støvopsamler 5	6 mm – 14,5 mm
Støvopsamler 9	12 mm – 16 mm

006406

Der er en anden type støvopsamler (ekstraudstyr), som bidrager til at forhindre, at der lægger sig støv på værktøjet og Dem selv, når De udfører boring i højden.

Montering og afmontering af støvopsamler (ekstraudstyr)

Inden støvopsamleren monteres, skal boret fjernes fra maskinen, hvis det er monteret. Monter støvopsamleren (ekstraudstyr) på maskinen, så \triangle symbolet på støvopsamleren er på linje med rillerne på maskinen. (Fig. 23)

For at fjerne støvopsamleren, skal man trække borpatrondækslet i retningen vist på illustrationen og med borpatrondækslet trukket, tages boret ud af maskinen. (Fig. 24)

Tag derefter fat i tilbehørsdelen ved foden af støvopsamleren og tag den ud. (Fig. 25)

BEMÆRK:

- Når støvopsamleren monteres eller afmonteres, kan hættten gå af støvopsamleren. Fortsæt på dette tidspunkt som følger. Fjern bælgene fra tilbehørsdelen og sæt hættten på fra siden som vist på illustrationen med dens flade side vendende opad, således at rillen i hættten passer ind i tilbehørsdelens indre omkreds. Monter til sidst de bælg, der er blevet fjernet. (Fig. 26, 27 og 28)

BEMÆRK:

- Hvis De slutter en støvsuger til hammeren, kan renere arbejde udføres. Støvhættten skal tages af støvopsamleren inden tilslutningen udføres. (Fig. 29)

ANVENDELSE

\triangle FORSIGTIG:

- Anvend altid sidegrebet (hjælpehåndtag) og hold godt fast i maskinen i begge sidegreb og skift håndtag under operationen.

Hammerboring (Fig. 30)

\triangle FORSIGTIG:

- Der opstår en kraftig og pludselig vridning af maskinen/boret, når der brydes igennem hullet, når hullet bliver tilstoppet af spåner og partikler eller hvis man rammer forstærkningsstænger inden i betonen. Anvend altid sidegrebet (hjælpehåndtag) og hold godt fast i maskinen i begge sidegreb og skift håndtag under operationen. Forsømmelse af dette kan resultere i at man mister herredømmet over maskinen og at man kan komme alvorligt til skade.

Sæt knappen til ændring af funktionsmåden til ⏏ symbolet.

Anbring boret ved det ønskede sted til hullet og tryk derefter afbryderen ind. Pres ikke maskinen. Et let tryk giver det bedste resultat. Hold maskinen i stilling for at forhindre den i at glide bort fra hullet.

Udøv ikke yderligere tryk, når hullet bliver tilstoppet med spåner og partikler. Kør i stedet maskinen i tomgang og fjern derefter boret delvist fra hullet. Ved at gentage dette flere gange, vil hullet blive renset ud og den normale boring kan genoptages.

BEMÆRK:

- Excentricitet i boromdrejningen kan forekomme, hvis maskinen anvendes uden belastning. Maskinen centrerer sig selv under anvendelsen. Dette har ingen indflydelse på borepræcisionen.

Udblæsningskugle (ekstraudstyr) (Fig. 31)

Efter ud boring af hullet skal man anvende udblæsningskuglen til at fjerne støvet fra hullet.

Mejsling/afskalning/nedbrydning (Fig. 32)

Sæt knappen til ændring af funktionsmåden til ⏏ symbolet. Hold godt fast i maskinen med begge hænder. Tænd for maskinen og udøv et let tryk på maskinen, så den ikke hopper ukontrolleret omkring. Et ekstremt hårdt tryk på maskinen vil ikke øge effektiviteten.

Boring i træ eller metal

\triangle FORSIGTIG:

- Anvend aldrig "rotation med hammerboring", når borpatronen er monteret på maskinen. Hurtigskift-borpatronen kan lide skade. Desuden vil borpatronen falde af, når man skifter omdrejningsretning.
- Et for højt tryk på maskinen vil ikke give hurtigere boring. Faktisk vil et for højt tryk kun bevirke, at spidsen af boret lider skade, at maskinydelens mindskes og at maskinens levetid forkortes.
- Der opstår en kraftig vridning af maskinen/boret, når der brydes igennem hullet. Hold godt fast i maskinen og udvis forsigtighed, når boret begynder at bryde igennem arbejdsområdet.
- Et bor, der sidder fast, kan ganske enkelt fjernes ved at man sætter omdrejningsvælgeren til baglæns rotation for at bakke ud. Dog kan maskinen bakke pludseligt ud, hvis der ikke holdes godt fat i den.
- Fastgør altid små arbejdsstykker i en skruestik eller en lignende fastholdelsesanordning.

Sæt knappen til ændring af funktionsmåden til ⏏ symbolet.

Det er muligt at bore op til 13 mm diameter i metal og op til 32 mm diameter i træ.

For model HR2631F, HR2641, HR2630

Brug borpatronenheden (ekstraudstyr). Når De monterer den, skal De referere til "Montering og afmontering af boret" på foregående side. (Fig. 33)

For at montere boret, skal man sætte det så langt ind i borpatronen som det kan komme.

Stram borpatronen med hånden. Anbring borpatronnøglen i hvert af de tre huller og stram i retningen med uret. Sørg for at stramme alle tre borpatronhuller lige meget.

For at fjerne boret, skal man dreje borpatronnøglen i retningen mod uret i kun et hul og derefter løse borpatronen med hånden. (Fig. 34)

For model HR2631FT, HR2320T, HR2630T


Anvend hurtigskift-borpatronen som standardudstyr. Når De monterer den, skal De referere til "Ændring af hurtigskift-borpatronen for SDS-plus" på foregående side. (Fig. 35 og 36)

Hold ringen og drej manchetten mod uret for at åbne borpatronkæberne. Anbring boret så langt oppe i borpatronen som det kan komme. Hold fast i ringen og drej manchetten med uret for at stramme borpatronen. Boret fjernes ved at man holder i ringen og drejer manchetten mod uret. (Fig. 37)

Boring med diamantkerne

⚠ FORSIGTIG:

- Hvis der udføres diamantkerneboring med brug af "rotation med hammerboring", er der risiko for, at diamantkerneboret lider skade.

Når der udføres boring med diamantkerne, skal skiftearmen altid sættes til  positionen for at anvende "kun rotation" boring.

Anvendelse med brug af støvopsamler (ekstraudstyr) (Fig. 38)

Anvend maskinen med støvopsamleren mod loftsfladen.

BEMÆRK:

- Støvopsamleren (ekstraudstyr) er kun beregnet til at bruges ved boring i keramiske arbejdssemner såsom beton og mørtel. Anvend ikke maskinen med støvopsamleren, når der bores i metal eller lignende. Anvendelse af støvopsamleren ved boring i metal kan beskadige støvopsamleren på grund af den varme, der frembringes af fint metalstøv og lignende.
- Tøm støvopsamleren, inden De fjerner et bor.
- Bekræft, når støvopsamleren anvendes, at støvopsamleren er korrekt monteret på den.

VEDLIGEHOLDELSE

⚠ FORSIGTIG:

- Kontroller altid, at maskinen er slået fra, og at netledningen er taget ud af stikkontaktten, inden De udfører inspektion eller vedligeholdelse.
- Anvend aldrig benzin, rensed benzin, fortynder, alkohol og lignende. Misfarvning, deformation eller revner kan blive resultatet.

For at opretholde produktets SIKKERHED og PÅLIDELIGHED, bør reparation, inspektion og udskiftning af kulbørster samt anden vedligeholdelse og justering kun udføres af et autoriseret Makita servicecenter med anvendelse af originale Makita-reservedele.

EKSTRAUDSTYR

⚠ FORSIGTIG:

- De i denne brugsanvisning specificerede tilbehørsdele og anordninger anbefales til brug med din Makita-maskine. Brug af andet tilbehør og andre anordninger kan udgøre en risiko for personskade. Anvend kun tilbehør og anordninger til de beskrevne formål.

Hvis De har brug for assistance eller yderligere detaljer om dette tilbehør, bedes De kontakte Deres lokale Makita servicecenter.

- SDS-Plus bor med hårdmetalskær
- Kernebor
- Spidsmejsel
- Diamantkernebor
- Koldmejsel
- Afskålningsmejsel
- Kanalmejsel
- Borpatronenhed
- Borpatron S13
- Borpatron
- Borpatronnøgle S13
- Smørelse til bor
- Sidegreb
- Dybdeanslag
- Udblæsningskugle
- Støvopsamler
- Plasticbæretaske
- Nøgleløs borpatron

BEMÆRK:

- Nogle ting på denne liste kan være inkluderet i værktøjspakken som standardtilbehør. Det kan være forskellige fra land til land.

ENG905-1

Støj

Det typiske A-vejede støjniveau bestemt i overensstemmelse med EN62841-2-6:

Model HR2631F

Lydtrykniveau (L_{pA}): 95 dB (A)
Lydeffektniveau (L_{WA}): 103 dB (A)
Usikkerhed (K): 3 dB (A)

Model HR2631FT

Lydtrykniveau (L_{pA}): 94 dB (A)
Lydeffektniveau (L_{WA}): 102 dB (A)
Usikkerhed (K): 3 dB (A)

Model HR2641, HR2320T, HR2630, HR2630T

Lydtrykniveau (L_{pA}): 93 dB (A)
Lydeffektniveau (L_{WA}): 101 dB (A)
Usikkerhed (K): 3 dB (A)

ENG907-1

BEMÆRK:

- De(n) angivne støjemissionsværdi(er) er målt i overensstemmelse med en standardtestmetode og kan anvendes til at sammenligne en maskine med en anden.
- De(n) angivne støjemissionsværdi(er) kan også anvendes i en præliminær eksponeringsvurdering.

⚠ ADVARSEL:

- Bær høreværn.
- Støjemissionen under den faktiske anvendelse af maskinen kan være forskellig fra de(n) angivne værdi(er), afhængigt af den måde hvorpå maskinen anvendes, især den type arbejdsemne der behandles.
- Sørg for at identificere de sikkerhedsforskrifter til beskyttelse af operatøren, som er baseret på en vurdering af eksponering under de faktiske brugsforhold (med hensyntagen til alle dele i brugscyklussen, f.eks. de gange, hvor maskinen er slukket, og når den kører i tomgang i tilgift til afbrydertiden).

EN6900-1

Vibration

Vibrations totalværdi (tre-aksial vektorværdi) bestemt i overensstemmelse med EN62841-2-6:

Model HR2631F

Arbejdsindstilling: hammerboring i beton

Vibrationsemission ($a_{h,HD}$): 12,4 m/s²

Usikkerhed (K): 1,5 m/s²

Arbejdsindstilling: mejslingsfunktion med sidegreb

Vibrationsemission ($a_{h,Cheq}$): 9,2 m/s²

Usikkerhed (K): 1,5 m/s²

Model HR2631FT

Arbejdsindstilling: hammerboring i beton

Vibrationsemission ($a_{h,HD}$): 11,6 m/s²

Usikkerhed (K): 1,5 m/s²

Arbejdsindstilling: mejslingsfunktion med sidegreb

Vibrationsemission ($a_{h,Cheq}$): 9,8 m/s²

Usikkerhed (K): 1,5 m/s²

Model HR2641

Arbejdsindstilling: hammerboring i beton

Vibrationsemission ($a_{h,HD}$): 11,6 m/s²

Usikkerhed (K): 1,5 m/s²

Arbejdsindstilling: mejslingsfunktion med sidegreb

Vibrationsemission ($a_{h,Cheq}$): 8,1 m/s²

Usikkerhed (K): 1,5 m/s²

Model HR2320T

Arbejdsindstilling: hammerboring i beton

Vibrationsemission ($a_{h,HD}$): 15,9 m/s²

Usikkerhed (K): 1,5 m/s²

Arbejdsindstilling: mejslingsfunktion med sidegreb

Vibrationsemission ($a_{h,Cheq}$): 12,8 m/s²

Usikkerhed (K): 1,5 m/s²

Model HR2630

Arbejdsindstilling: hammerboring i beton

Vibrationsemission ($a_{h,HD}$): 15,4 m/s²

Usikkerhed (K): 1,5 m/s²

Arbejdsindstilling: mejslingsfunktion med sidegreb

Vibrationsemission ($a_{h,Cheq}$): 10,8 m/s²

Usikkerhed (K): 1,5 m/s²

Model HR2630T

Arbejdsindstilling: hammerboring i beton

Vibrationsemission ($a_{h,HD}$): 14,5 m/s²

Usikkerhed (K): 1,5 m/s²

Arbejdsindstilling: mejslingsfunktion med sidegreb

Vibrationsemission ($a_{h,Cheq}$): 10,9 m/s²

Usikkerhed (K): 1,5 m/s²

ENG901-2

BEMÆRK:

- De(n) angivne totalværdi(er) for vibration er målt i overensstemmelse med en standardtestmetode og kan anvendes til at sammenligne en maskine med en anden.
- De(n) angivne totalværdi(er) for vibration kan også anvendes i en præliminær eksponeringsvurdering.

⚠ ADVARSEL:

- Vibrationsemissionen under den faktiske anvendelse af maskinen kan være forskellig fra de(n) angivne værdi(er), afhængigt af den måde hvorpå maskinen anvendes, især den type arbejdsemne der behandles.
- Sørg for at identificere de sikkerhedsforskrifter til beskyttelse af operatøren, som er baseret på en vurdering af eksponering under de faktiske brugsforhold (med hensyntagen til alle dele i brugscyklussen, f.eks. de gange, hvor maskinen er slukket, og når den kører i tomgang i tilgift til afbrydertiden).

OVERENSSTEMMELSESERKLÆRINGER

Kun for lande i Europa

Overensstemmelseserklæringerne er inkluderet i Bilag A i denne brugsanvisning.

Περιγραφή γενικής άποψης

1 Σκανδάλη ενεργοποίησης	13 Κρούση μόνο	26 Σύμβολο Δ
2 Κουμπί ασφάλισης	14 Γάντζος	27 Εξάρτημα στο κάτω μέρος του καλύμματος σκόνης
3 Λυχνία	15 Προεξοχές	28 Φυσούνα
4 Μοχλός-διακόπτης αντιστροφής	16 Αύλακες	29 Εξάρτημα
5 Σφικτήρας ταχείας αλλαγής για SDS-plus	17 Στέλεχος αιχμής	30 Εσωτερική περιμέτρος
6 Γραμμή καλύμματος αλλαγής	18 Γράσο αιχμών	31 Επίπεδη πλευρά
7 Κάλυμμα αλλαγής	19 Αιχμή	32 Πώμα
8 Στροφέο	20 Κάλυμμα σφικτήρα	33 Αύλακα
9 Σφικτήρας τρυπανιού ταχείας αλλαγής	21 Βάση λαβής	34 Φυσερό
10 Περιστροφή και κρούση	22 Ρυθμιστής βάθους	35 Συγκρότημα σφικτήρα αιχμής (προαιρετικό αξεσουάρ)
11 Κουμπί αλλαγής τρόπου λειτουργίας	23 Οδοντωτή πλευρά εξαγωνικής οπής στη βάση της λαβής	36 Κλειδί σφικτήρα
12 Περιστροφή μόνο	24 Οδοντωτή πλευρά ρυθμιστή βάθους	37 Χιτώνιο
	25 Κάλυμμα σκόνης	38 Δακτύλιο

ΤΕΧΝΙΚΑ ΧΑΡΑΚΤΗΡΙΣΤΙΚΑ

Μοντέλο		HR2631F	HR2631FT	HR2641	HR2320T	HR2630	HR2630T
Ικανότητες	Σκυρόδεμα	26 χιλ.			23 χιλ.	26 χιλ.	
	Αιχμή πυρήνα	68 χιλ.					
	Αιχμή αδαμάντινου πυρήνα (ξηρού τύπου)	80 χιλ.			70 χιλ.	80 χιλ.	
	Χάλυβας	13 χιλ.					
	Ξύλο	32 χιλ.					
Ταχύτητα χωρίς φορτίο		0 – 1.200 λεπ ⁻¹		0 – 1.100 λεπ ⁻¹	0 – 1.200 λεπ ⁻¹		
Κρούσεις ανά λεπτό		0 – 4.600 λεπ ⁻¹		0 – 4.500 λεπ ⁻¹	0 – 4.600 λεπ ⁻¹		
Συνολικό μήκος		361 χιλ.	385 χιλ.	422 χιλ.	380 χιλ.	361 χιλ.	385 χιλ.
Καθαρό βάρος		2,9 – 3,4 χγρ	3,1 – 3,6 χγρ	3,1 – 3,5 χγρ	2,9 – 3,2 χγρ	2,8 – 3,3 χγρ	3,0 – 3,5 χγρ
Κατηγορία ασφαλείας		II/II					

- Λόγω του συνεχόμενου προγράμματος που εφαρμόζουμε για έρευνα και ανάπτυξη, τα τεχνικά χαρακτηριστικά στο παρόν έντυπο υπόκεινται σε αλλαγή χωρίς προειδοποίηση.
- Τα τεχνικά χαρακτηριστικά μπορεί να διαφέρουν από χώρα σε χώρα.
- Το βάρος μπορεί να διαφέρει ανάλογα με το(α) εξάρτημα(τα). Ο ελαφρύτερος και βαρύτερος συνδυασμός, σύμφωνα με τη διαδικασία ΕΡΤΑ 01/2014, απεικονίζονται στον πίνακα.

Προοριζόμενη χρήση

Το εργαλείο προορίζεται για κρουστική διάτρηση και διάνοιξη οπών σε τούβλο, σκυρόδεμα και πέτρα. Είναι κατάλληλο, επίσης, για μη κρουστική διάτρηση σε ξύλο, μέταλλο, κεραμικό και πλαστικό.

Ρευματοδότηση

Το μηχανήμα πρέπει να συνδέεται μόνο σε παροχή ρεύματος της ίδιας τάσης με αυτή που αναφέρεται στην πινακίδα κατασκευαστού και μπορεί να λειτουργήσει μόνο με εναλλασσόμενο μονοφασικό ρεύμα. Τα μηχανήματα αυτά έχουν διπλή μόνωση και κατά συνέπεια, μπορούν να συνδεθούν σε ακροδέκτες χωρίς σύρμα γείωσης.

ENE042-1

GEA010-2

Γενικές προειδοποιήσεις ασφαλείας για το ηλεκτρικό εργαλείο

⚠ ΠΡΟΕΙΔΟΠΟΙΗΣΗ: Διαβάστε όλες τις προειδοποιήσεις ασφαλείας, οδηγίες, εικονογραφίες και προδιαγραφές που παρέχονται με αυτό το ηλεκτρικό εργαλείο. Η μη τήρηση όλων των οδηγιών που αναγράφονται κατωτέρω μπορεί να καταλήξει σε ηλεκτροπληξία, πυρκαγιά ή/και σοβαρό τραυματισμό.

ENF002-2

Φυλάξτε όλες τις προειδοποιήσεις και τις οδηγίες για μελλοντική παραπομπή.

Στις προειδοποιήσεις, ο όρος “ηλεκτρικό εργαλείο” αναφέρεται σε ηλεκτρικό εργαλείο που τροφοδοτείται από την κύρια παροχή ηλεκτρικού ρεύματος (με ηλεκτρικό καλώδιο) ή σε ηλεκτρικό εργαλείο που τροφοδοτείται από μπαταρία (χωρίς ηλεκτρικό καλώδιο).

GEB243-1

ΠΡΟΕΙΔΟΠΟΙΗΣΕΙΣ ΑΣΦΑΛΕΙΑΣ ΣΦΥΡΟΤΡΥΠΑΝΟΥ

Οδηγίες ασφάλειας για όλες τις εργασίες

1. **Φοράτε υλοσπίδες.** Η έκθεση σε θόρυβο μπορεί να προκαλέσει απώλεια ακοής.
2. **Να χρησιμοποιείτε τις βοηθητικές λαβές, εάν παρέχονται με το εργαλείο.** Η απώλεια του ελέγχου μπορεί να προκαλέσει προσωπικό τραυματισμό.
3. **Να κρατάτε το ηλεκτρικό εργαλείο από τις λαβές με μόνωση όταν εκτελείτε εργασίες κατά τις οποίες το εξάρτημα κοπής μπορεί να έρθει σε επαφή με κρυμμένα καλώδια ή με το ίδιο του το καλώδιο.** Σε περίπτωση επαφής του εξαρτήματος κοπής με ηλεκτροφόρο καλώδιο, μπορεί τα εκτεθειμένα μεταλλικά εξαρτήματα του ηλεκτρικού εργαλείου να καταστούν τα ίδια ηλεκτροφόρα και να προκαλέσουν ηλεκτροπληξία στο χειριστή.

Οδηγίες ασφάλειας όταν χρησιμοποιείται μακριές μύτες τρυπανιού με σφυροτύπανο

1. **Να αρχίζετε πάντα να τρυpanίζετε σε χαμηλή ταχύτητα και με τη μύτη τρυpanίσματος σε επαφή με το τεμάχιο εργασίας.** Σε υψηλότερες ταχύτητες, η μύτη είναι πιθανό να λυγίσει αν επιτραπεί να περιστραφεί ελεύθερα χωρίς να έρχεται σε επαφή με το τεμάχιο εργασίας, έχοντας ως αποτέλεσμα προσωπικό τραυματισμό.
2. **Να ασκείτε πίεση μόνο σε ευθεία γραμμή με τη μύτη και μην ασκείτε υπερβολική πίεση.** Οι μύτες μπορούν να λυγίσουν προκαλώντας σπάσιμο ή απώλεια ελέγχου, έχοντας ως αποτέλεσμα προσωπικό τραυματισμό.

Πρόσθετες προειδοποιήσεις ασφάλειας

1. **Φοράτε σκληρό καπέλο (κράνος ασφαλείας), γυαλιά ασφαλείας και/ή προσωπίδα.** Τα κοινά γυαλιά οράσεως ή ηλίου ΔΕΝ είναι γυαλιά ασφαλείας. Επίσης, συνιστάται ιδιαίτερα να φοράτε μάσκα προστασίας από τη σκόνη και γάντια με χοντρή επένδυση.
2. **Πριν από τη λειτουργία, βεβαιωθείτε ότι η μύτη έχει ασφαλιστεί.**
3. **Σε κανονικές συνθήκες λειτουργίας, το εργαλείο είναι σχεδιασμένο να παρθεί κραδασμούς. Οι βιβίδες μπορεί να χαλαρώσουν εύκολα, προκαλώντας βλάβη ή ατύχημα. Ελέγξτε προσεκτικά το σφίξιμο των βιδών πριν από τη λειτουργία.**
4. **Όταν κάνει κρύο ή αν δεν έχετε χρησιμοποιήσει το εργαλείο για μεγάλο χρονικό διάστημα, αφήστε το να ζεσταθεί για λίγο επιτρέποντάς του να λειτουργήσει χωρίς φορτίο. Με αυτόν τον τρόπο βελτιώνεται η λίπανση. Αν δεν ζεσταθεί σωστά, η κρουστική λειτουργία είναι δύσκολη.**
5. **Να βεβαιώνετε πάντοτε ότι στέκεστε σταθερά. Όταν χρησιμοποιείτε το εργαλείο σε υψηλές τοποθεσίες, να βεβαιώνετε ότι δεν βρίσκεται κανένας από κάτω.**

6. **Κρατήστε το εργαλείο σταθερά με τα δύο χέρια.**
7. **Διατηρείτε τα χέρια σας μακριά από κινούμενα μέρη.**
8. **Μην αφήνετε το εργαλείο σε λειτουργία. Το εργαλείο πρέπει να βρίσκεται σε λειτουργία μόνο όταν το κρατάτε.**
9. **Μην στρέψετε το εργαλείο στους παρευρισκόμενους στο χώρο όταν το χρησιμοποιείτε. Η μύτη μπορεί να εκτοξευτεί και να προκαλέσει σοβαρό τραυματισμό.**
10. **Μην αγγίζετε τη μύτη, τμήματα κοντά στη μύτη ή το τεμάχιο εργασίας αμέσως μετά τη λειτουργία. Μπορεί να είναι ελαστικά ζεστά και να προκληθεί έγκαυμα στο δέρμα σας.**
11. **Μερικά υλικά περιέχουν χημικά που μπορεί να είναι τοξικά. Προσέχετε ώστε να αποφεύγετε την εισπνοή σκόνης και την επαφή με το δέρμα. Ακολουθείτε τα δεδομένα ασφαλείας υλικού που παρέχονται από τον προμηθευτή.**
12. **Μην αγγίζετε το φως του ηλεκτρικού καλωδίου με βρεγμένα χέρια.**

ΦΥΛΑΞΤΕ ΤΙΣ ΟΔΗΓΙΕΣ ΑΥΤΕΣ.

⚠️ ΠΡΟΕΙΔΟΠΟΙΗΣΗ:

ΜΗΝ επιτρέψετε το βαθμό άνεσης ή εξοικείωσης με το προϊόν (λόγω επανειλημμένης χρήσης) να αντικαταστήσει την αυστηρή τήρηση των κανόνων ασφαλείας του παρόντος εργαλείου. Η ΛΑΝΘΑΣΜΕΝΗ ΧΡΗΣΗ ή η αμέλεια να ακολουθήσετε τους κανόνες ασφαλείας που διατυπώνονται στο παρόν εγχειρίδιο οδηγιών μπορεί να προκαλέσει σοβαρό προσωπικό τραυματισμό.

ΠΕΡΙΓΡΑΦΗ ΛΕΙΤΟΥΡΓΙΑΣ

⚠️ ΠΡΟΣΟΧΗ:

• Να φροντίζετε πάντα για την απενεργοποίηση του εργαλείου και την αποσύνδεσή του, πριν από οποιαδήποτε ρύθμιση ή έλεγχο της λειτουργίας του.

Λειτουργία διακοπής (Εικ. 1 και 2)

⚠️ ΠΡΟΣΟΧΗ:

• Πριν από τη σύνδεση του εργαλείου, να ελέγχετε πάντα εάν ο διακόπτης ενεργοποιεί τη συσκευή κανονικά και επιστρέφει στη θέση “OFF” (ανενεργό) όταν απελευθερώνεται.

Για να ενεργοποιήσετε το εργαλείο, απλά τραβήξτε τη σκανδάλη ενεργοποίησης. Η ταχύτητα του εργαλείου αυξάνει εάν αυξήσετε την πίεση στη σκανδάλη ενεργοποίησης. Για διακοπή της λειτουργίας, απελευθερώστε τη σκανδάλη ενεργοποίησης. Για συνεχή λειτουργία, τραβήξτε τη σκανδάλη ενεργοποίησης, πιέστε μέσα το κουμπί ασφάλισης και στη συνέχεια απελευθερώστε τη σκανδάλη ενεργοποίησης. Για να απενεργοποιήσετε το εργαλείο από τη θέση ασφάλισης, τραβήξτε πλήρως τη σκανδάλη ενεργοποίησης, στη συνέχεια απελευθερώστε την.

Άναμμα λυχνίας (Εικ. 3)

Για το μοντέλο HR2631F, HR2631FT

⚠️ ΠΡΟΣΟΧΗ:

• Μην κοιτάζετε στο φως ή απευθείας στην πηγή του φωτός.

Για να ενεργοποιήσετε τη λυχνία, τραβήξτε τη σκανδάλη. Αφήστε τη σκανδάλη για να την απενεργοποιήσετε.

ΣΗΜΕΙΩΣΗ:

- Να χρησιμοποιείτε στεγνό πανί για να σφουγγίζετε τυχόν ακαθαρσίες από το φακό της λυχνίας. Φροντίστε να μην προκαλέσετε αμυχές στο φακό της λυχνίας, διότι ενδέχεται να μειωθεί ο φωτισμός.
- Μην χρησιμοποιείτε διαλυτικό ή βενζίνη για τον καθαρισμό της λυχνίας. Τα διαλυτικά αυτού του τύπου ενδέχεται να προκαλέσουν ζημία.

Λειτουργία διακόπτη αντιστροφής (Εικ. 4 και 5)

⚠ ΠΡΟΣΟΧΗ:

- Να ελέγχετε πάντα την κατεύθυνση περιστροφής πριν από τη λειτουργία.
- Να χρησιμοποιείτε το διακόπτη αντιστροφής μόνον όταν το εργαλείο έχει ακινητοποιηθεί πλήρως. Τυχόν αλλαγή της κατεύθυνσης περιστροφής πριν από την ακινητοποίηση του εργαλείου ενδέχεται να προκαλέσει ζημία στο εργαλείο.

Για το μοντέλο HR2631F, HR2631FT, HR2320T, HR2630, HR2630T

⚠ ΠΡΟΣΟΧΗ:

- Εάν δεν μπορείτε να πιέσετε τη σκανδάλη ενεργοποίησης, ελέγξτε εάν ο διακόπτης αντιστροφής έχει ρυθμιστεί πλήρως στη θέση ◀ (πλευρά Α) ή ▶ (πλευρά Β).

Το συγκεκριμένο εργαλείο διαθέτει διακόπτη αντιστροφής για αλλαγή της κατεύθυνσης περιστροφής. Μετακινήστε το μοχλό-διακόπτη αντιστροφής στη ◀ θέση (πλευρά Α) για δεξιόστροφη περιστροφή ή στη ▶ θέση (πλευρά Β) για αριστερόστροφη περιστροφή.

Για το μοντέλο HR2641

ΣΗΜΕΙΩΣΗ:

- Όταν χρησιμοποιείτε το εργαλείο με αριστερόστροφη περιστροφή, η σκανδάλη ενεργοποίησης πατιέται μόνο μέχρι τη μέση και το εργαλείο λειτουργεί στη μισή ταχύτητα. Για αριστερόστροφη περιστροφή, δεν μπορείτε να πατήσετε το κουμπί ασφάλισης.

Το συγκεκριμένο εργαλείο διαθέτει διακόπτη αντιστροφής για αλλαγή της κατεύθυνσης περιστροφής. Μετακινήστε το μοχλό-διακόπτη αντιστροφής στη ⇌ θέση (πλευρά Α) για δεξιόστροφη περιστροφή ή στη ⇐ θέση (πλευρά Β) για αριστερόστροφη περιστροφή.

Αλλαγή σφινγκτήρα ταχείας αλλαγής για SDS-plus



Για το μοντέλο HR2631FT, HR2320T, HR2630T

Μπορείτε να αντικαταστήσετε με ευκολία το σφινγκτήρα ταχείας αλλαγής για SDS-plus με το σφινγκτήρα τρυπανιού ταχείας αλλαγής.



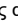
Αφαίρεση του σφινγκτήρα ταχείας αλλαγής για το SDS-plus (Εικ. 6)

⚠ ΠΡΟΣΟΧΗ:

- Πριν από την αφαίρεση του σφινγκτήρα ταχείας αλλαγής για SDS-plus, να αφαιρείτε πάντα την αιχμή.

Κρατήστε το κάλυμμα αλλαγής του σφινγκτήρα ταχείας αλλαγής για SDS-plus και γυρίστε το προς την κατεύθυνση του βέλους έως ότου η γραμμή του καλύμματος αλλαγής μετακινηθεί από το σύμβολο  στο σύμβολο . Τραβήξτε με δύναμη προς την κατεύθυνση του βέλους.

Προσαρμογή του σφινγκτήρα τρυπανιού ταχείας αλλαγής (Εικ. 7)

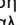
Ελέγξτε εάν η γραμμή του σφινγκτήρα ταχείας αλλαγής τρυπανιού υποδεικνύει το σύμβολο . Κρατήστε το κάλυμμα αλλαγής του σφινγκτήρα ταχείας αλλαγής τρυπανιού και ρυθμίστε τη γραμμή στο σύμβολο . Τοποθετήστε το σφινγκτήρα ταχείας αλλαγής τρυπανιού στο στροφείο του εργαλείου. Κρατήστε το κάλυμμα αλλαγής του σφινγκτήρα ταχείας αλλαγής τρυπανιού και ρυθμίστε τη γραμμή του καλύμματος αλλαγής στο σύμβολο  έως ότου ακουστεί καθαρά ο χαρακτηριστικός ήχος (κλικ).

Επιλογή τρόπου λειτουργίας

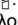
⚠ ΠΡΟΣΟΧΗ:

- Μην γυρίσετε το κουμπί αλλαγής του τρόπου λειτουργίας όταν το εργαλείο λειτουργεί. Το εργαλείο ενδέχεται να υποστεί ζημία.
- Για να αποφύγετε γρήγορη φθορά του μηχανισμού αλλαγής τρόπου λειτουργίας, φροντίστε ώστε το κουμπί αλλαγής του τρόπου λειτουργίας να βρίσκεται πάντα σε μία από τις τρεις θέσεις του τρόπου λειτουργίας και όχι κάπου ενδιάμεσα.

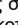
Περιστροφή με κρούση (Εικ. 8)

Για διατήρηση σε σκυρόδεμα, τοιχοποιία, κ.λ.π., γυρίστε το κουμπί αλλαγής τρόπου λειτουργίας στο σύμβολο . Χρησιμοποιήστε αιχμή κατασκευασμένη από καρβίδιο του βολφραμίου.

Περιστροφή μόνο (Εικ. 9)

Για διατήρηση σε υλικό από ξύλο, μέταλλο ή πλαστικό, γυρίστε το κουμπί αλλαγής τρόπου λειτουργίας στο σύμβολο . Χρησιμοποιήστε ελικοειδές τρυπάνι ή τρυπάνι ξύλου.

Κρούση μόνο (Εικ. 10)

Για εργασίες κοπιδιάσματος, απομάκρυνσης σκουριάς ή κατεδάφισης, γυρίστε το κουμπί αλλαγής τρόπου λειτουργίας στο σύμβολο . Χρησιμοποιήστε διατριπτική βελόνα, κοπίδι χαρακτών, κοπίδι απομάκρυνσης σκουριάς, κ.λ.π.

Περιοριστής ροπής

⚠ ΠΡΟΣΟΧΗ:

- Μόλις ενεργοποιηθεί ο περιοριστής ροπής, απενεργοποιήστε αμέσως το εργαλείο. Έτσι αποτρέπεται η πρόωρη φθορά του εργαλείου.
- Αιχμές, όπως πριόνια οπών, οι οποίες έχουν την τάση να μαγκώνουν ή να σκαλώνουν με ευκολία στο εσωτερικό της οπής, δεν είναι κατάλληλες για το εργαλείο αυτό. Αυτό οφείλεται στο γεγονός ότι ο περιοριστής ροπής ενεργοποιείται πολύ συχνά.

Ο περιοριστής ροπής ενεργοποιείται όταν παρουσιαστεί υπέρβαση κάποιος συγκεκριμένης ροπής. Ο ηλεκτροκινητήρας αποσυμπλέκεται από τον άξονα εξόδου. Όταν συμβεί αυτό, διακόπτεται η περιστροφή της αιχμής.

Γάντζος (Εικ. 11)

Για το μοντέλο HR2641

⚠ ΠΡΟΣΟΧΗ:

- Μην κρεμάτε ποτέ το εργαλείο σε υψηλές τοποθεσίες ή σε πιθανώς ασταθείς επιφάνειες.

Ο γάντζος είναι βολικός για προσωρινό κρέμασμα του εργαλείου.

Για να χρησιμοποιήσετε το γάντζο, απλά σηκώστε τον έως ότου ασφαλίσει στην ανοιχτή θέση.

Όταν δεν χρησιμοποιείτε το γάντζο, να τον χαμηλώνετε πάντοτε έως ότου ασφαλίσει στην κλειστή θέση.

ΣΥΝΑΡΜΟΛΟΓΗΣΗ

⚠ ΠΡΟΣΟΧΗ:

- Να φροντίζετε πάντα για την απενεργοποίηση του εργαλείου και την αποσύνδεσή του, πριν από την εκτέλεση οποιασδήποτε εργασίας στο εργαλείο.

Πλευρική λαβή (βοηθητική λαβή) (Εικ. 12)

⚠ ΠΡΟΣΟΧΗ:

- Να χρησιμοποιείτε πάντα την πλευρική λαβή, ώστε να διασφαλίζεται η ασφαλής λειτουργία.

Τοποθετήστε την πλευρική λαβή ώστε οι προεξοχές της λαβής να εφαρμόζονται στις αύλακες του κυλίνδρου του εργαλείου. Ακολουθώντας, σφίξτε καλά τη λαβή στην επιθυμητή θέση περιστρέφοντάς την δεξιόστροφα. Μπορείτε να την περιστρέψετε 360° ώστε να είναι εφικτή η ασφάλιση σε οποιαδήποτε θέση.

Γράσο αιχμών

Εφαρμόστε μικρή ποσότητα γράσου αιχμών στην κεφαλή του στελέχους της αιχμής από πριν (0,5 – 1 g περίπου). Η λίπανση του σφικτήρα διασφαλίζει ομαλή λειτουργία και μεγαλύτερη διάρκεια ζωής.

Τοποθέτηση ή αφαίρεση της αιχμής

Καθαρίστε το στέλεχος της αιχμής και εφαρμόστε γράσο αιχμών πριν από την τοποθέτηση της αιχμής. (Εικ. 13) Εισάγετε την αιχμή στο εργαλείο. Γυρίστε την αιχμή και ωθήστε την προς τα μέσα, έως ότου συμπλεχθεί. (Εικ. 14)

Μετά από την τοποθέτηση, να φροντίζετε πάντα ώστε η αιχμή να είναι ασφαλισμένη κατάλληλα και να βεβαιώνετε για αυτό επιχειρώντας να την τραβήξετε προς τα έξω.

Για να αφαιρέσετε την αιχμή, τραβήξτε το κάλυμμα σφικτήρα πλήρως προς τα κάτω τραβήξτε την αιχμή προς τα έξω. (Εικ. 15)

Γωνία αιχμής (κατά την εκτέλεση εργασιών κοπιδιάσματος, απομάκρυνσης σκουριάς ή κατεδάφισης)

Μπορείτε να ασφαλίσετε την αιχμή στην επιθυμητή γωνία. Για να αλλάξετε τη γωνία της αιχμής, γυρίστε το κουμπί αλλαγής του τρόπου λειτουργίας στο σύμβολο **O**. Γυρίστε την αιχμή στην επιθυμητή γωνία. (Εικ. 16) Γυρίστε το κουμπί αλλαγής του τρόπου λειτουργίας ώστε να υποδεικνύει το σύμβολο **∩**. (Εικ. 17)

Στη συνέχεια φροντίστε ώστε η αιχμή να είναι ασφαλισμένη κατάλληλα, επιχειρώντας να τη γυρίσετε ελαφρά.

Ρυθμιστής βάθους

Ο ρυθμιστής βάθους διευκολύνει τη διάνοση των ομοιομορφου βάθους. (Εικ. 18)

Πιέστε το κουμπί ασφάλισης στη βάση της λαβής προς την κατεύθυνση του βέλους όπως υποδεικνύεται στην εικόνα και ταυτόχρονα εισάγετε το ρυθμιστή βάθους μέσα στην εξαγωνική οπή στη βάση της λαβής. (Εικ. 19)

Σε αυτό το σημείο, απαιτείται εισαγωγή του ρυθμιστή βάθους ώστε η οδοντωτή πλευρά του να αντιστοιχεί στην οδοντωτή πλευρά της ένδειξης εξαγωνικής οπής στη βάση της λαβής, όπως υποδεικνύεται στην εικόνα. (Εικ. 20)

Ρυθμίστε το ρυθμιστή βάθους στο επιθυμητό βάθος μετακινώντας τον προς-πίσω, ενώ πιέζετε ταυτόχρονα το κουμπί ασφάλισης. Μετά από τη ρύθμιση, ελευθερώστε το κουμπί ασφάλισης ώστε να ασφαλιστεί ο ρυθμιστής βάθους. (Εικ. 21)

ΣΗΜΕΙΩΣΗ:

- Η ασφάλιση του ρυθμιστή βάθους δεν είναι εφικτή, εάν εισάγετε το ρυθμιστή χωρίς να φροντίσετε για την αντιστοίχιση της οδοντωτής πλευράς του με την οδοντωτή πλευρά της ένδειξης εξαγωνικής οπής στη βάση της λαβής, όπως υποδεικνύεται στην εικόνα.

Κάλυμμα σκόνης (προαιρετικό παρελκόμενο) (Εικ. 22)

Χρησιμοποιήστε το κάλυμμα σκόνης ώστε να αποτρέψετε την πτώση σκόνης πάνω στο εργαλείο και στον εαυτό σας, όταν εκτελείτε εργασίες διάτρησης σε κάποιο σημείο ακριβώς πάνω από το κεφάλι σας. Προσαρμόστε το κάλυμμα σκόνης στην αιχμή, όπως υποδεικνύεται στην εικόνα. Ακολουθεί πίνακας μεγεθών αιχμών στις οποίες μπορείτε να προσαρμόσετε το κάλυμμα σκόνης.

	Διάμετρος αιχμής
Κάλυμμα σκόνης 5	6 χιλ. – 14,5 χιλ.
Κάλυμμα σκόνης 9	12 χιλ. – 16 χιλ.

006406

Υπάρχει ένας άλλος τύπος κάλυμμα σκόνης (προαιρετικό παρελκόμενο) που σας βοηθά να αποτρέψετε την πτώση σκόνης πάνω στο εργαλείο και στον εαυτό σας, όταν εκτελείτε εργασίες διάτρησης σε κάποιο σημείο ακριβώς πάνω από το κεφάλι σας.

Τοποθέτηση ή αφαίρεση του κάλυμμα σκόνης (προαιρετικό παρελκόμενο)

Πριν από την τοποθέτηση του καλύμματος σκόνης (προαιρετικό παρελκόμενο), αφαιρέστε την αιχμή από το εργαλείο, εάν υπάρχει αιχμή τοποθετημένη σε αυτό. Τοποθετήστε το καλύμματος σκόνης στο καλύμματος σκόνης, ώστε να ευθυγραμμίζεται το σύμβολο **∆** πάνω στο κύπελλο με τις αύλακες πάνω στο εργαλείο. (Εικ. 23) Για να αφαιρέσετε το κύπελλο προστασίας από τη σκόνη, τραβήξτε το κάλυμμα σφικτήρα προς την κατεύθυνση που υποδεικνύεται στην εικόνα και τραβήξτε ταυτόχρονα την αιχμή έξω από το εργαλείο. (Εικ. 24) Στη συνέχεια, κρατήστε το εξάρτημα στο κάτω μέρος του καλύμματος σκόνης και αφαιρέστε το. (Εικ. 25)

ΣΗΜΕΙΩΣΗ:

- Κατά την τοποθέτηση ή αφαίρεση του καλύμματος σκόνης, το πώμα ενδέχεται να αποσπαστεί από το κάλυμμα σκόνης. Στο σημείο αυτό, προχωρήστε ως εξής. Αφαιρέστε τη φυσούνα από το εξάρτημα και τοποθετήστε το πώμα από την πλευρά που απεικονίζεται στην εικόνα με την επίπεδη πλευρά του στραμμένη προς τα άνω ώστε η αύλακα του πώματος να εφαρμόζει στην εσωτερική περίμετρο του εξαρτήματος. Τέλος, στερεώστε τη φυσούνα, που έχει αφαιρεθεί. (Εικ. 26, 27 και 28)

ΣΗΜΕΙΩΣΗ:

- Εάν συνδέσετε ηλεκτρική σκούπα στο σφυρί, μπορείτε να εκτελέσετε εργασίες καθαρισμού. Απαιτείται αφαίρεση του πώματος σκόνης από το κάλυμμα σκόνης, πριν από τη σύνδεση. (Εικ. 29)

ΛΕΙΤΟΥΡΓΙΑ


⚠ ΠΡΟΣΟΧΗ:

- Να χρησιμοποιείτε πάντα την πλευρική λαβή (βοηθητική λαβή) και να κρατάτε σταθερά το εργαλείο από την πλευρική λαβή και τη λαβή διακόπτη κατά την εκτέλεση των εργασιών.

Λειτουργία κρουστικής διάτρησης (Εικ. 30)

⚠ ΠΡΟΣΟΧΗ:

- Το εργαλείο/αιχμή υφίσταται ξαφνική και ισχυρή δύναμη περιστροφής τη στιγμή που διέρχεται από την οπή στο άλλο άκρο, όταν η οπή παρουσιάζει έμφραξη με θραύσματα και σωματίδια ή όταν συναντήσει βέργες ενίσχυσης πακτωμένες στο σκυρόδεμα. Να χρησιμοποιείτε πάντα την πλευρική λαβή (βοηθητική λαβή) και να κρατάτε σταθερά το εργαλείο από την πλευρική λαβή και τη λαβή διακόπτη κατά την εκτέλεση των εργασιών. Η μη συμμόρφωση ενδέχεται να έχει ως αποτέλεσμα την απώλεια ελέγχου του εργαλείου και την ενδεχόμενη πρόκληση σοβαρού τραυματισμού.

Γυρίστε το κουμπί αλλαγής του τρόπου λειτουργίας στο σύμβολο .

Τοποθετήστε την αιχμή στο επιθυμητό σημείο για διάνοιξη της οπής, στη συνέχεια τραβήξτε τη σκανδάλη ενεργοποίησης. Μην ασκείτε δύναμη στο εργαλείο. Η μικρή πίεση έχει ως αποτέλεσμα βέλτιστα αποτελέσματα. Κρατήστε το εργαλείο στη θέση του και εμποδίστε το να ξεφυγεί από την οπή.

Μην ασκείτε μεγαλύτερη πίεση, όταν η οπή παρουσιάζει έμφραξη από θραύσματα ή σωματίδια. Αντί αυτού, θέστε το εργαλείο σε λειτουργία ρελαντί και στη συνέχεια τραβήξτε ελαφρά την αιχμή έξω από την οπή. Εάν επαναλάβετε το ίδιο αρκετές φορές, η οπή ελευθερώνεται από τα θραύσματα και μπορείτε να συνεχίσετε με την εργασία διάνοιξης.

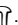
ΣΗΜΕΙΩΣΗ:

- Ενδέχεται να παρατηρηθεί εκκεντρικότητα στην κίνηση της αιχμής όταν το εργαλείο βρίσκεται σε άεργη λειτουργία. Το εργαλείο κεντράρεται αυτόματα στη διάρκεια της λειτουργίας. Αυτό δεν επηρεάζει την ακρίβεια διάτρησης.

Φυσερό (προαιρετικό παρελκόμενο) (Εικ. 31)

Μετά από τη διάτρηση της οπής, χρησιμοποιήστε το φυσερό για να καθαρίσετε τη σκόνη από το εσωτερικό της οπής.

Κοπίδιασμα/απομάκρυνση σκουριάς/κατεδάφιση (Εικ. 32)


Ρυθμίστε το κουμπί αλλαγής του τρόπου λειτουργίας στο σύμβολο . Κρατήστε το εργαλείο σταθερά με τα δύο χέρια. Ενεργοποιήστε το εργαλείο και εφαρμόστε ελαφρά πίεση ώστε το εργαλείο να μην αναπηδήσει, ανεξέλεγκτα. Εάν πιέσετε το εργαλείο με μεγάλη δύναμη, δεν αυξάνεται η αποτελεσματικότητά του.

Διάτρηση σε ξύλο ή μέταλλο

⚠ ΠΡΟΣΟΧΗ:

- Μην χρησιμοποιείτε ποτέ την “περιστροφή με κρούση” όταν στο εργαλείο υπάρχει ο σφικτήρας τρυπανιού ταχείας αλλαγής. Ο σφικτήρας τρυπανιού ταχείας αλλαγής ενδέχεται να υποστεί ζημία. Επιπλέον, ο σφικτήρας τρυπανιού αποσπάται κατά την περιστροφή του εργαλείου προς την αντίθετη κατεύθυνση.

- Η υπερβολική πίεση στο εργαλείο δεν επιταχύνει τη διάτρηση. Στην πραγματικότητα, αυτή η υπερβολική πίεση προκαλεί ζημία στο άκρο της αιχμής, μείωση της απόδοσης όπως και της διάρκειας ζωής του εργαλείου.
- Στο εργαλείο/μύτη ασκείται τεράστια δύναμη περιστροφής τη στιγμή που διέρχεται από την οπή. Κρατήστε σταθερά το εργαλείο και προσέξτε ιδιαίτερα τη στιγμή που η αιχμή διέρχεται από το άλλο άκρο της οπής.
- Μπορείτε να αφαιρέσετε μια μπλοκαρισμένη αιχμή με απλή ρύθμιση του διακόπτη αντιστροφής στη θέση αντιστροφής περιστροφής, ώστε η αιχμή να οπισθοχωρήσει. Πάντως, το εργαλείο ενδέχεται να οπισθοχωρήσει έξω από την οπή απότομα, εάν δεν το κρατάτε σταθερά.
- Να ασφαλίσετε πάντα τα μικρά τεμάχια εργασίας σε μέγγενη ή παρόμοια διάταξη συγκράτησης.

Ρυθμίστε το κουμπί αλλαγής του τρόπου λειτουργίας στο σύμβολο .

Μπορείτε να διανοίξετε οπές διαμέτρου έως 13 χιλ. σε μέταλλο και έως 32 χιλ. σε ξύλο.

Για το μοντέλο HR2631F, HR2641, HR2630

Χρησιμοποιήστε το συγκρότημα σφικτήρα αιχμής (προαιρετικό αξεσουάρ). Κατά την τοποθέτησή του, ανατρέξτε στην ενότητα “Τοποθέτηση ή αφαίρεση αιχμής” στην προηγούμενη σελίδα. (Εικ. 33)

Για να τοποθετήσετε μια αιχμή, τοποθετήστε τη στον σφικτήρα όσο περισσότερο γίνεται.

Σφίξτε το σφικτήρα με το χέρι. Τοποθετήστε το κλειδί σφικτήρα σε κάθε μία από τις τρεις οπές και σφίξτε δεξιόστροφα. Βεβαιωθείτε να σφίξετε ομοιόμορφα και τις τρεις οπές του σφικτήρα.

Για να βγάλετε την αιχμή, περιστρέψτε αριστερόστροφα το κλειδί σφικτήρα σε μία μόνο οπή και κατόπιν ξεσφίξτε το σφικτήρα με το χέρι. (Εικ. 34)

Για το μοντέλο HR2631FT, HR2320T, HR2630T

Να χρησιμοποιείτε το σφικτήρα τρυπανιού ταχείας αλλαγής ως τυπικό εξοπλισμό. Κατά την τοποθέτησή του, ανατρέξτε στην ενότητα “Αλλαγή σφικτήρα ταχείας αλλαγής για SDS-plus” στην προηγούμενη σελίδα. (Εικ. 35 και 36)


Κρατήστε το δακτύλιο και γυρίστε το χιτώνιο αριστερόστροφα για να ανοίξετε τις σιαγόνες του σφικτήρα. Τοποθετήστε την αιχμή μέσα στο σφικτήρα μέχρι τέρμα. Κρατήστε σταθερά το δακτύλιο και γυρίστε το χιτώνιο δεξιόστροφα για να σφίξετε το σφικτήρα.

Για να αφαιρέσετε την αιχμή, κρατήστε το δακτύλιο και γυρίστε το χιτώνιο αριστερόστροφα. (Εικ. 37)

Διάτρηση με αδαμάντινο πυρήνα

⚠ ΠΡΟΣΟΧΗ:

- Κατά την εκτέλεση εργασιών διάτρησης με αδαμάντινο πυρήνα χρησιμοποιώντας τη λειτουργία “περιστροφή και κρούση”, ενδέχεται να προκληθεί ζημία στην αιχμή αδαμάντινου πυρήνα.

Κατά την εκτέλεση εργασιών διάτρησης με αδαμάντινο πυρήνα, να ρυθμίζετε πάντα το μοχλό στη θέση  ώστε να επιτυγχάνεται η λειτουργία “περιστροφή μόνο”.

Λειτουργία όταν χρησιμοποιείτε το κάλυμμα σκόνης (προαιρετικό παρελκόμενο) (Εικ. 38)

Θέστε το εργαλείο σε λειτουργία όταν το κάλυμμα σκόνης εφάπτεται στην επιφάνεια της οροφής.

ΣΗΜΕΙΩΣΗ:

- Το κάλυμμα σκόνης (προαιρετικό παρελκόμενο) προορίζεται μόνο για διάτρηση σε τεμάχιο εργασίας από κεραμικό, όπως σκυρόδεμα και κονίαμα. Μην χρησιμοποιείτε το εργαλείο με το κάλυμμα σκόνης τοποθετημένο, όταν εκτελείτε διάτρηση σε μέταλλο ή παρόμοιο υλικό. Η χρήση του κάλυμμα σκόνης για διάτρηση σε μέταλλο ενδέχεται να προκαλέσει ζημία στο κάλυμμα σκόνης λόγω της παραγόμενης θερμότητας των μικρών ρινομάτων μετάλλου και άλλων παρόμοιων σωματιδίων.
- Αδειάστε το κάλυμμα σκόνης πριν αφαιρέσετε την αιχμή του τρυπανιού.
- Όταν χρησιμοποιείτε το κάλυμμα σκόνης, φροντίστε ώστε το πύμα σκόνης να είναι στερεωμένο κατάλληλα.

ΣΥΝΤΗΡΗΣΗ

⚠ ΠΡΟΣΟΧΗ:

- Να φροντίζετε πάντα για την απενεργοποίηση και αποσύνδεση του εργαλείου πριν επιχειρήσετε οποιοδήποτε έλεγχο ή συντήρηση του εργαλείου.
- Μην χρησιμοποιείτε ποτέ βενζίνη, πετρελαϊκό αιθέρα, διαλυτικό, αλκοόλη ή παρόμοιες ουσίες. Ενδέχεται να προκληθεί αποχρωματισμός, παραμόρφωση ή ρωγμές.

Προς διατήρηση της ΑΣΦΑΛΕΙΑΣ και ΑΞΙΟΠΙΣΤΙΑΣ του προϊόντος, τυχόν επισκευές, έλεγχος και αντικατάσταση των ψηκτρών και οποιαδήποτε άλλη συντήρηση ή ρύθμιση θα πρέπει να εκτελούνται από εξουσιοδοτημένα κέντρα εξυπηρέτησης της Makita, χρησιμοποιώντας πάντα ανταλλακτικά εξαρτήματα της Makita.

ΠΡΟΑΙΡΕΤΙΚΑ ΕΞΑΡΤΗΜΑΤΑ

⚠ ΠΡΟΣΟΧΗ:

- Αυτά τα παρελκόμενα ή προσαρτήματα συνιστώνται για χρήση με το εργαλείο της Makita που περιγράφεται στο παρόν εγχειρίδιο. Η χρήση οποιουδήποτε άλλου παρελκόμενου ή προσαρτήματος ενέχει κίνδυνο τραυματισμού ατόμων. Το παρελκόμενο ή προσάρτημα να χρησιμοποιείται μόνο για την προοριζόμενη χρήση του.

Εάν χρειάζεστε βοήθεια όσον αφορά περαιτέρω λεπτομέρειες σχετικά με τα εν λόγω παρελκόμενα, απευθυνθείτε στο τοπικό κέντρο σέρβις της Makita.

- Αιχμές SDS-Plus με επικάλυψη καρβιδίου
- Αιχμή πυρήνα
- Διατρητική βελόνα
- Αιχμή αδαμάντινου πυρήνα
- Κοπίδι χαρακτών
- Κοπίδι απομάκρυνσης σκουριάς
- Κοπίδι δημιουργίας αυλακών
- Συγκρότημα σφικτήρα αιχμής
- Σφικτήρας τρυπανιού S13
- Προσαρμογέας σφικτήρα
- Κλειδί σφικτήρα S13
- Γράσο αιχμών
- Πλευρική λαβή
- Ρυθμιστής βάθους
- Φουσερό
- Κάλυμμα σκόνης
- Πλαστική θήκη μεταφοράς
- Σφικτήρας τρυπανιού χωρίς κλειδί

ΣΗΜΕΙΩΣΗ:

- Μερικά στοιχεία στη λίστα μπορεί να συμπεριλαμβάνονται στη συσκευασία εργαλείου ως στάνταρ εξαρτήματα. Μπορεί να διαφέρουν ανάλογα με τη χώρα.

ENG905-1

Θόρυβος

Η τυπική στάθμη θορύβου σε κλίμακα A προσδιορίζεται σύμφωνα με το πρότυπο EN62841-2-6:

Μοντέλο HR2631F

Επίπεδο πίεσης θορύβου (L_{pA}): 95 dB (A)
Επίπεδο δύναμης ήχου (L_{WA}): 103 dB (A)
Αβεβαιότητα (K): 3 dB (A)

Μοντέλο HR2631FT

Επίπεδο πίεσης θορύβου (L_{pA}): 94 dB (A)
Επίπεδο δύναμης ήχου (L_{WA}): 102 dB (A)
Αβεβαιότητα (K): 3 dB (A)

Μοντέλο HR2641, HR2320T, HR2630, HR2630T

Επίπεδο πίεσης θορύβου (L_{pA}): 93 dB (A)
Επίπεδο δύναμης ήχου (L_{WA}): 101 dB (A)
Αβεβαιότητα (K): 3 dB (A)

ENG907-1

ΠΑΡΑΤΗΡΗΣΗ:

- Η δηλωμένη τιμή(ές) εκπομπής θορύβου έχει μετρηθεί σύμφωνα με την πρότυπη μέθοδο δοκιμής και μπορεί να χρησιμοποιηθεί για τη σύγκριση ενός εργαλείου με κάποιο άλλο.
- Η δηλωμένη τιμή(ές) εκπομπής θορύβου μπορεί να χρησιμοποιηθεί και στην προκαταρκτική αξιολόγηση της έκθεσης.

⚠ ΠΡΟΕΙΔΟΠΟΙΗΣΗ:

- **Να φοράτε ωτοασπίδες.**
- **Η εκπομπή θορύβου κατά τη χρήση του ηλεκτρικού εργαλείου σε πραγματικές συνθήκες μπορεί να διαφέρει από τη δηλωμένη τιμή(ές) ανάλογα με τους τρόπους χρήσης του εργαλείου, ιδιαίτερα το είδος του τεμαχίου εργασίας που υπόκειται επεξεργασία.**
- **Φροντίστε να λάβετε τα κατάλληλα μέτρα προστασίας του χειριστή βάσει ενός υπολογισμού της έκθεσης σε πραγματικές συνθήκες χρήσης (λαμβάνοντας υπόψη όλες τις συνιστώσες του κύκλου λειτουργίας όπως τους χρόνους που το εργαλείο είναι εκτός λειτουργίας και όταν βρίσκεται σε αδρανή λειτουργία πέραν του χρόνου ενεργοποίησης).**

ENG900-1

Κραδασμοί

Η συνολική τιμή κραδασμών (άθροισμα διανυσμάτων σε τρεις άξονες) προσδιορίζεται σύμφωνα με το πρότυπο EN62841-2-6:

Μοντέλο HR2631F

Είδος εργασίας: τρυπάνισμα με σφυροκόπημα στο μπετόν
Εκπομπή δόνησης ($a_{h,HD}$): 12,4 m/s²
Αβεβαιότητα (K): 1,5 m/s²

Είδος εργασίας: λειτουργία σμίλευσης με πλευρικό πιάσιμο
Εκπομπή δόνησης ($a_{h,Cheq}$): 9,2 m/s²
Αβεβαιότητα (K): 1,5 m/s²

Μοντέλο HR2631FT

Είδος εργασίας: τρυπάνισμα με σφυροκόπημα στο μπετόν

Εκπομπή δόνησης ($a_{h, HD}$): 11,6 m/s²

Αβεβαιότητα (K): 1,5 m/s²

Είδος εργασίας: λειτουργία σμίλευσης με πλευρικό πιάσιμο

Εκπομπή δόνησης ($a_{h, Cheq}$): 9,8 m/s²

Αβεβαιότητα (K): 1,5 m/s²

Μοντέλο HR2641

Είδος εργασίας: τρυπάνισμα με σφυροκόπημα στο μπετόν

Εκπομπή δόνησης ($a_{h, HD}$): 11,6 m/s²

Αβεβαιότητα (K): 1,5 m/s²

Είδος εργασίας: λειτουργία σμίλευσης με πλευρικό πιάσιμο

Εκπομπή δόνησης ($a_{h, Cheq}$): 8,1 m/s²

Αβεβαιότητα (K): 1,5 m/s²

Μοντέλο HR2320T

Είδος εργασίας: τρυπάνισμα με σφυροκόπημα στο μπετόν

Εκπομπή δόνησης ($a_{h, HD}$): 15,9 m/s²

Αβεβαιότητα (K): 1,5 m/s²

Είδος εργασίας: λειτουργία σμίλευσης με πλευρικό πιάσιμο

Εκπομπή δόνησης ($a_{h, Cheq}$): 12,8 m/s²

Αβεβαιότητα (K): 1,5 m/s²

Μοντέλο HR2630

Είδος εργασίας: τρυπάνισμα με σφυροκόπημα στο μπετόν

Εκπομπή δόνησης ($a_{h, HD}$): 15,4 m/s²

Αβεβαιότητα (K): 1,5 m/s²

Είδος εργασίας: λειτουργία σμίλευσης με πλευρικό πιάσιμο

Εκπομπή δόνησης ($a_{h, Cheq}$): 10,8 m/s²

Αβεβαιότητα (K): 1,5 m/s²

Μοντέλο HR2630T

Είδος εργασίας: τρυπάνισμα με σφυροκόπημα στο μπετόν

Εκπομπή δόνησης ($a_{h, HD}$): 14,5 m/s²

Αβεβαιότητα (K): 1,5 m/s²

Είδος εργασίας: λειτουργία σμίλευσης με πλευρικό πιάσιμο

Εκπομπή δόνησης ($a_{h, Cheq}$): 10,9 m/s²

Αβεβαιότητα (K): 1,5 m/s²

ENG901-2

ΠΑΡΑΤΗΡΗΣΗ:

- Η δηλωμένη τιμή(ές) συνολικών κραδασμών έχει μετρηθεί σύμφωνα με την πρότυπη μέθοδο δοκιμής και μπορεί να χρησιμοποιηθεί για τη σύγκριση ενός εργαλείου με κάποιο άλλο.
- Η δηλωμένη τιμή(ές) συνολικών κραδασμών μπορεί να χρησιμοποιηθεί και στην προκαταρκτική αξιολόγηση της έκθεσης.

⚠ ΠΡΟΕΙΔΟΠΟΙΗΣΗ:

- Η εκπομπή κραδασμών κατά τη χρήση του ηλεκτρικού εργαλείου σε πραγματικές συνθήκες μπορεί να διαφέρει από τη δηλωμένη τιμή(ές) εκπομπής ανάλογα με τους τρόπους χρήσης του εργαλείου, ιδιαίτερα το είδος του τεμαχίου εργασίας που υπόκειται επεξεργασία.

- Φροντίστε να λάβετε τα κατάλληλα μέτρα προστασίας του χειριστή βάσει ενός υπολογισμού της έκθεσης σε πραγματικές συνθήκες χρήσης (λαμβάνοντας υπόψη όλες τις συνιστώσες του κύκλου λειτουργίας όπως τους χρόνους που το εργαλείο είναι εκτός λειτουργίας και όταν βρίσκεται σε αδρανή λειτουργία πέραν του χρόνου ενεργοποίησης).

ΔΉΛΩΣΗ ΣΥΜΜΟΡΦΩΣΗΣ**Μόνο για χώρες της Ευρώπης**

Οι Δηλώσεις Συμμόρφωσης περιλαμβάνονται στο Παράρτημα Α στο παρόν εγχειρίδιο οδηγιών.

Genel görünüşün açıklanması

1 Tetik anahtar	13 Sadece darbeleme	26 Δ sembolü
2 Kilit düğmesi	14 Kanca	27 Toz kabının ayağındaki eklenti
3 Lamba	15 Çıkıntılar	28 Körükler
4 Ters döndürme kolu anahtarı	16 Oluklar	29 Eklenti
5 SDS-plus için hızlı değiştirme mandreni	17 Uç sapı	30 İç çember
6 Değiştirme kovani çizgisi	18 Uç gresi	31 Düz taraf
7 Değiştirme kovani	19 Uç	32 Kapak
8 Mil	20 Mandren kapağı	33 Oluk
9 Hızlı değiştirme matkap mandreni	21 Sapın tabanı	34 Üfleme pompası
10 Darbeli dönüş	22 Derinlik mastarı	35 Matkap mandreni tertibatı (isteğe bağlı aksesuar)
11 İşlem modu değiştirme düğmesi	23 Sapın tabanındaki altıgen delik işaretin tırtıklı tarafı	36 Mandren anahtarı
12 Sadece dönüş	24 Derinlik mastarının tırtıklı tarafı	37 Kovan
	25 Toz kabı	38 Bilezik

ÖZELLİKLER

Model	HR2631F	HR2631FT	HR2641	HR2320T	HR2630	HR2630T
Kapasite	Beton	26 mm		23 mm	26 mm	
	Karot uç	68 mm				
	Elmas karotlu uç (kuru tip)	80 mm		70 mm	80 mm	
	Çelik	13 mm				
	Ahşap	32 mm				
Yüksüz hız	0 – 1.200 dak ⁻¹		0 – 1.100 dak ⁻¹	0 – 1.200 dak ⁻¹		
Dakikada darbe sayısı	0 – 4.600 dak ⁻¹		0 – 4.500 dak ⁻¹	0 – 4.600 dak ⁻¹		
Toplam uzunluk	361 mm	385 mm	422 mm	380 mm	361 mm	385 mm
Net ağırlık	2,9 – 3,4 kg	3,1 – 3,6 kg	3,1 – 3,5 kg	2,9 – 3,2 kg	2,8 – 3,3 kg	3,0 – 3,5 kg
Emniyet sınıfı	II/II					

- Sürekli yapılan araştırma ve geliştirmelerden dolayı, burada belirtilen özellikler önceden bildirilmeksizin değiştirilebilir.
- Özellikler ülkeden ülkeye değişebilir.
- Ağırlık, ek parçaya(parçalara) bağlı olarak değişebilir. En hafif ve en ağır kombinasyon, EPTA Prosedürü 01/2014'e göre, tabloda gösterilmiştir.

ENE042-1

GEA010-2

Kullanım amacı

Bu alet tuğlada, betonda ve taşta delme ve darbeli delme işlemleri için tasarlanmıştır. Ahşap, metal, seramik ve plastikte darbesiz delme işlemine de uygundur.

ENF002-2

Güç kaynağı

Makinenin, yalnızca isim levhasında belirtilenle aynı voltajlı güç kaynağına bağlanması gerekir ve yalnızca tek fazlı AC güç kaynağıyla çalıştırılabilir. Çifte yalıtımlıdır ve topraklamasız prizlerle de kullanılabilir.

Genel elektrikli alet güvenliği uyarıları

⚠ UYARI: Bu elektrikli aletle birlikte sunulan tüm güvenlik uyarılarını, talimatları, çizimleri ve teknik özellikleri okuyun. Aşağıda verilen talimatlara uyulmaması elektrik şoku, yangın ve/veya ciddi yaralanmalar ile sonuçlanabilir.

Tüm uyarıları ve talimatları ilerde başvurmak için saklayın.

Uyarılardaki "elektrikli alet" terimi ile ya prizden çalışan (kordonlu) elektrikli aletiniz ya da kendi aküsü ile çalışan (kordonsuz) elektrikli aletiniz kastedilmektedir.

KIRICI DELİCİ İLE İLGİLİ GÜVENLİK UYARILARI

Tüm işlemler için güvenlik talimatları

1. Kulak koruyucuları takın. Gürültüye maruz kalmak işleme kaybına neden olabilir.
2. Aletle birlikte sağlanmışsa yardımcı tutamağı/ tutamakları kullanın. Kontrol kaybı yaralanmaya neden olabilir.
3. Kesici aksesuarın görünmeyen kabloları ya da aletin kendi kablosuna temas etme olasılığı bulunan yerlerde çalışırken elektrikli aletleri yalıtımlı kavrama yüzeylerinden tutun. Kesici aksesuarın "akımlı" bir telle temas etmesi elektrikli aletin yalıtımsız metal kısımlarını "akımlı" hale getirebilir ve kullanıcıyı elektrik çarpmasına maruz bırakabilir.

Kırııcı delicilerle uzun matkap uçları kullanırken güvenlik talimatları

1. Her zaman düşük devirde ve uç, iş parçasına temas edecek şekilde delmeye başlayın. Yüksek devirlerde, iş parçasına dokunmadan serbest dönmesine izin verilirse ucun bükülmesi muhtemel olup yaralanmaya neden olabilir.
2. Sadece uç ile aynı hatta baskı uygulayın ve fazla baskı uygulamayın. Uçlar bükülerek kırılma veya kontrol kaybına neden olmak suretiyle yaralanmaya yol açabilir.

Ek güvenlik uyarıları

1. Sert bir başlık (emniyet kaskı), koruyucu gözlük ve/veya yüz siperi kullanın. Normal gözlükler veya güneş gözlükleri koruyucu gözlük DEĞİLDİR. Ayrıca bir toz maskesi ve kalın eldivenler giymeniz de önerilir.
2. Çalışmaya başlamadan önce ucun yerine sağlam bir şekilde takıldığından emin olun.
3. Normal kullanımda, alet titreşim üretecek şekilde tasarlanmıştır. Vidalar kolayca gevşeyebilir, arızaya ya da kazaya sebep olabilir. Kullanmadan önce vidaların sıklığını kontrol edin.
4. Soğuk havalarda ya da alet uzun bir süre kullanılmamışsa, yüksük olarak bir müddet çalıştırıp aletin ısınmasını sağlayın. Bu işlem yağın çözülmesini sağlar. Uygun bir şekilde ısıtılmadığında, kırma işleminde zorluk görülür.
5. Her zaman yere sağlam basın. Aleti yüksekte kullandığınızda, altında kimsenin olmadığından emin olun.
6. Aleti iki elle sıkıca tutun.
7. Ellerinizi hareketli parçalardan uzak tutun.
8. Aleti çalışır durumda bırakmayın. Aleti sadece elinizde iken çalıştırın.
9. Kullanım sırasında aleti etraftaki herhangi birine doğrultmayın. Uç yerinden fırlayıp ciddi yaralanmalara sebep olabilir.
10. Ucu, uca yakın parçaları veya iş parçasını işlemden hemen sonra ellemeyin; bunlar çok sıcak olup derinizi yakabilir.
11. Bazı malzemeler zehirli olabilen kimyasallar içerirler. Toz yutmayı ve cilt temasını önlemek için tedbir alın. Malzeme sağlayıcısının güvenlik bilgilerine uyun.

12. Elektrik fişine ıslak ellerle dokunmayın.

BU TALİMATLARI SAKLAYIN.

⚠ UYARI:

Ürünü kullanırken (defalarca kullanınca kazanılan) rahatlık ve tanıdıklık duygusunun ilgili ürünün güvenlik kurallarına sıkı sıkıya bağlı kalmanın yerine geçmesine İZİN VERMEYİN. YANLIŞ KULLANIM veya bu kullanma kılavuzunda belirtilen emniyet kurallarına uymama ciddi yaralanmaya neden olabilir.

İŞLEVLERİN AÇIKLAMASI

⚠ DİKKAT:

- Alet üzerinde ayarlama ya da işleyiş kontrolü yapmadan önce aletin kapalı ve fişinin çekildiğinden daima emin olun.

Anahtarın işleyişi (Şek. 1 ve 2)

⚠ DİKKAT:

- Aleti prize takmadan önce tetik anahtarın doğru çalıştığından ve bırakıldığında "OFF" (kapalı) konumuna döndüğünden emin olun.

Aleti çalıştırmak için, sadece tetik anahtarı çekin. Aletin çalışma hızı tetik anahtar üstüne daha fazla baskı yapılarak artırılır. Durdurmak için tetik anahtarı serbest bırakın. Sürekli işletmek için, tetik anahtarı çekin ve sonra kilitleme düğmesini içeri itin ve ardından tetik anahtarı serbest bırakın. Aleti kilitleme konumdayken durdurmak için, anahtar tetiği sonuna kadar çekin ve sonra serbest bırakın.

Lambaların yakılması (Şek. 3)

HR2631F, HR2631FT model için

⚠ DİKKAT:

- İşığı bakmayın ya da ışık kaynağını doğrudan görmeyin.

Lambayı açmak için, tetiği çekin. Kapatmak için tetiği serbest bırakın.

NOT:

- Lambanın merceklelerini silmek için kuru bir bez kullanın. Lamba merceğini çizmemeye dikkat edin, aksine davranış aydınlatmayı azaltır.
- Lambayı temizlemek için tiner veya benzin kullanmayın. Bu solventlere lambaya zarar verebilir.

Ters döndürme anahtarının işleyişi (Şek. 4 ve 5)

⚠ DİKKAT:

- Kullanmadan önce dönüş yönünü daima kontrol edin.
- Ters döndürme anahtarını sadece alet tamamen durduktan sonra kullanın. Dönüş yönünün alet durmadan önce değiştirilmesi alete zarar verebilir.

HR2631F, HR2631FT, HR2320T, HR2630, HR2630T model için

⚠ DİKKAT:

- Eğer tetik anahtara basılamıyorsa, ters döndürme anahtarının ◁ (A tarafı) veya ▷ (B tarafı) konumuna tam olarak ayarlandığını kontrol edin.

Bu aletin dönüş yönünü değiştirmek için bir ters döndürme anahtarı vardır. Ters döndürme anahtarını saat yönünde dönüş için ◁ konumuna (A tarafı) tersi yönde dönüş içinse ▷ konumuna (B tarafı) kaydırın.

HR2641 model için

NOT:

- Aleti saat yönünün tersine dönecek şekilde kullanırken, anahtar tetik yarısına kadar basılırsa alet normal hızın yarısında çalışır. Saatin aksi yönde dönüş sırasında kilitleme düğmesini itemezsiniz.

Bu aletin dönüş yönünü değiştirmek için bir ters döndürme anahtarı vardır. Ters döndürme anahtarını saat yönünde dönüş için ↶ konumuna (A tarafı)tersi yönde dönüş içinse ↷ konumuna (B tarafı) kaydırın.

SDS-plus hızlı değiştirme mandreninin değiştirilmesi



HR2631FT, HR2320T, HR2630T model için

SDS-plus hızlı değiştirme mandreni kolaylıkla matkap hızlı değiştirme mandreniyle değiştirilebilir.



SDS-plus hızlı değiştirme mandreninin çıkarılması (Şek. 6)

⚠ DİKKAT:


- SDS-plus hızlı değiştirme mandrenini çıkarmadan önce, daima ucu çıkarın.

SDS-plus hızlı değiştirme mandreninin değiştirme kapağını kavrayın ve değiştirme kapağı çizgisi  sembolünden  sembolüne gelinceye kadar ok yönünde döndürün. Ok yönünde kuvvetle çekin.

Hızlı değiştirme matkap mandreninin takılması (Şek. 7)

Hızlı değiştirme matkap mandreni çizgisinin  sembolünü gösterdiğini kontrol edin. Hızlı değiştirme matkap mandreninin değiştirme kapağını kavrayın ve çizgiyi  sembolüne ayarlayın.

Hızlı değiştirme matkap mandrenini aletin mili üstüne takın.

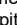
Hızlı değiştirme matkap mandreninin değiştirme kapağını kavrayın ve değiştirme kapağı çizgisini net bir klik sesi duyuluncaya kadar  sembolüne doğru döndürün.

İşlem modunun seçilmesi


⚠ DİKKAT:

- Alet çalışırken işlem modu değiştirme düğmesini çevirmeyin. Alet zarar görür.
- Mod değiştirme mekanizmasında hızlı aşınmayı önlemek için, işlem modu değiştirme düğmesinin daima üç işlem modu konumunun birine tam olarak konumlandırıldığından emin olun.


Darbeli dönüş (Şek. 8)

Beton, duvar, vs. delme için, işlem modu değiştirme düğmesini  simgesine döndürün. Bir tungsten-karbit başlı uç kullanın.

Sadece dönüş (Şek. 9)

Ahşap, metal veya plastik malzemeleri delmek için, işlem modu değiştirme düğmesini  simgesine döndürün. Bir helezon veya ahşap matkap ucu kullanın.

Sadece darbeleme (Şek. 10)

Yontma, kazıma veya yıkma işleri için, işlem modu değiştirme düğmesini  simgesine döndürün. Bir sivri uçlu kalem, soğuk keski, kazıma keski, vs. kullanın.

Tork sınırlayıcı

⚠ DİKKAT:

- Tork sınırlayıcı etkinleşir etkinleşmez, derhal aleti kapatın. Bu aletin erken yıpranmasını önlemeye yardımcı olur.

- Delik içinde kolayca kısırılabilen veya yakalanabilen uçlar bu alet için uygun değildir. Çünkü tork sınırlayıcının çok sık etkinleşmesine neden olurlar.

Tork sınırlayıcı belli bir tork düzeyine ulaştığı zaman etkinleşir. Motorun çıkış mili ile bağlantısı kesilir. Bu olduğu zaman ucun dönmesi durur.

Kanca (Şek. 11)

HR2641 model için

⚠ DİKKAT:

- Aleti yüksek ya da dengesi bozulabilecek bir yüzeye asla asmayın.

Kanca, aletin geçici bir süre asılmasına yarar. Kancayı kullanmak için, açık konuma kilitlenene kadar kancayı yukarı doğru kaldırmamız yeterlidir.

Kullanılmadığı zaman kancayı daima aşağı doğru indirerek kapalı konuma kilitleyin.

MONTAJ

⚠ DİKKAT:

- Alet üzerinde herhangi bir iş yapmadan önce aletin kapalı ve fişinin çekili olduğundan daima emin olun.

Yan sap (yardımcı tutamak) (Şek. 12)

⚠ DİKKAT:

- Çalışma güvenliği için daima yan sapı kullanın.

Yan sapı, üzerindeki çıkıntılar alet gövdesindeki oluklara denk gelecek şekilde takın. Sonra sapı saat yönünde döndürerek istenilen konumda sıkıştırın. Herhangi bir konumda sabitlenecek şekilde eksenli etrafında 360° döndürülebilir.

Uç gresi

Uç sapının başını önceden küçük bir miktar gres yağıyla (yaklaşık 0,5 – 1 g) kaplayın.

Mandrenin yağlanması düzgün hareketi ve hizmet ömrünün daha uzun olmasını temin eder.

Ucu çıkarma ve takma


Ucu takmadan önce uç sapını temizleyin ve uç gresi sürün. (Şek. 13)

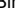
Ucu alete geçirin. Ucu döndürüp yerine geçinceye kadar içeri itin. (Şek. 14)

Ucu taktıktan sonra dışarı çekmeyi deneyerek yerinde güvenli şekilde sabitlendiğinden daima emin olun.

Ucu çıkarmak için, mandren kapağını tam aşağı çekin ve ucu dışarı çekin. (Şek. 15)

Uç açısı (yontma, kazıma veya yıkma işlerinde)

Uç istenilen açıda sabitlenebilir. Uç açısını değiştirme için, işlem modu değiştirme düğmesini  sembolüne döndürün. Ucu istenilen açıya döndürün. (Şek. 16)

İşlem modu değiştirme düğmesini  sembolüne döndürün. (Şek. 17)

Sonra hafifçe döndürerek yerinde güvenli şekilde sabitlendiğinden emin olun.

Derinlik mastarı

Derinlik mastarı eşit derinlikte delikler delmeye yarar. (Şek. 18)

Sapın tabanındaki kilit düğmesine şekilde gösterilen ok yönünde basın ve kilit düğmesi basılı olarak derinlik mastarını sapın tabanındaki altıgen deliğe geçirin. (Şek. 19)

Bu sırada, derinlik mastarının tırtıklı tarafı şekilde gösterildiği gibi sapın tabanındaki altıgen delik işaretinin tırtıklı tarafına dönük olarak içeri sokulması gereklidir. (Şek. 20)

Derinlik mastarını kilit düğmesine basarken ileri geri hareket ettirerek istenilen derinliğe ayarlayın. Ayarlamadan sonra, derinlik mastarını sabitlemek için kilit düğmesini serbest bırakın. (Şek. 21)

NOT:

• Derinlik mastarının tırtıklı tarafı şekilde gösterildiği gibi sapın tabanındaki altıgen delik işaretinin tırtıklı tarafına dönük olmadan içeri sokulması halinde derinlik mastarını sabitlemek mümkün olmaz.

Toz kabı (isteğe bağlı aksesuar) (Şek. 22)

Başınızdan yukarıda delme işlemi yaparken aletten üzerindenize toz dökülmesini önlemek için toz kabını kullanın. Toz kabını uca şekilde gösterildiği gibi takın. Toz kabının takılabileceği uçların ölçüleri aşağıdaki gibidir.

	Uç çapı
Toz kabı 5	6 mm – 14,5 mm
Toz kabı 9	12 mm – 16 mm

006406

Başınızın yukarıdaki yerleri delerken aletin ve sizin üzerindenize toz dökülmesini önlemeye yardımcı olan bir başka toz kabı tipi (isteğe bağlı aksesuar) vardır.

Toz kabını takma ve sökmeye (isteğe bağlı aksesuar)

Toz kabını takmadan önce, alete takılı olan bir uç varsa çıkarın. Toz kabını (isteğe bağlı aksesuar) alete, üstündeki Δ sembolü aletteki oluklarla hizalanacak şekilde takın. (Şek. 23)

Toz kabını sökmek için, mandren kapağını şekilde gösterilen yönde çekin ve mandren kapağı çekili olarak ucu aletten çıkarın. (Şek. 24)

Sonra toz kabının ayağındaki eklentiye kavrayın ve onu dışarı çekin. (Şek. 25)

NOT:

• Toz kabını takarken ve sökerken, kapak toz kabından çıkabilir. Bu durumda, aşağıdakileri yapın. Körükleri ek parçadan çıkarın ve kapağı şekilde gösterildiği gibi düz tarafı yukarı bakacak şekilde yerleştirerek kapak içindeki oyuğun ek parçayı çevreleyen kenarın içine oturmasını sağlayın. Son olarak, çıkmış olduğunuz körükleri monte edin. (Şek. 26, 27 ve 28)

NOT:

• Döner çekicimize bir elektrikli süpürge takarsanız daha temiz şekilde çalışabilirsiniz. Bağlantıdan önce toz kabından toz kapağının çıkarılması gerekir. (Şek. 29)

KULLANIM

Δ DİKKAT:

• Daima yan sapı (yardımcı tutamak) kullanın ve çalışırken makineyi hem yan sapından hem de anahtar tutamağından sıkıca tutun.

Darbeli delme işlemi (Şek. 30)

Δ DİKKAT:

• Delik delinirken, delik talaşlarla ve parçacıklarla tıkanıyor veya beton içindeki takviye çubuklarına çarptığı zaman alet/uç üzerine çok büyük ve ani bir burulma kuvveti etki eder. Daima yan sapı (yardımcı tutamak) kullanın ve çalışırken makineyi hem yan sapından hem de anahtar tutamağından sıkıca tutun. Bunu yapmamak makinenin kontrolünün kaybedilmesi ve olası bir ciddi yaralanma ile sonuçlanabilir.

İşlem modu değiştirme düğmesini ⏏ sembolüne ayarlayın.

Ucu delik için istenilen konuma getirin sonra anahtar tetiği çekin. Aleti zorlamayın. Hafif basınç en iyi sonucu verir. Aletin konumunu koruyun ve delikten dışarı kaymasını önleyin.

Delik talaşlar ya da parçacıklarla tıkanıyor zaman daha fazla basınç uygulamayın. Bunun yerine, aleti boşta çalıştırın, sonra ucu kısmen delikten dışarı çıkarın. Bu işlem birkaç kez tekrarlanarak delik temizlenir ve normal delme işlemine dönülebilir.

NOT:

• Aleti yüksüz çalıştırırken ucun dönüşünde eksenden kaçıklık olabilir. İşlem sırasında alet otomatik olarak dönüşünü ortalar. Bu, delme hassasiyetini etkilemez.

Üfleme pompası (isteğe bağlı aksesuar) (Şek. 31)

Delik delindikten sonra delik içindeki tozları temizlemek için üfleme pompasını kullanın.

Yontma/Kazıma/Yıkma (Şek. 32)

İşlem modu değiştirme düğmesini ⏏ sembolüne ayarlayın.

Aleti her iki elinizle sıkıca tutun. Aleti çalıştırın ve kontrolsüz şekilde zıplayıp gezinmemesi için üzerine hafif basınç uygulayın. Alete çok fazla baskı uygulamak verimliliğini arttırmayacaktır.

Metal veya ahşap delme

Δ DİKKAT:

• Hızlı değiştirme matkap mandreni alete takılıyken, "darbeli dönüş" işlem modunu asla kullanmayın. Hızlı değiştirme matkap mandreni hasar görebilir. Ayrıca, alet ters döndürülürken matkap mandreni yerinden çıkar.

• Alet üstüne aşırı baskı uygulanması delme işlemi hızlandırmaz. Aslında bu aşırı basınç sadece kullandığınız ucun başını aşındırır, aletin performansını düşürür ve kullanım ömrünü kısaltır.

• Delik delinirken aletin/ucun üzerine çok büyük bir burulma kuvveti etki eder. Aleti sıkı tutun ve uç iş parçasını delmeye başlayınca dikkatinizi yoğunlaştırın.

• Sıkışan bir uç, ters döndürme anahtarı ters yöne ayarlanarak kolayca dışarı çıkarılabilir. Ancak, eğer sıkı tutmuyorsanız alet dışarı serçe fırlayabilir.

• Küçük iş parçalarını daima bir mengine ya da benzer sıkıştırma aygıtlarıyla sabitleyin.

İşlem modu değiştirme düğmesini ⏏ sembolüne ayarlayın.

Metal içinde en çok 13 mm ahşap içinde ise en çok 32 mm çapında delik delebilirsiniz.

HR2631F, HR2641, HR2630 model için

Matkap mandreni tertibatını kullanın (isteğe bağlı aksesuar). Mandren tertibatını takarken önceki sayfada açıklanan "Ucu çıkarma ve takma" bölümüne bakın. (Şek. 33)

Takmak için, ucu mandrenin içinde gidebileceği kadar iterek yerleştirin.

Mandreni elle sıkıştırın. Mandren anahtarını her üç deliğe de sokup saat yönünde sıkıştırın. Her üç deliği de aynı oranda sıkıştırdığınızdan emin olun.

Ucu çıkarmak için mandren anahtarını, sadece bir delik için saat yönünün tersine çevirin, sonra mandreni elle gevşetin. (**Şek. 34**)

HR2631FT, HR2320T, HR2630T model için

Standart ekipman olarak hızı değiştirme matkap mandrenini kullanın. Mandreni takarken önceki sayfada açıklanan "SDS-plus hızlı değiştirme mandreninin değiştirilmesi" bölümüne bakın. (**Şek. 35 ve 36**)

Mandren çenelerini açmak için bileziği tutun ve kovani saat yönünün tersine döndürün. Ucu gidebildiği kadar mandrenin içine sokun. Mandreni sıkıştırmak için bileziği sıkıca tutun ve kovani saat yönüne döndürün.

Ucu çıkarmak için bileziği tutun ve kovani saat yönünün tersine döndürün. (**Şek. 37**)

Elmas karotlu delme

⚠ DİKKAT:

Elmas karotlu delme işlemini "darbeli dönüş" modunu kullanarak yaparsanız, elmas karotlu uç zarar görebilir.

Elmas karotlu delme işlemi yaparken, "sadece dönüş" işlemini kullanmak için değiştirme kolunu daima 90° konumuna ayarlayın.

Toz kabı (isteğe bağlı aksesuar) kullanarak çalışma (**Şek. 38**)

Aleti toz kabı tavana dayalı olarak kullanın.

NOT:

- Toz kabı (isteğe bağlı aksesuar) sadece beton ve sıva gibi beramik iş parçaları delinirken kullanılmak için tasarlanmıştır. Metal veya benzeri malzemeleri delerken aleti toz kabıyla kullanmayın. Metal delerken toz kabının kullanılması halinde, küçük metal tozu veya benzeri parçaların ürettiği ısı nedeniyle toz kabı hasar görebilir.
- Bir matkap ucunu çıkarmadan önce toz kabını boşaltın.
- Toz kabını kullanırken, üstüne toz kapağının sıkıca takılı olduğundan emin olun.

BAKIM

⚠ DİKKAT:

- Muayene ya da bakım yapmadan önce aletin kapalı ve fişinin çekili olduğundan daima emin olun.
- Benzin, tiner, alkol ve benzeri maddeleri kesinlikle kullanmayın. Renk değişimi, deformasyon veya çatlaklar oluşabilir.

Aleti EMNİYETLİ ve ÇALIŞMAYA HAZIR durumda tutmak için onarımlar, karbon fırça muayenesi ve değişimi, başka her türlü bakım ve ayarlamalar daima Makita yedek parçaları kullanılarak Makita Yetkili Servis Merkezleri tarafından yapılmalıdır.

İSTEĞE BAĞLI AKSESUARLAR

⚠ DİKKAT:

- Bu aksesuarların veya ek parçaların bu kılavuzda belirtilen Makita aletinizle birlikte kullanılması tavsiye edilir. Başka aksesuarların veya ek parçaların kullanılması insanları için yaralanma riski oluşturabilir. Aksesuarları veya ek parçaları sadece belirtilen amaçları için kullanın.

Bu aksesuarlarla ilgili daha fazla bilgiye ihtiyaç duyarsanız, bulunduğunuz yerdeki Makita Servis Merkezinden yardım isteyin.

- SDS-Plus Karpit başlıklı uçlar
- Karot uç
- Sivri uçlu kalem
- Elmas karotlu uç
- Soğuk keski
- Kazıyıcı keski
- Oyma keskesi
- Matkap mandreni tertibatı
- Matkap mandreni S13
- Mandren adaptörü
- Mandren anahtarı S13
- Uç gresi
- Yan sap
- Derinlik mastarı
- Üfleme pompası
- Toz kabı
- Plastik taşıma çantası
- Anahtarsız matkap mandreni

NOT:

- Listedeki bazı parçalar standart aksesuar olarak ürün paketinin içine dahil edilmiş olabilir. Aksesuarlar ülkeden ülkeye farklılık gösterebilir.

ENG905-1

Gürültü

EN62841-2-6 standardına göre belirlenen tipik A-ağırlıklı gürültü düzeyi:

Model HR2631F

Ses basıncı düzeyi (L_{pA}): 95 dB (A)

Ses gücü düzeyi (L_{WA}): 103 dB (A)

Belirsizlik (K): 3 dB (A)

Model HR2631FT

Ses basıncı düzeyi (L_{pA}): 94 dB (A)

Ses gücü düzeyi (L_{WA}): 102 dB (A)

Belirsizlik (K): 3 dB (A)

Model HR2641, HR2320T, HR2630, HR2630T

Ses basıncı düzeyi (L_{pA}): 93 dB (A)

Ses gücü düzeyi (L_{WA}): 101 dB (A)

Belirsizlik (K): 3 dB (A)

ENG907-1

NOT:

- Beyan edilen gürültü emisyonu değer(ler)i bir standart test yöntemine uygun şekilde ölçülmüştür ve bir aleti bir başkasıyla karşılaştırmak için kullanılabilir.
- Beyan edilen gürültü emisyonu değer(ler)i bir ön maruz kalma değerlendirmesi olarak da kullanılabilir.

⚠ UYARI:

- Kulak koruyucuları takın.
- Elektrikli aletin gerçek kullanım sırasındaki gürültü emisyonu, aletin kullanım biçimlerine, özellikle işlenen iş parçasının türüne bağlı olarak beyan edilen değer(ler)den farklı olabilir.
- Gerçek kullanım koşullarındaki tahmini maruziyeti baz alan, operatörü koruyacak güvenlik önlemlerini mutlaka belirleyin (çalışma döngüsü içerisinde aletin kapalı olduğu ve aktif durumda olmasının yanı sıra boşta çalıştığı zamanlar gibi, bütün zaman dilimleri göz önünde bulundurarak).

⚠ UYARI:**Titreşim**

EN62841-2-6 standardına göre hesaplanan titreşim toplam değeri (üç eksenli vektör toplamı):

Model HR2631F

Çalışma modu: betona darbeli delme

Titreşim emisyonu ($a_{n, HD}$): 12,4 m/s²

Belirsizlik (K): 1,5 m/s²

Çalışma modu: yan kolla keskiyle yontma işlevi

Titreşim emisyonu ($a_{n, Cheq}$): 9,2 m/s²

Belirsizlik (K): 1,5 m/s²

Model HR2631FT

Çalışma modu: betona darbeli delme

Titreşim emisyonu ($a_{n, HD}$): 11,6 m/s²

Belirsizlik (K): 1,5 m/s²

Çalışma modu: yan kolla keskiyle yontma işlevi

Titreşim emisyonu ($a_{n, Cheq}$): 9,8 m/s²

Belirsizlik (K): 1,5 m/s²

Model HR2641

Çalışma modu: betona darbeli delme

Titreşim emisyonu ($a_{n, HD}$): 11,6 m/s²

Belirsizlik (K): 1,5 m/s²

Çalışma modu: yan kolla keskiyle yontma işlevi

Titreşim emisyonu ($a_{n, Cheq}$): 8,1 m/s²

Belirsizlik (K): 1,5 m/s²

Model HR2320T

Çalışma modu: betona darbeli delme

Titreşim emisyonu ($a_{n, HD}$): 15,9 m/s²

Belirsizlik (K): 1,5 m/s²

Çalışma modu: yan kolla keskiyle yontma işlevi

Titreşim emisyonu ($a_{n, Cheq}$): 12,8 m/s²

Belirsizlik (K): 1,5 m/s²

Model HR2630

Çalışma modu: betona darbeli delme

Titreşim emisyonu ($a_{n, HD}$): 15,4 m/s²

Belirsizlik (K): 1,5 m/s²

Çalışma modu: yan kolla keskiyle yontma işlevi

Titreşim emisyonu ($a_{n, Cheq}$): 10,8 m/s²

Belirsizlik (K): 1,5 m/s²

Model HR2630T

Çalışma modu: betona darbeli delme

Titreşim emisyonu ($a_{n, HD}$): 14,5 m/s²

Belirsizlik (K): 1,5 m/s²

Çalışma modu: yan kolla keskiyle yontma işlevi

Titreşim emisyonu ($a_{n, Cheq}$): 10,9 m/s²

Belirsizlik (K): 1,5 m/s²

NOT:

- Beyan edilen titreşim toplam değeri (ler) bir standart test yöntemine uygun şekilde ölçülmüştür ve bir aleti bir başkasıyla karşılaştırmak için kullanılabilir.
- Beyan edilen titreşim toplam değeri (ler) bir ön maruz kalma değerlendirme olarak da kullanılabilir.

- Elektrikli aletin gerçek kullanımı sırasındaki titreşim emisyonu, aletin kullanım biçimlerine, özellikle işlenen iş parçasının türüne bağlı olarak beyan edilen değer(ler)den farklı olabilir.
- Gerçek kullanım koşullarındaki tahmini maruziyeti baz alan, operatörü koruyacak güvenlik önlemlerini mutlaka belirleyin (çalışma döngüsü içerisinde aletin kapalı olduğu ve aktif durumda olmasının yanı sıra boşta çalıştığı zamanlar gibi, bütün zaman dilimleri göz önünde bulundurarak).

UYGUNLUK BEYANLARI**Sadece Avrupa ülkeleri için**

Uygunluk beyanları bu kullanma kılavuzuna Ek A olarak eklenmiştir.

Makita Europe N.V.

Jan-Baptist Vinkstraat 2, 3070 Kortenberg, Belgium

Makita Corporation

3-11-8, Sumiyoshi-cho, Anjo, Aichi 446-8502 Japan

www.makita.com



885385B990

IDE