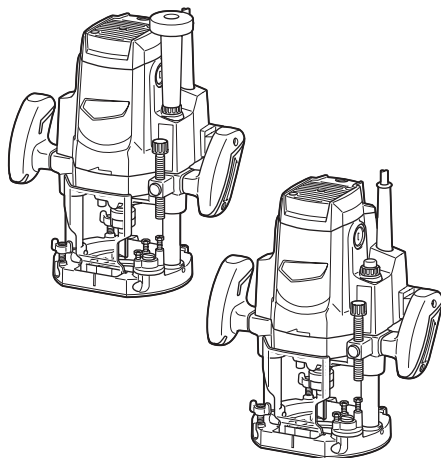




EN	Router	INSTRUCTION MANUAL	8
FR	Défonceuse	MANUEL D'INSTRUCTIONS	15
DE	Oberfräse	BETRIEBSANLEITUNG	23
IT	Fresatrice verticale	ISTRUZIONI PER L'USO	31
NL	Bovenfrees	GEBRUIKSAANWIJZING	39
ES	Rebajadora	MANUAL DE INSTRUCCIONES	47
PT	Tupia	MANUAL DE INSTRUÇÕES	55
DA	Overfræser	BRUGSANVISNING	62
EL	Ρούτερ	ΕΓΧΕΙΡΙΔΙΟ ΟΔΗΓΙΩΝ	69
TR	Freze	KULLANMA KILAVUZU	77

M3602



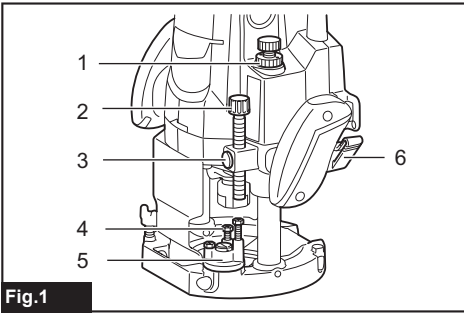


Fig.1

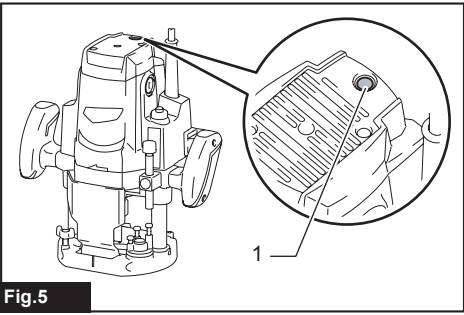


Fig.5

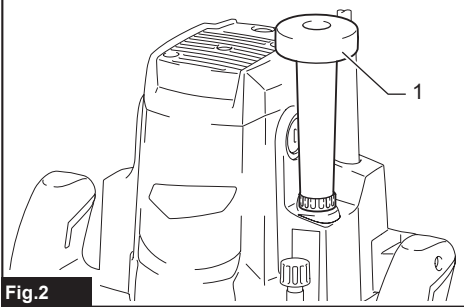


Fig.2

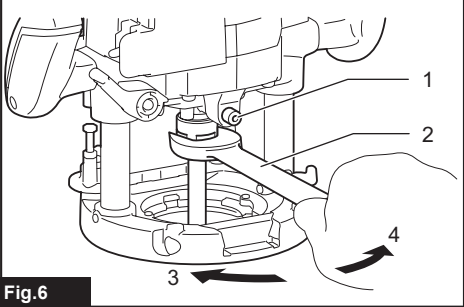


Fig.6

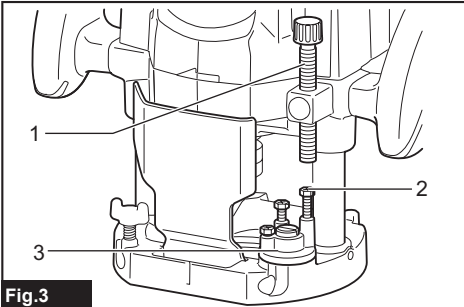


Fig.3

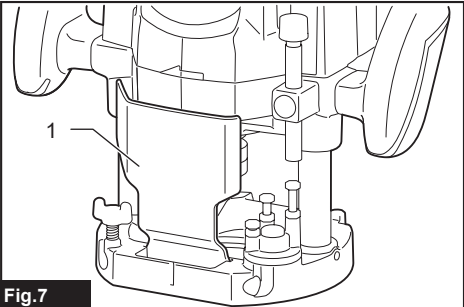


Fig.7

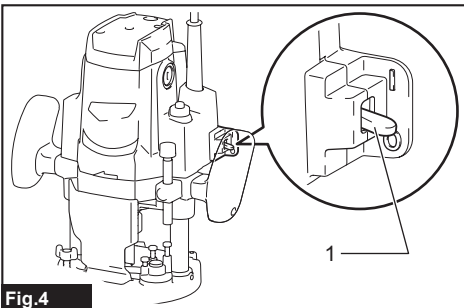


Fig.4

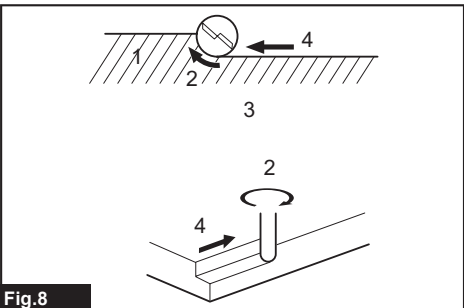


Fig.8

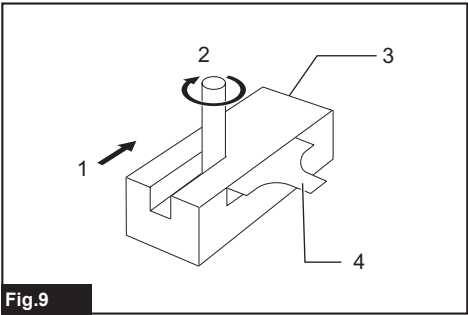


Fig.9

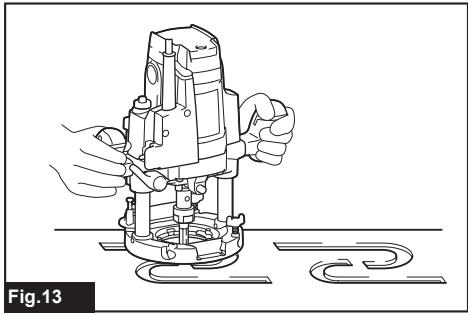


Fig.13

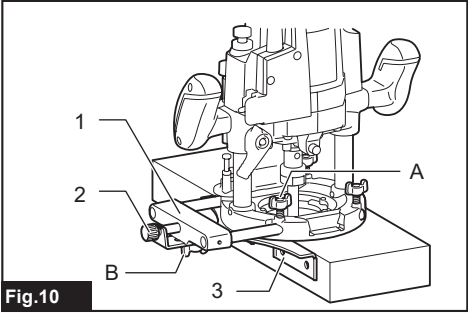


Fig.10

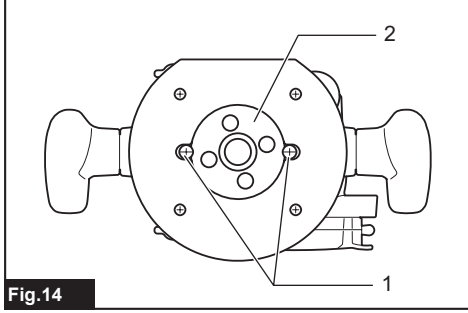


Fig.14

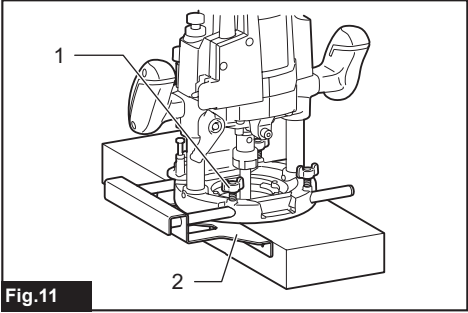


Fig.11

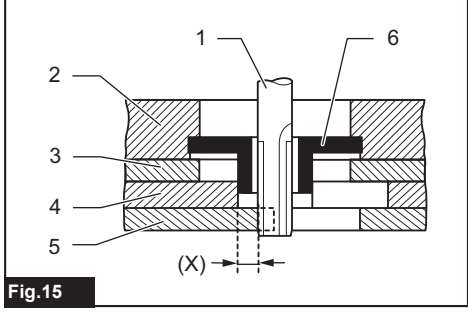


Fig.15

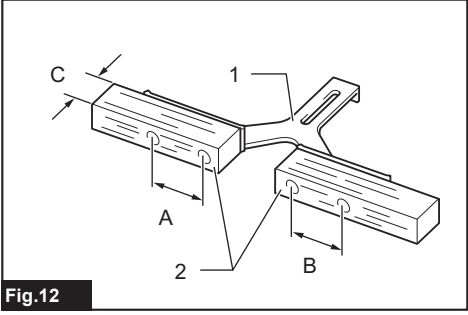


Fig.12

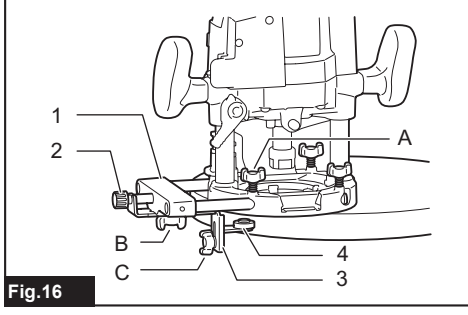


Fig.16

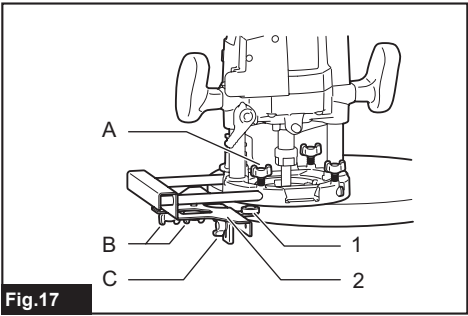


Fig.17

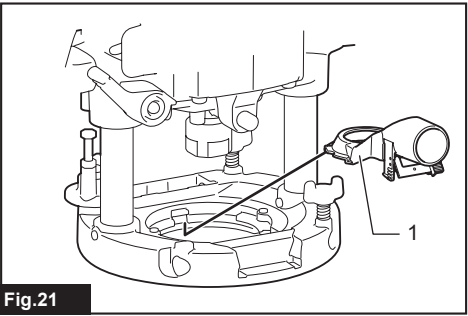


Fig.21

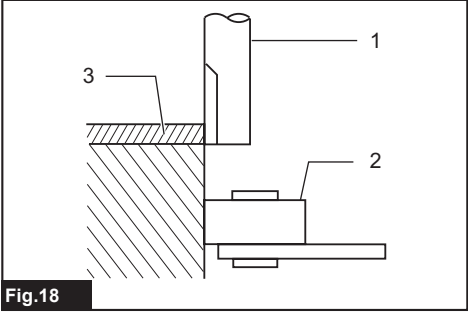


Fig.18

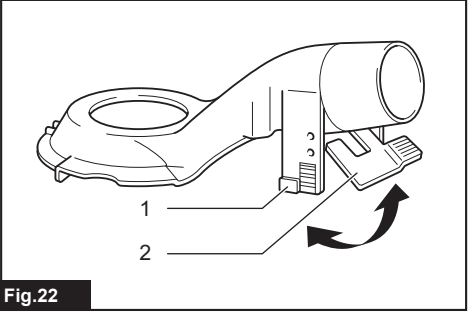


Fig.22

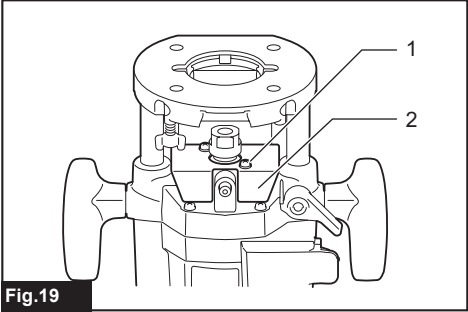


Fig.19

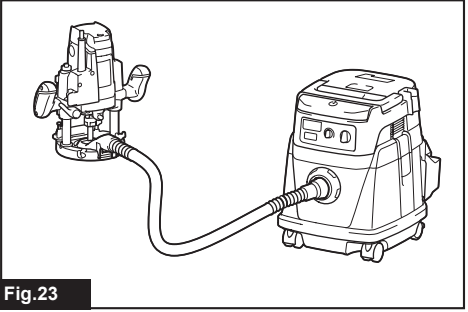


Fig.23

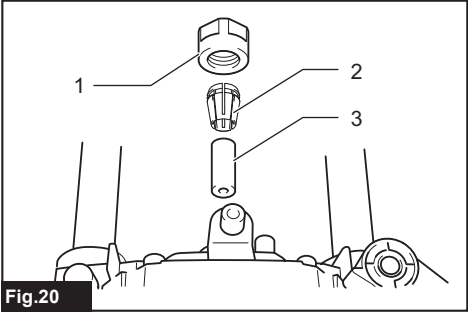


Fig.20

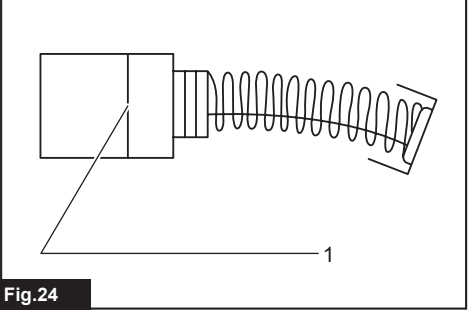


Fig.24

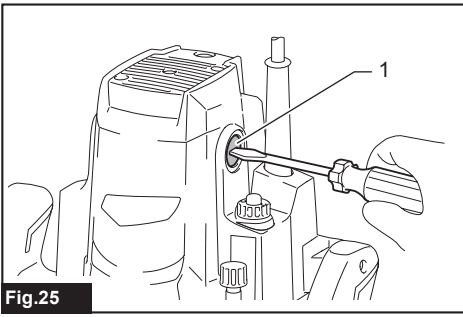


Fig.25

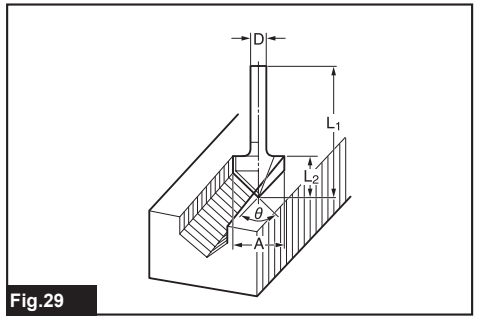


Fig.29

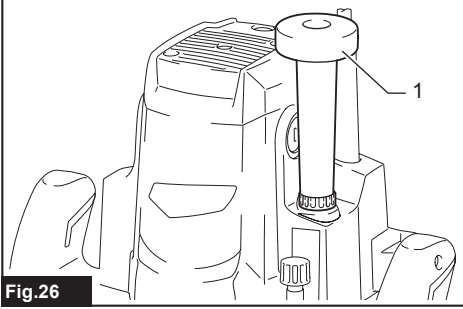


Fig.26

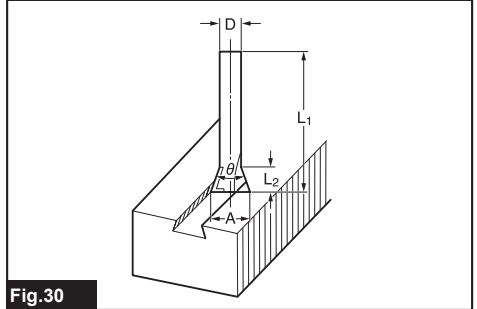


Fig.30

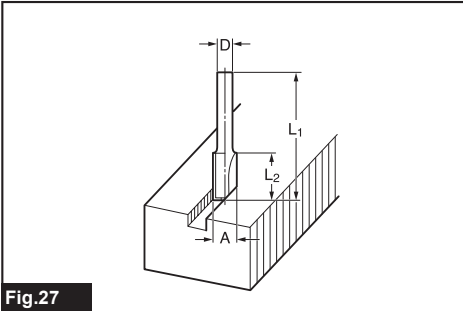


Fig.27

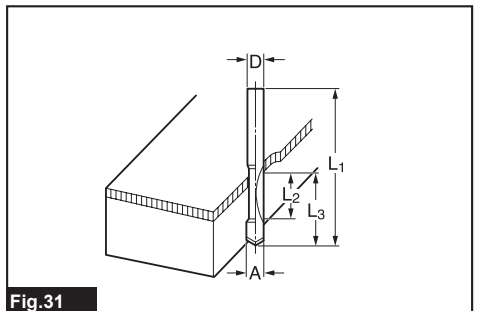


Fig.31

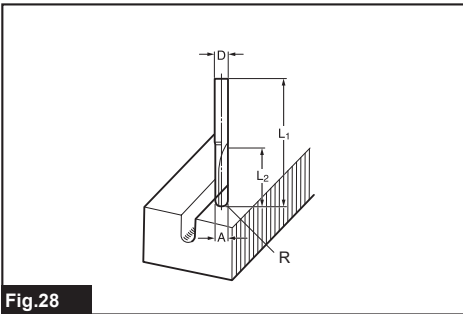


Fig.28

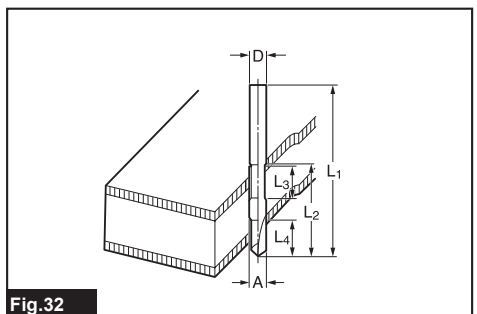


Fig.32

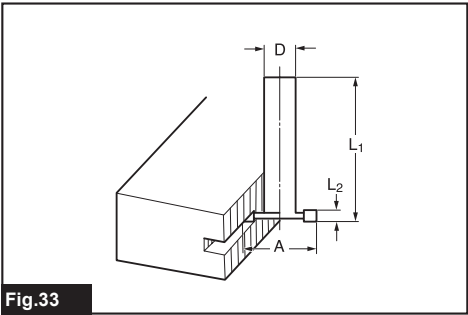


Fig.33

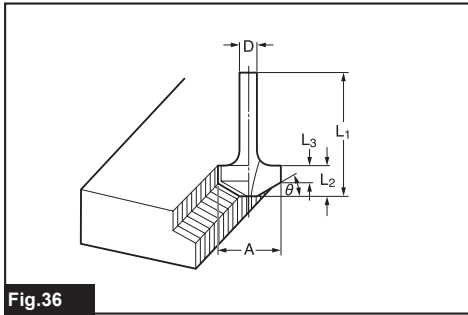


Fig.36

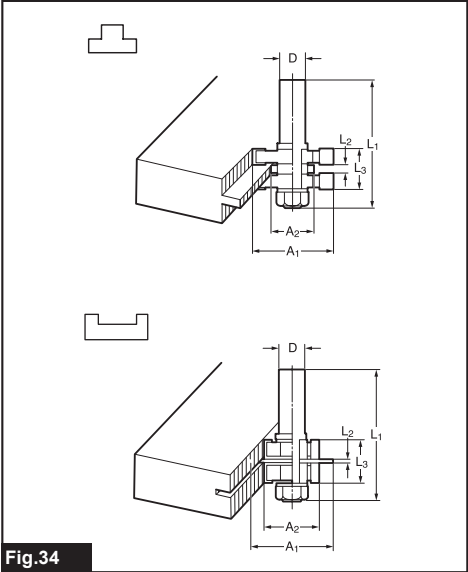


Fig.34

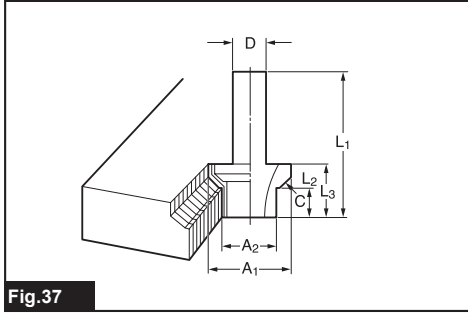


Fig.37

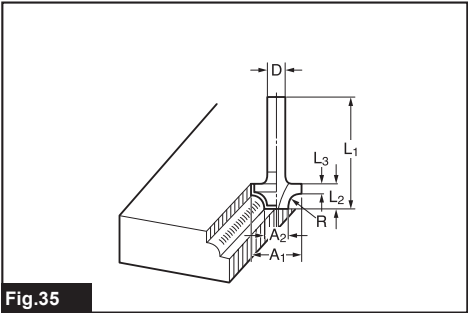


Fig.35

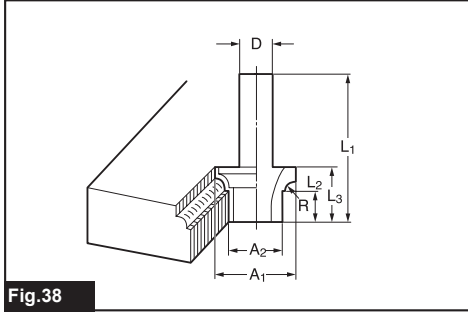


Fig.38

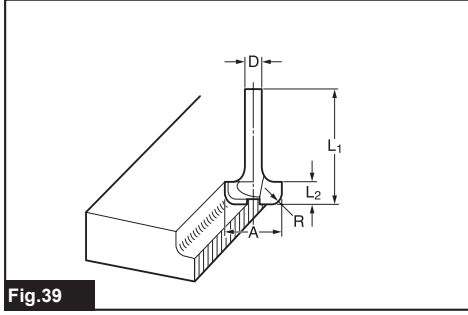


Fig.39

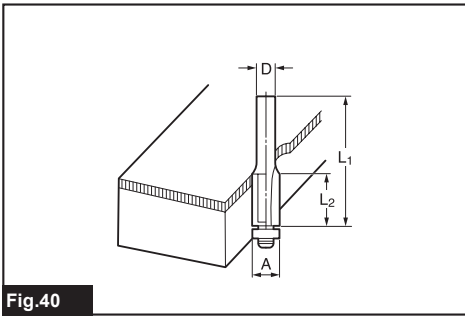


Fig.40

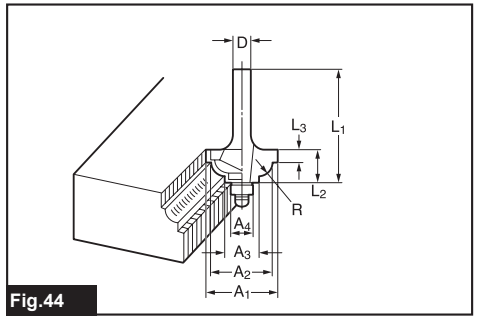


Fig.44

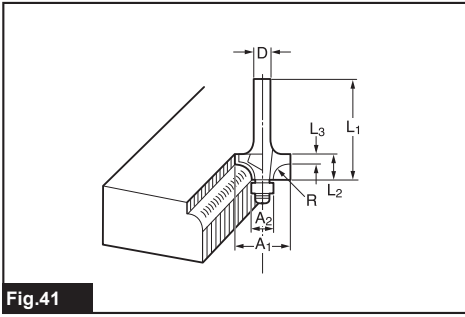


Fig.41

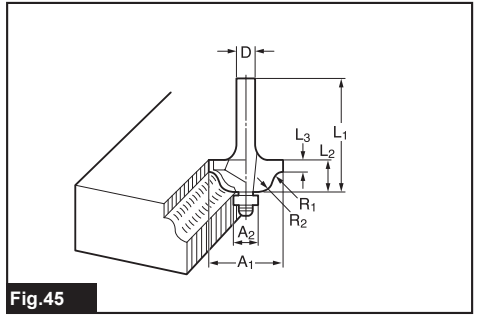


Fig.45

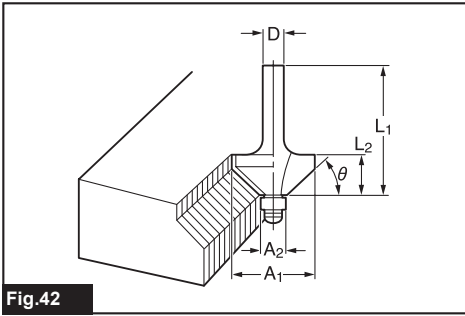


Fig.42

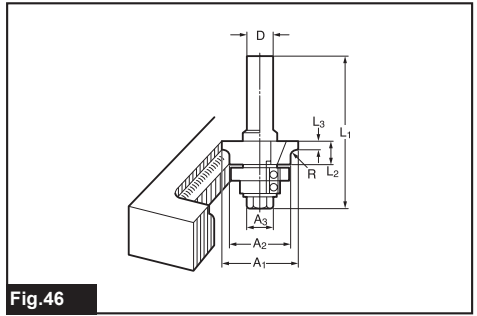


Fig.46

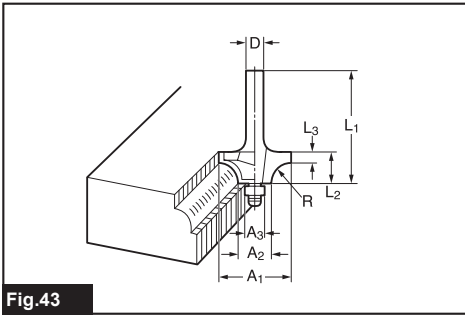


Fig.43

SPECIFICATIONS

Model:	M3602
Collet chuck capacity	12 mm or 1/2"
Plunge capacity	0 - 60 mm
No load speed	22,000 min ⁻¹
Overall height	300 mm
Net weight	5.7 kg
Safety class	Ⓜ/II

- Due to our continuing program of research and development, the specifications herein are subject to change without notice.
- Specifications may differ from country to country.
- Weight according to EPTA-Procedure 01/2014

Intended use

The tool is intended for flush trimming and profiling of wood, plastic and similar materials.

Power supply

The tool should be connected only to a power supply of the same voltage as indicated on the nameplate, and can only be operated on single-phase AC supply. They are double-insulated and can, therefore, also be used from sockets without earth wire.

Noise

The typical A-weighted noise level determined according to EN62841-2-17:

Sound pressure level (L_{pA}) : 87 dB(A)

Sound power level (L_{WA}) : 95 dB (A)

Uncertainty (K) : 3 dB(A)

NOTE: The declared noise emission value(s) has been measured in accordance with a standard test method and may be used for comparing one tool with another.

NOTE: The declared noise emission value(s) may also be used in a preliminary assessment of exposure.

⚠WARNING: Wear ear protection.

⚠WARNING: The noise emission during actual use of the power tool can differ from the declared value(s) depending on the ways in which the tool is used especially what kind of workpiece is processed.

⚠WARNING: Be sure to identify safety measures to protect the operator that are based on an estimation of exposure in the actual conditions of use (taking account of all parts of the operating cycle such as the times when the tool is switched off and when it is running idle in addition to the trigger time).

Vibration

The vibration total value (tri-axial vector sum) determined according to EN62841-2-17:

Work mode: cutting grooves in MDF

Vibration emission (a_h) : 3.1 m/s²

Uncertainty (K) : 1.5 m/s²

NOTE: The declared vibration total value(s) has been measured in accordance with a standard test method and may be used for comparing one tool with another.

NOTE: The declared vibration total value(s) may also be used in a preliminary assessment of exposure.

⚠WARNING: The vibration emission during actual use of the power tool can differ from the declared value(s) depending on the ways in which the tool is used especially what kind of workpiece is processed.

⚠WARNING: Be sure to identify safety measures to protect the operator that are based on an estimation of exposure in the actual conditions of use (taking account of all parts of the operating cycle such as the times when the tool is switched off and when it is running idle in addition to the trigger time).

Declarations of Conformity

For European countries only

The Declarations of conformity are included in Annex A to this instruction manual.

General power tool safety warnings

⚠WARNING: Read all safety warnings, instructions, illustrations and specifications provided with this power tool. Failure to follow all instructions listed below may result in electric shock, fire and/or serious injury.

Save all warnings and instructions for future reference.

The term "power tool" in the warnings refers to your mains-operated (corded) power tool or battery-operated (cordless) power tool.

Router safety warnings

1. **Hold the power tool by insulated gripping surfaces only, because the cutter may contact its own cord.** Cutting a "live" wire may make exposed metal parts of the power tool "live" and could give the operator an electric shock.
2. **Use clamps or another practical way to secure and support the workpiece to a stable platform.** Holding the work by your hand or against the body leaves it unstable and may lead to loss of control.
3. **The cutter bit shank must match the designed collet chuck.**
4. **Only use a bit that is rated at least equal to the maximum speed marked on the tool.**
5. **Wear hearing protection during extended period of operation.**
6. **Handle the router bits very carefully.**
7. **Check the router bit carefully for cracks or damage before operation. Replace cracked or damaged bit immediately.**
8. **Avoid cutting nails. Inspect for and remove all nails from the workpiece before operation.**
9. **Hold the tool firmly with both hands.**
10. **Keep hands away from rotating parts.**
11. **Make sure the router bit is not contacting the workpiece before the switch is turned on.**
12. **Before using the tool on an actual workpiece, let it run for a while. Watch for vibration or wobbling that could indicate improperly installed bit.**
13. **Be careful of the router bit rotating direction and the feed direction.**
14. **Do not leave the tool running. Operate the tool only when hand-held.**
15. **Always switch off and wait for the router bit to come to a complete stop before removing the tool from workpiece.**
16. **Do not touch the router bit immediately after operation; it may be extremely hot and could burn your skin.**
17. **Do not smear the tool base carelessly with thinner, gasoline, oil or the like. They may cause cracks in the tool base.**
18. **Some material contains chemicals which may be toxic. Take caution to prevent dust inhalation and skin contact. Follow material supplier safety data.**
19. **Always use the correct dust mask/respirator for the material and application you are working with.**
20. **Place the tool on stable area.** Otherwise falling accident may occur and cause an injury.
21. **Keep cord away from your foot or any objects.** Otherwise an entangled cord may cause a falling accident and result in personal injury.

SAVE THESE INSTRUCTIONS.

⚠ WARNING: DO NOT let comfort or familiarity with product (gained from repeated use) replace strict adherence to safety rules for the subject product. MISUSE or failure to follow the safety rules stated in this instruction manual may cause serious personal injury.

FUNCTIONAL DESCRIPTION

⚠ CAUTION: Always be sure that the tool is switched off and unplugged before adjusting or checking function on the tool.

Adjusting the depth of cut

Place the tool on a flat surface. Loosen the lock lever and lower the tool body until the router bit just touches the flat surface. Tighten the lock lever to lock the tool body. While pressing the fast-feed button, move the stopper pole up or down until the desired depth of cut is obtained. Minute depth adjustments can be obtained by turning the stopper pole (1.5 mm (1/16") per turn).

► **Fig. 1:** 1. Nylon nut 2. Stopper pole 3. Fast-feed button 4. Adjusting hex bolt 5. Stopper block 6. Lock lever

⚠ CAUTION: The depth of cut should not be more than 20 mm (13/16") at a pass when cutting grooves. For extra-deep grooving operations, make two or three passes with progressively deeper router bit settings.

Nylon nut

For tool without the knob

The upper limit of the tool body can be adjusted by turning the nylon nut. Do not lower the nylon nut too low. The router bit will protrude dangerously.

For tool with the knob

By turning the knob, the upper limit of the tool body can be adjusted. When the tip of the router bit is retracted more than required in relation to the base plate surface, turn the knob to lower the upper limit.

► **Fig. 2:** 1. Knob

⚠ CAUTION: Since excessive cutting may cause overload of the motor or difficulty in controlling the tool, the depth of cut should not be more than 20 mm (13/16") at a pass when cutting grooves. When you wish to cut grooves more than 20 mm (13/16") deep, make several passes with progressively deeper router bit settings.

⚠ CAUTION: Do not lower the knob too low. The router bit will protrude dangerously.

Stopper block

As the stopper block has three adjusting hex bolts which raise or lower 0.8 mm per turn, you can easily obtain three different depths of cut without readjusting the stopper pole.

► **Fig. 3:** 1. Stopper pole 2. Adjusting hex bolt 3. Stopper block

Adjust the lowest adjusting hex bolt to obtain the deepest depth of cut, following the method of "Adjusting depth of cut". Adjust the two remaining adjusting hex bolts to obtain shallower depths of cut. The differences in height of these adjusting hex bolts are equal to the differences in depths of cut. To adjust the adjusting hex bolts, turn the adjusting hex bolts with a screwdriver or wrench. The stopper block is also convenient for making three passes with progressively deeper bit settings when cutting deep grooves.

Switch action

CAUTION: Before plugging in the tool, always check to see that the tool is switched off.

CAUTION: Make sure that the shaft lock is released before the switch is turned on.

To start the tool, move the switch lever to the I position. To stop the tool, move the switch lever to the O position.
► Fig.4: 1. Switch lever

CAUTION: Hold the tool firmly when turning off the tool, to overcome the reaction.

Electronic function

The tool is equipped with the electronic functions for easy operation.

Indication lamp

► Fig.5: 1. Indication lamp

The indication lamp lights up green when the tool is plugged. If the indication lamp does not light up, the mains cord or the controller may be defective. The indication lamp is lit but the tool does not start even if the tool is switched on, the carbon brushes may be worn out, or the controller, the motor or the ON/OFF switch may be defective.

Unintentional restart proof

The tool does not start with the switch lever is in the I position even when the tool is plugged. At this time, the indication lamp blinks in red and shows the unintentional restart proof device is on function. To cancel the unintentional restart proof, move the switch lever to the O position.

Soft start feature

Soft-start feature minimizes start-up shock, and makes the tool start smoothly.

ASSEMBLY

CAUTION: Always be sure that the tool is switched off and unplugged before carrying out any work on the tool.

Installing or removing the router bit

Insert the router bit all the way into the collet cone. Press the shaft lock to keep the shaft stationary and use the wrench to tighten the collet nut securely. When using router bits with smaller shank diameter, first insert the appropriate collet sleeve into the collet cone, then install the router bit.

To remove the router bit, follow the installation procedure in reverse.

► Fig.6: 1. Shaft lock 2. Wrench 3. Loosen 4. Tighten

CAUTION: Install the router bit securely. Always use only the wrench provided with the tool. A loose or overtightened router bit can be dangerous.

NOTICE: Do not tighten the collet nut without inserting a router bit or install small shank bits without using a collet sleeve. Either can lead to breakage of the collet cone.

OPERATION

CAUTION: Before operation, always make sure that the tool body automatically rises to the upper limit and the router bit does not protrude from the tool base when the lock lever is loosened.

CAUTION: Before operation, always make sure that the chip deflector is installed properly.

CAUTION: Always use both grips and firmly hold the tool by both grips during operations.

► Fig.7: 1. Chip deflector

Set the tool base on the workpiece to be cut without the router bit making any contact. Then turn the tool on and wait until the router bit attains full speed. Lower the tool body and move the tool forward over the workpiece surface, keeping the tool base flush and advancing smoothly until the cutting is complete.

When doing edge cutting, the workpiece surface should be on the left side of the router bit in the feed direction.

► Fig.8: 1. Workpiece 2. Bit revolving direction
3. View from the top of the tool 4. Feed direction

NOTE: Moving the tool forward too fast may cause a poor quality of cut, or damage to the router bit or motor. Moving the tool forward too slowly may burn and mar the cut. The proper feed rate will depend on the router bit size, the kind of workpiece and depth of cut.

Before beginning the cut on the actual workpiece, it is advisable to make a sample cut on a piece of scrap lumber. This will show exactly how the cut will look as well as enable you to check dimensions.

NOTE: When using the straight guide or the trimmer guide, be sure to install it on the right side in the feed direction. This will help to keep it flush with the side of the workpiece.

► Fig.9: 1. Feed direction 2. Bit revolving direction
3. Workpiece 4. Straight guide

Straight guide

The straight guide is effectively used for straight cuts when chamfering or grooving.

Straight guide (Type A)

Optional accessory

Install the straight guide on the guide holder with the thumb screw (B). Insert the guide holder into the holes in the tool base and tighten the thumb screw (A). To adjust the distance between the router bit and the straight guide, loosen the thumb screw (B) and turn the fine adjusting screw. At the desired distance, tighten the thumb screw (B) to secure the straight guide in place.

- **Fig.10:** 1. Guide holder 2. Fine adjusting screw
3. Straight guide

Straight guide (Type B)

Optional accessory

Insert the straight guide into the holes in the tool base and tighten the thumb screw. To adjust the distance between the router bit and the straight guide, loosen the thumb screw. At the desired distance, tighten the thumb screw to secure the straight guide in place.

- **Fig.11:** 1. Thumb screw 2. Straight guide

When cutting, move the tool with the straight guide flush with the side of the workpiece.

Wider straight guide of desired dimensions may be made by using the convenient holes in the guide to bolt on extra pieces of wood.

When using a large diameter router bit, attach pieces of wood to the straight guide which have a thickness of more than 15 mm (5/8") to prevent the router bit from striking the straight guide.

- **Fig.12:** 1. Straight guide 2. Wood

A=55 mm (2-3/16")

B=55 mm (2-3/16")

C=15 mm (5/8") or thicker

Templet guide

Optional accessory

The templet guide provides a sleeve through which the router bit passes, allowing use of the router with templet patterns.

- **Fig.13**

1. Loosen the screws on the base, insert the templet guide and then tighten the screws.

- **Fig.14:** 1. Screws 2. Templet guide

2. Secure the templet to the workpiece. Place the tool on the templet and move the tool with the templet guide sliding along the side of the templet.

- **Fig.15:** 1. Router bit 2. Base 3. Base plate
4. Templet 5. Workpiece 6. Templet guide

NOTE: The workpiece will be cut a slightly different size from the templet. Allow for the distance (X) between the router bit and the outside of the templet guide. The distance (X) can be calculated by using the following equation:

Distance (X) = (outside diameter of the templet guide - router bit diameter) / 2

Trimmer guide

Trimming, curved cuts in veneers for furniture and the like can be done easily with the trimmer guide. The guide roller rides the curve and assures a fine cut.

Trimmer guide (Type A)

Optional accessory

Install the trimmer guide on the guide holder with the thumb screw (B). Insert the guide holder into the holes in the tool base and tighten the thumb screw (A). To adjust the distance between the router bit and the trimmer guide, loosen the thumb screw (B) and turn the fine adjusting screw. When adjusting the guide roller up or down, loosen the thumb screw (C). After adjusting, tighten all the thumb screws securely.

- **Fig.16:** 1. Guide holder 2. Fine adjusting screw
3. Trimmer guide 4. Guide roller

Trimmer guide (Type B)

Optional accessory

Install the trimmer guide onto the straight guide using the thumb screws (B). Insert the straight guide into the holes in the tool base and tighten the thumb screw (A). To adjust the distance between the router bit and the trimmer guide, loosen the thumb screws (B). When adjusting the guide roller up or down, loosen the thumb screw (C). After adjusting, tighten all the thumb screws securely.

- **Fig.17:** 1. Guide roller 2. Trimmer guide

When cutting, move the tool with the guide roller riding the side of the workpiece.

- **Fig.18:** 1. Router bit 2. Guide roller 3. Workpiece

Dust cover (For tool with the knob)

Optional accessory

Dust cover prevents sawdust from being drawn into the tool in the inverted position.

Install the dust cover as illustrated when using the tool with a router stand available in the market.

Remove it when using the tool in the normal position.

- **Fig.19:** 1. Screw 2. Dust cover

Spacer (For tool with the knob)

Optional accessory

The spacer prevents the router bit from dropping into the chuck when replacing the router bit in the inverted position.

Insert the spacer as illustrated when using the tool with a router stand available in the market.

- **Fig.20:** 1. Collet nut 2. Collet cone 3. Spacer

Dust extraction

Optional accessory

Use the dust nozzle for dust extraction.

► **Fig.21:** 1. Dust nozzle

Installing the dust nozzle

► **Fig.22:** 1. Support 2. Lock lever

1. Raise the lock lever of the dust nozzle.
2. Place the dust nozzle onto the tool base so that its top will be caught in the hook on the tool base.
3. Insert the supports on the dust nozzle into the hooks on the front of the tool base.
4. Push down the lock lever onto the tool base.
5. Connect a vacuum cleaner to the dust nozzle.

► **Fig.23**

Removing the dust nozzle

1. Raise the lock lever.
2. Pull the dust nozzle out of the tool base while holding the supports between thumb and finger.

MAINTENANCE

CAUTION: Always be sure that the tool is switched off and unplugged before attempting to perform inspection or maintenance.

NOTICE: Never use gasoline, benzine, thinner, alcohol or the like. Discoloration, deformation or cracks may result.

Replacing carbon brushes

► **Fig.24:** 1. Limit mark

Check the carbon brushes regularly. Replace them when they wear down to the limit mark. Keep the carbon brushes clean and free to slip in the holders. Both carbon brushes should be replaced at the same time. Use only identical carbon brushes.

1. Use a screwdriver to remove the brush holder caps.
2. Take out the worn carbon brushes, insert the new ones and secure the brush holder caps.

► **Fig.25:** 1. Brush holder cap

For tool with the knob

CAUTION: Be sure to re-install the knob after inserting new carbon brush.

Release the lock lever and remove the knob by turning it counterclockwise.

► **Fig.26:** 1. Knob

NOTE: The compression spring will come out of the knob, so be careful not to lose the compression spring.

To maintain product SAFETY and RELIABILITY, repairs, any other maintenance or adjustment should be performed by Makita Authorized or Factory Service Centers, always using Makita replacement parts.

OPTIONAL ACCESSORIES

Router bits

Straight bit

► **Fig.27**

Unit:mm

D	A	L1	L2
6	20	50	15
1/4"			
12	12	60	30
1/2"			
12	10	60	25
1/2"			
8	8	60	25
6	8	50	18
1/4"			
6	6	50	18
1/4"			

“U”Grooving bit

► **Fig.28**

Unit:mm

D	A	L1	L2	R
6	6	50	18	3

“V”Grooving bit

► **Fig.29**

Unit:mm

D	A	L1	L2	θ
1/4"	20	50	15	90°

Dovetail bit

► Fig.30

Unit:mm

D	A	L1	L2	θ
8	14.5	55	10	35°
3/8"				
8	14.5	55	14.5	23°
3/8"				
8	12	50	9	30°
3/8"				

Drill point flush trimming bit

► Fig.31

Unit:mm

D	A	L1	L2	L3
12	12	60	20	35
8	8	60	20	35
6	6	60	18	28

Drill point double flush trimming bit

► Fig.32

Unit:mm

D	A	L1	L2	L3	L4
6	6	70	40	12	14

Slotting cutter

► Fig.33

Unit:mm

D	A	L1	L2
12	30	55	6
1/2"			
12	30	55	3
1/2"			

Board-jointing bit

► Fig.34

Unit:mm

D	A1	A2	L1	L2	L3
12	38	27	61	4	20

Corner rounding bit

► Fig.35

Unit:mm

D	A1	A2	L1	L2	L3	R
6	25	9	48	13	5	8
6	20	8	45	10	4	4

Chamfering bit

► Fig.36

Unit:mm

D	A	L1	L2	L3	θ
6	23	46	11	6	30°
6	20	50	13	5	45°
6	20	49	14	2	60°

► Fig.37

Unit:mm

D	A1	A2	L1	L2	L3	C
12	30	20	55	12	20	4
1/2"						

Beading bit

► Fig.38

Unit:mm

D	A1	A2	L1	L2	L3	R
12	30	20	55	12	20	4
1/2"						

Cove beading bit

► Fig.39

Unit:mm

D	A	L1	L2	R
6	20	43	8	4
6	25	48	13	8

Ball bearing flush trimming bit

► Fig.40

Unit:mm

D	A	L1	L2
6	10	50	20
1/4"			

Ball bearing corner rounding bit

► Fig.41

Unit:mm

D	A1	A2	L1	L2	L3	R
6	15	8	37	7	3.5	3
6	21	8	40	10	3.5	6
1/4"	21	8	40	10	3.5	6

Ball bearing chamfering bit

► Fig.42

Unit:mm

D	A1	A2	L1	L2	θ
6	26	8	42	12	45°
1/4"					60°
6	20	8	41	11	60°

Ball bearing beading bit

► Fig.43

Unit:mm

D	A1	A2	A3	L1	L2	L3	R
6	20	12	8	40	10	5.5	4
6	26	12	8	42	12	4.5	7

Ball bearing cove beading bit

► Fig.44

Unit:mm

D	A1	A2	A3	A4	L1	L2	L3	R
6	20	18	12	8	40	10	5.5	3
6	26	22	12	8	42	12	5	5

Ball bearing roman ogee bit

► Fig.45

Unit:mm

D	A1	A2	L1	L2	L3	R1	R2
6	20	8	40	10	4.5	2.5	4.5
6	26	8	42	12	4.5	3	6

Double ball bearing round corner bit

► Fig.46

Unit:mm

D	A1	A2	A3	L1	L2	L3	R
12	35	27	19	70	11	3.5	3
1/2"							3

SPÉCIFICATIONS

Modèle :	M3602
Capacité du mandrin à bague	12 mm ou 1/2"
Capacité de plongée	0 à 60 mm
Vitesse à vide	22 000 min ⁻¹
Hauteur hors tout	300 mm
Poids net	5,7 kg
Catégorie de sécurité	Ⓜ/II

- Étant donné l'évolution constante de notre programme de recherche et de développement, les spécifications contenues dans ce manuel sont sujettes à modification sans préavis.
- Les spécifications peuvent varier suivant les pays.
- Poids selon la procédure EPTA 01/2014

Utilisations

L'outil est conçu pour l'affleurage au ras et le profilage du bois, du plastique et de matériaux semblables.

Alimentation

L'outil ne devra être raccordé qu'à une alimentation de la même tension que celle qui figure sur la plaque signalétique, et il ne pourra fonctionner que sur un courant secteur monophasé. Réalisé avec une double isolation, il peut de ce fait être alimenté par une prise sans mise à la terre.

Bruit

Niveau de bruit pondéré A typique, déterminé selon EN62841-2-17 :

Niveau de pression sonore (L_{pA}) : 87 dB (A)

Niveau de puissance sonore (L_{WA}) : 95 dB (A)

Incertitude (K) : 3 dB (A)

NOTE : La ou les valeurs d'émission de bruit déclarées ont été mesurées conformément à la méthode de test standard et peuvent être utilisées pour comparer les outils entre eux.

NOTE : La ou les valeurs d'émission de bruit déclarées peuvent aussi être utilisées pour l'évaluation préliminaire de l'exposition.

⚠ AVERTISSEMENT : Portez un serre-tête antibruit.

⚠ AVERTISSEMENT : L'émission de bruit lors de l'usage réel de l'outil électrique peut être différente de la ou des valeurs déclarées, suivant la façon dont l'outil est utilisé, particulièrement selon le type de pièce usinée.

⚠ AVERTISSEMENT : Les mesures de sécurité à prendre pour protéger l'utilisateur doivent être basées sur une estimation de l'exposition dans des conditions réelles d'utilisation (en tenant compte de toutes les composantes du cycle d'utilisation, comme par exemple le moment de sa mise hors tension, lorsqu'il tourne à vide et le moment de son déclenchement).

Vibrations

Valeur totale de vibrations (somme de vecteur triaxial) déterminée selon EN62841-2-17 :
 Mode de travail : coupe de rainures sur un panneau de fibres à densité moyenne
 Émission de vibrations (a_{hv}) : 3,1 m/s²
 Incertitude (K) : 1,5 m/s²

NOTE : La ou les valeurs de vibration totales déclarées ont été mesurées conformément à la méthode de test standard et peuvent être utilisées pour comparer les outils entre eux.

NOTE : La ou les valeurs de vibration totales déclarées peuvent aussi être utilisées pour l'évaluation préliminaire de l'exposition.

⚠ AVERTISSEMENT : L'émission de vibrations lors de l'usage réel de l'outil électrique peut être différente de la ou des valeurs déclarées, suivant la façon dont l'outil est utilisé, particulièrement selon le type de pièce usinée.

⚠ AVERTISSEMENT : Les mesures de sécurité à prendre pour protéger l'utilisateur doivent être basées sur une estimation de l'exposition dans des conditions réelles d'utilisation (en tenant compte de toutes les composantes du cycle d'utilisation, comme par exemple le moment de sa mise hors tension, lorsqu'il tourne à vide et le moment de son déclenchement).

Déclarations de conformité

Pour les pays européens uniquement

Les déclarations de conformité sont fournies en Annexe A à ce mode d'emploi.

Consignes de sécurité générales pour outils électriques

⚠ AVERTISSEMENT : Veuillez lire les consignes de sécurité, instructions, illustrations et spécifications qui accompagnent cet outil électrique. Le non-respect de toutes les instructions indiquées ci-dessous peut entraîner une électrocution, un incendie et/ou de graves blessures.

Conservez toutes les mises en garde et instructions pour référence ultérieure.

Le terme « outil électrique » dans les avertissements fait référence à l'outil électrique alimenté par le secteur (avec cordon d'alimentation) ou à l'outil électrique fonctionnant sur batterie (sans cordon d'alimentation).

Consignes de sécurité pour défonceuse

1. **Tenez l'outil électrique par une surface de prise isolée uniquement, étant donné que l'outil de coupe peut entrer en contact avec son cordon.** Couper un câble sous tension risque de mettre sous tension les pièces métalliques à découvert de l'outil électrique et d'électrocuter l'utilisateur.
2. **Utilisez des dispositifs de serrage ou un autre moyen pratique pour fixer et soutenir la pièce sur une plateforme stable.** La pièce sera instable et vous risquez d'en perdre la maîtrise si vous la tenez dans vos mains ou l'appuyez contre le corps.
3. **La tige de la fraise de coupe doit correspondre au mandrin à bague indiqué.**
4. **Utilisez uniquement une fraise dont la vitesse nominale est au moins égale à la vitesse maximale indiquée sur l'outil.**
5. **Portez des protège-tympans si vous utilisez l'outil pendant une période prolongée.**
6. **Manipulez les fraises de défonceuse avec beaucoup de précaution.**
7. **Vérifiez soigneusement l'absence de fissures ou de dommages sur les fraises de défonceuse avant l'utilisation. Remplacez immédiatement les fraises fissurées ou abîmées.**
8. **Prenez garde aux clous pendant la coupe. Avant de travailler votre pièce, inspectez-la et retirez-en tous les clous.**
9. **Tenez l'outil fermement à deux mains.**
10. **Gardez vos mains à l'écart des pièces en rotation.**
11. **Assurez-vous que la fraise de défonceuse n'est pas en contact avec la pièce avant de mettre l'outil en marche.**
12. **Avant d'utiliser l'outil sur une pièce, faites-le tourner un instant à vide. Soyez attentif aux vibrations ou sautilllements pouvant indiquer que la fraise n'est pas bien installée ou est mal équilibrée.**
13. **Faites attention au sens de rotation de la fraise de défonceuse et au sens d'avance.**
14. **N'abandonnez pas l'outil alors qu'il tourne. Ne faites fonctionner l'outil qu'une fois que vous l'avez bien en main.**
15. **Avant de retirer l'outil de la pièce, mettez toujours l'outil hors tension et attendez que la fraise de défonceuse soit complètement immobilisée.**
16. **Ne touchez pas la fraise de défonceuse immédiatement après avoir terminé le travail ; elle peut être très chaude et vous brûler la peau.**
17. **Prenez garde de ne pas tacher le socle de l'outil avec du diluant, de l'essence, de l'huile ou toute substance similaire. Elles peuvent entraîner des fissures sur le socle de l'outil.**
18. **Certains matériaux contiennent des produits chimiques qui peuvent être toxiques. Prenez les précautions nécessaires pour ne pas inhaler les poussières et pour éviter tout contact avec la peau. Suivez les données de sécurité du fournisseur du matériau.**
19. **Portez toujours un masque anti-poussières/un masque filtrant adapté au matériau travaillé et à l'application utilisée.**
20. **Placez l'outil sur une zone stable.** Autrement, une chute pourrait survenir et provoquer des blessures.
21. **Éloignez le cordon de vos pieds ou d'autres objets.** Autrement, un cordon enchevêtré peut provoquer une chute entraînant des blessures.

CONSERVEZ CES INSTRUCTIONS.

⚠ AVERTISSEMENT : NE vous laissez PAS tromper (au fil d'une utilisation répétée) par un sentiment d'aisance et de familiarité avec le produit, en négligeant le respect rigoureux des consignes de sécurité qui accompagnent le produit en question. La MAUVAISE UTILISATION de l'outil ou l'ignorance des consignes de sécurité indiquées dans ce mode d'emploi peut entraîner de graves blessures.

DESCRIPTION DU FONCTIONNEMENT

⚠ ATTENTION : Assurez-vous toujours que l'outil est hors tension et débranché avant de l'ajuster ou de vérifier son fonctionnement.

Réglage de la profondeur de la coupe

Placez l'outil sur une surface plane. Desserrez le levier de verrouillage et abaissez le corps de l'outil jusqu'à ce que la fraise de défonceuse entre légèrement en contact avec la surface plane. Serrez le levier de verrouillage pour verrouiller le corps de l'outil. Tout en appuyant sur le bouton d'avance rapide, déplacez en haut ou en bas la tige d'arrêt jusqu'à ce que vous obteniez la profondeur de coupe souhaitée. Il est possible de régler minutieusement la profondeur en tournant la tige d'arrêt (1,5 mm (1/16") par tour).

► **Fig.1:** 1. Écrou en nylon 2. Tige d'arrêt 3. Bouton d'avance rapide 4. Boulon hexagonal de réglage 5. Bloc butoir 6. Levier de verrouillage

⚠ ATTENTION : La profondeur de coupe ne doit pas être supérieure à 20 mm (13/16") par passe lors du rainurage. Pour un rainurage très profond, faites deux ou trois passes en augmentant progressivement la profondeur de la fraise de défonceuse.

Écrou en nylon

Pour les outils sans bouton

Vous pouvez régler la limite supérieure du corps de l'outil en tournant l'écrou en nylon. N'abaissez pas trop l'écrou en nylon. La fraise de défonceuse dépasserait alors dangereusement.

Pour les outils avec bouton

Vous pouvez régler la limite supérieure du corps de l'outil en tournant le bouton. Si le bout de la fraise de défonceuse se trouve trop en retrait par rapport à la surface de la semelle, tournez le bouton pour abaisser la limite supérieure.

► **Fig.2:** 1. Bouton

⚠ ATTENTION : Comme une coupe trop profonde risquerait de surcharger le moteur et de rendre difficile la maîtrise de l'outil, la profondeur de coupe ne doit pas être supérieure à 20 mm (13/16") par passe lors du rainurage. Si vous désirez rainurer sur une profondeur supérieure à 20 mm (13/16"), effectuez plusieurs passes en augmentant progressivement la profondeur de la fraise de défonceuse.

⚠ ATTENTION : N'abaissez pas trop le bouton. La fraise de défonceuse dépasserait alors dangereusement.

Bloc butoir

Le bloc butoir étant pourvu de trois boulons hexagonaux de réglage qui se soulèvent ou s'abaissent de 0,8 mm par tour, vous pouvez facilement obtenir trois profondeurs de coupe différentes sans avoir à rerégler la tige d'arrêt.

► **Fig.3:** 1. Tige d'arrêt 2. Boulon hexagonal de réglage 3. Bloc butoir

Réglez le boulon hexagonal de réglage le plus bas pour obtenir la profondeur de coupe la plus profonde en suivant la méthode indiquée dans « Réglage de la profondeur de la coupe ». Réglez les deux boulons hexagonaux de réglage restants pour obtenir des profondeurs de coupe moins profondes. Les différences de hauteur entre ces boulons hexagonaux de réglage sont égales aux différences entre les profondeurs de coupe. Pour ajuster les boulons hexagonaux de réglage, tournez-les avec un tournevis ou une clé. Le bloc butoir est également pratique pour effectuer trois passes en augmentant progressivement la profondeur de la fraise pour obtenir des rainures profondes.

Fonctionnement de l'interrupteur

⚠ ATTENTION : Avant de brancher l'outil, assurez-vous toujours que son interrupteur est en position d'arrêt.

⚠ ATTENTION : Assurez-vous que le blocage de l'arbre est relâché avant de mettre l'interrupteur sur la position de marche.

Pour démarrer l'outil, placez le levier d'interrupteur sur la position I. Pour arrêter l'outil, placez le levier d'interrupteur sur la position O.

► **Fig.4:** 1. Levier d'interrupteur

⚠ ATTENTION : Tenez fermement l'outil lorsque vous le mettez hors tension pour ne pas en perdre la maîtrise sous l'effet de la réaction.

Fonction électronique

L'outil est doté de fonctions électroniques pour en faciliter le fonctionnement.

Voyant lumineux

► **Fig.5:** 1. Voyant lumineux

Le voyant lumineux s'allume en vert lorsque l'outil est branché. Si le voyant lumineux ne s'allume pas, il se peut que le cordon secteur ou le contrôleur soit défectueux. Si le voyant lumineux est allumé, mais que l'outil ne démarre pas alors qu'il est sous tension, il se peut que les balais en carbone soient usés ou que le contrôleur, le moteur ou l'interrupteur Marche/Arrêt soit défectueux.

Protection contre le redémarrage accidentel

Même branché, l'outil ne démarre pas si le levier d'interrupteur est en position I.

À cet instant, le voyant lumineux clignote en rouge et indique que le dispositif de protection contre le redémarrage accidentel est activé. Pour désactiver la protection contre le redémarrage accidentel, déplacez le levier d'interrupteur sur la position O.

Fonction de démarrage en douceur

La fonction de démarrage progressif réduit le choc du démarrage et permet à l'outil de démarrer doucement.

ASSEMBLAGE

ATTENTION : Avant d'effectuer toute intervention sur l'outil, assurez-vous toujours qu'il est hors tension et débranché.

Pose ou dépose de la fraise de défonceuse

Insérez à fond la fraise de défonceuse dans le cône de serrage. Appuyez sur le blocage de l'arbre pour maintenir l'arbre immobile et utilisez la clé pour serrer solidement l'écrou de serrage. Si vous utilisez des fraises de défonceuse avec un petit diamètre de tige, commencez par insérer le manchon de serrage adéquat dans le cône de serrage, puis posez la fraise de défonceuse. Pour déposer la fraise de défonceuse, suivez la procédure de pose en sens inverse.

► **Fig.6:** 1. Blocage de l'arbre 2. Clé 3. Desserrer 4. Serrer

ATTENTION : Installez solidement la fraise de défonceuse. Veillez toujours à utiliser uniquement la clé fournie avec l'outil. Une fraise de défonceuse pas assez ou trop serrée représente un danger.

REMARQUE : Ne serrez pas l'écrou de serrage sans y avoir inséré une fraise de défonceuse ni n'installez de petites fraises pour arbre sans utiliser un manchon de serrage. Dans un cas comme dans l'autre, vous risqueriez de casser le cône de serrage.

UTILISATION

ATTENTION : Avant utilisation, assurez-vous toujours que le corps de l'outil se soulève automatiquement jusqu'à la limite supérieure et que la fraise de défonceuse ne dépasse pas du socle de l'outil lorsque le levier de verrouillage est desserré.

ATTENTION : Avant utilisation, assurez-vous toujours que le déflecteur de copeaux est correctement installé.

ATTENTION : Utilisez toujours les deux manches et tenez fermement l'outil par les deux manches pendant les tâches.

► **Fig.7:** 1. Déflecteur de copeaux

Placez le socle de l'outil sur la pièce à couper sans que la fraise de défonceuse touche quoi que ce soit. Mettez ensuite l'outil sous tension et attendez que la fraise de défonceuse ait atteint sa pleine vitesse. Abaissez le corps de l'outil et faites avancer l'outil sur la surface de la pièce, en maintenant le socle de l'outil au ras de la pièce et en progressant régulièrement jusqu'à ce que la coupe soit terminée.

Lorsque vous faites des coupes sur des bords, la surface de la pièce doit être du côté gauche de la fraise de défonceuse dans le sens d'avance.

► **Fig.8:** 1. Pièce 2. Sens de rotation de la fraise 3. Vue du haut de l'outil 4. Sens d'avance

NOTE : Si vous déplacez votre outil trop vite vers l'avant, vous risquez d'obtenir une coupe de qualité médiocre et d'endommager la fraise de défonceuse ou le moteur. Si vous déplacez l'outil trop lentement vers l'avant, vous risquez de brûler la pièce et de gâcher la coupe. La vitesse d'avance adéquate dépend du calibre de la fraise de défonceuse, de la nature de la pièce et de la profondeur de coupe.

Avant de commencer votre coupe sur la pièce, nous vous conseillons de faire un essai sur un morceau de chute de bois. Cela vous montrera exactement l'allure qu'aura votre coupe et vous permettra de vérifier les dimensions.

NOTE : Lorsque vous utilisez le guide de coupe rectiligne ou le guide d'affleurage, veillez à l'installer sur le côté droit dans le sens d'avance. Cela vous aidera à le garder bien en contact avec le côté de la pièce.

► **Fig.9:** 1. Sens d'avance 2. Sens de rotation de la fraise 3. Pièce 4. Guide de coupe rectiligne

Guide de coupe rectiligne

Le guide de coupe rectiligne est efficace pour obtenir des coupes droites lors du chanfreinage ou du rainurage.

Guide de coupe rectiligne (type A)

Accessoire en option

Installez le guide de coupe rectiligne sur le porte-guide avec la vis à oreilles (B). Insérez le porte-guide dans les orifices du socle de l'outil et serrez la vis à oreilles (A). Pour régler la distance entre la fraise de défonceuse et le guide de coupe rectiligne, desserrez la vis à oreilles (B) et tournez la vis de réglage fin. À la distance souhaitée, serrez la vis à oreilles (B) pour fixer le guide de coupe rectiligne en position.

► **Fig.10:** 1. Porte-guide 2. Vis de réglage fin 3. Guide de coupe rectiligne

Guide de coupe rectiligne (type B)

Accessoire en option

Insérez le guide de coupe rectiligne dans les orifices du socle de l'outil et serrez la vis à oreilles. Pour régler la distance entre la fraise de défonceuse et le guide de coupe rectiligne, desserrez la vis à oreilles. À la distance souhaitée, serrez la vis à oreilles pour fixer le guide de coupe rectiligne en position.

► **Fig.11:** 1. Vis à oreilles 2. Guide de coupe rectiligne

Lors de la coupe, déplacez l'outil avec le guide de coupe rectiligne bien en contact avec le côté de la pièce.

Il est possible d'obtenir un guide de coupe rectiligne plus large aux dimensions de votre choix en utilisant les orifices pratiques du guide pour boulonner des morceaux de bois supplémentaires.

Pour utiliser une fraise de défonceuse avec un grand diamètre, fixez sur le guide de coupe rectiligne des morceaux de bois d'une épaisseur supérieure à 15 mm (5/8") pour éviter que la fraise de défonceuse ne frappe contre le guide de coupe rectiligne.

► **Fig.12:** 1. Guide de coupe rectiligne 2. Bois

A=55 mm (2-3/16")

B=55 mm (2-3/16")

C=15 mm (5/8") ou plus épais

Guide de gabarit

Accessoire en option

Le guide de gabarit présente un manchon à travers lequel passe la fraise de défonceuse, permettant d'utiliser la défonceuse avec des modèles de gabarit.

► Fig.13

1. Desserrez les vis sur le socle, insérez le guide de gabarit, puis serrez les vis.

► Fig.14: 1. Vis 2. Guide de gabarit

2. Fixez le gabarit à la pièce. Placez l'outil sur le gabarit et déplacez l'outil avec le guide de gabarit glissant le long du côté du gabarit.

► Fig.15: 1. Fraise de défonceuse 2. Socle 3. Semelle 4. Gabarit 5. Pièce 6. Guide de gabarit

NOTE : La pièce sera coupée avec une taille légèrement différente du gabarit. Prévoyez la distance (X) entre la fraise de défonceuse et l'extérieur du guide de gabarit. L'équation suivante permet de calculer la distance (X) :

Distance (X) = (diamètre extérieur du guide de gabarit - diamètre de la fraise de défonceuse) / 2

Guide d'affleurage

Le guide d'affleurage permet d'effectuer aisément affleurage ou coupes courbes des bois de placage pour meuble ou autre. Le galet de guidage suit la courbe et assure une coupe précise.

Guide d'affleurage (type A)

Accessoire en option

Installez le guide d'affleurage sur le porte-guide avec la vis à oreilles (B). Insérez le porte-guide dans les orifices du socle de l'outil et serrez la vis à oreilles (A). Pour régler la distance entre la fraise de défonceuse et le guide d'affleurage, desserrez la vis à oreilles (B) et tournez la vis de réglage fin. Lorsque vous réglez le galet de guidage vers le haut ou le bas, desserrez la vis à oreilles (C). Après le réglage, serrez solidement toutes les vis à oreilles.

► Fig.16: 1. Porte-guide 2. Vis de réglage fin 3. Guide d'affleurage 4. Galet de guidage

Guide d'affleurage (type B)

Accessoire en option

Installez le guide d'affleurage sur le guide de coupe rectiligne au moyen des vis à oreilles (B). Insérez le guide de coupe rectiligne dans les orifices du socle de l'outil et serrez la vis à oreilles (A). Pour régler la distance entre la fraise de défonceuse et le guide d'affleurage, desserrez les vis à oreilles (B). Lorsque vous réglez le galet de guidage vers le haut ou le bas, desserrez la vis à oreilles (C). Après le réglage, serrez solidement toutes les vis à oreilles.

► Fig.17: 1. Galet de guidage 2. Guide d'affleurage

Lors de la coupe, déplacez l'outil avec le galet de guidage suivant le côté de la pièce.

► Fig.18: 1. Fraise de défonceuse 2. Galet de guidage 3. Pièce

Pare-poussière (Pour les outils avec bouton)

Accessoire en option

Le pare-poussière empêche la sciure de bois de pénétrer dans l'outil en position inversée.

Installez le pare-poussière comme illustré lorsque vous utilisez l'outil avec un support pour défonceuse en vente dans le commerce.

Retirez-le lorsque vous utilisez l'outil en position normale.

► Fig.19: 1. Vis 2. Pare-poussière

Entretoise (Pour les outils avec bouton)

Accessoire en option

L'entretoise empêche la fraise de défonceuse de tomber dans le mandrin lorsque vous la remplacez dans la position inversée.

Insérez l'entretoise comme illustré lorsque vous utilisez l'outil avec un support pour défonceuse en vente dans le commerce.

► Fig.20: 1. Écrou de serrage 2. Cône de serrage 3. Entretoise

Aspiration de la poussière

Accessoire en option

Utilisez le raccord à poussière pour aspirer la poussière.

► Fig.21: 1. Raccord à poussière

Installation du raccord à poussière

► Fig.22: 1. Support 2. Levier de verrouillage

1. Soulevez le levier de verrouillage du raccord à poussière.
 2. Placez le raccord à poussière sur le socle de l'outil de sorte que sa partie supérieure soit immobilisée par le crochet du socle de l'outil.
 3. Insérez les supports sur le raccord à poussière dans les crochets sur l'avant du socle de l'outil.
 4. Abaissez le levier de verrouillage sur le socle de l'outil.
 5. Raccordez un aspirateur au raccord à poussière.
- Fig.23

Retrait du raccord à poussière

1. Soulevez le levier de verrouillage.
2. Sortez le raccord à poussière du socle de l'outil tout en tenant les supports entre le pouce et l'index.

ENTRETIEN

⚠ ATTENTION : Assurez-vous toujours que l'outil est hors tension et débranché avant d'y effectuer tout travail d'inspection ou d'entretien.

REMARQUE : N'utilisez jamais d'essence, benzine, diluant, alcool ou autre produit similaire. Cela risquerait de provoquer la décoloration, la déformation ou la fissuration de l'outil.

Remplacement d'un balai en carbone

► Fig.24: 1. Repère d'usure

Vérifiez régulièrement les balais en carbone. Remplacez-les lorsqu'ils sont usés jusqu'au repère d'usure. Maintenez les balais en carbone propres et en état de glisser aisément dans les porte-charbons. Les deux balais en carbone doivent être remplacés en même temps. N'utilisez que des balais en carbone identiques.

1. Retirez les bouchons de porte-charbon à l'aide d'un tournevis.
2. Enlevez les balais en carbone usés, insérez les neufs et revissez solidement les bouchons de porte-charbon.

► Fig.25: 1. Bouchon de porte-charbon

Pour les outils avec bouton

⚠ ATTENTION : Veillez à remettre en place le bouton après avoir inséré des balais en carbone neufs.

Relâchez le levier de verrouillage et retirez le bouton en le tournant dans le sens inverse des aiguilles d'une montre.

► Fig.26: 1. Bouton

NOTE : Comme le ressort de compression s'échappera du bouton, prenez soin de ne pas le perdre.

Pour assurer la SÉCURITÉ et la FIABILITÉ du produit, toute réparation, tout travail d'entretien ou de réglage doivent être effectués par un centre d'entretien Makita agréé, avec des pièces de rechange Makita.

ACCESSOIRES EN OPTION

Fraises de défonceuse

Fraise droite

► Fig.27

Unité : mm

D	A	L1	L2
6	20	50	15
1/4"			
12	12	60	30
1/2"			
12	10	60	25
1/2"			
8	8	60	25
6	8	50	18
1/4"			
6	6	50	18
1/4"			

Fraise à rainurer en « U »

► Fig.28

Unité : mm

D	A	L1	L2	R
6	6	50	18	3

Fraise à rainurer en « V »

► Fig.29

Unité : mm

D	A	L1	L2	θ
1/4"	20	50	15	90°

Fraise à queue d'aronde

► Fig.30

Unité : mm

D	A	L1	L2	θ
8	14,5	55	10	35°
3/8"				
8	14,5	55	14,5	23°
3/8"				
8	12	50	9	30°
3/8"				

Fraise à affleurer à pointe de foret

► Fig.31

Unité : mm

D	A	L1	L2	L3
12	12	60	20	35
8	8	60	20	35
6	6	60	18	28

Fraise à affleurer à pointe de foret combinaison double

► Fig.32

Unité : mm

D	A	L1	L2	L3	L4
6	6	70	40	12	14

Fraise une taille à rainurer

► Fig.33

Unité : mm

D	A	L1	L2
12	30	55	6
1/2"			
12	30	55	3
1/2"			

Fraise à bouvetage mâle

► Fig.34

Unité : mm

D	A1	A2	L1	L2	L3
12	38	27	61	4	20

Fraise quart de rond

► Fig.35

Unité : mm

D	A1	A2	L1	L2	L3	R
6	25	9	48	13	5	8
6	20	8	45	10	4	4

Fraise à chanfreiner

► Fig.36

Unité : mm

D	A	L1	L2	L3	θ
6	23	46	11	6	30°
6	20	50	13	5	45°
6	20	49	14	2	60°

► Fig.37

Unité : mm

D	A1	A2	L1	L2	L3	C
12	30	20	55	12	20	4
1/2"						

Fraise à moulurer

► Fig.38

Unité : mm

D	A1	A2	L1	L2	L3	R
12	30	20	55	12	20	4
1/2"						

Fraise pour panneau mouluré en cavet

► Fig.39

Unité : mm

D	A	L1	L2	R
6	20	43	8	4
6	25	48	13	8

Fraise à affleurer à roulement

► Fig.40

Unité : mm

D	A	L1	L2
6	10	50	20
1/4"			

Fraise quart de rond à roulement

► Fig.41

Unité : mm

D	A1	A2	L1	L2	L3	R
6	15	8	37	7	3,5	3
6	21	8	40	10	3,5	6
1/4"	21	8	40	10	3,5	6

Fraise à chanfreiner à roulement

► Fig.42

Unité : mm

D	A1	A2	L1	L2	θ
6	26	8	42	12	45°
1/4"					
6	20	8	41	11	60°

Fraise à mouler à roulement

► Fig.43

Unité : mm

D	A1	A2	A3	L1	L2	L3	R
6	20	12	8	40	10	5,5	4
6	26	12	8	42	12	4,5	7

Fraise pour panneau mouluré en cavet à roulement

► Fig.44

Unité : mm

D	A1	A2	A3	A4	L1	L2	L3	R
6	20	18	12	8	40	10	5,5	3
6	26	22	12	8	42	12	5	5

Fraise à doucine à roulement

► Fig.45

Unité : mm

D	A1	A2	L1	L2	L3	R1	R2
6	20	8	40	10	4,5	2,5	4,5
6	26	8	42	12	4,5	3	6

Fraise quart de rond à double roulement

► Fig.46

Unité : mm

D	A1	A2	A3	L1	L2	L3	R
12	35	27	19	70	11	3,5	3
1/2"							

TECHNISCHE DATEN

Modell:	M3602
Spannzangenfutterkapazität	12 mm bzw. 1/2"
Hubhöhe	0 - 60 mm
Leerlaufdrehzahl	22.000 min ⁻¹
Gesamthöhe	300 mm
Nettogewicht	5,7 kg
Sicherheitsklasse	Ⓜ/II

- Wir behalten uns vor, Änderungen der technischen Daten im Zuge der Entwicklung und des technischen Fortschritts ohne vorherige Ankündigung vorzunehmen.
- Die technischen Daten können von Land zu Land unterschiedlich sein.
- Gewicht nach EPTA-Verfahren 01/2014

Vorgesehene Verwendung

Das Werkzeug ist zum Bündigräsen und Profildrehen von Holz, Kunststoff und ähnlichen Materialien vorgesehen.

Stromversorgung

Das Werkzeug sollte nur an eine Stromquelle angeschlossen werden, deren Spannung mit der Angabe auf dem Typenschild übereinstimmt, und kann nur mit Einphasen-Wechselstrom betrieben werden. Diese sind doppelt schutzisoliert und können daher auch an Steckdosen ohne Erdleiter verwendet werden.

Geräusch

Typischer A-bewerteter Geräuschpegel ermittelt gemäß EN62841-2-17:

Schalldruckpegel (L_{pA}): 87 dB (A)

Schallleistungspegel (L_{WA}): 95 dB (A)

Messunsicherheit (K): 3 dB (A)

HINWEIS: Der (Die) angegebene(n) Schallemissionswert(e) wurde(n) im Einklang mit der Standardprüfmethode gemessen und kann (können) für den Vergleich zwischen Werkzeugen herangezogen werden.

HINWEIS: Der (Die) angegebene(n) Schallemissionswert(e) kann (können) auch für eine Vorbewertung des Gefährdungsgrads verwendet werden.

⚠️ WARNUNG: Einen Gehörschutz tragen.

⚠️ WARNUNG: Die Schallemission während der tatsächlichen Benutzung des Elektrowerkzeugs kann je nach der Benutzungsweise des Werkzeugs, und speziell je nach der Art des bearbeiteten Werkstücks, von dem (den) angegebenen Wert(en) abweichen.

⚠️ WARNUNG: Identifizieren Sie Sicherheitsmaßnahmen zum Schutz des Benutzers anhand einer Schätzung des Gefährdungsgrads unter den tatsächlichen Benutzungsbedingungen (unter Berücksichtigung aller Phasen des Arbeitszyklus, wie z. B. Ausschalt- und Leerlaufzeiten des Werkzeugs zusätzlich zur Betriebszeit).

Schwingungen

Schwingungsgesamtwert (Drei-Achsen-Vektorsumme) ermittelt gemäß EN62841-2-17:

Arbeitsmodus: Nutenfräsen in MDF

Schwingungsemission (a_v): 3,1 m/s²

Messunsicherheit (K): 1,5 m/s²

HINWEIS: Der (Die) angegebene(n) Vibrationsgesamtwert(e) wurde(n) im Einklang mit der Standardprüfmethode gemessen und kann (können) für den Vergleich zwischen Werkzeugen herangezogen werden.

HINWEIS: Der (Die) angegebene(n) Vibrationsgesamtwert(e) kann (können) auch für eine Vorbewertung des Gefährdungsgrads verwendet werden.

⚠️ WARNUNG: Die Vibrationsemission während der tatsächlichen Benutzung des Elektrowerkzeugs kann je nach der Benutzungsweise des Werkzeugs, und speziell je nach der Art des bearbeiteten Werkstücks, von dem (den) angegebenen Emissionswert(en) abweichen.

⚠️ WARNUNG: Identifizieren Sie Sicherheitsmaßnahmen zum Schutz des Benutzers anhand einer Schätzung des Gefährdungsgrads unter den tatsächlichen Benutzungsbedingungen (unter Berücksichtigung aller Phasen des Arbeitszyklus, wie z. B. Ausschalt- und Leerlaufzeiten des Werkzeugs zusätzlich zur Betriebszeit).

Konformitätserklärungen

Nur für europäische Länder

Die Konformitätserklärungen sind in Anhang A dieser Betriebsanleitung enthalten.

Allgemeine Sicherheitswarnungen für Elektrowerkzeuge

⚠️ WARNUNG: Lesen Sie alle mit diesem Elektrowerkzeug gelieferten Sicherheitswarnungen, Anweisungen, Abbildungen und technischen Daten durch. Eine Missachtung der unten aufgeführten Anweisungen kann zu einem elektrischen Schlag, Brand und/oder schweren Verletzungen führen.

Bewahren Sie alle Warnungen und Anweisungen für spätere Bezugnahme auf.

Der Ausdruck „Elektrowerkzeug“ in den Warnhinweisen bezieht sich auf Ihr mit Netzstrom (mit Kabel) oder Akku (ohne Kabel) betriebenes Elektrowerkzeug.

Sicherheitswarnungen für Oberfräse

1. Halten Sie das Elektrowerkzeug nur an den isolierten Griffflächen, weil das Messer das eigene Kabel berühren kann. Bei Kontakt mit einem Strom führenden Kabel können die freiliegenden Metallteile des Elektrowerkzeugs ebenfalls Strom führend werden, so dass der Benutzer einen elektrischen Schlag erleiden kann.
2. Verwenden Sie Klemmen oder eine andere praktische Methode, um das Werkstück auf einer stabilen Unterlage zu sichern und abzustützen. Wenn Sie das Werkstück nur mit der Hand oder gegen Ihren Körper halten, befindet es sich in einer instabilen Lage, die zum Verlust der Kontrolle führen kann.
3. Der Einsatzschaft des Messers muss mit der dafür ausgelegten Spannzange übereinstimmen.
4. Verwenden Sie nur Einsätze, deren Drehzahl mindestens der auf dem Werkzeug angegebenen Maximaldrehzahl entspricht.
5. Tragen Sie bei längeren Betriebszeitspannen einen Gehörschutz.
6. Behandeln Sie die Oberfräseneinsätze mit größter Sorgfalt.
7. Überprüfen Sie den Oberfräseneinsatz vor dem Betrieb sorgfältig auf Risse oder Beschädigung. Wechseln Sie einen gerissenen oder beschädigten Einsatz unverzüglich aus.
8. Vermeiden Sie das Schneiden von Nägeln. Untersuchen Sie das Werkstück sorgfältig auf Nägel, und entfernen Sie diese vor der Bearbeitung.
9. Halten Sie das Werkzeug mit beiden Händen fest.
10. Halten Sie Ihre Hände von rotierenden Teilen fern.
11. Vergewissern Sie sich vor dem Einschalten des Werkzeugs, dass der Oberfräseneinsatz nicht das Werkstück berührt.

12. Lassen Sie das Werkzeug vor der eigentlichen Bearbeitung eines Werkstücks eine Weile laufen. Achten Sie auf Vibrationen oder Taumelbewegungen, die auf einen falsch montierten Einsatz hindeuten können.
13. Achten Sie sorgfältig auf die Drehrichtung und die Vorschubrichtung des Oberfräseneinsatzes.
14. Lassen Sie das Werkzeug nicht unbeaufsichtigt laufen. Benutzen Sie das Werkzeug nur im handgeführten Einsatz.
15. Schalten Sie das Werkzeug stets aus, und warten Sie, bis der Oberfräseneinsatz zum vollständigen Stillstand kommt, bevor Sie ihn aus dem Werkstück herausnehmen.
16. Vermeiden Sie eine Berührung des Oberfräseneinsatzes unmittelbar nach der Bearbeitung, weil er dann noch sehr heiß ist und Hautverbrennungen verursachen kann.
17. Beschmieren Sie die Grundplatte nicht achtlos mit Verdünnern, Benzin, Öl oder dergleichen. Diese Stoffe können Risse in der Grundplatte verursachen.
18. Manche Materialien können giftige Chemikalien enthalten. Treffen Sie Vorsichtsmaßnahmen, um das Einatmen von Arbeitsstaub und Hautkontakt zu verhindern. Befolgen Sie die Sicherheitsdaten des Materiallieferanten.
19. Verwenden Sie stets die korrekte Staubschutz-/Atemmaske für das jeweilige Material und die Anwendung.
20. Legen Sie das Werkzeug auf eine stabile Fläche. Anderenfalls kann das Werkzeug herunterfallen und schwere Verletzungen verursachen.
21. Halten Sie das Kabel von Ihren Füßen oder anderen Objekten fern. Anderenfalls kann ein verwickeltes Kabel einen Sturzunfall verursachen und zu Personenschäden führen.

BEWAHREN SIE DIESE ANLEITUNG AUF.

⚠️ WARNUNG: Lassen Sie sich NICHT durch Bequemlichkeit oder Vertrautheit mit dem Produkt (durch wiederholten Gebrauch erworben) von der strikten Einhaltung der Sicherheitsregeln für das vorliegende Produkt abhalten. MISSBRAUCH oder Missachtung der Sicherheitsvorschriften in dieser Anleitung können schwere Personenschäden verursachen.

FUNKTIONSBESCHREIBUNG

⚠ VORSICHT: Vergewissern Sie sich vor jeder Einstellung oder Funktionsprüfung des Werkzeugs stets, dass es ausgeschaltet und vom Stromnetz getrennt ist.

Einstellen der Frästiefe

Stellen Sie das Werkzeug auf eine ebene Fläche. Lösen Sie den Verriegelungshebel, und senken Sie den Werkzeugkörper ab, bis der Oberfräseneinsatz die ebene Fläche leicht berührt. Ziehen Sie den Verriegelungshebel an, um den Werkzeugkörper zu verriegeln. Während Sie den Schnellvorschubknopf drücken, heben oder senken Sie die Anschlagstange, bis die gewünschte Frästiefe erreicht ist. Feineinstellungen der Frästiefe können durch Drehen der Anschlagstange (1,5 mm (1/16") pro Umdrehung) bewirkt werden.

► **Abb. 1:** 1. Nylonmutter 2. Anschlagstange 3. Schnellvorschubknopf 4. Sechskant-Einstellschraube 5. Anschlagblock 6. Verriegelungshebel

⚠ VORSICHT: Beim Nutenfräsen sollte die Frästiefe pro Durchgang nicht mehr als 20 mm (13/16") betragen. Führen Sie für besonders tiefe Auskehlarbeiten zwei oder drei Durchgänge mit zunehmend tieferen Einstellungen des Oberfräseneinsatzes aus.

Nylonmutter

Für Werkzeug ohne den Knopf

Die Obergrenze des Fräskorbs kann durch Drehen der Nylonmutter eingestellt werden. Senken Sie die Nylonmutter nicht zu tief ab. Anderenfalls steht der Oberfräseneinsatz gefährlich weit über.

Für Werkzeug mit dem Knopf

Durch Drehen des Knopfes kann die Obergrenze des Werkzeugkörpers eingestellt werden. Wenn die Spitze des Oberfräseneinsatzes in Bezug auf die Grundplattenoberfläche weiter als nötig eingezogen wird, drehen Sie den Knopf, um die Obergrenze abzusenken.

► **Abb. 2:** 1. Knopf

⚠ VORSICHT: Da übermäßiges Fräsen eine Überlastung des Motors oder schwierige Kontrolle des Werkzeugs verursachen kann, sollte die Frästiefe beim Nutenfräsen nicht mehr als 20 mm (13/16") pro Durchgang betragen. Wenn Sie Nuten von mehr als 20 mm (13/16") Tiefe fräsen wollen, führen Sie mehrere Durchgänge mit zunehmend tieferen Einstellungen des Oberfräseneinsatzes aus.

⚠ VORSICHT: Senken Sie den Knopf nicht zu tief ab. Anderenfalls steht der Oberfräseneinsatz gefährlich weit über.

Anschlagblock

Da der Anschlagblock drei Sechskant-Einstellschrauben besitzt, die sich pro Umdrehung um 0,8 mm heben oder senken, können Sie problemlos drei verschiedene Frästiefen erzielen, ohne die Anschlagstange neu einstellen zu müssen.

► **Abb. 3:** 1. Anschlagstange 2. Sechskant-Einstellschraube 3. Anschlagblock

Stellen Sie die unterste Sechskant-Einstellschraube nach der Methode „Einstellen der Frästiefe“ ein, um die größte Frästiefe zu erhalten.

Stellen Sie die beiden übrigen Sechskant-Einstellschrauben ein, um flachere Frästiefen zu erhalten. Die Höhenunterschiede dieser Sechskant-Einstellschrauben entsprechen den Frästiefenunterschieden.

Drehen Sie die Sechskant-Einstellschrauben zum Einstellen mit einem Schraubendreher oder Schraubenschlüssel. Der Anschlagblock ist auch praktisch, um drei Durchgänge mit fortschreitend tieferen Fräseinstellungen durchzuführen, wenn tiefe Nuten gefräst werden.

Schalterfunktion

⚠ VORSICHT: Vergewissern Sie sich vor dem Anschließen des Werkzeugs an das Stromnetz stets, dass das Werkzeug ausgeschaltet ist.

⚠ VORSICHT: Vergewissern Sie sich vor dem Einschalten des Werkzeugs, dass die Spindelarretierung gelöst ist.

Zum Einschalten des Werkzeugs schieben Sie den Schalthebel auf die Position I.

Zum Ausschalten des Werkzeugs schieben Sie den Schalthebel auf die Position O.

► **Abb. 4:** 1. Schalthebel

⚠ VORSICHT: Halten Sie das Werkzeug beim Ausschalten mit festem Griff, um der Reaktionskraft entgegenzuwirken.

Elektronikfunktionen

Das Werkzeug ist für komfortablen Betrieb mit Elektronikfunktionen ausgestattet.

Anzeigelampe

► **Abb. 5:** 1. Anzeigenleuchte

Die Anzeigelampe leuchtet grün auf, wenn das Werkzeug angeschlossen wird. Leuchtet die Anzeigelampe nicht auf, ist möglicherweise das Netzkabel oder die Steuerschaltung defekt. Läuft das Werkzeug trotz leuchtender Anzeigelampe nicht an, wenn es eingeschaltet wird, sind möglicherweise die Kohlebürsten abgenutzt, oder die Steuerschaltung, der Motor oder der EIN/AUS-Schalter ist defekt.

Schutz vor ungewolltem Neustart

Das Werkzeug läuft nicht an, wenn der Schalthebel auf der Position I steht, selbst wenn der Netzstecker eingesteckt ist. In diesem Fall blinkt die Anzeigelampe rot, um anzuzeigen, dass die Schutzvorrichtung zur Verhinderung eines ungewollten Neustarts aktiviert ist.

Um den Schutz vor ungewolltem Neustart aufzuheben, bewegen Sie den Schalthebel auf die Position O.

Soft-Start-Funktion

Die Soft-Start-Funktion reduziert Anlaufstöße auf ein Minimum und bewirkt ruckfreies Anlaufen des Werkzeugs.

MONTAGE

⚠ VORSICHT: Vergewissern Sie sich vor der Ausführung von Arbeiten am Werkzeug stets, dass es ausgeschaltet und vom Stromnetz getrennt ist.

Montage und Demontage des Oberfräseenseinsatzes

Führen Sie den Oberfräseenseinsatz bis zum Anschlag in den Spannzangenkonus ein. Drücken Sie die Spindelarretierung, um die Spindel stationär zu halten, und ziehen Sie die Spannzangennutter mit dem Schraubenschlüssel fest. Wenn Sie Oberfräseenseätze mit kleinerem Schaftdurchmesser verwenden, setzen Sie zuerst eine passende Spannzangenhülse in den Spannzangenkonus ein, bevor Sie den Oberfräseenseinsatz einführen. Zum Abnehmen des Oberfräseenseinsatzes wenden Sie das Montageverfahren umgekehrt an.

► **Abb.6:** 1. Spindelarretierung 2. Schraubenschlüssel 3. Lösen 4. Anziehen

⚠ VORSICHT: Installieren Sie den Oberfräseenseinsatz sicher. Verwenden Sie stets nur den mit dem Werkzeug gelieferten Schraubenschlüssel. Ein loser oder zu fest angezogener Oberfräseenseinsatz kann gefährlich sein.

ANMERKUNG: Ziehen Sie die Spannzangennutter nicht an, ohne einen Oberfräseenseinsatz einzuführen, und setzen Sie auch keine Einsätze mit schmalem Schaft ein, ohne eine Spannzangenhülse zu verwenden. Beides kann zu einem Bruch des Spannzangenkonus führen.

BETRIEB

⚠ VORSICHT: Vergewissern Sie sich vor dem Betrieb stets, dass sich der Fräskorb automatisch bis zur Obergrenze hebt und der Oberfräseenseinsatz nicht von der Grundplatte übersteht, wenn der Verriegelungshebel gelöst wird.

⚠ VORSICHT: Vergewissern Sie sich vor dem Betrieb stets, dass der Späneabweiser ordnungsgemäß installiert ist.

⚠ VORSICHT: Benutzen Sie stets beide Griffe, und halten Sie das Werkzeug während des Betriebs an beiden Griffen fest.

► **Abb.7:** 1. Späneabweiser

Setzen Sie die Grundplatte auf das zu bearbeitende Werkstück auf, ohne dass der Oberfräseenseinsatz mit dem Werkstück in Berührung kommt. Schalten Sie dann das Werkzeug ein, und warten Sie, bis der Oberfräseenseinsatz die volle Drehzahl erreicht hat. Senken Sie den Fräskorb ab, und schieben Sie das Werkzeug bei flach aufliegender Grundplatte gleichmäßig über die Werkstückoberfläche vor, bis der Schnitt ausgeführt ist.

Beim Kantenfäsen sollte die Werkstückoberfläche auf der linken Seite des Oberfräseenseinsatzes in Vorschubrichtung liegen.

► **Abb.8:** 1. Werkstück 2. Einsatz-Drehrichtung 3. Ansicht von der Oberseite des Werkzeugs 4. Vorschubrichtung

HINWEIS: Zu schnelles Vorschieben des Werkzeugs kann schlechte Schnittqualität oder Beschädigung des Oberfräseenseinsatzes oder Motors zur Folge haben. Zu langsames Vorschieben des Werkzeugs kann Verbrennung oder Beschädigung des Schnitts zur Folge haben. Die korrekte Vorschubgeschwindigkeit hängt von der Größe des Oberfräseenseinsatzes, der Art des Werkstücks und der Frästiefe ab.

Bevor Sie den Schnitt am tatsächlichen Werkstück ausführen, ist es ratsam, einen Probeschnitt in einem Stück Abfallholz zu machen. Dies gibt Ihnen die Möglichkeit, das genaue Aussehen des Schnitts festzustellen und die Abmessungen zu überprüfen.

HINWEIS: Wenn Sie die Geradföhrung oder die Fräsenföhrung verwenden, halten Sie die Vorrichtung auf der rechten Seite in Vorschubrichtung. Dies trägt dazu bei, sie bündig mit der Seite des Werkstücks zu halten.

► **Abb.9:** 1. Vorschubrichtung 2. Einsatz-Drehrichtung 3. Werkstück 4. Geradföhrung

Geradföhrung

Die Geradföhrung ist effektiv, um gerade Schnitte beim Anfasen oder Rillenfräsen auszuführen.

Geradföhrung (Typ A)

Sonderzubehöhr

Montieren Sie die Geradföhrung mit der Flügelschraube (B) am Föhrungshalter. Föhren Sie den Föhrungshalter in die Löcher der Grundplatte ein, und ziehen Sie die Flügelschraube (A) fest. Um den Abstand zwischen Oberfräseenseinsatz und Geradföhrung einzustellen, lösen Sie die Flügelschraube (B), und drehen Sie die Feineinstellschraube. Ziehen Sie die Flügelschraube (B) am gewünschten Abstand fest, um die Geradföhrung zu sichern.

► **Abb.10:** 1. Föhrungshalter 2. Feineinstellschraube 3. Geradföhrung

Geradföhrung (Typ B)

Sonderzubehör

Föhren Sie die Geradföhrung in die Löhler der Grundplatte ein, und ziehen Sie die Flügelschraube fest. Um den Abstand zwischen Oberfräseneinsatz und Geradföhrung einzustellen, lösen Sie die Flügelschraube. Ziehen Sie die Flügelschraube am gewünschten Abstand fest, um die Geradföhrung zu sichern.

► **Abb.11:** 1. Flügelschraube 2. Geradföhrung

Schieben Sie das Werkzeug beim Fräsen so vor, dass die Geradföhrung an der Seite des Werkstücks anliegt. Eine breitere Geradföhrung der gewünschten Abmessungen kann angefertigt werden, indem die passenden Löhler in der Föhrung verwendet werden, um zusätzliche Holzstücke festzuschrauben. Wenn Sie einen Oberfräseneinsatz mit großem Durchmesser verwenden, befestigen Sie Holzstücke mit einer Dicke von mehr als 15 mm (5/8") an der Geradföhrung, um zu verhindern, dass der Einsatz die Geradföhrung beröhrt.

► **Abb.12:** 1. Geradföhrung 2. Holz

A=55 mm (2-3/16")

B=55 mm (2-3/16")

C=15 mm (5/8") oder dicker

Schablonenföhrung

Sonderzubehör

Die Schablonenföhrung weist eine Hölse auf, durch die der Oberfräseneinsatz hindurchgeht, so dass die Oberfräse mit Schablonenmustern verwendet werden kann.

► **Abb.13**

1. Lösen Sie die Schrauben an der Grundplatte, föhren Sie die Schablonenföhrung ein, und ziehen Sie dann die Schrauben an.

► **Abb.14:** 1. Schrauben 2. Schablonenföhrung

2. Befestigen Sie die Schablone am Werkstück. Setzen Sie das Werkzeug auf die Schablone, und bewegen Sie das Werkzeug so, dass die Schablonenföhrung entlang der Seitenkante der Schablone gleitet.

► **Abb.15:** 1. Oberfräseneinsatz 2. Grundplatte
3. Grundplatte 4. Schablone 5. Werkstück
6. Schablonenföhrung

HINWEIS: Das Werkstück wird auf eine geringfügig andere Größe als die Schablone zugeschnitten. Halten Sie einen Abstand (X) zwischen dem Oberfräseneinsatz und der Außenseite der Schablonenföhrung ein. Der Abstand (X) kann mit der folgenden Gleichung berechnet werden:

Abstand (X) = (Außendurchmesser der Schablonenföhrung - Oberfräseneinsatz-Durchmesser) / 2

Fräsenföhrung

Die Fräsenföhrung ermöglicht bequemes Fräsen und gebogene Schnitte in Furnierhölzern für Möbel und dergleichen. Die Föhrungsrolle folgt der Kurve und gewährleistet einen sauberen Schnitt.

Fräsenföhrung (Typ A)

Sonderzubehör

Montieren Sie die Fräsenföhrung mit der Flügelschraube (B) am Föhrungshalter. Föhren Sie den Föhrungshalter in die Löhler der Grundplatte ein, und ziehen Sie die Flügelschraube (A) fest. Um den Abstand zwischen Oberfräseneinsatz und Fräsenföhrung einzustellen, lösen Sie die Flügelschraube (B), und drehen Sie die Feineinstellschraube. Um die Föhrungsrolle anzuheben oder abzusenken, lösen Sie die Flügelschraube (C). Ziehen Sie nach der Einstellung alle Flügelschrauben sicher fest.

► **Abb.16:** 1. Föhrungshalter 2. Feineinstellschraube
3. Fräsenföhrung 4. Föhrungsrolle

Fräsenföhrung (Typ B)

Sonderzubehör

Montieren Sie die Fräsenföhrung mit den Flügelschrauben (B) an der Geradföhrung. Föhren Sie die Geradföhrung in die Löhler der Grundplatte ein, und ziehen Sie die Flügelschraube (A) fest. Um den Abstand zwischen Oberfräseneinsatz und Fräsenföhrung einzustellen, lösen Sie die Flügelschrauben (B). Um die Föhrungsrolle anzuheben oder abzusenken, lösen Sie die Flügelschraube (C). Ziehen Sie nach der Einstellung alle Flügelschrauben sicher fest.

► **Abb.17:** 1. Föhrungsrolle 2. Fräsenföhrung

Schieben Sie das Werkzeug beim Fräsen so vor, dass die Föhrungsrolle an der Seite des Werkstücks anliegt.

► **Abb.18:** 1. Oberfräseneinsatz 2. Föhrungsrolle
3. Werkstück

Staubfänger (für Werkzeug mit dem Knopf)

Sonderzubehör

Der Staubfänger verhindert das Ansaugen von Sägemehl durch das Werkzeug in umgekehrter Position. Montieren Sie den Staubfänger gemäß der Abbildung, wenn Sie das Werkzeug mit einem auf dem Markt erhältlichen Oberfräseneinsatz benutzen. Entfernen Sie das Teil, wenn Sie das Werkzeug in der Normalposition benutzen.

► **Abb.19:** 1. Schraube 2. Staubfänger

Distanzhölse (für Werkzeug mit dem Knopf)

Sonderzubehör

Die Distanzhölse verhindert, dass der Oberfräseneinsatz beim Auswechseln in umgekehrter Stellung in das Spannfutter fällt.

Montieren Sie die Distanzhölse gemäß der Abbildung, wenn Sie das Werkzeug mit einem auf dem Markt erhältlichen Oberfräseneinsatz benutzen.

► **Abb.20:** 1. Spannzangenmutter
2. Spannzangenkonus 3. Distanzhölse

Staubabsaugung

Sonderzubehör

Benutzen Sie den Absaugstutzen für Staubabsaugung.

► **Abb.21:** 1. Absaugstutzen

Montieren des Absaugstutzens

► **Abb.22:** 1. Stütze 2. Verriegelungshebel

1. Heben Sie den Verriegelungshebel des Absaugstutzens an.
 2. Setzen Sie den Absaugstutzen so auf die Grundplatte, dass sein Oberteil vom Haken der Grundplatte erfasst wird.
 3. Führen Sie die Stützen des Absaugstutzens in die Haken an der Vorderseite der Grundplatte ein.
 4. Drücken Sie den Verriegelungshebel nach unten auf die Grundplatte.
 5. Schließen Sie ein Sauggerät an den Absaugstutzen an.
- **Abb.23**

Demontieren des Absaugstutzens

1. Heben Sie den Verriegelungshebel an.
2. Ziehen Sie den Absaugstutzen aus der Grundplatte heraus, während Sie die Stützen zwischen Daumen und Zeigefinger halten.

WARTUNG

⚠ VORSICHT: Vergewissern Sie sich vor der Durchführung von Überprüfungen oder Wartungsarbeiten des Werkzeugs stets, dass es ausgeschaltet und vom Stromnetz getrennt ist.

ANMERKUNG: Verwenden Sie auf keinen Fall Benzin, Waschbenzin, Verdünner, Alkohol oder dergleichen. Solche Mittel können Verfärbung, Verformung oder Rissbildung verursachen.

Auswechseln der Kohlebürsten

► **Abb.24:** 1. Verschleißgrenze

Überprüfen Sie die Kohlebürsten regelmäßig. Wechseln Sie sie aus, wenn sie bis zur Verschleißgrenze abgenutzt sind. Halten Sie die Kohlebürsten stets sauber, damit sie ungehindert in den Haltern gleiten können. Beide Kohlebürsten sollten gleichzeitig ausgewechselt werden. Verwenden Sie nur identische Kohlebürsten.

1. Drehen Sie die Bürstenhalterkappen mit einem Schraubendreher heraus.
 2. Nehmen Sie die abgenutzten Kohlebürsten heraus, setzen Sie die neuen ein, und drehen Sie dann die Bürstenhalterkappen wieder ein.
- **Abb.25:** 1. Bürstenhalterkappe

Für Werkzeug mit dem Knopf

⚠ VORSICHT: Bringen Sie den Knopf nach dem Einsetzen der neuen Kohlebürste wieder an.

Lassen Sie den Verriegelungshebel los, und entfernen Sie den Knopf durch Drehen entgegen dem Uhrzeigersinn.

► **Abb.26:** 1. Knopf

HINWEIS: Die Druckfeder springt aus dem Knopf heraus. Achten Sie daher darauf, dass die Druckfeder nicht verloren geht.

Um die SICHERHEIT und ZUVERLÄSSIGKEIT dieses Produkts zu gewährleisten, sollten Reparaturen und andere Wartungs- oder Einstellarbeiten nur von Makita-Vertragswerkstätten oder Makita-Kundendienstzentren unter ausschließlicher Verwendung von Makita-Originalersatzteilen ausgeführt werden.

SONDERZUBEHÖR

Oberfräseneinsätze

Geradfräser

► **Abb.27**

Einheit: mm

D	A	L1	L2
6	20	50	15
1/4"			
12	12	60	30
1/2"			
12	10	60	25
1/2"			
8	8	60	25
6			
6	8	50	18
1/4"			
6	6	50	18
1/4"			

„U“-Nutenfräser

► **Abb.28**

Einheit: mm

D	A	L1	L2	R
6	6	50	18	3

„V“-Nutenfräser

► **Abb.29**

Einheit: mm

D	A	L1	L2	θ
1/4"	20	50	15	90°

Schwalbenschwanzfräser

► Abb.30

Einheit: mm

D	A	L1	L2	θ
8	14,5	55	10	35°
3/8"				
8	14,5	55	14,5	23°
3/8"				
8	12	50	9	30°
3/8"				

Bohrspitzen-Bündigfräser

► Abb.31

Einheit: mm

D	A	L1	L2	L3
12	12	60	20	35
8	8	60	20	35
6	6	60	18	28

Bohrspitzen-Doppelbündigfräser

► Abb.32

Einheit: mm

D	A	L1	L2	L3	L4
6	6	70	40	12	14

Langlochfräser

► Abb.33

Einheit: mm

D	A	L1	L2
12	30	55	6
1/2"			
12	30	55	3
1/2"			

Federfräser

► Abb.34

Einheit: mm

D	A1	A2	L1	L2	L3
12	38	27	61	4	20

Eckerrundungsfräser

► Abb.35

Einheit: mm

D	A1	A2	L1	L2	L3	R
6	25	9	48	13	5	8
6	20	8	45	10	4	4

Fasenfräser

► Abb.36

Einheit: mm

D	A	L1	L2	L3	θ
6	23	46	11	6	30°
6	20	50	13	5	45°
6	20	49	14	2	60°

► Abb.37

Einheit: mm

D	A1	A2	L1	L2	L3	C
12	30	20	55	12	20	4
1/2"						

Profilfräser

► Abb.38

Einheit: mm

D	A1	A2	L1	L2	L3	R
12	30	20	55	12	20	4
1/2"						

Hohlkehlen-Abrundfräser

► Abb.39

Einheit: mm

D	A	L1	L2	R
6	20	43	8	4
6	25	48	13	8

Kugellager-Bündigfräser

► Abb.40

Einheit: mm

D	A	L1	L2
6	10	50	20
1/4"			

Kugellager-Eckenrundungsfräser

► Abb.41

Einheit: mm

D	A1	A2	L1	L2	L3	R
6	15	8	37	7	3,5	3
6	21	8	40	10	3,5	6
1/4"	21	8	40	10	3,5	6

Kugellager-Fasenfräser

► Abb.42

Einheit: mm

D	A1	A2	L1	L2	θ
6	26	8	42	12	45°
1/4"					60°
6	20	8	41	11	60°

Kugellager-Abrundfräser

► Abb.43

Einheit: mm

D	A1	A2	A3	L1	L2	L3	R
6	20	12	8	40	10	5,5	4
6	26	12	8	42	12	4,5	7

Kugellager-Hohlkehlen-Abrundfräser

► Abb.44

Einheit: mm

D	A1	A2	A3	A4	L1	L2	L3	R
6	20	18	12	8	40	10	5,5	3
6	26	22	12	8	42	12	5	5

Kugellager-Kamies-Profilfräser

► Abb.45

Einheit: mm

D	A1	A2	L1	L2	L3	R1	R2
6	20	8	40	10	4,5	2,5	4,5
6	26	8	42	12	4,5	3	6

Doppelkugellager-Abrundfräser

► Abb.46

Einheit: mm

D	A1	A2	A3	L1	L2	L3	R
12	35	27	19	70	11	3,5	3
1/2"							

DATI TECNICI

Modello:	M3602
Capacità mandrino a pinza	12 mm o 1/2"
Capacità di tuffo	0 - 60 mm
Velocità a vuoto	22.000 min ⁻¹
Altezza complessiva	300 mm
Peso netto	5,7 kg
Classe di sicurezza	⊠/II

- In conseguenza del nostro programma di ricerca e sviluppo continui, i dati tecnici nel presente manuale sono soggetti a modifiche senza preavviso.
- I dati tecnici possono variare da nazione a nazione.
- Peso in base alla procedura EPTA 01/2014

Utilizzo previsto

Questo utensile è destinato alla rifilatura a raso e alla creazione di profili di legno, plastica e materiali analoghi.

Alimentazione

L'utensile deve essere collegato a una fonte di alimentazione con la stessa tensione indicata sulla targhetta del nome, e può funzionare solo a corrente alternata monofase. L'utensile è dotato di doppio isolamento, per cui può essere utilizzato con prese elettriche sprovviste di messa a terra.

Rumore

Livello tipico di rumore pesato A determinato in base allo standard EN62841-2-17:

Livello di pressione sonora (L_{pA}) : 87 dB (A)

Livello di potenza sonora (L_{WA}) : 95 dB (A)

Incertezza (K): 3 dB (A)

NOTA: Il valore o i valori dichiarati delle emissioni di rumori sono stati misurati in conformità a un metodo standard di verifica, e possono essere utilizzati per confrontare un utensile con un altro.

NOTA: Il valore o i valori dichiarati delle emissioni di rumori possono venire utilizzati anche per una valutazione preliminare dell'esposizione.

⚠AVVERTIMENTO: Indossare protezioni per le orecchie.

⚠AVVERTIMENTO: L'emissione di rumori durante l'utilizzo effettivo dell'utensile elettrico può variare rispetto al valore o ai valori dichiarati, a seconda dei modi in cui viene utilizzato l'utensile e specialmente a seconda di che tipo di pezzo venga lavorato.

⚠AVVERTIMENTO: Accertarsi di identificare misure di sicurezza per la protezione dell'operatore che siano basate su una stima dell'esposizione nelle condizioni effettive di utilizzo (tenendo conto di tutte le parti del ciclo operativo, ad esempio del numero di spegnimenti dell'utensile e di quando giri a vuoto, oltre al tempo di attivazione).

Vibrazioni

Valore totale delle vibrazioni (somma vettoriale triassiale) determinato in base allo standard EN62841-2-17: Modalità di lavoro: taglio di scanalature in MDF
Emissione di vibrazioni (a_h) : 3,1 m/s²
Incertezza (K): 1,5 m/s²

NOTA: Il valore o i valori complessivi delle vibrazioni dichiarati sono stati misurati in conformità a un metodo standard di verifica, e possono essere utilizzati per confrontare un utensile con un altro.

NOTA: Il valore o i valori complessivi delle vibrazioni dichiarati possono venire utilizzati anche per una valutazione preliminare dell'esposizione.

⚠AVVERTIMENTO: L'emissione delle vibrazioni durante l'utilizzo effettivo dell'utensile elettrico può variare rispetto al valore o ai valori dichiarati, a seconda dei modi in cui viene utilizzato l'utensile, specialmente a seconda di che tipo di pezzo venga lavorato.

⚠AVVERTIMENTO: Accertarsi di identificare misure di sicurezza per la protezione dell'operatore che siano basate su una stima dell'esposizione nelle condizioni effettive di utilizzo (tenendo conto di tutte le parti del ciclo operativo, ad esempio del numero di spegnimenti dell'utensile e di quando giri a vuoto, oltre al tempo di attivazione).

Dichiarazioni di conformità

Solo per i paesi europei

Le Dichiarazioni di conformità sono incluse nell'Allegato A al presente manuale d'uso.

Avvertenze generali relative alla sicurezza dell'utensile elettrico

⚠AVVERTIMENTO: Leggere tutte le avvertenze di sicurezza, le istruzioni, le illustrazioni e i dati tecnici forniti con il presente utensile elettrico. La mancata osservanza di tutte le istruzioni elencate di seguito potrebbe risultare in scosse elettriche, incendi e/o gravi lesioni personali.

Conservare tutte le avvertenze e le istruzioni come riferimento futuro.

Il termine "utensile elettrico" nelle avvertenze si riferisce sia all'utensile elettrico (cablato) nel funzionamento alimentato da rete elettrica che all'utensile elettrico (a batteria) nel funzionamento alimentato a batteria.

Avvertenze di sicurezza relative alla fresatrice verticale

1. **Mantenere l'utensile elettrico solo per le sue superfici di impugnatura isolate, poiché la lama potrebbe entrare in contatto con il proprio cavo di alimentazione.** Il taglio di un filo elettrico sotto tensione potrebbe mettere sotto tensione le parti metalliche esposte dell'utensile elettrico e dare una scossa elettrica all'operatore.
2. **Utilizzare delle morse o altri sistemi pratici per fissare e sostenere il pezzo in lavorazione su un piano stabile.** Un pezzo in lavorazione mantenuto in mano o contro il proprio corpo resta instabile, e può portare a una perdita di controllo.
3. **Il gambo della fresa da taglio deve corrispondere al mandrino a pinza designato.**
4. **Utilizzare esclusivamente una fresa che abbia una velocità nominale almeno equivalente alla velocità massima indicata sull'utensile.**
5. **Indossare protezioni per l'udito durante periodi prolungati di utilizzo.**
6. **Maneggiare le frese con estrema cautela.**
7. **Prima dell'uso, controllare con attenzione l'eventuale presenza nella fresa di spaccature o danni. Sostituire immediatamente una fresa spaccata o danneggiata.**
8. **Evitare di tagliare chiodi. Prima dell'uso, ispezionare il pezzo in lavorazione e rimuovere tutti i chiodi.**
9. **Mantenere saldamente l'utensile con entrambe le mani.**
10. **Tenere le mani lontane dalle parti rotanti.**
11. **Prima di attivare l'interruttore, accertarsi che la fresa non sia in contatto con il pezzo in lavorazione.**
12. **Prima di utilizzare l'utensile su un pezzo in lavorazione effettivo, lasciarlo funzionare a vuoto per un po' di tempo. Verificare l'eventuale presenza di vibrazioni od oscillazioni che potrebbero indicare una fresa installata in modo errato.**

13. **Fare attenzione alla direzione di rotazione e di avanzamento della fresa.**
14. **Non lasciare l'utensile mentre è in funzione. Far funzionare l'utensile solo tenendo in mano.**
15. **Prima di rimuovere l'utensile dal pezzo in lavorazione, è necessario sempre spegnerlo e attendere che la fresa si sia arrestata completamente.**
16. **Non toccare la fresa subito dopo l'uso; la sua temperatura potrebbe essere estremamente elevata e potrebbe causare ustioni.**
17. **Non macchiare per disattenzione la base dell'utensile con solvente, benzina, olio o prodotti simili. Tali prodotti possono causare spaccature nella base dell'utensile.**
18. **Alcuni materiali contengono sostanze chimiche potenzialmente tossiche. Fare attenzione a evitare l'inalazione delle polveri e il contatto con la pelle. Attenersi ai dati sulla sicurezza del fornitore del materiale.**
19. **Utilizzare sempre la mascherina antipolvere o il respiratore corretti per il materiale e l'applicazione con cui si intende lavorare.**
20. **Posizionare l'utensile su un'area stabile.** In caso contrario, si potrebbe verificare un incidente dovuto alla caduta che potrebbe causare lesioni personali.
21. **Tenere il cavo elettrico lontano dai piedi o da altri oggetti.** In caso contrario, un cavo elettrico impigliato potrebbe causare un incidente dovuto alla caduta e causare lesioni personali.

CONSERVARE LE PRESENTI ISTRUZIONI.

⚠AVVERTIMENTO: NON lasciare che comodità o la familiarità d'utilizzo con il prodotto (acquisita con l'uso ripetuto) sostituisca la stretta osservanza delle norme di sicurezza per il prodotto in questione. L'USO IMPROPRIO o la mancata osservanza delle norme di sicurezza indicate nel presente manuale di istruzioni potrebbero causare gravi lesioni personali.

DESCRIZIONE DELLE FUNZIONI

⚠ATTENZIONE: Accertarsi sempre che l'utensile sia spento e scollegato dall'alimentazione prima di regolare o controllare le sue funzioni.

Regolazione della profondità di taglio

Posizionare l'utensile su una superficie piana. Allentare la leva di blocco e abbassare il corpo dell'utensile fino a quando la fresa sfiora appena la superficie piana. Serrare la leva di blocco per bloccare il corpo dell'utensile. Tenendo premuto il pulsante di avanzamento rapido, spostare l'asta del fermo verso l'alto o verso il basso fino a ottenere la profondità di taglio desiderata. È possibile ottenere regolazioni precise della profondità ruotando l'asta del fermo (1,5 mm (1/16") per giro).

► **Fig.1:** 1. Dado in nylon 2. Asta del fermo 3. Pulsante di avanzamento rapido 4. Bullone esagonale di regolazione 5. Gruppo del fermo 6. Leva di blocco

⚠ATTENZIONE: La profondità di taglio non deve essere superiore a 20 mm (13/16") per passaggio, quando si tagliano scanalature. Per operazioni di scanalatura a grande profondità, effettuare due o tre passaggi con impostazioni progressivamente più profonde della fresa.

Dado in nylon

Per utensili privi di manopola

È possibile regolare il limite superiore del corpo dell'utensile ruotando il dado in nylon. Non abbassare eccessivamente il dado in nylon. In caso contrario, la fresa sporge pericolosamente.

Per utensili dotati di manopola

È possibile regolare il limite superiore del corpo dell'utensile ruotando la manopola. Quando la punta della fresa è ritratta più del necessario in relazione alla superficie della piastra di base, ruotare la manopola per abbassare il limite superiore.

► **Fig.2:** 1. Manopola

⚠ATTENZIONE: Poiché un taglio eccessivo potrebbe causare il sovraccarico del motore o difficoltà nel controllare l'utensile, la profondità di taglio non deve essere superiore a 20 mm (13/16") per passaggio, quando si tagliano scanalature. Quando si desidera tagliare scanalature di profondità superiore a 20 mm (13/16"), effettuate svariati passaggi con impostazioni progressivamente più profonde della fresa.

⚠ATTENZIONE: Non abbassare eccessivamente la manopola. In caso contrario, la fresa sporge pericolosamente.

Gruppo del fermo

Poiché il gruppo del fermo dispone di tre bulloni esagonali di regolazione che si alzano o si abbassano di 0,8 mm per giro, è possibile ottenere facilmente tre diverse profondità di taglio senza dover regolare di nuovo l'asta del fermo.

► **Fig.3:** 1. Asta del fermo 2. Bullone esagonale di regolazione 3. Gruppo del fermo

Regolare il bullone esagonale di regolazione più basso per ottenere la maggiore profondità di taglio, attenendosi al metodo della "Regolazione della profondità di taglio". Regolare i due bulloni esagonali di regolazione restanti per ottenere profondità di taglio più superficiali. Le differenze di altezza di questi bulloni esagonali di regolazione sono pari alle differenze nelle profondità di taglio. Per regolare i bulloni esagonali di regolazione, ruotarli con un cacciavite o una chiave. Il gruppo del fermo è comodo anche per effettuare tre passaggi impostando profondità progressivamente maggiori della fresa quando si intende tagliare scanalature profonde.

Funzionamento dell'interruttore

⚠ATTENZIONE: Prima di collegare l'utensile all'alimentazione elettrica, verificare sempre che sia spento.

⚠ATTENZIONE: Prima di attivare l'interruttore, accertarsi che il blocco albero sia sbloccato.

Per avviare l'utensile, spostare la leva dell'interruttore sulla posizione "I".

Per arrestare l'utensile, spostare la leva dell'interruttore sulla posizione "O".

► **Fig.4:** 1. Leva dell'interruttore

⚠ATTENZIONE: Quando si intende spegnere l'utensile, mantenerlo saldamente per controllarne la reazione.

Funzione elettronica

L'utensile è dotato di funzioni elettroniche, per un facile utilizzo.

Indicatore luminoso

► **Fig.5:** 1. Indicatore luminoso

L'indicatore luminoso si illumina in verde quando l'utensile è collegato alla presa elettrica. Qualora l'indicatore luminoso non si illumini, il cavo di alimentazione o il dispositivo di controllo potrebbero essere guasti. Qualora l'indicatore luminoso sia illuminato ma l'utensile non si avvia anche se viene acceso, le spazzole in carbonio potrebbero essere usurate, oppure il dispositivo di controllo, il motore o l'interruttore di accensione/spegnimento potrebbero essere guasti.

Sicura contro il riavvio involontario

L'utensile non si avvia quando la leva dell'interruttore è nella posizione I, anche quando l'utensile viene collegato alla presa elettrica. In questa situazione, l'indicatore luminoso lampeggia in rosso e mostra che si è attivata la sicura contro il riavvio involontario. Per disattivare la sicura contro il riavvio involontario, spostare la leva dell'interruttore sulla posizione O.

Funzione di avvio morbido

La funzione di avvio morbido riduce al minimo l'impatto all'avvio, e fa avviare l'utensile in modo fluido.

MONTAGGIO

ATTENZIONE: Accertarsi sempre che l'utensile sia spento e scollegato dall'alimentazione elettrica, prima di effettuare qualsiasi intervento su di esso.

Installazione o rimozione della fresa

Inserire la fresa fino in fondo nella pinza. Premere il blocco albero per tenere fermo l'albero, quindi utilizzare la chiave per serrare saldamente il dado portapinza. Quando si intende utilizzare frese con diametro del gambo più piccolo, inserire innanzitutto la bussola di riduzione per pinza appropriata nella pinza, quindi installare la fresa.

Per rimuovere la fresa, seguire la procedura di installazione al contrario.

► **Fig.6:** 1. Blocco albero 2. Chiave 3. Per allentare 4. Per serrare

ATTENZIONE: Installare saldamente la fresa. Utilizzare esclusivamente la chiave in dotazione con l'utensile. Una fresa allentata o serrata eccessivamente può essere pericolosa.

AVVISO: Non serrare il dado portapinza senza aver inserito una fresa, né installare punte con gambo piccolo senza utilizzare una bussola di riduzione per pinza. Entrambe queste operazioni possono portare alla rottura della pinza.

FUNZIONAMENTO

ATTENZIONE: Prima dell'uso, accertarsi sempre che il corpo dell'utensile si sollevi automaticamente fino al limite superiore e che la fresa non sporga dalla base dell'utensile quando si allenta la leva di blocco.

ATTENZIONE: Prima dell'uso, accertarsi sempre che il paraschegge sia installato correttamente.

ATTENZIONE: Utilizzare sempre entrambe le impugnature e mantenere saldamente l'utensile mediante entrambe le impugnature durante l'uso.

► **Fig.7:** 1. Paraschegge

Sistemare la base dell'utensile sul pezzo in lavorazione da tagliare, evitando che la fresa entri in contatto con il pezzo. Quindi, accendere l'utensile e attendere che la fresa raggiunga la piena velocità. Abbassare il corpo dell'utensile e spostare quest'ultimo in avanti sulla superficie del pezzo in lavorazione, mantenendo la base dell'utensile a filo e avanzando in modo uniforme fino al completamento del taglio.

Quando si intende tagliare bordi, la superficie del pezzo in lavorazione deve trovarsi sul lato sinistro della fresa nella direzione di avanzamento.

► **Fig.8:** 1. Pezzo in lavorazione 2. Direzione di rotazione della fresa 3. Vista dall'alto dell'utensile 4. Direzione di avanzamento

NOTA: Qualora si faccia avanzare l'utensile troppo velocemente, si potrebbe causare una qualità scadente del taglio, oppure danneggiare la fresa o il motore. Qualora si faccia avanzare l'utensile troppo lentamente, si potrebbe bruciare e rovinare il taglio. La velocità di avanzamento corretto dipende dalle dimensioni della fresa, dal tipo di pezzo in lavorazione e dalla profondità di taglio.

Prima di iniziare il taglio sul pezzo in lavorazione effettivo, è consigliabile effettuare un taglio di prova su un pezzo di legno di scarto. Questa operazione consente di mostrare esattamente l'aspetto che avrà il taglio, nonché di controllare le dimensioni.

NOTA: Quando si intende utilizzare la guida di allineamento o la guida di rifilatura, accertarsi di installarla sul lato destro nella direzione di avanzamento. Questo aiuta a mantenerla a filo con il lato del pezzo in lavorazione.

► **Fig.9:** 1. Direzione di avanzamento 2. Direzione di rotazione della fresa 3. Pezzo in lavorazione 4. Guida di allineamento

Guida di allineamento

La guida di allineamento può essere utilizzata in modo efficace per ottenere tagli diritti durante la smussatura o la scanalatura.

Guida di allineamento (tipo A)

Accessorio opzionale

Installare la guida di allineamento nel supporto della guida con la vite a testa zigrinata (B). Inserire il supporto della guida nei fori presenti nella base dell'utensile e serrare la vite a testa zigrinata (A). Per regolare la distanza tra la fresa e la guida di allineamento, allentare la vite a testa zigrinata (B) e ruotare la vite di regolazione fine. Alla distanza desiderata, serrare la vite a testa zigrinata (B) per fissare la guida di allineamento in sede.

► **Fig.10:** 1. Supporto della guida 2. Vite di regolazione fine 3. Guida di allineamento

Guida di allineamento (tipo B)

Accessorio opzionale

Inserire la guida di allineamento nei fori presenti nella base dell'utensile e serrare la vite a testa zigrinata. Per regolare la distanza tra la fresa e la guida di allineamento, allentare la vite a testa zigrinata. Alla distanza desiderata, serrare la vite a testa zigrinata per fissare la guida di allineamento in sede.

► **Fig.11:** 1. Vite a testa zigrinata 2. Guida di allineamento

Durante il taglio, spostare l'utensile con la guida di allineamento a filo con il lato del pezzo in lavorazione. È possibile realizzare una guida di allineamento più larga con le dimensioni desiderate utilizzando gli appositi fori sulla guida per avvitarsi pezzi di legno aggiuntivi. Quando si intende utilizzare una fresa di ampio diametro, applicare alla guida di allineamento dei pezzi di legno con uno spessore superiore a 15 mm (5/8") per evitare che la fresa colpisca la guida di allineamento.

► **Fig.12:** 1. Guida di allineamento 2. Legno

A=55 mm (2-3/16")

B=55 mm (2-3/16")

C=15 mm (5/8") o più spesso

Guida per sagome

Accessorio opzionale

La guida per sagome è dotata di un manicotto attraverso il quale passa la fresa, per consentire l'utilizzo della fresatrice verticale con motivi su sagome.

► Fig.13

1. Allentare le viti sulla base, inserire la guida per sagome, quindi serrare le viti.

► Fig.14: 1. Viti 2. Guida per sagome

2. Fissare la sagoma al pezzo in lavorazione.

Posizionare l'utensile sulla sagoma e spostarlo insieme alla guida per sagome, scivolando lungo il fianco della sagoma.

► Fig.15: 1. Fresa 2. Base 3. Piastra di base 4. Sagoma 5. Pezzo in lavorazione 6. Guida per sagome

NOTA: Il pezzo in lavorazione viene tagliato con una dimensione leggermente diversa rispetto alla sagoma. Considerare una distanza (X) tra la fresa e la parte esterna della guida per sagome. La distanza (X) può venire calcolata utilizzando l'equazione seguente:

Distanza (X) = (diametro esterno della guida per sagome - diametro della fresa) / 2

Guida di rifilatura

Con la guida di rifilatura, è possibile realizzare facilmente rifilature, tagli curvi in impiallacciate per mobili e simili. Il rullo della guida segue la curva e assicura un taglio preciso.

Guida di rifilatura (tipo A)

Accessorio opzionale

Installare la guida di rifilatura nel supporto della guida con la vite a testa zigrinata (B). Inserire il supporto della guida nei fori presenti nella base dell'utensile e serrare la vite a testa zigrinata (A). Per regolare la distanza tra la fresa e la guida di rifilatura, allentare la vite a testa zigrinata (B) e ruotare la vite di regolazione fine. Quando si intende regolare il rullo della guida verso l'alto o verso il basso, allentare la vite a testa zigrinata (C). Dopo la regolazione, serrare saldamente tutte le viti a testa zigrinata.

► Fig.16: 1. Supporto della guida 2. Vite di regolazione fine 3. Guida di rifilatura 4. Rullo della guida

Guida di rifilatura (tipo B)

Accessorio opzionale

Installare la guida di rifilatura sulla guida di allineamento utilizzando le viti a testa zigrinata (B). Inserire la guida di allineamento nei fori presenti nella base dell'utensile e serrare la vite a testa zigrinata (A). Per regolare la distanza tra la fresa e la guida di rifilatura, allentare la vite a testa zigrinata (B). Quando si intende regolare il rullo della guida verso l'alto o verso il basso, allentare la vite a testa zigrinata (C). Dopo la regolazione, serrare saldamente tutte le viti a testa zigrinata.

► Fig.17: 1. Rullo della guida 2. Guida di rifilatura

Durante il taglio, spostare l'utensile con il rullo della guida che segue il fianco del pezzo in lavorazione.

► Fig.18: 1. Fresa 2. Rullo della guida 3. Pezzo in lavorazione

Copertura antipolvere (per utensili dotati di manopola)

Accessorio opzionale

La copertura antipolvere evita che la segatura venga attirata nell'utensile quando è nella posizione invertita. Installare la copertura antipolvere come indicato nella figura quando si intende utilizzare l'utensile con un supporto per fresatrice verticale disponibile in commercio. Rimuoverla quando si intende utilizzare l'utensile nella posizione normale.

► Fig.19: 1. Vite 2. Copertura antipolvere

Distanziatore (per utensili dotati di manopola)

Accessorio opzionale

Il distanziatore evita che la fresa cada nel mandrino quando si intende sostituire la fresa nella posizione invertita.

Installare il distanziatore come indicato nella figura quando si intende utilizzare l'utensile con un supporto per fresatrice verticale disponibile in commercio.

► Fig.20: 1. Dado portapinza 2. Pinza 3. Distanziatore

Estrazione delle polveri

Accessorio opzionale

Per l'estrazione delle polveri, utilizzare la bocchetta per le polveri.

► Fig.21: 1. Bocchetta per le polveri

Installazione della bocchetta per le polveri

► Fig.22: 1. Supporto 2. Leva di blocco

1. Sollevare la leva di blocco della bocchetta per le polveri.

2. Posizionare la bocchetta per le polveri sulla base dell'utensile in modo che la sua parte superiore si innesti nel gancio sulla base dell'utensile.

3. Inserire i supporti presenti sulla bocchetta per le polveri nei ganci presenti sulla parte anteriore della base dell'utensile.

4. Premere verso il basso la leva di blocco sulla base dell'utensile.

5. Collegare un aspirapolvere alla bocchetta per le polveri.

► Fig.23

Rimozione della bocchetta per le polveri

1. Sollevare la leva di blocco.

2. Tirare la bocchetta per le polveri fuori dalla base dell'utensile mentre si mantengono i supporti tra il pollice e l'indice.

MANUTENZIONE

⚠ATTENZIONE: Accertarsi sempre che l'utensile sia spento e scollegato dall'alimentazione elettrica, prima di tentare di eseguire interventi di ispezione o manutenzione.

AVVISO: Non utilizzare mai benzina, benzene, solventi, alcol o altre sostanze simili. In caso contrario, si potrebbero causare scolorimenti, deformazioni o crepe.

Sostituzione delle spazzole in carbonio

► **Fig.24:** 1. Indicatore di limite

Controllare a intervalli regolari le spazzole in carbonio. Sostituirle quando si sono usurate fino all'indicatore di limite. Mantenere sempre le spazzole in carbonio pulite e facili da inserire negli alloggiamenti. Entrambe le spazzole in carbonio vanno sostituite contemporaneamente. Utilizzare solo spazzole in carbonio identiche.

1. Utilizzare un cacciavite per rimuovere i cappucci degli alloggiamenti delle spazzole.
2. Estrarre le spazzole in carbonio consumate, inserire quelle nuove e fissare i cappucci degli alloggiamenti delle spazzole.

► **Fig.25:** 1. Cappuccio dell'alloggiamento della spazzola

Per utensili dotati di manopola

⚠ATTENZIONE: Accertarsi di reinstallare la manopola dopo aver inserito una nuova spazzola in carbonio.

Sbloccare la leva di blocco e rimuovere la manopola ruotandola in senso antiorario.

► **Fig.26:** 1. Manopola

NOTA: La molla di compressione fuoriesce dalla manopola, pertanto fare attenzione a non perdere la molla di compressione.

Per preservare la SICUREZZA e l'AFFIDABILITÀ del prodotto, le riparazioni e qualsiasi altro intervento di manutenzione e di regolazione devono essere eseguiti da un centro di assistenza autorizzato Makita, utilizzando sempre ricambi Makita.

ACCESSORI OPZIONALI

Frese

Fresa dritta

► **Fig.27**

Unità: mm

D	A	L1	L2
6	20	50	15
1/4"			
12	12	60	30
1/2"			
12	10	60	25
1/2"			
8	8	60	25
6	8	50	18
1/4"			
6	6	50	18
1/4"			

Fresa per scanalatura a "U"

► **Fig.28**

Unità: mm

D	A	L1	L2	R
6	6	50	18	3

Fresa per scanalatura a "V"

► **Fig.29**

Unità: mm

D	A	L1	L2	θ
1/4"	20	50	15	90°

Fresa a coda di rondine

► **Fig.30**

Unità: mm

D	A	L1	L2	θ
8	14,5	55	10	35°
3/8"				
8	14,5	55	14,5	23°
3/8"				
8	12	50	9	30°
3/8"				

Fresa rifilatrice a raso con punta da trapano

► Fig.31

Unità: mm

D	A	L1	L2	L3
12	12	60	20	35
8	8	60	20	35
6	6	60	18	28

Fresa rifilatrice a raso doppia con punta da trapano

► Fig.32

Unità: mm

D	A	L1	L2	L3	L4
6	6	70	40	12	14

Fresa per scanalature

► Fig.33

Unità: mm

D	A	L1	L2
12	30	55	6
1/2"			
12	30	55	3
1/2"			

Fresa per incastri

► Fig.34

Unità: mm

D	A1	A2	L1	L2	L3
12	38	27	61	4	20

Fresa per arrotondare gli angoli

► Fig.35

Unità: mm

D	A1	A2	L1	L2	L3	R
6	25	9	48	13	5	8
6	20	8	45	10	4	4

Fresa per smussatura

► Fig.36

Unità: mm

D	A	L1	L2	L3	θ
6	23	46	11	6	30°
6	20	50	13	5	45°
6	20	49	14	2	60°

► Fig.37

Unità: mm

D	A1	A2	L1	L2	L3	C
12	30	20	55	12	20	4
1/2"						

Fresa per modanatura

► Fig.38

Unità: mm

D	A1	A2	L1	L2	L3	R
12	30	20	55	12	20	4
1/2"						

Fresa per modanatura concava

► Fig.39

Unità: mm

D	A	L1	L2	R
6	20	43	8	4
6	25	48	13	8

Fresa rifilatrice a raso con cuscinetto a sfere

► Fig.40

Unità: mm

D	A	L1	L2
6	10	50	20
1/4"			

Fresa per arrotondare gli angoli con cuscinetto a sfere

► Fig.41

Unità: mm

D	A1	A2	L1	L2	L3	R
6	15	8	37	7	3,5	3
6	21	8	40	10	3,5	6
1/4"	21	8	40	10	3,5	6

Fresa per smussatura con cuscinetto a sfere

► Fig.42

Unità: mm

D	A1	A2	L1	L2	θ
6	26	8	42	12	45°
1/4"					
6	20	8	41	11	60°

Fresa per modanatura con cuscinetto a sfere

► Fig.43

Unità: mm

D	A1	A2	A3	L1	L2	L3	R
6	20	12	8	40	10	5,5	4
6	26	12	8	42	12	4,5	7

Fresa per modanatura concava con cuscinetto a sfere

► Fig.44

Unità: mm

D	A1	A2	A3	A4	L1	L2	L3	R
6	20	18	12	8	40	10	5,5	3
6	26	22	12	8	42	12	5	5

Fresa per modanatura a S con cuscinetto a sfere

► Fig.45

Unità: mm

D	A1	A2	L1	L2	L3	R1	R2
6	20	8	40	10	4,5	2,5	4,5
6	26	8	42	12	4,5	3	6

Fresa per angolo arrotondato con doppio cuscinetto a sfere

► Fig.46

Unità: mm

D	A1	A2	A3	L1	L2	L3	R
12	35	27	19	70	11	3,5	3
1/2"							

TECHNISCHE GEGEVENS

Model:	M3602
Capaciteit van spankop	12 mm of 1/2"
Capaciteit invalfrezen	0 - 60 mm
Nullasttoerental	22.000 min ⁻¹
Totale hoogte	300 mm
Nettogewicht	5,7 kg
Veiligheidsklasse	Ⓜ/II

- In verband met ononderbroken research en ontwikkeling behouden wij ons het recht voor bovenstaande technische gegevens te wijzigen zonder voorafgaande kennisgeving.
- De technische gegevens kunnen van land tot land verschillen.
- Gewicht volgens EPTA-procedure 01/2014

Gebruiksdoeleinden

Het gereedschap is bedoeld voor het afkantrimmen en profileren van hout, kunststof en soortgelijke materialen.

Voeding

Het gereedschap mag alleen worden aangesloten op een voeding van dezelfde spanning als aangegeven op het typeplaatje, en kan alleen worden gebruikt op enkelfase-wisselstroom. Het gereedschap is dubbel-geïsoleerd en kan derhalve ook op een niet-geaard stopcontact worden aangesloten.

Geluidsniveau

De typische, A-gewogen geluidsniveaus zijn gemeten volgens EN62841-2-17:

Geluidsdrukniveau (L_{pA}): 87 dB (A)

Geluidsvermogeniveau (L_{WA}): 95 dB (A)

Onzekerheid (K): 3 dB (A)

OPMERKING: De opgegeven geluidsemissiewaarde(n) is/zijn gemeten volgens een standaardtestmethode en kan/kunnen worden gebruikt om dit gereedschap te vergelijken met andere gereedschappen.

OPMERKING: De opgegeven geluidsemissiewaarde(n) kan/kunnen ook worden gebruikt voor een beoordeling vooraf van de blootstelling.

⚠WAARSCHUWING: Draag gehoorbescherming.

⚠WAARSCHUWING: De geluidsemissie tijdens het gebruik van het elektrisch gereedschap in de praktijk kan verschillen van de opgegeven waarde(n) afhankelijk van de manier waarop het gereedschap wordt gebruikt, met name van het soort werkstuk waarmee wordt gewerkt.

⚠WAARSCHUWING: Zorg ervoor dat veiligheidsmaatregelen worden getroffen ter bescherming van de gebruiker die zijn gebaseerd op een schatting van de blootstelling onder praktijkomstandigheden (rekening houdend met alle fasen van de bedrijfscyclus, zoals de tijdsduur gedurende welke het gereedschap is uitgeschakeld en stationair draait, naast de ingeschakelde tijdsduur).

Trilling

De totale trillingswaarde (triaxiale vectorsom) zoals vastgesteld volgens EN62841-2-17:

Gebruikstoepassing: Groeven frezen in MDF

Trillingsemissie (a_h): 3,1 m/s²

Onzekerheid (K): 1,5 m/s²

OPMERKING: De totale trillingswaarde(n) is/zijn gemeten volgens een standaardtestmethode en kan/kunnen worden gebruikt om dit gereedschap te vergelijken met andere gereedschappen.

OPMERKING: De opgegeven totale trillingswaarde(n) kan/kunnen ook worden gebruikt voor een beoordeling vooraf van de blootstelling.

⚠WAARSCHUWING: De trillingsemissie tijdens het gebruik van het elektrisch gereedschap in de praktijk kan verschillen van de opgegeven waarde(n) afhankelijk van de manier waarop het gereedschap wordt gebruikt, met name van het soort werkstuk waarmee wordt gewerkt.

⚠WAARSCHUWING: Zorg ervoor dat veiligheidsmaatregelen worden getroffen ter bescherming van de gebruiker die zijn gebaseerd op een schatting van de blootstelling onder praktijkomstandigheden (rekening houdend met alle fasen van de bedrijfscyclus, zoals de tijdsduur gedurende welke het gereedschap is uitgeschakeld en stationair draait, naast de ingeschakelde tijdsduur).

Verklaringen van conformiteit

Alleen voor Europese landen

De verklaringen van conformiteit zijn bijgevoegd in Bijlage A bij deze gebruiksaanwijzing.

Algemene veiligheidswaarschuwingen voor elektrisch gereedschap

⚠️ WAARSCHUWING: Lees alle veiligheids-
waarschuwingen, aanwijzingen, afbeeldingen en
technische gegevens behorend bij dit elektrische
gereedschap aandachtig door. Als u niet alle onder-
staande aanwijzingen naleeft, kan dat resulteren in
brand, elektrische schokken en/of ernstig letsel.

Bewaar alle waarschuwingen en instructies om in de toekomst te kunnen raadplegen.

De term "elektrisch gereedschap" in de veiligheidsvoor-
schriften duidt op gereedschappen die op stroom van
het lichtnet werken (met snoer) of gereedschappen met
een accu (snoerloos).

Veiligheidswaarschuwingen specifiek voor een bovenfrees

1. **Houd het elektrisch gereedschap alleen vast bij het geïsoleerde oppervlak omdat het snijgarnituur met zijn eigen snoer in aanraking kan komen.** Wanneer onder spanning staande draden worden geraakt, zullen de niet-geïsoleerde metalen delen van het gereedschap onder spanning komen te staan zodat de gebruiker een elektrische schok kan krijgen.
2. **Gebruik klemmen of andere bevestigingsmiddelen om het werkstuk op een stabiel platform te bevestigen en te ondersteunen.** Als u het werkstuk in uw hand of tegen uw lichaam geklemd houdt, is het onvoldoende stabiel en kunt u de controle erover verliezen.
3. **De schacht van het snijgarnituur moet overeenkomen met de aanwezige spankop.**
4. **Gebruik uitsluitend een bit met een nominaal toerental dat minstens gelijk is aan het maximumtoerental vermeld op het gereedschap.**
5. **Draag gehoorbescherming tijdens langdurig gebruik.**
6. **Behandel de bovenfreesbits zeer voorzichtig.**
7. **Controleer het bovenfreesbit vóór gebruik nauwkeurig op barsten of beschadigingen. Vervang een gebarsten of beschadigd bit onmiddellijk.**
8. **Voorkom dat u spijkers raakt. Inspecteer het werkstuk op spijkers en verwijder deze zo nodig voordat u ermee begint te werken.**
9. **Houd het gereedschap met beide handen stevig vast.**
10. **Houd uw handen uit de buurt van draaiende delen.**
11. **Zorg ervoor dat het bovenfreesbit het werkstuk niet raakt voordat u het gereedschap hebt ingeschakeld.**

12. **Laat het gereedschap een tijdje draaien voordat u het op het werkstuk gebruikt. Controleer op trillingen of schommelingen die op een verkeerd gemonteerd bit kunnen wijzen.**
13. **Let goed op de draairichting van het bovenfreesbit en de voortgangsrichting.**
14. **Laat het gereedschap niet onnodig ingeschakeld. Bedien het gereedschap alleen terwijl u het vasthoudt.**
15. **Schakel het gereedschap uit en wacht altijd tot het bovenfreesbit volledig tot stilstand is gekomen voordat u het gereedschap uit het werkstuk verwijdert.**
16. **Raak het bovenfreesbit niet onmiddellijk na gebruik aan. Het kan bijzonder heet zijn en brandwonden op uw huid veroorzaken.**
17. **Smeer niet zonder na te denken thinner, benzine, olie en dergelijke op de voet van het gereedschap. Deze middelen kunnen scheuren in de voet van het gereedschap veroorzaken.**
18. **Sommige materialen bevatten chemische stoffen die giftig kunnen zijn. Wees voorzichtig dat u geen stof inademt en het stof niet op uw huid komt. Volg de veiligheidsinstructies van de leverancier van het materiaal op.**
19. **Draag altijd een stofmasker/ademhalingsapparaat dat geschikt is voor het materiaal en de toepassing waarmee u werkt.**
20. **Plaats het gereedschap op een stabiele plek. Anders kan het gereedschap per ongeluk vallen en letsel veroorzaken.**
21. **Houd het snoer uit de buurt van uw voet en andere voorwerpen. Anders kan het snoer verstrikt raken en een ongeval met vallen veroorzaken waardoor persoonlijk letsel ontstaat.**

BEWAAR DEZE INSTRUCTIES.

⚠️ WAARSCHUWING: Laat u NIET misleiden door een vals gevoel van comfort en bekendheid met het gereedschap (na veelvuldig gebruik) en neem alle veiligheidsvoorschriften van het betreffende gereedschap altijd strikt in acht. **VERKEERD GEBRUIK** of het niet naleven van de veiligheidsvoorschriften in deze gebruiksaanwijzing kan leiden tot ernstig persoonlijk letsel.

BESCHRIJVING VAN DE FUNCTIES

⚠ LET OP: Controleer altijd of het gereedschap is uitgeschakeld en de stekker ervan uit het stopcontact is verwijderd alvorens de functies op het gereedschap te controleren of af te stellen.

De freesdiepte instellen

Leg het gereedschap op een vlakke ondergrond. Zet de vergrendelhendel los en beweeg het gereedschapshuis omlaag totdat het bovenfreesbit net de vlakke ondergrond raakt. Zet de vergrendelhendel vast om het gereedschap te vergrendelen. Houd de sneltoevoerknop ingedrukt en beweeg de aanslagstang omhoog of omlaag tot de gewenste freesdiepte is verkregen. Een uiterst nauwkeurige instelling is mogelijk door de aanslagstang te draaien (1,5 mm (1/16") per slag).

- Fig.1: 1. Nylonmoer 2. Aanslagstang
3. Sneltoevoerknop 4. Zeskantstelbout
5. Aanslagblok 6. Vergrendelhendel

⚠ LET OP: De freesdiepte mag bij het frezen van groeven niet meer zijn dan 20 mm (13/16") per werkgang. Om dieper te frezen, freest u in twee of drie werkgangen met een steeds lager ingesteld bovenfreesbit.

Nylonmoer

Voor gereedschap zonder de knop

De bovenste begrenzing van het gereedschapshuis kan worden ingesteld met behulp van de nylonmoer. Stel de nylonmoer niet te laag af. Het bovenfreesbit zal daarvoor gevaarlijk uitsteken.

Voor gereedschap met de knop

Door de knop te draaien kan de bovenste begrenzing van het gereedschapshuis worden ingesteld. Wanneer de punt van het bovenfreesbit verder dan noodzakelijk is teruggetrokken ten opzichte van het oppervlak van de grondplaat, draait u aan de knop om de bovenste begrenzing lager in te stellen.

- Fig.2: 1. Knop

⚠ LET OP: Aangezien door buitensporig frezen de motor overbelast kan worden of het gereedschap moeilijk te besturen kan zijn, mag bij het frezen van groeven de freesdiepte niet meer zijn dan 20 mm (13/16") per werkgang. Als u groeven van meer dan 20 mm (13/16") diep wilt frezen, voert u meerdere werkgangen uit met een steeds dieper ingesteld bovenfreesbit.

⚠ LET OP: Stel de knop niet te laag in. Het bovenfreesbit zal daardoor gevaarlijk uitsteken.

Aanslagblok

Aangezien het aanslagblok drie zeskantstelbouten heeft die per omwenteling 0,8 mm hoger of lager stellen, kunt u gemakkelijk drie verschillende freesdiepten realiseren zonder de aanslagstang opnieuw te hoeven instellen.

- Fig.3: 1. Aanslagstang 2. Zeskantstelbout
3. Aanslagblok

Stel de laagste zeskantstelbout in op de grootste freesdiepte volgens de procedure beschreven onder "De freesdiepte instellen".

Stel de twee resterende zeskantstelbouten in op minder grote freesdiepten. De verschillen in de hoogte van deze zeskantstelbouten zijn gelijk aan de verschillen in freesdiepte-instelling. Om de zeskantstelbouten in te stellen, draait u de zeskantstelbouten met een schroevendraaier of steeksleutel. Het aanslagblok is tevens handig voor het uitvoeren van drie werkgangen met een steeds grotere freesdiepte-instelling voor het frezen van diepe groeven.

In- en uitschakelen

⚠ LET OP: Controleer voor u de stekker in het stopcontact steekt altijd of het gereedschap uitgeschakeld is.

⚠ LET OP: Zorg ervoor dat de asvergrendeling is ontgrendeld voordat u het gereedschap inschakelt.

Om het gereedschap in te schakelen, zet u de aan-uitschakelaar in de stand "I".

Om het gereedschap uit te schakelen, zet u de aan-uitschakelaar in de stand "O".

- Fig.4: 1. Aan-uitschakelaar

⚠ LET OP: Houd het gereedschap stevig vast wanneer u het uitschakelt om de reactiekracht op te vangen.

Elektronische functies

Het gereedschap is uitgerust met elektronische functies voor een eenvoudige bediening.

Indicatorlampje

- Fig.5: 1. Indicatorlampje

Het indicatorlampje brandt groen wanneer de stekker van het gereedschap in het stopcontact zit. Als het indicatorlampje niet brandt, kan het netsnoer of de regelaar stuk zijn. Als het indicatorlampje brandt, maar het gereedschap niet start ondanks dat het gereedschap ingeschakeld is, kunnen de koolborstels versleten zijn, of kan de regelaar, de motor of de aan-uitschakelaar kapot zijn.

Beveiliging tegen onbedoeld inschakelen

Het gereedschap kan niet worden ingeschakeld, wanneer de aan-uitschakelaar in de stand "I" (aan) staat, zelfs niet wanneer het gereedschap van stroom wordt voorzien. Op dat moment knippert het indicatorlampje rood en geeft aan dat de beveiligingsfunctie tegen onbedoeld herstarten in werking is getreden.

Om de beveiliging tegen onbedoeld inschakelen te deactiveren, zet u de aan-uitschakelaar terug in de stand "O" (uit).

Zachte-startfunctie

De functie zachte-start minimaliseert de startschok en laat het gereedschap geleidelijk opstarten.

MONTAGE

⚠ LET OP: Zorg altijd dat het gereedschap is uitgeschakeld en dat zijn stekker uit het stop-contact is verwijderd alvorens enig werk aan het gereedschap uit te voeren.

Het bovenfreesbit aanbrengen en verwijderen

Steek het bovenfreesbit zo ver mogelijk in de spankegel. Druk op de asvergrendeling zodat de as stil staat en zet de spankopmoer stevig vast met de steeksleutel. Als u bovenfreesbits met een kleinere schachtdiameter gebruikt, steekt u eerst een passende spankegelbus in de spankegel, en brengt u daarna het bovenfreesbit aan.

Om het bovenfreesbit te verwijderen, volgt u de procedure voor het aanbrengen in de omgekeerde volgorde.

- **Fig.6:** 1. Asvergrendeling 2. Steeksleutel
3. Losdraaien 4. Vastdraaien

⚠ LET OP: Breng het bovenfreesbit stevig aan. Gebruik altijd de steeksleutel die bij het gereedschap werd geleverd. Een loszittend of te strak vastgezet bovenfreesbit kan gevaarlijk zijn.

KENNISGEVING: Draai de spankopmoer niet vast zonder dat een bovenfreesbit is aangebracht, en breng geen bits met een dunne schacht aan zonder een spankegelbus te gebruiken. Dit kan leiden tot het afbreken van de spankegel.

BEDIENING

⚠ LET OP: Controleer voordat u het gereedschap bedient of het gereedschap automatisch omhoog komt tot aan de bovenste begrenzing, en het bovenfreesbit niet uitsteekt tot onder de voet van het gereedschap nadat de vergrendelhendel is losgezet.

⚠ LET OP: Controleer voordat u het gereedschap bedient of de krullenvanger goed is aangebracht.

⚠ LET OP: Gebruik altijd beide handgrepen en houd het gereedschap tijdens gebruik stevig aan beide handgrepen vast.

► Fig.7: 1. Krullenvanger

Plaats eerst de voet van het gereedschap op het werkstuk dat u wilt frezen, zonder dat het bovenfreesbit het werkstuk raakt. Schakel vervolgens het gereedschap in en wacht totdat het bovenfreesbit op volle snelheid draait. Breng het gereedschap omlaag en beweeg het gereedschap voorwaarts over het oppervlak van het werkstuk. Houd daarbij de voet van het gereedschap vlak op het oppervlak van het werkstuk en beweegt het gereedschap gelijkmatig totdat het frezen klaar is. Bij het frezen van de rand van het werkstuk moet het oppervlak van het werkstuk zich aan de linkerkant van het bovenfreesbit bevinden, gezien in de voortgangsrichting.

- **Fig.8:** 1. Werkstuk 2. Draairichting van het bit
3. Aanzicht vanaf de bovenkant van het gereedschap 4. Voortgangsrichting

OPMERKING: Als u het gereedschap te snel voorwaarts beweegt, kan de snede van slechte kwaliteit zijn, of het bovenfreesbit of de motor worden beschadigd. Als u het gereedschap te langzaam voorwaarts beweegt, kan hierdoor de snede verbranden en lelijk worden. De juiste voortgangssnelheid is afhankelijk van de maat van het bovenfreesbit, het soort werkstuk en de freesdiepte.

Alvorens in het eigenlijke werkstuk te werken, is het raadzaam eerst een proefsnede te maken in een stuk afvalhout. Zodoende kunt u precies zien hoe de snede eruit komt te zien en kunt u tevens de afmetingen controleren.

OPMERKING: Als u de langsgeleider of de trimgeleider gebruikt, zorgt u ervoor dat u deze langs de rechterkant aanbrengt, gezien in de voortgangsrichting. Hierdoor blijft deze gelijklopen met de zijkant van het werkstuk.

- **Fig.9:** 1. Voortgangsrichting 2. Draairichting van het bit 3. Werkstuk 4. Langsgeleider

Langsgeleider

De langsgeleider wordt gebruikt bij het rechtuit frezen van een schuine kant of groef.

Langsgeleider (type A)

Optioneel accessoire

Monteer de langsgeleider op de geleiderhouder met behulp van de vingerschroef (B). Steek de geleiderhouder in de gaten in de voet van het gereedschap en draai de vingerschroef (A) vast. Om de afstand tussen het bovenfreesbit en de langsgeleider in te stellen, draait u de vingerschroef (B) los en draait u de fijnregelschroef. Op de gewenste afstand, draai de vingerschroef (B) vast om de langsgeleider op zijn plaats vast te zetten.

- **Fig.10:** 1. Geleiderhouder 2. Fijnregelschroef
3. Langsgeleider

Langsgeleider (type B)

Optioneel accessoire

Steek de langsgeleider in de gaten in de voet van het gereedschap en draai de vingerschroef vast. Om de afstand tussen het bovenfreesbit en de langsgeleider in te stellen, draait u de vingerschroef los. Op de gewenste afstand, draai de vingerschroef vast om de langsgeleider op zijn plaats vast te zetten.

- **Fig.11:** 1. Vingerschroef 2. Langsgeleider

Beweeg tijdens het frezen het gereedschap met de langsgeleider strak langs de zijkant van het werkstuk. U kunt de werkbreedte van de langsgeleider naar wens vergroten door een extra stuk hout te bevestigen met behulp van de handige gaten in de langsgeleider. Bij gebruik van een bovenfreesbit met een grote diameter, bevestigt u stukjes hout aan de langsgeleider met een dikte van meer dan 15 mm (5/8") om te voorkomen dat het bovenfreesbit de langsgeleider raakt.

► **Fig.12:** 1. Langsgeleider 2. Hout

A=55 mm (2-3/16")

B=55 mm (2-3/16")

C=15 mm (5/8") of dikker

Malgeleider

Optioneel accessoire

In de malgeleider zit een gat waar het bovenfreesbit doorheen steekt, waardoor het mogelijk wordt om de bovenfrees te gebruiken met malpatronen.

► **Fig.13**

1. Draai de schroeven in de voet los, steek de malgeleider erdoor, en draai tenslotte de schroeven weer aan.

► **Fig.14:** 1. Schroeven 2. Malgeleider

2. Bevestig de mal op het werkstuk. Plaats het gereedschap op de mal en beweeg het gereedschap terwijl de malgeleider langs de zijkant van de mal glijdt.

► **Fig.15:** 1. Bovenfreesbit 2. Voet van het gereedschap 3. Grondplaat 4. Mal 5. Werkstuk 6. Malgeleider

OPMERKING: Het werkstuk wordt gefreesd op een iets andere grootte dan de mal. Zorg voor de afstand (X) tussen het bovenfreesbit en de buitenrand van de malgeleider. De afstand (X) kan worden berekend met behulp van de volgende vergelijking:

Afstand (X) = (buitendiameter van de malgeleider - diameter van het bovenfreesbit) / 2

Trimgeleider

Trimmen, gebogen lijnen frezen in fineerhout voor meubels en dergelijke kunnen gemakkelijk worden gedaan met de trimgeleider. Het geleiderwiel rolt langs de gebogen freeslijn en zorgt zo voor een gave snede.

Trimgeleider (type A)

Optioneel accessoire

Breng de trimgeleider aan op de geleiderhouder met behulp van de vingerschroef (B). Steek de geleiderhouder in de gaten in de voet van het gereedschap en draai de vingerschroef (A) vast. Om de afstand tussen het bovenfreesbit en de trimgeleider in te stellen, draait u de vingerschroef (B) los en draait u de fijnregelschroef. Draai de vingerschroef (C) los om het geleiderwiel omhoog of omlaag te verstellen. Draai na het verstellen alle vingerschroeven stevig vast.

► **Fig.16:** 1. Geleiderhouder 2. Fijnregelschroef 3. Trimgeleider 4. Geleiderwiel

Trimgeleider (type B)

Optioneel accessoire

Breng de trimgeleider aan op de langsgeleider met behulp van de vingerschroeven (B). Steek de langsgeleider in de gaten in de voet van het gereedschap en draai de vingerschroef (A) vast. Om de afstand tussen het bovenfreesbit en de trimgeleider in te stellen, draait u de vingerschroeven (B) los. Draai de vingerschroef (C) los om het geleiderwiel omhoog of omlaag te verstellen. Draai na het verstellen alle vingerschroeven stevig vast.

► **Fig.17:** 1. Geleiderwiel 2. Trimgeleider

Beweeg tijdens het frezen het gereedschap zodanig dat het geleiderwiel langs de zijkant van het werkstuk rolt.

► **Fig.18:** 1. Bovenfreesbit 2. Geleiderwiel 3. Werkstuk

Stofafdekking (voor gereedschap met de knop)

Optioneel accessoire

De stofafdekking voorkomt dat zaagsel in het gereedschap wordt gezogen in de omgekeerde stand.

Breng de stofafdekking aan zoals afgebeeld wanneer u het gereedschap gebruikt met in de winkel verkrijgbaar bovenfreesstatief.

Verwijder het weer wanneer u het gereedschap in de normale stand gebruikt.

► **Fig.19:** 1. Schroef 2. Stofafdekking

Afstandsstuk (voor gereedschap met de knop)

Optioneel accessoire

Het afstandsstuk voorkomt dat het bovenfreesbit in de spankop valt bij het wisselen van het bovenfreesbit in de omgekeerde stand.

Breng het afstandsstuk aan zoals afgebeeld wanneer u het gereedschap gebruikt met in de winkel verkrijgbaar bovenfreesstatief.

► **Fig.20:** 1. Spankopmoer 2. Spankegel 3. Afstandsstuk

Stofafzuiging

Optioneel accessoire

Gebruik de stofafzuigaansluitmond om stof af te zuigen.

► **Fig.21:** 1. Stofafzuigaansluitmond

De stofafzuigaansluitmond aanbrengen

► **Fig.22:** 1. Steun 2. Vergrendelhendel

1. Zet de vergrendelhendel van de stofafzuigaansluitmond omhoog.
 2. Plaats de stofafzuigaansluitmond op de voet van het gereedschap zodat zijn bovenkant wordt vastgegrepen in de haak op de voet van het gereedschap.
 3. Steek de steunen van de stofafzuigaansluitmond in de haken op de voorkant van de voet van het gereedschap.
 4. Duw de vergrendelhendel omlaag tot op de voet van het gereedschap.
 5. Sluit een stofzuiger aan op de stofafzuigaansluitmond.
- **Fig.23**

De stofafzuigaansluitmond verwijderen

1. Zet de vergrendelhendel omhoog.
2. Trek de stofafzuigaansluitmond uit de voet van het gereedschap terwijl u de steunen vasthoudt tussen uw duim en vinger.

ONDERHOUD

⚠ LET OP: Zorg altijd dat het gereedschap is uitgeschakeld en zijn stekker uit het stopcontact is verwijderd alvorens te beginnen met inspectie of onderhoud.

KENNISGEVING: Gebruik nooit benzine, wasbenzine, thinner, alcohol en dergelijke. Hierdoor kunnen verkleuring, vervormingen en barsten worden veroorzaakt.

De koolborstels vervangen

► Fig.24: 1. Slijtgrensmarkering

Controleer regelmatig de koolborstels. Vervang ze wanneer ze tot aan de slijtgrensmarkering versleten zijn. Houd de koolborstels schoon, zodat ze gemakkelijk in de houders glijden. Beide koolborstels dienen tegelijkertijd te worden vervangen. Gebruik uitsluitend identieke koolborstels.

1. Gebruik een schroevendraaier om de koolborsteldoppen te verwijderen.
2. Haal de versleten koolborstels eruit, schuif de nieuwe erin, en zet daarna de koolborsteldoppen weer goed vast.

► Fig.25: 1. Koolborsteldop

Voor gereedschap met de knop

⚠ LET OP: Zorg ervoor dat de knop weer wordt aangebracht na het plaatsen van een nieuwe koolborstel.

Zet de vergrendelhendel los en verwijder de knop door deze linksom te draaien.

► Fig.26: 1. Knop

OPMERKING: De drukveer zal uit de knop komen, dus wees voorzichtig dat u de drukveer niet kwijt raakt.

Om de VEILIGHEID en BETROUWBAARHEID van het gereedschap te handhaven, dienen alle reparaties, onderhoud of afstellingen te worden uitgevoerd bij een erkend Makita-servicecentrum of de Makita-fabriek, en altijd met gebruik van Makita-vervangingsonderdelen.

OPTIONELE ACCESSOIRES

Bovenfreesbits

Vlagraefbit

► Fig.27

Eenheid: mm

D	A	L1	L2
6	20	50	15
1/4"			
12	12	60	30
1/2"			
12	10	60	25
1/2"			
8	8	60	25
6	8	50	18
1/4"			
6	6	50	18
1/4"			

U-groefbit

► Fig.28

Eenheid: mm

D	A	L1	L2	R
6	6	50	18	3

V-groefbit

► Fig.29

Eenheid: mm

D	A	L1	L2	θ
1/4"	20	50	15	90°

Zwaluwstaartbit

► Fig.30

Eenheid: mm

D	A	L1	L2	θ
8	14,5	55	10	35°
3/8"				
8	14,5	55	14,5	23°
3/8"				
8	12	50	9	30°
3/8"				

Afkantrimbit met boorpunt

► Fig.31

Eenheid: mm

D	A	L1	L2	L3
12	12	60	20	35
8	8	60	20	35
6	6	60	18	28

Dubbele afkantrimbit met boorpunt

► Fig.32

Eenheid: mm

D	A	L1	L2	L3	L4
6	6	70	40	12	14

Sleufbit

► Fig.33

Eenheid: mm

D	A	L1	L2
12	30	55	6
1/2"			
12	30	55	3
1/2"			

Plankverbindingsbit

► Fig.34

Eenheid: mm

D	A1	A2	L1	L2	L3
12	38	27	61	4	20

Papegaaienbekbit

► Fig.35

Eenheid: mm

D	A1	A2	L1	L2	L3	R
6	25	9	48	13	5	8
6	20	8	45	10	4	4

Afschuinbit

► Fig.36

Eenheid: mm

D	A	L1	L2	L3	θ
6	23	46	11	6	30°
6	20	50	13	5	45°
6	20	49	14	2	60°

► Fig.37

Eenheid: mm

D	A1	A2	L1	L2	L3	C
12	30	20	55	12	20	4
1/2"						

Kwartrondbit

► Fig.38

Eenheid: mm

D	A1	A2	L1	L2	L3	R
12	30	20	55	12	20	4
1/2"						

Kwartholprofielbit

► Fig.39

Eenheid: mm

D	A	L1	L2	R
6	20	43	8	4
6	25	48	13	8

Afkantrimbit met kogellager

► Fig.40

Eenheid: mm

D	A	L1	L2
6	10	50	20
1/4"			

Papegaaienbekbit met kogellager

► Fig.41

Eenheid: mm

D	A1	A2	L1	L2	L3	R
6	15	8	37	7	3,5	3
6	21	8	40	10	3,5	6
1/4"	21	8	40	10	3,5	6

Afschuinbit met kogellager

► Fig.42

Eenheid: mm

D	A1	A2	L1	L2	θ
6	26	8	42	12	45°
1/4"					
6	20	8	41	11	60°

Kwartrondbit met kogellager

► Fig.43

Eenheid: mm

D	A1	A2	A3	L1	L2	L3	R
6	20	12	8	40	10	5,5	4
6	26	12	8	42	12	4,5	7

Kwartholprofielbit met kogellager

► Fig.44

Eenheid: mm

D	A1	A2	A3	A4	L1	L2	L3	R
6	20	18	12	8	40	10	5,5	3
6	26	22	12	8	42	12	5	5

Ojiefbit met kogellager

► Fig.45

Eenheid: mm

D	A1	A2	L1	L2	L3	R1	R2
6	20	8	40	10	4,5	2,5	4,5
6	26	8	42	12	4,5	3	6

Ronde-hoekbit met dubbel kogellager

► Fig.46

Eenheid: mm

D	A1	A2	A3	L1	L2	L3	R
12	35	27	19	70	11	3,5	3
1/2"							

ESPECIFICACIONES

Modelo:	M3602
Capacidad del mandril cónico	12 mm o 1/2"
Capacidad de fresado	0 - 60 mm
Velocidad sin carga	22.000 min ⁻¹
Altura total	300 mm
Peso neto	5,7 kg
Clase de seguridad	⊠/II

- Debido a nuestro continuado programa de investigación y desarrollo, las especificaciones aquí dadas están sujetas a cambios sin previo aviso.
- Las especificaciones pueden ser diferentes de país a país.
- Peso de acuerdo con el procedimiento EPTA 01/2014

Uso previsto

La herramienta ha sido prevista para recortar a ras y perfilar madera, plástico y materiales similares.

Alimentación

La herramienta deberá ser conectada solamente a una fuente de alimentación de la misma tensión que la indicada en la placa de características, y solamente puede ser utilizada con alimentación de CA monofásica. La herramienta tiene doble aislamiento y puede, por lo tanto, utilizarse también en tomas de corriente sin conductor de tierra.

Ruido

El nivel de ruido A-ponderado típico determinado de acuerdo con la norma EN62841-2-17:

Nivel de presión sonora (L_{pA}) : 87 dB (A)

Nivel de potencia sonora (L_{WA}) : 95 dB (A)

Error (K) : 3 dB (A)

NOTA: El valor (o los valores) de emisión de ruido declarado ha sido medido de acuerdo con un método de prueba estándar y se puede utilizar para comparar una herramienta con otra.

NOTA: El valor (o valores) de emisión de ruido declarado también se puede utilizar en una valoración preliminar de exposición.

⚠ADVERTENCIA: Póngase protectores para oídos.

⚠ADVERTENCIA: La emisión de ruido durante la utilización real de la herramienta eléctrica puede variar del valor (o los valores) de emisión declarado dependiendo de las formas en las que la herramienta sea utilizada, especialmente qué tipo de pieza de trabajo se procesa.

⚠ADVERTENCIA: Asegúrese de identificar medidas de seguridad para proteger al operario que estén basadas en una estimación de la exposición en las condiciones reales de utilización (teniendo en cuenta todas las partes del ciclo operativo como las veces cuando la herramienta está apagada y cuando está funcionando en vacío además del tiempo de gatillo).

Vibración

El valor total de la vibración (suma de vectores triaxiales) determinado de acuerdo con la norma EN62841-2-17:

Modo de trabajo: hacer ranuras en MDF

Emisión de vibración (a_{hv}) : 3,1 m/s²

Error (K) : 1,5 m/s²

NOTA: El valor (o los valores) total de emisión de vibración declarado ha sido medido de acuerdo con un método de prueba estándar y se puede utilizar para comparar una herramienta con otra.

NOTA: El valor (o los valores) total de emisión de vibración declarado también se puede utilizar en una valoración preliminar de exposición.

⚠ADVERTENCIA: La emisión de vibración durante la utilización real de la herramienta eléctrica puede variar del valor (o los valores) de emisión declarado dependiendo de las formas en las que la herramienta sea utilizada, especialmente qué tipo de pieza de trabajo se procesa.

⚠ADVERTENCIA: Asegúrese de identificar medidas de seguridad para proteger al operario que estén basadas en una estimación de la exposición en las condiciones reales de utilización (teniendo en cuenta todas las partes del ciclo operativo como las veces cuando la herramienta está apagada y cuando está funcionando en vacío además del tiempo de gatillo).

Declaraciones de conformidad

Para países europeos solamente

Las declaraciones de conformidad están incluidas como Anexo A de este manual de instrucciones.

Advertencias de seguridad para herramientas eléctricas en general

⚠️ ADVERTENCIA: Lea todas las advertencias de seguridad, instrucciones, ilustraciones y especificaciones provistas con esta herramienta eléctrica. Si no sigue todas las instrucciones indicadas abajo podrá resultar en una descarga eléctrica, un incendio y/o heridas graves.

Guarde todas las advertencias e instrucciones para futuras referencias.

El término "herramienta eléctrica" en las advertencias se refiere a su herramienta eléctrica de funcionamiento con conexión a la red eléctrica (con cable) o herramienta eléctrica de funcionamiento a batería (sin cable).

Advertencias de seguridad para la rebajadora

1. **Sujete la herramienta eléctrica por las superficies de asimiento aisladas solamente, porque la fresa puede entrar en contacto con su propio cable.** Cortar un cable con corriente puede hacer que la corriente circule por las partes metálicas expuestas de la herramienta eléctrica y puede soltar una descarga eléctrica al operario.
2. **Utilice mordazas u otros medios de sujeción prácticos para sujetar y apoyar la pieza de trabajo en una plataforma estable.** Sujetada con su mano o contra el cuerpo, la pieza de trabajo estará inestable y podrá ocasionar la pérdida del control.
3. **La espiga de la fresa debe corresponder con el mandril cónico diseñado.**
4. **Solamente utilice una fresa con capacidad al menos igual que la velocidad máxima marcada en la herramienta.**
5. **Póngase protección auditiva durante periodos prolongados de operación.**
6. **Maneje las fresas con mucho cuidado.**
7. **Inspeccione la fresa cuidadosamente para ver si tiene grietas o daños antes de comenzar la operación. Reemplace la fresa inmediatamente si está agrietada o dañada.**
8. **Evite cortar clavos. Inspeccione la pieza de trabajo por si tiene clavos y retirelos todos antes de empezar la operación.**
9. **Sujete la herramienta firmemente con ambas manos.**
10. **Mantenga las manos alejadas de las partes giratorias.**
11. **Asegúrese de que la fresa no está tocando la pieza de trabajo antes de activar el interruptor.**

12. **Antes de utilizar la herramienta en un pieza de trabajo definitiva, déjela funcionar durante un rato. Observe por si hay vibración o bamboleo que pueda indicar una instalación incorrecta de la fresa.**
13. **Tenga cuidado de la dirección de giro y dirección de avance de la fresa.**
14. **No deje la herramienta en marcha. Opere la herramienta solamente cuando la tenga en las manos.**
15. **Apague siempre la herramienta y espere hasta que la fresa se haya parado completamente antes de retirar la herramienta de la pieza de trabajo.**
16. **No toque la fresa inmediatamente después de la operación; podrá estar muy caliente y quemarle la piel.**
17. **No embadurne la base de la herramienta sin cuidado con disolvente, gasolina, aceite o similar. Ellos pueden ocasionar grietas en la base de la herramienta.**
18. **Algunos materiales contienen sustancias químicas que podrán ser tóxicas. Tenga precaución para evitar la inhalación de polvo y el contacto con la piel. Siga los datos de seguridad del abastecedor del material.**
19. **Utilice siempre la mascarilla contra el polvo/respirador correcto para el material y la aplicación con que esté trabajando.**
20. **Coloque la herramienta sobre un área estable.** De lo contrario, se podrá producir un accidente por caída y ocasionar heridas.
21. **Mantenga el cable alejado de su pie o de cualquier objeto.** De lo contrario, si el cable se enreda podrá ocasionar un accidente por caída y resultar en heridas personales.

GUARDE ESTAS INSTRUCCIONES.

⚠️ ADVERTENCIA: NO deje que la comodidad o familiaridad con el producto (a base de utilizarlo repetidamente) sustituya la estricta observancia de las normas de seguridad para el producto en cuestión. El MAL USO o el no seguir las normas de seguridad establecidas en este manual de instrucciones podrá ocasionar graves heridas personales.

DESCRIPCIÓN DEL FUNCIONAMIENTO

⚠PRECAUCIÓN: Asegúrese siempre de que la herramienta está apagada y desenchufada antes de intentar realizar cualquier tipo de ajuste o comprobación en ella.

Ajuste de la profundidad de corte

Ponga la herramienta sobre una superficie plana. Afloje la palanca de bloqueo y baje el cuerpo de la herramienta hasta que la fresa toque justamente la superficie plana. Apriete la palanca de bloqueo para bloquear el cuerpo de la herramienta. Mientras presiona el botón de avance rápido, mueva la barra del retenedor hacia arriba o hacia abajo hasta obtener la profundidad de corte deseada. Se pueden obtener ajustes de profundidad minuciosos girando la barra del retenedor (1,5 mm (1/16") por vuelta).

► **Fig.1:** 1. Tuerca de nylon 2. Barra del retenedor 3. Botón de avance rápido 4. Perno hexagonal de ajuste 5. Bloque del retenedor 6. Palanca de bloqueo

⚠PRECAUCIÓN: La profundidad de corte deberá ser de no más de 20 mm (13/16") por pasada cuando se ranure. Para operaciones de ranurado extra profundas, haga dos o tres pasadas con ajustes de fresa progresivamente más profundos.

Tuerca de nylon

Para herramienta sin el pomo

El límite superior del cuerpo de la herramienta se puede ajustar girando la tuerca de nylon. No baje demasiado la tuerca de nylon. La fresa sobresaldrá peligrosamente.

Para herramienta con el pomo

Girando el pomo, se puede ajustar el límite superior del cuerpo de la herramienta. Cuando la punta de la fresa se retraiga más de lo requerido en relación con la superficie de la placa de la base, gire el pomo para bajar el límite superior.

► **Fig.2:** 1. Pomo

⚠PRECAUCIÓN: Dado que un corte excesivo puede ocasionar sobrecarga al motor o dificultad para controlar la herramienta, la profundidad de corte no deberá ser de más de 20 mm (13/16") por pasada cuando se hacen ranuras. Cuando quiera hacer ranuras de más de 20 mm (13/16") de profundidad, haga varias pasadas con ajustes de fresa progresivamente más profundos.

⚠PRECAUCIÓN: No baje demasiado el pomo. La fresa sobresaldrá peligrosamente.

Bloqueo del retenedor

Como el bloque del retenedor tiene tres pernos hexagonales de ajuste que suben o bajan 0,8 mm por vuelta, se pueden obtener fácilmente tres profundidades de corte diferentes sin reajustar la barra del retenedor.

► **Fig.3:** 1. Barra del retenedor 2. Perno hexagonal de ajuste 3. Bloque del retenedor

Regule el perno hexagonal de ajuste más bajo para obtener la profundidad de corte más profunda, siguiendo el método de "Ajuste de la profundidad de corte".

Regule los dos pernos hexagonales de ajuste restantes para obtener profundidades de corte menos profundas. Las diferencias de altura de estos pernos hexagonales de ajuste son iguales a las diferencias de las profundidades de corte.

Para regular los pernos hexagonales de ajuste, gire los pernos hexagonales de ajuste con un destornillador o con una llave. El bloque del retenedor también resulta útil para hacer tres pasadas con ajustes de fresa progresivamente más profundos cuando se hacen ranuras profundas.

Accionamiento del interruptor

⚠PRECAUCIÓN: Antes de enchufar la herramienta, compruebe siempre para cerciorarse de que la herramienta está apagada.

⚠PRECAUCIÓN: Asegúrese de que el bloqueo del eje está suelto antes de activar el interruptor.

Para poner en marcha la herramienta, mueva el interruptor de palanca hacia la posición I.

Para detener la herramienta, mueva el interruptor de palanca hacia la posición O.

► **Fig.4:** 1. Interruptor de palanca

⚠PRECAUCIÓN: Mantenga la herramienta firmemente cuando apague la herramienta, para vencer la reacción.

Función electrónica

La herramienta está equipada con funciones electrónicas para facilitar su funcionamiento.

Lámpara de indicación

► **Fig.5:** 1. Luz indicadora

La lámpara de indicación se ilumina en verde cuando la herramienta está enchufada. Si la lámpara de indicación no se ilumina, es posible que el cable de alimentación o el controlador esté defectuoso. Si la lámpara de indicación está iluminada pero la herramienta no se pone en marcha aunque la encienda, es posible que las escobillas de carbón estén gastadas, o que el controlador, el motor o el interruptor de encendido/apagado esté defectuoso.

Seguro contra puesta en marcha involuntaria

La herramienta no se pondrá en marcha con el interruptor de palanca en la posición I aunque la herramienta esté enchufada. En este momento, la lámpara de indicación parpadea en rojo y muestra que el dispositivo de seguro contra puesta en marcha involuntaria está en función activada. Para cancelar el seguro contra puesta en marcha involuntaria, mueva el interruptor de palanca en la posición O.

Característica de inicio suave

La característica de inicio suave minimiza el golpe del arranque, y permite a la herramienta ponerse en marcha suavemente.

MONTAJE

⚠ PRECAUCIÓN: Asegúrese siempre de que la herramienta está apagada y desenchufada antes de realizar cualquier trabajo en la herramienta.

Instalación o desmontaje de la fresa

Inserte la fresa a fondo en el casquillo cónico. Presione el bloqueo del eje para mantener estacionario el eje y utilice la llave para apretar la tuerca de casquillo cónico firmemente. Cuando utilice fresas con diámetro de espiga más pequeño, primero inserte el manguito de apriete apropiado en el casquillo cónico, después instale la fresa. Para retirar la fresa, siga el procedimiento de instalación a la inversa.

► Fig.6: 1. Bloqueo del eje 2. Llave 3. Aflojar 4. Apretar

⚠ PRECAUCIÓN: Instale la fresa firmemente. Utilice siempre la llave provista con la herramienta. Una fresa floja o excesivamente apretada puede ser peligrosa.

AVISO: No apriete la tuerca de casquillo cónico sin insertar una fresa o no instale fresas de espiga pequeña sin utilizar un casquillo reductor. Cualquiera de los casos puede llevar a la rotura del casquillo cónico.

OPERACIÓN

⚠ PRECAUCIÓN: Antes de la operación, asegúrese siempre de que el cuerpo de la herramienta se eleva automáticamente hasta el límite superior y la fresa no sobresale por la base de la herramienta cuando afloja la palanca de bloqueo.

⚠ PRECAUCIÓN: Antes de la operación, asegúrese siempre de que el deflector de virutas está instalado debidamente.

⚠ PRECAUCIÓN: Utilice siempre ambas empuñaduras y sujete firmemente la herramienta por ambas empuñaduras durante las operaciones.

► Fig.7: 1. Deflector de virutas

Coloque la base de la herramienta sobre la pieza de trabajo que se va a cortar sin que la fresa haga contacto alguno. Después encienda la herramienta y espere hasta que la fresa adquiera plena velocidad. Baje el cuerpo de la herramienta y mueva la herramienta hacia adelante sobre la superficie de la pieza de trabajo, manteniendo la base de la herramienta a ras y avanzando suavemente hasta completar el corte.

Cuando se haga corte de bordes, la superficie de la pieza de trabajo deberá estar en el costado izquierdo de la fresa en la dirección de avance.

► Fig.8: 1. Pieza de trabajo 2. Dirección rotativa de la fresa 3. Vista desde la parte superior de la herramienta 4. Dirección de avance

NOTA: Mover la herramienta hacia adelante demasiado rápido puede ocasionar una mala calidad de corte, o daño a la fresa o el motor. Mover la herramienta hacia adelante muy despacio puede quemar y estropear el corte. La velocidad de avance adecuada dependerá del tamaño de la fresa, el tipo de pieza de trabajo y la profundidad de corte.

Antes de comenzar el corte en la pieza de trabajo definitiva, es aconsejable hacer un corte de prueba en una pieza de madera de desecho. Esto mostrará exactamente cómo será el corte y también le permitirá comprobar las dimensiones.

NOTA: Cuando utilice la guía recta o la guía de recorte, asegúrese de instalarla en el lado derecho en la dirección de avance. Esto ayudará a mantenerla a ras con el costado de la pieza de trabajo.

► Fig.9: 1. Dirección de avance 2. Dirección rotativa de la fresa 3. Pieza de trabajo 4. Guía recta

Guía recta

La guía recta se utiliza de forma efectiva para cortes rectos cuando se achafлана o ranura.

Guía recta (Tipo A)

Accesorios opcionales

Instale la guía recta en el soporte de guía con el tornillo de mano (B). Inserte el soporte de guía en los agujeros de la base de la herramienta y apriete el tornillo de mano (A). Para ajustar la distancia entre la fresa y la guía recta, afloje el tornillo de mano (B) y gire el tornillo de ajuste fino. En la distancia deseada, apriete el tornillo de mano (B) para sujetar la guía recta en su sitio.

► Fig.10: 1. Soporte de guía 2. Tornillo de ajuste fino 3. Guía recta

Guía recta (Tipo B)

Accesorios opcionales

Inserte la guía recta en los agujeros de la base de la herramienta y apriete el tornillo de mano. Para ajustar la distancia entre la fresa y la guía recta, afloje el tornillo de mano (B) para sujetar la guía recta en su sitio.

► Fig.11: 1. Tornillo de mano 2. Guía recta

Cuando corte, mueva la herramienta con la guía recta a ras con el costado de la pieza de trabajo.

Se puede hacer una guía recta más ancha de las dimensiones deseadas utilizando los útiles agujeros de la guía para empinar piezas extra de madera.

Cuando utilice una fresa de diámetro grande, coloque piezas de madera en la guía recta que tengan un grosor de más de 15 mm (5/8") para evitar que fresa golpee la guía recta.

► **Fig.12:** 1. Guía recta 2. Madera

A=55 mm (2-3/16")

B=55 mm (2-3/16")

C=15 mm (5/8") o más gruesa

Guía de plantilla

Accesorios opcionales

La guía de plantilla provee un casquillo a través del cual pasa la fresa, permitiendo el uso de la rebajadora con patrones de plantillas.

► **Fig.13**

1. Afloje los tornillos de la base, inserte la guía de plantilla y después apriete los tornillos.

► **Fig.14:** 1. Tornillos 2. Guía de plantilla

2. Sujete la plantilla en la pieza de trabajo. Ponga la herramienta sobre la plantilla y mueva la herramienta con la guía de plantilla deslizándose a lo largo del costado de la plantilla.

► **Fig.15:** 1. Fresa 2. Base 3. Placa de la base
4. Plantilla 5. Pieza de trabajo 6. Guía de plantilla

NOTA: La pieza de trabajo será cortada con un tamaño ligeramente diferente al de la plantilla. Tenga en cuenta la distancia (X) entre la fresa y el exterior de la guía de plantilla. La distancia (X) se puede calcular utilizando la ecuación siguiente:

Distancia (X) = (diámetro exterior de la guía de plantilla - diámetro de la fresa) / 2

Guía de recorte

Los cortes de recorte y curvados en enchapados para muebles y por el estilo se pueden hacer fácilmente con la guía de recorte. El rodillo guía rueda por la curva y garantiza un corte fino.

Guía de recorte (Tipo A)

Accesorios opcionales

Instale la guía de recorte en el soporte de guía con el tornillo de mano (B). Inserte el soporte de guía en los agujeros de la base de la herramienta y apriete el tornillo de mano (A). Para ajustar la distancia entre la fresa y la guía de recorte, afloje el tornillo de mano (B) y gire el tornillo de ajuste fino. Cuando ajuste el rodillo guía hacia arriba o hacia abajo, afloje el tornillo de mano (C). Después de ajustar, apriete todos los tornillos de mano firmemente.

► **Fig.16:** 1. Soporte de guía 2. Tornillo de ajuste fino
3. Guía de recorte 4. Rodillo guía

Guía de recorte (Tipo B)

Accesorios opcionales

Instale la guía de recorte en la guía recta utilizando los tornillos de mano (B). Inserte la guía recta en los agujeros de la base de la herramienta y apriete el tornillo de mano (A). Para ajustar la distancia entre la fresa y la guía de recorte, afloje los tornillos de mano (B). Cuando ajuste el rodillo guía hacia arriba o hacia abajo, afloje el tornillo de mano (C). Después de ajustar, apriete todos los tornillos de mano firmemente.

► **Fig.17:** 1. Rodillo guía 2. Guía de recorte

Cuando corte, mueva la herramienta con el rodillo guía rodando por el costado de la pieza de trabajo.

► **Fig.18:** 1. Fresa 2. Rodillo guía 3. Pieza de trabajo

Guardapolvo (Para herramienta con el pomo)

Accesorios opcionales

El guardapolvo evita que el serrín sea conducido al interior de la herramienta en la posición invertida. Instale el guardapolvo como se muestra en la ilustración cuando utilice la herramienta con un soporte de rebajadora disponible en el comercio. Retírelo cuando utilice la herramienta en posición normal.

► **Fig.19:** 1. Tornillo 2. Guardapolvo

Espaciador (Para herramienta con el pomo)

Accesorios opcionales

El espaciador evita que la fresa se caiga dentro del mandril cuando se reemplaza la fresa en la posición invertida.

Inserte el espaciador como se muestra en la ilustración cuando utilice la herramienta con un soporte de rebajadora disponible en el comercio.

► **Fig.20:** 1. Tuerca de casquillo cónico 2. Casquillo cónico 3. Espaciador

Extracción de polvo

Accesorios opcionales

Utilice la boquilla de polvo para la extracción de polvo.

► **Fig.21:** 1. Boquilla de polvo

Instalación de la boquilla de polvo

► **Fig.22:** 1. Soporte 2. Palanca de bloqueo

1. Suba la palanca de bloqueo de la boquilla de polvo.
 2. Ponga la boquilla de polvo en la base de la herramienta de forma que su parte superior sea enganchada en el gancho de la base de la herramienta.
 3. Inserte los soportes de la boquilla de polvo en los ganchos de la parte delantera de la base de la herramienta.
 4. Empuje hacia abajo la palanca de bloqueo contra la base de la herramienta.
 5. Conecte un aspirador a la boquilla de polvo.
- **Fig.23**

Desinstalación de la boquilla de polvo

1. Suba la palanca de bloqueo.
2. Saque la boquilla de polvo de la base de la herramienta mientras sujeta los soportes entre el pulgar y el dedo.

MANTENIMIENTO

⚠️ PRECAUCIÓN: Asegúrese siempre de que la herramienta está apagada y desenchufada antes de intentar realizar la inspección o el mantenimiento.

AVISO: No utilice nunca gasolina, bencina, disolvente, alcohol o similares. Podría producir descoloración, deformación o grietas.

Reemplazo de las escobillas de carbón

► Fig.24: 1. Marca de límite

Compruebe las escobillas de carbón regularmente. Reemplácelas cuando se hayan gastado hasta la marca límite. Mantenga las escobillas de carbón limpias de forma que entren libremente en los portaescobillas. Ambas escobillas de carbón deberán ser reemplazada al mismo tiempo. Utilice solamente escobillas de carbón idénticas.

1. Utilice un destornillador para retirar los tapones portaescobillas.
 2. Extraiga las escobillas de carbón desgastadas, inserte las nuevas y sujete los tapones portaescobillas.
- Fig.25: 1. Tapón portaescobillas

Para herramienta con el pomo

⚠️ PRECAUCIÓN: Asegúrese de reinstalar el pomo después de insertar escobillas de carbón nuevas.

Suelte la palanca de bloqueo y retire el pomo girándolo hacia la izquierda.

► Fig.26: 1. Pomo

NOTA: El resorte de compresión se saldrá del pomo, por lo que tenga cuidado de no perder el resorte de compresión.

Para mantener la SEGURIDAD y FIABILIDAD del producto, las reparaciones, y cualquier otra tarea de mantenimiento o ajuste deberán ser realizadas en centros de servicio o de fábrica autorizados por Makita, empleando siempre repuestos Makita.

ACCESORIOS OPCIONALES

Fresas

Fresa recta

► Fig.27

Unidad: mm

D	A	L1	L2
6	20	50	15
1/4"			
12	12	60	30
1/2"			
12	10	60	25
1/2"			
8	8	60	25
6	8	50	18
1/4"			
6	6	50	18
1/4"			

Fresa en "U"

► Fig.28

Unidad: mm

D	A	L1	L2	R
6	6	50	18	3

Fresa en "V"

► Fig.29

Unidad: mm

D	A	L1	L2	θ
1/4"	20	50	15	90°

Fresa de cola de milano

► Fig.30

Unidad: mm

D	A	L1	L2	θ
8	14,5	55	10	35°
3/8"				
8	14,5	55	14,5	23°
3/8"				
8	12	50	9	30°
3/8"				

Fresa de recorte a ras con punta de broca

► Fig.31

Unidad: mm

D	A	L1	L2	L3
12	12	60	20	35
8	8	60	20	35
6	6	60	18	28

Fresa de recorte a ras doble con punta de broca

► Fig.32

Unidad: mm

D	A	L1	L2	L3	L4
6	6	70	40	12	14

Ranurador

► Fig.33

Unidad: mm

D	A	L1	L2
12	30	55	6
1/2"			
12	30	55	3
1/2"			

Fresa para machihembrado de paneles

► Fig.34

Unidad: mm

D	A1	A2	L1	L2	L3
12	38	27	61	4	20

Fresa de redondeado de esquinas

► Fig.35

Unidad: mm

D	A1	A2	L1	L2	L3	R
6	25	9	48	13	5	8
6	20	8	45	10	4	4

Fresa de chaflanado

► Fig.36

Unidad: mm

D	A	L1	L2	L3	θ
6	23	46	11	6	30°
6	20	50	13	5	45°
6	20	49	14	2	60°

► Fig.37

Unidad: mm

D	A1	A2	L1	L2	L3	C
12	30	20	55	12	20	4
1/2"						

Fresa de moldura redonda

► Fig.38

Unidad: mm

D	A1	A2	L1	L2	L3	R
12	30	20	55	12	20	4
1/2"						

Fresa de moldura redonda de media caña

► Fig.39

Unidad: mm

D	A	L1	L2	R
6	20	43	8	4
6	25	48	13	8

Fresa de recorte a ras con rodamiento

► Fig.40

Unidad: mm

D	A	L1	L2
6	10	50	20
1/4"			

Fresa de redondeado de esquinas con rodamiento

► Fig.41

Unidad: mm

D	A1	A2	L1	L2	L3	R
6	15	8	37	7	3,5	3
6	21	8	40	10	3,5	6
1/4"	21	8	40	10	3,5	6

Fresa de chaflanado con rodamiento

► Fig.42

Unidad: mm

D	A1	A2	L1	L2	θ
6	26	8	42	12	45°
1/4"					
6	20	8	41	11	60°

Fresa de moldura redonda con rodamiento

► Fig.43

Unidad: mm

D	A1	A2	A3	L1	L2	L3	R
6	20	12	8	40	10	5,5	4
6	26	12	8	42	12	4,5	7

Fresa de moldura redonda de media caña con rodamiento

► Fig.44

Unidad: mm

D	A1	A2	A3	A4	L1	L2	L3	R
6	20	18	12	8	40	10	5,5	3
6	26	22	12	8	42	12	5	5

Fresa de gola romana con rodamiento

► Fig.45

Unidad: mm

D	A1	A2	L1	L2	L3	R1	R2
6	20	8	40	10	4,5	2,5	4,5
6	26	8	42	12	4,5	3	6

Fresa de esquina redonda con doble rodamiento

► Fig.46

Unidad: mm

D	A1	A2	A3	L1	L2	L3	R
12	35	27	19	70	11	3,5	3
1/2"							

ESPECIFICAÇÕES

Modelo:	M3602
Capacidade da pinça de aperto	12 mm ou 1/2"
Capacidade de corte	0 - 60 mm
Velocidade sem carga	22.000 min ⁻¹
Altura geral	300 mm
Peso líquido	5,7 kg
Classe de segurança	Ⓜ/II

- Devido a um programa contínuo de pesquisa e desenvolvimento, estas especificações podem ser alteradas sem aviso prévio.
- As especificações podem variar de país para país.
- Peso de acordo com o Procedimento EPTA 01/2014

Utilização a que se destina

A ferramenta é utilizada para rebarbamento à face e para perfilar madeira, plástico e materiais semelhantes.

Alimentação

A ferramenta só deve ser ligada a uma fonte de alimentação com a mesma tensão da indicada na placa de características, e só funciona com alimentação de corrente alterna (CA) monofásica. Tem um sistema de isolamento duplo e pode, por isso, utilizar tomadas sem ligação à terra.

Ruído

A característica do nível de ruído A determinado de acordo com a EN62841-2-17:

Nível de pressão acústica (L_{pA}): 87 dB (A)

Nível de potência acústica (L_{WA}): 95 dB (A)

Variabilidade (K): 3 dB (A)

NOTA: O(s) valor(es) da emissão de ruído indicado(s) foi medido de acordo com um método de teste padrão e pode ser utilizado para comparar duas ferramentas.

NOTA: O(s) valor(es) da emissão de ruído indicado(s) pode também ser utilizado na avaliação preliminar da exposição.

⚠️ AVISO: Utilize protetores auriculares.

⚠️ AVISO: A emissão de ruído durante a utilização real da ferramenta elétrica pode diferir do(s) valor(es) indicado(s), dependendo das formas como a ferramenta é utilizada, especialmente o tipo de peça de trabalho que é processada.

⚠️ AVISO: Certifique-se de identificar as medidas de segurança para proteção do operador que sejam baseadas em uma estimativa de exposição em condições reais de utilização (considerando todas as partes do ciclo de operação, tal como quando a ferramenta está desligada e quando está a funcionar em marcha lenta além do tempo de acionamento).

Vibração

Valor total da vibração (soma vetorial tri-axial) determinado de acordo com a EN62841-2-17:

Modo de trabalho: cortar ranhuras em MDF

Emissão de vibração (a_{hv}): 3,1 m/s²

Variabilidade (K): 1,5 m/s²

NOTA: O(s) valor(es) total(ais) de vibração indicado(s) foi medido de acordo com um método de teste padrão e pode ser utilizado para comparar duas ferramentas.

NOTA: O(s) valor(es) total(ais) de vibração indicado(s) pode também ser utilizado na avaliação preliminar da exposição.

⚠️ AVISO: A emissão de vibração durante a utilização real da ferramenta elétrica pode diferir do(s) valor(es) indicado(s), dependendo das formas como a ferramenta é utilizada, especialmente o tipo de peça de trabalho que é processada.

⚠️ AVISO: Certifique-se de identificar as medidas de segurança para proteção do operador que sejam baseadas em uma estimativa de exposição em condições reais de utilização (considerando todas as partes do ciclo de operação, tal como quando a ferramenta está desligada e quando está a funcionar em marcha lenta além do tempo de acionamento).

Declarações de conformidade

Apenas para os países europeus

As Declarações de conformidade estão incluídas no Anexo A deste manual de instruções.

Avisos gerais de segurança para ferramentas elétricas

⚠️ AVISO: Leia todos os avisos de segurança, instruções, ilustrações e especificações fornecidos com esta ferramenta elétrica. O não cumprimento de todas as instruções indicadas em baixo pode resultar em choque elétrico, incêndio e/ou ferimentos graves.

Guarde todos os avisos e instruções para futuras referências.

O termo "ferramenta elétrica" nos avisos refere-se às ferramentas elétricas ligadas à corrente elétrica (com cabo) ou às ferramentas elétricas operadas por meio de bateria (sem cabo).

Avisos de segurança da tupa

1. **Segure a ferramenta elétrica apenas pelas superfícies de agarramento isoladas, porque o cortador pode entrar em contacto com o seu próprio cabo.** Cortar um fio sob tensão poderá colocar peças metálicas expostas da ferramenta elétrica sob tensão e pode causar um choque elétrico no operador.
2. **Utilize braçadeiras ou outra forma prática de fixar e suportar a peça de trabalho numa plataforma estável.** Segurar a peça de trabalho com a mão ou contra o corpo deixa-a instável e pode levar a perda de controlo.
3. **A haste da cabeça do cortador tem de corresponder à pinça de aperto concebida.**
4. **Utilize apenas uma cabeça com uma classificação de, pelo menos, igual à velocidade máxima marcada na ferramenta.**
5. **Use proteções auriculares durante períodos alargados de operação.**
6. **Manuseie as cabeças da tupa com muito cuidado.**
7. **Verifique a cabeça da tupa cuidadosamente para ver se tem rachas ou danos antes da operação.** Substitua imediatamente as cabeças rachadas ou danificadas.
8. **Evite cortar pregos.** Inspeccione e remova todos os pregos da peça de trabalho antes da operação.
9. **Segure a ferramenta com firmeza com ambas as mãos.**
10. **Mantenha as mãos afastadas das peças rotativas.**
11. **Certifique-se de que a cabeça da tupa não está em contacto com a peça de trabalho antes de ligar o interruptor.**
12. **Antes de utilizar a ferramenta numa peça de trabalho real, deixe-a funcionar durante algum tempo.** Verifique se sente vibrações ou flutuações que possam indicar uma cabeça mal instalada.
13. **Tenha cuidado com a direção de rotação da cabeça da tupa e com a direção de alimentação.**
14. **Não deixe a ferramenta a funcionar.** Opere a ferramenta apenas quando a tem na mão.
15. **Desligue sempre a ferramenta e espere que a cabeça da tupa pare completamente antes de remover a ferramenta da peça de trabalho.**
16. **Não toque na cabeça da tupa imediatamente a seguir à operação.** Pode estar extremamente quente e provocar queimaduras na sua pele.
17. **Não espalhe diluente, gasolina, óleo ou outro produto semelhante descuidadamente na base da ferramenta.** Estes produtos podem provocar rachas na base da ferramenta.
18. **Alguns materiais contêm produtos químicos que podem ser tóxicos.** Tome cuidado para evitar a inalação de poeiras e o contacto com a pele. Siga os dados de segurança do fornecedor do material.
19. **Utilize sempre a máscara/respirador contra poeira adequado ao material e à aplicação com que está a trabalhar.**

20. **Coloque a ferramenta numa área estável.** Caso contrário, pode ocorrer um acidente de queda e causar ferimentos.
21. **Mantenha o cabo afastado dos seus pés ou quaisquer objetos.** Caso contrário, um cabo emaranhado pode causar um acidente de queda e resultar em ferimentos pessoais.

GUARDE ESTAS INSTRUÇÕES.

AVISO: NÃO permita que o conforto ou familiaridade com o produto (adquirido com o uso repetido) substitua o cumprimento estrito das regras de segurança da ferramenta. A MÁ INTERPRETAÇÃO ou o não seguimento das regras de segurança estabelecidas neste manual de instruções pode provocar ferimentos pessoais graves.

DESCRIÇÃO FUNCIONAL

PRECAUÇÃO: Certifique-se sempre de que a ferramenta está desligada e com a ficha retirada da tomada, antes de proceder a afinações ou de verificar o funcionamento da respetiva ferramenta.

Ajustar a profundidade do corte

Coloque a ferramenta numa superfície plana. Solte a alavanca de bloqueio e baixe o corpo da ferramenta até a cabeça da tupa tocar na superfície plana. Aperte a alavanca de bloqueio para bloquear o corpo da ferramenta. Enquanto prime o botão de alimentação rápida, mova o polo batente para cima ou para baixo até obter a profundidade de corte pretendida. Os ajustes de profundidade mínimos podem ser obtidos rodando o polo batente (1,5 mm (1/16") por volta).

► **Fig.1:** 1. Porca de nylon 2. Polo batente 3. Botão de alimentação rápida 4. Perno hexagonal de ajuste 5. Bloco batente 6. Alavanca de bloqueio

PRECAUÇÃO: A profundidade do corte não deve ser superior a 20 mm (13/16") numa passagem durante o corte de ranhuras. Para operações de ranhuragem extraprofunda, realize duas ou três passagens com configurações progressivamente mais fundas da cabeça da tupa.

Porca de nylon

Para ferramentas sem o botão

O limite superior do corpo da ferramenta pode ser ajustado rodando a porca de nylon. Não baixe a porca de nylon em demasia. A cabeça da tupa ficará perigosamente sobressaída.

Para ferramentas com o botão

É possível ajustar o limite superior do corpo da ferramenta rodando o botão. Quando a ponta da cabeça da tupa está retraída mais do que o necessário em relação à superfície da chapa da base, rode o botão para baixar o limite superior.

► **Fig.2:** 1. Botão

⚠️ PRECAUÇÃO: Uma vez que o corte excessivo pode provocar sobrecarga do motor ou dificuldade em controlar a ferramenta, a profundidade do corte não deve ser superior a 20 mm (13/16") numa passagem durante o corte de ranhuras. Quando pretende cortar ranhuras com mais de 20 mm (13/16") de profundidade, realize várias passagens com configurações progressivamente mais fundas da cabeça da tupia.

⚠️ PRECAUÇÃO: Não baixe o botão em demasia. A cabeça da tupia ficará perigosamente sobressaída.

Bloco batente

Uma vez que o bloco batente tem três pernos hexagonais de ajuste que sobem ou descem 0,8 mm por volta, pode facilmente obter três profundidades de corte diferentes sem reajustar o polo batente.

► **Fig.3:** 1. Polo batente 2. Perno hexagonal de ajuste 3. Bloco batente

Ajuste o perno hexagonal de ajuste mais baixo para obter a profundidade de corte mais funda, seguindo o método em "Ajustar a profundidade do corte".

Ajuste os dois restantes pernos hexagonais de ajuste para obter profundidades mais superficiais de corte. As diferenças em altura destes pernos hexagonais de ajuste são iguais às diferenças das profundidades de corte.

Para ajustar os pernos hexagonais de ajuste, rode os pernos hexagonais de ajuste com uma chave de parafusos ou uma chave. O bloco batente também é conveniente para efetuar três passagens com configurações da cabeça progressivamente mais fundas quando cortar ranhuras fundas.

Ação do interruptor

⚠️ PRECAUÇÃO: Antes de ligar a ficha da ferramenta à corrente, verifique sempre para garantir que está desligada.

⚠️ PRECAUÇÃO: Certifique-se de que o bloqueio do eixo foi libertado antes de ligar a ferramenta.

Para pôr a ferramenta a funcionar, mova a alavanca do interruptor para a posição I.

Para parar a ferramenta a funcionar, mova a alavanca do interruptor para a posição O.

► **Fig.4:** 1. Alavanca do interruptor

⚠️ PRECAUÇÃO: Segure firmemente a ferramenta quando a desligar, para dominar a reação.

Função eletrónica

A ferramenta está equipada com as funções eletrónicas para fácil operação.

Luz indicadora

► **Fig.5:** 1. Luz indicadora

A luz indicadora acende a verde quando a ferramenta é ligada. Se a luz indicadora não acender, o cabo de alimentação ou o controlador pode estar com defeito. Se a luz indicadora está acesa, mas a ferramenta não arranca mesmo que a ferramenta esteja ligada, as escovas de carvão podem estar gastas ou o controlador, o motor ou o interruptor de ligar/desligar pode estar com defeito.

Dispositivo à prova de reinício accidental

A ferramenta não arranca com a alavanca do interruptor na posição I, mesmo quando a ferramenta está ligada. Nesta altura, a luz indicadora pisca a vermelho e mostra que o dispositivo à prova de reinício accidental está a funcionar.

Para cancelar o dispositivo à prova de reinício accidental, mova a alavanca do interruptor para a posição O.

Funcionalidade de arranque suave

A funcionalidade de arranque suave minimiza o choque do arranque e torna o arranque da ferramenta suave.

MONTAGEM

⚠️ PRECAUÇÃO: Certifique-se sempre de que a ferramenta está desligada e com a ficha retirada da tomada antes de executar quaisquer trabalhos na ferramenta.

Instalar ou remover a cabeça da tupia

Insira a cabeça da tupia até ao fim dentro do cone de aperto. Pressione o bloqueio do eixo para manter o eixo parado e utilize a chave para apertar firmemente a porca de aperto. Quando utilizar cabeças da tupia com hastes de menor diâmetro, insira primeiro a manga de aperto adequada dentro do cone de aperto e, em seguida, instale a cabeça da tupia.

Para remover a cabeça da tupia, siga o procedimento de instalação pela ordem inversa.

► **Fig.6:** 1. Bloqueio do eixo 2. Chave 3. Soltar 4. Apertar

⚠️ PRECAUÇÃO: Instale a cabeça da tupia em segurança. Utilize sempre apenas a chave fornecida com a ferramenta. As cabeças da tupia soltas ou demasiado apertadas podem ser perigosas.

OBSERVAÇÃO: Não aperte a porca de aperto sem inserir uma cabeça da tupia nem instale cabeças com hastes de menor dimensão sem utilizar uma manga de aperto. Ambas podem fazer com que o cone de aperto se parta.

OPERAÇÃO

⚠️ PRECAUÇÃO: Antes da operação, certifique-se sempre de que o corpo da ferramenta sobe automaticamente até ao limite superior e que a cabeça da tupia não fica saliente na base da ferramenta quando a alavanca de bloqueio está solta.

⚠️ PRECAUÇÃO: Antes da operação, certifique-se sempre que o defletor de aparas está adequadamente instalado.

⚠️ PRECAUÇÃO: Utilize sempre os dois punhos e segure firmemente a ferramenta pelos dois punhos durante as operações.

► **Fig.7:** 1. Defletor de aparas

Coloque a base da ferramenta na peça de trabalho a cortar sem que a cabeça da tupa esteja em contacto com a mesma. Depois, ligue a ferramenta e aguarde até a cabeça da tupa atingir a velocidade máxima. Baixe o corpo da ferramenta e mova a ferramenta para a frente sobre a superfície da peça de trabalho, mantendo a base da ferramenta à face e avançando suavemente até o corte estar completo.

Quando se realizam cortes de extremidades, a superfície da peça de trabalho deve estar no lado esquerdo da cabeça da tupa na direcção de alimentação.

► **Fig.8:** 1. Peça de trabalho 2. Direcção de rotação da cabeça 3. Vista a partir do topo da ferramenta 4. Direcção de alimentação

NOTA: Mover a ferramenta para a frente demasiado depressa pode provocar cortes de má qualidade ou danificar a cabeça da tupa ou o motor. Mover a ferramenta para a frente devagar demais pode queimar e danificar o corte. A taxa de alimentação adequada depende do tamanho da cabeça da tupa, do tipo de peça de trabalho e da profundidade do corte.

Antes de começar o corte na peça de trabalho, é aconselhável realizar um corte de amostragem num pedaço de desperdício de madeira. Assim ficará a saber exatamente qual será o aspeto do corte, bem como lhe permitirá verificar as dimensões.

NOTA: Quando se utiliza a guia reta ou a guia aparadora, certifique-se que a instala no lado direito na direcção de alimentação. Isto ajudará a mantê-la à face da parte lateral da peça de trabalho.

► **Fig.9:** 1. Direcção de alimentação 2. Direcção de rotação da cabeça 3. Peça de trabalho 4. Guia reta

Guia reta

A guia reta é utilizada eficazmente para cortes retos durante a chanfragem ou ranhuragem.

Guia reta (Tipo A)

Acessório opcional

Instale a guia reta no suporte da guia com o parafuso de orelhas (B). Insira o suporte da guia dentro dos orifícios na base da ferramenta e aperte o parafuso de orelhas (A). Para ajustar a distância entre a cabeça da tupa e a guia reta, solte o parafuso de orelhas (B) e rode o parafuso de ajuste pormenorizado. A distância pretendida, aperte o parafuso de orelhas (B) para fixar a guia reta no lugar.

► **Fig.10:** 1. Suporte da guia 2. Parafuso de ajuste pormenorizado 3. Guia reta

Guia reta (Tipo B)

Acessório opcional

Insira a guia reta dentro dos orifícios na base da ferramenta e aperte o parafuso de orelhas. Para ajustar a distância entre a cabeça da tupa e a guia reta, solte o parafuso de orelhas. A distância pretendida, aperte o parafuso de orelhas para fixar a guia reta no lugar.

► **Fig.11:** 1. Parafuso de orelhas 2. Guia reta

Quando cortar, mova a ferramenta com a guia reta à face da parte lateral da peça de trabalho.

Para aumentar a guia reta às dimensões pretendidas, pode utilizar os orifícios convenientes na guia para aparafusar pedaços suplementares de madeira. Quando utilizar uma cabeça da tupa de maior diâmetro, fixe pedaços de madeira à guia reta com uma espessura superior a 15 mm (5/8") para evitar que a cabeça da tupa bata na guia reta.

► **Fig.12:** 1. Guia reta 2. Madeira

A=55 mm (2-3/16")

B=55 mm (2-3/16")

C=15 mm (5/8") ou mais grossa

Guia do molde

Acessório opcional

A guia do molde proporciona uma manga através da qual a cabeça da tupa passa, permitindo a utilização da tupa com padrões de moldes.

► **Fig.13**

1. Solte os parafusos na base, insira a guia do molde e, em seguida, aperte os parafusos.

► **Fig.14:** 1. Parafusos 2. Guia do molde

2. Fixe o molde à peça de trabalho. Coloque a ferramenta no molde e mova-a com a guia do molde a deslizar ao longo da parte lateral do molde.

► **Fig.15:** 1. Cabeça da tupa 2. Base 3. Chapa da base 4. Molde 5. Peça de trabalho 6. Guia do molde

NOTA: A peça de trabalho será cortada com um tamanho ligeiramente diferente do molde. Deixe uma distância (X) entre a cabeça da tupa e a parte exterior da guia do molde. A distância (X) pode ser calculada utilizando a seguinte equação:

Distância (X) = (diâmetro externo da guia do molde - diâmetro da cabeça da tupa) / 2

Guia aparadora

É fácil rebarbar, realizar cortes curvos em laminados para peças de mobiliário e outros do género com a guia aparadora. O rolo da guia faz a curva e garante um corte perfeito.

Guia aparadora (Tipo A)

Acessório opcional

Instale a guia aparadora no suporte da guia com o parafuso de orelhas (B). Insira o suporte da guia dentro dos orifícios na base da ferramenta e aperte o parafuso de orelhas (A). Para ajustar a distância entre a cabeça da tupa e a guia aparadora, solte o parafuso de orelhas (B) e rode o parafuso de ajuste pormenorizado. Quando ajustar o rolo da guia para cima ou para baixo, solte o parafuso de orelhas (C). Após o ajuste, aperte todos os parafusos de orelhas em segurança.

► **Fig.16:** 1. Suporte da guia 2. Parafuso de ajuste pormenorizado 3. Guia aparadora 4. Rolo da guia

Guia aparadora (Tipo B)

Acessório opcional

Instale a guia aparadora na guia reta utilizando os parafusos de orelhas (B). Insira a guia reta dentro dos orifícios na base da ferramenta e aperte o parafuso de orelhas (A). Para ajustar a distância entre a cabeça da tupa e a guia aparadora, solte os parafusos de orelhas (B). Quando ajustar o rolo da guia para cima ou para baixo, solte o parafuso de orelhas (C). Após o ajuste, aperte firmemente todos os parafusos de orelhas.

► **Fig.17:** 1. Rolo da guia 2. Guia aparadora

Quando cortar, mova a ferramenta com o rolo da guia a rolar na parte lateral da peça de trabalho.

► **Fig.18:** 1. Cabeça da tupa 2. Rolo da guia 3. Peça de trabalho

Proteção contra poeira (para ferramentas com o botão)

Acessório opcional

A proteção contra poeira impede que o pó da serra seja atirado para dentro da ferramenta na posição invertida. Instale a proteção contra poeira como ilustrado quando utilizar a ferramenta com um suporte para tupa disponível no mercado.

Retire-a quando utilizar a ferramenta na posição normal.

► **Fig.19:** 1. Parafuso 2. Proteção contra poeira

Espaçador (para ferramentas com o botão)

Acessório opcional

O espaçador impede que a cabeça da tupa caia dentro da pinça quando substituir a cabeça da tupa na posição invertida.

Insira o espaçador como ilustrado quando utilizar a ferramenta com um suporte para tupa disponível no mercado.

► **Fig.20:** 1. Porca de aperto 2. Cone de aperto 3. Espaçador

Extração de poeira

Acessório opcional

Utilize o bocal de poeira para extração da poeira.

► **Fig.21:** 1. Bocal de poeira

Instalar o bocal de poeira

► **Fig.22:** 1. Suporte 2. Alavanca de bloqueio

1. Levante a alavanca de bloqueio do bocal de poeira.
 2. Coloque o bocal de poeira na base da ferramenta de forma que a respetiva parte superior fique presa no gancho da base da ferramenta.
 3. Insira os suportes no bocal de poeira dentro dos ganchos na parte da frente da base da ferramenta.
 4. Empurre a alavanca de bloqueio para baixo sobre a base da ferramenta.
 5. Ligue um aspirador ao bocal de poeira.
- **Fig.23**

Remover o bocal de poeira

1. Levante a alavanca de bloqueio.
2. Puxe o bocal de poeira para o retirar da base da ferramenta ao mesmo tempo que segura os suportes entre o polegar e os restantes dedos.

MANUTENÇÃO

⚠PRECAUÇÃO: Certifique-se sempre de que a ferramenta está desligada e com a ficha retirada da tomada antes de tentar proceder à inspeção ou à manutenção.

OBSERVAÇÃO: Nunca utilize gasolina, benzina, diluente, álcool ou produtos semelhantes. Pode ocorrer a descoloração, deformação ou rachaduras.

Substituição das escovas de carvão

► **Fig.24:** 1. Marca limite

Verifique regularmente as escovas de carvão. Substitua-as quando estiverem gastas até à marca limite. Mantenha as escovas de carvão limpas e a deslizar nos suportes. As duas escovas de carvão devem ser substituídas ao mesmo tempo. Só utilize escovas de carvão idênticas.

1. Utilize uma chave de parafusos para retirar as tampas do suporte das escovas.
2. Retire as escovas de carvão usadas, coloque as novas e prenda as tampas do suporte das escovas.

► **Fig.25:** 1. Tampa do suporte das escovas

Para ferramentas com o botão

⚠PRECAUÇÃO: Certifique-se de que reinstala o botão depois de inserir a escova de carbono nova.

Solte a alavanca de bloqueio e retire o botão rodando-o para a esquerda.

► **Fig.26:** 1. Botão

NOTA: A mola de compressão sai do botão, portanto, tenha cuidado para não perder a mola de compressão.

Para manter a SEGURANÇA e a FIABILIDADE do produto, as reparações e qualquer outra manutenção ou ajuste devem ser levados a cabo pelos centros de assistência Makita autorizados ou pelos centros de assistência de fábrica, utilizando sempre peças de substituição Makita.

ACESSÓRIOS OPCIONAIS

Cabeças da tupia

Cabeça reta

► Fig.27

Unidade: mm

D	A	L1	L2
6	20	50	15
1/4"			
12	12	60	30
1/2"			
12	10	60	25
1/2"			
8	8	60	25
6	8	50	18
1/4"			
6	6	50	18
1/4"			

Cabeça de ranhuragem em "U"

► Fig.28

Unidade: mm

D	A	L1	L2	R
6	6	50	18	3

Cabeça de ranhuragem em "V"

► Fig.29

Unidade: mm

D	A	L1	L2	θ
1/4"	20	50	15	90°

Cabeça de entalhe

► Fig.30

Unidade: mm

D	A	L1	L2	θ
8	14,5	55	10	35°
3/8"				
8	14,5	55	14,5	23°
3/8"				
8	12	50	9	30°
3/8"				

Cabeça de rebarbamento à face do ponto de perfuração

► Fig.31

Unidade: mm

D	A	L1	L2	L3
12	12	60	20	35
8	8	60	20	35
6	6	60	18	28

Cabeça de rebarbamento à face do duplo ponto de perfuração

► Fig.32

Unidade: mm

D	A	L1	L2	L3	L4
6	6	70	40	12	14

Fresa para ranhuras

► Fig.33

Unidade: mm

D	A	L1	L2
12	30	55	6
1/2"			
12	30	55	3
1/2"			

Cabeça de uniões de placas

► Fig.34

Unidade: mm

D	A1	A2	L1	L2	L3
12	38	27	61	4	20

Cabeça para arredondamento de cantos

► Fig.35

Unidade: mm

D	A1	A2	L1	L2	L3	R
6	25	9	48	13	5	8
6	20	8	45	10	4	4

Cabeça de chanfragem

► Fig.36

Unidade: mm

D	A	L1	L2	L3	θ
6	23	46	11	6	30°
6	20	50	13	5	45°
6	20	49	14	2	60°

► Fig.37

Unidade: mm

D	A1	A2	L1	L2	L3	C
12	30	20	55	12	20	4
1/2"						

Cabeça de rebordos

► Fig.38

Unidade: mm

D	A1	A2	L1	L2	L3	R
12	30	20	55	12	20	4
1/2"						

Cabeça de rebordos de ansa

► Fig.39

Unidade: mm

D	A	L1	L2	R
6	20	43	8	4
6	25	48	13	8

Cabeça de rebarbamento à face com rolamento de esferas

► Fig.40

Unidade: mm

D	A	L1	L2
6	10	50	20
1/4"			

Cabeça de arredondamento de cantos com rolamento de esferas

► Fig.41

Unidade: mm

D	A1	A2	L1	L2	L3	R
6	15	8	37	7	3,5	3
6	21	8	40	10	3,5	6
1/4"	21	8	40	10	3,5	6

Cabeça de chanfragem com rolamento de esferas

► Fig.42

Unidade: mm

D	A1	A2	L1	L2	θ
6	26	8	42	12	45°
1/4"					
6	20	8	41	11	60°

Cabeça de rebordos com rolamento de esferas

► Fig.43

Unidade: mm

D	A1	A2	A3	L1	L2	L3	R
6	20	12	8	40	10	5,5	4
6	26	12	8	42	12	4,5	7

Cabeça de rebordos de ansa com rolamento de esferas

► Fig.44

Unidade: mm

D	A1	A2	A3	A4	L1	L2	L3	R
6	20	18	12	8	40	10	5,5	3
6	26	22	12	8	42	12	5	5

Cabeça de asa em arco duplo romano com rolamento de esferas

► Fig.45

Unidade: mm

D	A1	A2	L1	L2	L3	R1	R2
6	20	8	40	10	4,5	2,5	4,5
6	26	8	42	12	4,5	3	6

Cabeça para cantos redondos com rolamento de esferas duplo

► Fig.46

Unidade: mm

D	A1	A2	A3	L1	L2	L3	R
12	35	27	19	70	11	3,5	3
1/2"							

SPECIFIKATIONER

Model:	M3602
Kapacitet af indsatspatron	12 mm eller 1/2"
Kapacitet af indstik	0 - 60 mm
Hastighed uden belastning	22.000 min ⁻¹
Samlet højde	300 mm
Nettovægt	5,7 kg
Sikkerhedsklasse	□/II

- På grund af vores kontinuerlige forsknings- og udviklingsprogrammer kan hosstående specifikationer blive ændret uden varsel.
- Specifikationer kan variere fra land til land.
- Vægt i henhold til EPTA-procedure 01/2014

Tilslaget anvendelse

Maskinen er beregnet til tilskæring og afdrejning af træ, plastik og lignende materialer.

Strømforsyning

Maskinen må kun tilsluttes en strømforsyning med samme spænding som angivet på typeskiltet og kan kun anvendes på enfaset vekselstrømforsyning. Den er dobbeltisoleret og kan derfor også tilsluttes netstik uden jordforbindelse.

Støj

Det typiske A-vægtede støjniveau bestemt i overensstemmelse med EN62841-2-17:

Lydtrykniveau (L_{PA}) : 87 dB (A)

Lydeffektniveau (L_{WA}) : 95 dB (A)

Usikkerhed (K): 3 dB (A)

BEMÆRK: De(n) angivne støjmissionsværdi(er) er målt i overensstemmelse med en standardtestmetode og kan anvendes til at sammenligne en maskine med en anden.

BEMÆRK: De(n) angivne støjmissionsværdi(er) kan også anvendes i en præliminær eksponeringsvurdering.

⚠ ADVARSEL: Bær høreværn.

⚠ ADVARSEL: Støjmissionen under den faktiske anvendelse af maskinen kan være forskellig fra de(n) angivne værdi(er), afhængigt af den måde hvorpå maskinen anvendes, især den type arbejdsemne der behandles.

⚠ ADVARSEL: Sørg for at identificere de sikkerhedsforskrifter til beskyttelse af operatøren, som er baseret på en vurdering af eksponering under de faktiske brugsforhold (med hensyntagen til alle dele i brugscyklussen, f.eks. de gange, hvor maskinen er slukket, og når den kører i tomgang i tilgift til afbrydertiden).

Vibration

Vibrationens totalværdi (tre-aksial vektorsum) bestemt i overensstemmelse med EN62841-2-17:

Arbejdstilstand: skæring af riller i MDF

Vibrationsemission (a_h): 3,1 m/s²

Usikkerhed (K): 1,5 m/s²

BEMÆRK: De(n) angivne totalværdi(er) for vibration er målt i overensstemmelse med en standardtestmetode og kan anvendes til at sammenligne en maskine med en anden.

BEMÆRK: De(n) angivne totalværdi(er) for vibration kan også anvendes i en præliminær eksponeringsvurdering.

⚠ ADVARSEL: Vibrationsemissionen under den faktiske anvendelse af maskinen kan være forskellig fra de(n) angivne værdi(er), afhængigt af den måde hvorpå maskinen anvendes, især den type arbejdsemne der behandles.

⚠ ADVARSEL: Sørg for at identificere de sikkerhedsforskrifter til beskyttelse af operatøren, som er baseret på en vurdering af eksponering under de faktiske brugsforhold (med hensyntagen til alle dele i brugscyklussen, f.eks. de gange, hvor maskinen er slukket, og når den kører i tomgang i tilgift til afbrydertiden).

Overensstemmelseserklæringer

Kun for lande i Europa

Overensstemmelseserklæringerne er inkluderet i Bilag A i denne brugsanvisning.

Almindelige sikkerhedsregler for el-værktøj

⚠ ADVARSEL: Læs alle de sikkerhedsadvarsler, instruktioner, illustrationer og specifikationer, der følger med denne maskine. Forsømmelse af at overholde alle nedenstående instruktioner kan medføre elektrisk stød, brand og/eller alvorlig personskade.

Gem alle advarsler og instruktioner til fremtidig reference.

Ordet "el-værktøj" i advarslerne henviser til det netforsyede (netledning) el-værktøj eller batteriforsyede (akku) el-værktøj.

Sikkerhedsadvarsler for overfræser

1. Hold kun maskinen i de isolerede gribeblader, da skæreren kan komme i kontakt med sin egen ledning. Hvis der skæres i en strømførende ledning, kan udsatte metaldele på maskinen også blive strømførende, hvorved operatøren kan få elektrisk stød.
2. Brug skruevinger eller en anden praktisk måde til at fastgøre og understøtte arbejdsemnet til en stabil platform. Hvis arbejdsemnet holdes i hånden eller mod kroppen, er det ustabil, hvilket kan medføre, at du mister kontrollen.
3. Skærebittens aksel skal matche den designede spændepatron.
4. Brug kun en bit som er normeret til mindst at være det samme som den maksimale hastighed, der er angivet på maskinen.
5. Bær høreværn ved længere tids brug.
6. Håndter overfræserbits yderst forsigtigt.
7. Kontroller overfræserbitten omhyggeligt for revner eller beskadigelse før brugen. Udskift øjeblikkeligt en revnet eller beskadiget bit.
8. Undgå at skære i søm. Se efter og fjern alle søm fra arbejdsemnet, før arbejdet påbegyndes.
9. Hold godt fast i maskinen med begge hænder.
10. Hold hænderne på afstand af roterende dele.
11. Sørg for, at overfræserbitten ikke er i kontakt med arbejdsemnet, før der tændes ved kontakten.
12. Lad maskinen køre et stykke tid, før den anvendes på et egentligt arbejdsemne. Se efter vibration eller rysten, der kan tyde på en forkert monteret bit.
13. Vær opmærksom på overfræserbittens rotationsretning og fremføringsretningen.
14. Lad ikke maskinen ligge og køre. Brug kun maskinen, når den holdes i hænderne.
15. Sluk altid, og vent, til overfræserbitten er helt stoppet, før maskinen fjernes fra arbejdsemnet.
16. Undlad at berøre overfræserbitten umiddelbart efter brugen. Den kan være meget varm og kan forårsage forbrændinger.
17. Udsæt ikke ved skødesløshed maskinens fod for fortynder, benzin, olie eller lignende. De kan forårsage revner i maskinens fod.
18. Nogle materialer indeholder kemikalier, der kan være giftige. Sørg omhyggeligt for at undgå indånding af støv samt kontakt med huden. Følg materialeleverandørens sikkerhedsdata.
19. Anvend altid den/det korrekte støvmaske/åndedrætsværn til det materiale og den anvendelse, du arbejder med.
20. Placer maskinen på et stabilt område. Ellers kan der forekomme en faldulykke, der forårsager personskade.
21. Hold ledningen væk fra foden eller andre genstande. I modsat fald kan en sammenfildret ledning forårsage en faldulykke og resultere i personskade.

GEM DISSE FORSKRIFTER.

⚠ADVARSEL: LAD IKKE bekvemmelighed eller kendskab til produktet (opnået gennem gentagen brug) forhindre, at sikkerhedsforskrifterne for produktet nøje overholdes. MISBRUG eller for sømmelse af at følge de i denne brugsvejledning givne sikkerhedsforskrifter kan medføre alvorlig personskade.

FUNKTIONSBESKRIVELSE

⚠FORSIGTIG: Kontrollér altid, at maskinen er slået fra, og at netstikket er trukket ud, før der udføres justeringer, eller funktioner kontrolleres på maskinen.

Justering af skæredybden

Anbring maskinen på en flad overflade. Løsn låsehåndtaget og sænk maskinens krop, indtil overfræserbitten lige berører den flade overflade. Tilspænd låsehåndtaget for at låse maskinens krop. Mens du trykker på knappen til hurtig fremføring, skal du flytte stopskruen op eller ned, indtil den ønskede skæredybde er opnået. Der kan opnås små dybdejusteringer ved at dreje stopskruen (1,5 mm (1/16") pr. omdrejning).

► Fig.1: 1. Nylonmøtrik 2. Stopskruer 3. Knap til hurtig fremføring 4. Sekskantbolt til justering 5. Stopblok 6. Låsehåndtag

⚠FORSIGTIG: Skæredybden må ikke være større end 20 mm (13/16") pr. arbejdsplas ved skæring af riller. For ekstra dybe rilleskæringer skal der foretages to eller tre arbejdsplas med stadigt dybere overfræserbitindstillinger.

Nylonmøtrik

For maskiner uden knop

Den øverste grænse for maskinens kabinet kan justeres ved at dreje nylonmøtrikken. Sænk ikke nylonmøtrikken for langt ned. Overfræserbitten vil stikke ud på farlig vis.

For maskiner med knop

Den øverste grænse for maskinens krop kan justeres ved at dreje på knoppen. Når spidsen af overfræserbitten trækkes mere tilbage end nødvendigt i forhold til grundpladens overflade, drejes knoppen for at sænke den øverste grænse.

► Fig.2: 1. Knop

⚠FORSIGTIG: Eftersom overdreven skæring kan medføre overbelastning af motoren eller problemer med at kontrollere maskinen, må skæredybden ikke være større end 20 mm (13/16") pr. arbejdsplas ved skæring af riller. Hvis du vil skære riller, som er dybere end 20 mm (13/16"), skal du foretage flere arbejdsplas med stadigt dybere overfræserbitindstillinger.

⚠FORSIGTIG: Sænk ikke knoppen for langt ned. Overfræserbitten vil stikke ud på farlig vis.

Stopblok

Da stopblokken har tre sekskantbolte til justering, der hæver eller sænker 0,8 mm pr. omdrejning, kan du nemt opnå tre forskellige skæredybder uden at justere stopskruen igen.

- **Fig.3:** 1. Stopskruer 2. Sekskantbolt til justering 3. Stopblok

Juster den nederste sekskantbolt til justering for at opnå den dybeste skæredybde efter metoden "Justering af skæredybden".

Juster de to tilbageværende sekskantbolte til justering for at opnå mindre skæredybder. Højdeforskellene på disse sekskantbolte til justering er lige med forskellene i skæredybde. For at justere sekskantboltene til justering skal du dreje sekskantboltene til justering med en skruetrækker eller skruenøgle. Stopblokken er også praktisk til at foretage tre arbejdsphas med gradvist dybere bitindstillinger ved skæring af dybe riller.

Afbryderfunktion

⚠FORSIGTIG: Kontroller altid, at der er slukket for maskinen, før maskinen sættes i stikkontakten.

⚠FORSIGTIG: Sørg for, at aksellåsen er frigivet, før der tændes ved afbryderen.

Flyt afbryderhåndtaget til I-positionen for at starte maskinen.

Flyt afbryderhåndtaget til O-positionen for at stoppe maskinen.

- **Fig.4:** 1. Afbryderhåndtag

⚠FORSIGTIG: Hold godt fast i maskinen, når der tændes for maskinen, for at modstå reaktionen.

Elektronisk funktion

Maskinen er udstyret med elektroniske funktioner for nem betjening.

Indikatorlampe

- **Fig.5:** 1. Indikatorlampe

Indikatorlampen lyser grønt, når maskinen er tilsluttet. Hvis indikatorlampen ikke lyser, kan netledningen eller kontrolløren være defekt. Hvis indikatorlampen er tændt, men maskinen ikke starter, selvom der er tændt for maskinen, kan kulbørsterne være slidte, eller kontrolløren, motoren eller TÆND/SLUK-knappen kan være defekt.

Sikring mod utilsigtet start

Maskinen starter ikke med afbryderhåndtaget i I-positionen, selv når maskinen er tilsluttet. I så fald blinker indikatorlampen rødt og viser, at sikringsenheden mod utilsigtet start er aktiveret. For at annullere sikringen mod utilsigtet start skal du flytte afbryderhåndtaget til O-positionen.

Funktion til blød start

Funktionen til blød start minimerer opstartsstød og får maskinen til at starte blødt.

SAMLING

⚠FORSIGTIG: Sørg altid for, at maskinen er slukket og taget ud af forbindelse, inden der udføres nogen form for arbejde på maskinen.

Montering eller afmontering af overfræserbitten

Indsæt overfræserbitten helt ind i patronkeglen. Tryk på aksellåsen for at holde akslen stille, og brug skruenøglen til at tilspænde patronmøtrikken forsvarligt. Når du bruger overfræserbits med mindre skaftdiameter, skal du først indsætte den egnede indsatspatron i patronkeglen og derefter montere overfræserbitten.

Følg monteringsproceduren i omvendt rækkefølge for at afmontere overfræserbitten.

- **Fig.6:** 1. Aksellås 2. Skruenøgle 3. Løsn 4. Tilspænd

⚠FORSIGTIG: Monter overfræserbitten fast. Brug altid kun den medfølgende skruenøgle med maskinen. En løs eller overstrammet overfræserbit kan være farlig.

BEMÆRKNING: Undlad at tilspænde patronmøtrikken uden at indsætte en overfræserbit eller at montere bits med små aksler uden at bruge en patronmuffe. Begge dele kan medføre, at patronkeglen går i stykker.

ANVENDELSE

⚠FORSIGTIG: Før brug skal du altid sørge for, at maskinens kabinet automatisk løftes til den øverste grænse, og at overfræserbitten ikke stikker frem fra maskinens fod, når låsehåndtaget er løst.

⚠FORSIGTIG: Kontroller altid før brug, at spånskærmen er monteret korrekt.

⚠FORSIGTIG: Brug altid begge greb, og hold godt fast i maskinen med begge greb under anvendelse.

- **Fig.7:** 1. Spånskærm

Placer maskinens fod på det arbejdsemne, der skal skæres i, uden at overfræserbitten har kontakt. Tænd derefter for maskinen, og vent, til overfræserbitten har nået fuld hastighed. Sænk maskinens kabinet, og flyt maskinen fremad over arbejdsemnets overflade, idet maskinens fod holdes plant, og der flyttes fremad med jævn hastighed, indtil skæret er færdigt. Ved skæring af kanter, skal arbejdsemnets overflade være på venstre side af overfræserbitten i fremføringsretningen.

- **Fig.8:** 1. Arbejdsemne 2. Bittens omdrejningsretning 3. Set fra toppen af maskinen 4. Fremføringsretning

BEMÆRK: Hvis maskinen føres fremad for hurtigt, kan det medføre et dårligt snit eller beskadigelse af overfræserbitten eller motoren. Hvis maskinen flyttes for langsomt fremad, kan snittet blive brændt og ødelagt. Den korrekte fremføringshastighed afhænger af overfræserbittens størrelse, typen af arbejdsemne og skæredybden.

Før du starter snittet i det faktiske arbejdsemne, tilrådes det at foretage et prøvesnit i et stykke affaldstræ. Dette viser, nøjagtigt hvordan snittet vil se ud, og du kan kontrollere dimensionerne.

BEMÆRK: Ved brug af det lige styr eller tilskæringsstyret skal du sørge for at montere det i højre side i fremføringsretningen. Dette hjælper med at holde det justeret i forhold til siden af arbejdsemnet.

► **Fig.9:** 1. Fremføringsretning 2. Bittens omdrejningsretning 3. Arbejdsemne 4. Lige styr

Lige styr

Det lige styr anvendes effektivt til lige snit i forbindelse med skråfasning eller skæring af riller.

Lige styr (type A)

Ekstraudstyr

Monter det lige styr på styrholderen ved hjælp af fingerskruen (B). Indsæt styrholderen i hullerne på maskinens fod, og tilspænd fingerskruen (A). Hvis du vil justere afstanden mellem overfræserbitten og det lige styr, skal du løsne fingerskruen (B) og dreje finjusteringsskruen. Tilspænd fingerskruen (B) ved den ønskede afstand for at holde det lige styr på plads.

► **Fig.10:** 1. Styrholder 2. Finjusteringsskrue 3. Lige styr

Lige styr (type B)

Ekstraudstyr

Indsæt det lige styr i hullerne på maskinens fod, og tilspænd fingerskruen. Hvis du vil justere afstanden mellem overfræserbitten og det lige styr, skal du løsne fingerskruen. Tilspænd fingerskruen ved den ønskede afstand for at holde det lige styr på plads.

► **Fig.11:** 1. Fingerskrue 2. Lige styr

Ved skæring skal du flytte maskinen, så det lige styr flugter med siden af arbejdsemnet.

Der kan skabes et bredere lige styr med de ønskede dimensioner ved at bruge de praktiske huller i styret til at fastgøre to ekstra stykker træ.

Ved brug af en overfræserbit med stor diameter skal der fastgøres træstykker til det lige styr med en tykkelse på mere end 15 mm (5/8") for at forhindre, at overfræserbitten rammer det lige styr.

► **Fig.12:** 1. Lige styr 2. Træ

A=55 mm (2-3/16")

B=55 mm (2-3/16")

C=15 mm (5/8") eller tykkere

Skabelonstyr

Ekstraudstyr

Skabelonstyret skaber en muffe, som overfræserbitten går igennem, så overfræseren kan bruges sammen med skabelonmønstre.

► **Fig.13**

1. Løsn skruerne på foden, indsæt skabelonstyret og tilspænd derefter skruerne.

► **Fig.14:** 1. Skruer 2. Skabelonstyr

2. Fastgør skabelonen til arbejdsemnet. Placer maskinen på skabelonen, og flyt maskinen, så skabelonstyret glider langs siden af skabelonen.

► **Fig.15:** 1. Overfræserbit 2. Fod 3. Grundplade 4. Skabelon 5. Arbejdsemne 6. Skabelonstyr

BEMÆRK: Arbejdsemnet skæres i en lidt anden størrelse end skabelonen. Tag højde for afstanden (X) mellem overfræserbitten og ydersiden af skabelonstyret. Afstanden (X) kan beregnes ved hjælp af følgende ligning:

Afstand (X) = (skabelonstyrets udvendige diameter - overfræserbittens diameter) / 2

Tilskæringsstyr

Tilskæring, kurvede snit i finer til møbler og lignende er let at foretage med tilskæringsstyret. Styrrullen rider på kurven og sikrer et fint snit.

Tilskæringsstyr (type A)

Ekstraudstyr

Monter tilskæringsstyret på styrholderen ved hjælp af fingerskruen (B). Indsæt styrholderen i hullerne på maskinens fod, og tilspænd fingerskruen (A). Hvis du vil justere afstanden mellem overfræserbitten og tilskæringsstyret, skal du løsne fingerskruen (B) og dreje finjusteringsskruen. Ved justering op eller ned af styrrullen skal du løsne fingerskruen (C). Tilspænd alle fingerskruer fast efter justeringen.

► **Fig.16:** 1. Styrholder 2. Finjusteringsskrue 3. Tilskæringsstyr 4. Styrrulle

Tilskæringsstyr (type B)

Ekstraudstyr

Monter tilskæringsstyret på det lige styr ved hjælp af fingerskruerne (B). Indsæt det lige styr i hullerne på maskinens fod, og tilspænd fingerskruen (A). Hvis du vil justere afstanden mellem overfræserbitten og tilskæringsstyret, skal du løsne fingerskruen (B). Når styrrullen justeres op eller ned, løsnes fingerskruen (C). Tilspænd alle fingerskruerne forsvarligt efter justering.

► **Fig.17:** 1. Styrrulle 2. Tilskæringsstyr

Ved skæring skal du flytte maskinen, så styrrullen rider på siden af arbejdsemnet.

► **Fig.18:** 1. Overfræserbit 2. Styrrulle 3. Arbejdsemne

Støvdæksel (til maskiner med knop)

Ekstraudstyr

Støvdækslet forhindrer, at savsmuld suges ind i maskinen i den omvendte position.

Monter støvdækslet som vist på illustrationen, når maskinen anvendes med en fod til overfræser, som kan fås på markedet.

Afmonter det, når maskinen anvendes i den normale position.

► **Fig.19:** 1. Skruer 2. Støvdæksel

Mellemstykke (til maskiner med knop)

Ekstraudstyr

Mellemstykket forhindrer overfræserbitten i at falde ned i patronen, når overfræserbitten udskiftes i omvendt position.

Indsæt mellemstykket som illustreret, når du anvender maskinen med en fod til overfræser, der er tilgængelig på markedet.

► **Fig.20:** 1. Patronmøtrik 2. Patronkegle
3. Mellemstykke

Fjernelse af støv

Ekstraudstyr

Brug støvmundstykket til at fjerne støv.

► **Fig.21:** 1. Støvmundstykke

Montering af støvmundstykket

► **Fig.22:** 1. Støtte 2. Låsehåndtag

1. Løft låsehåndtaget på støvmundstykket.
2. Anbring støvmundstykket på maskinens fod, så dets top bliver fanget i krogen på maskinens fod.
3. Indsæt støtterne på støvmundstykket ind i krogen på forsiden af maskinens fod.
4. Skub låsehåndtaget ned på maskinens fod.
5. Tilslut en støvsuger til støvmundstykket.

► **Fig.23**

Afmontering af støvmundstykket

1. Løft låsehåndtaget.
2. Træk støvmundstykket ud af maskinens fod, mens du holder støtterne mellem tommel- og pegefinger.

VEDLIGEHOELDELSE

⚠FORSIGTIG: Kontrollér altid, at der er slukket for maskinen, og at netstikket er trukket ud, før der udføres eftersyn eller vedligeholdelse.

BEMÆRKNING: Anvend aldrig benzin, rensbenzin, fortynder, alkohol og lignende. Det kan medføre misfarvning, deformering eller revner.

Udskiftning af kulbørster

► **Fig.24:** 1. Slidgrænse

Kontrollér kulbørsterne med regelmæssige mellemrum. Udskift dem, når de er slidt ned til slidgrænsen. Hold kulbørsterne rene og i stand til frit at glide ind i holderne. Begge kulbørster skal udskiftes parvist samtidigt. Anvend kun identiske kulbørster.

1. Benyt en skruetrækker til at afmontere kulholderdækslerne.

2. Tag de slidte kulbørster ud, isæt de nye, og fastgør derefter kulholderdækslerne.

► **Fig.25:** 1. Kulholderdæksel

For maskiner med knop

⚠FORSIGTIG: Sørg for at montere knoppen igen, efter at du har indsat en ny kulbørste.

Frigør låsehåndtaget, og fjern knoppen ved at dreje den i retningen mod uret.

► **Fig.26:** 1. Knop

BEMÆRK: Trykfjederen kommer ud af knoppen, så pas på, at trykfjederen ikke bliver væk.

For at opretholde produktets SIKKERHED og PÅLIDELIGHED må reparation, vedligeholdelse eller justering kun udføres af et autoriseret Makita servicecenter eller fabrikksservicecenter med anvendelse af Makita reservedele.

EKSTRAUDSTYR

Overfræserbits

Lige bit

► **Fig.27**

Enhed: mm

D	A	L1	L2
6	20	50	15
1/4"			
12	12	60	30
1/2"			
12	10	60	25
1/2"			
8	8	60	25
6			
6	8	50	18
1/4"			
6	6	50	18
1/4"			

“U”-rillebit

► Fig.28

Enhed: mm

D	A	L1	L2	R
6	6	50	18	3

“V”-rillebit

► Fig.29

Enhed: mm

D	A	L1	L2	θ
1/4"	20	50	15	90°

Gratningsbit

► Fig.30

Enhed: mm

D	A	L1	L2	θ
8	14,5	55	10	35°
3/8"				
8	14,5	55	14,5	23°
3/8"				
8	12	50	9	30°
3/8"				

Bit til udglatning af borepunkt

► Fig.31

Enhed: mm

D	A	L1	L2	L3
12	12	60	20	35
8	8	60	20	35
6	6	60	18	28

Bit til dobbelt udglatning af borepunkt

► Fig.32

Enhed: mm

D	A	L1	L2	L3	L4
6	6	70	40	12	14

Notskærer

► Fig.33

Enhed: mm

D	A	L1	L2
12	30	55	6
1/2"			
12	30	55	3
1/2"			

Bit til sammenføring af brædder

► Fig.34

Enhed: mm

D	A1	A2	L1	L2	L3
12	38	27	61	4	20

Bit til afrunding af hjørner

► Fig.35

Enhed: mm

D	A1	A2	L1	L2	L3	R
6	25	9	48	13	5	8
6	20	8	45	10	4	4

Skråfasningsbit

► Fig.36

Enhed: mm

D	A	L1	L2	L3	θ
6	23	46	11	6	30°
6	20	50	13	5	45°
6	20	49	14	2	60°

► Fig.37

Enhed: mm

D	A1	A2	L1	L2	L3	C
12	30	20	55	12	20	4
1/2"						

Bertlingsbit

► Fig.38

Enhed: mm

D	A1	A2	L1	L2	L3	R
12	30	20	55	12	20	4
1/2"						

Bugtbortlingsbit

► Fig.39

Enhed: mm

D	A	L1	L2	R
6	20	43	8	4
6	25	48	13	8

Bit til udglatning med kugleleje

► Fig.40

Enhed: mm

D	A	L1	L2
6	10	50	20
1/4"			

Bit til afrunding af hjørner med kugleleje

► Fig.41

Enhed: mm

D	A1	A2	L1	L2	L3	R
6	15	8	37	7	3,5	3
6	21	8	40	10	3,5	6
1/4"	21	8	40	10	3,5	6

Bit til skråfasning med kugleleje

► Fig.42

Enhed: mm

D	A1	A2	L1	L2	θ
6	26	8	42	12	45°
1/4"					
6	20	8	41	11	60°

Bit til bertling med kugleleje

► Fig.43

Enhed: mm

D	A1	A2	A3	L1	L2	L3	R
6	20	12	8	40	10	5,5	4
6	26	12	8	42	12	4,5	7

Bit til bugtbortling med kugleleje

► Fig.44

Enhed: mm

D	A1	A2	A3	A4	L1	L2	L3	R
6	20	18	12	8	40	10	5,5	3
6	26	22	12	8	42	12	5	5

Antikkarnisbit med kugleleje

► Fig.45

Enhed: mm

D	A1	A2	L1	L2	L3	R1	R2
6	20	8	40	10	4,5	2,5	4,5
6	26	8	42	12	4,5	3	6

Dobbelt rundhjørnebit med kugleleje

► Fig.46

Enhed: mm

D	A1	A2	A3	L1	L2	L3	R
12	35	27	19	70	11	3,5	3
1/2"							

ΠΡΟΔΙΑΓΡΑΦΕΣ

Μοντέλο:	M3602
Ικανότητα μηχανισμού σύσφιξης	12 mm ή 1/2"
Ικανότητα βύθισης	0 - 60 mm
Ταχύτητα χωρίς φορτίο	22.000 min ⁻¹
Συνολικό ύψος	300 mm
Καθαρό βάρος	5,7 kg
Κατηγορία ασφάλειας	Ⓜ/II

- Λόγω του συνεχόμενου προγράμματος που εφαρμόζουμε για έρευνα και ανάπτυξη, τα τεχνικά χαρακτηριστικά στο παρόν έντυπο υπόκεινται σε αλλαγή χωρίς προειδοποίηση.
- Τα τεχνικά χαρακτηριστικά μπορεί να διαφέρουν από χώρα σε χώρα.
- Βάρος σύμφωνα με διαδικασία ΕΡΤΑ 01/2014

Προοριζόμενη χρήση

Το εργαλείο προορίζεται για επίπεδη κοπή και μορφοποίηση ξύλου, πλαστικού και παρόμοιων υλικών.

Ηλεκτρική παροχή

Το εργαλείο πρέπει να συνδέεται μόνο με ηλεκτρική παροχή της ίδιας τάσης με αυτή που αναγράφεται στην πινακίδα ονομαστικών τιμών και μπορεί να λειτουργήσει μόνο με εναλλασσόμενο μονοφασικό ρεύμα. Υπάρχει διπλή μόνωση και κατά συνέπεια, μπορεί να γίνει σύνδεση σε ακροδέκτες χωρίς σύρμα γείωσης.

Θορύβος

Το τυπικό Α επίπεδο καταμετρημένου θορύβου καθορίζεται σύμφωνα με το EN62841-2-17:
 Στάθμη ηχητικής πίεσης (L_{PA}): 87 dB (A)
 Στάθμη ηχητικής ισχύος (L_{WA}): 95 dB (A)
 Αβεβαιότητα (K): 3 dB (A)

ΠΑΡΑΤΗΡΗΣΗ: Η δηλωμένη τιμή(ές) εκπομπής θορύβου έχει μετρηθεί σύμφωνα με την πρότυπη μέθοδο δοκιμής και μπορεί να χρησιμοποιηθεί για τη σύγκριση ενός εργαλείου με κάποιο άλλο.

ΠΑΡΑΤΗΡΗΣΗ: Η δηλωμένη τιμή(ές) εκπομπής θορύβου μπορεί να χρησιμοποιηθεί και στην προκαταρκτική αξιολόγηση της έκθεσης.

▲ΠΡΟΕΙΔΟΠΟΙΗΣΗ: Να φοράτε ωτοασπίδες.

▲ΠΡΟΕΙΔΟΠΟΙΗΣΗ: Η εκπομπή θορύβου κατά τη χρήση του ηλεκτρικού εργαλείου σε πραγματικές συνθήκες μπορεί να διαφέρει από τη δηλωμένη τιμή(ές) ανάλογα με τους τρόπους χρήσης του εργαλείου, ιδιαίτερα το είδος του τεμαχίου εργασίας που υπόκειται επεξεργασία.

▲ΠΡΟΕΙΔΟΠΟΙΗΣΗ: Φροντίστε να λάβετε τα κατάλληλα μέτρα προστασίας του χειριστή βάσει ενός υπολογισμού της έκθεσης σε πραγματικές συνθήκες χρήσης (λαμβάνοντας υπόψη όλες τις συνιστώσες του κύκλου λειτουργίας όπως τους χρόνους που το εργαλείο είναι εκτός λειτουργίας και όταν βρίσκεται σε αδρανή λειτουργία πέραν του χρόνου ενεργοποίησης).

Κραδασμός

Η ολική τιμή δόνησης (άθροισμα τρι-αξονικού διανύσματος) καθορίζεται σύμφωνα με το EN62841-2-17:
 Είδος εργασίας: κοπή αυλακώσεων σε MDF
 Εκπομπή δόνησης (a_h): 3,1 m/s²
 Αβεβαιότητα (K): 1,5 m/s²

ΠΑΡΑΤΗΡΗΣΗ: Η δηλωμένη τιμή(ές) συνολικών κραδασμών έχει μετρηθεί σύμφωνα με την πρότυπη μέθοδο δοκιμής και μπορεί να χρησιμοποιηθεί για τη σύγκριση ενός εργαλείου με κάποιο άλλο.

ΠΑΡΑΤΗΡΗΣΗ: Η δηλωμένη τιμή(ές) συνολικών κραδασμών μπορεί να χρησιμοποιηθεί και στην προκαταρκτική αξιολόγηση της έκθεσης.

▲ΠΡΟΕΙΔΟΠΟΙΗΣΗ: Η εκπομπή κραδασμών κατά τη χρήση του ηλεκτρικού εργαλείου σε πραγματικές συνθήκες μπορεί να διαφέρει από τη δηλωμένη τιμή(ές) εκπομπής ανάλογα με τους τρόπους χρήσης του εργαλείου, ιδιαίτερα το είδος του τεμαχίου εργασίας που υπόκειται επεξεργασία.

▲ΠΡΟΕΙΔΟΠΟΙΗΣΗ: Φροντίστε να λάβετε τα κατάλληλα μέτρα προστασίας του χειριστή βάσει ενός υπολογισμού της έκθεσης σε πραγματικές συνθήκες χρήσης (λαμβάνοντας υπόψη όλες τις συνιστώσες του κύκλου λειτουργίας όπως τους χρόνους που το εργαλείο είναι εκτός λειτουργίας και όταν βρίσκεται σε αδρανή λειτουργία πέραν του χρόνου ενεργοποίησης).

Δήλωση Συμμόρφωσης

Μόνο για χώρες της Ευρώπης

Οι Δηλώσεις Συμμόρφωσης περιλαμβάνονται στο Παράρτημα Α στο παρόν χειρίδιο οδηγιών.

Γενικές προειδοποιήσεις ασφαλείας για το ηλεκτρικό εργαλείο

▲ ΠΡΟΕΙΔΟΠΟΙΗΣΗ: Διαβάστε όλες τις προειδοποιήσεις ασφαλείας, οδηγίες, εικονογραφίες και προδιαγραφές που παρέχονται με το ηλεκτρικό εργαλείο. Η μη τήρηση όλων των οδηγιών που αναγράφονται κατωτέρω μπορεί να καταλήξει σε ηλεκτροπληξία, πυρκαγιά ή/και σοβαρό τραυματισμό.

Φυλάξτε όλες τις προειδοποιήσεις και τις οδηγίες για μελλοντική παραπομπή.

Στις προειδοποιήσεις, ο όρος «ηλεκτρικό εργαλείο» αναφέρεται σε ηλεκτρικό εργαλείο που τροφοδοτείται από την κύρια παροχή ηλεκτρικού ρεύματος (με ηλεκτρικό καλώδιο) ή σε ηλεκτρικό εργαλείο που τροφοδοτείται από μπαταρία (χωρίς ηλεκτρικό καλώδιο).

Προειδοποιήσεις ασφαλείας του ρούτερ

1. Κρατάτε το ηλεκτρικό εργαλείο μόνο από τις μονωμένες επιφάνειες λαβής επειδή ο κόπτης μπορεί να έρθει σε επαφή με το δικό του καλώδιο. Σε περίπτωση που κοπεί ένα ηλεκτροφόρο καλώδιο, ενδέχεται τα εκτεθειμένα μεταλλικά εξαρτήματα του ηλεκτρικού εργαλείου να καταστούν τα ίδια ηλεκτροφόρα και να προκαλέσουν ηλεκτροπληξία στον χειριστή.
2. Να χρησιμοποιείτε σφιγκτήρες ή κάποιο άλλο πρακτικό μέσο για να ασφαλίσετε και να στηρίξετε το τεμάχιο εργασίας σε μια σταθερή πλατφόρμα. Αν κρατάτε το τεμάχιο εργασίας με το χέρι σας ή επάνω στο σώμα σας, αυτό θα είναι ασταθές και μπορεί να χάσετε τον έλεγχο.
3. Το στέλεχος μύτης του κόπτη πρέπει να ταιριάζει με το σχεδιασμένο μηχανισμό σύσφιξης.
4. Να χρησιμοποιείτε μια μύτη με ονομαστική τιμή τουλάχιστον ίση με τη μέγιστη ταχύτητα που αναγράφεται στο εργαλείο.
5. Να φοράτε ωτοασπίδες κατά τη λειτουργία για μεγάλο χρονικό διάστημα.
6. Να χειρίζεστε τις φρέζες ρούτερ πολύ προσεκτικά.
7. Πριν από τη λειτουργία, ελέγξτε προσεκτικά τις φρέζες ρούτερ για ραγίσματα ή ζημιά. Αντικαταστήστε αμέσως μια ραγισμένη ή κατεστραμμένη φρέζα.
8. Να αποφεύγετε την κοπή καρφιών. Πριν από τη λειτουργία, να ελέγχετε αν υπάρχουν καρφιά στο τεμάχιο εργασίας και να τα αφαιρείτε όλα αν υπάρχουν.
9. Κρατήστε το εργαλείο σταθερά με τα δύο χέρια.
10. Μην πλησιάζετε τα χέρια σας σε περιστρεφόμενα μέρη.

11. Να βεβαιώνετε ότι η φρέζα ρούτερ δεν ακουμπά το τεμάχιο εργασίας πριν ενεργοποιείτε το διακόπτη λειτουργίας.
12. Πριν από τη χρήση του εργαλείου πάνω σε πραγματικό τεμάχιο εργασίας, αφήστε το σε λειτουργία για λίγο. Προσέξτε για δονήσεις ή κινήσεις που θα μπορούσαν να υποδείξουν τη λανθασμένη τοποθέτηση της φρέζας.
13. Να προσέχετε την κατεύθυνση περιστροφής και τροφοδοσίας της φρέζας ρούτερ.
14. Μην αφήνετε το εργαλείο σε λειτουργία. Το εργαλείο πρέπει να βρίσκεται σε λειτουργία μόνο όταν το κρατάτε.
15. Όταν σβήνετε το εργαλείο, πάντοτε να περιμένετε να σταματήσει να κινείται εντελώς η φρέζα ρούτερ πριν βγάξετε το εργαλείο από το τεμάχιο εργασίας.
16. Μην αγγίζετε τη φρέζα ρούτερ αμέσως μετά τη λειτουργία του εργαλείου. Μπορεί να είναι εξαιρετικά θερμή και να προκληθεί έγκαυμα στο δέρμα σας.
17. Μην αλείφετε απρόσεχα τη βάση του εργαλείου με νέφτι, βενζίνη, λάδι ή κάτι παρόμοιο. Μπορεί να ραγίσει η βάση του εργαλείου.
18. Μερικά υλικά περιέχουν χημικά που μπορεί να είναι τοξικά. Προσέχετε ώστε να αποφεύγετε την εισπνοή σκόνης και την επαφή με το δέρμα. Ακολουθείτε τα δεδομένα ασφαλείας υλικού που παρέχονται από τον προμηθευτή.
19. Να χρησιμοποιείτε πάντοτε προσωπίδα κατά της σκόνης ή αναπνευστήρα που είναι κατάλληλος για το υλικό και την εφαρμογή σας.
20. Τοποθετήστε το εργαλείο σε σταθερή περιοχή. Διαφορετικά, μπορεί να συμβεί κάποιο ατύχημα πτώσης και να προκληθεί τραυματισμός.
21. Διατηρήστε το καλώδιο μακριά από το πόδι σας ή οποιαδήποτε αντικείμενα. Διαφορετικά, ένα μπλεγμένο καλώδιο μπορεί να προκαλέσει ατύχημα με πτώση και να έχει ως αποτέλεσμα προσωπικό τραυματισμό.

ΦΥΛΑΞΤΕ ΑΥΤΕΣ ΤΙΣ ΟΔΗΓΙΕΣ.

▲ ΠΡΟΕΙΔΟΠΟΙΗΣΗ: ΜΗΝ επιτρέψετε στην άνεση ή στην εξοικειώσή σας με το προϊόν (που αποκτήθηκε από επανειλημμένη χρήση) να αντικαταστήσει την αυστηρή τήρηση των κανόνων ασφαλείας του παρόντος εργαλείου. Η ΛΑΝΘΑΣΜΕΝΗ ΧΡΗΣΗ ή η αμέλεια να ακολουθήσετε τους κανόνες ασφαλείας που διατυπώνονται στο παρόν εγχειρίδιο οδηγιών μπορεί να προκαλέσει σοβαρό προσωπικό τραυματισμό.

ΠΕΡΙΓΡΑΦΗ ΛΕΙΤΟΥΡΓΙΑΣ

▲ΠΡΟΣΟΧΗ: Να βεβαιώνεστε πάντα ότι το εργαλείο είναι σβηστό και αποσυνδεδεμένο από την ηλεκτρική παροχή πριν ρυθμίζετε ή ελέγχετε κάποια λειτουργία του.

Ρύθμιση του βάθους κοπής

Τοποθετήστε το εργαλείο σε μια επίπεδη επιφάνεια. Χαλαρώστε το μοχλό κλειδώματος και χαμηλώστε το σώμα του εργαλείου μέχρι η φρέζα ρούτερ μόλις να αγγίζει την επίπεδη επιφάνεια. Σφίξτε το μοχλό κλειδώματος για να ασφαλίσετε το σώμα του εργαλείου. Ενώ πατάτε το κουμπί ταχείας προώθησης, μετακινήστε την ανασταλτική ράβδο προς τα επάνω ή κάτω έως ότου πετύχετε το βάθος κοψίματος που θέλετε. Μπορείτε να λάβετε λεπτές ρυθμίσεις βάθους εάν περιστρέψετε την ανασταλτική ράβδο (1,5 mm (1/16") ανά στροφή).

► **Εικ.1:** 1. Νάιλον παξιμάδι 2. Ανασταλτική ράβδος 3. Κουμπί ταχείας προώθησης 4. Ρυθμιστικό εξαγωνικό μπουλόνι 5. Ανασταλτικός τάκος 6. Μοχλός κλειδώματος

▲ΠΡΟΣΟΧΗ: Το βάθος της κοπής δεν θα πρέπει να είναι περισσότερο από 20 mm (13/16") ανά πέρασμα κατά την κοπή αυλακώσεων. Για λειτουργίες εξαιρετικά βαθιάς κοπής αυλακώσεων, πραγματοποιήστε δύο ή τρία πέρασματα με προοδευτικά πιο βαθιές ρυθμίσεις της φρέζας ρούτερ.

Νάιλον παξιμάδι

Για εργαλείο χωρίς τη λαβή

Το άνω όριο του σώματος εργαλείου μπορεί να ρυθμιστεί αν περιστρέψετε το νάιλον παξιμάδι. Μη χαμηλώσετε το νάιλον παξιμάδι υπερβολικά. Η φρέζα ρούτερ θα προεξέχει επικίνδυνα.

Για εργαλείο με τη λαβή

Περιστρέφοντας τη λαβή, μπορείτε να ρυθμίσετε το άνω όριο του σώματος εργαλείου. Όταν το άκρο της φρέζας ρούτερ αποσπαστεί περισσότερο από ότι απαιτείται σε σχέση με την επιφάνεια της πλάκας βάσης, περιστρέψτε τη λαβή για να χαμηλώσετε το άνω όριο.

► **Εικ.2:** 1. Λαβή

▲ΠΡΟΣΟΧΗ: Επειδή η υπερβολική κοπή μπορεί να προκαλέσει την υπερφόρτωση του μοτέρ ή τη δυσκολία στο χειρισμό του εργαλείου, το βάθος της κοπής δεν θα πρέπει να είναι περισσότερο από 20 mm (13/16") ανά πέρασμα κατά την κοπή αυλακώσεων. Όταν επιθυμείτε την κοπή αυλακώσεων με βάθος μεγαλύτερο από 20 mm (13/16"), πραγματοποιήστε αρκετά πέρασματα με προοδευτικά βαθύτερες ρυθμίσεις της φρέζας ρούτερ.

▲ΠΡΟΣΟΧΗ: Μη χαμηλώνετε τη λαβή υπερβολικά. Η φρέζα ρούτερ θα προεξέχει επικίνδυνα.

Ανασταλτικός τάκος

Επειδή ο ανασταλτικός τάκος διαθέτει τρία ρυθμιστικά εξαγωνικά μπουλόνια που ανυψώνουν ή χαμηλώνουν 0,8 mm ανά στροφή, μπορείς εύκολα να επιτύχετε τρία διαφορετικά βάθη κοπής χωρίς την επαναρρύθμιση της ανασταλτικής ράβδου.

► **Εικ.3:** 1. Ανασταλτική ράβδος 2. Ρυθμιστικό εξαγωνικό μπουλόνι 3. Ανασταλτικός τάκος

Ρυθμίστε το χαμηλότερο ρυθμιστικό εξαγωνικό μπουλόνι για να αποκτήσετε το μεγαλύτερο βάθος κοπής, ακολουθώντας τη μέθοδο «Ρύθμιση του βάθους κοπής». Ρυθμίστε τα δύο υπόλοιπα ρυθμιστικά εξαγωνικά μπουλόνια για να αποκτήσετε πιο μικρό βάθος κοπής. Οι διαφορές στο ύψος αυτών των ρυθμιστικών εξαγωνικών μπουλονιών ισούνται με τις διαφορές στο βάθος κοπής. Για να ρυθμίσετε τα ρυθμιστικά εξαγωνικά μπουλόνια, περιστρέψτε τα ρυθμιστικά εξαγωνικά μπουλόνια με το κατασβίδι ή το κλειδί. Ο ανασταλτικός τάκος χρησιμοποιείται επίσης για την πραγματοποίηση τριών περασμάτων με προοδευτικά βαθύτερες ρυθμίσεις φρέζας κατά την κοπή βαθιών αυλακώσεων.

Δράση διακόπτη

▲ΠΡΟΣΟΧΗ: Πριν συνδέετε το εργαλείο, να ελέγχετε πάντα αν αυτό είναι σβηστό.

▲ΠΡΟΣΟΧΗ: Βεβαιωθείτε ότι έχετε απελευθερώσει το κλειδωμά άξονα πριν ενεργοποιήσετε το διακόπτη λειτουργίας.

Για να ξεκινήσετε το εργαλείο, θέστε το μοχλό-διακόπτη στη θέση I. Για να σταματήσετε το εργαλείο, θέστε το μοχλό-διακόπτη στη θέση O.

► **Εικ.4:** 1. Μοχλός-διακόπτης

▲ΠΡΟΣΟΧΗ: Κρατήστε σταθερά το εργαλείο όταν το σβήνετε για να ξεπεράσετε την αντίδραση.

Ηλεκτρονική λειτουργία

Το εργαλείο είναι εξοπλισμένο με ηλεκτρονικές λειτουργίες για εύκολη λειτουργία.

Ενδεικτική λυχνία

► **Εικ.5:** 1. Ενδεικτική λυχνία

Όταν το εργαλείο είναι συνδεδεμένο, ανάβει η ενδεικτική λυχνία με πράσινο χρώμα. Αν δεν ανάβει η ενδεικτική λυχνία, μπορεί να είναι ελαττωματικό το ηλεκτρικό καλώδιο ή ο ελεγκτής. Αν η ενδεικτική λυχνία είναι αναμμένη, αλλά το εργαλείο δεν ξεκινάει, ακόμα και αν είναι ενεργοποιημένο, μπορεί να έχουν φθαρεί τα καρβουγάκια ή να είναι ελαττωματικός ο ελεγκτής, το μοτέρ ή ο διακόπτης λειτουργίας.

Προστασία από αθέλητη επανεκκίνηση

Το εργαλείο δεν ξεκινάει όταν ο μοχλός-διακόπτης είναι στη θέση I ακόμη και όταν το εργαλείο είναι συνδεδεμένο. Αυτή τη στιγμή, η ενδεικτική λυχνία αναβοσβήνει με κόκκινο χρώμα και δείχνει ότι η διάταξη προστασίας από αθέλητη επανεκκίνηση είναι ενεργοποιημένη. Για να ακυρώσετε την προστασία αθέλητης επανεκκίνησης, μετακινήστε τον μοχλό-διακόπτη στη θέση O.

Χαρακτηριστικό ομαλής έναρξης

Το χαρακτηριστικό ομαλής εκκίνησης ελαχιστοποιεί τον κραδασμό κατά την εκκίνηση και καθιστά την εκκίνηση του εργαλείου ομαλή.

ΣΥΝΑΡΜΟΛΟΓΗΣΗ

▲ ΠΡΟΣΟΧΗ: Να βεβαιώνετε πάντα ότι το εργαλείο είναι σβηστό και αποσυνδεδεμένο από την ηλεκτρική παροχή πριν εκτελέσετε οποιαδήποτε εργασία σε αυτό.

Τοποθέτηση ή αφαίρεση της φρέζας ρούτερ

Εισαγάγετε τη φρέζα ρούτερ μέχρι τέρμα μέσα στον κώνο σύσφιξης. Πατήστε το κλειδί/μαξάρι άξονα για να παραμείνει ο άξονας ακίνητος και χρησιμοποιήστε το κλειδί για να σφίξετε καλά το παξιμάδι σύσφιξης. Όταν χρησιμοποιείτε φρέζες ρούτερ με μικρότερη διάμετρο άξονα, εισαγάγετε πρώτα το κατάλληλο περιβλήμα σύσφιξης στον κώνο σύσφιξης και, στη συνέχεια, τοποθετήστε τη φρέζα ρούτερ.

Για να αφαιρέσετε τη φρέζα ρούτερ, ακολουθήστε τη διαδικασία τοποθέτησης με αντίστροφη σειρά.

► **Εικ.6:** 1. Κλειδί/μαξάρι άξονα 2. Κλειδί 3. Χαλαρώστε 4. Σφίξτε

▲ ΠΡΟΣΟΧΗ: Τοποθετήστε τη φρέζα ρούτερ με ασφάλεια. Να χρησιμοποιείτε πάντα μόνο το κλειδί που παρέχεται με το εργαλείο. Μια χαλαρή ή υπερβολικά σφιγμένη φρέζα ρούτερ μπορεί να είναι επικίνδυνη.

ΕΙΔΟΠΟΙΗΣΗ: Μην σφίγγετε το παξιμάδι σύσφιξης χωρίς να έχετε εισάγει μια φρέζα ρούτερ και μην τοποθετείτε φρέζες μικρής διαμέτρου χωρίς να χρησιμοποιήσετε περιβλήμα σύσφιξης. Οποιοδήποτε από τα δύο μπορεί να οδηγήσει στο σπάσιμο του κώνου σύσφιξης.

ΛΕΙΤΟΥΡΓΙΑ

▲ ΠΡΟΣΟΧΗ: Πριν από τη λειτουργία, πάντα να βεβαιώνετε ότι το σώμα του εργαλείου ανυψώνεται αυτόματα στο άνω όριο και ότι η φρέζα ρούτερ δεν προεξέχει από τη βάση εργαλείου όταν χαλαρώνεται ο μοχλός κλειδώματος.

▲ ΠΡΟΣΟΧΗ: Πριν από τη λειτουργία, πάντα να βεβαιώνετε ότι ο εκτροπέας θραυσμάτων είναι σωστά τοποθετημένος.

▲ ΠΡΟΣΟΧΗ: Να χρησιμοποιείτε πάντα και τις δύο λαβές και να κρατάτε καλά το εργαλείο από τις δύο λαβές κατά τη διάρκεια των εργασιών.

► **Εικ.7:** 1. Εκτροπέας θραυσμάτων

Τοποθετήστε τη βάση του εργαλείου πάνω στο τεμάχιο εργασίας που πρόκειται να κοπεί χωρίς να έρχεται σε επαφή η φρέζα ρούτερ. Κατόπιν, περιστρέψτε το εργαλείο και περιμένετε έως ότου η φρέζα ρούτερ αποκτήση την πλήρη ταχύτητά της. Χαμηλώστε το σώμα του εργαλείου και μετακινήστε το εργαλείο προς τα εμπρός επάνω από την επιφάνεια του εργαλείου εργασίας, διατηρώντας τη βάση του εργαλείου ευθυγραμμισμένη και προχωρώντας ομαλά μέχρι την ολοκλήρωση της κοπής. Όταν πραγματοποιείτε κοπές άκρων, η επιφάνεια του τεμαχίου εργασίας πρέπει να βρίσκεται στην αριστερή πλευρά της φρέζας ρούτερ προς την κατεύθυνση τροφοδοσίας.

► **Εικ.8:** 1. Τεμάχιο εργασίας 2. Κατεύθυνση περιστροφής μύτης 3. Όψη από το επάνω μέρος του εργαλείου 4. Κατεύθυνση τροφοδοσίας

ΠΑΡΑΤΗΡΗΣΗ: Εάν μετακινείτε το εργαλείο προς τα εμπρός με πολύ μεγάλη ταχύτητα μπορεί να προκύψει κακή ποιότητα κοπής ή βλάβη στη φρέζα ρούτερ ή στο μοτέρ. Εάν μετακινείτε το εργαλείο προς τα εμπρός με πολύ μικρή ταχύτητα μπορεί να καεί ή να καταστραφεί η κοπή. Ο σωστός ρυθμός τροφοδοσίας εξαρτάται από το μέγεθος της φρέζας ρούτερ, το είδος του τεμαχίου εργασίας και το βάθος κοπής.

Πριν ξεκινήσετε την κοπή στο πραγματικό τεμάχιο εργασίας, συνιστούμε να πραγματοποιήσετε μια δοκιμαστική κοπή σε ένα παλιό κομμάτι ξύλου. Έτσι θα δείτε πώς ακριβώς θα μοιάζει η κοπή και θα μπορείτε να ελέγξετε και τις διαστάσεις.

ΠΑΡΑΤΗΡΗΣΗ: Όταν χρησιμοποιείτε τον ίδιο οδηγό ή τον οδηγό κουρευτικού περιθωρίων, βεβαιωθείτε να τον τοποθετήσετε στη δεξιά πλευρά προς την κατεύθυνση τροφοδοσίας. Αυτό θα βοηθήσει ώστε να μείνει ευθυγραμμισμένος με την πλευρά του τεμαχίου εργασίας.

► **Εικ.9:** 1. Κατεύθυνση τροφοδοσίας 2. Κατεύθυνση περιστροφής φρέζας 3. Τεμάχιο εργασίας 4. Ίσιος οδηγός

Ίσιος οδηγός

Ο ίσιος οδηγός χρησιμοποιείται αποτελεσματικά για ίσιες κοπές στις λειτουργίες στρογγυλέματος ή κατασκευής αυλακιών.

Ίσιος οδηγός (τύπος A)

Προαιρετικό εξάρτημα

Τοποθετήστε τον ίσιο οδηγό στον υποδοχέα οδηγού με τη βίδα χειρός (B). Εισάγετε τον υποδοχέα οδηγού στις οπές στη βάση εργαλείου και σφίξτε τη βίδα χειρός (A). Για να ρυθμίσετε την απόσταση μεταξύ της φρέζας ρούτερ και του ίσιου οδηγού, χαλαρώστε τη βίδα χειρός (B) και περιστρέψτε τη λεπτή ρυθμιστική βίδα. Στην επιθυμητή απόσταση, σφίξτε τη βίδα χειρός (B) για να ασφαλίσετε τον ίσιο οδηγό στη θέση του.

► **Εικ.10:** 1. Υποδοχέας οδηγού 2. Λεπτή ρυθμιστική βίδα 3. Ίσιος οδηγός

Ίσιος οδηγός (τύπος B)

Προαιρετικό εξάρτημα

Εισάγετε τον ίσιο οδηγό στις οπές στη βάση εργαλείου και σφίξτε τη βίδα χειρός. Για να ρυθμίσετε την απόσταση μεταξύ της φρέζας ρούτερ και του ίσιου οδηγού, χαλαρώστε τη βίδα χειρός. Στην επιθυμητή απόσταση, σφίξτε τη βίδα χειρός για να ασφαλίσετε τον ίσιο οδηγό στη θέση του.

► **Εικ.11:** 1. Βίδα χειρός 2. Ίσιος οδηγός

Κατά την κοπή, να μετακινείτε το εργαλείο με τον ίδιο οδηγό ευθυγραμμισμένο με την πλευρά του τεμαχίου εργασίας. Ένας πλατύτερος ίσιος οδηγός των επιθυμητών διαστάσεων μπορεί να φτιαχτεί χρησιμοποιώντας τις βολικές οπές στον οδηγό για να βιδωθούν επιπλέον κομμάτια ξύλου. Όταν χρησιμοποιείτε μια φρέζα ρούτερ με μεγάλη διάμετρο, συνδέστε κομμάτια ξύλου στον ίδιο οδηγό, τα οποία θα πρέπει να έχουν πάχος μεγαλύτερο από 15 mm (5/8") για να αποφύγετε το κτύπημα της φρέζας ρούτερ στον ίδιο οδηγό.

► **Εικ.12:** 1. Ίσιος οδηγός 2. Ξύλο

A=55 mm (2-3/16")

B=55 mm (2-3/16")

C=15 mm (5/8") ή μεγαλύτερο πάχος

Οδηγός ιχναρίου

Προαιρετικό εξάρτημα

Ο οδηγός ιχναρίου παρέχει ένα περίβλημα μέσα από το οποίο περνάει η φρέζα ρούτερ, επιτρέποντας τη χρήση του ρούτερ με σχέδια του ιχναρίου.

► **Εικ.13**

1. Χαλαρώστε τις βίδες στη βάση, εισαγάγετε τον οδηγό ιχναρίου και σφίξτε τις βίδες.

► **Εικ.14:** 1. Βίδες 2. Οδηγός ιχναρίου

2. Ασφαλίστε το ιχναίο στο τεμάχιο εργασίας. Τοποθετήστε το εργαλείο στο ιχναίο και μετακινήστε το εργαλείο με τον οδηγό ιχναρίου να ολισθαίνει κατά μήκος της πλευράς του ιχναρίου.

► **Εικ.15:** 1. Φρέζα ρούτερ 2. Βάση 3. Πλάκα βάσης 4. Ιχναίο 5. Τεμάχιο εργασίας 6. Οδηγός ιχναρίου

ΠΑΡΑΤΗΡΗΣΗ: Το τεμάχιο εργασίας θα κοπεί σε λίγο διαφορετικό μέγεθος από το ιχναίο. Αφήστε μια απόσταση (X) μεταξύ της φρέζας ρούτερ και της εξωτερικής πλευράς του οδηγού ιχναρίου. Η απόσταση (X) μπορεί να υπολογιστεί με τη χρήση της παρακάτω εξίσωσης:

Απόσταση (X) = (εξωτερική διάμετρος του οδηγού ιχναρίου - διάμετρος φρέζας ρούτερ) / 2

Οδηγός κουρευτικού περιθωρίων

Κούρεμα περιθωρίων, κοψίματα καμπυλών σε κατλαμάδες επίπλων και παρόμοια υλικά μπορούν να γίνουν εύκολα με τον οδηγό κουρευτικού περιθωρίων. Ο κύλινδρος του οδηγού εφάπτεται επάνω στην καμπύλη και εξασφαλίζει ένα ωραίο κόψιμο.

Οδηγός κουρευτικού περιθωρίων (τύπος A)

Προαιρετικό εξάρτημα

Τοποθετήστε τον οδηγό κουρευτικού περιθωρίων στον υποδοχέα οδηγού με τη βίδα χειρός (B). Εισάγετε τον υποδοχέα οδηγού στις οπές στη βάση εργαλείου και σφίξτε τη βίδα χειρός (A). Για να ρυθμίσετε την απόσταση μεταξύ της φρέζας ρούτερ και του οδηγού κουρευτικού περιθωρίων, χαλαρώστε τη βίδα χειρός (B) και περιστρέψτε τη λεπτή ρυθμιστική βίδα. Όταν ρυθμίσετε τον κύλινδρο του οδηγού προς τα επάνω ή προς τα κάτω, ξεσφίξτε τη βίδα χειρός (C). Μετά τη ρύθμιση, σφίξτε καλά όλες τις βίδες χειρός.

► **Εικ.16:** 1. Υποδοχέας οδηγού 2. Λεπτή ρυθμιστική βίδα 3. Οδηγός κουρευτικού περιθωρίων 4. Κύλινδρος του οδηγού

Οδηγός κουρευτικού περιθωρίων (τύπος B)

Προαιρετικό εξάρτημα

Τοποθετήστε τον οδηγό κουρευτικού περιθωρίων στον ίδιο οδηγό με τις βίδες χειρός (B). Εισαγάγετε τον ίδιο οδηγό στις οπές στη βάση εργαλείου και σφίξτε τη βίδα χειρός (A). Για να ρυθμίσετε την απόσταση μεταξύ της φρέζας ρούτερ και του οδηγού κουρευτικού περιθωρίων, χαλαρώστε τις βίδες χειρός (B). Όταν ρυθμίσετε τον κύλινδρο του οδηγού προς τα επάνω ή προς τα κάτω, ξεσφίξτε τη βίδα χειρός (C). Μετά τη ρύθμιση, σφίξτε καλά όλες τις βίδες χειρός.

► **Εικ.17:** 1. Κύλινδρος του οδηγού 2. Οδηγός κουρευτικού περιθωρίων

Κατά την κοπή, να μετακινείτε το εργαλείο με τον κύλινδρο του οδηγού να εφάπτεται με την πλευρά του τεμαχίου εργασίας.

► **Εικ.18:** 1. Φρέζα ρούτερ 2. Κύλινδρος του οδηγού 3. Τεμάχιο εργασίας

Κάλυμμα σκόνης (Για εργαλείο με τη λαβή)

Προαιρετικό εξάρτημα

Το κάλυμμα σκόνης αποτρέπει την αναρρόφηση πριονιδίων στο εργαλείο όταν χρησιμοποιείται στην ανεστραμμένη θέση.

Τοποθετήστε το κάλυμμα σκόνης όπως απεικονίζεται όταν χρησιμοποιείτε το εργαλείο με μια βάση ρούτερ που διατίθεται στο εμπόριο.

Βγάλτε το όταν χρησιμοποιείται το εργαλείο στην κανονική θέση.

► **Εικ.19:** 1. Βίδα 2. Κάλυμμα σκόνης

Αποστάτης (Για εργαλείο με τη λαβή)

Προαιρετικό εξάρτημα

Ο αποστάτης αποτρέπει την πτώση της φρέζας ρούτερ μέσα στον σφιγκτήρα κατά την αντικατάσταση της φρέζας ρούτερ στην ανεστραμμένη θέση.

Τοποθετήστε τον αποστάτη όπως απεικονίζεται όταν χρησιμοποιείτε το εργαλείο με μια βάση ρούτερ που διατίθεται στο εμπόριο.

► **Εικ.20:** 1. Παξιμάδι σύσφιξης 2. Κώνος σύσφιξης 3. Αποστάτης

Εξαγωγή σκόνης

Προαιρετικό εξάρτημα

Χρησιμοποιήστε το ακροφύσιο σκόνης για την εξαγωγή σκόνης.

► **Εικ.21:** 1. Ακροφύσιο σκόνης

Εγκατάσταση του ακροφυσίου σκόνης

► **Εικ.22:** 1. Στήριξη 2. Μοχλός κλειδώματος

1. Ανυψώστε το μοχλό κλειδώματος του ακροφυσίου σκόνης.

2. Τοποθετήστε το ακροφύσιο σκόνης στη βάση εργαλείου έτσι ώστε το επάνω μέρος της να πιαστεί στο άγκιστρο στη βάση του εργαλείου.

3. Εισαγάγετε τις στρίξιες στο ακροφύσιο σκόνης μέσα στα άγκιστρα στο εμπρόσθιο μέρος της βάσης του εργαλείου.

4. Πιέστε προς τα κάτω τον μοχλό κλειδώματος στη βάση του εργαλείου.

5. Συνδέστε την ηλεκτρική σκούπα με το ακροφύσιο σκόνης.

► **Εικ.23**

Αφαίρεση του ακροφυσίου σκόνης

1. Ανυψώστε τον μοχλό κλειδώματος.
2. Τραβήξτε το ακροφύσιο σκόνης για να βγει από τη βάση του εργαλείου ενώ κρατάτε τις στηρίξεις μεταξύ του αντίχειρα και του δακτύλου σας.

ΣΥΝΤΗΡΗΣΗ

▲ ΠΡΟΣΟΧΗ: Να βεβαιώνετε πάντα ότι το εργαλείο είναι σβηστό και αποσυνδεδεμένο από την ηλεκτρική παροχή πριν εκτελέσετε οποιαδήποτε εργασία επιθεώρησης ή συντήρησης σε αυτό.

ΕΙΔΟΠΟΙΗΣΗ: Μην χρησιμοποιείτε ποτέ βενζίνη, πετρελαϊκό αιθέρα, διαλυτικό, αλκοόλη ή παρόμοιες ουσίες. Μπορεί να προκληθεί αποχρωματισμός, παραμόρφωση ή ρωγμές.

Αντικατάσταση καρβουνακίων

► **Εικ.24:** 1. Σημάδι ορίου

Να ελέγχετε τα καρβουνάκια τακτικά. Αντικαταστήστε τα όταν φθαρούν μέχρι το σημάδι ορίου. Διατηρείτε τα καρβουνάκια καθαρά και ελεύθερα να γλιστρούν στις θήκες. Και τα δύο καρβουνάκια πρέπει να αντικαθίστανται ταυτόχρονα. Χρησιμοποιείτε μόνο καρβουνάκια ίδιου τύπου.

1. Χρησιμοποιήστε ένα κατσαβίδι για να αφαιρέσετε τα καπάκια των θηκών καρβουνακίων.
2. Αφαιρέστε τα φθαρμένα καρβουνάκια, τοποθετήστε τα καινούρια και ασφαλίστε τα καπάκια των θηκών καρβουνακίων.

► **Εικ.25:** 1. Καπάκι θήκης καρβουνακίου

Για εργαλείο με τη λαβή

▲ ΠΡΟΣΟΧΗ: Βεβαιωθείτε να τοποθετήσετε ξανά τη λαβή αφού εισάγετε ένα νέο καρβουνάκι.

Απελευθερώστε τον μοχλό κλειδώματος και βγάλτε τη λαβή περιστρέφοντάς την αριστερόστροφα.

► **Εικ.26:** 1. Λαβή

ΠΑΡΑΤΗΡΗΣΗ: Το ελατήριο συμπίεσης θα βγει από τη λαβή, γι' αυτό να προσέχετε να μην χάσετε το ελατήριο συμπίεσης.

Για τη διατήρηση της ΑΣΦΑΛΕΙΑΣ και ΑΞΙΟΠΙΣΤΙΑΣ του προϊόντος, οι επισκευές και οποιαδήποτε άλλη εργασία συντήρησης ή ρύθμισης πρέπει να εκτελούνται από εξουσιοδοτημένα ή εργοστασιακά κέντρα εξυπηρέτησης της Makita, χρησιμοποιώντας πάντοτε ανταλλακτικά της Makita.

ΠΡΟΑΙΡΕΤΙΚΑ ΕΞΑΡΤΗΜΑΤΑ

Φρέζες ρούτερ

Ευθεία φρέζα

► **Εικ.27**

Μονάδα:mm

D	A	L1	L2
6	20	50	15
1/4"			
12	12	60	30
1/2"			
12	10	60	25
1/2"			
8	8	60	25
6	8	50	18
1/4"			
6	6	50	18
1/4"			

Φρέζα αυλάκωσης σε σχήμα «U»

► **Εικ.28**

Μονάδα:mm

D	A	L1	L2	R
6	6	50	18	3

Φρέζα αυλάκωσης σε σχήμα «V»

► **Εικ.29**

Μονάδα:mm

D	A	L1	L2	θ
1/4"	20	50	15	90°

Φρέζα χελιδονοουράς

► **Εικ.30**

Μονάδα:mm

D	A	L1	L2	θ
8	14,5	55	10	35°
3/8"				
8	14,5	55	14,5	23°
3/8"				
8	12	50	9	30°
3/8"				

Φρέζα επίπεδης κοπής στο σημείο διάνοιξης

► Εικ.31

Μονάδα:mm

D	A	L1	L2	L3
12	12	60	20	35
8	8	60	20	35
6	6	60	18	28

Φρέζα διπλής επίπεδης κοπής στο σημείο διάνοιξης

► Εικ.32

Μονάδα:mm

D	A	L1	L2	L3	L4
6	6	70	40	12	14

Κόπτης για σχισμές

► Εικ.33

Μονάδα:mm

D	A	L1	L2
12	30	55	6
1/2"			
12	30	55	3
1/2"			

Φρέζα ένωσης της σανίδας

► Εικ.34

Μονάδα:mm

D	A1	A2	L1	L2	L3
12	38	27	61	4	20

Φρέζα στρογγύλευσης γωνιών

► Εικ.35

Μονάδα:mm

D	A1	A2	L1	L2	L3	R
6	25	9	48	13	5	8
6	20	8	45	10	4	4

Φρέζα λοξότμησης

► Εικ.36

Μονάδα:mm

D	A	L1	L2	L3	θ
6	23	46	11	6	30°
6	20	50	13	5	45°
6	20	49	14	2	60°

► Εικ.37

Μονάδα:mm

D	A1	A2	L1	L2	L3	C
12	30	20	55	12	20	4
1/2"						

Φρέζα για αυλάκωμα

► Εικ.38

Μονάδα:mm

D	A1	A2	L1	L2	L3	R
12	30	20	55	12	20	4
1/2"						

Φρέζα για κοιλώματα

► Εικ.39

Μονάδα:mm

D	A	L1	L2	R
6	20	43	8	4
6	25	48	13	8

Φρέζα επίπεδης κοπής με σφαιρικό έδρανο

► Εικ.40

Μονάδα:mm

D	A	L1	L2
6	10	50	20
1/4"			

Φρέζα στρογγύλευσης γωνιών με σφαιρικό έδρανο

► Εικ.41

Μονάδα:mm

D	A1	A2	L1	L2	L3	R
6	15	8	37	7	3,5	3
6	21	8	40	10	3,5	6
1/4"	21	8	40	10	3,5	6

Φρέζα λοξότμησης με σφαιρικό έδρανο

► Εικ.42

Μονάδα:mm

D	A1	A2	L1	L2	θ
6	26	8	42	12	45°
1/4"					
6	20	8	41	11	60°

Φρέζα για αυλάκωμα με σφαιρικό έδρανο

► Εικ.43

Μονάδα: mm

D	A1	A2	A3	L1	L2	L3	R
6	20	12	8	40	10	5,5	4
6	26	12	8	42	12	4,5	7

Φρέζα για κοιλώματα με σφαιρικό έδρανο

► Εικ.44

Μονάδα: mm

D	A1	A2	A3	A4	L1	L2	L3	R
6	20	18	12	8	40	10	5,5	3
6	26	22	12	8	42	12	5	5

Φρέζα για ρωμαϊκό οξυκόρυφο τόξο με σφαιρικό έδρανο

► Εικ.45

Μονάδα: mm

D	A1	A2	L1	L2	L3	R1	R2
6	20	8	40	10	4,5	2,5	4,5
6	26	8	42	12	4,5	3	6

Φρέζα στρογγύλευσης γωνιών με διπλό σφαιρικό έδρανο

► Εικ.46

Μονάδα: mm

D	A1	A2	A3	L1	L2	L3	R
12	35	27	19	70	11	3,5	3
1/2"							

TEKNİK ÖZELLİKLER

Model:	M3602
Halka mandren kapasitesi	12 mm veya 1/2"
Dalma kapasitesi	0 - 60 mm
Yüksüz hız	22.000 min ⁻¹
Toplam yükseklik	300 mm
Net ağırlık	5,7 kg
Emniyet sınırı	☐/

- Sürekli yapılan araştırma ve geliştirmelerden dolayı, burada belirtilen özellikler önceden bildirilmeksizin değiştirilebilir.
- Özellikler ülkeden ülkeye değişebilir.
- EPTA-Prosedürü 01/2014 uyarınca ağırlık

Kullanım amacı

Bu alet tahta, plastik ve benzeri malzemelerde havşa ve profil açmak amacıyla tasarlanmıştır.

Güç kaynağı

Aletin, yalnızca isim levhasında belirtilenle aynı voltajlı güç kaynağına bağlanması gerekir ve yalnızca tek fazlı AC güç kaynağıyla çalıştırılabilir. Çifte yalıtımlıdır ve topraklamasız prizlerle de kullanılabilir.

Gürültü

Tipik A-ağırlıklı gürültü düzeyi (EN62841-2-17 standardına göre belirlenen):
Ses basınç seviyesi (L_{PA}): 87 dB (A)
Ses gücü düzeyi (L_{WA}): 95 dB (A)
Belirsizlik (K): 3 dB (A)

NOT: Beyan edilen gürültü emisyonu değer(ler) bir standart test yöntemine uygun şekilde ölçülmüştür ve bir aleti bir başkasıyla karşılaştırmak için kullanılabilir.

NOT: Beyan edilen gürültü emisyonu değer(ler) bir ön maruz kalma değerlendirmesi olarak da kullanılabilir.

UYARI: Kulak koruyucuları takın.

UYARI: Elektrikli aletin gerçek kullanımı sırasındaki gürültü emisyonu, aletin kullanım biçimlerine, özellikle işlenen iş parçasının türüne bağlı olarak beyan edilen değer(ler)den farklı olabilir.

UYARI: Gerçek kullanım koşullarındaki tahmini maruziyeti baz alan, operatörü koruyacak güvenlik önlemlerini mutlaka belirleyin (çalışma döngüsü içerisinde aletin kapalı olduğu ve aktif durumda olmasının yanı sıra boşta çalıştığı zamanlar gibi, bütün zaman dilimleri göz önünde bulundurarak).

Titreşim

Titreşim toplam değeri (üç eksenli vektör toplamı) (EN62841-2-17 standardına göre hesaplanan):
Çalışma modu: MDF'de oluk kesme
Titreşim emisyonu (a_w): 3,1 m/s²
Belirsizlik (K) : 1,5 m/s²

NOT: Beyan edilen titreşim toplam değer(ler) bir standart test yöntemine uygun şekilde ölçülmüştür ve bir aleti bir başkasıyla karşılaştırmak için kullanılabilir.

NOT: Beyan edilen titreşim toplam değer(ler) bir ön maruz kalma değerlendirmesi olarak da kullanılabilir.

UYARI: Elektrikli aletin gerçek kullanımı sırasındaki titreşim emisyonu, aletin kullanım biçimlerine, özellikle işlenen iş parçasının türüne bağlı olarak beyan edilen değer(ler)den farklı olabilir.

UYARI: Gerçek kullanım koşullarındaki tahmini maruziyeti baz alan, operatörü koruyacak güvenlik önlemlerini mutlaka belirleyin (çalışma döngüsü içerisinde aletin kapalı olduğu ve aktif durumda olmasının yanı sıra boşta çalıştığı zamanlar gibi, bütün zaman dilimleri göz önünde bulundurarak).

Uygunluk Beyanları

Sadece Avrupa ülkeleri için

Uygunluk beyanları bu kullanma kılavuzuna Ek A olarak eklenmiştir.

Genel elektrikli alet güvenliği uyarıları

UYARI: Bu elektrikli aletle birlikte sunulan tüm güvenlik uyarılarını, talimatları, çizimleri ve teknik özellikleri okuyun. Aşağıda verilen talimatlara uyulmaması elektrik şoku, yangın ve/veya ciddi yaralanmalar ile sonuçlanabilir.

Tüm uyarıları ve talimatları iletiride başvurmak için saklayın.

Uyarılardaki "elektrikli alet" terimi ile ya prizden çalışan (kordonlu) elektrikli aletinizi ya da kendi aküsü ile çalışan (kordonsuz) elektrikli aletinizi kastedilmektedir.

Freze güvenlik uyarıları

1. Kesici, kendi kablosuna temas edebileceğinden elektrikli aleti yalnızca yalıtımlı saplarından tutun. "Akımlı" bir telin kesilmesi elektrikli aletin yalıtımsız metal kısımlarını "akımlı" hale getirebilir ve kullanıcıyı elektrik şokuna maruz bırakabilir.
2. İş parçasını sabit bir platforma bağlamak ve desteklemek için mengene veya başka bir pratik yol kullanın. İş parçasını elle tutmak ya da vücudunuzla desteklemek sabit durmasına ve kontrolü kaybetmenize neden olabilir.
3. Kesici uç sapı tasarlanmış halka mandrene uyumludur.
4. Uçun nominal hızı en azından, aletin üstünde belirtilen maksimum hıza eşit olmalıdır.
5. Uzun süreli kullanımlarda kulak koruyucu kullanın.
6. Freze uçlarını dikkatle tutun.
7. İşleme başlamadan önce, çatlak veya hasara karşı freze ucunu dikkatlice kontrol edin. Çatlamış veya hasar görmüş ucu derhal değiştirin.
8. Çivileri kesmekten kaçının. İşlemeden önce iş parçasının üzerinde çivi olup olmadığını kontrol edin ve varsa hepsini çıkarın.
9. Aleti iki elle sıkıca tutun.
10. Ellerinizi dönen parçalardan uzak tutun.
11. Anahtar açılmadan önce freze ucunun iş parçasına temas etmediğinden emin olun.
12. Aleti gerçek bir iş parçası üzerinde kullanmadan önce bir süre boşa çalıştırın. Uçun yanlış takıldığını gösterebilecek titreşim ve sallantılar olup olmadığına dikkat edin.
13. Freze ucunun dönüş yönüne ve besleme yönüne dikkat edin.
14. Aleti çalışır durumda bırakmayın. Aleti sadece elinizde tutarken çalıştırın.
15. Aleti iş parçasından çekmeden önce daima anahtarı kapatın ve freze ucunun tamamen durmasını bekleyin.
16. Freze ucuna işlemten hemen sonra ellemeyin; çok sıcak olup derinizi yakabilir.
17. Dikkatsizlik sonucu alet kaidesine tiner, benzin, yağ ve benzeri maddelerin bulaşmasını önleyin. Bunlar alet kaidesinde çatlaklar oluşmasına neden olabilir.
18. Bazı malzemeler zehirli olabilen kimyasallar içerir. Toz yutmayı ve cilt temasını önlemek için tedbir alın. Malzeme sağlayıcısının güvenlik bilgilerine uyun.
19. Daima çalıştığınız malzeme ve yaptığınız işe uygun maske/respiratör kullanın.
20. Aleti dengeli bir alana koyun. Aksi takdirde düşme kazası meydana gelebilir ve yaralanmaya neden olabilir.
21. Kabloyu ayağınızdan veya diğer nesnelere uzak tutun. Takılan bir kablo düşme kazasına neden olabilir ve yaralanmaya yol açabilir.

BU TALİMATLARI MUHAFAZA EDİNİZ.

⚠UYARI: Ürünü kullanırken (defalarca kullanınca kazanılan) rahatlık ve tanıdıklık duygusunun ilgili ürünün güvenlik kurallarına sıkı sıkıya bağlı kalmanın yerine geçmesine İZİN VERMEYİN. **YANLIŞ KULLANIM** veya bu kullanma kılavuzunda belirtilen emniyet kurallarına uymama ciddi yaralanmaya neden olabilir.

İŞLEVSEL NİTELİKLER

⚠DİKKAT: Alet üzerinde ayarlama ya da işleyiş kontrolü yapmadan önce aletin kapalı ve fişinin çekili olduğundan daima emin olun.

Kesim derinliğinin ayarlanması

Aleti düz bir yüzeye yerleştirin. Kilitleme kolunu gevşetin ve freze ucu düz yüzeye hafif temas edene kadar aletin gövdesini indirin. Aletin gövdesini kilitlemek için kilitleme kolunu sıkın. Hızlı besleme düğmesine basarken, derinlik dayanağını istenen kesim derinliği elde edilene kadar aşağı ya da yukarı hareket ettirin. Derinlik dayanağı döndürülerek hassas derinlik ayarı yapılabilir (her tur 1,5 mm (1/16")).

► **Şek.1:** 1. Naylon somun 2. Derinlik dayanağı 3. Hızlı besleme düğmesi 4. Altıgen ayar cıvatası 5. Durdurucu blok 6. Kilitleme kolu

⚠DİKKAT: Oluk keserken kesim derinliği bir geçişte 20 mm'den (13/16") fazla olmamalıdır. Daha derin oluk kesme işlemleri için, gittikçe artan derinlikteki freze ucu ayarlarıyla iki veya üç geçiş yapın.

Naylon somun

Ayar düğmesiz aletler için

Alet gövdesinin üst limiti naylon somun döndürülerek ayarlanabilir. Naylon somunu çok aşağı indirmeyin. Freze ucu tehlikeli bir şekilde dışarı çıkar.

Ayar düğmeli aletler için

Ayar düğmesi döndürülerek alet gövdesinin üst limiti ayarlanabilir. Freze ucunun uç kısmı kaide plakasının yüzeyine göre gereğinden fazla miktarda çekildiğinde, üst limiti indirmek için ayar düğmesini döndürün.

► **Şek.2:** 1. Ayar düğmesi

⚠DİKKAT: Aşırı kesme motorun fazla yüklenmesine veya aletin kontrolünde güçlüğüne neden olacağı için, oluk açarken kesim derinliği bir geçişte 20 mm'den (13/16") fazla olmamalıdır. 20 mm'den (13/16") daha derin oluklar açmak istediğinizde, gittikçe artan derinlikteki freze ucu ayarlarıyla birkaç geçiş yapın.

⚠DİKKAT: Ayar düğmesini çok aşağı indirmeyin. Freze ucu tehlikeli bir şekilde dışarı çıkar.

Durdurucu blok

Durdurucu blok tur başına 0,8 mm çıkan veya inen üç adet altıgen ayar civatasına sahip olduğu için, derinlik dayanağını yeniden ayarlamadan üç farklı kesim derinliğini kolayca elde edebilirsiniz.

- **Şek.3:** 1. Derinlik dayanağı 2. Altıgen ayar civatası 3. Durdurucu blok

"Kesim derinliğinin ayarlanması" yöntemini izleyerek, en derin kesim derinliğini elde etmek için en alçak altıgen ayar civatasını ayarlayın.

Daha sık kesim derinlikleri elde etmek için diğer iki altıgen ayar civatasını ayarlayın. Bu altıgen ayar civatalarının yükseklik farkı kesim derinliklerinin farkına eşittir. Altıgen ayar civatalarını ayarlamak için altıgen ayar civatalarını bir tornavida veya anahtarla çevirin. Durdurucu blok, derin oluk açma sırasında gittikçe derinleşen uç ayarlarıyla üç geçiş yapmak için de uygundur.

Anahtarın işleyişi

⚠DİKKAT: Aleti fişe takmadan önce, aletin kapalı olduğundan emin olmak için mutlaka kontrol edin.

⚠DİKKAT: Anahtar açılmadan önce mil kilidinin serbest bırakıldığından emin olun.

Aleti başlatmak için anahtar kolunu I konumuna getirin. Aleti durdurmak için anahtar kolunu O konumuna getirin.

- **Şek.4:** 1. Anahtar kolu

⚠DİKKAT: Aleti kapatırken oluşacak tepkiyi önlemek için aleti sıkıca tutun.

Elektronik fonksiyonu

Alet kolay kullanım için elektronik fonksiyonlarla donatılmıştır.

Gösterge lambası

- **Şek.5:** 1. Gösterge lambası

Alet fişe takıldığında gösterge lambası yeşil renkte yanar. Gösterge lambası yanmıyorsa, ana kablo veya kontrolör hasarlı olabilir. Gösterge lambası yanıyor fakat alet açık konumda olduğu halde çalışmaya başlamıyorsa; karbon fırçalar aşınmış ya da kontrolör, motor veya AÇMA/KAPAMA anahtarı hasarlı olabilir.

İstenmeyen yeniden başlatma koruması

Anahtar kolu I konumunda iken aletin fişi takılsa bile alet çalışmaya başlamaz.

Bu sırada gösterge lambası kırmızı renkte yanıp sönmeye istenmeyen yeniden başlatma koruma aygıtının çalışmakta olduğunu gösterir.

İstenmeyen yeniden başlatma korumasını iptal etmek için, anahtar kolunu O konumuna getirin.

Yumuşak başlatma özelliği

Yumuşak başlatma özelliği başlatma şokunu en alt düzeye indirir ve aletin daha sarsıntısız başlamasını sağlar.

MONTAJ

⚠DİKKAT: Alet üzerinde herhangi bir iş yapmadan önce aletin kapalı ve fişinin çekili olduğundan daima emin olun.

Freze ucunun takılması veya çıkarılması

Freze ucunu tutucu pens kovanına sonuna kadar sokun. Mili sabit tutmak için mil kilidine bastırın ve tutucu pens somununu iyice sıkırmak için anahtarı kullanın. Daha küçük mil çapına sahip freze uçlarını kullanırken, önce uygun tutucu pens manşonunu tutucu pens kovanının içine yerleştirin, ardından freze ucunu takın. Freze ucunu çıkarmak için, kurulum prosedürünü ters-ten izleyin.

- **Şek.6:** 1. Mil kilidi 2. Anahtar 3. Gevşetkin 4. Sıkın

⚠DİKKAT: Freze ucunu sağlam bir şekilde takın. Her zaman sadece aletle birlikte verilen anahtarı kullanın. Gevşek veya fazla sıkı bir freze ucu tehlikeli olabilir.

ÖNEMLİ NOT: Tutucu pens somununu freze ucunu takmadan sıkımayın ya da küçük milli uçları bir tutucu pens manşonunu kullanmadan takmayın. Her ikisi de tutucu pens kovanının kırılmasına yol açabilir.

KULLANIM

⚠DİKKAT: İşlemden önce, alet gövdesinin otomatik olarak üst limite çıktığından ve kilitleme kolu gevşetildiğinde freze ucunun alet kaidesinden dışarı çıkmadığından emin olun.

⚠DİKKAT: Kullanmadan önce, talaş tutucunun doğru bir şekilde takıldığından daima emin olun.

⚠DİKKAT: Çalışma sırasında her zaman her iki tutamağı kullanın ve aleti her iki tutamaktan sıkıca tutun.

- **Şek.7:** 1. Talaş tutucu

Alet kaidesini kesilecek iş parçasının üzerine yerleştirirken freze ucunun temas etmediğinden emin olun. Ardından aleti çalıştırın ve freze ucu tam hıza ulaşana kadar bekleyin. Alet gövdesini aşağı doğru indirin ve aleti iş parçasının yüzeyi üzerinde ileri doğru hareket ettirin, kesim tamamlanana kadar alet kaidesini aynı hizada tutun ve yavaşça ilerletin.

Kenar kesme sırasında, iş parçasının yüzeyi besleme yönünde freze ucunun sol tarafında kalmalıdır.

- **Şek.8:** 1. İş parçası 2. Uç dönme yönü 3. Aletin kuşbakişi görünüşü 4. Besleme yönü

NOT: Aleti ileriye doğru çok hızlı hareket ettirmek kötü bir kesim kalitesine neden olabilir, freze ucuna ya da motora zarar verebilir. Aleti çok yavaş ilerletmek ise yanma ya da şekil bozukluğuna neden olabilir. Uygun besleme hızı; freze ucunun boyutuna, iş parçasının türüne ve kesim derinliğine bağlı olarak değişir.

İş parçası üzerinde kesme işlemine başlamadan önce bir parça hurda kereste üzerinde bir deneme kesimi yapılması tavsiye edilir. Böylece kesimin tam olarak nasıl görüneceğini görebilir ve boyutları kontrol edebilirsiniz.

NOT: Düz kılavuz veya şekil verme kılavuzu kullanırken, bunları besleme yönünün sağ tarafına taktığınızdan emin olun. Bu, iş parçasının yan kısmı ile aynı hizada çalışmayı sağlar.

► **Şek.9:** 1. Besleme yönü 2. Uç dönme yönü 3. İş parçası 4. Düz kılavuz

Düz kılavuz

Düz kılavuz, yiv açma veya oluk açma sırasında düz kesim için etkin bir şekilde kullanılır.

Düz kılavuz (A Tipi)

İsteğe bağlı aksesuar

Düz kılavuzu kılavuz tutucusuna kelebek somun (B) ile takın. Kılavuz tutucusunu alet kaidesindeki deliklere geçirin ve kelebek somunu (A) sıkın. Freze ucu ile düz kılavuz arasındaki mesafeyi ayarlamak için, kelebek somunu (B) gevşetin ve ince ayar vidasını döndürün. İstenilen mesafede kelebek somunu (B) sıkarak düz kılavuzu yerine sabitleyin.

► **Şek.10:** 1. Kılavuz tutucu 2. İnce ayar vidası 3. Düz kılavuz

Düz kılavuz (B Tipi)

İsteğe bağlı aksesuar

Düz kılavuzu alet kaidesindeki deliklere geçirin ve kelebek somunu sıkın. Freze ucu ile düz kılavuz arasındaki mesafeyi ayarlamak için, kelebek somunu gevşetin. İstenilen mesafede kelebek somunu sıkarak düz kılavuzu yerine sabitleyin.

► **Şek.11:** 1. Kelebek somun 2. Düz kılavuz

Kesim sırasında, aleti düz kılavuzla birlikte iş parçası ile aynı hizada olacak şekilde hareket ettirin.

İlave tahta parçaları takmak için kılavuzda yer alan uygun delikler kullanılarak istenen boyutlarda daha geniş bir düz kılavuz yapılabilir.

Geniş çaplı bir freze ucu kullanırken, freze ucunun düz kılavuzla çarpmasını önlemek için 15 mm'den (5/8") daha kalın tahta parçalarını düz kılavuzla monte edin.

► **Şek.12:** 1. Düz kılavuz 2. Tahta

A=55 mm (2-3/16")

B=55 mm (2-3/16")

C=15 mm (5/8") ya da daha kalın

Şablon kılavuzu

İsteğe bağlı aksesuar

Şablon kılavuzu, freze ucunun içinden geçtiği bir manşon sunarak frezenin şablon modellerle kullanılmasını sağlar.

► **Şek.13**

1. Kaidedeki vidaları gevşetin, şablon kılavuzunu yerleştirin ve ardından vidaları sıkın.

► **Şek.14:** 1. Vidalar 2. Şablon kılavuzu

2. Şablonu iş parçasına tespit edin. Aleti şablona yerleştirin ve şablon kılavuzu şablon tarafında kaydırılacak şekilde aleti hareket ettirin.

► **Şek.15:** 1. Freze ucu 2. Kaide 3. Kaide plakası

4. Şablon 5. İş parçası 6. Şablon kılavuzu

NOT: İş parçası şablondan az bir miktar farklı ölçülerde kesilecektir. Freze ucu ile şablon kılavuzunun dış arasında mesafe (X) bırakın. Bu mesafe (X) aşağıdaki denklem kullanılarak hesaplanabilir:

Mesafe (X) = (şablon kılavuzunun dış çapı - freze ucunun çapı) / 2

Şekil verme kılavuzu

Mobilyalar için şekil verme, cilalı yüzeylerde eğimli kesimler yapma ve benzeri işlemler şekil verme kılavuzu ile kolayca yapılır. Kılavuz silindir eğrinin düzgün ilerlemesini sağlayarak hassas bir kesim yapılmasını garantiler.

Şekil verme kılavuzu (A Tipi)

İsteğe bağlı aksesuar

Şekil verme kılavuzunu kılavuz tutucusu üzerine kelebek somun (B) ile takın. Kılavuz tutucusunu alet kaidesindeki deliklere geçirin ve kelebek somunu (A) sıkın. Freze ucu ile şekil verme kılavuzu arasındaki mesafeyi ayarlamak için, kelebek somunu (B) gevşetin ve ince ayar vidasını döndürün. Kılavuz silindiri yukarı veya aşağı ayarlarken, kelebek somunu (C) gevşetin. Ayarlamadan ardından, tüm kelebek somunları iyice sıkın.

► **Şek.16:** 1. Kılavuz tutucusu 2. İnce ayar vidası 3. Şekil verme kılavuzu 4. Kılavuz silindiri

Şekil verme kılavuzu (B Tipi)

İsteğe bağlı aksesuar

Şekil verme kılavuzunu kelebek somunlar (B) kullanarak düz kılavuzun üzerine takın. Düz kılavuzu alet kaidesindeki deliklere geçirin ve kelebek somunu (A) sıkın. Freze ucu ile şekil verme kılavuzu arasındaki mesafeyi ayarlamak için, kelebek somunları (B) gevşetin. Kılavuz silindiri yukarı veya aşağı ayarlarken, kelebek somunu (C) gevşetin. Ayarlamadan ardından, tüm kelebek somunları iyice sıkın.

► **Şek.17:** 1. Kılavuz silindiri 2. Şekil verme kılavuzu

Kesim sırasında, aleti kılavuz silindire birlikte iş parçasının kenarı ile aynı hizada olacak şekilde hareket ettirin.

► **Şek.18:** 1. Freze ucu 2. Kılavuz silindiri 3. İş parçası

Toz kapağı (Ayar düğmeli aletler için)

İsteğe bağlı aksesuar

Toz kapağı, ters konumdayken talaşın aletin içine çekilmesini önler.

Aleti piyasada bulunan bir freze standıyla kullanırken toz kapağını şekilde gösterildiği gibi takın.

Aleti normal konumda kullanırken toz kapağını çıkarın.
► **Şek.19:** 1. Vida 2. Toz kapağı

Ara parça (Ayar düğmeli aletler için)

İsteğe bağlı aksesuar

Ara parça, freze ucunu ters konumda yerleştirirken freze ucunun mandrenin içine düşmesini önler.

Aleti piyasada bulunan bir freze standıyla kullanırken ara parçayı şekilde gösterildiği gibi takın.

► **Şek.20:** 1. Tutucu pens somunu 2. Tutucu pens kovani 3. Ara parça

Toz çekme

İsteğe bağlı aksesuar

Toz çekme için toz toplama başlığını kullanın.

► **Şek.21:** 1. Toz toplama başlığı

Toz toplama başlığının takılması

► **Şek.22:** 1. Destek 2. Kilitleme kolu

1. Toz toplama başlığının kilitleme kolunu kaldırın.
2. Toz toplama başlığını, üst kısmı alet kaidesinin üzerindeki kancaya geçecek şekilde alet kaidesine yerleştirin.
3. Toz toplama başlığının üzerindeki destekleri alet kaidesinin önündeki kancalara geçirin.
4. Kilitleme kolunu alet kaidesinin üzerine gelecek şekilde aşağı doğru bastırın.
5. Toz toplama başlığına bir elektrikli süpürge bağlayın.
► **Şek.23**

Toz toplama başlığının çıkarılması

1. Kilitleme kolunu kaldırın.
2. Destekleri baş parmakla işaret parmağı arasında tutarak toz toplama başlığını alet kaidesinden çekerek çıkarın.

BAKIM

⚠DİKKAT: Muayene ya da bakım yapmadan önce aletin kapalı ve fişinin çekili olduğundan daima emin olun.

ÖNEMLİ NOT: Benzin, tiner, alkol ve benzeri maddeleri kesinlikle kullanmayın. Renk değişimi, deformasyon veya çatlaklar oluşabilir.

Karbon fırçaların değiştirilmesi

► **Şek.24:** 1. Sınır işareti

Karbon fırçaları düzenli olarak kontrol edin.

Sınır işaretine kadar yıprandıkları zaman değiştirin. Karbon fırçaların temiz ve yuvaları içinde serbestçe kayar durumda kalmalarını sağlayın. Her iki karbon fırça aynı zamanda değiştirilmelidir. Sadece birbirinin aynısı olan karbon fırçaları kullanın.

1. Fırça tutucu kapaklarını çıkarmak için bir tornavida kullanın.
2. Aşınmış karbon fırçalarını çıkarıp yenilerini takın ve fırça tutucu kapaklarını sabitleyin.
► **Şek.25:** 1. Fırça tutucu kapağı

Ayar düğmeli aletler için

⚠DİKKAT: Yeni karbon fırçayı yerleştirdikten sonra ayar düğmesini yeniden taktığınızdan emin olun.

Kilitleme kolunu serbest bırakın ve ayar düğmesini saatin aksi yönünde döndürerek çıkarın.

► **Şek.26:** 1. Ayar düğmesi

NOT: Baskı yayı ayar düğmesinden çıkar, bu nedenle baskı basını kaybetmemeye dikkat edin.

Aleti EMNİYETLİ ve ÇALIŞMAYA HAZIR durumda tutmak için onarımlar, başka her türlü bakım ve ayarlamalar daima Makita yedek parçaları kullanılarak Makita yetkili servis merkezleri veya Fabrikanın Servis Merkezleri tarafından yapılmalıdır.

İSTEĞE BAĞLI AKSESUARLAR

Freze uçları

Düz uç

► **Şek.27**

Birim:mm

D	A	L1	L2
6	20	50	15
1/4"			
12	12	60	30
1/2"			
12	10	60	25
1/2"			
8	8	60	25
6	8	50	18
1/4"			
6	6	50	18
1/4"			

“U” Oyma ucu

► Şek.28

Birim:mm

D	A	L1	L2	R
6	6	50	18	3

“V” Oyma ucu

► Şek.29

Birim:mm

D	A	L1	L2	θ
1/4"	20	50	15	90°

Kırlangıç kuyruğu uç

► Şek.30

Birim:mm

D	A	L1	L2	θ
8	14,5	55	10	35°
3/8"				
8	14,5	55	14,5	23°
3/8"				
8	12	50	9	30°
3/8"				

Matkap başlı havşa ucu

► Şek.31

Birim:mm

D	A	L1	L2	L3
12	12	60	20	35
8	8	60	20	35
6	6	60	18	28

Matkap başlı çifte havşa ucu

► Şek.32

Birim:mm

D	A	L1	L2	L3	L4
6	6	70	40	12	14

Yarık kesici

► Şek.33

Birim:mm

D	A	L1	L2
12	30	55	6
1/2"			
12	30	55	3
1/2"			

Levha ekleme ucu

► Şek.34

Birim:mm

D	A1	A2	L1	L2	L3
12	38	27	61	4	20

Köşe yuvarlama ucu

► Şek.35

Birim:mm

D	A1	A2	L1	L2	L3	R
6	25	9	48	13	5	8
6	20	8	45	10	4	4

Yiv açma ucu

► Şek.36

Birim:mm

D	A	L1	L2	L3	θ
6	23	46	11	6	30°
6	20	50	13	5	45°
6	20	49	14	2	60°

► Şek.37

Birim:mm

D	A1	A2	L1	L2	L3	C
12	30	20	55	12	20	4
1/2"						

Köşebent ucu

► Şek.38

Birim:mm

D	A1	A2	L1	L2	L3	R
12	30	20	55	12	20	4
1/2"						

Çukur köşebent ucu

► Şek.39

Birim:mm

D	A	L1	L2	R
6	20	43	8	4
6	25	48	13	8

Rulmanlı havşa ucu

► Şek.40

Birim:mm

D	A	L1	L2
6	10	50	20
1/4"			

Rulmanlı köşe yuvarlama ucu

► Şek.41

Birim:mm

D	A1	A2	L1	L2	L3	R
6	15	8	37	7	3,5	3
6	21	8	40	10	3,5	6
1/4"	21	8	40	10	3,5	6

Rulmanlı yiv açma ucu

► Şek.42

Birim:mm

D	A1	A2	L1	L2	θ
6	26	8	42	12	45°
1/4"					
6	20	8	41	11	60°

Rulmanlı köşebent ucu

► Şek.43

Birim:mm

D	A1	A2	A3	L1	L2	L3	R
6	20	12	8	40	10	5,5	4
6	26	12	8	42	12	4,5	7

Rulmanlı çukur köşebent ucu

► Şek.44

Birim:mm

D	A1	A2	A3	A4	L1	L2	L3	R
6	20	18	12	8	40	10	5,5	3
6	26	22	12	8	42	12	5	5

Rulmanlı romen deveboynu uç

► Şek.45

Birim:mm

D	A1	A2	L1	L2	L3	R1	R2
6	20	8	40	10	4,5	2,5	4,5
6	26	8	42	12	4,5	3	6

Çifte rulmanlı yuvarlak köşe ucu

► Şek.46

Birim:mm

D	A1	A2	A3	L1	L2	L3	R
12	35	27	19	70	11	3,5	3
1/2"							

Makita Europe N.V.

Jan-Baptist Vinkstraat 2, 3070 Kortenberg, Belgium

Makita Corporation

3-11-8, Sumiyoshi-cho, Anjo, Aichi 446-8502 Japan

www.makita.com



885910A997
EN, FR, DE, IT, NL,
ES, PT, DA, EL, TR
20210623