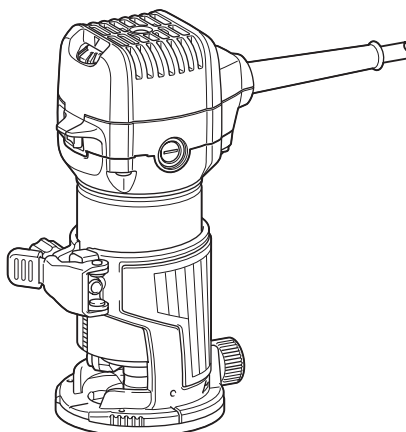




<b>EN</b>	Trimmer	INSTRUCTION MANUAL	12
<b>FR</b>	Affleureuse	MANUEL D'INSTRUCTIONS	20
<b>DE</b>	Einhandfräse	BETRIEBSANLEITUNG	29
<b>IT</b>	Rifilatore	ISTRUZIONI PER L'USO	39
<b>NL</b>	Kantenfrees	GEBRUIKSAANWIJZING	49
<b>ES</b>	Recortadora	MANUAL DE INSTRUCCIONES	59
<b>PT</b>	Tupia	MANUAL DE INSTRUÇÕES	68
<b>DA</b>	Overfræser	BRUGSANVISNING	77
<b>EL</b>	Κουρευτικό περιθωρίων	ΕΓΧΕΙΡΙΔΙΟ ΟΔΗΓΙΩΝ	86
<b>TR</b>	Şekil verme testeresi	KULLANMA KILAVUZU	96

# RT0702C



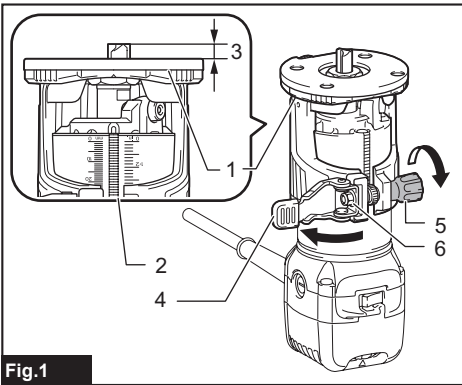


Fig.1

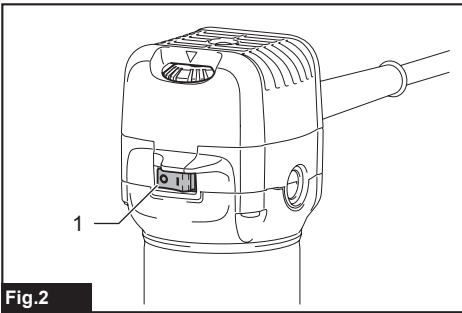


Fig.2

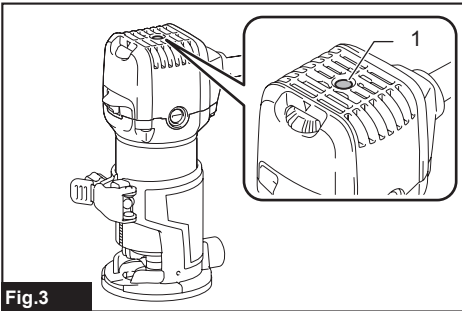


Fig.3

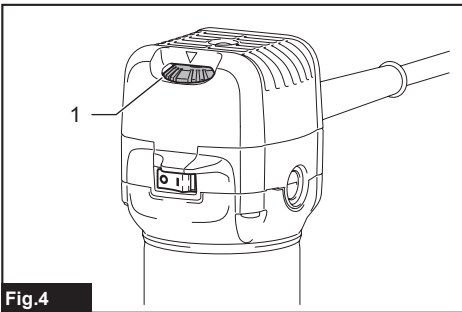


Fig.4

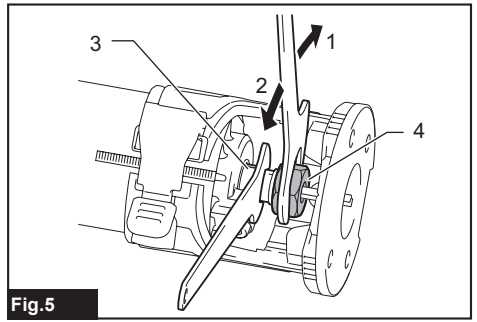


Fig.5

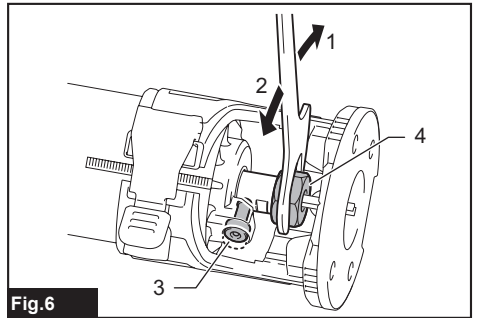


Fig.6

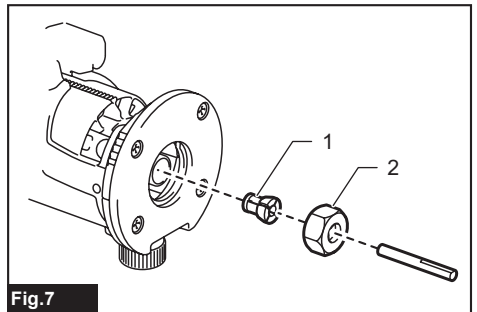


Fig.7

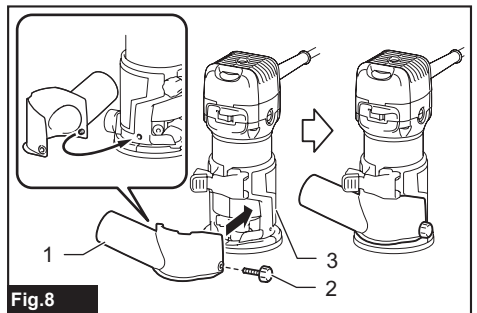


Fig.8

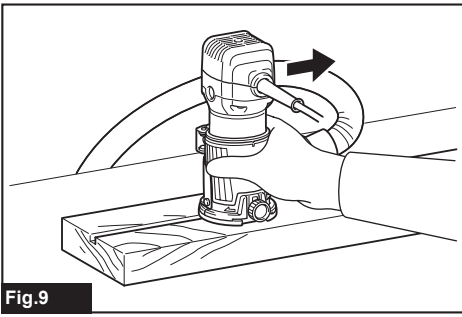


Fig.9

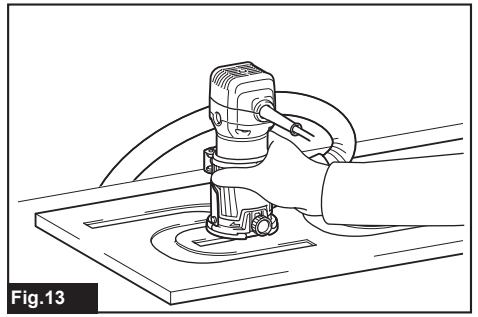


Fig.13

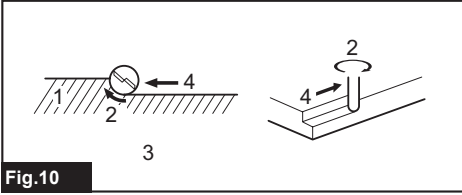


Fig.10

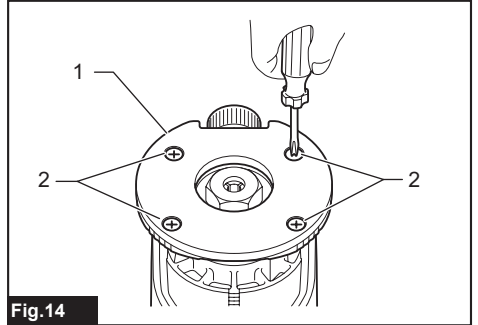


Fig.14

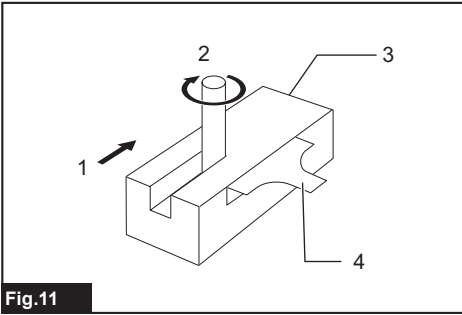


Fig.11

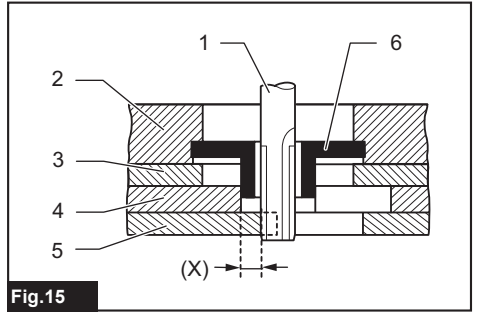


Fig.15

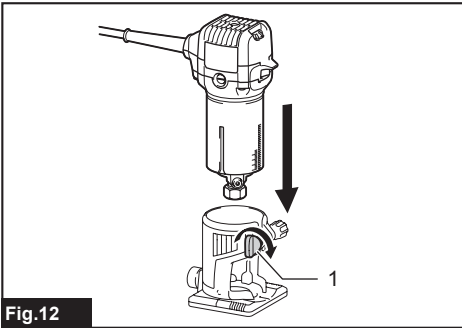


Fig.12

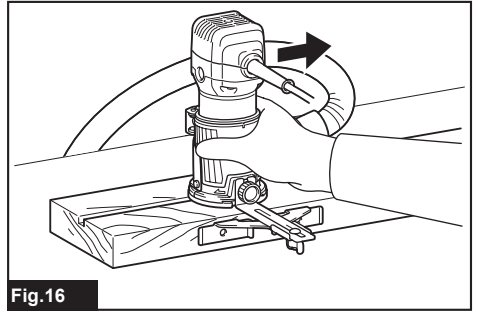
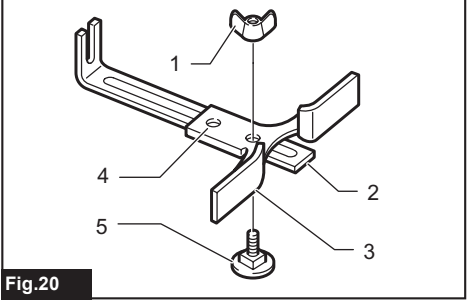
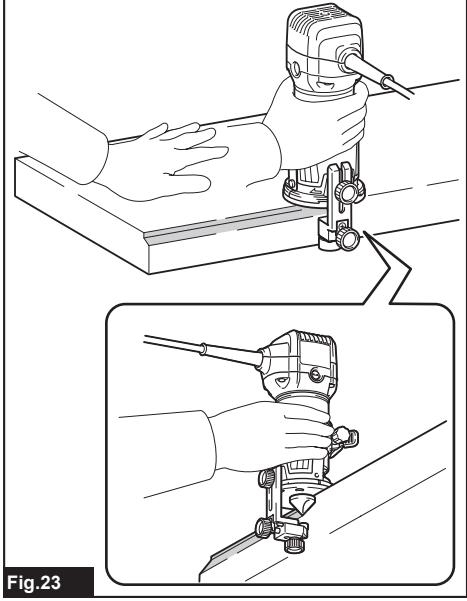
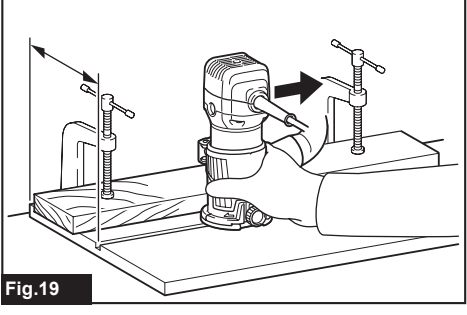
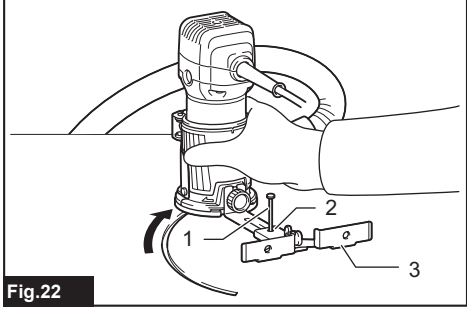
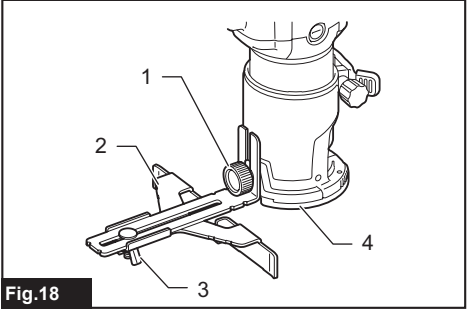
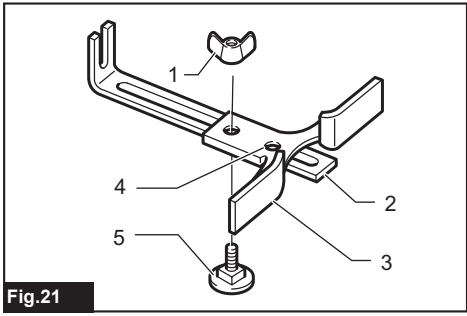
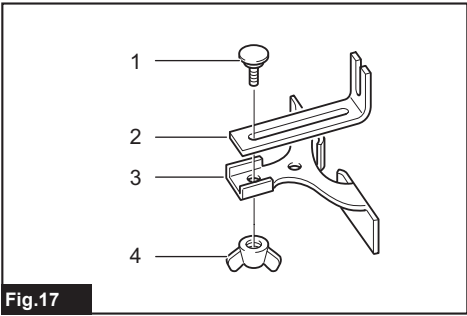
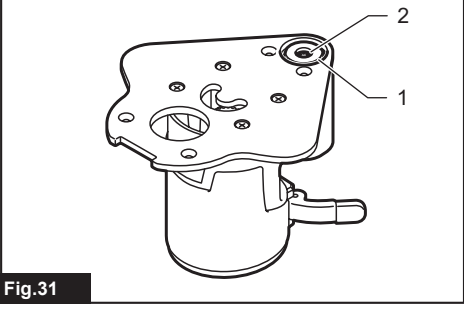
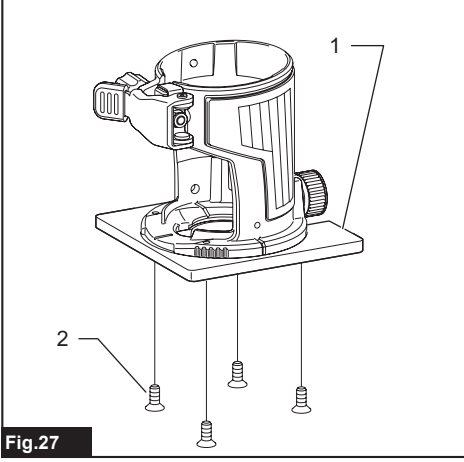
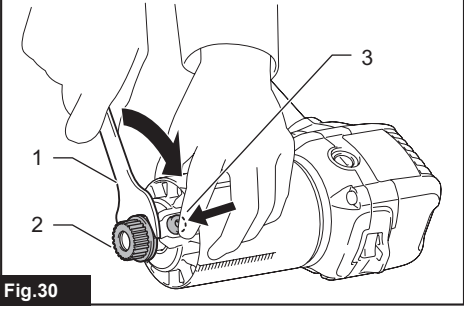
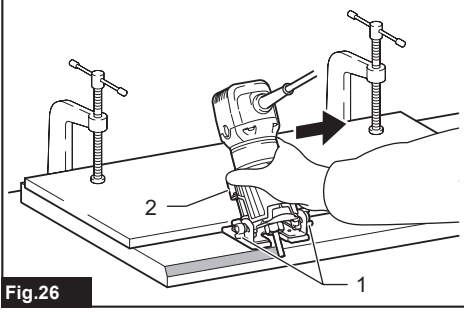
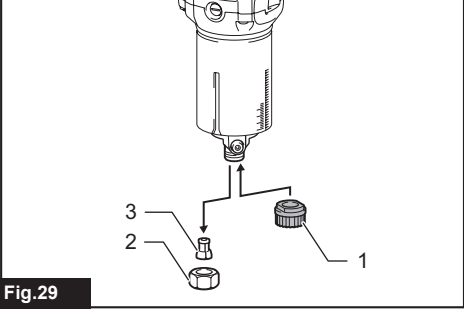
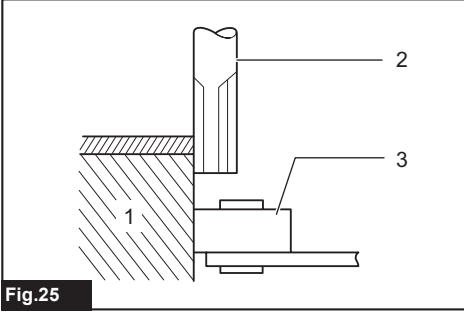
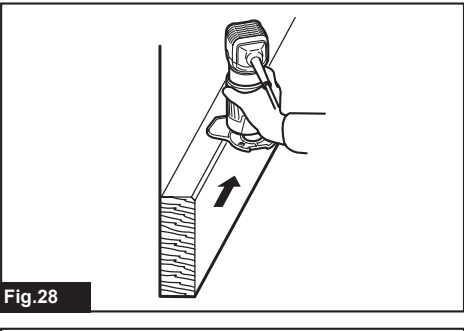
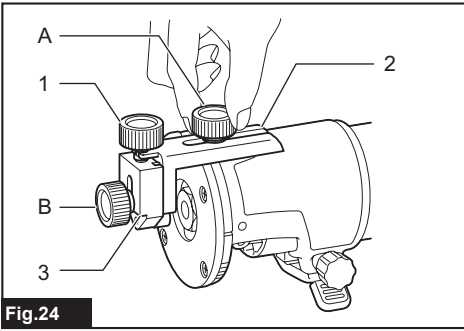
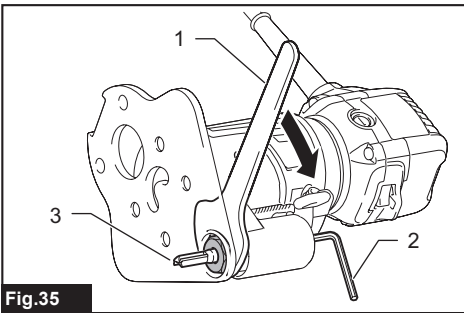
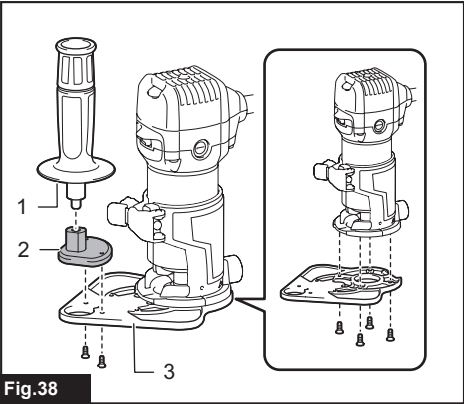
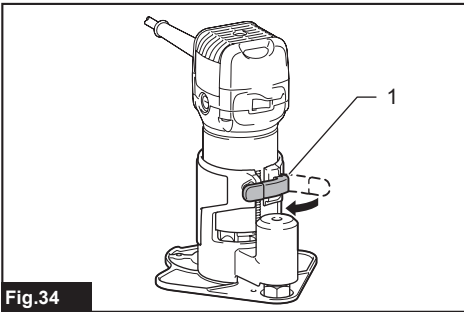
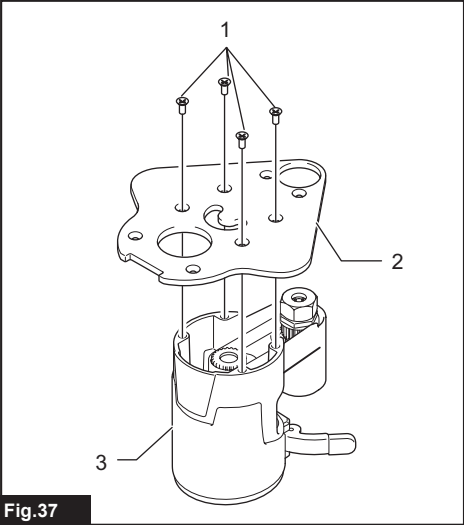
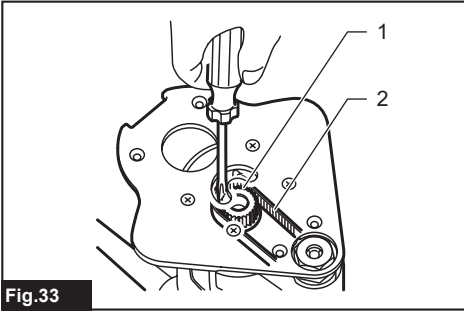
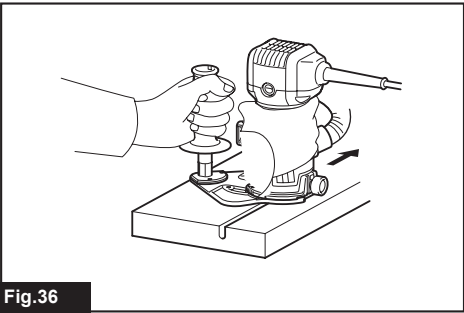
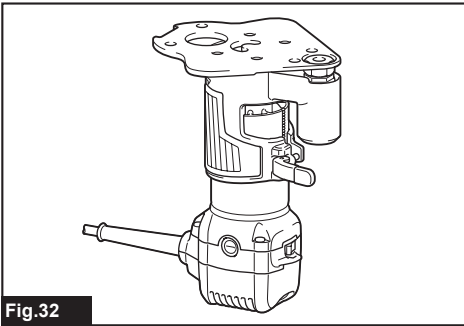
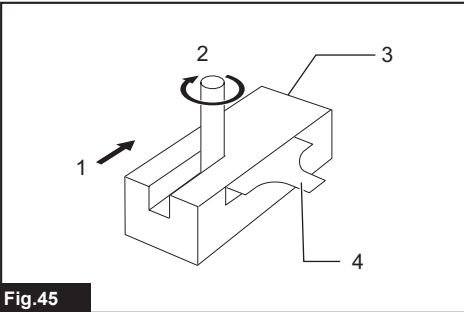
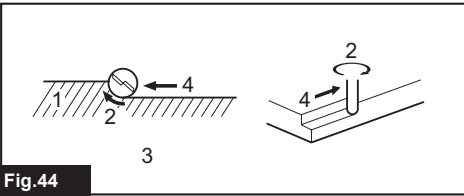
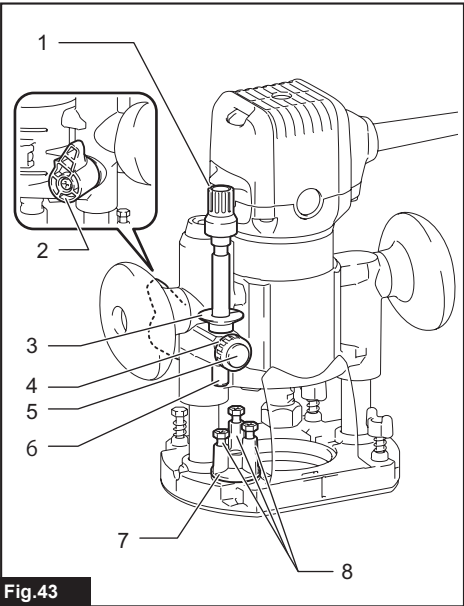
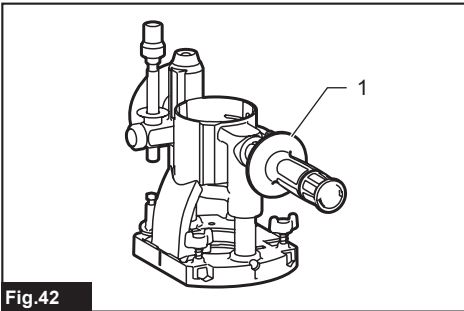
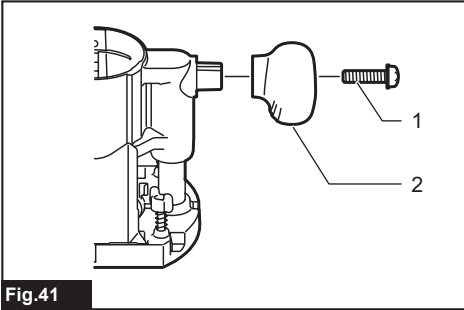
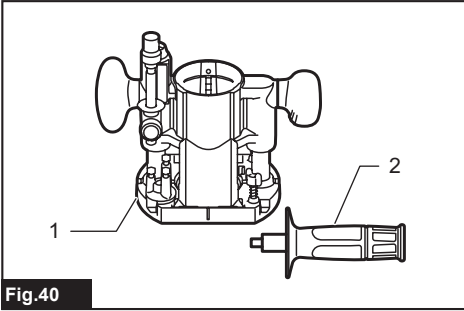
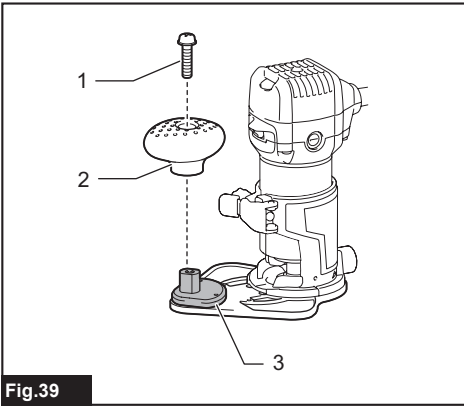


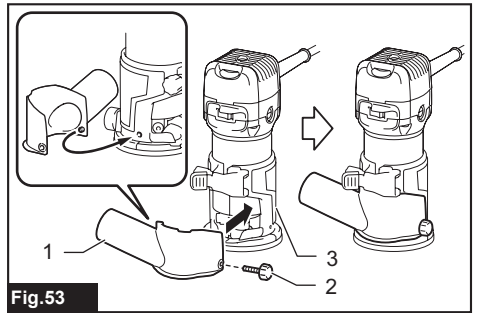
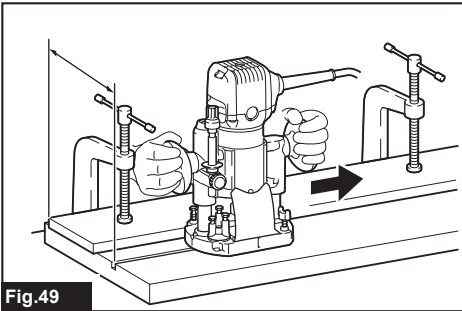
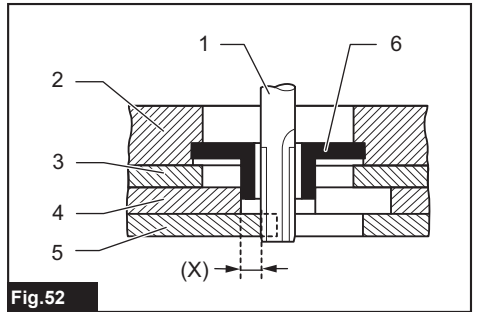
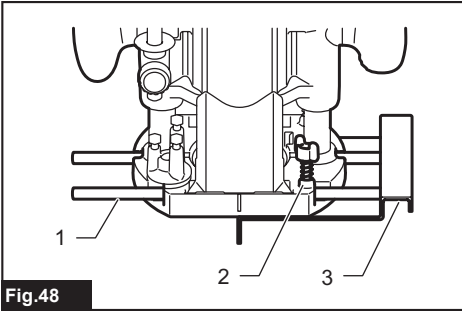
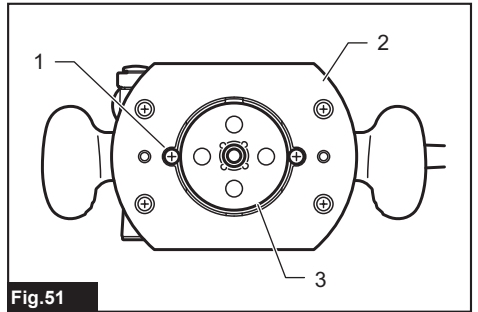
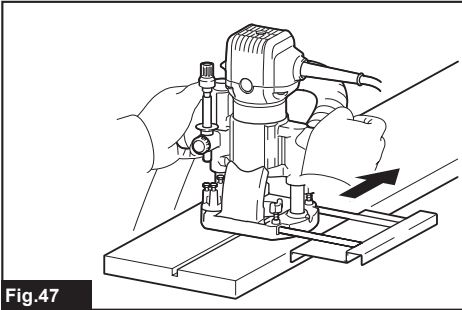
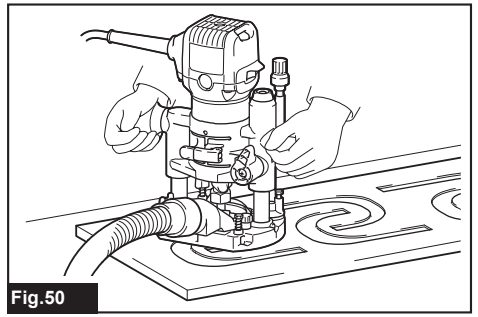
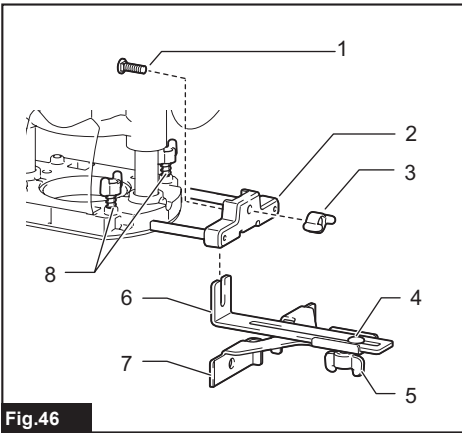
Fig.16



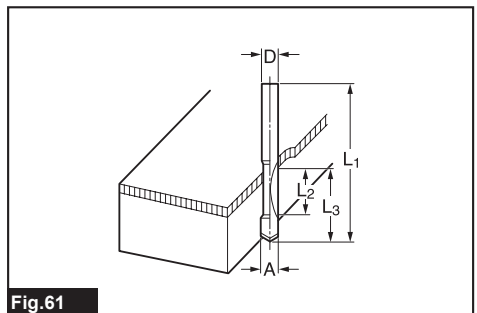
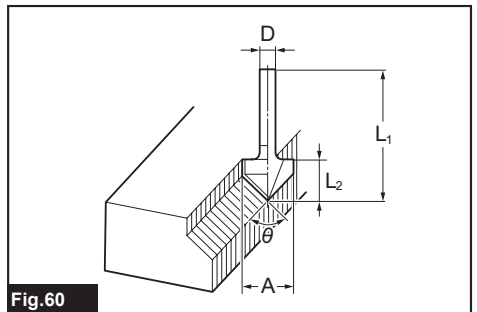
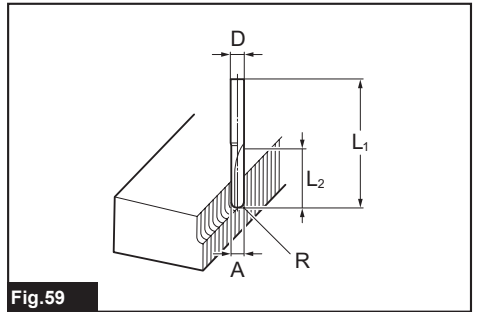
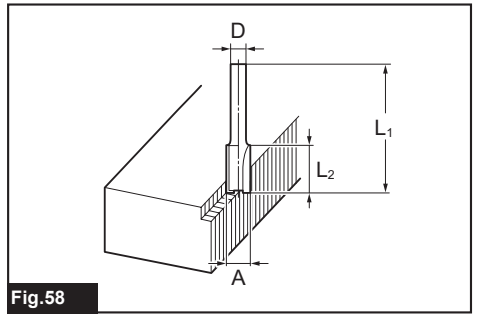
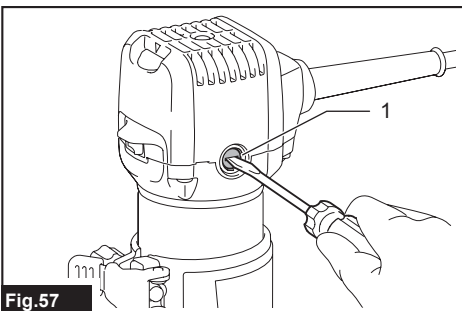
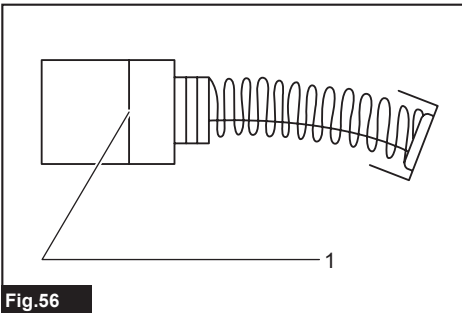
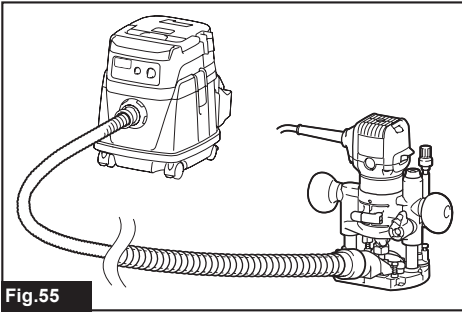
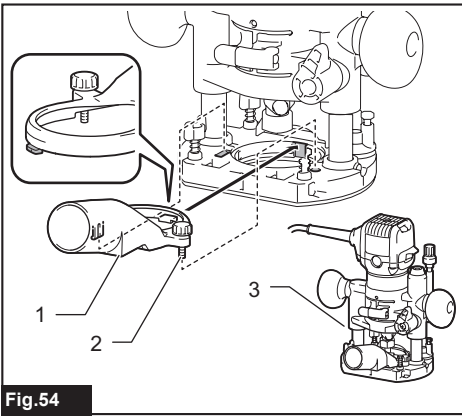


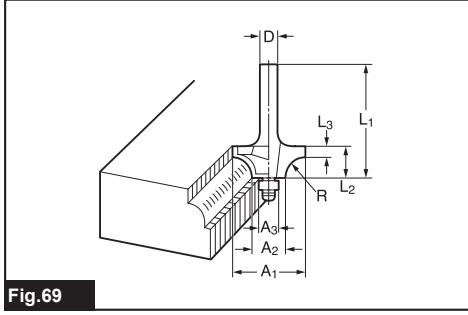
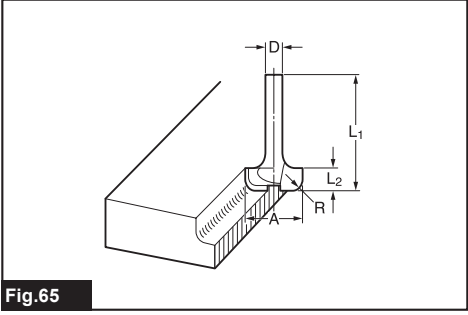
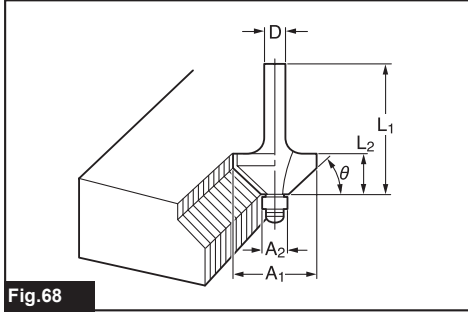
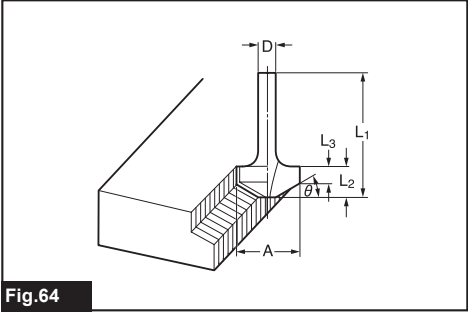
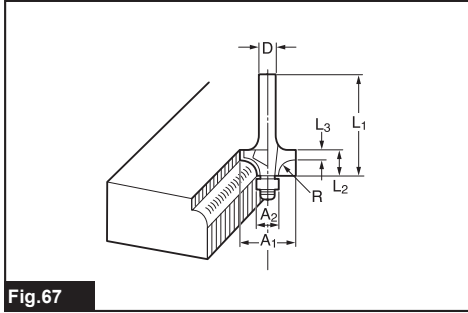
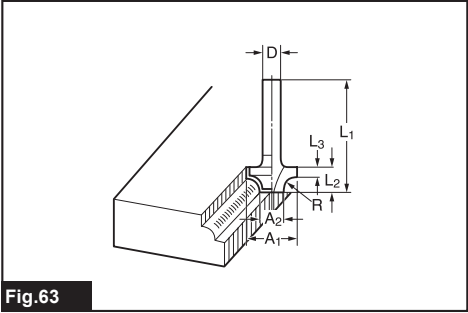
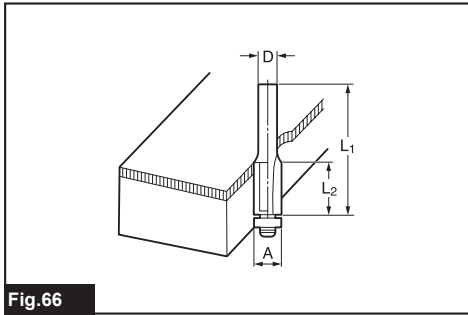
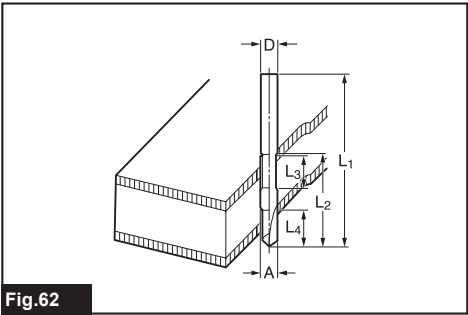


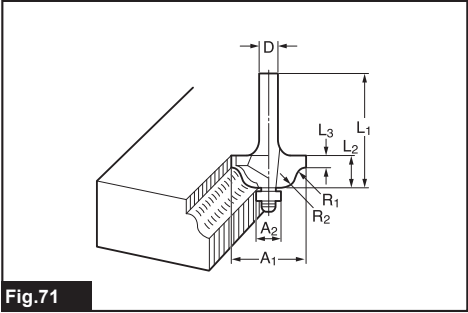
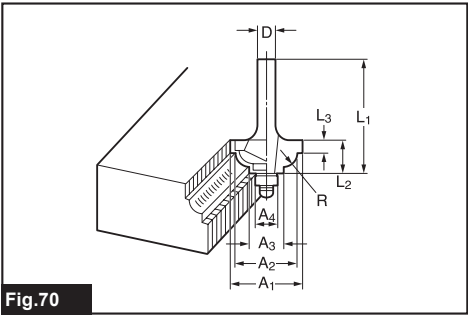












## SPECIFICATIONS

<b>Model:</b>	<b>RT0702C</b>
Collet chuck capacity	6 mm, 8 mm, or 1/4"
No load speed	10,000 - 34,000 min <sup>-1</sup>
Overall height	210 mm
Net weight	1.8 - 2.8 kg
Safety class	▣/II

- Due to our continuing program of research and development, the specifications herein are subject to change without notice.
- Specifications may differ from country to country.
- The weight may differ depending on the attachment(s). The lightest and heaviest combination, according to EPTA-Procedure 01/2014, are shown in the table.

### Intended use

The tool is intended for flush trimming and profiling of wood, plastic and similar materials.

### Power supply

The tool should be connected only to a power supply of the same voltage as indicated on the nameplate, and can only be operated on single-phase AC supply. They are double-insulated and can, therefore, also be used from sockets without earth wire.

### Noise

The typical A-weighted noise level determined according to EN62841-2-17:

Sound pressure level ( $L_{pA}$ ): 85 dB(A)

Sound power level ( $L_{WA}$ ): 93 dB (A)

Uncertainty (K): 3 dB(A)

**NOTE:** The declared noise emission value(s) has been measured in accordance with a standard test method and may be used for comparing one tool with another.

**NOTE:** The declared noise emission value(s) may also be used in a preliminary assessment of exposure.

**⚠ WARNING:** Wear ear protection.

**⚠ WARNING:** The noise emission during actual use of the power tool can differ from the declared value(s) depending on the ways in which the tool is used especially what kind of workpiece is processed.

**⚠ WARNING:** Be sure to identify safety measures to protect the operator that are based on an estimation of exposure in the actual conditions of use (taking account of all parts of the operating cycle such as the times when the tool is switched off and when it is running idle in addition to the trigger time).

### Vibration

The vibration total value (tri-axial vector sum) determined according to EN62841-2-17:

Work mode: rotation without load

Vibration emission ( $a_h$ ): 2.5 m/s<sup>2</sup> or less

Uncertainty (K): 1.5 m/s<sup>2</sup>

**NOTE:** The declared vibration total value(s) has been measured in accordance with a standard test method and may be used for comparing one tool with another.

**NOTE:** The declared vibration total value(s) may also be used in a preliminary assessment of exposure.

**⚠ WARNING:** The vibration emission during actual use of the power tool can differ from the declared value(s) depending on the ways in which the tool is used especially what kind of workpiece is processed.

**⚠ WARNING:** Be sure to identify safety measures to protect the operator that are based on an estimation of exposure in the actual conditions of use (taking account of all parts of the operating cycle such as the times when the tool is switched off and when it is running idle in addition to the trigger time).

### Declarations of Conformity

#### For European countries only

The Declarations of conformity are included in Annex A to this instruction manual.

## SAFETY WARNINGS

### General power tool safety warnings

**⚠ WARNING:** Read all safety warnings, instructions, illustrations and specifications provided with this power tool. Failure to follow all instructions listed below may result in electric shock, fire and/or serious injury.

## Save all warnings and instructions for future reference.

The term "power tool" in the warnings refers to your mains-operated (corded) power tool or battery-operated (cordless) power tool.

### Trimmer safety warnings

1. **Hold the power tool by insulated gripping surfaces only, because the cutter may contact its own cord.** Cutting a "live" wire may make exposed metal parts of the power tool "live" and could give the operator an electric shock.
2. **Use clamps or another practical way to secure and support the workpiece to a stable platform.** Holding the work by your hand or against the body leaves it unstable and may lead to loss of control.
3. **The trimmer bit shank must match the designed collet chuck.**
4. **Only use a trimmer bit that is rated at least equal to the maximum speed marked on the tool.**
5. **Wear hearing protection during extended period of operation.**
6. **Handle the trimmer bits very carefully.**
7. **Check the trimmer bit carefully for cracks or damage before operation. Replace cracked or damaged bit immediately.**
8. **Avoid cutting nails. Inspect for and remove all nails from the workpiece before operation.**
9. **Hold the tool firmly.**
10. **Keep hands away from rotating parts.**
11. **Make sure the trimmer bit is not contacting the workpiece before the switch is turned on.**
12. **Before using the tool on an actual workpiece, let it run for a while. Watch for vibration or wobbling that could indicate improperly installed bit.**
13. **Be careful of the trimmer bit rotating direction and the feed direction.**
14. **Do not leave the tool running. Operate the tool only when hand-held.**
15. **Always switch off and wait for the trimmer bit to come to a complete stop before removing the tool from workpiece.**
16. **Do not touch the trimmer bit immediately after operation; it may be extremely hot and could burn your skin.**
17. **Do not smear the base carelessly with thinner, gasoline, oil or the like. They may cause cracks in the base.**
18. **Some material contains chemicals which may be toxic. Take caution to prevent dust inhalation and skin contact. Follow material supplier safety data.**
19. **Always use the correct dust mask/respirator for the material and application you are working with.**
20. **Place the tool on stable area.** Otherwise falling accident may occur and cause an injury.

## SAVE THESE INSTRUCTIONS.

**⚠ WARNING:** DO NOT let comfort or familiarity with product (gained from repeated use) replace strict adherence to safety rules for the subject product. MISUSE or failure to follow the safety rules stated in this instruction manual may cause serious personal injury.

## FUNCTIONAL DESCRIPTION

**⚠ CAUTION:** Always be sure that the tool is switched off and unplugged before adjusting or checking function on the tool.

### Adjusting trimmer bit protrusion

To adjust the bit protrusion, open the locking lever and move the base up or down as desired by turning the adjusting screw. After adjusting, close the locking lever firmly to secure the base.

► **Fig.1:** 1. Base 2. Scale 3. Bit protrusion 4. Locking lever 5. Adjusting screw 6. Hex nut

**NOTE:** When the tool is not secured even if the locking lever is closed, tighten the hex nut and then close the locking lever.

### Switch action

**⚠ CAUTION:** Before plugging in the tool, always be sure that the tool is switched off.

To start the tool, press the I side of the switch. To stop the tool, press the O side of the switch.

► **Fig.2:** 1. Switch

### Electronic function

The tool is equipped with the electronic functions for easy operation.

#### Indication lamp

► **Fig.3:** 1. Indication lamp

The indication lamp lights up green when the tool is plugged. If the indication lamp does not light up, the mains cord or the controller may be defective. The indication lamp is lit but the tool does not start even if the tool is switched on, the carbon brushes may be worn out, or the controller, the motor or the ON/OFF switch may be defective.

#### Unintentional restart proof

The tool does not start with the I side of the switch pressed even when the tool is plugged. At this time, the indication lamp blinks in red and shows the unintentional restart proof device is on function. To cancel the unintentional restart proof, press the O side of the switch.

#### Soft start feature

Soft-start feature minimizes start-up shock, and makes the tool start smoothly.

#### Constant speed control

Electronic speed control for obtaining constant speed. Possible to get fine finish, because the rotating speed is kept constant even under the loaded condition.

## Speed adjusting dial

**⚠ WARNING:** Do not use the speed adjusting dial during operation. The trimmer bit can be touched by the operator because of reaction force. This may result in personal injury.

**⚠ CAUTION:** If the tool is operated continuously at low speeds for a long time, the motor will get overloaded, resulting in tool malfunction.

**⚠ CAUTION:** The speed adjusting dial can be turned only as far as 6 and back to 1. Do not force it past 6 or 1, or the speed adjusting function may no longer work.

The tool speed can be changed by turning the speed adjusting dial to a given number setting from 1 to 6.

► **Fig.4:** 1. Speed adjusting dial

Higher speed is obtained when the speed adjusting dial is turned in the direction of number 6. And lower speed is obtained when it is turned in the direction of number 1.

This allows the ideal speed to be selected for optimum material processing, i.e. the speed can be correctly adjusted to suit the material and bit diameter.

Refer to the table for the relationship between the number settings on the dial and the approximate tool speed.

Number	min <sup>-1</sup>
1	10,000
2	12,000
3	17,000
4	22,000
5	27,000
6	34,000

## ASSEMBLY

**⚠ CAUTION:** Always be sure that the tool is switched off and unplugged before carrying out any work on the tool.

### Installing or removing trimmer bit

**⚠ CAUTION:** Do not tighten the collet nut without inserting a trimmer bit, or the collet cone will break.

**⚠ CAUTION:** Use only the wrenches provided with the tool.

There are two ways to install the trimmer bit. Perform either way.

### With two wrenches

Insert the trimmer bit all the way into the collet cone and tighten the collet nut securely with one wrench while holding the neck with the other wrench.

► **Fig.5:** 1. Tighten 2. Loosen 3. Neck 4. Collet nut

### With one wrench

Insert the trimmer bit all the way into the collet cone and tighten the collet nut securely with the wrench while pressing the shaft lock.

► **Fig.6:** 1. Tighten 2. Loosen 3. Shaft lock 4. Collet nut

To remove the trimmer bit, follow the installation procedure in reverse.

## Changing the collet cone

**⚠ CAUTION:** Use the correct size collet cone for the trimmer bit which you intended to use.

**⚠ CAUTION:** Do not tighten the collet nut without installing a trimmer bit, or the collet cone may break.

1. Loosen the collet nut and remove.
2. Replace the installed collet cone with desired collet cone.
3. Reinstall collet nut.

► **Fig.7:** 1. Collet cone 2. Collet nut

## OPERATION

**⚠ CAUTION:** Always hold the tool firmly with one hand on housing. Do not touch the metal part.

### For the base

**⚠ WARNING:** Before using the tool with the base, always install the dust nozzle on the base.

► **Fig.8:** 1. Dust nozzle 2. Thumb screw 3. Base

1. Set the base on the workpiece to be cut without the trimmer bit making any contact.
2. Turn the tool on and wait until the trimmer bit attains full speed.
3. Move the tool forward over the workpiece surface, keeping the base flush and advancing smoothly until the cutting is complete.

► **Fig.9**

When doing edge cutting, the workpiece surface should be on the left side of the trimmer bit in the feed direction.

► **Fig.10:** 1. Workpiece 2. Bit revolving direction 3. View from the top of the tool 4. Feed direction

When using the straight guide or the trimmer guide, be sure to keep it on the right side in the feed direction. This will help to keep it flush with the side of the workpiece.

► **Fig.11:** 1. Feed direction 2. Bit revolving direction 3. Workpiece 4. Straight guide

**NOTE:** Moving the tool forward too fast may cause a poor quality of cut, or damage to the trimmer bit or motor. Moving the tool forward too slowly may burn and mar the cut. The proper feed rate will depend on the bit size, the kind of workpiece and depth of cut. Before beginning the cut on the actual workpiece, it is advisable to make a sample cut on a piece of scrap lumber. This will show exactly how the cut will look as well as enable you to check dimensions.

**CAUTION:** Since excessive cutting may cause overload of the motor or difficulty in controlling the tool, the depth of cut should not be more than 3 mm at a pass when cutting grooves. When you wish to cut grooves more than 3 mm deep, make several passes with progressively deeper bit settings.

## Base (resin)

### Optional accessory

You can use the base (resin) as an optional accessory as shown in the figure.

► **Fig.12:** 1. Clamping screw

Place the tool onto the base (resin) and tighten the clamping screw at the desired protrusion of the trimmer bit.

For the operation procedures, refer to the operation for the base.

## Templet guide

### Optional accessory

The templet guide provides a sleeve through which the trimmer bit passes, allowing use of the trimmer with templet patterns.

► **Fig.13**

1. Loosen the screws and remove the base protector.

► **Fig.14:** 1. Base protector 2. Screws

2. Place the templet guide on the base, and place the base protector again. Then secure the base protector by tightening the screws.

3. Secure the templet to the workpiece. Place the tool on the templet and move the tool with the templet guide sliding along the side of the templet.

► **Fig.15:** 1. Trimmer bit 2. Base 3. Base protector 4. Templet 5. Workpiece 6. Templet guide

**NOTE:** The workpiece will be cut a slightly different size from the templet. Allow for the distance (X) between the trimmer bit and the outside of the templet guide. The distance (X) can be calculated by using the following equation:

**Distance (X) = (outside diameter of the templet guide - trimmer bit diameter) / 2**

## Straight guide

### Optional accessory

The straight guide is effectively used for straight cuts when chamfering or grooving.

► **Fig.16**

1. Attach the guide plate to the straight guide with the bolt and the wing nut.

► **Fig.17:** 1. Bolt 2. Guide plate 3. Straight guide 4. Wing nut

2. Attach the straight guide assembly with the clamping screw.

► **Fig.18:** 1. Clamping screw 2. Straight guide 3. Wing nut 4. Base

3. Loosen the wing nut on the straight guide assembly and adjust the distance between the trimmer bit and the straight guide. At the desired distance, tighten the wing nut securely.

4. When cutting, move the tool with the straight guide flush with the side of the workpiece.

If the distance between the side of the workpiece and the cutting position is too wide for the straight guide, or if the side of the workpiece is not straight, the straight guide cannot be used. In this case, firmly clamp a straight board to the workpiece and use it as a guide against the trimmer base. Feed the tool in the direction of the arrow.

► **Fig.19**

## Circular work

Circular work may be accomplished if you assemble the straight guide and guide plate as shown in the figures. Min. and max. radius of circles to be cut (distance between the center of circle and the center of trimmer bit) are as follows:

Min.: 70 mm

Max.: 221 mm

**For cutting circles between 70 mm and 121 mm in radius**

► **Fig.20:** 1. Wing nut 2. Guide plate 3. Straight guide 4. Center hole 5. Bolt

**For cutting circles between 121 mm and 221 mm in radius**

► **Fig.21:** 1. Wing nut 2. Guide plate 3. Straight guide 4. Center hole 5. Bolt

**NOTE:** Circles between 172 mm and 186 mm in radius cannot be cut using this guide.

1. Align the center hole in the straight guide with the center of the circle to be cut.

► **Fig.22:** 1. Nail 2. Center hole 3. Straight guide

2. Drive a nail less than 6 mm in diameter into the center hole to secure the straight guide.

3. Pivot the tool around the nail in clockwise direction.

## Trimmer guide

### Optional accessory

Trimming, curved cuts in veneers for furniture and the like can be done easily with the trimmer guide. The guide roller rides the curve and assures a fine cut.

► **Fig.23**

1. Install the trimmer guide and guide holder on the base with the clamping screw (A).
2. Loosen the clamping screw (B) and adjust the distance between the trimmer bit and the trimmer guide by turning the adjusting screw (1 mm per turn). At the desired distance, tighten the clamping screw (B) to secure the trimmer guide in place.

► **Fig.24:** 1. Adjusting screw 2. Guide holder  
3. Trimmer guide

3. When cutting, move the tool with the guide roller riding the side of the workpiece.

► **Fig.25:** 1. Workpiece 2. Trimmer bit 3. Guide roller

## Tilt base

### Optional accessory

The tilt base is used for trimming the edge of laminate sheet or similar materials.

The tilt base is convenient for chamfering.

1. Place the tool onto the tilt base, loosen the clamping screws, and tilt the tool at the desired angle.
2. Close the locking lever at the desired protrusion of the trimmer bit, and tighten the clamping screws at the desired angle.
3. Firmly clamp a straight board to the workpiece and use it as a guide against the tilt base. Feed the tool in the direction of the arrow.

► **Fig.26:** 1. Clamping screws 2. Locking lever

## Using the tilt base protector with the base

The tilt base protector (square) removed from the tilt base can be mounted on the base. The shape of the base protector can be changed from round to square.

1. Remove the tilt base protector from the tilt base by loosening and removing the four screws.
2. Mount the tilt base protector on the base.

► **Fig.27:** 1. Tilt base protector 2. Screw

## Offset base

### Optional accessory

The offset base is used for trimming the edge of laminate sheet or similar materials.

The offset base is convenient for work in a tight area.

► **Fig.28**

## Using the tool with the offset base

1. Before installing the tool on the offset base, remove the collet nut and collet cone by loosening the collet nut.

► **Fig.29:** 1. Pulley 2. Collet nut 3. Collet cone

2. Install the pulley on the tool by pressing the shaft lock and firmly tightening the pulley with a wrench.

► **Fig.30:** 1. Wrench 2. Pulley 3. Shaft lock

3. Place the collet cone and screw the collet nut on the offset base as shown in the figure.

► **Fig.31:** 1. Collet nut 2. Collet cone

4. Mount the offset base on the tool.

► **Fig.32**

5. Hook the belt over the pulley using a screwdriver and make sure that its entire belt width fits over the pulley completely.

► **Fig.33:** 1. Pulley 2. Belt

6. Close the locking lever.

► **Fig.34:** 1. Locking lever

7. Install the trimmer bit as follows.

Lay down the tool with the offset base. Insert the hex wrench into the hole in the offset base.

With the hex wrench held in the position as shown in the figure, insert the trimmer bit into the collet cone on the shaft of the offset base from the opposite side and tighten the collet nut firmly with a wrench.

► **Fig.35:** 1. Wrench 2. Hex wrench 3. Trimmer bit

8. To remove the trimmer bit, follow the installation procedure in reverse.

## Using the base with the offset base plate and grip attachment

The offset base can also be used with a base and a grip attachment (optional accessory) for more stability.

► **Fig.36**

1. Loosen the screws and remove the upper section from the offset base. Put aside the upper section of the offset base.

► **Fig.37:** 1. Screws 2. Offset base plate 3. Upper section of the offset base

2. Mount the offset base plate with four screws and the grip attachment with two screws on the offset base plate. Screw a bar type grip (optional accessory) onto the grip attachment. In another way of use, the knob type grip which is removed from a plunge base (optional accessory) can be installed on the grip attachment. To install the knob type grip, place it on the grip attachment and secure it with a screw.

### With bar type grip

► **Fig.38:** 1. Bar type grip 2. Grip attachment 3. Offset base plate

### With knob type grip

► **Fig.39:** 1. Screw 2. Knob type grip 3. Grip attachment

## Using the tool with the plunge base

### Optional accessory

**CAUTION:** When using as a router, hold the tool firmly with both hands.

1. To use the tool as a router, install the tool on a plunge base (optional accessory) by pressing it down fully. Either knob type grip or bar type grip (optional accessory) can be used according to your work.

► **Fig.40:** 1. Plunge base 2. Bar type grip



2. To use the bar type grip (optional accessory), loosen the screw and remove the knob type grip.

► **Fig.41:** 1. Screw 2. Knob type grip

3. Screw the bar type grip on the base.

► **Fig.42:** 1. Bar type grip

## Adjusting the depth of cut when using the plunge base (optional accessory)

**CAUTION:** Always hold the tool firmly by both grips during operation.

► **Fig.43:** 1. Adjusting knob 2. Lock lever 3. Depth pointer 4. Stopper pole setting nut 5. Fast-feed button 6. Stopper pole 7. Stopper block 8. Adjusting hex bolt

1. Place the tool on a flat surface. Loosen the lock lever and lower the tool body until the trimmer bit just touches the flat surface. Tighten the lock lever to lock the tool body.

2. Turn the stopper pole setting nut counterclockwise. Lower the stopper pole until it makes contact with the adjusting hex bolt. Align the depth pointer with the "0" graduation. The depth of cut is indicated on the scale by the depth pointer.

3. While pressing the fast-feed button, raise the stopper pole until the desired depth of cut is obtained. Minute depth adjustments can be obtained by turning the adjusting knob (1 mm per turn).

4. By turning the stopper pole setting nut clockwise, you can fasten the stopper pole firmly.

5. Now, your predetermined depth of cut can be obtained by loosening the lock lever and then lowering the tool body until the stopper pole makes contact with the adjusting bolt of the stopper block.

6. Set the base on the workpiece to be cut without the trimmer bit making any contact.

7. Turn the tool on and wait until the trimmer bit attains full speed.

8. Lower the tool body and move the tool forward over the workpiece surface, keeping the base flush and advancing smoothly until the cutting is complete.

When doing edge cutting, the workpiece surface should be on the left side of the trimmer bit in the feed direction.

► **Fig.44:** 1. Workpiece 2. Bit revolving direction 3. View from the top of the tool 4. Feed direction

When using the straight guide or the trimmer guide, be sure to keep it on the right side in the feed direction. This will help to keep it flush with the side of the workpiece.

► **Fig.45:** 1. Feed direction 2. Bit revolving direction 3. Workpiece 4. Straight guide

**NOTE:** Moving the tool forward too fast may cause a poor quality of cut, or damage to the trimmer bit or motor. Moving the tool forward too slowly may burn and mar the cut. The proper feed rate will depend on the bit size, the kind of workpiece and depth of cut. Before beginning the cut on the actual workpiece, it is advisable to make a sample cut on a piece of scrap lumber. This will show exactly how the cut will look as well as enable you to check dimensions.

## Straight guide for guide holder

### Optional accessory

The straight guide is effectively used for straight cuts when chamfering or grooving.

► **Fig.46:** 1. Bolt 2. Guide holder 3. Wing nut (A) 4. Bolt 5. Wing nut (B) 6. Guide plate 7. Straight guide 8. Wing bolts

1. Install the straight guide assembly on the guide holder (optional accessory) with the bolt and wing nut (A).

2. Insert the guide holder into the holes in the plunge base and tighten the wing bolts.

3. To adjust the distance between the trimmer bit and the straight guide, loosen the wing nut (B). At the desired distance, tighten the wing nut (B) to secure the straight guide in place.

## Straight guide

### Optional accessory

The straight guide is effectively used for straight cuts when chamfering or grooving.

► **Fig.47**

1. Insert the guide bars into the holes in the plunge base.

► **Fig.48:** 1. Guide bar 2. Wing nut 3. Straight guide

2. Adjust the distance between the trimmer bit and the straight guide. At the desired distance, tighten the wing nuts to secure the straight guide in place.

3. When cutting, move the tool with the straight guide flush with the side of the workpiece.

If the distance between the side of the workpiece and the cutting position is too wide for the straight guide, or if the side of the workpiece is not straight, the straight guide cannot be used. In this case, firmly clamp a straight board to the workpiece and use it as a guide against the router base. Feed the tool in the direction of the arrow.

► **Fig.49**

## Templet guide

### Optional accessory

The templet guide provides a sleeve through which the trimmer bit passes, allowing use of the trimmer with templet patterns.

► **Fig.50**

1. Loosen the screws on the tool base, insert the templet guide and then tighten the screws.

► **Fig.51:** 1. Screw 2. Base 3. Templet guide

2. Secure the templet to the workpiece. Place the tool on the templet and move the tool with the templet guide sliding along the side of the templet.

► **Fig.52:** 1. Trimmer bit 2. Base 3. Base protector 4. Templet 5. Workpiece 6. Templet guide

**NOTE:** The workpiece will be cut a slightly different size from the templet. Allow for the distance (X) between the trimmer bit and the outside of the templet guide. The distance (X) can be calculated by using the following equation:

**Distance (X) = (outside diameter of the templet guide - trimmer bit diameter) / 2**

## Dust nozzle sets

Use the dust nozzle for dust extraction.

### For the base

Install the dust nozzle on the tool base using the thumb screw.

► **Fig.53:** 1. Dust nozzle 2. Thumb screw 3. Base

### For the plunge base

#### Optional accessory

1. Install the dust nozzle on the plunge base using the thumb screw so that protrusion on the dust nozzle fit to the notch in the plunge base.

► **Fig.54:** 1. Dust nozzle 2. Thumb screw 3. Plunge base

2. Connect a vacuum cleaner to the dust nozzle.

► **Fig.55**

## MAINTENANCE

**CAUTION:** Always be sure that the tool is switched off and unplugged before attempting to perform inspection or maintenance.

**NOTICE:** Never use gasoline, benzine, thinner, alcohol or the like. Discoloration, deformation or cracks may result.

To maintain product SAFETY and RELIABILITY, repairs, any other maintenance or adjustment should be performed by Makita Authorized or Factory Service Centers, always using Makita replacement parts.

### Replacing carbon brushes

► **Fig.56:** 1. Limit mark

Check the carbon brushes regularly. Replace them when they wear down to the limit mark. Keep the carbon brushes clean and free to slip in the holders. Both carbon brushes should be replaced at the same time. Use only identical carbon brushes.

1. Use a screwdriver to remove the brush holder caps.

2. Take out the worn carbon brushes, insert the new ones and secure the brush holder caps.

► **Fig.57:** 1. Brush holder cap

## OPTIONAL ACCESSORIES

**CAUTION:** These accessories or attachments are recommended for use with your Makita tool specified in this manual. The use of any other accessories or attachments might present a risk of injury to persons. Only use accessory or attachment for its stated purpose.

If you need any assistance for more details regarding these accessories, ask your local Makita Service Center.

- Straight & groove forming bits
- Edge forming bits
- Laminate trimming bits
- Straight guide assembly
- Trimmer guide assembly
- Base assembly (resin)
- Tilt base assembly
- Plunge base assembly
- Offset base assembly
- Templet guide
- Collet cone
- Wrench
- Dust nozzle
- Guide rail
- Guide rail adapter set
- Straight guide with micro adjustment
- Side grip
- Grip attachment

**NOTE:** Some items in the list may be included in the tool package as standard accessories. They may differ from country to country.

### Trimmer bits

#### Straight bit

► **Fig.58**

D	A	L1	L2
6	20	50	15
1/4"			
8	8	60	25
6		50	18
1/4"			
6	6	50	18
1/4"			

Unit:mm

#### U-grooving bit

► **Fig.59**

D	A	L1	L2	R
6	6	60	28	3
1/4"				

Unit:mm

**V-grooving bit****► Fig.60**

D	A	L1	L2	θ
1/4"	20	50	15	90°

Unit:mm

**Drill point flush trimming bit****► Fig.61**

D	A	L1	L2	L3
8	8	60	20	35
6	6	60	18	28
1/4"				

Unit:mm

**Drill point double flush trimming bit****► Fig.62**

D	A	L1	L2	L3	L4
8	8	80	95	20	25
6	6	70	40	12	14
1/4"					

Unit:mm

**Corner rounding bit****► Fig.63**

D	A1	A2	L1	L2	L3	R
6	25	9	48	13	5	8
1/4"						
6	20	8	45	10	4	4
1/4"						

Unit:mm

**Chamfering bit****► Fig.64**

D	A	L1	L2	L3	θ
6	23	46	11	6	30°
6	20	50	13	5	45°
6	20	49	14	2	60°

Unit:mm

**Cove beading bit****► Fig.65**

D	A	L1	L2	R
6	20	43	8	4
6	25	48	13	8

Unit:mm

**Ball bearing flush trimming bit****► Fig.66**

D	A	L1	L2
6	10	50	20
1/4"			

Unit:mm

**Ball bearing corner rounding bit****► Fig.67**

D	A1	A2	L1	L2	L3	R
6	15	8	37	7	3.5	3
6	21	8	40	10	3.5	6
1/4"	21	8	40	10	3.5	6

Unit:mm

**Ball bearing chamfering bit****► Fig.68**

D	A1	A2	L1	L2	θ
6	26	8	42	12	45°
1/4"					
6	20	8	41	11	60°

Unit:mm

**Ball bearing beading bit****► Fig.69**

D	A1	A2	A3	L1	L2	L3	R
6	20	12	8	40	10	5.5	4
6	26	12	8	42	12	4.5	7

Unit:mm

**Ball bearing cove beading bit****► Fig.70**

D	A1	A2	A3	A4	L1	L2	L3	R
6	20	18	12	8	40	10	5.5	3
6	26	22	12	8	42	12	5	5

Unit:mm

**Ball bearing roman ogee bit****► Fig.71**

D	A1	A2	L1	L2	L3	R1	R2
6	20	8	40	10	4.5	2.5	4.5
6	26	8	42	12	4.5	3	6

Unit:mm

## SPÉCIFICATIONS

Modèle :	RT0702C
Capacité du mandrin à bague	6 mm, 8 mm ou 1/4"
Vitesse à vide	10 000 - 34 000 min <sup>-1</sup>
Hauteur hors tout	210 mm
Poids net	1,8 - 2,8 kg
Catégorie de sécurité	☐/II

- Étant donné l'évolution constante de notre programme de recherche et de développement, les spécifications contenues dans ce manuel sont sujettes à modification sans préavis.
- Les spécifications peuvent varier suivant les pays.
- Le poids peut être différent selon les accessoires. Les associations la plus légère et la plus lourde, conformément à la procédure EPTA 01/2014, sont indiquées dans le tableau.

### Utilisations

L'outil est conçu pour l'affleurage au ras et le profilage du bois, du plastique et de matériaux semblables.

### Alimentation

L'outil ne devra être raccordé qu'à une alimentation de la même tension que celle qui figure sur la plaque signalétique, et il ne pourra fonctionner que sur un courant secteur monophasé. Réalisé avec une double isolation, il peut de ce fait être alimenté par une prise sans mise à la terre.

### Bruit

Niveau de bruit pondéré A typique, déterminé selon EN62841-2-17 :

Niveau de pression sonore ( $L_{pA}$ ) : 85 dB (A)

Niveau de puissance sonore ( $L_{WA}$ ) : 93 dB (A)

Incertitude (K) : 3 dB (A)

**NOTE** : La ou les valeurs d'émission de bruit déclarées ont été mesurées conformément à la méthode de test standard et peuvent être utilisées pour comparer les outils entre eux.

**NOTE** : La ou les valeurs d'émission de bruit déclarées peuvent aussi être utilisées pour l'évaluation préliminaire de l'exposition.

**⚠ AVERTISSEMENT** : Portez un serre-tête antibruit.

**⚠ AVERTISSEMENT** : L'émission de bruit lors de l'usage réel de l'outil électrique peut être différente de la ou des valeurs déclarées, suivant la façon dont l'outil est utilisé, particulièrement selon le type de pièce usinée.

**⚠ AVERTISSEMENT** : Les mesures de sécurité à prendre pour protéger l'utilisateur doivent être basées sur une estimation de l'exposition dans des conditions réelles d'utilisation (en tenant compte de toutes les composantes du cycle d'utilisation, comme par exemple le moment de sa mise hors tension, lorsqu'il tourne à vide et le moment de son déclenchement).

### Vibrations

Valeur totale de vibrations (somme de vecteur triaxial) déterminée selon EN62841-2-17 :

Mode de travail : rotation sans charge

Émission de vibrations ( $a_{h1}$ ) : 2,5 m/s<sup>2</sup> ou moins

Incertitude (K) : 1,5 m/s<sup>2</sup>

**NOTE** : La ou les valeurs de vibration totales déclarées ont été mesurées conformément à la méthode de test standard et peuvent être utilisées pour comparer les outils entre eux.

**NOTE** : La ou les valeurs de vibration totales déclarées peuvent aussi être utilisées pour l'évaluation préliminaire de l'exposition.

**⚠ AVERTISSEMENT** : L'émission de vibrations lors de l'usage réel de l'outil électrique peut être différente de la ou des valeurs déclarées, suivant la façon dont l'outil est utilisé, particulièrement selon le type de pièce usinée.

**⚠ AVERTISSEMENT** : Les mesures de sécurité à prendre pour protéger l'utilisateur doivent être basées sur une estimation de l'exposition dans des conditions réelles d'utilisation (en tenant compte de toutes les composantes du cycle d'utilisation, comme par exemple le moment de sa mise hors tension, lorsqu'il tourne à vide et le moment de son déclenchement).

### Déclarations de conformité

*Pour les pays européens uniquement*

Les déclarations de conformité sont fournies en Annexe A à ce mode d'emploi.

# CONSIGNES DE SÉCURITÉ

## Consignes de sécurité générales pour outils électriques

**⚠️ AVERTISSEMENT :** Veuillez lire les consignes de sécurité, instructions, illustrations et spécifications qui accompagnent cet outil électrique. Le non-respect de toutes les instructions indiquées ci-dessous peut entraîner une électrocution, un incendie et/ou de graves blessures.

## Conservez toutes les mises en garde et instructions pour référence ultérieure.

Le terme « outil électrique » dans les avertissements fait référence à l'outil électrique alimenté par le secteur (avec cordon d'alimentation) ou à l'outil électrique fonctionnant sur batterie (sans cordon d'alimentation).

## Consignes de sécurité pour affleureuse

1. **Tenez l'outil électrique par une surface de prise isolée uniquement, étant donné que l'outil de coupe peut entrer en contact avec son cordon.** Couper un câble sous tension risque de mettre sous tension les pièces métalliques à découvert de l'outil électrique et d'électrocuter l'utilisateur.
2. **Utilisez des dispositifs de serrage ou un autre moyen pratique pour fixer et soutenir la pièce sur une plateforme stable.** La pièce sera instable et vous risquez d'en perdre la maîtrise si vous la tenez dans vos mains ou l'appuyez contre le corps.
3. **La tige de la fraise d'affleureuse doit correspondre au mandrin à bague indiqué.**
4. **Utilisez uniquement une fraise d'affleureuse dont la vitesse nominale est au moins égale à la vitesse maximale indiquée sur l'outil.**
5. **Portez des protège-tympans si vous utilisez l'outil pendant une période prolongée.**
6. **Manipulez les fraises d'affleureuse avec beaucoup de précaution.**
7. **Vérifiez soigneusement l'absence de fissures ou de dommages sur les fraises d'affleureuse avant l'utilisation.** Remplacez immédiatement les fraises fissurées ou abîmées.
8. **Prenez garde aux clous pendant la coupe.** Avant de travailler votre pièce, inspectez-la et retirez-en tous les clous.
9. **Tenez l'outil fermement.**
10. **Gardez vos mains à l'écart des pièces en rotation.**
11. **Assurez-vous que la fraise d'affleureuse n'est pas en contact avec la pièce avant de mettre l'outil en marche.**
12. **Avant d'utiliser l'outil sur une pièce, faites-le tourner un instant à vide.** Soyez attentif aux vibrations ou sautilllements pouvant indiquer que la fraise n'est pas bien installée ou est mal équilibrée.
13. **Faites attention au sens de rotation de la fraise d'affleureuse et au sens d'avance.**
14. **N'abandonnez pas l'outil alors qu'il tourne.** Ne faites fonctionner l'outil qu'une fois que vous l'avez bien en main.

15. **Avant de retirer l'outil de la pièce, mettez toujours l'outil hors tension et attendez que la fraise d'affleureuse soit complètement immobilisée.**
16. **Ne touchez pas la fraise d'affleureuse immédiatement après avoir terminé le travail ; elle peut être très chaude et vous brûler la peau.**
17. **Prenez garde de ne pas laisser couler un solvant, de l'essence, de l'huile ou une substance similaire sur le socle.** Ces substances pourraient causer des fissures sur le socle.
18. **Certains matériaux contiennent des produits chimiques qui peuvent être toxiques.** Prenez les précautions nécessaires pour ne pas inhaler les poussières qu'ils dégagent et pour éviter tout contact avec la peau. Suivez les données de sécurité du fournisseur du matériau.
19. **Portez toujours un masque anti-poussières/un masque filtrant adapté au matériau travaillé et à l'application utilisée.**
20. **Placez l'outil sur une zone stable.** Autrement, une chute pourrait survenir et provoquer des blessures.

## CONSERVEZ CES INSTRUCTIONS.

**⚠️ AVERTISSEMENT :** NE vous laissez PAS tromper (au fil d'une utilisation répétée) par un sentiment d'aisance et de familiarité avec le produit, en négligeant le respect rigoureux des consignes de sécurité qui accompagnent le produit en question. La MAUVAISE UTILISATION de l'outil ou l'ignorance des consignes de sécurité indiquées dans ce mode d'emploi peut entraîner de graves blessures.

## DESCRIPTION DU FONCTIONNEMENT

**⚠️ ATTENTION :** Assurez-vous toujours que l'outil est hors tension et débranché avant de l'ajuster ou de vérifier son fonctionnement.

## Réglage de la saillie de la fraise d'affleureuse

Pour régler la saillie de la fraise, ouvrez le levier de verrouillage, puis déplacez le socle vers le haut ou vers le bas comme désiré en tournant la vis de réglage. Après le réglage, fermez solidement le levier de verrouillage pour maintenir le socle en place.

- Fig.1: 1. Socle 2. Échelle 3. Saillie de la fraise  
4. Levier de verrouillage 5. Vis de réglage  
6. Écrou hexagonal

**NOTE :** Lorsque l'outil n'est pas fixé même après la fermeture du levier de verrouillage, serrez l'écrou hexagonal, puis fermez le levier de verrouillage.

## Fonctionnement de l'interrupteur

**⚠️ ATTENTION :** Avant de brancher l'outil, assurez-vous toujours que son interrupteur est en position d'arrêt.

Pour démarrer l'outil, appuyez sur le côté I de l'interrupteur. Pour arrêter l'outil, appuyez sur le côté O de l'interrupteur.

► **Fig.2:** 1. Interrupteur

## Fonction électronique

L'outil est doté de fonctions électroniques pour en faciliter le fonctionnement.

## Voyant lumineux

► **Fig.3:** 1. Voyant lumineux

Le voyant lumineux s'allume en vert lorsque l'outil est branché. Si le voyant lumineux ne s'allume pas, il se peut que le cordon secteur ou le contrôleur soit défectueux. Si le voyant lumineux est allumé, mais que l'outil ne démarre pas alors qu'il est sous tension, il se peut que les balais en carbone soient usés ou que le contrôleur, le moteur ou l'interrupteur Marche/Arrêt soit défectueux.

## Protection contre le redémarrage accidentel

Même branché, l'outil ne démarre pas si le côté I de l'interrupteur est enfoncé.

À cet instant, le voyant lumineux clignote en rouge et indique que le dispositif de protection contre le redémarrage accidentel est activé.

Pour désactiver la protection contre le redémarrage accidentel, appuyez sur le côté O de l'interrupteur.

## Fonction de démarrage en douceur

La fonction de démarrage progressif réduit le choc du démarrage et permet à l'outil de démarrer doucement.

## Contrôle de vitesse constante

Commande électronique de la vitesse pour obtenir une vitesse constante.

Permet d'obtenir une finition précise puisque la vitesse de rotation est maintenue constante même en condition de charge.

## Molette de réglage de la vitesse

**⚠ AVERTISSEMENT :** N'utilisez pas la molette de réglage de la vitesse pendant le fonctionnement. La fraise d'affleureuse peut être touchée par l'opérateur en raison de la force de réaction. Ce qui peut entraîner des blessures corporelles.

**⚠ ATTENTION :** Si l'outil est utilisé de manière continue à vitesse basse sur une période prolongée, cela provoquera la surcharge du moteur, entraînant un dysfonctionnement de l'outil.

**⚠ ATTENTION :** La molette de réglage de la vitesse ne peut pas être tournée plus haut que 6 ou plus bas que 1. N'essayez pas de la placer au-delà de 6 ou en dessous de 1, sinon la fonction de réglage de la vitesse risque de ne plus fonctionner.

La vitesse de l'outil peut être modifiée en tournant la molette de réglage de la vitesse sur un numéro de réglage donné, de 1 à 6.

► **Fig.4:** 1. Molette de réglage de la vitesse

Une vitesse plus élevée est obtenue lorsque la molette de réglage de la vitesse est tournée en direction du numéro 6. Une vitesse moins élevée est obtenue lorsque la molette est tournée en direction du numéro 1. Cela permet de sélectionner la vitesse idéale pour un traitement optimal du matériau, à savoir que la vitesse peut être ajustée correctement selon le matériau et le diamètre de la fraise.

Reportez-vous au tableau pour le rapport entre les réglages numérotés sur la molette et la vitesse approximative de l'outil.

Numéro	min <sup>1</sup>
1	10 000
2	12 000
3	17 000
4	22 000
5	27 000
6	34 000

## ASSEMBLAGE

**⚠ ATTENTION :** Avant d'effectuer toute intervention sur l'outil, assurez-vous toujours qu'il est hors tension et débranché.

## Pose ou dépose de la fraise d'affleureuse

**⚠ ATTENTION :** Ne serrez pas l'écrou de mandrin sans insérer une fraise d'affleureuse sous peine de fissurer le cône de mandrin.

**⚠ ATTENTION :** Utilisez uniquement les clés fournies avec l'outil.

Deux moyens s'offrent à vous pour installer la fraise d'affleureuse. Procédez d'une façon ou d'une autre.

### Avec deux clés

Insérez à fond la fraise d'affleureuse dans le cône de mandrin et serrez solidement l'écrou de mandrin avec une clé tout en appuyant sur le cou avec l'autre clé.

► **Fig.5:** 1. Serrer 2. Desserrer 3. Cou 4. Écrou de mandrin

### Avec une clé

Insérez à fond la fraise d'affleureuse dans le cône de mandrin et serrez solidement l'écrou de mandrin avec la clé tout en appuyant sur le verrouillage de l'arbre.

► **Fig.6:** 1. Serrer 2. Desserrer 3. Verrouillage de l'arbre 4. Écrou de mandrin

Pour déposer la fraise d'affleureuse, suivez la procédure de pose en sens inverse.

## Changement du cône de mandrin

**ATTENTION** : Utilisez un cône de mandrin dont la taille correspond à celle de la fraise d'affleureuse que vous prévoyez d'utiliser.

**ATTENTION** : Ne serrez pas l'écrou de mandrin sans poser de fraise d'affleureuse sous peine de fissurer le cône de mandrin.

1. Desserrez l'écrou de mandrin et retirez-le.
  2. Remplacez le cône de mandrin installé par le cône de mandrin souhaité.
  3. Remettez en place l'écrou de mandrin.
- Fig.7: 1. Cône de mandrin 2. Écrou de mandrin

## UTILISATION

**ATTENTION** : Tenez toujours l'outil fermement avec une main sur le carter. Ne touchez pas la partie métallique.

### Pour le socle

**AVERTISSEMENT** : Avant d'utiliser l'outil avec le socle, installez toujours la buse d'aspiration de la poussière sur le socle.

- Fig.8: 1. Buse d'aspiration de la poussière 2. Vis papillon 3. Socle

1. Placez le socle sur la pièce à couper sans que la fraise d'affleureuse touche quoi que ce soit.
  2. Mettez l'outil sous tension et attendez que la fraise d'affleureuse ait atteint sa pleine vitesse.
  3. Faites avancer l'outil sur la surface de la pièce, en maintenant le socle au ras de la pièce et en progressant régulièrement jusqu'à ce que la coupe soit terminée.
- Fig.9

Lorsque vous faites des coupes sur des bords, la surface de la pièce doit être du côté gauche de la fraise d'affleureuse dans le sens d'avance.

- Fig.10: 1. Pièce 2. Sens de rotation de la fraise 3. Vue du haut de l'outil 4. Sens d'avance

Lorsque vous utilisez le guide de coupe rectiligne ou le guide d'affleurage, veillez à l'installer sur le côté droit dans le sens d'avance. Cela vous aidera à le garder bien en contact avec le côté de la pièce.

- Fig.11: 1. Sens d'avance 2. Sens de rotation de la fraise 3. Pièce 4. Guide de coupe rectiligne

**NOTE** : Si vous déplacez votre outil trop vite vers l'avant, vous risquez d'obtenir une coupe de qualité médiocre et d'endommager la fraise d'affleureuse ou le moteur. Si vous déplacez l'outil trop lentement, vous risquez de brûler la pièce et de gâcher la coupe. La vitesse d'avance adéquate dépend du calibre de la fraise, de la nature de la pièce et de la profondeur de coupe. Avant de commencer votre coupe sur la pièce, nous vous conseillons de faire un essai sur un morceau de chute de bois. Cela vous montrera exactement l'allure qu'aura votre coupe et vous permettra de vérifier les dimensions.

**ATTENTION** : Comme une coupe trop profonde risquerait de surcharger le moteur et de compliquer la maîtrise de l'outil, la profondeur de coupe ne doit pas dépasser 3 mm par passage lors du rainurage. Si vous désirez rainurer sur une profondeur supérieure à 3 mm, effectuez plusieurs passages en augmentant progressivement la profondeur de la fraise.

## Socle (résine)

### Accessoire en option

Vous pouvez utiliser le socle (résine) en tant qu'accessoire en option comme indiqué sur la figure.

- Fig.12: 1. Vis de serrage

Placez l'outil sur le socle (résine) et serrez la vis de serrage à la saillie souhaitée de la fraise d'affleureuse. Pour les procédures d'opération, reportez-vous au fonctionnement du socle.

## Guide de gabarit

### Accessoire en option

Le guide de gabarit présente un manchon à travers lequel passe la fraise d'affleureuse, permettant d'utiliser l'affleureuse avec des modèles de gabarit.

- Fig.13

1. Desserrez les vis et déposez la protection du socle.
  - Fig.14: 1. Protection du socle 2. Vis
  2. Placez le guide de gabarit sur le socle et placez à nouveau la protection du socle. Ensuite, fixez la protection du socle en serrant les vis.
  3. Fixez le gabarit à la pièce. Placez l'outil sur le gabarit et déplacez l'outil avec le guide de gabarit glissant le long du côté du gabarit.
- Fig.15: 1. Fraise d'affleureuse 2. Socle 3. Protection du socle 4. Gabarit 5. Pièce 6. Guide de gabarit

**NOTE** : La pièce sera coupée avec une taille légèrement différente du gabarit. Prévoyez la distance (X) entre la fraise d'affleureuse et l'extérieur du guide de gabarit. L'équation suivante permet de calculer la distance (X) :

$$\text{Distance (X)} = (\text{diamètre extérieur du guide de gabarit} - \text{diamètre de la fraise d'affleureuse}) / 2$$

## Guide de coupe rectiligne

### Accessoire en option

Le guide de coupe rectiligne permet d'obtenir des coupes droites lors du chanfreinage ou du rainurage.

- Fig.16

1. Fixez la plaque de guidage sur le guide de coupe rectiligne avec le boulon et l'écrou à oreilles.
- Fig.17: 1. Boulon 2. Plaque de guidage 3. Guide de coupe rectiligne 4. Écrou à oreilles
2. Fixez l'ensemble du guide de coupe rectiligne avec la vis de serrage.
- Fig.18: 1. Vis de serrage 2. Guide de coupe rectiligne 3. Écrou à oreilles 4. Socle

3. Desserrez l'écrou à oreilles sur l'ensemble du guide de coupe rectiligne et réglez la distance entre la fraise d'affleureuse et le guide de coupe rectiligne. À la distance souhaitée, serrez solidement l'écrou à oreilles.

4. Lors de la coupe, déplacez l'outil avec le guide de coupe rectiligne bien en contact avec le côté de la pièce.

Si la distance entre le côté de la pièce et la position de coupe est trop importante pour le guide de coupe rectiligne ou si le côté de la pièce n'est pas droit, le guide de coupe rectiligne ne pourra pas être utilisé. Dans ce cas, fixez fermement une planche droite sur la pièce et servez-vous-en comme guide contre le socle de l'affleureuse. Faites avancer l'outil dans le sens de la flèche.

► Fig.19

## Travaux circulaires

Vous pouvez réaliser des travaux circulaires si vous assemblez le guide de coupe rectiligne et la plaque de guidage comme illustré sur les figures.

Les rayons minimum et maximum des coupes circulaires réalisables (distance entre le centre du cercle et le centre de la fraise d'affleureuse) sont comme suit :

Min. : 70 mm

Max. : 221 mm

**Pour découper des cercles d'un rayon de 70 mm à 121 mm**

► Fig.20: 1. Écrou à oreilles 2. Plaque de guidage 3. Guide de coupe rectiligne 4. Orifice central 5. Boulon

**Pour découper des cercles d'un rayon de 121 mm à 221 mm**

► Fig.21: 1. Écrou à oreilles 2. Plaque de guidage 3. Guide de coupe rectiligne 4. Orifice central 5. Boulon

**NOTE :** Vous ne pouvez pas découper de cercles d'un rayon compris entre 172 et 186 mm en utilisant ce guide.

1. Alignez l'orifice central du guide de coupe rectiligne avec le centre du cercle à découper.

► Fig.22: 1. Clou 2. Orifice central 3. Guide de coupe rectiligne

2. Enfoncez un clou d'un diamètre inférieur à 6 mm dans l'orifice central pour fixer le guide de coupe rectiligne.

3. Faites tourner l'outil autour du clou dans le sens des aiguilles d'une montre.

## Guide d'affleurement

### Accessoire en option

Le guide d'affleurement permet d'effectuer aisément affleurement ou coupes courbes des bois de placage pour meuble ou autre. Le galet de guidage suit la courbe et assure une coupe précise.

► Fig.23

1. Installez le guide d'affleurement et le porte-guide sur le socle avec la vis de serrage (A).

2. Desserrez la vis de serrage (B) et réglez la distance entre la fraise d'affleureuse et le guide d'affleurement en tournant la vis de réglage (1 mm par tour). À la distance souhaitée, serrez la vis de serrage (B) pour fixer le guide d'affleurement en place.

► Fig.24: 1. Vis de réglage 2. Porte-guide 3. Guide d'affleurement

3. Lors de la coupe, déplacez l'outil avec le galet de guidage suivant le côté de la pièce.

► Fig.25: 1. Pièce 2. Fraise d'affleureuse 3. Galet de guidage

## Socle d'inclinaison

### Accessoire en option

Le socle d'inclinaison est conçu pour l'affleurement du bord de feuille laminée ou de matériaux semblables. Le socle d'inclinaison est pratique pour le chanfreinage.

1. Placez l'outil sur le socle d'inclinaison, desserrez les vis de serrage et inclinez l'outil à l'angle souhaité.

2. Fermez le levier de verrouillage à la saillie souhaitée de la fraise d'affleureuse et serrez les vis de serrage à l'angle souhaité.

3. Fixez fermement une planche droite sur la pièce et servez-vous-en comme guide contre le socle d'inclinaison. Faites avancer l'outil dans le sens de la flèche.

► Fig.26: 1. Vis de serrage 2. Levier de verrouillage

## Utilisation de la protection du socle d'inclinaison avec le socle

La protection du socle d'inclinaison (carré) retirée du socle peut être fixée sur le socle. La forme de la protection du socle peut être modifiée de rond à carré.

1. Retirez la protection du socle d'inclinaison du socle d'inclinaison en desserrant et retirant les quatre vis.

2. Fixez la protection du socle d'inclinaison sur le socle.

► Fig.27: 1. Protection du socle d'inclinaison 2. Vis

## Socle de décalage

### Accessoire en option

Le socle de décalage est conçu pour l'affleurement du bord de feuille laminée ou de matériaux semblables. Le socle de décalage est pratique pour travailler dans une zone étroite.

► Fig.28

## Utilisation de l'outil avec le socle de décalage

1. Avant d'installer l'outil sur le socle de décalage, retirez l'écrou de mandrin et le cône de mandrin en desserrant l'écrou de mandrin.

► Fig.29: 1. Poulie 2. Écrou de mandrin 3. Cône de mandrin

2. Installez la poulie sur l'outil en appuyant sur le verrouillage de l'arbre et en serrant fermement la poulie à l'aide d'une clé.

► Fig.30: 1. Clé 2. Poulie 3. Verrouillage de l'arbre

3. Placez le cône de mandrin et vissez l'écrou de mandrin sur le socle de décalage comme illustré sur la figure.

► Fig.31: 1. Écrou de mandrin 2. Cône de mandrin

4. Fixez le socle de décalage sur l'outil.

► Fig.32



5. Accrochez la courroie sur la poulie au moyen d'un tournevis et assurez-vous que toute sa largeur tient complètement sur la poulie.

► **Fig.33:** 1. Poulie 2. Courroie

6. Fermez le levier de verrouillage.

► **Fig.34:** 1. Levier de verrouillage

7. Installez la fraise d'affleureuse comme suit.

Posez l'outil avec le socle de décalage. Insérez la clé hexagonale dans le trou du socle de décalage.

Avec la clé hexagonale maintenue en position comme illustré sur la figure, insérez la fraise d'affleureuse dans le cône de mandrin sur l'arbre du socle de décalage du côté opposé et serrez fermement l'écrou de mandrin avec une clé.

► **Fig.35:** 1. Clé 2. Clé hexagonale 3. Fraise d'affleureuse

8. Pour déposer la fraise d'affleureuse, suivez la procédure de pose en sens inverse.

## Utilisation du socle avec la plaque du socle de décalage et la fixation de poignée

Le socle de décalage peut être également utilisé avec un socle et une fixation de poignée (accessoire facultatif) pour plus de stabilité.

► **Fig.36**

1. Desserrez les vis et retirez la partie supérieure du socle de décalage. Mettez de côté la partie supérieure du socle de décalage.

► **Fig.37:** 1. Vis 2. Plaque du socle de décalage 3. Partie supérieure du socle de décalage

2. Fixez la plaque du socle de décalage avec quatre vis et la fixation de poignée avec deux vis sur la plaque du socle de décalage. Vissez une poignée de type barre (accessoire en option) sur la fixation de poignée. Alternativement, la poignée de type pommeau retirée d'un socle de plongée (accessoire en option) peut être installée sur la fixation de poignée. Pour installer la poignée de type pommeau, placez-la sur la fixation de poignée et maintenez-la en place avec une vis.

**Avec la poignée de type barre**

► **Fig.38:** 1. Poignée de type barre 2. Fixation de poignée 3. Plaque du socle de décalage

**Avec la poignée de type pommeau**

► **Fig.39:** 1. Vis 2. Poignée de type pommeau 3. Fixation de poignée

## Utilisation de l'outil avec le socle de plongée

*Accessoire en option*

**ATTENTION :** Lorsque vous l'utilisez comme défonceuse, tenez l'outil fermement avec les deux mains.

1. Pour utiliser l'outil comme défonceuse, installez l'outil sur un socle de plongée (accessoire en option) en l'enfonçant complètement. La poignée de type pommeau ou la poignée de type barre (accessoire en option) peut être utilisée selon la tâche effectuée.

► **Fig.40:** 1. Socle de plongée 2. Poignée de type barre

2. Pour utiliser la poignée de type barre (accessoire en option), desserrez la vis et retirez la poignée de type pommeau.

► **Fig.41:** 1. Vis 2. Poignée de type pommeau

3. Vissez la poignée de type barre sur le socle.

► **Fig.42:** 1. Poignée de type barre

## Réglage de la profondeur de coupe lors de l'utilisation du socle de plongée (accessoire en option)

**ATTENTION :** Tenez toujours fermement l'outil des deux poignées pendant le fonctionnement.

► **Fig.43:** 1. Bouton de réglage 2. Levier de verrouillage 3. Pointeur de profondeur 4. Écrou de réglage de la barre de blocage 5. Bouton d'avance rapide 6. Barre de blocage 7. Bloc butoir 8. Boulon hexagonal de réglage

1. Placez l'outil sur une surface plane. Desserrez le levier de verrouillage et abaissez le corps de l'outil jusqu'à ce que la fraise d'affleureuse entre légèrement en contact avec la surface plane. Serrez le levier de verrouillage pour verrouiller le corps de l'outil.

2. Tournez l'écrou de réglage de la barre de blocage dans le sens inverse des aiguilles d'une montre. Abaissez la barre de blocage jusqu'à ce qu'elle entre en contact avec le boulon hexagonal de réglage. Alignez le pointeur de profondeur sur la graduation « 0 ». La profondeur de coupe est indiquée sur l'échelle par le pointeur de profondeur.

3. Tout en appuyant sur le bouton d'avance rapide, soulevez la barre de blocage jusqu'à ce que vous obteniez la profondeur de coupe souhaitée. Il est possible de régler minutieusement la profondeur en tournant le bouton de réglage (1 mm par tour).

4. En tournant l'écrou de réglage de la barre de blocage dans le sens des aiguilles d'une montre, vous pouvez serrer fermement la barre de blocage.

5. À présent, la profondeur de coupe que vous avez prédéterminée peut être obtenue en desserrant le levier de verrouillage, puis en abaissant le corps de l'outil jusqu'à ce que la barre de blocage entre en contact avec le boulon de réglage du bloc butoir.

6. Placez le socle sur la pièce à couper sans que la fraise d'affleureuse touche quoi que ce soit.

7. Mettez l'outil sous tension et attendez que la fraise d'affleureuse ait atteint sa pleine vitesse.

8. Abaissez le corps de l'outil et faites avancer l'outil sur la surface de la pièce, en maintenant le socle au ras de la pièce et en progressant régulièrement jusqu'à ce que la coupe soit terminée.

Lorsque vous faites des coupes sur des bords, la surface de la pièce doit être du côté gauche de la fraise d'affleureuse dans le sens d'avance.

► **Fig.44:** 1. Pièce 2. Sens de rotation de la fraise 3. Vue du haut de l'outil 4. Sens d'avance

Lorsque vous utilisez le guide de coupe rectiligne ou le guide d'affleurance, veillez à l'installer sur le côté droit dans le sens d'avance. Cela vous aidera à le garder en affleurement du côté de la pièce à traiter.

► **Fig.45:** 1. Sens d'avance 2. Sens de rotation de la fraise 3. Pièce 4. Guide de coupe rectiligne

**NOTE :** Si vous déplacez votre outil trop vite vers l'avant, vous risquez d'obtenir une coupe de qualité médiocre et d'endommager la fraise d'affleureuse ou le moteur. Si vous faites avancer l'outil trop lentement, vous risquez de brûler la pièce et de gâcher la coupe. La vitesse d'avance adéquate dépend du calibre de la fraise, du type de pièce et de la profondeur de coupe. Avant de commencer votre coupe sur la pièce à traiter, nous vous conseillons de faire un essai sur une chute de bois. De cette façon, vous saurez exactement à quoi ressemblera votre coupe et vous pourrez vérifier les dimensions.

## Guide de coupe rectiligne pour porte-guide

### Accessoire en option

Le guide de coupe rectiligne permet d'obtenir des coupes droites lors du chanfreinage ou du rainurage.

► **Fig.46:** 1. Boulon 2. Porte-guide 3. Écrou à oreilles (A) 4. Boulon 5. Écrou à oreilles (B) 6. Plaque de guidage 7. Guide de coupe rectiligne 8. Boulons à oreilles

1. Installez l'ensemble du guide de coupe rectiligne sur le porte-guide (accessoire en option) avec le boulon et l'écrou à oreilles (A).
2. Insérez le porte-guide dans les trous du socle de plongée et serrez les boulons à oreilles.
3. Pour régler la distance entre la fraise d'affleureuse et le guide de coupe rectiligne, desserrez l'écrou à oreilles (B). À la distance souhaitée, serrez l'écrou à oreilles (B) pour fixer le guide de coupe rectiligne en position.

## Guide de coupe rectiligne

### Accessoire en option

Le guide de coupe rectiligne permet d'obtenir des coupes droites lors du chanfreinage ou du rainurage.

► **Fig.47**

1. Insérez les barres de guidage dans les trous du socle de plongée.  
► **Fig.48:** 1. Barre de guidage 2. Écrou à oreilles 3. Guide de coupe rectiligne
2. Réglez la distance entre la fraise d'affleureuse et le guide de coupe rectiligne. À la distance souhaitée, serrez les écrous à oreilles pour fixer le guide de coupe rectiligne en position.
3. Lors de la coupe, déplacez l'outil avec le guide de coupe rectiligne bien en contact avec le côté de la pièce.

Si la distance entre le côté de la pièce et la position de coupe est trop importante pour le guide de coupe rectiligne ou si le côté de la pièce n'est pas droit, le guide de coupe rectiligne ne pourra pas être utilisé. Dans ce cas, fixez fermement une planche droite sur la pièce et servez-vous-en comme guide contre le socle de la défonceuse. Faites avancer l'outil dans le sens de la flèche.

► **Fig.49**

## Guide de gabarit

### Accessoire en option

Le guide de gabarit présente un manchon à travers lequel passe la fraise d'affleureuse, permettant d'utiliser l'affleureuse avec des modèles de gabarit.

► **Fig.50**

1. Desserrez les vis sur le socle de l'outil, insérez le guide de gabarit, puis serrez les vis.

► **Fig.51:** 1. Vis 2. Socle 3. Guide de gabarit

2. Fixez le gabarit à la pièce. Placez l'outil sur le gabarit et déplacez l'outil avec le guide de gabarit glissant le long du côté du gabarit.

► **Fig.52:** 1. Fraise d'affleureuse 2. Socle 3. Protection du socle 4. Gabarit 5. Pièce 6. Guide de gabarit

**NOTE :** La pièce sera coupée avec une taille légèrement différente du gabarit. Prévoyez la distance (X) entre la fraise d'affleureuse et l'extérieur du guide de gabarit. L'équation suivante permet de calculer la distance (X) :

**Distance (X) = (diamètre extérieur du guide de gabarit - diamètre de la fraise d'affleureuse) / 2**

## Ensembles de buse d'aspiration de la poussière

Utilisez la buse d'aspiration de la poussière pour aspirer la poussière.

### Pour le socle

Installez la buse d'aspiration de la poussière sur le socle de l'outil à l'aide de la vis papillon.

► **Fig.53:** 1. Buse d'aspiration de la poussière 2. Vis papillon 3. Socle

### Pour le socle de plongée

#### Accessoire en option

1. Installez la buse d'aspiration de la poussière sur le socle de plongée au moyen de la vis papillon de sorte que la partie saillante sur la buse d'aspiration de la poussière s'insère dans l'entaille du socle de plongée.

► **Fig.54:** 1. Buse d'aspiration de la poussière 2. Vis papillon 3. Socle de plongée

2. Raccordez un aspirateur à la buse d'aspiration de la poussière.

► **Fig.55**

# ENTRETIEN

**⚠ ATTENTION : Assurez-vous toujours que l'outil est hors tension et débranché avant d'y effectuer tout travail d'inspection ou d'entretien.**

**REMARQUE : N'utilisez jamais d'essence, benzine, diluant, alcool ou autre produit similaire. Cela risquerait de provoquer la décoloration, la déformation ou la fissuration de l'outil.**

Pour assurer la SÉCURITÉ et la FIABILITÉ du produit, toute réparation, tout travail d'entretien ou de réglage doivent être effectués par un centre d'entretien Makita agréé, avec des pièces de rechange Makita.

## Remplacement d'un balai en carbone

► Fig.56: 1. Repère d'usure

Vérifiez régulièrement les balais en carbone. Remplacez-les lorsqu'ils sont usés jusqu'au repère d'usure. Maintenez les balais en carbone propres et en état de glisser aisément dans les porte-charbons. Les deux balais en carbone doivent être remplacés en même temps. N'utilisez que des balais en carbone identiques.

1. Retirez les bouchons de porte-charbon à l'aide d'un tournevis.

2. Enlevez les balais en carbone usés, insérez les neufs et revissez solidement les bouchons de porte-charbon.

► Fig.57: 1. Bouchon de porte-charbon

## ACCESSOIRES EN OPTION

**⚠ ATTENTION : Ces accessoires ou pièces complémentaires sont recommandés pour l'utilisation avec l'outil Makita spécifié dans ce mode d'emploi.** L'utilisation de tout autre accessoire ou pièce complémentaire peut comporter un risque de blessure. N'utilisez les accessoires ou pièces complémentaires qu'aux fins auxquelles ils ont été conçus.

Pour obtenir plus de détails sur ces accessoires, contactez votre centre d'entretien local Makita.

- Fraises droite et de formation de rainure
- Fraises de formation de bord
- Fraises d'affleurage de stratifié
- Ensemble guide de coupe rectiligne
- Ensemble guide d'affleurage
- Ensemble du socle (résine)
- Ensemble socle d'inclinaison
- Ensemble socle de plongée
- Ensemble socle de décalage
- Guide de gabarit
- Cône de mandrin

- Clé
- Buse d'aspiration de la poussière
- Rail de guidage
- Ensemble de l'adaptateur pour rail de guidage
- Guide de coupe rectiligne avec micro-réglage
- Poignée latérale
- Fixation de poignée

**NOTE :** Il se peut que certains éléments de la liste soient compris dans l'emballage de l'outil en tant qu'accessoires standard. Ils peuvent varier d'un pays à l'autre.

## Fraises d'affleureuse

Fraise droite

► Fig.58

D	A	L1	L2
6	20	50	15
1/4"			
8	8	60	25
6		50	18
1/4"	6	50	18
6			
1/4"			

Unité : mm

Fraise à rainure en U

► Fig.59

D	A	L1	L2	R
6	6	60	28	3
1/4"				

Unité : mm

Fraise à rainure en V

► Fig.60

D	A	L1	L2	θ
1/4"	20	50	15	90°

Unité : mm

Fraise à affleurer à pointe de foret

► Fig.61

D	A	L1	L2	L3
8	8	60	20	35
6	6	60	18	28
1/4"				

Unité : mm

**Fraise à affleurer à pointe de foret combinaison double**

► Fig.62

D	A	L1	L2	L3	L4
8	8	80	95	20	25
6	6	70	40	12	14
1/4"					

Unité : mm

**Fraise quart de rond**

► Fig.63

D	A1	A2	L1	L2	L3	R
6	25	9	48	13	5	8
1/4"						
6	20	8	45	10	4	4
1/4"						

Unité : mm

**Fraise à chanfreiner**

► Fig.64

D	A	L1	L2	L3	θ
6	23	46	11	6	30°
6	20	50	13	5	45°
6	20	49	14	2	60°

Unité : mm

**Fraise pour panneau mouluré en cavet**

► Fig.65

D	A	L1	L2	R
6	20	43	8	4
6	25	48	13	8

Unité : mm

**Fraise à affleurer à roulement**

► Fig.66

D	A	L1	L2
6	10	50	20
1/4"			

Unité : mm

**Fraise quart de rond à roulement**

► Fig.67

D	A1	A2	L1	L2	L3	R
6	15	8	37	7	3,5	3
6	21	8	40	10	3,5	6
1/4"	21	8	40	10	3,5	6

Unité : mm

**Fraise à chanfreiner à roulement**

► Fig.68

D	A1	A2	L1	L2	θ
6	26	8	42	12	45°
1/4"					
6	20	8	41	11	60°

Unité : mm

**Fraise à moulurer à roulement**

► Fig.69

D	A1	A2	A3	L1	L2	L3	R
6	20	12	8	40	10	5,5	4
6	26	12	8	42	12	4,5	7

Unité : mm

**Fraise pour panneau mouluré en cavet à roulement**

► Fig.70

D	A1	A2	A3	A4	L1	L2	L3	R
6	20	18	12	8	40	10	5,5	3
6	26	22	12	8	42	12	5	5

Unité : mm

**Fraise à doucine à roulement**

► Fig.71

D	A1	A2	L1	L2	L3	R1	R2
6	20	8	40	10	4,5	2,5	4,5
6	26	8	42	12	4,5	3	6

Unité : mm

## TECHNISCHE DATEN

Modell:	RT0702C
Spannzangenfutterkapazität	6 mm, 8 mm oder 1/4"
Leerlaufdrehzahl	10.000 - 34.000 min <sup>-1</sup>
Gesamthöhe	210 mm
Nettogewicht	1,8 - 2,8 kg
Sicherheitsklasse	II

- Wir behalten uns vor, Änderungen der technischen Daten im Zuge der Entwicklung und des technischen Fortschritts ohne vorherige Ankündigung vorzunehmen.
- Die technischen Daten können von Land zu Land unterschiedlich sein.
- Das Gewicht kann abhängig von den Aufsätzen unterschiedlich sein. Die leichteste und die schwerste Kombination, gemäß dem EPTA-Verfahren 01/2014, sind in der Tabelle angegeben.

### Vorgesehene Verwendung

Das Werkzeug ist zum Bündigräsen und Profildrehen von Holz, Kunststoff und ähnlichen Materialien vorgesehen.

### Stromversorgung

Das Werkzeug sollte nur an eine Stromquelle angeschlossen werden, deren Spannung mit der Angabe auf dem Typenschild übereinstimmt, und kann nur mit Einphasen-Wechselstrom betrieben werden. Diese sind doppelt schutzisoliert und können daher auch an Steckdosen ohne Erdleiter verwendet werden.

### Geräusch

Typischer A-bewerteter Geräuschpegel ermittelt gemäß EN62841-2-17:

Schalldruckpegel (L<sub>pA</sub>): 85 dB (A)

Schallleistungspegel (L<sub>WA</sub>): 93 dB (A)

Messunsicherheit (K): 3 dB (A)

**HINWEIS:** Der (Die) angegebene(n)

Schallemissionswert(e) wurde(n) im Einklang mit der Standardprüfmethode gemessen und kann (können) für den Vergleich zwischen Werkzeugen herangezogen werden.

**HINWEIS:** Der (Die) angegebene(n)

Schallemissionswert(e) kann (können) auch für eine Vorbewertung des Gefährdungsgrads verwendet werden.

**⚠️ WARNUNG:** Einen Gehörschutz tragen.

**⚠️ WARNUNG:** Die Schallemission während der tatsächlichen Benutzung des Elektrowerkzeugs kann je nach der Benutzungsweise des Werkzeugs, und speziell je nach der Art des bearbeiteten Werkstücks, von dem (den) angegebenen Wert(en) abweichen.

**⚠️ WARNUNG:** Identifizieren Sie Sicherheitsmaßnahmen zum Schutz des Benutzers anhand einer Schätzung des Gefährdungsgrads unter den tatsächlichen Benutzungsbedingungen (unter Berücksichtigung aller Phasen des Arbeitszyklus, wie z. B. Ausschalt- und Leerlaufzeiten des Werkzeugs zusätzlich zur Betriebszeit).

### Schwingungen

Schwingungsgesamtwert (Drei-Achsen-Vektorsumme) ermittelt gemäß EN62841-2-17:

Arbeitsmodus: Drehung ohne Last

Schwingungsemission (a<sub>h</sub>): 2,5 m/s<sup>2</sup> oder weniger

Messunsicherheit (K): 1,5 m/s<sup>2</sup>

**HINWEIS:** Der (Die) angegebene(n) Vibrationsgesamtwert(e) wurde(n) im Einklang mit der Standardprüfmethode gemessen und kann (können) für den Vergleich zwischen Werkzeugen herangezogen werden.

**HINWEIS:** Der (Die) angegebene(n)

Vibrationsgesamtwert(e) kann (können) auch für eine Vorbewertung des Gefährdungsgrads verwendet werden.

**⚠️ WARNUNG:** Die Vibrationsemission während der tatsächlichen Benutzung des Elektrowerkzeugs kann je nach der Benutzungsweise des Werkzeugs, und speziell je nach der Art des bearbeiteten Werkstücks, von dem (den) angegebenen Emissionswert(en) abweichen.

**⚠️ WARNUNG:** Identifizieren Sie Sicherheitsmaßnahmen zum Schutz des Benutzers anhand einer Schätzung des Gefährdungsgrads unter den tatsächlichen Benutzungsbedingungen (unter Berücksichtigung aller Phasen des Arbeitszyklus, wie z. B. Ausschalt- und Leerlaufzeiten des Werkzeugs zusätzlich zur Betriebszeit).

### Konformitätserklärungen

*Nur für europäische Länder*

Die Konformitätserklärungen sind in Anhang A dieser Betriebsanleitung enthalten.

# SICHERHEITSWARNUNGEN

## Allgemeine Sicherheitswarnungen für Elektrowerkzeuge

**⚠️ WARNUNG:** Lesen Sie alle mit diesem Elektrowerkzeug gelieferten Sicherheitswarnungen, Anweisungen, Abbildungen und technischen Daten durch. Eine Missachtung der unten aufgeführten Anweisungen kann zu einem elektrischen Schlag, Brand und/oder schweren Verletzungen führen.

## Bewahren Sie alle Warnungen und Anweisungen für spätere Bezugnahme auf.

Der Ausdruck „Elektrowerkzeug“ in den Warnhinweisen bezieht sich auf Ihr mit Netzstrom (mit Kabel) oder Akku (ohne Kabel) betriebenes Elektrowerkzeug.

## Sicherheitswarnungen für Einhandfräse

1. Halten Sie das Elektrowerkzeug nur an den isolierten Griffflächen, weil das Messer das eigene Kabel berühren kann. Bei Kontakt mit einem Strom führenden Kabel können die freiliegenden Metallteile des Elektrowerkzeugs ebenfalls Strom führend werden, so dass der Benutzer einen elektrischen Schlag erleiden kann.
2. Verwenden Sie Klemmen oder eine andere praktische Methode, um das Werkstück auf einer stabilen Unterlage zu sichern und abzustützen. Wenn Sie das Werkstück nur mit der Hand oder gegen Ihren Körper halten, befindet es sich in einer instabilen Lage, die zum Verlust der Kontrolle führen kann.
3. Der Schaft des Fräseinsatzes muss mit der dafür ausgelegten Spannzange übereinstimmen.
4. Verwenden Sie nur Fräseinsätze, deren Drehzahl mindestens der auf dem Werkzeug angegebenen Maximaldrehzahl entspricht.
5. Tragen Sie bei längeren Betriebszeitspannen einen Gehörschutz.
6. Behandeln Sie die Fräseinsätze mit größter Sorgfalt.
7. Überprüfen Sie den Fräseinsatz vor dem Betrieb sorgfältig auf Risse oder Beschädigung. Wechseln Sie einen gerissenen oder beschädigten Einsatz unverzüglich aus.
8. Vermeiden Sie das Schneiden von Nägeln. Untersuchen Sie das Werkstück sorgfältig auf Nägel, und entfernen Sie diese vor der Bearbeitung.
9. Halten Sie das Werkzeug mit festem Griff.
10. Halten Sie Ihre Hände von rotierenden Teilen fern.
11. Vergewissern Sie sich vor dem Einschalten des Werkzeugs, dass der Fräseinsatz nicht das Werkstück berührt.

12. Lassen Sie das Werkzeug vor der eigentlichen Bearbeitung eines Werkstücks eine Weile laufen. Achten Sie auf Vibrationen oder Taumelbewegungen, die auf einen falsch montierten Einsatz hindeuten können.
13. Achten Sie sorgfältig auf die Drehrichtung und die Vorschubrichtung des Fräseinsatzes.
14. Lassen Sie das Werkzeug nicht unbeaufsichtigt laufen. Benutzen Sie das Werkzeug nur im handgeführten Einsatz.
15. Schalten Sie das Werkzeug stets aus, und warten Sie, bis der Fräseinsatz zum vollständigen Stillstand kommt, bevor Sie ihn aus dem Werkstück herausnehmen.
16. Vermeiden Sie eine Berührung des Fräseinsatzes unmittelbar nach der Bearbeitung, weil er dann noch sehr heiß ist und Hautverbrennungen verursachen kann.
17. Beschmieren Sie die Grundplatte nicht achlos mit Verdünner, Benzin, Öl oder dergleichen. Diese Stoffe können Risse in der Grundplatte verursachen.
18. Manche Materialien können giftige Chemikalien enthalten. Treffen Sie Vorsichtsmaßnahmen, um das Einatmen von Arbeitsstaub und Hautkontakt zu verhindern. Befolgen Sie die Sicherheitsdaten des Materiallieferanten.
19. Verwenden Sie stets die korrekte Staubschutz-/Atemmaske für das jeweilige Material und die Anwendung.
20. Legen Sie das Werkzeug auf eine stabile Fläche. Anderenfalls kann das Werkzeug herunterfallen und schwere Verletzungen verursachen.

## BEWAHREN SIE DIESE ANLEITUNG AUF.

**⚠️ WARNUNG:** Lassen Sie sich NICHT durch Bequemlichkeit oder Vertrautheit mit dem Produkt (durch wiederholten Gebrauch erworben) von der strikten Einhaltung der Sicherheitsregeln für das vorliegende Produkt abhalten. MISSBRAUCH oder Missachtung der Sicherheitsvorschriften in dieser Anleitung können schwere Personenschäden verursachen.

# FUNKTIONSBESCHREIBUNG

**⚠ VORSICHT:** Vergewissern Sie sich vor jeder Einstellung oder Funktionsprüfung des Werkzeugs stets, dass es ausgeschaltet und vom Stromnetz getrennt ist.

## Einstellen der Frästiefe

Um die Frästiefe einzustellen, öffnen Sie den Verriegelungshebel, und verstellen Sie die Grundplatte wunschgemäß nach oben oder unten durch Drehen der Einstellschraube. Schließen Sie den Verriegelungshebel nach der Einstellung einwandfrei, um die Grundplatte zu sichern.

► **Abb.1:** 1. Grundplatte 2. Skala 3. Frästiefe  
4. Verriegelungshebel 5. Einstellschraube  
6. Sechskantmutter

**HINWEIS:** Wenn das Werkzeug nicht gesichert ist, obwohl der Verriegelungshebel geschlossen ist, ziehen Sie die Sechskantmutter an, und schließen Sie dann den Verriegelungshebel.

## Schalterfunktion

**⚠ VORSICHT:** Vergewissern Sie sich vor dem Anschließen des Werkzeugs an das Stromnetz stets, dass das Werkzeug ausgeschaltet ist.

Zum Einschalten des Werkzeugs drücken Sie die Seite „I“ (Ein) des Schalters. Zum Ausschalten des Werkzeugs drücken Sie die Seite „O“ (Aus) des Schalters.

► **Abb.2:** 1. Schalter

## Elektronikfunktionen

Das Werkzeug ist für komfortablen Betrieb mit Elektronikfunktionen ausgestattet.

### Anzeigelampe

► **Abb.3:** 1. Anzeigenleuchte

Die Anzeigelampe leuchtet grün auf, wenn das Werkzeug angeschlossen wird. Leuchtet die Anzeigelampe nicht auf, ist möglicherweise das Netzkabel oder die Steuerschaltung defekt. Läuft das Werkzeug trotz leuchtender Anzeigelampe nicht an, wenn es eingeschaltet wird, sind möglicherweise die Kohlebürsten abgenutzt, oder die Steuerschaltung, der Motor oder der EIN/AUS-Schalter ist defekt.

### Schutz vor ungewolltem Neustart

Das Werkzeug läuft nicht an, wenn die Seite „I“ des Schalters gedrückt ist, selbst wenn der Netzstecker eingesteckt ist.

In diesem Fall blinkt die Anzeigelampe rot, um anzuzeigen, dass die Schutzvorrichtung zur Verhinderung eines ungewollten Neustarts aktiviert ist.

Um den Schutz vor ungewolltem Neustart aufzuheben, drücken Sie die Seite „O“ des Schalters.

## Soft-Start-Funktion

Die Soft-Start-Funktion reduziert Anlaufstöße auf ein Minimum und bewirkt ruckfreies Anlaufen des Werkzeugs.

## Konstantdrehzahlregelung

Elektronische Drehzahlregelung zur Aufrechterhaltung einer konstanten Drehzahl.

Feines Finish wird ermöglicht, weil die Drehzahl selbst unter Belastung konstant gehalten wird.

## Drehzahl-Stellrad

**⚠ WARNUNG:** Benutzen Sie das Drehzahl-Stellrad nicht während des Betriebs. Der Fräseinsatz kann vom Bediener aufgrund der Reaktionskraft berührt werden. Dies kann zu Personenschäden führen.

**⚠ VORSICHT:** Wird das Werkzeug über längere Zeitspannen im Dauerbetrieb mit niedriger Drehzahl betrieben, führt das zu einer Überlastung des Motors, die eine Funktionsstörung des Werkzeugs zur Folge haben kann.

**⚠ VORSICHT:** Das Drehzahl-Stellrad lässt sich nur bis 6 und zurück auf 1 drehen. Wird es gewaltsam über 6 oder 1 hinaus gedreht, kann die Drehzahleinstellfunktion unbrauchbar werden.

Die Drehzahl kann durch Drehen des Drehzahl-Stellrads auf eine der Stufen von 1 bis 6 verstellt werden.

► **Abb.4:** 1. Drehzahl-Stellrad

Durch Drehen des Drehzahl-Stellrads in Richtung der Stufe 6 wird die Drehzahl erhöht. Durch Drehen des Stellrads in Richtung der Stufe 1 wird die Drehzahl verringert.

Damit kann die ideale Drehzahl für eine optimale Materialbearbeitung gewählt werden, d. h. die Drehzahl kann korrekt auf das Material und den Einsatzdurchmesser eingestellt werden.

In der Tabelle finden Sie die Beziehung zwischen den Zahleneinstellungen auf dem Stellrad und der ungefähren Werkzeugdrehzahl.

Nummer	min <sup>-1</sup>
1	10.000
2	12.000
3	17.000
4	22.000
5	27.000
6	34.000

# MONTAGE

**⚠ VORSICHT:** Vergewissern Sie sich vor der Ausführung von Arbeiten am Werkzeug stets, dass es ausgeschaltet und vom Stromnetz getrennt ist.

## Montage und Demontage des Fräseinsatzes

**⚠ VORSICHT:** Ziehen Sie die Spannzangenmutter nicht an, ohne dass ein Fräseinsatz eingespannt ist, weil sonst der Spannzangenkonus bricht.

**⚠ VORSICHT:** Verwenden Sie nur die mit dem Werkzeug gelieferten Schraubenschlüssel.

Es gibt zwei Möglichkeiten, den Fräseinsatz zu montieren. Wenden Sie eine davon an.

### Mit zwei Schraubenschlüsseln

Führen Sie den Fräseinsatz ganz in den Spannzangenkonus ein, und ziehen Sie die Spannzangenmutter mit einem Schraubenschlüssel fest an, während Sie den Hals mit dem anderen Schraubenschlüssel festhalten.

- **Abb.5:** 1. Anziehen 2. Lösen 3. Hals 4. Spannzangenmutter

### Mit einem Schraubenschlüssel

Führen Sie den Fräseinsatz bis zum Anschlag in den Spannzangenkonus ein, und ziehen Sie die Spannzangenmutter mit dem Schraubenschlüssel fest an, während Sie die Spindelarretierung drücken.

- **Abb.6:** 1. Anziehen 2. Lösen 3. Spindelarretierung 4. Spannzangenmutter

Zum Abnehmen des Fräseinsatzes wenden Sie das Montageverfahren umgekehrt an.

## Austauschen des Spannzangenkonus

**⚠ VORSICHT:** Verwenden Sie einen Spannzangenkonus der korrekten Größe für den zu benutzenden Fräseinsatz.

**⚠ VORSICHT:** Ziehen Sie die Spannzangenmutter nicht an, ohne dass ein Fräseinsatz eingespannt ist, weil sonst der Spannzangenkonus brechen kann.

1. Lösen und entfernen Sie die Spannzangenmutter.
2. Ersetzen Sie den montierten Spannzangenkonus durch den gewünschten Spannzangenkonus.
3. Bringen Sie die Spannzangenmutter wieder an.

- **Abb.7:** 1. Spannzangenkonus 2. Spannzangenmutter

# BETRIEB

**⚠ VORSICHT:** Halten Sie das Werkzeug stets mit einer Hand am Gehäuse fest. Berühren Sie nicht den Metallteil.

## Für die Grundplatte

**⚠ WARNUNG:** Bevor Sie das Werkzeug mit der Grundplatte benutzen, montieren Sie stets den Absaugstutzen an der Grundplatte.

- **Abb.8:** 1. Absaugstutzen 2. Rändelschraube 3. Grundplatte

1. Setzen Sie die Grundplatte auf das zu bearbeitende Werkstück auf, ohne dass der Fräseinsatz mit dem Werkstück in Berührung kommt.
2. Schalten Sie das Werkzeug ein, und warten Sie, bis der Fräseinsatz die volle Drehzahl erreicht hat.
3. Schieben Sie das Werkzeug bei flach aufliegender Grundplatte gleichmäßig über die Werkstückoberfläche vor, bis der Schnitt ausgeführt ist.

► **Abb.9**

Beim Kantenfräsen sollte die Werkstückoberfläche auf der linken Seite des Fräseinsatzes in Vorschubrichtung liegen.

- **Abb.10:** 1. Werkstück 2. Einsatz-Drehrichtung 3. Ansicht von der Oberseite des Werkzeugs 4. Vorschubrichtung

Wenn Sie die Geradföhrung oder die Fräsenföhrung verwenden, halten Sie die Vorrichtung auf der rechten Seite in Vorschubrichtung. Dies trägt dazu bei, sie bündig mit der Seite des Werkstücks zu halten.

- **Abb.11:** 1. Vorschubrichtung 2. Einsatz-Drehrichtung 3. Werkstück 4. Geradföhrung

**HINWEIS:** Zu schnelles Vorschieben des Werkzeugs kann schlechte Schnittqualität oder Beschädigung des Fräseinsatzes oder Motors zur Folge haben. Zu langsames Vorschieben des Werkzeugs kann Verbrennung oder Beschädigung des Schnitts zur Folge haben. Die korrekte Vorschubgeschwindigkeit hängt von der Fräsergröße, der Art des Werkstücks und der Frästiefe ab. Bevor Sie den Schnitt am tatsächlichen Werkstück ausführen, ist es ratsam, einen Probeschnitt in einem Stück Abfallholz zu machen. Dies gibt Ihnen die Möglichkeit, das genaue Aussehen des Schnitts festzustellen und die Abmessungen zu überprüfen.

**⚠ VORSICHT:** Da übermäßiges Fräsen eine Überlastung des Motors oder schwierige Kontrolle des Werkzeugs verursachen kann, sollte die Frästiefe beim Nutenfräsen nicht mehr als 3 mm pro Durchgang betragen. Wenn Sie Nuten von mehr als 3 mm Tiefe fräsen wollen, führen Sie mehrere Durchgänge mit zunehmend tieferen Fräseinstellungen aus.



## Grundplatte (Kunststoff)

### Sonderzubehör

Sie können die Grundplatte (Kunststoff) als Sonderzubehör verwenden, wie in der Abbildung gezeigt.  
► **Abb.12:** 1. Klemmschraube

Setzen Sie das Werkzeug auf die Grundplatte (Kunststoff), und ziehen Sie die Klemmschraube am gewünschten Vorsprung des Fräseinsatzes an. Angaben zu den Betriebsverfahren entnehmen Sie bitte dem Abschnitt „Betrieb“ der Grundplatte.

## Schablonenführung

### Sonderzubehör

Die Schablonenführung weist eine Hülse auf, durch die der Fräseinsatz hindurchgeht, so dass das Werkzeug mit Schablonenmustern verwendet werden kann.

► **Abb.13**

1. Lösen Sie die Schrauben, und entfernen Sie die Gleitplatte.  
► **Abb.14:** 1. Gleitplatte 2. Schrauben
2. Setzen Sie die Schablonenführung auf die Grundplatte, und bringen Sie die Gleitplatte wieder an. Sichern Sie dann die Gleitplatte durch Anziehen der Schrauben.
3. Befestigen Sie die Schablone am Werkstück. Setzen Sie das Werkzeug auf die Schablone, und bewegen Sie das Werkzeug so, dass die Schablonenführung entlang der Seitenkante der Schablone gleitet.  
► **Abb.15:** 1. Fräseinsatz 2. Grundplatte  
3. Gleitplatte 4. Schablone 5. Werkstück  
6. Schablonenführung

**HINWEIS:** Das Werkstück wird auf eine geringfügig andere Größe als die Schablone zugeschnitten. Halten Sie einen Abstand (X) zwischen dem Fräseinsatz und der Außenseite der Schablonenführung ein. Der Abstand (X) kann mit der folgenden Gleichung berechnet werden:

**Abstand (X) = (Außendurchmesser der Schablonenführung - Fräseinsatzdurchmesser) / 2**

## Geradföhrung

### Sonderzubehör

Die Geradföhrung ist effektiv, um gerade Schnitte beim Anfasen oder Rillenfräsen auszuführen.

► **Abb.16**

1. Befestigen Sie die Führungsplatte mit der Schraube und der Flügelmutter an der Geradföhrung.  
► **Abb.17:** 1. Schraube 2. Führungsplatte  
3. Geradföhrung 4. Flügelmutter
2. Befestigen Sie die Geradföhrungsbaugruppe mit der Klemmschraube.  
► **Abb.18:** 1. Klemmschraube 2. Geradföhrung  
3. Flügelmutter 4. Grundplatte
3. Lösen Sie die Flügelmutter an der Geradföhrungsbaugruppe, und stellen Sie den Abstand zwischen Fräseinsatz und Geradföhrung ein. Ziehen Sie die Flügelmutter im gewünschten Abstand fest.

4. Schieben Sie das Werkzeug beim Fräsen so vor, dass die Geradföhrung an der Seite des Werkstücks anliegt.

Falls der Abstand zwischen der Seite des Werkstücks und der Fräseinsatzbreite zu breit für die Geradföhrung ist, oder die Seite des Werkstücks nicht gerade ist, kann die Geradföhrung nicht benutzt werden. Klemmen Sie in diesem Fall ein gerades Brett am Werkstück fest, und benutzen Sie dieses als Führung gegen die Grundplatte der Einhandfräse. Schieben Sie das Werkzeug in Pfeilrichtung vor.

► **Abb.19**

## Kreisschnitte

Kreisschnitte können durchgeführt werden, wenn Sie die Geradföhrung und die Führungsplatte montieren, wie in den Abbildungen gezeigt.

Die minimalen und maximalen Radien der zu schneidenden Kreise (Abstand zwischen Kreismitte und Fräseinsatzmitte) sind wie folgt:

Min.: 70 mm

Max.: 221 mm

**Zum Schneiden von Kreisen mit einem Radius zwischen 70 mm und 121 mm**

- **Abb.20:** 1. Flügelmutter 2. Führungsplatte  
3. Geradföhrung 4. Mittelloch 5. Schraube

**Zum Schneiden von Kreisen mit einem Radius zwischen 121 mm und 221 mm**

- **Abb.21:** 1. Flügelmutter 2. Führungsplatte  
3. Geradföhrung 4. Mittelloch 5. Schraube

**HINWEIS:** Kreise mit einem Radius zwischen 172 mm und 186 mm können nicht mit dieser Führung geschnitten werden.

1. Richten Sie das Mittelloch in der Geradföhrung auf die Mitte des zu schneidenden Kreises aus.  
► **Abb.22:** 1. Nagel 2. Mittelloch 3. Geradföhrung
2. Schlagen Sie einen Nagel von weniger als 6 mm Durchmesser in das Mittelloch, um die Geradföhrung zu sichern.
3. Drehen Sie das Werkzeug im Uhrzeigersinn um den Nagel.

## Fräsenführung

### Sonderzubehör

Die Fräsenführung ermöglicht bequemes Fräsen und gebogene Schnitte in Furnierhölzern für Möbel und dergleichen. Die Führungsrolle folgt der Kurve und gewährleistet einen sauberen Schnitt.

► **Abb.23**

1. Montieren Sie die Fräsenführung und den Führungshalter mit der Klemmschraube (A) an der Grundplatte.
2. Lösen Sie die Klemmschraube (B), und stellen Sie den Abstand zwischen dem Fräseinsatz und der Fräsenführung durch Drehen der Einstellschraube ein (1 mm pro Umdrehung). Ziehen Sie die Klemmschraube (B) am gewünschten Abstand fest, um die Fräsenführung zu sichern.  
► **Abb.24:** 1. Einstellschraube 2. Führungshalter  
3. Fräsenführung

3. Schieben Sie das Werkzeug beim Fräsen so vor, dass die Führungsrolle an der Seite des Werkstücks anliegt.

- **Abb.25:** 1. Werkstück 2. Fräseinsatz  
3. Führungsrolle

## Winkelfräskorb

### Sonderzubehör

Der Winkelfräskorb wird zum Trimmen der Kanten von Laminatfolien oder ähnlichen Materialien verwendet. Der Winkelfräskorb ist praktisch zum Anfasen.

1. Setzen Sie das Werkzeug auf den Winkelfräskorb, lösen Sie die Klemmschrauben, und neigen Sie das Werkzeug auf den gewünschten Winkel.
  2. Schließen Sie den Verriegelungshebel am gewünschten Vorsprung des Fräseinsatzes, und ziehen Sie die Klemmschrauben am gewünschten Winkel an.
  3. Klemmen Sie ein gerades Brett am Werkstück fest, und benutzen Sie dieses als Führung gegen den Winkelfräskorb. Schieben Sie das Werkzeug in Pfeilrichtung vor.
- **Abb.26:** 1. Klemmschrauben 2. Verriegelungshebel

## Verwendung der Winkelfräskorb-Gleitplatte mit der Grundplatte

Die vom Winkelfräskorb entfernte Winkelfräskorb-Gleitplatte (quadratisch) kann an der Grundplatte montiert werden. Die Form der Gleitplatte kann von rund zu quadratisch geändert werden.

1. Entfernen Sie die Winkelfräskorb-Gleitplatte durch Lösen und Entfernen der vier Schrauben vom Winkelfräskorb.
  2. Montieren Sie die Winkelfräskorb-Gleitplatte an der Grundplatte.
- **Abb.27:** 1. Winkelfräskorb-Gleitplatte 2. Schraube

## Offset-Fräskorb

### Sonderzubehör

Der Offset-Fräskorb wird zum Trimmen der Kanten von Laminatfolien oder ähnlichen Materialien verwendet. Der Offset-Fräskorb eignet sich für Arbeiten in engen Bereichen.

- **Abb.28**

## Verwendung des Werkzeugs mit dem Offset-Fräskorb

1. Bevor Sie das Werkzeug am Offset-Fräskorb montieren, entfernen Sie die Spannzangenmutter und den Spannzangenkonus durch Lösen der Spannzangenmutter.
- **Abb.29:** 1. Riemenscheibe 2. Spannzangenmutter  
3. Spannzangenkonus
2. Montieren Sie die Riemenscheibe am Werkzeug, indem Sie die Spindelarretierung drücken und die Riemenscheibe mit einem Schraubenschlüssel anziehen.
- **Abb.30:** 1. Schraubenschlüssel 2. Riemenscheibe  
3. Spindelarretierung

3. Platzieren Sie den Spannzangenkonus, und schrauben Sie die Spannzangenmutter auf den Offset-Fräskorb, wie in der Abbildung gezeigt.

- **Abb.31:** 1. Spannzangenmutter  
2. Spannzangenkonus

4. Montieren Sie den Offset-Fräskorb am Werkzeug.  
► **Abb.32**

5. Haken Sie den Riemen mit einem Schraubendreher über die Riemenscheibe ein und achten Sie darauf, dass er mit seiner gesamten Riemenbreite vollständig über die Riemenscheibe passt.

- **Abb.33:** 1. Riemenscheibe 2. Riemen

6. Schließen Sie den Verriegelungshebel.

- **Abb.34:** 1. Verriegelungshebel

7. Montieren Sie den Fräseinsatz wie folgt.

Legen Sie das Werkzeug mit dem Offset-Fräskorb ab. Führen Sie den Inbusschlüssel in die Öffnung des Offset-Fräskorbs ein.

Während Sie den Inbusschlüssel in der in der Abbildung gezeigten Position halten, setzen Sie den Fräseinsatz von der gegenüberliegenden Seite in den Spannzangenkonus auf der Welle des Offset-Fräskorbs ein, und ziehen Sie die Spannzangenmutter mit einem Schraubenschlüssel fest an.

- **Abb.35:** 1. Schraubenschlüssel 2. Inbusschlüssel  
3. Fräseinsatz

8. Zum Abnehmen des Fräseinsatzes wenden Sie das Montageverfahren umgekehrt an.

## Verwendung der Grundplatte mit der Offset-Grundplatte und dem Griffaufsatz

Für mehr Stabilität kann der Offset-Fräskorb auch mit einer Grundplatte und einem Griffaufsatz (Sonderzubehör) verwendet werden.

- **Abb.36**

1. Lösen Sie die Schrauben, und nehmen Sie das Oberteil vom Offset-Fräskorb ab. Legen Sie das Oberteil des Offset-Fräskorbs zur Seite.

- **Abb.37:** 1. Schrauben 2. Offset-Grundplatte  
3. Oberteil des Offset-Fräskorbs

2. Montieren Sie die Offset-Grundplatte mit vier Schrauben, und montieren Sie den Griffaufsatz mit zwei Schrauben an der Offset-Grundplatte. Schrauben Sie einen Stangengriff (Sonderzubehör) auf den Griffaufsatz. In einer weiteren Verwendungsart kann der von einem Eintauch-Fräskorb (Sonderzubehör) abgenommene Knaufgriff auf den Griffaufsatz montiert werden. Um den Knaufgriff zu montieren, setzen Sie ihn auf den Griffaufsatz, und sichern Sie ihn mit einer Schraube.

### Mit Stangengriff

- **Abb.38:** 1. Stangengriff 2. Griffaufsatz  
3. Offset-Grundplatte

### Mit Knaufgriff

- **Abb.39:** 1. Schraube 2. Knaufgriff 3. Griffaufsatz

## Verwendung des Werkzeugs mit dem Eintauch-Fräskorb

### Sonderzubehör

**⚠ VORSICHT:** Halten Sie das Werkzeug bei Verwendung als Oberfräse mit beiden Händen fest.

1. Um das Werkzeug als Oberfräse zu benutzen, montieren Sie es auf einen Eintauch-Fräskorb (Sonderzubehör), indem Sie es vollständig nach unten drücken. Je nach Ihrer Arbeit können Sie entweder den Knaufgriff oder den Stangengriff (Sonderzubehör) verwenden.

▶ **Abb.40:** 1. Eintauch-Fräskorb 2. Stangengriff

2. Um den Stangengriff (Sonderzubehör) zu benutzen, lösen Sie die Schraube, und nehmen Sie den Knaufgriff ab.

▶ **Abb.41:** 1. Schraube 2. Knaufgriff

3. Schrauben Sie den Stangengriff auf die Grundplatte.

▶ **Abb.42:** 1. Stangengriff

## Einstellen der Frästiefe bei Verwendung des Eintauch-Fräskorbs (Sonderzubehör)

**⚠ VORSICHT:** Halten Sie das Werkzeug während der Arbeit immer an beiden Griffen fest.

▶ **Abb.43:** 1. Einstellknopf 2. Spannhebel  
3. Tiefenzeiger 4. Anschlagstangen-Einstellmutter 5. Schnellvorschubknopf  
6. Anschlagstange 7. Anschlagblock  
8. Sechskant-Einstellschraube

1. Stellen Sie das Werkzeug auf eine ebene Fläche. Lösen Sie den Spannhebel, und senken Sie den Fräskorb ab, bis der Fräseinsatz die ebene Fläche leicht berührt. Ziehen Sie den Spannhebel an, um den Fräskorb zu verriegeln.

2. Drehen Sie die Anschlagstangen-Einstellmutter entgegen dem Uhrzeigersinn. Senken Sie die Anschlagstange ab, bis sie die Sechskant-Einstellschraube berührt. Richten Sie den Tiefenzeiger auf den Teilstrich „0“ aus. Die Frästiefe wird durch den Tiefenzeiger auf der Skala angezeigt.

3. Während Sie den Schnellvorschubknopf drücken, heben Sie die Anschlagstange an, bis die gewünschte Frästiefe erreicht ist. Feineinstellungen der Tiefe können durch Drehen des Einstellknopfes erhalten werden (1 mm pro Umdrehung).

4. Durch Drehen der Anschlagstangen-Einstellmutter im Uhrzeigersinn können Sie die Anschlagstange sicher befestigen.

5. Nun können Sie Ihre vorgegebene Frästiefe erreichen, indem Sie den Spannhebel lösen und dann den Fräskorb absenken, bis die Anschlagstange an der Einstellschraube des Anschlagblocks anliegt.

6. Setzen Sie die Grundplatte auf das zu bearbeitende Werkstück auf, ohne dass der Fräseinsatz mit dem Werkstück in Berührung kommt.

7. Schalten Sie das Werkzeug ein, und warten Sie, bis der Fräseinsatz die volle Drehzahl erreicht hat.

8. Senken Sie den Fräskorb ab, und schieben Sie das Werkzeug bei flach aufliegender Grundplatte gleichmäßig über die Werkstückoberfläche vor, bis der Schnitt ausgeführt ist.

Beim Kantenfräsen sollte die Werkstückoberfläche auf der linken Seite des Fräseinsatzes in Vorschubrichtung liegen.

▶ **Abb.44:** 1. Werkstück 2. Einsatz-Drehrichtung  
3. Ansicht von der Oberseite des Werkzeugs 4. Vorschubrichtung

Wenn Sie die Geradföhrung oder die Fräsenföhrung verwenden, halten Sie die Vorrichtung unbedingt auf der rechten Seite in Vorschubrichtung. Dies trägt dazu bei, sie bündig mit der Seite des Werkstücks zu halten.

▶ **Abb.45:** 1. Vorschubrichtung 2. Einsatz-Drehrichtung 3. Werkstück  
4. Geradföhrung

**HINWEIS:** Zu schnelles Vorschieben des Werkzeugs kann schlechte Schnittqualität oder Beschädigung des Fräseinsatzes oder Motors zur Folge haben. Zu langsames Vorschieben des Werkzeugs kann Verbrennung oder Beschädigung des Schnitts zur Folge haben. Die korrekte Vorschubgeschwindigkeit hängt von der Fräsergröße, der Art des Werkstücks und der Frästiefe ab. Bevor Sie den Schnitt am tatsächlichen Werkstück ausführen, ist es ratsam, einen Probeschnitt in einem Stück Abfallholz zu machen. Dies gibt Ihnen die Möglichkeit, das genaue Aussehen des Schnitts festzustellen und die Abmessungen zu überprüfen.

## Geradföhrung für Führungshalter

### Sonderzubehör

Die Geradföhrung ist effektiv, um gerade Schnitte beim Anfasen oder Rillenfräsen auszuführen.

▶ **Abb.46:** 1. Schraube 2. Führungshalter  
3. Flügelmutter (A) 4. Schraube  
5. Flügelmutter (B) 6. Führungsplatte  
7. Geradföhrung 8. Flügelschrauben

1. Montieren Sie die Geradföhrungsbaugruppe mit der Schraube und Flügelmutter (A) am Führungshalter (Sonderzubehör).

2. Föhren Sie den Führungshalter in die Löcher des Eintauch-Fräskorbs ein, und ziehen Sie dann die Flügelschrauben an.

3. Um den Abstand zwischen Fräseinsatz und Geradföhrung einzustellen, lösen Sie die Flügelmutter (B). Ziehen Sie die Flügelmutter (B) am gewünschten Abstand fest, um die Geradföhrung zu sichern.

## Geradföhrung

### Sonderzubehör

Die Geradföhrung ist effektiv, um gerade Schnitte beim Anfasen oder Rillenfräsen auszuführen.

▶ **Abb.47**

1. Föhren Sie die Führungsstangen in die Löcher des Eintauch-Fräskorbs ein.

▶ **Abb.48:** 1. Führungsstange 2. Flügelmutter  
3. Geradföhrung

2. Stellen Sie den Abstand zwischen Fräseinsatz und Geradföhrung ein. Ziehen Sie die Flögelmuttern am gewönschten Abstand fest, um die Geradföhrung zu sichern.

3. Schieben Sie das Werkzeug beim Fräsen so vor, dass die Geradföhrung an der Seite des Werkstücks anliegt.

Falls der Abstand zwischen der Seite des Werkstücks und der Fräseposition zu breit für die Geradföhrung ist, oder die Seite des Werkstücks nicht gerade ist, kann die Geradföhrung nicht benutzt werden. Klemmen Sie in diesem Fall ein gerades Brett am Werkstück fest, und benutzen Sie dieses als Föhrung gegen die Grundplatte der Oberfräse. Schieben Sie das Werkzeug in Pfeilrichtung vor.

► **Abb.49**

## Schablonenföhrung

### Sonderzubehöer

Die Schablonenföhrung weist eine Hölse auf, durch die der Fräseinsatz hindurchgeht, so dass das Werkzeug mit Schablonenmustern verwendet werden kann.

► **Abb.50**

1. Lösen Sie die Schrauben an der Grundplatte, föhren Sie die Schablonenföhrung ein, und ziehen Sie dann die Schrauben an.

► **Abb.51:** 1. Schraube 2. Grundplatte  
3. Schablonenföhrung

2. Befestigen Sie die Schablone am Werkstück. Setzen Sie das Werkzeug auf die Schablone, und bewegen Sie das Werkzeug so, dass die Schablonenföhrung entlang der Seitenkante der Schablone gleitet.

► **Abb.52:** 1. Fräseinsatz 2. Grundplatte  
3. Gleitplatte 4. Schablone 5. Werkstück  
6. Schablonenföhrung

**HINWEIS:** Das Werkstück wird auf eine gering-föufig andere GröÖe als die Schablone zugeschnitten. Halten Sie einen Abstand (X) zwischen dem Fräseinsatz und der Außenseite der Schablonenföhrung ein. Der Abstand (X) kann mit der folgenden Gleichung berechnet werden:

**Abstand (X) = (Außendurchmesser der Schablonenföhrung - Fräseinsatzdurchmesser) / 2**

## Absaugstutzensätze

Benutzen Sie den Absaugstutzen für Staubabsaugung.

### Für die Grundplatte

Montieren Sie den Absaugstutzen mit der Rändelschraube an der Grundplatte.

► **Abb.53:** 1. Absaugstutzen 2. Rändelschraube  
3. Grundplatte

### Für den Eintauch-Fräskorb

#### Sonderzubehöer

1. Montieren Sie den Absaugstutzen mit der Rändelschraube am Eintauch-Fräskorb, so dass der Vorsprung am Absaugstutzen in der Nut des Eintauch-Fräskorbs sitzt.

► **Abb.54:** 1. Absaugstutzen 2. Rändelschraube  
3. Eintauch-Fräskorb

2. Schließen Sie ein Sauggerät an den Absaugstutzen an.

► **Abb.55**

## WARTUNG

**⚠ VORSICHT:** Vergewissern Sie sich vor der Durchföhrung von Überprüfungen oder Wartungsarbeiten des Werkzeugs stets, dass es ausgeschaltet und vom Stromnetz getrennt ist.

**ANMERKUNG:** Verwenden Sie auf keinen Fall Benzin, Waschbenzin, Verdünnner, Alkohol oder dergleichen. Solche Mittel können Verfärbung, Verformung oder Rissbildung verursachen.

Um die SICHERHEIT und ZUVERLÄSSIGKEIT dieses Produkts zu gewährleisten, sollten Reparaturen und andere Wartungs- oder Einstellarbeiten nur von Makita-Vertragswerkstätten oder Makita-Kundendienstzentren unter ausschließlicher Verwendung von Makita-Originalersatzteilen ausgeföhrte werden.

## Auswechseln der Kohlebürsten

► **Abb.56:** 1. Verschleißgrenze

Überprüfen Sie die Kohlebürsten regelmäÖig. Wechseln Sie sie aus, wenn sie bis zur Verschleißgrenze abgenutzt sind. Halten Sie die Kohlebürsten stets sauber, damit sie ungehindert in den Haltern gleiten können. Beide Kohlebürsten sollten gleichzeitig ausgewechselt werden. Verwenden Sie nur identische Kohlebürsten.

1. Drehen Sie die Bürstenhalterkappen mit einem Schraubendreher heraus.

2. Nehmen Sie die abgenutzten Kohlebürsten heraus, setzen Sie die neuen ein, und drehen Sie dann die Bürstenhalterkappen wieder ein.

► **Abb.57:** 1. Bürstenhalterkappe

# SONDERZUBEHÖR

**⚠ VORSICHT:** Die folgenden Zubehöriteile oder Vorrichtungen werden für den Einsatz mit dem in dieser Anleitung beschriebenen Makita-Werkzeug empfohlen. Die Verwendung anderer Zubehöriteile oder Vorrichtungen kann eine Verletzungsgefahr darstellen. Verwenden Sie Zubehöriteile oder Vorrichtungen nur für ihren vorgesehenen Zweck.

Wenn Sie weitere Einzelheiten bezüglich dieser Zubehöriteile benötigen, wenden Sie sich bitte an Ihre Makita-Kundendienststelle.

- Gerad- und Nutenfräser
- Kantenfräser
- Laminatfräser
- Geradführungsbaugruppe
- Fräsenführungsbaugruppe
- Grundplattenbaugruppe (Kunststoff)
- Winkelfräskorbbaugruppe
- Eintauch-Fräskorbbaugruppe
- Offset-Fräskorbbaugruppe
- Schablonenführung
- Spannzangenkonus
- Schraubenschlüssel
- Absaugstutzen
- Führungsschiene
- Führungsschienenadaptersatz
- Geradführung mit Mikro-Einstellung
- Seitengriff
- Griffaufsatz

**HINWEIS:** Manche Teile in der Liste können als Standardzubehör im Werkzeugsatz enthalten sein. Sie können von Land zu Land unterschiedlich sein.

## Fräser einsätze

### Geradfräser ► Abb.58

D	A	L1	L2
6	20	50	15
1/4"			
8	8	60	25
6		50	18
1/4"			
6	6	50	18
1/4"			

Einheit: mm

### U-Nutenfräser ► Abb.59

D	A	L1	L2	R
6	6	60	28	3
1/4"				

Einheit: mm

### V-Nutenfräser ► Abb.60

D	A	L1	L2	θ
1/4"	20	50	15	90°

Einheit: mm

### Bohrspitzen-Bündigfräser ► Abb.61

D	A	L1	L2	L3
8	6	60	20	35
6		60	18	28
1/4"				

Einheit: mm

### Bohrspitzen-Doppelbündigfräser ► Abb.62

D	A	L1	L2	L3	L4
8	6	80	95	20	25
6		70	40	12	14
1/4"					

Einheit: mm

### Eckenrundungsfräser ► Abb.63

D	A1	A2	L1	L2	L3	R
6	25	9	48	13	5	8
1/4"						
6	20	8	45	10	4	4
1/4"						

Einheit: mm

### Fasenfräser ► Abb.64

D	A	L1	L2	L3	θ
6	23	46	11	6	30°
6	20	50	13	5	45°
6	20	49	14	2	60°

Einheit: mm

### Hohlkehlen-Abrundfräser ► Abb.65

D	A	L1	L2	R
6	20	43	8	4
6	25	48	13	8

Einheit: mm

### Kugellager-Bündigfräser

#### ► Abb.66

D	A	L1	L2
6	10	50	20
1/4"			

Einheit: mm

### Kugellager-Eckenrundungsfräser

#### ► Abb.67

D	A1	A2	L1	L2	L3	R
6	15	8	37	7	3,5	3
6	21	8	40	10	3,5	6
1/4"	21	8	40	10	3,5	6

Einheit: mm

### Kugellager-Fasenfräser

#### ► Abb.68

D	A1	A2	L1	L2	θ
6	26	8	42	12	45°
1/4"					
6	20	8	41	11	60°

Einheit: mm

### Kugellager-Abrundfräser

#### ► Abb.69

D	A1	A2	A3	L1	L2	L3	R
6	20	12	8	40	10	5,5	4
6	26	12	8	42	12	4,5	7

Einheit: mm

### Kugellager-Hohlkehlen-Abrundfräser

#### ► Abb.70

D	A1	A2	A3	A4	L1	L2	L3	R
6	20	18	12	8	40	10	5,5	3
6	26	22	12	8	42	12	5	5

Einheit: mm

### Kugellager-Kamies-Profilfräser

#### ► Abb.71

D	A1	A2	L1	L2	L3	R1	R2
6	20	8	40	10	4,5	2,5	4,5
6	26	8	42	12	4,5	3	6

Einheit: mm

## DATI TECNICI

Modello:	RT0702C
Capacità mandrino a pinza	6 mm, 8 mm o 1/4"
Velocità a vuoto	Da 10.000 a 34.000 min <sup>-1</sup>
Altezza complessiva	210 mm
Peso netto	Da 1,8 a 2,8 kg
Classe di sicurezza	II/III

- In conseguenza del nostro programma di ricerca e sviluppo continui, i dati tecnici nel presente manuale sono soggetti a modifiche senza preavviso.
- I dati tecnici possono variare da nazione a nazione.
- Il peso può variare a seconda dell'accessorio o degli accessori. La combinazione più leggera e quella più pesante, in base alla Procedura EPTA 01/2014, sono indicate nella tabella.

### Utilizzo previsto

Questo utensile è destinato alla rifilatura a raso e alla creazione di profili di legno, plastica e materiali analoghi.

### Alimentazione

L'utensile deve essere collegato a una fonte di alimentazione con la stessa tensione indicata sulla targhetta del nome, e può funzionare solo a corrente alternata monofase. L'utensile è dotato di doppio isolamento, per cui può essere utilizzato con prese elettriche sprovviste di messa a terra.

### Rumore

Livello tipico di rumore pesato A determinato in base allo standard EN62841-2-17:

Livello di pressione sonora ( $L_{pA}$ ) : 85 dB (A)

Livello di potenza sonora ( $L_{WA}$ ) : 93 dB (A)

Incertezza (K): 3 dB (A)

**NOTA:** Il valore o i valori dichiarati delle emissioni di rumori sono stati misurati in conformità a un metodo standard di verifica, e possono essere utilizzati per confrontare un utensile con un altro.

**NOTA:** Il valore o i valori dichiarati delle emissioni di rumori possono venire utilizzati anche per una valutazione preliminare dell'esposizione.

**⚠AVVERTIMENTO:** Indossare protezioni per le orecchie.

**⚠AVVERTIMENTO:** L'emissione di rumori durante l'utilizzo effettivo dell'utensile elettrico può variare rispetto al valore o ai valori dichiarati, a seconda dei modi in cui viene utilizzato l'utensile e specialmente a seconda di che tipo di pezzo venga lavorato.

**⚠AVVERTIMENTO:** Accertarsi di identificare misure di sicurezza per la protezione dell'operatore che siano basate su una stima dell'esposizione nelle condizioni effettive di utilizzo (tenendo conto di tutte le parti del ciclo operativo, ad esempio del numero di spegnimenti dell'utensile e di quando giri a vuoto, oltre al tempo di attivazione).

### Vibrazioni

Valore totale delle vibrazioni (somma vettoriale triassiale) determinato in base allo standard EN62841-2-17:

Modalità di lavoro: rotazione senza carico

Emissione di vibrazioni ( $a_{h1}$ ) : 2,5 m/s<sup>2</sup> o inferiore

Incertezza (K): 1,5 m/s<sup>2</sup>

**NOTA:** Il valore o i valori complessivi delle vibrazioni dichiarati sono stati misurati in conformità a un metodo standard di verifica, e possono essere utilizzati per confrontare un utensile con un altro.

**NOTA:** Il valore o i valori complessivi delle vibrazioni dichiarati possono venire utilizzati anche per una valutazione preliminare dell'esposizione.

**⚠AVVERTIMENTO:** L'emissione delle vibrazioni durante l'utilizzo effettivo dell'utensile elettrico può variare rispetto al valore o ai valori dichiarati, a seconda dei modi in cui viene utilizzato l'utensile, specialmente a seconda di che tipo di pezzo venga lavorato.

**⚠AVVERTIMENTO:** Accertarsi di identificare misure di sicurezza per la protezione dell'operatore che siano basate su una stima dell'esposizione nelle condizioni effettive di utilizzo (tenendo conto di tutte le parti del ciclo operativo, ad esempio del numero di spegnimenti dell'utensile e di quando giri a vuoto, oltre al tempo di attivazione).

### Dichiarazioni di conformità

#### Solo per i paesi europei

Le Dichiarazioni di conformità sono incluse nell'Allegato A al presente manuale d'uso.

# AVVERTENZE DI SICUREZZA

## Avvertenze generali relative alla sicurezza dell'utensile elettrico

**⚠️ AVVERTIMENTO:** Leggere tutte le avvertenze di sicurezza, le istruzioni, le illustrazioni e i dati tecnici forniti con il presente utensile elettrico. La mancata osservanza di tutte le istruzioni elencate di seguito potrebbe risultare in scosse elettriche, incendi e/o gravi lesioni personali.

## Conservare tutte le avvertenze e le istruzioni come riferimento futuro.

Il termine "utensile elettrico" nelle avvertenze si riferisce sia all'utensile elettrico (cablato) nel funzionamento alimentato da rete elettrica che all'utensile elettrico (a batteria) nel funzionamento alimentato a batteria.

## Avvertenze di sicurezza relative al rifilatore

1. **Mantenere l'utensile elettrico solo per le sue superfici di impugnatura isolate, poiché la lama potrebbe entrare in contatto con il proprio cavo di alimentazione.** Il taglio di un filo elettrico sotto tensione potrebbe mettere sotto tensione le parti metalliche esposte dell'utensile elettrico e dare una scossa elettrica all'operatore.
2. **Utilizzare delle morse o altri sistemi pratici per fissare e sostenere il pezzo in lavorazione su un piano stabile.** Un pezzo in lavorazione mantenuto in mano o contro il proprio corpo resta instabile, e può portare a una perdita di controllo.
3. **Il gambo della fresa per rifilo deve corrispondere al mandrino a pinza designato.**
4. **Utilizzare esclusivamente una fresa per rifilo che abbia una velocità nominale almeno equivalente alla velocità massima indicata sull'utensile.**
5. **Indossare protezioni per l'udito durante periodi prolungati di utilizzo.**
6. **Maneggiare le frese per rifilo con estrema cautela.**
7. **Prima dell'uso, controllare con attenzione l'eventuale presenza nella fresa per rifilo di spaccature o danni. Sostituire immediatamente una fresa spaccata o danneggiata.**
8. **Evitare di tagliare chiodi. Prima dell'uso, ispezionare il pezzo in lavorazione e rimuovere tutti i chiodi.**
9. **Mantenere saldamente l'utensile.**
10. **Tenere le mani lontane dalle parti rotanti.**
11. **Prima di attivare l'interruttore, accertarsi che la fresa per rifilo non sia in contatto con il pezzo in lavorazione.**

12. **Prima di utilizzare l'utensile su un pezzo in lavorazione effettivo, lasciarlo funzionare a vuoto per un po' di tempo. Verificare l'eventuale presenza di vibrazioni od oscillazioni che potrebbero indicare una fresa installata in modo errato.**
13. **Fare attenzione alla direzione di rotazione e di avanzamento della fresa per rifilo.**
14. **Non lasciare l'utensile mentre è in funzione. Far funzionare l'utensile solo tenendo in mano.**
15. **Prima di rimuovere l'utensile dal pezzo in lavorazione, è necessario sempre spegnerlo e attendere che la fresa per rifilo si sia arrestata completamente.**
16. **Non toccare la fresa per rifilo subito dopo l'uso; la sua temperatura potrebbe essere estremamente elevata e potrebbe causare ustioni.**
17. **Non macchiare per disattenzione la base con solvente, benzina, olio o prodotti simili. Tali prodotti possono causare spaccature nella base.**
18. **Alcuni materiali contengono sostanze chimiche potenzialmente tossiche. Fare attenzione a evitare l'inalazione delle polveri e il contatto con la pelle. Attenersi ai dati sulla sicurezza del fornitore del materiale.**
19. **Utilizzare sempre la mascherina antipolvere o il respiratore corretti per il materiale e l'applicazione con cui si intende lavorare.**
20. **Posizionare l'utensile su un'area stabile. In caso contrario, si potrebbe verificare un incidente dovuto alla caduta che potrebbe causare lesioni personali.**

## CONSERVARE LE PRESENTI ISTRUZIONI.

**⚠️ AVVERTIMENTO:** NON lasciare che comodità o la familiarità d'utilizzo con il prodotto (acquisita con l'uso ripetuto) sostituisca la stretta osservanza delle norme di sicurezza per il prodotto in questione. L'USO IMPROPRIO o la mancata osservanza delle norme di sicurezza indicate nel presente manuale di istruzioni potrebbero causare gravi lesioni personali.



## DESCRIZIONE DELLE FUNZIONI

**⚠ATTENZIONE:** Accertarsi sempre che l'utensile sia spento e scollegato dall'alimentazione prima di regolare o controllare le sue funzioni.

### Regolazione della sporgenza della fresa per rifilo

Per regolare la sporgenza della fresa, aprire la leva di blocco e spostare la base verso l'alto o verso il basso a seconda delle proprie esigenze, ruotando la vite di regolazione. Dopo la regolazione, chiudere saldamente la leva di blocco per fissare la base.

► **Fig.1:** 1. Base 2. Scala 3. Sporgenza della fresa  
4. Leva di blocco 5. Vite di regolazione  
6. Dado esagonale

**NOTA:** Quando l'utensile non viene bloccato anche se la leva di blocco è chiusa, serrare il dado esagonale, quindi chiudere la leva di blocco.

### Funzionamento dell'interruttore

**⚠ATTENZIONE:** Prima di collegare l'utensile all'alimentazione elettrica, accertarsi sempre che sia spento.

Per avviare l'utensile, premere il lato I dell'interruttore. Per arrestare l'utensile, premere il lato O dell'interruttore.

► **Fig.2:** 1. Interruttore

### Funzione elettronica

L'utensile è dotato di funzioni elettroniche, per un facile utilizzo.

### Indicatore luminoso

► **Fig.3:** 1. Indicatore luminoso

L'indicatore luminoso si illumina in verde quando l'utensile è collegato alla presa elettrica. Qualora l'indicatore luminoso non si illumini, il cavo di alimentazione o il dispositivo di controllo potrebbero essere guasti. Qualora l'indicatore luminoso sia illuminato ma l'utensile non si avvia anche se viene acceso, le spazzole in carbonio potrebbero essere usurate, oppure il dispositivo di controllo, il motore o l'interruttore di accensione/spengimento potrebbero essere guasti.

### Sicura contro il riavvio accidentale

L'utensile non si avvia con il lato I dell'interruttore premuto, anche quando l'utensile viene collegato alla presa elettrica.

In questa situazione, l'indicatore luminoso lampeggia in rosso e mostra che si è attivata la sicura contro il riavvio accidentale.

Per disattivare la sicura contro il riavvio accidentale, premere il lato O dell'interruttore.

### Funzione di avvio morbido

La funzione di avvio morbido riduce al minimo l'impatto all'avvio, e fa avviare l'utensile in modo fluido.

### Controllo costante della velocità

Controllo elettronico della velocità per ottenere una velocità costante.

Possibilità di ottenere una finitura precisa, poiché la velocità di rotazione viene mantenuta costante anche in condizione di carico.

### Selettore di regolazione della velocità

**⚠AVVERTIMENTO:** Non utilizzare il selettore di regolazione della velocità durante il funzionamento. È possibile che la fresa per rifilo venga toccata dall'operatore a causa della forza di reazione. Ciò potrebbe causare lesioni personali.

**⚠ATTENZIONE:** Qualora l'utensile venga fatto funzionare in maniera continuativa a basse velocità per un periodo di tempo prolungato, il motore si sovraccarica, causando il malfunzionamento dell'utensile.

**⚠ATTENZIONE:** È possibile ruotare il selettore di regolazione della velocità solo fino a 6 e indietro fino a 1. Non forzarlo oltre 6 o 1; in caso contrario, la funzione di regolazione della velocità potrebbe non operare più.

È possibile modificare la velocità dell'utensile ruotando il selettore di regolazione della velocità su un'impostazione numerica specifica da 1 a 6.

► **Fig.4:** 1. Selettore di regolazione della velocità

Si ottiene una maggiore velocità ruotando il selettore di regolazione della velocità in direzione del numero 6. Si ottiene una minore velocità ruotandolo in direzione del numero 1.

Ciò consente la selezione della velocità ideale per una lavorazione ottimale del materiale, in quanto è possibile regolare correttamente la velocità per adattarla al materiale e al diametro della fresa.

Per il rapporto tra le impostazioni numeriche sul selettore e la velocità di rotazione approssimativa dell'utensile, fare riferimento alla tabella.

Numero	min <sup>-1</sup>
1	10.000
2	12.000
3	17.000
4	22.000
5	27.000
6	34.000

## MONTAGGIO

**⚠ATTENZIONE:** Accertarsi sempre che l'utensile sia spento e scollegato dall'alimentazione elettrica, prima di effettuare qualsiasi intervento su di esso.

### Installazione o rimozione della fresa per rifilo

**⚠ATTENZIONE:** Non serrare il dado portapinzina senza aver inserito una fresa per rifilo; in caso contrario, si causa la rottura della pinza.

**⚠ATTENZIONE:** Utilizzare esclusivamente le chiavi in dotazione con l'utensile.

È possibile installare la fresa per rifilo in due modi. Utilizzare uno dei due modi.

#### Con due chiavi

Inserire la fresa per rifilo fino in fondo nella pinza e serrare saldamente il dado portapinzina con una chiave, mentre si mantiene il collo con l'altra chiave.

► **Fig.5:** 1. Per serrare 2. Per allentare 3. Collo 4. Dado portapinzina

#### Con una sola chiave

Inserire la fresa per rifilo fino in fondo nella pinza e serrare saldamente il dado portapinzina con la chiave, mentre si tiene premuto il blocco albero.

► **Fig.6:** 1. Per serrare 2. Per allentare 3. Blocco albero 4. Dado portapinzina

Per rimuovere la fresa per rifilo, seguire la procedura di installazione al contrario.

### Sostituzione della pinza

**⚠ATTENZIONE:** Utilizzare la pinza delle dimensioni corrette per la fresa per rifilo che si intende utilizzare.

**⚠ATTENZIONE:** Non serrare il dado portapinzina senza aver installato una fresa per rifilo; in caso contrario, si potrebbe causare la rottura della pinza.

1. Allentare il dado portapinzina e rimuoverlo.
2. Sostituire la pinza installata con la pinza desiderata.
3. Reinstallare il dado portapinzina.

► **Fig.7:** 1. Pinza 2. Dado portapinzina

## FUNZIONAMENTO

**⚠ATTENZIONE:** Mantenere sempre saldamente l'utensile con una mano sull'alloggiamento. Non toccare la parte metallica.

### Per la base

**⚠AVVERTIMENTO:** Prima di utilizzare l'utensile con la base, installare sempre la bocchetta polveri sulla base.

► **Fig.8:** 1. Bocchetta polveri 2. Vite a testa zigrinata 3. Base

1. Sistemare la base sul pezzo in lavorazione da tagliare, evitando che la fresa per rifilo entri in contatto con il pezzo.
2. Accendere l'utensile e attendere che la fresa per rifilo raggiunga la piena velocità.
3. Spostare l'utensile in avanti sulla superficie del pezzo in lavorazione, mantenendo la base a filo e avanzando in modo uniforme fino al completamento del taglio.

► **Fig.9**

Quando si intende tagliare bordi, la superficie del pezzo in lavorazione deve trovarsi sul lato sinistro della fresa per rifilo nella direzione di avanzamento.

► **Fig.10:** 1. Pezzo in lavorazione 2. Direzione di rotazione della fresa 3. Vista dall'alto dell'utensile 4. Direzione di avanzamento

Quando si intende utilizzare la guida di allineamento o la guida di rifilatura, accertarsi di tenerla sul lato destro nella direzione di avanzamento. Questo aiuta a mantenerla a filo con il lato del pezzo in lavorazione.

► **Fig.11:** 1. Direzione di avanzamento 2. Direzione di rotazione della fresa 3. Pezzo in lavorazione 4. Guida di allineamento

**NOTA:** Qualora si faccia avanzare l'utensile troppo velocemente, si potrebbe causare una qualità scadente del taglio, oppure danneggiare la fresa per rifilo o il motore. Qualora si faccia avanzare l'utensile troppo lentamente, si potrebbe bruciare e rovinare il taglio. La velocità di avanzamento corretto dipende dalle dimensioni della fresa per rifilo, dal tipo di pezzo in lavorazione e dalla profondità di taglio. Prima di iniziare il taglio sul pezzo in lavorazione effettivo, è consigliabile effettuare un taglio di prova su un pezzo di legno di scarto. Questa operazione consente di mostrare esattamente l'aspetto che avrà il taglio, nonché di controllare le dimensioni.

**⚠ATTENZIONE:** Poiché un taglio eccessivo potrebbe causare il sovraccarico del motore o difficoltà nel controllare l'utensile, la profondità di taglio non deve essere superiore a 3 mm per passaggio, quando si intende tagliare scanalature. Quando si desidera tagliare scanalature di profondità superiore a 3 mm, effettuare svariati passaggi con impostazioni progressivamente più profonde della fresa.

## Base (in resina)

### Accessorio opzionale

È anche possibile utilizzare la base (in resina) come accessorio opzionale, come indicato nella figura.

► **Fig.12:** 1. Vite di fissaggio

Posizionare l'utensile sulla base (in resina) e serrare la vite di fissaggio alla sporgenza desiderata della fresa per rifilo.

Per le procedure di utilizzo, fare riferimento alle istruzioni per l'uso della base.

## Guida per sagome

### Accessorio opzionale

La guida per sagome è dotata di un manicotto attraverso il quale passa la fresa per rifilo, per consentire l'utilizzo del rifilatore con motivi su sagome.

► **Fig.13**

1. Allentare le viti e rimuovere la protezione della base.

► **Fig.14:** 1. Protezione della base 2. Viti

2. Posizionare la guida per sagome sulla base, quindi riapplicare la protezione della base. Quindi, fissare la protezione della base serrando le viti.

3. Fissare la sagoma al pezzo in lavorazione. Posizionare l'utensile sulla sagoma e spostarlo insieme alla guida per sagome, scivolando lungo il fianco della sagoma.

► **Fig.15:** 1. Fresa per rifilo 2. Base 3. Protezione della base 4. Sagoma 5. Pezzo in lavorazione 6. Guida per sagome

**NOTA:** Il pezzo in lavorazione viene tagliato con una dimensione leggermente diversa rispetto alla sagoma. Considerare una distanza (X) tra la fresa per rifilo e la parte esterna della guida per sagome. La distanza (X) può venire calcolata utilizzando l'equazione seguente:

**Distanza (X) = (diametro esterno della guida per sagome - diametro della fresa per rifilo) / 2**

## Guida di allineamento

### Accessorio opzionale

È possibile utilizzare la guida di allineamento in modo efficace per ottenere tagli diritti durante la smussatura o la scanalatura.

► **Fig.16**

1. Montare la piastra guida sulla guida di allineamento con il bullone e il dado ad alette.

► **Fig.17:** 1. Bullone 2. Piastra guida 3. Guida di allineamento 4. Dado ad alette

2. Montare il gruppo guida di allineamento con la vite di fissaggio.

► **Fig.18:** 1. Vite di fissaggio 2. Guida di allineamento 3. Dado ad alette 4. Base

3. Allentare il dado ad alette sul gruppo guida di allineamento e regolare la distanza tra la fresa per rifilo e la guida di allineamento. Alla distanza desiderata, serrare saldamente il dado ad alette.

4. Durante il taglio, spostare l'utensile con la guida di allineamento a filo con il lato del pezzo in lavorazione.

Qualora la distanza tra il fianco del pezzo in lavorazione e la posizione di taglio sia troppo ampia per la guida di allineamento, o qualora il fianco del pezzo in lavorazione non sia diritto, non è possibile utilizzare la guida di allineamento. In questo caso, fissare con una morsa una tavola dritta sul pezzo in lavorazione e utilizzarla come guida contro la base del rifilatore. Fare avanzare l'utensile nella direzione indicata dalla freccia.

► **Fig.19**

## Lavoro circolare

È possibile effettuare un lavoro circolare se si montano la guida di allineamento e la piastra guida, come indicato nelle figure.

I raggi minimo e massimo dei cerchi da tagliare (la distanza tra il centro del cerchio e il centro della fresa per rifilo) sono i seguenti:

Min.: 70 mm

Max.: 221 mm

**Per tagliare cerchi con raggio compreso tra 70 mm e 121 mm**

► **Fig.20:** 1. Dado ad alette 2. Piastra guida 3. Guida di allineamento 4. Foro centrale 5. Bullone

**Per tagliare cerchi con raggio compreso tra 121 mm e 221 mm**

► **Fig.21:** 1. Dado ad alette 2. Piastra guida 3. Guida di allineamento 4. Foro centrale 5. Bullone

**NOTA:** Non è possibile tagliare cerchi con raggio compreso tra 172 mm e 186 mm utilizzando questa guida.

1. Allineare il foro centrale nella guida di allineamento con il centro del cerchio da tagliare.

► **Fig.22:** 1. Chiodo 2. Foro centrale 3. Guida di allineamento

2. Piantare un chiodo di diametro inferiore a 6 mm nel foro centrale per fissare la guida di allineamento.

3. Far ruotare l'utensile intorno al chiodo in senso orario.

## Guida di rifilatura

### Accessorio opzionale

Con la guida di rifilatura, è possibile realizzare facilmente rifilature, tagli curvi in impiallacciature per mobili e lavori simili. Il rullo della guida percorre la curva e assicura un taglio preciso.

► **Fig.23**

1. Installare la guida di rifilatura e il supporto della guida sulla base con la vite di fissaggio (A).

2. Allentare la vite di fissaggio (B) e regolare la distanza tra la fresa per rifilo e la guida di rifilatura ruotando la vite di regolazione (1 mm per giro). Alla distanza desiderata, serrare la vite di fissaggio (B) per fissare la guida di rifilatura in sede.

► **Fig.24:** 1. Vite di regolazione 2. Supporto della guida 3. Guida di rifilatura

3. Durante il taglio, spostare l'utensile con il rullo della guida che percorre il fianco del pezzo in lavorazione.

► **Fig.25:** 1. Pezzo in lavorazione 2. Fresa per rifilo 3. Rullo della guida

## Base inclinata

### Accessorio opzionale

La base inclinata va utilizzata per la rifilatura del bordo di fogli di laminati o materiali analoghi.

La base inclinata è comoda per la smussatura.

1. Collocare l'utensile sulla base inclinata, allentare le viti di fissaggio e inclinare l'utensile all'angolazione desiderata.
2. Chiudere la leva di blocco alla sporgenza desiderata della fresa per rifilo, quindi serrare le viti di fissaggio all'angolazione desiderata.
3. Fissare saldamente con una morsa una tavola diritta sul pezzo in lavorazione e utilizzarla come guida contro la base inclinata. Fare avanzare l'utensile nella direzione indicata dalla freccia.

► **Fig.26:** 1. Viti di fissaggio 2. Leva di blocco

## Uso della protezione della base inclinata con la base

È possibile montare sulla base la protezione della base inclinata (quadrata) rimossa da quest'ultima. È possibile modificare la forma della protezione della base da circolare a quadrata.

1. Rimuovere la protezione della base inclinata dalla base inclinata allentando e rimuovendo le quattro viti.
2. Montare la protezione della base inclinata sulla base.

► **Fig.27:** 1. Protezione della base inclinata 2. Vite

## Base decentrata

### Accessorio opzionale

La base decentrata va utilizzata per la rifilatura del bordo di fogli di laminati o materiali analoghi.

La base decentrata è comoda per lavorare in aree strette.

► **Fig.28**

## Uso dell'utensile con la base decentrata

1. Prima di installare l'utensile sulla base decentrata, rimuovere il dado portapinza e la pinza allentando il dado portapinza.

► **Fig.29:** 1. Puleggia 2. Dado portapinza 3. Pinza

2. Installare la puleggia sull'utensile premendo il blocco albero e serrando saldamente la puleggia con una chiave.

► **Fig.30:** 1. Chiave 2. Puleggia 3. Blocco albero

3. Posizionare la pinza e avvitare il dado portapinza sulla base decentrata, come indicato nella figura.

► **Fig.31:** 1. Dado portapinza 2. Pinza

4. Montare la base decentrata sull'utensile.

► **Fig.32**

5. Agganciare la cinghia sulla puleggia utilizzando un cacciavite, e accertarsi che l'intera larghezza della cinghia ricopra completamente la puleggia.

► **Fig.33:** 1. Puleggia 2. Cinghia

6. Chiudere la leva di blocco.

► **Fig.34:** 1. Leva di blocco

7. Installare la fresa per rifilo nel modo seguente.

Appoggiare orizzontalmente l'utensile con la base decentrata. Inserire la chiave esagonale nel foro presente nella base decentrata.

Mantenendo la chiave esagonale nella posizione indicata nella figura, inserire la fresa per rifilo nella pinza sull'albero della base decentrata dal lato opposto, quindi serrare il dado portapinza saldamente con una chiave.

► **Fig.35:** 1. Chiave 2. Chiave esagonale 3. Fresa per rifilo

8. Per rimuovere la fresa per rifilo, seguire la procedura di installazione al contrario.

## Uso della base con la piastra della base decentrata e l'accessorio impugnatura

È anche possibile utilizzare la base decentrata con una base e un accessorio impugnatura (accessorio opzionale), per una maggiore stabilità.

► **Fig.36**

1. Allentare le viti e rimuovere la sezione superiore della base decentrata.

► **Fig.37:** 1. Viti 2. Piastra della base decentrata 3. Sezione superiore della base decentrata

2. Montare la piastra della base decentrata con quattro viti e l'accessorio impugnatura con due viti sulla piastra della base decentrata. Avvitare un'impugnatura a barra (accessorio opzionale) sull'accessorio impugnatura. In un altro modo di utilizzo, è possibile installare sull'accessorio impugnatura l'impugnatura a manopola rimossa da una base ad affondamento (accessorio opzionale). Per installare l'impugnatura a manopola, sistemarla sull'accessorio impugnatura e fissarla con una vite.

### Con impugnatura a barra

► **Fig.38:** 1. Impugnatura a barra 2. Accessorio impugnatura 3. Piastra della base decentrata

### Con impugnatura a manopola

► **Fig.39:** 1. Vite 2. Impugnatura a manopola 3. Accessorio impugnatura

## Uso dell'utensile con la base ad affondamento

### Accessorio opzionale

**ATTENZIONE:** Mantenere saldamente l'utensile con entrambe le mani, quando lo si utilizza come fresatrice verticale.

1. Per utilizzare l'utensile come fresatrice verticale, installarlo su una base ad affondamento (accessorio opzionale) premendolo verso il basso fino in fondo. È possibile utilizzare sia l'impugnatura a manopola che l'impugnatura a barra (accessorio opzionale) a seconda del lavoro da eseguire.

► **Fig.40:** 1. Base ad affondamento 2. Impugnatura a barra

2. Per utilizzare l'impugnatura a barra (accessorio opzionale), allentare le vite e rimuovere l'impugnatura a manopola.

► **Fig.41:** 1. Vite 2. Impugnatura a manopola

3. Avvitare l'impugnatura a barra sulla base.

► **Fig.42:** 1. Impugnatura a barra

## Regolazione della profondità di taglio quando si utilizza la base ad affondamento (accessorio opzionale)

**ATTENZIONE:** Mantenere sempre saldamente l'utensile mediante entrambe le impugnature durante l'uso.

► **Fig.43:** 1. Manopola di regolazione 2. Leva di blocco 3. Indice di profondità 4. Dado di impostazione dell'asta di fermo 5. Pulsante di avanzamento rapido 6. Asta di fermo 7. Gruppo del fermo 8. Bullone esagonale di regolazione

1. Posizionare l'utensile su una superficie piana. Allentare la leva di blocco e abbassare il corpo dell'utensile fino a quando la fresa per rifilo sfiora appena la superficie piana. Serrare la leva di blocco per bloccare il corpo dell'utensile.

2. Ruotare il dado di impostazione dell'asta di fermo in senso antiorario. Abbassare l'asta di fermo fino a quando entra in contatto con il bullone esagonale di regolazione. Allineare l'indice di profondità con la graduazione "0". La profondità di taglio viene indicata sulla scala dall'indice di profondità.

3. Tenendo premuto il pulsante di avanzamento rapido, sollevare l'asta di fermo fino a ottenere la profondità di taglio desiderata. È possibile ottenere regolazioni precise della profondità ruotando la manopola di regolazione (1 mm per giro).

4. Ruotando il dado di impostazione dell'asta di fermo in senso orario, è possibile serrare saldamente l'asta di fermo.

5. Ora, è possibile ottenere la profondità di taglio pre-stabilita allentando la leva di blocco e quindi abbassando il corpo dell'utensile fino a quando l'asta di fermo entra in contatto con il bullone di regolazione del gruppo del fermo.

6. Sistemare la base sul pezzo in lavorazione da tagliare, evitando che la fresa per rifilo entri in contatto con il pezzo.

7. Accendere l'utensile e attendere che la fresa per rifilo raggiunga la piena velocità.

8. Abbassare il corpo dell'utensile e spostare quest'ultimo in avanti sulla superficie del pezzo in lavorazione, mantenendo la base a filo e avanzando in modo uniforme fino al completamento del taglio.

Quando si intende tagliare bordi, la superficie del pezzo in lavorazione deve trovarsi sul lato sinistro della fresa per rifilo nella direzione di avanzamento.

► **Fig.44:** 1. Pezzo in lavorazione 2. Direzione di rotazione della fresa 3. Vista dall'alto dell'utensile 4. Direzione di avanzamento

Quando si intende utilizzare la guida di allineamento o la guida di rifilatura, accertarsi di tenerla sul lato destro nella direzione di avanzamento. Questo aiuta a mantenerla a filo con il lato del pezzo in lavorazione.

► **Fig.45:** 1. Direzione di avanzamento 2. Direzione di rotazione della fresa 3. Pezzo in lavorazione 4. Guida di allineamento

**NOTA:** Qualora si faccia avanzare l'utensile troppo velocemente, si potrebbe causare una qualità scadente del taglio, oppure danneggiare la fresa per rifilo o il motore. Qualora si faccia avanzare l'utensile troppo lentamente, si potrebbe bruciare e rovinare il taglio. La velocità di avanzamento corretto dipende dalle dimensioni della fresa, dal tipo di pezzo in lavorazione e dalla profondità di taglio. Prima di iniziare il taglio sul pezzo in lavorazione effettivo, è consigliabile effettuare un taglio di prova su un pezzo di legno di scarto. Questa operazione consente di mostrare esattamente l'aspetto che avrà il taglio, nonché di controllare le dimensioni.

## Guida di allineamento per il supporto della guida

### Accessorio opzionale

È possibile utilizzare la guida di allineamento in modo efficace per ottenere tagli dritti durante la smussatura o la scanalatura.

► **Fig.46:** 1. Bullone 2. Supporto della guida 3. Dado ad alette (A) 4. Bullone 5. Dado ad alette (B) 6. Piastra guida 7. Guida di allineamento 8. Bulloni ad alette

1. Installare il gruppo guida di allineamento sul supporto della guida (accessorio opzionale) con il bullone e il dado ad alette (A).

2. Inserire il supporto della guida nei fori presenti nella base ad affondamento e serrare i bulloni ad alette.

3. Per regolare la distanza tra la fresa per rifilo e la guida di allineamento, allentare il dado ad alette (B). Alla distanza desiderata, serrare il dado ad alette (B) per fissare la guida di allineamento in sede.

## Guida di allineamento

### Accessorio opzionale

È possibile utilizzare la guida di allineamento in modo efficace per ottenere tagli dritti durante la smussatura o la scanalatura.

► **Fig.47**

1. Inserire le barre guida nei fori presenti nella base ad affondamento.

► **Fig.48:** 1. Barra guida 2. Dado ad alette 3. Guida di allineamento

2. Regolare la distanza tra la fresa per rifilo e la guida di allineamento. Alla distanza desiderata, serrare il dado ad alette per fissare la guida di allineamento in sede.

3. Durante il taglio, spostare l'utensile con la guida di allineamento a filo con il lato del pezzo in lavorazione.

Qualora la distanza tra il fianco del pezzo in lavorazione e la posizione di taglio sia troppo ampia per la guida di allineamento, o qualora il fianco del pezzo in lavorazione non sia diritto, non è possibile utilizzare la guida di allineamento. In questo caso, fissare saldamente con una morsa una tavola dritta sul pezzo in lavorazione e utilizzarla come guida contro la base della fresatrice verticale. Fare avanzare l'utensile nella direzione indicata dalla freccia.

► **Fig.49**

## Guida per sagome

### Accessorio opzionale

La guida per sagome è dotata di un manicotto attraverso il quale passa la fresa per rifilo, per consentire l'utilizzo del rifilatore con motivi su sagome.

► Fig.50

1. Allentare le viti sulla base dell'utensile, inserire la guida per sagome, quindi serrare le viti.

► Fig.51: 1. Vite 2. Base 3. Guida per sagome

2. Fissare la sagoma al pezzo in lavorazione. Posizionare l'utensile sulla sagoma e spostarlo insieme alla guida per sagome, scivolando lungo il fianco della sagoma.

► Fig.52: 1. Fresa per rifilo 2. Base 3. Protezione della base 4. Sagoma 5. Pezzo in lavorazione 6. Guida per sagome

**NOTA:** Il pezzo in lavorazione viene tagliato con una dimensione leggermente diversa rispetto alla sagoma. Considerare una distanza (X) tra la fresa per rifilo e la parte esterna della guida per sagome. La distanza (X) può venire calcolata utilizzando l'equazione seguente:

**Distanza (X) = (diametro esterno della guida per sagome - diametro della fresa per rifilo) / 2**

## Kit di bocchette polveri

Per l'estrazione delle polveri, utilizzare la bocchetta polveri.

### Per la base

Installare la bocchetta polveri sulla base dell'utensile utilizzando la vite a testa zigrinata.

► Fig.53: 1. Bocchetta polveri 2. Vite a testa zigrinata 3. Base

### Per la base ad affondamento

#### Accessorio opzionale

1. Installare la bocchetta polveri sulla base ad affondamento utilizzando la vite a testa zigrinata, in modo che la parte sporgente sulla bocchetta polveri si inserisca nella tacca presente sulla base ad affondamento.

► Fig.54: 1. Bocchetta polveri 2. Vite a testa zigrinata 3. Base ad affondamento

2. Collegare un aspirapolvere alla bocchetta polveri.

► Fig.55

## MANUTENZIONE

**ATTENZIONE:** Accertarsi sempre che l'utensile sia spento e scollegato dall'alimentazione elettrica, prima di tentare di eseguire interventi di ispezione o manutenzione.

**AVVISO:** Non utilizzare mai benzina, benzene, solventi, alcol o altre sostanze simili. In caso contrario, si potrebbero causare scolorimenti, deformazioni o crepe.

Per preservare la SICUREZZA e l'AFFIDABILITÀ del prodotto, le riparazioni e qualsiasi altro intervento di manutenzione e di regolazione devono essere eseguiti da un centro di assistenza autorizzato Makita, utilizzando sempre ricambi Makita.

## Sostituzione delle spazzole in carbonio

► Fig.56: 1. Indicatore di limite

Controllare a intervalli regolari le spazzole in carbonio. Sostituirle quando si sono usurate fino all'indicatore di limite. Mantenere sempre le spazzole in carbonio pulite e facili da inserire negli alloggiamenti. Entrambe le spazzole in carbonio vanno sostituite contemporaneamente. Utilizzare solo spazzole in carbonio identiche.

1. Utilizzare un cacciavite per rimuovere i cappucci degli alloggiamenti delle spazzole.

2. Estrarre le spazzole in carbonio consumate, inserire quelle nuove e fissare i cappucci degli alloggiamenti delle spazzole.

► Fig.57: 1. Cappuccio dell'alloggiamento della spazzola

## ACCESSORI OPZIONALI

**ATTENZIONE:** Questi accessori o componenti aggiuntivi sono consigliati per l'uso con l'utensile Makita specificato nel presente manuale. L'impiego di altri accessori o componenti aggiuntivi può costituire un rischio di lesioni alle persone. Utilizzare gli accessori o i componenti aggiuntivi solo per il loro scopo prefissato.

Per ottenere ulteriori dettagli relativamente a questi accessori, rivolgersi a un centro di assistenza Makita.

- Frese per tagli diritti e per creare scanalature
- Frese per creare bordi
- Frese per rifilatura di laminati
- Gruppo guida di allineamento
- Gruppo guida di rifilatura
- Gruppo base (in resina)
- Gruppo base inclinata
- Gruppo base ad affondamento
- Gruppo base decentrata
- Guida per sagome
- Pinza

- Chiave
- Bocchetta polveri
- Binario guida
- Kit adattatore per binario guida
- Guida di allineamento con microregolazione
- Impugnatura laterale
- Accessorio impugnatura

**NOTA:** Alcuni articoli nell'elenco potrebbero essere inclusi nell'imballaggio dell'utensile come accessori standard. Tali articoli potrebbero variare da nazione a nazione.

## Frese per rifilo

### Fresa dritta

#### ► Fig.58

D	A	L1	L2
6	20	50	15
1/4"			
8	8	60	25
6		50	18
1/4"			
6	6	50	18
1/4"			

Unità: mm

### Fresa per scanalatura a "U"

#### ► Fig.59

D	A	L1	L2	R
6	6	60	28	3
1/4"				

Unità: mm

### Fresa per scanalatura a "V"

#### ► Fig.60

D	A	L1	L2	θ
1/4"	20	50	15	90°

Unità: mm

### Fresa rifratrice a raso con punta da trapano

#### ► Fig.61

D	A	L1	L2	L3
8	8	60	20	35
6	6	60	18	28
1/4"				

Unità: mm

### Fresa rifratrice a raso doppia con punta da trapano

#### ► Fig.62

D	A	L1	L2	L3	L4
8	8	80	95	20	25
6	6	70	40	12	14
1/4"					

Unità: mm

### Fresa per arrotondare gli angoli

#### ► Fig.63

D	A1	A2	L1	L2	L3	R
6	25	9	48	13	5	8
1/4"						
6	20	8	45	10	4	4
1/4"						

Unità: mm

### Fresa per smussatura

#### ► Fig.64

D	A	L1	L2	L3	θ
6	23	46	11	6	30°
6	20	50	13	5	45°
6	20	49	14	2	60°

Unità: mm

### Fresa per modanatura concava

#### ► Fig.65

D	A	L1	L2	R
6	20	43	8	4
6	25	48	13	8

Unità: mm

### Fresa rifratrice a raso con cuscinetto a sfere

#### ► Fig.66

D	A	L1	L2
6	10	50	20
1/4"			

Unità: mm

### Fresa per arrotondare gli angoli con cuscinetto a sfere

#### ► Fig.67

D	A1	A2	L1	L2	L3	R
6	15	8	37	7	3,5	3
6	21	8	40	10	3,5	6
1/4"	21	8	40	10	3,5	6

Unità: mm

**Fresa per smussatura con cuscinetto a sfere**

► Fig.68

D	A1	A2	L1	L2	θ
6	26	8	42	12	45°
1/4"					
6	20	8	41	11	60°

Unità: mm

**Fresa per modanatura con cuscinetto a sfere**

► Fig.69

D	A1	A2	A3	L1	L2	L3	R
6	20	12	8	40	10	5,5	4
6	26	12	8	42	12	4,5	7

Unità: mm

**Fresa per modanatura concava con cuscinetto a sfere**

► Fig.70

D	A1	A2	A3	A4	L1	L2	L3	R
6	20	18	12	8	40	10	5,5	3
6	26	22	12	8	42	12	5	5

Unità: mm

**Fresa per modanatura a S con cuscinetto a sfere**

► Fig.71

D	A1	A2	L1	L2	L3	R1	R2
6	20	8	40	10	4,5	2,5	4,5
6	26	8	42	12	4,5	3	6

Unità: mm



## TECHNISCHE GEGEVENS

Model:	RT0702C
Capaciteit van spankop	6 mm, 8 mm of 1/4"
Nullasttoerental	10.000 - 34.000 min <sup>-1</sup>
Totale hoogte	210 mm
Nettogewicht	1,8 - 2,8 kg
Veiligheidsklasse	II/III

- In verband met ononderbroken research en ontwikkeling behouden wij ons het recht voor bovenstaande technische gegevens te wijzigen zonder voorafgaande kennisgeving.
- De technische gegevens kunnen van land tot land verschillen.
- Het gewicht kan verschillen afhankelijk van de hulpstukken. De lichtste en zwaarste combinatie, volgens EPTA-procedure 01/2014, worden vermeld in de tabel.

### Gebruiksdoeleinden

Het gereedschap is bedoeld voor het afkantrimmen en profileren van hout, kunststof en soortgelijke materialen.

### Voeding

Het gereedschap mag alleen worden aangesloten op een voeding van dezelfde spanning als aangegeven op het typeplaatje, en kan alleen worden gebruikt op enkelfase-wisselstroom. Het gereedschap is dubbel-geïsoleerd en kan derhalve ook op een niet-geaard stopcontact worden aangesloten.

### Geluidsniveau

De typische, A-gewogen geluidsniveaus zijn gemeten volgens EN62841-2-17:

Geluidsdruk niveau ( $L_{pA}$ ): 85 dB (A)

Geluidsvermogen niveau ( $L_{WA}$ ): 93 dB (A)

Onzekerheid (K): 3 dB (A)

**OPMERKING:** De opgegeven geluidsemissiewaarde(n) is/zijn gemeten volgens een standaardtestmethode en kan/kunnen worden gebruikt om dit gereedschap te vergelijken met andere gereedschappen.

**OPMERKING:** De opgegeven geluidsemissiewaarde(n) kan/kunnen ook worden gebruikt voor een beoordeling vooraf van de blootstelling.

**⚠ WAARSCHUWING:** Draag gehoorbescherming.

**⚠ WAARSCHUWING:** De geluidsemissie tijdens het gebruik van het elektrisch gereedschap in de praktijk kan verschillen van de opgegeven waarde(n) afhankelijk van de manier waarop het gereedschap wordt gebruikt, met name van het soort werkstuk waarmee wordt gewerkt.

**⚠ WAARSCHUWING:** Zorg ervoor dat veiligheidsmaatregelen worden getroffen ter bescherming van de gebruiker die zijn gebaseerd op een schatting van de blootstelling onder praktijkomstandigheden (rekening houdend met alle fasen van de bedrijfscyclus, zoals de tijdsduur gedurende welke het gereedschap is uitgeschakeld en stationair draait, naast de ingeschakelde tijdsduur).

### Trilling

De totale trillingswaarde (triaxiale vectorsom) zoals vastgesteld volgens EN62841-2-17:

Gebruikstoepassing: onbelast draaien

Trillingsemissie ( $a_{h1}$ ): 2,5 m/s<sup>2</sup> of lager

Onzekerheid (K): 1,5 m/s<sup>2</sup>

**OPMERKING:** De totale trillingswaarde(n) is/zijn gemeten volgens een standaardtestmethode en kan/kunnen worden gebruikt om dit gereedschap te vergelijken met andere gereedschappen.

**OPMERKING:** De opgegeven totale trillingswaarde(n) kan/kunnen ook worden gebruikt voor een beoordeling vooraf van de blootstelling.

**⚠ WAARSCHUWING:** De trillingsemissie tijdens het gebruik van het elektrisch gereedschap in de praktijk kan verschillen van de opgegeven waarde(n) afhankelijk van de manier waarop het gereedschap wordt gebruikt, met name van het soort werkstuk waarmee wordt gewerkt.

**⚠ WAARSCHUWING:** Zorg ervoor dat veiligheidsmaatregelen worden getroffen ter bescherming van de gebruiker die zijn gebaseerd op een schatting van de blootstelling onder praktijkomstandigheden (rekening houdend met alle fasen van de bedrijfscyclus, zoals de tijdsduur gedurende welke het gereedschap is uitgeschakeld en stationair draait, naast de ingeschakelde tijdsduur).

### Verklaringen van conformiteit

*Alleen voor Europese landen*

De verklaringen van conformiteit zijn bijgevoegd in Bijlage A bij deze gebruiksaanwijzing.

# VEILIGHEIDSWAARSCHUWINGEN

## Algemene veiligheidswaarschuwingen voor elektrisch gereedschap

**⚠ WAARSCHUWING:** Lees alle veiligheids-  
waarschuwingen, aanwijzingen, afbeeldingen en  
technische gegevens behorend bij dit elektrische  
gereedschap aandachtig door. Als u niet alle onder-  
staande aanwijzingen naleeft, kan dat resulteren in  
brand, elektrische schokken en/of ernstig letsel.

## Bewaar alle waarschuwingen en instructies om in de toekomst te kunnen raadplegen.

De term "elektrisch gereedschap" in de veiligheidsvoor-  
schriften duidt op gereedschappen die op stroom van  
het lichtnet werken (met snoer) of gereedschappen met  
een accu (snoerloos).

## Veiligheidswaarschuwingen specifiek voor een kantenfrees

1. **Houd het elektrisch gereedschap alleen vast bij het geïsoleerde oppervlak omdat het snijgarnituur met zijn eigen snoer in aanraking kan komen.** Wanneer onder spanning staande draden worden geraakt, zullen de niet-geïsoleerde metalen delen van het gereedschap onder spanning komen te staan zodat de gebruiker een elektrische schok kan krijgen.
2. **Gebruik klemmen of andere bevestigingsmiddelen om het werkstuk op een stabiel platform te bevestigen en te ondersteunen.** Als u het werkstuk in uw hand of tegen uw lichaam geklemd houdt, is het onvoldoende stabiel en kunt u de controle erover verliezen.
3. **De schacht van het kantenfreesbit moet overeenkomen met de aanwezige spankop.**
4. **Gebruik uitsluitend een kantenfreesbit met een nominaal toerental dat minstens gelijk is aan het maximumtoerental vermeld op het gereedschap.**
5. **Draag gehoorbescherming tijdens langdurig gebruik.**
6. **Behandel de kantenfreesbits zeer voorzichtig.**
7. **Controleer het kantenfreesbit vóór gebruik nauwkeurig op barsten of beschadigingen.** Vervang een gebarsten of beschadigd bit onmiddellijk.
8. **Voorkom dat u spijkers raakt.** Inspecteer het werkstuk op spijkers en verwijder deze zo nodig voordat u ermee begint te werken.
9. **Houd het gereedschap stevig vast.**
10. **Houd uw handen uit de buurt van draaiende delen.**
11. **Zorg ervoor dat het kantenfreesbit het werkstuk niet raakt voordat u het gereedschap hebt ingeschakeld.**

12. **Laat het gereedschap een tijdje draaien voordat u het op het werkstuk gebruikt.** Controleer op trillingen of schommelingen die op een verkeerd gemonteerd bit kunnen wijzen.
13. **Let goed op de draairichting van het kantenfreesbit en de voortgangsrichting.**
14. **Laat het gereedschap niet onnodig ingeschakeld.** Bedien het gereedschap alleen terwijl u het vasthoudt.
15. **Schakel het gereedschap uit en wacht altijd tot het kantenfreesbit volledig tot stilstand is gekomen voordat u het gereedschap uit het werkstuk verwijdert.**
16. **Raak het kantenfreesbit niet onmiddellijk na gebruik aan.** Het kan bijzonder heet zijn en brandwonden op uw huid veroorzaken.
17. **Smeer niet zonder na te denken thinner, benzine, olie en dergelijke op de voet van het gereedschap.** Deze middelen kunnen scheuren in de voet van het gereedschap veroorzaken.
18. **Sommige materialen bevatten chemische stoffen die giftig kunnen zijn.** Wees voorzichtig dat u geen stof inademt en het stof niet op uw huid komt. Volg de veiligheidsinstructies van de leverancier van het materiaal op.
19. **Draag altijd een stofmasker/ademhalingsapparaat dat geschikt is voor het materiaal en de toepassing waarmee u werkt.**
20. **Plaats het gereedschap op een stabiele plek.** Anders kan het gereedschap per ongeluk vallen en letsel veroorzaken.

## BEWAAR DEZE INSTRUCTIES.

**⚠ WAARSCHUWING:** Laat u NIET misleiden door een vals gevoel van comfort en bekendheid met het gereedschap (na veelvuldig gebruik) en neem alle veiligheidsvoorschriften van het betreffende gereedschap altijd strikt in acht. **VERKEERD GEBRUIK** of het niet naleven van de veiligheidsvoorschriften in deze gebruiksaanwijzing kan leiden tot ernstig persoonlijk letsel.

# BESCHRIJVING VAN DE FUNCTIES

**⚠ LET OP:** Controleer altijd of het gereedschap is uitgeschakeld en de stekker ervan uit het stopcontact is verwijderd alvorens de functies op het gereedschap te controleren of af te stellen.

## Het uitstekende deel van het kantenfreesbit afstellen

Om het uitstekende deel van het bit af te stellen, opent u de vergrendelhendel en beweegt u de voet naar wens omhoog of omlaag door de stelschroef te draaien. Sluit na het afstellen de vergrendelhendel stevig om de voet vast te zetten.

- **Fig.1:** 1. Voet van het gereedschap  
2. Schaalverdeling 3. Uitstekend deel van het bit 4. Vergrendelhendel 5. Stelschroef  
6. Zeskantmoer

**OPMERKING:** Als het gereedschap niet vergrendeld is, ondanks dat de vergrendelhendel is gesloten, draait u de zeskantmoer vast en sluit u daarna de vergrendelhendel.

## In- en uitschakelen

**⚠ LET OP:** Zorg er voor dat het gereedschap is uitgeschakeld, voordat u de stekker in het stopcontact steekt.

Om het gereedschap te starten, drukt u op de zijde I van de schakelaar. Om het gereedschap te stoppen, drukt u op de zijde O van de schakelaar.

- **Fig.2:** 1. Schakelaar

## Elektronische functies

Het gereedschap is uitgerust met elektronische functies voor een eenvoudige bediening.

### Indicatorlampje

- **Fig.3:** 1. Indicatorlampje

Het indicatorlampje brandt groen wanneer de stekker van het gereedschap in het stopcontact zit. Als het indicatorlampje niet brandt, kan het netsnoer of de regelaar stuk zijn. Als het indicatorlampje brandt, maar het gereedschap niet start ondanks dat het gereedschap ingeschakeld is, kunnen de koolborstels versleten zijn, of kan de regelaar, de motor of de aan-uitschakelaar kapot zijn.

### Beveiliging tegen onbedoeld inschakelen

Het gereedschap kan niet worden ingeschakeld terwijl op de zijde I van de schakelaar wordt gedrukt, ondanks dat de stekker van het gereedschap in het stopcontact is gestoken.

Op dat moment knippert het indicatorlampje rood en geeft aan dat de beveiligingsfunctie tegen onbedoeld herstarten in werking is getreden.

Om de beveiliging tegen onbedoeld inschakelen te annuleren, drukt u op de zijde O van de schakelaar.

## Zachte-startfunctie

De functie zachte-start minimaliseert de startschok en laat het gereedschap geleidelijk opstarten.

## Constant-toerentalregeling

Elektronische toerentalregeling voor het aanhouden van een constant toerental.

Maakt een gladde afwerking mogelijk omdat het toerental constant wordt gehouden, zelfs bij belasting.

## Toerentalregelaar

**⚠ WAARSCHUWING:** Gebruik de toerentalregelaar niet tijdens bedrijf. Als gevolg van de reactiekracht zou de gebruiker het kantenfreesbit kunnen aanraken. Dit kan leiden tot persoonlijk letsel.

**⚠ LET OP:** Als het gereedschap gedurende een lange tijd continu op een laag toerental wordt gebruikt, wordt de motor overbelast, waardoor het gereedschap defect raakt.

**⚠ LET OP:** De toerentalregelaar kan slechts tot stand 6 worden gedraaid en teruggedraaid tot stand 1. Forceer de regelaar niet voorbij de 6 of de 1 omdat de toerentalregeling daardoor defect kan raken.

U kunt het toerental van het gereedschap veranderen door de toerentalregelaar te draaien en in te stellen op een cijfer van 1 tot en met 6.

- **Fig.4:** 1. Toerentalregelaar

Het toerental wordt hoger wanneer u de toerentalregelaar in de richting van het cijfer 6 draait. Het toerental wordt lager wanneer u de toerentalregelaar in de richting van het cijfer 1 draait.

Hiermee kan het ideale toerental worden geselecteerd voor een optimale verwerking van het materiaal, d.w.z. het toerental kan zo worden afgesteld dat het geschikt is voor het materiaal en de diameter van het bit.

Zie de onderstaande tabel voor de verhouding tussen de cijfers op de toerentalregelaar en het toerental van het gereedschap bij benadering.

Cijfer	min <sup>-1</sup>
1	10.000
2	12.000
3	17.000
4	22.000
5	27.000
6	34.000

## MONTAGE

**⚠ LET OP:** Zorg altijd dat het gereedschap is uitgeschakeld en dat zijn stekker uit het stop-contact is verwijderd alvorens enig werk aan het gereedschap uit te voeren.

### Een kantenfreesbit aanbrengen en verwijderen

**⚠ LET OP:** Draai de spankopmoer niet vast zonder dat een kantenfreesbit is aangebracht omdat anders de spankegel zal breken.

**⚠ LET OP:** Gebruik uitsluitend de sleutels die bij het gereedschap werden geleverd.

Het kantenfreesbit kan op twee manieren worden aangebracht. Kies één van de twee manieren.

### Met twee sleutels

Steek het kantenfreesbit helemaal in de spankegel en draai de spankopmoer stevig vast met behulp van één sleutel terwijl u de nek vasthoudt met de andere sleutel.

- **Fig.5:** 1. Vastdraaien 2. Losdraaien 3. Nek 4. Spankopmoer

### Met één sleutel

Steek het kantenfreesbit helemaal in de spankegel en draai de spankopmoer stevig vast met behulp van de sleutel terwijl u de asblokkering ingedrukt houdt.

- **Fig.6:** 1. Vastdraaien 2. Losdraaien 3. Asblokkering 4. Spankopmoer

Om het kantenfreesbit te verwijderen, volgt u de procedure voor het aanbrengen in de omgekeerde volgorde.

### De spankegel vervangen

**⚠ LET OP:** Gebruik de juiste maat spankegel voor het kantenfreesbit dat u wilt gebruiken.

**⚠ LET OP:** Draai de spankopmoer niet vast zonder dat een kantenfreesbit is aangebracht omdat anders de spankegel kan breken.

1. Draai de spankopmoer los en verwijder deze.
  2. Vervang de aanwezige spankegel door de gewenste spankegel.
  3. Breng de spankopmoer weer aan.
- **Fig.7:** 1. Spankegel 2. Spankopmoer

## BEDIENING

**⚠ LET OP:** Houd het gereedschap altijd met één hand stevig vast aan de behuizing. Raak het metaal deel niet aan.

### Voor de voet

**⚠ WAARSCHUWING:** Alvorens het gereedschap met de voet te gebruiken, brengt u altijd eerst de stofafzuigaansluitmond aan op de voet.

- **Fig.8:** 1. Stofafzuigaansluitmond 2. Vingerschroef 3. Voet

1. Plaats de voet op het werkstuk dat u wilt frezen, zonder dat het kantenfreesbit het werkstuk raakt.
2. Schakel het gereedschap in en wacht totdat het kantenfreesbit op volle snelheid draait.
3. Beweeg het gereedschap voorwaarts over het oppervlak van het werkstuk en houd daarbij de voet vlak op het oppervlak van het werkstuk terwijl u het gereedschap voorwaarts beweegt totdat het frezen klaar is.

► **Fig.9**

Bij het frezen van de rand van het werkstuk moet het oppervlak van het werkstuk zich aan de linkerkant van het kantenfreesbit bevinden, gezien in de voortgangsrichting.

- **Fig.10:** 1. Werkstuk 2. Draairichting van het bit 3. Aanzicht vanaf de bovenkant van het gereedschap 4. Voortgangsrichting

Als u de langsgeleider of de trimgeleider gebruikt, zorgt u ervoor dat u deze langs de rechterkant houdt, gezien in de voortgangsrichting. Hierdoor blijft deze gelijklopen met de zijkant van het werkstuk.

- **Fig.11:** 1. Voortgangsrichting 2. Draairichting van het bit 3. Werkstuk 4. Langsgeleider

**OPMERKING:** Als u het gereedschap te snel voorwaarts beweegt, kan de snede van slechte kwaliteit zijn, of het kantenfreesbit of de motor worden beschadigd. Als u het gereedschap te langzaam voorwaarts beweegt, kan hierdoor de snede verbranden en lelijk worden. De juiste voortgangssnelheid is afhankelijk van de bitgrootte, het soort werkstuk en de freesdiepte. Alvorens in het eigenlijke werkstuk te werken, is het raadzaam eerst een proefsnede te maken in een stuk afvalhout. Zodoende kunt u precies zien hoe de snede eruit komt te zien en kunt u tevens de afmetingen controleren.

**⚠ LET OP:** Aangezien door buitensporig frezen de motor overbelast kan worden of het gereedschap moeilijk te besturen kan zijn, mag bij het frezen van groeven de freesdiepte niet meer dan 3 mm per werkgang bedragen. Als u groeven van meer dan 3 mm diep wilt frezen, voert u meerdere werkgangen uit met een steeds lager ingesteld bit.

## Voet (hars)

### Optioneel accessoire

U kunt de voet (hars) ook gebruiken als een optioneel accessoire, zoals aangegeven in de afbeelding.

► **Fig.12:** 1. Klamschroef

Plaats het gereedschap op de voet (hars) en draai de klamschroef vast bij het gewenste uitstekende deel van het kantenfreesbit.

Voor de bedieningsprocedure raadpleegt u de bediening van de voet.

## Malgeleider

### Optioneel accessoire

In de malgeleider zit een gat waar het kantenfreesbit doorheen steekt, waardoor het mogelijk wordt om de kantenfrees te gebruiken met malpatronen.

► **Fig.13**

1. Draai de schroeven los en verwijder de voetbescherming.
- **Fig.14:** 1. Voetbescherming 2. Schroeven
2. Plaats de malgeleider op de voet van het gereedschap en breng de voetbescherming weer aan. Zet vervolgens de voetbescherming vast door de schroeven vast te draaien.

3. Bevestig de mal op het werkstuk. Plaats het gereedschap op de mal en beweeg het gereedschap terwijl de malgeleider langs de zijkant van de mal glijdt.

► **Fig.15:** 1. Kantenfreesbit 2. Voet van het gereedschap 3. Voetbescherming 4. Mal 5. Werkstuk 6. Malgeleider

**OPMERKING:** Het werkstuk wordt gefreesd op een iets andere grootte dan de mal. Zorg voor de afstand (X) tussen het kantenfreesbit en de buitenrand van de malgeleider. De afstand (X) kan worden berekend met behulp van de volgende vergelijking:

**Afstand (X) = (buitendiameter van de malgeleider - diameter van het kantenfreesbit) / 2**

## Langsgeleider

### Optioneel accessoire

De langsgeleider wordt gebruikt bij het rechthoekig frezen van een schuine kant of groef.

► **Fig.16**

1. Bevestig de geleideplaat aan de langsgeleider met behulp van de bout en de vleugelmoer.
- **Fig.17:** 1. Bout 2. Geleideplaat 3. Langsgeleider 4. Vleugelmoer
2. Bevestig de langsgeleidereenheid met behulp van de klamschroef.

► **Fig.18:** 1. Klamschroef 2. Langsgeleider 3. Vleugelmoer 4. Voet van het gereedschap

3. Draai de vleugelmoer van de langsgeleidereenheid los en stel de afstand in tussen het kantenfreesbit en de langsgeleider. Draai op de gewenste afstand de vleugelmoer stevig vast.

4. Beweeg tijdens het frezen het gereedschap met de langsgeleider strak langs de zijkant van het werkstuk.

Als de afstand tussen de zijkant van het werkstuk en de freespositie te groot is voor de langsgeleider, of als de zijkant van het werkstuk niet recht is, kan de langsgeleider niet worden gebruikt. In dat geval klemt u een rechte lat op het werkstuk en gebruikt u deze als een geleider om de kantenfreesvoet langs te bewegen. Beweeg het gereedschap in de richting van de pijl.

► **Fig.19**

## Cirkels frezen

U kunt cirkels frezen als u de langsgeleider en de geleideplaat samen gebruikt, zoals aangegeven in de afbeeldingen.

De minimale en maximale straal van de te frezen cirkel (de afstand tussen het midden van de cirkel en het midden van het kantenfreesbit) zijn als volgt:

Min.: 70 mm

Max.: 221 mm

### Cirkels frezen met een straal tussen 70 mm en 121 mm

► **Fig.20:** 1. Vleugelmoer 2. Geleideplaat 3. Langsgeleider 4. Middengat 5. Bout

### Cirkels frezen met een straal tussen 121 mm en 221 mm

► **Fig.21:** 1. Vleugelmoer 2. Geleideplaat 3. Langsgeleider 4. Middengat 5. Bout

**OPMERKING:** Cirkels met een straal tussen 172 mm en 186 mm kunnen niet worden gefreesd met behulp van deze geleider.

1. Lijn het middengat in de langsgeleider uit met het midden van de te frezen cirkel.

► **Fig.22:** 1. Spijker 2. Middengat 3. Langsgeleider

2. Sla een spijker met een diameter van minder dan 6 mm in het middengat om de langsgeleider te bevestigen.

3. Beschrijf met het gereedschap rechtsonder een cirkel rond de spijker.

## Trimgeleider

### Optioneel accessoire

Trimmen, gebogen lijnen frezen in fineerhout voor meubels en dergelijke kunnen gemakkelijk worden gedaan met de trimgeleider. Het geleiderwiel rolt langs de gebogen freeslijn en zorgt zo voor een gave snede.

► **Fig.23**

1. Breng de trimgeleider en geleiderhouder aan op de voet met behulp van de klamschroef (A).

2. Draai de klamschroef (B) los en stel de afstand in tussen het kantenfreesbit en de trimgeleider door de stelschroef los te draaien (1 mm per omwenteling). Op de gewenste afstand, draai de klamschroef (B) vast om de trimgeleider op zijn plaats vast te zetten.

► **Fig.24:** 1. Stelschroef 2. Geleiderhouder 3. Trimgeleider

3. Beweeg tijdens het frezen het gereedschap zodanig dat het geleiderwiel langs de zijkant van het werkstuk rolt.

- **Fig.25:** 1. Werkstuk 2. Kantenfreesbit  
3. Geleiderwiel

## Verstelbare freesvoet

### Optioneel accessoire

De verstelbare freesvoet wordt gebruikt voor het trimmen van de randen van laminaatplaten en soortgelijke materialen.

De verstelbare freesvoet is handig om schuine kanten te frezen.

1. Plaats het gereedschap op de verstelbare freesvoet, draai de klem Schroeven los en kantel het gereedschap naar de gewenste hoek.
  2. Sluit de vergrendelhendel bij het gewenste uitstekende deel van het kantenfreesbit en draai de klem Schroeven vast bij de gewenste hoek.
  3. Klem een rechte lat stevig op het werkstuk en gebruik deze als een geleider om de voet van de verstelbare freesvoet langs te bewegen. Beweeg het gereedschap in de richting van de pijl.
- **Fig.26:** 1. Klem Schroeven 2. Vergrendelhendel

## De bescherming voor de verstelbare freesvoet gebruiken met de voet

Nadat de bescherming voor de verstelbare freesvoet (vierkant) is verwijderd van de verstelbare freesvoet, kan deze worden aangebracht op de voet. De vorm van de bescherming voor de voet kan worden veranderd van rond naar vierkant.

1. Verwijder de bescherming voor de verstelbare freesvoet vanaf de verstelbare freesvoet door de vier Schroeven los te draaien en te verwijderen.
  2. Breng de bescherming voor de verstelbare freesvoet aan op de voet.
- **Fig.27:** 1. Bescherming voor de verstelbare freesvoet 2. Schroef

## Versprongen freesvoet

### Optioneel accessoire

De versprongen freesvoet wordt gebruikt voor het trimmen van de randen van laminaatplaten en soortgelijke materialen.

De versprongen freesvoet is handig bij het werken in een krappe ruimte.

- **Fig.28**

## Het gereedschap gebruiken met de versprongen freesvoet

1. Alvorens het gereedschap aan te brengen op de versprongen freesvoet, verwijdert u de spankopmoer en spankegel door de spankopmoer eraf te draaien.

- **Fig.29:** 1. Aandrijfkop 2. Spankopmoer  
3. Spankegel

2. Breng de aandrijfkop aan op het gereedschap door de asblokkering in te drukken en de aandrijfkop stevig vast te zetten met behulp van een sleutel.

- **Fig.30:** 1. Sleutel 2. Aandrijfkop 3. Asblokkering

3. Breng de spankegel aan en draai de spankopmoer op de versprongen freesvoet, zoals aangegeven in de afbeelding.

- **Fig.31:** 1. Spankopmoer 2. Spankegel

4. Breng de versprongen freesvoet aan op het gereedschap.

- **Fig.32**

5. Haak de riem met behulp van een schroeven-draaier over de aandrijfkop en controleer of de volledige breedte van de riem om de aandrijfkop ligt.

- **Fig.33:** 1. Aandrijfkop 2. Riem

6. Sluit de vergrendelhendel.

- **Fig.34:** 1. Vergrendelhendel

7. Breng het kantenfreesbit als volgt aan.

Leg het gereedschap met de versprongen freesvoet op zijn zijkant neer. Steek de inbussleutel in het gat in de versprongen freesvoet.

Houd de inbussleutel in de stand aangegeven in de afbeelding, steek het kantenfreesbit in de spankegel op de as van de versprongen freesvoet vanaf de tegenovergestelde kant en draai de spankopmoer stevig vast met behulp van een sleutel.

- **Fig.35:** 1. Sleutel 2. Inbussleutel 3. Kantenfreesbit

8. Om het kantenfreesbit te verwijderen, volgt u de procedure voor het aanbrengen in de omgekeerde volgorde.

## De voet gebruiken met de versprongen-freesvoetplaat en handgreep-hulpstuk

De versprongen freesvoet kan voor meer stabiliteit ook worden gebruikt met een voet en een handgreep-hulpstuk (optioneel accessoire).

- **Fig.36**

1. Draai de Schroeven los en verwijder het bovenste deel van de versprongen freesvoet. Leg het bovenste deel van de versprongen freesvoet aan de kant.

- **Fig.37:** 1. Schroeven 2. Versprongen-freesvoetplaat 3. Bovenste deel van de versprongen freesvoet

2. Breng de versprongen-freesvoetplaat met vier Schroeven en het handgreep-hulpstuk met twee Schroeven aan op de versprongen freesvoetplaat. Draai de rechte handgreep (optioneel accessoire) op het handgreep-hulpstuk. Een andere gebruikswijze is om de knophandgreep te verwijderen vanaf de invalfreesvoet (optioneel accessoire) en aan te brengen op het handgreep-hulpstuk. Om de knophandgreep aan te brengen, plaatst u hem op het handgreep-hulpstuk en zet u hem vast met een Schroef.

### Met rechte handgreep

- **Fig.38:** 1. Rechte handgreep 2. Handgreep-hulpstuk 3. Versprongen-freesvoetplaat

## Met knophandgreep

- **Fig.39:** 1. Schroef 2. Knophandgreep  
3. Handgreep-hulpstuk

## Het gereedschap gebruiken met de invalfreesvoet

### Optioneel accessoire

**▲LET OP:** Bij gebruik als een bovenfrees, houdt u het gereedschap stevig met beide handen vast.

1. Om het gereedschap als een bovenfrees te gebruiken, brengt u het gereedschap aan op een invalfreesvoet (optioneel accessoire) door deze helemaal omlaag te duwen. Afhankelijk van uw werkzaamheden kunt u een knophandgreep of rechte handgreep (optioneel accessoire) gebruiken.

► **Fig.40:** 1. Invalfreesvoet 2. Rechte handgreep

2. Om de rechte handgreep (optioneel accessoire) te gebruiken, draait u de schroef los en verwijdt u de knophandgreep.

► **Fig.41:** 1. Schroef 2. Knophandgreep

3. Draai de rechte handgreep op de voet.

► **Fig.42:** 1. Rechte handgreep

## De freesdiepte instellen bij gebruik van de invalfreesvoet (optioneel accessoire)

**▲LET OP:** Houd tijdens gebruik het gereedschap altijd stevig aan beide handgrepen vast.

► **Fig.43:** 1. Stelknop 2. Vergrendelhendel  
3. Diepteaanwijzer 4. Stelmoer van aanslagstang 5. Sneltoevoerknop  
6. Aanslagstang 7. Aanslagblok  
8. Zeskantstelbout

1. Plaats het gereedschap op een vlakke ondergrond. Zet de vergrendelhendel los en beweeg het gereedschapshuis omlaag totdat het kantenfreesbit met de vlakke ondergrond raakt. Zet de vergrendelhendel vast om het gereedschapshuis te vergrendelen.

2. Draai de stelmoer van de aanslagstang linksom. Breng de aanslagstang omlaag tot deze de zeskantstelbout raakt. Lijn de diepteaanwijzer uit met de "0" op de schaalverdeling. De freesdiepte wordt door de diepteaanwijzer aangegeven op de schaalverdeling.

3. Houd de sneltoevoerknop ingedrukt en beweeg de aanslagstang omhoog tot de gewenste freesdiepte is verkregen. Een uiterst nauwkeurige instelling is mogelijk door de stelknop te draaien (1 mm per omwenteling).

4. Door de stelmoer van de aanslagstang rechtsom te draaien, kunt u de aanslagstang stevig vastzetten.

5. Nu kan uw vooraf bepaalde freesdiepte worden verkregen door de vergrendelhendel los te zetten en daarna het gereedschapshuis omlaag te brengen totdat de aanslagstang de stelbout van het aanslagblok raakt.

6. Plaats de voet op het werkstuk dat u wilt frezen, zonder dat het kantenfreesbit het werkstuk raakt.

7. Schakel het gereedschap in en wacht totdat het kantenfreesbit op maximaal toerental draait.

8. Breng het gereedschapshuis omlaag en beweeg het gereedschap voorwaarts over het oppervlak van het werkstuk. Houd daarbij de voet vlak op het oppervlak van het werkstuk en beweegt het gereedschap gelijkmatig totdat het frezen klaar is.

Bij het frezen van de rand van het werkstuk moet het oppervlak van het werkstuk zich aan de linker- kant van het kantenfreesbit bevinden, gezien in de voortgangsrichting.

► **Fig.44:** 1. Werkstuk 2. Draairichting van het bit  
3. Aanzicht vanaf de bovenkant van het gereedschap 4. Voortgangsrichting

Als u de langsgelieder of de trimgelieder gebruikt, zorgt u ervoor dat u deze langs de rechterkant houdt, gezien in de voortgangsrichting. Hierdoor blijft deze gelijklopen met de zijkant van het werkstuk.

► **Fig.45:** 1. Voortgangsrichting 2. Draairichting van het bit 3. Werkstuk 4. Langsgelieder

**OPMERKING:** Als u het gereedschap te snel voorwaarts beweegt, kan de snede van slechte kwaliteit zijn, of het kantenfreesbit of de motor worden beschadigd. Als u het gereedschap te langzaam voorwaarts beweegt, kan hierdoor de snede verbranden en lelijk worden. De juiste voortgangssnelheid is afhankelijk van de bitgrootte, het soort werkstuk en de freesdiepte. Alvorens in het eigenlijke werkstuk te werken, is het raadzaam eerst een proefsnede te maken in een stuk afvalhout. Zodoende kunt u precies zien hoe de snede eruit komt te zien en kunt u tevens de afmetingen controleren.

## Langsgelieder voor geleiderhouder

### Optioneel accessoire

De langsgelieder wordt gebruikt bij het rechtuit frezen van een schuine kant of groef.

► **Fig.46:** 1. Bout 2. Geleiderhouder 3. Vleugelmoer (A) 4. Bout 5. Vleugelmoer (B)  
6. Geleideplaat 7. Langsgelieder  
8. Vleugelbouten

1. Breng de langsgelidereenheid aan op de geleiderhouder (optioneel accessoire) met behulp van de bout en vleugelmoer (A).

2. Steek de geleiderhouder in de gaten van de invalfreesvoet en draai de vleugelbouten vast.

3. Om de afstand tussen het kantenfreesbit en de langsgelieder in te stellen, draait u de vleugelmoer (B) los. Op de gewenste afstand, draai de vleugelmoer (B) vast om de langsgelieder op zijn plaats vast te zetten.

## Langsgeleider

### Optioneel accessoire

De langsgeleider wordt gebruikt bij het rechtuit frezen van een schuine kant of groef.

#### ► Fig.47

1. Steek de geleidestangen in de gaten van de invalfreesvoet.

► Fig.48: 1. Geleidestang 2. Vleugelmoer  
3. Langsgeleider

2. Stel de afstand in tussen het kantenfreesbit en de langsgeleider. Op de gewenste afstand, draai de vleugelmoeren vast om de langsgeleider op zijn plaats vast te zetten.

3. Beweeg tijdens het frezen het gereedschap met de langsgeleider strak langs de zijkant van het werkstuk.

Als de afstand tussen de zijkant van het werkstuk en de freespositie te groot is voor de langsgeleider, of als de zijkant van het werkstuk niet recht is, kan de langsgeleider niet worden gebruikt. In dat geval klemt u een rechte lat op het werkstuk en gebruikt u deze als een geleider om de bovenfreesvoet langs te bewegen. Beweeg het gereedschap in de richting van de pijl.

► Fig.49

## Malgeleider

### Optioneel accessoire

In de malgeleider zit een gat waar het kantenfreesbit doorheen steekt, waardoor het mogelijk wordt om de kantenfrees te gebruiken met malpatronen.

► Fig.50

1. Draai de schroeven in de voet van het gereedschap los, steek de malgeleider erdoor, en draai ten slotte de schroeven weer aan.

► Fig.51: 1. Schroef 2. Voet 3. Malgeleider

2. Bevestig de mal op het werkstuk. Plaats het gereedschap op de mal en beweeg het gereedschap terwijl de malgeleider langs de zijkant van de mal glijdt.

► Fig.52: 1. Kantenfreesbit 2. Voet van het gereedschap 3. Voetbescherming 4. Mal  
5. Werkstuk 6. Malgeleider

**OPMERKING:** Het werkstuk wordt gefreesd op een iets andere grootte dan de mal. Zorg voor de afstand (X) tussen het kantenfreesbit en de buitenrand van de malgeleider. De afstand (X) kan worden berekend met behulp van de volgende vergelijking:

**Afstand (X) = (buitendiameter van de malgeleider - diameter van het kantenfreesbit) / 2**

## Stofafzuigaansluitmond

Gebruik de stofafzuigaansluitmond om stof af te zuigen.

### Voor de voet

Monteer de stofafzuigaansluitmond op de voet van het gereedschap met behulp van de vingerschroef.

► Fig.53: 1. Stofafzuigaansluitmond 2. Vingerschroef  
3. Voet

### Voor de invalfreesvoet

#### Optioneel accessoire

1. Breng de stofafzuigaansluitmond met behulp van de vingerschroef aan op de invalfreesvoet zodanig dat het uitsteeksel op de stofafzuigaansluitmond past in de inkeping in de invalfreesvoet.

► Fig.54: 1. Stofafzuigaansluitmond 2. Vingerschroef  
3. Invalfreesvoet

2. Sluit een stofzuiger aan op de stofafzuigaansluitmond.

► Fig.55

## ONDERHOUD

**⚠ LET OP:** Zorg altijd dat het gereedschap is uitgeschakeld en zijn stekker uit het stopcontact is verwijderd alvorens te beginnen met inspectie of onderhoud.

**KENNISGEVING:** Gebruik nooit benzine, wasbenzine, thinner, alcohol en dergelijke. Hierdoor kunnen verkleuring, vervormingen en barsten worden veroorzaakt.

Om de VEILIGHEID en BETROUWBAARHEID van het gereedschap te handhaven, dienen alle reparaties, onderhoud of afstellingen te worden uitgevoerd bij een erkend Makita-servicecentrum of de Makita-fabriek, en altijd met gebruik van Makita-ervangingsonderdelen.

## De koolborstels vervangen

► Fig.56: 1. Slijtgrensmarkering

Controleer regelmatig de koolborstels. Vervang ze wanneer ze tot aan de slijtgrensmarkering versleten zijn. Houd de koolborstels schoon, zodat ze gemakkelijk in de houders glijden. Beide koolborstels dienen tegelijkertijd te worden vervangen. Gebruik uitsluitend identieke koolborstels.

1. Gebruik een schroevendraaier om de koolborsteldoppen te verwijderen.

2. Haal de versleten koolborstels eruit, schuif de nieuwe erin, en zet daarna de koolborsteldoppen weer goed vast.

► Fig.57: 1. Koolborsteldop



# OPTIONELE ACCESSOIRES

**⚠ LET OP:** Deze accessoires of hulpstukken worden aanbevolen voor gebruik met het Makita gereedschap dat in deze gebruiksaanwijzing is beschreven. Bij gebruik van andere accessoires of hulpstukken bestaat het gevaar van persoonlijke letsel. Gebruik de accessoires of hulpstukken uitsluitend voor hun bestemde doel.

Wenst u meer bijzonderheden over deze accessoires, neem dan contact op met het plaatselijke Makita-servicecentrum.

- Vlaggroefbits en groefbits
- Randbits
- Laminaattrimbits
- Langsgeleider, compleet
- Trimgeleider, compleet
- Voet, compleet (hars)
- Verstelbare freesvoet, compleet
- Invalfreesvoet, compleet
- Versprongen freesvoet, compleet
- Malgeleider
- Spankegel
- Sleutel
- Stofafzuigaansluitmond
- Geleiderail
- Geleiderailadapterset
- Langsgeleider met microafstelling
- Zijhandgreep
- Handgreep-hulpstuk

**OPMERKING:** Sommige items op de lijst kunnen zijn inbegrepen in de doos van het gereedschap als standaard toebehoren. Deze kunnen van land tot land verschillen.

## Kantenfreesbits

### Vlagraefbit ► Fig.58

D	A	L1	L2
6	20	50	15
1/4"			
8	8	60	25
6			
1/4"			
6	6	50	18
1/4"			

Eenheid: mm

### U-groefbit ► Fig.59

D	A	L1	L2	R
6	6	60	28	3
1/4"				

Eenheid: mm

### V-groefbit ► Fig.60

D	A	L1	L2	θ
1/4"	20	50	15	90°

Eenheid: mm

### Afkantrimbit met boorpunt ► Fig.61

D	A	L1	L2	L3
8	8	60	20	35
6	6	60	18	28
1/4"				

Eenheid: mm

### Dubbele afkantrimbit met boorpunt ► Fig.62

D	A	L1	L2	L3	L4
8	8	80	95	20	25
6	6	70	40	12	14
1/4"					

Eenheid: mm

### Papegaaienbekbit ► Fig.63

D	A1	A2	L1	L2	L3	R
6	25	9	48	13	5	8
1/4"						
6	20	8	45	10	4	4
1/4"						

Eenheid: mm

### Afschuinbit ► Fig.64

D	A	L1	L2	L3	θ
6	23	46	11	6	30°
6	20	50	13	5	45°
6	20	49	14	2	60°

Eenheid: mm

**Kwartholprofielbit****► Fig.65**

D	A	L1	L2	R
6	20	43	8	4
6	25	48	13	8

Eenheid: mm

**Ojiefbit met kogellager****► Fig.71**

D	A1	A2	L1	L2	L3	R1	R2
6	20	8	40	10	4,5	2,5	4,5
6	26	8	42	12	4,5	3	6

Eenheid: mm

**Afkanttrimbit met kogellager****► Fig.66**

D	A	L1	L2
6	10	50	20
1/4"			

Eenheid: mm

**Papegaaibekbit met kogellager****► Fig.67**

D	A1	A2	L1	L2	L3	R
6	15	8	37	7	3,5	3
6	21	8	40	10	3,5	6
1/4"	21	8	40	10	3,5	6

Eenheid: mm

**Afschuinbit met kogellager****► Fig.68**

D	A1	A2	L1	L2	θ
6	26	8	42	12	45°
1/4"					
6	20	8	41	11	60°

Eenheid: mm

**Kwartrondbit met kogellager****► Fig.69**

D	A1	A2	A3	L1	L2	L3	R
6	20	12	8	40	10	5,5	4
6	26	12	8	42	12	4,5	7

Eenheid: mm

**Kwartholprofielbit met kogellager****► Fig.70**

D	A1	A2	A3	A4	L1	L2	L3	R
6	20	18	12	8	40	10	5,5	3
6	26	22	12	8	42	12	5	5

Eenheid: mm

## ESPECIFICACIONES

Modelo:	RT0702C
Capacidad del mandril cónico	6 mm, 8 mm, o 1/4"
Velocidad sin carga	10.000 - 34.000 min <sup>-1</sup>
Altura total	210 mm
Peso neto	1,8 - 2,8 kg
Clase de seguridad	▣/II

- Debido a nuestro continuado programa de investigación y desarrollo, las especificaciones aquí dadas están sujetas a cambios sin previo aviso.
- Las especificaciones pueden ser diferentes de país a país.
- El peso puede variar dependiendo del accesorio(s). La combinación menos pesada y la más pesada, de acuerdo con el procedimiento EPTA 01/2014, se muestran en la tabla.

### Uso previsto

La herramienta ha sido prevista para recortar a ras y perfilar madera, plástico y materiales similares.

### Alimentación

La herramienta deberá ser conectada solamente a una fuente de alimentación de la misma tensión que la indicada en la placa de características, y solamente puede ser utilizada con alimentación de CA monofásica. La herramienta tiene doble aislamiento y puede, por lo tanto, utilizarse también en tomas de corriente sin conductor de tierra.

### Ruido

El nivel de ruido A-ponderado típico determinado de acuerdo con la norma EN62841-2-17:

Nivel de presión sonora ( $L_{pA}$ ) : 85 dB (A)

Nivel de potencia sonora ( $L_{WA}$ ) : 93 dB (A)

Error (K) : 3 dB (A)

**NOTA:** El valor (o los valores) de emisión de ruido declarado ha sido medido de acuerdo con un método de prueba estándar y se puede utilizar para comparar una herramienta con otra.

**NOTA:** El valor (o valores) de emisión de ruido declarado también se puede utilizar en una valoración preliminar de exposición.

**⚠ ADVERTENCIA:** Póngase protectores para oídos.

**⚠ ADVERTENCIA:** La emisión de ruido durante la utilización real de la herramienta eléctrica puede variar del valor (o los valores) de emisión declarado dependiendo de las formas en las que la herramienta sea utilizada, especialmente qué tipo de pieza de trabajo se procesa.

**⚠ ADVERTENCIA:** Asegúrese de identificar medidas de seguridad para proteger al operario que estén basadas en una estimación de la exposición en las condiciones reales de utilización (teniendo en cuenta todas las partes del ciclo operativo como las veces cuando la herramienta está apagada y cuando está funcionando en vacío además del tiempo de gatillo).

### Vibración

El valor total de la vibración (suma de vectores triaxiales) determinado de acuerdo con la norma EN62841-2-17:

Modo de trabajo: giro sin carga

Emisión de vibración ( $a_h$ ) : 2,5 m/s<sup>2</sup> o menos

Error (K) : 1,5 m/s<sup>2</sup>

**NOTA:** El valor (o los valores) total de emisión de vibración declarado ha sido medido de acuerdo con un método de prueba estándar y se puede utilizar para comparar una herramienta con otra.

**NOTA:** El valor (o los valores) total de emisión de vibración declarado también se puede utilizar en una valoración preliminar de exposición.

**⚠ ADVERTENCIA:** La emisión de vibración durante la utilización real de la herramienta eléctrica puede variar del valor (o los valores) de emisión declarado dependiendo de las formas en las que la herramienta sea utilizada, especialmente qué tipo de pieza de trabajo se procesa.

**⚠ ADVERTENCIA:** Asegúrese de identificar medidas de seguridad para proteger al operario que estén basadas en una estimación de la exposición en las condiciones reales de utilización (teniendo en cuenta todas las partes del ciclo operativo como las veces cuando la herramienta está apagada y cuando está funcionando en vacío además del tiempo de gatillo).

### Declaraciones de conformidad

*Para países europeos solamente*

Las declaraciones de conformidad están incluidas como Anexo A de este manual de instrucciones.

# ADVERTENCIAS DE SEGURIDAD

## Advertencias de seguridad para herramientas eléctricas en general

**⚠️ ADVERTENCIA:** Lea todas las advertencias de seguridad, instrucciones, ilustraciones y especificaciones provistas con esta herramienta eléctrica. Si no sigue todas las instrucciones indicadas abajo podrá resultar en una descarga eléctrica, un incendio y/o heridas graves.

## Guarde todas las advertencias e instrucciones para futuras referencias.

El término "herramienta eléctrica" en las advertencias se refiere a su herramienta eléctrica de funcionamiento con conexión a la red eléctrica (con cable) o herramienta eléctrica de funcionamiento a batería (sin cable).

## Advertencias de seguridad para la recortadora

1. Sujete la herramienta eléctrica por las superficies de asimiento aisladas solamente, porque la fresa puede entrar en contacto con su propio cable. Cortar un cable con corriente puede hacer que la corriente circule por las partes metálicas expuestas de la herramienta eléctrica y puede soltar una descarga eléctrica al operario.
2. Utilice mordazas u otros medios de sujeción prácticos para sujetar y apoyar la pieza de trabajo en una plataforma estable. Sujetada con su mano o contra el cuerpo, la pieza de trabajo estará inestable y podrá ocasionar la pérdida del control.
3. La espiga de la fresa debe corresponder con el mandril cónico diseñado.
4. Solamente utilice una fresa con capacidad al menos igual que la velocidad máxima marcada en la herramienta.
5. Póngase protección auditiva durante periodos prolongados de operación.
6. Maneje las fresas con mucho cuidado.
7. Inspeccione la fresa cuidadosamente para ver si tiene grietas o daños antes de comenzar la operación. Reemplace la fresa inmediatamente si está agrietada o dañada.
8. Evite cortar clavos. Inspeccione la pieza de trabajo por si tiene clavos y retirelos todos antes de empezar la operación.
9. Sujete la herramienta firmemente.
10. Mantenga las manos alejadas de las partes giratorias.
11. Asegúrese de que la fresa no está tocando la pieza de trabajo antes de activar el interruptor.
12. Antes de utilizar la herramienta en un pieza de trabajo definitiva, déjela funcionar durante un rato. Observe por si hay vibración o bamboleo que pueda indicar una instalación incorrecta de la fresa.
13. Tenga cuidado de la dirección de giro y dirección de avance de la fresa.

14. No deje la herramienta encendida. Téngala encendida solamente cuando la tenga en las manos.
15. Apague siempre la herramienta y espere hasta que la fresa se haya parado completamente antes de retirar la herramienta de la pieza de trabajo.
16. No toque la fresa inmediatamente después de la operación; podrá estar muy caliente y quemarle la piel.
17. No embadurne la base sin cuidado con disolvente, gasolina, aceite ni similares. Pueden ocasionar grietas en la base.
18. Algunos materiales contienen sustancias químicas que podrán ser tóxicas. Tenga precaución para evitar la inhalación de polvo y el contacto con la piel. Siga los datos de seguridad del abastecedor del material.
19. Utilice siempre la mascarilla contra el polvo/respirador correcto para el material y la aplicación con que esté trabajando.
20. Coloque la herramienta sobre un área estable. De lo contrario, se podrá producir un accidente por caída y ocasionar heridas.

## GUARDE ESTAS INSTRUCCIONES.

**⚠️ ADVERTENCIA:** NO deje que la comodidad o familiaridad con el producto (a base de utilizarlo repetidamente) sustituya la estricta observancia de las normas de seguridad para el producto en cuestión. El MAL USO o el no seguir las normas de seguridad establecidas en este manual de instrucciones podrá ocasionar graves heridas personales.

## DESCRIPCIÓN DEL FUNCIONAMIENTO

**⚠️ PRECAUCIÓN:** Asegúrese siempre de que la herramienta está apagada y desenchufada antes de intentar realizar cualquier tipo de ajuste o comprobación en ella.

## Ajuste de la protuberancia de la fresa

Para ajustar la protuberancia de la fresa, abra la palanca de bloqueo y mueva la base hacia arriba o hacia abajo como desee girando el tornillo de ajuste. Después de ajustar, cierre la palanca de bloqueo firmemente para sujetar la base.

► Fig.1: 1. Base 2. Escala 3. Protuberancia de la fresa 4. Palanca de bloqueo 5. Tornillo de ajuste 6. Tuerca hexagonal

**NOTA:** Cuando la herramienta no se sujete a pesar de estar cerrada la palanca de bloqueo, apriete la tuerca hexagonal y luego cierre la palanca de bloqueo.

## Accionamiento del interruptor

**⚠ PRECAUCIÓN:** Antes de enchufar la herramienta, asegúrese siempre de que la herramienta está apagada.

Para poner en marcha la herramienta, presione el lado I del interruptor. Para parar la herramienta, presione el lado O del interruptor.

► Fig.2: 1. Interruptor

## Función electrónica

La herramienta está equipada con funciones electrónicas para facilitar su funcionamiento.

## Lámpara de indicación

► Fig.3: 1. Luz indicadora

La lámpara de indicación se ilumina en verde cuando la herramienta está enchufada. Si la lámpara de indicación no se ilumina, es posible que el cable de alimentación o el controlador esté defectuoso. Si la lámpara de indicación está iluminada pero la herramienta no se pone en marcha aunque la encienda, es posible que las escobillas de carbón estén gastadas, o que el controlador, el motor o el interruptor de encendido/apagado esté defectuoso.

## Seguro contra puesta en marcha involuntaria

La herramienta no se pondrá en marcha con el lado I del interruptor presionado aunque la herramienta esté enchufada. En este momento, la lámpara de indicación parpadea en rojo y muestra que el dispositivo de seguro contra puesta en marcha involuntaria está en función activada. Para cancelar el seguro contra puesta en marcha involuntaria, presione el lado O del interruptor.

## Característica de inicio suave

La característica de inicio suave minimiza el golpe del arranque, y permite a la herramienta ponerse en marcha suavemente.

## Control de velocidad constante

Control de velocidad electrónico para obtener una velocidad constante.

Se puede obtener un acabado fino, porque la velocidad de giro se mantiene constante incluso en condición de carga.

## Dial de ajuste de velocidad

**⚠ ADVERTENCIA:** No utilice el dial de ajuste de velocidad durante la operación. El operario podría tocar la fresa debido a la fuerza de reacción. Esto puede resultar en heridas personales.

**⚠ PRECAUCIÓN:** Si la herramienta es utilizada continuamente a velocidades bajas durante largo tiempo, el motor se sobrecargará, resultando en un mal funcionamiento de la herramienta.

**⚠ PRECAUCIÓN:** El dial de ajuste de velocidad se puede girar solamente hasta 6 y de vuelta hasta 1. No lo fuerce más allá de 6 o 1, o la función de ajuste de velocidad podrá dejar de funcionar.

La velocidad de la herramienta se puede cambiar girando el dial de ajuste de velocidad hasta un número de ajuste dado de 1 a 6.

► Fig.4: 1. Dial de ajuste de velocidad

Se obtiene velocidad más alta cuando el dial de ajuste de velocidad es girado en la dirección del número 6. Y se obtiene velocidad más baja cuando es girado en la dirección del número 1.

Esto permite seleccionar la velocidad ideal para el procesado óptimo del material, es decir, la velocidad se puede ajustar correctamente en función del material y diámetro de la fresa.

Consulte la tabla para ver la relación entre los ajustes numéricos del dial y la velocidad aproximada de la herramienta.

Número	min <sup>-1</sup>
1	10.000
2	12.000
3	17.000
4	22.000
5	27.000
6	34.000

## MONTAJE

**⚠ PRECAUCIÓN:** Asegúrese siempre de que la herramienta está apagada y desenchufada antes de realizar cualquier trabajo en la herramienta.

## Instalación o desmontaje de la fresa

**⚠ PRECAUCIÓN:** No apriete la tuerca de casquillo sin insertar una fresa, o el casquillo cónico se romperá.

**⚠ PRECAUCIÓN:** Utilice solamente las llaves provistas con la herramienta.

Hay dos formas de instalar la fresa. Emplee cualquiera de ellas.

### Con dos llaves

Inserte la fresa a fondo en el casquillo cónico y apriete la tuerca de casquillo firmemente con una llave mientras sujeta el cuello con la otra llave.

► Fig.5: 1. Apretar 2. Aflojar 3. Cuello 4. Tuerca de casquillo

### Con una llave

Inserte la fresa a fondo en el casquillo cónico y apriete la tuerca de casquillo firmemente con la llave mientras presiona el bloqueador del eje.

► Fig.6: 1. Apretar 2. Aflojar 3. Bloqueador del eje 4. Tuerca de casquillo

Para retirar la fresa, siga el procedimiento de instalación a la inversa.

## Cambio del casquillo cónico

**⚠ PRECAUCIÓN:** Utilice el casquillo cónico de tamaño correcto para la fresa que piensa utilizar.

**⚠ PRECAUCIÓN:** No apriete la tuerca de casquillo sin instalar una fresa, o el casquillo cónico se podrá romper.

1. Afloje la tuerca de casquillo y retire.
  2. Reemplace el casquillo cónico instalado con el casquillo cónico deseado.
  3. Vuelva a instalar la tuerca de casquillo.
- Fig.7: 1. Casquillo cónico 2. Tuerca de casquillo

## OPERACIÓN

**⚠ PRECAUCIÓN:** Sujete siempre la herramienta firmemente con una mano en la carcasa. No toque la parte metálica.

### Para la base

**⚠ ADVERTENCIA:** Antes de utilizar la herramienta con la base, instale siempre la boquilla para polvo en la base.

- Fig.8: 1. Boquilla para polvo 2. Tornillo moleteado 3. Base

1. Coloque la base sobre la pieza de trabajo que va a cortar sin que la fresa haga contacto alguno.
  2. Encienda la herramienta y espere hasta que la fresa adquiera plena velocidad.
  3. Mueva la herramienta hacia adelante sobre la superficie de la pieza de trabajo, manteniendo la base a ras y avanzando suavemente hasta completar el corte.
- Fig.9

Cuando se haga corte de bordes, la superficie de la pieza de trabajo deberá estar en el costado izquierdo de la fresa en la dirección de avance.

- Fig.10: 1. Pieza de trabajo 2. Dirección rotativa de la fresa 3. Vista desde la parte superior de la herramienta 4. Dirección de avance

Cuando utilice la guía recta o la guía de recorte, asegúrese de mantenerla en el lado derecho en la dirección de avance. Esto ayudará a mantenerla a ras con el costado de la pieza de trabajo.

- Fig.11: 1. Dirección de avance 2. Dirección rotativa de la fresa 3. Pieza de trabajo 4. Guía recta

**NOTA:** Mover la herramienta hacia adelante demasiado rápido puede ocasionar una mala calidad de corte, o daño a la fresa o el motor. Mover la herramienta hacia adelante muy despacio puede quemar y estropear el corte. La velocidad de avance adecuada dependerá del tamaño de la fresa, el tipo de pieza de trabajo y la profundidad de corte. Antes de comenzar el corte en la pieza de trabajo definitiva, es aconsejable hacer un corte de prueba en una pieza de madera de desecho. Esto mostrará exactamente cómo será el corte y también le permitirá comprobar las dimensiones.

**⚠ PRECAUCIÓN:** Dado que un corte excesivo puede ocasionar sobrecarga al motor o dificultad para controlar la herramienta, la profundidad de corte no deberá ser de más de 3 mm por pasada cuando se hacen ranuras. Cuando quiera hacer ranuras de más de 3 mm de profundidad, haga varias pasadas con ajustes de fresa progresivamente más profundos.

## Base (resina)

### Accesorios opcionales

Puede utilizar la base (resina) como accesorio opcional como se muestra en la figura.

- Fig.12: 1. Tornillo de fijación

Coloque la herramienta sobre la base (resina) y apriete el tornillo de fijación en la protuberancia deseada de la fresa.

Para los procedimientos de operación, consulte la operación para la base.

## Guía de plantilla

### Accesorios opcionales

La guía de plantilla provee un agujero a través del cual pasa la fresa, permitiendo el uso de la recortadora con patrones de plantillas.

- Fig.13

1. Afloje los tornillos y retire el protector de la base.
- Fig.14: 1. Protector de la base 2. Tornillos

2. Ponga la guía de plantilla en la base, y ponga el protector de la base otra vez. Después asegure el protector de la base apretando los tornillos.

3. Sujete la plantilla en la pieza de trabajo. Ponga la herramienta sobre la plantilla y mueva la herramienta con la guía de plantilla deslizándose a lo largo del costado de la plantilla.

- Fig.15: 1. Fresa 2. Base 3. Protector de la base 4. Plantilla 5. Pieza de trabajo 6. Guía de plantilla

**NOTA:** La pieza de trabajo será cortada con un tamaño ligeramente diferente al de la plantilla. Tenga en cuenta la distancia (X) entre la fresa y el exterior de la guía de plantilla. La distancia (X) se puede calcular utilizando la ecuación siguiente:

**Distancia (X) = (diámetro exterior de la guía de plantilla - diámetro de la fresa) / 2**

## Guía recta

### Accesorios opcionales

La guía recta se utiliza de forma efectiva para cortes rectos cuando se achafiana o ranura.

#### ► Fig.16

1. Coloque la placa guía en la guía recta con el perno y la tuerca de mariposa.  
► **Fig.17:** 1. Perno 2. Placa guía 3. Guía recta 4. Tuerca de mariposa
2. Coloque el conjunto de la guía recta con el tornillo de fijación.  
► **Fig.18:** 1. Tornillo de fijación 2. Guía recta 3. Tuerca de mariposa 4. Base
3. Afloje la tuerca de mariposa del conjunto de la guía recta y ajuste la distancia entre la fresa y la guía recta. En la distancia deseada, apriete la tuerca de mariposa firmemente.
4. Cuando corte, mueva la herramienta con la guía recta a ras con el costado de la pieza de trabajo.

Si la distancia entre el costado de la pieza de trabajo y la posición de corte es muy ancha para la guía recta, o si el costado de la pieza de trabajo no es recto, la guía recta no se puede utilizar. En este caso, amordace firmemente un listón recto en la pieza de trabajo y utilícelo como guía contra la base de recorte. Avance la herramienta en la dirección de la flecha.

#### ► Fig.19

## Trabajo circular

El trabajo circular se puede lograr si ensambla la guía recta y la placa guía como se muestra en las ilustraciones.

Los radios mín. y máx. de los círculos que se van a cortar (distancia entre el centro del círculo y el centro de la fresa) son los siguientes:

Mín.: 70 mm

Máx.: 221 mm

**Para cortar círculos de entre 70 mm y 121 mm de radio**

- **Fig.20:** 1. Tuerca de mariposa 2. Placa guía 3. Guía recta 4. Agujero del centro 5. Perno

**Para cortar círculos de entre 121 mm y 221 mm de radio**

- **Fig.21:** 1. Tuerca de mariposa 2. Placa guía 3. Guía recta 4. Agujero del centro 5. Perno

**NOTA:** Los círculos de entre 172 mm y 186 mm de radio no se pueden cortar utilizando esta guía.

1. Alinee el agujero del centro de la guía recta con el centro del círculo que se va a cortar.  
► **Fig.22:** 1. Clavo 2. Agujero del centro 3. Guía recta
2. Clave un clavo de menos de 6 mm de diámetro en el agujero del centro para sujetar la guía recta.
3. Pivote la herramienta alrededor del clavo en dirección hacia la derecha.

## Guía de recorte

### Accesorios opcionales

Los cortes de recorte y curvados en enchapados para muebles y por el estilo se pueden hacer fácilmente con la guía de recorte. El rodillo guía rueda por la curva y garantiza un corte fino.

#### ► Fig.23

1. Instale la guía de recorte y el soporte de guía en la base con el tornillo de fijación (A).
2. Afloje el tornillo de fijación (B) y ajuste la distancia entre la fresa y la guía de recorte girando el tornillo de ajuste (1 mm por vuelta). En la distancia deseada, apriete el tornillo de fijación (B) para sujetar la guía de recorte en su sitio.  
► **Fig.24:** 1. Tornillo de ajuste 2. Soporte de guía 3. Guía de recorte
3. Cuando corte, mueva la herramienta con el rodillo guía rotando por el costado de la pieza de trabajo.  
► **Fig.25:** 1. Pieza de trabajo 2. Fresa 3. Rodillo guía

## Base de inclinación

### Accesorios opcionales

La base de inclinación se utiliza para recortar el borde de placas laminadas o de materiales similares. La base de inclinación es útil para el chaflanado.

1. Coloque la herramienta sobre la base de inclinación, afloje los tornillos de fijación, e incline la herramienta al ángulo deseado.
2. Cierre la palanca de bloqueo en la protuberancia deseada de la fresa, y apriete los tornillos de fijación en el ángulo deseado.
3. Amordace firmemente un listón recto en la pieza de trabajo y utilícelo como guía contra la base de inclinación. Avance la herramienta en la dirección de la flecha.  
► **Fig.26:** 1. Tornillos de fijación 2. Palanca de bloqueo

## Utilización del protector de la base de inclinación con la base

El protector de la base de inclinación (cuadrado) retirado de la base de inclinación se puede montar en la base. La forma del protector de la base se puede cambiar de redonda a cuadrada.

1. Retire el protector de la base de inclinación de la base de inclinación aflojando y retirando los cuatro tornillos.

2. Monte el protector de la base de inclinación en la base.

- **Fig.27:** 1. Protector de la base de inclinación 2. Tornillo

## Base de compensación

### Accesorios opcionales

La base de compensación se utiliza para recortar el borde de placas laminadas o de materiales similares. La base de compensación es útil para trabajar en zonas estrechas.

#### ► Fig.28

## Utilización de la herramienta con la base de compensación

1. Antes de instalar la herramienta en la base de compensación, retire la tuerca de casquillo y el casquillo cónico alojando la tuerca de casquillo.

► **Fig.29:** 1. Polea 2. Tuerca de casquillo 3. Casquillo cónico

2. Instale la polea en la herramienta presionando el bloqueador del eje y apretando firmemente la polea con una llave.

► **Fig.30:** 1. Llave 2. Polea 3. Bloqueador del eje

3. Coloque el casquillo cónico y enrosque la tuerca de casquillo en la base de compensación como se muestra en la figura.

► **Fig.31:** 1. Tuerca de casquillo 2. Casquillo cónico

4. Monte la base de compensación en la herramienta.

► **Fig.32**

5. Enganche la correa encima de la polea utilizando un destornillador y asegúrese de que la anchura completa de la correa encaja completamente encima de la polea.

► **Fig.33:** 1. Polea 2. Correa

6. Cierre la palanca de bloqueo.

► **Fig.34:** 1. Palanca de bloqueo

7. Instale la fresa de la forma siguiente.

Repose la herramienta con la base de compensación. Inserte la llave hexagonal en el agujero de la base de compensación.

Con la llave hexagonal sujeta en la posición como se muestra en la figura, inserte la fresa en el casquillo cónico del eje de la base de compensación desde el lado opuesto y apriete la tuerca de casquillo firmemente con una llave.

► **Fig.35:** 1. Llave 2. Llave hexagonal 3. Fresa

8. Para retirar la fresa, siga el procedimiento de instalación a la inversa.

## Utilización de la base con la placa de base de compensación y el accesorio de agarre

La base de compensación también se puede utilizar con una base y un accesorio de agarre (accesorio opcional) para una mayor estabilidad.

► **Fig.36**

1. Afloje los tornillos y retire la sección superior de la base de compensación. Deje a un lado la sección superior de la base de compensación.

► **Fig.37:** 1. Tornillos 2. Placa de base de compensación 3. Sección superior de la base de compensación

2. Monte la placa de base de compensación con cuatro tornillos y el accesorio de agarre con dos tornillos en la placa de base de compensación. Enrosque el agarre tipo barra (accesorio opcional) en el accesorio de agarre. En otra forma de uso, el agarre tipo perilla que se desmonta de la base de inmersión (accesorio opcional) se puede instalar en el accesorio de agarre. Para instalar el agarre tipo perilla, colóquelo en el accesorio de agarre y sujételo con un tornillo.

### Con agarre tipo barra

► **Fig.38:** 1. Agarre tipo barra 2. Accesorio de agarre 3. Placa de base de compensación

### Con agarre tipo perilla

► **Fig.39:** 1. Tornillo 2. Agarre tipo perilla 3. Accesorio de agarre

## Utilización de la herramienta con la base de inmersión

### Accesorios opcionales

**⚠PRECAUCIÓN:** Cuando se utilice como rebajadora, sujete la herramienta firmemente con ambas manos.

1. Para utilizar la herramienta como rebajadora, instale la herramienta en una base de inmersión (accesorio opcional) presionándola hacia abajo completamente. Se puede utilizar cualquiera, el agarre tipo perilla o el agarre tipo barra (accesorio opcional), en función del trabajo.

► **Fig.40:** 1. Base de inmersión 2. Agarre tipo barra

2. Para utilizar el agarre tipo barra (accesorio opcional), afloje el tornillo y retire el agarre tipo perilla.

► **Fig.41:** 1. Tornillo 2. Agarre tipo perilla

3. Enrosque el agarre tipo barra en la base.

► **Fig.42:** 1. Agarre tipo barra

## Ajuste de la profundidad de corte cuando se utiliza la base de inmersión (accesorio opcional)

**⚠PRECAUCIÓN:** Sujete siempre la herramienta firmemente por los dos agarres durante la operación.

► **Fig.43:** 1. Pomo de ajuste 2. Palanca de bloqueo 3. Indicador de profundidad 4. Tuerca de ajuste de la vara de tope 5. Botón de avance rápido 6. Vara de tope 7. Bloque de tope 8. Perno hexagonal de ajuste

1. Coloque la herramienta sobre una superficie plana. Afloje la palanca de bloqueo y baje el cuerpo de la herramienta hasta que la fresa toque justamente la superficie plana. Apriete la palanca de bloqueo para bloquear el cuerpo de la herramienta.

2. Gire la tuerca de ajuste de la vara de tope hacia la izquierda. Baje la vara de tope hasta que haga contacto con el perno hexagonal de ajuste. Alinee el indicador de profundidad con la graduación "0". La profundidad de corte la indica el indicador de profundidad en la escala.

3. Mientras presiona el botón de avance rápido, suba la vara de tope hasta obtener la profundidad de corte deseada. Se pueden obtener ajustes de profundidad minuciosos girando el pomo de ajuste (1 mm por vuelta).

4. Girando la tuerca de ajuste de la vara de tope hacia la derecha, puede apretar la vara de tope firmemente.

5. Ahora, la profundidad de corte predeterminada por usted se puede obtener aflojando la palanca de bloqueo y bajando después el cuerpo de la herramienta hasta que la vara de tope haga contacto con el perno de ajuste del bloque de tope.



6. Coloque la base sobre la pieza de trabajo que va a cortar sin que la fresa haga contacto alguno.

7. Encienda la herramienta y espere hasta que la fresa adquiera plena velocidad.

8. Baje el cuerpo de la herramienta y mueva la herramienta hacia adelante sobre la superficie de la pieza de trabajo, manteniendo la base a ras y avanzando suavemente hasta completar el corte.

Cuando se haga corte de bordes, la superficie de la pieza de trabajo deberá estar en el costado izquierdo de la fresa en la dirección de avance.

► **Fig.44:** 1. Pieza de trabajo 2. Dirección rotativa de la fresa 3. Vista desde la parte superior de la herramienta 4. Dirección de avance

Cuando utilice la guía recta o la guía de recorte, asegúrese de mantenerla en el lado derecho en la dirección de avance. Esto ayudará a mantenerla a ras con el costado de la pieza de trabajo.

► **Fig.45:** 1. Dirección de avance 2. Dirección rotativa de la fresa 3. Pieza de trabajo 4. Guía recta

**NOTA:** Mover la herramienta hacia adelante demasiado rápido puede ocasionar una mala calidad de corte, o daño a la fresa o el motor. Mover la herramienta hacia adelante muy despacio puede quemar y estropear el corte. La velocidad de avance adecuada dependerá del tamaño de la fresa, el tipo de pieza de trabajo y la profundidad de corte. Antes de comenzar el corte en la pieza de trabajo definitiva, es aconsejable hacer un corte de prueba en una pieza de madera de desecho. Esto mostrará exactamente cómo será el corte y también le permitirá comprobar las dimensiones.

## Guía recta para soporte de guía

### Accesorios opcionales

La guía recta se utiliza de forma efectiva para cortes rectos cuando se achafiana o ranura.

► **Fig.46:** 1. Perno 2. Soporte de guía 3. Tuerca de mariposa (A) 4. Perno 5. Tuerca de mariposa (B) 6. Placa guía 7. Guía recta 8. Pernos de mariposa

1. Instale el conjunto de la guía recta en el soporte de guía (accesorio opcional) con el perno y la tuerca de mariposa (A).

2. Inserte el soporte de guía en los agujeros de la base de inmersión y apriete los pernos de mariposa.

3. Para ajustar la distancia entre la fresa y la guía recta, afloje la tuerca de mariposa (B). En la distancia deseada, apriete la tuerca de mariposa (B) para sujetar la guía recta en su sitio.

## Guía recta

### Accesorios opcionales

La guía recta se utiliza de forma efectiva para cortes rectos cuando se achafiana o ranura.

► **Fig.47**

1. Inserte las barras guía en los agujeros de la base de inmersión.

► **Fig.48:** 1. Barra guía 2. Tuerca de mariposa 3. Guía recta

2. Ajuste la distancia entre la fresa y la guía recta.

En la distancia deseada, apriete las tuercas de mariposa para sujetar la guía recta en su sitio.

3. Cuando corte, mueva la herramienta con la guía recta a ras con el costado de la pieza de trabajo.

Si la distancia entre el costado de la pieza de trabajo y la posición de corte es muy ancha para la guía recta, o si el costado de la pieza de trabajo no es recto, la guía recta no se puede utilizar. En este caso, amordace firmemente un listón recto en la pieza de trabajo y utilícelo como guía contra la base de la rebajadora. Avance la herramienta en la dirección de la flecha.

► **Fig.49**

## Guía de plantilla

### Accesorios opcionales

La guía de plantilla provee un agujero a través del cual pasa la fresa, permitiendo el uso de la recortadora con patrones de plantillas.

► **Fig.50**

1. Afloje los tornillos de la base de la herramienta, inserte la guía de plantilla y después apriete los tornillos.

► **Fig.51:** 1. Tornillo 2. Base 3. Guía de plantilla

2. Sujete la plantilla en la pieza de trabajo. Ponga la herramienta sobre la plantilla y mueva la herramienta con la guía de plantilla deslizándose a lo largo del costado de la plantilla.

► **Fig.52:** 1. Fresa 2. Base 3. Protector de la base 4. Plantilla 5. Pieza de trabajo 6. Guía de plantilla

**NOTA:** La pieza de trabajo será cortada con un tamaño ligeramente diferente al de la plantilla. Tenga en cuenta la distancia (X) entre la fresa y el exterior de la guía de plantilla. La distancia (X) se puede calcular utilizando la ecuación siguiente:

**Distancia (X) = (diámetro exterior de la guía de plantilla - diámetro de la fresa) / 2**

## Juegos de boquillas para polvo

Utilice la boquilla para polvo para la extracción de polvo.

### Para la base

Instale la boquilla para polvo en la base de la herramienta utilizando el tornillo moleteado.

► **Fig.53:** 1. Boquilla para polvo 2. Tornillo moleteado 3. Base

### Para la base de inmersión

#### Accesorios opcionales

1. Instale la boquilla para polvo en la base de inmersión utilizando el tornillo moleteado de forma que la protuberancia de la boquilla para polvo encaje en la ranura de la base de inmersión.

► **Fig.54:** 1. Boquilla para polvo 2. Tornillo moleteado 3. Base de inmersión

2. Conecte un aspirador a la boquilla para polvo.

► **Fig.55**

# MANTENIMIENTO

**⚠ PRECAUCIÓN:** Asegúrese siempre de que la herramienta está apagada y desenchufada antes de intentar realizar la inspección o el mantenimiento.

**AVISO:** No utilice nunca gasolina, bencina, disolvente, alcohol o similares. Podría producir descoloración, deformación o grietas.

Para mantener la SEGURIDAD y FIABILIDAD del producto, las reparaciones, y cualquier otra tarea de mantenimiento o ajuste deberán ser realizadas en centros de servicio o de fábrica autorizados por Makita, empleando siempre repuestos Makita.

## Reemplazo de las escobillas de carbón

► **Fig.56:** 1. Marca de límite

Compruebe las escobillas de carbón regularmente. Reemplácelas cuando se hayan gastado hasta la marca límite. Mantenga las escobillas de carbón limpias de forma que entren libremente en los portaescobillas. Ambas escobillas de carbón deberán ser reemplazada al mismo tiempo. Utilice solamente escobillas de carbón idénticas.

1. Utilice un destornillador para retirar los tapones portaescobillas.
2. Extraiga las escobillas de carbón desgastadas, inserte las nuevas y sujete los tapones portaescobillas.

► **Fig.57:** 1. Tapón portaescobillas

# ACCESORIOS OPCIONALES

**⚠ PRECAUCIÓN:** Estos accesorios o aditamentos están recomendados para su uso con la herramienta Makita especificada en este manual. El uso de cualquier otro accesorio o aditamento puede suponer un riesgo de heridas personales. Utilice el accesorio o aditamento solamente con la finalidad indicada para el mismo.

Si necesita cualquier ayuda para más detalles en relación con estos accesorios, pregunte al centro de servicio Makita local.

- Fresas rectas y de formación de ranuras
- Fresas de formación de bordes
- Fresas de recorte de laminados
- Conjunto de la guía recta
- Conjunto de la guía de recorte
- Conjunto de la base (resina)
- Conjunto de la base de inclinación
- Conjunto de la base de inmersión
- Conjunto de la base de compensación
- Guía de plantilla
- Casquillo cónico
- Llave
- Boquilla para polvo

- Riel guía
- Juego de adaptador de riel guía
- Guía recta con ajuste micro
- Empuñadura lateral
- Accesorio de agarre

**NOTA:** Algunos elementos de la lista podrán estar incluidos en el paquete de la herramienta como accesorios estándar. Pueden variar de un país a otro.

## Fresas

**Fresa recta**

► **Fig.58**

D	A	L1	L2
6	20	50	15
1/4"			
8	8	60	25
6		50	18
1/4"	6	50	18
6			
1/4"			

Unidad: mm

**Fresa en "U"**

► **Fig.59**

D	A	L1	L2	R
6	6	60	28	3
1/4"				

Unidad: mm

**Fresa en "V"**

► **Fig.60**

D	A	L1	L2	θ
1/4"	20	50	15	90°

Unidad: mm

**Fresa de recorte a ras con punta de broca**

► **Fig.61**

D	A	L1	L2	L3
8	8	60	20	35
6				
1/4"	6	60	18	28

Unidad: mm

**Fresa de recorte a ras doble con punta de broca**

► **Fig.62**

D	A	L1	L2	L3	L4
8	8	80	95	20	25
6					
1/4"	6	70	40	12	14

Unidad: mm

**Fresa de redondeado de esquinas****► Fig.63**

D	A1	A2	L1	L2	L3	R
6	25	9	48	13	5	8
1/4"						
6	20	8	45	10	4	4
1/4"						

Unidad: mm

**Fresa de chaflanado****► Fig.64**

D	A	L1	L2	L3	θ
6	23	46	11	6	30°
6	20	50	13	5	45°
6	20	49	14	2	60°

Unidad: mm

**Fresa de moldura redonda de media caña****► Fig.65**

D	A	L1	L2	R
6	20	43	8	4
6	25	48	13	8

Unidad: mm

**Fresa de recorte a ras con rodamiento****► Fig.66**

D	A	L1	L2
6	10	50	20
1/4"			

Unidad: mm

**Fresa de redondeado de esquinas con rodamiento****► Fig.67**

D	A1	A2	L1	L2	L3	R
6	15	8	37	7	3,5	3
6	21	8	40	10	3,5	6
1/4"	21	8	40	10	3,5	6

Unidad: mm

**Fresa de chaflanado con rodamiento****► Fig.68**

D	A1	A2	L1	L2	θ
6	26	8	42	12	45°
1/4"					
6	20	8	41	11	60°

Unidad: mm

**Fresa de moldura redonda con rodamiento****► Fig.69**

D	A1	A2	A3	L1	L2	L3	R
6	20	12	8	40	10	5,5	4
6	26	12	8	42	12	4,5	7

Unidad: mm

**Fresa de moldura redonda de media caña con rodamiento****► Fig.70**

D	A1	A2	A3	A4	L1	L2	L3	R
6	20	18	12	8	40	10	5,5	3
6	26	22	12	8	42	12	5	5

Unidad: mm

**Fresa de gola romana con rodamiento****► Fig.71**

D	A1	A2	L1	L2	L3	R1	R2
6	20	8	40	10	4,5	2,5	4,5
6	26	8	42	12	4,5	3	6

Unidad: mm

## ESPECIFICAÇÕES

Modelo:	RT0702C
Capacidade da pinça de aperto	6 mm, 8 mm ou 1/4"
Velocidade sem carga	10.000 - 34.000 min <sup>-1</sup>
Altura geral	210 mm
Peso líquido	1,8 - 2,8 kg
Classe de segurança	☐/II

- Devido a um programa contínuo de pesquisa e desenvolvimento, estas especificações podem ser alteradas sem aviso prévio.
- As especificações podem variar de país para país.
- O peso poderá diferir em função do(s) acessório(s). A combinação mais leve e a mais pesada, de acordo com o Procedimento EPTA 01/2014, são apresentadas na tabela.

### Utilização a que se destina

A ferramenta é utilizada para rebarbamento à face e para perfilar madeira, plástico e materiais semelhantes.

### Alimentação

A ferramenta só deve ser ligada a uma fonte de alimentação com a mesma tensão da indicada na placa de características, e só funciona com alimentação de corrente alterna (CA) monofásica. Tem um sistema de isolamento duplo e pode, por isso, utilizar tomadas sem ligação à terra.

### Ruído

A característica do nível de ruído A determinado de acordo com a EN62841-2-17:

Nível de pressão acústica ( $L_{pA}$ ): 85 dB (A)

Nível de potência acústica ( $L_{WA}$ ): 93 dB (A)

Variabilidade (K): 3 dB (A)

**NOTA:** O(s) valor(es) da emissão de ruído indicado(s) foi medido de acordo com um método de teste padrão e pode ser utilizado para comparar duas ferramentas.

**NOTA:** O(s) valor(es) da emissão de ruído indicado(s) pode também ser utilizado na avaliação preliminar da exposição.

**⚠️ AVISO:** Utilize protetores auriculares.

**⚠️ AVISO:** A emissão de ruído durante a utilização real da ferramenta elétrica pode diferir do(s) valor(es) indicado(s), dependendo das formas como a ferramenta é utilizada, especialmente o tipo de peça de trabalho que é processada.

**⚠️ AVISO:** Certifique-se de identificar as medidas de segurança para proteção do operador que sejam baseadas em uma estimativa de exposição em condições reais de utilização (considerando todas as partes do ciclo de operação, tal como quando a ferramenta está desligada e quando está a funcionar em marcha lenta além do tempo de acionamento).

### Vibração

Valor total da vibração (soma vetorial tri-axial) determinado de acordo com a EN62841-2-17:

Modo de trabalho: rotação sem carga

Emissão de vibração ( $a_{hv}$ ): 2,5 m/s<sup>2</sup> ou menos

Variabilidade (K): 1,5 m/s<sup>2</sup>

**NOTA:** O(s) valor(es) total(ais) de vibração indicado(s) foi medido de acordo com um método de teste padrão e pode ser utilizado para comparar duas ferramentas.

**NOTA:** O(s) valor(es) total(ais) de vibração indicado(s) pode também ser utilizado na avaliação preliminar da exposição.

**⚠️ AVISO:** A emissão de vibração durante a utilização real da ferramenta elétrica pode diferir do(s) valor(es) indicado(s), dependendo das formas como a ferramenta é utilizada, especialmente o tipo de peça de trabalho que é processada.

**⚠️ AVISO:** Certifique-se de identificar as medidas de segurança para proteção do operador que sejam baseadas em uma estimativa de exposição em condições reais de utilização (considerando todas as partes do ciclo de operação, tal como quando a ferramenta está desligada e quando está a funcionar em marcha lenta além do tempo de acionamento).

### Declarações de conformidade

*Apenas para os países europeus*

As Declarações de conformidade estão incluídas no Anexo A deste manual de instruções.

# AVISOS DE SEGURANÇA

## Avisos gerais de segurança para ferramentas elétricas

**⚠️ AVISO:** Leia todos os avisos de segurança, instruções, ilustrações e especificações fornecidos com esta ferramenta elétrica. O não cumprimento de todas as instruções indicadas em baixo pode resultar em choque elétrico, incêndio e/ou ferimentos graves.

## Guarde todos os avisos e instruções para futuras referências.

O termo "ferramenta elétrica" nos avisos refere-se às ferramentas elétricas ligadas à corrente elétrica (com cabo) ou às ferramentas elétricas operadas por meio de bateria (sem cabo).

## Avisos de segurança da tupa

1. **Segure a ferramenta elétrica apenas pelas superfícies de agarramento isoladas, porque o cortador pode entrar em contacto com o seu próprio cabo.** Cortar um fio sob tensão poderá colocar peças metálicas expostas da ferramenta elétrica sob tensão e pode causar um choque elétrico no operador.
2. **Utilize braçadeiras ou outra forma prática de fixar e suportar a peça de trabalho numa plataforma estável.** Segurar a peça de trabalho com a mão ou contra o corpo deixa-a instável e pode levar a perda de controlo.
3. **A haste da cabeça da tupa tem de corresponder à pinça de aperto concebida.**
4. **Utilize apenas uma cabeça da tupa com uma classificação de, pelo menos, igual à velocidade máxima marcada na ferramenta.**
5. **Use proteções auriculares durante períodos alargados de operação.**
6. **Manuseie as cabeças da tupa com muito cuidado.**
7. **Verifique a cabeça da tupa cuidadosamente para ver se tem rachas ou danos antes da operação.** Substitua imediatamente as cabeças rachadas ou danificadas.
8. **Evite cortar pregos.** Inspeccione e remova todos os pregos da peça de trabalho antes da operação.
9. **Segure a ferramenta com firmeza.**
10. **Mantenha as mãos afastadas das peças rotativas.**
11. **Certifique-se de que a cabeça da tupa não está em contacto com a peça de trabalho antes de ligar o interruptor.**
12. **Antes de utilizar a ferramenta numa peça de trabalho real, deixe-a funcionar durante algum tempo.** Verifique se sente vibrações ou flutuações que possam indicar uma cabeça mal instalada.
13. **Tenha cuidado com a direção de rotação da cabeça da tupa e com a direção de alimentação.**
14. **Não deixe a ferramenta a funcionar. Opere a ferramenta apenas quando a tem na mão.**

15. **Desligue sempre a ferramenta e espere que a cabeça da tupa pare completamente antes de remover a ferramenta da peça de trabalho.**
16. **Não toque na cabeça da tupa imediatamente a seguir à operação.** Pode estar extremamente quente e provocar queimaduras na sua pele.
17. **Não espalhe diluente, gasolina, óleo ou outro produto semelhante descuidadamente na base.** Estes produtos podem provocar fissuras na base.
18. **Alguns materiais contêm produtos químicos que podem ser tóxicos.** Tome cuidado para evitar a inalação de poeiras e o contacto com a pele. Siga os dados de segurança do fornecedor do material.
19. **Utilize sempre a máscara/respirador contra poeira adequado ao material e à aplicação com que está a trabalhar.**
20. **Coloque a ferramenta numa área estável.** Caso contrário, pode ocorrer um acidente de queda e causar ferimentos.

## GUARDE ESTAS INSTRUÇÕES.

**⚠️ AVISO:** NÃO permita que o conforto ou familiaridade com o produto (adquirido com o uso repetido) substitua o cumprimento estrito das regras de segurança da ferramenta. A MÁ INTERPRETAÇÃO ou o não seguimento das regras de segurança estabelecidas neste manual de instruções pode provocar ferimentos pessoais graves.

## DESCRIÇÃO FUNCIONAL

**⚠️ PRECAUÇÃO:** Certifique-se sempre de que a ferramenta está desligada e com a ficha retirada da tomada, antes de proceder a afinações ou de verificar o funcionamento da respetiva ferramenta.

## Ajustar a protrusão da cabeça da tupa

Para ajustar a protrusão da cabeça, abra a alavanca de bloqueio e mova a base para cima ou para baixo conforme pretendido rodando o parafuso de ajuste. Após o ajuste, feche a alavanca de bloqueio firmemente para fixar a base.

► Fig.1: 1. Base 2. Régua 3. Protrusão da cabeça 4. Alavanca de bloqueio 5. Parafuso de ajuste 6. Porca hexagonal

**NOTA:** Quando a ferramenta não estiver fixada mesmo que a alavanca de bloqueio esteja fechada, aperte a porca hexagonal e, em seguida, feche a alavanca de bloqueio.

## Ação do interruptor

**⚠️ PRECAUÇÃO:** Antes de ligar a ficha certifique-se sempre de que a ferramenta está desligada.

Para arrancar a ferramenta, pressione o lado I do interruptor. Para parar a ferramenta, pressione o lado O do interruptor.

► Fig.2: 1. Interruptor

## Função eletrônica

A ferramenta está equipada com as funções eletrônicas para fácil operação.

### Luz indicadora

► **Fig.3:** 1. Luz indicadora

A luz indicadora acende a verde quando a ferramenta é ligada. Se a luz indicadora não acender, o cabo de alimentação ou o controlador pode estar com defeito. Se a luz indicadora está acesa, mas a ferramenta não arranca mesmo que a ferramenta esteja ligada, as escovas de carvão podem estar gastas ou o controlador, o motor ou o interruptor de ligar/desligar pode estar com defeito.

### Dispositivo à prova de reinício acidental

A ferramenta não arranca com o lado I do interruptor pressionado mesmo quando a ferramenta está ligada. Nesta altura, a luz indicadora pisca a vermelho e mostra que o dispositivo à prova de reinício acidental está a funcionar. Para cancelar o dispositivo à prova de reinício acidental, pressione o lado O do interruptor.

### Funcionalidade de arranque suave

A funcionalidade de arranque suave minimiza o choque do arranque e torna o arranque da ferramenta suave.

### Controlo de velocidade constante

Controlo de velocidade eletrónico para obtenção da velocidade constante.

Possibilidade de obter um acabamento delicado, porque a velocidade de rotação é mantida constante, mesmo sob a condição carregada.

## Indicador de ajuste de velocidade

**AVISO:** Não utilize o indicador de ajuste de velocidade durante a operação. A cabeça da tupa pode ser tocada pelo operador por causa da força de reação. Tal poderá resultar em ferimentos pessoais.

**PRECAUÇÃO:** Se a ferramenta for utilizada continuamente em velocidades baixas durante muito tempo, o motor fica sobrecarregado resultando em avaria da ferramenta.

**PRECAUÇÃO:** O indicador de ajuste de velocidade só pode ser rodado até 6 e de volta ao 1. Não o force além de 6 ou 1 ou a função de ajuste da velocidade pode deixar de funcionar.

A velocidade da ferramenta pode ser alterada rodando o indicador de ajuste de velocidade para um determinado número definido de 1 a 6.

► **Fig.4:** 1. Indicador de ajuste de velocidade

Obtém-se uma velocidade maior quando o indicador de ajuste de velocidade é rodado em direção ao número 6. E obtém-se uma velocidade menor quando é rodado em direção ao número 1.

Tal permite a seleção da velocidade ideal para o processamento de material otimizado, ou seja, a velocidade pode ser corretamente ajustada para se adequar ao material e ao diâmetro da cabeça.

Consulte a tabela para ficar a saber a relação entre as definições dos números no indicador e a velocidade da ferramenta aproximada.

Número	min <sup>-1</sup>
1	10.000
2	12.000
3	17.000
4	22.000
5	27.000
6	34.000

## MONTAGEM

**PRECAUÇÃO:** Certifique-se sempre de que a ferramenta está desligada e com a ficha retirada da tomada antes de executar quaisquer trabalhos na ferramenta.

### Instalar ou remover a cabeça da tupa

**PRECAUÇÃO:** Não aperte a porca de aperto sem inserir uma cabeça da tupa; caso contrário, o cone de aperto parte-se.

**PRECAUÇÃO:** Utilize apenas as chaves fornecidas com a ferramenta.

Existem duas formas de instalar a cabeça da tupa. Efetue uma dessas formas.

### Com duas chaves

Inserir a cabeça da tupa até ao fim dentro do cone de aperto e aperte a porca de aperto firmemente com uma chave enquanto segura a haste com a outra chave.

► **Fig.5:** 1. Apertar 2. Soltar 3. Haste 4. Porca de aperto

### Com uma chave

Inserir a cabeça da tupa até ao fim dentro do cone de aperto e aperte a porca de aperto firmemente com a chave enquanto pressiona o travamento do eixo.

► **Fig.6:** 1. Apertar 2. Soltar 3. Travamento do eixo 4. Porca de aperto

Para remover a cabeça da tupa, siga o procedimento de instalação pela ordem inversa.

### Mudar o cone de aperto

**PRECAUÇÃO:** Utilize o cone de aperto de tamanho correto para a cabeça da tupa que pretende utilizar.

**PRECAUÇÃO:** Não aperte a porca de aperto sem instalar uma cabeça da tupa; caso contrário, o cone de aperto pode partir-se.

1. Solte a porca de aperto e remova-a.
2. Substitua o cone de aperto instalado pelo cone de aperto pretendido.
3. Volte a instalar a porca de aperto.

► **Fig.7:** 1. Cone de aperto 2. Porca de aperto

# OPERAÇÃO

**⚠️ PRECAUÇÃO:** Segure sempre a ferramenta firmemente com uma mão sobre a caixa. Não toque na parte metálica.

## Para a base

**⚠️ AVISO:** Antes de utilizar a ferramenta com a base, instale sempre o bocal do pó na base.

► **Fig.8:** 1. Bocal do pó 2. Parafuso de orelhas 3. Base

1. Coloque a base na peça de trabalho a cortar sem que a cabeça da tupa estabeleça qualquer contacto.

2. Ligue a ferramenta e aguarde até a cabeça da tupa atingir a velocidade máxima.

3. Mova a ferramenta para a frente sobre a superfície da peça de trabalho, mantendo a base à face e avançando suavemente até o corte estar completo.

► **Fig.9**

Quando se realizam cortes de extremidades, a superfície da peça de trabalho deve estar no lado esquerdo da cabeça da tupa na direção de alimentação.

► **Fig.10:** 1. Peça de trabalho 2. Direção de rotação da cabeça 3. Vista a partir do topo da ferramenta 4. Direção de alimentação

Quando se utiliza a guia reta ou a guia da tupa, certifique-se de que a mantém no lado direito na direção de alimentação. Isto ajudará a mantê-la à face da parte lateral da peça de trabalho.

► **Fig.11:** 1. Direção de alimentação 2. Direção de rotação da cabeça 3. Peça de trabalho 4. Guia reta

**NOTA:** Mover a ferramenta para a frente demasiado depressa pode provocar cortes de má qualidade ou danificar a cabeça da tupa ou o motor. Mover a ferramenta para a frente devagar demais pode queimar e danificar o corte. A taxa de alimentação adequada depende do tamanho da cabeça, do tipo de peça de trabalho e da profundidade do corte. Antes de começar o corte na peça de trabalho, é aconselhável realizar um corte de amostragem num pedaço de desperdício de madeira. Assim ficará a saber exatamente qual será o aspeto do corte, bem como lhe permitirá verificar as dimensões.

**⚠️ PRECAUÇÃO:** Uma vez que o corte excessivo pode provocar sobrecarga do motor ou dificuldade em controlar a ferramenta, a profundidade do corte não deve ser superior a 3 mm numa passagem durante o corte de ranhuras. Quando pretende cortar ranhuras com mais de 3 mm de profundidade, efetue várias passagens com configurações progressivamente mais fundas da cabeça.

## Base (resina)

### Acessório opcional

Pode utilizar a base (resina) como acessório opcional conforme apresentado na figura.

► **Fig.12:** 1. Parafuso de fixação

Coloque a ferramenta na base (resina) e aperte o parafuso de fixação na protusão pretendida da cabeça da tupa. Para ficar a saber os procedimentos operacionais, consulte a operação para a base.

## Guia do molde

### Acessório opcional

A guia do molde proporciona uma manga através da qual a cabeça da tupa passa, permitindo a utilização da ferramenta com padrões de moldes.

► **Fig.13**

1. Solte os parafusos e remova o protetor da base.

► **Fig.14:** 1. Protetor da base 2. Parafusos

2. Coloque a guia do molde na base e coloque novamente o protetor da base. Depois, fixe o protetor da base apertando os parafusos.

3. Fixe o molde à peça de trabalho. Coloque a ferramenta no molde e mova-a com a guia do molde a deslizar ao longo da parte lateral do molde.

► **Fig.15:** 1. Cabeça da tupa 2. Base 3. Protetor da base 4. Molde 5. Peça de trabalho 6. Guia do molde

**NOTA:** A peça de trabalho será cortada com um tamanho ligeiramente diferente do molde. Deixe uma distância (X) entre a cabeça da tupa e a parte exterior da guia do molde. A distância (X) pode ser calculada utilizando a seguinte equação:

**Distância (X) = (diâmetro externo da guia do molde - diâmetro da cabeça da tupa) / 2**

## Guia reta

### Acessório opcional

A guia reta é utilizada eficazmente para cortes retos durante a chanfragem ou ranhuragem.

► **Fig.16**

1. Anexe a chapa guia à guia reta com o perno e a porca de orelhas.

► **Fig.17:** 1. Perno 2. Chapa guia 3. Guia reta 4. Porca de orelhas

2. Prenda o conjunto da guia reta com o parafuso de fixação.

► **Fig.18:** 1. Parafuso de fixação 2. Guia reta 3. Porca de orelhas 4. Base

3. Solte a porca de orelhas no conjunto da guia reta e ajuste a distância entre a cabeça da tupa e a guia reta. À distância pretendida, aperte firmemente a porca de orelhas.

- Quando cortar, mova a ferramenta com a guia reta à face da parte lateral da peça de trabalho.

Se a distância entre a parte lateral da peça de trabalho e a posição de corte for demasiado ampla para a guia reta ou se a parte lateral da peça de trabalho não for reta, a guia reta não pode ser utilizada. Neste caso, prenda firmemente uma prancha reta na peça de trabalho e utilize-a como guia contra a base da tupa. Movimente a ferramenta na direção da seta.

► **Fig.19**

## Trabalho circular

O trabalho circular pode ser efetuado se montar a guia reta e a chapa guia conforme apresentado nas figuras. Os raios mín. e máx. dos círculos a cortar (distância entre o centro do círculo e o centro da cabeça da tupa) são os seguintes:

Mín.: 70 mm

Máx.: 221 mm

**Para cortar círculos entre 70 mm e 121 mm de raio**

► **Fig.20:** 1. Porca de orelhas 2. Chapa guia 3. Guia reta 4. Orifício central 5. Perno

**Para cortar círculos entre 121 mm e 221 mm de raio**

► **Fig.21:** 1. Porca de orelhas 2. Chapa guia 3. Guia reta 4. Orifício central 5. Perno

**NOTA:** Não é possível cortar círculos entre 172 mm e 186 mm de raio com esta guia.

1. Alinhe o orifício central na guia reta com o centro do círculo a cortar.

► **Fig.22:** 1. Prego 2. Orifício central 3. Guia reta

2. Coloque um prego com menos de 6 mm de diâmetro dentro do orifício central para fixar a guia reta.

3. Gire a ferramenta para a direita em volta do prego.

## Guia da tupa

### Acessório opcional

É fácil rebarbar, realizar cortes curvos em laminados para peças de mobiliário e outros do género com a guia da tupa. O rolo da guia faz a curva e garante um corte perfeito.

► **Fig.23**

1. Instale a guia da tupa e o suporte da guia na base com o parafuso de fixação (A).

2. Solte o parafuso de fixação (B) e ajuste a distância entre a cabeça da tupa e a guia da tupa rodando o parafuso de ajuste (1 mm por volta). À distância pretendida, aperte o parafuso de fixação (B) para fixar a guia da tupa no lugar.

► **Fig.24:** 1. Parafuso de ajuste 2. Suporte da guia 3. Guia da tupa

3. Quando cortar, mova a ferramenta com o rolo da guia a rolar na parte lateral da peça de trabalho.

► **Fig.25:** 1. Peça de trabalho 2. Cabeça da tupa 3. Rolo da guia

## Base de inclinação

### Acessório opcional

A base de inclinação é utilizada para aparar a extremidade de placas laminadas ou materiais semelhantes. A base de inclinação é conveniente para chanfragem.

1. Coloque a ferramenta na base de inclinação, solte os parafusos de fixação e incline a ferramenta no ângulo pretendido.

2. Feche a alavanca de bloqueio na protrusão pretendida da cabeça da tupa e aperte os parafusos de fixação no ângulo pretendido.

3. Prenda firmemente uma prancha reta na peça de trabalho e utilize-a como guia contra a base de inclinação. Movimente a ferramenta na direção da seta.

► **Fig.26:** 1. Parafusos de fixação 2. Alavanca de bloqueio

## Utilizar o protetor da base de inclinação com a base

O protetor da base de inclinação (quadrado) removido da base de inclinação pode ser montado na base.

A forma do protetor da base pode ser alterada de redonda para quadrada.

1. Remova o protetor da base de inclinação da base de inclinação soltando e removendo os quatro parafusos.

2. Monte o protetor da base de inclinação na base.

► **Fig.27:** 1. Protetor da base de inclinação 2. Parafuso

## Base de desvio

### Acessório opcional

A base de desvio é utilizada para aparar a extremidade de placas laminadas ou materiais semelhantes.

A base de desvio é conveniente para trabalhos numa área apertada.

► **Fig.28**

## Utilizar a ferramenta com a base de desvio

1. Antes de instalar a ferramenta na base de desvio, remova a porca de aperto e o cone de aperto soltando a porca de aperto.

► **Fig.29:** 1. Polia 2. Porca de aperto 3. Cone de aperto

2. Instale a polia na ferramenta pressionando o travamento do eixo e apertando firmemente a polia com uma chave.

► **Fig.30:** 1. Chave 2. Polia 3. Travamento do eixo

3. Coloque o cone de aperto e aperte a porca de aperto na base de desvio conforme apresentado na figura.

► **Fig.31:** 1. Porca de aperto 2. Cone de aperto

4. Monte a base de desvio na ferramenta.

► **Fig.32**



5. Enganche a correia sobre a polia com uma chave de parafusos e certifique-se de que a respetiva largura total da correia encaixa completamente sobre a polia.

► **Fig.33:** 1. Polia 2. Correia

6. Feche a alavanca de bloqueio.

► **Fig.34:** 1. Alavanca de bloqueio

7. Instale a cabeça da tupa da seguinte forma.

Posse a ferramenta com a base de desvio. Insira a chave hexagonal dentro do orifício na base de desvio.

Com a chave hexagonal mantida na posição conforme apresentado na figura, insira a cabeça da tupa no cone de aperto no eixo da base de desvio do lado oposto e aperte a porca de aperto firmemente com uma chave.

► **Fig.35:** 1. Chave 2. Chave hexagonal 3. Cabeça da tupa

8. Para remover a cabeça da tupa, siga o procedimento de instalação pela ordem inversa.

## Utilizar a base com a placa da base de desvio e o acessório de fixação

A base de desvio também pode ser utilizada com uma base e um acessório de fixação (acessório opcional) para mais estabilidade.

► **Fig.36**

1. Solte os parafusos e remova a secção superior da base de desvio. Coloque a secção superior da base de desvio de lado.

► **Fig.37:** 1. Parafusos 2. Placa da base de desvio 3. Secção superior da base de desvio

2. Monte a placa da base de desvio com quatro parafusos e o acessório de fixação com dois parafusos na placa da base de desvio. Aperte uma fixação tipo barra (acessório opcional) no acessório de fixação. Noutra forma de utilização, a fixação tipo botão que é removida de uma base de penetração (acessório opcional) pode ser instalada no acessório de fixação. Para instalar a fixação tipo botão, coloque-a no acessório de fixação e fixe-a com um parafuso.

**Com fixação tipo barra**

► **Fig.38:** 1. Fixação tipo barra 2. Acessório de fixação 3. Placa da base de desvio

**Com fixação tipo botão**

► **Fig.39:** 1. Parafuso 2. Fixação tipo botão 3. Acessório de fixação

## Utilizar a ferramenta com a base de penetração

**Acessório opcional**

**⚠PRECAUÇÃO:** Quando utilizar como tupa, segure a ferramenta firmemente com as duas mãos.

1. Para utilizar a ferramenta como tupa, instale a ferramenta numa base de penetração (acessório opcional) pressionando-a totalmente para baixo. É possível utilizar a fixação tipo botão ou a fixação tipo barra (acessório opcional) de acordo com o seu trabalho.

► **Fig.40:** 1. Base de penetração 2. Fixação tipo barra

2. Para utilizar a fixação tipo barra (acessório opcional), solte o parafuso e remova a fixação tipo botão.

► **Fig.41:** 1. Parafuso 2. Fixação tipo botão

3. Aperte a fixação tipo barra na base.

► **Fig.42:** 1. Fixação tipo barra

## Ajustar a profundidade de corte quando utilizar a base de penetração (acessório opcional)

**⚠PRECAUÇÃO:** Segure sempre a ferramenta firmemente pelas duas fixações durante a operação.

► **Fig.43:** 1. Botão de ajuste 2. Alavanca de bloqueio 3. Ponteiro de profundidade 4. Porca de ajuste do polo da tampa 5. Botão de alimentação rápida 6. Polo da tampa 7. Bloco batente 8. Perno hexagonal de ajuste

1. Coloque a ferramenta numa superfície plana. Solte a alavanca de bloqueio e baixe o corpo da ferramenta até a cabeça da tupa tocar na superfície plana. Aperte a alavanca de bloqueio para bloquear o corpo da ferramenta.

2. Rode a porca de ajuste do polo da tampa para a esquerda. Baixe o polo da tampa até este estar em contacto com o perno hexagonal de ajuste. Alinhe o ponteiro de profundidade com a graduação "0". A profundidade de corte é indicada na régua pelo ponteiro de profundidade.

3. Enquanto pressiona o botão de alimentação rápida, levante o polo da tampa até obter a profundidade de corte pretendida. Os ajustes de profundidade mínimos podem ser obtidos rodando o botão de ajuste (1 mm por volta).

4. Ao rodar a porca de ajuste do polo da tampa para a direita, pode apertar o polo da tampa firmemente.

5. Agora, a profundidade de corte predeterminada pode ser obtida soltando a alavanca de bloqueio e, em seguida, baixando o corpo da ferramenta até o polo da tampa entrar em contacto com o perno de ajuste do bloco batente.

6. Coloque a base na peça de trabalho a cortar sem que a cabeça da tupa estabeleça qualquer contacto.

7. Ligue a ferramenta e aguarde até a cabeça da tupa atingir a velocidade máxima.

8. Baixe o corpo da ferramenta e mova a ferramenta para a frente sobre a superfície da peça de trabalho, mantendo a base à face e avançando suavemente até o corte estar completo.

Quando efetuar cortes de extremidades, a superfície da peça de trabalho deve estar no lado esquerdo da cabeça da tupa na direção de alimentação.

► **Fig.44:** 1. Peça de trabalho 2. Direção de rotação da cabeça 3. Vista a partir do topo da ferramenta 4. Direção de alimentação

Quando utilizar a guia reta ou a guia da tupa, certifique-se de que a mantém no lado direito na direção de alimentação. Tal ajudará a mantê-la à face da parte lateral da peça de trabalho.

► **Fig.45:** 1. Direção de alimentação 2. Direção de rotação da cabeça 3. Peça de trabalho 4. Guia reta

**NOTA:** Mover a ferramenta para a frente demasiado depressa pode provocar cortes de má qualidade ou danificar a cabeça da tupa ou o motor. Mover a ferramenta para a frente demasiado devagar pode queimar e danificar o corte. A taxa de alimentação adequada depende do tamanho da cabeça, do tipo de peça de trabalho e da profundidade do corte. Antes de começar o corte na peça de trabalho real, é aconselhável efetuar um corte de amostragem num pedaço de desperdício de madeira. Assim ficará a saber exatamente qual será o aspeto do corte, bem como lhe permitirá verificar as dimensões.

## Guia reta para suporte da guia

### Acessório opcional

A guia reta é utilizada eficazmente para cortes retos durante a chanfragem ou ranhuração.

► **Fig.46:** 1. Perno 2. Suporte da guia 3. Porca de orelhas (A) 4. Perno 5. Porca de orelhas (B) 6. Chapa guia 7. Guia reta 8. Pernos de orelhas

1. Instale o conjunto da guia reta no suporte da guia (acessório opcional) com o perno e a porca de orelhas (A).
2. Insira o suporte da guia nos orifícios na base de penetração e aperte os pernos de orelhas.
3. Para ajustar a distância entre a cabeça da tupa e a guia reta, solte a porca de orelhas (B). À distância pretendida, aperte a porca de orelhas (B) para fixar a guia reta no lugar.

## Guia reta

### Acessório opcional

A guia reta é utilizada eficazmente para cortes retos durante a chanfragem ou ranhuração.

► **Fig.47**

1. Insira as barras da guia nos orifícios na base de penetração.  
► **Fig.48:** 1. Barra da guia 2. Porca de orelhas 3. Guia reta
2. Ajuste a distância entre a cabeça da tupa e a guia reta. À distância pretendida, aperte as porcas de orelhas para fixar a guia reta no lugar.
3. Quando cortar, mova a ferramenta com a guia reta à face da parte lateral da peça de trabalho.

Se a distância entre a parte lateral da peça de trabalho e a posição de corte for demasiado ampla para a guia reta ou se a parte lateral da peça de trabalho não for reta, a guia reta não pode ser utilizada. Neste caso, prenda firmemente uma prancha reta na peça de trabalho e utilize-a como guia contra a base da tupa. Movimente a ferramenta na direção da seta.

► **Fig.49**

## Guia do molde

### Acessório opcional

A guia do molde proporciona uma manga através da qual a cabeça da tupa passa, permitindo a utilização da ferramenta com padrões de moldes.

► **Fig.50**

1. Solte os parafusos na base da ferramenta, insira a guia do molde e, em seguida, aperte os parafusos.

► **Fig.51:** 1. Parafuso 2. Base 3. Guia do molde

2. Fixe o molde à peça de trabalho. Coloque a ferramenta no molde e mova-a com a guia do molde a deslizar ao longo da parte lateral do molde.

► **Fig.52:** 1. Cabeça da tupa 2. Base 3. Protetor da base 4. Molde 5. Peça de trabalho 6. Guia do molde

**NOTA:** A peça de trabalho será cortada com um tamanho ligeiramente diferente do molde. Deixe uma distância (X) entre a cabeça da tupa e a parte exterior da guia do molde. A distância (X) pode ser calculada utilizando a seguinte equação:

**Distância (X) = (diâmetro externo da guia do molde - diâmetro da cabeça da tupa) / 2**

## Conjuntos de bocal do pó

Utilize o bocal do pó para extração de pó.

### Para a base

Instale o bocal do pó na base da ferramenta utilizando o parafuso de orelhas.

► **Fig.53:** 1. Bocal do pó 2. Parafuso de orelhas 3. Base

### Para a base de penetração

#### Acessório opcional

1. Instale o bocal do pó na base de penetração utilizando o parafuso de orelhas de forma que a protusão no bocal do pó encaixe no entalhe na base de penetração.

► **Fig.54:** 1. Bocal do pó 2. Parafuso de orelhas 3. Base de penetração

2. Ligue um aspirador ao bocal do pó.

► **Fig.55**

# MANUTENÇÃO

**⚠️ PRECAUÇÃO:** Certifique-se sempre de que a ferramenta está desligada e com a ficha retirada da tomada antes de tentar proceder à inspeção ou à manutenção.

**OBSERVAÇÃO:** Nunca utilize gasolina, benzina, diluente, álcool ou produtos semelhantes. Pode ocorrer a descoloração, deformação ou rachaduras.

Para manter a SEGURANÇA e a FIABILIDADE do produto, as reparações e qualquer outra manutenção ou ajuste devem ser levados a cabo pelos centros de assistência Makita autorizados ou pelos centros de assistência de fábrica, utilizando sempre peças de substituição Makita.

## Substituição das escovas de carvão

► Fig.56: 1. Marca limite

Verifique regularmente as escovas de carvão. Substitua-as quando estiverem gastas até à marca limite. Mantenha as escovas de carvão limpas e a deslizar nos suportes. As duas escovas de carvão devem ser substituídas ao mesmo tempo. Só utilize escovas de carvão idênticas.

1. Utilize uma chave de parafusos para retirar as tampas do suporte das escovas.
2. Retire as escovas de carvão usadas, coloque as novas e prenda as tampas do suporte das escovas.

► Fig.57: 1. Tapa do suporte das escovas

# ACESSÓRIOS OPCIONAIS

**⚠️ PRECAUÇÃO:** Estes acessórios ou peças são recomendados para utilização com a ferramenta Makita especificada neste manual. A utilização de outros acessórios ou peças pode ser perigosa para as pessoas. Utilize apenas acessórios ou peças para os fins indicados.

Se necessitar de informações adicionais relativas a estes acessórios, solicite-as ao seu centro de assistência Makita.

- Cabeças retas e para formação de ranhuras
- Cabeças para formação de extremidades
- Cabeças de rebarbamento de laminados
- Conjunto da guia reta
- Conjunto da guia da tupaia
- Conjunto da base (resina)
- Conjunto da base de inclinação
- Conjunto da base de penetração
- Conjunto da base de desvio
- Guia do molde
- Cone de aperto
- Chave

- Bocal do pó
- Calha de guia
- Conjunto do adaptador da calha de guia
- Guia reta com microajuste
- Punho lateral
- Acessório de fixação

**NOTA:** Alguns itens da lista podem estar incluídos na embalagem da ferramenta como acessórios padrão. Eles podem variar de país para país.

## Cabeças da tupaia

Cabeça reta

► Fig.58

D	A	L1	L2
6	20	50	15
1/4"			
8	8	60	25
6			
1/4"	6	50	18
6			
1/4"	6	50	18
6			

Unidade: mm

Cabeça de ranhuração em U

► Fig.59

D	A	L1	L2	R
6	6	60	28	3
1/4"				

Unidade: mm

Cabeça de ranhuração em V

► Fig.60

D	A	L1	L2	θ
1/4"	20	50	15	90°

Unidade: mm

Cabeça de rebarbamento à face do ponto de perfuração

► Fig.61

D	A	L1	L2	L3
8	8	60	20	35
6				
1/4"	6	60	18	28
6				

Unidade: mm

### Cabeça de rebarbamento à face do duplo ponto de perfuração

#### ► Fig.62

D	A	L1	L2	L3	L4
8	8	80	95	20	25
6	6	70	40	12	14
1/4"					

Unidade: mm

### Cabeça para arredondamento de cantos

#### ► Fig.63

D	A1	A2	L1	L2	L3	R
6	25	9	48	13	5	8
1/4"						
6	20	8	45	10	4	4
1/4"						

Unidade: mm

### Cabeça de chanfragem

#### ► Fig.64

D	A	L1	L2	L3	θ
6	23	46	11	6	30°
6	20	50	13	5	45°
6	20	49	14	2	60°

Unidade: mm

### Cabeça de rebordos de ansa

#### ► Fig.65

D	A	L1	L2	R
6	20	43	8	4
6	25	48	13	8

Unidade: mm

### Cabeça de rebarbamento à face com rolamento de esferas

#### ► Fig.66

D	A	L1	L2
6	10	50	20
1/4"			

Unidade: mm

### Cabeça de arredondamento de cantos com rolamento de esferas

#### ► Fig.67

D	A1	A2	L1	L2	L3	R
6	15	8	37	7	3,5	3
6	21	8	40	10	3,5	6
1/4"	21	8	40	10	3,5	6

Unidade: mm

### Cabeça de chanfragem com rolamento de esferas

#### ► Fig.68

D	A1	A2	L1	L2	θ
6	26	8	42	12	45°
1/4"					
6	20	8	41	11	60°

Unidade: mm

### Cabeça de rebordos com rolamento de esferas

#### ► Fig.69

D	A1	A2	A3	L1	L2	L3	R
6	20	12	8	40	10	5,5	4
6	26	12	8	42	12	4,5	7

Unidade: mm

### Cabeça de rebordos de ansa com rolamento de esferas

#### ► Fig.70

D	A1	A2	A3	A4	L1	L2	L3	R
6	20	18	12	8	40	10	5,5	3
6	26	22	12	8	42	12	5	5

Unidade: mm

### Cabeça de asa em arco duplo romano com rolamento de esferas

#### ► Fig.71

D	A1	A2	L1	L2	L3	R1	R2
6	20	8	40	10	4,5	2,5	4,5
6	26	8	42	12	4,5	3	6

Unidade: mm

## SPECIFIKATIONER

Model:	RT0702C
Kapacitet på indsatspatron	6 mm, 8 mm eller 1/4"
Hastighed uden belastning	10.000 - 34.000 min <sup>-1</sup>
Samlet højde	210 mm
Nettovægt	1,8 - 2,8 kg
Sikkerhedsklasse	II

- På grund af vores kontinuerlige forsknings- og udviklingsprogrammer kan hosstående specifikationer blive ændret uden varsel.
- Specifikationer kan variere fra land til land.
- Vægten kan være anderledes afhængigt af tilbehøret. Den letteste og tungeste kombination i henhold til EPTA-procedure 01/2014 er vist i tabellen.

### Tilsigtet anvendelse

Maskinen er beregnet til plan tilskæring og afdrejning af træ, plastik og lignende materialer.

### Strømforsyning

Maskinen må kun tilsluttes en strømforsyning med samme spænding som angivet på typeskiltet og kan kun anvendes på enfaset vekselstrømforsyning. Den er dobbeltisoleret og kan derfor også tilsluttes netstik uden jordforbindelse.

### Støj

Det typiske A-vægtede støjniveau bestemmt i overensstemmelse med EN62841-2-17:

Lydtryksniveau ( $L_{pA}$ ) : 85 dB (A)

Lydeffektniveau ( $L_{WA}$ ) : 93 dB (A)

Usikkerhed (K): 3 dB (A)

**BEMÆRK:** De(n) angivne støjemissionsværdi(er) er målt i overensstemmelse med en standardtestmetode og kan anvendes til at sammenligne en maskine med en anden.

**BEMÆRK:** De(n) angivne støjemissionsværdi(er) kan også anvendes i en præliminær eksponeringsvurdering.

**⚠ ADVARSEL:** Bær høreværn.

**⚠ ADVARSEL:** Støjemissionen under den faktiske anvendelse af maskinen kan være forskellig fra de(n) angivne værdi(er), afhængigt af den måde hvorpå maskinen anvendes, især den type arbejdsemne der behandles.

**⚠ ADVARSEL:** Sørg for at identificere de sikkerhedsforskrifter til beskyttelse af operatøren, som er baseret på en vurdering af eksponering under de faktiske brugsforhold (med hensyntagen til alle dele i brugscyklussen, f.eks. de gange, hvor maskinen er slukket, og når den kører i tomgang i tilgift til afbrydertiden).

### Vibration

Vibrationens totalværdi (tre-aksial vektorsum) bestemt i overensstemmelse med EN62841-2-17:

Arbejdstilstand: rotation uden belastning

Vibrationsemission ( $a_{th}$ ): 2,5 m/s<sup>2</sup> eller mindre

Usikkerhed (K): 1,5 m/s<sup>2</sup>

**BEMÆRK:** De(n) angivne totalværdi(er) for vibration er målt i overensstemmelse med en standardtestmetode og kan anvendes til at sammenligne en maskine med en anden.

**BEMÆRK:** De(n) angivne totalværdi(er) for vibration kan også anvendes i en præliminær eksponeringsvurdering.

**⚠ ADVARSEL:** Vibrationsemissionen under den faktiske anvendelse af maskinen kan være forskellig fra de(n) angivne værdi(er), afhængigt af den måde hvorpå maskinen anvendes, især den type arbejdsemne der behandles.

**⚠ ADVARSEL:** Sørg for at identificere de sikkerhedsforskrifter til beskyttelse af operatøren, som er baseret på en vurdering af eksponering under de faktiske brugsforhold (med hensyntagen til alle dele i brugscyklussen, f.eks. de gange, hvor maskinen er slukket, og når den kører i tomgang i tilgift til afbrydertiden).

### Overensstemmelseserklæringer

#### Kun for lande i Europa

Overensstemmelseserklæringerne er inkluderet i Bilag A i denne brugsanvisning.

# SIKKERHEDSADVARSLER

## Almindelige sikkerhedsregler for el-værktøj

**⚠ ADVARSEL:** Læs alle de sikkerhedsadvarsler, instruktioner, illustrationer og specifikationer, der følger med denne maskine. Forsømmelse af at overholde alle nedenstående instruktioner kan medføre elektrisk stød, brand og/eller alvorlig personskade.

## Gem alle advarsler og instruktioner til fremtidig reference.

Ordet "el-værktøj" i advarslerne henviser til det netforsynede (netledning) el-værktøj eller batteriforsynede (akku) el-værktøj.

## Sikkerhedsadvarsler for overfræser

1. Hold kun maskinen i de isolerede gribeplader, da skæreren kan komme i kontakt med sin egen ledning. Hvis der skæres i en strømførende ledning, kan udsatte metaldele på maskinen også blive strømførende, hvorved operatøren kan få elektrisk stød.
2. Brug skruevinger eller en anden praktisk måde til at fastgøre og understøtte arbejdsemnet til en stabil platform. Hvis arbejdsemnet holdes i hånden eller mod kroppen, er det ustabil, hvilket kan medføre, at du mister kontrollen.
3. Overfræserbitskafte skal matche den designede spændepatron.
4. Brug kun en overfræserbit, der er vurderet til mindst den maksimale hastighed, der er angivet på maskinen.
5. Bær høreværn ved længere tids brug.
6. Håndter overfræserbits yderst forsigtigt.
7. Kontroller overfræserbitten omhyggeligt for revner eller beskadigelse før brugen. Udskift øjeblikkeligt en revnet eller beskadiget bit.
8. Undgå at skære i søm. Se efter og fjern alle søm fra arbejdsemnet, før arbejdet påbegyndes.
9. Hold godt fast i maskinen.
10. Hold hænderne på afstand af roterende dele.
11. Sørg for, at overfræserbitten ikke er i kontakt med arbejdsemnet, før der tændes ved kontakten.
12. Lad maskinen køre et stykke tid, før den anvendes på et egentligt arbejdsemne. Se efter vibration eller rysten, der kan tyde på en forkert monteret bit.
13. Vær opmærksom på overfræserbittens rotationsretning og fremføringsretningen.
14. Lad ikke maskinen køre. Brug kun maskinen, når den holdes i hænderne.
15. Sluk altid, og vent, til overfræserbitten er helt stoppet, før maskinen fjernes fra arbejdsemnet.

16. Undlad at berøre overfræserbitten umiddelbart efter brugen. Den kan være meget varm og kan forårsage forbrændinger.
17. Undgå at smøre foden skødesløst med fortynder, benzin, olie eller lignende. De kan forårsage revner i foden.
18. Nogle materialer indeholder kemikalier, der kan være giftige. Sørg omhyggeligt for at undgå indånding af støv samt kontakt med huden. Følg materialeleverandørens sikkerhedsdata.
19. Anvend altid korrekt støvmaske/åndebrætsværn til det materiale og anvendelsesformål, du arbejder med.
20. Placer maskinen på et stabilt område. Ellers kan der forekomme en faldulykke, der forårsager personskade.

## GEM DISSE FORSKRIFTER.

**⚠ ADVARSEL:** LAD IKKE bekvemmelighed eller kendskab til produktet (opnået gennem gentagen brug) forhindre, at sikkerhedsforskrifterne for produktet nøje overholdes. MISBRUG eller forsømmelse af at følge de i denne brugsvejledning givne sikkerhedsforskrifter kan medføre alvorlig personskade.

## FUNKTIONSBEKRIVELSE

**⚠ FORSIGTIG:** Kontrollér altid, at maskinen er slået fra, og at netstikket er trukket ud, før der udføres justeringer, eller funktioner kontrolleres på maskinen.

## Justering af overfræserbittens fremspring

Hvis du vil justere bittens fremspring, skal du åbne låsehåndtaget og flytte foden op eller ned efter behov ved at dreje justeringsskruen. Efter justering skal du lukke låsehåndtaget fast for at fastgøre foden.

- Fig. 1: 1. Fod 2. Skala 3. Bittens fremspring  
4. Låsehåndtag 5. Justeringsskruer  
6. Sekskantmøtrik

**BEMÆRK:** Hvis maskinen ikke er fastgjort, selvom låsehåndtaget er lukket, skal du tilspænde sekskantmøtrikken og derefter lukke låsehåndtaget.

## Afbryderfunktion

**⚠ FORSIGTIG:** Sørg altid for, at der er slukket for maskinen, før maskinen sættes i stikkontakten.

Tryk på I-siden af kontakten for at starte maskinen. Tryk på O-siden af kontakten for at stoppe maskinen.

- Fig. 2: 1. Kontakt

## Elektronisk funktion

Maskinen er udstyret med elektroniske funktioner for nem betjening.

### Indikatorlampe

► **Fig.3:** 1. Indikatorlampe

Indikatorlampen lyser grønt, når maskinen er tilsluttet. Hvis indikatorlampen ikke lyser, kan netledningen eller kontrolløren være defekt. Hvis indikatorlampen er tændt, men maskinen ikke starter, selvom der er tændt for maskinen, kan kulbørsterne være slidte, eller kontrolløren, motoren eller TÆND/SLUK-knappen kan være defekt.

### Sikring mod utilsigtet start

Maskinen starter ikke med kontaktens I-side trykket ned, selv når maskinen er tilsluttet. I så fald blinker indikatorlampen rødt og viser, at sikringsenheden mod utilsigtet start er tændt. Tryk på O-siden af kontakten for at annullere sikringen mod utilsigtet start.

### Funktion til blød start

Funktionen til blød start minimerer opstartsstød og får maskinen til at starte blødt.

### Konstant hastighedskontrol

Elektronisk hastighedskontrol til opnåelse af konstant hastighed. Det er muligt at få en fin finish, fordi rotationshastigheden holdes konstant, selv under den belastede tilstand.

### Drejeknap til hastighedsjustering

**⚠ ADVARSEL:** Brug ikke drejeknappen til hastighedsjustering under anvendelse. Overfræserbitten kan berøres af operatøren på grund af reaktionskraft. Dette kan medføre personskade.

**⚠ FORSIGTIG:** Hvis maskinen anvendes kontinuerligt ved lave hastigheder i lang tid, bliver motoren overbelastet, hvilket resulterer i funktionsfejl på maskinen.

**⚠ FORSIGTIG:** Drejeknappen til hastighedsjustering kan kun drejes så langt som 6 og tilbage til 1. Tving den ikke forbi 6 eller 1, da hastighedsjusteringsfunktionen måske ikke længere virker.

Maskinhastigheden kan ændres ved at dreje drejeknappen til hastighedsjusteringen til en given nummerindstilling fra 1 til 6.

► **Fig.4:** 1. Drejeknap til hastighedsjustering

Højere hastighed opnås, når drejeknappen til hastighedsjusteringen drejes i retning af tallet 6. Og lavere hastighed opnås, når den drejes i retning af tallet 1. Dette gør det muligt at vælge den ideelle hastighed til optimal materialebehandling, dvs. at hastigheden kan justeres korrekt, så den passer til materialet og bitdiameteren.

Se tabellen for at få oplysninger om forholdet mellem nummerindstillingerne på drejeknappen og den omtrentlige maskinhastighed.

Tal	min <sup>-1</sup>
1	10.000
2	12.000
3	17.000
4	22.000
5	27.000
6	34.000

## SAMLING

**⚠ FORSIGTIG:** Sørg altid for, at maskinen er slukket og taget ud af forbindelse, inden der udføres nogen form for arbejde på maskinen.

### Montering eller afmontering af overfræserbitten

**⚠ FORSIGTIG:** Undlad at tilspænde patronmøtrikken uden at indsætte en overfræsербit, da patronkeglen vil gå i stykker.

**⚠ FORSIGTIG:** Brug kun de skruenøgler, der følger med maskinen.

Der er altid to måder at montere overfræserbitten på. Udfør begge måder.

### Med to skruenøgler

Sæt overfræserbitten helt ind i patronkeglen og tilspænd patronmøtrikken forsvarligt med en skruenøgle, mens halsen holdes med den anden skruenøgle.

► **Fig.5:** 1. Tilspænd 2. Løsn 3. Hals 4. Patronmøtrik

### Med én skruenøgle

Sæt overfræserbitten helt ind i patronkeglen, og tilspænd patronmøtrikken forsvarligt med skruenøglen, mens du trykker på aksellåsen.

► **Fig.6:** 1. Tilspænd 2. Løsn 3. Aksellås 4. Patronmøtrik

Følg monteringsproceduren i omvendt rækkefølge for at afmontere overfræserbitten.

### Udskiftning af patronkeglen

**⚠ FORSIGTIG:** Brug patronkeglen med den rigtige størrelse til den overfræsербit, som du har til hensigt at bruge.

**⚠ FORSIGTIG:** Undlad at tilspænde patronmøtrikken uden at montere en overfræsербit, da patronkeglen kan gå i stykker.

1. Løsn patronmøtrikken, og afmonter den.
2. Udskift den monterede patronkegle med den ønskede patronkegle.
3. Genmonter patronmøtrikken.

► **Fig.7:** 1. Patronkegle 2. Patronmøtrik

# ANVENDELSE

**⚠FORSIGTIG:** Hold altid godt fast i maskinen med den ene hånd på huset. Rør ikke ved metaldelen.

## Til foden

**⚠ADVARSEL:** Før du bruger maskinen med foden, skal du altid montere støvmundstykket på foden.

► **Fig.8:** 1. Støvmundstykke 2. Fingerskrue 3. Fod

1. Anbring foden på det arbejdsemne, der skal skæres, uden at overfræserbitten kommer i kontakt.
  2. Tænd for maskinen, og vent, til overfræserbitten har nået fuld hastighed.
  3. Flyt maskinen fremad hen over arbejdsemnets overflade, idet foden holdes plan, og der flyttes fremad med jævn hastighed, indtil skæringen er færdig.
- **Fig.9**

Ved skæring af kanter skal arbejdsemnets overflade være på venstre side af overfræserbitten i fremføringsretningen.

- **Fig.10:** 1. Arbejdsemne 2. Bittens omdrejningsretning 3. Set fra toppen af maskinen 4. Fremføringsretning

Ved brug af det lige styr eller tilskæringsstyret skal du sørge for at holde det i højre side i fremføringsretningen. Dette hjælper med at holde det justeret i forhold til siden af arbejdsemnet.

- **Fig.11:** 1. Fremføringsretning 2. Bittens omdrejningsretning 3. Arbejdsemne 4. Lige styr

**BEMÆRK:** Hvis maskinen føres fremad for hurtigt, kan det medføre et dårligt snit eller beskadigelse af overfræserbitten eller motoren. Hvis maskinen flyttes for langsomt fremad, kan snittet blive brændt og ødelagt. Den korrekte fremføringshastighed afhænger af bitstørrelsen, typen af arbejdsemnet og skæredybden. Før du starter snittet i det faktiske arbejdsemne, tilrådes det at foretage et prøvesnit i et stykke affaldstrø. Dette viser, nøjagtigt hvordan snittet vil se ud, og du kan kontrollere dimensionerne.

**⚠FORSIGTIG:** Da overdreven skæring kan medføre overbelastning af motoren eller problemer med at kontrollere maskinen, bør skæredybden ikke være mere end 3 mm ved en passage ved skæring af riller. Hvis du vil skære riller, som er dybere end 3 mm, skal du foretage flere gennemløb med gradvist dybere bitindstillinger.

# Fod (harpiks)

## Ekstraudstyr

Du kan bruge foden (harpiks) som ekstraudstyr, som vist på figuren.

► **Fig.12:** 1. Blokeringskrue

Anbring maskinen på foden (harpiks), og tilspænd blokeringskruen ved det ønskede fremspring på overfræserbitten. For driftsprocedurerne henvises til anvendelsen for foden.

# Skabelonstyr

## Ekstraudstyr

Skabelonstyret skaber en muffe, som overfræserbitten går igennem, så maskinen kan anvendes sammen med skabelonmønstre.

► **Fig.13**

1. Løsn skrueerne, og fjern fodbeskytteren.

► **Fig.14:** 1. Fodbeskytter 2. Skrue

2. Placer skabelonstyret på foden, og placer fodbeskytteren igen. Fastgør derefter fodbeskytteren ved at stramme skrueerne.

3. Fastgør skabelonen til arbejdsemnet. Placer maskinen på skabelonen, og flyt maskinen, så skabelonstyret glider langs siden af skabelonen.

► **Fig.15:** 1. Overfræserbit 2. Fod 3. Fodbeskytter 4. Skabelon 5. Arbejdsemne 6. Skabelonstyr

**BEMÆRK:** Arbejdsemnet skæres i en lidt anden størrelse end skabelonen. Tag højde for afstanden (X) mellem overfræserbitten og ydersiden af skabelonstyret. Afstanden (X) kan beregnes ved hjælp af følgende ligning:

**Afstand (X) = (den udvendige diameter af skabelonstyret - diameteren af overfræserbitten) / 2**

# Lige styr

## Ekstraudstyr

Det lige styr bruges effektivt til lige snit under skråfasning eller skæring af riller.

► **Fig.16**

1. Monter styrpladen på det lige styr ved hjælp af boltene og vingemøtrikken.

► **Fig.17:** 1. Bolt 2. Styrplade 3. Lige styr 4. Vingemøtrik

2. Monter den lige styrenhed med blokeringskruen.

► **Fig.18:** 1. Blokeringskrue 2. Lige styr 3. Vingemøtrik 4. Fod

3. Løsn vingemøtrikken på den lige styrenhed, og juster afstanden mellem overfræserbitten og det lige styr. Tilspænd vingemøtrikken forsvarligt i den ønskede afstand.

4. Ved skæring skal du flytte maskinen, så det lige styr flugter med siden af arbejdsemnet.

Hvis afstanden mellem arbejdsemnets side og skærepositionen er for bred til det lige styr, eller hvis arbejdsemnets side ikke er lige, kan det lige styr ikke bruges. I så fald skal du fastklemme et lige bræt på arbejdsemnet og bruge det som et styr mod overfræserfoden. Før maskinen frem i pilens retning.

► **Fig.19**



## Cirkulært arbejde

Cirkulært arbejde kan udføres, hvis du samler det lige styr og styrpladen som vist på figurene. Den mindste og største radius af de cirkler, der skal udskæres (afstanden mellem midten af cirklen og midten af overfræserbitten), er som følger:  
Min.: 70 mm  
Maks.: 221 mm

**Til skæring af cirkler med en radius på mellem 70 mm og 121 mm**

- **Fig.20:** 1. Vingemøtrik 2. Styrplade 3. Lige styr  
4. Centerhul 5. Bolt

**Til udskæring af cirkler med en radius på mellem 121 mm og 221 mm**

- **Fig.21:** 1. Vingemøtrik 2. Styrplade 3. Lige styr  
4. Centerhul 5. Bolt

**BEMÆRK:** Der kan ikke udskæres cirkler med en radius på mellem 172 mm og 186 mm ved hjælp af dette styr.

1. Juster centerhullet i det lige styr med midten af den cirkel, der skal udskæres.  
► **Fig.22:** 1. Søm 2. Centerhul 3. Lige styr
2. Slå et søm med en diameter på mindre end 6 mm i centerhullet for at fastgøre det lige styr.
3. Drej maskinen rundt om sømme i retning med uret.

## Tilskæringsstyr

### Ekstraudstyr

Tilskæring, kurvede snit i finer til møbler og lignende er let at foretage med tilskæringsstyret. Styrrullen rider på kurven og sikrer et fint snit.

► **Fig.23**

1. Monter tilskæringsstyret og styrholderen på foden med blokeringskruen (A).
2. Løsn blokeringskruen (B), og juster afstanden mellem overfræserbitten og tilskæringsstyret ved at dreje justeringskruen (1 mm pr. omgang). Tilspænd blokeringskruen (B) ved den ønskede afstand for at holde tilskæringsstyret på plads.  
► **Fig.24:** 1. Justeringskruer 2. Styrholder  
3. Tilskæringsstyr
3. Ved skæring skal du flytte maskinen, så styrrullen rider på siden af arbejdsemnet.  
► **Fig.25:** 1. Arbejdsemne 2. Overfræserbit 3. Styrrulle

## Vippefod

### Ekstraudstyr

Vippefoden bruges til at tilskære kanten på laminatplader eller lignende materialer. Vippefoden er nyttig til skræfåsning.

1. Anbring maskinen på vippefoden, løsn blokeringskruerne, og vip maskinen i den ønskede vinkel.
2. Luk låsehåndtaget ved det ønskede fremspring på overfræserbitten, og tilspænd blokeringskruerne i den ønskede vinkel.

3. Fastklem et lige bræt til arbejdsemnet, og brug det som et styr mod vippefoden. Før maskinen frem i pilens retning.

► **Fig.26:** 1. Blokeringskruer 2. Låsehåndtag

## Brug af vippefodbeskytteren med foden

Vippefodbeskytteren (firkantet), der er afmonteret fra vippefoden, kan monteres på foden. Fodbeskytterens form kan ændres fra rund til firkantet.

1. Afmonter vippefodbeskytteren fra vippefoden ved at løsne og afmontere de fire skruer.
2. Monter vippefodbeskytteren på foden.

► **Fig.27:** 1. Vippefodbeskytter 2. Skrue

## Offsetfod

### Ekstraudstyr

Offsetfoden bruges til at tilskære kanten på laminatplader eller lignende materialer.

Offsetfoden er praktisk til arbejde i et trangt område.

► **Fig.28**

## Brug af maskinen med offsetfoden

1. Før du monterer maskinen på offsetfoden, skal du afmontere patronmøtrikken og patronkeglen ved at løsne patronmøtrikken.  
► **Fig.29:** 1. Remskive 2. Patronmøtrik 3. Patronkegle
2. Monter remskiven på maskinen ved at trykke på aksellåsen og tilspænde remskiven forsvarligt med en skruenøgle.  
► **Fig.30:** 1. Skruenøgle 2. Remskive 3. Aksellås
3. Anbring patronkeglen, og skru patronmøtrikken på offsetfoden som vist på figuren.  
► **Fig.31:** 1. Patronmøtrik 2. Patronkegle
4. Monter offsetfoden på maskinen.  
► **Fig.32**
5. Fastgør remmen over remskiven ved hjælp af en skruetrækker, og sørg for, at hele rembredden passer fuldstændig over remskiven.  
► **Fig.33:** 1. Remskive 2. Rem

6. Luk låsehåndtaget.  
► **Fig.34:** 1. Låsehåndtag

7. Monter overfræserbitten som følger.

Læg maskinen ned med offsetfoden. Indsæt sekskantnøglen i hullet på offsetfoden.

Mens sekskantnøglen holdes i den position, der er vist på figuren, skal du indsætte overfræserbitten i patronkeglen på offsetfodens skaft fra den modsatte side og tilspænde patronmøtrikken forsvarligt med en skruenøgle.

► **Fig.35:** 1. Skruenøgle 2. Sekskantnøgle  
3. Overfræserbit

8. Følg monteringsproceduren i omvendt rækkefølge for at afmontere overfræserbitten.

## Brug af foden med offsetfodens plade og grebmontering

Offsetfoden kan også bruges med en fod og en grebmontering (ekstraudstyr) for mere stabilitet.

► **Fig.36**

1. Løsn skruerne, og afmonter den øverste del fra offsetfoden. Læg den øverste del af offsetfoden til side.  
► **Fig.37:** 1. Skruer 2. Offsetfodens plade 3. Øverste del af offsetfoden

2. Monter offsetfodens plade med fire skruer og grebmonteringen med to skruer på offsetfodens plade. Skru et skinnetypegreb (ekstraudstyr) fast på grebmonteringen. Knaptypegrebet, som er afmonteret fra en stikfod (ekstraudstyr) kan monteres på grebmonteringen på en anden måde. Hvis du vil montere knaptypegrebet, skal du placere det på grebmonteringen og fastgøre det med en skrue.

### Med skinnetypegreb

► **Fig.38:** 1. Skinnetypegreb 2. Grebmontering 3. Offsetfodens plade

### Med knaptypegreb

► **Fig.39:** 1. Skruer 2. Knaptypegreb 3. Grebmontering

## Brug af maskinen med stikfoden

### Ekstraudstyr

**⚠FORSIGTIG:** Når du bruger maskinen som en fræser, skal du holde godt fast i maskinen med begge hænder.

1. Hvis du vil bruge maskinen som en fræser, skal du montere maskinen på en stikfod (ekstraudstyr) ved at trykke den helt ned. Du kan bruge enten knaptypegrebet eller skinnetypegrebet (ekstraudstyr) afhængigt af dit arbejde.  
► **Fig.40:** 1. Stikfod 2. Skinnetypegreb

2. Hvis du vil bruge skinnetypegrebet (ekstraudstyr), skal du løse skruen og afmontere knaptypegrebet.  
► **Fig.41:** 1. Skruer 2. Knaptypegreb

3. Skru skinnetypegrebet på foden.  
► **Fig.42:** 1. Skinnetypegreb

## Justering af skæredybden, når du bruger stikfoden (ekstraudstyr)

**⚠FORSIGTIG:** Hold altid godt fast i maskinen ved begge greb under anvendelse.

► **Fig.43:** 1. Justeringshåndtag 2. Låsehåndtag 3. Dybdevælger 4. Indstillingsmøtrik til stopperarm 5. Hurtig fremføringsknap 6. Stopperarm 7. Stopperblok 8. Sekskantbolt til justering

1. Anbring maskinen på en plan overflade. Løsn låsehåndtaget, og sænk maskinens krop, indtil overfræserbitten blot rører den plane overflade. Tilspænd låsehåndtaget for at låse maskinens krop.

2. Drej stopperarmens indstillingsmøtrik mod uret. Sænk stopperarmen, indtil den kommer i kontakt med sekskantboltens til justering. Juster dybdevælgeren med gradinddelingen "0". Skæredybden er angivet på skalaen med dybdevælgeren.

3. Mens du trykker på hurtigfremføringsknappen, skal du hæve stopperarmen, indtil den ønskede skæredybde er opnået. Der kan opnås små dybdejusteringer ved at dreje på justeringshåndtaget (1 mm pr. omdrejning).

4. Du kan fastgøre stopperarmen forsvarligt ved at dreje stopperarmens indstillingsmøtrik med uret.

5. Nu kan din forudbestemte skæredybde opnås ved at løsne låsehåndtaget og derefter sænke maskinens krop, indtil stopperarmen kommer i kontakt med stopperblokkens justeringsbolt.

6. Anbring foden på det arbejdssemne, der skal skæres, uden at overfræserbitten kommer i kontakt.

7. Tænd for maskinen, og vent, til overfræserbitten opnår fuld hastighed.

8. Sænk maskinens krop, og flyt maskinen fremad hen over arbejdssemnet, idet foden holdes plan, og der flyttes fremad med jævn hastighed, indtil skæringen er færdig.

Ved kantskæring skal arbejdssemnets overflade være på venstre side af overfræserbitten i fremføringsretningen.

► **Fig.44:** 1. Arbejdssemne 2. Bittens omdrejningsretning 3. Set fra toppen af maskinen 4. Fremføringsretning

Når du bruger det lige styr eller tilskæringsstyret, skal du sørge for at holde det på højre side i fremføringsretningen. Dette hjælper med at holde det plant med siden af arbejdssemnet.

► **Fig.45:** 1. Fremføringsretning 2. Bittens omdrejningsretning 3. Arbejdssemne 4. Lige styr

**BEMÆRK:** Hvis maskinen føres for hurtigt fremad, kan det medføre en dårlig snitkvalitet eller beskadigelse af overfræserbitten eller motoren. Hvis du flytter maskinen for langsomt fremad, kan det brænde og ødelægge snittet. Den korrekte fremføringshastighed afhænger af bitstørrelsen, typen af arbejdssemnet og skæredybden. Før du begynder at skære i det egentlige arbejdssemne, er det tilrådeligt at lave et prøvesnit i et stykke affaldstræ. Dette vil vise nøjagtigt, hvordan snittet vil se ud, og give dig mulighed for at kontrollere dimensionerne.

## Lige styr til styrholder

### Ekstraudstyr

Det lige styr bruges effektivt til lige snit under skråfasning eller skæring af riller.

► **Fig.46:** 1. Bolt 2. Styrholder 3. Vingemøtrik (A) 4. Bolt 5. Vingemøtrik (B) 6. Styrplade 7. Lige styr 8. Vingebolte

1. Monter den lige styrenhed på styrholderen (ekstraudstyr) med bolt og vingemøtrikken (A).

2. Indsæt styrholderen i hullerne i stikfoden, og tilspænd vingeboltene.

3. Hvis du vil justere afstanden mellem overfræserbitten og det lige styr, skal vingemøtrikken (B) løsnes. Tilspænd vingemøtrikken (B) i den ønskede afstand for at holde det lige styr på plads.

## Lige styr

### Ekstraudstyr

Det lige styr bruges effektivt til lige snit under skråfasing eller skæring af riller.

► Fig.47

1. Indsæt styreskinnerne i hullerne på stikfoden.  
► Fig.48: 1. Styreskinne 2. Vingemøtrik 3. Lige styr
2. Juster afstanden mellem overfræserbitten og det lige styr. Tilspænd vingemøtrikkerne i den ønskede afstand for at holde det lige styr på plads.
3. Ved skæring skal du flytte maskinen, så det lige styr flugter med siden af arbejdsemnet.

Hvis afstanden mellem arbejdsemnets side og skærepositionen er for bred til det lige styr, eller hvis arbejdsemnets side ikke er lige, kan det lige styr ikke bruges. I så fald skal du fastklemme et lige bræt til arbejdsemnet, og bruge det som et styr mod overfræserfoden. Før maskinen frem i pilens retning.

► Fig.49

## Skabelonstyr

### Ekstraudstyr

Skabelonstyret skaber en muffe, som overfræserbitten går igennem, så maskinen kan anvendes sammen med skabelonmønstre.

► Fig.50

1. Løsn skruerne på maskinens fod, indsæt skabelonstyret og tilspænd derefter skruerne.  
► Fig.51: 1. Skrue 2. Fod 3. Skabelonstyr
2. Fastgør skabelonen til arbejdsemnet. Placer maskinen på skabelonen, og flyt maskinen, så skabelonstyret glider langs siden af skabelonen.  
► Fig.52: 1. Overfræserbit 2. Fod 3. Fodbeskytter 4. Skabelon 5. Arbejdsemne 6. Skabelonstyr

**BEMÆRK:** Arbejdsemnet skæres i en lidt anden størrelse end skabelonen. Tag højde for afstanden (X) mellem overfræserbitten og ydersiden af skabelonstyret. Afstanden (X) kan beregnes ved hjælp af følgende ligning:

**Afstand (X) = (den udvendige diameter af skabelonstyret - diameteren af overfræserbitten) / 2**

## Støvmundstykket

Brug støvmundstykket til fjernelse af støv.

### Til foden

Monter støvmundstykket på maskinens fod ved hjælp af fingerskruen.

► Fig.53: 1. Støvmundstykke 2. Fingerskrue 3. Fod

## Til stikfoden

### Ekstraudstyr

1. Monter støvmundstykket på stikfoden ved hjælp af fingerskruen, så fremspringet på støvmundstykket passer til indhakket i stikfoden.

► Fig.54: 1. Støvmundstykke 2. Fingerskrue 3. Stikfod

2. Tilslut en støvsuger til støvmundstykket.

► Fig.55

## VEDLIGEHOLDELSE

**⚠FORSIGTIG:** Kontrollér altid, at der er slukket for maskinen, og at netstikket er trukket ud, før der udføres eftersyn eller vedligeholdelse.

**BEMÆRKNING:** Anvend aldrig benzin, rensebenzin, fortynder, alkohol og lignende. Det kan medføre misfarvning, deformation eller revner.

For at opretholde produktets SIKKERHED og PÅLIDELIGHED må reparation, vedligeholdelse eller justering kun udføres af et autoriseret Makita servicecenter eller fabrikkervicecenter med anvendelse af Makita reservedele.

## Udskiftning af kulbørster

► Fig.56: 1. Slidgrænse

Kontrollér kulbørsterne med regelmæssige mellemrum. Udskift dem, når de er slidt ned til slidgrænsen. Hold kulbørsterne rene og i stand til frit at glide ind i holderne. Begge kulbørster skal udskiftes parvist samtidigt. Anvend kun identiske kulbørster.

1. Benyt en skruetrækker til at afmontere kulholderdækslerne.
2. Tag de slidte kulbørster ud, isæt de nye, og fastgør derefter kulholderdækslerne.

► Fig.57: 1. Kulholderdæksel

## EKSTRAUDSTYR

**⚠FORSIGTIG:** Det følgende tilbehør og ekstraudstyr er anbefalet til brug med Deres Makita maskine, der er beskrevet i denne brugsanvisning. Anvendelse af andet tilbehør eller ekstraudstyr kan udgøre en risiko for personskaade. Anvend kun tilbehør og ekstraudstyr til det beskrevne formål.

Hvis De behøver hjælp ved valg af tilbehør eller ønsker yderligere informationer, bedes De kontakte Deres lokale Makita servicecenter.

- Lige og rilleformede bits
- Kantformningsbits
- Laminattilskæringsbits
- Lige styrenhed
- Tilskæringsstyrenhed
- Fodenhed (harpiks)

- Vippefodenhed
- Stikfodenhed
- Offsetfodenhed
- Skabelonstyr
- Patronkegle
- Skrueøgle
- Støvmundstykke
- Styreskinne
- Styreskinneadaptersæt
- Lige styr med mikrojustering
- Sidehåndtag
- Grebmontering

**BEMÆRK:** Nogle ting på denne liste kan være inkluderet i værktøjsspakken som standardtilbehør. Det kan være forskellige fra land til land.

## Overfræserbits

### Lige bit

#### ► Fig.58

D	A	L1	L2
6	20	50	15
1/4"			
8	8	60	25
6		50	18
1/4"			
6	6	50	18
1/4"			

Enhed: mm

### U-rillebit

#### ► Fig.59

D	A	L1	L2	R
6	6	60	28	3
1/4"				

Enhed: mm

### V-rillebit

#### ► Fig.60

D	A	L1	L2	θ
1/4"	20	50	15	90°

Enhed: mm

### Bit til udglatning af borepunkt

#### ► Fig.61

D	A	L1	L2	L3
8	8	60	20	35
6	6	60	18	28
1/4"				

Enhed: mm

### Bit til dobbelt udglatning af borepunkt

#### ► Fig.62

D	A	L1	L2	L3	L4
8	8	80	95	20	25
6	6	70	40	12	14
1/4"					

Enhed: mm

### Bit til afrunding af hjørner

#### ► Fig.63

D	A1	A2	L1	L2	L3	R
6	25	9	48	13	5	8
1/4"						
6	20	8	45	10	4	4
1/4"						

Enhed: mm

### Skråfasningsbit

#### ► Fig.64

D	A	L1	L2	L3	θ
6	23	46	11	6	30°
6	20	50	13	5	45°
6	20	49	14	2	60°

Enhed: mm

### Bugtbertlingsbit

#### ► Fig.65

D	A	L1	L2	R
6	20	43	8	4
6	25	48	13	8

Enhed: mm

### Bit til udglatning med kugleleje

#### ► Fig.66

D	A	L1	L2
6	10	50	20
1/4"			

Enhed: mm

### Bit til afrunding af hjørner med kugleleje

#### ► Fig.67

D	A1	A2	L1	L2	L3	R
6	15	8	37	7	3,5	3
6	21	8	40	10	3,5	6
1/4"	21	8	40	10	3,5	6

Enhed: mm

**Bit til skråfasning med kugleleje****► Fig.68**

D	A1	A2	L1	L2	θ
6	26	8	42	12	45°
1/4"					
6	20	8	41	11	60°

Enhed: mm

**Bit til bertling med kugleleje****► Fig.69**

D	A1	A2	A3	L1	L2	L3	R
6	20	12	8	40	10	5,5	4
6	26	12	8	42	12	4,5	7

Enhed: mm

**Bit til bugtbertling med kugleleje****► Fig.70**

D	A1	A2	A3	A4	L1	L2	L3	R
6	20	18	12	8	40	10	5,5	3
6	26	22	12	8	42	12	5	5

Enhed: mm

**Antikkarnisbit med kugleleje****► Fig.71**

D	A1	A2	L1	L2	L3	R1	R2
6	20	8	40	10	4,5	2,5	4,5
6	26	8	42	12	4,5	3	6

Enhed: mm

## ΠΡΟΔΙΑΓΡΑΦΕΣ

Μοντέλο:	RT0702C
Ικανότητα μηχανισμού σύσφιξης	6 mm, 8 mm ή 1/4"
Ταχύτητα χωρίς φορτίο	10.000 - 34.000 min <sup>-1</sup>
Συνολικό ύψος	210 mm
Καθαρό βάρος	1,8 - 2,8 kg
Κατηγορία ασφάλειας	☐/II

- Λόγω του συνεχόμενου προγράμματος που εφαρμόζουμε για έρευνα και ανάπτυξη, τα τεχνικά χαρακτηριστικά στο παρόν έντυπο υπόκεινται σε αλλαγή χωρίς προειδοποίηση.
- Τα τεχνικά χαρακτηριστικά μπορεί να διαφέρουν από χώρα σε χώρα.
- Το βάρος μπορεί να διαφέρει ανάλογα με το(α) εξάρτημα(τα). Ο ελαφρύτερος και βαρύτερος συνδυασμός, σύμφωνα με τη διαδικασία EPTA 01/2014, απεικονίζονται στον πίνακα.

### Προοριζόμενη χρήση

Το εργαλείο προορίζεται για επίπεδη κοπή και μορφοποίηση ξύλου, πλαστικού και παρόμοιων υλικών.

### Ηλεκτρική παροχή

Το εργαλείο πρέπει να συνδέεται μόνο με ηλεκτρική παροχή της ίδιας τάσης με αυτή που αναγράφεται στην πινακίδα ονομαστικών τιμών και μπορεί να λειτουργήσει μόνο με εναλλασσόμενο μονοφασικό ρεύμα. Υπάρχει διπλή μόνωση και κατά συνέπεια, μπορεί να γίνει σύνδεση σε ακροδέκτες χωρίς σύρμα γείωσης.

### Θόρυβος

Το τυπικό Α επίπεδο καταμετρημένου θορύβου καθορίζεται σύμφωνα με το EN62841-2-17:  
 Στάθμη ηχητικής πίεσης (L<sub>PA</sub>): 85 dB (A)  
 Στάθμη ηχητικής ισχύος (L<sub>WA</sub>): 93 dB (A)  
 Αβεβαιότητα (K): 3 dB (A)

**ΠΑΡΑΤΗΡΗΣΗ:** Η δηλωμένη τιμή(ές) εκπομπής θορύβου έχει μετρηθεί σύμφωνα με την πρότυπη μέθοδο δοκιμής και μπορεί να χρησιμοποιηθεί για τη σύγκριση ενός εργαλείου με κάποιο άλλο.

**ΠΑΡΑΤΗΡΗΣΗ:** Η δηλωμένη τιμή(ές) εκπομπής θορύβου μπορεί να χρησιμοποιηθεί και στην προκαταρκτική αξιολόγηση της έκθεσης.

**⚠️ ΠΡΟΕΙΔΟΠΟΙΗΣΗ:** Να φοράτε ωτοασπίδες.

**⚠️ ΠΡΟΕΙΔΟΠΟΙΗΣΗ:** Η εκπομπή θορύβου κατά τη χρήση του ηλεκτρικού εργαλείου σε πραγματικές συνθήκες μπορεί να διαφέρει από τη δηλωμένη τιμή(ές) ανάλογα με τους τρόπους χρήσης του εργαλείου, ιδιαίτερα το είδος του τεμαχίου εργασίας που υπόκειται επεξεργασία.

**⚠️ ΠΡΟΕΙΔΟΠΟΙΗΣΗ:** Φροντίστε να λάβετε τα κατάλληλα μέτρα προστασίας του χειριστή βάσει ενός υπολογισμού της έκθεσης σε πραγματικές συνθήκες χρήσης (λαμβάνοντας υπόψη όλες τις συνιστώσες του κύκλου λειτουργίας όπως τους χρόνους που το εργαλείο είναι εκτός λειτουργίας και όταν βρίσκεται σε αδρανή λειτουργία πέραν του χρόνου ενεργοποίησης).

### Κραδασμός

Η ολική τιμή δόνησης (άθροισμα τρι-αξονικού διανύσματος) καθορίζεται σύμφωνα με το EN62841-2-17:  
 Είδος εργασίας: περιστροφή χωρίς φορτίο  
 Εκπομπή δόνησης (a<sub>h</sub>): 2,5 m/s<sup>2</sup> ή λιγότερο  
 Αβεβαιότητα (K): 1,5 m/s<sup>2</sup>

**ΠΑΡΑΤΗΡΗΣΗ:** Η δηλωμένη τιμή(ές) συνολικών κραδασμών έχει μετρηθεί σύμφωνα με την πρότυπη μέθοδο δοκιμής και μπορεί να χρησιμοποιηθεί για τη σύγκριση ενός εργαλείου με κάποιο άλλο.

**ΠΑΡΑΤΗΡΗΣΗ:** Η δηλωμένη τιμή(ές) συνολικών κραδασμών μπορεί να χρησιμοποιηθεί και στην προκαταρκτική αξιολόγηση της έκθεσης.

**⚠️ ΠΡΟΕΙΔΟΠΟΙΗΣΗ:** Η εκπομπή κραδασμών κατά τη χρήση του ηλεκτρικού εργαλείου σε πραγματικές συνθήκες μπορεί να διαφέρει από τη δηλωμένη τιμή(ές) εκπομπής ανάλογα με τους τρόπους χρήσης του εργαλείου, ιδιαίτερα το είδος του τεμαχίου εργασίας που υπόκειται επεξεργασία.

**⚠️ ΠΡΟΕΙΔΟΠΟΙΗΣΗ:** Φροντίστε να λάβετε τα κατάλληλα μέτρα προστασίας του χειριστή βάσει ενός υπολογισμού της έκθεσης σε πραγματικές συνθήκες χρήσης (λαμβάνοντας υπόψη όλες τις συνιστώσες του κύκλου λειτουργίας όπως τους χρόνους που το εργαλείο είναι εκτός λειτουργίας και όταν βρίσκεται σε αδρανή λειτουργία πέραν του χρόνου ενεργοποίησης).

### Δήλωση Συμμόρφωσης

*Μόνο για χώρες της Ευρώπης*

Οι Δηλώσεις Συμμόρφωσης περιλαμβάνονται στο Παράρτημα Α στο παρόν εγχειρίδιο οδηγιών.

# ΠΡΟΕΙΔΟΠΟΙΗΣΕΙΣ ΑΣΦΑΛΕΙΑΣ

## Γενικές προειδοποιήσεις ασφαλείας για το ηλεκτρικό εργαλείο

**▲ ΠΡΟΕΙΔΟΠΟΙΗΣΗ:** Διαβάστε όλες τις προειδοποιήσεις ασφαλείας, οδηγίες, εικονογραφίες και προδιαγραφές που παρέχονται με αυτό το ηλεκτρικό εργαλείο. Η μη τήρηση όλων των οδηγιών που αναγράφονται κατωτέρω μπορεί να καταλήξει σε ηλεκτροπληξία, πυρκαγιά ή/και σοβαρό τραυματισμό.

## Φυλάξτε όλες τις προειδοποιήσεις και τις οδηγίες για μελλοντική παραπομπή.

Στις προειδοποιήσεις, ο όρος «ηλεκτρικό εργαλείο» αναφέρεται σε ηλεκτρικό εργαλείο που τροφοδοτείται από την κύρια παροχή ηλεκτρικού ρεύματος (με ηλεκτρικό καλώδιο) ή σε ηλεκτρικό εργαλείο που τροφοδοτείται από μπαταρία (χωρίς ηλεκτρικό καλώδιο).

## Προειδοποιήσεις ασφαλείας του κουρευτικού περιθωρίων

1. Κρατάτε το ηλεκτρικό εργαλείο μόνο από τις μονωμένες επιφάνειες λαβής επειδή ο κόπτης μπορεί να έρθει σε επαφή με το δικό του καλώδιο. Σε περίπτωση που κοπεί ένα ηλεκτροφόρο καλώδιο, ενδέχεται τα εκτεθειμένα μεταλλικά εξαρτήματα του ηλεκτρικού εργαλείου να καταστούν τα ίδια ηλεκτροφόρα και να προκαλέσουν ηλεκτροπληξία στον χειριστή.
2. Να χρησιμοποιείτε σφιγκτήρες ή κάποιο άλλο πρακτικό μέσο για να ασφαλίσετε και να στηρίζετε το τεμάχιο εργασίας σε μια σταθερή πλατφόρμα. Αν κρατάτε το τεμάχιο εργασίας με το χέρι σας ή επάνω στο σώμα σας, αυτό θα είναι ασταθές και μπορεί να χάσετε τον έλεγχο.
3. Το στέλεχος φρέζας κουρευτικού περιθωρίων πρέπει να ταιριάζει με το σχεδιασμένο μηχανισμό σύσφιξης.
4. Να χρησιμοποιείτε μια φρέζα κουρευτικού περιθωρίων με ονομαστική τιμή τουλάχιστον ίση με τη μέγιστη ταχύτητα που αναγράφεται στο εργαλείο.
5. Να φοράτε γυαλιά κατά τη λειτουργία για μεγάλο χρονικό διάστημα.
6. Να χειρίζεστε τις φρέζες του κουρευτικού περιθωρίων πολύ προσεκτικά.
7. Πριν από τη λειτουργία, ελέγξτε προσεκτικά τη φρέζα του κουρευτικού περιθωρίων για ραγίσματα ή ζημιά. Αντικαταστήστε αμέσως μια ραγισμένη ή κατεστραμμένη φρέζα.
8. Να αποφεύγετε την κοπή καρφιών. Πριν από τη λειτουργία, να ελέγχετε αν υπάρχουν καρφιά στο τεμάχιο εργασίας και να τα αφαιρείτε όλα αν υπάρχουν.
9. Κρατήστε το εργαλείο σταθερά.

10. Μην πλησιάζετε τα χέρια σας σε περιστρεφόμενα μέρη.
11. Να βεβαιώνετε ότι η φρέζα του κουρευτικού περιθωρίων δεν ακουμπά το τεμάχιο εργασίας πριν ενεργοποιείτε το διακόπτη λειτουργίας.
12. Πριν από τη χρήση του εργαλείου πάνω σε πραγματικό τεμάχιο εργασίας, αφήστε το σε λειτουργία για λίγο. Προσέξτε για δονήσεις ή κινήσεις που θα μπορούσαν να υποδείξουν τη λανθασμένη τοποθέτηση της φρέζας.
13. Να προσέχετε την κατεύθυνση περιστροφής και τροφοδosis της φρέζας κουρευτικού περιθωρίων.
14. Μην αφήνετε το εργαλείο σε λειτουργία. Το εργαλείο πρέπει να βρίσκεται σε λειτουργία μόνο όταν το κρατάτε.
15. Όταν σβίγνετε το εργαλείο, πάντοτε να περιμένετε να σταματήσει να κινείται εντελώς η φρέζα του κουρευτικού περιθωρίων πριν βγάξετε το εργαλείο από το τεμάχιο εργασίας.
16. Μην αγγίζετε τη φρέζα του κουρευτικού περιθωρίων αμέσως μετά τη λειτουργία του εργαλείου. Μπορεί να είναι εξαιρετικά θερμή και να προκληθεί έγκαυμα στο δέρμα σας.
17. Μην αλείφετε απρόσεχτα τη βάση με νέφτι, βενζίνη, λάδι ή κάτι παρόμοιο. Μπορεί να ραγίσει η βάση.
18. Μερικά υλικά περιέχουν χημικά που μπορεί να είναι τοξικά. Προσέχετε ώστε να αποφεύγετε την εισπνοή σκόνης και την επαφή με το δέρμα. Ακολουθείτε τα δεδομένα ασφαλείας υλικού που παρέχονται από τον προμηθευτή.
19. Να χρησιμοποιείτε πάντοτε προσωπίδα κατά της σκόνης ή αναπνευστήρα που είναι κατάλληλος για το υλικό και την εφαρμογή σας.
20. Τοποθετήστε το εργαλείο σε σταθερή περιοχή. Διαφορετικά, μπορεί να συμβεί κάποιο ατύχημα πτώσης και να προκληθεί τραυματισμός.

## ΦΥΛΑΞΤΕ ΑΥΤΕΣ ΤΙΣ ΟΔΗΓΙΕΣ.

**▲ ΠΡΟΕΙΔΟΠΟΙΗΣΗ:** ΜΗΝ επιτρέψετε στην άνεση ή στην εξοικειώσή σας με το προϊόν (που αποκτήθηκε από επανειλημμένη χρήση) να αντικαταστήσει την αυστηρή τήρηση των κανόνων ασφαλείας του παρόντος εργαλείου. Η ΛΑΝΘΑΣΜΕΝΗ ΧΡΗΣΗ ή η αμέλεια να ακολουθήσετε τους κανόνες ασφαλείας που διατυπώνονται στο παρόν εγχειρίδιο οδηγιών μπορεί να προκαλέσει σοβαρό προσωπικό τραυματισμό.

## ΠΕΡΙΓΡΑΦΗ ΛΕΙΤΟΥΡΓΙΑΣ

**▲ ΠΡΟΣΟΧΗ:** Να βεβαιώνετε πάντα ότι το εργαλείο είναι σβηστό και αποσυνδεδεμένο από την ηλεκτρική παροχή πριν ρυθμίσετε ή ελέγχετε κάποια λειτουργία του.

### Προεξοχή της φρέζας του κουρευτικού περιθωρίων

Για να ρυθμίσετε την προεξοχή φρέζας, ανοίξτε τον μοχλό κλειδώματος και μετακινήστε τη βάση προς τα επάνω ή κάτω, όπως επιθυμείτε, περιστρέφοντας τη βίδα ρύθμισης. Μετά τη ρύθμιση, κλείστε τον μοχλό κλειδώματος σταθερά για να ασφαλίσετε τη βάση.

- **Εικ.1:** 1. Βάση 2. Κλίμακα 3. Προεξοχή φρέζας 4. Μοχλός κλειδώματος 5. Βίδα ρύθμισης 6. Εξαγωνικό παξιμάδι

**ΠΑΡΑΤΗΡΗΣΗ:** Όταν το εργαλείο δεν είναι ασφαλισμένο ακόμη κι αν ο μοχλός κλειδώματος είναι κλειστός, σφίξτε το εξαγωνικό παξιμάδι και μετά κλείστε τον μοχλό κλειδώματος.

### Δράση διακόπτη

**▲ ΠΡΟΣΟΧΗ:** Πριν συνδέετε το εργαλείο στο ηλεκτρικό ρεύμα, να βεβαιώνετε ότι είναι σβηστό.

Για να ξεκινήσετε τη λειτουργία του εργαλείου, πιάστε την πλευρά «I» του διακόπτη. Για να διακόψετε τη λειτουργία του εργαλείου, πιάστε την πλευρά «O» του διακόπτη.

- **Εικ.2:** 1. Διακόπτης

### Ηλεκτρονική λειτουργία

Το εργαλείο είναι εξοπλισμένο με ηλεκτρονικές λειτουργίες για εύκολη λειτουργία.

### Ενδεικτική λυχνία

- **Εικ.3:** 1. Ενδεικτική λυχνία

Όταν το εργαλείο είναι συνδεδεμένο, ανάβει η ενδεικτική λυχνία με πράσινο χρώμα. Αν δεν ανάψει η ενδεικτική λυχνία, μπορεί να είναι ελαττωματικό το ηλεκτρικό καλώδιο ή ο ελεγκτής. Αν η ενδεικτική λυχνία είναι αναμμένη, αλλά το εργαλείο δεν ξεκινάει, ακόμα και αν είναι ενεργοποιημένο, μπορεί να έχουν φθαρεί τα καρβουνάκια ή να είναι ελαττωματικός ο ελεγκτής, το μοτέρ ή ο διακόπτης λειτουργίας.

### Προστασία από αθέλητη επανεκκίνηση

Το εργαλείο δεν ξεκινάει όταν η πλευρά I του διακόπτη είναι πατημένη ακόμη και όταν το εργαλείο είναι συνδεδεμένο.

Αυτή τη στιγμή, η ενδεικτική λυχνία αναβοσβήνει με κόκκινο χρώμα και δείχνει ότι η διάταξη προστασίας από αθέλητη επανεκκίνηση είναι ενεργοποιημένη.

Για να ακυρώσετε την προστασία από αθέλητη επανεκκίνηση, πατήστε την πλευρά O του διακόπτη.

## Χαρακτηριστικό ομαλής έναρξης

Το χαρακτηριστικό ομαλής εκκίνησης ελαχιστοποιεί τον κραδασμό κατά την εκκίνηση και καθιστά την εκκίνηση του εργαλείου ομαλή.

### Έλεγχος σταθερής ταχύτητας

Ηλεκτρονικός έλεγχος ταχύτητας για επίτευξη σταθερής ταχύτητας.

Μπορείτε να έχετε ένα κομψό αποτέλεσμα επειδή η ταχύτητα περιστροφής διατηρείται σταθερή ακόμα και υπό φορτωμένη κατάσταση.

### Επιλογές ρύθμισης ταχύτητας

**▲ ΠΡΟΕΙΔΟΠΟΙΗΣΗ:** Μην χρησιμοποιείτε τον επιλογέα ρύθμισης ταχύτητας κατά τη διάρκεια της λειτουργίας. Ο χειριστής μπορεί να ακουμπήσει τη φρέζα κουρευτικού περιθωρίων λόγω της δύναμης αντίδρασης. Αυτό μπορεί να έχει ως αποτέλεσμα ατομικό τραυματισμό.

**▲ ΠΡΟΣΟΧΗ:** Αν το εργαλείο λειτουργεί συνεχόμενα σε χαμηλές ταχύτητες για μεγάλο χρονικό διάστημα, το μοτέρ θα υπερφορτωθεί και θα προκαλέσει δυσλειτουργία του εργαλείου.

**▲ ΠΡΟΣΟΧΗ:** Ο επιλογέας ρύθμισης ταχύτητας μπορεί να γυρίσει μόνο μέχρι το 6 και πίσω στο 1. Μην τον γυρίζετε βεβιασμένα μετά το 6 ή το 1, επειδή μπορεί να χαλάσει η λειτουργία ρύθμισης ταχύτητας.

Η ταχύτητα εργαλείου μπορεί να αλλάξει αν γυρίσετε τον επιλογέα ρύθμισης ταχύτητας σε μια δεδομένη αριθμητική ρύθμιση από το 1 έως το 6.

- **Εικ.4:** 1. Επιλογέας ρύθμισης ταχύτητας

Λαμβάνεται υψηλότερη ταχύτητα όταν ο επιλογέας ρύθμισης ταχύτητας περιστρέφεται προς την κατεύθυνση του αριθμού 6. Και επιτυγχάνεται χαμηλότερη ταχύτητα όταν το καντράν περιστρέφεται προς την κατεύθυνση του αριθμού 1.

Αυτό επιτρέπει την επιλογή της ιδανικής ταχύτητας για βέλτιστη επεξεργασία υλικών, δηλαδή η ταχύτητα μπορεί να ρυθμιστεί σωστά για να ταιριάζει με το υλικό και τη διάμετρο φρέζας.

Ανατρέξτε στον πίνακα για τη σχέση μεταξύ των αριθμητικών ρυθμίσεων στον επιλογέα και την κατά προσέγγιση ταχύτητα του εργαλείου.

Αριθμός	min <sup>-1</sup>
1	10.000
2	12.000
3	17.000
4	22.000
5	27.000
6	34.000



## ΣΥΝΑΡΜΟΛΟΓΗΣΗ

**⚠ ΠΡΟΣΟΧΗ:** Να βεβαιώνεστε πάντα ότι το εργαλείο είναι σβηστό και αποσυνδεδεμένο από την ηλεκτρική παροχή πριν εκτελέσετε οποιαδήποτε εργασία σε αυτό.

### Τοποθέτηση ή αφαίρεση της φρέζας του κουρευτικού περιθωρίου

**⚠ ΠΡΟΣΟΧΗ:** Μην σφίγγετε το παξιμάδι κολάρου χωρίς να έχετε εισάγει μια φρέζα κουρευτικού περιθωρίων, αλλιώς ο κώνος κολάρου θα σπάσει.

**⚠ ΠΡΟΣΟΧΗ:** Να χρησιμοποιείτε μόνο τα κλειδιά που συνοδεύουν το εργαλείο.

Υπάρχουν δύο τρόποι για να τοποθετήσετε τη φρέζα κουρευτικού περιθωρίων. Διεξάγετε οποιονδήποτε τρόπο.

### Με δύο κλειδιά

Τοποθετήστε τη φρέζα κουρευτικού περιθωρίων μέχρι τέρμα στον κώνος κολάρου και σφίξτε το παξιμάδι κολάρου με ασφάλεια με ένα κλειδί ενώ κρατάτε τον αυχένα με το άλλο κλειδί.

► **Εικ.5:** 1. Σφίξτε 2. Χαλαρώστε 3. Αυχένος 4. Παξιμάδι κολάρου

### Με ένα κλειδί

Τοποθετήστε τη φρέζα κουρευτικού περιθωρίων μέχρι το τέρμα του κώνου κολάρου και σφίξτε το παξιμάδι κολάρου με ασφάλεια με το κλειδί ενώ πατάτε την ασφάλιση άξονα.

► **Εικ.6:** 1. Σφίξτε 2. Χαλαρώστε 3. Ασφάλιση άξονα 4. Παξιμάδι κολάρου

Για να αφαιρέσετε τη φρέζα κουρευτικού περιθωρίων, ακολουθήστε τη διαδικασία τοποθέτησης με αντίστροφη σειρά.

### Αλλαγή του κώνου κολάρου

**⚠ ΠΡΟΣΟΧΗ:** Χρησιμοποιήστε το σωστό μέγεθος του κώνου κολάρου για τη φρέζα κουρευτικού περιθωρίων που σκοπεύετε να χρησιμοποιήσετε.

**⚠ ΠΡΟΣΟΧΗ:** Μην σφίγγετε το παξιμάδι κολάρου χωρίς να έχετε τοποθετήσει μια φρέζα κουρευτικού περιθωρίων, διαφορετικά ο κώνος κολάρου μπορεί να σπάσει.

1. Χαλαρώστε το παξιμάδι κολάρου και αφαιρέστε.
2. Αντικαταστήστε τον τοποθετημένο κώνο κολάρου με τον επιθυμητό κώνο κολάρου.
3. Τοποθετήστε ξανά το παξιμάδι κολάρου.

► **Εικ.7:** 1. Κώνος κολάρου 2. Παξιμάδι κολάρου

## ΛΕΙΤΟΥΡΓΙΑ

**⚠ ΠΡΟΣΟΧΗ:** Να κρατάτε πάντα καλά το εργαλείο με το ένα χέρι στο περίβλημα. Μην αγγίζετε το μεταλλικό τμήμα.

### Για τη βάση

**⚠ ΠΡΟΕΙΔΟΠΟΙΗΣΗ:** Πριν χρησιμοποιήσετε το εργαλείο με τη βάση, να τοποθετείτε πάντα το ακροφύσιο σκόνης στη βάση.

► **Εικ.8:** 1. Ακροφύσιο σκόνης 2. Βίδα χειρός 3. Βάση

1. Τοποθετήστε τη βάση πάνω στο τεμάχιο εργασίας που πρόκειται να κοπεί χωρίς να έρχεται σε επαφή η φρέζα κουρευτικού περιθωρίων.
2. Περιστρέψτε το εργαλείο και περιμένετε έως ότου η φρέζα του κουρευτικού περιθωρίων αποκτήσει την πλήρη ταχύτητά της.
3. Μετακινήστε το εργαλείο προς τα εμπρός πάνω στην επιφάνεια του τεμαχίου εργασίας, κρατώντας τη βάση επίπεδη και προωθώντας ομαλά έως ότου ολοκληρωθεί η τομή.

► **Εικ.9**

Όταν πραγματοποιείτε κοπές άκρων, η επιφάνεια του τεμαχίου εργασίας πρέπει να βρίσκεται στην αριστερή πλευρά της φρέζας του κουρευτικού περιθωρίων προς την κατεύθυνση τροφοδοσίας.

► **Εικ.10:** 1. Τεμάχιο εργασίας 2. Κατεύθυνση περιστροφής φρέζας 3. Όψη από το επάνω μέρος του εργαλείου 4. Κατεύθυνση τροφοδοσίας

Όταν χρησιμοποιείτε τον ίσιο οδηγό ή τον οδηγό κουρευτικού περιθωρίων, βεβαιωθείτε να τον διατηρείτε στη δεξιά πλευρά προς την κατεύθυνση τροφοδοσίας. Αυτό θα βοηθήσει ώστε να μείνει ευθυγραμμισμένος με την πλευρά του τεμαχίου εργασίας.

► **Εικ.11:** 1. Κατεύθυνση τροφοδοσίας 2. Κατεύθυνση περιστροφής φρέζας 3. Τεμάχιο εργασίας 4. Ίσιος οδηγός

**ΠΑΡΑΤΗΡΗΣΗ:** Εάν μετακινείτε το εργαλείο προς τα εμπρός με πολύ μεγάλη ταχύτητα μπορεί να προκύψει κακή ποιότητα κοπής ή βλάβη στη φρέζα του κουρευτικού περιθωρίων ή στο μοτέρ. Εάν μετακινείτε το εργαλείο προς τα εμπρός με πολύ μικρή ταχύτητα μπορεί να καεί ή να καταστραφεί η κοπή. Ο σωστός ρυθμός τροφοδοσίας εξαρτάται από το μέγεθος φρέζας, το είδος του τεμαχίου εργασίας και το βάθος κοπής. Πριν ξεκινήσετε την κοπή στο πραγματικό τεμάχιο εργασίας, συνηθίστε να πραγματοποιήσετε μια δοκιμαστική κοπή σε ένα παλιό κομμάτι ξύλου. Έτσι θα δείτε πώς ακριβώς θα μοιάζει η κοπή και θα μπορείτε να ελέγξετε και τις διαστάσεις.

**⚠ ΠΡΟΣΟΧΗ:** Επειδή η υπερβολική κοπή μπορεί να προκαλέσει την υπερφόρτωση του μοτέρ ή τη δυσκολία στο χειρισμό του εργαλείου, το βάθος της κοπής δεν θα πρέπει να είναι περισσότερο από 3 mm ανά πέρασμα κατά την κοπή αυλακώσεων. Όταν επιθυμείτε την κοπή αυλακώσεων με βάθος μεγαλύτερο από 3 mm, πραγματοποιήστε αρκετά περάσματα με προοδευτικά βαθύτερες ρυθμίσεις της φρέζας.

## Βάση (ρητίνη)

### Προαιρετικό αξεσουάρ

Μπορείτε να χρησιμοποιήσετε τη βάση (ρητίνη) ως προαιρετικό εξάρτημα, όπως φαίνεται στην εικόνα.

► **Εικ.12:** 1. Βίδα σύσφιξης

Τοποθετήστε το εργαλείο στη βάση (ρητίνη) και σφίξτε τη βίδα σύσφιξης στην επιθυμητή προεξοχή της φρέζας κουρευτικού περιθωρίων.

Για τις διαδικασίες λειτουργίας, ανατρέξτε στη λειτουργία για τη βάση.

## Οδηγός ιχναρίου

### Προαιρετικό αξεσουάρ

Ο οδηγός ιχναρίου παρέχει ένα περίβλημα μέσα από το οποίο περνάει η φρέζα του κουρευτικού περιθωρίων, επιτρέποντας τη χρήση του κουρευτικού περιθωρίων με σφάλμα του ιχναρίου.

► **Εικ.13**

1. Χαλαρώστε τις βίδες και αφαιρέστε το προστατευτικό βάσης.

► **Εικ.14:** 1. Προστατευτικό βάσης 2. Βίδες

2. Τοποθετήστε τον οδηγό ιχναρίου στη βάση και τοποθετήστε ξανά το προστατευτικό βάσης. Κατόπιν, ασφαλίστε το προστατευτικό βάσης σφίγγοντας τις βίδες.

3. Ασφαλίστε το ιχνάριο στο τεμάχιο εργασίας. Τοποθετήστε το εργαλείο στο ιχνάριο και μετακινήστε το εργαλείο με τον οδηγό ιχναρίου να ολισθαίνει κατά μήκος της πλευράς του ιχναρίου.

► **Εικ.15:** 1. Φρέζα κουρευτικού περιθωρίων 2. Βάση 3. Προστατευτικό βάσης 4. Ιχνάριο 5. Τεμάχιο εργασίας 6. Οδηγός ιχναρίου

**ΠΑΡΑΤΗΡΗΣΗ:** Το τεμάχιο εργασίας θα κοπεί σε λίγο διαφορετικό μέγεθος από το ιχνάριο. Αφήστε μια απόσταση (X) μεταξύ της φρέζας του κουρευτικού περιθωρίων και της εξωτερικής πλευράς του οδηγού ιχναρίου. Η απόσταση (X) μπορεί να υπολογιστεί με τη χρήση της παρακάτω εξίσωσης:

**Απόσταση (X) = (εξωτερική διάμετρος του οδηγού ιχναρίου - διάμετρος φρέζας του κουρευτικού περιθωρίων) / 2**

## Ίσιος οδηγός

### Προαιρετικό αξεσουάρ

Ο ίσιος οδηγός χρησιμοποιείται αποτελεσματικά για ίσιες κοπές στις λειτουργίες στρογγυλέματος ή κατασκευής αυλακίων.

► **Εικ.16**

1. Τοποθετήστε την πλάκα οδηγό στον ίσιο οδηγό με το μπουλόνι και το παξιμάδι πεταλούδα.

► **Εικ.17:** 1. Μπουλόνι 2. Πλάκα οδηγού 3. Ίσιος οδηγός 4. Παξιμάδι πεταλούδα

2. Συνδέστε τη διάταξη ίσιου οδηγού με τη βίδα σύσφιξης.

► **Εικ.18:** 1. Βίδα σύσφιξης 2. Ίσιος οδηγός 3. Παξιμάδι πεταλούδα 4. Βάση

3. Χαλαρώστε το παξιμάδι πεταλούδα στη διάταξη ίσιου οδηγού και ρυθμίστε την απόσταση μεταξύ της φρέζας κουρευτικού περιθωρίων και του ίσιου οδηγού. Σφίξτε καλά το παξιμάδι πεταλούδα στην επιθυμητή απόσταση.

4. Κατά την κοπή, να μετακινείτε το εργαλείο με τον ίσιο οδηγό ευθυγραμμισμένο με την πλευρά του τεμαχίου εργασίας.

Εάν η απόσταση μεταξύ της πλευράς του τεμαχίου εργασίας και της θέσης κοπής είναι πολύ πλατιά για τον ίσιο οδηγό ή εάν η πλευρά του τεμαχίου εργασίας δεν είναι ευθεία, δεν μπορεί να χρησιμοποιηθεί ο ίσιος οδηγός. Σε αυτή την περίπτωση, στερεώστε καλά μια ίσια σανίδα στο τεμάχιο εργασίας και χρησιμοποιήστε την ως οδηγό δίπλα στη βάση κουρευτικού περιθωρίων. Τροφοδοτήστε το εργαλείο προς την κατεύθυνση του βέλους.

► **Εικ.19**

## Κυκλική εργασία

Η κυκλική εργασία μπορεί να επιτευχθεί αν συναρμολογήσετε τον ίσιο οδηγό και την πλάκα οδηγού όπως απεικονίζεται στις εικόνες.

Η ελάχιστη και μέγιστη ακτίνα των κύκλων που θα κοπούν (απόσταση μεταξύ του κέντρου του κύκλου και του κέντρου της φρέζας κουρευτικού περιθωρίων) είναι ως εξής:

Ελάχ.: 70 mm

Μέγ.: 221 mm

**Για την κοπή κύκλων με ακτίνα από 70 mm έως 121 mm**

► **Εικ.20:** 1. Παξιμάδι πεταλούδα 2. Πλάκα οδηγού 3. Ίσιος οδηγός 4. Κεντρική οπή 5. Μπουλόνι

**Για την κοπή κύκλων με ακτίνα από 121 mm έως 221 mm**

► **Εικ.21:** 1. Παξιμάδι πεταλούδα 2. Πλάκα οδηγού 3. Ίσιος οδηγός 4. Κεντρική οπή 5. Μπουλόνι

**ΠΑΡΑΤΗΡΗΣΗ:** Δεν είναι δυνατή η κοπή κύκλων με ακτίνα από 172 mm έως 186 mm χρησιμοποιώντας αυτόν τον οδηγό.

1. Ευθυγραμμίστε την κεντρική οπή στον ίσιο οδηγό με το κέντρο του κύκλου που θα κοπεί.

► **Εικ.22:** 1. Καρφή 2. Κεντρική οπή 3. Ίσιος οδηγός

2. Καρφώστε ένα καρφή με διάμετρο μικρότερη από 6 mm στην κεντρική οπή για να ασφαλίσετε τον ίσιο οδηγό.

3. Περιστρέψτε δεξιόστροφα το εργαλείο γύρω από το καρφή.

## Οδηγός κουρευτικού περιθωρίων

### Προαιρετικό αξεσουάρ

Κούρεμα περιθωρίων, κόψιμα καμπυλών σε καπλάμαδες επίπλων και παρόμοια υλικά μπορούν να γίνουν εύκολα με τον οδηγό κουρευτικού περιθωρίων. Ο κύλινδρος του οδηγού εφάπτεται επάνω στην καμπύλη και εξασφαλίζει ένα ωραίο κόψιμο.

► **Εικ.23**

1. Τοποθετήστε τον οδηγό κουρευτικού περιθωρίων και τον υποδοχέα οδηγού στη βάση με τη βίδα σύσφιξης (A).

2. Χαλαρώστε τη βίδα σύσφιξης (B) και ρυθμίστε την απόσταση μεταξύ της φρέζας και του οδηγού κουρευτικού περιθωρίων περιστρέφοντας τη βίδα ρύθμισης (1 χιλιοστό ανά στροφή). Στην επιθυμητή απόσταση, σφίξτε τη βίδα σύσφιξης (B) για να ασφαλίσετε τον οδηγό κουρευτικού περιθωρίων στη θέση του.

► **Εικ.24:** 1. Βίδα ρύθμισης 2. Υποδοχέας οδηγού 3. Οδηγός κουρευτικού περιθωρίων

3. Κατά την κοπή, να μετακινείτε το εργαλείο με τον κύλινδρο του οδηγού να εφάπτεται με την πλευρά του τεμαχίου εργασίας.

► **Εικ.25:** 1. Τεμάχιο εργασίας 2. Φρέζα κουρευτικού περιθωρίων 3. Κύλινδρος του οδηγού

## Βάση κλίσης

### Προαιρετικό αξεσουάρ

Η βάση κλίσης χρησιμοποιείται για την περικοπή του άκρου φύλλων λαμινάτ ή παρόμοιων υλικών. Η βάση κλίσης είναι βολική για λειτουργία στο γρογγυλέματος.

1. Τοποθετήστε το εργαλείο στη βάση κλίσης, χαλαρώστε τις βίδες σύσφιξης και γείρετε το εργαλείο στην επιθυμητή γωνία.

2. Κλείστε τον μοχλό κλειδώματος στην επιθυμητή προεξοχή της φρέζας κουρευτικού περιθωρίων και σφίξτε τις βίδες σύσφιξης στην επιθυμητή γωνία.

3. Στερεώστε καλά μια ίσια σανίδα στο τεμάχιο εργασίας και χρησιμοποιήστε την ως οδηγό δίπλα στη βάση κλίσης. Τροφοδοτήστε το εργαλείο προς την κατεύθυνση του βέλους.

► **Εικ.26:** 1. Βίδες σύσφιξης 2. Μοχλός κλειδώματος

## Χρήση του προστατευτικού βάσης κλίσης με τη βάση

Το προστατευτικό βάσης κλίσης (τετράγωνο) που αφαιρέθηκε από τη βάση κλίσης μπορεί να στερεωθεί στη βάση. Το σχήμα του προστατευτικού βάσης μπορεί να αλλάξει από στρογγυλό σε τετράγωνο.

1. Αφαιρέστε το προστατευτικό βάσης κλίσης από τη βάση κλίσης χαλαρώνοντας και αφαιρώντας τις τέσσερις βίδες.

2. Στερεώστε το προστατευτικό βάσης κλίσης στη βάση.

► **Εικ.27:** 1. Προστατευτικό βάσης κλίσης 2. Βίδα

## Βάση αντιστηρίγματος

### Προαιρετικό αξεσουάρ

Η βάση αντιστηρίγματος χρησιμοποιείται για την περικοπή του άκρου φύλλων λαμινάτ ή παρόμοιων υλικών. Η βάση αντιστηρίγματος είναι βολική για εργασία σε μια περιοχή περιορισμένου χώρου.

► **Εικ.28**

## Χρήση του εργαλείου με τη βάση αντιστηρίγματος

1. Πριν εγκαταστήσετε το εργαλείο στη βάση αντιστηρίγματος, αφαιρέστε το παξιμάδι κολάρου και τον κώνο κολάρου χαλαρώνοντας το παξιμάδι κολάρου.

► **Εικ.29:** 1. Καρούλι 2. Παξιμάδι κολάρου 3. Κώνος κολάρου

2. Τοποθετήστε το καρούλι στο εργαλείο πατώντας την ασφάλιση άξονα και σφίγγοντας καλά το καρούλι με ένα κλειδί.

► **Εικ.30:** 1. Κλειδί 2. Καρούλι 3. Ασφάλιση άξονα

3. Τοποθετήστε τον κώνο κολάρου και βιδώστε το παξιμάδι κολάρου στη βάση αντιστηρίγματος όπως απεικονίζεται στην εικόνα.

► **Εικ.31:** 1. Παξιμάδι κολάρου 2. Κώνος κολάρου

4. Στερεώστε τη βάση αντιστηρίγματος στο εργαλείο.

► **Εικ.32**

5. Γαντζώστε τον μάντα πάνω στο καρούλι χρησιμοποιώντας ένα κατσαβίδι και βεβαιωθείτε ότι ολόκληρο το πλάτος μάντα ταιριάζει εντελώς πάνω από το καρούλι.

► **Εικ.33:** 1. Καρούλι 2. Μάντα

6. Κλείστε τον μοχλό κλειδώματος.

► **Εικ.34:** 1. Μοχλός κλειδώματος

7. Τοποθετήστε τη φρέζα κουρευτικού περιθωρίων όπως περιγράφεται στη συνέχεια.

Ακουμπήστε το εργαλείο με τη βάση αντιστηρίγματος. Εισαγάγετε το εξαγωνικό κλειδί στην οπή στη βάση αντιστηρίγματος.

Με το εξαγωνικό κλειδί κρατημένο στη θέση που απεικονίζεται στην εικόνα, εισαγάγετε τη φρέζα κουρευτικού περιθωρίων στον κώνο κολάρου στον άξονα της βάσης αντιστηρίγματος από την αντίθετη πλευρά και σφίξτε καλά το παξιμάδι κολάρου με το κλειδί.

► **Εικ.35:** 1. Κλειδί 2. Εξαγωνικό κλειδί 3. Φρέζα κουρευτικού περιθωρίων

8. Για να αφαιρέσετε τη φρέζα κουρευτικού περιθωρίων, ακολουθήστε τη διαδικασία τοποθέτησης με αντίστροφη σειρά.

## Χρήση της βάσης με την πλάκα βάσης αντιστηρίγματος και το εξάρτημα λαβής

Η βάση αντιστηρίγματος μπορεί επίσης να χρησιμοποιηθεί με μια βάση και ένα εξάρτημα λαβής (προαιρετικό αξεσουάρ) για μεγαλύτερη σταθερότητα.

► **Εικ.36**

1. Χαλαρώστε τις βίδες και αφαιρέστε το άνω τμήμα από τη βάση αντιστηρίγματος. Τοποθετήστε παράπλευρα το άνω τμήμα της βάσης αντιστηρίγματος.

► **Εικ.37:** 1. Βίδες 2. Πλάκα βάσης αντιστηρίγματος 3. Άνω τμήμα της βάσης αντιστηρίγματος

2. Στερεώστε την πλάκα βάσης αντιστηρίγματος με τέσσερις βίδες και το εξάρτημα λαβής με δύο βίδες στην πλάκα βάσης αντιστηρίγματος. Βιδώστε τη λαβή τύπου ράβδου (προαιρετικό εξάρτημα) στο εξάρτημα λαβής. Σε άλλον τρόπο χρήσης, η λαβή τύπου κουμπιού που αφαιρέθηκε από τη βάση βύθισης (προαιρετικό εξάρτημα λαβής) μπορεί να τοποθετηθεί στο εξάρτημα λαβής. Για να τοποθετησετε τη λαβή τύπου κουμπιού, τοποθετήστε τη στο εξάρτημα λαβής και ασφαλίστε τη με μια βίδα.

**Με λαβή τύπου ράβδου**

► **Εικ.38:** 1. Λαβή τύπου ράβδου 2. Εξάρτημα λαβής 3. Πλάκα βάσης αντιστηρίγματος

**Με λαβή τύπου κουμπιού**

► **Εικ.39:** 1. Βίδα 2. Λαβή τύπου κουμπιού 3. Εξάρτημα λαβής

## Χρήση του εργαλείου με τη βάση βύθισης

*Προαιρετικό αξεσουάρ*

**▲ ΠΡΟΣΟΧΗ:** Όταν χρησιμοποιείται ως ρούτερ, κρατήστε το εργαλείο σταθερά και με τα δύο χέρια.

1. Για να χρησιμοποιήσετε το εργαλείο ως ρούτερ, τοποθετήστε το εργαλείο σε μια βάση βύθισης (προαιρετικό εξάρτημα) πιέζοντάς το τέρμα κάτω. Μπορεί να χρησιμοποιηθεί είτε η λαβή τύπου κουμπιού είτε η λαβή τύπου ράβδου (προαιρετικό εξάρτημα) ανάλογα με την εργασία σας.

► **Εικ.40:** 1. Βάση βύθισης 2. Λαβή τύπου ράβδου

2. Για να χρησιμοποιήσετε τη λαβή τύπου ράβδου (προαιρετικό εξάρτημα), χαλαρώστε τη βίδα και αφαιρέστε τη λαβή τύπου κουμπιού.

► **Εικ.41:** 1. Βίδα 2. Λαβή τύπου κουμπιού

3. Βιδώστε τη λαβή τύπου ράβδου στη βάση.

► **Εικ.42:** 1. Λαβή τύπου ράβδου

## Ρύθμιση του βάθους κοπής κατά τη χρήση της βάσης βύθισης (προαιρετικό εξάρτημα)

**▲ ΠΡΟΣΟΧΗ:** Να κρατάτε πάντα το εργαλείο καλά από τις δύο λαβές, κατά τη διάρκεια της λειτουργίας.

► **Εικ.43:** 1. Κουμπί ρύθμισης 2. Μοχλός κλειδώματος 3. Δείκτης βάθους 4. Παξιμάδι ρύθμισης ανασταλτικού άξονα 5. Κουμπί ταχείας τροφοδοσίας 6. Ανασταλτικός άξονας 7. Ανασταλτικός τάκος 8. Ρυθμιστικό εξαγωνικό μπουλόνι

1. Τοποθετήστε το εργαλείο σε μια επίπεδη επιφάνεια. Χαλαρώστε τον μοχλό ασφάλισης και χαμηλώστε το σώμα του εργαλείου μέχρι η φρέζα κουρευτικού περιθωρίων μόλις να αγγίξει την επίπεδη επιφάνεια. Σφίξτε το μοχλό ασφάλισης για να ασφαλίσετε το σώμα του εργαλείου.

2. Περιστρέψτε αριστερόστροφα το παξιμάδι ρύθμισης του ανασταλτικού άξονα. Χαμηλώστε τον ανασταλτικό άξονα μέχρι να έρθει σε επαφή με το ρυθμιστικό εξαγωνικό μπουλόνι. Ευθυγραμμίστε το δείκτη βάθους με την ένδειξη «0» της διαβαθμισμένης κλίμακας. Το βάθος κοπής υποδεικνύεται στην κλίμακα από το δείκτη βάθους.

3. Ενώ πατάτε το κουμπί ταχείας τροφοδοσίας, ανυψώστε τον ανασταλτικό άξονα έως ότου πετύχετε το βάθος κοψίματος που θέλετε. Μπορείτε να λάβετε λεπτές ρυθμίσεις βάθους εάν περιστρέψετε το κουμπί ρύθμισης (1 mm ανά στροφή).

4. Περιστρέφοντας δεξιόστροφα το παξιμάδι ρύθμισης του ανασταλτικού άξονα, μπορείτε να στερεώσετε σταθερά τον ανασταλτικό άξονα.

5. Τώρα, μπορείτε να πετύχετε το προκαθορισμένο βάθος κοπής αν χαλαρώσετε τον μοχλό ασφάλισης και, στη συνέχεια, χαμηλώσετε το σώμα του εργαλείου μέχρι ο ανασταλτικός άξονας να έρθει σε επαφή με το ρυθμιστικό μπουλόνι του ανασταλτικού τάκου.

6. Τοποθετήστε τη βάση πάνω στο τεμάχιο εργασίας που πρόκειται να κοπεί χωρίς να έρχεται σε επαφή η φρέζα κουρευτικού περιθωρίων.

7. Περιστρέψτε το εργαλείο και περιμένετε έως ότου η φρέζα κουρευτικού περιθωρίων αποκτήσει την πλήρη ταχύτητά της.

8. Χαμηλώστε το σώμα του εργαλείου και μετακινήστε το εργαλείο προς τα εμπρός επάνω από την επιφάνεια του τεμαχίου εργασίας, διατηρώντας τη βάση ευθυγραμμισμένη και προχωρώντας ομαλά μέχρι την ολοκλήρωση της κοπής.

Όταν πραγματοποιείτε κοπές άκρων, η επιφάνεια του τεμαχίου εργασίας πρέπει να βρίσκεται στην αριστερή πλευρά της φρέζας κουρευτικού περιθωρίων προς την κατεύθυνση τροφοδοσίας.

► **Εικ.44:** 1. Τεμάχιο εργασίας 2. Κατεύθυνση περιστροφής φρέζας 3. Όψη από το επάνω μέρος του εργαλείου 4. Κατεύθυνση τροφοδοσίας

Όταν χρησιμοποιείτε τον ίσιο οδηγό ή τον οδηγό κουρευτικού περιθωρίων, βεβαιωθείτε να τον διαπρείτε στη δεξιά πλευρά προς την κατεύθυνση τροφοδοσίας. Αυτό θα βοηθήσει ώστε να μείνει ευθυγραμμισμένος με την πλευρά του τεμαχίου εργασίας.

- **Εικ.45:** 1. Κατεύθυνση τροφοδοσίας 2. Κατεύθυνση περιστροφής φρέζας 3. Τεμάχιο εργασίας 4. Ίσιος οδηγός

**ΠΑΡΑΤΗΡΗΣΗ:** Εάν μετακινείτε το εργαλείο προς τα εμπρός με πολύ μεγάλη ταχύτητα μπορεί να προκύψει κακή ποιότητα κοπής ή βλάβη στη φρέζα κουρευτικού περιθωρίων ή στο μοτέρ. Εάν μετακινείτε το εργαλείο προς τα εμπρός με πολύ μικρή ταχύτητα μπορεί να καεί ή να καταστραφεί η κοπή. Ο σωστός ρυθμός τροφοδοσίας εξαρτάται από το μέγεθος φρέζας, το είδος του τεμαχίου εργασίας και το βάθος κοπής. Πριν ξεκινήσετε την κοπή στο πραγματικό τεμάχιο εργασίας, συνιστούμε να πραγματοποιήσετε μια δοκιμαστική κοπή σε ένα παλιό κομμάτι ξύλου. Έτσι θα δείτε πώς ακριβώς θα μοιάζει η κοπή και θα μπορείτε να ελέγξετε και τις διαστάσεις.

## Ίσιος οδηγός για υποδοχέα οδηγού

### Προαιρετικό αξεσουάρ

Ο ίσιος οδηγός χρησιμοποιείται αποτελεσματικά για ίσιες κοπές στις λειτουργίες στρογγυλέματος ή κατασκευής αυλακίων.

- **Εικ.46:** 1. Μπουλόνι 2. Υποδοχέας οδηγού 3. Παξιμάδι πεταλούδα (Α) 4. Μπουλόνι 5. Παξιμάδι πεταλούδα (Β) 6. Πλάκα οδηγού 7. Ίσιος οδηγός 8. Πεταλούδες

1. Τοποθετήστε τη διάταξη ίσιου οδηγού στον υποδοχέα οδηγού (προαιρετικό εξάρτημα) με το μπουλόνι και το παξιμάδι πεταλούδα (Α).
2. Εισαγάγετε τον υποδοχέα οδηγού στις οπές στη βάση βύθισης και σφίξτε τις πεταλούδες.
3. Για να ρυθμίσετε την απόσταση μεταξύ της φρέζας κουρευτικού περιθωρίων και του ίσιου οδηγού, χαλαρώστε το παξιμάδι πεταλούδας (Β). Στην επιθυμητή απόσταση, σφίξτε το παξιμάδι πεταλούδα (Β) για να ασφαλίσετε τον ίσιο οδηγό στη θέση του.

## Ίσιος οδηγός

### Προαιρετικό αξεσουάρ

Ο ίσιος οδηγός χρησιμοποιείται αποτελεσματικά για ίσιες κοπές στις λειτουργίες στρογγυλέματος ή κατασκευής αυλακίων.

- **Εικ.47**

1. Εισαγάγετε τις ράβδους οδήγησης στις οπές στη βάση βύθισης.  
► **Εικ.48:** 1. Ράβδος οδήγησης 2. Παξιμάδι πεταλούδα 3. Ίσιος οδηγός
2. Ρυθμίστε την απόσταση μεταξύ της φρέζας κουρευτικού περιθωρίων και του ίσιου οδηγού. Στην επιθυμητή απόσταση, σφίξτε τα παξιμάδια πεταλούδας για να ασφαλίσετε τον ίσιο οδηγό στη θέση του.
3. Κατά την κοπή, να μετακινείτε το εργαλείο με τον ίσιο οδηγό ευθυγραμμισμένο με την πλευρά του τεμαχίου εργασίας.

Εάν η απόσταση μεταξύ της πλευράς του τεμαχίου εργασίας και της θέσης κοπής είναι πολύ πλατιά για τον ίσιο οδηγό ή εάν η πλευρά του τεμαχίου εργασίας δεν είναι ευθεία, δεν μπορεί να χρησιμοποιηθεί ο ίσιος οδηγός. Σε αυτή την περίπτωση, στερεώστε καλά μια ίσια σανίδα στο τεμάχιο εργασίας και χρησιμοποιήστε την ως οδηγό δίπλα στη βάση ρούτερ. Τροφοδοτήστε το εργαλείο προς την κατεύθυνση του βέλους.

- **Εικ.49**

## Οδηγός ιχναρίου

### Προαιρετικό αξεσουάρ

Ο οδηγός ιχναρίου παρέχει ένα περίβλημα μέσα από το οποίο περνάει η φρέζα του κουρευτικού περιθωρίων, επιτρέποντας τη χρήση του κουρευτικού περιθωρίων με σχέδια του ιχναρίου.

- **Εικ.50**

1. Χαλαρώστε τις βίδες στη βάση του εργαλείου, εισάγετε τον οδηγό ιχναρίου και σφίξτε τις βίδες.  
► **Εικ.51:** 1. Βίδα 2. Βάση 3. Οδηγός ιχναρίου

2. Ασφαλίστε το ιχνάριο στο τεμάχιο εργασίας. Τοποθετήστε το εργαλείο στο ιχνάριο και μετακινήστε το εργαλείο με τον οδηγό ιχναρίου να ολισθαίνει κατά μήκος της πλευράς του ιχναρίου.

- **Εικ.52:** 1. Φρέζα κουρευτικού περιθωρίων 2. Βάση 3. Προστατευτικό βάσης 4. Ιχνάριο 5. Τεμάχιο εργασίας 6. Οδηγός ιχναρίου

**ΠΑΡΑΤΗΡΗΣΗ:** Το τεμάχιο εργασίας θα κοπεί σε λίγο διαφορετικό μέγεθος από το ιχνάριο. Αφήστε μια απόσταση (X) μεταξύ της φρέζας του κουρευτικού περιθωρίων και της εξωτερικής πλευράς του οδηγού ιχναρίου. Η απόσταση (X) μπορεί να υπολογιστεί με τη χρήση της παρακάτω εξίσωσης:

**Απόσταση (X) = (εξωτερική διάμετρος του οδηγού ιχναρίου - διάμετρος φρέζας του κουρευτικού περιθωρίων) / 2**

## Σετ ακροφυσίου σκόνης

Χρησιμοποιήστε το ακροφύσιο σκόνης για την εξαγωγή σκόνης.

## Για τη βάση

Τοποθετήστε το ακροφύσιο σκόνης στη βάση εργαλείου με τη βοήθεια της βίδας χειρός.

- **Εικ.53:** 1. Ακροφύσιο σκόνης 2. Βίδα χειρός 3. Βάση

## Για τη βάση βύθισης

### Προαιρετικό αξεσουάρ

1. Τοποθετήστε το ακροφύσιο σκόνης στη βάση βύθισης χρησιμοποιώντας τη βίδα χειρός έτσι ώστε η προεξοχή στο ακροφύσιο σκόνης να ταιριάζει με την εγκοπή της βάσης βύθισης.

- **Εικ.54:** 1. Ακροφύσιο σκόνης 2. Βίδα χειρός 3. Βάση βύθισης

2. Συνδέστε την ηλεκτρική σκούπα με το ακροφύσιο σκόνης.

- **Εικ.55**

## ΣΥΝΤΗΡΗΣΗ

**▲ ΠΡΟΣΟΧΗ:** Να βεβαιώνεστε πάντα ότι το εργαλείο είναι σβηστό και αποσυνδεδεμένο από την ηλεκτρική παροχή πριν εκτελέσετε οποιαδήποτε εργασία επιθεώρησης ή συντήρησης σε αυτό.

**ΕΙΔΟΠΟΙΗΣΗ:** Μην χρησιμοποιείτε ποτέ βενζίνη, πετρελαϊκό αιθέρα, διαλυτικό, αλκοόλη ή παρόμοιες ουσίες. Μπορεί να προκληθεί αποχρωματισμός, παραμόρφωση ή ρωγμές.

Για τη διατήρηση της ΑΣΦΑΛΕΙΑΣ και ΑΞΙΟΠΙΣΤΙΑΣ του προϊόντος, οι επισκευές και οποιαδήποτε άλλη εργασία συντήρησης ή ρύθμισης πρέπει να εκτελούνται από εξουσιοδοτημένα ή εργοστασιακά κέντρα εξυπηρέτησης της Makita, χρησιμοποιώντας πάντοτε ανταλλακτικά της Makita.

### Αντικατάσταση καρβουνακίων

► **Εικ.56:** 1. Σημάδι ορίου

Να ελέγχετε τα καρβουνάκια τακτικά. Αντικαταστήστε τα όταν φθαρούν μέχρι το σημάδι ορίου. Διατηρείτε τα καρβουνάκια καθαρά και ελεύθερα να γλιστρούν στις θήκες. Και τα δύο καρβουνάκια πρέπει να αντικαθίστανται ταυτόχρονα. Χρησιμοποιείτε μόνο καρβουνάκια ίδιου τύπου.

1. Χρησιμοποιήστε ένα κατσαβίδι για να αφαιρέσετε τα καπάκια των θηκών καρβουνακίων.
2. Αφαιρέστε τα φθαρμένα καρβουνάκια, τοποθετήστε τα καινούρια και ασφαλίστε τα καπάκια των θηκών καρβουνακίων.

► **Εικ.57:** 1. Καπάκι θήκης καρβουνακίου

## ΠΡΟΑΙΡΕΤΙΚΑ ΕΞΑΡΤΗΜΑΤΑ

**▲ ΠΡΟΣΟΧΗ:** Αυτά τα εξαρτήματα ή προσαρτήματα συνιστώνται για χρήση με το εργαλείο Makita που περιγράφηκε στις οδηγίες αυτές. Η χρήση οποιωνδήποτε άλλων εξαρτημάτων ή προσαρτημάτων μπορεί να προκαλέσει κίνδυνο τραυματισμού σε άτομα. Να χρησιμοποιείτε τα εξαρτήματα ή προσαρτήματα μόνο για την χρήση που προορίζονται.

Εάν χρειάζεστε οποιαδήποτε βοήθεια για περισσότερες πληροφορίες σε σχέση με αυτά τα εξαρτήματα, αποτανθείτε στο τοπικό σας κέντρο εξυπηρέτησης Makita.

- Φρέζες σχηματισμού ίσων γραμμών και αυλακίων
- Φρέζες σχηματισμού άκρων
- Φρέζες περικοπής φύλλων
- Διάταξη ίσιου οδηγού
- Διάταξη οδηγού κουρευτικού περιθωρίων
- Διάταξη βάσης (ρητίνη)
- Διάταξη βάσης κλίσης
- Διάταξη βάσης βύθισης
- Διάταξη βάσης αντιστηρίγματος
- Οδηγός ιχναρίου

- Κώνος κολάρου
- Κλειδί
- Ακροφύσιο σκόνης
- Ράγα οδήγησης
- Σετ προσαρμογέα ράγας οδήγησης
- Ίσιος οδηγός με μικρορύθμιση
- Πλάγια λαβή
- Εξάρτημα λαβής

**ΠΑΡΑΤΗΡΗΣΗ:** Μερικά στοιχεία στη λίστα μπορεί να συμπεριλαμβάνονται στη συσκευασία εργαλείου ως στάνταρ εξαρτήματα. Μπορεί να διαφέρουν ανάλογα με τη χώρα.

### Φρέζες κουρευτικού περιθωρίων

Ευθεία φρέζα

► **Εικ.58**

D	A	L1	L2
6	20	50	15
1/4"			
8	8	60	25
6		50	18
1/4"	6	50	18
6			
1/4"			

Μονάδα: mm

Φρέζα αυλάκωσης σε σχήμα «U»

► **Εικ.59**

D	A	L1	L2	R
6	6	60	28	3
1/4"				

Μονάδα: mm

Φρέζα αυλάκωσης σε σχήμα «V»

► **Εικ.60**

D	A	L1	L2	θ
1/4"	20	50	15	90°

Μονάδα: mm

Φρέζα επίπεδης κοπής στο σημείο διάνοιξης

► **Εικ.61**

D	A	L1	L2	L3
8	8	60	20	35
6				
1/4"	6	60	18	28

Μονάδα: mm

**Φρέζα διπλής επίπεδης κοπής στο σημείο διάνοιξης**► **Εικ.62**

D	A	L1	L2	L3	L4
8	8	80	95	20	25
6	6	70	40	12	14
1/4"					

Μονάδα:mm

**Φρέζα στρογγύλευσης γωνιών**► **Εικ.63**

D	A1	A2	L1	L2	L3	R
6	25	9	48	13	5	8
1/4"						
6	20	8	45	10	4	4
1/4"						

Μονάδα:mm

**Φρέζα λοξότμησης**► **Εικ.64**

D	A	L1	L2	L3	θ
6	23	46	11	6	30°
6	20	50	13	5	45°
6	20	49	14	2	60°

Μονάδα:mm

**Φρέζα για κοιλώματα**► **Εικ.65**

D	A	L1	L2	R
6	20	43	8	4
6	25	48	13	8

Μονάδα:mm

**Φρέζα επίπεδης κοπής με σφαιρικό έδρανο**► **Εικ.66**

D	A	L1	L2
6	10	50	20
1/4"			

Μονάδα:mm

**Φρέζα στρογγύλευσης γωνιών με σφαιρικό έδρανο**► **Εικ.67**

D	A1	A2	L1	L2	L3	R
6	15	8	37	7	3,5	3
6	21	8	40	10	3,5	6
1/4"	21	8	40	10	3,5	6

Μονάδα:mm

**Φρέζα λοξότμησης με σφαιρικό έδρανο**► **Εικ.68**

D	A1	A2	L1	L2	θ
6	26	8	42	12	45°
1/4"					
6	20	8	41	11	60°

Μονάδα:mm

**Φρέζα για αυλάκωμα με σφαιρικό έδρανο**► **Εικ.69**

D	A1	A2	A3	L1	L2	L3	R
6	20	12	8	40	10	5,5	4
6	26	12	8	42	12	4,5	7

Μονάδα:mm

**Φρέζα για κοιλώματα με σφαιρικό έδρανο**► **Εικ.70**

D	A1	A2	A3	A4	L1	L2	L3	R
6	20	18	12	8	40	10	5,5	3
6	26	22	12	8	42	12	5	5

Μονάδα:mm

**Φρέζα για ρωμαϊκό οξυκόρυφο τόξο με σφαιρικό έδρανο**► **Εικ.71**

D	A1	A2	L1	L2	L3	R1	R2
6	20	8	40	10	4,5	2,5	4,5
6	26	8	42	12	4,5	3	6

Μονάδα:mm

## TEKNİK ÖZELLİKLER

Model:	RT0702C
Halka mandren kapasitesi	6 mm, 8 mm veya 1/4"
Yüksüz hız	10.000 - 34.000 min <sup>-1</sup>
Toplam yükseklik	210 mm
Net ağırlık	1,8 - 2,8 kg
Emniyet sınıfı	□/II

- Sürekli yapılan araştırma ve geliştirmelerden dolayı, burada belirtilen özellikler önceden bildirilmeksizin değiştirilebilir.
- Özellikler ülkeden ülkeye değişebilir.
- Ağırlık, ek parçaya(parçalara) bağlı olarak değişebilir. En hafif ve en ağır kombinasyon, EPTA Prosedürü 01/2014'e göre, tabloda gösterilmiştir.

### Kullanım amacı

Bu alet ahşap, plastik ve benzeri malzemelerin kenarlarını tıraşlama ve şekil verme amacıyla tasarlanmıştır.

### Güç kaynağı

Aletin, yalnızca isim levhasında belirtilenle aynı voltajlı güç kaynağına bağlanması gerekir ve yalnızca tek fazlı AC güç kaynağıyla çalıştırılabilir. Çifte yalıtımlıdır ve topraklamasız prizlerle de kullanılabilir.

### Gürültü

Tipik A-ağırlıklı gürültü düzeyi (EN62841-2-17 standardına göre belirlenen):

Ses basınç seviyesi (L<sub>PA</sub>): 85 dB (A)

Ses gücü düzeyi (L<sub>WA</sub>): 93 dB (A)

Belirsizlik (K): 3 dB (A)

**NOT:** Beyan edilen gürültü emisyonu değer(ler)i bir standart test yöntemine uygun şekilde ölçülmüştür ve bir aleti bir başkasıyla karşılaştırmak için kullanılabilir.

**NOT:** Beyan edilen gürültü emisyonu değer(ler) i bir ön maruz kalma değerlendirmesi olarak da kullanılabilir.

**UYARI:** Kulak koruyucuları takın.

**UYARI:** Elektrikli aletin gerçek kullanımı sırasındaki gürültü emisyonu, aletin kullanım biçimlerine, özellikle işlenen iş parçasının türüne bağlı olarak beyan edilen değer(ler)den farklı olabilir.

**UYARI:** Gerçek kullanım koşullarındaki tahmini maruziyeti baz alan, operatörü koruyacak güvenlik önlemlerini mutlaka belirleyin (çalışma döngüsü içerisinde aletin kapalı olduğu ve aktif durumda olmasının yanı sıra boşta çalıştığı zamanlar gibi, bütün zaman dilimleri göz önünde bulundurarak).

### Titreşim

Titreşim toplam değeri (üç eksenli vektör toplamı) (EN62841-2-17 standardına göre hesaplanan):

Çalışma modu: yüksüz dönme

Titreşim emisyonu (a<sub>h</sub>): 2,5 m/s<sup>2</sup>den az

Belirsizlik (K) : 1,5 m/s<sup>2</sup>

**NOT:** Beyan edilen titreşim toplam değer(ler)i bir standart test yöntemine uygun şekilde ölçülmüştür ve bir aleti bir başkasıyla karşılaştırmak için kullanılabilir.

**NOT:** Beyan edilen titreşim toplam değer(ler)i bir ön maruz kalma değerlendirmesi olarak da kullanılabilir.

**UYARI:** Elektrikli aletin gerçek kullanımı sırasındaki titreşim emisyonu, aletin kullanım biçimlerine, özellikle işlenen iş parçasının türüne bağlı olarak beyan edilen değer(ler)den farklı olabilir.

**UYARI:** Gerçek kullanım koşullarındaki tahmini maruziyeti baz alan, operatörü koruyacak güvenlik önlemlerini mutlaka belirleyin (çalışma döngüsü içerisinde aletin kapalı olduğu ve aktif durumda olmasının yanı sıra boşta çalıştığı zamanlar gibi, bütün zaman dilimleri göz önünde bulundurarak).

### Uygunluk Beyanları

*Sadece Avrupa ülkeleri için*

Uygunluk beyanları bu kullanma kılavuzuna Ek A olarak eklenmiştir.

## GÜVENLİK UYARILARI

### Genel elektrikli alet güvenliği uyarıları

**UYARI:** Bu elektrikli aletle birlikte sunulan tüm güvenlik uyarılarını, talimatları, çizimleri ve teknik özellikleri okuyun. Aşağıda verilen talimatlara uyulmaması elektrik şoku, yangın ve/veya ciddi yaralanmalar ile sonuçlanabilir.



## Tüm uyarıları ve talimatları ile- ride başvurmak için saklayın.

Uyarılardaki "elektrikli alet" terimi ile ya prizden çalışın (kordonlu) elektrikli aletinizi ya da kendi aküsü ile çalışın (kordonsuz) elektrikli aletinizi kastedilmektedir.

### Şekil verme testeresi güvenlik uyarıları

1. Kesici, kendi kablosuna temas edebileceğinden elektrikli aleti yalnızca yalıtımlı saplarından tutun. "Akımlı" bir telin kesilmesi elektrikli aletin yalıtımsız metal kısımlarını "akımlı" hale getirebilir ve kullanıcıyı elektrik şokuna maruz bırakabilir.
2. İş parçasını sabit bir platforma bağlamak ve desteklemek için mengine veya başka bir pratik yol kullanın. İş parçasını elle tutmak ya da vücudunuzla desteklemek sabit durmamasına ve kontrolü kaybetmenize neden olabilir.
3. Şekil verme testeresi ucu sapı tasarlanmış halka mandrene uymalıdır.
4. Sadece, aletin üstünde belirtilen maksimum hızı eşit nominal hızı sahip bir şekil verme testeresi ucu kullanın.
5. Uzun süreli kullanımlarda kulak koruyucu kullanın.
6. Şekil verme testeresinin uçlarını dikkatle tutun.
7. İşlemden önce şekil verme testeresinin uçlarını çatlak veya zarar var mı dikkatlice kontrol edin. Çatlak veya zarar görmüş uçları hemen değiştirin.
8. Çivileri kesmekten sakının. İşlemden önce iş parçasının üzerinde çivi olup olmadığını kontrol edin ve varsa hepsini çıkarın.
9. Aleti sıkı tutun.
10. Ellerinizi dönen parçalardan uzak tutun.
11. Anahtar açılmadan önce şekil verme testeresinin ucunun iş parçasına temas etmediğinden emin olun.
12. Gerçek iş parçası üzerinde aleti kullanmadan önce, bir süre çalıştırın. Ucu yanlış takıldığına gösterebilecek titreşim ve sallantılar olup olmadığına dikkat edin.
13. Şekil verme testeresinin ucunun dönüş yönüne ve besleme yönüne dikkat edin.
14. Aleti çalışır durumda bırakmayın. Aleti sadece elinizde tutarken çalıştırın.
15. Aleti iş parçasından çıkarmadan önce, aleti her zaman kapatın ve şekil verme testeresinin ucunun tam olarak durmasını bekleyin.
16. Şekil verme testeresinin ucuna işlemden hemen sonra ellemeyin; çok sıcak olup derinizi yakabilir.
17. Dikkatsizlik sonucu kaideye tiner, benzin, yağ ve benzeri maddelerin bulaşmasını önleyin. Bunlar kaideye çatlaklar oluşmasına neden olabilir.
18. Bazı malzemeler zehirli olabilen kimyasallar içerir. Toz yutmayı ve cilt temasını önlemek için tedbir alın. Malzeme sağlığını güvenlik bilgilerine uyun.
19. Daima çalıştığınız malzeme ve yaptığınız işe uygun maske/respiratör kullanın.
20. Aleti dengeli bir alana koyun. Aksi takdirde düşme kazası meydana gelebilir ve yaralanmaya neden olabilir.

## BU TALİMATLARI MUHAFAZA EDİNİZ.

**⚠UYARI:** Ürünü kullanırken (defalarca kullanınca kazanılan) rahatlık ve tanıdıklık duygusunun ilgili ürünün güvenli kurallarına sıkı sıkıya bağlı kalmanın yerine geçmesine İZİN VERMEYİN. YANLIŞ KULLANIM veya bu kullanma kılavuzunda belirtilen emniyet kurallarına uymama ciddi yaralanmaya neden olabilir.

## İŞLEVSEL NİTELİKLER

**⚠DİKKAT:** Alet üzerinde ayarlama ya da işleyiş kontrolü yapmadan önce aletin kapalı ve fişinin çekili olduğundan daima emin olun.

### Şekil verme testeresinin ucunun çıkıntısının ayarlanması

Uç çıkıntısının ayarlamak için sabitleme kolunu açın ve ayar vidasını çevirerek kaideyi yukarı veya aşağı istediğiniz gibi hareket ettirin. Ayarladıktan sonra sabitleme kolunu kapatarak kaideyi sıkıca sabitleyin.

► **Şek.1:** 1. Kaide 2. Ölçek 3. Uç çıkıntısı 4. Sabitleme kolu 5. Ayar vidası 6. Altıgen somun

**NOT:** Sabitleme kolunu kapattıktan sonra alet yine de sabitlenmezse altıgen somunu sıkın ve ardından sabitleme kolunu kapatın.

### Anahtarın işleyişi

**⚠DİKKAT:** Aleti fişe takmadan önce kapalı olduğundan daima emin olun.

Aleti başlatmak için, anahtarın I tarafına basın. Aleti durdurmak için, anahtarın O tarafına basın.

► **Şek.2:** 1. Anahtar

### Elektronik fonksiyonu

Alet kolay kullanım için elektronik fonksiyonlarla donatılmıştır.

### Gösterge lambası

► **Şek.3:** 1. Gösterge lambası

Alet fişe takıldığında gösterge lambası yeşil renkte yanar. Gösterge lambası yanmıyorsa, ana kablo veya kontrolör hasarlı olabilir. Gösterge lambası yanıyor fakat alet açık konumda olduğu halde çalışmaya başlamıyorsa; karbon fırçalar aşınmış ya da kontrolör, motor veya AÇMA/KAPAMA anahtarı hasarlı olabilir.

### İstenmeyen yeniden başlatma koruması

Anahtarın I tarafı basılı olduğunda alet fişe takılsa bile alet çalışmaya başlamaz.

Bu sırada gösterge lambası kırmızı renkte yanıp sönerken istenmeyen yeniden başlatma koruma aygıtının çalışmakta olduğunu gösterir.

İstenmeyen yeniden başlatma korumasını iptal etmek için, anahtarın O tarafına basın.

## Yumuşak başlatma özelliği

Yumuşak başlatma özelliği başlatma şokunu en alt düzeye indirir ve aletin daha sarsıntısız başlamasını sağlar.

## Sabit hız kontrolü

Sabit hız elde etmek için elektronik hız kontrolü. Yüklü koşulda bile dönüş hızı sabit kaldığı için iyi bir yüzey elde etmek mümkün olur.

## Hız ayarlama kadranı

**⚠UYARI:** Hız ayarlama kadranını alet çalışırken kullanmayın. Tépme kuvveti nedeniyle şekil verme testeresi ucu operatöre dokunabilir. Bu da yaralanmaya neden olabilir.

**⚠DİKKAT:** Alet uzun süre devamlı düşük hızlarda çalıştırılırsa, motor aşırı yüklenir ve aletin bozulmasına neden olur.

**⚠DİKKAT:** Hız ayarlama kadranı en fazla 6'ya kadar ve geriye 1'e kadar çevrilebilir. 6'yı veya 1'i geçirmeye zorlamayın, aksi takdirde hız ayarlama işlevi artık çalışmayabilir.

Hız ayarlama kadranı işaretlenmiş 1 ila 6 rakamları arasında çevrilerek aletin hızı değiştirilebilir.

► **Şek.4:** 1. Hız ayarlama kadranı

Hız ayarlama kadranı 6 rakamı yönünde döndürüldüğünde hız artar. Ve kadran 1 rakamı yönünde döndürüldüğünde hız düşer.

Bu da optimum malzeme işleme için ideal hızın seçilmesini sağlar, başka bir ifade ile hız, malzeme ve uç çapına uyacak şekilde doğru olarak ayarlanabilir. Kadran üzerindeki rakam ayarlarıyla yaklaşık alet hızı arasındaki ilişki için tabloya bakın.

Rakam	min <sup>-1</sup>
1	10.000
2	12.000
3	17.000
4	22.000
5	27.000
6	34.000

## MONTAJ

**⚠DİKKAT:** Alet üzerinde herhangi bir iş yapmadan önce aletin kapalı ve fişinin çekili olduğundan daima emin olun.

## Şekil verme testeresinin ucunun takılması veya çıkarılması

**⚠DİKKAT:** Şekil verme testeresinin ucunu takmadan tutucu pens somununu sıkmayın, aksi takdirde tutucu pens kovani kırılır.

**⚠DİKKAT:** Sadece aletle beraber gelen anahtarları kullanın.

Şekil verme testeresi ucunu takmanın iki yolu vardır. İki yoldan birini uygulayın.

## İki anahtarla

Şekil verme testeresinin ucunu, tutucu pens kovani içine sonuna kadar sokun ve bir anahtarla boynu tutarken diğer anahtarla tutucu pens somununu iyice sıkın.

► **Şek.5:** 1. Sıkın 2. Gevşetin 3. Boyun 4. Tutucu pens somunu

## Bir anahtarla

Şekil verme testeresinin ucunu, tutucu pens kovani içine sonuna kadar sokun ve mil kilidine bastırırken anahtarla tutucu pens somununu iyice sıkın.

► **Şek.6:** 1. Sıkın 2. Gevşetin 3. Mil kilidi 4. Tutucu pens somunu

Şekil verme testeresi ucunu çıkarmak için takma işlemini tersinden uygulayın.

## Tutucu pens kovani değiştirilmesi

**⚠DİKKAT:** Kullanmayı düşündüğünüz şekil verme testeresi ucuna uygun büyüklükte tutucu pens kovani kullanın.

**⚠DİKKAT:** Bir şekil verme testeresi ucu takmadan tutucu pens somununu sıkmayın, aksi takdirde tutucu pens kovani kırılabilir.

1. Tutucu pens somununu gevşetip çıkarın.
  2. Takılı tutucu pens kovani istediğiniz tutucu pens kovani ile değiştirin.
  3. Tutucu pens somununu yeniden takın.
- **Şek.7:** 1. Tutucu pens kovani 2. Tutucu pens somunu

## KULLANIM

**⚠DİKKAT:** Aleti daima tek elinizle gövdesinden sıkıca tutun. Metal kısma dokunmayın.

## Kaide için

**⚠UYARI:** Bu aleti kaide ile kullanmadan önce toz ağızlığını kaideye mutlaka takın.

► **Şek.8:** 1. Toz ağızlığı 2. El vidası 3. Kaide

1. Kaideyi, kesilecek iş parçasının üzerine şekil verme testeresi ucu temas etmeyecek şekilde koyun.
2. Aleti çalıştırın ve şekil verme testeresinin ucu tam hıza ulaşana kadar bekleyin.
3. Kesme bitinceye kadar, kaideyi dayalı tutup nazikçe ilerleterek, aleti iş parçasının yüzeyinde ileri doğru hareket ettirin.

► **Şek.9**

Kenar kesme yaparken, iş parçasının yüzeyi besleme yönünde şekil verme testeresinin ucunun sol tarafında kalmalıdır.

► **Şek.10:** 1. İş parçası 2. Uç dönme yönü 3. Aletin kuşbakışı görünüşü 4. Besleme yönü

Düz kılavuz veya şekil verme kılavuzu kullanırken, besleme yönünün sağ tarafında tuttuğunuzdan emin olun. Bu, iş parçasının yan kısmı ile aynı hizada çalışmayı sağlar.

► **Şek.11:** 1. Besleme yönü 2. Uç dönme yönü 3. İş parçası 4. Düz kılavuz

**NOT:** Aletin ileriye doğru çok hızlı hareket ettirilmesi, kötü kesime veya şekil verme testeresinin ucuna veya motora zarar vermeye sebep olabilir. Aletin ileriye çok yavaş hareket ettirilmesi ise, kesimi yakabilir veya bozabilir. Uygun besleme hızı; uç büyüklüğü, iş parçasının cinsi ve kesme derinliğine göre değişir. İş parçası üzerinde kesme işlemine başlamadan önce bir parça hurda kereste üzerinde bir deneme kesimi yapılması tavsiye edilir. Bu, kesimin nasıl olacağını gösterdiği gibi boyutları da kontrol etmenizi sağlar.

**⚠DİKKAT:** Fazla derin kesimler motorun fazla yüklenmesine veya aletin kontrol edilmesinin güçleşmesine sebep olduğundan, olukları keserken bir geçişteki kesme derinliği 3 mm'yi geçmemelidir. 3 mm'den daha derin oluk kesimleri yapmak istiyorsanız, gittikçe derinleşen uç ayarlarıyla birkaç geçişte kesim yapın.

## Kaide (reçine)

### İsteğe bağlı aksesuar

Kaideyi (reçine), şekilde gösterildiği gibi isteğe bağlı bir aksesuar olarak kullanabilirsiniz.

► **Şek.12:** 1. Sıkıştırma vidası

Aleti kaidenin (reçine) üzerine yerleştirin ve sıkıştırma vidasını, şekil verme testeresi ucunun istediğiniz kadar çıktığı noktada sıkın.

Çalışma prosedürleri için kaidenin çalıştırılmasına bakın.

## Şablon kılavuzu

### İsteğe bağlı aksesuar

Şablon kılavuzu, şekil verme testeresinin ucunun içinden geçtiği bir manşon sunarak şekil verme testeresinin şablon modellerle kullanılmasını sağlar.

► **Şek.13**

1. Vidaları gevşetin ve kaide koruyucusunu çıkarın.

► **Şek.14:** 1. Kaide koruyucusu 2. Vidalar

2. Şablon kılavuzunu kaideye yerleştirin ve kaide koruyucusunu yerine tekrar yerleştirin. Sonra vidaları sıkarak kaide koruyucusunu sabitleyin.

3. Şablonu iş parçasına tespit edin. Aleti şablona yerleştirin ve şablon kılavuzu şablon tarafında kaydırılacak şekilde aleti hareket ettirin.

► **Şek.15:** 1. Şekil verme testeresi ucu 2. Kaide 3. Kaide koruyucusu 4. Şablon 5. İş parçası 6. Şablon kılavuzu

**NOT:** İş parçası şablondan biraz farklı bir ölçüde kesilir. Şekil verme testeresi ucu ile şablon kılavuzun dışı arasında mesafe (X) bırakın. Bu mesafe (X) aşağıdaki denklem kullanılarak hesaplanabilir:

**Mesafe (X) = (şablon kılavuzunun dış çapı - Şekil verme testeresi ucunun çapı) / 2**

## Düz kılavuz

### İsteğe bağlı aksesuar

Düz kılavuz, oluk veya yiv açarken düz kesimler için verimli bir şekilde kullanılır.

► **Şek.16**

1. Kılavuz levhayı cıvata ve kelebek somunla düz kılavuzu takın.

► **Şek.17:** 1. Cıvata 2. Kılavuz levha 3. Düz kılavuz 4. Kelebek somun

2. Düz kılavuz aksamını sıkıştırma vidası ile takın.

► **Şek.18:** 1. Sıkıştırma vidası 2. Düz kılavuz 3. Kelebek somun 4. Kaide

3. Düz kılavuz aksamındaki kelebek somunu gevşetin ve şekil verme testeresi ucu ile düz kılavuz arasındaki mesafeyi ayarlayın. İstenilen mesafede, kelebek somunu iyice sıkın.

4. Keserken düz kılavuz, iş parçasının kenarına denk gelecek şekilde hareket ettirin.

İş parçasının kenarı ile kesme pozisyonu arasındaki mesafe, düz kılavuz için çok genişse veya iş parçasının kenarı düz değilse, düz kılavuz kullanılamaz. Bu durumda, iş parçasına düz bir tahta parçasını işken-celerle sıkıca sabitleyin ve bunu şekil verme testeresi kaidesini dayamak için bir kılavuz olarak kullanın. Aleti ok yönünde besleyin.

► **Şek.19**

## Dairesel işler

Düz kılavuzu ve kılavuz levhayı şekilde gösterildiği gibi takarsanız dairesel işleri gerçekleştirebilirsiniz.

Kesilecek dairelerin minimum ve maksimum yarı çapları (dairenin merkezi ile şekil verme testeresi ucunun merkezi arasındaki mesafe) aşağıda verilmiştir:

Min.: 70 mm

Maks.: 221 mm

**Yarı çapı 70 mm ile 121 mm arasında olan daireleri kesmek için**

► **Şek.20:** 1. Kelebek somun 2. Kılavuz levha 3. Düz kılavuz 4. Merkez delik 5. Cıvata

**Yarı çapı 121 mm ile 221 mm arasında olan daireleri kesmek için**

► **Şek.21:** 1. Kelebek somun 2. Kılavuz levha 3. Düz kılavuz 4. Merkez delik 5. Cıvata

**NOT:** Yarı çapı 172 mm ile 186 mm arasında olan daireler bu kılavuz kullanılarak kesilemez.

1. Düz kılavuzun merkez deliği ile kesilecek dairenin merkezini hizalayın.

► **Şek.22:** 1. Çivi 2. Merkez delik 3. Düz kılavuz

2. Düz kılavuzu sabitlemek için, çapı 6 mm'den küçük bir çiviği merkez deliğe çakın.

3. Aleti çivinin etrafında saat yönünde döndürün.

## Şekil verme kılavuzu

### *İsteğe bağlı aksesuar*

Mobilyalar için şekil verme, cilalı yüzeylerde eğimli kesimler yapma ve benzeri işlemler şekil verme kılavuzu ile kolayca yapılır. Kılavuz silindir, kavisi oluşturur ve temiz bir kesim sağlar.

#### ► Şek.23

1. Şekil verme kılavuzu ve kılavuz tutucusunu kaideye sıkıştırma vidası (A) ile monte edin.
2. Sıkma vidası (B)'yi gevşetin ve şekil verme testeresi ucu ve şekil verme kılavuzu arasındaki mesafeyi, ayar vidasını çevirerek (her dönüş 1 mm) ayarlayın. İstenilen mesafede, şekil verme kılavuzunu yerinde tespit etmek için, sıkma vidasını (B) sıkıştırın.  
► Şek.24: 1. Ayar vidası 2. Kılavuz tutucusu 3. Şekil verme kılavuzu
3. Keserken, kılavuz silindir iş parçasının kenarına denk gelecek şekilde aleti hareket ettirin.  
► Şek.25: 1. İş parçası 2. Şekil verme testeresi ucu 3. Kılavuz silindir

## Yatırma kaidesi

### *İsteğe bağlı aksesuar*

Yatırma kaidesi, lamine levha veya benzeri malzemelerin kenarlarını kesmek için kullanılır. Yatırma kaidesi yiv açmak için uygundur.

1. Aleti yatırma kaidesinin üzerine yerleştirin, sıkıştırma vidalarını gevşetin ve aleti istenen açıda yatırın.
2. Şekil verme testeresi ucunun istediğiniz kadar çıktığı noktada sabitleme kolunu kapatın ve sıkıştırma vidalarını istenen açıda sıkın.
3. İş parçasına işkence ile düz bir tahta parçasını sıkıca tuturun ve bunu yatırma kaidesini dayamak için bir kılavuz olarak kullanın. Aleti ok yönünde besleyin.  
► Şek.26: 1. Sıkıştırma vidaları 2. Sabitleme kolu

## Yatırma kaidesi koruyucusunun kaide ile kullanılması

Yatırma kaidesinden çıkarılan yatırma kaidesi koruyucusu (kare) kaideye monte edilebilir. Kaide koruyucusunun şekli, yuvarlaktan kareye değiştirilebilir.

1. Dört vidayı gevşetip çıkararak yatırma kaidesi koruyucusunu yatırma kaidesinden çıkarın.
2. Yatırma kaidesi koruyucusunu kaideye monte edin.  
► Şek.27: 1. Yatırma kaidesi koruyucusu 2. Vida

## Kaydırma kaidesi

### *İsteğe bağlı aksesuar*

Kaydırma kaidesi, lamine levha veya benzeri malzemelerin kenarlarını kesmek için kullanılır. Kaydırma kaidesi, dar alanlarda çalışmak için uygundur.

#### ► Şek.28

## Aletin kaydırma kaidesi ile kullanılması

1. Aleti kaydırma kaidesinin üzerine takmadan önce tutucu pens somununu gevşeterek tutucu pens kovanını ve tutucu pens somununu çıkarın.

- Şek.29: 1. Kasnak 2. Tutucu pens somunu 3. Tutucu pens kovani

2. Mil kılıdına basıp kasnağı anahtarla iyice sıkarak kasnağı alete monte edin.

- Şek.30: 1. Anahtar 2. Kasnak 3. Mil kilidi

3. Tutucu pens kovanını yerleştirin ve şekilde gösterildiği gibi tutucu pens somununu kaydırma kaidesine vidalayın.

- Şek.31: 1. Tutucu pens somunu 2. Tutucu pens kovani

4. Kaydırma kaidesini alete monte edin.

- Şek.32

5. Bir tornavida kullanarak kayışı kasnağa geçirin ve tüm kayış eninin kasnağın üzerine tamamen oturduğundan emin olun.

- Şek.33: 1. Kasnak 2. Kayış

6. Sabitleme kolunu kapatın.

- Şek.34: 1. Sabitleme kolu

7. Şekil verme testeresi ucunu şu şekilde takın.

Aleti kaydırma kaidesi ile birlikte yatırın. Altıgen anahtar kaydırma kaidesindeki deliğe sokun.

Altıgen anahtar şekilde gösterilen pozisyonda tutulurken şekil verme testeresi ucunu kaydırma kaidesinin milinin üzerindeki tutucu pens kovanına diğer taraftan sokun ve tutucu pens somununu bir anahtarlar iyice sıkın.

- Şek.35: 1. Anahtar 2. Altıgen anahtar 3. Şekil verme testeresi ucu

8. Şekil verme testeresi ucunu çıkarmak için takma işlemini tersinden uygulayın.

## Kaidenin kaydırma kaidesi plakası ve sap bağlantı parçası ile kullanılması

Kaydırma kaidesi daha fazla denge için bir kaide ve sap bağlantı parçası (isteğe bağlı aksesuar) ile kullanılabilir.

#### ► Şek.36

1. Vidaları gevşetin ve üst kısmı kaydırma kaidesinden çıkarın. Kaydırma kaidesinin üst kısmını kenara koyun.

- Şek.37: 1. Vidalar 2. Kaydırma kaidesi plakası 3. Kaydırma kaidesinin üst kısmı

2. Kaydırma kaidesi plakasını dört vida ile ve sap bağlantı parçasını iki vida ile kaydırma kaidesi plakasına monte edin. Sap bağlantı parçasının üzerine bir çubuk tipi sap (isteğe bağlı aksesuar) vidalayın. Başka bir kullanım şekline daldırılmalı kaideden (isteğe bağlı aksesuar) çıkarılan topuz tipi sap, sap bağlantı parçasına takılabilir. Topuz tipi sapı takmak için sap bağlantı parçasının üzerine yerleştirin ve bir vida ile sabitleyin.

#### Çubuk tipi sap ile

- Şek.38: 1. Çubuk tipi sap 2. Sap bağlantı parçası 3. Kaydırma kaidesi plakası

## Topuz tipi sap ile

► **Şek.39:** 1. Vida 2. Topuz tipi sap 3. Sap bağlantı parçası

## Aletin daldırmalı kaide ile kullanılması

### İsteğe bağlı aksesuar

**⚠DİKKAT:** Freze olarak kullanırken aleti her iki elinizle sıkıca tutun.

1. Aleti freze olarak kullanmak için aleti bir daldırmalı kaideye (isteğe bağlı aksesuar) aşağı sonuna kadar bastırarak takın. İşinize uygun olarak topuz tipi sap veya çubuk tipi sap (isteğe bağlı aksesuar) kullanılabilir.

► **Şek.40:** 1. Daldırmalı kaide 2. Çubuk tipi sap

2. Çubuk tipi sapı (isteğe bağlı aksesuar) kullanmak için vidayı gevşetin ve topuz tipi sapı çıkarın.

► **Şek.41:** 1. Vida 2. Topuz tipi sap

3. Çubuk tipi sapı kaideye vidalayın.

► **Şek.42:** 1. Çubuk tipi sap

## Daldırmalı kaide (isteğe bağlı aksesuar) kullanırken kesme derinliğinin ayarlanması

**⚠DİKKAT:** Çalışma sırasında aleti daima her iki saptan sıkıca tutun.

► **Şek.43:** 1. Ayar topuzu 2. Kilitleme kolu 3. Derinlik göstergesi 4. Durdurucu çubuk ayar somunu 5. Hızlı besleme düğmesi 6. Durdurucu çubuk 7. Durdurucu blok 8. Altıgen ayar civatası

1. Aleti düz bir yüzeye yerleştirin. Kilitleme kolunu gevşetin ve şekil verme testeresi ucu düz yüzeye hafif temas edene kadar aletin gövdesini indirin. Aletin gövdesini kilitlemek için kilitleme kolunu sıkın.

2. Durdurucu çubuk ayar somununu saatin aksi yönünde çevirin. Durdurucu çubuğu, altıgen ayar civatası ile temas edene dek indirin. Derinlik göstergesini "0" taksimati ile hizalayın. Kesme derinliği derinlik göstergesi tarafından ölçek üzerinde gösterilir.

3. Hızlı besleme düğmesine basarken istenen kesme derinliği elde edilene dek durdurucu çubuğu kaldırın. Ayar topuzu çevrilererek hassas derinlik ayarı yapılabilir (her tur 1 mm).

4. Durdurucu çubuk ayar somununu saat yönünde çevirerek durdurucu çubuğu sıkıca sabitleyebilirsiniz.

5. Şimdi kilitleme kolu gevşetilerek ve ardından durdurucu çubuk, durdurucu bloğunun ayar civatasına temas edene dek aletin gövdesi indirilerek, önceden belirlenen kesme derinliğiniz elde edilebilir.

6. Kaideyi, kesilecek iş parçasının üzerine şekil verme testeresi ucu temas etmeyecek şekilde koyun.

7. Aleti çalıştırın ve şekil verme testeresi ucu tam hıza ulaşına kadar bekleyin.

8. Aletin gövdesini indirin ve kesim tamamlanana kadar kaideyi dayalı tutup yavaşça ilerleterek aleti iş parçasının yüzeyi üzerinde ileri doğru hareket ettirin.

Kenar kesme yaparken, iş parçasının yüzeyi besleme yönünde şekil verme testeresi ucunun sol tarafında kalmalıdır.

► **Şek.44:** 1. İş parçası 2. Uç dönme yönü 3. Aletin üstten görünümü 4. Besleme yönü

Düz kılavuzu veya şekil verme kılavuzunu kullanırken, besleme yönünün sağ tarafında tuttuğunuzdan emin olun. Bu, iş parçasının yan kısmına dayalı tutmaya yardımcı olur.

► **Şek.45:** 1. Besleme yönü 2. Uç dönme yönü 3. İş parçası 4. Düz kılavuz

**NOT:** Aletin ileriyeye doğru çok hızlı hareket ettirilmesi, kötü kesim kalitesine veya şekil verme testeresi ucunun veya motorun zarar görmesine sebep olabilir. Aletin ileriyeye doğru çok yavaş hareket ettirilmesi ise, kesimi yakabilir ve bozabilir. Uygun besleme hızı; uç büyüklüğü, iş parçasının cinsi ve kesme derinliğine bağlıdır. Asıl iş parçası üzerinde kesme işlemine başlamadan önce bir parça hurda kereste üzerinde bir deneme kesimi yapılması tavsiye edilir. Bu, kesimin nasıl olacağını tam olarak göstereceği gibi boyutları kontrol etmenizi de sağlar.

## Kılavuz tutucusu için düz kılavuz

### İsteğe bağlı aksesuar

Düz kılavuz, oluk veya yiv açarken düz kesimler için verimli bir şekilde kullanılır.

► **Şek.46:** 1. Cıvata 2. Kılavuz tutucusu 3. Kelebek somun (A) 4. Cıvata 5. Kelebek somun (B) 6. Kılavuz levha 7. Düz kılavuz 8. Kelebek civatalar

1. Düz kılavuz aksamını cıvata ve kelebek somun (A) ile kılavuz tutucusunun (isteğe bağlı aksesuar) üzerine takın.

2. Kılavuz tutucusunu daldırmalı kaidedeki deliklere sokun ve kelebek civataları sıkın.

3. Şekil verme testeresi ucu ile düz kılavuz arasındaki mesafeyi ayarlamak için kelebek somunu (B) gevşetin. İstenilen mesafede kelebek somunu (B) sıkarak düz kılavuz yerine sabitleyin.

## Düz kılavuz

### İsteğe bağlı aksesuar

Düz kılavuz, oluk veya yiv açarken düz kesimler için verimli bir şekilde kullanılır.

► **Şek.47**

1. Kılavuz çubukları daldırmalı kaidedeki deliklere sokun.

► **Şek.48:** 1. Kılavuz çubuk 2. Kelebek somun 3. Düz kılavuz

2. Şekil verme testeresi ucu ile düz kılavuz arasındaki mesafeyi ayarlayın. İstenilen mesafede kelebek somunları sıkarak düz kılavuzu yerine sabitleyin.

3. Keserken düz kılavuz, iş parçasının kenarına denk gelecek şekilde hareket ettirin.

İş parçasının kenarı ile kesme pozisyonu arasındaki mesafe, düz kılavuz için çok genişse veya iş parçasının kenarı düz değilse, düz kılavuz kullanılamaz. Bu durumda, iş parçasına düz bir tahta parçasını

işkencelerle sıkıca sabitleyin ve bunu freze kaidesini dayamak için bir kılavuz olarak kullanın. Aleti ok yönünde besleyin.

► **Şek.49**

## Şablon kılavuzu

### *Isteğe bağlı aksesuar*

Şablon kılavuzu, şekil verme testeresinin ucunun içinden geçtiği bir manşon sunarak şekil verme testeresinin şablon modellerle kullanılmasını sağlar.

► **Şek.50**

1. Alet kaidesindeki vidaları gevşetin, şablon kılavuzunu yerleştirin ve ardından vidaları sıkın.

► **Şek.51:** 1. Vida 2. Kaide 3. Şablon kılavuzu

2. Şablonu iş parçasına tespit edin. Aleti şablona yerleştirin ve şablon kılavuzu şablon tarafında kaydırılacak şekilde aleti hareket ettirin.

► **Şek.52:** 1. Şekil verme testeresi ucu 2. Kaide 3. Kaide koruyucusu 4. Şablon 5. İş parçası 6. Şablon kılavuzu

**NOT:** İş parçası şablondan biraz farklı bir ölçüde kesilir. Şekil verme testeresi ucu ile şablon kılavuzun dışı arasında mesafe (X) bırakın. Bu mesafe (X) aşağıdaki denklem kullanılarak hesaplanabilir:

**Mesafe (X) = (şablon kılavuzunun dış çapı - Şekil verme testeresi ucunun çapı) / 2**

## Toz ağızlığı setleri

Toz çekme için toz ağızlığını kullanın.

### Kaide için

Toz ağızlığını, el vidasını kullanarak alet kaidesine takın.

► **Şek.53:** 1. Toz ağızlığı 2. El vidası 3. Kaide

### Daldırmalı kaide için

#### *Isteğe bağlı aksesuar*

1. Toz ağızlığını, el vidasını kullanarak, toz ağızlığı üzerindeki çıkıntı daldırmalı kaidedeki çentiğe oturacak şekilde daldırmalı kaideye takın.

► **Şek.54:** 1. Toz ağızlığı 2. El vidası 3. Daldırmalı kaide

2. Toz ağızlığına bir elektrikli süpürge bağlayın.

► **Şek.55**

## BAKIM

**⚠DİKKAT:** Muayene ya da bakım yapmadan önce aletin kapalı ve fişinin çekili olduğundan daima emin olun.

**ÖNEMLİ NOT:** Benzin, tiner, alkol ve benzeri maddeleri kesinlikle kullanmayın. Renk değişimi, deformasyon veya çatlaklar oluşabilir.

Aleti EMNİYETLİ ve ÇALIŞMAYA HAZIR durumda tutmak için onarımlar, başka her türlü bakım ve ayarlamalar daima Makita yedek parçaları kullanılarak Makita yetkili servis merkezleri veya Fabrikanın Servis Merkezleri tarafından yapılmalıdır.

## Karbon fırçaların değiştirilmesi

► **Şek.56:** 1. Sınır işareti

Karbon fırçaları düzenli olarak kontrol edin.

Sınır işaretine kadar yıprandıkları zaman değiştirin. Karbon fırçaların temiz ve yuvaları içinde serbestçe kayar durumda kalmalarını sağlayın. Her iki karbon fırça aynı zamanda değiştirilmelidir. Sadece birbirinin aynısı olan karbon fırçaları kullanın.

1. Fırça tutucu kapaklarını çıkarmak için bir tornavida kullanın.

2. Aşınmış karbon fırçalarını çıkarıp yenilerini takın ve fırça tutucu kapaklarını sabitleyin.

► **Şek.57:** 1. Fırça tutucu kapağı

## İSTEĞE BAĞLI AKSESUARLAR

**⚠DİKKAT:** Bu aksesuarlar ve ek parçalar bu el kitabında belirtilen Makita aletinin ile kullanılmak için tavsiye edilmektedir. Herhangi başka bir aksesuar ya da ek parça kullanılması insanlar için bir yaralanma riski getirebilir. Aksesuarları ya da ek parçaları yalnızca belirtilmiş olan kullanım amaçlarına uygun olarak kullanın.

Bu aksesuarlarla ilgili daha fazla bilgiye ihtiyaç duyar-sanız bulunduğunuz yerdeki yetkili Makita servisine başvurun.

- Düz kesim ve oluk açma uçları
- Kenar şekillendirme uçları
- Laminat şekil verme uçları
- Düz kılavuz aksamı
- Şekil verme kılavuzu aksamı
- Kaide aksamı (reçine)
- Yatırma kaidesi aksamı
- Daldırmalı kaide aksamı
- Kaydırma kaidesi aksamı
- Şablon kılavuzu
- Tutucu pens kovani
- Anahtar
- Toz ağızlığı
- Kılavuz ray
- Kılavuz ray adaptörü seti
- Mikro ayarlamalı düz kılavuz
- Yan kavrama kolu
- Sap bağlantı parçası

**NOT:** Listedeki parçaların bazıları alet paketi içerisinde standart aksesuar olarak dahil edilmiş olabilir. Bunlar ülkeden ülkeye farklılık gösterebilir.

## Şekil verme testeresi uçları

### Düz uç

#### ► Şek.58

D	A	L1	L2
6	20	50	15
1/4"			
8	8	60	25
6		50	18
1/4"			
6	6	50	18
1/4"			

Birim:mm

### U oyma ucu

#### ► Şek.59

D	A	L1	L2	R
6	6	60	28	3
1/4"				

Birim:mm

### V oyma ucu

#### ► Şek.60

D	A	L1	L2	θ
1/4"	20	50	15	90°

Birim:mm

### Matkap başlı havşa ucu

#### ► Şek.61

D	A	L1	L2	L3
8	8	60	20	35
6	6	60	18	28
1/4"				

Birim:mm

### Matkap başlı çifte havşa ucu

#### ► Şek.62

D	A	L1	L2	L3	L4
8	8	80	95	20	25
6	6	70	40	12	14
1/4"					

Birim:mm

### Köşe yuvarlama ucu

#### ► Şek.63

D	A1	A2	L1	L2	L3	R
6	25	9	48	13	5	8
1/4"						
6	20	8	45	10	4	4
1/4"						

Birim:mm

### Yiv açma ucu

#### ► Şek.64

D	A	L1	L2	L3	θ
6	23	46	11	6	30°
6	20	50	13	5	45°
6	20	49	14	2	60°

Birim:mm

### Çukur köşebent ucu

#### ► Şek.65

D	A	L1	L2	R
6	20	43	8	4
6	25	48	13	8

Birim:mm

### Rulmanlı havşa ucu

#### ► Şek.66

D	A	L1	L2
6	10	50	20
1/4"			

Birim:mm

### Rulmanlı köşe yuvarlama ucu

#### ► Şek.67

D	A1	A2	L1	L2	L3	R
6	15	8	37	7	3,5	3
6	21	8	40	10	3,5	6
1/4"	21	8	40	10	3,5	6

Birim:mm

### Rulmanlı yiv açma ucu

#### ► Şek.68

D	A1	A2	L1	L2	θ
6	26	8	42	12	45°
1/4"					
6	20	8	41	11	60°

Birim:mm

### Rulmanlı köşebent ucu

#### ► Şek.69

D	A1	A2	A3	L1	L2	L3	R
6	20	12	8	40	10	5,5	4
6	26	12	8	42	12	4,5	7

Birim:mm

### Rulmanlı romen deveboynu uç

#### ► Şek.71

D	A1	A2	L1	L2	L3	R1	R2
6	20	8	40	10	4,5	2,5	4,5
6	26	8	42	12	4,5	3	6

Birim:mm

### Rulmanlı çukur köşebent ucu

#### ► Şek.70

D	A1	A2	A3	A4	L1	L2	L3	R
6	20	18	12	8	40	10	5,5	3
6	26	22	12	8	42	12	5	5

Birim:mm

# Makita Europe N.V.

Jan-Baptist Vinkstraat 2, 3070 Kortenberg, Belgium

# Makita Corporation

3-11-8, Sumiyoshi-cho, Anjo, Aichi 446-8502 Japan

[www.makita.com](http://www.makita.com)



885908A994  
EN, FR, DE, IT, NL,  
ES, PT, DA, EL, TR  
20210610