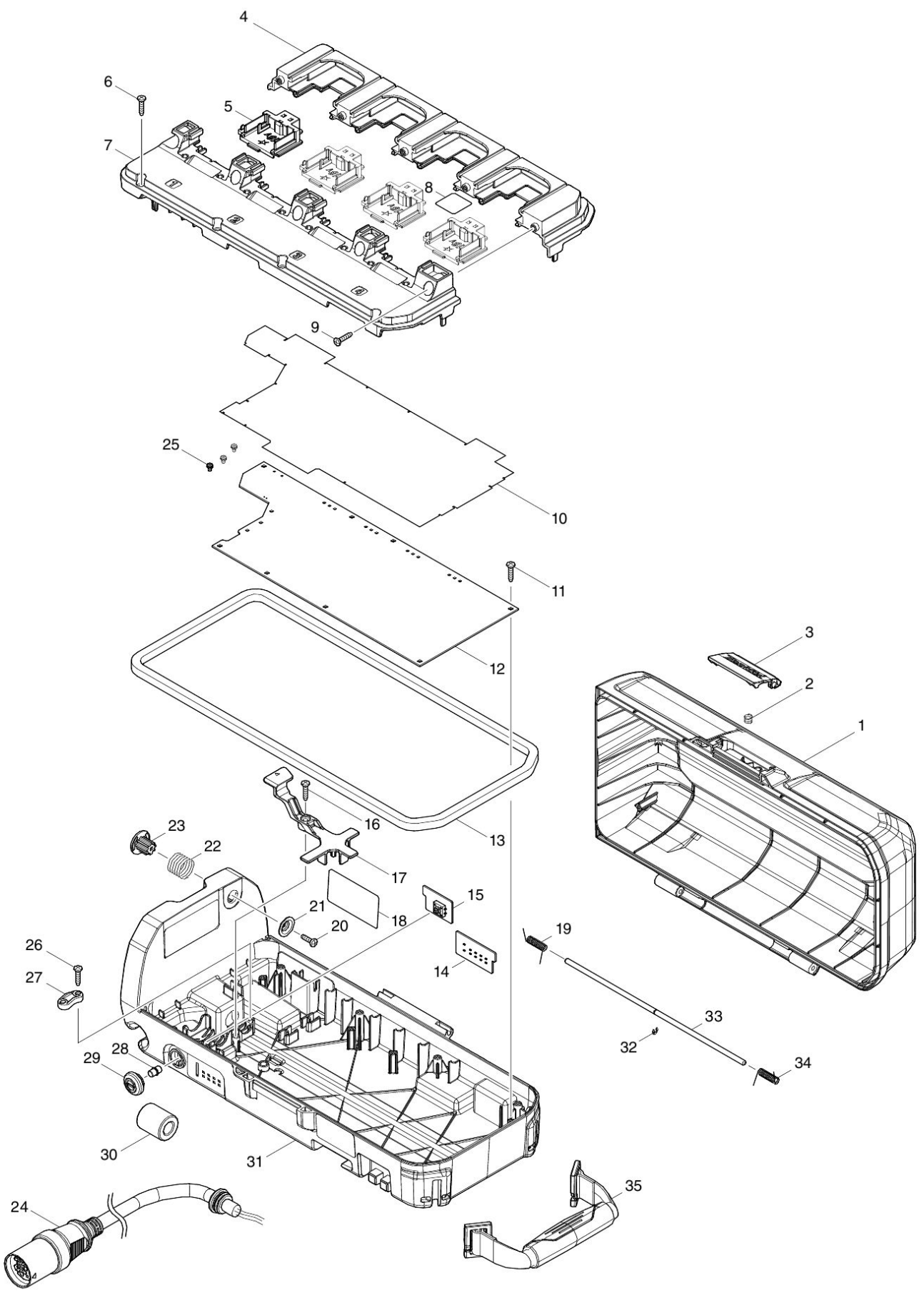


# Partdrawing for PDC01X1 - PDC01



2019/06  
PDC01