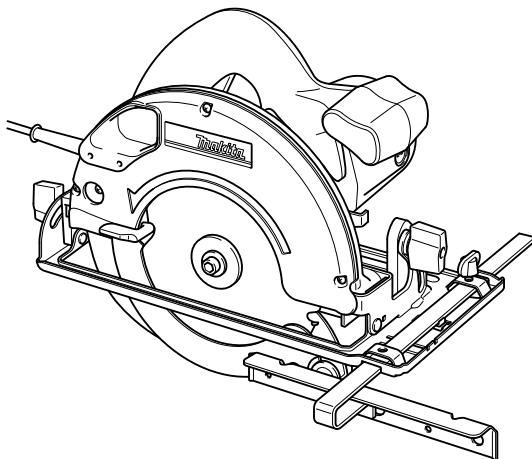
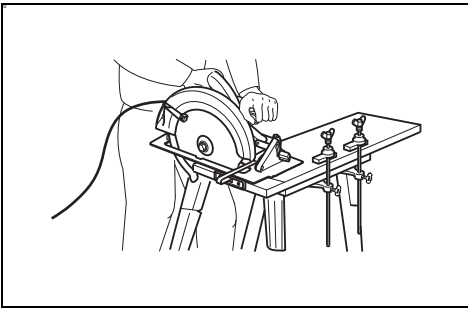




GB	Circular Saw	Instruction Manual
F	Scie circulaire	Manuel d'instructions
D	Handkreissäge	Betriebsanleitung
I	Sega circolare	Istruzioni per l'uso
NL	Cirkelzaagmachine	Gebruiksaanwijzing
E	Sierra circular	Manual de instrucciones
P	Serra circular	Manual de instruções
DK	Rundsav	Brugsanvisning
GR	Δισκοπρίονο	Οδηγίες χρήσεως

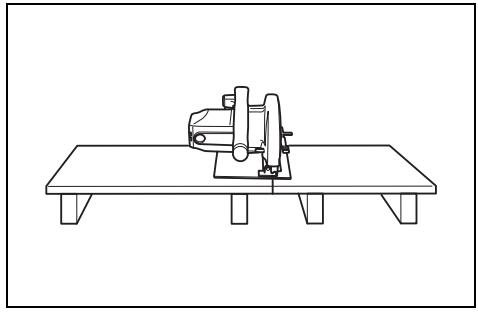
5705R
5903R
5103R
5143R





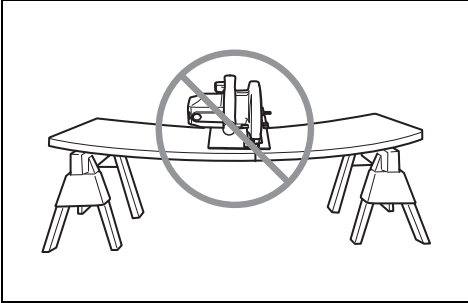
1

000157



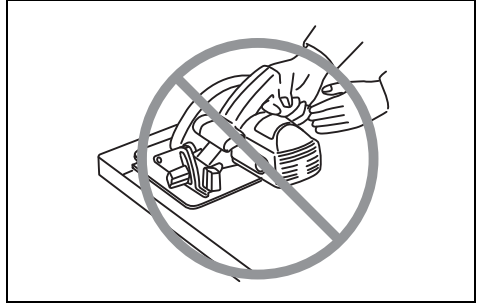
2

000154



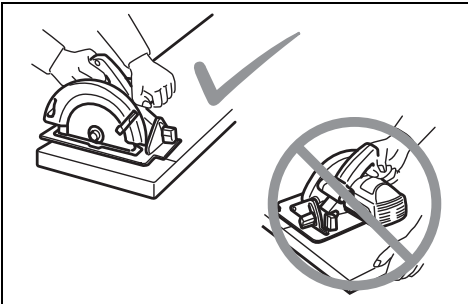
3

000156



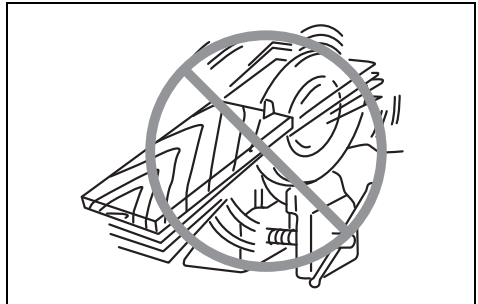
4

000194



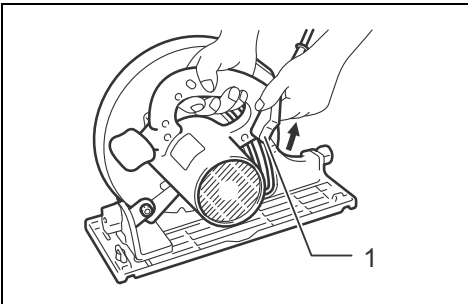
5

000147



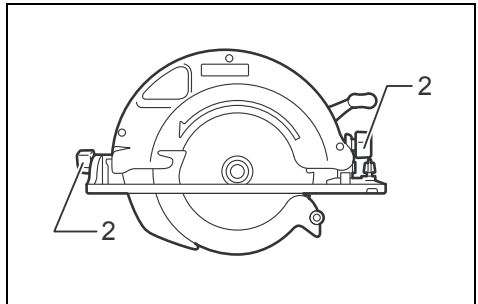
6

000029



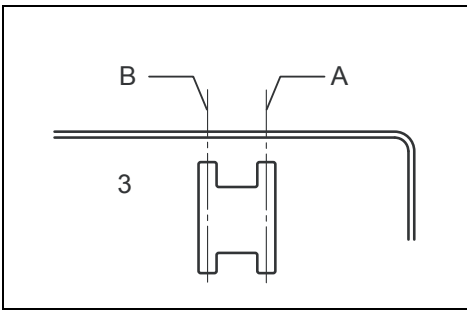
7

005392

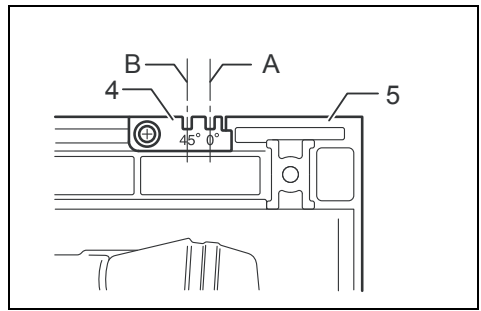


8

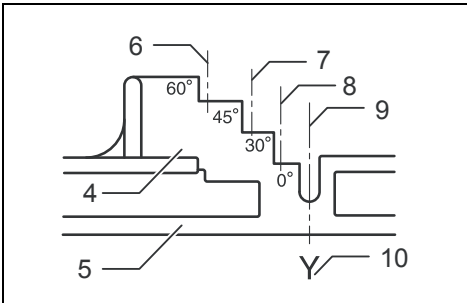
005393



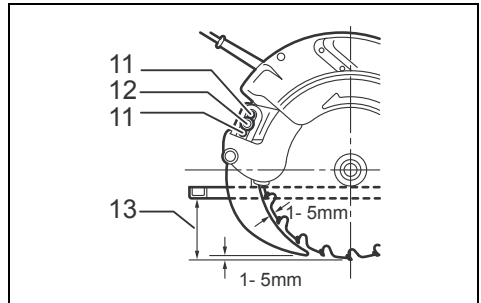
9 005394



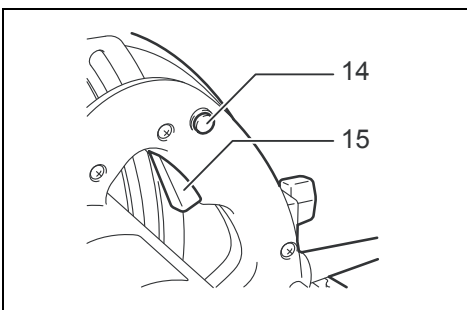
10 005449



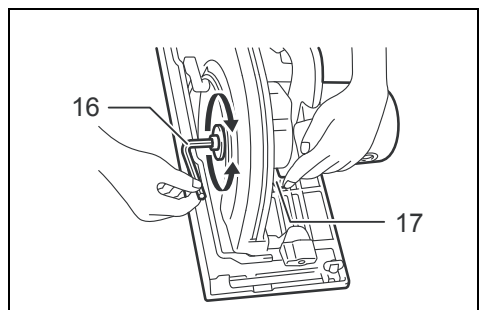
11 005396



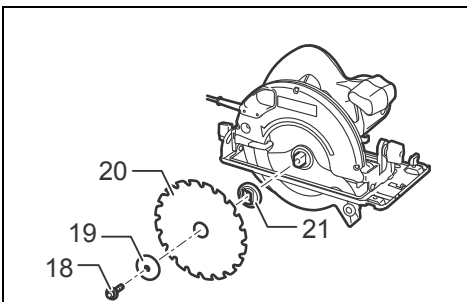
12 005397



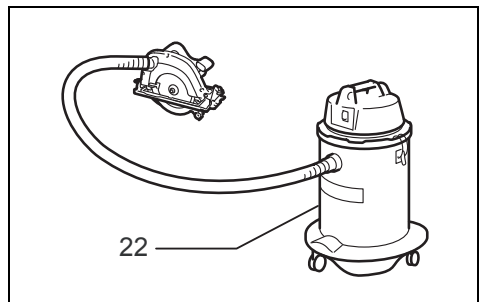
13 005398



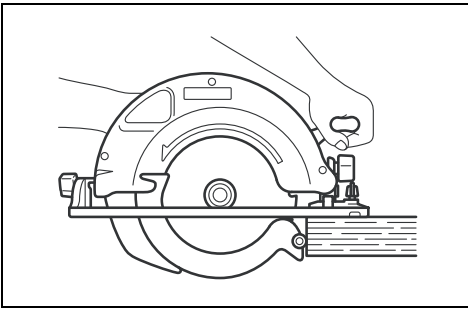
14 005399



15 005400

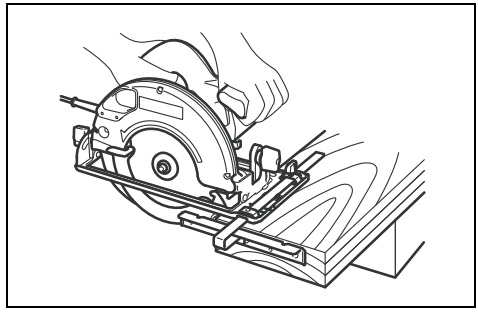


16 005414



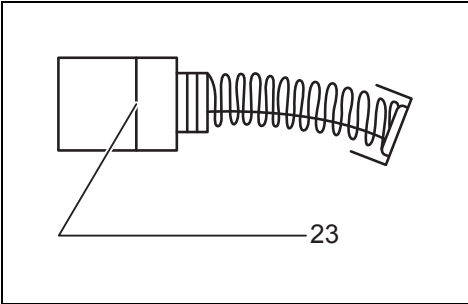
17

005401



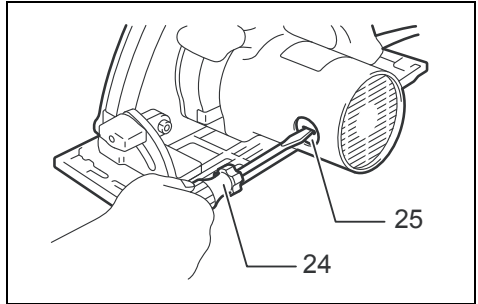
18

005402



19

001145



20

005403

Explanation of general view

1 Lever	10 Blade	18 Hex socket head bolt
2 Clamping screw	11 Setting protuberances	19 Outer flange
3 Base plate	12 Hex socket head bolt	20 Saw blade
4 Top guide	(For adjusting riving knife)	21 Inner flange
5 Base	13 Cutting depth	22 Vacuum cleaner
6 60° angle cuts	14 Lock-off button	23 Limit mark
7 45° angle cuts	15 Switch trigger	24 Screwdriver
8 30° angle cuts	16 Hex wrench	25 Brush holder cap
9 Straight cuts	17 Shaft lock	

SPECIFICATIONS

Model		5705R	5903R	5103R	5143R
Blade diameter		190 mm	235 mm	270 mm	355 mm
Max. cutting depth	at 90°	66 mm	85 mm	100 mm	130 mm
	at 45°	46 mm	64 mm	73 mm	90 mm
No load speed (min ⁻¹)		4,800	4,500	3,800	2,700
Overall length		356 mm	400 mm	442 mm	607 mm
Net weight		5.4 kg	7.2 kg	9.3 kg	12.5 kg
Safety class		□ /II	□ /II	□ /II	□ /II

- Due to our continuing program of research and development, the specifications herein are subject to change without notice.
- Specifications may differ from country to country.
- Weight according to EPTA-Procedure 01/2014

GEA010-2

Intended use

The tool is intended for performing lengthways and crossways straight cuts and miter cuts with angles in wood while in firm contact with the workpiece. With appropriate Makita genuine saw blades, other materials can also be sawed.

ENE078-2

Power supply

The tool should be connected only to a power supply of the same voltage as indicated on the nameplate, and can only be operated on single-phase AC supply. They are double-insulated and can, therefore, also be used from sockets without earth wire.

ENF002-2

For model 5705R

ENF100-1

For public low-voltage distribution systems of between 220 V and 250 V

Switching operations of electric apparatus cause voltage fluctuations. The operation of this device under unfavorable mains conditions can have adverse effects to the operation of other equipment. With a mains impedance equal or less than 0.37 Ohms it can be presumed that there will be no negative effects. The mains socket used for this device must be protected with a fuse or protective circuit breaker having slow tripping characteristics.

GEB143-1

General power tool safety warnings

⚠ WARNING Read all safety warnings, instructions, illustrations and specifications provided with this power tool. Failure to follow all instructions listed below may result in electric shock, fire and/or serious injury.

Save all warnings and instructions for future reference.

The term "power tool" in the warnings refers to your mains-operated (corded) power tool or battery-operated (cordless) power tool.

CIRCULAR SAW SAFETY WARNINGS

Cutting procedures

1. **⚠ DANGER: Keep hands away from cutting area and the blade. Keep your second hand on auxiliary handle, or motor housing.** If both hands are holding the saw, they cannot be cut by the blade.
2. **Do not reach underneath the workpiece.** The guard cannot protect you from the blade below the workpiece.
3. **Adjust the cutting depth to the thickness of the workpiece.** Less than a full tooth of the blade teeth should be visible below the workpiece.
4. **Never hold the workpiece in your hands or across your leg while cutting. Secure the workpiece to a stable platform.** It is important to support the work properly to minimise body exposure, blade binding, or loss of control. **(Fig. 1)**

5. **Hold the power tool by insulated gripping surfaces, when performing an operation where the cutting tool may contact hidden wiring or its own cord.** Contact with a “live” wire will also make exposed metal parts of the power tool “live” and could give the operator an electric shock.
6. **When ripping, always use a rip fence or straight edge guide.** This improves the accuracy of cut and reduces the chance of blade binding.
7. **Always use blades with correct size and shape (diamond versus round) of arbour holes.** Blades that do not match the mounting hardware of the saw will run off-centre, causing loss of control.
8. **Never use damaged or incorrect blade washers or bolt.** The blade washers and bolt were specially designed for your saw, for optimum performance and safety of operation.
8. **ALWAYS hold the tool firmly with both hands. NEVER place your hand, leg or any part of your body under the tool base or behind the saw, especially when making cross-cuts.** If kickback occurs, the saw could easily jump backwards over your hand, leading to serious personal injury. (Fig. 4)
9. **Never force the saw. Push the saw forward at a speed so that the blade cuts without slowing.** Forcing the saw can cause uneven cuts, loss of accuracy, and possible kickback.

Lower guard function

Kickback causes and related warnings

- kickback is a sudden reaction to a pinched, jammed or misaligned saw blade, causing an uncontrolled saw to lift up and out of the workpiece toward the operator;
- when the blade is pinched or jammed tightly by the kerf closing down, the blade stalls and the motor reaction drives the unit rapidly back toward the operator;
- if the blade becomes twisted or misaligned in the cut, the teeth at the back edge of the blade can dig into the top surface of the wood causing the blade to climb out of the kerf and jump back toward the operator.

Kickback is the result of saw misuse and/or incorrect operating procedures or conditions and can be avoided by taking proper precautions as given below.

1. **Maintain a firm grip with both hands on the saw and position your arms to resist kickback forces. Position your body to either side of the blade, but not in line with the blade.** Kickback could cause the saw to jump backwards, but kickback forces can be controlled by the operator, if proper precautions are taken.
2. **When blade is binding, or when interrupting a cut for any reason, release the trigger and hold the saw motionless in the material until the blade comes to a complete stop. Never attempt to remove the saw from the work or pull the saw backward while the blade is in motion or kickback may occur.** Investigate and take corrective actions to eliminate the cause of blade binding.
3. **When restarting a saw in the workpiece, centre the saw blade in the kerf so that the saw teeth are not engaged into the material.** If a saw blade binds, it may walk up or kickback from the workpiece as the saw is restarted.
4. **Support large panels to minimise the risk of blade pinching and kickback.** Large panels tend to sag under their own weight. Supports must be placed under the panel on both sides, near the line of cut and near the edge of the panel. (Fig. 2 & 3)
5. **Do not use dull or damaged blades.** Unsharpened or improperly set blades produce narrow kerf causing excessive friction, blade binding and kickback.
6. **Blade depth and bevel adjusting locking levers must be tight and secure before making the cut.** If blade adjustment shifts while cutting, it may cause binding and kickback.
7. **Use extra caution when sawing into existing walls or other blind areas.** The protruding blade may cut objects that can cause kickback.

1. **Check the lower guard for proper closing before each use. Do not operate the saw if the lower guard does not move freely and close instantly. Never clamp or tie the lower guard into the open position.** If the saw is accidentally dropped, the lower guard may be bent. Raise the lower guard with the retracting handle and make sure it moves freely and does not touch the blade or any other part, in all angles and depths of cut.
2. **Check the operation of the lower guard spring. If the guard and the spring are not operating properly, they must be serviced before use.** Lower guard may operate sluggishly due to damaged parts, gummy deposits, or a build-up of debris.
3. **The lower guard may be retracted manually only for special cuts such as “plunge cuts” and “compound cuts”.** Raise the lower guard by the retracting handle and as soon as the blade enters the material, the lower guard must be released. For all other sawing, the lower guard should operate automatically.
4. **Always observe that the lower guard is covering the blade before placing the saw down on bench or floor.** An unprotected, coasting blade will cause the saw to walk backwards, cutting whatever is in its path. Be aware of the time it takes for the blade to stop after switch is released.
5. **To check lower guard, open lower guard by hand, then release and watch guard closure. Also check to see that retracting handle does not touch tool housing.** Leaving blade exposed is VERY DANGEROUS and can lead to serious personal injury.

Riving knife function

1. **Use the appropriate saw blade for the riving knife.** For the riving knife to function, the body of the blade must be thinner than the riving knife and the cutting width of the blade must be wider than the thickness of the riving knife.
2. **Adjust the riving knife as described in this instruction manual.** Incorrect spacing, positioning and alignment can make the riving knife ineffective in preventing kickback.
3. **Always use the riving knife except when plunge cutting.** The riving knife must be replaced after plunge cutting. The riving knife causes interference during plunge cutting and can create kickback.
4. **For the riving knife to work, it must be engaged in the workpiece.** The riving knife is ineffective in preventing kickback during short cuts.
5. **Do not operate the saw if the riving knife is bent.** Even a light interference can slow the closing rate of a guard.

Additional safety warnings

1. **Use extra caution when cutting damp wood, pressure treated lumber, or wood containing knots.** Maintain smooth advancement of tool without decrease in blade speed to avoid overheating the blade tips.
2. **Do not attempt to remove cut material when blade is moving. Wait until blade stops before grasping cut material.** Blades coast after turn off.
3. **Avoid cutting nails. Inspect for and remove all nails from lumber before cutting.**
4. **Place the wider portion of the saw base on that part of the workpiece which is solidly supported, not on the section that will fall off when the cut is made. If the workpiece is short or small, clamp it down. DO NOT TRY TO HOLD SHORT PIECES BY HAND!** (Fig. 5)
5. **Before setting the tool down after completing a cut, be sure that the guard has closed and the blade has come to a complete stop.**
6. **Never attempt to saw with the circular saw held upside down in a vise. This is extremely dangerous and can lead to serious accidents.** (Fig. 6)
7. **Some material contains chemicals which may be toxic. Take caution to prevent dust inhalation and skin contact. Follow material supplier safety data.**
8. **Do not stop the blades by lateral pressure on the saw blade.**
9. **Do not use any abrasive wheels.**
10. **Only use the saw blade with the diameter that is marked on the tool or specified in the manual.** Use of an incorrectly sized blade may affect the proper guarding of the blade or guard operation which could result in serious personal injury.
11. **Keep blade sharp and clean.** Gum and wood pitch hardened on blades slows saw and increases potential for kickback. Keep blade clean by first removing it from tool, then cleaning it with gum and pitch remover, hot water or kerosene. Never use gasoline.
12. **Wear a dust mask and hearing protection when use the tool.**
13. **Always use the saw blade intended for cutting the material that you are going to cut.**
14. **Only use the saw blades that are marked with a speed equal or higher than the speed marked on the tool.**
15. **(For European countries only)**
Always use the blade which conforms to EN847-1.

SAVE THESE INSTRUCTIONS.

WARNING:

DO NOT let comfort or familiarity with product (gained from repeated use) replace strict adherence to safety rules for the subject product. **MISUSE** or failure to follow the safety rules stated in this instruction manual may cause serious personal injury.

FUNCTIONAL DESCRIPTION

CAUTION:

- Always be sure that the tool is switched off and unplugged before adjusting or checking function on the tool.

Adjusting depth of cut (Fig. 7)

CAUTION:

- After adjusting the depth of cut, always tighten the lever securely.

Loosen the lever on the depth guide and move the base up or down. At the desired depth of cut, secure the base by tightening the lever.

For cleaner, safer cuts, set cut depth so that no more than one blade tooth projects below workpiece. Using proper cut depth helps to reduce potential for dangerous KICKBACKS which can cause personal injury.

Bevel cutting (Fig. 8)

For model 5705R, 5903R, 5103R

Loosen the clamping screws in front and back, and tilt the tool to the desired angle for bevel cuts (0° – 45°). Secure the clamping screws tightly in front and back after making the adjustment.

For model 5143R

Loosen the clamping screw in front and tilt the tool to the desired angle for bevel cuts (0° – 60°). Secure the clamping screw tightly in front after making the adjustment.

Sighting

For 5705R (Fig. 9)

For 5903R, 5103R (Fig. 10)

For straight cuts, align the A position on the front of the base with your cutting line. For 45° bevel cuts, align the B position with it.

For 5143R (Fig. 11)

Align your sight line with either the 0° notch for straight cutting or the 30° notch for 30° angle cuts or the 45° notch for 45° angle cuts or the 60° notch for 60° angle cuts.

Riving knife adjustment (Fig. 12)

Use the hex wrench to loosen the hex socket head bolt for the riving knife adjustment, then raise the lower blade guard. Move the riving knife up or down over the two protruberances for settings indicated in the figure, so as to obtain the proper clearance between the riving knife and saw blade.

CAUTION:

- Ensure that the riving knife is adjusted such that:
The distance between the riving knife and the toothed rim of the saw blade is not more than 5 mm. The toothed rim does not extend more than 5 mm beyond the lower edge of the riving knife.

Switch action (Fig. 13)

CAUTION:

- Before plugging in the tool, always check to see that the switch trigger actuates properly and returns to the "OFF" position when released.

To prevent the switch trigger from being accidentally pulled, a lock-off button is provided. To start the tool, push in the lock-off button and pull the switch trigger. Release the switch trigger to stop.

ASSEMBLY

CAUTION:

- Always be sure that the tool is switched off and unplugged before carrying out any work on the tool.

Removing or installing saw blade (Fig. 14 & 15)

The following blade can be used with this tool.

Model	Max. dia.	Min. dia.	Blade thickness	Kerf
5705R	190 mm	170 mm	1.6 mm or less	1.9 mm or more
5903R	235 mm	210 mm	1.7 mm or less	2.1 mm or more
5103R	270 mm	260 mm	1.8 mm or less	2.2 mm or more
5143R	355 mm	350 mm	2.3 mm or less	2.7 mm or more

006481

The thickness of the riving knife is 1.8 mm for Model 5705R, 2.0 mm for Models 5903R and 5103R, and 2.5 mm for Model 5143R.

CAUTION:

- Do not use saw blades which do not comply with the characteristics specified in these instructions.
- Do not use saw blades the disc of which is thicker or the set of which is smaller than the thickness of the riving knife.

CAUTION:

- Be sure the blade is installed with teeth pointing up at the front of the tool.
- Use only the Makita wrench to install or remove the blade.
- Never depress the shaft lock while the saw is running.

To remove the blade, press the shaft lock fully so that the blade cannot revolve and use the hex wrench to loosen the hex bolt counterclockwise. Then remove the hex bolt, outer flange and blade.

To install the blade, follow the removal procedure in reverse. **BE SURE TO TIGHTEN THE HEX BOLT CLOCKWISE SECURELY.**

When changing blade, make sure to also clean upper and lower blade guards of accumulated sawdust. Such efforts do not, however, replace the need to check lower guard operation before each use.

Connecting a vacuum cleaner (Fig. 16)

When you wish to perform clean cutting operation, connect a Makita vacuum cleaner to your tool. Install the joint on the tool using the screws. Then connect a hose of the vacuum cleaner to the joint as shown in the figure.

OPERATION

CAUTION:

- Be sure to move the tool forward in a straight line gently. Forcing or twisting the tool will result in overheating the motor and dangerous kickback, possibly causing severe injury.

Hold the tool firmly. The tool is provided with both a front grip and rear handle. Use both to best grasp the tool. If both hands are holding saw, they cannot be cut by the blade. Set the base on the workpiece to be cut without the blade making any contact. Then turn the tool on and wait until the blade attains full speed. Now simply move the tool forward over the workpiece surface, keeping it flat and advancing smoothly until the sawing is completed.

To get clean cuts, keep your sawing line straight and your speed of advance uniform. If the cut fails to properly follow your intended cut line, do not attempt to turn or force the tool back to the cut line. Doing so may bind the blade and lead to dangerous kickback and possible serious injury. Release switch, wait for blade to stop and then withdraw tool. Realign tool on a new cut line, and start cut again. Attempt to avoid positioning which exposes operator to chips and wood dust being ejected from saw. Use eye protection to help avoid injury. (Fig. 17)

CAUTION:

- The riving knife should always be used except when plunging in the middle of the workpiece.

Rip fence (Guide rule) (Fig. 18)

The handy rip fence allows you to do extra-accurate straight cuts. Simply slide the rip fence up snugly against the side of the workpiece and secure it in position with the screw on the front of the base. It also makes repeated cuts of uniform width possible.

MAINTENANCE

CAUTION:

- Always be sure that the tool is switched off and unplugged before attempting to perform inspection or maintenance.
- Never use gasoline, benzene, thinner, alcohol or the like. Discoloration, deformation or cracks may result.

Replacing carbon brushes (Fig. 19 & 20)

Remove and check the carbon brushes regularly. Replace when they wear down to the limit mark. Keep the carbon brushes clean and free to slip in the holders. Both carbon brushes should be replaced at the same time. Use only identical carbon brushes.

Use a screwdriver to remove the brush holder caps. Take out the worn carbon brushes, insert the new ones and secure the brush holder caps.

To maintain product SAFETY and RELIABILITY, repairs, any other maintenance or adjustment should be performed by Makita Authorized Service Centers, always using Makita replacement parts.

OPTIONAL ACCESSORIES

CAUTION:

- These accessories or attachments are recommended for use with your Makita tool specified in this manual. The use of any other accessories or attachments might present a risk of injury to persons. Only use accessory or attachment for its stated purpose.

If you need any assistance for more details regarding these accessories, ask your local Makita Service Center.

- Saw blades
- Rip fence (Guide rule)
- Hex wrench
- Joint

NOTE:

- Some items in the list may be included in the tool package as standard accessories. They may differ from country to country.

ENG905-1

Noise

The typical A-weighted noise level determined according to EN62841-2-5:

Model 5103R

Sound pressure level (L_{pA}): 100 dB (A)

Sound power level (L_{WA}): 108 dB (A)

Uncertainty (K): 3 dB (A)

Model 5143R

Sound pressure level (L_{pA}): 97 dB (A)

Sound power level (L_{WA}): 105 dB (A)

Uncertainty (K): 3 dB (A)

Model 5903R

Sound pressure level (L_{pA}): 98 dB (A)

Sound power level (L_{WA}): 106 dB (A)

Uncertainty (K): 3 dB (A)

ENG907-1

NOTE:

- The declared noise emission value(s) has been measured in accordance with a standard test method and may be used for comparing one tool with another.
- The declared noise emission value(s) may also be used in a preliminary assessment of exposure.

⚠ WARNING:

- **Wear ear protection.**
- **The noise emission during actual use of the power tool can differ from the declared value(s) depending on the ways in which the tool is used especially what kind of workpiece is processed.**
- **Be sure to identify safety measures to protect the operator that are based on an estimation of exposure in the actual conditions of use (taking account of all parts of the operating cycle such as the times when the tool is switched off and when it is running idle in addition to the trigger time).**

ENG900-1

Vibration

The vibration total value (tri-axial vector sum) determined according to EN62841-2-5:

Model 5103R, 5143R

Work mode: cutting wood

Vibration emission ($a_{h, W}$): 2.5 m/s² or less

Uncertainty (K): 1.5 m/s²

Work mode: cutting metal

Vibration emission ($a_{h, M}$): 2.5 m/s² or less

Uncertainty (K): 1.5 m/s²

Model 5903R

Work mode: cutting wood

Vibration emission ($a_{h, W}$): 3.0 m/s²

Uncertainty (K): 1.5 m/s²

Work mode: cutting metal

Vibration emission ($a_{h, M}$): 4.0 m/s²

Uncertainty (K): 1.5 m/s²

NOTE:

- The declared vibration total value(s) has been measured in accordance with a standard test method and may be used for comparing one tool with another.
- The declared vibration total value(s) may also be used in a preliminary assessment of exposure.

⚠ WARNING:

- **The vibration emission during actual use of the power tool can differ from the declared value(s) depending on the ways in which the tool is used especially what kind of workpiece is processed.**
- **Be sure to identify safety measures to protect the operator that are based on an estimation of exposure in the actual conditions of use (taking account of all parts of the operating cycle such as the times when the tool is switched off and when it is running idle in addition to the trigger time).**

DECLARATIONS OF CONFORMITY**For European countries only**

The Declarations of conformity are included in Annex A to this instruction manual.

Descriptif

1 Levier	10 Lame	18 Boulon à tête hexagonale
2 Vis de serrage	11 Saillies de réglage	19 Flasque extérieure
3 Plaque de base	12 Boulon à tête hexagonale (pour le réglage du couteau diviseur)	20 Lame de scie
4 Guidage supérieur	13 Profondeur de coupe	21 Flasque intérieure
5 Base	14 Bouton de sécurité	22 Aspirateur
6 Coupes à angle de 60°	15 Gâchette	23 Trait de limite d'usure
7 Coupes à angle de 45°	16 Clé hexagonale	24 Tournevis
8 Coupes à angle de 30°	17 Blocage de l'arbre	25 Bouchon du porte-charbon
9 Coupes droites		

SPÉCIFICATIONS

Modèle		5705R	5903R	5103R	5143R
Diamètre de lame		190 mm	235 mm	270 mm	355 mm
Profondeur maximum de coupe	a 90°	66 mm	85 mm	100 mm	130 mm
	a 45°	46 mm	64 mm	73 mm	90 mm
Vitesse à vide (min ⁻¹)		4 800	4 500	3 800	2 700
Longueur totale		356 mm	400 mm	442 mm	607 mm
Poids net		5,4 kg	7,2 kg	9,3 kg	12,5 kg
Catégorie de sécurité		☐ /II	☐ /II	☐ /II	☐ /II

- Étant donné l'évolution constante de notre programme de recherche et de développement, les spécifications contenues dans ce manuel sont sujettes à modification sans préavis.
- Les spécifications peuvent varier suivant les pays.
- Poids selon la procédure EPTA 01/2014

EN0678-2

Utilisations

L'outil est conçu pour effectuer des coupes rectilignes en longueur ou en biais, ainsi que pour des coupes d'onglet avec angle dans le bois tout en restant fermement en contact avec la pièce à travailler. Avec d'authentiques lames de scie Makita appropriées, il est aussi possible de scier d'autres matériaux.

ENF002-2

Alimentation

L'outil ne devra être raccordé qu'à une alimentation de la même tension que celle qui figure sur la plaque signalétique, et il ne pourra fonctionner que sur un courant secteur monophasé. Réalisé avec une double isolation, il peut de ce fait être branché sur une prise sans mise à la terre.

Pour le modèle 5705R

ENF100-1

Pour les systèmes de distribution publics à basse tension, entre 220 V et 250 V

La mise sous tension et hors tension des appareils électriques entraîne des fluctuations de tension. L'utilisation de cet appareil dans des conditions d'alimentation électrique inadéquates peut avoir des effets néfastes sur le fonctionnement des autres équipements. Il ne devrait toutefois pas y avoir d'effets négatifs si l'impédance de l'alimentation est égale ou inférieure à 0,37 Ohms. La prise de courant utilisée pour cet appareil doit être protégée par un fusible ou un disjoncteur de protection à déclenchement lent.

GEA010-2

Consignes de sécurité générales pour outils électriques

⚠ AVERTISSEMENT : Veuillez lire les consignes de sécurité, instructions, illustrations et spécifications qui accompagnent cet outil électrique. Le non-respect de toutes les instructions indiquées ci-dessous peut entraîner une électrocution, un incendie et/ou de graves blessures.

Conservez toutes les mises en garde et instructions pour référence ultérieure.

Le terme « outil électrique » dans les avertissements fait référence à l'outil électrique alimenté par le secteur (avec cordon d'alimentation) ou à l'outil électrique fonctionnant sur batterie (sans cordon d'alimentation).

GEB143-1

CONSIGNES DE SÉCURITÉ POUR SCIE CIRCULAIRE

Procédures de coupe

1. **⚠ DANGER : Gardez vos mains à l'écart de la zone de coupe et de la lame. Laissez votre deuxième main sur la poignée auxiliaire ou le carter du moteur.** La lame ne risquera pas de vous couper les mains si vous les utilisez toutes les deux pour tenir la scie.
2. **Ne placez aucune partie de votre corps sous la pièce à travailler.** Le carter de protection ne peut pas protéger l'utilisateur de la lame sous la pièce.
3. **Réglez la profondeur de coupe suivant l'épaisseur de la pièce à travailler.** La partie de la lame visible sous la pièce à travailler doit être moindre qu'une dent de lame complète.

4. **Ne tenez jamais la pièce avec les mains ou contre la jambe pendant la coupe. Fixez la pièce sur une plate-forme stable.** Il est important que la pièce soit soutenue convenablement, afin de minimiser l'exposition du corps, le grippage de la lame ou la perte de contrôle. (Fig. 1)
5. **Tenez l'outil électrique par une surface de prise isolée, lorsque vous effectuez une tâche où l'outil de coupe pourrait toucher un câblage caché ou son propre cordon d'alimentation.** Le contact avec un fil « sous tension » mettra également « sous tension » les parties métalliques exposées de l'outil électrique, pouvant ainsi causer un choc électrique chez l'utilisateur.
6. **Lors du sciage en long, utilisez toujours un guide longitudinal ou un guide de chant.** La coupe sera plus précise et cela réduira les risques de pincement de la lame.
7. **Utilisez toujours des lames dont l'orifice central est de taille et de forme (diamantée ou circulaire) appropriée.** Les lames qui ne correspondent pas aux éléments de montage de la scie fonctionneront de manière décentrée, provoquant une perte de contrôle.
8. **N'utilisez jamais de rondelles ou boulons de la lame endommagés ou inadéquats.** Les rondelles et le boulon de la lame ont été conçus exclusivement pour votre scie, afin d'assurer une performance optimale et une utilisation sûre.
3. **Avant de redémarrer la scie dans la pièce, centrez la lame de scie dans le trait de scie de sorte que les dents ne pénètrent pas dans le matériau.** Si une lame de scie coince, elle risque de remonter ou de reculer brutalement au moment du redémarrage de la scie.
4. **Placez un dispositif de soutien sous les grands panneaux pour réduire les risques de pincement de la lame et de choc en retour.** Les panneaux de grande dimension ont tendance à s'affaisser sous leur propre poids. Des supports doivent être installés sous le panneau, des deux côtés, près de la ligne de coupe et près du bord du panneau. (Fig. 2 et 3)
5. **N'utilisez pas des lames émoussées ou endommagées.** Les lames mal affûtées ou mal posées produisent un trait de scie étroit, entraînant une friction excessive, le pincement de la lame et un choc en retour.
6. **Les leviers de verrouillage de la profondeur de coupe et du réglage de coupe en biseau doivent être serrés de manière ferme et sûre avant de procéder à la coupe.** Il y a un risque de pincement et de choc en retour si les réglages de la lame changent pendant la coupe.
7. **Soyez tout particulièrement prudent lorsque vous sciez dans un mur ou autre surface derrière laquelle peuvent se trouver des objets non visibles.** La lame peut causer un choc en retour en entrant en contact avec ces objets.

Causes des chocs en retour et avertissements concernant ces derniers

- le choc en retour est une réaction soudaine de l'outil lorsque la lame de scie est coincée, pincée ou désalignée, et la scie, hors de contrôle, se soulève alors et quitte la pièce en se dirigeant vers l'utilisateur ;
- lorsque la lame se coince ou est pincée fermement par le trait de scie qui se referme sur elle, la lame se bloque et la réaction du moteur entraîne la projection de l'outil à grande vitesse vers l'utilisateur ;
- si la lame se tord ou se désaligne par rapport à la ligne de coupe, les dents arrière risquent de s'enfoncer dans la surface du bois et la lame de quitter le trait de scie en reculant brusquement vers l'utilisateur.

Le choc en retour est le résultat d'une mauvaise utilisation de la scie et/ou de procédures ou conditions d'utilisation incorrectes. On peut l'éviter en prenant des précautions adéquates, comme indiqué ci-dessous :

1. **Maintenez une poigne ferme à deux mains sur la scie, et placez vos bras de sorte qu'ils puissent résister à la force du choc en retour. Placez-vous d'un côté ou de l'autre de la lame, jamais dans sa ligne de coupe.** Le choc en retour peut faire bondir la scie vers l'arrière, mais la force du choc en retour peut être maîtrisée par l'utilisateur en prenant les précautions adéquates.
2. **Si la lame se pince ou si vous interrompez la coupe pour une raison quelconque, libérez la gâchette et maintenez la scie immobile dans le matériau jusqu'à l'arrêt complet de la lame. N'essayez jamais de retirer la scie de la pièce ou de la faire reculer alors que la lame tourne encore, sous peine de provoquer un choc en retour.** Identifiez la cause du pincement de la lame et prenez les mesures correctives pour y remédier.

Fonctionnement du carter de protection

1. **Avant chaque utilisation, assurez-vous que le carter de protection inférieur ferme bien. N'utilisez pas la scie si le carter de protection inférieur ne se déplace pas librement et ne se referme pas immédiatement.** Évitez d'immobiliser ou fixer le carter de protection inférieur en position ouverte. Si la scie tombe accidentellement, le carter de protection inférieur peut se tordre. Soulevez le carter de protection inférieur à l'aide de la poignée rétractable et assurez-vous qu'il se déplace librement sans entrer en contact avec la lame ou toute autre partie de la scie, et ce quel que soit l'angle ou la profondeur de coupe.
2. **Vérifiez le fonctionnement du ressort du carter de protection inférieur.** Le carter de protection et le ressort doivent être réparés avant l'utilisation s'ils ne fonctionnent pas correctement. Le fonctionnement du carter de protection inférieur peut être ralenti par des pièces endommagées, des dépôts gluants ou l'accumulation de débris.

3. **Le carter de protection inférieur ne doit être rétracté manuellement que lors des coupes spéciales, comme les « coupes en plongée » et les « coupes mixtes ».** Soulevez le carter de protection inférieur à l'aide de la poignée rétractable et libérez-le dès que la lame entre en contact avec le matériau. Pour tout autre type de coupe, il faut laisser le carter de protection inférieur fonctionner automatiquement.
4. **Assurez-vous toujours que le carter de protection inférieur recouvre la lame avant de poser la scie sur l'établi ou le plancher.** Une lame non protégée et continuant à fonctionner par inertie entraînera la scie en arrière coupant tout ce qui se trouve sur sa trajectoire. N'oubliez pas qu'il faut un certain temps avant que la lame ne s'arrête une fois la gâchette libérée.
5. **Pour vérifier que le carter de protection inférieur se referme bien, ouvrez-le manuellement et relâchez-le.** Assurez-vous également que la poignée rétractable ne touche pas le carter de l'outil. Une lame exposée est TRÈS DANGEREUSE et peut causer de graves blessures.
4. **Placez la partie la plus grande du socle de la scie sur la partie de la pièce qui est solidement soutenue, non sur celle qui tombera une fois la coupe terminée.** Si la pièce est courte ou petite, placez-la dans un dispositif de serrage. **N'ESSAYEZ PAS DE TENIR LES COURTES PIÈCES UNIQUEMENT AVEC LA MAIN ! (Fig. 5)**
5. **Avant de déposer l'outil une fois la coupe terminée, assurez-vous que le carter de protection est fermé et que la lame est parfaitement immobile.**
6. **N'essayez jamais de scier en plaçant la scie circulaire à l'envers dans un étau.** Cela est très dangereux et peut entraîner un accident grave. (Fig. 6)
7. **Certains matériaux contiennent des substances chimiques qui peuvent être toxiques.** Prenez les précautions nécessaires pour ne pas inhaler les poussières qu'ils dégagent et pour éviter tout contact avec la peau. Respectez les données de sécurité du fabricant du matériau.
8. **N'appliquez jamais de pression latérale sur la lame de scie pour l'arrêter.**
9. **N'utilisez pas de disques abrasifs.**
10. **Utilisez uniquement une lame de scie ayant le diamètre indiqué sur l'outil ou spécifié dans le mode d'emploi.** L'utilisation d'une taille incorrecte de lame peut affecter la protection de la lame ou le fonctionnement du carter de protection, ce qui pourrait provoquer de graves blessures.

Fonction du couteau diviseur

1. **Utilisez la lame de scie appropriée pour le couteau diviseur.** Pour que le couteau diviseur fonctionne, le corps de la lame doit être plus fin que le couteau diviseur et la largeur de coupe de la lame doit être plus large que l'épaisseur du couteau diviseur.
2. **Régalez le couteau diviseur comme décrit dans ce manuel d'instructions.** Un espacement, un positionnement et un alignement incorrects peuvent faire que le couteau diviseur n'empêche pas le recul.
3. **Utilisez toujours le couteau diviseur sauf lors du sciage en plongée.** Le couteau diviseur doit être remplacé après le sciage en plongée. Le couteau diviseur perturbe le sciage en plongée et peut entraîner un recul.
4. **Pour que le couteau diviseur fonctionne, il doit être engagé dans la pièce.** Le couteau diviseur ne prévient pas efficacement le recul pendant les coupes courtes.
5. **N'utilisez pas la scie si le couteau diviseur est courbé.** Même une légère perturbation peut ralentir la rapidité de fermeture d'un carter de protection.

Consignes de sécurité supplémentaires

1. **Soyez encore plus prudent pour couper du bois mouillé, du bois traité sous pression ou du bois qui contient des noeuds.** Pour éviter que le tranchant de la lame ne surchauffe, faites avancer l'outil à une vitesse régulière sans ralentissement de la vitesse de rotation de la lame.
2. **N'essayez pas de retirer le matériau coupé pendant que la lame tourne.** Attendez l'arrêt total de la lame avant de saisir le bout de matériau coupé. La lame continue de tourner même une fois le contact coupé.
3. **Prenez garde aux clous pendant la coupe.** Avant de couper dans le bois de construction, inspectez-le et retirez-en tous les clous.

11. **Maintenez la lame bien affûtée et propre.** Les dépôts de colle et les copeaux de bois qui durcissent contre la lame ralentissent la scie et entraînent une augmentation des risques de choc en retour. Pour nettoyer la lame, retirez-la d'abord de l'outil, puis nettoyez-la avec un décapant, de l'eau chaude ou du kérosène. N'utilisez jamais d'essence.
12. **Portez un masque antipoussières et des protections d'oreilles lorsque vous utilisez l'outil.**
13. **Utilisez toujours la lame de scie conçue pour la coupe du matériau de travail.**
14. **Utilisez uniquement des lames de scie sur lesquelles est indiquée une vitesse égale ou supérieure à la vitesse figurant sur l'outil.**
15. **(Pour les pays européens uniquement) Utilisez toujours une lame conforme à la norme EN847-1.**

CONSERVEZ CES INSTRUCTIONS.

AVERTISSEMENT :

NE vous laissez PAS tromper (au fil d'une utilisation répétée) par un sentiment d'aisance et de familiarité avec le produit, en négligeant le respect rigoureux des consignes de sécurité qui accompagnent le produit en question. La MAUVAISE UTILISATION de l'outil ou l'ignorance des consignes de sécurité indiquées dans ce mode d'emploi peut entraîner de graves blessures.

DESCRIPTION DU FONCTIONNEMENT

ATTENTION :

- Assurez-vous toujours que l'outil est hors tension et débranché avant de l'ajuster ou de vérifier son fonctionnement.

Réglage de la profondeur de coupe (Fig. 7)

ATTENTION :

- Après avoir ajusté la profondeur de coupe, serrez toujours fermement le levier.

Desserrez le levier situé sur le guidage de profondeur et déplacez la base vers le haut ou vers le bas. À la profondeur de coupe désirée, fixez la base en serrant le levier. Pour obtenir des coupes plus propres et plus sûres, réglez la profondeur de coupe de sorte que pas plus d'une dent de lame ne dépasse sous la pièce. L'utilisation d'une profondeur de coupe adéquate aide à réduire les risques de dangereux CHOCS EN RETOUR et de blessure.

Coupe en biseau (Fig. 8)

Pour le modèle 5705R, 5903R, 5103R

Desserrez les vis de serrage à l'avant et à l'arrière, et inclinez l'outil sur l'angle désiré pour les coupes en biseau (0° à 45°). Fixez fermement les vis de serrage à l'avant et à l'arrière après avoir effectué le réglage.

Pour le modèle 5143R

Desserrez la vis de serrage à l'avant, et inclinez l'outil sur l'angle désiré pour les coupes en biseau (0° à 60°). Fixez fermement la vis de serrage à l'avant après avoir effectué le réglage.

Visée

Pour 5705R (Fig. 9)

Pour 5903R, 5103R (Fig. 10)

Pour les coupes rectilignes, alignez sur la ligne de coupe la position A à l'avant de la base. Pour les coupes en biseau de 45°, alignez la position B sur la ligne de coupe.

Pour 5143R (Fig. 11)

Alignez votre ligne de visée sur l'encoche de 0° pour les coupes droites, ou bien sur l'encoche de 30° pour les coupes à angle de 30°, l'encoche de 45° pour les coupes à angle de 45° ou l'encoche de 60° pour les coupes à angle de 60°.

Réglage du couteau diviseur (Fig. 12)

Pour régler le couteau diviseur, desserrez le boulon à tête hexagonale à l'aide de la clé hexagonale, puis relevez le protecteur de lame inférieur. Déplacez le couteau diviseur vers le haut ou vers le bas sur les deux saillies pour obtenir les réglages indiqués dans la figure, de façon à obtenir l'écart approprié entre le couteau diviseur et la lame de scie.

ATTENTION :

- Assurez-vous que le couteau diviseur est réglé de façon que : La distance entre le couteau diviseur et le rebord denté de la lame ne dépasse pas 5 mm. Le rebord denté de la lame ne dépasse pas de plus de 5 mm du bord inférieur du couteau diviseur.

Interrupteur (Fig. 13)

ATTENTION :

- Avant de brancher l'outil, assurez-vous toujours que la gâchette fonctionne correctement et revient en position d'arrêt une fois relâchée.

Un bouton de sécurité est fourni pour prévenir l'activation accidentelle de la gâchette. Pour faire démarrer l'outil, enfoncez le bouton de sécurité et appuyez sur la gâchette. Pour arrêter l'outil, relâchez la gâchette.

ASSEMBLAGE

ATTENTION :

- Avant d'effectuer toute intervention sur l'outil, assurez-vous toujours qu'il est hors tension et débranché.

Pose et dépose de la lame (Fig. 14 et 15)

Avec cet outil, vous pouvez utiliser les lames suivantes :

Modèle	Dia. max.	Dia. min.	Épaisseur de lame	Entaille
5705R	190 mm	170 mm	1,6 mm ou moins	1,9 mm ou plus
5903R	235 mm	210 mm	1,7 mm ou moins	2,1 mm ou plus
5103R	270 mm	260 mm	1,8 mm ou moins	2,2 mm ou plus
5143R	355 mm	350 mm	2,3 mm ou moins	2,7 mm ou plus

006481

L'épaisseur du couteau diviseur est de 1,8 mm pour le modèle 5705R, de 2,0 mm pour les modèles 5903R et 5103R et de 2,5 mm pour le modèle 5143R.

ATTENTION :

- Ne vous servez pas de lames dont les caractéristiques ne correspondent pas à celles spécifiées sur cette notice.
- Ne vous servez pas de lames dont le disque est plus épais ou dont le jeu est plus petit que l'épaisseur du couteau diviseur.

ATTENTION :

- Assurez-vous que la lame est installée avec les dents orientées vers le haut à l'avant de l'outil.
- Utilisez exclusivement la clé Makita pour poser ou retirer la lame.
- N'appuyez jamais sur le blocage de l'arbre pendant que la scie tourne.

Pour retirer la lame, appuyez sur le blocage de l'arbre complètement de sorte que la lame ne puisse pas tourner et utilisez la clé pour desserrer le boulon hexagonal en le tournant dans le sens contraire des aiguilles d'une montre. Retirez ensuite le boulon hexagonal, le flasque extérieur et la lame.

Pour installer la lame, suivez la procédure de retrait en sens inverse. ASSUREZ-VOUS D'AVOIR FERMEMENT SERRÉ LE BOULON HEXAGONAL, DANS LE SENS DES AIGUILLES D'UNE MONTRE.

Lorsque vous changez la lame, n'oubliez pas d'enlever aussi la sciure de bois accumulée sur les protecteurs de lame supérieur et inférieur. Même après ce nettoyage, vous devez quand même vérifier le bon fonctionnement du protecteur de lame inférieur avant chaque utilisation.

Raccorder un aspirateur (Fig. 16)

Pour effectuer un sciage propre, raccordez un aspirateur Makita à l'outil. Installez le raccord sur l'outil à l'aide des vis. Puis, raccordez le tuyau de l'aspirateur au raccord, tel qu'illustré.

OPÉRATION

ATTENTION :

- Assurez-vous de déplacer l'outil doucement vers l'avant, en ligne droite. Le fait de forcer ou de tordre l'outil entraînera une surchauffe du moteur et un dangereux choc en retour, risquant de provoquer une blessure grave.

Tenez l'outil fermement. L'outil est équipé d'une poignée avant et d'une poignée arrière. Utilisez les deux poignées pour mieux tenir l'outil. De plus, lorsque la scie est saisie à deux mains, celles-ci ne risquent pas d'être coupées par la lame. Placez la base de l'outil sur la pièce à couper de sorte que la lame n'entre pas en contact avec quoi que ce soit. Mettez ensuite l'outil sous tension et attendez que la lame atteigne sa pleine vitesse. Déplacez ensuite simplement l'outil vers l'avant sur la surface de la pièce, en le maintenant à plat et en le faisant avancer doucement jusqu'à ce que la coupe soit terminée.

Pour obtenir des coupes propres, maintenez la ligne de coupe bien droite et la vitesse de progression constante. Si la lame dévie de la ligne de coupe prévue, ne tentez pas de modifier la course de l'outil pour le forcer à revenir sur la ligne de coupe. Vous risqueriez de plier la lame et de provoquer un dangereux choc en retour pouvant causer une blessure grave. Relâchez la gâchette, attendez jusqu'à l'arrêt complet de la lame, puis retirez l'outil. Réalignez l'outil sur une nouvelle ligne de coupe, puis poursuivez la coupe. Évitez toute position vous exposant aux copeaux et sciures de bois éjectés par la scie. Portez un protecteur pour la vue afin d'éviter les blessures. (Fig. 17)

ATTENTION :

- Le couteau diviseur devra toujours être utilisé, sauf lorsque vous attaquez une pièce par le milieu.

Garde parallèle (règle de guidage) (Fig. 18)

Un garde parallèle pratique vous permet d'effectuer des coupes rectilignes d'une extrême précision. Faites simplement glisser le garde parallèle le long du côté de la pièce en le maintenant en position à l'aide de la vis de serrage située à l'avant de la base. Cela permet également d'effectuer plusieurs coupes d'une largeur uniforme.

ENTRETIEN

ATTENTION :

- Assurez-vous toujours que l'outil est hors tension et débranché avant d'y effectuer tout travail d'inspection ou d'entretien.
- N'utilisez jamais d'essence, de benzine, de diluant, d'alcool ou produits similaires. Il y a risque de décoloration, de déformation ou de fissuration.

Remplacement des charbons (Fig. 19 et 20)

Retirez et vérifiez régulièrement les charbons. Remplacez-les lorsqu'ils sont usés jusqu'au trait de limite d'usure. Maintenez les charbons propres et en état de glisser aisément dans les porte-charbon. Les deux charbons doivent être remplacés en même temps. N'utilisez que des charbons identiques.

Retirez les bouchons de porte-charbon à l'aide d'un tournevis. Enlevez les charbons usés, insérez-en de nouveaux et revissez solidement les bouchons de porte-charbon.

Pour maintenir la SÉCURITÉ et la FIABILITÉ du produit, les réparations, travaux d'entretien et autres réglages doivent être effectués dans un centre de service après-vente Makita agréé, exclusivement avec des pièces de rechange Makita.

ACCESSOIRES EN OPTION

ATTENTION :

- Ces accessoires ou pièces complémentaires sont recommandés pour l'utilisation avec l'outil Makita spécifié dans ce mode d'emploi. L'utilisation de tout autre accessoire ou pièce peut comporter un risque de blessure. N'utilisez les accessoires ou pièces qu'aux fins mentionnées dans le présent mode d'emploi.

Si vous désirez obtenir plus de détails concernant ces accessoires, veuillez contacter le centre de service après-vente Makita le plus près.

- Lames de scie
- Garde parallèle (règle de guidage)
- Clé hexagonale
- Raccord

NOTE :

- Il se peut que certains éléments de la liste soient compris dans l'emballage de l'outil en tant qu'accessoires standard. Ils peuvent varier d'un pays à l'autre.

ENG905-1

Bruit

Niveau de bruit pondéré A typique, déterminé selon EN62841-2-5 :

Modèle 5103R

Niveau de pression sonore (L_{pA}) : 100 dB (A)

Niveau de puissance sonore (L_{WA}) : 108 dB (A)

Incertitude (K) : 3 dB (A)

Modèle 5143R

Niveau de pression sonore (L_{pA}) : 97 dB (A)

Niveau de puissance sonore (L_{WA}) : 105 dB (A)

Incertitude (K) : 3 dB (A)

Modèle 5903R

Niveau de pression sonore (L_{pA}) : 98 dB (A)

Niveau de puissance sonore (L_{WA}) : 106 dB (A)

Incertitude (K) : 3 dB (A)

ENG907-1

NOTE :

- La ou les valeurs d'émission de bruit déclarées ont été mesurées conformément à la méthode de test standard et peuvent être utilisées pour comparer les outils entre eux.
- La ou les valeurs d'émission de bruit déclarées peuvent aussi être utilisées pour l'évaluation préliminaire de l'exposition.

⚠ AVERTISSEMENT :

- Portez un serre-tête antibruit.
- L'émission de bruit lors de l'usage réel de l'outil électrique peut être différente de la ou des valeurs déclarées, suivant la façon dont l'outil est utilisé, particulièrement selon le type de pièce usinée.
- Les mesures de sécurité à prendre pour protéger l'utilisateur doivent être basées sur une estimation de l'exposition dans des conditions réelles d'utilisation (en tenant compte de toutes les composantes du cycle d'utilisation, comme par exemple le moment de sa mise hors tension, lorsqu'il tourne à vide et le moment de son déclenchement).

Vibrations

Valeur totale de vibrations (somme de vecteur triaxial) déterminée selon EN62841-2-5 :

Modèle 5103R, 5143R

Mode de travail : coupe du bois

Émission de vibrations ($a_{h,w}$) : 2,5 m/s² ou moins

Incertitude (K) : 1,5 m/s²

Mode de travail : coupe du métal

Émission de vibrations ($a_{h,M}$) : 2,5 m/s² ou moins

Incertitude (K) : 1,5 m/s²

Modèle 5903R

Mode de travail : coupe du bois

Émission de vibrations ($a_{h,w}$) : 3,0 m/s²

Incertitude (K) : 1,5 m/s²

Mode de travail : coupe du métal

Émission de vibrations ($a_{h,M}$) : 4,0 m/s²

Incertitude (K) : 1,5 m/s²

ENG901-2

NOTE :

- La ou les valeurs de vibration totales déclarées ont été mesurées conformément à la méthode de test standard et peuvent être utilisées pour comparer les outils entre eux.
- La ou les valeurs de vibration totales déclarées peuvent aussi être utilisées pour l'évaluation préliminaire de l'exposition.

 AVERTISSEMENT :

- **L'émission de vibrations lors de l'usage réel de l'outil électrique peut être différente de la ou des valeurs déclarées, suivant la façon dont l'outil est utilisé, particulièrement selon le type de pièce utilisée.**
- **Les mesures de sécurité à prendre pour protéger l'utilisateur doivent être basées sur une estimation de l'exposition dans des conditions réelles d'utilisation (en tenant compte de toutes les composantes du cycle d'utilisation, comme par exemple le moment de sa mise hors tension, lorsqu'il tourne à vide et le moment de son déclenchement).**

DÉCLARATIONS DE CONFORMITÉ**Pour les pays européens uniquement**

Les déclarations de conformité sont fournies en Annexe A à ce mode d'emploi.

Übersicht

1 Hebel	10 Sägeblatt	18 Innensechskantschraube
2 Klemmschraube	11 Einstellvorsprünge	19 Außenflansch
3 Grundplatte	12 Innensechskantschraube (zum Einstellen des Spaltkeils)	20 Sägeblatt
4 Schnittkala	13 Schnitttiefe	21 Innenflansch
5 Grundplatte	14 Einschaltsperrleiste	22 Staubsauger
6 60°-Schnitte	15 Ein-Aus-Schalter	23 Verschleißgrenze
7 45°-Schnitte	16 Inbusschlüssel	24 Schraubendreher
8 30°-Schnitte	17 Spindelarretierung	25 Bürstenhalterkappe
9 Für rechtwinklige Schnitte		

TECHNISCHE DATEN

Modell		5705R	5903R	5103R	5143R
Sägeblattdurchmesser		190 mm	235 mm	270 mm	355 mm
Max. Schnitttiefe	bei 90°	66 mm	85 mm	100 mm	130 mm
	bei 45°	46 mm	64 mm	73 mm	90 mm
Leerlaufdrehzahl (min ⁻¹)		4 800	4 500	3 800	2 700
Gesamtlänge		356 mm	400 mm	442 mm	607 mm
Nettogewicht		5,4 kg	7,2 kg	9,3 kg	12,5 kg
Sicherheitsklasse		□ /II	□ /II	□ /II	□ /II

- Wir behalten uns vor, Änderungen im Zuge der Entwicklung und des technischen Fortschritts ohne vorherige Ankündigung vorzunehmen.
- Die technischen Daten können von Land zu Land abweichen.
- Gewicht nach EPTA-Verfahren 01/2014

GEA100-2

Vorgesehene Verwendung

Die Maschine ist für Geradschnitte in Längs- und Quer- richtung sowie für schräge Gehrungsschnitte in Holz vor- gesehen, wobei sie in festem Kontakt mit dem Werkstück bleibt. Mit geeigneten Original-Makita-Sägeblättern kön- nen auch andere Materialien gesägt werden.

ENE078-2

Netzanschluss

Die Maschine sollte nur an eine Stromquelle angeschlos- sen werden, deren Spannung mit der Angabe auf dem Typenschild übereinstimmt, und kann nur mit Einphasen- Wechselstrom betrieben werden. Diese sind doppelt schutzisoliert und können daher auch an Steckdosen ohne Erdleiter verwendet werden.

ENF002-2

Für Modell 5705R

Für öffentliche Niederspannungs-Verteilungssy- steme mit einer Spannung zwischen 220 und 250 V

Schaltvorgänge von Elektrogeräten verursachen Span- nungsschwankungen. Der Betrieb dieses Gerätes unter ungünstigen Netzstrombedingungen kann sich nachteilig auf den Betrieb anderer Geräte auswirken. Bei einer Netzstromimpedanz von 0,37 Ohm oder weniger ist anzunehmen, dass keine negativen Effekte auftreten. Die für dieses Gerät verwendete Netzsteckdose muss durch eine Sicherung oder einen Schutzschalter mit trä- gen Auslösungseigenschaften geschützt sein.

ENF100-1

Allgemeine Sicherheitswarnungen für Elektrowerkzeuge

⚠️ WARNUNG: Lesen Sie alle mit diesem Elektrowerkzeug gelieferten Sicherheitswarnungen, Anweisungen, Abbildungen und technischen Daten durch. Eine Missachtung der unten aufgeführten Anweisungen kann zu einem elektrischen Schlag, Brand und/oder schweren Verletzungen führen.

Bewahren Sie alle Warnungen und Anweisungen für spätere Bezugnahme auf.

Der Ausdruck „Elektrowerkzeug“ in den Warnhinweisen bezieht sich auf Ihr mit Netzstrom (mit Kabel) oder Akku (ohne Kabel) betriebenes Elektrowerkzeug.

GEB143-1

SICHERHEITSWARNUNGEN FÜR KREISSÄGE

Schneidverfahren

1. **⚠️ GEFAHR: Halten Sie Ihre Hände vom Schnittbereich und vom Sägeblatt fern. Halten Sie mit der zweiten Hand den Zusatzgriff oder das Motorgehäuse.** Wenn beide Hände die Säge halten, können sie nicht durch das Sägeblatt verletzt werden.
2. **Fassen Sie nicht unter das Werkstück.** Die Schutzhaube bietet keinen Schutz auf der Unterseite des Werkstücks.
3. **Stellen Sie die Schnitttiefe auf die Dicke des Werkstücks ein.** Das Sägeblatt darf nicht mehr als eine Zahnlänge auf der Unterseite des Werkstücks überstehen.

4. **Halten Sie das Werkstück beim Schneiden niemals in Ihren Händen oder auf den Beinen. Sichern Sie das Werkstück auf einer stabilen Plattform.** Es ist wichtig, das Werkstück sachgemäß abzustützen, um Körperaussetzung, Klemmen des Sägeblatts oder Verlust der Kontrolle auf ein Minimum zu reduzieren. (Abb. 1)
5. **Halten Sie das Elektrowerkzeug an den isolierten Griffflächen, wenn Sie Arbeiten ausführen, bei denen die Gefahr besteht, dass das Schneidwerkzeug verborgene Kabel oder das eigene Kabel kontaktiert.** Bei Kontakt mit einem Strom führenden Kabel können die freiliegenden Metallteile des Elektrowerkzeugs ebenfalls Strom führend werden, so dass der Benutzer einen elektrischen Schlag erleiden kann.
6. **Verwenden Sie beim Längssägen stets einen Parallelanschlag oder ein Richtlineal.** Dadurch wird die Schnittgenauigkeit verbessert und die Gefahr von Sägeblatt-Klemmen reduziert.
7. **Verwenden Sie stets Sägeblätter, deren Spindelbohrung die korrekte Größe und Form (rautenförmig oder rund) hat.** Sägeblätter, die nicht genau auf den Montageflansch der Säge passen, rotieren exzentrisch und verursachen den Verlust der Kontrolle.
8. **Verwenden Sie niemals beschädigte oder falsche Sägeblattscheiben oder -schrauben.** Die Sägeblattscheiben und -schrauben sind speziell für Ihre Säge vorgesehen, um optimale Leistung und Betriebssicherheit zu gewährleisten.

Rückschlagursachen und damit zusammenhängende Warnungen

- Ein Rückschlag ist eine plötzliche Reaktion auf ein eingeklemmtes, blockiertes oder falsch ausgerichtetes Sägeblatt, der ein unkontrolliertes Anheben und Herauspringen der Säge aus dem Werkstück in Richtung der Bedienungsperson verursacht.
- Wenn das Sägeblatt durch den sich schließenden Sägeschlitz eingeklemmt oder blockiert wird, bleibt das Sägeblatt stehen, und die Motorreaktion drückt die Säge plötzlich in Richtung der Bedienungsperson zurück.
- Falls das Sägeblatt im Schnitt verdreht oder versetzt wird, können sich die Zähne an der Hinterkante des Sägeblatts in die Oberfläche des Holzstücks bohren, so dass sich das Sägeblatt aus dem Sägeschlitz heraushebt und in Richtung der Bedienungsperson zurückspringt.

Rückschlag ist das Resultat falscher Handhabung der Säge und/oder falscher Arbeitsverfahren oder -bedingungen und kann durch Anwendung der nachstehenden Vorsichtsmaßnahmen vermieden werden.

1. **Halten Sie die Säge mit beiden Händen fest, und positionieren Sie Ihre Arme so, dass sie die Rückschlagkräfte auffangen. Stellen Sie sich so, dass sich Ihr Körper seitlich vom Sägeblatt befindet, nicht auf gleicher Linie mit dem Sägeblatt.** Rückschlag kann Zurückspringen der Säge verursachen; doch wenn geeignete Vorkehrungen getroffen werden, können die Rückschlagkräfte von der Bedienungsperson unter Kontrolle gehalten werden.

2. **Falls das Sägeblatt klemmt oder der Schnitt aus irgendeinem Grund unterbrochen wird, lassen Sie den Ein-Aus-Schalter los, und halten Sie die Säge bewegungslos im Werkstück, bis das Sägeblatt zum völligen Stillstand kommt. Versuchen Sie niemals, die Säge bei noch rotierendem Sägeblatt vom Werkstück abzunehmen oder zurückzuziehen, weil es sonst zu einem Rückschlag kommen kann.** Nehmen Sie eine Überprüfung vor, und treffen Sie Abhilfemaßnahmen, um die Ursache von Sägeblatt-Klemmen zu beseitigen.
3. **Wenn Sie die Säge bei im Werkstück befindlichem Sägeblatt wieder einschalten, zentrieren Sie das Sägeblatt im Sägeschlitz, und vergewissern Sie sich, dass die Sägezähne nicht mit dem Werkstück im Eingriff sind.** Falls ein Sägeblatt klemmt, kann es beim Wiedereinschalten der Säge aus dem Werkstück herauschnellen oder zurückspringen.
4. **Stützen Sie große Platten ab, um die Gefahr von Klemmen und Rückschlagen des Sägeblatts auf ein Minimum zu reduzieren.** Große Platten neigen dazu, unter ihrem Eigengewicht durchzuhängen. Die Stützen müssen beidseitig der Schnittlinie und in der Nähe der Plattenkante unter der Platte platziert werden. (Abb. 2 u. 3)
5. **Verwenden Sie keine stumpfen oder beschädigten Sägeblätter.** Unschärfe oder falsch angebrachte Sägeblätter erzeugen einen schmalen Sägeschlitz, der übermäßige Reibung, Sägeblatt-Klemmen und Rückschlag verursacht.
6. **Die Sägeblatttiefe- und Neigungseinstellungs-Arretierhebel müssen fest angezogen und gesichert sein, bevor der Schnitt ausgeführt wird.** Falls sich die Sägeblatteinstellung während des Sägens verstellt, kann es zu Klemmen und Rückschlag kommen.
7. **Lassen Sie beim Sägen in vorhandene Wände oder andere tote Winkel besondere Vorsicht walten.** Das vorstehende Sägeblatt kann Objekte durchschneiden, die Rückschlag verursachen können.
8. **Halten Sie das Werkzeug IMMER mit beiden Händen fest. Halten Sie NIEMALS Ihre Hand, Ihr Bein oder irgendeinen Körperteil unter die Werkzeugbasis oder hinter die Säge, insbesondere bei der Ausführung von Querschnitten.** Falls Rückschlag auftritt, besteht die Gefahr, dass die Säge über Ihre Hand zurückspringt und schwere Personenschäden verursacht. (Abb. 4)
9. **Wenden Sie keine Gewalt auf die Säge an. Schieben Sie die Säge mit einer Geschwindigkeit vor, dass das Sägeblatt nicht abgebremst wird.** Gewaltanwendung kann ungleichmäßige Schnitte, Verlust der Genauigkeit und möglichen Rückschlag verursachen.

Funktion der Schutzhaube

1. **Überprüfen Sie die untere Schutzhaube vor jeder Benutzung auf einwandfreies Schließen. Betreiben Sie die Säge nicht, falls sich die untere Schutzhaube nicht ungehindert bewegt und sofort schließt. Die untere Schutzhaube darf auf keinen Fall in der geöffneten Stellung festgeklemmt oder festgebunden werden.** Wird die Säge versehentlich fallen gelassen, kann die untere Schutzhaube verbogen werden. Heben Sie die untere Schutzhaube mit dem Rückzuggriff an, und vergewissern Sie sich, dass sie sich ungehindert bewegt und bei allen Winkel- und Schnitttiefen-Einstellungen nicht mit dem Sägeblatt oder irgendeinem anderen Teil in Berührung kommt.
2. **Überprüfen Sie die Funktion der Feder der unteren Schutzhaube. Falls Schutzhaube und Feder nicht einwandfrei funktionieren, müssen die Teile vor der Benutzung gewartet werden.** Falls beschädigte Teile, klebrige Ablagerungen oder Schmutzansammlung vorhanden sind, kann die untere Schutzhaube schwergängig werden.
3. **Die untere Schutzhaube sollte nur für spezielle Schnitte, wie „Tauschnitte“ und „Doppelwinkelschnitte“, manuell zurückgezogen werden.** Heben Sie die untere Schutzhaube mit dem Rückzuggriff an, und sobald das Sägeblatt in das Werkstück eindringt, muss die untere Schutzhaube losgelassen werden. Für alle anderen Sägearbeiten sollte die untere Schutzhaube automatisch betätigt werden.
4. **Vergewissern Sie sich stets, dass die untere Schutzhaube das Sägeblatt verdeckt, bevor Sie die Säge auf der Werkbank oder dem Boden ablegen.** Ein ungeschützt auslaufendes Sägeblatt bewirkt Rückwärtskriechen der Säge und schneidet alles, was sich in seinem Weg befindet. Berücksichtigen Sie die Auslaufzeit des Sägeblatts bis zum Stillstand nach dem Loslassen des Schalters.
5. **Öffnen Sie die untere Schutzhaube probeweise von Hand, und achten Sie beim Loslassen darauf, dass sie sich einwandfrei schließt. Vergewissern Sie sich auch, dass der Rückzuggriff nicht mit dem Werkzeuggehäuse in Berührung kommt.** Die Bloßstellung des Sägeblatts ist SEHR GEFÄHRLICH und kann zu schweren Verletzungen führen.

Funktion des Spaltkeils

1. **Verwenden Sie ein geeignetes Sägeblatt für den Spaltkeil.** Damit der Spaltkeil seine Aufgabe erfüllen kann, muss das Sägeblatt dünner als der Spaltkeil sein, und die Schnittbreite des Sägeblatts muss breiter als die Dicke des Spaltkeils sein.
2. **Stellen Sie den Spaltkeil gemäß der Beschreibung in dieser Anleitung ein.** Falscher Abstand sowie falsche Positionierung und Ausrichtung können die Rückschlagverhütungsfunktion des Spaltkeils unwirksam machen.
3. **Der Spaltkeil ist, außer beim Tauschschneiden, immer zu verwenden.** Nach dem Tauschschneiden muss der Spaltkeil wieder angebracht werden. Beim Tauschschneiden verursacht der Spaltkeil Berührung und kann Rückschläge erzeugen.
4. **Damit der Spaltkeil seine Aufgabe erfüllt, muss er in das Werkstück eingreifen.** Bei kurzen Schnitten ist die Rückschlagverhütungsfunktion des Spaltkeils unwirksam.

5. **Betreiben Sie die Säge nicht mit verbogenem Spaltkeil.** Selbst leichte Berührung kann die Schließgeschwindigkeit der Schutzhaube verlangsamen.

Zusätzliche Sicherheitswarnungen

1. **Lassen Sie beim Schneiden von feuchtem Holz, druckbehandeltem Bauholz oder Astholz besondere Vorsicht walten.** Behalten Sie einen gleichmäßigen Vorschub des Werkzeugs bei, ohne dass sich die Sägeblattzahl verringert, um Überhitzen der Sägeblattzähne zu vermeiden.
2. **Versuchen Sie nicht, abgeschnittenes Material bei rotierendem Sägeblatt zu entfernen. Warten Sie, bis das Sägeblatt zum Stillstand kommt, bevor Sie abgeschnittenes Material wegnehmen.** Das Sägeblatt läuft nach dem Ausschalten noch nach.
3. **Vermeiden Sie das Schneiden von Nägeln. Überprüfen Sie Bauholz vor dem Schneiden auf Nägel, und entfernen Sie etwaige Nägel.**
4. **Setzen Sie den breiteren Teil der Grundplatte auf den fest abgestützten Teil des Werkstücks, nicht auf den Teil, der nach dem Schnitt herunterfällt. Kurze oder kleine Werkstücke müssen eingespannt werden. VERSUCHEN SIE NICHT, KURZE WERKSTÜCKE MIT DER HAND ZU HALTEN! (Abb. 5)**
5. **Bevor Sie das Werkzeug nach Ausführung eines Schnitts absetzen, vergewissern Sie sich, dass sich die Schutzhaube geschlossen hat und das Sägeblatt zu vollständigem Stillstand gekommen ist.**
6. **Versuchen Sie niemals, die Kreissäge zum Sägen verkehrt herum in einen Schraubstock einzuspannen. Dies ist sehr gefährlich und kann zu schweren Unfällen führen. (Abb. 6)**
7. **Manche Materialien können giftige Chemikalien enthalten. Treffen Sie Vorsichtsmaßnahmen, um das Einatmen von Arbeitsstaub und Hautkontakt zu verhüten. Befolgen Sie die Sicherheitsdaten des Materiallieferanten.**
8. **Bremsen Sie die Säge nicht durch seitlichen Druck auf das Sägeblatt ab.**
9. **Verwenden Sie keine Schleifscheiben.**
10. **Verwenden Sie nur Sägeblätter mit einem Durchmesser, der am Werkzeug markiert oder im Handbuch angegeben ist.** Die Verwendung eines Sägeblatts mit falscher Größe kann den einwandfreien Schutz des Sägeblatts oder den Schutzbetrieb beeinträchtigen, was ernsthaften Personenschaden zur Folge haben kann.
11. **Halten Sie das Sägeblatt scharf und sauber.** An den Sägeblättern haftendes und verhärtetes Gummi und Harz verlangsamen die Säge und erhöhen die Rückschlaggefahr. Halten Sie das Sägeblatt sauber, indem Sie es vom Werkzeug abmontieren und dann mit Gummi- und Harzentferner, heißem Wasser oder Petroleum reinigen. Verwenden Sie niemals Benzin.
12. **Tragen Sie bei der Benutzung des Werkzeugs eine Staubmaske und einen Gehörschutz.**
13. **Verwenden Sie immer das zum Schneiden des jeweiligen Arbeitsmaterials vorgesehene Sägeblatt.**
14. **Verwenden Sie nur Sägeblätter, die mit einer Drehzahl markiert sind, die der am Werkzeug angegebenen Drehzahl entspricht oder diese übertrifft.**

15. (Nur für europäische Länder)
Verwenden Sie immer ein Sägeblatt, das EN847-1 entspricht.

DIESE ANWEISUNGEN AUFBEWAHREN.

WARNUNG:

Lassen Sie sich **NICHT** durch **Bequemlichkeit** oder **Vertrautheit mit dem Produkt** (durch wiederholten Gebrauch erworben) von der strikten Einhaltung der Sicherheitsregeln für das vorliegende Produkt abhalten. **MISSBRAUCH** oder **Missachtung der Sicherheitsvorschriften in dieser Anleitung können schwere Personenschäden verursachen.**

FUNKTIONSBESCHREIBUNG

VORSICHT:

- Vergewissern Sie sich vor jeder Einstellung oder Funktionsprüfung der Maschine stets, dass sie ausgeschaltet und vom Stromnetz getrennt ist.

Einstellen der Schnitttiefe (Abb. 7)

VORSICHT:

- Ziehen Sie den Hebel nach der Einstellung der Schnitttiefe stets fest an.

Den Hebel an der Tiefeneinstellung lösen und die Grundplatte nach oben oder unten verstellen. Arretieren Sie die Grundplatte an der gewünschten Schnitttiefe durch Festziehen des Hebels.

Um sauberere, sicherere Schnitte auszuführen, stellen Sie die Schnitttiefe so ein, dass nicht mehr als ein Sägeblattzahn unter das Werkstück übersteht. Die Einstellung der korrekten Schnitttiefe trägt zu einer Reduzierung gefährlicher RÜCKSCHLÄGE bei, die Körperverletzungen verursachen können.

Gehrungsschnitt (Abb. 8)

Für Modell 5705R, 5903R, 5103R

Lösen Sie die Klemmschrauben auf der Vorder- und Rückseite, und neigen Sie die Maschine für Gehrungsschnitte auf den gewünschten Winkel (0° – 45°). Ziehen Sie die Klemmschrauben auf der Vorder- und Rückseite nach der Einstellung wieder fest.

Für Modell 5143R

Lösen Sie die Klemmschrauben auf der Vorderseite, und neigen Sie die Maschine für Gehrungsschnitte auf den gewünschten Winkel (0° – 60°). Ziehen Sie die Klemmschrauben auf der Vorderseite nach der Einstellung wieder fest.

Schnittmarkierung

Für 5705R (Abb. 9)

Für 5903R, 5103R (Abb. 10)

Richten Sie für Geradschnitte die Position A auf der Vorderseite der Grundplatte auf die Schnittlinie aus. Richten Sie für 45°-Gehrungsschnitte die Position B auf die Linie aus.

Für 5143R (Abb. 11)

Richten Sie Ihre Visierlinie entweder auf die 0°-Kerbe für Geradschnitte oder die 30°-Kerbe für 30°-Winkelschnitte, die 45°-Kerbe für 45°-Winkelschnitte oder die 60°-Kerbe für 60°-Winkelschnitte aus.

Einstellung des Spaltkeils (Abb. 12)

Lösen Sie die Innensechskantschraube zur Einstellung des Spaltkeils mit dem Inbusschlüssel, und heben Sie dann die untere Schutzhaube an. Bewegen Sie den Spaltkeil über die zwei Vorsprünge nach oben oder unten, wie in der Abbildung gezeigt, um den korrekten Abstand zwischen Spaltkeil und Sägeblatt zu erzielen.

VORSICHT:

- Vergewissern Sie sich, dass der Spaltkeil wie folgt eingestellt ist:
Der Abstand des Spaltkeils zum Zahnkranz des Sägeblatts darf nicht größer als 5 mm sein. Der Zahnkranz darf nicht mehr als 5 mm über die Unterkante des Spaltkeils überstehen.

Schaltefunktion (Abb. 13)

VORSICHT:

- Vergewissern Sie sich vor dem Anschließen der Maschine an das Stromnetz stets, dass der Ein-Aus-Schalter ordnungsgemäß funktioniert und beim Loslassen in die AUS-Stellung zurückkehrt.

Um versehentliche Betätigung des Ein-Aus-Schalters zu verhüten, ist die Maschine mit einem Einschaltsperrknopf ausgestattet. Zum Starten der Maschine den Ein-Aus-Schalter bei gedrücktem Einschaltsperrknopf betätigen. Zum Ausschalten den Ein-Aus-Schalter loslassen.

MONTAGE

VORSICHT:

- Vergewissern Sie sich vor der Ausführung von Arbeiten an der Maschine stets, dass sie ausgeschaltet und vom Stromnetz getrennt ist.

Montage und Demontage des Sägeblatts (Abb. 14 u. 15)

Sägeblätter der folgenden Abmessungen können mit dieser Maschine verwendet werden.

Modell	Max. Durchm.	Min. Durchm.	Sägeblatt-dicke	Schnitt-breite
5705R	190 mm	170 mm	max. 1,6 mm	min. 1,9 mm
5903R	235 mm	210 mm	max. 1,7 mm	min. 2,1 mm
5103R	270 mm	260 mm	max. 1,8 mm	min. 2,2 mm
5143R	355 mm	350 mm	max. 2,3 mm	min. 2,7 mm

006481

Die Dicke des Spaltkeils beträgt 1,8 mm für Modell 5705R, 2,0 mm für die Modelle 5903R und 5103R, und 2,5 mm für Modell 5143R.

VORSICHT:

- Sägeblätter, die nicht den hier angegebenen Spezifikationen entsprechen, dürfen nicht verwendet werden.
- Verwenden Sie keine Sägeblätter, deren Dicke größer oder deren Schnittbreite kleiner als die Dicke des Spaltkeils ist.

VORSICHT:

- Vergewissern Sie sich, dass das Sägeblatt so montiert ist, dass die Zähne auf der Vorderseite der Maschine nach oben zeigen.
- Verwenden Sie nur den mitgelieferten Makita-Steckschlüssel zum Montieren und Demontieren von Sägeblättern.
- Drücken Sie keinesfalls die Spindelarreterierung bei laufender Säge.

Zum Demontieren des Sägeblatts die Spindelarreterierung vollständig drücken, um das Sägeblatt am Drehen zu hindern, und dann die Sechskantschraube mit dem Inbuschlüssel durch Linksdrehen lösen. Dann Sechskantschraube, Außenflansch und Sägeblatt abnehmen.

Zum Montieren des Sägeblatts ist das Demontageverfahren umgekehrt anzuwenden. DIE SECHSKANT-SCHRAUBE IM UHRZEIGERSINN FESTZIEHEN.

Säubern Sie bei einem Sägeblattwechsel unbedingt auch die obere und untere Schutzhaube von angesammeltem Sägemehl. Diese Arbeit erübrigt jedoch nicht die Notwendigkeit, die Funktion der unteren Schutzhaube vor jedem Gebrauch zu überprüfen.

Anschließen eines Staubsaugers (Abb. 16)

Um saubere Schneidarbeiten durchzuführen, schließen Sie einen Makita-Staubsauger an Ihre Maschine an. Befestigen Sie den Stutzen mit den Schrauben an der Maschine. Schließen Sie dann den Schlauch eines Staubsaugers an den Stutzen an, wie in der Abbildung gezeigt.

BETRIEB

VORSICHT:

- Schieben Sie die Maschine in einer geraden Linie sachte vor. Zu starkes Drücken oder Verdrehen der Maschine führt zu Überhitzen des Motors und gefährlichem Rückschlag, der möglicherweise schwere Verletzungen verursachen kann.

Halten Sie die Maschine mit festem Griff. Die Maschine ist mit einem vorderen und hinteren Griff ausgestattet. Benutzen Sie beide Griffe, um die Maschine optimal zu halten. Wenn beide Hände die Säge halten, können sie nicht durch das Sägeblatt verletzt werden. Setzen Sie die Grundplatte auf das zu schneidende Werkstück auf, ohne dass das Sägeblatt mit dem Werkstück in Berührung kommt. Schalten Sie dann die Maschine ein und warten Sie, bis das Sägeblatt die volle Drehzahl erreicht hat. Schieben Sie die Maschine nun flach und gleichmäßig über die Werkstückoberfläche vorwärts, bis der Schnitt vollendet ist.

Um saubere Schnitte zu erzielen, halten Sie eine gerade Schnittlinie und eine gleichmäßige Vorschubgeschwindigkeit ein. Falls der Schnitt sich nicht genau mit Ihrer beabsichtigten Schnittlinie deckt, versuchen Sie nicht, die Maschine zu drehen oder zur Schnittlinie zurückzudrücken. Dies könnte zu Klemmen des Sägeblatts und gefährlichem Rückschlag führen, was schwere Verletzungen verursachen kann. Lassen Sie den Schalter los, und warten Sie, bis das Sägeblatt zum Stillstand kommt, bevor Sie die Maschine zurückziehen. Richten Sie die Maschine auf eine neue Schnittlinie aus, und beginnen Sie einen neuen Schnitt. Vermeiden Sie eine Positionierung, bei der Sie den von der Säge herausgeschleuderten Spänen und dem Holzstaub ausgesetzt sind. Tragen Sie eine Schutzbrille, um Augenverletzungen zu verhindern. (Abb. 17)

VORSICHT:

- Der Spaltkeil muss, außer bei Tauchschnitten, immer ordnungsgemäß montiert sein.

Parallelanschlag (Richtlineal) (Abb. 18)

Der praktische Parallelanschlag ermöglicht die Ausführung besonders genauer Geradschnitte. Schieben Sie einfach den Parallelanschlag gegen die Seite des Werkstücks, und sichern Sie ihn mit der Schraube an der Vorderseite der Grundplatte. Außerdem ermöglicht er wiederholte Schnitte von gleichförmiger Breite.

WARTUNG

VORSICHT:

- Denken Sie vor der Durchführung von Überprüfungen oder Wartungsarbeiten stets daran, die Maschine auszuschalten und vom Stromnetz zu trennen.
- Verwenden Sie auf keinen Fall Benzin, Benzol, Verdünnern, Alkohol oder dergleichen. Solche Mittel können Verfärbung, Verformung oder Rissbildung verursachen.

Kohlebürsten wechseln (Abb. 19 u. 20)

Die Kohlebürsten müssen regelmäßig entfernt und überprüft werden. Wenn sie bis zur Verschleißgrenze abgenutzt sind, müssen sie erneuert werden. Halten Sie die Kohlebürsten stets sauber, damit sie ungehindert in den Haltern gleiten können. Beide Kohlebürsten sollten gleichzeitig erneuert werden. Verwenden Sie nur identische Kohlebürsten.

Drehen Sie die Bürstenhalterkappen mit einem Schraubendreher heraus. Die abgenutzten Kohlebürsten herausnehmen, die neuen einsetzen, und dann die Bürstenhalterkappen wieder eindrehen.

Um die SICHERHEIT und ZUVERLÄSSIGKEIT dieses Produkts zu gewährleisten, sollten Reparaturen und andere Wartungs- oder Einstellarbeiten nur von Makita-Kundendienstzentren unter ausschließlicher Verwendung von Makita-Originalersatzteilen ausgeführt werden.

VORSICHT:

- Die folgenden Zubehörteile oder Vorrichtungen werden für den Einsatz mit der in dieser Anleitung beschriebenen Makita-Maschine empfohlen. Die Verwendung anderer Zubehörteile oder Vorrichtungen kann eine Verletzungsgefahr darstellen. Verwenden Sie Zubehörteile oder Vorrichtungen nur für ihren vorgesehenen Zweck.

Wenn Sie weitere Einzelheiten bezüglich dieser Zubehörteile benötigen, wenden Sie sich bitte an Ihre Makita-Kundendienststelle.

- Sägeblätter
- Parallelanschlag (Richtlineal)
- Inbusschlüssel
- Stutzen

HINWEIS:

- Manche Teile in der Liste können als Standardzubehör zum Werkzeugsatz enthalten sein. Sie können von Land zu Land unterschiedlich sein.

Geräusch

ENG905-1

Typischer A-bewerteter Geräuschpegel ermittelt gemäß EN62841-2-5:

Modell 5103R

Schalldruckpegel (L_{pA}): 100 dB (A)
Schalleistungspegel (L_{WA}): 108 dB (A)
Ungewissheit (K): 3 dB (A)

Modell 5143R

Schalldruckpegel (L_{pA}): 97 dB (A)
Schalleistungspegel (L_{WA}): 105 dB (A)
Ungewissheit (K): 3 dB (A)

Modell 5903R

Schalldruckpegel (L_{pA}): 98 dB (A)
Schalleistungspegel (L_{WA}): 106 dB (A)
Ungewissheit (K): 3 dB (A)

ENG907-1

HINWEIS:

- Der (Die) angegebene(n) Schallemissionswert(e) wurde(n) im Einklang mit der Standardprüfmethode gemessen und kann (können) für den Vergleich zwischen Werkzeugen herangezogen werden.
- Der (Die) angegebene(n) Schallemissionswert(e) kann (können) auch für eine Vorbewertung des Gefährdungsgrads verwendet werden.

⚠️ WARNUNG:

- Einen Gehörschutz tragen.
- Die Schallemission während der tatsächlichen Benutzung des Elektrowerkzeugs kann je nach der Benutzungsweise des Werkzeugs, und speziell je nach der Art des bearbeiteten Werkstücks, von dem (den) angegebenen Wert(en) abweichen.
- Identifizieren Sie Sicherheitsmaßnahmen zum Schutz des Benutzers anhand einer Schätzung des Gefährdungsgrads unter den tatsächlichen Benutzungsbedingungen (unter Berücksichtigung aller Phasen des Arbeitszyklus, wie z. B. Ausschalt- und Leerlaufzeiten des Werkzeugs zusätzlich zur Betriebszeit).

Vibration

Vibrationsgesamtwert (Drei-Achsen-Vektorsumme) ermittelt gemäß EN62841-2-5:

Modell 5103R, 5143R

Arbeitsmodus: Schneiden von Holz
Vibrationsemission ($a_{h, w}$): 2,5 m/s² oder weniger
Ungewissheit (K): 1,5 m/s²

Arbeitsmodus: Schneiden von Metall
Vibrationsemission ($a_{h, M}$): 2,5 m/s² oder weniger
Ungewissheit (K): 1,5 m/s²

Modell 5903R

Arbeitsmodus: Schneiden von Holz
Vibrationsemission ($a_{h, w}$): 3,0 m/s²
Ungewissheit (K): 1,5 m/s²

Arbeitsmodus: Schneiden von Metall
Vibrationsemission ($a_{h, M}$): 4,0 m/s²
Ungewissheit (K): 1,5 m/s²

ENG901-2

HINWEIS:

- Der (Die) angegebene(n) Vibrationsgesamtwert(e) wurde(n) im Einklang mit der Standardprüfmethode gemessen und kann (können) für den Vergleich zwischen Werkzeugen herangezogen werden.
- Der (Die) angegebene(n) Vibrationsgesamtwert(e) kann (können) auch für eine Vorbewertung des Gefährdungsgrads verwendet werden.

⚠️ WARNUNG:

- Die Vibrationsemission während der tatsächlichen Benutzung des Elektrowerkzeugs kann je nach der Benutzungsweise des Werkzeugs, und speziell je nach der Art des bearbeiteten Werkstücks, von dem (den) angegebenen Emissionswert(en) abweichen.
- Identifizieren Sie Sicherheitsmaßnahmen zum Schutz des Benutzers anhand einer Schätzung des Gefährdungsgrads unter den tatsächlichen Benutzungsbedingungen (unter Berücksichtigung aller Phasen des Arbeitszyklus, wie z. B. Ausschalt- und Leerlaufzeiten des Werkzeugs zusätzlich zur Betriebszeit).

KONFORMITÄTSERKLÄRUNGEN

Nur für europäische Länder

Die Konformitätserklärungen sind in Anhang A dieser Betriebsanleitung enthalten.

Visione generale

1 Leva	10 Lama	18 Bullone con testa esagonale
2 Vite di fermo	11 Sporgenze di regolazione	19 Flangia esterna
3 Piastra base	12 Bullone con testa esagonale	20 Lama
4 Guida superiore	(per la regolazione del cuneo)	21 Flangia interna
5 Base	13 Profondità di taglio	22 Aspiratore
6 Per tagli ad angolo di 60°	14 Bottone di sblocco	23 Segno limite
7 Per tagli ad angolo di 45°	15 Interruttore	24 Cacciavite
8 Per tagli ad angolo di 30°	16 Chiave esagonale	25 Tappo portaspazzole
9 Tagli diritti	17 Bloccaggio albero	

DATI TECNICI

Modello	5705R	5903R	5103R	5143R
Diametro lama	190 mm	235 mm	270 mm	355 mm
Massima profondità di taglio	a 90°	66 mm	85 mm	100 mm
	a 45°	46 mm	64 mm	73 mm
Velocità a vuoto (min ⁻¹)	4.800 mm	4.500 mm	3.800 mm	2.700 mm
Lunghezza totale	356 mm	400 mm	442 mm	607 mm
Peso netto	5,4 kg	7,2 kg	9,3 kg	12,5 kg
Classe di sicurezza	Ⓜ /II	Ⓜ /II	Ⓜ /II	Ⓜ /II

- Per il nostro programma di ricerca e sviluppo continui, i dati tecnici sono soggetti a modifiche senza preavviso.
- I dati tecnici potrebbero differire a seconda del paese di destinazione del modello.
- Peso in base alla procedura EPTA 01/2014

GEA010-2

Utilizzo previsto

Questo utensile è progettato per i tagli diritti in lunghezza e incrociati, e per i tagli obliqui con angoli nel legno durante il saldo contatto con il pezzo. Con le lame Makita genuine appropriate, si possono segare anche altri materiali.

ENE078-2

Alimentazione

L'utensile deve essere collegato soltanto a una fonte di alimentazione con la stessa tensione di quella indicata sulla targhetta del nome, e può funzionare soltanto con la corrente alternata monofase. Esse hanno un doppio isolamento, per cui possono essere usate con le prese senza messa a terra.

ENF002-2

Per modello 5705R

Per i sistemi della rete pubblica di distribuzione a bassa tensione da 220 V a 250 V

Le operazioni di accensione e spegnimento degli apparecchi elettrici causano fluttuazioni di tensione. L'utilizzo di questo dispositivo in condizioni inadatte di corrente potrebbe avere effetti negativi sul funzionamento di altri apparecchi. Con una impedenza delle rete uguale o inferiore a 0,37 ohm, si può presumere che non ci siano effetti negativi. La presa di corrente usata per questo dispositivo deve essere protetta da un fusibile o da un interruttore di circuito con basse caratteristiche di scatto.

ENF100-1

Avvertenze generali relative alla sicurezza dell'utensile elettrico

⚠️ AVVERTIMENTO: Leggere tutte le avvertenze di sicurezza, le istruzioni, le illustrazioni e i dati tecnici forniti con il presente utensile elettrico. La mancata osservanza di tutte le istruzioni elencate di seguito potrebbe risultare in scosse elettriche, incendi e/o gravi lesioni personali.

Conservare tutte le avvertenze e le istruzioni come riferimento futuro.

Il termine "utensile elettrico" nelle avvertenze si riferisce sia all'utensile elettrico (cablato) nel funzionamento alimentato da rete elettrica che all'utensile elettrico (a batteria) nel funzionamento alimentato a batteria.

GEB143-1

AVVERTENZE PER LA SICUREZZA DELLA SEGA CIRCOLARE

Procedure di taglio

1. **⚠️ PERICOLO:** Tenere le mani lontane dall'area di taglio e dalla lama. Tenere la mano che non impugna l'utensile sul manico ausiliario o sull'alloggiamento del motore. Se si mantiene la sega con entrambe le mani, queste ultime non possono venire tagliate dalla lama.
2. **Non mettere le mani sotto il pezzo.** La protezione non può proteggere l'operatore dalla lama al di sotto del pezzo.
3. **Regolare la profondità di taglio in base allo spessore del pezzo.** Sotto il pezzo i denti della lama dovrebbero essere visibili per una lunghezza inferiore a un intero dente.

4. **Non mantenere mai tra le mani o appoggiato di traverso sulla gamba il pezzo in lavorazione durante il taglio. Fissare il pezzo in lavorazione su una piattaforma stabile.** È importante sostenere correttamente il pezzo in lavorazione per ridurre al minimo l'esposizione del corpo, gli inceppamenti della lama o la perdita di controllo. (Fig. 1)
5. **Mantenere l'utensile elettrico per le superfici di impugnatura isolate quando si intende eseguire un'operazione in cui l'utensile da taglio potrebbe entrare in contatto con fili elettrici nascosti o con il proprio cavo di alimentazione.** Il contatto con un filo elettrico sotto tensione mette sotto tensione anche le parti metalliche esposte dell'utensile elettrico, e potrebbe causare una scossa elettrica all'operatore.
6. **Quando si intende eseguire tagli longitudinali, utilizzare sempre una guida di taglio o una guida per bordi dritti.** In tal modo si migliora la precisione del taglio e si riduce il rischio che la lama si blocchi.
7. **Utilizzare sempre lame con dimensione e forma corretta (a diamante rispetto a quella circolare) dei fori per l'albero.** Le lame che non corrispondono all'attacco di montaggio della sega girano decentrate, causando la perdita di controllo.
8. **Non utilizzare mai rondelle o bulloni per la lama danneggiati o errati.** Le rondelle e i bulloni per la lama sono stati progettati appositamente per le prestazioni ottimali e per la sicurezza d'uso della sega.
3. **Quando si riavvia una sega all'interno di un pezzo in lavorazione, centrare la lama nel taglio in modo che i denti della sega non siano in contatto con il materiale.** Qualora la lama si inceppi, potrebbe risalire o produrre un contraccolpo dal pezzo in lavorazione quando la sega viene riavviata.
4. **Suportare i pannelli di grandi dimensioni per ridurre al minimo il rischio che la lama resti incastrata e i contraccolpi.** I pannelli di grandi dimensioni tendono a flettersi sotto il loro stesso peso. È necessario sistemare dei sostegni sotto il pannello su entrambi i lati, vicino alla linea di taglio e in prossimità dei bordi del pannello. (Fig. 2 e 3)
5. **Non utilizzare lame smussate o danneggiate.** Le lame non affilate o non applicate correttamente producono un taglio stretto che può causare frizione eccessiva, blocchi della lama e contraccolpi.
6. **Le leve di blocco della profondità della lama e di regolazione del taglio a unghia devono essere fissate saldamente prima del taglio.** Qualora la regolazione della lama si sposti durante il taglio, potrebbe causare un blocco o un contraccolpo della lama.
7. **Fare particolarmente attenzione quando si intende segare in pareti esistenti o altre aree cieche.** La lama che sporge potrebbe tagliare oggetti che possono causare contraccolpi.
8. **Tenere SEMPRE saldamente l'utensile con entrambe le mani. Non posizionare MAI una mano, una gamba o qualsiasi altra parte del corpo sotto la base dell'utensile o dietro la sega, specialmente quando si intende eseguire tagli di testa.** Qualora si verifichi un contraccolpo, la sega potrebbe facilmente saltare all'indietro sulla mano, causando gravi lesioni personali. (Fig. 4)
9. **Non forzare mai la sega. Spingere in avanti la sega a una velocità tale che la lama tagli senza rallentare.** Qualora si forzi la sega, si potrebbero causare tagli irregolari, perdita di precisione e possibili contraccolpi.

Cause dei contraccolpi e avvertenze correlate

- il contraccolpo è una reazione improvvisa dovuta a una lama incastrata, inceppata o disallineata, che causa il sollevamento fuori dal pezzo in lavorazione e verso l'operatore di una sega fuori controllo;
- quando la lama è incastrata o inceppata con forza dal taglio che si chiude, la lama entra in stallo e la reazione del motore spinge rapidamente all'indietro l'unità verso l'operatore;
- qualora la lama si deformi o si disallinei nel taglio, i denti sul bordo posteriore della lama possono scavare nella superficie superiore del legno facendola fuoriuscire dal taglio e rimbalzare all'indietro verso l'operatore.

Il contraccolpo è il risultato dell'uso improprio della sega e/o di procedure o condizioni operative errate, e può essere evitato adottando le precauzioni appropriate indicate di seguito.

1. **Mantenere una presa solida con entrambe le mani sulla sega, e posizionare le braccia in modo da resistere alle forze del contraccolpo. Posizionare il corpo da un lato o dall'altro della lama, e non allineato con quest'ultima.** Un contraccolpo potrebbe far saltare all'indietro la sega, ma le sue forze possono essere controllate dall'operatore, se vengono adottate le precauzioni appropriate.
2. **Quando la lama si sta bloccando, oppure se per un qualsiasi motivo si intende interrompere il taglio, rilasciare l'interruttore e tenere la sega immobile nel materiale fino al suo arresto completo. Non cercare mai di rimuovere la sega dal pezzo o di tirarla all'indietro mentre la lama è in movimento, oppure si potrebbe verificare un contraccolpo.** Indagare e adottare delle misure correttive per eliminare la causa del blocco della lama.

Funzione della protezione

1. **Controllare sempre che la protezione inferiore si chiuda correttamente prima dell'uso. Non utilizzare la sega qualora la protezione inferiore non si muova liberamente e non si chiuda istantaneamente. Non bloccare o legare mai la protezione inferiore in posizione di apertura.** Qualora la sega venga fatta cadere accidentalmente, la protezione inferiore potrebbe deformarsi. Sollevare la protezione inferiore con il manico retrattile e accertarsi che si muova liberamente e che non tocchi la lama o alcuna altra parte, a tutti gli angoli e a tutte le profondità di taglio.
2. **Controllare il funzionamento della molla della protezione inferiore. Qualora la protezione e la molla non funzionino correttamente, è necessario sottoporle a interventi di assistenza prima dell'uso.** La protezione inferiore potrebbe funzionare lentamente a causa di parti danneggiate, depositi gommosi o accumulazione di detriti.
3. **La protezione inferiore può essere fatta rientrare manualmente solo per tagli speciali quali i "tagli a immersione" e i "tagli compositi".** Sollevare la protezione inferiore facendo rientrare il manico retrattile e rilasciarla non appena la lama penetra nel materiale. Per tutti gli altri tagli, la protezione inferiore dovrebbe funzionare automaticamente.

4. **Accertarsi sempre che la protezione inferiore copra la lama prima di posare la sega sul banco di lavoro o sul pavimento.** Una lama non protetta in rotazione inerziale fa muovere all'indietro la sega, tagliando tutto ciò che incontra sul suo percorso. Tenere presente il tempo necessario alla lama per arrestarsi dopo il rilascio dell'interruttore.
5. **Per controllare la protezione inferiore, aprirla manualmente, quindi rilasciarla e osservarla mentre si chiude. Controllare anche che il manico retrattile non tocchi il corpo dell'utensile.** Lasciare la lama esposta È MOLTO PERICOLOSO e può causare gravi lesioni personali.
6. **Non tentare mai di segare con la sega circolare tenuta capovolta in una morsa.** Ciò è estremamente pericoloso e può causare incidenti gravi. (Fig. 6)
7. **Alcuni materiali contengono sostanze chimiche che possono essere tossiche. Fare attenzione per evitare l'inalazione della polvere e il contatto con la pelle.** Attenersi ai dati sulla sicurezza del fornitore del materiale.
8. **Non arrestare la lama esercitando una pressione laterale sulla lama stessa.**
9. **Non utilizzare alcun tipo di dischi abrasivi.**
10. **Utilizzare esclusivamente una lama che abbia il diametro indicato sull'utensile o specificato nel manuale.** L'uso di una lama di dimensioni errate potrebbe influire sulla corretta protezione della lama o sul funzionamento della protezione, il che potrebbe risultare in gravi lesioni personali.
11. **Mantenere la lama affilata e pulita.** Collanti e pece di legno induriti sulle lame rallentano la sega e aumentano la possibilità dei contraccolpi. Mantenere pulita la lama, innanzitutto rimuovendola dall'utensile e quindi pulendola con un solvente per collanti e pece di legno, quali acqua calda o cherosene. Non utilizzare mai benzina.

Funzione del coltello divisorio

1. **Utilizzare la lama appropriata per il coltello divisorio.** Affinché il coltello divisorio funzioni, il corpo della lama deve essere più sottile del coltello divisorio, e la larghezza di taglio della lama deve essere più ampia dello spessore del coltello divisorio.
2. **Regolare il coltello divisorio come descritto nel presente manuale d'uso.** Una spaziatura, un posizionamento e un allineamento errati possono rendere inefficace il coltello divisorio nel prevenire i contraccolpi.
3. **Utilizzare sempre il coltello divisorio, tranne quando si effettuano tagli ad affondamento.** Il coltello divisorio deve essere sostituito dopo il taglio ad affondamento. Il coltello divisorio causa interferenze durante il taglio ad affondamento, e può creare contraccolpi.
4. **Affinché il coltello divisorio funzioni, deve penetrare nel pezzo in lavorazione.** Il coltello divisorio è inefficace nel prevenire i contraccolpi durante i tagli brevi.
5. **Non utilizzare la sega qualora il coltello divisorio sia piegato.** Anche una leggera interferenza può rallentare la velocità di chiusura di una protezione.

Avvertenze aggiuntive per la sicurezza

1. **Fare particolarmente attenzione quando si intende tagliare legno umido, legname trattato a pressione o legno contenente nodi.** Mantenere un avanzamento uniforme dell'utensile senza ridurre la velocità della lama, per evitare il surriscaldamento delle punte della lama.
2. **Non cercare di rimuovere il materiale tagliato quando la lama è in movimento. Attendere che la lama si sia arrestata prima di afferrare il materiale tagliato.** Le lame continuano a girare per inerzia dopo lo spegnimento.
3. **Evitare di tagliare i chiodi. Ispezionare il legname e rimuovere tutti i chiodi prima di eseguire tagli.**
4. **Collocare la porzione più ampia della base della sega sulla parte del pezzo supportata saldamente, e non sulla sezione destinata a cadere una volta eseguito il taglio. Qualora il pezzo sia corto o piccolo, bloccarlo con una morsa. NON TENTARE DI TENERE IN MANO I PEZZI CORTI! (Fig. 5)**
5. **Prima di posare l'utensile dopo aver completato un taglio, accertarsi che la protezione si sia chiusa e che la lama si sia arrestata completamente.**

6. **Non tentare mai di segare con la sega circolare tenuta capovolta in una morsa.** Ciò è estremamente pericoloso e può causare incidenti gravi. (Fig. 6)
7. **Alcuni materiali contengono sostanze chimiche che possono essere tossiche. Fare attenzione per evitare l'inalazione della polvere e il contatto con la pelle.** Attenersi ai dati sulla sicurezza del fornitore del materiale.
8. **Non arrestare la lama esercitando una pressione laterale sulla lama stessa.**
9. **Non utilizzare alcun tipo di dischi abrasivi.**
10. **Utilizzare esclusivamente una lama che abbia il diametro indicato sull'utensile o specificato nel manuale.** L'uso di una lama di dimensioni errate potrebbe influire sulla corretta protezione della lama o sul funzionamento della protezione, il che potrebbe risultare in gravi lesioni personali.
11. **Mantenere la lama affilata e pulita.** Collanti e pece di legno induriti sulle lame rallentano la sega e aumentano la possibilità dei contraccolpi. Mantenere pulita la lama, innanzitutto rimuovendola dall'utensile e quindi pulendola con un solvente per collanti e pece di legno, quali acqua calda o cherosene. Non utilizzare mai benzina.
12. **Quando si utilizza l'utensile, indossare una mascherina antipolvere e protezioni acustiche.**
13. **Utilizzare sempre una lama destinata al taglio del materiale che si intende tagliare.**
14. **Utilizzare solo lame che siano contrassegnate con una velocità pari o superiore a quella contrassegnata sull'utensile.**
15. **(Solo per le nazioni europee)** Utilizzare sempre una lama conforme allo standard EN847-1.

CONSERVARE LE PRESENTI ISTRUZIONI.

AVVERTIMENTO:

NON lasciare che comodità o la familiarità d'utilizzo con il prodotto (acquisita con l'uso ripetuto) sostituisca la stretta osservanza delle norme di sicurezza per il prodotto in questione. L'USO IMPROPRIO o la mancata osservanza delle norme di sicurezza indicate nel presente manuale di istruzioni potrebbero causare gravi lesioni personali.

DESCRIZIONE DEL FUNZIONAMENTO

ATTENZIONE:

- Accertarsi sempre che l'utensile sia spento e staccato dalla presa di corrente prima di regolare o controllare le sue funzioni.

Regolazione della profondità di taglio (Fig. 7)

ATTENZIONE:

- Dopo aver regolato la profondità di taglio, stringere sempre saldamente la leva.

Allentare la leva sulla guida di taglio e spostate in su o in giù la base. Stringere saldamente la leva alla profondità di taglio desiderata.

Per dei tagli più puliti e sicuri, regolare la profondità di taglio in modo che da sotto il pezzo non sporga più di un dente della lama. L'utilizzo della profondità di taglio corretta riduce il rischio di potenziali CONTRACCOLPI pericolosi che possono causare lesioni all'operatore.

Taglio a sbieco (Fig. 8)

Per modello 5705R, 5903R, 5103R

Allentare le viti di fermo davanti e dietro, e inclinare l'utensile all'angolo desiderato per i tagli a unghia (da 0° a 45°). Fissare saldamente le viti di fermo davanti e dietro dopo la regolazione.

Per modello 5143R

Allentare la vite di fermo davanti, e inclinare l'utensile all'angolo desiderato per i tagli a unghia (da 0° a 60°). Fissare saldamente le viti di fermo davanti dopo la regolazione.

Taglio diritto

Per 5705R (Fig. 9)

Per 5903R, 5103R (Fig. 10)

Per i tagli diritti, allineare la posizione A sul davanti della base sulla linea di taglio desiderata. Per i tagli a sbieco di 45°, allineare su di essa la posizione B.

Per 5143R (Fig. 11)

Allineare la linea di visione con la tacca di 0° per il taglio diritto, la tacca di 30° per il taglio inclinato di 30°, la tacca di 45° per il taglio inclinato di 45° o la tacca di 60° per il taglio inclinato di 60°.

Regolazione del cuneo (Fig. 12)

Usare la chiave esagonale per allentare il bullone con testa esagonale per regolare il cuneo, e sollevare poi le protezioni inferiori della lama. Spostare il cuneo su o giù sopra le due sporgenze di regolazione indicate nella figura, in modo da ottenere il gioco corretto tra il cuneo e la lama.

ATTENZIONE:

- Accertarsi che il cuneo sia regolato in modo che:
La distanza tra il cuneo e il bordo dentato della lama non superi i 5 mm. Il bordo dentato non sporga di oltre 5 mm oltre la punta del cuneo.

Funzionamento dell'interruttore (Fig. 13)

ATTENZIONE:

- Prima di collegare l'utensile alla presa di corrente, controllare sempre che l'interruttore funzioni correttamente e che torni sulla posizione "OFF" quando viene rilasciato.

L'utensile è provvisto del bottone di sblocco per evitare che l'interruttore venga schiacciato accidentalmente. Per avviare l'utensile, spingere dentro il bottone di sblocco e schiacciare l'interruttore. Rilasciare l'interruttore per fermarlo.

MONTAGGIO

ATTENZIONE:

- Accertarsi sempre che l'utensile sia spento e staccato dalla presa di corrente prima di qualsiasi intervento su di esso.

Rimozione o installazione della lama (Fig. 14 e 15)

Con questo utensile si possono usare le lame seguenti.

Modello	Diametro massimo	Diametro minimo	Spessore lama	Spessore taglio
5705R	190 mm	170 mm	1,6 mm o meno	1,9 mm o più
5903R	235 mm	210 mm	1,7 mm o meno	2,1 mm o più
5103R	270 mm	260 mm	1,8 mm o meno	2,2 mm o più
5143R	355 mm	350 mm	2,3 mm o meno	2,7 mm o più

006481

Lo spessore del coltello divisore è di 1,8 mm per il modello 5705R, di 2,0 mm per i modelli 5903R e 5103R, e di 2,5 mm per il modello 5143R.

ATTENZIONE:

- Non usare lame che non sono conformi alle caratteristiche specificate in queste istruzioni.
- Non usare lame con un disco più spesso o con un'insieme inferiore allo spessore del cuneo.

ATTENZIONE:

- Accertarsi di installare la lama con i denti rivolti in alto sulla parte anteriore dell'utensile.
- Per l'installazione o la rimozione della lama si deve usare soltanto la chiave Makita.
- Il blocco albero non deve mai essere schiacciato mentre la sega sta funzionando.

Per rimuovere la lama, premere completamente il bloccaggio albero in modo che la lama non possa girare e usare la chiave per girare in senso antiorario il bullone esagonale. Rimuovere poi il bullone esagonale, la flangia esterna e la lama.

Per installare la lama, seguire il procedimento opposto di rimozione. RICORDARSI DI STRINGERE SALDAMENTE IN SENSO ORARIO IL BULLONE ESAGONALE.

Quando si cambia la lama, si deve anche togliere la segatura dalle protezioni superiore e inferiore della lama. Tale azione non sostituisce però la necessità di controllare il funzionamento della protezione inferiore prima di ogni utilizzo.

Collegamento dell'aspiratore (Fig. 16)

Per eseguire delle operazioni di taglio pulite, collegare un aspiratore Makita all'utensile. Installare il giunto sull'utensile usando le viti. Collegare poi il manicotto dell'aspiratore al giunto, come mostrato nella illustrazione.

FUNZIONAMENTO

ATTENZIONE:

- Spostare delicatamente l'utensile in avanti in linea retta. Sforzando o storcendo l'utensile, si possono causare il surriscaldamento del motore e pericolosi contraccolpi, con conseguente possibilità di seri incidenti.

Tenere l'utensile saldamente. Esso è provvisto sia di una impugnatura anteriore che di un manico posteriore. Usarli entrambi per afferrare l'utensile. Se si tiene l'utensile con entrambe le mani, esse non possono essere tagliate dalla lama. Mettere la base sul pezzo da tagliare senza che la lama faccia alcun contatto. Avviare poi l'utensile e aspettare che lama abbia raggiunto la velocità massima. Spostare poi semplicemente l'utensile in avanti sopra la superficie del pezzo, mantenendolo piatto e facendolo avanzare scorrevolmente fino al completamento del taglio.

Per ottenere dei tagli puliti, mantenere dritta la linea di taglio e uniforme la velocità di avanzamento. Se l'utensile non riesce a mantenersi correttamente sulla linea di taglio desiderata, non si deve cercare di riportarlo forzatamente sulla linea di taglio. Ciò potrebbe far incastrare la lama e causare pericolosi contraccolpi con possibilità di seri incidenti. Rilasciare l'interruttore, aspettare che la lama si fermi e ritirare poi l'utensile. Riallineare l'utensile sulla nuova linea di taglio e cominciare di nuovo il taglio. Cercare di evitare una posizione che esponga l'operatore ai trucioli e alla segatura espulsi dalla sega. Come aiuto per evitare lesioni, indossare occhiali di protezione. (Fig. 17)

ATTENZIONE:

- Il cuneo va sempre usato, eccetto quando si comincia il taglio da una parte interna del pezzo.

Guida pezzo (righello guida) (Fig. 18)

La comoda guida pezzo permette di fare dei tagli dritti con extra precisione. Spingere semplicemente la guida pezzo contro il fianco del pezzo e fissarla in posizione con la vite sul davanti della base. Essa permette anche di fare ripetutamente tagli di larghezza uniforme.

MANUTENZIONE

ATTENZIONE:

- Accertarsi sempre che l'utensile sia spento e staccato dalla presa di corrente prima di qualsiasi intervento di ispezione o di manutenzione.
- Mai usare benzina, benzene, solventi, alcol e altre sostanze simili. Potrebbero causare scolorimenti, deformazioni o crepe.

Sostituzione delle spazzole di carbone

(Fig. 19 e 20)

Rimuovere e controllare regolarmente le spazzole di carbone. Sostituirle se sono usurate fino al segno di limite. Mantenere sempre le spazzole di carbone pulite e facili da inserire nei portaspazzole. Le spazzole di carbone devono essere sostituite entrambe allo stesso tempo. Usare soltanto spazzole di carbone identiche. Usare un cacciavite per rimuovere i tappi dei portaspazzole. Estrarre le spazzole di carbone usurate, inserire quelle nuove e fissare i tappi dei portaspazzole.

Per mantenere la SICUREZZA e l'AFFIDABILITÀ del prodotto, le riparazioni, la manutenzione o le regolazioni dovrebbero essere eseguite da un centro di assistenza Makita autorizzato, sempre con i pezzi di ricambio di Makita.

ACCESSORI OPZIONALI

ATTENZIONE:

- Questi accessori o attrezzi sono consigliati per l'uso con l'utensile Makita specificato in questo manuale. L'impiego di altri accessori o attrezzi può costituire un rischio di lesioni alle persone. Usare gli accessori soltanto per il loro scopo prefissato.

Per maggiori dettagli e l'assistenza, rivolgersi al Centro Assistenza Makita locale.

- Lama sega
- Guida pezzo (righello guida)
- Chiave esagonale
- Giunto

NOTA:

- Alcuni articoli nella lista potrebbero essere inclusi nell'imballo dell'utensile come accessori standard. Essi potrebbero differire da Paese a Paese.

EN905-1

Rumore

Il tipico livello di rumore pesato A determinato secondo EN62841-2-5:

Modello 5103R

Livello pressione sonora (L_{pA}): 100 dB (A)

Livello potenza sonora (L_{WA}): 108 dB (A)

Incertezza (K): 3 dB (A)

Modello 5143R

Livello pressione sonora (L_{pA}): 97 dB (A)

Livello potenza sonora (L_{WA}): 105 dB (A)

Incertezza (K): 3 dB (A)

Modello 5903R

Livello pressione sonora (L_{pA}): 98 dB (A)

Livello potenza sonora (L_{WA}): 106 dB (A)

Incertezza (K): 3 dB (A)

EN907-1

NOTA:

- Il valore o i valori dichiarati delle emissioni di rumori sono stati misurati in conformità a un metodo standard di verifica, e possono essere utilizzati per confrontare un utensile con un altro.
- Il valore o i valori dichiarati delle emissioni di rumori possono venire utilizzati anche per una valutazione preliminare dell'esposizione.

AVVERTIMENTO:

- **Indossare protezioni per le orecchie.**
- **L'emissione di rumori durante l'utilizzo effettivo dell'utensile elettrico può variare rispetto al valore o ai valori dichiarati, a seconda dei modi in cui viene utilizzato l'utensile e specialmente a seconda di che tipo di pezzo venga lavorato.**
- **Accertarsi di identificare misure di sicurezza per la protezione dell'operatore che siano basate su una stima dell'esposizione nelle condizioni effettive di utilizzo (tenendo conto di tutte le parti del ciclo operativo, ad esempio del numero di spegnimenti dell'utensile e di quando giri a vuoto, oltre al tempo di attivazione).**

Vibrazione

Il valore totale di vibrazione (somma vettore triassiale) determinato secondo EN62841-2-5:

Modello 5103R, 5143R

Modalità operativa: taglio del legno

Emissione di vibrazione ($a_{h, W}$): 2,5 m/s² o meno

Incertezza (K): 1,5 m/s²

Modalità operativa: taglio del metallo

Emissione di vibrazione ($a_{h, M}$): 2,5 m/s² o meno

Incertezza (K): 1,5 m/s²

Modello 5903R

Modalità operativa: taglio del legno

Emissione di vibrazione ($a_{h, W}$): 3,0 m/s²

Incertezza (K): 1,5 m/s²

Modalità operativa: taglio del metallo

Emissione di vibrazione ($a_{h, M}$): 4,0 m/s²

Incertezza (K): 1,5 m/s²

ENG901-2

NOTA:

- Il valore o i valori complessivi delle vibrazioni dichiarati sono stati misurati in conformità a un metodo standard di verifica, e possono essere utilizzati per confrontare un utensile con un altro.
- Il valore o i valori complessivi delle vibrazioni dichiarati possono venire utilizzati anche per una valutazione preliminare dell'esposizione.

AVVERTIMENTO:

- **L'emissione delle vibrazioni durante l'utilizzo effettivo dell'utensile elettrico può variare rispetto al valore o ai valori dichiarati, a seconda dei modi in cui viene utilizzato l'utensile, specialmente a seconda di che tipo di pezzo venga lavorato.**
- **Accertarsi di identificare misure di sicurezza per la protezione dell'operatore che siano basate su una stima dell'esposizione nelle condizioni effettive di utilizzo (tenendo conto di tutte le parti del ciclo operativo, ad esempio del numero di spegnimenti dell'utensile e di quando giri a vuoto, oltre al tempo di attivazione).**

DICHIARAZIONI DI CONFORMITÀ

Solo per i paesi europei

Le Dichiarazioni di conformità sono incluse nell'Allegato A al presente manuale d'uso.

Verklaring van algemene gegevens

1	Hendel	10	Zaagblad	17	Asvergrendeling
2	Klemschroef	11	Uitsteeksels voor afstelling van het spouwmes	18	Zeskantbout
3	Grondplaat	12	Zeskantbout (Voor afstelling van het spouwmes)	19	Buitenflens
4	Bovengeleider	13	Snijdiepte	20	Zaagblad
5	Zool	14	Ontgrendelknop	21	Binnenflens
6	60° schuine zaagsneden	15	Trekschakelaar	22	Stofzuiger
7	45° schuine zaagsneden	16	Zeskantsleutel	23	Limietaanduiding
8	30° schuine zaagsneden			24	Schroevendraaier
9	Rechte zaagsneden			25	Borstelhouderdop

TECHNISCHE GEGEVENS

Model		5705R	5903R	5103R	5143R
Bladdiameter		190 mm	235 mm	270 mm	355 mm
Max. zaagdiepte	bij 90°	66 mm	85 mm	100 mm	130 mm
	bij 45°	46 mm	64 mm	73 mm	90 mm
Toerental onbelast (min ⁻¹)		4 800	4 500	3 800	2 700
Totale lengte		356 mm	400 mm	442 mm	607 mm
Netto gewicht		5,4 kg	7,2 kg	9,3 kg	12,5 kg
Veiligheidsklasse		□ /II	□ /II	□ /II	□ /II

- In verband met ononderbroken research en ontwikkeling behouden wij ons het recht voor bovenstaande technische gegevens te wijzigen zonder voorafgaande kennisgeving.
- De technische gegevens kunnen van land tot land verschillen.
- Gewicht volgens de EPTA-procedure 01/2014

GEA010-2

ENE078-2

Doeleinden van gebruik

Het gereedschap is bedoeld voor het rechtzagen in lengterichting en in dwarsrichting en voor het verstekzagen van hoeken in hout terwijl het gereedschap stevig tegen het werkstuk wordt gehouden. Met de geschikte originele Makita zaagbladen kunt u ook andere materialen zagen.

ENF002-2

Stroomvoorziening

Het gereedschap mag alleen worden aangesloten op een stroombron van hetzelfde voltage als aangegeven op de naamplaat, en kan alleen op enkel-fase wisselstroom worden gebruikt. Het gereedschap is dubbel-geïsoleerd en kan derhalve ook op een niet-geaard stopcontact worden aangesloten.

GEB143-1

Voor de model 5705R

ENF100-1

Voor openbare laagspanningsverdeelssystemen van tussen 220 V en 250 V

Schakelbedieningen van elektrische toestellen veroorzaken spanningschommelingen. De bediening van dit gereedschap onder ongunstige lichtnetomstandigheden kan een nadelige invloed hebben op de bediening van andere apparatuur. Het kan worden aangenomen dat er geen negatieve effecten zullen zijn wanneer de netimpedantie gelijk is aan of minder is dan 0,37 Ohm. Het stopcontact dat voor dit gereedschap wordt gebruikt, moet beveiligd zijn door een zekering of een stroomonderbreker met trage afschakelkarakteristieken.

Algemene veiligheidswaarschuwingen voor elektrisch gereedschap

⚠ WAARSCHUWING: Lees alle veiligheidswaarschuwingen, aanwijzingen, afbeeldingen en technische gegevens behorend bij dit elektrische gereedschap aandachtig door. Als u niet alle onderstaande aanwijzingen naleeft, kan dat resulteren in brand, elektrische schokken en/of ernstig letsel.

Bewaar alle waarschuwingen en instructies om in de toekomst te kunnen raadplegen.

De term "elektrisch gereedschap" in de veiligheidsvoorschriften duidt op gereedschappen die op stroom van het lichtnet werken (met snoer) of gereedschappen met een accu (snoerloos).

**VEILIGHEIDSVOORSCHRIFTEN
CIRKELZAAGMACHINE**

Werkwijze bij het zagen

1. **⚠ GEVAAR: Houd uw handen uit de buurt van het zaaggebied en het zaagblad. Houd met uw andere hand de voorhandgreep of de behuizing van het gereedschap vast.** Als u de zaag met beide handen vasthoudt, kunt u nooit in uw handen zagen.
2. **Reik nooit met uw handen onder het werkstuk.** De beschermkap kan u niet beschermen tegen het zaagblad onder het werkstuk.
3. **Stel de zaagdiepte in overeenkomstig de dikte van het werkstuk.** Minder dan een volledige tandhoogte dient onder het werkstuk uit te komen.

4. **Houd tijdens het zagen het werkstuk nooit vast met uw handen of benen. Zorg dat het werkstuk stabiel is ten opzichte van de ondergrond.** Het is belangrijk het werkstuk goed te ondersteunen om de kans te minimaliseren dat uw lichaam eraan blootgesteld wordt, het zaagblad vastloopt of u de controle over het gereedschap verliest. (Fig. 1)
5. **Houd elektrisch gereedschap vast aan het geïsoleerde oppervlak van de handgrepen wanneer u werkt op plaatsen waar het snijgarntuur met verborgen bedrading of zijn eigen snoer in aanraking kan komen.** Door contact met onder spanning staande draden, zullen ook de niet-geïsoleerde metalen delen van het elektrisch gereedschap onder spanning komen te staan zodat de gebruiker een elektrische schok kan krijgen.
6. **Gebruik bij het schulpen altijd de breedtegeleider of de langseleider.** Hierdoor wordt de nauwkeurigheid van het zagen vergroot en de kans op vastlopen van het zaagblad verkleind.
7. **Gebruik altijd zaagbladen met een middengat van de juiste afmetingen en vorm (diamant versus rond).** Zaagbladen die niet goed passen op de bevestigingsmiddelen van de zaag, zullen uit-het-midden draaien waardoor u de controle over het gereedschap verliest.
8. **Gebruik nooit een beschadigde of verkeerde bouten en ringen om het zaagblad te bevestigen.** De bouten en ringen voor de bevestiging van het zaagblad zijn speciaal ontworpen voor gebruik met uw zaag voor optimale prestaties en veilig gebruik.

Oorzaken van terugslag en aanverwante waarschuwingen

- Terugslag is een plotselinge reactie op een bekneld, vastgelopen of niet-uitgelijnd zaagblad, waardoor de oncontroleerbare zaag omhoog, uit het werkstuk en in de richting van de gebruiker gaat.
- Wanneer het zaagblad bekneld raakt of vastloopt doordat de zaagsnede naar beneden toe smaller wordt, komt het zaagblad tot stilstand en komt als reactie de motor snel omhoog in de richting van de gebruiker.
- Als het zaagblad gebogen of niet-uitgelijnd raakt in de zaagsnede, kunnen de tanden aan de achterrand van het zaagblad zich in het bovenoppervlak van het hout vreten, waardoor het zaagblad uit de zaagsnede klimt en omhoog springt in de richting van de gebruiker.

Terugslag is het gevolg van misgebruik van de zaag en/of van onjuiste gebruikprocedures of -omstandigheden, en kan worden voorkomen door goede voorzorgsmaatregelen te treffen, zoals hieronder vermeld.

1. **Houd de zaag stevig vast met beide handen en houd uw armen zodanig dat een terugslag wordt opgevangen. Plaats uw lichaam zijwaarts versprongen van het zaagblad en niet in een rechte lijn erachter.** Door terugslag kan de zaag achterwaarts springen, maar de kracht van de terugslag kan met de juiste voorzorgsmaatregelen door de gebruiker worden opgevangen.

2. **Wanneer het zaagblad vastloopt, of wanneer u om een of andere reden het zagen onderbreekt, laat u de aan-uitschakelaar los en houdt u de zaag stil in het materiaal totdat het zaagblad volledig tot stilstand is gekomen. Probeer nooit de zaag uit het werkstuk te halen of de zaag naar achteren te trekken, terwijl het zaagblad nog draait omdat hierdoor een terugslag kan optreden.** Onderzoek waarom het zaagblad is vastgelopen en tref afdoende maatregelen om de oorzaak ervan op te heffen.
3. **Wanneer u de zaag weer inschakelt terwijl het zaagblad in het werkstuk zit, plaatst u het zaagblad in het midden van de zaagsnede zodat de tanden niet in het materiaal grijpen.** Als het zaagblad is vastgelopen, kan wanneer de zaag wordt ingeschakeld het zaagblad uit het werkstuk lopen of terugslaan.
4. **Ondersteun grote platen om de kans te minimaliseren dat het zaagblad bekneld raakt of terugslaat.** Grote platen neigen door te zakken onder hun eigen gewicht. U moet de plaat ondersteunen aan beide zijden, vlakbij de zaaglijn en vlakbij de rand van de plaat. (Fig. 2 en 3)
5. **Gebruik een bot of beschadigd zaagblad niet meer.** Niet-geslepen of verkeerd gezette tanden maken een smalle zaagsnede wat leidt tot grote wrijving, vastlopen en terugslag.
6. **De vergrendelhendels voor het instellen van de zaagbladdiepte en verstekhoek moeten vastgezet zijn alvorens te beginnen met zagen.** Als de afstellingen van het zaagblad tijdens het zagen verlopen, kan dit leiden tot vastlopen of terugslag.
7. **Wees extra voorzichtig wanneer u een inval-zaagsnede maakt in een bestaande wand of een andere plaats waarvan u de onderkant niet kunt zien.** Het zaagblad zou een hard voorwerp kunnen raken, met als gevolg een gevaarlijke terugslag.
8. **Houd het gereedschap ALTIJD met beide handen stevig vast. Plaats NOOIT een hand, been of een ander lichaamsdeel onder zoolplaat of achter de zaag, speciaal bij het afkorten.** Als een terugslag optreedt, kan de zaag gemakkelijk achteruit en over uw hand springen waardoor ernstig persoonlijk letsel ontstaat. (Fig. 4)
9. **Dwing de zaag nooit. Duw de zaag vooruit met een snelheid waarbij het zaagblad niet vertraagt.** Als u de zaag dwingt, kan dat leiden tot een ongelijke zaagsnede, verminderde nauwkeurigheid en mogelijke terugslag.

Functie van de beschermkap

1. **Controleer voor ieder gebruik of de onderste beschermkap goed sluit. Gebruik de zaag niet als de onderste beschermkap niet vrij kan bewegen en onmiddellijk sluit. Zet de onderste beschermkap nooit vast in de geopende stand.** Als u de zaag per ongeluk laat vallen, kan de onderste beschermkap worden verbogen. Til de onderste beschermkap op aan de terugtrekhandel en controleer dat deze vrij kan bewegen en niet het zaagblad of enig ander onderdeel raakt, onder alle verstekhoeken en op alle zaagdiepten.

2. **Controleer de werking van de veer van de onderste beschermkap.** Als de beschermkap en de veer niet goed werken, dienen deze vóór gebruik te worden gerepareerd. De onderste beschermkap kan traag werken als gevolg van beschadigde onderdelen, gom- of harsafzetting, of opeenhoping van vuil.
3. **De onderste beschermkap mag alleen met de hand worden geopend voor het maken van speciale zaagsneden, zoals een invalzaagsnede en gecombineerde zaagsnede.** Til de onderste beschermkap op aan de terugtrekhandel en laat deze los zodra het zaagblad in het materiaal zaagt. Bij alle andere typen zaagsneden, dient de onderste beschermkap automatisch te werken.
4. **Let er altijd op dat de onderste beschermkap het zaagblad bedekt voordat u de zaag op een werkbank of vloer neerlegt.** Een onbeschermd zaagblad dat nog nadraait, zal de zaag achteruit doen lopen waarbij alles op zijn weg wordt gezaagd. Denk aan de tijd die het duurt nadat de schakelaar is losgelaten voordat het zaagblad stilstaat.
5. **U kunt de onderste beschermkap controleren, door deze met de hand te openen, los te laten en te kijken of hij goed sluit. Controleer tevens of de terugtrekhandel de behuizing van het gereedschap niet raakt.** Het zaagblad onbeschermd laten is UITERST GEVAARLIJK en kan leiden tot ernstig persoonlijk letsel.
3. **Voorkom dat u in spijkers zaagt.** Inspecteer het hout op spijkers en verwijder deze zo nodig voordat u begint te zagen.
4. **Plaats het bredere deel van de zool van de zaag op het deel van het werkstuk dat goed is ondersteund, en niet op het deel dat omlaag valt nadat de zaagsnede gemaakt is.** Als het werkstuk kort of smal is, klemt u het vast. **PROBEER NOOIT EEN KORT WERKSTUK IN UW HANDEN VAST TE HOUDEN!** (Fig. 5)
5. **Voordat u het gereedschap neerlegt na het voltooiën van een zaagsnede, controleert u dat de beschermkap gesloten is en het zaagblad volledig tot stilstand is gekomen.**
6. **Probeer nooit te zagen waarbij de zaag ondersteboven in een bankschroef is geklemd.** Dit is uiterst gevaarlijk en kan leiden tot ernstig persoonlijk letsel. (Fig. 6)
7. **Sommige materialen bevatten chemische stoffen die giftig kunnen zijn.** Neem voorzorgsmaatregelen tegen het inademen van stof en contact met de huid. Volg de veiligheidsinstructies van de leverancier van het materiaal op.
8. **Breng het zaagblad niet tot stilstand door zijdelings op het zaagblad te drukken.**
9. **Gebruik geen slijpschijven.**
10. **Gebruik uitsluitend een zaagblad met een diameter die is aangegeven op het gereedschap of vermeld in de gebruiksaanwijzing.** Het gebruik van een zaagblad met een verkeerde afmeting kan de goede bescherming van het zaagblad of de werking van de beschermkap negatief beïnvloeden, waardoor ernstig persoonlijk letsel kan ontstaan.

Werking van het spouwmes

1. **Gebruik het geschikte zaagblad voor het spouwmes.** Om het spouwmes te laten werken, moet het lichaam van het zaagblad dunner zijn dan het spouwmes, en moet de breedte van de tanden van het zaagblad groter zijn dan de dikte van het spouwmes.
2. **Stel het spouwmes in zoals beschreven in deze gebruiksaanwijzing.** Door een onjuiste afstand, positie of uitlijning, zal het spouwmes eventuele terugslag niet effectief kunnen voorkomen.
3. **Gebruik het spouwmes altijd, behalve bij het maken van een invalzaagsnede.** Het spouwmes moet worden teruggeplaatst nadat de invalzaagsnede is gemaakt. Het spouwmes zit in de weg bij het maken van een invalzaagsnede en kan terugslag veroorzaken.
4. **Voor een goede werking van het spouwmes, moet het in het werkstuk lopen.** Het spouwmes is niet effectief in het voorkomen van terugslag tijdens korte zaagsneden.
5. **Bedien de zaag niet als het spouwmes verbogen is.** Zelfs bij heel licht aanlopen kan een beschermkap langzamer sluiten.
11. **Houd het zaagblad scherp en schoon.** Gom of hars dat op het zaagblad is opgedroogd vertraagt het zaagblad en verhoogt de kans op terugslag. Houd het zaagblad schoon door dit eerst van het gereedschap te demonteren en het vervolgens schoon te maken met een reinigingsmiddel voor gom en hars, heet water of kerosine. Gebruik nooit benzine.
12. **Draag een stofmasker en gehoorbescherming tijdens gebruik van het gereedschap.**
13. **Gebruik altijd het zaagblad dat is bedoeld voor zagen in het materiaal waarin u gaat zagen.**
14. **Gebruik altijd een zaagblad dat is gemarkeerd met een toerental dat gelijk is aan of hoger is dan het toerental dat is aangegeven op het gereedschap.**
15. **(Alleen voor Europese landen)**
Gebruik altijd een zaagblad dat voldoet aan EN847-1.

BEWAAR DEZE INSTRUCTIES.

WAARSCHUWING:

Laat u NIET misleiden door een vals gevoel van comfort en bekendheid met het gereedschap (na veelvuldig gebruik) en neem alle veiligheidsvoorschriften van het betreffende gereedschap altijd strikt in acht. **VERKEERD GEBRUIK** of het niet naleven van de veiligheidsvoorschriften in deze gebruiksaanwijzing kan leiden tot ernstig persoonlijk letsel.

BESCHRIJVING VAN DE FUNCTIES

LET OP:

- Controleer altijd of het gereedschap is uitgeschakeld en zijn stekker uit het stopcontact is verwijderd alvorens de functies op het gereedschap te controleren of af te stellen.

De zaagdiepte instellen (Fig. 7)

LET OP:

- Nadat u de zaagdiepte hebt ingesteld, zet u de hendel altijd stevig vast.

Zet de hendel op de dieptegeleider los en beweeg de grondplaat op of neer. Zet de zool vast op de gewenste zaagdiepte door de hendel vast te draaien.

Voor een schonere, veiligere zaagsnede, stelt u de zaagdiepte zodanig in dat niet meer dan een tandhoogte door het werkstuk heen steekt. Door de zaagdiepte goed in te stellen, verkleint u de kans op een potentieel gevaarlijke TERUGSLAG, en daarmee op persoonlijk letsel.

Verticaal verstekzagen (Fig. 8)

Voor de model 5705R, 5903R, 5103R

Draai de klemschroeven aan de voor- en achterkant los en kantel het gereedschap in de gewenste hoek voor verticaal-verstekzagen (0° t/m 45°). Draai na het instellen de klemschroeven aan de voor- en achterkant stevig aan.

Voor de model 5143R

Draai de klemschroef aan de voorkant los en kantel het gereedschap in de gewenste hoek voor verticaal-verstekzagen (0° t/m 60°). Draai na het instellen de klemschroef aan de voorkant stevig aan.

Zichtlijn

Voor 5705R (Fig. 9)

Voor 5903R, 5103R (Fig. 10)

Voor recht zagen lijnt u de positie A op de voorkant van de zool uit met de zaaglijn. Voor verticaal verstekzagen onder een hoek van 45°, gebruikt u hiervoor positie B.

Voor 5143R (Fig. 11)

Lijn uw zichtlijn uit met 0°-nok voor recht zagen, met de 30°-nok voor verticaal verstekzagen onder een hoek van 30°, met de 45°-nok voor verticaal verstekzagen onder een hoek van 45°, of met de 60°-nok voor verticaal verstekzagen onder een hoek van 60°.

Afstellen van het spouwmes (Fig. 12)

Draai met de zeskantsleutel de zeskantbout voor afstelling van het spouwmes los, en breng dan de onderste beschermkap omhoog. Beweeg het spouwmes naar omhoog of naar omlaag over de twee uitsteeksels voor afstelling van het spouwmes aangegeven in de afbeelding om de juiste afstand tussen het spouwmes en het zaagblad te krijgen.

LET OP:

- Zorg ervoor dat het spouwmes zo wordt afgesteld dat: De afstand tussen het spouwmes en de zaagtandrand niet groter is dan 5 mm. De zaagtandrand niet verder dan 5 mm voorbij de onderrand van het spouwmes uitsteekt.

Werking van de aan/uit-schakelaar (Fig. 13)

LET OP:

- Controleer altijd, voordat u de stekker in het stopcontact steekt, of de aan/uit-schakelaar op de juiste manier schakelt en weer terugkeert naar de uit-stand nadat deze is losgelaten.

Om te voorkomen dat de aan/uit-schakelaar per ongeluk wordt bediend, is een uit-vergrendelknop aangebracht. Om het gereedschap te starten, drukt u de uit-vergrendelknop in en haalt u de aan/uit-schakelaar aan. Laat de aan/uit-schakelaar los om het gereedschap te stoppen.

INEENZETTEN

LET OP:

- Zorg altijd dat het gereedschap is uitgeschakeld en dat zijn stekker uit het stopcontact is verwijderd alvorens enig werk aan het gereedschap uit te voeren.

Verwijderen of installeren van het zaagblad (Fig. 14 en 15)

Voor dit gereedschap kunnen de volgende zaagbladen worden gebruikt.

Model	Max. diam.	Min. diam.	Zaagblad-dikte	Zaagsnede
5705R	190 mm	170 mm	1,6 mm of minder	1,9 mm of meer
5903R	235 mm	210 mm	1,7 mm of minder	2,1 mm of meer
5103R	270 mm	260 mm	1,8 mm of minder	2,2 mm of meer
5143R	355 mm	350 mm	2,3 mm of minder	2,7 mm of meer

006481

De dikte van het spouwmes is 1,8 mm voor Model 5705R, 2,0 mm voor Modellen 5903R en 5103R, en 2,5 mm voor Model 5143R.

LET OP:

- Gebruik geen zaagbladen die niet beantwoorden aan de in deze gebruiksaanwijzing vermelde specificaties.
- Gebruik geen zaagbladen waarvan het blad dikker, of de snijbreedte (zetting van de tanden) minder is dan de dikte van het spouwmes.

LET OP:

- Verzeker u ervan dat het zaagblad zodanig wordt aangebracht dat de tanden aan de voorkant van het gereedschap omhoog wijzen.
- Gebruik uitsluitend de Makita-steeksleutel voor het aanbrengen en verwijderen van het zaagblad.
- Druk nooit de asvergrendeling in terwijl de zaag draait.

Als u het zaagblad wilt verwijderen, drukt u eerst de asvergrendeling helemaal in zodat het zaagblad niet meer kan draaien, en gebruikt u vervolgens de steeksleutel om de zeskantbout linksom los te draaien. Verwijder tenslotte de zeskantbout, de buitenflens en het zaagblad.

Om het zaagblad aan te brengen, volgt u de procedure in omgekeerde volgorde. ZORG ERVOOR DAT U DE ZESKANTBOUT RECHTSOM STEVIG VASTDRAAIT.

Vergeet niet tijdens het verwisselen van het zaagblad ook de bovenste en onderste beschermkappen te ontdoen van opgehoopt zaagsel. Ondanks dergelijk onderhoud blijft het noodzakelijk de werking van de onderste beschermkap voor ieder gebruik te controleren.

Een stofzuiger aansluiten (Fig. 16)

Om de zaagomgeving schoon te houden, kunt u een Makita-stofzuiger op dit gereedschap aansluiten. Monteer de aansluitmond met behulp van de schroeven op het gereedschap. Sluit vervolgens de stofzuigerslang aan op de aansluitmond, zoals aangegeven in de afbeelding.

BEDIENING

LET OP:

- Duw het gereedschap voorzichtig in een rechte lijn naar voren. Als u het gereedschap dwing of verdraait, zal de motor oververhit raken en het gereedschap gevaarlijk terugslaan waardoor ernstig letsel kan worden veroorzaakt.

Houd het gereedschap stevig vast. Het gereedschap is voorzien van zowel een voorhandgreep als een achterhandgreep. Gebruik beide om het gereedschap zo goed mogelijk vast te houden. Als u de cirkelzaag met beide handen vasthoudt, kunt u nooit in uw handen zagen. Plaats eerst de zool op het werkstuk dat u wilt zagen, zonder dat het zaagblad het werkstuk raakt. Schakel vervolgens het gereedschap in en wacht totdat het zaagblad op volle snelheid draait. Duw het gereedschap nu gewoon naar voren over het oppervlak van het werkstuk, houd het daarbij vlak, en duw gelijkmatig totdat het zagen klaar is.

Zorg voor een schone zaagsnede door een rechte zaaglijn en een constante voortgaande snelheid. Als de zaagsnede niet verloopt volgens de voorgenomen zaaglijn, mag u niet proberen het gereedschap iets te draaien of te dwingen terug te keren naar de zaaglijn. Als u dit doet, kan het zaagblad vastlopen en een gevaarlijke terugslag optreden met mogelijk ernstig persoonlijk letsel tot gevolg. Laat de aan/uit-schakelaar los, wacht tot het zaagblad tot stilstand is gekomen en trek vervolgens het gereedschap terug. Lijn het gereedschap opnieuw uit met een nieuwe zaaglijn en begin weer te zagen. Probeer te vermijden dat door de positie van het gereedschap de gebruiker wordt blootgesteld aan zaagsel en spaanders die door het gereedschap worden uitgeworpen. Gebruik oogbescherming om verwonding te voorkomen. (Fig. 17)

LET OP:

- Het spouwmes moet altijd worden gebruikt, behalve voor invalzaagwerk.

Breedtegeleider (liniaal) (Fig. 18)

Met de handige breedtegeleider kunt u extra nauwkeurig recht zagen. Schuif gewoon de breedtegeleider strak tegen de zijkant van het werkstuk en zet deze op zijn plaats vast met behulp van de schroef op de voorkant van de zool van het gereedschap. Op deze manier is het tevens mogelijk een zaagbeweging te herhalen met identieke breedte.

ONDERHOUD

LET OP:

- Zorg altijd dat het gereedschap is uitgeschakeld en zijn stekker uit het stopcontact is verwijderd alvorens te beginnen met inspectie of onderhoud.
- Gebruik nooit benzine, wasbenzine, thinner, alcohol en dergelijke. Dat kan verkleuring, vervormingen en barsten veroorzaken.

Vervangen van koolborstels (Fig. 19 en 20)

Verwijder en controleer regelmatig de koolborstels. Vervang de koolborstels wanneer ze tot aan de limietmarkering versleten zijn. Houd de koolborstels schoon, zodat ze gemakkelijk in de houders glijden. Beide koolborstels dienen gelijktijdig te worden vervangen. Gebruik uitsluitend gelijksoortige koolborstels.

Gebruik een schroevendraaier om de kappen van de koolborstelhouders te verwijderen. Haal de versleten koolborstels eruit, schuif de nieuwe erin, en zet daarna de kappen weer goed vast.

Om de VEILIGHEID en BETROUWBAARHEID van het product te handhaven, dienen alle reparaties en alle andere onderhoudswerkzaamheden of afstellingen te worden uitgevoerd door een erkend Makita Servicecentrum, en dat uitsluitend met gebruik van Makita vervangingsonderdelen.

OPTIONELE ACCESSOIRES

LET OP:

- Deze accessoires of hulpstukken worden aanbevolen voor gebruik met het Makita gereedschap dat in deze gebruiksaanwijzing wordt beschreven. Het gebruik van andere accessoires of hulpstukken kan gevaar voor persoonlijke verwonding opleveren. Gebruik de accessoires of hulpstukken uitsluitend voor het gespecificeerde doel.

Wenst u meer informatie over deze accessoires, neem dan contact op met het dichtstbijzijnde Makita servicecentrum.

- Zaagbladen
- Breedtegeleider (liniaal)
- Zeskantsleutel
- Aansluitmond

OPMERKING:

- Sommige onderdelen in deze lijst kunnen bij het gereedschap zijn meegeleverd als standaard-accessoires. Deze kunnen van land tot land verschillen.

Geluidsniveau

De typisch, A-gewogen geluidsniveaus vastgesteld volgens EN62841-2-5:

Model 5103R

Geluidsdrukniveau (L_{pA}): 100 dB (A)
Geluidsenergie-niveau (L_{WA}): 108 dB (A)
Onnauwkeurigheid (K): 3 dB (A)

Model 5143R

Geluidsdrukniveau (L_{pA}): 97 dB (A)
Geluidsenergie-niveau (L_{WA}): 105 dB (A)
Onnauwkeurigheid (K): 3 dB (A)

Model 5903R

Geluidsdrukniveau (L_{pA}): 98 dB (A)
Geluidsenergie-niveau (L_{WA}): 106 dB (A)
Onnauwkeurigheid (K): 3 dB (A)

ENG905-1

OPMERKING:

- De opgegeven geluidsemissiewaarde(n) is/zijn gemeten volgens een standaardtestmethode en kan/kunnen worden gebruikt om dit gereedschap te vergelijken met andere gereedschappen.
- De opgegeven geluidsemissiewaarde(n) kan/kunnen ook worden gebruikt voor een beoordeling vooraf van de blootstelling.

⚠ WAARSCHUWING:

- **Draag gehoorbescherming.**
- **De geluidsemissie tijdens het gebruik van het elektrisch gereedschap in de praktijk kan verschillen van de opgegeven waarde(n) afhankelijk van de manier waarop het gereedschap wordt gebruikt, met name van het soort werkstuk waarmee wordt gewerkt.**
- **Zorg ervoor dat veiligheidsmaatregelen worden getroffen ter bescherming van de gebruiker die zijn gebaseerd op een schatting van de blootstelling onder praktijkomstandigheden (rekening houdend met alle fasen van de bedrijfscyclus, zoals de tijdsduur gedurende welke het gereedschap is uitgeschakeld en stationair draait, naast de ingeschakelde tijdsduur).**

ENG900-1

Trilling

De totaalwaarde van de trillingen (triaxiale vectorsom) vastgesteld volgens EN62841-2-5:

Model 5103R, 5143R

Bedrijfsfunctie: spaanplaat zagen
 Trillingsemissie ($a_{h,w}$): 2,5 m/s² of lager
 Onnauwkeurigheid (K): 1,5 m/s²

Bedrijfsfunctie: zagen in metaal
 Trillingsemissie ($a_{h,M}$): 2,5 m/s² of lager
 Onnauwkeurigheid (K): 1,5 m/s²

Model 5903R

Bedrijfsfunctie: spaanplaat zagen
 Trillingsemissie ($a_{h,w}$): 3,0 m/s²
 Onnauwkeurigheid (K): 1,5 m/s²

Bedrijfsfunctie: zagen in metaal
 Trillingsemissie ($a_{h,M}$): 4,0 m/s²
 Onnauwkeurigheid (K): 1,5 m/s²

ENG901-2

OPMERKING:

- De totale trillingswaarde(n) is/zijn gemeten volgens een standaardtestmethode en kan/kunnen worden gebruikt om dit gereedschap te vergelijken met andere gereedschappen.
- De opgegeven totale trillingswaarde(n) kan/kunnen ook worden gebruikt voor een beoordeling vooraf van de blootstelling.

⚠ WAARSCHUWING:

- **De trillingsemissie tijdens het gebruik van het elektrisch gereedschap in de praktijk kan verschillen van de opgegeven waarde(n) afhankelijk van de manier waarop het gereedschap wordt gebruikt, met name van het soort werkstuk waarmee wordt gewerkt.**
- **Zorg ervoor dat veiligheidsmaatregelen worden getroffen ter bescherming van de gebruiker die zijn gebaseerd op een schatting van de blootstelling onder praktijkomstandigheden (rekening houdend met alle fasen van de bedrijfscyclus, zoals de tijdsduur gedurende welke het gereedschap is uitgeschakeld en stationair draait, naast de ingeschakelde tijdsduur).**

VERKLARINGEN VAN CONFORMITEIT**Alleen voor Europese landen**

De verklaringen van conformiteit zijn bijgevoegd in Bijlage A bij deze gebruiksaanwijzing.

Explicación de los dibujos

1 Palanca	11 Salientes de ajuste	18 Perno de cabeza hueca hexagonal
2 Tornillo de apriete	12 Perno de cabeza hexagonal (para ajustar la cuchilla abridora)	19 Brida exterior
3 Placa base	13 Profundidad de corte	20 Hoja de sierra
4 Guía superior	14 Botón de desbloqueo	21 Brida interior
5 Base	15 Interruptor de gatillo	22 Aspiradora
6 Cortes en ángulo de 60°	16 Llave hexagonal	23 Marca de límite
7 Cortes en ángulo de 45°	17 Seguro del eje	24 Destornillador
8 Cortes en ángulo de 30°		25 Tapón de escobilla
9 Cortes rectos		
10 Hoja		

ESPECIFICACIONES

Modelo	5705R	5903R	5103R	5143R
Diámetro de la hoja	190 mm	235 mm	270 mm	355 mm
Profundidad de corte máxima	a 90°	66 mm	85 mm	100 mm
	a 45°	46 mm	64 mm	73 mm
Velocidad en vacío (min ⁻¹)	4.800	4.500	3.800	2.700
Longitud total	356 mm	400 mm	442 mm	607 mm
Peso neto	5,4 kg	7,2 kg	9,3 kg	12,5 kg
Clase de seguridad	□ /II	□ /II	□ /II	□ /II

- Debido a un programa continuo de investigación y desarrollo, las especificaciones aquí dadas están sujetas a cambios sin previo aviso.
- Las especificaciones pueden ser diferentes de país a país.
- Peso de acuerdo con el procedimiento EPTA 01/2014

ENE078-2

Uso previsto

La herramienta ha sido prevista para realizar cortes rectos longitudinales y transversales y cortes en inglete con diferentes ángulos en madera mientras es mantenida en firme contacto con la pieza de trabajo. Con las hojas de sierra genuinas de Makita apropiadas, también se pueden aserrar otros materiales.

ENF002-2

Alimentación

La herramienta solamente debe ser conectada a una fuente de alimentación de la misma tensión que la indicada en la placa de características, y solamente puede ser utilizada con alimentación de CA monofásica. La herramienta está doblemente aislada y, por consiguiente, también puede utilizarse con tomas de corriente sin conductor de puesta a tierra.

Para el modelo 5705R

ENF100-1

Para sistemas de distribución de baja tensión de entre 220 y 250 v públicos

Los cambios de operación de aparatos eléctricos ocasionan fluctuaciones de tensión. La operación de este dispositivo en condiciones desfavorables de corriente puede afectar adversamente a la operación de otros equipos. Con una impedancia eléctrica igual o inferior a 0,37 ohmios, se puede asumir que no surgirán efectos negativos. La toma de corriente utilizada para este dispositivo deberá estar protegida con un fusible o disyuntor que tenga unas características de desconexión lenta.

GEA010-2

Advertencias de seguridad para herramientas eléctricas en general

⚠ ADVERTENCIA: Lea todas las advertencias de seguridad, instrucciones, ilustraciones y especificaciones provistas con esta herramienta eléctrica. Si no sigue todas las instrucciones indicadas abajo podrá resultar en una descarga eléctrica, un incendio y/o heridas graves.

Guarde todas las advertencias e instrucciones para futuras referencias.

El término "herramienta eléctrica" en las advertencias se refiere a su herramienta eléctrica de funcionamiento con conexión a la red eléctrica (con cable) o herramienta eléctrica de funcionamiento a batería (sin cable).

GEB143-1

ADVERTENCIAS DE SEGURIDAD PARA SIERRA CIRCULAR

Procedimientos de corte

1. **⚠ PELIGRO:** Mantenga las manos alejadas del área de corte y del disco. Mantenga su segunda mano en el mango auxiliar, o en el alojamiento del motor. Si ambas manos están sujetando la sierra, no podrán ser cortadas por el disco.
2. **No se ponga debajo de pieza de trabajo.** Debajo de la pieza de trabajo el protector no le puede proteger del disco.
3. **Ajuste la profundidad de corte al grosor de la pieza de trabajo.** Por debajo de la pieza de trabajo deberá verse menos de un diente entero de los dientes del disco.

4. **No sujete nunca con las manos o sobre su pierna la pieza de trabajo durante el corte. Sujete la pieza de trabajo en una plataforma estable.** Es importante apoyar la pieza de trabajo debidamente para minimizar la exposición del cuerpo, el estancamiento del disco, o la pérdida de control. (Fig. 1)
5. **Cuando realice una operación en la que el implemento de corte pueda entrar en contacto con cableado oculto o con su propio cable, sujete la herramienta eléctrica por las superficies de aislamiento aisladas.** El contacto con un cable con corriente también hará que la corriente circule por las partes metálicas expuestas de la herramienta eléctrica y podrá soltar una descarga eléctrica al operario.
6. **Cuando haga cortes al hilo, utilice siempre una guía lateral o guía de borde recto.** Esto mejora la precisión del corte y reduce la posibilidad de que el disco se estanque.
7. **Utilice siempre discos con agujero para eje del tamaño y forma correctos (diamante en oposición a redondo).** Los discos que no correspondan con el mecanismo de montaje de la sierra se descentrarán, ocasionando la pérdida de control.
8. **No utilice nunca arandelas o perno de disco dañados o incorrectos.** Las arandelas y el perno de disco han sido diseñados especialmente para su sierra, y con ellos se logran un rendimiento y seguridad de operación óptimos.

Causas de los retrocesos bruscos y advertencias relacionadas

- el retroceso brusco es una reacción repentina al estancamiento, atasco o desalineación del disco, que ocasiona que la sierra descontrolada se levante y salga de la pieza de trabajo hacia el operario;
- cuando el disco queda aprisionado o atascado firmemente debido al cierre de la hendidura, el disco se inmoviliza y la reacción del motor empuja la sierra bruscamente hacia atrás contra el operario;
- si el disco se retuerce o desalinea en el corte, los dientes del borde trasero del disco pueden morder la superficie superior de la madera haciendo que el disco se salga de la hendidura y salte hacia atrás contra el operario.

Los retrocesos bruscos se deben a un mal uso de la sierra y/o a procedimientos o condiciones de trabajo incorrectos y pueden evitarse tomando las precauciones indicadas abajo.

1. **Sujete la sierra firmemente con ambas manos y posicione los brazos de forma que pueda resistir las fuerzas de un retroceso brusco. Posicione su cuerpo a uno de los costados del disco, pero no en línea con el disco.** Los retrocesos bruscos pueden hacer que la sierra salte hacia atrás, pero las fuerzas de los retrocesos bruscos las puede controlar el operario, si toma las precauciones apropiadas.
2. **Cuando note que el disco se estanca, o cuando quiera interrumpir un corte por cualquier razón, suelte el gatillo y mantenga la sierra inmóvil en el material hasta que el disco se pare completamente. No intente nunca extraer el disco de la pieza de trabajo o tirar de la sierra hacia atrás mientras el disco está moviéndose porque podrá ocasionar un retroceso brusco.** Investigue y tome medidas correctivas para eliminar la causa del estancamiento del disco.

3. **Cuando vuelva a poner en marcha la sierra en la pieza de trabajo, centre el disco en la hendidura de forma que los dientes del mismo no estén enganchados en el material.** Si un disco se estanca, podrá saltar o retroceder bruscamente desde la pieza de trabajo al volver a poner en marcha la sierra.
4. **Apoye los paneles grandes para minimizar el riesgo de que el disco se estanque y retroceda bruscamente.** Los paneles grandes tienden a combarse con su propio peso. Deberá poner apoyos debajo del panel a ambos lados, cerca de la línea de corte y cerca del borde del panel. (Fig. 2 y 3)
5. **No utilice discos mellados o dañados.** Los discos desafilados o mal ajustados producen una hendidura estrecha que ocasiona excesiva fricción, estancamiento del disco y retrocesos bruscos.
6. **Las palancas de bloqueo de los ajustes de profundidad y de bisel del disco deben estar apretadas y sujetadas antes de realizar el corte.** Si el ajuste del disco cambia durante el corte, podrá ocasionar un estancamiento y retroceso brusco.
7. **Extreme las precauciones cuando sierre en paredes existentes u otras áreas ciegas.** La parte sobresaliente del disco podrá cortar objetos que pueden ocasionar un retroceso brusco.
8. **Sujete SIEMPRE la herramienta firmemente con ambas manos. No ponga NUNCA sus manos, piernas o cualquier otra parte de su cuerpo debajo de la base de la herramienta o detrás de la sierra, especialmente cuando haga cortes transversales.** Si se produce un retroceso brusco, la sierra podrá saltar fácilmente hacia atrás sobre su mano, causándole graves heridas personales. (Fig. 4)
9. **No fuerce nunca la sierra. Empuje la sierra hacia delante a una velocidad a la que el disco corte sin frenarse.** Si fuerza la sierra podrá ocasionar cortes irregulares, pérdida de precisión, y posibles retrocesos bruscos.

Función del protector

1. **Compruebe el protector inferior para confirmar que se cierra debidamente antes de cada uso. No utilice la sierra si el protector inferior no se mueve libremente y se cierra instantáneamente. No sujete ni ate nunca el protector inferior en la posición abierta.** Si deja caer accidentalmente la sierra, el protector inferior podrá doblarse. Levante el protector inferior con la manivela retráctil y asegúrese de que se mueve libremente y que no toca el disco o cualquier otra parte, en todos los ángulos y profundidades de corte.
2. **Compruebe la operación del resorte del protector inferior. Si el protector y el resorte no funcionan debidamente, deberán ser servidos antes de la utilización.** El protector inferior podrá funcionar lentamente debido a partes dañadas, sedimentos pegajosos, o una acumulación de residuos.
3. **El protector inferior puede retraerse manualmente sólo para cortes especiales, como “cortes por hundimiento” y “cortes compuestos”.** Levante el protector inferior con la manivela retráctil y tan pronto como el disco entre en el material, deberá liberar el protector inferior. Para todos los demás cortes, el protector inferior deberá funcionar automáticamente.

4. **Antes de dejar la sierra en el banco o en el suelo, observe siempre que el protector inferior está cubriendo el disco.** Un disco desprotegido, girando por inercia, hará que la sierra se desplace hacia atrás, cortando todo lo que encuentre a su paso. Tenga presente el tiempo que el disco tarda en pararse después de soltar el interruptor.
5. **Para comprobar el protector inferior, abra el protector inferior con la mano, después suéltelo y observe que se cierra. Compruebe también para asegurarse de que la manivela retráctil no toca la carcasa de la herramienta.** Dejar el disco expuesto es MUY PELIGROSO y puede acarrear heridas personales graves.
6. **No intente nunca serrar con la sierra circular sujeta al revés en un tornillo de banco. Es sumamente peligroso y puede ocasionar graves accidentes. (Fig. 6)**
7. **Algunos materiales contienen sustancias químicas que pueden ser tóxicas. Tenga precaución para evitar la inhalación de polvo y el contacto con la piel. Siga los datos de seguridad del abastecedor del material.**
8. **No pare los discos haciendo presión lateral en el disco.**
9. **No utilice ningún disco abrasivo.**
10. **Utilice solamente el disco con el diámetro que hay marcado en la herramienta o especificado en el manual.** La utilización de un disco dimensionado incorrectamente puede afectar a la protección del disco o a la operación del protector lo que puede resultar en heridas personales graves.

Función del separador de corte

1. **Utilice la hoja de sierra adecuada para el separador de corte.** Para que el separador de corte funcione, el cuerpo de la hoja debe ser más fino que el separador de corte y la anchura de corte de la hoja debe ser mayor que el grosor del separador de corte.
2. **Ajuste el separador de corte como se describe en este manual de instrucciones.** Si el espaciado, la colocación o la alineación no son correctos pueden provocar que el separador de corte resulte ineficaz para evitar el retroceso brusco.
3. **Utilice siempre el separador de corte, excepto cuando corte por inmersión.** Tras el corte por inmersión se debe colocar de nuevo el separador de corte. El separador de corte interfiere con el corte por inmersión y puede provocar retrocesos bruscos.
4. **Para que el separador de corte funcione, debe estar acoplado a la pieza de trabajo.** El separador de corte es ineficaz para evitar el retroceso brusco durante cortes cortos.
5. **Si el separador de corte está doblado, no utilice la sierra.** Incluso una ligera interferencia puede ralentizar la velocidad de cierre de un protector.
11. **Mantenga el disco afilado y limpio.** La cola y la resina de madera endurecidas en los discos frenan la sierra y aumentan la posibilidad de que se produzcan retrocesos bruscos. Mantenga el disco limpio desmontándolo primero de la herramienta, y limpiándolo después con un producto para quitar colas y resina, agua caliente o queroseno. No utilice nunca gasolina.
12. **Póngase máscara y protección para los oídos cuando utilice la herramienta.**
13. **Utilice siempre el disco que ha sido previsto para cortar el material que usted va a cortar.**
14. **Utilice solamente discos que tengan marcada una velocidad igual o mayor que la velocidad marcada en la herramienta.**
15. **(Para países europeos solamente) Utilice siempre el disco que cumpla con EN847-1.**

GUARDE ESTAS INSTRUCCIONES.

ADVERTENCIA:

NO deje que la comodidad o familiaridad con el producto (a base de utilizarlo repetidamente) sustituya la estricta observancia de las normas de seguridad para el producto en cuestión. El MAL USO o el no seguir las normas de seguridad establecidas en este manual de instrucciones podrá ocasionar graves heridas personales.

DESCRIPCIÓN DEL FUNCIONAMIENTO

PRECAUCIÓN:

- Asegúrese siempre de que la herramienta esté apagada y desenchufada antes de intentar realizar cualquier tipo de ajuste o comprobación en la ella.

Advertencias de seguridad adicionales

1. **Preste precaución especial cuando corte madera húmeda, madera tratada a presión, o madera que tenga nudos.** Mantenga uniforme el avance de la herramienta sin que disminuya la velocidad del disco para evitar recalentar los dientes del disco.
2. **No intente retirar material cortado cuando el disco esté moviéndose. Espere hasta que el disco se pare antes de agarrar el material cortado.** Los discos siguen girando por inercia después de apagar la herramienta.
3. **Evite cortar clavos. Inspeccione la madera y quite todos los clavos antes de cortar.**
4. **Ponga la porción más ancha de la base de la sierra en la parte de la pieza de trabajo que esté sólidamente apoyada, no en la sección que caerá cuando se haga el corte. Si la pieza de trabajo es corta o pequeña, amordácela. ¡NO INTENTE SUJETAR PIEZAS PEQUEÑAS CON LA MANO! (Fig. 5)**
5. **Antes de dejar la herramienta después de completar un corte, asegúrese de que el protector se ha cerrado y que el disco se ha parado completamente.**

Ajuste de la profundidad de corte (Fig. 7)

PRECAUCIÓN:

- Después de ajustar la profundidad de corte, apriete siempre la palanca firmemente.

Afloje la palanca de la guía de profundidad y mueva la base hacia arriba y hacia abajo. En la profundidad de corte deseada, fije la base apretando el tornillo de apriete.

Para obtener cortes más limpios y seguros, ajuste la profundidad de corte de forma que no sobresalga más de un diente del disco de sierra por debajo de la pieza de trabajo. La utilización de una profundidad de corte apropiada ayuda a reducir la posibilidad de que se produzcan peligrosos RETROCESOS BRUSCOS que pueden ocasionar heridas personales.

Corte en bisel (Fig. 8)

Para el modelo 5705R, 5903R, 5103R

Para hacer cortes en bisel, afloje los tornillos de apriete de adelante y atrás, e incline la herramienta hasta el ángulo deseado (0° – 45°). Después de hacer el ajuste apriete firmemente los tornillos de apriete de adelante y atrás.

Para el modelo 5143R

Para hacer cortes en bisel, afloje el tornillo de apriete de adelante, e incline la herramienta hasta el ángulo deseado (0° – 60°). Después de hacer el ajuste apriete firmemente el tornillo de apriete de adelante.

Guía visual

Para 5705R (Fig. 9)

Para 5903R, 5103R (Fig. 10)

Para cortes rectos, alinee la posición A de la parte delantera de la base con la línea de corte. Para cortes en bisel a 45°, alinee la posición B con la misma.

Para 5143R (Fig. 11)

Alinee su línea visual con la muesca de 0° para cortes rectos o la muesca de 30° para cortes en ángulo de 30° o la muesca de 45° para cortes en ángulo de 45° o la muesca de 60° para cortes en ángulo de 60°.

Ajuste de la cuchilla abridora (Fig. 12)

Afloje el perno de cabeza hueca hexagonal de ajuste de la cuchilla abridora con la llave hexagonal, después suba el protector de disco inferior. Mueva la cuchilla abridora hacia arriba o abajo sobre los dos salientes de ajuste indicados en la figura, para obtener la holgura apropiada entre la cuchilla abridora y la hoja de sierra.

PRECAUCIÓN:

- Cerciórese de que la cuchilla abridora esté ajustada de forma que: La distancia entre la cuchilla abridora y el círculo dentado de la hoja de sierra no sea de más de 5 mm. El círculo dentado no sobresalga más de 5 mm por fuera del borde inferior de la cuchilla abridora.

Accionamiento del interruptor (Fig. 13)

PRECAUCIÓN:

- Antes de enchufar la herramienta, compruebe siempre para cerciorarse de que el gatillo interruptor se acciona debidamente y que vuelve a la posición "OFF" cuando lo suelta.

Para evitar que el gatillo pueda accionarse accidentalmente, se ha provisto un botón de desbloqueo. Para poner en marcha la herramienta, presione hacia dentro el botón de desbloqueo y apriete el gatillo interruptor. Suelte el gatillo interruptor para parar.

MONTAJE

PRECAUCIÓN:

- Asegúrese siempre de que la herramienta esté apagada y desenchufada antes de realizar cualquier trabajo en la herramienta.

Desmontaje o instalación de la hoja de sierra (Fig. 14 y 15)

Con esta herramienta se podrán usar las siguientes hojas de sierra.

Modelo	Diámetro máximo	Diámetro mínimo	Grosor de la hoja	Corte
5705R	190 mm	170 mm	1,6 mm o menos	1,9 mm o más
5903R	235 mm	210 mm	1,7 mm o menos	2,1 mm o más
5103R	270 mm	260 mm	1,8 mm o menos	2,2 mm o más
5143R	355 mm	350 mm	2,3 mm o menos	2,7 mm o más

006481

El grosor de la cuchilla abridora es de 1,8 mm para el modelo 5705R, 2,0 mm para los modelos 5903R y 5103R, y 2,5 mm para el modelo 5143R.

PRECAUCIÓN:

- No utilice hojas de sierra que no cumplan con las características especificadas en estas instrucciones.
- No utilice hojas de sierra cuyo disco sea más grueso o que el conjunto del mismo sea más pequeño que el espesor de la cuchilla abridora.

PRECAUCIÓN:

- Asegúrese de que el disco esté instalado con los dientes orientados hacia arriba en la parte frontal de la herramienta.
- Utilice solamente la llave Makita para instalar o desmontar el disco.
- No baje nunca el bloqueo del eje mientras la sierra esté funcionando.

Para quitar el disco, presione el seguro del eje completamente de forma que el disco no pueda girar y afloje el perno hexagonal girándolo en sentido contrario a las agujas del reloj con la llave hexagonal. Después quite el perno hexagonal, la brida exterior y el disco.

Para instalar el disco, siga el procedimiento de desmontaje a la inversa. **ASEGÚRESE DE APRETAR EL PERNO HEXAGONAL EN EL SENTIDO DE LAS AGUJAS DEL RELOJ FIRMEMENTE.**

Cuando cambie el disco, asegúrese también de limpiar el serrín acumulado en los protectores de disco superior e inferior. Sin embargo, esta tarea no exime de la necesidad de comprobar la operación del protector inferior antes de cada uso.

Conexión de un aspirador (Fig. 16)

Cuando quiera realizar una operación de corte limpia, conecte un aspirador Makita a su herramienta. Instale el adaptador en la herramienta utilizando los tornillos. Después conecte la manguera del aspirador al adaptador como se muestra en la figura.

OPERACIÓN

PRECAUCIÓN:

- Asegúrese de mover la herramienta hacia delante en línea recta y suavemente. El forzar o torcer la herramienta producirá un recalentamiento del motor y un peligroso retroceso brusco, causando posiblemente graves heridas.

Sujete la herramienta firmemente. La herramienta está provista de empuñadura delantera y mango trasero. Utilice ambos para sujetar de forma óptima la herramienta. Si ambas manos están sujetando la herramienta, no habrá peligro de que las corte el disco. Coloque la base sobre la pieza de trabajo a cortar sin el disco haciendo contacto alguno. Después encienda la herramienta y espere hasta que adquiera plena velocidad. Ahora simplemente mueva la herramienta hacia delante sobre la superficie de la pieza de trabajo, manteniéndola plana y avanzando suavemente hasta completar el corte.

Para obtener cortes limpios, mantenga la línea de corte recta y la velocidad de avance uniforme. Si se desvía de la línea de corte prevista, no intente girar ni forzar la herramienta para hacerla volver a la línea de corte. Esta acción podría inmovilizar el disco y ocasionar un peligroso retroceso brusco y posibles heridas graves. Suelte el interruptor, espere hasta que el disco se pare y después retire la herramienta. Realinee la herramienta en una nueva línea de corte, y comience el corte de nuevo. Hay que evitar posturas en las que el operario quede expuesto a las virutas y el serrín que expulsa la sierra. Utilice protección para los ojos para ayudar a evitar heridas. (Fig. 17)

PRECAUCIÓN:

- La cuchilla abridora deberá utilizarse siempre excepto cuando comience a cortar la pieza de trabajo por el medio.

Guía lateral (Regla guía) (Fig. 18)

La útil guía lateral le permite hacer cortes rectos extra-precisos. Simplemente saque la guía lateral deslizándola hasta ajustarla bien contra el costado de la pieza de trabajo y sujétela en posición con el tornillo de la parte delantera de la base. Con ella también se pueden hacer cortes repetidos de anchura uniforme.

MANTENIMIENTO

PRECAUCIÓN:

- Asegúrese siempre de que la herramienta esté apagada y desenchufada antes de intentar realizar la inspección o el mantenimiento.
- No utilice nunca gasolina, bencina, disolvente, alcohol o similares. Podría producir descoloración, deformación o grietas.

Substitución de las escobillas de carbón (Fig. 19 y 20)

Extraiga e inspeccione regularmente las escobillas de carbón. Sustitúyalas cuando se hayan gastado hasta la marca límite. Mantenga las escobillas de carbón limpias de forma que entren libremente en los portaescobillas. Ambas escobillas de carbón deberán ser sustituidas al mismo tiempo. Utilice únicamente escobillas de carbón idénticas.

Utilice un destornillador para quitar las tapas del portaescobillas. Extraiga las escobillas desgastadas, inserte las nuevas y fije las tapas del portaescobillas.

Para mantener la SEGURIDAD y la FIABILIDAD del producto, las reparaciones y cualquier otro mantenimiento o ajuste deberán ser realizados por los centros de servicio autorizado de Makita, siempre con piezas de repuesto de Makita.

ACCESORIOS OPCIONALES

PRECAUCIÓN:

- Estos accesorios o acoplamientos están recomendados para utilizar con la herramienta Makita especificada en este manual. El empleo de otros accesorios o acoplamientos conllevará un riesgo de sufrir heridas personales. Utilice los accesorios o acoplamientos solamente para su fin establecido.

Si necesita cualquier ayuda para más detalles en relación con estos accesorios, pregunte al centro de servicio Makita local.

- Hojas de sierra
- Guía lateral (Regla guía)
- Llave hexagonal
- Adaptador

NOTA:

- Algunos elementos de la lista podrán estar incluidos en el paquete de la herramienta como accesorios estándar. Pueden variar de un país a otro.

ENG905-1

Ruido

El nivel de ruido A-ponderado típico determinado de acuerdo con la norma EN62841-2-5:

Modelo 5103R

Nivel de presión sonora (L_{pA}): 100 dB (A)
Nivel de potencia sonora (L_{WA}): 108 dB (A)
Error (K): 3 dB (A)

Modelo 5143R

Nivel de presión sonora (L_{pA}): 97 dB (A)
Nivel de potencia sonora (L_{WA}): 105 dB (A)
Error (K): 3 dB (A)

Modelo 5903R

Nivel de presión sonora (L_{pA}): 98 dB (A)
Nivel de potencia sonora (L_{WA}): 106 dB (A)
Error (K): 3 dB (A)

ENG907-1

NOTA:

- El valor (o los valores) de emisión de ruido declarado ha sido medido de acuerdo con un método de prueba estándar y se puede utilizar para comparar una herramienta con otra.
- El valor (o valores) de emisión de ruido declarado también se puede utilizar en una valoración preliminar de exposición.

ADVERTENCIA:

- Póngase protectores para oídos.
- La emisión de ruido durante la utilización real de la herramienta eléctrica puede variar del valor (o los valores) de emisión declarado dependiendo de las formas en las que la herramienta sea utilizada, especialmente qué tipo de pieza de trabajo se procesa.
- Asegúrese de identificar medidas de seguridad para proteger al operario que estén basadas en una estimación de la exposición en las condiciones reales de utilización (teniendo en cuenta todas las partes del ciclo operativo como las veces cuando la herramienta está apagada y cuando está funcionando en vacío además del tiempo de gatillo).

ENG900-1

Vibración

El valor total de la vibración (suma de vectores triaxiales) determinado de acuerdo con la norma EN62841-2-5:

Modelo 5103R, 5143R

Modo tarea: corte de madera

Emisión de vibración ($a_{h,w}$): 2,5 m/s² o menos

Error (K): 1,5 m/s²

Modo tarea: corte de metal

Emisión de vibración ($a_{h,m}$): 2,5 m/s² o menos

Error (K): 1,5 m/s²

Modelo 5903R

Modo tarea: corte de madera

Emisión de vibración ($a_{h,w}$): 3,0 m/s²

Error (K): 1,5 m/s²

Modo tarea: corte de metal

Emisión de vibración ($a_{h,m}$): 4,0 m/s²

Error (K): 1,5 m/s²

ENG901-2

NOTA:

- El valor (o los valores) total de emisión de vibración declarado ha sido medido de acuerdo con un método de prueba estándar y se puede utilizar para comparar una herramienta con otra.
- El valor (o los valores) total de emisión de vibración declarado también se puede utilizar en una valoración preliminar de exposición.

ADVERTENCIA:

- La emisión de vibración durante la utilización real de la herramienta eléctrica puede variar del valor (o los valores) de emisión declarado dependiendo de las formas en las que la herramienta sea utilizada, especialmente qué tipo de pieza de trabajo se procesa.
- Asegúrese de identificar medidas de seguridad para proteger al operario que estén basadas en una estimación de la exposición en las condiciones reales de utilización (teniendo en cuenta todas las partes del ciclo operativo como las veces cuando la herramienta está apagada y cuando está funcionando en vacío además del tiempo de gatillo).

DECLARACIONES DE CONFORMIDAD

Para países europeos solamente

Las declaraciones de conformidad están incluidas como Anexo A de este manual de instrucciones.

Explicação geral

1 Alavanca	10 Lâmina	17 Travão do eixo
2 Parafuso de fixação	11 Protuberâncias para ajuste	18 Perno com encaixe hexagonal
3 Placa base	12 Perno com encaixe hexagonal (Para regulação da lâmina de abrir)	19 Falange exterior
4 Guia superior		20 Lâmina da serra
5 Base		21 Falange interior
6 Cortes com ângulo de 60°	13 Profundidade de corte	22 Aspirador
7 Cortes com ângulo de 45°	14 Botão de segurança	23 Marca limite
8 Cortes com ângulo de 30°	15 Gatilho	24 Chave de parafusos
9 Cortes direitos	16 Chave hexagonal	25 Tampa do porta-escovas

ESPECIFICAÇÕES

Modelo	5705R	5903R	5103R	5143R
Diâmetro da lâmina	190 mm	235 mm	270 mm	355 mm
Profundidade máxima de corte	a 90°	66 mm	85 mm	100 mm
	a 45°	46 mm	64 mm	73 mm
Velocidade em vazio (min ⁻¹)	4.800	4.500	3.800	2.700
Comprimento total	356 mm	400 mm	442 mm	607 mm
Peso líquido	5,4 kg	7,2 kg	9,3 kg	12,5 kg
Classe de segurança	II / II	II / II	II / II	II / II

- Devido a um programa contínuo de pesquisa e desenvolvimento, estas especificações podem ser alteradas sem aviso prévio.
- As especificações podem variar de país para país.
- Peso de acordo com o Procedimento 01/2014 da EPTA (European Power Tool Association)

ENE078-2

Utilização pretendida

A ferramenta foi concebida para executar cortes direitos e cruzados e cortes de esquadria com ângulos em madeira enquanto se mantém em firme contacto com a peça de trabalho. Também pode serrar outros materiais com lâminas apropriadas genuínas da Makita.

ENF002-2

Alimentação

A ferramenta só deve ser ligada a uma fonte de alimentação com a mesma voltagem da indicada na placa de características e só funciona com alimentação CA monofásica. Tem um sistema de isolamento duplo e pode, por isso, utilizar tomadas sem ligação à terra.

Para modelo 5705R

ENF100-1

Para sistemas públicos de distribuição de baixa voltagem entre 220 V e 250 V

Alternar a operação de aparelhos elétricos pode causar flutuações de voltagem. A operação deste aparelho sob condições de alimentação não favoráveis pode ter efeitos adversos na operação de outro equipamento. Com uma impedância de alimentação igual ou inferior a 0,37 ohms pode-se presumir que não haverá efeitos negativos. A tomada de alimentação utilizada para este aparelho deve ser protegida com um fusível ou um disjuntor protetor de circuito que tenha características de disparo lentas.

GEA010-2

Avisos gerais de segurança para ferramentas elétricas

⚠ AVISO: Leia todos os avisos de segurança, instruções, ilustrações e especificações fornecidos com esta ferramenta elétrica. O não cumprimento de todas as instruções indicadas em baixo pode resultar em choque elétrico, incêndio e/ou ferimentos graves.

Guarde todos os avisos e instruções para futuras referências.

O termo "ferramenta elétrica" nos avisos refere-se às ferramentas elétricas ligadas à corrente elétrica (com cabo) ou às ferramentas elétricas operadas por meio de bateria (sem cabo).

GEB143-1

AVISOS DE SEGURANÇA DA SERRA CIRCULAR

Procedimentos de corte

1. **⚠ PERIGO: Mantenha as mãos afastadas da área de corte e da lâmina. Mantenha a outra mão na pega auxiliar ou na caixa do motor.** Se as duas mãos estiverem a pegar na serra, não podem ser cortadas pela lâmina.
2. **Não toque na superfície inferior da peça de trabalho.** O resguardo não o protege da lâmina debaixo da peça de trabalho.
3. **Regule a profundidade do corte em relação à espessura da peça de trabalho.** Só deve ser possível ver menos de um dente completo da lâmina sob a peça de trabalho.

4. **Nunca segure a peça de trabalho nas mãos ou apoiada em sua perna enquanto efetua o corte. Fixe a peça de trabalho numa plataforma estável.** É importante apoiar a peça de trabalho de forma apropriada para minimizar a exposição do corpo, a dobragem da lâmina ou a perda de controle. (Fig. 1)
5. **Agarre na ferramenta elétrica pelas superfícies isoladas preparadas para esse fim quando executar uma operação em que a ferramenta de corte possa entrar em contacto com cablagem escondida ou o próprio cabo.** O contacto com um fio “sob tensão” também fará com que as partes de metal expostas da ferramenta elétrica fiquem “sob tensão”, provocando um choque elétrico ao operador.
6. **Em escarificação use sempre uma guia paralela ou uma guia reta.** Melhora a precisão do corte e reduz a possibilidade de a lâmina encravar.
7. **Use sempre lâminas com o tamanho e forma (diamante versus redonda) corretos de orifícios do eixo.** As lâminas que não correspondem ao equipamento de montagem da serra desviar-se-ão do centro, causando perda de controle.
8. **Nunca utilize arruelas ou pernos de lâmina estragados ou incorretos.** As arruelas e pernos da lâmina foram concebidos para a sua serra, para maior rendimento e segurança na operação.

Causas e avisos sobre recuos

- o recuo é uma reação súbita a uma lâmina de serra apertada, encravada ou desalinhada, fazendo com que uma serra descontrolada se eleve e saia da peça de trabalho em direção ao operador;
- quando a lâmina é apertada ou encravada pelo fecho do corte, a lâmina para e a reação do motor aciona a unidade rapidamente para trás em direção ao operador;
- se a lâmina ficar torta ou mal alinhada no corte, os dentes na extremidade traseira da lâmina podem perfurar a superfície superior da madeira fazendo com que a lâmina suba no corte e salte em direção ao operador.

O recuo é o resultado de má utilização da serra e/ou de procedimentos ou condições de funcionamento incorretos e pode ser evitado tomando as precauções adequadas como indicado abaixo.

1. **Mantenha a serra bem agarrada com as duas mãos e posicione os braços para resistir às forças de recuo. Posicione o seu corpo num dos lados da lâmina, mas nunca alinhado com a lâmina.** O recuo pode fazer com que a serra salte para trás, mas as forças de recuo podem ser controladas pelo operador se forem tomadas as precauções apropriadas.
2. **Se a lâmina está presa ou se, por qualquer razão, interromper o corte, solte o gatilho e agarre na serra parada no material até que a lâmina pare completamente. Nunca tente retirar a serra da peça de trabalho nem puxar a serra para trás enquanto a lâmina está em movimento, pois pode ocorrer recuo.** Investigue e execute as ações corretivas para eliminar as causas de a lâmina encravar.

3. **Quando efetuar o rearranque de uma serra na peça de trabalho, centre a lâmina da serra no corte, de modo a que os dentes da serra não fiquem engatados no material.** Se uma lâmina de serra dobrar, poderá levantar ou recuar da peça de trabalho à medida que é efetuado o rearranque da serra.
4. **Suporte os painéis grandes para minimizar o risco de a lâmina prender e recuar.** Os painéis grandes tendem a ceder sob o próprio peso. Os suportes devem ser colocados sob o painel, nos dois lados, perto da linha de corte e perto da extremidade do painel. (Fig. 2 e 3)
5. **Não utilize lâminas rombas ou estragadas.** As lâminas não afiadas ou mal colocadas produzem um corte estreito causando fricção excessiva, encravamento da lâmina e recuo.
6. **As alavancas de bloqueio de regulação de profundidade e ângulo de corte devem estar apertadas e presas antes de fazer o corte.** Se a regulação da lâmina se alterar durante o corte, pode causar encravamento e recuo.
7. **Tenha cuidado especialmente ao serrar em paredes existentes ou outras áreas ocultas.** A lâmina saliente pode cortar objetos que podem originar recuo.
8. **Agarre SEMPRE na ferramenta firmemente com as duas mãos. NUNCA coloque as mãos, pernas ou outra parte do corpo por baixo da base da ferramenta ou por trás da serra, especialmente quando executar cortes cruzados.** Se ocorrer recuo, a serra pode facilmente saltar para trás sobre a sua mão, ocasionando ferimentos pessoais graves. (Fig. 4)
9. **Nunca force a serra. Empurre a serra para a frente a uma velocidade tal em que a lâmina corte sem perder velocidade.** Forçar a serra pode causar cortes desiguais, perda de precisão e possível recuo.

Função do resguardo

1. **Verifique se o resguardo inferior fecha bem antes de cada utilização. Não utilize a serra se o resguardo inferior não se movimentar livremente e fechar instantaneamente. Nunca fixe nem prenda o resguardo inferior na posição de aberto.** Se deixar cair a serra acidentalmente, o resguardo inferior pode ficar dobrado. Levante o resguardo inferior com a pega retratora e certifique-se de que se movimentam livremente e não toca na lâmina ou em qualquer outra parte, em todos os ângulos e profundidades de corte.
2. **Verifique o funcionamento da mola do resguardo inferior. Se o resguardo e a mola não estiverem a funcionar corretamente, devem ser reparados antes da utilização.** O resguardo inferior pode funcionar mal devido a peças danificadas, depósitos pegajosos ou acumulação de resíduos.
3. **O resguardo inferior pode ser retraído manualmente só para cortes especiais como “cortes penetrantes” e “cortes compostos”.** Levante o resguardo inferior pela pega retratora e assim que a lâmina entrar no material, deve libertar o resguardo inferior. Para todos os restantes tipos de corte, o resguardo inferior deve funcionar automaticamente.

4. **Certifique-se sempre de que o resguardo inferior está a cobrir a lâmina antes de colocar a serra sobre a bancada ou no chão.** Uma lâmina sem proteção, a rodar por inércia, fará com que a serra recue cortando tudo o que estiver no seu caminho. Preste atenção ao tempo que a lâmina leva a parar depois de soltar o gatilho.
5. **Para verificar o resguardo inferior, abra-o à mão, depois solte-o e observe se o resguardo se fecha. Certifique-se também de que a pega retratora não toca na caixa da ferramenta.** Deixar a lâmina exposta é MUITO PERIGOSO e pode originar ferimentos pessoais graves.
7. **Alguns materiais contêm químicos que podem ser tóxicos. Tenha cuidado para evitar a inalação de pó e o contacto com a pele. Siga os dados de segurança do fornecedor.**
8. **Não pare as lâminas por meio de pressão lateral na lâmina de serra.**
9. **Não utilize discos abrasivos.**
10. **Utilize apenas uma lâmina de serra que tenha o diâmetro marcado na ferramenta ou especificado no manual.** A utilização de uma lâmina de tamanho incorreto pode afetar a proteção adequada da lâmina ou a operação de resguardo, o que pode resultar em ferimentos pessoais graves.

Funcionamento de lâmina separadora

1. **Utilize a lâmina de serra apropriada para a lâmina separadora.** Para que a lâmina separadora funcione, o corpo da lâmina deve ser mais fino do que a lâmina separadora e a largura de corte da lâmina deve ser maior do que a espessura da lâmina separadora.
2. **Ajuste a lâmina separadora conforme descrito no presente manual de instruções.** O espaçamento, posicionamento e alinhamento incorretos podem tornar a lâmina separadora ineficaz na prevenção de recuo.
3. **Utilize sempre a lâmina separadora exceto quando efetua o corte por penetração.** A lâmina separadora deve ser substituída após o corte por penetração. A lâmina separadora causa interferência durante o corte por penetração e pode criar recuo.
4. **Para que a lâmina separadora possa funcionar deve estar engatada na peça de trabalho.** A lâmina separadora é ineficaz na prevenção de recuo durante cortes pequenos.
5. **Não opere a serra se a lâmina separadora estiver dobrada.** Mesmo uma ligeira interferência pode diminuir a velocidade de fecho de uma barreira de proteção.

Avisos adicionais de segurança

1. **Tenha extremo cuidado quando cortar madeira húmida, madeira prensada ou madeira que contenha nós.** Mantenha o avanço suave da ferramenta sem diminuir a velocidade da lâmina para evitar o superaquecimento das pontas da lâmina.
2. **Não tente retirar material cortado quando a lâmina está em movimento. Espere até que a lâmina esteja completamente parada antes de pegar no material cortado.** A lâmina continua a rodar depois de desligar a ferramenta.
3. **Evite cortar pregos. Inspeccione e retire todos os pregos da madeira antes de cortar.**
4. **Coloque a parte mais larga da base da serra na parte da peça de trabalho que está firmemente suportada e não na secção que cairá quando faz o corte. Se a peça de trabalho for curta ou pequena, prenda-a com grampos de fixação. NÃO TENTE AGARRAR PEÇAS PEQUENAS COM A MÃO! (Fig. 5)**
5. **Antes de colocar a ferramenta de lado depois de terminar um corte, certifique-se de que o resguardo fechou e que a lâmina está completamente parada.**
6. **Nunca tente serrar com a serra circular presa ao contrário num torno. É extremamente perigoso e pode originar acidentes graves. (Fig. 6)**

11. **Mantenha a lâmina afiada e limpa.** Os resíduos acumulados e pastosos tornam a serra mais lenta e aumentam a possibilidade de recuo. Mantenha a lâmina limpa retirando-a primeiro da ferramenta e limpando-a com um produto para remoção de resíduos pastosos, água quente ou querosene. Nunca utilize gasolina.
12. **Use uma máscara contra o pó e proteção auricular quando utilizar a ferramenta.**
13. **Use sempre a lâmina de serra prevista para cortar o material que vai cortar.**
14. **Apenas use lâminas de serra marcadas com uma velocidade igual ou superior à velocidade marcada na ferramenta.**
15. **(Apenas para países europeus) Use sempre a lâmina que possui conformidade com a EN847-1.**

GUARDE ESTAS INSTRUÇÕES.

AVISO:

NÃO permita que o conforto ou familiaridade com o produto (adquirido com o uso repetido) substitua o cumprimento estrito das regras de segurança da ferramenta. A MÁ INTERPRETAÇÃO ou o não seguimento das regras de segurança estabelecidas neste manual de instruções pode provocar ferimentos pessoais graves.

DESCRIÇÃO DO FUNCIONAMENTO

PRECAUÇÃO:

- Certifique-se sempre de que a ferramenta está desligada e com a ficha retirada da tomada, antes de proceder a afinações ou de verificar o funcionamento respetivo.

Regulação da profundidade do corte (Fig. 7)

PRECAUÇÃO:

- Depois de regular a profundidade de corte, aperte sempre seguramente a alavanca.

Levante a alavanca no guia de profundidade e movimente a base para cima e para baixo. Na profundidade de corte desejada, prenda a base apertando a alavanca. Para cortes limpos e seguros, regule a profundidade de corte de forma que apenas um dente da serra fique saliente em baixo da peça de trabalho. Utilizar a profundidade de corte correta ajuda a reduzir o risco de RECUOS perigosos que podem causar ferimentos pessoais.

Corte de bisel (Fig. 8)

Para modelo 5705R, 5903R, 5103R

Liberte os parafusos de fixação à frente e atrás e incline a ferramenta para o ângulo desejado para cortes de bisel (0° – 45°). Prenda firmemente os parafusos de fixação à frente e atrás depois de fazer a regulação.

Para modelo 5143R

Liberte o parafuso de fixação à frente e incline a ferramenta para o ângulo desejado para cortes de bisel (0° – 60°). Prenda firmemente o parafuso de fixação à frente depois de fazer a regulação.

Mira

Para 5705R (Fig. 9)

Para 5903R, 5103R (Fig. 10)

Para cortes direitos alinhe a posição A na frente da base com a sua linha de corte. Para cortes de bisel de 45°, alinhe a posição B.

Para 5143R (Fig. 11)

Alinhe a linha de mira com o entalhe 0° para cortes direitos ou com o entalhe 30° para cortes com ângulo de 30°, entalhe 45° para cortes com ângulo de 45° ou entalhe 60° para cortes com ângulo de 60°.

Regulação da lâmina de abrir (Fig. 12)

Utilize a chave hexagonal para libertar o perno com encaixe hexagonal de regulação da lâmina de abrir e em seguida levante o protetor inferior. Movimente a lâmina de abrir para cima ou para baixo sobre as duas protuberâncias para os ajustes indicados na figura, de modo a obter a abertura adequada entre a lâmina de abrir e a lâmina da serra.

PRECAUÇÃO:

- Certifique-se de que a lâmina de abrir está ajustada de maneira que:
A distância entre a lâmina de abrir e o aro dentado da lâmina da serra não seja superior a 5 mm. O aro dentado não ultrapasse mais do que 5 mm a aresta inferior da lâmina de abrir.

Ação do interruptor (Fig. 13)

PRECAUÇÃO:

- Antes de ligar a ferramenta à corrente, verifique sempre se o gatilho funciona corretamente e volta para a posição “OFF” quando libertado.

Para evitar que o gatilho seja acidentalmente acionado, existe um botão de segurança. Para iniciar a ferramenta, empurre o botão de segurança e carregue no gatilho. Liberte o gatilho para parar.

ASSEMBLAGEM

PRECAUÇÃO:

- Certifique-se sempre de que a ferramenta está desligada e com a ficha retirada da tomada antes de executar qualquer manutenção na ferramenta.

Para retirar ou instalar o lâmina da serra (Fig. 14 e 15)

Os seguintes lâminas podem ser utilizados com esta ferramenta.

Modelo	Diâm. máx.	Diâm. min.	Espessura da lâmina	Corte
5705R	190 mm	170 mm	1,6 mm ou menos	1,9 mm ou mais
5903R	235 mm	210 mm	1,7 mm ou menos	2,1 mm ou mais
5103R	270 mm	260 mm	1,8 mm ou menos	2,2 mm ou mais
5143R	355 mm	350 mm	2,3 mm ou menos	2,7 mm ou mais

006481

A espessura da lâmina de abrir é de 1,8 mm para o modelo 5705R, 2,0 mm para os modelos 5903R e 5103R e 2,5 mm para o modelo 5143R.

PRECAUÇÃO:

- Não utilize discos de corte que não respeitem as características especificadas nestas instruções.
- Não utilize discos de corte cuja espessura máxima seja inferior à espessura da lâmina de abrir.

PRECAUÇÃO:

- Certifique-se de que a lâmina está instalada com os dentes apontados para a frente da ferramenta.
- Utilize só a chave da Makita para instalar ou retirar a lâmina.
- Nunca pressione o travão do eixo com a serra em funcionamento.

Para retirar a lâmina, pressione o travão do eixo completamente de modo a que a lâmina não se mova e utilize a chave hexagonal para soltar o perno hexagonal para a esquerda. Em seguida retire o perno hexagonal, flange exterior e lâmina.

Para instalar a lâmina, execute inversamente o procedimento de a retirar. **CERTIFIQUE-SE DE QUE APERTA FIRMEMENTE O PERNO HEXAGONAL PARA A DIREITA.**

Quando trocando a lâmina, certifique-se também de que limpa o pó de serra acumulado nos protetores superior e inferior. No entanto, essas providências não substituem a necessidade de verificar o funcionamento do protetor inferior antes de cada utilização.

Para ligar um aspirador (Fig. 16)

Quando deseja executar uma operação de corte limpa, ligue um aspirador Makita à ferramenta. Instale a junta na ferramenta utilizando os parafusos. A seguir, ligue a mangueira do aspirador à junta, como ilustrado.

OPERAÇÃO

PRECAUÇÃO:

- Certifique-se de que desloca a ferramenta para a frente, suavemente numa linha direita. Forçar ou torcer a ferramenta originará sobreaquecimento do motor e recuo perigoso, podendo causar danos graves.

Agarre na ferramenta firmemente. A ferramenta é fornecida com um punho frontal e uma pega traseira. Utilize os dois para melhor agarrar na ferramenta. Se as duas mãos estiverem a agarrar na serra não poderão ser cortadas pela lâmina. Coloque a base na peça de trabalho a ser cortada sem que a lâmina faça qualquer contacto. Em seguida ligue a ferramenta e espere até que a lâmina atinja a velocidade máxima. Depois desloque a ferramenta para a frente sobre a superfície da peça de trabalho, mantendo-a plana e avançando suavemente até que o corte esteja terminado.

Para obter cortes limpos, mantenha a linha de corte direita e a velocidade de avanço uniforme. Se o corte falhar de seguir corretamente a linha de corte pretendida, não tente forçar a ferramenta para voltar atrás na linha de corte. Pode dobrar a lâmina e originar recuo perigoso e possíveis danos graves. Liberte o gatilho, espere que a lâmina pare e em seguida retire a ferramenta. Volte a alinhar a ferramenta numa nova linha de corte, e inicie o corte outra vez. Tente evitar posicionar de modo a que o operador fique exposto a aparas e pó da madeira ejetados pela serra. Use protetores para os olhos para evitar danos. (Fig. 17)

PRECAUÇÃO:

- Deve utilizar sempre a lâmina de abrir, exceto quando inicia o corte no meio da superfície de trabalho.

Guia paralela (Régua guia) (Fig. 18)

A guia paralela permite-lhe executar cortes direitos extra-precisos. Deslize simplesmente a guia paralela para cima contra o lado da peça de trabalho e prenda-a na posição com o parafuso na frente da base. Também torna possível cortes repetidos com espessura uniforme.

MANUTENÇÃO

PRECAUÇÃO:

- Certifique-se sempre de que a ferramenta está desligada e com a ficha retirada da tomada antes de tentar proceder à inspeção, ou à manutenção da ferramenta.
- Nunca utilize gasolina, benzeno, diluente, álcool ou produtos semelhantes. Pode ocorrer a descoloração, deformação ou rachaduras.

Substituição das escovas de carvão (Fig. 19 e 20)

Retire e verifique regularmente as escovas de carvão. Substitua-as quando estiverem gastas até à marca limite. Mantenha as escovas de carvão limpas e a deslizar nos suportes. As duas escovas de carvão devem ser substituídas ao mesmo tempo. Só utilize escovas de carvão idênticas.

Utilize uma chave de parafusos para retirar as tampas do porta-escovas. Retire as escovas de carvão usadas, coloque as novas e prenda as tampas dos porta-escovas.

Para manter a SEGURANÇA e FIABILIDADE, as reparações e outras ações de manutenção ou ajustes devem ser executados pelos Centros de assistência autorizados da Makita, utilizando sempre peças de substituição Makita.

ACESSÓRIOS OPCIONAIS

PRECAUÇÃO:

- Estes acessórios ou acoplamentos são os recomendados para uso na ferramenta Makita especificada neste manual. A utilização de qualquer outro acessório ou acoplamento poderá ser perigosa para o operador. Os acessórios ou acoplamentos devem ser utilizados de maneira adequada e apenas para os fins a que se destinam.

No caso de necessitar ajuda para mais detalhes sobre estes acessórios, consulte ao departamento de assistência local da Makita.

- Lâminas da serra
- Guia paralela (Régua guia)
- Chave hexagonal
- Junta

NOTA:

- Alguns itens da lista podem estar incluídos na embalagem da ferramenta como acessórios padrão. Eles podem variar de país para país.

ENG905-1

Ruído

A característica do nível de ruído A determinado de acordo com EN62841-2-5:

Modelo 5103R

Nível de pressão de som (L_{pA}): 100 dB (A)

Nível do som (L_{WA}): 108 dB (A)

Variabilidade (K): 3 dB (A)

Modelo 5143R

Nível de pressão de som (L_{pA}): 97 dB (A)

Nível do som (L_{WA}): 105 dB (A)

Variabilidade (K): 3 dB (A)

Modelo 5903R

Nível de pressão de som (L_{pA}): 98 dB (A)

Nível do som (L_{WA}): 106 dB (A)

Variabilidade (K): 3 dB (A)

ENG907-1

NOTA:

- O(s) valor(es) da emissão de ruído indicado(s) foi medido de acordo com um método de teste padrão e pode ser utilizado para comparar duas ferramentas.
- O(s) valor(es) da emissão de ruído indicado(s) pode também ser utilizado na avaliação preliminar da exposição.

⚠ AVISO:

- Utilize protetores auriculares.
- A emissão de ruído durante a utilização real da ferramenta eléctrica pode diferir do(s) valor(es) indicado(s), dependendo das formas como a ferramenta é utilizada, especialmente o tipo de peça de trabalho que é processada.
- Certifique-se de identificar as medidas de segurança para protecção do operador que sejam baseadas em uma estimativa de exposição em condições reais de utilização (considerando todas as partes do ciclo de operação, tal como quando a ferramenta está desligada e quando está a funcionar em marcha lenta além do tempo de accionamento).

Vibração

O valor total da vibração (soma vetorial tri-axial) determinado de acordo com EN62841-2-5:

Modelo 5103R, 5143R

Modo de funcionamento: cortar madeira

Emissão de vibração ($a_{h,W}$): 2,5 m/s² ou inferior

Variabilidade (K): 1,5 m/s²

Modo de funcionamento: cortar metal

Emissão de vibração ($a_{h,M}$): 2,5 m/s² ou inferior

Variabilidade (K): 1,5 m/s²

Modelo 5903R

Modo de funcionamento: cortar madeira

Emissão de vibração ($a_{h,W}$): 3,0 m/s²

Variabilidade (K): 1,5 m/s²

Modo de funcionamento: cortar metal

Emissão de vibração ($a_{h,M}$): 4,0 m/s²

Variabilidade (K): 1,5 m/s²

ENG901-2

NOTA:

- O(s) valor(es) total(ais) de vibração indicado(s) foi medido de acordo com um método de teste padrão e pode ser utilizado para comparar duas ferramentas.
- O(s) valor(es) total(ais) de vibração indicado(s) pode também ser utilizado na avaliação preliminar da exposição.



AVISO:

- **A emissão de vibração durante a utilização real da ferramenta eléctrica pode diferir do(s) valor(es) indicado(s), dependendo das formas como a ferramenta é utilizada, especialmente o tipo de peça de trabalho que é processada.**
- **Certifique-se de identificar as medidas de segurança para protecção do operador que sejam baseadas em uma estimativa de exposição em condições reais de utilização (considerando todas as partes do ciclo de operação, tal como quando a ferramenta está desligada e quando está a funcionar em marcha lenta além do tempo de accionamento).**

DECLARAÇÕES DE CONFORMIDADE

Apenas para os países europeus

As Declarações de conformidade estão incluídas no Anexo A deste manual de instruções.

Illustrationsoversigt

1 Håndtag	10 Klinge	18 Sekskantsbolt
2 Fastgørelsesskrue	11 Knopper til indstilling	19 Ydre flange
3 Grundplade	12 Sekskantsbolt	20 Savblad
4 Topguide	(til justering af spaltekniv)	21 Indre flange
5 Grundplade	13 Skæredybde	22 Støvsuger
6 60° vinkelsnit	14 Aflåseknop	23 Slidgrænse
7 45° vinkelsnit	15 Afbryderknop	24 Skruetrækker
8 30° vinkelsnit	16 Topnøgle	25 Kulholderdæksel
9 Lige snit	17 Skaftlås	

SPECIFIKATIONER

Model		5705R	5903R	5103R	5143R
Klangediameter		190 mm	235 mm	270 mm	355 mm
Maksimal skæredybde	90°	66 mm	85 mm	100 mm	130 mm
	45°	46 mm	64 mm	73 mm	90 mm
Omdrejninger (min ⁻¹)		4 800	4 500	3 800	2 700
Længde		356 mm	400 mm	442 mm	607 mm
Vægt		5,4 kg	7,2 kg	9,3 kg	12,5 kg
Sikkerhedsklasse		□ / II	□ / II	□ / II	□ / II

- På grund af vores kontinuerlige forskningsprogrammer og udvikling, kan hosstående specifikationer blive ændret uden varsel.
- Specifikationer kan variere fra land til land.
- Vægt i henhold til EPTA-Procedure 01/2014

GEA010-2

ENF078-2

Tilsigtet anvendelse

Denne maskine er beregnet til at lave lige skæringer i længden og bredden og geringsskæringer med vinkler i træ med maskinen i tæt berøring med arbejdsstykket. Med passende, ægte Makita savblad kan der også saves i andre materialer.

ENF002-2

Strømforsyning

Maskinen må kun tilsluttes en strømforsyning med den samme spænding, som den der er angivet på typeskiltet, og kan kun anvendes med enkeltfaset vekselstrømforsyning. Den er dobbeltisoleret og kan derfor også anvendes fra kontakter uden jordledning.

For model 5705R

ENF100-1

For offentlige lavspændingsnet på mellem 220 V og 250 V

Tænd og sluk af elektriske apparater medfører spændingssvingninger. Anvendelse af denne maskine under uheldige lysnetforsyningsforhold kan have negativ indflydelse på driften af andet udstyr. Ved en netimpedans svarende til eller mindre end 0,37 ohm, kan det antages, at der ikke vil være negative påvirkninger. Stikkontakten, der anvendes til denne maskine, skal være beskyttet med en sikring eller en beskyttelsesafbryder med træg udløsning.

Almindelige sikkerhedsregler for el-værktøj

⚠ ADVARSEL: Læs alle de sikkerhedsadvarsler, instruktioner, illustrationer og specifikationer, der følger med denne maskine. Forsømmelse af at overholde alle nedenstående instruktioner kan medføre elektrisk stød, brand og/eller alvorlig personskade.

Gem alle advarsler og instruktioner til fremtidig reference.

Ordet "el-værktøj" i advarslerne henviser til det netforsyede (netledning) el-værktøj eller batteriforsyede (akku) el-værktøj.

GEB143-1

SIKKERHEDSREGLER FOR RUNDSAV

Fremgangsmåder for skæring

1. **⚠ FARE: Hold hænderne på god afstand af skærområdet og klingens. Hold den anden hånd på hjælpehåndtaget eller motorhuset.** Hvis De holder saven med begge hænder, kan klingens ikke komme til at skære i dem.
2. **Ræk ikke ned under arbejdsområdet.** Beskyttelses-skærmen kan ikke beskytte Dem mod klingens neden under arbejdsområdet.
3. **Justér skæredybden efter tykkelsen af arbejdsområdet.** Mindre end en hel tand i klingetænderne bør være synlig under arbejdsområdet.
4. **Hold aldrig arbejdsområdet i hænderne eller hen over benet, mens der skæres. Fastgør arbejdsområdet til en stabil platform.** Det er vigtigt at understøtte arbejdsområdet korrekt for at minimere risikoen for udsættelse af kroppen, binding af klingens eller tab af kontrollen. **(Fig. 1)**

5. **Hold maskinen i de isolerede håndtagsflader, når der udføres et arbejde, hvor den skærende maskine kan komme i kontakt med skjulte ledninger eller maskinens egen ledning.** Kontakt med en strømførende ledning vil bevirke, at synlige metaldele på maskinen også bliver strømførende, hvorved operatøren kan få elektrisk stød.
6. **Ved kløvning skal der altid anvendes et parallellanslag eller en lige styreskinne.** Dette vil forbedre nøjagtigheden af snittet og mindske risikoen for, at klingen binder.
7. **Brug altid klinger med akselhuller af den korrekte størrelse og form (kantede eller runde).** Klinger, der ikke svarer til savens monteringsdele, vil rotere skævt, så du mister kontrollen.
8. **Anvend aldrig beskadigede eller forkerte spændeskiver og bolte til klingen.** Klingens spændeskiver og bolte er specielt fremstillede til Deres sav og til optimal ydelse og sikker anvendelse.
5. **Anvend ikke sløve eller beskadigede klinger.** Uskarpe eller forkert monterede klinger frembringer et snævert savsnit, som medfører kraftig friktion, binding af klingen og tilbageslag.
6. **Låsegrebene til klingedybde og skråsnitindstilling skal være stramme og sikre, inden skæringer påbegyndes.** Hvis klingendstillingen ændrer sig under skæringen, kan der opstå binding og tilbageslag.
7. **Vær særlig forsigtig, når der saves ind i eksisterende vægge eller andre skjulte områder.** Savklingen, som stikker frem, kan komme til at skære i genstande, der kan medføre tilbageslag.
8. **Hold ALTID fast i maskinen med begge hænder. Placér ALDRIG Deres hånd, ben eller nogen del af kroppen under maskinens grundplade eller bag ved saven, især når De foretager krydssnit.** Hvis der opstår tilbageslag, kan saven nemt springe bagud over Deres hånd, hvorved der kan ske alvorlig personskade. (Fig. 4)
9. **Pres aldrig saven. Tryk saven fremad med en hastighed, så klingen skærer, uden at hastigheden sænkes.** Hvis De presser saven, kan der opstå uensartede skæringer, tab af præcision og muligt tilbageslag.

Årsager til tilbageslag og relaterede advarsler

- Tilbageslag er en pludselig reaktion på en fastklemt, fastsiddende eller forkert justeret savklinge, som kan medføre, at en ukontrolleret sav løftes opad og ud af arbejdsemnet i retning mod operatøren.
- Når klingen kommer i klemme eller sidder fast, fordi savsnittet lukkes sammen, stopper klingen, og motorreaktionen skubber apparatet hurtigt tilbage mod operatøren.
- Hvis klingen bliver bøjet eller fejljusteret i snittet, kan tænderne på bagkanten af klingen grave sig ind i træets øverste overflade, hvorved klingen kan smutte ud af savsnittet og springe tilbage i retning mod operatøren.

Tilbageslag skyldes forkert anvendelse af saven og/eller forkert fremgangsmåde for anvendelse eller forkerte forhold og kan undgås ved, at der træffes de rigtige forholdsregler som vist herunder.

1. **Oprethold et fast greb med begge hænder på saven, og hold armene således, at tilbageslagskraften modvirkes. Stil Dem på siden af klingen, men ikke på linje med den.** Tilbageslag kan bevirke, at saven springer bagud, men tilbageslagskraften kan kontrolleres af operatøren, hvis denne træffer de fornødne forholdsregler.
2. **Hvis klingen binder, eller hvis skæringen af en eller anden årsag afbrydes, skal De slippe afbryderknappen og holde saven stille i materialet, indtil klingen er standset helt. Forsøg aldrig at fjerne saven fra arbejdsemnet eller at trække saven bagud, mens klingen er i bevægelse, da dette kan medføre tilbageslag.** Undersøg situationen, og træf afhjælpningsforanstaltninger for at eliminere årsagen til, at klingen binder.
3. **Når saven startes igen i arbejdsemnet, skal du centrere savklingen i savsnittet, så savtænderne ikke sidder fast i emnet.** Hvis savklingen binder, kan den bevæge sig opad eller slå tilbage fra arbejdsemnet, når saven startes igen.
4. **Anvend store støtteplader til at minimere risikoen for fastklemning af klingen og tilbageslag.** Store plader har tendens til at synke under deres egen vægt. Der skal anbringes støtter under pladerne i begge sider, i nærheden af skærelinjen og nær kanten af pladen. (Fig. 2 og 3)

Beskyttelsesskærmens funktion

1. **Kontroller, at den nederste beskyttelsesskærm lukker korrekt inden hver brug. Anvend ikke saven, hvis den nederste beskyttelsesskærm ikke bevæger sig frit og lukker med det samme. Den nederste beskyttelsesskærm må aldrig fastspændes eller fastbindes i den åbne stilling.** Hvis saven ved et uheld tabes, kan den nederste beskyttelsesskærm blive bøjet. Hæv den nederste beskyttelsesskærm med tilbagetrækningshåndtaget og kontroller, at den bevæger sig frit og ikke kommer i berøring med klingen eller andre dele i alle vinkler og skæredybder.
2. **Kontroller den nederste beskyttelsesskærmfjederens funktion. Hvis beskyttelsesskærmen og fjederen ikke fungerer korrekt, skal de serviceres inden brugen.** Den nederste beskyttelsesskærm kan fungere trægt på grund af beskadigede dele, gummi aflejringer eller ansamling af affaldsstoffer.
3. **Den nederste beskyttelsesskærm må kun trækkes tilbage manuelt i tilfælde af specielle snit som for eksempel "stikssnit" eller "kombinerede snit".** Hæv den nederste beskyttelsesskærm ved at trække håndtaget tilbage, og så snart klingen går ind i materialet, bør den nederste beskyttelsesskærm slippes. Ved alle andre former for savnings skal den nederste beskyttelsesskærm have lov at bevæge sig automatisk.
4. **Sørg altid for, at den nederste beskyttelsesskærm dækker klingen, inden saven anbringes på bænk eller gulv.** En ubeskyttet, roterende klinge vil bevirke, at saven bevæger sig bagud og skærer i alt, hvad der er i dens bane. Vær opmærksom på den tid, det tager for klingen at stoppe, efter at afbryderen er sluppet.
5. **For at kontrollere den nederste beskyttelsesskærm, skal man åbne den med hånden og derefter slippe den og bekræfte lukningen af skærmen. Kontroller ligeledes, at tilbagetrækningshåndtaget ikke kommer i berøring med maskinhuset.** At efterlade klingen synlig er MEGET FARLIGT og kan føre til alvorlig personskade.

Funktion af spaltekniv

1. **Vælg den rigtige savklinge til spaltekniven.** For at spaltekniven kan fungere, skal selve klingens være tyndere end spaltekniven, og klingens skærebredde skal være bredere end tykkelsen af spaltekniven.
2. **Juster spaltekniven som beskrevet i denne brugsanvisning.** Forkert mellemrum, placering og justering kan gøre spaltekniven ineffektiv, når det gælder at forebygge tilbageslag.
3. **Brug altid spaltekniven, undtagen i forbindelse med stikskæring.** Spaltekniven skal monteres igen efter stikskæring. Spaltekniven er i vejen under stikskæring og kan forårsage tilbageslag.
4. **For at spaltekniven kan fungere, skal den være i kontakt med arbejdsområdet.** Spaltekniven kan ikke forebygge tilbageslag ved korte snit.
5. **Brug ikke saven, hvis spaltekniven er bøjet.** Selv en lille forstyrrelse kan bremse en sikkerhedsskærms lukkehastighed.

Supplerende sikkerhedsforskrifter

1. **Vær ekstra forsigtig, hvis De skærer i fugtigt træ, trykbehandlet tømmer eller træ, som har knaster.** Før maskinen jævnt frem uden at mindske klingens hastighed, således at overophedning af klingens takker undgås.
2. **Forsøg ikke at fjerne afskåret materiale, mens klingeren roterer.** Vent, indtil klingeren er standset, inden De fjerner afskåret materiale. Klingeren fortsætter med at rotere, efter at der er slukket for maskinen.
3. **Undgå at skære i søm. Se efter, om der er søm i tømmeret, og fjern alle søm, inden skæringen påbegyndes.**
4. **Anbring den bredeste del af savgrundpladen på den del af arbejdsområdet, som er solidt understøttet, ikke på den del, som vil falde af, når skæringen er fuldført. Hvis arbejdsområdet er kort eller lille, skal det spændes fast. FORSØG IKKE AT HOLDE KORTE ARBEJDSOMRÅDER FAST MED HÅNDEN! (Fig. 5)**
5. **Inden De lægger maskinen fra Dem efter at have fuldført en skæring, skal De sikre Dem, at beskyttelsesskærmen er lukket, og at klingeren er standset fuldstændigt.**
6. **Forsøg aldrig at save med rundsaven holdt på hovedet i en skruetvinge. Dette er yderst farligt og kan føre til alvorlige ulykker. (Fig. 6)**
7. **Noget materiale indeholder kemikalier, som kan være giftige. Vær påpasselig med ikke at indånde støv, og undgå hudkontakt. Følg fabrikanterens sikkerhedsdata.**
8. **Stop ikke klingerne ved hjælp af lateralt tryk på savklingen.**
9. **Anvend ikke slibeskiver.**
10. **Anvend kun savklinger med den diameter, der er markeret på maskinen eller specificeret i manualen.** Brug af en klinge med en forkert størrelse kan hindre korrekt afskærmning af klingeren eller beskyttelsesskærmen, hvilket kan medføre alvorlig personskade.
11. **Hold altid klingerne skarpe og rene.** Gummi og træbeg, som er størket på klingerne, gør savningen langsommere og øger risikoen for tilbageslag. Hold klingerne rene ved først at tage dem af maskinen og derefter rengøre dem med en gummi- og begfjerner, varmt vand eller petroleum. Anvend aldrig benzin.

12. **Bær altid støvmaske og høreværn, når De anvender maskinen.**
13. **Brug altid en savklinge, der er beregnet til at skære i det materiale, du skal skære i.**
14. **Brug kun savklinger, der er mærket med en hastighed svarende til eller større end den hastighed, der er angivet på maskinen.**
15. **(Kun for lande i Europa)**
Brug altid en klinge, der overholder EN847-1.

GEM DISSE FORSKRIFTER.

ADVARSEL:

LAD IKKE bekvemmelighed eller kendskab til produktet (opnået gennem gentagen brug) forhindre, at sikkerhedsforskrifterne for produktet nøje overholdes. MISBRUG eller forsømmelse af at følge de i denne brugsvejledning givne sikkerhedsforskrifter kan medføre alvorlig personskade.

FUNKTIONSBESKRIVELSE

FORSIGTIG:

- Kontroller altid, at maskinen er slået fra, og at netstikket er trukket ud, før der udføres justeringer eller funktioner kontrolleres på denne maskine.

Justering af skæredybde (Fig. 7)

FORSIGTIG:

- Spænd altid håndtaget forsvarligt til efter justering af skæredybden.

Løs håndtaget på dybdeguiden og bevæg grundpladen op eller ned. Ved den ønskede skæredybde gøres grundpladen fast ved at spænde armen til.

Renere og sikrere skæringer kan opnås, hvis man indstiller skæredybden således, at ikke flere end en enkelt savtand stikker ud under arbejdsstykket. Anvendelse af en rigtig skæredybde bidrager til at reducere risikoen for farlige TILBAGESLAG, som kan medføre kvæstelser.

Geringssnit (Fig. 8)

For model 5705R, 5903R, 5103R

Løs fastspændingsskruerne fortil og bagtil, og hæld maskinen til den ønskede vinkel ved geringssnit (0° – 45°). Spænd fastspændingsskruerne godt til fortil og bagtil, når indstillingen er udført.

For model 5143R

Løs fastgørelsesskruerne fortil, og hæld maskinen til den ønskede vinkel ved geringssnit (0° – 60°). Spænd fastgørelsesskruerne godt til fortil, når indstillingen er udført.

Snitlinjer

For 5705R (Fig. 9)

For 5903R, 5103R (Fig. 10)

Ved lige snit rettes A-positionen på forkanten af grundpladen ind efter snitlinjen. Ved 45° geringssnit rettes B-positionen ind efter den.

For 5143R (Fig. 11)

Ret snitlinjen ind efter 0° hakket for en lige snitlinje på 30° hakket for 30° vinkelsnit eller 45° hakket for 45° vinkelsnit eller 60° hakket for 60° vinkelsnit.

Justering af spaltekniven (Fig. 12)

Anvend topnøglen til at løse sekskantbolten til justering af spaltekniven, og hæv dernæst det nederste beskyttelsesdæksel. Flyt spaltekniven op eller ned over de to knopper til indstilling, som illustreret, således at der bliver passende afstand mellem spaltekniven og savbladet.

FORSIGTIG:

- Kontroller, at spaltekniven er justeret således at: Afstanden mellem spaltekniven og savbladets tænder ikke overstiger 5 mm. Savbladets tænder ikke kommer mere end 5 mm nedenfor spalteknivens nederste kant.

Afbryderkontakt (Fig. 13)

FORSIGTIG:

- Før maskinen sættes til stikkontakten, bør De altid kontrollere, at afbryderknappen fungerer korrekt og returnerer til "OFF"-positionen, når den slippes.

Til forhindring af utilsigtet indtrykning af afbryderknappen, er maskinen udstyret med aflåseknop. For at starte maskinen, skal man trykke aflåseknappen ind og trykke på afbryderknappen. Slip afbryderknappen for at stoppe.

SAMLING

FORSIGTIG:

- Sørg altid for, at maskinen er afbrudt og taget ud af forbindelse, inden der udføres noget arbejde på maskinen.

Afmontering eller montering af savblad (Fig. 14 og 15)

Det følgende savblad kan anvendes i denne maskine.

Model	Max. diameter	Min. diameter	Savbladsbredde	Skærebredde
5705R	190 mm	170 mm	1,6 mm eller mindre	1,9 mm eller mere
5903R	235 mm	210 mm	1,7 mm eller mindre	2,1 mm eller mere
5103R	270 mm	260 mm	1,8 mm eller mindre	2,2 mm eller mere
5143R	355 mm	350 mm	2,3 mm eller mindre	2,7 mm eller mere

006481

Bredden på spaltekniven er 1,8 mm for model 5705R, 2,0 mm for modellerne 5903R og 5103R og 2,5 mm for model 5143R.

FORSIGTIG:

- Anvend ikke savblade, der ikke modsvarer de her angivne specifikationer.
- Anvend ikke savblade, hvis skive er tykkere eller hvis savspor er smallere end tykkelsen på spaltekniven.

FORSIGTIG:

- Sørg for at montere savbladet med dets tænder vendende opad på den forreste del af maskinen.
- Anvend kun Makita-nøglen til montering og afmontering af savbladet.
- Tryk aldrig skaftlåsen ned, mens saven er i gang.

For at afmontere bladet, skal De trykke helt ned på skaftlåsen, så savbladet ikke kan rotere, og anvende nøglen til at løse sekskantbolten i retningen mod uret. Fjern derefter sekskantbolten, den ydre flange og savbladet.

For at montere savbladet, skal De følge proceduren for afmontering i modsat rækkefølge. **SØRG FOR AT STRAMME SEKSKANTBOLTEN FAST I RETNINGEN MED URET.**

Når savbladet skiftes ud, skal man sørge for samtidigt at fjerne savsmuld fra det øverste og nederste beskyttelsesdæksel. Disse tiltag kan dog ikke erstatte nødvendigheden af at det nederste beskyttelsesdæksels funktionsgang kontrolleres inden hver brug.

Tilslutning af en støvsuger (Fig. 16)

Når De ønsker at udføre savning, uden at det navser så meget, kan De tilslutte en Makita-støvsuger til maskinen. Monter koblingen på maskinen ved hjælp af skruerne. Slut derefter støvsugerens slange til koblingen som vist på illustrationen.

BETJENING

FORSIGTIG:

- Sørg for at føre maskinen forsigtigt frem i en lige linje. Hvis maskinen tvinges eller drejes, vil resultatet blive overophedning af motoren og farligt tilbageslag med risiko for personskade.

Hold godt fast i maskinen. Maskinen er udstyret med både et fronthåndtag og et baghåndtag. Anvend begge, så det bedste greb om maskinen opnås. Hvis De holder i maskinen med begge hænder, kan De ikke skære dem på savbladet. Indstil grundpladen på arbejdsområdet til skæring uden at savbladet kommer i kontakt. Tænd derefter for maskinen og vent indtil savbladet er kommet op på fuld hastighed. Bevæg nu ganske enkelt maskinen fremad og henover arbejdsområdets overflade, idet De holder den fladt og fremfører den jævnt, indtil savningen er fuldført.

For at opnå rene snit, skal De holde savelinjen lige og fremføringshastigheden jævn. Hvis snittet ikke følger Deres planlagte snitlinje på korrekt vis, må De ikke forsøge at dreje eller tvinge maskinen tilbage til snitlinjen. Dette kan låse bladet og føre til farlige tilbageslag og eventuel personskade. Slip afbryderen og vent til savbladet er stoppet og træk derefter maskinen tilbage. Sæt maskinen ud for en ny snitlinje og begynd at save igen. Prøv at undgå en placering, som udsætter operatøren for spåner og savsmuld, som frembringes af saven. Anvend øjenbeskyttelse, så tilskadekomst undgås. (Fig. 17)

FORSIGTIG:

- Spaltekniven bør altid anvendes, undtagen når savningen begyndes midt i emnet.

Parallelanslag (styreskinne) (Fig. 18)

Det praktiske parallelanslag gør det muligt at udføre særligt nøjagtige lige snit. De behøver blot at trykke parallelanslaget helt op mod siden af arbejdsområdet og fastgøre det i stilling med skruen foran på grundpladen. Det muliggør også gentagen savning med ens bredde.

VEDLIGEHOLDELSE

FORSIGTIG:

- Kontroller altid, at maskinen er slået fra, og at netstikket er trukket ud, før der udføres eftersyn eller vedligeholdelse.
- Anvend aldrig benzin, rensbenzin, fortynder, alkohol og lignende. Resultatet kan blive misfarvning, deformation eller revner.

Udskiftning af kul (Fig. 19 og 20)

Udtag og efterse kullene med regelmæssige mellemrum. Udskift kullene, når de er slidt ned til slidmærkeringen. Hold kullene rene og i stand til frit at glide ind i holderne. Begge kul skal udskiftes parvist samtidigt. Anvend kun identiske kulbørster.

Benyt en skruetrækker til at afmontere kulholderdækslerne. Tag de slidte kul ud, isæt de nye og fastgør derefter kulholderdækslerne.

For at opretholde produktets SIKKERHED og PÅLIDELIGHED bør reparation, vedligeholdelse og justering kun udføres af et Makita Service Center med anvendelse af originale Makita udskiftningsele.

EKSTRAUDSTYR

FORSIGTIG:

• Det i denne manual specificerede tilbehør og anordninger anbefales til brug sammen med Deres Makita maskine. Brug af andet tilbehør og andre anordninger kan udgøre en risiko for personskade. Anvend kun tilbehør og anordninger til de beskrevne formål.

Hvis De behøver assistance eller yderligere detaljer om dette tilbehør, bedes De kontakte Deres lokale Makita servicecenter.

- Savblade
- Parallellanslag (styreskinne)
- Topnøgle
- Kobling

BEMÆRK:

• Nogle ting på denne liste kan være inkluderet i værktøjspakken som standardtilbehør. Det kan være forskelligt fra land til land.

ENG905-1

Lyd

Det typiske A-vægtede støjniveau bestemt i overensstemmelse med EN62841-2-5:

Model 5103R

Lydtryksniveau (L_{pA}): 100 dB (A)
Lydeffektniveau (L_{WA}): 108 dB (A)
Usikkerhed (K): 3 dB (A)

Model 5143R

Lydtryksniveau (L_{pA}): 97 dB (A)
Lydeffektniveau (L_{WA}): 105 dB (A)
Usikkerhed (K): 3 dB (A)

Model 5903R

Lydtryksniveau (L_{pA}): 98 dB (A)
Lydeffektniveau (L_{WA}): 106 dB (A)
Usikkerhed (K): 3 dB (A)

ENG907-1

BEMÆRK:

- De(n) angivne støjemissionsværdi(er) er målt i overensstemmelse med en standardtestmetode og kan anvendes til at sammenligne en maskine med en anden.
- De(n) angivne støjemissionsværdi(er) kan også anvendes i en præliminær eksponeringsvurdering.

⚠ ADVARSEL:

- Bær høreværn.
- Støjemissionen under den faktiske anvendelse af maskinen kan være forskellig fra de(n) angivne værdi(er), afhængigt af den måde hvorpå maskinen anvendes, især den type arbejdsemne der behandles.
- Sørg for at identificere de sikkerhedsforskrifter til beskyttelse af operatøren, som er baseret på en vurdering af eksponering under de faktiske brugsforhold (med hensyntagen til alle dele i brugscyklussen, f.eks. de gange, hvor maskinen er slukket, og når den kører i tomgang i tilgift til afbrydertiden).

ENG900-1

Vibration

Vibrations totalværdi (tre-aksial vektorsum) bestemt i overensstemmelse med EN62841-2-5:

Model 5103R, 5143R

Arbejdsindstilling: skæring af træ
Vibrationsafgivelse ($a_{h, W}$): 2,5 m/s² eller mindre
Usikkerhed (K): 1,5 m/s²

Arbejdsindstilling: skæring i metal
Vibrationsafgivelse ($a_{h, W}$): 2,5 m/s² eller mindre
Usikkerhed (K): 1,5 m/s²

Model 5903R

Arbejdsindstilling: skæring af træ
Vibrationsafgivelse ($a_{h, W}$): 3,0 m/s²
Usikkerhed (K): 1,5 m/s²

Arbejdsindstilling: skæring i metal
Vibrationsafgivelse ($a_{h, W}$): 4,0 m/s²
Usikkerhed (K): 1,5 m/s²

ENG901-2

BEMÆRK:

- De(n) angivne totalværdi(er) for vibration er målt i overensstemmelse med en standardtestmetode og kan anvendes til at sammenligne en maskine med en anden.
- De(n) angivne totalværdi(er) for vibration kan også anvendes i en præliminær eksponeringsvurdering.

⚠ ADVARSEL:

- Vibrationsemissionen under den faktiske anvendelse af maskinen kan være forskellig fra de(n) angivne værdi(er), afhængigt af den måde hvorpå maskinen anvendes, især den type arbejdsemne der behandles.
- Sørg for at identificere de sikkerhedsforskrifter til beskyttelse af operatøren, som er baseret på en vurdering af eksponering under de faktiske brugsforhold (med hensyntagen til alle dele i brugscyklussen, f.eks. de gange, hvor maskinen er slukket, og når den kører i tomgang i tilgift til afbrydertiden).

OVERENSSTEMMELSESERKLÆRINGER

Kun for lande i Europa

Overensstemmelseserklæringerne er inkluderet i Bilag A i denne brugsanvisning.

Περιγραφή γενικής άποψης

1 Μοχλός	11 Ρύθμιση προεξοχής	19 Εξωτερική φλάντζα
2 Βίδα σύσφιξης	12 Βίδα εξαγωνικής κεφαλής (για ρύθμιση του μαχαιριού κοπής)	20 Λάμα τροχού
3 Πλάκα Βάσης	13 Βάθος κοπής	21 Εσωτερική φλάντζα
4 Οδηγός κορυφής	14 Κουμπί απασφάλισης	22 Ηλεκτρική σκούπα
5 Βάση	15 Σκανδάλη διακόπτης	23 Σημάδι ορίου
6 Κοπές γωνίας 60°	16 Εξαγωνικό κλειδί	24 Κατσαβίδι
7 Κοπές γωνίας 45°	17 Κλείδωμα άξονα	25 Κάλυμμα συγκρατητή βούρτσας
8 Κοπές γωνίας 30°	18 Βίδα εξαγωνικής κεφαλής	
9 Ευθείες κοπές		
10 Λάμα		

ΤΕΧΝΙΚΑ ΧΑΡΑΚΤΗΡΙΣΤΙΚΑ

Μοντέλο	5705R	5903R	5103R	5143R
Διάμετρος λάμας	190 χιλ.	235 χιλ.	270 χιλ.	355 χιλ.
Μεγ. βάθος κοπής	Σε 90°	66 χιλ.	85 χιλ.	100 χιλ.
	Σε 45°	46 χιλ.	64 χιλ.	73 χιλ.
Ταχύτητα χωρίς φορτίο (λεπ ⁻¹)	4.800	4.500	3.800	2.700
Ολικό μήκος	356 χιλ.	400 χιλ.	442 χιλ.	607 χιλ.
Καθαρό βάρος	5,4 Χγρ	7,2 Χγρ	9,3 Χγρ	12,5 Χγρ
Κατηγορία ασφάλειας	☐ /II	☐ /II	☐ /II	☐ /II

- Λόγω του συνεχιζόμενου προγράμματος έρευνας και ανάπτυξης, οι παρούσες προδιαγραφές υπόκεινται σε αλλαγή χωρίς προειδοποίηση.
- Τα τεχνικά χαρακτηριστικά μπορεί να διαφέρουν από χώρα σε χώρα.
- Βάρος σύμφωνα με διαδικασία ΕΡΤΑ 01/2014

ENE078-2

Προοριζόμενη χρήση

Το εργαλείο προορίζεται για εκτέλεση, κατά μήκος και εγκρασίως, ίσιας και λοξής κοπής με γωνίες σε ξύλο ενώ βρίσκεται σε σταθερή επαφή με το τεμάχιο εργασίας. Με κατάλληλες γνήσιες λάμες τροχού της Makita, μπορείτε να προιόνισετε και άλλα υλικά.

ENF002-2

Ρευματοδότηση

Το εργαλείο πρέπει να συνδέεται μόνο σε ηλεκτρική παροχή της ίδιας τάσης με αυτήν που αναγράφεται στην πινακίδα ονομαστικών τιμών και μπορεί να λειτουργήσει μόνο με εναλλασσόμενο μονοφασικό ρεύμα. Τα εργαλεία αυτά έχουν διπλή μόνωση και κατά συνέπεια, μπορούν να συνδεθούν σε ακροδέκτες χωρίς σύρμα γείωσης.

Για Μοντέλο 5705R

ENF100-1

Για δημόσια συστήματα διανομής ηλεκτρικού ρεύματος χαμηλής τάσεως μεταξύ 220 V και 250 V
 Η αλλαγή λειτουργιών ηλεκτρικής συσκευής προκαλεί διακυμάνσεις τάσεως. Η λειτουργία αυτής της συσκευής κάτω από άσχημες συνθήκες παροχής ηλεκτρικού ρεύματος μπορεί να έχει ενάντια αποτελέσματα στη λειτουργία άλλου εξοπλισμού. Με μία σύνθετη αντίσταση ίση ή μικρότερη από 0,37 Ωμ μπορεί να θεωρηθεί πιθανό ότι δεν θα προκύψουν αρνητικά αποτελέσματα. Η υποδοχή παροχής ρεύματος για την συσκευή αυτή πρέπει να προστατεύεται από μία ασφάλεια ή ένα προστατευτικό κύκλωμα διακόπτη που να έχει αργά χαρακτηριστικά αποσύνδεσης.

GEA010-2

Γενικές προειδοποιήσεις ασφαλείας για το ηλεκτρικό εργαλείο

⚠️ ΠΡΟΕΙΔΟΠΟΙΗΣΗ: Διαβάστε όλες τις προειδοποιήσεις ασφαλείας, οδηγίες, εικονογραφίες και προδιαγραφές που παρέχονται με αυτό το ηλεκτρικό εργαλείο. Η μη τήρηση όλων των οδηγιών που αναγράφονται κατωτέρω μπορεί να καταλήξει σε ηλεκτροπληξία, πυρκαγιά ή/και σοβαρό τραυματισμό.

Φυλάξτε όλες τις προειδοποιήσεις και τις οδηγίες για μελλοντική παραπομπή.

Στις προειδοποιήσεις, ο όρος «ηλεκτρικό εργαλείο» αναφέρεται σε ηλεκτρικό εργαλείο που τροφοδοτείται από την κύρια παροχή ηλεκτρικού ρεύματος (με ηλεκτρικό καλώδιο) ή σε ηλεκτρικό εργαλείο που τροφοδοτείται από μπαταρία (χωρίς ηλεκτρικό καλώδιο).

ΠΡΟΕΙΔΟΠΟΙΗΣΕΙΣ ΑΣΦΑΛΕΙΑΣ ΓΙΑ ΤΟ ΔΙΑΚΟΠΡΙΟΝΟ

Διαδικασία κοπής

- 1. ⚠️ ΚΙΝΔΥΝΟΣ:** Κρατάτε τα χέρια σας μακριά από την περιοχή κοπής και τη λάμα. Κρατάτε το άλλο σας χέρι πάνω στη βοηθητική λαβή, ή στο περιβλήμα μοτέρ. Αν κρατάτε το πριόνι και με τα δύο χέρια, δεν είναι δυνατό να κοπούν από τη λάμα.
- 2. Μην απλώνετε τα χέρια σας κάτω από το τεμάχιο εργασίας.** Το προστατευτικό δεν σας παρέχει προστασία από τη λάμα κάτω από το τεμάχιο εργασίας.
- 3. Ρυθμίστε το βάθος κοπής σύμφωνα με το πάχος του τεμαχίου εργασίας.** Λιγότερο από ένα ολόκληρο δόντι από τα δόντια της λάμας πρέπει να φαίνεται κάτω από το τεμάχιο εργασίας.
- 4. Μην κρατάτε ποτέ το τεμάχιο εργασίας στα χέρια σας ή πάνω στο πόδι σας ενώ το κόβετε. Ασφαλίστε το τεμάχιο εργασίας σε μια σταθερή πλατφόρμα.** Είναι σημαντικό να στηρίζετε το τεμάχιο εργασίας κατάλληλα για να ελαχιστοποιήσετε την έκθεση του σώματός σας, την εμπλοκή της λάμας ή την απώλεια ελέγχου. (Εικ. 1)
- 5. Κρατάτε το ηλεκτρικό εργαλείο από τις μονωμένες επιφάνειες χειρολαβής όταν εκτελείτε μια εργασία κατά την οποία το κοπτικό εργαλείο μπορεί να έρθει σε επαφή με κρυμμένα καλώδια ή με το καλώδιο του.** Αν γίνει επαφή με κάποιο ηλεκτροφόρο καλώδιο, τα εκτεθειμένα μεταλλικά μέρη του ηλεκτρικού εργαλείου θα γίνουν και αυτά ηλεκτροφόρα και μπορεί να προκληθεί ηλεκτροπληξία στο χειριστή.
- 6. Όταν τεμαχίζετε, να χρησιμοποιείτε πάντα οδηγό κομματιού ή άλλο οδηγό με ευθύγραμμη ακμή.** Αυτό βελτιώνει την ακρίβεια της κοπής και μειώνει την πιθανότητα εμπλοκής της λάμας.
- 7. Να χρησιμοποιείτε πάντα λάμες με το σωστό μέγεθος και το σωστό σχήμα (σχήμα διαμαντιού έναντι στρογγυλού σχήματος) όπως στην στερώνωση.** Οι λάμες που δεν ταιριάζουν με τον εξοπλισμό στερέωσης του πριονιού θα λειτουργούν έκκεντρα, προκαλώντας απώλεια ελέγχου.
- 8. Μη χρησιμοποιείτε ποτέ στη λάμα ροδέλες ή μπουλόνια που είναι κατεστραμμένα ή λανθασμένου μεγέθους.** Οι ροδέλες και μπουλόνια λάμας έχουν σχεδιαστεί ειδικά για το πριόνι σας, για βέλτιστη απόδοση και ασφάλεια λειτουργίας.

Αιτίες κλότσηματος και σχετικές προειδοποιήσεις

- Το κλότσημα είναι μια ξαφνική αντίδραση όταν η λάμα πριονιού είναι αποκομμένη, μπλοκαρισμένη ή ευθυγραμμισμένη λανθασμένα, και προκαλεί την ανεξέλεγκτη ανύψωση του πριονιού έξω από το τεμάχιο εργασίας και προς τη μεριά του χειριστή.
- Όταν η λάμα είναι αποκομμένη ή μπλοκαρισμένη σφικτά από την εγκοπή, αυτή ακινητοποιείται και η αντίδραση του μοτέρ οδηγεί το εργαλείο με ταχύτητα προς τη μεριά του χειριστή.

– Αν η λάμα παραμορφωθεί ή ευθυγραμμιστεί λανθασμένα κατά την κοπή, τα δόντια στο πίσω μέρος της λάμας μπορεί να σκάψουν μέσα στην άνω επιφάνεια του ξύλου και έτσι η λάμα να βγει από την εγκοπή και να αναπηδήσει προς τη μεριά του χειριστή.

Το κλότσημα προκαλείται όταν το πριόνι χρησιμοποιείται λανθασμένα ή/και όταν οι διαδικασίες ή οι συνθήκες λειτουργίας είναι λανθασμένες. Μπορεί να αποφευχθεί αν ληφθούν οι κατάλληλες προφυλάξεις που αναφέρονται παρακάτω.

- 1. Να κρατάτε το πριόνι γερά και με τα δύο χέρια και να τοποθετείτε τους βραχιόνες σας με τρόπο ώστε να αντιστέκονται στη δύναμη του κλοτσήματος. Να τοποθετείτε το σώμα σας πλευρικά της λάμας, αλλά όχι στην ίδια ευθεία με τη λάμα.** Το κλότσημα μπορεί να προκαλέσει την αναπήδηση του πριονιού προς τα πίσω, αλλά ο χειριστής μπορεί να ελέγξει το κλότσημα αν λάβει τις κατάλληλες προφυλάξεις.
- 2. Όταν εμποδίζεται η κίνηση της λάμας ή όταν διακόπτεται η κοπή για οποιοδήποτε λόγο, αφήστε τη σκανδάλη και κρατήστε ακίνητο το πριόνι μέσα στο υλικό έως ότου ακινητοποιηθεί η λάμα. Μη δοκιμάσετε ποτέ να βγάλετε το πριόνι από το τεμάχιο εργασίας ούτε να το τραβήξετε προς τα πίσω όταν η λάμα κινείται, επειδή μπορεί να κλοτσήσει.** Ελέγξτε και πάρτε διορθωτικά μέτρα για να εξαλείψετε την αιτία πιασίματος της λάμας.
- 3. Όταν ξεκινάτε ξανά την κοπή ενός τεμαχίου εργασίας, κεντράρετε τη λάμα πριονιού στην εγκοπή με τρόπο ώστε τα δόντια της λάμας να μην έχουν πασιτεί μέσα στο υλικό.** Αν εμποδίζεται μια λάμα πριονιού, το εργαλείο μπορεί να αναπηδήσει από το τεμάχιο εργασίας ή να κλοτσήσει όταν το θέσετε ξανά σε λειτουργία.
- 4. Πρέπει να στηρίζετε τις μεγάλες πλάκες για να ελαχιστοποιείτε τον κίνδυνο να πασιτεί η λάμα, αλλά και να κλοτσήσει.** Μεγάλα τεμάχια τείνουν να λυγίζουν κάτω από το βάρος τους. Πρέπει να τοποθετείτε στηρίγματα κάτω από τις πλάκες, και στις δύο πλευρές, κοντά στη γραμμή κοπής και κοντά στην άκρη της πλάκας. (Εικ. 2 και 3)
- 5. Μη χρησιμοποιείτε λάμες αμβλυμένες ή με ζημιές.** Ατρόχιστες λάμες ή ακατάλληλα τοποθετημένες λάμες δημιουργούν στενή τομή προκαλώντας υπερβολική τριβή, πιάσιμο της λάμας και κλότσημα.
- 6. Οι μοχλοί ασφάλισης του βάθους λάμας και της ρύθμισης λοξοτομής πρέπει να είναι σφικτοί και ασφαλισμένοι πριν από την κοπή.** Αν η ρύθμιση λάμας μετακινείται κατά την κοπή, μπορεί να προκληθεί πιάσιμο και κλότσημα.
- 7. Δώστε μεγάλη προσοχή όταν πριονίζετε σε υπάρχοντες τοίχους ή άλλες τυφλές περιοχές.** Αν η λάμα προεξέχει, μπορεί να κόψει αντικείμενα που θα προκαλέσουν κλότσημα.

8. Κρατήστε ΠΑΝΤΑ το εργαλείο σταθερά με τα δύο χέρια. Μην τοποθετείτε ΠΟΤΕ το χέρι, το πόδι ή οποιοδήποτε μέρος του σώματός σας κάτω από τη βάση του εργαλείου ή πίσω από το πριόνι, ειδικά όταν δημιουργείται εγκάρσιες κοπές. Αν συμβεί κλότσημα, το πριόνι μπορεί εύκολα να πηδήξει προς τα πίσω πάνω από το χέρι σας, οδηγώντας σε σοβαρό προσωπικό τραυματισμό. (Εικ. 4)
9. Ποτέ μην εξαναγκάσετε το πριόνι. Να σπρώχνετε το πριόνι προς τα μπροστά με τέτοια ταχύτητα ώστε η λάμα να κόβει χωρίς να επιβραδύνει. Αν ζορίζετε το πριόνι μπορεί να προκληθούν ανομοιόμορφες κοπές, απώλεια της ακριβείας και πιθανώς κλότσημα.

Λειτουργία προστατευτικού

1. Ελέγξτε τον κάτω προφυλακτήρα για κατάλληλο κλείσιμο πριν από κάθε χρήση. Μην θέτετε σε λειτουργία το πριόνι αν ο κάτω προφυλακτήρας δεν κινείται ελεύθερα και δεν κλείνει αμέσως. Μην συγκρατείτε και μη δένετε ποτέ τον κάτω προφυλακτήρα στην ανοιχτή θέση. Αν το πριόνι πέσει τυχαίως, ο κάτω προφυλακτήρας μπορεί να λυγίσει. Σηκώστε τον κάτω προφυλακτήρα με τη βοήθεια της ανασυρόμενης λαβής και βεβαιωθείτε ότι κινείται ελεύθερα και δεν ακουμπά τη λάμα ή κάποιο άλλο μέρος, σε όλες τις γωνίες και βάθη κοπής.
2. Ελέγξτε τη λειτουργία του ελατηρίου του κάτω προφυλακτήρα. Αν ο προφυλακτήρας και το ελατήριο δεν λειτουργούν κατάλληλα, πρέπει να συντηρηθούν πριν από τη χρήση. Ο κάτω προφυλακτήρας μπορεί να λειτουργεί αργά λόγω τμημάτων με ζημιές, αποθέματα κόλλας ή συσσώρευσης απορριμμάτων.
3. Ο κάτω προφυλακτήρας μπορεί να αποσυρθεί χειροκίνητα μόνο για ειδικές κοπές όπως “κοπές βύθισης” και “σύνθετες κοπές”. Σηκώστε τον κάτω προφυλακτήρα αποσπώντας τη λαβή και μόλις η λάμα εισέλθει στο υλικό, ο κάτω προφυλακτήρας πρέπει να ελευθερωθεί. Για όλα τα άλλα πριονίσματα, ο κάτω προφυλακτήρας πρέπει να λειτουργεί αυτόματα.
4. Να παρατηρείτε πάντα ότι ο κάτω προφυλακτήρας καλύπτει τη λάμα πριν τοποθετήσετε το πριόνι σε πάγκο ή στο πάτωμα. Αν η λάμα δεν προστατεύεται και κινείται ελεύθερα, το πριόνι θα κινηθεί προς τα πίσω, κόβοντας ότι βρεθεί στο δρόμο του. Να είστε ενήμεροι για τον χρόνο που χρειάζεται για τη λάμα να σταματήσει αφού ο διακόπτης έχει απελευθερωθεί.
5. Για να ελέγξετε τον κάτω προφυλακτήρα, ανοίξτε τον κάτω προφυλακτήρα με το χέρι και, στη συνέχεια, αφήστε και παρακολουθήστε το κλείσιμο του προφυλακτήρα. Επίσης, ελέγξτε να δείτε ότι η λαβή απόσυρσης δεν αγγίζει το περίβλημα του εργαλείου. Είναι ΠΟΛΥ ΕΠΙΚΙΝΔΥΝΟ να αφήνετε τη λάμα εκτεθειμένη και μπορεί να οδηγήσει σε σοβαρό προσωπικό τραυματισμό.

Λειτουργία μαχαίριου κοπής

1. Χρησιμοποιήστε την κατάλληλη λάμα πριονιού για το μαχαίρι κοπής. Για τη λειτουργία του μαχαίριου κοπής, το σώμα της λάμας πρέπει να είναι πιο λεπτό από το μαχαίρι κοπής και το πλάτος κοπής της λάμας πρέπει να είναι πιο μεγάλο από το πάχος του μαχαίριου κοπής.
2. Προσαρμόστε το μαχαίρι κοπής όπως περιγράφεται στο παρόν εγχειρίδιο οδηγιών. Οι λαθασμένες αποστάσεις, τοποθέτηση και ευθυγράμμιση μπορεί να καταστήσουν το μαχαίρι κοπής μη αποδοτικό στην αποφυγή κλοστήματος.
3. Να χρησιμοποιείτε πάντα το μαχαίρι κοπής κατά τη βαθιά κοπή. Το μαχαίρι κοπής πρέπει να αντικατασταθεί μετά από βαθιά κοπή. Το μαχαίρι κοπής προκαλεί παρεμβολή κατά τη διάρκεια βαθιάς κοπής και μπορεί να προκαλέσει κλότσημα.
4. Για τη λειτουργία του μαχαίριου κοπής, αυτό πρέπει να δεσμευτεί στο τεμάχιο εργασίας. Το μαχαίρι κοπής δεν είναι αποδοτικό στην αποφυγή κλοστήματος κατά τη διάρκεια σύντομων κοπών.
5. Μην χρησιμοποιείτε το πριόνι αν το μαχαίρι κοπής είναι λυγισμένο. Ακόμη και μια μικρή παρεμβολή μπορεί να επιβραδύνει το ρυθμό κλεισίματος ενός προστατευτικού.

Πρόσθετες προειδοποιήσεις ασφάλειας

1. Δώστε μεγάλη προσοχή όταν κόβετε νωπό ξύλο, ξυλεία επεξεργασμένη με πίεση ή ξύλο που περιέχει κόμπους. Διατηρήστε ομαλή προώθηση του εργαλείου χωρίς να μειώνετε την ταχύτητα της λάμας, προκειμένου να αποφύγετε την υπερθέρμανση των άκρων της λάμας.
2. Μην επιχειρήσετε να αφαιρέσετε κομμένο υλικό όταν η λάμα κινείται. Περιμένετε μέχρι να σταματήσει η λάμα πριν πιάσετε κομμένο υλικό. Οι λάμες περιστρέφονται και μετά το σβήσιμο.
3. Αποφεύγετε την κοπή καρφιών. Ελέγξτε και αφαιρέστε όλα τα καρφιά από την ξυλεία πριν από την κοπή.
4. Τοποθετήστε το πλατύτερο τμήμα της βάσης του πριονιού σε εκείνο το τμήμα του τεμαχίου εργασίας που στηρίζεται σταθερά, και όχι στο τμήμα εκείνο που θα πέσει όταν θα γίνει η κοπή. Αν το τεμάχιο εργασίας είναι κοντό ή μικρό, συγκρατήστε το. ΜΗ ΠΡΟΣΠΑΘΕΙΤΕ ΝΑ ΚΡΑΤΑΤΕ ΜΙΚΡΑ ΤΕΜΑΧΙΑ ΜΕ ΤΟ ΧΕΡΙ! (Εικ. 5)
5. Πριν τοποθετήσετε το εργαλείο κάτω μετά το τέλος της κοπής, βεβαιωθείτε ότι έκλεισε το προστατευτικό και ακινητοποιήθηκε τελείως η λάμα.
6. Μη δοκιμάσετε ποτέ να πριονίσετε όταν το δισκοπριόνι είναι στερεωμένο ανάποδα σε μια μέγερη. Αυτό είναι εξαιρετικά επικίνδυνο και μπορεί να οδηγήσει σε σοβαρά ατυχήματα. (Εικ. 6)
7. Μερικά υλικά περιέχουν χημικά που μπορεί να είναι τοξικά. Προσέχετε ώστε να αποφύγετε την εισπνοή σκόνης και την επαφή με το δέρμα. Ακολουθείτε τα δεδομένα ασφάλειας υλικού που παρέχονται από τον προμηθευτή.
8. Μην σταματάτε τις λάμες με πλευρική πίεση στη λάμα πριονιού.
9. Μην χρησιμοποιείτε αποξεστικούς τροχούς.

10. **Χρησιμοποιείτε μόνο τη λάμα πριονιού με τη διάμετρο που είναι επισημασμένη στο εργαλείο που καθορίζεται στο εγχειρίδιο.** Η χρήση μιας λάμας λανθασμένου μεγέθους μπορεί να επηρεάσει τη σωστή προστασία της λάμας ή τη λειτουργία του προστατευτικού, γεγονός που μπο ρεί να έχει ως αποτέλεσμα σοβαρό προσωπικό τραυματισμό.
11. **Κρατάτε τη λάμα κοφτερή και καθαρή.** Η κόλλα και τα πριονίσματα ξύλου που έχουν ξεραθεί επάνω στις λάμες επιβραδύνουν το πριόνι και αυξάνουν την πιθανότητα κλοσθήματος. Διατηρείτε τη λάμα καθαρή αφού πρώτα τη βγάλετε από το εργαλείο και μετά την καθάριστε με καθαριστικό ή κόλλα και πριονίσματα, ζεστό νερό ή κηροζίνη. Μη χρησιμοποιήσετε ποτέ βενζίνη.
12. **Να φοράτε προσωπίδα κατά της σκόνης και ατμοσπίδες όταν χρησιμοποιείτε το εργαλείο.**
13. **Να χρησιμοποιείτε πάντα τη λάμα πριονιού που προορίζεται για τη κοπή του υλικού που θα κόψετε.**
14. **Να χρησιμοποιείτε μόνο λάμες πριονιού που είναι επισημασμένες με ταχύτητα ίση με ή υψηλότερη από την ταχύτητα που είναι επισημασμένη στο εργαλείο.**
15. **(Για ευρωπαϊκές χώρες μόνο)**
Να χρησιμοποιείτε πάντα λάμα που συμμορφώνεται με το πρότυπο EN847-1.

ΦΥΛΑΞΕΤΕ ΑΥΤΕΣ ΤΙΣ ΟΔΗΓΙΕΣ.

ΠΡΟΕΙΔΟΠΟΙΗΣΗ:

ΜΗΝ επιτρέψετε στην άνεση ή στην εξοικειώσή σας με το προϊόν (που αποκτήθηκε από επανειλημμένη χρήση) να αντικαταστήσει την αυστηρή τήρηση των κανόνων ασφαλείας του παρόντος εργαλείου. Η ΑΝΑΘΕΣΜΕΝΗ ΧΡΗΣΗ ή η αμέλεια να ακολουθήσετε τους κανόνες ασφάλειας που διατυπώνονται στο παρόν εγχειρίδιο οδηγιών μπορεί να προκαλέσει σοβαρό προσωπικό τραυματισμό.

ΠΕΡΙΓΡΑΦΗ ΛΕΙΤΟΥΡΓΙΑΣ

ΠΡΟΣΟΧΗ:

- Πάντοτε να είστε σίγουροι ότι το εργαλείο είναι σβηστό και αποσυνδεδεμένο από το ρεύμα πριν ρυθμίσετε ή ελέγξετε κάποια λειτουργία στο εργαλείο.

Ρύθμιση βάθους κοπής (Εικ. 7)

ΠΡΟΣΟΧΗ

- Αφού ρυθμίσετε το βάθος κοπής, πάντοτε σφίγγετε το μοχλό με ασφάλεια.

Λοσκάρετε το μοχλό στον οδηγό βάθους και μετακινήστε τη βάση επάνω ή κάτω. Στο επιθυμητό βάθος κοπής, ασφαλίστε την βάση σφίγγοντας την βίδα σύσφιξης.

Για πιο καθαρές, ασφαλείς τομές, καθορίστε το βάθος της τομής ώστε να μην προεξέχουν περισσότερα από ένα δόντια της λεπίδας, κάτω από το τεμάχιο εργασίας. Η χρήση κατάλληλου βάθους τομής βοηθά στη μείωση της πιθανότητας για επικίνδυνες ΑΝΑΚΡΟΥΣΕΙΣ (οπισθολακτίσματα) που μπορούν να προκαλέσουν προσωπικό τραυματισμό.

Λοξή κοπή (Εικ. 8)

Για Μοντέλο 5705R, 5903R, 5103R

Χαλαρώστε τις βίδες σύσφιξης μπρος και πίσω και δώστε κλίση στο εργαλείο στην επιθυμητή γωνία για λοξές τομές (φάλτσα) (0° – 45°). Σφίξτε καλά τις βίδες σύσφιξης μπρος και πίσω μετά από τη ρύθμιση.

Για Μοντέλο 5143R

Χαλαρώστε τις βίδες σύσφιξης μπροστά και δώστε κλίση στο εργαλείο στην επιθυμητή γωνία για λοξές τομές (φάλτσα) (0° – 60°). Σφίξτε καλά τις βίδες σύσφιξης μπροστά μετά από την ρύθμιση.

Κάτοψη

Για 5705R (Εικ. 9)

Για 5903R, 5103R (Εικ. 10)

Για ίσιες κοπές, ευθυγραμμίστε την θέση Α στο εμπρόσθιο της βάσης με την γραμμή κοπής σας. Για λοξές κοπές 45°, ευθυγραμμίστε την θέση Β με αυτήν.

Για 5143R (Εικ. 11)

Ευθυγραμμίστε τη γραμμή οπτικής επαφής με την εγκοπή 0° για κοπή σε ευθεία γραμμή ή με την εγκοπή 30° για κοπή υπό γωνία 30° ή με την εγκοπή 45° για κοπή υπό γωνία 45° ή με την εγκοπή 60° για κοπή υπό γωνία 60°.

Ρύθμιση μαχαιριού κοπής (Εικ. 12)

Χρησιμοποιείτε το εξαγωνικό κλειδί για να χαλαρώσετε το μπουλόνι εξαγωνικής υποδοχής κεφαλής για τη ρύθμιση της λεπίδας τροχού, και έπειτα σηκώστε το κάλυμμα ασφαλείας. Μετακινήστε τη λεπίδα τροχού επάνω ή κάτω πάνω από τις δύο προεξοχές για ρυθμίσεις που φαίνονται στην εικόνα, έτσι ώστε να υπάρχει ο κατάλληλος χώρος μεταξύ της λεπίδας τροχού και της λάμας τροχού.

ΠΡΟΣΟΧΗ:

- Βεβαιώστε ότι το μαχαίρι κοπής έχει ρυθμιστεί έτσι ώστε:

Η απόσταση μεταξύ του μαχαιριού κοπής και του οδοντωτού άκρου της λάμας του τροχού δεν είναι περισσότερο από 5 χιλ. Το οδοντωτό άκρο δεν εκτείνεται περισσότερο από 5 χιλ. πέραν της χαμηλότερης άκρης του μαχαιριού κοπής.

Λειτουργία διακόπτη (Εικ. 13)

ΠΡΟΣΟΧΗ:

- Πριν συνδέσετε το εργαλείο στο ηλεκτρικό, πάντοτε ελέγχετε να δείτε ότι η σκανδάλη διακόπτη ενεργοποιείται κανονικά και επιστρέφει στην θέση "OFF" όταν ελευθερώνεται.

Για να αποτραπεί τυχαία πίεση της σκανδάλης ενεργοποίησης, παρέχεται ένα κουμπί ασφάλισης. Για να ενεργοποιήσετε το εργαλείο, πιέστε το κουμπί ασφάλισης προς τα μέσα και στη συνέχεια πιέστε τη σκανδάλη ενεργοποίησης. Ελευθερώστε τη σκανδάλη ενεργοποίησης για να διακόψετε τη λειτουργία.

ΣΥΝΑΡΜΟΛΟΓΗΣΗ

ΠΡΟΣΟΧΗ:

- Πάντοτε να σιγουρεύετε ότι το εργαλείο είναι σβηστό και αποσυνδεδεμένο πριν εκτελέσετε οποιαδήποτε εργασία στο εργαλείο.

Απομάκρυνση ή εγκατάσταση της λάμας τροχού (Εικ. 14 και 15)

Οι ακόλουθες λάμες μπορούν να χρησιμοποιηθούν με αυτό το μηχανήμα.

Μοντέλο	Μεγ. διαμ.	Ελαχ. διαμ.	Πάχος λάμας	Εγκοπή
5705R	190 χιλ.	170 χιλ.	1,6 χιλ. ή λιγότερο	1,9 χιλ. ή περισσότερο
5903R	235 χιλ.	210 χιλ.	1,7 χιλ. ή λιγότερο	2,1 χιλ. ή περισσότερο
5103R	270 χιλ.	260 χιλ.	1,8 χιλ. ή λιγότερο	2,2 χιλ. ή περισσότερο
5143R	355 χιλ.	350 χιλ.	2,3 χιλ. ή λιγότερο	2,7 χιλ. ή περισσότερο

006481

Το πάχος του μαχαίριου κοπής είναι 1,8 χιλ. για το μοντέλο 5705R, 2,0 χιλ. για τα μοντέλα 5903R και 5103R και 2,5 χιλ. για το μοντέλο 5143R.

ΠΡΟΣΟΧΗ:

- Μη χρησιμοποιείτε λάμες τροχού που δεν ανταποκρίνονται στις προδιαγραφές που αναφέρονται στις οδηγίες αυτές.
- Μη χρησιμοποιείτε λάμες τροχού ο δίσκος των οποίων είναι παχύτερος ή των οποίων η οδόντωση είναι μικρότερη από το πάχος του μαχαίριου κοπής.

ΠΡΟΣΟΧΗ:

- Βεβαιωθείτε ότι η λάμα έχει τοποθετηθεί με τα δόντια κατευθυνόμενα προς τα πάνω στο εμπρόσθιο μέρος του εργαλείου.
- Χρησιμοποιείτε μόνο το κλειδί Makita για τοποθέτηση ή αφαίρεση της λάμας.
- Μην πιέζετε τη διάταξη κλειδώματος άξονα, ενόσω το δικοπρίονο βρίσκεται σε λειτουργία.

Για να αφαιρέσετε την λάμα πατήστε το κλειδίωμα άξονα εντελώς έτσι ώστε η λάμα να μη μπορεί να περιστραφεί και χρησιμοποιήστε το κλειδί για να χαλαρώσετε το εξάγωνο μπουλόνι αριστερόστροφα. Μετά αφαιρέστε το εξάγωνο μπουλόνι, την εξωτερική φλάντζα και τη λάμα.

Για να τοποθετήσετε την λάμα, ακολουθείστε την διαδικασία αφαίρεσης αντίστροφα. **ΒΕΒΑΙΩΘΕΙΤΕ ΟΤΙ ΣΦΙΞΑΤΕ ΤΟ ΕΞΑΓΩΝΟ ΜΠΟΥΛΟΝΙ ΑΡΙΣΤΕΡΟΣΤΡΟΦΑ ΜΕ ΑΣΦΑΛΕΙΑ.**

Κατά την αντικατάσταση της λεπίδας, φροντίστε επίσης για τον καθαρισμό των προστατευτικών της λεπίδας στο πάνω και κάτω μέρος από συσσωρευμένα πριονίδια. Αυτές οι ενέργειες, πάντως, δεν αντικαθιστούν την ανάγκη ελέγχου της λειτουργίας του προστατευτικού στο κάτω μέρος πριν από κάθε χρήση.

Σύνδεση ηλεκτρικής σκούπας (Εικ. 16)

Όταν επιθυμείτε να εκτελέσετε καθαρές κοπές, συνδέστε μια ηλεκτρική σκούπα Makita στο εργαλείο σας. Τοποθετήστε το σύνδεσμο στήριξης στο εργαλείο χρησιμοποιώντας τις βίδες. Στη συνέχεια συνδέστε έναν εύκαμπτο σωλήνα της ηλεκτρικής σκούπας στο σύνδεσμο στήριξης όπως υποδεικνύεται στην εικόνα.

ΛΕΙΤΟΥΡΓΙΑ

ΠΡΟΣΟΧΗ:

- Βεβαιωθείτε ότι μετακινείτε το εργαλείο απαλά προς τα εμπρός σε μία ευθεία γραμμή. Εξαναγκασμός ή στρίψιμο του εργαλείου θα προκαλέσει υπερθέρμανση του κινητήρα και επικίνδυνο οπισθολάκτισμα με πιθανότητα πρόκλησης σοβαρού τραυματισμού.

Κρατάτε το εργαλείο σταθερά. Το εργαλείο παρέχεται με εμπρόσθια λαβή και με πίσω χειρολαβή. Χρησιμοποιείτε και τις δύο για καλό κράτημα του εργαλείου. Εάν και τα δύο χέρια κρατάνε το εργαλείο, δεν μπορεί να τραυματιστούν από την λάμα. Ρυθμίστε την βάση στο τεμάχιο εργασίας που πρόκειται να κοπεί χωρίς η λάμα να κάνει καμιά επαφή. Μετά ανάψτε το εργαλείο και περιμένετε μέχρι η λάμα να αποκτήσει πλήρη ταχύτητα. Τώρα απλώς κινείστε το εργαλείο προς τα εμπρός πάνω στην επιφάνεια του τεμαχίου εργασίας, κρατώντας το επίπεδο και προωθώντας το απαλά μέχρι να συμπληρωθεί η κοπή.

Για να έχετε καθαρές κοπές, κρατάτε την γραμμή κοπής ευθεία και την ταχύτητα προώθησης ομοιόμορφη. Εάν η κοπή παρεκκλίνει από την επιθυμητή γραμμή κοπής, μην επιχειρήσετε να στρίψετε ή εξαναγκάσετε το εργαλείο πίσω στην γραμμή κοπής. Κάνοντάς το μπορεί να πασέει η λάμα και να οδηγήσει σε επικίνδυνο οπισθολάκτισμα ή πιθανό σοβαρό τραυματισμό. Ελευθερώστε τον διακόπτη, περιμένετε να σταματήσει η λάμα και μετά τραβήχτε το εργαλείο. Ευθυγραμμίστε πάλι το εργαλείο σε μία νέα γραμμή κοπής, και ξαναρχίστε την κοπή. Προσπαθήστε να αποφύγετε θέσεις που εκθέτουν τον χειριστή στα πριονίδια και ξυλόσκηνη που εκτινάσσονται από το πριόνι. Χρησιμοποιήστε προστατευτικά οφθαλμών για να αποφύγετε τραυματισμό. (Εικ. 17)

ΠΡΟΣΟΧΗ:

- Το μαχαίρι κοπής θα πρέπει να χρησιμοποιείται πάντα εκτός από τη περίπτωση που αρχίζετε κοπή στο μέσο του αντικείμενου εργασίας.

Φράκτης σχισίματος (Κανόνες οδηγός) (Εικ. 18)

Ο βολικός φράκτης σχισίματος σας επιτρέπει να κάνετε εξαιρετικά ακριβείς ίσιες κοπές. Απλώς σύρτε τον φράκτη σχισίματος επάνω εφαρμοστά στην πλευρά του τεμαχίου εργασίας και ασφαλίστε το στη θέση του με την βίδα στο εμπρόσθιο μέρος της βάσης. Επίσης καθιστά δυνατό να εκτελεστούν επαναληπτικές κοπές με ομοιόμορφο πλάτος.

ΣΥΝΤΗΡΗΣΗ

ΠΡΟΣΟΧΗ:

- Πάντοτε να σιγουρεύεστε ότι το εργαλείο είναι σβηστό και αποσυνδεδεμένο από το ρεύμα πριν επιχειρήσετε να κάνετε επιθεώρηση ή συντήρηση.
- Μην χρησιμοποιείτε ποτέ βενζίνη, πετρελαϊκό αιθέρα, διαλυτικό, αλκοόλη ή παρόμοιες ουσίες. Ενδέχεται να προκληθεί αποχρωματισμός, παραμόρφωση ή ρωγμές.

Αντικατάσταση στα καρβουνάκια (Εικ. 19 και 20)

Αφαιρείτε και ελέγχετε τις ψήκτρες άνθρακος τακτικά. Αντικαταστήστε όταν φθαρούν μέχρι το σημάδι ορίου. Κρατάτε τις ψήκτρες καθαρές και ελεύθερες να γλιστρούν στις θήκες. Και οι δύο ψήκτρες άνθρακα πρέπει να αντικαθίστανται ταυτόχρονα. Χρησιμοποιείτε μόνο όμοιες ψήκτρες. Χρησιμοποιήστε ένα κατσαβίδι για να αφαιρέσετε τα καπάκια της θήκης ψήκτρας. Αφαιρέστε τις φθαρμένες ψήκτρες, βάλτε τις καινούργιες και ασφαλίστε τα καπάκια της θήκης ψήκτρας.

Για την διατήρηση της ΑΣΦΑΛΕΙΑΣ και ΑΞΙΟΠΙΣΤΙΑΣ του προϊόντος, επισκευές, οποιαδήποτε άλλη συντήρηση ή ρύθμιση πρέπει να εκτελούνται από τα Εξουσιοδοτημένα Κέντρα Εξυπηρέτησης της Makita, με χρήση πάντοτε ανταλλακτικών Makita.

ΠΡΟΑΙΡΕΤΙΚΑ ΕΞΑΡΤΗΜΑΤΑ

ΠΡΟΣΟΧΗ:

- Αυτά τα εξαρτήματα ή προσαρτήματα συνιστώνται για χρήση με το εργαλείο Makita που περιγράφηκε στις οδηγίες αυτές. Η χρήση οτιδήποτε άλλων εξαρτημάτων ή προσαρτημάτων μπορεί να προκαλέσει κίνδυνο τραυματισμού σε άτομα. Χρησιμοποιείτε τα εξαρτήματα ή προσαρτήματα μόνο για την χρήση που προορίζονται.

Εάν χρειάζεστε οποιαδήποτε βοήθεια για περισσότερες πληροφορίες σε σχέση με αυτά τα εξαρτήματα, αποτανθείτε στο τοπικό σας κέντρο εξυπηρέτησης Makita.

- Λάμες τροχού
- Φράκτης σχισίματος (Κανόνας οδηγός)
- Εξαγωνικό κλειδί
- Σύνδεσμος στήριξης

ΠΑΡΑΤΗΡΗΣΗ:

- Μερικά στοιχεία στη λίστα μπορεί να συμπεριλαμβάνονται στη συσκευασία εργαλείου ως στάνταρ εξαρτήματα. Μπορεί να διαφέρουν ανάλογα με τη χώρα.

ENG905-1

Θόρυβος

Το τυπικό Α επίπεδο μετρημένου θορύβου καθορίζεται σύμφωνα με το EN62841-2-5:

Μοντέλο 5103R

Στάθμη πίεσης ήχου (L_{pA}): 100 dB (A)
Στάθμη δύναμης ήχου (L_{WA}): 108 dB (A)
Αβεβαιότητα (K): 3 dB (A)

Μοντέλο 5143R

Στάθμη πίεσης ήχου (L_{pA}): 97 dB (A)
Στάθμη δύναμης ήχου (L_{WA}): 105 dB (A)
Αβεβαιότητα (K): 3 dB (A)

Μοντέλο 5903R

Στάθμη πίεσης ήχου (L_{pA}): 98 dB (A)
Στάθμη δύναμης ήχου (L_{WA}): 106 dB (A)
Αβεβαιότητα (K): 3 dB (A)

ENG907-1

ΠΑΡΑΤΗΡΗΣΗ:

- Η δηλωμένη τιμή(ές) εκπομπής θορύβου έχει μετρηθεί σύμφωνα με την πρότυπη μέθοδο δοκιμής και μπορεί να χρησιμοποιηθεί για τη σύγκριση ενός εργαλείου με κάποιο άλλο.
- Η δηλωμένη τιμή(ές) εκπομπής θορύβου μπορεί να χρησιμοποιηθεί και στην προκαταρκτική αξιολόγηση της έκθεσης.

⚠ ΠΡΟΕΙΔΟΠΟΙΗΣΗ:

- **Να φοράτε ωτοασπίδες.**
- **Η εκπομπή θορύβου κατά τη χρήση του ηλεκτρικού εργαλείου σε πραγματικές συνθήκες μπορεί να διαφέρει από τη δηλωμένη τιμή(ές) ανάλογα με τους τρόπους χρήσης του εργαλείου, ιδιαίτερα το είδος του τεμαχίου εργασίας που υπόκειται επεξεργασία.**
- **Φροντίστε να λάβετε τα κατάλληλα μέτρα προστασίας του χειριστή βάσει ενός υπολογισμού της έκθεσης σε πραγματικές συνθήκες χρήσης (λαμβάνοντας υπόψη όλες τις συνιστώσες του κύκλου λειτουργίας όπως τους χρόνους που το εργαλείο είναι εκτός λειτουργίας και όταν βρίσκεται σε αδρανή λειτουργία πέραν του χρόνου ενεργοποίησης).**

ENG900-1

Κραδασμός

Η ολική τιμή δόνησης (άθροισμα τρι-αξονικού διανύσματος) καθορίζεται σύμφωνα με το EN62841-2-5:

Μοντέλο 5103R, 5143R

Είδος εργασίας: κοπή ξύλου
Εκπομπή δόνησης ($a_{h,w}$): 2,5 m/s² ή λιγότερο
Αβεβαιότητα (K): 1,5 m/s²

Είδος εργασίας: κοπή μετάλλου
Εκπομπή δόνησης ($a_{h,m}$): 2,5 m/s² ή λιγότερο
Αβεβαιότητα (K): 1,5 m/s²

Μοντέλο 5903R

Είδος εργασίας: κοπή ξύλου
Εκπομπή δόνησης ($a_{h,w}$): 3,0 m/s²
Αβεβαιότητα (K): 1,5 m/s²

Είδος εργασίας: κοπή μετάλλου
Εκπομπή δόνησης ($a_{h,m}$): 4,0 m/s²
Αβεβαιότητα (K): 1,5 m/s²

ENG901-2

ΠΑΡΑΤΗΡΗΣΗ:

- Η δηλωμένη τιμή(ές) συνολικών κραδασμών έχει μετρηθεί σύμφωνα με την πρότυπη μέθοδο δοκιμής και μπορεί να χρησιμοποιηθεί για τη σύγκριση ενός εργαλείου με κάποιο άλλο.
- Η δηλωμένη τιμή(ές) συνολικών κραδασμών μπορεί να χρησιμοποιηθεί και στην προκαταρκτική αξιολόγηση της έκθεσης.

⚠ ΠΡΟΕΙΔΟΠΟΙΗΣΗ:

- **Η εκπομπή κραδασμών κατά τη χρήση του ηλεκτρικού εργαλείου σε πραγματικές συνθήκες μπορεί να διαφέρει από τη δηλωμένη τιμή(ές) εκπομπής ανάλογα με τους τρόπους χρήσης του εργαλείου, ιδιαίτερα το είδος του τεμαχίου εργασίας που υπόκειται επεξεργασία.**

- Φροντίστε να λάβετε τα κατάλληλα μέτρα προστασίας του χειριστή βάσει ενός υπολογισμού της έκθεσης σε πραγματικές συνθήκες χρήσης (λαμβάνοντας υπόψη όλες τις συνιστώσες του κύκλου λειτουργίας όπως τους χρόνους που το εργαλείο είναι εκτός λειτουργίας και όταν βρίσκεται σε αδρανή λειτουργία πέραν του χρόνου ενεργοποίησης).

ΔΗΛΩΣΗ ΣΥΜΜΟΡΦΩΣΗΣ

Μόνο για χώρες της Ευρώπης

Οι Δηλώσεις Συμμόρφωσης περιλαμβάνονται στο Παράρτημα Α στο παρόν εγχειρίδιο οδηγιών.

Makita Europe N.V.

Jan-Baptist Vinkstraat 2, 3070 Kortenberg, Belgium

Makita Corporation

3-11-8, Sumiyoshi-cho, Anjo, Aichi 446-8502 Japan

www.makita.com



884364L995

IDE