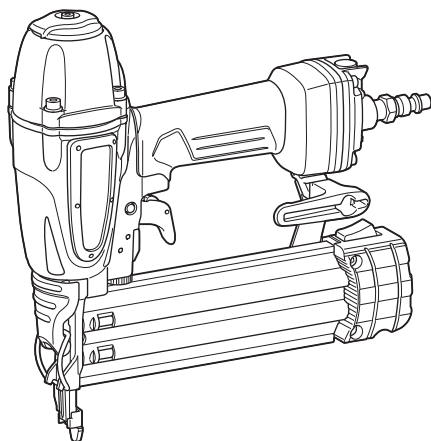




EN	Pneumatic Brad Nailer	INSTRUCTION MANUAL	5
FR	Cloueur Pneumatique Polyvalent	MANUEL D'INSTRUCTIONS	12
DE	Druckluft-Magazinnagler	BETRIEBSANLEITUNG	20
IT	Groppinatrice pneumatica	ISTRUZIONI PER L'USO	28
NL	Pneumatisch fijnnagelpistool	GEBRUIKSAANWIJZING	36
ES	Clavadora Neumática para Clavos de Cabeza Redonda	MANUAL DE INSTRUCCIONES	44
PT	Pinador pneumático	MANUAL DE INSTRUÇÕES	52
DA	Trykluftpistol til dykkersøm	BRUGSANVISNING	60
EL	Πνευματικό καρφωτικό για καρφιά με αφανή κεφαλή	ΕΓΧΕΙΡΙΔΙΟ ΟΔΗΓΙΩΝ	67
TR	Havalı Başlı Çivi Çakma	KULLANMA KILAVUZU	75

AF506



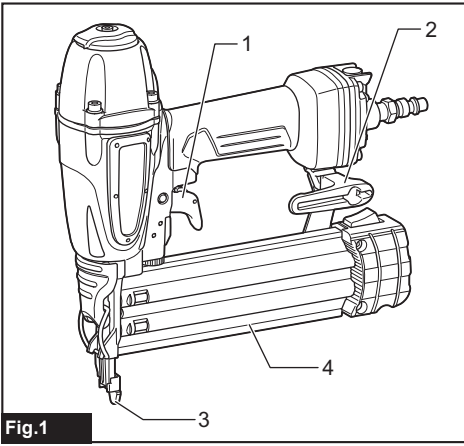


Fig.1

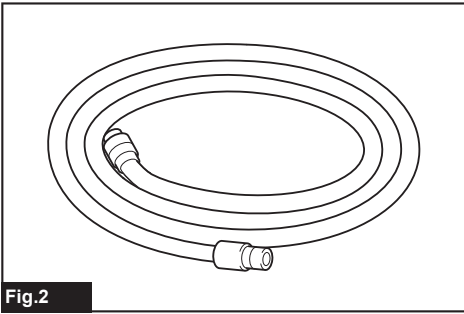


Fig.2

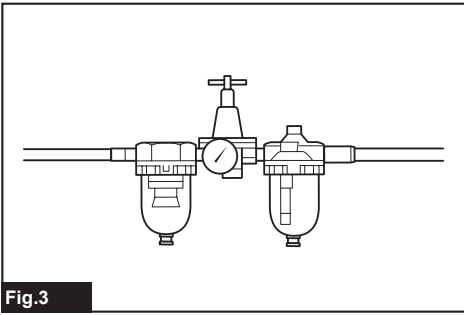


Fig.3

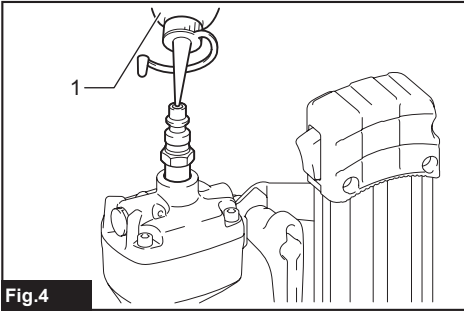


Fig.4

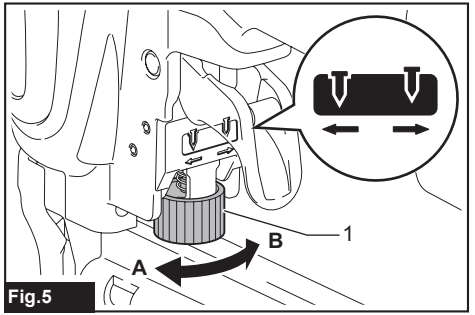


Fig.5

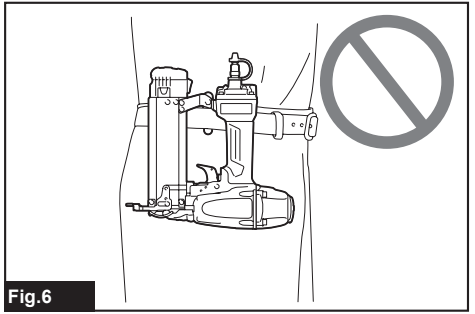


Fig.6

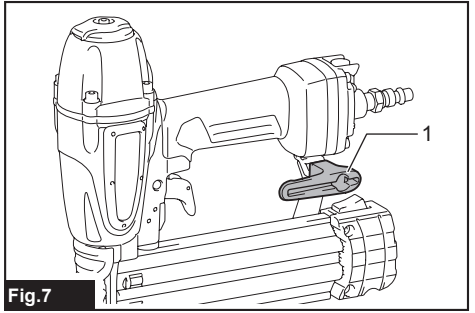


Fig.7

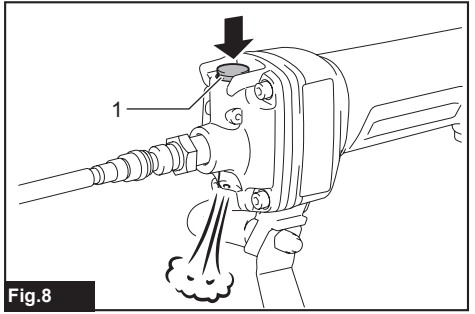


Fig.8

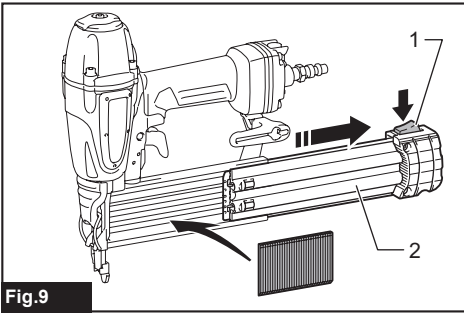


Fig.9

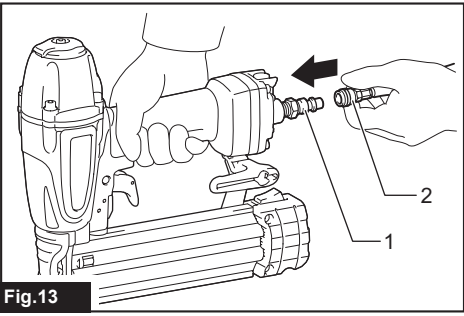


Fig.13

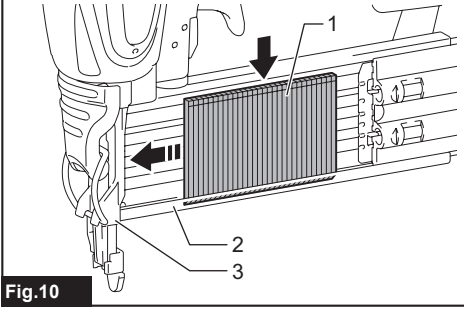


Fig.10

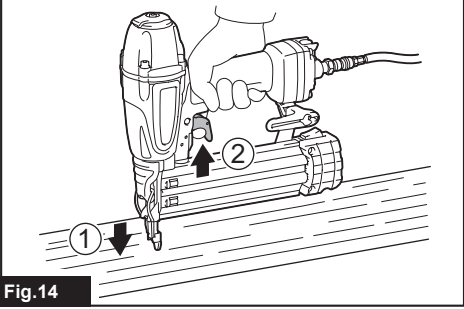


Fig.14

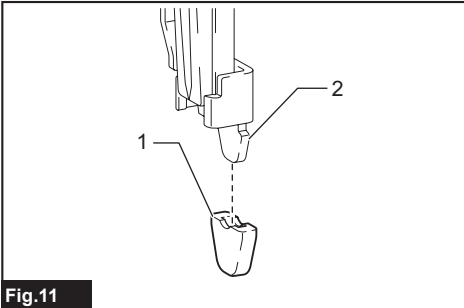


Fig.11

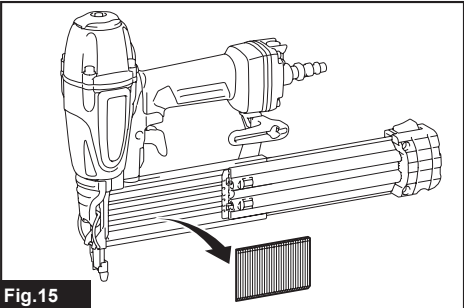


Fig.15

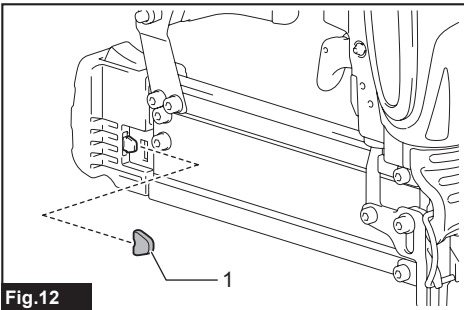
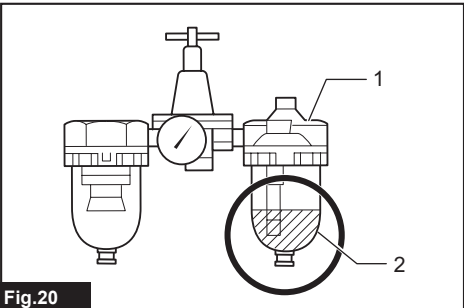
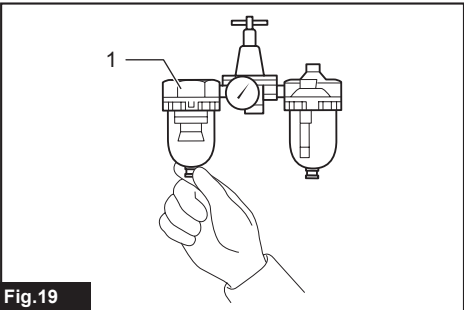
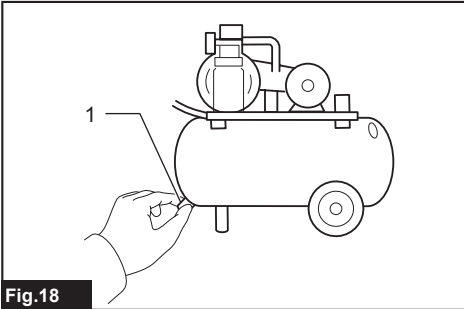
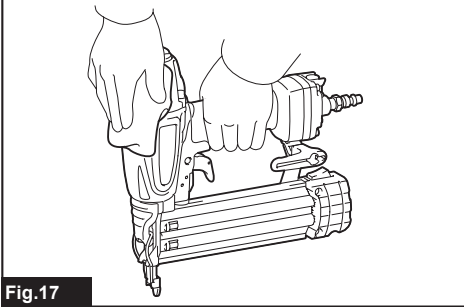
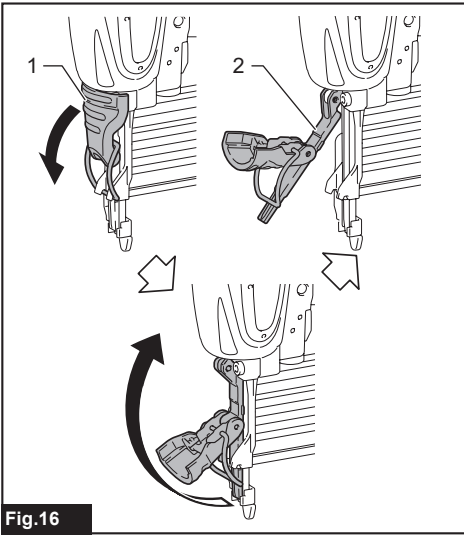


Fig.12



SPECIFICATIONS

Model:	AF506
Air pressure	0.49 - 0.83 MPa (4.9 - 8.3 bar)
Nail gauge	18 Ga.
Nail length	15 mm - 50 mm
Nail capacity	100 pcs.
Minimum hose diameter	6.5 mm
Pneumatic tool oil	ISO VG32 or equivalent
Dimensions (L x W x H)	250 mm x 70 mm x 256 mm
Net weight	1.3 kg

- Due to our continuing program of research and development, the specifications herein are subject to change without notice.
- Specifications may differ from country to country.

Symbols

The followings show the symbols used for the equipment. Be sure that you understand their meaning before use.



Read instruction manual.



Wear safety glasses.



Wear ear protection.



Do not use on scaffoldings, ladders.

Intended use

The tool is intended for fastening on interior work and furniture work.

The tool is for high-volume professional application only. Do not use it for any other purpose. It is not designed to drive fasteners on a hard surface like steel and concrete.

Noise

The typical A-weighted noise level determined according to ISO11148-13(EN12549):

Sound pressure level (L_{pA}) : 99 dB(A)

Sound power level (L_{WA}) : 109 dB (A)

Uncertainty (K) : 1.5 dB(A)

NOTE: The declared noise emission value(s) has been measured in accordance with a standard test method and may be used for comparing one tool with another.

NOTE: The declared noise emission value(s) may also be used in a preliminary assessment of exposure.

⚠WARNING: Wear ear protection.

⚠WARNING: The noise emission during actual use of the power tool can differ from the declared value(s) depending on the ways in which the tool is used especially what kind of workpiece is processed.

⚠WARNING: Be sure to identify safety measures to protect the operator that are based on an estimation of exposure in the actual conditions of use (taking account of all parts of the operating cycle such as the times when the tool is switched off and when it is running idle in addition to the trigger time).

Vibration

The vibration total value determined according to ISO11148-13(ISO8662-11):

Vibration emission (a_h) : 7.6 m/s²

Uncertainty (K) : 1.5 m/s²

NOTE: The declared vibration total value(s) has been measured in accordance with a standard test method and may be used for comparing one tool with another.

NOTE: The declared vibration total value(s) may also be used in a preliminary assessment of exposure.

⚠WARNING: The vibration emission during actual use of the power tool can differ from the declared value(s) depending on the ways in which the tool is used especially what kind of workpiece is processed.

⚠WARNING: Be sure to identify safety measures to protect the operator that are based on an estimation of exposure in the actual conditions of use (taking account of all parts of the operating cycle such as the times when the tool is switched off and when it is running idle in addition to the trigger time).

EC Declaration of Conformity

For European countries only

The EC declaration of conformity is included as Annex A to this instruction manual.

SAFETY WARNINGS

Pneumatic nailer/stapler safety warnings

⚠ WARNING: Read all safety warnings and all instructions. Failure to follow the warnings and instructions may result in serious injury, electric shock and/or fire.

Save all warnings and instructions for future reference.

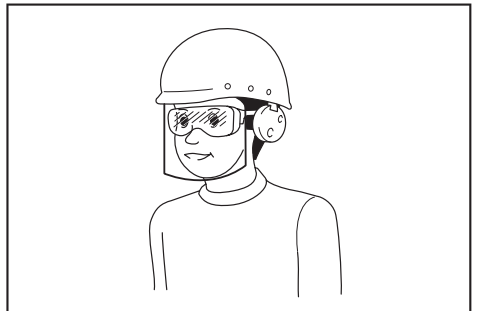
For personal safety and proper operation and maintenance of the tool, read this instruction manual before using the tool.

General safety

1. Any other use except for intended use of this tool is forbidden. Fastener driving tools with continual contact actuation or contact actuation shall only be used for production applications.
2. Keep fingers away from trigger when not operating this tool and when moving from one operating position to another.
3. Multiple hazards. Read and understand the safety instructions before connecting, disconnecting, loading, operating, maintaining, changing accessories on, or working near the tool. Failure to do so can result in serious bodily injury.
4. Keep all body parts such as hands and legs etc. away from firing direction and ensure fastener cannot penetrate workpiece into parts of the body.
5. When using the tool, be aware that the fastener could deflect and cause injury.
6. Hold the tool with a firm grasp and be prepared to manage recoil.
7. Only technically skilled operators should use the fastener driving tool.
8. Do not modify the fastener driving tool. Modifications may reduce the effectiveness of safety measures and increase the risks to the operator and/or bystander.
9. Do not discard the instruction manual.
10. Do not use a tool if the tool has been damaged.
11. Be careful when handling fasteners, especially when loading and unloading, as the fasteners have sharp points which could cause injury.
12. Always check the tool before use for broken, misconnected or worn parts.
13. Do not overreach. Only use in a safe working place. Keep proper footing and balance at all times.
14. Keep bystanders away (when working in an area where there is a likelihood of through traffic of people). Clearly mark off your operating area.
15. Never point the tool at yourself or others.
16. Do not rest your finger on the trigger when picking up the tool, moving between operating areas and positions or walking, as resting finger on trigger can lead to inadvertent operation. For tools with selective actuation, always check the tool before use to ascertain the correct mode is selected.
17. Only wear gloves that provide adequate feel and safe control of triggers and any adjusting devices.
18. When resting the tool, lay it down on the flat surface. If you use the hook equipped with the tool, hook the tool securely on the stable surface.
19. Do not operate when under the influence of alcohol, drugs or the like.

Projectile hazards

1. The fastener driving tool shall be disconnected when unloading fasteners, making adjustments, clearing jams or changing accessories.
2. During operation be careful that fasteners penetrate material correctly and cannot be deflected/misfired towards operator and/or any bystanders.
3. During operation, debris from workpiece and fastening/collation system may be discharged.
4. Always wear protective goggles to protect your eyes from injury when using power tools. The goggles must comply with ANSI Z87.1 in the USA, EN 166 in Europe, or AS/NZS 1336 in Australia/New Zealand. In Australia/New Zealand, it is legally required to wear a face shield to protect your face, too.



It is an employer's responsibility to enforce the use of appropriate safety protective equipments by the tool operators and by other persons in the immediate working area.

5. The risks to others shall be assessed by the operator.
6. Be careful with tools without workpiece contact as they can be fired unintentionally and injure operator and/or bystander.
7. Ensure tool is always safely engaged on the workpiece and cannot slip.
8. Wear hearing protection to protect your ears against exhaust noise and head protection. Also wear light but not loose clothing. Sleeves should be buttoned or rolled up. No necktie should be worn.

Operating hazards

1. **Hold the tool correctly:** be ready to counteract normal or sudden movements such as recoil.
2. **Maintain a balanced body position and secure footing.**
3. **Appropriate safety glasses shall be used and appropriate gloves and protective clothing are recommended.**
4. **Appropriate hearing protection shall be worn.**
5. **Use the correct energy supply as directed in the instruction manual.**
6. **Do not use the tool on moving platforms or back of trucks.** Sudden movement of the platform may lose control of the tool and cause injury.
7. **Always assume that the tool contains fasteners.**
8. **Do not rush the job or force the tool. Handle the tool carefully.**
9. **Watch your footing and maintain your balance with the tool.** Make sure there is no one below when working in high locations, and secure the air hose to prevent danger if there is sudden jerking or catching.
10. **On rooftops and other high locations, drive fasteners as you move forward.** It is easy to lose your footing if you drive fasteners while inching backward. When driving fasteners against perpendicular surface, work from the top to the bottom. You can perform driving operations with less fatigue by doing so.
11. **A fastener will be bent or the tool can become jammed if you mistakenly drive fastener on top of another fastener or strike a knot in the wood. The fastener may be thrown and hit someone, or the tool itself can react dangerously. Place the fasteners with care.**
12. **Do not leave the loaded tool or the air compressor under pressure for a long time out in the sun. Be sure that dust, sand, chips and foreign matter will not enter the tool in the place where you leave it setting.**
13. **Never attempt to drive fasteners from both the inside and outside at the same time.** Fasteners may rip through and/or fly off, presenting a grave danger.

Repetitive motions hazards

1. When using a tool for long periods, the operator may experience discomfort in the hands, arms, shoulders, neck, or other parts of the body.
2. While using a tool, the operator should adopt a suitable but ergonomic posture. Maintain secure footing and avoid awkward or off-balanced postures.
3. If the operator experiences symptoms such as persistent or recurring discomfort, pain, throbbing, aching, tingling, numbness, burning sensation, or stiffness, do not ignore these warning signs. The operator should consult a qualified health professional regarding overall activities.
4. The continuous use of the tool may cause repetitive strain injury due to recoil produced by the tool.
5. To avoid repetitive strain injury, the operator should not overreach or use excessive force. Additionally, the operator should take a rest when feeling fatigue.

6. Conduct a risk assessment regarding repetitive motion hazards. It should focus on muscular-skeletal disorders and be preferentially based on the assumption that decreasing fatigue during work is effective in reducing disorders.

Accessory and consumable hazards

1. Disconnect the energy supply to the tool, such as air or gas or battery as applicable, before changing/replacing accessories such as work-piece contact, or making any adjustments.
2. Use only the sizes and types of accessories that are provided by the manufacturer.
3. Use only lubricants recommended in this manual.

Workplace hazards

1. Slips, trips and falls are major causes of workplace injury. Be aware of slippery surfaces caused by use of the tool and also of trip hazards caused by the air line hose.
2. Proceed with additional care in unfamiliar surroundings. Hidden hazards may exist, such as electricity or other utility lines.
3. This tool is not intended for use in potentially explosive atmospheres and is not insulated from coming into contact with electric power.
4. Make sure there are no electrical cables, gas pipes etc. that could cause a hazard if damaged by use of the tool.
5. Keep work area clean and well lit. Cluttered or dark areas invite accidents.
6. There may be local regulations concerning noise which must be complied with by keeping noise levels within prescribed limits. In certain cases, shutters should be used to contain noise.

Dust and exhaust hazards

1. Always check your surroundings. The air exhausted from the tool may blow dust or objects and hit operator and/or bystanders.
2. Direct the exhaust so as to minimize disturbance of dust in a dust filled environment.
3. If dust or objects are emitted in the work area, reduce the emission as much as possible to reduce the health hazards and risk of injury.

Noise hazards

1. Unprotected exposure to high noise levels can cause permanent, disabling, hearing loss and other problems such as tinnitus (ringing, buzzing, whistling or humming in the ears).
2. Conduct a risk assessment regarding noise hazards in the work area and implement appropriate controls for these hazards.
3. Appropriate controls to reduce the risk may include actions such as damping materials to prevent workpieces from "ringing".
4. Use appropriate hearing protection.
5. Operate and maintain the tool as recommended in these instructions, to prevent an unnecessary increase in noise levels.
6. Take noise reduction measures, for example placing workpieces on sound damping supports.

Vibration hazards

1. The vibration emission during operation depends on the gripping force, the contact pressure force, the working direction, the adjustment of energy supply, the workpiece, the workpiece support. Conduct a risk assessment regarding vibration hazards and implement appropriate controls for these hazards.
2. Exposure to vibration can cause disabling damage to the nerves and blood supply of the hands and arms.
3. Wear warm clothing when working in cold conditions, keep your hands warm and dry.
4. If you experience numbness, tingling, pain or whitening of the skin in your fingers or hands, seek medical advice from a qualified occupational health professional regarding overall activities.
5. Operate and maintain the tool as recommended in these instructions, to prevent an unnecessary increase in vibration levels.
6. Hold the tool with a light, but safe, grip because the risk from vibration is generally greater when the grip force is higher.

Additional warnings for pneumatic tools

1. Compressed air can cause severe injury.
2. Always shut off air supply, and disconnect tool from air supply when not in use.
3. Always disconnect the tool from the compressed air supply before changing accessories, making adjustments and/or repairs, when moving away from an operating area to a different area.
4. Keep fingers away from trigger when not operating the tool and when moving from one operating position to another.
5. Never direct compressed air at yourself or anyone else.
6. Whipping hoses can cause severe injury. Always check for damaged or loose hoses or fittings.
7. Never carry a pneumatic tool by its hose.
8. Never drag a pneumatic tool by its hose.
9. When using pneumatic tools, do not exceed the maximum operating pressure ps max.
10. Pneumatic tools should only be powered by compressed air at the lowest pressure required for the work process to reduce noise and vibration, and minimize wear.
11. Using oxygen or combustible gases for operating pneumatic tools creates a fire and explosion hazard.
12. Be careful when using pneumatic tools as the tool could become cold, affecting grip and control.

Safety devices

1. Make sure all safety systems are in working order before operation. The tool must not operate if only the trigger is pulled or if only the contact arm is pressed against the wood. It must work only when both actions are performed. Test for possible faulty operation with fasteners unloaded and the pusher in fully pulled position.
2. Securing the trigger in the ON position is very dangerous. Never attempt to fasten the trigger.

3. Do not attempt to keep the contact element or other safety devices depressed with tape or wire. Death or serious injury may occur.

Service

1. Perform cleaning and maintenance right after finishing the job. Keep the tool in tip-top condition. Lubricate moving parts to prevent rusting and minimize friction-related wear. Wipe off all dust from the parts.
2. Ask Makita authorized service center for periodic inspection of the tool.
3. To maintain product SAFETY and RELIABILITY, maintenance and repairs should be performed by Makita Authorized Service Centers, always using Makita replacement parts.
4. Follow local regulations when disposing of the tool.

SAVE THESE INSTRUCTIONS.

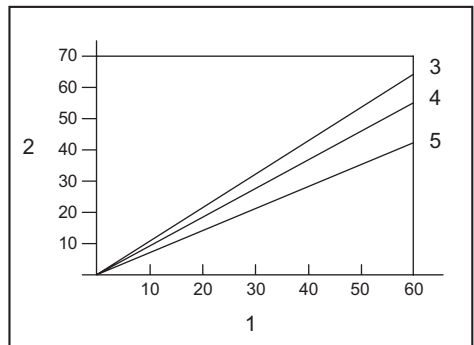
⚠WARNING: DO NOT let comfort or familiarity with product (gained from repeated use) replace strict adherence to safety rules for the subject product. MISUSE or failure to follow the safety rules stated in this instruction manual may cause serious personal injury.

PARTS DESCRIPTION

- Fig. 1: 1. Trigger 2. Hook 3. Nose adapter (contact element) 4. Magazine

INSTALLATION

Selecting compressor



1. Nailing frequency (times/min) 2. Compressor air output per minute (L/min) 3. 0.83 MPa (8.3 bar) 4. 0.74 MPa (7.4 bar) 5. 0.64 MPa (6.4 bar)

The air compressor must comply with the requirements of EN60335-2-34.

Select a compressor that has ample pressure and air output to assure cost-efficient operation. The graph shows the relation between nailing frequency, applicable pressure and compressor air output.

Thus, for example, if nailing takes place at a rate of approximately 60 times per minute at a compression of 0.74 MPa (7.4 bar), a compressor with an air output over 55 liters/minute is required.

Pressure regulators must be used to limit air pressure to the rated pressure of the tool where air supply pressure exceeds the tool's rated pressure. Failure to do so may result in serious injury to tool operator or persons in the vicinity.

Selecting air hose

CAUTION: Low air output of the compressor, or a long or smaller diameter air hose in relation to the nailing frequency may cause a decrease in the driving capability of the tool.

► Fig.2

Use an air hose as large and as short as possible to assure continuous, efficient nailing operation.

With an air pressure of 0.49 MPa (4.9 bar), an air hose with an internal diameter of over 6.5 mm and a length of less than 20 m is recommended when the interval between each nailing is 0.5 seconds. Air supply hoses shall have a minimum working pressure rating of 1.03 MPa (10.3 bar) or 150 percent of the maximum pressure produced in the system whichever is higher.

Lubrication

► Fig.3

To insure maximum performance, install an air set (oiler, regulator, air filter) as close as possible to the tool. Adjust the oiler so that one drop of oil will be provided for every 50 nails.

When an air set is not used, oil the tool with pneumatic tool oil by placing 2 (two) or 3 (three) drops into the air fitting. This should be done before and after use. For proper lubrication, the tool must be fired a couple of times after pneumatic tool oil is introduced.

► Fig.4: 1. Pneumatic tool oil

FUNCTIONAL DESCRIPTION

CAUTION: Always disconnect the hose before adjusting or checking function on the tool.

Adjusting depth of nailing

► Fig.5: 1. Adjuster

To adjust the depth of nailing, turn the adjuster.

The depth of nailing is the deepest when the adjuster is turned fully in the A direction shown in the figure. It will become shallower as the adjuster is turned in the B direction.

If nails cannot be driven deep enough even when the adjuster is turned fully in the A direction, increase the air pressure.

If nails are driven too deep even when the adjuster is turned fully in the B direction, decrease the air pressure.

Generally speaking, the tool service life will be longer when the tool is used with lower air pressure and the adjuster set to deeper depth of nail driving.

Hook

CAUTION: Never hook the tool at high location or on potentially unstable surface.

CAUTION: Do not hang the hook from the waist belt. If the nailer accidentally drops, it may result in misfiring and personal injuries.

► Fig.6

► Fig.7: 1. Hook

The hook is convenient for hanging the tool temporarily.

Air duster

CAUTION: Do not aim the ejection port of the air duster to someone. Also, keep your hands and foot away from the ejection port. If the air duster button is accidentally pushed, it may cause a personal injury.

CAUTION: Always check your surroundings before using the air duster. Blown dust or objects may hit someone.

CAUTION: Do not connect or disconnect the air hose while pushing the air duster button.

The air supplied to the tool can also be used as an air duster. You can clean the work area by pressing the button on the grip end.

► Fig.8: 1. Button

NOTICE: After using the air duster, the driving force of the tool will temporarily decline. Wait until the air pressure recovers in this case.

NOTICE: Perform a test blow if you use the air duster immediately after the oil was applied. The oil may be sprayed with the air.

ASSEMBLY

⚠ CAUTION: Always disconnect the hose before carrying out any work on the tool.

Loading nails

⚠ CAUTION: Load the same kind, size and uniform length of nails when loading nails in the magazine.

1. Pull the sliding door while pressing down the lever to open the magazine.

► Fig.9: 1. Lever 2. Sliding door

2. Align the tip of nails with the groove of the magazine and push the nails to the firing opening.

► Fig.10: 1. Nail 2. Groove 3. Firing opening

3. Close the sliding door until it is locked.

⚠ CAUTION: Do not put your finger on the aisle of the sliding door. Your finger may be caught in the sliding door.

⚠ CAUTION: When not in use, remove all nails from the magazine and close the sliding door.

Nose adapter

To prevent the surface of workpiece from being scratched or damaged, use the nose adapter.

► Fig.11: 1. Nose adapter 2. Contact element

A spare nose adapter is stored in the place shown in the figure.

► Fig.12: 1. Spare nose adapter

Connecting air hose

⚠ CAUTION: Do not rest your finger on the trigger when connecting the air hose.

► Fig.13: 1. Air fitting 2. Air socket

Slip the air socket of the air hose onto the air fitting on the tool. Be sure that the air socket locks firmly into position when installed onto the air fitting.

A hose coupling must be installed on or near the tool in such a way that the pressure reservoir will discharge at the time the air supply coupling is disconnected.

OPERATION

⚠ CAUTION: Make sure all safety systems are in working order before operation.

Checking proper action before operation

Before operation, always check following points.

- Make sure that the tool does not operate only by connecting the air hose.

- Make sure that the tool does not operate only by pulling the trigger.
- Make sure that the tool does not operate only by placing the contact element against the workpiece without pulling the trigger.

Driving nails

To drive a nail, place the contact element against the workpiece and pull the trigger.

► Fig.14

⚠ CAUTION: WITH THE TRIGGER HELD IN A HALF-PULLED POSITION, an unexpected nailing could occur, if contact element is allowed to re-contact against the workpiece or the other surface under the influence of recoil.

In order to avoid this unexpected nailing, perform as follows;

- Do not place the contact element against the workpiece with excessive force.
- Pull the trigger fully and hold it on for 1-2 seconds after nailing.

Removing jammed nails

⚠ WARNING: Always disconnect the hose before removing nails.

⚠ CAUTION: Do not use deformed nails or nail strip. Failure to do so causes poor nail feeding.

1. Open the slide door and remove nails from the magazine.

► Fig.15

2. With the slide door kept open, pull the latch to open the door and then remove nails.

► Fig.16: 1. Latch 2. Door

MAINTENANCE

⚠ CAUTION: Always disconnect the hose before attempting to perform inspection or maintenance.

NOTICE: Never use gasoline, benzine, thinner, alcohol or the like. Discoloration, deformation or cracks may result.

Nails

Handle nail strips and their box carefully. If the nail strips have been handled roughly, they may be out of shape, causing poor nail feed.

Avoid storing nails in a very humid or hot place or place exposed to direct sunlight.

Maintenance of nailer

Always check the tool for its overall condition and loose screws before operation. Tighten as required.

With tool disconnected, make daily inspection to assure free movement of the contact element and trigger. Do not use tool if the contact element or trigger sticks or binds.

When the tool is not to be used for an extended period of time, lubricate the tool using pneumatic tool oil and store the tool in a safe place. Avoid exposure to direct sunlight and/or humid or hot environment.

► Fig.17

Maintenance of compressor, air set and air hose

After operation, always drain the compressor tank and the air filter. If moisture is allowed to enter the tool, it may result in poor performance and possible tool failure.

► Fig.18: 1. Drain cock

► Fig.19: 1. Air filter

Check regularly to see if there is sufficient pneumatic tool oil in the oiler of the air set. Failure to maintain sufficient lubrication will cause O-rings to wear quickly.

► Fig.20: 1. Oiler 2. Pneumatic tool oil

Keep the air hose away from heat (over 60°C, over 140°F), away from chemicals (thinner, strong acids or alkalis). Also, route the hose away from obstacles which it may become dangerously caught on during operation. Hoses must also be directed away from sharp edges and areas which may lead to damage or abrasion to the hose.

To maintain product SAFETY and RELIABILITY, repairs, any other maintenance or adjustment should be performed by Makita Authorized or Factory Service Centers, always using Makita replacement parts.

OPTIONAL ACCESSORIES

⚠ CAUTION: These accessories or attachments are recommended for use with your Makita tool specified in this manual. The use of any other accessories or attachments might present a risk of injury to persons. Only use accessory or attachment for its stated purpose.

If you need any assistance for more details regarding these accessories, ask your local Makita Service Center.

- Nails
- Air hose
- Safety goggles

NOTE: Some items in the list may be included in the tool package as standard accessories. They may differ from country to country.

SPÉCIFICATIONS

Modèle :	AF506
Pression d'air	0,49 - 0,83 MPa (4,9 - 8,3 bar)
Calibre des clous	18 Ga.
Longueur de clou	15 mm à 50 mm
Capacité en clous	100 pièces
Diamètre minimum du tuyau	6,5 mm
Huile à outil pneumatique	ISO VG32 ou équivalent
Dimensions (L x l x H)	250 mm x 70 mm x 256 mm
Poids net	1,3 kg

- Étant donné l'évolution constante de notre programme de recherche et de développement, les spécifications contenues dans ce manuel sont sujettes à modification sans préavis.
- Les spécifications peuvent varier suivant les pays.

Symboles

Vous trouverez ci-dessous les symboles utilisés pour l'appareil. Veillez à comprendre leur signification avant toute utilisation.



Lire le mode d'emploi.



Portez des lunettes de sécurité.



Portez un dispositif de protection auditive.



Ne pas utiliser sur un échafaudage ou une échelle.

Utilisations

L'outil est conçu pour les travaux d'intérieur et d'ameublement. L'outil est conçu pour des applications professionnelles à grande échelle uniquement. Ne l'utilisez pas à d'autres fins. Il n'est pas conçu pour enfoncer des fixations dans une surface dure comme l'acier ou le béton.

Bruit

Niveau de bruit pondéré A typique, déterminé selon ISO11148-13(EN12549) :
 Niveau de pression sonore (L_{pA}) : 99 dB (A)
 Niveau de puissance sonore (L_{WA}) : 109 dB (A)
 Incertitude (K) : 1,5 dB (A)

NOTE : La ou les valeurs d'émission de bruit déclarées ont été mesurées conformément à la méthode de test standard et peuvent être utilisées pour comparer les outils entre eux.

NOTE : La ou les valeurs d'émission de bruit déclarées peuvent aussi être utilisées pour l'évaluation préliminaire de l'exposition.

AVERTISSEMENT : Portez un serre-tête antibruit.

AVERTISSEMENT : L'émission de bruit lors de l'usage réel de l'outil électrique peut être différente de la ou des valeurs déclarées, suivant la façon dont l'outil est utilisé, particulièrement selon le type de pièce usinée.

AVERTISSEMENT : Les mesures de sécurité à prendre pour protéger l'utilisateur doivent être basées sur une estimation de l'exposition dans des conditions réelles d'utilisation (en tenant compte de toutes les composantes du cycle d'utilisation, comme par exemple le moment de sa mise hors tension, lorsqu'il tourne à vide et le moment de son déclenchement).

Vibrations

Valeur totale de vibration déterminée selon ISO11148-13(ISO8662-11) :
 Émission de vibrations (a_h) : 7,6 m/s²
 Incertitude (K) : 1,5 m/s²

NOTE : La ou les valeurs de vibration totales déclarées ont été mesurées conformément à la méthode de test standard et peuvent être utilisées pour comparer les outils entre eux.

NOTE : La ou les valeurs de vibration totales déclarées peuvent aussi être utilisées pour l'évaluation préliminaire de l'exposition.

AVERTISSEMENT : L'émission de vibrations lors de l'usage réel de l'outil électrique peut être différente de la ou des valeurs déclarées, suivant la façon dont l'outil est utilisé, particulièrement selon le type de pièce usinée.

AVERTISSEMENT : Les mesures de sécurité à prendre pour protéger l'utilisateur doivent être basées sur une estimation de l'exposition dans des conditions réelles d'utilisation (en tenant compte de toutes les composantes du cycle d'utilisation, comme par exemple le moment de sa mise hors tension, lorsqu'il tourne à vide et le moment de son déclenchement).

Déclaration de conformité CE

Pour les pays européens uniquement

La déclaration de conformité CE est fournie en Annexe A à ce mode d'emploi.

CONSIGNES DE SÉCURITÉ

Consignes de sécurité pour cloueuse/agrafeuse pneumatique

⚠ AVERTISSEMENT : Lisez toutes les consignes de sécurité et toutes les instructions. Ignorer les avertissements et les instructions peut entraîner de graves blessures, une électrocution et/ou un incendie.

Conservez toutes les mises en garde et instructions pour référence ultérieure.

Pour votre propre sécurité et pour un fonctionnement et un entretien adéquats de l'outil, veuillez lire ce mode d'emploi avant d'utiliser l'outil.

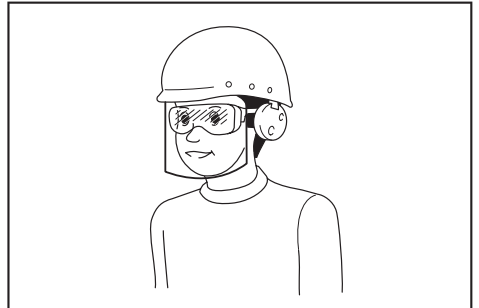
Sécurité générale

1. Toute autre utilisation que celle prévue pour cet outil est interdite. Les outils destinés à enfoncer des fixations avec commande par contact en continu ou commande par contact ne doivent être utilisés que pour les applications productives.
2. Éloignez les doigts de la gâchette lorsque vous n'utilisez pas l'outil et lorsque vous vous déplacez d'un point à un autre.
3. Risques multiples. Lisez et comprenez les consignes de sécurité avant de brancher, débrancher, charger, utiliser, entretenir l'outil ou de changer des accessoires ou travailler à proximité de l'outil. Le non-respect de cette consigne peut entraîner de graves blessures corporelles.
4. Éloignez les parties du corps comme les mains ou les jambes du sens d'éjection des fixations et assurez-vous qu'elles ne peuvent pas pénétrer par la pièce dans des parties de votre corps.
5. Lorsque vous utilisez l'outil, soyez conscient que la fixation peut dévier et vous blesser.
6. Maintenez fermement l'outil et soyez prêt à affronter un mouvement de recul.
7. Seuls les utilisateurs aux compétences techniques avancées doivent utiliser un outil destiné à enfoncer des fixations.
8. Ne modifiez pas un outil destiné à enfoncer des fixations. Les modifications peuvent réduire l'efficacité des mesures de sécurité et augmenter les risques pour l'utilisateur et/ou les badauds.
9. Ne jetez pas le manuel d'instructions.
10. N'utilisez pas l'outil s'il est endommagé.
11. Prenez garde lorsque vous manipulez des fixations, particulièrement lors de leur insertion et retrait, étant donné qu'elles présentent des bouts pointus susceptibles de vous blesser.

12. Inspectez toujours l'outil avant de l'utiliser pour s'assurer qu'il n'a pas de pièces cassées, mal branchées ou usées.
13. Ne vous penchez pas trop loin. N'utilisez l'outil que dans un lieu de travail sécuritaire. Maintenez constamment une bonne assise et un bon équilibre.
14. Écartez les badauds (lorsque vous travaillez dans un endroit au flux incessant de personnes). Marquez clairement votre zone de travail.
15. Ne dirigez jamais l'outil vers vous-même ou quelqu'un d'autre.
16. Ne posez pas le doigt sur la gâchette lorsque vous ramassez l'outil, vous déplacez d'une zone ou position de travail à une autre ou en marchant, étant donné que cela peut entraîner un déclenchement inopiné. Pour les outils avec commande sélective, inspectez toujours l'outil avant utilisation afin de vous assurer que le bon mode est sélectionné.
17. Portez uniquement des gants garantissant une sensation adéquate et une maîtrise sûre des gâchettes et de tout autre dispositif de réglage.
18. Lorsque vous posez l'outil, placez-le sur une surface plane. Si vous utilisez le crochet prévu sur l'outil, accrochez solidement l'outil à une surface stable.
19. N'utilisez pas l'outil si vous avez consommé de l'alcool, des drogues ou des médicaments, etc.

Risques de projection

1. Un outil destiné à enfoncer des fixations doit être débranché lorsque vous retirez les fixations, effectuez des réglages, enlevez les fixations coincées ou changez d'accessoires.
2. Pendant le fonctionnement, assurez-vous que les fixations pénètrent correctement le matériau et ne peuvent pas être déviées ou éjectées en direction de l'utilisateur et/ou des badauds.
3. Pendant le fonctionnement, des débris provenant de la pièce et du système de serrage/collationnement peuvent être expulsés.
4. Pour protéger vos yeux des blessures lorsque vous utilisez un outil électrique, portez toujours des lunettes de protection, lesquelles doivent être conformes à ANSI Z87.1 aux États-Unis, EN 166 en Europe ou AS/NZS 1336 en Australie/Nouvelle-Zélande. En Australie/Nouvelle-Zélande, la loi exige également le port d'un écran facial pour se protéger le visage.



L'employeur est responsable d'imposer le port d'équipements de sécurité appropriés par les utilisateurs de l'outil et par les autres personnes se trouvant à proximité de la zone de travail.

5. Les risques pour autrui doivent être évalués par l'utilisateur.
6. Prenez garde avec les outils sans contact de la pièce, car ils peuvent être déclenchés brusquement et blesser l'utilisateur et/ou les badauds.
7. Assurez-vous que l'outil est toujours bien engagé sur la pièce et ne peut pas glisser.
8. Portez des protège-tympons pour protéger vos oreilles contre le bruit d'échappement et portez un casque de sécurité. En outre, les vêtements portés doivent être légers et ne doivent pas être amples. Boutonnez ou retrousses vos manches. Ne portez pas de cravate.

Risques liés au fonctionnement

1. Tenez correctement l'outil : soyez prêt à neutraliser des mouvements habituels ou brusques comme un recul.
2. Conservez un bon équilibre général et une bonne assise.
3. Des lunettes de sécurité appropriées doivent être utilisées et il est recommandé de porter des gants et des vêtements de protection adéquats.
4. Portez des protège-tympons adéquats.
5. Utilisez une source d'énergie correcte comme indiqué dans le manuel d'instructions.
6. N'utilisez pas l'outil sur une plateforme mobile ou à l'arrière d'un camion. Un mouvement brusque de la plateforme pourrait vous faire perdre le contrôle de l'outil et vous blesser.
7. Supposez toujours que l'outil contient des vis.
8. Ne travaillez pas trop vite, ni ne forcez l'outil. Manipulez l'outil avec précaution.
9. Regardez où vous posez les pieds et maintenez votre équilibre pendant l'utilisation de l'outil. Assurez-vous qu'il n'y a personne au-dessous de vous lorsque vous travaillez en hauteur et fixez le tuyau d'air afin d'éviter une situation dangereuse s'il est brusquement secoué ou coincé.
10. Sur les toits et sur d'autres emplacements en hauteur, procédez au vissage tout en avançant. Il est facile de perdre l'équilibre en procédant au vissage en reculant. Si vous procédez au vissage sur une surface perpendiculaire, travaillez de haut en bas. De cette façon, le travail de vissage sera moins fatigant.
11. La vis se pliera ou l'outil peut se bloquer si vous vissez par inadvertance sur une autre vis ou heurtez un nœud dans le bois. La vis peut être projetée et frapper quelqu'un, ou bien l'outil lui-même peut réagir de manière dangereuse. Choisissez l'emplacement des vis avec soin.
12. Ne laissez pas l'outil chargé ou le compresseur d'air sous pression pendant une période prolongée dehors au soleil. Assurez-vous de toujours déposer l'outil dans un endroit où la poussière, le sable, les copeaux et les corps étrangers ne risquent pas d'y pénétrer.
13. Ne tentez jamais de visser de l'intérieur et de l'extérieur simultanément. Les vis pourraient se fendre et/ou voler en éclats, ce qui présente un danger grave.

Risques de mouvements répétitifs

1. Lors de l'utilisation d'un outil pendant des périodes prolongées, l'utilisateur peut ressentir une gêne dans les mains, les bras, les épaules, le cou ou d'autres parties du corps.
2. Pendant qu'il se sert d'un outil, l'utilisateur doit adopter une posture à la fois adéquate et ergonomique. Conservez une bonne assise et évitez les postures inconfortables ou déséquilibrées.
3. Si vous ressentez des symptômes comme une gêne persistante ou récurrente, une douleur, des palpitations, des courbatures, des fourmillements, un engourdissement, une sensation de brûlure ou une raideur, n'ignorez pas ces signes avant-coureurs. L'utilisateur doit consulter un professionnel des soins de santé qualifié concernant l'ensemble des activités.
4. L'utilisation continue de l'outil peut provoquer des microtraumatismes répétés en raison du recul produit par l'outil.
5. Pour éviter des microtraumatismes répétés, l'utilisateur ne doit pas se pencher trop loin ou utiliser une force excessive. De plus, l'utilisateur doit faire une pause lorsqu'il se sent fatigué.
6. Réalisez une évaluation du risque à propos des dangers liés aux mouvements répétitifs. Elle doit se concentrer sur les troubles musculo-squelettiques et reposer de préférence sur l'hypothèse que la réduction de la fatigue pendant le travail diminue efficacement les troubles.

Risques présentés par les accessoires et les pièces consommables

1. Déconnectez la source d'énergie de l'outil, à savoir l'air, le gaz ou une batterie selon le cas, avant de changer/remplacer des accessoires comme un contact de la pièce ou avant d'effectuer des réglages.
2. Utilisez uniquement les tailles et types d'accessoires fournis par le fabricant.
3. Utilisez uniquement les lubrifiants recommandés dans ce manuel.

Risques sur le lieu de travail

1. Glisser, trébucher et tomber sont les principales causes de blessures sur le lieu de travail. Prenez garde aux surfaces glissantes résultant de l'utilisation de l'outil et prenez soin également de ne pas trébucher dans le tuyau de la ligne d'air.
2. Redoublez de précaution dans les environnements inconnus. Des dangers cachés comme les lignes électriques ou d'autres services publics peuvent exister.
3. Cet outil n'est pas conçu pour être utilisé dans des atmosphères potentiellement explosives et n'est pas isolé en cas de contact avec le courant électrique.
4. Assurez-vous qu'il n'y a pas de câbles électriques, de conduites de gaz, etc., présentant un risque s'ils sont endommagés suite à l'utilisation de l'outil.

5. **Conservez la zone de travail propre et bien éclairée.** Les zones de travail en désordre ou mal éclairées sont propices aux accidents.
6. **Il se peut que des réglementations locales s'appliquent concernant les niveaux de bruit permis.** Veuillez les respecter. Dans certains cas, des volets doivent être installés pour réduire le bruit.

Risques présentés par la poussière et les dégagements

1. **Soyez toujours vigilant à ce qui vous entoure.** L'air sortant de l'outil peut souffler de la poussière ou des objets et frapper l'utilisateur et/ou les badauds.
2. **Dirigez le dégagement de sorte à minimiser la perturbation des poussières dans un environnement poussiéreux.**
3. **Si de la poussière ou des objets sont soufflés dans la zone de travail, réduisez autant que possible les émissions pour diminuer les dangers pour la santé et les risques de blessures.**

Risques liés au bruit

1. **L'exposition non protégée à des niveaux de bruit élevés peut entraîner une perte auditive permanente handicapante et d'autres problèmes comme des acouphènes (tintement, sifflement ou bourdonnement dans les oreilles).**
2. **Réalisez une évaluation du risque à propos des risques liés au bruit dans la zone de travail et mettez en place des contrôles adéquats pour ces dangers.**
3. **Des contrôles appropriés pour réduire le risque peuvent inclure des mesures comme des matériaux amortissant pour empêcher les pièces de « tinter ».**
4. **Utilisez des protège-tympans appropriés.**
5. **Faites fonctionner et entretenez l'outil comme recommandé dans ces instructions pour éviter une hausse inutile des niveaux de bruit.**
6. **Prenez des mesures de réduction du bruit, par exemple en plaçant les pièces à travailler sur des supports atténuant le bruit.**

Risques liés aux vibrations

1. **L'émission de vibration pendant le fonctionnement dépend de la tension d'adhérence, de la force de pression par contact, du sens de travail, du réglage de l'alimentation, de la pièce à travailler et de son support.** Réalisez une évaluation du risque à propos des risques liés aux vibrations et mettez en place des contrôles adéquats pour ces dangers.
2. **L'exposition à des vibrations peut provoquer des lésions nerveuses handicapantes et nuire à l'approvisionnement en sang des mains et des bras.**
3. **Portez des vêtements chauds lorsque vous travaillez dans un environnement froid et maintenez vos mains au chaud et au sec.**
4. **Si vous ressentez un engourdissement, des fourmillements, une douleur ou remarquez un blanchiment de la peau de vos doigts ou mains, demandez conseil à un professionnel des soins de santé qualifié concernant l'ensemble des activités.**

5. **Faites fonctionner et entretenez l'outil comme recommandé dans ces instructions pour éviter une hausse inutile des niveaux de vibration.**
6. **Serrez légèrement l'outil en le tenant bien en main, car le risque de vibration est généralement plus important lorsque la force de préhension est plus élevée.**

Avertissements supplémentaires pour outils pneumatiques

1. **L'air comprimé peut provoquer de graves blessures.**
2. **Coupez toujours l'alimentation en air et débranchez l'outil de l'alimentation en air lorsque vous ne l'utilisez pas.**
3. **Débranchez toujours l'outil de l'alimentation en air comprimé avant de changer des accessoires, d'effectuer des réglages et/ou des réparations, lorsque vous passez d'une zone de travail à une autre zone.**
4. **Éloignez les doigts de la gâchette lorsque vous n'utilisez pas l'outil et lorsque vous vous déplacez d'un point à un autre.**
5. **Ne dirigez jamais l'air comprimé vers vous-même ou quelqu'un d'autre.**
6. **Les coups de fouet des tuyaux peuvent provoquer de graves blessures. Vérifiez toujours que les tuyaux ou raccords ne sont pas endommagés ou lâches.**
7. **Ne transportez jamais un outil pneumatique par son tuyau.**
8. **Ne traînez jamais un outil pneumatique par son tuyau.**
9. **Lorsque vous utilisez un outil pneumatique, ne dépassez pas la pression de service maximum ps max.**
10. **Les outils pneumatiques ne doivent être alimentés par de l'air comprimé qu'à la plus basse pression requise pour la tâche afin de réduire le bruit et les vibrations, et de limiter l'usure au minimum.**
11. **L'utilisation d'oxygène ou de gaz combustibles pour faire fonctionner les outils pneumatiques présente un risque d'incendie et d'explosion.**
12. **Prenez garde lorsque vous utilisez un outil pneumatique, étant donné que l'outil peut devenir froid, affectant la prise et la maîtrise.**

Dispositifs de sécurité

1. **Assurez-vous que tous les systèmes de sécurité sont en état de marche avant d'utiliser l'outil.** L'outil ne doit pas fonctionner si vous enclenchez uniquement la gâchette ou si vous appuyez simplement le bras de contact contre le bois. Il ne doit fonctionner que si ces deux actions sont réalisées. Faites un essai pour détecter un possible fonctionnement défectueux en retirant les vis de l'outil et en tirant à fond l'enfonceur.
2. **Bloquer la gâchette sur la position marche est très dangereux.** N'essayez jamais de serrer la gâchette.
3. **N'essayez pas de maintenir en position enfoncée l'élément de contact ou d'autres dispositifs de sécurité avec du ruban adhésif ou un fil de fer.** Cela présente un risque de blessures graves voire mortelles.

Dépannage

1. Procédez au nettoyage et à l'entretien juste après avoir terminé la tâche. Maintenez l'outil en parfait état. Lubrifiez les pièces mobiles pour éviter qu'elles ne rouillent et pour limiter l'usure due à la friction. Retirez toute la poussière déposée sur les pièces.
2. Sollicitez une inspection régulière de l'outil auprès d'un centre de service après-vente Makita agréé.
3. Pour conserver la SÉCURITÉ et la FIABILITÉ du produit, l'entretien et les réparations doivent être réalisés par un centre de service après-vente Makita agréé, exclusivement avec des pièces de rechange Makita.
4. Suivez les réglementations locales lors de la mise au rebut de l'outil.

CONSERVEZ CES INSTRUCTIONS.

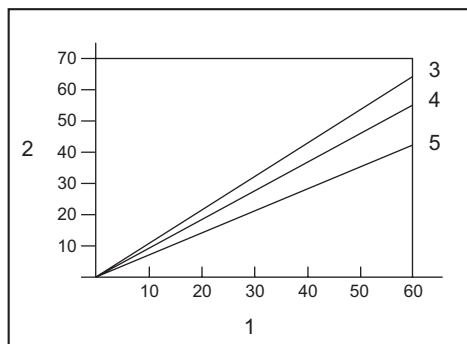
⚠ AVERTISSEMENT : NE vous laissez PAS tromper (au fil d'une utilisation répétée) par un sentiment d'aisance et de familiarité avec le produit, en négligeant le respect rigoureux des consignes de sécurité qui accompagnent le produit en question. La MAUVAISE UTILISATION de l'outil ou l'ignorance des consignes de sécurité indiquées dans ce mode d'emploi peut entraîner de graves blessures.

DESCRIPTION DES PIÈCES

- Fig.1: 1. Gâchette 2. Crochet 3. Adaptateur de bec (élément de contact) 4. Magasin

INSTALLATION

Sélection du compresseur



1. Fréquence de clouage (clous/min) 2. Sortie d'air à la minute du compresseur (L/min) 3. 0,83 MPa (8,3 bars)
4. 0,74 MPa (7,4 bars) 5. 0,64 MPa (6,4 bars)

Le compresseur d'air doit répondre aux exigences de la norme EN60335-2-34.

Choisissez un compresseur dont la capacité de pressurisation et de sortie d'air assurera un bon rapport qualité/coût. Le graphique indique la relation entre la fréquence de clouage, la pression applicable et la sortie d'air du compresseur.

Ainsi, par exemple, un clouage à raison d'environ 60 clous par minute avec une compression de 0,74 MPa (7,4 bars) nécessite un compresseur avec une sortie d'air supérieure à 55 litres/min.

Un régulateur de pression doit être utilisé si la pression d'air fournie dépasse la capacité nominale de l'outil. Autrement, l'utilisateur et les personnes présentes courent un risque de blessure grave.

Sélection du tuyau d'air

⚠ ATTENTION : La capacité d'entraînement de l'outil risque de diminuer si la sortie d'air du compresseur est faible ou si le tuyau d'air est trop long ou d'un diamètre trop petit pour la fréquence de clouage.

- Fig.2

Le tuyau d'air utilisé doit être le plus gros et le plus court possible, pour assurer un travail de clouage continu et efficace.

Avec une pression d'air de 0,49 MPa (4,9 bar), un tuyau d'air dont le diamètre interne dépasse 6,5 mm et dont la longueur est inférieure à 20 m est recommandé lorsque l'intervalle entre chaque clouage est de 0,5 seconde.

Les tuyaux d'alimentation en air doivent afficher une pression de fonctionnement nominale minimum de 1,03 MPa (10,3 bar) ou 150 pour cent de la pression maximale produite dans le système (la plus élevée des deux).

Lubrification

- Fig.3

Pour garantir une performance maximale, installez un dispositif d'air (huileur, régulateur, filtre à air) aussi près que possible de l'outil. Réglez l'huileur de sorte qu'une goutte d'huile soit fournie tous les 50 clous.

Lorsqu'un dispositif d'air n'est pas utilisé, lubrifiez l'outil avec de l'huile pour outil pneumatique, en versant 2 (deux) ou 3 (trois) gouttes dans le raccord à air. Cette tâche doit être effectuée avant et après l'utilisation. Pour assurer une lubrification adéquate, il faut déclencher l'outil à deux ou trois reprises après l'insertion de l'huile pour outil pneumatique.

- Fig.4: 1. Huile pour outil pneumatique

DESCRIPTION DU FONCTIONNEMENT

⚠ ATTENTION : Déconnectez toujours le tuyau avant d'ajuster ou de vérifier une fonction sur l'outil.

Réglage de la profondeur de clouage

► Fig.5: 1. Dispositif de réglage

Pour ajuster la profondeur d'enfoncement, tournez le dispositif de réglage.

La profondeur d'enfoncement des clous est maximale lorsque le dispositif de réglage est tourné à fond dans le sens A indiqué sur la figure. Tournez le dispositif de réglage dans le sens B pour la réduire.

Si les clous ne peuvent pas être enfoncés assez profondément lorsque le dispositif de réglage est tourné à fond dans le sens A, augmentez la pression de l'air.

Si les clous sont enfoncés trop profondément lorsque le dispositif de réglage est tourné à fond dans le sens B, diminuez la pression de l'air.

En règle générale, la durée de service de l'outil est plus longue si l'outil est utilisé avec une pression d'air plus basse et le dispositif de réglage réglé sur une profondeur de clouage plus importante.

Crochet

⚠ ATTENTION : N'accrochez jamais l'outil à un endroit élevé ou potentiellement instable.

⚠ ATTENTION : Ne laissez pas pendre le crochet à la ceinture. La chute accidentelle du cloueur peut provoquer des ratés et des blessures corporelles.

► Fig.6

► Fig.7: 1. Crochet

Le crochet est pratique pour suspendre temporairement l'outil.

Souffleur de poussières

⚠ ATTENTION : Ne pointez jamais la sortie d'éjection du souffleur de poussières en direction de quelqu'un. De plus, gardez les mains et les pieds à l'écart de la sortie d'éjection. Si vous enfoncez accidentellement le bouton du souffleur de poussières, vous risquez de vous blesser.

⚠ ATTENTION : Regardez toujours autour de vous avant d'utiliser le souffleur de poussières. La poussière soufflée ou les objets projetés peuvent frapper quelqu'un.

⚠ ATTENTION : Ne branchez ni ne débranchez le tuyau d'air tout en enfonçant le bouton du souffleur de poussières.

L'air fourni à l'outil peut également servir de souffleur de poussières. Vous pouvez nettoyer la zone de travail en appuyant sur le bouton situé sur l'extrémité de la poignée.

► Fig.8: 1. Bouton

REMARQUE : Après avoir utilisé le souffleur de poussières, la force de vissage de l'outil baissera provisoirement. Dans ce cas, patientez jusqu'à ce que la pression de l'air soit rétablie.

REMARQUE : Procédez à un essai de soufflage si vous utilisez le souffleur de poussières immédiatement après avoir versé de l'huile. L'huile peut être pulvérisée avec l'air.

ASSEMBLAGE

⚠ ATTENTION : Déconnectez toujours le tuyau avant toute intervention sur l'outil.

Chargement des clous

⚠ ATTENTION : Chargez des clous de même sorte, même taille et de longueur uniforme lorsque vous insérez des clous dans le magasin.

1. Tirez la porte coulissante tout en abaissant le levier pour ouvrir le magasin.

► Fig.9: 1. Levier 2. Porte coulissante

2. Alignez la pointe des clous avec la rainure du magasin et poussez les clous vers l'ouverture d'éjection.

► Fig.10: 1. Clou 2. Rainure 3. Ouverture d'éjection

3. Fermez la porte coulissante jusqu'à ce qu'elle se verrouille.

⚠ ATTENTION : Ne placez pas votre doigt sur le passage de la porte coulissante. Vous risqueriez de coincer votre doigt dans la porte coulissante.

⚠ ATTENTION : Lorsque vous n'utilisez pas l'outil, retirez tous les clous du magasin et refermez la porte coulissante.

Adaptateur de bec

Pour éviter de rayer ou endommager la surface de la pièce, utilisez l'adaptateur de bec.

► Fig.11: 1. Adaptateur de bec 2. Élément de contact

Un adaptateur de bec de rechange est rangé à l'endroit illustré sur la figure.

► Fig.12: 1. Adaptateur de bec de rechange

Raccordement du tuyau d'air

⚠ ATTENTION : Ne reposez pas votre doigt sur la gâchette lorsque vous connectez le tuyau d'air.

► Fig.13: 1. Raccord d'air 2. Douille à air

Glissez la douille à air du tuyau d'air dans le raccord d'air de l'outil. Assurez-vous que la douille à air est verrouillée fermement en position lorsque vous installez le raccord d'air.

Un raccord à tuyau doit être installé sur ou près de l'outil de sorte que le réservoir de pression se vide au moment de la déconnexion du raccord d'adduction d'air.

UTILISATION

⚠ ATTENTION : Assurez-vous que tous les systèmes de sécurité sont en état de fonctionner avant d'utiliser l'outil.

Vérification du bon fonctionnement avant utilisation

Avant utilisation, vérifiez toujours les points suivants.

- Assurez-vous que l'outil ne démarre pas uniquement en raccordant le tuyau d'air.
- Assurez-vous que l'outil ne démarre pas uniquement en déclenchant la gâchette.
- Assurez-vous que l'outil ne démarre pas uniquement en plaçant l'élément de contact contre la pièce sans enclencher la gâchette.

Pour enfoncer les clous

Pour enfoncer un clou, placez l'élément de contact contre la pièce et enclenchez la gâchette.

► Fig.14

⚠ ATTENTION : AVEC LA GÂCHETTE MAINTENUE SUR LA POSITION À MOITIÉ ENCLENCHÉE, un clouage imprévu peut survenir, si l'élément de contact touche à nouveau la pièce ou une autre surface sous l'influence du recul.

Pour éviter ce clouage imprévu, procédez comme suit :

- **N'appliquez pas une pression excessive lorsque vous posez l'élément de contact contre la pièce.**
- **Enclenchez à fond la gâchette et maintenez-la dans cette position 1 ou 2 secondes après le clouage.**

Retrait des clous coincés

⚠ AVERTISSEMENT : Déconnectez toujours le tuyau avant de retirer les clous.

⚠ ATTENTION : N'utilisez pas de clous déformés ou une bande de clous. Le non-respect de ces instructions est à l'origine d'une mauvaise alimentation des clous.

1. Ouvrez la porte coulissante et retirez les clous du magasin.

► Fig.15

2. Avec la porte coulissante ouverte, tirez sur le loquet pour ouvrir la porte, puis retirez les clous.

► Fig.16: 1. Loquet 2. Porte

ENTRETIEN

⚠ ATTENTION : Déconnectez toujours le tuyau avant d'effectuer une inspection ou un entretien.

REMARQUE : N'utilisez jamais d'essence, benzine, diluant, alcool ou autre produit similaire. Cela risquerait de provoquer la décoloration, la déformation ou la fissuration de l'outil.

Clous

Manipulez soigneusement les bandes de clous et leur boîte. Si les bandes de clous ont été manipulées brutalement, elles peuvent être déformées, ce qui provoquera une mauvaise alimentation.

Évitez de ranger les clous dans un endroit très humide, chaud ou exposé aux rayons directs du soleil.

Entretien du cloueur

Inspectez toujours l'état général de l'outil et les vis desserrées avant utilisation. Serrez au besoin.

Avec l'outil déconnecté, faites des inspections quotidiennes pour garantir le libre mouvement de l'élément de contact et la gâchette. N'utilisez pas l'outil si l'élément de contact ou la gâchette se colle ou se coince.

Si vous prévoyez de ne pas utiliser l'outil pendant une période prolongée, lubrifiez-le au moyen d'une huile pour outil pneumatique et rangez-le en lieu sûr. Évitez l'exposition aux rayons directs du soleil et/ou à l'humidité ou un environnement chaud.

► Fig.17

Entretien du compresseur, l'ensemble d'air et du tuyau d'air

Après l'utilisation, videz toujours le réservoir du compresseur et le filtre à air. L'outil risque de mal fonctionner ou de tomber en panne si l'humidité y pénètre.

► Fig.18: 1. Robinet de vidange

► Fig.19: 1. Filtre à air

Inspectez régulièrement pour voir s'il y a assez d'huile pneumatique dans l'huileur de l'ensemble d'air. Une lubrification insuffisante provoquera l'usure prématurée des joints toriques.

► Fig.20: 1. Huileur 2. Huile pour outil pneumatique

Gardez le tuyau d'air à l'écart de la chaleur (plus de 60 °C) et des produits chimiques (diluant, acides puissants ou substances alcalines puissants). Acheminez également le tuyau à l'écart des obstacles où il risquerait de se coincer pendant l'utilisation de l'outil. Les tuyaux doivent également être placés à l'écart des bords tranchants et de toute surface pouvant entraîner l'endommagement ou l'abrasion du tuyau.

Pour assurer la SÉCURITÉ et la FIABILITÉ du produit, toute réparation, tout travail d'entretien ou de réglage doivent être effectués par un centre d'entretien Makita agréé, avec des pièces de rechange Makita.

ACCESSOIRES EN OPTION

⚠ ATTENTION : Ces accessoires ou pièces complémentaires sont recommandés pour l'utilisation avec l'outil Makita spécifié dans ce mode d'emploi. L'utilisation de tout autre accessoire ou pièce complémentaire peut comporter un risque de blessure. N'utilisez les accessoires ou pièces complémentaires qu'aux fins auxquelles ils ont été conçus.

Pour obtenir plus de détails sur ces accessoires, contactez votre centre d'entretien local Makita.

- Clous
- Tuyau d'air
- Lunettes de sécurité

NOTE : Il se peut que certains éléments de la liste soient compris dans l'emballage de l'outil en tant qu'accessoires standard. Ils peuvent varier d'un pays à l'autre.

Informations spécifiques au pays

Uniquement En France



FR

Cet appareil se recycle

À DÉPOSER EN MAGASIN



OU

À DÉPOSER EN DÉCHÈTERIE



Points de collecte sur www.quefairedemesdechets.fr

TECHNISCHE DATEN

Modell:	AF506
Luftdruck	0,49 - 0,83 MPa (4,9 - 8,3 bar)
Nagelstärke	18 Ga.
Nagellänge	15 mm - 50 mm
Nagelkapazität	100 Stück
Minimaler Schlauchdurchmesser	6,5 mm
Druckluftwerkzeugöl	ISO VG32 oder gleichwertiges Öl
Abmessungen (L × B × H)	250 mm × 70 mm × 256 mm
Nettogewicht	1,3 kg

- Wir behalten uns vor, Änderungen der technischen Daten im Zuge der Entwicklung und des technischen Fortschritts ohne vorherige Ankündigung vorzunehmen.
- Die technischen Daten können von Land zu Land unterschiedlich sein.

Symbole

Nachfolgend werden die für das Gerät verwendeten Symbole beschrieben. Machen Sie sich vor der Benutzung mit ihrer Bedeutung vertraut.



Betriebsanleitung lesen.



Schutzbrille tragen.



Einen Gehörschutz tragen.



Werkzeug nicht auf Gerüsten oder Leitern verwenden.

Vorgesehene Verwendung

Das Werkzeug ist für Befestigung an Inneneinrichtung und Möbeln vorgesehen.

Das Werkzeug ist nur für professionelle Massenanwendung vorgesehen. Benutzen Sie es nicht für andere Zwecke. Es ist nicht dazu ausgelegt, Befestigungselemente auf einer harten Oberfläche, wie z. B. Stahl und Beton, einzutreiben.

Geräusch

Typischer A-bewerteter Geräuschpegel ermittelt gemäß ISO11148-13(EN12549):

Schalldruckpegel (L_{pA}): 99 dB (A)

Schallleistungspegel (L_{WA}): 109 dB (A)

Messunsicherheit (K): 1,5 dB (A)

HINWEIS: Der (Die) angegebene(n) Schallemissionswert(e) wurde(n) im Einklang mit der Standardprüfmethode gemessen und kann (können) für den Vergleich zwischen Werkzeugen herangezogen werden.

HINWEIS: Der (Die) angegebene(n) Schallemissionswert(e) kann (können) auch für eine Vorbewertung des Gefährdungsgrads verwendet werden.

⚠️ WARNUNG: Einen Gehörschutz tragen.

⚠️ WARNUNG: Die Schallemission während der tatsächlichen Benutzung des Elektrowerkzeugs kann je nach der Benutzungsweise des Werkzeugs, und speziell je nach der Art des bearbeiteten Werkstücks, von dem (den) angegebenen Wert(en) abweichen.

⚠️ WARNUNG: Identifizieren Sie Sicherheitsmaßnahmen zum Schutz des Benutzers anhand einer Schätzung des Gefährdungsgrads unter den tatsächlichen Benutzungsbedingungen (unter Berücksichtigung aller Phasen des Arbeitszyklus, wie z. B. Ausschalt- und Leerlaufzeiten des Werkzeugs zusätzlich zur Betriebszeit).

Schwingungen

Der Schwingungsgesamtwert wurde gemäß ISO11148-13(ISO8662-11) ermittelt:

Schwingungsemission (a_h): 7,6 m/s²

Messunsicherheit (K): 1,5 m/s²

HINWEIS: Der (Die) angegebene(n) Vibrationsgesamtwert(e) wurde(n) im Einklang mit der Standardprüfmethode gemessen und kann (können) für den Vergleich zwischen Werkzeugen herangezogen werden.

HINWEIS: Der (Die) angegebene(n) Vibrationsgesamtwert(e) kann (können) auch für eine Vorbewertung des Gefährdungsgrads verwendet werden.

⚠️ WARNUNG: Die Vibrationsemission während der tatsächlichen Benutzung des Elektrowerkzeugs kann je nach der Benutzungsweise des Werkzeugs, und speziell je nach der Art des bearbeiteten Werkstücks, von dem (den) angegebenen Emissionswert(en) abweichen.

⚠️ WARNUNG: Identifizieren Sie Sicherheitsmaßnahmen zum Schutz des Benutzers anhand einer Schätzung des Gefährdungsgrads unter den tatsächlichen Benutzungsbedingungen (unter Berücksichtigung aller Phasen des Arbeitszyklus, wie z. B. Ausschalt- und Leerlaufzeiten des Werkzeugs zusätzlich zur Betriebszeit).

EG-Konformitätserklärung

Nur für europäische Länder

Die EG-Konformitätserklärung ist als Anhang A in dieser Bedienungsanleitung enthalten.

SICHERHEITSWARNUNGEN

Sicherheitswarnungen für Druckluftnagler/-tacker

⚠️ WARNUNG: Lesen Sie alle Sicherheitshinweise und Anweisungen durch. Die Nichtbeachtung der Warnungen und Anweisungen kann zu schweren Verletzungen, Stromschlag und/oder Feuer führen.

Bewahren Sie alle Warnungen und Anweisungen für spätere Bezugnahme auf.

Lesen Sie vor dem Gebrauch des Werkzeugs diese Bedienungsanleitung, um die Personensicherheit und die richtige Bedienung und Wartung des Werkzeugs sicherzustellen.

Allgemeine Sicherheitshinweise

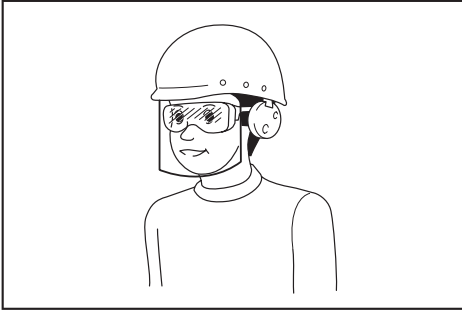
1. Jeder andere Gebrauch außer dem beabsichtigten Gebrauch dieses Werkzeugs ist verboten. Eintreibergeräte mit ständiger Kontaktauslösung oder Kontaktauslösung dürfen nur für Produktionsanwendungen verwendet werden.
2. Halten Sie die Finger vom Auslöser fern, wenn Sie dieses Werkzeug nicht benutzen, und wenn Sie von einer Arbeitsposition zu einer anderen wechseln.
3. Mehrfache Gefahren. Lesen und verstehen Sie die Sicherheitsanweisungen, bevor Sie Zubehör am Werkzeug anschließen, abtrennen, laden, betreiben, das Werkzeug warten, oder Zubehör am Werkzeug wechseln. Andernfalls kann es zu schweren Körperverletzungen kommen.
4. Halten Sie alle Körperteile, wie Hände und Beine usw., aus der Schussrichtung fern, und stellen Sie sicher, dass das Befestigungselement nicht durch das Werkstück hindurch in Teile des Körpers eindringen kann.

5. Beachten Sie bei Benutzung des Werkzeugs, dass das Befestigungselement abgelenkt werden und Verletzungen verursachen kann.
6. Halten Sie das Werkzeug mit festem Griff, und richten Sie sich darauf ein, Rückstoß abzufangen.
7. Nur technisch versierte Bediener sollten das Eintreibergerät benutzen.
8. Unterlassen Sie jegliche Abänderung des Eintreibergeräts. Abänderungen können die Effektivität der Sicherheitsmaßnahmen verringern und die Gefahren für den Bediener und/oder Umstehende erhöhen.
9. Werfen Sie die Betriebsanleitung nicht weg.
10. Benutzen Sie ein Werkzeug nicht, wenn es beschädigt worden ist.
11. Lassen Sie bei der Handhabung von Befestigungselementen, besonders beim Beladen und Entladen, Vorsicht walten, da die Befestigungselemente scharfe Spitzen aufweisen, die Verletzungen verursachen können.
12. Überprüfen Sie das Werkzeug vor Gebrauch immer auf beschädigte, falsch angeschlossene oder verschlissene Teile.
13. Strecken Sie sich bei der Arbeit nicht zu weit vor. Benutzen Sie das Werkzeug nur an einem sicheren Arbeitsplatz. Achten Sie stets auf sicheren Stand und gute Balance.
14. Halten Sie Umstehende fern (wenn Sie in einem Bereich arbeiten, wo die Wahrscheinlichkeit von Passanten-Durchgangsverkehr hoch ist). Grenzen Sie Ihren Arbeitsbereich klar ab.
15. Richten Sie das Werkzeug niemals auf sich selbst oder andere Personen.
16. Legen Sie Ihren Finger nicht auf den Auslöser, wenn Sie das Werkzeug aufheben, sich zwischen Arbeitsbereichen und -positionen bewegen oder gehen, weil das zu einer unbeabsichtigten Betätigung führen kann. Werkzeuge mit selektiver Betätigung sind vor Gebrauch stets zu überprüfen, um sicherzustellen, dass der korrekte Modus gewählt ist.
17. Tragen Sie nur Handschuhe, die ein angemessenes Gefühl und sichere Kontrolle von Auslösern und Einstellvorrichtungen gewähren.
18. Legen Sie das Werkzeug im Ruhezustand auf einer ebenen Fläche ab. Wenn Sie den am Werkzeug angebrachten Aufhänger verwenden, hängen Sie das Werkzeug sicher an einer stabilen Oberfläche auf.
19. Unter dem Einfluss von Alkohol, Drogen oder dergleichen nicht in Betrieb nehmen.

Gefahren von Geschossen

1. Das Eintreibergerät ist grundsätzlich von der Druckluftquelle zu trennen, wenn Befestigungselemente entladen, Einstellungen vorgenommen, Nagelstaub beseitigt oder Zubehörteile gewechselt werden.
2. Achten Sie während der Arbeit darauf, dass die Befestigungselemente das Material korrekt durchdringen und nicht fälschlicherweise auf den Bediener und/oder Umstehende abgelenkt/abgeschossen werden können.

3. Während der Arbeit können Bruchstücke vom Werkstück und Befestigungs-/Sammelsystem abgegeben werden.
4. Tragen Sie stets eine Schutzbrille, um Ihre Augen bei Verwendung von Elektrowerkzeugen vor Verletzung zu schützen. Die Brille muss den Vorschriften ANSI Z87.1 in den USA, EN 166 in Europa oder AS/NZS 1336 in Australien/Neuseeland entsprechen. In Australien/Neuseeland ist das Tragen eines Gesichtsschutzes gesetzlich vorgeschrieben, um auch Ihr Gesicht zu schützen.



Der Arbeitgeber ist dafür verantwortlich, den Gebrauch von angemessener Schutzausrüstung für die Werkzeugbenutzer und andere Personen im unmittelbaren Arbeitsbereich durchzusetzen.

5. Die Gefahren für andere Personen sind vom Bediener zu beurteilen.
6. Lassen Sie bei Werkzeugen ohne Werkstückkontakt Vorsicht walten, weil sie unbeabsichtigt ausgelöst werden können und den Bediener und/oder Umstehende verletzen können.
7. Vergewissern Sie sich stets, dass das Werkzeug sicher auf dem Werkstück aufsitzt und nicht abrutschen kann.
8. Tragen Sie einen Gehörschutz, um Ihre Ohren vor dem Auslassgeräusch zu schützen, und einen Kopfschutz. Tragen Sie außerdem leichte, aber keine weite Kleidung. Ärmel müssen zugeknöpft oder hochgerollt sein. Das Tragen einer Krawatte ist unzulässig.

Gefahren beim Betrieb

1. Halten Sie das Werkzeug korrekt: richten Sie sich darauf ein, normalen oder plötzlichen Bewegungen, wie z. B. Rückstoß, entgegenzuwirken.
2. Behalten Sie eine ausbalancierte Körperhaltung und sicheren Stand bei.
3. Tragen Sie eine geeignete Schutzbrille; außerdem wird das Tragen geeigneter Handschuhe und Schutzkleidung empfohlen.
4. Tragen Sie einen geeigneten Gehörschutz.
5. Verwenden Sie die korrekte Energiequelle gemäß den Anweisungen in der Betriebsanleitung.
6. Benutzen Sie das Werkzeug nicht auf beweglichen Plattformen oder auf der Ladefläche von Lastwagen. Eine plötzliche Bewegung der Plattform kann zum Verlust der Kontrolle über das Werkzeug führen und Verletzungen verursachen.

7. Gehen Sie stets davon aus, dass sich Befestigungsmittel im Werkzeug befinden.
8. Arbeiten Sie nicht überhastet, und verwenden Sie das Werkzeug nicht mit zu hohem Kraftaufwand. Gehen Sie mit dem Werkzeug sorgfältig um.
9. Achten Sie beim Arbeiten mit dem Werkzeug auf sicheren Stand und auf Ihr Gleichgewicht. Stellen Sie sicher, dass sich bei Arbeiten an hochgelegenen Arbeitsplätzen keine Personen unterhalb Ihres Standorts aufhalten, und sichern Sie den Druckluftschlauch, um Gefahren durch plötzliches Rucken oder Hängenbleiben zu vermeiden.
10. Bewegen Sie sich beim Eintreiben von Befestigungsmitteln auf Dächern und anderen hochgelegenen Orten in Vorwärtsrichtung. Wenn Sie sich beim Arbeiten rückwärts bewegen, können Sie leicht den Stand verlieren. Arbeiten Sie beim Eintreiben von Befestigungsmitteln an senkrechten Flächen von oben nach unten. Das Arbeiten auf diese Weise ist weniger ermüdend.
11. Wenn Sie versehentlich auf ein anderes Befestigungsmittel oder auf einen Ast im Holz treffen, kann sich das Befestigungsmittel verbiegen oder im Werkzeug verklemmen. Das Befestigungsmittel kann herausgeschleudert werden und Personen treffen, oder das Werkzeug selbst kann gefährliche Bewegungen machen. Setzen Sie die Befestigungsmittel mit Sorgfalt.
12. Das mit Befestigungsmitteln geladene Werkzeug und den Kompressor nicht längere Zeit der Sonneneinstrahlung aussetzen - insbesondere, wenn sie unter Druck stehen. Achten Sie darauf, dass am Ablageplatz des Werkzeugs keine Fremdkörper wie Staub, Sand, Späne oder sonstige Materialien in das Werkzeug eindringen.
13. Treiben Sie Befestigungsmittel niemals gleichzeitig von innen und außen ein. Die Befestigungsmittel können durchschießen und/oder umherfliegen und stellen eine große Gefahr dar.

RSI-Syndrom verursachende Gefahren

1. Wird ein Werkzeug über längere Zeitspannen benutzt, kann der Bediener Beschwerden in Händen, Armen, Schultern, Nacken oder anderen Körperteilen verspüren.
2. Bei der Benutzung eines Werkzeugs sollte der Bediener eine geeignete, aber ergonomische Haltung annehmen. Behalten Sie sicheren Stand bei, und vermeiden Sie unbequeme oder unausbalancierte Haltungen.
3. Falls der Bediener Symptome, wie z. B. anhaltende oder immer wiederkehrende Beschwerden, Schmerzen, Pochen, Reißen, Kribbeln, Taubheit, Brennen oder Steifigkeit verspürt, sollten diese Warnzeichen nicht ignoriert werden. Der Bediener sollte einen qualifizierten Gesundheitsexperten in Bezug auf allgemeine Aktivitäten konsultieren.
4. Fortgesetzter Gebrauch des Werkzeugs kann RSI-Syndrom durch den vom Werkzeug erzeugten Rückstoß verursachen.

5. Um RSI-Syndrom zu vermeiden, sollte sich der Bediener nicht übernehmen oder übermäßige Kraft anwenden. Darüber hinaus sollte der Bediener eine Pause einlegen, wenn er Müdigkeit verspürt.
6. Führen Sie eine Gefährdungsabschätzung bezüglich Gefahren durch wiederholte Beanspruchung durch. Diese sollte sich auf Muskel-Skelett-Erkrankungen konzentrieren und vorzugsweise auf der Annahme basieren, dass geringere Ermüdung während der Arbeit effektiv zur Reduzierung von Erkrankungen ist.

Durch Zubehör und Verbrauchsmaterial verursachte Gefahren

1. Trennen Sie das Werkzeug von seiner jeweiligen Energiequelle, wie z. B. Luft oder Gas oder Batterie, wo anwendbar, bevor Sie Zubehörteile, wie z. B. den Werkstückkontakt, austauschen oder Einstellungen vornehmen.
2. Verwenden Sie nur Zubehörteile der vom Hersteller gelieferten Größen und Typen.
3. Verwenden Sie nur die in dieser Anleitung empfohlenen Schmiermittel.

Gefahren am Arbeitsplatz

1. Ausrutschen, Stolpern und Stürzen sind Hauptursachen für Verletzungen am Arbeitsplatz. Achten Sie auf schlüpfrige Oberflächen, die durch den Gebrauch des Werkzeugs verursacht werden, und auch auf Stolpergefahren, die durch den Druckluftschlauch verursacht werden.
2. Lassen Sie in fremden Umgebungen zusätzliche Sorgfalt walten. Verborgene Gefahren, wie z. B. Stromkabel oder andere Versorgungsleitungen, können vorhanden sein.
3. Dieses Werkzeug ist nicht für den Einsatz in potenziell explosiven Atmosphären vorgesehen und ist nicht gegen Kontakt mit Strom isoliert.
4. Vergewissern Sie sich, dass keine Stromkabel, Gasrohre usw. vorhanden sind, die bei Beschädigung durch den Einsatz des Werkzeugs eine Gefahr darstellen können.
5. Der Arbeitsplatz muss sauber, aufgeräumt und gut beleuchtet sein. Unordnung und Dunkelheit am Arbeitsbereich bringen Unfallgefahren mit sich.
6. Befolgen Sie etwaige örtliche Lärmschutzvorschriften, und halten Sie die vorgeschriebenen Grenzen für Geräuschpegel ein. In bestimmten Fällen muss der Lärmpegel mit Hilfe von Schallschutzwänden/-lamellen gedämpft werden.

Durch Staub und Abgase verursachte Gefahren

1. Überprüfen Sie stets Ihre Umgebung. Die vom Werkzeug ausgeblasene Luft kann Staub oder Objekte aufwirbeln und den Bediener und/oder Umstehende treffen.
2. Lenken Sie die Abluft so, dass Aufwirbelung von Staub in einer staubgefüllten Umgebung minimiert wird.
3. Werden Staub oder Objekte im Arbeitsbereich emittiert, reduzieren Sie die Emissionen so weit wie möglich, um Gesundheitsrisiken und Verletzungsgefahr zu verringern.

Gefahren durch Lärm

1. Ungeschützte Einwirkung von hohen Geräuschpegeln kann permanente, behindernde Gehörschädigung und andere Probleme wie Tinnitus (Klingeln, Sausen, Pfeifen oder Brummen in den Ohren) verursachen.
2. Führen Sie eine Gefährdungsabschätzung bezüglich Lärmgefahren im Arbeitsbereich durch, und realisieren Sie angemessene Kontrollen für diese Gefahren.
3. Geeignete Kontrollen zur Verringerung des Risikos können Maßnahmen, wie Dämpfungsmaterial, beinhalten, um „Klingeln“ von Werkstücken zu verhindern.
4. Verwenden Sie einen geeigneten Gehörschutz.
5. Betreiben und warten Sie das Werkzeug gemäß den Empfehlungen in dieser Anleitung, um eine unnötige Zunahme von Geräuschpegeln zu verhindern.
6. Ergreifen Sie Lärmreduzierungsmaßnahmen, indem Sie beispielsweise Werkstücke auf Schalldämpfungsstützen legen.

Gefahren durch Vibrationen

1. Die Schwingungsemission während der Arbeit hängt von der Greifkraft, der Anpresskraft, der Arbeitsrichtung, der Einstellung der Energieversorgung, dem Werkstück und der Werkstückauflage ab. Führen Sie eine Gefährdungsabschätzung bezüglich Vibrationsgefahren durch, und realisieren Sie angemessene Kontrollen für diese Gefahren.
2. Einwirkung von Vibrationen kann behindernde Schäden an den Nerven und Blutgefäßen der Hände und Arme verursachen.
3. Tragen Sie beim Arbeiten unter kalten Bedingungen warme Kleidung, und halten Sie Ihre Hände warm und trocken.
4. Wenn Sie Taubheit, Kribbeln, Schmerzen oder Bleichwerden der Haut an Ihren Fingern oder Händen erleben, holen Sie sich medizinischen Rat von einem qualifizierten Berufsmediziner in Bezug auf allgemeine Aktivitäten.
5. Betreiben und warten Sie das Werkzeug gemäß den Empfehlungen in dieser Anleitung, um eine unnötige Zunahme von Vibrationspegeln zu verhindern.
6. Halten Sie das Werkzeug mit leichtem, aber sicherem Griff, weil die Gefährdung durch Vibrationen bei höherer Greifkraft im Allgemeinen größer ist.

Zusätzliche Warnungen für Druckluftwerkzeuge

1. Druckluft kann schwere Verletzungen verursachen.
2. Stellen Sie immer die Druckluftversorgung ab, und trennen Sie das Werkzeug von der Druckluftversorgung, wenn es nicht benutzt wird.
3. Trennen Sie das Werkzeug immer von der Druckluftversorgung, bevor Sie Zubehörteile wechseln, Einstellungen und/oder Reparaturen vornehmen, und wenn Sie sich von einem Arbeitsbereich zu einem anderen bewegen.

4. Halten Sie die Finger vom Auslöser fern, wenn Sie dieses Werkzeug nicht benutzen, und wenn Sie von einer Arbeitsposition zu einer anderen wechseln.
5. Richten Sie Druckluft niemals auf sich selbst oder andere Personen.
6. Peitschende Schläuche können schwere Verletzungen verursachen. Prüfen Sie stets, ob beschädigte oder lockere Schläuche oder Anschlussstutzen vorhanden sind.
7. Tragen Sie ein Druckluftwerkzeug niemals an seinem Schlauch.
8. Ziehen Sie ein Druckluftwerkzeug niemals an seinem Schlauch.
9. Bei Benutzung von Druckluftwerkzeugen darf der maximale Betriebsdruck $p_{s \text{ max.}}$ nicht überschritten werden.
10. Druckluftwerkzeuge sollten nur mit Druckluft bei der niedrigsten für den Arbeitsvorgang erforderlichen Druckeinstellung betrieben werden, um Lärm und Vibrationen zu verringern und Verschleiß zu minimieren.
11. Die Verwendung von Sauerstoff oder brennbaren Gasen für den Betrieb von Druckluftwerkzeugen erzeugt eine Brand- und Explosionsgefahr.
12. Lassen Sie bei der Benutzung von Druckluftwerkzeugen Vorsicht walten, weil das Werkzeug kalt werden könnte, wodurch Griff und Kontrolle beeinflusst werden.

Sicherheitsvorrichtungen

1. Stellen Sie vor der Benutzung des Werkzeugs sicher, dass alle Sicherheitssysteme in funktionsfähigem Zustand sind. Das Werkzeug darf nicht auslösen, wenn nur der Ein-Aus-Schalter betätigt oder nur der Kontaktarm gegen das Holz gedrückt wird. Es darf nur dann auslösen, wenn beides gleichzeitig erfolgt. Überprüfen Sie das Werkzeug ohne Befestigungsmittel und bei voll angezogenem Drücker auf mögliche Funktionsfehler.
2. Die Arretierung des Auslösers in der EIN-Stellung ist sehr gefährlich. Versuchen Sie niemals, den Auslöser zu arretieren.
3. Versuchen Sie nicht, das Kontaktelement oder andere Sicherheitsvorrichtungen mit Kleband oder Draht in gedrücktem Zustand zu fixieren. Es kann sonst zu tödlichen oder schweren Verletzungen kommen.

Wartung

1. Reinigen und warten Sie das Werkzeug direkt nach Beendigung der Arbeiten. Halten Sie das Werkzeug in einwandfreiem Zustand. Schmieren Sie bewegliche Teile, um Rostbildung zu verhindern und reibungsbedingten Verschleiß zu minimieren. Wischen Sie sämtlichen Staub von den Teilen ab.
2. Lassen Sie das Werkzeug regelmäßig bei einem autorisierten Makita-Servicecenter überprüfen.
3. Um die SICHERHEIT und die ZUVERLÄSSIGKEIT des Produkts zu gewährleisten, dürfen Reparatur- und Wartungsarbeiten ausschließlich von

autorisierten Makita-Servicecentern durchgeführt werden. Es dürfen nur Original-Ersatzteile von Makita verwendet werden.

4. Befolgen Sie die örtlichen Vorschriften zur Entsorgung des Werkzeugs.

DIESE ANWEISUNGEN AUFBEWAHREN.

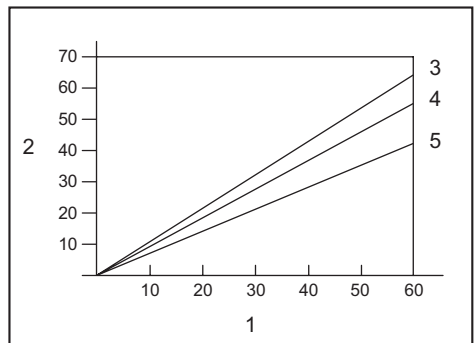
⚠️ WARNUNG: Lassen Sie sich NICHT durch Bequemlichkeit oder Vertrautheit mit dem Produkt (durch wiederholten Gebrauch erworben) von der strikten Einhaltung der Sicherheitsregeln für das vorliegende Produkt abhalten. MISSBRAUCH oder Missachtung der Sicherheitsvorschriften in dieser Anleitung können schwere Personenschäden verursachen.

BEZEICHNUNG DER TEILE

- **Abb.1:** 1. Auslöser 2. Aufhänger
3. Mundstückadapter (Kontaktelement)
4. Magazin

INSTALLATION

Auswählen des Kompressors



1. Schussfrequenz (Auslösungen/Minute)
2. Kompressor-Luftleistung pro Minute (L/min)
3. 0,83 MPa (8,3 bar)
4. 0,74 MPa (7,4 bar)
5. 0,64 MPa (6,4 bar)

Der Luftkompressor muss den Anforderungen von EN60335-2:34 entsprechen.

Wählen Sie einen Kompressor mit reichlicher Luftdruck- und Luftmengenleistung, um kosteneffizienten Betrieb zu gewährleisten. Das Diagramm zeigt die Beziehung zwischen Schussfrequenz, anwendbarem Druck und Kompressor-Luftleistung.

Wenn der Nagelbetrieb beispielsweise mit einer Rate von ca. 60 Auslösungen pro Minute bei einem Druck von 0,74 MPa (7,4 bar) erfolgt, ist ein Kompressor mit einer Luftmengenleistung von über 55 Liter/Minute erforderlich.

Der Luftdruck muss mit Druckreglern auf den Nenndruck des Werkzeugs begrenzt werden, wenn der Luftquellendruck den Nenndruck des Werkzeugs überschreitet. Eine Missachtung dieses Punkts kann zu schweren Verletzungen des Werkzeugbenutzers oder umstehender Personen führen.

Auswählen des Druckluftschlauchs

⚠ VORSICHT: Eine zu geringe Luftleistung des Kompressors oder ein Druckluftschlauch mit einer zu großen Länge oder einem zu kleinen Durchmesser in Bezug auf die Schussfrequenz kann eine Abnahme der Eintreibleistung des Werkzeugs verursachen.

► Abb.2

Verwenden Sie einen möglichst dicken und kurzen Druckluftschlauch, um kontinuierlichen, effizienten Nagelbetrieb zu gewährleisten.

Bei einem Luftdruck von 0,49 MPa (4,9 bar) wird ein Druckluftschlauch mit einem Innendurchmesser von über 6,5 mm und einer Länge von unter 20 m empfohlen, wenn das Nagelintervall 0,5 Sekunden beträgt. Der Luftschlauch muss eine minimale Arbeitsdruckleistung von 1,03 MPa (10,3 bar) oder 150 Prozent des im System erzeugten Maximaldrucks haben, je nachdem, welcher Wert höher ist.

Schmierung

► Abb.3

Um maximale Leistung zu gewährleisten, sollte der Druckluftsatz (Öler, Regler, Luftfilter) möglichst nahe am Werkzeug installiert werden. Stellen Sie den Öler so ein, dass er einen Tropfen Öl für jeweils 50 Nägel liefert.

Wenn kein Druckluftsatz verwendet wird, ölen Sie das Werkzeug mit Druckluftwerkzeugöl, indem Sie 2 (zwei) bis 3 (drei) Tropfen in den Druckluftanschluss geben. Dies sollte vor und nach dem Gebrauch erfolgen. Für eine einwandfreie Schmierung muss das Werkzeug mehrmals ausgelöst werden, nachdem das Druckluftwerkzeugöl eingegeben worden ist.

► Abb.4: 1. Druckluftwerkzeugöl

FUNKTIONSBESCHREIBUNG

⚠ VORSICHT: Trennen Sie den Schlauch stets ab, bevor Sie eine Einstellung oder Überprüfung am Werkzeug vornehmen.

Einstellen der Nageleintreibtiefe

► Abb.5: 1. Einsteller

Zum Einstellen der Nageleintreibtiefe drehen Sie die Einstellvorrichtung.

Die Nageleintreibtiefe ist am größten, wenn die Einstellvorrichtung vollständig in Richtung A gedreht wird, wie in der Abbildung gezeigt. Die Nageleintreibtiefe wird geringer, je weiter die Einstellvorrichtung in Richtung B gedreht wird. Falls die Eintreibtiefe der Nägel nicht groß genug ist, selbst wenn die Einstellvorrichtung vollständig in Richtung A gedreht wird, erhöhen Sie den Luftdruck. Falls die Eintreibtiefe der Nägel zu groß ist, selbst wenn die Einstellvorrichtung vollständig in Richtung B gedreht wird, verringern Sie den Luftdruck.

Im Allgemeinen verlängert sich die Lebensdauer des Werkzeugs, wenn es bei niedrigerem Luftdruck verwendet und die Einstellvorrichtung auf eine größere Nageleintreibtiefe eingestellt wird.

Aufhänger

⚠ VORSICHT: Hängen Sie das Werkzeug auf keinen Fall an hoch gelegenen Stellen oder an einer potentiell instabilen Fläche auf.

⚠ VORSICHT: Hängen Sie den Aufhänger nicht in das Koppel ein. Falls der Nagler versehentlich herunterfällt, kann das zu einer Fehlauslösung und Personenschäden führen.

► Abb.6

► Abb.7: 1. Aufhänger

Der Aufhänger ist praktisch, um das Werkzeug vorübergehend aufzuhängen.

Druckluft-Entstauber

⚠ VORSICHT: Die Ausblasöffnung des Druckluft-Entstaubers nicht auf Personen richten. Halten Sie auch Ihre Hände und Füße von der Ausblasöffnung fern. Versehentliches Drücken der Entstaubertaste kann zu Verletzungen führen.

⚠ VORSICHT: Kontrollieren Sie stets Ihre Umgebung, bevor Sie den Druckluft-Entstauber verwenden. In der Nähe befindliche Personen können vom abgeblasenen Staub oder von Gegenständen getroffen werden.

⚠ VORSICHT: Den Druckluftschlauch nicht anschließen oder abtrennen, während Sie die Entstaubertaste drücken.

Die dem Werkzeug zugeführte Luft kann auch zum Entstauben verwendet werden. Sie können den Arbeitsbereich durch Drücken der Taste am Griffende reinigen.

► Abb.8: 1. Taste

ANMERKUNG: Durch die Verwendung des Druckluft-Entstaubers wird die Antriebskraft des Werkzeugs vorübergehend abgeschwächt. Warten Sie, bis sich der Luftdruck wieder stabilisiert hat.

ANMERKUNG: Betätigen Sie unmittelbar nach dem Ölen versuchsweise den Druckluft-Entstauber. Das Öl kann mit der Druckluft abgelassen werden.

MONTAGE

⚠ VORSICHT: Trennen Sie stets den Schlauch ab, bevor Sie irgendwelche Arbeiten am Werkzeug ausführen.

Laden von Nägeln

⚠ VORSICHT: Laden Sie Nägel derselben Art, derselben Größe und der gleichen Länge in das Magazin.

1. Ziehen Sie die Schiebetür zurück, während Sie den Hebel nach unten drücken, um das Magazin zu öffnen.
▶ **Abb.9:** 1. Hebel 2. Schiebetür
2. Richten Sie die Nagelspitzen auf die Führungsnut des Magazins aus, und schieben Sie die Nägel zur Abschussöffnung vor.
▶ **Abb.10:** 1. Nagel 2. Führungsnut 3. Abschussöffnung
3. Schließen Sie die Schiebetür, bis sie verriegelt ist.

⚠ VORSICHT: Legen Sie nicht Ihren Finger auf den Gang der Schiebetür. Ihr Finger kann sonst von der Schiebetür eingeklemmt werden.

⚠ VORSICHT: Entfernen Sie bei Nichtgebrauch alle Nägel aus dem Magazin, und schließen Sie die Schiebetür.

Mundstückadapter

Um zu verhindern, dass die Werkstückoberfläche verkratzt oder beschädigt wird, verwenden Sie den Mundstückadapter.

▶ **Abb.11:** 1. Mundstückadapter 2. Kontaktelement

Ein Ersatz-Mundstückadapter ist an der in der Abbildung gezeigten Stelle aufbewahrt.

▶ **Abb.12:** 1. Ersatz-Mundstückadapter

Anschließen des Druckluftschlauchs

⚠ VORSICHT: Lassen Sie Ihren Finger nicht auf dem Auslöser ruhen, wenn Sie den Druckluftschlauch anschließen.

▶ **Abb.13:** 1. Druckluftanschluss 2. Anschlussmuffe

Schieben Sie die Anschlussmuffe des Druckluftschlauchs auf den Druckluftanschluss des Werkzeugs. Vergewissern Sie sich, dass die

Anschlussmuffe fest einrastet, wenn sie auf den Druckluftanschluss geschoben wird. Eine Schlauchkupplung muss so am Werkzeug oder in dessen Nähe installiert werden, dass der Druckvorrat abgelassen wird, wenn die Luftquellenkupplung abgetrennt wird.

BETRIEB

⚠ VORSICHT: Vergewissern Sie sich vor der Benutzung, dass alle Sicherheitssysteme in gutem Betriebszustand sind.

Funktionsprüfung vor dem Betrieb

- Überprüfen Sie vor dem Betrieb stets die folgenden Punkte.
- Vergewissern Sie sich, dass das Werkzeug nicht durch bloßes Anschließen des Druckluftschlauchs betätigt wird.
 - Vergewissern Sie sich, dass das Werkzeug nicht durch bloßes Ziehen des Auslösers betätigt wird.
 - Vergewissern Sie sich, dass das Werkzeug nicht durch bloßes Drücken des Kontaktelements gegen das Werkstück betätigt wird, ohne den Auslöser zu ziehen.

Eintreiben von Nägeln

Um einen Nagel einzutreiben, setzen Sie das Kontaktelement auf das Werkstück, und betätigen Sie den Auslöser.

▶ **Abb.14**

⚠ VORSICHT: BEI HALB GEDRÜCKTEM AUSLÖSER kann eine plötzliche Auslösung erfolgen, falls das Kontaktelement unter dem Einfluss des Rückpralls erneut mit dem Werkstück oder einer anderen Oberfläche in Berührung kommt.

Um eine solche plötzliche Auslösung zu vermeiden, beachten Sie Folgendes:

- Drücken Sie das Kontaktelement nicht mit übermäßiger Kraft gegen das Werkstück.
- Drücken Sie den Auslöser ganz durch, und halten Sie ihn nach dem Nageln noch 1 - 2 Sekunden lang gedrückt.

Entfernen von gestauten Nägeln

⚠ WARNUNG: Trennen Sie stets den Schlauch ab, bevor Sie Nägel entfernen.

⚠ VORSICHT: Verwenden Sie keine verformten Nägel oder Nagelgurte. Anderenfalls kann es zu Transportstörungen der Nägel kommen.

1. Öffnen Sie die Schiebetür, und entfernen Sie Nägel aus dem Magazin.

▶ **Abb.15**

2. Ziehen Sie bei offen gehaltener Schiebetür die Klinke, um die Klappe zu öffnen, und entfernen Sie dann die Nägel.

▶ **Abb.16:** 1. Klinke 2. Klappe

WARTUNG

⚠ VORSICHT: Trennen Sie stets den Schlauch ab, bevor Sie eine Inspektion oder Wartung durchführen.

ANMERKUNG: Verwenden Sie auf keinen Fall Benzin, Waschbenzin, Verdünner, Alkohol oder dergleichen. Solche Mittel können Verfärbung, Verformung oder Rissbildung verursachen.

Nägel

Behandeln Sie Nagelgurte und ihre Schachteln sorgfältig. Bei grober Behandlung der Nagelgurte können sie sich verformen, was schlechten Nageltransport verursacht. Vermeiden Sie die Lagerung von Nägeln an sehr feuchten oder heißen Orten oder an Orten, die direktem Sonnenlicht ausgesetzt sind.

Wartung des Naglers

Überprüfen Sie das Werkzeug vor der Benutzung stets auf seinen Allgemeinzustand und lockere Schrauben. Erforderlichenfalls anziehen.

Führen Sie die tägliche Inspektion bei abgetrenntem Werkzeug durch, um sicherzustellen, dass sich Kontaktelement und Auslöser ungehindert bewegen. Benutzen Sie das Werkzeug nicht, falls das Kontaktelement oder der Auslöser klemmt oder blockiert.

Wenn das Werkzeug längere Zeit nicht benutzt werden soll, schmieren Sie es mit Druckluftwerkzeugöl, und lagern Sie es an einem sicheren Ort. Vermeiden Sie Orte, die direktem Sonnenlicht ausgesetzt sind und/oder feuchte oder heiße Umgebungen.

► **Abb.17**

Wartung von Kompressor, Druckluftsatz und Druckluftschlauch

Nach jedem Betrieb sollten Kompressortank und Luftfilter entleert werden. In das Werkzeug eingedrungene Feuchtigkeit kann eine Verschlechterung der Leistung und ein mögliches Versagen des Werkzeugs verursachen.

► **Abb.18:** 1. Ablasshahn

► **Abb.19:** 1. Luftfilter

Prüfen Sie regelmäßig nach, ob genügend Druckluftöl im Öl des Druckluftsatzes vorhanden ist. Eine Vernachlässigung der Schmierung führt zu schnellem Verschleiß der O-Ringe.

► **Abb.20:** 1. Öl 2. Druckluftwerkzeugöl

Halten Sie den Druckluftschlauch von Wärmequellen (über 60°C) und Chemikalien (Verdünner, starken Säuren oder Laugen) fern. Achten Sie auch darauf, dass sich der Schlauch nicht an Hindernissen verfängt, was während des Betriebs gefährlich sein kann. Der Schlauch darf auch nicht mit scharfen Kanten oder Gegenständen in Berührung kommen, die eine Beschädigung oder Abrieb des Schlauchs verursachen können.

Um die SICHERHEIT und ZUVERLÄSSIGKEIT dieses Produkts zu gewährleisten, sollten Reparaturen und andere Wartungs- oder Einstellarbeiten nur von Makita-Vertragswerkstätten oder Makita-Kundendienstzentren unter ausschließlicher Verwendung von Makita-Originalersatzteilen ausgeführt werden.

SONDERZUBEHÖR

⚠ VORSICHT: Die folgenden Zubehörteile oder Vorrichtungen werden für den Einsatz mit dem in dieser Anleitung beschriebenen Makita-Werkzeug empfohlen. Die Verwendung anderer Zubehörteile oder Vorrichtungen kann eine Verletzungsgefahr darstellen. Verwenden Sie Zubehörteile oder Vorrichtungen nur für ihren vorgesehenen Zweck.

Wenn Sie weitere Einzelheiten bezüglich dieser Zubehörteile benötigen, wenden Sie sich bitte an Ihre Makita-Kundendienststelle.

- Nägel
- Druckluftschlauch
- Schutzbrille

HINWEIS: Manche Teile in der Liste können als Standardzubehör im Werkzeugsatz enthalten sein. Sie können von Land zu Land unterschiedlich sein.

DATI TECNICI

Modello:	AF506
Portata dell'aria	Da 0,49 a 0,83 MPa (da 4,9 a 8,3 bar)
Calibro dei chiodi	18 Ga.
Lunghezza dei chiodi	Da 15 mm a 50 mm
Capacità dei chiodi	100 pz.
Diametro minimo tubo flessibile	6,5 mm
Olio per utensili pneumatici	ISO VG32 o equivalente
Dimensioni (L x P x A)	250 mm x 70 mm x 256 mm
Peso netto	1,3 kg

- In conseguenza del nostro programma di ricerca e sviluppo continui, i dati tecnici nel presente manuale sono soggetti a modifiche senza preavviso.
- I dati tecnici possono variare da nazione a nazione.

Simboli

La figura seguente mostra i simboli utilizzati per l'apparecchio. Accertarsi di comprendere il loro significato prima dell'uso.



Leggere il manuale d'uso.



Indossare occhiali di sicurezza.



Indossare protezioni per le orecchie.



Non utilizzare su impalcature o scale a pioli.

Utilizzo previsto

L'utensile è destinato a operazioni di fissaggio per lavori in interni e su arredi.

L'utensile è destinato esclusivamente ad applicazioni professionali per volumi elevati. Non utilizzarlo per altri scopi di alcun genere. Non è progettato per applicare elementi di fissaggio su superfici dure, quali acciaio e calcestruzzo.

Rumore

Livello tipico di rumore pesato A determinato in base allo standard ISO11148-13(EN12549):

Livello di pressione sonora (L_{pA}): 99 dB (A)

Livello di potenza sonora (L_{WA}): 109 dB (A)

Incertezza (K): 1,5 dB (A)

NOTA: Il valore o i valori dichiarati delle emissioni di rumori sono stati misurati in conformità a un metodo standard di verifica, e possono essere utilizzati per confrontare un utensile con un altro.

NOTA: Il valore o i valori dichiarati delle emissioni di rumori possono venire utilizzati anche per una valutazione preliminare dell'esposizione.

AVVERTIMENTO: Indossare protezioni per le orecchie.

AVVERTIMENTO: L'emissione di rumori durante l'utilizzo effettivo dell'utensile elettrico può variare rispetto al valore o ai valori dichiarati, a seconda dei modi in cui viene utilizzato l'utensile e specialmente a seconda di che tipo di pezzo venga lavorato.

AVVERTIMENTO: Accertarsi di identificare misure di sicurezza per la protezione dell'operatore che siano basate su una stima dell'esposizione nelle condizioni effettive di utilizzo (tenendo conto di tutte le parti del ciclo operativo, ad esempio del numero di spegnimenti dell'utensile e di quando giri a vuoto, oltre al tempo di attivazione).

Vibrazioni

Valore complessivo delle vibrazioni stabilito in base al ISO11148-13(ISO8662-11):

Emissione di vibrazioni (a_{h1}): 7,6 m/s²

Incertezza (K): 1,5 m/s²

NOTA: Il valore o i valori complessivi delle vibrazioni dichiarati sono stati misurati in conformità a un metodo standard di verifica, e possono essere utilizzati per confrontare un utensile con un altro.

NOTA: Il valore o i valori complessivi delle vibrazioni dichiarati possono venire utilizzati anche per una valutazione preliminare dell'esposizione.

⚠AVVERTIMENTO: L'emissione delle vibrazioni durante l'utilizzo effettivo dell'utensile elettrico può variare rispetto al valore o ai valori dichiarati, a seconda dei modi in cui viene utilizzato l'utensile, specialmente a seconda di che tipo di pezzo venga lavorato.

⚠AVVERTIMENTO: Accertarsi di identificare misure di sicurezza per la protezione dell'operatore che siano basate su una stima dell'esposizione nelle condizioni effettive di utilizzo (tenendo conto di tutte le parti del ciclo operativo, ad esempio del numero di spegnimenti dell'utensile e di quando giri a vuoto, oltre al tempo di attivazione).

Dichiarazione di conformità CE

Solo per i paesi europei

La dichiarazione di conformità CE è inclusa nell'Allegato A al presente manuale di istruzioni.

AVVERTENZE DI SICUREZZA

Avvisi di sicurezza relativi alla chiodatrice/graffatrice pneumatica

⚠AVVERTIMENTO: Leggere tutte le avvertenze di sicurezza e tutte le istruzioni. La mancata osservanza delle avvertenze e delle istruzioni potrebbe risultare in lesioni personali gravi, scosse elettriche e/o incendi.

Conservare tutte le avvertenze e le istruzioni come riferimento futuro.

Per la sicurezza personale e il funzionamento e la manutenzione corretti dell'utensile, leggere il presente manuale d'uso prima di utilizzare l'utensile.

Sicurezza generale

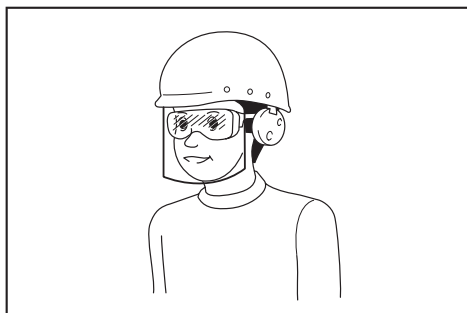
1. Qualsiasi altro utilizzo eccettuato quello a cui è destinato questo utensile è vietato. Gli utensili di applicazione di elementi di fissaggio con azionamento a contatto continuo o con azionamento a contatto vanno utilizzati solo per applicazioni di produzione.
2. Tenere le dita lontane dal grilletto quando non si utilizza il presente utensile e quando si intende passare da una posizione di utilizzo a un'altra.
3. Pericoli multipli. Leggere e comprendere le istruzioni di sicurezza prima di collegare, scollegare, caricare, utilizzare e sottoporre a manutenzione l'utensile, nonché prima di sostituire gli accessori o lavorare in prossimità dell'utensile. La mancata osservanza di questa indicazione potrebbe risultare in gravi lesioni corporee.

4. Tenere tutte le parti del corpo, quali mani, gambe, e così via, lontane dalla direzione di sparo, e assicurare che l'elemento di fissaggio non possa trapassare il pezzo in lavorazione penetrando in parti del corpo.
5. Quando si utilizza l'utensile, tenere presente che l'elemento di fissaggio potrebbe venire deviato e causare lesioni personali.
6. Mantenere l'utensile con una presa salda ed essere preparati a gestire un contraccolpo.
7. Solo operatori dotati di esperienza tecnica dovrebbero utilizzare l'utensile di applicazione di elementi di fissaggio.
8. Non modificare l'utensile di applicazione di elementi di fissaggio. Le modifiche potrebbero ridurre l'efficacia delle misure di sicurezza e incrementare i rischi nei confronti dell'operatore e/o degli astanti.
9. Non smaltire il manuale d'uso.
10. Non utilizzare un utensile qualora quest'ultimo sia stato danneggiato.
11. Fare attenzione nel maneggiare i elementi di fissaggio, specialmente quando nel caricarli e scaricarli, in quanto i elementi di fissaggio hanno delle punte acuminate che possono causare lesioni personali.
12. Controllare sempre l'utensile prima dell'uso alla ricerca di parti rotte, collegate male o usurate.
13. Non sporgersi. Utilizzare solo in un luogo di lavoro sicuro. Mantenere una posizione corretta sui piedi e l'equilibrio in qualsiasi momento.
14. Tenere lontani gli astanti (quando si lavora in un'area in cui sussiste la probabilità di traffico di passaggio di persone). Contrassegnare in modo chiaro l'area di utilizzo.
15. Non puntare mai l'utensile verso se stessi o altri.
16. Non tenere appoggiato il dito sul grilletto quando si prende l'utensile, quando ci si sposta tra aree e posizioni operative o quando si cammina, in quanto l'appoggio del dito sul grilletto può portare a un funzionamento accidentale. Per gli utensili con azionamento selettivo, controllare sempre l'utensile prima di utilizzarlo per verificare che la modalità corretta sia selezionata.
17. Indossare solo guanti che forniscano una sensibilità adeguata e un controllo sicuro dei grilletti e di qualsiasi dispositivo di regolazione.
18. Quando si intende appoggiare l'utensile, appoggiarlo sulla superficie piatta. Se si utilizza il gancio in dotazione con l'utensile, agganciare l'utensile saldamente a una superficie stabile.
19. Non utilizzare l'utensile sotto l'effetto di alcool, droghe o simili.

Pericoli propulsivi

1. L'utensile per l'applicazione di elementi di fissaggio va scollegato quando si intende scaricare elementi di fissaggio, effettuare regolazioni, eliminare inceppamenti o sostituire accessori.

2. Durante il funzionamento, fare attenzione affinché i elementi di fissaggio penetrino correttamente nel materiale e non possano venire deviati o sparati per errore verso l'operatore e/o eventuali astanti.
3. Durante il funzionamento, potrebbero venire scaricati detriti dal pezzo in lavorazione e dal sistema di fissaggio/raccolta.
4. Indossare sempre occhialoni protettivi per proteggere gli occhi da lesioni personali, quando si utilizzano utensili elettrici. Gli occhialoni devono essere conformi allo standard ANSI Z87.1 negli Stati Uniti, allo standard EN 166 in Europa o allo standard AS/NZS 1336 in Australia/Nuova Zelanda. In Australia/Nuova Zelanda, è obbligatorio per legge indossare anche una visiera per proteggere il volto.



È responsabilità del datore di lavoro far rispettare l'utilizzo delle attrezzature protettive di sicurezza appropriate da parte degli operatori degli utensili e di altre persone nell'area di lavoro e nelle immediate vicinanze.

5. I rischi nei confronti di altre persone devono essere valutati dall'operatore.
6. Fare attenzione agli utensili privi di elemento di contatto con il pezzo in lavorazione, in quanto possono sparare accidentalmente e causare lesioni all'operatore e/o agli astanti.
7. Accertarsi che l'utensile sia sempre saldamente in contatto con il pezzo in lavorazione e non possa scivolare.
8. Indossare protezioni per l'udito, per proteggere le orecchie dal rumore dello scarico, e una protezione per la testa. Inoltre, indossare indumenti leggeri ma non abbondanti. Le maniche vanno abbottonate o arrotolate sul braccio. Non indossare cravatte.

Pericoli d'uso

1. Mantenere correttamente l'utensile: prepararsi a contrastare movimenti normali o improvvisi, ad esempio i contraccolpi.
2. Mantenere una posizione del corpo bilanciata e una posizione salda sui piedi.
3. È necessario utilizzare occhiali di protezione appropriati, ed è consigliato l'utilizzo di guanti e indumenti protettivi appropriati.
4. È necessario utilizzare protezioni per l'udito appropriate.
5. Utilizzare la fonte di energia corretta, come illustrato nel manuale d'uso.
6. Non utilizzare l'utensile su piattaforme mobili o sul retro dei camion. Un movimento improvviso della piattaforma potrebbe far perdere il controllo dell'utensile e causare lesioni personali.
7. Dare sempre per scontato che l'utensile contenga elementi di fissaggio.
8. Non affrettare il lavoro né forzare l'utensile. Maneggiare l'utensile con attenzione.
9. Fare attenzione al punto di appoggio dei piedi e mantenere l'equilibrio con l'utensile. Accertarsi che non sia presente alcuna persona sotto di sé quando si lavora in ubicazioni elevate, e fissare il tubo flessibile dell'aria per evitare pericoli qualora si verifici uno strappo o un inceppamento improvviso.
10. Sui tetti e su altre ubicazioni elevate, avvitare gli elementi di fissaggio man mano che si procede in avanti. È facile perdere l'appoggio con i piedi se si avvitano gli elementi di fissaggio mentre si procede poco a poco all'indietro. Quando si intende avvitare elementi di fissaggio su una superficie perpendicolare, lavorare dall'alto verso il basso. In tal modo è possibile effettuare operazioni di avvitatura con uno sforzo fisico minore.
11. Qualora per errore si avviti un elemento di fissaggio al di sopra di un altro elemento di fissaggio o si colpisca un nodo nel legno, un elemento di fissaggio verrà piegato o l'utensile potrebbe incepparsi. L'elemento di fissaggio potrebbe venire scagliato via e colpire qualcuno, oppure l'utensile stesso potrebbe reagire in modo pericoloso. Posizionare gli elementi di fissaggio con cura.
12. Non lasciare l'utensile carico o il compressore d'aria sotto pressione per un periodo di tempo prolungato all'aperto al sole. Accertarsi che polvere, sabbia, schegge e materiale estraneo non penetrino nell'utensile nell'ubicazione in cui lo si lascia a riposo.
13. Non tentare mai di avvitare gli elementi di fissaggio sia dall'interno che dall'esterno allo stesso tempo. Gli elementi di fissaggio potrebbero distruggere il materiale e/o volare via, costituendo un grave pericolo.

Pericoli dovuti ai movimenti ripetuti

1. Quando si utilizza un utensile per periodi di tempo prolungati, l'operatore potrebbe provare disagio alle mani, alle braccia, alle spalle, al collo o in altre parti del corpo.
2. Quando si utilizza un utensile, l'operatore dovrebbe adottare una postura idonea ma ergonomica. Mantenere un equilibrio saldo sui piedi ed evitare posture innaturali o sbilanciate.
3. Qualora l'operatore provi sintomi quali disagi persistenti o ricorrenti, dolori, palpitazioni, dolenzie, formicolii, intorpidimenti, sensazioni di bruciore o rigidità, non ignorare questi segni di avvertimento. L'operatore dovrebbe consultare un operatore sanitario qualificato relativamente alle attività nel loro complesso.
4. L'uso continuo dell'utensile potrebbe causare lesioni personali da tensione ripetuta, dovute al contraccolpo prodotto dall'utensile.

5. Per evitare lesioni personali da sforzo ripetuto, l'operatore non dovrebbe sporgersi eccessivamente né applicare forza eccessiva. Inoltre, l'operatore dovrebbe fare una pausa quando avverte affaticamento.
6. Eseguire una valutazione dei rischi relativa ai pericoli riguardanti i movimenti ripetitivi. Tale valutazione dovrebbe concentrarsi sui disturbi muscolo-scheletrici ed essere basata preferibilmente sul presupposto che una riduzione dell'affaticamento durante il lavoro sia efficace nel ridurre i disturbi.

Pericoli relativi agli accessori e ai materiali di consumo

1. Prima di cambiare o sostituire accessori, quali l'elemento di contatto con il pezzo in lavorazione, o di effettuare qualsiasi regolazione, scollegare la fonte di energia dell'utensile, ad esempio aria, gas o batterie, a seconda dei casi.
2. Utilizzare esclusivamente le dimensioni e i tipi di accessori forniti dal produttore.
3. Utilizzare esclusivamente i lubrificanti consigliati nel presente manuale.

Pericoli relativi al posto di lavoro

1. Scivolamenti, passi falsi e cadute sono cause principali di lesioni personali sul posto di lavoro. Fare attenzione alle superfici scivolose causate dall'utilizzo dell'utensile e anche ai pericoli di inciampare causati dal tubo flessibile del condotto d'aria.
2. Procedere con ulteriore attenzione in ambienti circostanti non familiari. Potrebbero essere presenti pericoli nascosti, ad esempio linee elettriche o di altri servizi pubblici.
3. Il presente utensile non è destinato all'uso in atmosfere potenzialmente esplosive, e non è isolato dall'entrare in contatto con l'energia elettrica.
4. Accertarsi che non siano presenti cavi elettrici, tubi del gas, e così via, che potrebbero causare un pericolo qualora vengano danneggiati dall'utilizzo dell'utensile.
5. Mantenere l'area di lavoro pulita e ben illuminata. Aree di lavoro ingombre o buie favoriscono gli incidenti.
6. Potrebbero sussistere normative locali da rispettare relativamente al rumore, mantenendo i livelli di rumore entro i limiti prescritti. In certi casi, vanno utilizzate delle serrande per contenere il rumore.

Pericoli relativi alle polveri e allo scarico

1. Controllare sempre l'ambiente circostante. L'aria scaricata dall'utensile potrebbe soffiare polveri oppure oggetti e colpire l'operatore e/o gli astanti.
2. Indirizzare lo scarico in modo da ridurre al minimo i turbini di polveri in ambienti pieni di polveri.
3. Qualora nell'area di lavoro vengano emesse polveri oppure oggetti, ridurre al minimo tali emissioni per quanto possibile, per ridurre i pericoli relativi alla salute e il rischio di lesioni personali.

Pericoli relativi al rumore

1. L'esposizione non protetta a livelli elevati di rumore può causare perdite di udito permanenti e invalidanti, nonché altri problemi quali il tinnito (tintinnii, ronzii, o fischi nelle orecchie).
2. Eseguire una valutazione dei rischi relativa ai pericoli riguardanti i rumori nell'area di lavoro e implementare controlli appropriati relativi a tali pericoli.
3. Controlli appropriati per ridurre il rischio potrebbero includere azioni quali l'uso di materiali fonoassorbenti per evitare che i pezzi in lavorazione di lavoro producano suoni squillanti.
4. Utilizzare protezioni per l'udito appropriate.
5. Utilizzare e sottoporre a manutenzione l'utensile come consigliato nelle presenti istruzioni, per evitare un aumento non necessario dei livelli di rumore.
6. Adottare delle misure per la riduzione dei rumori, ad esempio il posizionamento dei pezzi in lavorazione su supporti fonoassorbenti.

Pericoli relativi alle vibrazioni

1. L'emissione di vibrazioni durante l'uso dipende dalla forza di impugnatura, dalla forza della pressione di contatto, dalla direzione di lavoro, dalla regolazione della fonte di energia, dal pezzo in lavorazione e dal supporto del pezzo in lavorazione. Eseguire una valutazione dei rischi relativa ai pericoli riguardanti le vibrazioni e implementare controlli appropriati relativi a tali pericoli.
2. L'esposizione alle vibrazioni può causare danni invalidanti ai nervi e alla circolazione del sangue alle mani e alle braccia.
3. Indossare indumenti caldi quando si intende lavorare in condizioni di freddo, e tenere le mani calde e asciutte.
4. Qualora si avvertano intorpidimenti, formicolii, dolori o sbiancamenti della pelle delle dita o delle mani, cercare assistenza medica da parte di un operatore sanitario specializzato in medicina del lavoro relativamente alle attività nel loro complesso.
5. Utilizzare e sottoporre a manutenzione l'utensile come consigliato nelle presenti istruzioni, per evitare un aumento non necessario dei livelli delle vibrazioni.
6. Mantenere l'utensile con una presa leggera ma salda, poiché il rischio dovuto alle vibrazioni in genere aumenta quando la forza di impugnatura è più elevata.

Avvertenze aggiuntive per gli utensili pneumatici

1. L'aria compressa può causare gravi lesioni personali.
2. Chiudere sempre l'alimentazione dell'aria e scollegare l'utensile dall'alimentazione dell'aria quando non è in uso.
3. Scollegare sempre l'utensile dall'alimentazione di aria compressa prima di sostituire gli accessori, effettuare regolazioni e/o riparazioni, quando ci si sposta da un'area di utilizzo a un'area diversa.

4. Tenere le dita lontane dal grilletto quando non si utilizza l'utensile e quando si passa da una posizione di utilizzo a un'altra.
5. Non dirigere mai l'aria compressa verso se stessi o altri.
6. I tubi flessibili che scattano come fruste possono causare gravi lesioni personali. Controllare sempre l'eventuale presenza di tubi flessibili o raccordi danneggiati o allentati.
7. Non trasportare mai un utensile pneumatico afferrandolo per il suo tubo flessibile.
8. Non trascinare mai un utensile pneumatico afferrandolo per il suo tubo flessibile.
9. Quando si utilizzano utensili pneumatici, non superare la pressione massima di esercizio (ps max).
10. Gli utensili pneumatici vanno alimentati solo mediante aria compressa alla pressione più bassa richiesta per la procedura di lavoro, al fine di ridurre rumori e vibrazioni, nonché di ridurre al minimo l'usura.
11. L'uso di ossigeno o gas combustibili per il funzionamento di utensili pneumatici crea un pericolo di incendi ed esplosioni.
12. Fare attenzione quando si utilizzano utensili pneumatici, in quanto l'utensile potrebbe diventare freddo, influenzando l'impugnatura e il controllo.

Dispositivi di sicurezza

1. **Accertarsi che tutti i sistemi di sicurezza siano perfettamente funzionanti prima dell'uso.** L'utensile non deve attivarsi se si preme solo l'interruttore a grilletto o se si preme solo il braccio di contatto contro il legno. L'utensile deve funzionare solo quando si eseguono entrambe queste azioni. Verificare il possibile funzionamento difettoso senza caricare gli elementi di fissaggio e con il dispositivo di spinta in posizione completamente tirata.
2. **Il fissaggio del grilletto sulla posizione ACCESO è estremamente pericoloso.** Non tentare mai di fissare il grilletto.
3. **Non tentare di mantenere l'elemento di contatto o altri dispositivi di sicurezza premuti con nastro o fil di ferro.** In caso contrario, sussiste il pericolo di morte o di gravi lesioni personali.

Assistenza

1. **Effettuare la pulizia e la manutenzione subito dopo aver terminato il lavoro.** Mantenere l'utensile in condizioni ottimali. Lubrificare le parti mobili per evitare che si arrugginiscono e ridurre al minimo l'usura relativa alla frizione. Pulire tutte le polveri dalle parti.
2. **Richiedere a un centro di assistenza autorizzato Makita l'ispezione a intervalli regolari dell'utensile.**
3. **Per preservare la SICUREZZA e l'AFFIDABILITÀ del prodotto, la manutenzione e la riparazione vanno eseguite da parte di centri di assistenza autorizzati Makita, utilizzando sempre pezzi di ricambio Makita.**
4. **Attenersi alle normative locali quando si intende smaltire l'utensile.**

CONSERVARE LE PRESENTI ISTRUZIONI.

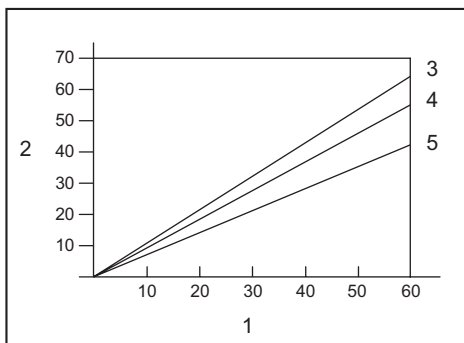
AVVERTIMENTO: NON lasciare che comodi o la familiarità d'utilizzo con il prodotto (acquisita con l'uso ripetuto) sostituisca la stretta osservanza delle norme di sicurezza per il prodotto in questione. L'USO IMPROPRIO o la mancata osservanza delle norme di sicurezza indicate nel presente manuale di istruzioni potrebbero causare gravi lesioni personali.

DESCRIZIONE DELLE PARTI

► Fig. 1: 1. Grilletto 2. Gancio 3. Adattatore della punta (elemento di contatto) 4. Caricatore

INSTALLAZIONE

Sceita del compressore



1. Frequenza di chiodatura (volte al minuto) 2. Portata d'aria erogata al minuto dal compressore (L al minuto)
 3. 0,83 MPa (8,3 bar) 4. 0,74 MPa (7,4 bar) 5. 0,64 MPa (6,4 bar)

Il compressore d'aria deve essere conforme ai requisiti dello standard EN60335-2-34.

Per assicurare un funzionamento efficiente in termini di costi, scegliere un compressore che offra livelli elevati di pressione e portata d'aria erogata. Il grafico mostra il rapporto tra la frequenza di chiodatura, la pressione applicabile e la portata d'aria erogata dal compressore. Pertanto, se la chiodatura avviene, ad esempio, a una velocità di circa 60 volte al minuto a una compressione di 0,74 MPa (7,4 bar), è necessario un compressore con una portata d'aria erogata di oltre 55 litri al minuto.

Qualora la pressione di alimentazione dell'aria superi la pressione nominale dell'utensile, è necessario utilizzare regolatori di pressione per limitare la pressione dell'aria alla pressione nominale dell'utensile. In caso contrario, sussiste il pericolo di gravi lesioni per l'operatore dell'utensile o per le persone nelle vicinanze.

Scelta del tubo flessibile dell'aria

ATTENZIONE: Una bassa portata d'aria erogata dal compressore, o un tubo flessibile dell'aria lungo o con un diametro più piccolo in rapporto alla frequenza di chiodatura, potrebbero causare una diminuzione della capacità di propulsione dell'utensile.

► Fig.2

Utilizzare un tubo flessibile dell'aria quanto più largo e più corto possibile per assicurare un'operazione di chiodatura continua ed efficiente.

Con una pressione dell'aria pari a 0,49 MPa (4,9 bar), è consigliato un tubo flessibile dell'aria con un diametro interno di oltre 6,5 mm e una lunghezza inferiore a 20 m, quando l'intervallo tra ciascuna chiodatura è pari a 0,5 secondi.

I tubi flessibili di erogazione dell'aria devono avere una pressione di esercizio minima nominale pari a 1,03 MPa (10,3 bar) o al 150 per cento della pressione massima prodotta nel sistema, a seconda di quale sia il valore più elevato.

Lubrificazione

► Fig.3

Per assicurare prestazioni massime, installare un gruppo aria (oliatore, regolatore, filtro dell'aria) il più vicino possibile all'utensile. Regolare l'oliatore in modo che venga erogata una goccia d'olio ogni 50 chiodi.

Quando non si utilizza un gruppo aria, oliare l'utensile con olio per utensili pneumatici, applicando 2 (due) o 3 (tre) gocce nel raccordo dell'aria. Questa operazione va effettuata prima e dopo l'uso.

Per una corretta lubrificazione, far sparare l'utensile un paio di volte dopo aver introdotto l'olio per utensili pneumatici.

► Fig.4: 1. Olio per utensili pneumatici

DESCRIZIONE DELLE FUNZIONI

ATTENZIONE: Scollegare sempre il tubo flessibile prima di regolare o controllare il funzionamento dell'utensile.

Regolazione della profondità di chiodatura

► Fig.5: 1. Regolatore

Per regolare la profondità di chiodatura, ruotare il regolatore.

La profondità di chiodatura è quella massima quando il regolatore viene ruotato completamente nella direzione A mostrata nella figura. La profondità si riduce man mano che il regolatore viene ruotato nella direzione B. Qualora non sia possibile applicare i chiodi a una profondità sufficiente anche quando il regolatore viene ruotato completamente nella direzione A, aumentare la pressione dell'aria. Qualora i chiodi vengano applicati a una profondità eccessiva anche quando il regolatore viene ruotato completamente nella direzione B, ridurre la pressione dell'aria.

In generale, la vita utile dell'utensile si allunga quando quest'ultimo viene utilizzato con una pressione dell'aria più bassa e il regolatore è impostato a una maggiore profondità di applicazione dei chiodi.

Gancio

ATTENZIONE: Non appendere mai l'utensile in ubicazioni elevate o su superfici potenzialmente instabili.

ATTENZIONE: Non appendere il gancio alla cintola. Qualora la chiodatrice dovesse cadere accidentalmente, potrebbe risultare nello sparo accidentale e in lesioni personali.

► Fig.6

► Fig.7: 1. Gancio

Il gancio è comodo per appendere temporaneamente l'utensile.

Soffiatore ad aria compressa

ATTENZIONE: Non puntare l'apertura di espulsione del soffiatore ad aria compressa verso alcuna persona. Inoltre, tenere le mani e i piedi lontani dall'apertura di espulsione. In caso contrario, qualora si preme accidentalmente il pulsante del soffiatore ad aria compressa, si potrebbe causare una lesione personale.

ATTENZIONE: Controllare sempre l'ambiente circostante prima di utilizzare il soffiatore ad aria compressa. Polveri o oggetti soffiati via potrebbero colpire qualcuno.

ATTENZIONE: Non collegare né scollegare il tubo flessibile dell'aria mentre si preme il pulsante del soffiatore ad aria compressa.

L'aria fornita all'utensile può venire utilizzata anche come soffiatore ad aria compressa. È possibile pulire l'area di lavoro premendo il pulsante sull'estremità dell'impugnatura.

► **Fig.8:** 1. Pulsante

AVVISO: Dopo aver utilizzato il soffiatore ad aria compressa, la forza di avvitatura dell'utensile si riduce temporaneamente. In tal caso, attendere che la pressione dell'aria torni al valore normale.

AVVISO: Qualora si utilizzi il soffiatore ad aria compressa subito dopo aver applicato l'olio, effettuare un soffio di prova. L'olio potrebbe venire spruzzato insieme all'aria.

MONTAGGIO

ATTENZIONE: Scollegare sempre il tubo flessibile prima di effettuare qualsiasi lavoro sull'utensile.

Caricamento dei chiodi

ATTENZIONE: Quando si intende caricare i chiodi nel caricatore, caricare chiodi dello stesso tipo e dimensione, e di lunghezza uniforme.

1. Per aprire il caricatore, tirare lo sportellino scorrevole mentre si tiene premuta la leva.

► **Fig.9:** 1. Leva 2. Sportellino scorrevole

2. Allineare la punta dei chiodi con la scanalatura del caricatore e spingere i chiodi verso l'apertura di sparo.

► **Fig.10:** 1. Chiodo 2. Scanalatura 3. Apertura di sparo

3. Chiudere lo sportellino scorrevole fino a bloccarlo.

ATTENZIONE: Non appoggiare il dito sul passaggio dello sportellino scorrevole. In caso contrario, il dito potrebbe restare incastrato nello sportellino scorrevole.

ATTENZIONE: Quando l'utensile non è in uso, rimuovere tutti i chiodi dal caricatore e chiudere lo sportellino scorrevole.

Adattatore della punta

Per evitare che la superficie del pezzo in lavorazione venga graffiata o danneggiata, utilizzare l'adattatore della punta.

► **Fig.11:** 1. Adattatore della punta 2. Elemento di contatto

Un adattatore della punta di riserva è conservato nell'ubicazione indicata nella figura.

► **Fig.12:** 1. Adattatore della punta di riserva

Collegamento del tubo flessibile dell'aria

ATTENZIONE: Non appoggiare il dito sul grilletto quando si intende collegare il tubo flessibile dell'aria.

► **Fig.13:** 1. Raccordo dell'aria 2. Manicotto dell'aria

Far scorrere il manicotto dell'aria del tubo flessibile dell'aria sul raccordo dell'aria dell'utensile. Accertarsi che il manicotto dell'aria si innesti saldamente in posizione quando è installato sul raccordo dell'aria. È necessario installare un giunto per tubi flessibili sull'utensile o in prossimità di quest'ultimo, in modo tale che il serbatoio di pressione si scarichi quando il giunto di alimentazione dell'aria viene scollegato.

FUNZIONAMENTO

ATTENZIONE: Accertarsi che tutti i sistemi di sicurezza funzionino correttamente prima dell'uso.

Controllo del funzionamento corretto prima dell'uso

Prima dell'uso, controllare sempre i punti seguenti.

- Accertarsi che l'utensile non funzioni se si è soltanto collegato il tubo flessibile dell'aria.
- Accertarsi che l'utensile non funzioni se si è soltanto premuto il grilletto.
- Accertarsi che l'utensile non funzioni se si è soltanto appoggiato l'elemento di contatto contro il pezzo in lavorazione senza aver premuto il grilletto.

Applicazione dei chiodi

Per applicare un chiodo, appoggiare l'elemento di contatto contro il pezzo in lavorazione e premere il grilletto.

► **Fig.14**

ATTENZIONE: QUANDO IL GRILLETTO VIENE TENUTO PREMUTO A METÀ, si potrebbe verificare un'applicazione imprevista di un chiodo, qualora si consenta all'elemento di contatto di rientrare in contatto con il pezzo in lavorazione o un'altra superficie a causa dell'effetto di un rinculo.

Per evitare tale chiodatura imprevista, effettuare le operazioni seguenti;

- **Non appoggiare l'elemento di contatto contro il pezzo in lavorazione con forza eccessiva.**
- **Premere a fondo il grilletto e tenerlo premuto per 1-2 secondi dopo la chiodatura.**

Rimozione dei chiodi inceppati

⚠AVVERTIMENTO: Scollegare sempre il tubo flessibile prima di rimuovere i chiodi.

⚠ATTENZIONE: Non utilizzare chiodi o un nastro di chiodi deformati. In caso contrario, si causa un'alimentazione scadente dei chiodi.

1. Aprire lo sportellino scorrevole e rimuovere i chiodi dal caricatore.

► Fig.15

2. Mentre lo sportellino scorrevole viene tenuto aperto, tirare il dispositivo di chiusura per aprire lo sportellino, quindi rimuovere i chiodi.

► Fig.16: 1. Dispositivo di chiusura 2. Sportellino

MANUTENZIONE

⚠ATTENZIONE: Scollegare sempre il tubo flessibile prima di tentare di effettuare l'ispezione o la manutenzione.

AVVISO: Non utilizzare mai benzina, benzene, solventi, alcol o altre sostanze simili. In caso contrario, si potrebbero causare scolorimenti, deformazioni o crepe.

Chiodi

Maneggiare i nastri di chiodi e le relative scatole con attenzione. Qualora i nastri dei chiodi siano stati maneggiati in modo brusco, potrebbero essere deformati e causare un'alimentazione scadente dei chiodi. Evitare di conservare i chiodi in ubicazioni molto umide o calde, oppure in ubicazioni esposte alla luce diretta del sole.

Manutenzione della chiodatrice

Controllare sempre le condizioni generali dell'utensile e l'eventuale presenza di viti allentate, prima dell'uso. Serrarle, se necessario.

Con l'utensile scollegato, effettuare un'ispezione giornaliera per assicurare che l'elemento di contatto e il grilletto si muovano liberamente. Non utilizzare l'utensile qualora l'elemento di contatto o il grilletto restino bloccati in posizione o inceppati.

Quando l'utensile non deve essere utilizzato per un periodo di tempo prolungato, lubrificarlo utilizzando olio per utensili pneumatici e riporlo in un luogo sicuro. Evitare l'esposizione alla luce diretta del sole e/o ad ambienti umidi o caldi.

► Fig.17

Manutenzione del compressore, del gruppo dell'aria e del tubo flessibile dell'aria

Dopo il lavoro, scaricare sempre il serbatoio del compressore e il filtro dell'aria. Qualora si consenta la penetrazione di umidità nell'utensile, si potrebbero causare prestazioni scadenti e un potenziale guasto dell'utensile.

► Fig.18: 1. Rubinetto di scarico

► Fig.19: 1. Filtro dell'aria

Verificare a intervalli regolari la presenza di una quantità sufficiente di olio per utensili pneumatici nell'oliatore del gruppo dell'aria. Il mancato mantenimento di una lubrificazione sufficiente causa una rapida usura delle guarnizioni circolari.

► Fig.20: 1. Oliatore 2. Olio per utensili pneumatici

Tenere il tubo flessibile dell'aria lontano dal calore (oltre 60°C) e da sostanze chimiche (solventi, acidi o alcali forti). Inoltre, far passare il tubo flessibile lontano da ostacoli sui quali potrebbe restare pericolosamente impigliato durante l'uso. I tubi flessibili devono anche essere orientati lontano da bordi affilati e aree che potrebbero causarne il danneggiamento o l'abrasione.

Per preservare la SICUREZZA e l'AFFIDABILITÀ del prodotto, le riparazioni e qualsiasi altro intervento di manutenzione e di regolazione devono essere eseguiti da un centro di assistenza autorizzato Makita, utilizzando sempre ricambi Makita.

ACCESSORI OPZIONALI

⚠ATTENZIONE: Questi accessori o componenti aggiuntivi sono consigliati per l'uso con l'utensile Makita specificato nel presente manuale.

L'impiego di altri accessori o componenti aggiuntivi può costituire un rischio di lesioni alle persone.

Utilizzare gli accessori o i componenti aggiuntivi solo per il loro scopo prefissato.

Per ottenere ulteriori dettagli relativamente a questi accessori, rivolgersi a un centro di assistenza Makita.

- Chiodi
- Tubo flessibile dell'aria
- Occhiali di sicurezza

NOTA: Alcuni articoli nell'elenco potrebbero essere inclusi nell'imballaggio dell'utensile come accessori standard. Tali articoli potrebbero variare da nazione a nazione.

TECHNISCHE GEGEVENS

Model:	AF506
Luchtdruk	0,49 - 0,83 MPa (4,9 - 8,3 bar)
Maat van nagels	18 gauge
Nagellengte	15 mm - 50 mm
Nagelcapaciteit	100 stuks
Minimale diameter slang	6,5 mm
Olie voor pneumatisch gereedschap	ISO VG32 of gelijkwaardig
Afmetingen (L x B x H)	250 mm x 70 mm x 256 mm
Nettogewicht	1,3 kg

- In verband met ononderbroken research en ontwikkeling behouden wij ons het recht voor bovenstaande technische gegevens te wijzigen zonder voorafgaande kennisgeving.
- De technische gegevens kunnen van land tot land verschillen.

Symbolen

Hieronder staan de symbolen die voor het gereedschap worden gebruikt. Zorg ervoor dat u weet wat ze betekenen alvorens het gereedschap te gebruiken.



Lees de gebruiksaanwijzing.



Draag een veiligheidsbril.



Draag gehoorbescherming.



Gebruik het gereedschap niet op een steiger of ladder.

Gebruiksdoeleinden

Het gereedschap is bedoeld voor het bevestigen van materialen bij binnenaferwerking en meubelbouw. Het gereedschap is uitsluitend bedoeld voor professionele toepassingen met hoge volumes. Gebruik het niet voor enig ander doel. Het is niet bedoeld om bevestigingsmiddelen in een hard oppervlak, zoals staal of beton, te schieten.

Geluidsniveau

De typische, A-gewogen geluidsniveaus zijn gemeten volgens ISO11148-13(EN12549):
 Geluidsdruk niveau ($L_{p(A)}$): 99 dB (A)
 Geluidsvermogen niveau (L_{WA}): 109 dB (A)
 Onzekerheid (K): 1,5 dB (A)

OPMERKING: De opgegeven geluidsemisiewaarde(n) is/zijn gemeten volgens een standaardtestmethode en kan/kunnen worden gebruikt om dit gereedschap te vergelijken met andere gereedschappen.

OPMERKING: De opgegeven geluidsemisiewaarde(n) kan/kunnen ook worden gebruikt voor een beoordeling vooraf van de blootstelling.

WAARSCHUWING: Draag gehoorbescherming.

WAARSCHUWING: De geluidsemisie tijdens het gebruik van het elektrisch gereedschap in de praktijk kan verschillen van de opgegeven waarde(n) afhankelijk van de manier waarop het gereedschap wordt gebruikt, met name van het soort werkstuk waarmee wordt gewerkt.

WAARSCHUWING: Zorg ervoor dat veiligheidsmaatregelen worden getroffen ter bescherming van de gebruiker die zijn gebaseerd op een schatting van de blootstelling onder praktijkomstandigheden (rekening houdend met alle fasen van de bedrijfscyclus, zoals de tijdsduur gedurende welke het gereedschap is uitgeschakeld en stationair draait, naast de ingeschakelde tijdsduur).

Trilling

De totale trillingswaarde zoals vastgesteld volgens ISO11148-13(ISO8662-11):
 Trillingsemisie (a_h): 7,6 m/s²
 Onzekerheid (K): 1,5 m/s²

OPMERKING: De totale trillingswaarde(n) is/zijn gemeten volgens een standaardtestmethode en kan/kunnen worden gebruikt om dit gereedschap te vergelijken met andere gereedschappen.

OPMERKING: De opgegeven totale trillingswaarde(n) kan/kunnen ook worden gebruikt voor een beoordeling vooraf van de blootstelling.

⚠️ WAARSCHUWING: De trillingsemisatie tijdens het gebruik van het elektrisch gereedschap in de praktijk kan verschillen van de opgegeven waarde(n) afhankelijk van de manier waarop het gereedschap wordt gebruikt, met name van het soort werkstuk waarmee wordt gewerkt.

⚠️ WAARSCHUWING: Zorg ervoor dat veiligheidsmaatregelen worden getroffen ter bescherming van de gebruiker die zijn gebaseerd op een schatting van de blootstelling onder praktijkomstandigheden (rekening houdend met alle fasen van de bedrijfscyclus, zoals de tijdsduur gedurende welke het gereedschap is uitgeschakeld en stationair draait, naast de ingeschakelde tijdsduur).

EG-verklaring van conformiteit

Alleen voor Europese landen

De EG-verklaring van conformiteit is bijgevoegd als Bijlage A bij deze gebruiksaanwijzing.

VEILIGHEIDSWAARSCHUWINGEN

Waarschuwingen voor pneumatisch nagelpistool/nietpistool

⚠️ WAARSCHUWING: Lees alle veiligheids-waarschuwingen en alle instructies. Het niet volgen van de waarschuwingen en instructies kan leiden tot elektrische schokken, brand en/of ernstig letsel.

Bewaar alle waarschuwingen en instructies om in de toekomst te kunnen raadplegen.

Omwille van uw persoonlijke veiligheid en de juiste werking en onderhoud van het gereedschap, leest u deze gebruiksaanwijzing alvorens het gereedschap te gebruiken.

Algemene veiligheidswaarschuwingen

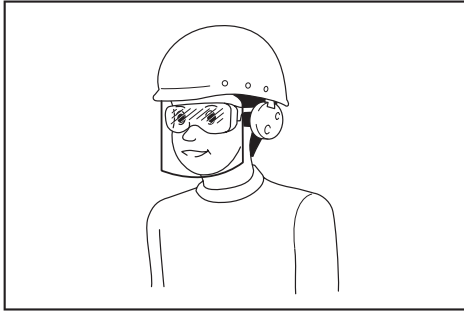
1. Al het overige gebruik buiten het beoogde gebruik van dit gereedschap is verboden. Gereedschappen die bevestigingsmiddelen aanbrengen door middel van continu herhaaldelijk schieten of herhaaldelijk schieten mogen uitsluitend worden gebruikt in productietoepassingen.
2. Houd uw vingers uit de buurt van de trekker wanneer u het gereedschap niet gebruikt en wanneer u het verplaatst van de ene werkplek naar de andere.
3. Meerdere gevaren. U moet de veiligheidsinstructies lezen en begrijpen voordat u het gereedschap aansluit, loskoppelt, laadt, bedient, onderhoudt, van accessoires voorziet of in de buurt ervan werkt. Als u dit niet doet, kan dat leiden tot ernstig lichamelijk letsel.
4. Houd alle lichaamsdelen, zoals handen, benen, enz., uit de schietrichting en verzeker u ervan dat het bevestigingsmiddel niet door het werkstuk heen in een lichaamsdeel kan schieten.

5. Wees bij gebruik van het gereedschap erop bedacht dat het bevestigingsmiddel kan afketsen en letsel kan veroorzaken.
6. Houd het gereedschap stevig vast en wees voorbereid om de terugslag op te vangen.
7. Alleen vakbekwame gebruikers mogen het bevestigingsgereedschap bedienen.
8. Wijzig het bevestigingsgereedschap niet. Wijzigingen kunnen de effectiviteit van de veiligheidsvoorzieningen verlagen en de risico's voor de gebruiker en/of omstanders vergroten.
9. Gooi de gebruiksaanwijzing niet weg.
10. Gebruik het gereedschap niet als het gereedschap beschadigd is.
11. Wees voorzichtig bij het hanteren van de bevestigingsmiddelen, met name bij het laden en verwijderen, omdat de bevestigingsmiddelen scherpe punten hebben die letsel kunnen veroorzaken.
12. Controleer het gereedschap altijd vóór gebruik op kapotte, verkeerd aangesloten of versleten onderdelen.
13. Reik niet te ver. Gebruik uitsluitend op een veilige werkplek. Zorg altijd voor een stevige stand en goede lichaamsbalans.
14. Houd omstanders uit de buurt (bij het werken op een plaats waar waarschijnlijk mensen voorbij komen). Zet uw werkgebied duidelijk af.
15. Richt het gereedschap nooit op uzelf of anderen.
16. Plaats uw vinger nooit om de trekker wanneer u het gereedschap oppakt, wanneer u naar een andere werkplek of -positie gaat, en wanneer u met het gereedschap loopt omdat de vinger om de trekker tot onbedoelde bediening van het gereedschap kan leiden. Voor gereedschappen waarop de bedieningsfunctie kan worden gekozen, controleert u altijd het gereedschap vóór gebruik om er zeker van te zijn dat de correcte bedieningsfunctie is gekozen.
17. Draag uitsluitend handschoenen die voldoende gevoel en een veilige bediening van de trekker en alle afstel mogelijkheden bieden.
18. Als u het gereedschap neerlegt, legt u het neer op een vlakke ondergrond. Als u de haak van het gereedschap gebruikt, hangt u het gereedschap veilig op een stabiel oppervlak op.
19. Bedien het gereedschap niet onder invloed van alcohol, drugs en dergelijke.

Gevaren door projectielen

1. Het bevestigingsgereedschap moet worden losgekoppeld wanneer bevestigingsmiddelen worden verwijderd, afstellingen worden gemaakt, vastgelopen bevestigingsmiddelen worden verwijderd en accessoires worden verwisseld.
2. Let er tijdens gebruik op dat de bevestigingsmiddelen het materiaal correct penetreren en niet kunnen afketsen of per ongeluk in de richting van de gebruiker en/of omstanders worden geschoten.
3. Tijdens gebruik kan afval vanaf het werkstuk en het bevestigings-/verzamelstelsel worden weggevoerd.

4. **Draag tijdens het gebruik van elektrisch gereedschap altijd een veiligheidsbril om uw ogen te beschermen tegen letsel. De bril moet voldoen aan ANSI Z87.1 in de Verenigde Staten, aan EN 166 in Europa, en aan AS/NZS 1336 in Australië en Nieuw-Zeeland. In Australië en Nieuw-Zeeland is het wettelijk verplicht om tevens een spatscherm te dragen om uw gezicht te beschermen.**



Het is de verantwoordelijkheid van de werkgever om ervoor te zorgen dat geschikte beschermingsmiddelen gebruikt worden door de gebruikers van het gereedschap en anderen in de onmiddellijke omgeving van de werkplek.

5. **De risico's voor anderen moeten worden beoordeeld door de gebruiker.**
6. **Wees voorzichtig met gereedschappen zonder contactschonen omdat deze onbedoeld kunnen worden afgeschoten en letsel kunnen veroorzaken bij de gebruiker en/of omstanders.**
7. **Zorg er altijd voor dat het gereedschap veilig op het werkstuk is geplaatst en niet kan weggliden.**
8. **Draag gehoorbescherming om uw oren te beschermen tegen het uitlaatgeluid en draag hoofdbescherming. Draag tevens lichte maar geen losse kleding. Manchetten moeten dichtgeknoopt zijn of de mouwen moeten worden opgerold. Draag geen stropdas.**

Gevaren bij gebruik

1. **Houd het gereedschap correct vast: wees voorbereid om normale of plotselinge bewegingen, zoals terugslag, op te vangen.**
2. **Zorg voor een goede lichaamsbalans en stevige stand.**
3. **Een geschikte veiligheidsbril moet worden gebruikt en geschikte handschoenen en beschermende kleding worden aanbevolen.**
4. **Geschikte gehoorbescherming moet worden gedragen.**
5. **Gebruik de correcte voeding, zoals beschreven in de gebruiksaanwijzing.**
6. **Gebruik het gereedschap niet op bewegende platformen of in de laadruimte van vrachtwagens. Door een plotselinge beweging van het platform kunt u de controle over het gereedschap verliezen en kan letsel worden veroorzaakt.**
7. **Ga er altijd vanuit dat in het gereedschap bevestigingsmiddelen zitten.**
8. **Werk niet gehaast en forceer het gereedschap niet. Hanteer het gereedschap voorzichtig.**
9. **Zorg ervoor dat u tijdens het gebruik van het gereedschap stevig staat en uw evenwicht goed bewaart. Controleer dat er niemand onder**

u staat wanneer u op een hoge plaats werkt, en maak de luchtslang vast om gevaarlijke situaties te voorkomen als er plotseling aan wordt getrokken of deze bekneld raakt.

10. **Op daken en andere hoge plaatsen schroeft u bevestigingsmiddelen erin terwijl u voorwaarts beweegt.** U glijdt gemakkelijk weg als u bevestigingsmiddelen erin schroeft terwijl u achterwaarts kruipt. Als u bevestigingsmiddelen in een rechtopstaande ondergrond schroeft, werkt u van boven naar beneden. U kunt op deze manier schroeven zonder snel vermoeid te raken.
11. **Een bevestigingsmiddel zal krom gaan of het gereedschap kan vastlopen als u per ongeluk bovenop een ander bevestigingsmiddel of in een knoest in het hout schroeft. Het bevestigingsmiddel kan wegschieten en iemand raken, of het gereedschap zelf kan gevaarlijk terugslaan. Kies de plaats voor het bevestigingsmiddel met zorg.**
12. **Laat het geladen gereedschap of de luchtcompressor onder druk, niet gedurende een lange tijd in de zon liggen. Zorg ervoor dat stof, zand, houtsnippers en vreemde stoffen niet kunnen binnendringen in het gereedschap op de plaats waar u het laat liggen.**
13. **Probeer nooit tegelijkertijd van binnenuit en van buitenaf bevestigingsmiddelen erin te schroeven. De bevestigingsmiddelen kunnen er dwars doorheen schieten of afketsen en een groot gevaar opleveren.**

Gevaren door herhalende bedieningen

1. **Wanneer een gereedschap gedurende een lange tijd wordt gebruikt, kan de gebruiker een oncomfortabel gevoel ervaren in de handen, armen, schouders, nek of andere lichaamsdelen.**
2. **Bij gebruik van een gereedschap moet de gebruiker een geschikte en ergonomische houding aannemen. Zorg ervoor dat u stevig staat en vermijd lastige en ongebalanceerde houdingen.**
3. **Als de gebruiker symptomen ervaart, zoals aanhoudende of terugkerende ongemakken, pijn, kloppingen, tintelen, gevoelloosheid, brandend gevoel of stijfheid, mag u deze tekenen niet negeren. De gebruiker dient een vakbekwame zorgmedewerker te raadplegen aangaande zijn algemene activiteiten.**
4. **Het ononderbroken gebruik van het gereedschap kan leiden tot RSI (Repetitive Strain Injury) als gevolg van de terugslag van het gereedschap.**
5. **Om RSI (Repetitive Strain Injury) te voorkomen, mag de gebruiker niet te ver reiken of buitensporige kracht uitoefenen. Bovendien moet de gebruiker rusten wanneer hij/zij zich moe voelt.**
6. **Voer een risicobeoordeling uit met betrekking tot het gevaar van zich herhalende bewegingen. Deze moet zich richten op skelet-spier-aandoeningen en dient bij voorkeur te zijn gebaseerd op de aanname dat een afname van de vermoeidheid tijdens het werken effectief is in het verminderen van de aandoeningen.**

Gevaren door accessoires en verbruiksartikelen

1. **Koppel de voeding, zoals perslucht, gas of accu al naar gelang van toepassing, naar het gereedschap los alvorens accessoires zoals de contactschonen te verwisselen/vervangen, of het gereedschap af te stellen.**

2. Gebruik uitsluitend de grootte en het type accessoires die door de fabrikant worden geleverd.
3. Gebruik uitsluitend smeermiddelen aanbevolen in deze handleiding.

Gevaren door de werkplek

1. Uitglijden, struikelen en vallen zijn de hoofdoorzaken van letsel op de werkplek. Wees bedacht op gladde oppervlakken veroorzaakt door het gebruik van het gereedschap en tevens op struikelgevaar veroorzaakt door de perslucht slang.
2. Wees extra voorzichtig in een onbekende omgeving. Er kunnen verborgen gevaren zijn, zoals elektriciteits- of andere nutsleidingen.
3. Dit gereedschap is niet voor gebruik in omgevingen met explosiegevaar en is niet geïsoleerd tegen aanraking van stroomvoerende kabels.
4. Verzeker u ervan dat er geen elektriciteitskabels, gasleidingen, enz. zijn die een gevaarlijke situatie zouden kunnen veroorzaken als ze worden beschadigd door het gebruik van dit gereedschap.
5. Houd uw werkplek schoon en zorg voor goede verlichting. Op een rommelige of donkere werkplek gebeuren vaker ongevallen.
6. Er kunnen plaatselijk regels gelden met betrekking tot geluid, waaraan u zich dient te houden door de geluidsproductie onder het voorgeschreven niveau te houden. In bepaalde gevallen moeten geluidsschermen worden gebruikt om het geluidsniveau te beperken.

Gevaren door stof en uitlaatgassen

1. Controleer altijd de omgeving. De lucht die het gereedschap uitstoot, kan stof of voorwerpen wegblazen die de gebruiker en/of omstanders kunnen raken.
2. Richt de uitlaat zodanig dat in een zeer stoffige omgeving het opwerpen van stof minimaal is.
3. Als stof of voorwerpen worden uitgestoten in de werkomgeving, vermindert u de uitstoot zo veel mogelijk om de gezondheidsrisico's en kans op letsel te verkleinen.

Gevaren door geluid

1. Onbeschermde blootstelling aan hoge geluidsniveaus kan leiden tot permanente en onherstelbare gehoorschade en andere problemen zoals tinnitus (sis-, fluit-, brom- of pieptonen in het oor).
2. Voer een risicobeoordeling uit met betrekking tot gevaren door geluid op de werkplek en tref geschikte beheersmaatregelen voor deze gevaren.
3. Geschikte methoden om het risico te verkleinen zijn onder andere het gebruik van dempingsmaterialen die voorkomen dat werkstukken 'meezingen'.
4. Gebruik geschikte gehoorbescherming.
5. Bedien en onderhoud het gereedschap zoals aanbevolen in deze instructies om een onnodige toename van het geluidsniveau te voorkomen.
6. Tref geluidsverminderende maatregelen, bijvoorbeeld door het werkstuk op geluiddempende ondersteuning te plaatsen.

Gevaren door trillingen

1. De trillingsemmissie tijdens gebruik is afhankelijk van de grijpkracht, de contactdruk, de werkrichting, de afstelling van de voeding, het werkstuk en de ondersteuning van het werkstuk. Voer een risicobeoordeling uit met betrekking tot gevaren door trillingen

en tref geschikte beheersmaatregelen voor deze gevaren.

2. Blootstelling aan trillingen kan onherstelbare schade aanrichten aan de zenuwen en bloedvaten van de handen en armen.
3. Draag warme kleding tijdens het werken onder koude omstandigheden, en houd uw handen warm en droog.
4. U kunt gevoelloosheid, tintelen, pijn of verdroging van de huid van uw vingers of handen ervaren. Vraag een vakbekwame bedrijfsarts om medisch advies aangaande uw algemene activiteiten.
5. Bedien en onderhoud het gereedschap zoals aanbevolen in deze instructies om een onnodige toename van de trillingsniveaus te voorkomen.
6. Houd het gereedschap vast met een lichte, maar veilige greep omdat het risico door trillingen doorgaans groter is wanneer de grijpkracht hoger is.

Aanvullende waarschuwingen voor pneumatische gereedschappen

1. Perslucht kan ernstig letsel veroorzaken.
2. Sluit altijd de luchttoevoer af en koppel het gereedschap los van de luchttoevoer wanneer u het niet gebruikt.
3. Koppel het gereedschap altijd los van de persluchttoevoer voordat u accessoires verwisselt, afstellingen en/of reparaties uitvoert, en het gereedschap verplaatst van de ene werkplek naar de andere.
4. Houd uw vingers uit de buurt van de trekker wanneer u het gereedschap niet gebruikt en wanneer u het verplaatst van de ene werkplek naar de andere.
5. Richt de perslucht nooit op uzelf of iemand anders.
6. Een zwiepende slang kan ernstig letsel veroorzaken. Controleer altijd op beschadigde of losse slangen of koppelingen.
7. Draag een pneumatisch gereedschap nooit aan zijn slang.
8. Sleep een pneumatisch gereedschap nooit aan zijn slang.
9. Bij gebruik van pneumatische gereedschappen mag u nooit de maximumwerkdruk (ps max) overschrijden.
10. Pneumatische gereedschappen mogen uitsluitend worden gevoed door perslucht van de laagste druk die vereist is voor de werkwijze om het geluids- en trillingsniveau te verlagen en de slijtage te minimaliseren.
11. Als zuurstof of brandbaar gas wordt gebruikt om pneumatische gereedschappen te bedienen, ontstaat brand- en explosiegevaar.
12. Wees voorzichtig bij het gebruik van pneumatische gereedschappen aangezien het gereedschap koud kan worden waardoor de grip en controle kunnen afnemen.

Veiligheidsvoorzieningen

1. Controleer voor gebruik dat alle veiligheidssystemen goed werken. Het gereedschap mag niet werken als alleen de trekkerschakelaar wordt ingeknepen of als alleen de contactshoofn op het hout wordt gedrukt. Het gereedschap mag alleen werken als beide handelingen tegelijkertijd worden uitgevoerd. Test op mogelijke defecte werking wanneer geen bevestigingsmiddelen zijn geladen en de aandrukker helemaal uitgetrokken is.

2. **De trekker vastzetten in de AAN-stand is zeer gevaarlijk.** Probeer nooit de trekker vast te zetten.
3. **Probeer niet de contactschoen of een andere veiligheidsvoorziening voortdurend ingedrukt te houden met tape of draad.** Dit kan leiden tot de dood of ernstig letsel.

Service

1. **Voer reinigings- en onderhoudswerkzaamheden onmiddellijk uit nadat u klaar bent met werken.** Houd het gereedschap in optimale conditie. Smeer bewegende delen om roesten te voorkomen en slijtage door wrijving te minimaliseren. Veeg alle stof van de onderdelen af.
2. **Vraag een erkend Makita-servicecentrum regelmatig het gereedschap te inspecteren.**
3. **Om de VEILIGHEID en BETROUWBAARHEID van het gereedschap te handhaven, dienen onderhoud en reparaties te worden uitgevoerd door een erkend Makita-servicecentrum, en altijd met gebruikmaking van originele Makita-ervangingsonderdelen.**
4. **Houd u aan de plaatselijke regelgeving bij het verwerken van het gereedschap.**

BEWAAR DEZE INSTRUCTIES.

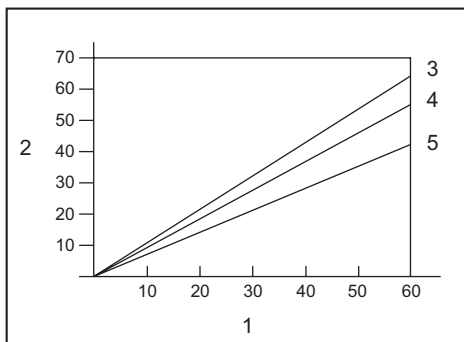
WAARSCHUWING: Laat u NIET misleiden door een vals gevoel van comfort en bekendheid met het gereedschap (na veelvuldig gebruik) en neem alle veiligheidsvoorschriften van het betreffende gereedschap altijd strikt in acht. **VERKEERD GEBRUIK** of het niet naleven van de veiligheidsvoorschriften in deze gebruiksaanwijzing kan leiden tot ernstig persoonlijk letsel.

BESCHRIJVING VAN DE ONDERDELEN

- Fig.1: 1. Trekker 2. Haak 3. Neusadapter (contact-schoen) 4. Magazijn

BEVESTIGEN

De compressor selecteren



1. Nagelsnelheid (aantal per minuut) 2. Compressor luchtopbrengst per minuut (L/min) 3. 0,83 MPa (8,3 bar) 4. 0,74 MPa (7,4 bar) 5. 0,64 MPa (6,4 bar)

De luchtcompressor moet voldoen aan de vereisten van EN60335-2-34.

Gebruik een compressor die ruimschoots voldoende druk en luchtopbrengst levert om een rendabele werking te garanderen. De grafiek toont de verhouding tussen de nagelsnelheid, de toepasselijke druk en de luchtopbrengst van de compressor. Bijvoorbeeld, wanneer u nagelt met een frequentie van ongeveer 60 keer per minuut bij een druk van 0,74 MPa (7,4 bar), is een compressor met een luchtopbrengst van meer dan 55 liter/minuut vereist.

Wanneer de aangevoerde luchtdruk de nominale druk van het gereedschap overschrijdt, dienen drukregelaars te worden gebruikt om de luchtdruk te verlagen tot de nominale druk. Als u dit niet doet, bestaat gevaar voor ernstig letsel van de gebruiker van het gereedschap of van personen in de buurt.

De luchtslang selecteren

LET OP: Een lage luchtopbrengst van de compressor, een te lange luchtslang of een luchtslang met een kleinere diameter in verhouding tot de nagelsnelheid, kunnen leiden tot een verminderde nagelkracht van het gereedschap.

- Fig.2

Gebruik een zo groot en kort mogelijke persluchtslang om verzekerd te zijn van ononderbroken en efficiënt nagelen.

Als het interval tussen twee nagels 0,5 seconde is, wordt bij een luchtdruk van 0,49 MPa (4,9 bar), een persluchtslang met een binnendiameter van meer dan 6,5 mm en een lengte van minder dan 20 m aanbevolen. Persluchtslangen moeten een nominale minimumwerkdruk hebben van 1,03 MPa (10,3 bar) of 150 procent van de maximumdruk die door het systeem wordt geleverd, al naar gelang welke hoger is.

Smearing

- Fig.3

Om van maximale prestaties verzekerd te zijn, monteert u een luchtset (smeerinrichting, drukregelaar, luchtfilter) zo dicht mogelijk bij het gereedschap. Stel de smeerinrichting zodanig in dat voor iedere 50 nagels een druppel smeeroolie wordt geleverd.

Als geen luchtset wordt gebruikt, smeert u het gereedschap met olie voor pneumatisch gereedschap door 2 (twee) of 3 (drie) druppels in de luchtslangkoppeling aan te brengen. U dient dit voor en na ieder gebruik te doen.

Voor een goede smearing moet het gereedschap enkele keren worden bediend nadat de olie voor pneumatisch gereedschap is aangebracht.

- Fig.4: 1. Olie voor pneumatisch gereedschap

BESCHRIJVING VAN DE FUNCTIES

⚠ LET OP: Koppel altijd de slang los voordat u het gereedschap afstelt of de werking ervan controleert.

De nageldiepte instellen

► Fig.5: 1. Stelknop

Om de nageldiepte af te stellen, draait u de instelknop. De nageldiepte is het grootst wanneer de instelknop zo ver mogelijk in richting A, aangegeven in de afbeelding, is gedraaid. De diepte wordt geringer naarmate de instelknop in richting B wordt gedraaid.

Als de nagels niet diep genoeg worden geschoten, zelfs niet terwijl de instelknop zo ver mogelijk in richting A is gedraaid, verhoogt u de luchtdruk.

Als de nagels te diep worden geschoten ondanks dat de instelknop zo ver mogelijk in richting B is gedraaid, verlaagt u de luchtdruk.

Algemeen gesproken, gaat het gereedschap langer mee als het wordt gebruikt met een lagere luchtdruk en de instelknop is ingesteld op een grotere nageldiepte.

Haak

⚠ LET OP: Hang het gereedschap niet op aan de haak op een hoge plaats of op een mogelijk instabiele plaats.

⚠ LET OP: Hang de haak niet aan uw broekriem. Als het nagelpistool per ongeluk valt, kan het een nagel schieten waardoor persoonlijk letsel kan ontstaan.

► Fig.6

► Fig.7: 1. Haak

De haak is handig om het gereedschap tijdelijk aan op te hangen.

Luchtblazer

⚠ LET OP: Richt de uitstroombopening van de luchtblazer niet op iemand. Houd verder uw handen en voeten uit de buurt van de uitstroombopening. Als per ongeluk op de knop van de luchtblazer wordt gedrukt, kan persoonlijk letsel ontstaan.

⚠ LET OP: Controleer altijd uw omgeving voordat u de luchtblazer gebruikt. Weggeblazen stof of voorwerpen kunnen iemand raken.

⚠ LET OP: Sluit de luchtslang niet aan en koppel hem niet los terwijl u op de knop van de luchtblazer drukt.

De lucht die wordt aangevoerd naar het gereedschap, kan tevens worden gebruikt als een luchtblazer. U kunt het werkgebied schoonblazen door op de knop achterop de handgreep te drukken.

► Fig.8: 1. Knop

KENNISGEVING: Na gebruik van de luchtblazer, is de schroefkracht van het gereedschap tijdelijk lager. Wacht in dat geval totdat de luchtdruk weer is opgebouwd.

KENNISGEVING: Voer eerst proefblazen uit als u de luchtblazer wilt gebruiken onmiddellijk nadat olie is aangebracht. Mogelijk worden oliespatters tezamen met de lucht eruit geblazen.

MONTAGE

⚠ LET OP: Koppel altijd de slang los voordat u enige werkzaamheden aan het gereedschap uitvoert.

Nagels laden

⚠ LET OP: Gebruik nagels van dezelfde soort, grootte en uniforme lengte wanneer u nagels in het magazijn laadt.

1. Trek aan de schuif terwijl u de hendel omlaag gedrukt houdt om het magazijn te openen.

► Fig.9: 1. Hendel 2. Schuif

2. Lijn de punt van de nagels uit met de groef van het magazijn en duw de nagels naar de schietmond.

► Fig.10: 1. Nagel 2. Groef 3. Schietmond

3. Sluit de schuif tot deze wordt vergrendeld.

⚠ LET OP: Plaats uw vinger niet op de glijgoot van de schuif. Uw vinger kan bekneld komen te zitten in de schuif.

⚠ LET OP: Als het gereedschap niet wordt gebruikt, verwijdert u alle nagels uit het magazijn en sluit u de schuif.

Neusadapter

Om te voorkomen dat het oppervlak van het werkstuk wordt bekrast of beschadigd, brengt u de neusadapter aan.

► Fig.11: 1. Neusadapter 2. Contactschoen

Een reserve neusadapter wordt bewaard op de plaats aangegeven in de afbeelding.

► Fig.12: 1. Reserve neusadapter

De luchtslang aansluiten

⚠ LET OP: Leg uw vinger niet om de trekker terwijl u de luchtslang aansluit.

► Fig.13: 1. Mannelijke luchtslangkoppeling
2. Vrouwelijke luchtslangkoppeling

Bevestig de vrouwelijke luchtslangkoppeling op de slang aan de mannelijke luchtslangkoppeling op het gereedschap. Controleer of de vrouwelijke luchtslangkoppeling stevig op zijn plaats vergrendeld is nadat deze is aangebracht op de mannelijke luchtslangkoppeling.

Een luchtslangkoppeling dient op of dicht bij het gereedschap te worden aangebracht zodat de luchtdruktank ontlast zal worden wanneer de luchttoevoerkoppeling wordt losgemaakt.

BEDIENING

⚠ LET OP: Verzeker u ervan dat alle veiligheidsvoorzieningen in werkende staat verkeren voordat u het gereedschap gebruikt.

De correcte werking controleren vóór gebruik

Controleer vóór gebruik altijd de volgende punten.

- Verzeker u ervan dat het gereedschap niet gaat werken door alleen maar de luchtslang aan te sluiten.
- Verzeker u ervan dat het gereedschap niet gaat werken door alleen maar de trekker in te knijpen.
- Verzeker u ervan dat het gereedschap niet gaat werken door alleen maar de contactschoen tegen het werkstuk te drukken zonder de trekker in te knijpen.

Nagels schieten

Om een nagel te schieten, drukt u de contactschoen tegen het werkstuk en knijpt u de trekker in.

► Fig.14

⚠ LET OP: MET DE TREKKER IN DE HALFINGEKNEPEN STAND kan het gereedschap onverwachts een nagel schieten als de contactschoen door de terugslag nogmaals in aanraking komt met het werkstuk of een ander oppervlak.

Om dergelijk per ongeluk schieten van een nagel te voorkomen, gaat u als volgt te werk:

- Druk de contactschoen niet met buitensporige kracht tegen het werkstuk.
- Knijp de trekker helemaal in en houd hem ingeknepen gedurende 1 tot 2 seconden nadat de nagel is geschoten.

Vastgelopen nagels verwijderen

⚠ WAARSCHUWING: Koppel de slang altijd los voordat u nagels verwijdert.

⚠ LET OP: Gebruik geen vervormde nagels of strippen nagels. Als u dit toch doet, worden de nagels niet goed aangevoerd.

1. Open de schuif en verwijder de nagels uit het magazijn.
► Fig.15
2. Terwijl de schuif open wordt gehouden, trekt u aan de vergrendeling om de deur te openen en verwijdert u vervolgens de nagels.
► Fig.16: 1. Vergrendeling 2. Deur

ONDERHOUD

⚠ LET OP: Koppel de slang altijd los voordat u probeert inspectie- of onderhoudswerkzaamheden uit te voeren.

KENNISGEVING: Gebruik nooit benzine, benzine, thinner, alcohol en dergelijke. Hierdoor kunnen verkleuring, vervormingen en barsten worden veroorzaakt.

Nagels

Wees voorzichtig bij het hanteren van de nagelstrippen en de doos ervan. Als de nagelstrippen grof behandeld worden, kunnen ze vervorm worden waardoor een slechte nagelaanvoer ontstaat.

Voorom dat nagels worden opgeslagen in een zeer vochtige of warme ruimte of op een plek die is blootgesteld aan direct zonlicht.

Het nagelpistool onderhouden

Controleer voor gebruik het gereedschap altijd eerst op algehele conditie en loszittende schroeven. Draai deze zo nodig vast.

Inspecteer het gereedschap dagelijks met losgekoppelde persluchtslang op vrije beweging van de contactschoen en trekker. Gebruik het gereedschap niet als de contactschoen of de trekker vastloopt of klemt.

Wanneer het gereedschap gedurende een lange tijd niet gebruikt gaat worden, smeert u het gereedschap met olie voor pneumatisch gereedschap en bewaart u het gereedschap op een veilige plaats. Voorkom blootstelling aan direct zonlicht en/of een vochtige of warme omgeving.

► Fig.17

Onderhoud van de compressor, persluchtinstallatie en luchtslang

Tap na gebruik altijd de compressortank en het luchtfilter af. Als vocht in het gereedschap terechtkomt, kunnen de prestaties verslechteren en kan het gereedschap defect raken.

► Fig.18: 1. Aftapkraantje

► Fig.19: 1. Luchtfilter

Controleer regelmatig of er voldoende olie voor pneumatisch gereedschap zit in de smerinrichting van de persluchtinstallatie. Als onvoldoende smering plaatsvindt, slijten de O-ringen snel.

► Fig.20: 1. Smerinrichting 2. Olie voor pneumatisch gereedschap

Houd de luchtslang uit de buurt van hitte (meer dan 60 °C) en chemicaliën (thinner, sterke zuren of basen). Houd de slang ook uit de buurt van obstakels waaraan deze tijdens het gebruik zou kunnen blijven haken. Houd de slang ook uit de buurt van scherpe randen en plaatsen die beschadiging of schuurplekken op de slang kunnen veroorzaken.

Om de VEILIGHEID en BETROUWBAARHEID van het gereedschap te handhaven, dienen alle reparaties, onderhoud of afstellingen te worden uitgevoerd bij een erkend Makita-servicecentrum of de Makita-fabriek, en altijd met gebruik van Makita-ervangingsonderdelen.

OPTIONELE ACCESSOIRES

⚠ LET OP: Deze accessoires of hulpstukken worden aanbevolen voor gebruik met het Makita gereedschap dat in deze gebruiksaanwijzing is beschreven. Bij gebruik van andere accessoires of hulpstukken bestaat het gevaar van persoonlijke letsel. Gebruik de accessoires of hulpstukken uitsluitend voor hun bestemde doel.

Wenst u meer bijzonderheden over deze accessoires, neem dan contact op met het plaatselijke Makita-servicecentrum.

- Nagels
- Lucht slang
- Veiligheidsbril

OPMERKING: Sommige items op de lijst kunnen zijn inbegrepen in de doos van het gereedschap als standaard toebehoren. Deze kunnen van land tot land verschillen.

ESPECIFICACIONES

Modelo:	AF506
Presión de aire	0,49 - 0,83 MPa (4,9 - 8,3 bar)
Calibre del clavo	18 Ga.
Longitud del clavo	15 mm - 50 mm
Capacidad de clavos	100 unidades
Diámetro mínimo de la manguera	6,5 mm
Aceite para herramientas neumáticas	ISO VG32 o equivalente
Dimensiones (La x An x Al)	250 mm x 70 mm x 256 mm
Peso neto	1,3 kg

- Debido a nuestro continuado programa de investigación y desarrollo, las especificaciones aquí dadas están sujetas a cambios sin previo aviso.
- Las especificaciones pueden ser diferentes de país a país.

Símbolos

A continuación se muestran los símbolos utilizados con este equipo. Asegúrese de que entiende su significado antes de usarlo.



Lea el manual de instrucciones.



Póngase gafas de seguridad.



Póngase protección para los oídos.



No utilizar en andamios, escaleras de mano.

Uso previsto

La herramienta ha sido prevista para clavar en trabajos de interiores y trabajos de mobiliario.

La herramienta es solamente para aplicación profesional de volumen alto. No la utilice para ningún otro propósito. No ha sido diseñada para clavar fijadores en una superficie dura como acero y cemento.

Ruido

El nivel de ruido A-ponderado típico determinado de acuerdo con la norma ISO11148-13(EN12549):
 Nivel de presión sonora (L_{pA}) : 99 dB (A)
 Nivel de potencia sonora (L_{WA}) : 109 dB (A)
 Error (K) : 1,5 dB (A)

NOTA: El valor (o los valores) de emisión de ruido declarado ha sido medido de acuerdo con un método de prueba estándar y se puede utilizar para comparar una herramienta con otra.

NOTA: El valor (o valores) de emisión de ruido declarado también se puede utilizar en una valoración preliminar de exposición.

ADVERTENCIA: Póngase protectores para oídos.

ADVERTENCIA: La emisión de ruido durante la utilización real de la herramienta eléctrica puede variar del valor (o los valores) de emisión declarado dependiendo de las formas en las que la herramienta sea utilizada, especialmente qué tipo de pieza de trabajo se procesa.

ADVERTENCIA: Asegúrese de identificar medidas de seguridad para proteger al operario que estén basadas en una estimación de la exposición en las condiciones reales de utilización (teniendo en cuenta todas las partes del ciclo operativo como las veces cuando la herramienta está apagada y cuando está funcionando en vacío además del tiempo de gatillo).

Vibración

El valor total de la vibración determinado de acuerdo con el ISO11148-13(ISO8662-11):
 Emisión de vibración (a_h) : 7,6 m/s²
 Error (K) : 1,5 m/s²

NOTA: El valor (o los valores) total de emisión de vibración declarado ha sido medido de acuerdo con un método de prueba estándar y se puede utilizar para comparar una herramienta con otra.

NOTA: El valor (o los valores) total de emisión de vibración declarado también se puede utilizar en una valoración preliminar de exposición.

⚠ADVERTENCIA: La emisión de vibración durante la utilización real de la herramienta eléctrica puede variar del valor (o los valores) de emisión declarado dependiendo de las formas en las que la herramienta sea utilizada, especialmente qué tipo de pieza de trabajo se procesa.

⚠ADVERTENCIA: Asegúrese de identificar medidas de seguridad para proteger al operario que estén basadas en una estimación de la exposición en las condiciones reales de utilización (teniendo en cuenta todas las partes del ciclo operativo como las veces cuando la herramienta está apagada y cuando está funcionando en vacío además del tiempo de gatillo).

Declaración CE de conformidad

Para países europeos solamente

La declaración CE de conformidad está incluida como Anexo A de esta manual de instrucciones.

ADVERTENCIAS DE SEGURIDAD

Advertencias de seguridad para la clavadora de clavos/grapadora neumática

⚠ADVERTENCIA: Lea todas las advertencias de seguridad y todas las instrucciones. En caso de no seguir las advertencias e instrucciones podrá resultar en heridas graves, descarga eléctrica y/o incendio.

Guarde todas las advertencias e instrucciones para futuras referencias.

Por seguridad personal y operación y mantenimiento apropiados de la herramienta, lea este manual de instrucciones antes de utilizar la herramienta.

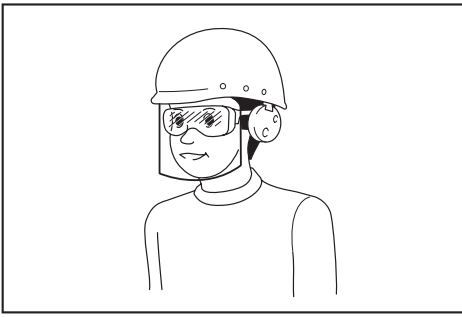
Seguridad general

1. Cualquier otro uso de esta herramienta excepto para el uso previsto está prohibido. Las herramientas de clavar fijadores de accionamiento por contacto continuo o accionamiento por contacto deben ser utilizadas solamente para aplicaciones de producción.
2. Mantenga los dedos alejados del gatillo cuando no esté operando esta herramienta y cuando se mueva de una posición de operación a otra.
3. Riesgos múltiples. Lea y entienda las instrucciones de seguridad antes de conectar, desconectar, cargar, operar la herramienta; hacer mantenimiento o cambiar accesorios, o trabajar cerca de la herramienta. No hacerlo puede resultar en heridas corporales graves.
4. Mantenga todas las partes del cuerpo, tales como las manos y las piernas, etc., alejadas de la dirección de disparo y asegúrese de que los fijadores no pueden atravesar la pieza de trabajo y clavarse en partes del cuerpo.

5. Cuando utilice la herramienta, sea consciente de que el fijador se puede desviar y ocasionar heridas.
6. Sujete la herramienta agarrándola firmemente y esté preparado para controlar el culatazo.
7. La herramienta de clavar fijadores solamente debe ser utilizada por operarios expertos.
8. No modifique la herramienta de clavar fijadores. Las modificaciones pueden reducir la eficacia de los medios de seguridad e incrementar los riesgos para el operario y/o los transeúntes.
9. No desheche el manual de instrucciones.
10. No utilice una herramienta si ha sido dañada.
11. Tenga cuidado cuando maneje fijadores, especialmente cuando los cargue y descargue, porque los fijadores tienen puntas afiladas que podrán ocasionar heridas.
12. Compruebe siempre la herramienta antes de utilizarla por si tiene piezas rotas, mal conectadas o desgastadas.
13. No trabaje donde no alcance. Utilice solamente en un lugar de trabajo seguro. Mantenga los pies sobre suelo firme y el equilibrio en todo momento.
14. Mantenga a los transeúntes alejados (cuando trabaje en un área donde haya la posibilidad de que transite gente). Marque claramente su área de operación.
15. No apunte la herramienta hacia usted o hacia otros.
16. No apoye el dedo en el gatillo cuando recoja la herramienta, se mueva entre áreas de operación y posiciones de trabajo o camine, porque apoyar el dedo en el gatillo puede dar lugar a una operación inadvertida. Para herramientas con accionamiento selectivo, compruebe siempre la herramienta antes de utilizarla para asegurarse de que está seleccionado el modo correcto.
17. Utilice solamente guantes que proporcionen una sensación táctil adecuada y un control seguro de los gatillos y cualquier dispositivo de ajuste.
18. Cuando repose la herramienta, apóyela sobre una superficie plana. Si utiliza el gancho equipado con la herramienta, enganche la herramienta firmemente en una superficie estable.
19. No la utilice cuando esté bajo la influencia de alcohol, drogas o por el estilo.

Riesgos relativos al proyectil

1. La herramienta de clavar fijadores deberá ser desconectada cuando cargue fijadores, haga ajustes, despeje atascos o cambie accesorios.
2. Durante la operación tenga cuidado de que los fijadores penetren el material correctamente y no se puedan desviar o errar el disparo hacia el operario y/o cualquier transeúnte.
3. Durante la operación, podrán salir despedidos restos de la pieza de trabajo y del sistema de fijación/sujeción.
4. Póngase siempre gafas de protección para proteger sus ojos de heridas cuando utilice herramientas eléctricas. Las gafas de protección deben cumplir con las normas ANSI Z87.1 en los Estados Unidos de América, EN 166 en Europa, o AS/NZS 1336 en Australia/Nueva Zelanda. En Australia/Nueva Zelanda, se requiere, también, legalmente ponerse pantalla facial para proteger la cara.



Es una responsabilidad del empresario imponer a los operarios de la herramienta y a otras personas en las inmediaciones del área de trabajo el uso de equipos de protección de seguridad apropiados.

5. Los riesgos para otras personas deberá evaluarlos el operario.
6. Tenga cuidado con las herramientas sin el contacto para pieza de trabajo porque pueden dispararse involuntariamente y herir al operario y/o transeúntes.
7. Asegúrese de que la herramienta está siempre apoyada de forma segura en la pieza de trabajo y que no se puede deslizar.
8. Póngase protección auditiva para proteger sus oídos del ruido de escape y protección para la cabeza. Además, póngase ropa ligera pero no holgada. Las mangas deberán estar abotonadas o arremangadas. No se deberá llevar corbata.

Riesgos relativos a la operación

1. Sujete la herramienta correctamente: asegúrese de contrarrestar los movimientos normales o repentinos tales como un culetazo.
2. Mantenga una posición equilibrada del cuerpo y los pies sobre suelo firme.
3. Se deben utilizar gafas de seguridad apropiadas y guantes apropiados y se recomienda el uso de ropa de protección.
4. Ha de ponerse protección para los oídos apropiada.
5. Utilice el suministro de energía correcto como se indica en el manual de instrucciones.
6. No utilice la herramienta en plataformas en movimiento o detrás de camiones. Un movimiento repentino de la plataforma puede hacerle perder el control de la herramienta y ocasionar heridas.
7. Asuma siempre que la herramienta contiene fijadores.
8. No apresure el trabajo o fuerce la herramienta. Maneje la herramienta con cuidado.
9. Observe donde pone los pies y mantenga su equilibrio con la herramienta. Asegúrese de que no hay nadie debajo cuando trabaje en lugares altos, y sujete la manguera de aire para evitar riesgos si se produce un tirón o enganche repentino.
10. En tejados y otros lugares altos, coloque los fijadores a medida que se mueve hacia delante. Es fácil perder el equilibrio si coloca fijadores mientras se mueve hacia atrás. Cuando coloque fijadores contra una superficie perpendicular, trabaje de arriba abajo. Haciéndolo así podrá realizar las operaciones de atornillar con menos fatiga.

11. Un fijador se torcerá o la herramienta se podrá atascar si coloca un fijador erróneamente encima de otro fijador o si golpea un nudo en la madera. El fijador podrá ser lanzado y golpear a alguien, o la propia herramienta podrá reaccionar peligrosamente. Coloque los fijadores con cuidado.
12. No deje la herramienta cargada o el compresor de aire bajo presión durante un tiempo prolongado al sol. Asegúrese de que no entra polvo, arena, virutas y materias extrañas en la herramienta en el lugar donde la deja reposar.
13. No intente nunca colocar fijadores desde el interior y exterior al mismo tiempo. Los fijadores podrán atravesar y/o salir disparados, presentando un grave peligro.

Riesgos relativos a movimientos repetitivos

1. Cuando se utilice una herramienta durante largos periodos, el operario podrá sentir molestias en las manos, brazos, hombros, cuello, u otras partes del cuerpo.
2. Mientras utilice una herramienta, el operario deberá adoptar una postura apropiada pero ergonómica. Mantenga los pies sobre suelo firme y evite posturas incómodas o desequilibradas.
3. Si el operario experimenta síntomas tales como molestias persistentes o recurrentes, dolor, palpitación, achaque, hormigueo, entumecimiento, sensación de ardor, o agarrotamiento, no ignore estas señales de advertencia. El operario deberá consultar con un profesional sanitario cualificado acerca de las actividades en general.
4. La utilización continuada de la herramienta puede ocasionar lesión por esfuerzo repetido debido al culatazo producido por la herramienta.
5. Para evitar heridas por esfuerzo repetitivo, el operario no deberá trabajar donde no alcance o utilizar fuerza excesiva. Además, el operario deberá descansar cuando sienta fatiga.
6. Realice una valoración de riesgo acerca de los riesgos relativos a movimientos repetitivos. Esta deberá enfocarse en desórdenes esqueleto musculares y basarse preferentemente en la premisa de que la disminución de la fatiga durante el trabajo es eficaz para reducir los desórdenes.

Riesgos relativos a accesorios y consumibles

1. Desconecte el suministro de energía a la herramienta, tal como aire o gas o la batería según sea aplicable, antes de cambiar/reemplazar accesorios tal como el contacto para pieza de trabajo, o hacer cualquier ajuste.
2. Utilice solamente los tamaños y tipos de accesorios que provee el fabricante.
3. Utilice solamente lubricantes recomendados en este manual.

Riesgos relativos al lugar de trabajo

1. Los resbalones, los tropiezos y las caídas son las principales causas de heridas en el lugar de trabajo. Sea consciente de las superficies resbaladizas ocasionadas por el uso de la herramienta y también de los riesgos relativos a los tropiezos ocasionados por la manguera de conducto de aire.

2. Proceda con cuidado adicional en entornos con los que no esté familiarizado. Pueden existir riesgos ocultos, tales como conductos de electricidad o de otros suministros.
3. Esta herramienta no ha sido prevista para ser utilizada en atmósferas potencialmente explosivas y no está aislada contra un contacto con energía eléctrica.
4. Asegúrese de que no hay cables eléctricos, tuberías de gas, etc., que puedan ocasionar un riesgo si se dañan al utilizar la herramienta.
5. Mantenga el área de trabajo limpia y bien iluminada. Las áreas de trabajo atestadas u oscuras son una invitación a accidentes.
6. Es posible que existan reglamentos locales concernientes al ruido que deberán ser cumplidos manteniendo los niveles de ruido dentro de los límites prescritos. En ciertos casos, se deberán utilizar persianas para contener el ruido.

Riesgos relativos al polvo y el escape

1. Compruebe siempre su entorno. El aire expulsado de la herramienta puede soplar el polvo u objetos y golpear al operario y/o los transeúntes.
2. Dirija el escape de forma que en un entorno de mucho polvo la perturbación del polvo se reduzca al mínimo.
3. Si en el área de trabajo se emite polvo u objetos, reduzca la emisión en lo máximo posible para reducir los riesgos para la salud y el riesgo de heridas.

Riesgos relativos al ruido

1. Una exposición sin protección a niveles de ruido altos, puede ocasionar una pérdida, incapacidad, permanente de la audición y otros problemas tales como ruido en los oídos (campaneo, ronroneo, silbido o zumbido en los oídos).
2. Realice una valoración de riesgos acerca del ruido en el área de trabajo e implemente los controles apropiados para estos riesgos.
3. Los controles apropiados para reducir el riesgo pueden incluir acciones tales como amortiguar los materiales para evitar que las piezas de trabajo “campaneen”.
4. Utilice protección para los oídos apropiada.
5. Opere la herramienta y hágale el mantenimiento como se recomienda en estas instrucciones, para evitar un aumento innecesario de los niveles de ruido.
6. Tome medidas de reducción de ruido, por ejemplo, colocando las piezas de trabajo sobre soportes que amortigüen el sonido.

Riesgos relativos a la vibración

1. La emisión de vibración durante la operación depende de la fuerza de asimiento, la fuerza de presión de contacto, la dirección de trabajo, el ajuste del suministro de energía, la pieza de trabajo, el apoyo de la pieza de trabajo. Realice una valoración de riesgos acerca de la vibración e implemente los controles apropiados para estos riesgos.
2. La exposición a la vibración puede ocasionar daño incapacitante a los nervios y el suministro de sangre a las manos y brazos.
3. Póngase ropa cálida cuando trabaje en condiciones frías, mantenga sus manos calientes y secas.

4. Si siente entumecimiento, hormigueo, dolor o emblanquecimiento de la piel en sus dedos o manos, solicite consejo médico de un profesional sanitario cualificado acerca de las actividades en general.
5. Opere la herramienta y hágale el mantenimiento como se recomienda en estas instrucciones, para evitar un aumento innecesario de los niveles de vibración.
6. Sujete la herramienta con un asimiento ligero, pero seguro, porque el riesgo de la vibración es generalmente mayor cuando la fuerza de asimiento es más fuerte.

Advertencias adicionales para las herramientas neumáticas.

1. El aire comprimido puede ocasionar heridas graves.
2. Cierre siempre el suministro de aire, y desconecte la herramienta del suministro de aire cuando no se esté utilizando.
3. Desconecte siempre la herramienta del suministro de aire comprimido antes de cambiar accesorios, hacer ajustes y/o reparaciones, cuando se mueva de un área de operación a un área diferente.
4. Mantenga los dedos alejados del gatillo cuando no esté operando la herramienta y cuando se mueva de una posición de operación a otra.
5. No dirija nunca el aire comprimido hacia usted o hacia cualquier otra persona.
6. Los latigazos de manguera pueden ocasionar heridas graves. Compruebe siempre por si las mangueras o aditamentos están dañados o flojos.
7. No transporte nunca la herramienta neumática cogiéndola por la manguera.
8. No arrastre nunca la herramienta neumática cogiéndola por la manguera.
9. Cuando utilice herramientas neumáticas, no exceda la presión máxima de operación ps máx.
10. Las herramientas neumáticas deben ser alimentadas solamente con aire comprimido a la presión más baja requerida por el proceso de trabajo para reducir el ruido y la vibración, y minimizar el desgaste.
11. La utilización de oxígeno o gases combustibles para operar las herramientas neumáticas crea un riesgo de incendio y explosión.
12. Tenga cuidado cuando utilice herramientas neumáticas porque la herramienta podrá enfriarse, afectando al asimiento y el control.

Dispositivos de seguridad

1. Asegúrese siempre de que todos los sistemas de seguridad están en buen estado de funcionamiento antes de la operación. La herramienta no deberá funcionar si solamente se aprieta el gatillo interruptor o si solamente el brazo de contacto es presionado contra la madera. Deberá funcionar solamente cuando se realizan ambas acciones. Haga una prueba por si se produce una posible operación defectuosa sin haber cargado fijadores y con el impulsor en posición completamente presionada.
2. **Sujetar el gatillo en la posición activada es muy peligroso.** No intente nunca fijar el gatillo.

3. **No intente mantener el elemento de contacto u otros dispositivos de seguridad presionados con cinta o alambre.** Podría ocasionar la muerte o heridas graves.

Servicio

1. **Realice la limpieza y el mantenimiento justo después de terminar el trabajo.** Mantenga la herramienta en excelentes condiciones. Lubrique las partes móviles para evitar oxidación y minimizar el desgaste relacionado con la fricción. Limpie todo el polvo de las partes.
2. **Pida a un centro de servicio autorizado por Makita para que le hagan la inspección periódica de la herramienta.**
3. **Para mantener la SEGURIDAD y FIABILIDAD del producto, el mantenimiento y las reparaciones deberán ser realizados en centros de servicio autorizados por Makita, utilizando siempre piezas de repuesto de Makita.**
4. **Siga los reglamentos locales cuando deseché la herramienta.**

GUARDE ESTAS INSTRUCCIONES.

⚠ ADVERTENCIA: NO deje que la comodidad o familiaridad con el producto (a base de utilizarlo repetidamente) sustituya la estricta observancia de las normas de seguridad para el producto en cuestión. El MAL USO o el no seguir las normas de seguridad establecidas en este manual de instrucciones podrá ocasionar graves heridas personales.

El compresor de aire deberá cumplir con los requisitos de EN60335-2-34.

Seleccione un compresor que tenga una presión y salida de aire amplias para asegurar una operación eficiente en base a costos. El gráfico muestra la relación entre la frecuencia de clavado, la presión aplicable y la salida de aire del compresor.

Así, por ejemplo, si el clavado se realiza a una frecuencia de aproximadamente 60 veces por minuto a una compresión de 0,74 MPa (7,4 bar), se requerirá un compresor con una salida de aire superior a 55 litros/minuto.

Cuando la presión del suministro de aire exceda la presión nominal de la herramienta se deberán utilizar reguladores de presión para limitar la presión de aire a la presión nominal de la herramienta. De no hacerlo, podrá resultar en heridas graves al operario de la herramienta o a personas cercanas.

Selección de la manguera de aire

⚠ PRECAUCIÓN: Una salida de aire baja del compresor, o una manguera de aire larga o de diámetro más pequeño en relación con la frecuencia de clavado podrá ocasionar una disminución de la capacidad de clavado de la herramienta.

► Fig.2

Utilice una manguera de aire tan grande y corta como sea posible para asegurar una operación de clavado continua y eficiente.

Con una presión de aire de 0,49 MPa (4,9 bar), se recomienda una manguera de aire con un diámetro interno de más de 6,5 mm y una longitud de menos de 20 m cuando el intervalo entre cada clavado es de 0,5 segundos.

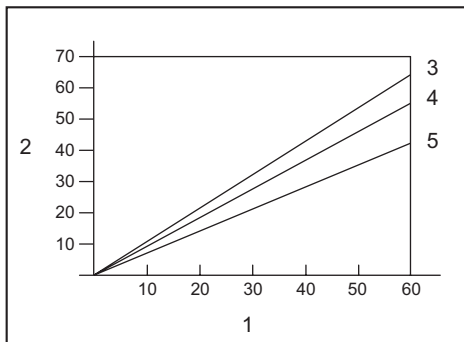
Las mangueras de suministro de aire deberán tener una capacidad nominal de presión de trabajo mínima de 1,03 MPa (10,3 bar) o del 150 por ciento de la presión máxima producida en el sistema, lo que sea más alto.

DESCRIPCIÓN DE LAS PARTES

- **Fig.1:** 1. Gatillo 2. Gancho 3. Adaptador de boca (elemento de contacto) 4. Cargador

INSTALACIÓN

Selección del compresor



1. Frecuencia de clavado (veces/min) 2. Salida de aire por minuto del compresor (L/min) 3. 0,83 MPa (8,3 bar) 4. 0,74 MPa (7,4 bar) 5. 0,64 MPa (6,4 bar)

Lubricación

► Fig.3

Para garantizar el máximo rendimiento, instale un juego de aire (lubricador, regulador, filtro de aire) lo más cerca posible de la herramienta. Ajuste el lubricador de forma que provea una gota de aceite por cada 50 clavos.

Cuando no se utilice un juego de aire, lubrique la herramienta con aceite para herramientas neumáticas depositando 2 (dos) o 3 (tres) gotas en la boquilla de aire. Esto deberá ser realizado antes y después de la utilización.

Para una lubricación apropiada, la herramienta deberá ser disparada unas cuantas veces después de haber introducido el aceite para herramientas neumáticas.

- **Fig.4:** 1. Aceite para herramientas neumáticas

DESCRIPCIÓN DEL FUNCIONAMIENTO

⚠ PRECAUCIÓN: Desconecte siempre la manguera antes de ajustar o comprobar la función de la herramienta.

Ajuste de la profundidad de clavado

► Fig.5: 1. Regulador

Para ajustar la profundidad de clavado, gire el ajustador. La profundidad de clavado está a la máxima profundidad cuando el ajustador está girado completamente en la dirección A mostrada en la figura. Se volverá menos profunda a medida que el ajustador sea girado en la dirección B. Si los clavos no se pueden clavar a suficiente profundidad aun cuando el ajustador esté girado completamente en la dirección de A, aumente la presión de aire. Si los clavos se clavan a demasiada profundidad aun cuando el ajustador esté girado completamente en la dirección de B, reduzca la presión de aire.

Hablando en general, la vida de servicio de la herramienta será más larga cuando la herramienta sea utilizada con menor presión de aire y el ajustador ajustado a mayor profundidad de clavado de clavos.

Gancho

⚠ PRECAUCIÓN: No cuelgue nunca la herramienta en un lugar alto o superficie potencialmente inestable.

⚠ PRECAUCIÓN: No cuelgue el gancho en el cinturón. Si la clavadora de clavos se cae accidentalmente, podrá resultar en un disparo no intencional y heridas personales.

► Fig.6

► Fig.7: 1. Gancho

El gancho resulta útil para colgar la herramienta temporalmente.

Sacudidor de polvo

⚠ PRECAUCIÓN: No apunte la abertura de eyección del sacudidor de polvo hacia alguien. Además, mantenga las manos y los pies alejados de la abertura de eyección. Si el botón del sacudidor de polvo es pulsado accidentalmente, podrá ocasionar heridas personales.

⚠ PRECAUCIÓN: Compruebe siempre su entorno antes de utilizar el sacudidor de polvo. El polvo u objetos soplados podrán golpear a alguien.

⚠ PRECAUCIÓN: No conecte o desconecte la manguera de aire mientras está presionando el botón del sacudidor de polvo.

El aire suministrado a la herramienta también puede ser utilizado como sacudidor de polvo. Puede limpiar el área de trabajo presionando el botón del extremo de la empuñadura.

► Fig.8: 1. Botón

AVISO: Después de utilizar el sacudidor de polvo, la fuerza de atornillado de la herramienta disminuirá temporalmente. En este caso espere hasta que se recupere la presión de aire.

AVISO: Realice un soplido de prueba si utiliza el sacudidor de polvo inmediatamente después de haber aplicado el aceite. El aceite puede ser rociado con el aire.

MONTAJE

⚠ PRECAUCIÓN: Desconecte siempre la manguera antes de realizar cualquier trabajo en la herramienta.

Cómo cargar clavos

⚠ PRECAUCIÓN: Cargue clavos de la misma clase y tamaño y de longitud uniforme cuando cargue clavos en el cargador.

1. Tire de la puerta deslizable mientras presiona hacia abajo la palanca para abrir el cargador.
► Fig.9: 1. Palanca 2. Puerta deslizable
2. Alinee las puntas de los clavos con la acanaladura del cargador y empuje los clavos hasta la abertura de disparo.
► Fig.10: 1. Clavo 2. Acanaladura 3. Abertura de disparo
3. Cierre la puerta deslizable hasta que se bloquee.

⚠ PRECAUCIÓN: No ponga el dedo en el corredor de la puerta deslizable. Podría pillarse el dedo en la puerta deslizable.

⚠ PRECAUCIÓN: Cuando no se esté utilizando, retire todos los clavos del cargador y cierre la puerta deslizable.

Adaptador de boca

Para evitar que la superficie de la pieza de trabajo se raye o dañe, utilice el adaptador de boca.

► Fig.11: 1. Adaptador de boca 2. Elemento de contacto

En el lugar mostrado en la figura hay almacenado un adaptador de boca de repuesto.

► Fig.12: 1. Adaptador de boca de repuesto

Conexión de la manguera de aire

⚠ PRECAUCIÓN: No repose el dedo en el gatillo cuando conecte la manguera de aire.

► Fig.13: 1. Boquilla de aire 2. Acoplador de aire

Encaje el acoplador de aire de la manguera de aire en la boquilla de aire de la herramienta. Asegúrese de que el acoplador de aire queda bloqueado firmemente en posición cuando lo instale en la boquilla de aire. Se deberá instalar un acoplamiento de manguera en o cerca de la herramienta de tal forma que el depósito de presión se descargue al desconectar el acoplamiento de suministro de aire.

OPERACIÓN

⚠PRECAUCIÓN: Antes de la operación asegúrese de que todos los sistemas de seguridad están en condiciones de funcionamiento.

Comprobación del accionamiento correcto antes de la operación

Antes de la operación, compruebe siempre los puntos siguientes.

- Asegúrese de que la herramienta no funciona únicamente conectando la manguera de aire.
- Asegúrese de que la herramienta no funciona únicamente apretando el gatillo.
- Asegúrese de que la herramienta no funciona únicamente colocando el elemento de contacto contra la pieza de trabajo sin apretar el gatillo.

Para clavar clavos

Para clavar un clavo, coloque el elemento de contacto contra la pieza de trabajo y apriete el gatillo.

► Fig.14

⚠PRECAUCIÓN: CON EL GATILLO RETENIDO EN POSICIÓN DE SEMIAPRETADO, se puede producir un clavado inesperado, si se permite que el elemento de contacto vuelva a hacer contacto contra la pieza de trabajo o la otra superficie bajo la influencia del culatazo.

Para impedir este clavado inesperado, realice lo siguiente;

- No coloque el elemento de contacto contra la pieza de trabajo con fuerza excesiva.
- Apriete el gatillo completamente y reténgalo durante 1 o 2 segundos después del clavado.

Para retirar clavos atascados

⚠ADVERTENCIA: Desconecte siempre la manguera antes de retirar clavos.

⚠PRECAUCIÓN: No utilice clavos o tira de clavos deformados. De lo contrario, ocasionará una mala alimentación de clavos.

1. Abra la puerta deslizante y retire los clavos del cargador.

► Fig.15

2. Con la puerta deslizante mantenida abierta, tire del seguro para abrir la puerta y después retire los clavos.

► Fig.16: 1. Seguro 2. Puerta

MANTENIMIENTO

⚠PRECAUCIÓN: Desconecte siempre la manguera antes de intentar realizar una inspección o mantenimiento.

AVISO: No utilice nunca gasolina, bencina, disolvente, alcohol o similares. Podría producir descoloración, deformación o grietas.

Clavos

Maneje las tiras de clavos y sus cajas con cuidado. Si las tiras de clavos han sido manejadas bruscamente, podrán estar deformadas, y ocasionar una mala alimentación de clavos.

Evite almacenar los clavos en un lugar muy húmedo o cálido o en un lugar expuesto a la luz directa del sol.

Mantenimiento de la clavadora

Compruebe siempre la herramienta para ver su condición general y por si hay tornillos sueltos antes de la operación. Apriete según se requiera.

Con la herramienta desconectada, haga una inspección diaria para asegurar el libre movimiento del elemento de contacto y el gatillo. No utilice la herramienta si el elemento de contacto o el gatillo se adhiere o estanca.

Cuando la herramienta no vaya a ser utilizada durante un periodo de tiempo prolongado, lubríquela utilizando aceite para herramientas neumáticas y almacénela en un lugar seguro. Evite la exposición a la luz solar directa y/o ambientes húmedos o cálidos.

► Fig.17

Mantenimiento del compresor, juego de aire y manguera de aire

Después de la operación, drene siempre el tanque compresor y el filtro de aire. Si permite que entre humedad en la herramienta, podrá resultar en un rendimiento deficiente y posible fallo de la herramienta.

► Fig.18: 1. Grifo de drenaje

► Fig.19: 1. Filtro de aire

Compruebe regularmente para ver que hay suficiente aceite neumático en el lubricador del juego de aire. Si no se mantiene una lubricación suficiente las juntas tóricas se desgastarán rápidamente.

► Fig.20: 1. Lubricador 2. Aceite para herramientas neumáticas

Mantenga la manguera de aire alejada del calor (más de 60°C), alejada de sustancias químicas (disolvente, ácidos o álcalis fuertes). Además, tienda la manguera alejada de obstáculos en los que pueda engancharse peligrosamente durante la operación. Las mangueras también deberán tenderse alejadas de cantos cortantes y áreas que puedan ocasionar daños o abrasión a la manguera.

Para mantener la SEGURIDAD y FIABILIDAD del producto, las reparaciones, y cualquier otra tarea de mantenimiento o ajuste deberán ser realizadas en centros de servicio o de fábrica autorizados por Makita, empleando siempre repuestos Makita.

ACCESORIOS OPCIONALES

⚠PRECAUCIÓN: Estos accesorios o aditamentos están recomendados para su uso con la herramienta Makita especificada en este manual. El uso de cualquier otro accesorio o aditamento puede suponer un riesgo de heridas personales. Utilice el accesorio o aditamento solamente con la finalidad indicada para el mismo.

Si necesita cualquier ayuda para más detalles en relación con estos accesorios, pregunte al centro de servicio Makita local.

- Clavos
- Manguera de aire
- Gafas de seguridad

NOTA: Algunos elementos de la lista podrán estar incluidos en el paquete de la herramienta como accesorios estándar. Pueden variar de un país a otro.

ESPECIFICAÇÕES

Modelo:	AF506
Pressão do ar	0,49 - 0,83 MPa (4,9 - 8,3 bar)
Calibre dos pregos	18 Ga.
Comprimento do prego	15 mm - 50 mm
Capacidade do prego	100 unid.
Diâmetro mínimo da mangueira	6,5 mm
Óleo para ferramentas pneumáticas	ISO VG32 ou equivalente
Dimensões (C x P x A)	250 mm x 70 mm x 256 mm
Peso líquido	1,3 kg

- Devido a um programa contínuo de pesquisa e desenvolvimento, estas especificações podem ser alteradas sem aviso prévio.
- As especificações podem variar de país para país.

Símbolos

A seguir são apresentados os símbolos utilizados para o equipamento. Certifique-se de que compreende o seu significado antes de utilizar o equipamento.



Leia o manual de instruções.



Use óculos de segurança.



Utilize protetores para os ouvidos.



Não utilize em andaimes, escadotes.

Utilização a que se destina

A ferramenta serve para prender em trabalho interior e trabalho em mobília.

A ferramenta destina-se exclusivamente a aplicação profissional de elevado volume. Não utilize a ferramenta para outras finalidades. Não foi concebida para apertar fixadores numa superfície dura como aço e betão.

Ruído

A característica do nível de ruído A determinado de acordo com a ISO11148-13(EN12549):

Nível de pressão acústica (L_{pA}): 99 dB (A)

Nível de potência acústica (L_{WA}): 109 dB (A)

Variabilidade (K): 1,5 dB (A)

NOTA: O(s) valor(es) da emissão de ruído indicado(s) foi medido de acordo com um método de teste padrão e pode ser utilizado para comparar duas ferramentas.

NOTA: O(s) valor(es) da emissão de ruído indicado(s) pode também ser utilizado na avaliação preliminar da exposição.

AVISO: Utilize protetores auriculares.

AVISO: A emissão de ruído durante a utilização real da ferramenta elétrica pode diferir do(s) valor(es) indicado(s), dependendo das formas como a ferramenta é utilizada, especialmente o tipo de peça de trabalho que é processada.

AVISO: Certifique-se de identificar as medidas de segurança para proteção do operador que sejam baseadas em uma estimativa de exposição em condições reais de utilização (considerando todas as partes do ciclo de operação, tal como quando a ferramenta está desligada e quando está a funcionar em marcha lenta além do tempo de acionamento).

Vibração

O valor total da vibração determinado de acordo com o ISO11148-13(ISO8662-11):

Emissão de vibração (a_h): 7,6 m/s²

Variabilidade (K): 1,5 m/s²

NOTA: O(s) valor(es) total(ais) de vibração indicado(s) foi medido de acordo com um método de teste padrão e pode ser utilizado para comparar duas ferramentas.

NOTA: O(s) valor(es) total(ais) de vibração indicado(s) pode também ser utilizado na avaliação preliminar da exposição.

⚠️ AVISO: A emissão de vibração durante a utilização real da ferramenta elétrica pode diferir do(s) valor(es) indicado(s), dependendo das formas como a ferramenta é utilizada, especialmente o tipo de peça de trabalho que é processada.

⚠️ AVISO: Certifique-se de identificar as medidas de segurança para proteção do operador que sejam baseadas em uma estimativa de exposição em condições reais de utilização (considerando todas as partes do ciclo de operação, tal como quando a ferramenta está desligada e quando está a funcionar em marcha lenta além do tempo de acionamento).

Declaração de conformidade da CE

Apenas para os países europeus

A declaração de conformidade da CE está incluída como Anexo A neste manual de instruções.

AVISOS DE SEGURANÇA

Avisos de segurança para pregador/agrafador pneumático

⚠️ AVISO: Leia todos os avisos de segurança e todas as instruções. Se não seguir todos os avisos e instruções pode provocar ferimentos graves, choques elétricos e/ou incêndios.

Guarde todos os avisos e instruções para futuras referências.

Para segurança pessoal e para o funcionamento e manutenção corretos da ferramenta, leia este manual de instruções antes de utilizar a ferramenta.

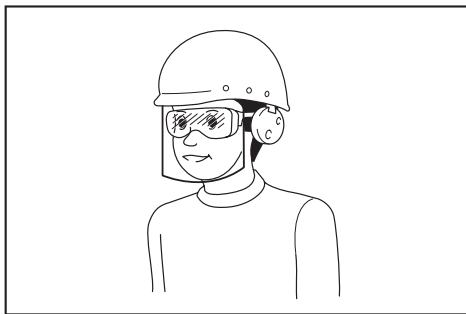
Segurança geral

1. É proibida qualquer outra utilização, exceto a utilização prevista desta ferramenta. As ferramentas de aparafusar com fixador com atuação de contacto contínua ou atuação de contacto apenas devem ser utilizadas para aplicações de produção.
2. Mantenha os dedos afastados do gatilho quando não estiver a operar esta ferramenta e quando mudar de uma posição operacional para outra.
3. Múltiplos riscos. Leia e compreenda as instruções de segurança antes de ligar, desligar, carregar, operar, manter, substituir acessórios na ferramenta ou trabalhar junto desta. Caso não o faça pode resultar em lesões graves.
4. Mantenha todas as partes do corpo, tais como as mãos e as pernas, etc. afastadas da direção de disparo e assegure que o fixador não consegue penetrar a peça de trabalho nas partes do corpo.
5. Quando utilizar esta ferramenta, tenha em consideração que o fixador pode desviar-se e causar lesões.
6. Segure a ferramenta firmemente e esteja preparado para lidar com o recuo.

7. Apenas operadores tecnicamente qualificados devem utilizar a ferramenta de aparafusar com fixador.
8. Não modifique a ferramenta de aparafusar com fixador. As modificações poderão reduzir a eficácia das medidas de segurança e aumentar os riscos para o operador e/ou espectador.
9. Não elimine o manual de instruções.
10. Não utilize a ferramenta se esta tiver sofrido danos.
11. Tenha cuidado quando manusear fixadores, especialmente quando carregar e descarregar, dado que os fixadores têm pontas afiadas que podem causar lesões.
12. Verifique sempre a ferramenta apresenta peças partidas, mal conectadas ou gastas antes de utilizar a ferramenta.
13. Não tente alcançar um lugar à distância. Utilize a ferramenta apenas num local de trabalho seguro. Mantenha sempre uma posição e equilíbrio apropriados.
14. Mantenha os espectadores afastados (quando estiver a trabalhar numa área na qual existe a probabilidade de tráfego de pessoas). Delimite claramente a sua área de operação.
15. Nunca aponte a ferramenta na sua direção ou na direção de outras pessoas.
16. Não deixe o dedo pousado no gatilho quando pegar na ferramenta, mover-se entre as áreas e as posições de operação ou quando andar, pois o dedo pousado no gatilho pode causar o funcionamento inadvertido da ferramenta. Para as ferramentas com atuação seletiva, verifique sempre a ferramenta antes de utilizá-la, de modo a assegurar que o modo selecionado é o correto.
17. Use luvas que apenas proporcionem a sensação adequada e o controlo seguro de gatilhos e de quaisquer dispositivos de regulação.
18. Quando pousar a ferramenta, coloque-a numa superfície plana. Se utilizar o gancho equipado com a ferramenta, enganche a ferramenta fixamente à superfície estável.
19. Não a utilize quando estiver sob a influência do álcool, drogas ou outros semelhantes.

Riscos de projeção

1. A ferramenta de aparafusar com fixador deve estar desligada quando descarregar fixadores, realizar ajustes, desimpedir encravamentos ou substituir acessórios.
2. Durante o funcionamento, assegure que os fixadores penetram o material corretamente e que não podem ser desviados/disparados incorretamente em direção ao operador e/ou a quaisquer espectadores.
3. Durante o funcionamento, os resíduos da peça de trabalho e do sistema de fixação/disposição podem ser descarregados.
4. Use sempre óculos de proteção para proteger os seus olhos contra lesões quando utilizar ferramentas elétricas. Os óculos de proteção devem cumprir os requisitos da ANSI Z87.1 nos EUA, EN 166 na Europa ou AS/NZS 1336 na Austrália/Novela Zelândia. Na Austrália/Novela Zelândia, é legalmente obrigatório o uso de um protetor facial para proteger o seu rosto também.



Cabe ao empregador a responsabilidade de impor o uso de equipamentos de proteção e segurança apropriados por parte dos operadores de ferramentas e por parte de outras pessoas na área de trabalho imediata.

5. Os riscos para outras pessoas devem ser avaliados pelo operador.
6. Tenha cuidado com as ferramentas sem contacto com a peça de trabalho, pois podem ser disparadas inadvertidamente e ferir o operador e/ou espectadores.
7. Assegure que a ferramenta está sempre engatada em segurança na peça de trabalho e que não desliza.
8. Utilize proteção auricular para proteger os ouvidos contra ruído de escape e proteção para a cabeça. Use ainda vestuário leve, mas não largo. As mangas devem ser abotoadas ou estar enroladas. Não deve usar gravatas.

Riscos de operação

1. **Segure a ferramenta corretamente: esteja preparado para reagir a movimentos normais e repentinos, tais como recuo.**
2. **Mantenha uma postura corporal equilibrada e uma posição segura.**
3. **Devem ser utilizados óculos de proteção apropriados e recomenda-se o uso de luvas e vestuário de proteção apropriados.**
4. **Deve ser usada proteção auditiva apropriada.**
5. **Utilize a fonte de alimentação correta conforme indicado no manual de instruções.**
6. **Não utilize a ferramenta em plataformas móveis ou traseira de camiões.** O movimento súbito da plataforma poderá perder o controlo da ferramenta e causar lesões.
7. **Assuma sempre que a ferramenta contém os fixadores.**
8. **Não apresse o trabalho nem force a ferramenta. Manuseie a ferramenta com cuidado.**
9. **Tenha cuidado na forma como põe os pés e mantenha o equilíbrio com a ferramenta.** Certifique-se de que não está ninguém por baixo quando trabalhar em locais altos, e fixe a mangureira de ar para evitar perigos, se houver um encravamento ou sacão repentino.
10. **Nos telhados e outros locais altos, aparafuse os fixadores à medida que vai avançando.** É fácil perder o equilíbrio se aparafusar os fixadores quando está a andar para trás. Quando aparafusar os fixadores contra uma superfície perpendicular, trabalhe de cima para

baixo. Pode realizar operações de aparafusamento com menos esforço se o fizer desta forma.

11. **Se aparafusar por engano um fixador sobre outro, ou se atingir um nó da madeira, o fixador pode dobrar-se ou a ferramenta pode encravar. O fixador pode ser atirado para longe e acertar em alguém ou a própria ferramenta pode reagir de forma perigosa. Coloque os fixadores com cuidado.**
12. **Não deixe a ferramenta carregada ou o compressor de ar sob pressão durante longos períodos ao sol. Certifique-se de que a poeira, a areia, as lascas e outras matérias estranhas não entrem na ferramenta no local onde a deixar assente.**
13. **Nunca tente aparafusar os fixadores a partir de dentro e de fora ao mesmo tempo.** Os fixadores podem ser arrancados e/ou serem arremessados para longe, apresentando um perigo grave.

Riscos de movimentos repetitivos

1. **Quando utiliza uma ferramenta por períodos prolongados, o operador poderá experimentar desconforto nas mãos, braços, ombros, pescoço ou outras partes do corpo.**
2. **Enquanto utiliza uma ferramenta, o operador deve adotar uma postura cómoda mas ergonómica. Mantenha uma posição segura e evite posturas estranhas ou desequilibradas.**
3. **Se o operador experienciar sintomas, tais como desconforto persistente ou recorrente, dor, palpitações, dormência, entorpecimento, sensação de queimadura ou rigidez, não ignore estes sinais de aviso. O operador deve consultar um profissional de saúde qualificado no que diz respeito a atividades em geral.**
4. **A utilização contínua da ferramenta poderá causar a lesão por esforço repetitivo devido ao recuo produzido pela ferramenta.**
5. **Para evitar lesões decorrentes de esforço repetitivo, o operador não deve tentar chegar a locais de difícil acesso ou utilizar força excessiva. Além disso, o operador deve fazer uma pausa para descansar quando sentir fadiga.**
6. **Realize uma avaliação de risco relativamente aos perigos de movimento repetitivo. Esta deve concentrar-se nas desordens músculo-esqueléticas e basear-se preferencialmente no pressuposto de que a diminuição da fadiga durante o trabalho é eficaz na redução das desordens.**

Riscos relacionados com acessórios e consumíveis

1. **Desligue a alimentação de energia para a ferramenta, tal como ar ou gás ou bateria, consoante aplicável, antes de substituir os acessórios, tais como o contacto com a peça de trabalho ou realizar quaisquer ajustes.**
2. **Utilize apenas os tamanhos e os tipos de acessórios que são fornecidos pelo fabricante.**
3. **Utilize apenas os lubrificantes recomendados neste manual.**

Riscos no local de trabalho

1. **Os escorregões, tropeções e quedas são as principais causas de lesão no local de trabalho. Tenha cuidado com superfícies escorregadias causadas pela utilização da ferramenta e também com os riscos de tropeções causados pela mangureira da linha de ar.**

2. Proceda com cuidado redobrado em ambientes com os quais não está familiarizado. Poderão existir riscos ocultos, tais como linhas de electricidade ou outra utilidade.
3. Esta ferramenta não se destina à utilização em atmosferas potencialmente explosivas e não está isolada contra o contacto com a corrente eléctrica.
4. Certifique-se de que não existem cabos eléctricos, tubos de gás, etc. que possam causar um risco caso sejam danificados pela utilização da ferramenta.
5. Mantenha a área de trabalho limpa e bem iluminada. As áreas obstruídas ou escuras dão origem a acidentes.
6. Podem existir regulamentos locais referentes ao ruído, que têm de ser cumpridos, mantendo os níveis de ruído dentro dos limites indicados. Em determinados casos, devem ser utilizadas persianas para conter o ruído.
3. Use vestuário quente quando trabalhar em condições atmosféricas frias, mantenha as mãos quentes e secas.
4. Se experienciar entorpecimento, dormência, dor ou palidez da pele nos seus dedos ou mãos, procure aconselhamento médico de um profissional de saúde ocupacional no que diz respeito a atividades em geral.
5. Opere e mantenha a ferramenta conforme recomendado nestas instruções, de modo a prevenir o aumento desnecessário dos níveis de vibração.
6. Segure a ferramenta com um aperto leve mas seguro, porque o risco de vibração é geralmente superior quando a força de aperto é superior.

Avisos adicionais para ferramentas pneumáticas

Riscos relacionados com pó e exaustão

1. Verifique sempre ambiente em seu redor. O ar exaurido da ferramenta poderá soprar pó ou objetos e atingir o operador e/ou os espectadores.
2. Direcione o escape de modo a minimizar perturbações devidas a poeira num ambiente repleto de poeira.
3. Se for emitida poeira ou objetos na área de trabalho, reduza a emissão o máximo possível para reduzir os perigos de saúde e o risco de lesão.

Riscos relacionados com ruído

1. A exposição desprotegida a elevados níveis de ruído pode causar a perda permanente e incapacitante da audição e outros problemas, tais como tinido (zumbido, zunido, assobio ou murmúrio nos ouvidos).
2. Realize uma avaliação de risco relativamente aos perigos de ruído na área de trabalho e implemente os controlos apropriados para estes perigos.
3. Os controlos apropriados para reduzir o risco poderão incluir ações, tais como materiais de isolamento para prevenir o zumbido das peças de trabalho.
4. Utilize proteção auditiva apropriada.
5. Opere e mantenha a ferramenta conforme recomendado nestas instruções, de modo a prevenir o aumento desnecessário dos níveis de ruído.
6. Adote medidas de redução do ruído, por exemplo, ao colocar as peças de trabalho sobre suportes amortecedores de som.

Riscos relacionados com vibração

1. A emissão de vibração durante o funcionamento depende da força de aderência, da força da pressão de contacto, da direção de trabalho, do ajuste do fornecimento de energia, da peça de trabalho, do suporte da peça de trabalho. Realize uma avaliação de risco relativamente aos perigos de vibração e implemente os controlos apropriados para estes perigos.
2. A exposição à vibração pode causar danos incapacitantes nos nervos e suprimento sanguíneo das mãos e braços.

1. O ar comprimido pode causar lesões graves.
2. Desligue sempre o fornecimento de ar e desligue a ferramenta do fornecimento de ar quando não estiver a ser utilizada.
3. Desligue sempre a ferramenta do fornecimento de ar comprimido antes de substituir acessórios, realizar ajustes e/ou reparações, quando se mover de uma área operacional para uma área diferente.
4. Mantenha os dedos afastados do gatilho quando não estiver a operar a ferramenta e quando mudar de uma posição operacional para outra.
5. Nunca aponte o ar comprimido na sua direção ou na direção de outras pessoas.
6. As mangueiras a sacudir podem causar lesões graves. Verifique sempre se as mangueiras ou acessórios estão danificados ou soltos.
7. Nunca transporte uma ferramenta pneumática segurando-a pela respetiva mangueira.
8. Nunca arraste uma ferramenta pneumática segurando-a pela respetiva mangueira.
9. Quando utilizar ferramentas pneumáticas não exceda a pressão máxima de funcionamento.
10. As ferramentas pneumáticas apenas devem ser acionadas por ar comprimido com a pressão mais baixa necessária para o processo de trabalho, de modo a reduzir o ruído e a vibração e minimizar o desgaste.
11. Utilizar oxigénio ou gases combustíveis para operar ferramentas pneumáticas cria o risco de incêndio e de explosão.
12. Tenha cuidado quando utilizar ferramentas pneumáticas, dado que a ferramenta pode arrefecer, afetando a aderência e o controlo.

Dispositivos de segurança

1. Certifique-se de que todos os sistemas de segurança estão em boas condições de trabalho antes da utilização. A ferramenta não pode ser utilizada se só o gatilho estiver puxado ou se só o braço de contacto estiver pressionado contra a madeira. Só pode funcionar quando as duas ações são realizadas. Testar quanto a possível funcionamento deficiente com os fixadores descarregados e o empurrador na posição de totalmente puxado.
2. Segurar o gatilho na posição LIGADO é muito perigoso. Nunca tente apertar o gatilho.

3. **Não tente manter fixo o elemento de contacto ou outros dispositivos de segurança por meio de fita-cola ou de um fio.** Pode ocorrer morte ou ferimentos graves.

Assistência

1. **Realize uma limpeza e manutenção logo após terminar o trabalho.** Mantenha a ferramenta nas melhores condições. Lubrifique as peças móveis para evitar a ferrugem e para minimizar o desgaste relacionado com a fricção. Limpe todo o pó das peças.
2. **Solicite uma inspeção periódica da ferramenta num centro de assistência autorizado da Makita.**
3. **Para manter a SEGURANÇA e FIABILIDADE do produto, as manutenções e reparações devem ser realizadas pelos centros de assistência autorizados da Makita, utilizando sempre peças de substituição Makita.**
4. **Respeite os regulamentos locais quando eliminar a ferramenta.**

GUARDE ESTAS INSTRUÇÕES.

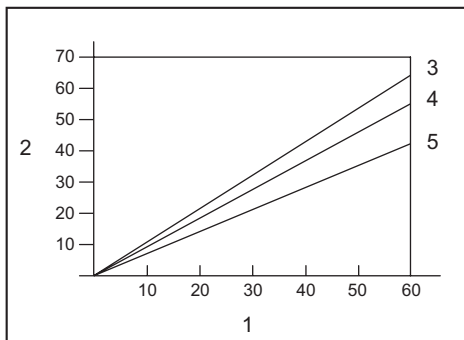
⚠️ AVISO: NÃO permita que o conforto ou familiaridade com o produto (adquirido com o uso repetido) substitua o cumprimento estrito das regras de segurança da ferramenta. A **MÁ INTERPRETAÇÃO** ou o não seguimento das regras de segurança estabelecidas neste manual de instruções pode provocar ferimentos pessoais graves.

DESCRIÇÃO DAS PEÇAS

- Fig.1: 1. Gatilho 2. Gancho 3. Adaptador da cabeça (elemento de contacto) 4. Magazine

INSTALAÇÃO

Seleção do compressor



1. Frequência de pregagem (vezes/minuto) 2. Saída de ar comprimido por minuto (l/min) 3. 0,83 MPa (8,3 bar) 4. 0,74 MPa (7,4 bar) 5. 0,64 MPa (6,4 bar)

O compressor de ar deve estar em conformidade com os requisitos da EN60335-2-34.

Selecione um compressor que tenha ampla pressão e saída de ar para garantir uma operação com eficiência de custos. O gráfico ilustra a relação entre a frequência de pregagem, a pressão aplicável e a saída do ar comprimido.

Portanto, por exemplo, se pregar a uma taxa de aproximadamente 60 vezes por minuto, a uma compressão de 0,74 MPa (7,4 bar), é necessário um compressor com saída de ar de mais de 55 litros/minuto.

Se a pressão do ar fornecido exceder a pressão indicada na ferramenta, será necessário utilizar reguladores de pressão para limitar a pressão do ar à pressão indicada. Caso contrário, poderá resultar em ferimentos graves ao operador da ferramenta ou a outras pessoas nas proximidades.

Selecionar a mangueira de ar

⚠️ PRECAUÇÃO: Pouca saída de ar do compressor ou uma mangueira de ar longa ou com diâmetro pequeno em relação à frequência de pregagem pode diminuir a capacidade de operação da ferramenta.

► Fig.2

Utilize uma mangueira de ar o mais grande e o mais curta possível para assegurar a operação de pregagem contínua e eficiente.

Com uma pressão de ar de 0,49 MPa (4,9 bar), uma mangueira de ar com um diâmetro interno superior a 6,5 mm e um comprimento inferior a 20 m é recomendada quando o intervalo entre cada pregagem é de 0,5 segundos.

As mangueiras de fornecimento de ar devem ter uma classificação de pressão mínima de funcionamento de 1,03 MPa (10,3 bar) ou 150 por cento da pressão máxima produzida no sistema, seja qual for superior.

Lubrificação

► Fig.3

De modo a assegurar o desempenho máximo, instale um conjunto de preparação do ar (lubrificador, regulador, filtro de ar) o mais próximo possível da ferramenta. Ajuste o lubrificador de modo a que uma gota de óleo seja fornecida por cada 50 pregos.

Quando um conjunto de preparação do ar não estiver a ser utilizado, lubrifique a ferramenta com óleo para ferramentas pneumáticas ao colocar 2 (duas) ou 3 (três) gotas no acoplamento de ar. Isto deve ser feito antes e após a utilização.

Para uma lubrificação apropriada, a ferramenta tem de ser disparada algumas vezes após o óleo para ferramentas pneumáticas ser introduzido.

- Fig.4: 1. Óleo para ferramentas pneumáticas

DESCRIÇÃO FUNCIONAL

⚠️ PRECAUÇÃO: Desligue sempre a mangueira antes de ajustar ou verificar a função da ferramenta.

Ajustar a profundidade da pregagem

► Fig.5: 1. Regulador

Para ajustar a profundidade de pregagem, rode o regulador.

A profundidade de pregagem é a mais profunda quando o regulador é rodado completamente no sentido A indicado na figura. Tornar-se-á menos profunda à medida que o regulador é rodado no sentido B.

Se não for possível aparafusar os pregos com profundidade suficiente mesmo quando o regulador é rodado completamente no sentido A, aumente a pressão do ar. Se os pregos forem aparafusados com demasiada profundidade mesmo quando o regulador é rodado completamente no sentido B, diminua a pressão do ar.

Em geral, a vida útil da ferramenta será prolongada quando a ferramenta for utilizada com pressão de ar mais baixa e o regulador for definido para uma maior profundidade de aparafusamento do prego.

Gancho

⚠️ PRECAUÇÃO: Nunca prenda a ferramenta no gancho num local elevado ou numa superfície potencialmente instável.

⚠️ PRECAUÇÃO: Nunca pendure a ferramenta pelo gancho no cinto. Se o pregador cair acidentalmente, pode resultar em disparo acidental e em ferimentos pessoais.

► Fig.6

► Fig.7: 1. Gancho

O gancho é conveniente para pendurar a ferramenta temporariamente.

Soprador de ar

⚠️ PRECAUÇÃO: Não aponte a porta de ejeção do soprador de ar para ninguém. Além disso, mantenha as mãos e pés afastados da área da porta de ejeção. Se o botão do soprador de ar for premido acidentalmente, pode provocar ferimentos pessoais.

⚠️ PRECAUÇÃO: Verifique sempre a área circundante antes de utilizar o soprador de ar. O pó ou objetos soprados podem acertar em alguém.

⚠️ PRECAUÇÃO: Não ligue nem desligue a mangueira de ar enquanto prime o botão do soprador de ar.

O ar fornecido à ferramenta também pode ser usado como soprador de ar. Pode limpar a área de trabalho premindo o botão na extremidade da pega.

► Fig.8: 1. Botão

OBSERVAÇÃO: Depois de utilizar o soprador de ar, a força de aparafusamento da ferramenta diminui temporariamente. Aguarde até a pressão de ar recuperar, neste caso.

OBSERVAÇÃO: Se utilizar o soprador de ar imediatamente a seguir a aplicar óleo, realize um teste soprando com o soprador. O óleo pode ser pulverizado juntamente com o ar.

MONTAGEM

⚠️ PRECAUÇÃO: Desligue sempre a mangueira antes de realizar qualquer trabalho na ferramenta.

Carregar pregos

⚠️ PRECAUÇÃO: Carregue o mesmo tipo, tamanho e comprimento uniforme de pregos quando carregar pregos no magazine.

1. Puxe a porta deslizante enquanto pressiona a alavanca para baixo para abrir o magazine.

► Fig.9: 1. Alavanca 2. Porta deslizante

2. Alinhe a ponta dos pregos com a ranhura do magazine e empurre os pregos em direção à abertura de disparo.

► Fig.10: 1. Pregos 2. Ranhura 3. Abertura de disparo

3. Feche a porta deslizante até estar bloqueada.

⚠️ PRECAUÇÃO: Não coloque os dedos na calha da porta deslizante. Pode prender os dedos na porta deslizante.

⚠️ PRECAUÇÃO: Quando não estiver a utilizá-los, remova todos os pregos do magazine e feche a porta deslizante.

Adaptador da cabeça

Para evitar que a superfície da peça de trabalho seja riscada ou danificada, utilize o adaptador da cabeça.

► Fig.11: 1. Adaptador da cabeça 2. Elemento de contacto

Um adaptador da cabeça sobresselente é guardado no local indicado na figura.

► Fig.12: 1. Adaptador da cabeça sobresselente

Ligar a mangueira de ar

⚠️ PRECAUÇÃO: Não pouse o dedo no gatilho quando ligar a mangueira de ar.

► Fig.13: 1. Acoplamento de ar 2. Tomada de ar

Deslize a tomada de ar da mangueira de ar para o acoplamento de ar da ferramenta. Assegure-se de que a tomada de ar bloqueia firmemente no lugar quando instalada no acoplamento de ar.

Deve instalar um acoplamento de mangueira na ferramenta ou próximo da mesma de tal forma que o reservatório de pressão descarregue no momento que o acoplamento de alimentação de ar é desligado.

OPERAÇÃO

⚠️ PRECAUÇÃO: Certifique-se de que todos os sistemas de segurança estão em boas condições de funcionamento antes da operação.

Verificar a ação adequada antes da operação

Antes da operação, verifique sempre os pontos seguintes.

- Certifique-se de que a ferramenta não funciona ligando apenas a mangueira de ar.
- Certifique-se de que a ferramenta não funciona puxando apenas o gatilho.
- Certifique-se de que a ferramenta não funciona colocando apenas o elemento de contacto encostado à peça de trabalho sem puxar o gatilho.

Pregar pregos

Para apertar um prego, coloque o elemento de contacto contra a peça de trabalho e puxe o gatilho.

► Fig.14

⚠️ PRECAUÇÃO: COM O GATILHO PRESSIONADO NUMA POSIÇÃO SEMI-PREMIDA, pode ocorrer uma pregagem inesperada se o elemento de contacto puder tocar novamente na peça de trabalho ou na outra superfície sob a influência de recuo.

Para evitar esta pregagem inesperada, proceda do seguinte modo:

- Não coloque o elemento de contacto contra a peça de trabalho com força excessiva.
- Puxe totalmente o gatilho e segure-o durante 1-2 segundos após a pregagem.

Remover pregos encravados

⚠️ AVISO: Retire sempre a mangueira antes de remover os pregos.

⚠️ PRECAUÇÃO: Não utilize pregos ou tiras de pregos deformados. Caso não o faça poderá causar a fraca alimentação de pregos.

1. Abra a porta deslizante e remova os pregos do magazine.
► Fig.15
2. Com a porta deslizante aberta, puxe o fecho para abrir a porta e, em seguida, remover os pregos.
► Fig.16: 1. Fecho 2. Porta

MANUTENÇÃO

⚠️ PRECAUÇÃO: Retire sempre a mangueira antes de tentar realizar a inspeção ou manutenção.

OBSERVAÇÃO: Nunca utilize gasolina, benzina, diluente, álcool ou produtos semelhantes. Pode ocorrer a descoloração, deformação ou rachaduras.

Pregos

Manuseie as tiras de pregos e a respetiva caixa com cuidado. Se as tiras de pregos tiverem sido manuseadas de forma bruta podem estar deformadas, causando uma má alimentação de pregos. Evite guardar pregos num local muito húmido ou quente ou colocá-los expostos à luz solar direta.

Manutenção do pinador

Verifique sempre o estado geral da ferramenta e solte os parafusos antes da operação. Aperte conforme necessário.

Com a ferramenta desligada, proceda à inspeção diária de modo a assegurar o movimento livre do elemento de contacto e do gatilho. Não utilize a ferramenta se o elemento de contacto ou o gatilho prender ou amarrar.

Quando a ferramenta não for utilizada por um período prolongado, lubrifique a ferramenta utilizando óleo para ferramentas pneumáticas e guarde a ferramenta num local seguro. Evite a exposição à luz solar direta e/ou ambiente húmido ou quente.

► Fig.17

Manutenção do compressor, conjunto de ar e mangueira de ar

Depois da operação, drene sempre o depósito do compressor e o filtro de ar. Se a humidade penetrar na ferramenta, pode resultar em mau desempenho e possível falha da ferramenta.

► Fig.18: 1. Torneira do dreno

► Fig.19: 1. Filtro de ar

Verifique regularmente se existe óleo pneumático suficiente no lubrificador do conjunto de ar. Se não for possível manter a lubrificação suficiente, as juntas circulares sofrem desgaste mais rapidamente.

► Fig.20: 1. Lubrificador 2. Óleo para ferramentas pneumáticas

Mantenha a mangueira de ar afastada do calor (acima de 60°C) e de produtos químicos (diluente, ácidos e álcalis fortes). Além disso, coloque a mangueira longe de obstáculos nos quais possa ficar presa perigosamente durante a operação. A mangueira também deve ser direcionada longe de arestas aguçadas ou áreas que possam causar danos ou abrasão na mangueira.

Para manter a SEGURANÇA e a FIABILIDADE do produto, as reparações e qualquer outra manutenção ou ajuste devem ser levados a cabo pelos centros de assistência Makita autorizados ou pelos centros de assistência de fábrica, utilizando sempre peças de substituição Makita.

ACESSÓRIOS OPCIONAIS

⚠️ PRECAUÇÃO: Estes acessórios ou peças são recomendados para utilização com a ferramenta Makita especificada neste manual. A utilização de outros acessórios ou peças pode ser perigosa para as pessoas. Utilize apenas acessórios ou peças para os fins indicados.

Se necessitar de informações adicionais relativas a estes acessórios, solicite-as ao seu centro de assistência Makita.

- Pregos
- Mangueira de ar
- Óculos de segurança

NOTA: Alguns itens da lista podem estar incluídos na embalagem da ferramenta como acessórios padrão. Eles podem variar de país para país.





SPECIFIKATIONER

Model:	AF506
Luftryk	0,49 - 0,83 MPa (4,9 - 8,3 bar)
Sømtykkelse	18 Ga.
Sømlængde	15 mm - 50 mm
Sømkapacitet	100 stk.
Mindste slangediameter	6,5 mm
Olie til trykluftsmaskine	ISO VG32 eller tilsvarende
Mål (L x B x H)	250 mm x 70 mm x 256 mm
Nettovægt	1,3 kg

- På grund af vores kontinuerlige forsknings- og udviklingsprogrammer kan hosstående specifikationer blive ændret uden varsel.
- Specifikationer kan variere fra land til land.

Symboler

Følgende viser de symboler, der anvendes til udstyret. Vær sikker på, at De forstår betydningen af symbolerne før brugen.

	Læs brugsanvisningen.
	Bær sikkerhedsbriller.
	Brug høreværn.
	Brug ikke på stilladser eller stiger.

Tilsigtet anvendelse

Denne maskine er beregnet til fastgørelse ved indendørs arbejde og arbejde med møbler. Maskinen er kun beregnet til professionel anvendelse med stor arbejdsmængde. Brug den ikke til noget andet formål. Den er ikke beregnet til at drive fastgørelsesmidler ind i en hård overflade som stål og beton.

Lyd

Det typiske A-vægtede støjniveau bestemt i overensstemmelse med ISO11148-13(EN12549):

Lydtryksniveau (L_{pA}): 99 dB (A)
 Lydeffektniveau (L_{WA}): 109 dB (A)
 Usikkerhed (K): 1,5 dB (A)

BEMÆRK: De(n) angivne støjemissionsværdi(er) er målt i overensstemmelse med en standardtestmetode og kan anvendes til at sammenligne en maskine med en anden.

BEMÆRK: De(n) angivne støjemissionsværdi(er) kan også anvendes i en præliminær eksponeringsvurdering.

⚠ ADVARSEL: Bær høreværn.

⚠ ADVARSEL: Støjemissionen under den faktiske anvendelse af maskinen kan være forskellig fra de(n) angivne værdi(er), afhængigt af den måde hvorpå maskinen anvendes, især den type arbejdsemne der behandles.

⚠ ADVARSEL: Sørg for at identificere de sikkerhedsforskrifter til beskyttelse af operatøren, som er baseret på en vurdering af eksponering under de faktiske brugsforhold (med hensyntagen til alle dele i brugscyklussen, f.eks. de gange, hvor maskinen er slukket, og når den kører i tomgang i tilgift til afbrydertiden).

Vibration

Den samlede vibrationsværdi bestemt i henhold til ISO11148-13(ISO8662-11):

Vibrationsemission (a_h): 7,6 m/s²
 Usikkerhed (K): 1,5 m/s²

BEMÆRK: De(n) angivne totalværdi(er) for vibration er målt i overensstemmelse med en standardtestmetode og kan anvendes til at sammenligne en maskine med en anden.

BEMÆRK: De(n) angivne totalværdi(er) for vibration kan også anvendes i en præliminær eksponeringsvurdering.

⚠ ADVARSEL: Vibrationsemissionen under den faktiske anvendelse af maskinen kan være forskellig fra de(n) angivne værdi(er), afhængigt af den måde hvorpå maskinen anvendes, især den type arbejdsemne der behandles.

⚠ ADVARSEL: Sørg for at identificere de sikkerhedsforskrifter til beskyttelse af operatøren, som er baseret på en vurdering af eksponering under de faktiske brugsforhold (med hensyntagen til alle dele i brugscyklussen, f.eks. de gange, hvor maskinen er slukket, og når den kører i tomgang i tilgift til afbrydertiden).

EU-overensstemmelseserklæring

Kun for lande i Europa

EU-overensstemmelseserklæringen er inkluderet som Bilag A i denne brugsanvisning.

SIKKERHEDSADVARSLER

Sikkerhedsadvarsler for trykluf- tstømpistol/krampemaskine

⚠ ADVARSEL: Læs alle sikkerhedsadvarsler og alle instruktioner. Hvis De ikke følger advarslerne og instruktionerne, kan det medføre alvorlig personskade, elektrisk stød og/eller brand.

Gem alle advarsler og instruktioner til fremtidig reference.

Af hensyn til Deres personlige sikkerhed samt for korrekt betjening og vedligeholdelse af maskinen skal De læse denne brugsanvisning, før De bruger maskinen.

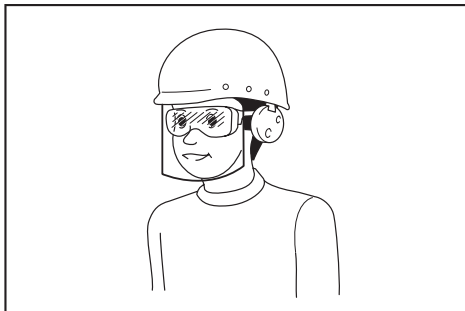
Generel sikkerhed

1. Al anden brug end den tilsigtede brug er forbudt. Maskinen til idrivning af fastgørelsesmidler med kontinuerlig kontaktaktivering eller kontaktaktivering må kun bruges til produktionsformål.
2. Hold fingrene på afstand af udløseren, når maskinen ikke bruges, og når den flyttes fra ét arbejdssted til et andet.
3. Flere risici. Du skal læse og forstå sikkerhedsinstruktionerne, før du tilslutter, frakobler, isætter, betjener, vedligeholder, skifter tilbehør på eller arbejder i nærheden af maskinen. Hvis du ikke overholder dette, kan det resultere i alvorlig legemsbeskadigelse.
4. Hold alle kropsdele som f.eks. hænder og ben osv. væk fra affyrringsretningen, og sørg for, at fastgørelsesmidler ikke kan trænge igennem arbejdsemnet og ind i dele af kroppen.
5. Ved brug af maskinen skal du være opmærksom på, at fastgørelsesmidlet kan blive slynget tilbage og forårsage personskade.
6. Hold maskinen med et fast greb, og vær forberedt på at håndtere tilbageslag.
7. Kun teknisk uddannede operatører må bruge maskinen til idrivning af fastgørelsesmidler.
8. Undlad at ændre maskinen til idrivning af fastgørelsesmidler. Ændringer kan reducere sikkerhedsforanstaltningernes effektivitet og øge risikoen for operatøren og/eller omkringstående.
9. Undlad at smide brugsanvisningen væk.
10. Undlad at bruge en maskine, hvis maskinen er beskadiget.
11. Vær forsigtig ved håndtering af fastgørelsesmidler, især i forbindelse med indsætning og fjernelse, da fastgørelsesmidler har skarpe spidser, som kan forårsage personskade.
12. Kontroller altid maskinen før brug for knækkede, forkert tilkoblede eller slidte dele.

13. Stræk dig ikke for langt. Brug kun på et sikkert arbejdssted. Oprethold til enhver tid sikkert fodfæste og balance.
14. Hold omkringstående på afstand (ved arbejde på et sted, hvor det er sandsynligt, at personer vil færdes). Afmærk brugsområdet tydeligt.
15. Ret aldrig maskinen mod dig selv eller andre.
16. Lad ikke fingrene hvile på udløseren, når du tager maskinen op, flytter dig mellem arbejdsområder og positioner eller går, da en finger på udløseren kan medføre utilsigtet funktion. For maskiner med selektiv aktiveringstilstand skal du altid kontrollere maskinen før brugen for at sikre dig, at den korrekte tilstand er valgt.
17. Bær kun handsker, der giver tilstrækkelig følelse og sikker kontrol med udløser og andre justeringsmekanismer.
18. Læg maskinen på en flad overflade, når den ikke bruges. Hvis du bruger den i krog, der følger med maskinen, skal du fastgøre maskinen forsvarligt på den stabile overflade.
19. Undlad brug, hvis De er påvirket af alkohol, narkotika eller lignende.

Risici i forbindelse med projektler

1. Maskinen til idrivning af fastgørelsesmidler skal være taget ud af forbindelse, når du tager fastgørelsesmidler ud, foretager justeringer, fjerner fastklemt emner eller skifter tilbehør.
2. Under brugen skal du sørge omhyggeligt for, at fastgørelsesmidler trænger korrekt ind i materialet, og at de ikke kan slynges tilbage eller affyres utilsigtet mod operatøren og/eller eventuelle omkringstående.
3. Under brugen kan der frigøres rester fra arbejdsemnet og fastgørelses-/sorteringssystemet.
4. Bær altid beskyttelsesbriller for at beskytte dine øjne mod skader, når du bruger maskiner. Beskyttelsesbrillerne skal overholde ANSI Z87.1 i USA, EN 166 i Europa eller AS/NZS 1336 i Australien/New Zealand. I Australien/New Zealand er det desuden påbudt ved lov at bære ansigtsskærm for at beskytte dit ansigt.



Det er arbejdsgiverens ansvar at påbyde brugerne af maskinen samt andre personer i det umiddelbare arbejdsområde at bære passende sikkerhedsbeskyttelsesudstyr.

5. Operatøren skal vurdere risikoen for andre.
6. Vær forsigtig med maskiner uden kontakt med arbejdsemnet, da de kan udløses utilsigtet og skade operatøren og/eller omkringstående.
7. Sørg for, at maskinen altid har sikker kontakt med arbejdsemnet, og at den ikke kan glide.

8. Brug høreværn for at beskytte Deres ører mod udstødningsstøj og som hovedværn. Bær også let, men ikke løst tøj. Ærmer skal være knappet eller rullet op. Undlad at bære halstørklæde.

Risici ved brug

1. Hold maskinen korrekt: Vær klar til at imødegå normale eller pludselige bevægelser som f.eks. tilbageslag.
2. Opbehold en velfbalanceret kropsstilling og sikkert fodfæste.
3. Der skal benyttes passende sikkerhedsbriller, og passende handsker og beskyttelsestøj anbefales.
4. Der skal bæres passende høreværn.
5. Anvend kun den korrekte energiforsyning som angivet i brugsanvisningen.
6. Anvend ikke maskinen på bevægelige platforme eller bag på lastbiler. Hvis platformen bevæger sig pludseligt, kan det medføre tab af kontrollen med maskinen og forårsage personskade.
7. Gå altid ud fra, at der er fastgøringsmidler i maskinen.
8. Undlad at arbejde for hurtigt eller at bruge magt på maskinen. Hånder maskinen forsigtigt.
9. Vær opmærksom på Deres fodfæste, og hold balancen, når De bruger maskinen. Sørg for, at der ikke står nogen under Dem, når De arbejder på højtliggende steder, og fastgør luftslangen for at undgå fare, hvis der er pludselige ryk, eller den sætter sig fast.
10. På tage og andre højtliggende steder skal De drive fastgøringsmidler, efterhånden som De arbejder Dem fremad. Det er let at miste fodfæstet, hvis De driver fastgøringsmidler, mens De kryber baglæns. Ved drivning af fastgøringsmidler mod en lodret flade skal De arbejde fra toppen mod bunden. De bliver mindre trætt under udførelsen af driverarbejdet ved at gøre dette.
11. Et fastgøringsmiddel kan bøjes, eller der kan opstå stop i maskinen, hvis De ved en fejltagelse driver et fastgøringsmiddel oven i et andet fastgøringsmiddel eller rammer en knude i træet. Fastgøringsmidlet kan slynges ud og ramme personer, eller selve maskinen kan reagere på farlig vis. Placer fastgøringsmidlerne omhyggeligt.
12. Lad ikke maskinen ligge med isatte fastgøringsmidler eller luftkompressorer stå under tryk i længere tid i solen. Sørg for, at støv, sand, spåner og fremmedlegemer ikke kommer ind i maskinen på det sted, hvor du efterlader den.
13. Forsøg aldrig at drive fastgøringsmidler fra både indersiden og ydersiden på samme tid. Fastgøringsmidler kan gå igennem og/eller flyve væk og forårsage alvorlig fare.

Risici i forbindelse med gentagne bevægelser

1. Ved brug af en maskine i længere tidsrum kan operatøren opleve ubehag i hænderne, armene, skuldrene, nakken eller andre dele af kroppen.
2. Ved brug af en maskine skal operatøren indtage en passende, men ergonomisk stilling. Opbehold sikkert fodfæste, og undgå akavede stillinger eller stillinger, hvor du er ude af balance.
3. Hvis operatøren oplever symptomer som vedvarende eller gentagne ubehag, smerte, dunken, ømhed, prikken, følelseløshed, brændende fornemmelse eller stivhed, må disse advarselstegn ikke ignoreres. Operatøren skal konsultere en kvalificeret sundhedsspecialist vedrørende de overordnede aktiviteter.

4. Kontinuerlig brug af maskinen kan forårsage gentagne belastningsskade på grund af det tilbageslag, som maskinen udvikler.
5. For at undgå gentagne belastningsskade må operatøren ikke strække sig for langt eller bruge overdreven magt. Operatøren skal desuden tage et hvil, når han eller hun føler sig træt.
6. Foretag en risikovurdering vedrørende risici i forbindelse med gentagne bevægelser. Den bør fokusere på muskel- og skeletlidelser og fortrinsvis være baseret på den antagelse, at reduktion af træthed under arbejdet er effektiv for at reducere lidelser.

Risici i forbindelse med tilbehør og forbrugsstoffer

1. Frakobl energiforsyningen til maskinen, for eksempel luft eller gas eller batteri, afhængigt af hvad der er relevant, før du skifter/udskifter tilbehør som f.eks. kontakt med arbejdsemnet eller foretager justeringer.
2. Brug kun de størrelser og typer af tilbehør, som producenten leverer.
3. Brug kun de smøremidler, der anbefales i denne brugsvejledning.

Risici i forbindelse med arbejdsstedet

1. Glid, snublen og fald er hyppige årsager til personskader på arbejdspladsen. Vær opmærksom på glatte overflader, der fremkommer ved brugen af maskinen, og også på snublefarer på grund af luftslangen.
2. Vær ekstra forsigtig i uvante omgivelser. Der kan være skjulte farer, for eksempel elledninger eller andre forsyningsledninger.
3. Denne maskine er ikke beregnet til brug i potentielt eksplosive atmosfærer, og den er ikke isoleret, hvis den kommer i kontakt med elektrisk strøm.
4. Sørg for, at der ikke er nogen elledninger, gasrør osv., der kan udgøre en fare, hvis de beskadiges ved brug af maskinen.
5. Hold arbejdsområdet rent og veloplyst. Rodede eller mørke områder forårsager ulykker.
6. Der kan være lokale regler for støj, som skal overholdes ved at holde støjniveauet inden for de foreskrevne grænser. I nogle tilfælde skal der benyttes skodder for at holde støj inde.

Risici i forbindelse med støv og udstødning

1. Kontroller altid dine omgivelser. Den luft, der kommer ud af maskinen, kan blæse støv eller genstande, som kan ramme operatøren og/eller omkringstående.
2. Ret udstødningen, så forstyrrelsen af støv i støvfyldte omgivelser minimeres.
3. Hvis støv eller genstande slynges ud i arbejdsområdet, skal du reducere emissionen så meget som muligt for at reducere sundhedsrisici og risiko for personskade.

Risici i forbindelse med støj

1. Ubeskyttet udsættelse for høje støjniveauer kan forårsage permanent, invaliderende tab af hørelsen og andre problemer som f.eks. tinnitus (ringen, summen, fløjten eller brummen i ørerne).
2. Foretag en risikovurdering vedrørende risici i forbindelse med støj i arbejdsområdet, og træf passende forholdsregler vedrørende disse risici.
3. Passende kontroller for at mindske risikoen kan omfatte foranstaltninger som f.eks. dæmpende materialer for at forhindre arbejdsemner i at "ringe".

4. Anvend passende høreværn.
5. **Betjen og vedligehold maskinen som anbefalet i disse instruktioner for at forhindre unødig forøgelse af støjniveauet.**
6. **Træf forholdsregler for at reducere støj, for eksempel ved at placere arbejdsemner på lyd-dæmpende støtter.**

Risici i forbindelse med vibrationer

1. Vibrationsafgivelsen under brug afhænger af gribekraften, kontaktrykkraften, arbejdsretningen, justeringen af energiforsyningen, arbejdsemnet og understøttelsen af arbejdsemnet. Foretag en risikovurdering vedrørende risici i forbindelse med vibration, og træf passende forholdsregler vedrørende disse risici.
2. **Udsættelse for vibration kan forårsage invaliderende skader på nerverne og blodforsyningen til hænderne og armene.**
3. **Bær varmt tøj, når du arbejder i kolde omgivelser, så du holder hænderne varme og tørre.**
4. Hvis du oplever følelsesløshed, prikken, smerte, eller at huden på fingrene eller hænderne bliver bleg, skal du søge medicinsk rådgivning fra en kvalificeret professionel sundhedsspecialist vedrørende dine overordnede aktiviteter.
5. **Betjen og vedligehold maskinen som anbefalet i disse instruktioner for at forhindre unødig forøgelse af vibrationsniveauet.**
6. **Hold maskinen med et let, men sikkert greb, da risikoen for vibration generelt er større, når gribekraften er stærkere.**

Yderligere advarsler for trykluftmaskiner

1. Komprimeret luft kan forårsage alvorlig personskaade.
2. Sluk altid for luftforsyningen, og tag maskinen ud af forbindelse med luftforsyningen, når den ikke er i brug.
3. **Afbrød altid maskinen fra den komprimerede luftforsyning, før du skifter tilbehør, foretager justeringer og/eller reparationer, når du flytter fra ét arbejdsområde til et andet område.**
4. **Hold fingrene på afstand af udløseren, når maskinen ikke bruges, og når den flyttes fra ét arbejdssted til et andet.**
5. **Ret aldrig komprimeret luft mod dig selv eller andre.**
6. **Piskende slanger kan forårsage alvorlig personskaade. Kontroller altid for beskadigede eller løse slanger eller fittings.**
7. **Bær aldrig en trykluftmaskine i slangen.**
8. **Træk aldrig en trykluftmaskine i slangen.**
9. **Ved brug af trykluftmaskiner må du ikke overskride det maksimale driftstryk p̄s max.**
10. **Trykluftmaskiner må kun drives af komprimeret luft ved det laveste tryk, der er nødvendigt for arbejdsprocessen, for at reducere støj og vibration og minimere sliddet.**
11. **Brug af ilt eller brandbare gasser til drift af trykluftmaskiner udgør en brand- og eksplosionsfare.**
12. **Vær forsigtig ved brug af trykluftmaskiner, da maskinen kan blive kold, hvilket påvirker grebet og styringen.**

Sikkerhedsenheder

1. **Sørg for, at alle sikkerhedssystemer fungerer, før brug.** Maskinen må ikke kunne køre, hvis der kun trykkes på afbryderknappen, eller hvis

kun kontakttarmen trykkes mod træet. Den må kun fungere, når begge handlinger udføres. Test for eventuel fejlfunktion uden fastgøringsmidler og udstøderen i fuldt trukket position.

2. **Det er meget farligt at fastlåse udløseren i TIL-stillingen.** Forsøg aldrig at fastlåse udløseren.
3. **Forsøg ikke at holde kontaktelelementet eller andre sikkerhedsanordninger trykket ned med tape eller ståltråd.** Dette kan medføre dødsfald eller alvorlig personskaade.

Service

1. **Udfør rengøring og vedligeholdelse umiddelbart efter, at De afslutter arbejdet.** Hold maskinen i bedste stand. Smør bevægelige dele for at undgå rust og minimere friktionsrelateret slid. Tør alt støv af delene.
2. **Bed et Makita autoriseret servicecenter om periodisk inspektion af maskinen.**
3. **For at opretholde produktets SIKKERHED og PÅLIDELIGHED skal vedligeholdelse og reparation udføres af Makita autoriserede servicecentre, og der skal altid benyttes Makita reservedele.**
4. **Følg de lokale regulativer ved bortskaffelse af maskinen.**

GEM DISSE FORSKRIFTER.

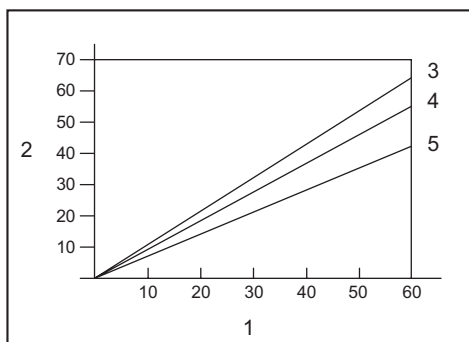
⚠ ADVARSEL: LAD IKKE bekvemmelighed eller kendskab til produktet (opnået gennem gentagen brug) forhindre, at sikkerhedsforskrifterne for produktet nøje overholdes. MISBRUG eller forsømmelse af at følge de i denne brugsvejledning givne sikkerhedsforskrifter kan medføre alvorlig personskaade.

BESKRIVELSE AF DELENE

► Fig.1: 1. Udløser 2. Krog 3. Spidsadapter (kontaktelelement) 4. Magasin

MONTERING

Valg af kompressor



1. Sømfrekvens (gange/min.) 2. Afgivelse af kompressorluft pr. minut (liter/min.) 3. 0,83 MPa (8,3 bar) 4. 0,74 MPa (7,4 bar) 5. 0,64 MPa (6,4 bar)

Luftkompressoren skal overholde kravene i EN60335-2-34.

Vælg en kompressor, der leverer det fornødne tryk og tilstrækkelig luftafgivelse til at sikre en omkostningseffektiv anvendelse. Grafen viser forholdet mellem sømfrekvens, anvendt tryk og afgivelse af kompressorluft. Hvis idrivning af søm f.eks. således sker med en hastighed af ca. 60 gange i minuttet ved en kompression på 0,74 MPa (7,4 bar), vil en kompressor med en luftafgivelse på over 55 liter/minut være påkrævet.

Hvis forsyningslufttrykket overstiger maskinens nominelle tryk, skal der anvendes trykregulatorer til at begrænse lufttrykket til det nominelle tryk for maskinen. Forsømmelse af dette kan medføre alvorlig personskade på maskinoperatøren eller personer i nærheden.

Valg af luftslange

⚠FORSIGTIG: Lav luftafgivelse fra kompressoren eller en lang luftslange eller med en mindre diameter i relation til sømfrekvens kan medføre en reduktion af maskinens drivkapacitet.

► Fig.2

Anvend en luftslange, som er så stor og kort som muligt, for at sikre uafbrudt og effektiv idrivning af søm.

Med et lufttryk på 0,49 MPa (4,9 bar) anbefales det at benytte en luftslange med en indvendig diameter på mindst 6,5 mm og en længde på mindre end 20 m, hvis intervallet mellem hver idrivning af søm er 0,5 sekund. Luftforsyningslanger skal mindst være godkendt til den højeste værdi af et arbejdstryk på 1,03 MPa (10,3 bar) eller 150 procent af det maksimale tryk, som systemet udvikler.

Smøring

► Fig.3

For at sikre maksimal ydelse skal der monteres et luftsæt (smørenippel, regulator, luftfilter) så tæt på maskinen som muligt. Juster smørenippen, så der tilføres en dråbe olie for hver 50 søm.

Hvis der ikke anvendes et luftsæt, skal du smøre maskinen med olie til trykluftmaskine ved at tilføre 2 (to) eller 3 (tre) dråber i luftfittingen. Dette skal gøres før og efter brugen.

For at en ordentlig smøring kan opnås, skal maskinen affyres et par gange, efter at den er smurt med olie til trykluftmaskine.

► Fig.4: 1. Olie til trykluftmaskine

FUNKTIONSBESKRIVELSE

⚠FORSIGTIG: Sørg altid for, at slangen er frakoblet, før du justerer maskinen eller kontrollerer dens funktion.

Indstilling af dybden for idrivning af søm

► Fig.5: 1. Justeringsenhed

Drej på justeringsmekanismen for at justere dybden for idrivning af stifter.

Dybden for idrivning af stifter er størst, når justeringsmekanismen er drejet helt i A-retningen som vist på figuren. Den bliver mindre, når justeringsmekanismen drejes i B-retningen.

Hvis søm ikke kan drives dybt nok, selv om justeringsmekanismen er drejet helt i A-retningen, skal du forøge lufttrykket.

Hvis søm drives for dybt, selv om justeringsmekanismen er drejet helt i B-retningen, skal du reducere lufttrykket.

Generelt vil maskinens levetid blive forlænget, hvis maskinen anvendes med et lavere lufttryk, og justeringsmekanismen er indstillet til en dybere dybde for sømidrivning.

Krog

⚠FORSIGTIG: Hæng aldrig maskinen på et højt sted eller på en potentielt ustabil overflade.

⚠FORSIGTIG: Hæng aldrig krogen fra livremmen. Hvis sømpistolen falder ned ved et uheld, kan det medføre utilsigtet afyring og personskade.

► Fig.6

► Fig.7: 1. Krog

Krogen er praktisk til midlertidig ophængning af maskinen.

Støvblæser

⚠FORSIGTIG: Ret ikke udstødningsporten på støvblæseren mod nogen. Hold desuden hænder og fødder væk fra udstødningsporten. Hvis der trykkes på knappen til støvblæseren ved et uheld, kan det forårsage personskade.

⚠FORSIGTIG: Kontrollér altid Deres omgivelser, før De bruger støvblæseren. Bortblæst støv eller genstande kan ramme personer.

⚠FORSIGTIG: Tilslut eller frakobl ikke luftslangen, mens der trykkes på knappen til støvblæseren.

Den luft, der tilføres til maskinen, kan også bruges som støvblæser. De kan rense arbejdsområdet ved at trykke på knappen i enden med grebet.

► Fig.8: 1. Knap

BEMÆRKNING: Når De har brugt støvblæseren, kan maskinens drevkraft midlertidigt aftage. Vent i så fald, til lufttrykket gendannes.

BEMÆRKNING: Foretag en prøveblæsning, hvis De bruger støvblæseren, lige efter at der er påført olie. Olien kan sprøjte ud sammen med luften.

SAMLING

⚠FORSIGTIG: Sørg altid for, at slangen er frakoblet, før du udfører nogen form for arbejde på maskinen.

Isætning af søm

⚠FORSIGTIG: Isæt søm af samme art, størrelse og længde, når der skal sættes søm i magasinet.

1. Træk i skydelemmen, idet der trykkes ned på håndtaget for at åbne magasinet.

► **Fig.9:** 1. Håndtag 2. Skydelem

2. Juster spidsen af sømmene med rillen i magasinet, og skub sømmene til affyringsåbningen.

► **Fig.10:** 1. Søm 2. Rille 3. Affyringsåbning

3. Luk skydelemmen, indtil den er låst.

⚠FORSIGTIG: Undlad at placere fingeren på skydelemmens midtergang. Fingeren kan komme i klemme i skydelemmen.

⚠FORSIGTIG: Fjern alle søm fra magasinet, og luk skydelemmen, når den ikke er i brug.

Spidsadapter

Brug spidsadapteren for at forhindre, at arbejdsemnets overflade bliver ridset eller beskadiget.

► **Fig.11:** 1. Spidsadapter 2. Kontaktelement

Der sidder en ekstra spidsadapter på det sted, der er vist på figuren.

► **Fig.12:** 1. Ekstra spidsadapter

Montering af luftslangen

⚠FORSIGTIG: Undlad at hvile fingeren mod afbryderen, når luftslangen tilkøbes.

► **Fig.13:** 1. Luftfitting 2. Luftbøsning

Skub luftbøsningen på luftslangen ind på luftfittingen på maskinen. Sørg for, at luftbøsningen låses godt på plads, når den monteres på luftfittingen.

Der skal monteres en slangekobling på eller nær maskinen på en sådan måde, at trykreservoiret aflades, når luftforsyningskoblingen tages ud af forbindelse.

ANVENDELSE

⚠FORSIGTIG: Sørg for, at alle sikkerhedssystemer er i korrekt funktionsstand inden anvendelsen.

Kontrol af korrekt funktion inden anvendelse

Kontroller altid følgende punkter inden anvendelse.

- Sørg for, at maskinen ikke aktiveres blot ved tilslutning af luftslangen.
- Sørg for, at maskinen ikke aktiveres blot ved at trykke på afbryderkontakten.
- Sørg for, at maskinen ikke aktiveres blot ved at sætte kontaktelementet mod arbejdsemnet, uden at der trykkes på afbryderkontakten.

Idrivning af søm

Placer kontaktelementet mod arbejdsemnet, og tryk på afbryderen for at idrive et søm.

► **Fig.14**

⚠FORSIGTIG: HVIS AFBRYDEREN TRYKES OG HOLDES HALVT NEDE, kan der ske uventet idrivning af søm, hvis kontaktelementet igen får kontakt med arbejdsemnet eller en anden flade på grund af tilbageslag.

Benyt denne fremgangsmåde for at undgå denne uventede idrivning:

- Sæt ikke kontaktelementet mod arbejdsemnet med overdreven kraft.
- Tryk afbryderen helt ind, og hold den der i 1-2 sekunder efter idrivning af søm.

Fjernelse af fastklemt søm

⚠ADVARSEL: Tag altid slangen ud, før du fjerner søm.

⚠FORSIGTIG: Anvend ikke søm eller sømbånd, som er deformet. Undladelse af dette medfører dårlig sømfremføring.

1. Åbn skydelemmen, og fjern søm fra magasinet.

► **Fig.15**

2. Hold skydelemmen åben, træk i lemmen for at åbne lugen, og fjern derefter sømmene.

► **Fig.16:** 1. Lem 2. Luge

VEDLIGEHOELDELSE

⚠FORSIGTIG: Sørg altid for at frakoble slangen, før du forsøger at udføre inspektion eller vedligeholdelse.

BEMÆRKNING: Anvend aldrig benzin, rensebenzin, fortynder, alkohol og lignende. Det kan medføre misfarvning, deformation eller revner.

Søm

Håndter sømbånd og æsken med dem forsigtigt. Hvis sømbåndene håndteres hårdhændet, kan de blive bøjet ud af form med dårlig fremføring af søm til følge. Undgå at opbevare søm på meget fugtige eller varme steder eller på steder, der er udsat for direkte sollys.

Vedligeholdelse af sømpistol

Kontroller altid maskinens generelle tilstand, og se efter løse skruer før brugen. Stram efter behov.

Tag maskinen ud af forbindelse, og udfør daglig inspektion for at sikre dig, at kontaktelementet og udløseren kan bevæge sig frit. Undlad at bruge maskinen, hvis kontaktelementet eller udløseren klemmer eller binder.

Hvis maskinen ikke skal anvendes i længere tid, skal den smøres med en olie til trykluftmaskine, og maskinen skal opbevares et sikkert sted. Undgå at udsætte maskinen for direkte sollys og/eller fugtige eller varme steder.

► Fig.17

Vedligeholdelse af kompressor, luftsæt og luftslange

Efter brugen skal du altid tømme kompressortanken og luftfilteret. Hvis fugt får lov til at trænge ind i maskinen, kan det medføre dårlig ydelse og risiko for maskinsvigt.

► Fig.18: 1. Aftapningshane

► Fig.19: 1. Luftfilter

Kontroller regelmæssigt, om der er tilstrækkelig trykluftolie i smørenippen på luftsættet. Hvis der ikke smøres tilstrækkeligt, vil det medføre hurtig nedslidning af O-ringene.

► Fig.20: 1. Smørenippel 2. Olie til trykluftmaskine

Hold luftslangen på god afstand af varme (over 60 °C) og ligeledes på god afstand af kemikalier (fortynder, stærk syre og alkaliske stoffer). Sørg ligeledes for at føre slangen på god afstand af forhindringer, som kan gribe fat i slangen under brugen, hvilket kan være farligt. Slinger skal desuden holdes på afstand af skarpe kanter og områder, som kan medføre skade eller slitage på slangen.

For at opretholde produktets SIKKERHED og PÅLIDELIGHED må reparation, vedligeholdelse eller justering kun udføres af et autoriseret Makita servicecenter eller fabrikksservicecenter med anvendelse af Makita reservedele.

EKSTRAUDSTYR

⚠FORSIGTIG: Det følgende tilbehør og ekstraudstyr er anbefalet til brug med Deres Makita maskine, der er beskrevet i denne brugsanvisning. Anvendelse af andet tilbehør eller ekstraudstyr kan udgøre en risiko for personskade. Anvend kun tilbehør og ekstraudstyr til det beskrevne formål.

Hvis De behøver hjælp ved valg af tilbehør eller ønsker yderligere informationer, bedes De kontakte Deres lokale Makita servicecenter.

- Søm
- Luftslinge
- Sikkerhedsbriller

BEMÆRK: Nogle ting på denne liste kan være inkluderet i værktøjspakken som standardtilbehør. Det kan være forskellige fra land til land.

ΠΡΟΔΙΑΓΡΑΦΕΣ

Μοντέλο:	AF506
Πίεση αέρα	0,49 - 0,83 MPa (4,9 - 8,3 bar)
Διάμετρος καρφιών	18 Ga.
Μήκος καρφίου	15 mm - 50 mm
Χωρητικότητα καρφιών	100 τεμάχια.
Ελάχιστη διάμετρος εύκαμπτου σωλήνα	6,5 mm
Λάδι εργαλείου πεπιεσμένου αέρα	ISO VG32 ή ισοδύναμο
Διαστάσεις (Μ x Π x Υ)	250 mm x 70 mm x 256 mm
Καθαρό βάρος	1,3 kg

- Λόγω του συνεχόμενου προγράμματος που εφαρμόζουμε για έρευνα και ανάπτυξη, τα τεχνικά χαρακτηριστικά στο παρόν έντυπο υπόκεινται σε αλλαγή χωρίς προειδοποίηση.
- Τα τεχνικά χαρακτηριστικά μπορεί να διαφέρουν από χώρα σε χώρα.

Σύμβολα

Παρακάτω παρουσιάζονται τα σύμβολα που χρησιμοποιούνται για τον εξοπλισμό. Βεβαιωθείτε ότι κατανοείτε τη σημασία τους πριν από τη χρήση.



Διαβάστε το εγχειρίδιο οδηγιών.



Φοράτε γυαλιά ασφαλείας.



Να φοράτε προστατευτικά αυτιών.



Απαγορεύεται η χρήση σε σκαλωσιές, σκάλες.

Προοριζόμενη χρήση

Το εργαλείο προορίζεται για στερέωμα εσωτερικών εργασιών και εργασιών επίπλων.
Το εργαλείο προορίζεται μόνο για επαγγελματική εφαρμογή υψηλού όγκου. Μην το χρησιμοποιήσετε για οποιοδήποτε άλλο σκοπό. Δεν έχει σχεδιαστεί για το κάρφωμα συνδετήρων σε σκληρές επιφάνειες, όπως ασάλι και τοιμέντο.

Θόρυβος

Το τυπικό Α επίπεδο καταμετρημένου θορύβου καθορίζεται σύμφωνα με το ISO11148-13(EN12549):
Στάθμη ηχητικής πίεσης (L_{pA}): 99 dB (A)
Στάθμη ηχητικής ισχύος (L_{WA}): 109 dB (A)
Αβεβαιότητα (K): 1,5 dB (A)

ΠΑΡΑΤΗΡΗΣΗ: Η δηλωμένη τιμή(ές) εκπομπής θορύβου έχει μετρηθεί σύμφωνα με την πρότυπη μέθοδο δοκιμής και μπορεί να χρησιμοποιηθεί για τη σύγκριση ενός εργαλείου με κάποιο άλλο.

ΠΑΡΑΤΗΡΗΣΗ: Η δηλωμένη τιμή(ές) εκπομπής θορύβου μπορεί να χρησιμοποιηθεί και στην προκαταρκτική αξιολόγηση της έκθεσης.

▲ΠΡΟΕΙΔΟΠΟΙΗΣΗ: Να φοράτε ωτοασπίδες.

▲ΠΡΟΕΙΔΟΠΟΙΗΣΗ: Η εκπομπή θορύβου κατά τη χρήση του ηλεκτρικού εργαλείου σε πραγματικές συνθήκες μπορεί να διαφέρει από τη δηλωμένη τιμή(ές) ανάλογα με τους τρόπους χρήσης του εργαλείου, ιδιαίτερα το είδος του τεμαχίου εργασίας που υπόκειται επεξεργασία.

▲ΠΡΟΕΙΔΟΠΟΙΗΣΗ: Φροντίστε να λάβετε τα κατάλληλα μέτρα προστασίας του χειριστή βάσει ενός υπολογισμού της έκθεσης σε πραγματικές συνθήκες χρήσης (λαμβάνοντας υπόψη όλες τις συνιστώσες του κύκλου λειτουργίας όπως τους χρόνους που το εργαλείο είναι εκτός λειτουργίας και όταν βρίσκεται σε αδρανή λειτουργία πέραν του χρόνου ενεργοποίησης).

Κραδασμός

Η ολική τιμή δόνησης καθορίζεται σύμφωνα με το ISO11148-13(ISO8662-11):
Εκπομπή δόνησης (a_h): 7,6 m/s²
Αβεβαιότητα (K): 1,5 m/s²

ΠΑΡΑΤΗΡΗΣΗ: Η δηλωμένη τιμή(ές) συνολικών κραδασμών έχει μετρηθεί σύμφωνα με την πρότυπη μέθοδο δοκιμής και μπορεί να χρησιμοποιηθεί για τη σύγκριση ενός εργαλείου με κάποιο άλλο.

ΠΑΡΑΤΗΡΗΣΗ: Η δηλωμένη τιμή(ές) συνολικών κραδασμών μπορεί να χρησιμοποιηθεί και στην προκαταρκτική αξιολόγηση της έκθεσης.

⚠️ ΠΡΟΕΙΔΟΠΟΙΗΣΗ: Η εκπομπή κραδασμών κατά τη χρήση του ηλεκτρικού εργαλείου σε πραγματικές συνθήκες μπορεί να διαφέρει από τη δηλωμένη τιμή(ές) εκπομπής ανάλογα με τους τρόπους χρήσης του εργαλείου, ιδιαίτερα το είδος του τεμαχίου εργασίας που υπόκειται επεξεργασία.

⚠️ ΠΡΟΕΙΔΟΠΟΙΗΣΗ: Φροντίστε να λάβετε τα κατάλληλα μέτρα προστασίας του χειριστή βάσει ενός υπολογισμού της έκθεσης σε πραγματικές συνθήκες χρήσης (λαμβάνοντας υπόψη όλες τις συνιστώσες του κύκλου λειτουργίας όπως τους χρόνους που το εργαλείο είναι εκτός λειτουργίας και όταν βρίσκεται σε αδρανή λειτουργία πέραν του χρόνου ενεργοποίησης).

Δήλωση συμμόρφωσης ΕΚ

Μόνο για χώρες της Ευρώπης

Η δήλωση συμμόρφωσης ΕΚ περιλαμβάνεται ως Παράρτημα Α στο παρόν εγχειρίδιο οδηγιών.

ΠΡΟΕΙΔΟΠΟΙΗΣΕΙΣ ΑΣΦΑΛΕΙΑΣ

Προειδοποιήσεις ασφάλειας για τον καρφωτήρα/συρραπτικό πετρεωμένου αέρα

⚠️ ΠΡΟΕΙΔΟΠΟΙΗΣΗ: Διαβάστε όλες τις προειδοποιήσεις ασφαλείας και όλες τις οδηγίες. Η μη τήρηση των προειδοποιήσεων και των οδηγιών μπορεί να οδηγήσει σε σοβαρό τραυματισμό, ηλεκτροπληξία και/ή πυρκαγιά.

Φυλάξτε όλες τις προειδοποιήσεις και τις οδηγίες για μελλοντική παραπομπή.

Για την προσωπική σας ασφάλεια και για τη σωστή λειτουργία και συντήρηση του εργαλείου, διαβάστε το παρόν εγχειρίδιο οδηγιών προτού χρησιμοποιήσετε το εργαλείο.

Γενική ασφάλεια

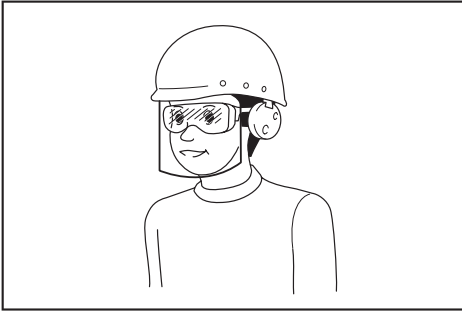
1. Απαγορεύεται οποιαδήποτε άλλη χρήση αυτού του εργαλείου εκτός από την προοριζόμενη. Τα εργαλεία καρφώματος συνδετήρων με συνεχόμενη ενεργοποίηση επαφής ή ενεργοποίηση επαφής θα πρέπει να χρησιμοποιούνται μόνο για εφαρμογές παραγωγής.
2. Κρατήστε τα δάκτυλά σας μακριά από τη σκανδάλη όταν δεν θέτετε αυτό το εργαλείο σε λειτουργία και όταν το μετακινείτε από τη μία θέση λειτουργίας σε άλλη.
3. Πολλαπλοί κίνδυνοι. Διαβάστε και κατανοήστε τις οδηγίες ασφαλείας πριν συνδέσετε, αποσυνδέσετε, φορτώσετε, θέσετε σε λειτουργία, συντηρήσετε, αλλάξετε εξαρτήματα ή εργάζεστε κοντά στο εργαλείο. Αν δεν το κάνετε αυτό, μπορεί να έχει ως αποτέλεσμα σοβαρό σωματικό τραυματισμό.

4. Κρατήστε όλα τα μέρη του σώματός σας, όπως χέρια και πόδια, κτλ. μακριά από την κατεύθυνση πυροδότησης και φροντίστε ο συνδετήρας να μην μπορεί να διεισδύσει το τεμάχιο εργασίας σε μέρη του σώματος.
5. Όταν χρησιμοποιείτε το εργαλείο, να γνωρίζετε ότι ο συνδετήρας μπορεί να εκτραπεί και να προκαλέσει τραυματισμό.
6. Κρατήστε το εργαλείο πολύ καλά και προετοιμαστείτε να διαχειριστείτε την ανατύλιξη.
7. Μόνο τεχνικά ειδικευμένοι χειριστές θα πρέπει να χρησιμοποιούν το εργαλείο καρφώματος συνδετήρων.
8. Μην τροποποιείτε το εργαλείο καρφώματος συνδετήρα. Οι τροποποιήσεις μπορεί να μειώσουν την αποτελεσματικότητα των μέτρων ασφαλείας και να αυξήσουν τους κινδύνους για τον χειριστή ή/και τους παρευρισκόμενους.
9. Μην απορρίψετε το εγχειρίδιο οδηγιών.
10. Μην χρησιμοποιήσετε ένα εργαλείο αν το εργαλείο παρουσιάζει ζημιά.
11. Προσέχετε όταν χειρίζεστε συνδετήρες, ιδιαίτερα όταν τους φορτώνετε και εκφορτώνετε, επειδή οι συνδετήρες έχουν αιχμηρές μύτες που μπορούν να προκαλέσουν τραυματισμό.
12. Πριν από τη χρήση, να ελέγχετε πάντα το εργαλείο για σπασμένα, λανθασμένα συνδεδεμένα ή φθαρμένα εξαρτήματα.
13. Μην τεντώνετε υπερβολικά. Χρησιμοποιήστε μόνο σε ασφαλή χώρο εργασίας. Κρατάτε πάντα σταθερό πάτημα και την ισορροπία σας.
14. Κρατάτε τους παρευρισκόμενους μακριά (όταν εργάζεστε σε μια περιοχή όπου υπάρχει η πιθανότητα να περουν άνθρωποι από εκεί). Επισημάνετε με σαφήνεια ότι απαγορεύεται η είσοδος στην περιοχή εργασίας σας.
15. Μην στρέφετε ποτέ το εργαλείο προς το μέρος σας ή προς οποιοδήποτε άλλο άτομο.
16. Μην ακουμπάτε το δάκτυλό σας στη σκανδάλη όταν σηκώνετε το εργαλείο, το μετακινείτε μεταξύ περιοχών ή θέσεων λειτουργίας ή όταν περπατάτε, επειδή ένα δάκτυλο που ακουμπάει στη σκανδάλη μπορεί να οδηγήσει σε αθέλητη λειτουργία. Για εργαλεία με επιλεκτική ενεργοποίηση, να ελέγχετε πάντα το εργαλείο πριν από τη χρήση, για να σιγουρευτείτε ότι επιλέχτηκε ο σωστός τρόπος λειτουργίας.
17. Να φοράτε μόνο γάντια που παρέχουν επαρκή αίσθηση, ασφάλεια και έλεγχο της σκανδάλης και οποιονδήποτε ρυθμιστικών διατάξεων.
18. Όταν δεν χρησιμοποιείτε το εργαλείο, τοποθετήστε το σε μια επίπεδη επιφάνεια. Αν χρησιμοποιήσετε το γάντιο που υπάρχει στο εργαλείο, να γαντζώσετε το εργαλείο με ασφάλεια σε μια σταθερή επιφάνεια.
19. Μην το χρησιμοποιείτε όταν βρίσκεστε υπό την επίδραση αλκοόλ, φαρμάκων ή παρόμοιων ουσιών.

Κίνδυνοι εκτόξευσης

1. Το εργαλείο καρφώματος συνδετήρων θα πρέπει να είναι αποσυνδεδεμένο κατά την εκφόρτωση συνδετήρων, την πραγματοποίηση ρυθμίσεων, την εκκαθάριση εμπλοκών ή την αλλαγή εξαρτημάτων.

2. Κατά τη διάρκεια της λειτουργίας, να προσέχετε ώστε οι συνδετήρες να δεισδύουν το υλικό σωστά και να μην μπορούν να εκτραπούν/πυροδοτηθούν λανθασμένα προς το χειριστή ή/και τους παρευρισκόμενους.
3. Κατά τη διάρκεια της λειτουργίας, μπορεί να εκκενωθούν θραύσματα από το τεμάχιο εργασίας και το σύστημα καρφώματος/συρραφής.
4. Να φοράτε πάντα προστατευτικά γυαλιά για να προστατεύετε τα μάτια σας από τραυματισμό όταν χρησιμοποιείτε ηλεκτρικά εργαλεία. Τα προστατευτικά γυαλιά πρέπει να συμμορφώνονται με το πρότυπο ANSI Z87.1 στις ΗΠΑ, το πρότυπο EN 166 στην Ευρώπη ή το πρότυπο AS/NZS 1336 στην Αυστραλία/Νέα Ζηλανδία. Στην Αυστραλία/Νέα Ζηλανδία, απαιτείται από το νόμο να φοράτε και προσωπικά για την προστασία του προσώπου σας.
5. Να χρησιμοποιείτε τη σωστή ενεργειακή παροχή, όπως υποδεικνύεται στο εγχειρίδιο οδηγιών.
6. Μη χρησιμοποιήσετε το εργαλείο σε κινούμενες πλατφόρμες ή το πίσω μέρος φορτηγών. Με την αιφνίδια κίνηση της πλατφόρμας, μπορεί να χαθεί ο έλεγχος του εργαλείου και να προκληθεί τραυματισμός.
7. Να θεωρείτε πάντοτε ότι το εργαλείο περιέχει συνδετήρες.
8. Μην εκτελείτε βιαστικά την εργασία και μην πιέζετε υπερβολικά το εργαλείο. Χειρίζεστε το εργαλείο προσεκτικά.
9. Κατά το χειρισμό του εργαλείου, προσέχετε πού πατάτε και φροντίστε να διατηρήσετε την ισορροπία σας. Βεβαιωθείτε ότι δεν βρίσκεται κανένας από κάτω όταν εργάζεστε σε ύψος και ασφαλίστε τον εύκαμπο σωλήνα αέρα για να προφυλαχτείτε από τον κίνδυνο σε περίπτωση που ο σωλήνας τιναχτεί απότομα ή πιστεί από κάπου.



Ο εργοδότης έχει την ευθύνη να επιβάλλει τη χρήση κατάλληλου προστατευτικού εξοπλισμού ασφαλείας από τους χειριστές του εργαλείου και από άλλα άτομα που βρίσκονται στην άμεση περιοχή εργασίας.

5. Ο χειριστής θα πρέπει να αξιολογήσει τους κινδύνους για άλλους.
6. Προσέχετε με εργαλεία που δεν έχουν επαφή με το τεμάχιο εργασίας επειδή μπορεί να πυροδοτηθούν κατά λάθος και να τραυματίσουν τον χειριστή ή/και τους παρευρισκόμενους.
7. Βεβαιωθείτε ότι το εργαλείο είναι πάντα δεσμευμένο με ασφάλεια στο τεμάχιο εργασίας και δεν μπορεί να γλιστρήσει.
8. Φοράτε προστατευτικά ακοής για να προστατεύετε τα αυτιά σας από το θόρυβο του αέρα εξαγωγής, καθώς και προστατευτικό κεφαλής. Φοράτε επίσης ελαφριά, αλλά όχι φαρδιά ρούχα. Τα μανίκια θα πρέπει να είναι κουμπωμένα ή γυρισμένα προς τα πάνω. Μην φοράτε γραβάτα.

Κίνδυνοι λειτουργίας

1. Κρατήστε το εργαλείο σωστά: ετοιμαστείτε να αντιδράσετε στις φυσιολογικές ή αιφνίδιες κινήσεις όπως η ανατύλιξη.
2. Διατηρήστε μια ισορροπημένη θέση σώματος και ασφαλές πάτημα.
3. Θα πρέπει να χρησιμοποιείτε κατάλληλα γυαλιά ασφαλείας και συνιστώνται κατάλληλα γάντια και προστατευτικός ρουχισμός.
4. Θα πρέπει να φοράτε κατάλληλη προστασία της ακοής.

10. Σε στέγες και άλλες τοποθεσίες σε ύψος, βιδώνετε τους συνδετήρες καθώς μετακινείστε προς τα εμπρός. Είναι εύκολο να παραπατήσετε αν βιδώνετε τους συνδετήρες κάνοντας μικρά βήματα προς τα πίσω. Κατά το βιδωμα συνδετήρων σε κατακόρυφη επιφάνεια, εργάζεστε από πάνω προς τα κάτω. Με αυτόν τον τρόπο, το βιδωμα γίνεται λιγότερο κουραστικό.
11. Αν βιδώσετε κατά λάθος έναν συνδετήρα πάνω σε έναν άλλο ή αν χτυπήσετε κάποιο ρόζο στο ξύλο, ο συνδετήρας μπορεί να στραβώσει ή το εργαλείο να πάθει εμπλοκή. Ο συνδετήρας μπορεί να τιναχτεί και να χτυπήσει κάποιον ή το ίδιο το εργαλείο να αντιδράσει επικίνδυνα. Τοποθετείτε τους συνδετήρες με προσοχή.
12. Μην αφήνετε το γεμάτο εργαλείο ή το συμπιεστικό αέρα υπό πίεση για μεγάλο χρονικό διάστημα έξω στον ήλιο. Βεβαιωθείτε ότι δεν θα εισέλθει σκόνη, άμμος, θραύσματα και ξένα σώματα στο εργαλείο στο μέρος όπου το αφήνετε.
13. Μην επιχειρείτε ποτέ να βιδώσετε συνδετήρες από μέσα και από έξω ταυτόχρονα. Οι συνδετήρες μπορεί να σχίσουν το εσωτερικό και/ή να πεταχτούν προς τα έξω και να διατρέξετε σοβαρό κίνδυνο.

Κίνδυνοι επανεπιλημμένων κινήσεων

1. Κατά τη χρήση ενός εργαλείου για μεγάλη χρονική περίοδο, ένας χειριστής μπορεί να βιώσει δυσφορία στα χέρια, τους βραχίονες, τους ώμους, τον αυχένα και άλλα μέρη του σώματός του.
2. Ενώ χρησιμοποιεί ένα εργαλείο, ο χειριστής θα πρέπει να υιοθετήσει μια κατάλληλη και εργονομική στάση. Διατηρήστε ασφαλές πάτημα και αποφυγείτε τις αδέξιες και ανισορροπες στάσεις.
3. Αν ο χειριστής βιώσει συμπτώματα όπως επίμονη και επαναλαμβανόμενη δυσφορία, πόνο, κτύπο, άλγος, μυρμηγκιασμα, μούδιασμα, αίσθηση καύσου ή ακαμψία, δεν πρέπει να αγνοήσει αυτά τα προειδοποιητικά σημάδια. Ο χειριστής πρέπει να συμβουλευτεί έναν αρμόδιο επαγγελματία στο χώρο της υγείας, για τις συνολικές δραστηριότητές του.

4. Η συνεχόμενη χρήση του εργαλείου μπορεί να προκαλέσει κακώσεις λόγω επαναλαμβανόμενης καταπόνησης που οφείλονται στην ανατύλιξη που παράγει το εργαλείο.
5. Για να αποφευχθεί ο τραυματισμός λόγω επαναλαμβανόμενης καταπόνησης, ο χειριστής δεν πρέπει να τεντώνει υπερβολικά ή να χρησιμοποιεί υπερβολική δύναμη. Επιπλέον, ο χειριστής θα πρέπει να ξεκουράζεται όταν νιώθει κουρασμένος.
6. Διεξαγάγετε αξιολόγηση κινδύνων σχετικά με τους κινδύνους της επαναλαμβανόμενης κίνησης. Θα πρέπει να επικεντρωθεί σε μυσσκελετικές διαταραχές και, κατά προτίμηση, να βασίζεται στην υπόθεση ότι η μείωση κόπωσης κατά τη διάρκεια της εργασίας είναι αποτελεσματική στη μείωση των διαταραχών.

Κίνδυνοι με τα εξαρτήματα και αναλώσιμα

1. Αποσυνδέστε την ενεργειακή παροχή προς το εργαλείο, όπως αέρα ή αέριο ή μπαταρία, όπως εφαρμόζεται, πριν αλλάξετε/αντικαταστήσετε εξαρτήματα όπως την επαφή τεμαχίου εργασίας ή πραγματοποιήσετε οποιαδήποτε ρύθμιση.
2. Να χρησιμοποιείτε μόνο τα μεγέθη και τύπους των εξαρτημάτων που παρέχονται από τον κατασκευαστή.
3. Να χρησιμοποιείτε μόνο λιπαντικά που συνιστώνται σε αυτό το εγχειρίδιο.

Κίνδυνοι στο χώρο εργασίας

1. Το γλίστρημα, το σκόνημα και οι πτώσεις είναι οι κύριες αιτίες για τραυματισμό στο χώρο εργασίας. Προσέχετε για ολισθηρές επιφάνειες που δημιουργούνται από τη χρήση του εργαλείου και επίσης για κινδύνους ολίσθησης που προκαλούνται από τον εύκαμπο σωλήνα της γραμμής αέρα.
2. Σε άγνωστο περιβάλλον, να προχωράτε με περισσότερη προσοχή. Μπορεί να υπάρχουν κρυφοί κίνδυνοι, όπως ηλεκτρικές γραμμές ή γραμμές άλλων παροχών.
3. Αυτό το εργαλείο δεν προορίζεται για χρήση σε δυνητικές εκρηκτικές ατμόσφαιρες και δεν είναι μονωμένο για την περίπτωση επαφής με ηλεκτρικό ρεύμα.
4. Βεβαιωθείτε ότι δεν υπάρχουν ηλεκτρικά καλώδια, σωλήνες αερίου, κτλ. που θα μπορούσαν να προκαλέσουν κίνδυνο στην περίπτωση που υποστούν ζημιά από τη χρήση του εργαλείου.
5. Διατηρείτε την περιοχή εργασίας καθαρή και επαρκώς φωτισμένη. Οι ακατάστατοι ή σκοτεινοί χώροι προσελκύουν τα ατυχήματα.
6. Πιθανώς να υφίστανται τοπικοί κανονισμοί αναφορικά με το θόρυβο, με τους οποίους και θα πρέπει να συμμορφώνεστε διατηρώντας τη στάθμη θορύβου εντός των προδιαγεγραμμένων ορίων. Σε ορισμένες περιπτώσεις, θα πρέπει να χρησιμοποιούνται πετάσματα για τον περιορισμό του θορύβου.

Κίνδυνοι σκόνης και εξάτμισης

1. Να ελέγχετε πάντα το περιβάλλον σας. Ο αέρας που εξέρχεται από το εργαλείο μπορεί να φυσήξει σκόνη ή αντικείμενα

και να χτυπήσουν τον χειριστή ή/και τους παρευρισκόμενους.

2. Κατευθύνετε την εξάτμιση με τρόπο ώστε να ελαχιστοποιηθεί η διατάραξη της σκόνης σε ένα περιβάλλον με πολλή σκόνη.
3. Αν εκλύεται σκόνη ή αντικείμενα στην περιοχή εργασίας, μειώστε την εκπομπή όσο το δυνατό περισσότερο, για να μειωθούν οι κίνδυνοι υγείας καθώς και ο κίνδυνος τραυματισμού.

Κίνδυνοι θορύβου

1. Η απροστάτευτη έκθεση σε υψηλά επίπεδα θορύβου μπορεί να προκαλέσει μόνιμη απώλεια ακοής και άλλα προβλήματα όπως εμβοή (κουδούνισμα, βούισμα, σφύριγμα ή φύσημα στα αυτιά).
2. Διεξαγάγετε αξιολόγηση κινδύνων σχετικά με τους κινδύνους θορύβου στην περιοχή εργασίας και υλοποιήστε τους κατάλληλους ελέγχους για αυτούς τους κινδύνους.
3. Οι κατάλληλοι έλεγχοι για τη μείωση του θορύβου μπορεί να περιλαμβάνουν ενέργειες όπως την απόσβεση υλικών ώστε να αποτραπεί το «κουδούνισμα» των τεμαχίων εργασίας.
4. Να χρησιμοποιείτε κατάλληλη προστασία ακοής.
5. Χρησιμοποιήστε και συντηρήστε το εργαλείο όπως συνιστάται στις παρούσες οδηγίες, για να αποτραπεί η περιττή αύξηση των επιπέδων θορύβου.
6. Λάβετε μέτρα για τη μείωση του θορύβου, για παράδειγμα την τοποθέτηση των τεμαχίων εργασίας σε στηρίγματα απόσβεσης θορύβων.

Κίνδυνοι δόνησης

1. Η εκπομπή δονήσεων κατά τη λειτουργία εξαρτάται από τη δύναμη κρατήματος, την πίεση επαφής, την κατεύθυνση εργασίας, τη ρύθμιση της ενεργειακής παροχής, το τεμάχιο εργασίας και τη στήριξη του τεμαχίου εργασίας. Διεξαγάγετε αξιολόγηση κινδύνων σχετικά με τους κινδύνους δονήσεων και υλοποιήστε τους κατάλληλους ελέγχους για αυτούς τους κινδύνους.
2. Η έκθεση στη δόνηση μπορεί να προκαλέσει ζημιά στα νεύρα και τη παροχή αίματος στα χέρια και βραχίονες.
3. Να φοράτε ζεστά ρούχα όταν εργάζεστε σε κρύες συνθήκες, να διατηρείτε τα χέρια σας ζεστά και στεγνά.
4. Αν βιώσετε μούδιασμα, μυρμήγκιασμα, πόνο ή λεύκανση στο δέρμα των δακτύλων ή των χεριών σας, αναζητήστε ιατρική συμβουλή από αρμόδιο επαγγελματία στο χώρο της υγείας, αναφορικά με τις συνολικές δραστηριότητες.
5. Χρησιμοποιήστε και συντηρήστε το εργαλείο όπως συνιστάται στις παρούσες οδηγίες, για να αποτραπεί η περιττή αύξηση των επιπέδων δόνησης.
6. Να κρατάτε το εργαλείο ελαφρά, αλλά με ασφάλεια, επειδή ο κίνδυνος από τη δόνηση είναι γενικά μεγαλύτερος όταν η δύναμη κρατήματος είναι υψηλότερη.

Πρόσθετες προειδοποιήσεις για πνευματικά εργαλεία

1. Ο πεπιεσμένος αέρας μπορεί να προκαλέσει σοβαρό τραυματισμό.
2. Να διακόπτετε πάντα την παροχή αέρα και να αποσυνδέετε το εργαλείο από την παροχή αέρα όταν δεν χρησιμοποιείται.
3. Να αποσυνδέετε πάντα το εργαλείο από την παροχή πεπιεσμένου αέρα πριν αλλάζετε εξαρτήματα, πραγματοποιείτε ρυθμίσεις ή/και επισκευές, όταν μετακινείτε από μια περιοχή λειτουργίας σε διαφορετική περιοχή.
4. Κρατήστε τα δάκτυλά σας μακριά από τη σκανδάλη όταν δεν θέτετε το εργαλείο σε λειτουργία και όταν το μετακινείτε από τη μία θέση λειτουργίας σε άλλη.
5. Μην στρέψετε ποτέ τον πεπιεσμένο αέρα προς το μέρος σας ή προς οποιοδήποτε άλλο άτομο.
6. Οι εύκαμπτοι σωλήνες που βρίσκονται εκτός ελέγχου μπορούν να προκαλέσει σοβαρό τραυματισμό. Να ελέγχετε πάντα για κατεστραμμένους ή χαλαρούς εύκαμπτους σωλήνες ή ενώσεις.
7. Μην κρατάτε ποτέ ένα πνευματικό εργαλείο από τον εύκαμπτο σωλήνα.
8. Μην σύρετε ποτέ ένα πνευματικό εργαλείο από τον εύκαμπτο σωλήνα.
9. Όταν χρησιμοποιείτε πνευματικά εργαλεία, μην ξεπερνάτε τη μέγιστη πίεση λειτουργίας (ps max).
10. Τα πνευματικά εργαλεία θα πρέπει να τροφοδοτούνται μόνο με πεπιεσμένο αέρα στη χαμηλότερη πίεση που απαιτείται για την εργασία, προκειμένου να μειωθεί ο θόρυβος και η δόνηση και να ελαχιστοποιηθεί η φθορά.
11. Η χρήση οξυγόνου ή καύσιμων αερίων για τη λειτουργία πνευματικών εργαλείων δημιουργεί κίνδυνο πυρκαγιάς και έκρηξης.
12. Προσέχετε όταν χρησιμοποιείτε πνευματικά εργαλεία επειδή το εργαλείο μπορεί να γίνει κρύο, επηρεάζοντας το κράτημα και τον έλεγχο.

Συσκευές ασφαλείας

1. Βεβαιωθείτε ότι όλα τα συστήματα ασφαλείας είναι σε κατάσταση λειτουργίας πριν από τη χρήση. Αν τραβήξετε μόνο τη σκανδάλη διακόπτη ή αν πιέσετε μόνο το βραχίονα επαφής πάνω στο ξύλο, το εργαλείο δεν θα πρέπει να λειτουργήσει. Πρέπει να λειτουργεί μόνο όταν εκτελείτε και τις δύο ενέργειες. Ελέγχετε για τυχόν ελαττωματική λειτουργία με το εργαλείο χωρίς συνδετήρες και τον προωθητή τελείως τραβηγμένο.
2. Είναι πολύ επικίνδυνο να ασφαλίσετε τη σκανδάλη στην ανοικτή θέση (ON). Ποτέ μην επιχειρήσετε να ασφαλίσετε τη σκανδάλη.
3. Μην προσπαθήσετε να κρατήσετε το στοιχείο επαφής ή άλλη διάταξη ασφαλείας πατημένο με κολλητική ταινία ή σύρμα. Μπορεί να προκληθεί θάνατος ή σοβαρός τραυματισμός.

Σέρβις

1. Εκτελείτε καθαρισμό και συντήρηση αμέσως μετά το τέλος της εργασίας. Διατηρείτε το εργαλείο σε άριστη κατάσταση. Λιπαίνετε τα κινούμενα εξαρτήματα για να αποφύγετε τη σκουριά και να ελαχιστοποιήσετε τη φθορά από την τριβή. Σκουπίζετε όλη τη σκόνη από τα εξαρτήματα.

2. Απευθυνθείτε στο εξουσιοδοτημένο κέντρο σέρβις της Makita για την περιοδική επιθεώρηση του εργαλείου.
3. Για να διατηρήσετε την ΑΣΦΑΛΕΙΑ και την ΑΞΙΟΠΙΣΤΙΑ του εργαλείου, η συντήρηση και οι επισκευές πρέπει να διενεργούνται από τα Εξουσιοδοτημένα Κέντρα Σέρβις της Makita, χρησιμοποιώντας πάντα ανταλλακτικά της Makita.
4. Τηρήστε τους τοπικούς κανονισμούς κατά τη διάθεση του εργαλείου.

ΦΥΛΑΞΕΤΕ ΑΥΤΕΣ ΤΙΣ ΟΔΗΓΙΕΣ.

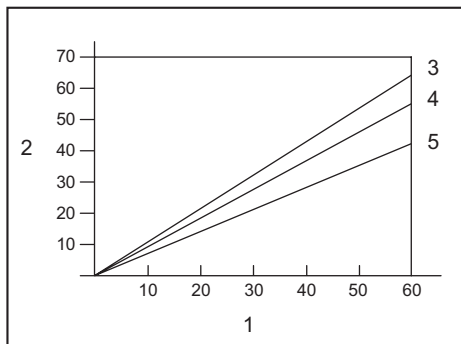
▲ΠΡΟΕΙΔΟΠΟΙΗΣΗ: ΜΗΝ επιτρέψετε στην άνεση ή στην εξοικειωσή σας με το προϊόν (που αποκτήθηκε από επανειλημμένη χρήση) να αντικαταστήσει την αυστηρή τήρηση των κανόνων ασφαλείας του παρόντος εργαλείου. Η ΛΑΝΘΑΣΜΕΝΗ ΧΡΗΣΗ ή η αμέλεια να ακολουθήσετε τους κανόνες ασφαλείας που διατυπώνονται στο παρόν εγχειρίδιο οδηγιών μπορεί να προκαλέσει σοβαρό προσωπικό τραυματισμό.

ΠΕΡΙΓΡΑΦΗ ΕΞΑΡΤΗΜΑΤΩΝ

► **Εικ. 1:** 1. Σκανδάλη 2. Γάντζος 3. Προσαρμογέας ρύγχους (στοιχείο επαφής) 4. Γεμιστήρας

ΤΟΠΟΘΕΤΗΣΗ

Επιλογή συμπιεστή



1. Συχνότητα καρφώματος (φορές/λεπτό) 2. Εξαγωγή αέρα συμπιεστή ανά λεπτό (λίτρο/λεπτό) 3. 0,83 MPa (8,3 bar) 4. 0,74 MPa (7,4 bar) 5. 0,64 MPa (6,4 bar)

Ο συμπιεστής του EN60335-2-34.

Επιλέξτε έναν συμπιεστή που έχει επαρκή πίεση και απόδοση αέρα ώστε να εξασφαλίζει επάρκεια κόστους κατά τη λειτουργία. Η γραφική παράσταση δείχνει τη σχέση μεταξύ συχνότητας καρφώματος, εφαρμόσιμης πίεσης και απόδοσης αέρα συμπιεστή.

Συνεπώς, για παράδειγμα, αν το κάρφωμα λαμβάνει χώρα με ρυθμό περίπου 60 φορές το λεπτό με συμπίεση 0,74 MPa (7,4 bar), απαιτείται συμπίεστης με έξοδο αέρα υψηλότερη των 55 λίτρα/λεπτό.

Οι ρυθμιστές πίεσης πρέπει να χρησιμοποιούνται για να περιορίζουν την πίεση αέρα στην ονομαστική πίεση του εργαλείου όπου η πίεση τροφοδοσίας αέρα υπερβαίνει την ονομαστική πίεση του εργαλείου. Αν δεν τηρηθεί αυτή η οδηγία, μπορεί να προκληθεί σοβαρός τραυματισμός στον χειριστή του εργαλείου ή σε άτομα που βρίσκονται κοντά στην περιοχή εργασίας.

Επιλογή εύκαμπτου σωλήνα αέρα

ΠΡΟΣΟΧΗ: Η χαμηλή έξοδος αέρα του συμπίεστη ή ο εύκαμπτος σωλήνας αέρα με μεγαλύτερο μήκος ή μικρότερη διάμετρο σε σχέση με τη συχνότητα καρφώματος μπορεί να προκαλέσει μείωση της ικανότητας καρφώματος του εργαλείου.

► Εικ.2

Να χρησιμοποιείτε εύκαμπτο σωλήνα αέρα όσο το δυνατόν πιο φαρδύ και όσο το δυνατόν πιο κοντό για να εξασφαλίσετε συνεχή, επαρκή λειτουργία καρφώματος.

Με πίεση αέρα 0,49 MPa (4,9 bar), συνιστάται εύκαμπτος σωλήνας αέρα με εσωτερική διάμετρο μεγαλύτερη από 6,5 χιλιοστά και με μήκος μικρότερο από 20 μέτρα όταν το χρονικό διάστημα μεταξύ κάθε καρφώματος είναι 0,5 δευτερόλεπτο.

Οι εύκαμπτοι σωλήνες αέρα θα πρέπει να έχουν ελάχιστη ονομαστική πίεση εργασίας 1,03 MPa (10,3 bar) ή 150 τοις εκατό της μέγιστης πίεσης που παράγει το σύστημα, όποια τιμή είναι υψηλότερη.

Λίπανση

► Εικ.3

Για να εξασφαλίσετε τη μέγιστη απόδοση, τοποθετήστε ένα σετ αέρα (λιπαντήρας, ρυθμιστής, φίλτρο αέρα) όσο το δυνατόν πιο κοντά στο εργαλείο. Ρυθμίστε το λιπαντήρα έτσι ώστε να παρέχει μία σταγόνα λαδιού κάθε 50 καρφιά.

Όταν δεν χρησιμοποιείται σετ αέρα, να λιπαίνετε το εργαλείο με λάδι πνευματικών εργαλείων τοποθετώντας 2 (δύο) ή 3 (τρεις) σταγόνες στο σύνδεσμο αέρα. Αυτό πρέπει να πραγματοποιείται πριν και μετά από τη χρήση.

Για τη σωστή λίπανση, πρέπει να εκπυρσοκροτείτε το εργαλείο δύο-τρεις φορές μετά από την εισαγωγή του λαδιού πνευματικών εργαλείων.

► **Εικ.4:** 1. Λάδι πνευματικών εργαλείων

ΠΕΡΙΓΡΑΦΗ ΛΕΙΤΟΥΡΓΙΑΣ

ΠΡΟΣΟΧΗ: Να αποσυνδέετε πάντα τον εύκαμπτο σωλήνα πριν ρυθμίσετε ή ελέγχετε τη λειτουργία του εργαλείου.

Ρύθμιση του βάθους καρφώματος

► Εικ.5: 1. Ρυθμιστής

Για να ρυθμίσετε το βάθος καρφώματος, περιστρέψτε το ρυθμιστή.

Το βάθος καρφώματος είναι το μέγιστο όταν ο ρυθμιστής έχει περιστραφεί εντελώς προς την κατεύθυνση Α που απεικονίζεται στην εικόνα. Θα γίνεται μικρότερο καθώς περιστρέφετε το ρυθμιστή στην κατεύθυνση Β.

Αν δεν είναι δυνατό να καρφωθούν τα καρφιά αρκετά βαθιά ακόμη και όταν ο ρυθμιστής έχει περιστραφεί εντελώς προς την κατεύθυνση Α, αυξήστε την πίεση αέρα.

Αν τα καρφιά καρφώνονται πολύ βαθιά ακόμη και όταν ο ρυθμιστής έχει περιστραφεί εντελώς προς την κατεύθυνση Β, μειώστε την πίεση αέρα.

Γενικά, η ωφέλιμη ζωή του εργαλείου θα είναι μεγαλύτερη όταν χρησιμοποιείτε το εργαλείο με χαμηλότερη πίεση αέρα και θέτετε το ρυθμιστή σε μεγαλύτερο βάθος καρφώματος.

Γάντζος

ΠΡΟΣΟΧΗ: Μην κρεμάτε ποτέ το εργαλείο σε υψηλές τοποθεσίες ή σε πιθανώς ασταθείς επιφάνειες.

ΠΡΟΣΟΧΗ: Μην κρεμάτε το γάντζο από τη ζώνη μέσης. Αν ο καρφωτήρας πέσει κατά λάθος, μπορεί να έχει ως αποτέλεσμα τη λανθασμένη πυροδότηση και προσωπικό τραυματισμό.

► Εικ.6

► Εικ.7: 1. Γάντζος

Ο γάντζος χρησιμεύει για το προσωρινό κρέμασμα του εργαλείου.

Φυσητήρας σκόνης

ΠΡΟΣΟΧΗ: Μη στρέψετε τη θύρα εκκένωσης του φυσητήρα σκόνης προς το μέρος άλλων ατόμων. Επίσης, κρατάτε τα χέρια και τα πόδια σας μακριά από τη θύρα εκκένωσης. Αν το κουμπί φυσητήρα σκόνης πατηθεί κατά λάθος, μπορεί να προκληθεί τραυματισμός.

ΠΡΟΣΟΧΗ: Ελέγχετε πάντοτε το γύρω χώρο προτού χρησιμοποιήσετε το φυσητήρα σκόνης. Η μετακινούμενη σκόνη ή τα μετακινούμενα αντικείμενα μπορεί να χτυπήσουν κάποιον.

ΠΡΟΣΟΧΗ: Μην συνδέετε ή αποσυνδέετε τον εύκαμπτο σωλήνα αέρα κατά το πάτημα του κουμπιού φυσητήρα σκόνης.

Ο αέρας που παρέχεται στο εργαλείο μπορεί επίσης να χρησιμοποιηθεί για το φυσητήρα σκόνης. Μπορείτε να καθαρίσετε την περιοχή εργασίας πατώντας το κουμπί στο άκρο της λαβής.

► **Εικ.8:** 1. Κουμπί

ΕΙΔΟΠΟΙΗΣΗ: Μετά τη χρήση του φυσητήρα σκόνης, η ισχύς βιδώματος του εργαλείου μπορεί προσωρινά να μειωθεί. Σε αυτήν την περίπτωση, περιμένετε μέχρι να αποκατασταθεί η πίεση αέρα.

ΕΙΔΟΠΟΙΗΣΗ: Προβείτε σε μια δοκιμαστική ριπή αέρα, αν πρόκειται να χρησιμοποιήσετε το φυσητήρα σκόνης αμέσως μετά την έγχυση λαδιού. Μαζί με τον αέρα μπορεί να ψεκαστεί και λάδι.

ΣΥΝΑΡΜΟΛΟΓΗΣΗ

▲ΠΡΟΣΟΧΗ: Να αποσυνδέετε πάντα τον εύκαμπτο σωλήνα πριν εκτελέσετε οποιαδήποτε εργασία στο εργαλείο.

Γέμισμα με καρφιά

▲ΠΡΟΣΟΧΗ: Όταν φορτώνετε καρφιά στο γεμιστήρα, να φορτώνετε καρφιά του ίδιου είδους και μεγέθους αλλά και καρφιά με μοιόμορφο μήκος.

1. Για να ανοίξετε τον γεμιστήρα, τραβήξτε την κυλιόμενη θύρα ενώ πιέζετε κάτω το μοχλό.

► **Εικ.9:** 1. Μοχλός 2. Κυλιόμενη θύρα

2. Ευθυγραμμίστε τη μύτη των καρφίων με την εγκοπή του γεμιστήρα και στρώξτε τα καρφιά προς το σπή εκπυροσκοκρότησης.

► **Εικ.10:** 1. Καρφί 2. Εγκοπή 3. Οπή εκπυροσκοκρότησης

3. Κλείστε την κυλιόμενη θύρα μέχρι να ασφαλίσει.

▲ΠΡΟΣΟΧΗ: Μην αφήνετε το δάχτυλό σας στο διάδρομο της κυλιόμενης θύρας. Το δάχτυλό σας μπορεί να πιαστεί στην κυλιόμενη θύρα.

▲ΠΡΟΣΟΧΗ: Όταν δεν χρησιμοποιείται, αφαιρέστε όλα τα καρφιά από το γεμιστήρα και κλείστε την κυλιόμενη θύρα.

Προσαρμογέας ρύγχους

Για να μη γρατσουνιστεί και για μην προκληθεί ζημιά στην επιφάνεια του τεμαχίου εργασίας, να χρησιμοποιείτε τον προσαρμογέα ρύγχους.

► **Εικ.11:** 1. Προσαρμογέας ρύγχους 2. Στοιχείο επαφής

Ο εφεδρικός προσαρμογέας ρύγχους αποθηκεύεται στο σημείο που υποδεικνύεται στην εικόνα.

► **Εικ.12:** 1. Εφεδρικός προσαρμογέας ρύγχους

Σύνδεση εύκαμπτου σωλήνα αέρα

▲ΠΡΟΣΟΧΗ: Μην ακουμπάτε το δάχτυλό σας στη σκανδάλη όταν συνδέετε τον εύκαμπτο σωλήνα αέρα.

► **Εικ.13:** 1. Σύνδεσμος αέρα 2. Υποδοχή αέρα

Σύρετε την υποδοχή αέρα του εύκαμπτου σωλήνα αέρα στο σύνδεσμο αέρα στο εργαλείο. Βεβαιωθείτε ότι η υποδοχή αέρα κλειδώνει σταθερά στη θέση της όταν

την τοποθετείτε στο σύνδεσμο αέρα.

Πρέπει να τοποθετηθεί σύζευξη εύκαμπτων σωλήνων επάνω ή κοντά στο εργαλείο με τρόπο ώστε να εκτονώνεται το δοχείο πίεσης τη στιγμή που αποσυνδεθεί η σύζευξη παροχής αέρα.

ΛΕΙΤΟΥΡΓΙΑ

▲ΠΡΟΣΟΧΗ: Να βεβαιώνεστε ότι όλα τα συστήματα ασφάλειας βρίσκονται σε καλή κατάσταση πριν από τη λειτουργία.

Ελέγξτε τη σωστή δράση πριν τη λειτουργία

Πριν τη λειτουργία, να ελέγχετε πάντα τα ακόλουθα σημεία.

- Βεβαιωθείτε ότι το εργαλείο δεν λειτουργεί μόνο με τη σύνδεση του εύκαμπτου σωλήνα αέρα.
- Βεβαιωθείτε ότι το εργαλείο δεν λειτουργεί μόνο με το τράβηγμα της σκανδάλης.
- Βεβαιωθείτε ότι το εργαλείο δεν λειτουργεί μόνο με την τοποθέτηση του στοιχείου επαφής επάνω στο τεμάχιο εργασίας χωρίς το τράβηγμα της σκανδάλης.

Κάρφωμα καρφίων

Για να καρφώσετε ένα καρφί, τοποθετήστε το στοιχείο επαφής επάνω στο τεμάχιο εργασίας και τραβήξτε τη σκανδάλη.

► **Εικ.14**

▲ΠΡΟΣΟΧΗ: ΜΕ ΤΗ ΣΚΑΝΔΑΛΗ ΚΡΑΤΗΜΕΝΗ ΣΕ ΜΙΣΟΠΙΕΣΜΕΝΗ ΘΕΣΗ, μπορεί να προκύψει ξαφνικό κάρφωμα, σε περίπτωση που το στοιχείο επαφής αφαιρεθεί να έρθει ξανά σε επαφή με το τεμάχιο εργασίας ή με κάποια άλλη επιφάνεια υπό την επίδραση της οπισθοδρόμησης.

Για να αποφεύγετε αυτό το ξαφνικό κάρφωμα, να πραγματοποιείτε τα εξής:

- Μην τοποθετείτε το στοιχείο επαφής επάνω στο τεμάχιο εργασίας με υπερβολική δύναμη.
- Τραβήξτε τη σκανδάλη πλήρως και κρατήστε τη για 1-2 δευτερόλεπτα μετά από το κάρφωμα.

Αφαίρεση μπλοκαρισμένων καρφίων

▲ΠΡΟΕΙΔΟΠΟΙΗΣΗ: Να αποσυνδέετε πάντα τον εύκαμπτο σωλήνα πριν αφαιρείτε τα καρφιά.

▲ΠΡΟΣΟΧΗ: Μη χρησιμοποιείτε παραμορφωμένα καρφιά ή παραμορφωμένη σειρά καρφίων. Αν κάνετε κάτι τέτοιο θα προκληθεί ανεπαρκής τροφοδοσία καρφίων.

1. Ανοίξτε την κυλιόμενη θύρα και αφαιρέστε τα καρφιά από το γεμιστήρα.

► **Εικ.15**

2. Με την κυλιόμενη θύρα ανοιχτή, τραβήξτε το μάνδαλο για να ανοίξετε τη θύρα και μετά αφαιρέστε τα καρφιά.

► **Εικ.16:** 1. Μάνδαλο 2. Θύρα

ΣΥΝΤΗΡΗΣΗ

ΠΡΟΣΟΧΗ: Να αποσυνδέετε πάντα τον εύκαμπτο σωλήνα πριν επιχειρήσετε να εκτελέσετε έλεγχο ή συντήρηση.

ΕΙΔΟΠΟΙΗΣΗ: Μην χρησιμοποιείτε ποτέ βενζίνη, πετρελαϊκό αιθέρα, διαλυτικό, αλκοόλη ή παρόμοιες ουσίες. Μπορεί να προκληθεί αποχρωματισμός, παραμόρφωση ή ρωγμές.

Καρφιά

Να χειρίζεστε τις σειρές καρφιών και το κουτί τους προσεκτικά. Αν ο χειρισμός των σειρών καρφιών γίνει με ακατάλληλο τρόπο, μπορεί να χάσουν το σχήμα τους, με αποτέλεσμα την ανεπαρκή τροφοδοσία καρφιών. Αποφύγετε να αποθηκεύετε καρφιά σε μέρη με πολύ υγρασία ή υψηλή θερμοκρασία ή σε μέρη που είναι εκτεθειμένα σε άμεση ηλιοβολή.

Συντήρηση του καρφωτικού

Πριν από τη λειτουργία, να ελέγχετε πάντα τη γενική κατάσταση του εργαλείου, αλλά και αν οι βίδες είναι χαλαρές. Σφίξτε όπως απαιτείται.

Με το εργαλείο αποσυνδεδεμένο, πραγματοποιήστε καθημερινό έλεγχο για να επιβεβαιώσετε ότι το στοιχείο επαφής και η σκανδάλη κινούνται ελεύθερα. Μη χρησιμοποιείτε το εργαλείο αν κολλάει ή εμπλέκεται το στοιχείο επαφής ή η σκανδάλη.

Όταν το εργαλείο δεν πρόκειται να χρησιμοποιηθεί για μεγάλο χρονικό διάστημα, λιπάνετε το εργαλείο χρησιμοποιώντας λάδι πνευματικών εργαλείων και αποθηκεύστε το εργαλείο σε ασφαλές μέρος. Να αποφεύετε την έκθεση στην άμεση ηλιοβολή ή/και σε περιβάλλον με υγρασία ή ζεστή.

► **Εικ.17**

Συντήρηση του συμπιεστή, του σετ αέρα και του εύκαμπτου σωλήνα αέρα

Μετά από τη λειτουργία, να αποστραγγίζετε πάντα τη δεξαμενή συμπιεστή και το φίλτρο αέρα. Αν εισέλθει υγρασία στο εργαλείο, μπορεί να έχει ως αποτέλεσμα ανεπαρκή απόδοση και πιθανή βλάβη του εργαλείου.

► **Εικ.18:** 1. Στρώφιγγα αποστράγγισης

► **Εικ.19:** 1. Φίλτρο αέρα

Να ελέγχετε τακτικά ώστε να δείτε αν υπάρχει αρκετό πνευματικό λάδι στο λιπαντήρα του σετ αέρα. Αν δεν διατηρείτε επαρκή λίπανση, θα προκληθεί η πρόωρη φθορά των στρογγυλών δακτυλίων.

► **Εικ.20:** 1. Λιπαντήρας 2. Λάδι πνευματικών εργαλείων

Να διατηρείτε τον εύκαμπτο σωλήνα αέρα μακριά από τη θερμότητα (θερμοκρασία υψηλότερη από 60°C) και μακριά από χημικές ουσίες (διαλύτες, ισχυρά οξέα ή ισχυρά αλκάλια). Επίσης, δρομολογήστε τον εύκαμπτο σωλήνα μακριά από εμπόδια στα οποία θα μπορούσε να εμπλακεί επικίνδυνα κατά τη λειτουργία. Οι εύκαμπτοι σωλήνες πρέπει να δρομολογούνται μακριά από αιχμηρά ρύγχη και περιοχές που μπορεί να οδηγήσουν σε βλάβη ή τρίψιμο του εύκαμπτου σωλήνα.

Για τη διατήρηση της ΑΣΦΑΛΕΙΑΣ και ΑΞΙΟΠΙΣΤΙΑΣ του προϊόντος, οι επισκευές και οποιαδήποτε άλλη εργασία συντήρησης ή ρύθμισης πρέπει να εκτελούνται από εξουσιοδοτημένα ή εργοστασιακά κέντρα εξυπηρέτησης της Makita, χρησιμοποιώντας πάντοτε ανταλλακτικά της Makita.

ΠΡΟΑΙΡΕΤΙΚΑ ΕΞΑΡΤΗΜΑΤΑ

ΠΡΟΣΟΧΗ: Αυτά τα εξαρτήματα ή προσαρτήματα συνιστώνται για χρήση με το εργαλείο Makita που περιγράφηκε στις οδηγίες αυτές. Η χρήση οποιωνδήποτε άλλων εξαρτημάτων ή προσαρτημάτων μπορεί να προκαλέσει κίνδυνο τραυματισμού σε άτομα. Να χρησιμοποιείτε τα εξαρτήματα ή προσαρτήματα μόνο για την χρήση που προορίζονται.

Εάν χρειάζεστε οποιαδήποτε βοήθεια για περισσότερες πληροφορίες σε σχέση με αυτά τα εξαρτήματα, απαντήστε στο τοπικό σας κέντρο εξυπηρέτησης Makita.

- Καρφιά
- Εύκαμπτος σωλήνας αέρα
- Γυαλιά ασφαλείας

ΠΑΡΑΤΗΡΗΣΗ: Μερικά στοιχεία στη λίστα μπορεί να συμπεριλαμβάνονται στη συσκευασία εργαλείου ως στάνταρ εξαρτήματα. Μπορεί να διαφέρουν ανάλογα με τη χώρα.

TEKNİK ÖZELLİKLER

Model:	AF506
Hava basıncı	0,49 - 0,83 MPa (4,9 - 8,3 bar)
Çivi ölçüsü	18 Ga.
Çivi uzunluğu	15 mm - 50 mm
Çivi kapasitesi	100 adet
Minimum hortum çapı	6,5 mm
Pnömatik alet yağı	ISO VG32 veya eşdeğeri
Ebat (U x G x Y)	250 mm x 70 mm x 256 mm
Net ağırlık	1,3 kg

- Sürekli yapılan araştırma ve geliştirmelerden dolayı, burada belirtilen özellikler önceden bildirilmeksizin değiştirilebilir.
- Özellikler ülkeden ülkeye değişebilir.

Semboller

Aşağıdakiler makineniz için kullanılan sembolleri göstermektedir. Kullanmadan önce manalarını anladığınızdan emin olunuz.



Kullanma kılavuzunu okuyun.



Güvenlik gözlüğü takın.



Kulak koruyucuları takın.



İskelelerde, merdivenlerde kullanmayın.

Kullanım amacı

Bu aletin, iç mekanlardaki işlerde ve mobilya işlerinde sıkma işlemleri için kullanılması amaçlanmıştır. Alet, yalnızca yüksek hacimli profesyonel uygulamaya içindir. Başka amaçlarla kullanmayın. Tespit elemanlarını çelik veya beton gibi sert yüzeylere çakmak için tasarlanmamıştır.

Gürültü

Tipik A-ağırlıklı gürültü düzeyi (ISO11148-13/EN12549) standardına göre belirlenen):
Ses basınç seviyesi (L_{pA}): 99 dB (A)
Ses gücü düzeyi (L_{WA}): 109 dB (A)
Belirsizlik (K): 1,5 dB (A)

NOT: Beyan edilen gürültü emisyonu değer(ler)i bir standart test yöntemine uygun şekilde ölçülmüştür ve bir aleti bir başkasıyla karşılaştırmak için kullanılabilir.

NOT: Beyan edilen gürültü emisyonu değer(ler)i bir ön maruz kalma değerlendirmesi olarak da kullanılabilir.

UYARI: Kulak koruyucuları takın.

UYARI: Elektrikli aletin gerçek kullanımı sırasındaki gürültü emisyonu, aletin kullanım biçimlerine, özellikle işlenen iş parçasının türüne bağlı olarak beyan edilen değer(ler)den farklı olabilir.

UYARI: Gerçek kullanım koşullarındaki tahmini maruziyeti baz alan, operatörü koruyacak güvenlik önlemlerini mutlaka belirleyin (çalışma döngüsü içerisinde aletin kapalı olduğu ve aktif durumda olmasının yanı sıra boşta çalıştığı zamanlar gibi, bütün zaman dilimleri göz önünde bulundurarak).

Titreşim

ISO11148-13(ISO8662-11) uyarınca hesaplanan titreşim toplam değeri:
Titreşim emisyonu (a_{h1}): 7,6 m/s²
Belirsizlik (K) : 1,5 m/s²

NOT: Beyan edilen titreşim toplam değer(ler)i bir standart test yöntemine uygun şekilde ölçülmüştür ve bir aleti bir başkasıyla karşılaştırmak için kullanılabilir.

NOT: Beyan edilen titreşim toplam değer(ler)i bir ön maruz kalma değerlendirmesi olarak da kullanılabilir.

UYARI: Elektrikli aletin gerçek kullanımı sırasındaki titreşim emisyonu, aletin kullanım biçimlerine, özellikle işlenen iş parçasının türüne bağlı olarak beyan edilen değer(ler)den farklı olabilir.

UYARI: Gerçek kullanım koşullarındaki tahmini maruziyeti baz alan, operatörü koruyacak güvenlik önlemlerini mutlaka belirleyin (çalışma döngüsü içerisinde aletin kapalı olduğu ve aktif durumda olmasının yanı sıra boşta çalıştığı zamanlar gibi, bütün zaman dilimleri göz önünde bulundurarak).

EC Uygunluk Beyanı

Sadece Avrupa ülkeleri için

EC uygunluk beyanı bu kullanım kılavuzuna Ek A olarak eklenmiştir.

GÜVENLİK UYARILARI

Pnömatik çivi/zımba tabancası güvenlik uyarıları

⚠UYARI: Tüm güvenlik uyarılarını ve tüm talimatları okuyun. Uyarı ve talimatlara uyulmaması ciddi yaralanmalara, elektrik çarpması ve/veya yanığa neden olabilir.

Tüm uyarıları ve talimatları ile-ride başvurmak için saklayın.

Kişisel güvenliğin ve aletin doğru çalıştırılması ve bakımı için, aleti kullanmadan önce bu kullanım kılavuzunu okuyun.

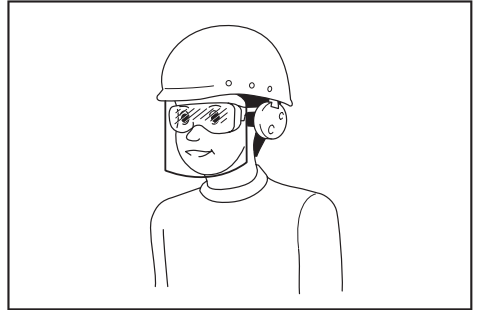
Genel güvenlik

1. Bu aletin kullanım amacı dışındaki işler için kullanılması yasaktır. Sürekli temasla etkinleştirme ya da temasla etkinleştirme moduyla kullanılabilen tespit elemanı vidalama aletleri sadece üretim uygulamasında kullanılmalıdır.
2. Aleti kullanmadığımız zaman ve bir çalışma alanından başka bir alana geçerken parmaklarınızı tetikten uzak tutun.
3. Çeşitli tehlikeler. Aletin bağlantısını yapmadan ya da bağlantısını kesmeden, yüklemeyen, çalıştırmadan, bakım yapmadan ya da aksesuarlarını değiştirmeden ve alet yakınında çalışmadan önce güvenlik talimatlarını okuyup anlamalısınız. Bunun yapılmaması ciddi fiziksel yaralanmalara neden olabilir.
4. Eller ve ayaklar gibi tüm organları aletin atış yönünden uzak tutun ve tespit elemanının iş parçasını bedenın kısımlarına girmesine neden olmadığından emin olun.
5. Aleti kullanırken, tespit elemanı sekebilir ve yaralanmaya sebep olabilir.
6. Aleti sıkıca kavrayın ve geri tepmeye karşı hazırlıklı olun.
7. Tespit elemanı vidalama aletini sadece teknik yeteneğe sahip operatör kullanmalıdır.
8. Tespit elemanı vidalama aletinde değişiklik yapmayın. Değişiklik yapmak güvenlik tedbirlerinin etkinliğini azaltabilir ve operatör ve/veya yakındakiler için riskleri artırabilir.
9. Kullanım kılavuzunu atmayın.
10. Alet hasarlı ise aleti kullanmayın.
11. Tespit elemanlarını tutarken, özellikle de yükleme ve boşaltma sırasında, dikkatli olun, çünkü tespit elemanlarında yaralanmaya sebep olabilecek keskin noktalar bulunur.
12. Kullanmadan önce aleti kırık, yanlış bağlanmış ya da aşınmış parçalara karşı daima kontrol edin.

13. Fazla ileriye uzanmaya çalışmayın. Sadece güvenli çalışma alanlarında kullanın. Her zaman yere sağlam basın ve dengeyi koruyun.
14. Civardaki kişileri uzağımızda tutun (insanların gelip geçme ihtimalinin yüksek olduğu yerlerde çalışırken). Çalışma alanınızı net bir şekilde işaretleyin.
15. Aleti asla kendinize ya da başkalarına doğrultmayın.
16. Aleti tutarken, çalışma alanı ya da konum değiştirirken veya yürürken parmağınızı tetiğin üstünde tutmayın; çünkü parmağın tetik üzerinde tutulması istenmeyen çalışmaya neden olabilir. Etkinleştirme modu seçilebilir olan aletlerde, doğru modun seçili olduğundan emin olmak için kullanmadan önce daima aleti kontrol edin.
17. Sadece, tetiği ve diğer ayar cihazlarını yeterli bir şekilde hissedip güvenli bir şekilde kullanmanızı sağlayacak türde eldivenler kullanın.
18. Aleti bırakırken düz bir yüzeye yerleştirin. Aletle birlikte sağlanan kancayı kullanıyorsanız aleti sağlam bir şekilde düz bir yere kancayla asın.
19. Alkollüken, uyuşturucu ya da benzeri bir maddenin etkisindeyken çalışmayın.

Fırlama ile ilişkili tehlikeler

1. Tespit elemanları boşaltılırken, ayarlama yapılırken, sıkışıklıklar giderilirken veya aksesuarlar değiştirilirken, tespit elemanı vidalama aletinin bağlantısı kesilmelidir.
2. Çalışma sırasında, tespit elemanlarının malzeme doğru bir şekilde girdiğinden ve sekerek/yanlış ateşlenerek kullanıcıya ve/veya civardakilere yönelmeyeceğinden emin olun.
3. Çalışma sırasında, iş parçasından ve tespit elemanı/istifleme sisteminden çıkan birikintiler boşaltılabilir.
4. Elektrikli aletleri kullanırken gözlerinizi korumak için daima koruyucu gözlük kullanın. Gözlüklerin ABD'de ANSI Z87.1 ile, Avrupa'da EN 166 ile ya da Avustralya/Yeni Zelanda'da AS/NZS 1336 ile uyumlu olması gereklidir. Avustralya/Yeni Zelanda'da, yüzünüzü korumaya için yüz koruyucu maske kullanılması da yasal olarak gereklidir.



Alet operatörlerinin ve çalışma alanının yakınında çalışan diğer kişilerin uygun koruyucu güvenlik ekipmanlarını kullanmasını sağlanması, işverenin yükümlülüğündedir.

5. Diğer kişilere gelebilecek riskler operatör tarafından değerlendirilmelidir.

6. İş parçasıyla temas halinde olmayan aletleri kullanırken dikkatli olun, zira bu aletler istenmeyen bir şekilde ateşlenebilir ve operatörün ve/veya civardakilerin yaralanmasına sebep olabilir.
7. Aletin daima güvenli bir şekilde iş parçasına kenetlendiğinden ve kaymadığından emin olun.
8. Kulaklarınızı çıkan gürültüye karşı korumak için koruyucu kulaklık ve baret kullanın. Ayrıca hafif, ancak bol olmayan kıyafetler giyin. Kıyafetlerin kolları düğmeli olmalı veya yukarı kıvrılmalıdır. Kravat takılmamalıdır.

Çalışma sırasında oluşabilecek tehlikeler

1. Aleti doğru bir şekilde tutun, normal ve ani hareketlere (örn. geri tepme) karşı koymaya hazırlıklı olun.
2. Vücudunuzu dengeli bir konumda tutun ve ayağınızı yere sağlam basın.
3. Uygun emniyet gözlükleri kullanılmalıdır, uygun eldivenler ve koruyucu giysi kullanılması tavsiye edilir.
4. Uygun işitme koruması kullanılmalıdır.
5. Kullanma kılavuzunda belirtildiği gibi doğru bir enerji kaynağı kullanın.
6. Aleti hareketli platformlarda veya kamyonların arkasında kullanmayın. Ani platform hareketi aletin kontrolünün kaybedilmesine ve yaralanmaya neden olabilir.
7. Aletin her zaman bağlantı elemanı dolu olduğunu varsayın.
8. Çalışırken acele etmeyin ve aleti zorlamayın. Aleti dikkatli bir şekilde tutun.
9. Çalışırken yere sağlam basın ve aleti kullanırken dengenizi koruyun. Yüksek yerlerde çalışırken çalışılan seviyenin altında kimsenin olmadığından emin olun ve ani sıçrama veya takılma olasılığı varsa tehlikeyi önlemek için hava hortumunu sabitleyin.
10. Çatıda ve benzeri yüksek yerlerde çalışırken bağlantı elemanı vidalama işlemini ilerlediğiniz yönde gerçekleştirin. Bağlantı elemanı vidalama işlemini geriye doğru hareket ederken uygulamanız durumunda dengenizi kolayca kaybedebilirsiniz. Düşey yüzeylere bağlantı elemanı vidalarken, üst taraftan başlayarak alt tarafa doğru ilerleyin. Bu şekilde vidalama işlemini daha az yorularak gerçekleştirebilirsiniz.
11. Yanlıklıkla mevcut bir bağlantı elemanın üzerine vidalarsanız veya ahşap içerisinde bir budaya denk gelerseniz, bağlantı elemanı eğilebilir veya alette sıkışma oluşabilir. Bağlantı elemanı fırlatabilir ve birisine isabet edebilir veya aletin kendisi tehlikeli bir şekilde geri tepebilir. Bağlantı elemanlarını dikkatli bir şekilde yerleştirin.
12. Yüklü aleti ya da basınç altındaki hava kompresörünü güneşin altında uzun süre bırakmayın. Biraktığınız yerde aletin içine toz, kum, yonga ve yabancı maddeler girmeyeceğinden emin olun.
13. Aynı anda hem iç hem dış taraftan bağlantı elemanı vidalamaya çalışmayın. Bağlantı elemanları karşı tarafa geçerek ve/veya sıçrayarak ciddi tehlike oluşturabilir.

Yinelenen hareketler ile ilgili tehlikeler

1. Bir alet uzun bir dönem boyunca kullanıldığında operatör ellerinde, kollarında, omuzlarında, boynunda ya da vücudunun diğer bölümlerinde rahatsızlık hissedebilir.
2. Bir aleti kullanırken, operatör uygun ama ergonomik bir duruş seçmelidir. Ayaklarını yere sağlam basın ve tuhaf veya dengeşiz duruşlardan kaçının.
3. Operatör sürekli ya da tekrarlayan rahatsızlık, ağrı, çarpıntı, acı, karıncalanma, uyuşma, yanma hissi veya sertleşme gibi belirtiler yaşarsa bu uyarı sinyallerini göz ardı etmemelidir. Operatör, genel faaliyetleri ile ilgili olarak netlikli bir sağlık profesyoneline danışmalıdır.
4. Aletin sürekli kullanılması aletin oluşturduğu geri tepme nedeniyle tekrarlayıcı gerilerek zorlama yaralanmasına neden olabilir.
5. Tekrarlayan gerilme yaralanmasını engellemek için operatör iliye uzunlamasına veya aşırı güç kullanmamalıdır. İlaveten operatör kendini yorgun hissettiğinde dinlenmelidir.
6. Tekrarlayan hareket tehlikelerine yönelik bir risk değerlendirmesi yapın. Bu değerlendirme kas-iskelet sistemi hastalıklarına odaklanmalı ve tercihen, çalışma sırasında yorgunluğu azaltılmasının hastalıkları azaltmada etkili olduğu varsayımını baz almalıdır.

Aksesuar ve sarf malzemeleriyle ilgili tehlikeler

1. İş parçasının temas ettiği aksesuarların değiştirilmesi ya da ayarlamalar yapılması gibi işlemlerden önce hava, gaz veya batarya gibi, geçerli olan enerji kaynağının alete bağlantısını kesin.
2. Daima sadece üretici tarafından temin edilen boyut ve türdeki aksesuarları kullanın.
3. Sadece bu kılavuzda belirtilen yağları kullanın.

Çalışma yeri ile ilişkili tehlikeler

1. Kayma, takılma ve düşmeler iş yeri yaralanmalarının önde gelen sebeplerindedir. Aletin kullanılmasından dolayı kayganlaşan yüzeylere ve hava hattı hortumuna takılma nedeniyle oluşabilecek tehlikelere karşı dikkatli olun.
2. Alishmadığınız ortamlarda çalışırken ekstra dikkatli olun. Elektrik ya da diğer tesisat hatları gibi gizli tehlikeler mevcut olabilir.
3. Bu alet potansiyel olarak patlayıcı atmosferlerde kullanım için tasarlanmamıştır ve elektrik hatlarıyla temasa karşı yalıtıma sahip değildir.
4. Aletin kullanımı nedeniyle hasar görebilen tehlikeye neden olabilecek elektrik kabloları, gaz boruları vb. olmadığından emin olun.
5. Çalışma alanını temiz tutun ve iyi aydınlatın. Karmakarışık veya karanlık alanlar kazalara davetmeye çıkarır.
6. Gürültü seviyelerinin belirli sınırlar dahilinde tutulmasını gerektiren yerel yönetmelikler mevcut olabilir. Belirli durumlarda gürültünün absorbe edilmesi için gürültü önleyici muhafazalar kullanılmalıdır.

Toz ve çıkan gazlarla ilgili tehlikeler

1. Etrafınızdakileri daima kontrol edin. Aletten çıkan hava, toz ve nesnelere içerebilir ve bunlar operatöre ve/veya civardakilere etki edebilir.
2. Egzozu, toz dolu bir ortamda toz müdahalesini en aza indirecek şekilde yönlendirin.

3. Çalışma alanına toz veya cisimler yayılıyorsa sağlık tehlikelerini ve yaralanma riskini azaltmak için yayılımı mümkün olduğunca azaltın.

Gürültü ile ilgili tehlikeler

1. Yüksek gürültü seviyelerine hiçbir koruyucu ekipman olmadan maruz kalmak kalıcı, sakat bırakıcı, işitme kayıplarına ve kulak çınlaması (kulaklarda çınlama, vızıldama, ısıklı sesi, uğuldama) gibi başka problemlere neden olabilir.
2. Çalışma alanındaki gürültü tehlikelerine yönelik bir risk değerlendirmesi yapın ve bu tehlikeler için uygun kontrolleri uygulayın.
3. Bu riski azaltmaya yönelik uygun önlemler arasında iş parçalarının "çınlamasını" önlemek için tampon malzemeler kullanılması gibi eylemler de sayılabilir.
4. Uygun bir işitme koruması kullanın.
5. Gürültü seviyesinin gereksiz yere artmasını önlemek için aleti bu talimatlarda tavsiye edilen şekilde kullanın ve aletin bakımını yapın.
6. İş parçalarını ses sönmüleyici desteklerin üzerine koymak gibi gürültü azaltma önlemleri alın.

Titreşim ile ilgili tehlikeler

1. Çalışma sırasında titreşim emisyonu, kavrama gücü, temas basıncının gücü, çalışma yönü, enerji kaynağının ayarları, iş parçası ve iş parçası desteğine bağlıdır. Titreşim tehlikelerine yönelik bir risk değerlendirmesi yapın ve bu tehlikeler için uygun kontrolleri uygulayın.
2. Titreşime maruziyet sınırlarında ve el ve kolların kan akışında vazifeden alıkoyan hasara neden olabilir.
3. Soğuk koşullarda çalışırken ılık tutacak giysiler giyin, ellerinizi sıcak ve kuru tutun.
4. Uyuşma, karıncalanma, ağrı, parmaklarda veya ellerde ciltte beyazlaşma görülmesi gibi belirtiler yaşarsanız, genel faaliyetlerle ilgili olarak hemen nitelikli bir sağlık profesyonelinden tıbbi tavsiye alın.
5. Titreşim seviyesinin gereksiz yere artmasını önlemek için aleti bu talimatlarda tavsiye edilen şekilde kullanın ve aletin bakımını yapın.
6. Aleti hafif ama sağlam bir şekilde tutun; çünkü kavrama gücü çok yüksek olduğunda oluşabilecek titreşim riski de daha yüksek olur.

Havali aletler için ek uyarılar

1. Basıncılı hava ciddi yaralanmalara sebep olabilir.
2. Kullanılmadığı zaman daima hava desteğini kapatın ve aletin hava tedarik bağlantısını kesin.
3. Aksesuarları değiştirmeden, ayarlama ve/veya tamir işlemleri yapmadan, bir çalışma alanından bir başkasına geçmeden önce daima aletin basınçlı hava tedariki ile olan bağlantısını kesin.
4. Aleti kullanmadığınız zaman ve bir çalışma alanından başka bir alana geçerken parmaklarınızı tetikten uzak tutun.
5. Basıncılı havayı asla kendinize ya da başkalarına doğrultmayın.

6. Basınçtan dolayı hareket eden hortumlar ciddi yaralanmalara sebep olabilir. Hortum ve tertibatı hasar ya da gevşeme olup olmadığını daima kontrol edin.
7. Havali aletleri asla hortumundan tutarak taşımayın.
8. Havali aletleri asla hortumundan tutarak sürüklemeyin.
9. Havali aletleri kullanırken maksimum çalışma basıncının maksimum değerini aşmayın.
10. Havali aletler, gürültü ve titreşimi azaltmak ve aşınmayı minimuma indirmek için, sadece iş süreci için gereken en düşük basınçtaki basınçlı hava ile çalıştırılmalıdır.
11. Havali aletleri çalıştırmak için oksijen veya yanıcı gazlar kullanmak yangın ve patlama tehlikesine yol açar.
12. Havali aletleri kullanırken alet soğuyabileceği ve bu durum kavrama ve kontrolü etkileyebileceği için dikkatli olun.

Güvenlik aygıtları

1. Çalışmaya başlamadan önce tüm güvenlik sistemlerinin çalışır durumda olduğundan emin olun. Alet yalnızca anahtar tetik çekilerek veya yalnızca temas kolu ahşap malzemeye dayanılarak çalıştırılmamalıdır. Aleti çalıştırmak için iki işlem aynı anda uygulanmalıdır. Aletin doğru şekilde çalışıp çalışmadığını bağlantı elemanları tamamen boşaltılmış ve itici tam çekilmiş konumdayken test edin.
2. Tetiğin AÇIK konuma sabitlemesi de oldukça tehlikelidir. Tetiği asla sabitlemeye çalışmayın.
3. Bant veya tel kullanılarak temas elemanını veya diğer güvenlik aygıtlarını basılı durumda sabitlemeye çalışmayın. Ölüm veya ciddi yaralanma meydana gelebilir.

Servis

1. Temizleme ve bakım işlemlerini alet ile çalışmanız bittikten hemen sonra gerçekleştirin. Aleti daima en iyi durumda tutun. Paslanmayı önlemek ve sürtünmeye bağlı aşınmayı minimum seviyeye düşürmek için hareketli parçaları yağlayın. Parçalardaki tüm tozu temizleyin.
2. Aletin periyodik kontrolü için Makita yetkili servis merkezinden yardım isteyin.
3. Ürünün EMNİYET ve GÜVENİLİRLİĞİNİ muhafaza etmek için bakım ve tamir işlemleri daima Makita yedek parçaları kullanılarak Makita yetkili servis merkezleri tarafından yapılmalıdır.
4. Aleti elden çıkarırken yerel düzenlemelere uyunuz.

BU TALİMATLARI MUHAFAZA EDİNİZ.

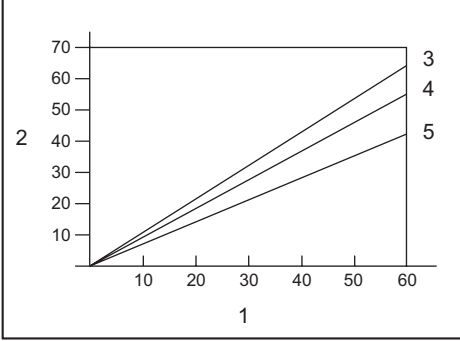
UYARI: Ürünü kullanırken (defalarca kullanınca kazanılan) rahatlık ve tanıdıklık duygusunun ilgili ürünün güvenlik kurallarına sıkı sıkıya bağlı kalmanın yerine geçmesini İZİN VERMEYİN. YANLIŞ KULLANIM veya bu kullanma kılavuzunda belirtilen emniyet kurallarına uymama ciddi yaralanmaya neden olabilir.

PARÇALARIN TANIMI

- **Şek.1:** 1. Tetik 2. Kanca 3. Burun adaptörü (temas elemanı) 4. Hazne

KURULUM

Kompresör seçimi



1. Çivileme sıklığı (kere/dakika) 2. Dakikada kompresör hava çıkışı (L/dak) 3. 0,83 MPa (8,3 bar) 4. 0,74 MPa (7,4 bar) 5. 0,64 MPa (6,4 bar)

Hava kompresörü EN60335-2-34 gereklerine uygun olmalıdır.

Çalışma maliyetinin düşük olmasını sağlamak için basıncı ve hava çıkışı yüksek bir kompresör seçin. Grafik; çivileme sıklığı, uygulanabilir basınç ve kompresör hava çıkışı arasındaki ilişkiyi göstermektedir. Yani, örneğin çivileme 0,74 MPa (7,4 bar) basınçta dakikada yaklaşık 60 kere hızıyla yapılırsa, 55 litre/dk hava çıkışlı bir kompresör gereklidir.

Hava kaynağı basıncının aletin nominal basıncından fazla olduğu durumlarda hava basıncını aletin nominal basıncıyla sınırlamak için basınç regülatörleri kullanılmalıdır. Bunun yapılmaması alet operatörünün veya çevredeki kişilerin ciddi şekilde yaralanmasıyla sonuçlanabilir.

Hava hortumu seçimi

▲DİKKAT: Çivileme sıklığına göre kompresörün düşük hava çıkışı veya hava hortumu çapının küçüklüğü aletin çivileme yeteneğinin azalmasına neden olabilir.

► Şek.2

Çivileme işleminin sürekliliğini, verimliliğini sağlamak için mümkün olduğu kadar büyük ve kısa bir hava hortumu kullanın.

Her çivileme arasında 0,5 saniye aralık olduğunda; 0,49 MPa (4,9 bar) hava basıncı ile iç çapı 6,5 mm'den büyük ve uzunluğu 20 m'den kısa olan bir hava hortumu kullanılması tavsiye edilir.

Hava tedarik hortumlarının minimum çalışma basıncı değeri 1,03 MPa (10,3 bar) ya da sistemde üretilen maksimum basıncın yüzde 150'si (hangisi daha yüksekse) olmalıdır.

Yağlama

► Şek.3

Maksimum performansı sağlamak için, hava setini (yağlayıcı, regülatör, hava filtresi) alete olabildiğince yakın monte edin. Yağlayıcıyı, her 50 çivide 1 damla yağ ile yağlama yapılacak şekilde ayarlayın.

Hava seti kullanımda değilken hava bağlantı parçasına 2 (iki) veya 3 (üç) damla pnömatik alet yağı damlatarak aleti yağlayın. Bu işlem kullanmadan önce ve kullandıktan sonra yapılmalıdır.

Doğru yağlama için, pnömatik makine yağı konulduktan sonra alet birkaç kez çalıştırılmalıdır.

► Şek.4:

 1. Pnömatik alet yağı

İŞLEVSEL NİTELİKLER

▲DİKKAT: Alet üzerinde ayarlama ya da kontrol işlevini gerçekleştirmeden önce hortumu daima aletten çıkarın.

Çivileme derinliğini ayarlamak

► Şek.5:

 1. Ayarlayıcı

Çivi çakma derinliğini ayarlamak için ayar düğmesini döndürün.

Ayar düğmesi şekilde gösterildiği gibi A yönünde tam olarak döndürüldüğünde çivi çakma derinliği en derin ayara ayarlanmış olur. Ayar düğmesi B yönünde döndürüldükçe derinlik azalır.

Ayar düğmesi A yönünde tam olarak döndürülmesine rağmen çiviler yeterince derine çakılmıyorsa hava basıncını artırın.

Ayar düğmesi B yönünde tam olarak döndürülmesine rağmen çiviler çok derine çakılıyorsa hava basıncını azaltın.

Genel olarak, alet daha düşük bir hava basıncıyla kullanılırsa ve çivilerin çakılması için ayar düğmesi daha derine ayarlanırsa aletin hizmet ömrü daha uzun olur.

Kanca

▲DİKKAT: Aleti yüksek ya da dengesi bozulabilecek bir yüzeye asla asmayın.

▲DİKKAT: Kancayı bel kemerine asmayın. Çivi çakma tabancası kazara düşerse, yanlışlıkla çalışabilir ve yaralanmaya neden olabilir.

► Şek.6

► Şek.7:

 1. Kanca

Kanca, aleti geçici olarak asmak için kullanılırdır.

Havalı toz üfleme aparatı

⚠DİKKAT: Havalı toz üfleme aparatının çıkış ağzını kimseye doğru yönleltmeyin. Ellerinizi ve ayaklarınızı da çıkış ağzından uzak tutun. Havalı toz üfleme aparatı düğmesine kazara basılırsa, kişisel yaralanmaya sebep olabilir.

⚠DİKKAT: Havalı toz üfleme aparatını kullanmadan önce daima etrafınızı kontrol edin. Üflenene toz veya nesnelere birisine çarpabilir.

⚠DİKKAT: Havalı toz üfleme aparatı düğmesine basarken hava hortumunu takmayın ya da çıkarmayın.

Alete verilen hava da havalı toz üfleme aparatı olarak kullanılabilir. Kavrama kolu üzerindeki düğmeye basarak çalışma alanını temizleyebilirsiniz.

► **Şek.8:** 1. Düğme

ÖNEMLİ NOT: Havalı toz üfleme aparatını kullandıktan sonra, aletin vidalama gücü geçici olarak düşebilir. Bu durumda, hava basıncı eski halini alana kadar bekleyin.

ÖNEMLİ NOT: Yağ uygulandıktan hemen sonra havalı toz üfleme aparatını kullanmanız durumunda deneme amaçlı bir üfleme yapın. Havayla birlikte yağ da püskürtülebilir.

MONTAJ

⚠DİKKAT: Alet üzerinde herhangi bir işlem gerçekleştirmeden önce hortumu daima aletten çıkarın.

Çivilerin yüklenmesi

⚠DİKKAT: Hazneye çivi yüklerken aynı tür, boyut ve eşit uzunlukta çivileri kullanın.

1. Hazneyi açmak için mandala aşağı doğru bastırırken sürgülü kapağı çekin.

► **Şek.9:** 1. Mandala 2. Sürgülü kapak

2. Çivilerin ucunu haznenin oluğu ile hizalayın ve çivileri atış ağzına doğru ittirin.

► **Şek.10:** 1. Çivi 2. Oluk 3. Atış ağız

3. Sürgülü kapağı kilitlene kadar kapatın.

⚠DİKKAT: Parmağınızı sürgülü kapağın rayını üzerine koymayın. Parmağınızı sürgülü kapağa sıkıştırabilirsiniz.

⚠DİKKAT: Kullanılmadığı zaman, tüm çivileri hazneden çıkarın ve sürgülü kapağı kapatın.

Burun adaptörü

İş parçası yüzeyinin çizilmesini ya da zarar görmesini önlemek için burun adaptörünü kullanın.

► **Şek.11:** 1. Burun adaptörü 2. Temas elemanı

Yedek bir burun adaptörü şekilde gösterilen yerde muhafaza edilir.

► **Şek.12:** 1. Yedek burun adaptörü

Hava hortumunun bağlanması

⚠DİKKAT: Hava hortumunu takarken parmağınızı tetiğin üzerine koymayın.

► **Şek.13:** 1. Hava bağlantı parçası 2. Hava soketi

Hava hortumunun hava soketini aletin hava bağlantı parçasının üstüne kaydırın. Hava bağlantı parçasına takıldığı anda hava soketinin yerine sıkıca kilitletiğinden emin olun. Aletin üstüne veya yakınına bir hortum kaplini, hava besleme kaplini ayırdığı zaman basınç haznesi boşalacak şekilde takılmalıdır.

KULLANIM

⚠DİKKAT: Kullanmadan önce tüm güvenlik sistemlerinin çalışır durumda olduğundan emin olun.

Kullanmadan önce aletin doğru işleyişinin kontrol edilmesi

Kullanmadan önce, daima aşağıdaki noktaları kontrol edin.

- Aletin sadece hava hortumu bağlanınca çalışmadığından emin olun.
- Aletin sadece tetik çekilince çalışmadığından emin olun.
- Aletin tetik çekilmeden sadece temas elemanı iş parçasının üzerine yerleştirilince çalışmadığından emin olun.

Çivilerin çakılması

Bir çivi çakmak için, temas elemanını iş parçasına dayayın ve tetiği çekin.

► **Şek.14**

⚠DİKKAT: TETİK YARIM ÇEKİLİ KONUMDAYKEN, temas elemanını iş parçasına veya diğer bir yüzeye yenden temas etmesine izin verilirse, geri tepmenin etkisiyle beklenmedik bir çivileme gerçekleşebilir.

Bu beklenmedik çivilemeden kaçınmak için şunları yapın:

- Temas elemanını iş parçasına aşırı güçle yerleştirmeyin.
- Ayrıca tetiği sonuna kadar çekin ve çivileme sonunda 1-2 saniye süreyle tutun.

Sıkışan çivilerin çıkarılması

⚠UYARI: Çivileri çıkartmadan önce daima hortumu çıkarın.

⚠DİKKAT: Deforme olmuş çivileri veya çivi şartlarını kullanmayın. Bunu yapmamak çivi beslemenin zayıf bir şekilde çalışmasına neden olabilir.

1. Sürgülü kapağı açın ve çivileri hazneden çıkarın.
► **Şek.15**

2. Sürgülü kapağı açık tutarken kapağı açmak için kilidi çekin ve ardından çivileri çıkarın.

► **Şek.16:** 1. Kilit 2. Kapak

BAKIM

⚠ DİKKAT: Kontrol veya bakım işlemi yapmaya girişmeden önce daima hortumu çıkarın.

ÖNEMLİ NOT: Benzin, tiner, alkol ve benzeri maddeleri kesinlikle kullanmayın. Renk değişimi, deformasyon veya çatlaklar oluşabilir.

Çiviler

Çivi şeritlerini ve kutularını dikkatli tutun. Çivi şeritleri özenli tutulmazsa şekilleri bozulabilir, bu da çivilerin yeterli şekilde beslenmemesine neden olabilir. Çivileri çok nemli ya da sıcak yerlerde ya da doğrudan güneş ışığına maruz kalan yerlerde saklamaktan kaçının.

Çivi çakma tabancasının bakımı

Çalıştırmadan önce aletin genel durumunu ve gevşemiş vida olup olmadığını kontrol edin. Gerekirse, gevşeyen vidaları sıkın.

Aletin bağlantısı kesilmiş haldeyken, temas elemanının ve tetiğin serbest bir şekilde hareket ettiğinden emin olmak için günlük kontrolünüzü yapın. Temas elemanı veya tetik yapıyor veya takılıyorsa aleti kullanmayın.

Alet uzun bir süre boyunca kullanılmayacaksa, aleti pnömomatik alet yağı kullanarak yağlayın ve aleti güvenli bir yerde saklayın. Doğrudan güneş ışığı ve/veya nem ya da sıcak ortamlara maruz bırakmayın.

► **Şek.17**

Kompresörün, hava setinin ve hava hortumunun bakımı

Kullanımdan sonra, kompresör tankını ve hava filtresini daima tahliye edin. Alete nem girmesine izin verilirse, aletin kötü performans göstermesine ve arızaya neden olabilir.

► **Şek.18:** 1. Tahliye musluğu

► **Şek.19:** 1. Hava filtresi

Hava setinin yağdanlığında yeterli miktarda pnömomatik alet yağı olup olmadığını düzenli olarak kontrol edin. Yeterli yağlama yapılmaması O-halkaların hızlı bir şekilde aşınmasına neden olur.

► **Şek.20:** 1. Yağdanlık 2. Pnömomatik alet yağı

Hava hortumunu ısıdan (60°C üzeri), kimyasallardan (tiner, kuvvetli asitler veya bazlar) uzak tutun. Ayrıca, hortumun yolunu, çalışma sırasında tehlikeli şekilde takılabileceği engellerden uzaktan geçirin. Hortumların yönü keskin kenarlardan ve hortuma hasar verebilecek veya aşındırabilecek alanlardan uzak tutulmalıdır.

Aleti EMNİYETLİ ve ÇALIŞMAYA HAZIR durumda tutmak için onarımlar, başka her türlü bakım ve ayarlamalar daima Makita yedek parçaları kullanılarak Makita yetkili servis merkezleri veya Fabrikanın Servis Merkezleri tarafından yapılmalıdır.

İSTEĞE BAĞLI AKSESUARLAR

⚠ DİKKAT: Bu aksesuarlar ve ek parçalar bu el kitabında belirtilen Makita aletiniz ile kullanılmak için tavsiye edilmektedir. Herhangi başka bir aksesuar ya da ek parça kullanılması insanlar için bir yaralanma riski getirebilir. Aksesuarları ya da ek parçaları yalnızca belirtilmiş olan kullanım amaçlarına uygun olarak kullanın.

Bu aksesuarlarla ilgili daha fazla bilgiye ihtiyaç duyar-sanız bulunduğunuz yerdeki yetkili Makita servisine başvurun.

- Çiviler
- Hava hortumu
- Güvenlik gözlüğü

NOT: Listedeki parçaların bazıları alet paketi içerisinde standart aksesuar olarak dahil edilmiş olabilir. Bunlar ülkeden ülkeye farklılık gösterebilir.

Makita Europe N.V.

Jan-Baptist Vinkstraat 2, 3070 Kortenberg, Belgium

Makita Corporation

3-11-8, Sumiyoshi-cho, Anjo, Aichi 446-8502 Japan

www.makita.com



AF506-10L-2310
EN, FR, DE, IT, NL,
ES, PT, DA, EL, TR
20190327