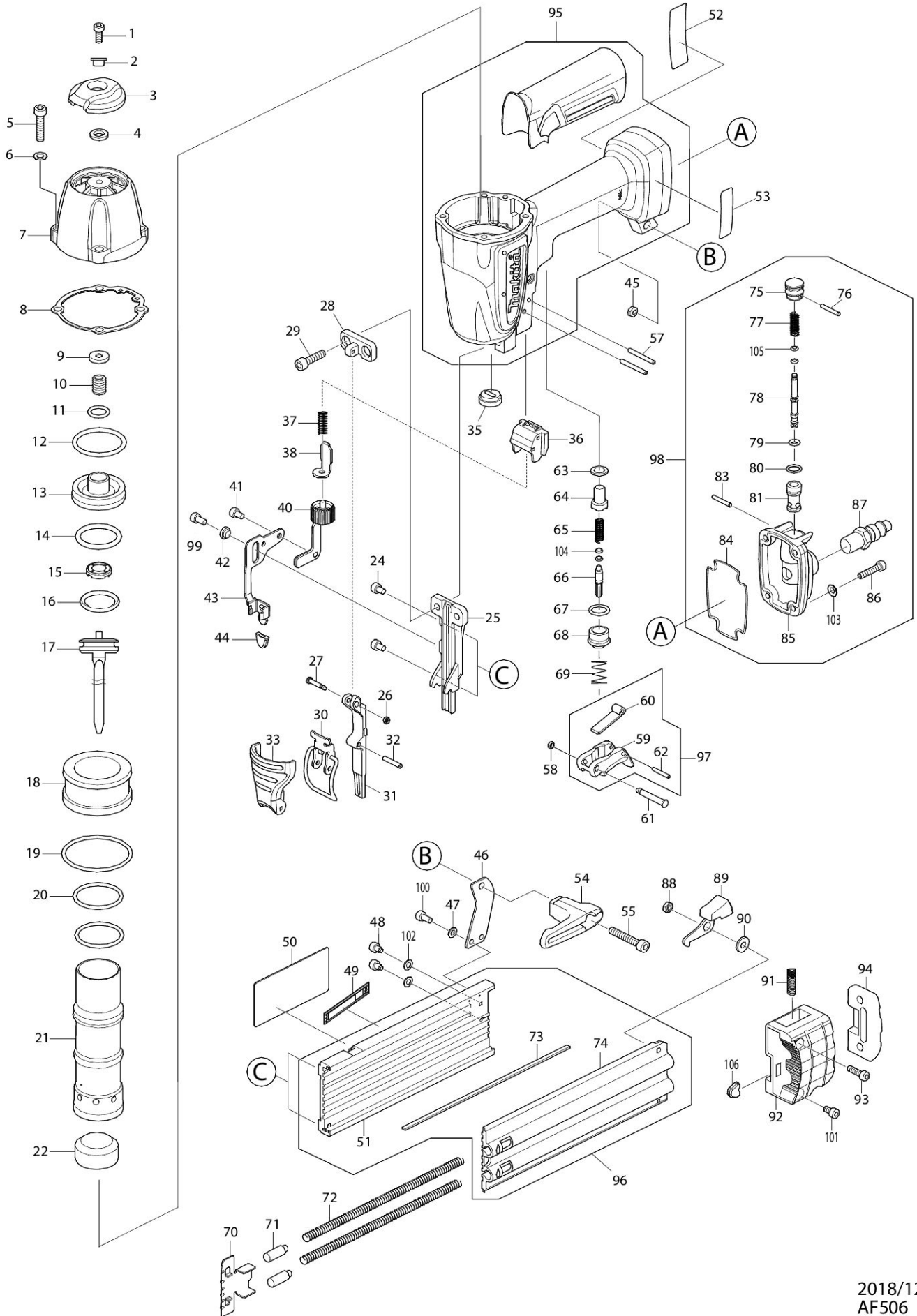


Partdrawing for AF506 - Tacker 8 Bar



2018/12
AF506