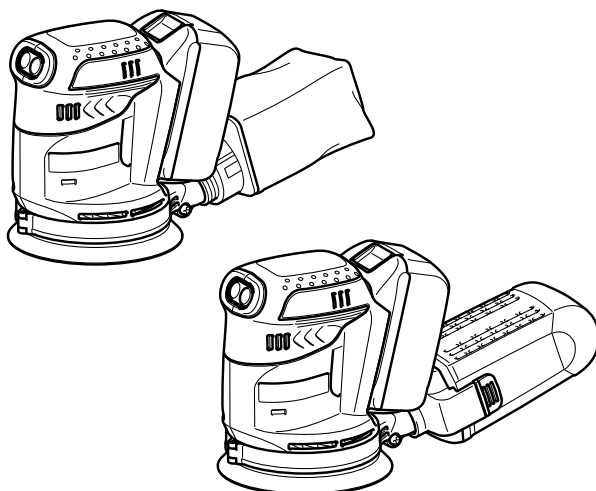
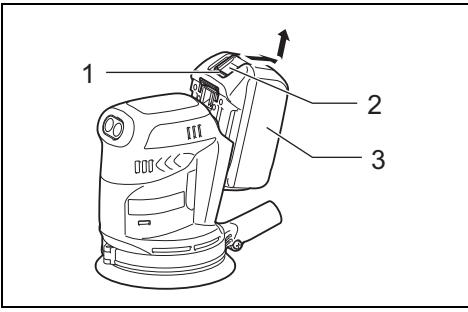




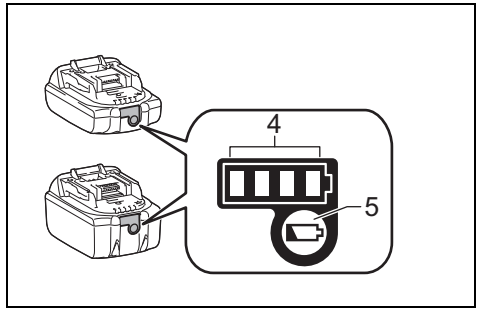
| | | |
|-----------|--|--------------------------------|
| GB | Cordless Random Orbit Sander | Instruction Manual |
| F | Ponceuse Excentrique Sans Fil | Manuel d'instructions |
| D | Akku-Exzentrerschleifer | Betriebsanleitung |
| I | Levigatrice rotorbitale a batteria | Istruzioni per l'uso |
| NL | Snoerloze excenter-schuurmachine | Gebruiksaanwijzing |
| E | Lijadora Inalámbrica de Órbita Excéntrica | Manual de instrucciones |
| P | Lixadeira Rotorbital a Bateria | Manual de instruções |
| DK | Akku-excentersliber | Brugsanvisning |
| GR | Φορητός λειαντής τυχαίας τροχιάς | Οδηγίες χρήσεως |
| TR | Kablosuz Eksantrik Zımpara Makinesi | Kullanma kılavuzu |

DBO140
DBO180

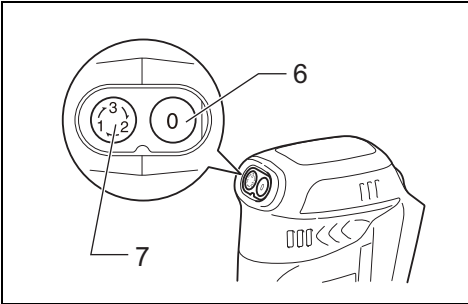




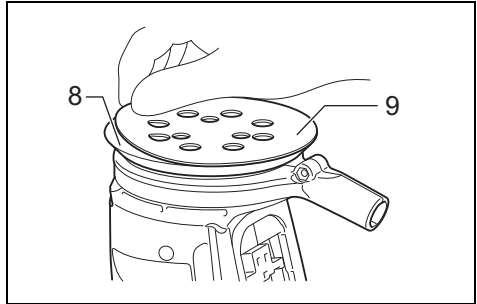
1 012887



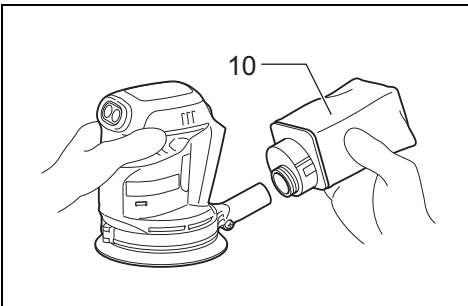
2 015659



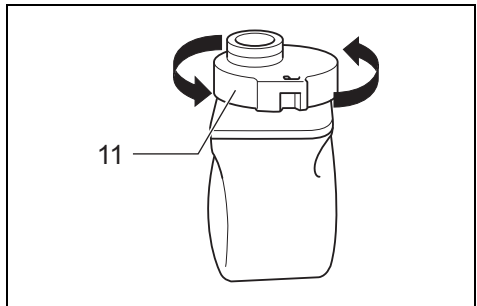
3 012878



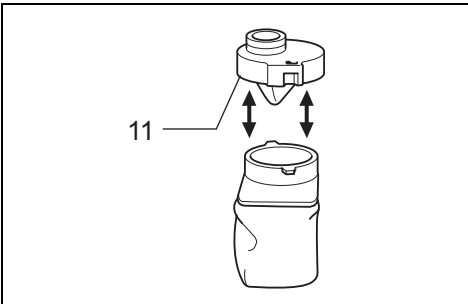
4 012875



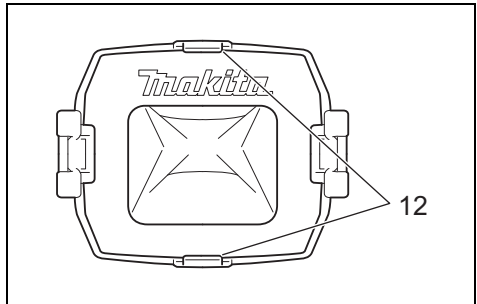
5 012876



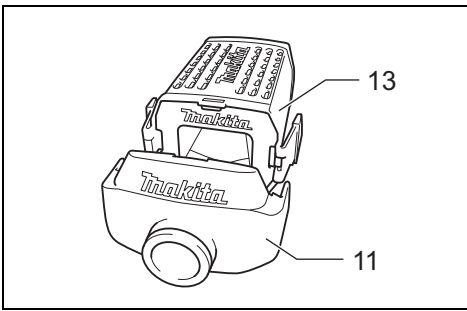
6 003323



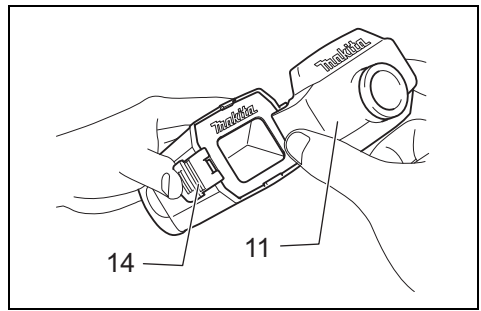
7 003326



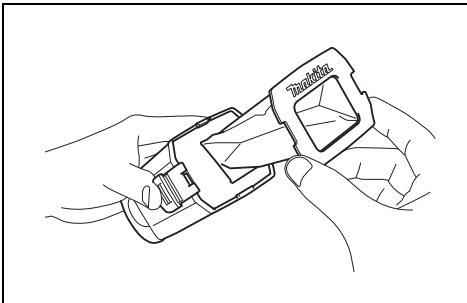
8 009094



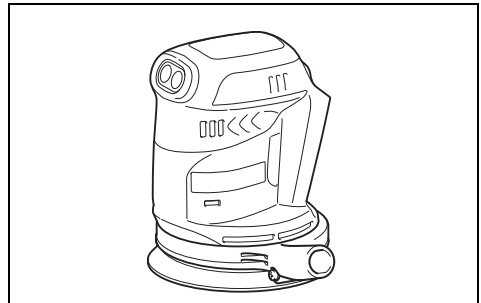
9 009095



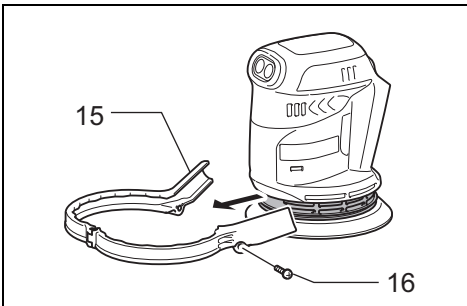
10 009092



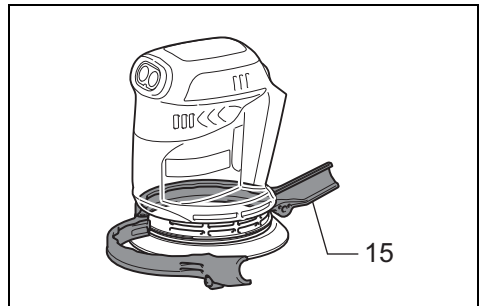
11 009093



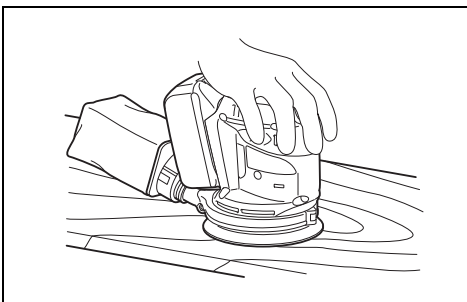
12 012881



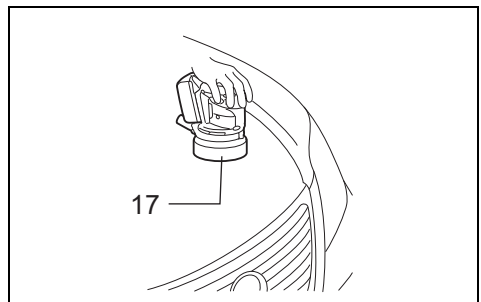
13 012885



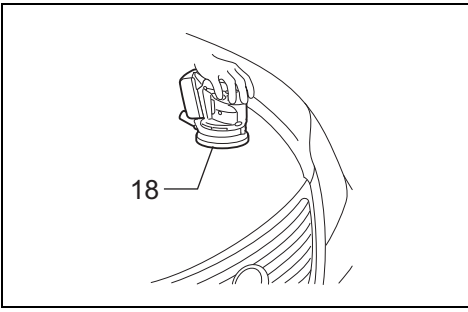
14 012945



15 012879

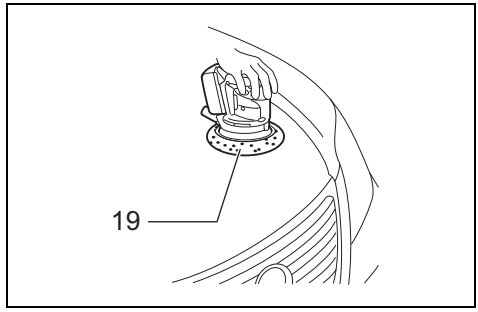


16 012882



17

012883



18

012884

Explanation of general view

| | | |
|--------------------------------|-----------------|---------------|
| 1 Red indicator | 8 Pad | 15 Skirt |
| 2 Button | 9 Abrasive disc | 16 Screw |
| 3 Battery cartridge | 10 Dust bag | 17 Sponge pad |
| 4 Indicator lamps | 11 Dust nozzle | 18 Felt pad |
| 5 Check button | 12 Holding tab | 19 Wool pad |
| 6 Stop button | 13 Dust box | |
| 7 Start/speed adjusting button | 14 Latch | |

SPECIFICATIONS

| Model | | DBO140 | DBO180 |
|--|--------------|--------------------------|--------------|
| Paper size | | 125 mm | |
| Orbits per minute (min ⁻¹) | Low speed | 7,000 | |
| | Middle speed | 9,500 | |
| | High speed | 11,000 | |
| Dimensions | | 175 mm x 123 mm x 153 mm | |
| Net weight | | 1.3 - 1.6 kg | 1.4 - 1.7 kg |
| Rated voltage | | D.C. 14.4 V | D.C. 18 V |

- Due to our continuing program of research and development, the specifications herein are subject to change without notice.
- Specifications may differ from country to country.
- The weight may differ depending on the attachment(s), including the battery cartridge. The lightest and heaviest combination, according to EPTA-Procedure 01/2014, are shown in the table.

Applicable battery cartridge and charger

| | | |
|-------------------|---|---|
| Battery cartridge | D.C.14.4 V Model | BL1415N / BL1430B / BL1440 / BL1460B |
| | D.C.18 V Model | BL1815N / BL1820B / BL1830B / BL1840B / BL1850B / BL1860B |
| Charger | DC18RC / DC18RD / DC18RE / DC18SD / DC18SE / DC18SF / DC18SH / DC18WC | |

- Some of the battery cartridges and chargers listed above may not be available depending on your region of residence.

⚠ WARNING: Only use the battery cartridges and chargers listed above. Use of any other battery cartridges and chargers may cause injury and/or fire.

ENE052-1

GEB021-4

Intended use

The tool is intended for the sanding of large surface of wood, plastic and metal materials as well as painted surfaces.

GEA010-2

General Power Tool Safety Warnings

⚠ WARNING Read all safety warnings, instructions, illustrations and specifications provided with this power tool. Failure to follow all instructions listed below may result in electric shock, fire and/or serious injury.

Save all warnings and instructions for future reference.

The term "power tool" in the warnings refers to your mains-operated (corded) power tool or battery-operated (cordless) power tool.

SANDER SAFETY WARNINGS

1. Always use safety glasses or goggles. Ordinary eye or sun glasses are NOT safety glasses.
2. Hold the tool firmly.
3. Do not leave the tool running. Operate the tool only when hand-held.
4. This tool has not been waterproofed, so do not use water on the workpiece surface.
5. Ventilate your work area adequately when you perform sanding operations.
6. Some material contains chemicals which may be toxic. Take caution to prevent dust inhalation and skin contact. Follow material supplier safety data.
7. Use of this tool to sand some products, paints and wood could expose user to dust containing hazardous substances. Use appropriate respiratory protection.

8. Be sure that there are no cracks or breakage on the pad before use. Cracks or breakage may cause a personal injury.

SAVE THESE INSTRUCTIONS.

WARNING:

DO NOT let comfort or familiarity with product (gained from repeated use) replace strict adherence to safety rules for the subject product. MISUSE or failure to follow the safety rules stated in this instruction manual may cause serious personal injury.

ENC007-17

IMPORTANT SAFETY INSTRUCTIONS FOR BATTERY CARTRIDGE

1. Before using battery cartridge, read all instructions and cautionary markings on (1) battery charger, (2) battery, and (3) product using battery.
2. Do not disassemble or tamper with the battery cartridge. It may result in a fire, excessive heat, or explosion.
3. If operating time has become excessively shorter, stop operating immediately. It may result in a risk of overheating, possible burns and even an explosion.
4. If electrolyte gets into your eyes, rinse them out with clear water and seek medical attention right away. It may result in loss of your eyesight.
5. Do not short the battery cartridge:
 - (1) Do not touch the terminals with any conductive material.
 - (2) Avoid storing battery cartridge in a container with other metal objects such as nails, coins, etc.
 - (3) Do not expose battery cartridge to water or rain.

A battery short can cause a large current flow, overheating, possible burns and even a breakdown.

6. Do not store and use the tool and battery cartridge in locations where the temperature may reach or exceed 50 °C (122 °F).
7. Do not incinerate the battery cartridge even if it is severely damaged or is completely worn out. The battery cartridge can explode in a fire.
8. Do not nail, cut, crush, throw, drop the battery cartridge, or hit against a hard object to the battery cartridge. Such conduct may result in a fire, excessive heat, or explosion.
9. Do not use a damaged battery.
10. The contained lithium-ion batteries are subject to the Dangerous Goods Legislation requirements.


For commercial transports e.g. by third parties, forwarding agents, special requirement on packaging and labeling must be observed.

For preparation of the item being shipped, consulting an expert for hazardous material is required. Please also observe possibly more detailed national regulations.

Tape or mask off open contacts and pack up the battery in such a manner that it cannot move around in the packaging.

11. When disposing the battery cartridge, remove it from the tool and dispose of it in a safe place. Follow your local regulations relating to disposal of battery.
12. Use the batteries only with the products specified by Makita. Installing the batteries to non-compliant products may result in a fire, excessive heat, explosion, or leak of electrolyte.
13. If the tool is not used for a long period of time, the battery must be removed from the tool.
14. During and after use, the battery cartridge may take on heat which can cause burns or low temperature burns. Pay attention to the handling of hot battery cartridges.
15. Do not touch the terminal of the tool immediately after use as it may get hot enough to cause burns.
16. Do not allow chips, dust, or soil stuck into the terminals, holes, and grooves of the battery cartridge. It may cause heating, catching fire, burst and malfunction of the tool or battery cartridge, resulting in burns or personal injury.
17. Unless the tool supports the use near high-voltage electrical power lines, do not use the battery cartridge near high-voltage electrical power lines. It may result in a malfunction or breakdown of the tool or battery cartridge.
18. Keep the battery away from children.

SAVE THESE INSTRUCTIONS.

 CAUTION: Only use genuine Makita batteries. Use of non-genuine Makita batteries, or batteries that have been altered, may result in the battery bursting causing fires, personal injury and damage. It will also void the Makita warranty for the Makita tool and charger.

Tips for maintaining maximum battery life

1. Charge the battery cartridge before completely discharged. Always stop tool operation and charge the battery cartridge when you notice less tool power.
2. Never recharge a fully charged battery cartridge. Overcharging shortens the battery service life.
3. Charge the battery cartridge with room temperature at 10 °C - 40 °C (50 °F - 104 °F). Let a hot battery cartridge cool down before charging it.
4. When not using the battery cartridge, remove it from the tool or the charger.
5. Charge the battery cartridge if you do not use it for a long period (more than six months).

FUNCTIONAL DESCRIPTION

CAUTION:

- Always be sure that the tool is switched off and the battery cartridge is removed before adjusting or checking function on the tool.

Installing or removing battery cartridge (Fig. 1)

CAUTION:

- Always switch off the tool before installing or removing of the battery cartridge.
- Hold the tool and the battery cartridge firmly when installing or removing battery cartridge. Failure to hold the tool and the battery cartridge firmly may cause them to slip off your hands and result in damage to the tool and battery cartridge and a personal injury.

To remove the battery cartridge, slide it from the tool while sliding the button on the front of the cartridge.

To install the battery cartridge, align the tongue on the battery cartridge with the groove in the housing and slip it into place. Insert it all the way until it locks in place with a little click. If you can see the red indicator on the upper side of the button, it is not locked completely.

⚠ CAUTION:

- Always install the battery cartridge fully until the red indicator cannot be seen. If not, it may accidentally fall out of the tool, causing injury to you or someone around you.
- Do not install the battery cartridge forcibly. If the cartridge does not slide in easily, it is not being inserted correctly.

Tool / battery protection system

The tool is equipped with a tool/battery protection system. This system automatically cuts off the power to extend tool and battery life. The tool will automatically stop during operation if the tool or battery is placed under one of the following conditions:

Overload protection

This protection works when the tool is operated in a manner that causes it to draw an abnormally high current. In this situation, turn the tool off and stop the application that caused the tool to become overloaded. Then turn the tool on to restart.

Overheat protection

This protection works when the tool or battery is overheated. In this situation, let the tool and battery cool before turning the tool on again.

Overdischarge protection

This protection works when the remaining battery capacity gets low. In this situation, remove the battery from the tool and charge the battery.

Indicating the remaining battery capacity (Fig. 2)

Only for battery cartridges with the indicator

Press the check button on the battery cartridge to indicate the remaining battery capacity. The indicator lamps light up for few seconds.

| Indicator lamps | | | Remaining Capacity |
|-----------------|-----|----------|-------------------------------------|
| Lighted | Off | Blinking | |
| | | | 75% to 100% |
| | | | 50% to 75% |
| | | | 25% to 50% |
| | | | 0% to 25% |
| | | | Charge the battery. |
| | | | The battery may have malfunctioned. |

NOTE:

- Depending on the conditions of use and the ambient temperature, the indication may differ slightly from the actual capacity.
- The first (far left) indicator lamp will blink when the battery protection system works.

Switch action and speed adjusting button (Fig. 3)

To start the tool, press the start/speed adjusting button. The tool starts with high speed mode. Each time you press the start/speed adjusting button, the speed mode changes in an order of hi speed, middle speed, and low speed.

To stop the tool, press the stop button.

Refer to the table for the relationship between the speed mode and the kind of work.

| Speed mode | Number of rotations | Usage |
|------------|---------------------|-----------------|
| High | 11,000 | Regular sanding |
| Middle | 9,500 | Finish sanding |
| Low | 7,000 | Polishing |

012897

NOTE:

- The table shows standard applications. They may differ under certain conditions.

ASSEMBLY

⚠ CAUTION:

- Always be sure that the tool is switched off and the battery cartridge is removed before carrying out any work on the tool.

Installing abrasive disc (Fig. 4)

To install the abrasive disc, first remove all dirt or foreign matter from the pad. Then attach the abrasive disc to the pad. Be careful to align the holes in the abrasive disc with those in the pad.

Installing dust bag (optional accessory) (Fig. 5)

Install the dust bag on the tool with its mouth directing downwards.

Emptying dust bag (Fig. 6 & 7)

When the dust bag is about half full, switch off the tool, and remove the dust bag from the tool. Then remove the dust nozzle from the dust bag after unlocking the dust nozzle by turning it slightly counterclockwise. Empty the dust bag by tapping it lightly.

After emptying the dust bag, install the dust nozzle on the dust bag. Turn the dust nozzle slightly clockwise to lock it in place. Then install the dust bag on the tool as described in "Installing dust bag".

Installing paper filter bag (optional accessory) (Fig. 8 & 9)

Make sure that the logo on the cardboard lip and the logo on the dust box are on the same side, then install the paper filter bag by fitting the cardboard lip in the groove of each holding tab.

Make sure that the logo on the cardboard lip and the logo on the dust nozzle are on the same side, then install the dust nozzle on the dust box.

Removing dust box and paper filter bag

(Fig. 10 & 11)

Remove the dust nozzle by pushing the two latches.

Remove the paper filter bag first by pinching the logo side of its cardboard lip, then by pulling the cardboard lip downwards to move it out of the holding tab of the dust box.

Removing and reinstalling the skirt

(Fig. 12, 13 & 14)

⚠ CAUTION:

- Do not use the tool without the skirt. Otherwise dust is scattered all over.

You can choose one of 12 directions of the skirt in accordance with your purpose.

To remove the skirt, remove the screw and remove the skirt with slightly opening it for both sides.

To reinstall the skirt, install it with slightly opening it for both sides. And fasten the screw.

⚠ CAUTION:

- Do not set the skirt other than the designated angle. Otherwise the tool may be damaged.

OPERATION

⚠ WARNING:

- Never switch on the tool when it is in contact with the workpiece, it may cause an injury to operator.

Sanding operation (Fig. 15)

⚠ CAUTION:

- Never run the tool without the abrasive disc. You may seriously damage the pad.
- Never force the tool. Excessive pressure may decrease the sanding efficiency, damage the abrasive disc or shorten tool life.
- Using the tool with the pad edge contacting the workpiece may damage the pad.

Hold the tool firmly. Turn the tool on and wait until it attains full speed. Then gently place the tool on the workpiece surface. Keep the pad flush with the workpiece and apply slight pressure on the tool.

⚠ CAUTION:

- The sanding pad rotates clockwise during the loaded operation, but it may rotate counterclockwise during the no-load operation.

Polishing operation (optional)

⚠ CAUTION:

- Use only a Makita genuine sponge pad, felt pad or wool pad (optional accessories).
- Always operate the tool at low speed to prevent work surfaces from heating abnormally.
- Never force the tool. Excessive pressure may decrease the polishing efficiency and cause motor overload, resulting in tool malfunction.

1. Applying wax (Fig. 16)

Use an optional sponge pad. Apply wax to the sponge pad or work surface. Run the tool at low speed to smooth out wax.

NOTE:

- First, wax a not conspicuous portion of the work surface to make sure that the tool will not scratch the surface or result in uneven waxing.

- The tool starts with high speed mode. Be careful when you start the tool. The wax may be spattered. It is recommended that you spread wax with the tool stopped before starting up the tool. Change the speed mode to low immediately after you start the tool.

- Always run the tool at low speed. Running it at high speed may cause the wax to spatter.

2. Removing wax (Fig. 17)

Use an optional felt pad. Run the tool at low speed to remove wax.

3. Polishing (Fig. 18)

Use an optional wool pad. Run the tool at low speed and apply the wool pad gently to the work surface.

MAINTENANCE

⚠ CAUTION:

- Always be sure that the tool is switched off and the battery cartridge is removed before attempting to perform inspection or maintenance.
- Never use gasoline, benzine, thinner, alcohol or the like. Discoloration, deformation or cracks may result.

To maintain product SAFETY and RELIABILITY, repairs, carbon brush inspection and replacement, any other maintenance or adjustment should be performed by Makita Authorized Service Centers, always using Makita replacement parts.

OPTIONAL ACCESSORIES

⚠ CAUTION:

- These accessories or attachments are recommended for use with your Makita tool specified in this manual. The use of any other accessories or attachments might present a risk of injury to persons. Only use accessory or attachment for its stated purpose.

If you need any assistance for more details regarding these accessories, ask your local Makita Service Center.

- Hook-and-loop type abrasive discs (with pre-punched holes)
- Hook-and-loop type sponge pad
- Hook-and-loop type felt pad
- Hook-and-loop type wool pad
- Makita genuine battery and charger
- Dust box
- Paper filter bag
- Dust bag

NOTE:

- Some items in the list may be included in the tool package as standard accessories. They may differ from country to country.

Noise

The typical A-weighted noise level determined according to EN62841-2-4:

Model DBO180

Sound pressure level (L_{pA}): 80 dB (A)

Uncertainty (K): 3 dB (A)

The noise level under working may exceed 80 dB (A).

NOTE:

- The declared noise emission value(s) has been measured in accordance with a standard test method and may be used for comparing one tool with another.
- The declared noise emission value(s) may also be used in a preliminary assessment of exposure.

⚠ WARNING:

- **Wear ear protection.**
- **The noise emission during actual use of the power tool can differ from the declared value(s) depending on the ways in which the tool is used especially what kind of workpiece is processed.**
- **Be sure to identify safety measures to protect the operator that are based on an estimation of exposure in the actual conditions of use (taking account of all parts of the operating cycle such as the times when the tool is switched off and when it is running idle in addition to the trigger time).**

Vibration

The vibration total value (tri-axial vector sum) determined according to EN62841-2-4:

Model DBO180

Work mode: sanding metal plate

Vibration emission (a_{h1}): 2.5 m/s² or less

Uncertainty (K): 1.5 m/s²

ENG901-2

NOTE:

- The declared vibration total value(s) has been measured in accordance with a standard test method and may be used for comparing one tool with another.
- The declared vibration total value(s) may also be used in a preliminary assessment of exposure.

⚠ WARNING:

- **The vibration emission during actual use of the power tool can differ from the declared value(s) depending on the ways in which the tool is used especially what kind of workpiece is processed.**
- **Be sure to identify safety measures to protect the operator that are based on an estimation of exposure in the actual conditions of use (taking account of all parts of the operating cycle such as the times when the tool is switched off and when it is running idle in addition to the trigger time).**

DECLARATIONS OF CONFORMITY**For European countries only**

The Declarations of conformity are included in Annex A to this instruction manual.

Descriptif

| | | |
|--------------------------|---|------------------------------------|
| 1 Indicateur rouge | 7 Bouton de démarrage/réglage de la vitesse | 13 Boîtier collecteur de poussière |
| 2 Bouton | 8 Patin de ponçage | 14 Loquet |
| 3 Batterie | 9 Disque abrasif | 15 Jupe |
| 4 Voyants lumineux | 10 Sac à poussière | 16 Vis |
| 5 Bouton de vérification | 11 Raccord à poussières | 17 Plateau en mousse |
| 6 Bouton d'arrêt | 12 Languette de retenue | 18 Plateau en feutre |
| | | 19 Plateau en laine |

SPÉCIFICATIONS

| | | | |
|--|-----------------|--------------------------|--------------|
| Modèle | | DBO140 | DBO180 |
| Taille du papier | | 125 mm | |
| Oscillations par minute (min ⁻¹) | Vitesse lente | 7 000 | |
| | Vitesse moyenne | 9 500 | |
| | Vitesse rapide | 11 000 | |
| Dimensions | | 175 mm x 123 mm x 153 mm | |
| Poids net | | 1,3 - 1,6 kg | 1,4 - 1,7 kg |
| Tension nominale | | 14,4 V CC | 18 V CC |

- Étant donné l'évolution constante de notre programme de recherche et de développement, les spécifications contenues dans ce manuel sont sujettes à modification sans préavis.
- Les spécifications peuvent varier suivant les pays.
- Le poids peut être différent selon les accessoires, notamment la batterie. Les associations la plus légère et la plus lourde, conformément à la procédure EPTA-01/2014, sont indiquées dans le tableau.

Batterie et chargeur applicables

| | | |
|----------|---|---|
| Batterie | Modèle 14,4 V CC | BL1415N / BL1430B / BL1440 / BL1460B |
| | Modèle 18 V CC | BL1815N / BL1820B / BL1830B / BL1840B / BL1850B / BL1860B |
| Chargeur | DC18RC / DC18RD / DC18RE / DC18SD / DC18SE / DC18SF / DC18SH / DC18WC | |

- Certains chargeurs et batteries répertoriés ci-dessus peuvent ne pas être disponibles selon la région où vous résidez.

⚠ AVERTISSEMENT : Utilisez uniquement les batteries et chargeurs répertoriés ci-dessus. L'utilisation de tout autre type de batterie et chargeur peut provoquer des blessures et/ou un incendie.

Utilisations

L'outil est conçu pour le ponçage des grandes surfaces de bois, de plastique et de métal, ainsi que des surfaces peintes.

ENE052-1

Le terme "outil électrique" dans les avertissements fait référence à l'outil électrique alimenté par le secteur (avec cordon d'alimentation) ou à l'outil électrique fonctionnant sur batterie (sans cordon d'alimentation).

GEA010-2

GEB021-4

Consignes de sécurité générales pour outils électriques

⚠ AVERTISSEMENT Veuillez lire les consignes de sécurité, instructions, illustrations et spécifications qui accompagnent cet outil électrique. Le non-respect de toutes les instructions indiquées ci-dessous peut entraîner une électrocution, un incendie et/ou de graves blessures.

Conservez toutes les mises en garde et instructions pour référence ultérieure.

CONSIGNES DE SÉCURITÉ POUR PONCEUSE

1. **Portez toujours des lunettes de sécurité ou des lunettes à coques. Les lunettes ordinaires et les lunettes de soleil NE sont PAS des lunettes de sécurité.**
2. **Tenez l'outil fermement.**
3. **Ne vous éloignez pas en laissant l'outil tourner. Ne le faites fonctionner que lorsque vous l'avez bien en main.**
4. **Cet outil n'est pas étanche à l'eau ; n'utilisez pas d'eau sur la surface de la pièce.**
5. **Aérez bien la zone de travail lorsque vous effectuez un travail de ponçage.**

6. Certains matériaux contiennent des produits chimiques qui peuvent être toxiques. Prenez les précautions nécessaires pour éviter que la poussière dégagée lors du travail ne soit inhalée ou n'entre en contact avec la peau. Suivez les consignes de sécurité du fournisseur du matériau.
7. L'utilisation de cet outil pour poncer certains produits, peintures et bois peut exposer l'utilisateur à des poussières qui contiennent des substances dangereuses. Portez une protection respiratoire adéquate.
8. Avant l'utilisation, vérifiez l'absence de fissures ou de bris sur le patin de ponçage. Les fissures et bris comportent un risque de blessure corporelle.
8. Abstenez-vous de clouer, couper, écraser, jeter, laisser tomber la batterie, ou de la heurter contre un objet dur. Cela pourrait entraîner un incendie, une chaleur excessive ou une explosion.
9. N'utilisez pas la batterie si elle est endommagée.
10. Les batteries au lithium-ion contenues sont soumises aux exigences de la législation sur les marchandises dangereuses.
Lors du transport commercial par des tierces parties ou des transitaires par exemple, des exigences spécifiques en matière d'étiquetage et d'emballage doivent être respectées.
Pour la préparation de l'article expédié, il est nécessaire de consulter un expert en matériau dangereux. Veuillez également respecter les réglementations nationales susceptibles d'être plus détaillées.
Recouvrez les contacts exposés avec du ruban adhésif ou du ruban de masquage et emballez la batterie de telle sorte qu'elle ne puisse pas bouger dans l'emballage.

CONSERVEZ CES INSTRUCTIONS.

⚠ AVERTISSEMENT :

NE vous laissez PAS tromper (au fil d'une utilisation répétée) par un sentiment d'aisance et de familiarité avec le produit, en négligeant le respect rigoureux des consignes de sécurité qui accompagnent le produit en question. La MAUVAISE UTILISATION de l'outil ou l'ignorance des consignes de sécurité indiquées dans ce manuel d'instructions peut entraîner une blessure grave.

ENC007-17

CONSIGNES DE SÉCURITÉ IMPORTANTES POUR LA BATTERIE

1. Avant d'utiliser la batterie, lisez toutes les instructions et précautions relatives (1) au chargeur de batterie, (2) à la batterie, et (3) au produit utilisant la batterie.
2. Ne désassemblez pas et ne modifiez pas la batterie. Cela pourrait entraîner un incendie, une chaleur excessive ou une explosion.
3. Cessez immédiatement l'utilisation si le temps de fonctionnement devient excessivement court. Il y a risque de surchauffe, de brûlures, voire d'explosion.
4. Si l'électrolyte pénètre dans vos yeux, rincez-les à l'eau claire et consultez immédiatement un médecin. Il y a risque de perte de la vue.
5. Ne court-circuitez pas la batterie :
 - (1) Ne touchez les bornes avec aucun matériau conducteur.
 - (2) Évitez de ranger la batterie dans un conteneur avec d'autres objets métalliques, par exemple des clous, des pièces de monnaie, etc.
 - (3) N'exposez pas la batterie à l'eau ou à la pluie.
- Un court-circuit de la batterie peut provoquer une intensité de courant élevée, une surchauffe, parfois des brûlures et même une panne.
6. Ne rangez ni n'utilisez l'outil et la batterie dans un endroit où la température risque d'atteindre ou de dépasser 50 °C.
7. Ne jetez pas la batterie au feu même si elle est sérieusement endommagée ou complètement épuisée. La batterie peut exploser au contact du feu.
11. Lors de la mise au rebut de la batterie, retirez-la de l'outil et jetez-la en lieu sûr. Suivez les réglementations locales en matière de mise au rebut des batteries.
12. Utilisez les batteries uniquement avec les produits spécifiés par Makita. L'insertion de batteries dans des produits non conformes peut provoquer un incendie, une chaleur excessive, une explosion ou une fuite de l'électrolyte.
13. Lorsque vous n'utilisez pas l'outil pendant une période prolongée, la batterie doit être retirée de l'outil.
14. Pendant et après l'utilisation, la batterie peut chauffer, ce qui peut entraîner des brûlures, y compris en cas de température relativement basse. Manipulez les batteries chaudes avec précaution.
15. Ne touchez pas la borne de l'outil immédiatement après utilisation car elle peut être assez chaude pour provoquer des brûlures.
16. Évitez que des copeaux, de la poussière ou du sol adhèrent aux bornes, aux trous et aux rainures de la batterie. Cela peut provoquer un échauffement, un incendie, une explosion ou un dysfonctionnement de l'outil ou de la batterie, ce qui peut entraîner des brûlures ou des blessures.
17. À moins que l'outil prenne en charge un tel usage, n'utilisez pas la batterie à proximité de lignes électriques haute tension. Cela pourrait entraîner un dysfonctionnement ou casser l'outil ou la batterie.
18. Conservez la batterie hors de portée des enfants.

CONSERVEZ CES INSTRUCTIONS.

⚠ **ATTENTION** : N'utilisez que des batteries Makita d'origine. L'utilisation de batteries de marque autre que Makita ou de batteries modifiées peut provoquer l'explosion des batteries, ce qui présente un risque d'incendie, de dommages matériels et corporels. Cela annulera également la garantie Makita pour l'outil et le chargeur Makita.

Conseils pour assurer la durée de vie optimale de la batterie

1. Chargez la batterie avant qu'elle ne soit complètement déchargée. Arrêtez toujours l'outil et rechargez la batterie quand vous remarquez que la puissance de l'outil diminue.
2. Ne rechargez jamais une batterie complètement chargée. La surcharge réduit la durée de service de la batterie.
3. Chargez la batterie à une température ambiante comprise entre 10 °C et 40 °C. Avant de charger une batterie chaude, laissez-la refroidir.
4. Lorsque vous n'utilisez pas la batterie, retirez-la de l'outil ou du chargeur.
5. Rechargez la batterie si elle est restée inutilisée pendant une période prolongée (plus de six mois).

DESCRIPTION DU FONCTIONNEMENT

⚠ ATTENTION :

- Vérifiez toujours que l'outil est hors tension et que la batterie est retirée avant d'ajuster l'outil ou de vérifier son fonctionnement.

Pose ou retrait de la batterie (Fig. 1)

⚠ ATTENTION :

- Mettez toujours l'outil hors tension avant de poser ou de retirer la batterie.
- Lorsque vous posez ou retirez la batterie, tenez fermement l'outil et la batterie, ils risquent de s'abîmer en vous glissant des mains, et vous courez un risque de blessure corporelle.

Pour retirer la batterie, faites-la glisser hors de l'outil tout en faisant glisser le bouton qui se trouve à l'avant de la batterie.

Pour poser la batterie, alignez sa languette sur la rainure à l'intérieur du carter, et faites-la glisser en place. Insérez-la à fond, jusqu'à ce qu'elle se mette en place avec un léger déclic. Si vous pouvez voir l'indicateur rouge du côté supérieur du bouton, la batterie n'est pas complètement verrouillée.

⚠ ATTENTION :

- Insérez toujours la batterie à fond, jusqu'à ce que l'indicateur rouge ne soit plus visible. Sinon, elle pourrait tomber accidentellement de l'outil, au risque de vous blesser ou de blesser quelqu'un se trouvant près de vous.
- Ne forcez pas pour insérer la batterie. Si elle ne glisse pas facilement, c'est que vous ne l'insérez pas correctement.

Système de protection de l'outil/la batterie

L'outil est équipé d'un système de protection de l'outil/la batterie. Ce système coupe automatiquement l'alimentation pour prolonger la durée de vie de l'outil et de la batterie. Si l'outil ou la batterie se trouve dans l'une des situations suivantes, l'outil cessera automatiquement de fonctionner :

Protection contre la surcharge

Cette protection se déclenche lorsque l'outil est utilisé de manière telle qu'il consomme un courant anormalement élevé. Dans ce cas, éteignez l'outil et arrêtez la tâche ayant provoqué la surcharge de l'outil. Puis rallumez l'outil pour reprendre la tâche.

Protection contre la surchauffe

Cette protection se déclenche lorsque l'outil ou la batterie a surchauffé. Dans cette situation, laissez l'outil et la batterie refroidir avant de rallumer l'outil.


















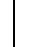
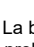
Protection contre la décharge totale de la batterie

Cette protection se déclenche lorsque l'autonomie restante de la batterie devient trop faible. Dans cette situation, retirez la batterie de l'outil et chargez-la.

Affichage de la charge restante de la batterie (Fig. 2)

Uniquement pour les batteries avec témoin

Appuyez sur le bouton de vérification situé sur la batterie pour afficher la charge restante de la batterie. Les voyants lumineux s'allument pendant quelques secondes.

| Voyants lumineux | | | Charge restante |
|--|---|--|---|
|  allumé |  éteint |  clignotant | |
|  | | | 75% à 100% |
|  |  | | 50% à 75% |
|  |  | | 25% à 50% |
|  |  | | 0% à 25% |
|  |  | | Chargez la batterie. |
|   |  ↑  ↓  |   | La batterie est probablement défectueuse. |

015658

NOTE :

- En fonction des conditions d'utilisation et de la température ambiante, la charge restante affichée peut différer légèrement de la valeur réelle.
- Le premier témoin (complètement à gauche) clignotera pendant le fonctionnement du système de protection de la batterie.

Interrupteur et bouton de réglage de la vitesse (Fig. 3)

Pour mettre l'outil en marche, appuyez sur le bouton de démarrage/réglage de la vitesse. L'outil démarre en mode de vitesse rapide. Le mode de vitesse change à chaque pression sur le bouton de démarrage/réglage de la vitesse, dans l'ordre suivant : vitesse rapide, vitesse moyenne et vitesse lente.

Pour arrêter l'outil, appuyez sur le bouton d'arrêt.

Reportez-vous au tableau pour connaître la relation entre le mode de vitesse et le type de travail.

| Mode de vitesse | Nombre de rotations | Utilisation |
|-----------------|---------------------|---------------------|
| Élevé | 11 000 | Ponçage ordinaire |
| Moyen | 9 500 | Ponçage de finition |
| Bas | 7 000 | Polissage |

012897

NOTE :

- Le tableau présente les applications dans des conditions régulières. Elles peuvent varier dans certaines conditions.

ASSEMBLAGE

⚠ ATTENTION :

- Assurez-vous toujours que l'outil est hors tension et que sa batterie est retirée avant d'effectuer tout travail dessus.

Pose du disque abrasif (Fig. 4)

Pour poser le disque abrasif, enlevez d'abord toute trace de saleté ou de corps étranger sur le patin de ponçage. Fixez ensuite le disque abrasif sur le patin de ponçage. Prenez soin d'aligner les orifices du disque abrasif sur ceux du patin de ponçage.

Pose du sac à poussière (accessoire en option) (Fig. 5)

Posez le sac à poussière sur l'outil en plaçant l'ouverture du sac vers le bas.

Vidage du sac à poussière (Fig. 6 et 7)

Lorsque le sac à poussière est environ à moitié plein, coupez le contact et retirez le sac à poussière. Retirez ensuite le raccord à poussières du sac à poussière après l'avoir déverrouillé en tournant légèrement dans le sens contraire des aiguilles d'une montre. Videz le sac à poussière en tapant légèrement dessus.

Une fois le sac à poussière vide, posez le raccord à poussières sur le sac à poussière. Tournez légèrement le raccord à poussières dans le sens des aiguilles d'une montre pour le verrouiller. Posez ensuite le sac à poussière sur l'outil en procédant tel que décrit sous "Pose du sac à poussière".

Pose du sac à filtre papier (accessoire en option) (Fig. 8 et 9)

Assurez-vous que le logo du rebord en carton et celui du boîtier collecteur de poussière se trouvent du même côté, puis posez le sac à filtre papier en insérant le rebord en carton dans la rainure de chaque languette de retenue.

Assurez-vous que le logo du rebord en carton et celui du raccord à poussières se trouvent du même côté, puis posez le raccord à poussières sur le boîtier collecteur de poussière.

Retrait du boîtier collecteur de poussière et du sac à filtre papier (Fig. 10 et 11)

Retirez le raccord à poussières en appuyant sur les deux loquets.

Retirez le sac à filtre papier en le saisissant par le côté logo du rebord en carton et en tirant vers le bas pour le retirer de la languette de retenue du boîtier collecteur de poussière.

Retrait et remise en place de la jupe (Fig. 12, 13 et 14)

⚠ ATTENTION :

- N'utilisez pas l'outil sans sa jupe. Autrement la poussière risque de se disperser tout autour.

Vous avez le choix entre 12 directions pour la jupe, suivant le travail à effectuer.

Pour retirer la jupe, enlevez la vis, puis retirez la jupe en l'écartant légèrement des deux côtés.

Pour remettre la jupe en place, écarter-la légèrement en la posant. Serrez ensuite la vis.

⚠ ATTENTION :

- Ne placez pas la jupe sur un autre angle que celui spécifié. Autrement, vous risquez d'abîmer l'outil.

UTILISATION

⚠ AVERTISSEMENT :

- Ne faites jamais démarrer l'outil alors qu'il touche la pièce à travailler ; il y a risque de blessure chez l'utilisateur.

Ponçage (Fig. 15)

⚠ ATTENTION :

- Ne faites jamais tourner l'outil sans disque abrasif. Vous risqueriez d'abîmer sérieusement le patin de ponçage.
- Ne forcez jamais l'outil. Une pression excessive sur l'outil peut affecter le rendement de ponçage, abîmer le disque abrasif ou réduire la durée de service de l'outil.
- Vous risquez d'abîmer le patin de ponçage si vous utilisez l'outil avec le bord du patin de ponçage en contact avec la pièce à travailler.

Tenez l'outil fermement. Mettez le contact et attendez que l'outil ait atteint sa pleine vitesse. Posez ensuite l'outil doucement sur la surface de la pièce à travailler. Maintenez le patin de ponçage parfaitement aligné sur la pièce à travailler, et appliquez une légère pression sur l'outil.

⚠ ATTENTION :

- Le patin de ponçage tourne dans le sens des aiguilles d'une montre quand il est soumis à une charge, mais il se peut qu'il tourne en sens contraire quand il fonctionne à vide.

Polissage (en option)

⚠ ATTENTION :

- Utilisez uniquement un authentique plateau Makita en mousse, en feutre ou en laine (accessoires en option).
- Faites toujours tourner l'outil à vitesse lente pour éviter un échauffement anormal de la surface de la pièce.
- Ne forcez jamais l'outil. Une pression excessive peut affecter le rendement de polissage et causer une surcharge du moteur, entraînant un dysfonctionnement de l'outil.

1. Application de cire (Fig. 16)

Utilisez un plateau en mousse en option. Mettez de la cire sur le plateau en mousse ou sur la surface à travailler. Faites tourner l'outil à vitesse lente pour bien répartir la cire.

NOTE :

- Cirez d'abord une partie non visible de la surface à travailler, pour vous assurer que l'outil ne rayera pas la surface ou ne causera pas un cirage inégal.

- L'outil démarre en mode de vitesse rapide. Faites démarrer l'outil prudemment. La cire peut gicler. Avant de mettre le contact, il est recommandé d'étendre la cire avec l'outil hors tension. Mettez l'outil en mode de vitesse lente immédiatement après avoir mis le contact.
- Faites toujours tourner l'outil à vitesse basse. La cire risquera de gicler si vous faites tourner l'outil à vitesse rapide.

2. Retrait de la cire (Fig. 17)

Utilisez un plateau en feutre en option. Faites tourner l'outil à vitesse lente pour enlever la cire.

3. Polissage (Fig. 18)

Utilisez un plateau en laine en option. Faites tourner l'outil à vitesse lente et appliquez doucement le plateau en laine sur la surface à travailler.

ENTRETIEN

⚠ ATTENTION :

- Assurez-vous toujours que l'outil est hors tension et la batterie retirée avant d'effectuer tout travail d'inspection ou d'entretien.
- N'utilisez jamais d'essence, benzine, diluant, alcool ou autre produit similaire. Cela risquerait de provoquer la décoloration, la déformation ou la fissuration de l'outil.

Pour maintenir la SÉCURITÉ et la FIABILITÉ du produit, les réparations, l'inspection et le remplacement des charbons, et tout autre travail d'entretien ou de réglage doivent être effectués dans un centre de service Makita agréé, exclusivement avec des pièces de rechange Makita.

ACCESSOIRES EN OPTION

⚠ ATTENTION :

- Ces accessoires ou pièces complémentaires sont recommandés pour l'utilisation avec l'outil Makita spécifié dans ce mode d'emploi. L'utilisation de tout autre accessoire ou pièce complémentaire peut comporter un risque de blessure. N'utilisez les accessoires ou pièces qu'aux fins auxquelles ils ont été conçus.

Si vous désirez obtenir plus de détails concernant ces accessoires, veuillez contacter le centre de service après-vente Makita le plus près.

- Disques abrasifs de type auto-agrippant (avec orifices pré-perçés)
- Plateau en mousse de type auto-agrippant
- Plateau en feutre de type auto-agrippant
- Plateau en laine de type auto-agrippant
- Batterie et chargeur Makita authentiques
- Boîtier collecteur de poussière
- Sac à filtre papier
- Sac à poussière

NOTE :

- Il se peut que certains éléments de la liste soient compris dans l'emballage de l'outil en tant qu'accessoires standard. Ils peuvent varier d'un pays à l'autre.

Bruit

Niveau de bruit pondéré A typique, déterminé selon EN62841-2-4 :

Modèle DBO180

Niveau de pression sonore (L_{pA}) : 80 dB (A)

Incertitude (K) : 3 dB (A)

Le niveau de bruit en fonctionnement peut dépasser 80 dB (A).

ENG907-1

NOTE :

- La ou les valeurs d'émission de bruit déclarées ont été mesurées conformément à la méthode de test standard et peuvent être utilisées pour comparer les outils entre eux.
- La ou les valeurs d'émission de bruit déclarées peuvent aussi être utilisées pour l'évaluation préliminaire de l'exposition.

⚠ AVERTISSEMENT :

- **Portez un serre-tête antibruit.**
- **L'émission de bruit lors de l'usage réel de l'outil électrique peut être différente de la ou des valeurs déclarées, suivant la façon dont l'outil est utilisé, particulièrement selon le type de pièce usinée.**
- **Les mesures de sécurité à prendre pour protéger l'utilisateur doivent être basées sur une estimation de l'exposition dans des conditions réelles d'utilisation (en tenant compte de toutes les composantes du cycle d'utilisation, comme par exemple le moment de sa mise hors tension, lorsqu'il tourne à vide et le moment de son déclenchement).**

Vibrations

Valeur totale de vibrations (somme de vecteur triaxial) déterminée selon EN62841-2-4 :

Modèle DBO180

Mode de travail : ponçage de plaque métallique

Émission de vibrations (a_{h1}) : 2,5 m/s² ou moins

Incertitude (K) : 1,5 m/s²

ENG901-2

NOTE :

- La ou les valeurs de vibration totales déclarées ont été mesurées conformément à la méthode de test standard et peuvent être utilisées pour comparer les outils entre eux.
- La ou les valeurs de vibration totales déclarées peuvent aussi être utilisées pour l'évaluation préliminaire de l'exposition.

⚠ AVERTISSEMENT :

- **L'émission de vibrations lors de l'usage réel de l'outil électrique peut être différente de la ou des valeurs déclarées, suivant la façon dont l'outil est utilisé, particulièrement selon le type de pièce usinée.**
- **Les mesures de sécurité à prendre pour protéger l'utilisateur doivent être basées sur une estimation de l'exposition dans des conditions réelles d'utilisation (en tenant compte de toutes les composantes du cycle d'utilisation, comme par exemple le moment de sa mise hors tension, lorsqu'il tourne à vide et le moment de son déclenchement).**

DÉCLARATIONS DE CONFORMITÉ

Pour les pays européens uniquement

Les déclarations de conformité sont fournies en Annexe A à ce mode d'emploi.

Übersicht

| | | |
|---------------------------------|------------------------|------------------|
| 1 Rote Anzeige | 8 Schleifkissen | 15 Schürze |
| 2 Knopf | 9 Schleifscheibe | 16 Schraube |
| 3 Akku | 10 Staubsack | 17 Schwammkissen |
| 4 Anzeigelampen | 11 Absaugstutzen | 18 Filzkissen |
| 5 Prüftaste | 12 Haltenase | 19 Wollkissen |
| 6 Stopptaste | 13 Staubsammelbehälter | |
| 7 Start-/Drehzahl-Einstelltaste | 14 Klinke | |

TECHNISCHE DATEN

| | | | |
|--|-------------------|--------------------------|--------------|
| Modell | | DBO140 | DBO180 |
| Papiergröße | | 125 mm | |
| Umdrehungen pro Minute (min ⁻¹) | Niedrige Drehzahl | 7 000 | |
| | Mittlere Drehzahl | 9 500 | |
| | Hohe Drehzahl | 11 000 | |
| Abmessungen | | 175 mm x 123 mm x 153 mm | |
| Nettogewicht | | 1,3 - 1,6 kg | 1,4 - 1,7 kg |
| Nennspannung | | DC 14,4 V | DC 18 V |

- Wir behalten uns vor, Änderungen im Zuge der Entwicklung und des technischen Fortschritts ohne vorherige Ankündigung vorzunehmen.
- Die technischen Daten können von Land zu Land abweichen.
- Das Gewicht kann je nach dem Aufsatz bzw. den Aufsätzen, einschließlich des Akkus, unterschiedlich sein. Die leichteste und die schwerste Kombination nach dem EPTA-Verfahren 01/2014 sind in der Tabelle angegeben.

Zutreffende Akkus und Ladegeräte

| | | |
|-----------|---|---|
| Akku | 14,4-V-Gleichstrom-Modell | BL1415N / BL1430B / BL1440 / BL1460B |
| | 18-V-Gleichstrom-Modell | BL1815N / BL1820B / BL1830B / BL1840B / BL1850B / BL1860B |
| Ladegerät | DC18RC / DC18RD / DC18RE / DC18SD / DC18SE / DC18SF / DC18SH / DC18WC | |

- Einige der oben aufgeführten Akkus und Ladegeräte sind je nach Ihrem Wohngebiet eventuell nicht erhältlich.
- ⚠️ WARNUNG:** Verwenden Sie nur die oben aufgeführten Akkus und Ladegeräte. Bei Verwendung anderer Akkus und Ladegeräte besteht Verletzungs- und/oder Brandgefahr.

ENE052-1

GEB021-4

Vorgesehene Verwendung

Die Maschine ist für das Schleifen großer Flächen von Holz, Kunststoff und Metallmaterial sowie von lackierten Oberflächen vorgesehen.

GEA010-2

Allgemeine Sicherheitswarnungen für Elektrowerkzeuge

⚠️ WARNUNG Lesen Sie alle mit diesem Elektrowerkzeug gelieferten Sicherheitswarnungen, Anweisungen, Abbildungen und technischen Daten durch. Eine Missachtung der unten aufgeführten Anweisungen kann zu einem elektrischen Schlag, Brand und/oder schweren Verletzungen führen.

Bewahren Sie alle Warnungen und Anweisungen für spätere Bezugnahme auf.

Der Ausdruck "Elektrowerkzeug" in den Warnhinweisen bezieht sich auf Ihr mit Netzstrom (mit Kabel) oder Akku (ohne Kabel) betriebenes Elektrowerkzeug.

SICHERHEITSWARNUNGEN FÜR SCHLEIFER

1. Tragen Sie stets eine Sicherheits- oder Schutzbrille. Eine gewöhnliche Brille oder Sonnenbrille ist KEIN Ersatz für eine Schutzbrille.
2. Halten Sie die Maschine mit festem Griff.
3. Lassen Sie die Maschine nicht unbeaufsichtigt laufen. Benutzen Sie die Maschine nur mit Handhaltung.
4. Benetzen Sie die Werkstückoberfläche nicht mit Wasser, weil diese Maschine nicht wasserdicht ist.
5. Sorgen Sie für angemessene Belüftung des Arbeitsbereichs während der Durchführung von Schleifarbeiten.
6. Manche Materialien können giftige Chemikalien enthalten. Treffen Sie Vorsichtsmaßnahmen, um das Einatmen von Arbeitsstaub und Hautkontakt zu verhüten. Befolgen Sie die Sicherheitsdaten des Materialherstellers.

7. Der Gebrauch dieser Maschine zum Schleifen bestimmter Produkte, Lacke und Holz kann den Benutzer Staub aussetzen, der gefährliche Substanzen enthält. Verwenden Sie einen geeigneten Atemschutz.
8. Vergewissern Sie sich vor dem Gebrauch, dass der Schleifkissen keine Risse oder Brüche aufweist. Risse oder Brüche können Verletzungen verursachen.

DIESE ANWEISUNGEN AUFBEWAHREN.

WARNUNG:

Lassen Sie sich **NICHT** durch Bequemlichkeit oder Vertrautheit mit dem Produkt (durch wiederholten Gebrauch erworben) von der strikten Einhaltung der Sicherheitsregeln für das vorliegende Produkt abhalten. **MISSBRAUCH** oder Missachtung der Sicherheitsvorschriften in dieser Anleitung können schwere Verletzungen verursachen.

ENC007-17

WICHTIGE SICHERHEITSANWEISUNGEN FÜR AKKU

1. Lesen Sie vor der Benutzung des Akkus alle Anweisungen und Warnhinweise, die an (1) Ladegerät, (2) Akku und (3) Akkuwerkzeug angebracht sind.
2. Unterlassen Sie Zerlegen oder Manipulieren des Akkus. Es kann sonst zu einem Brand, übermäßiger Hitzeentwicklung oder einer Explosion kommen.
3. Falls die Betriebszeit beträchtlich kürzer geworden ist, stellen Sie den Betrieb sofort ein. Anderenfalls besteht die Gefahr von Überhitzung, möglichen Verbrennungen und sogar einer Explosion.
4. Falls Elektrolyt in Ihre Augen gelangt, waschen Sie sie mit sauberem Wasser aus, und begeben Sie sich unverzüglich in ärztliche Behandlung. Anderenfalls können Sie Ihre Sehkraft verlieren.
5. Der Akku darf nicht kurzgeschlossen werden:
 - (1) Die Kontakte dürfen nicht mit leitfähigem Material berührt werden.
 - (2) Lagern Sie den Akku nicht in einem Behälter zusammen mit anderen Metallgegenständen, wie z. B. Nägeln, Münzen usw.
 - (3) Setzen Sie den Akku weder Wasser noch Regen aus.

Ein Kurzschluss des Akkus verursacht starken Stromfluss, der Überhitzung, mögliche Verbrennungen und einen Defekt zur Folge haben kann.
6. Lagern und benutzen Sie das Werkzeug und den Akku nicht an Orten, an denen die Temperatur 50 °C erreichen oder überschreiten kann.
7. Versuchen Sie niemals, den Akku zu verbrennen, selbst wenn er stark beschädigt oder vollkommen verbraucht ist. Der Akku kann im Feuer explodieren.
8. Unterlassen Sie Nageln, Schneiden, Zerquetschen, Werfen, Fallenlassen des Akkus oder Schlagen des Akkus mit einem harten Gegenstand. Eine solche Handlung kann zu einem Brand, übermäßiger Hitzeentwicklung oder einer Explosion führen.
9. Benutzen Sie keine beschädigten Akkus.

10. Die enthaltenen Lithium-Ionen-Akkus unterliegen den Anforderungen der **Gefahrengut-Gesetzgebung**.


Für kommerzielle Transporte, z. B. durch Dritte oder Spediteure, müssen besondere Anforderungen zu Verpackung und Etikettierung beachtet werden.

Zur Vorbereitung des zu transportierenden Artikels ist eine Beratung durch einen Experten für Gefahrengut erforderlich. Bitte beachten Sie möglicherweise ausführlichere nationale Vorschriften.

Überkleben oder verdecken Sie offene Kontakte, und verpacken Sie den Akku so, dass er sich in der Verpackung nicht umher bewegen kann.

11. **Entfernen Sie den Akku zum Entsorgen vom Werkzeug, und entsorgen Sie ihn an einem sicheren Ort. Befolgen Sie die örtlichen Vorschriften bezüglich der Entsorgung von Akkus.**
12. **Verwenden Sie die Akkus nur mit den von Makita angegebenen Produkten.** Das Einsetzen der Akkus in nicht konforme Produkte kann zu einem Brand, übermäßiger Hitzebildung, einer Explosion oder Auslaufen von Elektrolyt führen.
13. **Soll das Werkzeug längere Zeit nicht benutzt werden, muss der Akku vom Werkzeug entfernt werden.**
14. **Bei und nach dem Gebrauch kann der Akku heiß werden, was Verbrennungen oder Niedertemperaturverbrennungen verursachen kann. Beachten Sie die Handhabung von heißen Akkus.**
15. **Berühren Sie nicht den Anschlusskontakt des Werkzeugs unmittelbar nach dem Gebrauch, da er heiß genug werden kann, um Verbrennungen zu verursachen.**
16. **Achten Sie darauf, dass sich keine Späne, Staub oder Schmutz in den Anschlusskontakten, Löchern und Nuten des Akkus absetzen.** Es könnte sonst zu Erhitzung, Brandauslösung, Bersten und Funktionsstörungen des Werkzeugs oder des Akkus kommen, was zu Verbrennungen oder Personenschäden führen kann.
17. **Wenn das Werkzeug den Einsatz in der Nähe einer Hochspannungs-Stromleitung nicht unterstützt, benutzen Sie den Akku nicht in der Nähe einer Hochspannungs-Stromleitung.** Dies kann zu einer Funktionsstörung oder Betriebsstörung des Werkzeugs oder des Akkus führen.
18. **Halten Sie die Batterie von Kindern fern.**

DIESE ANWEISUNGEN AUFBEWAHREN.

 **VORSICHT:** Verwenden Sie nur **Original-Makita-Akkus**. Die Verwendung von Nicht-Original-Makita-Akkus oder von Akkus, die abgeändert worden sind, kann zum Bersten des Akkus und daraus resultierenden Bränden, Personenschäden und Beschädigung führen. Außerdem wird dadurch die Makita-Garantie für das Makita-Werkzeug und -Ladegerät ungültig.

Hinweise zur Aufrechterhaltung der maximalen Akku-Nutzungsdauer

1. **Laden Sie den Akku, bevor er vollkommen erschöpft ist. Schalten Sie das Werkzeug stets aus, und laden Sie den Akku, wenn Sie ein Nachlassen der Werkzeuleistung feststellen.**

2. Unterlassen Sie erneutes Laden eines voll aufgeladenen Akkus. Überladen führt zu einer Verkürzung der Nutzungsdauer des Akkus.
3. Laden Sie den Akku bei Raumtemperatur zwischen 10 – 40 °C. Lassen Sie einen heißen Akku abkühlen, bevor Sie ihn laden.
4. Wenn Sie den Akku nicht benutzen, nehmen Sie ihn vom Werkzeug oder Ladegerät ab.
5. Der Akku muss geladen werden, wenn er lange Zeit (länger als sechs Monate) nicht benutzt wird.

FUNKTIONSBESCHREIBUNG

⚠ VORSICHT:

- Vergewissern Sie sich vor der Durchführung von Einstellungen oder Funktionsprüfungen der Maschine stets, dass die Maschine ausgeschaltet und der Akku abgenommen ist.

Anbringen und Abnehmen des Akkus (Abb. 1)

⚠ VORSICHT:

- Schalten Sie stets die Maschine aus, bevor Sie den Akku anbringen oder abnehmen.
- Halten Sie Maschine und Akku beim Anbringen oder Abnehmen des Akkus sicher fest. Wenn Sie Maschine und Akku nicht sicher festhalten, können sie Ihnen aus der Hand rutschen, was zu einer Beschädigung der Maschine und des Akkus und zu Körperverletzungen führen kann.

Ziehen Sie den Akku zum Abnehmen von der Maschine ab, während Sie den Knopf an der Vorderseite des Akkus verschieben.

Richten Sie zum Anbringen des Akkus dessen Führungsfeder auf die Nut im Gehäuse aus, und schieben Sie den Akku hinein. Schieben Sie ihn vollständig ein, bis er mit einem hörbaren Klicken einrastet. Falls die rote Anzeige an der Oberseite des Knopfes sichtbar ist, ist der Akku-Adapter nicht vollständig verriegelt.

⚠ VORSICHT:

- Schieben Sie den Akku stets bis zum Anschlag ein, bis die rote Anzeige nicht mehr sichtbar ist. Anderenfalls kann er aus der Maschine herausfallen und Sie oder umstehende Personen verletzen.
- Unterlassen Sie Gewaltanwendung beim Anbringen des Akkus. Falls der Akku nicht reibungslos hineingleitet, ist er nicht richtig ausgerichtet.

Werkzeug/Akku-Schutzsystem

Das Werkzeug ist mit einem Werkzeug/Akku-Schutzsystem ausgestattet. Dieses System schaltet die Stromversorgung automatisch ab, um die Lebensdauer von Werkzeug und Akku zu verlängern. Das Werkzeug bleibt während des Betriebs automatisch stehen, wenn das Werkzeug oder der Akku einer der folgenden Bedingungen unterliegt:

Überlastschutz

Dieser Schutz tritt in Aktion, wenn das Werkzeug auf eine Weise betrieben wird, die eine ungewöhnlich hohe Stromaufnahme bewirkt. Schalten Sie in dieser Situation das Werkzeug aus, und brechen Sie die Arbeit ab, die eine Überlastung des Werkzeugs verursacht hat. Schalten Sie dann das Werkzeug wieder ein, um neu zu starten.

Überhitzungsschutz

Dieser Schutz tritt in Aktion, wenn das Werkzeug oder der Akku überhitzt wird. Lassen Sie das Werkzeug und den Akku in dieser Situation abkühlen, bevor Sie das Werkzeug wieder einschalten.











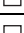
Überentladungsschutz

Dieser Schutz tritt in Aktion, wenn die Akku-Restkapazität niedrig wird. Nehmen Sie in dieser Situation den Akku vom Werkzeug ab, und laden Sie ihn auf.

Anzeigen der Akku-Restkapazität (Abb. 2)

Nur für Akkus mit Anzeige

Drücken Sie die Prüftaste am Akku, um die Akku-Restkapazität anzuzeigen. Die Anzeigelampen leuchten wenige Sekunden lang auf.

| Anzeigelampen | | | Restkapazität |
|--|---|--|---|
|  Erleuchtet |  Aus |  Blinkend | |
|  | | | 75% bis 100% |
|  | | | 50% bis 75% |
|  | | | 25% bis 50% |
|  | | | 0% bis 25% |
|  | | | Den Akku aufladen. |
|  |  |  | Möglicherweise liegt eine Funktionsstörung im Akku vor. |

015658

HINWEIS:

- Abhängig von den Benutzungsbedingungen und der Umgebungstemperatur kann die Anzeige geringfügig von der tatsächlichen Kapazität abweichen.
- Die erste (äußerste linke) Anzeigelampe blinkt, wenn das Akku-Schutzsystem aktiv ist.

Schalterfunktion und Drehzahl-Einstelltaste (Abb. 3)

Zum Starten der Maschine die Start-/Drehzahl-Einstelltaste drücken. Die Maschine läuft mit hoher Drehzahl an. Mit jedem Drücken der Start-/Drehzahl-Einstelltaste ändert sich der Drehzahlmodus in der Reihenfolge hohe Drehzahl, mittlere Drehzahl und niedrige Drehzahl.

Zum Stoppen der Maschine die Stoppaste drücken.

Die Beziehung zwischen Drehzahlmodus und Art der Arbeit ist aus der Tabelle ersichtlich.

| Drehzahlmodus | Drehzahl | Benutzung |
|---------------|----------|---------------------|
| Hoch | 11 000 | Reguläres Schleifen |
| Mittel | 9 500 | Feinschleifen |
| Niedrig | 7 000 | Polieren |

012897

HINWEIS:

- Die Tabelle zeigt Standardanwendungen. Sie können unter bestimmten Bedingungen abweichen.

MONTAGE

⚠ VORSICHT:

- Vergewissern Sie sich vor der Ausführung von Arbeiten an der Maschine stets, dass die Maschine ausgeschaltet und der Akku abgenommen ist.

Anbringen der Schleifscheibe (Abb. 4)

Das Schleifkissen vor dem Anbringen der Schleifscheibe restlos von Schmutz oder Fremdkörpern säubern. Dann die Schleifscheibe am Schleifkissen anbringen. Die Löcher in der Schleifscheibe genau mit den Löchern im Schleifkissen zur Deckung bringen.

Anbringen des Staubsacks (Sonderzubehör) (Abb. 5)

Den Staubsack so an der Maschine anbringen, dass sein Mundstück unten liegt.

Entleeren des Staubsacks (Abb. 6 u. 7)

Wenn der Staubsack etwa halb voll ist, die Maschine ausschalten und den Staubsack von der Maschine abnehmen. Dann den Absaugstutzen vom Staubsack abnehmen, nachdem er durch geringfügiges Linksdrehen entriegelt worden ist. Den Staubsack durch leichtes Abklopfen entleeren.

Nach dem Entleeren des Staubsacks den Absaugstutzen wieder am Staubsack anbringen. Den Absaugstutzen zum Verriegeln geringfügig im Uhrzeigersinn drehen. Dann den Staubsack an der Maschine anbringen, wie unter "Anbringen des Staubsacks" beschrieben.

Anbringen des Papierfiltersacks (Sonderzubehör) (Abb. 8 u. 9)

Sicherstellen, dass das Logo auf der Kartonlippe und das Logo auf dem Staubsammelbehälter auf derselben Seite liegen, dann den Papierfiltersack anbringen, indem die Kartonlippe in die Nut jeder Haltenase eingepasst wird.

Sicherstellen, dass das Logo auf der Kartonlippe und das Logo am Absaugstutzen auf derselben Seite liegen, dann den Absaugstutzen am Staubsammelbehälter anbringen.

Entfernen von Staubsammelbehälter und Papierfiltersack (Abb. 10 u. 11)

Den Absaugstutzen durch Hineindrücken der zwei Klappen abnehmen.

Den Papierfiltersack zuerst entfernen, indem die Logo-Seite seiner Kartonlippe zusammengedrückt und dann die Kartonlippe nach unten gezogen wird, um sie aus der Haltenase des Staubsammelbehälters herauszuziehen.

Abnehmen und Anbringen der Schürze (Abb. 12, 13 u. 14)

⚠ VORSICHT:

- Benutzen Sie die Maschine nicht ohne die Schürze. Anderenfalls wird Staub überall verstreut.

Je nach dem Verwendungszweck kann eine von 12 Richtungen der Schürze gewählt werden.

Zum Abnehmen der Schürze die Schraube herausdrehen, dann die Schürze abnehmen, während sie geringfügig auf beiden Seiten geöffnet wird.

Die Schürze anbringen, indem sie auf beiden Seiten geringfügig geöffnet wird. Dann die Schraube anziehen.

⚠ VORSICHT:

- Die Schürze nur auf den vorgesehenen Winkel einstellen. Anderenfalls kann die Maschine beschädigt werden.

BETRIEB

⚠ WARNUNG:

- Schalten Sie die Maschine niemals ein, wenn sie mit dem Werkstück in Berührung ist, weil sonst Verletzungsgefahr für die Bedienungsperson besteht.

Schleifbetrieb (Abb. 15)

⚠ VORSICHT:

- Benutzen Sie die Maschine niemals ohne Schleifscheibe. Das Schleifkissen könnte sonst schwer beschädigt werden.
- Niemals gewaltsam auf die Maschine drücken. Übermäßiger Druck kann die Schleifleistung verschlechtern, die Schleifscheibe beschädigen oder die Lebensdauer der Maschine verkürzen.
- Kommt die Kante des Schleifkissens während der Benutzung der Maschine mit dem Werkstück in Berührung, kann das Schleifkissen beschädigt werden.

Halten Sie die Maschine mit festem Griff. Schalten Sie die Maschine ein und warten Sie, bis sie ihre volle Drehzahl erreicht. Setzen Sie dann die Maschine sachte auf die Werkstück-Oberfläche. Halten Sie das Schleifkissen flach gegen das Werkstück, und üben Sie leichten Druck auf die Maschine aus.

⚠ VORSICHT:

- Das Schleifkissen dreht sich im belasteten Zustand im Uhrzeigersinn, kann sich aber im unbelasteten Zustand entgegen dem Uhrzeigersinn drehen.

Polierbetrieb (optional)

⚠ VORSICHT:

- Verwenden Sie nur Originalzubehör von Makita, wie z. B. Schwammkissen, Filzkissen oder Wollkissen (Sonderzubehör).
- Betreiben Sie die Maschine immer mit niedriger Drehzahl, um übermäßige Erwärmung der Werkstückoberflächen zu vermeiden.
- Niemals gewaltsam auf die Maschine drücken. Übermäßiger Druck kann die Polierleistung verringern und eine Überlastung des Motors verursachen, was zu einer Funktionsstörung der Maschine führen kann.

1. Auftragen von Wachs (Abb. 16)

Verwenden Sie ein optionales Schwammkissen. Tragen Sie das Wachs auf das Schwammkissen oder die Werkstückoberfläche auf. Betreiben Sie die Maschine mit niedriger Drehzahl, um das Wachs glatt zu streichen.

HINWEIS:

- Wachsen Sie zuerst einen unauffälligen Teil der Werkstückoberfläche, um sicherzugehen, dass die Maschine die Oberfläche nicht verkratzt oder das Wachs ungleichmäßig verteilt.
- Die Maschine läuft mit hoher Drehzahl an. Lassen Sie beim Starten der Maschine Vorsicht walten. Das Wachs könnte sonst verspritzt werden. Es wird empfohlen, das Wachs bei stillstehender Maschine zu verteilen, bevor die Maschine gestartet wird. Schalten Sie den Drehzahlmodus unmittelbar nach dem Starten der Maschine auf niedrige Drehzahl um.

- Betreiben Sie die Maschine immer mit niedriger Drehzahl. Wird sie mit hoher Drehzahl betrieben, kann das Wachs verspritzt werden.
- 2. Entfernen von Wachs (Abb. 17)**
Verwenden Sie ein optionales Filzkissen. Betreiben Sie die Maschine mit niedriger Drehzahl, um das Wachs zu entfernen.
 - 3. Polieren (Abb. 18)**
Verwenden Sie ein optionales Wollkissen. Betreiben Sie die Maschine mit niedriger Drehzahl, und setzen Sie das Wollkissen sanft auf die Werkstückoberfläche auf.

WARTUNG

⚠ VORSICHT:

- Vergewissern Sie sich vor der Durchführung von Inspektions- oder Wartungsarbeiten stets, dass die Maschine ausgeschaltet und der Akku abgenommen ist.
- Verwenden Sie auf keinen Fall Benzin, Benzol, Verdünnern, Alkohol oder dergleichen. Solche Mittel können Verfärbung, Verformung oder Rissbildung verursachen.

Um die SICHERHEIT und ZUVERLÄSSIGKEIT dieses Produkts aufrechtzuerhalten, sollten Reparaturen, Überprüfung und Austausch der Kohlebürsten und andere Wartungs- oder Einstellarbeiten nur von Makita-Kundendienstzentren unter ausschließlicher Verwendung von Makita-Originalersatzteilen ausgeführt werden.

SONDERZUBEHÖR

⚠ VORSICHT:

- Die folgenden Zubehörteile oder Vorrichtungen werden für den Einsatz mit der in dieser Anleitung beschriebenen Makita-Maschine empfohlen. Die Verwendung anderer Zubehörteile oder Vorrichtungen kann eine Verletzungsgefahr darstellen. Verwenden Sie Zubehörteile oder Vorrichtungen nur für ihren vorgesehenen Zweck.

Wenn Sie weitere Einzelheiten bezüglich dieser Zubehörteile benötigen, wenden Sie sich bitte an Ihre Makita-Kundendienststelle.

- Schleifschleiben mit Klettverschluss (mit vorgestanzten Löchern)
- Schwammkissen mit Klettverschluss
- Filzkissen mit Klettverschluss
- Wollkissen mit Klettverschluss
- Original-Makita-Akku und -Ladegerät
- Staubsammelbehälter
- Papierfiltersack
- Staubsack

HINWEIS:

- Manche Teile in der Liste können als Standardzubehör im Werkzeugsatz enthalten sein. Sie können von Land zu Land unterschiedlich sein.

Geräusch

Typischer A-bewerteter Geräuschpegel ermittelt gemäß EN62841-2-4:

Modell DBO180

Schalldruckpegel (L_{pA}): 80 dB (A)

Ungewissheit (K): 3 dB (A)

Der Lärmpegel kann während des Betriebs 80 dB (A) überschreiten.

ENG907-1

HINWEIS:

- Der (Die) angegebene(n) Schallemissionswert(e) wurde(n) im Einklang mit der Standardprüfmethode gemessen und kann (können) für den Vergleich zwischen Werkzeugen herangezogen werden.
- Der (Die) angegebene(n) Schallemissionswert(e) kann (können) auch für eine Vorbewertung des Gefährdungsgrads verwendet werden.

⚠ WARNUNG:

- **Einen Gehörschutz tragen.**
- **Die Schallemission während der tatsächlichen Benutzung des Elektrowerkzeugs kann je nach der Benutzungsweise des Werkzeugs, und speziell je nach der Art des bearbeiteten Werkstücks, von dem (den) angegebenen Wert(en) abweichen.**
- **Identifizieren Sie Sicherheitsmaßnahmen zum Schutz des Benutzers anhand einer Schätzung des Gefährdungsgrads unter den tatsächlichen Benutzungsbedingungen (unter Berücksichtigung aller Phasen des Arbeitszyklus, wie z. B. Ausschalt- und Leerlaufzeiten des Werkzeugs zusätzlich zur Betriebszeit).**

Vibration

Vibrationsgesamtwert (Drei-Achsen-Vektorsumme) ermittelt gemäß EN62841-2-4:

Modell DBO180

Arbeitsmodus: Schleifen von Metallplatten

Vibrationsemission (a_{h1}): 2,5 m/s^2 oder weniger

Ungewissheit (K): 1,5 m/s^2

ENG901-2

HINWEIS:

- Der (Die) angegebene(n) Vibrationsgesamtwert(e) wurde(n) im Einklang mit der Standardprüfmethode gemessen und kann (können) für den Vergleich zwischen Werkzeugen herangezogen werden.
- Der (Die) angegebene(n) Vibrationsgesamtwert(e) kann (können) auch für eine Vorbewertung des Gefährdungsgrads verwendet werden.

⚠ WARNUNG:

- **Die Vibrationsemission während der tatsächlichen Benutzung des Elektrowerkzeugs kann je nach der Benutzungsweise des Werkzeugs, und speziell je nach der Art des bearbeiteten Werkstücks, von dem (den) angegebenen Emissionswert(en) abweichen.**
- **Identifizieren Sie Sicherheitsmaßnahmen zum Schutz des Benutzers anhand einer Schätzung des Gefährdungsgrads unter den tatsächlichen Benutzungsbedingungen (unter Berücksichtigung aller Phasen des Arbeitszyklus, wie z. B. Ausschalt- und Leerlaufzeiten des Werkzeugs zusätzlich zur Betriebszeit).**

KONFORMITÄTSERKLÄRUNGEN

Nur für europäische Länder

Die Konformitätserklärungen sind in Anhang A dieser Betriebsanleitung enthalten.

Visione generale

| | | |
|------------------------|---|-------------------------|
| 1 Indicatore rosso | 7 Bottone di avvio/regolazione velocità | 13 Scatola polvere |
| 2 Bottone | 8 Platorello | 14 Gancio |
| 3 Cartuccia batteria | 9 Disco abrasivo | 15 Bordatura |
| 4 Spie | 10 Sacchetto polvere | 16 Vite |
| 5 Bottone di controllo | 11 Bocchetta polvere | 17 Platorello di spugna |
| 6 Bottone di arresto | 12 Appendice di supporto | 18 Platorello di feltro |
| | | 19 Platorello di lana |

DATI TECNICI

| Modello | | DBO140 | DBO180 |
|--------------------------------|----------------|--------------------------|--------------|
| Dimensioni carta | | 125 mm | |
| Giri/min. (min ⁻¹) | Velocità bassa | 7.000 | |
| | Velocità media | 9.500 | |
| | Velocità alta | 11.000 | |
| Dimensioni | | 175 mm x 123 mm x 153 mm | |
| Peso netto | | 1,3 - 1,6 kg | 1,4 - 1,7 kg |
| Tensione nominale | | C.c. 14,4 V | C.c. 18 V |

- Per il nostro programma di ricerca e sviluppo continui, i dati tecnici sono soggetti a modifiche senza preavviso.
- I dati tecnici potrebbero differire da paese a paese.
- Il peso può variare a seconda dell'accessorio o degli accessori, inclusa la cartuccia della batteria. La combinazione più leggera e quella più pesante, in base alla Procedura EPTA 01/2014, sono indicate nella tabella.

Cartuccia batteria e caricatore applicabili

| | | |
|--------------------|---|---|
| Cartuccia batteria | Modello a C.c. 14,4 V | BL1415N / BL1430B / BL1440 / BL1460B |
| | Modello a C.c. 18 V | BL1815N / BL1820B / BL1830B / BL1840B / BL1850B / BL1860B |
| Caricatore | DC18RC / DC18RD / DC18RE / DC18SD / DC18SE / DC18SF / DC18SH / DC18WC | |

- Alcune delle cartucce batterie e dei caricatori elencati sopra potrebbero non essere disponibili, a seconda della propria area geografica di residenza.

⚠ AVVERTIMENTO: utilizzare solo le cartucce batterie e i caricatori elencati sopra. L'utilizzo di cartucce batterie e caricatori diversi potrebbe causare lesioni personali e/o incendi.

ENE052-1

Il termine "utensile elettrico" nelle avvertenze si riferisce sia all'utensile elettrico (cablato) nel funzionamento alimentato da rete elettrica che all'utensile elettrico (a batteria) nel funzionamento alimentato a batteria.

GEB021-4

Utilizzo previsto

Questo utensile è progettato per la carteggiatura di grandi superfici di legno e di materiali di plastica e metallo, come pure delle superfici verniciate.

GEA010-2

Avvertenze generali relative alla sicurezza dell'utensile elettrico

⚠ AVVERTIMENTO Leggere tutte le avvertenze di sicurezza, le istruzioni, le illustrazioni e i dati tecnici forniti con il presente utensile elettrico. La mancata osservanza di tutte le istruzioni elencate di seguito potrebbe risultare in scosse elettriche, incendi e/o gravi lesioni personali.

Conservare tutte le avvertenze e le istruzioni come riferimento futuro.

AVVERTIMENTI PER LA SICUREZZA DELLA LEVIGATRICE

1. Usare sempre occhiali di sicurezza o di protezione. I comuni occhiali o gli occhiali da sole NON sono occhiali di sicurezza.
2. Tenere saldamente l'utensile.
3. Non lasciare l'utensile mentre sta funzionando. Far funzionare l'utensile soltanto tenendolo in mano.
4. Questo utensile non è stato impermeabilizzato, per cui non si deve usare acqua sulla superficie del pezzo.
5. Ventilare adeguatamente l'area di lavoro quando si eseguono le operazioni di carteggiatura.

6. Alcuni materiali contengono sostanze chimiche che potrebbero essere tossiche. Fare attenzione per evitare di inspirare la polvere e il contatto con la pelle. Seguire i dati per la sicurezza del fornitore del materiale.
7. L'utilizzo di questo utensile per la carteggiatura di alcuni prodotti, vernici e legni potrebbero esporre l'operatore a polvere contenente sostanze pericolose. Usare una protezione appropriata per la respirazione.
8. Accertarsi che non ci siano crepe o rotture sul piatello prima dell'uso. Le crepe o rotture possono causare un incidente.
8. **Non inchiodare, tagliare, schiacciare, lanciare o far cadere la cartuccia della batteria, né farla urtare con forza contro un oggetto duro.** Questi comportamenti potrebbero risultare in un incendio, calore eccessivo o un'esplosione.
9. **Non utilizzare una batteria danneggiata.**
10. **Le batterie a ioni di litio contenute sono soggette ai requisiti del regolamento sul trasporto di merci pericolose (Dangerous Goods Legislation).**
Per trasporti commerciali, ad esempio da parte di terzi o spedizionieri, è necessario osservare dei requisiti speciali sull'imballaggio e sull'etichetta. Per la preparazione dell'articolo da spedire, è richiesta la consulenza di un esperto in materiali pericolosi. Attenersi anche alle normative nazionali, che potrebbero essere più dettagliate. Nastrare o coprire i contatti aperti e imballare la batteria in modo tale che non si possa muovere liberamente all'interno dell'imballaggio.

CONSERVARE LE PRESENTI ISTRUZIONI.

⚠ AVVERTIMENTO:

NON lasciare che la comodità o la familiarità d'utilizzo con il prodotto (acquisita con l'uso ripetuto) sostituisca la stretta osservanza delle norme di sicurezza. L'utilizzo SBAGLIATO o la mancata osservanza delle norme di sicurezza di questo manuale di istruzioni potrebbero causare lesioni serie.

ENC007-17

ISTRUZIONI DI SICUREZZA IMPORTANTI PER LA CARTUCCIA DELLA BATTERIA

1. Prima di utilizzare la cartuccia della batteria, leggere tutte le istruzioni e le avvertenze riportate (1) sul caricabatteria, (2) sulla batteria e (3) sul prodotto che utilizza la batteria.
2. Non smantellare né manomettere la cartuccia della batteria. In caso contrario, si potrebbe causare un incendio, calore eccessivo o un'esplosione.
3. Qualora il tempo di utilizzo si riduca eccessivamente, interrompere immediatamente l'utilizzo dell'utensile. In caso contrario, si può incorrere nel rischio di surriscaldamento, possibili ustioni e persino un'esplosione.
4. Qualora l'elettrolita entri in contatto con gli occhi, sciacquarli con acqua pulita e richiedere immediatamente assistenza medica. Questa eventualità può risultare nella perdita della vista.
5. Non cortocircuitare la cartuccia della batteria:
 - (1) Non toccare i terminali con alcun materiale conduttivo.
 - (2) Evitare di conservare la cartuccia della batteria in un contenitore insieme ad altri oggetti metallici quali chiodi, monete, e così via.
 - (3) Non esporre la cartuccia della batteria all'acqua o alla pioggia.
 Un cortocircuito della batteria può causare un grande flusso di corrente, un surriscaldamento, possibili ustioni e persino un guasto.
6. Non conservare e utilizzare l'utensile e la cartuccia della batteria in ubicazioni in cui la temperatura possa raggiungere o superare i 50 °C.
7. Non incenerire la cartuccia della batteria anche qualora sia gravemente danneggiata o completamente esaurita. La cartuccia della batteria può esplodere se a contatto con il fuoco.
11. **Quando si intende smaltire la cartuccia della batteria, rimuoverla dall'utensile e smaltirla in un luogo sicuro.** Attenersi alle normative locali relative allo smaltimento della batteria.
12. **Utilizzare le batterie esclusivamente con i prodotti specificati da Makita.** L'installazione delle batterie in prodotti non compatibili potrebbe risultare in incendi, calore eccessivo, esplosioni o perdite di liquido elettrolitico.
13. **Se l'utensile non viene utilizzato per un periodo di tempo prolungato, la batteria deve essere rimossa dall'utensile.**
14. **Durante e dopo l'uso, la cartuccia della batteria potrebbe assorbire calore, che può causare ustioni o ustioni a bassa temperatura.** Fare attenzione a come si maneggiano le cartucce delle batterie estremamente calde.
15. **Non toccare i terminali dell'utensile subito dopo l'uso, in quanto potrebbero diventare estremamente caldi al punto da causare ustioni.**
16. **Evitare di far incastrare schegge, polveri o terreno nei terminali, nei fori e nelle scanalature della cartuccia della batteria.** In caso contrario, l'utensile o la cartuccia della batteria potrebbero riscaldarsi, prendere fuoco, scoppiare o guastarsi, causando ustioni o lesioni personali.
17. **A meno che l'utensile supporti l'uso in prossimità di linee elettriche ad alta tensione, non utilizzare la cartuccia della batteria in prossimità di linee elettriche ad alta tensione.** In caso contrario, si potrebbe causare un malfunzionamento o la rottura dell'utensile o della cartuccia della batteria.
18. **Tenere la batteria lontana dai bambini.**

CONSERVARE LE PRESENTI ISTRUZIONI.

⚠ **ATTENZIONE: Utilizzare solo batterie originali Makita.** L'utilizzo di batterie Makita non originali, o di batterie che siano state alterate, potrebbe risultare nello scoppio della batteria, causando incendi, lesioni personali e danni. Inoltre, ciò potrebbe invalidare la garanzia Makita per l'utensile e il caricabatterie Makita.

Suggerimenti per preservare la durata massima della batteria

1. Caricare la cartuccia della batteria prima che si scarichi completamente. Smettere sempre di utilizzare l'utensile e caricare la cartuccia della batteria quando si nota che la potenza dell'utensile è diminuita.
2. Non ricaricare mai una cartuccia della batteria completamente carica. La sovraccarica riduce la vita utile della batteria.
3. Caricare la cartuccia della batteria a una temperatura ambiente compresa tra 10 °C e 40 °C. Lasciar raffreddare una cartuccia della batteria prima di caricarla.
4. Quando non si utilizza la cartuccia della batteria, rimuoverla dall'utensile o dal caricabatteria.
5. Caricare la cartuccia della batteria se non la si è utilizzata per un periodo di tempo prolungato (più di sei mesi).

DESCRIZIONE FUNZIONALE

⚠ ATTENZIONE:

- Accertarsi sempre che l'utensile sia spento e di aver rimosso la cartuccia batteria prima di regolarlo o di controllare il suo funzionamento.

Installazione o rimozione della cartuccia batteria (Fig. 1)

⚠ ATTENZIONE:

- Spegnerne sempre l'utensile prima di installare o di rimuovere la batteria.
- **Tenere saldamente l'utensile e la batteria quando si installa o si rimuove la batteria.** Se non si tengono saldamente l'utensile e la batteria, potrebbero sfuggire di mano con conseguente danno dell'utensile e della batteria e una lesione personale.

Per rimuovere la batteria, toglierla dall'utensile spingendo allo stesso tempo il bottone sulla parte anteriore della batteria.

Per installare la batteria, allineare l'appendice della batteria sulla scanalatura dell'alloggiamento e spingerla in posizione. Inserirli completamente finché si blocca in posizione con uno piccolo scatto. Se si vede l'indicatore rosso sul lato superiore del bottone, vuol dire che la batteria non è bloccata completamente.

⚠ ATTENZIONE:

- Installare sempre completamente la batteria finché l'indicatore rosso non è più visibile. In caso contrario, potrebbe cadere accidentalmente fuori dall'utensile causando un incidente all'operatore o a chi gli è vicino.
- Non installare forzatamente la batteria. Se la batteria non scivola dentro facilmente, vuol dire che non viene inserita correttamente.

Sistema di protezione strumento/batteria

L'utensile è dotato di un sistema di protezione dell'utensile stesso e della batteria. Questo sistema interrompe automaticamente l'alimentazione per prolungare la vita utile dell'utensile e della batteria. L'utensile si arresta automaticamente durante il funzionamento, qualora l'utensile o la batteria vengano a trovarsi in una delle condizioni seguenti:

Protezione dal sovraccarico

Questa protezione si attiva quando l'utensile viene utilizzato in modo tale da causare un assorbimento di corrente elevato in modo anomalo da parte dell'utensile stesso. In questa circostanza, spegnere l'utensile e interrompere l'applicazione che ha causato il sovraccarico dell'utensile. Quindi, accendere l'utensile per ricominciare.

Protezione dal surriscaldamento

Questa protezione si attiva quando l'utensile o la batteria sono surriscaldati. In questa circostanza, lasciar raffreddare l'utensile e la batteria, prima di riaccendere l'utensile.















Protezione dalla sovrascarica

Questa protezione si attiva quando la carica residua della batteria diventa bassa. In questa circostanza, rimuovere la batteria dall'utensile e caricarla.

Indicazione della capacità restante della batteria (Fig. 2)

Solo per cartucce delle batterie dotate di indicatore

Premere il bottone di controllo sulla cartuccia batteria per visualizzare la capacità restante della batteria. Le spie si accendono per pochi secondi.

| Spie | | | Capacità restante |
|--|--|--|---|
|  Accesa |  Spenta |  Lampeggiante | |
|  | | | dal 75% al 100% |
|  | | | dal 50% al 75% |
|  |  | | dal 25% al 50% |
|  |  | | dal 0% al 25% |
|  |  | | Caricare la batteria. |
|  |  |  | Si potrebbe essere verificato un malfunzionamento della batteria. |

015658

NOTA:

- A seconda delle condizioni d'utilizzo e della temperatura ambiente, l'indicazione potrebbe differire leggermente dalla capacità reale.
- Il primo indicatore luminoso (all'estremità sinistra) lampeggia quando il sistema di protezione della batteria è in funzione.

Funzionamento dell'interruttore e bottone di regolazione velocità (Fig. 3)

Per avviare l'utensile, premere il bottone di avvio/regolazione velocità. L'utensile si avvia nella modalità di velocità alta. Ogni volta che si preme il bottone di avvio/regolazione velocità, la modalità di velocità cambia nell'ordine di velocità alta, velocità media e velocità bassa.

Per fermare l'utensile, premere il bottone di arresto. Vedere la tabella per il rapporto tra la modalità di velocità e il tipo di lavoro.

| Modalità di velocità | Numero di rotazioni | Utilizzo |
|----------------------|---------------------|-----------------------------|
| Alto | 11.000 | Carteggiatura normale |
| Media | 9.500 | Carteggiatura di rifinitura |
| Basso | 7.000 | Lucidatura |

012897

NOTA:

- La tabella mostra le applicazioni standard. Esse potrebbero differire in certe condizioni.

MONTAGGIO

⚠ ATTENZIONE:

- Accertarsi sempre che l'utensile sia spento e che la batteria sia stata rimossa prima di qualsiasi intervento sull'utensile.

Installazione del disco abrasivo (Fig. 4)

Per installare il disco abrasivo, togliere prima ogni sporco o sostanza estranea dal platorello. Attaccare poi il disco abrasivo al platorello. Allineare con cura i fori del disco abrasivo su quelli del platorello.

Installazione del sacchetto polvere (accessorio opzionale) (Fig. 5)

Installare il sacchetto polvere sull'utensile con la sua bocca rivolta in basso.

Svuotamento del sacchetto polvere (Fig. 6 e 7)

Quando il sacchetto polvere è quasi pieno a metà, spegnere l'utensile e rimuovere il sacchetto polvere. Rimuovere poi la bocchetta polvere dal sacchetto polvere dopo aver sbloccato la bocchetta polvere girandola leggermente in senso antiorario. Svuotare il sacchetto polvere dandogli dei leggeri colpi.

Dopo aver svuotato il sacchetto polvere, installare la bocchetta polvere sul sacchetto polvere. Girare leggermente la bocchetta polvere in senso orario per bloccarla in posizione. Installare poi il sacchetto polvere sull'utensile come descritto in "Installazione del sacchetto polvere".

Installazione del sacchetto filtro carta (accessorio opzionale) (Fig. 8 e 9)

Accertarsi che il logo sul bordo del cartone e il logo sulla scatola polvere siano sullo stesso lato, e installare poi il sacchetto filtro carta montandolo sul bordo di cartone nella scanalatura di ciascuna appendice di supporto.

Accertarsi che il logo sul bordo di cartone e il logo sulla bocchetta polvere siano sullo stesso lato, e installare poi la bocchetta polvere sulla scatola polvere.

Rimozione della scatola polvere e sacchetto filtro carta (Fig. 10 e 11)

Rimuovere la bocchetta polvere spingendo i due ganci. Rimuovere prima il sacchetto filtro carta stringendo con due dita il lato del logo del suo bordo di cartone, e tirare poi il bordo di cartone in giù per spostarlo via dall'appendice di supporto scatola polvere.

Rimozione e installazione della bordatura (Fig. 12, 13 e 14)

⚠ ATTENZIONE:

- L'utensile non deve essere usato senza la bordatura. In caso contrario, la polvere viene sparsa intorno.

Si può scegliere una delle 12 direzioni della bordatura, secondo lo scopo prefissato.

Per rimuovere la bordatura, togliere la vite e rimuovere la bordatura aprendola leggermente su entrambi i lati.

Per reinstallare la bordatura, installarla aprendola leggermente su entrambi i lati. Stringere poi la vite.

⚠ ATTENZIONE:

- Non installare la bordatura a un angolo diverso da quello designato. In caso contrario, si potrebbe danneggiare l'utensile.

FUNZIONAMENTO

⚠ AVVERTIMENTO:

- L'utensile non deve mai essere acceso mentre fa contatto con il materiale da lavorare, perché potrebbe causare una lesione all'operatore.

Operazione di carteggiatura (Fig. 15)

⚠ ATTENZIONE:

- L'utensile non deve mai essere avviato senza il disco abrasivo. Si potrebbe danneggiare seriamente il platorello.
- Mai forzare l'utensile. Una pressione eccessiva potrebbe ridurre l'efficienza di carteggiatura, danneggiare il disco abrasivo o ridurre la vita di servizio dell'utensile.
- Se si usa l'utensile con il bordo del platorello che fa contatto con la superficie da lavorare, si potrebbe danneggiare il platorello.

Tenere saldamente l'utensile. Accendere l'utensile e aspettare finché ha raggiunto la piena velocità. Appoggiare poi delicatamente l'utensile sulla superficie da lavorare. Tenere il platorello a filo con la superficie da lavorare, e applicare una leggera pressione sull'utensile.

⚠ ATTENZIONE:

- Il platorello di carteggiatura ruota in senso orario durante il funzionamento con carico, e potrebbe ruotare invece in senso antiorario durante il funzionamento senza carico.

Operazione di lucidatura (opzionale)

⚠ ATTENZIONE:

- Usare soltanto un platorello di spugna, di feltro o di lana Makita genuino (accessori opzionali).
- Usare sempre l'utensile alla velocità bassa per evitare che la superficie del pezzo si riscaldi in modo anormale.
- Mai forzare l'utensile. Una pressione eccessiva potrebbe ridurre l'efficienza di lucidatura e causare il sovraccarico del motore, con conseguente malfunzionamento dell'utensile.

1. Applicazione della cera (Fig. 16)

Usare un platorello di spugna opzionale. Applicare la cera al platorello di spugna o alla superficie da lavorare. Far funzionare l'utensile alla velocità bassa per stendere la cera.

NOTA:

- Incerare prima una parte limitata della superficie da lavorare, per accertarsi che l'utensile non la graffi o causi una inceratura irregolare.
- L'utensile si avvia nella modalità di velocità alta. Fare attenzione quando si avvia l'utensile. Si potrebbe schizzare la cera. Si consiglia di stendere la cera con l'utensile spento prima di avviarlo. Cambiare alla modalità di velocità bassa immediatamente dopo l'avviamento dell'utensile.
- Fare sempre funzionare l'utensile alla velocità bassa. Facendolo funzionare alla velocità alta si potrebbe schizzare la cera.

2. Rimozione della cera (Fig. 17)

Usare un platello di feltro opzionale. Far funzionare l'utensile alla velocità bassa per rimuovere la cera.

3. Lucidatura (Fig. 18)

Usare un platello di lana opzionale. Far funzionare l'utensile alla velocità bassa e applicare delicatamente il platello di lana alla superficie da lavorare.

MANUTENZIONE

⚠ ATTENZIONE:

- Accertarsi sempre che l'utensile sia spento e di aver rimosso la batteria prima di cercare di eseguire l'ispezione o la manutenzione.
- Mai usare benzina, benzene, solventi, alcol e altre sostanze simili. Potrebbero causare scolorimenti, deformazioni o crepe.

Per preservare la SICUREZZA e l'AFFIDABILITÀ del prodotto, le riparazioni, l'ispezione e la sostituzione della spazzola di carbone o qualsiasi altra manutenzione e regolazione devono essere eseguite da un Centro Assistenza Makita autorizzato usando sempre ricambi Makita.

ACCESSORI OPZIONALI

⚠ ATTENZIONE:

- Questi accessori o attrezzi sono consigliati per l'uso con l'utensile Makita specificato in questo manuale. L'impiego di altri accessori o attrezzi può costituire un rischio di lesioni alle persone. Usare gli accessori soltanto per il loro scopo prefissato.

Per ottenere maggiori dettagli su questi accessori, rivolgersi a un Centro Assistenza Makita locale.

- Dischi abrasivi del tipo di adesione a contatto (con fori preperforati)
- Platello di spugna del tipo di adesione a contatto
- Platello di feltro del tipo di adesione a contatto
- Platello di lana del tipo di adesione a contatto
- Batteria e caricatore genuini Makita
- Scatola polvere
- Sacchetto filtro carta
- Sacchetto polvere

NOTA:

- Alcuni articoli nella lista potrebbero essere inclusi nell'imballo dell'utensile come accessori standard. Essi potrebbero differire da Paese a Paese.

Rumore

Il tipico livello di rumore pesato A determinato secondo EN62841-2-4:

Modello DBO180

Livello pressione sonora (L_{pA}): 80 dB (A)

Incertezza (K): 3 dB (A)

Il livello di rumore durante il lavoro potrebbe superare gli 80 dB (A).

ENG907-1

NOTA:

- Il valore o i valori dichiarati delle emissioni di rumori sono stati misurati in conformità a un metodo standard di verifica, e possono essere utilizzati per confrontare un utensile con un altro.
- Il valore o i valori dichiarati delle emissioni di rumori possono venire utilizzati anche per una valutazione preliminare dell'esposizione.

⚠ AVVERTIMENTO:

- **Indossare protezioni per le orecchie.**
- **L'emissione di rumori durante l'utilizzo effettivo dell'utensile elettrico può variare rispetto al valore o ai valori dichiarati, a seconda dei modi in cui viene utilizzato l'utensile e specialmente a seconda di che tipo di pezzo venga lavorato.**
- **Accertarsi di identificare misure di sicurezza per la protezione dell'operatore che siano basate su una stima dell'esposizione nelle condizioni effettive di utilizzo (tenendo conto di tutte le parti del ciclo operativo, ad esempio del numero di spegnimenti dell'utensile e di quando giri a vuoto, oltre al tempo di attivazione).**

Vibrazione

Il valore totale di vibrazione (somma vettore triassiale) determinato secondo EN62841-2-4:

Modello DBO180

Modalità operativa: Piastra metallica carteggiatura

Emissione di vibrazioni (a_h): 2,5 m/s² o meno

Incertezza (K): 1,5 m/s²

ENG901-2

NOTA:

- Il valore o i valori complessivi delle vibrazioni dichiarati sono stati misurati in conformità a un metodo standard di verifica, e possono essere utilizzati per confrontare un utensile con un altro.
- Il valore o i valori complessivi delle vibrazioni dichiarati possono venire utilizzati anche per una valutazione preliminare dell'esposizione.

⚠ AVVERTIMENTO:

- **L'emissione delle vibrazioni durante l'utilizzo effettivo dell'utensile elettrico può variare rispetto al valore o ai valori dichiarati, a seconda dei modi in cui viene utilizzato l'utensile, specialmente a seconda di che tipo di pezzo venga lavorato.**
- **Accertarsi di identificare misure di sicurezza per la protezione dell'operatore che siano basate su una stima dell'esposizione nelle condizioni effettive di utilizzo (tenendo conto di tutte le parti del ciclo operativo, ad esempio del numero di spegnimenti dell'utensile e di quando giri a vuoto, oltre al tempo di attivazione).**

DICHIARAZIONI DI CONFORMITÀ

Solo per i paesi europei

Le Dichiarazioni di conformità sono incluse nell'Allegato

A al presente manuale d'uso.

Verklaring van algemene gegevens

| | | |
|----------------------------|-------------------|---------------|
| 1 Rode indicator | 8 Schuurblok | 15 Gordel |
| 2 Knop | 9 Slijpschijf | 16 Schroef |
| 3 Accu | 10 Stofzak | 17 Poetsspons |
| 4 Spanningslampjes | 11 Stofmondstuk | 18 Poetsvlit |
| 5 Controletoets | 12 Klemnok | 19 Poetswol |
| 6 Stopknop | 13 Stofopvangdoos | |
| 7 Start/snelheidskeuzeknop | 14 Sluitklem | |

TECHNISCHE GEGEVENS

| | | | |
|--|---------------------|--------------------------|--------------|
| Model | | DBO140 | DBO180 |
| Papierformaat | | 125 mm | |
| Omwentelingen per minuut (min ⁻¹) | Lage snelheid | 7 000 | |
| | Gemiddelde snelheid | 9 500 | |
| | Hoge snelheid | 11 000 | |
| Afmetingen | | 175 mm x 123 mm x 153 mm | |
| Nettogewicht | | 1,3 - 1,6 kg | 1,4 - 1,7 kg |
| Nominale spanning | | D.C. 14,4 V | D.C. 18 V |

- In verband met ononderbroken research en ontwikkeling behouden wij ons het recht voor bovenstaande technische gegevens te wijzigen zonder voorafgaande kennisgeving.
- De technische gegevens kunnen van land tot land verschillen.
- Het gewicht kan verschillen, afhankelijk van de hulpstukken, inclusief de accu. De lichtste en zwaarste combinatie, overeenkomstig de EPTA-procedure 01/2014, worden aangegeven in de tabel.

Toepasselijke accu en acculader

| | | |
|-----------|---|---|
| Accu | Model D.C. 14,4 V | BL1415N / BL1430B / BL1440 / BL1460B |
| | Model D.C. 18 V | BL1815N / BL1820B / BL1830B / BL1840B / BL1850B / BL1860B |
| Acculader | DC18RC / DC18RD / DC18RE / DC18SD / DC18SE / DC18SF / DC18SH / DC18WC | |

- Sommige van de hierboven vermelde accu's en acculaders zijn mogelijk niet verkrijgbaar, afhankelijk van het gebied waarin u woont.

⚠ WAARSCHUWING: Gebruik uitsluitend de hierboven vermelde accu's en acculaders. Als u enige andere accu of acculader gebruikt, kan dat leiden tot letsel en/of brand.

ENE052-1

GEB021-4

Doeleinden van gebruik

Dit gereedschap is bedoeld voor het schuren van grote oppervlakken in materialen als hout, kunststof en metaal, evenals geleverde oppervlakken.

GEA010-2

Algemene veiligheidswaarschuwingen voor elektrisch gereedschap

⚠ WAARSCHUWING! Lees alle veiligheidswaarschuwingen, aanwijzingen, afbeeldingen en technische gegevens behorend bij dit elektrische gereedschap aandachtig door. Als u niet alle onderstaande aanwijzingen naleeft, kan dat resulteren in brand, elektrische schokken en/of ernstig letsel.

Bewaar alle waarschuwingen en instructies om in de toekomst te kunnen raadplegen.

De term "elektrisch gereedschap" in de veiligheidsvoorschriften duidt op gereedschappen die op stroom van het lichtnet werken (met snoer) of gereedschappen met een accu (snoerloos).

VEILIGHEIDSVOORSCHRIFTEN VOOR DE SCHUURMACHINE

1. Draag altijd een veiligheidsbril, stofbril of -masker. Een gewone bril of zonnebril biedt NIET de nodige veiligheid.
2. Houd het gereedschap stevig vast.
3. Laat het gereedschap niet ingeschakeld achter. Schakel het gereedschap alleen in wanneer u het stevig vasthoudt.
4. Dit gereedschap is niet waterdicht, dus zorg dat er geen water op de oppervlakken van uw werkstuk komt.
5. Zorg voor voldoende ventilatie bij het schuren van werkstukken.
6. Bepaalde materialen kunnen giftige chemicaliën bevatten. Vermijd dan het contact met uw huid en zorg dat u geen stof inademt. Volg de veiligheidsvoorschriften van de fabrikant van het materiaal.

7. Bij gebruik van dit gereedschap voor het schuren van bepaalde materialen, verf en houtsoorten kunt u worden blootgesteld aan stof dat uw gezondheid kan schaden. Gebruik een geschikt stofmasker of ademhalingsapparaat.
8. Controleer of er geen barsten of scheuren in het schuurblok zijn voordat u gaat werken. Barsten of breuken zouden kunnen leiden tot lichamelijk letsel.

BEWAAR DEZE INSTRUCTIES.

WAARSCHUWING:

Laat u NIET misleiden door een vals gevoel van comfort en bekendheid met het gereedschap (na veelvuldig gebruik) en neem alle veiligheidsvoorschriften van het betreffende gereedschap altijd strikt in acht. VERKEERD GEBRUIK of het niet naleven van de veiligheidsvoorschriften in deze gebruiksaanwijzing kan leiden tot ernstige verwondingen.

ENC007-17

BELANGRIJKE VEILIGHEIDSLINSTRUCTIES VOOR EEN ACCU

1. Lees alle voorschriften en waarschuwingen op (1) de acculader, (2) de accu, en (3) het product waarvoor de accu wordt gebruikt, alvorens de accu in gebruik te nemen.
2. Haal de accu niet uit elkaar en saboteer hem niet. Dit kan leiden tot brand, buitensporige hitte of een explosie.
3. Als de gebruiktijd van een opgeladen accu aanzienlijk korter is geworden, moet u het gebruik ervan onmiddellijk stopzetten. Voortgezet gebruik kan oververhitting, brandwonden en zelfs een ontploffing veroorzaken.
4. Als elektrolyt in uw ogen is terechtgekomen, spoelt u uw ogen met schoon water en roept u onmiddellijk de hulp van een dokter in. Elektrolyt in de ogen kan blindheid veroorzaken.
5. Voorkom kortsluiting van de accu:
 - (1) Raak de accuklemmen nooit aan met een geleidend materiaal.
 - (2) Bewaar de accu niet in een bak waarin andere metalen voorwerpen zoals spijkers, munten e.d. worden bewaard.
 - (3) Stel de accu niet bloot aan water of regen. Kortsluiting van de accu kan oorzaak zijn van een grote stroomafgifte, oververhitting, brandwonden, en zelfs defecten.
6. Bewaar en gebruik het gereedschap en de accu niet op plaatsen waar de temperatuur kan oplopen tot 50 °C of hoger.
7. Werp de accu nooit in het vuur, ook niet wanneer hij zwaar beschadigd of volledig versleten is. De accu kan ontploffen in het vuur.
8. Laat de accu niet vallen, sla er geen spijker in, snijd er niet in, gooi er niet mee en stoot hem niet tegen een hard voorwerp. Dergelijke handelingen kunnen leiden tot brand, buitensporige hitte of een explosie.
9. Gebruik nooit een beschadigde accu.
10. De bijgeleverde lithium-ionbatterijen zijn onderhevig aan de vereisten in de wetgeving omtrent gevaarlijke stoffen.


Voor commercieel transport en dergelijke door derden en transporteurs moeten speciale vereisten ten aanzien van verpakking en etikettering worden nageleefd.

Als voorbereiding van het artikel dat wordt getransporteerd is het noodzakelijk een expert op het gebied van gevaarlijke stoffen te raadplegen. Houd u tevens aan mogelijk strengere nationale regelgeving.

Blootliggende contactpunten moeten worden afgedekt met tape en de accu moet zodanig worden verpakt dat deze niet kan bewegen in de verpakking.

11. Wanneer u de accu wilt weggooiën, verwijderd u de accu vanaf het gereedschap en gooit u hem op een veilige manier weg. Volg bij het weggooiën van de accu de plaatselijke voorschriften.
12. Gebruik de accu's uitsluitend met de gereedschappen die door Makita zijn aanbevolen. Als de accu's worden aangebracht in niet-compatibele gereedschappen, kan dat leiden tot brand, buitensporige warmteontwikkeling, een explosie of lekkage van elektrolyt.
13. Als u het gereedschap gedurende een lange tijd niet denkt te gaan gebruiken, moet de accu vanaf het gereedschap worden verwijderd.
14. Tijdens en na gebruik, kan de accu heet worden waardoor brandwonden of koude brandwonden kunnen worden veroorzaakt. Wees voorzichtig bij het hanteren van een hete accu.
15. Raak de aansluitpunten van het gereedschap niet onmiddellijk na gebruik aan omdat deze heet genoeg kunnen zijn om brandwonden te veroorzaken.
16. Zorg ervoor dat geen steenslag, stof of grond vast komt te zitten op/in de aansluitpunten, openingen en groeven van de accu. Hierdoor kan oververhitting, brand, een barst en een storing in het gereedschap of de accu ontstaan waardoor brandwonden of persoonlijk letsel kunnen ontstaan.
17. Behalve indien gebruik van het gereedschap is toegestaan in de buurt van hoogspanningsleidingen, mag u de accu niet gebruiken in de buurt van een hoogspanningsleiding. Dit kan leiden tot een storing of een defect van het gereedschap of de accu.
18. Houd de accu uit de buurt van kinderen.

BEWAAR DEZE INSTRUCTIES.

 LET OP: Gebruik uitsluitend originele Makita accu's. Het gebruik van niet-originele accu's, of accu's die zijn gewijzigd, kan ertoe leiden dat de accu ontploft en brand, persoonlijk letsel en schade veroorzaakt. Ook vervalt daarmee de garantie van Makita op het gereedschap en de lader van Makita.

Tips voor een maximale levensduur van de accu

1. Laad de accu op voordat hij volledig ontladen is. Stop het gebruik van het gereedschap en laad de accu op telkens wanneer u vaststelt dat het vermogen van het gereedschap is afgenomen.
2. Laad een volledig opgeladen accu nooit opnieuw op. Te lang opladen verkort de levensduur van de accu.

- Laad de accu op bij een omgevingstemperatuur tussen 10 °C en 40 °C. Laat een warme accu afkoelen alvorens hem op te laden.
- Als de accu niet wordt gebruikt, verwijdert u hem vanaf het gereedschap of de lader.
- Laad de accu op als u deze gedurende een lange tijd (meer dan zes maanden) niet gaat gebruiken.

BESCHRIJVING VAN DE FUNCTIES

⚠ LET OP:

- Zorg altijd dat het gereedschap is uitgeschakeld en de accu ervan is verwijderd alvorens de functies op het gereedschap af te stellen of te controleren.

Aanbrengen en verwijderen van de accu (Fig. 1)

⚠ LET OP:

- Schakel altijd het gereedschap uit voordat u de accu aanbrengt of verwijdert.
- Houd het gereedschap en de accu stevig vast wanneer u de accu aanbrengt of verwijdert.** Als u het gereedschap en de accu niet stevig vasthoudt, zou er iets uit uw handen kunnen glippen, met gevaar voor schade aan het gereedschap of de accu en eventuele verwonding.

Om de accu te verwijderen, schuift u deze uit het gereedschap los terwijl u de knop voorop de accu ingedrukt houdt.

Voor het aanbrengen van de accu plaatst u de tong van de accu in de groef van de behuizing en schuift u de accu op zijn plaats. Schuif de accu er altijd volledig in totdat die op zijn plaats vast klikt. Wanneer de rode indicator op de bovenkant van de knop nog zichtbaar is, zit de accu niet volledig erin.

⚠ LET OP:

- Schuif de accu volledig erin totdat de rode indicator niet meer zichtbaar is. Als u dit nalaat, zou de accu uit het gereedschap kunnen vallen en uzelf of anderen kunnen verwonden.
- Druk de accu er niet met kracht in. Als de accu er niet soepel in gaat, houdt u die waarschijnlijk in de verkeerde stand.

Gereedschap-accubeveiligingssysteem

Het gereedschap is uitgerust met een gereedschap-/accubeveiligingssysteem. Dit systeem schakelt automatisch de voeding uit om de levensduur van het gereedschap en de accu te verlengen. Het gereedschap kan tijdens het gebruik automatisch stoppen als het gereedschap of de accu aan één van de volgende omstandigheden wordt blootgesteld:

Overbelastingsbeveiliging

Deze beveiliging treedt in werking wanneer het gereedschap wordt gebruikt op een manier waarop een abnormaal hoge stroomsterkte wordt getrokken. In die situatie schakelt u het gereedschap uit en stopt u de toepassing die ertoe leidde dat het gereedschap overbelast raakte. Schakel vervolgens het gereedschap in om het weer te starten.

Oververhittingsbeveiliging

Deze beveiliging treedt in werking wanneer het gereedschap of de accu oververhit is. In die situatie laat u het gereedschap en de accu eerst afkoelen voordat u het gereedschap opnieuw inschakelt.

Beveiliging tegen te ver ontladen

Deze beveiliging treedt in werking wanneer de resterende acculading laag wordt. In die situatie verwijdert u de accu vanaf het gereedschap en laadt u de accu op.

Aangeven van de resterende accuspanning (Fig. 2)

Alleen voor accu's met een indicatorlampje

Druk op de controletiets van de accu om de resterende accuspanning te zien. De spanningslampjes gaan enkele seconden lang branden.

| Spanningslampjes | | | Resterende accuspanning |
|------------------|---------|----------|--------------------------------------|
| Verlicht | Gedoofd | Knippend | |
| ■ ■ ■ ■ | | | 75% tot 100% |
| ■ ■ ■ □ | | | 50% tot 75% |
| ■ ■ □ □ | | | 25% tot 50% |
| ■ □ □ □ | | | 0% tot 25% |
| ▤ □ □ □ | | | Laad de accu op. |
| ■ ■ □ □ | ↑ | ↓ | Wellicht is er iets mis met de accu. |

015658

OPMERKING:

- Afhankelijk van de gebruiksomstandigheden en de omgevingstemperatuur kan de aanduiding wel eens ietwat afwijken van de werkelijk resterende accuspanning.
- Het eerste (meest linker) indicatorlampje knippert wanneer het accubeveiligingssysteem in werking is getreden.

Werking van de startschakelaar en snelheidskeuzeknop (Fig. 3)

Om het gereedschap te starten, drukt u de start/snelheidskeuzeknop in. Het gereedschap zal starten in de hoge snelheid. Bij elke druk op de start/snelheidskeuzeknop verandert het toerental trapsgewijze, van hoge snelheid, via gemiddelde naar lage snelheid.

Om het gereedschap te stoppen drukt u op de stopknop. Zie de tabel voor de meest geschikte snelheid voor het te verrichten werk.

| Snelheidskeuze | Aantal omwentelingen | Toepassing |
|----------------|----------------------|------------------------|
| Hoog | 11 000 | Normaal schuren |
| Gemiddeld | 9 500 | Afwerken (fijnschuren) |
| Laag | 7 000 | Polijsen |

012897

OPMERKING:

- De tabel toont de meest algemene toepassingen. In bepaalde situaties kunt u hiervan afwijken.

INEENZETTEN

⚠ LET OP:

- Controleer altijd of het gereedschap is uitgeschakeld en de accu ervan is verwijderd alvorens enig werk aan het gereedschap uit te voeren.

Aanbrengen van de slijpschijf (Fig. 4)

Voor het aanbrengen van de slijpschijf verwijdert u eerst alle stof en vuil van het schuurblok. Vervolgens bevestigt u de slijpschijf op het schuurblok. Let op dat de openingen in de slijpschijf precies samenvallen met die in het schuurblok.

Installeren van de stofzak (optioneel accessoire) (Fig. 5)

Breng de stofzak op het gereedschap aan met de opening omlaag gericht.

Legen van de stofzak (Fig. 6 en 7)

Wanneer de stofzak ongeveer half vol is, schakelt u het gereedschap uit en verwijdert u de stofzak van het apparaat. Vervolgens verwijdert u het stofmondstuk uit de stofzak nadat u eerst het stofmondstuk losmaakt door dat een klein stukje linksom te draaien. Leeg de stofzak door er licht tegen te tikken.

Nadat u de stofzak geleegd hebt, plaatst u de stofzak weer over het stofmondstuk. Draai het stofmondstuk een klein stukje rechtsom om het op zijn plaats vast te zetten. Breng vervolgens de stofzak aan op het gereedschap zoals beschreven onder "Installeren van de stofzak".

Aanbrengen van een papieren filterzak (optioneel accessoire) (Fig. 8 en 9)

Let op dat het merk op de kartonnen rand en het merk op de stofopvangdoos aan dezelfde kant zitten en bevestig dan de papieren filterzak door de kartonnen rand in de groef van beide klemnokken te steken.

Let op dat het merk op de kartonnen rand en het merk op het stofmondstuk aan dezelfde kant zitten en bevestig dan de stofopvangdoos over het stofmondstuk.

Verwijderen van de stofopvangdoos en de papieren filterzak (Fig. 10 en 11)

Verwijder het stofmondstuk door de twee sluitklemmen in te drukken.

Verwijder eerst de papieren filterzak door de kartonnen rand aan de kant van het merk in te drukken en dan de kartonnen rand omlaag te trekken om die uit de sluitklem van de stofopvangdoos los te maken.

Verwijderen en weer aanbrengen van de gordel (Fig. 12, 13 en 14)

⚠ LET OP:

- Gebruik het gereedschap niet zonder de gordel. Anders zal er overal stof in het rond vliegen.

U kunt de gordel bevestigen in 12 verschillende richtingen, al naar gelang de vereisten van uw werk.

Om de gordel te verwijderen, draait u de schroef er uit en trekt u de gordel los door die aan beide kanten ietwat te openen.

Om de gordel weer aan te brengen, opent u die aan beide kanten ietwat en plaatst u de gordel. Vervolgens draait u de schroef vast.

⚠ LET OP:

- Probeer niet om de gordel aan te brengen in een andere dan de beschikbare richtingen. Anders zou het gereedschap beschadigd kunnen worden.

BEDIENING

⚠ WAARSCHUWING:

- Schakel nooit het gereedschap in terwijl dat het werkstuk al raakt, want dat kan leiden tot verwondingen.

Schuren (Fig. 15)

⚠ LET OP:

- Laat het gereedschap nooit draaien zonder dat de slijpschijf eraan is bevestigd. Hierdoor kan het schuurblok ernstig beschadigd raken.
- Forceer het gereedschap niet. Overmatige druk leidt tot een mindere schuurprestatie en kan de slijpschijf beschadigen of de levensduur van het gereedschap verminderen.
- Als u het gereedschap gebruikt terwijl de rand van het schuurblok het werkstuk raakt, kan het schuurblok beschadigd raken.

Houd het gereedschap stevig vast. Schakel het gereedschap in en wacht totdat het op volle snelheid draait. Plaats daarna het gereedschap voorzichtig op het oppervlak van het werkstuk. Houd het schuurblok evenwijdig aan het werkstuk en oefen lichte druk uit op het gereedschap.

⚠ LET OP:

- De slijpschijf draait naar rechts tijdens belast gebruik, maar kan ook wel eens naar links draaien tijdens onbelast gebruik.

Polijsen (optioneel)

⚠ LET OP:

- Gebruik alleen een echte Makita poetspons, poetsvlit of poetswol (optionele accessoires).
- Gebruik het gereedschap altijd met een laag toerental om te voorkomen dat het werkoppervlak oververhit raakt.
- Forceer het gereedschap niet. Overmatige druk leidt tot een mindere poetsprestatie en overbelasting van de motor, waardoor het gereedschap defect kan raken.

1. Aanbrengen van was (Fig. 16)

Gebruik een optionele poetspons. Breng was aan op de poetspons of op het te poetsen oppervlak. Laat het gereedschap met laag toerental draaien om de was gelijkmatig uit te strijken.

OPMERKING:

- Breng eerst was aan op een onopvallend gedeelte van het te poetsen oppervlak om te controleren of het gereedschap geen krassen maakt op het oppervlak of de was niet te streperig aanbrengt.
 - Het gereedschap zal starten in de hoge snelheid. Start het gereedschap vooral voorzichtig. Anders kan de was in het rond spatten. Het is aanbevolen de was eerst uit te strijken met het gereedschap in uitgeschakelde stand, alvorens u het inschakelt. Schakel onmiddellijk na het starten van het gereedschap de snelheid over naar het laagste toerental.
 - Bedien het gereedschap altijd met een laag toerental. Bij een hoog toerental kan de was in het rond spatten.
2. **Verwijderen van was (Fig. 17)**
Gebruik een optioneel poetsvlit. Bedien het gereedschap met een laag toerental om de was te verwijderen.

3. Uitpoetsen (Fig. 18)

Gebruik een optionele poetswol. Bedien het gereedschap met een laag toerental en plaats de poetswol voorzichtig op het werkstuk.

ONDERHOUD

⚠ LET OP:

- Zorg er altijd voor dat het gereedschap is uitgeschakeld en de accu is verwijderd, voordat u enige inspectie of onderhoud uitvoert.
- Gebruik nooit benzine, wasbenzine, thinner, alcohol en dergelijke. Hierdoor kunnen verkleuring, vervormingen en barsten worden veroorzaakt.

Om de VEILIGHEID en BETROUWBAARHEID van het gereedschap te handhaven, dienen alle reparaties, inspectie en vervanging van de koelborstels, en alle andere onderhoudswerkzaamheden of afstellingen te worden uitgevoerd bij een erkend Makita servicecentrum, en altijd met gebruik van originele Makita vervangingsonderdelen.

OPTIONELE ACCESSOIRES

⚠ LET OP:

- Deze accessoires of hulpstukken worden aanbevolen voor gebruik met het Makita gereedschap dat in deze gebruiksaanwijzing is beschreven. Bij gebruik van andere accessoires of hulpstukken bestaat er gevaar voor persoonlijke verwonding. Gebruik de accessoires of hulpstukken uitsluitend voor hun bestemde doel.

Raadpleeg het dichtstbijzijnde Makita servicecentrum voor verder advies of bijzonderheden omtrent deze accessoires.

- Klittenband-type slijpschijven (voorzien van gaten)
- Klittenband-type poestsspons
- Klittenband-type poetsvlit
- Klittenband-type poetswol
- Originele Makita accu en acculader
- Stofopvangdoos
- Papieren filterzak
- Stofzak

OPMERKING:

- Sommige onderdelen in deze lijst kunnen bij het gereedschap zijn meegeleverd als standaard-accessoires. Deze kunnen van land tot land verschillen.

Geluidsniveau

De typisch, A-gewogen geluidsniveaus vastgesteld volgens EN62841-2-4:

Model DBO180

Geluidsdrukniveau (L_{pA}): 80 dB (A)

Onnauwkeurigheid (K): 3 dB (A)

Tijdens het werken kan het geluidsniveau 80 dB (A) overschrijden.

ENG907-1

OPMERKING:

- De opgegeven geluidsemissiewaarde(n) is/zijn gemeten volgens een standaardtestmethode en kan/kunnen worden gebruikt om dit gereedschap te vergelijken met andere gereedschappen.
- De opgegeven geluidsemissiewaarde(n) kan/kunnen ook worden gebruikt voor een beoordeling vooraf van de blootstelling.

⚠ WAARSCHUWING:

- **Draag gehoorbescherming.**
- **De geluidsemissie tijdens het gebruik van het elektrisch gereedschap in de praktijk kan verschillen van de opgegeven waarde(n) afhankelijk van de manier waarop het gereedschap wordt gebruikt, met name van het soort werkstuk waarmee wordt gewerkt.**
- **Zorg ervoor dat veiligheidsmaatregelen worden getroffen ter bescherming van de gebruiker die zijn gebaseerd op een schatting van de blootstelling onder praktijkomstandigheden (rekening houdend met alle fasen van de bedrijfscyclus, zoals de tijdsduur gedurende welke het gereedschap is uitgeschakeld en stationair draait, naast de ingeschakelde tijdsduur).**

Trilling

De totaalwaarde van de trillingen (triaxiale vectorsom) vastgesteld volgens EN62841-2-4:

Model DBO180

Toepassing: schuren van metaalplaat

Trillingsemissie (a_{h1}): 2,5 m/s² of minder

Onnauwkeurigheid (K): 1,5 m/s²

ENG901-2

OPMERKING:

- De totale trillingswaarde(n) is/zijn gemeten volgens een standaardtestmethode en kan/kunnen worden gebruikt om dit gereedschap te vergelijken met andere gereedschappen.
- De opgegeven totale trillingswaarde(n) kan/kunnen ook worden gebruikt voor een beoordeling vooraf van de blootstelling.

⚠ WAARSCHUWING:

- **De trillingsemissie tijdens het gebruik van het elektrisch gereedschap in de praktijk kan verschillen van de opgegeven waarde(n) afhankelijk van de manier waarop het gereedschap wordt gebruikt, met name van het soort werkstuk waarmee wordt gewerkt.**
- **Zorg ervoor dat veiligheidsmaatregelen worden getroffen ter bescherming van de gebruiker die zijn gebaseerd op een schatting van de blootstelling onder praktijkomstandigheden (rekening houdend met alle fasen van de bedrijfscyclus, zoals de tijdsduur gedurende welke het gereedschap is uitgeschakeld en stationair draait, naast de ingeschakelde tijdsduur).**

VERKLARINGEN VAN CONFORMITEIT

Alleen voor Europese landen

De verklaringen van conformiteit zijn bijgevoegd in Bijlage A bij deze gebruiksaanwijzing.

Explicación de los dibujos

| | | |
|-------------------------|---|---------------------------|
| 1 Indicador rojo | 7 Botón de inicio/regulación de velocidad | 13 Caja de polvo |
| 2 Botón | 8 Plato | 14 Seguro |
| 3 Cartucho de batería | 9 Disco abrasivo | 15 Faldilla |
| 4 Lámparas indicadoras | 10 Bolsa de polvo | 16 Tornillo |
| 5 Botón de comprobación | 11 Boquilla de recogida de polvo | 17 Almohadilla de esponja |
| 6 Botón de parada | 12 Lengüeta de sujeción | 18 Almohadilla de fieltro |
| | | 19 Almohadilla de lana |

ESPECIFICACIONES

| Modelo | | DBO140 | DBO180 |
|---|-----------------|--------------------------|--------------|
| Tamaño del papel | | 125 mm | |
| Órbitas por minuto (min ⁻¹) | Velocidad baja | 7.000 | |
| | Velocidad media | 9.500 | |
| | Velocidad alta | 11.000 | |
| Dimensiones | | 175 mm x 123 mm x 153 mm | |
| Peso neto | | 1,3 - 1,6 kg | 1,4 - 1,7 kg |
| Tensión nominal | | CC 14,4 V | CC 18 V |

- Debido a un programa continuo de investigación y desarrollo, las especificaciones aquí dadas están sujetas a cambios sin previo aviso.
- Las especificaciones pueden ser diferentes de país a país.
- El peso puede variar dependiendo del accesorio(s), incluyendo el cartucho de batería. La combinación menos pesada y la más pesada, de acuerdo con el procedimiento EPTA 01/2014, se muestran en la tabla.

Cartucho de batería y cargador aplicables

| | | |
|---------------------|---|---|
| Cartucho de batería | Modelo CC 14,4 V | BL1415N / BL1430B / BL1440 / BL1460B |
| | Modelo CC 18 V | BL1815N / BL1820B / BL1830B / BL1840B / BL1850B / BL1860B |
| Cargador | DC18RC / DC18RD / DC18RE / DC18SD / DC18SE / DC18SF / DC18SH / DC18WC | |

- Algunos de los cartuchos de batería y cargadores indicados arriba puede que no estén disponibles dependiendo de su región de residencia.

⚠ ADVERTENCIA: Utilice solamente los cartuchos de batería y cargadores indicados arriba. La utilización de cualquier otro cartucho de batería y cargador puede ocasionar heridas y/o un incendio.

Uso previsto

La herramienta ha sido prevista para el lijado de grandes superficies de materiales de madera, plástico y metal así como de superficies pintadas.

ENE052-1

El término "herramienta eléctrica" en las advertencias se refiere a su herramienta eléctrica de funcionamiento con conexión a la red eléctrica (con cable) o herramienta eléctrica de funcionamiento a batería (sin cable).

GEA010-2

GEB021-4

Advertencias de seguridad para herramientas eléctricas en general

⚠ ¡ADVERTENCIA! Lea todas las advertencias de seguridad, instrucciones, ilustraciones y especificaciones provistas con esta herramienta eléctrica. Si no sigue todas las instrucciones indicadas abajo podrá resultar en una descarga eléctrica, un incendio y/o heridas graves.

Guarde todas las advertencias e instrucciones para futuras referencias.

ADVERTENCIAS DE SEGURIDAD PARA LA LIJADORA

1. Utilice siempre gafas de seguridad o gafas de protección. Las gafas normales o de sol NO sirven para proteger los ojos.
2. Sujete la herramienta firmemente.
3. No deje la herramienta en marcha. Tenga en marcha la herramienta solamente cuando la tenga en la mano.
4. Esta herramienta no es a prueba de agua, por lo que no deberá utilizar agua en la superficie de la pieza de trabajo.
5. Ventile debidamente su área de trabajo cuando realice operaciones de lijado.

6. Algunos materiales contienen sustancias químicas que podrán ser tóxicas. Tenga precaución para evitar la inhalación de polvo y el contacto con la piel. Siga los datos de seguridad del abastecedor del material.
7. La utilización de esta herramienta para lijar algunos productos, pinturas y madera podrá exponer al usuario a polvo que contenga sustancias peligrosas. Utilice protección respiratoria apropiada.
8. Asegúrese de que no haya grietas o roturas en el plato antes de utilizarlo. Las grietas y roturas pueden ocasionar heridas personales.
9. No utilice una batería dañada.
10. Las baterías de litio-ion contenidas están sujetas a los requisitos de la Legislación para Materiales Peligrosos. Para transportes comerciales, p.ej., por terceras personas y agentes de transportes, se deberán observar requisitos especiales para el empaquetado y etiquetado. Para la preparación del artículo que se va a enviar, se requiere consultar con un experto en materiales peligrosos. Por favor, observe también la posibilidad de reglamentos nacionales más detallados. Cubra con cinta aislante o enmascare los contactos expuestos y empaquete la batería de tal manera que no se pueda mover alrededor dentro del embalaje.

GUARDE ESTAS INSTRUCCIONES.

⚠ ADVERTENCIA:

NO deje que la comodidad o familiaridad con el producto (a base de utilizarlo repetidamente) sustituya la estricta observancia de las normas de seguridad para el producto en cuestión. El MAL USO o el no seguir las normas de seguridad establecidas en este manual de instrucciones podrá ocasionar graves heridas personales.

ENC007-17

INSTRUCCIONES DE SEGURIDAD IMPORTANTES PARA EL CARTUCHO DE BATERÍA

1. Antes de utilizar el cartucho de batería, lea todas las instrucciones e indicaciones de precaución sobre (1) el cargador de baterías, (2) la batería, y (3) el producto con el que se utiliza la batería.
2. No desensamble ni manipule el cartucho de batería. Podrá resultar en un incendio, calor excesivo, o una explosión.
3. Si el tiempo de uso se acorta demasiado, cese la operación inmediatamente. Podría resultar en un riesgo de recalentamiento, posibles quemaduras e incluso una explosión.
4. Si entra electrólito en sus ojos, aclárelos con agua limpia y acuda a un médico inmediatamente. Existe el riesgo de poder perder la vista.
5. No cortocircuite el cartucho de batería:
 - (1) No toque los terminales con ningún material conductor.
 - (2) Evite guardar el cartucho de batería en un cajón junto con otros objetos metálicos, como clavos, monedas, etc.
 - (3) No exponga el cartucho de batería al agua ni a la lluvia.

Un cortocircuito en la batería puede producir una gran circulación de corriente, un recalentamiento, posibles quemaduras e incluso una rotura de la misma.
6. No guarde ni utilice la herramienta y el cartucho de batería en lugares donde la temperatura pueda alcanzar o exceder los 50 °C.
7. Nunca incinere el cartucho de batería incluso en el caso de que esté dañado seriamente o ya no sirva en absoluto. El cartucho de batería puede explotar si se tira al fuego.
8. No clave, corte, aplaste, lance, deje caer el cartucho de batería, ni golpee contra un objeto duro el cartucho de batería. Tal conducta podrá resultar en un incendio, calor excesivo, o una explosión.
9. No utilice una batería dañada.
10. Las baterías de litio-ion contenidas están sujetas a los requisitos de la Legislación para Materiales Peligrosos. Para transportes comerciales, p.ej., por terceras personas y agentes de transportes, se deberán observar requisitos especiales para el empaquetado y etiquetado. Para la preparación del artículo que se va a enviar, se requiere consultar con un experto en materiales peligrosos. Por favor, observe también la posibilidad de reglamentos nacionales más detallados. Cubra con cinta aislante o enmascare los contactos expuestos y empaquete la batería de tal manera que no se pueda mover alrededor dentro del embalaje.
11. Para desechar el cartucho de batería, retírelo de la herramienta y deséchelo en un lugar seguro. Siga los reglamentos locales referentes al desecho de la batería.
12. Utilice las baterías solamente con los productos especificados por Makita. La instalación de las baterías en productos no compatibles puede resultar en un incendio, calor excesivo, explosión, o fuga de electrólito.
13. Si la herramienta no va a ser utilizada durante un periodo de tiempo largo, la batería deberá ser retirada de la herramienta.
14. Durante y después de la utilización, el cartucho de batería podrá acumular calor, lo cual puede ocasionar quemaduras o quemaduras de baja temperatura. Preste atención al manejo de cartuchos de batería calientes.
15. No toque el terminal de la herramienta inmediatamente después de utilizar, dado que puede calentarse lo suficiente como para ocasionar quemaduras.
16. No permita que virutas, polvo, o tierra se adhieran dentro de los terminales, orificios, y ranuras del cartucho de batería. Esto podría ocasionar calentamiento, que coja fuego, reviente y un mal funcionamiento de la herramienta o el cartucho de batería, resultando en quemaduras o heridas personales.
17. A menos que la herramienta pueda utilizarse cerca de cables eléctricos de alta tensión, no utilice el cartucho de batería cerca de cables eléctricos de alta tensión. Podrá resultar en un mal funcionamiento o rotura de la herramienta o el cartucho de batería.
18. Mantenga la batería alejada de los niños.

GUARDE ESTAS INSTRUCCIONES.

⚠ PRECAUCIÓN: Utilice solamente baterías genuinas de Makita. La utilización de baterías no genuinas de Makita, o baterías que han sido alteradas, puede resultar en una explosión de la batería ocasionando incendios, heridas personales y daños. También anulará la garantía de Makita para la herramienta y el cargador de Makita.

Consejos para alargar al máximo la vida de servicio de la batería

1. Cargue el cartucho de batería antes de que se descargue completamente. Detenga siempre la operación y cargue el cartucho de batería cuando note menos potencia en la herramienta.

- No cargue nunca un cartucho de batería que esté completamente cargado. La sobrecarga acortará la vida de servicio de la batería.
- Cargue el cartucho de batería a temperatura ambiente de 10 °C - 40 °C. Si un cartucho de batería está caliente, déjelo enfriar antes de cargarlo.
- Cuando no esté utilizando el cartucho de batería, retírelo de la herramienta o del cargador.
- Cargue el cartucho de batería si no lo utiliza durante un periodo de tiempo prolongado (más de seis meses).

DESCRIPCIÓN DEL FUNCIONAMIENTO

⚠ PRECAUCIÓN:

- Asegúrese siempre de que la herramienta está apagada y el cartucho de batería extraído antes de realizar cualquier ajuste o comprobación en la herramienta.

Instalación o extracción del cartucho de batería (Fig. 1)

⚠ PRECAUCIÓN:

- Apague siempre la herramienta antes de la instalación o extracción del cartucho de batería.
- Sujete la herramienta y el cartucho de batería firmemente cuando instale o extraiga el cartucho de batería. Si no sujeta la herramienta y el cartucho de batería firmemente podrán caérsele de las manos y resultar en daños a la herramienta y cartucho de batería y heridas personales.

Para extraer el cartucho de batería, deslícelo de la herramienta a la vez que desliza el botón de la parte frontal del cartucho.

Para instalar el cartucho de batería, alinee la lengüeta del cartucho de batería con la ranura de la carcasa y deslícelo hasta que encaje en su sitio. Insértelo a tope hasta que se bloquee en su sitio produciendo un pequeño chasquido. Si puede ver el indicador rojo en el lado superior del botón, no estará bloqueado completamente.

⚠ PRECAUCIÓN:

- Instale siempre el cartucho de batería completamente hasta que no pueda verse el indicador rojo. En caso contrario, podrá caerse accidentalmente de la herramienta y ocasionarle heridas a usted o a alguien que esté cerca de usted.
- No instale el cartucho de batería empleando fuerza. Si el cartucho no se desliza al interior fácilmente, será porque no está siendo insertado correctamente.

Sistema de protección de la herramienta / batería

La herramienta está equipada con un sistema de protección de la herramienta/batería. Este sistema corta automáticamente la alimentación para alargar la vida útil de la herramienta y la batería. La herramienta se detendrá automáticamente durante la operación si la herramienta o la batería es puesta en una de las condiciones siguientes:

Protección contra sobrecarga

Esta protección funciona cuando la herramienta es utilizada de una manera que da lugar a que tenga que absorber una corriente anormalmente alta. En esta situación, apague la herramienta y detenga la aplicación que ocasiona la sobrecarga de la herramienta. Después encienda la herramienta para volver a empezar.

Protección contra el recalentamiento

Esta protección funciona cuando la herramienta o la batería se recalienta. En esta situación, deje que la herramienta y la batería se enfrien antes de encender la herramienta otra vez.

Protección contra descarga excesiva

Esta protección funciona cuando la capacidad de batería restante es baja. En esta situación, retire la batería de la herramienta y cargue la batería.

Indicación de la capacidad de batería restante (Fig. 2)

Solamente para cartuchos de batería con el indicador

Pulse el botón de comprobación en el cartucho de batería para indicar la capacidad de batería restante. Las lámparas indicadoras se iluminan durante unos pocos segundos.

| Lámparas indicadoras | | | Capacidad restante |
|----------------------|---------|-------------|---|
| Encendida | Apagada | Parpadeando | |
| ■ | □ | ◐ | 75% a 100% |
| ■ | ■ | □ | 50% a 75% |
| ■ | ■ | □ | 25% a 50% |
| ■ | □ | □ | 0% a 25% |
| ◐ | □ | □ | Cargue la batería. |
| ■ | ■ | □ | Es posible que la batería no funcione bien. |
| □ | □ | ■ | |

015658

NOTA:

- Dependiendo de las condiciones de utilización y la temperatura ambiente, es posible que la indicación varíe ligeramente de la capacidad real.
- La primera lámpara indicadora (extremo izquierdo) parpadeará cuando el sistema de protección de la batería esté funcionando.

Accionamiento del interruptor y botón de regulación de velocidad (Fig. 3)

Para poner en marcha la herramienta, presione el botón de inicio/regulación de velocidad. La herramienta se pone en marcha en modo de velocidad alta. Cada vez que presione el botón de inicio/regulación de velocidad, el modo de velocidad cambiará en el orden de velocidad alta, velocidad media, y velocidad baja.

Para detener la herramienta, presione el botón de parada.

Consulte la tabla para ver la relación entre el modo de velocidad y el tipo de trabajo.

| Modo de velocidad | Número de vueltas | Uso |
|-------------------|-------------------|-------------------|
| Alto | 11.000 | Lijado normal |
| Medio | 9.500 | Lijado de acabado |
| Bajo | 7.000 | Pulido |

012897

NOTA:

- La tabla muestra aplicaciones estándar. Podrán variar en ciertas condiciones.

MONTAJE

⚠ PRECAUCIÓN:

- Asegúrese siempre de que la herramienta esté apagada y el cartucho de batería extraído antes de realizar cualquier trabajo en la herramienta.

Instalación de un disco abrasivo (Fig. 4)

Para instalar el disco abrasivo, primero quite toda la suciedad o materias extrañas del plato. Después coloque el disco abrasivo en el plato. Tenga cuidado de hacer coincidir los agujeros del disco abrasivo con los del plato.

Instalación de la bolsa de polvo (accesorio opcional) (Fig. 5)

Instale la bolsa de polvo en la herramienta con su boca orientada hacia abajo.

Vaciado de la bolsa de polvo (Fig. 6 y 7)

Cuando la bolsa de polvo esté medio llena aproximadamente, apague la herramienta, y quite la bolsa de polvo de la herramienta. Luego quite la boquilla de recogida de polvo de la bolsa de polvo después de haber desbloqueado la boquilla de recogida de polvo girándola ligeramente hacia la izquierda. Vacíe la bolsa de polvo golpeándola ligeramente.

Después de vaciar la bolsa de polvo, instale la boquilla de recogida de polvo en la bolsa de polvo. Gire la boquilla de recogida de polvo ligeramente hacia la derecha para bloquearla en su sitio. Después instale la bolsa de polvo en la herramienta como se ha descrito en "Instalación de la bolsa de polvo".

Instalación de la bolsa de filtro de papel (accesorio opcional) (Fig. 8 y 9)

Asegúrese de que el logotipo del reborde de cartón y el logotipo de la caja de polvo estén en el mismo lado, después instale la bolsa de filtro de papel encajando el reborde de cartón en la ranura de cada lengüeta de sujeción.

Asegúrese de que el logotipo del reborde de cartón y el logotipo de la boquilla de recogida de polvo estén en el mismo lado, después instale la boquilla de recogida de polvo en la caja de polvo.

Extracción de la caja de polvo y la bolsa de filtro de papel (Fig. 10 y 11)

Quite la boquilla de recogida de polvo presionando los dos seguros.

Quite la bolsa de filtro de papel primero sujetándola con las uñas por el lado del logotipo de su reborde de cartón, y tirando después del reborde de cartón hacia abajo para sacarlo de la lengüeta de sujeción de la caja de polvo.

Desmontaje y reinstalación de la faldilla (Fig. 12, 13 y 14)

⚠ PRECAUCIÓN:

- No utilice la herramienta sin la faldilla. De lo contrario, el polvo se esparcirá por todas partes.

Puede elegir una de 12 direcciones de la faldilla de acuerdo con su finalidad.

Para quitar la faldilla, quite el tornillo y quite la faldilla abriéndola ligeramente por ambos lados.

Para reinstalar la faldilla, instálela abriéndola ligeramente por ambos lados. Y apriete el tornillo.

⚠ PRECAUCIÓN:

- No coloque la faldilla en ningún ángulo distinto del designado. De lo contrario, podría dañar la herramienta.

OPERACIÓN

⚠ ADVERTENCIA:

- No encienda nunca la herramienta estando ésta en contacto con la pieza de trabajo, podría ocasionar heridas al operario.

Operación de lijado (Fig. 15)

⚠ PRECAUCIÓN:

- No utilice nunca la herramienta sin el disco abrasivo. Podrá dañar seriamente el plato.
- No fuerce nunca la herramienta. Una presión excesiva podrá reducir la eficacia del lijado, dañar el disco abrasivo o acortar la vida de servicio de la herramienta.
- Si utiliza la herramienta con el borde del plato haciendo contacto con la pieza de trabajo podrá dañar el plato.

Sujete la herramienta firmemente. Encienda la herramienta y espere hasta que adquiera plena velocidad. Después coloque la herramienta con cuidado sobre la superficie de la pieza de trabajo. Mantenga el plato a ras con la pieza de trabajo y aplique una ligera presión sobre la herramienta.

⚠ PRECAUCIÓN:

- El plato de lijar gira hacia la derecha durante la operación con carga, pero podrá girar hacia la izquierda durante la operación sin carga.

Operación de pulido (opcional)

⚠ PRECAUCIÓN:

- Utilice solamente la almohadilla de esponja, almohadilla de fieltro o almohadilla de lana genuinas de Makita (accesorios opcionales).
- Utilice siempre la herramienta a baja velocidad para evitar que las superficies de trabajo se calienten anormalmente.
- No fuerce nunca la herramienta. Una presión excesiva podrá reducir la eficacia del pulido y ocasionar sobrecarga al motor, pudiendo resultar en un mal funcionamiento de la herramienta.

1. Aplicación de cera (Fig. 16)

Utilice una almohadilla de esponja opcional. Ponga cera en la almohadilla de esponja o en la superficie de trabajo. Haga funcionar la herramienta a velocidad baja para alisar la cera.

NOTA:

- Primero, encere una porción no conspicua de la superficie de trabajo para asegurarse de que la herramienta no va a rayar la superficie o resultar en un encerado desigual.

- La herramienta se pone en marcha en modo de velocidad alta. Tenga cuidado cuando ponga en marcha la herramienta. La cera podrá salpicar. Se recomienda que extienda la cera con la herramienta parada antes de poner en marcha la herramienta. Cambie el modo de velocidad a velocidad baja inmediatamente después de poner en marcha la herramienta.
- Haga funcionar siempre la herramienta a velocidad baja. Si la hace funcionar a velocidad alta la cera podrá salpicar.

2. Para quitar cera (Fig. 17)

Utilice una almohadilla de fieltro opcional. Haga funcionar la herramienta a velocidad baja para quitar cera.

3. Pulido (Fig. 18)

Utilice una almohadilla de lana opcional. Haga funcionar la herramienta a velocidad baja y aplique la almohadilla de lana suavemente a la superficie de trabajo.

MANTENIMIENTO

⚠ PRECAUCIÓN:

- Asegúrese siempre de que la herramienta está apagada y el cartucho de batería desmontado antes de intentar realizar una inspección o mantenimiento.
- No utilice nunca gasolina, bencina, disolvente, alcohol o similares. Podría producir descoloración, deformación o grietas.

Para mantener la SEGURIDAD y FIABILIDAD del producto, las reparaciones, la inspección y sustitución de la escobilla de carbón, y cualquier otro mantenimiento o ajuste deberán ser realizados en Centros de Servicios Autorizados por Makita, empleando siempre piezas de repuesto de Makita.

ACCESORIOS OPCIONALES

⚠ PRECAUCIÓN:

- Estos accesorios o aditamentos están recomendados para su uso con la herramienta Makita especificada en este manual. El uso de cualquier otro accesorio o aditamento puede suponer un riesgo de lesiones personales. Utilice el accesorio o aditamento exclusivamente para su uso declarado.

Si necesita información más detallada sobre estos accesorios, consulte con su centro local de servicio de Makita.

- Discos abrasivos de tipo gancho-y-lazo (con agujeros prepunzonados)
- Almohadilla de esponja de tipo gancho-y-lazo
- Almohadilla de fieltro de tipo gancho-y-lazo
- Almohadilla de lana de tipo gancho-y-lazo
- Batería y cargador genuinos de Makita
- Caja de polvo
- Bolsa de filtro de papel
- Bolsa de polvo

NOTA:

- Algunos elementos de la lista podrán estar incluidos en el paquete de la herramienta como accesorios estándar. Pueden variar de un país a otro.

Ruido

El nivel de ruido A-ponderado típico determinado de acuerdo con la norma EN62841-2-4:

Modelo DBO180

Nivel de presión sonora (L_{pA}): 80 dB (A)

Incerteza (K): 3 dB (A)

El nivel de ruido en condiciones de trabajo puede que sobrepase los 80 dB (A).

ENG907-1

NOTA:

- El valor (o los valores) de emisión de ruido declarado ha sido medido de acuerdo con un método de prueba estándar y se puede utilizar para comparar una herramienta con otra.
- El valor (o valores) de emisión de ruido declarado también se puede utilizar en una valoración preliminar de exposición.

⚠ ADVERTENCIA:

- **Póngase protectores para oídos.**
- **La emisión de ruido durante la utilización real de la herramienta eléctrica puede variar del valor (o los valores) de emisión declarado dependiendo de las formas en las que la herramienta sea utilizada, especialmente qué tipo de pieza de trabajo se procesa.**
- **Asegúrese de identificar medidas de seguridad para proteger al operario que estén basadas en una estimación de la exposición en las condiciones reales de utilización (teniendo en cuenta todas las partes del ciclo operativo como las veces cuando la herramienta está apagada y cuando está funcionando en vacío además del tiempo de gatillo).**

Vibración

El valor total de la vibración (suma de vectores triaxiales) determinado de acuerdo con la norma EN62841-2-4:

Modelo DBO180

Modo tarea: lijado de placas metálicas

Emisión de vibración (a_{h1}): 2,5 m/s² o menos

Incerteza (K): 1,5 m/s²

ENG901-2

NOTA:

- El valor (o los valores) total de emisión de vibración declarado ha sido medido de acuerdo con un método de prueba estándar y se puede utilizar para comparar una herramienta con otra.
- El valor (o los valores) total de emisión de vibración declarado también se puede utilizar en una valoración preliminar de exposición.

⚠ ADVERTENCIA:

- **La emisión de vibración durante la utilización real de la herramienta eléctrica puede variar del valor (o los valores) de emisión declarado dependiendo de las formas en las que la herramienta sea utilizada, especialmente qué tipo de pieza de trabajo se procesa.**
- **Asegúrese de identificar medidas de seguridad para proteger al operario que estén basadas en una estimación de la exposición en las condiciones reales de utilización (teniendo en cuenta todas las partes del ciclo operativo como las veces cuando la herramienta está apagada y cuando está funcionando en vacío además del tiempo de gatillo).**

DECLARACIONES DE CONFORMIDAD

Para países europeos solamente

Las declaraciones de conformidad están incluidas como Anexo A de este manual de instrucciones.

Explicação geral

| | | | | | |
|---|----------------------|----|---|----|---------------------|
| 1 | Indicador vermelho | 7 | Botão de arranque/regulação de velocidade | 13 | Caixa do pó |
| 2 | Botão | 8 | Almofada | 14 | Trinco |
| 3 | Cartucho da bateria | 9 | Disco abrasivo | 15 | Aba |
| 4 | Luzes indicadoras | 10 | Saco do pó | 16 | Parafuso |
| 5 | Botão de verificação | 11 | Bocal para poeira | 17 | Almofada de esponja |
| 6 | Botão de paragem | 12 | Patilha de retenção | 18 | Almofada de feltro |
| | | | | 19 | Almofada de lá |

ESPECIFICAÇÕES

| Modelo | | DBO140 | DBO180 |
|---|------------------|--------------------------|--------------|
| Tamanho do papel | | 125 mm | |
| Órbitas por minuto (min ⁻¹) | Baixa velocidade | 7.000 | |
| | Média velocidade | 9.500 | |
| | Alta velocidade | 11.000 | |
| Dimensões | | 175 mm x 123 mm x 153 mm | |
| Peso líquido | | 1,3 - 1,6 kg | 1,4 - 1,7 kg |
| Tensão nominal | | 14,4 V C.C | 18 V C.C |

- Devido ao nosso programa contínuo de pesquisa e desenvolvimento, as características indicadas neste documento estão sujeitas a alterações sem aviso prévio.
- As especificações podem variar de país para país.
- O peso pode diferir dependendo do(s) acessório(s), incluindo a bateria. A combinação mais leve e mais pesada, de acordo com o Procedimento 01/2014 da EPTA (European Power Tool Association), são apresentadas na tabela.

Cartucho de bateria e carregador aplicáveis

| | | |
|---------------------|---|---|
| Cartucho de bateria | Modelo 14,4 V C.C | BL1415N / BL1430B / BL1440 / BL1460B |
| | Modelo 18 V C.C | BL1815N / BL1820B / BL1830B / BL1840B / BL1850B / BL1860B |
| Carregador | DC18RC / DC18RD / DC18RE / DC18SD / DC18SE / DC18SF / DC18SH / DC18WC | |

- Alguns dos cartuchos de bateria e carregadores listados acima podem não estar disponíveis, dependendo da sua região de residência.

⚠ AVISO: Utilize apenas os cartuchos de bateria e os carregadores listados acima. A utilização de qualquer outro cartucho de bateria e carregador pode provocar ferimentos e/ou incêndio.

ENE052-1

GEB021-4

Utilização a que se destina

A ferramenta foi concebida para lixamento de grandes superfícies de madeira, plástico e materiais de metal assim como superfícies pintadas.

GEA010-2

Avisos gerais de segurança para ferramentas elétricas

⚠ AVISO! Leia todos os avisos de segurança, instruções, ilustrações e especificações fornecidos com esta ferramenta elétrica. O não cumprimento de todas as instruções indicadas em baixo pode resultar em choque elétrico, incêndio e/ou ferimentos graves.

Guarde todos os avisos e instruções para futuras referências.

O termo "ferramenta elétrica" nos avisos refere-se às ferramentas elétricas ligadas à corrente elétrica (com cabo) ou às ferramentas elétricas operadas por meio de bateria (sem cabo).

AVISOS DE SEGURANÇA PARA A LIXADEIRA

1. Use sempre óculos de segurança ou óculos de proteção. Óculos normais ou de sol **NÃO** são óculos de segurança.
2. Segure a ferramenta firmemente.
3. Não deixe a ferramenta a funcionar. Opere a ferramenta apenas quando a estiver a agarrar.
4. Esta ferramenta não foi impermeabilizada, por isso não use água na superfície da peça de trabalho.
5. Ventile adequadamente a sua área de trabalho quando executar operações de lixagem.
6. Alguns materiais contêm químicos que podem ser tóxicos. Tome cuidado para evitar a inalação de poeira e o contacto com a pele. Siga os dados de segurança do fornecedor do material.

7. O uso desta ferramenta para lixar alguns produtos, pinturas e madeira pode expor o utilizador a poeira contendo substâncias perigosas. Use proteção respiratória adequada.
8. Certifique-se de que não existem fendas ou fissuras na almofada antes de utilizar. As fendas ou fissuras podem provocar ferimentos corporais.

GUARDE ESTAS INSTRUÇÕES.

⚠ AVISO:

NÃO permita que conforto ou familiaridade com o produto (adquirido com o uso repetido) substitua a aderência estrita às regras de segurança da ferramenta. **MÁ INTERPRETAÇÃO** ou não seguimento das regras de segurança estabelecidas neste manual de instruções pode causar danos pessoais sérios.

ENC007-17

INSTRUÇÕES DE SEGURANÇA IMPORTANTES PARA A BATERIA

1. Antes de utilizar a bateria, leia todas as instruções e etiquetas de precaução no (1) carregador de bateria (2) bateria e (3) produto que utiliza a bateria.
2. Não desmonte ou manipule a bateria. Pode resultar num incêndio, em calor excessivo ou numa explosão.
3. Se o tempo de funcionamento se tornar excessivamente curto, pare o funcionamento imediatamente. Pode resultar em sobreaquecimento, possíveis queimaduras e mesmo explosão.
4. Se entrar eletrólito nos seus olhos, lave-os com água e consulte imediatamente um médico. Pode resultar em perda de visão.
5. Não coloque a bateria em curto-circuito:
 - (1) Não toque nos terminais com qualquer material condutor.
 - (2) Evite guardar a bateria juntamente com outros objetos metálicos tais como pregos, moedas, etc.
 - (3) Não exponha a bateria à água ou chuva. Um curto-circuito pode ocasionar um enorme fluxo de corrente, sobreaquecimento, possíveis queimaduras e mesmo estragar-se.
6. Não guarde nem utilize a ferramenta e a bateria em locais onde a temperatura pode atingir ou exceder 50 °C.
7. Não queime a bateria mesmo que esteja estragada ou completamente gasta. A bateria pode explodir no fogo.
8. Não pregue, corte, esmague, atire, deixe cair a bateria, nem bata a bateria contra um objeto rijo. Esta conduta pode resultar num incêndio, em calor excessivo ou numa explosão.
9. Não utilize uma bateria danificada.
10. As baterias de íões de lítio contidas na ferramenta são sujeitas aos requisitos da DGL (Dangerous Goods Legislation - Legislação de bens perigosos).
Para o transporte comercial, por exemplo, por terceiros ou agentes de expedição, têm de ser observados os requisitos referentes à embalagem e etiquetagem.

Para preparação do artigo a ser expedido, é necessário consultar um perito em materiais perigosos. Tenha ainda em conta a possibilidade de existirem regulamentos nacionais mais detalhados. Coloque fita-cola ou tape os contactos abertos e embale a bateria de tal forma que não possa mover-se dentro da embalagem.

11. Quando eliminar a bateria, remova-a da ferramenta e elimine-a num local seguro. Siga os regulamentos locais relacionados com a eliminação de baterias.
12. Utilize as baterias apenas com os produtos especificados pela Makita. Instalar as baterias em produtos não-conformes poderá resultar num incêndio, calor excessivo, explosão ou fuga de eletrólito.
13. Se a ferramenta não for utilizada durante um período de tempo prolongado, a bateria deve ser removida da ferramenta.
14. Durante e após a utilização, a bateria pode aquecer, o que pode provocar queimaduras ou queimaduras a baixa temperatura. Preste atenção ao manuseamento de baterias quentes.
15. Não toque no terminal da ferramenta imediatamente após a utilização, pois pode ficar suficientemente quente para provocar queimaduras.
16. Não permita a adesão de aparas, pó ou sujidade nos terminais, nos orifícios e nas ranhuras da bateria. Poderá fazer com que a ferramenta ou a bateria aqueça, incendeie, rebente e avarie, resultando em queimaduras ou ferimentos corporais.
17. A menos que a ferramenta suporte a utilização perto de linhas elétricas de alta tensão, não utilize a bateria perto de linhas elétricas de alta tensão. Pode resultar no mau funcionamento ou na avaria da ferramenta ou bateria.
18. Mantenha a bateria afastada das crianças.

GUARDE ESTAS INSTRUÇÕES.

⚠ **PRECAUÇÃO:** Utilize apenas baterias genuínas da Makita. A utilização de baterias não genuínas da Makita ou de baterias que foram alteradas, pode resultar no rebentamento da bateria provocando incêndios, ferimentos pessoais e danos. Além disso, anulará da garantia da Makita no que se refere à ferramenta e ao carregador Makita.

Conselhos para manter a máxima vida útil da bateria

1. Carregue a bateria antes que esteja completamente descarregada. Pare sempre o funcionamento da ferramenta e carregue a bateria quando notar menos poder na ferramenta.
2. Nunca carregue uma bateria completamente carregada. Carregamento excessivo diminui a vida útil da bateria.
3. Carregue a bateria à temperatura ambiente de 10 °C – 40 °C. Deixe que uma bateria quente arrefeça antes de a carregar.
4. Quando não utilizar a bateria, remova-a da ferramenta ou do carregador.
5. Carregue a bateria se não a utilizar durante um longo período de tempo (mais de seis meses).

DESCRIÇÃO FUNCIONAL

⚠ PRECAUÇÃO:

- Certifique-se sempre de que a ferramenta está desligada e a bateria retirada antes de regular ou verificar qualquer função na ferramenta.

Instalação ou remoção da bateria (Fig. 1)

⚠ PRECAUÇÃO:

- Desligue sempre a ferramenta antes de instalar ou retirar o cartucho da bateria.
- **Segure firmemente na ferramenta e no cartucho da bateria quando instalar ou retirar o cartucho da bateria.** Se não segurar firmemente na ferramenta e no cartucho da bateria pode dar origem a que escorreguem das suas mãos e daí resultar danos para a ferramenta e para o cartucho da bateria e ferimentos corporais.

Para retirar o cartucho da bateria, deslize-o da ferramenta enquanto desliza o botão na parte da frente do cartucho.

Para instalar o cartucho da bateria, alinhe a lingueta no cartucho da bateria com o entalhe na caixa e deslize-o para o lugar. Insira-o por completo até bloquear no lugar com um pequeno estalido. Se conseguir ver o indicador vermelho no lado superior do botão, não está bloqueado completamente.

⚠ PRECAUÇÃO:

- Instale sempre o cartucho da bateria por completo até o indicador vermelho não ser visto. Se isso não acontecer, pode cair acidentalmente da ferramenta, causando-lhe ferimentos a si ou alguém perto de si.
- Não instale o cartucho da bateria fazendo força. Se o cartucho não deslizar facilmente, não está a ser inserido corretamente.

Sistema de proteção da ferramenta/bateria

A ferramenta está equipada com um sistema de proteção da ferramenta/bateria. Este sistema desliga automaticamente a alimentação para prolongar a vida útil da ferramenta e da bateria. A ferramenta para automaticamente durante o funcionamento se a ferramenta ou bateria for colocada mediante uma das seguintes condições:

Proteção contra sobrecarga

Esta proteção funciona quando a ferramenta é utilizada de uma forma que causa a absorção de uma corrente anormalmente alta. Nesta situação, desligue a ferramenta e pare a aplicação que causou a sobrecarga da ferramenta. De seguida, ligue a ferramenta para reiniciar.

Proteção contra sobreaquecimento

Esta proteção funciona quando a ferramenta ou a bateria está sobreaquecida. Nesta situação, deixe a ferramenta e a bateria arrefecerem antes de voltar a ligar a ferramenta.















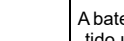
Proteção contra descarga excessiva

Esta proteção funciona quando a restante capacidade da bateria fica fraca. Nesta situação, remova a bateria da ferramenta e carregue a bateria.

Indicação da capacidade restante da bateria (Fig. 2)

Apenas para as baterias com o indicador

Prima o botão de verificação no cartucho da bateria para indicar a capacidade restante da bateria. As luzes indicadoras acendem durante alguns segundos.

| Luzes indicadoras | | | Capacidade restante |
|---|---|--|-------------------------------------|
|  Acesa |  Apagada |  A piscar | |
|  | | | 75% a 100% |
|  |  | | 50% a 75% |
|  |  | | 25% a 50% |
|  |  | | 0% a 25% |
|  |  | | Carregue a bateria. |
|  |  |  | A bateria pode ter tido uma avaria. |

015658

NOTA:

- Dependendo das condições de utilização e da temperatura ambiente, a indicação pode diferir ligeiramente da capacidade real.
- A primeira luz indicadora (extremo esquerdo) pisca quando o sistema de proteção da bateria funciona.

Ação do interruptor e botão de regulação de velocidade (Fig. 3)

Para iniciar a ferramenta, carregue no botão de arranque/regulação de velocidade. A ferramenta arranca no modo de alta velocidade. Cada vez que carregar no botão de arranque/regulação de velocidade, o modo de velocidade muda na sequência de alta velocidade, média velocidade e baixa velocidade.

Para parar a ferramenta, carregue no botão de paragem. Consulte a tabela para ver a relação entre o modo de velocidade e o tipo de trabalho.

| Modo de velocidade | Número de rotações | Utilização |
|--------------------|--------------------|-------------------------|
| Alta | 11.000 | Lixamento regular |
| Média | 9.500 | Lixamento de acabamento |
| Baixa | 7.000 | Polimento |

012897

NOTA:

- A tabela mostra as aplicações standard. Podem divergir sob determinadas condições.

ASSEMBLAGEM

⚠ PRECAUÇÃO:

- Certifique-se sempre de que a ferramenta está desligada e a bateria retirada antes de executar qualquer manutenção na ferramenta.

Instalação do disco abrasivo (Fig. 4)

Para instalar o disco abrasivo, remova primeiro toda a sujidade ou matéria estranha da almofada. Em seguida prenda o disco abrasivo à almofada. Certifique-se de que alinha os orifícios no disco abrasivo com os da almofada.

Instalação do saco do pó (acessório opcional) (Fig. 5)

Coloque o saco do pó na ferramenta com a sua boca direcionada para baixo.

Esvaziar o saco do pó (Fig. 6 e 7)

Quando o saco do pó estiver meio cheio, desligue a ferramenta e retire o saco do pó da ferramenta. Em seguida retire o bocal para poeira do saco do pó após desbloquear o bocal rodando ligeiramente para a esquerda. Esvazie o saco do pó batendo ligeiramente nele.

Depois de esvaziar o saco do pó, instale o bocal para poeira no saco do pó. Rode ligeiramente o bocal para poeira para a direita até fazer clique no lugar. Em seguida coloque o saco do pó na ferramenta como descrito em “Instalação do saco do pó”.

Instalação do saco com filtro de papel (acessório opcional) (Fig. 8 e 9)

Certifique-se de que o logótipo no gume do cartão e o logótipo na caixa do pó estão no mesmo lado, depois coloque o saco com filtro de papel encaixando o gume do cartão na ranhura de cada patilha de retenção.

Certifique-se de que o logótipo no gume do cartão e o logótipo no bocal para poeira estão no mesmo lado, depois coloque o bocal para poeira na caixa do pó.

Remoção da caixa do pó e saco com filtro de papel (Fig. 10 e 11)

Retire o bocal para poeira empurrando as suas patilhas. Retire primeiro o saco com filtro de papel pegando no lado do logótipo do respetivo gume do cartão, depois puxando o gume do cartão para baixo para o retirar da patilha de retenção da caixa do pó.

Remoção e reinstalação da aba (Fig. 12, 13 e 14)

⚠ PRECAUÇÃO:

- Não utilize a ferramenta sem a aba. Caso contrário espalha o pó por todo o lado.

Pode escolher uma de 12 direções da aba em conformidade com sua finalidade.

Para retirar a aba, retire o parafuso e retire a aba abrindo-a ligeiramente para ambos os lados.

Para reinstalar a aba, coloque-a abrindo-a ligeiramente para ambos os lados. E aperte o parafuso.

⚠ PRECAUÇÃO:

- Não coloque a aba sem ser no ângulo indicado. Caso contrário a ferramenta pode ficar danificada.

OPERAÇÃO

⚠ AVISO:

- Nunca ligue a ferramenta quando estiver em contacto com a peça de trabalho, pois pode ferir o operador.

Operação de lixamento (Fig. 15)

⚠ PRECAUÇÃO:

- Nunca opere a ferramenta sem o disco abrasivo. Pode danificar seriamente a almofada.
- Nunca force a ferramenta. Pressão excessiva pode diminuir a eficiência de lixamento, danificar o disco abrasivo ou encurtar a vida útil da ferramenta.
- A utilização da ferramenta com a extremidade da almofada em contacto com a peça de trabalho pode danificar a almofada.

Segure a ferramenta firmemente. Ligue a ferramenta e espere até que a mesma atinja a velocidade máxima. A seguir, coloque-a suavemente sobre a peça de trabalho. Mantenha a almofada nivelada com a peça de trabalho e aplique ligeira pressão na ferramenta.

⚠ PRECAUÇÃO:

- A almofada de lixamento roda para a direita durante a operação com carga, mas pode rodar para a esquerda durante a operação em vazio.

Operação de polimento (opcional)

⚠ PRECAUÇÃO:

- Utilize apenas almofadas de esponja, de feltro ou de lã (acessórios opcionais) genuínas da Makita.
- Opere sempre com a ferramenta a baixa velocidade para evitar que as superfícies de trabalho aqueçam anormalmente.
- Nunca force a ferramenta. Pressão excessiva pode diminuir a eficiência de polimento e causar sobrecarga do motor, resultando em mau funcionamento da ferramenta.

1. Aplicação de cera (Fig. 16)

Utilize uma almofada de esponja opcional. Aplique a cera na almofada de esponja ou na superfície de trabalho. Opere a ferramenta a baixa velocidade para espalhar a cera.

NOTA:

- Primeiro encere uma parte da peça de trabalho que não fique à vista para se certificar de que a ferramenta não risca a superfície e que a cera fica uniforme.
- A ferramenta arranca no modo de alta velocidade. Tenha cuidado quando ligar a ferramenta. A cera pode salpicar. Recomenda-se que espalhe a cera com a ferramenta parada antes de ligar a ferramenta. Mude o modo de velocidade para baixo imediatamente após ligar a ferramenta.
- Opere sempre a ferramenta a baixa velocidade. Operando-a a alta velocidade pode fazer com que a cera salpique.

2. Remoção da cera (Fig. 17)

Utilize uma almofada de feltro opcional. Opere a ferramenta a baixa velocidade para remover a cera.

3. Polimento (Fig. 18)

Utilize uma almofada de lã opcional. Opere a ferramenta a baixa velocidade e aplique a almofada de lã gentilmente na superfície de trabalho.

MANUTENÇÃO

⚠ PRECAUÇÃO:

- Certifique-se sempre que a ferramenta está desligada e o cartucho da bateria retirado antes de fazer a inspeção ou manutenção.

- Nunca utilize gasolina, benzina, diluente, álcool ou produtos semelhantes. Pode ocorrer a descoloração, deformação ou rachaduras.

Para manter a SEGURANÇA e FIABILIDADE do produto, as reparações, a inspeção e substituição da escova de carvão, qualquer outra operação de manutenção ou ajuste, devem ser efetuados pelos centros de assistência autorizados da Makita, utilizando sempre peças de substituição Makita.

ACESSÓRIOS OPCIONAIS

⚠ PRECAUÇÃO:

- Estes acessórios ou peças são recomendados para utilização com a ferramenta Makita especificada neste manual. A utilização de outros acessórios ou peças pode ser perigosa para as pessoas. Utilize apenas acessórios ou peças para os fins indicados.

Se precisar de ajuda para obter mais informações relativas a estes acessórios, entre em contacto com o centro de assistência Makita local.

- Discos abrasivos do tipo velcro (com orifícios pré-perfurados)
- Almofada de esponja do tipo velcro
- Almofada de feltro do tipo velcro
- Almofada de lã do tipo velcro
- Bateria e carregador genuínos da Makita
- Caixa do pó
- Saco com filtro de papel
- Saco do pó

NOTA:

- Alguns itens da lista podem estar incluídos na embalagem da ferramenta como acessórios padrão. Eles podem variar de país para país.

Ruído

A característica do nível de ruído A determinado de acordo com EN62841-2-4:

Modelo DBO180

Nível de pressão de som (L_{pA}): 80 dB (A)

Variabilidade (K): 3 dB (A)

O nível de ruído durante o trabalho pode exceder 80 dB (A).

ENG907-1

NOTA:

- O(s) valor(es) da emissão de ruído indicado(s) foi medido de acordo com um método de teste padrão e pode ser utilizado para comparar duas ferramentas.
- O(s) valor(es) da emissão de ruído indicado(s) pode também ser utilizado na avaliação preliminar da exposição.

⚠ AVISO:

- Utilize protetores auriculares.
- A emissão de ruído durante a utilização real da ferramenta elétrica pode diferir do(s) valor(es) indicado(s), dependendo das formas como a ferramenta é utilizada, especialmente o tipo de peça de trabalho que é processada.

- **Certifique-se de identificar as medidas de segurança para proteção do operador que sejam baseadas em uma estimativa de exposição em condições reais de utilização (considerando todas as partes do ciclo de operação, tal como quando a ferramenta está desligada e quando está a funcionar em marcha lenta além do tempo de acionamento).**

Vibração

O valor total da vibração (soma vetorial tri-axial) determinado de acordo com EN62841-2-4:

Modelo DBO180

Modo de funcionamento: lixamento de chapa metálica

Emissão de vibração (a_h): 2,5 m/s² ou inferior

Variabilidade (K): 1,5 m/s²

ENG901-2

NOTA:

- O(s) valor(es) total(ais) de vibração indicado(s) foi medido de acordo com um método de teste padrão e pode ser utilizado para comparar duas ferramentas.
- O(s) valor(es) total(ais) de vibração indicado(s) pode também ser utilizado na avaliação preliminar da exposição.

⚠ AVISO:

- **A emissão de vibração durante a utilização real da ferramenta elétrica pode diferir do(s) valor(es) indicado(s), dependendo das formas como a ferramenta é utilizada, especialmente o tipo de peça de trabalho que é processada.**
- **Certifique-se de identificar as medidas de segurança para proteção do operador que sejam baseadas em uma estimativa de exposição em condições reais de utilização (considerando todas as partes do ciclo de operação, tal como quando a ferramenta está desligada e quando está a funcionar em marcha lenta além do tempo de acionamento).**

DECLARAÇÕES DE CONFORMIDADE

Apenas para os países europeus

As Declarações de conformidade estão incluídas no Anexo A deste manual de instruções.

Illustrationsoversigt

| | | |
|------------------------------|-------------------|-------------------|
| 1 Rød indikator | 8 Pude | 15 Krave |
| 2 Knap | 9 Slibedisk | 16 Skrue |
| 3 Akku | 10 Støvpose | 17 Polérsvamp |
| 4 Indikatorlamper | 11 Støvmundstykke | 18 Polérfiltsvamp |
| 5 Kontrolknap | 12 Holdertap | 19 Polérhætte |
| 6 Stopknap | 13 Støvboks | |
| 7 Start/hastighedsvælgerknap | 14 Lås | |

SPECIFIKATIONER

| Model | | DBO140 | DBO180 |
|---|------------------|--------------------------|--------------|
| Papirstørrelse | | 125 mm | |
| Omdrejninger pr. minut (min ⁻¹) | Lav hastighed | 7 000 | |
| | Mellem hastighed | 9 500 | |
| | Høj hastighed | 11 000 | |
| Mål | | 175 mm x 123 mm x 153 mm | |
| Nettovægt | | 1,3 - 1,6 kg | 1,4 - 1,7 kg |
| Mærkespænding | | D.C. 14,4 V | D.C. 18 V |

- På grund af vores kontinuerlige forskningsprogrammer og udvikling, kan hosstående specifikationer blive ændret uden varsel.
- Specifikationer kan variere fra land til land.
- Vægten kan variere afhængigt af tilbehøret, inklusive akkuen. Den letteste og tungeste kombination, i henhold til EPTA-Procedure 01/2014, er vist i tabellen.

Anvendelig akku og oplader

| | | |
|---------|---|---|
| Akku | D.C. 14,4 V-model | BL1415N / BL1430B / BL1440 / BL1460B |
| | D.C. 18 V-model | BL1815N / BL1820B / BL1830B / BL1840B / BL1850B / BL1860B |
| Oplader | DC18RC / DC18RD / DC18RE / DC18SD / DC18SE / DC18SF / DC18SH / DC18WC | |

- Nogle af ovenstående akkuer og opladere er muligvis ikke tilgængelige, afhængigt af hvilket område du bor i.

⚠ ADVARSEL: Du må kun anvende ovenstående akkuer og opladere. Brug af andre akkuer og opladere kan medføre personskade og/eller brand.

ENE052-1

GEA021-4

Tilsligtet anvendelse

Denne maskine er beregnet til slibning af større flader på træ-, plastic- og metalmaterialer samt malede overflader.

GEA010-2

Almindelige sikkerhedsregler for el-værktøj

⚠ ADVARSEL! Læs alle de sikkerhedsadvarsler, instruktioner, illustrationer og specifikationer, der følger med denne maskine. Forsømmelse af at overholde alle nedenstående instruktioner kan medføre elektrisk stød, brand og/eller alvorlig personskade.

Gem alle advarsler og instruktioner til fremtidig reference.

Ordet "el-værktøj" i advarslerne henviser til det netforsynede (netledning) el-værktøj eller batteriforsynede (akku) el-værktøj.

SIKKERHEDSADVARSLER FOR SLIBEMASKINE

1. Anvend altid sikkerhedsbriller eller beskyttelsesbriller. Almindelige briller og solbriller er IKKE sikkerhedsbriller.
2. Hold godt fast i maskinen.
3. Lad ikke maskinen køre i tomgang. Anvend kun maskinen håndholdt.
4. Denne maskine er ikke vandfastbehandlet, så brug ikke vand på arbejdsområdets overflade.
5. Sørg for tilstrækkelig ventilation på arbejdsområdet, når slibning udføres.
6. Nogle materialer indeholder kemikalier, som kan være giftige. Vær påpasselig med at forhindre inhalering af støv og hudkontakt. Følg materialeleverandørens sikkerhedsdata.
7. Anvendelse af denne maskine til at slibe nogle produkter, maling og træ kan udsætte brugeren for støv, der indeholder farlige substanser. Anvend passende beskyttelse mod indånding.

8. Kontroller, at der ikke er revner eller brud på puden inden brugen. Revner eller brud kan medføre tilskadecomst.

GEM DENNE BRUGSANVISNING.

⚠ ADVARSEL:

LAD IKKE bækommelighed eller køndskab til produktet (opnået gennem gentagen brug) forhindre, at sikkerhedsforskrifterne for produktet nøje overholdes. MISBRUG eller forsømmelse af at følge de i denne brugsvejledning givne sikkerhedsforskrifter kan føre til, at De kommer alvorligt til skade.

ENC007-17

VIGTIGE SIKKERHEDSINSTRUKTIONER FOR AKKUEN

1. Læs alle instruktioner og advarselsmærkater på (1) akku-opladeren, (2) akkuen og (3) produktet, som anvender akku.
2. Adskil eller ændr ikke akkuen. Det kan muligvis resultere i en brand, overdreven varme eller eksplosion.
3. Hold straks op med anvendelsen, hvis brugstiden er blevet stærkt afkortet. Forsat anvendelse kan resultere i risiko for overophedning, forbrændinger og endog eksplosion.
4. Hvis De har fået elektrolytvæske i øjnene, skal De straks skylle den ud med rent vand og derefter øjeblikkeligt søge lægehjælp. I modsat fald kan De miste synet.
5. Vær påpasselig med ikke at komme til at kortslutte akkuen:
 - (1) Rør ikke ved terminalerne med noget ledende materiale.
 - (2) Undgå at opbevare akkuen i en beholder sammen med andre genstande af metal, for eksempel søm, mønter og lignende.
 - (3) Udsæt ikke akkuen for vand eller regn.Kortslutning af akkuen kan forårsage en kraftig øgning af strømmen, overophedning, mulige forbrændinger og endog værktøjstop.
6. Opbevar og brug ikke maskinen og akkuen på steder, hvor temperaturen muligvis kan nå eller overstige 50 °C.
7. Lad være med at brænde akkuen, selv ikke i tilfælde, hvor den har lidt alvorlig skade eller er fuldstændig udtjent. Akkuen kan eksplodere, hvis man forsøger at brænde den.
8. Slå ikke søm i, skær ikke i, knus, kast, tab ikke akkuen og stød ikke akkuen mod en hård genstand. Sådan adfærd kan muligvis resultere i en brand, overdreven varme eller eksplosion.
9. Anvend ikke en beskadiget akku.
10. De indbyggede litium-ion-batterier er underlagt lovkrav vedrørende farligt gods. Ved kommerciel transport, f.eks. af tredjeparts transportselskaber, skal særlige krav til forpakning og mærkning overholdes. Ved forberedelse af udstyret til forsendelse skal du kontakte en ekspert i farligt gods. Overhold også eventuel mere detaljeret national lovgivning. Tape eller tildæk åbne kontakter, og pak batteriet på en måde, så det ikke kan flytte sig rundt i pakningen.

11. Når akkuen bortscaffes, skal du fjerne den fra maskinen og bortscaffe den på et sikkert sted. Følg de lokale love vedrørende bortscaffelsen af batterier.
12. Brug kun batterierne med de produkter, som Makita specificerer. Hvis batterierne installeres i ikke-kompatible produkter, kan det medføre brand, kraftig varme, eksplosion eller udsivning af elektrolyt.
13. Hvis maskinen ikke skal bruges i længere tid ad gangen, skal du fjerne batteriet fra maskinen.
14. Akku en muligvis under og efter brug være varm, hvilket kan forårsage forbrændinger eller lavtemperaturforbrændinger. Vær påpasselig med håndtering af varme akkuer.
15. Rør ikke terminalen på maskinen straks efter brug, da den bliver varm nok til at forårsage forbrændinger.
16. Sørg for, at spåner, støv eller jord ikke sætter sig fast i akkuens terminaler, huller og riller. Det kan forårsage opvarmning, antændelse, sprængning og funktionsfejl i maskinen eller akkuen, hvilket kan medføre forbrændinger eller personskade.
17. Medmindre maskinen understøtter brugen i nærheden af elektriske højspændingsledninger, skal du ikke anvende akkuen i nærheden af elektriske højspændingsledninger. Det kan muligvis medføre funktionsfejl på eller nedbrud af maskinen eller akkuen.
18. Opbevar batteriet utilgængeligt for børn.

GEM DENNE BRUGSANVISNING.

⚠ FORSIGTIG: Brug kun originale batterier fra Makita. Brug af uoriginale Makita-batterier, eller batterier som er blevet ændret, kan muligvis medføre brand på batteriet, hvilket kan forårsage brand, personskade eller beskadigelse. Det ugyldiggør også Makita-garantien for Makita-maskinen og opladeren.

Tips til opnåelse af maksimal akku-levetid

1. Oplad akkuen, inden den er helt afladet. Stop altid værktøjet, og oplad akkuen, hvis De bemærker, at værktøjeffekten er aftagende.
2. Genoplad aldrig en fuldt opladet akku. Overopladning vil afkorte akkuens levetid.
3. Oplad akkuen ved stuetemperatur ved 10 °C - 40 °C. Lad altid en varm akku få tid til at køle af, inden den oplades.
4. Når du ikke anvender akkuen, skal du fjerne den fra maskinen eller opladeren.
5. Oplad akkuen, hvis De ikke skal bruge den i længere tid (mere end seks måneder).

FUNKTIONSBESKRIVELSE

⚠ FORSIGTIG:

- Vær altid sikker på, at værktøjet er afbrudt og akkuen fjernet, inden De justerer eller kontrollerer funktionen af værktøjet.

Installation og fjernelse af akkuen (Fig. 1)

⚠ FORSIGTIG:

- Sluk altid for værktøjet, inden De installerer eller fjerner akkuen.

- **Hold godt fast i værktøjet og akkuen, når akkuen installeres eller fjernes.** Forsømmelse af at holde godt fast i værktøjet og akkuen, kan bevirke, at disse glider ud af hænderne på Dem, hvilket kan resultere i beskadigelse af værktøjet og akkuen samt tilskadekomst.

For at fjerne akkuen, skal man skyde den fra værktøjet, idet man skyder knappen på forsiden af akkuen i stilling. For at installere akkuen, skal man sætte tungen på akkuen ud for rillen i huset og skyde den på plads. Sæt den hele vejen ind, så den låses på plads med et lille klik. Hvis den røde indikator på oversiden af knappen er synlig, betyder det, at den ikke er helt låst.

⚠ **FORSIGTIG:**

- Sæt altid akkuen helt ind, så den røde indikator ikke kan ses. Hvis den ikke er sat helt ind, kan den ved et uheld falde ud af værktøjet, hvorved omkringstående eller De selv kan komme til skade.
- Sæt ikke akkuen i med magt. Hvis akkuen ikke glider nemt på plads, betyder det, at den ikke sættes korrekt i.

Beskyttelsessystem til værktøj/batteri

Maskinen er forsynet med et beskyttelsessystem til maskine/batteri. Systemet afbryder automatisk strømmen for at forlænge maskinens og batteriets levetid. Maskinen stopper automatisk under brugen, hvis maskinen eller batteriet udsættes for et af følgende forhold:

Overbelastningsbeskyttelse

Denne beskyttelse aktiveres, når maskinen anvendes på en sådan måde, at den bruger unormalt meget strøm. Sluk i så fald for maskinen, og stop den anvendelse, der medførte, at maskinen blev overbelastet. Tænd derefter for maskinen for at starte igen.

Beskyttelse mod overophedning

Denne beskyttelse aktiveres, når maskinen eller batteriet er overophedet. Lad i så fald maskinen og batteriet køle af, før der tændes for maskinen igen.

Beskyttelse mod overafledning

Denne beskyttelse aktiveres, når den resterende batterikapacitet bliver lav. I denne situation skal du fjerne batteriet fra maskinen og lade batteriet op.

Angivelse den tilbageværende akku-kapacitet

(Fig. 2)

Kun for akkuer med indikatoren

Tryk på kontrolknappen på akkuen for at angive den tilbageværende akku-kapacitet. Indikatorlamperne lyser i et par sekunder.

| Indikatorlamper | | | Tilbageværende kapacitet |
|-----------------|---------|---------|--------------------------|
| Tændt | Slukket | Blinker | |
| ■ | □ | ◐ | 75% til 100% |
| ■ | ■ | □ | 50% til 75% |
| ■ | ■ | □ | 25% til 50% |
| ■ | □ | □ | 0% til 25% |

| Indikatorlamper | | | Tilbageværende kapacitet |
|-----------------|---------|---------|-----------------------------------|
| Tændt | Slukket | Blinker | |
| ◐ | □ | □ | Oplad akkuen. |
| ■ | ■ | □ | Akkuen kan have fungeret forkert. |

015658

BEMÆRK:

- Afhængigt af brugsforholdene og den omgivende temperatur, kan indikeringen afvige en smule i forhold til den faktiske kapacitet.
- Den første indikatorlampe (længst mod venstre) vil blinke, når batteribeskyttelsessystemet aktiveres.

Afbryderbetjening og hastighedsvælgerknap

(Fig. 3)

Tryk på start/hastighedsvælgerknappen for at starte maskinen. Maskinen starter med højhastighedsfunktion. Ved hvert tryk på start/hastighedsvælgerknappen ændres hastighedsfunktionen i rækkefølgen høj hastighed, mellem hastighed og lav hastighed.

Tryk på stopknappen for at stoppe maskinen. Se oversigten angående forholdet mellem hastighedsfunktionen og arbejdsarts art.

| Hastighedsfunktion | Antal omdrejninger | Brug |
|--------------------|--------------------|---------------------|
| Høj | 11 000 | Almindelig slibning |
| Mellem | 9 500 | Overfladeslibning |
| Lav | 7 000 | Polering |

012897

BEMÆRK:

- Oversigten viser standardanvendelser. Disse kan være forskellige, afhængigt af forholdene.

SAMLING

⚠ **FORSIGTIG:**

- Sørg altid for at værktøjet er slukket, og at akkuen er taget ud, før der udføres noget arbejde på værktøjet.

Montering af slibeskive (Fig. 4)

For at montere slibeskiven skal man først fjerne al snavs og alle fremmedlegemer fra puden. Montér derefter slibeskiven på puden. Vær påpasselig med sætte hullerne i slibeskiven ud for dem i puden.

På sætning af støvpose (ekstraudstyr) (Fig. 5)

Sæt støvposen på maskinen med dens munding vendende nedad.

Tømning af støvposen (Fig. 6 og 7)

Når støvposen er omtrent halvt fyldt, slukkes maskinen og støvposen tages af maskinen. Fjern derefter støvmundstykket fra støvposen, efter at støvmundstykket er frigjort ved at dreje det en smule mod uret. Tøm støvposen ved at banke let på den.

Når støvposen er tømt, sættes støvmundstykket på støvposen. Drej støvmundstykket en smule med uret for at låse den på plads. Montér derefter støvposen på maskinen som beskrevet i "Påsætning af støvpose".

Påsætning af papirfilterpose (ekstraudstyr) (Fig. 8 og 9)

Sørg for, at logoet på papkanten og logoet på støvboksen er på samme side, og monter derefter papirfilterposen ved at sætte papkanten ind i rillen på hver holdertap.

Sørg for, at logoet på papkanten og logoet på støvmundstykket er på samme side, og monter derefter støvmundstykket på støvboksen.

Fjernelse af støvboks og papirfilterpose (Fig. 10 og 11)

Fjern støvmundstykket ved at trykke på de to låse.

Fjern papirfilterposen først ved at klemme på logosiden på dens papkant og derefter trække papkanten nedad for at tage den ud af holdertappen på støvboksen.

Afmontering og genmontering af kraven (Fig. 12, 13 og 14)

⚠ FORSIGTIG:

- Brug ikke maskinen uden kraven. I så fald vil støv blive spredt over det hele.

Der kan vælges én af 12 retninger for kraven i overensstemmelse med arbejdets formål.

For at fjerne kraven skal man fjerne skruen og fjerne kraven ved at åbne den en smule for begge sider.

For at genmontere kraven skal man montere den ved at åbne den en smule for begge sider. Og fastspænd skruen.

⚠ FORSIGTIG:

- Indstil ikke kraven til andre vinkler end den foreskrevne. I så fald kan maskinen lide skade.

BETJENING

⚠ ADVARSEL:

- Tænd aldrig for maskinen, mens den er i kontakt med arbejdsemnet. Operatøren kan i så fald komme til skade.

Slibning (Fig. 15)

⚠ FORSIGTIG:

- Kør aldrig maskinen uden at en slibeskive er sat på. Pudlen kan blive alvorligt beskadiget.
- Pres aldrig maskinen. Et for stort tryk kan nedsætte slibningens effektivitet, beskadige slibeskiven og/eller forkorte maskinens levetid.
- Hvis maskinen anvendes med pudekanten i kontakt med arbejdsemnet, kan pudlen lide skade.

Hold godt fast i maskinen. Tænd for maskinen og vent til den er kommet op på fuld hastighed. Anbring derefter forsigtigt maskinen på arbejdsemnet. Hold pudlen i niveau med arbejdsemnet og tryk den forsigtigt ned.

⚠ FORSIGTIG:

- Pudlen roterer med uret under belastet drift, men den kan rotere mod uret under ubelastet drift.

Polering (optionelt)

⚠ FORSIGTIG:

- Anvend kun originale Makita polérsvampe, polérfiltsvampe eller polérhætter (ekstraudstyr).

- Anvend altid maskinen på lav hastighed for at forhindre at arbejdsemnets overflader ophedes unormalt meget.
- Pres aldrig maskinen. Et for stort tryk kan nedsætte poleringens effektivitet og forårsage overbelastning af motoren med maskinfejl som resultat.

1. Påføring af voks (Fig. 16)

Anvend en polérsvamp, der fås som ekstraudstyr. Kom voks på polérsvampen eller emnets overflade. Kør maskinen på lav hastighed for at gnide voksen ud.

BEMÆRK:

- Påfør først voks på et sted på arbejdsemnet, som ikke er for iøjensaldende, for at kontrollere at maskinen ikke ridser overfladen eller forårsager ujævn voksning.
- Maskinen starter i høj hastighedsfunktion. Vær forsigtig, når De starter maskinen. Voksen kan strinte. Det anbefales, at De fordeler voksen med maskinen stoppet, inden maskinen startes. Ændr hastighedsfunktionen til lav, umiddelbart efter at maskinen er startet.
- Kør altid maskinen på lav hastighed. Kørsel på høj hastighed kan få voks til at strinte.

2. Fjernelse af voks (Fig. 17)

Anvend en polérfiltsvamp, der fås som ekstraudstyr. Kør maskinen på lav hastighed for at fjerne voksen.

3. Polering (Fig. 18)

Anvend en polérhætte, der fås som ekstraudstyr. Kør maskinen på lav hastighed og anbring polérhætten forsigtigt på arbejdsemnets overflade.

VEDLIGEHOLDELSE

⚠ FORSIGTIG:

- Kontroller altid, at værktøjet er slået fra og at akkuen er fjernet, inden De udfører inspektion eller vedligeholdelse.
- Anvend aldrig benzin, rensebenzin, fortynder, alkohol og lignende. Resultatet kan blive misfarvning, deformation eller revner.

For at opretholde produktets SIKKERHED og PÅLIDELIGHED bør reparation, inspektion og udskiftning af kul, samt anden vedligeholdelse og justering kun udføres af et autoriseret Makita servicecenter eller værksted med anvendelse af originale Makita udskiftningsdele.

EKSTRAUDSTYR

⚠ FORSIGTIG:

- Det følgende tilbehør og ekstraudstyr er anbefalet til brug med Deres Makita værktøjet, der er beskrevet i denne brugsanvisning. Anvendelse af andet tilbehør eller ekstraudstyr kan udgøre en risiko for personskade. Anvend kun tilbehør og ekstraudstyr til det beskrevne formål.

Hvis De har behov for yderligere detaljer om dette tilbehør, bedes De kontakte Deres lokale Makita Service Center.

- Slibeskiver med burre-system (med forstansede huller)
- Polérsvamp med burre-system
- Polérfiltsvamp med burre-system
- Polérhætte med burre-system
- Original Makita-akku og oplader
- Støvboks
- Papirfilterpose
- Støvpose

BEMÆRK:

- Nogle ting på denne liste kan være inkluderet i værktøjspakken som standardtilbehør. Det kan være forskelligt fra land til land.

Lyd

Det typiske A-vægtede støjniveau bestemt i overensstemmelse med EN62841-2-4:

Model DBO180

Lydtryksniveau (L_{pA}): 80 dB (A)

Usikkerhed (K): 3 dB (A)

Støjniveauet under arbejde kan overstige 80 dB (A).

ENG907-1

BEMÆRK:

- De(n) angivne støjemissionsværdi(er) er målt i overensstemmelse med en standardtestmetode og kan anvendes til at sammenligne en maskine med en anden.
- De(n) angivne støjemissionsværdi(er) kan også anvendes i en præliminær eksponeringsvurdering.

⚠ ADVARSEL:

- **Bær høreværn.**
- **Støjemissionen under den faktiske anvendelse af maskinen kan være forskellig fra de(n) angivne værdi(er), afhængigt af den måde hvorpå maskinen anvendes, især den type arbejdsemne der behandles.**
- **Sørg for at identificere de sikkerhedsforskrifter til beskyttelse af operatøren, som er baseret på en vurdering af eksponering under de faktiske brugsforhold (med hensyntagen til alle dele i brugscyklussen, f.eks. de gange, hvor maskinen er slukket, og når den kører i tomgang i tilgift til afbrydertiden).**

Vibration

Vibrations totalværdi (tre-aksial vektorsum) bestemt i overensstemmelse med EN62841-2-4:

Model DBO180

Arbejdsindstilling: slibemetalplade

Vibrationsemission (a_{h1}): 2,5 m/s² eller mindre

Usikkerhed (K): 1,5 m/s²

ENG901-2

BEMÆRK:

- De(n) angivne totalværdi(er) for vibration er målt i overensstemmelse med en standardtestmetode og kan anvendes til at sammenligne en maskine med en anden.
- De(n) angivne totalværdi(er) for vibration kan også anvendes i en præliminær eksponeringsvurdering.

⚠ ADVARSEL:

- **Vibrationsemissionen under den faktiske anvendelse af maskinen kan være forskellig fra de(n) angivne værdi(er), afhængigt af den måde hvorpå maskinen anvendes, især den type arbejdsemne der behandles.**
- **Sørg for at identificere de sikkerhedsforskrifter til beskyttelse af operatøren, som er baseret på en vurdering af eksponering under de faktiske brugsforhold (med hensyntagen til alle dele i brugscyklussen, f.eks. de gange, hvor maskinen er slukket, og når den kører i tomgang i tilgift til afbrydertiden).**

OVERENSSTEMMELSESERKLÆRINGER**Kun for lande i Europa**

Overensstemmelseserklæringerne er inkluderet i Bilag A i denne brugsanvisning.

Περιγραφή γενικής άποψης

| | | |
|-----------------------|-------------------------------------|------------------------|
| 1 Κόκκινη ένδειξη | 7 Κουμπί έναρξης/ρύθμισης ταχύτητας | 13 Κουτί σκόνης |
| 2 Κουμπί | 8 Βάση | 14 Μάνδαλο |
| 3 Κασέτα μπαταρίας | 9 Δίσκος λείανσης | 15 Περίβλημα |
| 4 Ενδεικτικές λυχνίες | 10 Σάκος σκόνης | 16 Βίδα |
| 5 Κουμπί ελέγχου | 11 Ακροφύσιο σκόνης | 17 Σπογγοειδές υπόθεμα |
| 6 Κουμπί διακοπής | 12 Γλωττίδα συγκράτησης | 18 Τσόχινο υπόθεμα |
| | | 19 Μάλλινο υπόθεμα |

ΤΕΧΝΙΚΑ ΧΑΡΑΚΤΗΡΙΣΤΙΚΑ

| Μοντέλο | | DBO140 | DBO180 |
|--|-----------------|-----------------------------|---------------|
| Μέγεθος χαρτιού | | 125 χιλ | |
| Περιστροφές ανά λεπτό (λεπ ⁻¹) | Χαμηλή ταχύτητα | 7.000 | |
| | Μεσαία ταχύτητα | 9.500 | |
| | Υψηλή ταχύτητα | 11.000 | |
| Διαστάσεις | | 175 χιλ x 123 χιλ x 153 χιλ | |
| Καθαρό βάρος | | 1,3 - 1,6 Χγρ | 1,4 - 1,7 Χγρ |
| Ονομαστική τάση | | D.C. 14,4 V | D.C. 18 V |

- Λόγω του συνεχιζόμενου προγράμματος έρευνας και ανάπτυξης, οι παρούσες προδιαγραφές υπόκεινται σε αλλαγή χωρίς προειδοποίηση.
- Τα τεχνικά χαρακτηριστικά μπορεί να διαφέρουν από χώρα σε χώρα.
- Το βάρος μπορεί να διαφέρει ανάλογα με το(α) εξάρτημα(τα), συμπεριλαμβανομένης της κασέτας μπαταριών. Ο ελαφρύτερος και βαρύτερος συνδυασμός, σύμφωνα με τη διαδικασία ΕΡΤΑ 01/2014, παρουσιάζονται στον πίνακα.

Ισχύουσα κασέτα μπαταρίας και φορτιστής

| | | |
|------------------|---|---|
| Κασέτα μπαταρίας | Μοντέλο D.C.14,4 V | BL1415N / BL1430B / BL1440 / BL1460B |
| | Μοντέλο D.C.18 V | BL1815N / BL1820B / BL1830B / BL1840B / BL1850B / BL1860B |
| Φορτιστής | DC18RC / DC18RD / DC18RE / DC18SD / DC18SE / DC18SF / DC18SH / DC18WC | |

- Μερικές από τις κασέτες μπαταρίας και φορτιστές που παρατίθενται ανωτέρω μπορεί να μην διατίθενται ανάλογα με την περιοχική κατοικίας σας.

⚠ ΠΡΟΕΙΔΟΠΟΙΗΣΗ: Να χρησιμοποιείτε μόνο τις κασέτες μπαταρίας και φορτιστές που παρατίθενται ανωτέρω. Η χρήση οποιωνδήποτε άλλων κασετών μπαταρίας και φορτιστών μπορεί να προκαλέσει τραυματισμό ή/και πυρκαγιά.

ENE052-1

Προοριζόμενη χρήση

Το εργαλείο προορίζεται για λείανση μεγάλων επιφανειών από ξύλο, πλαστικά και μεταλλικά υλικά καθώς και βαμμένων επιφανειών.

GEB010-2

Στις προειδοποιήσεις, ο όρος “ηλεκτρικό εργαλείο” αναφέρεται σε ηλεκτρικό εργαλείο που τροφοδοτείται από την κύρια παροχή ηλεκτρικού ρεύματος (με ηλεκτρικό καλώδιο) ή σε ηλεκτρικό εργαλείο που τροφοδοτείται από μπαταρία (χωρίς ηλεκτρικό καλώδιο).

GEB021-4

Γενικές προειδοποιήσεις ασφαλείας για το ηλεκτρικό εργαλείο

⚠ ΠΡΟΕΙΔΟΠΟΙΗΣΗ Διαβάστε όλες τις προειδοποιήσεις ασφαλείας, οδηγίες, εικονογραφίες και προδιαγραφές που παρέχονται με αυτό το ηλεκτρικό εργαλείο. Η μη τήρηση όλων των οδηγιών που αναγράφονται κατωτέρω μπορεί να καταλήξει σε ηλεκτροπληξία, πυρκαγιά ή/και σοβαρό τραυματισμό.

Φυλάξτε όλες τις προειδοποιήσεις και τις οδηγίες για μελλοντική παραπομπή.

ΠΡΟΕΙΔΟΠΟΙΗΣΕΙΣ ΑΣΦΑΛΕΙΑΣ ΓΙΑ ΤΟ ΤΡΙΒΕΙΟ

1. Να χρησιμοποιείτε πάντοτε γυαλιά ασφάλειας ή προστατευτικά ματιών. Τα συνηθισμένα γυαλιά και τα γυαλιά ηλίου ΔΕΝ αποτελούν γυαλιά ασφάλειας.
2. Κρατήστε το εργαλείο σταθερά.
3. Μην αφήνετε το εργαλείο σε λειτουργία. Το εργαλείο πρέπει να βρίσκεται σε λειτουργία μόνο όταν το κρατάτε.

4. Το εργαλείο αυτό δεν είναι αδιάβροχο, γι' αυτό μη χρησιμοποιείτε νερό στην επιφάνεια του τεμαχίου εργασίας.
5. Να αεριζετε το χώρο εργασίας επαρκώς όταν εκτελείτε εργασίες λείανσης.
6. Μερικά υλικά περιέχουν χημικά που μπορεί να είναι τοξικά. Προσέχετε ώστε να αποφεύγετε την εισπνοή σκόνης και την επαφή με το δέρμα. Ακολουθείτε τα δεδομένα ασφαλείας υλικού που παρέχονται από τον προμηθευτή.
7. Η χρήση του εργαλείου αυτού για τη λείανση ορισμένων προϊόντων, βαφών και ξύλων μπορεί να εκθέσει το χρήστη σε σκόνη που περιέχει επικίνδυνες ουσίες. Να χρησιμοποιείτε κατάλληλη αναπνευστική προστασία.
8. Πριν από τη χρήση, να βεβαιώνετε ότι δεν υπάρχουν ρωγμές ή τα σπασίματα στη βάση. Οι ρωγμές ή τα σπασίματα μπορεί να προκαλέσουν σοβαρό προσωπικό τραυματισμό.
6. Μην αποθηκεύετε και μην χρησιμοποιείτε το εργαλείο και την κασέτα μπαταριών σε τοποθεσίες όπου η θερμοκρασία μπορεί να φτάσει ή να ξεπεράσει τους 50 °C.
7. Μην καίτε την κασέτα μπαταριών ακόμη και εάν έχει σοβαρή ζημιά ή είναι εντελώς φθαρμένη. Η κασέτα μπαταριών μπορεί να εκραγεί στη φωτιά.
8. Μην καρφώσετε, κόψετε, συνθλίψετε, πετάξετε ή ρίξετε κάτω την κασέτα μπαταριών, ούτε να χτυπήσετε ένα σκληρό αντικείμενο επάνω στην κασέτα μπαταριών. Τέτοια συμπεριφορά μπορεί να έχει ως αποτέλεσμα πυρκαγιά, υπερθέρμανση ή έκρηξη.
9. Μη χρησιμοποιείτε μπαταρία που έχει υποστεί ζημιά.
10. Οι μπαταρίες ιόντων λιθίου που περιέχονται υπόκεινται στις απαιτήσεις της νομοθεσίας για επικίνδυνα αγαθά.

Για εμπορικές μεταφορές, για παράδειγμα από τρίτα μέρη, πρέπει να τηρούνται οι διαμεταφορές, οι ειδικές απαιτήσεις στη συσκευασία και η επισήμανση.

Για προτοιμασία του στοιχείου που αποστέλλεται, είναι απαραίτητο να συμβουλευτείτε έναν ειδικό για επικίνδυνα υλικά. Επίσης, τηρήστε τους πιθανούς, πιο αναλυτικούς εθνικούς κανονισμούς.

Καλύψτε με αυτοκόλλητη ταινία ή κρύψτε τις ανοικτές επαφές και συσκευάστε την μπαταρία με τρόπο που να μην μπορεί να μετακινείται μέσα στη συσκευασία.

11. Όταν απορρίπτετε την κασέτα μπαταριών, αφαιρέστε την από το εργαλείο και διαθέστε την σε ένα ασφαλές μέρος. Τηρήστε τους τοπικούς κανονισμούς που σχετίζονται με τη διάθεση της μπαταρίας.
12. Χρησιμοποιήστε τις μπαταρίες μόνο με τα προϊόντα που καθορίζει η Makita. Αν τοποθετήσετε τις μπαταρίες σε μη συμβατά προϊόντα μπορεί να έχει ως αποτέλεσμα πυρκαγιά, υπερβολική θερμότητα, έκρηξη ή διαρροή ηλεκτρολύτη.
13. Αν δεν χρησιμοποιείτε το εργαλείο για μεγάλο χρονικό διάστημα, πρέπει να βγάλετε την μπαταρία από το εργαλείο.
14. Κατά τη διάρκεια και μετά τη χρήση, η κασέτα μπαταριών μπορεί να θερμανθεί, γεγονός που μπορεί να προκαλέσει εγκαύματα ή εγκαύματα από χαμηλή θερμοκρασία. Προσέχετε το χειρισμό των ζεστών κασετών μπαταριών.
15. Μην αγγίζετε τον ακροδέκτη του εργαλείου αμέσως μετά τη χρήση επειδή μπορεί να έχει ζεσταθεί αρκετά για να προκαλέσει εγκαύματα.
16. Μην αφήνετε θραύσματα, σκόνη ή βρομιά να κολλήσει στους ακροδέκτες, τις οπές και τις εγκοπές της κασέτας μπαταριών. Μπορεί να προκαλέσει, θέρμανση, φωτιά, έκρηξη και δυσλειτουργία του εργαλείου ή της κασέτας μπαταριών, έχοντας ως αποτέλεσμα εγκαύματα ή προσωπικό τραυματισμό.
17. Εκτός αν το εργαλείο υποστηρίζει τη χρήση κοντά σε ηλεκτρικές γραμμές υψηλής τάσης, μην χρησιμοποιείτε την κασέτα μπαταριών κοντά σε ηλεκτρικές γραμμές υψηλής τάσης. Μπορεί να έχει ως αποτέλεσμα δυσλειτουργία ή σπάσιμο του εργαλείου ή της κασέτας μπαταριών.
18. ΚρΦυλάξτε την μπαταρία μακριά από παιδιά.

ΦΥΛΑΞΤΕ ΤΙΣ ΟΔΗΓΙΕΣ ΑΥΤΕΣ.

ΦΥΛΑΞΤΕ ΤΙΣ ΟΔΗΓΙΕΣ ΑΥΤΕΣ.

⚠️ ΠΡΟΕΙΔΟΠΟΙΗΣΗ:

MHN επιτρέψετε το βαθμό άνεσης ή εξοικείωσης με το προϊόν (λόγω επανειλημμένης χρήσης) να αντικαταστήσει την αυστηρή τήρηση των κανόνων ασφαλείας του παρόντος εργαλείου. **ΚΑΚΗ ΧΡΗΣΗ** ή αμέλεια να ακολουθήσετε τους κανόνες ασφαλείας που διατυπώνονται σ'αυτό το εγχειρίδιο οδηγιών μπορεί να προκαλέσει σοβαρό προσωπικό τραυματισμό.

ENC007-17

ΣΗΜΑΝΤΙΚΕΣ ΟΔΗΓΙΕΣ ΑΣΦΑΛΕΙΑΣ ΓΙΑ ΚΑΣΕΤΑ ΜΠΑΤΑΡΙΩΝ

1. Πριν χρησιμοποιήσετε την κασέτα μπαταριών, διαβάστε όλες τις οδηγίες και σημειώσεις προφύλαξης (1) στον φορτιστή μπαταριών, (2) στην μπαταρία και (3) στο προϊόν που χρησιμοποιεί την μπαταρία.
2. Μην αποσυναρμολογήσετε ή παραβιάσετε την κασέτα μπαταριών. Μπορεί να έχει ως αποτέλεσμα πυρκαγιά, υπερθέρμανση ή έκρηξη.
3. Εάν ο χρόνος λειτουργίας έχει γίνει υπερβολικά βραχύς, σταματήστε τη λειτουργία αμέσως. Αλλιώς, μπορεί να έχει ως αποτέλεσμα κίνδυνο υπερθέρμανσης, πιθανά εγκαύματα ή ακόμη και έκρηξη.
4. Εάν ηλεκτρολύτης μπει στα μάτια σας, ξεπλύνετε τα με καθαρό νερό και ζητήστε ιατρική φροντίδα αμέσως. Αλλιώς, μπορεί να έχει ως αποτέλεσμα απώλεια της όρασης σας.
5. Μη βραχυκυκλώνετε την κασέτα μπαταριών:
 - (1) Μην αγγίζετε τους πόλους με οτιδήποτε αγώγιμο υλικό.
 - (2) Αποφεύγετε να αποθηκεύετε την κασέτα μπαταριών μέσα σε ένα δοχείο μαζί με άλλα μεταλλικά αντικείμενα όπως καρφιά, νομίσματα, κλπ.
 - (3) Μην εκθέτετε την κασέτα μπαταριών στο νερό ή στη βροχή.

Ένα βραχυκύκλωμα μπαταρίας μπορεί να προκαλέσει μεγάλη ροή ρεύματος, υπερθέρμανση, πιθανά εγκαύματα ακόμη και σοβαρή βλάβη.

⚠ ΠΡΟΣΟΧΗ: Να χρησιμοποιείτε μόνο γνήσιες μπαταρίες της Makita. Η χρήση μη γνήσιων μπαταριών Makita, ή μπαταριών που έχουν τροποποιηθεί, μπορεί να έχει ως αποτέλεσμα τη ρήξη της μπαταρίας, προκαλώντας πυρκαγιά, προσωπικό τραυματισμό και βλάβη. Επίσης, θα ακυρωθεί η εγγύηση της Makita για το εργαλείο και φορτιστή Makita.

Συμβουλές για τη διατήρηση της μέγιστης ζωής μπαταρίας

1. Φορτίζετε την κασέτα μπαταριών πριν από την πλήρη αποφόρτιση της. Πάντοτε να σταματάτε τη λειτουργία του εργαλείου και να φορτίζετε την κασέτα μπαταριών όταν παρατηρήσετε μειωμένη ισχύ εργαλείου.
2. Ποτέ μην επαναφορτίζετε μια πλήρως φορτισμένη κασέτα μπαταριών. Η υπερφόρτιση μειώνει την ωφέλιμη ζωή της μπαταρίας.
3. Να φορτίζετε την κασέτα μπαταριών σε θερμοκρασία δωματίου, δηλαδή στους 10 °C έως 40 °C. Αφήστε μια θερμή κασέτα μπαταριών να κρυώσει πριν την φορτίσετε.
4. Όταν δεν χρησιμοποιείτε την κασέτα μπαταριών, αφαιρέστε την από το εργαλείο ή τον φορτιστή.
5. Να φορτίζετε την κασέτα μπαταριών εάν δεν τη χρησιμοποιείτε για μεγάλη χρονική περίοδο (περισσότερο από έξι μήνες).

ΠΕΡΙΓΡΑΦΗ ΛΕΙΤΟΥΡΓΙΑΣ

⚠ ΠΡΟΣΟΧΗ:

- Να φροντίζετε πάντα για την απενεργοποίηση του εργαλείου και την αφαίρεση της κασέτας μπαταρίας, πριν από οποιαδήποτε ρύθμιση ή έλεγχο της λειτουργίας του.

Τοποθέτηση ή αφαίρεση της μπαταρίας (Εικ. 1)

⚠ ΠΡΟΣΟΧΗ:

- Πάντοτε να σβήνετε το εργαλείο πριν τοποθετήσετε ή αφαιρέσετε την κασέτα μπαταρίας.
- Κρατήστε το εργαλείο και την κασέτα μπαταρίας σταθερά κατά την τοποθέτηση ή αφαίρεση της κασέτας μπαταρίας. Αν δεν κρατάτε το εργαλείο και την κασέτα μπαταρίας σταθερά, μπορεί γλιστρήσουν από τα χέρια σας και να προκληθεί βλάβη στο εργαλείο και την κασέτα μπαταρίας και προσωπικούς τραυματισμούς.

Για να αφαιρέσετε την κασέτα μπαταρίας, ολισθήστε την από το εργαλείο ενώ σύρετε το κουμπί στο μπροστινό μέρος της κασέτας.

Για να τοποθετήσετε την κασέτα μπαταρίας, ευθυγραμμίστε τη γλώσσα στην κασέτα μπαταρίας με την αύλακα στην υποδοχή και ολισθήστε τη στη θέση της. Να την τοποθετείτε πλήρως μέχρι να ασφαλίσει στη θέση της, γεγονός που υποδεικνύεται με ένα χαρακτηριστικό ήχο. Αν μπορείτε να δείτε την κόκκινη ένδειξη στην επάνω πλευρά του κουμπιού, δεν έχει κλειδώσει τελείως.

⚠ ΠΡΟΣΟΧΗ:

- Να τοποθετείτε πάντα την κασέτα μπαταρίας πλήρως μέχρι να μην βλέπετε την κόκκινη ένδειξη. Σε αντίθετη περίπτωση, μπορεί να πέσει κατά λάθος από το εργαλείο και να τραυματίσει εσάς ή κάποιον παρευρισκόμενο.
- Μην τοποθετείτε την κασέτα μπαταρίας με βία. Αν η κασέτα δεν εισέρχεται με ευκολία, δεν είναι τοποθετημένη σωστά.

Σύστημα προστασίας εργαλείου/μπαταρίας

Το εργαλείο είναι εξοπλισμένο με σύστημα προστασίας εργαλείου/μπαταρίας. Αυτό το σύστημα αποκόπτει αυτόματα την ισχύ για να παραταθεί η διάρκεια λειτουργίας του εργαλείου και της μπαταρίας. Το εργαλείο σταματάει αυτόματα κατά τη διάρκεια της λειτουργίας αν το εργαλείο ή η μπαταρία βρεθούν κάτω από τις παρακάτω συνθήκες:

Προστασία υπερφόρτωσης

Η προστασία αυτή ενεργοποιείται όταν το εργαλείο λειτουργεί με τρόπο ώστε να αναγκάζεται να καταναλώνει ασυνήθιστα υψηλό ρεύμα. Σε αυτή την κατάσταση, σβήστε το εργαλείο και διακόψτε την εφαρμογή που προκαλεί την υπερφόρτωση του εργαλείου. Μετά, ενεργοποιήστε το εργαλείο για επανεκκίνηση.

Προστασία υπερθέρμανσης

Η προστασία αυτή ενεργοποιείται όταν το εργαλείο ή η μπαταρία υπερθερμανθεί. Σε αυτή την κατάσταση, αφήστε το εργαλείο και την μπαταρία να ψυχθούν πριν ενεργοποιήσετε ξανά το εργαλείο.

Προστασία υπερβολικής αποφόρτισης

Η προστασία αυτή ενεργοποιείται όταν η υπόλοιπη χωρητικότητα της μπαταρίας μειωθεί. Σε αυτή την κατάσταση, βγάλτε την μπαταρία από το εργαλείο και φορτίστε την μπαταρία.

Ένδειξη της υπόλοιπης χωρητικότητας της μπαταρίας (Εικ. 2)

Μόνο για κασέτες μπαταριών με την ένδειξη

Πίστετε το κουμπί ελέγχου στην κασέτα μπαταρίας για να υποδείξετε την υπόλοιπη χωρητικότητα της μπαταρίας. Οι ενδεικτικές λυχνίες ανάβουν για λίγα δευτερόλεπτα.

| Ενδεικτικές λυχνίες | | | Υπόλοιπη χωρητικότητα |
|---------------------|---------|-------------|---|
| Αναμμένες | Σβηστές | Αναβοσβήνει | |
| ■ ■ ■ ■ | | | 75% έως 100% |
| ■ ■ ■ □ | | | 50% έως 75% |
| ■ ■ □ □ | | | 25% έως 50% |
| ■ □ □ □ | | | 0% έως 25% |
| ▨ □ □ □ | | | Φορτίστε την μπαταρία. |
| ■ ■ □ □ | | ↑ ↓ | Μπορεί να προέκυψε δυσλειτουργία στην μπαταρία. |

015658

ΠΑΡΑΤΗΡΗΣΗ:

- Ανάλογα με τις συνθήκες χρήσης και τη θερμοκρασία περιβάλλοντος, η ένδειξη μπορεί να διαφέρει λίγο από την πραγματική χωρητικότητα.
- Η πρώτη (τέρμα αριστερά) ενδεικτική λυχνία θα αναβοσβήνει όταν λειτουργεί το σύστημα προστασίας μπαταρίας.

Λειτουργία διακόπτη και κουμπί ρύθμισης ταχύτητας (Εικ. 3)

Για να ξεκινήσετε τη λειτουργία του εργαλείου, πατήστε το κουμπί έναρξης/ρύθμισης ταχύτητας. Το εργαλείο ξεκινάει σε τρόπο λειτουργίας υψηλής ταχύτητας. Κάθε φορά που πατάτε το κουμπί έναρξης/ρύθμισης ταχύτητας, ο τρόπος λειτουργίας ταχύτητας αλλάζει με την εξής σειρά: υψηλή ταχύτητα, μεσαία ταχύτητα και χαμηλή ταχύτητα.

Για να σταματήσετε το εργαλείο, πατήστε το κουμπί διακοπής.

Ανατρέξτε στον πίνακα για τη σχέση μεταξύ του τρόπου λειτουργίας ταχύτητας και του είδους εργασίας.

| Τρόπος λειτουργίας ταχύτητας | Αριθμός περιστροφών | Χρήση |
|------------------------------|---------------------|------------------|
| Υψηλή | 11.000 | Κανονική λείανση |
| Μεσαία | 9.500 | Τελική λείανση |
| Χαμηλή | 7.000 | Στίλβωμα |

012897

ΠΑΡΑΤΗΡΗΣΗ:

- Ο πίνακας παρουσιάζει στάνταρ εφαρμογές. Μπορεί να διαφέρουν κάτω από ορισμένες συνθήκες.

ΣΥΝΑΡΜΟΛΟΓΗΣΗ

⚠ ΠΡΟΣΟΧΗ:

- Πάντοτε βεβαιώνετε ότι το εργαλείο είναι σβηστό και η κασέτα μπαταρίας έχει αφαιρεθεί πριν εκτελέσετε κάποια εργασία στο εργαλείο.

Τοποθέτηση δίσκου λείανσης (Εικ. 4)

Για να τοποθετήσετε το δίσκο λείανσης, πρώτα αφαιρέστε όλη τη βρομιά ή την ξένη ύλη από τη βάση. Μετά προσαρμόστε το δίσκο λείανσης στη βάση. Να είστε προσεκτικοί για να ευθυγραμμίσετε τις σπές του δίσκου λείανσης με αυτές στη βάση.

Τοποθέτηση σάκου σκόνης (προαιρετικό αξεσουάρ) (Εικ. 5)

Τοποθετήστε το σάκο σκόνης στο εργαλείο με το στόμιο να δείχνει προς τα κάτω.

Αδειασμα του σάκου σκόνης (Εικ. 6 και 7)

Όταν ο σάκος είναι περίπου μισογεμάτος, σβήστε το εργαλείο και βγάλτε το σάκο σκόνης από το εργαλείο. Μετά αφαιρέστε το ακροφύσιο σκόνης από το σάκο σκόνης αφού απασφαλίσετε το ακροφύσιο σκόνης περιστρέφοντάς το ελαφρώς αριστερόστροφα. Αδειάστε το σάκο σκόνης χτυπώντας τον ελαφριά.

Αφού αδειάσετε το σάκο σκόνης, τοποθετήστε το ακροφύσιο σκόνης στο σάκο σκόνης. Περιστρέψτε το ακροφύσιο σκόνης ελαφρώς δεξιόστροφα για να το ασφαλίσετε στη θέση του. Μετά, τοποθετήστε το σάκο σκόνης στο εργαλείο όπως περιγράφεται στην παράγραφο "Τοποθέτηση σάκου σκόνης".

Τοποθέτηση χάρτινου σάκου φίλτρου (προαιρετικό αξεσουάρ) (Εικ. 8 και 9)

Βεβαιωθείτε ότι το λογότυπο στο χάρτινο χείλος και το λογότυπο στο κουτί σκόνης βρίσκονται στην ίδια πλευρά, στη συνέχεια, τοποθετήστε το χάρτινο σάκο φίλτρου προσαρμόζοντας το χάρτινο χείλος στην εγκοπή κάθε γλωττίδας συγκράτησης.

Βεβαιωθείτε ότι το λογότυπο στο χάρτινο χείλος και το λογότυπο στο ακροφύσιο σκόνης βρίσκονται στην ίδια πλευρά, στη συνέχεια, τοποθετήστε το ακροφύσιο σκόνης στο κουτί σκόνης.

Αφαίρεση του κουτιού σκόνης και του χάρτινου σάκου φίλτρου (Εικ. 10 και 11)

Αφαιρέστε το ακροφύσιο σκόνης πιέζοντας τα δύο μάνδαλα.

Αφαιρέστε πρώτα το χάρτινο σάκο φίλτρου πιάνοντας την πλευρά με το λογότυπο στο χάρτινο χείλος και, στη συνέχεια, τραβώντας το χάρτινο χείλος προς τα κάτω για να την απομακρύνετε από τη γλωττίδα συγκράτησης του κουτιού σκόνης.

Αφαίρεση και επανατοποθέτηση του περιβλήματος (Εικ. 12, 13 και 14)

⚠ ΠΡΟΣΟΧΗ:

- Μη χρησιμοποιείτε το εργαλείο χωρίς το περίβλημα. Διαφορετικά η σκόνη θα διασκορπιστεί παντού.

Μπορείτε να επιλέξετε μία από 12 κατευθύνσεις του περιβλήματος ανάλογα με το σκοπό σας.

Για να αφαιρέσετε το περίβλημα, αφαιρέστε τη βίδα και βγάλτε το περίβλημα ανοίγοντάς το ελαφρώς και για τις δύο πλευρές.

Για να τοποθετήσετε ξανά το περίβλημα, τοποθετήστε το ανοίγοντάς το ελαφρώς και για τις δύο πλευρές. Στη συνέχεια, σφίξτε τη βίδα.

⚠ ΠΡΟΣΟΧΗ:

- Μη ρυθμίσετε το περίβλημα σε γωνία διαφορετική από την προοριζόμενη. Διαφορετικά, το εργαλείο μπορεί να υποστεί βλάβη.

ΛΕΙΤΟΥΡΓΙΑ

⚠ ΠΡΟΕΙΔΟΠΟΙΗΣΗ:

- Ποτέ μη θέτετε το εργαλείο σε λειτουργία όταν βρίσκεται σε επαφή με το τεμάχιο εργασίας επειδή μπορεί να προκληθεί τραυματισμός του χειριστή.

Λειτουργία λείανσης (Εικ. 15)

⚠ ΠΡΟΣΟΧΗ:

- Μη θέτετε ποτέ το εργαλείο σε λειτουργία χωρίς το δίσκο λείανσης. Μπορεί να προκαλέσετε σοβαρή ζημιά στη βάση.
- Μη ζορίζετε ποτέ το εργαλείο. Η υπερβολική πίεση μπορεί να μειώσει την αποδοτικότητα της λείανσης, να καταστρέψει το δίσκο λείανσης ή να μειώσει τη διάρκεια ζωής του εργαλείου.
- Αν χρησιμοποιείτε το εργαλείο με την άκρη της βάσης σε επαφή με το τεμάχιο εργασίας, μπορεί να προκληθεί ζημιά στη βάση.

Κρατήστε το εργαλείο σταθερά. Ενεργοποιήστε το εργαλείο και περιμένετε έως ότου αποκτήσει την πλήρη ταχύτητά του. Στη συνέχεια, τοποθετήστε απαλά το εργαλείο στην επιφάνεια του τεμαχίου εργασίας. Να διατηρείτε τη βάση επίπεδη με το τεμάχιο εργασίας και ασκήστε ελαφριά πίεση στο εργαλείο.

⚠ ΠΡΟΣΟΧΗ:

- Η βάση λείανσης περιστρέφεται δεξιόστροφα κατά τη λειτουργία με φορτίο αλλά μπορεί να περιστραφεί αριστερόστροφα κατά τη λειτουργία χωρίς φορτίο.

Λειτουργία στίλβωσης (προαιρετικό)

⚠ ΠΡΟΣΟΧΗ:

- Να χρησιμοποιείτε μόνο γνήσια σπογγοειδή υποθέματα, τσόχια υποθέματα ή μάλλινα υποθέματα της Makita (προαιρετικά αξεσουάρ).
- Να χρησιμοποιείτε πάντα το εργαλείο σε χαμηλή ταχύτητα για την αποφυγή μη φυσιολογικής υπερθέρμανσης των επιφανειών εργασίας.
- Μη ζορίζετε ποτέ το εργαλείο. Η υπερβολική πίεση μπορεί να μειώσει την αποδοτικότητα της στίλβωσης και να προκαλέσει υπερφόρτωση του μοτέρ με αποτέλεσμα δυσλειτουργία του εργαλείου.

1. Εφαρμογή κεριού (Εικ. 16)

Να χρησιμοποιείτε προαιρετικό σπογγοειδές υπόθεμα. Εφαρμόστε κεριό στο σπογγοειδές υπόθεμα ή στην επιφάνεια εργασίας. Θέστε το εργαλείο σε λειτουργία σε χαμηλή ταχύτητα για να στρώσετε το κεριό.

ΠΑΡΑΤΗΡΗΣΗ:

- Πρώτα, λειάνετε με κεριό ένα μη σημαντικό μέρος της επιφάνειας εργασίας για να βεβαιωθείτε ότι το εργαλείο δεν θα γδάρει την επιφάνεια ή δεν θα έχει ως αποτέλεσμα μη ομοιόμορφη λείανση με κεριό.
- Το εργαλείο ξεκινάει σε τρόπο λειτουργίας υψηλής ταχύτητας. Να είστε προσεκτικοί όταν ενεργοποιείτε το εργαλείο. Το κεριό μπορεί να διασκορπιστεί. Συνιστάται να απλώνετε το κεριό με το εργαλείο σταματημένο πριν εκκινήσετε το εργαλείο. Αλλάξτε τον τρόπο λειτουργίας ταχύτητας σε χαμηλή ταχύτητα αμέσως μόλις ενεργοποιήσετε το εργαλείο.
- Να χρησιμοποιείτε πάντα το εργαλείο σε χαμηλή ταχύτητα. Αν το χρησιμοποιείτε σε υψηλή ταχύτητα, μπορεί να προκληθεί διασπορά του κεριού.

2. Αφαίρεση κεριού (Εικ. 17)

Χρησιμοποιήστε προαιρετικό τσόχιο υπόθεμα. Θέστε το εργαλείο σε λειτουργία σε χαμηλή ταχύτητα για να αφαιρέσετε το κεριό.

3. Στίλβωμα (Εικ. 18)

Χρησιμοποιήστε προαιρετικό μάλλινο υπόθεμα. Θέστε το εργαλείο σε λειτουργία σε χαμηλή ταχύτητα και εφαρμόστε το μάλλινο υπόθεμα απαλά στην επιφάνεια εργασίας.

ΣΥΝΤΗΡΗΣΗ

⚠ ΠΡΟΣΟΧΗ:

- Να φροντίζετε πάντα για την απενεργοποίηση του εργαλείου και την αφαίρεση της κασέτας μπαταρίας πριν επιχειρήσετε οποιοδήποτε έλεγχο ή συντήρηση του εργαλείου.
- Μην χρησιμοποιείτε ποτέ βενζίνη, πετρελαϊκό αιθέρα, διαλυτικό, αλκοόλη ή παρόμοιες ουσίες. Ενδέχεται να προκληθεί αποχρωματισμός παραμόρφωση ή ρωγμές.

Για να διατηρήσετε την ΑΣΦΑΛΕΙΑ και ΑΞΙΟΠΙΣΤΙΑ του προϊόντος, επισκευές, έλεγχος και αντικατάσταση των φηκτρών άνθρακα, καθώς και οποιαδήποτε άλλη συντήρηση ή ρύθμιση πρέπει να εκτελούνται από Κέντρα Εξυπηρέτησης Εργοστασίου ή από Εξουσιοδοτημένα από την Makita Κέντρα, πάντοτε χρησιμοποιώντας ανταλλακτικά της Makita.

ΠΡΟΑΙΡΕΤΙΚΑ ΕΞΑΡΤΗΜΑΤΑ

⚠ ΠΡΟΣΟΧΗ:

- Αυτά τα ανταλλακτικά ή προσαρτήματα συνιστώνται για χρήση με το εργαλείο σας της Makita που περιγράφεται στο εγχειρίδιο αυτό. Η χρήση οτιδήποτε άλλων ανταλλακτικών ή προσαρτημάτων μπορεί να παρουσιάσουν κίνδυνο τραυματισμού σε άτομα. Χρησιμοποιήστε ανταλλακτικά ή προσαρτήματα μόνο για τον καθορισμένο σκοπό.

Εάν χρειάζεστε βοήθεια ή περισσότερες λεπτομέρειες σε σχέση με αυτά τα ανταλλακτικά, ρωτήστε το τοπικό σας Κέντρο Εξυπηρέτησης της Makita.

- Δίσκοι λείανσης τύπου αυτοκόλλητου (με προ-ανοιγμένες τρύπες)
- Σπογγοειδές υπόθεμα τύπου αυτοκόλλητου
- Τσόχιο υπόθεμα τύπου αυτοκόλλητου
- Μάλλινο υπόθεμα τύπου αυτοκόλλητου
- Γνήσια μπαταρία και φορτιστής της Makita
- Κουτί σκόνης
- Χάρτινος σάκος φίλτρου
- Σάκος σκόνης

ΠΑΡΑΤΗΡΗΣΗ:

- Μερικά στοιχεία στη λίστα μπορεί να συμπεριλαμβάνονται στη συσκευασία εργαλείου ως στάνταρ εξαρτήματα. Μπορεί να διαφέρουν ανάλογα με τη χώρα.

Θορύβος

Το τυπικό Α επίπεδο μετρημένου θορύβου καθορίζεται σύμφωνα με το EN62841-2-4:

Μοντέλο DBO180

Στάθμη πίεσης ήχου (L_{pA}): 80 dB (A)

Αβεβαιότητα (K): 3 dB (A)

Η ένταση ήχου υπο συνθήκες εργασίας μπορεί να υπερβεί τα 80 dB (A).

ENG907-1

ΠΑΡΑΤΗΡΗΣΗ:

- Η δηλωμένη τιμή(ές) εκπομπής θορύβου έχει μετρηθεί σύμφωνα με την πρότυπη μέθοδο δοκιμής και μπορεί να χρησιμοποιηθεί για τη σύγκριση ενός εργαλείου με κάποιο άλλο.
- Η δηλωμένη τιμή(ές) εκπομπής θορύβου μπορεί να χρησιμοποιηθεί και στην προκαταρκτική αξιολόγηση της έκθεσης.

⚠ ΠΡΟΕΙΔΟΠΟΙΗΣΗ:

- **Να φοράτε ωτοασπίδες.**
- Η εκπομπή θορύβου κατά τη χρήση του ηλεκτρικού εργαλείου σε πραγματικές συνθήκες μπορεί να διαφέρει από τη δηλωμένη τιμή(ές) ανάλογα με τους τρόπους χρήσης του εργαλείου, ιδιαίτερα το είδος του τεμαχίου εργασίας που υπόκειται επεξεργασία.
- Φροντίστε να λάβετε τα κατάλληλα μέτρα προστασίας του χειριστή βάσει ενός υπολογισμού της έκθεσης σε πραγματικές συνθήκες χρήσης (λαμβάνοντας υπόψη όλες τις συνιστώσες του κύκλου λειτουργίας όπως τους χρόνους που το εργαλείο είναι εκτός λειτουργίας και όταν βρίσκεται σε αδρανή λειτουργία πέραν του χρόνου ενεργοποίησης).

Κραδασμός

Η ολική τιμή δόνησης (άθροισμα τρι-αξονικού διανύσματος) καθορίζεται σύμφωνα με το EN62841-2-4:

Μοντέλο DBO180

Είδος εργασίας: μεταλλική πλάκα λείανσης
Εκπομπή δόνησης (a_h): 2,5 m/s² ή λιγότερο
Αβεβαιότητα (K): 1,5 m/s²

ENG901-2

ΠΑΡΑΤΗΡΗΣΗ:

- Η δηλωμένη τιμή(ές) συνολικών κραδασμών έχει μετρηθεί σύμφωνα με την πρότυπη μέθοδο δοκιμής και μπορεί να χρησιμοποιηθεί για τη σύγκριση ενός εργαλείου με κάποιο άλλο.
- Η δηλωμένη τιμή(ές) συνολικών κραδασμών μπορεί να χρησιμοποιηθεί και στην προκαταρκτική αξιολόγηση της έκθεσης.

⚠ ΠΡΟΕΙΔΟΠΟΙΗΣΗ:

- Η εκπομπή κραδασμών κατά τη χρήση του ηλεκτρικού εργαλείου σε πραγματικές συνθήκες μπορεί να διαφέρει από τη δηλωμένη τιμή(ές) εκπομπής ανάλογα με τους τρόπους χρήσης του εργαλείου, ιδιαίτερα το είδος του τεμαχίου εργασίας που υπόκειται επεξεργασία.
- Φροντίστε να λάβετε τα κατάλληλα μέτρα προστασίας του χειριστή βάσει ενός υπολογισμού της έκθεσης σε πραγματικές συνθήκες χρήσης (λαμβάνοντας υπόψη όλες τις συνιστώσες του κύκλου λειτουργίας όπως τους χρόνους που το εργαλείο είναι εκτός λειτουργίας και όταν βρίσκεται σε αδρανή λειτουργία πέραν του χρόνου ενεργοποίησης).

ΔΗΛΩΣΗ ΣΥΜΜΟΡΦΩΣΗΣ

Μόνο για χώρες της Ευρώπης

Οι Δηλώσεις Συμμόρφωσης περιλαμβάνονται στο Παράρτημα Α στο παρόν εγχειρίδιο οδηγιών.

Genel görünüşün açıklanması

| | | |
|----------------------|-----------------------------------|------------------|
| 1 Kırmızı gösterge | 7 Çalıştırma/hız ayarlama düğmesi | 13 Toz kutusu |
| 2 Düğme | 8 Ped | 14 Mandal |
| 3 Batarya kartuşu | 9 Aşındırıcı disk | 15 Etek |
| 4 Gösterge lambaları | 10 Toz torbası | 16 Vida |
| 5 Kontrol düğmesi | 11 Toz toplama başlığı | 17 Sünger yastık |
| 6 Durdurma düğmesi | 12 Tutma tırnağı | 18 Keçe yastık |
| | | 19 Yün yastık |

ÖZELLİKLER

| Model | DBO140 | DBO180 |
|-------------------------------------|--------------------------|--------------|
| Kağıt boyutu | 125 mm | |
| Dakikada devir (dak ⁻¹) | Düşük hız | 7.000 |
| | Orta hız | 9.500 |
| | Yüksek hız | 11.000 |
| Ebat | 175 mm x 123 mm x 153 mm | |
| Net ağırlık | 1,3 - 1,6 kg | 1,4 - 1,7 kg |
| Anma voltajı | D.C. 14,4 V | D.C. 18 V |

- Sürekli yapılan araştırma ve geliştirmelerden dolayı, burada belirtilen özellikler önceden bildirilmeksizin değiştirilebilir.
- Özellikler ülkeden ülkeye değişebilir.
- Ağırlık, batarya kartuşu dahil aksesuar(lar)a bağlı olarak değişebilir. EPTA-Prosedürü 01/2014 uyarınca, en hafif ve en ağır kombinasyonlar tabloda verilmiştir.

Uygun batarya kartuşu ve şarj aleti

| | | |
|-----------------|---|---|
| Batarya kartuşu | D.C.14,4 V Model | BL1415N / BL1430B / BL1440 / BL1460B |
| | D.C.18 V Model | BL1815N / BL1820B / BL1830B / BL1840B / BL1850B / BL1860B |
| Şarj aleti | DC18RC / DC18RD / DC18RE / DC18SD / DC18SE / DC18SF / DC18SH / DC18WC | |

- İkamet ettiğiniz bölgeye göre, yukarıda listelenen batarya kartuşlarının ve şarj aletlerinin bazıları mevcut olmayabilir.

⚠ UYARI: Sadece yukarıda listelenen batarya kartuşlarını ve şarj aletlerini kullanın. Başka batarya kartuşlarının ve şarj aletlerinin kullanılması yaralanmaya ve/veya yangına yol açabilir.

ENE052-1

GEB021-4

Kullanım amacı

Bu alet ahşap, plastik ve metal malzemelerin geniş yüzeyleriyle boyalı yüzeylerin zımparalanması amacıyla kullanılır.

GEA010-2

Genel elektrikli alet güvenliği uyarıları

⚠ UYARI! Bu elektrikli aletle birlikte sunulan tüm güvenlik uyarılarını, talimatları, çizimleri ve teknik özellikleri okuyun. Aşağıda verilen talimatlara uyulmaması elektrik şoku, yangın ve/veya ciddi yaralanmalar ile sonuçlanabilir.

Tüm uyarıları ve talimatları ileride başvurmak için saklayın.

Uyarılardaki "elektrikli alet" terimi ile ya prizden çalışan (kordonlu) elektrikli aletiniz ya da kendi aküsü ile çalışan (kordonsuz) elektrikli aletiniz kastedilmektedir.

ZIMPARA MAKİNESİ GÜVENLİK UYARILARI

1. Her zaman koruyucu gözlük kullanın. Normal gözlük ya da güneş gözlükleri koruyucu gözlüklerin yerine GEÇMEZ.
2. Makineyi sıkıca tutun.
3. Makineyi çalışır durumda bırakmayın. Makineyi sadece elinizde iken çalıştırın.
4. Bu alet su geçirmez değildir, çalışma parçasının yüzeyinde su kullanmayın.
5. Zımparalama işlemi sırasında çalışma alanının yeterince havalandırılmasını sağlayın.
6. Bazı malzemeler zehirli olabilen kimyasallar içerirler. Toz yutmayı ve cilt temasını önlemek için tedbir alın. Malzeme sağlayıcısının güvenlik bilgilerine uyun.
7. Bu aletin bazı ürünleri, boyaları ve tahtaları zımparalamak için kullanılması, kullanıcının tehlikeli maddeler içeren tozlara maruz kalmasına neden olabilir. Uygun bir maske kullanın.

8. Kullanmadan önce ped üzerinde çatlak ya da kırık olmadığından emin olun. Çatlak ya da kırıklar yaralanmaya neden olabilir.

BU TALİMATLARI MUHAFAZA EDİNİZ.

⚠ UYARI:

Ürünü kullanırken (defalarca kullanınca kazanılan) rahatlık ve tanıdıklık duygusunun ilgili ürünün güvenlik kurallarına sıkı sıkıya bağlı kalmanın yerine geçmesine İZİN VERMEYİN. YANLIŞ KULLANIM veya bu kullanma kılavuzunda belirtilen emniyet kurallarına uymama ciddi yaralanmaya neden olabilir.

ENC007-17

BATARYA KARTUŞU HAKKINDA ÖNEMLİ GÜVENLİK TALİMATLARI

1. Batarya kartuşunu kullanmadan önce, tüm talimatları ve (1) batarya kartuşu, (2) batarya ve (3) ürün üzerindeki tüm uyarı işaretlerini okuyun.
2. Batarya kartuşunu parçalarına ayırmayın veya kurcalamayın. Yangın, aşırı ısı veya patlamaya neden olabilir.
3. Çalışma süresi aşırı derecede kısalmışsa kullanmayı derhal bırakın. Aşırı ısınma, yanma riski hatta patlamaya neden olabilir.
4. Gözünüze elektrolit kaçarsa, gözlerinizi temiz suyla durulayın ve hemen tıbbi yardım alın. Görme kaybına yol açabilir.
5. Batarya kartuşuna kısa devre yaptırmayın:
 - (1) Terminallere herhangi bir iletken madde değdirmeyin.
 - (2) Batarya kartuşunu çiviler, madeni paralar, vb. gibi başka metal nesnelere aynı kaba koymaktan kaçının.
 - (3) Batarya kartuşunu yağmura ya da suya maruz bırakmayın.Kısa devre, büyük bir akım akışına, aşırı ısınmaya, olası yanıklara hatta bataryanın bozulmasına yol açabilir.
6. Aleti ve batarya kartuşunu sıcaklığın 50 °C ya da daha yükseğe ulaştığı yerlerde saklamayın ve kullanmayın.
7. Aşırı derecede hasar görmüş ya da tamamen kullanılamaz durumda olsa bile batarya kartuşunu yakmayın. Batarya kartuşu ateşe atılırsa patlayabilir.
8. Batarya kartuşunu çivilememeyin, kesmeyin, ezmeyin, fırlatmayın, düşürmeyin ya da batarya kartuşuna sert bir nesne ile vurmeyin. Bu eylemler yangın, aşırı ısı veya patlamaya neden olabilir.
9. Hasarlı bataryayı kullanmayın.
10. Aletin içerdiği lityum-iyon bataryalar Tehlikeli Eşyalar Yönetmeliğinin gereksinimlerine tabidir.

Ticari nakliye işlemleri için, örneğin üçüncü taraflar, nakliye acenteleri tarafından yapılan nakliyelerde, paketleme ve etiketleme gereksinimlerine uyulmalıdır.

Nakliyesi yapılacak ürünün hazırlanması için, tehlikeli maddeler konusunda uzman bir kişiye danışın. Lütfen muhtemelen daha ayrıntılı olan ulusal yönetmeliklere de uyun.

Açık kontakları bantlayın ya da maskeleyin ve bataryayı paketin içinde hareket etmeyecek şekilde paketlenin.

11. Batarya kartuşunu bertaraf ederken aletten çıkarın ve güvenli bir yerde bertaraf edin. Bataryanın bertaraf edilmesi ile ilgili yerel düzenlemelere uyunuz.
12. Bataryaları sadece Makita tarafından belirtilen ürünlerle kullanın. Bataryaların uyumsuz ürünlere takılması; yangın, aşırı ısınma, patlama ya da elektrolit sızıntısına neden olabilir.
13. Alet uzun süre kullanılmıyacaksa batarya aletten çıkarılmalıdır.
14. Kullanma sırasında ve sonrasında batarya kartuşu ısınarak yanıklara veya düşük sıcaklık yanıklarına yol açabilir. Sıcak batarya kartuşları ile işlem yaparken dikkat edin.
15. Yanıklara neden olabilecek kadar sıcak olabileceğinden kullandıktan hemen sonra aletin terminaline dokunmayın.
16. Batarya kartuşunun terminallerine, deliklerine ve kanallarına micir, toz veya toprak girmesine izin vermeyin. Aletin veya batarya kartuşunun ısınmasına, alev almasına, patlamasına ve arızalanmasına neden olarak yanıklara veya yaralanmaya yol açabilir.
17. Alet yüksek gerilim elektrik güç hatlarında kullanımı desteklemediği sürece batarya kartuşunu yüksek gerilim elektrik güç hatlarının yakınında kullanmayın. Aletin veya batarya kartuşunun arızalanmasına veya bozulmasına neden olabilir.
18. Bataryayı çocuklardan uzak tutun.

BU TALİMATLARI MUHAFAZA EDİNİZ.

⚠ DİKKAT: Sadece orijinal Makita bataryalarını kullanın. Orijinal olmayan Makita bataryaları ya da üzerine değişiklik yapılmış bataryaların kullanımı bataryanın patlamasına ve sonuç olarak yangın, kişisel yaralanma ve hasara neden olabilir. Ayrıca Makita aleti ve şarj aletinin Makita tarafından sunulan garantisini de geçersiz olur.

Maksimum batarya ömrü için ipuçları

1. Batarya kartuşunu tamamen boşalmadan önce şarj edin. Aletin gücünün zayıflamaya başladığını fark ettiğinizde aleti durdurun ve batarya kartuşunu şarj edin.
2. Tam dolu bir batarya kartuşunu asla yeniden şarj etmeyin. Aşırı şarj etme bataryanın hizmet ömrünü kısaltır.
3. Batarya kartuşunu 10 °C - 40 °C oda sıcaklığında şarj edin. Sıcak bir batarya kartuşunu şarj etmeden önce soğumasını bekleyin.
4. Batarya kartuşunu kullanmıyorken aletten veya şarj aletinden çıkarın.
5. Uzun bir süre (altı aydan daha fazla) kullanmadığınız durumlarda batarya kartuşunu şarj edin.

İŞLEVSEL AÇIKLAMALAR

⚠ DİKKAT:

- Alet üzerinde ayarlama ya da işleyiş kontrolü yapmadan önce aletin kapalı ve batarya kartuşunun çıkartılmış olduğundan daima emin olun.

Batarya kartuşunun takılması ve çıkarılması (Şek. 1)

⚠ DİKKAT:

- Batarya kartuşunu takmadan ya da çıkarmadan önce aleti daima kapatın.
- Batarya dönüştürücüyü takarken veya çıkarırken aleti ve batarya dönüştürücüyü sıkıca tutun.** Aletin ve batarya dönüştürücünün sıkıca tutulmaması bunların düşürülmesine ve zarar görmesine ya da ciddi yaralanmalara sebep olabilir.

Batarya kartuşunu çıkarmak için, kartuşun ön tarafındaki düğmeyi kaydırarak kartuşu aletten çıkarın.

Batarya kartuşunu takmak için, batarya kartuşu üzerindeki dili yuvanın çentiği ile hizalayın ve yerine oturtun. Hafif bir tık sesi duyulana kadar itip yerine tam oturmasını sağlayın. Düğmenin üst tarafındaki kırmızı göstere görünüyorsa tam yerine kilitlenmemiş demektir.

⚠ DİKKAT:

- Batarya kartuşunu daima kırmızı göstere görünmeyecek şekilde tam olarak takın. Yerine tam oturmazsa, aletten yanlışlıkla düşebilir, sizin ya da çevrenizdeki kişilerin yaralanmasına neden olabilir.
- Batarya kartuşunu zorlayarak takmayın. Kartuş kolay bir şekilde kaymıyorsa doğru yerleştirilmemiş demektir.

Alet/batarya koruma sistemi

Bu alet bir alet/batarya koruma sistemi ile donatılmıştır. Bu sistem, aletin ve bataryanın ömrünü uzatmak için gücü otomatik olarak keser. Alet veya batarya için aşağıdaki durumlardan biri söz konusu olduğunda aletin işleyişi otomatik olarak durur:

Aşırı yük koruması

Alet, anormal derecede yüksek akım çekmesine neden olacak şekilde çalıştırıldığında bu koruma devreye girer. Bu durumda aleti kapatın ve aletin aşırı yüklenmesine neden olan uygulamayı kesin. Ardından aleti açarak yeniden çalıştırın.

Aşırı ısınma koruması

Alet veya batarya aşırı ısındığında bu koruma devreye girer. Bu durumda, aleti yeniden çalıştırmadan önce aletin ve bataryanın soğumasını bekleyin.

Aşırı deşarj koruması

Kalan batarya kapasitesi düştüğünde bu koruma devreye girer. Bu durumda, bataryayı aletten çıkarın ve bataryayı şarj edin.

Kalan batarya kapasitesinin gösterilmesi (Şek. 2)

Sadece göstergeli batarya kartuşları için

Kalan batarya kapasitesini göstermesi için batarya kartuşu üzerindeki kontrol düğmesine basın. Göstere lambaları birkaç saniye yanar.

| Göstere lambaları | | | Kalan kapasite |
|-------------------|--------|-------------|----------------|
| Yanıyor | Kapalı | Yanıp sönyü | |
| ■ | □ | ▣ | |
| ■ ■ ■ ■ | | | %75 ila %100 |
| ■ ■ ■ □ | | | %50 ila %75 |
| ■ ■ □ □ | | | %25 ila %50 |

| Göstere lambaları | | | Kalan kapasite |
|-------------------|--------|-------------|-------------------------------|
| Yanıyor | Kapalı | Yanıp sönyü | |
| ■ | □ | ▣ | |
| ■ □ □ □ | | | %0 ila %25 |
| ▣ □ □ □ | | | Bataryayı şarj edin. |
| ■ ■ □ □ | | | Batarya arızalanmış olabilir. |

015658

NOT:

- Kullanım koşullarına ve ortam sıcaklığına bağlı olarak, gösterilen değer gerçek kapasiteden biraz farklılık gösterebilir.
- İlk (en soldaki) göstere lambası, batarya koruma sistemi çalıştığında yanıp söner.

Değiştirme işlemi ve hız ayarlama düğmesi (Şek. 3)

Aleti çalıştırmak için çalıştırma/hız ayarlama düğmesine basın. Alet yüksek hız modunda çalışmaya başlar. Çalıştırma/hız ayarlama düğmesine her bastığınızda hız modu sırayla yüksek hız, orta hız ve düşük hız şeklinde değişir.

Aleti durdurmak için durdurma düğmesine basın.

Hız modu ile iş türü arasındaki ilişki için aşağıdaki tabloya bakın.

| Hız modu | Devir adedi | Kullanım yeri |
|----------|-------------|--------------------|
| Yüksek | 11.000 | Normal zımparalama |
| Orta | 9.500 | Son zımparalama |
| Düşük | 7.000 | Parlatma |

012897

NOT:

- Tabloda standart uygulamalar gösterilmiştir. Belirli koşullarda farklılık gösterebilir.

MONTAJ

⚠ DİKKAT:

- Alet üzerinde herhangi bir iş yapmadan önce aletin kapalı ve batarya kartuşunun ayrılmış olduğundan daima emin olun.

Aşındırıcı disk takma (Şek. 4)

Aşındırıcı takmak için önce ped üzerindeki tüm pislik ve yabancı maddeleri temizleyin. Daha sonra aşındırıcı disk pedede takın. Aşındırıcı diskteki deliklerle ped üzerindeki delikleri hizalamaya dikkat edin.

Toz torbasını (isteğe bağlı aksesuar) takma (Şek. 5)

Toz torbasını alete, ağız aşağı bakacak şekilde takın.

Toz torbasını boşaltma (Şek. 6 ve 7)

Toz torbası yaklaşık yarıya kadar dolunca aleti kapatın ve toz torbasını aletten çıkarın. Daha sonra toz toplama başlığını saatin aksi yönünde hafif çevirerek açtıktan sonra toz toplama başlığını toz torbasından ayırın. Toz torbasına hafif vurarak torbayı boşaltın.

Toz torbasını boşalttıktan sonra toz toplama başlığını toz torbasına takın. Yerine sabitlemek için toz toplama başlığını saat yönünde hafif çevirin. Daha sonra toz torbasını alete "Toz torbasını takma" kısmında anlatıldığı gibi takın.

Kağıt filtre torbasını (isteğe bağlı aksesuar) takma (Şek. 8 ve 9)

Karton ağız üzerindeki logo ile toz kutusu üzerindeki logonun aynı tarafta olduğunu kontrol ettikten sonra karton ağzı her iki tutma tırnağı yuvasına geçirerek kağıt filtre torbasını takın.

Karton ağız üzerindeki logo ile toz toplama başlığı üzerindeki logonun aynı tarafta olduğunu kontrol ettikten sonra toz toplama başlığını toz kutusuna takın.

Toz kutusunu ve kağıt filtre torbasını çıkarma (Şek. 10 ve 11)

Toz toplama başlığını, iki mandala bastırarak çıkarın. Kağıt filtre torbasını önce karton ağzının logo tarafını kaldırdıktan sonra karton ağzı toz kutusunun tutma tırnağından kurtarmak için aşağı doğru çekerek çıkarın.

Eteği çıkarma ve tekrar takma (Şek. 12, 13 ve 14)

⚠ DİKKAT:

- Aleti etkisiz kullanmayın. Aksi takdirde her yere toz saçılır.

Eteğin 12 yönünden amacınıza uygun olan birini seçebilirsiniz.

Eteği çıkarmak için vidayı sökün ve her iki tarafını hafif açarak çıkarın.

Eteği tekrar takmak için her iki tarafını hafif açarak takın. Ve vidayı sıkın.

⚠ DİKKAT:

- Eteği, belirlenmiş açı dışında ayarlamayın. Aksi takdirde alet hasar görebilir.

KULLANIM

⚠ UYARI:

- İş parçası ile temas halindeyken aleti asla çalıştırmayın; bu, kullanıcının yaralanmasına neden olabilir.

Zimparalama işlemi (Şek. 15)

⚠ DİKKAT:

- Aleti aşındırıcı disk olmadan asla çalıştırmayın. Pede ciddi şekilde zarar verebilirsiniz.
- Aleti asla zorlamayın. Aşırı basınç zimparalama verimliliğini azaltabilir, aşındırıcı diske hasar verebilir veya aletin kullanım ömrünü kısaltabilir.
- Aleti, pedin kenarı parçaya değecek şekilde kullanmak pede zarar verebilir.

Makineyi sıkıca tutun. Aleti çalıştırıp tam hıza ulaşmasını bekleyin. Sonra hafifçe parçanın yüzeyine yerleştirin. Pedi iş parçasına dayalı tutun ve alete hafif basınç uygulayın.

⚠ DİKKAT:

- Zımpara pedi yüklü çalışma sırasında saat yönünde döner ama yüksüz çalışma sırasında saat yönünün tersine dönebilir.

Parlatma işlemi (isteğe bağlı)

⚠ DİKKAT:

- Sadece orijinal Makita sünger yastık, keçe yastık veya yün yastık (isteğe bağlı aksesuarlar) kullanın.
- Çalışma yüzeylerinin fazla ısınmasını engellemek için aleti her zaman düşük hızda çalıştırın.
- Aleti asla zorlamayın. Aşırı basınç, parlatma işleminin verimlini düşmesine ve motorun aşırı yüklenmesine sebep olarak aletin arızalanmasına neden olabilir.

1. Cila uygulama (Şek. 16)

İsteğe bağlı bir sünger yastık kullanın. Cilayı sünger yastığa veya çalışma yüzeyine uygulayın. Cilanın yayılması için aleti düşük hızda çalıştırın.

NOT:

- Aletin yüzeyi zedelediğinden veya muntazam cilalama yaptığından emin olmak için cilayı ilk önce çalışma yüzeyinin göze çarpmayan bir kısmına uygulayın.
- Alet yüksek hız modunda çalışmaya başlar. Aleti çalıştırırken dikkatli olun. Cila sıçrayabilir. Cilayı aleti çalıştırmadan önce kapalı iken yaymanız önerilir. Aleti çalıştırdıktan hemen sonra hız modunu düşük hıza alın.
- Aleti her zaman düşük hızda çalıştırın. Aletin yüksek hızda çalıştırılması cilanın sıçramasına neden olabilir.

2. Cila çıkarma (Şek. 17)

İsteğe bağlı bir keçe yastık kullanın. Cilayı çıkarmak için aleti düşük hızda çalıştırın.

3. Parlatma (Şek. 18)

İsteğe bağlı bir yün yastık kullanın. Aleti düşük hızda çalıştırın ve yün yastığı çalışma yüzeyine nazikçe uygulayın.

BAKIM

⚠ DİKKAT:

- Kontrol ya da bakım yapmadan önce aletin kapalı ve batarya kartuşunun çıkarılmış olduğundan daima emin olun.
- Benzin, tiner, alkol ve benzeri maddeleri kesinlikle kullanmayın. Renk değişimi, deformasyon veya çatlaklar oluşabilir.

Aleti EMNİYETLİ ve ÇALIŞMAYA HAZIR durumda tutmak için onarımlar, karbon fırça muayenesi ve değiştirilmesi, başka türü bakım ve ayarlamalar daima Makita yedek parçaları kullanılarak Makita Yetkili Servis Merkezleri tarafından yapılmalıdır.

İSTEĞE BAĞLI AKSESUARLAR

⚠ DİKKAT:

- Bu aksesuarlar ve ek parçalar bu el kitabında belirtilen Makita aletiniz ile kullanılmak için tavsiye edilmektedir. Herhangi başka bir aksesuar ya da ek parça kullanılması insanlar için bir yaralanma riski getirebilir. Aksesuarları ya da ek parçaları yalnızca belirtilmiş olan kullanım amaçlarına uygun olarak kullanın.

Bu aksesuarlarla ilgili daha fazla bilgiye ihtiyaç duyarsanız bulunduğunuz yerdeki Makita Servis Merkezi başvurun.

- Cırt cırt tipi aşındırıcı diskler (ön zımbalanan delikli)
- Cırt cırt tipi sünger yastık
- Cırt cırt tipi keçe yastık
- Cırt cırt tipi yün yastık
- Orijinal Makita batarya ve şarj aleti
- Toz kutusu
- Kağıt filtre torbası
- Toz torbası

NOT:

- Listedeki bazı parçalar standart aksesuar olarak ürün paketinin içine dahil edilmiş olabilir. Aksesuarlar ülkeden ülkeye farklılık gösterebilir.

Gürültü

EN62841-2-4 uyarınca hesaplanan tipik A-ağırlıklı gürültü düzeyi:

Model DBO180

Ses basınç seviyesi (L_{pA}): 80 dB (A)

Belirsizlik (K): 3 dB (A)

İşlem sırasında gürültü seviyesi 80 dB (A)'yi geçebilir.

ENG907-1

NOT:

- Beyan edilen gürültü emisyonu değer(ler)i bir standart test yöntemine uygun şekilde ölçülmüştür ve bir aleti bir başkasıyla karşılaştırmak için kullanılabilir.
- Beyan edilen gürültü emisyonu değer(ler)i bir ön maruz kalma değerlendirmesi olarak da kullanılabilir.

⚠ UYARI:

- Kulak koruyucuları takın.
- Elektrikli aletin gerçek kullanımı sırasındaki emisyonu, aletin kullanım biçimlerine, özellikle işlenen iş parçasının türüne bağlı olarak beyan edilen değer(ler)den farklı olabilir.
- Gerçek kullanım koşullarındaki tahmini maruziyeti baz alan, operatörü koruyacak güvenlik önlemlerini mutlaka belirleyin (çalışma döngüsü içerisinde aletin kapalı olduğu ve aktif durumda olmasının yanı sıra boşta çalıştığı zamanlar gibi, bütün zaman dilimleri göz önünde bulundurarak).

Titreşim

EN62841-2-4 standardına göre hesaplanan titreşim toplam değeri (üç eksenli vektör toplamı):

Model DBO180

Çalışma modu: metal levha zımparalama

Titreşim emisyonu (a_h): 2,5 m/s² den az

Belirsizlik (K): 1,5 m/s²

ENG901-2

NOT:

- Beyan edilen titreşim toplam değer(ler)i bir standart test yöntemine uygun şekilde ölçülmüştür ve bir aleti bir başkasıyla karşılaştırmak için kullanılabilir.
- Beyan edilen titreşim toplam değer(ler)i bir ön maruz kalma değerlendirmesi olarak da kullanılabilir.

⚠ UYARI:

- Elektrikli aletin gerçek kullanımı sırasındaki titreşim emisyonu, aletin kullanım biçimlerine, özellikle işlenen iş parçasının türüne bağlı olarak beyan edilen değer(ler)den farklı olabilir.
- Gerçek kullanım koşullarındaki tahmini maruziyeti baz alan, operatörü koruyacak güvenlik önlemlerini mutlaka belirleyin (çalışma döngüsü içerisinde aletin kapalı olduğu ve aktif durumda olmasının yanı sıra boşta çalıştığı zamanlar gibi, bütün zaman dilimleri göz önünde bulundurarak).

UYGUNLUK BEYANLARI

Sadece Avrupa ülkeleri için

Uygunluk beyanları bu kullanma kılavuzuna Ek A olarak eklenmiştir.

Makita Europe N.V.

Jan-Baptist Vinkstraat 2, 3070 Kortenberg, Belgium

Makita Corporation

3-11-8, Sumiyoshi-cho, Anjo, Aichi 446-8502 Japan

www.makita.com



885259D995

IDE