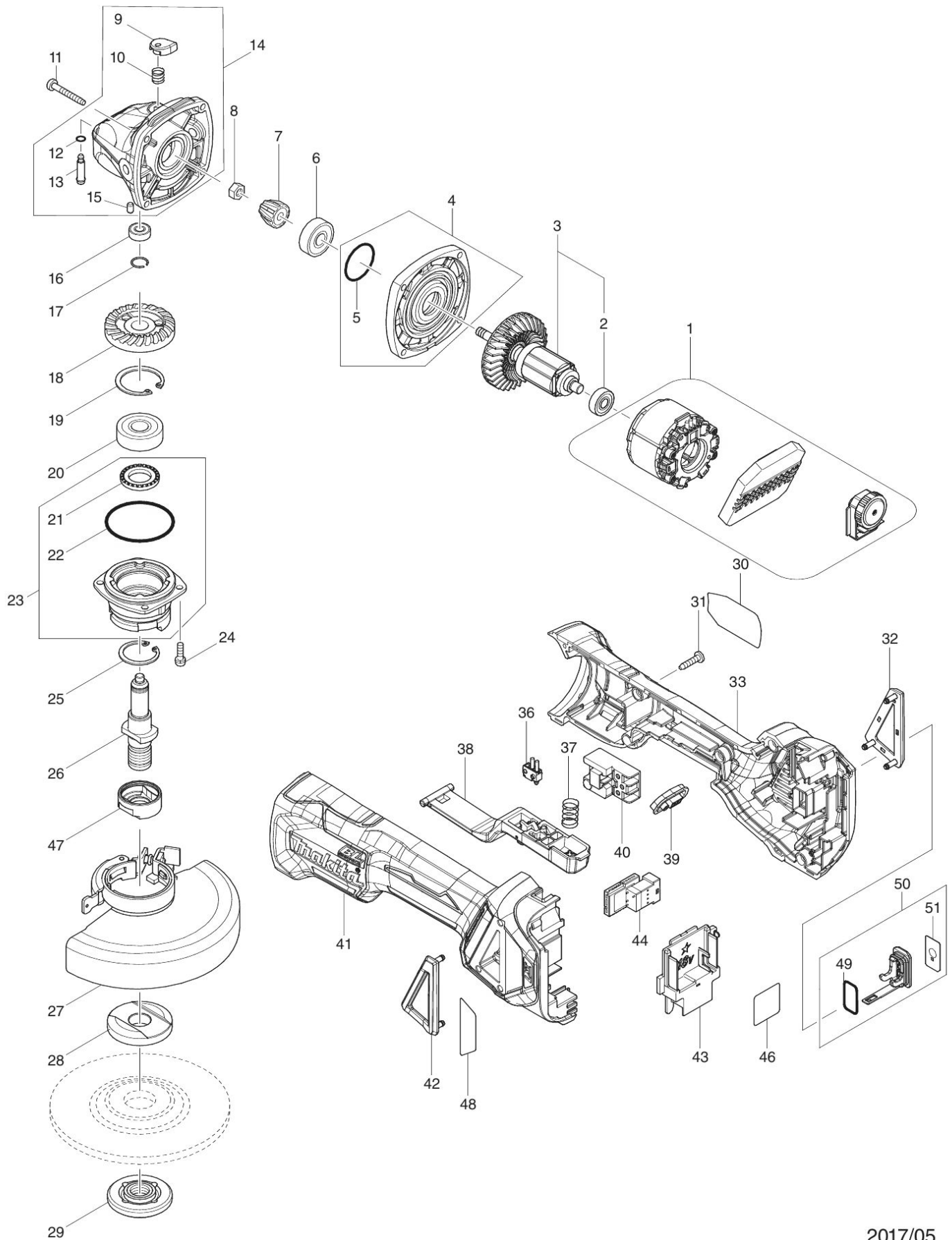


# Partdrawing for DGA518ZJU - Haakse slijper 125mm 18V



2017/05  
DGA518