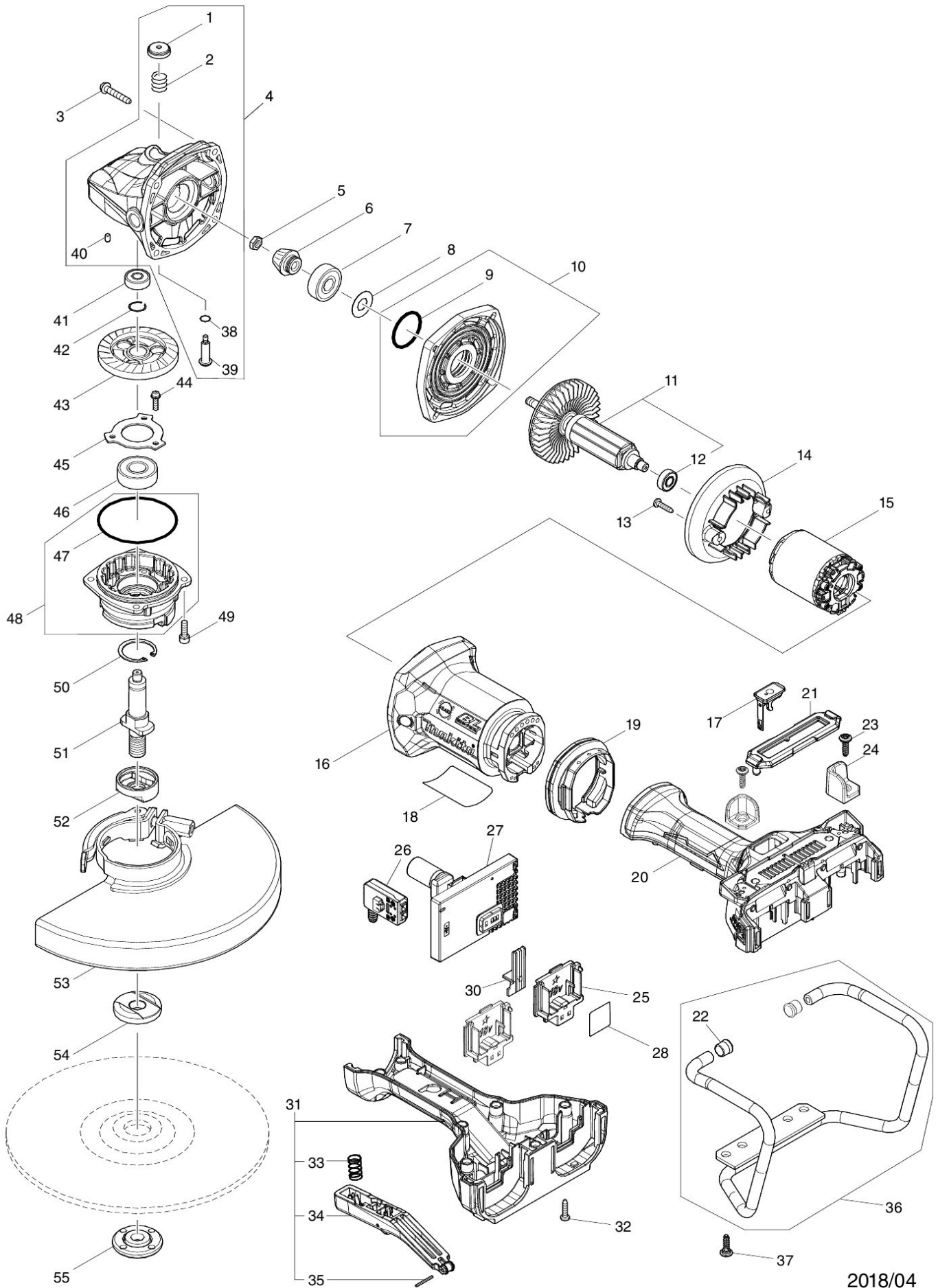


# Partdrawing for DGA901ZKU1 - Haakse slijper



2018/04  
DGA901