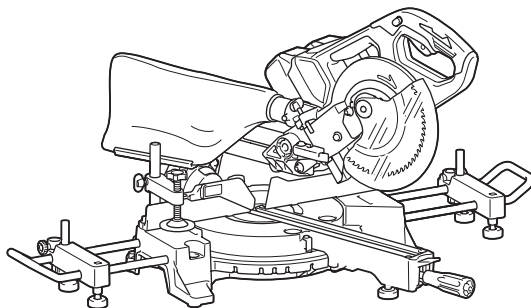




EN	Cordless Slide Compound Miter Saw	INSTRUCTION MANUAL	11
FR	Scie Radiale Sans Fil	MANUEL D'INSTRUCTIONS	27
DE	Akku-Kapp. und Gehrungssäge	BETRIEBSANLEITUNG	45
IT	Troncatrice composta a slitta a batteria	ISTRUZIONI PER L'USO	64
NL	Schuifbare accu-afkortverstekzaag	GEBRUIKSAANWIJZING	81
ES	Sierra de Inglete Inalámbrica	MANUAL DE INSTRUCCIONES	99
PT	Serra de Esquadria a Bateria	MANUAL DE INSTRUÇÕES	117
DA	Kombineret afkorter-geringssav med akku	BRUGSANVISNING	134
EL	Ολισθαίνον πριόνι σύνθετης λοξότμησης με μπαταρία	ΕΓΧΕΙΡΙΔΙΟ ΟΔΗΓΙΩΝ	150
TR	Akülü Gönye Kesme Makinası	KULLANMA KILAVUZU	169

DLS714



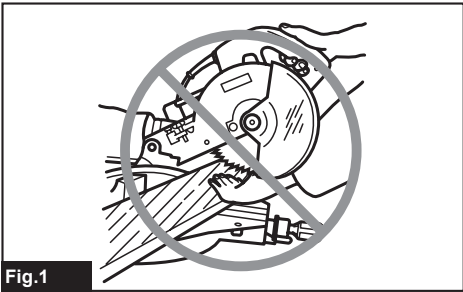


Fig.1

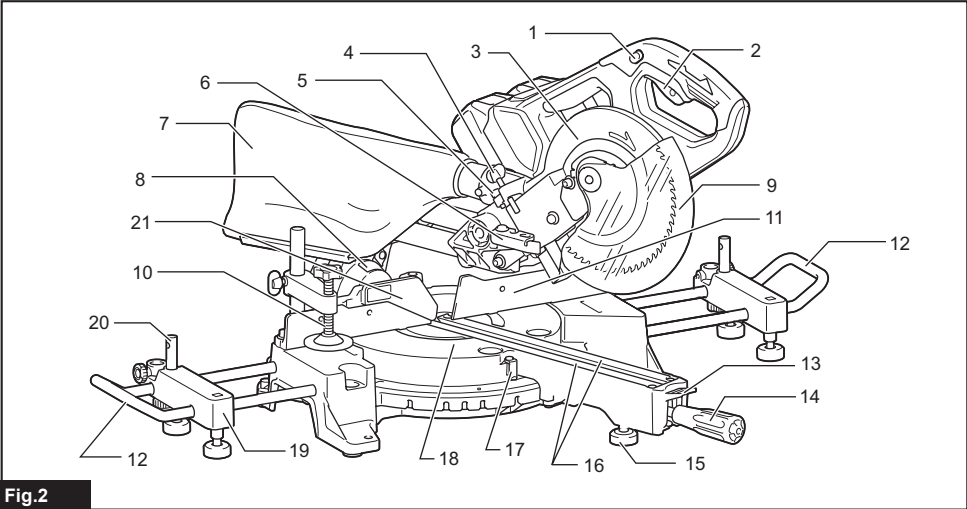


Fig.2

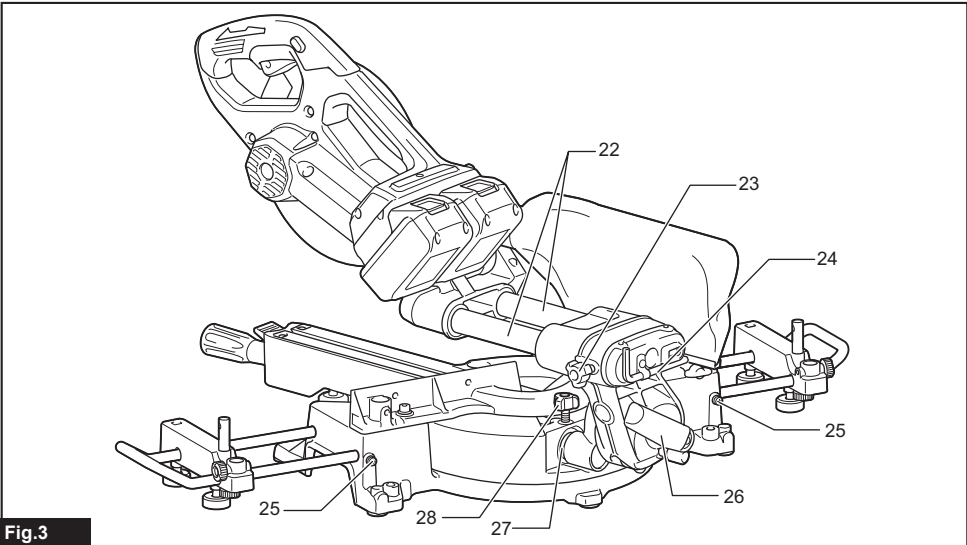


Fig.3

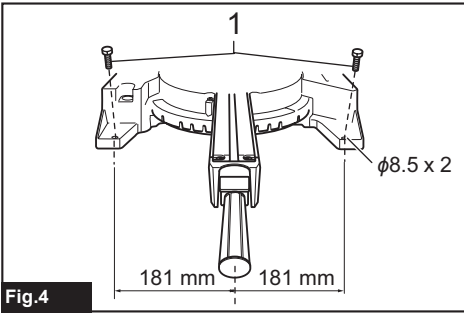


Fig.4

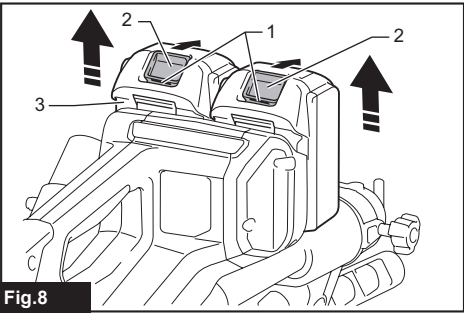


Fig.8

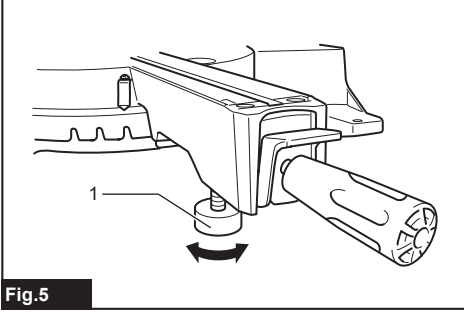


Fig.5

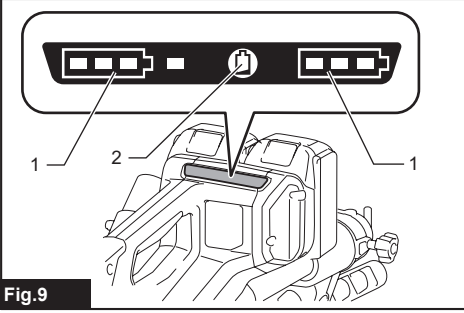


Fig.9

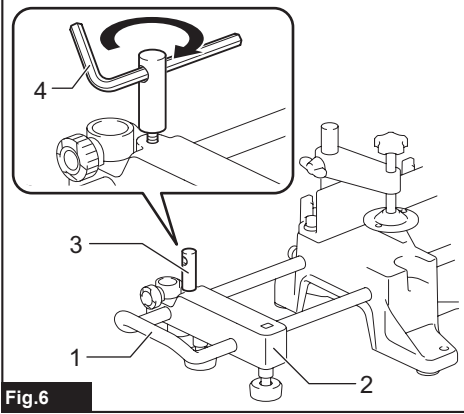


Fig.6

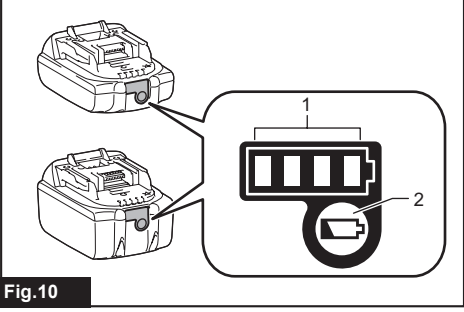


Fig.10

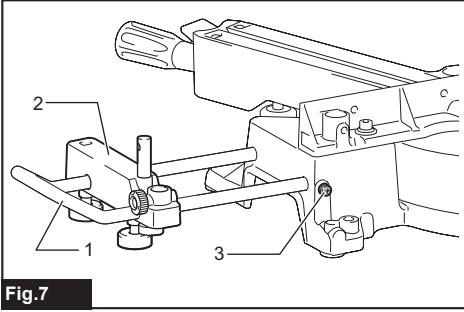


Fig.7

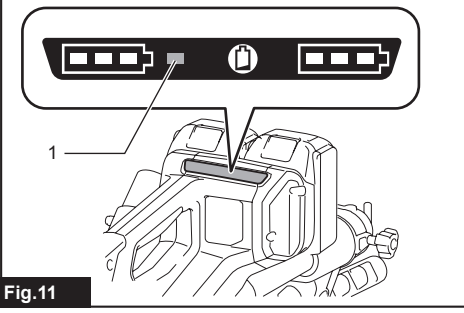


Fig.11

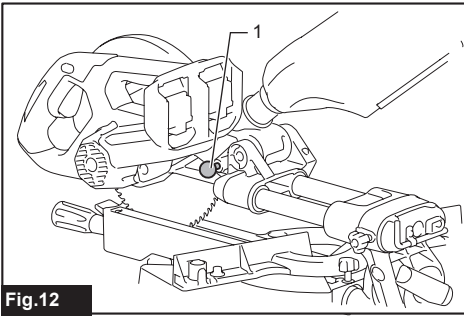


Fig.12

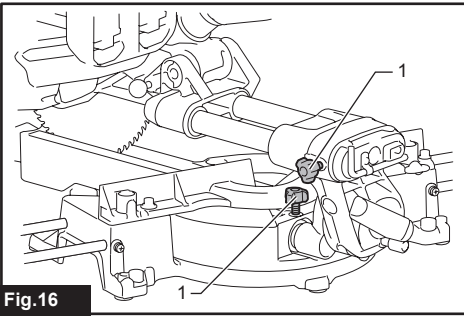


Fig.16

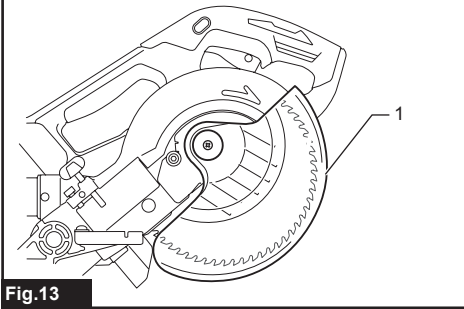


Fig.13

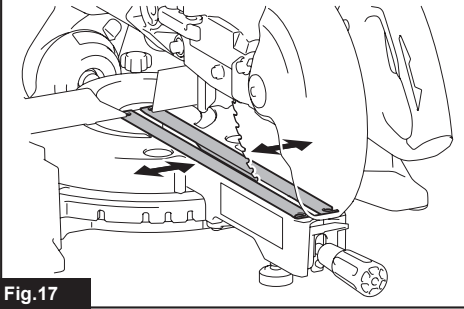


Fig.17

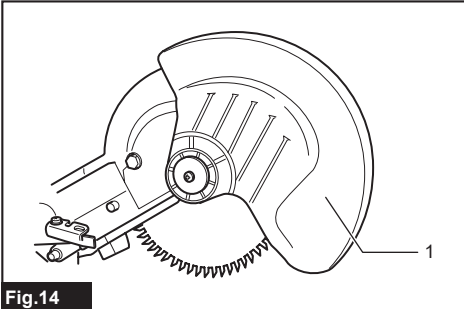


Fig.14

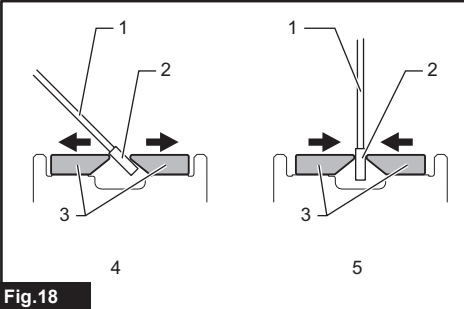


Fig.18

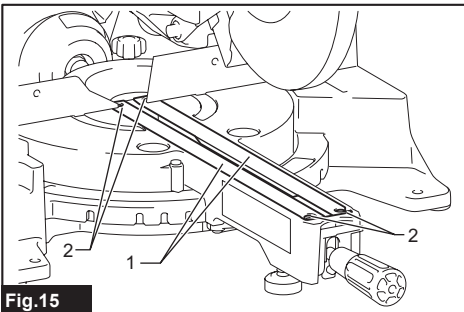


Fig.15

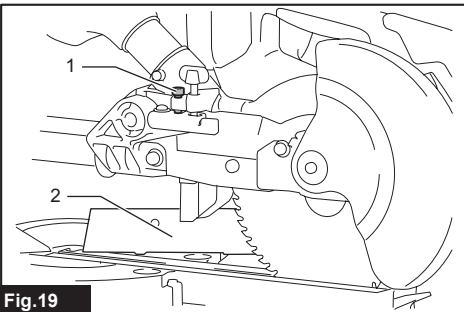


Fig.19

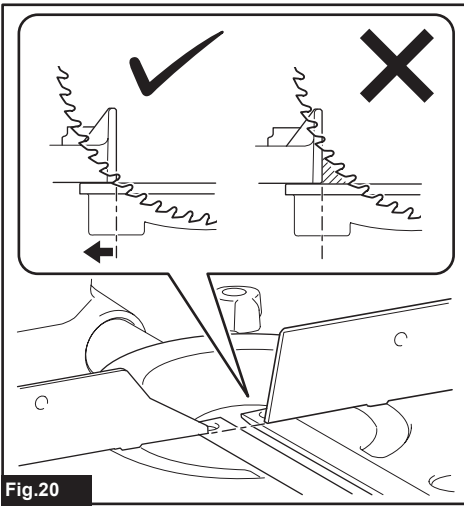


Fig. 20

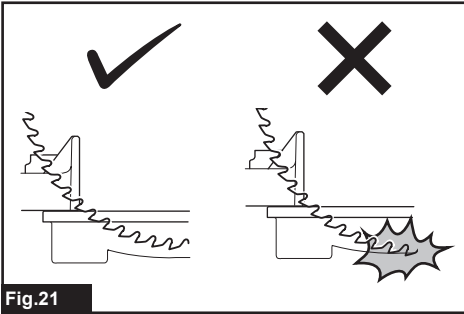


Fig. 21

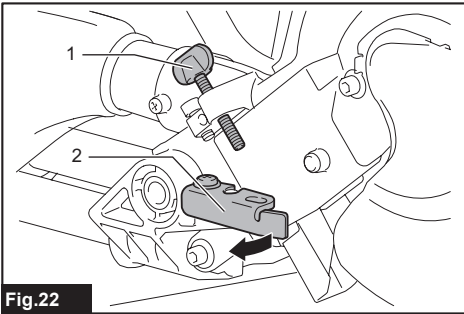


Fig. 22

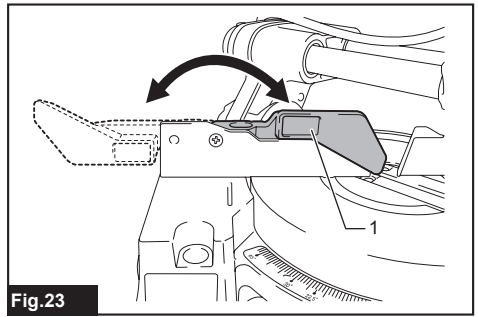


Fig. 23

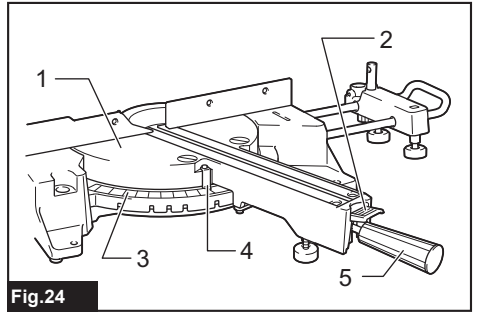


Fig. 24

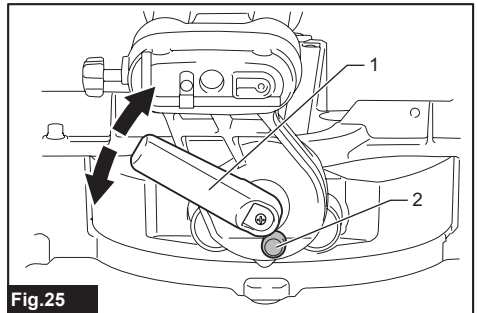


Fig. 25

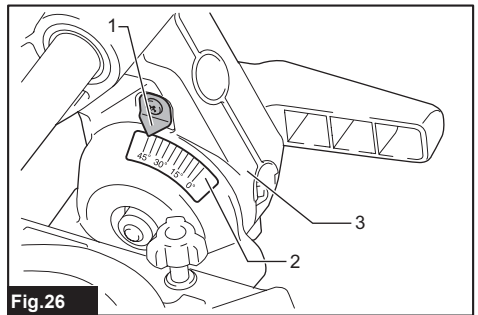


Fig. 26

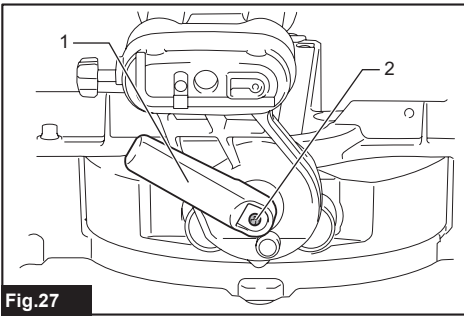


Fig.27

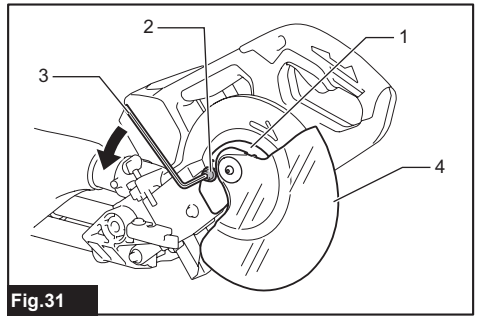


Fig.31

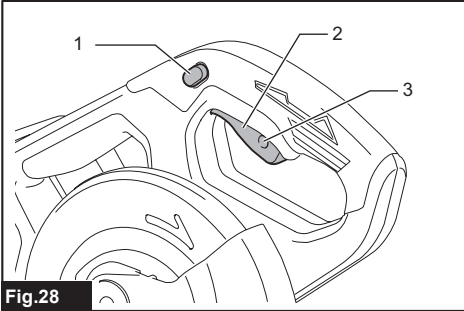


Fig.28

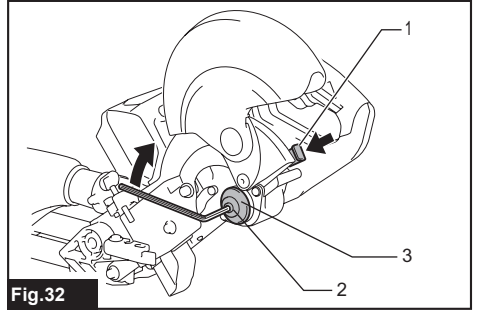


Fig.32

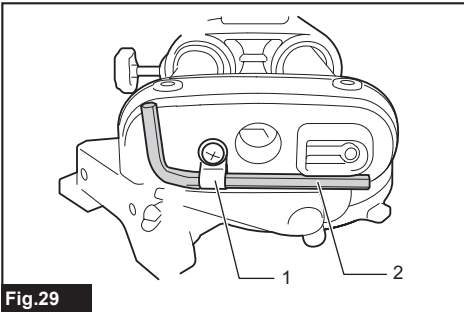


Fig.29

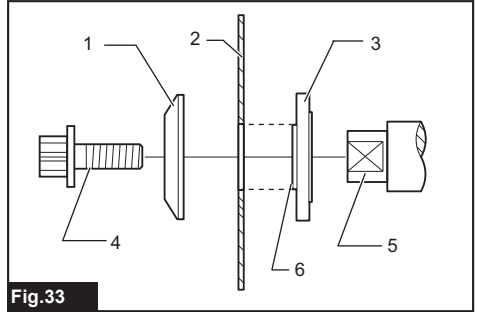


Fig.33

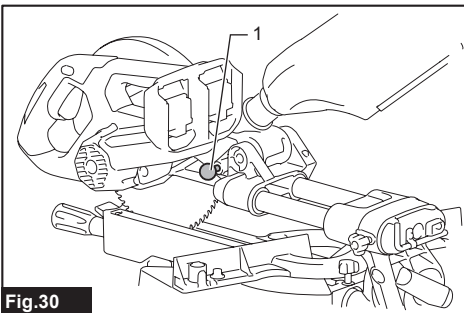


Fig.30

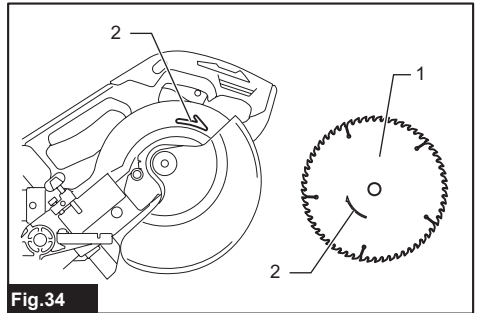


Fig.34

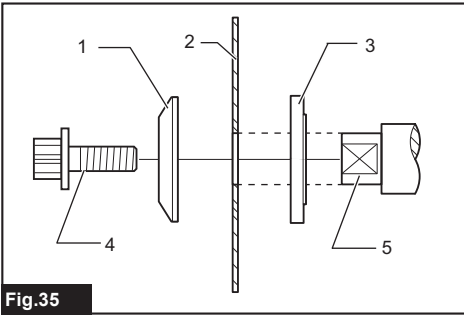


Fig.35

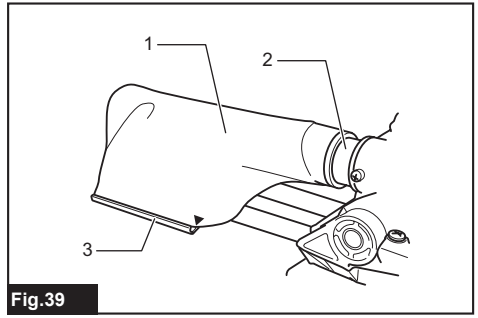


Fig.39

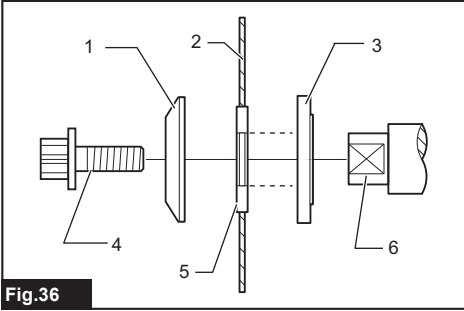


Fig.36

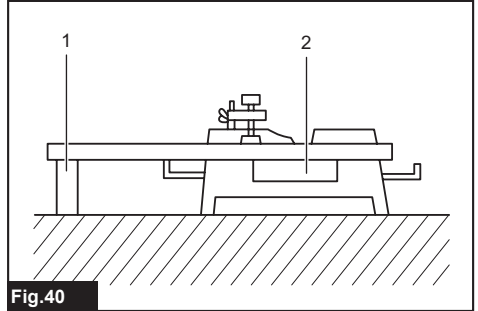


Fig.40

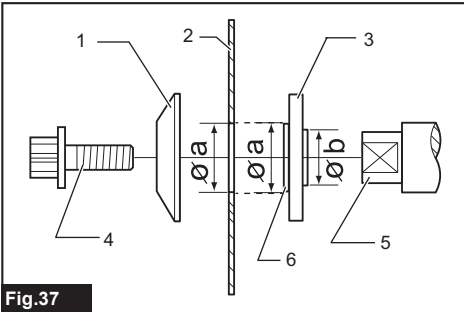


Fig.37

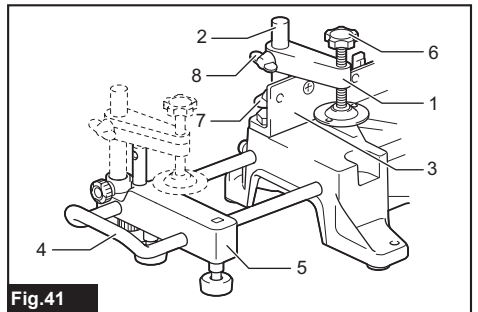


Fig.41

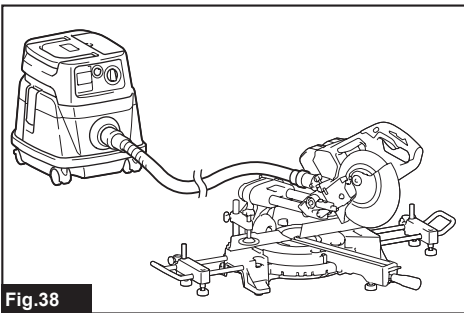


Fig.38

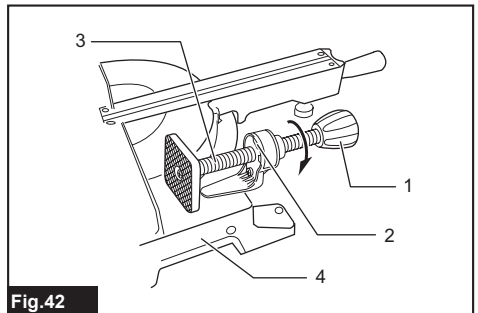


Fig.42

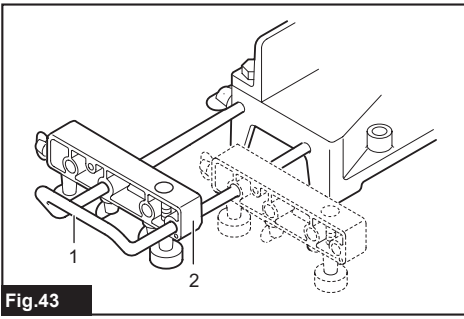


Fig.43

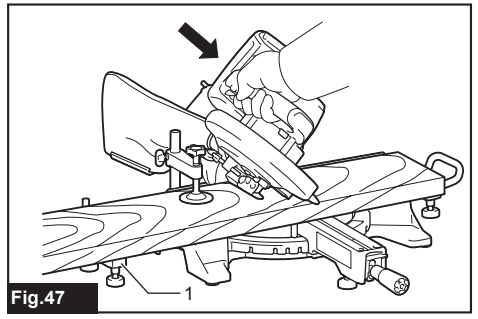


Fig.47

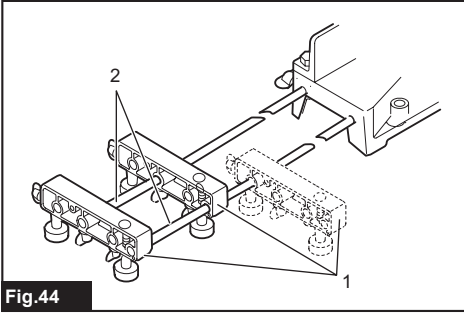


Fig.44

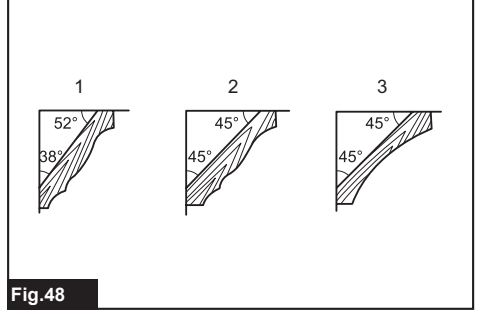


Fig.48

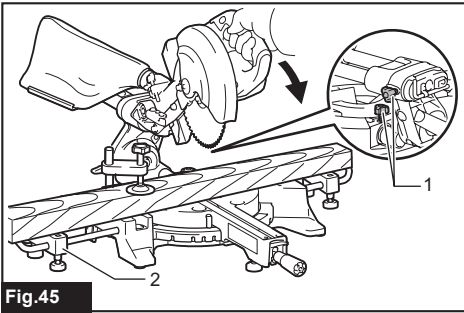


Fig.45

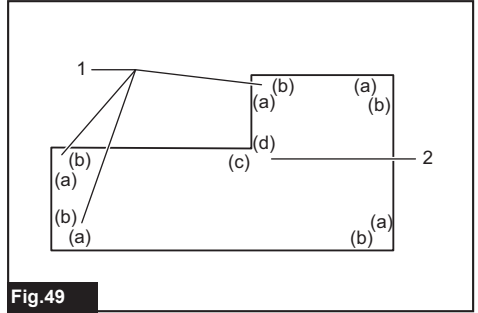


Fig.49

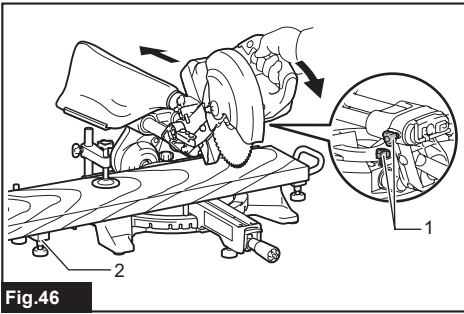


Fig.46

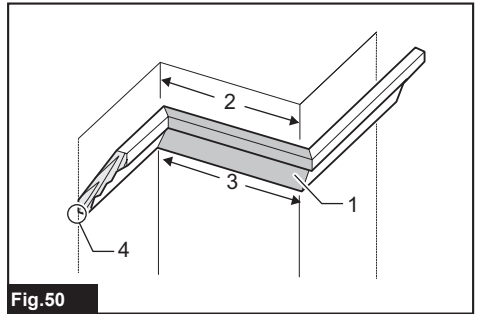


Fig.50

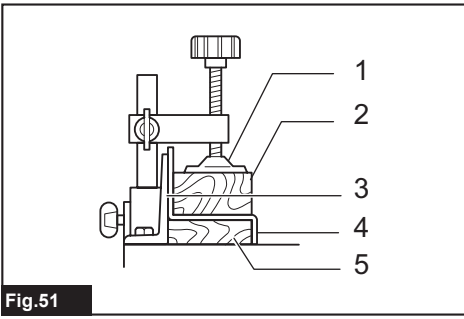


Fig.51

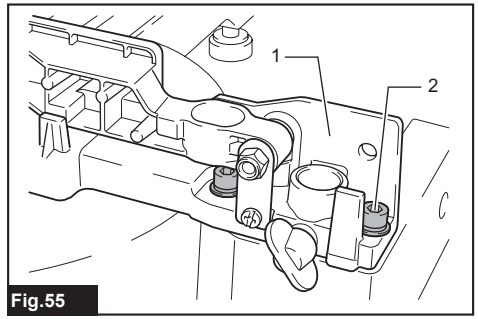


Fig.55

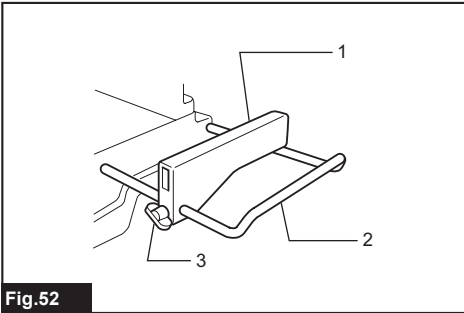


Fig.52

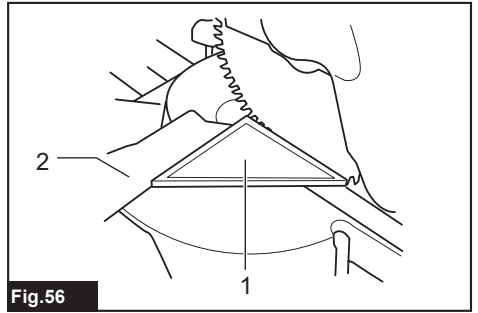


Fig.56

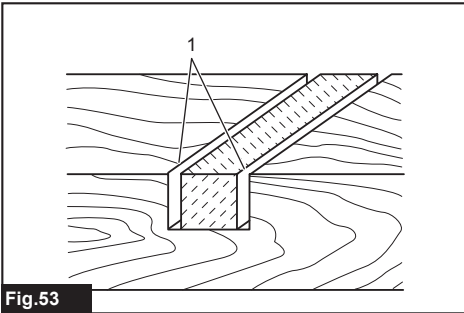


Fig.53

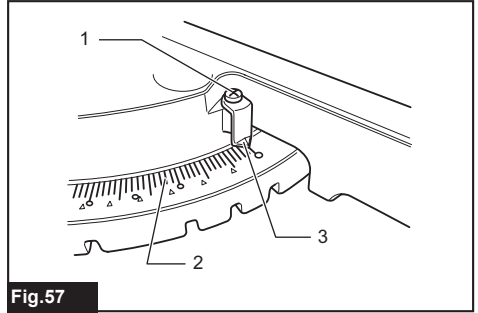


Fig.57

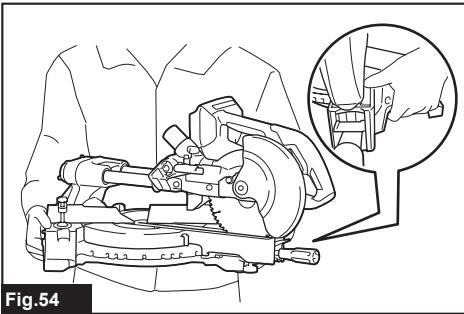


Fig.54

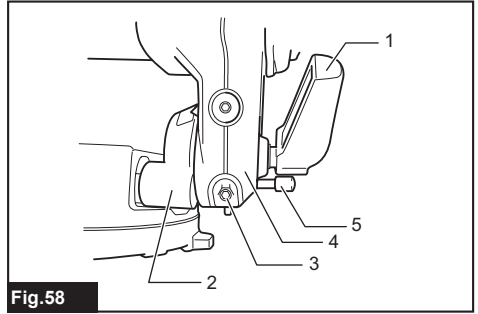


Fig.58

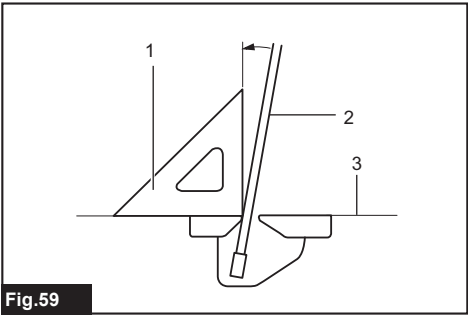


Fig.59

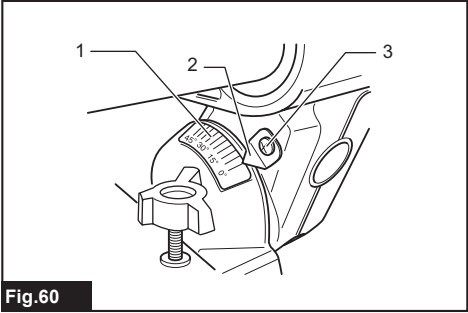


Fig.60

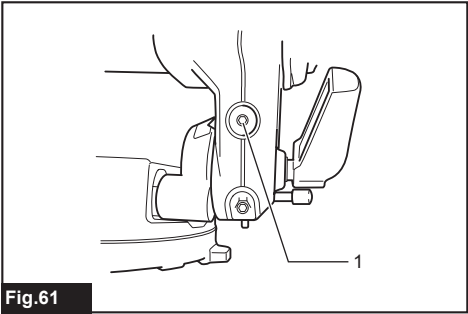


Fig.61

SPECIFICATIONS

Model:	DLS714
Blade diameter	190 mm
Hole (arbor) diameter (country specific)	20 mm or 15.88 mm
Max. kerf thickness of the saw blade	2.2 mm
Max. miter angle	Left 47°, Right 57°
Max. bevel angle	Left 45°, Right 5°
No load speed	5,700 min ⁻¹
Dimensions (L x W x H)	655 mm x 430 mm x 445 mm
Rated voltage	D.C. 36 V
Net weight	14.4 - 14.7 kg

- Due to our continuing program of research and development, the specifications herein are subject to change without notice.
- Specifications may differ from country to country.
- The weight may differ depending on the attachment(s), including the battery cartridge. The lightest and heaviest combinations, according to EPTA-Procedure 01/2014, are shown in the table.

Applicable battery cartridge and charger

Battery cartridge	BL1815N / BL1820B / BL1830B / BL1840B / BL1850B / BL1860B
Charger	DC18RC / DC18RD / DC18RE / DC18SD / DC18SE / DC18SF / DC18SH / DC18WC

- Some of the battery cartridges and chargers listed above may not be available depending on your region of residence.

⚠ WARNING: Only use the battery cartridges and chargers listed above. Use of any other battery cartridges and chargers may cause injury and/or fire.

Cutting capacities (H x W) with blade 190 mm in diameter

Miter angle	Bevel angle		
	45° (left)	0°	5° (right)
0°	40 mm x 300 mm	52 mm x 300 mm	40 mm x 300 mm
	45 mm x 265 mm (NOTE 1)	60 mm x 265 mm (NOTE 1)	–
45° (left and right)	40 mm x 212 mm	52 mm x 212 mm	–
	45 mm x 185 mm (NOTE 2)	60 mm x 185 mm (NOTE 2)	–
57° (right)	–	52 mm x 163 mm	–
	–	60 mm x 145 mm (NOTE 3)	–

1. Max. Cutting capacity when using a wood facing 20 mm thickness
2. Max. Cutting capacity when using a wood facing 15 mm thickness
3. Max. Cutting capacity when using a wood facing 10 mm thickness

Symbols

The followings show the symbols which may be used for the equipment. Be sure that you understand their meaning before use.



Read instruction manual.



To avoid injury from flying debris, keep holding the saw head down, after making cuts, until the blade has come to a complete stop.



When performing slide cut, first pull carriage fully and press down handle, then push carriage toward the guide fence.



Do not place hand or fingers close to the blade.



Always set SUB-FENCE to left position when performing left bevel cuts. Failure to do so may cause serious injury to operator.



Only for EU countries
Due to the presence of hazardous components in the equipment, waste electrical and electronic equipment, accumulators and batteries may have a negative impact on the environment and human health. Do not dispose of electrical and electronic appliances or batteries with household waste!

In accordance with the European Directive on waste electrical and electronic equipment and on accumulators and batteries and waste accumulators and batteries, as well as their adaptation to national law, waste electrical equipment, batteries and accumulators should be stored separately and delivered to a separate collection point for municipal waste, operating in accordance with the regulations on environmental protection.

This is indicated by the symbol of the crossed-out wheeled bin placed on the equipment.

Intended use

The tool is intended for accurate straight and miter cutting in wood. With appropriate saw blades, aluminum can also be sawed.

Do not use the saw to cut other than wood, aluminum or similar materials.

Noise

The typical A-weighted noise level determined according to EN62841-3-9:

Sound pressure level ($L_{p(A)}$) : 88 dB (A)

Sound power level ($L_{w(A)}$) : 97 dB (A)

Uncertainty (K) : 3 dB (A)

NOTE: The declared noise emission value(s) has been measured in accordance with a standard test method and may be used for comparing one tool with another.

NOTE: The declared noise emission value(s) may also be used in a preliminary assessment of exposure.

⚠ WARNING: Wear ear protection.

⚠ WARNING: The noise emission during actual use of the power tool can differ from the declared value(s) depending on the ways in which the tool is used especially what kind of workpiece is processed.

⚠ WARNING: Be sure to identify safety measures to protect the operator that are based on an estimation of exposure in the actual conditions of use (taking account of all parts of the operating cycle such as the times when the tool is switched off and when it is running idle in addition to the trigger time).

Vibration

The vibration total value (tri-axial vector sum) determined according to EN62841-3-9:

Vibration emission (a_h) : 2.5 m/s² or less

Uncertainty (K) : 1.5 m/s²

NOTE: The declared vibration total value(s) has been measured in accordance with a standard test method and may be used for comparing one tool with another.

NOTE: The declared vibration total value(s) may also be used in a preliminary assessment of exposure.

⚠ WARNING: The vibration emission during actual use of the power tool can differ from the declared value(s) depending on the ways in which the tool is used especially what kind of workpiece is processed.

⚠ WARNING: Be sure to identify safety measures to protect the operator that are based on an estimation of exposure in the actual conditions of use (taking account of all parts of the operating cycle such as the times when the tool is switched off and when it is running idle in addition to the trigger time).

Declarations of Conformity

For European countries only

The Declarations of conformity are included in Annex A to this instruction manual.

SAFETY WARNINGS

General power tool safety warnings

⚠ WARNING Read all safety warnings, instructions, illustrations and specifications provided with this power tool. Failure to follow all instructions listed below may result in electric shock, fire and/or serious injury.

Save all warnings and instructions for future reference.

The term "power tool" in the warnings refers to your mains-operated (corded) power tool or battery-operated (cordless) power tool.

Safety instructions for mitre saws

- Mitre saws are intended to cut wood or wood-like products, they cannot be used with abrasive cut-off wheels for cutting ferrous material such as bars, rods, studs, etc.** Abrasive dust causes moving parts such as the lower guard to jam. Sparks from abrasive cutting will burn the lower guard, the kerf insert and other plastic parts.
 - Use clamps to support the workpiece whenever possible. If supporting the workpiece by hand, you must always keep your hand at least 100 mm from either side of the saw blade. Do not use this saw to cut pieces that are too small to be securely clamped or held by hand.** If your hand is placed too close to the saw blade, there is an increased risk of injury from blade contact.
 - The workpiece must be stationary and clamped or held against both the fence and the table. Do not feed the workpiece into the blade or cut "freehand" in any way.** Unrestrained or moving workpieces could be thrown at high speeds, causing injury.
 - Push the saw through the workpiece. Do not pull the saw through the workpiece. To make a cut, raise the saw head and pull it out over the workpiece without cutting, start the motor, press the saw head down and push the saw through the workpiece.** Cutting on the pull stroke is likely to cause the saw blade to climb on top of the workpiece and violently throw the blade assembly towards the operator.
 - Never cross your hand over the intended line of cutting either in front or behind the saw blade.** Supporting the workpiece "cross handed" i.e. holding the workpiece to the right of the saw blade with your left hand or vice versa is very dangerous.
- **Fig.1**
- Do not reach behind the fence with either hand closer than 100 mm from either side of the saw blade, to remove wood scraps, or for any other reason while the blade is spinning.** The proximity of the spinning saw blade to your hand may not be obvious and you may be seriously injured.
 - Inspect your workpiece before cutting. If the workpiece is bowed or warped, clamp it with the outside bowed face toward the fence. Always make certain that there is no gap between the workpiece, fence and table along the line of the cut.** Bent or warped workpieces can twist or shift and may cause binding on the spinning saw blade while cutting. There should be no nails or foreign objects in the workpiece.
 - Do not use the saw until the table is clear of all tools, wood scraps, etc., except for the workpiece.** Small debris or loose pieces of wood or other objects that contact the revolving blade can be thrown with high speed.
 - Cut only one workpiece at a time.** Stacked multiple workpieces cannot be adequately clamped or braced and may bind on the blade or shift during cutting.
 - Ensure the mitre saw is mounted or placed on a level, firm work surface before use.** A level and firm work surface reduces the risk of the mitre saw becoming unstable.
 - Plan your work. Every time you change the bevel or mitre angle setting, make sure the adjustable fence is set correctly to support the workpiece and will not interfere with the blade or the guarding system.** Without turning the tool "ON" and with no workpiece on the table, move the saw blade through a complete simulated cut to assure there will be no interference or danger of cutting the fence.
 - Provide adequate support such as table extensions, saw horses, etc. for a workpiece that is wider or longer than the table top.** Workpieces longer or wider than the mitre saw table can tip if not securely supported. If the cut-off piece or workpiece tips, it can lift the lower guard or be thrown by the spinning blade.
 - Do not use another person as a substitute for a table extension or as additional support.** Unstable support for the workpiece can cause the blade to bind or the workpiece to shift during the cutting operation pulling you and the helper into the spinning blade.
 - The cut-off piece must not be jammed or pressed by any means against the spinning saw blade.** If confined, i.e. using length stops, the cut-off piece could get wedged against the blade and thrown violently.
 - Always use a clamp or a fixture designed to properly support round material such as rods or tubing.** Rods have a tendency to roll while being cut, causing the blade to "bite" and pull the work with your hand into the blade.
 - Let the blade reach full speed before contacting the workpiece.** This will reduce the risk of the workpiece being thrown.
 - If the workpiece or blade becomes jammed, turn the mitre saw off. Wait for all moving parts to stop and disconnect the plug from the power source and/or remove the battery pack. Then work to free the jammed material.** Continued sawing with a jammed workpiece could cause loss of control or damage to the mitre saw.
 - After finishing the cut, release the switch, hold the saw head down and wait for the blade to stop before removing the cut-off piece.** Reaching with your hand near the coasting blade is dangerous.
 - Hold the handle firmly when making an incomplete cut or when releasing the switch before the saw head is completely in the down position.** The braking action of the saw may cause the saw head to be suddenly pulled downward, causing a risk of injury.
 - Only use the saw blade with the diameter that is marked on the tool or specified in the manual.** Use of an incorrectly sized blade may affect the proper guarding of the blade or guard operation which could result in serious personal injury.
 - Only use the saw blades that are marked with a speed equal or higher than the speed marked on the tool.**

22. Do not use the saw to cut other than wood, aluminum or similar materials.
23. (For European countries only)
Always use the blade which conforms to EN847-1.

Additional instructions

1. Make workshop kid proof with padlocks.
2. Never stand on the tool. Serious injury could occur if the tool is tipped or if the cutting tool is unintentionally contacted.
3. Never leave the tool running unattended. Turn the power off. Do not leave tool until it comes to a complete stop.
4. Do not operate saw without guards in place. Check blade guard for proper closing before each use. Do not operate saw if blade guard does not move freely and close instantly. Never clamp or tie the blade guard into the open position.
5. Keep hands out of path of saw blade. Avoid contact with any coasting blade. It can still cause severe injury.
6. To reduce the risk of injury, return carriage to the full rear position after each crosscut operation.
7. Always secure all moving portions before carrying the tool.
8. Stopper pin which locks the cutter head down is for carrying and storage purposes only and not for any cutting operations.
9. Check the blade carefully for cracks or damage before operation. Replace cracked or damaged blade immediately. Gum and wood pitch hardened on blades slows saw and increases potential for kickback. Keep blade clean by first removing it from tool, then cleaning it with gum and pitch remover, hot water or kerosene. Never use gasoline to clean blade.
10. While making a slide cut, KICKBACK can occur. KICKBACK occurs when the blade binds in the workpiece during a cutting operation and the saw blade is driven rapidly towards the operator. Loss of control and serious personal injury can result. If blade begins to bind during a cutting operation, do not continue to cut and release switch immediately.
11. Use only flanges specified for this tool.
12. Be careful not to damage the arbor, flanges (especially the installing surface) or bolt. Damage to these parts could result in blade breakage.
13. Make sure that the turn base is properly secured so it will not move during operation. Use the holes in the base to fasten the saw to a stable work platform or bench. NEVER use tool where operator positioning would be awkward.
14. Make sure the shaft lock is released before the switch is turned on.
15. Be sure that the blade does not contact the turn base in the lowest position.
16. Hold the handle firmly. Be aware that the saw moves up or down slightly during start-up and stopping.
17. Make sure the blade is not contacting the workpiece before the switch is turned on.
18. Before using the tool on an actual workpiece, let it run for a while. Watch for vibration or wobbling that could indicate poor installation or a poorly balanced blade.
19. Stop operation immediately if you notice anything abnormal.
20. Do not attempt to lock the trigger in the "ON" position.
21. Always use accessories recommended in this manual. Use of improper accessories such as abrasive wheels may cause an injury.
22. Some material contains chemicals which may be toxic. Take caution to prevent dust inhalation and skin contact. Follow material supplier safety data.

Additional safety rules for the laser

1. LASER RADIATION, DO NOT STARE INTO THE BEAM OR VIEW DIRECTLY WITH OPTICAL INSTRUMENTS, CLASS 2M LASER PRODUCT.

SAVE THESE INSTRUCTIONS.

⚠WARNING: DO NOT let comfort or familiarity with product (gained from repeated use) replace strict adherence to safety rules for the subject product. MISUSE or failure to follow the safety rules stated in this instruction manual may cause serious personal injury.

Important safety instructions for battery cartridge

1. Before using battery cartridge, read all instructions and cautionary markings on (1) battery charger, (2) battery, and (3) product using battery.
2. Do not disassemble or tamper with the battery cartridge. It may result in a fire, excessive heat, or explosion.
3. If operating time has become excessively shorter, stop operating immediately. It may result in a risk of overheating, possible burns and even an explosion.
4. If electrolyte gets into your eyes, rinse them out with clear water and seek medical attention right away. It may result in loss of your eyesight.
5. Do not short the battery cartridge:
 - (1) Do not touch the terminals with any conductive material.
 - (2) Avoid storing battery cartridge in a container with other metal objects such as nails, coins, etc.
 - (3) Do not expose battery cartridge to water or rain.

A battery short can cause a large current flow, overheating, possible burns and even a breakdown.
6. Do not store and use the tool and battery cartridge in locations where the temperature may reach or exceed 50 °C (122 °F).

7. **Do not incinerate the battery cartridge even if it is severely damaged or is completely worn out. The battery cartridge can explode in a fire.**
8. **Do not nail, cut, crush, throw, drop the battery cartridge, or hit against a hard object to the battery cartridge.** Such conduct may result in a fire, excessive heat, or explosion.
9. **Do not use a damaged battery.**
10. **The contained lithium-ion batteries are subject to the Dangerous Goods Legislation requirements.**
For commercial transports e.g. by third parties, forwarding agents, special requirement on packaging and labeling must be observed.
For preparation of the item being shipped, consulting an expert for hazardous material is required.
Please also observe possibly more detailed national regulations.
Tape or mask off open contacts and pack up the battery in such a manner that it cannot move around in the packaging.
11. **When disposing the battery cartridge, remove it from the tool and dispose of it in a safe place. Follow your local regulations relating to disposal of battery.**
12. **Use the batteries only with the products specified by Makita.** Installing the batteries to non-compliant products may result in a fire, excessive heat, explosion, or leak of electrolyte.
13. **If the tool is not used for a long period of time, the battery must be removed from the tool.**
14. **During and after use, the battery cartridge may take on heat which can cause burns or low temperature burns. Pay attention to the handling of hot battery cartridges.**
15. **Do not touch the terminal of the tool immediately after use as it may get hot enough to cause burns.**
16. **Do not allow chips, dust, or soil stuck into the terminals, holes, and grooves of the battery cartridge.** It may cause heating, catching fire, burst and malfunction of the tool or battery cartridge, resulting in burns or personal injury.
17. **Unless the tool supports the use near high-voltage electrical power lines, do not use the battery cartridge near high-voltage electrical power lines.** It may result in a malfunction or breakdown of the tool or battery cartridge.
18. **Keep the battery away from children.**

SAVE THESE INSTRUCTIONS.

⚠ CAUTION: Only use genuine Makita batteries. Use of non-genuine Makita batteries, or batteries that have been altered, may result in the battery bursting causing fires, personal injury and damage. It will also void the Makita warranty for the Makita tool and charger.

Tips for maintaining maximum battery life

1. **Charge the battery cartridge before completely discharged. Always stop tool operation and charge the battery cartridge when you notice less tool power.**
2. **Never recharge a fully charged battery cartridge. Overcharging shortens the battery service life.**
3. **Charge the battery cartridge with room temperature at 10 °C - 40 °C (50 °F - 104 °F). Let a hot battery cartridge cool down before charging it.**
4. **When not using the battery cartridge, remove it from the tool or the charger.**
5. **Charge the battery cartridge if you do not use it for a long period (more than six months).**

PARTS DESCRIPTION

► Fig.2

1	Lock-off button	2	Switch trigger	3	Blade case	4	Adjusting screw (for lower limit position)
5	Adjusting bolt (for maximum cutting capacity)	6	Stopper arm	7	Dust bag	8	Bevel scale
9	Blade guard	10	Vertical vice	11	Guide fence	12	Holder
13	Lock lever (for turn base)	14	Grip (for turn base)	15	Adjusting bolt (for turn base)	16	Kerf board
17	Pointer (for miter angle)	18	Turn base	19	Holder assembly	20	Fence shaft
21	Sub-fence	-	-	-	-	-	-

► Fig.3

22	Slide pole (upper)	23	Thumb screw (for locking upper slide pole)	24	Hex wrench	25	Clamp screw (for locking holder)
26	Lever (for bevel angle adjustment)	27	Slide pole (lower)	28	Thumb screw (for locking lower slide pole)	-	-

INSTALLATION

Bench mounting

⚠ WARNING: Ensure that the tool does not move on the supporting surface. Movement of the miter saw on the supporting surface while cutting may result in loss of control and serious personal injury.

1. Fix the base to a level and stable surface, screwing with two bolts. This helps to prevent from tipping and possible injury.

► Fig.4: 1. Bolt

2. Turn the adjusting bolt clockwise or counterclockwise so that it comes into a contact with the floor surface to keep the tool stable.

► Fig.5: 1. Adjusting bolt

Installing the holders and holder assemblies

NOTE: In some countries, the holders and holder assemblies may not be included in the tool package as standard accessory.

The holders and the holder assemblies support workpieces horizontally.

Tighten the fence shafts to the holder assemblies using the hex wrench.

► Fig.6: 1. Holder 2. Holder assembly 3. Fence shaft 4. Hex wrench

Install the holders and the holder assemblies on both side as shown in the figure. When installing, make sure that the fence shaft is in the same line of the guide fence when installed to the tool.

► Fig.7: 1. Holder 2. Holder assembly 3. Screw

Then tighten the screws firmly to secure the holders and the holder assemblies.

FUNCTIONAL DESCRIPTION

⚠ WARNING: Always be sure that the tool is switched off and the battery cartridge is removed before adjusting or checking the functions on the tool. Failure to switch off and remove the battery cartridge may result in serious personal injury from accidental start-up.

Installing or removing battery cartridge

⚠ CAUTION: Always switch off the tool before installing or removing of the battery cartridge.

⚠ CAUTION: Hold the tool and the battery cartridge firmly when installing or removing battery cartridge.

Failure to hold the tool and the battery cartridge firmly may cause them to slip off your hands and result in damage to the tool and battery cartridge and a personal injury.

► Fig.8: 1. Red indicator 2. Button 3. Battery cartridge

To remove the battery cartridge, slide it from the tool while sliding the button on the front of the cartridge.

To install the battery cartridge, align the tongue on the battery cartridge with the groove in the housing and slip it into place. Insert it all the way until it locks in place with a little click. If you can see the red indicator on the upper side of the button, it is not locked completely.

⚠ CAUTION: Always install the battery cartridge fully until the red indicator cannot be seen. If not, it may accidentally fall out of the tool, causing injury to you or someone around you.

⚠ CAUTION: Do not install the battery cartridge forcibly. If the cartridge does not slide in easily, it is not being inserted correctly.

NOTE: The tool does not work with only one battery cartridge.

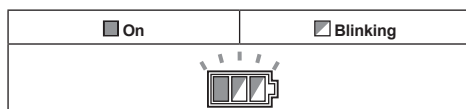
Tool / battery protection system

The tool is equipped with a tool/battery protection system. This system automatically cuts off power to the motor to extend tool and battery life. The tool will automatically stop during operation if the tool or battery is placed under one of the following conditions:

Overload protection

When the tool is operated in a manner that causes it to draw an abnormally high current, the tool automatically stops without any indication. In this situation, turn the tool off and stop the application that caused the tool to become overloaded. Then turn the tool on to restart.

Overheat protection



When the tool is overheated, the tool stops automatically, and the battery indicator blinks about 60 seconds. In this situation, let the tool cool down before turning the tool on again.

Overdischarge protection

When the battery capacity becomes low, the tool stops automatically. If the product does not operate even when the switches are operated, remove the batteries from the tool and charge the batteries.

Indicating the remaining battery capacity

► Fig.9: 1. Battery indicator 2. Check button

Press the check button to indicate the remaining battery capacities. The battery indicators correspond to each battery.

Battery indicator status			Remaining battery capacity
On	Off	Blinking	
			50% to 100%
			20% to 50%
			0% to 20%
			Charge the battery

Indicating the remaining battery capacity

Only for battery cartridges with the indicator

► Fig.10: 1. Indicator lamps 2. Check button

Press the check button on the battery cartridge to indicate the remaining battery capacity. The indicator lamps light up for a few seconds.

Indicator lamps			Remaining capacity
Lighted	Off	Blinking	
			75% to 100%
			50% to 75%
			25% to 50%
			0% to 25%
			Charge the battery.
			The battery may have malfunctioned.

NOTE: Depending on the conditions of use and the ambient temperature, the indication may differ slightly from the actual capacity.

NOTE: The first (far left) indicator lamp will blink when the battery protection system works.

Automatic speed change function

► Fig.11: 1. Mode indicator

Mode indicator status	Operation mode
	High speed mode
	High torque mode

This tool has "high speed mode" and "high torque mode". It automatically changes operation mode depending on the work load. When mode indicator lights up during operation, the tool is in high torque mode.

Stopper pin

CAUTION: Always hold the handle when releasing the stopper pin. Otherwise the handle springs up and it may result in personal injury.

To release the stopper pin, keep applying a slight downward pressure on the handle and then pulling the stopper pin.

► Fig.12: 1. Stopper pin

Blade guard

WARNING: Never defeat or remove the blade guard or the spring which attaches to the guard. An exposed blade as a result of defeated guarding may result in serious personal injury during operation.

WARNING: Never use the tool if the blade guard or spring are damaged, faulty or removed. Operation of the tool with a damaged, faulty or removed guard may result in serious personal injury.

CAUTION: Always maintain the blade guard in good condition for safe operation. Stop the operation immediately if there are any irregularity of the blade guard. Check to assure spring loaded return action of guard.

► Fig.13: 1. Blade guard

When lowering the handle, the blade guard raises automatically. The guard is spring loaded so it returns to its original position when the cut is completed and the handle is raised.

Cleaning

► Fig.14: 1. Blade guard

If the transparent blade guard becomes dirty, or sawdust adheres to it in such a way that the blade and/or workpiece is no longer easily visible, remove the battery cartridge and clean the guard carefully with a damp cloth. Do not use solvents or any petroleum-based cleaners on the plastic guard because this may cause damage to the guard.

For cleaning, raise the blade guard by referring to "Installing or removing saw blade".

After cleaning, make sure to return the blade and center cover and tighten the hex socket bolt.

1. Make sure that the tool is switched off and the battery cartridges are removed.
2. Turn the hex socket bolt counterclockwise using the supplied hex wrench with holding the center cover.
3. Raise the blade guard and center cover.
4. When cleaning is complete, return the center cover and tighten the hex socket bolt by performing the steps above in reverse.

⚠WARNING: Do not remove spring holding blade guard. If guard becomes damaged in course of time or UV light exposure, contact a Makita service center for replacement. **DO NOT DEFEAT OR REMOVE GUARD.**

Positioning kerf board

This tool is provided with the kerf boards in the turn base to minimize tearing on the exit side of a cut. The kerf boards are factory adjusted so that the saw blade does not contact the kerf boards. Before use, adjust the kerf boards as follows:

1. Make sure to remove the battery cartridge. Then, loosen all the screws (2 each on left and right) securing the kerf boards.

► Fig.15: 1. Kerf board 2. Screw

2. Re-tighten them only to the extent that the kerf boards can still be easily moved by hand.
3. Lower the handle fully and push in the stopper pin to lock the handle in the lowered position.
4. Loosen two clamp screws which secure the slide poles.

► Fig.16: 1. Thumb screw

5. Pull the carriage toward you fully.
6. Adjust the kerf boards so that the kerf boards just contact the sides of the blade teeth.

► Fig.17

► Fig.18: 1. Saw blade 2. Blade teeth 3. Kerf board 4. Left bevel cut 5. Straight cut

7. Tighten the front screws (do not tighten firmly).
8. Push the carriage toward the guide fence fully and adjust the kerf boards so that the kerf boards just contact the sides of blade teeth.
9. Tighten the rear screws (do not tighten firmly).

10. After adjusting the kerf boards, release the stopper pin and raise the handle. Then tighten all the screws securely.

NOTICE: After setting the bevel angle ensure that the kerf boards are adjusted properly. Correct adjustment of the kerf boards helps to provide proper support of the workpiece and minimizing workpiece tear out.

Maintaining maximum cutting capacity

This tool is factory adjusted to provide the maximum cutting capacity for a 190 mm saw blade.

When installing a new circular saw blade, always check the lower limit position of the circular saw blade, and if necessary, adjust it as follows:

1. Remove the battery cartridge. Then, push the carriage toward the guide fence fully and lower the handle completely.

► Fig.19: 1. Adjusting bolt 2. Guide fence

2. Use the hex wrench to turn the adjusting bolt until the circular saw blade comes slightly below the cross section of the guide fence and the top surface of the turn base.

► Fig.20

3. Rotate the blade by hand while holding the handle all the way down to be sure that the circular saw blade does not contact any part of the lower base. Re-adjust slightly, if necessary.

⚠WARNING: After installing a new circular saw blade and with the battery cartridge removed, always be sure that the circular saw blade does not contact any part of the lower base when the handle is lowered completely. If a circular saw blade makes contact with the base, it may cause kickback and result in serious personal injury.

► Fig.21

Stopper arm

The lower limit position of the blade can be easily adjusted with the stopper arm. To adjust it, move the stopper arm in the direction of the arrow as shown in the figure. Turn the adjusting screw and press down the handle fully to check the result.

► Fig.22: 1. Adjusting screw 2. Stopper arm

Sub-fence

Country specific

⚠CAUTION: When performing left bevel cuts, flip the sub-fence outward. Otherwise, it may contact the blade or a part of the tool, and may result in serious injury to the operator.

► Fig.23: 1. Sub-fence

This tool is equipped with the sub-fence. Usually position the sub-fence inside. However, when performing left bevel cuts, flip it outward.

Adjusting the miter angle

- **Fig.24:** 1. Turn base 2. Lock lever 3. Miter scale
4. Pointer 5. Grip

1. Loosen the grip counterclockwise.
2. Press down and hold the lock lever, and adjust the angle of the turn base. Use the pointer and the miter scale as a guide.
3. Tighten the grip clockwise firmly.

CAUTION: After changing the miter angle, always secure the turn base by tightening the grip firmly.

NOTICE: When turning the turn base, be sure to raise the handle fully.

Adjusting the bevel angle

To adjust the bevel angle, loosen the lever at the rear of the tool counterclockwise.

- **Fig.25:** 1. Lever 2. Release button

To tilt the blade to the left, hold the handle and tilt the carriage. Use the bevel scale and the pointer as a guide. Then tighten the lever clockwise firmly to secure the arm.

- **Fig.26:** 1. Pointer 2. Bevel scale 3. Arm

To tilt the blade to the right, hold the handle and tilt the carriage to the left slightly, and push the release button. With the release button pressed, tilt the saw blade to the right. Then tighten the lever.

CAUTION: After changing the bevel angle, always secure the arm by tightening the lever clockwise.

NOTICE: When tilting the saw blade be sure the handle is fully raised.

NOTICE: When changing bevel angles, be sure to position the kerf boards appropriately as explained in the "Positioning kerf boards" section.

Adjusting the lever position

If the lever does not provide full tightening in course of time, change the position of the lever. The lever can be repositioned at every 30° angle.

Loosen and remove the screw that secures the lever. Remove the lever and install it again so that it points slightly above the horizontal. Then, tighten the lever with the screw firmly.

- **Fig.27:** 1. Lever 2. Screw

Switch action

WARNING: Before installing the battery cartridge on the tool, always check to see that the switch trigger actuates properly and returns to the "OFF" position when released. Operating a tool with a switch that does not actuate properly can lead to loss of control and serious personal injury.

WARNING: Do not use a lock with a shank or cable any smaller than 6.35 mm (1/4") in diameter. A smaller shank or cable may not properly lock the tool in the off position and unintentional operation may occur resulting in serious personal injury.

WARNING: NEVER use tool without a fully operative switch trigger. Any tool with an inoperative switch is HIGHLY DANGEROUS and must be repaired before further usage or serious personal injury may occur.

WARNING: For your safety, this tool is equipped with a lock-off button which prevents the tool from unintended starting. **NEVER use the tool if it runs when you simply pull the switch trigger without pressing the lock-off button.** A switch in need of repair may result in unintentional operation and serious personal injury. Return tool to a Makita service center for proper repairs BEFORE further usage.

WARNING: NEVER defeat the lock-off button by taping down or some other means. A switch with a negated lock-off button may result in unintentional operation and serious personal injury.

NOTICE: Do not pull the switch trigger hard without pressing in the lock-off button. This can cause switch breakage.

To prevent the switch trigger from being accidentally pulled, a lock-off button is provided. To start the tool, press in the lock-off button and pull the switch trigger. Release the switch trigger to stop.

The lock-off button can be pressed from either right or left. A hole is provided in the switch trigger for insertion of a padlock to lock the tool off.

- **Fig.28:** 1. Lock-off button 2. Switch trigger 3. Hole for padlock

ASSEMBLY

WARNING: Always be sure that the tool is switched off and the battery cartridge is removed before working on the tool. Failure to switch off and remove the battery cartridge may result in serious personal injury.

Hex wrench storage

The hex wrench is stored as shown in the figure. When the hex wrench is needed it can be pulled out of the wrench holder.

After using the hex wrench it can be stored by returning it to the wrench holder.

- **Fig.29:** 1. Wrench holder 2. Hex wrench

Installing or removing saw blade

⚠ WARNING: Always be sure that the tool is switched off and the battery cartridge is removed before installing or removing the blade. Accidental start up of the tool may result in serious personal injury.

⚠ CAUTION: Use only the Makita hex wrench provided to install or remove the blade. Failure to do so may result in overtightening or insufficient tightening of the hex socket bolt. This could cause an injury.

Installing the circular saw blade

1. Lock the handle in the raised position by pushing in the stopper pin.
▶ **Fig.30:** 1. Stopper pin
2. Use the hex wrench to loosen the hex socket bolt holding the center cover by turning it counterclockwise. Then, raise the blade guard and center cover.
▶ **Fig.31:** 1. Center cover 2. Hex socket bolt 3. Hex wrench 4. Blade guard
3. Press the shaft lock to lock the spindle and use the hex wrench to loosen the hex socket bolt clockwise. Then remove the hex socket bolt and outer flange.
▶ **Fig.32:** 1. Shaft lock 2. Hex socket bolt 3. Outer flange
4. Mount the blade carefully onto the inner flange. Make sure that the direction of the arrow on the blade matches the direction of the arrow on the blade case.
▶ **Fig.33:** 1. Outer flange 2. Saw blade 3. Inner flange 4. Hex socket bolt (left-handed) 5. Spindle 6. Blade mounting part
▶ **Fig.34:** 1. Saw blade 2. Arrow
5. Install the outer flange and hex socket bolt, and then use the hex wrench to tighten the hex socket bolt (left-handed) of the spindle securely counterclockwise while pressing the shaft lock.
6. Return the blade guard and center cover to its original position. Then tighten the hex socket bolt of the center cover clockwise to secure the center cover.
7. Release the handle from the raised position by pulling the stopper pin. Lower the handle to make sure that the blade guard moves properly.
8. Make sure the shaft lock has released spindle before making cut.

For tool with the inner flange for 15.88 mm hole-diameter saw blade

Country specific

Mount the inner flange with its recessed side facing outward onto the mounting shaft and then place circular saw blade (with the ring attached if needed), outer flange and hex bolt.

For tool without the ring

- ▶ **Fig.35:** 1. Outer flange 2. Saw blade 3. Inner flange 4. Hex socket bolt (left-handed) 5. Spindle

For tool with the ring

- ▶ **Fig.36:** 1. Outer flange 2. Saw blade 3. Inner flange 4. Hex socket bolt (left-handed) 5. Ring 6. Spindle

⚠ WARNING: If the ring is needed to mount the blade onto the spindle, always be sure that the correct ring for the blade's arbor hole you intend to use is installed between the inner and the outer flanges. Use of the incorrect arbor hole ring may result in the improper mounting of the blade causing blade movement and severe vibration resulting in possible loss of control during operation and in serious personal injury.

For tool with the inner flange for other than 20 mm or 15.88 mm hole-diameter saw blade

Country specific

The inner flange has a certain diameter of a blade mounting part on one side of it and a different diameter of blade mounting part on the other side. Choose a correct side on which blade mounting part fits into the saw blade hole perfectly.

- ▶ **Fig.37:** 1. Outer flange 2. Saw blade 3. Inner flange 4. Hex socket bolt (left-handed) 5. Spindle 6. Blade mounting part

⚠ CAUTION: Make sure that the blade mounting part "a" on the inner flange that is positioned outside fits into the saw blade hole "a" perfectly. Mounting the blade on the wrong side can result in the dangerous vibration.

Removing saw blade

1. Lock the handle in the raised position by pushing in the stopper pin.
2. Use the hex wrench to loosen the hex socket bolt holding the center cover by turning it counterclockwise. Then, raise the blade guard and center cover.
3. Press the shaft lock to lock the spindle and use the hex wrench to loosen the hex socket bolt clockwise. Then remove the hex socket bolt, outer flange and blade.

When storing the tool, install the outer flange and lightly tighten the hex socket bolt by hand to prevent loss.

Connecting a vacuum cleaner

When you wish to perform clean cutting operation, connect a Makita vacuum cleaner.

- ▶ **Fig.38**

Dust bag

Optional accessory

The use of the dust bag makes cutting operations cleaner and dust collection easier.

To attach the dust bag, fit it onto the dust nozzle.

To attach the fastener, align the top end of the fastener with the triangular mark on the dust bag.

When the dust bag is about half full, remove the dust bag from the tool and pull the fastener out. Empty the dust bag of its contents, tapping it lightly so as to remove particles adhering to the insides which might hamper further collection.

► **Fig.39:** 1. Dust bag 2. Dust nozzle 3. Fastener

Securing workpiece

⚠ WARNING: It is extremely important to always secure the workpiece correctly with the proper type of vise. Failure to do so may result in serious personal injury and cause damage to the tool and/or the workpiece.

⚠ WARNING: When cutting a workpiece that is longer than the support base of the saw, support the entire length of the material beyond the support base and at the same height to keep the material level. Proper workpiece support helps to avoid blade pinch and possible kickback which may result in serious personal injury. Do not rely solely on the vertical vise and/or horizontal vise to secure the workpiece. Thin material tends to sag. Support workpiece over its entire length to avoid blade pinch and possible KICKBACK.

► **Fig.40:** 1. Support 2. Turn base

Vertical vise

⚠ WARNING: Secure the workpiece firmly against the turn base and guide fence with the vise during all operations. Otherwise the material may move during the cutting operation, cause damage to the blade, and be thrown which may result in loss of control and serious personal injury.

Install the vertical vise on either the left or right side of the guide fence or the holder assembly. Insert the vise rod into the hole in the guide fence or the holder assembly and tighten the lower screw to secure the vise rod.

► **Fig.41:** 1. Vise arm 2. Vise rod 3. Guide fence
4. Holder 5. Holder assembly 6. Vise knob
7. Lower screw 8. Upper screw

Position the vise arm according to the thickness and shape of the workpiece and secure the vise arm by tightening the upper screw. If the upper screw contacts the guide fence, install the upper screw on the opposite side of vise arm. Make sure that no part of the tool contacts the vise when lowering the handle fully and pulling or pushing the carriage all the way. If some part contacts the vise, re-position the vise.

Press the workpiece flat against the guide fence and the turn base. Position the workpiece at the desired cutting position and secure it firmly by tightening the vise knob.

Horizontal vise

Optional accessory

⚠ WARNING: Grip the workpiece only when the indicator is at the topmost position. Failure to do so may result in insufficient securing of the workpiece. This may cause the workpiece to be thrown, cause damage to the blade or cause the loss of control, which may result in personal injury.

► **Fig.42:** 1. Vise knob 2. Indicator 3. Vise shaft
4. Base

The horizontal vise can be installed on the left side of the base.

By turning the vise knob counterclockwise, the screw is released and the vise shaft can be moved rapidly in and out. By turning the vise knob clockwise, the screw remains secured.

To grip the workpiece, turn the vise knob gently clockwise until the indicator reaches its topmost position, then fasten securely. If the vise knob is forced in or pulled out while being turned clockwise, the indicator may stop at an angle. In this case, turn the vise knob back counterclockwise until the screw is released, and then turn it again gently clockwise.

The maximum capacity of the horizontal vise is 120 mm width.

Holders and holder assembly

Optional accessory

⚠ CAUTION: For the tool equipped with the holders and the holder assemblies as standard accessories, this type of use is not permitted due to the country regulations.

⚠ WARNING: Always support a long workpiece so it is level with the top surface of the turn base for an accurate cut and to prevent dangerous loss of tool control. Proper workpiece support helps to avoid blade pinch and possible kickback which may result in serious personal injury.

The holders and the holder assembly (optional accessory) can be installed on either side as a convenient means of supporting workpieces horizontally.

Install them on the side of the tool, then tighten the screws firmly to secure them.

► **Fig.43:** 1. Holder 2. Holder assembly

When cutting long workpieces, use the holder-rod assembly (optional accessory). It consists of two holder assemblies and two rods 12.

► **Fig.44:** 1. Holder assembly 2. Rod 12

OPERATION

⚠ WARNING: Make sure the blade is not contacting the workpiece, etc. before the switch is turned on. Turning the tool on with the blade in contact with the workpiece may result in kickback and serious personal injury.

⚠ WARNING: After a cutting operation, do not raise the blade until it has come to a complete stop. The raising of a coasting blade may result in serious personal injury and damage to the workpiece.

⚠ WARNING: Do not touch the clamp screws which secure the slide poles while the saw blade is rotating. Otherwise the tool may lose control and result in personal injury.

⚠ CAUTION: Do not release the saw head uncontrolled from the fully down position. Uncontrolled saw head may hit you and it will result in personal injury.

NOTICE: Before use, be sure to release the handle from the lowered position by pulling the stopper pin.

NOTICE: Do not apply excessive pressure on the handle when cutting. Too much force may result in overload of the motor and/or decreased cutting efficiency. Press down handle with only as much force as necessary for smooth cutting and without significant decrease in blade speed.

NOTICE: Gently press down the handle to perform the cut. If the handle is pressed down with force or if lateral force is applied, the blade may vibrate and leave a mark (saw mark) in the workpiece and the precision of the cut may be impaired.

NOTICE: During a slide cut, gently push the carriage toward the guide fence without stopping. If the carriage movement stops during the cut, a mark may be left in the workpiece and the precision of the cut may be impaired.

Press cutting (cutting small workpieces)

⚠ WARNING: Firmly tighten two clamp screws which secure the slide poles clockwise so that the carriage will not move during operation. Insufficient tightening of the locking screw may cause possible kickback which may result in serious personal injury.

► **Fig.45:** 1. Thumb screw 2. Holder assembly

Workpieces up to 52 mm high and 97 mm wide can be cut in the following manner.

1. Push the carriage toward the guide fence fully and tighten two clamp screws which secure the slide poles clockwise to secure the carriage.
2. Secure the workpiece with the proper type of vise.

3. Switch on the tool without the blade making any contact and wait until the blade attains full speed before lowering.

4. Gently lower the handle to the fully lowered position to cut the workpiece.

5. When the cut is completed, switch off the tool and wait until the blade has come to a complete stop before returning the blade to its fully elevated position.

Slide (push) cutting (cutting wide workpieces)

⚠ WARNING: Whenever performing a slide cut, first pull the carriage full towards you and press the handle all the way down, then push the carriage toward the guide fence. Never start the cut with the carriage not pulled fully toward you. If you perform the slide cut without the carriage pulled fully toward you unexpected kickback may occur and serious personal injury may result.

⚠ WARNING: Never attempt to perform a slide cut by pulling the carriage towards you. Pulling the carriage towards you while cutting may cause unexpected kickback resulting in possible serious personal injury.

⚠ WARNING: Never perform the slide cut with the handle locked in the lowered position.

⚠ WARNING: Never loosen the knob which secures the carriage while the blade is rotating. A loose carriage while cutting may cause unexpected kickback resulting in possible serious personal injury.

► **Fig.46:** 1. Thumb screw 2. Holder assembly

1. Loosen two clamp screws which secure the slide poles counterclockwise so that the carriage can slide freely.
2. Secure the workpiece with the proper type of vise.
3. Pull the carriage toward you fully.
4. Switch on the tool without the blade making any contact and wait until the blade attains full speed.
5. Press the handle down and push the carriage toward the guide fence and through the workpiece.
6. When the cut is completed, switch off the tool and wait until the blade has come to a complete stop before returning the blade to its fully elevated position.

Miter cutting

Refer to the section for adjusting the miter angle.

Bevel cut

⚠ WARNING: After setting the blade for a bevel cut, before operating the tool ensure that the carriage and blade will have free travel throughout the entire range of the intended cut. Interruption of the carriage or blade travel during the cutting operation may result in kickback and serious personal injury.

⚠ WARNING: While making a bevel cut keep hands out of the path of the blade. The angle of the blade may confuse the operator as to the actual blade path while cutting and contact with the blade will result in serious personal injury

⚠ WARNING: The blade should not be raised until it has come to a complete stop. During a bevel cut the piece cut off may come to rest against the blade. If the blade is raised while it is rotating the cut-off piece maybe ejected by the blade causing the material to fragment which may result in serious personal injury.

⚠ CAUTION: (Only for tools with sub-fence)
Always set the sub-fence outside when performing left bevel cuts.

► Fig.47: 1. Holder assembly

1. Loosen the lever and tilt the saw blade to set the bevel angle (Refer to the previously covered "Adjusting the bevel angle"). Be sure to retighten the lever firmly to secure the selected bevel angle safely.
2. Secure the workpiece with a vise.
3. Pull the carriage toward you fully.
4. Switch on the tool without the blade making any contact and wait until the blade attains full speed.
5. Gently lower the handle to the fully lowered position while applying pressure in parallel with the blade and **push the carriage toward the guide fence to cut the workpiece.**
6. When the cut is completed, switch off the tool and **wait until the blade has come to a complete stop** before returning the blade to its fully elevated position.

NOTICE: When pressing down the handle, apply pressure in parallel with the blade. If a force is applied perpendicularly to the turn base or if the pressure direction is changed during a cut, the precision of the cut will be impaired.

Compound cutting

Compound cutting is the process in which a bevel angle is made at the same time in which a miter angle is being cut on a workpiece. Compound cutting can be performed at the angle shown in the table.

Miter angle	Bevel angle
Left and Right 45°	Left 0° - 45°
Right 50°	Left 0° - 40°
Right 55°	Left 0° - 30°
Right 57°	Left 0° - 25°

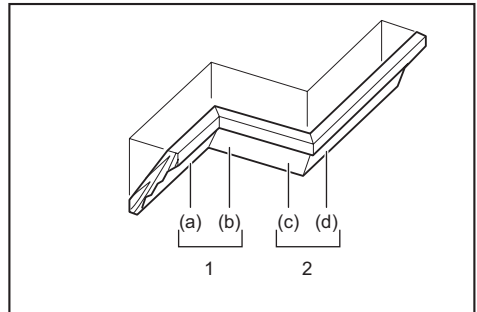
When performing compound cutting, refer to "Press cutting", "Slide cutting", "Miter cutting" and "Bevel cut" explanations.

Cutting crown and cove moldings

Crown and cove moldings can be cut on a compound miter saw with the moldings laid flat on the turn base. There are two common types of crown moldings and one type of cove moldings; 52/38° wall angle crown molding, 45° wall angle crown molding and 45° wall angle cove molding.

► Fig.48: 1. 52/38° type crown molding 2. 45° type crown molding 3. 45° type cove molding

There are crown and cove molding joints which are made to fit "Inside" 90° corners ((a) and (b) in the figure) and "Outside" 90° corners ((c) and (d) in the figure.)



1. Inside corner 2. Outside corner

► Fig.49: 1. Inside corner 2. Outside corner

Measuring

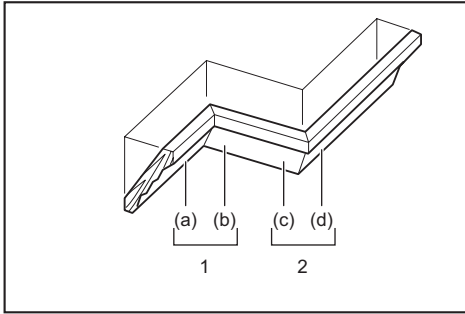
Measure the wall width, and adjust the width of the workpiece according to it. Always make sure that width of the workpiece's wall contact edge is the same as wall length.

► Fig.50: 1. Workpiece 2. Wall width 3. Width of the workpiece 4. Wall contact edge

Always use several pieces for test cuts to check the saw angles.

When cutting crown and cove moldings, set the bevel angle and miter angle as indicated in the table (A) and position the moldings on the top surface of the saw base as indicated in the table (B).

In the case of left bevel cut



1. Inside corner 2. Outside corner

Table (A)

-	Molding position in the figure	Bevel angle		Miter angle	
		52/38° type	45° type	52/38° type	45° type
For inside corner	(a)	Left 33.9°	Left 30°	Right 31.6°	Right 35.3°
	(b)			Left 31.6°	Left 35.3°
For outside corner	(c)			Right 31.6°	Right 35.3°
	(d)				

Table (B)

-	Molding position in the figure	Molding edge against guide fence	Finished piece
For inside corner	(a)	Ceiling contact edge should be against guide fence.	Finished piece will be on the Left side of blade.
	(b)	Wall contact edge should be against guide fence.	
For outside corner	(c)	Ceiling contact edge should be against guide fence.	Finished piece will be on the Right side of blade.
	(d)		

Example:

In the case of cutting 52/38° type crown molding for position (a) in the above figure:

- Tilt and secure bevel angle setting to 33.9° LEFT.
- Adjust and secure miter angle setting to 31.6° RIGHT.
- Lay crown molding with its broad back (hidden) surface down on the turn base with its CEILING CONTACT EDGE against the guide fence on the saw.
- The finished piece to be used will always be on the LEFT side of the blade after the cut has been made.

Cutting aluminum extrusion

- **Fig.51:** 1. Vise 2. Spacer block 3. Guide fence
4. Aluminum extrusion 5. Spacer block

When securing aluminum extrusions, use spacer blocks or pieces of scrap as shown in the figure to prevent deformation of the aluminum. Use a cutting lubricant when cutting the aluminum extrusion to prevent build-up of the aluminum material on the blade.

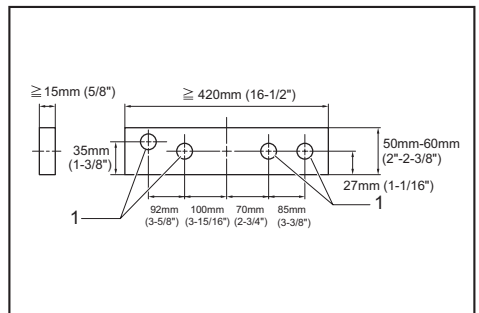
CAUTION: Never attempt to cut thick or round aluminum extrusions. Thick aluminum extrusions may come loose during operation and round aluminum extrusions cannot be secured firmly with this tool.

Wood facing

WARNING: Use screws to attach the wood facing to the guide fence. The screws should be installed so that the screw heads are below the surface of the wood facing so that they will not interfere with the positioning of the material being cut. Misalignment of the material being cut can cause unexpected movement during the cutting operation which may result in a loss of control and serious personal injury.

CAUTION: Use the straight wood of even thickness as the wood facing.

Use of wood facing helps to assure splinter-free cuts in workpieces. Attach a wood facing to the guide fence using the holes in the guide fence. See the figure concerning the dimensions for a suggested wood facing.



1. Holes

NOTICE: When the wood facing is attached, do not turn the turn base with the handle lowered. The blade and/or the wood facing will be damaged.

Cutting repetitive lengths

CAUTION: For the tool equipped with the holders and the holder assemblies as standard accessories, this type of use is not permitted due to the country regulations.

When cutting several pieces of stock to the same length, ranging from 220 mm to 385 mm, use the set plate (optional accessory). Install the set plate on the holder (optional accessory) as shown in the figure.

► **Fig.52:** 1. Set plate 2. Holder 3. Screw

Align the cutting line on your workpiece with either the left or right side of the groove in the kerf board, and while holding the workpiece, move the set plate flush against the end of the workpiece. Then secure the set plate with the screw. When the set plate is not used, loosen the screw and turn the set plate out of the way.

NOTE: Use of the holder-rod assembly (optional accessory) allows cutting repetitive lengths up to 2,200 mm approximately.

Groove cutting

WARNING: Do not attempt to perform this type of cut by using a wider type blade or dado blade. Attempting to make a groove cut with a wider blade or dado blade could lead to unexpected cutting results and kickback which may result in serious personal injury.

WARNING: Be sure to return the stopper arm to the original position when performing other than groove cutting. Attempting to make cuts with the stopper arm in the incorrect position could lead to unexpected cutting results and kickback which may result in serious personal injury.

For a dado type cut, perform as follows:

1. Adjust the lower limit position of the circular saw blade using the adjusting screw and the stopper arm to limit the cutting depth of the circular saw blade. Refer to the section for stopper arm.

2. After adjusting the lower limit position of the circular saw blade, cut parallel grooves across the width of the workpiece using a slide (push) cut.

► **Fig.53:** 1. Cut grooves with blade

3. Remove the workpiece material between the grooves with a chisel.

Carrying tool

WARNING: Stopper pin is only for carrying and storage purposes and should never be used for any cutting operations. The use of the stopper pin for cutting operations may cause unexpected movement of the saw blade resulting in kickback and serious personal injury.

CAUTION: Always secure all moving portions before carrying the tool. If portions of the tool move or slide while being carried loss of control or balance may occur resulting in personal injury.

► Fig.54

1. Remove the battery cartridge.
2. Secure the blade at 0° bevel angle and the turn base at the full right miter angle position.
3. Secure the slide poles so that the lower slide pole is locked in the position of the carriage fully pulled to operator and the upper poles are locked in the position of the carriage fully pushed forward to the guide fence.
4. Lower the handle fully and lock it in the lowered position by pushing in the stopper pin.
5. Carry the tool by holding both sides of the tool base. If you remove the holders, dust bag, etc., you can carry the tool more easily.

MAINTENANCE

WARNING: Always be sure that the blade is sharp and clean for the best and safest performance. Attempting a cut with a dull and /or dirty blade may cause kickback and result in a serious personal injury.

CAUTION: Always be sure that the tool is switched off and the battery cartridge is removed before attempting to perform inspection or maintenance.

NOTICE: Never use gasoline, benzine, thinner, alcohol or the like. Discoloration, deformation or cracks may result.

Adjusting the cutting angle

This tool is carefully adjusted and aligned at the factory, but rough handling may have affected the alignment. If your tool is not aligned properly, perform the following:

Miter angle

1. Push the carriage toward the guide fence and tighten two clamp screws to secure the carriage.
2. Rotate the turn base until the pointer indicates 0° on the miter scale.
3. Rotate the turn base slightly clockwise and counterclockwise to seat the turn base in the 0° miter notch. (Leave as it is if the pointer does not indicate 0°.)
4. Loosen the hex socket bolts securing the guide fence using the hex wrench.

► **Fig.55:** 1. Guide fence 2. Hex socket bolt

5. Lower the handle fully and lock it in the lowered position by pushing in the stopper pin.
6. Adjust the guide fence until it makes a perpendicular angle with the blade using a triangular rule, try-square, etc. Then securely tighten the hex socket bolts on the guide fence in order starting from the right side.

► **Fig.56:** 1. Triangular rule 2. Guide fence

7. Make sure that the pointer indicates 0° on the miter scale. If the pointer does not indicate 0°, loosen the screw which secures the pointer and adjust the pointer so that it indicates 0°.

► **Fig.57:** 1. Screw 2. Miter scale 3. Pointer

Bevel angle

0° bevel angle

► **Fig.58:** 1. Lever 2. Arm holder 3. 0° degree bevel angle adjusting bolt 4. Arm 5. Release button

1. Push the carriage toward the guide fence and tighten two clamp screws to secure the carriage.
2. Lower the handle fully and lock it in the lowered position by pushing in the stopper pin.
3. Loosen the lever at the rear of the tool.
4. Turn the 0° bevel angle adjusting bolt (lower bolt) on the right side of the arm two or three revolutions counterclockwise to tilt the blade to the right.
5. Turn the 0° bevel angle adjusting bolt clockwise carefully until the side of the blade makes a perpendicular angle with the top surface of the turn base. Use the triangular rule, try-square, etc. as a guide. Then tighten the lever securely.

► **Fig.59:** 1. Triangular rule 2. Saw blade 3. Top surface of turn table

6. Make sure that the pointer on the arm indicates 0° on the bevel scale. If it does not indicate 0°, loosen the screw which secures the pointer and adjust the pointer so that it indicates 0°.

► **Fig.60:** 1. Bevel scale 2. Pointer 3. Screw

45° bevel angle

► **Fig.61:** 1. Left 45° bevel angle adjusting bolt

Adjust the 45° bevel angle only after performing 0° bevel angle adjustment.

1. Loosen the lever and tilt the blade to the left fully.
2. Make sure that the pointer on the arm indicates 45° on the bevel scale. If the pointer does not indicate 45°, turn the 45° bevel angle adjusting bolt (upper bolt) on the right side of the arm until the pointer indicates 45°.

After use

After use, wipe off chips and dust adhering to the tool with a cloth or the like. Keep the blade guard clean according to the directions in the previously covered section titled "Blade guard". Lubricate the sliding portions with machine oil to prevent rust.

When storing the tool, pull the carriage toward you fully so that the slide pole is thoroughly inserted into the turn base.

To maintain product SAFETY and RELIABILITY, repairs, any other maintenance or adjustment should be performed by Makita Authorized or Factory Service Centers, always using Makita replacement parts.

OPTIONAL ACCESSORIES

⚠WARNING: These Makita accessories or attachments are recommended for use with your Makita tool specified in this manual. The use of any other accessories or attachments may result in serious personal injury.

⚠WARNING: Only use the Makita accessory or attachment for its stated purpose. Misuse of an accessory or attachment may result in serious personal injury.

If you need any assistance for more details regarding these accessories, ask your local Makita Service Center.

- Carbide-tipped saw blades (Refer to our website or contact your local Makita dealer for the correct saw blades to be used for the material to be cut.)
- Vise assembly (Horizontal vise)
- Vertical vise
- Holder assembly
- Holder rod assembly
- Set plate
- Dust bag
- Triangular rule
- Hex wrench
- Makita genuine battery and charger

NOTE: Some items in the list may be included in the tool package as standard accessories. They may differ from country to country.

SPÉCIFICATIONS

Modèle :	DLS714
Diamètre de lame	190 mm
Diamètre de l'orifice (alésage) (propre au pays)	20 mm ou 15,88 mm
Épaisseur max. du trait de la lame de scie	2,2 mm
Angle de coupe d'onglet max.	Gauche 47°, Droite 57°
Angle de coupe en biseau max.	Gauche 45°, Droite 5°
Vitesse à vide	5 700 min ⁻¹
Dimensions (L x l x H)	655 mm x 430 mm x 445 mm
Tension nominale	CC 36 V
Poids net	14,4 - 14,7 kg

- Étant donné l'évolution constante de notre programme de recherche et de développement, les spécifications contenues dans ce manuel sont sujettes à modification sans préavis.
- Les spécifications peuvent varier suivant les pays.
- Le poids peut être différent selon les accessoires, notamment la batterie. Les associations la plus légère et la plus lourde, conformément à la procédure EPTA 01/2014, sont indiquées dans le tableau.

Batterie et chargeur applicables

Batterie	BL1815N / BL1820B / BL1830B / BL1840B / BL1850B / BL1860B
Chargeur	DC18RC / DC18RD / DC18RE / DC18SD / DC18SE / DC18SF / DC18SH / DC18WC

- Certains chargeurs et batteries répertoriés ci-dessus peuvent ne pas être disponibles selon la région où vous résidez.

⚠ AVERTISSEMENT : N'utilisez que les batteries et les chargeurs répertoriés ci-dessus. L'utilisation d'autres batteries et chargeurs peut provoquer des blessures et/ou un incendie.

Capacités de coupe (H x l) avec une lame de 190 mm de diamètre

Angle de coupe d'onglet	Angle de coupe en biseau		
	45° (gauche)	0°	5° (droite)
0°	40 mm x 300 mm	52 mm x 300 mm	40 mm x 300 mm
	45 mm x 265 mm (NOTE 1)	60 mm x 265 mm (NOTE 1)	–
45° (gauche et droite)	40 mm x 212 mm	52 mm x 212 mm	–
	45 mm x 185 mm (NOTE 2)	60 mm x 185 mm (NOTE 2)	–
57° (droite)	–	52 mm x 163 mm	–
	–	60 mm x 145 mm (NOTE 3)	–

1. Capacité de coupe maximale avec un parement de bois de 20 mm d'épaisseur
2. Capacité de coupe maximale avec un parement de bois de 15 mm d'épaisseur
3. Capacité de coupe maximale avec un parement de bois de 10 mm d'épaisseur

Symboles

Vous trouverez ci-dessous les symboles susceptibles d'être utilisés pour l'appareil. Veuillez à comprendre leur signification avant toute utilisation.



Lire le mode d'emploi.



Pour éviter les blessures provoquées par les objets projetés, maintenir la tête de la scie en position basse une fois la coupe terminée, jusqu'à ce que la lame soit complètement arrêtée.



Lorsqu'on effectue une coupe en glissière, tirer d'abord complètement le chariot et enfoncer la poignée, puis pousser le chariot vers le guide.



Ne pas placer les mains ou les doigts près de la lame.



Placer toujours le GUIDE INFÉRIEUR sur la position gauche pour les coupes en biseau à gauche. Le non-respect de cette consigne peut entraîner de graves blessures pour l'utilisateur.



Pour les pays de l'Union européenne uniquement

En raison de la présence de composants dangereux dans l'équipement, les déchets d'équipements électriques et électroniques, les accumulateurs et les batteries peuvent avoir un impact négatif sur l'environnement et la santé humaine.

Ne jetez pas les appareils électriques et électroniques ou les batteries avec les ordures ménagères !

Conformément à la directive européenne relative aux déchets d'équipements électriques et électroniques et aux déchets d'accumulateurs et de batteries, ainsi qu'à son adaptation à la législation nationale, les déchets d'équipements électriques, les batteries et les accumulateurs doivent être collectés séparément et déposés dans un point de collecte distinct pour déchets urbains, conformément aux réglementations en matière de protection de l'environnement.

Cela est indiqué par le symbole de la poubelle à roulettes barrée sur l'équipement.

Utilisation prévue

L'outil est conçu pour effectuer des coupes rectilignes et des coupes d'onglet dans le bois, avec précision. N'utilisez pas la scie pour couper autre chose que du bois, de l'aluminium ou des matériaux similaires.

Bruit

Niveau de bruit pondéré A typique, déterminé selon EN62841-3-9 :

Niveau de pression sonore (L_{pA}) : 88 dB (A)

Niveau de puissance sonore (L_{WA}) : 97 dB (A)

Incertitude (K) : 3 dB (A)

NOTE : La ou les valeurs d'émission de bruit déclarées ont été mesurées conformément à la méthode de test standard et peuvent être utilisées pour comparer les outils entre eux.

NOTE : La ou les valeurs d'émission de bruit déclarées peuvent aussi être utilisées pour l'évaluation préliminaire de l'exposition.

AVERTISSEMENT : Portez un serre-tête antibruit.

AVERTISSEMENT : L'émission de bruit lors de l'usage réel de l'outil électrique peut être différente de la ou des valeurs déclarées, suivant la façon dont l'outil est utilisé, particulièrement selon le type de pièce usinée.

AVERTISSEMENT : Les mesures de sécurité à prendre pour protéger l'utilisateur doivent être basées sur une estimation de l'exposition dans des conditions réelles d'utilisation (en tenant compte de toutes les composantes du cycle d'utilisation, comme par exemple le moment de sa mise hors tension, lorsqu'il tourne à vide et le moment de son déclenchement).

Vibrations

Valeur totale de vibrations (somme de vecteur triaxial) déterminée selon EN62841-3-9 :
Émission de vibrations (a_h) : 2,5 m/s² ou moins
Incertitude (K) : 1,5 m/s²

NOTE : La ou les valeurs de vibration totales déclarées ont été mesurées conformément à la méthode de test standard et peuvent être utilisées pour comparer les outils entre eux.

NOTE : La ou les valeurs de vibration totales déclarées peuvent aussi être utilisées pour l'évaluation préliminaire de l'exposition.

AVERTISSEMENT : L'émission de vibrations lors de l'usage réel de l'outil électrique peut être différente de la ou des valeurs déclarées, suivant la façon dont l'outil est utilisé, particulièrement selon le type de pièce usinée.

AVERTISSEMENT : Les mesures de sécurité à prendre pour protéger l'utilisateur doivent être basées sur une estimation de l'exposition dans des conditions réelles d'utilisation (en tenant compte de toutes les composantes du cycle d'utilisation, comme par exemple le moment de sa mise hors tension, lorsqu'il tourne à vide et le moment de son déclenchement).

Déclarations de conformité

Pour les pays européens uniquement

Les déclarations de conformité sont fournies en Annexe A à ce mode d'emploi.

CONSIGNES DE SÉCURITÉ

Consignes de sécurité générales pour outils électriques

⚠ AVERTISSEMENT Veuillez lire toutes les consignes de sécurité, instructions, illustrations et spécifications qui accompagnent cet outil électrique. Le non-respect de toutes les instructions indiquées ci-dessous peut entraîner une électrocution, un incendie et/ou de graves blessures.

Conservez toutes les mises en garde et instructions pour référence ultérieure.

Le terme « outil électrique » dans les avertissements fait référence à l'outil électrique alimenté par le secteur (avec cordon d'alimentation) ou à l'outil électrique fonctionnant sur batterie (sans cordon d'alimentation).

Consignes de sécurité pour scies radiales

- 1. Les scies radiales sont conçues pour couper le bois ou des produits similaires au bois ; elles ne peuvent pas être utilisées avec des meules à tronçonner pour couper des matériaux ferreux comme des barres, des tiges, des goujons, etc.** La poussière abrasive provoque le blocage des pièces mobiles comme le protecteur inférieur. Les étincelles produites par le tronçonnage abrasif brûleront le protecteur inférieur, le pare-éclats et les autres pièces en plastique.
 - 2. Utilisez des dispositifs de serrage pour soutenir la pièce si possible. Si vous soutenez la pièce avec la main, vous devez toujours tenir votre main à au moins 100 mm des côtés de la lame de scie. N'utilisez pas cette scie pour découper des morceaux trop petits pour être solidement bloqués ou tenus avec la main.** Si votre main est placée trop près de la lame de scie, cela présente un risque accru de blessures en cas de contact avec la lame.
 - 3. La pièce doit être immobile et bloquée ou maintenue à la fois contre le guide et la table. En aucun cas, ne poussez la pièce dans la lame, ni ne coupez « à main levée ».** Les pièces non retenues ou en mouvement pourraient être projetées à grande vitesse et vous blesser.
 - 4. Poussez la scie à travers la pièce. Ne tirez pas la scie à travers la pièce. Pour faire une coupe, soulevez la tête de scie et placez-la au-dessus de la pièce sans couper, démarrez le moteur, appuyez la tête de scie vers le bas et poussez la scie à travers la pièce.** Couper en tirant peut faire que la lame de scie monte sur le haut de la pièce et projette violemment l'ensemble de la lame en direction de l'utilisateur.
 - 5. Ne croisez jamais les mains sur la ligne de coupe prévue devant ou derrière la lame de scie.** Soutenir la pièce les « mains croisées », à savoir en tenant la pièce à droite de la lame de scie avec la main gauche et inversement, est très dangereux.
- 6. Ne tendez pas les mains derrière le guide plus près que 100 mm d'un côté ou de l'autre de la lame de scie pour retirer les chutes de bois ou pour tout autre motif pendant que la lame tourne.** La proximité de la lame de scie en rotation avec votre main pourrait ne pas être évidente et vous pourriez gravement vous blesser.
 - 7. Inspectez votre pièce avant la coupe. Si la pièce est arquée ou tordue, serrez-la en place avec la face externe arquée tournée vers le guide. Assurez-vous toujours qu'il n'y a pas d'espace entre la pièce, le guide et la table le long de la ligne de coupe.** Les pièces courbées ou tordues peuvent se tordre ou bouger et pincer la lame de scie en rotation pendant la coupe. La pièce ne doit pas avoir de clous ou corps étrangers.
 - 8. N'utilisez pas la scie tant que la table n'est pas dégagée de tous les outils, chutes de bois, etc., à l'exception de la pièce.** Les petits débris, les morceaux de bois détachés ou d'autres objets entrant en contact avec la lame en rotation peuvent être projetés à grande vitesse.
 - 9. Coupez uniquement une pièce à la fois.** Plusieurs pièces empilées ne peuvent pas être correctement serrées ou attachées et risquent de pincer la lame ou de bouger pendant la coupe.
 - 10. Avant utilisation, assurez-vous que la scie radiale est installée ou posée sur un plan de travail plat et solide.** Un plan de travail plat et solide réduit le risque d'instabilité de la scie radiale.
 - 11. Planifiez votre travail. Chaque fois que vous changez le réglage de l'angle de coupe en biseau ou l'angle de coupe d'onglet, assurez-vous que le guide réglable est placé correctement pour soutenir la pièce et qu'il ne gênera pas la lame ou le dispositif de protection.** Sans mettre l'outil sous tension (ON) et sans pièce sur la table, déplacez la lame de scie pour une simulation de coupe complète afin de vous assurer qu'il n'y aura pas d'interférence ou de risque de couper le guide.
 - 12. Prévoyez des supports adéquats comme des rallonges de table, un chevalet de sciage, etc., pour les pièces plus larges ou plus longues que la table.** Les pièces plus longues ou plus larges que la table d'appui de la scie radiale peuvent basculer si elles ne sont pas solidement soutenues. Si la partie coupée de la pièce ou la pièce elle-même bascule, elle peut soulever le protecteur inférieur ou être projetée par la lame en rotation.
 - 13. Ne vous servez pas d'une autre personne à la place d'une rallonge de table ou d'un support supplémentaire.** Un soutien instable de la pièce peut pincer la lame ou faire bouger la pièce pendant la coupe vous entraînant vous et votre assistant vers la lame en rotation.
 - 14. La partie coupée de la pièce ne doit pas être coincée ou appuyée par quelque moyen que ce soit contre la lame de scie en rotation.** Si elle est emprisonnée, au moyen de butées longitudinales par exemple, la partie coupée de la pièce risque de se coincer contre la lame et d'être violemment projetée.

► Fig.1

15. **Utilisez toujours un dispositif de serrage ou de fixation conçu pour soutenir adéquatement les pièces rondes comme les barres ou les tuyaux.** Les barres ont tendance à rouler pendant la coupe, faisant « mordre » la lame et entraînant la pièce et votre main sur la lame.
16. **Attendez que la lame ait atteint sa pleine vitesse avant de la mettre en contact avec la pièce.** Vous réduirez ainsi le risque de projection de la pièce.
17. **Si la pièce ou la lame se coince, mettez la scie radiale hors tension. Attendez que toutes les pièces en mouvement s'arrêtent et débranchez la fiche du cordon d'alimentation de la prise secteur et/ou retirez la batterie. Puis essayez de libérer la pièce coincée.** Si vous continuez à scier avec une pièce coincée, vous risquez de perdre le contrôle de la scie radiale ou de l'endommager.
18. **Une fois la coupe terminée, relâchez l'interrupteur, tenez la tête de scie vers le bas et attendez l'arrêt de la lame avant de retirer la partie coupée de la pièce.** Approcher votre main de la lame « en roue libre » est dangereux.
19. **Tenez fermement la poignée lorsque vous faites une coupe incomplète ou lorsque vous relâchez l'interrupteur avant d'avoir complètement abaissé la tête de scie.** Le freinage de la scie peut tirer brusquement la tête de scie vers le bas, ce qui présente un risque de blessure.
20. **Utilisez uniquement une lame de scie ayant le diamètre indiqué sur l'outil ou spécifié dans le mode d'emploi.** L'utilisation d'une taille incorrecte de lame peut affecter la protection de la lame ou le fonctionnement du carter de protection, ce qui pourrait provoquer de graves blessures.
21. **Utilisez uniquement des lames de scie sur lesquelles est indiquée une vitesse égale ou supérieure à la vitesse figurant sur l'outil.**
22. **N'utilisez pas la scie pour couper autre chose que du bois, de l'aluminium ou des matériaux similaires.**
23. **(Pour les pays européens uniquement) Utilisez toujours une lame conforme à la norme EN847-1.**

Instructions supplémentaires

1. **Faites en sorte que l'atelier ne présente pas de dangers pour les enfants en plaçant des cadenas.**
2. **Ne vous tenez jamais debout sur l'outil.** Vous risqueriez de gravement vous blesser si l'outil bascule ou si vous touchez par inadvertance l'outil de coupe.
3. **Ne laissez jamais sans surveillance un outil en marche. Mettez-le hors tension. Attendez que l'outil soit complètement arrêté avant de vous éloigner.**
4. **N'utilisez jamais la scie sans les protecteurs en place. Vérifiez le bon fonctionnement du protecteur de lame avant chaque utilisation. N'utilisez pas la scie si le protecteur de lame ne se déplace pas librement et ne se referme pas instantanément. N'immobilisez jamais le protecteur de lame en position ouverte.**
5. **Gardez bien les mains à l'écart de la lame de scie. Évitez tout contact avec une lame « en roue libre ».** Vous pourriez vous blesser gravement.
6. **Pour réduire le risque de blessure, ramenez le chariot à la position arrière complète après chaque coupe transversale.**
7. **Immobilisez toujours toutes les pièces mobiles de l'outil avant de le transporter.**
8. **La broche d'arrêt qui verrouille en position basse la tête de coupe sert à des fins de transport et de rangement uniquement et pas pour les opérations de coupe.**
9. **Vérifiez soigneusement l'absence de fissures ou de dommages sur les lames avant l'utilisation. Remplacez immédiatement les lames fissurées ou abîmées. Les dépôts de colle et les copeaux de bois qui durcissent contre la lame ralentissent la scie et entraînent une augmentation des risques de choc en retour. Pour nettoyer la lame, retirez-la d'abord de l'outil, puis nettoyez-la avec un décapant, de l'eau chaude ou du kérosène. N'utilisez jamais d'essence pour nettoyer la lame.**
10. **Les coupes en glissière peuvent entraîner un CHOC EN RETOUR. Un CHOC EN RETOUR survient lorsque la lame se pince dans la pièce pendant la coupe et que la lame de scie est entraînée rapidement vers l'utilisateur. Cela présente un risque de perte de contrôle et de graves blessures. Si la lame commence à accrocher pendant la coupe, ne continuez pas à couper et relâchez immédiatement l'interrupteur.**
11. **N'utilisez que les flasques spécifiés pour cet outil.**
12. **Prenez garde de ne pas endommager l'alésage, les flasques (tout particulièrement leur surface d'installation) ou le boulon. Si ces pièces sont endommagées, la lame peut se casser.**
13. **Assurez-vous que le socle rotatif est bien immobilisé, afin qu'il ne risque pas de se déplacer pendant l'opération. Utilisez les orifices sur le socle pour fixer la scie sur une plateforme de travail ou un établi stable. N'utilisez JAMAIS l'outil si vous vous trouvez dans une position incommode.**
14. **Assurez-vous que le blocage de l'arbre est relâché avant de mettre la sous tension.**
15. **Assurez-vous que la lame ne touche pas le socle rotatif quand elle est abaissée au maximum.**
16. **Tenez la poignée fermement. N'oubliez pas que la scie se déplace légèrement de haut en bas au démarrage et à l'arrêt.**
17. **Assurez-vous que la lame ne touche pas la pièce avant de mettre la sous tension.**
18. **Avant d'utiliser l'outil sur la pièce, faites-le tourner un instant à vide. Vérifiez que la lame ne présente ni balourd ni shimmy qui pourraient résulter d'un montage incorrect ou d'un déséquilibre.**
19. **Arrêtez immédiatement si vous remarquez quoi que ce soit d'anormal.**

20. Ne tentez pas de bloquer la gâchette sur la position de marche (ON).
21. N'utilisez que les accessoires recommandés dans ce manuel. L'utilisation d'accessoires différents, disques à tronçonner notamment, peut entraîner des blessures.
22. Certains matériaux contiennent des produits chimiques qui peuvent être toxiques. Prenez garde de ne pas avaler la poussière et évitez tout contact avec la peau. Suivez les données de sécurité du fournisseur du matériau.

Consignes de sécurité supplémentaires pour le laser

1. RAYONNEMENT LASER, ÉVITEZ DE REGARDER FIXEMENT LE FAISCEAU OU DE L'OBSERVER À L'AIDE D'INSTRUMENTS OPTIQUES, PRODUIT LASER DE CLASSE 2M.

CONSERVEZ CES INSTRUCTIONS.

⚠ AVERTISSEMENT : NE vous laissez PAS tromper (au fil d'une utilisation répétée) par un sentiment d'aisance et de familiarité avec le produit, en négligeant le respect rigoureux des consignes de sécurité qui accompagnent le produit en question. La MAUVAISE UTILISATION de l'outil ou l'ignorance des consignes de sécurité indiquées dans ce mode d'emploi peut entraîner de graves blessures.

Consignes de sécurité importantes pour la batterie

1. Avant d'utiliser la batterie, lisez toutes les instructions et précautions relatives (1) au chargeur de batterie, (2) à la batterie, et (3) au produit utilisant la batterie.
2. Ne désassemblez pas et ne modifiez pas la batterie. Cela pourrait entraîner un incendie, une chaleur excessive ou une explosion.
3. Cessez immédiatement l'utilisation si le temps de fonctionnement devient excessivement court. Il y a risque de surchauffe, de brûlures, voire d'explosion.
4. Si l'électrolyte pénètre dans vos yeux, rincez-les à l'eau claire et consultez immédiatement un médecin. Il y a risque de perte de la vue.
5. Ne court-circuitez pas la batterie :
 - (1) Ne touchez les bornes avec aucun matériau conducteur.
 - (2) Évitez de ranger la batterie dans un conteneur avec d'autres objets métalliques, par exemple des clous, des pièces de monnaie, etc.
 - (3) N'exposez pas la batterie à l'eau ou à la pluie.

Un court-circuit de la batterie peut provoquer une intensité de courant élevée, une surchauffe, parfois des brûlures et même une panne.
6. Ne rangez ni n'utilisez l'outil et la batterie dans un endroit où la température risque d'atteindre ou de dépasser 50 °C.
7. Ne jetez pas la batterie au feu même si elle est sérieusement endommagée ou complètement épuisée. La batterie peut exploser au contact du feu.
8. Abstenez-vous de clouer, couper, écraser, jeter, laisser tomber la batterie, ou de la heurter contre un objet dur. Cela pourrait entraîner un incendie, une chaleur excessive ou une explosion.
9. N'utilisez pas la batterie si elle est endommagée.
10. Les batteries au lithium-ion contenues sont soumises aux exigences de la législation sur les marchandises dangereuses.

Lors du transport commercial par des tierces parties ou des transitaires par exemple, des exigences spécifiques en matière d'étiquetage et d'emballage doivent être respectées. Pour la préparation de l'article expédié, il est nécessaire de consulter un expert en matériau dangereux. Veuillez également respecter les réglementations nationales susceptibles d'être plus détaillées.

Recouvrez les contacts exposés avec du ruban adhésif ou du ruban de masquage et emballez la batterie de telle sorte qu'elle ne puisse pas bouger dans l'emballage.
11. Lors de la mise au rebut de la batterie, retirez-la de l'outil et jetez-la en lieu sûr. Suivez les réglementations locales en matière de mise au rebut des batteries.
12. Utilisez les batteries uniquement avec les produits spécifiés par Makita. L'insertion de batteries dans des produits non conformes peut provoquer un incendie, une chaleur excessive, une explosion ou une fuite de l'électrolyte.
13. Lorsque vous n'utilisez pas l'outil pendant une période prolongée, la batterie doit être retirée de l'outil.
14. Pendant et après l'utilisation, la batterie peut chauffer, ce qui peut entraîner des brûlures, y compris en cas de température relativement basse. Manipulez les batteries chaudes avec précaution.
15. Ne touchez pas la borne de l'outil immédiatement après utilisation car elle peut être assez chaude pour provoquer des brûlures.
16. Évitez que des copeaux, de la poussière ou du sol adhèrent aux bornes, aux trous et aux rainures de la batterie. Cela peut provoquer un échauffement, un incendie, une explosion ou un dysfonctionnement de l'outil ou de la batterie, ce qui peut entraîner des brûlures ou des blessures.
17. À moins que l'outil prenne en charge un tel usage, n'utilisez pas la batterie à proximité de lignes électriques haute tension. Cela pourrait entraîner un dysfonctionnement ou casser l'outil ou la batterie.
18. Conservez la batterie hors de portée des enfants.

CONSERVEZ CES INSTRUCTIONS.

⚠ ATTENTION : N'utilisez que des batteries Makita d'origine. L'utilisation de batteries de marque autre que Makita ou de batteries modifiées peut provoquer l'explosion des batteries, ce qui présente un risque d'incendie, de dommages matériels et corporels. Cela annulera également la garantie Makita pour l'outil et le chargeur Makita.

Conseils pour assurer la durée de vie optimale de la batterie

1. Chargez la batterie avant qu'elle ne soit complètement déchargée. Arrêtez toujours l'outil et rechargez la batterie quand vous remarquez que la puissance de l'outil diminue.
2. Ne rechargez jamais une batterie complètement chargée. La surcharge réduit la durée de service de la batterie.
3. Chargez la batterie à une température ambiante comprise entre 10 °C et 40 °C. Avant de charger une batterie chaude, laissez-la refroidir.
4. Lorsque vous n'utilisez pas la batterie, retirez-la de l'outil ou du chargeur.
5. Rechargez la batterie si elle est restée inutilisée pendant une période prolongée (plus de six mois).

DESCRIPTION DES PIÈCES

► Fig.2

1	Bouton de sécurité	2	Gâchette	3	Porte-lame	4	Vis de réglage (pour la position limite inférieure)
5	Boulon de réglage (pour la capacité de coupe maximale)	6	Bras de blocage	7	Sac à poussière	8	Échelle
9	Protecteur de lame	10	Étau vertical	11	Guide	12	Servante
13	Levier de verrouillage (pour le socle rotatif)	14	Manche (pour le socle rotatif)	15	Boulon de réglage (pour le socle rotatif)	16	Plateau de découpe
17	Index (pour l'angle de coupe d'onglet)	18	Socle rotatif	19	Butée	20	Axe du guide
21	Guide inférieur	-	-	-	-	-	-

► Fig.3

22	Tige de glissement (supérieure)	23	Vis à oreilles (pour bloquer la tige de glissement supérieure)	24	Clé hexagonale	25	Vis de serrage (pour bloquer la servante)
26	Levier (pour le réglage de l'angle de coupe en biseau)	27	Tige de glissement (inférieure)	28	Vis à oreilles (pour bloquer la tige de glissement inférieure)	-	-

INSTALLATION

Montage sur établi

⚠ AVERTISSEMENT : Assurez-vous que l'outil ne bouge pas sur la surface de soutien. Si la scie radiale bouge sur la surface de soutien pendant la coupe, il y a un risque de perte de contrôle et de graves blessures.

1. Fixez le socle sur une surface plane et stable en vissant avec deux boulons. Ceci permet d'éviter tout risque de renversement et de blessure.

► Fig.4: 1. Boulon

2. Tournez le boulon de réglage vers la droite ou la gauche de sorte qu'il entre en contact avec la surface du plancher pour assurer la stabilité de l'outil.

► Fig.5: 1. Boulon de réglage

Installation des servantes et butées

NOTE : Dans certains pays, il se peut que les servantes et butées ne soient pas comprises dans l'emballage de l'outil en tant qu'accessoires standard.

Les servantes et butées soutiennent les pièces horizontalement.

Serrez les axes du guide sur les butées au moyen de la clé hexagonale.

► Fig.6: 1. Servante 2. Butée 3. Axe du guide 4. Clé hexagonale

Installez les servantes et butées des deux côtés, comme indiqué sur la figure. Lors de l'installation, assurez-vous que l'axe du guide est sur la même ligne que le guide s'il est installé sur l'outil.

► Fig.7: 1. Servante 2. Butée 3. Vis

Puis serrez fermement les vis pour fixer les servantes et les butées.

DESCRIPTION DU FONCTIONNEMENT

⚠️ AVERTISSEMENT : Assurez-vous toujours que l'outil est hors tension et que la batterie est retirée avant de régler ou de vérifier le fonctionnement de l'outil. Si vous ne mettez pas l'outil hors tension et ne retirez pas la batterie, cela présente un risque de graves blessures en cas de démarrage accidentel.

Insertion ou retrait de la batterie

⚠️ ATTENTION : Éteignez toujours l'outil avant de mettre en place ou de retirer la batterie.

⚠️ ATTENTION : Tenez fermement l'outil et la batterie lors de la mise en place ou du retrait de la batterie. Si vous ne tenez pas fermement l'outil et la batterie, ils peuvent vous glisser des mains, et s'abîmer ou vous blesser.

► **Fig.8:** 1. Indicateur rouge 2. Bouton 3. Batterie

Pour retirer la batterie, faites-la glisser hors de l'outil tout en faisant glisser le bouton à l'avant de la batterie.

Pour mettre en place la batterie, alignez la languette sur la batterie avec la rainure sur le compartiment et insérez-la. Insérez-la à fond jusqu'à ce qu'un léger déclic se fasse entendre. Si l'indicateur rouge sur le dessus du bouton est visible, cela signifie qu'elle n'est pas bien verrouillée.

⚠️ ATTENTION : Insérez toujours complètement la batterie jusqu'à ce que l'indicateur rouge ne soit plus visible. Sinon, elle pourrait tomber accidentellement de l'outil, au risque de vous blesser ou de blesser quelqu'un se trouvant près de vous.

⚠️ ATTENTION : N'insérez pas la batterie de force. Si elle ne glisse pas facilement, c'est que vous ne l'insérez pas correctement.

NOTE : L'outil ne fonctionne pas avec une seule batterie.

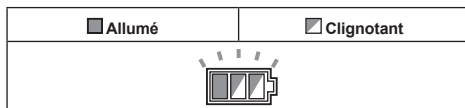
Système de protection de l'outil/la batterie

L'outil est équipé d'un système de protection de l'outil/la batterie. Ce système coupe automatiquement l'alimentation vers le moteur pour prolonger la durée de vie de l'outil et de la batterie. Si l'outil ou la batterie se trouve dans l'une des situations suivantes, l'outil cessera automatiquement de fonctionner.

Protection contre la surcharge

Lorsque l'outil est utilisé d'une manière provoquant un appel de courant anormalement élevé, l'outil s'arrête automatiquement sans indication. Dans ce cas, éteignez l'outil et arrêtez la tâche ayant provoqué la surcharge de l'outil. Puis rallumez l'outil pour reprendre la tâche.

Protection contre la surchauffe



En cas de surchauffe de l'outil, celui-ci s'arrête automatiquement et le témoin de la batterie clignote pendant 60 secondes environ. Dans ce cas, laissez l'outil refroidir avant de rallumer l'outil.

Protection contre la décharge totale de la batterie

Lorsque la charge restante de la batterie devient très faible, l'outil s'arrête automatiquement. Si le produit ne fonctionne pas même en actionnant les boutons, retirez les batteries de l'outil et chargez-les.

Indication de la charge restante de la batterie

► **Fig.9:** 1. Témoin de la batterie 2. Bouton de vérification

Appuyez sur le bouton de vérification pour indiquer la charge restante de la batterie. Les témoins de batterie correspondent à chaque batterie.

Statut du témoin de la batterie			Charge restante de la batterie
<input type="checkbox"/> Allumé	<input type="checkbox"/> Éteint	<input checked="" type="checkbox"/> Clignotant	
			50 % à 100 %
			20 % à 50 %
			0 % à 20 %
			Chargez la batterie

Indication de la charge restante de la batterie

Uniquement pour les batteries avec voyant lumineux

► Fig.10: 1. Témoins 2. Bouton de vérification

Appuyez sur le bouton de vérification sur la batterie pour indiquer la charge restante de la batterie. Les témoins s'allument pendant quelques secondes.

Témoins			Charge restante
Allumé	Éteint	Clignotant	
■	□	◐	75 % à 100 %
■	■	■	
■	■	□	50 % à 75 %
■	■	□	25 % à 50 %
■	□	□	0 % à 25 %
◐	□	□	Chargez la batterie.
■	■	□	Anomalie possible de la batterie.
□	□	■	

NOTE : Selon les conditions d'utilisation et la température ambiante, l'indication peut être légèrement différente de la capacité réelle.

NOTE : Le premier témoin (complètement à gauche) clignotera pendant le fonctionnement du système de protection de la batterie.

Fonction de changement automatique de vitesse

► Fig.11: 1. Témoin de mode

Statut du témoin de mode	Mode de fonctionnement
	Mode grande vitesse
	Mode couple élevé

Cet outil est pourvu d'un « mode grande vitesse » et d'un « mode couple élevé ». Il change automatiquement de mode de fonctionnement en fonction de la charge de travail. Lorsque le témoin de mode s'allume pendant le fonctionnement, l'outil est en mode couple élevé.

Broche d'arrêt

ATTENTION : Tenez toujours la poignée lorsque vous libérez la broche d'arrêt. Autrement, la poignée peut sauter et provoquer des blessures.

Pour libérer la broche d'arrêt, continuez d'appliquer une légère pression vers le bas sur la poignée, puis tirez sur la broche d'arrêt.

► Fig.12: 1. Broche d'arrêt

Protecteur de lame

AVERTISSEMENT : Ne modifiez, ni ne retirez le protecteur de lame ou son ressort. Une lame exposée suite à la modification du protecteur peut entraîner de graves blessures lors de l'utilisation.

AVERTISSEMENT : N'utilisez jamais l'outil si le protecteur de lame ou le ressort est endommagé, défectueux ou retiré. L'utilisation de l'outil avec un protecteur endommagé, défectueux ou retiré peut entraîner de graves blessures.

ATTENTION : Maintenez toujours le protecteur de lame en bon état pour un fonctionnement sécuritaire. Arrêtez immédiatement le fonctionnement en présence d'anomalies du protecteur de lame. Vérifiez que le mécanisme de rappel par ressort du protecteur fonctionne correctement.

► Fig.13: 1. Protecteur de lame

Le protecteur de lame s'élève automatiquement lorsque vous abaissez la poignée. Le protecteur étant équipé d'un ressort de rappel, il revient à sa position d'origine une fois la coupe terminée et la poignée relevée.

Nettoyage

► Fig.14: 1. Protecteur de lame

Si le protecteur de lame transparent devient sale ou si la sciure de bois y adhère au point que la lame et/ou la pièce à travailler ne soit plus bien visible, retirez la batterie et nettoyez soigneusement le protecteur avec un chiffon humide. N'utilisez aucun solvant ou nettoyeur à base de pétrole sur le protecteur en plastique, car cela risquerait de l'abîmer.

Pour le nettoyage, soulevez le protecteur de lame en vous reportant à « Pose et dépose de la lame ».

Après le nettoyage, veillez bien à remettre en place la lame et le capot central et serrez le boulon à tête cylindrique à six pans creux.

- Assurez-vous que l'outil est éteint et les batteries retirées.
- Tournez le boulon à tête cylindrique à six pans creux vers la gauche à l'aide de la clé hexagonale fournie tout en tenant le capot central.
- Soulevez le protecteur de lame et le capot central.
- Une fois que le nettoyage est terminé, remettez le capot central en place et serrez le boulon à tête cylindrique à six pans creux en suivant les étapes ci-dessus dans l'ordre inverse.

AVERTISSEMENT : Ne retirez pas le ressort du protecteur de lame. Si le protecteur se détériore avec le temps ou sous l'effet des rayons ultraviolets, contactez un centre d'entretien Makita pour le remplacer. **NE MODIFIEZ NI NE RETIREZ LE PROTECTEUR.**

Positionnement du plateau de découpe

Le socle rotatif de cet outil est équipé de plateaux de découpe pour minimiser la déchirure du côté de sortie de la coupe. Les plateaux de découpe sont réglés en usine de sorte qu'ils n'entrent pas en contact avec la lame de scie. Avant l'utilisation, ajustez les plateaux de découpe comme suit :

1. Veillez à retirer la batterie. Desserrez ensuite toutes les vis (2 à droite et 2 à gauche) qui retiennent les plateaux de découpe.
► **Fig.15:** 1. Plateau de découpe 2. Vis
2. Ne les resserrez que partiellement, de sorte qu'il soit facile de déplacer manuellement les plateaux de découpe.
3. Abaissez complètement la poignée et enfoncez la broche d'arrêt pour verrouiller la poignée en position abaissée.
4. Desserrez les deux vis de serrage qui retiennent les tiges de glissement.
► **Fig.16:** 1. Vis à oreilles
5. Tirez complètement le chariot vers vous.
6. Ajustez les plateaux de découpe de sorte qu'ils touchent très légèrement les côtés des dents de la lame.
► **Fig.17**
- **Fig.18:** 1. Lame de scie 2. Dents de lame 3. Plateau de découpe 4. Coupe en biseau sur la gauche 5. Coupe rectiligne
7. Serrez les vis à l'avant (ne serrez pas fermement).
8. Poussez complètement le chariot vers le guide et ajustez les plateaux de découpe de sorte qu'ils touchent très légèrement les côtés des dents de la lame.
9. Serrez les vis à l'arrière (ne serrez pas fermement).
10. Après avoir ajusté les plateaux de découpe, dégagez la broche d'arrêt et levez la poignée. Serrez ensuite toutes les vis fermement.

REMARQUE : Après avoir réglé l'angle de coupe en biseau, assurez-vous que les plateaux de découpe sont bien ajustés. Des plateaux de découpe bien ajustés contribuent au soutien adéquat de la pièce et réduisent l'effet d'arrachement sur la pièce.

Maintien de la capacité de coupe maximale

Cet outil est réglé en usine pour offrir une capacité de coupe maximale avec une lame de scie de 190 mm. Lorsque vous installez une nouvelle lame de scie circulaire, vérifiez toujours la position limite inférieure de la lame de scie circulaire, et réglez-la comme suit si nécessaire :

1. Retirez la batterie. Poussez ensuite le chariot à fond vers le guide et abaissez complètement la poignée.
► **Fig.19:** 1. Boulon de réglage 2. Guide

2. Avec la clé hexagonale, tournez le boulon de réglage jusqu'à ce que la lame de scie circulaire se trouve légèrement sous la section transversale du guide et la surface supérieure du socle rotatif.

► **Fig.20**

3. Faites tourner la lame manuellement en maintenant la poignée en position complètement abaissée, afin d'être certain que la lame de scie circulaire n'entre en contact avec aucune partie du plateau inférieur. Au besoin, effectuez un léger réajustement.

⚠ AVERTISSEMENT : Après avoir installé une nouvelle lame de scie circulaire et avoir retiré la batterie, assurez-vous toujours que la lame de scie circulaire ne touche aucune partie du plateau inférieur lorsque la poignée est complètement abaissée. Si la lame de scie circulaire entre en contact avec le socle, elle risque de provoquer un choc en retour et d'entraîner de graves blessures.

► **Fig.21**

Bras de blocage

Le bras de blocage permet de régler facilement la position limite inférieure de la lame. Pour l'ajuster, déplacez le bras de blocage dans le sens de la flèche comme indiqué sur la figure. Tournez la vis de réglage et enfoncez complètement la poignée pour vérifier le résultat.

► **Fig.22:** 1. Vis de réglage 2. Bras de blocage

Guide inférieur

Propre au pays

⚠ ATTENTION : Tournez le guide inférieur vers l'extérieur pour les coupes en biseau à gauche. Sinon, il pourrait entrer en contact avec la lame ou une autre partie de l'outil, ce qui pourrait entraîner de graves blessures pour l'utilisateur.

► **Fig.23:** 1. Guide inférieur

Cet outil est équipé d'un guide inférieur. Le guide inférieur est habituellement orienté vers l'intérieur. Tournez-le cependant vers l'extérieur pour les coupes en biseau à gauche.

Réglage de l'angle de coupe d'onglet

► **Fig.24:** 1. Socle rotatif 2. Levier de verrouillage 3. Secteur 4. Index 5. Manche

1. Desserrez le manche vers la gauche.
2. Maintenez enfoncé le levier de verrouillage et ajustez l'angle du socle rotatif. Servez-vous de l'index et du secteur comme guide.
3. Serrez à fond le manche vers la droite.

⚠ ATTENTION : Après avoir modifié l'angle de coupe d'onglet, fixez toujours le socle rotatif en serrant le manche à fond.

REMARQUE : Lorsque vous tournez le socle rotatif, veillez à relever complètement la poignée.

Réglage de l'angle de coupe en biseau

Pour ajuster l'angle de coupe en biseau, desserrez le levier à l'arrière de l'outil en le tournant vers la gauche.

► **Fig.25:** 1. Levier 2. Bouton de libération

Pour incliner la lame vers la gauche, tenez la poignée et inclinez le chariot. Servez-vous de l'échelle et de l'index comme guide. Resserez ensuite le levier à fond en le tournant vers la droite pour fixer le bras.

► **Fig.26:** 1. Index 2. Échelle 3. Bras

Pour incliner la lame vers la droite, tenez la poignée et inclinez le chariot légèrement vers la gauche, puis appuyez sur le bouton de libération. En maintenant le bouton de libération enfoncé, inclinez la lame de scie vers la droite. Serrez ensuite le levier.

ATTENTION : Après avoir modifié l'angle de coupe en biseau, fixez toujours le bras en serrant le levier vers la droite.

REMARQUE : Quand vous inclinez la lame de scie, assurez-vous que la poignée est complètement relevée.

REMARQUE : Lorsque vous modifiez l'angle de coupe en biseau, vous devez placer les plateaux de découpe en position adéquate, tel que décrit dans la section « Positionnement des plateaux de découpe ».

Réglage de la position du levier

Si, au fil du temps, le levier n'assure pas un serrage parfait, changez la position du levier. Le levier peut être placé sur l'une ou l'autre des positions de serrage distantes de 30°.

Desserrez puis retirez la vis qui retient le levier. Retirez le levier et réinstallez-le de sorte qu'il soit légèrement tourné au-dessus du plan horizontal. Serrez ensuite à fond le levier avec la vis.

► **Fig.27:** 1. Levier 2. Vis

Interrupteur

AVERTISSEMENT : Avant d'insérer la batterie dans l'outil, vérifiez toujours que la gâchette fonctionne correctement et revient en position d'arrêt lorsqu'elle est relâchée. L'utilisation d'un outil dont la gâchette est défectueuse comporte un risque de perte de contrôle et de graves blessures.

AVERTISSEMENT : N'utilisez pas un cadenas dont la tige ou le câble a un diamètre inférieur à 6,35 mm (1/4"). Une tige ou un câble plus mince risquerait de ne pas verrouiller correctement l'outil en position d'arrêt, ce qui comporte un risque d'activation accidentelle pouvant entraîner de graves blessures.

AVERTISSEMENT : N'utilisez JAMAIS un outil dont le fonctionnement de la gâchette est défectueux. Tout outil dont la gâchette est défectueuse est EXTRÊMEMENT DANGEREUX et doit être réparé avant toute nouvelle utilisation, autrement cela présente un risque de graves blessures.

AVERTISSEMENT : Pour assurer votre sécurité, cet outil est équipé d'un bouton de sécurité qui empêche de faire démarrer l'outil par inadvertance. N'utilisez JAMAIS l'outil s'il se met en marche lorsque vous appuyez simplement sur la gâchette sans avoir enfoncé le bouton de sécurité. Une gâchette non réparée comporte un risque d'activation accidentelle pouvant entraîner de graves blessures. Confiez l'outil à un centre d'entretien Makita pour le faire réparer AVANT de poursuivre l'utilisation.

AVERTISSEMENT : NE bloquez JAMAIS le bouton de sécurité avec du ruban ou de toute autre manière. Une gâchette dont le bouton de sécurité est bloqué comporte un risque d'activation accidentelle pouvant entraîner de graves blessures.

REMARQUE : Évitez d'appuyer sur la gâchette avec force lorsque le bouton de sécurité n'est pas enfoncé. Vous risqueriez de briser la gâchette.

Pour éviter tout déclenchement accidentel de la gâchette, l'outil est muni d'un bouton de sécurité. Pour démarrer l'outil, enfoncez le bouton de sécurité puis appuyez sur la gâchette. Pour l'arrêter, relâchez la gâchette.

Le bouton de sécurité peut être enfoncé depuis la droite ou la gauche.

Un orifice a été prévu sur la gâchette pour insérer un cadenas afin de verrouiller l'outil.

► **Fig.28:** 1. Bouton de sécurité 2. Gâchette 3. Orifice pour cadenas

ASSEMBLAGE

⚠ AVERTISSEMENT : Assurez-vous toujours que l'outil est hors tension et que la batterie est retirée avant de travailler dessus. Si vous ne mettez pas l'outil hors tension et ne retirez pas la batterie, cela présente un risque de graves blessures.

Rangement de la clé hexagonale

Le rangement de la clé hexagonale s'effectue comme indiquée sur la figure. Lorsque vous avez besoin de la clé hexagonale, vous pouvez la retirer du support à clé. Après l'utilisation de la clé hexagonale, vous pouvez la ranger en la remettant dans le support à clé.

► **Fig.29:** 1. Support à clé 2. Clé hexagonale

Pose et dépose de la lame de scie

⚠ AVERTISSEMENT : Assurez-vous toujours que l'outil est hors tension et que la batterie est retirée avant de poser ou de retirer la lame. Le démarrage accidentel de l'outil peut entraîner de graves blessures.

⚠ ATTENTION : Utilisez exclusivement la clé hexagonale Makita fournie pour installer ou retirer la lame. Sinon, le boulon à tête cylindrique à six pans creux risque d'être trop ou pas assez serré. Cela peut entraîner des blessures.

Pose de la lame de scie circulaire

1. Verrouillez la poignée en position élevée en y poussant la broche d'arrêt.

► **Fig.30:** 1. Broche d'arrêt

2. Desserrez le boulon à tête cylindrique à six pans creux de fixation du capot central à l'aide de la clé hexagonale, en tournant vers la gauche. Soulevez ensuite le protecteur de lame et le capot central.

► **Fig.31:** 1. Capot central 2. Boulon à tête cylindrique à six pans creux 3. Clé hexagonale 4. Protecteur de lame

3. Appuyez sur le blocage de l'arbre pour verrouiller l'axe et desserrez le boulon à tête cylindrique à six pans creux à l'aide de la clé hexagonale, en tournant dans le sens des aiguilles d'une montre. Puis, retirez le boulon à tête cylindrique à six pans creux et le flasque extérieur.

► **Fig.32:** 1. Blocage de l'arbre 2. Boulon à tête cylindrique à six pans creux 3. Flasque extérieur

4. Montez la lame avec soin sur le flasque intérieur. Assurez-vous que le sens de la flèche sur la lame correspond au sens de la flèche sur le porte-lame.

► **Fig.33:** 1. Flasque extérieur 2. Lame de scie 3. Flasque intérieur 4. Boulon à tête cylindrique à six pans creux (filetage à gauche) 5. Axe 6. Pièce de fixation de la lame

► **Fig.34:** 1. Lame de scie 2. Flèche

5. Installez le flasque extérieur et le boulon à tête cylindrique à six pans creux, puis, à l'aide de la clé hexagonale, serrez à fond le boulon à tête cylindrique à six pans creux (filetage à gauche) de l'axe, en tournant vers la gauche, tout en appuyant sur le blocage de l'arbre.

6. Remettez le protecteur de lame et le capot central sur leurs positions d'origine. Serrez ensuite le boulon à tête cylindrique à six pans creux du capot central en le tournant vers la droite pour fixer le capot central.

7. Tirez sur la broche d'arrêt pour dégager la poignée de la position élevée. Abaissez la poignée pour vous assurer que le protecteur de lame se déplace adéquatement.

8. Avant de passer à la coupe, vérifiez que le blocage de l'arbre n'est pas engagé sur l'axe.

Pour un outil avec un flasque intérieur pour une lame de scie dont le diamètre de l'orifice est de 15,88 mm

Propre au pays

Montez la flasque intérieure avec son côté encastré tourné vers l'extérieur sur l'arbre de montage, puis placez la lame de scie (avec l'anneau fixé, au besoin), la flasque extérieure et le boulon hexagonal.

Pour les outils sans anneau

► **Fig.35:** 1. Flasque extérieur 2. Lame de scie 3. Flasque intérieur 4. Boulon à tête cylindrique à six pans creux (filetage à gauche) 5. Axe

Pour les outils avec anneau

► **Fig.36:** 1. Flasque extérieur 2. Lame de scie 3. Flasque intérieur 4. Boulon à tête cylindrique à six pans creux (filetage à gauche) 5. Bague 6. Axe

⚠ AVERTISSEMENT : Si l'anneau est nécessaire pour monter la lame sur la broche, assurez-vous toujours que le bon anneau pour l'orifice central de lame que vous avez l'intention d'utiliser est installé entre les flasques intérieure et extérieure. L'utilisation d'un anneau avec orifice central incorrect peut provoquer une mauvaise fixation de la lame, entraînant un mouvement de la lame et de fortes vibrations susceptibles de produire une perte de contrôle pendant l'utilisation et de graves blessures.

Pour un outil avec un flasque intérieur pour une lame de scie dont le diamètre de l'orifice est autre que 20 mm ou 15,88 mm

Propre au pays

Le flasque intérieur présente un diamètre donné pour une pièce de fixation de la lame d'un côté et un diamètre différent de l'autre côté. Choisissez le bon côté sur lequel la pièce de fixation de la lame de scie s'engage parfaitement dans l'orifice de la lame.

- **Fig.37:** 1. Flasque extérieur 2. Lame de scie
3. Flasque intérieur 4. Boulon à tête cylindrique à six pans creux (filetage à gauche)
5. Axe 6. Pièce de fixation de la lame

⚠ ATTENTION : Assurez-vous que la pièce de fixation de la lame « a » sur le flasque intérieur positionné à l'extérieur s'engage parfaitement dans l'orifice de la lame de scie « a ». La fixation de la lame du mauvais côté peut provoquer des vibrations dangereuses.

Retrait de la lame de scie

1. Verrouillez la poignée en position élevée en y poussant la broche d'arrêt.
2. Desserrez le boulon à tête cylindrique à six pans creux de fixation du capot central à l'aide de la clé hexagonale, en tournant vers la gauche. Soulevez ensuite le protecteur de lame et le capot central.
3. Appuyez sur le blocage de l'arbre pour verrouiller l'axe et desserrez le boulon à tête cylindrique à six pans creux à l'aide de la clé hexagonale, en tournant dans le sens des aiguilles d'une montre. Ensuite, retirez le boulon à tête cylindrique à six pans creux, le flasque extérieur et la lame.

Lors du rangement de l'outil, installez le flasque extérieur et serrez légèrement le boulon à tête cylindrique à six pans creux à la main pour ne pas les perdre.

Raccordement à un aspirateur

Pour effectuer une opération de coupe propre, raccordez un aspirateur Makita.

- **Fig.38**

Sac à poussière

Accessoire en option

L'utilisation du sac à poussière permet d'effectuer un travail de coupe plus propre et facilite la collecte des poussières.

Pour fixer le sac à poussière, insérez-le dans le raccord à poussières.

Pour poser la barrette, alignez son extrémité supérieure sur le symbole triangulaire du sac à poussière.

Lorsque le sac à poussière est environ à moitié plein, retirez-le de l'outil et tirez sur la barrette. Videz le sac à poussière en le tapotant légèrement pour retirer les particules qui adhèrent à sa surface intérieure et risqueraient de faire obstacle à la collecte de la poussière par la suite.

- **Fig.39:** 1. Sac à poussière 2. Raccord à poussières
3. Barrette

Fixation de la pièce de travail

⚠ AVERTISSEMENT : Il est très important de toujours immobiliser fermement la pièce à travailler au moyen d'un étau d'un type adéquat. Autrement, vous risquez de gravement vous blesser et d'abîmer l'outil et/ou la pièce à travailler.

⚠ AVERTISSEMENT : Lorsque vous coupez une pièce plus longue que la base du support de la scie, la pièce doit être soutenue au même niveau sur toute sa longueur. Une pièce bien soutenue réduit les risques de coincements de la lame et de chocs en retour, qui peuvent entraîner de graves blessures. Ne vous fiez pas uniquement à un étau vertical et/ou un étau horizontal pour immobiliser la pièce. Les matériaux minces ont tendance à s'affaisser. Soutenez la pièce sur toute sa longueur, pour éviter que la lame ne se coince et provoque un éventuel CHOC EN RETOUR.

- **Fig.40:** 1. Support 2. Socle rotatif

Étau vertical

⚠ AVERTISSEMENT : Fixez la pièce fermement sur le socle rotatif et le guide avec l'étau pendant toutes les opérations. Autrement, la pièce risque de bouger pendant la coupe, d'abîmer la lame et d'être éjectée, ce qui peut entraîner une perte de contrôle et de graves blessures.

Installez l'étau vertical du côté gauche ou droit du guide ou de la butée. Engagez la tige de l'étau dans l'orifice du guide ou de la butée, et serrez la vis inférieure pour fixer la tige de l'étau.

- **Fig.41:** 1. Bras de l'étau 2. Tige de l'étau 3. Guide
4. Servante 5. Butée 6. Poignée de l'étau
7. Vis inférieure 8. Vis supérieure

Placez le bras de l'étau en fonction de l'épaisseur et de la forme de la pièce à travailler, et fixez le bras de l'étau en serrant la vis supérieure. Si la vis supérieure entre en contact avec le guide, installez-la de l'autre côté du bras de l'étau. Assurez-vous qu'aucune partie de l'outil n'entre en contact avec l'étau lorsque vous abaissez complètement la poignée et tirez ou poussez le chariot jusqu'au bout. Si une quelconque partie de l'outil entre en contact avec l'étau, modifiez son emplacement. Appuyez la pièce à plat contre le guide et le socle rotatif. Placez la pièce sur la position de coupe désirée et maintenez-la en place en serrant à fond la poignée de l'étau.

Étau horizontal

Accessoire en option

⚠ AVERTISSEMENT : Pour bien serrer la pièce, il faut que l'indicateur se trouve sur sa position la plus élevée. Autrement, la pièce risque de ne pas être suffisamment serrée. Il peut en résulter la projection de la pièce, des dommages à la lame ou une perte de contrôle, ce qui peut provoquer de graves blessures.

► **Fig.42:** 1. Poignée de l'étau 2. Indicateur 3. Axe de l'étau 4. Socle

L'étau horizontal peut être installé du côté gauche du socle.

Quand vous tournez la poignée de l'étau vers la gauche, la vis se libère et la tige de l'étau peut être déplacée rapidement d'avant en arrière. La vis s'immobilise en tournant la poignée de l'étau vers la droite. Pour serrer la pièce, tournez doucement la poignée de l'étau vers la droite jusqu'à ce que l'indicateur atteigne sa position supérieure, puis serrez à fond. Si vous tournez la poignée de l'étau avec force ou tirez dessus pendant que vous la tournez vers la droite, vous risquez que l'indicateur s'arrête à mi-course. Dans ce cas, ramenez la poignée de l'étau vers la gauche jusqu'à ce que la vis soit libérée, puis tournez-la doucement à nouveau vers la droite.

La capacité maximale de l'étau horizontal est de 120 mm de largeur.

Servantes et butée

Accessoire en option

⚠ ATTENTION : Pour les outils équipés de servantes et butées en tant qu'accessoires standard, ce type d'utilisation n'est pas permis en raison des réglementations du pays.

⚠ AVERTISSEMENT : Soutenez toujours une pièce de grande longueur de sorte qu'elle se trouve au même niveau que la surface supérieure du socle rotatif pour effectuer une coupe de précision et prévenir la perte de contrôle de l'outil. Une pièce bien soutenue réduit les risques de coincements de la lame et de chocs en retour, qui peuvent entraîner de graves blessures.

Les servantes et la butée (accessoire en option) s'installent soit à gauche soit à droite, comme moyen pratique de soutenir les pièces horizontalement. Installez-les sur le côté de l'outil, puis serrez à fond les vis pour les immobiliser.

► **Fig.43:** 1. Servante 2. Butée

Pour couper des pièces de grande longueur, utilisez l'ensemble de butées et tiges (accessoire en option). Il se compose de deux butées et de deux tiges numéro 12.

► **Fig.44:** 1. Butée 2. Tige 12

UTILISATION

⚠ AVERTISSEMENT : Avant de mettre le contact, assurez-vous que la lame ne touche pas la pièce, etc. Il y a risque de choc en retour et de graves blessures si vous mettez le contact alors que la lame est en contact avec la pièce à travailler.

⚠ AVERTISSEMENT : Après la coupe, ne soulevez la lame qu'une fois celle-ci parfaitement arrêtée. Vous risquez de gravement vous blesser et d'abîmer la pièce si vous soulevez la lame alors qu'elle tourne encore.

⚠ AVERTISSEMENT : Ne touchez pas les vis de serrage qui retiennent les tiges de glissement pendant que la lame de scie est en rotation. Vous pourriez autrement perdre le contrôle de l'outil et vous blesser.

⚠ ATTENTION : Ne relâchez pas la tête de scie incontrôlée de la position complètement abaissée. Une tête de scie incontrôlée peut vous frapper et vous blesser.

REMARQUE : Avant l'utilisation, assurez-vous d'avoir dégagé la poignée de la position abaissée en tirant sur la broche d'arrêt.

REMARQUE : Pendant la coupe, n'appliquez pas une pression excessive sur la poignée. Une force excessive risquerait de provoquer une surcharge du moteur et/ou une diminution de la capacité de coupe. Appuyez sur la poignée en appliquant uniquement la force nécessaire pour obtenir une coupe en douceur sans diminuer de façon significative la vitesse de la lame.

REMARQUE : Appuyez doucement sur la poignée pour effectuer la coupe. Si vous appuyez trop fort sur la poignée ou appuyez latéralement, la lame risque de vibrer et de laisser une marque (marque de sciage) sur la pièce ; la précision de coupe sera également affectée.

REMARQUE : Lors d'une coupe en glissière, poussez doucement le chariot vers le guide, sans arrêter. Si le mouvement du chariot cesse pendant la coupe, cela risque de laisser une marque sur la pièce et la précision de la coupe pourrait être affectée.

Coupe sous presse (coupe de petites pièces)

⚠ AVERTISSEMENT : En tournant vers la droite, serrez à fond les deux vis de serrage qui retiennent les tiges de glissement, de sorte que le chariot ne se déplace pas pendant le fonctionnement. Si vous ne serrez pas assez la vis de verrouillage, il y a risque de choc en retour pouvant entraîner de graves blessures.

► **Fig.45:** 1. Vis à oreilles 2. Butée

Vous pouvez couper des pièces pouvant atteindre 52 mm de haut et 97 mm de large, en procédant comme suit.

1. Poussez le chariot complètement vers le guide, puis serrez vers la droite les deux vis de serrage qui retiennent les tiges de glissement pour fixer le chariot.

- Immobilisez la pièce à travailler avec un étau du bon type.
- Mettez l'outil en marche alors que la lame ne touche à rien et attendez qu'elle ait atteint sa pleine vitesse avant de l'abaisser.
- Abaissez doucement la poignée sur la position la plus basse pour couper la pièce.
- Lorsque la coupe est terminée, coupez le contact de l'outil et attendez que la lame se soit complètement arrêtée avant de ramener la lame en position complètement relevée.

Coupe en glissière (poussée) (coupe de grandes pièces)

⚠️ AVERTISSEMENT : Chaque fois que vous effectuez une coupe en glissière, tirez d'abord le chariot complètement vers vous et abaissez complètement la poignée, puis poussez le chariot vers le guide. Ne commencez jamais la coupe alors que le chariot n'est pas complètement tiré vers vous. Si vous effectuez une coupe en glissière sans avoir tiré complètement le chariot vers vous, il se peut que la lame effectue un soudain choc en retour pouvant entraîner de graves blessures.

⚠️ AVERTISSEMENT : N'essayez jamais d'effectuer une coupe en glissière en tirant le chariot vers vous. Si vous tirez le chariot vers vous pendant la coupe, il se peut que la lame effectue un soudain choc en retour pouvant entraîner de graves blessures.

⚠️ AVERTISSEMENT : N'effectuez jamais une coupe en glissière alors que la poignée a été verrouillée en position abaissée.

⚠️ AVERTISSEMENT : Ne desserrez jamais la poignée qui retient le chariot alors que la lame tourne. Si le chariot est mal serré pendant la coupe, il se peut que la lame effectue un soudain choc en retour pouvant entraîner de graves blessures.

► Fig.46: 1. Vis à oreilles 2. Butée

- Desserrez, en tournant vers la gauche, les deux vis de serrage qui retiennent les tiges de glissement, de sorte que le chariot puisse glisser librement.
- Immobilisez la pièce à travailler avec un étau du bon type.
- Tirez complètement le chariot vers vous.
- Mettez l'outil en marche alors que la lame ne touche à rien et attendez qu'elle ait atteint sa pleine vitesse.
- Appuyez sur la poignée et poussez le chariot vers le guide et tout au long de la pièce.
- Lorsque la coupe est terminée, coupez le contact de l'outil et attendez que la lame se soit complètement arrêtée avant de ramener la lame en position complètement relevée.

Coupe d'onglet

Reportez-vous à la section de réglage de l'angle de coupe d'onglet.

Coupe en biseau

⚠️ AVERTISSEMENT : Avant d'utiliser l'outil après avoir réglé la lame pour une coupe en biseau, assurez-vous que le chariot et la lame pourront se déplacer librement sur toute l'étendue prévue pour la coupe. L'interruption du chariot ou de la lame en cours de déplacement lors de la coupe peut causer un choc en retour et entraîner de graves blessures.

⚠️ AVERTISSEMENT : Lors de l'exécution d'une coupe en biseau, gardez les mains hors de la trajectoire de la lame. L'angle de la lame peut induire l'utilisateur en erreur concernant la véritable trajectoire de la lame pendant la coupe, ce qui comporte un risque de graves blessures au contact de la lame.

⚠️ AVERTISSEMENT : La lame ne doit être soulevée qu'une fois complètement arrêtée. Lors d'une coupe en biseau, il se peut que la partie coupée de la pièce vienne s'appuyer contre la lame. Si vous soulevez la lame alors qu'elle tourne encore, la partie coupée de la pièce risquera d'être éjectée par la lame, et ce fragment éjecté peut provoquer de graves blessures.

⚠️ ATTENTION : (Uniquement pour les outils avec guide inférieur) Orientez toujours le guide inférieur vers l'extérieur pour les coupes en biseau à gauche.

► Fig.47: 1. Butée

- Desserrez le levier et inclinez la lame de scie pour régler l'angle de coupe en biseau (voir la section précédente « Réglage de l'angle de coupe en biseau »). N'oubliez pas de resserrer à fond le levier de façon à bien assurer l'angle de coupe en biseau sélectionné.
- Assurez la pièce avec un étau.
- Tirez complètement le chariot vers vous.
- Mettez l'outil en marche alors que la lame ne touche à rien et attendez qu'elle ait atteint sa pleine vitesse.
- Abaissez doucement la poignée sur la position la plus basse tout en appliquant une pression parallèle à la lame et poussez le chariot vers le guide pour couper la pièce.
- Lorsque la coupe est terminée, coupez le contact de l'outil et attendez que la lame se soit complètement arrêtée avant de ramener la lame en position complètement relevée.

REMARQUE : En appuyant sur la poignée, exercez une pression en parallèle à la lame. Si vous appuyez perpendiculairement au socle rotatif, ou si la pression change de sens pendant la coupe, la précision de coupe en souffrira.

Coupe mixte

La coupe mixte consiste à appliquer un angle de coupe en biseau tout en effectuant une coupe d'onglet sur une pièce. La coupe mixte est possible à l'angle indiqué dans le tableau.

Angle de coupe d'onglet	Angle de coupe en biseau
Gauche et droite 45°	Gauche 0° à 45°
Droite 50°	Gauche 0° à 40°
Droite 55°	Gauche 0° à 30°
Droite 57°	Gauche 0° à 25°

Pour effectuer une coupe mixte, reportez-vous aux explications des sections « Coupe sous presse », « Coupe en glissière », « Coupe d'onglet » et « Coupe en biseau ».

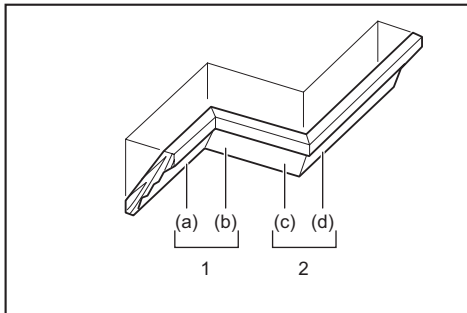
Coupe de moulures couronnées et concaves

Les moulures couronnées et concaves peuvent être coupées avec une scie radiale combinée, en les déposant à plat sur le socle rotatif.

Il existe deux types courants de moulures couronnées et un type de moulure concave, à savoir : les moulures couronnées pour angles de murs respectifs de 52/38° et 45°, et les moulures concaves pour angle de mur de 45°.

- **Fig.48:**
1. Moulure couronnée du type 52/38°
 2. Moulure couronnée du type 45°
 3. Moulure concave du type 45°

Il existe des joints de moulures couronnées et concaves qui s'adaptent aux coins « intérieurs » de 90° ((a) et (b) sur la figure), et aux coins « extérieurs » de 90° ((c) et (d) sur la figure).



1. Coin intérieur 2. Coin extérieur

- **Fig.49:** 1. Coin intérieur 2. Coin extérieur

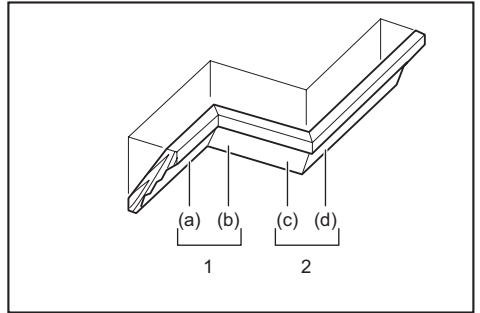
Mesure

Mesurez la largeur du mur et ajustez la largeur de la pièce conformément. Assurez-vous toujours que la largeur du bord de contact avec le mur de la pièce est identique à la longueur du mur.

- **Fig.50:** 1. Pièce 2. Largeur du mur 3. Largeur de la pièce 4. Bord de contact avec le mur

Vérifiez toujours les angles de coupe de la scie en effectuant des tests sur quelques morceaux. Pour couper des moulures couronnées et concaves, réglez l'angle de coupe en biseau et l'angle de coupe d'onglet tel qu'indiqué dans le tableau (A), et placez les moulures sur la face supérieure du socle de la scie, tel qu'indiqué dans le tableau (B).

Dans le cas d'une coupe en biseau sur la gauche



1. Coin intérieur 2. Coin extérieur

Tableau (A)

-	Position de moulure sur la figure	Angle de coupe en biseau		Angle de coupe d'onglet	
		Type 52/38°	Type 45°	Type 52/38°	Type 45°
Pour coin intérieur	(a)	Gauche 33,9°	Gauche 30°	Droite 31,6°	Droite 35,3°
	(b)			Gauche 31,6°	Gauche 35,3°
Pour coin extérieur	(c)			Droite 31,6°	Droite 35,3°
	(d)				

Tableau (B)

-	Position de moulure sur la figure	Bord de moulure contre le guide	Partie de la pièce à utiliser
Pour coin intérieur	(a)	Le bord de contact avec le plafond doit être contre le guide.	La partie de la pièce à utiliser sera du côté gauche de la lame.
	(b)	Le bord de contact avec le mur doit être contre le guide.	
Pour coin extérieur	(c)	Le bord de contact avec le mur doit être contre le guide.	La partie de la pièce à utiliser sera du côté droit de la lame.
	(d)	Le bord de contact avec le plafond doit être contre le guide.	

Exemple :

Dans le cas d'une coupe de moulure couronnée du type 52/38° pour la position (a) sur la figure ci-dessus :

- Réglez l'angle de coupe en biseau et immobilisez-le sur 33,9° vers la GAUCHE.
- Réglez l'angle de coupe d'onglet et immobilisez-le sur 31,6° vers la DROITE.
- Déposez sur le socle rotatif la moulure couronnée, face arrière large (cachée) orientée vers le bas, et en plaçant le BORD DE CONTACT AVEC LE PLAFOND contre le guide de la scie.
- La partie de la pièce à utiliser doit toujours être du côté GAUCHE de la lame une fois la coupe terminée.

Coupe d'aluminium extrudé

- **Fig.51:** 1. Étau 2. Bloc espaceur 3. Guide
4. Aluminium extrudé 5. Bloc espaceur

Pour immobiliser des pièces en aluminium extrudé, utilisez des blocs espaceurs ou des morceaux de ferraille comme illustré sur la figure pour éviter une déformation de l'aluminium. Utilisez un lubrifiant de coupe pour couper de l'aluminium extrudé afin d'éviter l'accumulation de matériau en aluminium sur la lame.

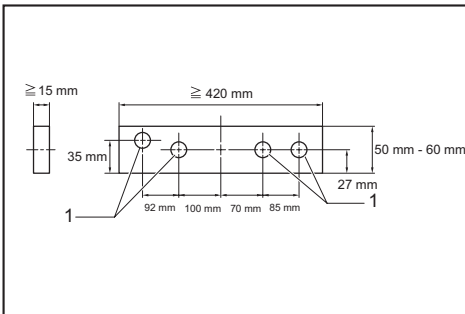
⚠ ATTENTION : N'essayez jamais de couper des morceaux épais ou arrondis d'aluminium extrudé. Les morceaux épais d'aluminium extrudé peuvent se détacher pendant la coupe et les morceaux ronds d'aluminium extrudé ne peuvent pas être correctement immobilisés avec cet outil.

Parement de bois

⚠ AVERTISSEMENT : Utilisez des vis pour fixer le parement de bois au guide. Les vis doivent être posées de sorte que leur tête se trouve sous la surface du parement de bois, afin qu'elles ne gênent pas la mise en place de la pièce à couper. Si la pièce à couper est mal alignée, elle risquera d'effectuer un déplacement inattendu pendant la coupe, ce qui peut causer une perte de contrôle et de graves blessures.

⚠ ATTENTION : Comme parement de bois, utilisez un morceau de bois droit d'épaisseur régulière.

L'utilisation de parements de bois permet d'effectuer des coupes sans éclats. Fixez un parement de bois sur le guide en utilisant les orifices du guide. Pour les dimensions recommandées du parement de bois, voir l'illustration.



1. Orifices

REMARQUE : Une fois le parement de bois fixé, ne tournez pas le socle rotatif avec le bras abaissé. Vous risqueriez d'endommager la lame et/ou le parement de bois.

Coupes répétées de longueur identique

⚠ ATTENTION : Pour les outils équipés de servantes et butées en tant qu'accessoires standard, ce type d'utilisation n'est pas permis en raison des réglementations du pays.

Pour couper plusieurs morceaux de matériau à la même longueur, qui peut être comprise entre 220 mm et 385 mm, utilisez la plaque de fixation (accessoire en option). Installez la plaque de fixation sur sa servante (accessoire en option) comme indiqué sur la figure.

- **Fig.52:** 1. Plaque de fixation 2. Servante 3. Vis

Alignez la ligne de coupe de la pièce sur le côté gauche ou droit de la rainure du plateau de découpe, et tout en tenant la pièce, placez la plaque de fixation contre l'extrémité de la pièce. Fixez ensuite la plaque de fixation avec la vis.

Lorsque vous ne vous servez pas de la plaque de fixation, desserrez la vis et tournez la plaque de fixation pour la dégager.

NOTE : L'utilisation de l'ensemble de butées et tiges (accessoire en option) permet des coupes répétées d'une longueur identique pouvant aller jusqu'à environ 2 200 mm.

Rainurage

⚠ AVERTISSEMENT : Ne tentez pas d'effectuer ce type de coupe au moyen d'une lame plus large ou d'une lame à rainer. La coupe risque de donner des résultats décevants si vous tentez d'effectuer le rainurage avec une lame plus large ou une lame à rainer, et il y a risque de choc en retour pouvant provoquer de graves blessures.

⚠ AVERTISSEMENT : Assurez-vous d'avoir remis le bras de blocage en position initiale avant d'effectuer un autre type de coupe que le rainurage. La coupe risque de donner des résultats décevants si vous tentez de l'effectuer avec le bras de blocage en position incorrecte, et il y a risque de choc en retour pouvant provoquer de graves blessures.

Des rainures peuvent être effectuées en procédant comme suit :

1. Ajustez la position limite inférieure de la lame de scie circulaire au moyen de la vis de réglage et du bras de blocage pour limiter la profondeur de coupe de la lame de scie circulaire. Consultez la section sur le bras de blocage.
 2. Après avoir ajusté la position limite inférieure de la lame de scie circulaire, coupez des rainures parallèles sur la largeur de la pièce, en procédant par coupe en glissière (poussée).
- **Fig.53:** 1. Couper des rainures avec la lame
3. Retirez le matériau de la pièce entre les rainures, au moyen d'un ciseau.

Transport de l'outil

⚠ AVERTISSEMENT : La broche d'arrêt est conçue exclusivement pour le transport et le rangement de l'outil, et ne doit jamais être utilisée pour des opérations de coupe. L'utilisation de la broche d'arrêt pour les opérations de coupe peut causer le déplacement inattendu de la lame de scie et provoquer un choc en retour et de graves blessures.

⚠ ATTENTION : Immobilisez toujours toutes les pièces mobiles de l'outil avant de le transporter. Si des pièces de l'outil bougent ou glissent pendant que vous le transportez, vous risquerez d'en perdre le contrôle ou de perdre l'équilibre, ce qui comporte un risque de blessure.

► Fig.54

1. Retirez la batterie.
2. Fixez la lame sur un angle de coupe en biseau de 0° et le socle rotatif dans la position d'angle de coupe d'onglet complètement à droite.
3. Fixez les tiges de glissement de sorte que la tige inférieure soit verrouillée dans la position où le chariot est complètement tiré vers l'utilisateur, et que les tiges supérieures soient verrouillées dans la position où le chariot est complètement poussé à l'avant vers le guide.
4. Abaissez complètement la poignée et verrouillez-la en position inférieure en enfonçant la broche d'arrêt.
5. Saisissez l'outil par les deux côtés du socle pour le transporter. L'outil sera plus facile à transporter si vous retirez les servantes, le sac à poussière, etc.

ENTRETIEN

⚠ AVERTISSEMENT : Pour obtenir de l'outil une performance optimale et une sécurité maximale, assurez-vous toujours que la lame est affûtée et propre. Si vous tentez d'effectuer la coupe avec une lame émoussée et/ou sale, cela présente un risque de choc en retour et de graves blessures.

⚠ ATTENTION : Assurez-vous toujours que l'outil est hors tension et que la batterie est retirée avant d'y effectuer tout travail d'inspection ou d'entretien.

REMARQUE : N'utilisez jamais d'essence, benzène, diluant, alcool ou autre produit similaire. Cela risquerait de provoquer la décoloration, la déformation ou la fissuration de l'outil.

Réglage de l'angle de coupe

L'outil a été soigneusement réglé et aligné en usine, mais une manipulation maladroite a pu dérégler l'alignement. Si l'outil n'est pas aligné correctement, effectuez les opérations suivantes :

Angle de coupe d'onglet

1. Poussez le chariot vers le guide, puis serrez les deux vis de serrage pour fixer le chariot.
2. Faites pivoter le socle rotatif jusqu'à ce que l'index indique 0° sur le secteur.
3. Tournez le socle rotatif légèrement vers la droite et la gauche pour le caler dans l'entaille d'onglet de 0°. (Laissez-le tel quel si l'index n'indique pas 0°.)
4. Avec la clé hexagonale, desserrez les boulons à tête cylindrique à six pans creux qui retiennent le guide.
► Fig.55: 1. Guide 2. Boulon à tête cylindrique à six pans creux
5. Abaissez complètement la poignée et verrouillez-la en position inférieure en enfonçant la broche d'arrêt.
6. Ajustez le guide jusqu'à ce qu'il soit perpendiculaire par rapport à la lame à l'aide d'une règle triangulaire, d'une équerre de menuisier, etc. Serrez ensuite à fond les boulons à tête cylindrique à six pans creux du guide, dans l'ordre, en commençant du côté droit.
► Fig.56: 1. Règle triangulaire 2. Guide
7. Assurez-vous que l'index indique 0° sur le secteur. Si l'index n'indique pas 0°, desserrez la vis qui retient l'index et réglez ce dernier de sorte qu'il indique 0°.

► Fig.57: 1. Vis 2. Secteur 3. Index

Angle de coupe en biseau

Angle de coupe en biseau 0°

- Fig.58: 1. Levier 2. Support du bras 3. Boulon de réglage d'angle de biseau de 0° 4. Bras 5. Bouton de libération
1. Poussez le chariot vers le guide, puis serrez les deux vis de serrage pour fixer le chariot.
 2. Abaissez complètement la poignée et verrouillez-la en position inférieure en enfonçant la broche d'arrêt.
 3. Desserrez le levier à l'arrière de l'outil.
 4. Pour incliner la lame vers la droite, tournez de deux ou trois tours vers la gauche le boulon de réglage d'angle de biseau de 0° (boulon inférieur) du côté droit du bras.
 5. Tournez avec soin vers la droite le boulon de réglage d'angle de biseau de 0° jusqu'à ce que le côté de la lame soit perpendiculaire par rapport à la surface supérieure du socle rotatif. Servez-vous de la règle triangulaire, l'équerre de menuisier, etc. comme guide. Serrez ensuite le levier fermement.
► Fig.59: 1. Règle triangulaire 2. Lame de scie 3. Surface supérieure du plateau tournant
 6. Assurez-vous que l'index sur le bras indique 0° sur l'échelle. S'il n'indique pas 0°, desserrez la vis qui retient l'index et réglez ce dernier de sorte qu'il indique 0°.
► Fig.60: 1. Échelle 2. Index 3. Vis

Angle de coupe en biseau 45°

- **Fig.61:** 1. Boulon de réglage d'angle de biseau de 45° sur la gauche

Réglez l'angle de biseau de 45° uniquement après avoir réglé l'angle de biseau de 0°.

1. Desserrez le levier et inclinez la lame complètement vers la gauche.
2. Assurez-vous que l'index sur le bras indique 45° sur l'échelle. Si l'index n'indique pas 45°, tournez le boulon de réglage d'angle de biseau de 45° (boulon supérieur) du côté droit du bras jusqu'à ce que l'index indique 45°.

Après l'utilisation

Après l'utilisation, essuyez les copeaux et poussières qui adhèrent à l'outil à l'aide d'un chiffon ou d'un objet similaire. Gardez le protecteur de lame propre, conformément aux instructions fournies dans la section précédente intitulée « Protecteur de lame ». Lubrifiez les parties coulissantes avec de l'huile machine pour prévenir la formation de rouille.

Pour ranger l'outil, tirez le chariot complètement vers vous de façon que la tige de glissement disparaisse complètement dans le socle rotatif.

Pour assurer la SÉCURITÉ et la FIABILITÉ du produit, toute réparation, tout travail d'entretien ou de réglage doivent être effectués par un centre d'entretien Makita agréé, avec des pièces de rechange Makita.

ACCESSOIRES EN OPTION

⚠ AVERTISSEMENT : Les accessoires ou pièces supplémentaires Makita qui suivent sont recommandés pour l'utilisation avec l'outil Makita spécifié dans ce manuel. L'utilisation de tout autre accessoire ou pièce supplémentaire peut entraîner de graves blessures.

⚠ AVERTISSEMENT : Utilisez l'accessoire ou la pièce supplémentaire Makita uniquement dans le but spécifié. La mauvaise utilisation d'un accessoire ou d'une pièce supplémentaire peut entraîner de graves blessures.

Pour obtenir plus de détails sur ces accessoires, contactez votre centre d'entretien local Makita.

- Lames à dents de carbure
(Consultez notre site Web ou contactez votre revendeur Makita local pour connaître les bonnes lames de scie à utiliser selon le matériau à couper.)
- Ensemble d'étau (étau horizontal)
- Étau vertical
- Butée
- Ensemble de butées et tiges
- Plaque de fixation
- Sac à poussière
- Règle triangulaire
- Clé hexagonale
- Batterie et chargeur Makita d'origine

NOTE : Il se peut que certains éléments de la liste soient compris dans l'emballage de l'outil en tant qu'accessoires standard. Ils peuvent varier d'un pays à l'autre.

TECHNISCHE DATEN

Modell:	DLS714
Sägeblattdurchmesser	190 mm
Bohrungsdurchmesser (Spindel) (länderspezifisch)	20 mm oder 15,88 mm
Max. Schnittfugenbreite des Sägeblatts	2,2 mm
Max. Gehrungswinkel	Links 47°, Rechts 57°
Max. Neigungswinkel	Links 45°, Rechts 5°
Leerlaufdrehzahl	5.700 min ⁻¹
Abmessungen (L x B x H)	655 mm x 430 mm x 445 mm
Nennspannung	Gleichstrom 36 V
Nettogewicht	14,4 - 14,7 kg

- Wir behalten uns vor, Änderungen der technischen Daten im Zuge der Entwicklung und des technischen Fortschritts ohne vorherige Ankündigung vorzunehmen.
- Die technischen Daten können von Land zu Land unterschiedlich sein.
- Das Gewicht kann abhängig von dem Aufsatz (den Aufsätzen), einschließlich des Akkus, unterschiedlich sein. Die leichteste und die schwerste Kombination, gemäß dem EPTA-Verfahren 01/2014, sind in der Tabelle angegeben.

Zutreffende Akkus und Ladegeräte

Akku	BL1815N / BL1820B / BL1830B / BL1840B / BL1850B / BL1860B
Ladegerät	DC18RC / DC18RD / DC18RE / DC18SD / DC18SE / DC18SF / DC18SH / DC18WC

- Einige der oben aufgelisteten Akkus und Ladegeräte sind je nach Ihrem Wohngebiet eventuell nicht erhältlich.

⚠️ WARNUNG: Verwenden Sie nur die oben aufgeführten Akkus und Ladegeräte. Bei Verwendung irgendwelcher anderer Akkus und Ladegeräte besteht Verletzungs- und/oder Brandgefahr.

Schnittleistung (H x B) mit Sägeblatt 190 mm Durchmesser

Gehrungswinkel	Neigungswinkel		
	45° (links)	0°	5° (rechts)
0°	40 mm x 300 mm	52 mm x 300 mm	40 mm x 300 mm
	45 mm x 265 mm (HINWEIS 1)	60 mm x 265 mm (HINWEIS 1)	–
45° (links und rechts)	40 mm x 212 mm	52 mm x 212 mm	–
	45 mm x 185 mm (HINWEIS 2)	60 mm x 185 mm (HINWEIS 2)	–
57° (rechts)	–	52 mm x 163 mm	–
	–	60 mm x 145 mm (HINWEIS 3)	–

1. Max. Schnittleistung bei Verwendung eines Zwischenbretts von 20 mm Dicke
2. Max. Schnittleistung bei Verwendung eines Zwischenbretts von 15 mm Dicke
3. Max. Schnittleistung bei Verwendung eines Zwischenbretts von 10 mm Dicke

Symbole

Nachfolgend werden Symbole beschrieben, die für das Gerät verwendet werden können. Machen Sie sich unbedingt vor der Benutzung mit ihrer Bedeutung vertraut.



Betriebsanleitung lesen.



Um Verletzungen durch herausgeschleuderte Teile zu vermeiden, halten Sie den Sägekopf nach Ausführung von Schnitten abgesenkt, bis das Sägeblatt völlig zum Stillstand gekommen ist.



Ziehen Sie den Schlitten zur Ausführung von Schiebescschnitten zunächst ganz vor, drücken Sie den Griff nach unten, und schieben Sie dann den Schlitten zum Gehrungsanschlag.



Halten Sie Hände oder Finger vom Sägeblatt fern.



Stellen Sie den ZUSATZANSCHLAG bei der Durchführung von linksseitigen Neigungsschnitten immer auf die linke Position. Anderenfalls kann es zu schweren Verletzungen der Bedienungsperson kommen.



Ni-MH
Li-ion

Nur für EU-Länder
Aufgrund des Vorhandenseins gefährlicher Komponenten in der Ausrüstung können Elektro- und Elektronik-Altgeräte, Akkumulatoren und Batterien sich negativ auf die Umwelt und die menschliche Gesundheit auswirken.
Entsorgen Sie Elektro- und Elektronikgeräte oder Batterien nicht mit dem Hausmüll!
In Übereinstimmung mit der Europäischen Richtlinie über Elektro- und Elektronik-Altgeräte, Akkumulatoren und Batterien, verbrauchte Akkumulatoren und Batterien sowie ihrer Anpassung an nationales Recht sollten Elektro-Altgeräte, Batterien und Akkumulatoren gemäß den Umweltschutzbestimmungen getrennt gelagert und zu einer getrennten Sammelstelle für Siedlungsabfälle geliefert werden.
Dies wird durch das am Gerät angebrachte Symbol der durchgestrichenen Abfalltonne auf Rädern angezeigt.

Vorgesehene Verwendung

Das Werkzeug ist für genaue Gerad- und Gehrungsschnitte in Holz vorgesehen. Verwenden Sie die Säge nur zum Schneiden von Holz, Aluminium oder ähnlichen Materialien.

Geräusch

Typischer A-bewerteter Geräuschpegel ermittelt gemäß EN62841-3-9:

Schalldruckpegel (L_{pA}): 88 dB (A)

Schallleistungspegel (L_{WA}): 97 dB (A)

Messunsicherheit (K): 3 dB (A)

HINWEIS: Der (Die) angegebene(n) Schallemissionswert(e) wurde(n) im Einklang mit der Standardprüfmethode gemessen und kann (können) für den Vergleich zwischen Werkzeugen herangezogen werden.

HINWEIS: Der (Die) angegebene(n) Schallemissionswert(e) kann (können) auch für eine Vorbewertung des Gefährdungsgrads verwendet werden.

⚠️ WARNUNG: Einen Gehörschutz tragen.

⚠️ WARNUNG: Die Schallemission während der tatsächlichen Benutzung des Elektrowerkzeugs kann je nach der Benutzungsweise des Werkzeugs, und speziell je nach der Art des bearbeiteten Werkstücks, von dem (den) angegebenen Wert(en) abweichen.

⚠️ WARNUNG: Identifizieren Sie Sicherheitsmaßnahmen zum Schutz des Benutzers anhand einer Schätzung des Gefährdungsgrads unter den tatsächlichen Benutzungsbedingungen (unter Berücksichtigung aller Phasen des Arbeitszyklus, wie z. B. Ausschalt- und Leerlaufzeiten des Werkzeugs zusätzlich zur Betriebszeit).

Schwingungen

Schwingungsgesamtwert (Drei-Achsen-Vektorsumme) ermittelt gemäß EN62841-3-9:

Schwingungsemission (a_h): 2,5 m/s^2 oder weniger

Messunsicherheit (K): 1,5 m/s^2

HINWEIS: Der (Die) angegebene(n) Vibrationsgesamtwert(e) wurde(n) im Einklang mit der Standardprüfmethode gemessen und kann (können) für den Vergleich zwischen Werkzeugen herangezogen werden.

HINWEIS: Der (Die) angegebene(n) Vibrationsgesamtwert(e) kann (können) auch für eine Vorbewertung des Gefährdungsgrads verwendet werden.

⚠️ WARNUNG: Die Vibrationsemission während der tatsächlichen Benutzung des Elektrowerkzeugs kann je nach der Benutzungsweise des Werkzeugs, und speziell je nach der Art des bearbeiteten Werkstücks, von dem (den) angegebenen Emissionswert(en) abweichen.

⚠️ WARNUNG: Identifizieren Sie Sicherheitsmaßnahmen zum Schutz des Benutzers anhand einer Schätzung des Gefährdungsgrads unter den tatsächlichen Benutzungsbedingungen (unter Berücksichtigung aller Phasen des Arbeitszyklus, wie z. B. Ausschalt- und Leerlaufzeiten des Werkzeugs zusätzlich zur Betriebszeit).

Konformitätserklärungen

Nur für europäische Länder

Die Konformitätserklärungen sind in Anhang A dieser Betriebsanleitung enthalten.

SICHERHEITSWARNUNGEN

Allgemeine Sicherheitswarnungen für Elektrowerkzeuge

⚠️ WARNUNG Lesen Sie alle Sicherheitshinweise, Anweisungen, Abbildungen und Spezifikationen, die diesem Elektrowerkzeug beiliegen. Eine Missachtung der unten aufgeführten Anweisungen kann zu einem elektrischen Schlag, Brand und/oder schweren Verletzungen führen.

Bewahren Sie alle Warnungen und Anweisungen für spätere Bezugnahme auf.

Der Ausdruck „Elektrowerkzeug“ in den Warnhinweisen bezieht sich auf Ihr mit Netzstrom (mit Kabel) oder Akku (ohne Kabel) betriebenes Elektrowerkzeug.

Sicherheitsanweisungen für Gehrungssägen

- 1. Gehrungssägen sind zum Schneiden von Holz oder holzähnlichen Produkten vorgesehen. Sie können nicht mit Trennschleifscheiben zum Schneiden von Eisenmaterial, wie z. B. Stäben, Stangen, Bolzen usw., verwendet werden.** Schleifstaub kann Klemmen von beweglichen Teilen, wie z. B. der unteren Schutzhaube, verursachen. Beim Trennschleifen entstehende Funken verbrennen die untere Schutzhaube, den Schnittfugeneinsatz und andere Kunststoffteile.
- 2. Stützen Sie das Werkstück nach Möglichkeit immer mit Klemmen ab. Wenn Sie das Werkstück mit der Hand abstützen, müssen Sie Ihre Hand immer mindestens 100 mm von beiden Seiten des Sägeblatts entfernt halten. Verwenden Sie diese Säge nicht zum Schneiden von Werkstücken, die zu klein sind, um sicher eingespannt oder von Hand gehalten zu werden.** Wenn Sie Ihre Hand zu nah an das Sägeblatt halten, besteht erhöhte Verletzungsgefahr durch Kontakt mit dem Sägeblatt.
- 3. Das Werkstück muss stationär sein und sowohl gegen den Gehrungsanschlag als auch den Tisch geklemmt oder gehalten werden. Schieben Sie das Werkstück nicht in das Sägeblatt, und schneiden Sie auch nicht „freihändig“ in irgendeiner Weise.** Nicht gesicherte oder bewegliche Werkstücke könnten mit hoher Geschwindigkeit herausgeschleudert werden und Verletzungen verursachen.
- 4. Schieben Sie die Säge durch das Werkstück. Ziehen Sie die Säge nicht durch das Werkstück. Um einen Schnitt auszuführen, heben Sie den Sägekopf an, ziehen Sie ihn über das Werkstück heraus, ohne es zu schneiden, starten Sie den Motor, drücken Sie den Sägekopf nach unten, und schieben Sie die Säge durch das Werkstück.** Beim Schneiden in Zugrichtung ist die Wahrscheinlichkeit groß, dass das Sägeblatt am Werkstück hoch klettert und die Sägeblatteinheit heftig gegen den Bediener schleudert.
- 5. Halten Sie niemals Ihre Hand über die beabsichtigte Schnittlinie, weder vor noch hinter dem Sägeblatt.** Abstützen des Werkstücks mit „überkreuzter Hand“, d. h. Halten des Werkstücks rechts vom Sägeblatt mit der linken Hand oder umgekehrt, ist sehr gefährlich.
► Abb.1
- 6. Reichen Sie bei rotierendem Sägeblatt nicht hinter den Gehrungsanschlag, so dass sich eine Ihrer Hände näher als 100 mm links oder rechts des Sägeblatts befindet, um Holzabfälle zu entfernen, oder aus anderen Gründen.** Es mag nicht offensichtlich sein, wie nah sich Ihre Hand am Sägeblatt befindet, und Sie können sich ernsthaft verletzen.
- 7. Überprüfen Sie Ihr Werkstück vor dem Schneiden. Falls das Werkstück verbogen oder verzogen ist, spannen Sie es mit der äußeren gebogenen Seite zum Gehrungsanschlag gerichtet ein. Vergewissern Sie sich stets, dass keine Lücke zwischen Werkstück, Gehrungsanschlag und Tisch entlang der Schnittlinie vorhanden ist.** Verbogene oder verzogene Werkstücke neigen zum Drehen oder Verlagern und können beim Schneiden Klemmen am rotierenden Sägeblatt verursachen. Es dürfen keine Nägel oder Fremdkörper im Werkstück vorhanden sein.
- 8. Benutzen Sie die Säge nicht eher, bis sämtliche Werkzeuge, Holzabfälle usw. außer dem Werkstück vom Tisch weggeräumt sind.** Kleine Bruchstücke, lose Holzstücke oder andere Objekte, die das rotierende Sägeblatt berühren, können mit hoher Geschwindigkeit herausgeschleudert werden.
- 9. Schneiden Sie nur jeweils ein Werkstück.** Mehrere übereinander gestapelte Werkstücke lassen sich nicht angemessen einspannen oder abstützen und können am Sägeblatt klemmen oder sich während des Schneidens verlagern.
- 10. Vergewissern Sie sich vor Gebrauch, dass die Gehrungssäge auf einer ebenen, stabilen Arbeitsfläche montiert oder platziert ist.** Eine ebene und stabile Arbeitsfläche verringert die Gefahr, dass die Gehrungssäge instabil wird.
- 11. Planen Sie Ihre Arbeit. Stellen Sie bei jeder Änderung der Neigungs- oder Gehrungswinkeleinstellung sicher, dass der verstellbare Gehrungsanschlag korrekt eingestellt ist, um das Werkstück abzustützen, und dass er nicht mit dem Sägeblatt oder dem Schutzsystem in Berührung kommt.** Bewegen Sie das Sägeblatt durch einen vollständigen simulierten Schnitt, ohne das Werkzeug einzuschalten und ein Werkstück auf den Tisch zu legen, um zu gewährleisten, dass es nicht zu einer Berührung oder der Gefahr des Schneidens in den Gehrungsanschlag kommt.
- 12. Sorgen Sie für angemessene Abstützung eines Werkstücks, das breiter oder länger als die Tischplatte ist, z. B. durch Tischverlängerungen, Sägeböcke usw.** Werkstücke, die länger oder breiter als der Tisch der Gehrungssäge sind, können kippen, wenn sie nicht sicher abgestützt werden. Falls das abgeschnittene Stück oder Werkstück kippt, kann es die untere Schutzhaube anheben oder vom rotierenden Sägeblatt weggeschleudert werden.

13. **Verwenden Sie keine zweite Person als Ersatz für eine Tischverlängerung oder zur zusätzlichen Abstützung.** Instabile Abstützung des Werkstücks kann dazu führen, dass das Sägeblatt klemmt oder das Werkstück sich während des Schneidvorgangs verlagert, so dass Sie und der Helfer in das rotierende Sägeblatt gezogen werden.
14. **Das abgeschnittene Stücke darf nicht in irgendeiner Weise gegen das rotierende Sägeblatt geklemmt oder gedrückt werden.** Bei Einengung, z. B. durch Längenanschläge, könnte sich das abgeschnittene Stück gegen das Sägeblatt verkeilen und heftig herausgeschleudert werden.
15. **Verwenden Sie stets eine Klemme oder eine Einspannvorrichtung, um Rundmaterial, wie z. B. Stangen oder Rohre, einwandfrei abzustützen.** Stangen neigen beim Schneiden zum Rollen, so dass das Sägeblatt „beißt“ und das Werkstück mit Ihrer Hand in das Sägeblatt zieht.
16. **Warten Sie, bis das Sägeblatt die volle Drehzahl erreicht, bevor es das Werkstück kontaktiert.** Dadurch wird die Gefahr des Herausschleuderns des Werkstücks verringert.
17. **Falls das Werkstück oder das Sägeblatt eingeklemmt wird, schalten Sie die Gehrungssäge aus. Warten Sie, bis alle beweglichen Teile zum Stillstand gekommen sind, und ziehen Sie dann den Stecker von der Stromquelle ab und/oder nehmen Sie den Akku ab. Befreien Sie dann das eingeklemmte Material.** Fortgesetztes Sägen mit einem eingeklemmten Werkstück könnte zum Verlust der Kontrolle oder zu einer Beschädigung der Gehrungssäge führen.
18. **Nachdem Sie den Schnitt vollendet haben, lassen Sie den Schalter los, halten Sie den Sägekopf nach unten, und warten Sie, bis das Sägeblatt zum Stillstand kommt, bevor Sie das abgeschnittene Stück entfernen.** Es ist gefährlich, mit Ihrer Hand in die Nähe des auslaufenden Sägeblatts zu reichen.
19. **Halten Sie den Handgriff sicher fest, wenn Sie einen unvollständigen Schnitt ausführen oder den Schalter loslassen, bevor sich der Sägekopf vollständig in der abgesenkten Position befindet.** Die Abbremsung der Säge kann bewirken, dass der Sägekopf plötzlich nach unten gezogen wird, so dass Verletzungsgefahr besteht.
20. **Verwenden Sie nur Sägeblätter mit einem Durchmesser, der am Werkzeug markiert oder im Handbuch angegeben ist.** Die Verwendung eines Sägeblatts mit falscher Größe kann den einwandfreien Schutz des Sägeblatts oder den Schutzbetrieb beeinträchtigen, was ernsthaften Personenschaden zur Folge haben kann.
21. **Verwenden Sie nur Sägeblätter, die mit einer Drehzahl markiert sind, die der am Werkzeug angegebenen Drehzahl entspricht oder diese übertrifft.**
22. **Verwenden Sie die Säge nur zum Schneiden von Holz, Aluminium oder ähnlichen Materialien.**
23. **(Nur für europäische Länder)
Verwenden Sie immer ein Sägeblatt, das EN847-1 entspricht.**

Zusätzliche Anweisungen

1. **Machen Sie die Werkstatt mit Vorhängeschlossern kindersicher.**
2. **Stellen Sie sich niemals auf das Werkzeug.** Durch Kippen des Werkzeugs oder versehentliche Berührung mit dem Schneidwerkzeug könnten ernsthafte Verletzungen auftreten.
3. **Lassen Sie das Werkzeug niemals unbeaufsichtigt laufen. Schalten Sie die Stromversorgung aus. Verlassen Sie das Werkzeug nicht eher, bis es zu einem vollständigen Stillstand gekommen ist.**
4. **Betreiben Sie die Säge nicht ohne Schutzhauben. Überprüfen Sie die Sägeblattschutzhaube vor jeder Benutzung auf einwandfreies Schließen. Betreiben Sie die Säge nicht, wenn sich die Schutzhaube nicht ungehindert bewegt und sich nicht sofort schließt. Die Schutzhaube darf auf keinen Fall in der geöffneten Stellung festgeklemmt oder festgebunden werden.**
5. **Halten Sie Ihre Hände von der Schnittlinie des Sägeblatts fern. Vermeiden Sie die Berührung eines auslaufenden Sägeblatts. Es kann auch in diesem Zustand noch schwere Verletzungen verursachen.**
6. **Um die Verletzungsgefahr zu verringern, führen Sie den Schlitten nach jedem Ablängschnittvorgang auf seine hintere Anschlagstellung zurück.**
7. **Sichern Sie stets alle beweglichen Teile, bevor Sie das Werkzeug tragen.**
8. **Der Anschlagstift, der den Schneidkopf verriegelt, ist nur zum Tragen und zur Lagerung, nicht für irgendwelche Schneidarbeiten, vorgesehen.**
9. **Überprüfen Sie das Sägeblatt vor dem Betrieb sorgfältig auf Risse oder Beschädigung. Wechseln Sie ein gerissenes oder beschädigtes Sägeblatt unverzüglich aus. An den Sägeblättern haftendes und verhärtetes Gummi und Harz verlangsamt die Säge und erhöhen die Rückschlaggefahr. Halten Sie das Sägeblatt sauber, indem Sie es vom Werkzeug abmontieren und dann mit Gummi- und Harzentferner, heißem Wasser oder Petroleum reinigen. Verwenden Sie niemals Benzin zum Reinigen des Sägeblatts.**
10. **Bei der Durchführung eines Schiebesschnitts kann RÜCKSCHLAG auftreten. RÜCKSCHLAG tritt auf, wenn das Sägeblatt während eines Schneidvorgangs im Werkstück klemmt und plötzlich auf den Bediener zu getrieben wird. Es kann zum Verlust der Kontrolle und zu ernsthaften Personenschäden kommen. Falls das Sägeblatt während eines Schneidvorgangs zu klemmen beginnt, brechen Sie den Schnitt ab und lassen Sie den Schalter unverzüglich los.**
11. **Verwenden Sie nur die für dieses Werkzeug vorgeschriebenen Flansche.**
12. **Achten Sie sorgfältig darauf, dass die Spindel, die Flansche (insbesondere die Ansatzfläche) oder die Schraube nicht beschädigt werden. Eine Beschädigung dieser Teile kann zu einem Sägeblattbruch führen.**

13. Vergewissern Sie sich, dass der Drehteller einwandfrei gesichert ist, damit er sich während des Betriebs nicht bewegt. Verwenden Sie die Löcher in der Grundplatte, um die Säge an einer stabilen Arbeitsbühne oder Werkbank zu befestigen. Benutzen Sie das Werkzeug NIEMALS in Situationen, bei denen der Bediener gezwungen wäre, eine ungünstige Position einzunehmen.
14. Vergewissern Sie sich vor dem Einschalten des Werkzeugs, dass die Spindelarretierung freigegeben ist.
15. Vergewissern Sie sich, dass das Sägeblatt in der tiefsten Position nicht mit dem Drehteller in Berührung kommt.
16. Halten Sie den Handgriff sicher fest. Beachten Sie, dass sich die Säge beim Anlaufen und Abstellen geringfügig nach oben oder unten bewegt.
17. Vergewissern Sie sich vor dem Einschalten des Werkzeugs, dass das Sägeblatt nicht das Werkstück berührt.
18. Lassen Sie das Werkzeug vor dem eigentlichen Schneiden eines Werkstücks eine Weile laufen. Achten Sie auf Vibrationen oder Taumelbewegungen, die Anzeichen für schlechte Montage oder ein schlecht ausgeglichenes Sägeblatt sein können.
19. Brechen Sie sofort den Betrieb ab, wenn Sie irgend etwas Ungewöhnliches bemerken.
20. Versuchen Sie nicht, den Auslöser in der EIN-Stellung zu verriegeln.
21. Verwenden Sie stets das in dieser Anleitung empfohlene Zubehör. Der Gebrauch ungeeigneten Zubehörs, wie z. B. Schleifscheiben, kann Verletzungen zur Folge haben.
22. Manche Materialien können giftige Chemikalien enthalten. Treffen Sie Vorsichtsmaßnahmen, um das Einatmen von Arbeitsstaub und Hautkontakt zu verhindern. Befolgen Sie die Sicherheitsdaten des Materialherstellers.

Zusätzliche Sicherheitsregeln für den Laser

1. **LASERSTRAHLUNG. NICHT IN DEN STRAHL BLICKEN ODER DIREKT MIT OPTISCHEN INSTRUMENTEN BETRACHTEN. LASERPRODUKT DER KLASSE 2M.**

BEWAHREN SIE DIESE ANLEITUNG AUF.

⚠️ WARNUNG: Lassen Sie sich NICHT durch Bequemlichkeit oder Vertrautheit mit dem Produkt (durch wiederholten Gebrauch erworben) von der strikten Einhaltung der Sicherheitsregeln für das vorliegende Produkt abhalten. **MISSBRAUCH** oder **Missachtung** der Sicherheitsvorschriften in dieser Anleitung können schwere Personenschäden verursachen.

Wichtige Sicherheitsanweisungen für Akku

1. **Lesen Sie vor der Benutzung des Akkus alle Anweisungen und Warnhinweise, die an (1) Ladegerät, (2) Akku und (3) Akkuwerkzeug angebracht sind.**
2. **Unterlassen Sie Zerlegen oder Manipulieren des Akkus.** Es kann sonst zu einem Brand, übermäßiger Hitzeentwicklung oder einer Explosion kommen.
3. **Falls die Betriebszeit beträchtlich kürzer geworden ist, stellen Sie den Betrieb sofort ein.** Anderenfalls besteht die Gefahr von Überhitzung, möglichen Verbrennungen und sogar einer Explosion.
4. **Falls Elektrolyt in Ihre Augen gelangt, waschen Sie sie mit sauberem Wasser aus, und begeben Sie sich unverzüglich in ärztliche Behandlung.** Anderenfalls können Sie Ihre Sehkraft verlieren.
5. **Der Akku darf nicht kurzgeschlossen werden:**
 - (1) **Die Kontakte dürfen nicht mit leitfähigem Material berührt werden.**
 - (2) **Lagern Sie den Akku nicht in einem Behälter zusammen mit anderen Metallgegenständen, wie z. B. Nägel, Münzen usw.**
 - (3) **Setzen Sie den Akku weder Wasser noch Regen aus.**

Ein Kurzschluss des Akkus verursacht starken Stromfluss, der Überhitzung, mögliche Verbrennungen und einen Defekt zur Folge haben kann.
6. **Lagern und benutzen Sie das Werkzeug und den Akku nicht an Orten, an denen die Temperatur 50 °C erreichen oder überschreiten kann.**
7. **Versuchen Sie niemals, den Akku zu verbrennen, selbst wenn er stark beschädigt oder vollkommen verbraucht ist.** Der Akku kann im Feuer explodieren.
8. **Unterlassen Sie Nageln, Schneiden, Zerquetschen, Werfen, Fallenlassen des Akkus oder Schlagen des Akkus mit einem harten Gegenstand.** Eine solche Handlung kann zu einem Brand, übermäßiger Hitzeentwicklung oder einer Explosion führen.
9. **Benutzen Sie keine beschädigten Akkus.**
10. **Die enthaltenen Lithium-Ionen-Akkus unterliegen den Anforderungen der Gefahrgut-Gesetzgebung.**

Für kommerzielle Transporte, z. B. durch Dritte oder Spediteure, müssen besondere Anforderungen zu Verpackung und Etikettierung beachtet werden.

Zur Vorbereitung des zu transportierenden Artikels ist eine Beratung durch einen Experten für Gefahrgut erforderlich. Bitte beachten Sie möglicherweise ausführlichere nationale Vorschriften. Überkleben oder verdecken Sie offene Kontakte, und verpacken Sie den Akku so, dass er sich in der Verpackung nicht umher bewegen kann.

11. Entfernen Sie den Akku zum Entsorgen vom Werkzeug, und entsorgen Sie ihn an einem sicheren Ort. Befolgen Sie die örtlichen Vorschriften bezüglich der Entsorgung von Akkus.
12. Verwenden Sie die Akkus nur mit den von Makita angegebenen Produkten. Das Einsetzen der Akkus in nicht konforme Produkte kann zu einem Brand, übermäßiger Hitzebildung, einer Explosion oder Auslaufen von Elektrolyt führen.
13. Soll das Werkzeug längere Zeit nicht benutzt werden, muss der Akku vom Werkzeug entfernt werden.
14. Bei und nach dem Gebrauch kann der Akku heiß werden, was Verbrennungen oder Niedertemperaturverbrennungen verursachen kann. Beachten Sie die Handhabung von heißen Akkus.
15. Berühren Sie nicht den Anschlusskontakt des Werkzeugs unmittelbar nach dem Gebrauch, da er heiß genug werden kann, um Verbrennungen zu verursachen.
16. Achten Sie darauf, dass sich keine Späne, Staub oder Schmutz in den Anschlusskontakten, Löchern und Nuten des Akkus absetzen. Es könnte sonst zu Erhitzung, Brandauslösung, Bersten und Funktionsstörungen des Werkzeugs oder des Akkus kommen, was zu Verbrennungen oder Personenschäden führen kann.
17. Wenn das Werkzeug den Einsatz in der Nähe einer Hochspannungs-Stromleitung nicht unterstützt, benutzen Sie den Akku nicht in der Nähe einer Hochspannungs-Stromleitung. Dies kann zu einer Funktionsstörung oder Betriebsstörung des Werkzeugs oder des Akkus führen.

18. Halten Sie die Batterie von Kindern fern.

DIESE ANWEISUNGEN AUFBEWAHREN.

⚠ VORSICHT: Verwenden Sie nur Original-Makita-Akkus. Die Verwendung von Nicht-Original-Makita-Akkus oder von Akkus, die abgeändert worden sind, kann zum Bersten des Akkus und daraus resultierenden Bränden, Personenschäden und Beschädigung führen. Außerdem wird dadurch die Makita-Garantie für das Makita-Werkzeug und -Ladegerät ungültig.

Hinweise zur Aufrechterhaltung der maximalen Akku-Nutzungsdauer

1. Laden Sie den Akku, bevor er vollkommen erschöpft ist. Schalten Sie das Werkzeug stets aus, und laden Sie den Akku, wenn Sie ein Nachlassen der Werkzeugeistung feststellen.
2. Unterlassen Sie erneutes Laden eines voll aufgeladenen Akkus. Überladen führt zu einer Verkürzung der Nutzungsdauer des Akkus.
3. Laden Sie den Akku bei Raumtemperatur zwischen 10 – 40 °C. Lassen Sie einen heißen Akku abkühlen, bevor Sie ihn laden.
4. Wenn Sie den Akku nicht benutzen, nehmen Sie ihn vom Werkzeug oder Ladegerät ab.
5. Der Akku muss geladen werden, wenn er lange Zeit (länger als sechs Monate) nicht benutzt wird.

BEZEICHNUNG DER TEILE

► Abb.2

1	Einschaltsperrknopf	2	Ein-Aus-Schalter	3	Sägeblattgehäuse	4	Einstellschraube (für Minimalgrenzposition)
5	Einstellschraube (für maximale Schnittleistung)	6	Anschlagarm	7	Staubsack	8	Neigungswinkelskala
9	Sägeblattschutzhaube	10	Vertikal-Schraubstock	11	Gehrungsanschlag	12	Auflagebügel
13	Verriegelungshebel (für Drehteller)	14	Griff (für Drehteller)	15	Einstellschraube (für Drehteller)	16	Schlitzplatte
17	Zeiger (für Gehrungswinkel)	18	Drehteller	19	Auflageplatte	20	Anschlagschaft
21	Zusatzanschlag	-	-	-	-	-	-

► Abb.3

22	Gleitstange (oben)	23	Flügelsschraube (zum Verriegeln der oberen Gleitstange)	24	Inbusschlüssel	25	Klemmschraube (zum Verriegeln des Auflagebügels)
26	Hebel (für Neigungswinkel-Einstellung)	27	Gleitstange (unten)	28	Flügelsschraube (zum Verriegeln der unteren Gleitstange)	-	-

INSTALLATION

Werkbankmontage

⚠️ WARNUNG: Stellen Sie sicher, dass sich das Werkzeug auf der Stützfläche nicht verschiebt. Eine Verschiebung der Gehrungssäge auf der Stützfläche während des Schneidbetriebs kann zu einem Verlust der Kontrolle und schweren Verletzungen führen.

1. Befestigen Sie die Basis mit zwei Schrauben auf einer ebenen und stabilen Oberfläche. Dadurch werden Umkippen und mögliche Verletzungen vermieden.

► **Abb.4:** 1. Schraube

2. Drehen Sie die Einstellschraube im oder entgegen dem Uhrzeigersinn, so dass sie mit der Bodenfläche in Berührung kommt, um das Werkzeug stabil zu halten.

► **Abb.5:** 1. Einstellschraube

Montieren der Auflagebügel und Auflageplatten

HINWEIS: In manchen Ländern sind die Auflagebügel und Auflageplatten eventuell nicht als Standardzubehör im Werkzeugpaket enthalten.

Die Auflagebügel und die Auflageplatten stützen Werkstücke horizontal ab.

Ziehen Sie die Anschlagschäfte mit dem Inbusschlüssel an den Auflageplatten fest.

► **Abb.6:** 1. Halterung 2. Auflageplatte
3. Anschlagschäfte 4. Sechskantschlüssel

Montieren Sie die Auflagebügel und die Auflageplatten auf beiden Seiten, wie in der Abbildung gezeigt.

Vergewissern Sie sich beim Montieren, dass der Anschlagschäfte auf derselben Linie des Gehrungsanschlags liegt wie bei der Montage am Werkzeug.

► **Abb.7:** 1. Halterung 2. Auflageplatte 3. Schraube

Ziehen Sie dann die Schrauben fest, um die Auflagebügel und die Auflageplatten zu sichern.

FUNKTIONSBESCHREIBUNG

⚠️ WARNUNG: Vergewissern Sie sich vor der Durchführung von Einstellungen oder Funktionsprüfungen des Werkzeugs stets, dass das Werkzeug ausgeschaltet und der Akku abgenommen ist. Werden Ausschalten des Werkzeugs und Abnehmen des Akkus unterlassen, kann es zu schweren Verletzungen durch versehentliches Anlaufen kommen.

Anbringen und Abnehmen des Akkus

⚠️ VORSICHT: Schalten Sie das Werkzeug stets aus, bevor Sie den Akku anbringen oder abnehmen.

⚠️ VORSICHT: Halten Sie das Werkzeug und den Akku beim Anbringen oder Abnehmen des Akkus sicher fest. Wenn Sie das Werkzeug und den Akku nicht sicher festhalten, können sie Ihnen aus der Hand rutschen, was zu einer Beschädigung des Werkzeugs und des Akkus und zu Körperverletzungen führen kann.

► **Abb.8:** 1. Rote Anzeige 2. Knopf 3. Akku

Ziehen Sie den Akku zum Abnehmen vom Werkzeug ab, während Sie den Knopf an der Vorderseite des Akkus verschieben.

Richten Sie zum Anbringen des Akkus dessen Führungsfeder auf die Nut im Gehäuse aus, und schieben Sie den Akku hinein. Schieben Sie ihn vollständig ein, bis er mit einem hörbaren Klicken einrastet. Falls die rote Anzeige an der Oberseite des Knopfes sichtbar ist, ist der Akku nicht vollständig verriegelt.

⚠️ VORSICHT: Schieben Sie den Akku stets bis zum Anschlag ein, bis die rote Anzeige nicht mehr sichtbar ist. Anderenfalls kann er aus dem Werkzeug herausfallen und Sie oder umstehende Personen verletzen.

⚠️ VORSICHT: Unterlassen Sie Gewaltanwendung beim Anbringen des Akkus. Falls der Akku nicht reibungslos hineingleitet, ist er nicht richtig ausgerichtet.

HINWEIS: Das Werkzeug funktioniert nicht mit nur einem Akku.

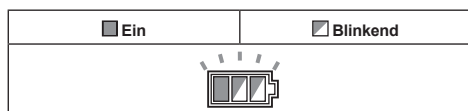
Werkzeug/Akku-Schutzsystem

Das Werkzeug ist mit einem Werkzeug/Akku-Schutzsystem ausgestattet. Dieses System schaltet die Stromversorgung des Motors automatisch ab, um die Lebensdauer von Werkzeug und Akku zu verlängern. Das Werkzeug bleibt während des Betriebs automatisch stehen, wenn das Werkzeug oder der Akku einer der folgenden Bedingungen unterliegt:

Überlastschutz

Wird das Werkzeug auf eine Weise benutzt, die eine ungewöhnlich hohe Stromaufnahme bewirkt, bleibt es ohne jegliche Anzeige automatisch stehen. Schalten Sie in dieser Situation das Werkzeug aus, und brechen Sie die Arbeit ab, die eine Überlastung des Werkzeugs verursacht hat. Schalten Sie dann das Werkzeug wieder ein, um neu zu starten.

Überhitzungsschutz



Wenn das Werkzeug überhitzt wird, bleibt es automatisch stehen, und die Akku-Anzeige blinkt etwa 60 Sekunden lang. Lassen Sie das Werkzeug in dieser Situation abkühlen, bevor Sie es wieder einschalten.

Überentladungsschutz

Wenn die Akkukapazität niedrig wird, schaltet sich das Werkzeug automatisch aus. Falls das Produkt trotz Betätigung der Schalter nicht funktioniert, entfernen Sie die Akkus vom Werkzeug, und laden Sie sie auf.

Anzeigen der Akku-Restkapazität

► **Abb.9:** 1. Akku-Anzeige 2. Prüftaste

Drücken Sie die Prüftaste, um die Akku-Restkapazität anzuzeigen. Jedem Akku sind eigene Akku-Anzeigen zugeordnet.

Status der Akku-Anzeige			Akku-Restkapazität	
Ein	Aus	Blinkend		
			 50% bis 100%	
				20% bis 50%
				0% bis 20%
			Akku aufladen	

Anzeigen der Akku-Restkapazität

Nur für Akkus mit Anzeige

► **Abb.10:** 1. Anzeigelampen 2. Prüftaste

Drücken Sie die Prüftaste am Akku, um die Akku-Restkapazität anzuzeigen. Die Anzeigelampen leuchten wenige Sekunden lang auf.

Anzeigelampen			Restkapazität
Erleuchtet	Aus	Blinkend	
			75% bis 100%
			50% bis 75%
			25% bis 50%
			0% bis 25%
			Den Akku aufladen.
			Möglicherweise liegt eine Funktionsstörung im Akku vor.

HINWEIS: Abhängig von den Benutzungsbedingungen und der Umgebungstemperatur kann die Anzeige geringfügig von der tatsächlichen Kapazität abweichen.

HINWEIS: Die erste (äußerste linke) Anzeigelampe blinkt, wenn das Akku-Schutzsystem aktiv ist.

Automatische Drehzahlwechselfunktion

► **Abb.11:** 1. Betriebsart-Anzeige

Betriebsart-Anzeigestatus	Betriebsart
	Hochdrehzahl-Modus
	Hochdrehmoment-Modus

Dieses Werkzeug verfügt über einen „Hochdrehzahl-Modus“ und einen „Hochdrehmoment-Modus“. Es wechselt die Betriebsart automatisch abhängig von der Arbeitslast. Wenn die Betriebsart-Anzeige während des Betriebs aufleuchtet, befindet sich das Werkzeug im Hochdrehmoment-Modus.

Anschlagstift

⚠ VORSICHT: Halten Sie stets den Handgriff fest, wenn Sie den Anschlagstift freigeben.

Anderenfalls kann der Handgriff hochschnellen und Personenschaden verursachen.

Um den Anschlagstift freizugeben, üben Sie geringen Abwärtsdruck auf den Handgriff aus, und ziehen Sie dann den Anschlagstift heraus.

► **Abb.12:** 1. Anschlagstift

Sägeblattschutzhaube

⚠️ WARNUNG: Die Sägeblattschutzhaube oder die daran angebrachte Feder darf auf keinen Fall funktionsunfähig gemacht oder entfernt werden.

Ein wegen fehlender Schutzhaube freiliegendes Sägeblatt kann schwere Verletzungen während des Betriebs verursachen.

⚠️ WARNUNG: Benutzen Sie das Werkzeug niemals mit beschädigter, defekter oder fehlender Sägeblattschutzhaube oder Feder. Der Betrieb des Werkzeugs mit beschädigter, defekter oder entfernter Schutzhaube kann zu schweren Personenschäden führen.

⚠️ VORSICHT: Halten Sie die Schutzhaube stets in gutem Zustand, um sicheren Betrieb zu gewährleisten. Halten Sie den Betrieb sofort an, falls Sie irgendeine Unregelmäßigkeit an der Sägeblattschutzhaube feststellen. Überprüfen Sie die gefederte Rückkehrbewegung der Schutzhaube.

► **Abb.13:** 1. Sägeblattschutzhaube

Wird der Handgriff abgesenkt, hebt sich die Sägeblattschutzhaube automatisch. Die Schutzhaube ist gefedert, so dass sie in ihre Ausgangsstellung zurückkehrt, wenn der Schnitt vollendet ist und der Handgriff angehoben wird.

Reinigen

► **Abb.14:** 1. Sägeblattschutzhaube

Wenn die transparente Sägeblattschutzhaube schmutzig wird oder so viel Sägemehl an ihr haftet, dass das Sägeblatt und/oder Werkstück nicht mehr ohne weiteres sichtbar ist, sollten Sie den Akku abnehmen und die Schutzhaube mit einem feuchten Tuch sorgfältig reinigen. Verwenden Sie keine Lösungsmittel oder Reinigungsmittel auf Petroleumbasis zum Reinigen der Kunststoff-Schutzhaube, weil sie dadurch beschädigt werden kann. Heben Sie die Sägeblattschutzhaube zum Reinigen an, wie in „Montieren und Demontieren des Sägeblatts“ beschrieben. Senken Sie das Sägeblatt und die Mittenabdeckung nach der Reinigung wieder ab, und ziehen Sie die Innensechskantschraube an.

1. Vergewissern Sie sich, dass das Werkzeug ausgeschaltet ist und die Akkus abgenommen sind.
2. Drehen Sie die Innensechskantschraube mit dem mitgelieferten Inbusschlüssel gegen den Uhrzeigersinn, während Sie die Mittenabdeckung festhalten.
3. Heben Sie die Sägeblattschutzhaube und die Mittenabdeckung an.
4. Wenn die Reinigung abgeschlossen ist, bringen Sie die Mittenabdeckung wieder an, und ziehen Sie die Innensechskantschraube an, indem Sie die obigen Schritte umgekehrt anwenden.

⚠️ WARNUNG: Entfernen Sie nicht die Feder, welche die Sägeblattschutzhaube hält. Falls die Schutzhaube im Laufe der Zeit oder durch UV-Strahlung beschädigt wird, wenden Sie sich für ein Ersatzteil an eine Makita-Kundendienststelle. **DIE SCHUTZHAUBE DARF NICHT FUNKTIONSFÄHIG GEMACHT ODER ENTFERNT WERDEN.**

Positionieren der Schlitzplatte

Dieses Werkzeug ist mit Schlitzplatten im Drehteller versehen, um Reißen am Austrittsende eines Schnitts auf ein Minimum zu reduzieren. Die Schlitzplatten sind werkseitig so eingestellt, dass das Sägeblatt nicht mit ihnen in Berührung kommt. Stellen Sie die Schlitzplatten vor dem Gebrauch wie folgt ein:

1. Nehmen Sie unbedingt den Akku ab. Drehen Sie dann alle Befestigungsschrauben der Schlitzplatten (je 2 auf der linken und rechten Seite) heraus.
► **Abb.15:** 1. Schlitzplatte 2. Schraube
2. Ziehen Sie die Schrauben nur so weit an, dass sich die Schlitzplatten noch leicht von Hand bewegen lassen.
3. Senken Sie den Handgriff völlig ab, und schieben Sie den Anschlagstift hinein, um den Handgriff in der Tiefstellung zu verriegeln.
4. Lösen Sie die zwei Klemmschrauben, mit denen die Gleitsangen gesichert sind.
► **Abb.16:** 1. Flügelschraube
5. Ziehen Sie den Schlitten ganz auf sich zu.
6. Stellen Sie die Schlitzplatten so ein, dass sie die Seiten der Sägeblattzähne nur leicht berühren.
► **Abb.17**
► **Abb.18:** 1. Sägeblatt 2. Sägeblattzähne 3. Schlitzplatte 4. Linksseitiger Neigungsschnitt 5. Geradschnitt
7. Ziehen Sie die vorderen Schrauben an (nicht festziehen).
8. Schieben Sie den Schlitten ganz zum Gehrungsanschlag, und stellen Sie die Schlitzplatten so ein, dass sie die Seiten der Sägeblattzähne nur leicht berühren.
9. Ziehen Sie die hinteren Schrauben an (nicht festziehen).
10. Ziehen Sie den Anschlagstift nach der Einstellung der Schlitzplatten wieder heraus, und heben Sie den Handgriff an. Ziehen Sie dann alle Schrauben fest.

ANMERKUNG: Nachdem Sie den Neigungswinkel eingestellt haben, vergewissern Sie sich, dass die Schlitzplatten korrekt eingestellt sind. Die korrekte Einstellung der Schlitzplatten trägt zu einwandfreier Abstützung des Werkstücks und Minimieren von Ausreißen des Werkstücks bei.

Aufrechterhaltung der maximalen Schnittleistung

Dieses Werkzeug wurde werkseitig so eingestellt, dass die maximale Schnittleistung mit einem Sägeblatt von 190 mm erreicht wird.

Wenn Sie ein neues Kreissägeblatt montieren, überprüfen Sie immer die untere Grenzposition des Kreissägeblatts, und nehmen Sie nötigenfalls eine Einstellung vor, wie folgt:

1. Nehmen Sie den Akku ab. Schieben Sie dann den Schlitten ganz bis zum Gehrungsanschlag, und senken Sie den Handgriff vollständig ab.
► **Abb.19:** 1. Einstellschraube 2. Gehrungsanschlag

2. Drehen Sie die Einstellschraube mit dem Inbusschlüssel, bis das Kreissägeblatt geringfügig unter dem Querschnitt des Gehrungsanschlags und der Oberfläche des Drehtellers liegt.

► **Abb.20**

3. Drehen Sie das Sägeblatt von Hand, während Sie den Handgriff in der Tiefstellung halten, um sicherzugehen, dass das Kreissägeblatt keinen Teil des Auflagetisches berührt. Nötigenfalls ist eine Nachjustierung vorzunehmen.

⚠️ WARNUNG: Vergewissern Sie sich nach der Montage eines neuen Kreissägeblatts bei abgenommenem Akku stets, dass das Kreissägeblatt keinen Teil des Auflagetisches berührt, wenn der Handgriff vollständig abgesenkt wird. Falls das Kreissägeblatt mit dem Auflagetisch in Berührung kommt, kann es Rückschlag verursachen, was zu schweren Personenschäden führen kann.

► **Abb.21**

Anschlagarm

Die untere Grenzposition des Sägeblatts kann mit dem Anschlagarm leicht eingestellt werden. Schwenken Sie den Anschlagarm zum Einstellen in Pfeilrichtung, wie in der Abbildung gezeigt. Drehen Sie die Einstellschraube, und drücken Sie den Handgriff vollständig nach unten, um das Ergebnis zu prüfen.

► **Abb.22:** 1. Einstellschraube 2. Anschlagarm

Zusatzanschlag

Länderspezifisch

⚠️ VORSICHT: Klappen Sie den Zusatzanschlag zur Durchführung von linksseitigen Neigungsschnitten nach außen. Anderenfalls kann er mit dem Sägeblatt oder einem anderen Teil des Werkzeugs in Berührung kommen, was schwere Verletzungen der Bedienungsperson zur Folge haben kann.

► **Abb.23:** 1. Zusatzanschlag

Dieses Werkzeug ist mit einem Zusatzanschlag ausgestattet. Der Zusatzanschlag ist normalerweise innen zu positionieren. Zur Durchführung von linksseitigen Neigungsschnitten ist er jedoch nach außen zu klappen.

Einstellen des Gehrunswinkels

► **Abb.24:** 1. Drehteller 2. Verriegelungshebel 3. Gehrunswinkelskala 4. Zeiger 5. Griff

1. Lösen Sie den Griff durch Linksdrehung.
2. Halten Sie den Verriegelungshebel nach unten gedrückt, und stellen Sie den Winkel des Drehtellers ein. Benutzen Sie den Zeiger und die Gehrunswinkelskala als Orientierungshilfe.
3. Ziehen Sie den Griff durch Rechtsdrehen fest an.

⚠️ VORSICHT: Sichern Sie den Drehteller nach jeder Änderung des Gehrunswinkels stets durch Anziehen des Griffs gegen Verdrehen.

ANMERKUNG: Heben Sie den Handgriff vollständig an, bevor Sie den Drehteller drehen.

Einstellen des Neigungswinkels

Um den Neigungswinkel einzustellen, lösen Sie den Hebel auf der Rückseite des Werkzeugs durch Linksdrehen.

► **Abb.25:** 1. Hebel 2. Entriegelungsknopf

Um das Sägeblatt nach links zu neigen, halten Sie den Handgriff fest, während Sie den Schlitten neigen. Benutzen Sie die Neigungswinkelskala und den Zeiger als Orientierungshilfe. Ziehen Sie dann den Verriegelungshebel durch Rechtsdrehen fest, um den Arm einwandfrei zu sichern.

► **Abb.26:** 1. Zeiger 2. Neigungswinkelskala 3. Arm

Um das Sägeblatt nach rechts zu neigen, halten Sie den Handgriff fest, während Sie den Schlitten leicht nach links neigen, und drücken Sie den Entriegelungsknopf. Neigen Sie das Sägeblatt bei gedrücktem Entriegelungsknopf nach rechts. Ziehen Sie dann den Hebel an.

⚠️ VORSICHT: Sichern Sie den Arm nach jeder Änderung des Neigungswinkels stets durch Anziehen des Hebels im Uhrzeigersinn.

ANMERKUNG: Achten Sie beim Neigen des Sägeblatts darauf, dass der Handgriff vollständig angehoben ist.

ANMERKUNG: Wenn der Neigungswinkel geändert wird, müssen die Schlitzplatten gemäß der Beschreibung im Abschnitt „Positionieren der Schlitzplatten“ entsprechend eingestellt werden.

Einstellen der Hebelposition

Falls die Spannkraft des Hebels im Laufe der Zeit nachlässt, ändern Sie die Position des Hebels. Der Hebel kann in 30°-Abständen neu positioniert werden.

Lösen und entfernen Sie die Schraube, die den Hebel sichert. Nehmen Sie den Hebel ab, und bringen Sie ihn wieder so an, dass er etwas über die Waagrechte geneigt ist. Ziehen Sie dann den Hebel mit der Schraube fest.

► **Abb.27:** 1. Hebel 2. Schraube

Schalterfunktion

⚠️ WARNUNG: Vergewissern Sie sich vor dem Anbringen des Akkus am Werkzeug stets, dass der Ein-Aus-Schalter ordnungsgemäß funktioniert und beim Loslassen in die AUS-Stellung „OFF“ zurückkehrt. Der Betrieb des Werkzeugs mit fehlerhaftem Schalter kann zum Verlust der Kontrolle und zu schweren Verletzungen führen.

⚠️ WARNUNG: Verwenden Sie kein Schloss, dessen Schaft oder Kabel einen kleineren Durchmesser als 6,35 mm hat. Ein kleinerer Schaft oder ein kleineres Kabel verriegelt das Werkzeug möglicherweise nicht richtig in der Aus-Stellung, so dass es zu ungewolltem Betrieb mit daraus resultierenden schweren Verletzungen kommen kann.

⚠️ WARNUNG: Benutzen Sie das Werkzeug NIEMALS, wenn der Ein-Aus-Schalter nicht voll funktionsfähig ist. Ein Werkzeug mit funktionsunfähigem Schalter ist ÄUSSERST GEFÄHRLICH und muss vor weiterem Gebrauch repariert werden. Anderenfalls kann es zu schweren Verletzungen kommen.

⚠️ WARNUNG: Aus Sicherheitsgründen ist dieses Werkzeug mit einem Einschaltsperrknopf ausgestattet, die versehentliches Einschalten des Werkzeugs verhindert. **Betreiben Sie das Werkzeug NIEMALS, wenn es durch bloße Betätigung des Ein-Aus-Schalters eingeschaltet werden kann, ohne den Einschaltsperrknopf zu drücken.** Ein reparaturbedürftiger Schalter kann zu ungewolltem Betrieb und daraus resultierenden schweren Verletzungen führen. Lassen Sie das Werkzeug von einer Makita-Kundendienststelle ordnungsgemäß reparieren, BEVOR Sie es weiter benutzen.

⚠️ WARNUNG: Versuchen Sie NIEMALS, den Einschaltsperrknopf mit Klebeband oder anderen Mitteln unwirksam zu machen. Ein Schalter mit unwirksamem Einschaltsperrknopf kann zu ungewolltem Betrieb und daraus resultierenden schweren Personenschäden führen.

ANMERKUNG: Betätigen Sie den Ein-Aus-Schalter nicht gewaltsam, ohne den Einschaltsperrknopf hineinzudrücken. Dies kann zu Beschädigung des Schalters führen.

Um versehentliche Betätigung des Auslöseschalters zu verhüten, ist das Werkzeug mit einem Einschaltsperrknopf ausgestattet. Betätigen Sie zum Starten des Werkzeugs den Auslöseschalter bei gedrücktem Einschaltsperrknopf. Lassen Sie zum Ausschalten den Auslöseschalter los. Der Einschaltsperrknopf kann entweder von rechts oder links gedrückt werden. Der Auslöseschalter ist mit einem Loch für ein Vorhängeschloss versehen, um das Werkzeug zu verriegeln.

► **Abb.28:** 1. Einschaltsperrknopf 2. Auslöseschalter
3. Loch für Vorhängeschloss

MONTAGE

⚠️ WARNUNG: Vergewissern Sie sich vor dem Arbeiten am Werkzeug stets, dass das Werkzeug ausgeschaltet und der Akku abgenommen ist. Das Versäumnis, das Werkzeug auszuschalten und den Akku abzunehmen, kann zu schweren Personenschäden führen.

Aufbewahrung des Inbusschlüssels

Der Inbusschlüssel wird so aufbewahrt, wie in der Abbildung gezeigt. Wenn der Inbusschlüssel benötigt wird, kann er aus dem Schlüsselhalter gezogen werden. Nach dem Gebrauch kann der Inbusschlüssel wieder in den Schlüsselhalter eingesetzt werden.

► **Abb.29:** 1. Steckschlüsselhalter 2. Inbusschlüssel

Montieren und Demontieren des Sägeblatts

⚠️ WARNUNG: Vergewissern Sie sich vor dem Anbringen oder Abnehmen des Sägeblatts stets, dass das Werkzeug ausgeschaltet und der Akku abgenommen ist. Versehentliches Anlaufen des Werkzeugs kann zu schweren Personenschäden führen.

⚠️ VORSICHT: Verwenden Sie nur den mitgelieferten Makita-Inbusschlüssel zum Montieren und Demontieren des Sägeblatts. Anderenfalls besteht die Gefahr, dass die Innensechskantschraube zu fest oder unzureichend angezogen wird. Dies könnte zu einer Verletzung führen.

Montieren des Kreissägeblatts

1. Arretieren Sie den Handgriff durch Hineinschieben des Anschlagstifts in der Hochstellung.

► **Abb.30:** 1. Anschlagstift

2. Lösen Sie die Innensechskantschraube, mit der die Mittenabdeckung befestigt ist, durch Linksdrehung mit dem Inbusschlüssel. Heben Sie dann die Sägeblattschutzhaube und die Mittenabdeckung an.

► **Abb.31:** 1. Mittenabdeckung
2. Innensechskantschraube
3. Inbusschlüssel 4. Sägeblattschutzhaube

3. Blockieren Sie die Spindel durch Drücken der Spindelarretierung, und lösen Sie die Innensechskantschraube (linksgängig) durch Rechtsdrehung des Inbusschlüssels. Entfernen Sie dann die Innensechskantschraube und den Außenflansch.

► **Abb.32:** 1. Spindelarretierung
2. Innensechskantschraube
3. Außenflansch

4. Montieren Sie das Sägeblatt sorgfältig am Innenflansch. Achten Sie darauf, dass die Richtung des Pfeils auf dem Sägeblatt mit der Richtung des Pfeils auf dem Sägeblattgehäuse übereinstimmt.

- **Abb.33:** 1. Außenflansch
2. Sägeblatt 3. Innenflansch
4. Innensechskantschraube (Linksgewinde) 5. Spindel
6. Sägeblatt-Montageteil

► **Abb.34:** 1. Sägeblatt 2. Pfeil

5. Bringen Sie Außenflansch und Innensechskantschraube an, und ziehen Sie dann die Innensechskantschraube (linksgängig) der Spindel bei gedrückter Spindelarreterung durch Linksdrehung des Inbusschlüssels fest.

6. Bringen Sie die Sägeblattschutzhaube und die Mittenabdeckung wieder in ihre Ausgangsstellung. Ziehen Sie dann die Innensechskantschraube der Mittenabdeckung zur Sicherung der Mittenabdeckung im Uhrzeigersinn an.

7. Lösen Sie den Handgriff durch Herausziehen des Anschlagstifts aus der Hochstellung. Senken Sie den Handgriff ab, um zu prüfen, ob sich die Sägeblattschutzhaube einwandfrei bewegt.

8. Vergewissern Sie sich vor der Benutzung des Werkzeugs, dass die Spindelarreterung gelöst ist.

Für Werkzeug mit Innenflansch für ein Sägeblatt mit 15,88 mm Lochdurchmesser.

Länderspezifisch

Montieren Sie den Innenflansch mit der Vertiefung nach außen auf die Montageachse, und bringen Sie dann Sägeblatt (Ring bei Bedarf angebracht), Außenflansch und Innensechskantschraube an.

Für Werkzeug ohne den Ring

- **Abb.35:** 1. Außenflansch
2. Sägeblatt 3. Innenflansch
4. Innensechskantschraube (Linksgewinde) 5. Spindel

Für Werkzeug mit dem Ring

- **Abb.36:** 1. Außenflansch
2. Sägeblatt 3. Innenflansch
4. Innensechskantschraube (Linksgewinde) 5. Ring 6. Spindel

⚠️ WARNUNG: Falls der Ring benötigt wird, um das Sägeblatt an der Spindel zu montieren, sollten Sie sich stets vergewissern, dass der korrekte Ring für die Spindelbohrung des zu benutzenden Sägeblatts zwischen Innen- und Außenflansch installiert ist. Die Verwendung eines falschen Spindelbohrungsringes kann zu unzulässiger Montage des Sägeblatts führen, so dass es zu Sägeblattbewegung und starker Vibration kommt, die möglichen Verlust der Kontrolle während des Betriebs und schwere Personenschäden zur Folge haben kann.

Für ein Werkzeug, dessen Innenflansch für Sägeblätter mit einem anderen Lochdurchmesser als 20 mm oder 15,88 mm vorgesehen ist.

Länderspezifisch

Der Innenflansch besitzt auf jeder Seite einen Sägeblatt-Montageteil mit unterschiedlichen Durchmesser. Wählen Sie die Seite, deren Sägeblatt-Montageteil genau in die Sägeblattbohrung passt.

- **Abb.37:** 1. Außenflansch
2. Sägeblatt 3. Innenflansch
4. Innensechskantschraube (Linksgewinde) 5. Spindel
6. Sägeblatt-Montageteil

⚠️ VORSICHT: Stellen Sie sicher, dass der außen liegende Sägeblatt-Montageteil „a“ des Innenflansches genau in die Sägeblattbohrung „a“ passt. Die Montage des Sägeblatts auf der falschen Seite kann zu gefährlichen Vibrationen führen.

Entfernen des Sägeblatts

1. Arretieren Sie den Handgriff durch Hineinschieben des Anschlagstifts in der Hochstellung.

2. Lösen Sie die Innensechskantschraube, mit der die Mittenabdeckung befestigt ist, durch Linksdrehung mit dem Inbusschlüssel. Heben Sie dann die Sägeblattschutzhaube und die Mittenabdeckung an.

3. Blockieren Sie die Spindel durch Drücken der Spindelarreterung, und lösen Sie die Innensechskantschraube (linksgängig) durch Rechtsdrehung des Inbusschlüssels. Entfernen Sie dann Innensechskantschraube, Außenflansch und Sägeblatt.

Wenn Sie das Werkzeug aufbewahren, montieren Sie den Außenflansch, und ziehen Sie die Innensechskantschraube geringfügig mit der Hand an, um einen Verlust zu vermeiden.

Anschließen eines Saugeräts

Um saubere Schneidarbeiten durchzuführen, schließen Sie ein Makita-Sauggerät an.

► **Abb.38**

Staubsaack

Sonderzubehör

Bei Verwendung des Staubsaacks wird das Arbeiten sauberer und das Staubsammeln einfacher.

Zum Anbringen wird der Staubsaack auf den Absaugstutzen geschoben.

Um den Verschluss anzubringen, richten Sie die Oberkante des Verschlusses auf die Dreiecksmarke am Staubsaack aus. Wenn der Staubsaack etwa halb voll ist, nehmen Sie ihn vom Werkzeug ab und ziehen den Verschluss heraus. Entleeren Sie den Staubsaack, indem Sie ihn leicht abklappen, um die an den Innenflächen haftenden Staubpartikel, die den Durchlass behindern können, zu lösen.

- **Abb.39:** 1. Staubsaack 2. Absaugstutzen
3. Verschluss

Sicherung von Werkstücken

⚠️ WARNUNG: Es ist äußerst wichtig, das Werkstück stets mit dem geeigneten Schraubstocktyp korrekt zu sichern. Anderenfalls kann es zu schweren Personenschäden und Beschädigung des Werkzeugs und/oder Werkstücks kommen.

⚠️ WARNUNG: Wenn Sie ein Werkstück schneiden, das länger als der Auflagetisch der Säge ist, sollte das Material auf der gesamten Länge außerhalb des Auflagetisches und auf derselben Höhe abgestützt werden, um es waagrecht zu halten. Korrekte Werkstückabstützung trägt zur Vermeidung von Sägeblattklemmen und möglichem Rückschlag bei, was zu schweren Personenschäden führen kann. Verlassen Sie sich nicht nur auf die Vertikal- und/oder Horizontal-Schraubstock zur Sicherung des Werkstücks. Dünnere Material neigt zum Durchhängen. Stützen Sie das Werkstück auf seiner gesamten Länge ab, um Klemmen des Sägeblatts und möglichen RÜCKSCHLAG zu vermeiden.

► **Abb.40:** 1. Stütze 2. Drehteller

Vertikal-Schraubstock

⚠️ WARNUNG: Das Werkstück muss bei allen Operationen mit dem Schraubstock fest gegen Drehteller und Gehrungsanschlag gesichert werden. Anderenfalls kann sich das Material während der Schneidarbeit verschieben, Beschädigung des Sägeblatts verursachen und herausgeschleudert werden, was zum Verlust der Kontrolle und schweren Personenschäden führen kann.

Der Vertikal-Schraubstock kann entweder auf der linken oder rechten Seite des Gehrungsanschlags oder der Auflageplatte montiert werden. Setzen Sie die Schraubstockstange in die Bohrung des Gehrungsanschlags oder der Auflageplatte ein, und sichern Sie sie durch Anziehen der unteren Schraube.

► **Abb.41:** 1. Schraubstockarm
2. Schraubstockstange
3. Gehrungsanschlag 4. Auflagebügel
5. Auflageplatte 6. Schraubstockknopf
7. Untere Schraube 8. Obere Schraube

Stellen Sie den Schraubstockarm auf die Dicke und Form des Werkstücks ein, und sichern Sie ihn durch Anziehen der oberen Schraube. Falls die obere Schraube mit dem Gehrungsanschlag in Berührung kommt, installieren Sie die obere Schraube auf der entgegengesetzten Seite des Schraubstockarms. Vergewissern Sie sich, dass kein Teil des Werkzeugs mit dem Schraubstock in Berührung kommt, wenn der Handgriff ganz abgesenkt und der Schlitten bis zum Anschlag gezogen oder geschoben wird. Falls irgendwelche Teile mit dem Schraubstock in Berührung kommen, ist der Schraubstock zu versetzen. Drücken Sie das Werkstück flach gegen Gehrungsanschlag und Drehteller. Bringen Sie das Werkstück in die gewünschte Schnittposition, und sichern Sie es einwandfrei durch Anziehen des Schraubstockknopfes.

Horizontal-Schraubstock

Sonderzubehör

⚠️ WARNUNG: Spannen Sie das Werkstück nur ein, wenn sich der Anzeiger an der obersten Position befindet. Anderenfalls wird das Werkstück möglicherweise nicht ausreichend gesichert. Dies kann Herausschleudern des Werkstücks, Beschädigung des Sägeblatts oder Verlust der Kontrolle verursachen, was zu Personenschäden führen kann.

► **Abb.42:** 1. Schraubstockknopf 2. Anzeiger
3. Schraubstockspindel 4. Auflagetisch

Der Horizontal-Schraubstock kann auf der linken Seite des Auflagetisches montiert werden. Durch Linksdrehung des Schraubstockknopfes wird die Schraube gelöst, so dass der Schraubstockschraube schnell vor- und zurückgeschoben werden kann. Durch Rechtsdrehen des Schraubstockknopfes bleibt die Schraube gesichert. Drehen Sie den Schraubstockknopf zum Einspannen von Werkstücken sachte im Uhrzeigersinn, bis der Anzeiger seine Höchstposition erreicht, und ziehen Sie ihn dann fest. Wird der Schraubstockknopf während der Rechtsdrehung hineingedrückt oder herausgezogen, bleibt der Anzeiger eventuell schräg stehen. Drehen Sie den Schraubstockknopf in diesem Fall entgegen dem Uhrzeigersinn zurück, bis sich die Schraube löst, bevor Sie ihn wieder sachte im Uhrzeigersinn drehen. Die maximale Kapazität des Horizontal-Schraubstocks beträgt 120 mm Breite.

Auflagebügel und Auflageplatte

Sonderzubehör

⚠️ VORSICHT: Für ein Werkzeug, das mit den Auflagebügeln und Auflageplatten als Standardzubehör ausgestattet ist, ist diese Benutzungsort aufgrund der Vorschriften des Landes unzulässig.

⚠️ WARNUNG: Stützen Sie ein langes Werkstück stets so ab, dass es waagrecht zur Oberseite des Drehtellers liegt, um akkurate Schnitte auszuführen und gefährlichen Verlust der Kontrolle über das Werkzeug zu verhüten. Korrekte Werkstückabstützung trägt zur Vermeidung von Sägeblattklemmen und möglichem Rückschlag bei, was zu schweren Personenschäden führen kann.

Die Auflagebügel und die Auflageplatte (Sonderzubehör) können zur zusätzlichen horizontalen Abstützung von Werkstücken auf beiden Seiten montiert werden.

Montieren Sie die Teile an der Seite des Werkzeugs, und ziehen Sie dann die Schrauben zur Sicherung fest.

► **Abb.43:** 1. Auflagebügel 2. Auflageplatte

Wenn Sie lange Werkstücke sägen, verwenden Sie den Auflageverlängerungssatz (Sonderzubehör). Dieser besteht aus zwei Auflageplatten und zwei Stangen.

► **Abb.44:** 1. Auflageplatte 2. Stange 12

BETRIEB

⚠️ WARNUNG: Vergewissern Sie sich vor dem Einschalten des Werkzeugs, dass das Sägeblatt nicht das Werkstück usw. berührt. Wird das Werkzeug eingeschaltet, während das Sägeblatt mit dem Werkstück in Berührung ist, kann es zu Rückschlag mit daraus resultierenden schweren Personenschäden kommen.

⚠️ WARNUNG: Heben Sie das Sägeblatt nach erfolgtem Schnitt erst an, nachdem es zum völligen Stillstand gekommen ist. Das Anheben eines noch rotierenden Sägeblatts kann zu schweren Personenschäden und Beschädigung des Werkstücks führen.

⚠️ WARNUNG: Berühren Sie nicht die Klemmschrauben, mit denen die Gleitstangen gesichert sind, während sich das Sägeblatt dreht. Andernfalls können Sie die Kontrolle über das Werkzeug verlieren, was zu Personenschäden führen kann.

⚠️ VORSICHT: Lösen Sie den Sägekopf nicht unkontrolliert aus der vollständig abgesenkten Position. Der unkontrollierte Sägekopf könnte Sie treffen und Personenschäden verursachen.

ANMERKUNG: Lösen Sie den Handgriff vor der Benutzung unbedingt aus der Tiefstellung, indem Sie den Anschlagstift herausziehen.

ANMERKUNG: Üben Sie beim Schneiden keinen übermäßigen Druck auf den Handgriff aus. Zu starker Druck kann zu Überlastung des Motors und/oder verminderter Schnittleistung führen. Drücken Sie den Handgriff nur mit so viel Kraft nieder, wie für reibungslosen Sägebetrieb notwendig ist, ohne einen beträchtlichen Abfall der Sägeblattdrehzahl zu verursachen.

ANMERKUNG: Drücken Sie den Handgriff zur Ausführung des Schnitts sanft nieder. Bei zu großer oder seitlicher Kraftausübung kann das Sägeblatt in Schwingung versetzt werden, wodurch zusätzliche Sägespuren im Werkstück erzeugt werden und die Schnittgenauigkeit beeinträchtigt werden kann.

ANMERKUNG: Schieben Sie den Schlitten bei Schiebesechnitten sanft und ohne anzuhalten zum Gehrungsanschlag. Wird die Schlittenbewegung während des Schnitts unterbrochen, hinterlässt das Sägeblatt eine Markierung im Werkstück, und die Schnittgenauigkeit kann beeinträchtigt werden.

Kappschnitt (Schneiden kleiner Werkstücke)

⚠️ WARNUNG: Ziehen Sie die zwei Klemmschrauben der Gleitstangen fest im Uhrzeigersinn an, damit sich der Schlitten während des Schnitts nicht bewegt. Unzureichendes Anziehen der Sicherungsschraube kann möglichen Rückschlag verursachen, der zu schweren Personenschäden führen kann.

► Abb.45: 1. Flügelschraube 2. Auflageplatte

Werkstücke bis zu 52 mm Höhe und 97 mm Breite können auf die folgende Weise geschnitten werden.

1. Schieben Sie den Schlitten ganz bis zum Gehrungsanschlag, und ziehen Sie die zwei Klemmschrauben der Gleitstangen durch Rechtsdrehen an, um den Schlitten zu sichern.
2. Sichern Sie das Werkstück mit einem geeigneten Schraubstocktyp.
3. Schalten Sie das Werkzeug ein, ohne dass das Sägeblatt Kontakt hat, und warten Sie, bis es seine volle Drehzahl erreicht, bevor Sie es absenken.
4. Senken Sie den Handgriff zum Schneiden des Werkstücks sanft vollständig ab.
5. Wenn der Schnitt ausgeführt ist, schalten Sie das Werkzeug aus, und warten Sie, bis das Sägeblatt zum vollständigen Stillstand gekommen ist, bevor Sie das Sägeblatt auf seine vollständig angehobene Position zurückführen.

Schiebeschnitt (Schneiden breiter Werkstücke)

⚠️ WARNUNG: Ziehen Sie bei jeder Durchführung eines Schiebesechnitts zuerst den Schlitten ganz auf sich zu, und drücken Sie den Handgriff ganz nach unten, bevor Sie den Schlitten auf den Gehrungsanschlag zu schieben. Starten Sie den Schnitt niemals, ohne den Schlitten ganz auf sich zu gezogen zu haben. Wenn Sie den Schiebesechnitt durchführen, ohne den Schlitten ganz auf sich zu gezogen zu haben, kann ein unerwarteter Rückschlag auftreten, der zu schweren Personenschäden führen kann.

⚠️ WARNUNG: Versuchen Sie niemals, einen Schiebesechnitt durchzuführen, indem Sie den Schlitten auf sich zu ziehen. Wenn Sie den Schlitten während des Schneidbetriebs auf sich zu ziehen, kann ein unerwarteter Rückschlag verursacht werden, der zu schweren Personenschäden führen kann.

⚠️ WARNUNG: Führen Sie niemals einen Schiebesechnitt aus, wenn der Handgriff in der Tiefstellung verriegelt ist.

⚠️ WARNUNG: Lösen Sie niemals den Sicherungsknopf des Schlittens bei rotierendem Sägeblatt. Ein loser Schlitten während des Schneidbetriebs kann einen unerwarteten Rückschlag verursachen, der zu schweren Verletzungen führen kann.

► Abb.46: 1. Flügelschraube 2. Auflageplatte

1. Lösen Sie die zwei Klemmschrauben der Gleitstangen entgegen dem Uhrzeigersinn, so dass der Schlitten frei gleiten kann.
2. Sichern Sie das Werkstück mit einem geeigneten Schraubstocktyp.
3. Ziehen Sie den Schlitten ganz auf sich zu.
4. Schalten Sie das Werkzeug ein, ohne dass das Sägeblatt Kontakt hat, und warten Sie, bis es seine volle Drehzahl erreicht.

5. Drücken Sie den Handgriff nach unten, und **schieben Sie den Schlitten auf den Gehrungsanschlag zu und durch das Werkstück.**

6. Wenn der Schnitt ausgeführt ist, schalten Sie das Werkzeug aus, und **warten Sie, bis das Sägeblatt zum vollständigen Stillstand gekommen ist**, bevor Sie das Sägeblatt auf seine vollständig angehobene Position zurückführen.

Gehrungsschnitt

Nehmen Sie auf den Abschnitt zum Einstellen des Gehrungswinkels Bezug.

Neigungsschnitt

⚠️ WARNUNG: Nachdem Sie das Sägeblatt für einen Neigungsschnitt eingestellt haben, vergewissern Sie sich vor der Benutzung des Werkzeugs, dass Schlitten und Sägeblatt über den gesamten Bereich des beabsichtigten Schnitts Freigang haben. Eine Unterbrechung des Schlitten- oder Sägeblattwegs während des Schneidbetriebs kann zu einem Rückschlag mit daraus resultierenden schweren Personenschäden führen.

⚠️ WARNUNG: Halten Sie Ihre Hände während der Ausführung eines Neigungsschnitts aus dem Weg des Sägeblatts. Der Winkel des Sägeblatts kann den Bediener hinsichtlich des tatsächlichen Sägeblattwegs während des Schneidbetriebs verwirren, und Kontakt mit dem Sägeblatt kann zu schweren Personenschäden führen.

⚠️ WARNUNG: Heben Sie das Sägeblatt erst an, nachdem es zum völligen Stillstand gekommen ist. Während eines Neigungsschnitts kann das abgesägte Stück am Sägeblatt anliegen. Wird das Sägeblatt in rotierendem Zustand angehoben, kann das abgesägte Stück vom Sägeblatt herausgeschleudert werden, so dass das Material zersplittert, was zu schweren Personenschäden führen kann.

⚠️ VORSICHT: (nur für Werkzeuge mit Zusatzanschlag) **Setzen Sie den Zusatzanschlag immer auf die Außenseite, wenn Sie linksseitige Neigungsschnitte ausführen.**

► **Abb.47:** 1. Auflageplatte

1. Lösen Sie den Hebel, und neigen Sie das Sägeblatt auf den gewünschten Neigungswinkel (siehe den obigen Abschnitt „Einstellen des Neigungswinkels“). Ziehen Sie den Hebel unbedingt fest an, um den eingestellten Neigungswinkel einwandfrei zu sichern.

2. Spannen Sie das Werkstück mit einem Schraubstock ein.

3. Ziehen Sie den Schlitten ganz auf sich zu.

4. Schalten Sie das Werkzeug ein, ohne dass das Sägeblatt Kontakt hat, und warten Sie, bis es seine volle Drehzahl erreicht.

5. Senken Sie dann den Handgriff sacht auf die Tiefstellung ab, während Sie Druck parallel zum Sägeblatt ausüben, und **schieben Sie den Schlitten auf den Gehrungsanschlag zu, um das Werkstück zu schneiden.**

6. Wenn der Schnitt ausgeführt ist, schalten Sie das Werkzeug aus, und **warten Sie, bis das Sägeblatt zum vollständigen Stillstand gekommen ist**, bevor Sie das Sägeblatt auf seine vollständig angehobene Position zurückführen.

ANMERKUNG: Wenn Sie den Handgriff niederdrücken, üben Sie den Druck parallel zum Sägeblatt aus. Falls eine Kraft senkrecht zum Drehteller ausgeübt oder die Druckrichtung während eines Schnitts geändert wird, kann die Genauigkeit des Schnitts beeinträchtigt werden.

Compoundsschnitt

Unter Compoundsschnitt versteht man das Schneiden eines Werkstücks mit gleichzeitiger Gehrungs- und Neigungswinkeleinstellung. Compoundsschnitte können in dem in der nachstehenden Tabelle angegebenen Winkel durchgeführt werden.

Gehrungswinkel	Neigungswinkel
Links und Rechts 45°	Links 0° - 45°
Rechts 50°	Links 0° - 40°
Rechts 55°	Links 0° - 30°
Rechts 57°	Links 0° - 25°

Nehmen Sie zur Durchführung von Compoundsschnitten auf die Erläuterungen unter „Kappschnitt“, „Schiebeschritt“, „Gehrungsschnitt“ und „Neigungsschnitt“ Bezug.

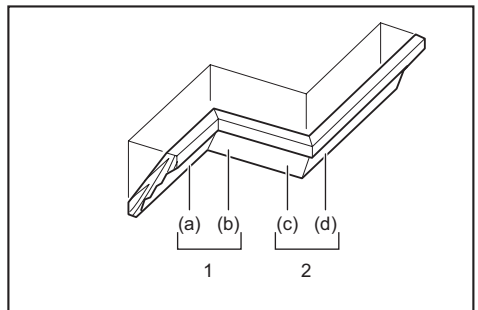
Schneiden von Decken- und Hohlleisten

Decken- und Hohlleisten können flach auf dem Drehteller liegend mit einer Kapp- und Gehrungssäge geschritten werden.

Es gibt zwei allgemeine Deckenleistentypen und einen Hohlleistentyp: Deckenleiste mit 52/38° Wandwinkel, Deckenleiste mit 45° Wandwinkel und Hohlleiste mit 45° Wandwinkel.

- **Abb.48:**
- 52/38°-Deckenleistentyp
 - 45°-Deckenleistentyp
 - 45°-Hohlleistentyp

Es gibt Decken- und Hohlleistenstöße, die in 90°-Innenecken ((a) und (b) in der Abbildung) und 90°-Außenecken ((c) und (d) in der Abbildung) passen.



1. Innenecke 2. Außenecke

► **Abb.49:** 1. Innenecke 2. Außenecke

Messen

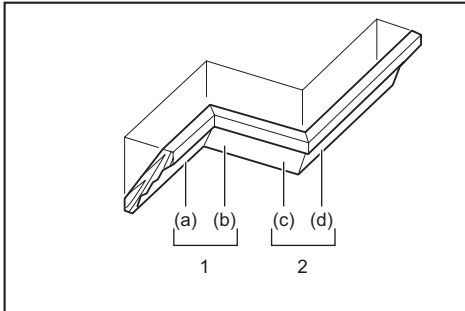
Messen Sie die Wandbreite, und stellen Sie die Breite des Werkstücks dementsprechend ein. Vergewissern Sie sich stets, dass die Breite der Wandkontaktkante des Werkstücks der Wandlänge entspricht.

► **Abb.50:** 1. Werkstück 2. Wandbreite 3. Breite des Werkstücks 4. Wandkontaktkante

Verwenden Sie stets mehrere Stücke für Probeschnitte, um die Sägewinkel zu überprüfen.

Wenn Sie Decken- und Hohlleisten schneiden, stellen Sie den Neigungs- und Gehrungswinkel gemäß den Angaben in Tabelle (A) ein, und legen Sie die Leisten auf die Oberseite der Grundplatte, wie in Tabelle (B) angegeben.

Im Falle eines Linksneigungschnitts



1. Innenecke 2. Außenecke

Tabelle (A)

–	Leistenposition in der Abbildung	Neigungswinkel		Gehrungswinkel	
		52/38°-Typ	45°-Typ	52/38°-Typ	45°-Typ
Für Innenecke	(a)	Links 33,9°	Links 30°	Rechts 31,6°	Rechts 35,3°
	(b)			Links 31,6°	Links 35,3°
Für Außenecke	(c)			Rechts 31,6°	Rechts 35,3°
	(d)				

Tabelle (B)

–	Leistenposition in der Abbildung	Leistenkante gegen Gehrungsanschlag	Fertiges Stück
Für Innenecke	(a)	Die Deckenkontaktkante muss am Gehrungsanschlag anliegen.	Das fertige Stück befindet sich auf der linken Seite des Sägeblatts.
	(b)	Die Wandkontaktkante muss am Gehrungsanschlag anliegen.	
Für Außenecke	(c)	Die Deckenkontaktkante muss am Gehrungsanschlag anliegen.	Das fertige Stück befindet sich auf der rechten Seite des Sägeblatts.
	(d)	Die Wandkontaktkante muss am Gehrungsanschlag anliegen.	

Beispiel:

Schneiden einer 52/38°-Deckenleiste für Position (a) in der obigen Abbildung:

- Neigungswinkel auf 33,9° LINKS einstellen und sichern.
- Gehrungswinkel auf 31,6° RECHTS einstellen und sichern.
- Legen Sie die Deckenleiste mit ihrer breiten (verborgenen) Rückseite auf den Drehteller, so dass ihre DECKENKONTAKTKANTE am Gehrungsanschlag der Säge anliegt.
- Das zu verwendende fertige Stück befindet sich nach der Ausführung des Schnitts immer auf der LINKEN Seite des Sägeblatts.

Schneiden von Aluminium-Strangpressprofilen

► **Abb.51:** 1. Schraubstock 2. Distanzblock 3. Gehrungsanschlag 4. Aluminium-Strangpressprofil 5. Distanzblock

Verwenden Sie zum Einspannen von Aluminium-Strangpressprofilen Distanzblöcke oder Abfallholzstücke, wie in der Abbildung gezeigt, um eine Verformung des Aluminiums zu vermeiden. Verwenden Sie Schneidschmiermittel zum Schneiden von Aluminium-Strangpressprofilen, um die Ablagerung von Aluminium-Rückständen am Sägeblatt zu verhüten.

⚠ VORSICHT: Versuchen Sie niemals, dickes oder rundes Aluminium-Strangpressmaterial zu schneiden. Dicke Aluminium-Strangpressprofile können sich während der Arbeit lösen, und runde Aluminium-Strangpressprofile lassen sich mit diesem Werkzeug nicht einwandfrei einspannen.

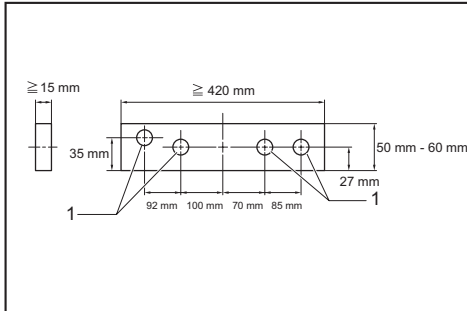
Zwischenbrett

⚠ WARNUNG: Befestigen Sie das Zwischenbrett mit Schrauben am Gehrungsanschlag. Die Schrauben sind so zu installieren, dass die Schraubenköpfe unter der Oberfläche des Zwischenbretts versenkt sind, damit sie nicht die Lage des zu schneidenden Materials behindern. Eine Fehlausrichtung des zu schneidenden Materials kann unerwartete Bewegung während des Schneidvorgangs verursachen, die zum Verlust der Kontrolle und schweren Personenschäden führen kann.

⚠ VORSICHT: Verwenden Sie glatt gehobeltes Holz von gleichmäßiger Dicke als Zwischenbrett.

Durch die Verwendung eines Zwischenbretts lassen sich Werkstücke splitterfrei sägen. Die Bohrungen im Gehrungsanschlag dienen als Befestigungshilfe für ein Zwischenbrett.

Die Maße für ein vorgeschlagenes Zwischenbrett sind aus der Abbildung ersichtlich.



1. Löcher

ANMERKUNG: Drehen Sie den Drehteller bei montiertem Zwischenbrett nicht mit abgenutztem Handgriff. Anderenfalls kommt es zu einer Beschädigung des Sägeblatts und/oder des Zwischenbretts.

Wiederholtes Schneiden auf gleiche Länge

VORSICHT: Für ein Werkzeug, das mit den Auflagebügel und Auflageplatten als Standardzubehör ausgestattet ist, ist diese Benutzungsart aufgrund der Vorschriften des Landes unzulässig.

Wenn Sie mehrere Materialstücke auf dieselbe Länge schneiden, innerhalb des Bereichs von 220 mm bis 385 mm, verwenden Sie die Anschlagplatte (Sonderzubehör). Montieren Sie die Anschlagplatte am Auflagebügel (Sonderzubehör), wie in der Abbildung gezeigt.

► **Abb.52:** 1. Anschlagplatte 2. Auflagebügel
3. Schraube

Richten Sie die Schnittlinie des Werkstücks entweder auf die linke oder rechte Kante der Nut in der Schlitzplatte aus, und schieben Sie die Anschlagplatte bündig gegen das Ende des Werkstücks, während Sie das Werkstück halten. Sichern Sie dann die Anschlagplatte mit der Flügelschraube. Wenn Sie die Anschlagplatte nicht benutzen, lösen Sie die Flügelschraube, um die Anschlagplatte zur Seite zu schieben.

HINWEIS: Der Auflageverlängerungssatz (Sonderzubehör) ermöglicht das wiederholte Schneiden auf gleiche Längen von bis zu etwa 2.200 mm.

Nutenschneiden

WARNUNG: Versuchen Sie nicht, derartige Schnitte mit einem breiteren Sägeblatt oder einem Dado-Sägeblatt auszuführen. Der Versuch, einen Nutenschnitt mit einem breiteren Sägeblatt oder Dado-Sägeblatt durchzuführen, könnte zu unerwarteten Schnittergebnissen und Rückschlag führen, was schwere Personenschäden zur Folge haben könnte.

WARNUNG: Stellen Sie den Anschlagarm unbedingt wieder auf die Ausgangsstellung zurück, wenn Sie andere Schnitte als Nutenschnitte ausführen. Der Versuch, Schnitte mit dem Anschlagarm in der falschen Position durchzuführen, könnte zu unerwarteten Schnittergebnissen und Rückschlag führen, was schwere Personenschäden zur Folge haben könnte.

Führen Sie Dado-Schnitte wie folgt aus:

1. Stellen Sie die untere Grenzposition des Kreissägeblatts mit der Einstellschraube und dem Anschlagarm ein, um die Schnitttiefe des Kreissägeblatts zu begrenzen. Nehmen Sie auf den Abschnitt für den Anschlagarm Bezug.
2. Nachdem Sie die untere Grenzposition des Kreissägeblatts eingestellt haben, schneiden Sie mittels Schiebescchnitt parallele Nuten über die Breite des Werkstücks.
► **Abb.53:** 1. Nuten mit dem Sägeblatt schneiden
3. Heben Sie dann das Werkstückmaterial zwischen den Nuten mit einem Stemmeisen aus.

Tragen des Werkzeugs

WARNUNG: Der Anschlagstift ist nur zum Tragen und zur Lagerung vorgesehen und sollte keinesfalls für irgendwelche Schneidarbeiten verwendet werden. Der Gebrauch des Anschlagstifts für Schneidarbeiten kann eine unerwartete Bewegung des Sägeblatts verursachen, die zu Rückschlag und schweren Personenschäden führen kann.

VORSICHT: Sichern Sie stets alle beweglichen Teile, bevor Sie das Werkzeug tragen. Falls Teile des Werkzeugs sich beim Tragen bewegen oder verschieben, kann es zu Verlust der Kontrolle oder Balance kommen, was Personenschäden zur Folge haben kann.

► **Abb.54**

1. Nehmen Sie den Akku ab.
2. Sichern Sie den Sägekopf in der 0°-Neigungswinkelstellung und den Drehteller in der äußersten rechten Gehrungswinkelstellung.
3. Sichern Sie die Gleitstangen so, dass die untere Gleitstange in der Position des vollständig zum Bediener gezogenen Schlittens verriegelt ist und die oberen Gleitstangen in der Position des vollständig zum Gehrungsanschlag vorgeschobenen Schlittens verriegelt sind.
4. Senken Sie den Handgriff ganz ab, und arretieren Sie ihn in der Tiefstellung durch Einschieben des Anschlagstifts.
5. Tragen Sie das Werkzeug, indem Sie den Auflagetisch auf beiden Seiten halten. Das Werkzeug lässt sich bequemer tragen, wenn Auflagebügel, Staubsack usw. entfernt werden.

WARTUNG

⚠️ WARNUNG: Achten Sie stets darauf, dass das Sägeblatt scharf und sauber ist, um die bestmögliche und sicherste Leistung zu erzielen. Der Versuch, einen Schnitt mit einem stumpfen und/oder verschmutzten Sägeblatt auszuführen, kann Rückschlag verursachen und zu schweren Personenschäden führen.

⚠️ VORSICHT: Vergewissern Sie sich vor der Durchführung von Inspektions- oder Wartungsarbeiten stets, dass das Werkzeug ausgeschaltet und der Akku abgenommen ist.

ANMERKUNG: Verwenden Sie auf keinen Fall Benzin, Waschbenzin, Verdünnern, Alkohol oder dergleichen. Solche Mittel können Verfärbung, Verformung oder Rissbildung verursachen.

Einstellen des Schnittwinkels

Dieses Werkzeug wurde werksseitig sorgfältig eingestellt und justiert, doch grobe Behandlung kann die Justierung beeinträchtigen. Sollte Ihr Werkzeug einer Nachjustierung bedürfen, gehen Sie folgendermaßen vor:

Gehrungswinkel

1. Schieben Sie den Schlitten zum Gehrungsanschlag, und sichern Sie ihn durch Anziehen der zwei Klemmschrauben.
2. Drehen Sie den Drehteller, bis der Zeiger auf 0° auf der Gehrungswinkelskala zeigt.
3. Bewegen Sie den Drehteller geringfügig nach links und rechts, bis er einwandfrei in der 0°-Gehrungswinkelraste sitzt. (Lassen Sie den Drehteller unverändert, falls der Zeiger nicht auf 0° zeigt.)
4. Lösen Sie die Innensechskantschrauben, die den Gehrungsanschlag halten, mit dem Innenschlüssel.
▶ **Abb.55:** 1. Gehrungsanschlag
2. Innensechskantschraube
5. Senken Sie den Handgriff ganz ab, und arretieren Sie ihn in der Tiefstellung durch Einschieben des Anschlagstifts.
6. Bringen Sie die Seitenfläche des Sägeblatts mit Hilfe eines Einstelldreiecks, Anschlagwinkels usw. in den rechten Winkel mit der Fläche des Gehrungsanschlags. Ziehen Sie dann die Innensechskantschrauben des Gehrungsanschlags von rechts der Reihe nach fest.
▶ **Abb.56:** 1. Einstelldreieck 2. Gehrungsanschlag
7. Vergewissern Sie sich, dass der Zeiger auf 0° auf der Gehrungswinkelskala zeigt. Falls der Zeiger nicht auf 0° zeigt, lösen Sie die Halteschraube des Zeigers, und stellen Sie den Zeiger so ein, dass er auf 0° zeigt.
▶ **Abb.57:** 1. Schraube 2. Gehrungswinkelskala
3. Zeiger

Neigungswinkel

0°-Neigungswinkel

- ▶ **Abb.58:** 1. Hebel 2. Armhalter
3. 0°-Neigungswinkel-Einstellschraube
4. Arm 5. Entriegelungsknopf
1. Schieben Sie den Schlitten zum Gehrungsanschlag, und sichern Sie ihn durch Anziehen der zwei Klemmschrauben.
 2. Senken Sie den Handgriff ganz ab, und arretieren Sie ihn in der Tiefstellung durch Einschieben des Anschlagstifts.
 3. Lösen Sie den Hebel auf der Rückseite des Werkzeugs.
 4. Drehen Sie die 0°-Neigungswinkel-Einstellschraube (untere Schraube) auf der rechten Seite des Arms um zwei bis drei Umdrehungen entgegen dem Uhrzeigersinn, um das Sägeblatt nach rechts zu neigen.
 5. Drehen Sie die 0°-Neigungswinkel-Einstellschraube vorsichtig im Uhrzeigersinn, bis die Seitenfläche des Sägeblatts einen rechten Winkel mit der Oberfläche des Drehtellers bildet. Verwenden Sie ein Einstelldreieck, einen Anschlagwinkel usw. als Orientierungshilfe. Ziehen Sie dann den Hebel fest an.
▶ **Abb.59:** 1. Einstelldreieck 2. Sägeblatt
3. Drehteller-Oberfläche

6. Vergewissern Sie sich, dass der Zeiger am Arm auf 0° der Neigungswinkelskala zeigt. Falls der Zeiger nicht auf 0° zeigt, lösen Sie die Halteschraube des Zeigers, und stellen Sie den Zeiger so ein, dass er auf 0° zeigt.
▶ **Abb.60:** 1. Neigungswinkelskala 2. Zeiger
3. Schraube

45°-Neigungswinkel

- ▶ **Abb.61:** 1. Einstellschraube für linksseitigen 45°-Neigungswinkel
- Der 45°-Neigungswinkel kann erst nach erfolgter Einstellung des 0°-Neigungswinkels eingestellt werden.
1. Lösen Sie den Hebel, und neigen Sie das Sägeblatt vollständig nach links.
 2. Vergewissern Sie sich, dass der Zeiger am Arm auf 45° der Neigungswinkelskala zeigt. Falls der Zeiger nicht auf 45° zeigt, drehen Sie die 45°-Neigungswinkel-Einstellschraube (obere Schraube) auf der rechten Seite des Arms, bis der Zeiger auf 45° zeigt.

Nach dem Gebrauch

Wischen Sie nach dem Gebrauch am Werkzeug haftende Späne und Staub mit einem Tuch oder dergleichen ab. Halten Sie die Sägeblattschutzhaube gemäß den Anweisungen im vorhergehenden Abschnitt „Sägeblattschutzhaube“ sauber. Schmieren Sie die Gleitteile des Werkzeugs mit Öl, um Rostbildung zu verhindern.

Ziehen Sie den Schlitten zur Lagerung des Werkzeugs vollständig auf sich zu, so dass die Gleitstangen tief in den Drehteller eingeführt sind.

Um die SICHERHEIT und ZUVERLÄSSIGKEIT dieses Produkts zu gewährleisten, sollten Reparaturen und andere Wartungs- oder Einstellarbeiten nur von Makita-Vertragswerkstätten oder Makita-Kundendienstzentren unter ausschließlicher Verwendung von Makita-Originalersatzteilen ausgeführt werden.

SONDERZUBEHÖR

⚠️ WARNUNG: Die folgenden Makita-Zubehörteile oder Vorrichtungen werden für den Einsatz mit dem in dieser Anleitung beschriebenen Makita-Werkzeug empfohlen. Der Gebrauch anderer Zubehörteile oder Vorrichtungen kann zu schweren Personenschäden führen.

⚠️ WARNUNG: Verwenden Sie die Makita-Zubehörteile oder -Vorrichtungen nur für ihren vorgesehenen Zweck. Fehlgebrauch eines Zubehörteils oder einer Vorrichtung kann zu schweren Verletzungen führen.

Wenn Sie weitere Einzelheiten bezüglich dieser Zubehörteile benötigen, wenden Sie sich bitte an Ihre Makita-Kundendienststelle.

- Hartmetallbestückte Sägeblätter (Besuchen Sie unsere Website, oder wenden Sie sich an Ihren Makita-Händler vor Ort, um zu erfahren, welche Sägeblätter für das zu schneidende Material korrekt sind.)
- Schraubstockeinheit (Horizontal-Schraubstock)
- Vertikal-Schraubstock
- Auflageplatte
- Auflageverlängerungssatz
- Anschlagplatte
- Staubsack
- Einstelldreieck
- Inbusschlüssel
- Original-Makita-Akku und -Ladegerät

HINWEIS: Manche Teile in der Liste können als Standardzubehör im Werkzeugsatz enthalten sein. Sie können von Land zu Land unterschiedlich sein.

DATI TECNICI

Modello:	DLS714
Diametro lama	190 mm
Diametro foro (albero) (specifico in base alla nazione)	20 mm o 15,88 mm
Spessore max. di taglio della lama	2,2 mm
Angolo di taglio obliquo max.	A sinistra 47°, A destra 57°
Angolo di taglio a unghia max.	A sinistra 45°, A destra 5°
Velocità senza carico	5.700 min ⁻¹
Dimensioni (L x P x A)	655 mm x 430 mm x 445 mm
Tensione nominale	C.c. 36 V
Peso netto	14,4 - 14,7 kg

- A causa del nostro programma continuativo di ricerca e sviluppo, i dati tecnici sono soggetti a modifiche senza preavviso.
- I dati tecnici possono variare da nazione a nazione.
- Il peso può variare a seconda dell'accessorio o degli accessori, inclusa la cartuccia della batteria. La combinazione più leggera e quella più pesante, secondo la procedura EPTA 01/2014, sono indicate nella tabella.

Cartuccia della batteria e caricabatterie applicabili

Cartuccia della batteria	BL1815N / BL1820B / BL1830B / BL1840B / BL1850B / BL1860B
Caricabatterie	DC18RC / DC18RD / DC18RE / DC18SD / DC18SE / DC18SF / DC18SH / DC18WC

- Alcune cartucce delle batterie e alcuni caricabatterie elencati sopra potrebbero non essere disponibili a seconda della propria area geografica di residenza.

⚠AVVERTIMENTO: Utilizzare solo le cartucce delle batterie e i caricabatterie elencati sopra. L'utilizzo di altre cartucce delle batterie e di altri caricabatterie potrebbe causare lesioni personali e/o un incendio.

Capacità di taglio (A x P) con lama da 190 mm di diametro

Angolo di taglio obliquo	Angolo di taglio a unghia		
	45° (a sinistra)	0°	5° (a destra)
0°	40 mm x 300 mm	52 mm x 300 mm	40 mm x 300 mm
	45 mm x 265 mm (NOTA 1)	60 mm x 265 mm (NOTA 1)	–
45° (a sinistra e a destra)	40 mm x 212 mm	52 mm x 212 mm	–
	45 mm x 185 mm (NOTA 2)	60 mm x 185 mm (NOTA 2)	–
57° (a destra)	–	52 mm x 163 mm	–
	–	60 mm x 145 mm (NOTA 3)	–

1. Capacità di taglio max. utilizzando uno spessore di legno di 20 mm di spessore
2. Capacità di taglio max. utilizzando uno spessore di legno di 15 mm di spessore
3. Capacità di taglio max. utilizzando uno spessore di legno di 10 mm di spessore

Simboli

Le figure seguenti mostrano i simboli utilizzati per l'apparecchio. Accertarsi di comprenderne il significato prima dell'uso.



Leggere il manuale d'uso.



Per evitare lesioni personali causate da frammenti volanti, dopo aver effettuato dei tagli, mantenere la testa della sega rivolta verso il basso fino all'arresto completo della lama.



Quando si intende eseguire un taglio a scorrimento, innanzitutto tirare completamente il carrello e premere verso il basso il manico, quindi spingere il carrello verso la guida pezzo.



Non posizionare la mano o le dita in prossimità della lama.



Sistemare sempre la GUIDA PEZZO SECONDARIA sulla posizione a sinistra quando si intende eseguire tagli a unghia a sinistra. La mancata osservanza di questa operazione potrebbe causare gravi lesioni personali all'operatore.



Solo per le nazioni dell'EU
A causa della presenza di componenti pericolosi nelle apparecchiature, i rifiuti di apparecchiature elettriche ed elettroniche, accumulatori e batterie potrebbero produrre un impatto negativo sull'ambiente e sulla salute umana.
Non smaltire elettrodomestici elettrici ed elettronici o batterie insieme ai rifiuti domestici!
In conformità alla direttiva europea sui rifiuti di apparecchiature elettriche ed elettroniche (RAEE), sugli accumulatori e le batterie, e al suo adattamento alle normative nazionali, i rifiuti di apparecchiature elettriche ed elettroniche, batterie e accumulatori vanno conservati separatamente e conferiti a un punto di raccolta separato per i rifiuti comunali, operando in conformità alle normative per la protezione dell'ambiente.
Tale requisito viene indicato mediante il simbolo del bidone della spazzatura con ruote barrato apposto sull'apparecchio.

Utilizzo previsto

Questo utensile va utilizzato per eseguire tagli di precisione diritti e inclinati del legno.

Non utilizzare la sega per tagliare materiali diversi da legno, alluminio o simili.

Rumore

Livello tipico di rumore pesato A determinato in base allo standard EN62841-3-9:

Livello di pressione sonora (L_{pA}): 88 dB (A)

Livello di potenza sonora (L_{wA}): 97 dB (A)

Incertezza (K): 3 dB (A)

NOTA: Il valore o i valori dichiarati delle emissioni di rumori sono stati misurati in conformità a un metodo standard di verifica, e possono essere utilizzati per confrontare un utensile con un altro.

NOTA: Il valore o i valori dichiarati delle emissioni di rumori possono venire utilizzati anche per una valutazione preliminare dell'esposizione.

AVVERTIMENTO: Indossare protezioni per le orecchie.

AVVERTIMENTO: L'emissione di rumori durante l'utilizzo effettivo dell'utensile elettrico può variare rispetto al valore o ai valori dichiarati, a seconda dei modi in cui viene utilizzato l'utensile e specialmente a seconda di che tipo di pezzo venga lavorato.

AVVERTIMENTO: Accertarsi di identificare misure di sicurezza per la protezione dell'operatore che siano basate su una stima dell'esposizione nelle condizioni effettive di utilizzo (tenendo conto di tutte le parti del ciclo operativo, ad esempio del numero di spegnimenti dell'utensile e di quando giri a vuoto, oltre al tempo di attivazione).

Vibrazioni

Valore totale delle vibrazioni (somma vettoriale triassiale) determinato in base allo standard EN62841-3-9: Emissione di vibrazioni (a_{hv}): 2,5 m/s² o inferiore Incertezza (K): 1,5 m/s²

NOTA: Il valore o i valori complessivi delle vibrazioni dichiarati sono stati misurati in conformità a un metodo standard di verifica, e possono essere utilizzati per confrontare un utensile con un altro.

NOTA: Il valore o i valori complessivi delle vibrazioni dichiarati possono venire utilizzati anche per una valutazione preliminare dell'esposizione.

AVVERTIMENTO: L'emissione delle vibrazioni durante l'utilizzo effettivo dell'utensile elettrico può variare rispetto al valore o ai valori dichiarati, a seconda dei modi in cui viene utilizzato l'utensile, specialmente a seconda di che tipo di pezzo venga lavorato.

AVVERTIMENTO: Accertarsi di identificare misure di sicurezza per la protezione dell'operatore che siano basate su una stima dell'esposizione nelle condizioni effettive di utilizzo (tenendo conto di tutte le parti del ciclo operativo, ad esempio del numero di spegnimenti dell'utensile e di quando giri a vuoto, oltre al tempo di attivazione).

Dichiarazioni di conformità

Solo per i paesi europei

Le Dichiarazioni di conformità sono incluse nell'Allegato A al presente manuale d'uso.

AVVERTENZE DI SICUREZZA

Avvertenze generali relative alla sicurezza dell'utensile elettrico

⚠AVVERTIMENTO Leggere tutte le avvertenze di sicurezza, le istruzioni, le illustrazioni e i dati tecnici forniti insieme a questo utensile elettrico. La mancata osservanza di tutte le istruzioni seguenti potrebbe risultare in scosse elettriche, incendi e/o gravi lesioni personali.

Conservare tutte le avvertenze e le istruzioni come riferimento futuro.

Il termine "utensile elettrico" nelle avvertenze si riferisce sia all'utensile elettrico (cablato) nel funzionamento alimentato da rete elettrica che all'utensile elettrico (a batteria) nel funzionamento alimentato a batteria.

Istruzioni di sicurezza relative alle troncatrici

- Le troncatrici sono destinate a tagliare legno o prodotti simili al legno, non possono essere utilizzate con mole abrasive per il taglio di materiali ferrosi quali barre, aste, montanti, e così via.** La polvere abrasiva causa l'inceppamento delle parti mobili, ad esempio della protezione inferiore. Le scintille dovute al taglio abrasivo bruciano la protezione inferiore, la placchetta di taglio e altre parti in plastica.
 - Utilizzare sempre delle morse per sostenere il pezzo in lavorazione, se possibile. Qualora si mantenga il pezzo in lavorazione con le mani, è necessario sempre tenere la mano ad almeno 100 mm da entrambi i lati della lama. Non utilizzare questa sega per tagliare pezzi che siano troppo piccoli per poter essere fissati saldamente con delle morse o mantenuti in mano.** Qualora si posizioni la mano troppo vicina alla lama, sussiste un maggior rischio di lesioni personali dovute al contatto con la lama.
 - Il pezzo in lavorazione deve essere immobile e fissato con delle morse o tenuto fermo appoggiandolo sia contro la guida che contro il tavolo. Non passare il pezzo in lavorazione nella lama né tagliarlo "a mani libere" in alcun modo.** Pezzi in lavorazione non bloccati o in movimento potrebbero venire scagliati ad alte velocità, causando lesioni personali.
 - Spingere la sega attraverso il pezzo in lavorazione. Non tirare la sega attraverso il pezzo in lavorazione. Per effettuare un taglio, sollevare la testa della sega e tirarla verso l'esterno sopra il pezzo in lavorazione senza tagliare, avviare il motore, premere la testa della sega verso il basso e spingere la sega attraverso il pezzo in lavorazione.** Qualora si tagli durante il movimento per tirare la sega, è probabile che la lama fuoriesca al di sopra del pezzo in lavorazione e che il gruppo lama venga scagliato con violenza verso l'operatore.
 - Non attraversare mai con la mano la linea di taglio stabilita, né davanti né dietro la lama.** È molto pericoloso sostenere il pezzo in lavorazione "con la mano incrociata", vale a dire mantenendo il pezzo in lavorazione a destra della lama con la mano sinistra o viceversa.
- Fig.1
- Non allungare le mani dietro la guida a una distanza inferiore a 100 mm da entrambi i lati della lama, per rimuovere sfridi di legno o per qualsiasi altro motivo, mentre la lama sta ruotando.** La prossimità della lama in rotazione alla mano potrebbe non risultare evidente, e si potrebbero subire gravi lesioni personali.
 - Ispezionare il pezzo in lavorazione prima di effettuare il taglio. Qualora il pezzo in lavorazione sia curvato o distorto, fissarlo con una morsa con il lato esterno curvato rivolto verso la guida. Accertarsi sempre che non vi siano spazi tra il pezzo in lavorazione, la guida e il tavolo lungo la linea di taglio.** Pezzi in lavorazione piegati o distorti possono torcersi o spostarsi, e potrebbero causare l'inceppamento della lama in rotazione durante il taglio. Nel pezzo in lavorazione non devono essere presenti chiodi o corpi estranei.
 - Non utilizzare la sega fino a quando il tavolo è libero da tutti gli utensili, gli sfridi di legno, e così via, tranne il pezzo in lavorazione.** Piccoli detriti o pezzi allentati di legno o altri oggetti che entrano in contatto con la lama in rotazione possono venire scagliati ad alta velocità.
 - Tagliare un solo pezzo in lavorazione alla volta.** Non è possibile fissare con una morsa o supportare in modo adeguato più pezzi in lavorazione impilati, e questi ultimi potrebbero incepparsi nella lama o spostarsi durante il taglio.
 - Accertarsi che la troncatrice venga montata o posizionata su una superficie di lavoro piana e stabile prima dell'uso.** Una superficie di lavoro piana e stabile riduce il rischio che la troncatrice diventi instabile.
 - Pianificare il lavoro. Ogni volta che si cambia l'impostazione dell'angolo di taglio a unghia od obliquo, accertarsi che la guida regolabile sia impostata correttamente per sostenere il pezzo in lavorazione e che non interferisca con la lama o il sistema di protezione.** Senza accendere l'utensile e senza alcun pezzo in lavorazione sul tavolo, spostare la lama attraverso un taglio simulato completo per accertarsi che non vi siano interferenze o pericolo di tagliare la guida.
 - Fornire un supporto adeguato, ad esempio prolungamenti del tavolo, cavalletti per segare la legna, e così via, per un pezzo in lavorazione che sia più largo o più lungo della superficie del tavolo.** I pezzi in lavorazione più lunghi o più larghi del tavolo della troncatrice possono rovesciarsi, se non vengono supportati saldamente. Qualora il pezzo tagliato o il pezzo in lavorazione si rovesci, può sollevare la protezione inferiore o venire scagliato dalla lama in rotazione.
 - Non utilizzare un'altra persona come supporto per un prolungamento del tavolo o come supporto aggiuntivo.** Il supporto instabile per il pezzo in lavorazione può causare l'inceppamento della lama o lo spostamento del pezzo in lavorazione durante l'operazione di taglio, tirando sia l'operatore che l'aiutante verso la lama in rotazione.

14. **Il pezzo tagliato non deve venire spinto con forza né premuto in alcun modo contro la lama in rotazione.** Il pezzo tagliato, qualora sia confinato, ad esempio mediante l'uso di battute longitudinali, potrebbe incunearsi contro la lama e venire scagliato con violenza.
 15. **Utilizzare sempre una morsa o un dispositivo di fissaggio progettato per sostenere correttamente materiali tondi, quali aste o tubazioni.** Le aste tendono a rotolare mentre vengono tagliate, facendo sì che la lama "morda" e tiri il pezzo in lavorazione insieme alla mano verso la lama.
 16. **Lasciar raggiungere la massima velocità alla lama, prima di mettere quest'ultima in contatto con il pezzo in lavorazione.** In tal modo si riduce il rischio che il pezzo in lavorazione venga scagliato.
 17. **Qualora il pezzo in lavorazione o la lama si inceppino, spegnere la troncatrice. Attendere che tutte le parti mobili si arrestino, scollegare la spina dalla fonte di alimentazione, e/o rimuovere la cartuccia della batteria. Quindi, intervenire per liberare il materiale inceppato.** Qualora si continui a segare con un pezzo in lavorazione inceppato, si potrebbe causare la perdita di controllo o il danneggiamento della troncatrice.
 18. **Dopo aver terminato il taglio, rilasciare l'interruttore, mantenere la testa della sega abbassata e attendere che la lama si arresti, prima di rimuovere il pezzo tagliato.** È pericoloso allungare una mano dietro la lama che si sta arrestando.
 19. **Mantenere il manico saldamente quando si intende effettuare un taglio incompleto o quando si intende rilasciare l'interruttore prima che la testa della sega sia completamente in posizione abbassata.** L'operazione di frenatura della sega potrebbe far sì che la testa della sega venga tirata improvvisamente verso il basso, causando un rischio di lesione personale.
 20. **Utilizzare esclusivamente una lama che abbia il diametro indicato sull'utensile o specificato nel manuale.** L'uso di una lama di dimensioni errate potrebbe influire sulla corretta protezione della lama o sul funzionamento della protezione, il che potrebbe risultare in gravi lesioni personali.
 21. **Utilizzare solo lame che siano contrassegnate con una velocità pari o superiore a quella contrassegnata sull'utensile.**
 22. **Non utilizzare la sega per tagliare materiali diversi da legno, alluminio o simili.**
 23. **(Solo per le nazioni europee) Utilizzare sempre una lama conforme allo standard EN847-1.**
- Istruzioni aggiuntive**
1. **Rendere le officine a prova di bambino utilizzando lucchetti.**
 2. **Non salire mai sull'utensile.** Qualora l'utensile si rovesci o si entri accidentalmente in contatto con l'utensile da taglio, si potrebbero verificare gravi lesioni personali.
 3. **Non lasciare mai l'utensile in funzione incustodito. Spegnerlo. Non abbandonare l'utensile fino al suo arresto completo.**
4. **Non utilizzare la sega senza le protezioni in posizione.** Controllare che la protezione lama si chiuda correttamente prima di ciascun utilizzo. **Non utilizzare la sega qualora la protezione lama non si muova liberamente e non si chiuda istantaneamente.** Non bloccare o legare mai la protezione lama in posizione di apertura.
 5. **Tenere le mani fuori dal percorso della lama.** Evitare il contatto con la lama durante il moto inziale. La lama può ancora causare gravi lesioni personali.
 6. **Per ridurre il rischio di lesioni personali, riportare il carrello nella posizione più arretrata dopo ciascuna operazione di taglio di testa.**
 7. **Fissare sempre tutte le parti mobili prima di trasportare l'utensile.**
 8. **Il perno di fermo che blocca verso il basso la testa troncatrice va utilizzato solo per trasportare o riporre l'utensile, non per operazioni di taglio di alcun genere.**
 9. **Controllare con cura che la lama non presenti crepe o danneggiamenti prima dell'utilizzo.** Sostituire immediatamente le lame spaccate o danneggiate. Gomma e pece nera indurite sulle lame rallentano la sega e fanno aumentare il rischio di contraccolpi. **Mantenere la lama pulita rimuovendola innanzitutto dall'utensile, e quindi pulendola con sostanze di rimozione della gomma e della pece, acqua calda o cherosene.** Non utilizzare mai benzina per pulire la lama.
 10. **Mentre si effettua un taglio a scorrimento, può verificarsi un CONTRACCOLPO. Il CONTRACCOLPO si verifica quando la lama si inceppa nel pezzo in lavorazione durante un'operazione di taglio, e la lama viene spinta rapidamente verso l'operatore.** Di conseguenza, si possono verificare la perdita di controllo e gravi lesioni personali. **Qualora la lama inizi a incepparsi durante un'operazione di taglio, non proseguire il taglio e rilasciare immediatamente l'interruttore.**
 11. **Utilizzare esclusivamente le flange specificate per il presente utensile.**
 12. **Fare attenzione a non danneggiare l'albero, le flange (soprattutto la superficie di installazione) o il bullone.** Eventuali danni a queste parti potrebbero risultare nella rottura della lama.
 13. **Accertarsi che la base girevole sia fissata saldamente, affinché non si muova durante l'uso dell'utensile.** Utilizzare i fori presenti nella base per fissare la sega a una piattaforma di lavoro o un banco stabili. **Non utilizzare MAI l'utensile qualora il posizionamento dell'operatore risulti scomodo.**
 14. **Prima di accendere l'utensile, accertarsi di aver rilasciato il blocco albero.**
 15. **Accertarsi che la lama non sia a contatto con la base girevole nella posizione più bassa.**
 16. **Tenere saldamente l'utensile per il manico. Tenere presente che la sega si muove leggermente verso l'alto o verso il basso durante l'avvio e l'arresto.**
 17. **Accertarsi che la lama non sia a contatto con il pezzo prima di accendere l'utensile.**

18. Prima di utilizzare l'utensile su un pezzo, lasciarlo funzionare per qualche momento. Accertarsi che non siano presenti vibrazioni oppure oscillazioni che potrebbero indicare un'installazione inadeguata o un bilanciamento imperfetto della lama.
19. Interrompere immediatamente l'uso qualora si noti qualcosa di anomalo.
20. Non tentare di bloccare l'interruttore a grilletto nella posizione di accensione.
21. Utilizzare sempre gli accessori consigliati nel presente manuale. L'uso di accessori inadeguati, ad esempio ruote abrasive, potrebbe causare lesioni personali.
22. Alcuni materiali contengono sostanze chimiche che potrebbero essere tossiche. Adottare delle precauzioni per evitare l'inalazione delle polveri e il contatto con la pelle. Attenersi ai dati sulla sicurezza del fornitore del materiale.

Regole di sicurezza aggiuntive per il laser

1. **RADIAZIONE LASER, NON FISSARE LO SGUARDO SUL RAGGIO NÉ GUARDARLO DIRETTAMENTE CON STRUMENTI OTTICI; PRODOTTO LASER DI CLASSE 2M.**

CONSERVARE LE PRESENTI ISTRUZIONI.

⚠AVVERTIMENTO: NON lasciare che comedità o la familiarità d'utilizzo con il prodotto (acquisita con l'uso ripetuto) sostituisca la stretta osservanza delle norme di sicurezza per il prodotto in questione. L'USO IMPROPRIO o la mancata osservanza delle norme di sicurezza indicate nel presente manuale di istruzioni potrebbero causare gravi lesioni personali.

Istruzioni di sicurezza importanti per la cartuccia della batteria

1. Prima di utilizzare la cartuccia della batteria, leggere tutte le istruzioni e le avvertenze riportate (1) sul caricabatteria, (2) sulla batteria e (3) sul prodotto che utilizza la batteria.
 2. Non smantellare né manomettere la cartuccia della batteria. In caso contrario, si potrebbe causare un incendio, calore eccessivo o un'esplosione.
 3. Qualora il tempo di utilizzo si riduca eccessivamente, interrompere immediatamente l'utilizzo dell'utensile. In caso contrario, si può incorrere nel rischio di surriscaldamento, possibili ustioni e persino un'esplosione.
 4. Qualora l'elettrolita entri in contatto con gli occhi, sciacquarli con acqua pulita e richiedere immediatamente assistenza medica. Questa eventualità può risultare nella perdita della vista.
 5. **Non cortocircuitare la cartuccia della batteria:**
 - (1) Non toccare i terminali con alcun materiale conduttivo.
 - (2) Evitare di conservare la cartuccia della batteria in un contenitore insieme ad altri oggetti metallici quali chiodi, monete, e così via.
 - (3) Non esporre la cartuccia della batteria all'acqua o alla pioggia.
6. **Non conservare e utilizzare l'utensile e la cartuccia della batteria in ubicazioni in cui la temperatura possa raggiungere o superare i 50°C.**
 7. **Non incenerire la cartuccia della batteria anche qualora sia gravemente danneggiata o completamente esaurita. La cartuccia della batteria può esplodere se a contatto con il fuoco.**
 8. **Non inchiodare, tagliare, schiacciare, lanciare o far cadere la cartuccia della batteria, né farla urtare con forza contro un oggetto duro.** Questi comportamenti potrebbero risultare in un incendio, calore eccessivo o un'esplosione.
 9. **Non utilizzare una batteria danneggiata.**
 10. **Le batterie a ioni di litio contenute sono soggette ai requisiti del regolamento sul trasporto di merci pericolose (Dangerous Goods Legislation).**
Per trasporti commerciali, ad esempio da parte di terzi o spedizionieri, è necessario osservare dei requisiti speciali sull'imballaggio e sull'etichetta. Per la preparazione dell'articolo da spedire, è richiesta la consulenza di un esperto in materiali pericolosi. Attenersi anche alle normative nazionali, che potrebbero essere più dettagliate. Nastre o coprire i contatti aperti e imballare la batteria in modo tale che non si possa muovere liberamente all'interno dell'imballaggio.
 11. **Quando si intende smaltire la cartuccia della batteria, rimuoverla dall'utensile e smaltirla in un luogo sicuro. Attenersi alle normative locali relative allo smaltimento della batteria.**
 12. **Utilizzare le batterie esclusivamente con i prodotti specificati da Makita.** L'installazione delle batterie in prodotti non compatibili potrebbe risultare in incendi, calore eccessivo, esplosioni o perdite di liquido elettrolitico.
 13. **Se l'utensile non viene utilizzato per un periodo di tempo prolungato, la batteria deve essere rimossa dall'utensile.**
 14. **Durante e dopo l'uso, la cartuccia della batteria potrebbe assorbire calore, che può causare ustioni o ustioni a bassa temperatura. Fare attenzione a come si maneggiano le cartucce delle batterie estremamente calde.**
 15. **Non toccare i terminali dell'utensile subito dopo l'uso, in quanto potrebbero diventare estremamente caldi al punto da causare ustioni.**
 16. **Evitare di far incastrare schegge, polveri o terreno nei terminali, nei fori e nelle scanalature della cartuccia della batteria.** In caso contrario, l'utensile o la cartuccia della batteria potrebbero riscaldarsi, prendere fuoco, scoppiare o guastarsi, causando ustioni o lesioni personali.
 17. **A meno che l'utensile supporti l'uso in prossimità di linee elettriche ad alta tensione, non utilizzare la cartuccia della batteria in prossimità di linee elettriche ad alta tensione.** In caso contrario, si potrebbe causare un malfunzionamento o la rottura dell'utensile o della cartuccia della batteria.

18. Tenere la batteria lontana dai bambini.

CONSERVARE LE PRESENTI ISTRUZIONI.

⚠ATTENZIONE: Utilizzare solo batterie originali Makita. L'utilizzo di batterie Makita non originali, o di batterie che siano state alterate, potrebbe risultare nello scoppio della batteria, causando incendi, lesioni personali e danni. Inoltre, ciò potrebbe invalidare la garanzia Makita per l'utensile e il caricabatterie Makita.

Suggerimenti per preservare la durata massima della batteria

1. Caricare la cartuccia della batteria prima che si scarichi completamente. Smettere sempre di utilizzare l'utensile e caricare la cartuccia della batteria quando si nota che la potenza dell'utensile è diminuita.
2. Non ricaricare mai una cartuccia della batteria completamente carica. La sovraccarica riduce la vita utile della batteria.
3. Caricare la cartuccia della batteria a una temperatura ambiente compresa tra 10 °C e 40 °C. Lasciar raffreddare una cartuccia della batteria prima di caricarla.
4. Quando non si utilizza la cartuccia della batteria, rimuoverla dall'utensile o dal caricabatterie.
5. Caricare la cartuccia della batteria se non la si è utilizzata per un periodo di tempo prolungato (più di sei mesi).

DESCRIZIONE DELLE PARTI

► Fig.2

1	Pulsante di sblocco	2	Interruttore a grilletto	3	Cassa lama	4	Vite di regolazione (per la posizione limite inferiore)
5	Bullone di regolazione (per la capacità massima di taglio)	6	Braccio di fermo	7	Sacchetto segatura	8	Scala di smussatura
9	Protezione lama	10	Morsa verticale	11	Guida pezzo	12	Supporto
13	Leva di blocco (per la base girevole)	14	Impugnatura (per la base girevole)	15	Bullone di regolazione (per la base girevole)	16	Piano di taglio
17	Indice (per l'angolo di taglio obliquo)	18	Base girevole	19	Gruppo supporti	20	Albero della guida
21	Guida pezzo secondaria	-	-	-	-	-	-

► Fig.3

22	Polo di scorrimento (superiore)	23	Vite con testa ad alette (per bloccare il polo di scorrimento superiore)	24	Chiave esagonale	25	Vite di fermo (per bloccare il supporto)
26	Leva (per la regolazione dell'angolo di taglio a unghia)	27	Polo di scorrimento (inferiore)	28	Vite con testa ad alette (per bloccare il polo di scorrimento inferiore)	-	-

INSTALLAZIONE

Montaggio su banco

⚠AVVERTIMENTO: Accertarsi che l'utensile non si sposti sul piano di appoggio. Il movimento della sega circolare sul piano di appoggio durante il taglio potrebbe causare la perdita del controllo della medesima e provocare gravi lesioni personali.

1. Fissare la base a una superficie piana e stabile, avvitandola con due bulloni. Ciò impedisce il rovesciamento dell'utensile e le eventuali lesioni personali conseguenti.

► Fig.4: 1. Bullone

2. Ruotare il bullone di regolazione in senso orario o antiorario in modo che entri in contatto con la superficie del pavimento, per mantenere stabile l'utensile.

► Fig.5: 1. Bullone di regolazione

Installazione dei supporti e dei gruppi supporti

NOTA: In alcune nazioni, i supporti e i gruppi supporti potrebbero non essere inclusi nell'imballaggio dell'utensile come accessori di serie.

I supporti e i gruppi supporti sostengono orizzontalmente i pezzi in lavorazione. Serrare gli alberi della guida sui gruppi supporti utilizzando la chiave esagonale.

► **Fig.6:** 1. Supporto 2. Gruppo supporti 3. Albero della guida 4. Chiave esagonale

Inserire i supporti e i gruppi supporti su entrambi i lati, come indicato nella figura. Durante l'installazione, accertarsi che l'albero della guida si trovi sulla stessa linea della guida pezzo, quando è installata nell'utensile.

► **Fig.7:** 1. Supporto 2. Gruppo supporti 3. Vite

Quindi, serrare saldamente le viti per fissare i supporti e i gruppi supporti.

DESCRIZIONE DELLE FUNZIONI

AVVERTIMENTO: Accertarsi sempre che l'utensile sia spento e di aver rimosso la batteria prima di regolare o di controllare le funzioni dell'utensile. Qualora non si spenga l'utensile e non si rimuova la batteria, si potrebbero verificare gravi lesioni personali causate dal suo avvio accidentale.

Installazione o rimozione della cartuccia della batteria

ATTENZIONE: Spegnerne sempre l'utensile prima di installare o rimuovere la cartuccia della batteria.

ATTENZIONE: Mantenere saldamente lo strumento e la batteria quando si intende installare o rimuovere la cartuccia della batteria. Qualora non si mantengano saldamente lo strumento e la cartuccia della batteria, questi ultimi potrebbero scivolare dalle mani, con la possibilità di causare un danneggiamento dello strumento e della cartuccia della batteria, nonché una lesione personale.

► **Fig.8:** 1. Indicatore rosso 2. Pulsante 3. Cartuccia della batteria

Per rimuovere la cartuccia della batteria, farla scorrere via dall'utensile mentre si fa scorrere allo stesso tempo il pulsante sulla parte anteriore della cartuccia.

Per installare la cartuccia della batteria, allineare l'appendice della batteria con la scanalatura nell'alloggiamento e farla scivolare in sede. Inserirla completamente fino al suo blocco in sede con un leggero scatto. Se è possibile vedere l'indicatore rosso sul lato superiore del pulsante, la batteria non è bloccata completamente.

ATTENZIONE: Installare sempre fino in fondo la cartuccia della batteria, fino a quando l'indicatore rosso non è più visibile. In caso contrario, la batteria potrebbe cadere accidentalmente dall'utensile, causando lesioni personali all'operatore o a chi gli è vicino.

ATTENZIONE: Non installare forzatamente la cartuccia della batteria. Qualora la batteria non si inserisca scorrendo agevolmente, vuol dire che non viene inserita correttamente.

NOTA: Lo strumento non funziona con una sola cartuccia della batteria.

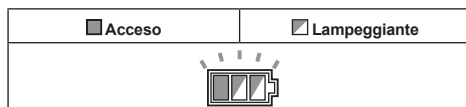
Sistema di protezione strumento/batteria

L'utensile è dotato di un sistema di protezione dell'utensile stesso e della batteria. Tale sistema interrompe automaticamente l'alimentazione al motore per prolungare la vita utile dell'utensile e della batteria. L'utensile si arresta automaticamente durante il funzionamento, qualora l'utensile o la batteria vengano a trovarsi in una delle condizioni seguenti:

Protezione dal sovraccarico

Quando l'utensile viene utilizzato in un modo che causa un assorbimento di corrente elevato in modo anomalo, lo strumento si arresta automaticamente senza alcuna indicazione. In questa situazione, spegnere l'utensile e interrompere l'applicazione che ne ha causato il sovraccarico. Quindi, accendere l'utensile per ricominciare.

Protezione dal surriscaldamento



Quando l'utensile è surriscaldato si arresta automaticamente, e l'indicatore della batteria lampeggia per circa 60 secondi. In tal caso, lasciar raffreddare l'utensile prima di riaccenderlo.

Protezione dalla sovrascarica

Quando la carica della batteria diventa bassa, l'utensile si arresta automaticamente. Qualora il prodotto non funzioni anche quando si attivano gli interruttori, rimuovere le batterie dall'utensile e ricaricarle.

Indicazione della carica residua della batteria

► **Fig.9:** 1. Indicatore della batteria 2. Pulsante di controllo

Premere il pulsante di controllo per indicare le cariche residue delle batterie. Gli indicatori delle batterie corrispondono alle rispettive batterie.

Stato dell'indicatore della batteria			Carica residua della batteria
Acceso	Spento	Lampeggiante	
			Dal 50% al 100%
			Dal 20% al 50%
			Dallo 0% al 20%
			Caricare la batteria

Indicazione della carica residua della batteria

Solo per cartucce delle batterie dotate di indicatore

► **Fig.10:** 1. Indicatori luminosi 2. Pulsante di controllo

Premere il pulsante di controllo sulla cartuccia della batteria per indicare la carica residua della batteria. Gli indicatori luminosi si illuminano per alcuni secondi.

Indicatori luminosi			Carica residua
Illuminato	Spento	Lampeggiante	
			Dal 75% al 100%
			Dal 50% al 75%
			Dal 25% al 50%
			Dallo 0% al 25%
			Caricare la batteria.
			La batteria potrebbe essersi guastata.

NOTA: A seconda delle condizioni d'uso e della temperatura ambiente, l'indicazione potrebbe variare leggermente rispetto alla carica effettiva.

NOTA: Il primo indicatore luminoso (all'estremità sinistra) lampeggia quando il sistema di protezione della batteria è in funzione.

Funzione di variazione automatica della velocità

► **Fig.11:** 1. Indicatore di modalità

Stato dell'indicatore di modalità	Modalità di funzionamento
	Modalità ad alta velocità
	Modalità a coppia elevata

Questo utensile dispone di una "modalità ad alta velocità" e di una "modalità a coppia elevata". L'utensile cambia automaticamente la modalità di funzionamento a seconda del carico di lavoro. Quando l'indicatore di modalità si illumina durante il funzionamento, l'utensile è in modalità a coppia elevata.

Perno di fermo

ATTENZIONE: Mantenere sempre fermo il manico quando si intende rilasciare il perno di fermo. In caso contrario, il manico scatta verso l'alto, e questo potrebbe risultare in lesioni personali.

Per rilasciare il perno di fermo, applicare in modo costante una leggera pressione verso il basso sul manico, quindi tirare il perno di fermo.

► **Fig.12:** 1. Perno di fermo

Protezione lama

AVVERTIMENTO: Non rendere mai inoperante né rimuovere la protezione lama o la molla agganciata alla protezione. Una lama esposta a causa di una protezione resa inoperante potrebbe risultare in gravi lesioni personali durante il funzionamento.

AVVERTIMENTO: Non utilizzare mai l'utensile con la protezione lama o la molla danneggiate, difettose o rimosse. L'uso dell'utensile con una protezione danneggiata, difettosa o rimossa potrebbe risultare in gravi lesioni personali.

ATTENZIONE: Per un funzionamento sicuro, mantenere sempre la protezione lama in buone condizioni. In presenza di qualsiasi irregolarità nella protezione lama, arrestare immediatamente l'utilizzo. Accertarsi che l'azione della carica della molla faccia tornare la protezione in posizione.

► **Fig.13:** 1. Protezione lama

Quando si abbassa il manico, la protezione lama si solleva automaticamente. La protezione è caricata da una molla, per cui torna sulla sua posizione originale quando si solleva il manico al completamento del taglio.

Pulizia

► **Fig.14:** 1. Protezione lama

Qualora la protezione trasparente della lama si sporchi, oppure qualora la segatura si depositi sulla protezione in modo tale da non rendere più visibili la lama e/o il pezzo, rimuovere la cartuccia della batteria e pulire con

cura la protezione con un panno umido. Non utilizzare sulla protezione in plastica solventi o prodotti di pulizia a base di petrolio, poiché potrebbero danneggiarla. Per la pulizia, sollevare la protezione lama facendo riferimento alla sezione "Installazione o rimozione della lama". Dopo la pulizia, accertarsi di riportare in posizione la lama e il coperchio centrale e serrare il bullone a esagono incassato.

1. Accertarsi che l'utensile sia spento e che le cartucce delle batterie siano rimosse.
2. Ruotare il bullone a esagono incassato in senso antiorario utilizzando la chiave esagonale in dotazione, mentre si mantiene fermo il coperchio centrale.
3. Sollevare la protezione lama e il coperchio centrale.
4. Al completamento della pulizia, riportare in posizione il coperchio centrale e serrare il bullone a esagono incassato eseguendo al contrario la procedura indicata sopra.

⚠AVVERTIMENTO: Non rimuovere la molla che fissa la protezione lama. Qualora la protezione venga danneggiata con il passare del tempo o a causa dell'esposizione alla luce ultravioletta, contattare un centro di assistenza Makita per la sostituzione. **NON RENDERE INOPERANTE NÉ RIMUOVERE LA PROTEZIONE.**

Posizionamento del piano di taglio

Questo utensile è dotato di piani di taglio nella base girevole, per minimizzare la frammentazione sul lato d'uscita del taglio. I piani di taglio sono stati regolati in fabbrica in modo che la lama non sia in contatto con essi. Prima di procedere, regolare i piani di taglio come segue:

1. Accertarsi di rimuovere la cartuccia della batteria. Quindi, allentare tutte le viti (2 su ciascun lato, a destra e a sinistra) che fissano i piani di taglio.

► Fig.15: 1. Piano di taglio 2. Vite

2. Serrarle di nuovo solo entro un limite che consenta comunque di poter spostare facilmente i piani di taglio a mano.

3. Abbassare completamente il manico e premere verso l'interno il perno di fermo per bloccare il manico nella posizione abbassata.

4. Allentare le due viti di fermo che fissano i poli di scorrimento.

► Fig.16: 1. Vite con testa ad alette

5. Tirare completamente il carrello verso di sé.

6. Regolare i piani di taglio in modo che sfiorino appena i fianchi dei denti della lama.

► Fig.17

► Fig.18: 1. Lama 2. Denti lama 3. Piano di taglio 4. Taglio a unghia sinistro 5. Taglio diritto

7. Serrare le viti anteriori (non serrarle saldamente).

8. Spingere completamente il carrello verso la guida pezzo e regolare i piani di taglio in modo che questi ultimi sfiorino appena i fianchi dei denti della lama.

9. Serrare le viti posteriori (non serrarle saldamente).

10. Dopo aver regolato i piani di taglio, rilasciare il perno di fermo e sollevare il manico. Quindi, serrare saldamente tutte le viti.

AVVISO: Dopo aver regolato l'angolo di taglio a unghia, verificare che i piani di taglio siano regolati correttamente. La corretta regolazione dei piani di taglio contribuisce a fornire un sostegno appropriato al pezzo e a ridurlo al minimo la frammentazione.

Mantenimento della capacità massima di taglio

Il presente utensile è stato regolato in fabbrica in modo da fornire la capacità massima di taglio con le lame da 190 mm. Quando si intende installare una nuova lama per sega circolare, controllare sempre la posizione del limite inferiore della lama per sega circolare e, se necessario, regolarla nel modo seguente:

1. Rimuovere la cartuccia della batteria. Quindi, spingere completamente il carrello verso la guida pezzo e abbassare del tutto il manico.

► Fig.19: 1. Bullone di regolazione 2. Guida pezzo

2. Utilizzare la chiave esagonale per ruotare il bullone di regolazione fino a quando la lama per sega circolare viene a trovarsi leggermente al di sotto della sezione trasversale della guida pezzo e della superficie superiore della base girevole.

► Fig.20

3. Ruotare la lama a mano, tenendo al tempo stesso la maniglia completamente abbassata, per assicurare che la lama per sega circolare non entri in contatto con alcuna parte della base inferiore. Se necessario, effettuare di nuovo una leggera regolazione.

⚠AVVERTIMENTO: Dopo aver installato una nuova lama per sega circolare e con la cartuccia della batteria rimossa, verificare sempre che la lama per sega circolare non entri in contatto con alcuna parte della base inferiore, quando la maniglia viene abbassata completamente. Qualora una lama per sega circolare entri in contatto con la base, potrebbe causare un contraccolpo e risultare in gravi lesioni personali.

► Fig.21

Braccio di fermo

La posizione del limite inferiore della lama può essere regolata facilmente con il braccio di fermo. Per regolarla, spostare il braccio di fermo nella direzione della freccia, come mostrato nella figura. Ruotare le viti di regolazione e premere il manico completamente verso il basso per controllare il risultato.

► Fig.22: 1. Vite di regolazione 2. Braccio di fermo

Guida pezzo secondaria

Specifica in base alla nazione

⚠ATTENZIONE: Per eseguire tagli a unghia a sinistra, rovesciare la guida pezzo secondaria verso l'esterno. In caso contrario, la guida pezzo secondaria potrebbe entrare in contatto con la lama o una parte dell'utensile, e ciò potrebbe risultare in gravi lesioni personali dell'operatore.

► Fig.23: 1. Guida pezzo secondaria

Il presente utensile è dotato di una guida pezzo secondaria. Generalmente, posizionare all'interno la guida pezzo secondaria. Rovesciarla all'esterno, invece, per eseguire tagli a unghia a sinistra.

Regolazione dell'angolo di taglio obliquo

- Fig.24: 1. Base girevole 2. Leva di blocco
3. Squadra di taglio obliquo 4. Indice
5. Impugnatura

1. Allentare l'impugnatura in senso antiorario.
2. Premere verso il basso e mantenere premuta la leva di blocco, quindi regolare l'angolo della base girevole. Utilizzare l'indice e la scala di taglio obliquo come guida.
3. Serrare saldamente l'impugnatura in senso orario.

⚠ATTENZIONE: Dopo aver modificato l'angolo di taglio obliquo, fissare sempre la base girevole serrando saldamente l'impugnatura.

AVVISO: Quando si intende ruotare la base girevole, accertarsi di sollevare completamente il manico.

Regolazione dell'angolo di taglio a unghia

Per regolare l'angolo di taglio a unghia, allentare in senso antiorario la leva sulla parte posteriore dell'utensile.

- Fig.25: 1. Leva 2. Pulsante di rilascio

Per inclinare la lama verso sinistra, afferrare il manico e inclinare il carrello. Utilizzare la scala di smussatura e l'indice come guida. Quindi, serrare saldamente la leva in senso orario per fissare il braccio.

- Fig.26: 1. Indice 2. Scala di smussatura 3. Braccio

Per inclinare la lama verso destra, afferrare il manico e inclinare leggermente il carrello verso sinistra, quindi premere il pulsante di rilascio. Con il pulsante di rilascio premuto, inclinare la lama verso destra. Quindi, serrare saldamente la leva.

⚠ATTENZIONE: Dopo aver cambiato l'angolo di taglio a unghia, fissare sempre il braccio serrando la leva in senso orario.

AVVISO: Quando si inclina la lama, controllare che il manico sia rialzato completamente.

AVVISO: Quando si intende modificare gli angoli di taglio a unghia, accertarsi di posizionare in modo appropriato i piani di taglio come illustrato nella sezione "Posizionamento dei piani di taglio".

Regolazione della posizione della leva

Qualora la leva non consenta un serraggio completo con il passare del tempo, cambiare la posizione della leva. È possibile riposizionare la leva a ogni angolo di 30°.

Allentare e rimuovere la vite che fissa la leva. Rimuovere la leva e installarla di nuovo in modo che i punti leggermente al di sopra del livello orizzontale. Quindi, serrare saldamente la leva con la vite.

- Fig.27: 1. Leva 2. Vite

Utilizzo dell'interruttore

⚠AVVERTIMENTO: Prima di installare la cartuccia della batteria nell'utensile, accertarsi sempre che l'interruttore a grilletto funzioni correttamente e che torni sulla posizione "OFF" quando viene rilasciato. L'uso dell'utensile con un interruttore che non funzioni correttamente potrebbe causare la perdita del controllo e gravi lesioni personali.

⚠AVVERTIMENTO: Non utilizzare un lucchetto con diametro del gambo o del cavo inferiore a 6,35 mm. Un gambo o un cavo più piccolo potrebbe non bloccare correttamente l'utensile nella posizione di spento, e potrebbe verificarsi un funzionamento accidentale che potrebbe risultare in gravi lesioni personali.

⚠AVVERTIMENTO: Non utilizzare MAI l'utensile quando l'interruttore a grilletto non è perfettamente funzionante. Qualsiasi utensile con un interruttore non funzionante è ESTREMAMENTE PERICOLOSO e deve essere riparato prima di un ulteriore utilizzo; in caso contrario, si potrebbero verificare gravi lesioni personali.

⚠AVVERTIMENTO: Per la sicurezza dell'operatore, l'utensile è dotato di un pulsante di sblocco che ne impedisce l'avvio accidentale. Non utilizzare MAI l'utensile qualora quest'ultimo si avvii semplicemente premendo l'interruttore a grilletto senza premere il pulsante di sblocco. Un interruttore da riparare potrebbe causare un funzionamento accidentale e gravi lesioni personali. Portare l'utensile a un centro di assistenza Makita per le riparazioni necessarie PRIMA di un ulteriore utilizzo.

⚠AVVERTIMENTO: Non rendere MAI inefficace il pulsante di sblocco fissandolo con del nastro adesivo o in altro modo. Un interruttore con un pulsante di sblocco reso inefficace potrebbe risultare in un funzionamento accidentale e in gravi lesioni personali.

AVVISO: Non premere con forza l'interruttore a grilletto senza aver fatto rientrare il pulsante di sblocco premendolo. In caso contrario, si potrebbe causare la rottura dell'interruttore.

L'utensile è dotato di un pulsante di sblocco, per evitare che l'interruttore a grilletto venga premuto accidentalmente. Per avviare l'utensile, far rientrare il pulsante di sblocco premendolo e premere l'interruttore a grilletto. Per arrestare l'utensile, rilasciare l'interruttore a grilletto. È possibile premere il pulsante di sblocco da destra o da sinistra. Nell'interruttore a grilletto è presente un foro per l'inserimento di un lucchetto, in modo da bloccare lo strumento in condizione di spegnimento.

- Fig.28: 1. Pulsante di sblocco 2. Interruttore a grilletto 3. Foro per lucchetto

MONTAGGIO

⚠AVVERTIMENTO: Accertarsi sempre che l'utensile sia spento e che la batteria sia stata rimossa, prima di qualsiasi intervento sull'utensile. Qualora l'utensile non venga spento e la batteria non venga rimossa, potrebbero verificarsi gravi lesioni personali.

Conservazione della chiave esagonale

La chiave esagonale è riposta nella sede indicata nella figura. Quando è necessario utilizzare la chiave esagonale, estrarla dal portachiave.

Dopo l'utilizzo della chiave esagonale, è possibile riporla rimettendola nel portachiave.

► **Fig.29:** 1. Portachiave 2. Chiave esagonale

Installazione o rimozione della lama

⚠AVVERTIMENTO: Accertarsi sempre che l'utensile sia spento e che la cartuccia della batteria sia stata rimossa, prima di installare o di rimuovere la lama. L'avvio accidentale dell'utensile potrebbe risultare in gravi lesioni personali.

⚠ATTENZIONE: Per installare o rimuovere la lama, utilizzare solo la chiave esagonale Makita in dotazione. In caso contrario, si potrebbe causare il serraggio eccessivo o insufficiente del bullone a esagono incassato. Ciò potrebbe causare lesioni personali.

Installazione della lama per sega circolare

1. Bloccare il manico in posizione sollevata preme-ndo verso l'interno il perno di fermo.

► **Fig.30:** 1. Perno di fermo

2. Utilizzare la chiave esagonale per allentare il bullone a esagono incassato che fissa il coperchio centrale, ruotando il bullone in senso antiorario. Quindi, sollevare la protezione lama e il coperchio centrale.

► **Fig.31:** 1. Coperchio centrale 2. Bullone a esagono incassato 3. Chiave esagonale 4. Protezione lama

3. Premere il blocco albero per bloccare il mandrino e utilizzare la chiave esagonale per allentare il bullone a esagono incassato in senso orario. Quindi, rimuovere il bullone a esagono incassato e la flangia esterna.

► **Fig.32:** 1. Blocco albero 2. Bullone a esagono incassato 3. Flangia esterna

4. Montare la lama sulla flangia interna facendo attenzione. Accertarsi che la direzione della freccia sulla lama coincida con la direzione della freccia sulla cassa della lama.

► **Fig.33:** 1. Flangia esterna 2. Lama 3. Flangia interna 4. Bullone a esagono incassato (sinistrorso) 5. Mandrino 6. Parte di montaggio della lama

► **Fig.34:** 1. Lama 2. Freccia

5. Installare la flangia esterna e il bullone a esagono incassato, quindi utilizzare la chiave esagonale per serrare saldamente il bullone a esagono incassato (sinistrorso) del mandrino in senso antiorario, tenendo premuto contemporaneamente il blocco albero.

6. Riportare la protezione lama e il coperchio centrale sulla loro posizione originale. Quindi, serrare il bullone a esagono incassato del coperchio centrale in senso orario per fissare il coperchio centrale.

7. Rilasciare il manico dalla posizione sollevata tirando il perno di fermo. Abbassare il manico per accertarsi che la protezione lama si muova correttamente.

8. Accertarsi che il blocco albero abbia rilasciato il mandrino, prima di eseguire il taglio.

Per strumenti con la flangia interna per lama con diametro del foro da 15,88 mm

Specifica in base alla nazione

Montare sull'albero di montaggio la flangia interna con il lato inca-vato rivolto verso l'esterno, quindi applicare la lama (con l'anello montato, se necessario), la flangia esterna e il bullone esagonale.

Per utensili privi di anello

► **Fig.35:** 1. Flangia esterna 2. Lama 3. Flangia interna 4. Bullone a esagono incassato (sinistrorso) 5. Mandrino

Per utensili dotati di anello

► **Fig.36:** 1. Flangia esterna 2. Lama 3. Flangia interna 4. Bullone a esagono incassato (sinistrorso) 5. Anello 6. Mandrino

⚠AVVERTIMENTO: Qualora sia necessario l'anello per montare la lama sul mandrino, accertarsi sempre che l'anello appropriato per il foro per l'albero della lama che si intende utilizzare sia installato tra la flangia interna e quella esterna.

L'utilizzo di un anello errato per il foro per l'albero potrebbe risultare nel montaggio errato della lama, causando lo spostamento di quest'ultima e forti vibra-zioni che potrebbero portare alla possibilità di perdita di controllo durante il funzionamento e gravi lesioni personali.

Per strumenti con la flangia interna per lama con diametro del foro diverso da 20 mm o 15,88 mm

Specifica in base alla nazione

La flangia interna ha un diametro specifico per la parte di montaggio della lama da un lato, e un diametro diverso per la parte di montaggio della lama dall'altro lato. Scegliere un lato corretto che consenta di inserire perfettamente la parte di montaggio della lama nel foro della lama.

► **Fig.37:** 1. Flangia esterna 2. Lama 3. Flangia interna 4. Bullone a esagono incassato (sinistrorso) 5. Mandrino 6. Parte di montaggio della lama

⚠ATTENZIONE: Accertarsi che, sulla flangia interna, la parte "a" di montaggio della lama che è rivolta verso l'esterno si inserisca perfettamente nel foro "a" della lama. Il montaggio della lama sul lato sbagliato può risultare in pericolose vibrazioni.

Rimozione della lama

1. Bloccare il manico in posizione sollevata preme-ndo verso l'interno il perno di fermo.

2. Utilizzare la chiave esagonale per allentare il bullone a esagono incassato che fissa il coperchio centrale, ruotando il bullone in senso antiorario. Quindi, sollevare la protezione lama e il coperchio centrale.

3. Premere il blocco albero per bloccare il mandrino e utilizzare la chiave esagonale per allentare il bullone a esagono incassato in senso orario. Quindi, rimuovere il bullone a esagono incassato, la flangia esterna e la lama.

Quando si intende conservare l'utensile, installare la flangia esterna e serrare leggermente il bullone a esagono incassato con la mano per evitare che si perda.

Collegamento di un aspiratore

Quando si desidera eseguire operazioni di taglio pulite, collegare un aspirapolvere Makita.

► Fig.38

Sacchetto segatura

Accessorio opzionale

L'utilizzo del sacchetto segatura rende più pulite le operazioni di taglio e più facile la raccolta della segatura. Per montare il sacchetto segatura, inserirlo sul bocchettone segatura.

Per agganciare la chiusura, allineare l'estremità superiore della chiusura con il simbolo triangolare sul sacchetto segatura.

Quando il sacchetto segatura è quasi pieno a metà, rimuoverlo dall'utensile ed estrarre la chiusura. Svuotare il sacchetto segatura dandogli dei leggeri colpetti, in modo da rimuovere le particelle attaccate all'interno che potrebbero ostacolare l'ulteriore raccolta della segatura.

► Fig.39: 1. Sacchetto segatura 2. Bocchettone segatura 3. Chiusura

Fissaggio del pezzo

⚠AVVERTIMENTO: È estremamente importante fissare sempre correttamente il pezzo utilizzando una morsa di tipo adatto. La mancata osservanza di questa indicazione potrebbe risultare in gravi lesioni personali e causare il danneggiamento dell'utensile e/o del pezzo.

⚠AVVERTIMENTO: Quando si intende tagliare un pezzo più lungo della base di supporto della sega, sostenere l'intera lunghezza del materiale che sporge dalla base di supporto alla stessa altezza, in modo da mantenerlo in piano. Sostenere correttamente il pezzo contribuisce a evitare inceppamenti della lama e potenziali contraccolpi che potrebbero risultare in gravi lesioni personali. Per fissare il pezzo, non fare affidamento solo sulla morsa verticale e/o orizzontale. I materiali sottili tendono a incurvarsi. Sostenere il pezzo per la sua intera lunghezza, al fine di evitare inceppamenti della lama e potenziali CONTRACCOLPI.

► Fig.40: 1. Sostegno 2. Base girevole

Morsa verticale

⚠AVVERTIMENTO: Fissare saldamente il pezzo contro la base girevole e la guida pezzo con la morsa durante tutte le operazioni. In caso contrario, il materiale potrebbe spostarsi durante l'operazione di taglio, causare danni alla lama e venire espulso, causando la perdita del controllo e gravi lesioni personali.

Installare la morsa verticale sul lato sinistro o destro della guida pezzo o del gruppo supporti. Inserire l'asta morsa nel foro della guida pezzo o del gruppo supporti, e serrare la vite inferiore per fissare l'asta morsa.

► Fig.41: 1. Braccio morsa 2. Asta morsa 3. Guida pezzo 4. Supporto 5. Gruppo supporti 6. Manopola morsa 7. Vite inferiore 8. Vite superiore

Posizionare il braccio morsa in base allo spessore e alla forma del pezzo, e fissare il braccio morsa serrando la vite superiore. Qualora la vite superiore tocchi la guida pezzo, installare la vite superiore sul lato opposto del braccio morsa. Accertarsi che nessuna parte dell'utensile sia in contatto con la morsa quando si abbassa completamente il manico e si tira o si spinge fino a fine corsa il carrello. Qualora una qualsiasi parte sia in contatto con la morsa, riposizionare quest'ultima. Premere il pezzo appoggiato di piatto contro la guida pezzo e la base girevole. Posizionare il pezzo sulla posizione di taglio desiderata e fissarlo saldamente serrando la manopola morsa.

Morsa orizzontale

Accessorio opzionale

⚠AVVERTIMENTO: Stringere il pezzo solo quando l'indicatore si trova sulla sua posizione più alta. La mancata osservanza di questa indicazione potrebbe risultare in un fissaggio insufficiente del pezzo. Ciò potrebbe causare l'espulsione del pezzo, il danneggiamento della lama o la perdita del controllo, con la possibilità di causare lesioni personali.

► Fig.42: 1. Manopola morsa 2. Indicatore 3. Albero morsa 4. Base

La morsa orizzontale può venire installata sul lato sinistro della base.

Quando si ruota la manopola morsa in senso antiorario la vite viene rilasciata, ed è possibile spostare rapidamente l'albero morsa verso l'interno o l'esterno. Quando si ruota la manopola morsa in senso orario, la vite resta fissata.

Per stringere il pezzo, ruotare delicatamente la manopola morsa in senso orario fino a quando l'indicatore raggiunge la sua posizione più alta, quindi serrarla saldamente. Se si forza l'inserimento della manopola morsa o la si estrae mentre viene ruotata in senso orario, l'indicatore potrebbe arrestarsi inclinato. In tal caso, ruotare la manopola morsa indietro in senso antiorario fino al rilascio della vite, quindi ruotarla di nuovo delicatamente in senso orario.

La capacità massima della morsa orizzontale è pari a 120 mm di larghezza.

Supporti e gruppo supporti

Accessorio opzionale

⚠ATTENZIONE: Per gli utensili dotati di supporti e di gruppi supporti come accessori in dotazione di serie, questo tipo di utilizzo non è consentito, a causa delle normative nazionali.

⚠AVVERTIMENTO: Sostenere sempre i pezzi lunghi in modo che siano paralleli alla superficie superiore della base girevole, per effettuare tagli di precisione ed evitare pericolose perdite di controllo dell'utensile. Sostenere correttamente il pezzo contribuisce a evitare inceppamenti della lama e potenziali contraccolpi che potrebbero risultare in gravi lesioni personali.

È possibile installare i supporti e il gruppo supporti (accessorio opzionale) su entrambi i lati, come comodo mezzo per sostenere orizzontalmente i pezzi.

Installarli sul lato dell'utensile, quindi serrare saldamente le viti per fissarli.

► **Fig.43:** 1. Supporto 2. Gruppo supporti

Per tagliare i pezzi lunghi, utilizzare il gruppo barre supporti (accessorio opzionale). Tale accessorio consiste di due gruppi supporti e di due barre 12.

► **Fig.44:** 1. Gruppo supporti 2. Barra 12

FUNZIONAMENTO

AVVERTIMENTO: Prima di attivare l'interruttore, accertarsi che la lama non sia in contatto con il pezzo, e così via. L'accensione dell'utensile con la lama in contatto con il pezzo potrebbe risultare in un contraccolpo e in gravi lesioni personali.

AVVERTIMENTO: Dopo un'operazione di taglio, non sollevare la lama fino al suo arresto completo. Il sollevamento di una lama che sia in moto inertiaria potrebbe risultare in gravi lesioni personali e nel danneggiamento del pezzo.

AVVERTIMENTO: Non toccare le viti di fermo che fissano i poli di scorrimento mentre la lama sta girando. In caso contrario, l'utensile potrebbe perdere il controllo e risultare in lesioni personali.

ATTENZIONE: Non rilasciare la testa della sega incontrollata dalla posizione completamente abbassata. Una testa della sega incontrollata potrebbe colpire l'utilizzatore causando lesioni personali.

AVVISO: Prima dell'uso, accertarsi di rilasciare il manico dalla posizione abbassata tirando il perno di fermo.

AVVISO: Non esercitare una pressione eccessiva sul manico durante il taglio. Una forza eccessiva può risultare nel sovraccarico del motore e/o in una diminuzione dell'efficienza di taglio. Premere verso il basso il manico solo con la forza necessaria a un taglio uniforme e senza una notevole riduzione della velocità della lama.

AVVISO: Premere delicatamente verso il basso il manico per eseguire il taglio. Qualora si preme con forza verso il basso il manico o si applichi una pressione laterale, la lama potrebbe vibrare lasciando un segno sul pezzo (segno della lama), e la precisione del taglio potrebbe venire compromessa.

AVVISO: Durante un taglio a scorrimento, spingere delicatamente il carrello verso la guida pezzo senza fermarsi. Qualora il movimento del carrello si arresti durante il taglio, sul pezzo potrebbe venire lasciato un segno e la precisione del taglio potrebbe venire compromessa.

Taglio con pressione (taglio di pezzi piccoli)

AVVERTIMENTO: Serrare saldamente in senso orario le due viti di fermo che fissano i poli di scorrimento, in modo che il carrello non si muova durante il funzionamento. Un serraggio insufficiente della vite di fissaggio potrebbe causare un potenziale contraccolpo, che potrebbe risultare in gravi lesioni personali.

► **Fig.45:** 1. Vite con testa ad alette 2. Gruppo supporti

È possibile tagliare pezzi fino a 52 mm di altezza e 97 mm di larghezza nel modo seguente.

1. Spingere completamente il carrello verso la guida pezzo e serrare in senso orario le due viti di fermo che fissano i poli di scorrimento per fissare il carrello.
2. Fissare il pezzo utilizzando una morsa di tipo appropriato.
3. Accendere l'utensile senza mettere in contatto la lama con il pezzo, quindi attendere che la lama raggiunga la velocità massima, prima di abbassarla.
4. Abbassare delicatamente il manico sulla posizione completamente abbassata per tagliare il pezzo.
5. Al completamento del taglio, spegnere l'utensile e attendere che la lama si arresti completamente prima di riportarla alla posizione di elevazione massima.

Taglio a scorrimento (spinta) (taglio di pezzi larghi)

AVVERTIMENTO: Durante il taglio con scorrimento, innanzitutto tirare completamente verso di sé il carrello e premere completamente verso il basso il manico, quindi spingere il carrello verso la guida pezzo. Non iniziare mai a tagliare se il carrello non è completamente tirato verso di sé. Se si effettua il taglio con scorrimento senza aver tirato completamente verso di sé il carrello, potrebbe verificarsi un contraccolpo imprevisto, e potrebbero risultare gravi lesioni personali.

AVVERTIMENTO: Non tentare mai di effettuare un taglio con scorrimento tirando il carrello verso di sé. Qualora si tiri il carrello verso di sé durante il taglio, si potrebbe causare un contraccolpo imprevisto che potrebbe risultare in gravi lesioni personali.

AVVERTIMENTO: Non eseguire mai tagli con scorrimento con il manico bloccato in posizione abbassata.

AVVERTIMENTO: Non allentare mai la manopola che fissa il carrello mentre la lama sta girando. Qualora il carrello sia libero durante il taglio, potrebbe causare un contraccolpo imprevisto, con la possibilità di risultare in gravi lesioni personali.

► **Fig.46:** 1. Vite con testa ad alette 2. Gruppo supporti

1. Allentare in senso antiorario le due viti di fermo che fissano i poli di scorrimento, in modo che il carrello possa scorrere liberamente.
2. Fissare il pezzo utilizzando una morsa di tipo appropriato.
3. Tirare completamente il carrello verso di sé.
4. Accendere l'utensile senza mettere in contatto la lama con il pezzo, e attendere che la lama raggiunga la velocità massima.

5. Premere il manico verso il basso e **spingere il carrello verso la guida pezzo e attraverso il pezzo.**
6. Al completamento del taglio, spegnere l'utensile e **attendere che la lama si arresti completamente** prima di riportarla alla posizione di elevazione massima.

Taglio obliquo

Fare riferimento alla sezione relativa alla regolazione dell'angolo di taglio obliquo.

Taglio a unghia

⚠AVVERTIMENTO: Dopo aver regolato la lama per un taglio a unghia, prima di utilizzare l'utensile verificare che il carrello e la lama abbiano corsa libera per tutta la lunghezza del taglio che si intende effettuare. L'arresto della corsa del carrello o della lama durante l'operazione di taglio potrebbe risultare in un contraccolpo e in gravi lesioni personali.

⚠AVVERTIMENTO: Quando si effettua un taglio a unghia, tenere le mani lontano dal percorso della lama. L'angolo della lama potrebbe ingannare l'operatore per quanto riguarda l'effettivo percorso della lama durante il taglio, e il contatto con la lama risulterebbe in gravi lesioni personali.

⚠AVVERTIMENTO: La lama non deve essere sollevata fino al suo arresto completo. Durante un taglio a unghia il pezzo di materiale tagliato potrebbe appoggiarsi alla lama. Qualora la lama venga sollevata mentre sta girando, la parte tagliata potrebbe venire espulsa dalla lama causando la frammentazione del materiale, che potrebbe risultare in gravi lesioni personali.

⚠ATTENZIONE: (Solo per gli utensili dotati di guida pezzo secondaria) **Systemare sempre la guida pezzo secondaria all'esterno per eseguire tagli a unghia a sinistra.**

► Fig.47: 1. Gruppo supporti

1. Allentare la leva e inclinare la lama per regolare l'angolo di taglio a unghia (fare riferimento alla sezione "Regolazione dell'angolo di taglio a unghia" riportata in precedenza). Accertarsi di serrare di nuovo saldamente la leva per fissare in modo sicuro l'angolo di taglio a unghia selezionato.
2. Fissare il pezzo con una morsa.
3. Tirare completamente il carrello verso di sé.
4. Accendere l'utensile senza mettere in contatto la lama con il pezzo, e attendere che la lama raggiunga la velocità massima.
5. Abbassare delicatamente il manico sulla posizione completamente abbassata esercitando una pressione parallelamente alla lama, quindi **spingere il carrello verso la guida pezzo per tagliare il pezzo.**
6. Al completamento del taglio, spegnere l'utensile e **attendere che la lama si arresti completamente** prima di riportarla alla posizione di elevazione massima.

AVVISO: Quando si preme il manico verso il basso, esercitare la pressione parallelamente alla lama. Qualora si eserciti la forza perpendicolarmente alla base girevole, o qualora si cambi la direzione della pressione durante un taglio, la precisione del taglio viene compromessa.

Taglio composito

Il taglio composito è una procedura in cui sul pezzo viene realizzato un taglio a unghia contemporaneamente a un taglio obliquo. Il taglio composito può venire eseguito all'angolazione indicata nella tabella.

Angolo di taglio obliquo	Angolo di taglio a unghia
45° a destra e a sinistra	Da 0° a 45° a sinistra
50° a destra	Da 0° a 40° a sinistra
55° a destra	Da 0° a 30° a sinistra
57° a destra	Da 0° a 25° a sinistra

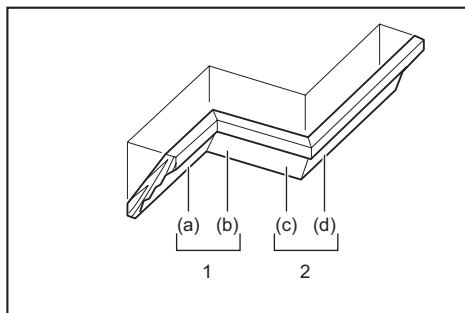
Per l'esecuzione del taglio composito, fare riferimento alle spiegazioni "Taglio con pressione", "Taglio a scorrimento", "Taglio obliquo" e "Taglio a unghia".

Tagli di modanature a corona e concave

È possibile eseguire tagli con modanatura a corona e concava su una sega composita a slitta, con le modanature disposte orizzontalmente sulla base girevole. Esistono due tipi comuni di modanature a corona e un tipo di modanatura concava: modanatura a corona con angolo della parete a 52/38°, modanatura a corona con angolo della parete a 45° e modanatura concava con angolo della parete a 45°.

- Fig.48: 1. Modanatura a corona a 52/38°
2. Modanatura a corona a 45°
3. Modanatura concava a 45°

Esistono commessure di modanature a corona e concave che sono fatte per adattarsi ad angoli a 90° "interni" ((a) e (b) nella figura) e ad angoli a 90° "esterni" ((c) e (d) nella figura).



1. Angolo interno 2. Angolo esterno

► Fig.49: 1. Angolo interno 2. Angolo esterno

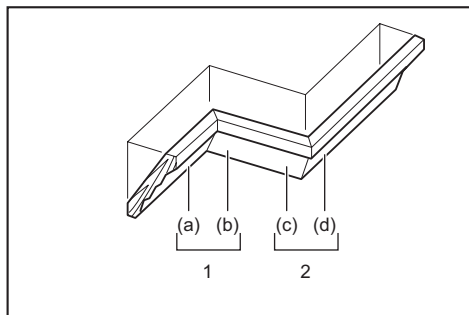
Misurazioni

Misurare la larghezza della parete e regolare in base ad essa la larghezza del pezzo. Accertarsi sempre che la larghezza del bordo di contatto del pezzo con la parete sia identica alla lunghezza della parete.

► Fig.50: 1. Pezzo 2. Larghezza della parete 3. Larghezza del pezzo 4. Bordo di contatto con la parete

Utilizzare sempre svariati pezzi per tagli di prova, in modo da controllare gli angoli della sega. Quando si eseguono tagli per modanature a corona e concave, impostare l'angolo di taglio a unghia e l'angolo di taglio obliquo come indicato nella tabella (A), quindi posizionare le modanature sulla superficie superiore della base della sega, come indicato nella tabella (B).

Nel caso di taglio a unghia a sinistra



1. Angolo interno 2. Angolo esterno

Tabella (A)

-	Posizione della modanatura nella figura	Angolo di taglio a unghia		Angolo di taglio obliquo	
		Tipo a 52/38°	Tipo a 45°	Tipo a 52/38°	Tipo a 45°
Per l'angolo interno	(a)	33,9° a sinistra	30° a sinistra	31,6° a destra	35,3° a destra
	(b)			31,6° a sinistra	35,3° a sinistra
Per l'angolo esterno	(c)	33,9° a sinistra	30° a sinistra	31,6° a destra	35,3° a destra
	(d)			31,6° a sinistra	35,3° a sinistra

Tabella (B)

-	Posizione della modanatura nella figura	Bordo della modanatura appoggiato contro la guida pezzo	Pezzo finito
Per l'angolo interno	(a)	Il bordo di contatto con il soffitto deve essere appoggiato contro la guida pezzo.	Il pezzo finito si troverà sul lato sinistro della lama.
	(b)	Il bordo di contatto con la parete deve essere appoggiato contro la guida pezzo.	
Per l'angolo esterno	(c)	Il bordo di contatto con il soffitto deve essere appoggiato contro la guida pezzo.	Il pezzo finito si troverà sul lato destro della lama.
	(d)	Il bordo di contatto con la parete deve essere appoggiato contro la guida pezzo.	

Esempio:

Nel caso del taglio di una modanatura di tipo a corona a 52/38° per la posizione (a) nella figura sopra:

- Inclinare e fissare l'impostazione dell'angolo di taglio a unghia su 33,9° a SINISTRA.
- Regolare e fissare l'impostazione dell'angolo di taglio obliquo su 31,6° a DESTRA.
- Disporre la modanatura a corona con la sua superficie posteriore ampia (nascosta) appoggiata sulla base girevole con il suo BORDO DI CONTATTO CON IL SOFFITTO appoggiato contro la guida pezzo sulla sega.

- Il pezzo finito da utilizzare si troverà sempre sul lato SINISTRO della lama dopo aver effettuato il taglio.

Taglio di estrusioni di alluminio

- Fig.51: 1. Morsa 2. Cubetto distanziatore 3. Guida pezzo 4. Estrusione di alluminio 5. Cubetto distanziatore

Quando si intende fissare estrusioni di alluminio, utilizzare dei cubetti distanziatori o degli sfridi come indicato nella figura per evitare la deformazione dell'alluminio. Quando si intende tagliare l'estrusione di alluminio, utilizzare un lubrificante da taglio per evitare l'accumulo di materiale in alluminio sulla lama.

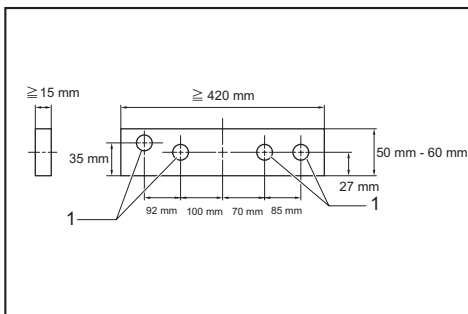
ATTENZIONE: Non tentare mai di tagliare estrusioni di alluminio spesse o arrotondate. Le estrusioni di alluminio spesse potrebbero staccarsi durante l'operazione, e non è possibile fissare saldamente le estrusioni di alluminio arrotondate con il presente utensile.

Spessore di legno

AVVERTIMENTO: Utilizzare delle viti per montare lo spessore di legno sulla guida pezzo. Le viti devono essere installate in modo che le loro teste vengano a trovarsi sotto la superficie dello spessore di legno, affinché non interferiscano con il posizionamento del materiale che viene tagliato. Il disallineamento del materiale che viene tagliato può causare uno spostamento imprevisto durante l'operazione di taglio, che potrebbe risultare in una perdita di controllo e in gravi lesioni personali.

ATTENZIONE: Come spessore di legno, utilizzare un legno dritto di spessore uniforme.

L'impiego di uno spessore di legno contribuisce ad assicurare tagli senza schegge dei pezzi. Montare lo spessore di legno sulla guida pezzo utilizzando i fori della guida pezzo. Per lo spessore di legno consigliato, fare riferimento alla figura relativa alle dimensioni.



1. Fori

AVVISO: Quando è montato lo spessore di legno, non ruotare la base girevole con il manico abbassato. In caso contrario, la lama e/o lo spessore di legno verrebbero danneggiati.

Taglio di lunghezze ripetitive

⚠ATTENZIONE: Per gli utensili dotati di supporti e di gruppi supporti come accessori in dotazione di serie, questo tipo di utilizzo non è consentito, a causa delle normative nazionali.

Quando si intende tagliare numerosi pezzi di materiale della stessa lunghezza, dai 220 mm ai 385 mm, utilizzare la piastra di regolazione (accessorio opzionale). Installare la piastra di regolazione sul supporto (accessorio opzionale) come mostrato nella illustrazione.

► **Fig.52:** 1. Piastra di regolazione 2. Supporto 3. Vite

Allineare la linea di taglio sul pezzo con il lato destro o sinistro della scanalatura sul piano di taglio; quindi, tenendo fermo il pezzo, spostare la piastra di regolazione a raso contro l'estremità del pezzo. Quindi, fissare la piastra di regolazione con la vite.

Quando non si utilizza la piastra di regolazione, allentare la vite e ruotare la piastra di regolazione in modo che non sia di ingombro.

NOTA: L'impiego del gruppo barre supporti (accessorio opzionale) consente di effettuare tagli ripetuti della stessa lunghezza fino a un massimo di 2.200 mm circa.

Taglio scanalato

⚠AVVERTIMENTO: Non tentare di effettuare questo tipo di taglio utilizzando una lama di tipo più largo o una lama per zoccoli. Il tentativo di effettuare un taglio scanalato con una lama più larga o una lama per zoccoli potrebbe portare a risultati imprevisti e contraccolpi, che potrebbero risultare in gravi lesioni personali.

⚠AVVERTIMENTO: Riportare il braccio di fermo sulla sua posizione originale quando si intende eseguire tagli diversi da quelli scanalati. Il tentativo di tagliare con il braccio di fermo in posizione errata potrebbe portare a risultati di taglio inaspettati e contraccolpi, che potrebbero risultare in gravi lesioni personali.

Per effettuare un taglio di tipo a zoccolo, procedere nel modo seguente:

1. Regolare la posizione del limite inferiore della lama per sega circolare utilizzando la vite di regolazione e il braccio di fermo per limitare la profondità di taglio della lama per sega circolare. Fare riferimento alla sezione relativa al braccio di fermo.

2. Dopo aver regolato la posizione di limite inferiore della lama per sega circolare, tagliare scanalature parallele lungo la larghezza del pezzo in lavorazione utilizzando un taglio a scorrimento (spinta).

► **Fig.53:** 1. Scanalature tagliate con la lama

3. Rimuovere il materiale del pezzo tra le scanalature con uno scalpello.

Trasporto dell'utensile

⚠AVVERTIMENTO: Il perno di fermo va utilizzato solo per trasportare o riporre l'utensile, e non deve mai essere utilizzato per alcuna operazione di taglio. L'utilizzo del perno di fermo per operazioni di taglio potrebbe causare un movimento inaspettato della lama che potrebbe risultare in un contraccolpo e in gravi lesioni personali.

⚠ATTENZIONE: Fissare sempre tutte le parti mobili prima di trasportare l'utensile. Qualora delle parti dell'utensile si spostino o scorrano durante il trasporto, si potrebbe verificare una perdita del controllo o del bilanciamento, che potrebbe risultare in lesioni personali.

► **Fig.54**

1. Rimuovere la cartuccia della batteria.
2. Fissare la lama all'angolo di taglio a unghia di 0° e ruotare la base girevole nella posizione dell'angolo completo di taglio obliquo a destra.
3. Fissare i poli di scorrimento in modo che il polo di scorrimento inferiore sia bloccato nella posizione del carrello tirato completamente verso l'operatore, e in modo che i poli superiori siano bloccati nella posizione del carrello completamente spinto in avanti fino alla guida pezzo.
4. Abbassare completamente il manico e bloccarlo nella posizione abbassata premendo il perno di fermo verso l'interno.
5. Trasportare l'utensile mantenendo entrambi i lati della sua base. Se si rimuovono i supporti, il sacchetto segatura, e così via, l'utensile può venire trasportato più facilmente.

MANUTENZIONE

⚠AVVERTIMENTO: Per ottenere le prestazioni migliori e la massima sicurezza, accertarsi sempre che la lama sia affilata e pulita. Il tentativo di tagliare con una lama non affilata e/o sporca potrebbe causare un contraccolpo e risultare in gravi lesioni personali.

⚠ATTENZIONE: Accertarsi sempre che l'utensile sia spento e che la cartuccia della batteria sia stata rimossa prima di tentare di eseguire interventi di ispezione o manutenzione.

AVVISO: Non utilizzare mai benzina, benzene, solventi, alcol o altre sostanze simili. In caso contrario, si potrebbero causare scolorimenti, deformazioni o crepe.

Regolazione dell'angolo di taglio

Il presente utensile è stato regolato e allineato con cura in fabbrica, ma l'incuria nell'utilizzo potrebbe influenzare l'allineamento. Qualora lo strumento non sia allineato correttamente, attenersi alla procedura seguente:

Angolo di taglio obliquo

1. Spingere il carrello verso la guida pezzo e stringere le due viti di fermo per fissarlo.
2. Ruotare la base girevole fino a quando l'indice segna 0° sulla scala di taglio obliquo.
3. Ruotare leggermente la base girevole in senso orario e antiorario per assestarla nella tacca di taglio obliquo di 0°. (Lasciarla in posizione se l'indice non indica 0°.)
4. Allentare i bulloni a esagono incassato che fissano la guida pezzo utilizzando la chiave esagonale.

► **Fig.55:** 1. Guida pezzo 2. Bullone a esagono incassato

5. Abbassare completamente il manico e bloccarlo nella posizione abbassata premendo il perno di fermo verso l'interno.
6. Regolare la guida pezzo con un righello triangolare, una squadra battente, e così via, fino a farle formare un angolo perpendicolare con la lama. Quindi, serrare saldamente in successione a partire dal lato destro i bulloni a esagono incassato sulla guida pezzo.

► **Fig.56:** 1. Righello triangolare 2. Guida pezzo

7. Accertarsi che l'indice indichi 0° sulla scala di taglio obliquo. Qualora l'indice non indichi 0°, allentare la vite che fissa l'indice e regolare l'indice in modo che indichi 0°.

► **Fig.57:** 1. Vite 2. Scala di taglio obliquo 3. Indice

Angolo di taglio a unghia

Angolo di taglio a unghia di 0°

► **Fig.58:** 1. Leva 2. Supporto braccio 3. Bullone di regolazione dell'angolo a unghia di 0°
4. Braccio 5. Pulsante di rilascio

1. Spingere il carrello verso la guida pezzo e serrare le due viti di fermo per fissare il carrello.
2. Abbassare completamente il manico e bloccarlo nella posizione abbassata premendo il perno di fermo verso l'interno.
3. Allentare la leva sulla parte posteriore dell'utensile.
4. Ruotare di due o tre giri in senso antiorario il bullone di regolazione dell'angolo di taglio a unghia di 0° (bullone inferiore) sul lato destro del braccio per inclinare la lama a destra.

5. Ruotare con attenzione in senso orario il bullone di regolazione dell'angolo di taglio a unghia di 0° fino a quando il lato della lama forma un angolo perpendicolare con la superficie superiore della base girevole. Utilizzare un righello triangolare, una squadra battente, e così via, come guida. Quindi, serrare saldamente la leva.

► **Fig.59:** 1. Righello triangolare 2. Lama 3. Superficie superiore della base girevole

6. Accertarsi che l'indice sul braccio indichi 0° sulla scala di smussatura. Qualora non indichi 0°, allentare la vite che fissa l'indice e regolare l'indice in modo che indichi 0°.

► **Fig.60:** 1. Scala di smussatura 2. Indice 3. Vite

Angolo di taglio a unghia di 45°

► **Fig.61:** 1. Bullone di regolazione angolo a unghia di 45° a sinistra

Regolare l'angolo di taglio a unghia di 45° solo dopo aver eseguito la regolazione dell'angolo di taglio a unghia di 0°.

1. Allentare la leva e inclinare completamente la lama verso sinistra.
2. Accertarsi che l'indice sul braccio indichi 45° sulla scala di smussatura. Qualora l'indice non indichi 45°, ruotare il bullone di regolazione dell'angolo di taglio a unghia di 45° (bullone superiore) sul lato destro del braccio fino a quando l'indice indica 45°.

Dopo l'uso

Dopo l'uso, rimuovere i trucioli e la segatura attaccati all'utensile con un panno o uno straccio. Mantenere pulita la protezione della lama attenendosi alle indicazioni fornite nella sezione precedente "Protezione lama". Per evitare la ruggine, lubrificare le parti scorrevoli con olio per macchine.

Quando si ripone l'utensile, tirare il carrello completamente verso di sé in modo che il polo di scorrimento sia inserito a fondo all'interno della base girevole.

Per preservare la SICUREZZA e l'AFFIDABILITÀ del prodotto, le riparazioni e qualsiasi altro intervento di manutenzione e di regolazione devono essere eseguiti da un centro di assistenza autorizzato Makita, utilizzando sempre ricambi Makita.

ACCESSORI OPZIONALI

AVVERTIMENTO: Questi accessori o componenti aggiuntivi Makita sono consigliati per l'uso con l'utensile Makita specificato nel presente manuale. L'uso di qualsiasi altro accessorio o componente aggiuntivo potrebbe risultare in gravi lesioni personali.

AVVERTIMENTO: Utilizzare l'accessorio o il componente aggiuntivo Makita unicamente per il suo scopo specificato. L'uso improprio di un accessorio o di un componente aggiuntivo potrebbe risultare in gravi lesioni personali.

Per ottenere ulteriori dettagli relativamente a questi accessori, rivolgersi a un centro di assistenza Makita.

- Lame al carburo
(Per informazioni sulle lame corrette da utilizzare per il materiale da tagliare, consultare il nostro sito web o contattare il proprio rivenditore locale Makita.)
- Gruppo morsa (morsa orizzontale)
- Morsa verticale
- Gruppo supporti
- Gruppo barre supporti
- Piastra di regolazione
- Sacchetto segatura
- Righello triangolare
- Chiave esagonale
- Batteria e caricabatterie originali Makita

NOTA: Alcuni articoli nell'elenco potrebbero essere inclusi nell'imballaggio dell'utensile come accessori standard. Tali articoli potrebbero variare da nazione a nazione.

TECHNISCHE GEGEVENS

Model:	DLS714
Diameter zaagblad	190 mm
Diameter middengat (afhankelijk van het land)	20 mm of 15,88 mm
Maximale breedte van de zaagsnede van het zaagblad	2,2 mm
Max. verstekhoek	Links 47°, Rechts 57°
Max. schuine hoek	Links 45°, Rechts 5°
Nullasttoerental	5.700 min ⁻¹
Afmetingen (l x b x h)	655 mm x 430 mm x 445 mm
Nominale spanning	Gelijkstroom 36 V
Nettogewicht	14,4 - 14,7 kg

- In verband met ononderbroken research en ontwikkeling, behouden wij ons het recht voor de bovenstaande technische gegevens zonder voorafgaande kennisgeving te wijzigen.
- De technische gegevens kunnen van land tot land verschillen.
- Het gewicht kan verschillen afhankelijk van de hulpstukken, waaronder de accu. De lichtste en zwaarste combinatie, overeenkomstig de EPTA-procedure 01/2014, worden getoond in de tabel.

Toepasselijke accu's en laders

Accu	BL1815N / BL1820B / BL1830B / BL1840B / BL1850B / BL1860B
Lader	DC18RC / DC18RD / DC18RE / DC18SD / DC18SE / DC18SF / DC18SH / DC18WC

- Sommige van de hierboven vermelde accu's en laders zijn mogelijk niet leverbaar afhankelijk van waar u woont.

⚠ WAARSCHUWING: Gebruik uitsluitend de accu's en laders die hierboven worden genoemd. Gebruik van enige andere accu of lader kan leiden tot letsel en/of brand.

Zaagcapaciteit (h x b) met zaagblad 190 mm in diameter

Verstekhoek	Schuine hoek		
	45° (links)	0°	5° (rechts)
0°	40 mm x 300 mm	52 mm x 300 mm	40 mm x 300 mm
	45 mm x 265 mm (OPMERKING 1)	60 mm x 265 mm (OPMERKING 1)	–
45° (links en rechts)	40 mm x 212 mm	52 mm x 212 mm	–
	45 mm x 185 mm (OPMERKING 2)	60 mm x 185 mm (OPMERKING 2)	–
57° (rechts)	–	52 mm x 163 mm	–
	–	60 mm x 145 mm (OPMERKING 3)	–

1. Max. Zaagcapaciteit bij gebruik van een houten hulpstuk met een dikte van 20 mm
2. Max. Zaagcapaciteit bij gebruik van een houten hulpstuk met een dikte van 15 mm
3. Max. Zaagcapaciteit bij gebruik van een houten hulpstuk met een dikte van 10 mm

Symbolen

Hieronder staan de symbolen die voor het gereedschap kunnen worden gebruikt. Zorg ervoor dat u de betekenis ervan kent voordat u het gereedschap gaat gebruiken.



Lees de gebruiksaanwijzing.



Om letsel door rondvliegende houtsnippers te voorkomen, blijft u na het zagen de zaagkop omlaag gedruwd houden totdat het zaagblad volledig tot stilstand is gekomen.



Voor het uitvoeren van schuivend zagen trekt u eerst de slede helemaal naar u toe, brengt u vervolgens het handvat omlaag, en duwt u tenslotte de slede naar de geleider.



Houd handen en vingers uit de buurt van het zaagblad.



Zet de HULPGELEIDER altijd in de linkerstand wanneer u een linker schuine zaagsnede maakt. Als u dat niet doet, kan dat leiden tot ernstig letsel van de gebruiker.



Alleen voor EU-landen
Als gevolg van de aanwezigheid van schadelijke componenten in het apparaat, kunnen oude elektrische en elektronische apparaten, accu's en batterijen negatieve gevolgen hebben voor het milieu en de gezondheid van mensen.
Gooi elektrische en elektronische apparaten en accu's niet met het huisvuil weg! In overeenstemming met de Europese richtlijn inzake oude elektrische en elektronische apparaten en inzake accu's en batterijen en oude accu's en batterijen, alsmede de toepassing daarvan binnen de nationale wetgeving, dienen oude elektrische apparaten, accu's en batterijen gescheiden te worden opgeslagen en te worden ingeleverd bij een apart inzamelingspunt voor huishoudelijk afval dat de milieubeschermingsvoorschriften in acht neemt.
Dit wordt op het apparaat aangegeven door het symbool van een doorgekruisde afvalcontainer.

Doelinden van gebruik

Dit gereedschap is bedoeld voor nauwkeurig recht zagen en verstekzagen in hout.
Gebruik de zaag niet voor het zagen van iets anders dan hout, aluminium of soortgelijke materialen.

Geluidsniveau

De typische, A-gewogen geluidsniveaus zijn gemeten volgens EN62841-3-9:
Geluidsdrukniveau (L_{pA}): 88 dB (A)
Geluidsvermogeniveau (L_{WA}): 97 dB (A)
Onzekerheid (K): 3 dB (A)

OPMERKING: De opgegeven geluidsemissiewaarde(n) is/zijn gemeten volgens een standaardtestmethode en kan/kunnen worden gebruikt om dit gereedschap te vergelijken met andere gereedschappen.

OPMERKING: De opgegeven geluidsemissiewaarde(n) kan/kunnen ook worden gebruikt voor een beoordeling vooraf van de blootstelling.

WAARSCHUWING: Draag gehoorbescherming.

WAARSCHUWING: De geluidsemissie tijdens het gebruik van het elektrisch gereedschap in de praktijk kan verschillen van de opgegeven waarde(n) afhankelijk van de manier waarop het gereedschap wordt gebruikt, met name van het soort werkstuk waarmee wordt gewerkt.

WAARSCHUWING: Zorg ervoor dat veiligheidsmaatregelen worden getroffen ter bescherming van de gebruiker die zijn gebaseerd op een schatting van de blootstelling onder praktijkomstandigheden (rekening houdend met alle fasen van de bedrijfscyclus, zoals de tijdsduur gedurende welke het gereedschap is uitgeschakeld en stationair draait, naast de ingeschakelde tijdsduur).

Trilling

De totale trillingswaarde (triaxiale vectorsom) zoals vastgesteld volgens EN62841-3-9:
Trillingsemissie (a_h): 2,5 m/s² of lager
Onzekerheid (K): 1,5 m/s²

OPMERKING: De totale trillingswaarde(n) is/zijn gemeten volgens een standaardtestmethode en kan/kunnen worden gebruikt om dit gereedschap te vergelijken met andere gereedschappen.

OPMERKING: De opgegeven totale trillingswaarde(n) kan/kunnen ook worden gebruikt voor een beoordeling vooraf van de blootstelling.

WAARSCHUWING: De trillingsemissie tijdens het gebruik van het elektrisch gereedschap in de praktijk kan verschillen van de opgegeven waarde(n) afhankelijk van de manier waarop het gereedschap wordt gebruikt, met name van het soort werkstuk waarmee wordt gewerkt.

WAARSCHUWING: Zorg ervoor dat veiligheidsmaatregelen worden getroffen ter bescherming van de gebruiker die zijn gebaseerd op een schatting van de blootstelling onder praktijkomstandigheden (rekening houdend met alle fasen van de bedrijfscyclus, zoals de tijdsduur gedurende welke het gereedschap is uitgeschakeld en stationair draait, naast de ingeschakelde tijdsduur).

Verklaringen van conformiteit

Alleen voor Europese landen

De verklaringen van conformiteit zijn bijgevoegd in Bijlage A bij deze gebruiksaanwijzing.

VEILIGHEIDSWAAR- SCHUWINGEN

Algemene veiligheidswaarschuwingen voor elektrisch gereedschap

⚠️WAARSCHUWING Lees alle veiligheids-
waarschuwingen, instructies, afbeeldingen en techni-
sche gegevens die bij dit elektrisch gereedschap
worden geleverd. Als niet alle onderstaande instructies
worden opgevolgd, kan dat leiden tot een elektrische
shok, brand en/of ernstig letsel.

Bewaar alle waarschuwingen en instructies om in de toekomst te kunnen raadplegen.

De term "elektrisch gereedschap" in de veiligheidsvoor-
schriften duidt op gereedschappen die op stroom van
het lichtnet werken (met snoer) of gereedschappen met
een accu (snoerloos).

Veiligheidsinstructies voor verstekzagen

1. **Verstekzagen zijn bedoeld voor het zagen van hout of houtachtige materialen. Ze kunnen niet worden gebruikt met doorslijpschijven voor het doorslijpen van ferro-materialen, zoals stangen, staven, draaieinden, enz.** Door het slijpstof zullen bewegende delen, zoals de onderste beschermkap, vastlopen. De vonken die bij doorslijpen worden geproduceerd, verbranden de onderste beschermkap, het zaagsnede-inzetstuk en andere kunststofonderdelen.
2. **Gebruik klemmen om het werkstuk vast te zetten wanneer dat mogelijk is. Als u het werkstuk met de hand vasthoudt, moet u uw hand altijd minstens 100 mm van beide kanten van het zaagblad weg houden. Gebruik deze zaag niet voor het zagen van werkstukken die te klein zijn om stevig vast te klemmen of met de hand vast te houden.** Als uw hand te dicht bij het zaagblad is geplaatst, is de kans groter dat u letsel oploopt door het aanraken van het zaagblad.
3. **Het werkstuk moet stil liggen en vastgeklemd zijn of vastgehouden worden tegen zowel de geleider als de tafel. Voer het werkstuk niet in het zaagblad aan, en zaag nooit 'uit de vrije hand'.** Losliggende of bewegende werkstukken kunnen op hoge snelheid worden weggeworpen en letsel veroorzaken.
4. **Duw het zaagblad door het werkstuk. Trek het zaagblad niet door het werkstuk. Om een zaagsnede te maken, brengt u de zaagkop omhoog en trekt u het naar u toe boven het werkstuk zonder te zagen. Start de motor, duw de zaagkop omlaag en duw het zaagblad door het werkstuk.** Als tijdens de trekkende beweging wordt gezaagd, klimt het zaagblad waarschijnlijk uit het werkstuk en wordt de zaagkop met kracht in de richting van de gebruiker geworpen.

5. **Kruis met uw hand nooit de beoogde zaaglijn, hetzij vóór dan wel achter het zaagblad.** Het 'kruislings' vasthouden van het werkstuk, waarbij het werkstuk aan de rechterkant van het zaagblad wordt vastgehouden met de linkerhand, of vice versa, is bijzonder gevaarlijk.

► Fig.1

6. **Reik niet achter de geleider met een van uw handen dichterbij dan 100 mm bij een van de kanten van het zaagblad, om houtsnippers te verwijderen of om welke andere reden dan ook, terwijl het zaagblad draait.** U realiseert zich mogelijk niet hoe dicht uw hand bij het draaiende zaagblad is en u kunt ernstig letsel oplopen.
7. **Inspecteer uw werkstuk voordat u begint te zagen. Als het werkstuk gebogen of verdraaid is, klemt u het vast met de buitenkant van het gebogen oppervlak tegen de geleider. Verzekert u er altijd van dat er geen opening is tussen het werkstuk, de geleider en de tafel langs de zaaglijn.** Gebogen of verdraaide werkstukken kunnen zich draaien of verschuiven, en kunnen het draaiende zaagblad doen verlopen tijdens het zagen. Er mogen geen spijkers of vreemde voorwerpen in het werkstuk zitten.
8. **Gebruik de zaag niet totdat de tafel vrij is van alle gereedschappen, houtsnippers, enz., behalve het werkstuk.** Kleine stukjes afval, losse stukjes hout of andere voorwerpen die in aanraking komen met het draaiende zaagblad, kunnen met hoge snelheid worden weggeworpen.
9. **Zaag slechts één werkstuk tegelijkertijd.** Meerdere, opgestapelde werkstukken kunnen niet goed worden vastgeklemd of vastgehouden, en kunnen het zaagblad doen vastlopen of tijdens het zagen verschuiven.
10. **Verzekert u er vóór gebruik van dat de verstekzaag is bevestigd of geplaatst op een stevig werkoppervlak.** Een horizontaal en stevig werkoppervlak verkleint de kans dat de verstekzaag instabiel wordt.
11. **Plan uw werkzaamheden. Elke keer wanneer u de instelling voor de schuine hoek of verstekhoek, verzekert u zich ervan dat de verstelbare geleider correct is afgesteld om het werkstuk te steunen en tevens het zaagblad of beschermingssysteem niet raakt tijdens gebruik.** Zonder het gereedschap in te schakelen en zonder een werkstuk op de tafel, beweegt u het zaagblad langs een volledige, gesimuleerde zaagsnede om er zeker van te zijn dat het zaagblad niets raakt en er geen gevaar is dat in de geleider wordt gezaagd.
12. **Zorg voor voldoende ondersteuning, zoals tafelerlengingen, zaagbalken, enz. voor een werkstuk dat breder of langer is dan het bovenoppervlak van de tafel.** Werkstukken die breder of langer zijn dan de verstekzaagtafel, kunnen kantelen als ze niet goed worden ondersteunt. Als het afgezaagde deel of het werkstuk kantelt, kan het de onderste beschermkap optillen of worden weggeworpen door het draaiende zaagblad.
13. **Gebruik niet een andere persoon als vervanging van een tafelerlenging of als extra ondersteuning.** Een instabiele ondersteuning van het werkstuk kan ertoe leiden dat het zaagblad vastloopt of het werkstuk verschuift tijdens het zagen, waardoor u en de helper in het draaiende zaagblad worden getrokken.

14. **Het afgezaagde deel van het werkstuk mag op geen enkele wijze tegen het draaiende zaagblad bekneld raken of gedrukt worden.** Indien opgesloten, d.w.z. bij gebruik van lengteaanslagen, kan het afgezaagde deel tegen het zaagblad bekneld raken en met kracht weggegooid worden.
15. **Gebruik altijd een klem of een bevestigingsmethode die bedoeld is om ronde werkstukken, zoals een staaf of buis, te ondersteunen.** Staven neigen te verrollen tijdens het zagen, waardoor het zaagblad zich 'vastbijt' en het werkstuk met uw hand in het zaagblad wordt getrokken.
16. **Laat het zaagblad de volle snelheid bereiken voordat deze het werkstuk raakt.** Dit verkleint de kans dat het werkstuk wordt weggegooid.
17. **Als het werkstuk of zaagblad vastloopt, schakelt u de verstekzaag uit. Wacht totdat alle bewegende delen tot stilstand zijn gekomen en trek de stekker uit het stopcontact en/of verwijder de accu. Verwijder daarna het vastgelopen materiaal.** Als u blijft zagen met een vastgelopen zaagblad, kunt u de controle over de verstekzaag verliezen of deze beschadigen.
18. **Nadat u de zaagsnede hebt voltooid, laat u de schakelaar los, blijft u de zaagkop omlaag gedrukt houden en wacht u tot het zaagblad stilstaat voordat u het afgezaagde deel verwijderd.** Het is gevaarlijk om met uw hand in de buurt van het nalopende zaagblad te reiken.
19. **Houd het handvat stevig vast bij het maken van een onvolledige zaagsnede en bij het loslaten van de schakelaar voordat de zaagkop helemaal omlaag is gedrukt.** Door het remeffect van het zaagblad kan ertoe leiden dat de zaagkop plotseling omlaag getrokken wordt, waardoor een kans op letsel ontstaat.
20. **Gebruik uitsluitend een zaagblad met een diameter zoals aangegeven op het gereedschap of vermeld in de gebruiksaanwijzing.** Het gebruik van een zaagblad met een verkeerde afmeting, kan een goede bescherming of werking van het zaagblad verhinderen, wat kan leiden tot ernstig persoonlijk letsel.
21. **Gebruik altijd een zaagblad dat is gemarkeerd met een toerental dat gelijk is aan of hoger is dan het toerental dat is aangegeven op het gereedschap.**
22. **Gebruik de zaag niet voor het zagen van iets anders dan hout, aluminium of soortgelijke materialen.**
23. **(Alleen voor Europese landen)**
Gebruik altijd een zaagblad dat voldoet aan EN847-1.
4. **Gebruik de zaag niet zonder dat de beschermkappen zijn aangebracht. Controleer vóór elk gebruik of de beschermkap goed sluit.** Gebruik de zaag niet indien de beschermkap niet goed beweegt en niet snel over het zaagblad sluit. Klem of bind de beschermkap nooit in de geopende stand vast.
5. **Houd uw handen uit de buurt van het zaagblad. Voorkom contact met het nog nadraaiende zaagblad. Het kan nog steeds ernstig letsel veroorzaken.**
6. **Om de kans op letsel te verkleinen, schuift u de slede terug naar zijn achterste stand na elke afkortzaagsnede.**
7. **Zet alle bewegende onderdelen vast alvorens het gereedschap te dragen.**
8. **De aanslagen die de zaagkop in de onderste stand vergrendelt, wordt alleen gebruikt voor het dragen en opbergen van het gereedschap en niet voor zaagbedieningen.**
9. **Controleer vóór het gebruik het zaagblad zorgvuldig op barsten of beschadiging. Vervang een gebarsten of beschadigd zaagblad onmiddellijk. Gom of hars dat op het zaagblad is opgedroogd vertraagt het zaagblad en verhoogt de kans op terugslag. Houd het zaagblad schoon door dit eerst van het gereedschap te demonteren en het vervolgens schoon te maken met een schoonmaakmiddel voor gom en hars, heet water of kerosine. Gebruik nooit benzine om het zaagblad schoon te maken.**
10. **Tijdens het uitvoeren van schuivend zagen, kan een TERUGSLAG optreden. Een TERUGSLAG treedt op wanneer het zaagblad vastloopt in het werkstuk tijdens het zagen en het zaagblad snel in de richting van de gebruiker wordt bewogen. Dit kan leiden tot verlies van controle over het gereedschap en ernstig persoonlijk letsel. Wanneer het zaagblad begint vast te lopen tijdens het zagen, zaagt u niet verder maar laat u de schakelaar onmiddellijk los.**
11. **Gebruik alleen flenzen die voor dit gereedschap zijn bestemd.**
12. **Pas op dat u de as, de flenzen (vooral hun montagevlak) of de bout niet beschadigt. Beschadiging van deze onderdelen kan zaagbladbreuk veroorzaken.**
13. **Zorg dat het draaibaar voetstuk goed vastgezet is, zodat het tijdens het zagen niet kan bewegen. Gebruik de gaten in het voetstuk om de zaag te bevestigen op een stevig werkplatform of een stevige werkbank. Gebruik het gereedschap NOOIT wanneer de gebruiker in een ongemakkelijke houding moet staan.**
14. **Zet de asblokkering in de vrije stand alvorens de schakelaar in te drukken.**
15. **Zorg ervoor dat het zaagblad in zijn laagste positie niet in aanraking komt met het draaibaar voetstuk.**
16. **Houd het handvat stevig vast. Denk eraan dat de zaag bij het starten en stoppen even op- en neergaat.**
17. **Zorg dat het zaagblad bij het inschakelen niet in contact is met het werkstuk.**

Aanvullende instructies

1. **Houd de werkplaats kinderveilig met hangsloten.**
2. **Ga nooit op het gereedschap staan.** Er kan ernstig letsel ontstaan als het gereedschap omvalt of als het snij-/zaaggarment per ongeluk wordt aangeraakt.
3. **Laat het gereedschap nooit ingeschakeld achter. Schakel de voeding uit. Laat het gereedschap niet achter totdat het volledig tot stilstand is gekomen.**

18. Laat het gereedschap een tijdje draaien alvorens het op het werkstuk te gebruiken. Controleer op trillingen of schommelingen die op onjuiste montage of op een slecht uitgebalanceerd zaagblad kunnen wijzen.
19. Stop onmiddellijk met zagen indien u iets abnormaals opmerkt.
20. Probeer niet om de trekkerschakelaar in de ingeschakeld stand te vergrendelen.
21. Gebruik uitsluitend de accessoires die in deze gebruiksaanwijzing worden aanbevolen. Het gebruik van ongeschikte accessoires, zoals slijpschijven, kan letsel veroorzaken.
22. Sommige materialen bevatten chemische stoffen die giftig kunnen zijn. Wees voorzichtig dat u geen stof inademt en het stof niet op uw huid komt. Volg de veiligheidsinstructies van de leverancier van het materiaal op.

Aanvullende veiligheidsvoorschriften voor een laser

1. **LASERSTRALING: KIJK NIET IN DE LASERSTRAAL EN KIJK NIET DOOR OPTISCHE INSTRUMENTEN RECHTSTREEKS NAAR DE LASERSTRAAL. LASERPRODUCT VAN KLASSE 2M.**

BEWAAR DEZE INSTRUCTIES.

⚠️ WAARSCHUWING: Laat u NIET misleiden door een vals gevoel van comfort en bekendheid met het gereedschap (na veelvuldig gebruik) en neem alle veiligheidsvoorschriften van het betreffende gereedschap altijd strikt in acht. **VERKEERD GEBRUIK** of het niet naleven van de veiligheidsvoorschriften in deze gebruiksaanwijzing kan leiden tot ernstig persoonlijk letsel.

Belangrijke veiligheidsinstructies voor een accu

1. Lees alle voorschriften en waarschuwingen op (1) de acculader, (2) de accu, en (3) het product waarvoor de accu wordt gebruikt, alvorens de accu in gebruik te nemen.
 2. Haal de accu niet uit elkaar en saboteer hem niet. Dit kan leiden tot brand, buitensporige hitte of een explosie.
 3. Als de gebruikstijd van een opgeladen accu aanzienlijk korter is geworden, moet u het gebruik ervan onmiddellijk stopzetten. Voortgezet gebruik kan oververhitting, brandwonden en zelfs een ontploffing veroorzaken.
 4. Als elektrolyt in uw ogen is terechtgekomen, spoelt u uw ogen met schoon water en roept u onmiddellijk de hulp van een dokter in. Elektrolyt in de ogen kan blindheid veroorzaken.
 5. Voorkom kortsluiting van de accu:
 - (1) Raak de accuklemmen nooit aan met een geleidend materiaal.
 - (2) Bewaar de accu niet in een bak waarin andere metalen voorwerpen zoals spijkers, munten e.d. worden bewaard.
 - (3) Stel de accu niet bloot aan water of regen.
6. **Bewaar en gebruik het gereedschap en de accu niet op plaatsen waar de temperatuur kan oplopen tot 50 °C of hoger.**
 7. **Werp de accu nooit in het vuur, ook niet wanneer hij zwaar beschadigd of volledig versleten is. De accu kan ontploffen in het vuur.**
 8. **Laat de accu niet vallen, sla er geen spijker in, snijd er niet in, gooi er niet mee en stoot hem niet tegen een hard voorwerp.** Dergelijke handelingen kunnen leiden tot brand, buitensporige hitte of een explosie.
 9. **Gebruik nooit een beschadigde accu.**
 10. **De bijgeleverde lithium-ionbatterijen zijn onderhevig aan de vereisten in de wetgeving omtrent gevaarlijke stoffen.** Voor commercieel transport en dergelijke door derden en transporteurs moeten speciale vereisten ten aanzien van verpakking en etikettering worden nageleefd. Als voorbereiding van het artikel dat wordt getransporteerd is het noodzakelijk een expert op het gebied van gevaarlijke stoffen te raadplegen. Houd u tevens aan mogelijk strengere nationale regelgeving. Blootliggende contactpunten moeten worden afgedekt met tape en de accu moet zodanig worden verpakt dat deze niet kan bewegen in de verpakking.
 11. **Wanneer u de accu wilt weggooien, verwijdert u de accu vanaf het gereedschap en gooit u hem op een veilige manier weg. Volg bij het weggooien van de accu de plaatselijke voorschriften.**
 12. **Gebruik de accu's uitsluitend met de gereedschappen die door Makita zijn aanbevolen.** Als de accu's worden aangebracht in niet-compatibele gereedschappen, kan dat leiden tot brand, buitensporige warmteontwikkeling, een explosie of lekkage van elektrolyt.
 13. **Als u het gereedschap gedurende een lange tijd niet denkt te gaan gebruiken, moet de accu vanaf het gereedschap worden verwijderd.**
 14. **Tijdens en na gebruik, kan de accu heet worden waardoor brandwonden of koude brandwonden kunnen worden veroorzaakt. Wees voorzichtig bij het hanteren van een hete accu.**
 15. **Raak de aansluitpunten van het gereedschap niet onmiddellijk na gebruik aan omdat deze heet genoeg kunnen zijn om brandwonden te veroorzaken.**
 16. **Zorg ervoor dat geen steenslag, stof of grond vast komt te zitten op/in de aansluitpunten, openingen en groeven van de accu.** Hierdoor kan oververhitting, brand, een barst en een storing in het gereedschap of de accu ontstaan waardoor brandwonden of persoonlijk letsel kunnen ontstaan.
 17. **Behalve indien gebruik van het gereedschap is toegestaan in de buurt van hoogspanningsleidingen, mag u de accu niet gebruiken in de buurt van een hoogspanningsleiding.** Dit kan leiden tot een storing of een defect van het gereedschap of de accu.

18. Houd de accu uit de buurt van kinderen.
BEWAAR DEZE INSTRUCTIES.

⚠️ LET OP: Gebruik uitsluitend originele Makita accu's. Het gebruik van niet-originele accu's, of accu's die zijn gewijzigd, kan ertoe leiden dat de accu ontploft en brand, persoonlijk letsel en schade veroorzaakt. Ook vervalt daarmee de garantie van Makita op het gereedschap en de lader van Makita.

Tips voor een maximale levensduur van de accu

1. Laad de accu op voordat hij volledig ontladen is. Stop het gebruik van het gereedschap en laad de accu op telkens wanneer u vaststelt dat het vermogen van het gereedschap is afgenomen.
2. Laad een volledig opgeladen accu nooit opnieuw op. Te lang opladen verkort de levensduur van de accu.
3. Laad de accu op bij een omgevingstemperatuur tussen 10 °C en 40 °C. Laat een warme accu afkoelen alvorens hem op te laden.
4. Als de accu niet wordt gebruikt, verwijdert u hem vanaf het gereedschap of de lader.
5. Laad de accu op als u deze gedurende een lange tijd (meer dan zes maanden) niet gaat gebruiken.

BESCHRIJVING VAN DE ONDERDELEN

► Fig.2

1	Uit-vergrendelknop	2	Trekschakelaar	3	Zaagbladkast	4	Stelschroef (aanslag van onderste stand)
5	Stelbout (voor maximale zaagdiepte)	6	Aanslagarm	7	Stofzak	8	Schuine-hoekschaal
9	Beschermkap	10	Verticale spanschroef	11	Geleider	12	Steunstangen
13	Vergrendelknop (voor draaibaar voetstuk)	14	Handgreep (voor draaibaar voetstuk)	15	Stelbout (voor draaibaar voetstuk)	16	Zaagsnedeplaat
17	Wijzer (voor verstekhoek)	18	Draaibaar voetstuk	19	Steunstanghouder	20	Geleideras
21	Hulpgeleider	-	-	-	-	-	-

► Fig.3

22	Sledestangen (bovenste)	23	Draaiknop (voor vastzetten van bovenste sledestangen)	24	Inbussleutel	25	Klembout (voor vergrendelen van steunstangen)
26	Hendel (voor afstellen van schuine hoek)	27	Sledestangen (onderste)	28	Draaiknop (voor vastzetten van onderste sledestangen)	-	-

BEVESTIGEN

Op een werktafel bevestigen

⚠️ WAARSCHUWING: Zorg ervoor dat het gereedschap niet kan bewegen op de ondergrond. Als de verstekzaag tijdens het zagen beweegt ten opzichte van de ondergrond, kan dat leiden tot verlies van controle over het gereedschap en ernstig persoonlijk letsel.

1. Monteer de voeten van het gereedschap met behulp van bouten op een horizontale en stabiele ondergrond. Hierdoor wordt voorkomen dat het gereedschap omkantelt en mogelijk letsel veroorzaakt.

► Fig.4: 1. Bout

2. Draai de stelbout rechtsom of linksom totdat deze met het vloeroppervlak in contact komt om het gereedschap stabiel te houden.

► Fig.5: 1. Stelbout

De steunstangen en steunstanghouders aanbrengen

OPMERKING: In sommige landen zijn de steunstangen en steunstanghouders mogelijk niet inbegrepen in de doos van het gereedschap als standaard toebehoren.

De steunstangen en steunstanghouders ondersteunen het werkstuk horizontaal.

Draai de geleiderassen met behulp van de inbussleutel in de steunstanghouders.

► Fig.6: 1. Steunstang 2. Steunstanghouder 3. Geleideras 4. Inbussleutel

Breng de steunstangen en steunstanghouders aan op beide zijanten van het gereedschap, zoals aangegeven in de afbeelding. Controleer na het aanbrengen of de geleideras is uitgelijnd met de geleider van het gereedschap.

► Fig.7: 1. Steunstang 2. Steunstanghouder 3. Schroef

Draai daarna de schroeven stevig vast om de steunstangen en steunstanghouders vast te zetten.

BESCHRIJVING VAN DE FUNCTIES

⚠ WAARSCHUWING: Zorg ervoor dat het gereedschap is uitgeschakeld en dat de accu is verwijderd voordat u de functies van het gereedschap aanpast of controleert. Als het gereedschap niet wordt uitgeschakeld en de accu niet uit het gereedschap wordt verwijderd, kan dat na per ongeluk inschakelen leiden tot ernstig persoonlijk letsel.

De accu aanbrengen en verwijderen

⚠ LET OP: Schakel het gereedschap altijd uit voordat u de accu aanbrengt of verwijdert.

⚠ LET OP: Houd het gereedschap en de accu stevig vast tijdens het aanbrengen of verwijderen van de accu. Als u het gereedschap en de accu niet stevig vasthoudt, kunnen deze uit uw handen glijpen en het gereedschap of de accu beschadigen, of kan persoonlijk letsel worden veroorzaakt.

► **Fig.8:** 1. Rood deel 2. Knop 3. Accu

Om de accu te verwijderen verschuift u de knop aan de voorkant van de accu en schuift u tegelijkertijd de accu uit het gereedschap.

Om de accu aan te brengen lijnt u de lip op de accu uit met de groef in de behuizing en duwt u de accu op zijn plaats. Steek de accu zo ver mogelijk in het gereedschap tot u een klikgeluid hoort. Als u het rode deel aan de bovenkant van de knop kunt zien, is de accu niet goed aangebracht.

⚠ LET OP: Breng de accu altijd helemaal aan totdat het rode deel niet meer zichtbaar is. Als u dit niet doet, kan de accu per ongeluk uit het gereedschap vallen en u of anderen in uw omgeving verwonden.

⚠ LET OP: Breng de accu niet met kracht aan. Als de accu niet gemakkelijk in het gereedschap kan worden geschoven, wordt deze niet goed aangebracht.

OPMERKING: Het gereedschap werkt niet als slechts één accu is aangebracht.

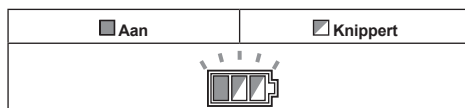
Gereedschap-/accubeveiligingssysteem

Het gereedschap is voorzien van een gereedschap-/accubeveiligingssysteem. Dit systeem schakelt automatisch de voeding naar de motor uit om de levensduur van het gereedschap en de accu te verlengen. Het gereedschap kan tijdens het gebruik automatisch stoppen als het gereedschap of de accu aan één van de volgende omstandigheden wordt blootgesteld:

Overbelastingsbeveiliging

Wanneer het gereedschap wordt gebruikt op een manier die een abnormaal hoge stroomsterkte vergt, stopt het gereedschap automatisch zonder dat een indicatorlampje gaat branden. Schakel in dat geval het gereedschap uit en stop het gebruik dat ertoe leidde dat het gereedschap overbelast raakte. Schakel daarna het gereedschap weer in om verder te gaan.

Oververhittingsbeveiliging



Wanneer het gereedschap oververhit is, stopt het gereedschap automatisch en knippert het accu-indicatorlampje gedurende ongeveer 60 seconden. In die situatie laat u het gereedschap eerst afkoelen voordat u het gereedschap opnieuw inschakelt.

Beveiliging tegen te ver ontladen

Als de acculading laag is, stopt het gereedschap automatisch. Als het gereedschap niet werkt, ook niet wanneer de schakelaars worden bediend, verwijdert u de accu's vanaf het gereedschap en laadt u de accu's op.

De resterende acculading controleren

► **Fig.9:** 1. Accu-indicatorlampje 2. Testknop

Druk op de testknop om de resterende acculadingen te zien. De accu-indicatorlampjes geven per accu de resterende acculading aan.

Toestand van accu-indicator			Resterende acculading
<input checked="" type="checkbox"/> Aan	<input type="checkbox"/> Uit	<input type="checkbox"/> Knippert	
			50% tot 100%
			20% tot 50%
			0% tot 20%
			Laad de accu op.

De resterende acculading controleren

Alleen voor accu's met indicatorlampjes

► Fig.10: 1. Indicatorlampjes 2. Testknop

Druk op de testknop op de accu om de resterende acculading te zien. De indicatorlampjes branden gedurende enkele seconden.

Indicatorlampjes			Resterende acculading
Brandt	Uit	Knippert	
■	□	▧	75% tot 100%
■	■	■	50% tot 75%
■	■	□	25% tot 50%
■	□	□	0% tot 25%
▧	□	□	Laad de accu op.
■	■	□	Er kan een storing zijn opgetreden in de accu.
□	□	■	

OPMERKING: Afhankelijk van de gebruiksomstandigheden en de omgevingstemperatuur, is het mogelijk dat de aangegeven acculading verschilt van de werkelijke acculading.

OPMERKING: Het eerste (meest linker) indicatorlampje knippert wanneer het accubeveiligingssysteem in werking is getreden.

Automatische toerentalwisselfunctie

► Fig.11: 1. Functie-indicatorlampje

Toestand van functie-indicatorlampje	Bedrijfsfunctie
	Hoog-toerentalfunctie
	Hoog-koppelfunctie

Dit gereedschap heeft een "hoog-toerentalfunctie" en een "hoog-koppelfunctie". De bedrijfsfunctie wordt automatisch veranderd aan de hand van de werkbelasting. Wanneer tijdens gebruik het functie-indicatorlampje gaat branden, staat het gereedschap in de hoog-koppelfunctie.

Aanslagpen

LET OP: Houd altijd het handvat vast wanneer u de aanslagpen ontgrendeld. Anders springt het handvat omhoog en kan persoonlijk letsel ontstaan.

Om de aanslagpen te ontgrendelen, drukt u het handvat iets omlaag en trekt u aan de aanslagpen.

► Fig.12: 1. Aanslagpen

Beschermkap

WAARSCHUWING: Zet de beschermkap nooit vast en verwijder nooit de beschermkap of de veer die eraan is bevestigd. Een blootliggend zaagblad als gevolg van een buiten werking gestelde beschermkap kan tijdens gebruik leiden tot ernstig persoonlijk letsel.

WAARSCHUWING: Gebruik het gereedschap nooit wanneer de beschermkap of de veer beschadigd, defect, of verwijderd is. Het gebruik van het gereedschap met een beschadigde, defecte of verwijderde beschermkap kan leiden tot ernstig persoonlijk letsel.

LET OP: Voor een veilig gebruik zorgt u ervoor dat de beschermkap altijd goed werkt. Stop het gebruik onmiddellijk als de beschermkap zich abnormaal gedraagt. Controleer of de veer goed werkt zodat de beschermkap goed terugkeert.

► Fig.13: 1. Beschermkap

Wanneer het handvat omlaag wordt gebracht, gaat de beschermkap automatisch omhoog. De beschermkap is veerbelast zodat zij naar haar oorspronkelijke positie terugkeert wanneer het zagen voltooid is en het handvat omhoog wordt gebracht.

Reinigen

► Fig.14: 1. Beschermkap

Als de doorzichtige beschermkap vuil is geworden of er zaagsel aan kleeft zodat het zaagblad en/of het werkstuk niet meer goed zichtbaar is, verwijdert u de accu en maakt u de beschermkap voorzichtig schoon met een vochtige doek. Gebruik geen oplosmiddelen of een schoonmaakmiddel op petroleumbasis op de kunststofen beschermkap omdat hierdoor de beschermkap kan worden beschadigd.

Voor het reinigen brengt u de beschermkap omhoog door het tekstdeel "Het zaagblad aanbrengen en verwijderen" te raadplegen.

Zorg ervoor dat na het reinigen het zaagblad en de middenkap weer worden aangebracht en de inbusbout wordt aangehaald.

1. Zorg ervoor dat het gereedschap is uitgeschakeld en de accu's zijn verwijderd.
2. Draai de inbusbout met de bijgeleverde inbusleutel linksom terwijl u de middenkap tegenhoudt.
3. Breng de beschermkap en de middenkap omhoog.
4. Nadat het reinigen klaar is, plaatst u de middenkap terug en draait u de inbusbout vast door de bovenstaande stappen in omgekeerde volgorde uit te voeren.

WAARSCHUWING: Verwijder de veer van de beschermkap niet. Als de beschermkap beschadigd is na verloop van tijd of door blootstelling aan ultraviolet licht, neemt u contact op met een Makita-servicecentrum om een vervangingsonderdeel te bestellen. **DE BESCHERMKAP NOOIT VASTZETTEN OF VERWIJDEREN.**

De zaagsnedeplaat afstellen

Om scheuren op de uitlaatkant van een snede tot een minimum te beperken, is dit gereedschap voorzien van zaagsnedeplaten in het draaibaar voetstuk. De zaagsnedeplaten zijn in de fabriek zodanig afgesteld dat het zaagblad niet met de zaagsnedeplaten in aanraking komt. Stel de zaagsnedeplaten als volgt af alvorens de zaag in gebruik te nemen:

1. Zorg ervoor dat de accu is verwijderd. Draai daarna alle schroeven (2 aan de linkerkant en 2 aan de rechterkant) waarmee de zaagsnedeplaten zijn vastgemaakt los.

► **Fig.15:** 1. Zaagsnedeplaat 2. Schroef

2. Trek de schroeven weer aan in zulke mate dat de zaagsnedeplaten nog gemakkelijk met de hand kunnen worden bewogen.

3. Breng het handvat volledig omlaag en druk de aanslagpen naar binnen om het handvat in de onderste positie te vergrendelen.

4. Draai de twee klemmschroeven waarmee de slede-stangen zijn vastgemaakt los.

► **Fig.16:** 1. Vleugelschroef

5. Trek de slede helemaal naar u toe.

6. Stel de positie van de zaagsnedeplaten af zodat deze net in aanraking komen met de zijanten van de zaagbladtanden.

► **Fig.17**

► **Fig.18:** 1. Zaagblad 2. Zaagbladtanden
3. Zaagsnedeplaat 4. Linkse schuine snede
5. Rechte snede

7. Trek de voorste schroeven aan (niet te hard aantrekken).

8. Duw de slede zo ver mogelijk naar de geleider en stel de positie van de zaagsnedeplaten zodanig af dat deze net in aanraking komen met de zijanten van de zaagbladtanden.

9. Trek de achterste schroeven aan (niet te hard aantrekken).

10. Nadat de zaagsnedeplaten zijn afgesteld, ontgrendelt u de aanslagpen en brengt u het handvat omhoog. Trek vervolgens alle schroeven stevig aan.

KENNISGEVING: Zorg na het instellen van de schuine hoek ervoor dat de zaagsnedeplaten goed worden afgesteld. Een juiste afstelling van de zaagsnedeplaten bevordert een goede ondersteuning van het werkstuk en minimaliseert het splinteren van het werkstuk.

Een maximale zaagdiepte behouden

Dit gereedschap is in de fabriek afgesteld om de maximale zaagdikte te leveren met een zaagblad met een diameter van 190 mm.

Controleer bij het aanbrengen van een nieuw cirkelzaagblad altijd de onderste stand van het cirkelzaagblad en stel deze zo nodig als volgt af:

1. Verwijder de accu. Duw daarna de slede zo ver mogelijk naar de geleider en breng het handvat volledig omlaag.

► **Fig.19:** 1. Stelbout 2. Geleider

2. Draai met behulp van de inbussleutel de stelbout tot het cirkelzaagblad iets lager komt dan het kruispunt van de geleider en het bovenoppervlak van het draaibare voetstuk.

► **Fig.20**

3. Houd het handvat helemaal omlaag gedrukt en draai het cirkelzaagblad met de hand rond om u ervan te verzekeren dat het cirkelzaagblad geen enkel onderdeel van het onderste voetstuk raakt. Stel opnieuw een beetje af, indien nodig.

WAARSCHUWING: Na het aanbrengen van een nieuw cirkelzaagblad controleert u, terwijl de accu is verwijderd, altijd of het cirkelzaagblad geen enkel onderdeel van het voetstuk raakt wanneer de handvat zo ver mogelijk omlaag wordt gedrukt. Als het cirkelzaagblad het voetstuk raakt, kan dit een terugslag veroorzaken en leiden tot ernstig persoonlijk letsel.

► **Fig.21**

Aanslagarm

Met de aanslagarm kunt u de laagste positie van het zaagblad gemakkelijk instellen. Stel in door de aanslagarm in de richting van het pijltje te bewegen, zoals afgebeeld. Draai de stelschroef en duw het handvat helemaal omlaag om het resultaat te controleren.

► **Fig.22:** 1. Stelschroef 2. Aanslagarm

Hulpgeleider

Afhankelijk van het land

LET OP: Voor het links schuin zagen klapt u de hulpgeleider uit. Anders zou dat het zaagblad of een deel van het gereedschap kunnen raken, wat kan leiden tot ernstig letsel van de gebruiker.

► **Fig.23:** 1. Hulpgeleider

Dit gereedschap is voorzien van een hulpgeleider. Gewoonlijk kunt u de hulpgeleider ingeklapt laten. Voor het zagen van een linkse schuin snede, echter, klapt u de hulpgeleider uit.

Afstellen van de verstekhoek

- **Fig.24:** 1. Draaibaar voetstuk 2. Vergrendelknop
3. Verstekschaal 4. Wijzer 5. Handgreep

1. Draai de handgreep linksom los.
2. Houd de vergrendelknop omlaag gedrukt en stel de hoek van het draaibare voetstuk in. Gebruik de wijzer en de verstekschaal als richtlijn.
3. Draai de handgreep stevig rechtsom vast.

⚠LET OP: Na het wijzigen van de verstekhoek, dient u het draaibaar voetstuk altijd vast te zetten door de handgreep stevig vast te draaien.

KENNISGEVING: Voor het verdraaien van het draaibaar voetstuk dient u het handvat volledig omhoog te brengen.

Afstellen van de schuine hoek

Om de schuine hoek in te stellen, draait u de hendel op de achterkant van het gereedschap linksom los.

- **Fig.25:** 1. Hendel 2. Ontgrendelknop

Om het zaagblad naar links te kantelen, houdt u het handvat vast en kantelt u de slede. Gebruik de schuine-hoekschaal en de wijzer als richtlijn. Draai daarna de hendel weer stevig rechtsom vast om de arm te vergrendelen.

- **Fig.26:** 1. Wijzer 2. Schuine-hoekschaal 3. Arm

Om het zaagblad naar rechts te kantelen, houdt u het handvat vast en kantelt u de slede iets naar links en drukt u op de ontgrendelknop. Houd de ontgrendelknop ingedrukt en kantel het zaagblad naar rechts. Draai daarna de hendel vast.

⚠LET OP: Na het wijzigen van de schuine hoek, dient u altijd de arm vast te zetten door de hendel rechtsom vast te draaien.

KENNISGEVING: Bij het kantelen van het zaagblad moet het handvat helemaal omhoog staan.

KENNISGEVING: Wanneer u de schuine hoek wijzigt, dient u de zaagsnedeplaten in de juiste positie te zetten zoals beschreven in "Afstellen van de zaagsnedeplaten".

Afstellen van de hendelpositie

Als na verloop van tijd de hendel niet meer voldoende kan vastdraaien, verandert u de positie van de hendel. De hendel kan elke 30° opnieuw in positie worden gebracht.

Draai de schroef los waarmee de hendel is bevestigd. Verwijder de hendel en breng hem opnieuw aan zodat hij iets hoger dan horizontaal staat. Bevestig de hendel stevig met de schroef.

- **Fig.27:** 1. Hendel 2. Schroef

Werking van de schakelaar

⚠WAARSCHUWING: Controleer altijd, voordat u de accu op het gereedschap aanbrengt, of de trekschakelaar op de juiste manier schakelt en weer terugkeert naar de uit-stand nadat deze is losgelaten. Het gereedschap gebruiken zonder dat de trekschakelaar goed werkt, kan leiden tot verlies van controle en ernstig persoonlijk letsel.

⚠WAARSCHUWING: Gebruik geen slot met een beugel of kabel met een diameter kleiner dan 6,35 mm. Met een dunnere beugel of kabel wordt het gereedschap mogelijk niet goed in de uit-stand vergrendeld, waardoor onbedoelde bediening kan plaatsvinden die kan leiden tot ernstig persoonlijk letsel.

⚠WAARSCHUWING: Gebruik het gereedschap NOOIT met een defecte trekschakelaar. Ieder gereedschap met een defecte trekschakelaar is UITERST GEVAARLIJK en moet worden gerepareerd voordat het gereedschap wordt gebruikt of ernstig persoonlijk letsel wordt veroorzaakt.

⚠WAARSCHUWING: Voor uw veiligheid is dit gereedschap voorzien van een uit-vergrendelknop die ongewild starten van het gereedschap voorkomt. **Gebruik het gereedschap NOOIT indien het gaat draaien wanneer u gewoon de trekschakelaar indrukt zonder de uit-vergrendelknop in te drukken.** Een trekschakelaar die moet worden gerepareerd kan leiden tot onbedoelde bediening en ernstig persoonlijk letsel. Breng het gereedschap naar een Makita-servicecentrum voor reparatie ALVORENS het verder te gebruiken.

⚠WAARSCHUWING: NOOIT de uit-vergrendelknop vastplakken of op een andere manier buiten werking stellen. Een trekschakelaar met een buiten werking gestelde uit-vergrendelknop kan leiden tot onbedoelde bediening en ernstig persoonlijk letsel.

KENNISGEVING: Druk de trekschakelaar niet hard in zonder dat de uit-vergrendelknop is ingedrukt. Hierdoor kan de schakelaar kapot gaan.

Een uit-vergrendelknop is aanwezig om te voorkomen dat de trekkerschakelaar per ongeluk wordt ingedrukt. Om het gereedschap te starten, drukt u de uit-vergrendelknop in en drukt u vervolgens de trekkerschakelaar in. Laat de trekkerschakelaar los om het gereedschap te stoppen.

De uit-vergrendelknop kan vanaf de linkerkant of de rechterkant worden ingedrukt.

In de trekkerschakelaar is een gat aangebracht waar een hangslot door past om het gereedschap af te sluiten.

- **Fig.28:** 1. Uit-vergrendelknop 2. Trekkerschakelaar
3. Gat voor hangslot

MONTAGE

⚠ WAARSCHUWING: Controleer altijd of het gereedschap is uitgeschakeld en de accu ervan is verwijderd voordat u aan het gereedschap gaat werken. Als u het gereedschap niet uitschakelt en de accu niet verwijderd, kan dat leiden tot ernstig persoonlijk letsel.

Opbergplaats van inbussleutel

De inbussleutel wordt bewaard op de plaats aangegeven in de afbeelding. Als u de inbussleutel nodig hebt, trekt u deze uit de sleutelhouder.

Na gebruik van de inbussleutel, plaatst u deze terug in de sleutelhouder.

► **Fig.29:** 1. Sleutelhouder 2. Inbussleutel

Het zaagblad aanbrengen en verwijderen

⚠ WAARSCHUWING: Zorg er altijd voor dat het gereedschap is uitgeschakeld en de accu is verwijderd, voordat u het zaagblad aanbrengt of verwijderd. Als het gereedschap per ongeluk start, kan dat leiden tot ernstig persoonlijk letsel.

⚠ LET OP: Gebruik voor het aanbrengen of verwijderen van het zaagblad uitsluitend de bijgeleverde Makita-inbussleutel. Doet u dit niet, dan kan de inbusbout te vast of te los worden aangedraaid. Dit kan leiden tot persoonlijk letsel.

Het cirkelzaagblad aanbrengen

1. Druk de aanslagpen in om het handvat in de bovenste positie te vergrendelen.

► **Fig.30:** 1. Aanslagpen

2. Gebruik de inbussleutel om de inbusbout, die de middenkap op haar plaats houdt, linksom los te draaien. Breng daarna de beschermkap en de middenkap omhoog.

► **Fig.31:** 1. Middenkap 2. Inbusbout 3. Inbussleutel 4. Beschermkap

3. Druk de asblokkering in om de as te vergrendelen en draai met de inbussleutel de inbusbout rechtsom los. Verwijder vervolgens de inbusbout en buitenflens.

► **Fig.32:** 1. Asblokkering 2. Inbusbout 3. Buitenflens

4. Breng het zaagblad zorgvuldig aan op de binnenflens. Zorg ervoor dat de richting van de pijl op het zaagblad overeenkomt met de richting van de pijl op het zaagbladhuis.

► **Fig.33:** 1. Buitenflens 2. Zaagblad 3. Binnenflens 4. Inbusbout (linkse schroefdraad) 5. As 6. Zaagblad-bevestigingsdeel

► **Fig.34:** 1. Zaagblad 2. Pijl

5. Monteer de buitenflens en de inbusbout, en draai daarna met de inbussleutel de inbusbout (linkse schroefdraad) van de as stevig linksom vast terwijl u de asblokkering ingedrukt houdt.

6. Breng de beschermkap en de middenkap terug naar hun oorspronkelijke positie. Draai daarna de inbusbout rechtsom vast om de middenkap vast te zetten.

7. Trek de aanslagpen naar buiten om de bovenste positie van het handvat te ontgrendelen. Breng het handvat omlaag om te controleren of de beschermkap goed beweegt.

8. Controleer voordat u begint te zagen of de asblokkering van de as niet langer vergrendelt.

Voor gereedschap met een binnenflens voor een zaagblad met een middengatdiameter van 15,88 mm

Afhankelijk van het land

Breng de binnenflens op de montageas aan met zijn verzonken zijde naar buiten gericht, en breng daarna het zaagblad (zo nodig met de ring bevestigd), de buitenflens en de inbusbout aan.

Voor gereedschap zonder de ring

► **Fig.35:** 1. Buitenflens 2. Zaagblad 3. Binnenflens 4. Inbusbout (linkse schroefdraad) 5. As

Voor gereedschap met de ring

► **Fig.36:** 1. Buitenflens 2. Zaagblad 3. Binnenflens 4. Inbusbout (linkse schroefdraad) 5. Ring 6. As

⚠ WAARSCHUWING: Als de ring nodig is om het zaagblad op de montageas aan te kunnen brengen, zorgt u er altijd voor dat de correcte ring voor het middengat van het te gebruiken zaagblad wordt aangebracht tussen de binnenflens en de buitenflens. Als de verkeerde middengatring wordt gebruikt, wordt het zaagblad mogelijk niet goed aangebracht, waardoor het zaagblad kan bewegen en sterke trillingen worden veroorzaakt met als gevolg dat u tijdens het gebruik de controle over het gereedschap kunt verliezen en ernstig persoonlijk letsel wordt veroorzaakt.

Voor gereedschap met een binnenflens voor een zaagblad met een andere middengatdiameter dan 20 mm of 15,88 mm

Afhankelijk van het land

De binnenflens heeft een zaagblad-bevestigingsdeel met een bepaalde diameter aan de ene kant, en aan de andere kant een zaagblad-bevestigingsdeel met een andere diameter. Kies de juiste kant van het zaagblad waarvan het zaagblad-bevestigingsdeel exact past in het middengat van het zaagblad.

► **Fig.37:** 1. Buitenflens 2. Zaagblad 3. Binnenflens 4. Inbusbout (linkse schroefdraad) 5. As 6. Zaagblad-bevestigingsdeel

⚠ LET OP: Zorg ervoor dat het zaagblad-bevestigingsdeel "a" op de binnenflens dat naar buiten is gericht, perfect past in het middengat "a" van het zaagblad. Als u het zaagblad op de verkeerde kant van de binnenflens aanbrengt, kunnen gevaarlijke trillingen het gevolg zijn.

Het zaagblad verwijderen

1. Druk de aanslagpen in om het handvat in de bovenste positie te vergrendelen.
2. Gebruik de inbusleutel om de inbusbout, die de middenkap op haar plaats houdt, linksom los te draaien. Breng daarna de beschermkap en de middenkap omhoog.
3. Druk de asblokkering in om de as te vergrendelen en draai met de inbusleutel de inbusbout rechtsom los. Verwijder vervolgens de inbusbout, de buitenflens en het zaagblad.

Als u het gereedschap opbergt, brengt u de buitenflens aan draait u de inbusbout met de hand licht vast om te voorkomen dat u hem verliest.

Een stofzuiger aansluiten

Wanneer u schoon wilt werken, sluit u een Makita-stofzuiger aan.

► Fig.38

Stofzak

Optioneel accessoire

Door de stofzak te gebruiken werkt u schoner en kan het zaagsel eenvoudiger worden opgeruimd.

Om de stofzak te bevestigen, monteert u hem op het mondstuk.

Om de sluitstrip te bevestigen, lijnt u de bovenrand van de sluitstrip uit met de driehoekmarkering op de stofzak. Wanneer de stofzak ongeveer halfvol is, maakt u hem los van het gereedschap en trekt u de sluitstrip eruit. Maak de stofzak leeg en tik er zachtjes op voor het verwijderen van achtergebleven stofdeeltjes die verdere stofopvang zouden kunnen belemmeren.

► Fig.39: 1. Stofzak 2. Mondstuk 3. Sluitstrip

Werkstuk vastklemmen

WAARSCHUWING: Het is uiterst belangrijk om het werkstuk altijd goed vast te klemmen in het juiste type spanschroef. Als u dat niet doet, kan dat leiden tot ernstig persoonlijk letsel en schade aan het gereedschap en/of het werkstuk.

WAARSCHUWING: Wanneer u een werkstuk zaagt dat langer is dan het voetstuk van de cirkelzaag, ondersteunt u de volledige lengte van het werkstuk buiten het voetstuk en op dezelfde hoogte zodat het werkstuk horizontaal blijft. Een goede ondersteuning van het werkstuk helpt voorkomen dat het zaagblad vastloopt en een mogelijke terugslag optreedt die kan leiden tot ernstig persoonlijk letsel. Vertrouw niet alleen op de verticale en/of horizontale spanschroef om het werkstuk op zijn plaats te houden. Dun materiaal hangt gemakkelijk door. Ondersteun het werkstuk over zijn hele lengte om vastklemmen van het zaagblad en mogelijke TERUGSLAG te voorkomen.

► Fig.40: 1. Steun 2. Draaibaar voetstuk

Verticale spanschroef

WAARSCHUWING: Tijdens alle bedieningen moet het werkstuk door de spanschroef stevig tegen het draaibaar voetstuk en de geleider worden gedrukt. Anders kan het materiaal tijdens het zagen bewegen, het zaagblad beschadigen en worden weggeslingerd, waardoor u de controle over het gereedschap kunt verliezen en ernstig persoonlijk letsel kan worden veroorzaakt.

Breng de verticale spanschroef aan de linkerzijde of rechterzijde van de geleider of de steunstanghouder aan. Steek de stang van de spanschroef in het gat in de geleider of steunstanghouder en draai de onderste schroef om de spanschroefstang vast te zetten.

► Fig.41: 1. Spanschroefarm 2. Spanschroefstang 3. Geleider 4. Steunstangen 5. Steunstanghouder 6. Spanschroefknop 7. Onderste schroef 8. Bovenste schroef

Zet de arm van de spanschroef in de positie die geschikt is voor de dikte en vorm van het werkstuk, en zet de arm vast door de bovenste schroef vast te draaien. Indien de bovenste schroef van de arm in aanraking komt met de geleider, moet u de bovenste schroef op de tegenovergestelde kant van de spanschroefarm aanbrengen. Controleer of geen enkel deel van het gereedschap in aanraking komt met de spanschroef wanneer het handvat volledig omlaag wordt gebracht en de zaagslede zo ver mogelijk wordt getrokken of geduwd. Indien dit wel het geval is, moet u de positie van de spanschroef veranderen.

Druk het werkstuk vlak tegen de geleider en het draaibaar voetstuk. Plaats het werkstuk in de gewenste zaagpositie en zet het stevig vast door de spanschroefknop vast te draaien.

Horizontale spanschroef

Optioneel accessoire

WAARSCHUWING: Zet het werkstuk alleen vast wanneer de indicator bovenaan staat. Als u dit niet doet, zal het werkstuk mogelijk niet goed vastgezet zijn. Het werkstuk kan dan weggeslingerd worden, wat kan leiden tot beschadiging van het zaagblad of verlies van controle over het gereedschap, waardoor persoonlijk letsel kan worden veroorzaakt.

► Fig.42: 1. Spanschroefknop 2. Indicator 3. Spanschroefas 4. Voetstuk

De horizontale spanschroef kan aan de linkerzijde van de gereedschapsvoet worden geïnstalleerd.

Door de knop van de spanschroef linksom te draaien wordt de spanschroef in de vrije stand gezet en kunt u de spanschroefas snel naar binnen en naar buiten bewegen. Door de spanschroefknop rechtsom te draaien wordt de spanschroef vastgezet.

Om het werkstuk vast te klemmen, draait u de spanschroefknop langzaam rechtsom totdat de indicator helemaal bovenaan staat, en daarna draait u de knop stevig vast. Wanneer de spanschroefknop naar binnen of naar buiten wordt getrokken terwijl u hem rechtsom draait, kan de indicator onder een hoek stoppen. In dit geval draait u de spanschroefknop terug linksom totdat de spanschroef los komt, en dan draait u hem weer langzaam rechtsom. De maximale breedte van de horizontale spanschroef is 120 mm.

Steunstangen en steunstanghouder

Optioneel accessoire

⚠ LET OP: Voor een gereedschap dat is uitgerust met steunstangen en steunstanghouders als standaard toebehoren, is dit type gebruik niet toegestaan volgens de regelgeving van het land.

⚠ WAARSCHUWING: Ondersteun een lang werkstuk altijd zodanig dat het horizontaal ligt met de draaibaar voetstuk om een nauwkeurige zaagsnede te verkrijgen en om gevaarlijk verlies van controle over het gereedschap te voorkomen. Een goede ondersteuning van het werkstuk helpt voorkomen dat het zaagblad vastloopt en een mogelijke terugslag optreedt die kan leiden tot ernstig persoonlijk letsel.

U kunt de steunstangen en de steunstanghouder (optioneel accessoire) aan beide zijden van het gereedschap aanbrengen als handig hulpmiddel om de werkstukken horizontaal te ondersteunen.

Steek ze in de zijkant van het gereedschap en draai daarna de schroeven stevig vast om ze te bevestigen.

► Fig.43: 1. Steunstangen 2. Steunstanghouder

Gebruik de steunstangen en steunstanghouder (optioneel accessoire) voor het zagen van lange werkstukken. Deze bestaat uit twee steunstanghouders en twee steunstangen 12.

► Fig.44: 1. Steunstanghouder 2. Steunstang 12

BEDIENING

⚠ WAARSCHUWING: Zorg ervoor dat het zaagblad niet in aanraking is met het werkstuk e.d. voordat u de trekschakelaar indrukt. Wanneer u het gereedschap inschakelt terwijl het zaagblad reeds het werkstuk aanraakt, kan dat leiden tot een terugslag en ernstig persoonlijk letsel.

⚠ WAARSCHUWING: Nadat u klaar bent met zagen mag u het handvat pas omhoog brengen nadat het zaagblad volledig tot stilstand is gekomen. Als u het handvat omhoog brengt terwijl het zaagblad nog ronddraait, kan dat leiden tot ernstig persoonlijk letsel en schade aan het werkstuk.

⚠ WAARSCHUWING: Raak terwijl het zaagblad draait de klem Schroeven niet aan waarmee de sledestangen zijn vergrendeld. Anders kunt u de controle over het gereedschap verliezen waardoor persoonlijk letsel kan ontstaan.

⚠ LET OP: Laat de zaagkop niet ongecontroleerd los vanuit de laagste stand. De ongecontroleerde zaagkop kan tegen u aan komen waardoor persoonlijk letsel zal ontstaan.

KENNISGEVING: Voordat u het gereedschap inschakelt, dient u het handvat uit zijn onderste positie te halen door de aanslagpen naar buiten te trekken.

KENNISGEVING: Oefen tijdens het zagen geen overmatige druk op het handvat uit. Wanneer u te hard drukt, kan de motor overbelast raken en/of de zaagefficiëntie afnemen. Druk alleen zo hard als nodig is voor soepel zagen zonder dat het toerental van het zaagblad aanzienlijk vermindert.

KENNISGEVING: Druk het handvat zachtjes naar beneden om te zagen. Als u het handvat met kracht omlaag drukt of zijwaartse druk erop uitoefent, kan het zaagblad gaan trillen en een vlek (brandplek) op het werkstuk achterlaten, en kan ook de zaagsnede minder nauwkeurig zijn.

KENNISGEVING: Voor schuivend zagen duwt u de zaagslede langzaam en zonder te stoppen naar de geleider. Als de beweging van de slede tijdens het zagen wordt onderbroken, kan een vlek op het werkstuk ontstaan en kan de zaagsnede minder nauwkeurig zijn.

Rechtzagen (zagen van kleine werkstukken)

⚠ WAARSCHUWING: Draai de twee klem-schroeven die de sledestangen vergrendelen stevig rechtsom vast zodat de slede niet kan bewegen tijdens het gebruik. Door een onvoldoende vast aangedraaide borgschroef kan een terugslag worden veroorzaakt, wat kan leiden tot ernstig persoonlijk letsel.

► Fig.45: 1. Vleugelschroef 2. Steunstanghouder

Werkstukken tot 52 mm hoog en 97 mm breed kunnen op de volgende manier worden gezaagd:

1. Duw de slede zo ver mogelijk naar de geleider en zet de slede vast door de twee klem Schroeven van de sledestangen rechtsom vast te draaien.
2. Klem het werkstuk vast met het juiste type spanschroef.
3. Schakel het gereedschap in zonder dat het zaagblad met het werkstuk in contact is, en wacht totdat het zaagblad op maximaal toerental draait.
4. Breng het handvat langzaam omlaag naar de laagste positie om het werkstuk te zagen.
5. Nadat de zaagsnede klaar is, schakelt u het gereedschap uit en wacht u tot het zaagblad volledig tot stilstand is gekomen voordat u het zaagblad omhoog brengt tot in de hoogste positie.

Schuivend (duwend) zagen (zagen van brede werkstukken)

⚠ WAARSCHUWING: Bij het schuivend zagen, trekt u eerst de slede helemaal naar u toe en brengt u het handvat helemaal omlaag, waarna u de slede helemaal naar de geleider duwt. Begin nooit met zagen zonder de slede helemaal naar u toe te trekken. Als u schuivend zaagt zonder dat de slede helemaal naar u toe is getrokken, kan een onverwachte terugslag optreden die kan leiden tot ernstig persoonlijk letsel.

⚠ WAARSCHUWING: Probeer nooit schuivend te zagen terwijl u de slede naar u toe trekt. Door de slede zegend naar u toe te trekken, kan een onverwachte terugslag optreden die kan leiden tot ernstig persoonlijk letsel.

⚠ WAARSCHUWING: Schuivend zagen mag nooit worden uitgevoerd terwijl het handvat in de laagste positie is vergrendeld.

⚠ WAARSCHUWING: Draai de vastzetknop van de slede nooit los terwijl het zaagblad nog draait. Een losse slede tijdens het zagen kan een onverwachte terugslag veroorzaken die kan leiden tot ernstig persoonlijk letsel.

► **Fig.46:** 1. Vleugelschroef 2. Steunstanghouder

1. Draai de twee klemschroeven van de sledestangen linksom los zodat de slede vrij kan schuiven.
2. Klem het werkstuk vast met het juiste type spanschroef.
3. Trek de slede helemaal naar u toe.
4. Schakel het gereedschap in zonder dat het zaagblad met het werkstuk in contact is en wacht totdat het zaagblad op maximaal toerental draait.
5. Duw het handvat omlaag en **duw de slede zo ver mogelijk naar de geleider en door het werkstuk.**
6. Nadat de zaagsnede klaar is, schakelt u het gereedschap uit en **wacht u tot het zaagblad volledig tot stilstand is gekomen** voordat u het zaagblad omhoog brengt tot in de hoogste positie.

Verstekzagen

Raadpleeg het tekstdeel over het afstellen van de verstekhoek.

Schuin zagen

⚠ WAARSCHUWING: Nadat het zaagblad is ingesteld op een schuine snede, controleert u voordat u begint te zagen of de slede en het zaagblad vrij kunnen bewegen over de hele lengte van de te maken zaagsnede. Wanneer de beweging van de slede of het zaagblad tijdens het zagen wordt onderbroken, kan een terugslag worden veroorzaakt die kan leiden tot ernstig persoonlijk letsel.

⚠ WAARSCHUWING: Houd bij het maken van een schuine snede uw handen uit de buurt van het pad van het zaagblad. De hoek van het zaagblad kan verwarrend werken op de gebruiker met betrekking tot het werkelijke zaagpad dat tijdens het zagen beschreven wordt, en aanraking van het zaagblad zal leiden tot ernstig persoonlijk letsel.

⚠ WAARSCHUWING: Het zaagblad mag niet omhoog gebracht worden voordat het volledig tot stilstand is gekomen. Tijdens het zagen van een schuine snede kan het afgezaagde deel van het werkstuk tegen het zaagblad aanliggen. Als het zaagblad omhoog wordt gebracht terwijl het nog rond-draait, kan het afgezaagde deel door het zaagblad weggeslingerd worden waardoor het uiteenvalt en ernstig persoonlijk letsel kan veroorzaken.

⚠ LET OP: (Alleen voor gereedschappen met een hulpgeleider.) **Wanneer u een linker schuine zaagsnede maakt, klapt u altijd de hulpgeleider naar buiten.**

► **Fig.47:** 1. Steunstanghouder

1. Draai de hendel los en zet het zaagblad schuin om de schuine hoek in te stellen (zie "Instellen van de schuine hoek" hierboven). Draai daarna de hendel weer stevig vast om de gekozen schuine hoek goed vast te houden.
2. Zet het werkstuk vast met een spanschroef.
3. Trek de slede helemaal naar u toe.
4. Schakel het gereedschap in zonder dat het zaagblad met het werkstuk in contact is en wacht totdat het zaagblad op maximaal toerental draait.
5. Breng dan het handvat langzaam omlaag naar de laagste positie terwijl u druk uitoefent parallel aan het zaagblad en **duw de slede zo ver mogelijk naar de geleider om het werkstuk te zagen.**
6. Nadat de zaagsnede klaar is, schakelt u het gereedschap uit en **wacht u tot het zaagblad volledig tot stilstand is gekomen** voordat u het zaagblad omhoog brengt tot in de hoogste positie.

KENNISGEVING: Wanneer u het handvat omlaag drukt, dient u druk uit te oefenen evenwijdig met het zaagblad. Indien u verticale druk op het draaibaar voetstuk uitoefent of de drukrichting tijdens het zagen verandert, zal de zaagsnede minder nauwkeurig zijn.

Gecombineerd zagen

Gecombineerd zagen betekent dat het werkstuk tegelijk met een schuine hoek en een verstekhoek wordt gezaagd. Gecombineerd zagen is mogelijk voor de hoeken aangegeven in de onderstaande tabel.

Verstekhoek	Schuine hoek
Links en Rechts 45°	Links 0° - 45°
Rechts 50°	Links 0° - 40°
Rechts 55°	Links 0° - 30°
Rechts 57°	Links 0° - 25°

Voor de bedieningen voor gecombineerd zagen, zie de beschrijvingen onder "Rechtzagen", "Schuivend zagen", "Verstekzagen" en "Schuin zagen".

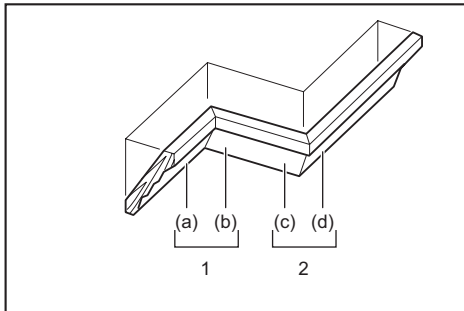
Kroon-profiellijsten en kwarthol-profiellijsten zagen

Kroon-profiellijsten en kwarthol-profiellijsten kunnen worden gezaagd op een gecombineerd-verstekzaag waarbij de sierlijsten plat op het draaibaar voetstuk liggen.

Er zijn twee veelvoorkomende typen kroon-profiellijsten en één veelvoorkomend type kwarthol-profiellijsten: kroon-profiellijsten met een wandhoek van 52/38°, kroon-profiellijsten met een wandhoek van 45°, en kwarthol-profiellijsten met een wandhoek van 45°.

► **Fig.48:** 1. Kroon-profiellijst met een wandhoek van 52/38° 2. Kroon-profiellijst met een wandhoek van 45° 3. Kwarthol-profiellijst met een wandhoek van 45°

Er zijn verbindingen van kroon-profiellijsten en van kwarthol-profiellijsten die passen in binnenhoeken van 90° (zie (a) en (b) in de afb.), en om buitenboeken van 90° (zie (c) en (d) in de afb.).



1. Binnenhoek 2. Buitenhoek

► **Fig.49:** 1. Binnenhoek 2. Buitenhoek

Opmeten

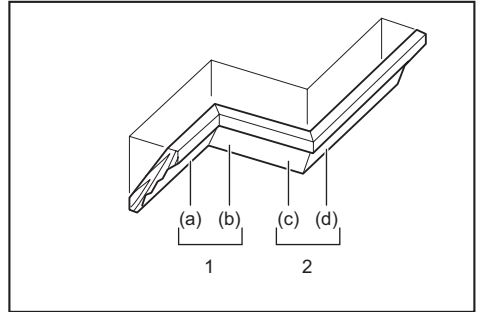
Meet de breedte van de wand, en pas de breedte van het werkstuk daarop aan. Zorg er altijd voor dat de breedte van het raakvlak met de wand van het werkstuk hetzelfde is als de breedte van de wand.

► **Fig.50:** 1. Werkstuk 2. Breedte van de wand 3. Breedte van het werkstuk 4. Raakvlak met de wand

Gebruik altijd meerdere proefwerkstukken om de benodigde zaaghoek te controleren.

Bij het zagen van kroon-profiellijsten en kwarthol-profiellijsten stelt u de verstekhoek en schuine hoek in, zoals aangegeven in tabel (A), en legt u de sierlijst op het bovenoppervlak van het draaibaar voetstuk, zoals aangegeven in tabel (B).

Voor een linker schuine zaagsnede



1. Binnenhoek 2. Buitenhoek

Tabel (A)

-	Gedeelte van de profiellijst in de afbeelding	Schuine hoek		Verstekhoek	
		Hoek 52/38°	Hoek 45°	Hoek 52/38°	Hoek 45°
Binnenhoek	(a)	Links 33,9°	Links 30°	Rechts 31,6°	Rechts 35,3°
	(b)			Links 31,6°	Links 35,3°
Buitenhoek	(c)			Rechts 31,6°	Rechts 35,3°
	(d)				

Tabel (B)

-	Gedeelte van de profiellijst in de afbeelding	Kant van de sierlijst die tegen de geleider moet liggen	Afgewerkt werkstuk
Binnenhoek	(a)	Kant die tegen het plafond komt moet tegen de geleider liggen.	Het afgewerkte werkstuk ligt aan de linkerkant van het zaagblad.
	(b)	Kant die tegen de wand komt moet tegen de geleider liggen.	
Buitenhoek	(c)	Kant die tegen het plafond komt moet tegen de geleider liggen.	Het afgewerkte werkstuk ligt aan de rechterkant van het zaagblad.
	(d)	Kant die tegen de wand komt moet tegen de geleider liggen.	

Voorbeeld:

In het geval u een kroon-profiellijst zaagt van het type 52/38° voor gedeelte (a) in de bovenstaande afbeelding:

- Kantel de zaag naar de stand voor een schuine hoek van 33,9° LINKS.
- Stel een verstekhoek in van 31,6° RECHTS.
- Leg de kroon-profiellijst op het gereedschap met de achterkant (verborgen) naar onderen gericht op het draaibaar voetstuk en de KANT DIE TEGEN HET PLAFOND KOMT tegen de geleider.
- Het afgewerkte werkstuk dat u gaat gebruiken ligt altijd LINKS van het zaagblad nadat het zagen klaar is.

Aluminiumprofielen zagen

► **Fig.51:** 1. Spanschroef 2. Vulblok 3. Geleider 4. Aluminiumprofiel 5. Vulblok

Als u een aluminiumprofiel wilt vastklemmen in de spanschroef, maakt u gebruik van vulblokken of stukken afvalhout, zoals aangegeven in de afbeelding, om te voorkomen dat het aluminiumprofiel vervormt. Gebruik snijolie als smeermiddel bij het zagen van een aluminiumprofiel om te voorkomen dat aluminiumspijlsel zich op het zaagblad ophoopt.

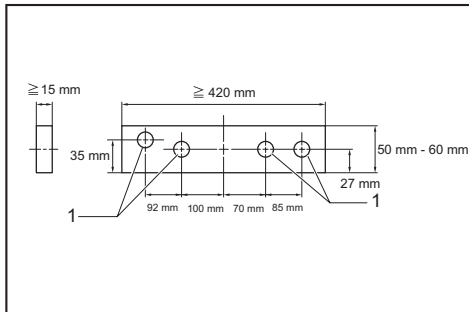
⚠ LET OP: Probeer nooit dikke aluminiumprofielen of ronde aluminiumpijpen te zagen. Dikke aluminiumprofielen kunnen losschieten tijdens het zagen en ronde aluminiumprofielen kunnen niet stevig worden vastgeklemd in dit gereedschap.

Houten bekleding

⚠ WAARSCHUWING: Bevestig het houten hulpstuk aan de geleider met behulp van schroeven. De schroeven moeten zodanig worden gemonteerd dat de schroefkoppen onder het oppervlak van het houten hulpstuk vallen zo dat ze niet in de weg zitten van het werkstuk dat wordt gezaagd. Als het werkstuk dat wordt gezaagd verkeerd is uitgelijnd, kan het tijdens het zagen onverwacht gaan bewegen, wat kan leiden tot verlies van controle over het gereedschap en ernstig persoonlijk letsel.

⚠ LET OP: Gebruik als houten hulpstuk een recht stuk hout van gelijke dikte.

Het gebruik van een houten hulpstuk helpt om splinter-vrije sneden te krijgen. Gebruik de gaten in de geleider om een houten hulpstuk aan de geleider te bevestigen. Zie de afbeelding voor de afmetingen van een dergelijk houten hulpstuk.



1. Gaten

KENNISGEVING: Als de houten bekleding op de geleider is bevestigd, mag u het draaibaar voetstuk niet meer draaien terwijl het handvat omhoog staat. Als u dit doet, kan het zaagblad en/of het houten hulpstuk worden beschadigd.

Steeds dezelfde lengte afzagen

⚠ LET OP: Voor een gereedschap dat is uitgerust met steunstangen en steunstanghouders als standaard toebehoren, is dit type gebruik niet toegestaan volgens de regelgeving van het land.

Als u meerdere werkstukken op dezelfde lengte wilt afzagen, van 220 mm tot 385 mm, gebruikt u de aanzetplaat (optioneel accessoire). Monteer de aanzetplaat op de steunstang (optioneel accessoire) zoals afgebeeld.

► **Fig.52:** 1. Aanzetplaat 2. Steunstangen 3. Schroef

Breng de zaaglijn op uw werkstuk op één lijn met de linkerzijde of de rechterzijde van de groef in de zaagsnedeplaat. Houd het werkstuk vast zodat het niet kan bewegen, en plaats de aanzetplaat vlak tegen het einde van het werkstuk. Zet daarna de aanzetplaat vast met de schroef.

Wanneer u de aanzetplaat niet gebruikt, draait u de schroef los en draait u de aanzetplaat uit de weg.

OPMERKING: Door de steunstangen en steunstanghouder (optioneel accessoire) te gebruiken kunt u stukken van dezelfde lengte van ongeveer maximaal 2.200 mm zagen.

Groeven zagen

⚠ WAARSCHUWING: Probeer niet dit type zaagsnede uit te voeren met een breder zaagblad of sokkelzaagblad. Als u probeert een groef te zagen met een breder zaagblad of een sokkelzaagblad, kan dat resulteren in een onverwacht zaagresultaat en een terugslag die kan leiden tot ernstig persoonlijk letsel.

⚠ WAARSCHUWING: Breng de aanslagarm terug naar zijn oorspronkelijke positie voor andere zaagbedieningen dan het zagen van groeven. Als u een zaagsnede probeert te zagen met de aanslagarm in de verkeerde positie, kan dat resulteren in een onverwacht zaagresultaat en een terugslag die kan leiden tot ernstig persoonlijk letsel.

U kunt als volgt een groef in een werkstuk zagen:

1. Stel de laagste positie van het cirkelzaagblad in met behulp van de stelschroef en de aanslagarm, om de zaagdiepte van het cirkelzaagblad te beperken. Raadpleeg het tekstdeel over de aanslagarm.
2. Nadat de laagste positie van het cirkelzaagblad is ingesteld, kunt u evenwijdige groeven over de breedte van het werkstuk zagen met behulp van schuivend (duwend) zagen.
► **Fig.53:** 1. Groeven zagen met het zaagblad
3. Verwijder het werkstukmateriaal tussen de groeven met behulp van een beetel.

Het gereedschap dragen

⚠ WAARSCHUWING: De aanslagen is uitsluitend bedoeld te worden gebruikt tijdens het dragen en bewaren van het gereedschap, en mag nooit worden gebruikt tijdens het zagen. Het gebruik van de aanslagen tijdens het zagen kan leiden tot onverwachte bewegingen van het zaagblad, wat kan leiden tot een terugslag en ernstig persoonlijk letsel.

⚠ LET OP: Zet alle bewegende onderdelen vast alvorens het gereedschap te dragen. Als tijdens het dragen onderdelen van het gereedschap bewegen of verschuiven, kunt u uw balans of de controle over het gereedschap verliezen, wat kan leiden tot persoonlijk letsel.

► **Fig.54**

1. Verwijder de accu.
2. Zet het zaagblad vast op een schuine hoek van 0° en het draaibaar voetstuk op de maximale verstekhoek naar rechts.
3. Zet de sledestangen zodanig vast dat de onderste sledestang is vergrendeld in de stand waarbij de slede geheel naar de gebruiker is getrokken, en de bovenste sledestangen zijn vergrendeld in de stand waarbij de slede geheel naar voren is getrokken in de richting van de geleider.

4. Breng het handvat volledig omlaag en vergrendel het in de laagste positie door de aanslagen in te drukken.

5. Draag het gereedschap door beide zijden van de gereedschapsvoet vast te houden. Het gereedschap is gemakkelijker om te dragen wanneer u de steunstanden, stofzak, enz., ervan verwijdert.

ONDERHOUD

⚠ WAARSCHUWING: Zorg altijd dat het zaagblad scherp en schoon is om optimale en veilige prestaties te krijgen. Als u probeert te zagen met een bot en/of vuil zaagblad, kan een terugslag optreden die kan leiden tot ernstig persoonlijk letsel.

⚠ LET OP: Zorg altijd dat het gereedschap is uitgeschakeld en de accu ervan is verwijderd alvorens te beginnen met onderhoud of inspectie.

KENNISGEVING: Gebruik nooit benzine, wasbenzine, thinner, alcohol en dergelijke. Hierdoor kunnen verkleuring, vervormingen en barsten worden veroorzaakt.

Afstellen van de zaaghoek

Dit gereedschap werd in de fabriek nauwkeurig afgesteld en uitgelijnd, maar door ruwe behandeling kan de uitlijning ervan verslechterd zijn. Doe het volgende indien uw gereedschap niet meer juist is uitgelijnd:

Verstekhoek

1. Duw de slede naar de geleider toe en draai twee klemmschroeven vast om de slede vast te zetten.
2. Draai het draaibaar voetstuk tot de wijzer 0° aanwijst op de verstekschaal.
3. Draai het draaibaar voetstuk een beetje naar rechts en naar links zodat hij in de inkeping voor 0° verstek komt te zitten. (Laat het draaibaar voetstuk staan zoals hij dan staat, ook als de wijzer niet 0° aanwijst.)
4. Draai de inbusbouten waarmee de geleider is bevestigd los met behulp van de inbusleutel.
► **Fig.55:** 1. Geleider 2. Inbusbout
5. Breng het handvat volledig omlaag en vergrendel het in de laagste positie door de aanslagen in te drukken.
6. Stel de geleider af tot deze haaks staat ten opzichte van het zaagblad met behulp van een geodriehoek, winkelhaak, enz. Draai vervolgens de inbusbouten van de geleider op volgorde vast vanaf de rechterkant.
► **Fig.56:** 1. Geodriehoek 2. Geleider
7. Zorg ervoor dat de wijzer 0° aanwijst op de verstekschaal. Indien de wijzer niet 0° aanwijst, draait u de bevestigingsschroef van de wijzer los en stelt u de wijzer juist in zodat hij 0° aanwijst.
► **Fig.57:** 1. Schroef 2. Verstekschaal 3. Wijzer

Schuine hoek

Schuine hoek van 0°

► **Fig.58:** 1. Hendel 2. Armhouder 3. Stelbout voor schuine hoek van 0° 4. Arm 5. Ontgrendelknop

1. Duw de slede naar de geleider toe en draai twee klemschroeven vast om de slede vast te zetten.
2. Breng het handvat volledig omlaag en vergrendel het in de laagste positie door de aanslagpen in te drukken.
3. Draai de hendel op de achterkant van het gereedschap los.
4. Draai de stelbout voor een schuine hoek van 0° (onderste bout) aan de rechterzijde van de arm twee of drie slagen linksom om het zaagblad naar rechts te kantelen.
5. Draai de stelbout voor een schuine hoek van 0° voorzichtig rechtsom tot de zijkant van het zaagblad haaks staat ten opzichte van het bovenoppervlak van het draaibare voetstuk. Gebruik een geodriehoek, winkelhaak, enz., als hulpmiddel. Draai daarna de hendel stevig vast.

► **Fig.59:** 1. Geodriehoek 2. Zaagblad 3. Bovenoppervlak van draaibaar voetstuk

6. Zorg ervoor dat de wijzer op de arm 0° aanwijst op de schuine-hoekschaal. Als hij niet 0° aanwijst, draait u de bevestigingsschroef van de wijzer los en stelt u de wijzer juist in zodat hij 0° aanwijst.

► **Fig.60:** 1. Schuine-hoekschaal 2. Wijzer 3. Schroef

Schuine hoek van 45°

► **Fig.61:** 1. Stelbout voor linker schuine hoek van 45°

Stel de schuine hoek van 45° pas in nadat de schuine hoek van 0° is ingesteld.

1. Draai de hendel los en kantel het zaagblad helemaal naar links.
2. Zorg ervoor dat de wijzer op de arm 45° aanwijst op de schuine-hoekschaal. Als de wijzer niet 45° aanwijst, draait u de stelbout voor een schuine hoek van 45° (bovenste bout) aan de rechterzijde van de arm totdat de wijzer 45° aanwijst.

Na het gebruik

Veeg na gebruik alle zaagsel en stof op het gereedschap eraf met een doek of iets dergelijks. Houd de beschermkap schoon volgens de instructies die in de paragraaf "Beschermkap" werden beschreven. Smeer de schuivende delen in met machineolie om roestvorming te voorkomen.

Wanneer u de machine opbergt, moet u de slede zo ver mogelijk naar u toe trekken zodat de sledestangen helemaal in het draaibaar voetstuk komen te zitten.

Om de VEILIGHEID en BETROUWBAARHEID van het gereedschap te handhaven, dienen alle reparaties, onderhoud of afstellingen te worden uitgevoerd bij een erkend Makita-servicecentrum of de Makita-fabriek, en altijd met gebruik van Makita-vervangingsonderdelen.

OPTIONELE ACCESSOIRES

⚠WAARSCHUWING: Deze Makita-accessoires of hulpstukken worden aanbevolen voor gebruik met het Makita-gereedschap dat in deze gebruiksaanwijzing is beschreven. Het gebruik van enige andere accessoires of hulpstukken kan leiden tot ernstig persoonlijk letsel.

⚠WAARSCHUWING: Gebruik de Makita-accessoires of -hulpstukken uitsluitend voor de aangegeven gebruiksdoeleinden. Misbruik van een accessoire of hulpstuk kan leiden tot ernstig persoonlijk letsel.

Wenst u meer bijzonderheden over deze accessoires, neem dan contact op met het plaatselijke Makita-servicecentrum.

- Hardmetalen zaagbladen (Raadpleeg onze website of neem contact op met uw plaatselijke Makita-dealer voor de correcte zaagbladen die moeten worden gebruikt voor het te zagen materiaal.)
- Spanschroef, compleet (horizontale spanschroef)
- Verticale spanschroef
- Steunstanghouder
- Steunstangen en steunstanghouder
- Aanzetplaat
- Stofzak
- Geodriehoek
- Inbussleutel
- Originele Makita accu's en acculaders

OPMERKING: Sommige items op de lijst kunnen zijn inbegrepen in de doos van het gereedschap als standaard toebehoren. Deze kunnen van land tot land verschillen.

ESPECIFICACIONES

Modelo:	DLS714
Diámetro del disco	190 mm
Diámetro del agujero (eje) (específico para cada país)	20 mm o 15,88 mm
Grosor máximo de la hendidura del disco	2,2 mm
Ángulo de inglete máximo	Izquierdo 47°, Derecho 57°
Ángulo de bisel máximo	Izquierdo 45°, Derecho 5°
Velocidad en vacío	5.700 min ⁻¹
Dimensiones (La x An x Al)	655 mm x 430 mm x 445 mm
Tensión nominal	36 V CC
Peso neto	14,4 - 14,7 kg

- Debido a nuestro continuado programa de investigación y desarrollo, las especificaciones aquí dadas están sujetas a cambios sin previo aviso.
- Las especificaciones pueden ser diferentes de país a país.
- El peso puede variar dependiendo del accesorio(s), incluyendo el cartucho de batería. La combinación menos pesada y la más pesada, de acuerdo con el procedimiento EPTA 01/2014, se muestran en la tabla.

Cartucho de batería y cargador aplicables

Cartucho de batería	BL1815N / BL1820B / BL1830B / BL1840B / BL1850B / BL1860B
Cargador	DC18RC / DC18RD / DC18RE / DC18SD / DC18SE / DC18SF / DC18SH / DC18WC

- Algunos de los cartuchos de batería y cargadores indicados arriba puede que no estén disponibles dependiendo de su región de residencia.

⚠ ADVERTENCIA: Utilice solamente los cartuchos de batería y cargadores listados arriba. La utilización de cualquier otro cartucho de batería y cargador puede ocasionar heridas y/o un incendio.

Capacidades de corte (Al x An) con disco de 190 mm de diámetro

Ángulo de inglete	Ángulo de bisel		
	45° (izquierdo)	0°	5° (derecho)
0°	40 mm x 300 mm	52 mm x 300 mm	40 mm x 300 mm
	45 mm x 265 mm (NOTA 1)	60 mm x 265 mm (NOTA 1)	–
45° (izquierdo y derecho)	40 mm x 212 mm	52 mm x 212 mm	–
	45 mm x 185 mm (NOTA 2)	60 mm x 185 mm (NOTA 2)	–
57° (derecho)	–	52 mm x 163 mm	–
	–	60 mm x 145 mm (NOTA 3)	–

1. Capacidad de corte máxima cuando se utiliza una guarnición de madera de 20 mm de grosor
2. Capacidad de corte máxima cuando se utiliza una guarnición de madera de 15 mm de grosor
3. Capacidad de corte máxima cuando se utiliza una guarnición de madera de 10 mm de grosor

Símbolos

A continuación se muestran los símbolos que pueden ser utilizados para el equipo. Asegúrese de que entienda su significado antes de utilizar.



Lea el manual de instrucciones.



Para evitar heridas causadas por restos que salen volando, siga sujetando el cabezal de la sierra en posición bajada, después de hacer cortes, hasta que el disco se haya parado completamente.



Cuando vaya a realizar un corte de deslizamiento, primero tire del carro completamente y presione hacia abajo la empuñadura, después empuje el carro hacia la guía lateral.



No ponga la mano o los dedos cerca del disco.



Ponga siempre la GUÍA SECUNDARIA en la posición izquierda cuando realice cortes de bisel izquierdo. En caso contrario el operario podrá sufrir heridas graves.



Ni-MH
Li-ion

Sólo para países de la Unión Europea Debido a la presencia de componentes peligrosos en el equipo, el equipo eléctrico y electrónico, los acumuladores y las baterías desechados pueden tener un impacto negativo para el medioambiente y la salud humana.

¡No tire los aparatos eléctricos y electrónicos ni las baterías junto con los residuos domésticos!

De conformidad con las Directivas Europeas sobre residuos de aparatos eléctricos y electrónicos y sobre acumuladores y baterías y residuos de acumuladores y baterías, así como la adaptación de las mismas a la ley nacional, el equipo eléctrico, las baterías y los acumuladores desechados deberán ser almacenados por separado y trasladados a un punto distinto de recogida de desechos municipales, que cumpla con los reglamentos sobre protección medioambiental.

Esto se indica mediante el símbolo de cubo de basura tachado colocado en el equipo.

Uso previsto

La herramienta ha sido prevista para hacer cortes precisos rectos y de inglete en madera. No utilice la sierra para cortar otra cosa que no sea madera, aluminio y materiales similares.

Ruido

El nivel de ruido A-ponderado típico determinado de acuerdo con la norma EN62841-3-9:

Nivel de presión sonora (L_{pA}): 88 dB (A)

Nivel de potencia sonora (L_{WA}): 97 dB (A)

Error (K): 3 dB (A)

NOTA: El valor (o los valores) de emisión de ruido declarado ha sido medido de acuerdo con un método de prueba estándar y se puede utilizar para comparar una herramienta con otra.

NOTA: El valor (o valores) de emisión de ruido declarado también se puede utilizar en una valoración preliminar de exposición.

⚠️ ADVERTENCIA: Póngase protectores para oídos.

⚠️ ADVERTENCIA: La emisión de ruido durante la utilización real de la herramienta eléctrica puede variar del valor (o los valores) de emisión declarado dependiendo de las formas en las que la herramienta sea utilizada, especialmente qué tipo de pieza de trabajo se procesa.

⚠️ ADVERTENCIA: Asegúrese de identificar medidas de seguridad para proteger al operario que estén basadas en una estimación de la exposición en las condiciones reales de utilización (teniendo en cuenta todas las partes del ciclo operativo como las veces cuando la herramienta está apagada y cuando está funcionando en vacío además del tiempo de gatillo).

Vibración

El valor total de la vibración (suma de vectores triaxiales) determinado de acuerdo con la norma EN62841-3-9:

Emisión de vibración (a_{h1}): 2,5 m/s² o menos

Error (K): 1,5 m/s²

NOTA: El valor (o los valores) total de emisión de vibración declarado ha sido medido de acuerdo con un método de prueba estándar y se puede utilizar para comparar una herramienta con otra.

NOTA: El valor (o los valores) total de emisión de vibración declarado también se puede utilizar en una valoración preliminar de exposición.

⚠️ ADVERTENCIA: La emisión de vibración durante la utilización real de la herramienta eléctrica puede variar del valor (o los valores) de emisión declarado dependiendo de las formas en las que la herramienta sea utilizada, especialmente qué tipo de pieza de trabajo se procesa.

⚠️ ADVERTENCIA: Asegúrese de identificar medidas de seguridad para proteger al operario que estén basadas en una estimación de la exposición en las condiciones reales de utilización (teniendo en cuenta todas las partes del ciclo operativo como las veces cuando la herramienta está apagada y cuando está funcionando en vacío además del tiempo de gatillo).

Declaraciones de conformidad

Para países europeos solamente

Las declaraciones de conformidad están incluidas como Anexo A de este manual de instrucciones.

ADVERTENCIAS DE SEGURIDAD

Advertencias de seguridad para herramientas eléctricas en general

⚠ADVERTENCIA Lea todas las advertencias de seguridad, instrucciones, ilustraciones y especificaciones provistas con esta herramienta eléctrica. Si no sigue todas las instrucciones indicadas abajo, podrá resultar en una descarga eléctrica, un incendio y/o heridas graves.

Guarde todas las advertencias e instrucciones para futuras referencias.

El término "herramienta eléctrica" en las advertencias se refiere a su herramienta eléctrica de funcionamiento con conexión a la red eléctrica (con cable) o herramienta eléctrica de funcionamiento a batería (sin cable).

Instrucciones de seguridad para las sierras de inglete

1. **Las sierras de inglete han sido previstas para cortar madera o productos semejantes a la madera, no han sido previstas para ser utilizadas con muelas de corte abrasivas para cortar materiales ferrosos tales como barras, vástagos, espárragos roscados, etc.** El polvo abrasivo ocasiona que las partes móviles tal como el protector inferior se atasquen. Las chispas del corte abrasivo quemarán el protector inferior, la inserción de hendidura y otras partes de plástico.
2. **Utilice abrazaderas para sostener la pieza de trabajo siempre que sea posible. Si sostiene la pieza de trabajo con la mano, deberá mantener la mano siempre a al menos 100 mm de cualquiera de los lados del disco. No utilice esta sierra para cortar piezas que sean demasiado pequeñas para ser fijadas firmemente o sujetadas con la mano.** Si pone la mano demasiado cerca del disco, aumentará el riesgo de heridas producidas por el contacto con el disco.
3. **La pieza de trabajo debe estar inmóvil y fijada o sujeta contra la guía y la mesa. No avance la pieza de trabajo hacia el disco o corte "a pulso" de ninguna forma.** Las piezas de trabajo sin sujetar o moviéndose pueden ser lanzadas a grandes velocidades, causando heridas.
4. **Empuje la sierra a través de la pieza de trabajo. No tire de la sierra a través de la pieza de trabajo. Para hacer un corte, suba el cabezal de la sierra y tire de él hacia afuera por encima de la pieza de trabajo sin cortarla, ponga en marcha el motor, presione el cabezal de la sierra hacia abajo y empuje la sierra a través de la pieza de trabajo.** El cortar cuando se tira de la sierra es probable que ocasione que el disco se suba encima de la pieza de trabajo y lance violentamente el conjunto del disco hacia el operario.

5. **No cruce nunca la mano sobre la línea de corte prevista ya sea por delante o por detrás del disco.** El sostener la pieza de trabajo con la "mano cruzada", por ejemplo, sujetando la pieza de trabajo por la derecha del disco con la mano izquierda o viceversa es muy peligroso.

► Fig.1

6. **No extienda ninguna de las manos por detrás de la guía hasta más cerca de 100 mm de cualquiera de los lados del disco, para retirar restos de madera, o por cualquier otra razón mientras el disco está girando.** La proximidad a su mano del disco girando puede no ser obvia y usted se puede herir gravemente.
7. **Inspeccione su pieza de trabajo antes de cortar. Si la pieza de trabajo está curvada o combada, fjela con la cara curvada exterior hacia la guía. Asegúrese siempre de que no hay holgura entre la pieza de trabajo, la guía y la mesa a lo largo de la línea del corte.** Las piezas de trabajo curvadas o combadas se pueden retorcer o cambiar de posición y pueden ocasionar que el disco girando se trabe mientras corta. No debe haber clavos u objetos extraños en la pieza de trabajo.
8. **No utilice la sierra hasta que la mesa esté despejada de todas las herramientas, restos de madera, etc., excepto la pieza de trabajo.** Los restos pequeños o trozos de madera sueltos u otros objetos que entren en contacto con el disco mientras está girando pueden salir lanzados a gran velocidad.
9. **Corte solamente una pieza de trabajo al mismo tiempo.** Múltiples piezas de trabajo apiladas no se pueden fijar o sujetar debidamente y se pueden trabar en el disco o cambiar de posición durante el corte.
10. **Asegúrese de que la sierra de inglete está montada o colocada sobre una superficie de trabajo nivelada y firme antes de utilizar.** Una superficie de trabajo nivelada y firme reduce el riesgo de que la sierra de inglete se vuelva inestable.
11. **Planee su trabajo. Cada vez que cambie el ajuste del ángulo de bisel o inglete, asegúrese de que la guía ajustable esté ajustada correctamente para sostener la pieza de trabajo y que no va a interferir con el disco o el sistema de protección.** Sin "ENCENDER" la herramienta y sin pieza de trabajo encima de la mesa, mueva el disco a través de un corte simulado completo para asegurarse de que no va a haber interferencia o peligro de cortar la guía.
12. **Proporcione un apoyo adecuado tales como extensiones de mesa, caballetes, etc., para una pieza de trabajo que sea más ancha o larga que la parte superior de la mesa.** Las piezas de trabajo más largas o anchas que la mesa de la sierra de inglete se pueden ladear si no se apoyan firmemente. Si la pieza cortada o la pieza de trabajo se ladea, podrá levantar el protector inferior o ser lanzada por el disco que está girando.
13. **No utilice a otra persona como sustitución de una mesa de extensión o como apoyo adicional.** Un apoyo inestable de la pieza de trabajo puede ocasionar que el disco se trabe o que la pieza de trabajo cambie de posición durante la operación de corte arrastrando a usted y al ayudante hacia el disco que está girando.

14. **La pieza cortada no deberá ser empujada o presionada de ningún modo contra el disco que está girando.** Si se confina, por ejemplo, utilizando topes de longitud, la pieza cortada puede incrustarse contra el disco y ser lanzada violentamente.
15. **Asegúrese siempre de utilizar una abrazadera o accesorio designado para sostener debidamente material redondo tales como vástagos o tubos.** Los vástagos tienen tendencia a rodar mientras están siendo cortados, ocasionando que el disco "muerta" y tire de la pieza de trabajo junto con su mano hacia el disco.
16. **Deje que el disco alcance plena velocidad antes de que haga contacto con la pieza de trabajo.** Esto reducirá el riesgo de que la pieza de trabajo sea lanzada.
17. **Si la pieza de trabajo o el disco se atasca, apague la sierra de inglete. Espere hasta que todas las partes móviles se detengan y desconecte la clavija de la fuente de alimentación y/o retire la batería. Después realice la tarea de liberar el material atascado.** Si continúa serrando con una pieza de trabajo atascada podrá ocasionar la pérdida de control o daños a la sierra de inglete.
18. **Después de terminar el corte, libere el interruptor, mantenga el cabezal de la sierra bajado y espere hasta que el disco se detenga antes de retirar la pieza cortada.** El alargar la mano hasta cerca del disco que está girando por inercia es peligroso.
19. **Sujete la empuñadura firmemente cuando haga un corte incompleto o cuando libere el interruptor antes de que el cabezal de la sierra esté completamente en la posición bajada.** La acción de frenado de la sierra puede ocasionar que el cabezal de la sierra sea arrastrado repentinamente hacia abajo, ocasionando un riesgo de heridas.
20. **Utilice solamente el disco de sierra con el diámetro que está marcado en la herramienta o especificado en el manual.** La utilización de un disco de tamaño incorrecto puede afectar a la protección apropiada del disco o a la operación del protector lo que puede resultar en heridas personales graves.
21. **Utilice solamente discos que tengan marcada una velocidad igual o mayor que la velocidad marcada en la herramienta.**
22. **No utilice la sierra para cortar otra cosa que no sea madera, aluminio y materiales similares.**
23. **(Para países de Europa solamente) Utilice siempre el disco que cumpla con EN847-1.**
4. **No utilice la sierra sin los protectores puestos. Compruebe que el protector de disco se cierra debidamente antes de cada uso. No utilice la sierra si el protector de disco no se mueve libremente y se cierra instantáneamente. No sujete ni ate nunca el protector de disco en la posición abierta.**
5. **Mantenga las manos apartadas del recorrido del disco. Evite el contacto con cualquier disco cuando esté girando por inercia. Incluso entonces puede causar heridas graves.**
6. **Para reducir el riesgo de heridas, devuelva el carro a la posición trasera completa después de cada operación de corte cruzado.**
7. **Sujete siempre todas las partes móviles antes de transportar la herramienta.**
8. **El pasador de retención que bloquea el cabezal de corte en posición bajada es solamente para transportar y almacenar la herramienta y no para ninguna operación de corte.**
9. **Compruebe el disco cuidadosamente por si tiene grietas o daños antes de comenzar la operación. Reemplace el disco agrietado o dañado inmediatamente. La goma y resina de madera endurecida en los discos ralentiza la sierra y aumenta la posibilidad de que se produzca un retroceso brusco. Mantenga el disco limpio retirándolo primero de la herramienta, después límpielo con un eliminador de goma y resina, agua caliente o keroseno. No utilice nunca gasolina para limpiar el disco.**
10. **Cuando haga un corte de deslizamiento, podrá producirse un RETROCESO BRUSCO. Los RETROCESOS BRUSCOS se producen cuando el disco se trava en la pieza de trabajo durante una operación de corte y es conducido rápidamente hacia el operario. Puede resultar en pérdida de control y heridas graves. Si el disco comienza a trabarse durante una operación de corte, no continúe cortando y libere el interruptor inmediatamente.**
11. **Utilice solamente las bridas especificadas para esta herramienta.**
12. **Tenga cuidado de no dañar el eje, las bridas (en especial la superficie de instalación) o el perno. Los daños en estas piezas pueden resultar en rotura del disco.**
13. **Asegúrese de que la base giratoria está debidamente sujeta de forma que no se mueva durante la operación. Utilice los agujeros en la base para sujetar la sierra a una plataforma o banco de trabajo estable. No utilice NUNCA la herramienta donde la postura del operario no sea práctica.**

Instrucciones adicionales

1. **Haga el taller a prueba de niños utilizando candados.**
2. **No se ponga nunca encima de la herramienta.** Si la herramienta se vuelca o si se hace contacto involuntario con el implemento de corte se podrán producir heridas graves.
3. **No deje nunca la herramienta en marcha sin atender. Desconecte la alimentación. No deje la herramienta hasta que se haya detenido completamente.**
4. **Antes de activar el interruptor, asegúrese de que el bloqueo del eje está quitado.**
5. **Asegúrese de que el disco no toca la base giratoria cuando está en la posición más baja.**
6. **Sujete la empuñadura firmemente. Tenga presente que la sierra se mueve un poco hacia arriba y hacia abajo durante el inicio y la parada.**
7. **Asegúrese de que el disco no está tocando la pieza de trabajo antes de activar el interruptor.**

18. Antes de utilizar la herramienta en la pieza de trabajo definitiva, déjela funcionar durante un rato. Observe para ver si se producen vibraciones o bamboleos que puedan indicar que el disco está mal instalado o mal equilibrado.
19. Detenga la operación inmediatamente si nota algo anormal.
20. No intente bloquear el gatillo en la posición "ACTIVADA".
21. Utilice siempre los accesorios recomendados en este manual. La utilización de accesorios incorrectos como muelas abrasivas puede ocasionar heridas.
22. Algunos materiales contienen sustancias químicas que pueden ser tóxicas. Tenga precaución para evitar la inhalación de polvo y el contacto con la piel. Siga los datos de seguridad del abastecedor del material.

Normas de seguridad adicionales para el láser

1. **RADIACIÓN LÁSER, NO QUEDARSE MIRANDO AL HAZ O MIRAR DIRECTAMENTE CON INSTRUMENTOS ÓPTICOS, PRODUCTO LÁSER CLASE 2M.**

GUARDE ESTAS INSTRUCCIONES.

⚠️ ADVERTENCIA: NO deje que la comodidad o familiaridad con el producto (a base de utilizarlo repetidamente) sustituya la estricta observancia de las normas de seguridad para el producto en cuestión. El MAL USO o el no seguir las normas de seguridad establecidas en este manual de instrucciones podrá ocasionar graves heridas personales.

Instrucciones de seguridad importantes para el cartucho de batería

1. Antes de utilizar el cartucho de batería, lea todas las instrucciones e indicaciones de precaución sobre (1) el cargador de baterías, (2) la batería, y (3) el producto con el que se utiliza la batería.
 2. No desensamble ni manipule el cartucho de batería. Podrá resultar en un incendio, calor excesivo, o una explosión.
 3. Si el tiempo de uso se acorta demasiado, cese la operación inmediatamente. Podría resultar en un riesgo de recalentamiento, posibles quemaduras e incluso una explosión.
 4. Si entra electrolito en sus ojos, aclárelos con agua limpia y acuda a un médico inmediatamente. Existe el riesgo de poder perder la vista.
 5. No cortocircuite el cartucho de batería:
 - (1) No toque los terminales con ningún material conductor.
 - (2) Evite guardar el cartucho de batería en un cajón junto con otros objetos metálicos, como clavos, monedas, etc.
 - (3) No esponga el cartucho de batería al agua ni a la lluvia.
6. Un cortocircuito en la batería puede producir una gran circulación de corriente, un recalentamiento, posibles quemaduras e incluso una rotura de la misma.
 6. No guarde ni utilice la herramienta y el cartucho de batería en lugares donde la temperatura pueda alcanzar o exceder los 50 °C.
 7. Nunca incinere el cartucho de batería incluso en el caso de que esté dañado seriamente o ya no sirva en absoluto. El cartucho de batería puede explotar si se tira al fuego.
 8. No clave, corte, aplaste, lance, deje caer el cartucho de batería, ni golpee contra un objeto duro el cartucho de batería. Tal conducta podrá resultar en un incendio, calor excesivo, o una explosión.
 9. No utilice una batería dañada.
 10. Las baterías de litio-ion contenidas están sujetas a los requisitos de la Legislación para Materiales Peligrosos.

Para transportes comerciales, p.ej., por terceras personas y agentes de transportes, se deberán observar requisitos especiales para el empaquetado y etiquetado. Para la preparación del artículo que se va a enviar, se requiere consultar con un experto en materiales peligrosos. Por favor, observe también la posibilidad de reglamentos nacionales más detallados.

Cubra con cinta aislante o enmascare los contactos expuestos y empaquete la batería de tal manera que no se pueda mover alrededor dentro del embalaje.
 11. Para desechar el cartucho de batería, retírelo de la herramienta y deséchelo en un lugar seguro. Siga los reglamentos locales referentes al desecho de la batería.
 12. Utilice las baterías solamente con los productos especificados por Makita. La instalación de las baterías en productos no compatibles puede resultar en un incendio, calor excesivo, explosión, o fuga de electrolito.
 13. Si la herramienta no va a ser utilizada durante un periodo de tiempo largo, la batería deberá ser retirada de la herramienta.
 14. Durante y después de la utilización, el cartucho de batería podrá acumular calor, lo cual puede ocasionar quemaduras o quemaduras de baja temperatura. Preste atención al manejo de cartuchos de batería calientes.
 15. No toque el terminal de la herramienta inmediatamente después de utilizar, dado que puede calentarse lo suficiente como para ocasionar quemaduras.
 16. No permita que virutas, polvo, o tierra se adhieran dentro de los terminales, orificios, y ranuras del cartucho de batería. Esto podría ocasionar calentamiento, que coja fuego, reviente y un mal funcionamiento de la herramienta o el cartucho de batería, resultando en quemaduras o heridas personales.
 17. A menos que la herramienta pueda utilizarse cerca de cables eléctricos de alta tensión, no utilice el cartucho de batería cerca de cables eléctricos de alta tensión. Podrá resultar en un mal funcionamiento o rotura de la herramienta o el cartucho de batería.

18. Mantenga la batería alejada de los niños.

GUARDE ESTAS INSTRUCCIONES.

⚠PRECAUCIÓN: Utilice solamente baterías genuinas de Makita. La utilización de baterías no genuinas de Makita, o baterías que han sido alteradas, puede resultar en una explosión de la batería ocasionando incendios, heridas personales y daños. También anulará la garantía de Makita para la herramienta y el cargador de Makita.

Consejos para alargar al máximo la vida de servicio de la batería

1. Cargue el cartucho de batería antes de que se descargue completamente. Detenga siempre la operación y cargue el cartucho de batería cuando note menos potencia en la herramienta.
2. No cargue nunca un cartucho de batería que esté completamente cargado. La sobrecarga acortará la vida de servicio de la batería.
3. Cargue el cartucho de batería a temperatura ambiente de 10 °C - 40 °C. Si un cartucho de batería está caliente, déjelo enfriar antes de cargarlo.
4. Cuando no esté utilizando el cartucho de batería, retírelo de la herramienta o del cargador.
5. Cargue el cartucho de batería si no lo utiliza durante un periodo de tiempo prolongado (más de seis meses).

DESCRIPCIÓN DE LAS PARTES

► Fig.2

1	Botón de desbloqueo	2	Gatillo interruptor	3	Caja del disco	4	Tornillo de ajuste (para posición del límite inferior)
5	Perno de ajuste (para capacidad de corte máxima)	6	Brazo de retención	7	Bolsa de polvo	8	Escala de bisel
9	Protector de disco	10	Mordaza vertical	11	Guía lateral	12	Soporte
13	Palanca de bloqueo (para base giratoria)	14	Mango (para base giratoria)	15	Perno de ajuste (para base giratoria)	16	Placa de corte
17	Puntero (para ángulo de inglete)	18	Base giratoria	19	Conjunto de soporte	20	Eje de guía
21	Guía secundaria	-	-	-	-	-	-

► Fig.3

22	Barra deslizante (superior)	23	Tornillo de apriete manual (para bloquear la barra deslizante superior)	24	Llave hexagonal	25	Tornillo de fijación (para bloquear el soporte)
26	Palanca (para ajustar el ángulo de bisel)	27	Barra deslizante (inferior)	28	Tornillo de apriete manual (para bloquear la barra deslizante inferior)	-	-

INSTALACIÓN

Montaje en un banco de trabajo

⚠ADVERTENCIA: Asegúrese de que la herramienta no se mueve en la superficie de apoyo. El movimiento de la sierra de inglete en la superficie de apoyo mientras hace el corte puede resultar en la pérdida del control y heridas personales graves.

1. Fije la base en una superficie nivelada y estable, atornillándola con dos pernos. Esto ayuda a evitar que se vuelque y pueda ocasionar heridas.

► Fig.4: 1. Perno

2. Gire el perno de ajuste hacia la derecha o hacia la izquierda de forma que toque la superficie del suelo para mantener estable la herramienta.

► Fig.5: 1. Perno de ajuste

Instalación de los soportes y conjuntos de soporte

NOTA: En algunos países, los soportes y conjuntos de soporte pueden no estar incluidos en el paquete de la herramienta como accesorios estándar.

Los soportes y conjuntos de soporte sostienen las piezas de trabajo horizontalmente. Apriete los ejes de guía en los conjuntos de soporte utilizando la llave hexagonal.

► **Fig.6:** 1. Soporte 2. Conjunto de soporte 3. Eje de guía 4. Llave hexagonal

Instale los soportes y los conjuntos de soporte en ambos lados como se muestra en la figura. Cuando haga la instalación, asegúrese de que el eje de guía está en la misma línea de la guía lateral cuando esté instalada en la herramienta.

► **Fig.7:** 1. Soporte 2. Conjunto de soporte 3. Tornillo

Después apriete los tornillos firmemente para sujetar los soportes y los conjuntos de soporte.

DESCRIPCIÓN DEL FUNCIONAMIENTO

⚠ADVERTENCIA: Asegúrese siempre de que la herramienta está apagada y el cartucho de batería retirado antes de ajustar o comprobar las funciones de la herramienta. Si no apaga la herramienta y retira el cartucho de batería podrá resultar en heridas personales graves a causa de una puesta en marcha accidental.

Instalación o extracción del cartucho de batería

⚠PRECAUCIÓN: Apague siempre la herramienta antes de instalar o retirar el cartucho de batería.

⚠PRECAUCIÓN: Sujete la herramienta y el cartucho de batería firmemente cuando instale o retire el cartucho de batería. Si no sujeta la herramienta y el cartucho de batería firmemente podrán caérsele de las manos y resultar en daños a la herramienta y al cartucho de batería y heridas personales.

► **Fig.8:** 1. Indicador rojo 2. Botón 3. Cartucho de batería

Para retirar el cartucho de batería, deslícelo de la herramienta mientras desliza el botón de la parte frontal del cartucho.

Para instalar el cartucho de batería, alinee la lengüeta del cartucho de batería con la ranura de la carcasa y deslícelo hasta que encaje en su sitio. Insértelo a tope hasta que se bloquee en su sitio produciendo un pequeño chasquido. Si puede ver el indicador rojo en el lado superior del botón, no estará bloqueado completamente.

⚠PRECAUCIÓN: Instale siempre el cartucho de batería completamente hasta que no pueda verse el indicador rojo. En caso contrario, podrá caerse accidentalmente de la herramienta y ocasionarle heridas a usted o a alguien que esté cerca de usted.

⚠PRECAUCIÓN: No instale el cartucho de batería empleando fuerza. Si el cartucho no se desliza al interior fácilmente, será porque no está siendo insertado correctamente.

NOTA: La herramienta no funciona con solo un cartucho de batería.

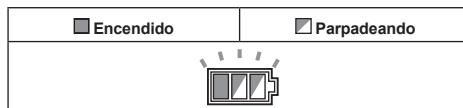
Sistema de protección de la herramienta / batería

La herramienta está equipada con un sistema de protección de la herramienta/batería. Este sistema corta automáticamente la alimentación al motor para alargar la vida de servicio de la herramienta y la batería. La herramienta se detendrá automáticamente durante la operación si la herramienta o la batería es puesta en una de las condiciones siguientes:

Protección contra sobrecarga

Cuando la herramienta es utilizada de una manera que da lugar a que tenga que absorber una corriente anormalmente alta, la herramienta se detiene automáticamente sin ninguna indicación. En esta situación, apague la herramienta y detenga la tarea que ocasiona la sobrecarga de la herramienta. Después encienda la herramienta para volver a empezar.

Protección contra el recalentamiento



Cuando la herramienta se recalienta, se detiene automáticamente, y el indicador de batería parpadea unos 60 segundos. En esta situación, deje que la herramienta se enfríe antes de encenderla otra vez.

Protección contra descarga excesiva

Cuando la capacidad de la batería sea baja, la herramienta se detendrá automáticamente. Si el producto no funciona aun cuando los interruptores sean accionados, retire las baterías de la herramienta y cárguelas.

Modo de indicar la capacidad de batería restante

► Fig.9: 1. Indicador de batería 2. Botón de comprobación

Presione el botón de comprobación para indicar las capacidades de batería restantes. Los indicadores de batería corresponden a cada batería.

Estado del indicador de batería			Capacidad de batería restante
Encendido	Apagado	Parpadeando	
			50% a 100%
			20% a 50%
			0% a 20%
			Cargue la batería

Modo de indicar la capacidad de batería restante

Solamente para cartuchos de batería con el indicador

► Fig.10: 1. Lámparas indicadoras 2. Botón de comprobación

Presione el botón de comprobación en el cartucho de batería para indicar la capacidad de batería restante. Las lámparas indicadoras se iluminan durante unos pocos segundos.

Lámparas indicadoras			Capacidad restante
Iluminada	Apagada	Parpadeando	
			75% a 100%
			50% a 75%
			25% a 50%
			0% a 25%
			Cargue la batería.
			Puede que la batería no esté funcionando bien.

NOTA: Dependiendo de las condiciones de utilización y de la temperatura ambiente, la indicación podrá variar ligeramente de la capacidad real.

NOTA: La primera lámpara indicadora (extremo izquierdo) parpadeará cuando el sistema de protección de la batería esté funcionando.

Función de cambio automático de velocidad

► Fig.11: 1. Indicador de modo

Estado del indicador de modo	Modo de operación
	Modo velocidad alta
	Modo torsión alta

Esta herramienta tiene "modo velocidad alta" y "modo torsión alta". La herramienta cambia automáticamente el modo de operación dependiendo de la carga de trabajo. Cuando el indicador de modo está iluminado durante la operación, la herramienta está en modo de torsión alta.

Pasador de retención

PRECAUCIÓN: Sujete siempre la empuñadura cuando vaya a soltar el pasador de retención. De lo contrario la empuñadura saltará hacia arriba y podrá resultar en heridas personales.

Para soltar el pasador de retención, mantenga aplicada una ligera presión hacia abajo en la empuñadura y tire del pasador de retención.

► Fig.12: 1. Pasador de retención

Protector de disco

ADVERTENCIA: No anule ni retire nunca el protector de disco ni el resorte que hay en el protector. Un disco expuesto como resultado de un protector anulado puede resultar en heridas personales graves durante la operación.

ADVERTENCIA: No utilice nunca la herramienta si el protector de disco o el resorte está dañado, defectuoso o ha sido retirado. La utilización de la herramienta con protector dañado, defectuoso o retirado puede resultar en heridas personales graves.

PRECAUCIÓN: Mantenga siempre el protector de disco en buenas condiciones para realizar la operación con seguridad. Detenga inmediatamente la operación si nota alguna irregularidad en el protector de disco. Compruebe para asegurarse de que el protector retorna accionado por resorte.

► Fig.13: 1. Protector de disco

Al bajar la empuñadura, el protector de disco se sube automáticamente. El protector se acciona por resorte por lo que retorna a su posición original cuando se completa el corte y se sube la empuñadura.

Limpieza

► Fig.14: 1. Protector de disco

Si el protector de disco transparente se ensucia, o si se adhiere a él serrín de tal forma que no puede verse fácilmente el disco y/o la pieza de trabajo, retire el cartucho de batería y limpie el protector cuidadosamente con un paño húmedo. No utilice disolventes ni ningún producto de limpieza a base de petróleo para limpiar el protector de plástico porque pueden causar daños al protector. Para la limpieza, suba el protector de disco refiriéndose a "Instalación o desmontaje del disco". Después de hacer la limpieza, asegúrese de volver a poner el disco y la cubierta central y apretar el perno de cabeza hueca hexagonal.

1. Asegúrese de que la herramienta está apagada y que los cartuchos de batería han sido retirados.
2. Gire el perno de cabeza hueca hexagonal que retiene la cubierta central hacia la izquierda utilizando la llave hexagonal suministrada.
3. Suba el protector de disco y la cubierta central.
4. Cuando haya completado la limpieza, vuelva a poner la cubierta central y apriete el perno de cabeza hueca hexagonal realizando los pasos de arriba a la inversa.

⚠ADVERTENCIA: No retire el resorte que sujeta el protector de disco. Si el protector se daña con el paso del tiempo o por la exposición a los rayos ultravioleta, póngase en contacto con el Centro de servicio Makita para reemplazarlo. **NO ANULE NI RETIRE EL PROTECTOR.**

Posicionamiento de la placa de corte

Esta herramienta se provee con placas de corte en la base giratoria para minimizar el desgarro en el lado de salida de un corte. Las placas de corte se ajustan en fábrica para que el disco no las toque. Antes de utilizar la herramienta, ajuste las placas de corte de la forma siguiente:

1. Asegúrese de retirar el cartucho de batería. Después, afloje todos los tornillos (2 en cada lado derecho e izquierdo) que sujetan las placas de corte.
► Fig.15: 1. Placa de corte 2. Tornillo
2. Apriételes otra vez pero solamente hasta el punto en el que las placas de corte puedan seguir moviéndose fácilmente con la mano.
3. Baje la empuñadura completamente y empuje hacia dentro el pasador de retención para bloquear la empuñadura en la posición bajada.
4. Afloje los dos tornillos de fijación que sujetan las barras deslizables.
► Fig.16: 1. Tornillo de apriete manual
5. Tire del carro hacia usted completamente.
6. Ajuste las placas de corte de forma que justamente hagan contacto con los laterales de los dientes del disco.
► Fig.17
- Fig.18: 1. Disco 2. Dientes del disco 3. Placa de corte 4. Corte en bisel izquierdo 5. Corte recto

7. Apriete los tornillos delanteros (no los apriete mucho).
8. Empuje el carro hacia la guía lateral completamente y ajuste las placas de corte de forma que justamente hagan contacto con los laterales de los dientes del disco.
9. Apriete los tornillos traseros (no los apriete mucho).
10. Después de ajustar las placas de corte, libere el pasador de retención y suba la empuñadura. Después apriete todos los tornillos firmemente.

AVISO: Después de ajustar el ángulo de bisel asegúrese de que las placas de corte están ajustadas debidamente. El correcto ajuste de las placas de corte ayuda a proveer un apoyo adecuado de la pieza de trabajo y a reducir al mínimo el desgarro de la pieza de trabajo.

Para mantener la máxima capacidad de corte

Esta herramienta se ajusta en fábrica para lograr su capacidad de corte máxima con un disco de 190 mm. Cuando instale un disco de sierra circular nuevo, compruebe siempre la posición del límite inferior del disco de sierra circular y, si es necesario, ajústelo de la forma siguiente:

1. Retire el cartucho de batería. Después, empuje el carro hacia la guía lateral completamente y baje la empuñadura completamente.
► Fig.19: 1. Perno de ajuste 2. Guía lateral
2. Utilice la llave hexagonal para girar el perno de ajuste hasta que el disco de sierra circular quede ligeramente por debajo de la sección transversal de la guía lateral y la superficie superior de la base giratoria.
► Fig.20
3. Gire el disco con la mano mientras mantiene la empuñadura bajada completamente para asegurarse de que el disco de sierra circular no hace contacto con ninguna parte de la base inferior. Reajuste ligeramente, si es necesario.

⚠ADVERTENCIA: Después de instalar un disco de sierra circular nuevo y con el cartucho de batería retirado, asegúrese siempre de que el disco de sierra circular no hace contacto con ninguna parte de la base inferior cuando la empuñadura está bajada completamente. Si un disco de sierra circular hace contacto con la base, podrá ocasionar un retroceso brusco y resultar en heridas personales graves.

► Fig.21

Brazo de retención

La posición del límite inferior del disco puede ajustarse fácilmente con el brazo de retención. Para ajustarla, mueva el brazo de retención en la dirección de la flecha como se muestra en la figura. Gire el tornillo de ajuste y presione la empuñadura hacia abajo completamente para comprobar el resultado.

- Fig.22: 1. Tornillo de ajuste 2. Brazo de retención

Guía secundaria

Específico para cada país

⚠️ PRECAUCIÓN: Cuando vaya a realizar cortes en bisel izquierdo, coloque la guía secundaria hacia afuera. De lo contrario, podrá entrar en contacto con el disco o con una parte de la herramienta, y resultar en heridas graves al operario.

► **Fig.23:** 1. Guía secundaria

Esta herramienta está equipada con una guía secundaria. Por lo general, coloque la guía secundaria dentro. Sin embargo, cuando vaya a realizar cortes en bisel izquierdo, colóquela hacia afuera.

Ajuste del ángulo de inglete

► **Fig.24:** 1. Base giratoria 2. Palanca de bloqueo 3. Escala de inglete 4. Puntero 5. Mango

1. Afloje el mango hacia la izquierda.
2. Mantenga presionada hacia abajo la palanca de bloqueo, y ajuste el ángulo de la base giratoria. Utilice el puntero y la escala de inglete como guía.
3. Apriete el mango hacia la derecha firmemente.

⚠️ PRECAUCIÓN: Después de cambiar el ángulo de inglete, sujete siempre la base giratoria apretando el mango completamente.

AVISO: Cuando vaya a girar la base giratoria, asegúrese de subir la empuñadura completamente.

Ajuste del ángulo de bisel

Para ajustar el ángulo de bisel, afloje la palanca de la parte trasera de la herramienta moviéndola hacia la izquierda.

► **Fig.25:** 1. Palanca 2. Botón de liberación

Para inclinar el disco hacia la izquierda, sujete la empuñadura e incline el carro. Utilice la escala de bisel y el puntero como guía. Después apriete la palanca hacia la derecha firmemente para sujetar el brazo.

► **Fig.26:** 1. Puntero 2. Escala de bisel 3. Brazo

Para inclinar el disco hacia la derecha, sujete la empuñadura e incline el carro ligeramente hacia la izquierda, y presione el botón de liberación. Con el botón de liberación presionado, incline el disco hacia la derecha. Después apriete la palanca.

⚠️ PRECAUCIÓN: Después de cambiar el ángulo de bisel, sujete siempre el brazo apretando la palanca hacia la derecha.

AVISO: Cuando vaya a inclinar el disco asegúrese de que la empuñadura está completamente subida.

AVISO: Cuando vaya a cambiar ángulos de bisel, asegúrese de posicionar las placas de corte debidamente como se explica en la sección "Posicionamiento de la placa de corte".

Ajuste de la posición de la palanca

Si con el paso del tiempo la palanca deja de proveer un apriete completo, cambie la posición de la palanca. La palanca se puede recolocar a cada 30° de ángulo. Afloje y retire el tornillo que sujeta la palanca. Retire la palanca e instálela otra vez de forma que apunte ligeramente por encima de la horizontal. Después, apriete la palanca firmemente con el tornillo.

► **Fig.27:** 1. Palanca 2. Tornillo

Accionamiento del interruptor

⚠️ ADVERTENCIA: Antes de instalar el cartucho de batería en la herramienta, compruebe siempre para cerciorarse de que el gatillo interruptor se acciona debidamente y que vuelve a la posición "OFF" cuando lo suelta. La utilización de una herramienta con un interruptor que no se acciona debidamente puede resultar en la pérdida de control y heridas personales graves.

⚠️ ADVERTENCIA: No utilice un candado con un fuste o cable de menos de 6,35 mm de diámetro. Un fuste o cable más pequeño podrá no bloquear debidamente la herramienta en la posición apagada y es posible que se produzca una puesta en marcha involuntaria resultando en heridas personales graves.

⚠️ ADVERTENCIA: No utilice NUNCA la herramienta si el gatillo interruptor no funciona perfectamente bien. Cualquier herramienta con un interruptor que no funciona bien es MUY PELIGROSA y deberá ser reparada antes de seguir utilizándola o podrán producirse heridas personales graves.

⚠️ ADVERTENCIA: Por su propia seguridad, esta herramienta está equipada con un botón de desbloqueo que impide que la herramienta pueda ser puesta en marcha de forma involuntaria. No utilice NUNCA la herramienta si se pone en marcha cuando usted simplemente aprieta el gatillo interruptor sin presionar el botón de desbloqueo. Un interruptor con necesidad de reparación puede resultar en una puesta en marcha involuntaria y heridas personales graves. Lleve la herramienta a un centro de servicio Makita para que le hagan las reparaciones apropiadas ANTES de seguir utilizándola.

⚠️ ADVERTENCIA: No anule NUNCA la función del botón de desbloqueo sujetándolo con cinta adhesiva o de alguna otra manera. Un interruptor con un botón de desbloqueo anulado puede resultar en una puesta en marcha involuntaria y heridas personales graves.

AVISO: No apriete con fuerza el gatillo interruptor sin presionar hacia dentro el botón de desbloqueo. Podría romper el interruptor.

Para evitar que el gatillo interruptor pueda accionarse accidentalmente, se ha provisto un botón de desbloqueo. Para poner en marcha la herramienta, presione hacia dentro el botón de desbloqueo y apriete el gatillo interruptor. Suelte el gatillo interruptor para parar.

El botón de desbloqueo se puede presionar tanto desde la derecha como desde la izquierda.

En el gatillo interruptor se ha provisto un agujero para insertar un candado a fin de bloquear la herramienta en posición apagada.

► **Fig.28:** 1. Botón de desbloqueo 2. Gatillo interruptor 3. Agujero para candado

MONTAJE

⚠ADVERTENCIA: Asegúrese siempre de que la herramienta está apagada y el cartucho de batería retirado antes de trabajar en la herramienta. El no apagar y retirar el cartucho de batería puede resultar en heridas personales graves.

Para guardar la llave hexagonal

La llave hexagonal se guarda como se muestra en la figura. Cuando se necesite, la llave hexagonal se puede extraer del portallaves.

Después de utilizar la llave hexagonal, puede guardarla volviéndola a poner en el portallaves.

► **Fig.29:** 1. Portallaves 2. Llave hexagonal

Instalación o desmontaje del disco

⚠ADVERTENCIA: Asegúrese siempre de que la herramienta está apagada y el cartucho de batería retirado antes de instalar o desmontar el disco. Una puesta en marcha involuntaria de la herramienta puede resultar en heridas personales graves.

⚠PRECAUCIÓN: Utilice solamente la llave hexagonal Makita provista para instalar o retirar el disco. De lo contrario, podrá resultar en un apriete excesivo o insuficiente del perno de cabeza hueca hexagonal. Esto podría ocasionarle heridas.

Instalación del disco de sierra circular

1. Bloquee la empuñadura en la posición levantada empujando hacia dentro el pasador de retención.

► **Fig.30:** 1. Pasador de retención

2. Utilice la llave hexagonal para aflojar el perno de cabeza hueca hexagonal que sujeta la cubierta central girándolo hacia la izquierda. Después, suba el protector de disco y la cubierta central.

► **Fig.31:** 1. Cubierta central 2. Perno de cabeza hueca hexagonal 3. Llave hexagonal 4. Protector de disco

3. Presione el bloqueo del eje para bloquear el eje y utilice la llave hexagonal para aflojar el perno de cabeza hueca hexagonal hacia la derecha. Después retire el perno de cabeza hueca hexagonal y la brida exterior.

► **Fig.32:** 1. Bloqueo del eje 2. Perno de cabeza hueca hexagonal 3. Brida exterior

4. Monte el disco con cuidado sobre la brida interior. Asegúrese de que la dirección de la flecha del disco coincide con la dirección de la flecha de la caja del disco.

► **Fig.33:** 1. Brida exterior 2. Disco 3. Brida interior 4. Perno de cabeza hueca hexagonal (rosca hacia la izquierda) 5. Eje 6. Parte de montaje de disco

► **Fig.34:** 1. Disco de sierra 2. Flecha

5. Instale la brida exterior y el perno de cabeza hueca hexagonal, y después utilice la llave hexagonal para apretar el perno de cabeza hueca hexagonal (rosca hacia la izquierda) del eje firmemente hacia la izquierda mientras presiona el bloqueo del eje.

6. Devuelva el protector de disco y la cubierta central a sus posiciones originales. Después apriete el perno de cabeza hueca hexagonal de la cubierta central hacia la derecha para sujetar la cubierta central.

7. Libere la empuñadura de la posición levantada tirando del pasador de retención. Baje la empuñadura para asegurarse de que el protector de disco se mueve debidamente.

8. Asegúrese de que el bloqueo del eje ha liberado el eje antes de hacer el corte.

Para herramienta con brida interior para disco con agujero de 15,88 mm de diámetro

Específico para cada país

Monte la brida interior con su cara hundida orientada hacia afuera en el eje de montaje y después coloque el disco (con el anillo colocado si es necesario), la brida exterior y el perno hexagonal.

Para herramienta sin el anillo

► **Fig.35:** 1. Brida exterior 2. Disco 3. Brida interior 4. Perno de cabeza hueca hexagonal (rosca hacia la izquierda) 5. Eje

Para herramienta con el anillo

► **Fig.36:** 1. Brida exterior 2. Disco 3. Brida interior 4. Perno de cabeza hueca hexagonal (rosca hacia la izquierda) 5. Anillo 6. Eje

⚠ADVERTENCIA: Si se necesita el anillo para montar el disco en el eje, asegúrese siempre de que el anillo correcto para el agujero de eje del disco que piensa utilizar está instalado entre las bridas interior y exterior. La utilización de un anillo para agujero de eje incorrecto puede resultar en un montaje incorrecto del disco ocasionando un movimiento del disco y vibración fuerte resultando en una posible pérdida de control durante la operación y en heridas personales graves.

Para herramienta con brida interior para disco distinto de los con agujero de 20 mm o 15,88 mm de diámetro

Específico para cada país

La brida interior tiene una parte de montaje de disco de cierto diámetro en una cara y una parte de montaje de disco de diámetro diferente en la otra cara. Elija la cara correcta cuya parte de montaje de disco encaje perfectamente en el agujero del disco.

► **Fig.37:** 1. Brida exterior 2. Disco 3. Brida interior 4. Perno de cabeza hueca hexagonal (rosca hacia la izquierda) 5. Eje 6. Parte de montaje de disco

⚠PRECAUCIÓN: Asegúrese de que la parte de montaje de disco "a" de la brida interior que está posicionada hacia afuera encaja en el agujero del disco "a" perfectamente. Montar el disco en la cara incorrecta puede resultar en una vibración peligrosa.

Desinstalación del disco de sierra

1. Bloquee la empuñadura en la posición levantada empujando hacia dentro el pasador de retención.
2. Utilice la llave hexagonal para aflojar el perno de cabeza hueca hexagonal que sujeta la cubierta central girándolo hacia la izquierda. Después, suba el protector de disco y la cubierta central.
3. Presione el bloqueo del eje para bloquear el eje y utilice la llave hexagonal para aflojar el perno de cabeza hueca hexagonal hacia la derecha. Después retire el perno de cabeza hueca hexagonal, la brida exterior y el disco.

Cuando almacene la herramienta, instale la brida exterior y apriete ligeramente el perno de cabeza hueca hexagonal a mano para evitar que se pierda.

Conexión de un aspirador

Cuando quiera realizar una operación de corte limpia, conecte un aspirador Makita.

► Fig.38

Bolsa de polvo

Accesorios opcionales

La utilización de la bolsa de polvo permite realizar operaciones de corte más limpias y recoger más fácilmente el polvo.

Para colocar la bolsa de polvo, encájela en la boquilla de polvo.

Para colocar el cierre, alinee el extremo superior del cierre con la marca triangular de la bolsa de polvo. Cuando la bolsa de polvo esté medio llena, retirela de la herramienta y extraiga el cierre. Vacíe la bolsa de polvo golpeándola ligeramente con objeto de retirar las partículas adheridas en el interior para que no impidan la posterior recogida de polvo.

► Fig.39: 1. Bolsa de polvo 2. Boquilla de polvo
3. Cierre

Sujeción de la pieza de trabajo

⚠ADVERTENCIA: Es muy importante sujetar siempre la pieza de trabajo correctamente con el tipo apropiado de mordaza. El no hacerlo puede resultar en heridas personales graves y ocasionar daños a la herramienta y/o la pieza de trabajo.

⚠ADVERTENCIA: Cuando vaya a cortar una pieza de trabajo que sea más larga que la base de apoyo de la sierra, apoye la longitud completa del material más allá de la base de apoyo y a la misma altura para mantener nivelado el material.

Un apoyo apropiado de la pieza de trabajo ayuda a evitar que el disco se atranque y un posible retroceso brusco lo que puede resultar en heridas personales graves. No dependa únicamente de la mordaza vertical y/o mordaza horizontal para sujetar la pieza de trabajo. El material fino tiende a combarse. Apoye la pieza de trabajo en toda su longitud para evitar que el disco se atranque y que posiblemente se produzca un RETROCESO BRUSCO.

► Fig.40: 1. Apoyo 2. Base giratoria

Mordaza vertical

⚠ADVERTENCIA: Sujete la pieza de trabajo firmemente contra la base giratoria y la guía lateral con la mordaza durante todas las operaciones. De lo contrario el material podrá moverse durante la operación de corte, causar daños al disco, y ser lanzado lo que puede resultar en la pérdida del control y heridas personales graves.

Instale la mordaza vertical bien en el lado izquierdo o bien en el derecho de la guía lateral o el conjunto de soporte. Inserte la barra de la mordaza en el agujero de la guía lateral o del conjunto del soporte y apriete el tornillo inferior para sujetar la barra de la mordaza.

► Fig.41: 1. Brazo de la mordaza 2. Barra de la mordaza 3. Guía lateral 4. Soporte 5. Conjunto de soporte 6. Pomo de la mordaza 7. Tornillo inferior 8. Tornillo superior

Posicione el brazo de la mordaza de acuerdo con el grosor y forma de la pieza de trabajo y sujete el brazo de la mordaza apretando el tornillo superior. Si el tornillo superior toca la guía lateral, instale el tornillo superior en el lado opuesto del brazo de la mordaza. Asegúrese de que ninguna parte de la herramienta toca la mordaza cuando baja la empuñadura completamente o tira o empuja el carro a tope. Si alguna parte toca la mordaza, repositone la mordaza. Presione la pieza de trabajo a ras contra la guía lateral y la base giratoria. Ponga la pieza de trabajo en la posición de corte deseada y sujétela firmemente apretando el pomo de la mordaza.

Mordaza horizontal

Accesorios opcionales

⚠ADVERTENCIA: Sujete la pieza de trabajo solamente cuando el indicador está en la posición máxima superior. En caso contrario podrá resultar en una insuficiente sujeción de la pieza de trabajo. Esto puede hacer que la pieza de trabajo salga lanzada, ocasionar daños al disco u ocasionar la pérdida del control, lo cual que puede resultar en heridas personales.

► Fig.42: 1. Pomo de la mordaza 2. Indicador 3. Eje de la mordaza 4. Base

La mordaza horizontal se puede instalar en el lado izquierdo de la base.

Girando el pomo de la mordaza hacia la izquierda se afloja el tornillo y el eje de la mordaza se puede mover rápidamente hacia dentro y hacia fuera. Girando el pomo de la mordaza hacia la derecha, el tornillo se mantiene apretado.

Para sujetar la pieza de trabajo, gire el pomo de la mordaza suavemente hacia la derecha hasta que el indicador alcance su máxima posición superior, después apriete firmemente. Si fuerza el pomo de la mordaza hacia el interior o lo saca mientras lo esté girando hacia la derecha, el indicador podrá quedar en ángulo. En este caso, vuelva a girar el pomo de la mordaza hacia la izquierda hasta que se suelte el tornillo, y después gírelo otra vez suavemente hacia la derecha.

La capacidad máxima de la mordaza horizontal es 120 mm de anchura.

Soportes y conjuntos de soportes

Accesorios opcionales

⚠PRECAUCIÓN: Para la herramienta equipada con los soportes y conjuntos de soporte como accesorios estándar, este tipo de utilización no está permitido debido a los reglamentos del país.

⚠ADVERTENCIA: Apoye siempre una pieza de trabajo larga de forma que quede nivelada con la superficie superior de la base giratoria para poder realizar un corte preciso y evitar una peligrosa pérdida de control de la herramienta. Un apoyo apropiado de la pieza de trabajo ayuda a evitar que el disco se atranque y un posible retroceso brusco lo que puede resultar en heridas personales graves.

Los soportes y los conjuntos de soportes (accesorio opcional) se pueden instalar en cualquiera de los costados como medio útil para sujetar piezas de trabajo horizontalmente.

Instálelos en el costado de la herramienta, después apriete los tornillos firmemente para sujetarlos.

► **Fig.43:** 1. Soporte 2. Conjunto de soporte

Cuando vaya a cortar piezas de trabajo largas, utilice el conjunto de barra de soporte (accesorio opcional). Este consiste en dos conjuntos de soporte y dos barras de 12.

► **Fig.44:** 1. Conjunto de soporte 2. Barra de 12

OPERACIÓN

⚠ADVERTENCIA: Asegúrese de que el disco no está tocando la pieza de trabajo, etc., antes de activar el interruptor. El encender la herramienta con el disco haciendo contacto con la pieza de trabajo puede resultar en un retroceso brusco y heridas personales graves.

⚠ADVERTENCIA: Después de una operación de corte no suba el disco hasta que se haya parado completamente. La subida de un disco girando por inercia puede resultar en heridas personales graves y daños a la pieza de trabajo.

⚠ADVERTENCIA: No toque los tornillos de fijación que sujetan las barras deslizables mientras el disco está girando. De lo contrario la herramienta podrá perder el control y resultar en heridas personales.

⚠PRECAUCIÓN: No libere el cabezal de la sierra de forma incontrolada desde la posición totalmente bajada. Sin control, el cabezal de la sierra podrá golpearle y resultará en heridas personales.

AVISO: Antes de utilizar, asegúrese de liberar la empuñadura de la posición bajada tirando del pasador de retención.

AVISO: No ejerza presión excesiva en la empuñadura cuando corte. Una fuerza excesiva podrá resultar en una sobrecarga del motor y/o reducir la eficacia de corte. Presione hacia abajo la empuñadura con la fuerza únicamente necesaria para cortar suavemente y sin reducir significativamente la velocidad del disco.

AVISO: Presione hacia abajo suavemente la empuñadura para realizar el corte. Si presiona la empuñadura hacia abajo con fuerza o si ejerce fuerza lateral, el disco podrá vibrar y dejar una marca (marca de sierra) en la pieza de trabajo y puede que la precisión del corte se vea afectada.

AVISO: Durante un corte de deslizamiento, empuje suavemente el carro hacia la guía lateral sin parar. Si el movimiento del carro se detiene durante el corte, podrá quedar una marca en la pieza de trabajo y puede que la precisión del corte se vea afectada.

Corte por presión (corte de piezas de trabajo pequeñas)

⚠ADVERTENCIA: Apriete firmemente hacia la derecha los dos tornillos de fijación que sujetan las barras deslizables para que el carro no se mueva durante la operación. Un apretado insuficiente del tornillo de fijación puede ocasionar un posible retroceso brusco lo que puede resultar en heridas personales graves.

► **Fig.45:** 1. Tornillo de apriete manual 2. Conjunto de soporte

Piezas de trabajo de hasta 52 mm de altura y 97 mm de anchura se pueden cortar de esta manera.

1. Empuje el carro hacia la guía lateral completamente y apriete los dos tornillos de fijación que sujetan las barras deslizables girándolos hacia la derecha para sujetar el carro.
2. Sujete la pieza de trabajo con el tipo de mordaza apropiado.
3. Encienda la herramienta sin que el disco esté tocando nada y espere hasta que el disco alcance plena velocidad antes de bajarlo.
4. Baje suavemente la empuñadura hasta la posición totalmente bajada para cortar la pieza de trabajo.
5. Cuando haya completado el corte, apague la herramienta y espere hasta que el disco se haya parado completamente antes de devolver el disco a su posición completamente elevada.

Corte de deslizamiento (empujando) (corte de piezas de trabajo anchas)

⚠ADVERTENCIA: Siempre que realice un corte de deslizamiento, primero tire del carro hacia usted completamente y presione la empuñadura hacia abajo completamente, después empuje el carro hacia la guía lateral. No inicie nunca el corte sin haber tirado del carro completamente hacia usted. Si realiza el corte de deslizamiento sin haber tirado del carro completamente hacia usted podrá producirse un retroceso brusco inesperado y resultar en heridas personales graves.

⚠ADVERTENCIA: No intente nunca realizar un corte de deslizamiento tirando del carro hacia usted. Si tira del carro hacia usted durante el corte podrá ocasionar un retroceso brusco inesperado resultando en posibles heridas personales graves.

⚠ADVERTENCIA: No realice nunca el corte de deslizamiento con la empuñadura bloqueada en la posición bajada.

⚠ADVERTENCIA: No afloje nunca el pomo que sujeta el carro mientras el disco está girando. Un carro suelto mientras corta podrá ocasionar un retroceso brusco inesperado resultando en posibles heridas personales graves.

► Fig.46: 1. Tornillo de apriete manual 2. Conjunto de soporte

1. Afloje los dos tornillos de fijación que sujetan las barras deslizables girándolos hacia la izquierda para poder deslizar el carro libremente.
2. Sujete la pieza de trabajo con el tipo de mordaza apropiado.
3. Tire del carro hacia usted completamente.
4. Encienda la herramienta sin que el disco esté tocando nada y espere hasta que el disco alcance plena velocidad.
5. Presione la empuñadura hacia abajo y **empuje el carro hacia la guía lateral y a través de la pieza de trabajo.**
6. Cuando haya completado el corte, apague la herramienta y **espere hasta que el disco se haya parado completamente** antes de devolver el disco a su posición completamente elevada.

Corte en inglete

Consulte la sección para el ajuste del ángulo de inglete.

Corte en bisel

⚠ADVERTENCIA: Después de ajustar el disco para un corte en bisel, antes de utilizar la herramienta asegúrese de que el carro y el disco podrán desplazarse libremente a todo lo largo de rango del corte que piensa hacer. Una interrupción del desplazamiento del carro o el disco durante la operación de corte puede resultar en un retroceso brusco y a heridas personales graves.

⚠ADVERTENCIA: Mientras esté haciendo un corte en bisel mantenga las manos alejadas de la trayectoria del disco. El ángulo del disco puede confundir al operario sobre la trayectoria real del disco durante el corte y el contacto con el disco resultará en heridas personales graves.

⚠ADVERTENCIA: El disco no deberá ser subido hasta que se haya parado completamente. Durante un corte en bisel la pieza cortada podrá detenerse contra el disco. Si sube el disco mientras está girando, la pieza cortada podrá ser expulsada por el disco haciendo que el material se fragmente lo que puede resultar en heridas personales graves.

⚠PRECAUCIÓN: (Solamente para herramientas con guía secundaria) **Ponga siempre la guía secundaria afuera cuando realice cortes en bisel izquierdo.**

► Fig.47: 1. Conjunto de soporte

1. Afloje la palanca e incline el disco para establecer el ángulo de bisel (consulte la sección "Ajuste del ángulo de bisel" explicada más atrás). Asegúrese de reapretar la palanca firmemente para sujetar de forma segura el ángulo de bisel seleccionado.
2. Sujete la pieza de trabajo con una mordaza.
3. Tire del carro hacia usted completamente.
4. Encienda la herramienta sin que el disco esté tocando nada y espere hasta que el disco alcance plena velocidad.
5. Baje con cuidado la empuñadura hasta la posición completamente bajada mientras aplica presión en dirección paralela al disco y **empuje el carro hacia la guía lateral para cortar la pieza de trabajo.**
6. Cuando haya completado el corte, apague la herramienta y **espere hasta que el disco se haya parado completamente** antes de devolver el disco a su posición completamente elevada.

AVISO: Cuando presione hacia abajo la empuñadura, aplique fuerza paralela al disco. Si la fuerza es aplicada perpendicularmente a la base giratoria o si se cambia la dirección de la presión durante el corte, la precisión de corte se deteriorará.

Corte compuesto

El corte compuesto es el procedimiento en el que se hace un ángulo de bisel al mismo tiempo que se corta un ángulo de inglete en una pieza de trabajo. El corte compuesto se puede realizar a los ángulos mostrados en la tabla.

Ángulo de inglete	Ángulo de bisel
Izquierdo y Derecho 45°	Izquierdo 0° - 45°
Derecho 50°	Izquierdo 0° - 40°
Derecho 55°	Izquierdo 0° - 30°
Derecho 57°	Izquierdo 0° - 25°

Cuando vaya a realizar un corte compuesto, consulte las explicaciones de "Corte por presión", "Corte de deslizamiento", "Corte en inglete" y "Corte en bisel".

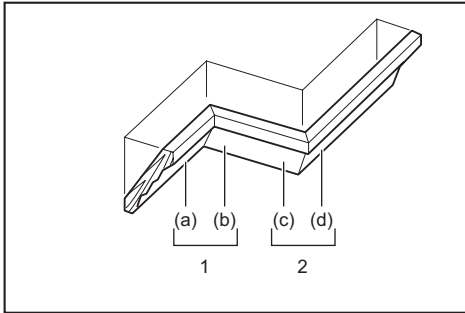
Corte de molduras corona y cóncavas

Las molduras corona y cóncavas pueden cortarse en una sierra de inglete mixta con las molduras apoyadas horizontalmente en la base giratoria.

Existen dos tipos comunes de molduras corona y un tipo de moldura cóncava; moldura corona de ángulo mural de 52/38°, moldura corona de ángulo mural de 45° y moldura cóncava de ángulo mural de 45°.

► **Fig.48:** 1. Moldura corona tipo 52/38° 2. Moldura corona tipo 45° 3. Moldura cóncava tipo 45°

Existen juntas de moldura corona y cóncava que han sido hechas para encajar en esquinas "interiores" de 90° ((a) y (b) en la figura) y esquinas "exteriores" de 90° ((c) y (d) en la figura).



1. Esquina interior 2. Esquina exterior

► **Fig.49:** 1. Esquina interior 2. Esquina exterior

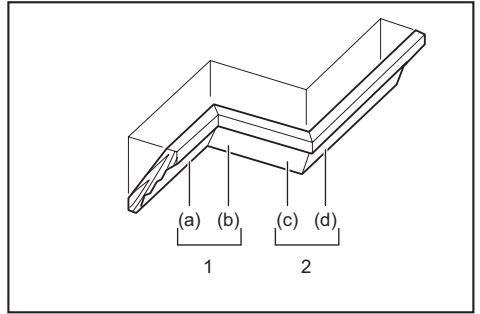
Medición

Mida la anchura de la pared, y ajuste la anchura de la pieza de trabajo de acuerdo con esto. Asegúrese siempre de que la anchura del borde de contacto con la pared de la pieza de trabajo es la misma que la longitud de la pared.

► **Fig.50:** 1. Pieza de trabajo 2. Anchura de la pared 3. Anchura de la pieza de trabajo 4. Borde de contacto con la pared

Utilice siempre varias piezas para realizar cortes de prueba a fin de comprobar los ángulos de la sierra. Cuando vaya a cortar molduras corona y cóncavas, ajuste el ángulo de bisel y el ángulo de inglete como se indica en la tabla (A) y posicione las molduras sobre la superficie superior de la base de la sierra como se indica en la tabla (B).

En el caso de corte en bisel izquierdo



1. Esquina interior 2. Esquina exterior

Tabla (A)

-	Posición de la moldura en la figura	Ángulo de bisel		Ángulo de inglete	
		Tipo 52/38°	Tipo 45°	Tipo 52/38°	Tipo 45°
Para esquina interior	(a)	Izquierdo 33,9°	Izquierdo 30°	Derecho 31,6°	Derecho 35,3°
	(b)			Izquierdo 31,6°	Izquierdo 35,3°
Para esquina exterior	(c)			Derecho 31,6°	Derecho 35,3°
	(d)				

Tabla (B)

-	Posición de la moldura en la figura	Borde de moldura contra la guía lateral	Pieza acabada
Para esquina interior	(a)	El borde de contacto con el techo debe estar contra la guía lateral.	La pieza acabada estará en el lado izquierdo del disco.
	(b)	El borde de contacto con la pared debe estar contra la guía lateral.	
Para esquina exterior	(c)	El borde de contacto con el techo debe estar contra la guía lateral.	La pieza acabada estará en el lado derecho del disco.
	(d)	El borde de contacto con el techo debe estar contra la guía lateral.	

Ejemplo:

En el caso de corte de moldura corona tipo 52/38° para posición (a) en la figura de arriba:

- Incline y sujete el ajuste de ángulo de bisel para 33,9° IZQUIERDO.
- Ajuste y sujete el ajuste de ángulo de inglete para 31,6° DERECHO.
- Apoye la moldura corona con su superficie posterior vasta (oculta) hacia abajo sobre la base giratoria con su BORDE DE CONTACTO CON EL TECHO contra la guía lateral en la sierra.
- La pieza acabada a utilizar estará siempre en el lado IZQUIERDO del disco después de haber realizado el corte.

Corte de extrusión de aluminio

- **Fig.51:** 1. Mordaza 2. Bloque espaciador 3. Guía lateral 4. Extrusión de aluminio 5. Bloque espaciador

Cuando sujete extrusiones de aluminio, utilice bloques espaciadores o piezas de desecho como se muestra en la figura para evitar la deformación del aluminio. Utilice un lubricante para cortar cuando corte extrusión de aluminio para evitar la acumulación de material de aluminio en el disco.

⚠PRECAUCIÓN: No intente nunca cortar extrusiones de aluminio gruesas o redondas. Las extrusiones de aluminio gruesas pueden aflojarse durante la operación y las extrusiones de aluminio redondas no se pueden sujetar firmemente con esta herramienta.

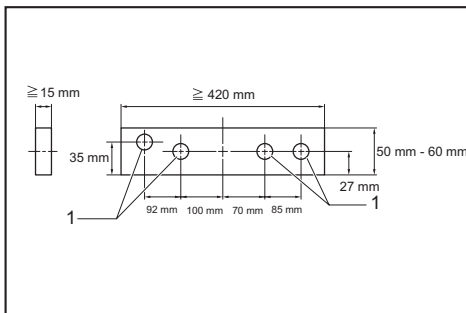
Guarnición de madera

⚠ADVERTENCIA: Utilice tornillos para colocar la guarnición de madera en la guía lateral. Los tornillos deberán ser instalados de forma que sus cabezas queden por debajo de la superficie de la guarnición de madera para que no interfieran con el posicionamiento del material que se va a cortar. Una desalineación del material que está siendo cortado puede ocasionar un movimiento inesperado durante la operación de corte y resultar en una pérdida de control y heridas personales graves.

⚠PRECAUCIÓN: Utilice madera recta de grosor uniforme para la guarnición de madera.

La utilización de la guarnición de madera ayuda a conseguir cortes sin astillar la pieza de trabajo. Coloque la guarnición de madera en la guía lateral utilizando los agujeros de la guía lateral.

Consulte la figura referente a las dimensiones para elegir una guarnición de madera sugerida.



1. Agujeros

AVISO: Cuando esté puesta la guarnición de madera, no gire la base giratoria con la empuñadura bajada. El disco y/o la guarnición de madera se dañarán.

Corte de longitudes repetitivas

⚠PRECAUCIÓN: Para la herramienta equipada con los soportes y conjuntos de soporte como accesorios estándar, este tipo de utilización no está permitido debido a los reglamentos del país.

Cuando vaya a cortar varias piezas de madera a la misma longitud, de entre 220 mm a 385 mm, utilice la placa de presión (accesorio opcional). Instale la placa de presión en el soporte (accesorio opcional) como se muestra en la figura.

- **Fig.52:** 1. Placa de presión 2. Soporte 3. Tornillo

Alinee la línea de corte de su pieza de trabajo con el lado izquierdo o derecho de la ranura en la placa de corte, y mientras sujeta la pieza de trabajo, mueva la placa de presión hasta ponerla a ras contra el extremo de la pieza de trabajo. Después sujete la placa de presión con el tornillo.

Cuando no utilice la placa de presión, afloje el tornillo y gire la placa de presión para que no estorbe.

NOTA: La utilización del conjunto de barra de soporte (accesorio opcional) permite cortar longitudes repetitivas de hasta 2.200 mm aproximadamente.

Ranurado

⚠ADVERTENCIA: No intente realizar este tipo de corte utilizando un disco de tipo más grueso o un disco de moldurar. Si intenta hacer un corte de ranura con un disco más grueso o disco de moldurar podrá resultar en un corte inesperado y en un retroceso brusco que puede resultar en heridas personales graves.

⚠ADVERTENCIA: Asegúrese de volver a poner el brazo de retención en la posición original cuando realice otros cortes que no sean de ranurado. Si intenta hacer cortes con el brazo de retención en una posición incorrecta podrá resultar en un corte inesperado y en un retroceso brusco que puede resultar en heridas personales graves.

Para corte tipo ranura, realice lo siguiente:

1. Ajuste la posición del límite inferior del disco de sierra circular utilizando el tornillo de ajuste y el brazo de retención para limitar la profundidad de corte del disco de sierra circular. Consulte la sección para el brazo de retención.

2. Después de ajustar la posición del límite inferior del disco de sierra circular, corte ranuras paralelas a lo ancho de la pieza de trabajo utilizando un corte de deslizamiento (empujando).

- **Fig.53:** 1. Ranuras cortadas con el disco

3. Retire con un formón el material que queda entre las ranuras hechas en la pieza de trabajo.

Transporte de la herramienta

⚠️ ADVERTENCIA: El pasador de retención ha sido pensado solamente para transportar y almacenar la herramienta y no deberá ser utilizado nunca para ninguna operación de corte. La utilización del pasador de retención para operaciones de corte podrá ocasionar un movimiento inesperado del disco resultando en un retroceso brusco y heridas personales graves.

⚠️ PRECAUCIÓN: Sujete siempre todas las partes móviles antes de transportar la herramienta. Si algunas partes de la herramienta se mueven o deslizan mientras se transporta podrá producirse una pérdida del control o del equilibrio resultando en heridas personales.

► Fig.54

1. Retire el cartucho de batería.
2. Sujete el disco a un ángulo de bisel de 0° y la base giratoria al ángulo de inglete recto completo.
3. Sujete las barras deslizables de forma que la barra deslizable inferior quede bloqueada en la posición del carro completamente empujado hacia el operario y las barras superiores queden bloqueadas en la posición del carro completamente empujado hacia la guía lateral.
4. Baje la empuñadura completamente y bloquéela en la posición bajada presionando hacia dentro el pasador de retención.
5. Transporte la herramienta cogiéndola por ambos costados de la base. Si retira los soportes, la bolsa de polvo, etc., podrá transportar la herramienta más fácilmente.

MANTENIMIENTO

⚠️ ADVERTENCIA: Asegúrese siempre de que el disco está afilado y limpio para obtener el mejor y más seguro rendimiento. El tratar de hacer un corte con un disco embotado y/o sucio puede ocasionar un retroceso brusco y resultar en heridas personales graves.

⚠️ PRECAUCIÓN: Asegúrese siempre de que la herramienta está apagada y de que el cartucho de batería está retirado antes de intentar hacer una inspección o mantenimiento.

AVISO: No utilice nunca gasolina, bencina, disolvente, alcohol o similares. Podría producir descoloración, deformación o grietas.

Ajuste del ángulo de corte

Esta herramienta ha sido ajustada y alineada cuidadosamente en fábrica, pero un manejo brusco podrá haber afectado la alineación. Si su herramienta no está debidamente alineada, realice lo siguiente:

Ángulo de inglete

1. Empuje el carro hacia la guía lateral y apriete los dos tornillos de fijación para sujetar el carro.
2. Gire la base giratoria hasta que el puntero indique 0° en la escala de inglete.
3. Gire la base giratoria ligeramente hacia la derecha y hacia la izquierda para asentarla en la muesca de inglete de 0°. (Déjela tal como está si el puntero no indica 0°).
4. Afloje los pernos de cabeza hueca hexagonal que sujetan la guía lateral utilizando la llave hexagonal.

► Fig.55: 1. Guía lateral 2. Perno de cabeza hueca hexagonal

5. Baje la empuñadura completamente y bloquéela en la posición bajada presionando hacia dentro el pasador de retención.
6. Ajuste la guía lateral hasta que forme un ángulo perpendicular con el disco utilizando una escuadra, cartabón, etc. Después apriete firmemente los pernos de cabeza hueca hexagonal de la guía lateral en orden comenzando desde el lado derecho.

► Fig.56: 1. Escuadra 2. Guía lateral

7. Asegúrese de que el puntero indica 0° en la escala de inglete. Si el puntero no indica 0°, afloje el tornillo que sujeta el puntero y ajuste el puntero de forma que indique 0°.

► Fig.57: 1. Tornillo 2. Escala de inglete 3. Puntero

Ángulo de bisel

Ángulo de bisel de 0°

► Fig.58: 1. Palanca 2. Soporte de brazo 3. Perno de ajuste del ángulo de bisel a 0° 4. Brazo 5. Botón de liberación

1. Empuje el carro hacia la guía lateral y apriete los dos tornillos de fijación para sujetar el carro.
2. Baje la empuñadura completamente y bloquéela en la posición bajada presionando hacia dentro el pasador de retención.
3. Afloje la palanca de la parte trasera de la herramienta.
4. Gire el perno de ajuste del ángulo de bisel a 0° (perno inferior) del lado derecho del brazo dos o tres vueltas hacia la izquierda para inclinar el disco hacia la derecha.
5. Gire con cuidado hacia la derecha el perno de ajuste del ángulo de bisel a 0° hasta que la cara del disco forme un ángulo perpendicular con la superficie superior de la base giratoria. Utilice la escuadra, cartabón, etc., como guía. Después apriete la palanca firmemente.

► Fig.59: 1. Escuadra 2. Disco 3. Superficie superior de la mesa giratoria

6. Asegúrese de que el puntero del brazo indica 0° en la escala de bisel. Si el puntero no indica 0°, afloje el tornillo que sujeta el puntero y ajuste el puntero de forma que indique 0°.

► Fig.60: 1. Escala de bisel 2. Puntero 3. Tornillo

Ángulo de bisel de 45°

- **Fig.61:** 1. Perno de ajuste del ángulo de bisel a 45° a la izquierda

Ajuste el ángulo de bisel de 45° solamente después de haber realizado el ajuste del ángulo de bisel de 0°.

1. Afloje la palanca e incline el disco completamente hacia la izquierda.
2. Asegúrese de que el puntero del brazo indica 45° en la escala de bisel. Si el puntero no indica 45°, gire el perno de ajuste del ángulo de bisel a 45° (perno superior) del lado derecho del brazo hasta que el puntero indique 45°.

- Escuadra
- Llave hexagonal
- Batería y cargador genuinos de Makita

NOTA: Algunos elementos de la lista podrán estar incluidos en el paquete de la herramienta como accesorios estándar. Pueden variar de un país a otro.

Después de la utilización

Después de la utilización, limpie las virutas y el polvo adheridos a la herramienta con un paño o similar. Mantenga el protector de disco limpio de acuerdo con las indicaciones de la sección ya vista titulada "Protector de disco". Lubrique las partes deslizables con aceite para máquinas para evitar que se oxiden.

Cuando vaya a guardar la herramienta, tire del carro hacia usted completamente de forma que la barra deslizable se introduzca completamente en la base giratoria.

Para mantener la SEGURIDAD y FIABILIDAD del producto, las reparaciones, y cualquier otra tarea de mantenimiento o ajuste deberán ser realizadas en centros de servicio o de fábrica autorizados por Makita, empleando siempre repuestos Makita.

ACCESORIOS OPCIONALES

⚠ADVERTENCIA: Estos accesorios o acoplamientos de Makita están recomendados para utilizar con su herramienta Makita especificada en este manual. La utilización de cualesquiera otros accesorios o acoplamientos puede resultar en heridas personales graves.

⚠ADVERTENCIA: Utilice el accesorio o acoplamiento Makita solamente para el propósito que ha sido diseñado. El uso indebido de un accesorio o acoplamiento puede resultar en heridas personales graves.

Si necesita cualquier ayuda para más detalles en relación con estos accesorios, pregunte al centro de servicio Makita local.

- Discos de carburo
(Consulte nuestro sitio web o póngase en contacto con el distribuidor Makita local para ver los discos de sierra correctos que hay que utilizar para el material que se va a cortar).
- Conjunto de mordaza (Mordaza horizontal)
- Mordaza vertical
- Conjunto de soporte
- Conjunto de barra de soporte
- Placa de presión
- Bolsa de polvo

ESPECIFICAÇÕES

Modelo:	DLS714
Diâmetro da lâmina	190 mm
Diâmetro do orifício (suporte) (específico do país)	20 mm ou 15,88 mm
Espessura máx. de corte da lâmina de serra	2,2 mm
Ângulo de esquadria máx.	Esquerdo 47°, direito 57°
Ângulo de bisel máx.	Esquerdo 45°, direito 5°
Velocidade sem carga	5.700 min ⁻¹
Dimensões (C x L x A)	655 mm x 430 mm x 445 mm
Tensão nominal	C.C. 36 V
Peso líquido	14,4 - 14,7 kg

- Devido a um programa contínuo de pesquisa e desenvolvimento, estas especificações estão sujeitas a alteração sem aviso prévio.
- As especificações podem variar de país para país.
- O peso poderá diferir em função do acessório(s), incluindo a bateria. A combinação mais leve e mais pesada, de acordo com o Procedimento EPTA 01/2014, é apresentada na tabela.

Bateria e carregador aplicável

Bateria	BL1815N / BL1820B / BL1830B / BL1840B / BL1850B / BL1860B
Carregador	DC18RC / DC18RD / DC18RE / DC18SD / DC18SE / DC18SF / DC18SH / DC18WC

- Algumas das baterias e carregadores listados acima poderão não estar disponíveis, dependendo da sua região de residência.

⚠AVISO: Utilize apenas as baterias e carregadores listados acima. A utilização de quaisquer outras baterias e carregadores pode causar ferimentos e/ou um incêndio.

Capacidades de corte (A x L) com lâmina de 190 mm de diâmetro

Ângulo de esquadria	Ângulo de bisel		
	45° (esquerdo)	0°	5° (direito)
0°	40 mm x 300 mm	52 mm x 300 mm	40 mm x 300 mm
	45 mm x 265 mm (NOTA 1)	60 mm x 265 mm (NOTA 1)	–
45° (esquerdo e direito)	40 mm x 212 mm	52 mm x 212 mm	–
	45 mm x 185 mm (NOTA 2)	60 mm x 185 mm (NOTA 2)	–
57° (direito)	–	52 mm x 163 mm	–
	–	60 mm x 145 mm (NOTA 3)	–

1. Capacidade máx. de corte quando se utiliza um revestimento de madeira de 20 mm de espessura
2. Capacidade máx. de corte quando se utiliza um revestimento de madeira de 15 mm de espessura
3. Capacidade máx. de corte quando se utiliza um revestimento de madeira de 10 mm de espessura

Símbolos

A seguir são apresentados os símbolos que podem ser utilizados para o equipamento. Certifique-se de que compreende o seu significado antes da utilização.



Leia o manual de instruções.



Para evitar ferimentos provocados por resíduos soltos, mantenha a cabeça da serra virada para baixo, depois de realizar cortes, até a lâmina ficar completamente parada.



Quando realizar o corte corredeiro, puxe primeiro o carreto até ao fim e empurre a pega para baixo, depois, empurre o carreto em direção à placa guia.



Não coloque a mão ou os dedos perto da lâmina.



Defina sempre a SUB-GUIA para a posição esquerda quando realizar cortes de bisel para a esquerda. O não cumprimento desta indicação pode provocar ferimentos graves no operador.



Ni-MH
Li-ion

Apenas para países da UE
Devido à presença de componentes perigosos no equipamento, os resíduos de equipamentos elétricos e eletrónicos, acumuladores e baterias podem ter um impacto negativo no meio ambiente e na saúde humana.

Não elimine aparelhos elétricos e eletrónicos ou baterias juntamente com resíduos domésticos!

De acordo com a Diretiva europeia relativa aos resíduos de equipamentos elétricos e eletrónicos, acumuladores e baterias, bem como a respetiva adaptação à legislação nacional, os resíduos de equipamentos elétricos e eletrónicos, acumuladores e baterias devem ser armazenados separadamente e entregues num ponto de recolha separado para resíduos municipais, que opere de acordo com os regulamentos de proteção ambiental.

Tal é indicado pelo símbolo de contentor de lixo com rodas barrado com uma cruz colocado no equipamento.

Fins a que se destina

Esta ferramenta destina-se a realizar cortes de precisão, retos e de meia esquadria, em madeira. Utilize a serra apenas para cortar madeira, alumínio ou materiais similares.

Ruído

A característica do nível de ruído A determinado de acordo com a EN62841-3-9:

Nível de pressão acústica (L_{pA}) : 88 dB (A)

Nível de potência acústica (L_{WA}) : 97 dB (A)

Variabilidade (K): 3 dB (A)

NOTA: O(s) valor(es) da emissão de ruído indicado(s) foi medido de acordo com um método de teste padrão e pode ser utilizado para comparar duas ferramentas.

NOTA: O(s) valor(es) da emissão de ruído indicado(s) pode também ser utilizado na avaliação preliminar da exposição.

AVISO: Utilize protetores auriculares.

AVISO: A emissão de ruído durante a utilização real da ferramenta elétrica pode diferir do(s) valor(es) indicado(s), dependendo das formas como a ferramenta é utilizada, especialmente o tipo de peça de trabalho que é processada.

AVISO: Certifique-se de identificar as medidas de segurança para proteção do operador que sejam baseadas em uma estimativa de exposição em condições reais de utilização (considerando todas as partes do ciclo de operação, tal como quando a ferramenta está desligada e quando está a funcionar em marcha lenta além do tempo de acionamento).

Vibração

Valor total da vibração (soma vetorial tri-axial) determinado de acordo com a EN62841-3-9:

Emissão de vibração (a_h) : 2,5 m/s² ou menos

Variabilidade (K): 1,5 m/s²

NOTA: O(s) valor(es) total(ais) de vibração indicado(s) foi medido de acordo com um método de teste padrão e pode ser utilizado para comparar duas ferramentas.

NOTA: O(s) valor(es) total(ais) de vibração indicado(s) pode também ser utilizado na avaliação preliminar da exposição.

AVISO: A emissão de vibração durante a utilização real da ferramenta elétrica pode diferir do(s) valor(es) indicado(s), dependendo das formas como a ferramenta é utilizada, especialmente o tipo de peça de trabalho que é processada.

AVISO: Certifique-se de identificar as medidas de segurança para proteção do operador que sejam baseadas em uma estimativa de exposição em condições reais de utilização (considerando todas as partes do ciclo de operação, tal como quando a ferramenta está desligada e quando está a funcionar em marcha lenta além do tempo de acionamento).

Declarações de conformidade

Apenas para os países europeus

As Declarações de conformidade estão incluídas no Anexo A deste manual de instruções.

AVISOS DE SEGURANÇA

Avisos gerais de segurança para ferramentas elétricas

AVISO Leia todos os avisos de segurança, instruções, ilustrações e especificações fornecidos com esta ferramenta elétrica. O incumprimento de todas as instruções abaixo enumeradas pode resultar em choque elétrico, incêndio e/ou ferimentos graves.

Guarde todos os avisos e instruções para futuras referências.

O termo "ferramenta elétrica" nos avisos refere-se às ferramentas elétricas ligadas à corrente elétrica (com cabo) ou às ferramentas elétricas operadas por meio de bateria (sem cabo).

Instruções de segurança para serras de esquadria

- As serras de esquadria destinam-se a cortar madeira ou produtos semelhantes a madeira, não podem ser utilizadas com rodas de corte abrasivas para cortar material ferroso, tal como barras, varões, pinos, etc.** A poeira abrasiva provoca o encravamento de peças móveis, tais como o resguardo inferior. As faíscas do corte abrasivo queimam o resguardo inferior, a inserção de corte e outras peças de plástico.
- Utilize braçadeiras para apoiar a peça de trabalho sempre que possível. Se apoiar a peça de trabalho manualmente, deve manter sempre as mãos afastadas pelo menos 100 mm de cada lado da lâmina de serra. Não utilize esta serra para cortar peças demasiado pequenas para serem apertadas ou seguras à mão.** Se a sua mão estiver colocada demasiado próxima da lâmina de serra, existe um maior risco de lesão devido ao contacto com a lâmina.
- A peça de trabalho deve estar fixa e apertada ou segura contra a placa e a mesa. Não alimente a peça de trabalho na lâmina nem corte "com as mãos livres" em qualquer direção.** As peças sem fixação ou móveis podem ser projetadas a altas velocidades, causando ferimentos.
- Empurre a serra através da peça de trabalho. Não puxe a serra através da peça de trabalho. Para realizar um corte, eleve a cabeça da serra e puxe-a para fora sobre a peça de trabalho sem realizar cortes, efetue o arranque do motor, pressione a cabeça da serra para baixo e empurre a serra através da peça de trabalho.** Cortar no tirante de puxar provavelmente faz com que a lâmina de serra suba para cima da peça de trabalho e atire violentamente a conjunto de lâmina na direção do operador.
- Nunca cruze a sua mão sobre a linha de corte pretendida, tanto à frente como atrás da lâmina de serra.** Apoiar a peça de trabalho "com as mãos cruzadas", isto é, segurando a peça de trabalho do lado direito da lâmina de serra com a mão esquerda ou vice versa é muito perigoso.
- Não tente chegar mais próximo do que 100 mm por trás da placa com as duas mãos a partir dos dois lados da lâmina de serra para remover restos de madeira ou por qualquer outro motivo enquanto a lâmina estiver a rodar.** A proximidade da lâmina de serra em rotação em relação à sua mão poderá não ser óbvia e poderá sofrer lesões graves.
- Inspeccione a sua peça de trabalho antes de realizar o corte. Se a peça de trabalho for encurvada ou deformada, aperte-a com a face encurvada exterior virada para a placa. Certifique-se sempre de que não existe nenhuma lacuna entre a peça de trabalho, a placa e a mesa ao longo da linha de corte.** As peças de trabalho encurvadas ou deformadas podem torcer ou deslocar-se e causar emperramento na lâmina de serra em rotação durante o corte. A peça de trabalho não deve ter pregos ou objetos estranhos.
- Não utilize a serra até que a mesa esteja desimpedida de todas as ferramentas, restos de madeira, etc., exceto da peça de trabalho.** Os pequenos resíduos ou pedaços soltos de madeira ou outros objetos que estabeleçam contacto com a lâmina em rotação podem ser projetados a alta velocidade.
- Corte apenas uma peça de trabalho de cada vez.** As peças de trabalho múltiplas empilhadas não podem ser apertadas ou fixadas adequadamente e podem prender na lâmina ou deslocar-se durante o corte.
- Assegure que a serra de esquadria está montada ou colocada numa superfície de trabalho nivelada e firme antes de ser utilizada.** Uma superfície de trabalho nivelada e firme reduz o risco de a serra de esquadria se tornar instável.
- Planeie o seu trabalho. Cada vez que altera a definição do ângulo de bisel e do ângulo de esquadria, certifique-se de que a placa ajustável está corretamente definida para apoiar a peça de trabalho e que não interfere com a lâmina ou o sistema de resguardo.** Sem "LIGAR" a ferramenta e sem qualquer peça de trabalho na mesa, mova a lâmina de serra através de um corte simulado completo, de modo a assegurar que não haverá interferência ou perigo de corte da placa.
- Assegure um apoio adequado, tal como extensões da mesa, cavaletes, etc. para uma peça de trabalho que é mais ampla ou mais comprida do que o topo da mesa.** As peças de trabalho mais compridas ou mais amplas do que a mesa da serra de esquadria podem virar se não estiverem apoiadas em segurança. Se a peça cortada ou a peça de trabalho virarem, estas podem levantar o resguardo inferior ou serem projetadas pela lâmina em rotação.
- Não utilize outra pessoa como substituição de uma extensão de mesa ou um suporte adicional.** O apoio instável para a peça de trabalho pode fazer com que a lâmina fique presa ou a peça de trabalho se desloque durante a operação de corte, puxando-o a si e ao seu assistente na direção da lâmina em rotação.

► Fig.1

14. **A peça de corte não deve estar encravada ou ser pressionada por qualquer meio contra a lâmina de serra em rotação.** Se estiver limitada, isto é, utilizando batentes de comprimento, a peça de corte pode ficar entalada contra a lâmina e ser projetada com violência.
15. **Utilize sempre uma braçadeira ou uma fixação concebida para apoiar adequadamente material redondo, tal como varões ou tubagens.** Os varões têm tendência de se enrolar enquanto são cortados, fazendo com que a lâmina "morda" e puxe a peça de trabalho com a sua mão para a lâmina.
16. **Aguarde que o disco atinja a velocidade máxima antes de estabelecer contacto com a peça de trabalho.** Isto reduz o risco de projecção da peça de trabalho.
17. **Se a peça de trabalho ou a lâmina ficar encravada, desligue a serra de esquadria. Aguarde que todas as peças móveis parem e desligue a ficha da fonte de alimentação e/ou remova a bateria. Em seguida, trabalhe para soltar o material encravado.** A serração contínua com uma peça de trabalho encravada pode causar a perda de controlo ou danos na serra de esquadria.
18. **Após concluir o corte, solte o interruptor, segure a cabeça da serra para baixo e aguarde que a lâmina pare antes de remover a peça de corte.** É perigoso tentar alcançar a lâmina com a mão enquanto esta está a rodar por inércia.
19. **Segure firmemente na pega quando realizar um corte incompleto ou quando soltar o interruptor antes de a cabeça da serra estar completamente na posição inferior.** A ação de travagem da serra pode fazer com que a cabeça da serra seja subitamente puxada para baixo, causando o risco de lesão.
20. **Utilize a lâmina de serra apenas com o diâmetro que está marcado na ferramenta ou especificado no manual.** A utilização de uma lâmina de tamanho incorreto pode afetar a proteção adequada da lâmina ou o funcionamento do resguardo, resultando em ferimentos pessoais graves.
21. **Apenas use lâminas de serra marcadas com uma velocidade igual ou superior à velocidade marcada na ferramenta.**
22. **Utilize a serra apenas para cortar madeira, alumínio ou materiais similares.**
23. **(Apenas para países europeus) Utilize sempre a lâmina que possui conformidade com a norma EN847-1.**
5. **Mantenha as mãos afastadas da parte cortante da lâmina da serra. Evite tocar na lâmina quando esta rodar por inércia. Mesmo assim, esta pode provocar lesões.**
6. **Para reduzir o risco de lesão, reposicione o carro na posição traseira completa após cada operação de corte transversal.**
7. **Fixe sempre os componentes móveis antes de proceder ao transporte da ferramenta.**
8. **O pino de bloqueio que bloqueia a cabeça de corte é só para fins de transporte e armazenagem e não para operação de corte.**
9. **Verifique a lâmina com cuidado quanto a rachaduras ou danos antes da utilização. Substitua imediatamente a lâmina rachada ou danificada. A pastilha e o passo da madeira endurecidos nas lâminas torna a serra lenta e aumenta o potencial de contragolpe. Mantenha a lâmina limpa, removendo-a primeiramente da ferramenta e, em seguida, limpando-a com removedor de pastilha e de passo, água quente ou querosene. Nunca utilize gasolina para limpar a lâmina.**
10. **Enquanto realiza um corte correído podem ocorrer CONTRAGOLPES. O CONTRAGOLPE ocorre quando a lâmina prende na peça de trabalho durante uma operação de corte e a lâmina de serra é puxada rapidamente na direção do operador. Pode resultar na perda de controlo e em lesões físicas graves. Se a lâmina começar a prender durante uma operação de corte, não continue a cortar e solte o interruptor imediatamente.**
11. **Utilize exclusivamente as flanges especificadas para esta ferramenta.**
12. **Tenha cuidado para não danificar o eixo, as flanges (especialmente a superfície de instalação) ou o perno. Os danos nestes componentes podem provocar a fratura da lâmina.**
13. **Certifique-se de que a base giratória está bem fixa, de modo a que não se movimente durante a operação. Utilize os furos na base para apertar a serra a uma plataforma de trabalho estável ou bancada. NUNCA utilize a ferramenta no caso em que o posicionamento do operador fosse considerado estranho.**
14. **Certifique-se de que soltou o travão do eixo antes de ligar o interruptor.**
15. **Certifique-se de que, na posição mais baixa, a lâmina não fica em contacto com a base giratória.**
16. **Agarre na pega com firmeza. Tenha em conta que a serra se movimenta um pouco para cima e para baixo, durante o arranque e a paragem da ferramenta.**

Instruções adicionais

1. **Feche a oficina com cadeados para segurança das crianças.**
2. **Nunca se coloque sobre a ferramenta.** Podem ocorrer lesões graves se a ferramenta virar ou se estabelecer contacto inadvertidamente com a ferramenta de corte.
3. **Nunca deixa a ferramenta ligada sem supervisão. Desligue a ferramenta. Não deixe a ferramenta sem supervisão antes de estar completamente parada.**
4. **Não utilize a serra sem os resguardos montados. Verifique se o resguardo da lâmina se encontra devidamente fechado antes de cada utilização. Não trabalhe com a serra se o resguardo da lâmina não se movimentar livremente e fechar instantaneamente. Nunca fixe nem prenda o resguardo da lâmina em posição aberta.**
17. **Verifique se a lâmina não está em contacto com a peça a trabalhar antes de ligar o interruptor.**
18. **Antes de utilizar a ferramenta na peça a trabalhar, deixe-a funcionar em vazio durante algum tempo. Verifique se existem vibrações ou movimento irregular que possam indicar má instalação ou desequilíbrio da lâmina.**
19. **Pare a ferramenta de imediato se notar algo no funcionamento que não seja normal.**
20. **Não tente bloquear o gatilho na posição de ligado.**
21. **Utilize sempre os acessórios recomendados neste manual. A utilização de acessórios inadequados tais como rodas abrasivas podem dar origem a lesões.**

22. **Algun material contém produtos químicos que podem ser tóxicos. Tenha cuidado para evitar a inalação de poeira e o contacto com a pele. Respeite os dados de segurança do fornecedor do material.**

Normas de segurança adicionais para o laser

1. **RADIAÇÃO DO LASER, NÃO OLHAR FIXAMENTE PARA O FEIXE OU VISUALIZAR DIRETAMENTE COM INSTRUMENTOS ÓTICOS, PRODUTO DE LASER CLASSE 2M.**

GUARDE ESTAS INSTRUÇÕES.

⚠️ AVISO: NÃO permita que o conforto ou familiaridade com o produto (adquirido com o uso repetido) substitua o cumprimento estrito das regras de segurança da ferramenta. A MÁ INTERPRETAÇÃO ou o não seguimento das regras de segurança estabelecidas neste manual de instruções pode provocar ferimentos pessoais graves.

Instruções de segurança importantes para a bateria

1. Antes de utilizar a bateria, leia todas as instruções e etiquetas de precaução no (1) carregador de bateria (2) bateria e (3) produto que utiliza a bateria.
2. Não desmonte ou manipule a bateria. Pode resultar num incêndio, em calor excessivo ou numa explosão.
3. Se o tempo de funcionamento se tornar excessivamente curto, pare o funcionamento imediatamente. Pode resultar em sobreaquecimento, possíveis queimaduras e mesmo explosão.
4. Se entrar eletrólito nos seus olhos, lave-os com água e consulte imediatamente um médico. Pode resultar em perda de visão.
5. Não coloque a bateria em curto-circuito:
 - (1) Não toque nos terminais com qualquer material condutor.
 - (2) Evite guardar a bateria juntamente com outros objetos metálicos tais como pregos, moedas, etc.
 - (3) Não exponha a bateria à água ou chuva. Um curto-circuito pode ocasionar um enorme fluxo de corrente, sobreaquecimento, possíveis queimaduras e mesmo estragar-se.
6. Não guarde nem utilize a ferramenta e a bateria em locais onde a temperatura pode atingir ou exceder 50 °C.
7. Não queime a bateria mesmo que esteja estragada ou completamente gasta. A bateria pode explodir no fogo.
8. Não preegue, corte, esmague, atire, deixe cair a bateria, nem bata a bateria contra um objeto rijo. Esta conduta pode resultar num incêndio, em calor excessivo ou numa explosão.
9. Não utilize uma bateria danificada.
10. As baterias de íões de lítio contidas na ferramenta são sujeitas aos requisitos da DGL (Dangerous Goods Legislation - Legislação de bens perigosos). Para o transporte comercial, por exemplo, por terceiros ou agentes de expedição, têm de ser observados os requisitos referentes à embalagem e etiquetagem.

Para preparação do artigo a ser expedido, é necessário consultar um perito em materiais perigosos. Tenha ainda em conta a possibilidade de existirem regulamentos nacionais mais detalhados. Coloque fita-cola ou tape os contactos abertos e embale a bateria de tal forma que não possa mover-se dentro da embalagem.

11. **Quando eliminar a bateria, remova-a da ferramenta e elimine-a num local seguro. Siga os regulamentos locais relacionados com a eliminação de baterias.**
12. **Utilize as baterias apenas com os produtos especificados pela Makita.** Instalar as baterias em produtos não-conformes poderá resultar num incêndio, calor excessivo, explosão ou fuga de eletrólito.
13. **Se a ferramenta não for utilizada durante um período de tempo prolongado, a bateria deve ser removida da ferramenta.**
14. **Durante e após a utilização, a bateria pode aquecer, o que pode provocar queimaduras ou queimaduras a baixa temperatura. Preste atenção ao manuseamento de baterias quentes.**
15. **Não toque no terminal da ferramenta imediatamente após a utilização, pois pode ficar suficientemente quente para provocar queimaduras.**
16. **Não permita a adesão de aparas, pó ou sujidade nos terminais, nos orifícios e nas ranhuras da bateria.** Poderá fazer com que a ferramenta ou a bateria aqueça, incendeie, rebente e avarie, resultando em queimaduras ou ferimentos corporais.
17. **A menos que a ferramenta suporte a utilização perto de linhas elétricas de alta tensão, não utilize a bateria perto de linhas elétricas de alta tensão.** Pode resultar no mau funcionamento ou na avaria da ferramenta ou bateria.
18. **Mantenha a bateria afastada das crianças.**

GUARDE ESTAS INSTRUÇÕES.

⚠️ PRECAUÇÃO: Utilize apenas baterias genuínas da Makita. A utilização de baterias não genuínas da Makita ou de baterias que foram alteradas, pode resultar no rebentamento da bateria provocando incêndios, ferimentos pessoais e danos. Além disso, anulará da garantia da Makita no que se refere à ferramenta e ao carregador Makita.

Conselhos para manter a máxima vida útil da bateria

1. Carregue a bateria antes que esteja completamente descarregada. Pare sempre o funcionamento da ferramenta e carregue a bateria quando notar menos poder na ferramenta.
2. Nunca carregue uma bateria completamente carregada. Carregamento excessivo diminui a vida útil da bateria.
3. Carregue a bateria à temperatura ambiente de 10 °C – 40 °C. Deixe que uma bateria quente arrefeça antes de a carregar.
4. Quando não utilizar a bateria, remova-a da ferramenta ou do carregador.
5. Carregue a bateria se não a utilizar durante um longo período de tempo (mais de seis meses).

DESCRIÇÃO DAS PEÇAS

► Fig.2

1	Botão de segurança	2	Gatilho	3	Caixa da lâmina	4	Parafuso de ajuste (para a posição de limite inferior)
5	Perno de regulação (para a capacidade máxima de corte)	6	Placa de retenção	7	Saco do pó	8	Escala de bisel
9	Resguardo da lâmina	10	Torno vertical	11	Placa guia	12	Suporte
13	Alavanca de bloqueio (para a base giratória)	14	Punho (para a base giratória)	15	Perno de regulação (para a base giratória)	16	Placa de corte
17	Ponteiro (para o ângulo de esquadria)	18	Base giratória	19	Conjunto do suporte	20	Eixo da placa
21	Sub-guia	-	-	-	-	-	-

► Fig.3

22	Braçadeira deslizante (superior)	23	Parafuso de precisão (para bloquear a braçadeira deslizante superior)	24	Chave hexagonal	25	Parafuso de aperto (para bloquear o suporte)
26	Alavanca (para ajuste do ângulo de bisel)	27	Braçadeira deslizante (inferior)	28	Parafuso de precisão (para bloquear a braçadeira deslizante inferior)	-	-

INSTALAÇÃO

Montagem da bancada

AVISO: Certifique-se de que a ferramenta não se move na superfície de suporte. O movimento da serra de esquadria sobre a superfície de suporte durante o corte pode resultar em perda de controlo e provocar ferimentos pessoais graves.

1. Fixe a base numa superfície nivelada e estável, aparafusando com dois parafusos. Isto ajuda a evitar que tombe e a evitar possíveis ferimentos.

► Fig.4: 1. Perno

2. Rode o perno de regulação para a direita ou esquerda de modo a que fique em contacto com a superfície para manter a ferramenta estável.

► Fig.5: 1. Perno de regulação

Instalar os suportes e os conjuntos do suporte

NOTA: Em alguns países, os suportes e os conjuntos do suporte podem não estar incluídos na embalagem da ferramenta como acessório padrão.

Os suportes e os conjuntos do suporte suportam peças de trabalho horizontalmente.

Aperte os eixos da placa nos conjuntos do suporte utilizando a chave hexagonal.

► Fig.6: 1. Suporte 2. Conjunto do suporte 3. Eixo da placa 4. Chave hexagonal

Instale os suportes e os conjuntos do suporte em ambos os lados, conforme apresentado na figura. Ao instalar, verifique se o eixo da placa está na mesma linha da placa guia quando instalada na ferramenta.

► Fig.7: 1. Suporte 2. Conjunto do suporte 3. Parafuso

Depois, aperte os parafusos firmemente para fixar os suportes e os conjuntos do suporte.

DESCRIÇÃO FUNCIONAL

AVISO: Certifique-se sempre de que a ferramenta esteja desligada e a bateria retirada antes de regular ou inspecionar qualquer função da ferramenta. Se não desligar a ferramenta e retirar a bateria pode provocar o arranque acidental e resultar em ferimentos pessoais graves.

Instalação ou remoção da bateria

PRECAUÇÃO: Desligue sempre a ferramenta antes de colocar ou retirar a bateria.

PRECAUÇÃO: Segure firmemente a ferramenta e a bateria quando instalar ou remover a bateria. Se não segurar firmemente a ferramenta e a bateria pode fazer com que escorreguem das suas mãos resultando em danos na ferramenta e na bateria e ferimentos pessoais.

► Fig.8: 1. Indicador vermelho 2. Botão 3. Bateria

Para retirar a bateria, deslize-a para fora da ferramenta enquanto desliza o botão na frente da bateria.

Para instalar a bateria, alinhe a lingueta da bateria com a ranhura no compartimento e deslize-a no lugar. Empurre-a até o fim para que a mesma encaixe no lugar com um clique. Se puder ver a parte vermelha no lado superior do botão, significa que não está completamente bloqueada.

⚠️ PRECAUÇÃO: Instale sempre a bateria até ao fim, até deixar de ver o indicador vermelho. Caso contrário, a bateria poderá cair da ferramenta acidentalmente e provocar ferimentos em si mesmo ou em alguém próximo.

⚠️ PRECAUÇÃO: Não instale a bateria à força. Se a bateria não deslizar facilmente é porque não foi colocada corretamente.

NOTA: A ferramenta não funciona com apenas uma bateria.




Sistema de proteção da ferramenta/bateria

A ferramenta está equipada com um sistema de proteção da ferramenta/bateria. Este sistema corta automaticamente a corrente para o motor para aumentar a vida da ferramenta e da bateria. A ferramenta para automaticamente durante o funcionamento se a ferramenta ou bateria for colocada mediante uma das seguintes condições:

Proteção contra sobrecarga

Quando a ferramenta é utilizada de tal forma que puxa uma corrente demasiado elevada, a ferramenta para automaticamente sem qualquer indicação. Nesta situação, desligue a ferramenta e pare a aplicação que provocou a sobrecarga da ferramenta. Depois, volte a ligar a ferramenta para voltar ao trabalho.

Proteção contra sobreaquecimento

 Acesa	 A piscar
	

Quando a ferramenta está sobreaquecida, a ferramenta para automaticamente e o indicador da bateria pisca durante cerca de 60 segundos. Nesse caso, aguarde até a ferramenta arrefecer antes de a ligar outra vez.








Proteção contra descarga excessiva

Quando a capacidade da bateria é baixa, a ferramenta para automaticamente. Se o produto não funcionar mesmo quando os interruptores são acionados, retire as baterias da ferramenta e carregue-as.

Indicação da capacidade restante da bateria

► **Fig.9:** 1. Indicador da bateria 2. Botão de verificação

Prima o botão de verificação para indicar a capacidade restante das baterias. Os indicadores da bateria correspondem a cada bateria.













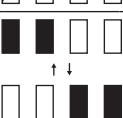
Estado dos indicadores da bateria			Capacidade restante da bateria
 Aceso	 Apagado	 A piscar	
			50% a 100%
			20% a 50%
			0% a 20%
			Carregar a bateria

Indicação da capacidade restante da bateria

Apenas para baterias com indicador

► **Fig.10:** 1. Luzes indicadoras 2. Botão de verificação

Prima o botão de verificação na bateria para indicar a capacidade restante da bateria. As luzes indicadoras acendem durante alguns segundos.



Luzes indicadoras			Capacidade restante
 Aceso	 Apagado	 A piscar	
			75% a 100%
			50% a 75%
			25% a 50%
			0% a 25%
			Carregar a bateria.
			A bateria pode estar avariada.

NOTA: Dependendo das condições de utilização e da temperatura ambiente, a indicação pode ser ligeiramente diferente da capacidade real.

NOTA: A primeira luz indicadora (extremo esquerdo) pisca quando o sistema de proteção da bateria funciona.

Função de mudança de velocidade automática

► Fig.11: 1. Indicador de modo

Estado do indicador de modo	Modo de funcionamento
	Modo de alta velocidade
	Modo de binário elevado

Esta ferramenta tem um “modo de alta velocidade” e um “modo de binário elevado”. Muda automaticamente o modo de operação dependendo da carga de trabalho. Quando o indicador de modo acende durante a operação, a ferramenta está em modo de binário elevado.

Pino de bloqueio

⚠PRECAUÇÃO: Segure sempre na pega quando libertar o pino de bloqueio. Caso contrário, a pega salta para cima e pode resultar em ferimentos pessoais.

Para libertar o pino de bloqueio, mantenha pressão na pega ligeiramente para baixo e puxe o pino de bloqueio.

► Fig.12: 1. Pino de bloqueio

Resguardo da lâmina

⚠AVISO: Nunca estrague ou retire o resguardo da lâmina ou o dispositivo de mola que prende o resguardo. Se retirar o resguardo de segurança, a lâmina exposta pode provocar ferimentos pessoais graves durante o funcionamento.

⚠AVISO: Nunca utilize a ferramenta se o resguardo da lâmina ou o dispositivo de mola estiverem danificados, avariados ou não estiverem montados. O funcionamento da ferramenta com um resguardo de segurança danificado, avariado ou retirado pode provocar ferimentos pessoais graves.

⚠PRECAUÇÃO: Mantenha sempre o resguardo da lâmina em boas condições para funcionamento seguro. Pare a operação imediatamente se existirem irregularidades no resguardo da lâmina. Verifique para se assegurar que o retorno do resguardo com a mola funciona bem.

► Fig.13: 1. Resguardo da lâmina

Ao descer a pega, o resguardo da lâmina sobe automaticamente. O resguardo dispõe de um dispositivo de mola pelo que volta à posição original depois de concluído o corte e quando se ergue a pega.

Limpeza

► Fig.14: 1. Resguardo da lâmina

Se o resguardo da lâmina transparente ficar sujo ou partículas de pó aderirem de modo que a lâmina e/ou a peça de trabalho deixem de ser facilmente visíveis, retire a bateria e limpe cuidadosamente o resguardo com um pano húmido. Não utilize solventes ou produtos de limpeza à base de petróleo no resguardo de segurança em plástico, pois esses podem danificá-lo.

Para limpeza, levante o resguardo da lâmina consultando “Instalar ou retirar a lâmina da serra”.

Após a limpeza, certifique-se de que volta a instalar a lâmina e a cobertura central e que aperta o perno de encaixe hexagonal.

1. Certifique-se que a ferramenta está desligada e que as baterias foram removidas.
2. Rode o perno de encaixe hexagonal para a esquerda utilizando a chave hexagonal fornecida para segurar a cobertura central.
3. Levante o resguardo da lâmina e a cobertura central.
4. Quando a limpeza estiver concluída, volte a colocar a cobertura central e aperte o perno de encaixe hexagonal realizando os passos indicados acima pela ordem inversa.

⚠AVISO: Não retire a mola que prende o resguardo da lâmina. Se o resguardo ficar danificado com o decorrer do tempo ou pela ação dos raios UV, contacte um centro de assistência Makita para substituição. **NÃO FORCE NEM DESMONTE O RESGUARDO.**

Posicionar a placa de corte

Esta ferramenta é fornecida com placas de corte na base giratória para minimizar a produção de estilhaços no lado de saída de um corte. As placas de corte foram reguladas na fábrica de modo a que a lâmina da serra não toque nas placas de corte. Antes da utilização regule as placas de corte como se segue:

1. Certifique-se de que remove a bateria. Depois, desaperte todos os parafusos (2 em cada lado esquerdo e direito) que prendem as placas de corte.
► Fig.15: 1. Placa de corte 2. Parafuso
2. Volte a apertá-los de modo que as placas de corte sejam facilmente movimentadas com a mão.
3. Desça completamente a pega e empurre o pino de bloqueio para bloquear a pega na posição inferior.
4. Solte os dois parafusos de aperto que prendem as braçadeiras deslizantes.
► Fig.16: 1. Parafuso de precisão
5. Puxe os carretos completamente para si.
6. Regule as placas de corte de modo a que contactem ligeiramente os lados dos dentes da lâmina.
► Fig.17
- Fig.18: 1. Lâmina da serra 2. Dentes da lâmina 3. Placa de corte 4. Corte de bisel à esquerda 5. Corte direito
7. Aperte os parafusos da frente (não aperte demasiado).
8. Empurre o carroto completamente na direção da placa guia e regule as placas de corte de modo a que contactem ligeiramente os lados dos dentes da lâmina.
9. Aperte os parafusos de trás (não aperte demasiado).
10. Depois de regular as placas de corte, solte o pino de bloqueio e levante a pega. Em seguida aperte todos os parafusos firmemente.

OBSERVAÇÃO: Depois de regular o ângulo de bisel, certifique-se de que as placas de corte estejam ajustadas corretamente. O ajuste correto das placas de corte ajuda a proporcionar um suporte adequado à peça de trabalho, minimizando o desgaste da peça de trabalho.

Manter a máxima capacidade de corte

Esta ferramenta foi regulada na fábrica para fornecer a máxima capacidade de corte para uma lâmina da serra de 190 mm.

Quando instalar uma nova lâmina de serra circular, verifique sempre a posição de limite inferior da lâmina de serra circular e, se necessário, ajuste-a como se segue:

1. Retire a bateria. Depois, empurre o carrinho até à placa guia e desça a pega completamente.

► **Fig.19:** 1. Perno de regulação 2. Placa guia

2. Utilize a chave hexagonal para rodar o perno de ajuste até a lâmina de serra circular entrar ligeiramente abaixo da secção de corte da placa guia e da superfície superior da base giratória.

► **Fig.20**

3. Rode a lâmina com a mão enquanto agarra a pega completamente para baixo para se certificar de que a lâmina de serra circular não fica em contacto com qualquer parte da base inferior. Reajuste ligeiramente, se necessário.

AVISO: Depois de instalar uma nova lâmina de serra circular, certifique-se sempre, com a bateria removida, de que a lâmina de serra circular não fica em contacto com qualquer parte da base inferior quando a pega se encontra totalmente baixada. Se uma lâmina de serra circular entrar em contacto com a base, pode causar um contragolpe e provocar ferimentos pessoais graves.

► **Fig.21**

Placa de retenção

A posição limite inferior da lâmina pode ser facilmente regulada com a placa de retenção. Para a regular, rode a placa de retenção na direcção da seta como indicado na figura. Rode o parafuso de ajuste e empurre a pega para baixo até ao fim para verificar o resultado.

► **Fig.22:** 1. Parafuso de regulação 2. Placa de retenção

Sub-guia

Específico para o país

PRECAUÇÃO: Quando realizar cortes de bisel para a esquerda, vire a sub-guia para fora. Caso contrário, pode entrar em contacto com a lâmina ou com uma parte da ferramenta, provocando possíveis ferimentos graves no operador.

► **Fig.23:** 1. Sub-guia

Esta ferramenta está equipada com uma sub-guia. Normalmente, posicione a sub-guia no interior. No entanto, quando se realizam cortes inclinados para a esquerda, vire-a para fora.

Regulação do ângulo de esquadria

► **Fig.24:** 1. Base giratória 2. Alavanca de bloqueio 3. Escala de esquadria 4. Ponteiro 5. Punho

1. Solte o punho rodando-o para a esquerda.
2. Empurre para baixo e mantenha a alavanca de bloqueio nessa posição e ajuste o ângulo da base giratória. Utilize o ponteiro e a escala da esquadria como guia.
3. Aperte o punho firmemente rodando-o para a direita.

PRECAUÇÃO: Depois de mudar o ângulo de esquadria, prenda sempre a base giratória apertando firmemente o punho.

OBSERVAÇÃO: Ao fazer rodar a base giratória, certifique-se de que levanta a pega totalmente.

Regulação do ângulo de bisel

Para regular o ângulo de bisel, liberte a alavanca na parte traseira da ferramenta para a esquerda.

► **Fig.25:** 1. Alavanca 2. Botão de libertação

Para inclinar a lâmina para a esquerda, mantenha a pega e incline os carretos. Utilize a escala de bisel e o ponteiro como guias. Em seguida aperte a alavanca firmemente para a direita para prender o braço.

► **Fig.26:** 1. Ponteiro 2. Escala de bisel 3. Braço

Para inclinar a lâmina para a direita, mantenha a pega no lugar e incline os carretos ligeiramente para a esquerda e empurre o botão de libertação. Com o botão de libertação pressionado, empurre a lâmina da serra para a direita. Em seguida, aperte a alavanca.

PRECAUÇÃO: Depois de mudar o ângulo de bisel, prenda sempre o braço apertando a alavanca para a direita.

OBSERVAÇÃO: Quando inclinar a lâmina da serra, certifique-se de que levanta a pega totalmente.

OBSERVAÇÃO: Quando muda os ângulos de bisel, certifique-se de que posiciona as placas de corte corretamente como explicado na secção "Posicionamento das placas de corte".

Regulação da posição da alavanca

Se, ao longo do tempo, a alavanca não ficar completamente apertada, altere a posição da alavanca. A alavanca pode ser reposicionada a cada 30°.

Liberte e retire os parafusos que prendem a alavanca. Retire a alavanca e volte a instalá-la outra vez de modo a que fique a apontar ligeiramente acima da horizontal. Depois, prenda a alavanca firmemente com o parafuso.

► **Fig.27:** 1. Alavanca 2. Parafuso

Ação do interruptor

⚠️ AVISO: Antes de instalar a bateria na ferramenta, certifique-se sempre de que o gatilho funciona corretamente e volta para a posição “OFF” quando libertado. Utilizar uma ferramenta com um interruptor que não opera devidamente, pode provocar a perda de controlo e resultar em ferimentos pessoais graves.

⚠️ AVISO: Não utilize um cadeado com haste ou cabo inferior a 6,35 mm de diâmetro. Uma haste ou cabo menor pode não travar corretamente a ferramenta na posição de desligada e o funcionamento accidental pode provocar ferimentos pessoais graves.

⚠️ AVISO: NUNCA utilize a ferramenta sem que esta disponha de um gatilho totalmente operacional. Qualquer ferramenta com um interruptor inoperante é ALTAMENTE PERIGOSA e tem de ser reparada antes de ser utilizada novamente, caso contrário pode causar ferimentos pessoais graves.

⚠️ AVISO: Para a sua própria segurança, esta ferramenta está equipada com um botão de segurança que evita o arranque accidental da ferramenta. NUNCA utilize a ferramenta se esta funcionar quando carregar no gatilho sem pressionar o botão de segurança. Um interruptor que necessita de reparação pode resultar em funcionamento accidental e causar ferimentos pessoais graves. Envie a ferramenta para um centro de assistência Makita, para efeitos de reparação adequada ANTES de nova utilização.

⚠️ AVISO: NUNCA tente anular o objetivo do botão de segurança utilizando fita adesiva ou qualquer outro meio. Um interruptor com um botão de segurança a funcionar mal pode provocar o funcionamento accidental e causar ferimentos pessoais graves.

OBSERVAÇÃO: Não carregue a fundo o gatilho sem pressionar o botão de segurança. Esta ação pode estragar o interruptor.

Para evitar que o gatilho do interruptor seja accidentalmente acionado, existe um botão de segurança. Para iniciar a ferramenta pressione o botão de segurança e carregue no gatilho do interruptor. Liberte o gatilho do interruptor para parar.

O botão de segurança pode ser premido do lado esquerdo ou direito.

Há um furo no gatilho do interruptor para instalar um cadeado e travar a ferramenta.

► **Fig.28:** 1. Botão de segurança 2. Gatilho do interruptor 3. Furo para o cadeado

MONTAGEM

⚠️ AVISO: Certifique-se sempre de que a ferramenta está desligada e a bateria retirada antes de trabalhar na ferramenta. Se não desligar a ferramenta e retirar a bateria, pode resultar em ferimentos pessoais graves.

Armazenamento da chave hexagonal

A chave hexagonal é armazenada como indicado na ilustração. Para utilizar a chave hexagonal, tire-a do suporte da chave.

Depois de utilizar a chave hexagonal, guarde-a colocando de volta no suporte da chave.

► **Fig.29:** 1. Suporte da chave 2. Chave hexagonal

Instalar ou retirar a lâmina da serra

⚠️ AVISO: Certifique-se sempre de que a ferramenta esteja desligada e a bateria retirada antes de instalar ou retirar a lâmina. O arranque accidental da ferramenta pode resultar em ferimentos pessoais graves.

⚠️ PRECAUÇÃO: Utilize só a chave hexagonal da Makita fornecida para instalar ou retirar a lâmina. Se assim não for pode resultar em aperto excessivo ou insuficiente do perno de encaixe hexagonal. Pode causar danos.

Instalar a lâmina de serra circular

1. Prenda a pega na posição elevada empurrando o pino de bloqueio.

► **Fig.30:** 1. Pino de bloqueio

2. Utilize a chave hexagonal para soltar o perno de encaixe hexagonal que prende a cobertura central rodando-o para a esquerda. Depois, levante o resguardo da lâmina e a cobertura central.

► **Fig.31:** 1. Cobertura central 2. Perno de encaixe hexagonal 3. Chave hexagonal 4. Resguardo da lâmina

3. Pressione o travão do eixo para prender o veio e utilize a chave hexagonal para libertar o perno de encaixe hexagonal para a direita. Em seguida, remova o perno de encaixe hexagonal e a flange exterior.

► **Fig.32:** 1. Travão do eixo 2. Perno de encaixe hexagonal 3. Flange exterior

4. Monte cuidadosamente a lâmina na flange interior. Certifique-se de que a direção da seta na lâmina corresponde à direção da seta na caixa da lâmina.

► **Fig.33:** 1. Flange exterior 2. Lâmina da serra 3. Flange interior 4. Perno de encaixe hexagonal (lado esquerdo) 5. Veio 6. Peça de montagem da lâmina

► **Fig.34:** 1. Lâmina de serra 2. Seta

5. Instale a flange exterior e o perno de encaixe hexagonal e, em seguida, utilize a chave hexagonal para apertar firmemente o perno de encaixe hexagonal (esquerdo) do veio para a esquerda enquanto pressiona o travão do eixo.

6. Volte a colocar o resguardo da lâmina e a cobertura central na sua posição original. Em seguida, aperte o perno de encaixe hexagonal da cobertura central para a direita para prender a cobertura central.

7. Solte a pega da posição elevada puxando o pino de bloqueio. Desça a pega para se certificar de que o resguardo da lâmina se desloca de forma adequada.

8. Certifique-se de que o travão do eixo soltou o veio antes de efetuar o corte.

Para ferramentas com a flange inferior para lâminas da serra com orifício de diâmetro de 15,88 mm

Específico para o país

Monte a flange interior com o lado do recesso virado para fora, sobre o eixo de montagem e, depois, instale a lâmina da serra (junto com o anel, se necessário), a flange exterior e o perno hexagonal.

Para uma ferramenta sem o anel

► **Fig.35:** 1. Flange exterior 2. Lâmina da serra 3. Flange interior 4. Perno de encaixe hexagonal (lado esquerdo) 5. Veio

Para uma ferramenta com o anel

► **Fig.36:** 1. Flange exterior 2. Lâmina da serra 3. Flange interior 4. Perno de encaixe hexagonal (lado esquerdo) 5. Anel 6. Veio

⚠AVISO: Se o anel for necessário para montar a lâmina sobre o fuso, certifique-se sempre de que tem instalado o anel correto para o orifício do eixo da lâmina que pretende utilizar entre as flanges interior e exterior. A utilização de um anel do orifício do eixo incorreto pode resultar em montagem incorreta da lâmina provocando o movimento e vibrações graves da mesma, resultando em possível perda de controlo durante a operação e em ferimentos pessoais graves.

Para ferramentas com uma flange interior para lâminas da serra com orifício de diâmetro diferente de 20 mm ou 15,88 mm

Específico para o país

A flange interior tem uma peça de montagem da lâmina com um determinado diâmetro num dos lados e uma peça de montagem da lâmina com um diâmetro diferente no outro lado. Escolha o lado correto onde a peça de montagem da lâmina encaixa perfeitamente no orifício da lâmina da serra.

► **Fig.37:** 1. Flange exterior 2. Lâmina da serra 3. Flange interior 4. Perno de encaixe hexagonal (lado esquerdo) 5. Veio 6. Peça de montagem da lâmina

⚠PRECAUÇÃO: Certifique-se de que a peça de montagem da lâmina "a" na flange interior que está posicionada fora encaixa perfeitamente no orifício da lâmina da serra "a". Montar a lâmina no lado errado pode resultar em vibrações perigosas.

Remover a lâmina de serra

1. Prenda a pega na posição elevada empurrando o pino de bloqueio.

2. Utilize a chave hexagonal para soltar o perno de encaixe hexagonal que prende a cobertura central rodando-o para a esquerda. Depois, levante o resguardo da lâmina e a cobertura central.

3. Pressione o travão do eixo para prender o veio e utilize a chave hexagonal para libertar o perno de encaixe hexagonal para a direita. Em seguida, remova o perno de encaixe hexagonal, a flange exterior e a lâmina.

Quando armazenar a ferramenta, instale a flange exterior e aperte ligeiramente o perno de encaixe hexagonal com a mão para evitar a perda.

Ligar um aspirador

Quando pretender realizar operações de corte limpo, ligue o aspirador Makita.

► **Fig.38**

Saco do pó

Acessório opcional

A utilização do saco do pó torna as operações de corte mais limpas e a recolha do pó mais fácil.

Para prender o saco do pó, coloque-o no bocal do pó. Para instalar o fecho, alinhe a sua ponta superior com a marca triangular do saco do pó.

Quando o saco do pó se encontrar meio cheio, retire-o da ferramenta e tire o fecho. Esvazie o saco do pó, batendo-lhe ligeiramente para remover as partículas aderentes no interior que podem dificultar a recolha.

► **Fig.39:** 1. Saco do pó 2. Bocal do pó 3. Fecho

Prender a peça de trabalho

⚠AVISO: É de extrema importância prender sempre a peça de trabalho de maneira correta com o tipo de torno apropriado. A não observância desta instrução pode resultar em ferimentos pessoais graves e danificar a ferramenta e/ou a peça de trabalho.

⚠AVISO: Ao cortar peças de trabalho mais longas do que a base de suporte da serra, apoie o material a todo o seu comprimento, mesmo para além da base de suporte e na mesma altura, a fim de o manter nivelado. O apoio adequado da peça de trabalho ajuda a evitar o encravamento da lâmina e um possível contragolpe, o que pode provocar ferimentos pessoais graves. Não confie apenas no torno vertical e/ou horizontal para efeitos de fixação da peça de trabalho. O material fino tende a dobrar. Apoie a peça de trabalho em todo o comprimento, para evitar esmagamentos e eventuais CONTRAGOLPES.

► **Fig.40:** 1. Suporte 2. Base giratória

Torno vertical

AVISO: Fixe a peça de trabalho com segurança contra a base giratória e a placa guia com a ajuda do torno durante todas as operações. Caso contrário, o material pode mover-se durante a operação de corte provocando danos na lâmina, bem como ser atirado com força o que pode resultar em perda de controlo e ferimentos pessoais graves.

Instale o torno vertical no lado esquerdo ou direito da placa guia ou do conjunto do suporte. Introduza o varão do torno no orifício existente na placa guia ou no conjunto de suporte e aperte o parafuso para fixar o varão do torno.

► **Fig.41:** 1. Braço do torno 2. Varão do torno 3. Placa guia 4. Suporte 5. Conjunto do suporte 6. Botão do torno 7. Parafuso inferior 8. Parafuso superior

Posicione o braço do torno de acordo com a espessura e forma da peça de trabalho e prenda o braço do torno apertando o parafuso superior. Se o parafuso superior entrar em contacto com a placa guia, instale o parafuso superior no lado oposto do braço do torno. Certifique-se de que nenhuma parte da ferramenta contacta o torno quando baixa completamente a pega e puxa ou empurra os carretos até ao fim. Se algumas partes contactar o torno, volte a posicionar o torno.

Pressione a peça de trabalho direita contra a placa guia e a base giratória. Posicione a peça de trabalho na posição de corte desejada e fixe-a com firmeza apertando o botão do torno.

Torno horizontal

Acessório opcional

AVISO: Agarre a peça de trabalho apenas quando o indicador está na posição mais elevada. Se assim não for pode resultar em aperto insuficiente da peça de trabalho. Isto pode fazer com que a peça de trabalho seja atirada com força, provocar danos na lâmina ou provocar a perda de controlo que pode resultar em ferimentos pessoais.

► **Fig.42:** 1. Botão do torno 2. Indicador 3. Eixo do torno 4. Base

O torno horizontal pode ser instalado no lado esquerdo da base.

Rodando o botão do torno para a esquerda, o parafuso fica solto e o eixo do torno pode ser movimentado rapidamente para fora e para dentro. Rodando o botão do torno para a direita, o parafuso mantém-se preso.

Para agarrar a peça de trabalho, rode o botão do torno para a direita com cuidado até que o indicador atinja a sua posição superior e em seguida aperte-o seguramente. Se o botão do torno for forçado para dentro ou para fora enquanto está a ser rodado para a direita, o indicador pode parar num ângulo. Neste caso, volte a rodar o botão do torno para a esquerda até que o parafuso se solte e depois, rode-o novamente com cuidado para a direita.

A capacidade máxima do torno horizontal é 120 mm de largura.

Suportes e conjunto do suporte

Acessório opcional

PRECAUÇÃO: Para a ferramenta equipada com os suportes e os conjuntos do suporte como acessórios padrão, este tipo de utilização não é permitido devido a regulamentos nacionais.

AVISO: Suporte sempre as peças compridas de forma que fiquem niveladas com a superfície superior da base giratória para obter cortes precisos e evitar o perigo de perda de controlo. O apoio adequado da peça de trabalho ajuda a evitar o encravamento da lâmina e um possível contragolpe, o que pode provocar ferimentos pessoais graves.

Os suportes e o conjunto do suporte (acessório opcional) podem ser instalados em qualquer um dos lados como um meio conveniente de suportar peças de trabalho horizontalmente.

Instale-os na parte lateral da ferramenta, depois aperte os parafusos firmemente para os fixar.

► **Fig.43:** 1. Suporte 2. Conjunto do suporte

Quando corta peças de trabalho compridas utilize o conjunto do suporte-varão (acessório opcional). Consiste de dois conjuntos de suporte e dois varões 12.

► **Fig.44:** 1. Conjunto do suporte 2. Varão 12

OPERAÇÃO

AVISO: Verifique se a lâmina não está em contacto com a peça de trabalho, etc., antes de ligar o interruptor. Ligar a ferramenta enquanto a lâmina está em contacto com a peça de trabalho pode provocar contragolpes e ferimentos pessoais graves.

AVISO: Depois de terminar o corte, não levante a lâmina até que esta esteja completamente parada. Levantar a lâmina enquanto está a rodar por inércia pode causar ferimentos pessoais graves e danificar a peça de trabalho.

AVISO: Não toque nos parafusos de aperto que fixam as braçadeiras deslizantes enquanto a lâmina da serra está a rodar. Caso contrário, pode perder o controlo da ferramenta e resultar em ferimentos pessoais.

PRECAUÇÃO: Não solte a cabeça da serra sem controlo da posição totalmente para baixo. A cabeça da serra sem controlo atinge-o e resulta em lesões físicas.

OBSERVAÇÃO: Antes da utilização, certifique-se de que liberta a pega da sua posição inferior puxando o pino de bloqueio.

OBSERVAÇÃO: Não aplique pressão excessiva na pega enquanto corta. Força demasiada pode resultar em sobrecarga do motor e/ou diminuição de eficiência do corte. Empurre a pega para baixo só com a força necessária para um corte suave e sem diminuição significativa da velocidade da lâmina.

OBSERVAÇÃO: Pressione suavemente a pega para baixo para executar o corte. Se a pega for pressionada para baixo com força ou se aplicar força lateral, a lâmina poderá vibrar e deixará uma marca (marca da serra) na peça de trabalho e o corte poderá não ser perfeito.

OBSERVAÇÃO: Quando executa corte correção empurre o carroto suavemente na direção da placa guia sem parar. Se o movimento do carroto parar durante o corte, poderá ficar uma marca na peça de trabalho e o corte poderá não ser perfeito.

Corte de pressão (corte de peças pequenas)

AVISO: Aperte firmemente os dois parafusos de aperto que prendem as braçadeiras deslizantes para a direita para que os carretos não se movam durante a operação. Um aperto insuficiente do parafuso de fixação pode causar um contragolpe e provocar ferimentos pessoais graves.

► Fig.45: 1. Parafuso de precisão 2. Conjunto do suporte

As peças de trabalho até 52 mm de altura e 97 mm de largura podem ser cortadas da seguinte forma.

1. Empurre os carretos completamente na direção da placa guia e aperte os dois parafusos de aperto que prendem as braçadeiras deslizantes para a direita para prender os carretos.
2. Prenda a peça de trabalho com o tipo de torno apropriado.
3. Ligue a ferramenta sem que a lâmina faça qualquer contacto e espere até que a lâmina atinja toda a velocidade antes de a descer.
4. Desça a pega suavemente para a posição completamente descida para cortar a peça de trabalho.
5. Quando o corte está concluído, desligue a ferramenta e **aguarde até a lâmina parar completamente** antes de voltar a colocar a lâmina na sua posição totalmente elevada.

Corte correção (empurrão) (corte de peças largas)

AVISO: Quando executa o corte correção, primeiro puxe os carretos completamente para si e pressione a pega para a posição mais baixa e, em seguida, empurre os carretos na direção da placa guia. Nunca inicie o corte sem que o carroto esteja completamente puxado para si. Se executar o corte correção sem puxar completamente o carroto para si, pode ocorrer um contragolpe inesperado e causar ferimentos pessoais graves.

AVISO: Nunca tente executar o corte correção puxando o carroto para si. Puxar o carroto para si enquanto executa o corte pode provocar um contragolpe inesperado e provocar ferimentos pessoais graves.

AVISO: Nunca execute o corte correção com a pega bloqueada na posição inferior.

AVISO: Nunca desaperte o botão que prende os carretos enquanto a lâmina está a rodar. Se os carretos não estiverem bem presos ao executar o corte, podem provocar um contragolpe inesperado e provocar ferimentos pessoais graves.

► Fig.46: 1. Parafuso de precisão 2. Conjunto do suporte

1. Solte os dois parafusos de aperto que prendem as braçadeiras deslizantes para a esquerda para que os carretos possam deslizar livremente.
2. Prenda a peça de trabalho com o tipo de torno apropriado.
3. Puxe os carretos completamente para si.
4. Ligue a ferramenta sem que a lâmina faça qualquer contacto e espere até que a lâmina atinja a velocidade máxima.
5. Empurre a pega para baixo e **empurre os carretos até à placa guia e ao longo da peça de trabalho**.
6. Quando o corte está concluído, desligue a ferramenta e **aguarde até a lâmina parar completamente** antes de voltar a colocar a lâmina na sua posição totalmente elevada.

Corte de esquadria

Consulte a secção para regular o ângulo de esquadria.

Corte de bisel

AVISO: Depois de regular o disco para o corte de bisel, verifique, antes de funcionar com a ferramenta, se o carreto e a lâmina poderão se deslocar livremente por toda a distância do corte desejado. A interrupção do deslocamento do carreto ou da lâmina durante o corte pode provocar um contragolpe e causar ferimentos pessoais graves.

AVISO: Mantenha as mãos afastadas do percurso da lâmina durante um corte de bisel. O ângulo da lâmina pode confundir o operador com respeito ao percurso real da lâmina durante o corte, e o contacto com a lâmina pode provocar ferimentos pessoais graves.

AVISO: Não levante a lâmina antes de estar completamente parado. Durante o corte de bisel, o pedaço cortado pode ficar encostado à parte lateral da lâmina. Se levantar a lâmina enquanto está ainda a rodar, o bocado pode ser atirado pela lâmina e fragmentar-se, provocando ferimentos pessoais graves.

PRECAUÇÃO: (Apenas para ferramentas com sub-guia) Coloque sempre a sub-guia na parte exterior quando realizar cortes de bisel para a esquerda.

► Fig.47: 1. Conjunto do suporte

1. Solte a alavanca e incline a lâmina da serra para o ângulo de bisel regulado (Refira-se a "Regulação do ângulo de bisel" descrita anteriormente). Certifique-se de que volta a apertar a alavanca firmemente para prender seguramente o ângulo de bisel selecionado.
2. Prenda a peça de trabalho com um torno.
3. Puxe os carretos completamente para si.
4. Ligue a ferramenta sem que a lâmina faça qualquer contacto e espere até que a lâmina atinja a velocidade máxima.
5. Baixe suavemente a pega até à posição mais baixa ao mesmo tempo que aplica pressão em paralelo com a lâmina e **empurra o carreto em direção à placa guia para cortar a peça de trabalho.**
6. Quando o corte está concluído, desligue a ferramenta e **aguarde até a lâmina parar completamente** antes de colocar a lâmina na sua posição totalmente elevada.

OBSERVAÇÃO: Quando descer a pega, exerça pressão paralelamente pela lâmina. Se a força for exercida perpendicularmente à base giratória ou se mudar a direção da pressão durante o corte, provocará um corte imperfeito.

Corte composto

Corte composto é o processo em que um ângulo de bisel é feito ao mesmo tempo em que um ângulo de esquadria é cortado na peça de trabalho. O corte composto pode ser executado no ângulo indicado na tabela.

Ângulo de esquadria	Ângulo de bisel
Esquerdo e Direito 45°	Esquerdo 0°– 45°
Direito 50°	Esquerdo 0°– 40°
Direito 55°	Esquerdo 0°– 30°
Direito 57°	Esquerdo 0°– 25°

Quando executar o corte composto, refira-se às explicações de "Corte de pressão", "Corte correção", "Corte de esquadria" e "Corte de bisel".

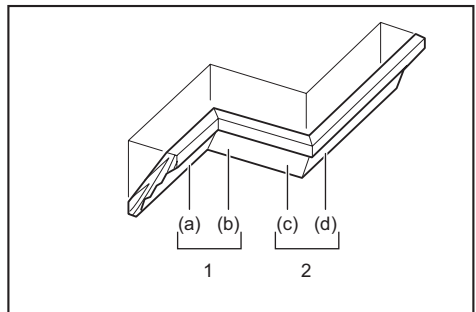
Corte de sancas e molduras

As sancas e molduras podem ser cortadas com uma serra de esquadria composta colocando-se as molduras retas na base giratória.

Há dois tipos comuns de molduras e um tipo de sanca; molduras com ângulos de 52/38° e 45° e sancas com ângulo de 45°.

► Fig.48: 1. Moldura do tipo 52/38° 2. Moldura do tipo 45° 3. Sanca do tipo 45°

Há juntas de sancas e molduras que são próprias para encaixar em cantos "internos" de 90° ((a) e (b) na figura) e cantos "externos" de 90° ((c) e (d) na figura).



1. Canto interno 2. Canto externo

► Fig.49: 1. Canto interno 2. Canto externo

Medir

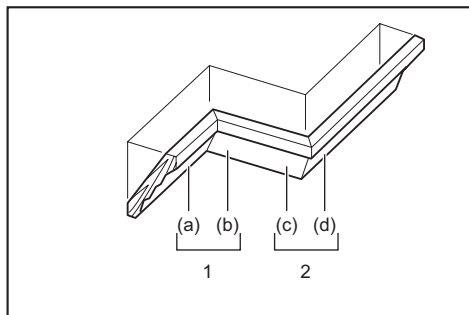
Meça a largura da parede e ajuste a largura da peça de trabalho de acordo com a mesma. Certifique-se sempre de que a largura da extremidade de contacto da parede com a peça de trabalho é a mesma do comprimento da parede.

► Fig.50: 1. Peça de trabalho 2. Largura da parede 3. Largura da peça de trabalho 4. Extremidade de contacto da parede

Corte sempre vários pedaços para fazer cortes de teste a fim de verificar os ângulos da serra.

Ao cortar sancas e molduras, regule o ângulo de bisel e o ângulo de esquadria como indicado na tabela (A) e posicione as molduras na superfície superior da base da serra como indicado na tabela (B).

Corte de bisel para a esquerda



1. Canto interno 2. Canto externo

Tabela (A)

-	Posição da moldura na figura	Ângulo de bisel		Ângulo de esquadria	
		Tipo 52/38°	Tipo 45°	Tipo 52/38°	Tipo 45°
Para canto interno	(a)	Esquerdo 33,9°	Esquerdo 30°	Direito 31,6°	Direito 35,3°
	(b)			Esquerdo 31,6°	Esquerdo 35,3°
Para canto externo	(c)			Direito 31,6°	Direito 35,3°
	(d)				

Tabela (B)

-	Posição da moldura na figura	Borda da moldura contra a placa guia	Peça acabada
Para canto interno	(a)	A borda de contacto com o teto deve ficar contra a placa guia.	A peça acabada ficará no lado esquerdo da lâmina.
	(b)	A borda de contacto com a parede deve ficar contra a placa guia.	A peça acabada ficará no lado direito da lâmina.
Para canto externo	(c)	A borda de contacto com o teto deve ficar contra a placa guia.	A peça acabada ficará no lado esquerdo da lâmina.
	(d)	A borda de contacto com a parede deve ficar contra a placa guia.	A peça acabada ficará no lado direito da lâmina.

Exemplo:

Se cortar uma moldura do tipo 52/38° para a posição (a) na figura acima:

- Incline e prenda a regulação do ângulo de bisel em 33,9° para a ESQUERDA.
- Ajuste e prenda a regulação do ângulo de esquadria em 31,6° para a DIREITA.
- Coloque a moldura na serra com a superfície traseira mais larga (oculta) na base giratória e com a BORDA DE CONTACTO COM O TETO contra a placa guia.
- A peça acabada a ser utilizada ficará sempre no lado ESQUERDO da lâmina depois de cortar.

Corte de extrusão de alumínio

- Fig.51: 1. Torno 2. Bloco espaçador 3. Placa guia 4. Extrusão de alumínio 5. Bloco espaçador

Quando fixar extrusões de alumínio, utilize blocos espaçadores ou pedaços de refugo, como indicado na figura, para evitar deformações do alumínio. Quando cortar extrusão de alumínio, utilize um lubrificante de corte para evitar a acumulação do material de alumínio na lâmina.

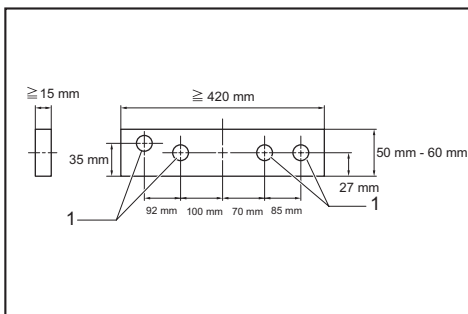
PRECAUÇÃO: Nunca tente cortar extrusões de alumínio densas ou redondas. As extrusões de alumínio densas podem soltar-se durante a operação e as extrusões de alumínio redondas não podem ser presas com firmeza com esta ferramenta.

Revestimento de madeira

AVISO: Utilize parafusos para prender o revestimento de madeira à placa guia. Os parafusos devem ser instalados de modo a que as cabeças dos parafusos estejam abaixo da superfície do revestimento de madeira para que não interfiram com o posicionamento do material a ser cortado. O mau alinhamento do material a ser cortado pode provocar movimentos imprevistos durante a operação de corte, causando a perda de controlo e ferimentos pessoais graves.

PRECAUÇÃO: Utilize madeira com espessura uniforme para o revestimento de madeira.

A utilização de um revestimento de madeira assegura que as peças de trabalho não estilhacem. Prenda um revestimento de madeira à placa guia utilizando os orifícios na placa guia. Veja a figura relativamente às dimensões sugeridas de um revestimento de madeira.



1. Orifícios

OBSERVAÇÃO: Quando o revestimento de madeira está colocado, não rode a base giratória com a peça descida. A lâmina e/ou o revestimento de madeira ficarão estragados.

Corte do mesmo comprimento repetidamente

⚠️PRECAUÇÃO: Para a ferramenta equipada com os suportes e os conjuntos do suporte como acessórios padrão, este tipo de utilização não é permitido devido a regulamentos nacionais.

Quando cortar várias peças de material com o mesmo comprimento de 220 mm a 385 mm, utilize a placa de apoio (acessório opcional). Instale a placa de apoio no suporte (acessório opcional) como indicado na figura.

► **Fig.52:** 1. Placa de apoio 2. Suporte 3. Parafuso

Alinhe a linha de corte na peça de trabalho com o lado esquerdo ou direito do rasgo da placa de corte e, enquanto prende a peça de trabalho, desloque a placa de regulação até que fique encostada à extremidade da peça de trabalho. Em seguida prenda a placa de regulação com o parafuso.

Quando não utilizar a placa de regulação, liberte o parafuso e coloque a placa de regulação onde não interfira com o trabalho.

NOTA: A utilização do conjunto do suporte-varão (acessório opcional) permite cortes repetidos com o mesmo comprimento até 2.200 mm, aproximadamente.

Corte de ranhura

⚠️AVISO: Não tente executar este tipo de corte usando uma lâmina larga ou uma lâmina dado. Tentar cortar ranhuras com uma lâmina larga ou uma lâmina dado pode resultar em cortes imprevistos bem como contragolpes, o que pode provocar ferimentos pessoais graves.

⚠️AVISO: Certifique-se que volta a colocar a placa de retenção na posição original quando executa cortes que não sejam de ranhuras. Tentar cortar com a placa de retenção na posição incorreta pode resultar em cortes imprevistos e contragolpes, o que pode resultar em ferimentos pessoais graves.

Para um corte do tipo dado, realize o seguinte:

1. Ajuste a posição de limite inferior da lâmina de serra circular utilizando o parafuso de ajuste e a placa de retenção para limitar a profundidade de corte da lâmina de serra circular. Consulte a secção para a placa de retenção.

2. Depois de ajustar a posição de limite inferior da lâmina de serra circular, corte ranhuras paralelas ao longo da largura da peça de trabalho utilizando um corte correção (empurrão).

► **Fig.53:** 1. Corte de ranhuras com a lâmina

3. Retire o material da peça de trabalho entre as ranhuras com um cinzel.

Transporte de ferramenta

⚠️AVISO: O pino de bloqueio só serve para fins de transporte e armazenamento e nunca deve ser utilizado para quaisquer operações de corte. A utilização do pino de bloqueio para operações de corte pode provocar movimento inesperado da lâmina da serra e resultar em contragolpe e ferimentos pessoais graves.

⚠️PRECAUÇÃO: Fixe sempre os componentes móveis antes de proceder ao transporte da ferramenta. Se peças da ferramenta se movem ou deslizam durante o transporte, pode ocorrer a perda de controlo ou balanço, provocando ferimentos pessoais.

► **Fig.54**

1. Retire a bateria.
2. Prenda a lâmina no ângulo de bisel de 0° e a base giratória completamente no ângulo de esquadria à direita.
3. Prenda as braçadeiras deslizantes de forma que a braçadeira inferior fique bloqueada na posição com o carroto puxado completamente na direção do operador e as superiores fiquem travadas na posição com o carroto empurrado completamente na direção da placa guia.
4. Desça a pega completamente e prenda-a na posição inferior empurrando o pino de bloqueio.
5. Transporte a ferramenta agarrando nos dois lados da base da ferramenta. Se retirar os suportes, saco do pó, etc., pode transportar mais facilmente a ferramenta.

MANUTENÇÃO

⚠️AVISO: Certifique-se sempre de que a lâmina se encontra afiado e limpo, para obter um desempenho otimizado e seguro. Tentar cortar com uma lâmina não afiada e/ou suja pode causar contragolpes e provocar ferimentos pessoais graves.

⚠️PRECAUÇÃO: Certifique-se sempre de que a ferramenta se encontra desligada e de que a bateria foi retirada antes de executar qualquer inspeção ou manutenção.

OBSERVAÇÃO: Nunca utilize gasolina, benzina, diluente, álcool ou produtos semelhantes. Pode ocorrer a descoloração, deformação ou rachaduras.

Regulação do ângulo do corte

Esta ferramenta foi cuidadosamente regulada e alinhada na fábrica, mas manuseamento pouco cuidado pode afetar o alinhamento. Se a sua ferramenta não estiver alinhada corretamente proceda como se segue:

Ângulo de esquadria

1. Empurre o carreto na direção da placa guia e aperte os dois parafusos de aperto para prender o carreto.

2. Rode a base giratória ate o ponteiro indicar 0° na escala de esquadria.

3. Rode a base giratória ligeiramente para a direita e para a esquerda para colocar a base giratória na ranhura dos 0° da esquadria. (Deixe-a como está se o ponteiro não indicar 0°).

4. Liberte os pernos de encaixe hexagonal que prendem a placa guia utilizando a chave hexagonal.

► **Fig.55:** 1. Placa guia 2. Perno de encaixe hexagonal

5. Desça a pega completamente e prenda-a na posição inferior empurrando o pino de bloqueio.

6. Ajuste a placa guia até fazer um ângulo perpendicular com a lâmina utilizando um triângulo, esquadro, etc. Depois, aperte firmemente os pernos de encaixe hexagonal na placa guia por ordem começando a partir do lado direito.

► **Fig.56:** 1. Régua triangular 2. Placa guia

7. Certifique-se de que o ponteiro indica 0° na escala de esquadria. Se o ponteiro não indicar 0°, solte o parafuso que prende o ponteiro e regule-o até indicar 0°.

► **Fig.57:** 1. Parafuso 2. Escala de esquadria 3. Ponteiro

Ângulo de bisel

Ângulo de bisel de 0°

► **Fig.58:** 1. Alavanca 2. Suporte do braço 3. Perno de regulação de ângulo de bisel de 0° graus 4. Braço 5. Botão de libertação

1. Empurre o carreto na direção da placa guia e aperte os dois parafusos de aperto para prender o carreto.

2. Desça a pega completamente e prenda-a na posição inferior empurrando o pino de bloqueio.

3. Liberte a alavanca na parte traseira da ferramenta.

4. Rode o perno de regulação do ângulo de bisel de 0° (perno mais baixo) no lado direito do braço duas ou três voltas para a esquerda para inclinar a lâmina para a direita.

5. Gire o perno de regulação do ângulo de bisel de 0° para a direita com cuidado até a parte lateral da lâmina fazer um ângulo perpendicular com a superfície de topo da base giratória. Utilize o triângulo, esquadro, etc. como guia. Em seguida aperte a alavanca firmemente.

► **Fig.59:** 1. Régua triangular 2. Lâmina da serra 3. Superfície superior da mesa giratória

6. Certifique-se de que o ponteiro no braço indica 0° na escala de esquadria. Se não indicar 0°, solte o parafuso que prende o ponteiro e regule-o até indicar 0°.

► **Fig.60:** 1. Escala de bisel 2. Ponteiro 3. Parafuso

Ângulo de bisel de 45°

► **Fig.61:** 1. Perno de regulação do ângulo de bisel à esquerda de 45°

Regule o ângulo de bisel de 45° só depois de regular o ângulo de bisel de 0°.

1. Solte a alavanca e incline a lâmina completamente para a esquerda.

2. Certifique-se de que o ponteiro no braço indica 45° na escala de esquadria. Se o ponteiro não indicar 45°, rode o perno de regulação do ângulo de bisel de 45° (perno superior) no lado direito do braço até que o ponteiro aponte para 45°.

Depois da utilização

Depois da utilização, limpe as aparas e o pó que aderiu à ferramenta com um pano ou material semelhante. Mantenha o resguardo da lâmina limpo conforme instruções constantes da anterior secção com o título "Resguardo da lâmina". Lubrifique os componentes deslizantes com óleo de máquina para evitar a ferrugem.

Quando guardar a ferramenta, puxe o carreto completamente para si de modo a que o braço telescópico fique completamente introduzido na base giratória.

Para manter a SEGURANÇA e a FIABILIDADE do produto, as reparações e qualquer outra manutenção ou ajuste devem ser levados a cabo pelos centros de assistência Makita autorizados ou pelos centros de assistência de fábrica, utilizando sempre peças de substituição Makita.

ACESSÓRIOS OPCIONAIS

AVISO: Estes acessórios ou extensões Makita são recomendados para utilização com a sua ferramenta Makita especificada neste manual. A utilização de quaisquer outros acessórios ou extensões pode resultar em ferimentos pessoais graves.

AVISO: Utilize apenas um acessório ou extensão Makita para o fim a que se destina. A utilização inadequada de um acessório ou extensão pode resultar em ferimentos pessoais graves.

Se necessitar de informações adicionais relativas a estes acessórios, solicite-as ao seu centro de assistência Makita.

- Lâminas da serra com pontas de carboneto (Consulte o nosso website ou contacte o seu distribuidor Makita local para obter as lâminas da serra corretas a utilizar para o material a cortar.)
- Conjunto do torno (torno horizontal)
- Torno vertical
- Conjunto do suporte
- Conjunto do suporte-varão
- Placa de apoio
- Saco do pó
- Régua triangular
- Chave hexagonal
- Bateria e carregador genuínos da Makita

NOTA: Alguns itens da lista podem estar incluídos na embalagem da ferramenta como acessórios padrão. Eles podem variar de país para país.

SPECIFIKATIONER

Model:	DLS714
Klangediameter	190 mm
Huldiameter (aksel – landespecifik)	20 mm - 15,88 mm
Maks. tykkelse af savsnit for savklinge	2,2 mm
Maks. geringsvinkel	Venstre 47°, Højre 57°
Maks. skråvinkel	Venstre 45°, Højre 5°
Hastighed uden belastning	5.700 min ⁻¹
Dimensioner (L x B x H)	655 mm x 430 mm x 445 mm
Mærkespænding	DC 36 V
Nettovægt	14,4 - 14,7 kg

- På grund af vores kontinuerlige forsknings- og udviklingsprogrammer kan hosstående specifikationer blive ændret uden varsel.
- Specifikationer kan variere fra land til land.
- Vægten kan være anderledes afhængigt af tilbehøret, inklusive akkuen. Den letteste og tungeste kombination i henhold til EPTA-procedure 01/2014 er vist i tabellen.

Anvendelig akku og oplader

Akku	BL1815N / BL1820B / BL1830B / BL1840B / BL1850B / BL1860B
Oplader	DC18RC / DC18RD / DC18RE / DC18SD / DC18SE / DC18SF / DC18SH / DC18WC

- Nogle af de akkuer og opladere, der er angivet ovenfor, er muligvis ikke tilgængelige, afhængigt af hvilket område du bor i.

⚠ ADVARSEL: Brug kun de akkuer og opladere, der er angivet ovenfor. Brug af andre akkuer og opladere kan medføre personskaade og/eller brand.

Skæredybde (H x B) med klinge 190 mm i diameter

Geringsvinkel	Skråvinkel		
	45° (venstre)	0°	5° (højre)
0°	40 mm x 300 mm	52 mm x 300 mm	40 mm x 300 mm
	45 mm x 265 mm (BEMÆRK 1)	60 mm x 265 mm (BEMÆRK 1)	–
45° (venstre og højre)	40 mm x 212 mm	52 mm x 212 mm	–
	45 mm x 185 mm (BEMÆRK 2)	60 mm x 185 mm (BEMÆRK 2)	–
57° (højre)	–	52 mm x 163 mm	–
	–	60 mm x 145 mm (BEMÆRK 3)	–

1. Maks. skæredybde ved anvendelse af træanlæg med en tykkelse på 20 mm
2. Maks. skæredybde ved anvendelse af træanlæg med en tykkelse på 15 mm
3. Maks. skæredybde ved anvendelse af træanlæg med en tykkelse på 10 mm

Symboler

Følgende viser de symboler, der muligvis anvendes til udstyret. Sørg for, at du forstår deres betydning før brugten.



Læs brugsanvisningen.



For at undgå personskade fra flyvende rester skal De holde savhovedet nede, når De har foretaget snit, indtil klingene er stoppet helt.



Ved glidende snit skal De først trække slæden helt imod Dem selv og trykke håndtaget ned og derefter skubbe slæden mod anslaget.



Placer ikke hånden eller fingrene i nærheden af klingene.



Indstil altid UNDERANSLAGET til venstre position ved udførelse af skrånit mod venstre. Hvis De ikke gør dette, kan operatøren komme ud for alvorlig personskade.



Ni-MH
Li-ion

Kun for lande inden for EU
På grund af tilstedeværelsen af farlige komponenter i udstyret kan affald af elektrisk og elektronisk udstyr, akkumulatører og batterier have en negativ indvirkning på miljøet og folkesundheden.

Bortskaf ikke elektriske og elektroniske apparater eller batterier sammen med husholdningsaffald!
I overensstemmelse med EF-direktiv om affaldshåndtering af elektrisk og elektronisk udstyr og om akkumulatører og batterier og affaldsakkumulatører og -batterier, og i overensstemmelse med national lovgivning, skal brugt elektrisk udstyr, batterier og akkumulatører opbevares separat og leveres til et separat indsamlingssted for kommunalt affald, der er etableret i henhold til bestemmelserne om miljøbeskyttelse. Dette er angivet ved symbolet på den krydsede skrældespand, der er placeret på udstyret.

Tilsigtet anvendelse

Dette værktøj er beregnet til udførelse af præcis lige afkorting og geringsnit i træ.
Anvend ikke saven til at skære i andet end træ, aluminium eller lignende materialer.

Støj

Det typiske A-vægtede støjniveau bestemt i overensstemmelse med EN62841-3-9:
Lydtryksniveau (L_{pA}): 88 dB (A)
Lydeffektniveau (L_{WA}): 97 dB (A)
Usikkerhed (K): 3 dB (A)

BEMÆRK: De(n) angivne støjemissionsværdi(er) er målt i overensstemmelse med en standardtestmetode og kan anvendes til at sammenligne en maskine med en anden.

BEMÆRK: De(n) angivne støjemissionsværdi(er) kan også anvendes i en præliminær eksponeringsvurdering.

⚠ADVARSEL: Bær høreværn.

⚠ADVARSEL: Støjemissionen under den faktiske anvendelse af maskinen kan være forskellig fra de(n) angivne værdi(er), afhængigt af den måde hvorpå maskinen anvendes, især den type arbejdsemne der behandles.

⚠ADVARSEL: Sørg for at identificere de sikkerhedsforskrifter til beskyttelse af operatøren, som er baseret på en vurdering af eksponering under de faktiske brugsforhold (med hensyntagen til alle dele i brugscyklussen, f.eks. de gange, hvor maskinen er slukket, og når den kører i tomgang i tilgift til afbrydertiden).

Vibration

Vibrationens totalværdi (tre-aksial vektorsum) bestemt i overensstemmelse med EN62841-3-9:
Vibrationsemission (a_{h1}): 2,5 m/s² eller mindre
Usikkerhed (K): 1,5 m/s²

BEMÆRK: De(n) angivne totalværdi(er) for vibration er målt i overensstemmelse med en standardtestmetode og kan anvendes til at sammenligne en maskine med en anden.

BEMÆRK: De(n) angivne totalværdi(er) for vibration kan også anvendes i en præliminær eksponeringsvurdering.

⚠ADVARSEL: Vibrationsemissionen under den faktiske anvendelse af maskinen kan være forskellig fra de(n) angivne værdi(er), afhængigt af den måde hvorpå maskinen anvendes, især den type arbejdsemne der behandles.

⚠ADVARSEL: Sørg for at identificere de sikkerhedsforskrifter til beskyttelse af operatøren, som er baseret på en vurdering af eksponering under de faktiske brugsforhold (med hensyntagen til alle dele i brugscyklussen, f.eks. de gange, hvor maskinen er slukket, og når den kører i tomgang i tilgift til afbrydertiden).

Overensstemmelseserklæringer

Kun for lande i Europa

Overensstemmelseserklæringerne er inkluderet i Bilag A i denne brugsanvisning.

SIKKERHEDSADVARSLER

Almindelige sikkerhedsregler for el-værktøj

⚠ADVARSEL Læs alle sikkerhedsadvarsler, instruktioner, illustrationer og specifikationer, der følger med denne maskine. Hvis du ikke følger alle nedenstående instruktioner, kan det medføre elektrisk stød, brand og/eller alvorlig personskade.

Gem alle advarsler og instruktioner til fremtidig reference.

Ordet "el-værktøj" i advarslerne henviser til det netforsynede (netledning) el-værktøj eller batteriforsynede (akku) el-værktøj.

Sikkerhedsinstruktioner for geringsssave

- 1. Geringssave er beregnet til at save i træ eller træliggende produkter. De kan ikke anvendes med slibende afskæringsskiver til at skære i jernholdige metaller som f.eks. bjælker, stænger, stivere osv.** Slibestøv får bevægelige dele som f.eks. den nederste beskyttelsesskærm til at sætte sig fast. Gnister fra slibeskæring vil forbrænde den nederste beskyttelsesskærm, savsnitsindlæg og andre plastikdele.
 - 2. Brug skruetvinger til at understøtte arbejdsemnet, når som helst det er muligt. Hvis du understøtter arbejdsemnet i hånden, skal du altid holde hånden mindst 100 mm fra begge sider af savklingen. Anvend ikke denne sav til at skære stykker, der er for små til at kunne fastgøres forsvarligt eller holdes i hånden.** Hvis din hånd er placeret for tæt på savklingen, er der større risiko for personskade pga. kontakt med klingens.
 - 3. Arbejdsemnet skal være i ro og fastgjort eller holdt mod både anslaget og bordet. Undlad at indføre arbejdsemnet til klingens eller at skære "på frihånd" på nogen måde.** Ikke-fastholdte eller bevægelige arbejdsemner kan blive slynget bort ved høj hastighed og forårsage personskade.
 - 4. Skub saven gennem arbejdsemnet. Undlad at trække saven gennem arbejdsemnet.** For at foretage et snit skal du løfte savhovedet og trække det ud over arbejdsemnet uden at skære, starte motoren, trykke savhovedet nedad og skubbe saven gennem arbejdsemnet. Hvis der skæres på tilbagestrøget, vil det sandsynligvis få savklingen til at klatre op oven på arbejdsemnet og kaste klinge monteringen voldsomt mod operatøren.
 - 5. Placer aldrig din hånd over den tilsligtede skærelinje, hverken foran eller bag ved savklingen.** Understøttelse af arbejdsemnet med "krydsede hænder", dvs. at holde arbejdsemnet til højre for savklingen med venstre hånd eller omvendt, er meget farligt.
- Fig.1
- 6. Undlad at række bag ved anslaget med nogen af hænderne tættere end 100 mm fra begge sider af savklingen, at fjerne træstykker eller af nogen anden årsag, så længe klingens roterer.** Det er muligvis ikke tydeligt, hvor tæt den roterende savklinge er på din hånd, og du kan komme alvorligt til skade.
 - 7. Inspicer arbejdsemnet, før der skæres. Hvis arbejdsemnet er buet eller skævt, skal du fastgøre det med den udvendige buede side mod anslaget. Sørg altid for, at der ikke er mellemrum mellem arbejdsemnet, anslaget og bordet langs skærelinjen.** Buede eller skæve arbejdsemner kan vride sig eller flytte sig og kan medføre binding af den roterende savklinge, mens der skæres. Der må ikke være søm eller fremmedlegemer i arbejdsemnet.
 - 8. Undlad at bruge saven, før bordet er ryddet for alle værktøjer, træstykker osv. bortset fra arbejdsemnet.** Små rester eller løse stykker træ eller andre genstande, der kommer i kontakt med den roterende klinge, kan blive slynget bort med høj hastighed.
 - 9. Skær kun i ét arbejdsemne ad gangen.** Flere stablede arbejdsemner kan ikke fastgøres eller understøttes tilstrækkeligt og kan binde klingens eller flytte sig under skæringen.
 - 10. Sørg for, at geringsssaven er monteret eller placeret på en jævn, stabil arbejdsoverflade, før den bruges.** En jævn og stabil arbejdsoverflade mindsker risikoen for, at geringsssaven bliver ustabil.
 - 11. Planlæg dit arbejde. Hver gang du ændrer indstillingen for skrå- eller geringsvinkel, skal du sikre dig, at det justerbare anslag er indstillet korrekt til at understøtte arbejdsemnet, og at det ikke kommer i vejen for klingens eller beskyttelsessystemet.** Uden at slå maskinen "TIL" og uden arbejdsemne på bordet skal du flytte savklingen gennem et komplet simuleret snit for at sikre dig, at der ikke er noget i vejen eller risiko for at skære i anslaget.
 - 12. Sørg for tilstrækkelig understøttelse, for eksempel bordforlængelser, savbukke osv., for et arbejdsemne, der er bredere eller længere end bordpladen.** Arbejdsemner, der er længere eller bredere end geringsssavens bord, kan vippe, hvis de ikke er tilstrækkeligt understøttet. Hvis det afskårne stykke eller arbejdsemnet vipper, kan det løfte den nederste beskyttelsesskærm eller blive slynget bort af den roterende klinge.
 - 13. Undlad at bruge en anden person som erstatning for en bordforlængelse eller som ekstra støtte.** Ustabil understøttelse af arbejdsemnet kan få klingen til at binde eller arbejdsemnet til at flytte sig under skæringen, så du selv og hjælperen bliver trukket ind i den roterende klinge.
 - 14. Det afskårne stykke må ikke på nogen måde sidde fast eller blive trykket imod den roterende savklinge.** Hvis det begrænses, for eksempel med længdestopper, kan det afskårne stykke blive klemt mod klingens og slynget voldsomt bort.
 - 15. Brug altid en skruetvinge eller et stykke inventar, der er beregnet til korrekt at støtte runde materialer som f.eks. stænger eller rør.** Stænger har tendens til at rulle, når de skæres, hvilket får klingens til at "bide" og trække emnet med din hånd ind i klingens.
 - 16. Lad klingens nå fuld hastighed, før den sættes mod arbejdsemnet.** Dette reducerer risikoen for, at arbejdsemnet slynges bort.
 - 17. Sluk for geringsssaven, hvis arbejdsemnet eller klingens klemmer sig fast. Vent, til alle bevægelige dele er stoppet, og tag stikket ud af strømkilden og/eller fjern akkuen.** Begynd derefter at frigøre det fastklemt materiale. Fortsat savning med et fastklemt arbejdsemne kan medføre, at du mister kontrollen, eller beskadigelse af geringsssaven.
 - 18. Når et snit er færdigt, skal du slippe afbryderen, holde savhovedet nede og vente, til klingens er stoppet, før du fjerner det afskårne stykke.** Det er farligt at stikke hånden hen til klingens, mens den stadig kører.

19. Hold godt fast i håndtaget, når der foretages et ufærdigt snit, eller hvis du slipper afbryderen, inden savhovedet er helt nede i den nederste position. Savens bremsefunktion kan medføre, at savhovedet pludseligt trækkes nedad, og medføre risiko for personskade.
20. Brug kun savklingen med den diameter, som er markeret på maskinen eller angivet i vejledningen. Brug af en klinge med forkert størrelse kan muligvis påvirke den korrekte afskærmning af klingens eller skærmfunktion, hvilket muligvis kan resultere i alvorlig personskade.
21. Brug kun savklinger, der er mærket med en hastighed svarende til eller større end den hastighed, der er angivet på maskinen.
22. Anvend ikke saven til at skære i andet end træ, aluminium eller lignende materialer.
23. (Kun for lande i Europa)
Brug altid en klinge, der overholder EN847-1.
12. Sørg for ikke at beskadige akslen, flangerne (specielt monteringsfladen) eller boltene. Beskadigelse af disse dele kan medføre beskadigelse af klingens.
13. Sørg for, at drejeskiven er fastlåst og ikke bevæger sig under brug. Brug hullerne i foden til at fastgøre saven til en stabil arbejdsplatform eller bænk. Anvend ALDRIG maskinen, hvis operatørens position kan blive akavet.
14. Sørg for, at spindellåsen er løsnet, før der tændes på afbryderen.
15. Sørg for, at klingens ikke rører drejeskiven i nederste position.
16. Hold godt fast i håndtaget. Vær opmærksom på, at saven ved start og stop bevæger sig let op og ned.
17. Sørg for, at klingens ikke er i berøring med arbejdsemnet, før der tændes på afbryderen.
18. Før maskinen anvendes på arbejdsemnet, skal den køre i tomgang et stykke tid. Vær opmærksom på vibrationer eller rystelser, der kan være forårsaget af forkert montage eller manglende afbalancering af klingen.

Yderligere instruktioner

1. Gør dit værksted børnesikkert med hængelåse.
2. Stå aldrig på maskinen. Det kan medføre alvorlig personskade, hvis maskinen vælter, eller ved utilsigtet kontakt med skæremaskinen.
3. Lad aldrig maskinen køre uovervåget. Sluk for strømmen. Gå ikke fra maskinen, før den er stoppet helt.
4. Anvend ikke saven, uden at beskyttelsesskærmene er på plads. Kontrollér beskyttelsesskærmen for korrekt funktion for hver brug. Anvend ikke saven, hvis beskyttelsesskærmen ikke bevæger sig frit og lukker øjeblikkeligt. Beskyttelsesskærmen må aldrig klemmes eller bindes til åben position.
5. Hold hænderne væk fra savklingens bane. Undgå kontakt med klingens, mens denne kører i frihjul. Dette kan stadig medføre alvorlig personskade.
6. For at reducere risikoen for personskade skal du sætte slæden tilbage til den bageste position efter hvert tværnsnit.
7. Fastgør altid bevægelige dele, før maskinen transporteres.
8. Stopstiften, som låser skærehovedet nede, er kun beregnet til transport- og opbevaringsformål og ikke til nogen form for skæring.
9. Efter omhyggeligt klingens for revner eller beskadigelse før brugen. Udskift øjeblikkeligt en revnet eller beskadiget klinge. Gummi og tjære, der hærdes mod klinger, gør savens langsommere og øger risikoen for tilbageslag. Hold klingens ren ved først at tage den ud af maskinen og derefter rense den med gummi- og tjærefjerner, varmt vand eller petroleum. Benyt aldrig benzin til at rense klingens.
10. Ved foretagelse af et glidende snit kan der forekomme TILBAGESLAG. TILBAGESLAG sker, når klingens binder i arbejdsemnet under en skæring, og savklingens drives hurtigt mod operatøren. Det kan medføre tab af kontrollen og alvorlig personskade. Hvis klingens begynder at binde under en skæring, må du ikke fortsætte med at skære, men slip med det samme afbryderen.
11. Anvend kun flanger, der er anbefalet til brug med denne maskine.

19. Afbryd straks anvendelsen, hvis du bemærker noget unormalt under brugen.
20. Forsøg aldrig at fastlåse afbryderen i "TIL"-stillingens.
21. Anvend altid kun det tilbehør, der er anbefalet i denne brugsanvisning. Anvendelse af forkert tilbehør, eksempelvis slibeskiver, kan medføre personskade.
22. Nogle materialer indeholder kemikalier, der kan være giftige. Sørg omhyggeligt for at undgå at indånde støv samt kontakt med huden. Følg materialeleverandørens sikkerhedsdata.

Yderligere sikkerhedsregler for laseren

1. LASERSTRÅLING, UNDLAD AT SE IND I STRÅLEN ELLER AT BETRAGTE DEN DIREKTE MED OPTISKE INSTRUMENTER, KLASSE 2M LASERPRODUKT.

GEM DISSE FORSKRIFTER.

⚠ ADVARSEL: LAD IKKE bekvemmelighed eller kendskab til produktet (opnået gennem gentagen brug) forhindre, at sikkerhedsforskrifterne for produktet nøje overholdes. MISBRUG eller forsømmelse af at følge de i denne brugsvejledning givne sikkerhedsforskrifter kan medføre alvorlig personskade.

Vigtige sikkerhedsinstruktioner for akkuen

1. Læs alle instruktioner og advarselmærkater på (1) akku-opladeren, (2) akkuen og (3) produktet, som anvender akku.
2. Adskil eller ændr ikke akkuen. Det kan muligvis resultere i en brand, overdreven varme eller eksplosion.
3. Hold straks op med anvendelsen, hvis brugstiden er blevet stærkt afkortet. Fortsat anvendelse kan resultere i risiko for overophedning, forbrændinger og endog eksplosion.

4. Hvis De har fået elektrolytvæske i øjnene, skal De straks skylle den ud med rent vand og derefter øjeblikkeligt søge lægehjælp. I modsat fald kan De miste synet.
5. Vær påpasselig med ikke at komme til at kortslutte akkuen:
 - (1) Rør ikke ved terminalerne med noget ledende materiale.
 - (2) Undgå at opbevare akkuen i en beholder sammen med andre genstande af metal, for eksempel søm, mønter og lignende.
 - (3) Udsæt ikke akkuen for vand eller regn. Kortslutning af akkuen kan forårsage en kraftig øgning af strømmen, overophedning, mulige forbrændinger og endog værktøjstop.
6. Opbevar og brug ikke maskinen og akkuen på steder, hvor temperaturen muligvis kan nå eller overstige 50 °C.
7. Lad være med at brænde akkuen, selv ikke i tilfælde, hvor den har lidt alvorlig skade eller er fuldstændig udtjent. Akkuen kan eksplodere, hvis man forsøger at brænde den.
8. Slå ikke søm i, skær ikke i, knus, kast, tab ikke akkuen og stød ikke akkuen mod en hård genstand. Sådant adfærd kan muligvis resultere i en brand, overdreven varme eller eksplosion.
9. Anvend ikke en beskadiget akku.
10. De indbyggede litium-ion-batterier er underlagt lovkrav vedrørende farligt gods. Ved kommerciel transport, f.eks. af tredjeparts transportselskaber, skal særlige krav til forpakning og mærkning overholdes. Ved forberedelse af udstyret til forsendelse skal du kontakte en ekspert i farligt gods. Overhold også eventuel mere detaljeret national lovgivning. Tape eller tildæk åbne kontakter, og pak batteriet på en måde, så det ikke kan flytte sig rundt i pakningen.
11. Når akkuen bortskaffes, skal du fjerne den fra maskinen og bortskaffe den på et sikkert sted. Følg de lokale love vedrørende bortskaffelsen af batterier.
12. Brug kun batterierne med de produkter, som Makita specificerer. Hvis batterierne installeres i ikke-kompatible produkter, kan det medføre brand, kraftig varme, eksplosion eller udsivning af elektrolyt.
13. Hvis maskinen ikke skal bruges i længere tid ad gangen, skal du fjerne batteriet fra maskinen.
14. Akkuen kan muligvis under og efter brug være varm, hvilket kan forårsage forbrændinger eller lavtemperaturforbrændinger. Vær påpasselig med håndtering af varme akkuer.
15. Rør ikke terminalen på maskinen straks efter brug, da den bliver varm nok til at forårsage forbrændinger.
16. Sørg for, at spåner, støv eller jord ikke sætter sig fast i akkuens terminaler, huller og riller. Det kan forårsage opvarmning, antændelse, sprængning og funktionsfejl i maskinen eller akkuen, hvilket kan medføre forbrændinger eller personskade.
17. Medmindre maskinen understøtter brugen i nærheden af elektriske højspændingsledninger, skal du ikke anvende akkuen i nærheden af elektriske højspændingsledninger. Det kan muligvis medføre funktionsfejl på eller nedbrud af maskinen eller akkuen.
18. Opbevar batteriet utilgængeligt for børn.

GEM DENNE BRUGSANVISNING.

⚠FORSIGTIG: Brug kun originale batterier fra Makita. Brug af uoriginale Makita-batterier, eller batterier som er blevet ændret, kan muligvis medføre brud på batteriet, hvilket kan forårsage brand, personskade eller beskadigelse. Det ugyldiggør også Makita-garantien for Makita-maskinen og opladeren.

Tips til opnåelse af maksimal akku-levetid

1. Oplad akkuen, inden den er helt afladet. Stop altid værktøjet, og oplad akkuen, hvis De bemærker, at værktøjeffekten er aftagende.
2. Genoplad aldrig en fuldt opladet akku. Overopladning vil afkorte akkuens levetid.
3. Oplad akkuen ved stuetemperatur ved 10 °C - 40 °C. Lad altid en varm akku få tid til at køle af, inden den oplades.
4. Når du ikke anvender akkuen, skal du fjerne den fra maskinen eller opladeren.
5. Oplad akkuen, hvis De ikke skal bruge den i længere tid (mere end seks måneder).

BESKRIVELSE AF DELENE

► Fig.2

1	Aflåseknap	2	Afbryderkontakt	3	Klingehus	4	Justeringskrue (til nedre grænseposition)
5	Justeringsbolt (til maksimal skæredybde)	6	Stoparm	7	Støvpose	8	Skråsnitskala
9	Beskyttelsesskærm	10	Lodret skruestik	11	Anslag	12	Holder
13	Låsearm (til drejeskive)	14	Greb (til drejeskive)	15	Justeringsbolt (til drejeskive)	16	Indlægsplade
17	Viser (til geringsvinkel)	18	Drejeskive	19	Holderenhed	20	Anslagsspindel
21	Underanslag	-	-	-	-	-	-

► Fig.3

22	Skydestang (øverste)	23	Fingerskrue (til låsning af øverste skydestang)	24	Sekskantnøgle	25	Spændeskrue (til låsning af holder)
26	Håndtag (til justering af skråvinkel)	27	Skydestang (nederste)	28	Fingerskrue (til låsning af nederste skydestang)	-	-

MONTERING

Montering på bænk

⚠ ADVARSEL: Sørg for, at værktøjet ikke bevæger sig på understøttelsesfladen. Hvis gerings-saven bevæger sig på understøttelsesfladen under skæringen, risikerer De at miste herredømmet over saven og komme alvorligt til skade.

1. Fastgør bunden til en jævn og stabil overflade, og skru den fast med to bolte. Dette hjælper med at forhindre, at den tipper med personskafe til følge.

► Fig.4: 1. Bolt

2. Drej justeringsbolten i retningen med eller mod uret, så den kommer i berøring med gulvfladen, hvorved værktøjet holdes stabil.

► Fig.5: 1. Justeringsbolt

Montering af holderne og holderenhederne

BEMÆRK: I nogle lande er holderne og holderenhederne muligvis ikke inkluderet i værktøjspakken som standardtilbehør.

Holderne og holderenhederne understøtter arbejdsemnerne vandret.

Stram anslagsspindlerne mod holderenhederne ved hjælp af sekskantnøglen.

► Fig.6: 1. Holder 2. Holderenhed 3. Anslagsspindel 4. Sekskantnøgle

Monter holderne og holderenhederne på begge sider som vist på figuren. Sørg under monteringen for, at anslagsspindlen fugter med som anslaget, når den monteres på maskinen.

► Fig.7: 1. Holder 2. Holderenhed 3. Skrue

Stram derefter skrueene fast for at fastgøre holderne og holderenhederne.

FUNKTIONSBESKRIVELSE

⚠ ADVARSEL: Vær altid sikker på, at der er slukket for værktøjet, og at akkuen er fjernet, inden De justerer eller kontrollerer værktøjets funktioner. Hvis De ikke slukker for værktøjet og fjerner akkuen, kan det medføre alvorlig personskafe forårsaget af utilsigtet start af værktøjet.

Isætning eller fjernelse af akkuen

⚠ FORSIGTIG: Sluk altid for værktøjet, før De monterer eller fjerner akkuen.

⚠ FORSIGTIG: Hold værktøjet og akkuen fast ved montering eller fjernelse af akkuen. Hvis De ikke holder værktøjet og akkuen fast, kan de glide ud af hænderne på Dem og forårsage beskafigelse af værktøjet og akkuen eller personskafe.

► Fig.8: 1. Rød indikator 2. Knap 3. Akku

Akkuen fjernes ved, at De trækker den ud af værktøjet, idet De skyder knappen på forsiden af akkuen i stilling.

Akkuen monteres ved, at De sætter tungen på akkuen ud for noten i kabinettet og lader den glide på plads. Sæt den hele vejen ind, så den låses på plads med et lille klik. Hvis den røde indikator på oversiden af knappen er synlig, betyder det, at den ikke er tilstrækkeligt låst.

⚠ FORSIGTIG: Monter altid akkuen helt, indtil den røde indikator ikke længere er synlig. Hvis dette ikke gøres, kan den falde ud af værktøjet ved et uheld, hvorved De selv eller personer i nærheden kan komme til skade.

⚠ FORSIGTIG: Brug ikke magt ved montering af akkuen. Hvis akkuen ikke glider på plads uden problemer, betyder det, at den ikke sættes i på korrekt vis.

BEMÆRK: Værktøjet fungerer ikke med kun én akku.

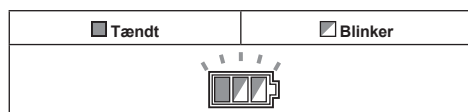
Beskyttelsessystem til værktøj/batteri

Maskinen er udstyret med et beskyttelsessystem til maskinen/batteriet. Dette system afbryder automatisk strømmen til motoren for at forlænge maskinens og batteriets levetid. Maskinen stopper automatisk under brugen, hvis maskinen eller batteriet udsættes for et af følgende forhold:

Overbelastningsbeskyttelse

Når værktøjet betjenes på en måde, der får den til at bruge unormalt meget strøm, stopper værktøjet automatisk uden indikation. Sluk i så fald for værktøjet, og stop den anvendelse, der bevirkede, at værktøjet blev overbelastet. Tænd derefter for værktøjet for at starte igen.

Beskyttelse mod overophedning



Når værktøjet bliver overophedet, stopper den automatisk, og batteriindikatoren blinker i cirka 60 sekunder. Lad i så fald værktøjet køle af, før der tændes for værktøjet igen.

Beskyttelse mod afladning

Når batteriladningen bliver for lav, stopper værktøjet automatisk. Hvis produktet ikke fungerer, selvom kontakterne betjenes, skal De tage batterierne ud af værktøjet og lade batterierne op.

Indikation af den resterende batteriladning

► Fig.9: 1. Batteriindikator 2. Kontrolknap

Tryk på kontrolknappen for at få vist de resterende batteriladning. Batteriindikatorerne svarer til hvert enkelt batteri.

Status på batteriindikator			Resterende batteriladning
Tændt	Slukket	Blinker	
			50% til 100%
			20% til 50%
			0% til 20%
			Genopladdet batteriet

Indikation af den resterende batteriladning

Kun til akkuer med indikatoren

► Fig.10: 1. Indikatorlamper 2. Kontrolknap

Tryk på kontrolknappen på akkuen for at få vist den resterende batteriladning. Indikatorlampen lyser i nogle sekunder.

Indikatorlamper			Resterende ladning
Tændt	Slukket	Blinker	
			75% til 100%
			50% til 75%
			25% til 50%
			0% til 25%
			Genopladdet batteriet.
			Der er muligvis fejl i batteriet.

BEMÆRK: Afhængigt af brugsforholdene og den omgivende temperatur kan indikationen afvige en smule fra den faktiske ladning.

BEMÆRK: Den første indikatorlampe (længst mod venstre) vil blinke, når batteribeskyttelsessystemet aktiveres.

Automatisk hastighedsændringsfunktion

► Fig.11: 1. Tilstandsindikator

Tilstandsindikatorstatus	Funktionstilstand
	Højhastighedstilstand
	Tilstand for højt moment

Dette værktøj har en "højhastighedstilstand" og en "tilstand for højt moment". Det skifter automatisk funktionstilstand afhængigt af arbejdsbelastningen. Når tilstandsindikatoren lyser under brug, er værktøj i højt momenttilstand.

Stopstift

⚠FORSIGTIG: Hold altid i håndtaget, når stopstiften frigøres. Ellers springer håndtaget op, hvilket kan medføre personskaade.

Frigør stopstiften ved at trykke let nedad på grebet og trække i stopstiften.

► Fig.12: 1. Stopstift

Beskyttelsesskærm

⚠ ADVARSEL: Beskyttelsesskærmen må aldrig sættes ud af funktion, og fjederen på skærmen må aldrig fjernes. En synlig klinge på grund af en manglende beskyttelsesskærm kan medføre alvorlig personskade under anvendelsen.

⚠ ADVARSEL: Brug aldrig værktøjet, hvis beskyttelsesskærmen eller fjederen er beskadiget, defekt eller mangler. Anvendelse af værktøjet med en beskadiget, fejlbehæftet eller afmonteret beskyttelsesskærm kan medføre alvorlig personskade.

⚠ FORSIGTIG: Hold altid beskyttelsesskærmen i god stand for sikker brug. Hold øjeblikkeligt op med brugen, hvis der er uregelmæssigheder i beskyttelsesskærmen. Bekræft, at de fjederbelastede beskyttelsesskærme returnerer.

► Fig.13: 1. Beskyttelsesskærm

Når De sænker grebet, hæves beskyttelsesskærmen automatisk. Beskyttelsesskærmen er fjederbelastet og vender tilbage til udgangspositionen, når arbejdet er afsluttet, og grebet atter hæves.

Rengøring

► Fig.14: 1. Beskyttelsesskærm

Hvis den gennemsigtige beskyttelsesskærm bliver snavset, eller der sidder så meget savsmuld på den og på en sådan måde, at savklingen og/eller arbejdsområdet ikke længere er synligt, skal akkuen tages ud, og beskyttelsesskærmen skal rengøres med en fugtig klud. Anvend ikke opløsningsmidler eller petroleum-baserede rengøringsmidler på plastic-beskyttelsesskærmen, da dette kan beskadige skærmen.

For rengøring løftes beskyttelsesskærmen under henvisning til "Montering eller afmontering af savklingen". Sørg efter rengøringen for at montere klingens og midterafdækningen igen, og stram bolten med indvendig sekskant.

1. Sørg for, at der er slukket for værktøjet, og at akkuerne er taget ud.
2. Drej bolten med indvendig sekskant mod uret ved hjælp af den medfølgende sekskantnøgle, idet der holdes på midterafdækningen.
3. Løft beskyttelsesskærmen og midterafdækningen.
4. Når rengøringen er færdig, skal De sætte midterafdækningen tilbage og stramme bolten med indvendig sekskant ved at udføre ovenstående trin i omvendt rækkefølge.

⚠ ADVARSEL: Fjern ikke den fjeder, der holder beskyttelsesskærmen. Hvis beskyttelsesskærmen bliver beskadiget i tidens løb eller på grund af udsættelse for ultraviolet lys, bedes De kontakte et Makita servicecenter for at få den udskiftet. **OMGÅ ELLER AFMONTER ALDRIG BESKYTTELSESSKÆRMEN.**

Placering af indlægsplade

Dette værktøj er udstyret med indlægsplader i drejeskiven med det formål at minimere slitage på afslutnings-siden af en savning. Indlægspladerne er fra fabrikken indstillet således, at savklingen ikke kommer i berøring med indlægspladerne. Indstil indlægspladerne inden brugen på følgende måde:

1. Sørg for at fjerne akkuen. Løsn derefter alle de skruer (2 hver i venstre og højre side), der fastholder indlægspladerne.
► Fig.15: 1. Indlægsplade 2. Skruer
2. Stram kun skruerne så meget, at indlægspladerne stadig nemt kan flyttes med hånden.
3. Sænk håndtaget helt, og tryk stopstiften ind for at låse håndtaget i den nederste stilling.
4. Løsn de to spændeskruer, som fastholder skydestængerne.
► Fig.16: 1. Fingerskruer
5. Træk slæden helt imod dig.
6. Indstil indstillingspladerne således, at de lige netop berører siderne af klingetænderne.
► Fig.17
- Fig.18: 1. Savklinge 2. Klingetænder 3. Indlægsplade 4. Venstre skrånsnit 5. Lige snit

7. Stram de forreste skruer (stram ikke for meget).
8. Skub slæden helt mod anslaget, og indstil indlægspladerne således, at de lige netop berører siderne af klingetænderne.
9. Stram de bageste skruer (stram ikke for meget).
10. Frigør stopstiften, når indlægspladerne er indstillet, og hæv håndtaget. Stram derefter alle skruerne godt til.

BEMÆRKNING: Sørg for, når skråvinklen er indstillet, at indlægspladerne er korrekt indstillet. Korrekt indstilling af indlægspladerne bidrager til at yde den rigtige støtte til arbejdsområdet og gøre risikoen for udvinding minimal.

Vedligeholdelse af maksimal skæredybde

Dette værktøj er på fabrikken indstillet til at give den maksimale skæredybde med en 190 mm savklinge. Når der monteres en ny rundsavsklinge, skal den nedre grænseposition på rundsavsklingen altid kontrolleres og, såfremt det er påkrævet, justeres som beskrevet herunder:

1. Fjern akkuen. Skub derefter slæden helt mod anslaget, og sænk håndtaget helt.
► Fig.19: 1. Justeringsbolt 2. Anslag
2. Brug sekskantnøglen til at dreje justeringsboltens, indtil rundsavsklingen sidder lidt under det sted, hvor anslaget og den øverste flade af drejeskiven mødes.
► Fig.20
3. Drej klingens med hånden, idet du holder håndtaget helt nede, for at sikre dig, at rundsavsklingen ikke kommer i berøring med nogen del af den nederste bund. Juster om nødvendigt en smule.

⚠ ADVARSEL: Sørg altid for, når en ny rundsavsklinge er monteret, og med akkuen fjernet, at rundsavsklingen ikke kommer i berøring med nogen dele på den nederste bund, når håndtaget sænkes helt. Hvis rundsavsklingen kommer i berøring med bunden, kan det medføre tilbageslag med alvorlig personskade til følge.

► Fig.21

Stoparm

Klingens nedre grænseposition kan nemt indstilles med stoparmen. For at indstille den drejes stoparmen i pilens retning som vist på illustrationen. Drej justeringsskruen, og tryk håndtaget helt ned for at kontrollere resultatet.

► Fig.22: 1. Justeringsskruer 2. Stoparm

Underanslag

Landespecifikt

⚠ FORSIGTIG: Ved udførelse af venstre skrånit skal underanslaget placeres udvendigt. Ellers kan det komme i berøring med klingens eller en del af værktøjet med risiko for, at operatøren kommer alvorligt til skade.

► Fig.23: 1. Underanslag

Dette værktøj er udstyret med et underanslag. Underanslaget skal normalt anbringes indeni. Men ved udførelse af venstre skrånit skal det placeres udvendigt.

Justering af geringsvinklen

► Fig.24: 1. Drejeskive 2. Låsearm 3. Vinkelskala 4. Viser 5. Indstillingsgreb

1. Løsn indstillingsgrebet mod uret.
2. Tryk låsehåndtaget ned, og hold det nede, og juster vinklen på drejeskiven. Brug viseren og geringskalaen som guide.
3. Stram indstillingsgrebet fast i urets retning.

⚠ FORSIGTIG: Efter ændring af geringsvinklen skal drejeskiven altid sikres ved, at indstillingsgrebet spændes stramt til.

BEMÆRKNING: Når drejeskiven drejes, skal håndtaget været helt hævet.

Justering af skråvinklen

For at justere vinklen ved skrånit løses håndtaget på bagsiden af værktøjet i retningen mod uret.

► Fig.25: 1. Håndtag 2. Udløserknop

Hold håndtaget nede, og vip slæden for at vippe klingens mod venstre. Brug skrånitskalaen og viseren som guide. Stram derefter håndtaget med uret for at holde armen på plads.

► Fig.26: 1. Viser 2. Skrånitskala 3. Arm

For at vippe klingens mod højre skal De holde håndtaget og vippe slæden let mod venstre og trykke på udløserknappen. Hold udløserknappen nedtrykket, og vip savklingen mod højre. Stram derefter håndtaget.

⚠ FORSIGTIG: Efter ændring af skråvinklen skal håndtaget altid sikres ved, at det strammes i retningen med uret.

BEMÆRKNING: Når savklingen vippes, skal De sørge for, at grebet er helt hævet.

BEMÆRKNING: Når skråvinklerne ændres, skal De placere indlægspladerne korrekt som forklaret i afsnittet "Placering af indlægsplade".

Justering af håndtagets position

Hvis håndtaget i tidens løb ikke sørger for fuld stramning, skal håndtagets position ændres. Håndtaget kan flyttes i trin på 30°. Løsn og fjern den skrue, der holder håndtaget. Fjern håndtaget, og monter det igen på en sådan måde, at det er en smule over vandret. Stram derefter håndtaget godt med skruen.

► Fig.27: 1. Håndtag 2. Skrue

Afbryderfunktion

⚠ ADVARSEL: Inden akkuen monteres på værktøjet, skal De altid kontrollere, at afbryderkontakten fungerer korrekt og returnerer til "OFF"-stillingen, når den slippes. Anvendelse af værktøjet med en afbryderkontakt, som ikke fungerer korrekt, kan føre til, at De mister herredømmet over værktøjet med alvorlig personskade til følge.

⚠ ADVARSEL: Anvend ikke en lås med et skaft eller et kabel, som er mindre end 6,35 mm i diameter. Et mindre skaft eller kabel vil muligvis ikke låse værktøjet i fra-stilling, og utilsigtet brug kan ske med alvorlig personskade som følge.

⚠ ADVARSEL: Anvend ALDRIG værktøjet, hvis afbryderkontakten ikke fungerer, som den skal. Ethvert værktøj med en ikke-virkende afbryderkontakt er YDERST FARLIG og skal repareres før yderligere anvendelse, da det ellers kan medføre alvorlig personskade.

⚠ ADVARSEL: Af hensyn til Deres sikkerhed er dette værktøj forsynet med en aflåseknop, der forhindrer utilsigtet start af værktøjet. Anvend ALDRIG værktøjet, hvis det kører, når blot De trykker på afbryderkontakten, uden at der først er trykket på aflåseknappen. En afbryderkontakt, der bør repareres, kan medføre utilsigtet drift og alvorlig personskade. Indlevér værktøjet til et Makita servicecenter til reparation FØR yderligere anvendelse.

⚠ ADVARSEL: Aflåseknappen må ALDRIG sættes ud af kraft ved at tape den fast eller på nogen anden måde. En afbryderkontakt med en aflåseknop, der er sat ud af kraft, kan medføre utilsigtet drift og alvorlig personskade.

BEMÆRKNING: Tryk ikke hårdt på afbryderkontakten uden først at trykke aflåseknappen ind. Dette kan ødelægge afbryderkontakten.

For at forhindre, at afbryderknappen trykkes ind ved et uheld, er maskinen udstyret med en aflåseknop. Maskinen startes ved at trykke aflåseknappen ind og derefter trykke på afbryderknappen. Slip afbryderknappen for at stoppe.

Aflåseknappen kan trykkes fra enten højre eller venstre. Afbryderknappen er forsynet med et hul til indsættelse af en hængelås, så maskinen kan aflåses.

► Fig.28: 1. Aflåseknop 2. Afbryderknop 3. Hul til hængelås

SAMLING

⚠ ADVARSEL: Sørg altid for, at værktøjet er slukket, og at akkuen er taget ud, før der arbejdes på værktøjet. Hvis værktøjet ikke afbrydes og tages ud af forbindelse, kan det medføre alvorlig personskade.

Opbevaring af sekskantnøgle

Sekskantnøglen opbevares som vist på illustrationen. Når sekskantnøglen skal anvendes, kan den tages ud af nøgleholderen.

Når sekskantnøglen er blevet anvendt, kan den opbevares ved, at man lægger den tilbage i nøgleholderen.

► **Fig.29:** 1. Nøgleholder 2. Sekskantnøgle

Montering eller afmontering af savklingen

⚠ ADVARSEL: Vær altid sikker på, at der er slukket for værktøj, og at akkuen er taget ud, inden savklingen monteres eller afmonteres. Utilsigtet start af værktøjet kan medføre alvorlig personskade.

⚠ FORSIGTIG: Anvend kun den sekskantnøgle, som er leveret af Makita, til at montere eller afmontere savklingen. Anvendelse af andre topnøgler kan medføre en for hård eller for let tilspænding af boltene med indvendig sekskant. Dette kan medføre personskade.

Montering af rundsavklingen

1. Lås håndtaget i den hævede stilling ved at trykke stopstiften ind.

► **Fig.30:** 1. Stopstift

2. Brug sekskantnøglen til at løsne den bolt med indvendig sekskant, der holder midterafdækningen, ved at dreje den i retningen mod uret. Løft derefter beskyttelsesskærmen og midterafdækningen.

► **Fig.31:** 1. Midterafdækning 2. Bolt med indvendig sekskant 3. Sekskantnøgle 4. Beskyttelsesskærm

3. Tryk på spindellåsen for at låse spindlen, og brug sekskantnøglen til at løsne boltene med indvendig sekskant og den ydre flange.

► **Fig.32:** 1. Spindellås 2. Bolt med indvendig sekskant 3. Ydre flange

4. Monter forsigtigt klingen på den indre flange. Sørg for, at pilens retning på klingen svarer til pilens retning på klingehuset.

► **Fig.33:** 1. Ydre flange 2. Savklinge 3. Indre flange 4. Bolt med indvendig sekskant (venstreskåret) 5. Spindel 6. Klingemonteringsdel

► **Fig.34:** 1. Savklinge 2. Pil

5. Monter den ydre flange og boltene med indvendig sekskant, og brug derefter sekskantnøglen til at tilspænde spindelens bolt med indvendig sekskant (venstreskåret) sikkert mod uret, mens du trykker på spindellåsen.

6. Sæt beskyttelsesskærmen og midterafdækningen tilbage til den oprindelige position. Tilspænd derefter boltene med indvendig sekskant på midterafdækningen med uret for at fastgøre midterafdækningen.

7. Frigør håndtaget fra den hævede position ved at trække i stopstiften. Sænk håndtaget for at sikre, at beskyttelsesskærmen bevæger sig korrekt.

8. Sørg for, at spindellåsen har frigjort spindlen, før du skærer.

For værktøj med indre flange til savklinge med 15,88 mm hul diameter

Landespecifikt

Monter den indre flange med siden med fordybningen udad på monteringskafket, og placer derefter savklingen (med ringen monteret, hvis det er nødvendigt), den ydre flange og sekskantboltene.

Til maskiner uden ring

► **Fig.35:** 1. Ydre flange 2. Savklinge 3. Indre flange 4. Bolt med indvendig sekskant (venstreskåret) 5. Spindel

Til maskiner med ring

► **Fig.36:** 1. Ydre flange 2. Savklinge 3. Indre flange 4. Bolt med indvendig sekskant (venstreskåret) 5. Ring 6. Spindel

⚠ ADVARSEL: Hvis ringen er nødvendig for at montere klingen på spindelen, skal du altid sikre dig, at den korrekte ring til klingens dornhul, som du vil anvende, er installeret mellem de indre og ydre flanger. Brug af en ring med et forkert dornhul kan medføre forkert montering af klingen, så klingen bevæger sig og forårsager kraftig vibration, hvilket kan medføre, at du mister herredømmet under anvendelsen, og forårsager alvorlig personskade.

For værktøj med en indre flange til savklinger med andet end 20 mm eller 15,88 mm hul diameter

Landespecifikt

Den indre flange har en klingemonteringsdel med en bestemt diameter på den ene side og en anden diameter på den anden side. Vælg den rigtige side, hvor klingemonteringsdelen passer perfekt ind i hullet på savklingen.

► **Fig.37:** 1. Ydre flange 2. Savklinge 3. Indre flange 4. Bolt med indvendig sekskant (venstreskåret) 5. Spindel 6. Klingemonteringsdel

⚠ FORSIGTIG: Sørg for, at klingemonteringsdelen "a" på den indre flange, der er placeret udenfor, passer perfekt i savklingegehul "a". Hvis klingen monteres på den forkerte side, kan det medføre farlig vibration.

Afmontering af savklinge

1. Lås håndtaget i den hævede position ved at skubbe stopstiften ind.
2. Brug sekskantnøglen til at løse den bolt med indvendig sekskant, der holder midterafdækningen, ved at dreje den i retningen mod uret. Løft derefter beskyttelseskærmen og midterafdækningen.
3. Tryk på spindellåsen for at låse spindlen, og brug sekskantnøglen til at løse boltene med indvendig sekskant med uret. Afmonter derefter boltene med indvendig sekskant, den ydre flange og klingene.

Når du opbevarer maskinen, skal du montere den ydre flange og tilspænde boltene med indvendig sekskant let i hånden for at forhindre tab.

Tilslutning af en støvsuger

Hvis du ønsker at udføre en ren skæreooperation, skal du tilslutte en Makita-støvsuger.

► Fig.38

Støvpose

Ekstraudstyr

Anvendelse af støvposen giver et renere arbejdsmiljø og gør det nemmere at opsamle støv.

Støvposen sættes på ved, at posens mundstykke sættes over støvmundstykket.

Lukkeskinnen monteres ved, at man sætter den øverste ende af lukkeskinnen ud for det trekantede mærke på støvposen.

Når støvposen er cirka halvt fyldt, tages den af værktøjet og lukkeskinnen trækkes ud. Tøm støvposen, og bank let på den, så de støvpartikler, der har samlet sig på de indvendige flader og som kan nedsætte effektiviteten af støvopsamlingen, fjernes.

► Fig.39: 1. Støvpose 2. Støvtud 3. Lukkeskinne

Fastspænding af arbejdsemnet

⚠ ADVARSEL: Det er yderst vigtigt altid at sørge for, at arbejdsemnet er ordentligt fastspændt i den rigtige type skruestik. Forsømmelse af at gøre dette kan medføre alvorlig personskade og forvoldte skade på værktøjet og/eller arbejdsemnet.

⚠ ADVARSEL: Når der skæres i et arbejdsemne, som er længere end savens støtteplade, skal materialet understøttes i hele dets længde ud over støttepladen og i samme højde for at holde materialet plant. En ordentlig understøttelse af arbejdsemnet bidrager til at undgå fastklemning af klingene og eventuelt tilbageslag, hvilket kan medføre alvorlig personskade. Forlad Dem ikke udelukkende på den lodrette og/eller vandrette skruestik ved fastspænding af emnet. Tynde materialer har en tendens til at bøje. Understøt et emne i hele dets længde, så det undgås, at klingene klemmes fast med TILBAGESLAG som resultat.

► Fig.40: 1. Støtte 2. Drejeskive

Lodret skruestik

⚠ ADVARSEL: Fastgør arbejdsemnet fast mod drejeskiven og anslaget med skruestikken under alt arbejde. I modsat fald kan materialet flytte sig under skæringen, beskadige klingene og blive kastet ud, hvilket kan medføre tab af kontrollen og forårsage alvorlig personskade.

Monter den lodrette skruestik i enten venstre eller højre side af anslaget eller holderenheden. Sæt skruestangen ind i hullet på anslaget eller holderenheden, og stram den nederste skrue for at holde skruestangen på plads.

► Fig.41: 1. Skruearm 2. Skruestang 3. Anslag 4. Holder 5. Holderenhed 6. Skruenap 7. Nederste skrue 8. Øverste skrue

Indstil skruearmen efter arbejdsemnets tykkelse og form, og fastspænd den ved at stramme den øverste skrue. Hvis den øverste skrue kommer i kontakt med anslaget, skal skruen monteres på den anden side af skruearmen. Sørg for, at ingen del af værktøjet kommer i kontakt med skruestikken, når håndtaget sænkes helt, og slæden skubbes eller trækkes hele vejen. Hvis nogen dele berører skruestikken, bør skruearmen genindstilles.

Tryk arbejdsemnet fladt mod anslaget og drejeskiven. Juster arbejdsemnet til den ønskede skrånitposition, og fastgør det ved at stramme skruenappen.

Vandret skruestik

Ekstraudstyr

⚠ ADVARSEL: Fastspænd kun arbejdsemnet, når indikatoren er i den øverste position. Forsømmelse af dette kan medføre, at arbejdsemnet ikke fastspændes ordentligt. Dette kan igen medføre, at arbejdsemnet slynges bort, hvilket kan beskadige klingene eller medføre, at man mister kontrollen over værktøjet, hvilket kan medføre personskade.

► Fig.42: 1. Skruenap 2. Indikator 3. Skruespindel 4. Bund

Den vandrette skruestik kan monteres på venstre side af bunden. Ved at dreje skruenappen i retningen mod uret, frigøres skruen, og skruespindelen kan bevæges hurtigt ind og ud. Ved at dreje skruenappen i retningen med uret holdes skruen på plads.

Arbejdsemnet fastholdes ved, at man drejer skruenappen forsigtigt i retningen med uret, indtil indikatoren når den øverste position, og derefter spænder godt til. Hvis skruenappen tvinges ind eller trækkes ud, mens den drejer i retningen med uret, kan indikatoren stoppe i en vinkel. I så fald skal skruenappen drejes tilbage i retningen mod uret, indtil skruen frigøres, og derefter igen drejes forsigtigt i retningen med uret. Den vandrette skruestiks maksimale kapacitet er 120 mm i bredden.

Holdere og holderenhed

Ekstraudstyr

⚠ FORSIGTIG: For maskiner, der er udstyret med holdere og holderenheder som standardtilbehør, er denne form for brug ikke tilladt pga. lovgivningen i landet.

⚠ ADVARSEL: Understøt altid et langt arbejdsemne således, at det flugter med drejeskivens øverste overflade, således at skæringen bliver nøjagtig og at der ikke opstår en farlig situation, hvor man mister herredømmet over værktøjet. En ordentlig understøttelse af arbejdsemnet bidrager til at undgå fastklemning af klingens og eventuelt tilbageslag, hvilket kan medføre alvorlig personskade.

Holderne og holderenheden (ekstraudstyr) kan monteres på begge sider, hvilket er ideelt til at holde arbejdsemnet vandret. Monter dem på siden af værktøjet, og stram derefter skrueene fast for at fastgøre dem.

► **Fig.43:** 1. Holder 2. Holderenhed

Når der skæres i lange arbejdsemner, skal holderstangen (ekstraudstyr) anvendes. Det udgøres af to holderenheder og to stænger 12.

► **Fig.44:** 1. Holderenhed 2. Stang 12

ANVENDELSE

⚠ ADVARSEL: Sørg for, at savklingen ikke berører arbejdsemnet, el. lign. før værktøjet startes. Hvis der tændes for værktøjet, mens klingens er i berøring med arbejdsemnet, kan det medføre tilbageslag og alvorlig personskade.

⚠ ADVARSEL: Efter en skæring må klingens ikke hæves, før den er standset fuldstændigt. Hvis en klinge, der kører i frihjul, hæves, kan det medføre alvorlig personskade og beskadige arbejdsemnet.

⚠ ADVARSEL: Undgå at berøre spændeskruerne, der holder skydestængerne, mens savklingen roterer. Ellers kan De miste kontrollen med værktøjet, hvilket kan medføre personskade.

⚠ FORSIGTIG: Undlad at frigøre savhovedet ukontrolleret fra den helt nedadgående position. Et ukontrolleret savhoved kan ramme dig og resultere i personskade.

BEMÆRKNING: Før brugen bør håndtaget altid frigøres fra den nederste stilling, ved at der trækkes i stopstiften.

BEMÆRKNING: Læg ikke for meget tryk på håndtaget, når der saves. Et for kraftigt tryk kan resultere i overbelastning af motoren og/eller formindsket saveeffektivitet. Tryk kun håndtaget ned med så megen kraft, som der kræves for at udføre ubesværet savning, og uden at klingens hastighed reduceres ret meget.

BEMÆRKNING: Tryk forsigtigt håndtaget ned for at udføre savningen. Hvis håndtaget trykkes ned med magt, eller hvis det udsættes for sidelæns tryk, kan savklingens vibrere og efterlade mærker (savmærker) på arbejdsemnet, og savningen vil muligvis ikke være nøjagtig.

BEMÆRKNING: Ved glidende snit skal slæden forsigtigt skubbes mod anslaget uden at stoppe. Hvis slædens bevægelse stoppes under savningen, kan der komme et mærke på arbejdsemnet, og savningen vil desuden muligvis ikke være nøjagtig.

Savning ved tryk (savning i små arbejdsemner)

⚠ ADVARSEL: Stram de to spændeskruer, som holder skydestængerne, godt til i retningen med uret, således at slæden ikke vil flytte sig under arbejdet. Utilstrækkelig stramning af låseskruen kan medføre tilbageslag, hvilket kan føre til alvorlig personskade.

► **Fig.45:** 1. Fingerskrue 2. Holderenhed

Arbejdsemner op til 52 mm i højden og 97 mm i bredden kan saves på følgende måde.

1. Skub slæden helt mod anslaget, og stram de to spændeskruer, som holder skydestængerne, i retningen med uret for at fastspænde slæden.
2. Fastspænd arbejdsemnet med den rigtige type skruestik.
3. Tænd for værktøjet, uden at klingens kommer i kontakt, og vent, til klingens er kommet op på fulde omdrejninger, inden sænkning.
4. Sænk derefter grebet forsigtigt til den helt sænkede position for at skære arbejdsemnet.
5. Når savningen er færdig, skal De slukke for værktøjet og vente, til klingens er stoppet helt, før klingens returneres til dens øverste position.

Glidende (tryk) snit (skæring af brede arbejdsemner)

⚠ ADVARSEL: Når De udfører et glidende snit, skal slæden først trækkes hele vejen mod Dem, mens grebet trykkes helt ned, og derefter skubbes slæden fremad mod anslaget. Start aldrig skæringen, hvis slæden ikke er trukket hele vejen mod Dem. Hvis De foretager det glidende snit, uden at slæden er trukket hele vejen mod Dem, kan der opstå uventede tilbageslag med alvorlig personskade til følge.

⚠ ADVARSEL: Forsøg aldrig at udføre et glidende snit ved at trække slæden mod Dem. Hvis De trækker slæden mod Dem under skæring, kan der opstå uventede tilbageslag, hvilket kan medføre alvorlig personskade.

⚠ ADVARSEL: Udfør aldrig savning ved gliden med håndtaget låst i den nederste position.

⚠ ADVARSEL: Løsn aldrig knappen, som fastholder slæden, mens savklingen roterer. En løs slæde under skæring kan bevirke, at der opstår uventede tilbageslag, hvilket kan medføre alvorlig personskade.

► **Fig.46:** 1. Fingerskrue 2. Holderenhed

1. Løsn de to spændeskruer, som holder skydestængerne, i retningen mod uret, så slæden kan glide frit.
2. Fastspænd arbejdsemnet med den rigtige type skruestik.
3. Træk slæden helt imod dem.
4. Tænd for værktøjet, uden at savklingen berører arbejdsemnet, og vent, til klingens er kommet op på fulde omdrejninger.

5. Tryk håndtaget ned, og **skub slæden frem mod anslaget og gennem arbejdsområdet.**

6. Når savningen er færdig, skal De slukke for værktøjet og **vente, til klingens er stoppet helt**, før klingens returneres til dens øverste position.

Geringsnit

Se afsnittet om justering af geringsvinklen.

Skråsnit

⚠ ADVARSEL: Sørg for, efter indstilling af klingens til skråsnit, og inden De anvender værktøjet, at slæden og klingens kan bevæge sig uhindret gennem hele området for det planlagte snit.

Afbrydelse af slædens eller klingens bevægelse under skæringen kan medføre tilbageslag og alvorlig personskade.

⚠ ADVARSEL: Hold hænderne uden for klingens bane, når et skråsnit udføres. Klingens vinkel kan forvirre operatøren med hensyn til klingens faktiske bane under skæringen, og kontakt med klingens vil medføre alvorlig personskade.

⚠ ADVARSEL: Klingens bør ikke hæves, før den er stoppet helt. Under et skråsnit kan det afskårne stykke komme til at hvile mod klingens. Hvis klingens hæves, mens den roterer, kan det afskårne stykke blive slynget bort fra klingens, hvilket kan bevirke, at materialet fragmenteres, og medføre alvorlig personskade.

⚠ FORSIGTIG: (Kun for værktøjer med underanslag) **Anbring altid underanslaget udvendigt, når der udføres venstre skråsnit.**

► **Fig.47:** 1. Holderenhed

1. Løsn håndtaget, og vip savklingen for at indstille vinklen til skråsnit (vi henviser til det tidligere afsnit "Justering af skråvinklen"). Sørg for at spændesarmen godt fast igen, så skråsnitvinklen ikke ændrer sig.
2. Fastspænd arbejdsområdet i skruestikken.
3. Træk slæden helt imod dig.
4. Tænd for værktøjet, uden at savklingen berører arbejdsområdet, og vent, til klingens er kommet op på fulde omdrejninger.
5. Sænk forsigtigt håndtaget til den laveste position, mens der lægges tryk parallelt med savklingen, og **skyd slæden mod anslaget for at skære arbejdsområdet.**

6. Når savningen er færdig, skal De slukke for værktøjet og **vente, til klingens er stoppet helt**, før klingens returneres til dens øverste position.

BEMÆRKNING: Når håndtaget trykkes ned, skal dette gøres, samtidig med at savklingen trykkes ned. Hvis der bruges magt lodret på drejeskiven, eller hvis trykket ændres under bearbejdningen, bliver det udførte snit ikke nøjagtigt.

Kombineret snit

Kombineret snit er betegnelsen for den proces, hvor der frembringes en skråvinkel, samtidig med at der laves en geringsvinkel i arbejdsområdet. Kombineret snit kan udføres i en vinkel som vist i nedenstående tabel.

Geringsvinkel	Skråvinkel
Venstre og højre 45°	Venstre 0° - 45°
Højre 50°	Venstre 0° - 40°
Højre 55°	Venstre 0° - 30°
Højre 57°	Venstre 0° - 25°

Se under "Savning ved tryk", "Glidende snit", "Geringsnit" og "Skråsnit", når der skal udføres kombineret savning.

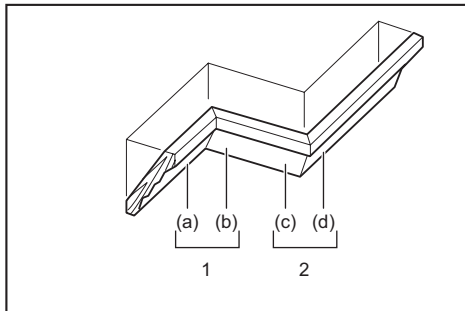
Skærekroner og indskæringsdele

Krone- og indskæringsdele kan skæres med en afkorter-geringssav med delene placeret fladt på drejeskiven.

Der er to almindelige typer kronerefspring og en type indskæringsdel, 52/38° vægvinkelkronerefspring, 45° vægvinkelkronerefspring og 45° vægvinkelindskæringsdele.

► **Fig.48:** 1. 52/38° type kronerefspring 2. 45° type kronerefspring 3. 45° type indskæringsdel

Der er krone- og indskæringsdele, som er lavet til at passe "indvendige" 90° hjørner ((a) og (b) i figuren) og "udvendige" 90° hjørner ((c) og (d) i figuren).



1. Indvendigt hjørne 2. Udvendigt hjørne

► **Fig.49:** 1. Indvendigt hjørne 2. Udvendigt hjørne

Måling

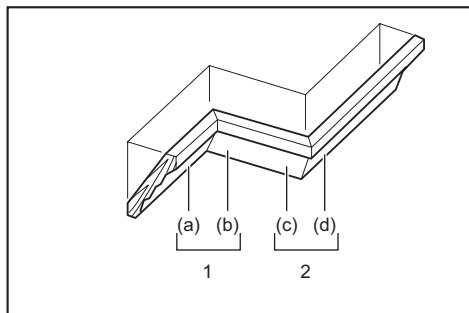
Mål vægbredden, og juster bredden af arbejdsområdet i forhold til denne. Sørg altid for, at bredden af arbejdsområdets vægkontaktkant er den samme som væglængden.

► **Fig.50:** 1. Arbejdsområde 2. Vægbrænde 3. Bredde af arbejdsområdet 4. Vægkontaktkant

Anvend altid flere stykker til prøveskæringer for at kontrollere savvinklerne.

Når De skærer kronerefspring og indskæringsdele, skal skråvinklen og geringsvinklen indstilles som indikeret i tabellen (A) og delene på topfladen af savpladen placeres som indikeret i tabellen (B).

Ved venstre skråsnit



1. Indvendigt hjørne 2. Udvendigt hjørne

Tabel (A)

–	Frem-springs-position i figuren	Skråvinkel		Geringsvinkel	
		52/38° type	45° type	52/38° type	45° type
Til indvendigt hjørne	(a)	Venstre 33,9°	Venstre 30°	Højre 31,6°	Højre 35,3°
	(b)			Venstre 31,6°	Venstre 35,3°
Til udvendigt hjørne	(c)			Højre 31,6°	Højre 35,3°
	(d)				

Tabel (B)

–	Frem-springs-position i figuren	Frem-springs-kant mod anslag	Færdiggjort stykke
Til indvendigt hjørne	(a)	Loftskontakt-kanten bør hvile mod anslaget.	Afsluttet stykke vil være på venstre side af klingens.
	(b)	Vægkontakt-kanten bør hvile mod anslaget.	
Til udvendigt hjørne	(c)	Loftskontakt-kanten bør hvile mod anslaget.	Afsluttet stykke vil være på højre side af klingens.
	(d)	Vægkontakt-kanten bør hvile mod anslaget.	

Eksempel:

I tilfælde af skæring af 52/38° type kronefrem-spring til stilling (a) i figuren ovenfor:

- Vip og fastgør skråvinkelindstillingen til 33,9° VENSTRE.
- Juster og fastgør geringsvinkelindstillingen til 31,6° HØJRE.
- Læg kronefrem-springet med den brede bagside (skjult) nedad på drejeskiven med dens LOFTSKONTAKTKANT mod anslaget på saven.
- Det færdige stykke, som skal anvendes, vil altid være på den VENSTRE side af klingens, efter at skæringen er lavet.

Skæring af aluminiumekstrudering

- Fig.51: 1. Skruestik 2. Mellemblok 3. Anslag 4. Aluminiumekstrudering 5. Mellemblok

Ved fastgøring af aluminiumekstruderinger skal der benyttes mellemblokke eller stykker af affaldstræ som vist i figuren til at forhindre deformation af aluminiummet. Brug et skæresmøremiddel ved skæring af aluminiumekstruderinger for at forhindre, at der opsamles aluminiumsmateriale på klingens.

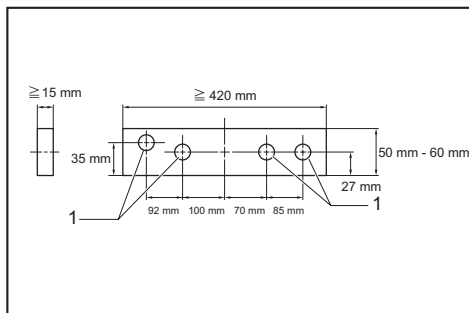
⚠FORSIGTIG: Forsøg aldrig at skære i tykke eller runde aluminiumekstruderinger. Tykke aluminiumekstruderinger kan rive sig løs under arbejdet, og runde aluminiumekstruderinger kan ikke fastgøres forsvarligt på denne maskine.

Træanlæg

⚠ADVARSEL: Anvend skruer til at fastgøre træanlægget på anslaget. Skrueerne bør installeres således, at skruehovederne er under overfladen på træanlægget, således at de ikke kommer i vejen for det materiale, der skæres i. Hvis det materiale, der skæres i, ikke er rettet korrekt ind, kan det medføre uventet bevægelse under skæringen, hvilket kan resultere i, at De mister kontrollen med værktøjet med alvorlig personskade til følge.

⚠FORSIGTIG: Anvend et lige stykke træ med ensartet tykkelse som træanlæg.

Anvendelse af træanlæg hjælper med til opnåelse af snit, der er fri for splinter. Fastgør et træanlæg til anslaget ved hjælp af hullerne i anslaget. Se illustrationen angående målene for et foreslået træanlæg.



1. Huller

BEMÆRKNING: Når træanlægget er monteret, må De ikke dreje drejeskiven med håndtaget sænket. Klingens og/eller træanlægget vil i så fald lide skade.

Skæring af ensartede længder

⚠️FORSIGTIG: For maskiner, der er udstyret med holdere og holderenheder som standardtilbehør, er denne form for brug ikke tilladt pga. lovgivningen i landet.

Hvis flere stykker materiale skal skæres til den samme længde mellem 220 mm og 385 mm, skal De bruge indstillingspladen (ekstraudstyr). Monter indstillingspladen på holderen (ekstraudstyr) som vist på illustrationen.

► **Fig.52:** 1. Indstillingsplade 2. Holder 3. Skrue

Ret snitlinjen på arbejdsområdet ind efter enten den venstre eller højre side af slidsten i indlægspladen. Mens arbejdsområdet holdes fast, bringes indstillingspladen i flugt med enden af arbejdsområdet. Fastgør derefter indstillingspladen med skruen.

Når indstillingspladen ikke anvendes, løsnes skruen, og indstillingspladen drejes væk, så den ikke er i vejen.

BEMÆRK: Anvendelse af holderstangenheden (ekstraudstyr) muliggør savning af ensartede længder op til cirka 2.200 mm.

Notskæring

⚠️ADVARSEL: Forsøg ikke at udføre denne type skæring ved at anvende en bredere type klinge eller friseskæringsklinge. Forsøg på at udføre en notskæring med en bredere type klinge eller en friseskæringsklinge kan medføre uventede skæringsresultater og tilbageslag, hvilket kan forårsage alvorlig personskade.

⚠️ADVARSEL: Sørg altid for at sætte stoparmen tilbage til udgangsstillingen, når De udfører andet end notskæring. Forsøg på at udføre skæring med stoparmen i en forkert stilling kan medføre uventede skæringsresultater og tilbageslag, hvilket kan forårsage alvorlig personskade.

Benyt følgende fremgangsmåde for en skæring af frisetypen:

1. Juster den nederste grænseposition for rundsavsklingen ved hjælp af justeringsskruen og stoparmen for at begrænse rundsavsklingens skæredybde. Se afsnittet om stoparm.

2. Efter justering af rundsavsklingens nedre grænseposition, skæres parallelle riller på tværs af emnets bredde ved anvendelse af glidende (trys) snit.

► **Fig.53:** 1. Skær noter med klingen

3. Fjern materialet mellem noterne med en mejsel.

Transport af værktøjet

⚠️ADVARSEL: Stopstiften er kun til transport- og opbevaringsformål og må aldrig anvendes til skærearbejde. Anvendelse af stopstiften til skærearbejde kan føre til, at savklingen uventet bevæger sig med tilbageslag og personskade til følge.

⚠️FORSIGTIG: Fastgør altid bevægelige dele, før værktøjet transporteres. Hvis dele af værktøjet bevæger sig eller glider, når værktøjet bæres, kan De miste herredømmet over værktøjet eller tabe fodfæstet, hvilket kan medføre personskade.

► Fig.54

1. Fjern akkuen.
2. Fastgør klingen ved 0° skråsnitvinkel, og drej drejeskiven til den fulde højre geringsvinkelposition.
3. Fastgør skydestængerne således, at den nederste skydestang er låst i stillingen med slæden trukket helt mod operatøren og de øverste skydestænger er låst i stillingen med slæden skubbet helt frem til anslaget.
4. Sænk håndtaget fuldstændigt, og lås det i den laveste position ved at skubbe stopstiften ind.
5. Bær værktøjet ved at holde i begge sider af værktøjets bund. Hvis De fjerner holderne, støvposen osv., bliver det nemmere at bære værktøjet.

VEDLIGEHOELSE

⚠️ADVARSEL: Sørg altid for, at klingen er skarp og ren, for at opnå det bedste resultat. Forsøg på at skære med en sløv og/eller snavset klinge kan medføre tilbageslag og resultere i alvorlig personskade.

⚠️FORSIGTIG: Vær altid sikker på, at værktøjet er slukket, og at akkuen er taget ud, inden De begynder at udføre inspektion eller vedligeholdelse.

BEMÆRKNING: Anvend aldrig benzin, rensebenzin, fortynder, alkohol og lignende. Det kan medføre misfarvning, deformation eller revner.

Justering af skærevinklen

Dette værktøj er omhyggeligt indstillet og justeret på fabrikken, men indstillingerne kan ændre sig under transport og brug. De kan selv foretage indstillinger som beskrevet herunder, hvis værktøjet ikke er indstillet korrekt:

Geringsvinkel

1. Skub slæden mod anslaget, og stram de to spændeskruer for at fastspænde slæden.
2. Drej drejeskiven, så viseren står ud for 0° på vinkelskalaen.
3. Drej drejeskiven en smule i retningen med og mod uret for at stille drejeskiven i 0° mærket. (Lad den være som den er, hvis viseren ikke viser 0°.)
4. Løsn boltene med indvendig sekskant, som holder anslaget, med sekskantnøglen.
► **Fig.55:** 1. Anslag 2. Bolt med indvendig sekskant
5. Sænk håndtaget fuldstændigt, og lås det i den laveste position ved at skubbe stopstiften ind.
6. Juster anslaget, til det danner en ret vinkel med klingen, ved hjælp af en trekantslineal, anslagsvinkel osv. Fastspænd derefter boltene med indvendig sekskant på anslaget, begyndende fra højre.
► **Fig.56:** 1. Trekantslineal 2. Anslag
7. Sørg for, at viseren står ud for 0° på vinkelskalaen. Hvis den ikke står ud for 0°, løsnes skruen, som holder viseren, og viseren justeres, til den står ud for 0°.
► **Fig.57:** 1. Skrue 2. Vinkelskala 3. Viser

Skråvinkel

0° skråvinkel

► **Fig.58:** 1. Håndtag 2. Armholder 3. Justeringsbolt til 0° graders skråvinkel 4. Arm 5. Udløserknop

1. Skub slæden mod anslaget, og stram de to spændeskruer for at fastspænde slæden.
2. Sænk håndtaget fuldstændigt, og lås det i den laveste position ved at skubbe stopstiften ind.
3. Løsn håndtaget på bagsiden af maskinen.
4. Drej justeringsbolten (nederste bolt) til 0° skråvinkel på højre side af armen to eller tre gange i retningen mod uret for at vippe savklingen mod højre.
5. Drej forsigtigt justeringsbolten til 0° skråvinkel i retningen med uret, indtil siden af klingen danner en ret vinkel med overfladen af drejeskiven. Brug trekantslinealen, anslagsvinklen osv. som guide. Fastspænd derefter håndtaget godt.

► **Fig.59:** 1. Trekantslineal 2. Savklinge 3. Overflade på drejeskive

6. Sørg for, at viseren på armen viser 0° på vinkelskalaen. Hvis den ikke viser 0°, løsnes skruen, som holder viseren, og viseren justeres, så den står ud for 0°.

► **Fig.60:** 1. Skrånitskala 2. Viser 3. Skruer

45° skråvinkel

► **Fig.61:** 1. Venstre 45° skråvinkeljusteringsbolt

Indstil kun 45° skråvinklen efter først at have udført justeringen for 0° skråvinklen.

1. Løsn håndtaget, og vip klingen helt til venstre.
2. Sørg for, at viseren på armen viser 45° på vinkelskalaen. Hvis den ikke viser 45°, drejes justeringsbolten til 45° skråvinkel (øverste bolt) på højre side af armen, indtil viseren står ud for 45°.

Efter anvendelse

Efter anvendelse aftørres spåner eller støv, der måtte klæbe til værktøjet, med en klud eller lignende. Hold beskyttelsesskærmen ren som beskrevet i afsnittet "Beskyttelsesskærm". Smør de glidende dele på værktøjet med maskinolie for at forhindre rustdannelse.

Når værktøjet skal opbevares, skal slæden trækkes helt mod Dem selv, så tappene bliver sat helt ind i drejeskiven.

For at opretholde produktets SIKKERHED og PÅLIDELIGHED må reparation, vedligeholdelse eller justering kun udføres af et autoriseret Makita servicecenter eller fabrikksservicecenter med anvendelse af Makita reservedele.

EKSTRAUDSTYR

⚠ ADVARSEL: Dette Makita udstyr og tilbehør bør anvendes sammen med Deres Makita værktøj, sådan som det er beskrevet i denne brugsanvisning. Anvendelse af andet ekstraudstyr eller tilbehør kan medføre alvorlig personskade.

⚠ ADVARSEL: Anvend kun Makita ekstraudstyr eller tilbehør til det beregnede formål. Misbrug af ekstraudstyr eller tilbehør kan medføre alvorlig personskade.

Hvis De behøver hjælp ved valg af tilbehør eller ønsker yderligere informationer, bedes De kontakte Deres lokale Makita servicecenter.

- Savklinge med hårdmetalplatte (Se vores websted, eller kontakt den lokale Makita-forhandler angående de korrekte savklinger, der skal bruges til det materiale, der skal skæres.)
- Skruestik (vandret skruestik)
- Lodret skruestik
- Holderenhed
- Holderstangenhed
- Indstillingsplade
- Støvpøse
- Trekantslineal
- Sekskantnøgle
- Original Makita-akku og oplader

BEMÆRK: Nogle ting på denne liste kan være inkluderet i værktøjspakken som standardtilbehør. Det kan være forskellige fra land til land.

ΠΡΟΔΙΑΓΡΑΦΕΣ

Μοντέλο:	DLS714
Διάμετρος λάμας	190 mm
Διάμετρος οπής (στέλεχος) (ειδικό της χώρας)	20 mm ή 15,88 mm
Μέγιστο πάχος εγκοπής της λάμας πριονιού	2,2 mm
Μέγιστη λοξή γωνία	Αριστερά 47°, Δεξιά 57°
Μέγιστη κωνική γωνία	Αριστερά 45°, Δεξιά 5°
Ταχύτητα χωρίς φορτίο	5.700 min ⁻¹
Διαστάσεις (Μ x Π x Υ)	655 mm x 430 mm x 445 mm
Ονομαστική τάση	D.C. 36 V
Καθαρό βάρος	14,4 - 14,7 kg

- Λόγω του συνεχιζόμενου προγράμματος έρευνας και ανάπτυξης, οι προδιαγραφές αυτές υπόκεινται σε αλλαγές χωρίς προειδοποίηση.
- Τα τεχνικά χαρακτηριστικά μπορεί να διαφέρουν από χώρα σε χώρα.
- Το βάρος μπορεί να διαφέρει ανάλογα με τα προσαρτήματα, συμπεριλαμβάνοντας την κασέτα μπαταριών. Ο ελαφρύτερος και ο βαρύτερος συνδυασμός, σύμφωνα με τη διαδικασία ΕΡΤΑ 01/2014, παρουσιάζονται στον πίνακα.

Ισχύουσα κασέτα μπαταριών και φορτιστής

Κασέτα μπαταρίας	BL1815N / BL1820B / BL1830B / BL1840B / BL1850B / BL1860B
Φορτιστής	DC18RC / DC18RD / DC18RE / DC18SD / DC18SE / DC18SF / DC18SH / DC18WC

- Ορισμένες από τις κασέτες και τους φορτιστές μπαταριών που αναγράφονται παραπάνω ίσως να μην είναι διαθέσιμοι, ανάλογα με την τοποθεσία κατοικίας σας.

⚠ ΠΡΟΕΙΔΟΠΟΙΗΣΗ: Να χρησιμοποιείτε μόνο τις κασέτες μπαταριών και τους φορτιστές που παρατίθενται ανωτέρω. Η χρήση οποιασδήποτε άλλης κασέτας μπαταριών ή φορτιστή μπορεί να προκαλέσει τραυματισμό ή/και πυρκαγιά.

Ικανότητα κοπής (Υ x Π) με λάμα 190 mm σε διάμετρο

Λοξή γωνία	Κωνική γωνία		
	45° (αριστερά)	0°	5° (δεξιά)
0°	40 mm x 300 mm	52 mm x 300 mm	40 mm x 300 mm
	45 mm x 265 mm (ΠΑΡΑΤΗΡΗΣΗ 1)	60 mm x 265 mm (ΠΑΡΑΤΗΡΗΣΗ 1)	–
45° (αριστερά και δεξιά)	40 mm x 212 mm	52 mm x 212 mm	–
	45 mm x 185 mm (ΠΑΡΑΤΗΡΗΣΗ 2)	60 mm x 185 mm (ΠΑΡΑΤΗΡΗΣΗ 2)	–
57° (δεξιά)	–	52 mm x 163 mm	–
	–	60 mm x 145 mm (ΠΑΡΑΤΗΡΗΣΗ 3)	–

1. Μέγιστη ικανότητα κοπής όταν χρησιμοποιείται επένδυση ξύλου πάχους 20 mm
2. Μέγιστη ικανότητα κοπής όταν χρησιμοποιείται επένδυση ξύλου πάχους 15 mm
3. Μέγιστη ικανότητα κοπής όταν χρησιμοποιείται επένδυση ξύλου πάχους 10 mm

Σύμβολα

Παρακάτω παρουσιάζονται τα σύμβολα που μπορούν να χρησιμοποιηθούν για τον εξοπλισμό. Βεβαιωθείτε ότι κατανοείτε τη σημασία τους πριν από τη χρήση.



Διαβάστε το εγχειρίδιο οδηγιών.



Για να αποφεύγετε τον τραυματισμό από εκτοξευόμενα θραύσματα, να κρατάτε την κεφαλή του πριονιού προς τα κάτω μετά την ολοκλήρωση των κοπών, έως ότου η λάμα ακινητοποιηθεί εντελώς.



Όταν εκτελείτε την ολισθητική κοπή, τραβήξτε πρώτα την κινητή βάση πλήρως και πατήστε κάτω τη λαβή, μετά σπρώξτε την κινητή βάση προς τον φράχτη οδηγό.



Μην πλησιάζετε τα χέρια και τα δάκτυλα σας κοντά στη λάμα.



Να ρυθμίζετε πάντα το ΒΟΗΘΗΤΙΚΟ ΦΡΑΧΤΗ στην αριστερή θέση όταν πραγματοποιείτε αριστερές κωνικές κοπές. Εάν δεν το κάνετε αυτό, μπορεί να προκληθεί σοβαρός τραυματισμός στο χειριστή.



Μόνο για τις χώρες της ΕΕ
Λόγω της παρουσίας των επικίνδυνων συστατικών μερών στον εξοπλισμό, ο απόβλητος ηλεκτρικός και ηλεκτρονικός εξοπλισμός, οι συσσωρευτές και οι μπαταρίες μπορεί να έχουν αρνητική επίδραση στο περιβάλλον και την ανθρώπινη υγεία. Μην απορρίπτετε τις ηλεκτρικές και ηλεκτρονικές συσκευές ή μπαταρίες μαζί με τα οικιακά απορρίμματα!
Σύμφωνα με την Ευρωπαϊκή Οδηγία για τον απόβλητο ηλεκτρικό και ηλεκτρονικό εξοπλισμό και για τους συσσωρευτές και μπαταρίες και τους απόβλητους συσσωρευτές και μπαταρίες, καθώς και την προσαρμογή τους στην εθνική νομοθεσία, ο απόβλητος ηλεκτρικός εξοπλισμός, οι μπαταρίες και οι συσσωρευτές θα πρέπει να αποθηκεύονται ξεχωριστά και να παραδίδονται σε ξεχωριστό σημείο συλλογής για δημοτικά απόβλητα, το οποίο λειτουργεί σύμφωνα με τους κανονισμούς για την προστασία του περιβάλλοντος.
Αυτό υποδεικνύεται από το σύμβολο του διαγραμμένου τροχοφόρου κάδου που βρίσκεται αναρτημένο επάνω στον εξοπλισμό.

Προοριζόμενη χρήση

Το εργαλείο προορίζεται για ευθείες και λοξές κοπές ακριβείας σε ξύλο.

Μη χρησιμοποιείτε το πριόνι για να κόψετε οτιδήποτε άλλο εκτός από ξύλο, αλουμίνιο ή παρόμοια υλικά.

Θορύβος

Το τυπικό Α επίπεδο καταμετρημένου θορύβου καθορίζεται σύμφωνα με το EN62841-3-9:

Στάθμη ηχητικής πίεσης (L_{pA}): 88 dB (A)

Στάθμη ηχητικής ισχύος (L_{WA}): 97 dB (A)

Αβεβαιότητα (K): 3 dB (A)

ΠΑΡΑΤΗΡΗΣΗ: Η δηλωμένη τιμή(ές) εκπομπής θορύβου έχει μετρηθεί σύμφωνα με την πρότυπη μέθοδο δοκιμής και μπορεί να χρησιμοποιηθεί για τη σύγκριση ενός εργαλείου με κάποιο άλλο.

ΠΑΡΑΤΗΡΗΣΗ: Η δηλωμένη τιμή(ές) εκπομπής θορύβου μπορεί να χρησιμοποιηθεί και στην προκαταρκτική αξιολόγηση της έκθεσης.

▲ΠΡΟΕΙΔΟΠΟΙΗΣΗ: Να φοράτε ωτοασπίδες.

▲ΠΡΟΕΙΔΟΠΟΙΗΣΗ: Η εκπομπή θορύβου κατά τη χρήση του ηλεκτρικού εργαλείου σε πραγματικές συνθήκες μπορεί να διαφέρει από τη δηλωμένη τιμή(ές) ανάλογα με τους τρόπους χρήσης του εργαλείου, ιδιαίτερα το είδος του τεμαχίου εργασίας που υπόκειται επεξεργασία.

▲ΠΡΟΕΙΔΟΠΟΙΗΣΗ: Φροντίστε να λάβετε τα κατάλληλα μέτρα προστασίας του χειριστή βάσει ενός υπολογισμού της έκθεσης σε πραγματικές συνθήκες χρήσης (λαμβάνοντας υπόψη όλες τις συνιστώσες του κύκλου λειτουργίας όπως τους χρόνους που το εργαλείο είναι εκτός λειτουργίας και όταν βρίσκεται σε αδρανή λειτουργία πέραν του χρόνου ενεργοποίησης).

Κραδασμός

Η ολική τιμή δόνησης (άθροισμα τρι-αξονικού διανύσματος) καθορίζεται σύμφωνα με το EN62841-3-9: Εκπομπή δόνησης (a_{h1}): 2,5 m/s^2 ή λιγότερο
Αβεβαιότητα (K): 1,5 m/s^2

ΠΑΡΑΤΗΡΗΣΗ: Η δηλωμένη τιμή(ές) συνολικών κραδασμών έχει μετρηθεί σύμφωνα με την πρότυπη μέθοδο δοκιμής και μπορεί να χρησιμοποιηθεί για τη σύγκριση ενός εργαλείου με κάποιο άλλο.

ΠΑΡΑΤΗΡΗΣΗ: Η δηλωμένη τιμή(ές) συνολικών κραδασμών μπορεί να χρησιμοποιηθεί και στην προκαταρκτική αξιολόγηση της έκθεσης.

▲ΠΡΟΕΙΔΟΠΟΙΗΣΗ: Η εκπομπή κραδασμών κατά τη χρήση του ηλεκτρικού εργαλείου σε πραγματικές συνθήκες μπορεί να διαφέρει από τη δηλωμένη τιμή(ές) εκπομπής ανάλογα με τους τρόπους χρήσης του εργαλείου, ιδιαίτερα το είδος του τεμαχίου εργασίας που υπόκειται επεξεργασία.

▲ΠΡΟΕΙΔΟΠΟΙΗΣΗ: Φροντίστε να λάβετε τα κατάλληλα μέτρα προστασίας του χειριστή βάσει ενός υπολογισμού της έκθεσης σε πραγματικές συνθήκες χρήσης (λαμβάνοντας υπόψη όλες τις συνιστώσες του κύκλου λειτουργίας όπως τους χρόνους που το εργαλείο είναι εκτός λειτουργίας και όταν βρίσκεται σε αδρανή λειτουργία πέραν του χρόνου ενεργοποίησης).

Δήλωση Συμμόρφωσης

Μόνο για χώρες της Ευρώπης

Οι Δηλώσεις Συμμόρφωσης περιλαμβάνονται στο Παράρτημα Α στο παρόν εγχειρίδιο οδηγιών.

ΠΡΟΕΙΔΟΠΟΙΗΣΕΙΣ ΑΣΦΑΛΕΙΑΣ

Γενικές προειδοποιήσεις ασφαλείας για το ηλεκτρικό εργαλείο

▲ΠΡΟΕΙΔΟΠΟΙΗΣΗ Διαβάστε όλες τις προειδοποιήσεις ασφαλείας, οδηγίες, εικονογραφήσεις και προδιαγραφές που παρέχονται με αυτό το ηλεκτρικό εργαλείο. Η μη τήρηση όλων των οδηγιών που αναγράφονται κατωτέρω μπορεί να καταλήξει σε ηλεκτροπληξία, πυρκαγιά ή/και σοβαρό τραυματισμό.

Φυλάξτε όλες τις προειδοποιήσεις και τις οδηγίες για μελλοντική παραπομπή.

Στις προειδοποιήσεις, ο όρος «ηλεκτρικό εργαλείο» αναφέρεται σε ηλεκτρικό εργαλείο που τροφοδοτείται από την κύρια παροχή ηλεκτρικού ρεύματος (με ηλεκτρικό καλώδιο) ή σε ηλεκτρικό εργαλείο που τροφοδοτείται από μπαταρία (χωρίς ηλεκτρικό καλώδιο).

Οδηγίες ασφαλείας για πριόνια λοξότμησης

1. Τα πριόνια λοξότμησης προορίζονται για την κοπή ξύλου ή ξυλοειδών προϊόντων. Δεν μπορούν να χρησιμοποιηθούν με λειαντικούς τροχούς αποκοπής για την κοπή σιδηρούχων υλικών όπως μπάρες, ράβδους, στελέχη, κτλ. Η λειαντική σκόνη προκαλεί την εμπλοκή των κινούμενων μερών, όπως του κάτω προφυλακτήρα. Οι σπινθήρες από τη λειαντική κοπή θα κάψουν τον κάτω προφυλακτήρα, το ένθετο εγκοπής και άλλα πλαστικά μέρη.
2. Χρησιμοποιήστε συγκρατητήρες για να στηρίξετε το τεμάχιο εργασίας, όπου είναι εφικτό. Αν στηρίζετε το τεμάχιο εργασίας με το χέρι, πρέπει πάντα να έχετε το χέρι σας τουλάχιστον 100 mm από κάθε πλευρά της λάμας πριονιού. Μη χρησιμοποιείτε αυτό το πριόνι για να κόψετε κομμάτια που είναι πολύ μικρά για να συγκρατήσετε με ασφάλεια ή να κρατήσετε με το χέρι. Αν τοποθετήσετε το χέρι σας πολύ κοντά στη λάμα πριονιού, υπάρχει αυξημένος κίνδυνος τραυματισμός λόγω επαφής με τη λάμα.
3. Το τεμάχιο εργασίας πρέπει να είναι ακινητοποιημένο και να συγκρατείται ή να κρατείται επάνω στο φράχτη και τον πάγκο. Μην τροφοδοτείτε ποτέ το τεμάχιο εργασίας στη λάμα και μην κόβετε «με το χέρι». Τα τεμάχια εργασίας που δεν συγκρατούνται ή που κινούνται μπορούν να εκτοξευτούν με υψηλές ταχύτητες, προκαλώντας τραυματισμό.
4. Σπρώξτε το πριόνι μέσα από το τεμάχιο εργασίας. Μην τραβάτε το πριόνι μέσα από το τεμάχιο εργασίας. Για να κάνετε μια κοπή, σηκώστε την κεφαλή πριονιού και τραβήξτε και βγάλτε την από το τεμάχιο εργασίας χωρίς κοπή, εκκινήστε το μοτέρ, πιέστε την κεφαλή πριονιού προς τα κάτω και σπρώξτε το πριόνι μέσα από το τεμάχιο εργασίας. Αν κόβετε στη διαδρομή τραβήγματος, είναι πιθανό η λάμα πριονιού να αναρριχηθεί στο πάνω μέρος του τεμαχίου εργασίας και να πετάξει βίαια τη διάταξη λάμας προς το χειριστή.

5. Μην περνάτε ποτέ το χέρι σας πάνω από την ενδεξιμένη γραμμή κοπής, ούτε μπροστά ούτε πίσω από τη λάμα πριονιού. Είναι πολύ επικίνδυνο να στηρίζετε το τεμάχιο εργασίας με διασταυρωμένα χέρια, δηλαδή κρατάτε το τεμάχιο εργασίας στα δεξιά της λάμας πριονιού με το αριστερό χέρι σας, ή αντίστροφα.

► Εικ.1

6. Μη απλώνετε οποιοδήποτε χέρι πίσω από το φράχτη πιο κοντά από 100 mm από οποιαδήποτε πλευρά της λάμας πριονιού για να απομακρύνετε υπολείμματα ξύλου ή για οποιονδήποτε άλλο λόγο ενώ η λάμα περιστρέφεται. Η απόσταση της περιστρεφόμενης λάμας από το χέρι σας μπορεί να μην είναι προφανής και να τραυματιστείτε σοβαρά.
7. Επιθεωρήστε το τεμάχιο εργασίας σας πριν την κοπή. Αν το τεμάχιο εργασίας είναι καμπυλωμένο ή περιστραμμένο, συγκρατήστε το με την εξωτερική πρόσοψη της καμπύλης προς το φράχτη. Να βεβαιώνετε πάντα ότι δεν υπάρχει κενό μεταξύ του τεμαχίου εργασίας, του φράχτη και του πάγκου κατά μήκος της γραμμής κοπής. Τα λυγισμένα ή περιστραμμένα τεμάχια εργασίας μπορούν να συστραφούν ή να μεταποτιστούν, και μπορεί να εμπλακούν στην περιστρεφόμενη λάμα πριονιού κατά την κοπή. Δεν πρέπει να υπάρχουν καρφιά ή ξένα αντικείμενα στο τεμάχιο εργασίας.
8. Μη χρησιμοποιείτε το πριόνι αν υπάρχουν εργαλεία, υπολείμματα ξύλου, κτλ. επάνω στον πάγκο, θα πρέπει να υπάρχει μόνο το τεμάχιο εργασίας. Τα υπολείμματα μικρού μεγέθους ή τα χαλαρά κομμάτια ξύλου ή άλλα αντικείμενα που μπορεί να έρθουν σε επαφή με την περιστρεφόμενη λάμα μπορεί να εκτοξευτούν με υψηλή ταχύτητα.
9. Μην κόβετε ποτέ περισσότερα από ένα τεμάχια εργασίας ταυτόχρονα. Τα πολλά στοιβαγμένα τεμάχια εργασίας δεν γίνεται να συγκρατηθούν ή να στηριχθούν σωστά και μπορεί να εμπλακούν στη λάμα ή να μεταποτιστούν κατά την κοπή.
10. Βεβαιωθείτε ότι το πριόνι λοξότμησης είναι στρεωμένο ή τοποθετημένο σε μια επίπεδη, σταθερή επιφάνεια πριν τη χρήση. Μια επίπεδη και σταθερή επιφάνεια εργασίας μειώνει τον κίνδυνο αστάθειας του πριονιού λοξότμησης.
11. Να προγραμμάτιζετε την εργασία σας. Κάθε φορά που αλλάζετε τη ρύθμιση της κωνικής γωνίας ή της λοξής γωνίας, να βεβαιώνετε ότι ο ρυθμιζόμενος φράχτης είναι σωστά ρυθμισμένος για να στηρίζει το τεμάχιο εργασίας καθώς και ότι δεν παρεμβαίνει με τη λάμα ή το σύστημα προσασίας. Χωρίς να ενεργοποιήσετε το εργαλείο και χωρίς τεμάχιο εργασίας στον πάγκο, μετακινήστε τη λάμα πριονιού σε μια ολοκληρωμένη προσομοιωμένη κοπή για να βεβαιωθείτε ότι δεν θα υπάρχει καμία παρεμβολή ή κίνδυνος κοπής του φράχτη.

12. **Παράσχετε επαρκή στήριξη, όπως επεκτάσεις πάγκου, τρίποδα πριονίσματος, κτλ. για ένα τεμάχιο εργασίας με πλάτος ή μήκος. Μεγαλύτερο από την επιφάνεια του πάγκου.** Τα τεμάχια εργασίας που είναι μακρύτερα ή πλατύτερα από τον πάγκο του πριονιού λοξότμησης μπορούν να ανατραπούν αν δεν υποστηρίζονται με ασφάλεια. Αν το αποκομμένο κομμάτι ή το τεμάχιο εργασίας ανατραπεί, μπορεί να ανασκωθεί ο κάτω προφυλακτήρας ή να εκτοξευτεί από την περιστρεφόμενη λάμα.
 13. **Μη χρησιμοποιείτε κάποιο άλλο άτομο ως υποκατάστατο μιας επέκτασης πάγκου ή ως επιπρόσθετη στήριξη.** Η ασταθής στήριξη του τεμαχίου εργασίας μπορεί να προκαλέσει την εμπλοκή της λάμας ή τη μετατόπιση του τεμαχίου εργασίας κατά την εργασία, τραβώντας εσάς και το βοηθό μέσα στην περιστρεφόμενη λάμα.
 14. **Το αποκομμένο κομμάτι δεν πρέπει να εμπλακεί ή να πιεστεί με οποιονδήποτε τρόπο ενώ αν σε μια περιστρεφόμενη λάμα πριονιού.** Αν περιοριστεί, δηλ. με τη χρήση αναστολέων μήκους, το αποκομμένο κομμάτι μπορεί να σφηνωθεί επάνω στη λάμα και να εκτοξευτεί βίαια.
 15. **Να χρησιμοποιείτε πάντα συγκρατητήρα ή μηχανισμό που έχει σχεδιαστεί για τη σωστή στήριξη στρογγυλεμένων υλικών όπως ράβδους ή σωληνώσεις.** Οι ράβδοι έχουν την τάση να κυλιούνται ενώ κόβονται, προκαλώντας την εμπλοκή της λάμας και το τράβηγμα του τεμαχίου εργασίας μαζί με το χέρι σας μέσα στη λάμα.
 16. **Αφήστε τη λάμα να αποκτήσει μέγιστη ταχύτητα πριν έρθει σε επαφή με το τεμάχιο εργασίας.** Έτσι θα μειωθεί ο κίνδυνος εκτόξευσης του τεμαχίου εργασίας.
 17. **Αν το τεμάχιο εργασίας ή η λάμα εμπλακεί, απενεργοποιήστε το πριόνι λοξότμησης.** Περιμένετε να ακινητοποιηθούν όλα τα κινούμενα μέρη και αποσυνδέστε το φως από την πηγή τροφοδοσίας ή/και βγάλετε το πακέτο μπαταριών. Μετά, εργαστείτε για να ελευθερώσετε το υλικό που έχει εμπλακεί. Το συνεχιζόμενο πριόνισμα με τεμάχιο εργασίας που έχει εμπλακεί μπορεί να προκαλέσει την απώλεια ελέγχου ή ζημιά στο πριόνι λοξότμησης.
 18. **Αφού τελειώσετε την κοπή, αφήστε το διακόπτη, κρατήστε την κεφαλή πριονιού προς τα κάτω και περιμένετε να ακινητοποιηθεί η λάμα πριν αφαιρέσετε το αποκομμένο κομμάτι.** Είναι επικίνδυνο να τοποθετήσετε το χέρι σας κοντά σε λάμα που συνεχίζει να περιστρέφεται.
 19. **Κρατήστε τη λαβή σταθερά όταν εκτελείτε μια ατελή κοπή ή όταν αφήνετε το διακόπτη πριν η κεφαλή πριονιού βρεθεί πλήρως στην κάτω θέση.** Η ενέργεια πέδησης του πριονιού μπορεί να προκαλέσει το ξαφνικό τράβηγμα της κεφαλής πριονιού προς τα κάτω, προκαλώντας κίνδυνο τραυματισμού.
 20. **Χρησιμοποιείτε μόνο τη λάμα πριονιού με τη διάμετρο που είναι επισημασμένη στο εργαλείο ή που καθορίζεται στο εγχειρίδιο.** Η χρήση μιας λάμας λανθασμένου μεγέθους μπορεί να επηρεάσει τη σωστή προστασία της λάμας ή τη λειτουργία του προφυλακτήρα, γεγονός που μπορεί να έχει ως αποτέλεσμα σοβαρό προσωπικό τραυματισμό.
 21. **Να χρησιμοποιείτε μόνο λάμες πριονιού που είναι επισημασμένες με ταχύτητα ίση με ή υψηλότερη από την ταχύτητα που είναι επισημασμένη στο εργαλείο.**
 22. **Μη χρησιμοποιείτε το πριόνι για να κόψετε οτιδήποτε άλλο εκτός από ξύλο, αλουμίνιο ή παρόμοια υλικά.**
 23. **(Για τις Ευρωπαϊκές χώρες μόνο)
Να χρησιμοποιείτε πάντα λάμα που συμμορφώνεται με το πρότυπο EN847-1.**
- Επιπρόσθετες οδηγίες**
1. **Χρησιμοποιήστε Λουκέτα για να καταστήσετε το συνεργείο ασφαλές για παιδιά.**
 2. **Ποτέ μην στέκεστε πάνω στο εργαλείο.** Μπορεί να προκληθεί σοβαρός τραυματισμός αν το εργαλείο ανατραπεί ή αν αγγίξετε κατά λάθος το εργαλείο κοπής.
 3. **Μην αφήνετε ποτέ το εργαλείο σε λειτουργία αν δεν το προσέχετε.** Απενεργοποιήστε την ισχύ. Μην αφήσετε το εργαλείο μέχρι να ακινητοποιηθεί εντελώς.
 4. **Μη χειρίζεστε το εργαλείο χωρίς τους προφυλακτήρες στη θέση τους.** Ελέγξτε τον προφυλακτήρα λάμας για κανονικό κλείσιμο πριν από κάθε χρήση. Μη θέτετε το πριόνι σε λειτουργία αν ο προφυλακτήρας λάμας δεν κινείται ελεύθερα και δεν κλείνει αμέσως. Ποτέ μη σφίξετε ή δέσετε τον προφυλακτήρα λάμας στη θέση ανοίγματος.
 5. **Κρατάτε τα χέρια μακριά από την τροχιά της λάμας πριονιού.** Αποφύγετε επαφή και με λάμες μικρής ταχύτητας. Μπορεί επίσης να προκαλέσουν σοβαρό τραυματισμό.
 6. **Για να μειώσετε τον κίνδυνο πρόκλησης τραυματισμού, να επιστρέψετε την κινητή βάση στην πλήρως πίσω θέση μετά από κάθε εργασία εγκάρσιας τομής.**
 7. **Να ασφαρίζετε πάντα όλα τα κινούμενα τμήματα πριν μεταφέρετε το εργαλείο.**
 8. **Ο ανασταλτικός πείρος που κλειδώνει την κεφαλή του κόπτη κάτω είναι μέρος για τον σκοπό μεταφοράς και αποθήκευσης και όχι για λειτουργίες κοπής.**
 9. **Πριν από τη λειτουργία, να ελέγχετε προσεκτικά τη λάμα για ραγίσματα ή ζημιά.** Να αντικαθιστάτε αμέσως ραγισμένη ή κατεστραμμένη λάμα. Η κόλλα και τα πριονίσματα ξύλου που έχουν ξεραθεί επάνω στις λάμες επιβραδύνουν το πριόνι και αυξάνουν την πιθανότητα κλοστήματος. Διατηρείτε τη λάμα καθαρή αφού πρώτα τη βγάλετε από το εργαλείο και μετά την καθαρίσετε με καθαριστικό για κόλλα και πριονίσματα, ζεστό νερό ή κηροζίνη. Μην χρησιμοποιείτε ποτέ βενζίνη για να καθαρίσετε τη λάμα.
 10. **Ενώ χρησιμοποιείτε μια ολισθητική κοπή, μπορεί να συμβεί ΚΛΟΤΣΗΜΑ. Το ΚΛΟΤΣΗΜΑ συμβαίνει όταν η λάμα εμπλέκεται μέσα στο τεμάχιο εργασίας κατά την εργασία κοπής και η λάμα πριονιού οδηγείται γρήγορα προς το χειριστή. Μπορεί να προκληθεί απώλεια ελέγχου και σοβαρός προσωπικός τραυματισμός. Αν η λάμα αρχίσει να εμπλέκεται κατά την εργασία κοπής, μη συνεχίσετε την κοπή και αφήστε το διακόπτη αμέσως.**

Σημαντικές οδηγίες ασφάλειας για κασέτα μπαταριών

- Χρησιμοποιείτε μόνο τις ειδικές φλάντζες για το εργαλείο αυτό.
- Προσέξτε να μη κάνετε ζημιά στην άτρακτο, στις φλάντζες (ειδικά στην επιφάνεια εγκατάστασης) ή στο μπουλόνι. Ζημιά στα εξαρτήματα αυτά μπορεί να προκαλέσει σπάσιμο της λάμας.
- Να βεβαιώνετε ότι η περιστροφική βάση είναι κατάλληλα ασφαλισμένη, ώστε να μη μετακινηθεί κατά τη λειτουργία. Χρησιμοποιήστε τις οπές στη βάση για να στερεώσετε το πριόνι σε μια σταθερή πλατφόρμα εργασίας ή πάγκο. Μη χρησιμοποιείτε ΠΟΤΕ εργαλείο όταν η στάση του χειριστή μπορεί να είναι αδέξια.
- Να βεβαιώνετε ότι η περιστροφική άξονα είναι ελεύθερη πριν ενεργοποιήσετε τον διακόπτη.
- Να βεβαιώνετε ότι η λάμα δεν αγγίζει την περιστροφική βάση στην κατώτατη θέση.
- Να κρατάτε σταθερά τη λαβή. Έχετε υπόψη σας ότι το πριόνι κινείται πάνω και κάτω ελαφρά κατά το ξεκίνημα και το σταμάτημα.
- Να βεβαιώνετε ότι η λάμα δεν αγγίζει το τεμάχιο εργασίας πριν την ενεργοποίηση του διακόπτη.
- Πριν χρησιμοποιήσετε το εργαλείο στο πραγματικό τεμάχιο εργασίας, αφήστε το να τρέξει για λίγο. Παρακολουθήστε το για κραδασμούς ή ταλαντεύσεις που μπορεί να δείχνουν κακή τοποθέτηση ή κακή ισοζύγηση λάμας.
- Σταματήστε αμέσως τη λειτουργία εάν παρατηρήσετε κάτι αφύσικο.
- Μην προσπαθήσετε να κλειδώσετε τη σκανδάλη στη θέση «ΕΝΕΡΓΟΠΟΙΗΣΗΣ».
- Να χρησιμοποιείτε πάντα τα ανταλλακτικά που συνιστώνται στο εγχειρίδιο αυτό. Η χρήση ακατάλληλων ανταλλακτικών όπως λιπαντικών τροχών μπορεί να προκαλέσει τραυματισμό.
- Μερικά υλικά περιέχουν χημικά που μπορεί να είναι τοξικά. Να προσέχετε ώστε να αποφεύγετε την εισπνοή σκόνης και την επαφή με το δέρμα. Να ακολουθείτε τα δεδομένα ασφάλειας του προμηθευτή υλικού.

Πρόσθετοι κανόνες ασφάλειας για το λέιζερ

- ΑΚΙΝΟΒΟΛΙΑ ΛΕΙΖΕΡ, ΜΗΝ ΚΟΙΤΑΤΕ ΜΕΣΑ ΣΤΗ ΔΕΣΜΗ ΚΑΙ ΜΗΝ ΠΡΟΒΑΛΕΤΕ ΚΑΤΕΥΘΕΙΑΝ ΜΕ ΟΠΤΙΚΑ ΟΡΓΑΝΑ, ΠΡΟΪΟΝ ΛΕΙΖΕΡ ΤΑΞΗΣ 2Μ.

ΦΥΛΑΞΕΤΕ ΑΥΤΕΣ ΤΙΣ ΟΔΗΓΙΕΣ.

▲ΠΡΟΕΙΔΟΠΟΙΗΣΗ: ΜΗΝ επιτρέψετε στην άνεση ή στην εξοικείωσή σας με το προϊόν (που αποκτήθηκε από επανειλημμένη χρήση) να αντικαταστήσει την αυστηρή τήρηση των κανόνων ασφαλείας του παρόντος εργαλείου. Η **ΛΑΝΘΑΣΜΕΝΗ ΧΡΗΣΗ** ή η αμέλεια να ακολουθήσετε τους κανόνες ασφαλείας που διατυπώνονται στο παρόν εγχειρίδιο οδηγιών μπορεί να προκαλέσει σοβαρό προσωπικό τραυματισμό.

- Πριν χρησιμοποιήσετε την κασέτα μπαταριών, διαβάστε όλες τις οδηγίες και σημειώσεις προφύλαξης (1) στον φορητό μπαταριών, (2) στην μπαταρία και (3) στο προϊόν που χρησιμοποιείτε την μπαταρία.
- Μην αποσυναρμολογήσετε ή παραβιάσετε την κασέτα μπαταριών. Μπορεί να έχει ως αποτέλεσμα πυρκαγιά, υπερθέρμανση ή έκρηξη.
- Εάν ο χρόνος λειτουργίας έχει γίνει υπερβολικά βραχύς, σταματήστε τη λειτουργία αμέσως. Αλλιώς, μπορεί να έχει ως αποτέλεσμα κίνδυνο υπερθέρμανσης, πιθανά εγκαύματα ή ακόμη και έκρηξη.
- Εάν ηλεκτρολύτης μπει στα μάτια σας, ξεπλύνετε τα με καθαρό νερό και ζητήστε ιατρική φροντίδα αμέσως. Αλλιώς, μπορεί να έχει ως αποτέλεσμα απώλεια της όρασής σας.
- Μη βραχυκυκλώνετε την κασέτα μπαταριών:
 - Μην αγγίζετε τους πόλους με οτιδήποτε αγώγιμο υλικό.
 - Αποφεύγετε να αποθηκεύετε την κασέτα μπαταριών μέσα σε ένα δοχείο μαζί με άλλα μεταλλικά αντικείμενα όπως καρφιά, νομίσματα, κλπ.
 - Μην εκθέτετε την κασέτα μπαταριών στο νερό ή στη βροχή. Ένα βραχυκύκλωμα μπαταρίας μπορεί να προκαλέσει μεγάλη ροή ρεύματος, υπερθέρμανση, πιθανά εγκαύματα ακόμη και σοβαρή βλάβη.
- Μην αποθηκεύετε και μην χρησιμοποιείτε το εργαλείο και την κασέτα μπαταριών σε τοποθεσίες όπου η θερμοκρασία μπορεί να φτάσει ή να ξεπεράσει τους 50°C.
- Μην καίτε την κασέτα μπαταριών ακόμη και εάν έχει σοβαρή ζημιά ή είναι εντελώς φθαρμένη. Η κασέτα μπαταριών μπορεί να εκραγεί στη φωτιά.
- Μην καρφώσετε, κόψετε, συνθλίψετε, πετάξετε ή ριζέτε κάτω την κασέτα μπαταριών, ούτε να χτυπήσετε ένα σκληρό αντικείμενο επάνω στην κασέτα μπαταριών. Τέτοια συμπεριφορά μπορεί να έχει ως αποτέλεσμα πυρκαγιά, υπερθέρμανση ή έκρηξη.
- Μη χρησιμοποιείτε μπαταρία που έχει υποστεί ζημιά.
- Οι μπαταρίες ιόντων λιθίου που περιέχονται υπόκεινται στις απαιτήσεις της νομοθεσίας για επικίνδυνα αγαθά. Για εμπορικές μεταφορές, για παράδειγμα από τρίτα μέρη, πρέπει να τηρούνται οι διαμεταφορές, οι ειδικές απαιτήσεις στη συσκευασία και η επισήμανση. Για προετοιμασία του στοιχείου που αποστέλλεται, είναι απαραίτητο να συμβουλευτείτε έναν ειδικό για επικίνδυνα υλικά. Επίσης, τηρήστε τους πιθανούς, πιο αναλυτικούς εθνικούς κανονισμούς. Καλύψτε με αυτοκόλλητη ταινία ή κρύψτε τις ανοικτές επαφές και συσκευάστε την μπαταρία με τρόπο που να μην μπορεί να μετακινείται μέσα στη συσκευασία.

11. Όταν απορρίπτετε την κασέτα μπαταριών, αφαιρέστε την από το εργαλείο και διαθέστε την σε ένα ασφαλές μέρος. Τηρήστε τους τοπικούς κανονισμούς που σχετίζονται με τη διάθεση της μπαταρίας.
12. Χρησιμοποιήστε τις μπαταρίες μόνο με τα προϊόντα που καθορίζει η Makita. Αν τοποθετήσετε τις μπαταρίες σε μη συμβατά προϊόντα μπορεί να έχει ως αποτέλεσμα πυρκαγιά, υπερβολική θερμότητα, έκρηξη ή διαρροή ηλεκτρολύτη.
13. Αν δεν χρησιμοποιείτε το εργαλείο για μεγάλο χρονικό διάστημα, πρέπει να βγάλετε την μπαταρία από το εργαλείο.
14. Κατά τη διάρκεια και μετά τη χρήση, η κασέτα μπαταριών μπορεί να θερμανθεί, γεγονός που μπορεί να προκαλέσει εγκαύματα ή εγκαύματα από χαμηλή θερμοκρασία. Προσέχετε το χειρισμό των ζεστών κασετών μπαταριών.
15. Μην αγγίζετε τον ακροδέκτη του εργαλείου αμέσως μετά τη χρήση επειδή μπορεί να έχει ζεσταθεί αρκετά για να προκαλέσει εγκαύματα.
16. Μην αφήνετε θραύσματα, σκόνη ή βρομιά να κολλήσει στους ακροδέκτες, τις σπές και τις εγκοπές της κασέτας μπαταριών. Μπορεί να προκαλέσει θέρμανση, φωτιά, έκρηξη και δυσλειτουργία του εργαλείου ή της κασέτας μπαταριών, έχοντας ως αποτέλεσμα εγκαύματα ή προσωπικό τραυματισμό.
17. Εκτός αν το εργαλείο υποστηρίζει τη χρήση κοντά σε ηλεκτρικές γραμμές υψηλής τάσης, μην χρησιμοποιείτε την κασέτα μπαταριών κοντά σε ηλεκτρικές γραμμές υψηλής τάσης. Μπορεί να έχει ως αποτέλεσμα δυσλειτουργία ή σπάσιμο του εργαλείου ή της κασέτας μπαταριών.

18. Κρφυλάξτε την μπαταρία μακριά από παιδιά.

ΦΥΛΑΞΤΕ ΤΙΣ ΟΔΗΓΙΕΣ ΑΥΤΕΣ.

▲ ΠΡΟΣΟΧΗ: Να χρησιμοποιείτε μόνο γνήσιες μπαταρίες της Makita. Η χρήση μη γνήσιων μπαταριών Makita, ή μπαταριών που έχουν τροποποιηθεί, μπορεί να έχει ως αποτέλεσμα τη ρήξη της μπαταρίας, προκαλώντας πυρκαγιά, προσωπικό τραυματισμό και βλάβη. Επίσης, θα ακυρωθεί η εγγύηση της Makita για το εργαλείο και φορτιστή Makita.

Συμβουλές για τη διατήρηση της μέγιστης ζωής μπαταρίας

1. Φορτίζετε την κασέτα μπαταριών πριν από την πλήρη αποφόρτισή της. Πάντοτε να σταματάτε τη λειτουργία του εργαλείου και να φορτίζετε την κασέτα μπαταριών όταν παρατηρείτε μειωμένη ισχύ εργαλείου.
2. Ποτέ μην επαναφορτίζετε μια πλήρως φορτισμένη κασέτα μπαταριών. Η υπερφόρτιση μειώνει την ωφέλιμη ζωή της μπαταρίας.
3. Να φορτίζετε την κασέτα μπαταριών σε θερμοκρασία δωματίου, δηλαδή στους 10 °C έως 40 °C. Αφήστε μια θερμή κασέτα μπαταριών να κρυώσει πριν την φορτίσετε.
4. Όταν δεν χρησιμοποιείτε την κασέτα μπαταριών, αφαιρέστε την από το εργαλείο ή τον φορτιστή.
5. Να φορτίζετε την κασέτα μπαταριών εάν δεν τη χρησιμοποιείτε για μεγάλη χρονική περίοδο (περισσότερο από έξι μήνες).

ΠΕΡΙΓΡΑΦΗ ΕΞΑΡΤΗΜΑΤΩΝ

► Εικ.2

1	Κουμπί κλειδώματος	2	Σκανδάλη διακοπής	3	Θήκη λάμας	4	Ρυθμιστική βίδα (για θέση κάτω οριού)
5	Ρυθμιστικό μπουλόνι (για μέγιστη ικανότητα κοπής)	6	Ανασταλτικός βραχιόνας	7	Σάκος σκόνης	8	Κωνική κλίμακα
9	Προφυλακτήρας λάμας	10	Κατακόρυφη μέγγενη	11	Φράχτης οδηγός	12	Θήκη
13	Μοχλός ασφάλισης (για περιστροφική βάση)	14	Λαβή (για περιστροφική βάση)	15	Ρυθμιστικό μπουλόνι (για περιστροφική βάση)	16	Ξανίδα εγκοπής
17	Δείκτης (για λοξή γωνία)	18	Περιστροφική βάση	19	Διάταξη θήκης	20	Άξονας φράχτη
21	Βοηθητικός φράκτης	-	-	-	-	-	-

► Εικ.3

22	Στύλος ολισθησης (άνω)	23	Κεφαλόβιδα (για ασφάλιση άνω στύλου ολισθησης)	24	Εξαγωνικό κλειδί	25	Βίδα σύσφιξης (για ασφάλιση θήκης)
26	Μοχλός (για ρύθμιση κωνικής γωνίας)	27	Στύλος ολισθησης (κάτω)	28	Κεφαλόβιδα (για ασφάλιση κάτω στύλου ολισθησης)	-	-

ΤΟΠΟΘΕΤΗΣΗ

Στερέωση στον πάγκο

▲ΠΡΟΕΙΔΟΠΟΙΗΣΗ: Βεβαιωθείτε ότι το εργαλείο δεν θα μετακινηθεί πάνω στην επιφάνεια στήριξης. Η μετακίνηση του πριονιού λοξότμησης πάνω στην επιφάνεια στήριξης κατά την κοπή μπορεί να καταλήξει σε απώλεια ελέγχου και σοβαρό τραυματισμό.

1. Στερεώστε τη βάση σε μια επίπεδη και σταθερή επιφάνεια, βιδώνοντας με δύο μπουλόνια. Αυτό βοηθάει στην αποφυγή ανατροπής και πιθανού τραυματισμού.

► **Εικ.4:** 1. Μπουλόνι

2. Γυρίστε το ρυθμιστικό μπουλόνι δεξιόστροφα ή αριστερόστροφα έτσι ώστε να έρθει σε επαφή με την επιφάνεια του πατώματος για να κρατάει το εργαλείο σταθερό.

► **Εικ.5:** 1. Ρυθμιστικό μπουλόνι

Εγκατάσταση θηκών και διατάξεων θηκών

ΠΑΡΑΤΗΡΗΣΗ: Σε μερικές χώρες, οι θήκες και οι διατάξεις θηκών μπορεί να μην συμπεριλαμβάνονται στη συσκευασία εργαλείου ως στάνταρ εξάρτημα.

Οι θήκες και οι διατάξεις θηκών υποστηρίζουν τεμάχια εργασίας οριζόντια.

Σφίξτε τους άξονες φράχτη στις διατάξεις θηκών χρησιμοποιώντας το εξαγωνικό κλειδί.

► **Εικ.6:** 1. Θήκη 2. Διάταξη θήκης 3. Άξονας φράχτη 4. Εξαγωνικό κλειδί

Εγκαταστήστε τις θήκες και τις διατάξεις θηκών και στις δύο πλευρές όπως απεικονίζεται στην εικόνα. Κατά την εγκατάσταση, βεβαιωθείτε ότι ο άξονας φράχτη βρίσκεται στην ίδια γραμμή με το φράχτη οδηγό όταν εγκαθιστάτε στο εργαλείο.

► **Εικ.7:** 1. Θήκη 2. Διάταξη θήκης 3. Βίδα

Μετά, σφίξτε καλά τις βίδες για να στερεώσετε τις θήκες και τις διατάξεις θηκών.

ΠΕΡΙΓΡΑΦΗ ΛΕΙΤΟΥΡΓΙΑΣ

▲ΠΡΟΕΙΔΟΠΟΙΗΣΗ: Να φροντίζετε πάντα ώστε το εργαλείο να έχει απενεργοποιηθεί και η κασέτα μπαταριών να έχει αφαιρεθεί πριν από τη ρύθμιση ή τον έλεγχο λειτουργίας του εργαλείου. Εάν δεν σβήσετε το εργαλείο και δεν βγάλετε την κασέτα μπαταριών, μπορεί να προκληθεί σοβαρός προσωπικός τραυματισμός από την τυχαία εκκίνηση.

Τοποθέτηση ή αφαίρεση της κασέτας μπαταριών

▲ΠΡΟΣΟΧΗ: Να σβήνετε πάντα το εργαλείο πριν τοποθετήσετε ή αφαιρέσετε την κασέτα μπαταριών.

▲ΠΡΟΣΟΧΗ: Κρατήστε το εργαλείο και την κασέτα μπαταριών σταθερά κατά την τοποθέτηση ή αφαίρεση της κασέτας μπαταριών. Εάν δεν κρατάτε το εργαλείο και την κασέτα μπαταριών σταθερά μπορεί να γλιστρήσουν από τα χέρια σας και να προκληθεί βλάβη στο εργαλείο και την κασέτα μπαταριών και προσωπικός τραυματισμός.

► **Εικ.8:** 1. Κόκκινος δείκτης 2. Κουμπί 3. Κασέτα μπαταριών

Για να αφαιρέσετε την κασέτα μπαταριών, ολισθήστε την από το εργαλείο ενώ σύρετε το κουμπί στο μπροστινό μέρος της κασέτας.

Για να τοποθετήσετε την κασέτα μπαταριών, ευθυγραμμίστε τη γλώσσα στην κασέτα μπαταριών με την αύλακα στην υποδοχή και ολισθήστε τη στη θέση της. Να την τοποθετείτε πλήρως μέχρι να ασφαλίσει στη θέση της, γεγονός που υποδεικνύεται με ένα χαρακτηριστικό ήχο. Εάν μπορείτε να δείτε τον κόκκινο δείκτη στην επάνω πλευρά του κουμπιού, δεν έχει κλειδώσει τελείως.

▲ΠΡΟΣΟΧΗ: Να τοποθετείτε πάντα την κασέτα μπαταριών πλήρως μέχρι να μη βλέπετε τον κόκκινο δείκτη. Εάν δεν ασφαλίσει, μπορεί να πέσει από το εργαλείο τυχαία, προκαλώντας σωματική βλάβη σε εσάς ή κάποιον άλλο γύρω σας.

▲ΠΡΟΣΟΧΗ: Μην τοποθετείτε την κασέτα μπαταριών με βία. Εάν η κασέτα δεν ολισθαίνει με ευκολία, τότε δεν έχει τοποθετηθεί κατάλληλα.

ΠΑΡΑΤΗΡΗΣΗ: Το εργαλείο δεν λειτουργεί με μόνο μία κασέτα μπαταριών.

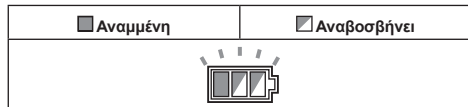
Σύστημα προστασίας εργαλείου/ μπαταρίας

Το εργαλείο είναι εξοπλισμένο με σύστημα προστασίας εργαλείου/μπαταρίας. Αυτό το σύστημα αποκόπτει αυτόματα την ισχύ προς το μοτέρ για να παραταθεί η διάρκεια λειτουργίας του εργαλείου και της μπαταρίας. Το εργαλείο σταματάει αυτόματα κατά τη διάρκεια της λειτουργίας εάν το εργαλείο ή η μπαταρία βρεθούν κάτω από τις παρακάτω συνθήκες:

Προστασία υπερφόρτωσης

Όταν το εργαλείο λειτουργεί με τρόπο ώστε να αναγκάζεται να καταναλώνει ασυνήθιστα υψηλό ρεύμα, το εργαλείο σταματάει αυτόματα χωρίς καμία ένδειξη. Σε αυτή την κατάσταση, σβήστε το εργαλείο και διακόψτε την εφαρμογή που προκαλεί την υπερφόρτωση του εργαλείου. Μετά, ενεργοποιήστε το εργαλείο για επανεκκίνηση.

Προστασία υπερθέρμανσης



Όταν το εργαλείο υπερθερμανθεί, το εργαλείο σταματάει αυτόματα και η ένδειξη μπαταρίας αναβοσβήνει για περίπου 60 δευτερόλεπτα. Σε αυτή την κατάσταση, αφήστε το εργαλείο να ψυχθεί πριν ενεργοποιήσετε ξανά το εργαλείο.

Προστασία υπερβολικής αποφόρτισης

Όταν μειωθεί η χωρητικότητα μπαταρίας, το εργαλείο σταματάει αυτόματα. Εάν το προϊόν δεν τίθεται σε λειτουργία ακόμα και όταν πραγματοποιείται χειρισμός των διακοπών, βγάλτε τις μπαταρίες από το εργαλείο και φορτίστε τις.

Υπόδειξη υπόλοιπης χωρητικότητας μπαταρίας

► **Εικ.9:** 1. Ένδειξη μπαταρίας 2. Κουμπί ελέγχου

Πιέστε το κουμπί ελέγχου για να εμφανιστεί η υπόλοιπη χωρητικότητα της μπαταρίας. Οι ενδείξεις μπαταριών αντιστοιχούν σε κάθε μπαταρία.

Κατάσταση ένδειξης μπαταρίας			Υπολειπόμενη χωρητικότητα μπαταρίας
<input type="checkbox"/> Αναμμένες	<input type="checkbox"/> Σβηστές	<input type="checkbox"/> Αναβοσβήνουν	
			50% έως 100%
			20% έως 50%
			0% έως 20%
			Φορτίστε την μπαταρία

Εμφάνιση υπολειπόμενης χωρητικότητας μπαταρίας

Μόνο για κασέτες μπαταρίας με την ενδεικτική λυχνία

► **Εικ.10:** 1. Ενδεικτικές λυχνίες 2. Κουμπί ελέγχου

Πιέστε το κουμπί ελέγχου στην κασέτα μπαταριών για να υποδείξετε την υπολειπόμενη χωρητικότητα μπαταρίας. Οι ενδεικτικές λυχνίες ανάβουν για λίγα δευτερόλεπτα.

Ενδεικτικές λυχνίες			Υπολειπόμενη χωρητικότητα
<input type="checkbox"/> Αναμμένες	<input type="checkbox"/> Σβηστές	<input type="checkbox"/> Αναβοσβήνουν	
			75% έως 100%
			50% έως 75%
			25% έως 50%
			0% έως 25%
			Φορτίστε την μπαταρία.
			Μπορεί να προέκυψε δυσλειτουργία στην μπαταρία.

ΠΑΡΑΤΗΡΗΣΗ: Ανάλογα με τις συνθήκες χρήσης και τη θερμοκρασία περιβάλλοντος, η ένδειξη μπορεί να διαφέρει λίγο από την πραγματική χωρητικότητα.

ΠΑΡΑΤΗΡΗΣΗ: Η πρώτη (τέρμα αριστερά) ενδεικτική λυχνία θα αναβοσβήνει όταν λειτουργεί το σύστημα προστασίας μπαταρίας.

Λειτουργία αυτόματης αλλαγής ταχύτητας

► **Εικ.11:** 1. Ένδειξη τρόπου λειτουργίας

Κατάσταση ένδειξης τρόπου λειτουργίας	Τρόπος λειτουργίας
	Τρόπος λειτουργίας υψηλής ταχύτητας
	Τρόπος λειτουργίας υψηλής ροπής

Αυτό το εργαλείο διαθέτει «τρόπο λειτουργίας υψηλής ταχύτητας» και «τρόπο λειτουργίας υψηλής ροπής». Αλλάζει αυτόματα ο τρόπος λειτουργίας ανάλογα με το φόρτο εργασίας. Όταν ανάβει η ένδειξη τρόπου λειτουργίας κατά τη διάρκεια της λειτουργίας, το εργαλείο βρίσκεται σε τρόπο λειτουργίας υψηλής ροπής.

Ανασταλτικός πείρος

▲ ΠΡΟΣΟΧΗ: Να κρατάτε πάντα τη λαβή όταν ελευθερώνετε τον ανασταλτικό πείρο. Διαφορετικά, η λαβή πετάγεται με ελατήριο και μπορεί να προκληθεί προσωπικός τραυματισμός.

Για να ελευθερώσετε τον ανασταλτικό πείρο, ασκήστε συνεχόμενα ελαφρά πίεση προς τα κάτω πάνω στη λαβή και μετά τραβήξτε τον ανασταλτικό πείρο.

► **Εικ.12:** 1. Ανασταλτικός πείρος

Προφυλακτήρας λάμας

▲ ΠΡΟΕΙΔΟΠΟΙΗΣΗ: Ποτέ μην εξουδετερώσετε ή αφαιρέσετε τον προφυλακτήρα λάμας ή το ελατήριο που προσαρμόζεται στον προφυλακτήρα. Μια εκτεθειμένη λάμα λόγω αχρήστευσης του προφυλακτήρα μπορεί να καταλήξει σε σοβαρό τραυματισμό στη διάρκεια της λειτουργίας.

▲ ΠΡΟΕΙΔΟΠΟΙΗΣΗ: Ποτέ μη χρησιμοποιείτε το εργαλείο εάν ο προφυλακτήρας λάμας ή το ελατήριο έχουν πάθει ζημιά, βλάβη ή έχουν αφαιρεθεί. Η λειτουργία του εργαλείου με προφυλακτήρα ο οποίος έχει υποστεί ζημιά, είναι ελαττωματικός ή έχει αφαιρεθεί μπορεί να καταλήξει σε σοβαρό τραυματισμό.

▲ ΠΡΟΣΟΧΗ: Για ασφαλή λειτουργία, να διατηρείτε πάντα τον προφυλακτήρα λάμας σε καλή κατάσταση. Διακόψτε αμέσως τη λειτουργία στην περίπτωση που υπάρχουν ανωμαλίες στον προφυλακτήρα λάμας. Ελέγξτε να βεβαιωθείτε για τη δράση του ελατηρίου επαναφοράς του προφυλακτήρα.

► **Εικ.13:** 1. Προφυλακτήρας λάμας

Όταν χαμηλώνετε τη λαβή, ο προφυλακτήρας λάμας ανυψώνεται αυτόματα. Ο προφυλακτήρας έχει ελατήριο ώστε να επιστρέφει στην αρχική του θέση όταν η κοπή έχει συμπληρωθεί και η λαβή έχει ανυψωθεί.

Καθαρισμός

► **Εικ.14:** 1. Προφυλακτήρας λάμας

Εάν συσσωρευτούν ακαθαρσίες στο διάφανο προφυλακτήρα λάμας, ή έχει προσκολληθεί πριονίδι ώστε να μην είναι πλέον ορατή η λάμα ή/και το τεμάχιο εργασίας, αφαιρέστε την κασέτα μπαταριών και καθαρίστε τον προφυλακτήρα με προσοχή χρησιμοποιώντας ένα υγρό πανί. Μην χρησιμοποιείτε διαλυτικά ή καθαριστικά με βάση το πετρέλαιο στον πλαστικό προφυλακτήρα επειδή αυτό μπορεί να προκαλέσει φθορά στον προφυλακτήρα.

Για τον καθαρισμό, ανυψώστε τον προφυλακτήρα λάμας αφού ανατρέξετε στην παράγραφο «Τοποθέτηση ή αφαίρεση της λάμας πριονιού».

Μετά τον καθαρισμό, βεβαιωθείτε να επιστρέψετε τη λάμα και το κεντρικό κάλυμμα και να σφίξετε το εξαγωνικό μπουλόνι.

1. Να βεβαιώσετε πάντα ότι το εργαλείο είναι σβηστό και έχετε βγάλει τις κασέτες μπαταριών.
2. Περιστρέψτε το εξαγωνικό μπουλόνι αριστερόστροφα χρησιμοποιώντας το παρεχόμενο εξαγωνικό κλειδί ενώ κρατάτε το κεντρικό κάλυμμα.

3. Σηκώστε τον προφυλακτήρα λάμας και το κάλυμμα κέντρου.

4. Όταν ολοκληρωθεί ο καθαρισμός, επιστρέψτε το κεντρικό κάλυμμα και σφίξτε το εξαγωνικό μπουλόνι εκτελώντας τα ανωτέρω βήματα με αντίστροφη σειρά.

▲ ΠΡΟΕΙΔΟΠΟΙΗΣΗ: Μην αφαιρέσετε τον ελατηριοχο προφυλακτήρα λάμας. Εάν ο προφυλακτήρας υποστεί φθορά με την πάροδο του χρόνου ή έκθεσης σε ακτινοβολία UV, απευθυνθείτε σε κάποιο κέντρο σέρβις της Makita για αντικατάσταση. **ΜΗΝ ΕΞΟΥΔΕΤΕΡΩΣΕΤΕ Ή ΑΦΑΙΡΕΣΕΤΕ ΤΟΝ ΠΡΟΦΥΛΑΚΤΗΡΑ.**

Τοποθέτηση σανίδων εγκοπών

Αυτό το εργαλείο είναι εφοδιασμένο με τις σανίδες εγκοπών στην περιστροφική βάση του για να ελαχιστοποιεί το σχίσμο στην πλευρά εξόδου κοπής. Οι σανίδες εγκοπών είναι εργοστασιακά ρυθμισμένες έτσι ώστε η λάμα πριονιού να μην κάνει επαφή με τις σανίδες εγκοπών. Πριν από τη χρήση, ρυθμίστε τις σανίδες εγκοπών ως εξής:

1. Βεβαιωθείτε να αφαιρέσετε την κασέτα μπαταριών. Μετά, χαλαρώστε όλες τις βίδες (από 2 στα αριστερά και δεξιά) που ασφαλίζουν τις σανίδες εγκοπών. ► **Εικ.15:** 1. Σανίδα εγκοπής 2. Βίδα
2. Ξανασφίξτε τις βίδες έτσι ώστε οι σανίδες εγκοπών να μπορούν να κινηθούν με το χέρι.
3. Χαμηλώστε τη λαβή πλήρως και σπρώξτε μέσα τον ανασταλτικό πείρο για να κλειδώσει τη λαβή στην κάτω θέση.
4. Χαλαρώστε τις δύο βίδες σύσφιξης που ασφαλίζουν τις ράβδους ολίσθησης. ► **Εικ.16:** 1. Κεφαλόβιδα
5. Τραβήξτε την κινητή βάση προς το μέρος σας πλήρως.
6. Ρυθμίστε τις σανίδες εγκοπών έτσι ώστε μόλις να αγγίζουν τις πλευρές των δοντιών της λάμας. ► **Εικ.17**
- **Εικ.18:** 1. Λάμα πριονιού 2. Δόντια λάμας 3. Σανίδα εγκοπής 4. Αριστερή κωνική κοπή 5. 1οια κοπή
7. Σφίξτε τις εμπρόσθιες βίδες (μην τις σφίξετε πολύ).
8. Σπρώξτε την κινητή βάση προς τον φράχτη οδηγό πλήρως και ρυθμίστε τις σανίδες εγκοπών έτσι ώστε μόλις να αγγίζουν τις πλευρές των δοντιών της λάμας.
9. Σφίξτε τις πίσω βίδες (μην τις σφίξετε πολύ).
10. Μετά τη ρύθμιση των σανίδων εγκοπών, ελευθερώστε τον ανασταλτικό πείρο και σηκώστε τη λαβή. Μετά σφίξτε όλες τις βίδες με ασφάλεια.

ΕΙΔΟΠΟΙΗΣΗ: Μόλις ρυθμίσετε την κωνική γωνία, βεβαιωθείτε ότι οι σανίδες εγκοπών είναι ρυθμισμένες κατάλληλα. Η σωστή ρύθμιση των σανίδων εγκοπών διευκολύνει την κατάλληλη στήριξη του τεμαχίου εργασίας ελαχιστοποιώντας το σχίσμο του τεμαχίου εργασίας.

Διατήρηση της μέγιστης ικανότητας κοπής

Αυτό το εργαλείο είναι εργοστασιακά ρυθμισμένο για να παρέχει τη μέγιστη ικανότητα κοπής για μια λάμα πριονιού 190 mm.

Όταν τοποθετείτε μια νέα λάμα δισκοπρίονου, πάντοτε να ελέγχετε την κάτω οριακή θέση της λάμας δισκοπρίονου, και εάν είναι απαραίτητο, ρυθμίστε ως εξής:

1. Αφαιρέστε την κασέτα μπαταριών. Μετά, τραβήξτε την κινητή βάση προς το φράχτη οδηγό πλήρως και χαμηλώστε εντελώς τη λαβή.

► **Εικ.19:** 1. Ρυθμιστικό μπουλόνι 2. Φράχτης οδηγός

2. Χρησιμοποιήστε το εξαγωνικό κλειδί για να περιστρέψετε το ρυθμιστικό μπουλόνι μέχρι η λάμα δισκοπρίονου να έρθει λίγο κάτω από τη διατομή του φράχτη οδηγού και την άνω επιφάνεια της περιστροφικής βάσης.

► **Εικ.20**

3. Περιστρέψτε τη λάμα με το χέρι ενώ κρατάτε τη λαβή στην κάτω θέση για να βεβαιωθείτε ότι η λάμα δισκοπρίονου δεν έρχεται σε επαφή με κανένα τμήμα της κάτω βάσης. Επαναρρυθμίστε ελαφρά, εάν είναι απαραίτητο.

▲ΠΡΟΕΙΔΟΠΟΙΗΣΗ: Μετά από την τοποθέτηση νέας λάμας δισκοπρίονου και με την κασέτα μπαταριών αφαιρεμένη, φροντίστε κάθε φορά ώστε η λάμα δισκοπρίονου να μην έρχεται σε επαφή με οποιοδήποτε μέρος της κάτω βάσης όταν χαμηλώνετε πλήρως τη λαβή. Σε περίπτωση επαφής της λάμας δισκοπρίονου με τη βάση, μπορεί να προκληθεί κλότσημα και σοβαρός τραυματισμός.

► **Εικ.21**

Ανασταλτικός βραχίονας

Η θέση κάτω ορίου της λάμας μπορεί εύκολα να ρυθμιστεί με τον ανασταλτικό βραχίονα. Για τη ρύθμισή του, μετακινήστε τον ανασταλτικό βραχίονα κατά τη διεύθυνση του βέλους όπως φαίνεται στην εικόνα. Γυρίστε τη ρυθμιστική βίδα και πατήστε πλήρως προς τα κάτω τη λαβή για να ελέγξετε το αποτέλεσμα.

► **Εικ.22:** 1. Ρυθμιστική βίδα 2. Ανασταλτικός βραχίονας

Βοηθητικός φράχτης

Ειδικό της χώρας

▲ΠΡΟΣΟΧΗ: Όταν εκτελείτε αριστερές κωνικές κοπές, αναστρέψτε το βοηθητικό φράχτη προς τα έξω. Διαφορετικά, μπορεί να έρθει σε επαφή με τη λάμα ή μέρος του εργαλείου και να έχει ως αποτέλεσμα σοβαρό τραυματισμό στο χειριστή.

► **Εικ.23:** 1. Βοηθητικός φράχτης

Το εργαλείο αυτό είναι εξοπλισμένο με βοηθητικό φράκτη. Ο βοηθητικός φράχτης συνήθως τοποθετείται στο εσωτερικό. Ωστόσο, όταν εκτελείτε αριστερές κωνικές κοπές, αναστρέψτε τον προς τα έξω.

Ρύθμιση της λοξής γωνίας

► **Εικ.24:** 1. Περιστροφική βάση 2. Μοχλός ασφάλισης 3. Λοξή κλίμακα 4. Δείκτης 5. Λαβή

1. Χαλαρώστε τη λαβή αριστερόστροφα.

2. Πατήστε προς τα κάτω και κρατήστε το μοχλό ασφάλισης και ρυθμίστε τη γωνία της περιστροφικής βάσης. Χρησιμοποιήστε το δείκτη και τη λοξή κλίμακα ως οδηγό.

3. Σφίξτε καλά τη λαβή δεξιόστροφα.

▲ΠΡΟΣΟΧΗ: Αφού αλλάξετε τη λοξή γωνία, πάντοτε να ασφαλίσετε την περιστροφική βάση σφίγγοντας τη λαβή σταθερά.

ΕΙΔΟΠΟΙΗΣΗ: Όταν γυρίζετε την περιστροφική βάση, να βεβαιώνετε ότι ανυψώνετε τη λαβή εντελώς.

Ρύθμιση της κωνικής γωνίας

Για να ρυθμίσετε την κωνική γωνία, χαλαρώστε τον μοχλό στο πίσω μέρος του εργαλείου αριστερόστροφα.

► **Εικ.25:** 1. Μοχλός 2. Κουμπί ελευθέρωσης

Για να γείρετε τη λάμα προς τα αριστερά, κρατήστε τη λαβή και γείρετε την κινητή βάση. Χρησιμοποιήστε τη λοξή κλίμακα και το δείκτη ως οδηγό. Μετά σφίξτε τον μοχλό σταθερά δεξιόστροφα να ασφαλίσετε τον βραχίονα.

► **Εικ.26:** 1. Δείκτης 2. Κωνική κλίμακα 3. Βραχίονας

Για να γείρετε τη λάμα προς τα δεξιά, κρατήστε τη λαβή και γείρετε την κινητή βάση λίγο προς τα αριστερά και πατήστε το κουμπί ελευθέρωσης. Με το κουμπί ελευθέρωσης πατημένο, δώστε κλίση στη λάμα πριονιού προς τα δεξιά. Μετά σφίξτε τον μοχλό.

▲ΠΡΟΣΟΧΗ: Αφού αλλάξετε την κωνική γωνία, πάντοτε να ασφαλίσετε το βραχίονα σφίγγοντας το μοχλό δεξιόστροφα.

ΕΙΔΟΠΟΙΗΣΗ: Όταν δίνετε κλίση στη λάμα πριονιού, να φροντίζετε ώστε η λαβή να είναι πλήρως ανυψωμένη.

ΕΙΔΟΠΟΙΗΣΗ: Όταν αλλάξετε κωνικές γωνίες, να βεβαιώνετε ότι τοποθετείτε τις σανίδες εγκοπών κατάλληλα όπως εξηγείται στην ενότητα «Τοποθέτηση σανίδων εγκοπών».

Ρύθμιση της θέσης μοχλού

Εάν ο μοχλός δεν παρέχει πλήρες σφίξιμο με την πάροδο του χρόνου, αλλάξτε τη θέση του μοχλού. Ο μοχλός μπορεί να επανατοποθετείτε κάθε 30°. Χαλαρώστε και αφαιρέστε τη βίδα που ασφαλίζει το μοχλό. Αφαιρέστε τον μοχλό και τοποθετήστε τον ξανά έτσι ώστε να είναι στραμμένος πάνω από το οριζόντιο επίπεδο. Κατόπιν, σφίξτε καλά το μοχλό με τη βίδα.

► **Εικ.27:** 1. Μοχλός 2. Βίδα

Δράση διακόπτη

▲ ΠΡΟΕΙΔΟΠΟΙΗΣΗ: Πριν τοποθετήσετε την κασέτα μπαταριών στο εργαλείο, πάντοτε να ελέγχετε ότι η σκανδάλη διακόπτη ενεργοποιείται κανονικά και επιστρέφει στην ανενεργή θέση «OFF» όταν την αφήνετε. Η λειτουργία ενός εργαλείου με διακόπτη ο οποίος δεν ενεργοποιείται κατάλληλα μπορεί να οδηγήσει σε απώλεια ελέγχου και σοβαρό τραυματισμό.

▲ ΠΡΟΕΙΔΟΠΟΙΗΣΗ: Μη χρησιμοποιείτε λουκέτο με στέλεχος ή συρματόσχοινο διαμέτρου μικρότερου από **6,35 mm**. Ένα μικρότερο στέλεχος ή συρματόσχοινο μπορεί να μην ασφαλίζει κατάλληλα το εργαλείο στην ανενεργή θέση και μπορεί να προκληθεί ανεπιθύμητη λειτουργία και πρόκληση σοβαρού τραυματισμού.

▲ ΠΡΟΕΙΔΟΠΟΙΗΣΗ: ΠΟΤΕ μη χρησιμοποιήσετε εργαλείο χωρίς πλήρως λειτουργική σκανδάλη διακόπτη. Οποιοδήποτε εργαλείο με διακόπτη εκτός λειτουργίας είναι ΕΞΑΙΡΕΤΙΚΑ ΕΠΙΚΙΝΔΥΝΟ και απαιτείται επίσκεψη του πριν από περαιτέρω χρήση, διαφορετικά μπορεί να προκληθεί σοβαρός τραυματισμός.

▲ ΠΡΟΕΙΔΟΠΟΙΗΣΗ: Για την ασφάλειά σας, αυτό το εργαλείο είναι εφοδιασμένο με ένα κουμπί κλειδώματος που εμποδίζει το εργαλείο να ξεκινήσει κατά λάθος. ΠΟΤΕ μη χρησιμοποιείτε το εργαλείο εάν λειτουργεί όταν απλώς πατάτε τη σκανδάλη διακόπτη χωρίς να πατήσετε το κουμπί κλειδώματος. Ένας διακόπτης που απαιτεί επίσκεψη μπορεί να καταλήξει σε ανεπιθύμητη λειτουργία και την πρόκληση σοβαρού τραυματισμού. Επιστρέψτε το εργαλείο σε ένα κέντρο εξυπηρέτησης Makita για κατάλληλες επισκευές ΠΡΙΝ την περαιτέρω χρήση.

▲ ΠΡΟΕΙΔΟΠΟΙΗΣΗ: Μην αχρηστεύετε ΠΟΤΕ το κουμπί κλειδώματος χρησιμοποιώντας αυτοκόλλητη ταινία ή με άλλο τρόπο. Ένας διακόπτης με αχρηστευμένο κουμπί κλειδώματος μπορεί να καταλήξει σε ανεπιθύμητη λειτουργία και την πρόκληση σοβαρού τραυματισμού.

ΕΙΔΟΠΟΙΗΣΗ: Μην τραβάτε τη σκανδάλη διακόπτη δυνατά χωρίς να πατήσετε μέσα το κουμπί απασφάλισης. Αυτό μπορεί να προκαλέσει βλάβη του διακόπτη.

Για να εμποδιστεί το τυχαίο τράβηγμα της σκανδάλης διακόπτη, υπάρχει ένα κουμπί κλειδώματος. Για να ξεκινήσει το εργαλείο, πατήστε μέσα το κουμπί κλειδώματος και πατήστε τη σκανδάλη διακόπτη. Ελευθερώστε τη σκανδάλη διακόπτη για να σταματήσει. Μπορείτε να πατήσετε το κουμπί κλειδώματος από τα δεξιά ή τα αριστερά.

Παρέχεται οπή στη σκανδάλη διακόπτη για την εισαγωγή λουκέτου, ώστε να επιτυγχάνεται κλειδώμα του εργαλείου.

► **Εικ.28:** 1. Κουμπί κλειδώματος 2. Σκανδάλη διακόπτη 3. Οπή λουκέτου

ΣΥΝΑΡΜΟΛΟΓΗΣΗ

▲ ΠΡΟΕΙΔΟΠΟΙΗΣΗ: Πάντοτε να βεβαιώνετε ότι το εργαλείο είναι σύντομο και η κασέτα μπαταριών έχει αφαιρεθεί πριν εργαστείτε με το εργαλείο. Η μη απενεργοποίηση και αφαίρεση της κασέτας μπαταριών μπορεί να καταλήξει σε σοβαρό τραυματισμό.

Αποθήκευση εξαγωνικού κλειδιού

Το εξαγωνικό κλειδί φυλάσσεται όπως υποδεικνύεται στην εικόνα. Όταν απαιτείται το εξαγωνικό κλειδί, μπορείτε να το αποσπάσετε από την θήκη κλειδιού κλειδιού. Μετά από τη χρήση, μπορείτε να φυλάξετε το εξαγωνικό κλειδί τοποθετώντας το ξανά στην θήκη κλειδιού.

► **Εικ.29:** 1. Θήκη κλειδιού 2. Εξαγωνικό κλειδί

Τοποθέτηση ή αφαίρεση της λάμας πριονιού

▲ ΠΡΟΕΙΔΟΠΟΙΗΣΗ: Να φροντίζετε πάντα ώστε το εργαλείο να έχει απενεργοποιηθεί και η κασέτα μπαταριών να έχει αφαιρεθεί πριν από την τοποθέτηση ή την αφαίρεση της λάμας. Η τυχαία εκκίνηση του εργαλείου μπορεί να καταλήξει σε σοβαρό τραυματισμό.

▲ ΠΡΟΣΟΧΗ: Χρησιμοποιείτε μόνο το παρεχόμενο εξαγωνικό κλειδί Makita για να τοποθετήσετε ή να αφαιρέσετε τη λάμα. Διαφορετικά μπορεί να προκληθεί υπερβολικό ή ανεπαρκές σφίξιμο του εξαγωνικού μπουλονιού. Αυτό μπορεί να προκαλέσει τραυματισμό.

Τοποθέτηση της λάμας δισκοπριονιού

1. Κλειδώστε τη λαβή στην ανασηκωμένη θέση σπρώχνοντας μέσα τον ανασταλτικό πείρο.

► **Εικ.30:** 1. Ανασταλτικός πείρος

2. Χρησιμοποιήστε το εξαγωνικό μπουλόνι που κρατάει το κάλυμμα κέντρου γυρίζοντας το αριστερόστροφα. Μετά, σηκώστε τον προφυλακτήρα λάμας και το κάλυμμα κέντρου.

► **Εικ.31:** 1. Κάλυμμα κέντρου 2. Εξαγωνικό μπουλόνι 3. Εξαγωνικό κλειδί 4. Προφυλακτήρας λάμας

3. Πατήστε την ασφάλιση άξονα για να κλειδώσετε τον άξονα και χρησιμοποιήστε το εξαγωνικό κλειδί για να χαλαρώσετε το μπουλόνι εξαγωνικού κοιλώματος δεξιόστροφα. Στη συνέχεια, αφαιρέστε το μπουλόνι εξαγωνικού κοιλώματος και την εξωτερική φλάντζα.

► **Εικ.32:** 1. Ασφάλιση άξονα 2. Εξαγωνικό μπουλόνι 3. Εξωτερική φλάντζα

4. Στερεώστε τη λάμα προσεκτικά πάνω στην εσωτερική φλάντζα. Βεβαιωθείτε ότι η κατεύθυνση του βέλους στη λάμα ταιριάζει στην κατεύθυνση του βέλους στη θήκη λάμας.

► **Εικ.33:** 1. Εξωτερική φλάντζα 2. Λάμα πριονιού 3. Εσωτερική φλάντζα 4. Εξαγωνικό μπουλόνι (αριστερόχειρο) 5. Αξονίσκος 6. Εξάρτημα στερέωσης λάμας

► **Εικ.34:** 1. Λάμα πριονιού 2. Βέλος

5. Τοποθετήστε την εξωτερική φλάντζα και το μπουλόνι εξαγωνικού κοιλώματος και μετά χρησιμοποιήστε το εξαγωνικό κλειδί για να σφίξετε το μπουλόνι εξαγωνικού κοιλώματος (αριστερόστροφο) του αξονίσκου με ασφάλεια αριστερόστροφα ενώ πιέξετε την ασφάλιση άξονα.

6. Επαναφέρετε τον προφυλακτήρα λάμας και κάλυμμα κέντρου στην αρχική τους θέση. Μετά σφίξτε το μπουλόνι εξαγωνικού κοιλώματος του καλύμματος κέντρου δεξιόστροφα για να ασφαλίσετε το κάλυμμα κέντρου.

7. Ελευθερώστε τη λαβή από την ανασηκωμένη θέση τραβώντας τον ανασταλτικό πείρο. Χαμηλώστε τη λαβή να βεβαιωθείτε ότι ο προφυλακτήρας λάμας κινείται κατάλληλα.

8. Βεβαιωθείτε ότι η ασφάλιση άξονα έχει ελευθερώσει τον αξονίσκο πριν κάνετε την κοπή.

Για εργαλείο με την εσωτερική φλάντζα για λάμα πριονιού με διάμετρο οπής 15,88 mm.

Ειδικό της χώρας

Τοποθετήστε την εσωτερική φλάντζα στον άξονα στερέωσης ώστε η πλευρά με το κοιλώμα να είναι στραμμένη προς τα έξω και στη συνέχεια τοποθετήστε τη λάμα πριονιού (με συνδεδεμένο τον δακτύλιο εάν απαιτείται), την εξωτερική φλάντζα και το εξαγωνικό μπουλόνι.

Για εργαλείο χωρίς δακτύλιο

► **Εικ.35:** 1. Εξωτερική φλάντζα 2. Λάμα πριονιού 3. Εσωτερική φλάντζα 4. Εξαγωνικό μπουλόνι (αριστερόχειρο) 5. Αξονίσκος

Για εργαλείο με δακτύλιο

► **Εικ.36:** 1. Εξωτερική φλάντζα 2. Λάμα πριονιού 3. Εσωτερική φλάντζα 4. Εξαγωνικό μπουλόνι (αριστερόχειρο) 5. Δακτύλιος 6. Αξονίσκος

▲ΠΡΟΕΙΔΟΠΟΙΗΣΗ: Αν απαιτείται ο δακτύλιος για τη στερέωση της λάμας στο αξόνιο, να βεβαιώνετε πάντα ότι έχει τοποθετηθεί ο σωστός δακτύλιος για την οπή δίσκου της λάμας που σκοπεύετε να χρησιμοποιήσετε, μεταξύ της εσωτερικής και εξωτερικής φλάντζας. Η χρήση εσφαλμένου δακτυλίου για την οπή άξονα μπορεί να καταλήξει σε εσφαλμένη στερέωση της λάμας προκαλώντας κίνηση της λάμας και σοβαρό κραδασμό με αποτέλεσμα πιθανή απώλεια ελέγχου κατά τη διάρκεια της λειτουργίας και σοβαρό προσωπικό τραυματισμό.

Για εργαλείο με την εσωτερική φλάντζα για λάμα πριονιού με διάμετρο οπής διαφορετική από 20 mm ή 15,88 mm

Ειδικό της χώρας

Η εσωτερική φλάντζα έχει μια ορισμένη διάμετρο του εξαρτήματος στερέωσης λάμας στη μία πλευρά και μια διαφορετική διάμετρο του εξαρτήματος στερέωσης λάμας στην άλλη πλευρά. Επιλέξτε τη σωστή πλευρά, στην οποία το εξάρτημα στερέωσης λάμας ταιριάζει τέλεια με την οπή λάμας πριονιού.

► **Εικ.37:** 1. Εξωτερική φλάντζα 2. Λάμα πριονιού 3. Εσωτερική φλάντζα 4. Εξαγωνικό μπουλόνι (αριστερόχειρο) 5. Αξονίσκος 6. Εξάρτημα στερέωσης λάμας

▲ΠΡΟΣΟΧΗ: Βεβαιωθείτε ότι το εξάρτημα στερέωσης λάμας «α» στην εσωτερική φλάντζα που είναι τοποθετημένο προς τα έξω ταιριάζει τέλεια στην οπή της λάμας πριονιού «α». Εάν στερεώσετε τη λάμα στη λανθασμένη πλευρά, μπορεί να προκληθεί επικίνδυνος κραδασμός.

Αφαίρεση της λάμας πριονιού

1. Κλειδώστε τη λαβή στην ανασηκωμένη θέση σπρώχνοντας μέσα τον ανασταλτικό πείρο.

2. Χρησιμοποιήστε το εξαγωνικό κλειδί για να χαλαρώσετε το εξαγωνικό μπουλόνι που κρατάει το κάλυμμα κέντρου γυρίζοντας το αριστερόστροφα. Μετά, σηκώστε τον προφυλακτήρα λάμας και το κάλυμμα κέντρου.

3. Πατήστε την ασφάλιση άξονα για να κλειδώσετε τον αξονίσκο και χρησιμοποιήστε το εξαγωνικό κλειδί για να χαλαρώσετε το μπουλόνι εξαγωνικού κοιλώματος δεξιόστροφα. Μετά, αφαιρέστε το μπουλόνι εξαγωνικού κοιλώματος, την εξωτερική φλάντζα και τη λάμα.

Όταν αποθηκεύετε το εργαλείο, τοποθετήστε την εξωτερική φλάντζα και σφίξτε λίγο το μπουλόνι εξαγωνικού κοιλώματος με το χέρι για να μην το χάσετε.

Σύνδεση με ηλεκτρική σκούπα

Όταν θέλετε να εκτελέσετε κοπές καθαρά, συνδέστε την ηλεκτρική σκούπα της Makita.

► **Εικ.38**

Σάκος σκόνης

Προαιρετικό εξάρτημα

Η χρήση του σάκου σκόνης διευκολύνει την εκτέλεση των εργασιών κοπής με καθαριότητα όπως και τη συλλογή σκόνης.

Για να προσαρμόσετε τον σάκο σκόνης, εφαρμόστε τον πάνω στο στόμιο σκόνης.

Για να προσαρμόσετε τον προσδετήρα, ευθυγραμμίστε το άνω άκρο του προσδετήρα με την τριγωνική ένδειξη στον σάκο σκόνης.

Όταν ο σάκος σκόνης είναι περίπου μισογεμάτος, αφαιρέστε τον από το εργαλείο και τραβήξτε τον προσδετήρα έξω. Αδειάστε τον σάκο σκόνης από τα περιεχόμενά του, χτυπήστε τον ελαφρά έτσι ώστε να αφαιρεθούν τα σωματίδια που είναι κολλημένα από μέσα και μπορεί να εμποδίζουν την περαιτέρω συλλογή.

► **Εικ.39:** 1. Σάκος σκόνης 2. Στόμιο σκόνης 3. Προσδετήρας

Ασφάλιση του τεμαχίου εργασίας

▲ ΠΡΟΕΙΔΟΠΟΙΗΣΗ: Είναι εξαιρετικά σημαντικό να ασφαλίσετε πάντα το τεμάχιο εργασίας σωστά με μέγγενη κατάλληλου τύπου. Η μη συμμόρφωση μπορεί να καταλήξει σε σοβαρό τραυματισμό και να προκαλέσει ζημία στο εργαλείο ή/και στο τεμάχιο εργασίας.

▲ ΠΡΟΕΙΔΟΠΟΙΗΣΗ: Κατά την κοπή τεμαχίου εργασίας με μήκος μεγαλύτερο από εκείνο της βάσης στήριξης του δισκοπρίονου, στήριξτε ολόκληρο το μήκος του υλικού πέραν της βάσης στήριξης και στο ίδιο ύψος ώστε το υλικό να παραμένει σε οριζόντια θέση. Η κατάλληλη στήριξη του τεμαχίου εργασίας διευκολύνει στο να αποτρέπεται η σύσφιξη της λάμας και ενδεχόμενο κλότσημα που μπορεί να καταλήξει σε πρόκληση σοβαρού τραυματισμού. Μη βασίζεστε αποκλειστικά στην κάθεται ή/και οριζόντια μέγγενη για να ασφαλίσετε το τεμάχιο εργασίας. Τα λεπτά υλικά έχουν την τάση να λυγίζουν. Υποστηρίξτε το τεμάχιο εργασίας καθ' όλο το μήκος του για να αποφύγετε τσίμπημα της λάμας και πιθανό ΚΛΟΤΣΗΜΑ.

► **Εικ.40:** 1. Υποστήριξη 2. Περιτροφοκική βάση

Κάθετη μέγγενη

▲ ΠΡΟΕΙΔΟΠΟΙΗΣΗ: Ασφαλίστε το τεμάχιο εργασίας σταθερά επάνω στην περιστροφική βάση και στο φράχτη οδηγού με τη μέγγενη κατά τη διάρκεια όλων των εργασιών. Διαφορετικά, το υλικό μπορεί να μετακινηθεί κατά τη διάρκεια της λειτουργίας κοπής, να προκαλέσει ζημία στη λάμα και να εκτοξευτεί, γεγονός που μπορεί να έχει ως αποτέλεσμα απώλεια ελέγχου και σοβαρό προσωπικό τραυματισμό.

Τοποθετήστε την κάθετη μέγγενη σε δύο θέσεις στα αριστερά ή στα δεξιά του φράχτη οδηγού ή της διάταξης θηκών. Βάλτε τη ράβδο μέγγενης μέσα στην τρύπα του φράχτη οδηγού ή της διάταξης θήκης και σφίξτε την κάτω βίδα για να ασφαλίσετε τη ράβδο μέγγενης.

► **Εικ.41:** 1. Βραχίονας μέγγενης 2. Ράβδος μέγγενης 3. Φράχτης οδηγός 4. Θήκη 5. Διάταξη θήκης 6. Κουμπί μέγγενης 7. Κάτω βίδα 8. Άνω βίδα

Τοποθετήστε τον βραχίονα της μέγγενης σύμφωνα με το σχήμα και το τεμάχιο εργασίας και ασφαλίστε τον βραχίονα της μέγγενης σφίγγοντας την άνω βίδα. Εάν η άνω βίδα αγγίζει τον φράχτη οδηγό, τοποθετήστε την άνω βίδα στην απέναντι πλευρά του βραχίονα της μέγγενης. Βεβαιωθείτε ότι κανένα μέρος του εργαλείου δεν κάνει επαφή με τη μέγγενη όταν χαμηλώνετε τη λαβή εντελώς και στρώχνετε ή τραβάτε την κινητή βάση σε όλη τη διαδρομή της. Εάν κάποιο μέρος κάνει επαφή, επανατοποθετήστε την μέγγενη. Πιάστε το τεμάχιο εργασίας επίθετα επί του φράχτη οδηγού και της περιστροφικής βάσης. Τοποθετήστε το τεμάχιο εργασίας στην επιθυμητή θέση κοπής και ασφαλίστε το σταθερά σφίγγοντας το κουμπί της μέγγενης.

Οριζόντια μέγγενη

Προαιρετικό εξάρτημα

▲ ΠΡΟΕΙΔΟΠΟΙΗΣΗ: Πιάστε το τεμάχιο εργασίας μόνο όταν η ένδειξη είναι στην υψηλότερη θέση. Αμέλεια να το κάνετε θα έχει ως αποτέλεσμα ανεπαρκή ασφάλεια του τεμαχίου εργασίας. Αυτό μπορεί να προκαλέσει την εκτόξευση του τεμαχίου εργασίας, ζημιά στη λάμα ή να προκαλέσει την απώλεια ελέγχου, που μπορεί να έχει ως αποτέλεσμα προσωπικό τραυματισμό.

► **Εικ.42:** 1. Κουμπί μέγγενης 2. Ένδειξη 3. Άξονας μέγγενης 4. Βάση

Η οριζόντια μέγγενη μπορεί να τοποθετηθεί στην αριστερή πλευρά της βάσης.

Εάν γυρίσετε το κουμπί της μέγγενης αριστερόστροφα, η βίδα ελευθερώνεται και ο άξονας της μέγγενης μπορεί να μετακινηθεί γρήγορα μέσα και έξω. Εάν γυρίσετε το κουμπί της μέγγενης δεξιόστροφα, η βίδα παραμένει ασφαλισμένη.

Για να πιάσετε το τεμάχιο εργασίας, γυρίστε το κουμπί της μέγγενης απαλά δεξιόστροφα μέχρι η ένδειξη να φτάσει στην υψηλότερη θέση, μετά στερεώστε με ασφάλεια. Εάν το κουμπί της βίδας της μέγγενης στρωχτεί μέσα ή τραβηχθεί έξω ενώ περιστρέφεται δεξιόστροφα, η ένδειξη θα σταματήσει σε κάποια γωνία. Στην περίπτωση αυτή γυρίστε το κουμπί της μέγγενης πίσω αριστερόστροφα μέχρι να ελευθερωθεί η βίδα και μετά γυρίστε την ξανά απαλά δεξιόστροφα.

Η μέγιστη χωρητικότητα της οριζόντιας μέγγενης είναι πλάτος 120 mm.

Θήκες και διάταξη θήκης

Προαιρετικό εξάρτημα

▲ ΠΡΟΣΟΧΗ: Για το εργαλείο που είναι εξοπλισμένο με θήκες και διατάξεις θηκών ως στάνταρ εξοπλισμό, αυτός ο τύπος χρήσης δεν επιτρέπεται λόγω των κανονισμών της χώρας.

▲ ΠΡΟΕΙΔΟΠΟΙΗΣΗ: Να φροντίζετε πάντα για τη στήριξη ενός τεμαχίου εργασίας μεγάλου μήκους, ώστε να παραμένει σε οριζόντια θέση στην άνω επιφάνεια της περιστροφικής βάσης για να επιτυγχάνεται κοπή με ακρίβεια και να αποτρέπεται επικίνδυνη απώλεια ελέγχου του εργαλείου. Η κατάλληλη στήριξη του τεμαχίου εργασίας διευκολύνει στο να αποτρέπεται η σύσφιξη της λάμας και το ενδεχόμενο κλότσημα που μπορεί να καταλήξει σε πρόκληση σοβαρού τραυματισμού.

Οι θήκες και η διάταξη θήκης (προαιρετικό εξάρτημα) μπορούν να τοποθετηθούν σε οποιαδήποτε πλευρά ως ένα βολικό μέσο υποστήριξης τεμαχίων εργασίας οριζόντια.

Τοποθετήστε τα στην πλευρά του εργαλείου και σφίξτε καλά τις βίδες για να τις ασφαλίσετε.

► **Εικ.43:** 1. Θήκη 2. Διάταξη θήκης

Όταν κόβετε μακριά τεμάχια εργασίας, χρησιμοποιείτε τη διάταξη θήκης και ράβδους (προαιρετικό εξάρτημα). Αυτό αποτελείται από δύο διατάξεις θήκης και δύο ράβδους 12.

► **Εικ.44:** 1. Διάταξη θήκης 2. Ράβδος 12

ΛΕΙΤΟΥΡΓΙΑ

▲ ΠΡΟΕΙΔΟΠΟΙΗΣΗ: Βεβαιωθείτε ότι η λάμα δεν έχει έρθει σε επαφή με το τεμάχιο εργασίας, κτλ., πριν ενεργοποιήσετε το εργαλείο. Η ενεργοποίηση του εργαλείου όταν η λάμα είναι σε επαφή με το τεμάχιο εργασίας μπορεί να καταλήξει σε κλότσημα και την πρόκληση σοβαρού τραυματισμού.

▲ ΠΡΟΕΙΔΟΠΟΙΗΣΗ: Μετά το πέρας της λειτουργίας κοπής, μην ανυψώσετε τη λάμα εάν δεν έχει ακινητοποιηθεί πλήρως. Η ανύψωση μιας λάμας που συνεχίζει να περιστρέφεται εξ αδρανείας μπορεί να καταλήξει σε σοβαρό τραυματισμό και στην πρόκληση ζημίας στο τεμάχιο εργασίας.

▲ ΠΡΟΕΙΔΟΠΟΙΗΣΗ: Μην αγγίζετε τις βίδες σύσφιξης που ασφαλίζουν τους στύλους ολίσθησης ενώ περιστρέφεται η λάμα πριονιού. Διαφορετικά, το εργαλείο μπορεί να χάσει τον έλεγχο και να προκληθεί προσωπικός τραυματισμός.

▲ ΠΡΟΣΟΧΗ: Μην αφήσετε την κεφαλή πριονιού χωρίς έλεγχο από την τέρμα κάτω θέση. Μια κεφαλή πριονιού χωρίς έλεγχο μπορεί να σας χτυπήσει και θα έχει ως αποτέλεσμα προσωπικό τραυματισμό.

ΕΙΔΟΠΟΙΗΣΗ: Πριν από τη χρήση, να βεβαιώνετε ότι ελευθερώνετε τη λαβή από τη χαμηλωμένη θέση σπρώχνοντας τον ανασταλτικό πείρο.

ΕΙΔΟΠΟΙΗΣΗ: Μην εφαρμόζετε υπερβολική πίεση στη λαβή όταν κόβετε. Η υπερβολική δύναμη μπορεί να έχει ως αποτέλεσμα υπερφόρτωση του κινητήρα ή/και μειωμένη επάρκεια κοπής. Πιέστε τη λαβή μόνο με όση δύναμη είναι απαραίτητη για απαλή κοπή και χωρίς σημαντική μείωση στην ταχύτητα της λάμας.

ΕΙΔΟΠΟΙΗΣΗ: Πιέστε προς τα κάτω απαλά τη λαβή για να πραγματοποιήσετε την κοπή. Εάν η λαβή πιεστεί κάτω με δύναμη ή εάν εφαρμοστεί πλευρική δύναμη, η λάμα θα δονείται και θα αφήσει κάποιο σημάδι (σημάδι πριονιού) στο τεμάχιο εργασίας και η ακρίβεια της κοπής θα ελαττωθεί.

ΕΙΔΟΠΟΙΗΣΗ: Κατά τη διάρκεια ολισθητικής κοπής, σπρώξτε απαλά την κινητή βάση προς το φράχτη οδηγό χωρίς να σταματήσετε. Εάν η κίνηση της κινητής βάσης διακοπεί κατά την κοπή, ένα σημάδι θα μείνει στο τεμάχιο εργασίας και η ακρίβεια της κοπής θα ελαττωθεί.

Κοπή πίεσης (κοπή μικρών τεμαχίων εργασίας)

▲ ΠΡΟΕΙΔΟΠΟΙΗΣΗ: Σφίξτε καλά τις δύο βίδες σύσφιξης οι οποίες ασφαλίζουν τους στύλους ολίσθησης γυρίζοντας δεξιόστροφα, ώστε να μην είναι επικτική η μετακίνηση της κινητής βάσης στη διάρκεια της εργασίας. Τυχόν ανεπαρκές σφίξιμο του κοχλία ασφάλισης μπορεί να προκαλέσει κλότσημα με αποτέλεσμα σοβαρό τραυματισμό.

► **Εικ.45:** 1. Κεφαλόβιδα 2. Διάταξη θήκης

Τεμάχια εργασίας μέχρι ύψος 52 mm και πλάτους 97 mm μπορούν να κοπούν με τον ακόλουθο τρόπο.

1. Σπρώξτε την κινητή βάση πλήρως προς τον φράχτη οδηγό και σφίξτε τις δύο βίδες σύσφιξης που ασφαλίζουν τους στύλους ολίσθησης δεξιόστροφα για να ασφαλίσουν την κινητή βάση.
2. Ασφαλίστε το τεμάχιο εργασίας με μέγγενη κατάλληλου τύπου.
3. Ανάψτε το εργαλείο χωρίς η λάμα να κάνει καμιά επαφή και περιμένετε μέχρι η λάμα να αποκτήσει πλήρη ταχύτητα πριν τη χαμηλώσετε.
4. Χαμηλώστε απαλά τη λαβή στην κατώτερη δυνατή θέση για να κόψετε το τεμάχιο εργασίας.
5. Όταν ολοκληρωθεί η κοπή, σβήστε το εργαλείο και περιμένετε μέχρι η λάμα να έχει ακινητοποιηθεί τελείως πριν επιστρέψετε τη λάμα στην πλήρως αυξημένη θέση της.

Κοπή ολίσθησης (ώθησης) (κοπή τεμαχίων εργασίας μεγάλου πλάτους)

▲ ΠΡΟΕΙΔΟΠΟΙΗΣΗ: Κάθε φορά που εκτελείτε ολισθητική κοπή, τραβήξτε πρώτα την κινητή βάση προς το μέρος σας και πιέστε τη λαβή πλήρως προς τα κάτω, στη συνέχεια ωθήστε την κινητή βάση προς το φράχτη οδηγό. Μην αρχίζετε ποτέ την κοπή, εάν δεν έχετε τραβήξει πλήρως την κινητή βάση προς το μέρος σας. Εάν εκτελέσετε την ολισθητική κοπή χωρίς να έχετε τραβήξει την κινητή βάση πλήρως προς το μέρος σας, μπορεί να προκληθεί μη αναμενόμενο κλότσημα και κατά συνέπεια σοβαρός τραυματισμός.

▲ ΠΡΟΕΙΔΟΠΟΙΗΣΗ: Μην επιχειρήσετε ποτέ να εκτελέσετε ολισθητική κοπή τραβώντας την κινητή βάση προς το μέρος σας. Εάν τραβήξετε την κινητή βάση προς το μέρος σας στη διάρκεια της κοπής, μπορεί να προκληθεί μη αναμενόμενο κλότσημα με αποτέλεσμα σοβαρό τραυματισμό.

▲ ΠΡΟΕΙΔΟΠΟΙΗΣΗ: Ποτέ μην εκτελείτε την ολισθητική κοπή με τη λαβή κλειδωμένη στη χαμηλωμένη θέση.

▲ ΠΡΟΕΙΔΟΠΟΙΗΣΗ: Ποτέ μη χαλαρώνετε το κουμπί το οποίο ασφαλίζει την κινητή βάση ενώ η λάμα περιστρέφεται. Αυτό μπορεί να προκαλέσει σοβαρό τραυματισμό. Εάν η κινητή βάση δεν είναι σταθερά ασφαλισμένη στη διάρκεια της κοπής, μπορεί να προκληθεί μη αναμενόμενο κλότσημα με αποτέλεσμα σοβαρό τραυματισμό.

► **Εικ.46:** 1. Κεφαλόβιδα 2. Διάταξη θήκης

1. Χαλαρώστε τις δύο βίδες σύσφιξης που ασφαλίζουν τους ολισθητικούς στύλους αριστερόστροφα έτσι ώστε η κινητή βάση να μπορεί να ολισθαίνει ελεύθερα.
2. Ασφαλίστε το τεμάχιο εργασίας με μέγγενη κατάλληλου τύπου.
3. Τραβήξτε την κινητή βάση προς το μέρος σας πλήρως.
4. Ανάψτε το εργαλείο χωρίς η λάμα να κάνει καμιά επαφή και περιμένετε μέχρι η λάμα να αποκτήσει πλήρη ταχύτητα.
5. Πατήστε προς τα κάτω τη λαβή και **τραβήξτε την κινητή βάση προς το φράχτη οδηγό και μέσα από το τεμάχιο εργασίας.**
6. Όταν ολοκληρωθεί η κοπή, σβήστε το εργαλείο και **περιμένετε μέχρι η λάμα να έχει ακινητοποιηθεί τελείως** πριν επιστρέψετε τη λάμα στην πλήρως αυξημένη θέση της.

Λοξή κοπή

Ανατρέξτε στην ενότητα για τη ρύθμιση της λοξής γωνίας.

Κωνική κοπή

▲ ΠΡΟΕΙΔΟΠΟΙΗΣΗ: Μόλις ρυθμίσετε τη λάμα για κωνική κοπή, πριν από την εκκίνηση του εργαλείου, βεβαιωθείτε ότι η κινητή βάση και η λάμα μπορούν να κινηθούν ελεύθερα σε όλο το εύρος της προοριζόμενης κοπής. Τυχόν παρεμπόδιση της διαδρομής της κινητής βάσης ή της λάμας κατά την εργασία κοπής μπορεί να καταλήξει σε κλότσημα και σοβαρό τραυματισμό.

▲ ΠΡΟΕΙΔΟΠΟΙΗΣΗ: Όταν εκτελείτε κωνική κοπή, φροντίστε ώστε να χέρια σας να μην βρίσκονται στη διαδρομή της λάμας. Η γωνία της λάμας μπορεί να προκαλέσει αβεβαιότητα στο χειριστή όσον αφορά την πραγματική διαδρομή της λάμας κατά την κοπή και οποιαδήποτε επαφή με τη λάμα θα προκαλέσει σοβαρό τραυματισμό.

▲ ΠΡΟΕΙΔΟΠΟΙΗΣΗ: Απαγορεύεται η ανύψωση της λάμας, εάν δεν ακινητοποιηθεί πρώτα η λάμα. Κατά την εκτέλεση κωνικής κοπής, το τεμάχιο που αποκόπεται μπορεί να έρθει σε επαφή με τη λάμα. Εάν η λάμα ανυψωθεί ενώ ακόμη περιστρέφεται, το τεμάχιο που έχει αποκοπεί μπορεί να εκτιναχθεί κατά την επαφή με τη λάμα προκαλώντας διάλυση του τεμαχίου σε θραύσματα τα οποία μπορεί να προκαλέσουν σοβαρό τραυματισμό.

▲ ΠΡΟΣΟΧΗ: (Μόνο για εργαλεία με βοηθητικό φράκτη) **Να ρυθμίζετε πάντα τον βοηθητικό φράχτη προς τα έξω όταν πραγματοποιείτε αριστερές κωνικές κοπές.**

► **Εικ.47:** 1. Διάταξη θήκης

1. Χαλαρώστε τον μοχλό και κλίνετε τη λάμα προιονίου για να ρυθμίσετε την κωνική γωνία (Ανατρέξτε στην προηγούμενη ενότητα «Ρύθμιση της κωνικής γωνίας»). Να βεβαιώνετε ότι ξανασφίγγετε τον μοχλό σταθερά για να ασφαλίσετε την επιλεχθείσα κωνική γωνία με σφάλεια.

2. Ασφαλίστε το τεμάχιο εργασίας με μια μέγγενη.
3. Τραβήξτε την κινητή βάση πλήρως προς το μέρος σας.
4. Ανάψτε το εργαλείο χωρίς η λάμα να κάνει καμιά επαφή και περιμένετε μέχρι η λάμα να αποκτήσει πλήρη ταχύτητα.
5. Χαμηλώστε αργά τη λαβή μέχρι την πλήρως χαμηλωμένη θέση ενώ ασκείτε πίεση παράλληλα με τη λάμα και **σπρώξτε την κινητή βάση προς το φράχτη οδηγό για να κόψετε το τεμάχιο εργασίας.**
6. Όταν ολοκληρωθεί η κοπή, σβήστε το εργαλείο και **περιμένετε μέχρι η λάμα να έχει ακινητοποιηθεί τελείως** πριν επιστρέψετε τη λάμα στην πλήρως αυξημένη θέση της.

ΕΙΔΟΠΟΙΗΣΗ: Όταν πατάτε κάτω τη λαβή, εφαρμόστε πίεση παράλληλα της λάμας. Εάν μια δύναμη εφαρμοστεί κάθετα στην περιστροφική βάση ή εάν η διεύθυνση της πίεσης αλλάξει κατά τη διάρκεια της κοπής, η ακρίβεια της κοπής θα ελαττωθεί.

Σύνθετη κοπή

Η σύνθετη κοπή είναι η διαδικασία κατά την οποία μια κωνική γωνία γίνεται την ίδια στιγμή που μια λοξή γωνία κόβεται σε ένα τεμάχιο εργασίας. Η σύνθετη κοπή μπορεί να εκτελεστεί στη γωνία που φαίνεται στον πίνακα.

Λοξή γωνία	Κωνική γωνία
Αριστερά και δεξιά 45°	Αριστερά 0° - 45°
Δεξιά 50°	Αριστερά 0° - 40°
Δεξιά 55°	Αριστερά 0° - 30°
Δεξιά 57°	Αριστερά 0° - 25°

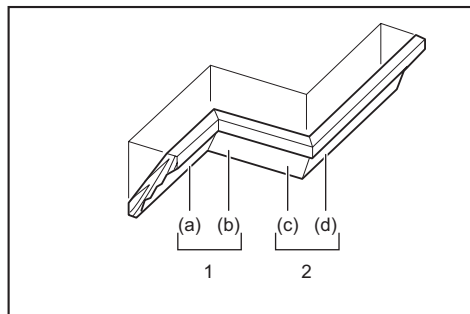
Όταν εκτελείτε σύνθετη κοπή, ανατρέξτε στις εξηγήσεις των ενότητων «Κοπή πίεσης», «Κοπή ολίσθησης», «Λοξή κοπή» και «Κωνική κοπή».

Κοπή ανάγλυφων μορφώσεων στέψης και μορφώσεων κοιλωτής μαρκίζας

Η κοπή ανάγλυφων μορφώσεων στέψης και μορφώσεων κοιλωτής μαρκίζας είναι εφικτή με πριόνι σύνθετης λοξότμησης με τις μορφώσεις τοποθετημένες σε επίπεδη θέση πάνω στην περιστροφική βάση. Υπάρχουν δύο συνήθεις τύποι ανάγλυφων μορφώσεων στέψης και ένας τύπος μόρφωσης κοιλωτής μαρκίζας, μόρφωση στέψης υπό γωνία 52/38° προς τον τοίχο, μόρφωση στέψης υπό γωνία 45° προς τον τοίχο και μόρφωση κοιλωτής μαρκίζας υπό γωνία 45° προς τον τοίχο.

- **Εικ.48:** 1. Ανάγλυφη μόρφωση στέψης υπό γωνία 52/38° 2. Ανάγλυφη μόρφωση στέψης υπό γωνία 45° 3. Μόρφωση κοιλωτής μαρκίζας υπό γωνία 45°

Υπάρχουν ενώσεις μορφώσεων στέψης και κοιλωτής μαρκίζας που προορίζονται για τοποθέτηση σε «Εσωτερικές» γωνίες τοίχου 90° ((a) και (b) στην εικόνα) και σε «Εξωτερικές» γωνίες τοίχου 90° ((c) και (d) στην εικόνα).



1. Εσωτερική γωνία τοίχου 2. Εξωτερική γωνία τοίχου

► **Εικ.49:** 1. Εσωτερική γωνία τοίχου 2. Εξωτερική γωνία τοίχου

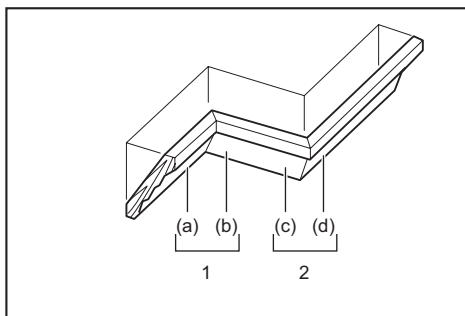
Μέτρηση

Μετρήστε το πλάτος τοιχώματος και ρυθμίστε το πλάτος του τεμαχίου εργασίας ανάλογα με αυτό. Να βεβαιώνετε πάντα ότι το πλάτος του άκρου επαφής τοιχώματος του τεμαχίου εργασίας είναι το ίδιο με το μήκος του τοιχώματος.

► **Εικ.50:** 1. Τεμάχιο εργασίας 2. Πλάτος τοιχώματος 3. Πλάτος του τεμαχίου εργασίας 4. Άκρο επαφής τοιχώματος

Να χρησιμοποιείτε πάντα αρκετά τεμάχια δοκιμής της κοπής, ώστε να ελέγχετε τις γωνίες του πριονιού. Κατά την εκτέλεση εργασιών κοπής ανάγλυφων μορφώσεων στέψης και μορφώσεων κοιλωτής μαρκίζας, καθορίστε την κωνική γωνία και τη λοξή γωνία όπως υποδεικνύεται στον πίνακα (Α) και τοποθετήστε τις μορφώσεις στην πάνω επιφάνεια της βάσης της λάμας πριονιού όπως υποδεικνύεται στον πίνακα (Β).

Στην περίπτωση αριστερής κωνικής κοπής



1. Εσωτερική γωνία 2. Εξωτερική γωνία

Πίνακας (Α)

–	Θέση μόρφωσης στην εικόνα	Κωνική γωνία		Λοξή γωνία	
		Τύπος 52/38°	Τύπος 45°	Τύπος 52/38°	Τύπος 45°
Για εσωτερική γωνία	(a)	Αριστερά 33,9°	Αριστερά 30°	Δεξιά 31,6°	Δεξιά 35,3°
	(b)			Αριστερά 31,6°	Αριστερά 35,3°
Για εξωτερική γωνία	(c)			Δεξιά 31,6°	Δεξιά 35,3°
	(d)				

Πίνακας (Β)

–	Θέση μόρφωσης στην εικόνα	Το άκρο μόρφωσης εφάπτεται στο φράχτη οδηγό	Ολοκληρωμένο τεμάχιο
Για εσωτερική γωνία	(a)	Το άκρο επαφής στο ταβάνι θα πρέπει να εφάπτεται στο φράχτη οδηγό.	Το ολοκληρωμένο τεμάχιο θα βρίσκεται στην αριστερή πλευρά της λάμας.
	(b)	Το άκρο επαφής στον τοίχο θα πρέπει να εφάπτεται στο φράχτη οδηγό.	Το ολοκληρωμένο τεμάχιο θα βρίσκεται στη δεξιά πλευρά της λάμας.
Για εξωτερική γωνία	(c)	Το άκρο επαφής στο ταβάνι θα πρέπει να εφάπτεται στο φράχτη οδηγό.	Το ολοκληρωμένο τεμάχιο θα βρίσκεται στη δεξιά πλευρά της λάμας.
	(d)	Το άκρο επαφής στο ταβάνι θα πρέπει να εφάπτεται στο φράχτη οδηγό.	

Παράδειγμα:

Στην περίπτωση κοπής ανάγλυφης μόρφωσης στέψης τύπου 52/38° για τη θέση (a) στην ανωτέρω εικόνα:

- Δώστε κλίση και ασφαλίστε τη ρύθμιση της κωνικής γωνίας σε 33,9° ΑΡΙΣΤΕΡΑ.
- Ρυθμίστε και ασφαλίστε τη λοξή γωνία σε 31,6° ΔΕΞΙΑ.
- Τοποθετήστε την ανάγλυφη μόρφωση στέψης, ώστε η πλατιά πίσω επιφάνειά της (δεν φαίνεται) να εφάπτεται στην περιστροφική βάση και το ΑΚΡΟ ΕΠΑΦΗΣ ΣΤΟ ΤΑΒΑΝΙ να εφάπτεται στο φράχτη οδηγό του πριονιού.
- Το ολοκληρωμένο τεμάχιο προς χρήση θα βρίσκεται πάντα στην ΑΡΙΣΤΕΡΗ πλευρά της λάμας μετά το πέρας της κοπής.

Κοπή αλουμινένιας προεξοχής

- **Εικ.51:** 1. Μέγγηση 2. Τάκος ρύθμισης απόσταση 3. Φράχτης οδηγός 4. Αλουμινένια προεξοχή 5. Τάκος ρύθμισης απόσταση

Όταν ασφαλίσετε τις αλουμινένιες προεξοχές, χρησιμοποιήστε τάκος ρύθμισης απόστασης ή παλιά κομμάτια ξύλου, όπως απεικονίζεται στην εικόνα, για να εμποδίσετε την παραμόρφωση του αλουμινίου. Να χρησιμοποιείτε ένα λιπαντικό κοπής κατά την κοπή της αλουμινένιας προεξοχής, ώστε να αποφευχθεί η συσσώρευση του αλουμινίου υλικού στη λάμα.

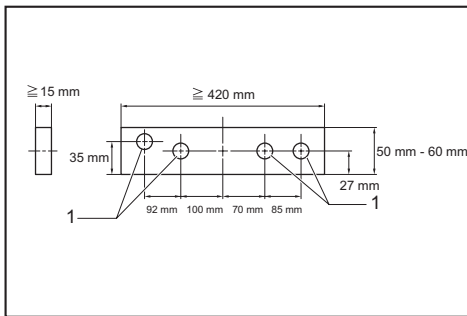
▲ΠΡΟΣΟΧΗ: Μην επιχειρήσετε ποτέ να κόψετε αλουμινένιες προεξοχές με μεγάλο πάχος ή στρογγυλής διατομής. Οι αλουμινένιες προεξοχές με μεγάλο πάχος μπορεί να αποσπαστούν κατά τη διάρκεια της εργασίας και οι στρογγυλές αλουμινένιες προεξοχές δεν μπορούν να ασφαλιστούν σταθερά με αυτό το εργαλείο.

Επένδυση ξύλου

▲ΠΡΟΕΙΔΟΠΟΙΗΣΗ: Χρησιμοποιήστε βίδες για να προσαρμόσετε την επένδυση ξύλου στο φράχτη οδηγό. Οι βίδες θα πρέπει να τοποθετούνται έτσι ώστε οι κεφαλές των βιδών να βρίσκονται κάτω από την επιφάνεια της επένδυσης ξύλου και να μην εμποδίζουν την τοποθέτηση του υλικού προς κοπή. Τυχόν κακή ευθυγράμμιση του υλικού προς κοπή μπορεί να προκαλέσει μη αναμενόμενη κίνηση στη διάρκεια της εργασίας κοπής η οποία μπορεί να καταλήξει σε απώλεια ελέγχου και σοβαρό τραυματισμό.

▲ΠΡΟΣΟΧΗ: Να χρησιμοποιείτε ίσιο ξύλο ομοιόμορφου πάχους για την επένδυση ξύλου.

Η χρήση επένδυσης ξύλου βοηθάει στην εξασφάλιση κοπών χωρίς σκλήθρες στα τεμάχια εργασίας. Προσαρμόστε μια επένδυση ξύλου στον φράχτη οδηγό χρησιμοποιώντας τις τρύπες στο φράχτη οδηγό. Δείτε την εικόνα σχετικά με τις διαστάσεις για μια προτεινόμενη επένδυση ξύλου.



1. Τρύπες

ΕΙΔΟΠΟΙΗΣΗ: Όταν η επένδυση ξύλου προσαρμόζεται, μην περιστρέψετε την περιστροφική βάση με τη λαβή χαμηλωμένη. Η λάμα ή/και η επένδυση ξύλου μπορεί να πάθουν ζημιά.

Κοπή επαναληπτικών μηκών

▲ΠΡΟΣΟΧΗ: Για το εργαλείο που είναι εξοπλισμένο με θήκες και διατάξεις θηκών ως στάνταρ εξοπλισμό, αυτός ο τύπος χρήσης δεν επιτρέπεται λόγω των κανονισμών της χώρας.

Όταν κόβετε πολλά τεμάχια υλικού στο ίδιο μήκος, από 220 mm έως 385 mm, χρησιμοποιήστε την πλάκα ρύθμισης (προαιρετικό εξάρτημα). Τοποθετήστε την πλάκα ρύθμισης στη θήκη (προαιρετικό εξάρτημα) όπως φαίνεται στην εικόνα.

- **Εικ.52:** 1. Πλάκα ρύθμισης 2. Θήκη 3. Βίδα

Ευθυγραμμίστε τη γραμμή κοπής στο τεμάχιο εργασίας σας με την αριστερή ή δεξιά πλευρά της αυλάκωσης στη σανίδα εγκοπής και ενώ κρατάτε το τεμάχιο εργασίας, μετακινήστε την πλάκα ρύθμισης στο ίδιο ύψος με την άκρη του τεμαχίου εργασίας. Μετά ασφαλίστε την πλάκα ρύθμισης με τη βίδα.

Όταν η πλάκα ρύθμισης δεν χρησιμοποιείται, χαλαρώστε τη βίδα και γυρίστε την πλάκα ρύθμισης ώστε να μην εμποδίζει.

ΠΑΡΑΤΗΡΗΣΗ: Η χρησιμοποίηση της διάταξης θήκης-ράβδου (προαιρετικό εξάρτημα) επιτρέπει κοπή επαναληπτικών μηκών μέχρι 2.200 mm περίπου.

Κοπή αυλάκωσης

▲ΠΡΟΕΙΔΟΠΟΙΗΣΗ: Μην επιχειρήσετε να εκτελέσετε κοπή αυτού του είδους χρησιμοποιώντας λάμα μεγαλύτερου πάχους ή λάμα πολλαπλής αυλάκωσης. Εάν επιχειρήσετε να δημιουργήσετε κοπή αύλακα χρησιμοποιώντας λάμα μεγαλύτερου πάχους ή λάμα πολλαπλής αυλάκωσης, το αποτέλεσμα της κοπής μπορεί να είναι απρόβλεπτο και μπορεί να προκληθεί κλότσημα με πιθανό σοβαρό τραυματισμό.

▲ΠΡΟΕΙΔΟΠΟΙΗΣΗ: Βεβαιωθείτε ότι επαναφέρετε τον ανασταλτικό βραχίονα στην αρχική θέση όταν εκτελέσει οτιδήποτε άλλο εκτός από κοπή αυλακώσεων. Εάν επιχειρήσετε να εκτελέσετε κοπή όταν ο ανασταλτικός βραχίονας βρίσκεται σε εσφαλμένη θέση, το αποτέλεσμα της κοπής μπορεί να είναι απρόβλεπτο και μπορεί να προκληθεί κλότσημα με πιθανό σοβαρό τραυματισμό.

Για κοπή τύπου αυλάκωσης, πραγματοποιήστε τα εξής:

1. Ρυθμίστε τη θέση του κάτω ορίου της λάμας δισκοπρίονου χρησιμοποιώντας τη ρυθμιστική βίδα και τον ανασταλτικό βραχίονα για να περιορίσετε το βάθος κοπής της λάμας δισκοπρίονου. Ανατρέξτε στην ενότητα για τον ανασταλτικό βραχίονα.

2. Αφού ρυθμίσετε τη θέση κάτω ορίου της λάμας δισκοπρίονου, κόψτε παράλληλες αυλακώσεις κατά πλάτος του τεμαχίου εργασίας χρησιμοποιώντας μια κοπή ολίσθησης (ώθησης).

- **Εικ.53:** 1. Κόψτε αυλακώσεις με τη λάμα

3. Αφαιρέστε το υλικό του τεμαχίου εργασίας μεταξύ των αυλακώσεων με ένα σκαρπέλο.

Μεταφορά εργαλείου

▲ ΠΡΟΕΙΔΟΠΟΙΗΣΗ: Ο ανασταλτικός πείρος προορίζεται μόνο για λόγους μεταφοράς και φύλαξης και δεν θα πρέπει ποτέ να χρησιμοποιείται σε οποιαδήποτε εργασία κοπής. Η χρήση του ανασταλτικού πείρου για εργασίες κοπής μπορεί να προκαλέσει μη αναμενόμενη κίνηση της λάμας πρινιού προκαλώντας κλότσημα και σοβαρό τραυματισμό.

▲ ΠΡΟΣΟΧΗ: Πάντοτε να ασφαλίσετε όλα τα κινούμενα τμήματα πριν μεταφέρετε το εργαλείο. Σε περίπτωση μετακίνησης ή ολίσθησης μερών του εργαλείου μπορεί να προκύψει απώλεια ελέγχου ή ισορροπίας προκαλώντας προσωπικό τραυματισμό.

► Εικ.54

1. Αφαιρέστε την κασέτα μπαταριών.
2. Ασφαλίστε τη λάμα σε κωνική γωνία 0° και την περιστροφική βάση στην τέρμα δεξιά λοξή γωνία.
3. Ασφαλίστε τους στύλους ολίσθησης, ώστε ο κάτω στύλος ολίσθησης να ασφαλιστεί στη θέση της κινητής βάσης όταν είναι πλήρως τραβηγμένη προς την πλευρά του χειριστή και οι άνω στύλοι ολίσθησης να ασφαλιστούν στη θέση της κινητής βάσης όταν έχει ωθηθεί πλήρως προς το φράχτη οδηγό.
4. Χαμηλώστε τη λαβή πλήρως και κλειδώστε την στην κάτω θέση σπρώχνοντας μέσα τον ανασταλτικό πείρο.
5. Μεταφέρετε το εργαλείο κρατώντας και τις δύο πλευρές της βάσης του εργαλείου. Εάν αφαιρέσετε τις θήκες, σάκο σκόνης, κλπ., μπορείτε να μεταφέρετε το εργαλείο πολύ ευκολότερα.

ΣΥΝΤΗΡΗΣΗ

▲ ΠΡΟΕΙΔΟΠΟΙΗΣΗ: Πάντοτε να επιβεβαιώνετε ότι η λάμα είναι ακονισμένη και καθαρή για την καλύτερη και ασφαλέστερη απόδοση. Εάν επιχειρήσετε να εκτελέσετε κοπή χρησιμοποιώντας στομαμένη ή/και ακάθαρτη λάμα, μπορεί να προκληθεί κλότσημα και κατά συνέπεια σοβαρός τραυματισμός.

▲ ΠΡΟΣΟΧΗ: Πριν την εκτέλεση εργασιών επιθεώρησης ή συντήρησης, πάντοτε να βεβαιώνετε ότι η συσκευή απενεργοποιήθηκε και η κασέτα μπαταριών έχει αφαιρεθεί.

ΕΙΔΟΠΟΙΗΣΗ: Μην χρησιμοποιείτε ποτέ βενζίνη, πετρελαϊκό αιθέρα, διαλυτικό, αλκοόλη ή παρόμοιες ουσίες. Μπορεί να προκληθεί αποχρωματισμός, παραμόρφωση ή ρωγμές.

Ρύθμιση της γωνίας κοπής

Αυτό το εργαλείο είναι προσεκτικά ρυθμισμένο και ευθυγραμμισμένο στο εργοστάσιο, αλλά σκληρή μεταχείριση μπορεί να έχει επηρεάσει την ευθυγράμμιση. Εάν το εργαλείο σας δεν είναι ευθυγραμμισμένο κατάλληλα, εκτελέστε τα ακόλουθα:

Λοξή γωνία

1. Σπρώξτε την κινητή βάση προς το φράχτη οδηγό και σφίξτε τις δύο βίδες σύσφιξης για να στερεώσετε την κινητή βάση.
2. Γυρίστε την περιστροφική βάση μέχρι ο δείκτης να δείχνει 0° στη λοξή κλίμακα.
3. Γυρίστε την περιστροφική βάση ελαφρά δεξιόστροφα και αριστερόστροφα για να τοποθετήσετε την περιστροφική βάση στη λοξή εγκοπή των 0°. (Αφήστε το όπως είναι εάν ο δείκτης δεν δείχνει στις 0°).
4. Χαλαρώστε τα μπουλόνια εξαγωνικού κοιλώματος που ασφαλίζουν το φράχτη οδηγό χρησιμοποιώντας το εξαγωνικό κλειδί.
► **Εικ.55:** 1. Φράχτης οδηγός 2. Εξαγωνικό μπουλόνι
5. Χαμηλώστε τη λαβή πλήρως και κλειδώστε την στην κάτω θέση σπρώχνοντας μέσα τον ανασταλτικό πείρο.
6. Προσαρμόστε το φράχτη οδηγού μέχρι να δημιουργηθεί μια κάθετη γωνία με τη λάμα χρησιμοποιώντας έναν τριγωνικό κανόνα, τετράγωνο κανόνα, κτλ. Μετά, ασφαλίστε καλά τα μπουλόνια εξαγωνικού κοιλώματος στο φράχτη οδηγού με τη σειρά, ξεκινώντας από τη δεξιά πλευρά.
► **Εικ.56:** 1. Τριγωνικός κανόνας 2. Φράχτης οδηγός
7. Βεβαιωθείτε ότι ο δείκτης δείχνει 0° στη λοξή κλίμακα. Εάν ο δείκτης δεν δείχνει 0°, χαλαρώστε τη βίδα που ασφαλίζει τον δείκτη και ρυθμίστε τον δείκτη έτσι ώστε να δείχνει 0°.
► **Εικ.57:** 1. Βίδα 2. Λοξή κλίμακα 3. Δείκτης

Κωνική γωνία

0° κωνική γωνία

- **Εικ.58:** 1. Μοχλός 2. Θήκη βραχίονα 3. Ρυθμιστικό μπουλόνι κωνικής γωνίας 0° μοιρών
4. Βραχίονας 5. Κουμπί ελευθέρωσης
1. Σπρώξτε την κινητή βάση προς το φράχτη οδηγό και σφίξτε τις δύο βίδες σύσφιξης για να στερεώσετε την κινητή βάση.
 2. Χαμηλώστε τη λαβή πλήρως και κλειδώστε τη στην κάτω θέση σπρώχνοντας μέσα τον ανασταλτικό πείρο.
 3. Χαλαρώστε τον μοχλό στο πίσω μέρος του εργαλείου.
 4. Γυρίστε το ρυθμιστικό μπουλόνι 0° κωνικής γωνίας (κάτω μπουλόνι) στη δεξιά πλευρά του βραχίονα δύο ή τρεις περιστροφές αριστερόστροφα για να δώσετε κλίση στη λάμα στα δεξιά.

5. Γυρίστε το ρυθμιστικό μπουλόνι κωνικής γωνίας 0° δεξιόστροφα προσεκτικά μέχρι η πλευρά της λάμας να σχηματίσει κάθετη γωνία με την άνω επιφάνεια της περιστροφικής βάσης. Χρησιμοποιήστε τριγωνικό κανόνα, τετράγωνο κανόνα, κτλ. ως οδηγό. Μετά σφίξτε τον μοχλό με ασφάλεια.

► **Εικ.59:** 1. Τριγωνικός κανόνας 2. Λάμα πριονιού 3. Άνω επιφάνεια περιστροφικού τραπέζιου

6. Βεβαιωθείτε ότι ο δείκτης στο βραχίονα υποδεικνύει 0° στην κωνική κλίμακα. Εάν δεν δείχνει 0° χαλαρώστε τη βίδα που ασφαλίξει το δείκτη και ρυθμίστε το δείκτη έτσι ώστε να δείχνει 0°.

► **Εικ.60:** 1. Κωνική κλίμακα 2. Δείκτης 3. Βίδα

45° κωνική γωνία

► **Εικ.61:** 1. Ρυθμιστικό μπουλόνι αριστερής 45° κωνικής γωνίας

Ρυθμίστε την κωνική γωνία 45° μόνο αφού εκτελέσετε ρύθμιση κωνικής γωνίας 0°.

1. Χαλαρώστε το μοχλό και γείρετε τη λάμα πλήρως αριστερά.

2. Βεβαιωθείτε ότι ο δείκτης στο βραχίονα υποδεικνύει 45° στην κωνική κλίμακα. Εάν ο δείκτης δεν δείχνει στις 45°, γυρίστε το ρυθμιστικό μπουλόνι (άνω μπουλόνι) της κωνικής γωνίας 45° στη δεξιά πλευρά του βραχίονα μέχρι ο δείκτης να δείξει στις 45°.

Μετά τη χρήση

Μετά τη χρήση, σφουγγίστε τα τεμαχίδια και τη σκόνη που είναι κολλημένα στο εργαλείο με ένα πανί ή κάτι παρόμοιο. Κρατήστε τον προφυλακτήρα λάμας καθαρό σύμφωνα με τις οδηγίες στην προηγούμενως καλυφθείσα ενότητα με τίτλο «Προφυλακτήρας λάμας». Λιπαίνετε τα μέρη που γλιστρούν με μηχανικό έλαιο για να μην οξειδωθούν.

Όταν αποθηκεύετε το εργαλείο, τραβήξτε τη κινητή βάση πλήρως προς το μέρος σας έτσι ώστε η στύλος ολίσθησης να έχει μπει καλά μέσα στη περιστροφική βάση.

Για τη διατήρηση της ΑΣΦΑΛΕΙΑΣ και ΑΞΙΟΠΙΣΤΙΑΣ του προϊόντος, οι επισκευές και οποιαδήποτε άλλη εργασία συντήρησης ή ρύθμισης πρέπει να εκτελούνται από εξουσιοδοτημένα ή εργοστασιακά κέντρα εξυπηρέτησης της Makita, χρησιμοποιώντας πάντοτε ανταλλακτικά της Makita.

ΠΡΟΑΙΡΕΤΙΚΑ ΕΞΑΡΤΗΜΑΤΑ

ΠΡΟΕΙΔΟΠΟΙΗΣΗ: Αυτά τα εξαρτήματα Makita ή προσαρτήματα συνιστώνται για χρήση με το εργαλείο Makita που περιγράφηκε στις οδηγίες αυτές. Η χρήση οποιωνδήποτε άλλων εξαρτημάτων ή προσαρτημάτων μπορεί να καταλήξει σε πρόκληση σοβαρού τραυματισμού.

ΠΡΟΕΙΔΟΠΟΙΗΣΗ: Το εξαρτήματα ή το πρόσάρτημα της Makita να χρησιμοποιείται μόνο για την προοριζόμενη χρήση του. Η κακή χρήση ενός εξαρτήματος ή προσαρτήματος μπορεί να καταλήξει σε πρόκληση σοβαρού τραυματισμού.

Εάν χρειάζεστε οποιαδήποτε βοήθεια για περισσότερες πληροφορίες σε σχέση με αυτά τα εξαρτήματα, αποτανθείτε στο τοπικό σας κέντρο εξυπηρέτησης Makita.

- Λάμες πριονιού καρβιδικών άκρων (Ανατρέξτε στον ιστότοπό μας ή επικοινωνήστε με τον τοπικό σας αντιπρόσωπο της Makita για τις σωστές λάμες πριονιού για χρήση με το υλικό προς κοπή).
- Διάταξη μέγγενης (οριζόντια μέγγενη)
- Κάθετη μέγγενη
- Διάταξη θήκης
- Διάταξη ράβδου θήκης
- Πλάκα ρύθμισης
- Σάκος σκόνης
- Τριγωνικός κανόνας
- Εξαγωνικό κλειδί
- Γνήσια μπαταρία και φορτιστής της Makita

ΠΑΡΑΤΗΡΗΣΗ: Μερικά στοιχεία στη λίστα μπορεί να συμπεριλαμβάνονται στη συσκευασία εργαλείου ως στάνταρ εξαρτήματα. Μπορεί να διαφέρουν ανάλογα με τη χώρα.

TEKNİK ÖZELLİKLER

Model:	DLS714
Bıçak çapı	190 mm
Delik (mil) çapı (ülkeye özgü)	20 mm ya da 15,88 mm
Testere bıçağı maks. kesim kalınlığı	2,2 mm
Maks. gönye açısı	Sol 47°, Sağ 57°
Maks. eğim açısı	Sol 45°, Sağ 5°
Yüksüz hız	5.700 min ⁻¹
Ebat (U x G x Y)	655 mm x 430 mm x 445 mm
Anma voltajı	D.C.36 V
Net ağırlık	14,4 - 14,7 kg

- Sürekli yapılan araştırma ve geliştirmelerden dolayı, burada belirtilen özellikler önceden bildirilmeksizin değiştirilebilir.
- Özellikler ülkeden ülkeye değişebilir.
- Ağırlık, ekli aksesuara/aksesuarlara ve batarya kartuşuna bağlı olarak farklılık gösterebilir. EPTA-Prosedürü 01/2014'e göre en hafif ve en ağır kombinasyonlar tabloda verilmiştir.

Geçerli batarya kartuşu ve şarj aleti

Batarya kartuşu	BL1815N / BL1820B / BL1830B / BL1840B / BL1850B / BL1860B
Şarj aleti	DC18RC / DC18RD / DC18RE / DC18SD / DC18SE / DC18SF / DC18SH / DC18WC

- Yukarıda listelenen batarya kartuşlarının ve şarj aletlerinin bazıları yaşadığınız bölgeye bağlı olarak mevcut olmayabilir.

UYARI: Sadece yukarıda listelenen batarya kartuşlarını ve şarj aletlerini kullanın. Başka batarya kartuşlarının ve şarj aletlerinin kullanılması yaralanma ve/veya yangına neden olabilir.

Bıçakla (Y x G) kesme kapasiteleri 190 mm çaplı

Gönye açısı	Eğim açısı		
	45° (sol)	0°	5° (sağ)
0°	40 mm x 300 mm	52 mm x 300 mm	40 mm x 300 mm
	45 mm x 265 mm (NOT 1)	60 mm x 265 mm (NOT 1)	–
45° (sağ ve sol)	40 mm x 212 mm	52 mm x 212 mm	–
	45 mm x 185 mm (NOT 2)	60 mm x 185 mm (NOT 2)	–
57° (sağ)	–	52 mm x 163 mm	–
	–	60 mm x 145 mm (NOT 3)	–

- 20 mm kalınlığında ahşap kaplama kullanırken maks. kesme kapasitesi
- 15 mm kalınlığında ahşap kaplama kullanırken maks. kesme kapasitesi
- 10 mm kalınlığında ahşap kaplama kullanırken maks. kesme kapasitesi

Semboller

Ekipmanı için kullanılabilir semboller aşağıda gösterilmiştir. Kullanmadan önce anlamlarını anladığınızdan emin olun.



Kullanma kılavuzunu okuyun.



Sıçrayan parçalardan yaralanmayı önlemek için kesim bittikten sonra bıçak tamamen durana kadar testere başını daima aşağıda tutun.



Kızaklı kesme sırasında önce taşıyıcıyı tamamen çekin ve kola bastırın, ardından taşıyıcıyı kılavuz bariyeri boyunca itin.



Elinizi ve parmaklarınızı bıçağa yaklaştırmayın.



Sola eğimli kesim yaparken her zaman ALT BARIYERİ sol konuma ayarlayın. Bunun yapılmaması operatörün ciddi şekilde yaralanmasına sebep olabilir.



Ni-MH
Li-Ion

Sadece AB ülkeleri için
Ekipmanda tehlikeli bileşenler bulunduğundan dolayı atık elektrikli ve elektronik ekipmanlar, aküler ve bataryalar çevre ve insan sağlığı üzerinde olumsuz etkiye yol açabilir.

Elektrikli ve elektronik cihazları veya bataryaları evsel atıklarla birlikte atmayın!
Atık elektrikli ve elektronik ekipmanlar ile akümülatörler ve bataryalar hakkındaki Avrupa Direktifi ve söz konusu direktifin ulusal yasalara uyarlanması gereğince atık elektrikli ekipmanlar, bataryalar ve akümülatörler ayrı olarak depolanmalı ve çevre koruma hakkındaki mevzuata uygun olarak faaliyet gösteren ayrı bir kentsel atık toplama noktasına teslim edilmelidir.
Bu husus, ekipmanın üzerine yerleştirilmiş üzerinde çarpı işareti bulunan tehlikeli çöp kovası simgesi ile belirtilmiştir.

Kullanım amacı

Bu alet, ahşap malzemede düz ve gönyeli hassas kesimler yapmak için tasarlanmıştır. Testereyi tahta, alüminyum ve benzeri dışındaki malzemeleri kesmek için kullanmayın.

Gürültü

Tipik A-ağırlıklı gürültü düzeyi (EN62841-3-9 standardına göre belirlenen):

Ses basınç seviyesi (L_{pA}): 88 dB (A)

Ses gücü düzeyi (L_{WA}): 97 dB (A)

Belirsizlik (K): 3 dB (A)

NOT: Beyan edilen gürültü emisyonu değer(ler) bir standart test yöntemine uygun şekilde ölçülmüştür ve bir aleti bir başkasıyla karşılaştırmak için kullanılabilir.

NOT: Beyan edilen gürültü emisyonu değer(ler) i bir ön maruz kalma değerlendirmesi olarak da kullanılabilir.

⚠UYARI: Kulak koruyucuları takın.

⚠UYARI: Elektrikli aletin gerçek kullanımı sırasındaki gürültü emisyonu, aletin kullanım biçimlerine, özellikle işlenen iş parçasının türüne bağlı olarak beyan edilen değer(ler)den farklı olabilir.

⚠UYARI: Gerçek kullanım koşullarındaki tahmini maruziyeti baz alan, operatörü koruyacak güvenlik önlemlerini mutlaka belirleyin (çalışma döngüsü içerisinde aletin kapalı olduğu ve aktif durumda olmasının yanı sıra boşta çalıştığı zamanlar gibi, bütün zaman dilimleri göz önünde bulundurarak).

Titreşim

Titreşim toplam değeri (üç eksenli vektör toplamı)

(EN62841-3-9 standardına göre hesaplanan):

Titreşim emisyonu (a_h): 2,5 m/s²den az

Belirsizlik (K): 1,5 m/s²

NOT: Beyan edilen titreşim toplam değer(ler) bir standart test yöntemine uygun şekilde ölçülmüştür ve bir aleti bir başkasıyla karşılaştırmak için kullanılabilir.

NOT: Beyan edilen titreşim toplam değer(ler) bir ön maruz kalma değerlendirmesi olarak da kullanılabilir.

⚠UYARI: Elektrikli aletin gerçek kullanımı sırasındaki titreşim emisyonu, aletin kullanım biçimlerine, özellikle işlenen iş parçasının türüne bağlı olarak beyan edilen değer(ler)den farklı olabilir.

⚠UYARI: Gerçek kullanım koşullarındaki tahmini maruziyeti baz alan, operatörü koruyacak güvenlik önlemlerini mutlaka belirleyin (çalışma döngüsü içerisinde aletin kapalı olduğu ve aktif durumda olmasının yanı sıra boşta çalıştığı zamanlar gibi, bütün zaman dilimleri göz önünde bulundurarak).

Uygunluk Beyanları

Sadece Avrupa ülkeleri için

Uygunluk beyanları bu kullanma kılavuzuna Ek A olarak eklenmiştir.

GÜVENLİK UYARILARI

Genel elektrikli alet güvenliği uyarıları

⚠UYARI: Bu elektrikli aletle birlikte verilen tüm güvenlik uyarılarını, talimatları, resimli açıklamaları ve teknik özellikleri okuyun. Aşağıda listelenen talimatların herhangi birine uyulmaması elektrik çarpması, yangın ve/veya ciddi yaralanma ile sonuçlanabilir.

Tüm uyarıları ve talimatları iletiride başvurmak için saklayın.

Uyarılardaki "elektrikli alet" terimi ile ya prizden çalışan (kordonlu) elektrikli aletiniz ya da kendi aküsü ile çalışan (kordonsuz) elektrikli aletiniz kastedilmektedir.

Gönye kesme testereleri için güvenlik talimatları

- Gönye kesme testereleri ahşap veya ahşap benzeri ürünleri kesmek için tasarlanmıştır, çubuklar, rodlar, saplamalar, vb. gibi demir malzemeleri kesmek için aşındırıcı kesim diskleriyle kullanılamaz.** Aşındırıcı toz alt siper gibi hareketli parçaların sıkışmasına neden olur. Aşındırıcı kesimden kaynaklanan kıvılcımlar alt siperi, kesim kanalı ve diğer plastik parçaları yakar.
 - Mümkün olan her durumda iş parçasını men-geneler kullanarak destekleyin. İş parçasını elle destekliyorsanız elini daima testere bıçağının her iki tarafından en az 100 mm uzakta tutun. Bu testereyi, sabitlemeyecek veya elle tutulamayacak kadar küçük parçaları kesmek için kullanmayın.** Eliniz testere bıçağına çok yakın yerleştirilirse yüksek oranda bıçağına temas ederek yaralanma riski vardır.
 - İş parçası sabit olmalı ve mengene ile sabitlenmeli veya bariyer ve tezgaha dayanacak şekilde tutulmalıdır. İş parçasını "sabitlemeden" hiçbir şekilde bıçağına sürmeyin veya kesmeyin.** Sabitlenmemiş veya hareket eden iş parçaları yüksek hızlarda fırlayarak yaralanmaya neden olabilir.
 - Testereyi iş parçası boyunca itin. Testereyi iş parçası boyunca çekmeyin. Kesim yapmak için testere kafasını kaldırın ve kesmeden iş parçasının üzerinden dışarı çekin, motoru çalıştırın, testere kafasını aşağı doğru bastırın ve testereyi iş parçası boyunca itin.** Çekmek suretiyle kesim yapılması testere bıçağının iş parçasının üzerine tirmanmasına ve bıçak takimini operatöre doğru şiddetle fırlatmasına neden olabilir.
 - Eliniz, testere bıçağının önünden veya arkasından tasarlanan kesim çizgisinin öbür tarafa geçirmeyin.** İş parçasının "çapraz şekilde" yani iş parçasını testere bıçağının sağında sol elinizle tutarak veya tersi şekilde desteklemek çok tehlikelidir.
- **Şek.1**
- Bıçak dönerken atık ahşap parçalarını kaldırmak veya başka herhangi bir nedenle testere bıçağının her iki tarafına 100 mm'den daha yakın olacak şekilde ellerinizle bariyerin arkasına uzanmayın.** Dönen testere bıçağının elinize olan yakınlığı belli olmayabilir ve ciddi şekilde yaralanabilirsiniz.
 - Kesmeden önce iş parçasını inceleyin. İş parçası eğri veya çarpık ise dış eğri kısmı bariyere gelecek şekilde mengene ile sabitleyin. Kesim çizgisi boyunca iş parçası, bariyer ve tezgah arasında boşluk kalmadığından daima emin olun.** Eğri veya çarpık iş parçaları dönelbilir veya kayabilir ve kesim sırasında dönen testere bıçağına takılmasına neden olabilir. İş parçasında çivi veya yabancı maddeler olmamalıdır.
 - Tezgahta iş parçası dışındaki tüm aletler, atık ahşap parçaları, vb. kaldırılmadan testereyi kullanmayın.** Dönen bıçağına temas eden küçük atıklar veya gevşek ahşap parçaları ya da başka nesnelere yüksek hızla fırlayabilir.
 - Tek seferde sadece bir adet iş parçası kesin.** Üst üste dizilen birden fazla iş parçası yeterli kadar sabitlenemeyebilir veya desteklenemeyebilir ve kesim sırasında bıçağı takılabilir veya kayabilir.
 - Kullanmadan önce gönye kesme makinasının düz, sabit bir çalışma yüzeyine monte edildiğinden veya yerleştirildiğinden emin olun.** Düz ve sabit çalışma yüzeyi gönye kesme makinasının dengesini yitirme riskini azaltır.
 - İşinizi planlayın. Eğim veya gönye açısı ayarını her değiştirdiğinizde ayarlanabilir bariyerin iş parçasını destekleyecek şekilde doğru ayarlandığından ve bıçak veya koruma siperi sisteme müdahale etmeyeceğinden emin olun.** Aleti "Açık" konuma almadan önce ve tezgahta iş parçası yokken bariyere müdahale edilemeyeceğinden veya bariyerin kesilme tehlikesi olmadığından emin olmak için testere bıçağını tam bir temsili kesim yapacak şekilde hareket ettirin.
 - Tezgahtan daha geniş veya uzun iş parçası için testere uzantıları, testere tezgahları, vb. gibi yeterli destek sağlayın.** Gönye kesme makinasının tezgahından daha uzun veya daha geniş iş parçaları emniyetli bir şekilde desteklenmezse devrilebilir. Kesilen parça veya iş parçası devrilsen alt siperi kaldırabilir veya dönen bıçak tarafından fırlatılabilir.
 - Tezgahtan uzantısı veya ilave destek yerine başka bir kişiyi kullanmayın.** İş parçasının dengesiz şekilde desteklenmesi kesim işlemi sırasında bıçağın takılmasına veya iş parçasının kaymasına neden olarak sizi veya yardım eden kişiyi dönen bıçağına çekebilir.
 - Kesilen parça dönen testere bıçağına dayanacak şekilde hiçbir biçimde sıkıştırılmamalı veya bastırılmamalıdır.** Uzunluk dayanakları kullanarak sınırlandırılması durumunda kesilen parça bıçağına dayanıp kalarak şiddetli bir şekilde fırlayabilir.
 - Daima çubuklar veya borular gibi yuvarlak malzemeleri düzgün şekilde desteklemek üzere tasarlanmış mengene veya sabitleme aparatı kullanın.** Çubuklar kesilirken dönme eğilimi gösterdiklerinden bıçak iş parçasını kavrayarak elinizle birlikte bıçağına çekilmesine neden olur.
 - İş parçasına temas ettirmeden önce bıçağın tam hıza çıkmasını bekleyin.** Bu, iş parçasının fırlatılma riskini düşürecektir.
 - İş parçası veya bıçak sıkışırsa gönye kesme makinasını kapatın. Tüm hareketli parçaların durmasını bekleyin ve fişi elektrik prizinden çekin ve/veya bataryayı çıkarın. Daha sonra sıkışan malzemeyi çıkarmaya çalışın.** Sıkışan iş parçası ile kesmeye devam etmek kontrol kaybına veya gönye kesme makinasının hasar görmesine neden olabilir.
 - Kesimi tamamladıktan sonra anahtarını bırakın, testere kafasını aşağıda tutun ve kesilen parçayı çıkarmadan önce bıçağın durmasını bekleyin.** Boşta dönen bıçağın yakınına elinizle uzanmak tehlikelidir.
 - Eksik kesim yaparken veya testere kafası tamamen aşağı konuma gelmeden önce anahtarını bırakırken tutacağı sıkıca tutun.** Testerenin frenleme hareketi testere kafasının aniden aşağı doğru çekilmesine neden olarak yaralanma riskine yol açabilir.

20. **Sadece alet üzerinde işaretli olan ya da kılavuzda belirtilen çapta testere bıçağı kullanın.** Yanlış boyutta bir bıçak kullanılması bıçağın doğru bir şekilde korunmasını ya da koruma parçasının işleyişini etkileyebilir, bu da ciddi kişisel yaralanmalara neden olabilir.
21. **Sadece hızı alet üzerinde işaretli olan hızı eşit ya da ondan daha yüksek olan testere bıçaklarını kullanın.**
22. **Testereyi tahta, alüminyum ve benzeri dışındaki malzemeleri kesmek için kullanmayın.**
23. **(Sadece Avrupa ülkeleri için) Daima EN847-1'e uygun bıçak kullanın.**

Ek talimatlar

1. **Atölyeyi asma kilitlerle çocukların erişemeyeceği hale getirin.**
2. **Hiçbir zaman aletin üzerine çıkmayın.** Alet devrilir veya kesim aleti kazara temas ederse ciddi yaralanma meydana gelebilir.
3. **Aleti hiçbir zaman çalışır durumda başı boş bırakmayın.** Gücü kapatın. Tamamen durmadan aletin başından ayrılmayın.
4. **Koruma siperlerini yerine takmadan testereyi kullanmayın.** Her kullanımdan önce bıçak siperinin doğru bir şekilde kapatılıp kapatılmadığını kontrol edin. Bıçak siperi serbest bir şekilde hareket etmiyor ve anında kapanmıyorsa testereyi kullanmayın. Bıçak siperini asla açık konumda kalacak şekilde sıkıştırmayın ve bağlamayın.
5. **Ellerinizi testere bıçağının hareket alanından uzak tutun.** Alet durdurulduktan sonra durana kadar boşta dönen bıçağı temastan sakının. Ciddi yaralanmalara sebep olabilir.
6. **Yaralanma riskini azaltmak için her enine kesimden sonra taşıyıcıyı tam geri konuma döndürün.**
7. **Aleti taşımadan önce hareket eden tüm parçaları sabitleyin.**
8. **Kesici kafanın aşağı sabitlenmesini sağlayan sabitleme pimi sadece taşıma ve saklama amacıyla kullanılmalı, hiçbir kesim işlemi sırasında kullanılmamalıdır.**
9. **Kullanmadan önce bıçakta çatlak ya da hasar olup olmadığını dikkatlice kontrol edin.** Çatlak veya hasarlı bıçağı hemen değiştirin. Bıçakların üzerinde sertleşen sakız ve odun katranı testereyi yavaşlatır ve geri tepme potansiyelini artırır. Bıçağı ilk önce aletten çıkarıp daha sonra sakız veya katran temizleyici, sıcak su veya gaz yağı ile temizleyerek temiz tutun. Bıçağı temizlemek için asla benzin kullanmayın.
10. **Kızaklı kesim yaparken GERİ TEPME meydana gelebilir.** GERİ TEPME, kesim işlemi sırasında bıçak iş parçasına takıldığına ve testere bıçağı hızlı bir şekilde operatöre doğru sürüldüğünde meydana gelir. Kontrol kaybı ve ciddi yaralanmayla sonuçlanabilir. Kesim işlemi sırasında bıçak takılmaya başlarsa kesime devam etmeyin ve anahtar hemen bırakın.
11. **Sadece bu alete uygun olan flanşları kullanın.**
12. **Mil, flanş (özellikle montaj yüzeyi) ve civatalara zarar gelmemesine dikkat edin.** Bu parçalara zarar gelirse bıçak kırılabilir.

13. **Dönüş kaidesinin iyice sabitlendiğinden, kullanım sırasında hareket etmeyeceğinden emin olun.** Testereyi sabit bir çalışma platformuna veya tezgaha sabitlemek için kaide üzerindeki delikleri kullanın. Aleti, operatörün konumu biçimsiz olacak şekilde ASLA kullanmayın.
14. **Anahtar açıldandan önce mil kilidinin serbest olduğundan emin olun.**
15. **Bıçağın en düşük konumda dönüş kaidesine temas etmediğinden emin olun.**
16. **Tutamağı elinizle sıkıca tutun.** Başlatma ve durma sırasında testerenin hafifçe yukarı veya aşağı hareket ettiğini unutmayın.
17. **Anahtar açılmadan önce bıçağın iş parçasına temas etmediğinden emin olun.**
18. **Aleti iş parçası üzerinde kullanmadan önce bir müddet çalıştırın.** İyi takılmamış veya tam dengelenmemiş bir bıçağın belirtileri olan vibrasyon ya da sallanma olup olmadığına bakın.
19. **Anormal bir durum fark ederseniz kullanımı derhal durdurun.**
20. **Tetiği "Açık" konumda kilitlemeye çalışmayın.**
21. **Daima bu kılavuzda tavsiye edilen aksesuarları kullanın.** Aşındırıcı disk gibi uygun olmayan aksesuarların kullanımı yaralanmaya sebep olabilir.
22. **Bazı malzemeler zehirli olabilecek kimyasal maddeler içerir.** Tozun solunmasını ve cilde temas etmesini önlemek için dikkatli olun. Malzeme tedarikçisinin güvenli bilgilerini izleyin.

Lazer için ek güvenlik kuralları

1. **LAZER RADYASYONU, İŞİNA BAKMAYIN VEYA OPTİK ALETLERLE DOĞRUDAN İZLEMİYİN, SINIF 2M LAZERLİ ÜRÜN.**

BU TALİMATLARI MUHAFAZA EDİNİZ.

⚠UYARI: Ürünü kullanırken (defalarca kullanınca kazanılan) rahatlık ve tanıdıklık duygusunun ilgili ürünün güvenlik kurallarına sıkı sıkıya bağlı kalmanın yerine geçmesine İZİN VERMEYİN. YANLIŞ KULLANIM veya bu kullanma kılavuzunda belirtilen emniyet kurallarına uymama ciddi yaralanmaya neden olabilir.

Batarya kartuşu hakkında önemli güvenlik talimatları

1. **Batarya kartuşunu kullanmadan önce, tüm talimatları ve (1) batarya kartuşu, (2) batarya ve (3) ürün üzerindeki tüm uyarı işaretlerini okuyun.**
2. **Batarya kartuşunu parçalarına ayırmayın veya kurcalamayın.** Yangın, aşırı ısı veya patlamaya neden olabilir.
3. **Çalışma süresi aşırı derecede kısalmışsa kullanmayı derhal bırakın.** Aşırı ısınma, yanma riski hatta patlamaya neden olabilir.
4. **Gözünüze elektrolit kaçarsa, gözlerinizi temiz suyla durulayın ve hemen tıbbi yardım alın.** Görme kaybına yol açabilir.

5. **Batarya kartuşuna kısa devre yaptırmayın:**
 - (1) Terminallere herhangi bir iletken madde deędirmeyin.
 - (2) Batarya kartuşunu çiviler, madeni paralar, vb. gibi başka metal nesnelere aynı kaba koymaktan kaçının.
 - (3) Batarya kartuşunu yağmura ya da suya maruz bırakmayın.

Kısa devre, büyük bir akım akışına, aşırı ısınmaya, olası yanıklara hatta bataryanın bozulmasına yol açabilir.
6. **Aleti ve batarya kartuşunu sıcaklığın 50°C ya da daha yüksekçe ulaştığı yerlerde saklamayın ve kullanmayın.**
7. **Aşırı derecede hasar görmüş ya da tamamen kullanılmaz durumda olsa bile batarya kartuşunu yakmayın. Batarya kartuşu ateşe atılırsa patlayabilir.**
8. **Batarya kartuşunu çivilememeyin, kesmeyin, ezmeyin, fırlatmayın, düşürmeyin ya da batarya kartuşuna sert bir nesne ile vurmayın. Bu eylemler yangın, aşırı ısı veya patlamaya neden olabilir.**
9. **Hasarlı bataryayı kullanmayın.**
10. **Aletin içerdığı lityum-iyon bataryalar Tehlikeli Eşyalar Yönetmeliğinin gereksinimlerine tabidir.** Ticari nakliye işlemleri için, örneğin üçüncü taraflar, nakliye acenteleri tarafından yapılan nakliyelerde, paketleme ve etiketleme gereksinimlerine uyulmalıdır. Nakliyesi yapılacak ürünün hazırlanması için, tehlikeli maddeler konusunda uzman bir kişiye danışın. Lütfen muhtemelen daha ayrıntılı olan ulusal yönetmeliklere de uyun. Açık kontakları bantlayın ya da maskeleyin ve bataryayı paketin içinde hareket etmeyecek şekilde paketleyin.
11. **Batarya kartuşunu bertaraf ederken aletten çıkarın ve güvenli bir yerde bertaraf edin. Bataryanın bertaraf edilmesi ile ilgili yerel düzenlemelere uyunuz.**
12. **Bataryaları sadece Makita tarafından belirtilen ürünlerle kullanın. Bataryaların uyumsuz ürünlere takılması; yangın, aşırı ısınma, patlama ya da elektrolit sızıntısına neden olabilir.**
13. **Alet uzun süre kullanılmıyacaksa batarya aletten çıkarılmalıdır.**
14. **Kullanma sırasında ve sonrasında batarya kartuşu ısınarak yanıklar veya düşük sıcaklık yanıklarına yol açabilir. Sıcak batarya kartuşları ile işlem yaparken dikkat edin.**
15. **Yanıklara neden olabilecek kadar sıcak olabileceğinden kullandıktan hemen sonra aletin terminaline dokunmayın.**
16. **Batarya kartuşunun terminallerine, deliklerine ve kanallarına mıcır, toz veya toprak girmesine izin vermeyin. Aletin veya batarya kartuşunun ısınmasına, alev almasına, patlamasına ve arızalanmasına neden olarak yanıklara veya yaralanmaya yol açabilir.**
17. **Alet yüksek gerilim elektrik güç hatları yakınında kullanımı desteklemediği sürece batarya kartuşunu yüksek gerilim elektrik güç hatlarının yakınında kullanmayın. Aletin veya batarya kartuşunun arızalanmasına veya bozulmasına neden olabilir.**
18. **Bataryayı çocuklardan uzak tutun.**

BU TALİMATLARI MUHAFAZA EDİNİZ.

⚠DİKKAT: Sadece orijinal Makita bataryalarını kullanın. Orijinal olmayan Makita bataryaları ya da üzerine deęişiklik yapılmış bataryaların kullanımı bataryanın patlamasına ve sonuç olarak yangın, kişisel yaralanma ve hasara neden olabilir. Ayrıca Makita aleti ve şarj aletinin Makita tarafından sunulan garantisini de geçersiz olur.

Maksimum batarya ömrü için ipuçları

1. **Batarya kartuşunu tamamen boşalmadan önce şarj edin. Aletin gücünün zayıflamaya başladığını fark ettiğinizde aleti durdurun ve batarya kartuşunu şarj edin.**
2. **Tam dolu bir batarya kartuşunu asla yeniden şarj etmeyin. Aşırı şarj etme bataryanın hizmet ömrünü kısaltır.**
3. **Batarya kartuşunu 10 °C - 40 °C oda sıcaklığında şarj edin. Sıcak bir batarya kartuşunu şarj etmeden önce soğumasını bekleyin.**
4. **Batarya kartuşunu kullanmıyorken aletten veya şarj aletinden çıkarın.**
5. **Uzun bir süre (altı aydan daha fazla) kullanmadığınız durumlarda batarya kartuşunu şarj edin.**

PARÇALARIN TANIMI

► Şek.2

1	Güvenlik kilidi düğmesi	2	Anahtar tetik	3	Bıçak kılıfı	4	Ayar vidası (alt limit konumu için)
5	Ayar civatası (maksimum kesme kapasitesi için)	6	Durdurucu kol	7	Toz torbası	8	Eğim ölççeği
9	Bıçak siperi	10	Dikey vida	11	Kılavuz bariyeri	12	Tutucu
13	Kilitleme kolu (dönüş kaidesi için)	14	Kavrama kolu (dönüş kaidesi için)	15	Ayar civatası (dönüş kaidesi için)	16	Kesim tahtası
17	İşaretçi (gönye açısı için)	18	Dönüş kaidesi	19	Tutucu mekanizması	20	Bariyer mili
21	Alt bariyer	-	-	-	-	-	-

► Şek.3

22	Kızak ucu (üst)	23	Ayar vidası (üst kızak ucunun kilitlemesi için)	24	Altıgen anahtar	25	Sıkıştırma vidası (tutucunun kilitlemesi için)
26	Kol (eğim açısı ayarı için)	27	Kızak ucu (alt)	28	Ayar vidası (alt kızak ucunun kilitlemesi için)	-	-

KURULUM

Tezgahın montajı

▲UYARI: Aletin destek yüzeyinin üzerine gelmemesine dikkat edin. Gönye kesme makinasının kesim sırasında destek yüzeyine gelmesi, kontrolün kaybedilmesine ve ciddi kişisel yaralanmalara sebep olabilir.

1. Kaideyi iki cıvata ile sıkıştırarak düz ve stabil bir yüzeye sabitleyin. Bu, kaymayı ve olası yaralanmaları önlemeye yardımcı olacaktır.

► **Şek.4:** 1. Cıvata

2. Ayar cıvatasını saat yönünde veya saatin aksi yönde döndürerek aletin sabit durması için zemin yüzeyi ile temas etmesini sağlayın.

► **Şek.5:** 1. Ayar cıvatası

Tutucular ve tutucu mekanizmalarının monte edilmesi

NOT: Bazı ülkelerde tutucular ve tutucu mekanizmaları, alet paketi içerisinde standart aksesuar olarak dahil edilmemiş olabilir.

Tutucular ve tutucu mekanizmaları, iş parçalarını yatay olarak destekler.

Bariyer millerini, altıgen anahtarları kullanarak tutucu mekanizmalarına sıkın.

► **Şek.6:** 1. Tutucu 2. Tutucu mekanizması 3. Bariyer mili 4. Altıgen anahtar

Tutucuları ve tutucu mekanizmalarını şekilde gösterildiği gibi her iki tarafa monte edin. Monte ederken bariyer milinin, alete takıldığında kılavuz bariyeriyle aynı hatta olduğundan emin olun.

► **Şek.7:** 1. Tutucu 2. Tutucu mekanizması 3. Vida

Ardından tutucuları ve tutucu mekanizmalarını sabitlemek için vidaları iyice sıkın.

İŞLEVSEL NİTELİKLER

▲UYARI: Alet üzerinde ayarlama ya da işleyiş kontrolü yapmadan önce aletin kapalı ve batarya kartuşunun çıkartılmış olduğundan daima emin olun. Aletin kapatılmaması ve batarya kartuşunun çıkarılmaması istemsiz olarak aletin başlatılması sonucu ciddi kişisel yaralanmalara neden olabilir.

Batarya kartuşunun takılması ve çıkarılması

▲DİKKAT: Batarya kartuşunu takmadan ya da çıkarmadan önce aleti daima kapatın.

▲DİKKAT: Batarya kartuşunu takarken veya çıkarırken aleti ve batarya kartuşunu sıkıca tutun. Aletin ve batarya kartuşunun sıkıca tutulmaması bunların düşürülmesine sebep olabilir ve alet ve batarya kartuşunun zarar görmesine ya da ciddi yaralanmasına yol açabilir.

► **Şek.8:** 1. Kırmızı göstergesi 2. Düğme 3. Batarya kartuşu

Batarya kartuşunu çıkarmak için, kartuşun ön tarafındaki düğmeyi kaydırarak kartuşu aletten çıkarın.

Batarya kartuşunu takmak için, batarya kartuşu üzerindeki dili yuvanın çentiği ile hizalayın ve yerine oturtun. Hafif bir tık sesi duyulana kadar itip yerine tam oturmasını sağlayın. Düğmenin üst tarafındaki kırmızı göstergesi görünüyorsa tam yerine kilitlememiş demektir.

▲DİKKAT: Batarya kartuşunu daima kırmızı göstergesi görünmeyecek şekilde tam olarak takın. Yerine tam oturmazsa, aletten yanlışlıkla düşebilir, sizin ya da çevrenizdeki kişilerin yaralanmasına neden olabilir.

▲DİKKAT: Batarya kartuşunu zorlayarak takmayın. Kartuş kolay bir şekilde kaymıyorsa doğru yerleştirilmemiş demektir.

NOT: Alet, tek batarya kartuşu ile çalışmaz.


Alet/batarya koruma sistemi

Bu alet bir alet/batarya koruma sistemi ile donatılmıştır. Bu sistem motora giden gücü otomatik olarak keserek uzun alet ve batarya ömrü sağlar. Alet veya batarya için aşağıdaki durumlardan biri söz konusu olduğunda aletin işleyişi otomatik olarak durur:

Aşırı yük koruması

Alet, anormal derecede yüksek akım çekmesine neden olacak şekilde kullanıldığında, alet hiçbir belirti vermeden otomatik olarak durur. Bu durumda, aleti kapatın ve aletin aşırı yüklenmesine neden olan uygulamayı durdurun. Daha sonra aleti yeniden başlaması için çalıştırın.

Aşırı ısınma koruması

<input type="checkbox"/> Açık	<input type="checkbox"/> Yanıp sönüyor
	

Alet aşırı ısındığında otomatik olarak durur ve batarya göstergesi yaklaşık 60 saniye yanıp sönür. Bu durumda, yeniden çalıştırmadan önce aletin soğumasını bekleyin.

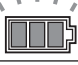
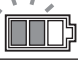
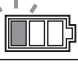

Aşırı deşarj koruması

Batarya kapasitesi düştüğünde, alet otomatik olarak durur. Anahtarlar devredeyken bile ürün çalışmıyorsa, bataryaları aletten çıkarıp şarj edin.

Kalan batarya kapasitesinin gösterilmesi

► **Şek.9:** 1. Batarya göstergesi 2. Kontrol düğmesi

Kalan batarya kapasitesini göstermesi için kontrol düğmesine basın. Batarya göstergelerinin her biri bir bataryaya karşılık gelir.







Batarya göstergesi durumu			Kalan pil kapasitesi
<input type="checkbox"/> Açık	<input type="checkbox"/> Kapalı	<input type="checkbox"/> Yanıp sönüyor	
			%50 ila %100
			%20 ila %50
			%0 ila %20
			Bataryayı şarj edin

Kalan batarya kapasitesinin gösterilmesi

Sadece göstergeli batarya kartuşları için

► **Şek.10:** 1. Gösterge lambaları 2. Kontrol düğmesi

Kalan batarya kapasitesini göstermesi için batarya kartuşu üzerindeki kontrol düğmesine basın. Gösterge lambaları birkaç saniye yanar.



Gösterge lambaları			Kalan kapasite
<input type="checkbox"/> Yanıyor	<input type="checkbox"/> Kapalı	<input type="checkbox"/> Yanıp sönüyor	
			%75 ila %100
			%50 ila %75
			%25 ila %50
			%0 ila %25
			Bataryayı şarj edin.
			Batarya arızalanmış olabilir.

NOT: Kullanım koşullarına ve ortam sıcaklığına bağlı olarak, gösterilen değer gerçek kapasiteden biraz farklılık gösterebilir.

NOT: İlk (en soldaki) gösterge lambası, batarya koruma sistemi çalıştığından yanıp sönür.

Otomatik hız değiştirme fonksiyonu

► **Şek.11:** 1. Mod göstergesi

Mod göstergesi durumu	Çalışma modu
	Yüksek hız modu
	Yüksek tork modu

Bu aletin bir "yüksek hız modu" bir de "yüksek tork modu" bulunur. İş yüküne bağlı olarak çalışma modu otomatik olarak değişir. Çalışma sırasında mod göstergesinin ışıkları yandığı zaman, alet yüksek tork modundadır.

Durdurucu pim

⚠ DİKKAT: Durdurucu pimi serbest bırakırken daima tutamağı tutun. Aksi takdirde kol sıçrar ve kişisel yaralanmalara neden olabilir.

Durdurucu pimi serbest bırakmak için, tutamağı hafifçe aşağı doğru bastırın ve ardından durdurucu pimi çekin.

► **Şek.12:** 1. Durdurucu pim

Bıçak siperi

⚠UYARI: Bıçak siperini veya sipere bağlı olan yayı asla devre dışı bırakmayın ve çıkarmayın.

Siperin devre dışı bırakılması sonucu açıkta kalan bıçak kullanım sırasında ciddi kişisel yaralanmalara neden olabilir.

⚠UYARI: Bıçak siperi ya da yayı hasarlı, arızalı ya da çıkmış ise aleti asla kullanmayın. Hasarlı, arızalı ya da çıkmış bir siperle aletin kullanılması ciddi kişisel yaralanmalara neden olabilir.

⚠DİKKAT: Güvenli çalışma için, bıçak siperini daima iyi durumda muhafaza edin. Bıçak siperinin işleyişinde herhangi bir düzensizlik olması durumunda kullanımı derhal durdurun. Siperin yaylı geri dönüş hareketini kontrol edin.

► **Şek.13:** 1. Bıçak siperi

Kolu indirirken, bıçak siperi otomatik olarak kalkar. Siper yaylı olduğu için kesim tamamlanıp kol kaldırıldığında orijinal konumuna döner.

Temizleme

► **Şek.14:** 1. Bıçak siperi

Şeffaf bıçak siperi kirlenirse ya da testereden çıkan tozların yapışması sonucu bıçak ya da iş parçası görünemez hale gelirse, batarya kartuşunu çıkarın ve siperi nemli bir bezle temizleyin. Plastik siper üzerinde çözücü ya da petrol bazlı temizleyiciler kullanmayın, aksi takdirde siper hasar görebilir.

Temizlemek için, "Testere bıçağının takılması ve çıkarılması" bölümüne başvurarak bıçak siperini kaldırın. Temizledikten sonra, bıçağı ve orta kapağı yerine taktığınızdan emin olun ve altıgen soket civatayı sıkılayın.

1. Aletin kapalı ve batarya kartuşunun çıkarılmış olduğundan daima emin olun.
2. Orta kapağı tutarken, altıgen soket civatayı aletle birlikte verilen altıgen anahtarla saatın aksi yönde çevirin.
3. Bıçak siperini ve orta kapağı kaldırın.
4. Temizlik tamamlandığında, orta kapağı yerine takın ve yukarıdaki işlemleri tersten uygulayarak altıgen soket civatayı sıkılayın.

⚠UYARI: Bıçak siperini tutan yayı çıkarmayın.

Siper zamanla aşınır ya da UV ışınlarına maruz kalma sonucu hasar görürse, yeni bir siper almak için Makita servisimize başvurun. **SİPERİ DEVRE DIŞI BIRAKMAYIN VE ÇIKARMAYIN.**

Kesim tahtasını konumlandırma

Kesimin çıkış tarafında yarımaları azaltmak için, bu alet dönüş tablasında kesim tahtaları ile birlikte sunulmuştur. Kesim tahtaları testere bıçağı kesim tahtaları ile temas etmeyecek şekilde fabrikada ayarlanmıştır. Kullanmadan önce, kesim tahtalarını aşağıdaki gibi ayarlayın:

1. Batarya kartuşunu çıkardığınızdan emin olun. Ardından, kesim tahtasını sabitleyen tüm vidaları (sağda ve solda ikişer adet) gevşetin.
- **Şek.15:** 1. Kesim tahtası 2. Vida

2. Kesim tahtaları elle kolayca hareket ettirilebilecek kadar sıkılayın.

3. Kolu tam aşağıya indirin ve kolu bu pozisyonda kilitlemek için durdurucu pimi itinir.

4. Kızak uçlarını sabitleyen iki sıkıştırma vidasını gevşetin.

► **Şek.16:** 1. Ayar vidası

5. Taşiyıcıyı tamamen kendinize doğru çekin.

6. Kesim tahtalarını, sadece bıçağın dışlarına temas edecek şekilde ayarlayın.

► **Şek.17**

► **Şek.18:** 1. Testere bıçağı 2. Bıçak dişleri 3. Kesim tahtası 4. Sola eğimli kesim 5. Düz kesim

7. Ön vidaları sıkılayın (çok fazla sıkıştırmayın).

8. Taşiyıcıyı kılavuz bariyerine doğru tam olarak itin ve kesim tahtalarını, sadece bıçağın dışlarına temas edecek şekilde ayarlayın.

9. Arka vidaları sıkılayın (çok fazla sıkıştırmayın).

10. Kesim tahtalarını ayarladıktan sonra durdurucu pimi serbest bırakıp kolu kaldırın. Ardından tüm vidaları iyice sıkın.

ÖNEMLİ NOT: Eğim açısını ayarladıktan sonra kesim tahtalarının doğru bir şekilde ayarlandığından emin olun. Kesim tahtalarının doğru bir şekilde ayarlanması; iş parçasının düzgün bir şekilde desteklenmesine ve iş parçasının aşınmasının en aza indirgenmesine yardımcı olur.

Maksimum kesme kapasitesinin sağlanması

Bu alet fabrikada 190 mm testere bıçağı için maksimum kesme kapasitesi sunacak şekilde ayarlanmıştır.

Yeni bir daire testere bıçağı takarken, daire testere bıçağının alt limit konumunu her zaman kontrol edin ve gerekirse, aşağıdaki gibi ayarlayın:

1. Batarya kartuşunu çıkarın. Ardından, taşiyıcıyı kılavuz bariyerine doğru tam olarak itin ve kolu tam olarak aşağıya indirin.

► **Şek.19:** 1. Ayar civatası 2. Kılavuz bariyeri

2. Ayar civatasını çevirmek için altıgen anahtar kullanın ve daire testere bıçağının kılavuz bariyeri ile dönüş kaidesinin ön yüzünün keşiştiği noktanın altından hafifçe uzanana kadar çevirin.

► **Şek.20**

3. Tutamağı sonuna kadar aşağıda tutarken daire testere bıçağının alt kaidenin herhangi bir parçasına dokunmadığına emin olmak için bıçağı elle döndürün. Gerekirse yeniden hafifçe ayarlayın.

⚠UYARI: Yeni bir daire testere bıçağı taktıktan sonra ve batarya kartuşu takılmadan önce, tutamak tam olarak aşağı indirildiğinde daire testere bıçağının alt kaidenin herhangi bir parçasına dokunmadığına her zaman emin olun. Daire testere bıçağı kaideye temas ederse geri tepmeye neden olabilir ve ciddi yaralanmalara yol açabilir.

► **Şek.21**

Durdurucu kol

Bıçağın alt limit konumu durdurucu kol ile kolayca ayarlanabilir. Ayarlamak için, durdurucu kolu şekilde gösterildiği gibi ok yönünde hareket ettirin. Ayar vidasını döndürün ve sonucu kontrol etmek için kola aşağı doğru sonuna kadar bastırın.

► **Şek.22:** 1. Ayar vidası 2. Durdurucu kol

Alt bariyer

Ülkeye özgü

⚠DİKKAT: Sola eğimli kesimler yaparken alt bariyeri dışarı doğru çevirin. Aksi takdirde, bıçağa ya da aletin bir parçasına temas edebilir ve operatörün ciddi şekilde yaralanmasına neden olabilir.

► **Şek.23:** 1. Alt bariyer

Bu alet bir alt bariyer ile donatılmıştır. Alt bariyer genellikle iç kısımda konumlandırılır. Ancak, sola eğimli kesimler yaparken bariyeri dışarı doğru çevirmelisiniz.

Gönye açısının ayarlanması

► **Şek.24:** 1. Dönüş kaidesi 2. Kilitleme kolu 3. Gönye ölççeği 4. İşaretçi 5. Kavrama kolu

1. Kavrama kolunu saatin aksi yönünde gevşetin.
2. Kilitleme koluna bastırıp tutun ve dönüş kaidesinin açısını ayarlayın. İşaretçiyi ve gönye ölççeğini rehber olarak kullanın.
3. Kavrama kolunu saat yönünde sıkılayın.

⚠DİKKAT: Gönye açısını değiştirdikten sonra, kavrama kolunu iyice sıkıştırarak dönüş kaidesini sabitleyin.

ÖNEMLİ NOT: Dönüş kaidesini çevirirken, kolu tam olarak yukarı kaldırdığınızdan emin olun.

Eğim açısının ayarlanması

Eğim açısını ayarlamak için, aletin arkasındaki kolu saatin aksi yönde çevirerek gevşetin.

► **Şek.25:** 1. Kol 2. Serbest bırakma düğmesi

Bıçağı sola doğru eğmek için, kolu tutun ve taşıyıcıyı eğin. Eğim ölççeğini ve işaretçiyi rehber olarak kullanın. Ardından, kolu sabitlemek için saat yönünde döndürerek iyice sıkın.

► **Şek.26:** 1. İşaretçi 2. Eğim ölççeği 3. Kol

Bıçağı sağa doğru eğmek için, kolu tutun ve taşıyıcıyı hafifçe sola doğru eğerek serbest bırakma düğmesini itin. Serbest bırakma düğmesine basarak testere bıçağını sağa doğru eğin. Ardından kolu sıkın.

⚠DİKKAT: Eğim açısını değiştirdikten sonra, mutlaka kolu saat yönünde döndürerek sıkıştırın.

ÖNEMLİ NOT: Testere bıçağını eğerken kolun tam olarak yukarı kalkmış olduğundan emin olun.

ÖNEMLİ NOT: Eğim açılarını değiştirirken, “Kesim tahtalarını konumlandırma” bölümünde açıklandığı şekilde kesim tahtalarını konumlandırduğunuzdan emin olun.

Kol konumunun ayarlanması

Kol zaman geçtikçe sıklığını kaybederse, kolun konumunu değiştirin. Kol 30°'lik açılarla ayarlanabilir. Kolu tutan vidayı gevşetin ve çıkarın. Kolu çıkarın ve yatayın hafifçe üstüne bakacak şekilde yeniden takın. Ardından kolu vida ile iyice sıkın.

► **Şek.27:** 1. Kol 2. Vida

Anahtar işlemi

⚠UYARI: Batarya kartuşunu alete takmadan önce, anahtar tetiğin düzgün çalıştığından ve birakıldığında “OFF” (KAPALI) pozisyona döndüğünden emin olun. Anahtar düzgün bir şekilde çalışmayan bir aletle işlem yapmak kontrolün kaybedilmesine ve ciddi kişisel yaralanmalara neden olabilir.

⚠UYARI: Şank ya da kablo çapı 6,35 mm'den küçük kilitler kullanmayın. Küçük bir şank ya da kablo aleti tam olarak kapalı konumda kilitleyemeyebilir ve istem dışı olarak çalışma sonucu ciddi kişisel yaralanmalar oluşabilir.

⚠UYARI: Anahtar tetiği tam olarak çalışmayan bir aleti ASLA kullanmayın. Anahtar çalışmayan bir alet SON DERECE TEHLİKELİ'dir ve kullanıma devam edilmeden önce onarılmalıdır, aksi takdirde ciddi kişisel yaralanmalara yol açabilir.

⚠UYARI: Güvenliğiniz için, bu alet istem dışı başlatmayı önlemek için bir güvenlik kilidi ile donatılmıştır. Güvenlik kilidi düğmesine basmadan sadece anahtar tetik çekildiğinde çalışan bir aleti ASLA kullanmayın. Tamir edilmesi gereken bir anahtar, istem dışı çalışmaya ve ciddi kişisel yaralanmalara neden olabilir. Daha fazla kullanmadan ÖNCE tamir ettirmek için aleti bir Makita servisine götürün.

⚠UYARI: ASLA güvenlik kilidini bantlayarak ya da başka bir yöntemle devre dışı bırakmaya çalışmayın. Güvenlik kilidi devre dışı bırakılmış bir anahtar, istem dışı çalışmaya ve ciddi kişisel yaralanmalara neden olabilir.

ÖNEMLİ NOT: Güvenlik kilidi düğmesine basmadan anahtar tetiği sıkıca çekmeyin. Bu, anahtarın kırılmasına neden olabilir.

Anahtar tetiğin kazara çekilmesini önlemek için, bir güvenlik kilidi düğmesi sunulmuştur. Aleti başlatmak için güvenlik kilidi düğmesine bastırın ve anahtar tetiği çekin. Durdurmak için anahtar tetiği bırakın. Güvenlik kilidi düğmesine sağdan veya soldan basılabilir.

Anahtar tetikte, aleti kilitlemek için bir asma kilit deliği bulunur.

► **Şek.28:** 1. Güvenlik kilidi düğmesi 2. Anahtar tetik 3. Asma kilit deliği

MONTAJ

⚠UYARI: Alet üzerinde çalışmadan önce aletin kapalı ve batarya kartuşunun çıkarılmış olduğundan daima emin olun. Aletin kapatılmaması ve bataryaya kartuşunun çıkarılmaması ciddi kişisel yaralanmalara neden olabilir.

Altıgen anahtarın saklanması

Altıgen anahtar şekilde gösterildiği gibi muhafaza edilir. Altıgen anahtar gerektiğinde, anahtar tutucudan çekilip çıkarılabilir.

Altıgen anahtar kullanıldıktan sonra anahtar tutucuya konarak saklanabilir.

► **Şek.29:** 1. Anahtar tutucu 2. Altıgen anahtar

Testere bıçağının takılması ve çıkarılması

⚠UYARI: Bıçağı takmadan ya da çıkarmadan önce aletin kapalı ve batarya kartuşunun çıkarılmış olduğundan daima emin olun. Aletin istem dışı olarak başlatılması ciddi kişisel yaralanmalara neden olabilir.

⚠DİKKAT: Bıçağı takmak ve çıkarmak için sadece Makita marka altıgen anahtarı kullanın. Aksi takdirde altıgen soket civata aşırı derecede ya da yetersiz sıkılabilir. Bu da yaralanmalara yol açabilir.

Daire testere bıçağının takılması

1. Durdurucu pimi iterek tutamağı kaldırılmış konumda kilitleyin.

► **Şek.30:** 1. Durdurucu pim

2. Orta kapağı tutan altıgen soket civatayı saatin aksi yönde çevirerek gevşetmek için altıgen anahtarını kullanın. Ardından, bıçak siperini ve orta kapağı kaldırın.

► **Şek.31:** 1. Orta kapak 2. Altıgen soket civata 3. Altıgen anahtar 4. Bıçak siperi

3. İği kilitlemek için mil kilidine bastırın ve altıgen soket civatayı saat yönünde çevirerek gevşetmek için altıgen anahtarı kullanın. Ardından altıgen soket civata ve dış flanşı sökün.

► **Şek.32:** 1. Mil kilidi 2. Altıgen soket civata 3. Dış flanş

4. Bıçağı dikkatli bir şekilde iç flanşın üzerine monte edin. Bıçağın üzerindeki okun yönünün bıçak kılıfı üzerindeki okun yönü ile aynı olduğundan emin olun.

► **Şek.33:** 1. Dış flanş 2. Testere bıçağı 3. İç flanş 4. Altıgen soket civata (sol) 5. İğ 6. Bıçak montaj parçası

► **Şek.34:** 1. Testere bıçağı 2. Ok

5. Dış flanş ve altıgen soket civatayı takın ve mil kilidine basılı tutarken iğe ait altıgen soket civatayı (sol) saatin aksi yönünde çevirerek iyice sıkılmak için altıgen anahtarı kullanın.

6. Bıçak siperini ve orta kapağı orijinal konumlarına geri getirin. Ardından orta kapağı sabitlemek için orta kapaktaki altıgen soket civatayı saat yönünde çevirerek sıkın.

7. Durdurucu pimi çekerek tutamağı kaldırılmış konumdan çıkarın. Bıçak siperinin düzgün şekilde hareket ettiğinden emin olmak için tutamağı indirin.

8. Kesim yapmadan önce mil kilidinin iği serbest bıraktığından emin olun.

İç flanşlı aletler 15,88 mm delik çaplı bir testere bıçağı için

Ülkeye özgü

İç flanş girintili tarafı montaj shaftına doğru bakacak şekilde monte edin ve ardından sunta kesme bıçağını (gerekirse bilezik takılı olarak), dış flanş ve altıgen civatayı takın.

Bileziksiz aletler için

► **Şek.35:** 1. Dış flanş 2. Testere bıçağı 3. İç flanş 4. Altıgen soket civata (sol) 5. İğ

Bilezikli aletler için

► **Şek.36:** 1. Dış flanş 2. Testere bıçağı 3. İç flanş 4. Altıgen soket civata (sol) 5. Bilezik 6. İğ

⚠UYARI: Bıçağı mile monte etmek için bilezik gerekirse, kullanmak istediğiniz bıçağın mil deliği için doğru bileziğin iç ve dış flanşlar arasında takıldığından daima emin olun. Mil deliği için doğru olmayan bileziğin kullanılması bıçağın hatalı montajına neden olarak bıçağın hareket etmesine ve ciddi titreşim yapmasına yol açar, bu da çalışma sırasında muhtemel bir kontrol kaybına ve ciddi kişisel yaralanmalara sebep olabilir.

20 mm ya da 15,88 mm delik çaplı testere bıçağı dışındaki iç flanşlı aletler için

Ülkeye özgü

İç flanşın bir tarafında belli bir çapta bıçak montaj parçası, diğer tarafında ise farklı bir çapta bıçak montaj parçası mevcuttur. Bıçak montaj parçasının testere bıçağı deliğine tam oturması için doğru tarafı seçin.

► **Şek.37:** 1. Dış flanş 2. Testere bıçağı 3. İç flanş 4. Altıgen soket civata (sol) 5. İğ 6. Bıçak montaj parçası

⚠DİKKAT: İç flanş üzerindeki dışarı bakan "a" bıçak montaj parçasının testere bıçağının "a" deliğine tam olarak uyduğundan emin olun. Bıçağın yanlış tarafa takılması tehlikeli titreşimlere neden olabilir.

Testere bıçağının çıkarılması

1. Durdurucu pimi iterek tutamağı kaldırılmış konumda kilitleyin.

2. Orta kapağı tutan altıgen soket civatayı saatin aksi yönde çevirerek gevşetmek için altıgen anahtarını kullanın. Ardından, bıçak siperini ve orta kapağı kaldırın.

3. İği kilitlemek için mil kilidine bastırın ve altıgen soket civatayı saat yönünde çevirerek gevşetmek için altıgen anahtarı kullanın. Ardından altıgen soket civatayı, dış flanş ve bıçağı çıkarın.

Aleti saklarken dış flanş takın ve kaybolmasını engellemek için altıgen soket civatayı elle hafif sıkın.

Bir elektrikli süpürge'nin bağlanması

Temiz kesim işlemi yapmak istediğinizde bir Makita elektrikli süpürge bağlayın.

► **Şek.38**

Toz torbası

Isteğe bağlı aksesuar

Toz torbası kullanımı, kesim işlemlerinin temiz, toz toplanmanın da kolay bir şekilde yapılmasını sağlar. Toz torbasını toz oluğuna takın.

Bağlama elemanını takmak için, bağlama elemanının üst ucu ile toz torbasının üzerindeki üçgen işaretini hizalayın.

Toz torbasının yarısı dolduğunda toz torbasını aletten ayırın ve bağlama elemanını çekip çıkarın. Toz torbasının içine yapışan parçacıkların da çıkması için torbaya hafifçe vurarak içindkileri boşaltın.

► **Şek.39:** 1. Toz torbası 2. Toz toplama başlığı 3. Bağlama elemanı

İş parçasının sabitlenmesi

⚠UYARI: İş parçasını daima doğru tip vida kullanarak sabitlemek oldukça önemlidir. Aksi takdirde ciddi kişisel yaralanmalar, alet ve/veya iş parçası üzerinde hasar oluşabilir.

⚠UYARI: Testerenin destek kaidesinden daha uzun bir iş parçasını keserken, destek kaidesinin dışında kalan kısmın tamamının desteklendiğinden ve malzeme seviyesi ile aynı yüksekliğin korunduğundan emin olun. İş parçasının doğru bir şekilde desteklenmesi bıçağın sıkışmasının ve kişisel yaralanmayla sonuçlanabilecek olası geri tepmelerin önlenmesine yardımcı olur. İş parçasını sabitlemek için sadece dikey ve/veya yatay vida yeterli olmayabilir. İnce malzemeler eğilebilir. Bıçağın sıkışmasını ve olası bir GERİTEPMEYİ önlemek için iş parçasının tüm uzunluğunun desteklendiğinden emin olun.

► **Şek.40:** 1. Destek 2. Dönüş kaidesi

Dikey vida

⚠UYARI: Tüm işlemler sırasında iş parçasını dönüş kaidesine ve kılavuz bariyerine vida ile sıkıca sabitleyin. Aksi takdirde malzeme kesim işlemi sırasında hareket ederek bıçağa zarar gelmesine neden olabilir, bu da kontrolün kaybedilmesine ve ciddi kişisel yaralanmalara neden olabilir.

Dikey vidayı kılavuz bariyerinin ya da tutucu mekanizmasının sol veya sağ kısmına yerleştirin. Vidalı çubuğu kılavuz bariyerindeki ya da tutucu donanımdaki deliğe yerleştirin ve vidalı çubuğu sabitlemek için alt vidayı sıkılayın.

► **Şek.41:** 1. Vidalı kol 2. Vidalı çubuk 3. Kılavuz bariyeri 4. Tutucu 5. Tutucu mekanizması 6. Vidalı topuz 7. Alt vida 8. Üst vida

Vidalı kolu iş parçasının kalınlığına ve şekline göre konumlandırın ve üst vidayı sıkıyarak vidalı kolu sabitleyin. Üst vida kılavuz bariyerine temas ediyorsa üst vidayı, vidalı kolun diğer tarafına takın. Tutamağı tam olarak aşağı indirdiğinizde ve taşıyıcıyı yol boyunca çekerken veya iterken aletin hiçbir parçasının vidaya temas etmediğinden emin olun. Bazı parçalar vidaya temas ederse vidayı yeniden konumlandırın. İş parçasını kılavuz bariyeri tam olarak bastırın ve kaidi döndürün. İş parçasını istenen kesim konumunda konumlandırın ve vidalı topuz ile sıkıyarak sabitleyin.

Yatay vida

Isteğe bağlı aksesuar

⚠UYARI: İş parçasını ancak gösterge en üst konumdayken kavrayın. Aksi takdirde iş parçası yeterli bir şekilde sabitlenemeyebilir. Bu da iş parçasının fırlamasına, bıçağa zarar gelmesine veya kontrolün kaybedilmesine, sonuç olarak da kişisel yaralanmalara sebep olabilir.

► **Şek.42:** 1. Vidalı topuz 2. Gösterge 3. Vidalı mil 4. Kaide

Yatay vida kaidenin sol tarafına monte edilebilir. Vidalı topuz saatin aksi yönde çevrilerek vida serbest bırakılır ve vida şaftı hızlı bir şekilde içeri ve dışarı hareket edebilir. Vidalı topuz saat yönünde çevrilirse vida sabitlenir.

İş parçasını kavramak için, gösterge en üste gelene kadar vidalı topuzu yavaşça saat yönünde çevirin ve ardından iyice sıkılayın. Vidalı topuz zorlanırsa veya saat yönünde çevrilirken dışarı çekilirse, gösterge bir açıda durabilir. Bu durumda, vida serbest kalana kadar vidalı topuzu saatin aksi yönde çevirin, sonra yine yavaşça saat yönünde çevirin. Yatay vidanın maksimum kapasitesi 120 mm genişliğindedir.

Tutucular ve tutucu donanımı

Isteğe bağlı aksesuar

⚠DİKKAT: Standart aksesuarlar olarak tutucular ve tutucu mekanizmaları ile donatılmış alet için bu kullanım türü, ülke mevzuatı gereği yasaktır.

⚠UYARI: Doğru bir kesim ve alet kontrolünün kaybedilmesi tehlikesini önlemek için uzun iş parçalarını daima dönüş kaidesinin üst yüzeyi ile aynı hizada olacak şekilde destekleyin. İş parçasının doğru bir şekilde desteklenmesi bıçağın sıkışmasının ve kişisel yaralanmayla sonuçlanabilecek olası geri tepmelerin önlenmesine yardımcı olur.

Tutucular ve tutucu donanımı (isteğe bağlı aksesuar) iş parçalarını yatay olarak desteklemenin pratik bir yolu olarak iki taraftan birine takılabilir.

Bu parçaları aletin yan tarafına takın ve ardından sabitlemek için vidaları iyice sıkılayın.

► **Şek.43:** 1. Tutucu 2. Tutucu mekanizması

Uzun iş parçalarını keserken, tutucu-çubuk donanımını kullanın (isteğe bağlı aksesuar). İki tutucu donanımı ve iki adet 12 no.lu çubuk içerir.

► **Şek.44:** 1. Tutucu mekanizması 2. Çubuk 12

KULLANIM

⚠UYARI: Anahtar açılmadan önce bıçağın iş parçasına veya başka bir yere temas etmediğinden emin olun. Bıçak iş parçasına temas ederken alet çalıştırılırsa iş parçasında geri tepme ya da ciddi kişisel yaralanmalar oluşabilir.

⚠UYARI: Bir kesme işleminden sonra bıçak tam olarak durmadan önce bıçağı kaldırmayın. Boşta dönen bıçağın kalkması ciddi kişisel yaralanmalara ve iş parçasına zarar gelmesine neden olabilir.

⚠UYARI: Testere bıçağı dönerken kızak uçlarını sabitleyen iki sıkıştırma vidasına dokunmayın. Aksi takdirde, alet kontrolden çıkabilir ve kişisel yaralanmalara neden olabilir.

⚠DİKKAT: Testere kafasını tam aşağı konumdan kontrolsüz bırakmayın. Kontrolsüz testere kafası size vurabilir ve yaralanmaya neden olur.

ÖNEMLİ NOT: Kullanımdan önce, durdurucu pimi çekerek tutamağı alt konumdan çıkarın.

ÖNEMLİ NOT: Kesim sırasında tutamağa aşırı basınç uygulamayın. Fazla güç kullanılması motorun aşırı yüklenmesine ve/veya kesim etkinliğinin düşmesine neden olabilir. Yumuşak bir kesim ve bıçak hızında önemli bir düşüş yaşanmaması için tutamağa sadece gereken oranda bir güçle aşağı doğru bastırın.

ÖNEMLİ NOT: Kesimi gerçekleştirmek için tutamağa hafifçe bastırın. Tutamağa güç kullanılarak basılırsa veya yatay güç uygulanırsa, bıçak titreşebilir ve iş parçasında bir iz (testere izi) bırakabilir, kesimin hassasiyeti zarar görebilir.

ÖNEMLİ NOT: Kızaklı kesme sırasında, taşıyıcıyı durdurmadan kılavuz bariyerine doğru hafifçe itin. Kesim sırasında taşıyıcı hareketi durursa, iş parçasında bir iz kalabilir ve kesimin hassasiyeti zarar görebilir.

Kalıp kesme (küçük iş parçalarını kesme)

⚠UYARI: Kızak uçlarını sabitleyen iki sıkıştırma vidasını iyice sıkılayarak taşıyıcının kullanım sırasında hareket etmemesini sağlayın. Kilitleme vidalarının yeterince sıkıştırılmaması kişisel yaralanmayla sonuçlanabilecek geri tepmelere neden olabilir.

► **Şek.45:** 1. Ayar vidası 2. Tutucu mekanizması

İş parçaları 52 mm yüksekliği ve 97 mm genişliği aşmıyorsa, aşağıdaki yöntemle kesilebilirler.

1. Taşıyıcıyı kılavuz bariyeri boyunca itin ve taşıyıcıyı sabitlemek için kızak uçlarını sabitleyen iki sıkıştırma vidasını saat yönünde çevirerek gevşetin.
2. İş parçasını uygun tipteki vidayla sabitleyin.
3. Bıçak hiçbir şeyle temas etmeyecek konumdayken aleti çalıştırın ve bıçağı indirmeden önce tam hıza ulaşmasını bekleyin.
4. İş parçasını kesmek için bıçağı yavaşça en alt konuma indirin.
5. Kesim tamamlandığında, aleti kapatın ve **bıçağı en üst konuma döndürmeden önce** bıçak tam olarak durana kadar bekleyin.

Kızaklı (itmeli) kesme (geniş iş parçalarını kesme)

⚠UYARI: Kızaklı kesme yaparken, önce taşıyıcıyı tamamen kendinize doğru çekin ve kola bastırın, ardından taşıyıcıyı kılavuz bariyeri boyunca itin. Taşıyıcı tamamen size doğru çekilmeden kesimi asla başlatmayın. Taşıyıcıyı tamamen kendinize doğru çekmeden kızaklı kesme yaparsanız beklenmeyen bir geri tepme meydana gelebilir ve ciddi kişisel yaralanmalar yaşanabilir.

⚠UYARI: Kızaklı bir kesim yaparken taşıyıcıyı kendinize doğru çekmeye asla çalışmayın. Kesim sırasında taşıyıcıyı kendinize doğru çekmek beklenmeyen bir geri tepmeye ve ciddi kişisel yaralanmalara yol açabilir.

⚠UYARI: Tutamak alt konumda kilitli iken asla kızaklı kesim yapmayın.

⚠UYARI: Bıçak dönerken, taşıyıcıyı sabitleyen topuzu asla gevşetmeyin. Kesim sırasında taşıyıcının gevşek olması, beklenmeyen bir geri tepmeye ve ciddi kişisel yaralanmalara yol açabilir.

► **Şek.46:** 1. Ayar vidası 2. Tutucu mekanizması

1. Taşıyıcının rahat bir şekilde kayması için, kızak uçlarını sabitleyen iki sıkıştırma vidasını saatin aksi yönde çevirerek gevşetin.
2. İş parçasını uygun tipteki vidayla sabitleyin.
3. Taşıyıcıyı tamamen kendinize doğru çekin.
4. Bıçak hiçbir şeyle temas etmeyecek konumdayken aleti çalıştırın ve bıçağın tam hıza ulaşmasını bekleyin.
5. Tutamağa bastırın ve taşıyıcıyı kılavuz bariyeri boyunca ve iş parçasına doğru itin.
6. Kesim tamamlandığında, aleti kapatın ve **bıçağı en üst konuma döndürmeden önce** bıçak tam olarak durana kadar bekleyin.

Gönye kesme

Gönye açısının ayarlanması kısmına bakın.

Eğimli kesim

⚠UYARI: Bıçağı eğimli bir kesim için ayarlandıktan sonra, aleti kullanmadan önce, taşıyıcının ve bıçağın kesilmek istenen alan boyunca serbest bir şekilde hareket ettiğinden emin olun. Kesme işlemi sırasında taşıyıcının ya da bıçağın çalışmasının kesintiye uğraması geri tepmeye ve ciddi kişisel yaralanmalara neden olabilir.

⚠UYARI: Eğimli bir kesim yaparken ellerinizi bıçağın izlediği yoldan uzakta tutun. Bıçağın açısı operatörün bıçağın kesim işlemi sırasında izleyeceği yol konusunda yanılmasına yol açabilir ve bıçakla temas ciddi kişisel yaralanmalara neden olur.

⚠UYARI: Bıçak tamamen durmadan yukarı kaldırılmamalıdır. Eğimli bir kesim sırasında kesilen parça bıçağın önüne gelebilir. Bıçak dönerken yukarı kaldırılırsa kesilen parça bıçaktan çıkabilir ve malzemenin parçalanarak ciddi yaralanmalara yol açmasına neden olabilir.

⚠ DİKKAT: (Sadece alt bariyeri olan aletler için)
Sola eğimli kesimler yaparken alt bariyeri daima dışarı doğru ayarlayın.

► **Şek.47:** 1. Tutucu mekanizması

1. Eğim açısını ayarlamak için kolu gevşetin ve testere bıçağını eğin (Önceki sayfalarda yer verilen "Gönye açısının ayarlanması" bölümüne bakın). Seçili eğim açısını güvenli bir şekilde sabitlemek için kolu iyice yeniden sıkıladığınızdan emin olun.
2. İş parçasını bir vida ile sabitleyin.
3. Taşıyıcıyı tamamen kendinize doğru çekin.
4. Bıçak hiçbir şeyle temas etmeyecek konumdayken aleti çalıştırın ve bıçağın tam hızına ulaşmasını bekleyin.
5. Bıçakla paralel olarak basınç uygulayarak tutamağı hafifçe en alt konuma indirin ve **iş parçasını kesmek için taşıyıcıyı kılavuz bariyeri boyunca itin.**
6. Kesim tamamlandığında, aleti kapatın ve **bıçağı en üst konuma döndürmeden önce** bıçak tam olarak durana kadar bekleyin.

ÖNEMLİ NOT: Tutamağa bastırırken bıçak ile paralel bir basınç uygulayın. Dönüş kaidesine dik olarak basınç uygulanırsa ya da bir kesim sırasında basıncın yönü değiştirilirse, kesimin hassasiyeti zarar görür.

Birleşik kesme

Birleşik kesme, bir iş parçası üzerinde gönye açısı ile kesme yapılırken aynı anda eğimli açılı yapılması işlemidir. Birleşik kesme, tabloda gösterilen açılarda gerçekleştirilebilir.

Gönye açısı	Eğim açısı
Sol ve Sağ 45°	Sol 0° - 45°
Sağ 50°	Sol 0° - 40°
Sağ 55°	Sol 0° - 30°
Sağ 57°	Sol 0° - 25°

Birleşik kesme yaparken, "Kalıp kesme", "Kızaklı kesme", "Gönye kesme" ve "Eğimli kesme" başlıklarında verilen açıklamalara başvurun.

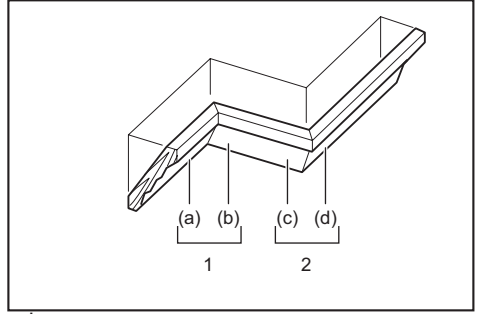
Kartonpiyer ve iç bükey kartonpiyer kesme

Kartonpiyer ve iç bükey kartonpiyerler birleşik bir gönye kesme makinasında dönüş kaidesinin üzerine düz yatırılarak kesilebilir.

Yaygın olarak kullanılan iki tip kartonpiyer, bir tip de içbükey kartonpiyer uygulaması vardır. Bunlar; 52/38° duvar açılı kartonpiyer, 45° duvar açılı kartonpiyer ve 45° duvar açılı içbükey kartonpiyer.

- **Şek.48:** 1. 52/38° kartonpiyer 2. 45° kartonpiyer 3. 45° içbükey kartonpiyer

"İç" 90° köşelere uyan (şekilde (a) ve (b)) ve "Dış" 90° köşelere uyan (şekilde (c) ve (d)) kartonpiyer ve içbükey kartonpiyer bağlantıları bulunur.



1. İç köşe 2. Dış köşe

- **Şek.49:** 1. İç köşe 2. Dış köşe

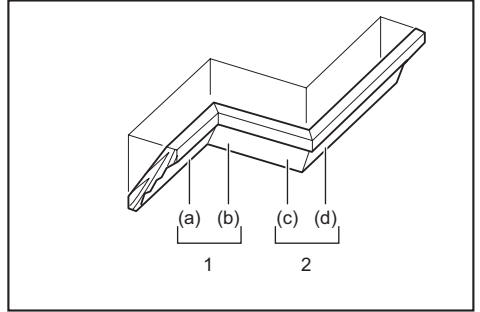
Ölçüm

Duvar genişliğini ölçün ve iş parçasını genişliğe göre ayarlayın. İş parçasının duvara temas eden kenarının genişliğinin duvarın uzunluğu ile aynı olduğundan emin olun.

- **Şek.50:** 1. İş parçası 2. Duvar genişliği 3. İş parçasının genişliği 4. Duvara temas eden kenar

Testere açısını kontrol etmek için deneme kesimleri yapmak üzere mutlaka birkaç parça kullanın. Dış bükey ve iç bükey kartonpiyer kesimleri sırasında, eğim açısını ve gönye açısını tablo (A)'da gösterildiği gibi ayarlayın ve kartonpiyerleri tablo (B)'de gösterildiği gibi testere kaidesinin üst yüzüne konumlandırın.

Sola eğimli kesimlerde



1. İç köşe 2. Dış köşe

Tablo (A)

-	Şekildeki kartonpiyer konumu	Eğim açısı		Gönye açısı	
		52/38° tipi	45° tipi	52/38° tipi	45° tipi
İç köşe için	(a)	Sol 33,9°	Sol 30°	Sağ 31,6°	Sağ 35,3°
	(b)			Sol 31,6°	Sol 35,3°
Dış köşe için	(c)	Sol 33,9°	Sol 30°	Sağ 31,6°	Sağ 35,3°
	(d)			Sağ 31,6°	Sağ 35,3°

Tablo (B)

-	Şekildeki kartonpiyer konumu	Kılavuz bariyerinin karşısındaki kartonpiyer kenarı	Tamamlanmış parça
İç köşe için	(a)	Tavana temas edecek kenar kılavuz bariyerine dayanmalıdır.	Bitirilen parça bıçağın Sol tarafında yer alacaktır.
	(b)	Tavana temas edecek kenar kılavuz bariyerine dayanmalıdır.	
Dış köşe için	(c)	Tavana temas edecek kenar kılavuz bariyerine dayanmalıdır.	Bitirilen parça bıçağın Sağ tarafında yer alacaktır.
	(d)	Tavana temas edecek kenar kılavuz bariyerine dayanmalıdır.	

Örneğin:

Yukarıdaki şekilde (a) ile gösterilen konum için 52/38° dış bükey kartonpiyer keserken:

- Eğim açısı ayarını 33,9° SOLA eğin ve ayarlayın.
- Gönye açısı ayarını 31,6° SAĞA ayarlayıp sabitleyin.
- Dış bükey kartonpiyeri geniş arka (görünmeyen) yüzeyi dönüş kaidesinin üzerine, TAVANA TEMAS EDECEK KENARI makine üzerindeki kılavuz bariyerine dayanacak şekilde yerleştirin.
- Kesim yapıldıktan sonra kullanılacak parçalardan biten kısım her zaman bıçağın SOL tarafında olacak.

Alüminyum doğramanın kesilmesi

- **Şek.51:** 1. Vida 2. Ara blok 3. Kılavuz bariyeri 4. Alüminyum doğrama 5. Ara blok

Alüminyum doğramaları sabitlerken, alüminyumun deforme olmasını önlemek için ara blokları veya hurda parçalarını kullanın. Bıçak üzerinde alüminyum malzeme birikmesini önlemek için alüminyum doğramayı keserken bir kesim yağı kullanın.

⚠DİKKAT: Asla kalın veya yuvarlak alüminyum doğramaları kesmeye çalışmayın. Kalın alüminyum doğramalar çalışma sırasında gevşeyebilir, yuvarlak alüminyum doğramalar ise bu aletle sıkı bir şekilde sabitlenemeyebilir.

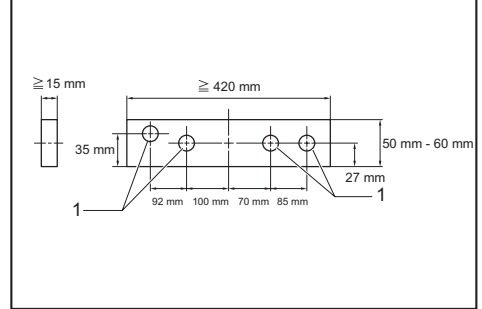
Ahşap kaplama

⚠UYARI: Ahşap kaplamayı kılavuz bariyerine monte etmek için vidaları kullanın. Vidalar, vida başları ahşap kaplamanın yüzeyinin altında kalacak şekilde takılmalıdır, böylece kesilen malzemenin konumuna etki etmezler. Kesilen malzemenin yanlış hizalanması kesme işlemi sırasında beklenmeyen harekete, bu da kontrolün kaybedilmesine ve ciddi kişisel yaralanmalara sebep olabilir.

⚠DİKKAT: Ahşap kaplama olarak eşit kalınlıktaki düz bir tahtayı kullanın.

Ahşap kaplama kullanımı iş parçalarında kıymıksız kesim yapılmasına yardımcı olur. Kılavuz bariyerdeki delikleri kullanarak kılavuz bariyere bir ahşap kaplama takın.

Tavsiye edilen bir ahşap kaplamanın boyutlarını öğrenmek için ilgili şekle bakın.



1. Delikler

ÖNEMLİ NOT: Ahşap kaplama takılı olduğunda, dönüş kaidesini tutamak aşağı konumdayken çevirmeyin. Bıçağa ve/veya ahşap kaplamaya zarar gelebilir.

Aynı uzunlukta yinelenen kesimler yapma

⚠DİKKAT: Standart aksesuarlar olarak tutucular ve tutucu mekanizmaları ile donatılmış alet için bu kullanım türü, ülke mevzuatı gereği yasaktır.

Aynı uzunlukta çok sayıda parça keserken, (220 mm ilâ 385 mm arasında) ayar plakasını (isteğe bağlı aksesuar) kullanın. Ayar plakasını şekilde gösterildiği gibi tutucuya (isteğe bağlı aksesuar) monte edin.

- **Şek.52:** 1. Ayar plakası 2. Tutucu 3. Vida

İş parçasının kesim çizgisini, kesim tahtasındaki çentiğin sağ veya sol tarafı ile hizalayın ve iş parçasını tutarken ayar plakasını iş parçasının ucu ile aynı hizaya getirin. Ardından ayar plakasını vida ile sabitleyin. Ayar plakası kullanılmadığında, vidayı gevşetin ve ayar plakasını kaldırın.

NOT: Tutucu-çubuk düzeneğinin kullanımı (isteğe bağlı aksesuar) yaklaşık 2.200 mm uzunluğa kadar yinelenen kesim yapmanızı sağlar.

Oluk açma

⚠UYARI: Bu tip kesimleri, daha geniş bıçaklar ya da dado bıçaklar kullanarak gerçekleştirilmeye çalışmayın. Daha geniş bir bıçakla ya da dado bıçakla oluk açmaya çalışmak beklenmeyen kesim sonuçlarına ve ciddi kişisel yaralanmalara yol açabilecek geri tepmelere neden olabilir.

⚠UYARI: Oluk açma dışındaki işlemler sırasında durdurucu kolu orijinal konumuna döndürdüğünüzden emin olun. Durdurucu kol yanlış konumdayken kesim yapmaya çalışmak beklenmeyen kesim sonuçlarına ve ciddi kişisel yaralanmalara yol açabilecek geri tepmelere neden olabilir.

Dado kesim yapmak için aşağıdaki prosedürü izleyin:

1. Ayar vidasını kullanarak daire testere bıçağının alt limit konumunu ve daire testere bıçağının kesim derinliğini kısıtlamak için durdurucu kolu ayarlayın. Durdurucu kol kısmına bakın.
2. Daire testere bıçağının alt limit konumunu ayarladıktan sonra, kızaklı (itmeli) kesim kullanarak iş parçasının eni boyunca paralel oluklar açın.
► **Şek.53:** 1. Bıçakla oluk kesme
3. Oluklar arasındaki iş parçası malzemelerini bir keski ile kaldırın.

Aletin taşınması

▲UYARI: Durdurucu pim sadece taşıma ve saklama amacıyla kullanılmalıdır, hiçbir kesim işlemi sırasında asla kullanılmamalıdır. Kesim işlemleri sırasında durdurucu pimin kullanılması testere bıçağının beklenmedik şekilde hareket etmesine, bu da geri tepme ya da ciddi kişisel yaralanmalara yol açabilir.

▲DİKKAT: Aleti taşımadan önce hareket eden tüm parçaları sabitleyin. Aletin kısımları taşıma sırasında hareket eder ya da kayarsa, kontrolün ya da dengenin kaybedilmesi sonucu ciddi kişisel yaralanmalar yaşanabilir.

► Şek.54

1. Batarya kartuşunu çıkarın.
2. Bıçağı 0° şev açısında ve döner tablayı tam sağ gönye açısı konumunda sabitleyin.
3. Sürgü çubuklarını alt sürgü çubuğu arabanın tamamen operatöre doğru çekilmiş olduğu konumda ve üst çubuklar arabanın tamamen kılavuz kenarlığa doğru itilmiş olduğu konumda kilitleneceği şekilde sabitleyin.
4. Tutamağı tam aşağı indirin ve durdurucu pimi iterek alt konumda kilitleyin.
5. Aleti, alet kaidesinin her iki yanından tutarak taşıyın. Tutucuları, toz torbasını ve benzeri parçaları çıkarırsanız aleti daha kolay taşıyabilirsiniz.

BAKIM

▲UYARI: En iyi ve en güvenli performans için bıçağın daima temiz ve keskin olduğundan emin olun. Kör ve/veya kirli bir bıçakla kesim yapmaya çalışmak, geri tepmeye yol açabilir ya da ciddi kişisel yaralanmalarla sonuçlanabilir.

▲DİKKAT: Muayene ya da bakım yapmadan önce aletin kapalı ve batarya kartuşunun çıkartılmış olduğundan daima emin olun.

ÖNEMLİ NOT: Benzin, tiner, alkol ve benzeri maddeleri kesinlikle kullanmayın. Renk değişimi, deformasyon veya çatlaklar oluşabilir.

Kesim açısının ayarlanması

Bu alet fabrikada dikkatli bir şekilde ayarlanmış ve hizalanmıştır fakat kötü bir şekilde taşımak hizalamayı bozabilir. Aletinüz doğru bir şekilde hizalanmamışsa aşağıdakileri gerçekleştirin:

Gönye açısı

1. Taşıyıcıyı kılavuz bariyeri boyunca itin ve taşıyıcıyı sabitlemek için iki sıkıştırma vidasını sıkın.
2. Dönüş kaidesini, işaretçi gönye ölçeği üzerinde 0°'yi gösterecek şekilde döndürün.
3. Ardından dönüş kaidesini saat yönünde ve saatin aksi yönde çevirerek 0° gönye çentiğine oturmasını sağlayın. (İşaretçi 0°'yi göstermiyorsa olduğu gibi bırakın.)
4. Altıgen anahtar kullanarak kılavuz bariyeri sabitleyen altıgen soket civatarını gevşetin.
► **Şek.55:** 1. Kılavuz bariyeri 2. Altıgen soket civata
5. Tutamağı tam aşağı indirin ve durdurucu pimi iterek alt konumda kilitleyin.
6. Üçgen cetvel, ayarlı gönye vb. yardımıyla kılavuz bariyeri bıçakla dik açı oluşturacak şekilde ayarlayın. Ardından kılavuz bariyer üstündeki altıgen soket civataları sağ taraftan başlayarak sırayla iyice sıkın.
► **Şek.56:** 1. Üçgen cetvel 2. Kılavuz bariyeri

7. Gönye ölçeği üzerindeki işaretçinin 0°'yi gösterdiğinden emin olun. İşaretçi 0°'yi göstermiyorsa, işaretçiyi sabitleyen vidayı gevşetin ve işaretçi 0°'yi gösterecek şekilde işaretçiyi ayarlayın.
► **Şek.57:** 1. Vida 2. Gönye ölçeği 3. İşaretçi

Eğim açısı

0° eğim açısı

- **Şek.58:** 1. Kol 2. Kol tutucu 3. 0° eğimli açılı ayarlama civatası 4. Kol 5. Serbest bırakma düğmesi

1. Taşıyıcıyı kılavuz bariyeri boyunca itin ve taşıyıcıyı sabitlemek için iki sıkıştırma vidasını sıkın.
2. Tutamağı tam aşağı indirin ve durdurucu pimi iterek alt konumda kilitleyin.
3. Aletin arkasındaki kolu gevşetin.
4. Bıçağı sağa doğru döndürmek için kolun sağ tarafındaki 0° eğimli açılı ayar civatasını (alt civata) satın aksi yönde iki veya üç devir döndürün.
5. 0° eğimli açılı ayarlama civatasını, bıçağın yan tarafı dönüş kaidesinin üst yüzeyi ile dik açı oluşturacak şekilde dikkatli bir şekilde saat yönünde döndürün. Üçgen cetvel, ayarlı gönye vb. aletleri kılavuz olarak kullanın. Ardından kolu iyice sıkın.
► **Şek.59:** 1. Üçgen cetvel 2. Testere bıçağı 3. Dönüş tablasının üst yüzeyi
6. Kol üzerindeki işaretçinin eğim ölçeği üzerinde 0°'yi gösterdiğinden emin olun. İşaretçi 0°'yi göstermiyorsa, işaretçiyi sabitleyen vidayı gevşetin ve işaretçi 0°'yi gösterecek şekilde işaretçiyi ayarlayın.
► **Şek.60:** 1. Eğim ölçeği 2. İşaretçi 3. Vida

45° eğim açısı

► **Şek.61:** 1. Sola 45° eğimli açı ayarlama civatası

45° eğimli açığı sadece 0° eğimli açı ayarını yaptıktan sonra kullanabilirsiniz.

1. Kolu gevşetin ve bıçağı tam olarak sola doğru eğin.
2. Kol üzerindeki işaretçinin eğim ölçeği üzerinde 45° açısını gösterdiğinden emin olun. İşaretçi 45°'yi göstermiyorsa, işaretçi 45° açığı gösterene kadar, kolun sağ tarafındaki 45° eğimli açı ayar civatasını (üst civata) döndürün.

Kullanımdan sonra

Kullanımdan sonra, parçacıkları ve alete yapışan tozları nemli bir bez veya benzeri ile temizleyin. "Bıçak siperi" bölümünde anlatılan talimatlar uyarınca bıçak siperini temiz tutun. Paslanmayı önlemek için kızaklı bölümleri makine yağı ile yağlayın.

Aleti saklarken, kızak uçları dönüş kaidesinden geçecek şekilde taşıyıcıyı kendinize doğru tamamen çekin.

Aleti EMNİYETLİ ve ÇALIŞMAYA HAZIR durumda tutmak için onarımlar, başka her türlü bakım ve ayarlamalar daima Makita yedek parçaları kullanılarak Makita yetkili servis merkezleri veya Fabrikanın Servis Merkezleri tarafından yapılmalıdır.

İSTEĞE BAĞLI AKSESUARLAR

UYARI: Bu el kitabında belirtilen Makita aletiniz ile kullanılmaları için bu aksesuarlar ve ek parçalar tavsiye edilmektedir. Başka aksesuar ve ek parçalarını kullanımı ciddi kişisel yaralanmalara yol açabilir.

UYARI: Makita aksesuarları ya da ek parçaları yalnızca belirtilmiş olan kullanım amaçlarına uygun olarak kullanın. Bir aksesuarın ya da ek parçanın hatalı kullanımı ciddi kişisel yaralanmalara yol açabilir.

Bu aksesuarlarla ilgili daha fazla bilgiye ihtiyaç duyarsanız bulunduğunuz yerdeki yetkili Makita servisine başvurun.

- Karbid uçlu testere bıçakları (Kesilecek materyalde kullanılacak doğru testere bıçakları için web sitemize bakın veya Makita satıcınıza başvurun.)
- Vida tertibatı (Yatay vida)
- Dikey vida
- Tutucu mekanizması
- Tutucu çubuk mekanizması
- Ayar plakası
- Toz torbası
- Üçgen cetvel
- Altıgen anahtar
- Orijinal Makita batarya ve şarj aleti

NOT: Listedeki parçaların bazıları alet paketi içerisinde standart aksesuar olarak dahil edilmiş olabilir. Bunlar ülkeden ülkeye farklılık gösterebilir.

Makita Europe N.V.

Jan-Baptist Vinkstraat 2, 3070 Kortenberg, Belgium

Makita Corporation

3-11-8, Sumiyoshi-cho, Anjo, Aichi 446-8502 Japan

www.makita.com



885680C998
EN, FR, DE, IT, NL,
ES, PT, DA, EL, TR
20230216