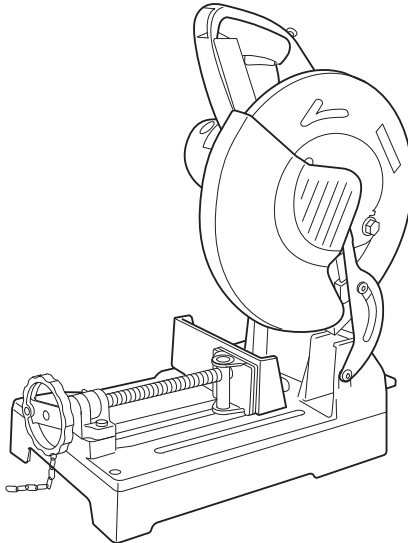
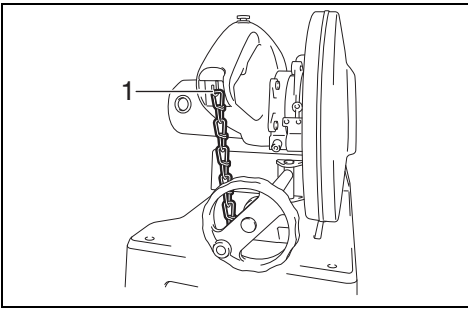




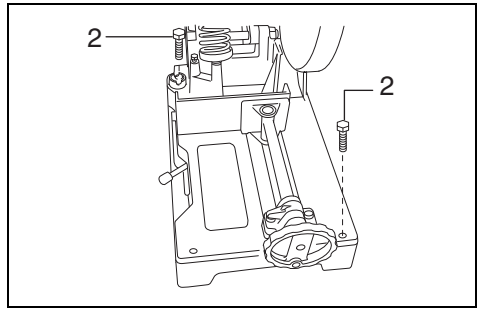
GB	Metal Cutting Saw	Instruction Manual
F	Tronçonneuse à métaux	Manuel d'instructions
D	Metallkreissäge	Betriebsanleitung
I	Troncatrice	Istruzioni per l'uso
NL	Afkortzaagmachine voor metaal	Gebruiksaanwijzing
E	Sierra tronzadora	Manual de instrucciones
P	Serra para corte de metal	Manual de instruções
DK	Hurtigafkorter	Brugsanvisning
GR	Τροχός κοπής μετάλλων	Οδηγίες χρήσεως
TR	Metal kesme bıçkısı	Kullanma kilavuzu

LC1230

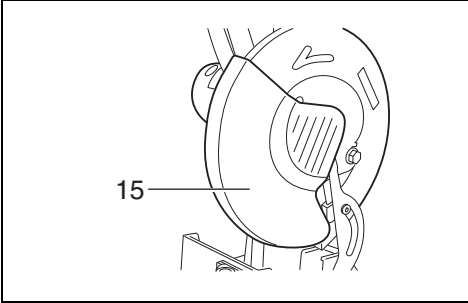




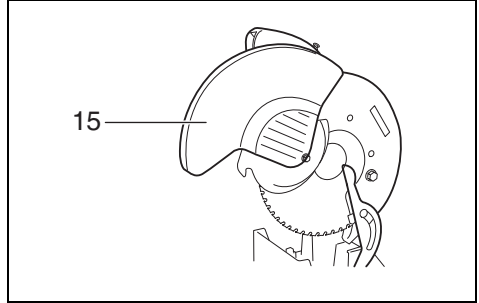
1 1105407



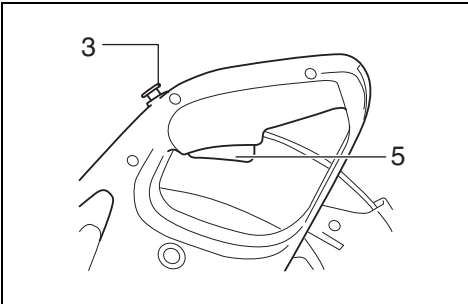
2 003772



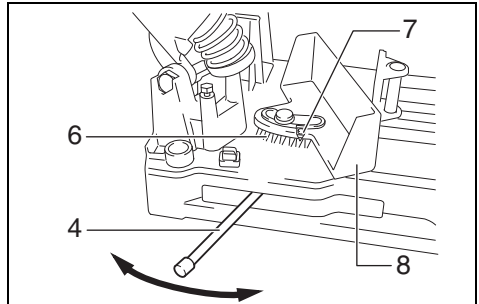
3 1105405



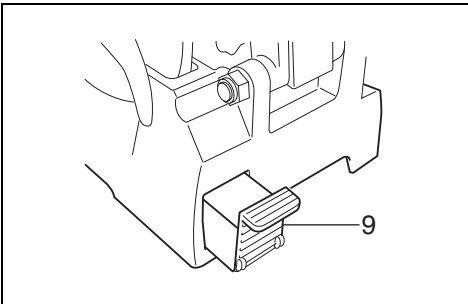
4 1105408



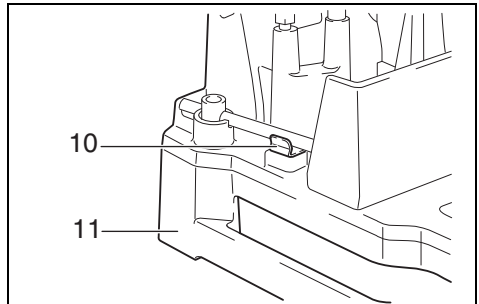
5 003773



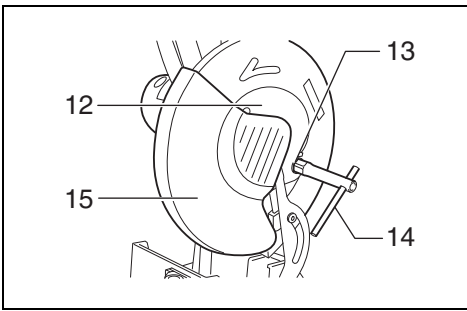
6 1105410



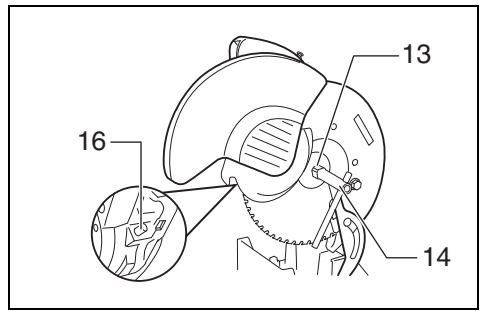
7 003775



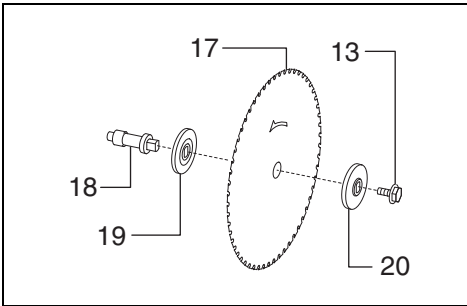
8 1105411



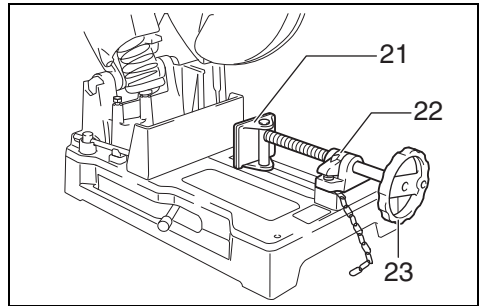
9 003777



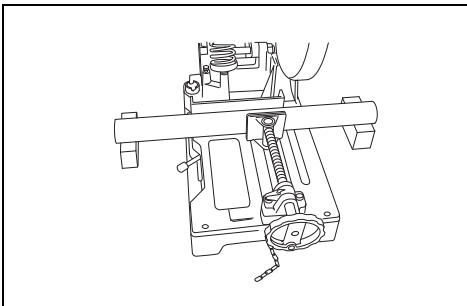
10 1105409



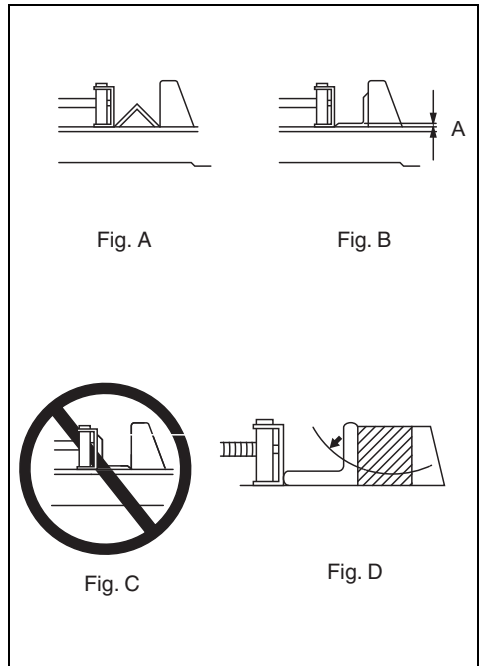
11 003801



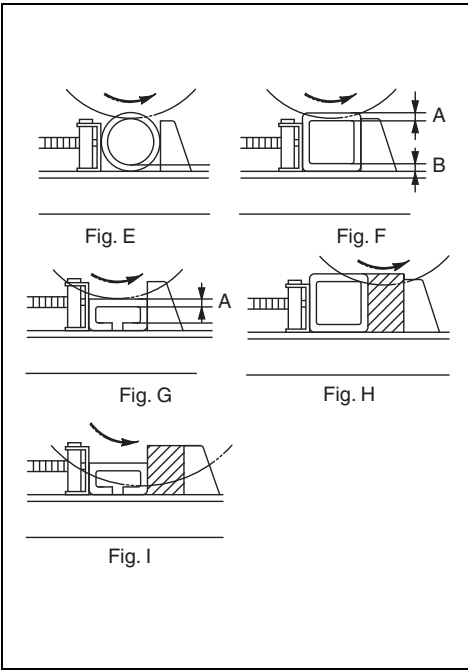
12 1105402



13 1105403

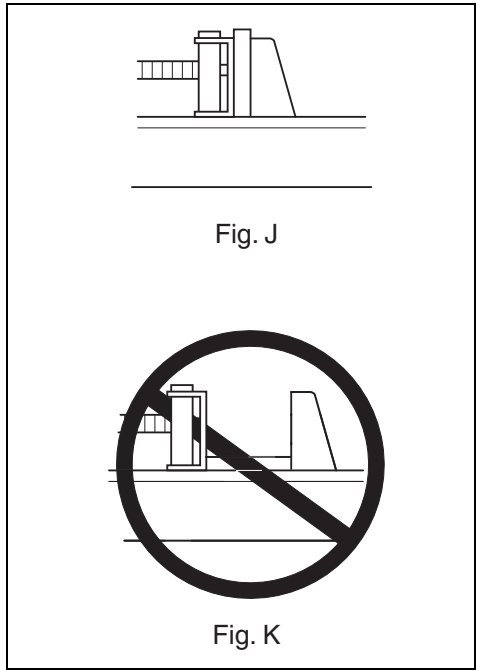


14 003782



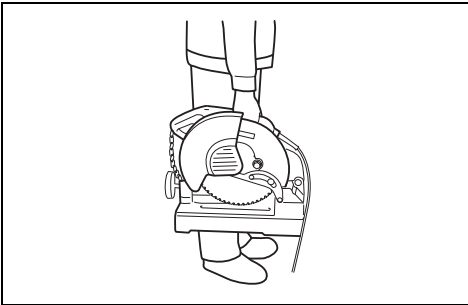
15

003783



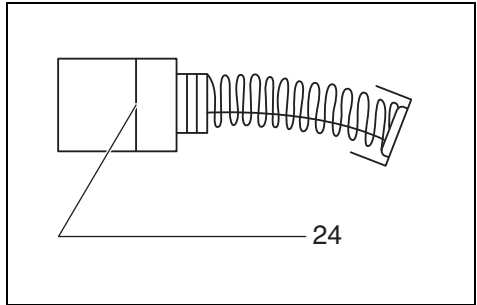
16

003784



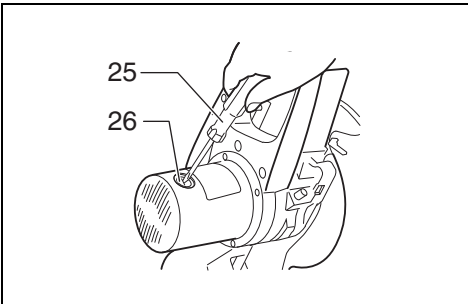
17

1105404



18

001145



19

003786

Symbols

The following show the symbols used for the equipment. Be sure that you understand their meaning before use.

Symboles

Nous donnons ci-dessous les symboles utilisés pour l'outil. Assurez-vous que vous en avez bien compris la signification avant d'utiliser l'outil.

Simbole

Die folgenden Symbole werden für die Maschine verwendet. Machen Sie sich vor der Benutzung unbedingt mit ihrer Bedeutung vertraut.

Simboli

Per questo utensile vengono usati i simboli seguenti. Bisogna capire il loro significato prima di usare l'utensile.

Symbolen

Voor dit gereedschap worden de volgende symbolen gebruikt. Zorg ervoor dat u de betekenis van deze symbolen begrijpt alvorens het gereedschap te gebruiken.

Símbolos

A continuación se muestran los símbolos utilizados con esta herramienta. Asegúrese de que entiende su significado antes de usarla.

Símbolos

O seguinte mostra os símbolos utilizados para a ferramenta. Certifique-se de que compreende o seu significado antes da utilização.

Symboler

Nedenstående symboler er anvendt i forbindelse med denne maskine. Vær sikker på, at De har forstået symbolernes betydning, før maskinen anvendes.

Σύμβολα

Τα ακόλουθα δείχνουν τα σύμβολα που χρησιμοποιούνται για το μηχάνημα. Βεβαιωθείτε ότι καταλαβαίνετε τη σημασία τους πριν από τη χρήση.

Semboller

Aşağıdakiler makinanız için kullanılan sembolleri göstermektedir. Kullanmadan önce manalarını anladığınızdan emin olunuz.



- Read instruction manual.
- Lire le mode d'emploi.
- Bitte Betriebsanleitung lesen.
- Leggete il manuale di istruzioni.
- Lees de gebruiksaanwijzing.
- Lea el manual de instrucciones.
- Leia o manual de instruções.
- Læs brugsanvisningen.
- Διαβάστε τις οδηγίες χρήσης.
- El kitabını okuyun.



- DOUBLE INSULATION
- DOUBLE ISOLATION
- DOPPELT SCHUTZISOLIERT
- DOPPIO ISOLAMENTO
- DUBBELE ISOLATIE
- DOBLE AISLAMIENTO
- DUPLO ISOLAMENTO
- DOBBELT ISOLATION
- ΔΙΠΛΗ ΜΟΝΩΣΗ
- ÇİFT YALITIMLI



- Wear safety glasses.
- Portez des lunettes de sécurité.
- Schutzbrille tragen.
- Indossare occhiali di sicurezza.
- Draag een veiligheidsbril.
- Póngase gafas de seguridad.
- Use óculos de segurança.
- Bær sikkerhedsbriller.
- Φοράτε γυαλιά ασφαλείας.
- Güvenlik gözlüğü takın.



- Do not place hand or fingers close to the blade.
- Ne pas placer les mains ou les doigts près de la lame.
- Halten Sie Hände oder Finger vom Sägeblatt fern.
- Non posizionare la mano o le dita in prossimità della lama.
- Houd handen en vingers uit de buurt van het zaagblad.
- No ponga la mano o los dedos cerca del disco.
- Não coloque a mão ou os dedos perto da lâmina.
- Placer ikke hånden eller fingrene i nærheden af klingene.
- Μην πλησιάζετε τα χέρια και τα δάκτυλα σας κοντά στη λάμα.
- Elinizi veya parmaklarınızı bıçağın yakınına koymayın.



- To avoid injury from flying debris, keep holding the saw head down, after making cuts, until the blade has come to a complete stop.
- Pour éviter toute blessure résultant du vol de débris, tenez l'outil avec sa tête dirigée vers le bas lorsque la coupe est terminée, jusqu'à ce que la lame soit complètement arrêtée.
- Um Verletzungen durch herausgeschleuderte Teile zu vermeiden, halten Sie den Maschinenkopf nach Ausföhrung von Schnitten abgesenkt, bis die Trennscheibe völlig zum Stillstand gekommen ist.
- Per evitare le ferite causate dalle schegge volanti, mantenere abbassata la testa della fresa dopo i tagli finché la lama non si è fermata completamente.
- Na het maken van sneden, moet u de zaagkop omlaag blijven houden totdat het zaagblad volledig tot stilstand is gekomen, om mogelijke verwonding door vliegende brokstukken te voorkomen.
- Para evitar heridas a causa de restos volanderos, después de efectuar los cortes mantenga bajada la cabeza del tronzador hasta que el disco se pare completamente.
- Para evitar injúrias causadas por fragmentos que se soltem, mantenha a cabeça da serra para baixo, depois de fazer cortes, até que a lâmina esteja completamente parada.
- For at undgå tilskadekomst forårsaget af flyvende afskær skal savhovedet holdes nede efter afskæringen, indtil skiven er helt standset.
- Για να αποφύγετε τραυματισμό από ιπτάμενα γρέζια, κρατάτε τον κόπτη προς τα κάτω, αφού κάνετε την κοπή, μέχρι η λεπίδα να σταματήσει εντελώς.
- Firlayan toz ve talaşlardan kaçınmak için, kesme yaptıktan sonra, bıçak tamamen duruncaya kadar, testereyi baş aşağı tutun.



- For your safety, remove the chips, small pieces, etc. from the table top before operation.
- A des fins de sécurité, débarrassez la table de tous les copeaux et autres petits débris avant le travail.
- Zur Sicherheit sollte die Tischplatte vor dem Betrieb von Spänen, Kleinteilen usw. gesäubert werden.
- Per la propria sicurezza, rimuovere le bave, scorie, ecc., da sopra il tavolo dopo il lavoro.
- Voor uw veiligheid, verwijder spaanders, brokstukjes, enz. van het tafelblad alvorens het gereedschap te bedienen.
- Para su propia seguridad, quite las virutas, pequeños trozos, etc., de encima de la mesa antes de realizar la operación de corte.
- Para sua segurança, retire as aparas, peças pequenas, etc. de cima da bancada antes de começar a operação.
- For Deres sikkerheds skyld skal alle metalspåner, små dele og så videre fjernes fra bordets overflade før anvendelse.
- Για την ασφάλεια σας, απομακρύνετε τα υπολείματα, μικρά κομμάτια κλπ. από το τραπέζι προτού χρησιμοποιήσετε το μηχάνημα.
- Güvenliğiniz için, çalışmaya başlamadan önce, tezgah üstündeki talaşları, küçük parçacıkları, vs. temizleyin.



- Only for EU countries
Due to the presence of hazardous components in the equipment, used electrical and electronic equipment may have a negative impact on the environment and human health.
Do not dispose of electrical and electronic appliances with household waste!
In accordance with the European Directive on waste electrical and electronic equipment and its adaptation to national law, used electrical and electronic equipment should be collected separately and delivered to a separate collection point for municipal waste, operating in accordance with the environmental protection regulations.
This is indicated by the symbol of the crossed-out wheeled bin placed on the equipment.
- Pour les pays de l'Union européenne uniquement
En raison de la présence de composants dangereux dans l'équipement, les équipements électriques et électroniques usagés peuvent avoir un impact négatif sur l'environnement et la santé humaine.
Ne jetez pas les appareils électriques et électroniques avec les ordures ménagères !
Conformément à la directive européenne relative aux déchets d'équipements électriques et électroniques et à son adaptation à la législation nationale, les équipements électriques et électroniques usagés doivent être collectés séparément et déposés dans un point de collecte distinct pour déchets urbains, conformément aux réglementations en matière de protection de l'environnement.
Cela est indiqué par le symbole de la poubelle à roulettes barrée sur l'équipement.
- Nur für EU-Länder
Aufgrund des Vorhandenseins gefährlicher Komponenten in der Ausrüstung können Elektro- und Elektronik-Altgeräte sich negativ auf die Umwelt und die menschliche Gesundheit auswirken.
Entsorgen Sie Elektro- und Elektronikgeräte nicht mit dem Hausmüll!
In Übereinstimmung mit der Europäischen Richtlinie über Elektro- und Elektronik-Altgeräte und ihrer Anpassung an nationales Recht sollten Elektro- und Elektronik-Altgeräte gemäß den Umweltschutzbestimmungen getrennt gesammelt und zu einer getrennten Sammelstelle für Siedlungsabfälle geliefert werden.
Dies wird durch das am Gerät angebrachte Symbol der durchgestrichenen Abfalltonne auf Rädern angezeigt.
- Solo per le nazioni dell'EU
A causa della presenza di componenti pericolosi nelle apparecchiature, le apparecchiature elettriche ed elettroniche usate potrebbero produrre un impatto negativo sull'ambiente e sulla salute umana.
Non smaltire elettrodomestici elettrici ed elettronici insieme ai rifiuti domestici!
In conformità alla direttiva europea sui rifiuti di apparecchiature elettriche ed elettroniche (RAEE), e al suo adattamento alle normative nazionali, le apparecchiature elettriche ed elettroniche usate vanno sottoposte a raccolta differenziata e conferite a un punto di raccolta separato per i rifiuti comunali, operando in conformità alle normative per la protezione dell'ambiente.
Tale requisito viene indicato mediante il simbolo del bidone della spazzatura con ruote barrato apposto sull'apparecchio.
- Alleen voor EU-landen
Als gevolg van de aanwezigheid van schadelijke componenten in het apparaat, kunnen gebruikte elektrische en elektronische apparaten negatieve gevolgen hebben voor het milieu en de gezondheid van mensen.
Gooi elektrische en elektronische apparaten niet met het huisvuil weg!
In overeenstemming met de Europese richtlijn inzake oude elektrische en elektronische apparaten en de toepassing daarvan binnen de nationale wetgeving, dienen gebruikte elektrische en elektronische apparaten gescheiden te worden ingezameld en te worden ingeleverd bij een apart inzamelingspunt voor huishoudelijk afval dat de milieubeschermingsvoorschriften in acht neemt.
Dit wordt op het apparaat aangegeven door het symbool van een doorgekruiste afvalcontainer.
- Sólo para países de la Unión Europea
Debido a la presencia de componentes peligrosos en el equipo, el equipo eléctrico y electrónico desechado puede tener un impacto negativo para el medioambiente y la salud humana.
¡No tire los aparatos eléctricos y electrónicos junto con los residuos domésticos!
De conformidad con las Directivas Europeas sobre residuos de aparatos eléctricos y electrónicos, y su adaptación a la ley nacional, el equipo eléctrico y electrónico desechado deberá ser recogido por separado y trasladado a un punto distinto de recogida de desechos municipales, que cumpla con los reglamentos de protección medioambiental.
Esto se indica mediante el símbolo de cubo de basura tachado colocado en el equipo.

- Apenas para países da UE
Devido à presença de componentes perigosos no equipamento, o equipamento elétrico e eletrônico usado pode ter um impacto negativo no meio ambiente e na saúde humana.
Não elimine aparelhos elétricos e eletrônicos juntamente com resíduos domésticos!
De acordo com a Diretiva europeia relativa aos resíduos de equipamentos elétricos e eletrônicos e a respetiva adaptação à legislação nacional, os equipamentos elétricos e eletrônicos usados devem ser recolhidos separadamente e entregues num ponto de recolha separado para resíduos municipais, que opere de acordo com os regulamentos de proteção ambiental.
Tal é indicado pelo símbolo de contentor de lixo com rodas barrado com uma cruz colocado no equipamento.
- Kun for lande inden for EU
Brugt elektrisk og elektronisk udstyr kan have en negativ indvirkning på miljøet og folkesundheden på grund af tilstedeværelsen af farlige komponenter i udstyret.
Bortskaf ikke elektriske og elektroniske apparater sammen med husholdningsaffald!
I overensstemmelse med EF-direktiv om affaldshåndtering af elektrisk og elektronisk udstyr, og i overensstemmelse med national lovgivning, skal brugt elektrisk og elektronisk udstyr opbevares separat og leveres til et separat indsamlingssted til kommunalt affald, der er etableret i henhold til bestemmelserne om miljøbeskyttelse.
Dette er angivet ved symbolet på den krydsede skraldespand, der er placeret på udstyret.
- Μόνο για τις χώρες της ΕΕ
Λόγω της παρουσίας των επικίνδυνων συστατικών μερών στον εξοπλισμό, ο χρησιμοποιημένος ηλεκτρικός και ηλεκτρονικός εξοπλισμός μπορεί να έχει αρνητική επίδραση στο περιβάλλον και την ανθρώπινη υγεία.
Μην απορρίπτετε τις ηλεκτρικές και ηλεκτρονικές συσκευές μαζί με τα οικιακά απορρίμματα!
Σύμφωνα με την Ευρωπαϊκή Οδηγία για τον απόβλητο ηλεκτρικό και ηλεκτρονικό εξοπλισμό, καθώς και την προσαρμογή της στην εθνική νομοθεσία, ο χρησιμοποιημένος ηλεκτρικός και ηλεκτρονικός εξοπλισμός θα πρέπει να συλλέγεται ξεχωριστά και να παραδίδεται σε ξεχωριστό σημείο συλλογής για δημοτικά απόβλητα, το οποίο λειτουργεί σύμφωνα με τους κανονισμούς προστασίας του περιβάλλοντος.
Αυτό υποδεικνύεται από το σύμβολο του διαγραμμένου τροχοφόρου κάδου που βρίσκεται αναρτημένο επάνω στον εξοπλισμό.
- Sadece AB ülkeleri için
Ekipmanda tehlikeli bileşenler bulunduğundan dolayı eski elektrikli ve elektronik ekipmanlar çevre ve insan sağlığı üzerinde olumsuz etkiye yol açabilir.
Elektrikli ve elektronik cihazları evsel atıklarla birlikte atmayın!
Atık elektrikli ve elektronik ekipmanlar hakkındaki Avrupa Direktifi ve söz konusu direktifin ulusal yasalara uyulanması gereğince eski elektrikli ve elektronik ekipmanlar ayrı olarak toplanmalı ve çevre koruma mevzuatına uygun olarak faaliyet gösteren ayrı bir kentsel atık toplama noktasına teslim edilmelidir.
Bu husus, ekipmanın üzerine yerleştirilmiş üzerinde çarpı işareti bulunan tekerlekli çöp kovası simgesi ile belirtilmiştir.

Explanation of general view

- | | | |
|-------------------|-----------------------------|---------------------|
| 1 Hook | 10 Wrench holder | 19 Inner flange |
| 2 Bolt | 11 Base | 20 Outer flange |
| 3 Lock-off button | 12 Center cover | 21 Vise plate |
| 4 Lever | 13 Hex bolt | 22 Vise nut |
| 5 Switch trigger | 14 Socket wrench | 23 Vise handle |
| 6 Graduation | 15 Blade guard | 24 Limit mark |
| 7 Indicator | 16 Shaft lock | 25 Screwdriver |
| 8 Vise stop | 17 Carbide-tipped saw blade | 26 Brush holder cap |
| 9 Dust box | 18 Spindle | |

SPECIFICATIONS

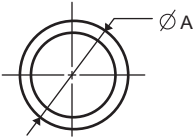
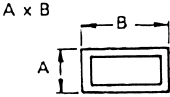
Model

LC1230

Blade diameter	305 mm
Hole (arbor) diameter	25.4 mm
Max. kerf thickness of the saw blade	2.5 mm
No load speed	1,700 min ⁻¹
Dimensions (L x W x H)	516 mm x 306 mm x 603 mm
Net weight	19.2 kg
Safety class	□/II

- Due to our continuing program of research and development, the specifications herein are subject to change without notice.
- Specifications may differ from country to country.
- Weight according to EPTA-Procedure 01/2014

Cutting capacity

Workpiece shape Cutting angle		
90°	115 mm	75 mm x 150 mm 100 mm x 100 mm
45°	90 mm	85 mm x 85 mm

ENE008-1

SAFETY WARNINGS

GEA010-2

Intended use

The tool is intended for cutting in mild steel and stainless steel with appropriate saw blades.

ENF002-2

General power tool safety warnings

⚠ WARNING Read all safety warnings, instructions, illustrations and specifications provided with this power tool. Failure to follow all instructions listed below may result in electric shock, fire and/or serious injury.

Power supply

The tool should be connected only to a power supply of the same voltage as indicated on the nameplate, and can only be operated on single-phase AC supply. They are double-insulated and can, therefore, also be used from sockets without earth wire.

ENF100-1

Save all warnings and instructions for future reference.

The term "power tool" in the warnings refers to your mains-operated (corded) power tool or battery-operated (cordless) power tool.

For public low-voltage distribution systems of between 220 V and 250 V

Switching operations of electric apparatus cause voltage fluctuations. The operation of this device under unfavorable mains conditions can have adverse effects to the operation of other equipment. With a mains impedance equal or less than 0.25 Ohms it can be presumed that there will be no negative effects. The mains socket used for this device must be protected with a fuse or protective circuit breaker having slow tripping characteristics.

SAFETY INSTRUCTIONS FOR METAL CUTTING SAWS

1. **Metal cutting saws are intended to cut ferrous material, they cannot be used with abrasive cut-off wheels for cutting ferrous material such as bars, rods, studs, etc.** Abrasive dust causes moving parts such as the lower guard to jam. Sparks from abrasive cutting will burn the lower guard and other plastic parts.
2. **Regularly clean the power tool's air vents.** The motor's fan can draw the dust inside the housing and excessive accumulation of powdered metal may cause electrical hazards.
3. **Wear personal protective equipment. Depending on application, use face shield, safety goggles or safety glasses. As appropriate, wear dust mask, hearing protectors, gloves and shop apron capable of stopping small fragments.** The eye protection must be capable of stopping flying debris generated by various operations. The dust mask or respirator must be capable of filtering particles generated by your operation. Prolonged exposure to high intensity noise may cause hearing loss.
4. **Do not operate the metal cutting saw near flammable or combustible materials.** Sparks and/or hot debris during cutting operation could ignite these materials.
5. **Always use clamps to support the workpiece. Never support the workpiece by hand. Do not use this saw to cut pieces that are too small to be securely clamped.** If your hand is placed too close to the saw blade, there is an increased risk of injury from blade contact.
6. **The workpiece must be stationary and clamped using the vise. Do not feed the workpiece into the blade or cut "freehand" in any way.** Unrestrained or moving workpieces could be thrown at high speeds, causing injury.
7. **Never cross your hand over the intended line of cutting either in front or behind the saw blade.** Supporting the workpiece "cross handed" i.e. holding the workpiece to the right of the saw blade with your left hand or vice versa is very dangerous.
8. **Do not reach behind the vise stop with either hand from either side of the saw blade, to remove scraps, or for any other reason while the blade is spinning.** The proximity of the spinning saw blade to your hand may not be obvious and you may be seriously injured.
9. **Inspect your workpiece before cutting. If the workpiece is bowed or warped, always make certain that there is no gap between the clamped workpiece, vise and vise stop along the line of the cut.** Bent or warped workpieces can twist or shift and may cause binding on the spinning saw blade while cutting.
10. **Do not use the saw until the table is clear of all tools, scraps, etc., except for the workpiece.** Small debris or loose pieces of ferrous or other objects on the table that contact the revolving blade can be thrown with high speed.
11. **Cut only one workpiece at a time.** Stacked multiple workpieces cannot be adequately clamped or braced and may bind on the blade or shift during cutting.
12. **Ensure the power tool is mounted or placed on a level, firm work surface before use.** A level and firm work surface reduces the risk of the power tool becoming unstable.
13. **Provide adequate support such as blocks, saw horses, etc. for a workpiece that is wider or longer than the table top.** Workpieces longer or wider than the metal cutting saw table can tip if not securely supported. If the cut-off piece or workpiece tips, it can lift the lower guard or be thrown by the spinning blade.
14. **Do not use another person as a substitute for a table extension or as additional support.** Unstable support for the workpiece can cause the blade to bind or the workpiece to shift during the cutting operation pulling you and the helper into the spinning blade.
15. **The cut-off piece must not be jammed or pressed by any means against the spinning saw blade.** If confined, i.e. using length stops, the cut-off piece could get wedged against the blade and thrown violently.
16. **Always use the vise and properly support the workpiece considering its shape.** For example, Rods and channels have a tendency to roll or shift while being cut, causing the blade to "bite" and pull the work with your hand into the blade.
17. **Let the blade reach full speed before contacting the workpiece.** This will reduce the risk of the workpiece being thrown.
18. **If the workpiece or blade becomes jammed, turn the power tool off. Wait for all moving parts to stop and disconnect the plug from the power source and/or remove the battery pack. Then work to free the jammed material.** Continued sawing with a jammed workpiece could cause loss of control or damage to the power tool.
19. **After finishing the cut, release the switch, hold the saw head down and wait for the blade to stop before removing the cut-off piece.** Reaching with your hand near the coasting blade is dangerous.
20. **Hold the handle firmly when making an incomplete cut or when releasing the switch before the saw head is completely in the down position.** The braking action of the saw may cause the saw head to be suddenly pulled downward, causing a risk of injury.
21. **The outside diameter of the saw blade must be the specified capacity.** Incorrectly sized accessories cannot be adequately guarded or controlled.
22. **The arbour size of saw blade and flanges must properly fit the spindle of the power tool.** Saw blade and flanges with arbour holes that do not match the mounting hardware of the power tool will run out of balance, vibrate excessively and may cause loss of control.
23. **The rated speed of the accessory must be at least equal to the maximum speed marked on the power tool.**
24. **Do not use the metal cutting saw to cut other than mild steel or stainless steel.**

Additional instructions

1. **Never stand on the metal cutting saw.** Tipping over or unintentional contact with the cutting means could cause serious injury.

2. Never leave the power tool running unattended. Turn the power off. Do not leave tool until it comes to a complete stop.
3. Do not operate saw without guards in place. Check blade guard for proper closing before each use. Do not operate saw if blade guard does not move freely and close instantly. Never clamp or tie the blade guard into the open position.
4. Keep hands out of the path of the saw blade. Avoid contact with any coasting blade. It can still cause serious injury.
5. Always secure all moving portions before carrying the power tool.
6. Check the blade carefully for cracks or damage before operation. Replace cracked or damaged blade immediately.
7. Use only flanges specified for this tool.
8. Always use undamaged flanges and fixing bolt that are of correct diameter for the blade. Proper flanges support the blade thus reducing the possibility of blade breakage.
9. Make sure the shaft lock is released before turning the power tool on.
10. Hold the handle firmly. Be aware that the saw moves up or down slightly during start-up and stopping.
11. Make sure the blade is not contacting the workpiece before turning the power tool on.
12. Before using the power tool on an actual workpiece, let it run for a while. Watch for vibration or wobbling that could indicate poor installation or a poorly balanced blade.
13. Stop operation immediately if you notice anything abnormal.
14. Do not attempt to lock the trigger in the "ON" position.
15. Always use accessories recommended in this manual. Use of improper accessories such as abrasive wheels may cause an injury.
16. Some material contains chemicals which may be toxic. Take caution to prevent dust inhalation and skin contact. Follow material supplier safety data.

SAVE THESE INSTRUCTIONS.

⚠ WARNING:
DO NOT let comfort or familiarity with product (gained from repeated use) replace strict adherence to safety rules for the subject product. MISUSE or failure to follow the safety rules stated in this instruction manual may cause serious personal injury.

INSTALLATION

Positioning the tool

When the tool is shipped from the factory, the handle is locked. Release the handle from the lowered position by lowering it slightly and removing the chain from the hook on the handle. (Fig. 1)

Bolt the tool with two bolts to a level and stable surface using the bolt holes provided in the tool base. This will help prevent tipping and possible injury. (Fig. 2)

FUNCTIONAL DESCRIPTION

⚠ CAUTION:

- Always be sure that the tool is switched off and unplugged before adjusting or checking function on the tool.

Blade guard (Fig. 3 & 4)

When lowering the handle, the blade guard rises automatically. The guard is spring loaded so it returns to its original position when the cut is completed and the handle is raised. NEVER DEFEAT OR REMOVE THE BLADE GUARD OR THE SPRING WHICH ATTACHES TO THE GUARD.

In the interest of your personal safety, always maintain the blade guard in good condition. Any irregular operation of the blade guard should be corrected immediately. Check to assure spring loaded return action of guard. NEVER USE THE TOOL IF THE BLADE GUARD OR SPRING IS DAMAGED, FAULTY OR REMOVED. DOING SO IS HIGHLY DANGEROUS AND CAN CAUSE SERIOUS PERSONAL INJURY.

If the blade guard is especially dirty, use the supplied socket wrench to loosen the hex bolt holding the center cover. Loosen the hex bolt by turning it counterclockwise and raise the blade guard and center cover. With the blade guard so positioned, cleaning can be more completely and efficiently accomplished. When cleaning is complete, reverse procedure above and secure bolt. Do not remove spring holding blade guard. DO NOT DEFEAT OR REMOVE GUARD.

Switch action (Fig. 5)

⚠ CAUTION:

- Before plugging in the tool, always check to see that the switch trigger actuates properly and returns to the "OFF" position when released.
- When not using the tool, remove the lock-off button and store it in a secure place. This prevents unauthorized operation.

To prevent the switch trigger from being accidentally pulled, a lock-off button is provided.

To start the tool, depress the lock-off button and pull the switch trigger. Release the switch trigger to stop.

Setting for desired cutting angle (Fig. 6)

⚠ CAUTION:

- Always tighten the hex bolt securely after changing the cutting angle.

To change the cutting angle, loosen the lever. Move the vise stop so that the indicator will point to the desired graduation. Then tighten the lever to secure the vise stop.

Dust collection (Fig. 7)

⚠ CAUTION:

- Do not touch any part of the dust box except its handle immediately after operation; it may be extremely hot and could burn your skin.

This tool is equipped with the dust box to collect dust and cut chips. When the dust box is full, hold the handle of the dust box and raise it slightly. Then pull the dust box out of the tool base. Empty the dust box of its contents.

ASSEMBLY

⚠ CAUTION:

- Always be sure that the tool is switched off and unplugged before carrying out any work on the tool.

Socket wrench storage (Fig. 8)

The socket wrench is stored as shown in the figure. When using the socket wrench, pull it out of the wrench holder. After using the socket wrench, return it to the wrench holder.

Installing or removing saw blade

⚠ CAUTION:

- When mounting the blade, make sure that the direction of the arrow on the surface of the blade matches the direction of the arrow on the blade case.
- Use only the Makita socket wrench provided to install or remove the blade. Failure to do so may result in overtightening or insufficient tightening of the hex bolt. This could cause a personal injury.
- Do not touch the blade immediately after operation; it may be extremely hot and could burn your skin.

To remove the blade, use the socket wrench to loosen the hex bolt holding the center cover by turning it counterclockwise. Raise the blade guard and center cover. (Fig. 9)

Press the shaft lock to lock the spindle and use the socket wrench to loosen the hex bolt by turning counterclockwise. Then remove the hex bolt, outer flange and blade. (Fig. 10)

To install the blade, mount the inner flange, saw blade, outer flange and hex bolt onto the spindle in that order. Tighten the hex bolt by turning clockwise while pressing the shaft lock. Return the blade guard and center cover to its original position. Then tighten the hex bolt clockwise to secure the center cover. Lower the handle to make sure that the blade guard moves properly. (Fig. 11)

Securing workpieces

⚠ CAUTION:

- Always set the vise nut to the right fully when securing the workpiece. Failure to do so may result in insufficient securing of the workpiece. This could cause the workpiece to be ejected or cause damage to the blade.

By turning the vise handle counterclockwise and then flipping the vise nut to the left, the vise is released from the shaft threads and can be moved rapidly in and out. To grip workpieces, push the vise handle until the vise plate contacts the workpiece. Flip the vise nut to the right and then turn the vise handle clockwise to securely retain the workpiece. (Fig. 12)

Long workpieces must be supported by blocks of non-flammable material on either side so that it will be level with the base top. (Fig. 13)

OPERATION

Cutting operation

⚠ CAUTION:

- Never attempt to cut workpieces less than 2 mm thick except pipe or workpieces which cannot be secured firmly with the vise. The piece cut off may be caught by the blade, causing dangerous scattering of chips and/or damage to the carbide-tips. Possible serious injury may result.

- Do not apply excessive pressure on the handle when cutting. Too much pressure may result in overload of the motor, decreased cutting efficiency and/or damage to the carbide-tips or blade itself.
- Too little pressure on the handle may result in more sparks and premature blade wear.
- Do not touch the blade, workpiece or cutting chips immediately after operation; they may be extremely hot and could burn your skin.
- If the blade stops during operation, makes an odd noise or begins to vibrate, switch off the tool immediately. Replace cracked or damaged blade with a new one.
- Do not cut aluminum, wood, plastics, concrete, tiles, etc.
- Always use carbide-tipped saw blades appropriate for your job. The use of inappropriate saw blades may cause a poor cutting performance and/or present a risk of personal injury.
- Do not release the saw head uncontrolled from the fully down position. Uncontrolled saw head may hit you and it will result in personal injury.

Hold the handle firmly. Switch on the tool and wait until the blade attains full speed. Then lower the handle gently to bring the blade close to the workpiece. When the blade makes contact, ease into the cut gently at first, then gradually add pressure as the cutting position steadies. Your pressure on the handle should be adjusted to produce the minimum amount of sparks.

When the cut is completed, switch off the tool and WAIT UNTIL THE BLADE HAS COME TO A COMPLETE STOP before returning the handle to the fully elevated position. If the handle is raised while the blade is still rotating, the piece cut off may be caught by the blade, causing dangerous scattering of chips. When cutting only part of the way into a workpiece, raise the handle while the blade is rotating. Switching off during the cut may cause damage to the carbide-tips as they contact the workpiece.

Cutting angles (Fig. 14)

Secure the workpiece in the vise as shown in Fig. A, and proceed to cut it. The saw blade life will be shortened if the workpiece is cut as shown in Fig. B.

⚠ CAUTION:

- Do NOT cut the workpiece as shown in Fig. C since this may cause it to be ejected from the vise, possibly resulting in injury.

The saw blade is subjected to greater wear when the area A in the Fig. B is cut. Place a wooden block up against the workpiece as shown in the Fig. D so that the saw blade will enter area A at an angle. This will help to extend the saw blade life.

The allowable cutting dimensions are reduced when a wooden block is used. Use a wooden block whose dimensions are equivalent to the maximum allowable cutting dimensions minus the dimensions of the workpiece to be cut. This will further minimize the shortening of the saw blade life.

Cutting pipes, squares and channels (Fig. 15)

The saw blade is subjected to greater wear when the areas A and B in Figs. F and G are cut. Place a wooden block up against the workpiece as shown in Figs. H and I so that the saw blade will enter areas A and B at an angle. This will help to minimize the shortening of the saw blade life.

The allowable cutting dimensions are reduced when a wooden block is used. Use a wooden block whose dimensions are equivalent to the maximum allowable cutting dimensions minus the dimensions of the workpiece to be cut. This will further minimize the shortening of the saw blade life.

Cutting rectangles (Fig. 16)

Secure the workpiece in the vise as shown in Fig. J, and proceed to cut it.

CAUTION:

- Do NOT cut the workpiece as shown in Fig. K since this may cause it to be ejected from the vise, possibly resulting in injury.

Carrying tool (Fig. 17)

Fold down the tool head to the position where you can attach the chain to the hook on the handle. Grasp the carrying grip when carrying the tool.

MAINTENANCE

CAUTION:

- Always be sure that the tool is switched off and unplugged before attempting to perform inspection or maintenance.
- Never use gasoline, benzine, thinner, alcohol or the like. Discoloration, deformation or cracks may result.

Replacing saw blade

Continuing to use a dull and worn blade may cause motor overload and decreased cutting efficiency. Replace with a new blade as soon as it is no longer effective.

Replacing carbon brushes (Figs. 18 & 19)

Remove and check the carbon brushes regularly. Replace when they wear down to the limit mark. Keep the carbon brushes clean and free to slip in the holders. Both carbon brushes should be replaced at the same time. Use only identical carbon brushes.

Use a screwdriver to remove the brush holder caps. Take out the worn carbon brushes, insert the new ones and secure the brush holder caps.

To maintain product SAFETY and RELIABILITY, repairs, any other maintenance or adjustment should be performed by Makita Authorized Service Centers, always using Makita replacement parts.

After use

After use, wipe off chips and dust adhering to the tool with a cloth or the like. Keep the blade guard clean according to the directions in the previously covered section titled "Blade guard". Lubricate the sliding portions with machine oil to prevent rust.

OPTIONAL ACCESSORIES

CAUTION:

- These accessories or attachments are recommended for use with your Makita tool specified in this manual. The use of any other accessories or attachments might present a risk of injury to persons. Only use accessory or attachment for its stated purpose.

If you need any assistance for more details regarding these accessories, ask your local Makita Service Center.

- Carbide-tipped saw blade
(Refer to our website or contact your local Makita dealer for the correct saw blades to be used for the material to be cut.)
- Safety goggle
- Socket wrench
- Lock-off button (Switch button)

NOTE

- Some items in the list may be included in the tool package as standard accessories. They may differ from country to country.

ENG905-1

Noise

The typical A-weighted noise level determined according to EN62841-3-10:

Sound pressure level (L_{pA}): 107 dB (A)

Sound power level (L_{WA}): 115 dB (A)

Uncertainty (K): 3 dB (A)

ENG907-1

NOTE:

- The declared noise emission value(s) has been measured in accordance with a standard test method and may be used for comparing one tool with another.
- The declared noise emission value(s) may also be used in a preliminary assessment of exposure.

WARNING:

- **Wear ear protection.**
- **The noise emission during actual use of the power tool can differ from the declared value(s) depending on the ways in which the tool is used especially what kind of workpiece is processed.**
- **Be sure to identify safety measures to protect the operator that are based on an estimation of exposure in the actual conditions of use (taking account of all parts of the operating cycle such as the times when the tool is switched off and when it is running idle in addition to the trigger time).**

ENG900-1

Vibration

The vibration total value (tri-axial vector sum) determined according to EN62841-3-10:

Vibration emission (a_h): 3.0 m/s²

Uncertainty (K): 1.5 m/s²

ENG901-2

NOTE:

- The declared vibration total value(s) has been measured in accordance with a standard test method and may be used for comparing one tool with another.
- The declared vibration total value(s) may also be used in a preliminary assessment of exposure.

WARNING:

- **The vibration emission during actual use of the power tool can differ from the declared value(s) depending on the ways in which the tool is used especially what kind of workpiece is processed.**
- **Be sure to identify safety measures to protect the operator that are based on an estimation of exposure in the actual conditions of use (taking account of all parts of the operating cycle such as the times when the tool is switched off and when it is running idle in addition to the trigger time).**

EC DECLARATION OF CONFORMITY

For European countries only

The EC declaration of conformity is included as Annex A to this instruction manual.

Descriptif

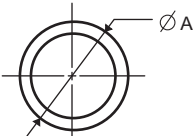
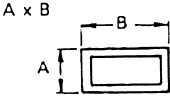
1 Crochet	10 Support de clé	19 Flasque intérieure
2 Boulon	11 Socle	20 Flasque extérieure
3 Bouton de déverrouillage	12 Carter central	21 Talon
4 Levier	13 Boulon hexagonal	22 Ecrou débrayable
5 Gâchette	14 Clé à douille	23 Poignée de l'étau
6 Graduation	15 Protecteur de lame	24 Repère d'usure
7 Indicateur	16 Blocage de l'arbre	25 Tournevis
8 Pièce d'arrêt de l'étau	17 Lame de scie au carbure	26 Bouchon du porte-charbon
9 Boîte à poussière	18 Axe	

SPÉCIFICATIONS

Modèle	LC1230
Diamètre de lame	305 mm
Diamètre de trou (alésage)	25,4 mm
Épaisseur max. du trait de la lame de scie	2,5 mm
Vitesse à vide	1 700 min ⁻¹
Dimensions (L x l x H)	516 mm x 306 mm x 603 mm
Poids net	19,2 kg
Niveau de sécurité	□/II

- Étant donné l'évolution constante de notre programme de recherche et de développement, les spécifications contenues dans ce manuel sont sujettes à modification sans préavis.
- Les spécifications peuvent varier suivant les pays.
- Poids selon la procédure EPTA 01/2014

Capacité de coupe

Forme de pièce Angle de coupe		
90°	115 mm	75 mm x 150 mm 100 mm x 100 mm
45°	90 mm	85 mm x 85 mm

ENE008-1

ENF100-1

Utilisations

L'outil est conçu pour la coupe de l'acier doux et de l'acier inoxydable, au moyen de lames appropriées.

ENF002-2

Alimentation

L'outil ne devra être raccordé qu'à une alimentation de la même tension que celle qui figure sur la plaque signalétique, et il ne pourra fonctionner que sur un courant secteur monophasé. Réalisé avec une double isolation, il peut de ce fait être alimenté sans mise à la terre.

Pour les systèmes de distribution publics à basse tension, entre 220 V et 250 V

La mise sous tension et hors tension des appareils électriques entraîne des fluctuations de tension. L'utilisation de cet appareil dans des conditions d'alimentation électrique inadéquates peut avoir des effets néfastes sur le fonctionnement des autres équipements. Il ne devrait toutefois pas y avoir d'effets négatifs si l'impédance de l'alimentation est égale ou inférieure à 0,25 Ohms. La prise de courant utilisée pour cet appareil doit être protégée par un fusible ou un disjoncteur de protection à déclenchement lent.

CONSIGNES DE SÉCURITÉ

GEA010-2

Consignes de sécurité générales pour outils électriques

⚠ AVERTISSEMENT Veuillez lire les consignes de sécurité, instructions, illustrations et spécifications qui accompagnent cet outil électrique. Le non-respect de toutes les instructions indiquées ci-dessous peut entraîner une électrocution, un incendie et/ou de graves blessures.

Conservez toutes les mises en garde et instructions pour référence ultérieure.

Le terme « outil électrique » dans les avertissements fait référence à l'outil électrique alimenté par le secteur (avec cordon d'alimentation) ou à l'outil électrique fonctionnant sur batterie (sans cordon d'alimentation).

GER190-1

CONSIGNES DE SÉCURITÉ POUR TRONÇONNEUSES À MÉTAUX

- 1. Les tronçonneuses à métaux sont conçues pour couper des matériaux ferreux ; elles ne peuvent pas être utilisées avec des meules à tronçonner abrasives pour couper des matériaux ferreux comme des barres, des tiges, des goujons, etc.** La poussière abrasive provoque le blocage des pièces mobiles comme le protecteur inférieur. Les étincelles produites par le tronçonnage abrasif brûleront le protecteur inférieur et les autres pièces en plastique.
- 2. Nettoyez régulièrement les orifices de ventilation de l'outil électrique.** Le ventilateur du moteur peut aspirer les poussières à l'intérieur du carter, ce qui présente un danger électrique en cas d'accumulation excessive de poussières métalliques.
- 3. Portez un équipement de protection individuelle. Suivant le travail à effectuer, portez un écran facial, des lunettes à coques ou des lunettes de sécurité. Au besoin, portez également un masque anti-poussière, des protections auditives, des gants et un tablier de travail pouvant résister aux petits fragments.** La protection oculaire doit pouvoir arrêter les débris volants produits par les diverses opérations. Le masque anti-poussière ou le masque filtrant doit pouvoir filtrer les particules générées pendant l'exécution du travail. Une exposition prolongée à un bruit d'intensité élevée peut entraîner une perte auditive.
- 4. N'utilisez pas la tronçonneuse à métaux à proximité de matériaux inflammables ou combustibles.** Les étincelles et/ou les débris chauds pendant la coupe peuvent enflammer ces matériaux.
- 5. Utilisez toujours des dispositifs de serrage pour soutenir la pièce. Ne soutenez jamais la pièce avec les mains. N'utilisez pas cette scie pour découper des morceaux trop petits pour être solidement bloqués.** Si votre main est placée trop près de la lame de scie, cela présente un risque accru de blessures en cas de contact avec la lame.
- 6. La pièce doit être immobile et bloquée au moyen de l'étau. En aucun cas, ne poussez la pièce dans la lame, ni ne coupez « à main levée ».** Les pièces non retenues ou en mouvement pourraient être projetées à grande vitesse et vous blesser.

- 7. Ne croisez jamais les mains sur la ligne de coupe prévue devant ou derrière la lame de scie.** Soutenir la pièce les « mains croisées », à savoir en tenant la pièce à droite de la lame de scie avec la main gauche et inversement, est très dangereux.
- 8. Ne tendez pas les mains derrière la butée de l'étau d'un côté ou de l'autre de la lame de scie pour retirer les chutes ou pour tout autre motif pendant que la lame tourne.** La proximité de la lame de scie en rotation avec votre main pourrait ne pas être évidente et vous pourriez gravement vous blesser.
- 9. Inspectez votre pièce avant la coupe. Si la pièce est arquée ou tordue, assurez-vous toujours qu'il n'y a pas d'espace entre la pièce serrée, l'étau et la butée de l'étau le long de la ligne de coupe.** Les pièces courbées ou tordues peuvent se tordre ou bouger et pincer la lame de scie en rotation pendant la coupe.
- 10. N'utilisez pas la scie tant que la table n'est pas dégagée de tous les outils, chutes, etc., à l'exception de la pièce.** Les petits débris, les morceaux ferreux détachés ou d'autres objets sur la table entrant en contact avec la lame en rotation peuvent être projetés à grande vitesse.
- 11. Coupez uniquement une pièce à la fois.** Plusieurs pièces empilées ne peuvent pas être correctement serrées ou attachées et risquent de pincer la lame ou de bouger pendant la coupe.
- 12. Avant utilisation, assurez-vous que l'outil électrique est installé ou posé sur un plan de travail plat et solide.** Un plan de travail plat et solide réduit le risque d'instabilité de l'outil électrique.
- 13. Prévoyez des supports adéquats comme des blocs, un chevalet de sciage, etc., pour les pièces plus larges ou plus longues que la table.** Les pièces plus longues ou plus larges que la table de la tronçonneuse à métaux peuvent basculer si elles ne sont pas solidement soutenues. Si la partie coupée de la pièce ou la pièce elle-même bascule, elle peut soulever le protecteur inférieur ou être projetée par la lame en rotation.
- 14. Ne vous servez pas d'une autre personne à la place d'une rallonge de table ou d'un support supplémentaire.** Un soutien instable de la pièce peut pincer la lame ou faire bouger la pièce pendant la coupe vous entraînant vous et votre assistant vers la lame en rotation.
- 15. La partie coupée de la pièce ne doit pas être coincée ou appuyée par quelque moyen que ce soit contre la lame de scie en rotation.** Si elle est emprisonnée, au moyen de butées longitudinales par exemple, la partie coupée de la pièce risque de se coincer contre la lame et d'être violemment projetée.
- 16. Utilisez toujours l'étau et soutenez correctement la pièce en fonction de sa forme.** Par exemple, les tiges et les canaux ont tendance à rouler ou se décaler pendant la coupe, faisant « mordre » la lame et entraînant la pièce et votre main sur la lame.
- 17. Attendez que la lame ait atteint sa pleine vitesse avant de la mettre en contact avec la pièce.** Vous réduirez ainsi le risque de projection de la pièce.

18. Si la pièce ou la lame se coince, mettez l'outil électrique hors tension. Attendez que toutes les pièces en mouvement s'arrêtent et débranchez la fiche du cordon d'alimentation de la prise secteur et/ou retirez la batterie. Puis essayez de libérer la pièce coincée. Si vous continuez à scier avec une pièce coincée, vous risquez de perdre le contrôle de l'outil électrique ou de l'endommager.
19. Une fois la coupe terminée, relâchez l'interrupteur, tenez la tête de scie vers le bas et attendez l'arrêt de la lame avant de retirer la partie coupée de la pièce. Approcher votre main de la lame « en roue libre » est dangereux.
20. Tenez fermement la poignée lorsque vous faites une coupe incomplète ou lorsque vous relâchez l'interrupteur avant d'avoir complètement abaissé la tête de scie. Le freinage de la scie peut tirer brusquement la tête de scie vers le bas, ce qui présente un risque de blessure.
21. Le diamètre externe de la lame de scie doit être de la capacité spécifiée. Les accessoires de taille incorrecte ne peuvent être protégés ou contrôlés adéquatement.
22. L'orifice central des lames de scie et des flasques doit s'insérer parfaitement sur la broche de l'outil électrique. Des lames de scie et des flasques dont l'orifice central ne correspond pas au matériel de fixation de l'outil électrique se déséquilibreront, vibreront excessivement et risqueront d'entraîner une perte de maîtrise de l'outil.
23. La vitesse nominale de l'accessoire doit être au moins égale à la vitesse maximale indiquée sur l'outil électrique.
24. N'utilisez pas la tronçonneuse à métaux pour couper autre chose que de l'acier doux ou de l'acier inoxydable.

Instructions supplémentaires

1. Ne vous tenez jamais debout sur la tronçonneuse à métaux. Si vous basculez ou touchez accidentellement l'outil de coupe, vous risquez de gravement vous blesser.
2. Ne laissez jamais sans surveillance un outil électrique en marche. Mettez-le hors tension. Attendez que l'outil soit complètement arrêté avant de vous éloigner.
3. N'utilisez jamais la scie sans les protecteurs en place. Vérifiez le bon fonctionnement du protecteur de lame avant chaque utilisation. N'utilisez pas la scie si le protecteur de lame ne se déplace pas librement et ne se referme pas instantanément. N'immobilisez jamais le protecteur de lame en position ouverte.
4. Gardez bien les mains à l'écart de la lame de scie. Évitez tout contact avec une lame « en roue libre ». Vous pourriez vous blesser gravement.
5. Immobilisez toujours toutes les pièces mobiles de l'outil électrique avant de le transporter.
6. Vérifiez soigneusement l'absence de fissures ou de dommages sur les lames avant l'utilisation. Remplacez immédiatement les lames fissurées ou abîmées.
7. N'utilisez que les flasques spécifiés pour cet outil.

8. Utilisez toujours des flasques et des boulons de fixation en bon état, au diamètre convenant à la lame. Des flasques adéquats soutiennent la lame, diminuant ainsi la possibilité d'une rupture de la lame.
9. Assurez-vous que le blocage de l'arbre est relâché avant de mettre l'outil électrique sous tension.
10. Tenez la poignée fermement. N'oubliez pas que la scie se déplace légèrement de haut en bas au démarrage et à l'arrêt.
11. Assurez-vous que la lame ne touche pas la pièce avant de mettre l'outil électrique sous tension.
12. Avant d'utiliser l'outil électrique sur la pièce, faites-le tourner un instant à vide. Vérifiez que la lame ne présente ni balourd ni shimmy qui pourraient résulter d'un montage incorrect ou d'un déséquilibre.
13. Arrêtez immédiatement si vous remarquez quoi que ce soit d'anormal.
14. Ne tentez pas de bloquer la gâchette sur la position de marche (ON).
15. N'utilisez que les accessoires recommandés dans ce manuel. L'utilisation d'accessoires différents, meules abrasives notamment, peut entraîner des blessures.
16. Certains matériaux contiennent des produits chimiques qui peuvent être toxiques. Prenez les précautions nécessaires pour éviter que la poussière dégagée lors du travail ne soit inhalée et n'entre en contact avec la peau. Suivez les données de sécurité du fournisseur du matériau.

CONSERVEZ CES INSTRUCTIONS.

AVERTISSEMENT :

NE vous laissez PAS tromper (au fil d'une utilisation répétée) par un sentiment d'aisance et de familiarité avec le produit, en négligeant le respect rigoureux des consignes de sécurité qui accompagnent le produit en question. La MAUVAISE UTILISATION de l'outil ou l'ignorance des consignes de sécurité indiquées dans ce mode d'emploi peut entraîner de graves blessures.

INSTALLATION

Installation de l'outil

À sa sortie d'usine, la poignée de cet outil est verrouillée. Dégagez la poignée de la position abaissée en l'abaissant légèrement et en retirant la chaîne du crochet sur la poignée. (Fig. 1)

Boulonnez l'outil avec deux boulons sur une surface plane et stable en utilisant les orifices pour boulon prévus sur le socle de l'outil. Ceci permettra d'éviter que l'outil ne se renverse, ce qui pourrait vous blesser. (Fig. 2)

DESCRIPTION DU FONCTIONNEMENT

ATTENTION :

- Assurez-vous toujours que l'outil est hors tension et débranché avant de l'ajuster ou de vérifier son fonctionnement.

Protecteur de lame (Fig. 3 et 4)

Le protecteur de lame s'élève automatiquement lorsque vous abaissez la poignée. Le protecteur étant équipé d'un ressort de rappel, il revient à sa position d'origine une fois la coupe terminée et la poignée relevée. NE JAMAIS MODIFIER OU RETIRER LE PROTECTEUR DE LAME OU SON RESSORT.

Pour votre propre sécurité, maintenez toujours le protecteur de lame en bonne condition. Tout fonctionnement irrégulier du protecteur de lame doit être corrigé immédiatement. Vérifiez que le mécanisme de rappel du protecteur fonctionne correctement. NE JAMAIS UTILISER L'OUTIL SI LE PROTECTEUR DE LAME OU LE RESSORT EST ENDOMMAGÉ, DÉFECTUEUX OU RETIRÉ. CELA EST EXTRÊMEMENT DANGEREUX ET PEUT CAUSER UNE GRAVE BLESSURE.

Lorsque le protecteur de lame est très sale, utilisez la clé à douille fournie pour desserrer le boulon hexagonal qui retient le carter central. Desserrez le boulon hexagonal en le faisant tourner vers la gauche, puis soulevez le protecteur de lame et le carter central. Le nettoyage du protecteur de lame peut être effectué de manière plus complète et efficace lorsqu'il se trouve dans cette position. Une fois le nettoyage terminé, effectuez la procédure ci-dessus en sens inverse et fixez le boulon. Ne retirez pas le ressort du protecteur de lame. NE PAS MODIFIER OU RETIRER LE PROTECTEUR.

Interrupteur (Fig. 5)

⚠ ATTENTION :

- Avant de raccorder l'outil sur le secteur, vérifiez toujours que la gâchette fonctionne correctement et qu'elle revient sur la position « OFF » quand vous la relâchez.
- Quand vous ne vous servez pas de l'outil, retirez le bouton de déverrouillage et rangez-le en lieu sûr. Ceci permettra d'éviter toute utilisation non autorisée.

Pour éviter tout déclenchement accidentel de la gâchette, l'outil a été doté d'un bouton de déverrouillage. Pour mettre l'outil en marche, appuyez sur le bouton de déverrouillage, puis tirez sur la gâchette. Relâchez la gâchette pour arrêter l'outil.

Réglage de l'angle de coupe (Fig. 6)

⚠ ATTENTION :

- Quand vous avez modifié l'angle de coupe, resserrez toujours le boulon hexagonal à fond.

Pour modifier l'angle de coupe, desserrez le levier. Déplacez la pièce d'arrêt de l'étau de façon que l'indicateur soit dirigé sur la graduation voulue. Puis, resserrez le levier pour fixer la pièce d'arrêt de l'étau.

Recueil de poussière (Fig. 7)

⚠ ATTENTION :

- Tout de suite après la coupe, ne touchez la boîte à poussière que par sa poignée; en effet, elle risque d'être extrêmement chaude et pourrait vous brûler.

L'outil est équipé d'une boîte à poussière qui permet de recueillir la poussière et les copeaux. Lorsque la boîte à poussière est pleine, attrapez-la par sa poignée et soulevez-la légèrement. Puis, sortez la boîte à poussière du socle de l'outil et videz-la.

ASSEMBLAGE

⚠ ATTENTION :

- Assurez-vous toujours que l'outil est hors tension et débranché avant d'effectuer tout travail dessus.

Rangement de la clé à douille (Fig. 8)

Le rangement de la clé à douille s'effectue de la façon indiquée sur la figure. Pour l'utiliser, tirez dessus pour la dégager du support de clé. Après l'utilisation, remettez-la sur le support de clé.

Installation et retrait de la lame

⚠ ATTENTION :

- Quand vous installez la lame, vérifiez que la flèche sur la surface de la lame est dirigée dans le même sens que la flèche du carter de lame.
- Pour installer ou retirer la lame, utilisez exclusivement la clé à douille Makita fournie. Sinon, vous risquez de trop serrer ou de ne pas assez serrer le boulon hexagonal. Il y a risque de blessure.
- Ne touchez pas la lame tout de suite après la coupe, car elle risque d'être extrêmement chaude et de vous brûler.

Pour retirer la lame, desserrez le boulon hexagonal de fixation du capot central à l'aide de la clé à douille en le tournant sur la gauche. Soulevez le protecteur de lame et le capot central. (Fig. 9)

Appuyez sur le blocage de l'arbre pour bloquer l'axe et desserrez le boulon hexagonal avec la clé à douille en la tournant vers la gauche. Puis, retirez le boulon hexagonal, la flasque extérieure et la lame. (Fig. 10)

Pour remonter la lame, montez la flasque intérieure, la lame, la flasque extérieure et le boulon hexagonal sur l'axe, dans cet ordre. Serrez le boulon hexagonal en le tournant vers la gauche tout en appuyant sur le blocage de l'arbre. Remettez le protecteur de lame et le capot central en position d'origine. Puis, serrez le boulon hexagonal vers la droite pour fixer le carter central. Abaissez la poignée pour vous assurer que le protecteur de lame se déplace adéquatement. (Fig. 11)

Fixation de la pièce

⚠ ATTENTION :

- Placez toujours l'écrou débrayable complètement sur la droite pour fixer la pièce. Sinon, la pièce risque de ne pas être fixée assez solidement. De la sorte, la pièce pourrait s'éjecter et endommager la lame.

Quand vous tournez la poignée de l'étau vers la gauche puis que vous faites basculer l'écrou débrayable vers la gauche, l'étau se libère du filetage de l'arbre et vous pouvez le déplacer rapidement d'avant en arrière. Pour fixer les pièces, poussez la poignée de l'étau jusqu'à ce que le talon entre en contact avec la pièce. Faites basculer l'écrou débrayable vers la droite, puis tournez la poignée de l'étau vers la droite pour fixer solidement la pièce. (Fig. 12)

Les pièces longues devront être soutenues par des cales de matériau non inflammable de chaque côté de façon qu'elles arrivent au ras de la surface supérieure du socle. (Fig. 13)

UTILISATION

Coupe

ATTENTION :

- N'essayez jamais de couper des pièces de moins de 2 mm d'épaisseur à l'exception de tuyaux ni des pièces que vous ne pouvez pas fixer solidement dans l'étau. Le morceau tronçonné risquerait de rester coincé dans la lame, ce qui pourrait faire voler des copeaux dangereux et/ou endommager la pointe en carbure de la lame. Vous pourriez ainsi vous blesser.
- N'appuyez pas trop fort sur la poignée pendant la coupe. Une pression excessive risque d'entraîner une surcharge du moteur, une diminution du rendement de coupe et/ou des dommages des pointes au carbure ou de lame elle-même.
- Une pression insuffisante sur la poignée risque de provoquer d'avantage d'étincelles et une usure prématurée de la lame.
- Ne touchez pas la lame, la pièce ni les copeaux tout de suite après la coupe; car ils seront extrêmement chauds et pourraient vous brûler.
- Si la lame s'arrête pendant le fonctionnement, qu'elle fait un bruit bizarre ou qu'elle commence à vibrer, arrêtez immédiatement l'outil. Toute lame fendue ou cassée devra être immédiatement remplacée.
- Ne coupez pas d'aluminium, bois, matière plastique, béton, tuiles, etc.
- Utilisez toujours les lames de scie au carbure appropriées au travail. L'utilisation de lames non appropriées risque d'entraîner de mauvaises performances de coupe et/ou de provoquer des blessures physiques.
- Ne relâchez pas la tête de scie incontrôlée de la position complètement abaissée. Une tête de scie incontrôlée peut vous frapper et vous blesser.

Tenez la poignée fermement. Mettez l'outil en marche et attendez que la lame ait atteint sa vitesse de régime. Puis, abaissez doucement la poignée pour amener la lame près de la pièce. Lorsque la lame touche la pièce, commencez à couper en appuyant tout d'abord doucement, puis en augmentant progressivement la pression à mesure que l'emplacement de coupe se marque. Réglez la pression sur la poignée de façon à provoquer le minimum d'étincelles.

Lorsque la coupe est terminée, arrêtez l'outil et ATTENDEZ QUE LA LAME SOIT ARRIVÉE A UN ARRET COMPLET avant de ramener la poignée sur la position de levage maximum. Si vous relevez la poignée alors que la lame tourne encore, le morceau tronçonné risque de rester coincé dans la lame, ce qui pourrait faire voler des copeaux dangereux. Si la pièce n'est tronçonnée qu'à moitié, relevez la poignée pendant que la lame tourne. Si vous arrêtez l'outil pendant la coupe, vous risquez d'endommager les pointes au carbure lorsqu'elles entrent en contact avec la pièce.

Angles de coupe (Fig. 14)

Fixez la pièce dans l'étau de la façon indiquée à la Fig. A, puis procédez à la coupe. La durée de service de la lame sera réduite si la pièce est coupée de la façon indiquée à la Fig. B.

ATTENTION :

- NE PAS couper la pièce de la façon indiquée à la Fig. C. Elle risquerait d'être éjectée de l'étau et de causer une blessure.

La lame est sujette à une plus grande usure lors de la coupe de l'aire A sur la Fig. B. Placez un bloc de bois contre la pièce comme indiqué à la Fig. D afin que la lame pénètre avec un angle dans l'aire A. Cela favorisera une plus grande durée de service de la lame.

Les dimensions de coupe permises sont réduites lors de l'utilisation d'un bloc de bois. Utilisez un bloc de bois dont les dimensions équivalent aux dimensions de coupe maximales moins celles de la pièce à couper. Cela préviendra davantage la réduction de la durée de service de la lame.

Coupe de tuyaux, de carrés et de canaux (Fig. 15)

La lame est sujette à une plus grande usure lors de la coupe des aires A et B sur les Fig. F et G. Placez un bloc de bois contre la pièce comme indiqué aux Fig. H et I afin que la lame pénètre avec un angle dans les aires A et B. Cela favorisera une plus grande durée de service de la lame.

Les dimensions de coupe permises sont réduites lors de l'utilisation d'un bloc de bois. Utilisez un bloc de bois dont les dimensions équivalent aux dimensions de coupe maximales moins celles de la pièce à couper. Cela préviendra davantage la réduction de la durée de service de la lame.

Coupe de rectangles (Fig. 16)

Fixez la pièce dans l'étau de la façon indiquée à la Fig. J, puis procédez à la coupe.

ATTENTION :

- NE PAS couper la pièce de la façon indiquée à la Fig. K. Elle risquerait d'être éjectée de l'étau et de causer une blessure.

Transport de l'outil (Fig. 17)

Repliez la tête de l'outil de façon à pouvoir fixer la chaîne au crochet de la poignée. Pour transporter l'outil, tenez-le par sa saisie de transport.

ENTRETIEN

ATTENTION :

- Assurez-vous toujours que l'outil est hors tension et débranché avant d'y effectuer tout travail d'inspection ou d'entretien.
- N'utilisez jamais d'essence, benzine, diluant, alcool ou autre produit similaire. Cela risquerait de provoquer la décoloration, la déformation ou la fissuration de l'outil.

Remplacement de la lame

Le fait de continuer à utiliser une lame émoussée et usée risque de provoquer une surcharge du moteur et de réduire le rendement de coupe. Remplacez la lame par une neuve dès qu'elle n'est plus efficace.

Remplacement des charbons (Fig. 18 et 19)

Retirez et vérifiez régulièrement les charbons. Remplacez-les lorsqu'ils sont usés jusqu'au repère d'usure. Maintenez les charbons propres et en état de glisser aisément dans les porte-charbon. Les deux charbons doivent être remplacés en même temps. N'utilisez que des charbons identiques.

Retirez les bouchons de porte-charbon à l'aide d'un tournevis. Enlevez les charbons usés, insérez-en de nouveaux et revissez solidement les bouchons de porte-charbon.

Pour maintenir la SÉCURITÉ et la FIABILITÉ du produit, les réparations, autres travaux d'entretien et réglages doivent être effectués dans un centre de service Makita agréé, exclusivement avec des pièces de rechange Makita.

Après l'utilisation

Après l'utilisation essuyez les copeaux et poussières qui adhèrent à l'outil à l'aide d'un chiffon ou d'un objet similaire. Gardez le protecteur de lame propre, conformément aux instructions fournies dans la section précédente intitulée « Protecteur de lame ». Lubrifiez les parties coulissantes avec de l'huile à machine pour prévenir la formation de rouille.

ACCESSOIRES EN OPTION

⚠ ATTENTION :

- Ces accessoires ou pièces complémentaires sont recommandés pour l'utilisation avec l'outil Makita spécifié dans ce mode d'emploi. L'utilisation de tout autre accessoire ou pièce peut comporter un risque de blessure. N'utilisez les accessoires ou pièces qu'aux fins mentionnées dans le présent mode d'emploi.

Si vous désirez obtenir plus de détails concernant ces accessoires, veuillez contacter le centre de service après-vente Makita le plus près.

- Lame de scie au carbure
(Consultez notre site Web ou contactez votre revendeur Makita local pour connaître les bonnes lames de scie à utiliser selon le matériau à couper.)
- Lunettes de protection étanches
- Clé à douille
- Bouton de déverrouillage (Interrupteur)

NOTE :

- Il se peut que certains éléments de la liste soient compris dans l'emballage de l'outil en tant qu'accessoires standard. Ils peuvent varier d'un pays à l'autre.

ENG905-1

Bruit

Niveau de bruit pondéré A typique, déterminé selon EN62841-3-10 :

Niveau de pression sonore (L_{pA}) : 107 dB (A)
Niveau de puissance sonore (L_{WA}) : 115 dB (A)
Incertitude (K) : 3 dB (A)

ENG907-1

NOTE :

- La ou les valeurs d'émission de bruit déclarées ont été mesurées conformément à la méthode de test standard et peuvent être utilisées pour comparer les outils entre eux.
- La ou les valeurs d'émission de bruit déclarées peuvent aussi être utilisées pour l'évaluation préliminaire de l'exposition.

⚠ AVERTISSEMENT :

- Porter des protecteurs anti-bruit.
- L'émission de bruit lors de l'usage réel de l'outil électrique peut être différente de la ou des valeurs déclarées, suivant la façon dont l'outil est utilisé, particulièrement selon le type de pièce usinée.

- Les mesures de sécurité à prendre pour protéger l'utilisateur doivent être basées sur une estimation de l'exposition dans des conditions réelles d'utilisation (en tenant compte de toutes les composantes du cycle d'utilisation, comme par exemple le moment de sa mise hors tension, lorsqu'il tourne à vide et le moment de son déclenchement).

ENG900-1

Vibrations

Valeur totale de vibrations (somme de vecteur triaxial) déterminée selon EN62841-3-10 :

Émission de vibrations (a_{hv}) : 3,0 m/s²
Incertitude (K) : 1,5 m/s²

ENG901-2

NOTE :

- La ou les valeurs de vibration totales déclarées ont été mesurées conformément à la méthode de test standard et peuvent être utilisées pour comparer les outils entre eux.
- La ou les valeurs de vibration totales déclarées peuvent aussi être utilisées pour l'évaluation préliminaire de l'exposition.

⚠ AVERTISSEMENT :

- L'émission de vibrations lors de l'usage réel de l'outil électrique peut être différente de la ou des valeurs déclarées, suivant la façon dont l'outil est utilisé, particulièrement selon le type de pièce usinée.
- Les mesures de sécurité à prendre pour protéger l'utilisateur doivent être basées sur une estimation de l'exposition dans des conditions réelles d'utilisation (en tenant compte de toutes les composantes du cycle d'utilisation, comme par exemple le moment de sa mise hors tension, lorsqu'il tourne à vide et le moment de son déclenchement).

DÉCLARATION DE CONFORMITÉ CE

Pour les pays d'Europe uniquement

La déclaration de conformité CE est fournie en Annexe A à ce mode d'emploi.

Übersicht

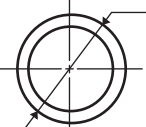
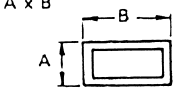
- | | | |
|------------------------|--|-----------------------|
| 1 Haken | 10 Steckschlüsselhalter | 18 Spindel |
| 2 Schraube | 11 Basis | 19 Innenflansch |
| 3 Schalterarretierung | 12 Mittenabdeckung | 20 Außenflansch |
| 4 Hebel | 13 Sechskantschraube | 21 Schraubstockbacke |
| 5 Ein-Aus-Schalter | 14 Steckschlüssel | 22 Schraubstockmutter |
| 6 Skalenteilung | 15 Schutzhaube | 23 Schraubstockgriff |
| 7 Winkelzeiger | 16 Spindelarretierung | 24 Verschleißgrenze |
| 8 Schraubstockanschlag | 17 Hartmetallbestückte
Trennscheibe | 25 Schraubendreher |
| 9 Spänekasten | | 26 Bürstenhalterkappe |

TECHNISCHE DATEN

Modell	LC1230
Trennscheibendurchmesser	305 mm
Trennscheibenbohrung	25,4 mm
Max. Schnittfugenbreite des Sägeblatts	2,5 mm
Leerlaufdrehzahl	1 700 min ⁻¹
Abmessungen (L x B x H)	516 mm x 306 mm x 603 mm
Nettogewicht	19,2 kg
Sicherheitsklasse	□/II

- Wir behalten uns vor, Änderungen im Zuge der Entwicklung und des technischen Fortschritts ohne vorherige Ankündigung vorzunehmen.
- Die technischen Daten können von Land zu Land unterschiedlich sein.
- Gewicht nach EPTA-Verfahren 01/2014

Schnittleistung

	Werkstückform		
Schnittwinkel			
90°		115 mm	75 mm x 150 mm 100 mm x 100 mm
45°		90 mm	85 mm x 85 mm

ENE008-1

ENF100-1

Vorgesehene Verwendung

Das Werkzeug ist für das Schneiden von Weichstahl und Edelstahl mit entsprechenden Trennscheiben vorgesehen.

ENF002-2

Netzanschluss

Die Maschine darf nur an die auf dem Typenschild angegebene Netzspannung angeschlossen werden und arbeitet nur mit Einphasen-Wechselspannung. Sie ist doppelt schutzisoliert und kann daher auch an Steckdosen ohne Erdanschluss betrieben werden.

Für öffentliche Niederspannungs-Verteilungssysteme mit einer Spannung zwischen 220 und 250 V

Schaltvorgänge von Elektrogeräten verursachen Spannungsschwankungen. Der Betrieb dieses Gerätes unter ungünstigen Netzstrombedingungen kann sich nachteilig auf den Betrieb anderer Geräte auswirken. Bei einer Netzstromimpedanz von 0,25 Ohm oder weniger ist anzunehmen, dass keine negativen Effekte auftreten. Die für dieses Gerät verwendete Netzsteckdose muss durch eine Sicherung oder einen Schutzschalter mit trägen Auslösungseigenschaften geschützt sein.

SICHERHEITSWARNUNGEN

GEA010-2

Allgemeine Sicherheitswarnungen für Elektrowerkzeuge

⚠️ WARNUNG Lesen Sie alle mit diesem Elektrowerkzeug gelieferten Sicherheitswarnungen, Anweisungen, Abbildungen und technischen Daten durch. Eine Missachtung der unten aufgeführten Anweisungen kann zu einem elektrischen Schlag, Brand und/oder schweren Verletzungen führen.

Bewahren Sie alle Warnungen und Anweisungen für spätere Bezugnahme auf.

Der Ausdruck „Elektrowerkzeug“ in den Warnhinweisen bezieht sich auf Ihr mit Netzstrom (mit Kabel) oder Akku (ohne Kabel) betriebenes Elektrowerkzeug.

GEB190-1

SICHERHEITSANWEISUNGEN FÜR METALLKREISSÄGEN

- 1. Metallkreissägen sind zum Schneiden von Eisenmaterial vorgesehen. Sie können nicht mit Trennschleifscheiben zum Schneiden von Eisenmaterial, wie z. B. Stäben, Stangen, Bolzen usw., verwendet werden.** Schleifstaub kann Klemmen von beweglichen Teilen, wie z. B. der unteren Schutzhaube, verursachen. Beim Trennschleifen entstehende Funken verbrennen die untere Schutzhaube und andere Kunststoffteile.
- 2. Reinigen Sie die Ventilationsöffnungen des Elektrowerkzeugs regelmäßig.** Der Lüfter des Motors kann Staub in das Gehäuse ansaugen, und starke Ablagerungen von Metallstaub können elektrische Gefahren verursachen.
- 3. Tragen Sie persönliche Schutzausrüstung. Benutzen Sie je nach der Arbeit einen Gesichtsschutz bzw. eine Sicherheits- oder Schutzbrille. Tragen Sie bei Bedarf eine Staubmaske, Ohrschützer, Handschuhe und eine Arbeitsschürze, die in der Lage ist, kleine Splitter abzuwehren.** Der Augenschutz muss in der Lage sein, den bei verschiedenen Arbeiten anfallenden Flugstaub abzuwehren. Die Staubmaske oder Atemschutzmaske muss in der Lage sein, durch die Arbeit erzeugte Partikel herauszufiltern. Lang anhaltende Lärmbelastung kann zu Gehörschäden führen.
- 4. Betreiben Sie die Metallkreissäge nicht in der Nähe von brennbaren Materialien.** Funken und/oder heiße Fremdkörper während des Schneidbetriebs könnten diese Materialien entzünden.
- 5. Verwenden Sie stets Klemmen zum Abstützen des Werkstücks. Stützen Sie das Werkstück niemals mit der Hand ab. Verwenden Sie diese Säge nicht zum Schneiden von Werkstücken, die zu klein sind, um sicher eingespannt zu werden.** Wenn Sie Ihre Hand zu nah an das Sägeblatt halten, besteht erhöhte Verletzungsgefahr durch Kontakt mit dem Sägeblatt.

- 6. Das Werkstück muss stationär sein und mit dem Schraubstock eingespannt werden. Schieben Sie das Werkstück nicht in das Sägeblatt, und schneiden Sie auch nicht „freihändig“ in irgendeiner Weise.** Nicht gesicherte oder bewegliche Werkstücke könnten mit hoher Geschwindigkeit herausgeschleudert werden und Verletzungen verursachen.
- 7. Halten Sie niemals Ihre Hand über die beabsichtigte Schnittlinie, weder vor noch hinter dem Sägeblatt.** Abstützen des Werkstücks mit „überkreuzter Hand“, d. h. Halten des Werkstücks rechts vom Sägeblatt mit der linken Hand oder umgekehrt, ist sehr gefährlich.
- 8. Reichen Sie bei rotierendem Sägeblatt nicht mit einer Hand entweder von der linken oder rechten Seite des Sägeblatts hinter den Schraubstockanschlag, um Abfälle zu entfernen, oder aus anderen Gründen.** Es mag nicht offensichtlich sein, wie nah sich Ihre Hand am Sägeblatt befindet, und Sie können sich ernsthaft verletzen.
- 9. Überprüfen Sie Ihr Werkstück vor dem Schneiden.** Falls das Werkstück gebogen oder verzogen ist, stellen Sie stets sicher, dass entlang der Schnittlinie keine Lücke zwischen dem eingespannten Werkstück, dem Schraubstock und dem Schraubstockanschlag besteht. Verbogene oder verzogene Werkstücke neigen zum Drehen oder Verlagern und können beim Schneiden Klemmen am rotierenden Sägeblatt verursachen.
- 10. Benutzen Sie die Säge nicht eher, bis sämtliche Werkzeuge, Abfälle usw. außer dem Werkzeug vom Tisch weggeräumt sind.** Kleine Bruchstücke, lose Stücke von eisenhaltigen oder anderen Objekten auf dem Tisch, die das rotierende Sägeblatt berühren, können mit hoher Geschwindigkeit herausgeschleudert werden.
- 11. Schneiden Sie nur jeweils ein Werkstück.** Mehrere übereinander gestapelte Werkstücke lassen sich nicht angemessen einspannen oder abstützen und können am Sägeblatt klemmen oder sich während des Schneidens verlagern.
- 12. Vergewissern Sie sich vor Gebrauch, dass das Elektrowerkzeug auf einer ebenen, stabilen Arbeitsfläche montiert oder platziert ist.** Eine ebene und stabile Arbeitsfläche verringert die Gefahr, dass das Elektrowerkzeug instabil wird.
- 13. Sorgen Sie für angemessene Abstützung eines Werkstücks, das breiter oder länger als die Tischplatte ist, z. B. durch Blöcke, Sägeböcke usw.** Werkstücke, die länger oder breiter als der Tisch der Metallkreissäge sind, können kippen, wenn sie nicht sicher abgestützt werden. Falls das abgeschnittene Stück oder Werkstück kippt, kann es die untere Schutzhaube anheben oder vom rotierenden Sägeblatt weggeschleudert werden.
- 14. Verwenden Sie keine zweite Person als Ersatz für eine Tischverlängerung oder zur zusätzlichen Abstützung.** Instabile Abstützung des Werkstücks kann dazu führen, dass das Sägeblatt klemmt oder das Werkstück sich während des Schneidvorgangs verlagert, so dass Sie und der Helfer in das rotierende Sägeblatt gezogen werden.

15. **Das abgeschnittene Stücke darf nicht geklemmt oder in irgendeiner Weise gegen das rotierende Sägeblatt gedrückt werden.** Bei Einengung, z. B. durch Längenanschläge, könnte sich das abgeschnittene Stück gegen das Sägeblatt verkeilen und heftig herausgeschleudert werden.
 16. **Verwenden Sie stets den Schraubstock, und stützen Sie das Werkstück unter Berücksichtigung seiner Form ordnungsgemäß ab.** Beispielsweise neigen Stangen und Profile beim Schneiden zum Rollen oder Verlagern, so dass das Sägeblatt „beißt“ und das Werkstück mit Ihrer Hand in das Sägeblatt zieht.
 17. **Warten Sie, bis das Sägeblatt die volle Drehzahl erreicht, bevor es das Werkstück kontaktiert.** Dadurch wird die Gefahr des Herausschleuderns des Werkstücks verringert.
 18. **Falls das Werkstück oder das Sägeblatt eingeklemmt wird, schalten Sie das Elektrowerkzeug aus. Warten Sie, bis alle beweglichen Teile zum Stillstand gekommen sind, und ziehen Sie dann den Stecker von der Stromquelle ab und/oder nehmen Sie den Akku ab. Befreien Sie dann das eingeklemmte Material.** Fortgesetztes Sägen mit einem eingeklemmten Werkstück könnte zum Verlust der Kontrolle oder zu einer Beschädigung des Elektrowerkzeugs führen.
 19. **Nachdem Sie den Schnitt vollendet haben, lassen Sie den Schalter los, halten Sie den Sägekopf nach unten, und warten Sie, bis das Sägeblatt zum Stillstand kommt, bevor Sie das abgeschnittene Stück entfernen.** Es ist gefährlich, mit Ihrer Hand in die Nähe des auslaufenden Sägeblatts zu reichen.
 20. **Halten Sie den Handgriff sicher fest, wenn Sie einen unvollständigen Schnitt ausführen oder den Schalter loslassen, bevor sich der Sägekopf vollständig in der abgesenkten Position befindet.** Die Abbremsung der Säge kann bewirken, dass der Sägekopf plötzlich nach unten gezogen wird, so dass Verletzungsgefahr besteht.
 21. **Der Außendurchmesser des Sägeblatts muss der angegebenen Kapazität entsprechen.** Zubehörteile der falschen Größe können nicht angemessen geschützt oder kontrolliert werden.
 22. **Die Spindelbohrung von Sägeblättern und Flanschen muss genau der Spindel des Elektrowerkzeugs angepasst sein.** Sägeblätter und Flansche, deren Spindelbohrung nicht genau auf den Montageflansch des Elektrowerkzeugs passt, laufen unrund, vibrieren übermäßig und können einen Verlust der Kontrolle verursachen.
 23. **Die Nennzahl des Zubehörteils muss mindestens der am Elektrowerkzeug angegebenen Maximaldrehzahl entsprechen.**
 24. **Verwenden Sie die Metallkreissäge nur zum Schneiden von Weichstahl oder Edelstahl.**
3. **Betreiben Sie die Säge nicht ohne Schutzhauben. Überprüfen Sie die Sägeblattschutzhaube vor jeder Benutzung auf einwandfreies Schließen. Betreiben Sie die Säge nicht, wenn sich die Schutzhaube nicht ungehindert bewegt und sich nicht sofort schließt. Die Sägeblattschutzhaube darf auf keinen Fall in der geöffneten Stellung festgeklemmt oder festgebunden werden.**
 4. **Halten Sie Ihre Hände von der Schnittlinie des Sägeblatts fern. Vermeiden Sie die Berührung eines auslaufenden Sägeblatts. Es kann auch in diesem Zustand noch schwere Verletzungen verursachen.**
 5. **Sichern Sie stets alle beweglichen Teile, bevor Sie das Elektrowerkzeug tragen.**
 6. **Überprüfen Sie das Sägeblatt vor dem Betrieb sorgfältig auf Risse oder Beschädigung. Wechseln Sie ein gerissenes oder beschädigtes Sägeblatt unverzüglich aus.**
 7. **Verwenden Sie nur für dieses Werkzeug vorgeschriebene Flansche.**
 8. **Verwenden Sie stets unbeschädigte Flansche und Befestigungsschrauben, die den korrekten Durchmesser für das Sägeblatt haben. Korrekte Flansche stützen das Sägeblatt ab und reduzieren somit die Möglichkeit eines Sägeblattbruchs.**
 9. **Vergewissern Sie sich vor dem Einschalten des Elektrowerkzeugs, dass die Spindelarretrierung freigegeben ist.**
 10. **Halten Sie den Handgriff sicher fest. Beachten Sie, dass sich die Säge beim Anlaufen und Abstellen geringfügig nach oben oder unten bewegt.**
 11. **Vergewissern Sie sich vor dem Einschalten des Elektrowerkzeugs, dass das Sägeblatt nicht das Werkstück berührt.**
 12. **Lassen Sie das Elektrowerkzeug vor dem eigentlichen Schneiden eines Werkstücks eine Weile laufen. Achten Sie auf Vibrationen oder Taumelbewegungen, die Anzeichen für schlechte Montage oder ein schlecht ausgewuchtetes Sägeblatt sein können.**
 13. **Brechen Sie sofort den Betrieb ab, wenn Sie irgend etwas Ungewöhnliches bemerken.**
 14. **Versuchen Sie nicht, den Auslöser in der EIN-Stellung zu verriegeln.**
 15. **Verwenden Sie stets das in dieser Anleitung empfohlene Zubehör. Der Gebrauch ungeeigneten Zubehörs, wie z. B. Schleifscheiben, kann Verletzungen zur Folge haben.**
 16. **Manche Materialien können giftige Chemikalien enthalten. Treffen Sie Vorsichtsmaßnahmen, um das Einatmen von Arbeitsstaub und Hautkontakt zu verhüten. Befolgen Sie die Sicherheitsdaten des Materialherstellers.**

DIESE ANWEISUNGEN AUFBEWAHREN.

⚠️ WARNUNG:

Lassen Sie sich NICHT durch Bequemlichkeit oder Vertrautheit mit dem Produkt (durch wiederholten Gebrauch erworben) von der strikten Einhaltung der Sicherheitsregeln für das vorliegende Produkt abhalten. MISSBRAUCH oder Missachtung der Sicherheitsvorschriften in dieser Anleitung können schwere Personenschäden verursachen.

Zusätzliche Anweisungen

1. **Stellen Sie sich niemals auf die Metallkreissäge.** Umkippen oder unbeabsichtigter Kontakt mit dem Schneidwerkzeug könnten ernsthafte Verletzungen verursachen.
2. **Lassen Sie das Elektrowerkzeug niemals unbeaufsichtigt laufen. Schalten Sie die Stromversorgung aus. Verlassen Sie das Werkzeug nicht eher, bis es zu einem vollständigen Stillstand gekommen ist.**

MONTAGE

Positionieren der Maschine

Der Handgriff wird vor dem Versand im Werk verriegelt. Lösen Sie den Handgriff aus der abgesenkten Position, indem Sie ihn geringfügig absenken und die Kette von dem Haken am Handgriff entfernen. **(Abb. 1)** Befestigen Sie die Maschine mit zwei Schrauben durch die Schraubenbohrungen in der Maschinenbasis auf einer waagerechten und stabilen Unterlage, um mögliches Umkippen und Verletzungen zu verhüten. **(Abb. 2)**

FUNKTIONSBESCHREIBUNG

⚠ VORSICHT:

- Vergewissern Sie sich vor jeder Einstellung oder Funktionsprüfung der Maschine stets, dass sie ausgeschaltet und vom Stromnetz getrennt ist.

Schutzhaube (Abb. 3 u. 4)

Wird der Handgriff abgesenkt, hebt sich die Schutzhaube automatisch. Die Schutzhaube ist gefedert, so dass sie in ihre Ausgangsstellung zurückkehrt, wenn der Schnitt vollendet ist und der Handgriff angehoben wird. **NIE-MALS DIE SCHUTZHAUBE ODER DIE DARAN ANGEBRACHTE FEDER FUNKTIONSunFÄHIG MACHEN ODER ENTFERNEN.**

Im Interesse Ihrer eigenen Sicherheit sollten Sie die Schutzhaube stets in gutem Zustand halten. Funktionsstörungen der Schutzhaube müssen sofort behoben werden. Überprüfen Sie die gefederte Rückkehrbewegung der Schutzhaube. **BENUTZEN SIE DAS WERKZEUG NIEMALS MIT BESCHÄDIGTER, DEFEKTER ODER FEHLENDER SCHUTZHAUBE ODER FEDER. DIES IST ÄUSSERST GEFÄHRlich UND KANN SCHWERE PERSONENSCHÄDEN VERURSACHEN.**

Falls die Schutzhaube stark verschmutzt ist, lösen Sie die Sechskantschraube, mit der die Mittenabdeckung befestigt ist, mit dem mitgelieferten Steckschlüssel. Lösen Sie die Sechskantschraube durch Drehen entgegen dem Uhrzeigersinn, und heben Sie die Schutzhaube und die Mittenabdeckung an. In dieser Stellung der Schutzhaube kann die Reinigung gründlicher und effizienter durchgeführt werden. Wenden Sie nach der Reinigung das obige Verfahren umgekehrt an, und ziehen Sie die Schraube an. Entfernen Sie nicht die Feder, welche die Schutzhaube hält. **DIE SCHUTZHAUBE DARF NICHT FUNKTIONSunFÄHIG GEMACHT ODER ENTFERNT WERDEN.**

Schalterbedienung (Abb. 5)

⚠ VORSICHT:

- Vergewissern Sie sich vor dem Anschließen der Maschine an das Stromnetz stets, dass der Ein-Aus-Schalter ordnungsgemäß funktioniert und beim Loslassen in die AUS-Stellung zurückkehrt.
- Wenn Sie die Maschine nicht benutzen, entfernen Sie die Schalterarretierung, und bewahren Sie sie an einem sicheren Platz auf, um unbefugte Benutzung zu unterbinden.

Die Schalterarretierung verhindert eine versehentliche Betätigung des Ein-Aus-Schalters.

Zum Einschalten der Maschine die Schalterarretierung hineindrücken und den Ein-Aus-Schalter betätigen. Zum Ausschalten den Ein-Aus-Schalter loslassen.

Einstellung auf den gewünschten Schnittwinkel (Abb. 6)

⚠ VORSICHT:

- Ziehen Sie die Sechskantschraube nach jedem Verstellen des Schnittwinkels stets fest an.

Zum Ändern des Schnittwinkels den Hebel lösen. Den Schraubstockanschlag so verstellen, dass der Winkelzeiger auf den gewünschten Skalenstrich zeigt. Dann den Hebel zur Sicherung des Schraubstockanschlags anziehen.

Staubsammlung (Abb. 7)

⚠ VORSICHT:

- Berühren Sie keinen Teil des Spänekastens, außer seinem Griff, unmittelbar nach der Bearbeitung, weil er dann noch sehr heiß ist und Hautverbrennungen verursachen kann.

Diese Maschine ist mit einem Spänekasten zum Auffangen von Staub und Spänen ausgestattet. Wenn der Spänekasten voll ist, den Griff des Staubkastens halten und geringfügig anheben. Dann den Spänekasten aus der Maschinenbasis herausziehen und entleeren.

MONTAGE

⚠ VORSICHT:

- Vergewissern Sie sich vor der Ausführung von Arbeiten an der Maschine stets, dass sie ausgeschaltet und vom Stromnetz getrennt ist.

Steckschlüssel-Aufbewahrung (Abb. 8)

Der Steckschlüssel wird gemäß der Abbildung aufbewahrt. Den Steckschlüssel zum Gebrauch aus dem Steckschlüsselhalter herausziehen, und nach Gebrauch wieder in den Halter einsetzen.

Montage und Demontage des Sägeblatts

⚠ VORSICHT:

- Achten Sie bei der Montage der Trennscheibe darauf, dass die Richtung des Pfeils auf der Trennscheibe mit der Richtung des Pfeils auf dem Trennscheibengehäuse übereinstimmt.
- Verwenden Sie nur den mitgelieferten Makita-Steckschlüssel zum Demontieren oder Montieren der Trennscheibe. Anderenfalls besteht die Gefahr, dass die Sechskantschraube zu stark oder zu schwach angezogen wird. Dies könnte zu einer Personenverletzung führen.
- Vermeiden Sie eine Berührung der Trennscheibe unmittelbar nach der Bearbeitung, weil sie dann noch sehr heiß ist und Hautverbrennungen verursachen kann.

Zum Demontieren des Sägeblatts lösen Sie zunächst die Sechskantschraube, mit der die Mittenabdeckung befestigt ist, durch Linksdrehung mit dem Steckschlüssel. Heben Sie die Schutzhaube und die Mittenabdeckung an. **(Abb. 9)**

Die Spindel durch Drücken der Spindelarretierung blockieren, und die Sechskantschraube durch Drehen des Steckschlüssels entgegen dem Uhrzeigersinn lösen. Dann Sechskantschraube, Außenflansch und Trennscheibe abnehmen. **(Abb. 10)**

Zum Montieren der Trennscheibe Innenflansch, Trennscheibe, Außenflansch und Sechskantschraube in dieser Reihenfolge auf die Spindel schieben. Die Sechskantschraube bei gedrückter Spindelarretierung durch Drehen im Uhrzeigersinn anziehen. Bringen Sie Schutzhaube und Mittenabdeckung wieder in ihre Ausgangsstellung. Dann die Sechskantschraube zur Sicherung der Mittenabdeckung im Uhrzeigersinn anziehen. Senken Sie den Handgriff ab, um zu prüfen, ob sich die Schutzhaube einwandfrei bewegt. **(Abb. 11)**

Sicherung von Werkstücken

⚠ VORSICHT:

- Klappen Sie die Schraubstockmutter zum Einspannen des Werkstücks stets vollständig nach rechts. Anderenfalls wird das Werkstück möglicherweise nicht ausreichend gesichert, was zu Herausschleudern des Werkstücks oder Beschädigung der Trennscheibe führen kann.

Durch Drehen des Schraubstockgriffs entgegen dem Uhrzeigersinn und anschließendes Umklappen der Schraubstockmutter nach links wird das Schraubstockgewinde freigegeben, so dass der Schaft schnell hineingeschoben und herausgezogen werden kann. Zum Einspannen von Werkstücken schieben Sie den Schraubstockgriff hinein, bis die Schraubstockbacke das Werkstück berührt. Klappen Sie die Schraubstockmutter nach rechts, und drehen Sie dann den Schraubstockgriff im Uhrzeigersinn, um das Werkstück sicher einzuspannen. **(Abb. 12)**

Lange Werkstücke müssen auf beiden Seiten durch Unterlagen aus nicht brennbarem Material abgestützt werden, so dass das Werkstück parallel zur Oberseite des Maschinentisches liegt. **(Abb. 13)**

BETRIEB

Schneiden

⚠ VORSICHT:

- Versuchen Sie niemals, Werkstücke von weniger als 2 mm Dicke, außer Röhre, oder Werkstücke, die sich nicht einwandfrei in den Schraubstock einspannen lassen, zu schneiden. Das abgeschnittene Stück könnte sonst von der Trennscheibe erfasst werden und gefährliches Herausschleudern von Bruchstücken und/oder Beschädigung der Hartmetallzähne verursachen. Dies kann womöglich zu schweren Verletzungen führen.
- Üben Sie beim Schneiden keinen übermäßigen Druck auf den Handgriff aus. Zu starker Druck kann zu einer Überlastung des Motors, Verringerung der Schneidleistung und/oder Beschädigung der Hartmetallzähne oder der Trennscheibe selbst führen.
- Zu geringer Druck auf den Handgriff kann zu erhöhter Funkenbildung und vorzeitigem Verschleiß der Trennscheibe führen.
- Vermeiden Sie eine Berührung der Trennscheibe, des Werkstücks oder der Späne unmittelbar nach der Bearbeitung; weil sie dann noch sehr heiß sind und Hautverbrennungen verursachen können.
- Sollte die Trennscheibe während des Betriebs stehen bleiben, ein merkwürdiges Geräusch erzeugen oder zu vibrieren beginnen, schalten Sie die Maschine unverzüglich aus. Ersetzen Sie eine gerissene oder beschädigte Trennscheibe unverzüglich durch eine neue.
- Unterlassen Sie das Schneiden von Aluminium, Holz, Kunststoff, Beton, Fliesen usw.

- Verwenden Sie stets für die jeweilige Arbeit geeignete hartmetallbestückte Trennscheiben. Der Gebrauch ungeeigneter Trennscheiben kann schlechte Schnittleistung zur Folge haben und/oder eine Verletzungsgefahr darstellen.
- Lösen Sie den Sägekopf nicht unkontrolliert aus der vollständig abgesenkten Position. Der unkontrollierte Sägekopf könnte Sie treffen und Personenschäden verursachen.

Halten Sie den Handgriff sicher fest. Schalten Sie die Maschine ein und warten Sie, bis die Trennscheibe ihre volle Drehzahl erreicht. Senken Sie dann den Handgriff sanft ab, um die Trennscheibe an das Werkstück heranzuführen. Wenn die Trennscheibe das Werkstück berührt, üben Sie zunächst nur leichten Druck aus und erhöhen dann mit zunehmender Stabilisierung der Schnittposition den Druck allmählich. Üben Sie nur soviel Vorschubdruck aus, dass eine minimale Funkenmenge erzeugt wird.

Sobald der Schnitt beendet ist, schalten Sie die Maschine aus und WARTEN, BIS DIE TRENNSCHEIBE ZUM VÖLLIGEN STILLSTAND GEKOMMEN IST, bevor Sie den Handgriff wieder ganz anheben. Wird der Handgriff bei noch rotierender Trennscheibe angehoben, kann das abgeschnittene Stück von der Trennscheibe erfasst werden und gefährliches Herausschleudern von Bruchstücken verursachen. Wird ein Werkstück nur teilweise angeschnitten, heben Sie den Handgriff bei noch rotierender Trennscheibe an. Das Abschalten der Maschine während des Schneidens kann Beschädigung der Hartmetallzähne bei Kontakt mit dem Werkstück verursachen.

Schneiden von Winkeln (Abb. 14)

Schneiden Sie das Werkstück vor dem Schneiden im Schraubstock, wie in **Abb. A** gezeigt. Die Lebensdauer der Trennscheibe verkürzt sich, falls das Werkstück gemäß **Abb. B** geschnitten wird.

⚠ VORSICHT:

- Schneiden Sie das Werkstück NICHT, wie in **Abb. C** gezeigt, da sonst die Gefahr besteht, dass es aus dem Schraubstock herausgeschleudert wird und Verletzungen verursacht.

Die Trennscheibe unterliegt größerem Verschleiß, wenn der in **Abb. B** gezeigte Bereich A geschnitten wird.

Stützen Sie das Werkstück mit einem Holzklötz ab, wie in **Abb. D** gezeigt, so dass die Trennscheibe in einem Winkel in den Bereich A eintritt. Dadurch wird die Lebensdauer der Trennscheibe verlängert.

Die zulässigen Schnittabmessungen verringern sich bei Verwendung eines Holzklötzes. Verwenden Sie einen Holzklötz mit folgenden Abmessungen: Maximal zulässige Schnittabmessungen minus Abmessungen des zu schneidenden Werkstücks. Dadurch wird einer Verkürzung der Trennscheiben-Lebensdauer weiter vorgebeugt.

Schneiden von Röhren, Vierkanten und Profilen (Abb. 15)

Die Trennscheibe unterliegt größerem Verschleiß, wenn die in den **Abb. F** und **G** gezeigten Bereiche A und B geschnitten werden. Stützen Sie das Werkstück mit einem Holzklötz ab, wie in **Abb. H** und **I** gezeigt, so dass das Sägeblatt in einem Winkel in die Bereiche A und B eintritt. Dadurch wird einer Verkürzung der Trennscheiben-Lebensdauer vorgebeugt.

Die zulässigen Schnittabmessungen verringern sich bei Verwendung eines Holzklotzes. Verwenden Sie einen Holzklotz mit folgenden Abmessungen: Maximal zulässige Schnittabmessungen minus Abmessungen des zu schneidenden Werkstücks. Dadurch wird einer Verkürzung der Trennscheiben-Lebensdauer weiter vorgebeugt.

Schneiden von Vierkanten (Abb. 16)

Sichern Sie das Werkstück vor dem Schneiden im Schraubstock, wie in **Abb. J** gezeigt.

⚠ VORSICHT:

- Schneiden Sie das Werkstück NICHT, wie in **Abb. K** gezeigt, da sonst die Gefahr besteht, dass es aus dem Schraubstock herausgeschleudert wird und Verletzungen verursacht.

Tragen der Maschine (Abb. 17)

Klappen Sie den Maschinenkopf so weit herunter, dass Sie die Kette in den Haken am Griff einhängen können. Halten Sie den Tragegriff zum Tragen der Maschine.

WARTUNG

⚠ VORSICHT:

- Denken Sie vor der Durchführung von Überprüfungen oder Wartungsarbeiten stets daran, die Maschine auszuschalten und vom Stromnetz zu trennen.
- Verwenden Sie auf keinen Fall Benzin, Benzol, Verdünnern, Alkohol oder dergleichen. Solche Mittel können Verfärbung, Verformung oder Rissbildung verursachen.

Auswechseln der Trennscheibe

Fortgesetzter Gebrauch einer stumpfen und verschlissenen Trennscheibe kann Motorüberlastung und verringerte Schneidleistung verursachen. Ersetzen Sie die Trennscheibe durch eine neue, sobald sie ihre Wirksamkeit verliert.

Auswechseln der Kohlebürsten (Abb. 18 und 19)

Die Kohlebürsten müssen regelmäßig entfernt und überprüft werden. Wenn sie bis zur Verschleißgrenze abgenutzt sind, müssen sie erneuert werden. Halten Sie die Kohlebürsten stets sauber, damit sie ungehindert in den Haltern gleiten können. Beide Kohlebürsten sollten gleichzeitig erneuert werden. Verwenden Sie nur identische Kohlebürsten.

Drehen Sie die Bürstenhalterkappen mit einem Schraubendreher heraus. Nehmen Sie die abgenutzten Kohlebürsten heraus, setzen Sie die neuen ein, und drehen Sie dann die Bürstenhalterkappen wieder ein.

Um die SICHERHEIT und ZUVERLÄSSIGKEIT dieses Produkts zu gewährleisten, sollten Reparaturen und andere Wartungs- oder Einstellarbeiten nur von Makita-Kundendienstzentren unter ausschließlicher Verwendung von Makita-Originalersatzteilen ausgeführt werden.

Nach dem Gebrauch

Wischen Sie nach dem Gebrauch an der Maschine haftende Späne und Staub mit einem Tuch oder dergleichen ab. Halten Sie die Schutzhaube gemäß den Anweisungen im vorhergehenden Abschnitt „Schutzhaube“ sauber. Schmieren Sie die Gleitteile der Maschine mit Öl, um Rostbildung zu verhüten.

SONDERZUBEHÖR

⚠ VORSICHT:

- Die folgenden Zubehörteile oder Vorrichtungen werden für den Einsatz mit der in dieser Anleitung beschriebenen Makita-Maschine empfohlen. Die Verwendung anderer Zubehörteile oder Vorrichtungen kann eine Verletzungsgefahr darstellen. Verwenden Sie Zubehörteile oder Vorrichtungen nur für ihren vorgesehenen Zweck.

Wenn Sie weitere Einzelheiten bezüglich dieser Zubehörteile benötigen, wenden Sie sich bitte an Ihre Makita-Kundendienststelle.

- Hartmetallbestückte Trennscheibe (Besuchen Sie unsere Website, oder wenden Sie sich an Ihren Makita-Händler vor Ort, um zu erfahren, welche Sägeblätter für das zu schneidende Material korrekt sind.)
- Schutzbrille
- Steckschlüssel
- Schalterarretierung (Schalterknopf)

HINWEIS:

- Manche Teile in der Liste können als Standardzubehör im Werkzeugsatz enthalten sein. Sie können von Land zu Land unterschiedlich sein.

ENG905-1

Geräusch

Typischer A-bewerteter Geräuschpegel ermittelt gemäß EN62841-3-10:

Schalldruckpegel (L_{pA}): 107 dB (A)

Schalleistungspegel (L_{WA}): 115 dB (A)

Ungewissheit (K): 3 dB (A)

ENG907-1

HINWEIS:

- Der (Die) angegebene(n) Schallemissionswert(e) wurde(n) im Einklang mit der Standardprüfmethode gemessen und kann (können) für den Vergleich zwischen Werkzeugen herangezogen werden.
- Der (Die) angegebene(n) Schallemissionswert(e) kann (können) auch für eine Vorbewertung des Gefährdungsgrads verwendet werden.

⚠ WARNUNG:

- **Gehörschutz tragen.**
- **Die Schallemission während der tatsächlichen Benutzung des Elektrowerkzeugs kann je nach der Benutzungseise des Werkzeugs (besonders je nach der Art des Werkstücks) von dem (den) angegebenen Wert(en) abweichen.**
- **Identifizieren Sie Sicherheitsmaßnahmen zum Schutz des Benutzers anhand einer Schätzung des Gefährdungsgrads unter den tatsächlichen Nutzungsbedingungen (unter Berücksichtigung aller Phasen des Arbeitszyklus, wie z. B. Ausschalt- und Leerlaufzeiten der Maschine zusätzlich zur Betriebszeit).**

ENG900-1

Vibration

Vibrationsgesamtwert (Drei-Achsen-Vektorsumme) ermittelt gemäß EN62841-3-10:

Vibrationsemission (a_{hV}): 3,0 m/s²

Ungewissheit (K): 1,5 m/s²

HINWEIS:

- Der (Die) angegebene(n) Vibrationsgesamtwert(e) wurde(n) im Einklang mit der Standardprüfmethode gemessen und kann (können) für den Vergleich zwischen Werkzeugen herangezogen werden.
- Der (Die) angegebene(n) Vibrationsgesamtwert(e) kann (können) auch für eine Vorbewertung des Gefährdungsgrads verwendet werden.

**WARNUNG:**

- **Die Schwingungsemission während der tatsächlichen Benutzung des Elektrowerkzeugs kann je nach der Benutzungsweise des Werkzeugs (besonders je nach der Art des Werkstücks) von dem (den) angegebenen Emissionswert(en) abweichen.**
- **Identifizieren Sie Sicherheitsmaßnahmen zum Schutz des Benutzers anhand einer Schätzung des Gefährdungsgrads unter den tatsächlichen Benutzungsbedingungen (unter Berücksichtigung aller Phasen des Arbeitszyklus, wie z. B. Ausschalt- und Leerlaufzeiten der Maschine zusätzlich zur Betriebszeit).**

EG-KONFORMITÄTSERKLÄRUNG**Nur für europäische Länder**

Die EG-Konformitätserklärung ist als Anhang A in dieser Bedienungsanleitung enthalten.

Visione generale

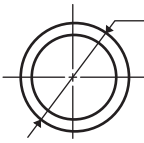
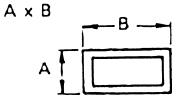
- | | | |
|--------------------------|--------------------------|------------------------|
| 1 Gancio | 10 Portachiave | 19 Flangia interna |
| 2 Bullone | 11 Base | 20 Flangia esterna |
| 3 Bottone di sblocco | 12 Coperchio centrale | 21 Piastra morsa |
| 4 Leva | 13 Bullone esagonale | 22 Dado morsa |
| 5 Grilletto interruttore | 14 Chiave a bussola | 23 Manopola morsa |
| 6 Graduatoria | 15 Protezione della lama | 24 Segno limite |
| 7 Indicatore | 16 Fermo albero | 25 Cacciavite |
| 8 Stop morsa | 17 Lama diamantata | 26 Tappo portaspazzole |
| 9 Scatola polvere | 18 Mandrino | |

DATI TECNICI

Modello	LC1230
Diametro lama	305 mm
Diametro foro (albero)	25,4 mm
Spessore max. di taglio della lama.....	2,5 mm
Velocità a vuoto	1.700 min ⁻¹
Dimensioni (Lungh. x Larg. x Alt.)	516 mm x 306 mm x 603 mm
Peso netto	19,2 kg
Classe di sicurezza	II/III

- Per il nostro programma di ricerca e sviluppo continui, i dati tecnici sono soggetti a modifiche senza preavviso.
- I dati tecnici potrebbero differire a seconda del Paese di destinazione del modello.
- Peso in base alla procedura EPTA 01/2014

Capacità di taglio

Forma pezzo Angolo di taglio		
90°	115 mm	75 mm x 150 mm 100 mm x 100 mm
45°	90 mm	85 mm x 85 mm

ENE008-1

ENF100-1

Utilizzo previsto

Questo utensile serve a tagliare l'acciaio dolce e l'acciaio inossidabile con le lame appropriate.

ENF002-2

Alimentazione

L'utensile deve essere collegato ad una presa di corrente con la stessa tensione indicata sulla targhetta del nome, e può funzionare soltanto con la corrente alternata monofase. Esso ha un doppio isolamento per cui può essere usato con le prese di corrente sprovviste della messa a terra.

Per i sistemi della rete pubblica di distribuzione a bassa tensione da 220 V a 250 V

Le operazioni di accensione e spegnimento degli apparecchi elettrici causano fluttuazioni di tensione. L'utilizzo di questo dispositivo in condizioni inadatte di corrente potrebbe avere effetti negativi sul funzionamento di altri apparecchi. Con una impedenza delle rete uguale o inferiore a 0,25 ohm, si può presumere che non ci siano effetti negativi. La presa di corrente usata per questo dispositivo deve essere protetta da un fusibile o da un interruttore di circuito con basse caratteristiche di scatto.

AVVERTENZE DI SICUREZZA

GEA010-2

Avvertenze generali relative alla sicurezza dell'utensile elettrico

⚠ AVVERTIMENTO Leggere tutte le avvertenze di sicurezza, le istruzioni, le illustrazioni e i dati tecnici forniti con il presente utensile elettrico. La mancata osservanza di tutte le istruzioni elencate di seguito potrebbe risultare in scosse elettriche, incendi e/o gravi lesioni personali.

Conservare tutte le avvertenze e le istruzioni come riferimento futuro.

Il termine "utensile elettrico" nelle avvertenze si riferisce sia all'utensile elettrico (cablato) nel funzionamento alimentato da rete elettrica che all'utensile elettrico (a batteria) nel funzionamento alimentato a batteria.

GEB190-1

ISTRUZIONI DI SICUREZZA RELATIVE ALLE TRONCATRICI PER METALLO

- 1. Le troncatrici per metallo sono destinate a tagliare materiali ferrosi, e non possono essere utilizzate con mole troncatrici abrasive per il taglio di materiali ferrosi quali barre, aste, montanti, e così via.** La polvere abrasiva causa l'inceppamento delle parti mobili, ad esempio della protezione inferiore. Le scintille dovute al taglio abrasivo bruciano la protezione inferiore e altre parti in plastica.
- 2. Pulire regolarmente le aperture di ventilazione dell'utensile elettrico.** La ventola del motore può attirare le polveri all'interno dell'alloggiamento, e l'accumulo eccessivo di metallo polverizzato potrebbe causare pericoli di natura elettrica.
- 3. Indossare un'attrezzatura di protezione personale. A seconda dell'applicazione, utilizzare una visiera, occhiali oppure occhiali di sicurezza. A seconda delle esigenze, indossare una mascherina antipolvere, protezioni per l'udito, guanti e un grembiule da officina in grado di arrestare piccoli frammenti.** La protezione per gli occhi deve essere in grado di arrestare detriti volanti causati da svariate operazioni. La mascherina antipolvere o il respiratore devono essere in grado di filtrare le particelle generate dall'operazione in corso. L'esposizione prolungata al rumore ad alta intensità potrebbe causare la perdita dell'udito.
- 4. Non far funzionare la troncatrice per metallo in prossimità di materiali infiammabili o combustibili.** Scintille e/o detriti molto caldi durante le operazioni di taglio potrebbero incendiare tali materiali.
- 5. Utilizzare sempre delle morse per sostenere il pezzo in lavorazione. Non mantenere mai il pezzo in lavorazione con le mani. Non utilizzare questa sega per tagliare pezzi che siano troppo piccoli per poter essere fissati saldamente con delle morse.** Qualora si posizioni la mano troppo vicina alla lama, sussiste un maggior rischio di lesioni personali dovute al contatto con la lama.
- 6. Il pezzo in lavorazione deve essere immobile e fissato utilizzando la morsa. Non far avanzare il pezzo in lavorazione verso la lama né tagliarlo "a mani libere" in alcun modo.** Pezzi in lavorazione non bloccati o in movimento potrebbero venire scagliati ad alte velocità, causando lesioni personali.
- 7. Non attraversare mai con la mano la linea di taglio stabilita, né davanti né dietro alla lama.** È molto pericoloso sostenere il pezzo in lavorazione "con la mano incrociata", vale a dire mantenendo il pezzo in lavorazione a destra della lama con la mano sinistra o viceversa.
- 8. Non allungare le mani dietro al fermo della morsa da entrambi i lati della lama, per rimuovere sfridi o per qualsiasi altro motivo, mentre la lama sta ruotando.** La prossimità alla mano della lama in rotazione potrebbe non risultare evidente, e si potrebbero subire gravi lesioni personali.
- 9. Ispezionare il pezzo in lavorazione prima di effettuare il taglio. Qualora il pezzo in lavorazione sia incurvato o distorto, accertarsi sempre che non vi siano spazi tra il pezzo in lavorazione serrato nella morsa, la morsa stessa e il fermo della morsa lungo la linea di taglio.** Pezzi in lavorazione piegati o distorti possono torcersi o spostarsi, e potrebbero causare l'inceppamento della lama in rotazione durante il taglio.
- 10. Non utilizzare la sega fino a quando il tavolo è libero da tutti gli utensili, gli sfridi, e così via, tranne il pezzo in lavorazione.** Piccoli detriti o pezzi allentati di oggetti ferrosi o di altro genere sul tavolo che entrino in contatto con la lama in rotazione possono venire scagliati ad alta velocità.
- 11. Tagliare un solo pezzo in lavorazione alla volta.** Non è possibile fissare con una morsa o supportare in modo adeguato più pezzi in lavorazione impilati, e questi ultimi potrebbero incepparsi nella lama o spostarsi durante il taglio.
- 12. Accertarsi che l'utensile elettrico venga montato o posizionato su una superficie di lavoro piana e stabile prima dell'uso.** Una superficie di lavoro piana e stabile riduce il rischio che l'utensile elettrico diventi instabile.
- 13. Fornire un supporto adeguato, ad esempio blocchi di sostegno, cavalletti per segare, e così via, per un pezzo in lavorazione che sia più largo o più lungo della superficie del tavolo.** I pezzi in lavorazione più lunghi o più larghi del tavolo della troncatrice per metallo possono rovesciarsi, se non vengono supportati saldamente. Qualora il pezzo tagliato o il pezzo in lavorazione si rovesci, può sollevare la protezione inferiore o venire scagliato dalla lama in rotazione.
- 14. Non utilizzare un'altra persona come sostituto per un prolungamento del tavolo o come supporto aggiuntivo.** Il supporto instabile per il pezzo in lavorazione può causare l'inceppamento della lama o lo spostamento del pezzo in lavorazione durante l'operazione di taglio, tirando sia l'operatore che l'aiutante verso la lama in rotazione.
- 15. Il pezzo tagliato non deve venire spinto con forza né premuto in alcun modo contro la lama in rotazione.** Il pezzo tagliato, qualora sia confinato, ad esempio mediante l'uso di battute longitudinali, potrebbe incunearsi contro la lama e venire scagliato con violenza.
- 16. Utilizzare sempre la morsa e sostenere sempre il pezzo in lavorazione in modo appropriato tenendone in considerazione la forma.** Ad esempio, le aste e i profilati a U tendono a rotolare o a spostarsi mentre vengono tagliati, facendo sì che la lama "addenti" e tiri il pezzo in lavorazione insieme alla mano verso la lama.
- 17. Lasciar raggiungere la massima velocità alla lama, prima di mettere quest'ultima in contatto con il pezzo in lavorazione.** In tal modo si riduce il rischio che il pezzo in lavorazione venga scagliato.

18. Qualora il pezzo in lavorazione o la lama si inceppino, spegnere l'utensile. Attendere che tutte le parti mobili si arrestino, scollegare la spina dalla fonte di alimentazione, e/o rimuovere la cartuccia della batteria. Quindi, intervenire per liberare il materiale inceppato. Qualora si continui a segare con un pezzo in lavorazione inceppato, si potrebbe causare la perdita di controllo o il danneggiamento dell'utensile.
19. Dopo aver terminato il taglio, rilasciare l'interruttore, mantenere la testa della sega abbassata e attendere che la lama si arresti, prima di rimuovere il pezzo tagliato. È pericoloso allungare una mano in prossimità della lama che si sta arrestando.
20. Mantenere la maniglia saldamente quando si intende effettuare un taglio incompleto o quando si intende rilasciare l'interruttore prima che la testa della sega sia completamente in posizione abbassata. L'operazione di frenatura della sega potrebbe far sì che la testa della sega venga tirata improvvisamente verso il basso, causando un rischio di lesione personale.
21. Il diametro esterno della lama deve avere la capacità specificata. Non è possibile proteggere o controllare in modo adeguato accessori di dimensioni errate.
22. Le dimensioni dei fori per gli alberi di lame e flange devono coincidere correttamente con quella del mandrino dell'utensile elettrico. Le lame e le flange con fori per gli alberi che non coincidano con le misure degli attacchi di montaggio dell'utensile elettrico funzionano in modo sbilanciato, vibrano eccessivamente e potrebbero causare la perdita di controllo.
23. La velocità nominale dell'accessorio deve essere almeno equivalente alla velocità massima indicata sull'utensile elettrico.
24. Non utilizzare la troncatrice per metallo per tagliare materiali diversi dall'acciaio dolce o dall'acciaio inox.

Istruzioni aggiuntive

1. Non salire mai sulla troncatrice per metallo. Il rovesciamento o il contatto accidentale con lo strumento da taglio potrebbe causare gravi lesioni personali.
2. Non lasciare mai l'utensile elettrico in funzione incustodito. Spegnere l'utensile. Non lasciare l'utensile fino al suo arresto completo.
3. Non utilizzare la sega senza le protezioni applicate in sede. Controllare che la protezione lama si chiuda correttamente prima di ciascun utilizzo. Non utilizzare la sega qualora la protezione lama non si muova liberamente e non si chiuda istantaneamente. Non bloccare né legare mai la protezione lama nella posizione aperta.
4. Tenere le mani fuori dal percorso della lama. Evitare il contatto con la lama durante il moto inerziale. La lama può ancora causare gravi lesioni personali.
5. Fissare sempre tutte le parti mobili prima di trasportare l'utensile elettrico.
6. Controllare con cura che la lama non presenti crepe o danneggiamenti prima dell'utilizzo. Sostituire immediatamente le lame spaccate o danneggiate.
7. Utilizzare esclusivamente le flange specificate per il presente utensile.

8. Utilizzare sempre flange e bulloni di fissaggio non danneggiati che abbiano il diametro corretto per la lama. Le flange appropriate supportano la lama, riducendo pertanto la possibilità di rottura della lama stessa.
9. Prima di accendere l'utensile elettrico, accertarsi di aver rilasciato il blocco albero.
10. Tenere saldamente la maniglia. Tenere presente che la sega si muove leggermente verso l'alto o verso il basso durante l'avvio e l'arresto.
11. Accertarsi che la lama non sia in contatto con il pezzo in lavorazione, prima di accendere l'utensile elettrico.
12. Prima di utilizzare l'utensile su un pezzo in lavorazione effettivo, lasciarlo funzionare per qualche momento. Accertarsi che non siano presenti vibrazioni oppure oscillazioni che potrebbero indicare un'installazione inadeguata o un bilanciamento imperfetto della lama.
13. Qualora si noti una qualsiasi anomalia, interrompere immediatamente l'utilizzo.
14. Non tentare di bloccare il grilletto nella posizione di accensione.
15. Utilizzare sempre gli accessori consigliati nel presente manuale. L'uso di accessori inadeguati, ad esempio mole a disco abrasive, potrebbe causare lesioni personali.
16. Alcuni materiali contengono sostanze chimiche che potrebbero essere tossiche. Adottare cautela per evitare l'inalazione delle polveri e il contatto con la pelle. Attenersi ai dati sulla sicurezza del fornitore dei materiali.

CONSERVARE LE PRESENTI ISTRUZIONI.

⚠ AVVERTIMENTO:

NON lasciare che comodità o la familiarità d'utilizzo con il prodotto (acquisita con l'uso ripetuto) sostituisca la stretta osservanza delle norme di sicurezza per il prodotto in questione. L'USO IMPROPRIO o la mancata osservanza delle norme di sicurezza indicate nel presente manuale di istruzioni potrebbero causare gravi lesioni personali.

INSTALLAZIONE

Sistemazione della macchina

Al momento della spedizione dalla fabbrica, la maniglia dell'utensile è bloccata. Sbloccare la maniglia dalla posizione abbassata, abbassandola leggermente e rimuovendo la catena dal gancio sulla maniglia. (Fig. 1)
Fissare la macchina con due bulloni su una superficie piana e stabile, usando i fori per bulloni che si trovano sulla base. Ciò evita che la macchina si rovesci causando ferite. (Fig. 2)

DESCRIZIONE DEL FUNZIONAMENTO

⚠ ATTENZIONE:

- Accertarsi sempre che l'utensile sia spento e staccato dalla presa di corrente prima di regolare o di controllare il suo funzionamento.

Protezione lama (Fig. 3 e 4)

Quando si abbassa l'impugnatura, la protezione della lama si solleva automaticamente. La protezione è caricata da una molla, per cui torna sulla sua posizione originale quando si solleva l'impugnatura al completamento del taglio. **MAI RENDERE INOPERANTE O RIMUOVERE LA PROTEZIONE DELLA LAMA O LA MOLLA ATTACCATO ALLA PROTEZIONE.**

Nell'interesse della sicurezza personale dell'utilizzatore, mantenere sempre la protezione lama in buone condizioni. Qualsiasi irregolarità di funzionamento della protezione lama va corretta immediatamente. Verificare il ritorno automatico in posizione mediante la carica a molla della protezione della lama. **NON UTILIZZARE MAI L'UTENSILE QUALORA LA PROTEZIONE LAMA O LA MOLLA SIA DANNEGGIATA, DIFETTOSA O SIA STATA RIMOSSA. LA MANCATA OSSERVANZA DI QUESTA AVVERTENZA È ESTREMAMENTE PERICOLOSA E POTREBBE CAUSARE GRAVI LESIONI PERSONALI.**

Qualora la protezione lama sia particolarmente sporca, utilizzare la chiave a bussola in dotazione per allentare il bullone esagonale che fissa il coperchio centrale. Allentare il bullone esagonale ruotandolo in senso antiorario e sollevare la protezione lama e il coperchio centrale. Con la protezione lama posizionata in tal modo è possibile ottenere una pulizia più completa ed efficiente. Al completamento della pulizia, eseguire al contrario la procedura indicata sopra e fissare il bullone. Non rimuovere la molla che fissa la protezione lama. **NON RENDERE INOPERANTE NÉ RIMUOVERE LA PROTEZIONE.**

Azionamento dell'interruttore (Fig. 5)

⚠ ATTENZIONE:

- Prima di accendere la macchina, accertarsi sempre che il grilletto interruttore funzioni correttamente e torni sulla posizione "OFF" quando viene rilasciato.
- Quando non si usa la macchina, rimuovere il bottone di sblocco e conservarlo in un luogo sicuro. Ciò impedisce l'uso non autorizzato della macchina.

La macchina è dotata di un bottone di sblocco per evitare che venga accesa accidentalmente.

Per accenderla, premere dentro il bottone di sblocco e schiacciare il grilletto. Rilasciare il grilletto per fermarla.

Regolazione dell'angolo corretto di taglio (Fig. 6)

⚠ ATTENZIONE:

- Stringere sempre saldamente il bullone esagonale dopo aver cambiato l'angolo di taglio.

Per cambiare l'angolo di taglio, allentare la leva. Spostare lo stop della morsa in modo che l'indicatore segni la graduazione desiderata. Stringere poi la leva per fissare lo stop della morsa.

Raccolta della polvere (Fig. 7)

⚠ ATTENZIONE:

- Dopo il lavoro, non toccare alcuna parte della scatola della polvere che non sia il suo manico, perché potrebbe essere estremamente calda e causare bruciate.

Questa macchina è dotata della scatola della polvere per la raccolta della polvere e delle bave. Quando la scatola è piena, prenderla per il manico e alzarla leggermente. Tirarla poi fuori dalla base della macchina. Vuotare la scatola del suo contenuto.

MONTAGGIO

⚠ ATTENZIONE:

- Accertarsi sempre che l'utensile sia spento e staccato dalla presa di corrente prima di un qualsiasi intervento su di esso.

Supporto chiave a bussola (Fig. 8)

La chiave a bussola si trova dove indicato nella figura. Per usarla, tirarla fuori dal portachiave. Rimetterla nel portachiave dopo l'uso.

Installazione o rimozione della lama

⚠ ATTENZIONE:

- Montando la lama, accertarsi che direzione della freccia sulla superficie della lama corrisponda alla direzione della freccia sulla cassa della lama.
- Per installare o rimuovere la lama, usare soltanto la chiave a bussola Makita in dotazione, perché altrimenti si potrebbe causare il serraggio eccessivo o insufficiente del bullone esagonale. Ciò potrebbe causare un incidente.
- Non toccare la lama immediatamente dopo il lavoro, perché potrebbe essere estremamente calda e causare bruciate.

Per rimuovere la lama, usare la chiave a bussola per allentare il bullone che fissa il coperchio centrale girandolo in senso antiorario. Sollevare la protezione della lama e il coperchio centrale. **(Fig. 9)**

Schiacciare il fermo dell'albero per bloccare il mandrino, e usare la chiave a bussola per allentare il bullone esagonale girandolo in senso antiorario. Rimuovere poi il bullone esagonale, la flangia esterna e la lama. **(Fig. 10)** Per installare la lama, montare sul mandrino la flangia interna, la lama, la flangia esterna e il bullone esagonale in questo ordine. Stringere il bullone esagonale girandolo in senso orario schiacciando allo stesso tempo il fermo dell'albero. Rimettere la protezione della lama e il coperchio centrale sulle loro posizioni originali. Stringere poi il bullone esagonale in senso orario per fissare il coperchio centrale. Abbassare l'impugnatura per accertarsi che la protezione della lama si muova correttamente. **(Fig. 11)**

Fissaggio del pezzo

⚠ ATTENZIONE:

- Per fissare il pezzo, spostare sempre completamente a destra il dado della morsa. In caso contrario, il pezzo potrebbe non essere fissato saldamente. Il pezzo potrebbe allora venire espulso o danneggiare la lama.

Girando la manopola della morsa in senso antiorario e spostando il dado della morsa a sinistra, la morsa viene rilasciata dalle scanalature dell'albero e può essere spostata rapidamente dentro e fuori. Per fissare il pezzo, spingere la manopola della morsa finché la piastra della morsa non fa contatto con il pezzo. Spostare il dado a destra e girare poi la manopola in senso orario per fissare saldamente il pezzo. **(Fig. 12)**

I pezzi lunghi devono essere supportati ad entrambi i lati da blocchi di materiale incombustibile, in modo che siano a livello con la parte superiore della base. **(Fig. 13)**

FUNZIONAMENTO

Operazione di taglio

⚠ ATTENZIONE:

- Non si deve mai cercare di tagliare pezzi con meno di 2 mm di spessore, eccettuati i tubi, o che non possono essere fissati saldamente con la morsa. Il pezzo tagliato potrebbe rimanere incastrato nella lama scagliando intorno schegge e/o danneggiando il filo della lama. C'è inoltre pericolo di lesioni gravi.
- Non esercitare una pressione eccessiva sul manico durante il taglio. La pressione eccessiva potrebbe causare il sovraccarico del motore riducendo l'efficienza di taglio e/o danneggiando il filo della lama o la lama stessa.
- La pressione insufficiente sul manico potrebbe causare una maggiore quantità di scintille e l'usura prematura della lama.
- Non toccare la lama, il pezzo o le bave immediatamente dopo il lavoro; perché potrebbero essere estremamente caldi e causare bruciate.
- Spegnerne immediatamente la macchina se durante il lavoro la lama si ferma, fa uno strano rumore o comincia a vibrare. Sostituire la lama con un'altra nuova se ci sono crepe o danni.
- Non tagliare alluminio, legno, plastica, mattonelle, ecc.
- Usare sempre lame rivestite di carburo appropriate al lavoro. L'utilizzo di lame inadatte potrebbe causare prestazioni scarse di taglio e/o costituire un rischio di lesioni personali.
- Non rilasciare la testa della sega incontrollata dalla posizione completamente abbassata. Una testa della sega incontrollata potrebbe colpire l'utilizzatore causando lesioni personali.

Tenere saldamente il manico. Accendere la macchina e aspettare finché la lama non ha raggiunto la velocità massima. Abbassare poi delicatamente il manico per avvicinare la lama al pezzo. Quando la lama fa contatto, inserirla prima delicatamente nel taglio e aumentare poi gradualmente la pressione quando la posizione di taglio si è stabilizzata. La pressione sul manico deve essere regolata in modo da produrre la quantità minima di scintille.

Al completamento del taglio, spegnere la macchina e **ASPETTARE CHE LA LAMA SI FERMI COMPLETAMENTE** prima di rialzare completamente il manico. Se si rialza il manico mentre la lama gira, il pezzo tagliato potrebbe rimanere incastrato nella lama scagliando intorno schegge pericolose. Per tagliare soltanto parzialmente un pezzo, alzare il manico mentre la lama gira. Se si spegne la macchina durante il taglio si potrebbe danneggiare il filo della lama che fa contatto con il pezzo.

Angoli di taglio (Fig. 14)

Fissare il pezzo con la morsa, come mostrato nella Fig. A, e procedere con il taglio. La vita di servizio della lama si riduce se si taglia il pezzo come mostrato nella Fig. B.

⚠ ATTENZIONE:

- NON si deve tagliare il pezzo come mostrato nella Fig. C, perché ciò potrebbe causare la sua espulsione dalla morsa con pericolo di lesioni.

La lama è soggetta a usura maggiore quando si taglia l'area A nella Fig. B. Piazzare un blocco di legno contro il pezzo, come mostrato nella Fig. D, in modo che la lama entri nell'area A a un angolo. Ciò aiuta a prolungare la vita di servizio della lama.

Le dimensioni di taglio permissibili si riducono quando si usa un blocco di legno. Usare un blocco di legno con le dimensioni equivalenti alle dimensioni di taglio massime permissibili meno le dimensioni del pezzo da tagliare. Ciò minimizza ulteriormente la riduzione della vita di servizio della lama.

Taglio dei tubi, quadrati e canali (Fig. 15)

La lama è soggetta a usura maggiore quando si tagliano le aree A e B nelle Figg. F e G. Mettere un blocco di legno contro il pezzo, come mostrato nelle Figg. H e I, in modo che la lama della sega entri inclinata nelle aree A e B. Ciò aiuta a minimizzare la riduzione della vita di servizio della lama.

Le dimensioni di taglio permissibili si riducono quando si usa un blocco di legno. Usare un blocco di legno con le dimensioni equivalenti alle dimensioni di taglio massime permissibili meno le dimensioni del pezzo da tagliare. Ciò minimizza ulteriormente la riduzione della vita di servizio della lama.

Taglio dei rettangoli (Fig. 16)

Fissare il pezzo con la morsa, come mostrato nella Fig. J, e procedere con il taglio.

⚠ ATTENZIONE:

- NON si deve tagliare il pezzo come mostrato nella Fig. K, perché ciò potrebbe causare la sua espulsione dalla morsa con pericolo di lesioni.

Trasporto della macchina (Fig. 17)

Ripiegare la testa della macchina sulla posizione che consente di attaccare la catena al gancio sul manico. Per trasportare la macchina, prenderla per l'impugnatura.

MANUTENZIONE

⚠ ATTENZIONE:

- Accertarsi sempre che l'utensile sia spento e staccato dalla presa di corrente prima di un qualsiasi intervento su di esso.
- Mai usare benzina, benzene, solventi, alcol e altre sostanze simili. Potrebbero causare scolorimenti, deformazioni o crepe.

Sostituzione della lama

Se si continua a usare una lama che non taglia o usurata, si potrebbe causare il sovraccarico del motore e ridurre l'efficienza di taglio. Sostituire la lama con un'altra nuova non appena non taglia più efficientemente.

Sostituzione delle spazzole di carbone (Fig. 18 e 19)

Rimuovere e controllare regolarmente le spazzole di carbone. Sostituirle se sono usurate fino al segno limite. Mantenere sempre le spazzole di carbone pulite e facili da inserire nei portaspazzole. Le spazzole di carbone devono essere sostituite entrambe allo stesso tempo. Usare soltanto spazzole di carbone identiche. Usare un cacciavite per rimuovere i tappi dei portaspazzole. Estrarre le spazzole di carbone usurate, inserire quelle nuove e fissare i tappi dei portaspazzole.

Per preservare la SICUREZZA e l’AFFIDABILITÀ del prodotto, le riparazioni, la manutenzione o la regolazione devono essere eseguite da un Centro Assistenza Makita autorizzato usando sempre ricambi Makita.

Dopo l’uso

Dopo l’uso, togliere i trucioli e la segatura attaccati all’utensile con un panno o uno straccio. Mantenere pulita la protezione della lama facendo riferimento alle spiegazioni di “Protezione lama”. Oliare le parti mobili con un lubrificante antiruggine.

ACCESSORI OPZIONALI

⚠ ATTENZIONE:

- Per l’utensile specificato in questo manuale, si consigliano questi accessori o ricambi. L’utilizzo di altri accessori o ricambi può costituire un pericolo. Usare soltanto gli accessori o ricambi specificati per il loro utilizzo.

Per maggiori dettagli e l’assistenza, rivolgersi al Centro Assistenza Makita locale.

- Lama diamantata
(Per informazioni sulle lame corrette da utilizzare per il materiale da tagliare, consultare il nostro sito web o contattare il proprio rivenditore locale Makita.)
- Occhiali di protezione
- Chiave a bussola
- Bottone di sblocco (Interruttore)

NOTA:

- Alcuni articoli nella lista potrebbero essere inclusi nell’imballo dell’utensile come accessori standard. Essi potrebbero differire da Paese a Paese.

ENG905-1

Rumore

Il tipico livello di rumore pesato A determinato secondo EN62841-3-10:

Livello pressione sonora (L_{pa}): 107 dB (A)
 Livello potenza sonora (L_{WA}): 115 dB (A)
 Incertezza (K): 3 dB (A)

ENG907-1

NOTA:

- Il valore o i valori delle emissioni di rumore dichiarati sono stati misurati in conformità a un metodo di verifica standard, e possono essere utilizzati per confrontare un utensile con un altro.
- Il valore o i valori delle emissioni di rumore dichiarati possono essere utilizzati anche in una valutazione preliminare dell’esposizione.

⚠ AVVERTIMENTO:

- **Indossare i paraorecchi.**
- **L’emissione di rumore durante l’utilizzo effettivo dell’utensile elettrico può variare rispetto al valore o ai valori dichiarati, a seconda dei modi in cui l’utensile viene utilizzato, e specialmente di quale tipo di pezzo venga lavorato.**
- **Identificare le misure di sicurezza per la protezione dell’operatore basate sulla stima dell’esposizione nelle condizioni reali d’utilizzo (tenendo presente tutte le parti del ciclo operativo, come le volte in cui l’utensile viene spento e quando gira a vuoto, oltre al tempo di funzionamento).**

Vibrazione

Il valore totale di vibrazione (somma vettore triassiale) determinato secondo EN62841-3-10:

Emissione di vibrazione (a_{hv}): 3,0 m/s²
 Incertezza (K): 1,5 m/s²

ENG901-2

NOTA:

- Il valore di emissione delle vibrazioni dichiarato è stato misurato conformemente al metodo di test standard, e può essere usato per paragonare un utensile con un altro.
- Il valore di emissione delle vibrazioni dichiarato può anche essere usato per una valutazione preliminare dell’esposizione.

⚠ AVVERTIMENTO:

- **L’emissione delle vibrazioni durante l’uso reale dell’utensile elettrico può differire dal valore di emissione dichiarato a seconda dei modi in cui viene usato l’utensile.**
- **Identificare le misure di sicurezza per la protezione dell’operatore basate sulla stima dell’esposizione nelle condizioni reali d’utilizzo (tenendo presente tutte le parti del ciclo operativo, come le volte in cui l’utensile viene spento e quando gira a vuoto, oltre al tempo di funzionamento).**

DICHIARAZIONE DI CONFORMITÀ CE

Solo per i paesi europei

La dichiarazione di conformità CE è inclusa come Allegato A al presente manuale di istruzioni.

Verklaring van algemene gegevens

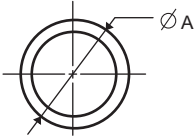
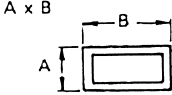
1 Haak	10 Sleutelhouder	19 Binnenflens
2 Bout	11 Voet	20 Buitenflens
3 Ontgrendelknop	12 Middenkap	21 Klemplaat
4 Hendel	13 Zeskantbout	22 Klemmoer
5 Trekschakelaar	14 Dopsleutel	23 Klemhendel
6 Schaalverdeling	15 Veiligheidskap	24 Limietstreep
7 Indicator	16 Asvergrendeling	25 Schroevendraaier
8 Klemschroefstop	17 Hardmetalen zaagblad	26 Dop van de koolborstelhouder
9 Stofbakje	18 As	

TECHNISCHE GEGEVENS

Model	LC1230
Diameter zaagblad	305 mm
Diameter asgat	25,4 mm
Maximale breedte van de zaagsnede van het zaagblad	2,5 mm
Toerental onbelast	1 700 min ⁻¹
Afmetingen (L x B x H)	516 mm x 306 mm x 603 mm
Netto gewicht	19,2 kg
Veiligheidsklasse	□ /II

- In verband met ononderbroken research en ontwikkeling behouden wij ons het recht voor bovenstaande technische gegevens te wijzigen zonder voorafgaande kennisgeving.
- De technische gegevens kunnen van land tot land verschillen.
- Gewicht volgens de EPTA-procedure 01/2014

Snijcapaciteit

Vorm van werkstuk		
Snijhoek		
90°	115 mm	75 mm x 150 mm 100 mm x 100 mm
45°	90 mm	85 mm x 85 mm

ENE008-1

ENF008-1

Doeleinden van gebruik

Dit gereedschap is bedoeld voor het snijden in zacht staal en roestvrij staal met de geschikte zaagbladen.

ENF002-2

Stroomvoorziening

Het gereedschap mag alleen worden aangesloten op een stroombron van hetzelfde voltage als aangegeven op de naamplaat, en kan alleen op enkel-fase wisselstroom worden gebruikt. De machine is dubbel-geïsoleerd en kan derhalve ook op een niet-geaard stopcontact worden aangesloten.

Voor openbare laagspanningsverdeelsystemen van tussen 220 V en 250 V

Schakelbedieningen van elektrische toestellen veroorzaken spanningsschommelingen. De bediening van dit gereedschap onder ongunstige lichtnetomstandigheden kan een nadelige invloed hebben op de bediening van andere apparatuur. Het kan worden aangenomen dat er geen negatieve effecten zullen zijn wanneer de netimpedantie gelijk is aan of minder is dan 0,25 Ohm. Het stopcontact dat voor dit gereedschap wordt gebruikt, moet beveiligd zijn door een zekering of een stroomonderbreker met trage afschakelkarakteristieken.

Algemene veiligheids waarschuwingen voor elektrisch gereedschap

⚠ WAARSCHUWING Lees alle veiligheids waarschuwingen, aanwijzingen, afbeeldingen en technische gegevens behorend bij dit elektrische gereedschap aandachtig door. Als u niet alle onderstaande aanwijzingen naleeft, kan dat resulteren in brand, elektrische schokken en/of ernstig letsel.

Bewaar alle waarschuwingen en instructies om in de toekomst te kunnen raadplegen.

De term "elektrisch gereedschap" in de veiligheidsvoorschriften duidt op gereedschappen die op stroom van het lichtnet werken (met snoer) of gereedschappen met een accu (snoerloos).

VEILIGHEIDSinSTRUCTIES VOOR METAALCIRKELZAGEN

1. **Metaalcirkelzagen zijn bedoeld voor het zagen van ferro-materialen. Ze kunnen niet worden gebruikt met doorslijpschijven voor het doorslijpen van ferro-materialen, zoals stangen, staven, draadeinden, enz.** Door het slijpstof zullen bewegende delen, zoals de onderste beschermkap, vastlopen. De vonken die bij doorslijpen worden geproduceerd, verbranden de onderste beschermkap en andere kunststofonderdelen.
2. **Maak de ventilatieopeningen van het elektrisch gereedschap regelmatig schoon.** De ventilator van de motor kan het stof de behuizing in trekken, en een grote opeenhoping van metaalslijpsel kan leiden tot elektrisch gevaarlijke situaties.
3. **Draag persoonlijke-beschermingsmiddelen. Afhankelijk van de toepassing dient u een spat scherm, veiligheidsbril of stofbril te dragen. Al naar gelang van toepassing draagt u een stofmasker, gehoorbeschermers, handschoenen en een werkschort die in staat zijn kleine fragmenten te weerstaan.** De oogbescherming moet in staat zijn rondvliegend afval te stoppen dat ontstaat bij de diverse werkzaamheden. Het stofmasker of ademhalingsapparaat moet in staat zijn deeltjes te filteren die ontstaan bij de werkzaamheden. Langdurige blootstelling aan zeer intens geluid kan leiden tot gehoorbeschadiging.
4. **Gebruik de metaalcirkelzaag niet in de buurt van ontvlambare of brandbare materialen.** Vonken en/of heet afval tijdens de zaagwerkzaamheden kunnen deze materialen doen ontvlammen.
5. **Gebruik altijd klemmen om het werkstuk vast te zetten. Ondersteun het werkstuk nooit met de hand. Gebruik deze zaag niet voor het zagen van werkstukken die te klein zijn om stevig vast te klemmen.** Als uw hand te dicht bij het zaagblad is geplaatst, is de kans groter dat u letsel oploopt door het aanraken van het zaagblad.

6. **Het werkstuk moet stil liggen en vastgeklemd zijn met behulp van de bankschroef. Voer het werkstuk niet in het zaagblad aan, en zaag nooit "uit de vrije hand".** Losliggende of bewegende werkstukken kunnen op hoge snelheid worden weggegooid en letsel veroorzaken.
7. **Kruis met uw hand nooit de beoogde zaaglijn, hetzij vóór dan wel achter het zaagblad.** Het "kruislings" vasthouden van het werkstuk, waarbij het werkstuk aan de rechterkant van het zaagblad wordt vastgehouden met de linkerhand, of vice versa, is bijzonder gevaarlijk.
8. **Reik niet achter de spanschroefaanslag met één van uw handen vanaf één van de kanten van het zaagblad, om afval te verwijderen of om welke andere reden dan ook, terwijl het zaagblad draait.** U realiseert zich mogelijk niet hoe dicht uw hand bij het draaiende zaagblad is en u kunt ernstig letsel oplopen.
9. **Inspecteer uw werkstuk voordat u begint te zagen. Als het werkstuk gebogen of verdraaid is, verzeker u zich er altijd van dat er geen opening is tussen het vastgeklemd werkstuk, de spanschroef en de spanschroefaanslag langs de zaaglijn.** Gebogen of verdraaide werkstukken kunnen zich draaien of verschuiven, en kunnen het draaiende zaagblad doen verlopen tijdens het zagen.
10. **Gebruik de zaag niet totdat de tafel vrij is van alle gereedschappen, afval, enz., behalve het werkstuk.** Kleine stukjes afval, losse stukjes metaal of andere voorwerpen op de tafel die in aanraking komen met het draaiende zaagblad, kunnen met hoge snelheid worden weggeworpen.
11. **Zaag slechts één werkstuk tegelijkertijd.** Meerdere, opgestapelde werkstukken kunnen niet goed worden vastgeklemd of vastgehouden, en kunnen het zaagblad doen vastlopen of tijdens het zagen verschuiven.
12. **Verzeker u er vóór gebruik van dat het elektrisch gereedschap is bevestigd of geplaatst op een horizontaal en stevig werkoppervlak.** Een horizontaal en stevig werkoppervlak verkleint de kans dat het elektrisch gereedschap instabiel wordt.
13. **Zorg voor voldoende ondersteuning, zoals blokken, zaagbokken, enz. voor een werkstuk dat breder of langer is dan het bovenoppervlak van de tafel.** Werkstukken die breder of langer zijn dan de metaalcirkelzaagtafel, kunnen kantelen als ze niet goed worden ondersteund. Als het afgezaagde deel of het werkstuk kantelt, kan het de onderste beschermkap optillen of worden weggeworpen door het draaiende zaagblad.
14. **Gebruik niet een andere persoon als vervanging van een tafilverlenging of als extra ondersteuning.** Een instabiele ondersteuning van het werkstuk kan ertoe leiden dat het zaagblad vastloopt of het werkstuk verschuift tijdens het zagen, waardoor u en de helper in het draaiende zaagblad worden getrokken.
15. **Het afgezaagde deel van het werkstuk mag op geen enkele wijze tegen het draaiende zaagblad bekneld raken of gedrukt worden.** Indien opgesloten, d.w.z. bij gebruik van lengteaanslagen, kan het afgezaagde deel tegen het zaagblad bekneld raken en met kracht weggeworpen worden.

16. **Gebruik altijd de spanschroef en ondersteun het werkstuk goed rekening houdend met de vorm ervan.** Bijvoorbeeld, staven en goten neigen te verrollen of verschuiven tijdens het zagen, waardoor het zaagblad zich "vastbijt" en het werkstuk met uw hand in het zaagblad wordt getrokken.
 17. **Laat het zaagblad de volle snelheid bereiken voordat deze het werkstuk raakt.** Dit verkleint de kans dat het werkstuk wordt weggeworpen.
 18. **Als het werkstuk of zaagblad vastloopt, schakelt u het elektrisch gereedschap uit. Wacht totdat alle bewegende delen tot stilstand zijn gekomen en trek de stekker uit het stopcontact en/of verwijder de accu. Verwijder daarna het vastgelopen materiaal.** Als u blijft zagen met een vastgelopen zaagblad, kunt u de controle over het elektrisch gereedschap verliezen of deze beschadigen.
 19. **Nadat u de zaagsnede hebt voltooid, laat u de schakelaar los, blijft u de zaagkop omlaag gedrukt houden en wacht u tot het zaagblad stilstaat voordat u het afgezaagde deel verwijderd.** Het is gevaarlijk om met uw hand in de buurt van het nog nadraaiende zaagblad te reiken.
 20. **Houd het handvat stevig vast bij het maken van een onvolledige zaagsnede en bij het loslaten van de schakelaar voordat de zaagkop helemaal omlaag is geduwd.** Het remeffect van het zaagblad kan ertoe leiden dat de zaagkop plotseling omlaag getrokken wordt, waardoor een kans op letsel ontstaat.
 21. **De buitendiameter van het zaagblad moet de opgegeven maat hebben.** Accessoires met verkeerde afmetingen kunnen niet afdoende worden afgeschermd of beheerst.
 22. **De asdiameter van het zaagblad en de flenzen moet goed passen rond de as van het elektrisch gereedschap.** Een zaagblad en flenzen met een asdiameter die niet overeenkomt met de bevestigingshardware van het elektrisch gereedschap zullen niet in balans draaien en buitensporig trillen, en kunnen tot verlies van controle over het gereedschap leiden.
 23. **Het nominaal toerental van het accessoire moet minstens gelijk zijn aan het maximumtoerental vermeld op het elektrisch gereedschap.**
 24. **Gebruik de metaalcirkelzaag niet om iets anders dan zacht staal of roestvrij staal te zagen.**
5. **Zet alle bewegende onderdelen vast alvorens het elektrisch gereedschap te dragen.**
 6. **Controleer vóór het gebruik het zaagblad zorgvuldig op barsten of beschadiging. Vervang een gebarsten of beschadigd zaagblad onmiddellijk.**
 7. **Gebruik uitsluitend de voor dit gereedschap voorgeschreven flenzen.**
 8. **Gebruik altijd onbeschadigde flenzen en bevestigingsbout die de juiste diameter hebben voor het zaagblad. Een goede flens ondersteunt het zaagblad en verkleint daarmee de kans op het breken van het zaagblad.**
 9. **Zorg ervoor dat de asvergrenzeling is ontgrendeld voordat u het gereedschap inschakelt.**
 10. **Houd het handvat stevig vast. Denk eraan dat de zaag bij het starten en stoppen iets op- en neergaat.**
 11. **Zorg dat het zaagblad het werkstuk niet raakt voordat u het elektrisch gereedschap inschakelt.**
 12. **Laat het elektrisch gereedschap een tijdje draaien alvorens het op het werkstuk te gebruiken. Controleer op trillingen of schommelingen die op onjuiste montage of op een slecht uitgebalanceerd zaagblad kunnen wijzen.**
 13. **Stop onmiddellijk met het gebruik als u iets abnormaals opmerkt.**
 14. **Probeer niet om de trekverschakelaar in de ingeschakeld stand te vergrendelen.**
 15. **Gebruik uitsluitend de accessoires die in deze gebruiksaanwijzing worden aanbevolen. Het gebruik van ongeschikte accessoires, zoals slijpschijven, kan letsel veroorzaken.**
 16. **Sommige materialen bevatten chemische stoffen die giftig kunnen zijn. Wees voorzichtig dat u geen stof inademt en het stof niet op uw huid komt. Volg de veiligheidsinstructies van de leverancier van het materiaal op.**

BEWAAR DEZE INSTRUCTIES.

WAARSCHUWING:

Laat u NIET misleiden door een vals gevoel van comfort en bekendheid met het gereedschap (na veelvuldig gebruik) en neem alle veiligheidsvoorschriften van het betreffende gereedschap altijd strikt in acht. **VERKEERD GEBRUIK** of het niet naleven van de veiligheidsvoorschriften in deze gebruiksaanwijzing kan leiden tot ernstig persoonlijk letsel.

INSTALLEREN

Installeren van het gereedschap

Bij de verscheping van het gereedschap uit de fabriek is het vergrendeld. Ontgrendel het handvat uit de onderste stand door het iets omlaag te duwen en de ketting los te maken van de haak op het handvat. (Fig. 1)

Bevestig het gereedschap met twee bouten aan een effen en stabiel oppervlak door middel van de boutgaten in de gereedschapsvoet. Hierdoor wordt voorkomen dat het gereedschap kantelt en verwonding veroorzaakt. (Fig. 2)

Aanvullende instructies

1. **Ga nooit op de metaalcirkelzaag staan.** Omvallen of onbedoelde aanraking van het snijgarnituur kan ernstig letsel veroorzaken.
2. **Laat het elektrisch gereedschap nooit ingeschakeld achter. Schakel de voeding uit. Laat het gereedschap niet achter totdat het volledig tot stilstand is gekomen.**
3. **Gebruik de zaag niet zonder dat de beschermkappen zijn aangebracht. Controleer vóór elk gebruik of de beschermkap goed sluit. Gebruik de zaag niet indien de beschermkap niet goed beweegt en niet snel over het zaagblad sluit. Klem of bind de beschermkap nooit in de geopende stand vast.**
4. **Houd uw handen uit de buurt van het zaagblad. Voorkom contact met het nog nadraaiende zaagblad. Het kan nog steeds ernstig letsel veroorzaken.**

BESCHRIJVING VAN DE FUNCTIES

⚠ LET OP:

- Zorg altijd dat het gereedschap is uitgeschakeld en de stekker uit het stopcontact is verwijderd alvorens de functies op het gereedschap af te stellen of te controleren.

Veiligheidskap (Fig. 3 en 4)

Wanneer het handvat omlaag wordt gebracht, gaat de veiligheidskap automatisch omhoog. De veiligheidskap is veerbelast zodat zij naar haar oorspronkelijke positie terugkeert wanneer het zagen voltooid is en het handvat wordt opgeheven. ZET DE VEILIGHEIDSKAP NOOIT VAST EN VERWIJDER NOOIT DE VEILIGHEIDSKAP OF DE VEER.

Voor uw persoonlijke veiligheid dient de veiligheidskap altijd in goede staat te worden gehouden. Elke onregelmatigheid in de werking van de veiligheidskap dient onmiddellijk te worden hersteld. Controleer of de veer goed werkt zodat de veiligheidskap goed terugkeert. GEBRUIK HET GEREEDSCHAP NOOIT WANNEER DE VEILIGHEIDSKAP OF DE VEER BESCHADIGD, DEFECT OF VERWIJDERD IS. DIT IS NAMELIJK BIJZONDER GEVAARLIJK EN KAN ERNSTIGE VERWONDINGEN VEROORZAKEN.

Als de veiligheidskap erg vuil is, gebruik dan de dopsleutel om de zeskantbout van de middenkap los te draaien. Draai de zeskantbout linksom los en breng de veiligheidskap en de middenkap omhoog. In deze positie kan de veiligheidskap grondiger en gemakkelijker worden schoongemaakt. Voer de bovenstaande procedure in de omgekeerde volgorde uit en draai de bout weer vast nadat het schoonmaken is voltooid. Verwijder de veer van de veiligheidskap niet. DE VEILIGHEIDSKAP NOOIT VASTZETTEN OF VERWIJDEREN.

Werking van de schakelaar (Fig. 5)

⚠ LET OP:

- Alvorens het gereedschap op een stopcontact aan te sluiten, moet u altijd controleren of de trekschakelaar behoorlijk werkt en bij loslaten naar de "OFF" positie terugkeert.
- Verwijder de ontgrendelknop en bewaar deze op een veilige plaats wanneer u het gereedschap niet gebruikt. Hierdoor voorkomt u ongeoorloofd gebruik.

Een ontgrendelknop is voorzien om te voorkomen dat de trekschakelaar per toeval wordt ingedrukt.

Om het gereedschap te starten, druk eerst de ontgrendelknop in en druk dan de trekschakelaar in. Om het gereedschap te stoppen, de trekschakelaar loslaten.

Instellen van de gewenste snijhoek (Fig. 6)

⚠ LET OP:

- Draai de zeskantbout altijd goed vast na het veranderen van de snijhoek.

Om de snijhoek te veranderen, draait u eerst de hendel los. Beweeg de klemschroefstop zodat de indicator naar de gewenste schaalverdeling wijst. Draai dan de hendel vast om de klemschroefstop vast te zetten.

Stofverzameling (Fig. 7)

⚠ LET OP:

- Raak geen onderdeel van het stofbakje, behalve het handvat, aan onmiddellijk na het zagen; het bakje kan namelijk gloeiend heet zijn en brandwonden veroorzaken.

Dit gereedschap is voorzien van een stofbakje voor het verzamelen van stof en afgesneden spaanders. Wanneer het stofbakje vol is, pakt u zijn handvat vast en brengt u het een beetje omhoog. Trek dan het stofbakje uit de gereedschapsvoet en maak het leeg.

INEENZETTEN

⚠ LET OP:

- Controleer altijd of het gereedschap is uitgeschakeld en de stekker uit het stopcontact is verwijderd voordat u enig werk aan het gereedschap uitvoert.

Opbergen van de dopsleutel (Fig. 8)

De dopsleutel wordt bewaard op de plaats aangegeven in de afbeelding. Om de dopsleutel te gebruiken, trekt u deze uit de sleutelhouder. Breng deze na gebruik weer in de houder aan.

Installeren of verwijderen van het zaagblad

⚠ LET OP:

- Wanneer u het blad installeert, moet u ervoor zorgen dat de richting van het pijltje op het bladoppervlak overeenkomt met de richting van het pijltje op de bladkast.
- Gebruik uitsluitend de bijgeleverde Makita dopsleutel om het blad te installeren of te verwijderen. Als u dit niet doet, is er kans dat de zeskantbout te vast of te los wordt aangetrokken. Hierdoor kan persoonlijk letsel worden veroorzaakt.
- Raak het blad niet aan onmiddellijk na het gebruik, aangezien het gloeiend heet kan zijn en brandwonden kan veroorzaken.

Gebruik de dopsleutel om de zeskante bout, die de middenkap op zijn plaats houdt, naar links los te draaien. Breng de veiligheidskap en de middenkap omhoog. (Fig. 9)

Druk de asvergrendeling in om de as vast te zetten, en draai de zeskantbout met de dopsleutel naar links los. Verwijder de zeskantbout, de buitenflens en het blad. (Fig. 10)

Om het blad te installeren, monteert u achtereenvolgens de binnenflens, het zaagblad, de buitenflens en de zeskantbout op de as. Draai de zeskantbout naar rechts vast terwijl u de asvergrendeling indrukt. Breng de veiligheidskap en de middenkap terug naar hun oorspronkelijke positie. Draai dan de zeskantbout naar rechts vast om de middenkap vast te zetten. Breng het handvat naar omlaag om te controleren of de veiligheidskap goed beweegt. (Fig. 11)

Vastzetten van werkstukken

⚠ LET OP:

- Zet de klemmoer altijd volledig naar rechts om het werkstuk vast te zetten. Wanneer u dit niet doet, zal het werkstuk niet goed vastzitten. Hierdoor kan het werkstuk worden weggeslingerd of kan het zaagblad beschadigd raken.

Door de klemhendel linksom te draaien en dan de klemmoer naar links te zetten, komt de klemschroef los van de asschroefdraad en kan hij snel in en uit worden bewogen. Om een werkstuk vast te zetten, drukt u de klemhendel in tot de klemplaat het werkstuk raakt. Zet dan de klemmoer naar rechts en draai de klemhendel rechtsom om het werkstuk goed vast te zetten. (Fig. 12)

Lange werkstukken dienen aan beide kanten te worden ondersteund door blokjes onontvlambaar materiaal, zodat het werkstuk horizontaal op het voetstuk blijft rusten. (Fig. 13)

BEDIENING

Bediening

⚠ LET OP:

- Probeer nooit werkstukken die dunner zijn dan 2 mm, behalve pijpen, te snijden, en ook niet werkstukken die met de klemschroef niet goed vastgezet kunnen worden. Het afgesneden stuk kan namelijk door het draaiende blad worden gegrepen, zodat er gevaar is voor rondvliegende spaanders en/of beschadiging van de hardmetalen tanden van het blad en eventuele ernstige verwonding.
- Oefen tijdens het snijden geen overmatige druk uit op het handvat. Overmatige druk kan oorzaak zijn van overbelasting van de motor, verminderde snij-efficiëntie, en/of beschadiging van de hardmetalen tanden van het blad.
- Te weinig druk op het handvat zal meer vonken voortbrengen en vroegtijdige slijtage van het blad veroorzaken.
- Raak het zaagblad, het werkstuk of spaanders niet aan onmiddellijk na de werkzaamheden; aangezien deze gloeiend heet zijn en brandwonden kunnen veroorzaken.
- Indien het blad tijdens het werk plotseling stopt, een abnormaal geluid voortbrengt of begint te trillen, dient u het gereedschap onmiddellijk uit te schakelen. Vervang een gebarsten of beschadigd blad door een nieuw blad.
- Snij met dit gereedschap geen aluminium, hout, kunststoffen, beton, tegels e.d.
- Gebruik altijd hardmetalen zaagbladen die geschikt zijn voor uw werk. Het gebruik van ongeschikte zaagbladen kan slechte snijprestaties en/of gevaar voor persoonlijke verwonding tot gevolg hebben.
- Laat de zaagkop niet ongecontroleerd los vanuit de laagste stand. De ongecontroleerde zaagkop kan tegen u aan komen waardoor persoonlijk letsel zal ontstaan.

Houd het handvat stevig vast. Schakel het gereedschap in en wacht tot het blad op volle toeren draait. Breng dan het handvat langzaam omlaag en breng het blad dicht bij het werkstuk. Wanneer het blad het werkstuk raakt, drukt u aanvankelijk voorzichtig om de snede te maken. Eens de snede stabiel is, kunt u geleidelijk meer druk uitoefenen. Regel de druk op het handvat zodanig dat de minimale hoeveelheid vonken wordt voortgebracht.

Nadat de snede is voltooid, schakelt u het gereedschap uit en WACHT TOTDAT HET BLAD VOLLEDIG TOT STILSTAND IS GEKOMEN alvorens het handvat naar zijn hoogste positie terug te brengen. Als u het handvat omhoogbrengt terwijl het blad nog draait, kan het afgesneden stuk door het blad worden gegrepen zodat er spaanders in het rond vliegen en u verwond kunt raken. Wanneer u een werkstuk slechts tot halverwege wilt afsnijden, kunt u het handvat omhoogbrengen terwijl het blad nog draait. Indien het gereedschap tijdens het zagen wordt uitgeschakeld, kunnen de hardmetalen tanden beschadigd raken aangezien deze met het werkstuk in aanraking komen.

Snijden van hoekstaal (Fig. 14)

Zet het werkstuk vast in de klemschroef zoals afgebeeld in Fig. A en begin met het snijden. Het zaagblad zal minder lang meegaan indien het werkstuk wordt gesneden zoals afgebeeld in Fig. B.

⚠ LET OP:

- Snijd het werkstuk NIET zoals afgebeeld in Fig. C, aangezien het dan uit de klemschroef kan worden weggeslingerd zodat er gevaar is voor verwonding.

Het zaagblad is onderhevig aan grotere slijtage wanneer het gedeelte A in Fig. B wordt gesneden. Plaats een houten blokje tegen het werkstuk zoals afgebeeld in Fig. D zodat het zaagblad haaks in het gedeelte A zal snijden. Het zaagblad zal dan langer meegaan.

De toelaatbare snijafmetingen zijn kleiner wanneer een houten blokje wordt gebruikt. Gebruik een houten blokje waarvan de afmetingen gelijk zijn aan de maximaal toelaatbare snijafmetingen min de afmetingen van het te snijden werkstuk. Daardoor zal het zaagblad nog iets langer meegaan.

Snijden van pijpen, vierkantstaal en U-staal (Fig. 15)

Het zaagblad is onderhevig aan grotere slijtage wanneer de gedeelten A en B in Fig. F en G worden gesneden. Plaats een houten blokje tegen het werkstuk zoals afgebeeld in Fig. H en I zodat het zaagblad onder een hoek in de gedeelten A en B zal snijden. Het zaagblad zal dan langer meegaan.

De toelaatbare snijafmetingen zijn kleiner wanneer een houten blokje wordt gebruikt. Gebruik een houten blokje waarvan de afmetingen gelijk zijn aan de maximaal toelaatbare snijafmetingen min de afmetingen van het te snijden werkstuk. Daardoor zal het zaagblad nog iets langer meegaan.

Snijden van rechthoekstaal (Fig. 16)

Zet het werkstuk vast in de klemschroef zoals afgebeeld in Fig. J en begin met het snijden.

⚠ LET OP:

- Snijd het werkstuk NIET zoals afgebeeld in Fig. K, aangezien het dan uit de klemschroef kan worden weggeslingerd zodat er gevaar is voor verwonding.

Dragen van het gereedschap (Fig. 17)

Klap de gereedschapskap neer naar de positie waarin u de ketting aan de haak op het handvat kunt bevestigen. Pak de draaghandgreep vast om het gereedschap te dragen.

ONDERHOUD

⚠ LET OP:

- Zorg altijd dat het gereedschap is uitgeschakeld en de stekker uit het stopcontact is verwijderd alvorens inspectie of onderhoud aan het gereedschap uit te voeren.
- Gebruik nooit benzine, wasbenzine, thinner, alcohol en dergelijke. Hierdoor het verkleuring, vervormingen en barsten worden veroorzaakt.

Vervangen van het zaagblad

Voortgezet gebruik van een bot en versleten zaagblad kan overbelasting van de motor en vermindering van de snij-efficiëntie veroorzaken. Zodra het zaagblad bot wordt, dient u het door een nieuw zaagblad te vervangen.

Vervangen van de koolborstels (Fig. 18 en 19)

Verwijder en controleer regelmatig de koolborstels. Vervang de koolborstels wanneer deze tot aan de limietstreep versleten zijn. Houd de koolborstels schoon zodat ze gemakkelijk in de houders glijden. Beide koolborstels moeten tegelijkertijd vervangen worden. Gebruik uitsluitend identieke koolborstels.

Gebruik een schroevendraaier om de doppen van de koolborstelhouders te verwijderen. Haal de versleten koolborstels eruit, steek de nieuwe erin, en zet de doppen weer vast.

Om de VEILIGHEID en BETROUWBAARHEID van het product te handhaven, dienen alle reparaties en alle andere onderhoudswerkzaamheden of afstellingen te worden uitgevoerd door een erkend Makita Servicecentrum, en dat uitsluitend met gebruik van Makita vervangingsonderdelen.

Na het gebruik

Veeg na gebruik alle zaagsel en stof op het gereedschap eraf met een doek of iets dergelijks. Houd de veiligheidskap schoon volgens de instructies die in de paragraaf "Veiligheidskap" werden beschreven. Smeer de glijdende onderdelen in met machine-olie om roestvorming te voorkomen.

OPTIONELE ACCESSOIRES

⚠ LET OP:

- Deze accessoires of hulpstukken worden aanbevolen voor gebruik met het Makita gereedschap dat in deze gebruiksaanwijzing wordt beschreven. Het gebruik van andere accessoires of hulpstukken kan gevaar voor persoonlijke verwonding opleveren. Gebruik de accessoires of hulpstukken uitsluitend voor het gespecificeerde doel.

Went u meer informatie over deze accessoires, neem dan contact op met het dichtstbijzijnde Makita servicecentrum.

- Hardmetalen zaagblad
(Raadpleeg onze website of neem contact op met uw plaatselijke Makita-dealer voor de correcte zaagbladen die moeten worden gebruikt voor het te zagen materiaal.)

- Veiligheidsbril
- Dopsleutel
- Ontgrendelknop (Schakelaarknop)

OPMERKING:

- Sommige van de onderdelen in deze lijst kunnen bijgeleverd zijn als standaard-accessoires. Deze accessoires kunnen per land verschillend zijn.

ENG905-1

Geluidsniveau

De typisch, A-gewogen geluidsniveaus vastgesteld volgens EN62841-3-10:

- Geluidsdrukniveau (L_{pA}): 107 dB (A)
- Geluidsenergie-niveau (L_{WA}): 115 dB (A)
- Onnauwkeurigheid (K): 3 dB (A)

OPMERKING:

- De opgegeven geluidsemisiewaarde(n) is/zijn gemeenten volgens een standaardtestmethode en kan/kunnen worden gebruikt om dit gereedschap te vergelijken met andere gereedschappen.
- De opgegeven geluidsemisiewaarde(n) kan/kunnen ook worden gebruikt voor een beoordeling vooraf van de blootstelling.

⚠ WAARSCHUWING:

- **Draag oorbeschermers.**
- **De geluidsemisie tijdens het gebruik van het elektrisch gereedschap in de praktijk kan verschillen van de opgegeven waarde(n) afhankelijk van de manier waarop het gereedschap wordt gebruikt en met name welk soort werkstuk wordt verwerkt.**
- **Zorg ervoor dat veiligheidsmaatregelen worden getroffen ter bescherming van de operator die zijn gebaseerd op een schatting van de blootstelling onder praktijkomstandigheden (rekening houdend met alle fasen van de bedrijfscyclus, zoals de tijdsduur gedurende welke het gereedschap is uitgeschakeld en stationair draait, naast de ingeschakelde tijdsduur).**

ENG900-1

Trilling

De totaalwaarde van de trillingen (triaxiale vectorsom) vastgesteld volgens EN62841-3-10:

- Trillingsemisie (a_h): 3,0 m/s²
- Onnauwkeurigheid (K): 1,5 m/s²

ENG901-2

OPMERKING:

- De opgegeven trillingstotaalwaarde(n) is/zijn gemeten volgens een standaardtestmethode en kan/kunnen worden gebruikt om dit gereedschap te vergelijken met andere gereedschappen.
- De opgegeven trillingswaarde(n) kan/kunnen ook worden gebruikt voor een beoordeling vooraf van de blootstelling.

⚠ WAARSCHUWING:

- **De trillingsemisie tijdens het gebruik van het elektrisch gereedschap in de praktijk kan verschillen van de opgegeven waarde(n) afhankelijk van de manier waarop het gereedschap wordt gebruikt en met name welk soort werkstuk wordt verwerkt.**
- **Zorg ervoor dat veiligheidsmaatregelen worden getroffen ter bescherming van de operator die zijn gebaseerd op een schatting van de blootstelling onder praktijkomstandigheden (rekening houdend met alle fasen van de bedrijfscyclus, zoals de tijdsduur gedurende welke het gereedschap is uitgeschakeld en stationair draait, naast de ingeschakelde tijdsduur).**

EG-VERKLARING VAN CONFORMITEIT

Aleen voor Europese landen

De EG-verklaring van conformiteit is bijgesloten als Aanhangsel A bij deze gebruiksaanwijzing.

Explicación de los dibujos

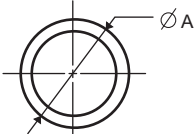
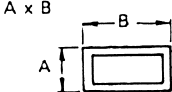
- | | | |
|--------------------------|---------------------|--------------------------|
| 1 Gancho | 10 Portallaves | 19 Brida interior |
| 2 Perno | 11 Base | 20 Brida exterior |
| 3 Botón de seguro | 12 Cubierta central | 21 Placa del tornillo |
| 4 Palanca | 13 Perno hexagonal | 22 Tuerca del tornillo |
| 5 Interruptor de gatillo | 14 Llave de vaso | 23 Manivela del tornillo |
| 6 Graduación | 15 Guarda del disco | 24 Marca del límite |
| 7 Indicador | 16 Bloqueo del eje | 25 Destornillador |
| 8 Tope del tornillo | 17 Disco de carburo | 26 Tapón portaescobillas |
| 9 Bolsa de polvo | 18 Vástago | |

ESPECIFICACIONES

Modelo	LC1230
Diámetro del disco	305 mm
Diámetro interior del disco (eje)	25,4 mm
Grosor máximo de la hendidura del disco	2,5 mm
Velocidad en vacío	1.700 min ⁻¹
Dimensiones (La x An x Al.)	516 mm x 306 mm x 603 mm
Peso neto	19,2 kg
Clase de seguridad	□/II

- Debido a un programa continuo de investigación y desarrollo, las especificaciones aquí dadas están sujetas a cambios sin previo aviso.
- Las especificaciones pueden variar de un país a otro.
- Peso de acuerdo con el procedimiento EPTA 01/2014

Capacidad de corte

Forma de la pieza de trabajo		
Ángulo de corte		
90°	115 mm	75 mm x 150 mm 100 mm x 100 mm
45°	90 mm	85 mm x 85 mm

ENE008-1

ENF100-1

Uso previsto

La herramienta ha sido diseñada para cortar acero suave y acero inoxidable empleando las cuchillas apropiadas.

ENF002-2

Alimentación

La herramienta ha de conectarse solamente a una fuente de alimentación de la misma tensión que la indicada en la placa de características, y sólo puede funcionar con corriente alterna monofásica. El sistema de doble aislamiento de la herramienta puede, por lo tanto, usarse también en enchufes hembra sin conductor de tierra.

Para sistemas de distribución de baja tensión de entre 220 y 250 v públicos

Los cambios de operación de aparatos eléctricos ocasionan fluctuaciones de tensión. La operación de este dispositivo en condiciones desfavorables de corriente puede afectar adversamente a la operación de otros equipos. Con una impedancia eléctrica igual o inferior a 0,25 ohmios, se puede asumir que no surgirán efectos negativos. La toma de corriente utilizada para este dispositivo deberá estar protegida con un fusible o disyuntor que tenga unas características de desconexión lenta.

ADVERTENCIAS DE SEGURIDAD

GEA010-2

Advertencias de seguridad para herramientas eléctricas en general

⚠ ADVERTENCIA Lea todas las advertencias de seguridad, instrucciones, ilustraciones y especificaciones provistas con esta herramienta eléctrica. Si no sigue todas las instrucciones indicadas abajo podrá resultar en una descarga eléctrica, un incendio y/o heridas graves.

Guarde todas las advertencias e instrucciones para futuras referencias.

El término "herramienta eléctrica" en las advertencias se refiere a su herramienta eléctrica de funcionamiento con conexión a la red eléctrica (con cable) o herramienta eléctrica de funcionamiento a batería (sin cable).

GEB190-1

INSTRUCCIONES DE SEGURIDAD PARA SIERRAS CORTADORAS DE METAL

- Las sierras cortadoras de metal han sido previstas para cortar materiales ferrosos, no se pueden utilizar con muelas de corte abrasivo para cortar material ferroso como barras, vástagos, espárragos roscados, etc.** El polvo abrasivo ocasiona que las partes móviles como el protector inferior se atasquen. Las chispas del corte abrasivo quemarán el protector inferior y otras partes de plástico.
- Limpie regularmente los orificios de ventilación de la herramienta eléctrica.** El ventilador del motor atrae el polvo al interior de la carcasa y una acumulación excesiva de metal pulverizado puede ocasionar riesgos eléctricos.
- Póngase equipo de protección personal. En función de la aplicación, utilice pantalla facial, gafas de protección o gafas de seguridad. Según corresponda, póngase mascarilla contra el polvo, protectores auditivos, guantes y delantal de taller que puedan detener los fragmentos pequeños.** La protección de los ojos deberá ser capaz de detener los restos que salen volando generados en las diferentes operaciones. La mascarilla contra el polvo o respirador deberá ser capaz de filtrar las partículas generadas en la operación. La exposición prolongada a ruido de alta intensidad podrá ocasionar pérdida auditiva.
- No utilice la sierra cortadora de metal cerca de materiales inflamables o combustibles.** Las chispas y/o restos calientes producidos durante la operación de corte podrían prender estos materiales.
- Utilice siempre prensas de sujeción para sostener la pieza de trabajo. No sostenga nunca la pieza de trabajo con la mano. No utilice esta sierra para cortar piezas que sean demasiado pequeñas como para ser sujetadas firmemente.** Si pone la mano demasiado cerca del disco de sierra, aumentará el riesgo de heridas producidas por el contacto con el disco.
- La pieza de trabajo debe estar inmóvil y sujeta utilizando la mordaza. No avance la pieza de trabajo hacia el disco ni corte "a pulso" de ninguna forma.** Las piezas de trabajo sin sujetar o moviéndose pueden ser lanzadas a grandes velocidades, causando heridas.
- No cruce nunca la mano sobre la línea de corte prevista ya sea por delante o por detrás del disco de sierra.** El sostener la pieza de trabajo con la "mano cruzada", por ejemplo, sujetando la pieza de trabajo por la derecha del disco de sierra con la mano izquierda o viceversa es muy peligroso.
- No extienda ninguna de las manos por detrás del tope de la mordaza desde cualquiera de los lados del disco de sierra, para retirar residuos, o por cualquier otra razón mientras el disco está girando.** La proximidad a su mano del disco de sierra girando puede no ser obvia y se puede herir gravemente.
- Inspeccione su pieza de trabajo antes de cortar. Si la pieza de trabajo está curvada o combada, asegúrese siempre de que no hay holgura entre la pieza de trabajo sujeta, la mordaza y el tope de la mordaza a lo largo de la línea de corte.** Las piezas de trabajo curvadas o combadas se pueden retorcer o cambiar de posición y pueden ocasionar que el disco de sierra girando se trabe mientras corta.
- No utilice la sierra hasta que la mesa esté despejada de todas las herramientas, residuos, etc., excepto la pieza de trabajo.** Los restos pequeños o trozos sueltos de material ferroso u otros objetos sobre la mesa que entren en contacto con el disco mientras está girando pueden salir lanzados a gran velocidad.
- Corte solamente una pieza de trabajo al mismo tiempo.** Múltiples piezas de trabajo apiladas no se pueden fijar o sujetar debidamente y se pueden trabar en el disco o cambiar de posición durante el corte.
- Asegúrese de que la herramienta eléctrica está montada o colocada sobre una superficie de trabajo nivelada y firme antes de utilizar.** Una superficie de trabajo nivelada y firme reduce el riesgo de que la herramienta eléctrica se vuelva inestable.
- Proporcione un apoyo adecuado como bloques, cabaletes, etc., para una pieza de trabajo que sea más ancha o larga que la parte superior de la mesa.** Las piezas de trabajo más largas o anchas que la mesa de la sierra cortadora de metal se pueden ladear si no se apoyan firmemente. Si la pieza cortada o la pieza de trabajo se ladea, podrá levantar el protector inferior o ser lanzada por el disco que está girando.
- No utilice a otra persona como sustitución de una mesa de extensión o como apoyo adicional.** Un apoyo inestable de la pieza de trabajo puede ocasionar que el disco se trabe o que la pieza de trabajo cambie de posición durante la operación de corte arrastrando a usted y al ayudante hacia el disco que está girando.
- La pieza cortada no deberá ser trabada o presionada de ningún modo contra el disco de sierra que está girando.** Si se confina, por ejemplo, utilizando topes de longitud, la pieza cortada puede incrustarse contra el disco y ser lanzada violentamente.

16. **Utilice siempre la mordaza y apoye debidamente la pieza de trabajo teniendo en consideración la forma que tiene.** Por ejemplo, los vástagos y perfiles en U tienen tendencia a rodar o cambiar de posición mientras están siendo cortados, ocasionando que el disco "muerda" y tire de la pieza de trabajo junto con su mano hacia el disco.
17. **Deje que el disco alcance plena velocidad antes de que haga contacto con la pieza de trabajo.** Esto reducirá el riesgo de que la pieza de trabajo sea lanzada.
18. **Si la pieza de trabajo o el disco se atasca, apague la herramienta eléctrica. Espere hasta que todas las partes móviles se detengan y desconecte la clavija de la fuente de alimentación y/o retire la batería. Después realice la tarea de liberar el material atascado.** Si continúa serrando con una pieza de trabajo atascada podrá ocasionar la pérdida de control o daños a la herramienta eléctrica.
19. **Después de terminar el corte, libere el interruptor, mantenga el cabezal de la sierra bajado y espere hasta que el disco se detenga antes de retirar la pieza cortada.** El alargar la mano hasta cerca del disco que está girando por inercia es peligroso.
20. **Sujete la empuñadura firmemente cuando haga un corte incompleto o cuando libere el interruptor antes de que el cabezal de la sierra esté completamente en la posición bajada.** La acción de frenado de la sierra puede ocasionar que el cabezal de la sierra sea arrastrado repentinamente hacia abajo, ocasionando un riesgo de heridas.
21. **El diámetro exterior del disco de sierra debe ser de la capacidad especificada.** Los accesorios de tamaño incorrecto no se pueden proteger ni controlar adecuadamente.
22. **El tamaño del agujero para eje del disco de sierra y las bridas deberá encajar debidamente en el eje de la herramienta eléctrica.** El disco de sierra y las bridas con agujero para eje que no coincida con el eje de montaje de la herramienta eléctrica se desequilibrarán, vibrarán excesivamente y podrán ocasionar una pérdida de control.
23. **La velocidad especificada del accesorio deberá ser al menos igual que la velocidad máxima marcada en la herramienta eléctrica.**
24. **No utilice la sierra cortadora de metal para cortar otras cosas excepto acero suave o acero inoxidable.**
4. **Mantenga las manos apartadas del recorrido del disco de sierra. Evite el contacto con cualquier disco cuando esté girando por inercia. Incluso entonces puede causar heridas graves.**
5. **Sujete siempre todas las partes móviles antes de transportar la herramienta eléctrica.**
6. **Compruebe el disco cuidadosamente por si tiene grietas o daños antes de comenzar la operación. Reemplace el disco agrietado o dañado inmediatamente.**
7. **Utilice solamente las bridas especificadas para esta herramienta.**
8. **Utilice siempre bridas y un perno de fijación que no estén dañados y que sean del diámetro correcto para el disco. Las bridas correctas sujetan el disco de tal manera que reducen la posibilidad de que el disco se rompa.**
9. **Asegúrese de que el bloqueo del eje está liberado antes de encender la herramienta eléctrica.**
10. **Sujete la empuñadura firmemente. Tenga presente que la sierra se mueve un poco hacia arriba y hacia abajo durante el inicio y la parada.**
11. **Asegúrese de que el disco no está tocando la pieza de trabajo antes de encender la herramienta eléctrica.**
12. **Antes de utilizar la herramienta eléctrica en la pieza de trabajo definitiva, déjela funcionar durante un rato. Observe para ver si se producen vibraciones o bamboleos que puedan indicar que el disco está mal instalado o mal equilibrado.**
13. **Detenga la operación inmediatamente si nota algo anormal.**
14. **No intente bloquear el gatillo en la posición "ACTIVADA".**
15. **Utilice siempre los accesorios recomendados en este manual. La utilización de accesorios incorrectos como muelas abrasivas puede ocasionar heridas.**
16. **Algunos materiales contienen sustancias químicas que pueden ser tóxicas. Tenga precaución para evitar la inhalación de polvo y el contacto con la piel. Siga los datos de seguridad del abastecedor del material.**

GUARDE ESTAS INSTRUCCIONES.

ADVERTENCIA:

NO deje que la comodidad o familiaridad con el producto (a base de utilizarlo repetidamente) sustituya la estricta observancia de las normas de seguridad para el producto en cuestión. El **MAL USO** o el **no seguir las normas de seguridad** establecidas en este manual de instrucciones podrá ocasionar graves heridas personales.

INSTALACIÓN

Instalación de la herramienta

Cuando la herramienta sale de fábrica, la empuñadura está bloqueada. Libere la empuñadura de la posición bajada bajándola ligeramente y retirando la cadena del gancho de la empuñadura. (Fig. 1)

Emperne la herramienta a una superficie nivelada y estable con dos pernos a través de los orificios para pernos provistos en la base de la herramienta. Esto evitará que se vuelque y posiblemente ocasionar heridas. (Fig. 2)

Instrucciones adicionales

1. **No se ponga nunca encima de la sierra cortadora de metal.** Un vuelco o contacto no intencionado con los instrumentos de corte puede ocasionar heridas graves.
2. **No deje nunca la herramienta eléctrica en marcha sin atender. Desconecte la alimentación. No deje la herramienta hasta que se haya detenido completamente.**
3. **No utilice la sierra sin los protectores puestos. Compruebe que el protector de disco se cierra debidamente antes de cada uso. No utilice la sierra si el protector de disco no se mueve libremente y se cierra instantáneamente. No sujete ni ate nunca el protector de disco en la posición abierta.**

DESCRIPCIÓN FUNCIONAL

⚠️ PRECAUCIÓN:

- Asegúrese siempre de que la herramienta esté apagada y desenchufada antes de ajustar o comprobar cualquier función de la herramienta.

Guarda del disco (Figs. 3 y 4)

Al bajar la empuñadura, la guarda del disco se sube automáticamente. La guarda es accionada por resorte por lo que retorna a su posición original cuando se completa el corte y se sube la empuñadura. JAMÁS ANULE NI QUITE LA GUARDA DEL DISCO NI EL RESORTE FIJADO A LA GUARDA.

En beneficio de su seguridad personal, mantenga la guarda del disco siempre en buen estado. Cualquier irregularidad en el funcionamiento de la guarda del disco deberá ser corregida inmediatamente. Compruebe para asegurarse de la acción de retorno accionada por resorte de la guarda. NO UTILICE NUNCA LA HERRAMIENTA SI LA GUARDA DEL DISCO O EL RESORTE ESTÁ DAÑADO, DEFECTUOSO O QUITADO. UTILIZARLA ASÍ ES SUMAMENTE PELIGROSO Y PUEDE OCASIONAR HERIDAS PERSONALES GRAVES.

Si la guarda del disco está especialmente sucia, afloje el perno hexagonal que sujeta la cubierta central utilizando la llave de tubo suministrada. Afloje el perno hexagonal girándolo hacia la izquierda y suba la guarda del disco y la cubierta central. Con la guarda del disco en esta posición, la limpieza se puede hacer de forma más completa y eficiente. Cuando haya completado la limpieza, invierta el procedimiento de arriba y sujete el perno. No quite el resorte que sujeta la guarda del disco. NO ANULE NI RETIRE LA GUARDA.

Accionamiento del interruptor (Fig. 5)

⚠️ PRECAUCIÓN:

- Antes de enchufar la herramienta, compruebe siempre que el interruptor se acciona debidamente y que vuelve a la posición "OFF" cuando lo suelta.
- Cuando no esté utilizando la herramienta, quite el botón de seguro y guárdelo en un lugar seguro. De esta forma se evitará el uso no autorizado de la herramienta.

Para evitar que el gatillo se pueda accionar accidentalmente, se ha provisto un botón de seguro.

Para poner en marcha la herramienta, meta el botón de seguro y apriete el gatillo. Suelte el gatillo para parar.

Fijación del ángulo de corte deseado (Fig. 6)

⚠️ PRECAUCIÓN:

- Apriete siempre firmemente el perno hexagonal después de cambiar el ángulo de corte.

Para cambiar el ángulo de corte, afloje la palanca. Mueva el tope del tornillo de forma que el indicador apunte a la graduación deseada. Después apriete la palanca para sujetar el tope del tornillo.

Recogida del polvo (Fig. 7)

⚠️ PRECAUCIÓN:

- No toque ninguna parte de la bolsa de polvo excepto su asa inmediatamente después de la operación; podrá estar extremadamente caliente y quemarle la piel.

Esta herramienta está equipada con una bolsa de polvo para recoger el polvo y virutas. Cuando la bolsa de polvo esté llena, cójala por el asa y súbala ligeramente. Después quítela de la base de la herramienta y vacíe su contenido.

MONTAJE

⚠️ PRECAUCIÓN:

- Asegúrese siempre de que la herramienta esté apagada y desenchufada antes de realizar cualquier trabajo en la herramienta.

Almacenamiento de la llave de tubo (Fig. 8)

La llave de tubo se almacena como se muestra en la figura. Cuando quiera usarla, extráigala del portallave. Después de usarla, vuelva a ponerla en el portallave.

Instalación o desmontaje del disco de sierra

⚠️ PRECAUCIÓN:

- Cuando monte el disco, asegúrese de que la dirección de la flecha que hay en la superficie del disco coincida con la dirección de la flecha que hay en la caja del disco.
- Para instalar o desmontar el disco utilice solamente la llave de vaso Makita suministrada. En caso contrario, el perno hexagonal podrá quedar excesivamente apretado o insuficientemente apretado. Esto podría ocasionar heridas personales.
- No toque el disco inmediatamente después de la operación; podrá estar extremadamente caliente y quemarle la piel.

Para desmontar el disco, afloje el perno hexagonal que sujeta la cubierta central girándolo hacia la izquierda utilizando la llave de tubo. Suba la guarda del disco y la cubierta central. (Fig. 9)

Presione el bloque del eje para bloquear el vástago y afloje el perno hexagonal girándolo hacia la izquierda con la llave de vaso. Después quite el perno hexagonal, la brida exterior y el disco. (Fig. 10)

Para instalar el disco, monte la brida interior, el disco, la brida exterior y el perno hexagonal en el vástago en este orden. Apriete el perno hexagonal girándolo hacia la derecha a la vez que presiona el bloque del eje. Vuelva a poner la guarda del disco y la cubierta central en sus posiciones originales. Después apriete el perno hexagonal girándolo hacia la derecha para sujetar la cubierta central. Baje la empuñadura para asegurarse de que la guarda del disco se mueve debidamente. (Fig. 11)

Sujeción de las piezas de trabajo

⚠️ PRECAUCIÓN:

- Cuando sujete la pieza de trabajo, ponga siempre la tuerca del tornillo hacia la derecha completamente. En caso contrario, la pieza de trabajo podrá no quedar suficientemente sujeta. Esto podrá hacer que la pieza de trabajo salga despedida u ocasionar daños al disco.

Girando hacia la izquierda la manivela del tornillo y poniendo después la tuerca del tornillo hacia la izquierda, el tornillo queda libre de las roscas del eje y puede ser movido rápidamente hacia dentro y hacia fuera. Para amordazar las piezas de trabajo, empuje la manivela del tornillo hasta que la placa del tornillo toque la pieza de trabajo. Ponga la tuerca del tornillo hacia la derecha y después gire la manivela del tornillo hacia la derecha para retener firmemente la pieza de trabajo. (Fig. 12)

Las piezas de trabajo largas habrá que sujetarlas a cada lado con bloques de material no inflamable de forma que queden niveladas con la superficie de la base. (Fig. 13)

OPERACIÓN

Operación de corte

⚠️ PRECAUCIÓN:

- No intente nunca cortar piezas de trabajo de menos de 2 mm de espesor, excepto tubos, o que no puedan sujetarse firmemente con el tornillo. El resto de pieza cortado podrá engancharse en el disco, ocasionando un peligroso esparcimiento de astillas y/o daños a las puntas de carburo. Esto podría también ocasionar graves heridas.
- No aplique demasiada presión a la empuñadura cuando corte. Una presión excesiva podrá sobrecargar el motor, reducir la eficacia de corte y/o dañar las puntas de carburo o el mismo disco.
- Demasiado poca presión en la empuñadura podrá resultar en un aumento de las chispas y desgaste prematuro del disco.
- No toque el disco, la pieza de trabajo ni las virutas inmediatamente después de la operación; podrán estar extremadamente calientes y quemarle la piel.
- Si el disco se parase durante la operación, hiciese un ruido extraño o comenzase a vibrar, apague inmediatamente la herramienta. Cambie el disco por otro nuevo si está agrietado o dañado.
- No corte aluminio, madera, plásticos, cemento, azulejos, etc.
- Utilice siempre discos de carburo apropiados para el trabajo a realizar. La utilización de discos no apropiados podrá ocasionar una operación de corte deficiente y/o presentar un riesgo de sufrir heridas personales.
- No libere el cabezal de la sierra de forma incontrolada desde la posición totalmente bajada. Sin control, el cabezal de la sierra podrá golpearle y resultará en heridas personales.

Sujete firmemente la empuñadura. Encienda la herramienta y espere hasta que el disco adquiera plena velocidad. Después baje la empuñadura suavemente para acercar el disco a la pieza de trabajo. Cuando el disco entre en contacto con ella, proceda a cortar suavemente al principio, después vaya añadiendo presión gradualmente a medida que se establezca la posición de corte. Usted deberá regular la presión que ejerce sobre la empuñadura para producir la mínima cantidad de chispas.

Cuando haya completado el corte, apague la herramienta y ESPERE HASTA QUE EL DISCO SE HAYA PARADO COMPLETAMENTE antes de volver a poner la empuñadura en su posición completamente elevada. Si sube la empuñadura cuando el disco está todavía girando, el trozo de pieza cortado podrá engancharse en el disco, ocasionando un peligroso esparcimiento de virutas. Cuando desee cortar la pieza de trabajo sólo parcialmente, suba la empuñadura mientras el disco esté girando. Si apaga la herramienta durante el corte, podrá ocasionar daños a las puntas de carburo a su contacto con la pieza de trabajo.

Corte de perfiles en L (Fig. 14)

Sujete la pieza de trabajo en el tornillo como se muestra en la Fig. A, y proceda a cortarla. Si corta la pieza de trabajo como se muestra en la Fig. B se acortará la vida útil del disco.

⚠️ PRECAUCIÓN:

- NO corte la pieza de trabajo como se muestra en la Fig. C porque de esta forma podría salirse del tornillo, pudiendo ocasionarle heridas.

El disco estará sometido a un mayor desgaste cuando se corte el área A de la Fig. B. Ponga un bloque de madera contra la pieza de trabajo como se muestra en la Fig. D para que el disco entre en el área A en ángulo. Esto ayudará a alargar la vida útil del disco.

Cuando se utilice un bloque de madera se reducirán las dimensiones de corte admisibles. Utilice un bloque de madera cuyas dimensiones sean equivalentes a las máximas dimensiones de corte admisibles menos las dimensiones de la pieza de trabajo a cortar. Esto minimizará aún más el acortamiento de la vida útil del disco.

Corte de tubos, perfiles cuadrados y perfiles en U (Fig. 15)

El disco estará sometido a un mayor desgaste cuando se corten las áreas A y B en la Figs. F y G. Ponga un bloque de madera contra la pieza de trabajo como se muestra en las Figs. H e I para que el disco entre en las áreas A y B en ángulo. Esto ayudará a minimizar el acortamiento de la vida útil del disco.

Cuando se utilice un bloque de madera se reducirán las dimensiones de corte admisibles. Utilice un bloque de madera cuyas dimensiones sean equivalentes a las máximas dimensiones de corte admisibles menos las dimensiones de la pieza de trabajo a cortar. Esto minimizará aún más el acortamiento de la vida útil del disco.

Corte de rectángulos (Fig. 16)

Sujete la pieza de trabajo en el tornillo como se muestra en la Fig. J, y proceda a cortarla.

⚠️ PRECAUCIÓN:

- NO corte la pieza de trabajo como se muestra en la Fig. K porque de esta forma podría salirse del tornillo, pudiendo ocasionarle heridas.

Transporte de la herramienta (Fig. 17)

Baje la cabeza de la herramienta hasta la posición en la que pueda enganchar la cadena en el gancho que hay en la empuñadura. Coja la herramienta por la empuñadura de transporte cuando la vaya a transportar.

MANTENIMIENTO

⚠️ PRECAUCIÓN:

- Asegúrese siempre de que la herramienta esté apagada y desenchufada antes de intentar realizar una inspección o mantenimiento.
- No utilice nunca gasolina, bencina, disolvente, alcohol o similares. Podría producir descoloración, deformación o grietas.

Reemplazo del disco

Si continúa usando un disco que esté embotado o desgastado podrá ocasionar sobrecarga al motor y reducir la eficacia de corte. Reemplace el disco por otro nuevo tan pronto como deje de ser efectivo.

Sustitución de las escobillas de carbón

(Figs. 18 y 19)

Extraiga e inspeccione regularmente las escobillas de carbón. Sustitúyalas cuando se hayan gastado hasta la marca límite. Mantenga las escobillas de carbón limpias de forma que entren libremente en los portaescobillas. Ambas escobillas de carbón deberán ser sustituidas al mismo tiempo. Utilice únicamente escobillas de carbón idénticas.

Utilice un destornillador para quitar los tapones portaescobillas. Extraiga las escobillas desgastadas, inserte las nuevas y fije los tapones portaescobillas.

Para mantener la SEGURIDAD y la FIABILIDAD del producto, las reparaciones y cualquier otro mantenimiento o ajuste deberán ser realizados por los centros de servicio autorizado de Makita, siempre con piezas de repuesto de Makita.

Después de la utilización

Después de la utilización, limpie las virutas y el polvo adheridos a la herramienta con un paño o similar. Mantenga la guarda del disco limpia de acuerdo con las indicaciones de la sección ya vista titulada "Guarda del disco". Lubrique las partes deslizantes con aceite para máquinas para evitar que se oxiden.

ACCESORIOS OPCIONALES

⚠ PRECAUCIÓN:

- Estos accesorios o acoplamientos están recomendados para utilizar con la herramienta Makita especificada en este manual. El empleo de otros accesorios o acoplamientos conllevará un riesgo de sufrir heridas personales. Utilice los accesorios o acoplamientos solamente para su fin establecido.

Si necesita cualquier ayuda para más detalles en relación con estos accesorios, pregunte al centro de servicio Makita local.

- Disco de carburo
(Consulte nuestro sitio web o póngase en contacto con el distribuidor Makita local para ver los discos de sierra correctos que hay que utilizar para el material que se va a cortar).
- Gafas de seguridad
- Llave de tubo
- Botón de seguro (Botón del interruptor)

NOTA:

- Algunos elementos de la lista podrán estar incluidos en el paquete de la herramienta como accesorios estándar. Pueden variar de un país a otro.

ENG905-1

Ruido

El nivel de ruido A-ponderado típico determinado de acuerdo con la norma EN62841-3-10:

Nivel de presión sonora ($L_{p(A)}$): 107 dB (A)

Nivel de potencia sonora (L_{WA}): 115 dB (A)

Error (K): 3 dB (A)

ENG907-1

NOTA:

- El valor (o valores) de emisión de ruido declarado ha sido medido de acuerdo con un método de prueba estándar y se puede utilizar para comparar una herramienta con otra.

- El valor (o valores) de emisión de ruido declarado también se puede utilizar en una valoración preliminar de exposición.

⚠ ADVERTENCIA:

- **Póngase protectores en los oídos.**
- **La emisión de ruido durante la utilización real de la herramienta eléctrica puede variar del valor (o valores) declarado dependiendo de las formas en las que la herramienta sea utilizada especialmente qué tipo de pieza de trabajo se procesa.**
- **Asegúrese de identificar medidas de seguridad para proteger al operario que estén basadas en una estimación de la exposición en las condiciones reales de utilización (teniendo en cuenta todas las partes del ciclo operativo tal como las veces cuando la herramienta está apagada y cuando está funcionando en vacío además del tiempo de gatillo).**

ENG900-1

Vibración

El valor total de la vibración (suma de vectores triaxiales) determinado de acuerdo con la norma EN62841-3-10:

Emisión de vibración (a_{hv}): 3,0 m/s²

Error (K): 1,5 m/s²

ENG901-2

NOTA:

- El valor (o valores) total de emisión de vibración declarado ha sido medido de acuerdo con un método de prueba estándar y se puede utilizar para comparar una herramienta con otra.
- El valor (o valores) total de vibración declarado también se puede utilizar en una valoración preliminar de exposición.

⚠ ADVERTENCIA:

- **La emisión de vibración durante la utilización real de la herramienta eléctrica puede variar del valor (o valores) declarado dependiendo de las formas en las que la herramienta sea utilizada especialmente qué tipo de pieza de trabajo se procesa.**
- **Asegúrese de identificar medidas de seguridad para proteger al operario que estén basadas en una estimación de la exposición en las condiciones reales de utilización (teniendo en cuenta todas las partes del ciclo operativo tal como las veces cuando la herramienta está apagada y cuando está funcionando en vacío además del tiempo de gatillo).**

DECLARACIÓN CE DE CONFORMIDAD

Sólo para países europeos

La declaración CE de conformidad está incluida como Anexo A de este manual de instrucciones.

Explicação geral

1 Gancho	11 Base	19 Falange interior
2 Perno	12 Cobertura central	20 Falange exterior
3 Botão de segurança	13 Perno hexagonal	21 Placa do torno
4 Alavanca	14 Chave de tubo	22 Porca do torno
5 Gatilho	15 Resguardo de segurança do disco	23 Pega do torno
6 Graduação	16 Travão do eixo	24 Marca limite
7 Indicador	17 Lâmina de serra com pontas de carbono	25 Chave de parafusos
8 Travão do torno	18 Veio	26 Tampa do porta-escova
9 Caixa do pé		
10 Suporte da chave		

ESPECIFICAÇÕES

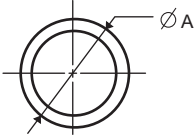
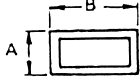
Modelo

LC1230

Diâmetro da lâmina	305 mm
Diâmetro do orifício (suporte)	25,4 mm
Espessura máx. de corte da lâmina de serra.....	2,5 mm
Velocidade em vazio	1.700 min ⁻¹
Dimensões (c x l x a)	516 mm x 306 mm x 603 mm
Peso líquido	19,2 kg
Classe de segurança	□/II

- Devido a um programa contínuo de pesquisa e desenvolvimento, estas especificações podem ser alteradas sem aviso prévio.
- As especificações podem diferir de país para país.
- Peso de acordo com o Procedimento 01/2014 da EPTA (European Power Tool Association)

Capacidade de corte

Forma da peça a trabalhar		A x B 
Ângulo de corte		
90°	115 mm	75 mm x 150 mm 100 mm x 100 mm
45°	90 mm	85 mm x 85 mm

ENE008-1

ENF100-1

Utilização pretendida

A ferramenta foi concebida para corte em aço mole e aço inoxidável com as lâminas apropriadas.

ENF002-2

Alimentação

A ferramenta só deve ser ligada a uma fonte de alimentação com a mesma voltagem da indicada na placa de características, e só funciona com alimentação CA monofásica. Tem um sistema de isolamento duplo e pode, por isso, utilizar tomadas sem ligação à terra.

Para sistemas públicos de distribuição de baixa voltagem entre 220 V e 250 V

Alternar a operação de aparelhos eléctricos pode causar flutuações de voltagem. A operação deste aparelho sob condições de alimentação não favoráveis pode ter efeitos adversos na operação de outro equipamento. Com uma impedância de alimentação igual ou inferior a 0,25 ohms pode-se presumir que não haverá efeitos negativos. A tomada de alimentação utilizada para este aparelho deve ser protegida com um fusível ou um disjuntor protector de circuito que tenha características de disparo lentas.

AVISOS DE SEGURANÇA

GEA010-2

Avisos gerais de segurança para ferramentas elétricas

⚠ AVISO Leia todos os avisos de segurança, instruções, ilustrações e especificações fornecidos com esta ferramenta elétrica. O não cumprimento de todas as instruções indicadas em baixo pode resultar em choque elétrico, incêndio e/ou ferimentos graves.

Guarde todos os avisos e instruções para futuras referências.

O termo “ferramenta elétrica” nos avisos refere-se às ferramentas elétricas ligadas à corrente elétrica (com cabo) ou às ferramentas elétricas operadas por meio de bateria (sem cabo).

GEB190-1

INSTRUÇÕES DE SEGURANÇA PARA SERRAS RÁPIDAS PORTÁTEIS

- 1. As serras rápidas portáteis destinam-se a cortar material ferroso, não podem ser utilizadas com rodas de corte abrasivas para cortar material ferroso, tal como barras, hastes, pinos, etc.** A poeira abrasiva provoca o encravamento de peças móveis, tais como o resguardo inferior. As faíscas do corte abrasivo queimam o resguardo inferior e outras peças de plástico.
- 2. Limpe os orifícios de ventilação da ferramenta elétrica regularmente.** A ventoinha do motor pode puxar a poeira para dentro da caixa e a acumulação excessiva de metal em pó pode provocar perigos elétricos.
- 3. Use equipamento de proteção pessoal. Utilize um protetor facial, óculos de segurança ou protetores oculares, conforme a aplicação. Conforme adequado, utilize uma máscara contra o pó, protetores auriculares, luvas e avental capazes de resguardar contra pequenos estilhaços.** O protetor ocular deve ter capacidade para resguardar contra detritos arremessados produzidos durante as várias operações. A máscara contra o pó ou de respiração deve ter capacidade para filtrar as partículas geradas durante a operação. A exposição prolongada a ruídos de alta intensidade pode causar a perda de audição.
- 4. Não utilize a serra rápida portátil perto de materiais inflamáveis ou combustíveis.** As faíscas e/ou resíduos quentes durante a operação de corte podem incendiar estes materiais.
- 5. Utilize sempre braçadeiras para apoiar a peça de trabalho. Nunca apoie a peça de trabalho manualmente. Não utilize esta serra para cortar peças demasiado pequenas para serem apertadas com segurança.** Se a sua mão estiver colocada demasiado próxima da lâmina de serra, existe um maior risco de lesão devido ao contacto com a lâmina.
- 6. A peça de trabalho deve estar fixa e apertada com o torno. Não alimente a peça de trabalho na lâmina nem corte “com as mãos livres” em qualquer direção.** As peças sem fixação ou móveis podem ser projetadas a altas velocidades, causando ferimentos.

- 7. Nunca cruze a sua mão sobre a linha de corte pretendida, tanto à frente como atrás da lâmina de serra.** Apoiar a peça de trabalho “com as mãos cruzadas”, isto é, segurando a peça de trabalho do lado direito da lâmina de serra com a mão esquerda ou vice versa é muito perigoso.
- 8. Não tente chegar por trás do batente do torno com qualquer uma das mãos a partir de qualquer lado da lâmina de serra para remover aparas ou por qualquer outro motivo enquanto a lâmina estiver a rodar.** A proximidade da lâmina de serra em rotação em relação à sua mão poderá não ser óbvia e poderá sofrer lesões graves.
- 9. Inspeccione a sua peça de trabalho antes de realizar o corte. Se a peça de trabalho for encurvada ou deformada, certifique-se sempre de que não existe nenhuma lacuna entre a peça de trabalho apertada, o torno e o batente do torno ao longo da linha de corte.** As peças de trabalho encurvadas ou deformadas podem torcer ou deslocar-se e causar emperramento na lâmina de serra em rotação durante o corte.
- 10. Não utilize a serra até que a mesa esteja desimpedida de todas as ferramentas, aparas, etc., exceto da peça de trabalho.** Os pequenos resíduos ou pedaços soltos de objetos ferrosos ou outros objetos na mesa que estabeleçam contacto com a lâmina em rotação podem ser projetados a alta velocidade.
- 11. Corte apenas uma peça de trabalho de cada vez.** As peças de trabalho múltiplas empilhadas não podem ser apertadas ou fixadas adequadamente e podem prender na lâmina ou deslocar-se durante o corte.
- 12. Assegure que a ferramenta elétrica está montada ou colocada numa superfície de trabalho nivelada e firme antes de ser utilizada.** Uma superfície de trabalho nivelada e firme reduz o risco de a ferramenta elétrica se tornar instável.
- 13. Assegure um apoio adequado, tal como blocos, cavaletes, etc. para uma peça de trabalho que é mais ampla ou mais comprida do que o topo da mesa.** As peças de trabalho mais compridas ou mais amplas do que a mesa da serra rápida portátil podem virar se não estiverem apoiadas em segurança. Se a peça cortada ou a peça de trabalho virarem, estas podem levantar o resguardo inferior ou serem projetadas pela lâmina em rotação.
- 14. Não utilize outra pessoa como substituição de uma extensão de mesa ou um suporte adicional.** O apoio instável para a peça de trabalho pode fazer com que a lâmina fique presa ou a peça de trabalho se desloque durante a operação de corte, puxando a si e ao seu assistente na direção da lâmina em rotação.
- 15. A peça cortada não deve estar encravada ou ser pressionada por qualquer meio contra a lâmina de serra em rotação.** Se estiver limitada, isto é, utilizando batentes de comprimento, a peça cortada pode ficar entalada contra a lâmina e ser projetada com violência.

16. **Utilize sempre o torno e apoie a peça de trabalho adequadamente, tendo em consideração a respetiva forma.** Por exemplo, as hastes e os canais têm tendência de se enrolar ou se deslocar enquanto são cortados, fazendo com que a lâmina “morda” e puxe a peça de trabalho com a sua mão para a lâmina.
 17. **Aguarde que a lâmina atinja a velocidade máxima antes de estabelecer contacto com a peça de trabalho.** Isto reduz o risco de projeção da peça de trabalho.
 18. **Se a peça de trabalho ou a lâmina ficar encravada, desligue a ferramenta elétrica. Aguarde que todas as peças móveis parem e desligue a ficha da fonte de alimentação e/ou remova a bateria. Em seguida, trabalhe para soltar o material encravado.** A serração contínua com uma peça de trabalho encravada pode causar a perda de controlo ou danos na ferramenta elétrica.
 19. **Após concluir o corte, solte o interruptor, segure a cabeça da serra para baixo e aguarde que a lâmina pare antes de remover a peça cortada.** É perigoso tentar alcançar a lâmina com a mão enquanto esta está a rodar por inércia.
 20. **Segure firmemente na pega quando realizar um corte incompleto ou quando soltar o interruptor antes de a cabeça da serra estar completamente na posição inferior.** A ação de travagem da serra pode fazer com que a cabeça da serra seja subitamente puxada para baixo, causando o risco de lesão.
 21. **O diâmetro externo da lâmina de serra deve ser a capacidade especificada.** Não é possível proteger ou controlar adequadamente acessórios de tamanho incorreto.
 22. **O tamanho do orifício de encaixe da lâmina da serra e flanges deve ser adequado ao veio da ferramenta elétrica.** A lâmina da serra e flanges com orifícios da haste que não correspondem ao hardware de montagem da ferramenta elétrica ficam desequilibrados, vibram excessivamente e podem causar a perda de controlo.
 23. **A velocidade nominal do acessório deve ser, pelo menos, igual à velocidade máxima marcada na ferramenta elétrica.**
 24. **Não utilize a serra rápida portátil para cortar outros materiais além de aço macio ou aço inoxidável.**
5. **Fixe sempre todos os componentes móveis antes de proceder ao transporte da ferramenta elétrica.**
 6. **Verifique a lâmina com cuidado quanto a rachaduras ou danos antes da utilização. Substitua imediatamente a lâmina rachada ou danificada.**
 7. **Utilize exclusivamente as flanges especificadas para esta ferramenta.**
 8. **Utilize sempre flanges e parafusos de fixação não danificados, de diâmetro correto para a lâmina. As flanges apropriadas apoiam a lâmina, reduzindo a possibilidade de quebra da mesma.**
 9. **Certifique-se de que soltou o bloqueio do eixo antes de ligar a ferramenta elétrica.**
 10. **Agarre na pega com firmeza. Tenha em conta que a serra se movimenta um pouco para cima e para baixo, durante o arranque e a paragem da ferramenta.**
 11. **Certifique-se de que a lâmina não está em contacto com a peça de trabalho antes de ligar a ferramenta elétrica.**
 12. **Antes de utilizar a ferramenta elétrica na peça a trabalhar, deixe-a funcionar em vazio durante algum tempo. Verifique se existem vibrações ou movimento irregular que possam indicar má instalação ou desequilíbrio da lâmina.**
 13. **Pare a ferramenta de imediato se notar algo no funcionamento que não seja normal.**
 14. **Não tente bloquear o gatilho na posição de ligado.**
 15. **Utilize sempre os acessórios recomendados neste manual. A utilização de acessórios inadequados tais como rodas abrasivas podem dar origem a lesões.**
 16. **Algum material contém produtos químicos que podem ser tóxicos. Tenha cuidado para evitar a inalação de poeira e o contacto com a pele. Respeite os dados de segurança do fornecedor do material.**

GUARDE ESTAS INSTRUÇÕES.



AVISO:
NÃO permita que o conforto ou familiaridade com o produto (adquirido com o uso repetido) substitua o cumprimento estrito das regras de segurança da ferramenta. A MÁ INTERPRETAÇÃO ou o não seguimento das regras de segurança estabelecidas neste manual de instruções pode provocar ferimentos pessoais graves.

INSTALAÇÃO

Posicionamento da ferramenta

Quando a ferramenta é expedida da fábrica, a pega está bloqueada. Solte a pega da posição mais baixa, baixando-a ligeiramente e removendo a correia do gancho na pega. (Fig. 1)

Prenda a ferramenta com dois Pernos a uma superfície estável e nivelada, utilizando os orifícios para os Pernos existentes na base da ferramenta. Isto evitará que caia e possível injúrias. (Fig. 2)

Instruções adicionais

1. **Nunca se coloque sobre a serra rápida portátil.** O tombamento ou o contacto não intencional com o meio de corte pode provocar ferimentos graves.
2. **Nunca deixe a ferramenta elétrica ligada sem supervisão. Desligue a ferramenta. Não deixe a ferramenta sem supervisão antes de estar completamente parada.**
3. **Não utilize a serra sem os resguardos montados. Verifique se o resguardo da lâmina fecha corretamente antes de cada utilização. Não trabalhe com a serra se o resguardo da lâmina não se movimentar livremente e fechar instantaneamente. Nunca fixe nem prenda o resguardo da lâmina em posição aberta.**
4. **Mantenha as mãos afastadas do percurso da lâmina da serra. Evite tocar na lâmina quando esta rodar por inércia. Mesmo assim, esta pode provocar lesões graves.**

DESCRIÇÃO FUNCIONAL

⚠️ PRECAUÇÃO:

- Certifique-se sempre de que a ferramenta está desligada e a ficha retirada da tomada antes de regular ou verificar qualquer função na ferramenta.

Resguardo de segurança do disco de corte (Fig. 3 e 4)

Ao descer a pega, o resguardo de segurança do disco sobe automaticamente. O resguardo dispõe de um dispositivo de mola pelo que volta à posição original depois de concluído o corte e quando se ergue a pega. **NUNCA FORÇE NEM DESMONTE O RESGUARDO DE SEGURANÇA OU A MOLA QUE ESTÁ FIXA AO RESGUARDO.**

Para sua própria segurança, mantenha sempre o resguardo de segurança do disco em boas condições. Qualquer funcionamento irregular do resguardo de segurança do disco deve ser reparado de imediato. Verifique para assegurar o bom funcionamento do dispositivo de mola do resguardo de segurança. **NUNCA UTILIZE A FERRAMENTA SE O RESGUARDO DE SEGURANÇA DO DISCO OU O DISPOSITIVO DE MOLA ESTIVER DANIFICADO, AVARIADO OU NÃO ESTIVER MONTADO. ESTA PRÁTICA É EXTREMAMENTE PERIGOSA E PODE PROVOCAR FERIMENTOS PESSOAIS GRAVES.**

Se o resguardo de segurança do disco se encontrar muito sujo, utilize a chave de tubo fornecida para aliviar o perno hexagonal que fixa a cobertura central. Alivie o perno hexagonal rodando-o no sentido contrário ao dos ponteiros do relógio e eleve o resguardo de segurança do disco e a cobertura central. Com o resguardo de segurança nesta posição, a limpeza pode ser levada a cabo integralmente e com maior eficiência. Quando a limpeza estiver concluída, efetue o procedimento acima pela ordem inversa e aperte o perno. Não desmonte o dispositivo de mola do resguardo de segurança do disco. **NÃO FORCE NEM DESMONTE O RESGUARDO.**

Ação do interruptor (Fig. 5)

⚠️ PRECAUÇÃO:

- Antes de ligar a ferramenta à tomada, certifique-se de que o gatilho funciona correctamente e volta para a posição "OFF" quando libertado.
- Quando não utilizar a ferramenta, retire o botão de segurança e guarde-o num local seguro. Evita a utilização não autorizada.

Para evitar que o gatilho seja accionado acidentalmente, existe um botão de segurança.

Para iniciar a ferramenta, pressione o botão de segurança e carregue no gatilho. Liberte o gatilho para parar.

Regulação do ângulo de corte desejado (Fig. 6)

⚠️ PRECAUÇÃO:

- Aperte sempre o perno hexagonal seguramente depois de mudar o ângulo de corte.

Para mudar o ângulo de corte, liberte a alavanca. Mova o travão do torno de modo a que o indicador aponte para a graduação desejada. Em seguida aperte a alavanca para prender o travão do torno.

Recolha do pó (Fig. 7)

⚠️ PRECAUÇÃO:

- Não toque em nenhuma parte da caixa do pó, excepto a pega, imediatamente depois da operação; pode estar extremamente quente e pode queimar-se.

Esta ferramenta está equipada com uma caixa de pó e fragmentos de corte. Quando a caixa de pó está cheia, pegue na pega da caixa do pó e levante-a ligeiramente. Em seguida puxe a caixa do pó para fora da base da ferramenta. Esvazie a caixa do pó.

ASSEMBLAGEM

⚠️ PRECAUÇÃO:

- Certifique-se sempre de que a ferramenta está desligada e a ficha retirada da tomada antes de executar qualquer manutenção na ferramenta.

Armazenamento da chave de tubo (Fig. 8)

A chave de tubo é armazenada como indicado na ilustração. Quando utiliza a chave de tubo, retire-a do suporte da chave. Depois de utilizar a chave de tubo, volte a colocá-la no suporte da chave.

Instalação ou desmontagem do disco da serra

⚠️ PRECAUÇÃO:

- Quando monta a lâmina, certifique-se de que a direcção da seta na superfície da lâmina corresponde à direcção da seta na caixa da lâmina.
- Utilize só a chave de tubo fornecida para colocar ou retirar a lâmina. Se assim não for, pode originar aperto demasiado ou insuficiente do perno hexagonal. Isto pode causar danos pessoais.
- Não toque na lâmina imediatamente depois da operação. Pode estar muito quente e pode queimar-se.

Para desmontar o disco de corte, utilize a chave de tubo para aliviar o perno hexagonal de fixação da tampa central, fazendo-o rodar em sentido contrário ao dos ponteiros do relógio. Eleve o resguardo de segurança do disco e a tampa central. (Fig. 9)

Pressione o travão do eixo para prender o veio e utilize a chave de tubo para libertar o perno hexagonal rodando-o para a esquerda. Em seguida retire o perno hexagonal, flange exterior e lâmina. (Fig. 10)

Para colocar a lâmina, monte a flange interior, a lâmina da serra, a flange exterior e o perno hexagonal no veio nesta ordem. Prenda o perno hexagonal rodando-o para a direita enquanto pressiona o travão do eixo. Volte a colocar o resguardo de segurança do disco e a tampa central na posição original. Em seguida aperte o perno hexagonal para a direita para prender a cobertura central. Faça descer a alavanca para se certificar de que o resguardo de segurança do disco se movimenta adequadamente. (Fig. 11)

Para prender as peças a trabalhar

⚠️ PRECAUÇÃO:

- Coloque sempre a porca do torno completamente para a direita quando prende a peça a trabalhar. Se assim não for a peça a trabalhar pode ficar mal presa. O que pode causar com que a peça a trabalhar ejecte ou estragar a lâmina.

Rodando a pega do torno para a esquerda e inclinando em seguida a porca do torno para a esquerda, liberta o torno dos cabos roscados e pode ser movimentado rapidamente para fora e para dentro. Para prender peças a trabalhar, empurre a pega do torno até que a placa do torno entre em contacto com a peça a trabalhar. Incline a porca do torno para a direita e em seguida rode a pega do torno para a direita para prender seguramente a peça a trabalhar. (Fig. 12)

Peças compridas devem ser suportados por blocos de material não inflamável nos dois lados, de modo a que esteja nivelada com o topo da base. (Fig. 13)

OPERAÇÃO

Operação de corte

⚠ PRECAUÇÃO:

- Nunca tente cortar peças inferiores a 2 mm de espessura, excepto tubos, ou peças que não possam ser presas firmemente com o torno. O bocado cortado pode ser agarrado pela lâmina, espalhando perigosamente fragmentos e/ou estragar as pontas de carboneto. Pode originar injúrias sérias.
- Não aplique pressão excessiva na pega quando corta. Muita pressão pode originar sobrecarga do motor, diminuir a eficiência de corte e/ou estragar as pontas de carboneto da lâmina.
- Pressão diminuta na pega pode originar mais faíscas e desgaste prematuro da lâmina.
- Não toque na lâmina, peça a trabalhar ou fragmentos do corte imediatamente depois da operação; podem estar extremamente quente e pode queimar-se.
- Se a lâmina parar durante a operação, fizer um barulho esquisito ou começar a vibrar, desligue a ferramenta imediatamente. Substitua a lâmina rachada ou estragada por uma nova.
- Não corte alumínio, madeira, plásticos, cimento, azulejos, etc.
- Utilize sempre lâminas de serra com pontas de carboneto que sejam as adequadas para o seu trabalho. A utilização de lâminas não apropriadas podem originar fraco rendimento de corte e/ou correr o risco de danos pessoais.
- Não solte a cabeça da serra sem controlo a partir da posição totalmente para baixo. A cabeça da serra sem controlo pode atingi-lo e tal irá provocar ferimentos pessoais.

Pegue na pega firmemente. Ligue a ferramenta e espera que a lâmina atinja a velocidade máxima. Em seguida desça a pega suavemente para aproximar a lâmina da peça a trabalhar. Quando a lâmina faz contacto aplique-a no corte, suavemente ao princípio e em seguida aumente gradualmente a pressão conforme a posição do corte se torna estável. A sua pressão na pega deve ser regulada para produzir a quantidade mínima de faíscas. Quando o corte está acabado, desligue a ferramenta e ESPERE ATÉ QUE A LÂMINA ESTEJA COMPLETAMENTE PARADA antes de voltar a colocar a pega na sua posição completamente elevada. Se levantar a pega enquanto a lâmina ainda está a rodar, o material cortado pode ser agarrado pela lâmina, espalhando perigosamente fragmentos. Quando corta só uma parte da peça a trabalhar, levante a pega enquanto a lâmina está a rodar. Desligar durante o corte pode estragar as pontas de carboneto quando entram em contacto com a peça da trabalhar.

Ângulos de corte (Fig. 14)

Prenda a peça de trabalho no torno como indicado na Fig. A, e inicie o corte. A vida útil da lâmina da serra diminuirá se a peça de trabalho for cortada como indicado na Fig. B.

⚠ PRECAUÇÃO:

- NÃO corte a peça de trabalho como indicado na Fig. C pois pode causar com que se solte do torno, possivelmente ferindo alguém.

A lâmina da serra é sujeita a maior desgaste quando corta a área A na Fig. B. Coloque um bloco de madeira contra a peça de trabalho como indicado na Fig. D, de modo a que a lâmina da serra entre na área A inclinada. Isto ajudará a aumentar a vida útil da lâmina da serra.

As dimensões de corte permitidas ficam reduzidas quando utiliza um bloco de madeira. Utilize um bloco de madeira cujas dimensões sejam equivalentes às máximas dimensões de corte permitidas menos as dimensões da peça de trabalho a cortar. Isto ainda minimizará mais a diminuição da vida útil da serra.

Corte de tubos, quadros e canais (Fig. 15)

A lâmina da serra é sujeita a maior desgaste quando corta as áreas A e B na Fig. F e G. Coloque um bloco de madeira contra a peça de trabalho como indicado na Fig. H e I de modo a que a lâmina da serra entre nas áreas A e B inclinada. Isto ajudará a minimizar a diminuição a vida útil da lâmina da serra.

As dimensões de corte permitidas ficam reduzidas quando utiliza um bloco de madeira. Utilize um bloco de madeira cujas dimensões sejam equivalentes às máximas dimensões de corte permitidas menos as dimensões da peça de trabalho a cortar. Isto ainda minimizará mais a diminuição da vida útil da serra.

Corte de rectângulos (Fig. 16)

Prenda a peça de trabalho no torno como indicado na Fig. J, e inicie o corte.

⚠ PRECAUÇÃO:

- NÃO corte a peça de trabalho como indicado na Fig. K pois pode causar com que se solte do torno, possivelmente ferindo alguém.

Transporte da ferramenta (Fig. 17)

Dobre a cabeça da ferramenta para a posição onde pode prender a corrente ao gancho na pega. Pegue pelo punho de transporte quando transporta a ferramenta.

MANUTENÇÃO

⚠ PRECAUÇÃO:

- Certifique-se sempre de que a ferramenta está desligada e a ficha retirada da tomada antes de executar qualquer inspeção ou manutenção.
- Nunca utilize gasolina, benzina, diluente, álcool ou produtos semelhantes. Pode ocorrer a descoloração, deformação ou rachaduras.

Substituição da lâmina

A utilização de uma lâmina usada e romba pode causar sobrecarga do motor e diminuir a eficiência do corte. Substitua-a por uma lâmina nova assim que deixar de ser efectiva.

Substituição das escovas de carvão (Fig. 18 e 19)

Retire e inspeccione as escovas de carvão regularmente. Substitua-as quando estão gastas até à marca limite. Mantenha as escovas de carvão limpas e livres a deslizar nos suportes. As duas escovas de carvão devem ser substituídas ao mesmo tempo. Utilize só escovas de carvão idênticas.

Utilize uma chave de parafusos para retirar as tampas do porta-escovas. Tire as escovas de carvão usadas, coloque as novas e prenda as tampas do porta-escovas.

Para manter a SEGURANÇA e FIABILIDADE, as reparações e outras acções de manutenção ou ajustes devem ser executados pelos Centros de assistência autorizados da Makita, utilizando sempre peças de substituição Makita.

Depois da utilização

Depois da utilização, limpe as aparas e o pó que aderiu à ferramenta com um pano ou material semelhante. Mantenha o resguardo de segurança do disco limpo conforme instruções constantes da anterior secção com o título "Resguardo de segurança do disco de corte". Lubrifique os componentes deslizes com óleo de máquina para evitar a ferrugem.

ACESSÓRIOS OPCIONAIS

⚠️ PRECAUÇÃO:

- Estes acessórios ou acoplamentos são os recomendados para uso na ferramenta Makita especificada neste manual. A utilização de qualquer outro acessório ou acoplamento poderá ser perigosa para o operador. Os acessórios ou acoplamentos devem ser utilizados de maneira adequada e apenas para os fins a que se destinam.

No caso de necessitar ajuda para mais detalhes sobre estes acessórios, consulte ao departamento de assistência local da Makita.

- Lâmina de serra com pontas de carboneto (Consulte o nosso website ou contacte o seu distribuidor Makita local para obter informações sobre as lâminas de serra corretas que deve utilizar para o material a cortar.)
- Óculos de segurança
- Chave de tubo
- Botão de segurança (Botão interruptor)

NOTA:

- Alguns itens da lista podem estar incluídos na embalagem da ferramenta como acessórios padrão. Eles podem variar de país para país.

ENG905-1

Ruído

A característica do nível de ruído A determinado de acordo com EN62841-3-10:

Nível de pressão de som (L_{pA}): 107 dB (A)
Nível do som (L_{wA}): 115 dB (A)
Variabilidade (K): 3 dB (A)

ENG907-1

NOTA:

- O(s) valor(es) de emissão de ruído indicado(s) foi medido de acordo com um método de teste padrão e pode ser utilizado para comparar duas ferramentas.
- O(s) valor(es) de emissão de ruído indicado(s) também pode ser utilizado numa avaliação preliminar da exposição.

⚠️ AVISO:

- Utilize protectores para os ouvidos.
- A emissão de ruído durante a utilização efetiva da ferramenta elétrica pode diferir do(s) valor(es) indicado(s) em função das formas como a ferramenta é utilizada, especialmente em relação ao tipo de peça de trabalho que é processada.
- Certifique-se de identificar as medidas de segurança para protecção do operador que sejam baseadas em uma estimativa de exposição em condições reais de utilização (considerando todas as partes do ciclo de operação, tal como quando a ferramenta está desligada e quando está a funcionar em marcha lenta além do tempo de accionamento).

ENG900-1

Vibração

Valor total da vibração (soma vectorial tri-axial) determinado acordo com EN62841-3-10:

Emissão de vibração (a_{hv}): 3,0 m/s²
Variabilidade (K): 1,5 m/s²

ENG901-2

NOTA:

- O(s) valor(es) totais de vibração indicado(s) foi medido de acordo com um método de teste padrão e pode ser utilizado para comparar duas ferramentas.
- O(s) valor(es) totais de vibração indicado(s) pode também ser utilizado na avaliação preliminar da exposição.

⚠️ AVISO:

- A emissão de vibração durante a utilização real da ferramenta elétrica pode diferir do(s) valor(es) indicado(s), dependendo das formas como a ferramenta é utilizada, especialmente em relação ao tipo de peça de trabalho que é processada.
- Certifique-se de identificar as medidas de segurança para protecção do operador que sejam baseadas em uma estimativa de exposição em condições reais de utilização (considerando todas as partes do ciclo de operação, tal como quando a ferramenta está desligada e quando está a funcionar em marcha lenta além do tempo de accionamento).

DECLARAÇÃO DE CONFORMIDADE CE

Apenas para países europeus

A declaração de conformidade da CE está incluída no Anexo A deste manual de instruções.

Illustrationsoversigt

1 Krog	10 Nøgleholder	19 Indvending flange
2 Bolt	11 Land	20 Udvending flange
3 Kontaktspærreknop	12 Centerafskærmning	21 Spændeordningsplade
4 Arm	13 Sekskantbolt	22 Spændeordningsmøtrik
5 Afbryder	14 Topnøgle	23 Spændeordningshåndtag
6 Gradangivelse	15 Beskyttelsesskærm	24 Slidmarkering
7 Indikator	16 Spindellås	25 Skruetrækker
8 Spændeordningsstop	17 Skæreskive med HM-tænder	26 Kulholderdæksel
9 Støvsuffe	18 Spindel	

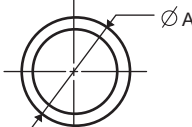
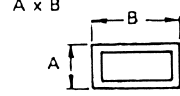
SPECIFIKATIONER

Model	LC1230
Skivediameter	305 mm
Aksel (hul i skæreskive)	25,4 mm
Maks. tykkelse af savsnit for savklinge	2,5 mm
Omdrejninger	1 700 min ⁻¹
Mål (L x B x H)	516 mm x 306 mm x 603 mm
Vægt	19,2 kg
Sikkerhedsklasse	□/II

• På grund af vores kontinuerlige forskningsprogrammer og udvikling, kan hosstående specifikationer blive ændret uden varsel.

- Specifikationer kan variere fra land til land.
- Vægt i henhold til EPTA-Procedure 01/2014

Skærekapacitet

Emnets form		
Skærevinkel		
90°	115 mm	75 mm x 150 mm 100 mm x 100 mm
45°	90 mm	85 mm x 85 mm

ENE008-1

ENF100-1

Tilsigtet anvendelse

Denne maskine er beregnet til afkortning af smedestål og rustfrit stål i forbindelse med anvendelse af passende klinger.

ENF002-2

Netspænding

Maskinen må kun tilsluttes den netspænding, der er angivet på typeskiltet. Maskinen arbejder på enkeltfasets vekselspænding og er dobbeltisoleret og må derfor tilsluttes en stikkontakt uden jordtilslutning.

For offentlige lavspændingsnet på mellem 220 V og 250 V

Tænd og sluk af elektriske apparater medfører spændingssvingninger. Anvendelse af denne maskine under uheldige lysnetforsyningsforhold kan have negativ indflydelse på driften af andet udstyr. Ved en netimpedans svarende til eller mindre end 0,25 ohm, kan det antages, at der ikke vil være negative påvirkninger. Stikkontakten, der anvendes til denne maskine, skal være beskyttet med en sikring eller en beskyttelsesafbryder med træg udløsning.

SIKKERHEDSREGLER

GEA010-2

Almindelige sikkerhedsregler for el-værktøj

⚠ ADVARSEL Læs alle de sikkerhedsadvarsler, instruktioner, illustrationer og specifikationer, der følger med denne maskine. Forsømmelse af at overholde alle nedenstående instruktioner kan medføre elektrisk stød, brand og/eller alvorlig personskade.

Gem alle advarsler og instruktioner til fremtidig reference.

Ordet "el-værktøj" i advarslerne henviser til det netforsy-nede (netledning) el-værktøj eller batteriforsy-nede (akku) el-værktøj.

GEB190-1

SIKKERHEDSINSTRUKTIONER FOR METALSKÆRESAVE

- 1. Metalskæresave er beregnet til at save i jernholdige materialer. De kan ikke anvendes med slibende afskæringsskiver til at skære i jernholdige materialer som f.eks. bjælker, stænger, stivere osv.** Slibestøv får bevægelige dele som f.eks. den nederste beskyttelsesskærm til at sætte sig fast. Gnister fra slibeskæring vil forbrænde den nederste beskyttelsesskærm og andre plastikdele.
- 2. Rengør jævnligt maskinens ventilationsåbninger.** Motorventilatoren kan trække støv ind i kabinettet, og for høj akkumulation af forstøvet metal kan medføre elektriske risici.
- 3. Bær personligt beskyttelsesudstyr. Afhængigt af anvendelsen skal du bære ansigtsskjold, beskyttelsesbriller eller sikkerhedsbriller.** Efter behov skal der anvendes støvmaske, hørevern, handsker og beskyttelsesforklæde, som er i stand til at stoppe små fragmenter. Øjenbeskyttelsen skal kunne stoppe flyvende partikler, der frembringes af forskellige operationer. Støvmasken eller ånde-rætsværet skal være i stand til at filtrere partikler, der frembringes under arbejdet. Længere tids udsættelse for støj af høj intensitet kan medføre høreskader.
- 4. Brug ikke metalskæresaven i nærheden af brændbare eller letantændelige materialer.** Gnister og/eller varme rester fra skæreoperationen kan antænde disse materialer.
- 5. Brug altid skruetvinger til at understøtte arbejdsemnet. Understøt aldrig arbejdsemnet i hånden.** Anvend ikke denne sav til at skære stykker, der er for små til at kunne fastgøres forsvarligt. Hvis din hånd er placeret for tæt på savklingen, er der større risiko for personskade pga. kontakt med klingen.
- 6. Arbejdsemnet skal være i ro og fastgjort vha. skruetvingen. Undlad at indføre arbejdsemnet til klingen eller at skære "på frihånd" på nogen måde.** Ikke-fastholdte eller bevægelige arbejdsemner kan blive slynget bort med høj hastighed og forårsage personskade.
- 7. Placer aldrig din hånd over den tilsigtede skærelinje, hverken foran eller bag ved savklingen.** Understøttelse af arbejdsemnet med "krydsede hænder", dvs. at holde arbejdsemnet til højre for savklingen med venstre hånd eller omvendt, er meget farligt.
- 8. Undlad at række bag ved skruetvingestoppet med nogen af hænderne fra begge sider af savklingen, at fjerne rester eller af nogen anden årsag, så længe klingen roterer.** Det er muligvis ikke tydeligt, hvor tæt den roterende savklinge er på din hånd, og du kan komme alvorligt til skade.
- 9. Inspicer arbejdsemnet, før der skæres. Hvis arbejdsemnet er buet eller skævt, skal du altid sørge for, at der ikke er mellemrum mellem det fastspændte arbejdsemne, skruetvingen og skruetvingestoppet langs skærelinjen.** Buede eller skæve arbejdsemner kan vride sig eller flytte sig og kan medføre binding af den roterende savklinge, mens der skæres.
- 10. Undlad at bruge saven, før bordet er ryddet for alle værktøjer, rester osv. bortset fra arbejdsemnet.** Små rester eller løse jernholdige stykker eller andre genstande på bordet, der kommer i kontakt med den roterende klinge, kan blive slynget bort med høj hastighed.
- 11. Skær kun i ét arbejdsemne ad gangen.** Flere stablede arbejdsemner kan ikke fastgøres eller understøttes tilstrækkeligt og kan binde klingen eller flytte sig under skæringen.
- 12. Sørg for, at maskinen er monteret eller placeret på en jævn, stabil arbejdsoverflade, før den bruges.** En jævn og stabil arbejdsoverflade mindsker risikoen for, at maskinen bliver ustabil.
- 13. Sørg for tilstrækkelig understøttelse, for eksempel blokke, savbukke osv., for et arbejdsemne, der er bredere eller længere end bordpladen.** Arbejdsemner, der er længere eller bredere end metalskæresavens bord, kan vippe, hvis de ikke er forsvarligt understøttet. Hvis det afskårne stykke eller arbejdsemnet vipper, kan det løfte den nederste beskyttelsesskærm eller blive slynget bort af den roterende klinge.
- 14. Undlad at bruge en anden person som erstatning for en bordforlængelse eller som ekstra støtte.** Ustabil understøttelse af arbejdsemnet kan få klingen til at binde eller arbejdsemnet til at flytte sig under skæringen, så du selv og hjælperen bliver trukket ind i den roterende klinge.
- 15. Det afskårne stykke må ikke på nogen måde sidde fast eller blive trykket imod den roterende savklinge.** Hvis det begrænses, for eksempel med længdestopper, kan det afskårne stykke blive klemt mod klingen og slynget voldsomt bort.
- 16. Brug altid skruetvingen, og understøt arbejdsemnet korrekt, idet der tages højde for dets form.** Stænger og render har f.eks. tendens til at rulle eller flytte sig, når de skæres, hvilket får klingen til at "bide" og trække emnet med din hånd ind i klingen.
- 17. Lad klingen nå fuld hastighed, før den sættes mod arbejdsemnet.** Dette reducerer risikoen for, at arbejdsemnet slynges bort.
- 18. Sluk for maskinen, hvis arbejdsemnet eller klingen klemmer sig fast. Vent, til alle bevægelige dele er stoppet, og tag stikket ud af strømkilden og/eller fjern akkuen.** Begynd derefter at frigøre det fastklemt materiale. Forsat savning med et fastklemt arbejdsemne kan medføre, at du mister kontrollen, eller beskadigelse af maskinen.
- 19. Når et snit er færdigt, skal du slippe afbryderen, holde savhovedet nede og vente, til klingen er stoppet, før du fjerner det afskårne stykke.** Det er farligt at stikke hånden hen til klingen, mens den stadig kører.

20. Hold godt fast i håndtaget, når der foretages et ufærdigt snit, eller hvis du slipper afbryderen, inden savhovedet er helt nede i den nederste position. Savens bremsefunktion kan medføre, at savhovedet pludseligt trækkes nedad, og medføre risiko for personskade.
21. Savklingsens udvendige diameter skal have den specificerede kapacitet. Tilbehør af forkert størrelse kan ikke beskyttes eller kontrolleres på tilstrækkelig vis.
22. Savklingsens og flangernes dornstørrelse skal passe nøjagtigt til maskinens spindel. En savklinge og flanger med dornhuller, som ikke passer til maskinens monteringsdele, vil køre ubalanceret, vibrere kraftigt og kan medføre, at du mister herredømmet over maskinen.
23. Tilbehørets mærkehastighed skal mindst være den samme som den maksimale hastighed, der er angivet på maskinen.
24. Brug ikke metalskæresaven til at skære i andet end smedestål eller rustfrit stål.

Yderligere instruktioner

1. Stå aldrig på metalskæresaven. Vipning eller utilsigtet kontakt med skæremidlet kan medføre alvorlig personskade.
2. Lad aldrig maskinen køre uovervåget. Sluk for strømmen. Gå ikke fra maskinen, før den er stoppet helt.
3. Anvend ikke saven, uden at beskyttelsesskærmene er på plads. Kontrollér beskyttelsesskærmen for korrekt funktion før hver brug. Anvend ikke saven, hvis beskyttelsesskærmen ikke bevæger sig frit og lukker øjeblikkeligt. Beskyttelsesskærmen må aldrig klemmes eller bindes til åben position.
4. Hold hænderne væk fra savklingsens bane. Undgå kontakt med klingens, mens denne kører i frihjul. Den kan stadig medføre alvorlig personskade.
5. Fastgør altid alle bevægelige dele, før maskinen transporteres.
6. Efterse omhyggeligt klingens for revner eller beskadigelse før brugen. Udskift øjeblikkeligt en revnet eller beskadiget klinge.
7. Anvend kun flanger, der er anbefalet til brug med denne maskine.
8. Anvend altid ubeskadigede flanger og fastgørelsesbolte med den korrekte diameter til klingens. Korrekte flanger understøtter klingens, hvilket reducerer risikoen for, at klingens brækker.
9. Sørg for, at aksellåsen er løsnet, før der tændes for maskinen.
10. Hold godt fast i håndtaget. Vær opmærksom på, at saven ved start og stop bevæger sig let op og ned.
11. Sørg for, at klingens ikke er i berøring med arbejdsområdet, før der tændes for maskinen.
12. Før maskinen anvendes på det faktiske arbejdsområde, skal den køre i tomgang et stykke tid. Se efter vibrationer eller rystelser, der kan være tyde på forkert montering eller en dårligt afbalanceret klinge.
13. Afbryd straks anvendelsen, hvis du bemærker noget unormalt under brugen.
14. Forsøg aldrig at fastlåse afbryderen i "TIL"-stillingen.

15. Anvend altid det tilbehør, der er anbefalet i denne brugsanvisning. Anvendelse af forkert tilbehør, såsom slibeskiver, kan medføre personskade.
16. Nogle materialer indeholder kemikalier, der kan være giftige. Sørg omhyggeligt for at undgå at indånde støv samt kontakt med huden. Følg materialeleverandørens sikkerhedsdata.

GEM DISSE FORSKRIFTER.

⚠ ADVARSEL:

LAD IKKE bekvemmelighed eller kendskab til produktet (opnået gennem gentagen brug) forhindre, at sikkerhedsforskrifterne for produktet nøje overholdes. MISBRUG eller forsømmelse af at følge de i denne brugsvejledning givne sikkerhedsforskrifter kan medføre alvorlig personskade.

INSTALLATION

Anbringelse af maskinen

Ved forsendelse fra fabrikken er håndtaget låst. Udløs håndtaget fra den nederste position ved at sænke det en smule og fjerne kæden fra krogeren på håndtaget. (Fig. 1) Fastbolt maskinen med to bolte på en vandret og stabil overflade ved hjælp af de fastgøringshuller, der findes i maskinens land. Dette vil hjælpe med til at forhindre, at maskinen tipper over og eventuelt forvolder personskade. (Fig. 2)

FUNKTIONSBESKRIVELSE

⚠ FORSIGTIG:

- Kontrollér altid at maskinen er slukket, og at netledningen er taget ud af stikkontakten, før funktioner på maskinen justeres eller kontrolleres.

Beskyttelsesskærm (Fig. 3 og 4)

Når håndtaget sænkes, hæves beskyttelsesskærmen automatisk. Beskyttelsesskærmen er fjederbelastet og vender tilbage til den oprindelige position, når arbejdet er afsluttet, og håndtaget hæves. BESKYTTELSESSKÆRMEN MÅ ALDRIG BESKADIGES ELLER FJERNES. DET SAMME GÆLDER FJEDEREN, DER SIDDER PÅ BESKYTTELSESSKÆRMEN.

I Deres egen sikkerheds interesse bør De altid holde beskyttelsesskærmen i forskriftsmæssig stand. Forstyrrelser i beskyttelsesskærmens gang bør straks afhjælpes. Kontrollér, at fjederbelastningen fungerer og får skærmen til at gå på plads. BRUG ALDRIG MASKINEN HVIS BESKYTTELSESSKÆRMEN ELLER FJEDEREN ER BESKADIGET, DEFEKT ELLER MANGLER. DET ER MEGET FARLIGT OG KAN GIVE ANLEDNING TIL ALVORLIG PERSONSKADE.

Hvis beskyttelsesskærmen bliver særlig tilsmudset, anvendes den medfølgende topnøgle til at løsne den sekskantbolt, der holder centerafskærmningen på plads. Løs sekskantbolten ved at dreje den mod uret og hæv beskyttelsesskærmen og centerafskærmningen. Med beskyttelsesskærmen anbragt på denne måde er det lettere at udføre en mere effektiv rengøring. Når rengøringen er udført, udføres den beskrevne procedure i omvendt orden, og sekskantbolten spændes til. Fjern ikke den fjeder, der holder beskyttelsesskærmen. OMGÅ ELLER AFMONTER ALDRIG BESKYTTELSESSKÆRMEN.

Afbryderbetjening (Fig. 5)

FORSIGTIG:

- For netledningen sættes i stikkontakten, skal det altid kontrolleres, at afbryderen fungerer korrekt og vender tilbage til "OFF" positionen, når den slippes.
- Når maskinen ikke anvendes, bør kontaktspærreknappen tages af og gemmes på et sikkert sted. Dette forhindrer uvedkommende i at anvende maskinen.

For at forhindre at afbryderen trykkes ind ved et uheld, er maskinen forsynet med en kontaktspærreknapp.

For at starte maskinen trykkes kontaktspærreknappen ind, hvorefter afbryderen trykkes ind. Slip afbryderen for at stoppe maskinen.

Indstilling til ønsket skærevinkel (Fig. 6)

FORSIGTIG:

- Stram altid sekskantbolten forsvarligt til, efter at skærevinklen er blevet ændret.

For at ændre skærevinklen løsnes armen. Bevæg spændeanordningsstopet, så indikatoren peger på den ønskede gradangivelse. Stram derefter armen for at holde spændeanordningsstopet på plads.

Støvopsamling (Fig. 7)

FORSIGTIG:

- Berør aldrig andre dele end håndtaget på støvskuffen umiddelbart efter anvendelse. De kan være ekstremt varme og give forbrændinger på huden.

Denne maskine er forsynet med en støvskuffe til opsamling af støv og spåner. Når støvskuffen er fuld, en holder De i støvskuffens håndtag og hæver den anelse. Træk derefter støvskuffen ud fra maskinens land. Tøm støvskuffen.

SAMLING

FORSIGTIG:

- Kontroller altid, at maskinen er slået fra, og at netstikket er trukket ud af stikkontakten, før der udføres noget arbejde på maskinen.

Opbevaring af topnøgle (Fig. 8)

Topnøglen opbevares som vist på illustrationen. Når topnøglen skal anvendes, trækkes den ud af nøgleholderen. Efter anvendelse bør topnøglen sættes tilbage i nøgleholderen.

Montering og afmontering af savklingen

FORSIGTIG:

- Når skæreskiven monteres, skal det sikres, at retningen på pilen på overfladen af skæreskiven passer med retningen på pilen på skiveskærmen.
- Anvend kun den medfølgende Makita topnøgle ved montering og afmontering af skiven. Anvendelse af anden nøgle kan resultere i for kraftig tilstramning eller for løs tilstramning af sekskantbolten. Dette kan resultere i tilskadekomst.
- Berør ikke skæreskiven lige efter anvendelsen. Den kan være ekstremt varm og give forbrændinger på huden.

For at afmontere savklingen anvendes topnøglen til at løsne den sekskantsbolt, der holder midterafdækningen, ved at dreje mod uret. Løft beskyttelsesskærmen og midterafdækningen. (Fig. 9)

Tryk på spindellåsen for at forhindre, at spindlen drejer med, og benyt dernæst topnøglen til at løsne sekskantbolten ved at dreje mod uret. Fjern derefter sekskantbolten, den udvendige flange og skæreskiven. (Fig. 10)

For at montere skæreskiven monteres den indvendige flange, skæreskiven, den udvendige flange og sekskantbolten på spindlen i den beskrevne rækkefølge. Stram sekskantbolten ved at dreje den med uret, mens De trykker på spindellåsen. Sæt beskyttelsesskærmen og midterafdækningen på plads. Stram derefter sekskantbolten med uret for at låse centerafskærmningen på plads. Sænk håndtaget for at sikre, at beskyttelsesskærmen bevæger sig korrekt. (Fig. 11)

Fastgøring af emner

FORSIGTIG:

- Skub altid spændeanordningsmøtrikken til højre, når emnet fastgøres. Forsømmes dette kan det resultere i utilstrækkelig tilspænding af emnet. Det kan medføre, at emnet slynges ud eller skæreskiven kan tage skade.

Ved at dreje spændeanordningshåndtaget mod uret og derefter skubbe spændeanordningsmøtrikken til venstre, frigøres spændeanordningen fra akselgevindtet, og kan derefter bevæges hurtigt ind eller ud. For at tage fat i emner skubbes spændeanordningshåndtaget, indtil spændeanordningspladen er i kontakt med emnet. Skub spændeanordningsmøtrikken mod højre, og drej spændeanordningshåndtaget med uret for at holde emnet forsvarligt fast. (Fig. 12)

Lange emner skal understøttes med blokke af ikke-brændbart materiale på begge sider af maskinen, således at emnet er i plan med landets overflade. (Fig. 13)

BETJENING

Afkortning

FORSIGTIG:

- Forsøg aldrig at skære emner med en tykkelse på under 2 mm, med undtagelse af rør, eller emner, der ikke kan fastspændes forsvarligt i spændeanordningen. Den afskårne del kan blive fanget i skiven og medføre, at farlige spåner slynges rundt og/eller at HM-tænderne bliver beskadiget. Der er også risiko for personskade.
- Læg ikke for meget tryk på håndtaget, når der afkortes. For kraftigt tryk kan medføre overbelastning af motoren, nedsætte skæreffektiviteten og/eller beskadige HM-tænderne eller selve skiven.
- For ringe tryk på håndtaget kan resultere i flere gnister og for tidlig nedslidning af skæreskiven.
- Berør ikke skæreskiven, emnet eller metalspåner lige efter anvendelsen; de kan være ekstremt varme og give forbrændinger på huden.
- Hvis skiven stopper under anvendelsen, frembringer en underlig lyd eller begynder at vibrere, skal maskinen slukkes øjeblikkeligt. Udskift en revnet eller beskadiget skive med en ny.
- Skær ikke aluminium, træ, plastic, beton, fliser og lignende.
- Anvend altid skæreskiver med HM-tænder, der passer til arbejdet. Anvendelse af forkerte skæreskiver kan resultere i utilfredsstillende skæring og/eller risiko for personskade.
- Undlad at frigøre savhovedet ukontrolleret fra den helt nedadgående position. Et ukontrolleret savhoved kan ramme dig og resultere i personskade.

Hold håndtaget med et fast greb. Tænd for maskinen og vent, indtil skiven opnår fuld rotationshastighed. Sænk derefter håndtaget forsigtigt for at bringe skiven tæt på emnet. Når skiven kommer i kontakt med emnet, føres skiven til at begynde med forsigtigt ind i emnet, hvorefter presset gradvist øges, efterhånden som skærepositionen bliver stabil. De skal regulere Deres tryk på håndtaget for at frembringe den mindst mulige gnistregn.

Når afkørlingen er udført, slukkes maskinen og VENT TIL SKIVEN STÅR HELT STILLE, før håndtaget sættes tilbage til fuldt hævet stilling. Hvis håndtaget hæves, mens skiven stadig roterer, kan den afskårne del blive fanget i skiven, hvilket medfører farlig udslugning af spåner. Når der kun skæres delvist ind i et emne, hæves håndtaget, mens skiven roterer. Slukkes der under skæringen, kan HM-tænderne tage skade, når de kommer i kontakt med emnet.

Skæring af vinkeljern (Fig. 14)

Fastgør emnet i spændeanordningen, som vist i Fig. A, og udfør skæringen. Skæreskivens levetid forkortes, hvis emnet skæres fastgjort som vist i Fig. B.

⚠ FORSIGTIG:

- Skær ALDRIG emnet fastgjort som vist i Fig. C, da denne fastgørelsesmåde medfører risiko for at emnet slynges ud af spændeanordningen, med følgende risiko for tilskadekomst.

Skæreskiven udsættes for større slitage, når område A i Fig. B skæres. Anbring en træklods op ad emnet, som vist i Fig. D, således at skæreskiven kommer ind i område A i en vinkel. Dette bidrager til at forlænge skæreskivens levetid.

De tilladte skæredimensioner reduceres, når en træklods anvendes. Anvend en træklods, hvis dimensioner svarer til de maksimale tilladte skæredimensioner minus dimensionerne på det emne, der skal skæres. Dette vil yderligere medvirke til at forlænge skæreskivens levetid.

Skæring af rør, firkantede profiler og U-profiler (Fig. 15)

Skæreskiven udsættes for større slitage, når områderne A og B i Fig. F og G skæres. Anbring en træblok mod arbejdsområdet som vist på Fig. H og I, således at savklingen vil gå ind i områderne A og B i en vinkel. Dette bidrager til at minimere forkortelse af skæreskivens levetid.

De tilladte skæredimensioner reduceres, når en træklods anvendes. Anvend en træklods, hvis dimensioner svarer til de maksimale tilladte skæredimensioner minus dimensionerne på det emne, der skal skæres. Dette vil yderligere medvirke til at forlænge skæreskivens levetid.

Skæring af firkanter (Fig. 16)

Fastgør emnet i spændeanordningen, som vist i Fig. J, og udfør skæringen.

⚠ FORSIGTIG:

- Skær ALDRIG emnet fastgjort som vist i Fig. K, da denne fastgørelsesmåde medfører risiko for, at emnet slynges ud af spændeanordningen, med følgende risiko for tilskadekomst.

Transport af maskinen (Fig. 17)

Slå maskinhovedet ned til den position, hvor De kan sætte kæden fast på krogen på håndtaget. Hold i bærehåndtaget, når maskinen bæres.

VEDLIGEHOLDELSE

⚠ FORSIGTIG:

- Kontrollér altid, at maskinen er slået fra, og netledningen taget ud af stikkontakten, inden De udfører inspektion eller vedligeholdelse.
- Anvend aldrig benzin, rensbenzin, fortynder, alkohol og lignende. Resultatet kan blive misfarvning, deformation eller revner.

Udskiftning af skæreskive

Fortsat anvendelse af en døv eller slidt skæreskive kan medføre motoroverbelastning og nedsætte skæreeffektiviteten. Udskift med en ny skive så snart den gamle ikke længere virker effektivt.

Udskiftning af kul (Fig. 18 og 19)

Udtag og kontrollér kullene med regelmæssige mellemrum. Udskift dem, når de er slidt ned til slidmarkeringen. Hold kullene rene og i stand til ubesværet indføring i kulholderne. Begge kul skal udskiftes samtidigt. Anvend kun identiske kul.

Byt en skruetrækker til at fjerne kulholderdækslerne. Tag de slide kul ud, isæt de nye og fastgør kulholderdækslerne.

For at opretholde produktets SIKKERHED og PÅLIDELIGHED bør reparation, vedligeholdelse og justering kun udføres af et Makita Service Center med anvendelse af originale Makita udskiftingsdele.

Efter anvendelse

Efter anvendelse aftrøres spåner eller støv, der måtte klæbe til maskinen, med en klud eller lignende. Hold beskyttelsesskærmen ren som beskrevet i afsnittet "Beskyttelsesskærm". Smør de glidende dele på maskinen med olie for at forhindre rustdannelse.

EKSTRAUDSTYR

⚠ FORSIGTIG:

- Det i denne manual specificerede tilbehør og anordninger anbefales til brug sammen med Deres Makita maskine. Brug af andet tilbehør og andre anordninger kan udgøre en risiko for personskade. Anvend kun tilbehør og anordninger til de beskrevne formål.

Hvis De behøver assistance eller yderligere detaljer om dette tilbehør, bedes De kontakte Deres lokale Makita servicecenter.

- Skæreskive med HM-tænder
(Se vores websted, eller kontakt din lokale Makita-forhandler angående de korrekte savklinger, der skal bruges til det materiale, der skal skæres.)
- Sikkerhedsbriller
- Topnøgle
- Kontaktspærreknop (Afbryderknop)

BEMÆRK:

- Nogle ting på denne liste kan være inkluderet i værktøjsspakken som standardtilbehør. Det kan være forskelligt fra land til land.

ENG905-1

Lyd

Det typiske A-vægtede støjniveau bestemt i overensstemmelse med EN62841-3-10:

Lydtryksniveau (L_{pA}): 107 dB (A)

Lydeffektniveau (L_{WA}): 115 dB (A)

Usikkerhed (K): 3 dB (A)

BEMÆRK:

- De(n) angivne støjemissionsværdi(er) er målt i overensstemmelse med en standardtestmetode og kan anvendes til at sammenligne én maskine med en anden.
- De(n) angivne støjemissionsværdi(er) kan også anvendes i en præliminær eksponeringsvurdering.

⚠ ADVARSEL:

- **Bær høreværn.**
- **Støjemissionen under den faktiske anvendelse af maskinen kan være forskellig fra de(n) angivne værdi(er), afhængigt af den måde hvorpå maskinen anvendes, især den type arbejdsemne der behandles.**
- **Sørg for at identificere de sikkerhedsforskrifter til beskyttelse af operatøren, som er baseret på en vurdering af eksponering under de faktiske brugsforhold (med hensyntagen til alle dele i brugscyklen, som f.eks. de gange, hvor maskinen er slukket og når den kører i tomgang i tilgift til afbrydertiden).**

ENG900-1

Vibration

Vibrations totalværdi (tre-aksial vektorsum) bestemt i overensstemmelse med EN62841-3-10:

Vibrationsafgivelse (a_h): 3,0 m/s²

Usikkerhed (K): 1,5 m/s²

ENG901-2

BEMÆRK:

- De(n) angivne totalværdi(er) for vibration er målt i overensstemmelse med en standardtestmetode og kan anvendes til at sammenligne én maskine med en anden.
- De(n) angivne totalværdi(er) for vibration kan også anvendes i en præliminær eksponeringsvurdering.

⚠ ADVARSEL:

- **Vibrationsemissionen under den faktiske anvendelse af maskinen kan være forskellig fra de(n) angivne værdi(er), afhængigt af den måde hvorpå maskinen anvendes, især den type arbejdsemne der behandles.**
- **Sørg for at identificere de sikkerhedsforskrifter til beskyttelse af operatøren, som er baseret på en vurdering af eksponering under de faktiske brugsforhold (med hensyntagen til alle dele i brugscyklen, som f.eks. de gange, hvor maskinen er slukket og når den kører i tomgang i tilgift til afbrydertiden).**

EF-KONFORMITETSERKLÆRING**Kun for lande i Europa**

EF-konformitetserklæringen er inkluderet som Tillæg A til denne instruktionsvejledning.

Περιγραφή γενικής άποψης

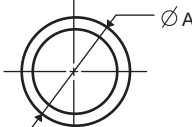
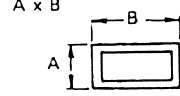
1 Γάντζος	10 Θέση κλειδιού	18 Ατρακτος
2 Βίδα	11 Βάση	19 Εσωτερική φλάντζα
3 Κουμπί ξεκλειδώματος	12 Κεντρικό κάλυμμα	20 Εξωτερική φλάντζα
4 Λεβιές	13 Εξάγωνη βίδα	21 Πλάκα σφιχτήρα
5 Σκανδάλη διακόπτης	14 Κοίλο κλειδί	22 Παξιμάδι σφιχτήρα
6 Διαβάθμιση	15 Προφυλακτήρας λάμας	23 Λαβή σφιχτήρα
7 Δείκτης	16 Ασφάλεια άξονα	24 Σημάδι ορίου
8 Σταμάτημα σφιχτήρα	17 Επικαρβιδιωμένος τροχός κοπής	25 Κατσαβίδι
9 Κουτί σκόνης		26 Καπάκια της θήκης ψήκτρας

ΤΕΧΝΙΚΑ ΧΑΡΑΚΤΗΡΙΣΤΙΚΑ

Μοντέλο	LC1230
Διάμετρος τροχού	305 χιλ.
Διάμετρος τρύπας	25,4 χιλ.
Μέγιστο πάχος εγκοπής της λάμας πριονιού	2,5 χιλ.
Ταχύτητα χωρίς φορτίο	1.700 λεπ ⁻¹
Διαστάσεις (Μ x Π x Υ)	516 χιλ. x 306 χιλ. x 603 χιλ.
Καθαρό βάρος	19,2 χγρ.
Κατηγορία ασφάλειας	□/II

- Λόγω του συνεχιζόμενου προγράμματος έρευνας και ανάπτυξης, οι παρούσες προδιαγραφές υπόκεινται σε αλλαγή χωρίς προειδοποίηση.
- Οι προδιαγραφές μπορεί να διαφέρουν από χώρα σε χώρα.
- Βάρος σύμφωνα με διαδικασία ΕΡΤΑ 01/2014

Δυνατότητες κοπής Σχήμα

Κατεργαζόμενο κομματιού		
Γωνία κοπής		
90°	115 χιλ.	75 χιλ. x 150 χιλ. 100 χιλ. x 100 χιλ.
45°	90 χιλ.	85 χιλ. x 85 χιλ.

ENE008-1

ENF100-1

Προοριζόμενη χρήση

Το εργαλείο προορίζεται για κοπές σε μαλακό ατσάλι και σε ανοξείδωτο ατσάλι με τις κατάλληλες πριονολάμες.

ENF002-2

Ρευματοδότηση

Το μηχάνημα πρέπει να συνδέεται μόνο σε παροχή ρεύματος της ίδιας τάσης με αυτή που αναφέρεται στην πινακίδα κατασκευαστού και μπορεί να λειτουργήσει μόνο με εναλλασσόμενο μονοφασικό ρεύμα. Τα μηχανήματα αυτά έχουν διπλή μόνωση και κατά συνέπεια, μπορούν να συνδεθούν σε ακροδέκτες χωρίς σύρμα γείωσης.

Για δημόσια συστήματα διανομής ηλεκτρικού ρεύματος χαμηλής τάσεως μεταξύ 220 V και 250 V

Η αλλαγή λειτουργιών ηλεκτρικής συσκευής προκαλεί διακυμάνσεις τάσεως. Η λειτουργία αυτής της συσκευής κάτω από άσχημες συνθήκες παροχής ηλεκτρικού ρεύματος μπορεί να έχει ενάντια αποτελέσματα στη λειτουργία άλλου εξοπλισμού. Με μία σύνθετη αντίσταση ίση ή μικρότερη από 0,25 Ωμ μπορεί να θεωρηθεί πιθανό ότι δεν θα προκύψουν αρνητικά αποτελέσματα. Η υποδοχή παροχής ρεύματος για την συσκευή αυτή πρέπει να προστατεύεται από μία ασφάλεια ή ένα προστατευτικό κύκλωμα διακόπτη που να έχει αργά χαρακτηριστικά αποσύνδεσης.

Γενικές προειδοποιήσεις ασφαλείας για το ηλεκτρικό εργαλείο

⚠ ΠΡΟΕΙΔΟΠΟΙΗΣΗ Διαβάστε όλες τις προειδοποιήσεις ασφαλείας, οδηγίες, εικονογραφίες και προδιαγραφές που παρέχονται με αυτό το ηλεκτρικό εργαλείο. Η μη τήρηση όλων των οδηγιών που αναγράφονται κατωτέρω μπορεί να καταλήξει σε ηλεκτροπληξία, πυρκαγιά ή/και σοβαρό τραυματισμό.

Φυλάξτε όλες τις προειδοποιήσεις και τις οδηγίες για μελλοντική παραπομπή.

Στις προειδοποιήσεις, ο όρος "ηλεκτρικό εργαλείο" αναφέρεται σε ηλεκτρικό εργαλείο που τροφοδοτείται από την κύρια παροχή ηλεκτρικού ρεύματος (με ηλεκτρικό καλώδιο) ή σε ηλεκτρικό εργαλείο που τροφοδοτείται από μπαταρία (χωρίς ηλεκτρικό καλώδιο).

ΟΔΗΓΙΕΣ ΑΣΦΑΛΕΙΑΣ ΓΙΑ ΠΡΙΟΝΙΑ ΚΟΠΗΣ ΜΕΤΑΛΛΩΝ

- 1. Τα πριόνια κοπής μετάλλων προορίζονται για την κοπή σιδηρούχων υλικών. Δεν μπορούν να χρησιμοποιηθούν με λειαντικούς τροχούς αποκοπής για την κοπή σιδηρούχων υλικών όπως μπάρες, ράβδους, στελέχη, κτλ. Η λειαντική σκόνη προκαλεί την εμπλοκή των κινούμενων μερών, όπως του κάτω προφυλακτήρα. Οι σπινθήρες από τη λειαντική κοπή θα κάψουν τον κάτω προφυλακτήρα και άλλα πλαστικά μέρη.**
- 2. Να καθαρίζετε τακτικά τις οπές αερισμού του ηλεκτρικού εργαλείου.** Ο ανεμιστήρας του μοτέρ μπορεί να αναρροφήσει τη σκόνη μέσα στο περίβλημα και η υπερβολική συγκέντρωση ρινισμάτων μετάλλου μπορεί να προκαλέσει κίνδυνο ηλεκτροπληξίας.
- 3. Να φοράτε εξοπλισμό ατομικής προστασίας. Ανάλογα με την εφαρμογή, να χρησιμοποιείτε προσωπίδα προστασίας, προστατευτικά γυαλιά-προσωπίδες ή γυαλιά ασφαλείας. Όταν απαιτείται, να φοράτε μάσκα σκόνης, προστατευτικά ακοής, γάντια και ποδιά συνεργείου ικανά να παρέχουν προστασία από μικρά θραύσματα.** Τα προστατευτικά ματιών πρέπει να είναι ικανά να σταματήσουν τυχόν εκτινασόμενα θραύσματα που δημιουργούνται κατά την εκτέλεση διαφόρων εργασιών. Η μάσκα σκόνης ή η αναπνευστική συσκευή πρέπει να είναι ικανές να φιλτράρουν τα σωματίδια που δημιουργούνται κατά την εκτέλεση των εργασιών σας. Η παρατεταμένη έκθεση σε θόρυβο υψηλής έντασης μπορεί να προκαλέσει απώλεια ακοής.
- 4. Μην χειρίζεστε το πριόνι κοπής μετάλλων κοντά σε εύφλεκτα ή καύσιμα υλικά.** Οι σπινθήρες ή/και τα ζεστά θραύσματα που εκτινάσσονται κατά τη λειτουργία κοπής μπορούν να προκαλέσουν την ανάφλεξη αυτών των υλικών.

- 5. Να χρησιμοποιείτε πάντα συγκρατητήρες για να στηρίξετε το τεμάχιο εργασίας. Μην στηρίζετε ποτέ το τεμάχιο εργασίας με το χέρι. Μην χρησιμοποιείτε αυτό το πριόνι για να κόψετε κομμάτια που είναι πολύ μικρά για να συγκρατήσετε με ασφάλεια.** Αν τοποθετήσετε το χέρι σας πολύ κοντά στη λάμα πριονιού, υπάρχει αυξημένος κίνδυνος τραυματισμού λόγω επαφής με τη λάμα.
- 6. Το τεμάχιο εργασίας πρέπει να είναι ακινητοποιημένο και να συγκρατείται με μέγνηση. Μην τροφοδοτείτε ποτέ το τεμάχιο εργασίας στη λάμα και μην κόβετε "με το χέρι".** Τα τεμάχια εργασίας που δεν συγκρατούνται ή που κινούνται μπορούν να εκτοξευτούν με υψηλές ταχύτητες, προκαλώντας τραυματισμό.
- 7. Μην περνάτε ποτέ το χέρι σας πάνω από την ενδεδειγμένη γραμμή κοπής, ούτε μπροστά ούτε πίσω από τη λάμα πριονιού.** Είναι πολύ επικίνδυνο να στηρίξετε το τεμάχιο εργασίας με δισταυρωμένα χέρια, δηλαδή να κρατάτε το τεμάχιο εργασίας στα δεξιά της λάμας πριονιού με το αριστερό χέρι σας, ή αντίστροφα.
- 8. Μην απλώνετε πίσω από την αναστολή της μέγνησης με οποιοδήποτε χέρι από οποιαδήποτε πλευρά της λάμας πριονιού για να απομακρύνετε υπολείμματα ή για οποιονδήποτε άλλο λόγο ενώ η λάμα περιστρέφεται.** Η απόσπαση της περιστρεφόμενης λάμας από το χέρι σας μπορεί να μην είναι προφανής και να τραυματιστείτε σοβαρά.
- 9. Επιθεωρήστε το τεμάχιο εργασίας σας πριν την κοπή. Αν το τεμάχιο εργασίας είναι καμπυλωμένο ή περιστραμμένο, να βεβαιώσετε πάντα ότι δεν υπάρχει κενό μεταξύ του συγκρατημένου τεμαχίου εργασίας, της μέγνησης και της αναστολής μέγνησης κατά μήκος της γραμμής κοπής.** Τα λυγισμένα ή περιστραμμένα τεμάχια εργασίας μπορούν να συστραφούν ή να μετατοπιστούν, και μπορεί να εμπλακούν στην περιστρεφόμενη λάμα πριονιού κατά την κοπή.
- 10. Μην χρησιμοποιείτε το πριόνι αν υπάρχουν εργαλεία, υπολείμματα, κτλ. επάνω στον πάγκο, θα πρέπει να υπάρχει μόνο το τεμάχιο εργασίας.** Τα υπολείμματα μικρού μεγέθους ή τα χαλαρά κομμάτια σιδήρου ή άλλα αντικείμενα στον πάγκο που μπορεί να έρθουν σε επαφή με την περιστρεφόμενη λάμα μπορεί να εκτοξευτούν με υψηλή ταχύτητα.
- 11. Μην κόβετε ποτέ περισσότερα από ένα τεμάχια εργασίας ταυτόχρονα.** Τα πολλά στοιβαγμένα τεμάχια εργασίας δεν γίνεται να συγκρατηθούν ή να στηριχθούν σωστά και μπορεί να εμπλακούν στη λάμα ή να μετατοπιστούν κατά την κοπή.
- 12. Βεβαιωθείτε ότι το ηλεκτρικό εργαλείο είναι σταθερωμένο ή τοποθετημένο σε μια επίπεδη, σταθερή επιφάνεια πριν τη χρήση.** Μια επίπεδη και σταθερή επιφάνεια εργασίας μειώνει τον κίνδυνο αστάθειας του ηλεκτρικού εργαλείου.

13. **Παράσχετε επαρκή στήριξη, όπως τεμάχια, τρίποδα πριονίσματος, κτλ. για ένα τεμάχιο εργασίας με πλάτος ή μήκος μεγαλύτερο από την επιφάνεια του πάγκου.** Τα τεμάχια εργασίας που είναι μακρύτερα ή πλατύτερα από τον πάγκο του πριονιού κοπής μετάλλων μπορούν να ανατραπούν αν δεν υποστηρίζονται με ασφάλεια. Αν το αποκομμένο κομμάτι ή το τεμάχιο εργασίας ανατραπεί, μπορεί να ανασκωθεί ο κάτω προφυλακτήρας ή να εκτοξευτεί από την περιστρεφόμενη λάμα.
 14. **Μη χρησιμοποιείτε κάποιο άλλο άτομο ως υποκατάστατο μιας επέκτασης πάγκου ή ως επιπρόσθετη στήριξη.** Η ασταθής στήριξη του τεμαχίου εργασίας μπορεί να προκαλέσει την εμπλοκή της λάμας ή τη μετατόπιση του τεμαχίου εργασίας κατά την εργασία κοπής, τραβώντας εσάς και το βοηθό μέσα στην περιστρεφόμενη λάμα.
 15. **Το αποκομμένο κομμάτι δεν πρέπει να εμπλακεί ή να πιεστεί με οποιονδήποτε τρόπο επάνω σε μια περιστρεφόμενη λάμα πριονιού.** Αν περιοριστεί, δηλ. με τη χρήση αναστολέων μήκους, το αποκομμένο κομμάτι μπορεί να σφηνώσει επάνω στη λάμα και να εκτοξευτεί βίαια.
 16. **Να χρησιμοποιείτε πάντα τη μέγερη και να στηρίζετε σωστά το τεμάχιο εργασίας λαμβάνοντας υπόψη πάντα το σχήμα του.** Για παράδειγμα, οι ράβδοι και τα κανάλια έχουν την τάση να κυλιούνται ή να μετακινούνται ενώ κόβονται, προκαλώντας την εμπλοκή της λάμας και το τράβηγμα του τεμαχίου εργασίας μαζί με το χέρι σας μέσα στη λάμα.
 17. **Αφήστε τη λάμα να αποκτήσει μέγιστη ταχύτητα πριν έρθει σε επαφή με το τεμάχιο εργασίας.** Έτσι θα μειωθεί ο κίνδυνος εκτόξευσης του τεμαχίου εργασίας.
 18. **Αν το τεμάχιο εργασίας ή η λάμα εμπλακεί, απενεργοποιήστε το ηλεκτρικό εργαλείο.** Περιμένετε να ακινητοποιηθούν όλα τα κινούμενα μέρη και αποσυνδέστε το φως από την πηγή τροφοδοσίας ή/και βγάλτε το πακέτο μπαταριών. Μετά, εργαστείτε για να ελευθερώσετε το υλικό που έχει εμπλακεί. Το συνεχιζόμενο πριόνισμα με τεμάχιο εργασίας που έχει εμπλακεί μπορεί να προκαλέσει την απώλεια ελέγχου ή ζημιά στο ηλεκτρικό εργαλείο.
 19. **Αφού τελειώσετε την κοπή, αφήστε το διακόπτη, κρατήστε την κεφαλή πριονιού προς τα κάτω και περιμένετε να ακινητοποιηθεί η λάμα πριν αφαιρέσετε το αποκομμένο κομμάτι.** Είναι επικίνδυνο να τοποθετήσετε το χέρι σας κοντά σε λάμα που συνεχίζει να περιστρέφεται.
 20. **Κρατήστε τη λαβή σταθερά όταν εκτελείτε μια ατελή κοπή ή όταν αφήνετε το διακόπτη πριν η κεφαλή πριονιού βρεθεί πλήρως στην κάτω θέση.** Η ενέργεια πέδησης του πριονιού μπορεί να προκαλέσει το ξαφνικό τράβηγμα της κεφαλής πριονιού προς τα κάτω, προκαλώντας κίνδυνο τραυματισμού.
 21. **Η εξωτερική διάμετρος της λάμας πριονιού πρέπει να έχει την καθορισμένη ικανότητα.** Σε εξαρτήματα ασφαλισμένου μεγέθους δεν είναι εφικτή η παροχή επαρκούς προστασίας ή ελέγχου.
 22. **Το μέγεθος της οπής προσαρμογής σε άξονα της λάμας πριονιού και των φλάντζων πρέπει να ταιριάζει απολύτως στον άξονα μετάδοσης κίνησης του ηλεκτρικού εργαλείου.** Η λάμα πριονιού και οι φλάντζες με σπές προσαρμογής που δεν ταιριάζουν απολύτως στο εξάρτημα στερέωσης του ηλεκτρικού εργαλείου θα παρουσιάσουν υποβαθμισμένη ζυγοστάθμιση, υπερβολικούς κραδασμούς και μπορεί να προκαλέσουν απώλεια ελέγχου.
 23. **Η ονομαστική ταχύτητα του εξαρτήματος πρέπει να είναι τουλάχιστον ίση με τη μέγιστη ταχύτητα που αναγράφεται στο ηλεκτρικό εργαλείο.**
 24. **Μη χρησιμοποιείτε το πριόνι κοπής μετάλλων για να κόψετε οτιδήποτε άλλο εκτός μαλακό χάλυβα ή ανοξείδωτο χάλυβα.**
- Επιπρόσθετες οδηγίες**
1. **Ποτέ μην στέκεστε πάνω στο πριόνι κοπής μετάλλων.** Η ανατροπή ή ακούσια επαφή με το μέσο κοπής μπορεί να προκαλέσει σοβαρό τραυματισμό.
 2. **Μην αφήνετε ποτέ το ηλεκτρικό εργαλείο σε λειτουργία αν δεν το προσέχετε.** Απενεργοποιήστε την ισχύ. Μην αφήσετε το εργαλείο μέχρι να ακινητοποιηθεί εντελώς.
 3. **Μη χειρίζεστε το πριόνι χωρίς τους προφυλακτήρες στη θέση τους.** Ελέγξτε τον προφυλακτήρα λάμας για σωστό κλείσιμο πριν από κάθε χρήση. Μη θέτετε το πριόνι σε λειτουργία αν ο προφυλακτήρας λάμας δεν κινείται ελεύθερα και δεν κλείνει αμέσως. Ποτέ μη φέξετε ή δέσετε τον προφυλακτήρα λάμας στη θέση ανοίγματος.
 4. **Κρατάτε τα χέρια μακριά από την τροχιά της λάμας πριονιού.** Αποφύγετε την επαφή με οποιαδήποτε λάμα συνεχίζει να περιστρέφεται. Μπορεί επίσης να προκαλέσουν σοβαρό τραυματισμό.
 5. **Να ασφαρίζετε πάντα όλα τα κινούμενα τμήματα πριν μεταφέρετε το ηλεκτρικό εργαλείο.**
 6. **Πριν από τη λειτουργία, να ελέγχετε προσεχτικά τη λάμα για ραγίσματα ή ζημιά.** Να αντικαθιστάτε αμέσως μια ραγισμένη ή κατεστραμμένη λάμα.
 7. **Να χρησιμοποιείτε μόνο τις ειδικές φλάντζες για το εργαλείο αυτό.**
 8. **Να χρησιμοποιείτε πάντα φλάντζες και μπουλόνι στερέωσης που δεν έχουν υποστεί ζημιά και που έχουν κατάλληλη διάμετρο για τη λάμα.** Οι κατάλληλες φλάντζες υποστηρίζουν τη λάμα και μειώνουν συντεπώς την πιθανότητα θραύσης της λάμας.
 9. **Να βεβαιώνετε ότι η ασφάλιση άξονα είναι ελεύθερη πριν ενεργοποιήσετε το ηλεκτρικό εργαλείο.**
 10. **Να κρατάτε σταθερά τη λαβή.** Έχετε υπόψη σας ότι το πριόνι κινείται πάνω και κάτω ελαφρά κατά το ξεκίνημα και το σταμάτημα.
 11. **Να βεβαιώνετε ότι η λάμα δεν έρχεται σε επαφή με το τεμάχιο εργασίας πριν την ενεργοποίηση του ηλεκτρικού εργαλείου.**

12. Πριν χρησιμοποιήσετε το ηλεκτρικό εργαλείο στο πραγματικό τεμάχιο εργασίας, αφήστε το να τρέξει για λίγο. Παρακολουθήστε το για κραδασμούς ή ταλαντεύσεις που μπορεί να δείχνουν κακή τοποθέτηση ή κακή ισοζύγηση λάμας.
13. Σταματήστε αμέσως τη λειτουργία αν παρατηρήσετε κάτι αφύσικο.
14. Μην προσπαθήσετε να κλειδώσετε τη σκανδάλη στη θέση “ΕΝΕΡΓΟΠΟΙΗΣΗΣ”.
15. Να χρησιμοποιείτε πάντα τα εξαρτήματα που συνιστώνται στο εγχειρίδιο αυτό. Η χρήση ακατάλληλων εξαρτημάτων όπως λειαντικών τροχών μπορεί να προκαλέσει τραυματισμό.
16. Μερικά υλικά περιέχουν χημικά που μπορεί να είναι τοξικά. Να προσέχετε ώστε να αποφεύγετε την εισπνοή σκόνης και την επαφή με το δέρμα. Να ακολουθείτε τα δεδομένα ασφάλειας του προμηθευτή υλικού.

ΦΥΛΑΞΤΕ ΑΥΤΕΣ ΤΙΣ ΟΔΗΓΙΕΣ.

⚠️ ΠΡΟΕΙΔΟΠΟΙΗΣΗ:

ΜΗΝ επιτρέψετε στην άνεση ή στην εξοικείωσή σας με το προϊόν (που αποκτήθηκε από επανειλημμένη χρήση) να αντικαταστήσει την αυστηρή τήρηση των κανόνων ασφαλείας του παρόντος εργαλείου. Η ΛΑΝΘΑΣΜΕΝΗ ΧΡΗΣΗ ή η αμέλεια να ακολουθήσετε τους κανόνες ασφάλειας που διατυπώνονται στο παρόν εγχειρίδιο οδηγιών μπορεί να προκαλέσει σοβαρό προσωπικό τραυματισμό.

ΕΓΚΑΤΑΣΤΑΣΗ

Προετοιμασία του μηχανήματος

Όταν το εργαλείο αποστέλλεται από το εργοστάσιο, η λαβή ασφαρίζεται. Ελευθερώστε τη λαβή από τη χαμηλωμένη θέση χαμηλώνοντάς την ελαφρά και αφαιρώντας την αλυσίδα από το γάντζο στη λαβή. (Εικ. 1)

Βιδώστε το μηχανήμα με βίδες σε μία οριζόντια και σταθερή επιφάνεια, χρησιμοποιώντας της τρύπες που βρίσκονται στη βάση του μηχανήματος. Αυτό θα αποτρέψει απρόβλεπτες κινήσεις και πιθανό τραυματισμό. (Εικ. 2)

ΠΕΡΙΓΡΑΦΗ ΛΕΙΤΟΥΡΓΙΑΣ

⚠️ ΠΡΟΣΟΧΗ:

- Πάντοτε να βεβαιώνετε ότι το εργαλείο είναι σβηστό και αποσυνδεδεμένο από το ρεύμα πριν ρυθμίσετε ή ελέγξετε κάποια λειτουργία στο εργαλείο.

Προφυλακτήρας λάμας (Εικ. 3 και 4)

Όταν χαμηλώνετε την λαβή, ο προφυλακτήρας λάμας ανυψώνεται αυτόματα. Ο προφυλακτήρας έχει ελατήρια ώστε να επιστρέφει στην αρχική του θέση όταν η κοπή έχει συμπληρωθεί και η λαβή έχει ανυψωθεί. ΠΟΤΕ ΜΗΝ ΕΞΟΥΔΕΤΕΡΩΝΕΤΕ Η ΑΦΑΙΡΕΙΤΕ ΤΟΝ ΠΡΟΦΥΛΑΚΤΗΡΑ ΛΑΜΑΣ Η ΤΟ ΕΛΑΤΗΡΙΟ ΠΟΥ ΕΙΝΑΙ ΠΡΟΣΑΡΜΟΣΜΕΝΟ ΣΤΟΝ ΠΡΟΦΥΛΑΚΤΗΡΑ.

Για χάρη της προσωπικής σας ασφάλειας, να διατηρείτε πάντα τον προφυλακτήρα λάμας σε καλή κατάσταση. Οποιαδήποτε ακανόνιστη λειτουργία του προφυλακτήρα λάμας πρέπει να διορθώνεται αμέσως. Ελέγξτε για να διασφαλίσετε για την ενέργεια επιστροφής του φορτωμένου ελατηρίου του προφυλακτήρα. ΜΗ ΧΡΗΣΙΜΟΠΟΙΕΙΤΕ ΠΟΤΕ ΤΟ ΕΡΓΑΛΕΙΟ ΑΝ Ο ΠΡΟΦΥΛΑΚΤΗΡΑΣ ΛΑΜΑΣ Ή ΤΟ ΕΛΑΤΗΡΙΟ ΕΧΟΥΝ ΚΑΤΑΣΤΡΑΦΕΙ, ΕΧΟΥΝ ΕΛΑΤΤΩΜΑ Ή ΕΧΟΥΝ ΑΦΑΙΡΕΘΕΙ. ΑΝ ΤΟ ΚΑΝΕΤΕ ΑΥΤΟ, ΕΙΝΑΙ ΠΟΛΥ ΕΠΙΚΙΝΔΥΝΟ ΚΑΙ ΜΠΟΡΕΙ ΝΑ ΠΡΟΚΑΛΗΘΕΙ ΣΟΒΑΡΟΣ ΠΡΟΣΩΠΙΚΟΣ ΤΡΑΥΜΑΤΙΣΜΟΣ.

Αν ο προφυλακτήρας λάμας έχει ρυπανθεί σημαντικά, χρησιμοποιήστε το παρεχόμενο κοίλο κλειδί για να χαλαρώσετε την εξάγωνη βίδα που συγκρατεί το κεντρικό κάλυμμα. Χαλαρώστε την εξάγωνη βίδα περιστρέφοντάς την αριστερόστροφα και ανυψώστε τον προφυλακτήρα λάμας και το κεντρικό κάλυμμα. Με τον προφυλακτήρα λάμας στη θέση αυτή, ο καθαρισμός μπορεί να γίνει καλύτερα και πληρέστερα. Όταν ο καθαρισμός ολοκληρωθεί, ακολουθήστε την παραπάνω διαδικασία με αντίστροφη σειρά και ασφαλίστε τη βίδα. Μην αφαιρέσετε τον προφυλακτήρα λάμας που συγκρατεί το ελατήριο. ΜΗΝ ΕΞΟΥΔΕΤΕΡΩΣΕΤΕ Ή ΑΦΑΙΡΕΣΕΤΕ ΤΟΝ ΠΡΟΦΥΛΑΚΤΗΡΑ.

Επιχειρησιακή λειτουργία (Εικ. 5)

⚠️ ΠΡΟΣΟΧΗ:

- Προτού ανάψετε το μηχανήμα, ελέγξτε να δείτε ότι η σκανδάλη του διακόπτη λειτουργεί κανονικά και επιστρέφει στη θέση “OFF” όταν απελευθερώνεται.
- Όταν δεν χρησιμοποιείτε το μηχανήμα, απομακρύνετε το κουμπί ξεκλειδώματος και αποθηκεύστε το σε ασφαλές μέρος. Αυτό αποτρέπει μη εξουσιοδοτημένη χρήση.

Για να μην τραβηχτεί η σκανδάλη κατά λάθος, ένα κουμπί ξεκλειδώματος παρέχεται.

Για να εκκινήσετε το μηχανήμα, πιέστε το κουμπί κλειδώματος, και έπειτα τραβήξτε τη σκανδάλη. Απελευθερώστε τη σκανδάλη για να σταματήσετε.

Ρυθμίζοντας την επιθυμητή γωνία κοπής (Εικ. 6)

⚠️ ΠΡΟΣΟΧΗ:

- Πάντα σφίγγετε την εξαγωνική βίδα ασφαλώς αφού αλλάξετε την γωνία κοπής.

Για να αλλάξετε τη γωνία κοπής, χαλαρώστε τον λεβιέ. Μετακινήστε το σταμάτημα του σφιχτήρα έτσι ώστε ο δείκτης να δείχνει την επιθυμητή διαβάθμιση. Έπειτα σφίξτε τον λεβιέ για να ασφαλίσετε το σταμάτημα του σφιχτήρα.

Συλλογή σκόνης (Εικ. 7)

⚠️ ΠΡΟΣΟΧΗ:

- Μην αγιάζετε κανένα κομμάτι του κουτιού σκόνης εκτός από τη λαβή του αμέσως μετά τη λειτουργία. Ίσως είναι πολύ ζεστό και κάψει το δέρμα σας.

Αυτό το μηχανήμα είναι εφοδιασμένο με ένα κουτί σκόνης για τη συλλογή σκόνης και των αποκομμάτων. Όταν το κουτί σκόνης γεμίσει, κρατήστε τη λαβή του κουτιού σκόνης από τη λαβή και σηκώστε την ελαφρώς. Επειτα τραβήξτε το κουτί σκόνης έξω από τη βάση της μηχανής. Αδειάστε το κουτί σκόνης από τα περιεχόμενα του.

ΣΥΝΑΡΜΟΛΟΓΗΣΗ

⚠️ ΠΡΟΣΟΧΗ:

- Πάντοτε βεβαιώνετε ότι το εργαλείο είναι σβηστό και αποσυνδεδεμένο από το ρεύμα πριν εκτελέσετε οποιαδήποτε εργασία με το εργαλείο.

Αποθήκευση κοίλου κλειδιού (Εικ. 8)

Το κοίλο κλειδί περικυκλιών φυλάσσεται όπως υποδεικνύεται στην εικόνα. Όταν πρόκειται να χρησιμοποιήσετε το κλειδί υποδοχής, βγάλτε το από τη θέση κλειδιού. Αφού το χρησιμοποιήσετε το κλειδί υποδοχής, επιστρέψτε το στην θέση του.

Εγκατάσταση ή αφαίρεση της λάμας πριονιού

⚠️ ΠΡΟΣΟΧΗ:

- Όταν τοποθετείτε τον τροχό, σιγουρευτείτε ότι η διεύθυνση του βέλους στην επιφάνεια του τροχού ταιριάζει με την διεύθυνση του βέλους στη θήκη του τροχού.
- Χρησιμοποιείτε μόνο το γνήσιο κλειδί υποδοχής που παρέχεται για να εγκαταστήσετε ή να απομακρύνετε τον τροχό. Μη συμμόρφωση με τα παραπάνω ίσως έχει αποτέλεσμα υπερβολικό ή ελλιπές σφίξιμο της εξαγωνικής βίδας. Αυτό θα μπορούσε να προκαλέσει τραυματισμό.
- Μην αγγίζετε τον τροχό αμέσως μετά τη λειτουργία, ίσως είναι πολύ ζεστός και κάψει το δέρμα σας.

Για να αφαιρέσετε την λάμα, χρησιμοποιήστε το κοίλο κλειδί για να χαλαρώσετε το εξαγωνικό μπουλόνι κρατώντας το κεντρικό κάλυμμα και γυρνώντας το αριστερόστροφα. Σηκώστε τον προφυλακτήρα λάμας και το κεντρικό κάλυμμα.

(Εικ. 9)

Πιέστε την ασφάλεια του άξονα για να κλειδώσετε την άτρακτο και χρησιμοποιήστε το κλειδί υποδοχής για να χαλαρώσετε την εξαγωνική βίδα γυρνώντας την προς τα δεξιά. Επειτα απομακρύνετε την εξαγωνική βίδα, εξωτερική φλάντζα και τον τροχό. (Εικ. 10)

Για να εγκαταστήσετε τον τροχό, τοποθετήστε την εσωτερική φλάντζα, τροχό κοπής, εξωτερική φλάντζα και εξαγωνική βίδα στην άτρακτο κατά αυτή τη σειρά. Σφίξτε την εξαγωνική βίδα γυρνώντας την προς τα δεξιά, ενώ ταυτόχρονα πιέζετε την ασφάλεια του άξονα. Επαναφέρετε τον προφυλακτήρα λάμας και το κάλυμμα κέντρου στις αρχικές τους θέσεις. Επειτα σφίξτε την εξαγωνική βίδα γυρνώντας την προς τα δεξιά για να ασφαλίσετε το κεντρικό κάλυμμα. Χαμηλώστε την λαβή για να βεβαιωθείτε ότι ο προφυλακτήρας λάμας κινείται κανονικά. (Εικ. 11)

Ασφαλίζοντας κομμάτια εργασίας

⚠️ ΠΡΟΣΟΧΗ:

- Πάντα θέτετε το παξιμαδί του σφιχτήρα πλήρως προς τα δεξιά όταν ασφαλίσετε κομμάτια εργασίας. Μη συμμόρφωση με τα παραπάνω ίσως έχει ως αποτέλεσμα ανεπαρκές ασφάλισμα του κομματιού εργασίας. Αυτό μπορεί να προκαλέσει την εκβολή του κομματιού εργασίας ή να προκαλέσει ζημιά στον τροχό.

Γυρνώντας την λαβή του σφιχτήρα προς τα δεξιά και έπειτα χτυπώντας ελαφρά το παξιμαδί του σφιχτήρα προς τα αριστερά, ο σφιχτήρας απελευθερώνεται από τις συνδέσεις με τον άξονα και μπορεί να μετακινηθεί γρήγορα μέσα και έξω. Για να πιάσετε κομμάτια εργασίας, πιέστε τη λαβή του σφιχτήρα μέχρι η πλάκα του σφιχτήρα να έρθει σε επαφή με το κομμάτι εργασίας. Χτυπήστε ελαφρώς το παξιμαδί του σφιχτήρα προς τα δεξιά και έπειτα γυρίστε τη λαβή του σφιχτήρα προς τα δεξιά για να κρατήσετε το κομμάτι εργασίας. (Εικ. 12)

Μακριά κομμάτια θα πρέπει να υποστηρίζονται από μη εύφλεκτα υλικά σε κάθε πλευρά έτσι ώστε να βρίσκονται στο ίδιο επίπεδο με το πάνω μέρος της βάσης. (Εικ. 13)

ΛΕΙΤΟΥΡΓΙΑ

Λειτουργία κοπής

⚠️ ΠΡΟΣΟΧΗ:

- Ποτέ μην επιχειρήσετε να κόψετε κομμάτια που έχουν πάχος λιγότερο από 2χιλ. εκτός για σωληνες ή κομμάτια εργασίας τα οποία δεν μπορούν να πιαστούν σφιχτά από τον σφιχτήρα. Το αποκομμένο κομμάτι μπορεί να πιαστεί από τον τροχό, προκαλώντας επικίνδυνη διασκόρπιση κομματιών ή/και καταστροφή στις επικαρβιδιωμένες αιχμές. Πιθανός είναι σοβαρός τραυματισμός.
- Μην εφαρμόζετε παραπάνω πίεση στη λαβή όταν κόβετε. Υπερβολική πίεση ίσως έχει ως αποτέλεσμα υπερφόρτωση του κινητήρα, μείωση στην απόδοση κοπής ή/και καταστροφή στις επικαρβιδιωμένες αιχμές ή ακόμη και στον τροχό.
- Πίεση λιγότερη από την κανονική στην λαβή ίσως έχει ως αποτέλεσμα σπινθήρες και πρόωρη φθορά του τροχού.
- Μην αγγίζετε τον τροχό, το κομμάτι εργασίας ή κομμένα κομμάτια αμέσως μετά τη λειτουργία; ίσως είναι πολύ ζεστά και κάψουν το δέρμα σας.
- Εάν ο τροχός σταματήσει κατά τη διάρκεια της λειτουργίας, ακουστεί κάποιος παράξενος ήχος ή αρχίσει να ταλαντώνεται σβήστε το μηχανήμα αμέσως. Αντικαταστήστε αμέσως ένα ραγισμένο ή κατεστραμμένο τροχό με καινούριο.
- Μην κόβετε αλουμίνιο, ξύλο, πλαστικό, τσιμέντο, τούβλα κ.τ.λ.
- Πάντοτε να χρησιμοποιείτε επικαρβιδιωμένους τροχούς κοπής κατάλληλους από την εργασία. Η χρησιμοποίηση ακατάλληλων τροχών κοπής ίσως προκαλέσει κακή απόδοση της κοπής και/ή παρουσιαστεί κίνδυνος προσωπικού τραυματισμού.

- Μην αφήσετε την κεφαλή πριονιού χωρίς έλεγχο από την τέρμα κάτω θέση. Μια κεφαλή πριονιού χωρίς έλεγχο μπορεί να σας χτυπήσει και θα έχει ως αποτέλεσμα προσωπικό τραυματισμό.

Κρατάτε τη λαβή σταθερά. Ανάψτε το μηχανήμα και περιμένετε μέχρι το μηχανήμα να λειτουργήσει σε πλήρη ταχύτητα. Επειτα χαμηλώστε τη λαβή προσεχτικά για να φέρετε τον τροχό κοντά στο κομμάτι εργασίας. Όταν ο τροχός ερθεί σε επαφή μην πιέζετε πολύ, έπειτα αυξάνετε προοδευτικά πίεση καθώς η θέση κοπής σταθεροποιείται. Η πίεση σας στη λαβή θα πρέπει να είναι τέτοια ώστε να έχουμε τους λιγότερο δυνατόν σπινθήρες.

Όταν η κοπή ολοκληρωθεί, σβήστε το μηχανήμα και ΠΕΡΙΜΕΝΕΤΕ ΜΕΧΡΙ Ο ΤΡΟΧΟΣ ΝΑ ΣΤΑΜΑΤΗΣΕΙ ΕΝΤΕΛΩΣ προτού επιστρέψετε την λαβή στην πλήρως ανυψωμένη θέση. Εάν η λαβή ανυψωθεί ενώ ο τροχός περιστρέφεται, το κομμάτι που έχει κοπεί μπορεί να πιαστεί από τον τροχό, προλαλώντας επικίνδυνη διασκόρπιση κομματιών. Όταν δεν κόβετε πλήρως ένα κομμάτι, σηκώστε τη λαβή ενώ ο τροχός περιστρέφεται. Σβήσιμο του μηχανήματος κατά τη διάρκεια της κοπής μπορεί να προκαλέσει ζημιά στις επικαρβιδιωμένες αιχμές καθώς αυτές ακουμπούν το κομμάτι εργασίας.

Κοπή γωνιών (Εικ. 14)

Στερεώστε το αντικείμενο εργασίας στη μέγγενη όπως φαίνεται στην **Εικ. Α**, και προχωρήστε στην κοπή του. Η ζωή της λάμας του πριονιού θα συντομευθεί εάν το αντικείμενο εργασίας κόβεται όπως φαίνεται στην **Εικ. Β**.

⚠️ ΠΡΟΣΟΧΗ:

- Μην κόβετε το αντικείμενο εργασίας όπως φαίνεται στην **Εικ. C** γιατί αυτό μπορεί να προκαλέσει την εκτίναξη του από τη μέγγενη, με πιθανό αποτέλεσμα κάποιο τραυματισμό.

Η λάμα του πριονιού υπόκειται σε μεγαλύτερη φθορά όταν η περιοχή Α στην **Εικ. Β** κοπεί. Τοποθετήστε ένα ξύλινο τεμάχιο επί του αντικειμένου εργασίας όπως φαίνεται στην **Εικ. D** έτσι ώστε η λάμα του πριονιού να μπει στην περιοχή Α υπό γωνία. Αυτό θα βοηθήσει στην παράταση της ζωής της λάμας του πριονιού.

Οι επιτρεπόμενες διαστάσεις κοπής μειώνονται όταν χρησιμοποιείται ένα ξύλινο τεμάχιο. Χρησιμοποιείτε ένα ξύλινο τεμάχιο του οποίου οι διαστάσεις είναι ισοδύναμες με τις μέγιστες επιτρεπόμενες διαστάσεις κοπής μείον τις διαστάσεις του αντικειμένου εργασίας που πρόκειται να κοπεί. Αυτό θα ελαχιστοποιήσει ακόμη την συντόμευση της ζωής της λάμας του πριονιού.

Κοπή σωλήνων, τετραγώνων και διαύλων (Εικ. 15)

Η λάμα του πριονιού υπόκειται σε μεγαλύτερη φθορά όταν οι περιοχές Α και Β στις **Εικ. F** και **G** κοπούν. Τοποθετήστε ένα ξύλινο μπλοκ κοντά στο τεμάχιο εργασίας, όπως υποδεικνύεται στις **Εικ. Η** και **Ι**, ώστε ο δίσκος του πριονιού να εισέλθει στις περιοχές Α και Β υπό γωνία. Αυτό θα βοηθήσει να ελαχιστοποιηθεί η συντόμευση της ζωής της λάμας του πριονιού.

Οι επιτρεπόμενες διαστάσεις κοπής μειώνονται όταν χρησιμοποιείται ένα ξύλινο τεμάχιο. Χρησιμοποιείτε ένα ξύλινο τεμάχιο του οποίου οι διαστάσεις είναι ισοδύναμες με τις μέγιστες επιτρεπόμενες διαστάσεις κοπής μείον τις διαστάσεις του αντικειμένου εργασίας που πρόκειται να κοπεί. Αυτό θα ελαχιστοποιήσει ακόμη την συντόμευση της ζωής της λάμας του πριονιού.

Κοπή ορθογωνίων (Εικ. 16)

Στερεώστε το αντικείμενο εργασίας στη μέγγενη όπως φαίνεται στην **Εικ. J**, και προχωρήστε στην κοπή του.

⚠️ ΠΡΟΣΟΧΗ:

- Μην κόβετε το αντικείμενο εργασίας όπως φαίνεται στην **Εικ. K** γιατί αυτό μπορεί να προκαλέσει την εκτίναξη του από τη μέγγενη, με πιθανό αποτέλεσμα κάποιο τραυματισμό.

Μεταφορά του μηχανήματος (Εικ. 17)

Διπλώστε την κεφαλή του μηχανήματος στη θέση που μπορείτε να βάλετε την αλυσίδα στον γάντζο της λαβής. Πιάστε τη λαβή μεταφοράς όταν κουβαλάτε το μηχανήμα.

ΣΥΝΤΗΡΗΣΗ

⚠️ ΠΡΟΣΟΧΗ:

- Πάντοτε βεβαιώστε ότι το εργαλείο είναι σβηστό και απουσνδεδεμένο από το ρεύμα πριν επιχειρήσετε να εκτελέσετε επιθεώρηση ή συντήρηση.
- Μην χρησιμοποιείτε ποτέ βενζίνη, πετρελαϊκό αιθέρα, διαλυτικό, αλκοόλη ή παρόμοιες ουσίες. Ενδέχεται να προκληθεί αποχρωματισμός παραμόρφωση ή ρωγμές.

Αντικατάσταση του τροχού κοπής

Χρησιμοποίηση του μηχανήματος με φθαρμένο τροχό ίσως προκαλέσει υπερφόρτωση του κινητήρα και μειωμένη απόδοση κοπής. Αντικαταστήστε με ένα καινούριο τροχό μόλις ο παλιός παύσει να είναι αποδοτικός.

Αντικατάσταση των ψηκτρών άνθρακος (Εικ. 18 και 19)

Αφαιρείτε και ελέγχετε τις ψήκτρες άνθρακος τακτικά. Αντικαταστήστε όταν φθαρουν μέχρι το σημάδι ορίου. Κρατάτε τις ψήκτρες καθαρές και ελεύθερες να γλυστρούν στις θήκες. Και οι δύο ψήκτρες άνθρακος πρέπει να αντικαθίστανται ταυτόχρονα. Χρησιμοποιείτε μόνο ταυτόσημες ψήκτρες.

Χρησιμοποιείτε ένα καταβίδι για να αφαιρείτε τα καπάκια της θήκης ψήκτρας. Αφαιρέστε τις φθαρμένες ψήκτρες, βάλτε τις καινούριες και ασφαλίστε τα καπάκια της θήκης ψήκτρας.

Για την διατήρηση της ΑΣΦΑΛΕΙΑΣ και ΑΞΙΟΠΙΣΤΙΑΣ του προϊόντος, επισκευές, οποιαδήποτε άλλη συντήρηση ή ρύθμιση πρέπει να εκτελούνται από τα Εξουσιοδοτημένα Κέντρα Εξυπηρέτησης της Makita, με χρήση πάντοτε ανταλλακτικών Makita.

Μετά την χρήση

Μετά την χρήση, σφουγγίστε τα τεμαχίδια και την σκόνη που είναι κολλημένα στο εργαλείο με ένα πανί ή κάτι παρόμοιο. Κρατείστε τον προφυλακτήρα λάμας καθαρά σύμφωνα με τις οδηγίες στο προηγούμενως καλυφθέν τμήμα με τίτλο “Προφυλακτήρας λάμας”. Λιπαίνετε τα μέρη που γλιστρούν με μηχανικό έλαιο για να μην οξειδωθούν.

ΠΡΟΑΙΡΕΤΙΚΑ ΕΞΑΡΤΗΜΑΤΑ

⚠️ ΠΡΟΣΟΧΗ:

• Αυτά τα εξαρτήματα ή προσαρτήματα συνιστώνται για χρήση με το εργαλείο σας της Makita που καθορίζεται στο εγχειρίδιο αυτό. Η χρήση οτιδήποτε άλλων εξαρτημάτων ή προσαρτημάτων μπορεί να δημιουργήσει κίνδυνο τραυματισμού ατόμων. Χρησιμοποιείτε μόνο εξαρτήματα ή προσαρτήματα μόνο για το σκοπό που προορίζονται.

Εάν χρειάζεστε κάποια βοήθεια για περισσότερες πληροφορίες που αφορούν στα εξαρτήματα αυτά, αποτανθείτε στο τοπικό σας κέντρο εξυπηρέτησης Makita.

- Επικαρβιδωμένος τροχός κοπής (Επισκεφθείτε τον ιστότοπό μας ή επικοινωνήστε με τον αντιπρόσωπο Makita της περιοχής σας για τις σωστές λάμες πριονιού που πρέπει να χρησιμοποιήσετε ανάλογα με το υλικό που θέλετε να κόψετε.)
- Προστατευτικά γυαλιά-προσωπίδες
- Κόιλο κλειδί
- Κουμπί ξεκλειδώματος (Κουμπί ασφάλισης)

ΠΑΡΑΤΗΡΗΣΗ:

• Μερικά στοιχεία στη λίστα μπορεί να συμπεριλαμβάνονται στη συσκευασία εργαλείου ως στάνταρ εξαρτήματα. Μπορεί να διαφέρουν ανάλογα με τη χώρα.

ENG905-1

Θόρυβος

Το τυπικό Α επίπεδο μετρημένου θορύβου καθορίζεται σύμφωνα με το EN62841-3-10:

Στάθμη πίεσης ήχου (L_{pA}): 107 dB (A)

Στάθμη δύναμης ήχου (L_{WA}): 115 dB (A)

Αβεβαιότητα (K): 3 dB (A)

ENG907-1

ΠΑΡΑΤΗΡΗΣΗ:

- Η ή οι δηλωμένες τιμές εκπομπής θορύβου έχουν μετρηθεί σύμφωνα με μια πρότυπη μέθοδο δοκιμών και μπορούν να χρησιμοποιηθούν για τη σύγκριση ενός εργαλείου με άλλο.
- Η ή οι δηλωμένες τιμές εκπομπής θορύβου μπορούν να χρησιμοποιηθούν και στην προκαταρκτική αξιολόγηση της έκθεσης.

⚠️ ΠΡΟΕΙΔΟΠΟΙΗΣΗ:

- Φοράτε ωτοασπίδες.
- Η εκπομπή θορύβου κατά τη χρήση του ηλεκτρικού εργαλείου σε πραγματικές συνθήκες μπορεί να διαφέρει από την ή τις δηλωμένες τιμές ανάλογα με τους τρόπους χρήσης του εργαλείου, ειδικότερα από το είδος του τεμαχίου εργασίας που υποβάλλεται σε κατεργασία.

- Φροντίστε να λάβετε τα κατάλληλα μέτρα προστασίας του χειριστή βάσει υπολογισμού της έκθεσης σε πραγματικές συνθήκες χρήσης (λαμβάνοντας υπόψη όλες τις συνιστώσες του κύκλου λειτουργίας όπως τους χρόνους που το εργαλείο είναι εκτός λειτουργίας και όταν βρίσκεται σε αδρανή λειτουργία πέραν του χρόνου ενεργοποίησης).

ENG900-1

Κραδασμός

Η ολική τιμή δόνησης (άθροισμα τρι-αξονικού διανύσματος) καθορίζεται σύμφωνα με το EN62841-3-10:

Εκπομπή δόνησης (a_h): 3,0 m/s²

Αβεβαιότητα (K): 1,5 m/s²

ENG901-2

ΠΑΡΑΤΗΡΗΣΗ:

- Η ή οι δηλωμένες τιμές εκπομπής κραδασμών έχουν μετρηθεί σύμφωνα με μια πρότυπη μέθοδο δοκιμών και μπορούν να χρησιμοποιηθούν για τη σύγκριση ενός εργαλείου με άλλο.
- Η ή οι δηλωμένες τιμές κραδασμών θορύβου μπορούν να χρησιμοποιηθούν και στην προκαταρκτική αξιολόγηση της έκθεσης.

⚠️ ΠΡΟΕΙΔΟΠΟΙΗΣΗ:

- Η εκπομπή κραδασμών κατά τη χρήση του ηλεκτρικού εργαλείου σε πραγματικές συνθήκες μπορεί να διαφέρει από την ή τις δηλωμένες τιμές ανάλογα με τους τρόπους χρήσης του εργαλείου, ειδικότερα από το είδος του τεμαχίου εργασίας που υποβάλλεται σε κατεργασία.
- Φροντίστε να λάβετε τα κατάλληλα μέτρα προστασίας του χειριστή βάσει υπολογισμού της έκθεσης σε πραγματικές συνθήκες χρήσης (λαμβάνοντας υπόψη όλες τις συνιστώσες του κύκλου λειτουργίας όπως τους χρόνους που το εργαλείο είναι εκτός λειτουργίας και όταν βρίσκεται σε αδρανή λειτουργία πέραν του χρόνου ενεργοποίησης).

ΔΗΛΩΣΗ ΣΥΜΜΟΡΦΩΣΗΣ ΕΚ

Για τις ευρωπαϊκές χώρες μόνο

Η δήλωση συμμόρφωσης ΕΚ περιλαμβάνεται ως Παράρτημα Α σε αυτό το εγχειρίδιο οδηγιών.

Genel görünüşün açıklanması

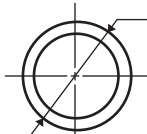
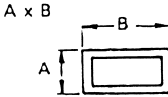
1 Çengel	10 Anahtar tutucu	19 İç flanş
2 Cıvata	11 Kaide	20 Dış flanş
3 Kilit açma düğmesi	12 Merkez kapak	21 Mengene levhası
4 Kol	13 Altıgen cıvata	22 Mengene somunu
5 Anahtar tetiği	14 Lokma anahtar	23 Mengene kolu
6 Kademe	15 Bıçak siperi	24 Sınır işareti
7 Gösterge	16 Şaft kilidi	25 Tornavida
8 Mengene tutucu	17 Karpit-uçlu bıçkı ağızı	26 Fırça yuvası kapağı
9 Toz kutusu	18 Mil	

ÖZELLİKLER**Model****LC1230**

Ağzı çapı	305 mm
Delik (mil) çapı	25,4 mm
Testere bıçağı maks. kesim kalınlığı	2,5 mm
Yüksüz hız	1.700 min ⁻¹
Boyutlar (B x E x Y)	516 mm x 306 mm x 603 mm
Net ağırlık	19,2 kg
Emniyet sınıfı	□/II

- Sürekli yapılan araştırma ve geliştirmelerden dolayı, burada belirtilen özellikler önceden bildirilmeksizin değiştirilebilir.
- Özellikler ülkeden ülkeye değişebilir.
- EPTA-Prosedürü 01/2014 uyarınca ağırlık

Kesme kapasitesi

İş parçasının şekli		
Kesme açısı		
90°	115 mm	75 mm x 150 mm 100 mm x 100 mm
45°	90 mm	85 mm x 85 mm

ENE008-1

GÜVENLİK UYARILARI

GEA010-2

Kullanım amacı

Bu alet uygun testere bıçaklarıyla yumuşak çelik ve paslanmaz çelik kesmek amacıyla tasarlanmıştır.

ENF002-2

Güç kaynağı

Makinanın, yalnızca isim levhasında belirtilenle aynı voltajlı güç kaynağına bağlanması gerekir ve yalnızca tek fazlı AC güç kaynağıyla çalıştırılabilir. Çifte yalıtımlıdır ve topraklamasız prizlerle de kullanılabilir.

ENF100-1

220 V ila 250 V arasındaki genel düşük voltajlı dağıtım sistemi için.

Elektrik aletlerinin açılıp kapanması voltaj dalgalanmalarına sebep olur. Bu makinenin uygun olmayan ana hat koşullarında çalıştırılması, diğer aletlere olumsuz etkiye bulunabilir. Ana hatta 0,25 Om veya daha az empedans varsa, olumsuz etkinin oluşmayacağı kabul edilebilir. Bu makina için kullanılan ana priz, düşük kontak akımlı sigorta veya koruyucu devre kesici ile korunmalıdır.

Genel elektrikli alet güvenliği uyarıları

⚠ UYARI Bu elektrikli aletle birlikte sunulan tüm güvenlik uyarılarını, talimatları, çizimleri ve teknik özellikleri okuyun. Aşağıda verilen talimatlara uyulmaması elektrik şoku, yangın ve/veya ciddi yaralanmalar ile sonuçlanabilir.

Tüm uyarıları ve talimatları ileride başvurmak için saklayın.

Uyarılardaki "elektrikli alet" terimi ile ya prizden çalışan (kordonlu) elektrikli aletiniz ya da kendi aküsü ile çalışan (kordonsuz) elektrikli aletiniz kastedilmektedir.

METAL KESME TESTERELERİ İÇİN GÜVENLİK TALİMATLARI

1. **Metel kesme testereleri demir malzeme kesmek için tasarlanmıştır, çubuklar, rodlar, saplamalar, vb. gibi demir malzemeleri kesmek için aşındırıcı kesim diskleriyle kullanılamaz.** Aşındırıcı toz alt siper gibi hareketli parçaların sıkışmasına neden olur. Aşındırıcı kesimden kaynaklanan kıvılcımlar alt siperi ve diğer plastik parçaları yakar.
2. **Elektrikli aletin havalandırma deliklerini düzenli olarak temizleyin.** Motorun fanı tozu gövdenin içine çekebilir ve aşırı toz metal birikimi elektrik tehlikelerine neden olabilir.
3. **Kişisel koruyucu donanım kullanın. Uygulamaya göre, yüz siperi veya koruyucu gözlük takın. Uygun görüldüğü şekilde toz maskesi, kulak koruyucuları, eldiven ve küçük parçaları durdurabilecek iş önlüğü takın.** Göz koruyucuları çeşitli işlemlerin üreteceği uçan kırıntıları durdurabilecek nitelikte olmalıdır. Toz maskesi veya solunum cihazı yaptığınız işlemin üreteceği küçük parçacıkları süzebilecek nitelikte olmalıdır. Uzun süre yüksek yoğunlukta gürültüye maruz kalmak işitme kaybına neden olabilir.
4. **Metel kesme testeresini alev alabilecek veya yanıcı malzemelerin yakınında kullanmayın.** Kesim işlemi sırasındaki kıvılcımlar ve/veya kırıntılar bu malzemeleri tutuşturabilir.
5. **İş parçasını mengenerler kullanarak daima destekleyin. İş parçasını asla elle desteklemeyin. Bu testereyi, sabitlemeyecek kadar küçük parçaları kesmek için kullanmayın.** Eliniz testere bıçağına çok yakın yerleştirilirse yüksek oranda bıçağa temas ederek yaralanma riski vardır.
6. **İş parçası sabit olmalı ve mengene kullanarak sabitlenmelidir. İş parçasını "sabitlemeden" hiç-bir şekilde bıçağa sürmeyin veya kesmeyin.** Sabitlenmemiş veya hareket eden iş parçaları yüksek hızlarda fırlayarak yaralanmaya neden olabilir.
7. **Elinizi, testere bıçağının önünden veya arkasından tasarlanan kesim çizgisinin öbür tarafa geçirmeyin. İş parçasının "çapraz şekilde" yani iş parçasını testere bıçağının sağında sol elinizde tutarak veya tersi şekilde desteklemek çok tehlikelidir.**
8. **Bıçak dönerken atık parçaları kaldırmak veya başka herhangi bir nedenle testere bıçağının her iki tarafından mengene tespit parçasının arkasına ellerinizle uzanmayın.** Dönen testere bıçağının elinize olan yakınlığı belli olmayabilir ve ciddi şekilde yaralanabilirsiniz.
9. **Kesmeden önce iş parçanızı inceleyin. İş parçası eğri veya çarpık ise kesim çizgisi boyunca sabitlenmiş iş parçası, mengene ve mengene tespit parçası arasında boşluk kalmadığından daima emin olun.** Eğri veya çarpık iş parçaları dönelbilir veya kayabilir ve kesim sırasında dönen testere bıçağına takılmasına neden olabilir.
10. **Tezgahta iş parçası dışındaki tüm aletler, atık parçalar, vb. kaldırılmadan testereyi kullanmayın.** Dönen bıçağa temas eden tezgah üzerindeki küçük atıklar veya gevşek metal parçaları ya da başka nesnelere yüksek hızla fırlatabilir.
11. **Tek seferde sadece bir adet iş parçası kesin.** Üst üste dizilen birden fazla iş parçası yeteri kadar sabitlenemeyebilir veya desteklenemeyebilir ve kesim sırasında bıçağa takılabilir veya kayabilir.
12. **Kullanmadan önce elektrikli aletin düz, sabit bir çalışma yüzeyine monte edildiğinden veya yerleştirildiğinden emin olun.** Düz ve sabit çalışma yüzeyi elektrikli aletin dengesini yitirme riskini azaltır.
13. **Tezgahtan daha geniş veya uzun iş parçası için bloklar, testere tezgahları, vb. gibi yeterli destek sağlayın.** Metel kesme testeresi tezgahından daha uzun veya daha geniş iş parçaları emniyetli bir şekilde desteklenmezse devrilebilir. Kesilen parça veya iş parçası devrilsen alt siperi kaldırabilir veya dönen bıçak tarafından fırlatılabilir.
14. **Tezgah uzantısı veya ilave destek yerine başka bir kişiyi kullanmayın.** İş parçasının dengesiz şekilde desteklenmesi kesim işlemi sırasında bıçağın takılmasına veya iş parçasının kaymasına neden olarak sizi veya yardım eden kişiyi dönen bıçağa çekebilir.
15. **Kesilen parça dönen testere bıçağına dayanacak şekilde hiçbir biçimde sıkıştırılmamalı veya bastırılmamalıdır.** Uzunluk dayanarak kullanılan sınırlandırılması durumunda kesilen parça bıçağa dayanıp kalacak şiddetli bir şekilde fırlatabilir.
16. **Her zaman mengene kullanın ve iş parçasını, şeklini hesaba katarak düzgünce destekleyin.** Örneğin rodlar ve kanallar, kesilirken dönme veya kayma eğilimi gösterdiklerinden bıçak, iş parçasını "kavrayarak" elinizle birlikte bıçağa çekilmesine neden olur.
17. **İş parçasına temas ettirmeden önce bıçağın tam hız çıkmasını bekleyin.** Bu, iş parçasının fırlatılma riskini düşürecektir.
18. **İş parçası veya bıçak sıkıysa elektrikli aleti kapatın.** Tüm hareketli parçaların durmasını bekleyin ve fişi elektrik prizinden çekin ve/veya bataryayı çıkarın. Daha sonra sıkışan malzemeyi çıkarmaya çalışın. Sıkışan iş parçası ile kesmeye devam etmek kontrol kaybına veya elektrikli aletin hasar görmesine neden olabilir.
19. **Kesimi tamamladıktan sonra anahtarı bırakın, testere kafasını aşağıda tutun ve kesilen parçayı çıkarmadan önce bıçağın durmasını bekleyin.** Boşta dönen bıçağın yakınına elinizle uzanmak tehlikelidir.
20. **Eksik kesim yaparken veya testere kafası tamamen aşağı konuma gelmeden önce anahtarı bırakırken tutamağı sıkıca tutun.** Testerenin frenleme hareketi testere kafasının aniden aşağı doğru çekilmesine neden olarak yaralanma riskine yol açabilir.
21. **Testere bıçağının dış çapı belirtilen kapasitede olmalıdır.** Doğru boyutta olmayan aksesuarlar yeterince korunamayabilir veya kontrol edilemeyebilir.
22. **Testere bıçağının ve flanşların malafa deliği boyutları elektrikli aletin miline tam olarak uymalıdır.** Malafa delikleri elektrikli alette monte edildiği donanıma uymayan testere bıçağı ve flanşlar dengesiz döner, aşırı titreşim yapar ve kontrol edilebilir.
23. **Aksesuarın nominal hızı en azından elektrikli aletin üstünde belirtilen maksimum hıza eşit olmalıdır.**

24. Metal kesme testeresini yumuşak çelik veya paslanmaz çelik dışındaki malzemeleri kesmek için kullanmayın.

Ek talimatlar

1. Hiçbir zaman metal kesme testeresinin üzerine çıkmayın. Devrilme veya kesici araçlara yanlışlıkla dokunma, ciddi yaralanmayla sonuçlanabilir.
2. Elektrikli aleti hiçbir zaman çalışır durumda boş bırakmayın. Gücü kapatın. Tamamen durmadan aletin başından ayrılmayın.
3. Koruma siperlerini yerine takmadan testereyi kullanmayın. Her kullanımdan önce bıçak siperinin doğru bir şekilde kapatılıp kapatılmadığını kontrol edin. Bıçak siperi serbest bir şekilde hareket etmiyor ve anında kapanmıyorsa testereyi kullanmayın. Bıçak siperini asla açık konumda kalacak şekilde sıkıştırmayın ve bağlamayın.
4. Ellerinizi testere bıçağının hareket alanından uzak tutun. Alet durdurulduktan sonra durana kadar boşta dönen bulaşığı temastan sakının. Ciddi yaralanmalara sebep olabilir.
5. Elektrikli aleti taşımadan önce hareket eden tüm parçaları sabitleyin.
6. Kullanmadan önce bıçakta çatlak ya da hasar olup olmadığını dikkatlice kontrol edin. Çatlak veya hasarlı bıçağı hemen değiştirin.
7. Sadece bu alete uygun olan flanşları kullanın.
8. Daima, bıçak için doğru çapta, hasarsız flanşlar ve tespit civatası kullanın. Doğru flanşlar bıçağı destekleyerek, bıçak kırılması olasılığını azaltır.
9. Elektrikli aleti açmadan önce shaft kilidinin serbest olduğundan emin olun.
10. Tutamağı elinizle sıkıca tutun. Başlatma ve durma sırasında testerenin hafifçe yukarı veya aşağı hareket ettiğini unutmayın.
11. Elektrikli aleti açmadan önce bıçağın iş parçasına temas etmediğinden emin olun.
12. Elektrikli aleti iş parçası üzerinde kullanmadan önce bir müddet çalıştırın. İyi takılmamış veya tam dengelenmemiş bir bıçağın belirtileri olan vibrasyonu ya da sallanma olup olmadığına bakın.
13. Anormal bir durum fark ederseniz kullanımı derhal durdurun.
14. Tetiği "Açık" konumda kilitlemeye çalışmayın.
15. Daima bu kılavuzda tavsiye edilen aksesuarları kullanın. Aşındırıcı disk gibi uygun olmayan aksesuarların kullanımı yaralanmaya sebep olabilir.
16. Bazı malzemeler zehirli olabilecek kimyasal maddeler içerir. Tozun solunmasını ve cilde temas etmesini önlemek için dikkatli olun. Malzeme tedarikçisinin güvenlik bilgilerini izleyin.

BU TALİMATLARI MUHAFAZA EDİNİZ.

UYARI:

Ürünü kullanırken (defalarca kullanınca kazanılan) rahatlık ve tanıdıklık duygusunun ilgili ürünün güvenlik kurallarına sıkı sıkıya bağlı kalmanın yerine geçmesine İZİN VERMEYİN. YANLIŞ KULLANIM veya bu kullanma kılavuzunda belirtilen emniyet kurallarına uymama ciddi yaralanmaya neden olabilir.

MONTAJ

Makinayı yerleştirmek

Makina fabrikadan gönderildiğinde, sap kilitli haldedir. Sapı aşağı pozisyonundan, önce biraz aşağıya indirip sonar zinciri sapın üzerindeki çengelden çıkararak kur-tarın. (Şek. 1)

Makina kaidesindeki delikleri kullanarak, makinayı bir kola ve düz bir yüzeye iki civata ile civatalayın. Bu ma-kinanın kaymasını ve muhtemel yaralanmayı engeller. (Şek. 2)

İŞLEVSEL NİTELİKLER

DİKKAT:

- Alet üzerinde ayarlama ya da işleyiş kontrolü yapmadan önce aletin kapalı ve fişinin çekili olduğundan daima emin olun.

Bıçak siperi (Şek. 3 ve 4)

Tutamağı indirince, bıçak siperi otomatik olarak kalkar. Bıçak siperi yaylıdır bu nedenle kesme tamamlanıp tutamak kaldırılınca ilk konumuna geri döner. BIÇAK SİPERİNİ YA DA SİPERE TAKILI YAYI ASLA BOZMAYIN VEYA ÇIKARMAYIN.

Kişisel güvenliğiniz için bıçak siperini daima iyi çalışır durumda tutun. Bıçak siperi yaylıdır bu nedenle kesme tamamlanıp tutamak kaldırılınca ilk konumuna geri döner. Siperin yay baskısıyla geri döndüğünden emin olmak için kontrol edin. BIÇAK SİPERİ VEYA YAYI HASARLI, BOZUK YA DA SÖKÜLMÜŞSE BU ALETİ ASLA KULLANMAYIN. BU ŞEKİLDE KULLANMAK ÇOK TEHLİKELİDİR VE CİDDİ YARALANMALAR NEDEN OLABİLİR.

Bıçak siperi özel olarak kirliyse, verilen lokma anahtarı kullanarak merkez kapakını tutan altıgen civatayı gevşetin. Altıgen civatayı saat yönünün tersine çevirerek gevşetin ve bıçak siperini ve merkez kapakını kaldırın. Bıçak siperi bu konumdayken temizleme daha etkili ve tam olarak yapılabilir. Temizlik tamamlandıktan sonra, yukarıdaki prosedürü tersine uygulayarak civatayı sıkın. Bıçak siperini tutan yayı çıkarmayın. SİPERİ BOZMAYIN YA DA SÖKMEYİN.

Anahtar hareketi (Şek. 5)

DİKKAT:

- Makinayı fişe takmadan önce anahtar tetiğinin düzgün çalıştığından ve bırakıldığı zaman "OFF" pozisyonuna döndüğünden emin olun.
- Makinayı kullanmazken, kilit açma düğmesini çıkarın ve güvenli bir yerde saklayın. Bu ehliyetsiz kullanımları engeller.

Anahtar tetiğinin yanlışlıkla çekilmesini önlemek için kilit açma düğmesi sağlanmıştır.

Makinayı başlatmak için kilit açma düğmesine basın ve anahtar tetiğini çekin. Durdurmak için anahtarı bırakın.

İstenilen kesme açısının ayarlanması (Şek. 6)

DİKKAT:

- Kesme açısının değiştirdikten sonra, her zaman altıgen civatayı sağlamca sıkıştırdığınızdan emin olun.

Kesme açısını değiştirmek için, kolu gevşetin. Mengene tutucusunu, gösterge istenilen kademeyi gösterecek şekilde hareket ettirin. Sonra mengene tutucusunu tespit etmek için kolu sıkıştırın.

Toz toplama (Şek. 7)

⚠️ DİKKAT:

- İşlemden hemen sonra, toz kutusunun sapı hariç bir yerine dokunmayın; çok sıcak olup derinizi yakabilir.

Bu makina toz ve yongaları toplamak için toz kutusu ile donatılmıştır. Toz kutusu dolduğunda, toz kutusunun sapını tutup hafifçe yukarı kaldırın. Sonra toz kutusunu makina kaidesinden çekip çıkarın. Toz kutusunun içini boşaltın.

MONTAJ

⚠️ DİKKAT:

- Alet üzerinde herhangi bir iş yapmadan önce aletin kapalı ve fişinin çekil olduğundan daima emin olun.

Lokma anahtarının saklanması (Şek. 8)

Lokma anahtarı şekilde gösterildiği gibi saklanır. Lokma anahtarını kullanacağınız zaman, anahtar tutucudan çıkarın. Kullandıktan sonra anahtar tutucuya geri koyun.

Testere bıçağını çıkarma ve takma

⚠️ DİKKAT:

- Ağzı takarken, ağzın yüzeyindeki okun yönü ile ağız kılıfındaki okun yönünün aynı olduğundan emin olun.
- Ağzı takmak veya çıkarmak için makina ile gelen Mak-ita lokma anahtarını kullanın. Böyle yapmamak, altigen civatanın fazla sıkıştırılmasına veya yetersiz sıkıştırılmasına sebep olabilir. Bu yaralanmaya neden olabilir.
- İşlemden hemen sonra, ağza, iş parçasına veya yongalara dokunmayın; çok sıcak olup derinizi yakabilir.

Bıçağı çıkarmak için, lokma anahtarı kullanarak göbek kapağını tutan altigen civatayı saat yönünün tersine döndürerek gevşetin. Bıçak siperini ve göbek kapağını yukarı kaldırın. (Şek. 9)

Mili kilitlemek için şaft kilidine bastırın ve lokma anahtarını kullanarak altigen civatayı gevşetmek için saatin aksi yönde döndürün. Sonra altigen civatayı, dıştaki flanşı ve bıçağı çıkartın. (Şek. 10)

Ağzı takmak için, iç flanşı, bıçak ağzını, dış flanşı ve milin üzerindeki civatayı bu sıra ile takın. Şaft kilidine basılı halde, altigen civatayı saat yönünde çevirerek sıkıştırın. Bıçak siperini ve göbek kapağını ilk konumlarına getirin. Sonra merkez kapağı tespit etmek için, altigen civatayı saat yönünde sıkıştırın. Bıçak siperinin gerektiği gibi hareket ettiğinden emin olmak için tutacağı aşağı indirin. (Şek. 11)

İş parçalarını tespit etmek

⚠️ DİKKAT:

- İş parçalarını tespit ederken, her zaman mengene somununu tamamen sağa ayarlayın. Böyle yapmamak iş parçasının yetersiz olarak tespit edilmesine sebep olabilir. Bu da iş parçasının atılmasına veya ağza zarar gelmesine sebep olabilir.

Mengene kolunu saat yönünün tersine çevirerek ve sonra mengene somununu sola kaydırarak, mengene şaft dişlerinden ayrılabilir ve hızlı bir şekilde içe ve dışa oynatılabilir. İş parçasını kavramak için, mengene levhası iş parçasına temas edinceye kadar mengene kolunu itin. İş parçasını sağlamca tutmak için, mengene somununu sağa kaydırın ve sonra mengene somununu saat yönünde döndürün. (Şek. 12)

Uzun iş parçaları yanmayan maddeden bloklar ile iki taraftan da desteklenmelidir ki kaidenin üst tarafı ile aynı hizada olsunlar. (Şek. 13)

KULLANIM

Kesme işlemi

⚠️ DİKKAT:

- Boru ve mengene ile sağlamca tespit edilemeyen iş parçaları haricinde, 2 mm'den daha az kalınlıktaki iş parçalarını hiçbir zaman kesmeyi denemeyin. Kesilen parça ağza takılıp, yongaların tehlikeli şekilde etrafa saçılmasına ve/veya karpit-ucun zarar görmesine sebep olabilir. Bu da muhtemel yaralanmalarla sonuçlanabilir.
- Kesme sırasında sapa aşırı basınç uygulamayın. Gereğinden fazla basınç motorun aşırı yüklenmesine, kesme veriminin azalmasına ve/veya karpit-ucun veya ağzın zarar görmesine sebep olabilir.
- Sapa çok az basınç da fazla kıvılcıma ve erken ağız yıpranmasına sebep olabilir.
- İşlemden hemen sonra, ağza, iş parçasına veya yongalara dokunmayın; çok sıcak olup derinizi yakabilir.
- İşlem sırasında ağız durursa, garip ses çıkarırsa veya titreşmeye başlarsa, makinaı hemen kapatın. Çatlak veya zarar görmüş ağzı hemen değiştirin.
- Alüminyum, tahta, plastik, beton, fayans vs. kesmeyin.
- Her zaman işinize uygun karpit-uçlu bıçkı ağızları kullanın. Uygun olmayan bıçkı ağızlarının kullanımı, düşük kesme performansı ve/veya şahsi yaralanma riskiyle sonuçlanabilir.
- Testere kafasını tam aşağı konumdan kontrolsüz bırakmayın. Kontrolsüz testere kafası size vurabilir ve yaralanmaya neden olur.

Sapı sıkıca tutun. Makinayı açın ve ağzın tam hıza ulaşmasını bekleyin. Sonra ağzı iş parçasına yaklaştırmak için, sapı nazikçe aşağıya indirin. Ağız temas ettiğinde, başlangıçta nazikçe kesme yapmasını sağlayın, sonra gittikçe kesme pozisyonu sabitleştikçe basıncı artırın. Sap üzerine uyguladığınız basınç, en az kıvılcım çıkacak şekilde ayarlanmalıdır.

Kesme tamamlandınca, makinayı kapatın ve sap tamamen yukarıdaki pozisyonuna geri getirmeden önce AGZİN TAMAMEN DURMASINI BEKLEYİN. Ağız henüz dönerken sap yukarı kaldırılırsa, ağız kesilen parçaya takılıp, yongaların tehlikeli şekilde etrafa saçılmasına sebep olabilir. Eğer bir iş parçasının sadece bir tarafına kesme yapıyorsanız, sapı ağız dönerken kaldırın. Kesme sırasında makinaların kapatılması, iş parçalarına dokununca karpit-uçların zarar görmesine sebep olabilir.

Kesme açıları (Şek. 14)

İş parçasını Şekil A'de gösterildiği gibi mengenede sabitleyin ve kesme işlemine devam edin. İş parçası Şekil B'de gösterildiği gibi kesilirse, bıçkı ağzının ömrü kısalar.

⚠️ DİKKAT:

- İş parçasını Şekil C'de gösterildiği gibi KESMEYİN, çünkü mengeneden çıkıp muhtemel yaralanmaya sebep olabilir.

Şekil B'deki A alanı kesilirse, bıçkı ağzı daha büyük yıpranmaya maruz kalır. Şekil D'de gösterildiği gibi, iş parçasına karşı bir tahta blok yerleştirin ki testere bıçkısı A alanına bir açı ile girsin. Bu, bıçkı ağzının ömrünü uzatır.

Tahta blok kullanıldığı zaman izin verilen kesme boyutları küçülür. Boyutları, maksimum izin verilen kesme boyutları eksi kesilecek iş parçasının boyutları olan bir tahta blok kullanın. Bu, bıçkı ağzının ömrünün kısalmasını daha da azaltır.

Boru, kare giriş ve U-kirşilerin kesimi (Şek. 15)

Şekil F ve **Şekil G**'deki A ve B alanları kesilirse, bıçkı ağzı daha büyük yıpranmaya maruz kalır. Testere bıçağının bir açılıyla A ve B alanlarına girmesi için **Şekil H** ve **Şekil I**'da gösterildiği gibi iş parçasına ahşap bir blok dayayın. Bu, bıçkı ağzının ömrünün kısalmasını azaltır.

Tahta blok kullanıldığı zaman izin verilen kesme boyutları eksi kesilecek iş parçasının boyutları olan bir tahta blok kullanın. Bu, bıçkı ağzının ömrünün kısalmasını daha da azaltır.

Dikdörtgen kirşilerin kesimi (Şek. 16)

İş parçasını **Şekil J**'de gösterildiği gibi mingenede sabitleyin ve kesme işlemine devam edin.

⚠ DİKKAT:

- İş parçasını **Şekil K**'de gösterildiği gibi KESMEYİN, çünkü mingeneden çıkıp muhtemel yaralanmaya sebep olabilir.

Makinanın taşınması (Şek. 17)

Makinanın kafasını aşağıya katlayın ki sapın üzerindeki çengele zinciri takabilesiniz. Makinayı taşırken taşıma sapından kavrayın.

BAKIM

⚠ DİKKAT:

- Alet üzerinde herhangi bir iş yapmadan önce aletin kapalı ve fişinin çekili olduğundan daima emin olun.
- Benzin, tiner, alkol ve benzeri maddeleri kesinlikle kullanmayın. Renk değişimi, deformasyon veya çatlaklar oluşabilir.

Bıçkı ağzının değiştirilmesi

Kör ve aşınmış bir ağzı kullanmaya devam etmek, motorun aşırı yüklenmesine ve kesme veriminin azalmasına sebep olur. Etkili olmadığı anda, hemen yenisi ile değiştirin.

Karbon kömürlerin değiştirilmesi (Şek. 18 ve 19)

Karbon fırçaları düzenli olarak çıkarıp kontrol edin. Sınır işaretine kadar yıprandıkları zaman değiştirin. Karbon fırçaların temiz ve yuvaları içinde serbestçe kayar durumda kalmalarını sağlayın. Her iki karbon fırça aynı zamanda değiştirilmelidir. Sadece birbirinin aynı olan fırçaları kullanın.

Fırça yuvası kapaklarını çıkarmak için bir tornavida kullanın. Aşınmış karbon fırçalarını dışarı çıkarın, yerlerine yenilerini geçirin ve fırça yuvası kapaklarını açılmayacak şekilde takın.

Aleti EMNİYETLİ ve ÇALIŞMAYA HAZIR durumda tutmak için onarımlar, başka her türlü bakım ve ayarlamalar daima Makita yedek parçaları kullanılarak Makita Yetkili Servis Merkezleri tarafından yapılmalıdır.

Kullanımdan sonra

Kullanımdan sonra, bir bez, vb. ile alete yapışmış talaş ve tozları silin. Yumarıda açıklanan "Bıçak siperi" bölümündeki talimatlar doğrultusunda bıçak siperini temiz tutun. Pası önlemek için kayar kısımları yağlayın.

İSTEĞE BAĞLI AKSESUARLAR

⚠ DİKKAT:

- Bu aksesuarlar ve ek parçalar bu el kitabında belirtilen Makita aletiniz ile kullanılmak için tavsiye edilmektedir. Herhangi başka bir aksesuar ya da ek parça kullanılması insanlar için bir yaralanma riski getirebilir. Aksesuarları ya da ek parçaları yalnızca belirtilmiş olan kullanım amaçlarına uygun olarak kullanın.

Bu aksesuarlarla ilgili daha fazla bilgiye ihtiyaç duyarsanız bulunduğunuz yerdeki Makita Servis Merkezi başvurun.

- Karpit-uçlu bıçkı ağzı (Kesilecek materyalde kullanılacak doğru testere bıçakları için web sitemize bakın veya yerel Makita satıcınıza başvurun.)

- Emniyet gözlüğü
- Lokma anahtarı
- Kilit açma düğmesi (Anahtar düğmesi)

NOT:

- Listedeki bazı parçalar standart aksesuar olarak ürün paketinin içine dahil edilmiş olabilir. Aksesuarlar ülkeden ülkeye farklılık gösterebilir.

ENG905-1

Gürültü

EN62841-3-10 uyarınca hesaplanan tipik A-ağırlıklı gürültü düzeyi:

Ses basınç seviyesi (L_{pA}): 107 dB (A)

Ses güç seviyesi (L_{WA}): 115 dB (A)

Belirsizlik (K): 3 dB (A)

ENG907-1

NOT:

- Beyan edilen gürültü emisyonu değer(ler)i standart test yöntemine uygun şekilde ölçülmüştür ve bir aleti bir başkasıyla karşılaştırmak için kullanılabilir.
- Beyan edilen gürültü emisyonu değer(ler)i bir maruz kalma ön değerlendirmesi olarak da kullanılabilir.

⚠ UYARI:

- Kulak koruyucusu takın.
- Elektrikli aletin gerçek kullanım sırasındaki gürültü emisyonu aletin kullanım biçimlerine, özellikle işlenen iş parçası türüne bağlı olarak beyan edilen değer(ler)den farklı olabilir.
- Gerçek kullanım koşullarındaki maruz kalmanın bir tahmini hesaplaması temelinde operatörü koruyacak güvenlik önlemlerini mutlaka belirleyin (çalışma döngüsü içerisinde aletin kapalı olduğu ve aktif durumda olmasının yanı sıra boşta çalıştığı zamanlar gibi, bütün zaman dilimleri göz önünde bulundurulacak değerlendirilmelidir).

ENG900-1

Titreşim

EN62841-3-10 standardına göre hesaplanan titreşim toplam değeri (üç eksenli vektör toplamı):

Titreşim emisyonu (a_{H1}): 3,0 m/s²

Belirsizlik (K): 1,5 m/s²

NOT:

- Beyan edilen titreşim toplam değeri standart test yöntemine uygun şekilde ölçülmüştür ve bir aleti bir başkasıyla karşılaştırmak için kullanılabilir.
- Beyan edilen titreşim toplam değeri bir maruz kalma ön değerlendirmesi olarak da kullanılabilir.

⚠ UYARI:

- Elektrikli aletin gerçek kullanımı sırasındaki titreşim emisyonu aletin kullanım biçimlerine, özellikle işlenen iş parçası türüne bağlı olarak beyan edilen değeri(ler)den farklı olabilir.
- Gerçek kullanım koşullarındaki maruz kalmanın bir tahmini hesaplaması temelinde operatörü koruyacak güvenlik önlemlerini mutlaka belirleyin (çalışma döngüsü içerisinde aletin kapalı olduğu ve aktif durumda olmasının yanı sıra boşta çalıştığı zamanlar gibi, bütün zaman dilimleri göz önünde bulundurularak değerlendirilmelidir).

AT UYGUNLUK BEYANI**Sadece Avrupa ülkeleri için**

AT uygunluk beyanı bu kullanım kılavuzuna Ek A olarak eklenmiştir.

Makita Europe N.V. Jan-Baptist Vinkstraat 2,
3070 Kortenberg, Belgium

Makita Corporation 3-11-8, Sumiyoshi-cho,
Anjo, Aichi 446-8502 Japan