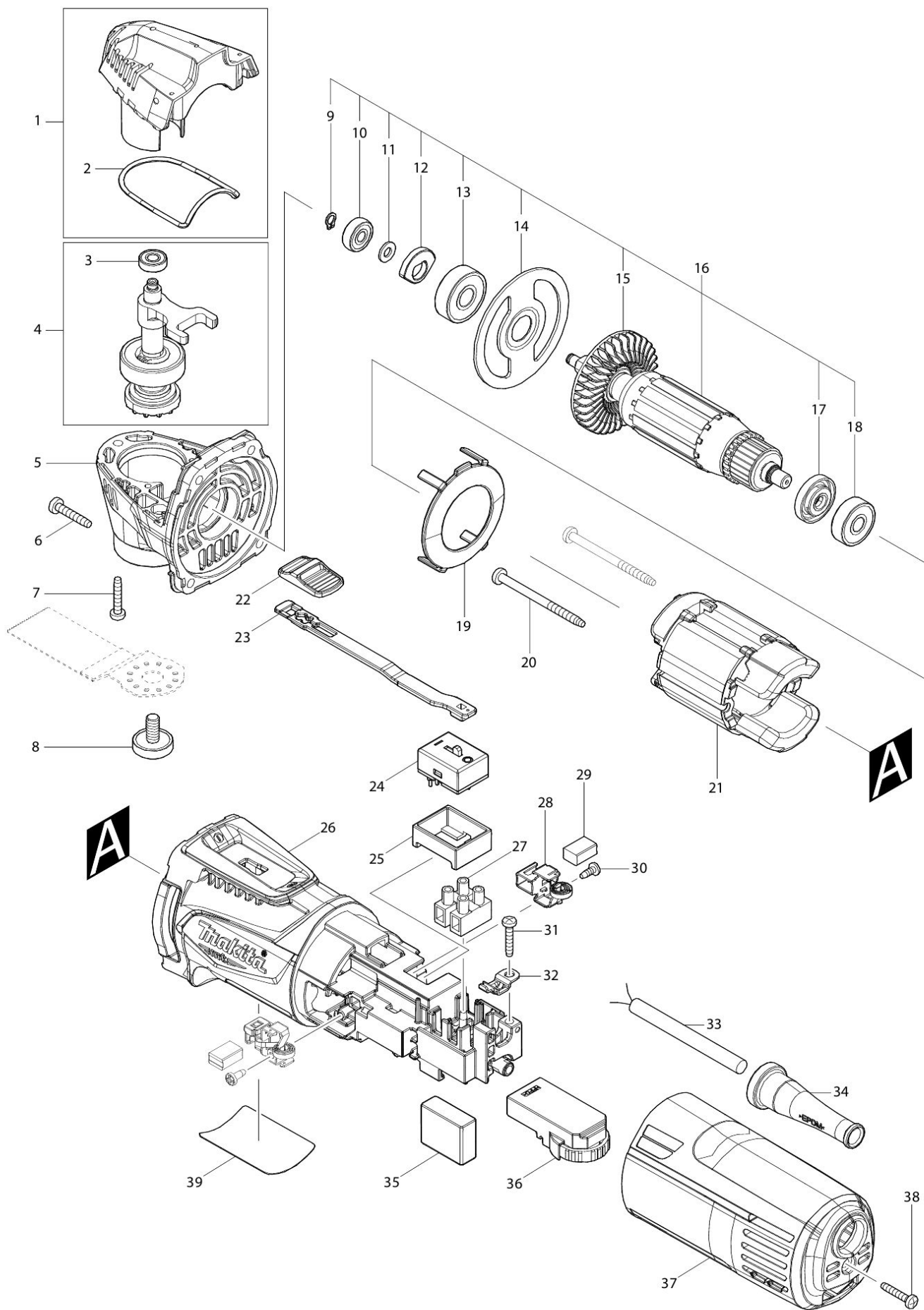


Partdrawing for M9800KX4 - Multitool



2018/12
M9800