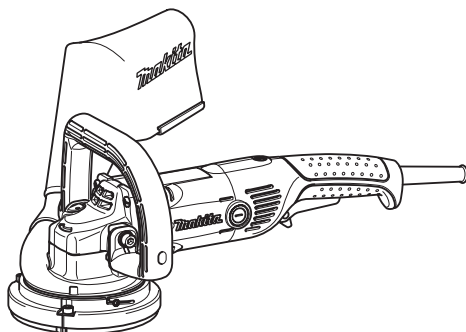
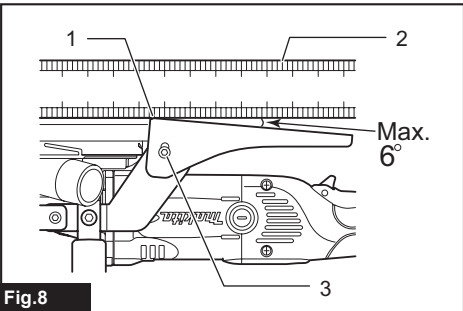
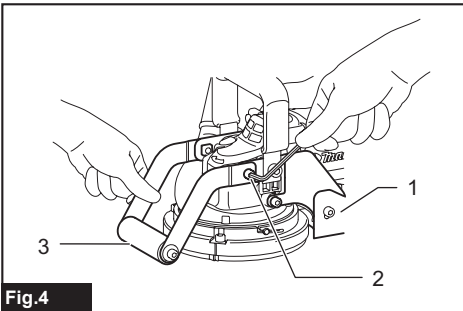
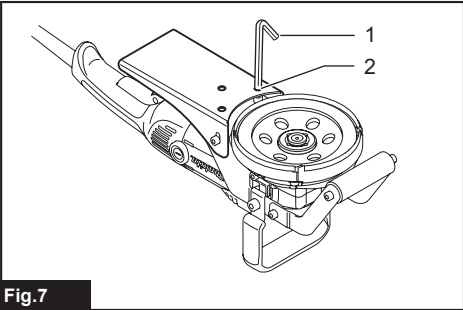
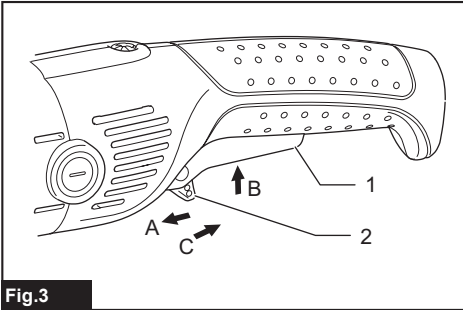
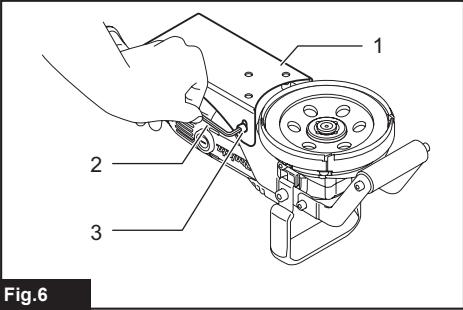
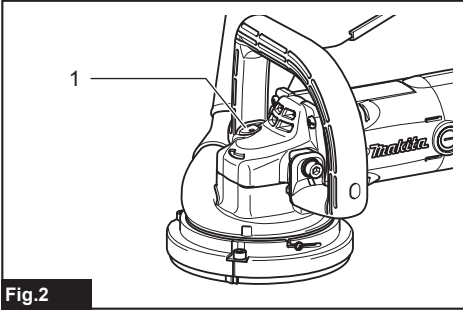
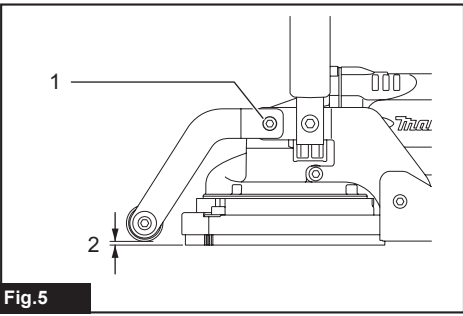
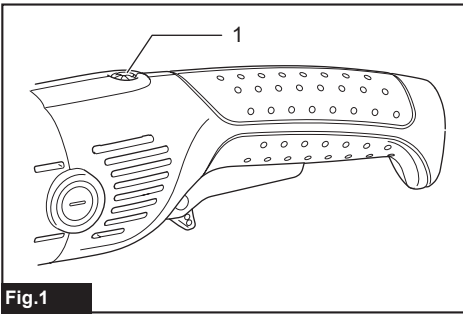




| | | | |
|-----------|--------------------------|-------------------------|----|
| EN | Concrete Planer | INSTRUCTION MANUAL | 5 |
| FR | Surfaceuse à béton | MANUEL D'INSTRUCTIONS | 12 |
| DE | Betonschleifer | BETRIEBSANLEITUNG | 19 |
| IT | Pialla per calcestruzzo | ISTRUZIONI PER L'USO | 27 |
| NL | Betonschuurmachine | GEBRUIKSAANWIJZING | 35 |
| ES | Desbastadora de diamante | MANUAL DE INSTRUCCIONES | 43 |
| PT | Plaina para cimento | MANUAL DE INSTRUÇÕES | 51 |
| DA | Betonhøvl | BRUGSANVISNING | 58 |
| EL | Πλάνη τσιμέντου | ΕΓΧΕΙΡΙΔΙΟ ΟΔΗΓΙΩΝ | 65 |
| TR | Beton Planya Makinesi | KULLANMA KILAVUZU | 73 |

PC5000C PC5001C





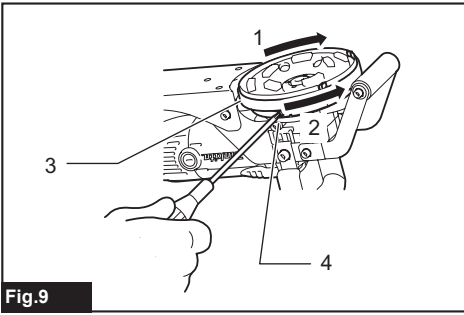


Fig.9

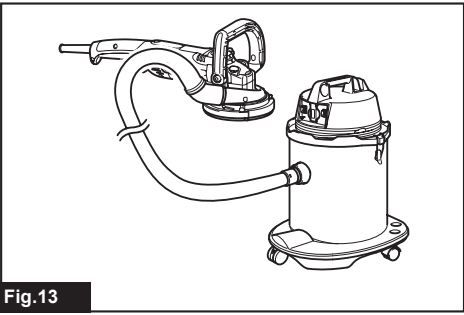


Fig.13

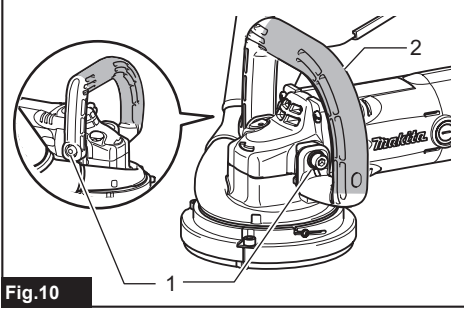


Fig.10

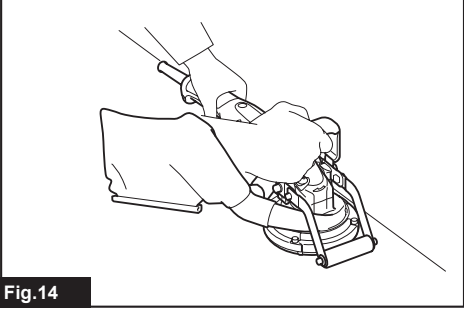


Fig.14

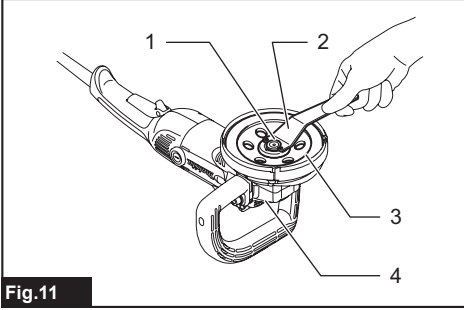


Fig.11

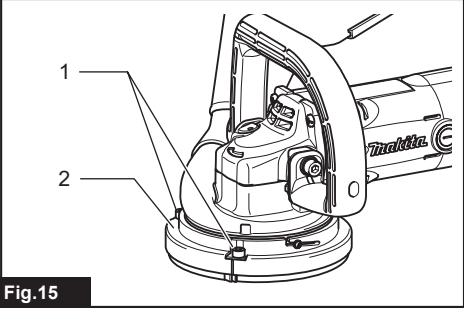


Fig.15

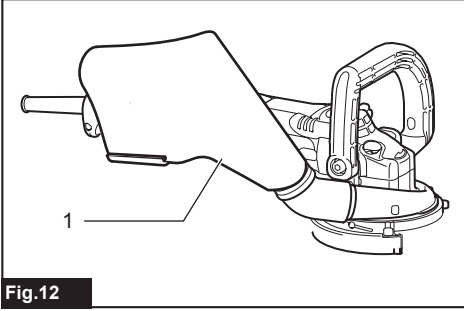


Fig.12

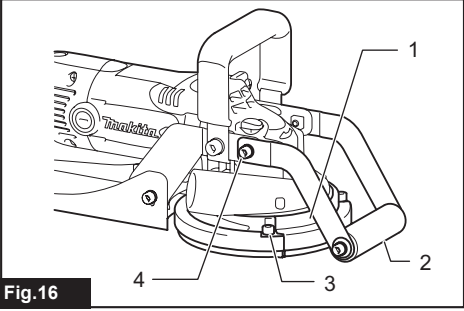


Fig.16

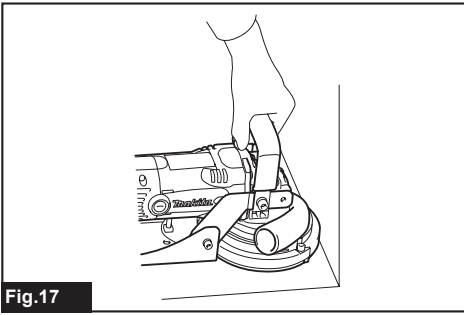


Fig.17

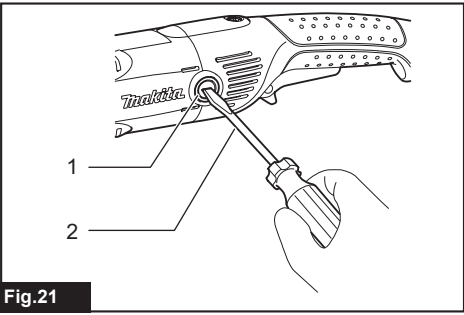


Fig.21

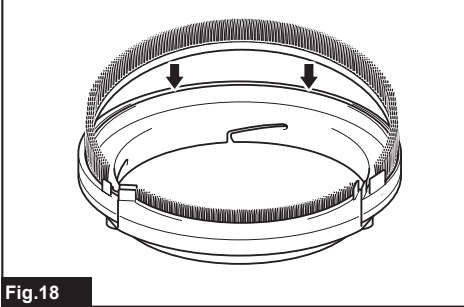


Fig.18

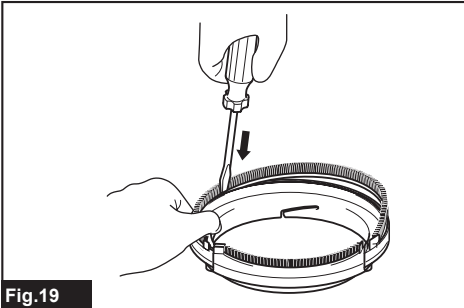


Fig.19

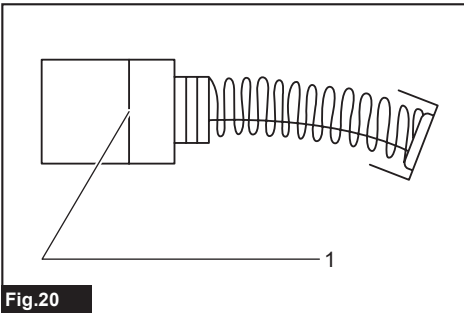


Fig.20





SPECIFICATIONS

| Model: | | PC5000C | PC5001C |
|---|---------------------|--------------------------------|---------|
| Applicable cup-type diamond wheel | Max. wheel diameter | 125 mm | |
| Spindle thread | | M14 or 5/8" (country specific) | |
| Max. spindle length | | 10 mm | |
| No load speed (n ₀) / Rated speed (n) | | 10,000 min ⁻¹ | |
| Overall length | | 437 mm | 479 mm |
| Net weight | | 4.0 kg | 5.1 kg |
| Safety class | | □/II | |

- Due to our continuing program of research and development, the specifications herein are subject to change without notice.
- Specifications may differ from country to country.
- Weight according to EPTA-Procedure 01/2014

Symbols

The followings show the symbols which may be used for the equipment. Be sure that you understand their meaning before use.

| | |
|--|--------------------------------|
|  | Read instruction manual. |
|  | Wear safety glasses. |
|  | Always operate with two hands. |
|  | DOUBLE INSULATION |



Only for EU countries
Due to the presence of hazardous components in the equipment, used electrical and electronic equipment may have a negative impact on the environment and human health.

Do not dispose of electrical and electronic appliances with household waste!
In accordance with the European Directive on waste electrical and electronic equipment and its adaptation to national law, used electrical and electronic equipment should be collected separately and delivered to a separate collection point for municipal waste, operating in accordance with the environmental protection regulations.

This is indicated by the symbol of the crossed-out wheeled bin placed on the equipment.

Intended use

The tool is intended for planing concrete surfaces.

Power supply

The tool should be connected only to a power supply of the same voltage as indicated on the nameplate, and can only be operated on single-phase AC supply. They are double-insulated and can, therefore, also be used from sockets without earth wire.

Noise

The typical A-weighted noise level determined according to EN62841-2-3:

| Model | Sound pressure level (L _{PA}) : (dB(A)) | Sound power level (L _{WA}) : (dB(A)) | Uncertainty (K) : (dB(A)) |
|---------|---|--|---------------------------|
| PC5000C | 90 | 98 | 3 |
| PC5001C | 90 | 98 | 3 |

NOTE: The declared noise emission value(s) has been measured in accordance with a standard test method and may be used for comparing one tool with another.

NOTE: The declared noise emission value(s) may also be used in a preliminary assessment of exposure.

⚠ WARNING: Wear ear protection.

⚠ WARNING: The noise emission during actual use of the power tool can differ from the declared value(s) depending on the ways in which the tool is used especially what kind of workpiece is processed.

⚠ WARNING: Be sure to identify safety measures to protect the operator that are based on an estimation of exposure in the actual conditions of use (taking account of all parts of the operating cycle such as the times when the tool is switched off and when it is running idle in addition to the trigger time).

Vibration

The vibration total value (tri-axial vector sum) determined according to EN62841-2-3:

Work mode: surface grinding

| Model | Vibration emission ($a_{hv, AG}$) : (m/s^2) | Uncertainty (K) : (m/s^2) |
|---------|---|-------------------------------|
| PC5000C | 3.7 | 1.5 |
| PC5001C | 8.0 | 1.5 |

NOTE: The declared vibration total value(s) has been measured in accordance with a standard test method and may be used for comparing one tool with another.

NOTE: The declared vibration total value(s) may also be used in a preliminary assessment of exposure.

⚠ WARNING: The vibration emission during actual use of the power tool can differ from the declared value(s) depending on the ways in which the tool is used especially what kind of workpiece is processed.

⚠ WARNING: Be sure to identify safety measures to protect the operator that are based on an estimation of exposure in the actual conditions of use (taking account of all parts of the operating cycle such as the times when the tool is switched off and when it is running idle in addition to the trigger time).

⚠ WARNING: The declared vibration emission value is used for main applications of the power tool. However if the power tool is used for other applications, the vibration emission value may be different.

EC Declaration of Conformity

For European countries only

The EC declaration of conformity is included as Annex A to this instruction manual.

Concrete surface planer safety warnings

Safety warnings common for concrete surface planing operations:

1. **This power tool is intended to function as a concrete surface planer with cup-type diamond wheels. Read all safety warnings, instructions, illustrations and specifications provided with this power tool.** Failure to follow all instructions listed below may result in electric shock, fire and/or serious injury.
2. **Operations such as grinding with abrasive wheels, sanding, wire brushing, polishing, hole cutting or cutting-off are not to be performed with this power tool.** Operations for which the power tool was not designed may create a hazard and cause personal injury.
3. **Do not convert this power tool to operate in a way which is not specifically designed and specified by the tool manufacturer.** Such a conversion may result in a loss of control and cause serious personal injury.
4. **Do not use accessories which are not specifically designed and specified by the tool manufacturer.** Just because the accessory can be attached to your power tool, it does not assure safe operation.
5. **The rated speed of the accessory must be at least equal to the maximum speed marked on the power tool.** Accessories running faster than their rated speed can break and fly apart.
6. **The outside diameter and the thickness of your accessory must be within the capacity rating of your power tool.** Incorrectly sized accessories cannot be adequately guarded or controlled.

SAFETY WARNINGS

General power tool safety warnings

⚠ WARNING: Read all safety warnings, instructions, illustrations and specifications provided with this power tool. Failure to follow all instructions listed below may result in electric shock, fire and/or serious injury.

Save all warnings and instructions for future reference.

The term "power tool" in the warnings refers to your mains-operated (corded) power tool or battery-operated (cordless) power tool.

7. **The dimensions of the accessory mounting must fit the dimensions of the mounting hardware of the power tool.** Accessories that do not match the mounting hardware of the power tool will run out of balance, vibrate excessively and may cause loss of control.
8. **Do not use a damaged accessory. Before each use inspect the accessory such as abrasive wheels for chips and cracks, backing pad for cracks, tear or excess wear, wire brush for loose or cracked wires. If power tool or accessory is dropped, inspect for damage or install an undamaged accessory. After inspecting and installing an accessory, position yourself and bystanders away from the plane of the rotating accessory and run the power tool at maximum no-load speed for one minute.** Damaged accessories will normally break apart during this test time.
9. **Wear personal protective equipment. Depending on application, use face shield, safety goggles or safety glasses. As appropriate, wear dust mask, hearing protectors, gloves and workshop apron capable of stopping small abrasive or workpiece fragments.**
The eye protection must be capable of stopping flying debris generated by various applications. The dust mask or respirator must be capable of filtrating particles generated by the particular application. Prolonged exposure to high intensity noise may cause hearing loss.
10. **Keep bystanders a safe distance away from work area. Anyone entering the work area must wear personal protective equipment.** Fragments of workpiece or of a broken accessory may fly away and cause injury beyond immediate area of operation.
11. **Hold the power tool by insulated gripping surfaces only, when performing an operation where the cutting accessory may contact hidden wiring or its own cord.** Cutting accessory contacting a "live" wire may make exposed metal parts of the power tool "live" and could give the operator an electric shock.
12. **Position the cord clear of the spinning accessory.** If you lose control, the cord may be cut or snagged and your hand or arm may be pulled into the spinning accessory.
13. **Never lay the power tool down until the accessory has come to a complete stop.** The spinning accessory may grab the surface and pull the power tool out of your control.
14. **Do not run the power tool while carrying it at your side.** Accidental contact with the spinning accessory could snag your clothing, pulling the accessory into your body.
15. **Regularly clean the power tool's air vents.** The motor's fan will draw the dust inside the housing and excessive accumulation of powdered metal may cause electrical hazards.
16. **Do not operate the power tool near flammable materials.** Sparks could ignite these materials.
17. **Do not use accessories that require liquid coolants.** Using water or other liquid coolants may result in electrocution or shock.

Kickback and related warnings:

Kickback is a sudden reaction to a pinched or snagged rotating wheel, backing pad, brush or any other accessory. Pinching or snagging causes rapid stalling of the rotating accessory which in turn causes the uncontrolled power tool to be forced in the direction opposite of the accessory's rotation at the point of the binding. For example, if an abrasive wheel is snagged or pinched by the workpiece, the edge of the wheel that is entering into the pinch point can dig into the surface of the material causing the wheel to climb out or kick out. The wheel may either jump toward or away from the operator, depending on direction of the wheel's movement at the point of pinching. Abrasive wheels may also break under these conditions.

Kickback is the result of power tool misuse and/or incorrect operating procedures or conditions and can be avoided by taking proper precautions as given below.

1. **Maintain a firm grip with both hands on the power tool and position your body and arms to allow you to resist kickback forces. Always use auxiliary handle, if provided, for maximum control over kickback or torque reaction during start-up.** The operator can control torque reactions or kickback forces, if proper precautions are taken.
2. **Never place your hand near the rotating accessory.** Accessory may kickback over your hand.
3. **Do not position your body in the area where power tool will move if kickback occurs.** Kickback will propel the tool in direction opposite to the wheel's movement at the point of snagging.
4. **Use special care when working corners, sharp edges, etc. Avoid bouncing and snagging the accessory.** Corners, sharp edges or bouncing have a tendency to snag the rotating accessory and cause loss of control or kickback.
5. **Do not attach a saw chain woodcarving blade, segmented diamond wheel with a peripheral gap greater than 10 mm or toothed saw blade.** Such blades create frequent kickback and loss of control.

Safety warnings specific for concrete surface planing operations:

1. **Use only wheel types that are recommended for your power tool and the specific guard designed for the selected wheel.** Wheels for which the power tool was not designed cannot be adequately guarded and are unsafe.
2. **Always use undamaged wheel flanges that are of correct size and shape for your selected wheel.** Proper wheel flanges support the wheel thus reducing the possibility of wheel breakage.

Additional Safety Warnings:

1. **Always install the dust collecting wheel guard before operation.**
2. **Be careful not to damage the spindle, the flange (especially the installing surface) or the lock nut. Damage to these parts could result in wheel breakage.**
3. **Make sure the wheel is not contacting the workpiece before the switch is turned on.**
4. **Before using the tool on an actual workpiece, let it run for a while. Watch for vibration or wobbling that could indicate poor installation or a poorly balanced wheel.**

5. Do not leave the tool running. Operate the tool only when hand-held.
6. Do not touch the cup-type diamond wheel immediately after operation; it may be extremely hot and could burn your skin.
7. Observe the instructions of the manufacturer for correct mounting and use of wheels. Handle and store wheels with care.
8. Do not use separate reducing bushings or adaptors to adapt large hole cup-type diamond wheels.
9. Use only flanges specified for this tool.
10. Check that the workpiece is properly supported.
11. Pay attention that the wheel continues to rotate after the tool is switched off.
12. If working place is extremely hot and humid, or badly polluted by conductive dust, use a short-circuit breaker (30 mA) to assure operator safety.
13. Do not use the tool on any materials containing asbestos.

SAVE THESE INSTRUCTIONS.

⚠ WARNING: DO NOT let comfort or familiarity with product (gained from repeated use) replace strict adherence to safety rules for the subject product. MISUSE or failure to follow the safety rules stated in this instruction manual may cause serious personal injury.

FUNCTIONAL DESCRIPTION

⚠ CAUTION: Always be sure that the tool is switched off and unplugged before adjusting or checking function on the tool.

Indication lamp

► Fig.1: 1. Indication lamp

The indication lamp lights up green when the tool is plugged.
If the indication lamp does not light up, the mains cord or the controller may be defective.
The indication lamp is lit but the tool does not start even if the tool is switched on, the carbon brushes may be worn out, or the controller, the motor or the ON/OFF switch may be defective.

Shaft lock

⚠ WARNING: Never actuate the shaft lock when the spindle is moving. It may cause serious injury or the tool damage.

Press the shaft lock to prevent spindle rotation when installing or removing accessories.

► Fig.2: 1. Shaft lock

Switch action

⚠ CAUTION: Before plugging in the tool, always check to see that the switch trigger actuates properly and returns to the "OFF" position when released.

⚠ CAUTION: Make sure to switch off the tool in case of a blackout or accidental shut down such as unplugging of the power cord. Otherwise the tool will start unexpectedly when the power supply is recovered and cause an accident or personal injury.

There are three patterns of the switch action depending on country.

► Fig.3: 1. Switch trigger 2. Lock lever

For tool with the lock-on switch

Country specific

⚠ CAUTION: Switch can be locked in "ON" position for ease of operator comfort during extended use. Apply caution when locking tool in "ON" position and maintain firm grasp on tool.

To start the tool, simply pull the switch trigger (in the B direction). Release the switch trigger to stop.
For continuous operation, pull the switch trigger (in the B direction) and then push in the lock lever (in the A direction).
To stop the tool from the locked position, pull the switch trigger fully (in the B direction), then release it.

For tool with the lock-off switch

Country specific

To prevent the switch trigger from accidentally pulled, a lock lever is provided.
To start the tool, push in the lock lever (in the A direction) and then pull the switch trigger (in the B direction). Release the switch trigger to stop.

NOTICE: Do not pull the switch trigger hard without pressing in the lock lever. This can cause switch breakage.

For tool with the lock-on and lock-off switch

Country specific (including Australia and New Zealand)

⚠ CAUTION: Switch can be locked in "ON" position for ease of operator comfort during extended use. Apply caution when locking tool in "ON" position and maintain firm grasp on tool.

To prevent the switch trigger from accidentally pulled, a lock lever is provided.

To start the tool, push in the lock lever (in the A direction) and then pull the switch trigger (in the B direction). Release the switch trigger to stop.
For continuous operation, push in the lock lever (in the A direction), pull the switch trigger (in the B direction) and then pull the lock lever (in the C direction).
To stop the tool from the locked position, pull the switch trigger fully (in the B direction), then release it.

NOTICE: Do not pull the switch trigger hard without pressing in the lock lever. This can cause switch breakage.

Accidental re-start preventive function

When plugging in the tool while the switch is ON, the tool does not start.

At this time, the indication lamp blinks in red and shows that the accidental re-start preventive function works. To start the tool, turn off the switch, and turn it on again.

Constant speed control

Possible to get fine finish, because the rotating speed is kept constantly even under the loaded condition.

Soft start feature

Soft start feature reduces starting reaction.

Overload protector

When the load on the tool exceeds admissible levels, power to the motor is reduced to protect the motor from overheating. When the load returns to admissible levels, the tool will operate as normal.

Level planing

Only for model PC5001C

To level a surface, the base of the planer should be aligned with the diamond wheel.

The front roller should be adjusted (use hex wrench) upward to the level required for the desired stock removal amount.

► **Fig.4:** 1. Base 2. Hex wrench 3. Front roller

To change the amount of stock (concrete) removed, loosen the hex socket head bolts on the base holder with the hex wrench.

Raise or lower the front roller to adjust the gap between the front roller and the diamond wheel.

The difference is the stock removal amount.

Then secure the hex socket head bolts very carefully.

► **Fig.5:** 1. Hex socket head bolt 2. Stock removal amount

NOTE: Maximum stock removal should be less than 4.0 mm.

Tilting base for smoother planing

Only for model PC5001C

For smooth removal of a given surface roughness or texture, tilting the base is helpful.

Use the hex wrench to loosen the two hex socket head bolts which secure the base on either side.

► **Fig.6:** 1. Base 2. Hex wrench 3. Hex socket head bolt

Use a hex wrench to lower the three hex socket head bolts on the base by turning them clockwise.

► **Fig.7:** 1. Hex wrench 2. Hex socket head bolt

Use a square or ruler to obtain the desired base angle in relation to the diamond wheel.

Then secure carefully the hex socket head bolts on either side of the base.

Adjust center of base near wheel so that it is on the same level as the wheel.

► **Fig.8:** 1. Same level 2. Square or ruler 3. Hex socket head bolt

NOTICE: After base adjustment, turn the three hex socket head bolts on the base counterclockwise until the heads are flush with the back side of the base. Turn them gently, or base adjustment will be thrown off.

Base adjustment to compensate for wheel wear

Only for model PC5001C

With long use, the diamond wheel will wear and thus create a gap with the planing surface so that performance becomes poor. Check the tool after every 4 or 5 hours of use.

If the wheel and base surfaces are not aligned, loosen two hex socket head bolts securing the base.

Turn three hex socket head bolts on the base clockwise and adjust the base so as to be level with the wheel surface. Retighten firmly the hex socket head bolts securing base and then lightly turn the hex socket head bolts counterclockwise so that the hex socket head bolts do not come loose during operation.

Dust cover adjustment

► **Fig.9:** 1. Raise 2. Lower 3. Dust cover 4. Screw

Loosen the screw, and adjust the dust cover brush level.

The dust cover brush should be either flush with the diamond wheel surface or up to 0.5 mm above the diamond wheel surface (when the tool is inverted).

Suction/pickup will be poor if they are not approximately on the same level.

After adjusting, be sure to tighten the screw firmly.

To adjust the dust cover, grip it on the outside; turn clockwise to raise, counterclockwise to lower.

ASSEMBLY

CAUTION: Always be sure that the tool is switched off and unplugged before carrying out any work on the tool.

Installing or removing loop handle

CAUTION: Always install the loop handle before operation.

CAUTION: Always be sure the bolts on the loop handle is securely tightened before use.

CAUTION: Hold the gripping area of the loop handle specified in the figure. Also, keep the hand away from the metal part of the tool during operation. Touching the metal part may result in electric shock, if the cutting attachment cuts live wire unexpectedly.

To install the loop handle, mount it onto the tool as illustrated and tighten two bolts to fix it.

To remove the loop handle, follow the installation procedure in reverse.

► **Fig.10:** 1. Bolt 2. Gripping area

Installing or removing diamond wheel

- **Fig.11:** 1. Lock nut 2. Lock nut wrench 3. Diamond wheel 4. Shaft lock

To replace a worn diamond wheel with a new one, press in the shaft lock to hold the shaft steady, then loosen the lock nut counterclockwise with the lock nut wrench provided. Remove the worn diamond wheel.

To install a new one, follow the above removal procedure in reverse.

When installing a diamond wheel, always make sure to tighten the lock nut firmly.

NOTE: The ordinary diamond wheels on the market have no exhaust holes, so dust evacuation is poor. Also, if the installing hole is not of the exact diameter, tool vibration occurs and accidents can occur. ALWAYS USE A MAKITA CUP-TYPE DIAMOND WHEEL.

Installing or removing dust bag

To install the dust bag, slip the dust bag onto the dust port.

Be sure to slip the dust bag onto the dust port all the way until the dust bag stops so that it does not come off during operation.

- **Fig.12:** 1. Dust bag

Remove the dust bag when it begins to touch cutting surface. This is a sign that the dust bag is full.

Failure to empty the dust bag will lead to poor suction/pickup.

Connecting a vacuum cleaner

Optional accessory

- **Fig.13**

When you wish to perform clean concrete-planing operation, connect a Makita vacuum cleaner to your tool. Then connect a hose of the vacuum cleaner to the nozzle as shown in the figure.

OPERATION

CAUTION: ALWAYS hold the tool firmly with one hand on the housing and the other on the auxiliary handle as shown in the figure.

CAUTION: Before operation, make sure that a vacuum cleaner is connected to the tool and turned on.

CAUTION: Do not use the tool with damaged dust cover brush. Use of damaged dust cover brush could lead to injury by leaking dust.

Concrete surface planing operation

Always install the auxiliary handle on the tool before operation. Hold the tool's switch handle and the auxiliary handle firmly with both hands during operation.

- **Fig.14**

Planing in corners

Only for model PC5000C

To plane corners, loosen the hex socket head bolt, and remove the dust cover cap.

- **Fig.15:** 1. Hex socket head bolt 2. Dust cover cap

Only for model PC5001C

1. To plane corners, remove the hex bolt which secures the roller holder and base holder, and remove the whole roller holder.

2. Loosen the hex socket head bolt, and remove the dust cover cap.

- **Fig.16:** 1. Dust cover cap 2. Roller holder 3. Hex socket head bolt 4. Hex bolt

Adjust the dust cover in a proper position according to your work.

- **Fig.17**

MAINTENANCE

CAUTION: Always be sure that the tool is switched off and unplugged before attempting to perform inspection or maintenance.

NOTICE: Never use gasoline, benzine, thinner, alcohol or the like. Discoloration, deformation or cracks may result.

To maintain product SAFETY and RELIABILITY, repairs, any other maintenance or adjustment should be performed by Makita Authorized or Factory Service Centers, always using Makita replacement parts.

Replacing dust cover brush

To remove the dust cover brush from the dust cover, grab an end of the dust cover brush and take it out slowly.

To install the dust cover brush, firstly align the both ends of the dust cover brush with the groove of the dust cover.

- **Fig.18**

And then insert the dust cover brush all the way into the groove of the dust cover by using slotted driver or other appropriate tool.

- **Fig.19**

Replacing carbon brushes

- **Fig.20:** 1. Limit mark

Check the carbon brushes regularly. Replace them when they wear down to the limit mark. Keep the carbon brushes clean and free to slip in the holders. Both carbon brushes should be replaced at the same time. Use only identical carbon brushes.

1. Use a screwdriver to remove the brush holder caps.

2. Take out the worn carbon brushes, insert the new ones and secure the brush holder caps.

- **Fig.21:** 1. Brush holder cap 2. Screwdriver

OPTIONAL ACCESSORIES

⚠ CAUTION: These accessories or attachments are recommended for use with your Makita tool specified in this manual. The use of any other accessories or attachments might present a risk of injury to persons. Only use accessory or attachment for its stated purpose.

If you need any assistance for more details regarding these accessories, ask your local Makita Service Center.

- Cup-type diamond wheel
- Dust cover brush

NOTE: Some items in the list may be included in the tool package as standard accessories. They may differ from country to country.

SPÉCIFICATIONS

| Modèle : | | PC5000C | PC5001C |
|---|---------------------------|-----------------------------|---------|
| Meule-boisbeau diamantée applicable | Diamètre max. de la meule | 125 mm | |
| Filetage de l'axe | | M14 ou 5/8" (selon le pays) | |
| Longueur max. de l'axe | | 10 mm | |
| Vitesse à vide (n_0)/Vitesse nominale (n) | | 10 000 min ⁻¹ | |
| Longueur totale | | 437 mm | 479 mm |
| Poids net | | 4,0 kg | 5,1 kg |
| Catégorie de sécurité | | II/II | |

- Étant donné l'évolution constante de notre programme de recherche et de développement, les spécifications contenues dans ce manuel sont sujettes à modification sans préavis.
- Les spécifications peuvent varier suivant les pays.
- Poids selon la procédure EPTA 01/2014

Symboles

Vous trouverez ci-dessous les symboles susceptibles d'être utilisés pour l'appareil. Veuillez à comprendre leur signification avant toute utilisation.



Lire le mode d'emploi.



Portez des lunettes de sécurité.



Toujours utiliser à deux mains.



DOUBLE ISOLATION



Pour les pays de l'Union européenne uniquement

En raison de la présence de composants dangereux dans l'équipement, les équipements électriques et électroniques usagés peuvent avoir un impact négatif sur l'environnement et la santé humaine.

Ne jetez pas les appareils électriques et électroniques avec les ordures ménagères !

Conformément à la directive européenne relative aux déchets d'équipements électriques et électroniques et à son adaptation à la législation nationale, les équipements électriques et électroniques usagés doivent être collectés séparément et déposés dans un point de collecte distinct pour déchets urbains, conformément aux réglementations en matière de protection de l'environnement.

Cela est indiqué par le symbole de la poubelle à roulettes barrée sur l'équipement.

Utilisations

L'outil est conçu pour le surfacage des surfaces en béton.

Alimentation

L'outil ne devra être raccordé qu'à une alimentation de la même tension que celle qui figure sur la plaque signalétique, et il ne pourra fonctionner que sur un courant secteur monophasé. Réalisé avec une double isolation, il peut de ce fait être alimenté par une prise sans mise à la terre.

Bruit

Niveau de bruit pondéré A typique, déterminé selon EN62841-2-3 :

| Modèle | Niveau de pression sonore (L_{pA}) : (dB (A)) | Niveau de puissance sonore (L_{WA}) : (dB (A)) | Incertitude (K) : (dB (A)) |
|---------|---|--|----------------------------|
| PC5000C | 90 | 98 | 3 |
| PC5001C | 90 | 98 | 3 |

NOTE : La ou les valeurs d'émission de bruit déclarées ont été mesurées conformément à la méthode de test standard et peuvent être utilisées pour comparer les outils entre eux.

NOTE : La ou les valeurs d'émission de bruit déclarées peuvent aussi être utilisées pour l'évaluation préliminaire de l'exposition.

⚠ AVERTISSEMENT : Portez un serre-tête antibruit.

⚠ AVERTISSEMENT : L'émission de bruit lors de l'usage réel de l'outil électrique peut être différente de la ou des valeurs déclarées, suivant la façon dont l'outil est utilisé, particulièrement selon le type de pièce usinée.

⚠ AVERTISSEMENT : Les mesures de sécurité à prendre pour protéger l'utilisateur doivent être basées sur une estimation de l'exposition dans des conditions réelles d'utilisation (en tenant compte de toutes les composantes du cycle d'utilisation, comme par exemple le moment de sa mise hors tension, lorsqu'il tourne à vide et le moment de son déclenchement).

Vibrations

Valeur totale de vibrations (somme de vecteur triaxial) déterminée selon EN62841-2-3 :

Mode de travail : meulage de surface

| Modèle | Émission de vibrations ($a_{h, AG}$) : (m/s^2) | Incertitude (K) : (m/s^2) |
|---------|--|-------------------------------|
| PC5000C | 3,7 | 1,5 |
| PC5001C | 8,0 | 1,5 |

NOTE : La ou les valeurs de vibration totales déclarées ont été mesurées conformément à la méthode de test standard et peuvent être utilisées pour comparer les outils entre eux.

NOTE : La ou les valeurs de vibration totales déclarées peuvent aussi être utilisées pour l'évaluation préliminaire de l'exposition.

⚠ AVERTISSEMENT : L'émission de vibrations lors de l'usage réel de l'outil électrique peut être différente de la ou des valeurs déclarées, suivant la façon dont l'outil est utilisé, particulièrement selon le type de pièce usinée.

⚠ AVERTISSEMENT : Les mesures de sécurité à prendre pour protéger l'utilisateur doivent être basées sur une estimation de l'exposition dans des conditions réelles d'utilisation (en tenant compte de toutes les composantes du cycle d'utilisation, comme par exemple le moment de sa mise hors tension, lorsqu'il tourne à vide et le moment de son déclenchement).

⚠ AVERTISSEMENT : La valeur d'émission de vibrations déclarée est utilisée pour les applications principales de l'outil électrique. Toutefois si l'outil électrique est utilisé pour d'autres applications, la valeur d'émission de vibrations peut être différente.

Déclaration de conformité CE

Pour les pays européens uniquement

La déclaration de conformité CE est fournie en Annexe A à ce mode d'emploi.

CONSIGNES DE SÉCURITÉ

Consignes de sécurité générales pour outils électriques

⚠ AVERTISSEMENT : Veuillez lire les consignes de sécurité, instructions, illustrations et spécifications qui accompagnent cet outil électrique. Le non-respect de toutes les instructions indiquées ci-dessous peut entraîner une électrocution, un incendie et/ou de graves blessures.

Conservez toutes les mises en garde et instructions pour référence ultérieure.

Le terme « outil électrique » dans les avertissements fait référence à l'outil électrique alimenté par le secteur (avec cordon d'alimentation) ou à l'outil électrique fonctionnant sur batterie (sans cordon d'alimentation).

Consignes de sécurité pour surfaceuse à béton

Consignes de sécurité courantes pour les opérations de surfacage des surfaces en béton :

1. Cet outil électrique est conçu pour fonctionner comme surfaceuse à béton avec des meules-boisseaux diamantées. Veuillez lire les consignes de sécurité, instructions, illustrations et spécifications qui accompagnent cet outil électrique. Le non-respect de toutes les instructions indiquées ci-dessous peut entraîner une électrocution, un incendie et/ou de graves blessures.

2. **Il n'est pas recommandé de meuler avec des meules abrasives, de poncer, d'effectuer un broissage métallique, de polir, de découper des trous ou de tronçonner avec cet outil électrique.** L'exécution d'opérations pour lesquelles l'outil électrique n'a pas été conçu est dangereuse et peut entraîner des blessures.
3. **Ne convertissez pas cet outil électrique pour qu'il fonctionne d'une manière qui n'est pas spécifiquement prévue et spécifiée par le fabricant de l'outil.** Une telle conversion peut entraîner une perte de contrôle et provoquer des blessures graves.
4. **N'utilisez pas d'accessoires qui n'ont pas été conçus spécifiquement et spécifiés par le fabricant de l'outil.** Même si un accessoire peut être fixé sur l'outil électrique, cela ne garantit pas qu'il fonctionnera de manière sûre.
5. **La vitesse nominale de l'accessoire doit être au moins égale à la vitesse maximum inscrite sur l'outil électrique.** Les accessoires tournant plus vite que leur vitesse nominale peuvent se casser et voler en éclats.
6. **Le diamètre extérieur et l'épaisseur de l'accessoire ne doivent pas dépasser la capacité nominale de l'outil électrique.** Les accessoires de taille incorrecte ne peuvent être protégés ou contrôlés adéquatement.
7. **Les dimensions du support d'accessoires doivent correspondre aux dimensions de la pièce où ils sont montés sur l'outil électrique.** Les accessoires qui ne sont pas bien adaptés à la taille de la pièce où ils sont montés sur l'outil électrique se déséquilibreront, vibreront trop et pourront entraîner une perte de maîtrise de l'outil.
8. **N'utilisez pas d'accessoire endommagé. Avant chaque utilisation, assurez-vous que la meule abrasive est exempte de copeaux et fissures, que la semelle n'est pas fissurée, déchirée ou trop usée, ou que la brosse métallique est exempte de fils métalliques lâches ou cassés. Si vous laissez tomber l'outil électrique ou un accessoire, assurez-vous qu'il n'est pas endommagé ou bien remplacez l'accessoire endommagé. Après avoir vérifié et posé un accessoire, assurez-vous que personne, y compris vous-même, ne se trouve dans la trajectoire de l'accessoire en rotation et faites tourner l'outil électrique à vitesse à vide maximale pendant une minute.** Les accessoires endommagés se brisent généralement au cours de cette période d'essai.
9. **Portez un équipement de protection individuelle. Suivant le type de travail à effectuer, utilisez un écran facial, des lunettes à coques ou des lunettes de sécurité. Si nécessaire, portez un masque anti-poussière, des protège-tympans, des gants et un tablier de travail pouvant arrêter les petites particules abrasives ou les petits fragments de pièce.** La protection oculaire doit pouvoir arrêter les débris volants produits par les diverses applications. Le masque anti-poussières ou le masque filtrant doit pouvoir filtrer les particules générées par une application donnée. Une exposition prolongée à un bruit d'intensité élevée peut entraîner une perte auditive.
10. **Assurez-vous que les passants demeurent à une distance sûre de la zone de travail. Toute personne pénétrant dans la zone de travail doit porter un équipement de protection individuelle.** Des fragments de pièce ou un accessoire cassé peuvent être éjectés et blesser les personnes au-delà de la zone immédiate de travail.
11. **Tenez l'outil électrique par une surface de prise isolée uniquement, lorsque vous effectuez une tâche où l'accessoire de coupe pourrait toucher un câblage caché ou son propre cordon d'alimentation.** Le contact de l'accessoire de coupe avec un fil sous tension peut transmettre du courant dans les pièces métalliques exposées de l'outil électrique et électrocuter l'opérateur.
12. **Placez le cordon à l'écart de l'accessoire en rotation.** En cas de perte de maîtrise, vous risquez, en coupant ou en accrochant le cordon, d'avoir la main ou le bras attiré vers l'accessoire en rotation.
13. **Ne déposez jamais l'outil électrique avant que l'accessoire ne se soit parfaitement arrêté.** L'accessoire en rotation peut accrocher la surface et projeter l'outil électrique de telle sorte que vous en perdiez la maîtrise.
14. **Ne transportez pas l'outil électrique tout en le laissant tourner.** En cas de contact accidentel avec l'accessoire en rotation, ce dernier risque d'accrocher vos vêtements et d'être entraîné vers votre corps.
15. **Nettoyez régulièrement les orifices d'aération de l'outil électrique.** Le ventilateur du moteur aspire la poussière à l'intérieur du carter, ce qui présente un danger électrique en cas d'accumulation excessive de poussières métalliques.
16. **N'utilisez pas l'outil électrique près de matériaux inflammables.** Les étincelles risqueraient d'enflammer ces matériaux.
17. **N'utilisez pas d'accessoires nécessitant un liquide de refroidissement.** L'utilisation d'eau ou d'un liquide de refroidissement comporte un risque d'électrocution ou de choc électrique.

Mises en garde concernant le choc en retour et autres dangers :

Le choc en retour est une réaction soudaine qui survient lorsque la meule, la semelle, la brosse ou un autre accessoire en rotation se coince ou accroche. Lorsque l'accessoire en rotation se coince ou accroche, il s'arrête soudainement et l'utilisateur perd alors la maîtrise de l'outil électrique projeté dans le sens contraire de sa rotation au point où il se coince dans la pièce.

Par exemple, si une meule abrasive accroche ou se coince dans la pièce, son tranchant introduit au point de pincement risque d'y creuser la surface du matériau, entraînant la sortie ou le déchaussement de la meule. La meule peut alors dévier de sa trajectoire, vers l'utilisateur ou dans le sens opposé, selon la direction du mouvement de la meule au point de pincement. Dans ces conditions, la meule abrasive risque également de se briser.

Le choc en retour est le résultat d'une utilisation incorrecte de l'outil électrique et/ou de l'inobservation des procédures ou conditions d'utilisation. Il peut être évité en prenant les précautions adéquates indiquées ci-dessous.

- Maintenez une poigne ferme des deux mains sur l'outil électrique et placez corps et bras de façon à pouvoir résister à la force exercée par les chocs en retour. Utilisez toujours la poignée auxiliaire, s'il y en a une, pour avoir une maîtrise maximale de l'outil en cas de choc en retour ou de force de réaction exercée au moment du démarrage. L'utilisateur peut maîtriser les forces de réaction ou de choc en retour s'il prend les précautions adéquates.
- Ne placez jamais la main près d'un accessoire en rotation. L'accessoire risquerait de passer sur votre main en cas de choc en retour.
- Ne vous placez pas dans la zone vers laquelle l'outil électrique se déplacera en cas de choc en retour. Le choc en retour projetera l'outil dans le sens opposé au mouvement de la meule au point où elle accroche dans la pièce.
- Soyez tout particulièrement prudent lorsque vous travaillez dans les coins, sur des arêtes vives, etc. Évitez de laisser l'accessoire bondir ou accrocher. L'accessoire en rotation a tendance à accrocher dans les coins, sur les arêtes vives ou lorsqu'il sautille, ce qui comporte un risque de perte de maîtrise ou de choc en retour.
- Ne fixez pas une chaîne de tronçonneuse, une lame à sculpter le bois, une meule diamantée à segments avec un espace périphérique supérieur à 10 mm ou une lame de scie dentée. De telles lames causent fréquemment des chocs en retour et des pertes de maîtrise.
- N'utilisez pas de bagues de réduction ou d'adaptateurs vendus dans le commerce pour adapter des meules-boisseries diamantées dont l'orifice central est grand.
- N'utilisez que les flasques spécifiés pour cet outil.
- Assurez-vous que la pièce à travailler est correctement soutenue.
- N'oubliez pas que la meule continue de tourner une fois l'outil éteint.
- Si le lieu de travail est extrêmement chaud et humide, ou fortement pollué de poussières conductrices, utilisez un disjoncteur (30 mA) pour assurer la sécurité de l'utilisateur.
- N'utilisez l'outil avec aucun matériau contenant de l'amiante.

CONSERVEZ CES INSTRUCTIONS.

AVERTISSEMENT : NE vous laissez PAS tromper (au fil d'une utilisation répétée) par un sentiment d'aisance et de familiarité avec le produit, en négligeant le respect rigoureux des consignes de sécurité qui accompagnent le produit en question. La MAUVAISE UTILISATION de l'outil ou l'ignorance des consignes de sécurité indiquées dans ce mode d'emploi peut entraîner de graves blessures.

Consignes de sécurité spécifiques aux opérations de surfacage des surfaces en béton :

- Utilisez exclusivement les types de meule recommandés pour votre outil électrique, et le carter de protection conçu spécifiquement pour la meule sélectionnée. Les meules pour lesquelles l'outil électrique n'a pas été conçu ne pourront pas être protégées correctement et se révéleront dangereuses.
- Utilisez toujours des flasques pour meule en bon état, dont la taille et la forme correspondent à la meule sélectionnée. Des flasques pour meule adéquats soutiennent la meule et réduisent ainsi les risques de rupture de la meule.

Consignes de sécurité supplémentaires :

- Installez toujours le carter de meule de collecte de la poussière avant utilisation.
- Prenez garde de ne pas endommager l'axe, le flasque (tout particulièrement la surface d'installation) ou le contre-écrou. La meule risque de casser si ces pièces sont endommagées.
- Assurez-vous que la meule n'entre pas en contact avec la pièce avant de mettre l'outil sous tension.
- Avant d'utiliser l'outil sur une pièce, faites-le tourner un instant à vide. Soyez attentif aux vibrations ou sautilllements pouvant indiquer que la meule n'est pas bien posée ou qu'elle est mal équilibrée.
- N'abandonnez pas l'outil alors qu'il tourne. Ne faites fonctionner l'outil qu'une fois que vous l'avez bien en main.
- Ne touchez pas la meule-boisserie diamantée immédiatement après avoir terminé le travail ; elle peut être très chaude et vous brûler la peau.
- Suivez les instructions du fabricant pour un montage adéquat et une utilisation appropriée des meules. Manipulez et rangez les meules soigneusement.

DESCRIPTION DU FONCTIONNEMENT

ATTENTION : Assurez-vous toujours que l'outil est hors tension et débranché avant de l'ajuster ou de vérifier son fonctionnement.

Témoin de contrôle

► Fig.1: 1. Témoin de contrôle

Le témoin de contrôle s'allume en vert lorsque l'outil est branché.

Si le témoin de contrôle ne s'allume pas, il se peut que le cordon secteur ou le contrôleur soit défectueux. Si le témoin de contrôle est allumé, mais l'outil ne démarre pas alors qu'il est sous tension, il se peut que les balais en carbone soient usés ou que le contrôleur, le moteur ou l'interrupteur Marche/Arrêt soit défectueux.

Verrouillage de l'arbre

AVERTISSEMENT : N'activez jamais le verrouillage de l'arbre pendant que l'axe tourne. Cela pourrait entraîner des blessures graves ou endommager l'outil.

Avant de poser ou de retirer des accessoires, appuyez sur le verrouillage de l'arbre pour empêcher l'axe de tourner.

► Fig.2: 1. Verrouillage de l'arbre

Interrupteur

⚠ ATTENTION : Avant de brancher l'outil, assurez-vous toujours que la gâchette fonctionne correctement et revient en position d'arrêt une fois relâchée.

⚠ ATTENTION : Veillez à éteindre l'outil en cas de panne de courant ou d'arrêt accidentel, en débranchant le cordon d'alimentation par exemple. Autrement l'outil démarre brusquement au rétablissement de l'alimentation et provoquera un accident ou des blessures.

Il existe trois modes de fonctionnement de la gâchette selon le pays.

► **Fig.3:** 1. Gâchette 2. Levier de verrouillage

Pour les outils avec interrupteur de verrouillage

Propre au pays

⚠ ATTENTION : L'interrupteur peut être verrouillé sur la position « Marche » pour améliorer le confort de l'utilisateur pendant une utilisation prolongée. Soyez prudent lorsque vous verrouillez l'outil sur la position « Marche » et tenez-le fermement.

Il suffit d'enclencher la gâchette (dans le sens B) pour démarrer l'outil. Pour l'arrêter, relâchez la gâchette. Pour un fonctionnement continu, enclenchez la gâchette (dans le sens B), puis poussez le levier de verrouillage (dans le sens A). Pour arrêter l'outil sur la position verrouillée, enclenchez à fond la gâchette (dans le sens B) puis relâchez-la.

Pour les outils avec interrupteur de sécurité

Propre au pays

Un levier de verrouillage a été prévu pour éviter l'enclenchement accidentel de la gâchette. Pour démarrer l'outil, poussez le levier de verrouillage (dans le sens A), puis enclenchez la gâchette (dans le sens B). Pour l'arrêter, relâchez la gâchette.

REMARQUE : Évitez d'appuyer sur la gâchette avec force lorsque le levier de verrouillage n'est pas enfoncé. Vous risqueriez de briser la gâchette.

Pour les outils avec interrupteur de verrouillage et de sécurité

Propre au pays (y compris Australie et Nouvelle-Zélande)

⚠ ATTENTION : L'interrupteur peut être verrouillé sur la position « Marche » pour améliorer le confort de l'utilisateur pendant une utilisation prolongée. Soyez prudent lorsque vous verrouillez l'outil sur la position « Marche » et tenez-le fermement.

Un levier de verrouillage a été prévu pour éviter l'enclenchement accidentel de la gâchette. Pour démarrer l'outil, poussez le levier de verrouillage (dans le sens A), puis enclenchez la gâchette (dans le sens B). Pour l'arrêter, relâchez la gâchette. Pour un fonctionnement continu, poussez le levier de verrouillage (dans le sens A), enclenchez la gâchette (dans le sens B), puis enclenchez le levier de verrouillage (dans le sens C). Pour arrêter l'outil sur la position verrouillée, enclenchez à fond la gâchette (dans le sens B) puis relâchez-la.

REMARQUE : Évitez d'appuyer sur la gâchette avec force lorsque le levier de verrouillage n'est pas enfoncé. Vous risqueriez de briser la gâchette.

Fonction de prévention de redémarrage accidentel

Si vous branchez l'outil alors que l'interrupteur est sur ON, il ne démarrera pas. À cette étape, le témoin de contrôle clignote en rouge et indique que la fonction de prévention de redémarrage accidentel fonctionne. Pour démarrer l'outil, placez l'interrupteur sur OFF et puis à nouveau sur ON.

Commande de vitesse constante

Permet d'obtenir une finition précise puisque la vitesse de rotation est constamment maintenue même en condition de charge.

Fonction de démarrage en douceur

La fonction de démarrage en douceur réduit le choc de démarrage.

Limiteur de surcharge

Lorsque l'outil est soumis à une charge dépassant les niveaux admissibles, la puissance alimentant le moteur est réduite pour éviter la surchauffe du moteur. Lorsque la charge revient à des niveaux admissibles, l'outil fonctionne normalement.

Nivelage de surface

Uniquement pour le modèle PC5001C

Pour niveler une surface, le socle de la surfaceuse doit être aligné sur la meule diamantée. Le rouleau avant doit être ajusté (utilisez une clé hexagonale) vers le haut au niveau requis pour la quantité d'enlèvement de copeaux souhaitée.

► **Fig.4:** 1. Socle 2. Clé hexagonale 3. Rouleau avant

Pour modifier la quantité de copeaux (béton) retirés, desserrez les boulons à tête cylindrique à six pans creux sur le support du socle avec la clé hexagonale. Soulevez ou abaissez le rouleau avant pour ajuster l'écart entre le rouleau avant et la meule diamantée. La différence est la quantité d'enlèvement de copeaux. Fixez ensuite très soigneusement les boulons à tête cylindrique à six pans creux.

► **Fig.5:** 1. Boulon à tête cylindrique à six pans creux 2. Quantité d'enlèvement de copeaux

NOTE : L'enlèvement de copeaux maximum doit être inférieur à 4,0 mm.

Socle inclinable pour un surfaçage plus en douceur

Uniquement pour le modèle PC5001C

Pour un retrait en douceur d'une rugosité ou d'une texture de surface donnée, il s'avère utile d'incliner le socle. Utilisez la clé hexagonale pour desserrer les deux boulons à tête cylindrique à six pans creux qui maintiennent en place le socle de chaque côté.

► **Fig.6:** 1. Socle 2. Clé hexagonale 3. Boulon à tête cylindrique à six pans creux

Utilisez une clé hexagonale pour abaisser les trois boulons à tête cylindrique à six pans creux sur le socle en les tournant dans le sens des aiguilles d'une montre.

► **Fig.7:** 1. Clé hexagonale 2. Boulon à tête cylindrique à six pans creux

Utilisez une équerre ou une règle pour obtenir l'angle de base souhaité par rapport à la meule diamantée. Ensuite, fixez soigneusement les boulons à tête cylindrique à six pans creux de chaque côté du socle.

Ajustez le centre du socle près de la meule de sorte qu'il soit au même niveau que la meule.

► **Fig.8:** 1. Même niveau 2. Équerre ou règle 3. Boulon à tête cylindrique à six pans creux

REMARQUE : Après l'ajustement du socle, tournez les trois boulons à tête cylindrique à six pans creux sur le socle dans le sens inverse des aiguilles d'une montre jusqu'à ce que les têtes soient au ras de l'arrière du socle. Tournez-les délicatement sous peine de décaler l'ajustement du socle.

Ajustement du socle pour compenser l'usure de la meule

Uniquement pour le modèle PC5001C

Après un usage prolongé, la meule diamantée s'use et crée ainsi un écart avec la surface de rotabage, entraînant de médiocres performances. Vérifiez l'outil après 4 ou 5 heures d'utilisation. Si les surfaces de la meule et du socle ne sont pas alignées, desserrez deux boulons à tête cylindrique à six pans creux fixant le socle.

Tournez trois boulons à tête cylindrique à six pans creux sur le socle dans le sens des aiguilles d'une montre et ajustez le socle pour qu'il soit au niveau de la surface de la meule. Resserrez fermement les boulons à tête cylindrique à six pans creux fixant le socle, puis tournez-les légèrement dans le sens inverse des aiguilles d'une montre pour qu'ils ne se détachent pas en cours de fonctionnement.

Ajustement du pare-poussière

► **Fig.9:** 1. Soulever 2. Abaisser 3. Pare-poussière 4. Vis

Desserrez la vis et ajustez le niveau de la brosse pare-poussière. La brosse pare-poussière doit être au ras de la surface de la meule diamantée ou 0,5 mm très légèrement au-dessus (si l'outil est inversé).

L'aspiration ou le ramassage seront médiocres si elles ne sont pas approximativement au même niveau. Après l'ajustement, assurez-vous de serrer fermement la vis. Pour ajuster le pare-poussière, saisissez-le par l'extérieur ; tournez dans le sens des aiguilles d'une montre pour le soulever et dans le sens inverse des aiguilles d'une montre pour l'abaisser.

ASSEMBLAGE

ATTENTION : Avant d'effectuer toute intervention sur l'outil, assurez-vous toujours qu'il est hors tension et débranché.

Pose ou dépose de la poignée arceau

ATTENTION : Installez toujours la poignée arceau avant utilisation.

ATTENTION : Avant l'utilisation, assurez-vous toujours que les boulons sur la poignée arceau sont solidement serrés.

ATTENTION : Tenez la surface de prise de la poignée arceau spécifiée sur la figure. De plus, tenez la main à l'écart de la partie métallique de l'outil pendant le fonctionnement. Toucher la partie métallique peut entraîner une électrocution si l'accéssoire de coupe coupe inopinément un fil sous tension.

Pour poser la poignée arceau, mettez-la sur l'outil comme illustré et serrez les deux boulons pour la fixer. Pour déposer la poignée arceau, suivez la procédure de pose en sens inverse.

► **Fig.10:** 1. Boulon 2. Zone de prise

Pose ou dépose de la meule diamantée

► **Fig.11:** 1. Contre-écrou 2. Clé à contre-écrou 3. Meule diamantée 4. Verrouillage de l'arbre

Pour remplacer une meule diamantée usée par une neuve, enfoncez le verrouillage de l'arbre pour maintenir l'arbre stable, puis desserrez le contre-écrou dans le sens inverse des aiguilles d'une montre avec la clé à contre-écrou fournie.

Retirez la meule diamantée usée.

Pour en installer une neuve, suivez la procédure de retrait ci-dessus en sens inverse.

Lorsque vous installez une meule diamantée, veillez à toujours serrer fermement le contre-écrou.

NOTE : Les meules diamantées ordinaires en vente dans le commerce n'étant pas pourvues d'orifices d'échappement, l'évacuation de la poussière est médiocre. De plus, si l'orifice d'installation n'a pas le diamètre exact, l'outil vibre et des accidents peuvent survenir. UTILISEZ TOUJOURS UNE MEULE-BOISSEAU DIAMANTÉE MAKITA.

Pose ou dépose du sac à poussière

Pour installer le sac à poussière, glissez-le dans l'orifice à poussière.

Veillez à glisser à fond le sac à poussière sur l'orifice à poussière jusqu'à ce qu'il s'arrête pour éviter qu'il ne se détache en cours de fonctionnement.

► **Fig.12:** 1. Sac à poussière

Retirez le sac à poussière lorsqu'il commence à toucher la surface de coupe. Cela indique que le sac à poussière est plein.

Si vous ne videz pas le sac à poussière, l'aspiration ou le ramassage seront médiocres.

Raccordement d'un aspirateur

Accessoire en option

► Fig.13

Lorsque vous souhaitez effectuer une opération de surfacage du béton propre, connectez un aspirateur Makita à votre outil. Ensuite, connectez un tuyau de l'aspirateur à la buse comme l'illustre la figure.

UTILISATION

⚠ ATTENTION : Tenez TOUJOURS l'outil fermement avec une main sur le carter de l'outil et l'autre sur la poignée auxiliaire comme l'illustre la figure.

⚠ ATTENTION : Avant l'opération, vérifiez qu'un aspirateur est connecté à l'outil et sous tension.

⚠ ATTENTION : N'utilisez pas l'outil avec une brosse pare-poussière abîmée. L'utilisation d'une brosse pare-poussière abîmée peut entraîner des blessures en raison de fuite de poussière.

Opération de surfacage des surfaces en béton

Avant l'utilisation, fixez toujours la poignée auxiliaire à l'outil. Pendant l'utilisation, tenez fermement la poignée allongée de l'outil et la poignée auxiliaire avec les deux mains.

► Fig.14

Surfacage dans les angles

Uniquement pour le modèle PC5000C

Pour raboter les angles, desserrez les boulons à tête cylindrique à six pans creux et retirez le capuchon du pare-poussière.

► Fig.15: 1. Boulon à tête cylindrique à six pans creux
2. Capuchon du pare-poussière

Uniquement pour le modèle PC5001C

1. Pour raboter les angles, retirez le boulon hexagonal qui maintient en place le support du rouleau et le support du socle, et retirez le support du rouleau entier.

2. Desserrez les boulons à tête cylindrique à six pans creux et retirez le capuchon du pare-poussière.

► Fig.16: 1. Capuchon du pare-poussière 2. Support du rouleau 3. Boulon à tête cylindrique à six pans creux 4. Boulon hexagonal

Ajustez le pare-poussière sur une position correcte en fonction de votre travail.

► Fig.17

ENTRETIEN

⚠ ATTENTION : Assurez-vous toujours que l'outil est hors tension et débranché avant d'y effectuer tout travail d'inspection ou d'entretien.

REMARQUE : N'utilisez jamais d'essence, benzine, diluant, alcool ou autre produit similaire. Cela risquerait de provoquer la décoloration, la déformation ou la fissuration de l'outil.

Pour assurer la SÉCURITÉ et la FIABILITÉ du produit, toute réparation, tout travail d'entretien ou de réglage doivent être effectués par un centre d'entretien Makita agréé, avec des pièces de rechange Makita.

Remplacement de la brosse pare-poussière

Pour retirer la brosse pare-poussière du pare-poussière, saisissez une extrémité de la brosse pare-poussière et sortez-la lentement.

Pour installer la brosse pare-poussière, alignez d'abord ses deux extrémités sur la rainure du pare-poussière.

► Fig.18

Puis, insérez à fond la brosse pare-poussière dans la rainure du pare-poussière au moyen d'un tournevis pour écrous à fente ou d'un autre outil approprié.

► Fig.19

Remplacement d'un balai en carbone

► Fig.20: 1. Repère d'usure

Vérifiez régulièrement les balais en carbone.

Remplacez-les lorsqu'ils sont usés jusqu'au repère d'usure. Maintenez les balais en carbone propres et en état de glisser aisément dans les porte-charbons. Les deux balais en carbone doivent être remplacés en même temps. N'utilisez que des balais en carbone identiques.

1. Retirez les bouchons de porte-charbon à l'aide d'un tournevis.
2. Enlevez les balais en carbone usés, insérez les neufs et revissez solidement les bouchons de porte-charbon.

► Fig.21: 1. Bouchon de porte-charbon 2. Tournevis

ACCESSOIRES EN OPTION

⚠ ATTENTION : Ces accessoires ou pièces complémentaires sont recommandés pour l'utilisation avec l'outil Makita spécifié dans ce mode d'emploi. L'utilisation de tout autre accessoire ou pièce complémentaire peut comporter un risque de blessure. N'utilisez les accessoires ou pièces complémentaires qu'aux fins auxquelles ils ont été conçus.

Pour obtenir plus de détails sur ces accessoires, contactez votre centre d'entretien local Makita.

- Meule-boisseau diamantée
- Brosse pare-poussière

NOTE : Il se peut que certains éléments de la liste soient compris dans l'emballage de l'outil en tant qu'accessoires standard. Ils peuvent varier d'un pays à l'autre.





TECHNISCHE DATEN

| Modell: | | PC5000C | PC5001C |
|---|--------------------------|----------------------------------|---------|
| Anwendbare Topfdiamantscheibe | Max. Scheibendurchmesser | 125 mm | |
| Spindelgewinde | | M14 oder 5/8" (länderspezifisch) | |
| Max. Spindellänge | | 10 mm | |
| Leerlaufdrehzahl (n ₀) / Nenndrehzahl (n) | | 10.000 min ⁻¹ | |
| Gesamtlänge | | 437 mm | 479 mm |
| Nettogewicht | | 4,0 kg | 5,1 kg |
| Sicherheitsklasse | | □/II | |

- Wir behalten uns vor, Änderungen der technischen Daten im Zuge der Entwicklung und des technischen Fortschritts ohne vorherige Ankündigung vorzunehmen.
- Die technischen Daten können von Land zu Land unterschiedlich sein.
- Gewicht nach EPTA-Verfahren 01/2014

Symbole

Nachfolgend werden Symbole beschrieben, die für das Gerät verwendet werden können. Machen Sie sich unbedingt vor der Benutzung mit ihrer Bedeutung vertraut.

| | |
|---|------------------------------------|
|  | Betriebsanleitung lesen. |
|  | Schutzbrille tragen. |
|  | Immer mit beiden Händen betätigen. |
|  | DOPPELTE ISOLIERUNG |



Nur für EU-Länder
Aufgrund des Vorhandenseins gefährlicher Komponenten in der Ausrüstung können Elektro- und Elektronik-Altgeräte sich negativ auf die Umwelt und die menschliche Gesundheit auswirken. Entsorgen Sie Elektro- und Elektronikgeräte nicht mit dem Hausmüll! In Übereinstimmung mit der Europäischen Richtlinie über Elektro- und Elektronik-Altgeräte und ihrer Anpassung an nationales Recht sollten Elektro- und Elektronik-Altgeräte gemäß den Umweltschutzbestimmungen getrennt gesammelt und zu einer getrennten Sammelstelle für Siedlungsabfälle geliefert werden. Dies wird durch das am Gerät angebrachte Symbol der durchgestrichenen Abfalltonne auf Rädern angezeigt.

Vorgesehene Verwendung

Das Werkzeug ist zum Abschleifen von Betonoberflächen vorgesehen.

Stromversorgung

Das Werkzeug sollte nur an eine Stromquelle angeschlossen werden, deren Spannung mit der Angabe auf dem Typenschild übereinstimmt, und kann nur mit Einphasen-Wechselstrom betrieben werden. Diese sind doppelt schutzisoliert und können daher auch an Steckdosen ohne Erdleiter verwendet werden.

Geräusch

Typischer A-bewerteter Geräuschpegel ermittelt gemäß EN62841-2-3:

| Modell | Schalldruckpegel (L _{pa}): (dB (A)) | Schalleistungspegel (L _{wa}): (dB (A)) | Messunsicherheit (K): (dB (A)) |
|---------|---|--|--------------------------------|
| PC5000C | 90 | 98 | 3 |
| PC5001C | 90 | 98 | 3 |

HINWEIS: Der (Die) angegebene(n) Schallemissionswert(e) wurde(n) im Einklang mit der Standardprüfmethode gemessen und kann (können) für den Vergleich zwischen Werkzeugen herangezogen werden.

HINWEIS: Der (Die) angegebene(n) Schallemissionswert(e) kann (können) auch für eine Vorbewertung des Gefährdungsgrads verwendet werden.

⚠️ WARNUNG: Einen Gehörschutz tragen.

⚠️ WARNUNG: Die Schallemission während der tatsächlichen Benutzung des Elektrowerkzeugs kann je nach der Benutzungsweise des Werkzeugs, und speziell je nach der Art des bearbeiteten Werkstücks, von dem (den) angegebenen Wert(en) abweichen.

⚠️ WARNUNG: Identifizieren Sie Sicherheitsmaßnahmen zum Schutz des Benutzers anhand einer Schätzung des Gefährdungsgrads unter den tatsächlichen Benutzungsbedingungen (unter Berücksichtigung aller Phasen des Arbeitszyklus, wie z. B. Ausschalt- und Leerlaufzeiten des Werkzeugs zusätzlich zur Betriebszeit).

Schwingungen

Schwingungsgesamtwert (Drei-Achsen-Vektorsumme) ermittelt gemäß EN62841-2-3:

Arbeitsmodus: Oberflächenschleifen

| Modell | Vibrationsemission ($a_{h, AG}$): (m/s^2) | Messunsicherheit (K): (m/s^2) |
|---------|---|-----------------------------------|
| PC5000C | 3,7 | 1,5 |
| PC5001C | 8,0 | 1,5 |

HINWEIS: Der (Die) angegebene(n) Vibrationsgesamtwert(e) wurde(n) im Einklang mit der Standardprüfmethode gemessen und kann (können) für den Vergleich zwischen Werkzeugen herangezogen werden.

HINWEIS: Der (Die) angegebene(n) Vibrationsgesamtwert(e) kann (können) auch für eine Vorbewertung des Gefährdungsgrads verwendet werden.

⚠️ WARNUNG: Die Vibrationsemission während der tatsächlichen Benutzung des Elektrowerkzeugs kann je nach der Benutzungsweise des Werkzeugs, und speziell je nach der Art des bearbeiteten Werkstücks, von dem (den) angegebenen Emissionswert(en) abweichen.

⚠️ WARNUNG: Identifizieren Sie Sicherheitsmaßnahmen zum Schutz des Benutzers anhand einer Schätzung des Gefährdungsgrads unter den tatsächlichen Benutzungsbedingungen (unter Berücksichtigung aller Phasen des Arbeitszyklus, wie z. B. Ausschalt- und Leerlaufzeiten des Werkzeugs zusätzlich zur Betriebszeit).

⚠️ WARNUNG: Der angegebene Schwingungsemissionswert wird für Hauptanwendungen des Elektrowerkzeugs verwendet. Wird das Elektrowerkzeug jedoch für andere Anwendungen verwendet, kann der Schwingungsemissionswert abweichen.

EG-Konformitätserklärung

Nur für europäische Länder

Die EG-Konformitätserklärung ist als Anhang A in dieser Bedienungsanleitung enthalten.

SICHERHEITSWARNUNGEN

Allgemeine Sicherheitswarnungen für Elektrowerkzeuge

⚠️ WARNUNG: Lesen Sie alle mit diesem Elektrowerkzeug gelieferten Sicherheitswarnungen, Anweisungen, Abbildungen und technischen Daten durch. Eine Missachtung der unten aufgeführten Anweisungen kann zu einem elektrischen Schlag, Brand und/oder schweren Verletzungen führen.

Bewahren Sie alle Warnungen und Anweisungen für spätere Bezugnahme auf.

Der Ausdruck „Elektrowerkzeug“ in den Warnhinweisen bezieht sich auf Ihr mit Netzstrom (mit Kabel) oder Akku (ohne Kabel) betriebenes Elektrowerkzeug.

Sicherheitswarnungen für Betonschleifer

Allgemeine Sicherheitswarnungen für Betonoberflächen-Schleifarbeiten:

1. **Dieses Elektrowerkzeug ist für den Einsatz als Betonschleifer mit Topfdiamantscheiben vorgesehen. Lesen Sie alle mit diesem Elektrowerkzeug gelieferten Sicherheitswarnungen, Anweisungen, Abbildungen und technischen Daten durch.** Eine Missachtung der unten aufgeführten Anweisungen kann zu einem elektrischen Schlag, Brand und/oder schweren Verletzungen führen.
2. **Arbeiten wie Schleifen mit Schleifscheiben, Schmirgeln, Drahtbürsten, Polieren, Lochschneiden oder Trennen dürfen mit diesem Elektrowerkzeug nicht durchgeführt werden.** Benutzungsweisen, für die das Elektrowerkzeug nicht ausgelegt ist, können Gefahren erzeugen und Personenschäden verursachen.
3. **Bauen Sie dieses Elektrowerkzeug nicht so um, dass es auf eine Weise betrieben wird, die nicht speziell vom Werkzeughersteller vorgesehen und angegeben ist.** Ein solcher Umbau kann zum Verlust der Kontrolle führen und schwere Personenschäden verursachen.
4. **Verwenden Sie kein Zubehör, das nicht speziell vom Werkzeughersteller ausgelegt und angegeben ist.** Die bloße Tatsache, dass ein Zubehörteil an Ihrem Elektrowerkzeug angebracht werden kann, gewährleistet noch keinen sicheren Betrieb.

5. **Die Nenndrehzahl des Zubehöerteils muss mindestens der am Elektrowerkzeug angegebenen Maximaldrehzahl entsprechen.** Zubehöerteile, die schneller als ihre Nenndrehzahl rotieren, können bersten und auseinander fliegen.
 6. **Außendurchmesser und Dicke des Zubehöerteils müssen innerhalb der Kapazitätsgrenzen Ihres Elektrowerkzeugs liegen.** Zubehöerteile der falschen Größe können nicht angemessen geschützt oder kontrolliert werden.
 7. **Die Abmessungen der Zubehöerbefestigung müssen mit den Abmessungen der Befestigungselemente des Elektrowerkzeugs übereinstimmen.** Zubehöerteile, die nicht genau auf die Befestigungselemente des Elektrowerkzeugs passen, laufen unrund, vibrieren übermäßig und können einen Verlust der Kontrolle verursachen.
 8. **Verwenden Sie keine beschädigten Zubehöerteile. Überprüfen Sie die Zubehöerteile vor jedem Gebrauch: z. B. Schleifscheiben auf Absplittungen und Risse, Schleifteller auf Risse, Brüche oder übermäßigen Verschleiß, Drahtbürsten auf lose oder rissige Drähte. Falls das Elektrowerkzeug oder das Zubehöerteil herunterfällt, überprüfen Sie es auf Beschädigung, oder montieren Sie ein unbeschädigtes Zubehöerteil. Achten Sie nach der Überprüfung und Installation eines Zubehöerteils darauf, dass Sie selbst und Umstehende nicht in der Rotationsebene des Zubehöerteils stehen, und lassen Sie das Elektrowerkzeug eine Minute lang mit maximaler Leerlaufdrehzahl laufen.** Ein beschädigtes Zubehöerteil bricht normalerweise während dieses Prozedurs auseinander.
 9. **Tragen Sie persönliche Schutzausrüstung. Benutzen Sie je nach der Arbeit einen Gesichtsschutz bzw. eine Sicherheits- oder Schutzbrille. Tragen Sie bei Bedarf eine Staubmaske, Ohrschützer, Handschuhe und eine Arbeitsschürze, die in der Lage ist, kleine Schleifpartikel oder Werkstücksplitter abzuwehren.** Der Augenschutz muss in der Lage sein, den bei verschiedenen Anwendungen anfallenden Flugstaub abzuwehren. Die Staubmaske oder Atemschutzmaske muss in der Lage sein, durch die spezielle Anwendung erzeugte Partikel herauszufiltern. Länger andauernde starke Lärmbelastung kann zu Gehörschäden führen.
 10. **Halten Sie Umstehende in sicherem Abstand vom Arbeitsbereich. Jeder, der den Arbeitsbereich betritt, muss persönliche Schutzausrüstung tragen.** Bruchstücke des Werkstücks oder eines beschädigten Zubehöerteils können weggeschleudert werden und Verletzungen über den unmittelbaren Arbeitsbereich hinaus verursachen.
 11. **Halten Sie das Elektrowerkzeug nur an den isolierten Griffflächen, wenn Sie Arbeiten ausführen, bei denen die Gefahr besteht, dass das Schneidzubehör verborgene Kabel oder das eigene Kabel kontaktiert.** Wenn das Schneidzubehör ein Strom führendes Kabel kontaktiert, können die freiliegenden Metallteile des Elektrowerkzeugs ebenfalls Strom führend werden, so dass der Benutzer einen elektrischen Schlag erleiden kann.
 12. **Halten Sie das Kabel vom rotierenden Zubehöerteil fern.** Falls Sie die Kontrolle verlieren, kann das Kabel durchgetrennt oder erfasst werden, so dass Ihre Hand oder Ihr Arm in das rotierende Zubehöerteil hineingezogen wird.
 13. **Legen Sie das Elektrowerkzeug erst ab, nachdem das Zubehöerteil zum vollständigen Stillstand gekommen ist.** Anderenfalls kann das rotierende Zubehöerteil die Oberfläche erfassen und das Elektrowerkzeug aus Ihren Händen reißen.
 14. **Lassen Sie das Elektrowerkzeug nicht laufen, während Sie es an Ihrer Seite tragen.** Das rotierende Zubehöerteil könnte sonst bei versehentlichem Kontakt Ihre Kleidung erfassen und auf Ihren Körper zu gezogen werden.
 15. **Reinigen Sie die Ventilationsöffnungen des Elektrowerkzeugs regelmäßig.** Der Lüfter des Motors saugt Staub in das Gehäuse an, und starke Ablagerungen von Metallstaub können elektrische Gefahren verursachen.
 16. **Betreiben Sie das Elektrowerkzeug nicht in der Nähe von brennbaren Materialien.** Funken könnten diese Materialien entzünden.
 17. **Verwenden Sie keine Zubehöerteile, die Kühlfüssigkeiten erfordern.** Die Verwendung von Wasser oder anderen Kühlfüssigkeiten kann zu Elektroschock oder Tod durch Stromschlag führen.
- Warnungen vor Rückschlag und damit zusammenhängenden Gefahren:**
Ein Rückschlag ist eine plötzliche Reaktion auf Klemmen oder Hängenbleiben der Schleifscheibe, des Schleiftellers, der Drahtbürste oder eines anderen Zubehöerteils. Klemmen oder Hängenbleiben verursacht sofortiges Stocken des rotierenden Zubehöerteils, was wiederum dazu führt, dass das außer Kontrolle geratene Elektrowerkzeug am Stockpunkt in die zur Drehrichtung des Zubehöerteils entgegengesetzte Richtung geschleudert wird.
Wenn beispielsweise eine Schleifscheibe vom Werkstück erfasst oder eingeklemmt wird, kann sich die in der Klemmpunkt eindringende Schleifscheibenkante in die Materialoberfläche bohren, so dass sie herauspringt oder zurückschlägt. Je nach der Drehrichtung der Schleifscheibe am Klemmpunkt kann die Schleifscheibe auf die Bedienungsperson zu oder von ihr weg springen. Schleifscheiben können unter solchen Bedingungen auch brechen.
Rückschlag ist das Resultat falscher Handhabung des Elektrowerkzeugs und/oder falscher Arbeitsverfahren oder -bedingungen und kann durch Anwendung der nachstehenden Vorsichtsmaßnahmen vermieden werden.
1. **Halten Sie das Elektrowerkzeug mit beiden Händen fest, und positionieren Sie Ihren Körper und Ihre Arme so, dass Sie die Rückschlagkräfte auffangen können. Benutzen Sie stets den Zusatzgriff, wenn vorhanden, um maximale Kontrolle über Rückschlag oder Drehbewegungen während des Anlaufs zu haben.** Drehbewegungen oder Rückschlagkräfte können kontrolliert werden, wenn entsprechende Vorkehrungen getroffen werden.
 2. **Legen Sie Ihre Hand niemals in die Nähe des rotierenden Zubehöerteils.** Bei einem Rückschlag könnte das Zubehöerteil Ihre Hand verletzen.

3. **Stellen Sie sich nicht in den Bereich, in den das Elektrowerkzeug bei Auftreten eines Rückschlags geschleudert wird.** Der Rückschlag schleudert das Werkzeug am Stockpunkt in die entgegengesetzte Drehrichtung der Schleifscheibe.
4. **Lassen Sie bei der Bearbeitung von Ecken, scharfen Kanten usw. besondere Vorsicht walten. Vermeiden Sie Prellen und Hängenbleiben des Zubehörs.** Ecken, scharfe Kanten oder Prellen führen leicht zu Hängenbleiben des rotierenden Zubehörteils und verursachen Verlust der Kontrolle oder Rückschlag.
5. **Bringen Sie keine Sägeketten, Holzfräsen, Segment-Diamantscheiben mit einem Randspalt von mehr als 10 mm oder gezahnte Sägeblätter an.** Solche Zubehörteile verursachen häufige Rückschläge und Verlust der Kontrolle.
9. **Verwenden Sie nur die für dieses Werkzeug vorgeschriebenen Flansche.**
10. **Vergewissern Sie sich, dass das Werkstück sicher abgestützt ist.**
11. **Beachten Sie, dass sich die Schleifscheibe nach dem Ausschalten des Werkzeugs noch weiterdreht.**
12. **Falls der Arbeitsplatz sehr heiß, feucht oder durch leitfähigen Staub stark verschmutzt ist, verwenden Sie einen Kurzschlusschalter (30 mA) zum Schutz des Bedieners.**
13. **Verwenden Sie dieses Werkzeug nicht zur Bearbeitung von asbesthaltigen Materialien.**

Sicherheitswarnungen speziell für Betonoberflächen-Schleifarbeiten:

1. **Verwenden Sie nur Schleifscheiben, die für Ihr Elektrowerkzeug empfohlen werden, und die für die ausgewählte Schleifscheibe vorgesehene Schutzhaube.** Schleifscheiben, die nicht für das Elektrowerkzeug geeignet sind, können nicht angemessen abgeschirmt werden und sind unsicher.
2. **Verwenden Sie stets unbeschädigte Scheibenflansche der korrekten Größe und Form für die ausgewählte Schleifscheibe.** Korrekte Scheibenflansche stützen die Schleifscheibe und reduzieren somit die Möglichkeit eines Scheibenbruchs.

Zusätzliche Sicherheitswarnungen:

1. **Installieren Sie vor dem Betrieb immer die Staubabsaughaube.**
2. **Achten Sie sorgfältig darauf, dass Spindel, Flansch (insbesondere die Ansatzfläche) und Sicherungsmutter nicht beschädigt werden. Eine Beschädigung dieser Teile kann zu einem Scheibenbruch führen.**
3. **Vergewissern Sie sich vor dem Einschalten des Werkzeugs, dass die Schleifscheibe nicht das Werkstück berührt.**
4. **Lassen Sie das Werkzeug vor der eigentlichen Bearbeitung eines Werkstücks eine Weile laufen. Achten Sie auf Vibrationen oder Taumelbewegungen, die Anzeichen für schlechte Montage oder eine schlecht ausgewuchtete Schleifscheibe sein können.**
5. **Lassen Sie das Werkzeug nicht unbeaufsichtigt laufen. Benutzen Sie das Werkzeug nur im handgeführten Einsatz.**
6. **Berühren Sie die Topfdiamantscheibe nicht unmittelbar nach dem Betrieb; sie kann extrem heiß sein und Ihre Haut verbrennen.**
7. **Befolgen Sie die Anweisungen des Herstellers für korrekte Montage und Verwendung von Schleifscheiben. Behandeln und lagern Sie Schleifscheiben mit Sorgfalt.**
8. **Benutzen Sie keine separaten Reduzierbuchsen oder Adapter zur Anpassung von Topfdiamantscheiben mit großem Lochdurchmesser.**

BEWAHREN SIE DIESE ANLEITUNG AUF.

⚠️ WARNUNG: Lassen Sie sich NICHT durch Bequemlichkeit oder Vertrautheit mit dem Produkt (durch wiederholten Gebrauch erworben) von der strikten Einhaltung der Sicherheitsregeln für das vorliegende Produkt abhalten. **MISSBRAUCH** oder Missachtung der Sicherheitsvorschriften in dieser Anleitung können schwere Personenschäden verursachen.

FUNKTIONSBESCHREIBUNG

⚠️ VORSICHT: Vergewissern Sie sich vor jeder Einstellung oder Funktionsprüfung des Werkzeugs stets, dass es ausgeschaltet und vom Stromnetz getrennt ist.

Anzeigelampe

► **Abb.1:** 1. Anzeigelampe

Die Anzeigelampe leuchtet grün auf, wenn das Werkzeug angeschlossen wird.
Leuchtet die Anzeigelampe nicht auf, ist möglicherweise das Netzkabel oder die Steuerschaltung defekt.
Läuft das Werkzeug trotz leuchtender Anzeigelampe nicht an, wenn es eingeschaltet wird, sind möglicherweise die Kohlebürsten abgenutzt, oder die Steuerschaltung, der Motor oder der EIN/AUS-Schalter ist defekt.

Spindelarreterung

⚠️ WARNUNG: Betätigen Sie die Spindelarreterung niemals bei rotierender Spindel. Dies kann schwere Verletzungen oder eine Beschädigung des Werkzeugs verursachen.

Drücken Sie die Spindelarreterung, um die Spindel zum Montieren oder Demontieren von Zubehör zu blockieren.

► **Abb.2:** 1. Spindelarreterung

Schalterfunktion

⚠ VORSICHT: Vergewissern Sie sich vor dem Anschließen des Werkzeugs an das Stromnetz stets, dass der Ein-Aus-Schalter ordnungsgemäß funktioniert und beim Loslassen in die AUS-Stellung zurückkehrt.

⚠ VORSICHT: Schalten Sie im Falle eines Stromausfalls oder bei versehentlicher Abschaltung, z. B. durch Abziehen des Netzkabels, unbedingt das Werkzeug aus. Anderenfalls kann das Werkzeug bei Wiederherstellung der Stromversorgung plötzlich anlaufen und einen Unfall oder Personenschäden verursachen.

Je nach Land gibt es drei Muster für die Schalterfunktion.

► **Abb.3:** 1. Ein-Aus-Schalter 2. Verriegelungshebel

Für Maschine mit Ausschaltsperr

Länderspezifisch

⚠ VORSICHT: Der Schalter kann zur Arbeiterleichterung bei längerem Einsatz in der EIN-Stellung verriegelt werden. Lassen Sie Vorsicht walten, wenn Sie den Schalter in der EIN-Stellung verriegeln, und halten Sie das Werkzeug mit festem Griff.

Zum Einschalten des Werkzeugs einfach den Ein-Aus-Schalter (in Richtung B) drücken. Zum Anhalten den Ein-Aus-Schalter loslassen.

Für Dauerbetrieb den Ein-Aus-Schalter betätigen (in Richtung B), und dann den Verriegelungshebel hineindrücken (in Richtung A).

Zum Ausrasten der Sperre den Ein-Aus-Schalter bis zum Anschlag hineindrücken (in Richtung B) und dann loslassen.

Für Werkzeug mit Einschaltsperr

Länderspezifisch

Um versehentliche Betätigung des Ein-Aus-Schalters zu verhüten, ist das Werkzeug mit einem Verriegelungshebel ausgestattet.

Zum Einschalten des Werkzeugs muss erst der Verriegelungshebel (in Richtung A) hineingedrückt werden, bevor der Ein-Aus-Schalter betätigt werden kann (in Richtung B). Zum Anhalten den Ein-Aus-Schalter loslassen.

ANMERKUNG: Betätigen Sie den Auslöseschalter nicht gewaltsam, ohne den Verriegelungshebel zu drücken. Dies kann zu Beschädigung des Schalters führen.

Für Werkzeug mit Ein- und Ausschaltsperr

Länderspezifisch (einschließlich Australien und Neuseeland)

⚠ VORSICHT: Der Schalter kann zur Arbeiterleichterung bei längerem Einsatz in der EIN-Stellung verriegelt werden. Lassen Sie Vorsicht walten, wenn Sie den Schalter in der EIN-Stellung verriegeln, und halten Sie das Werkzeug mit festem Griff.

Um versehentliche Betätigung des Ein-Aus-Schalters zu verhüten, ist das Werkzeug mit einem Verriegelungshebel ausgestattet. Zum Einschalten des Werkzeugs muss erst der Verriegelungshebel (in Richtung A) hineingedrückt werden, bevor der Ein-Aus-Schalter betätigt werden kann (in Richtung B). Zum Anhalten den Ein-Aus-Schalter loslassen.

Für Dauerbetrieb den Verriegelungshebel hineindrücken (in Richtung A), den Ein-Aus-Schalter betätigen (in Richtung B), und dann den Verriegelungshebel weiter hineindrücken (in Richtung C).

Zum Ausrasten der Sperre den Ein-Aus-Schalter bis zum Anschlag hineindrücken (in Richtung B) und dann loslassen.

ANMERKUNG: Betätigen Sie den Auslöseschalter nicht gewaltsam, ohne den Verriegelungshebel zu drücken. Dies kann zu Beschädigung des Schalters führen.

Funktion zur Verhütung eines versehentlichen Wiederanlaufs

Wenn Sie den Netzstecker bei eingeschaltetem Schalter einstecken, startet das Werkzeug nicht. Dabei blinkt die Anzeigelampe in Rot und zeigt an, dass die Funktion zur Verhütung eines versehentlichen Wiederanlaufs aktiv ist.

Um das Werkzeug zu starten, schalten Sie den Schalter aus und dann wieder ein.

Konstantdrehzahlregelung

Feines Finish wird ermöglicht, weil die Drehzahl selbst unter Belastung konstant gehalten wird.

Soft-Start-Funktion

Die Soft-Start-Funktion reduziert den Anlaufstoß.

Überlastschalter

Wenn die Belastung des Werkzeugs das zulässige Maß überschreitet, wird die Motorleistung reduziert, um den Motor vor Überhitzung zu schützen. Sobald die Belastung auf zulässige Werte abfällt, arbeitet das Werkzeug wieder normal.

Ebenschleifen

Nur für Modell PC5001C

Um eine Fläche zu glätten, muss die Grundplatte der Schleifmaschine auf die Diamantscheibe ausgerichtet werden.

Die Frontrolle sollte (mit Hilfe des Inbusschlüssels) nach oben auf die für die gewünschte Abtragsmenge erforderliche Höhe eingestellt werden.

- **Abb.4:** 1. Grundplatte 2. Inbusschlüssel
3. Frontrolle

Um die Menge des abgetragenen Materials (Beton) zu ändern, lösen Sie die Innensechskantschrauben am Grundplattenhalter mit dem Inbusschlüssel.

Heben oder senken Sie die Frontrolle, um den Abstand zwischen der Frontrolle und der Diamantscheibe einzustellen.

Die Differenz ist der Materialabtragungsbetrag. Sichern Sie dann die Innensechskantschrauben sehr sorgfältig.

- **Abb.5:** 1. Innensechskantschraube
2. Materialabtragungsbetrag

HINWEIS: Der maximale Materialabtrag sollte weniger als 4,0 mm betragen.

Kippen der Grundplatte für sanfteres Schleifen

Nur für Modell PC5001C

Um eine bestimmte Oberflächenrauigkeit oder -textur gleichmäßig zu entfernen, ist es hilfreich, die Grundplatte zu kippen.

Lösen Sie mit dem Inbusschlüssel die beiden Innensechskantschrauben, die die Grundplatte auf beiden Seiten sichern.

- **Abb.6:** 1. Grundplatte 2. Inbusschlüssel
3. Innensechskantschraube

Senken Sie mit einem Inbusschlüssel die drei Innensechskantschrauben an der Grundplatte durch Drehen im Uhrzeigersinn ab.

- **Abb.7:** 1. Inbusschlüssel
2. Innensechskantschraube

Benutzen Sie einen Winkel oder ein Lineal, um den gewünschten Grundplattenwinkel in Bezug auf die Diamantscheibe zu erhalten.

Sichern Sie dann sorgfältig die Innensechskantschrauben auf beiden Seiten der Grundplatte.

Stellen Sie die Mitte der Grundplatte in der Nähe der Scheibe so ein, dass sie auf gleicher Höhe wie die Scheibe liegt.

- **Abb.8:** 1. Gleiche Höhe 2. Winkel oder Lineal
3. Innensechskantschraube

ANMERKUNG: Nachdem die Grundplatte eingestellt ist, drehen Sie die drei Innensechskantschrauben an der Grundplatte gegen den Uhrzeigersinn, bis die Köpfe mit der Rückseite der Grundplatte bündig sind. Drehen Sie sie sachte, da sonst die Einstellung der Grundplatte verfälscht wird.

Einstellung der Grundplatte zum Ausgleich von Scheibenverschleiß

Nur für Modell PC5001C

Bei längerer Benutzung nutzt sich die Diamantscheibe ab, und es entsteht ein Spalt mit der Schleifoberfläche, so dass die Leistung nachlässt. Überprüfen Sie das Werkzeug nach jeweils 4 bis 5 Stunden der Benutzung. Falls die Oberflächen von Scheibe und Grundplatte nicht fluchten, lösen Sie die beiden Innensechskantschrauben, die die Grundplatte sichern. Drehen Sie drei Innensechskantschrauben an der Grundplatte im Uhrzeigersinn, und stellen Sie die Grundplatte so ein, dass sie mit der Scheibenoberfläche bündig ist. Ziehen Sie die Innensechskantschrauben, die die Grundplatte sichern, wieder fest an, und drehen Sie dann die Innensechskantschrauben geringfügig entgegen dem Uhrzeigersinn, damit sich die Innensechskantschrauben während des Betriebs nicht lösen können.

Einstellung des Staubfängers

- **Abb.9:** 1. Heben 2. Senken 3. Staubfänger 4. Schraube

Lösen Sie die Schraube, und stellen Sie die Höhe der Staubfängerbürste ein.

Die Staubfängerbürste sollte entweder bündig mit der Oberfläche der Diamantscheibe abschließen oder ganz knapp 0,5 mm darüber liegen (wenn das Werkzeug umgedreht ist). Falls sie nicht annähernd auf gleicher Höhe liegen, ist die Ansaugung/Aufnahme schlecht.

Ziehen Sie die Schraube nach der Einstellung unbedingt fest an. Um den Staubfänger einzustellen, fassen Sie ihn außen an; drehen Sie ihn im Uhrzeigersinn, um ihn anzuheben, und entgegen dem Uhrzeigersinn, um ihn abzusenken.

MONTAGE

⚠ VORSICHT: Vergewissern Sie sich vor der Ausführung von Arbeiten am Werkzeug stets, dass es ausgeschaltet und vom Stromnetz getrennt ist.

Anbringen und Abnehmen des Bügelgriffs

⚠ VORSICHT: Installieren Sie stets den Bügelgriff vor dem Betrieb.

⚠ VORSICHT: Vergewissern Sie sich vor dem Betrieb stets, dass die Schrauben am Bügelgriff einwandfrei festgezogen sind.

⚠ VORSICHT: Halten Sie den in der Abbildung angegebenen Griffbereich des Bügelgriffs fest. Halten Sie außerdem die Hand während des Betriebs vom Metallteil des Werkzeugs fern. Das Berühren des Metallteils kann zu einem Stromschlag führen, falls der Schneidaufsatz unerwartet stromführende Leitungen durchtrennt.

Montieren Sie den Bügelgriff am Werkzeug, wie in der Abbildung gezeigt, und ziehen Sie zwei Schrauben an, um ihn zu befestigen. Zum Abnehmen des Bügelgriffs wenden Sie das Montageverfahren umgekehrt an.

- **Abb.10:** 1. Schraube 2. Griffbereich

Anbringen oder Abnehmen einer Diamantscheibe

- **Abb.11:** 1. Sicherungsmutter
2. Sicherungsmutterschlüssel
3. Diamantscheibe 4. Spindelarreterierung

Um eine abgenutzte Diamantscheibe durch eine neue zu ersetzen, drücken Sie die Spindelarreterierung, um die Spindel zu fixieren, und lösen Sie dann die Sicherungsmutter mit Hilfe des mitgelieferten Sicherungsmutterschlüssels gegen den Uhrzeigersinn. Nehmen Sie die abgenutzte Diamantscheibe ab. Um eine neue zu installieren, wenden Sie das oben beschriebene Demontageverfahren umgekehrt an. Achten Sie beim Montieren einer Diamantscheibe immer darauf, die Sicherungsmutter fest anzuziehen.

HINWEIS: Die handelsüblichen Diamantscheiben haben keine Entlüftungslöcher, so dass der Staub nur schlecht abtransportiert werden kann. Falls das Installationsloch nicht den exakten Durchmesser hat, kommt es außerdem zu Vibrationen des Werkzeugs, was zu Unfällen führen kann. **BENUTZEN SIE IMMER EINE TOPFDIAMANTSCHLEIBE VON MAKITA.**

Montieren und Demontieren des Staubsacks

Um den Staubsaack zu installieren, schieben Sie den Staubsaack auf den Absaugstutzen. Achten Sie darauf, den Staubsaack bis zum Anschlag auf den Absaugstutzen zu schieben, damit er sich während des Betriebs nicht löst.

- **Abb.12:** 1. Staubsaack

Entfernen Sie den Staubsaack, wenn er beginnt, die Schnittfläche zu berühren. Dies ist ein Zeichen dafür, dass der Staubsaack voll ist.

Wenn der Staubsaack nicht geleert wird, führt dies zu einer schlechten Absaugung/Aufnahme.

Anschließen eines Sauggeräts

Sonderzubehör

- **Abb.13**

Um saubere Betonschleifarbeiten durchzuführen, schließen Sie ein Makita-Sauggerät an Ihr Werkzeug an. Schließen Sie dabei den Schlauch des Sauggeräts an die Düse an, wie in der Abbildung gezeigt.

BETRIEB

⚠VORSICHT: Halten Sie das Werkzeug **IMMER fest mit einer Hand am Gehäuse und mit der anderen am Zusatzgriff, wie in der Abbildung gezeigt.**

⚠VORSICHT: Vergewissern Sie sich vor der Arbeit, dass ein Sauggerät an das Werkzeug angeschlossen und eingeschaltet ist.

⚠VORSICHT: Benutzen Sie das Werkzeug **nicht mit einer beschädigten Staubfängerbürste.** Die Verwendung einer beschädigten Staubfängerbürste kann zu Verletzungen durch austretenden Staub führen.

Betonoberflächen-Schleifbetrieb

Montieren Sie stets den Zusatzgriff am Werkzeug vor der Arbeit. Halten Sie den Schaltergriff und den Zusatzgriff des Werkzeugs während der Arbeit mit beiden Händen fest.

- **Abb.14**

Schleifen in Ecken

Nur für Modell PC5000C

Um Ecken zu schleifen, lösen Sie die Innensechskantschraube, und entfernen Sie die Staubfängerkappe.

- **Abb.15:** 1. Innensechskantschraube
2. Staubfängerkappe

Nur für Modell PC5001C

1. Um Ecken zu schleifen, entfernen Sie die Innensechskantschraube, die den Rollenhalter und den Grundplattenhalter sichert, und nehmen Sie den gesamten Rollenhalter ab.

2. Lösen Sie die Innensechskantschraube, und entfernen Sie die Staubfängerkappe.

- **Abb.16:** 1. Staubfängerkappe 2. Rollenhalter
3. Innensechskantschraube 4. Sechskantschraube

Bringen Sie den Staubfänger entsprechend Ihrer Arbeit in eine geeignete Position.

- **Abb.17**

WARTUNG

⚠VORSICHT: Vergewissern Sie sich vor der Durchführung von Überprüfungen oder Wartungsarbeiten des Werkzeugs stets, dass es ausgeschaltet und vom Stromnetz getrennt ist.

ANMERKUNG: Verwenden Sie auf keinen Fall Benzin, Waschbenzin, Verdünner, Alkohol oder dergleichen. Solche Mittel können Verfärbung, Verformung oder Rissbildung verursachen.

Um die SICHERHEIT und ZUVERLÄSSIGKEIT dieses Produkts zu gewährleisten, sollten Reparaturen und andere Wartungs- oder Einstellarbeiten nur von Makita-Vertragswerkstätten oder Makita-Kundendienstzentren unter ausschließlicher Verwendung von Makita-Originalersatzteilen ausgeführt werden.

Austauschen der Staubfängerbürste

Um die Staubfängerbürste vom Staubfänger zu entfernen, fassen Sie ein Ende der Staubfängerbürste, und ziehen Sie sie langsam heraus.

Um die Staubfängerbürste zu installieren, richten Sie zunächst die beiden Enden der Staubfängerbürste auf die Nut des Staubfängers aus.

► **Abb.18**

Führen Sie dann die Staubfängerbürste mit einem Schlitzschraubendreher oder einem anderen geeigneten Werkzeug ganz in die Nut des Staubfängers ein.

► **Abb.19**

Auswechseln der Kohlebürsten

► **Abb.20:** 1. Verschleißgrenze

Überprüfen Sie die Kohlebürsten regelmäßig. Wechseln Sie sie aus, wenn sie bis zur Verschleißgrenze abgenutzt sind. Halten Sie die Kohlebürsten stets sauber, damit sie ungehindert in den Haltern gleiten können. Beide Kohlebürsten sollten gleichzeitig ausgewechselt werden. Verwenden Sie nur identische Kohlebürsten.

1. Drehen Sie die Bürstenhalterkappen mit einem Schraubendreher heraus.
2. Nehmen Sie die abgenutzten Kohlebürsten heraus, setzen Sie die neuen ein, und drehen Sie dann die Bürstenhalterkappen wieder ein.

► **Abb.21:** 1. Bürstenhalterkappe 2. Schraubendreher

SONDERZUBEHÖR

⚠ VORSICHT: Die folgenden Zubehörteile oder Vorrichtungen werden für den Einsatz mit dem in dieser Anleitung beschriebenen Makita-Werkzeug empfohlen. Die Verwendung anderer Zubehörteile oder Vorrichtungen kann eine Verletzungsgefahr darstellen. Verwenden Sie Zubehörteile oder Vorrichtungen nur für ihren vorgesehenen Zweck.

Wenn Sie weitere Einzelheiten bezüglich dieser Zubehörteile benötigen, wenden Sie sich bitte an Ihre Makita-Kundendienststelle.

- Topfdiamantscheibe
- Staubfängerbürste

HINWEIS: Manche Teile in der Liste können als Standardzubehör im Werkzeugsatz enthalten sein. Sie können von Land zu Land unterschiedlich sein.

DATI TECNICI

| Modello: | | PC5000C | PC5001C |
|--|--------------------|--------------------------------------|---------|
| Disco diamantato a tazza applicabile | Diametro max disco | 125 mm | |
| Filettatura mandrino | | M14 o 5/8" (a seconda della nazione) | |
| Lunghezza massima mandrino | | 10 mm | |
| Velocità a vuoto (n_0)/Velocità nominale (n) | | 10.000 min ⁻¹ | |
| Lunghezza totale | | 437 mm | 479 mm |
| Peso netto | | 4,0 kg | 5,1 kg |
| Classe di sicurezza | | □/II | |

- In conseguenza del nostro programma di ricerca e sviluppo continui, i dati tecnici nel presente manuale sono soggetti a modifiche senza preavviso.
- I dati tecnici possono variare da nazione a nazione.
- Peso in base alla procedura EPTA 01/2014

Simboli

Le figure seguenti mostrano i simboli utilizzati per l'apparecchio. Accertarsi di comprenderne il significato prima dell'uso.



Leggere il manuale d'uso.



Indossare occhiali di sicurezza.



Utilizzare sempre con due mani.



DOPIO ISOLAMENTO



Solo per le nazioni dell'EU
A causa della presenza di componenti pericolosi nelle apparecchiature, le apparecchiature elettriche ed elettroniche usate potrebbero produrre un impatto negativo sull'ambiente e sulla salute umana.
Non smaltire elettrodomestici elettrici ed elettronici insieme ai rifiuti domestici!
In conformità alla direttiva europea sui rifiuti di apparecchiature elettriche ed elettroniche (RAEE), e al suo adattamento alle normative nazionali, le apparecchiature elettriche ed elettroniche usate vanno sottoposte a raccolta differenziata e conferite a un punto di raccolta separato per i rifiuti comunali, operando in conformità alle normative per la protezione dell'ambiente.
Tale requisito viene indicato mediante il simbolo del bidone della spazzatura con ruote barrato apposto sull'apparecchio.

Utilizzo previsto

Questo utensile è destinato alla piallatura di superfici in calcestruzzo.

Alimentazione

L'utensile deve essere collegato a una fonte di alimentazione con la stessa tensione indicata sulla targhetta del nome, e può funzionare solo a corrente alternata monofase. L'utensile è dotato di doppio isolamento, per cui può essere utilizzato con prese elettriche sprovviste di messa a terra.

Rumore

Livello tipico di rumore pesato A determinato in base allo standard EN62841-2-3:

| Modello | Livello di pressione sonora (L_{pA}): (dB (A)) | Livello di potenza sonora (L_{WA}): (dB (A)) | Incertezza (K): (dB (A)) |
|---------|--|--|--------------------------|
| PC5000C | 90 | 98 | 3 |
| PC5001C | 90 | 98 | 3 |

NOTA: Il valore o i valori dichiarati delle emissioni di rumori sono stati misurati in conformità a un metodo standard di verifica, e possono essere utilizzati per confrontare un utensile con un altro.

NOTA: Il valore o i valori dichiarati delle emissioni di rumori possono venire utilizzati anche per una valutazione preliminare dell'esposizione.

⚠AVVERTIMENTO: Indossare protezioni per le orecchie.

⚠AVVERTIMENTO: L'emissione di rumori durante l'utilizzo effettivo dell'utensile elettrico può variare rispetto al valore o ai valori dichiarati, a seconda dei modi in cui viene utilizzato l'utensile e specialmente a seconda di che tipo di pezzo venga lavorato.

⚠AVVERTIMENTO: Accertarsi di identificare misure di sicurezza per la protezione dell'operatore che siano basate su una stima dell'esposizione nelle condizioni effettive di utilizzo (tenendo conto di tutte le parti del ciclo operativo, ad esempio del numero di spegnimenti dell'utensile e di quando giri a vuoto, oltre al tempo di attivazione).

Vibrazioni

Valore totale delle vibrazioni (somma vettoriale triassiale) determinato in base allo standard EN62841-2-3:

Modalità di lavoro: smerigliatura di superfici

| Modello | Emissione di vibrazioni ($a_{hv, AG}$): (m/s^2) | Incertezza (K): (m/s^2) |
|---------|---|-----------------------------|
| PC5000C | 3,7 | 1,5 |
| PC5001C | 8,0 | 1,5 |

NOTA: Il valore o i valori complessivi delle vibrazioni dichiarati sono stati misurati in conformità a un metodo standard di verifica, e possono essere utilizzati per confrontare un utensile con un altro.

NOTA: Il valore o i valori complessivi delle vibrazioni dichiarati possono venire utilizzati anche per una valutazione preliminare dell'esposizione.

⚠AVVERTIMENTO: L'emissione delle vibrazioni durante l'utilizzo effettivo dell'utensile elettrico può variare rispetto al valore o ai valori dichiarati, a seconda dei modi in cui viene utilizzato l'utensile, specialmente a seconda di che tipo di pezzo venga lavorato.

⚠AVVERTIMENTO: Accertarsi di identificare misure di sicurezza per la protezione dell'operatore che siano basate su una stima dell'esposizione nelle condizioni effettive di utilizzo (tenendo conto di tutte le parti del ciclo operativo, ad esempio del numero di spegnimenti dell'utensile e di quando giri a vuoto, oltre al tempo di attivazione).

⚠AVVERTIMENTO: Il valore di emissione delle vibrazioni dichiarato viene utilizzato per le applicazioni principali dell'utensile elettrico. Tuttavia, qualora l'utensile elettrico venga utilizzato per altre applicazioni, il valore di emissione delle vibrazioni potrebbe essere diverso.

Dichiarazione di conformità CE

Solo per i paesi europei

La dichiarazione di conformità CE è inclusa nell'Allegato A al presente manuale di istruzioni.

AVVERTENZE DI SICUREZZA

Avvertenze generali relative alla sicurezza dell'utensile elettrico

⚠AVVERTIMENTO: Leggere tutte le avvertenze di sicurezza, le istruzioni, le illustrazioni e i dati tecnici forniti con il presente utensile elettrico. La mancata osservanza di tutte le istruzioni elencate di seguito potrebbe risultare in scosse elettriche, incendi e/o gravi lesioni personali.

Conservare tutte le avvertenze e le istruzioni come riferimento futuro.

Il termine "utensile elettrico" nelle avvertenze si riferisce sia all'utensile elettrico (cablato) nel funzionamento alimentato da rete elettrica che all'utensile elettrico (a batteria) nel funzionamento alimentato a batteria.

Avvertenze di sicurezza relative alla pialla da muro per calcestruzzo

Avvertenze di sicurezza comuni per le operazioni di piallatura di superfici in calcestruzzo:

1. Questo utensile elettrico è destinato a funzionare come pialla da muro per calcestruzzo, con dischi diamantati a tazza. Leggere tutte le avvertenze di sicurezza, le istruzioni, le illustrazioni e i dati tecnici forniti con questo utensile elettrico. La mancata osservanza di tutte le istruzioni seguenti potrebbe risultare in scosse elettriche, incendi e/o gravi lesioni personali.

2. **Con questo utensile elettrico non vanno eseguite operazioni quali smerigliatura con dischi abrasivi, levigatura, spazzolatura metallica, lucidatura, foratura o troncatura.** Le operazioni per le quali l'utensile elettrico non è progettato potrebbero creare un pericolo e causare lesioni personali.
3. **Non convertire questo utensile elettrico per farlo funzionare in un modo che non sia specificamente progettato e specificato dal produttore dell'utensile.** Tale conversione potrebbe risultare in una perdita di controllo e causare gravi lesioni personali.
4. **Non utilizzare accessori che non siano specificamente progettati e specificati dal produttore dell'utensile.** La semplice possibilità di montare un accessorio sull'utensile elettrico utilizzato non ne garantisce un funzionamento sicuro.
5. **La velocità nominale dell'accessorio deve essere almeno pari alla velocità massima indicata sull'utensile elettrico.** Gli accessori che girano più velocemente della loro velocità nominale possono spaccarsi, e i frammenti possono venire scagliati via.
6. **Il diametro esterno e lo spessore dell'accessorio utilizzato devono rientrare nella capacità nominale dell'utensile elettrico utilizzato.** Non è possibile proteggere o controllare in modo appropriato accessori di dimensioni errate.
7. **Le dimensioni dell'attacco dell'accessorio devono corrispondere alle dimensioni dell'attacco di montaggio dell'utensile elettrico.** Gli accessori che non corrispondano all'attacco di montaggio dell'utensile elettrico funzionano in modo sbilanciato, vibrano eccessivamente e potrebbero causare la perdita di controllo.
8. **Non utilizzare accessori danneggiati. Prima di ciascun utilizzo, ispezionare l'accessorio e verificare l'eventuale presenza di: scheggiature o spaccature sulle mole abrasive; spaccature, lacerazioni o usura eccessiva sui platrelli di sostegno; fili metallici allentati o spaccati sulle spazzole metalliche. Qualora l'utensile elettrico o l'accessorio vengano fatti cadere, verificare l'eventuale presenza di danni o installare un accessorio non danneggiato. Dopo aver ispezionato e installato un accessorio, posizionare se stessi e gli astanti lontano dal piano di rotazione dell'accessorio, quindi far funzionare l'utensile elettrico alla massima velocità a vuoto per un minuto.** Gli accessori danneggiati in genere si rompono, durante questo periodo di prova.
9. **Indossare un'attrezzatura di protezione personale. A seconda dell'applicazione, utilizzare una visiera, occhiali oppure occhiali di sicurezza. A seconda delle esigenze, indossare una mascherina antipolvere, protezioni per l'udito, guanti e un grembiule da officina in grado di arrestare piccoli frammenti abrasivi o dei pezzi in lavorazione.** La protezione per gli occhi deve essere in grado di arrestare i frammenti volanti generati dalle varie applicazioni. La mascherina antipolvere o il respiratore devono essere in grado di filtrare le particelle generate dall'operazione specifica. L'esposizione prolungata al rumore ad alta intensità potrebbe causare la perdita dell'udito.
10. **Tenere gli astanti a distanza di sicurezza dall'area di lavoro. Chiunque entri nell'area di lavoro deve indossare un'attrezzatura di protezione personale.** I frammenti del pezzo in lavorazione o di un accessorio rotto potrebbero venire scagliati via e causare lesioni personali a una distanza superiore alle immediate vicinanze dell'operazione in corso.
11. **Mantenere l'utensile elettrico solo per le superfici di impugnatura isolate quando si esegue un'operazione in cui l'accessorio da taglio potrebbe entrare in contatto con fili elettrici nascosti o con il proprio cavo di alimentazione.** Qualora l'accessorio da taglio entri in contatto con un cavo sotto tensione, potrebbe mettere sotto tensione le parti metalliche esposte dell'utensile elettrico e trasmettere una scossa elettrica all'operatore.
12. **Posizionare il cavo di alimentazione a distanza dall'accessorio in rotazione.** Qualora si perda il controllo dell'utensile, il cavo di alimentazione potrebbe venire tagliato o restare impigliato, e la mano o il braccio dell'operatore potrebbero venire tirati nell'accessorio in rotazione.
13. **Non appoggiare mai l'utensile elettrico fino all'arresto completo dell'accessorio.** L'accessorio in rotazione potrebbe far presa sulla superficie e tirare l'utensile elettrico, facendone perdere il controllo all'operatore.
14. **Non far funzionare l'utensile elettrico mentre lo si trasporta sul proprio fianco.** Un contatto accidentale con l'accessorio in rotazione potrebbe far impigliare gli indumenti, attirando l'accessorio contro il corpo dell'operatore.
15. **Pulire regolarmente le aperture di ventilazione dell'utensile elettrico.** La ventola del motore attira le polveri all'interno dell'alloggiamento, e l'accumulo eccessivo di polvere metallica potrebbe causare pericoli di natura elettrica.
16. **Non far funzionare l'utensile elettrico in prossimità di materiali infiammabili.** Le scintille potrebbero incendiare tali materiali.
17. **Non utilizzare accessori che richiedano refrigeranti liquidi.** L'impiego di acqua o di altri refrigeranti liquidi potrebbe causare la folgorazione o scosse elettriche.

Contraccolpo e avvertenze correlate:

Il contraccolpo è una reazione improvvisa a un disco in rotazione, un platrello di sostegno, una spazzola o qualsiasi altro accessorio che resti incastrato o impigliato. Un accessorio in rotazione che resti incastrato o impigliato subisce un rapido stallo che, che a sua volta, spinge l'utensile elettrico fuori controllo nella direzione opposta alla rotazione dell'accessorio nel punto di inceppamento. Ad esempio, qualora una mola abrasiva resti incastrata o impigliata nel pezzo in lavorazione, il filo del disco che entra nel punto di inceppamento potrebbe scavare nella superficie del materiale, causando la fuoriuscita o il contraccolpo del disco verso l'esterno. Il disco potrebbe saltare verso l'operatore o lontano da quest'ultimo, a seconda della direzione del movimento del disco nel punto in cui si è incastrato. In queste condizioni, le mole abrasive potrebbero anche rompersi. Il contraccolpo è il risultato dell'uso improprio dell'utensile elettrico e/o di procedure o condizioni operative errate, e può essere evitato adottando le precauzioni appropriate indicate di seguito.

- Mantenere una salda presa sull'utensile elettrico con entrambe le mani, e posizionare il corpo e le braccia in modo da poter resistere alle forze dei contraccolpi. Per il massimo controllo dei contraccolpi o di reazioni di coppia durante l'avvio, utilizzare sempre il manico ausiliario, se in dotazione. L'operatore può controllare le reazioni di coppia o le forze dei contraccolpi, se adotta le precauzioni appropriate.
- Non posizionare mai le mani in prossimità dell'accessorio in rotazione. L'accessorio potrebbe saltare all'indietro sulla mano per un contraccolpo.
- Non posizionare il corpo nell'area in cui l'utensile elettrico si sposterebbe qualora si verificasse un contraccolpo. Il contraccolpo lancia l'utensile nella direzione opposta al movimento del disco sul punto in cui si è impigliato.
- Adottare particolare cautela quando si lavora negli angoli, con bordi acuti, e così via. Evitare di far rimbalzare e impigliare l'accessorio. Gli angoli, i bordi acuti o i rimbalzi tendono a far impigliare l'accessorio in rotazione e a causare la perdita di controllo o il contraccolpo.
- Non montare catene per seghe, lame da intaglio per legno, dischi diamantati a settori con distanza periferica tra i settori superiore a 10 mm o lame dentate. Queste lame causano frequenti contraccolpi e perdite di controllo.
- Non utilizzare boccole di riduzione o adattatori separati per adattare dischi diamantati a tazza con foro largo.
- Utilizzare esclusivamente le flange specificate per questo utensile.
- Accertarsi che il pezzo in lavorazione sia supportato correttamente.
- Tenere presente che il disco continua a girare dopo lo spegnimento dell'utensile.
- Qualora l'ambiente di lavoro sia estremamente caldo o umido, oppure notevolmente contaminato da polvere conduttiva, utilizzare un salvavita (da 30 mA) per garantire la sicurezza dell'operatore.
- Non utilizzare l'utensile su materiali contenenti amianto.

CONSERVARE LE PRESENTI ISTRUZIONI.

⚠AVVERTIMENTO: NON lasciare che comodità o la familiarità d'utilizzo con il prodotto (acquisita con l'uso ripetuto) sostituisca la stretta osservanza delle norme di sicurezza per il prodotto in questione. L'USO IMPROPRIO o la mancata osservanza delle norme di sicurezza indicate nel presente manuale di istruzioni potrebbero causare gravi lesioni personali.

Avvertenze di sicurezza specifiche per le operazioni di piallatura di superfici in calcestruzzo:

- Utilizzare solo i tipi di dischi consigliati per l'utensile elettrico utilizzato e la protezione specifica progettata per il disco selezionato. I dischi che non siano stati progettati per l'utensile elettrico non possono essere adeguatamente protetti e non sono sicuri.
- Utilizzare sempre flange dei dischi non danneggiate, di dimensione e forma corrette per il disco selezionato. Flange dei dischi corrette supportano i dischi, riducendo pertanto la possibilità di rottura dei dischi.

Avvertenze aggiuntive per la sicurezza:

- Installare sempre la protezione disco per raccolta polveri prima dell'uso.
- Fare attenzione a non danneggiare il mandrino, la flangia (soprattutto la superficie di installazione) o il controdisco. Il danneggiamento di queste parti potrebbe risultare nella rottura del disco.
- Accertarsi che il disco non sia in contatto con il pezzo in lavorazione prima dell'attivazione dell'interruttore.
- Prima di utilizzare l'utensile sul pezzo in lavorazione effettivo, lasciarlo girare per qualche momento. Osservare se siano presenti vibrazioni od ondeggiamenti, che potrebbero denotare un'installazione errata del disco o un disco bilanciato male.
- Non lasciare l'utensile in funzione. Far funzionare l'utensile solo mentre lo si impugna.
- Non toccare il disco diamantato a tazza subito dopo l'uso; la sua temperatura potrebbe essere estremamente elevata e potrebbe causare ustioni.
- Osservare le istruzioni del produttore per il corretto montaggio e utilizzo dei dischi. Maneggiare e conservare i dischi con cura.

DESCRIZIONE DELLE FUNZIONI

⚠ATTENZIONE: Accertarsi sempre che l'utensile sia spento e scollegato dall'alimentazione prima di regolare o controllare le sue funzioni.

Indicatore luminoso

► Fig.1: 1. Indicatore luminoso

L'indicatore luminoso si illumina in verde quando l'utensile è collegato alla presa elettrica.

Qualora l'indicatore luminoso non si illumini, il cavo di alimentazione o il dispositivo di controllo potrebbero essere guasti.

Qualora l'indicatore luminoso sia illuminato ma l'utensile non si avvia anche se viene acceso, le spazzole in carbonio potrebbero essere usurate, oppure il dispositivo di controllo, il motore o l'interruttore di accensione/spegnimento potrebbero essere guasti.

Blocco albero

⚠AVVERTIMENTO: Non utilizzare mai il blocco albero mentre il mandrino è in movimento. In caso contrario, si potrebbero causare lesioni personali o il danneggiamento dell'utensile.

Premere il blocco albero per impedire la rotazione del mandrino quando si intende installare o rimuovere gli accessori.

► Fig.2: 1. Blocco albero

Utilizzo dell'interruttore

⚠ATTENZIONE: Prima di collegare l'utensile all'alimentazione elettrica, controllare sempre che l'interruttore a grilletto funzioni correttamente e che torni sulla posizione "OFF" quando viene rilasciato.

⚠ATTENZIONE: Accertarsi di spegnere l'utensile in caso di mancanza di corrente o spegnimento accidentale, ad esempio qualora si scollegli il cavo di alimentazione. In caso contrario, l'utensile si avvia improvvisamente al ritorno dell'alimentazione elettrica, causando incidenti o lesioni personali.

A seconda della nazione, vi sono tre schemi di azionamento dell'interruttore.

► **Fig.3:** 1. Interruttore a grilletto 2. Leva di blocco

Per utensili dotati di interruttore bloccabile sullo stato di accensione

Specifica in base alla nazione

⚠ATTENZIONE: L'interruttore può essere bloccato sulla posizione "ON" per la comodità dell'operatore durante l'uso prolungato. Fare attenzione quando si blocca l'utensile sulla posizione "ON", e mantenere una salda presa sull'utensile.

Per avviare l'utensile, è sufficiente premere l'interruttore a grilletto (nella direzione B). Per arrestare l'utensile, rilasciare l'interruttore a grilletto.

Per il funzionamento continuo, premere l'interruttore a grilletto (nella direzione B), quindi far rientrare la leva di blocco (nella direzione A).

Per arrestare l'utensile dalla posizione bloccata, premere fino in fondo l'interruttore a grilletto (nella direzione B) e quindi rilasciarlo.

Per utensili dotati di interruttore di sblocco

Specifica in base alla nazione

Per evitare che l'interruttore a grilletto venga premuto accidentalmente, è fornita una leva di blocco.

Per avviare l'utensile, far rientrare la leva di blocco (nella direzione A), quindi premere l'interruttore a grilletto (nella direzione B). Per arrestare l'utensile, rilasciare l'interruttore a grilletto.

AVVISO: Non premere l'interruttore a grilletto con forza senza aver fatto rientrare la leva di blocco premendola. In caso contrario, si potrebbe causare la rottura dell'interruttore.

Per utensili dotati di interruttore bloccabile sullo stato di accensione e di interruttore di sblocco

A seconda della nazione (incluse Australia e Nuova Zelanda)

⚠ATTENZIONE: L'interruttore può essere bloccato sulla posizione "ON" per la comodità dell'operatore durante l'uso prolungato. Fare attenzione quando si blocca l'utensile sulla posizione "ON", e mantenere una salda presa sull'utensile.

Per evitare che l'interruttore a grilletto venga premuto accidentalmente, è fornita una leva di blocco.

Per avviare l'utensile, far rientrare la leva di blocco (nella direzione A), quindi premere l'interruttore a grilletto (nella direzione B). Per arrestare l'utensile, rilasciare l'interruttore a grilletto.

Per il funzionamento continuo, far rientrare la leva di blocco (nella direzione A), premere l'interruttore a grilletto (nella direzione B), quindi premere la leva di blocco (nella direzione C).

Per arrestare l'utensile dalla posizione bloccata, premere fino in fondo l'interruttore a grilletto (nella direzione B) e quindi rilasciarlo.

AVVISO: Non premere l'interruttore a grilletto con forza senza aver fatto rientrare la leva di blocco premendola. In caso contrario, si potrebbe causare la rottura dell'interruttore.

Funzione di prevenzione del riavvio accidentale

Quando si collega all'alimentazione elettrica l'utensile mentre l'interruttore è attivato, l'utensile non si avvia. In questa circostanza, l'indicatore luminoso lampeggia in rosso e mostra che si è attivata la funzione di prevenzione del riavvio accidentale.

Per avviare l'utensile, disattivare l'interruttore, quindi riattivarlo.

Controllo della velocità costante

Possibilità di ottenere una finitura precisa, poiché la velocità di rotazione viene mantenuta costantemente, anche in condizione di carico.

Funzione di avvio morbido

La funzione di avvio morbido riduce la reazione di avvio.

Protezione dal sovraccarico

Quando il carico sull'utensile eccede i livelli ammissibili, la potenza del motore viene ridotta per proteggere quest'ultimo dal surriscaldamento. Quando il carico torna a livelli ammissibili, l'utensile torna a funzionare normalmente.

Piallatura di livellamento

Solo per il modello PC5001C

Per livellare una superficie, la base della pialla va allineata con il disco diamantato.

Il rullo anteriore va regolato (utilizzando la chiave esagonale) verso l'alto sul livello richiesto per l'entità di rimozione del materiale desiderato.

► **Fig.4:** 1. Base 2. Chiave esagonale 3. Rullo anteriore

Per cambiare la quantità di materiale (calcestruzzo) rimosso, allentare i bulloni a esagono incassato sul supporto della base con la chiave esagonale.

Sollevare o abbassare il rullo anteriore per regolare la distanza tra il rullo anteriore e il disco diamantato.

La differenza corrisponde alla quantità di materiale da rimuovere.

Quindi, fissare con estrema cura i bulloni a esagono incassato.

► **Fig.5:** 1. Bullone a esagono incassato 2. Quantità di materiale da rimuovere

NOTA: Lo spessore massimo del materiale da rimuovere dovrebbe essere inferiore a 4,0 mm.

Inclinazione della base per una piallatura più uniforme

Solo per il modello PC5001C

Per una rimozione uniforme di una data rugosità o finitura di una superficie, è utile inclinare la base.

Utilizzare la chiave esagonale per allentare i due bulloni a esagono incassato che fissano la base da entrambi i lati.

► **Fig.6:** 1. Base 2. Chiave esagonale 3. Bullone a esagono incassato

Utilizzare una chiave esagonale per abbassare i tre bulloni a esagono incassato sulla base, ruotandoli in senso orario.

► **Fig.7:** 1. Chiave esagonale 2. Bullone a esagono incassato

Utilizzare una squadra o un righello per ottenere l'angolo della base desiderato in rapporto al disco diamantato.

Quindi, fissare con cura i bulloni a esagono incassato da entrambi i lati della base.

Regolare il centro della base vicino al disco in modo che sia allo stesso livello di quest'ultimo.

► **Fig.8:** 1. Stesso livello 2. Squadra o righello 3. Bullone a esagono incassato

AVVISO: Dopo la regolazione della base, ruotare i tre bulloni a esagono incassato sulla base in senso antiorario, fino a quando le teste sono allineate con il lato posteriore della base. Ruotarli delicatamente, altrimenti la regolazione della base viene disallineata.

Regolazione della base per compensare l'usura del disco

Solo per il modello PC5001C

Con un utilizzo prolungato il disco diamantato si usura, creando in tal modo uno spazio rispetto alla superficie di piallatura, e pertanto le prestazioni diventano scadenti. Controllare l'utensile ogni 4 o 5 ore di utilizzo.

Qualora le superfici del disco e della base non siano allineate, allentare i due bulloni a esagono incassato che fissano la base.

Ruotare in senso orario i tre bulloni a esagono incassato sulla base, quindi regolare la base in modo che sia allineata alla superficie del disco.

Serrare di nuovo saldamente i bulloni a esagono incassato che fissano la base, quindi ruotare leggermente i bulloni a esagono incassato in senso antiorario, in modo che non si allentino durante l'uso.

Regolazione della protezione antipolvere

► **Fig.9:** 1. Per sollevare 2. Per abbassare 3. Protezione antipolvere 4. Vite

Allentare la vite, quindi regolare il livello della spazzola della protezione antipolvere.

La spazzola della protezione antipolvere dovrebbe essere a filo con la superficie del disco diamantato o a una distanza massima di 0,5 mm al di sopra della superficie del disco diamantato (quando l'utensile è capovolto).

Qualora questi componenti non siano approssimativamente allo stesso livello, l'aspirazione e la raccolta saranno scadenti.

Dopo la regolazione, accertarsi di serrare saldamente la vite.

Per regolare la protezione antipolvere, afferrarla sul lato esterno; ruotarla in senso orario per sollevarla e in senso antiorario per abbassarla.

MONTAGGIO

ATTENZIONE: Accertarsi sempre che l'utensile sia spento e scollegato dall'alimentazione elettrica, prima di effettuare qualsiasi intervento su di esso.

Installazione o rimozione della maniglia ad anello

ATTENZIONE: Installare sempre la maniglia ad anello prima dell'uso.

ATTENZIONE: Accertarsi sempre che i bulloni sulla maniglia ad anello siano serrati saldamente prima dell'uso.

ATTENZIONE: Afferrare l'area di impugnatura della maniglia ad anello specificata nella figura. Inoltre, tenere la mano lontana dalla parte in metallo dell'utensile durante l'uso. Se si tocca la parte in metallo si potrebbe ricevere una scossa elettrica, qualora un filo elettrico sotto tensione venga tagliato inaspettatamente dall'accessorio da taglio.

Per installare la maniglia ad anello, montarla sull'utensile come indicato nella figura, quindi serrare due bulloni per fissarla.

Per rimuovere la maniglia ad anello, seguire la procedura di installazione al contrario.

► **Fig.10:** 1. Bullone 2. Area di impugnatura

Installazione o rimozione del disco diamantato

- **Fig.11:** 1. Controdado 2. Chiave per controdadi 3. Disco diamantato 4. Blocco albero

Per sostituire un disco diamantato usurato con uno nuovo, far rientrare il blocco albero premendolo, per tenere fermo l'albero, quindi allentare in senso antiorario il controdado con la chiave per controdadi fornita in dotazione.

Rimuovere il disco diamantato usurato.

Per installarne uno nuovo, seguire la procedura di rimozione al contrario.

Quando si intende installare un disco diamantato, accertarsi sempre di serrare saldamente il controdado.

NOTA: I dischi diamantati disponibili in commercio non sono dotati di fori di scarico, pertanto l'evacuazione delle polveri è scadente. Inoltre, qualora il foro di installazione non sia del diametro esatto, si verificano vibrazioni dell'utensile, e potrebbero verificarsi incidenti. **UTILIZZARE SEMPRE UN DISCO DIAMANTATO A TAZZA MAKITA.**

Installazione o rimozione del sacchetto polveri

Per installare il sacchetto polveri, farlo scivolare sull'apertura per le polveri.

Accertarsi di far scivolare completamente il sacchetto polveri sull'apertura per le polveri fino al suo arresto, affinché non si stacchi durante l'uso.

- **Fig.12:** 1. Sacchetto polveri

Rimuovere il sacchetto polveri quando inizia a toccare la superficie di taglio. Questa situazione indica che il sacchetto polveri è pieno.

Il mancato svuotamento del sacchetto polveri porta a un'aspirazione e a una raccolta scadenti.

Collegamento di un aspirapolvere

Accessorio opzionale

- **Fig.13**

Quando si intende effettuare un'operazione di piallatura del calcestruzzo pulita, collegare un aspirapolvere Makita all'utensile. Quindi, collegare un tubo flessibile dell'aspirapolvere alla bocchetta, come indicato nella figura.

FUNZIONAMENTO

ATTENZIONE: Tenere **SEMPRE** saldamente l'utensile con una mano sull'alloggiamento e l'altra sulla maniglia ausiliaria, come indicato nella figura.

ATTENZIONE: Prima dell'uso, accertarsi che un aspirapolvere sia collegato all'utensile e che sia acceso.

ATTENZIONE: Non utilizzare l'utensile con una spazzola della protezione antipolvere danneggiata. L'uso di una spazzola della protezione antipolvere danneggiata potrebbe causare lesioni personali dovute a fuoriuscite di polveri.

Operazione di piallatura di superfici in calcestruzzo

Installare sempre la maniglia ausiliaria sull'utensile prima dell'uso. Mantenere saldamente il manico con l'interruttore dell'utensile e la maniglia ausiliaria con entrambe le mani durante l'uso.

- **Fig.14**

Piallatura negli angoli

Solo per il modello PC5000C

Per piallare negli angoli, allentare il bullone a esagono incassato, quindi rimuovere la copertura della protezione antipolvere.

- **Fig.15:** 1. Bullone a esagono incassato
2. Copertura della protezione antipolvere

Solo per il modello PC5001C

1. Per piallare negli angoli, rimuovere il bullone esagonale che fissa il supporto del rullo al supporto della base, quindi rimuovere l'intero supporto del rullo.

2. Allentare il bullone a esagono incassato, quindi rimuovere la copertura della protezione antipolvere.

- **Fig.16:** 1. Copertura della protezione antipolvere
2. Supporto del rullo 3. Bullone a esagono incassato 4. Bullone esagonale

Regolare la protezione antipolvere in una posizione appropriata in base al lavoro da eseguire.

- **Fig.17**

MANUTENZIONE

ATTENZIONE: Accertarsi sempre che l'utensile sia spento e scollegato dall'alimentazione elettrica, prima di tentare di eseguire interventi di ispezione o manutenzione.

AVVISO: Non utilizzare mai benzina, benzene, solventi, alcol o altre sostanze simili. In caso contrario, si potrebbero causare scolorimenti, deformazioni o crepe.

Per preservare la SICUREZZA e l'AFFIDABILITÀ del prodotto, le riparazioni e qualsiasi altro intervento di manutenzione e di regolazione devono essere eseguiti da un centro di assistenza autorizzato Makita, utilizzando sempre ricambi Makita.

Sostituzione della spazzola della protezione antipolvere

Per rimuovere la spazzola della protezione antipolvere da quest'ultima, afferrare un'estremità della spazzola della protezione antipolvere ed estrarla lentamente.

Per installare la spazzola della protezione antipolvere, innanzitutto allineare entrambe le estremità della spazzola della protezione antipolvere con la scanalatura della protezione antipolvere.

- **Fig.18**

Quindi, inserire completamente la spazzola della protezione antipolvere nella scanalatura della protezione antipolvere, utilizzando un cacciavite a punta piatta o un altro utensile appropriato.

- **Fig.19**

Sostituzione delle spazzole in carbonio

► Fig.20: 1. Segno limite

Controllare a intervalli regolari le spazzole in carbonio. Sostituirle quando si sono usurate fino all'indicatore di limite. Mantenere sempre le spazzole in carbonio pulite e facili da inserire negli alloggiamenti. Entrambe le spazzole in carbonio vanno sostituite contemporaneamente. Utilizzare solo spazzole in carbonio identiche.

1. Utilizzare un cacciavite per rimuovere i cappucci degli alloggiamenti delle spazzole.
2. Estrarre le spazzole in carbonio consumate, inserire quelle nuove e fissare i cappucci degli alloggiamenti delle spazzole.

► Fig.21: 1. Cappuccio dell'alloggiamento della spazzola 2. Cacciavite

ACCESSORI OPZIONALI

⚠ATTENZIONE: Questi accessori o componenti aggiuntivi sono consigliati per l'uso con l'utensile Makita specificato nel presente manuale.

L'impiego di altri accessori o componenti aggiuntivi può costituire un rischio di lesioni alle persone. Utilizzare gli accessori o i componenti aggiuntivi solo per il loro scopo prefissato.

Per ottenere ulteriori dettagli relativamente a questi accessori, rivolgersi a un centro di assistenza Makita.

- Disco diamantato a tazza
- Spazzola della protezione antipolvere

NOTA: Alcuni articoli nell'elenco potrebbero essere inclusi nell'imballaggio dell'utensile come accessori standard. Tali articoli potrebbero variare da nazione a nazione.

TECHNISCHE GEGEVENS

| Model: | | PC5000C | PC5001C |
|---|---------------------|--|---------|
| Geschikte kornvormige diamantschijf | Max. schijfdiameter | 125 mm | |
| Asschroefdraad | | M14 of 5/8" (afhankelijk van het land) | |
| Max. aslengte | | 10 mm | |
| Onbelast toerental (n_0) / Nominaal toerental (n) | | 10.000 min ⁻¹ | |
| Totale lengte | | 437 mm | 479 mm |
| Nettogewicht | | 4,0 kg | 5,1 kg |
| Veiligheidsklasse | | □/II | |

- In verband met ononderbroken research en ontwikkeling behouden wij ons het recht voor bovenstaande technische gegevens te wijzigen zonder voorafgaande kennisgeving.
- De technische gegevens kunnen van land tot land verschillen.
- Gewicht volgens EPTA-procedure 01/2014

Symbolen

Hieronder staan de symbolen die voor het gereedschap kunnen worden gebruikt. Zorg ervoor dat u de betekenis ervan kent voordat u het gereedschap gaat gebruiken.



Lees de gebruiksaanwijzing.



Draag een veiligheidsbril.



Bedien altijd met twee handen.



DUBBEL GEÏSOLEERD



Alleen voor EU-landen
Als gevolg van de aanwezigheid van schadelijke componenten in het apparaat, kunnen gebruikte elektrische en elektronische apparaten negatieve gevolgen hebben voor het milieu en de gezondheid van mensen.

Gooi elektrische en elektronische apparaten niet met het huisvuil weg!
In overeenstemming met de Europese richtlijn inzake oude elektrische en elektronische apparaten en de toepassing daarvan binnen de nationale wetgeving, dienen gebruikte elektrische en elektronische apparaten gescheiden te worden ingezameld en te worden ingeleverd bij een apart inzamelingspunt voor huishoudelijk afval dat de milieubeschermingsvoorschriften in acht neemt.

Dit wordt op het apparaat aangegeven door het symbool van een doorgekruiste afvalcontainer.

Gebruiksdoeleinden

Het gereedschap is bedoeld om beton te schuren.

Voeding

Het gereedschap mag alleen worden aangesloten op een voeding van dezelfde spanning als aangegeven op het typeplaatje, en kan alleen worden gebruikt op enkelfase-wisselstroom. Het gereedschap is dubbel-geïsoleerd en kan derhalve ook op een niet-geaard stop-contact worden aangesloten.

Geluidsniveau

De typische, A-gewogen geluidsniveaus zijn gemeten volgens EN62841-2-3:

| Model | Geluidsdrukniveau (L_{pA}): (dB (A)) | Geluidsvermogeniveau (L_{wA}): (dB (A)) | Onzekerheid (K): (dB (A)) |
|---------|--|---|---------------------------|
| PC5000C | 90 | 98 | 3 |
| PC5001C | 90 | 98 | 3 |

OPMERKING: De opgegeven geluidsemissiewaarde(n) is/zijn gemeten volgens een standaardtestmethode en kan/kunnen worden gebruikt om dit gereedschap te vergelijken met andere gereedschappen.

OPMERKING: De opgegeven geluidsemissiewaarde(n) kan/kunnen ook worden gebruikt voor een beoordeling vooraf van de blootstelling.

⚠ WAARSCHUWING: Draag gehoorbescherming.

⚠ WAARSCHUWING: De geluidsemissie tijdens het gebruik van het elektrisch gereedschap in de praktijk kan verschillen van de opgegeven waarde(n) afhankelijk van de manier waarop het gereedschap wordt gebruikt, met name van het soort werkstuk waarmee wordt gewerkt.

⚠ WAARSCHUWING: Zorg ervoor dat veiligheidsmaatregelen worden getroffen ter bescherming van de gebruiker die zijn gebaseerd op een schatting van de blootstelling onder praktijkomstandigheden (rekening houdend met alle fasen van de bedrijfscyclus, zoals de tijdsduur gedurende welke het gereedschap is uitgeschakeld en stationair draait, naast de ingeschakelde tijdsduur).

Trilling

De totale trillingswaarde (triaxiale vectorsom) zoals vastgesteld volgens EN62841-2-3:

Toepassing: oppervlak slijpen

| Model | Trillingsemissie ($a_{h, Aeq}$): (m/s ²) | Onzekerheid (K): (m/s ²) |
|---------|--|--------------------------------------|
| PC5000C | 3,7 | 1,5 |
| PC5001C | 8,0 | 1,5 |

OPMERKING: De totale trillingswaarde(n) is/zijn gemeten volgens een standaardtestmethode en kan/kunnen worden gebruikt om dit gereedschap te vergelijken met andere gereedschappen.

OPMERKING: De opgegeven totale trillingswaarde(n) kan/kunnen ook worden gebruikt voor een beoordeling vooraf van de blootstelling.

⚠ WAARSCHUWING: De trillingsemissie tijdens het gebruik van het elektrisch gereedschap in de praktijk kan verschillen van de opgegeven waarde(n) afhankelijk van de manier waarop het gereedschap wordt gebruikt, met name van het soort werkstuk waarmee wordt gewerkt.

⚠ WAARSCHUWING: Zorg ervoor dat veiligheidsmaatregelen worden getroffen ter bescherming van de gebruiker die zijn gebaseerd op een schatting van de blootstelling onder praktijkomstandigheden (rekening houdend met alle fasen van de bedrijfscyclus, zoals de tijdsduur gedurende welke het gereedschap is uitgeschakeld en stationair draait, naast de ingeschakelde tijdsduur).

⚠ WAARSCHUWING: De opgegeven trillingsemissiewaarde geldt voor de voornaamste toepassingen van het elektrisch gereedschap. Als het elektrisch gereedschap echter voor andere toepassingen wordt gebruikt, kan de trillingsemissiewaarde daarvoor anders zijn.

EG-verklaring van conformiteit

Alleen voor Europese landen

De EG-verklaring van conformiteit is bijgevoegd als Bijlage A bij deze gebruiksaanwijzing.

VEILIGHEIDSWAARSCHUWINGEN

Algemene veiligheidswaarschuwingen voor elektrisch gereedschap

⚠ WAARSCHUWING: Lees alle veiligheidswaarschuwingen, aanwijzingen, afbeeldingen en technische gegevens behorend bij dit elektrische gereedschap aandachtig door. Als u niet alle onderstaande aanwijzingen naleeft, kan dat resulteren in brand, elektrische schokken en/of ernstig letsel.

Bewaar alle waarschuwingen en instructies om in de toekomst te kunnen raadplegen.

De term "elektrisch gereedschap" in de veiligheidsvoorschriften duidt op gereedschappen die op stroom van het lichtnet werken (met snoer) of gereedschappen met een accu (snoerloos).

Veiligheidswaarschuwingen voor een betonschuurmachine

Gemeenschappelijke veiligheidswaarschuwingen voor schuurwerkzaamheden op betonnen oppervlakken:

1. Dit gereedschap is bedoeld om te werken als een betonschuurmachine met een komvormige diamantschijf. Lees alle veiligheidswaarschuwingen, instructies, afbeeldingen en technische gegevens die bij dit elektrisch gereedschap worden geleverd. Als u nalaat alle onderstaande instructies te volgen, kan dit leiden tot een elektrische schok, brand en/of ernstig letsel.

2. **Werkzaamheden zoals slijpen met een slijpschijf, schuren, draadborstelen, polijsten, gat slijpen of doorslijpen mogen niet worden uitgeoefend met dit elektrisch gereedschap.** Werkzaamheden waarvoor dit elektrisch gereedschap niet is bedoeld kunnen gevaarlijke situaties opleveren en tot persoonlijk letsel leiden.
 3. **Bouw dit elektrisch gereedschap niet om zodat u het kunt gebruiken op een manier waarvoor het niet specifiek is ontworpen en die niet wordt vermeld door de fabrikant van het gereedschap.** Dergelijk ombouwen kan leiden tot verlies van controle over het gereedschap en ernstig persoonlijk letsel veroorzaken.
 4. **Gebruik geen accessoires die niet specifiek zijn ontworpen en vermeld door de fabrikant van het gereedschap.** Ook wanneer het accessoire kan worden aangebracht op uw elektrisch gereedschap, is een veilige werking niet gegarandeerd.
 5. **Het nominale toerental van het accessoire moet minstens gelijk zijn aan het maximumtoerental vermeld op het elektrisch gereedschap.** Accessoires die met een hoger toerental draaien dan hun nominaal toerental kunnen stuk breken en in het rond vliegen.
 6. **De buitendiameter en de dikte van het accessoire moeten binnen het capaciteitsbereik van het elektrisch gereedschap vallen.** Accessoires met verkeerde afmetingen kunnen niet afdoende worden afgeschermd of beheerst.
 7. **De afmetingen van het bevestigingspunt van het accessoire moet overeenkomen met de afmetingen van de bevestigingshardware van het elektrisch gereedschap.** Accessoires die niet overeenkomen met de bevestigingshardware van het elektrisch gereedschap, zullen niet gebalanceerd draaien en buitensporig trillen, en kunnen leiden tot verlies van controle over het gereedschap.
 8. **Gebruik nooit een beschadigd accessoire.** Inspecteer het accessoire vóór ieder gebruik, bijvoorbeeld een slijpschijf op ontbrekende schijfers en barsten; een rugschijf op barsten, scheuren of buitensporige slijtage; en een draadborstel op losse of gebroken draden. Nadat het elektrisch gereedschap of accessoire is gevallen, inspecteert u het op schade of monteert u een onbeschadigd accessoire. Na inspectie en montage van een accessoire, zorgt u ervoor dat u en omstanders niet in het rotatievlak van het accessoire staan, en laat u het elektrisch gereedschap draaien op het maximale, onbelaste toerental gedurende één minuut. Beschadigde accessoires breken normaal gesproken in stukken gedurende deze testduur.
 9. **Gebruik persoonlijke-beschermingsmiddelen.** Afhankelijk van de toepassing gebruikt u een spatscherm, een beschermende bril of een veiligheidsbril. Al naar gelang de toepassing draagt u een stofmasker, gehoorbeschermers, handschoenen en een werkschoort die in staat zijn kleine stukjes slijpsel of werkstukfragmenten te weerstaan. De oogbescherming moet in staat zijn rondvliegend afval te stoppen dat ontstaat bij de diverse toepassingen. Het stofmasker of ademhalingsapparaat moet in staat zijn deeltjes te filteren die ontstaan bij de betreffende toepassing. Langdurige blootstelling aan hard lawaai kan uw gehoor aantasten.
 10. **Houd omstanders op veilige afstand van het werkgebied.** Iedereen die zich binnen het werkgebied begeeft, moet persoonlijke-beschermingsmiddelen gebruiken. Fragmenten van het werkstuk of van een uiteengevallen accessoire kunnen rondvliegen en letsel veroorzaken buiten de onmiddellijk werkomgeving.
 11. **Houd elektrisch gereedschap uitsluitend vast aan het geïsoleerde oppervlak van de handgrepen wanneer u werkt op plaatsen waar het slijpaccessoire met verborgen bedrading of zijn eigen snoer in aanraking kan komen.** Wanneer het slijpaccessoire in aanraking komt met onder spanning staande draden, zullen de niet-geïsoleerde metalen delen van het gereedschap onder spanning komen te staan zodat de gebruiker een elektrische schok kan krijgen.
 12. **Houd het snoer goed uit de buurt van het ronddraaiende accessoire.** Als u de controle over het gereedschap verliest, kan het snoer worden doorsneden of bekneld raken, en kan uw hand of arm tegen het ronddraaiende accessoire worden getrokken.
 13. **Leg het elektrisch gereedschap nooit neer voordat het accessoire volledig tot stilstand is gekomen.** Het ronddraaiende accessoire kan de ondergrond pakken zodat u de controle over het elektrisch gereedschap verliest.
 14. **Laat het elektrisch gereedschap niet draaien terwijl u het naast u draagt.** Als het ronddraaiende accessoire u per ongeluk raakt, kan het verstrikt raken in uw kleding waardoor het accessoire in uw lichaam wordt getrokken.
 15. **Maak de ventilatieopeningen van het elektrisch gereedschap regelmatig schoon.** De ventilator van de motor zal het stof de behuizing in trekken, en een grote opeenhoping van metaalslijpsel kan leiden tot elektrisch gevaarlijke situaties.
 16. **Gebruik het elektrisch gereedschap niet in de buurt van brandbare materialen.** Vonken kunnen deze materialen doen ontvlammen.
 17. **Gebruik geen accessoires die met vloeistof moeten worden gekoeld.** Het gebruik van water of andere vloeibare koelmiddelen kan leiden tot elektrocutie of elektrische schokken.
- Terugslag en aanverwante waarschuwingen:**
 Terugslag is een plotselinge reactie op een beknelde of vastgelopen draaiende schijf, rugschijf, borstel of enig ander accessoire. Beknellen of vastlopen veroorzaakt een snelle stilstand van het draaiende accessoire dat op zijn beurt ertoe leidt dat het elektrisch gereedschap zich ongecontroleerd beweegt in de tegenovergestelde richting van de draairichting van het accessoire op het moment van vastlopen.
 Bijvoorbeeld, als een slijpschijf bekneld raakt of vastloopt in het werkstuk, kan de rand van de schijf die het beknellingspunt ingaat, zich invreten in het oppervlak van het materiaal waardoor de schijf eruit klimt of eruit slaat. De schijf kan daarbij naar de gebruiker toe of weg springen, afhankelijk van de draairichting van de schijf op het beknellingspunt. Slijpschijven kunnen in dergelijke situaties ook breken.
 Terugslag is het gevolg van misbruik van het elektrisch gereedschap en/of onjuiste gebruiksprocedures of -omstandigheden, en kan worden voorkomen door goede voorzorgsmaatregelen te treffen, zoals hieronder vermeld.

- Houd het elektrisch gereedschap stevig met beide handen vast en houd uw armen en lichaam zodanig dat u in staat bent een terugslag op te vangen. Gebruik altijd de extra handgreep (indien aanwezig) voor een maximale controle over het gereedschap in geval van terugslag en de koppelreactiekrachten bij het starten. De gebruiker kan een terugslag of de koppelreactiekrachten opvangen indien de juiste voorzorgsmaatregelen worden getroffen.
- Plaats uw hand nooit in de buurt van het draaiende accessoire. Het accessoire kan terugslaan over uw hand.
- Plaats uw lichaam niet in het gebied waar het elektrisch gereedschap naar toe gaat wanneer een terugslag optreedt. Een terugslag zal het gereedschap bewegen in de tegenovergestelde richting van de draairichting van de schijf op het moment van beknellen.
- Wees bijzonder voorzichtig bij het werken met hoeken, scherpe randen, enz. Voorkom dat het accessoire springt of bekneld raakt. Hoeken, scherpe randen of springen veroorzaken vaak beknellen van het draaiende accessoire wat leidt tot terugslag of verlies van controle over het gereedschap.
- Bevestig geen kettingsschijf, gesegmenteerde diamantschijf met randopeningen van meer dan 10 mm, of getand zaagblad. Dergelijke bladen leiden vaak tot terugslag of verlies van controle over het gereedschap.
- Gebruik geen afzonderlijke verloopbussen of adapters om een komvormige diamantschijf met een groot asgat aan dit gereedschap aan te passen.
- Gebruik uitsluitend flenzen die geschikt zijn voor dit gereedschap.
- Zorg ervoor dat het werkstuk goed ondersteund is.
- Houd er rekening mee dat de schijf nog een tijdje blijft draaien nadat het gereedschap is uitgeschakeld.
- Indien de werkplaats uiterst warm en vochtig is, of erg verontreinigd is met geleidend stof, gebruikt u een kortsluitstroomonderbreker (30 mA) om de veiligheid van de gebruiker te verzekeren.
- Gebruik het gereedschap niet op materialen die asbest bevatten.

BEWAAR DEZE INSTRUCTIES.

⚠WAARSCHUWING: Laat u NIET misleiden door een vals gevoel van comfort en bekendheid met het gereedschap (na veelvuldig gebruik) en neem alle veiligheidsvoorschriften van het betreffende gereedschap altijd strikt in acht. **VERKEERD GEBRUIK** of het niet naleven van de veiligheidsvoorschriften in deze gebruiksaanwijzing kan leiden tot ernstig persoonlijk letsel.

Specifiek veiligheidswaarschuwingen voor schuurwerkzaamheden op betonnen oppervlakken:

- Gebruik uitsluitend schijven van het type aanbevolen voor uw elektrisch gereedschap en de specifieke beschermkap voor de te gebruiken schijf. Schijven waarvoor het elektrisch gereedschap niet is ontworpen, kunnen niet goed worden afgeschermd en zijn niet veilig.
- Gebruik altijd onbeschadigde schijfflenzen van de juiste afmetingen en vorm voor de te gebruiken schijf. Een goede schijfflens ondersteunt de schijf en verkleint daarmee de kans op het breken van de schijf.

Aanvullende veiligheidswaarschuwingen:

- Breng altijd de stofbeschermkap aan voordat u het gereedschap gebruikt.
- Let erop dat u de as, de flens (met name de montagekant) en de borgmoer niet beschadigt. Als deze onderdelen beschadigd raken, kan de schijf breken.
- Zorg ervoor dat de schijf niet in aanraking is met het werkstuk voordat u het gereedschap hebt ingeschakeld.
- Laat gereedschap een tijdje draaien voordat u het op het werkstuk gaat gebruiken. Controleer op trillingen of schommelingen die op onjuiste montage of een slecht uitgebalanceerd schijf kunnen wijzen.
- Laat het gereedschap niet ingeschakeld liggen. Schakel het gereedschap alleen in wanneer u het vasthoudt.
- Raak de komvormige diamantschijf niet onmiddellijk na gebruik aan. Deze kan bijzonder heet zijn en brandwonden op uw huid veroorzaken.
- Houd u aan de instructies van de fabrikant voor het juist aanbrengen en gebruiken van de schijven. Behandel de schijven voorzichtig en berg deze met zorg op.

BESCHRIJVING VAN DE FUNCTIES

⚠LET OP: Controleer altijd of het gereedschap is uitgeschakeld en de stekker ervan uit het stopcontact is verwijderd alvorens de functies op het gereedschap te controleren of af te stellen.

Indicatielampje

► Fig.1: 1. Indicatielampje

Het indicatielampje brandt groen wanneer de stekker van het gereedschap in het stopcontact zit.

Als het indicatielampje niet brandt, kan het netsnoer of de regelaar stuk zijn.

Als het indicatielampje brandt, maar het gereedschap niet start ondanks dat het gereedschap ingeschakeld is, kunnen de koolborstels versleten zijn, of kan de regelaar, de motor of de aan-uitschakelaar kapot zijn.

Asvergrendeling

⚠WAARSCHUWING: Bedien de asvergrendeling nooit terwijl de as draait. Dit kan ernstig letsel of beschadiging van het gereedschap veroorzaken.

Druk de asvergrendeling in om te voorkomen dat de as meedraait wanneer u accessoires aanbrengt of verwijderd.

► Fig.2: 1. Asvergrendeling

Werking van de schakelaar

⚠️ LET OP: Controleer altijd, voordat u de stekker in het stopcontact steekt, of de trekkerschakelaar op de juiste manier schakelt en weer terugkeert naar de uit-stand nadat deze is losgelaten.

⚠️ LET OP: Denk eraan het gereedschap uit te schakelen in geval van een stroomstoring of per ongeluk uitschakelen, zoals wanneer de stekker uit het stopcontact wordt getrokken. Anders zal het gereedschap onverwacht worden ingeschakeld zodra de stroomvoorziening hersteld is, waardoor een ongeluk of persoonlijk letsel kan ontstaan.

De schakelaar kan, afhankelijk van het land, op drie verschillende manieren werken.

► **Fig.3:** 1. Trekkerschakelaar 2. Vergrendelhendel

Voor gereedschap met een inschakelvergrendeling

Afhankelijk van het land

⚠️ LET OP: De schakelaar kan worden vergrendeld in de aan-stand ten behoeve van het gebruikersgemak bij langdurig gebruik. Wees extra voorzichtig wanneer u de schakelaar in de aan-stand vergrendelt en houd het gereedschap altijd stevig vast.

Om het gereedschap te starten, knijpt u gewoon de trekkerschakelaar in (in de richting B). Laat de trekkerschakelaar los om het gereedschap te stoppen. Voor continu-bedrijf knijpt u de trekkerschakelaar in (in de richting B) en duwt u vervolgens tegen de vergrendelhendel (in de richting A).

Om het gereedschap te stoppen vanuit de vergrendelde stand, knijpt u de trekkerschakelaar helemaal in (in de richting B) en laat u hem los.

Voor gereedschap met een uit-vergrendeling

Afhankelijk van het land

Om te voorkomen dat de trekkerschakelaar per ongeluk wordt ingeknepen, is een vergrendelhendel aangebracht.

Om het gereedschap te starten, duwt u tegen de vergrendelhendel (in de richting A) en knijpt u vervolgens de trekkerschakelaar in (in de richting B). Laat de trekkerschakelaar los om het gereedschap te stoppen.

KENNISGEVING: Knijp de trekkerschakelaar niet hard in zonder de vergrendelhendel te bedienen. Hierdoor kan de schakelaar kapot gaan.

Voor gereedschap met een inschakelvergrendeling en een uit-vergrendeling

Afhankelijk van het land (inclusief Australië en Nieuw-Zeeland)

⚠️ LET OP: De schakelaar kan worden vergrendeld in de aan-stand ten behoeve van het gebruikersgemak bij langdurig gebruik. Wees extra voorzichtig wanneer u de schakelaar in de aan-stand vergrendelt en houd het gereedschap altijd stevig vast.

Om te voorkomen dat de trekkerschakelaar per ongeluk wordt ingeknepen, is een vergrendelhendel aangebracht.

Om het gereedschap te starten, duwt u tegen de vergrendelhendel (in de richting A) en knijpt u vervolgens de trekkerschakelaar in (in de richting B). Laat de trekkerschakelaar los om het gereedschap te stoppen.

Voor continu-bedrijf duwt u tegen de vergrendelhendel (in de richting A), knijpt u de trekkerschakelaar in (in de richting B) en trekt u vervolgens aan de vergrendelhendel (in de richting C).

Om het gereedschap te stoppen vanuit de vergrendelde stand, knijpt u de trekkerschakelaar helemaal in (in de richting B) en laat u hem los.

KENNISGEVING: Knijp de trekkerschakelaar niet hard in zonder de vergrendelhendel te bedienen. Hierdoor kan de schakelaar kapot gaan.

Beveiliging tegen onopzettelijk herstarten

Wanneer de stekker van het gereedschap in het stopcontact wordt gestoken terwijl de schakelaar in de aan-stand staat, start het gereedschap niet.

Op dat moment knippert het indicatielampje rood waarmee wordt aangegeven dat de beveiligingsfunctie tegen onopzettelijk herstarten werkt.

Om het gereedschap te starten, schakelt u de schakelaar uit en weer in.

Constance-snelheidsregeling

Maakt een gladde afwerking mogelijk omdat het toeren-tal constant wordt gehouden, zelfs bij belasting.

Zachte-startfunctie

De zachte-startfunctie voorkomt abrupt schoksgewijs inschakelen.

Overbelastingsbeveiliging

Wanneer de belasting van het gereedschap het toelaatbare niveau overschrijdt, wordt de voeding naar de motor verlaagd om te voorkomen dat deze oververhit raakt. Wanneer de belasting weer op een toelaatbaar niveau komt, zal het gereedschap weer normaal werken.

Flakschuren

Alleen voor model PC5001C

Om een oppervlak vlak te schuren, moet de zool van de schuurmachine zijn uitgelijnd met de diamantschijf. De rol op de voorkant moet omhoog worden afgesteld (met behulp van de inbussleutel) tot de dikte van de te verwijderen gewenste hoeveelheid materiaal.

► **Fig.4:** 1. Zool 2. Inbussleutel 3. Rol op de voorkant

Om de te verwijderen hoeveelheid materiaal (beton) te veranderen, draait u de inbusbouten op de zoolhouder los met behulp van de inbussleutel.

Stel de rol op de voorkant hoger of lager af om de het hoogteverschil tussen de rol op de voorkant en de diamantschijf aan te passen.

Dit verschil is de hoeveelheid te verwijderen materiaal. Draai daarna de inbusbouten zeer voorzichtig weer vast.

► **Fig.5:** 1. Inbusbout 2. Te verwijderen hoeveelheid materiaal

OPMERKING: De hoeveelheid te verwijderen materiaal mag maximaal 4,0 mm zijn.

De zool kantelen voor gladder schuren

Alleen voor model PC5001C

Om een oppervlak met een gegeven ruwheid of textuur glad te schuren, is het handig om de zool te kantelen. Draai met behulp van de inbussleutel de twee inbusbouten los waarmee de zool aan beide zijanten is bevestigd.

► **Fig.6:** 1. Zool 2. Inbussleutel 3. Inbusbout

Gebruik de inbussleutel om de drie inbusbouten in de zool dieper te zetten door ze rechtsom te draaien.

► **Fig.7:** 1. Inbussleutel 2. Inbusbout

Gebruik een winkelhaak of liniaal om de gewenste hoek van de zool ten opzichte van de diamantschijf te verkrijgen.

Draai daarna de inbusbouten aan beide zijanten van de zool voorzichtig vast.

Stel het midden van de zool vlakbij de schijf zodanig af dat het op dezelfde hoogte staat als de schijf.

► **Fig.8:** 1. Dezelfde hoogte 2. Winkelhaak of liniaal 3. Inbusbout

KENNISGEVING: Nadat de zool is afgesteld, draait u de drie inbusbouten in de zool linksom tot de boutkoppen vlak liggen met de achterkant van de zool. Draai ze voorzichtig om de afstelling van de zool niet te veranderen.

De zool afstellen om te compenseren voor slijtage van de schijf

Alleen voor model PC5001C

Na langdurig gebruik zal de diamantschijf zijn afgesleten, waardoor een hoogteverschil met het te schuren oppervlak is ontstaan en de prestaties zijn verslechterd. Controleer het gereedschap na elke 4 of 5 gebruiksuren. Als de oppervlakken van de schijf en zool niet zijn uitgelijnd, draait u de twee inbusbouten los waarmee de zool is bevestigd. Draai de drie inbusbouten in de zool rechtsom en stel de zool zodanig af dat deze vlak ligt met het schijfoppervlak. Draai de inbusbouten waarmee de zool is bevestigd weer stevig vast en draai daarna de inbusbouten iets linksom zodat de inbusbouten niet los komen tijdens gebruik.

De stofbeschermkap afstellen

► **Fig.9:** 1. Omhoog 2. Omlaag 3. Stofbeschermkap 4. Schroef

Draai de schroef los en stel de hoogte van de borstel van de stofbeschermkap af.

De borstel van de stofbeschermkap moet vlak liggen met het oppervlak van de diamantschijf of maximaal 0,5 mm daarboven (wanneer het gereedschap is omgekeerd). Als deze niet op ongeveer dezelfde hoogte zijn afgesteld, zal het stof slecht worden afgezogen/opgenomen. Vergeet niet na het afstellen de schroef weer stevig vast te draaien. Om de stofbeschermkap af te stellen, pakt u deze stevig vast aan de buitenrand en draait u hem rechtsom om hem omhoog te zetten of linksom om hem omlaag te zetten.

MONTAGE

⚠ LET OP: Zorg altijd dat het gereedschap is uitgeschakeld en dat zijn stekker uit het stopcontact is verwijderd alvorens enig werk aan het gereedschap uit te voeren.

De beugelhandgreep aanbrengen en verwijderen

⚠ LET OP: Breng altijd vóór gebruik de beugelhandgreep aan.

⚠ LET OP: Controleer altijd vóór gebruik of de bouten van de beugelhandgreep stevig vastgedraaid zijn.

⚠ LET OP: Houd het grijpvlak van de beugelhandgreep vast dat wordt aangegeven in de afbeelding. Houd uw hand tijdens gebruik uit de buurt van het metalen deel van het gereedschap. Als u het metalen deel van het gereedschap aanraakt, kan dat leiden tot een elektrische schok als het zaaghulpstuk onverwacht een stroomvoerende draad doorzaagt.

Om de beugelhandgreep aan te brengen, plaatst u deze op het gereedschap zoals afgebeeld en draait u de twee bouten vast om hem te bevestigen.

Om de beugelhandgreep te verwijderen, volgt u de procedure voor het aanbrengen in de omgekeerde volgorde.

► **Fig.10:** 1. Bout 2. Gedeelte om vast te pakken

De diamantschijf aanbrengen of verwijderen

- **Fig.11:** 1. Borgmoer 2. Borgmoersleutel
3. Diamantschijf 4. Asvergrendeling

Om een versleten diamantschijf te vervangen door een nieuwe, drukt u de asvergrendeling in zodat de as niet kan draaien, en draait u vervolgens de borgmoer linksom los met behulp van de bijgeleverde borgmoersleutel.

Verwijder de versleten diamantschijf.

Om een nieuwe aan te brengen, volgt u de bovenstaande verwijderingsprocedure in omgekeerde volgorde.

Bij het aanbrengen van een diamantschijf moet u de borgmoer altijd stevig vastdraaien.

OPMERKING: Gewone diamantschijven verkrijgbaar in de winkel hebben geen uitlaatopeningen waardoor de stofafvoer slecht is. Bovendien, als het montagegat niet de exacte diameter geeft, zal het gereedschap trillen en kan een ongeval zich voordoen. **GEBRUIK ALTIJD EEN KOMVORMIGE DIAMANTSCHIJF VAN MAKITA.**

De stofzak aanbrengen en verwijderen

Om de stofzak aan te brengen, schuift u de stofzak over de stofafzuigaansluitmond.

Verzekert u ervan de stofzak zo ver mogelijk over de stofafzuigaansluitmond te schuiven totdat de stofzak niet verder kan, zodat deze tijdens gebruik niet eraf komt.

- **Fig.12:** 1. Stofzak

Verwijder de stofzak wanneer deze het werkoppervlak begint te raken. Dit is het teken dat de stofzak vol is. Als u de stofzak niet leegmaakt, zal dat leiden tot slecht afzuigen/opnemen van stof.

Een stofzuiger aansluiten

Optioneel accessoire

- **Fig.13**

Wanneer u tijdens het schuren van beton schoon wilt werken, sluit u een Makita-stofzuiger aan op uw gereedschap. Sluit vervolgens de stofzuigerslang aan op het mondstuk, zoals aangegeven in de afbeelding.

BEDIENING

⚠ALLET OP: Houd het gereedschap **ALTIJD** stevig vast met een hand op de behuizing en de andere hand aan de extra handgreep, zoals aangegeven in de afbeelding.

⚠ALLET OP: Zorg er vóór gebruik voor dat de stofzuiger is aangesloten op het gereedschap en is ingeschakeld.

⚠ALLET OP: Gebruik het gereedschap niet met een beschadigde borstel van de stofbeschermer. Het gebruik van een beschadigde borstel van de stofbeschermer kan leiden tot letsel als gevolg van weg lekkend stof.

Schuren van betonnen oppervlakken

Breng altijd vóór gebruik de extra handgreep aan op het gereedschap. Houd tijdens gebruik van het gereedschap de schakelaarhandgreep en de extra handgreep stevig vast met beide handen.

- **Fig.14**

Schuren in een hoek

Alleen voor model PC5000C

Om in hoeken te schuren, draait u de inbusbout los en verwijdert u de stofbeschermer.

- **Fig.15:** 1. Inbusbout 2. Stofbeschermer

Alleen voor model PC5001C

1. Om in hoeken te schuren, verwijdert u de zeskantbout waarmee de rolhouder en zoolhouder zijn bevestigd, en verwijdert u de complete rolhouder.

2. Draai de inbusbout los en verwijdert u de stofbeschermer.

- **Fig.16:** 1. Stofbeschermer 2. Rolhouder
3. Inbusbout 4. Zeskantbout

Stel de stofbeschermer af in een stand die geschikt is voor uw werkzaamheden.

- **Fig.17**

ONDERHOUD

⚠ALLET OP: Zorg altijd dat het gereedschap is uitgeschakeld en zijn stekker uit het stopcontact is verwijderd alvorens te beginnen met inspectie of onderhoud.

KENNISGEVING: Gebruik nooit benzine, wasbenzine, thinner, alcohol en dergelijke. Hierdoor kunnen verkleuring, vervormingen en barsten worden veroorzaakt.

Om de VEILIGHEID en BETROUWBAARHEID van het gereedschap te handhaven, dienen alle reparaties, onderhoud of afstellingen te worden uitgevoerd bij een erkend Makita-servicecentrum of de Makita-fabriek, en altijd met gebruik van Makita-vervangingsonderdelen.

De borstel van de stofbeschermer vervangen

Om de borstel van de stofbeschermer te verwijderen vanaf de stofbeschermer, pak u een uiteinde van de borstel van de stofbeschermer vast en trekt u hem er langzaam uit.

Om de borstel van de stofbeschermer aan te brengen, lijnt u eerst beide uiteinden van de borstel van de stofbeschermer uit met de groef in de stofbeschermer.

- **Fig.18**

Steek daarna de borstel van de stofbeschermer helemaal in de groef van de stofbeschermer met behulp van een platkopschroevendraaier of een ander geschikt gereedschap.

- **Fig.19**

De koolborstels vervangen

► Fig.20: 1. Slijtgrensmarkering

Controleer regelmatig de koolborstels.

Vervang ze wanneer ze tot aan de slijtgrensmarkering versleten zijn. Houd de koolborstels schoon, zodat ze gemakkelijk in de houders glijden. Beide koolborstels dienen tegelijkertijd te worden vervangen. Gebruik uitsluitend identieke koolborstels.

1. Gebruik een schroevendraaier om de koolborsteldoppen te verwijderen.
2. Haal de versleten koolborstels eruit, schuif de nieuwe erin, en zet daarna de koolborsteldoppen weer goed vast.

► Fig.21: 1. Koolborsteldop 2. Schroevendraaier

OPTIONELE ACCESSOIRES

⚠ LET OP: Deze accessoires of hulpstukken worden aanbevolen voor gebruik met het Makita gereedschap dat in deze gebruiksaanwijzing is beschreven. Bij gebruik van andere accessoires of hulpstukken bestaat het gevaar van persoonlijke letsel. Gebruik de accessoires of hulpstukken uitsluitend voor hun bestemde doel.

Wenst u meer bijzonderheden over deze accessoires, neem dan contact op met het plaatselijke Makita-servicecentrum.

- Komvormige diamantschijf
- Borstel van de stofbeschermer

OPMERKING: Sommige items op de lijst kunnen zijn inbegrepen in de doos van het gereedschap als standaard toebehoren. Deze kunnen van land tot land verschillen.





ESPECIFICACIONES

| Modelo: | | PC5000C | PC5001C |
|---|---------------------------|--|---------|
| Muela de diamante tipo copa aplicable | Diámetro máx. de la muela | 125 mm | |
| Rosca de mandril | | M14 o 5/8" (específico para cada país) | |
| Longitud máxima del mandril | | 10 mm | |
| Velocidad sin carga (n_0)/Velocidad nominal (n) | | 10.000 min ⁻¹ | |
| Longitud total | | 437 mm | 479 mm |
| Peso neto | | 4,0 kg | 5,1 kg |
| Clase de seguridad | | □/II | |

- Debido a nuestro continuado programa de investigación y desarrollo, las especificaciones aquí dadas están sujetas a cambios sin previo aviso.
- Las especificaciones pueden ser diferentes de país a país.
- Peso de acuerdo con el procedimiento EPTA 01/2014

Símbolos

A continuación se muestran los símbolos que pueden ser utilizados para el equipo. Asegúrese de que entienda su significado antes de utilizar.

| | |
|--|------------------------------------|
|  | Lea el manual de instrucciones. |
|  | Póngase gafas de seguridad. |
|  | Utilice siempre con las dos manos. |
|  | DOBLE AISLAMIENTO |



Sólo para países de la Unión Europea
Debido a la presencia de componentes peligrosos en el equipo, el equipo eléctrico y electrónico desechado puede tener un impacto negativo para el medioambiente y la salud humana.

¡No tire los aparatos eléctricos y electrónicos junto con los residuos domésticos!
De conformidad con las Directivas Europeas sobre residuos de aparatos eléctricos y electrónicos, y su adaptación a la ley nacional, el equipo eléctrico y electrónico desechado deberá ser recogido por separado y trasladado a un punto distinto de recogida de desechos municipales, que cumpla con los reglamentos de protección medioambiental.

Esto se indica mediante el símbolo de cubo de basura tachado colocado en el equipo.

Uso previsto

La herramienta ha sido prevista para aplanar superficies de concreto.

Alimentación

La herramienta deberá ser conectada solamente a una fuente de alimentación de la misma tensión que la indicada en la placa de características, y solamente puede ser utilizada con alimentación de CA monofásica. La herramienta tiene doble aislamiento y puede, por lo tanto, utilizarse también en tomas de corriente sin conductor de tierra.

Ruido

El nivel de ruido A-ponderado típico determinado de acuerdo con la norma EN62841-2-3:

| Modelo | Nivel de presión del sonido (L_{pA}) : (dB (A)) | Nivel de potencia del sonido (L_{WA}) : (dB (A)) | Incertidumbre (K) : (dB (A)) |
|---------|---|--|------------------------------|
| PC5000C | 90 | 98 | 3 |
| PC5001C | 90 | 98 | 3 |

NOTA: El valor (o los valores) de emisión de ruido declarado ha sido medido de acuerdo con un método de prueba estándar y se puede utilizar para comparar una herramienta con otra.

NOTA: El valor (o valores) de emisión de ruido declarado también se puede utilizar en una valoración preliminar de exposición.

⚠ ADVERTENCIA: Póngase protectores para oídos.

⚠ ADVERTENCIA: La emisión de ruido durante la utilización real de la herramienta eléctrica puede variar del valor (o los valores) de emisión declarado dependiendo de las formas en las que la herramienta sea utilizada, especialmente qué tipo de pieza de trabajo se procesa.

⚠ ADVERTENCIA: Asegúrese de identificar medidas de seguridad para proteger al operario que estén basadas en una estimación de la exposición en las condiciones reales de utilización (teniendo en cuenta todas las partes del ciclo operativo como las veces cuando la herramienta está apagada y cuando está funcionando en vacío además del tiempo de gatillo).

Vibración

El valor total de la vibración (suma de vectores triaxiales) determinado de acuerdo con la norma EN62841-2-3:

Modo de trabajo: esmerilado superficial

| Modelo | Emisión de vibración ($a_{hv, AG}$) : (m/s^2) | Incertidumbre (K) : (m/s^2) |
|---------|---|---------------------------------|
| PC5000C | 3,7 | 1,5 |
| PC5001C | 8,0 | 1,5 |

NOTA: El valor (o los valores) total de emisión de vibración declarado ha sido medido de acuerdo con un método de prueba estándar y se puede utilizar para comparar una herramienta con otra.

NOTA: El valor (o los valores) total de emisión de vibración declarado también se puede utilizar en una valoración preliminar de exposición.

⚠ ADVERTENCIA: La emisión de vibración durante la utilización real de la herramienta eléctrica puede variar del valor (o los valores) de emisión declarado dependiendo de las formas en las que la herramienta sea utilizada, especialmente qué tipo de pieza de trabajo se procesa.

⚠ ADVERTENCIA: Asegúrese de identificar medidas de seguridad para proteger al operario que estén basadas en una estimación de la exposición en las condiciones reales de utilización (teniendo en cuenta todas las partes del ciclo operativo como las veces cuando la herramienta está apagada y cuando está funcionando en vacío además del tiempo de gatillo).

⚠ ADVERTENCIA: El valor de emisión de vibración declarado se utiliza para las aplicaciones principales de la herramienta eléctrica. Sin embargo, si la herramienta eléctrica es utilizada para otras aplicaciones, el valor de emisión de vibración podrá ser diferente.

Declaración CE de conformidad

Para países europeos solamente

La declaración CE de conformidad está incluida como Anexo A de esta manual de instrucciones.

ADVERTENCIAS DE SEGURIDAD

Advertencias de seguridad para herramientas eléctricas en general

⚠ ADVERTENCIA: Lea todas las advertencias de seguridad, instrucciones, ilustraciones y especificaciones provistas con esta herramienta eléctrica. Si no sigue todas las instrucciones indicadas abajo podrá resultar en una descarga eléctrica, un incendio y/o heridas graves.

Guarde todas las advertencias e instrucciones para futuras referencias.

El término "herramienta eléctrica" en las advertencias se refiere a su herramienta eléctrica de funcionamiento con conexión a la red eléctrica (con cable) o herramienta eléctrica de funcionamiento a batería (sin cable).

Advertencias de seguridad para el cepillo para superficies de concreto

Advertencias de seguridad comunes para operaciones de aplanamiento de superficies de concreto:

1. Esta herramienta eléctrica ha sido prevista para funcionar como cepillo para superficies de concreto con muelas de diamante tipo copa. Lea todas las advertencias de seguridad, instrucciones, ilustraciones y especificaciones provistas con esta herramienta eléctrica. Si no sigue todas las instrucciones indicadas abajo podrá resultar en una descarga eléctrica, un incendio y/o heridas graves.

2. **Operaciones tales como las de amolar con muelas abrasivas, lijar, cepillar con alambres, pulir, recortar agujeros o cortar no se deben realizar con esta herramienta eléctrica.** Las operaciones para las que la herramienta eléctrica no ha sido diseñada podrán crear un riesgo y ocasionar heridas personales.
3. **No transforme esta herramienta eléctrica para que funcione de una manera que no haya sido específicamente diseñada y especificada por el fabricante de la herramienta.** Una conversión así puede resultar en una pérdida de control y ocasionar heridas personales graves.
4. **No utilice accesorios que no estén específicamente diseñados y especificados por el fabricante de la herramienta.** Solo porque el accesorio pueda ser colocado en su herramienta eléctrica no garantiza una operación segura.
5. **La velocidad nominal del accesorio deberá ser por lo menos igual a la velocidad máxima marcada en la herramienta eléctrica.** Los accesorios utilizados por encima de su velocidad nominal podrán romperse y salir despedidos.
6. **El diámetro exterior y el grosor de su accesorio deberán estar dentro del rango de capacidad de su herramienta eléctrica.** Los accesorios de tamaño incorrecto no podrán ser protegidos y controlados debidamente.
7. **Las dimensiones de la montura del accesorio deberán satisfacer las dimensiones del mecanismo de montaje de la herramienta eléctrica.** Los accesorios que no coincidan con el mecanismo de montaje de la herramienta eléctrica se desequilibrarán, vibrarán excesivamente y podrán ocasionar una pérdida de control.
8. **No utilice un accesorio que esté dañado. Antes de cada uso inspeccione los accesorios tales como las muelas abrasivas por si están resquebrajadas o agrietadas, el plato de respaldo por si está agrietado, rasgado o muy desgastado y el cepillo de alambres por si tiene alambres sueltas o quebradas. Si deja caer la herramienta eléctrica o el accesorio, inspeccione por si hay daños o instale un accesorio que no esté dañado. Después de inspeccionar e instalar un accesorio, póngase usted y cualquier curioso alejados del plano del accesorio giratorio y haga funcionar la herramienta eléctrica a la velocidad máxima sin carga durante un minuto.** Los accesorios dañados normalmente se desintegrarán durante este tiempo de prueba.
9. **Póngase equipo de protección personal. Dependiendo de la aplicación, utilice pantalla facial, gafas de protección o gafas de seguridad. Según corresponda, póngase mascarilla contra el polvo, protectores auditivos, guantes y delantal de taller que pueda detener pequeños fragmentos abrasivos o de pieza de trabajo.** La protección de los ojos deberá ser capaz de detener los restos que salen volando generados en las diferentes aplicaciones. La mascarilla contra el polvo o respirador deberá poder filtrar las partículas generadas en la operación que realice. Una exposición prolongada a ruido de alta intensidad podrá ocasionar pérdida auditiva.
10. **Mantenga a los curiosos a una distancia segura del área de trabajo. Cualquier persona que entre en el área de trabajo deberá ponerse equipo de protección personal.** Los fragmentos de la pieza de trabajo o de un accesorio roto podrán salir despedidos y ocasionar heridas más allá del área de operación.
11. **Cuando realice una operación en la que el accesorio de corte pueda entrar en contacto con cableado oculto o con su propio cable, sujete la herramienta eléctrica solamente por las superficies de asiento aisladas.** El contacto del accesorio de corte con un cable con corriente puede hacer que la corriente circule por las partes metálicas expuestas de la herramienta eléctrica y soltar una descarga eléctrica al operario.
12. **Coloque el cable apartado del accesorio giratorio.** Si pierde el control, el cable podrá ser cortado o enredarse y su mano o brazo ser arrastrado hacia el accesorio giratorio.
13. **No deje nunca la herramienta eléctrica hasta que el accesorio se haya detenido completamente.** El accesorio giratorio podrá agarrarse a la superficie y tirar de la herramienta eléctrica haciéndole perder el control de la misma.
14. **No tenga en marcha la herramienta eléctrica mientras la trasporta en su costado.** Un contacto accidental con el accesorio giratorio podrá enredar sus ropas, y tirar del accesorio hacia su cuerpo.
15. **Limpie regularmente las aberturas de ventilación de la herramienta eléctrica.** El ventilador del motor conducirá el polvo hacia el interior de la carcasa y una acumulación excesiva de metal en polvo podrá ocasionar peligros eléctricos.
16. **No utilice la herramienta eléctrica cerca de materiales inflamables.** Las chispas podrán prender fuego a estos materiales.
17. **No utilice accesorios que requieran refrigerantes líquidos.** La utilización de agua u otros refrigerantes líquidos puede resultar en electrocución o descarga eléctrica.

Advertencias sobre retrocesos bruscos y otros peligros relacionados:

El retroceso brusco es una reacción repentina debida a un aprisionamiento o estancamiento de la muela, plato de respaldo, cepillo o cualquier otro accesorio giratorio. El aprisionamiento o estancamiento ocasiona un detenimiento rápido del accesorio giratorio que a su vez hace que la herramienta eléctrica descontrolada sea forzada en dirección opuesta a la rotación del accesorio en el punto de bloqueo.

Por ejemplo, si una muela abrasiva queda aprisionada o estancada por la pieza de trabajo, el borde de la muela que está entrando en el punto de estancamiento puede hincarse en la superficie del material haciendo que la muela se salga de la hendidura o salte. La muela podrá saltar hacia el operario o en dirección contraria a él, dependiendo de la dirección del movimiento de la muela en el punto de estancamiento. Las muelas abrasivas también pueden romperse en estas condiciones. El retroceso brusco es el resultado de un mal manejo de la herramienta eléctrica y/o procedimientos o condiciones de operación incorrectos y pueden evitarse tomando las precauciones apropiadas ofrecidas abajo.

- Mantenga empuñada firmemente la herramienta eléctrica con ambas manos y coloque su cuerpo y brazos de forma que le permitan resistir las fuerzas del retroceso brusco. Utilice siempre el mango auxiliar, si está provisto, para tener el máximo control sobre el retroceso brusco o reacción de torsión durante la puesta en marcha. El operario puede controlar las reacciones de torsión o fuerzas del retroceso brusco, si toma las precauciones adecuadas.
- No ponga nunca su mano cerca del accesorio giratorio. El accesorio podrá retroceder brusca-mente sobre su mano.
- No ponga su cuerpo en el área donde vaya a desplazarse la herramienta eléctrica si ocurre un retroceso brusco. El retroceso brusco propulsará la herramienta en dirección opuesta al movimiento de la muela en el punto del enredo.
- Tenga cuidado especial cuando trabaje en esqui- nas, aristas vivas, etc. Evite el rebote y enredo del accesorio. Las esquinas, aristas vivas o los rebotes tienen una tendencia a enredar el accesorio giratorio y causar una pérdida de control o retroceso brusco.
- No coloque una cadena de sierra, un disco de taller madera, una muela de diamante segmen- tada con una holgura periférica mayor de 10 mm ni un disco de sierra dentado. Tales discos crean retrocesos bruscos y pérdida de control frecuentes.

Advertencias de seguridad específicas para opera- ciones de aplanamiento de superficies de concreto:

- Utilice solamente tipos de muela que estén recomendadas para su herramienta eléctrica y el protector específico diseñado para la muela seleccionada. Las muelas para las que no ha sido diseñada la herramienta eléctrica no pueden ser protegidas debidamente y no son seguras.
- Utilice siempre bridas de muela que no estén dañadas, y del tamaño y forma correctos para la muela que ha seleccionado. Las bridas de muela correctas sujetan la muela de tal manera que reducen la posibilidad de rotura de la muela.

Advertencias de seguridad adicionales:

- Instale siempre el protector de muela con recogida de polvo antes de la operación.
- Tenga cuidado de no dañar el mandril, la brida (especialmente la cara de instalación) o la con- tratruera. Los daños en estas piezas podrán ocasionar la rotura de la muela.
- Asegúrese de que la muela no está haciendo contacto con la pieza de trabajo antes de acti- var el interruptor.
- Antes de utilizar la herramienta en una pieza de trabajo definitiva, déjela funcionar durante un rato. Observe por si hay vibración o bambo- leo que pueda indicar una incorrecta instala- ción o muela mal equilibrada.
- No deje la herramienta en marcha. Tenga en marcha la herramienta solamente cuando la tenga en la mano.
- No toque la muela de diamante tipo copa inme- diatamente después de la operación; podrá estar muy caliente y quemarle la piel.
- Observe las instrucciones del fabricante para montar y utilizar correctamente las muelas. Maneje y guarde con cuidado las muelas.

- No utilice bujes de reducción o adaptadores separados para adaptar muelas de diamante tipo copa de orificio grande.
- Utilice solamente las bridas especificadas para esta herramienta.
- Compruebe que la pieza de trabajo está apo- yada debidamente.
- Tenga en cuenta que la muela continuará girando después de haber apagado la herramienta.
- Si el lugar de trabajo es muy caluroso y húmedo, o si está muy contaminado con polvo conductor, utilice un disyuntor de cortocir- cuito (30 mA) para garantizar la seguridad del operario.
- No utilice la herramienta con ningún material que contenga asbestos.

GUARDE ESTAS INSTRUCCIONES.

⚠ADVERTENCIA: NO deje que la comodidad o familiaridad con el producto (a base de utilizarlo repetidamente) sustituya la estricta observancia de las normas de seguridad para el producto en cuestión. El MAL USO o el no seguir las normas de seguridad establecidas en este manual de instrucciones podrá ocasionar graves heridas personales.

DESCRIPCIÓN DEL FUNCIONAMIENTO

⚠PRECAUCIÓN: Asegúrese siempre de que la herramienta está apagada y desenchufada antes de intentar realizar cualquier tipo de ajuste o com- probación en ella.

Lámpara de indicación

► Fig.1: 1. Lámpara de indicación

La lámpara de indicación se ilumina en verde cuando la herramienta está enchufada.

Si la lámpara de indicación no se ilumina, es posible que el cable de alimentación o el controlador esté defectuoso.

Si la lámpara de indicación está iluminada pero la herramienta no se pone en marcha aunque la herra- mienta esté encendida, es posible que las escobillas de carbón estén gastadas, o que el controlador, el motor o el interruptor de encendido/apagado esté defectuoso.

Bloqueo del eje

⚠ADVERTENCIA: No accione nunca el blo- queo del eje cuando el mandril esté moviéndose. Podría ocasionar heridas graves o daños a la herramienta.

Presione el bloqueo del eje para impedir que el mandril gire cuando instale o desmonte accesorios.

► Fig.2: 1. Bloqueo del eje

Accionamiento del interruptor

⚠ PRECAUCIÓN: Antes de enchufar la herramienta, compruebe siempre para cerciorarse de que el gatillo interruptor se acciona debidamente y que vuelve a la posición "OFF" cuando lo suelta.

⚠ PRECAUCIÓN: Asegúrese de apagar la herramienta en caso de un apagón o una parada accidental tal como por la desconexión del cable de alimentación. De lo contrario la herramienta se pondrá en marcha inesperadamente cuando se reanude el suministro de alimentación y ocasionará un accidente o herida personal.

Hay tres patrones de accionamiento del interruptor dependiendo del país.

► **Fig.3:** 1. Gatillo interruptor 2. Palanca de bloqueo

Para herramienta con interruptor de bloqueo

Específico para cada país

⚠ PRECAUCIÓN: El interruptor puede ser bloqueado en la posición "encendida" para mayor comodidad del operario durante una utilización prolongada. Tenga precaución cuando bloquee la herramienta en la posición "encendida" y mantenga la herramienta firmemente empuñada.

Para encender la herramienta, simplemente apriete el gatillo interruptor (en la dirección B). Suelte el gatillo interruptor para parar.

Para operación continua, apriete el gatillo interruptor (en la dirección B) y después empuje hacia dentro la palanca de bloqueo (en la dirección A).

Para parar la herramienta desde la posición bloqueada, apriete el gatillo interruptor completamente (en la dirección B), después suéltelo.

Para herramienta con interruptor de desbloqueo

Específico para cada país

Para evitar que el gatillo interruptor pueda ser apretado accidentalmente, se ha provisto una palanca de bloqueo.

Para encender la herramienta, empuje hacia dentro la palanca de bloqueo (en la dirección A) y después apriete el gatillo interruptor (en la dirección B). Suelte el gatillo interruptor para parar.

AVISO: No apriete con fuerza el gatillo interruptor sin presionar hacia dentro la palanca de bloqueo. Esto puede ocasionar la rotura del interruptor.

Para herramienta con interruptor de bloqueo y desbloqueo

Específico para cada país (incluyendo Australia y Nueva Zelanda)

⚠ PRECAUCIÓN: El interruptor puede ser bloqueado en la posición "encendida" para mayor comodidad del operario durante una utilización prolongada. Tenga precaución cuando bloquee la herramienta en la posición "encendida" y mantenga la herramienta firmemente empuñada.

Para evitar que el gatillo interruptor pueda ser apretado accidentalmente, se ha provisto una palanca de bloqueo.

Para encender la herramienta, empuje hacia dentro la palanca de bloqueo (en la dirección A) y después apriete el gatillo interruptor (en la dirección B). Suelte el gatillo interruptor para parar.

Para operación continua, empuje hacia dentro la palanca de bloqueo (en la dirección A), apriete el gatillo interruptor (en la dirección B) y después tire de la palanca de bloqueo (en la dirección C).

Para parar la herramienta desde la posición bloqueada, apriete el gatillo interruptor completamente (en la dirección B), después suéltelo.

AVISO: No apriete con fuerza el gatillo interruptor sin presionar hacia dentro la palanca de bloqueo. Esto puede ocasionar la rotura del interruptor.

Función de prevención de reinicio de puesta en marcha accidental

Cuando enchufe la herramienta mientras el interruptor está activado, la herramienta no se pondrá en marcha. En este momento, la lámpara de indicación parpadeará en rojo y mostrará que la función de prevención de reinicio de puesta en marcha accidental funciona. Para poner en marcha la herramienta, desactive el interruptor, y después vuelva a activarlo.

Control de velocidad constante

Se puede obtener un acabado fino, porque la velocidad de giro se mantiene constantemente uniforme incluso en condición de carga.

Función de inicio suave

La función de inicio suave reduce la reacción del arranque.

Protector de sobrecarga

Cuando la carga aplicada a la herramienta excede los niveles admisibles, la alimentación al motor se reduce para proteger el motor contra el recalentamiento. Cuando la carga vuelva a los niveles admisibles, la herramienta funcionará de forma normal.

Aplanado de nivelación

Solo para el modelo PC5001C

Para nivelar una superficie, la base del cepillo deberá estar alineada con la muela de diamante. El rodillo delantero deberá ser ajustado (utilice la llave hexagonal) hacia arriba hasta el nivel requerido para la cantidad de material que se desea retirar.

► **Fig.4:** 1. Base 2. Llave hexagonal 3. Rodillo delantero

Para cambiar la cantidad de material (concreto) a retirar, afloje los pernos de cabeza hueca hexagonal del soporte de la base con la llave hexagonal.

Suba o baje el rodillo delantero para ajustar el espacio entre el rodillo delantero y la muela de diamante.

La diferencia será la cantidad de material a retirar.

Después sujete los pernos de cabeza hueca hexagonal con mucho cuidado.

► **Fig.5:** 1. Perno de cabeza hueca hexagonal 2. Cantidad de material a retirar

NOTA: La cantidad máxima de material a retirar deberá ser de menos de 4,0 mm.

Base inclinable para aplanado más uniforme

Solo para el modelo PC5001C

El inclinar la base ayudará a retirar uniformemente una determinada aspereza o textura de la superficie.

Utilice la llave hexagonal para aflojar los dos pernos de cabeza hueca hexagonal que sujetan la base en ambos lados.

► **Fig.6:** 1. Base 2. Llave hexagonal 3. Perno de cabeza hueca hexagonal

Utilice una llave hexagonal para bajar los tres pernos de cabeza hueca hexagonal de la base girándolos hacia la derecha.

► **Fig.7:** 1. Llave hexagonal 2. Perno de cabeza hueca hexagonal

Utilice una escuadra o regla para obtener el ángulo deseado de la base en relación con la muela de diamante.

Después sujete con cuidado los pernos de cabeza hueca hexagonal de ambos lados de la base.

Ajuste el centro de la base cerca de la muela de forma que quede al mismo nivel que la muela.

► **Fig.8:** 1. Mismo nivel 2. Escuadra o regla 3. Perno de cabeza hueca hexagonal

AVISO: Después de ajustar la base, gire los tres pernos de cabeza hueca hexagonal de la base hacia la izquierda hasta que las cabezas estén a ras con el lado trasero de la base. Gírelos suavemente, o el ajuste de la base se echará a perder.

Ajuste de la base para compensar el desgaste de la muela

Solo para el modelo PC5001C

Con un uso prolongado, la muela de diamante se desgastará y ello creará un hueco en la superficie de aplanamiento de forma que el rendimiento será deficiente. Compruebe la herramienta después de cada 4 o 5 horas de utilización.

Si las superficies de la muela y de la base no están alineadas, afloje los dos pernos de cabeza hueca hexagonal que sujetan la base.

Gire los tres pernos de cabeza hueca hexagonal de la base hacia la derecha y ajuste la base para que quede nivelada con la superficie de la muela.

Vuelva a apretar firmemente los pernos de cabeza hueca hexagonal que sujetan la base y después gírelos ligeramente hacia la izquierda para que no se aflojen durante la operación.

Ajuste del guardapolvo

► **Fig.9:** 1. Subir 2. Bajar 3. Guardapolvo 4. Tornillo

Afloje el tornillo, y ajuste el nivel del cepillo del guardapolvo. El cepillo del guardapolvo deberá estar o bien a ras con la superficie de la muela de diamante o bien hasta 0,5 mm por encima de la superficie de la muela de diamante (cuando la herramienta está al revés).

La succión/recogida será mala si no están aproximadamente al mismo nivel.

Después de ajustar, asegúrese de volver a apretar el tornillo firmemente.

Para ajustar el guardapolvo, agárrelo por la parte exterior; gírelo hacia la derecha para subirlo, o hacia la izquierda para bajarlo.

MONTAJE

PRECAUCIÓN: Asegúrese siempre de que la herramienta está apagada y desenchufada antes de realizar cualquier trabajo en la herramienta.

Instalación o desmontaje del mango circular

PRECAUCIÓN: Instale siempre el mango circular antes de la operación.

PRECAUCIÓN: Asegúrese siempre de que los pernos del mango circular están apretados firmemente antes de utilizar.

PRECAUCIÓN: Sujete el mango circular por el área de asiento especificada en la figura. Además, mantenga la mano alejada de la parte metálica de la herramienta durante la operación. Tocar la parte metálica puede resultar en una descarga eléctrica, si el accesorio de corte corta un cable con corriente inesperadamente.

Para instalar el mango circular, móntelo en la herramienta como se muestra en la ilustración y apriete los dos pernos para fijarlo.

Para retirar el mango circular, siga el procedimiento de instalación a la inversa.

► **Fig.10:** 1. Perno 2. Área de asiento

Instalación o desmontaje de la muela de diamante

- **Fig.11:** 1. Contratuerca 2. Llave de contratuerca
3. Muela de diamante 4. Bloqueo del eje

Para reemplazar una muela de diamante desgastada con una nueva, presione hacia dentro el bloqueo del eje para inmovilizar el eje, y después afloje la contratuerca hacia la izquierda con la llave de contratuerca provista. Retire la muela de diamante desgastada.

Para instalar una nueva, siga el procedimiento de desmontaje de arriba a la inversa.

Cuando instale una muela de diamante, asegúrese siempre de apretar la contratuerca firmemente.

NOTA: Las muelas de diamante ordinarias del comercio no tienen agujeros de escape, por lo que la evacuación del polvo es mala. Además, si el agujero de instalación no es del diámetro exacto, se producirá vibración de la herramienta y podrán ocurrir accidentes. **UTILICE SIEMPRE UNA MUELA DE DIAMANTE TIPO COPA DE MAKITA.**

Instalación o desmontaje de la bolsa colectora de polvo

Para instalar la bolsa colectora de polvo, deslice la bolsa colectora de polvo sobre la salida de polvo. Asegúrese de deslizar la bolsa colectora de polvo sobre la salida de polvo a tope hasta que se detenga de manera que no se salga durante la operación.

- **Fig.12:** 1. Bolsa colectora de polvo

Retire la bolsa colectora de polvo cuando comience a tocar la superficie de corte. Esto es una indicación de que la bolsa colectora de polvo está llena.

En caso de no vaciar la bolsa colectora de polvo, dará lugar a una mala succión/recogida de polvo.

Conexión de un aspirador

Accesorios opcionales

- **Fig.13**

Cuando quiera realizar una operación de aplanamiento de concreto limpia, conecte un aspirador Makita a su herramienta. Después conecte una manguera del aspirador a la boquilla como se muestra en la figura.

OPERACIÓN

⚠PRECAUCIÓN: Sujete SIEMPRE la herramienta firmemente con una mano en la carcasa y la otra en el mango auxiliar como se muestra en la figura.

⚠PRECAUCIÓN: Antes de la operación, asegúrese de que hay un aspirador conectado a la herramienta y que está encendido.

⚠PRECAUCIÓN: No utilice la herramienta con un cepillo del guardapolvo dañado. La utilización de un cepillo del guardapolvo dañado podrá dar lugar a heridas por fuga de polvo.

Operación de aplanamiento de una superficie de concreto

Instale siempre el mango auxiliar en la herramienta antes de la operación. Sujete el mango del interruptor de la herramienta y el mango auxiliar firmemente con ambas manos durante la operación.

- **Fig.14**

Aplanado en esquinas

Solo para el modelo PC5000C

Para aplanar esquinas, afloje el perno de cabeza hueca hexagonal, y retire la cubierta del guardapolvo.

- **Fig.15:** 1. Perno de cabeza hueca hexagonal
2. Cubierta del guardapolvo

Solo para el modelo PC5001C

1. Para aplanar esquinas, retire el perno hexagonal que sujeta el soporte del rodillo y el soporte de la base, y retire todo el soporte del rodillo.

2. Afloje el perno de cabeza hueca hexagonal, y retire la cubierta del guardapolvo.

- **Fig.16:** 1. Cubierta del guardapolvo 2. Soporte del rodillo 3. Perno de cabeza hueca hexagonal
4. Perno hexagonal

Ajuste el guardapolvo en una posición apropiada de acuerdo con su tarea.

- **Fig.17**

MANTENIMIENTO

⚠PRECAUCIÓN: Asegúrese siempre de que la herramienta está apagada y desenchufada antes de intentar realizar la inspección o el mantenimiento.

AVISO: No utilice nunca gasolina, bencina, disolvente, alcohol o similares. Podría producir descoloración, deformación o grietas.

Para mantener la SEGURIDAD y FIABILIDAD del producto, las reparaciones, y cualquier otra tarea de mantenimiento o ajuste deberán ser realizadas en centros de servicio o de fábrica autorizados por Makita, empleando siempre repuestos Makita.

Reemplazo del cepillo del guardapolvo

Para retirar el cepillo del guardapolvo del guardapolvo, agarre un extremo del cepillo del guardapolvo y extráigalo despacio.

Para instalar el cepillo del guardapolvo, en primer lugar alinee ambos extremos del cepillo del guardapolvo con la ranura del guardapolvo.

- **Fig.18**

Y después inserte el cepillo del guardapolvo a tope en la ranura del guardapolvo utilizando un destornillador de punta plana u otra herramienta apropiada.

- **Fig.19**

Reemplazo de las escobillas de carbón

► Fig.20: 1. Marca límite

Compruebe las escobillas de carbón regularmente. Reemplácelas cuando se hayan gastado hasta la marca límite. Mantenga las escobillas de carbón limpias de forma que entren libremente en los portaescobillas. Ambas escobillas de carbón deberán ser reemplazadas al mismo tiempo. Utilice solamente escobillas de carbón idénticas.

1. Utilice un destornillador para retirar los tapones portaescobillas.
2. Extraiga las escobillas de carbón desgastadas, inserte las nuevas y sujete los tapones portaescobillas.

► Fig.21: 1. Tapón portaescobillas 2. Destornillador

ACCESORIOS OPCIONALES

⚠PRECAUCIÓN: Estos accesorios o aditamentos están recomendados para su uso con la herramienta Makita especificada en este manual.

El uso de cualquier otro accesorio o aditamento puede suponer un riesgo de heridas personales. Utilice el accesorio o aditamento solamente con la finalidad indicada para el mismo.

Si necesita cualquier ayuda para más detalles en relación con estos accesorios, pregunte al centro de servicio Makita local.

- Muela de diamante tipo copa
- Cepillo del guardapolvo

NOTA: Algunos elementos de la lista podrán estar incluidos en el paquete de la herramienta como accesorios estándar. Pueden variar de un país a otro.

ESPECIFICAÇÕES

| Modelo: | | PC5000C | PC5001C |
|---|-----------------------|----------------------------------|---------|
| Roda diamantada tipo copo aplicável | Diâmetro máx. da roda | 125 mm | |
| Rosca do eixo | | M14 ou 5/8" (específico do país) | |
| Comprimento máx. do eixo | | 10 mm | |
| Velocidade sem carga (n_0) / velocidade nominal (n) | | 10.000 min ⁻¹ | |
| Comprimento total | | 437 mm | 479 mm |
| Peso líquido | | 4,0 kg | 5,1 kg |
| Classe de segurança | | □/II | |

- Devido a um programa contínuo de pesquisa e desenvolvimento, estas especificações podem ser alteradas sem aviso prévio.
- As especificações podem variar de país para país.
- Peso de acordo com o Procedimento EPTA 01/2014

Símbolos

A seguir são apresentados os símbolos que podem ser utilizados para o equipamento. Certifique-se de que compreende o seu significado antes da utilização.



Leia o manual de instruções.



Use óculos de segurança.



Utilize sempre as duas mãos.



ISOLAMENTO DUPLO



Apenas para países da UE
Devido à presença de componentes perigosos no equipamento, o equipamento elétrico e eletrônico usado pode ter um impacto negativo no meio ambiente e na saúde humana. Não elimine aparelhos elétricos e eletrônicos juntamente com resíduos domésticos! De acordo com a Diretiva europeia relativa aos resíduos de equipamentos elétricos e eletrônicos e a respetiva adaptação à legislação nacional, os equipamentos elétricos e eletrônicos usados devem ser recolhidos separadamente e entregues num ponto de recolha separado para resíduos municipais, que opere de acordo com os regulamentos de proteção ambiental. Tal é indicado pelo símbolo de contêiner de lixo com rodas barrado com uma cruz colocado no equipamento.

Utilização a que se destina

A ferramenta foi concebida para apalinar superfícies de betão.

Alimentação

A ferramenta só deve ser ligada a uma fonte de alimentação com a mesma tensão da indicada na placa de características, e só funciona com alimentação de corrente alternada (CA) monofásica. Tem um sistema de isolamento duplo e pode, por isso, utilizar tomadas sem ligação à terra.

Ruído

A característica do nível de ruído A determinado de acordo com a EN62841-2-3:

| Modelo | Nível de pressão sonora (L_{pA}) : (dB (A)) | Nível de potência sonora (L_{WA}) : (dB (A)) | Incerteza (K): (dB (A)) |
|---------|---|--|-------------------------|
| PC5000C | 90 | 98 | 3 |
| PC5001C | 90 | 98 | 3 |

NOTA: O(s) valor(es) da emissão de ruído indicado(s) foi medido de acordo com um método de teste padrão e pode ser utilizado para comparar duas ferramentas.

NOTA: O(s) valor(es) da emissão de ruído indicado(s) pode também ser utilizado na avaliação preliminar da exposição.

⚠️ AVISO: Utilize protetores auriculares.

⚠️ AVISO: A emissão de ruído durante a utilização real da ferramenta elétrica pode diferir do(s) valor(es) indicado(s), dependendo das formas como a ferramenta é utilizada, especialmente o tipo de peça de trabalho que é processada.

⚠️ AVISO: Certifique-se de identificar as medidas de segurança para proteção do operador que sejam baseadas em uma estimativa de exposição em condições reais de utilização (considerando todas as partes do ciclo de operação, tal como quando a ferramenta está desligada e quando está a funcionar em marcha lenta além do tempo de acionamento).

Vibração

Valor total da vibração (soma vetorial tri-axial) determinado de acordo com a EN62841-2-3:

Modo de trabalho: esmerilagem de superfície

| Modelo | Emissão de vibração ($a_{hv, AG}$): (m/s^2) | Incerteza (K): (m/s^2) |
|---------|---|----------------------------|
| PC5000C | 3,7 | 1,5 |
| PC5001C | 8,0 | 1,5 |

NOTA: O(s) valor(es) total(ais) de vibração indicado(s) foi medido de acordo com um método de teste padrão e pode ser utilizado para comparar duas ferramentas.

NOTA: O(s) valor(es) total(ais) de vibração indicado(s) pode também ser utilizado na avaliação preliminar da exposição.

⚠️ AVISO: A emissão de vibração durante a utilização real da ferramenta elétrica pode diferir do(s) valor(es) indicado(s), dependendo das formas como a ferramenta é utilizada, especialmente o tipo de peça de trabalho que é processada.

⚠️ AVISO: Certifique-se de identificar as medidas de segurança para proteção do operador que sejam baseadas em uma estimativa de exposição em condições reais de utilização (considerando todas as partes do ciclo de operação, tal como quando a ferramenta está desligada e quando está a funcionar em marcha lenta além do tempo de acionamento).

⚠️ AVISO: O valor de emissão de vibração declarado é utilizado para aplicações principais da ferramenta elétrica. No entanto, se a ferramenta elétrica for utilizada para outras aplicações, o valor da emissão da vibração pode ser diferente.

Declaração de conformidade da CE

Apenas para os países europeus

A declaração de conformidade da CE está incluída como Anexo A neste manual de instruções.

AVISOS DE SEGURANÇA

Avisos gerais de segurança para ferramentas elétricas

⚠️ AVISO: Leia todos os avisos de segurança, instruções, ilustrações e especificações fornecidos com esta ferramenta elétrica. O não cumprimento de todas as instruções indicadas em baixo pode resultar em choque elétrico, incêndio e/ou ferimentos graves.

Guarde todos os avisos e instruções para futuras referências.

O termo "ferramenta elétrica" nos avisos refere-se às ferramentas elétricas ligadas à corrente elétrica (com cabo) ou às ferramentas elétricas operadas por meio de bateria (sem cabo).

Avisos de segurança da plaina para superfícies de betão

Avisos de segurança comuns para as operações de aplainamento de superfícies de betão:

- Esta ferramenta elétrica foi concebida para ser utilizada como plaina para superfícies de betão com rodas diamantadas tipo copo. Leia todos os avisos de segurança, instruções, ilustrações e especificações fornecidos com esta ferramenta elétrica.** O incumprimento de todas as instruções abaixo indicadas pode resultar em choque elétrico, incêndio e/ou ferimentos graves.
- As operações como desbaste com rodas abrasivas, lixamento, limpeza com escova metálica, polimento, corte de orifícios ou recorte não são para serem efetuadas com esta ferramenta elétrica.** As operações para as quais a ferramenta elétrica não foi concebida podem criar riscos e provocar ferimentos pessoais.
- Não converta esta ferramenta elétrica para operar de uma forma que não seja especificamente concebida e especificada pelo fabricante da ferramenta.** Uma conversão desta natureza poderá resultar na perda de controlo e causar ferimentos graves.

4. **Não utilize acessórios que não tenham sido especificamente projetados e especificados pelo fabricante da ferramenta.** O facto de poder instalar o acessório na ferramenta elétrica não garante um funcionamento com segurança.
5. **A velocidade nominal do acessório deve ser pelo menos igual à velocidade máxima indicada na ferramenta elétrica.** Os acessórios que funcionam em velocidade mais alta do que a velocidade nominal podem partir e estilhaçar.
6. **O diâmetro externo e a espessura do acessório devem estar dentro da capacidade nominal da ferramenta elétrica.** Não é possível proteger ou controlar adequadamente os acessórios de tamanho incorreto.
7. **As dimensões da montagem do acessório devem adequar-se às dimensões do hardware de montagem da ferramenta elétrica.** Os acessórios que não correspondem ao hardware de instalação da ferramenta elétrica ficam desequilibrados, vibram excessivamente e podem provocar perda de controlo.
8. **Não utilize acessórios danificados.** Antes de cada utilização, inspecione o acessório, tal como as rodas abrasivas, para ver se tem falhas ou rachas, a base protetora para ver se tem falhas, rasgões ou desgaste excessivo e a escova de arame para ver se tem arames soltos ou rachados. Se a ferramenta elétrica ou o acessório cair, verifique se há danos ou instale um acessório em boas condições. Após inspecionar e instalar um acessório, certifique-se de que os espetadores bem como você mesmo estão afastados do nível do acessório rotativo, e utilize a ferramenta elétrica à velocidade máxima em vazio durante um minuto. Geralmente, os acessórios danificados partem-se durante este ensaio.
9. **Use equipamento de proteção pessoal. Utilize um protetor facial, óculos de segurança ou protetores oculares, conforme a aplicação. Conforme adequado, utilize uma máscara contra o pó, protetores auriculares, luvas e avental capazes de resguardar contra pequenos estilhaços ou abrasivos da peça de trabalho.** A proteção ocular deve ser capaz de travar a projeção de detritos gerados por várias aplicações. A máscara contra o pó ou de respiração deve ter capacidade de filtrar partículas geradas pela aplicação particular. A exposição prolongada a ruídos de alta intensidade pode provocar perda de audição.
10. **Mantenha as pessoas presentes afastadas da área de trabalho a uma distância segura. Todas as pessoas que entram na área de trabalho devem utilizar equipamento de proteção pessoal.** Os estilhaços da peça de trabalho ou de um acessório partido podem ser arremessados e provocar ferimentos além da área imediata de operação.
11. **Segure a ferramenta elétrica apenas pelas partes isoladas quando executar uma operação em que o acessório de corte possa tocar em fios ocultos ou no seu próprio cabo.** O contacto do acessório de corte com um fio sob tensão pode colocar as peças metálicas expostas da ferramenta elétrica sob tensão e pode provocar um choque elétrico no operador.
12. **Posicione o cabo afastado do acessório rotativo.** Se perder o controlo, o cabo pode ser cortado ou ficar preso e a sua mão ou braço pode ser puxado para o acessório em rotação.
13. **Nunca pouse a ferramenta elétrica antes de o acessório parar completamente.** O acessório em rotação pode prender na superfície e descontrolar a ferramenta elétrica.
14. **Não deixe a ferramenta elétrica a funcionar enquanto a transporta ao seu lado.** O contacto acidental com o acessório rotativo pode prender as suas roupas, puxando o acessório na direção do seu corpo.
15. **Limpe regularmente os ventiladores de ar da ferramenta elétrica.** A ventoinha do motor aspira o pó para dentro da caixa e a acumulação excessiva de metal pulverizado pode provocar perigos elétricos.
16. **Não utilize a ferramenta elétrica próximo de materiais inflamáveis.** As faíscas podem incendiar estes materiais.
17. **Não utilize acessórios que requerem refrigerantes líquidos.** A utilização de água ou outros refrigerantes líquidos pode resultar em choque ou eletrocussão.

Avisos sobre recuos e outras relacionadas:

O recuo é uma reação repentina a uma roda rotativa, uma base protetora, uma escova ou qualquer outro acessório preso ou emperrado. O bloqueio ou obstáculo provoca a paragem imediata do acessório rotativo que, por sua vez, faz com que a ferramenta elétrica descontrolada seja forçada a ir na direção oposta à da rotação do acessório, no ponto onde ficou presa. Se a roda abrasiva ficar presa ou enroscada na peça de trabalho, por exemplo, a borda da roda que está a entrar no ponto onde prendeu, pode entrar ainda mais fundo na superfície do material fazendo com que a roda salte ou provoque um recuo. A roda pode saltar na direção do operador ou na direção oposta, dependendo do sentido do movimento da roda no ponto em que ficou presa. As rodas abrasivas também podem partir nessas condições. O recuo é o resultado da utilização imprópria da ferramenta elétrica e/ou das condições ou procedimentos de funcionamento incorretos e pode ser evitado tomando-se as medidas de precaução adequadas, como indicado abaixo.

1. **Segure firmemente a ferramenta elétrica com as duas mãos e posicione o seu corpo e braços de tal forma que lhe permitam resistir às forças do recuo. Utilize sempre o punho auxiliar, se fornecido, para um controlo máximo do recuo ou da reação de binário durante o arranque.** O operador poderá controlar as reações de binário ou as forças do recuo se tomar as precauções necessárias.
2. **Nunca coloque as mãos perto do acessório rotativo.** O acessório pode recuar sobre a sua mão.
3. **Não posicione o seu corpo na área em que a ferramenta elétrica será lançada, caso ocorra um recuo.** O recuo lança a ferramenta na direção oposta ao movimento da roda no ponto onde prende.
4. **Tenha especial cuidado quando trabalhar em cantos, arestas afiadas, etc. Evite balançar e prender o acessório.** Os cantos, as arestas cortantes ou as batidas tendem a prender o acessório rotativo e causar perda de controlo ou recuo.
5. **Não coloque uma corrente de serra, um lâmina para esculpir madeira, um disco diamantado segmentado com um intervalo periférico superior a 10 mm ou uma lâmina de serra dentada.** Essas lâminas criam recuos frequentes e perda de controlo.

Avisos de segurança específicos para as operações de aplainamento de superfícies de betão:

1. Utilize apenas os tipos de rodas recomendados para a sua ferramenta elétrica e o resguardo específico concebido para a roda selecionada. As rodas incompatíveis com a ferramenta elétrica são impossíveis de resguardar adequadamente e não são seguras.
2. Utilize sempre flanges da roda em boas condições, e que sejam do tamanho e formato corretos para a roda selecionada. As flanges da roda apropriadas suportam a roda reduzindo, assim, a possibilidade de quebra da mesma.

Avisos de segurança adicionais:

1. Instale sempre o resguardo da roda de recolha de pó antes da operação.
2. Tenha cuidado para não danificar o eixo, a flange (especialmente a superfície de instalação) nem a porca de bloqueio. Os danos nestas peças pode resultar em quebra da roda.
3. Antes de ligar o interruptor, certifique-se de que a roda não está em contacto com a peça de trabalho.
4. Antes de utilizar a ferramenta numa peça de trabalho, deixe-a funcionar por alguns instantes. Verifique se há vibrações ou movimentos irregulares que possam indicar má instalação ou desequilíbrio da roda.
5. Não deixe a ferramenta a funcionar. Opere a ferramenta apenas quando estiver a segurá-la na mão.
6. Não toque na roda diamantada tipo copo imediatamente após a operação. Pode estar extremamente quente e provocar queimaduras na sua pele.
7. Tenha em conta as instruções do fabricante para a montagem e utilização corretas das rodas. Manuseie e armazene as rodas com cuidado.
8. Não utilize buchas de redução ou adaptadores separados para adaptar rodas diamantadas tipo copo de orifício grande.
9. Utilize apenas as flanges especificadas para esta ferramenta.
10. Verifique se a peça de trabalho está corretamente suportada.
11. Preste atenção, pois a roda continua a rodar depois de desligar a ferramenta.
12. Se o local de trabalho for extremamente quente e húmido, ou muito poluído por pó condutor, utilize um disjuntor (30 mA) para assegurar a segurança do operador.
13. Não utilize a ferramenta em nenhum material que contenha amianto.

GUARDE ESTAS INSTRUÇÕES.

AVISO: NÃO permita que o conforto ou familiaridade com o produto (adquirido com o uso repetido) substitua o cumprimento estrito das regras de segurança da ferramenta. A MÁ INTERPRETAÇÃO ou o não seguimento das regras de segurança estabelecidas neste manual de instruções pode provocar ferimentos pessoais graves.

DESCRIÇÃO FUNCIONAL

PRECAUÇÃO: Certifique-se sempre de que a ferramenta está desligada e com a ficha retirada da tomada, antes de proceder a afinações ou de verificar o funcionamento da respetiva ferramenta.

Luz indicadora

► Fig.1: 1. Luz indicadora

A luz indicadora acende a verde quando se liga a ferramenta. Se a luz indicadora não acender, o cabo de alimentação ou o controlador pode ficar com problemas. Se a luz indicadora está acesa, mas a ferramenta não começa a trabalhar mesmo que se ligue a ferramenta, as escovas de carvão podem estar gastas ou o controlador, o motor ou o botão de ligar/desligar pode estar com problemas.

Bloqueio do eixo

AVISO: Nunca acione o bloqueio do eixo quando o eixo estiver em movimento. Poderá causar ferimentos graves ou danos na ferramenta.

Pressione o bloqueio do eixo para impedir a rotação do eixo quando instalar ou remover acessórios.

► Fig.2: 1. Bloqueio do eixo

Ação do interruptor

PRECAUÇÃO: Antes de ligar a ferramenta à corrente, verifique sempre se o gatilho funciona corretamente e volta para a posição "OFF" quando libertado.

PRECAUÇÃO: Certifique-se de que desliga a ferramenta no caso de um apagão ou desconexão acidental, tal como remover a ficha da tomada. Caso contrário, a ferramenta começará a trabalhar inesperadamente quando a energia for recuperada, causando um acidente ou ferimentos pessoais.

Existem três padrões de ação do interruptor dependendo do país.

► Fig.3: 1. Gatilho 2. Alavanca de bloqueio

Para ferramentas com o interruptor de bloqueio

Específico do país

PRECAUÇÃO: O interruptor pode ser bloqueado na posição de ligado para maior conforto do operador durante a utilização prolongada. Tenha cuidado ao bloquear a ferramenta na posição de ligada e segure-a com firmeza.

Para pôr a ferramenta a trabalhar, basta puxar o gatilho (na direção B). Solte o gatilho para parar. Para o funcionamento contínuo, puxe o gatilho (na direção B) e, em seguida, empurre a alavanca de bloqueio para dentro (na direção A). Para parar a ferramenta a partir da posição de bloqueada, puxe o gatilho até ao fim (na direção B), depois, solte-o.

Para ferramentas com o interruptor de desbloqueio

Específico do país

Para evitar que o gatilho seja puxado acidentalmente, é fornecida uma alavanca de bloqueio.

Para pôr a ferramenta a trabalhar, basta empurrar a alavanca de bloqueio para dentro (na direção A) e, depois, puxar o gatilho (na direção B). Solte o gatilho para parar.

OBSERVAÇÃO: Não puxe o gatilho do interruptor com força sem pressionar a alavanca de bloqueio. Tal pode provocar a quebra do interruptor.

Para ferramentas com o interruptor de bloqueio e desbloqueio

Específico do país (incluindo a Austrália e a Nova Zelândia)

PRECAUÇÃO: O interruptor pode ser bloqueado na posição de ligado para maior conforto do operador durante a utilização prolongada. Tenha cuidado ao bloquear a ferramenta na posição de ligada e segure-a com firmeza.

Para evitar que o gatilho seja puxado acidentalmente, é fornecida uma alavanca de bloqueio.

Para pôr a ferramenta a trabalhar, basta empurrar a alavanca de bloqueio para dentro (na direção A) e, depois, puxar o gatilho (na direção B). Solte o gatilho para parar.

Para o funcionamento contínuo, empurre a alavanca de bloqueio para dentro (na direção A), puxe o gatilho (na direção B) e, em seguida, puxe a alavanca de bloqueio (na direção C).

Para parar a ferramenta a partir da posição de bloqueada, puxe o gatilho até ao fim (na direção B), depois, solte-o.

OBSERVAÇÃO: Não puxe o gatilho do interruptor com força sem pressionar a alavanca de bloqueio. Tal pode provocar a quebra do interruptor.

Função de prevenção de reinício acidental

Quando inserir a ficha da ferramenta na tomada enquanto o interruptor está ligado, a ferramenta não arranca.

Neste momento, a luz indicadora pisca a vermelho e mostra que a função de prevenção de reinício acidental funciona.

Para iniciar a ferramenta, desligue o interruptor e ligue-o novamente.

Controlo de velocidade constante

Possibilidade de obter um acabamento delicado, porque a velocidade de rotação é mantida de forma constante, mesmo sob a condição carregada.

Funcionalidade de arranque suave

A funcionalidade de arranque suave reduz a reação de arranque.

Protetor contra sobrecarga

Quando a carga na ferramenta exceder os níveis admissíveis, a alimentação ao motor é reduzida para o proteger contra sobreaquecimento. Quando a carga voltar aos níveis admissíveis, a ferramenta funciona normalmente.

Aplainamento nivelado

Apenas para o modelo PC5001C

Para nivelar uma superfície, a base da plaina deve estar alinhada com a roda diamantada. O rolo dianteiro deve estar ajustado (utilize a chave sextavada) para cima para o nível necessário para a quantidade de remoção do depósito pretendida.

► **Fig.4:** 1. Base 2. Chave sextavada 3. Rolo dianteiro

Para alterar a quantidade do depósito (cimento) removida, solte os pernos de cabeça sextavada no suporte de base com a chave sextavada. Levante ou baixe o rolo dianteiro para ajustar a folga entre o rolo dianteiro e a roda diamantada. A diferença corresponde à quantidade de remoção do depósito.

Em seguida, fixe os pernos de cabeça sextavada com extremo cuidado.

► **Fig.5:** 1. Perno de cabeça sextavada 2. Quantidade de remoção do depósito

NOTA: A remoção máxima do depósito deve ser inferior a 4,0 mm.

Base de inclinação para um aplainamento mais suave

Apenas para o modelo PC5001C

Para uma remoção suave de uma certa rugosidade ou textura da superfície, a inclinação da base é útil. Utilize a chave sextavada para soltar os dois pernos de cabeça sextavada que fixam a base nos dois lados.

► **Fig.6:** 1. Base 2. Chave sextavada 3. Perno de cabeça sextavada

Utilize uma chave sextavada para baixar os três pernos de cabeça sextavada na base rodando-os para a direita.

► **Fig.7:** 1. Chave sextavada 2. Perno de cabeça sextavada

Utilize um esquadro ou uma régua para obter o ângulo de base pretendido em relação à roda diamantada.

Em seguida, fixe cuidadosamente os pernos de cabeça sextavada nos dois lados da base.

Ajuste o centro da base perto da roda de modo que este fique ao mesmo nível que a roda.

► **Fig.8:** 1. Ao mesmo nível 2. Esquadro ou régua 3. Perno de cabeça sextavada

OBSERVAÇÃO: Após o ajuste da base, rode os três pernos de cabeça sextavada na base para a esquerda até as cabeças ficarem alinhadas com a parte traseira da base. Rode-os suavemente ou o ajuste da base será libertado.

Ajuste da base para compensar o desgaste da roda

Apenas para o modelo PC5001C

A utilização prolongada irá fazer com que a roda diamantada fique desgastada, criando assim uma folga em relação à superfície de aplainamento fazendo com que o desempenho se torne mau. Verifique a ferramenta após cada 4 a 5 horas de utilização. Se as superfícies da roda e da base não estiverem alinhadas, solte os dois pernos de cabeça sextavada que fixam a base. Rode os três pernos de cabeça sextavada na base para a direita e ajuste a base de forma a ficar nivelada com a superfície da roda. Volte a apertar firmemente os pernos de cabeça sextavada que fixam a base e, em seguida, rode ligeiramente os pernos de cabeça sextavada para a esquerda de modo que os pernos de cabeça sextavada não fiquem soltos durante a operação.

Ajuste da cobertura contra a poeira

► **Fig.9:** 1. Levantar 2. Baixar 3. Cobertura contra a poeira 4. Parafuso

Solte o parafuso e ajuste o nível da escova da cobertura contra a poeira.

A escova da cobertura contra a poeira deve estar nivelada com a superfície da roda diamantada ou até 0,5 mm acima da superfície da roda diamantada (quando a ferramenta estiver invertida).

As tarefas de sucção/recolha serão de má qualidade se não ocorrerem aproximadamente ao mesmo nível.

Após o ajuste, certifique-se de que aperta firmemente o parafuso.

Para ajustar a cobertura contra a poeira, prenda-a no exterior; rode para a direita para levantar e para a esquerda para descer.

MONTAGEM

⚠PRECAUÇÃO: Certifique-se sempre de que a ferramenta está desligada e com a ficha retirada da tomada antes de executar quaisquer trabalhos na ferramenta.

Instalar ou retirar o punho de argola

⚠PRECAUÇÃO: Instale sempre o punho de argola antes da operação.

⚠PRECAUÇÃO: Certifique-se sempre de que os parafusos no punho de argola estão bem apertados antes da utilização.

⚠PRECAUÇÃO: Segure a área de prensão da pega de argola especificada na figura. Além disso, mantenha a mão afastada da parte metálica da ferramenta durante a operação. Tocar na parte metálica pode resultar em choque elétrico, se o acessório de corte cortar inesperadamente um fio sob tensão.

Para instalar o punho de argola, monte-o na ferramenta conforme ilustrado e aperte os dois parafusos para o fixar. Para remover o punho de argola, siga o procedimento de instalação pela ordem inversa.

► **Fig.10:** 1. Parafuso 2. Área de aderência

Instalar ou remover a roda diamantada

► **Fig.11:** 1. Porca de bloqueio 2. Chave para porcas de bloqueio 3. Roda diamantada 4. Bloqueio do eixo

Para substituir uma roda diamantada gasta por uma nova, pressione o bloqueio do eixo para manter o eixo estável, depois solte a porca de bloqueio para a esquerda com a chave para porcas de bloqueio fornecida.

Remova a roda diamantada gasta.

Para instalar uma nova, siga o procedimento de remoção acima indicado pela ordem inversa.

Quando instalar uma roda diamantada, certifique-se sempre de que aperta firmemente a porca de bloqueio.

NOTA: As rodas diamantadas normais disponíveis no mercado não têm orifícios de exaustão, por isso, a evacuação de poeira é má. Além disso, se o orifício de instalação não for do diâmetro exato, existe vibração da ferramenta e podem ocorrer acidentes. **UTILIZE SEMPRE UMA RODA DIAMANTADA TIPO COPO DA MAKITA.**

Instalar ou remover o saco para o pó

Para instalar o saco para o pó, deslize o saco para o pó para a porta da poeira.

Certifique-se de que desliza totalmente o saco para o pó para a porta da poeira até o saco para o pó parar de modo a não se soltar durante a operação.

► **Fig.12:** 1. Saco para o pó

Remova o saco para o pó quando começar a entrar em contacto com a superfície de corte. Este é um sinal de que o saco para o pó está cheio.

O não esvaziamento do saco para o pó vai levar a uma má sucção/recolha.

Ligar um aspirador

Acessório opcional

► **Fig.13**

Quando pretender efetuar uma operação de aplainamento em betão limpa, ligue um aspirador Makita à sua ferramenta. Em seguida, ligue uma mangueira do aspirador ao bocal conforme apresentado na figura.

OPERAÇÃO

⚠PRECAUÇÃO: Agarre **SEMPRE** na ferramenta firmemente com uma mão no corpo e a outra no punho auxiliar conforme ilustrado na figura.

⚠PRECAUÇÃO: Antes da operação, certifique-se de que um aspirador está ligado à ferramenta e ligado.

⚠PRECAUÇÃO: Não utilize a ferramenta com a escova da cobertura contra a poeira danificada. A utilização de uma escova da cobertura contra a poeira danificada pode causar ferimentos decorrentes da fuga de pó.

Operação de aplainamento de superfícies de betão

Instale sempre o punho auxiliar na ferramenta antes da operação. Segure no punho do interruptor da ferramenta e no punho auxiliar firmemente com ambas as mãos durante a operação.

► Fig.14

Aplainar em cantos

Apenas para o modelo PC5000C

Para aplainar cantos, solte o perno de cabeça sextavada e remova a tampa da cobertura contra a poeira.

► Fig.15: 1. Perno de cabeça sextavada 2. Tampa da cobertura contra a poeira

Apenas para o modelo PC5001C

1. Para aplainar cantos, remova o perno sextavado que fixa o suporte de rolo e o suporte de base, e remova todo o suporte de rolo.

2. Solte o perno de cabeça sextavada e remova a tampa da cobertura contra a poeira.

► Fig.16: 1. Tampa da cobertura contra a poeira 2. Suporte de rolo 3. Perno de cabeça sextavada 4. Perno sextavado

Ajuste a cobertura contra a poeira numa posição adequada para o seu trabalho.

► Fig.17

MANUTENÇÃO

⚠PRECAUÇÃO: Certifique-se sempre de que a ferramenta está desligada e com a ficha retirada da tomada antes de tentar proceder à inspeção ou à manutenção.

OBSERVAÇÃO: Nunca utilize gasolina, benzina, diluente, álcool ou produtos semelhantes. Pode ocorrer a descoloração, deformação ou rachaduras.

Para manter a SEGURANÇA e a FIABILIDADE do produto, as reparações e qualquer outra manutenção ou ajuste devem ser levados a cabo pelos centros de assistência Makita autorizados ou pelos centros de assistência de fábrica, utilizando sempre peças de substituição Makita.

Substituir a escova da cobertura contra a poeira

Para remover a escova da cobertura contra a poeira da cobertura contra a poeira, agarre uma extremidade da escova da cobertura contra a poeira e retire-a lentamente.

Para instalar a escova da cobertura contra a poeira, alinhe primeiro as duas extremidades da escova da cobertura contra a poeira com a ranhura da cobertura contra a poeira.

► Fig.18

Em seguida, insira totalmente a escova da cobertura contra a poeira na ranhura da cobertura contra a poeira utilizando uma chave de fendas de ponta achatada ou outra ferramenta adequada.

► Fig.19

Substituição das escovas de carvão

► Fig.20: 1. Marca de limitação

Verifique regularmente as escovas de carvão. Substitua-as quando estiverem gastas até à marca limite. Mantenha as escovas de carvão limpas e a deslizar nos suportes. As duas escovas de carvão devem ser substituídas ao mesmo tempo. Só utilize escovas de carvão idênticas.

1. Utilize uma chave de parafusos para retirar as tampas do suporte das escovas.

2. Retire as escovas de carvão usadas, coloque as novas e prenda as tampas do suporte das escovas.

► Fig.21: 1. Tampa do suporte das escovas 2. Chave de parafusos

ACESSÓRIOS OPCIONAIS

⚠PRECAUÇÃO: Estes acessórios ou peças são recomendados para utilização com a ferramenta Makita especificada neste manual. A utilização de outros acessórios ou peças pode ser perigosa para as pessoas. Utilize apenas acessórios ou peças para os fins indicados.

Se necessitar de informações adicionais relativas a estes acessórios, solicite-as ao seu centro de assistência Makita.

- Roda diamantada tipo copo
- Escova da cobertura contra a poeira

NOTA: Alguns itens da lista podem estar incluídos na embalagem da ferramenta como acessórios padrão. Eles podem variar de país para país.

SPECIFIKATIONER

| Model: | | PC5000C | PC5001C |
|--|--------------------------|--------------------------------|---------|
| Anvendelig diamantskive af koptypen | Maks. diameter af skiven | 125 mm | |
| Spindelgevind | | M14 eller 5/8" (landespecifik) | |
| Maks. spindellængde | | 10 mm | |
| Hastighed uden belastning (n_0) / Mærkehastighed (n) | | 10.000 min ⁻¹ | |
| Samlet længde | | 437 mm | 479 mm |
| Nettovægt | | 4,0 kg | 5,1 kg |
| Sikkerhedsklasse | | □/II | |

- På grund af vores kontinuerlige forsknings- og udviklingsprogrammer kan hosstående specifikationer blive ændret uden varsel.
- Specifikationer kan variere fra land til land.
- Vægt i henhold til EPTA-procedure 01/2014

Symboler

Følgende viser de symboler, der muligvis anvendes til udstyret. Sørg for, at du forstår deres betydning før brugen.



Læs brugsanvisningen.



Bær sikkerhedsbriller.



Betjen altid med to hænder.



DOBBELT ISOLERING



Kun for lande inden for EU
Brugt elektrisk og elektronisk udstyr kan have en negativ indvirkning på miljøet og folkesundheden på grund af tilstedeværelsen af farlige komponenter i udstyret.

Bortskaf ikke elektriske og elektroniske apparater sammen med husholdningsaffald!
I overensstemmelse med EF-direktiv om affaldshåndtering af elektrisk og elektronisk udstyr, og i overensstemmelse med national lovgivning, skal brugt elektrisk og elektronisk udstyr opbevares separat og leveres til et separat indsamlingssted til kommunalt affald, der er etableret i henhold til bestemmelserne om miljøbeskyttelse. Dette er angivet ved symbolet på den krydsede skraldespand, der er placeret på udstyret.

Tilsluttet anvendelse

Maskinen er beregnet til afhøvling af betonoverflader.

Strømforsyning

Maskinen må kun tilsluttes en strømforsyning med samme spænding som angivet på typeskiltet og kan kun anvendes på enfaset vekselstrømforsyning. Den er dobbeltisolert og kan derfor også tilsluttes netstik uden jordforbindelse.

Støj

Det typiske A-vægtede støjniveau bestemt i overensstemmelse med EN62841-2-3:

| Model | Lydtrykniveau (L_{pA}): (dB (A)) | Lydeffektniveau (L_{WA}): (dB (A)) | Usikkerhed (K): (dB (A)) |
|---------|---|---|-----------------------------|
| PC5000C | 90 | 98 | 3 |
| PC5001C | 90 | 98 | 3 |

BEMÆRK: De(n) angivne støjemissionsværdi(er) er målt i overensstemmelse med en standardtestmetode og kan anvendes til at sammenligne en maskine med en anden.

BEMÆRK: De(n) angivne støjemissionsværdi(er) kan også anvendes i en præliminær eksponeringsvurdering.

⚠ ADVARSEL: Bær høreværn.

⚠ ADVARSEL: Støjemissionen under den faktiske anvendelse af maskinen kan være forskellig fra de(n) angivne værdi(er), afhængigt af den måde hvorpå maskinen anvendes, især den type arbejdsemne der behandles.

⚠ ADVARSEL: Sørg for at identificere de sikkerhedsforskrifter til beskyttelse af operatøren, som er baseret på en vurdering af eksponering under de faktiske brugsforhold (med hensyntagen til alle dele i brugscykklussen, f.eks. de gange, hvor maskinen er slukket, og når den kører i tomgang i tilgift til afbrydertiden).

Vibration

Vibrationens totalværdi (tre-aksial vektorsum) bestemt i overensstemmelse med EN62841-2-3:

Arbejdstilstand: overfladeslibning

| Model | Vibrationsafgivelse ($a_{hv, AG}$): (m/s^2) | Usikkerhed (K): (m/s^2) |
|---------|---|-----------------------------|
| PC5000C | 3,7 | 1,5 |
| PC5001C | 8,0 | 1,5 |

BEMÆRK: De(n) angivne totalværdi(er) for vibration er målt i overensstemmelse med en standardtestmetode og kan anvendes til at sammenligne en maskine med en anden.

BEMÆRK: De(n) angivne totalværdi(er) for vibration kan også anvendes i en præliminær eksponeringsvurdering.

⚠ ADVARSEL: Vibrationsemissionen under den faktiske anvendelse af maskinen kan være forskellig fra de(n) angivne værdi(er), afhængigt af den måde hvorpå maskinen anvendes, især den type arbejdsemne der behandles.

⚠ ADVARSEL: Sørg for at identificere de sikkerhedsforskrifter til beskyttelse af operatøren, som er baseret på en vurdering af eksponering under de faktiske brugsforhold (med hensyntagen til alle dele i brugscykklussen, f.eks. de gange, hvor maskinen er slukket, og når den kører i tomgang i tilgift til afbrydertiden).

⚠ ADVARSEL: Den erklærede værdi for vibrationsemission gælder for el-værktøjets primære anvendelser. Hvis el-værktøjet imidlertid anvendes til andre formål, kan værdien for vibrationsemission være anderledes.

EF-overensstemmelseserklæring

Kun for lande i Europa

EF-overensstemmelseserklæringen er inkluderet som Bilag A i denne brugsanvisning.

SIKKERHEDSADVARSLER

Almindelige sikkerhedsregler for el-værktøj

⚠ ADVARSEL: Læs alle de sikkerhedsadvarsler, instruktioner, illustrationer og specifikationer, der følger med denne maskine. Forsømmelse af at overholde alle nedenstående instruktioner kan medføre elektrisk stød, brand og/eller alvorlig personskade.

Gem alle advarsler og instruktioner til fremtidig reference.

Ordet "el-værktøj" i advarslerne henviser til det netforsynede (netledning) el-værktøj eller batteriforsynede (akku) el-værktøj.

Sikkerhedsadvarsler for betonoverfladehøvl

Sikkerhedsadvarsler, der er almindelige ved afhøvlning af betonoverflader:

- 1. Dette maskinværktøj er beregnet til at fungere som betonoverfladehøvl med diamantskive af koptypen. Læs alle sikkerhedsadvarsler, instruktioner, illustrationer og specifikationer, der følger med dette maskinværktøj.** Hvis alle nedenstående instruktioner ikke følges, kan det medføre elektrisk stød, brand og/eller alvorlig personskade.
- 2. Aktiviteter såsom slibning med slibeskiver, sandslibning, trådbørstning, polering, hulskæring eller afskæring må ikke udføres med dette maskinværktøj.** Aktiviteter, som maskinværktøjet ikke er konstrueret til, kan udgøre en fare og forårsage personskade.
- 3. Omdan ikke denne maskine til at fungere på en måde, der ikke er specielt designet og angivet af maskinproducenten.** Sådant en omdannelse kan muligvis resultere i tab af kontrol og forårsage alvorlig personskade.
- 4. Anvend ikke tilbehør, der ikke er specielt designet og angivet af maskinproducenten.** Bare fordi tilbehøret kan monteres på din maskine, garanterer det ikke sikker drift.

5. **Tilbehørets mærkehastighed skal mindst svare til den maksimale hastighed, der er angivet på maskinen.** Tilbehør, der kører hurtigere end deres mærkehastighed, kan gå i stykker og slynges bort.
6. **Den udvendige diameter og tykkelsen på dit tilbehør skal ligge inden for maskinens kapacitetsklassificering.** Tilbehør med forkert størrelse kan ikke beskyttes eller kontrolleres tilstrækkeligt.
7. **Målene for tilbehørsmonteringen skal passe til målene for monteringsdelen på maskinen.** Tilbehør, der ikke passer til maskinens monteringsdele, vil miste balancen, vibrere for meget og kan medføre tab af kontrol.
8. **Anvend ikke et beskadiget tilbehør. Før hver anvendelse undersøges tilbehøret, såsom slibeskiver for skår og revner, bagtallerken for revner, rift eller overdreven slitage, trådbørste for løse eller knækkede tråde. Hvis maskinen eller tilbehøret tabes, skal du undersøge, om det er beskadiget, eller montere et ubeskadiget tilbehør. Efter inspektion og montering af tilbehør, skal du og omkringstående stå på god afstand af det roterende tilbehørs flade, og maskinen skal køres på højeste, ubelastede hastighed i et minut.** Beskadiget tilbehør vil normalt gå i stykker i løbet af denne testperiode.
9. **Bær personligt beskyttelsesudstyr. Afhængigt af anvendelsen skal der anvendes en ansigts-skærm, beskyttelsesbriller eller sikkerhedsbriller. Bær eventuelt støvmaske, hørevern, handsker og værktøjsforklæde, hvis kan stoppe små slibedele eller fragmenter af arbejdsemnet.** Øjenværnet skal kunne standse flyvende snavs, der opstår ved forskellige anvendelser. Støvmasken eller åndedrætsværnet skal kunne filtrere partikler, der opstår under den særlige anvendelse. Langvarig eksponering for støj med høj intensitet kan medføre høretab.
10. **Hold tilskuere i sikker afstand fra arbejdsområdet. Alle, der kommer ind i arbejdsområdet, skal anvende personligt beskyttelsesudstyr.** Fragmenter af arbejdsemnet eller af et ødelagt tilbehør kan blive slynget væk og forårsage personskade uden for det umiddelbare arbejdsområde.
11. **Hold kun maskinen i de isolerede gribeblade, når der udføres et arbejde, hvor det skærende tilbehør kan komme i berøring med skjulte ledninger eller dens egen ledning.** Skærtilbehør, der kommer i kontakt med en "strømførende" ledning, kan gøre maskinens udsatte metaldele "strømførende" og kan give operatøren et elektrisk stød.
12. **Anbring altid ledningen, så den ikke kommer i kontakt med drejende tilbehør.** Hvis du mister kontrollen, kan ledningen blive skåret over eller hænge fast, og din hånd eller arm kan blive trukket ind i det roterende tilbehør.
13. **Læg aldrig maskinen ned, før tilbehøret er stoppet helt.** Det roterende tilbehør kan gribe fat i overfladen og trække maskinen ud af din kontrol.
14. **Lad ikke maskinen køre, mens du bærer den ved din side.** Utilsigtet kontakt med det roterende tilbehør kan få fat i dit tøj og trække tilbehøret ind mod kroppen.
15. **Rengør maskinværktøjets ventilationsåbninger med jævne mellemrum.** Motorens ventilator trækker støvet ind i huset, og overdreven ophobning af pulveriseret metal kan forårsage elektriske farer.
16. **Brug ikke maskinværktøjet i nærheden af brændbare materialer.** Gnister kan antænde disse materialer.
17. **Anvend ikke tilbehør, der kræver flydende kølemidler.** Anvendelse af vand eller andre flydende kølemidler kan medføre elektrisk aflivning eller stød.

Tilbageslag og relaterede advarsler:

Tilbageslag er en pludselig reaktion på en fastklemt eller blokeret roterende skive, bagtallerken, børste eller andet tilbehør. En fastklemt eller blokeret del forårsager hurtig standsnng af det roterende tilbehør, som derved bliver årsag til, at det ukontrollerede maskinværktøj bliver tvunget i den modsatte retning af tilbehørets rotation ved punktet for bindingen.

Hvis for eksempel en slibeskive er blokeret eller fastklemt af arbejdsemnet, kan kanten på skiven, som går ind i fastklemningspunktet, grave sig ind i materialets overflade og derved bevirke, at skiven kommer ud eller presses ud. Skiven kan enten springe mod eller væk fra operatøren, afhængigt af retningen af skivens bevægelse på det sted, hvor den klemmes. Slibeskiver kan også brække under disse forhold.

Tilbageslag er et resultat af misbrug af og/eller forkert betjening af maskinen eller forkerte brugsforhold. Dette kan undgås ved, at der tages de rette forholdsregler som anvist herunder.

1. **Hold godt fast i maskinværktøjet med begge hænder, og placer din krop og arme, så du kan modstå tilbageslagskræfter. Anvend altid hjælpehåndtag, hvis det er til rådighed, for maksimal kontrol over tilbageslag eller drejningsmomentreaktion under opstart.** Operatøren kan styre drejningsmomentreaktioner eller tilbageslagskræfter, hvis der træffes passende forholdsregler.
2. **Anbring aldrig hånden i nærheden af det roterende tilbehør.** Tilbehøret kan give tilbageslag over hånden.
3. **Placer ikke din krop i det område, hvor maskinværktøjet bevæger sig, hvis der opstår tilbageslag.** Tilbageslag vil slynge maskinen i modsat retning af skivens bevægelse på det sted, hvor den sidder fast.
4. **Vær ekstra forsigtig, når du arbejder med hjørner, skarpe kanter osv. Undgå, at tilbehøret hopper og bliver fastklemt.** Hjørner, skarpe kanter eller op og ned-bevægelser har en tendens til at fastklemme det roterende tilbehør og forårsage tab af kontrol eller tilbageslag.
5. **Lad være med at montere en savkæde-træskæreklinge, en segmenteret diamantskive med et periferet mellemrum på mere end 10 mm eller en savklinge med tænder.** Sådanne klinger skaber hyppige tilbageslag og tab af kontrol.

Sikkerhedsadvarsler, der er specifikke for afhøveling af betonoverflader:

1. Brug kun de skivetyper, der anbefales til maskinværktøjet, og den særlige beskyttelsesskærm, der er beregnet til den valgte skive. Skiver, som maskinværktøjet ikke er konstrueret til, kan ikke beskyttes tilstrækkeligt og er usikre.
2. Brug altid ubeskadigede skiveflanger med den korrekte størrelse og form til den valgte skive. Korrekte skiveflanger understøtter skiven, hvilket reducerer risikoen for skivebrud.

Supplerende sikkerhedsadvarsler:

1. Montér altid beskyttelsesskærmen til støvopsamling før anvendelse.
2. Vær påpasselig med ikke at komme til at beskadige spindlen, flangen (specielt monteringsfladen) eller låsemøtrikken. Beskadigelse af disse dele kan resultere i, at skiven brækker.
3. Sørg for, at skiven ikke er i berøring med arbejdsområdet, inden De tænder for maskinen med afbryderen.
4. Inden De begynder at anvende maskinen på et rigtigt arbejdsområde, skal De lade den køre i et stykke tid. Vær opmærksom på vibrationer eller slør, som kan være tegn på dårlig montage eller en forkert afbalanceret skive.
5. Læg ikke maskinen fra Dem, mens den stadig kører. Anvend kun maskinen som håndværktøj.
6. Undlad at berøre diamantskiven af koptypen umiddelbart efter brug. Den kan være meget varm og kan forårsage forbrændinger på huden.
7. Overhold altid fabrikantens instruktioner for korrekt montage og anvendelse af skiver. Behandl og opbevar skiver med forsigtighed.
8. Undlad at bruge separate reduktionsbøsninger eller adaptere til at tilpasse diamantskiver af koptypen med store huller.
9. Anvend kun de specificerede flanger til denne maskine.
10. Kontrollér at emnet er korrekt understøttet.
11. Forsigtig! Skiven fortsætter med at rotere, efter at der slukket for maskinen.
12. Hvis arbejdsstedet er ekstremt varmt eller fugtigt, eller slemt tilslavet med ledende støv, bør der anvendes en kortslutningsafbryder (30 mA) for at garantere sikkerheden under arbejdet.
13. Anvend aldrig maskinen på materialer, der indeholder asbest.

GEM DISSE FORSKRIFTER.

⚠ ADVARSEL: LAD IKKE bekvemmelighed eller kendskab til produktet (opnået gennem gentagen brug) forhindre, at sikkerhedsforskrifterne for produktet nøje overholdes. MISBRUG eller forsummelse af at følge de i denne brugsvejledning givne sikkerhedsforskrifter kan medføre alvorlig personskade.

FUNKTIONSBESKRIVELSE

⚠ FORSIGTIG: Kontrollér altid, at maskinen er slået fra, og at netstikket er trukket ud, før der udføres justeringer, eller funktioner kontrolleres på maskinen.

Indikatorlampe

► Fig.1: 1. Indikatorlampe

Indikatorlampen lyser grønt, når maskinen er tilsluttet. Hvis indikatorlampen ikke lyser, er netledningen eller kontrolløren muligvis defekt.

Hvis indikatorlampen lyser, men maskinen ikke starter, selvom der er tændt for maskinen, er kulbørsterne muligvis nedslidte, eller kontrolløren, motoren eller TIL/FRA-kontakten er muligvis defekt.

Aksellås

⚠ ADVARSEL: Aktiver aldrig aksellåsen, når spindlen bevæger sig. Det kan forårsage alvorlig tilskadecomst eller maskinskade.

Tryk på aksellåsen for at forhindre, at spindlen roterer, når tilbehøret monteres eller afmonteres.

► Fig.2: 1. Aksellås

Afbryderfunktion

⚠ FORSIGTIG: Før maskinen sættes i stikkontakten, skal De altid kontrollere, at afbryderknappen fungerer korrekt og returnerer til "OFF"-positionen, når den slippes.

⚠ FORSIGTIG: Sørg for at slukke for maskinen i tilfælde af strømafbrydelse eller ved nedlukning ved et uheld, f.eks. ved at netledningen tages ud af stikkontakten. Ellers vil maskinen starte uventet, når strømforsyningen gendannes, og medføre en ulykke eller personskade.

Der er tre mønstre for afbryderfunktionen afhængigt af land.

► Fig.3: 1. Afbryderknop 2. Låsearm

For maskiner med låsekontakt

Landespecifik

⚠ FORSIGTIG: Kontakten kan låses i "ON"-stillingen for at gøre det nemmere for brugeren ved længere tids brug af maskinen. Vær forsigtig, når maskinen låses i "ON"-stillingen, og hold godt fast i maskinen.

For at starte maskinen skal du blot trykke på afbryderknappen (i retning mod B). Slip afbryderknappen for at stoppe.

For kontinuerlig brug skal du trykke på afbryderknappen (i retning mod B) og derefter trykke låsearmen ind (i retning mod A).

For at stoppe maskinen fra den låste position skal du trykke afbryderknappen helt ind (i retning mod B) og derefter slippe den.

For maskiner med lås-fra-kontakt

Landespecifik

For at forhindre, at der trykkes på afbryderknappen ved et uheld, er maskinen forsynet med en låsearm. For at starte maskinen skal du trykke på låsearmen (i retning mod A) og derefter trykke på afbryderknappen (i retning mod B). Slip afbryderknappen for at stoppe.

BEMÆRKNING: Tryk ikke hårdt på afbryderknappen uden at trykke låsearmen ind. Dette kan forårsage brud på kontakten.

For maskiner med låse- og lås-fra-kontakt

Landespecifik (herunder Australien og New Zealand)

⚠️FORSIGTIG: Kontakten kan låses i "ON"-stillingen for at gøre det nemmere for brugeren ved længere tids brug af maskinen. Vær forsigtig, når maskinen låses i "ON"-stillingen, og hold godt fast i maskinen.

For at forhindre, at der trykkes på afbryderknappen ved et uheld, er maskinen forsynet med en låsearm. For at starte maskinen skal du trykke på låsearmen (i retning mod A) og derefter trykke på afbryderknappen (i retning mod B). Slip afbryderknappen for at stoppe. For kontinuerlig brug skal du trykke på låsearmen (i retning mod A), trykke på afbryderknappen (i retning mod B) og derefter trække låsearmen (i retning mod C). For at stoppe maskinen fra den låste position skal du trykke afbryderknappen helt ind (i retning mod B) og derefter slippe den.

BEMÆRKNING: Tryk ikke hårdt på afbryderknappen uden at trykke låsearmen ind. Dette kan forårsage brud på kontakten.

Funktion til forhindring af utilsigtet genstart

Når maskinen tilsluttes, mens kontakten er slået TIL, starter maskinen ikke. På dette tidspunkt blinker indikatorlampen rødt og viser, at funktionen til forhindring af utilsigtet genstart fungerer. For at starte maskinen skal du slukke for kontakten og tænde den igen.

Konstant hastighedskontrol

Det er muligt at opnå en fin finish, fordi rotationshastigheden holdes konstant, selv under den belastede tilstand.

Funktion for blød start

Funktionen for blød start reducerer startreaktionen.

Overbelastningsbeskyttelse

Når belastningen på maskinen overstiger de tilladte niveauer, reduceres effekten til motoren for at beskytte motoren mod overophedning. Når belastningen vender tilbage til de tilladte niveauer, fungerer maskinen som normalt.

Afhøvling i niveau

Kun til model PC5001C

For at nivellere en overflade skal foden på høvlen være justeret med diamantskiven. Den forreste rulle skal justeres (brug sekskantnøgle) opad til det niveau, der kræves til den ønskede mængde af fjernelse af materiale.

► **Fig.4:** 1. Fod 2. Sekskantnøgle 3. Forreste rulle

Hvis du vil ændre mængden af fjernet materiale (beton), skal du løsne sekskantmuffeboltene på fodens holder med sekskantnøglen.

Hæv eller sænk den forreste rulle for at justere mellemrummet mellem den forreste rulle og diamantskiven. Forskellen er mængden af det materiale, der skal fjernes. Fastgør derefter sekskantmuffeboltene meget omhyggeligt.

► **Fig.5:** 1. Sekskantmuffebolt 2. Mængden af fjernet materiale

BEMÆRK: Maksimal mængde af fjernet materiale skal være mindre end 4,0 mm.

Vipning af fod til glattere høvling

Kun til model PC5001C

Det er nyttigt at vippe foden for at opnå en jævn fjernelse af en given overfladeruhed eller tekstur. Brug sekskantnøglen til at løsne de to sekskantmuffebolte, som fastgør foden på begge sider.

► **Fig.6:** 1. Fod 2. Sekskantnøgle 3. Sekskantmuffebolt

Brug en sekskantnøgle til at sænke de tre sekskantmuffebolte på foden ved at dreje dem med uret.

► **Fig.7:** 1. Sekskantnøgle 2. Sekskantmuffebolt

Brug en firkant eller lineal til at opnå den ønskede fodvinkel i forhold til diamantskiven. Fastgør derefter forsigtigt sekskantmuffeboltene på begge sider af foden.

Justér midten af foden nær skiven, så den er på samme niveau som skiven.

► **Fig.8:** 1. Samme niveau 2. Firkant eller lineal 3. Sekskantmuffebolt

BEMÆRKNING: Efter fodjusteringen drejes de tre sekskantmuffebolte på foden mod uret, indtil hovederne flugter med bagsiden af foden. Drej dem forsigtigt, ellers vil justering af foden blive smidt af.

Fodjustering for at kompensere for slitage på skiven

Kun til model PC5001C

Ved langvarig brug slides diamantskiven, hvilket skaber et mellemrum i forhold til afhøvlingsoverfladen, så ydeevnen bliver dårlig. Kontrollér maskinen efter hver 4 eller 5 timers brug. Hvis skiven og fodens overflader ikke er justeret, skal du løsne to sekskantmuffebolte, der fastgør foden. Drej tre sekskantmuffebolte på foden med uret, og justér foden, så den er i niveau med skivens overflade. Tilspænd sekskantmuffeboltene, der fastgør foden, godt igen, og drej derefter sekskantmuffeboltene let mod uret, så sekskantmuffeboltene ikke løsner sig under anvendelse.

Justering af støvdæksel

► **Fig.9:** 1. Hæv 2. Sænk 3. Støvdæksel 4. Skrue

Løsn skruen, og justér støvdækselbørstens niveau. Støvdækselbørsten skal enten flugte med diamantski-veoverfladen eller være op til 0,5 mm over diamantski-veoverfladen (når maskinen er vendt om).

Suget/opsamlingen vil være dårlig, hvis de ikke er på omtrent samme niveau.

Efter justering skal du sørge for at tilspænde skruen godt fast. For at justere støvdækslet skal du tage fat i det på ydersiden, dreje det med uret for at hæve det og mod uret for at sænke det.

SAMLING

⚠FORSIGTIG: Sørg altid for, at maskinen er slukket og taget ud af forbindelse, inden der udføres nogen form for arbejde på maskinen.

Montering eller afmontering af bøjlehåndtag

⚠FORSIGTIG: Monter altid bøjlehåndtaget før anvendelse.

⚠FORSIGTIG: Sørg altid for, at boltene på bøjlehåndtaget er forsvarligt tilspændt før brugen.

⚠FORSIGTIG: Hold fast i gribeområdet på loop-håndtaget, der er angivet på figuren. Hold også hånden væk fra maskinens metaldele under anvendelse. Hvis du rører ved metaldelen, kan det medføre elektrisk stød, hvis skæretilbehøret pludselig skærer strømførende ledninger over.

For at montere bøjlehåndtaget, monter det på maskinen som vist, og tilspænd de to bolte for at fastgøre det.

For at afmontere bøjlehåndtaget skal du følge monteringsproceduren i omvendt rækkefølge.

► **Fig.10:** 1. Bolt 2. Gribeområde

Montering eller afmontering af diamantskiven

► **Fig.11:** 1. Låsemøtrik 2. Låsemøtriknøgle 3. Diamantskive 4. Aksellås

Hvis du vil udskifte en slidt diamantskive med en ny, skal du trykke aksellåsen ind for at holde akslen stabil og derefter løse låsemøtrikken mod uret med den medfølgende låsemøtriknøgle.

Afmonter den slidte diamantskive.

For at montere en ny skal du følge ovenstående afmonteringsprocedure i omvendt rækkefølge.

Når du monterer en ny diamantskive, skal du altid sørge for at tilspænde låsemøtrikken godt fast.

BEMÆRK: De almindelige diamantskiver på markedet har ingen udstødningshuller, så støvudtømningen er dårlig. Hvis monteringshullet ikke har den nøjagtige diameter, kan der også opstå vibrationer i maskinen, og der kan ske ulykker. BRUG ALTID EN DIAMANTSKIVE AF MAKITA-KOPTYPEN.

Montering eller afmontering af støvpose

Støvposen monteres ved at sætte støvposen på støvporten.

Sørg for at sætte støvposen helt ind på støvporten, indtil støvposen stopper, så den ikke løsner sig under anvendelse.

► **Fig.12:** 1. Støvpose

Fjern støvposen, når den begynder at røre ved skæreoverfladen. Dette er et tegn på, at støvposen er fuld. Hvis støvposen ikke tømmes, vil det medføre dårlig sugning/opsamling.

Tilslutning af en støvsuger

Ekstraudstyr

► **Fig.13**

Hvis du vil udføre en ren betonafhøvling, skal du tilslutte en Makita-støvsuger til maskinen. Tilslut derefter støvsugerens slange til mundstykket som vist på figuren.

ANVENDELSE

⚠FORSIGTIG: Hold ALTID godt fast i maskinen med den ene hånd på maskinhuset og den anden på hjælpelhåndtaget som vist i figuren.

⚠FORSIGTIG: Kontroller før brugen, at en støvsuger er sluttet til maskinen og tændt.

⚠FORSIGTIG: Undlad at bruge maskinen med en beskadiget støvdækselbørste. Brug af en beskadiget støvdækselbørste kan medføre personskade på grund af udsivende støv.

Afhøvling af betonoverflade

Monter altid hjælpelhåndtaget på maskinen før brugen. Hold godt fast i maskinens kontakthåndtag og hjælpelhåndtaget med begge hænder under brugen.

► **Fig.14**

Afhøvling i hjørner

Kun for model PC5000C

Hvis du vil afhøvle hjørner, skal du løse sekskantmuffebolten, og afmontere støvdækselhætten.

► **Fig.15:** 1. Sekskantmuffebolt 2. Støvdækselhætte

Kun til model PC5001C

1. Hvis du vil afhøvle hjørner, skal du afmontere den sekskantbolt, som holder rulleholderen og fodholderen fast, og afmontere hele rulleholderen.

2. Løsn sekskantmuffebolten, og afmonter støvdækselhætten.

► **Fig.16:** 1. Støvdækselhætte 2. Rulleholder 3. Sekskantmuffebolt 4. Sekskantbolt

Justér støvdækslet i den korrekte position i overensstemmelse med dit arbejde.

► **Fig.17**

VEDLIGEHOJDELSE

⚠FORSIGTIG: Kontrollér altid, at der er slukket for maskinen, og at netstikket er trukket ud, før der udføres eftersyn eller vedligeholdelse.

BEMÆRKNING: Anvend aldrig benzin, rensbenzin, fortynder, alkohol og lignende. Det kan medføre misfarvning, deformation eller revner.

For at opretholde produktets SIKKERHED og PÅLIDELIGHED må reparation, vedligeholdelse eller justering kun udføres af et autoriseret Makita servicecenter eller fabrikksservicecenter med anvendelse af Makita reservedele.

Udskiftning af støvdækselbørste

Hvis du vil afmontere støvdækselbørsten fra støvdækslet, skal du tage fat i en ende af støvdækselbørsten og tage den langsomt ud.

Hvis du vil montere støvdækselbørsten, skal du først justere begge ender af støvdækselbørsten med rille på støvdækslet.

► Fig.18

Og sæt derefter støvdækselbørsten hele vejen ind i støvdækslets rille ved hjælp af en skruetrækker med lige kærv eller et andet egnet værktøj.

► Fig.19

Udskiftning af kulbørster

► Fig.20: 1. Slidmarkering

Kontrollér kulbørsterne med regelmæssige mellemrum. Udskift dem, når de er slidt ned til slidgrænsen. Hold kulbørsterne rene og i stand til frit at glide ind i holderne. Begge kulbørster skal udskiftes parvist samtidigt. Anvend kun identiske kulbørster.

1. Benyt en skruetrækker til at afmontere kulholderdækslerne.
2. Tag de slidte kulbørster ud, isæt de nye, og fastgør derefter kulholderdækslerne.

► Fig.21: 1. Kulholderdæksel 2. Skruetrækker

EKSTRAUDSTYR

⚠FORSIGTIG: Det følgende tilbehør og ekstraudstyr er anbefalet til brug med Deres Makita maskine, der er beskrevet i denne brugsanvisning. Anvendelse af andet tilbehør eller ekstraudstyr kan udgøre en risiko for personskade. Anvend kun tilbehør og ekstraudstyr til det beskrevne formål.

Hvis De behøver hjælp ved valg af tilbehør eller ønsker yderligere informationer, bedes De kontakte Deres lokale Makita servicecenter.

- Diamantskive af koptypen
- Støvdækselbørste

BEMÆRK: Nogle ting på denne liste kan være inkluderet i værktøjspakken som standardtilbehør. Det kan være forskellige fra land til land.





ΠΡΟΔΙΑΓΡΑΦΕΣ

| Μοντέλο: | | PC5000C | PC5001C |
|---|-----------------------|-------------------------------|---------|
| Συμβατός διαμαντοτροχός τύπου κούπας | Μέγ. διάμετρος τροχού | 125 mm | |
| Σπείρωμα ατράκτου | | M14 ή 5/8" (ειδικό της χώρας) | |
| Μέγ. μήκος ατράκτου | | 10 mm | |
| Ταχύτητα χωρίς φορτίο (n_0) / Ονομαστική ταχύτητα (n) | | 10.000 min ⁻¹ | |
| Συνολικό μήκος | | 437 mm | 479 mm |
| Καθαρό βάρος | | 4,0 kg | 5,1 kg |
| Κατηγορία ασφάλειας | | □/II | |

- Λόγω του συνεχόμενου προγράμματος που εφαρμόζουμε για έρευνα και ανάπτυξη, τα τεχνικά χαρακτηριστικά στο παρόν έντυπο υπόκεινται σε αλλαγή χωρίς προειδοποίηση.
- Τα τεχνικά χαρακτηριστικά μπορεί να διαφέρουν από χώρα σε χώρα.
- Βάρος σύμφωνα με διαδικασία ΕΡΤΑ 01/2014

Σύμβολα

Παρακάτω παρουσιάζονται τα σύμβολα που μπορούν να χρησιμοποιηθούν για τον εξοπλισμό. Βεβαιωθείτε ότι κατανοείτε τη σημασία τους πριν από τη χρήση.

| | |
|--|-----------------------------------|
|  | Διαβάστε το εγχειρίδιο οδηγιών. |
|  | Φοράτε γυαλιά ασφαλείας. |
|  | Να χειρίζεστε πάντα με δύο χέρια. |
|  | ΔΙΠΛΗ ΜΟΝΩΣΗ |



Μόνο για τις χώρες της ΕΕ
Λόγω της παρουσίας των επικινδύνων χημικών μερών στον εξοπλισμό, ο χρησιμοποιούμενος ηλεκτρικός και ηλεκτρονικός εξοπλισμός μπορεί να έχει αρνητική επίδραση στο περιβάλλον και την ανθρώπινη υγεία.

Μην απορρίπτετε τις ηλεκτρικές και ηλεκτρονικές συσκευές μαζί με τα οικιακά απορρίμματα!
Σύμφωνα με την Ευρωπαϊκή Οδηγία για τον απόβλητο ηλεκτρικό και ηλεκτρονικό εξοπλισμό, καθώς και την προσαρμογή της στην εθνική νομοθεσία, ο χρησιμοποιούμενος ηλεκτρικός και ηλεκτρονικός εξοπλισμός θα πρέπει να συλλέγεται ξεχωριστά και να παραδίδεται σε ξεχωριστό σημείο συλλογής για δημοτικά απόβλητα, το οποίο λειτουργεί σύμφωνα με τους κανονισμούς προστασίας του περιβάλλοντος. Αυτό υποδεικνύεται από το σύμβολο του διαγραμμένου τροχοφόρου κάδου που βρίσκεται αναρτημένο επάνω στον εξοπλισμό.

Προοριζόμενη χρήση

Το εργαλείο προορίζεται για το πλάνισμα τσιμεντένιων επιφανειών.

Ηλεκτρική παροχή

Το εργαλείο πρέπει να συνδέεται μόνο με ηλεκτρική παροχή της ίδιας τάσης με αυτή που αναγράφεται στην πινακίδα ονομαστικών τιμών και μπορεί να λειτουργήσει μόνο με εναλλασσόμενο μονοφασικό ρεύμα. Υπάρχει διπλή μόνωση και κατά συνέπεια, μπορεί να γίνει σύνδεση σε ακροδέκτες χωρίς σύρμα γείωσης.

Θόρυβος

Το τυπικό Α επίπεδο καταμετρημένου θορύβου καθορίζεται σύμφωνα με το EN62841-2-3:

| Μοντέλο | Επίπεδο ηχητικής πίεσης (L_{pA}): (dB (A)) | Επίπεδο ηχητικής ισχύος (L_{WA}): (dB (A)) | Αβεβαιότητα (K): (dB (A)) |
|---------|--|--|---------------------------|
| PC5000C | 90 | 98 | 3 |
| PC5001C | 90 | 98 | 3 |

ΠΑΡΑΤΗΡΗΣΗ: Η δηλωμένη τιμή(ές) εκπομπής θορύβου έχει μετρηθεί σύμφωνα με την πρότυπη μέθοδο δοκιμής και μπορεί να χρησιμοποιηθεί για τη σύγκριση ενός εργαλείου με κάποιο άλλο.

ΠΑΡΑΤΗΡΗΣΗ: Η δηλωμένη τιμή(ές) εκπομπής θορύβου μπορεί να χρησιμοποιηθεί και στην προκαταρκτική αξιολόγηση της έκθεσης.

⚠️ ΠΡΟΕΙΔΟΠΟΙΗΣΗ: Να φοράτε ωτοασπίδες.

⚠️ ΠΡΟΕΙΔΟΠΟΙΗΣΗ: Η εκπομπή θορύβου κατά τη χρήση του ηλεκτρικού εργαλείου σε πραγματικές συνθήκες μπορεί να διαφέρει από τη δηλωμένη τιμή(ές) ανάλογα με τους τρόπους χρήσης του εργαλείου, ιδιαίτερα το είδος του τεμαχίου εργασίας που υπόκειται επεξεργασία.

⚠️ ΠΡΟΕΙΔΟΠΟΙΗΣΗ: Φροντίστε να λάβετε τα κατάλληλα μέτρα προστασίας του χειριστή βάσει ενός υπολογισμού της έκθεσης σε πραγματικές συνθήκες χρήσης (λαμβάνοντας υπόψη όλες τις συνιστώσες του κύκλου λειτουργίας όπως τους χρόνους που το εργαλείο είναι εκτός λειτουργίας και όταν βρίσκεται σε αδρανή λειτουργία πέραν του χρόνου ενεργοποίησης).

Κραδασμός

Η ολική τιμή δόνησης (άθροισμα τρι-αξονικού διανύσματος) καθορίζεται σύμφωνα με το EN62841-2-3:

Κατάσταση εργασίας: Λείανση επιφανειών

| Μοντέλο | Εκπομπή δόνησης ($a_{h, A0}$): (m/s ²) | Αβεβαιότητα (K): (m/s ²) |
|---------|--|--------------------------------------|
| PC5000C | 3,7 | 1,5 |
| PC5001C | 8,0 | 1,5 |

ΠΑΡΑΤΗΡΗΣΗ: Η δηλωμένη τιμή(ές) συνολικών κραδασμών έχει μετρηθεί σύμφωνα με την πρότυπη μέθοδο δοκιμής και μπορεί να χρησιμοποιηθεί για τη σύγκριση ενός εργαλείου με κάποιο άλλο.

ΠΑΡΑΤΗΡΗΣΗ: Η δηλωμένη τιμή(ές) συνολικών κραδασμών μπορεί να χρησιμοποιηθεί και στην προκαταρκτική αξιολόγηση της έκθεσης.

⚠️ ΠΡΟΕΙΔΟΠΟΙΗΣΗ: Η εκπομπή κραδασμών κατά τη χρήση του ηλεκτρικού εργαλείου σε πραγματικές συνθήκες μπορεί να διαφέρει από τη δηλωμένη τιμή(ές) εκπομπής ανάλογα με τους τρόπους χρήσης του εργαλείου, ιδιαίτερα το είδος του τεμαχίου εργασίας που υπόκειται επεξεργασία.

⚠️ ΠΡΟΕΙΔΟΠΟΙΗΣΗ: Φροντίστε να λάβετε τα κατάλληλα μέτρα προστασίας του χειριστή βάσει ενός υπολογισμού της έκθεσης σε πραγματικές συνθήκες χρήσης (λαμβάνοντας υπόψη όλες τις συνιστώσες του κύκλου λειτουργίας όπως τους χρόνους που το εργαλείο είναι εκτός λειτουργίας και όταν βρίσκεται σε αδρανή λειτουργία πέραν του χρόνου ενεργοποίησης).

⚠️ ΠΡΟΕΙΔΟΠΟΙΗΣΗ: Η δηλωμένη τιμή εκπομπής δόνησης χρησιμοποιείται για κύριες εφαρμογές του ηλεκτρικού εργαλείου. Ωστόσο, αν το ηλεκτρικό εργαλείο χρησιμοποιείται για άλλες εφαρμογές, η τιμή εκπομπής δόνησης ενδέχεται να είναι διαφορετική.

Δήλωση συμμόρφωσης ΕΚ

Μόνο για χώρες της Ευρώπης

Η δήλωση συμμόρφωσης ΕΚ περιλαμβάνεται ως Παράρτημα Α στο παρόν χειρίδιο οδηγιών.

ΠΡΟΕΙΔΟΠΟΙΗΣΕΙΣ ΑΣΦΑΛΕΙΑΣ

Γενικές προειδοποιήσεις ασφαλείας για το ηλεκτρικό εργαλείο

⚠️ ΠΡΟΕΙΔΟΠΟΙΗΣΗ: Διαβάστε όλες τις προειδοποιήσεις ασφαλείας, οδηγίες, εικονογραφήσεις και προδιαγραφές που παρέχονται με αυτό το ηλεκτρικό εργαλείο. Η μη τήρηση όλων των οδηγιών που αναγράφονται κατωτέρω μπορεί να καταλήξει σε ηλεκτροπληξία, πυρκαγιά ή/και σοβαρό τραυματισμό.

Φυλάξτε όλες τις προειδοποιήσεις και τις οδηγίες για μελλοντική παραπομπή.

Στις προειδοποιήσεις, ο όρος «ηλεκτρικό εργαλείο» αναφέρεται σε ηλεκτρικό εργαλείο που τροφοδοτείται από την κύρια παροχή ηλεκτρικού ρεύματος (με ηλεκτρικό καλώδιο) ή σε ηλεκτρικό εργαλείο που τροφοδοτείται από μπαταρία (χωρίς ηλεκτρικό καλώδιο).

Προειδοποιήσεις ασφαλείας για την πλήρη τσιμεντένιων επιφανειών

Προειδοποιήσεις ασφαλείας κοινές για εργασίες πλαναρίσματος τσιμεντένιων επιφανειών:

1. Αυτό το ηλεκτρικό εργαλείο προορίζεται για λειτουργία ως πλήρη τσιμεντένιων επιφανειών με διαμαντοτροχούς τύπου κούπας. Διαβάστε όλες τις προειδοποιήσεις ασφαλείας, οδηγίες, εικονογραφήσεις και προδιαγραφές που παρέχονται με αυτό το ηλεκτρικό εργαλείο. Αμέλεια να ακολουθήσετε όλες τις οδηγίες που αναγράφονται παρακάτω μπορεί να έχει ως αποτέλεσμα ηλεκτροπληξία, φωτιά ή/και σοβαρό τραυματισμό.

2. Δεν πρέπει να εκτελούνται εργασίες όπως τρίψιμο με λειαντικούς τροχούς, γυαλοχάρτισμα, καθαρισμός με συμπατόβουρτσα, στίλβωση, διάνοιξη οπών ή κοπή με αυτό το ηλεκτρικό εργαλείο. Η εκτέλεση εργασιών για τις οποίες δεν έχει σχεδιαστεί αυτό το ηλεκτρικό εργαλείο μπορεί να εγκυμονεί κινδύνους και να προκαλέσει προσωπικό τραυματισμό.
3. Μην πραγματοποιείτε μετατροπές σε αυτό το ηλεκτρικό εργαλείο με τρόπο που δεν έχει ειδικά σχεδιαστεί ή καθοριστεί από τον κατασκευαστή του εργαλείου. Μια τέτοια μετατροπή μπορεί να έχει ως αποτέλεσμα την απώλεια ελέγχου και να προκαλέσει σοβαρό προσωπικό τραυματισμό.
4. Μην χρησιμοποιείτε εξαρτήματα που δεν είναι ειδικά σχεδιασμένα και καθορίζονται από τον κατασκευαστή του εργαλείου. Απλώς και μόνο επειδή το εξάρτημα μπορεί να προσαρτηθεί στο ηλεκτρικό εργαλείο, αυτό δεν εξασφαλίζει ασφαλή λειτουργία.
5. Η ονομαστική ταχύτητα του εξαρτήματος πρέπει να είναι τουλάχιστον ίση με την μέγιστη ταχύτητα που είναι συμπεριλαμβανόμενη στο ηλεκτρικό εργαλείο. Εξαρτήματα που λειτουργούν ταχύτερα από την ονομαστική ταχύτητα τους μπορεί να σπάσουν και να εκτοξευθούν.
6. Η εξωτερική διάμετρος και το πάχος του εξαρτήματος σας πρέπει να είναι μέσα στα όρια ικανότητας του ηλεκτρικού εργαλείου σας. Εξαρτήματα λανθασμένου μεγέθους δεν μπορούν να προφυλαχθούν ή να ελεγχθούν επαρκώς.
7. Οι διαστάσεις της στερέωσης εξαρτήματος πρέπει να ταιριάζουν με τις διαστάσεις του εξοπλισμού στερέωσης του ηλεκτρικού εργαλείου. Τα εξαρτήματα που δεν ταιριάζουν με το εξάρτημα στερέωσης του ηλεκτρικού εργαλείου θα παρουσιάσουν υποβαθμισμένη ζυγοστάθμιση, υπερβολικούς κραδασμούς και ενδεχομένως απώλεια ελέγχου.
8. Μην χρησιμοποιείτε εξάρτημα που έχει υποστεί βλάβη. Πριν από κάθε χρήση, να εξετάζετε το εξάρτημα, όπως λειαντικούς τροχούς, για ριγίσματα και ρωγμές, τη βάση υποστήριξης για ρωγμές, ρήξη ή υπερβολική φθορά, τη συμπατόβουρτσα για χαλαρά ή ραγιμένα σύρματα. Αν το ηλεκτρικό εργαλείο ή το εξάρτημα πέσει κάτω, ελέγξτε το για ζημιές ή προσαρμόστε ένα καλό εξάρτημα. Μετά τον έλεγχο και την προσαρμογή ενός εξαρτήματος, απομακρυνθείτε εσείς και οι γύρω σας από το επίπεδο περιστροφής του εξαρτήματος και αφήστε σε λειτουργία το ηλεκτρικό εργαλείο σε μέγιστη ταχύτητα χωρίς φορτίο για ένα λεπτό. Εξαρτήματα με ζημιές θα διαλυθούν κατά τον χρόνο αυτής της δοκιμής.
9. Να φοράτε εξοπλισμό ατομικής προστασίας. Ανάλογα με την εφαρμογή, να χρησιμοποιείτε προσωπικά προστασίας, προστατευτικά γυαλιά-προσωπίδες ή γυαλιά προστασίας. Όταν απαιτείται, να φοράτε μάσκα σκόνης, προστατευτικά ακοής, γάντια και ποδιά συνεργείου ικανά να παρέχουν προστασία από τα εκτινασόμενα μικρά θραύσματα λόγω της λείανσης ή του τεμαχίου εργασίας. Τα προστατευτικά ματιών πρέπει να είναι ικανά να σταματήσουν τυχόν εκτινασόμενα θραύσματα που δημιουργούνται κατά την εκτέλεση διαφόρων εφαρμογών. Η μάσκα σκόνης ή αναπνευστήρας πρέπει να είναι ικανή να φιλτράρει σωματίδια που παράγονται από τη συγκεκριμένη εφαρμογή. Η παρατεταμένη έκθεση σε θόρυβο υψηλής έντασης μπορεί να προκαλέσει απώλεια ακοής.
10. Κρατάτε τους γύρω σας σε μια ασφαλή απόσταση από τον χώρο εργασίας. Οποιοσδήποτε εισερχόμενος στο χώρο εργασίας πρέπει να φορά ατομικό προστατευτικό εξοπλισμό. Τεμαχίδια από το τεμάχιο εργασίας ή από ένα σπασμένο εξάρτημα μπορεί να εκτιναχθούν μακριά και να προκαλέσουν τραυματισμό πέραν της άμεσης περιοχής εργασίας.
11. Κρατάτε το ηλεκτρικό εργαλείο μόνο από τις μονωμένες επιφάνειες κρατήματος, όταν εκτελείτε μια εργασία όπου το εξάρτημα κοπής μπορεί να έρθει σε επαφή με κρυμμένες καλωδιώσεις ή με το δικό του καλώδιο. Σε περίπτωση επαφής του εξαρτήματος κοπής με ηλεκτροφόρο καλώδιο, μπορεί τα εκτεθειμένα μεταλλικά εξαρτήματα του ηλεκτρικού εργαλείου να καταστούν τα ίδια ηλεκτροφόρα και να προκαλέσουν ηλεκτροπληξία στο χειριστή.
12. Κρατήστε το καλώδιο μακριά από το περιστρεφόμενο εξάρτημα. Αν χάσετε τον έλεγχο, το καλώδιο τροφοδοσίας μπορεί να κοπεί ή να εμπλακεί και το χέρι ή ο βραχιόνάς σας μπορεί να τραβηχτεί προς το περιστρεφόμενο εξάρτημα.
13. Μην αφήνετε ποτέ το ηλεκτρικό εργαλείο κάτω, πριν σταματήσετε πλήρως ή περιστροφής του εξαρτήματος. Το περιστρεφόμενο εξάρτημα μπορεί να πιάσει την επιφάνεια και να τραβήξει το ηλεκτρικό εργαλείο έξω από τον έλεγχο σας.
14. Μην χειρίζεστε το ηλεκτρικό εργαλείο ενώ το μεταφέρετε στο πλευρό σας. Τυχόν επαφή με το περιστρεφόμενο εξάρτημα μπορεί να προκαλέσει πιάσιμο στα ρούχα σας και να τραβήξει το εξάρτημα μέσα στο σώμα σας.
15. Καθαρίστε τακτικά τα ανοίγματα εξαερισμού του ηλεκτρικού εργαλείου. Ο ανεμιστήρας του μοτέρ θα αναρροφήσει τη σκόνη μέσα στο περίβλημα και η υπερβολική συγκέντρωση ρινοσμάτων μετάλλου μπορεί να προκαλέσει κίνδυνο ηλεκτροπληξίας.
16. Μην χειρίζεστε το ηλεκτρικό εργαλείο κοντά σε εύφλεκτα υλικά. Οι σπινθήρες μπορεί να προκαλέσουν ανάφλεξη αυτών των υλικών.
17. Μην χρησιμοποιείτε εξαρτήματα που χρειάζονται ψυκτικά υγρά. Η χρήση νερού ή άλλων ψυκτικών υγρών μπορεί να προκαλέσει ηλεκτροπληξία ή σοκ.

Κλότσημα και σχετικές προειδοποιήσεις:

Το κλότσημα είναι μια ξαφνική αντίδραση του εργαλείου λόγω σύσφιγξης ή σκαλωμάτων του περιστρεφόμενου τροχού, της βάσης υποστήριξης, της βούρτσας ή τυχόν άλλου εξαρτήματος. Η σύσφιγξη ή το σκαλωμα προκαλεί ταχεία απώλεια ελέγχου του περιστρεφόμενου εξαρτήματος το οποίο στη συνέχεια υποχρεώνει το ανεξέλεγκτο ηλεκτρικό εργαλείο σε περιστροφή αντίθετη από εκείνη του εξαρτήματος στο σημείο εμπλοκής. Για παράδειγμα, αν ένας λειαντικός τροχός περιέλθει σε σύσφιγξη ή σκαλωμα στο τεμάχιο εργασίας, η ακμή του τροχού που εισέρχεται στο σημείο σύσφιγξης μπορεί να σκάψει την επιφάνεια του υλικού προκαλώντας την αναπήδηση ή το κλότσημα του τροχού. Ο τροχός μπορεί να αναπηδήσει προς το μέρος του χειριστή ή αντίθετα να απομακρυνθεί από αυτόν, ανάλογα με τη φορά περιστροφής του τροχού στο σημείο σύσφιγξης. Υπό αυτές τις συνθήκες, οι λειαντικοί τροχοί μπορεί επίσης να υποστούν θραύση. Το κλότσημα είναι αποτέλεσμα κακής χρήσης ή/και εσφαλμένων διαδικασιών ή συνθηκών χειρισμού του ηλεκτρικού εργαλείου και είναι δυνατόν να αποφευχθεί λαμβάνοντας κατάλληλες προφυλάξεις, όπως περιγράφονται κατωτέρω.

1. Κρατάτε σταθερά το ηλεκτρικό εργαλείο και με τα δύο χέρια και τοποθετήστε το σώμα και τους βραχιόνες σας έτσι ώστε να αντισταναίτε στις δυνάμεις του κλοστήματος. Να χρησιμοποιείτε πάντα βοηθητική λαβή, αν παρέχεται, για μέγιστο βαθμό ελέγχου του κλοστήματος ή της ροπής αντίδρασης κατά την εκκίνηση. Ο χειριστής μπορεί να ελέγξει τις αντιδράσεις ροπής ή δυνάμεις κλοστήματος, αν έχουν ληφθεί οι κατάλληλες προφυλάξεις.
2. Ποτέ μη βάλετε το χέρι σας κοντά στο περιστρεφόμενο εξάρτημα. Το εξάρτημα μπορεί να κλοστήσει στο χέρι σας.
3. Μη τοποθετήσετε το σώμα σας στην περιοχή όπου το ηλεκτρικό εργαλείο θα κινηθεί αν συμβεί κλότσημα. Το κλότσημα θα οδηγήσει το εργαλείο σε διεύθυνση αντίθετη της κίνησης του τροχού στο σημείο εμπλοκής.
4. Προσέχετε ιδιαίτερα όταν εργάζεστε σε γωνίες, αιχμηρά άκρα, κτλ. Να αποφεύγετε την αναπήδηση και το σκάλωμα του εξαρτήματος. Γωνίες, αιχμηρές άκρες ή αναπήδησεις έχουν την τάση να προκαλούν εμπλοκή στο περιστρεφόμενο εξάρτημα και προκαλούν απώλεια ελέγχου ή κλότσημα.
5. Μην προσαρμόζετε αλυσοτριάνο, λεπίδα ξυλογλυπτικής, τμηματικό διαμαντοτροχό με περιφερειακό κενό μεγαλύτερο από 10 mm ή οδοντωτή λεπίδα πριονιού. Τέτοιες λάμες προκαλούν συχνό κλότσημα και απώλεια ελέγχου.

Προειδοποιήσεις ασφάλειας ειδικές για εργασίες πλαναρίσματος τσιμεντένιων επιφανειών:

1. Να χρησιμοποιείτε μόνο τύπους τροχών που συνιστώνται για χρήση με το δικό σας ηλεκτρικό εργαλείο και το συγκεκριμένο προφυλακτήρα που έχει σχεδιαστεί για τον επιλεγμένο τροχό. Η παροχή επαρκούς προστασίας από τροχούς για τους οποίους δεν έχει σχεδιαστεί το ηλεκτρικό εργαλείο, δεν είναι δυνατή και επομένως οι τροχοί δεν είναι ασφαλείς.
2. Να χρησιμοποιείτε πάντα φλάντζες τροχών που δεν έχουν υποστεί βλάβη και είναι κατάλληλου μεγέθους και σχήματος για τον επιλεγμένο τροχό. Οι κατάλληλες φλάντζες τροχών υποστηρίζουν τους τροχούς και μειώνουν επομένως την πιθανότητα θραύσης τους.

Πρόσθετες προειδοποιήσεις ασφάλειας:

1. Να εγκαθιστάτε πάντα το προστατευτικό συλλογής σκόνης τροχού πριν τη λειτουργία.
2. Προσέξτε ώστε να μην προκαλέσετε βλάβη στην άτρακτο, στη φλάντζα (ιδιαίτερα στην επιφάνεια εγκατάστασης) ή στο παξιμάδι. Τυχόν βλάβη στα συγκεκριμένα μέρη θα μπορούσε να καταλήξει σε θραύση του τροχού.
3. Φροντίστε ο τροχός να μην έρχεται σε επαφή με το τεμάχιο εργασίας πριν από την ενεργοποίηση του διακόπτη.
4. Πριν από τη χρήση του τροχού πάνω σε πραγματικό τεμάχιο εργασίας, αφήστε τον σε λειτουργία για μικρό χρονικό διάστημα. Παρατηρήστε αν υπάρχουν δονήσεις ή ταλάντευση που υποδηλώνουν κακή εγκατάσταση ή τροχό με κακή ισοροπία.
5. Μην αφήνετε το εργαλείο αναμμένο. Χειρίζεστε το εργαλείο μόνο όταν το κρατάτε στο χέρι.
6. Μην αγγίζετε τον διαμαντοτροχό τύπου κούπας αμέσως μετά τη λειτουργία. Μπορεί να είναι υπερβολικά καυτό και να προκαλέσει έγκαυμα.
7. Μελετήστε τις οδηγίες του κατασκευαστή για σωστή τοποθέτηση και χρήση των τροχών. Χειριστείτε και αποθηκεύστε τους τροχούς με φροντίδα.

8. Μην χρησιμοποιείτε ξεχωριστές συστολές ή προσαρμογείς για να προσαρμόσετε διαμαντοτροχούς τύπου κούπας για μεγάλες σπές.
9. Χρησιμοποιείτε φλάντζες κατάλληλες για το εργαλείο.
10. Ελέγξτε ότι το τεμάχιο εργασίας υποστηρίζεται σταθερά.
11. Προσέξτε ότι ο τροχός συνεχίζει να περιστρέφεται ακόμη και αφού το εργαλείο έχει σβήσει.
12. Αν το μέρος εργασίας είναι πολύ ζεστό και υγρό, ή υπάρχει πολύ αγωγίμη σκόνη, χρησιμοποιήστε ένα ασφαλειοδιακόπτη βραχυκυκλώματος (30 mA) για να είστε σίγουροι για ασφαλή λειτουργία.
13. Μη χρησιμοποιείτε το εργαλείο σε κανένα υλικό που περιέχει αμίαντο.

ΦΥΛΑΞΤΕ ΑΥΤΕΣ ΤΙΣ ΟΔΗΓΙΕΣ.

▲ΠΡΟΕΙΔΟΠΟΙΗΣΗ: ΜΗΝ επιτρέψετε στην άνεση ή στην εξοικειωσή σας με το προϊόν (που αποκτήθηκε από επανειλημμένη χρήση) να αντικαταστήσει την αυστηρή τήρηση των κανόνων ασφαλείας του παρόντος εργαλείου. Η ΑΝΑΘΑΣΜΕΝΗ ΧΡΗΣΗ ή η αμέλεια να ακολουθήσετε τους κανόνες ασφαλείας που διατυπώνονται στο παρόν εγχειρίδιο οδηγιών μπορεί να προκαλέσει σοβαρό προσωπικό τραυματισμό.

ΠΕΡΙΓΡΑΦΗ ΛΕΙΤΟΥΡΓΙΑΣ

▲ΠΡΟΣΟΧΗ: Να βεβαιώνετε πάντα ότι το εργαλείο είναι σβηστό και αποσυνδεδεμένο από την ηλεκτρική παροχή πριν ρυθμίσετε ή ελέγξετε κάποια λειτουργία του.

Ενδεικτική λυχνία

► **Εικ.1:** 1. Ενδεικτική λυχνία

Όταν το εργαλείο είναι συνδεδεμένο, ανάβει η ενδεικτική λυχνία με πράσινο χρώμα.
Αν δεν ανάψει η ενδεικτική λυχνία, μπορεί να είναι ελαττωματικό το ηλεκτρικό καλώδιο ή ο ελεγκτής.
Αν η ενδεικτική λυχνία είναι αναμμένη, αλλά το εργαλείο δεν ξεκινάει, ακόμα και αν είναι ενεργοποιημένο, μπορεί να έχουν φθαρεί τα καρβουνάκια ή να είναι ελαττωματικός ο ελεγκτής, το μοτέρ ή ο διακόπτης λειτουργίας.

Εξάρτημα κλειδώματος άξονα

▲ΠΡΟΕΙΔΟΠΟΙΗΣΗ: Μην ενεργοποιείτε ποτέ το εξάρτημα κλειδώματος άξονα όταν κινείται η άτρακτος. Μπορεί να προκληθεί σοβαρός τραυματισμός ή ζημιά στο εργαλείο.

Πιέστε το εξάρτημα κλειδώματος άξονα για να εμποδίσετε την περιστροφή της άτρακτος όταν τοποθετείτε ή αφαιρείτε εξάρτημα.

► **Εικ.2:** 1. Εξάρτημα κλειδώματος άξονα

Δράση διακόπτη

▲ ΠΡΟΣΟΧΗ: Πριν από τη σύνδεση του εργαλείου στην ηλεκτρική παροχή, να ελέγχετε πάντα ότι η σκανδάλη διακόπτης ενεργοποιείται σωστά και επιστρέφει στη θέση «OFF» όταν την αφήνετε.

▲ ΠΡΟΣΟΧΗ: Βεβαιωθείτε ότι απενεργοποιήσατε το εργαλείο στην περίπτωση διακοπής ρεύματος ή τυχαίας διακοπής της λειτουργίας όπως αποσύνδεση του ηλεκτρικού καλωδίου. Διαφορετικά, το εργαλείο μπορεί να ξεκινήσει αναπάντεχα και να προκατασταθεί η ηλεκτρική παροχή και να προκαλέσει ατύχημα ή ατομικό τραυματισμό.

Υπάρχουν τρία μοτίβα της δράσης διακόπτη ανάλογα με τη χώρα.

► **Εικ.3:** 1. Σκανδάλη διακόπτης 2. Μοχλός κλειδώματος

Για εργαλείο με διακόπτη με κλειδώμα

Ειδικό της χώρας

▲ ΠΡΟΣΟΧΗ: Ο διακόπτης μπορεί να ασφαλιστεί στη θέση «ENERGO» για πιο άνετη λειτουργία από τη χρήστη κατά τη διάρκεια παρατεταμένης χρήσης. Να είστε προσεκτικοί όταν ασφαλίσετε το εργαλείο στη θέση «ENERGO» και να κρατάτε καλά το εργαλείο.

Για να ξεκινήσετε το εργαλείο, απλώς τραβήξτε τη σκανδάλη διακόπτη (προς την κατεύθυνση Β). Για διακοπή της λειτουργίας, ελευθερώστε τη σκανδάλη διακόπτη. Για συνεχόμενη λειτουργία, τραβήξτε τη σκανδάλη διακόπτη (προς την κατεύθυνση Β) και κατόπιν πιέστε προς τα μέσα το μοχλό κλειδώματος (προς την κατεύθυνση Α).

Για να βγάλετε το εργαλείο από την κλειδωμένη θέση, τραβήξτε πλήρως τη σκανδάλη διακόπτη (προς την κατεύθυνση Β) και κατόπιν αφήστε την.

Για εργαλείο με διακόπτη χωρίς κλειδώμα

Ειδικό της χώρας

Για να μην τραβηχτεί η σκανδάλη διακόπτης κατά λάθος, παρέχεται ένας μοχλός κλειδώματος.

Για να θέσετε το εργαλείο σε λειτουργία, πιέστε προς τα μέσα το μοχλό κλειδώματος (προς την κατεύθυνση Α) και κατόπιν τραβήξτε τη σκανδάλη διακόπτη (προς την κατεύθυνση Β). Για διακοπή της λειτουργίας, ελευθερώστε τη σκανδάλη διακόπτη.

ΕΙΔΟΠΟΙΗΣΗ: Μην τραβάτε τη σκανδάλη διακόπτη με βία χωρίς να πατάτε τον μοχλό κλειδώματος. Μπορεί να σπάσει ο διακόπτης.

Για εργαλείο με διακόπτη με και χωρίς κλειδώμα

Ειδικό της χώρας (συμπεριλαμβανομένης της Αυστραλίας και της Νέας Ζηλανδίας)

▲ ΠΡΟΣΟΧΗ: Ο διακόπτης μπορεί να ασφαλιστεί στη θέση «ENERGO» για πιο άνετη λειτουργία από τη χρήστη κατά τη διάρκεια παρατεταμένης χρήσης. Να είστε προσεκτικοί όταν ασφαλίσετε το εργαλείο στη θέση «ENERGO» και να κρατάτε καλά το εργαλείο.

Για να μην τραβηχτεί η σκανδάλη διακόπτης κατά λάθος, παρέχεται ένας μοχλός κλειδώματος.

Για να θέσετε το εργαλείο σε λειτουργία, πιέστε προς τα μέσα το μοχλό κλειδώματος (προς την κατεύθυνση Α) και κατόπιν τραβήξτε τη σκανδάλη διακόπτη (προς την κατεύθυνση Β). Για διακοπή της λειτουργίας, ελευθερώστε τη σκανδάλη διακόπτη.

Για συνεχόμενη λειτουργία, πιέστε προς τα μέσα το μοχλό κλειδώματος (προς την κατεύθυνση Α), τραβήξτε τη σκανδάλη διακόπτη (προς την κατεύθυνση Β) και κατόπιν τραβήξτε το μοχλό κλειδώματος (προς την κατεύθυνση C).

Για να βγάλετε το εργαλείο από την κλειδωμένη θέση, τραβήξτε πλήρως τη σκανδάλη διακόπτη (προς την κατεύθυνση Β) και κατόπιν αφήστε την.

ΕΙΔΟΠΟΙΗΣΗ: Μην τραβάτε τη σκανδάλη διακόπτη με βία χωρίς να πατάτε τον μοχλό κλειδώματος. Μπορεί να σπάσει ο διακόπτης.

Λειτουργία αποφυγής τυχαίας επανεκκίνησης

Όταν συνδέετε το εργαλείο ενώ ο διακόπτης είναι στη θέση «ENERGO», το εργαλείο δεν ξεκινά.

Αυτή τη στιγμή, η ενδεικτική λυχνία αναβοσβήνει με κόκκινο χρώμα και δείχνει ότι η λειτουργία αποφυγής τυχαίας επανεκκίνησης βρίσκεται σε εφαρμογή.

Για να ξεκινήσετε το εργαλείο, κλείστε τον διακόπτη και ανοίξτε τον ξανά.

Έλεγχος σταθερής ταχύτητας

Μπορείτε να έχετε ένα κομψό αποτέλεσμα επειδή η ταχύτητα περιστροφής διατηρείται σταθερή ακόμα και υπό φορτωμένη κατάσταση.

Δυνατότητα ομαλής έναρξης

Η δυνατότητα ομαλής έναρξης καταστέλλει την αιφνίδια έναρξη.

Προστατευτικό υπερφόρτωσης

Όταν το φορτίο στο εργαλείο υπερβαίνει τα επιτρεπτά όρια, μειώνεται η ισχύς στο μοτέρ για να προστατευτεί το μοτέρ από υπερθέρμανση. Όταν το φορτίο επιστρέψει στα επιτρεπτά όρια, το εργαλείο λειτουργεί κανονικά.

Ισόπεδο πλανάρισμα

Μόνο για το μοντέλο PC5001C

Για να κάνετε μια επιφάνεια ισόπεδη, η βάση της πλάνης πρέπει να ευθυγραμμιστεί με τον διαμαντοτροχό. Ο μπροστινός κύλινδρος πρέπει να προσαρμοστεί (χρησιμοποιήστε ένα εξαγωνικό κλειδί) προς τα πάνω στο επίπεδο που απαιτείται για την επιθυμητή ποσότητα αφαίρεσης του κομματιού.

► **Εικ.4:** 1. Βάση 2. Εξαγωνικό κλειδί 3. Μπροστινός κύλινδρος

Για να αλλάξετε την ποσότητα του κομματιού (τσιμέντου) που αφαιρείται, χαλαρώστε τα μπουλόνια εξαγωνικής υποδοχής στον υποδοχέα βάσης με το εξαγωνικό κλειδί. Ανυψώστε ή χαμηλώστε το μπροστινό κύλινδρο για να προσαρμόσετε το διάκενο μεταξύ του μπροστινού κυλίνδρου και του διαμαντοτροχού.

Η διαφορά είναι η ποσότητα αφαίρεσης κομματιού. Στη συνέχεια, ασφαλίστε τα μπουλόνια εξαγωνικής υποδοχής πολύ προσεκτικά.

► **Εικ.5:** 1. Μπουλόνι εξαγωνικής υποδοχής 2. Ποσότητα αφαίρεσης κομματιού

ΠΑΡΑΤΗΡΗΣΗ: Η μέγιστη αφαίρεση κομματιού θα πρέπει να είναι μικρότερη από 4,0 mm.

Βάση κλίσης για ομαλότερο πλανάρισμα

Μόνο για το μοντέλο PC5001C

Για ομαλή αφαίρεση μιας δεδομένης σκληρότητας ή υφής επιφάνειας, είναι χρήσιμο να δώσετε κλίση στη βάση.

Χρησιμοποιήστε το εξαγωνικό κλειδί για να χαλαρώσετε τα δύο μπουλόνια εξαγωνικής υποδοχής που ασφαλίζουν τη βάση σε κάθε πλευρά.

► **Εικ.6:** 1. Βάση 2. Εξαγωνικό κλειδί 3. Μπουλόνι εξαγωνικής υποδοχής

Χρησιμοποιήστε το εξαγωνικό κλειδί για να χαμηλώσετε τα τρία μπουλόνια εξαγωνικής υποδοχής στη βάση περιστρέφοντας τα δεξιόστροφα.

► **Εικ.7:** 1. Εξαγωνικό κλειδί 2. Μπουλόνι εξαγωνικής υποδοχής

Χρησιμοποιήστε ένα ορθογωνιόμετρο ή κανόνα για να λάβετε την επιθυμητή γωνία βάσης σε σχέση με τον διαμαντοτροχό.

Στη συνέχεια, ασφαλίστε προσεκτικά τα μπουλόνια εξαγωνικής υποδοχής στις δύο πλευρές της βάσης. Προσαρμόστε το κέντρο της βάσης κοντά στον τροχό, ώστε να βρίσκεται στο ίδιο επίπεδο με τον τροχό.

► **Εικ.8:** 1. Ίδιο επίπεδο 2. Ορθογωνιόμετρο ή κανόνας 3. Μπουλόνι εξαγωνικής υποδοχής

ΕΙΔΟΠΟΙΗΣΗ: Μετά την προσαρμογή της βάσης, περιστρέψτε τα τρία μπουλόνια εξαγωνικής υποδοχής στη βάση αριστερόστροφα, μέχρι οι κεφαλές να είναι ισόπεδες με την πίσω πλευρά της βάσης. Περιστρέψτε τα αργά, διαφορετικά η προσαρμογή βάσης θα χαλάσει.

Προσαρμογή βάσης για αντιστάθμιση της φθοράς τροχού

Μόνο για το μοντέλο PC5001C

Με παρατεταμένη χρήση, ο διαμαντοτροχός θα φθαρεί και, συνεπώς, θα δημιουργηθεί ένα κενό με την επιφάνεια πλανιάρματος και η απόδοση θα μειωθεί. Να ελέγχετε το εργαλείο μετά από κάθε 4 ή 5 ώρες χρήσης.

Εάν οι επιφάνειες τροχού και βάσης δεν είναι ευθυγραμμισμένες, χαλαρώστε τα δύο μπουλόνια εξαγωνικής υποδοχής που ασφαλίζουν τη βάση.

Περιστρέψτε δεξιόστροφα τα τρία μπουλόνια εξαγωνικής υποδοχής στη βάση και προσαρμόστε τη βάση, ώστε να είναι επίπεδη με την επιφάνεια τροχού.

Σφίξτε ξανά σταθερά τα μπουλόνια εξαγωνικής κεφαλής που ασφαλίζουν τη βάση και, στη συνέχεια, γυρίστε ελαφρώς αριστερόστροφα τα μπουλόνια εξαγωνικής υποδοχής ώστε τα μπουλόνια εξαγωνικής υποδοχής να μην χαλαρώσουν κατά τη διάρκεια της λειτουργίας.

Προσαρμογή καλύμματος σκόνης

► **Εικ.9:** 1. Ανύψωση 2. Χαμηλωμα 3. Κάλυμμα σκόνης 4. Βίδα

Χαλαρώστε τη βίδα και προσαρμόστε το επίπεδο της βούρτσας καλύμματος σκόνης.

Η βούρτσα καλύμματος σκόνης θα πρέπει είτε να είναι ισόπεδη με την επιφάνεια διαμαντοτροχού ή μέχρι 0,5 mm πάνω από την επιφάνεια διαμαντοτροχού (όταν το εργαλείο είναι αναστραμμένο).

Η αναρρόφηση/συλλογή θα είναι ανεπαρκής αν δεν βρίσκονται περίπου στο ίδιο επίπεδο.

Μετά τη ρύθμιση, βεβαιωθείτε να σφίξετε γερά τη βίδα.

Για να προσαρμόσετε το κάλυμμα σκόνης, πιάστε το από την εξωτερική μεριά. Περιστρέψτε το δεξιόστροφα για ανύψωση και αριστερόστροφα για χαμηλωμα.

ΣΥΝΑΡΜΟΛΟΓΗΣΗ

ΠΡΟΣΟΧΗ: Να βεβαιώνετε πάντα ότι το εργαλείο είναι σβηστό και αποσυνδεδεμένο από την ηλεκτρική παροχή πριν εκτελέσετε οποιαδήποτε εργασία σε αυτό.

Τοποθέτηση ή αφαίρεση λαβής σχήματος βρόχου

ΠΡΟΣΟΧΗ: Να τοποθετείτε πάντα τη λαβή σχήματος βρόχου πριν τη λειτουργία.

ΠΡΟΣΟΧΗ: Πριν από τη χρήση, να βεβαιώνετε πάντα ότι τα μπουλόνια στη λαβή σχήματος βρόχου είναι καλά σφιγμένα.

ΠΡΟΣΟΧΗ: Κρατήστε την περιοχή κρατήματος της λαβής βρόχου που καθορίζεται στην εικόνα. Επίσης, κατά τη διάρκεια της λειτουργίας, κρατήστε το χέρι σας μακριά από το μεταλλικό τμήμα του εργαλείου. Αν αγγίξετε το μεταλλικό τμήμα, μπορεί να έχει ως αποτέλεσμα ηλεκτροπληξία, στην περίπτωση που το εξάρτημα κοπής κόψει κατά λάθος κάποιος ηλεκτροφόρο καλώδιο.

Για να τοποθετήσετε τη λαβή σχήματος βρόχου, προσαρτήστε τη στο εργαλείο όπως απεικονίζεται και σφίξτε τα δύο μπουλόνια για να τη στερεώσετε.

Για να βγάλετε τη λαβή σχήματος βρόχου, ακολουθήστε τη διαδικασία τοποθέτησης με αντίστροφη σειρά.

► **Εικ.10:** 1. Μπουλόνι 2. Περιοχή κρατήματος

Τοποθέτηση ή αφαίρεση του διαμαντοτροχού

► **Εικ.11:** 1. Παξιμάδι ασφάλισης 2. Κλειδί παξιμαδιού ασφάλισης 3. Διαμαντοτροχός 4. Εξάρτημα κλειδώματος άξονα

Για την αντικατάσταση ενός φθαρμένου διαμαντοτροχού με ένα καινούριο, πατήστε μέσα το εξάρτημα κλειδώματος άξονα για να κρατήσετε τον άξονα σταθερό και, στη συνέχεια, χαλαρώστε το παξιμάδι ασφάλισης αντιστρόφως με το κλειδί παξιμαδιού ασφάλισης που παρέχεται.

Αφαιρέστε το φθαρμένο διαμαντοτροχό.

Για να τοποθετήσετε έναν καινούριο, ακολουθήστε την παραπάνω διαδικασία αφαίρεσης με αντίστροφη σειρά. Όταν τοποθετείτε διαμαντοτροχό, βεβαιωθείτε πάντα να σφίγγετε πολύ καλά το παξιμάδι ασφάλισης.

ΠΑΡΑΤΗΡΗΣΗ: Οι συνηθισμένοι διαμαντοτροχοί στην αγορά δεν έχουν σπές αερισμού, έτσι η εκκένωση σκόνης είναι ανεπαρκής. Επίσης, εάν η σπή εγκατάστασης δεν έχει την ακριβή διάμετρο, συμβαίνουν δονήσεις του εργαλείου και μπορεί να συμβούν ατυχήματα. **ΝΑ ΧΡΗΣΙΜΟΠΟΙΕΙΤΕ ΠΑΝΤΑ ΔΙΑΜΑΝΤΟΤΡΟΧΟ ΤΥΠΟΥ ΚΟΥΠΙΑΣ ΤΗΣ ΜΑΚΙΤΑ.**

Τοποθέτηση ή αφαίρεση του σάκου συλλογής σκόνης

Για να τοποθετήσετε τον σάκο συλλογής σκόνης, σύρετε τον σάκο συλλογής σκόνης μέσα στη θύρα εξαγωγής σκόνης.

Βεβαιωθείτε να σύρετε τον σάκο συλλογής σκόνης μέσα στη θύρα εξαγωγής σκόνης μέχρι τέρμα, μέχρι ο σάκος συλλογής σκόνης να σταματήσει ώστε να μη βγει κατά τη διάρκεια της λειτουργίας.

► **Εικ.12:** 1. Σάκος συλλογής σκόνης

Αφαιρέστε τον σάκο συλλογής σκόνης όταν αρχίσει να αγγίζει την επιφάνεια κοπής. Αυτό είναι ένα σημάδι ότι ο σάκος συλλογής σκόνης είναι γεμάτος. Εάν δεν αδειάζετε τον σάκο συλλογής σκόνης, θα προκληθεί ανεπαρκής αναρρόφηση/συλλογή.

Σύνδεση ηλεκτρικής σκούπας

Προαιρετικό εξάρτημα

► **Εικ.13**

Όταν θέλετε να εκτελέσετε εργασίες πλανίσματος τσιμεντού καθαρά, συνδέστε την ηλεκτρική σκούπα της Makita στο εργαλείο που διαθέτετε. Κατόπιν συνδέστε τον εύκαμπτο σωλήνα της ηλεκτρικής σκούπας στο ακροφύσιο σκόνης, όπως απεικονίζεται στην εικόνα.

ΛΕΙΤΟΥΡΓΙΑ

▲ΠΡΟΣΟΧΗ: Να κρατάτε ΠΑΝΤΑ το εργαλείο σταθερά με το ένα χέρι στο περίβλημα και με το άλλο χέρι στη βοηθητική λαβή, όπως απεικονίζεται στην εικόνα.

▲ΠΡΟΣΟΧΗ: Πριν από τη λειτουργία, βεβαιωθείτε ότι η ηλεκτρική σκούπα είναι συνδεδεμένη με το εργαλείο και είναι ενεργοποιημένη.

▲ΠΡΟΣΟΧΗ: Μην χρησιμοποιείτε το εργαλείο με βούρτσα καλύμματος σκόνης που έχει υποστεί ζημία. Η χρήση βούρτσας καλύμματος σκόνης που έχει υποστεί ζημία μπορεί να οδηγήσει σε τραυματισμό λόγω της διαρροής σκόνης.

Λειτουργία πλανίσματος τσιμεντένιας επιφάνειας

Πριν από τη λειτουργία, να τοποθετείτε πάντα τη βοηθητική λαβή στο εργαλείο. Να κρατάτε καλά τη λαβή διακόπτη του εργαλείου και τη βοηθητική λαβή και με τα δύο χέρια κατά τη λειτουργία.

► **Εικ.14**

Πλανάρισμα σε γωνίες

Μόνο για το μοντέλο PC5000C

Για το πλανάρισμα γωνιών, χαλαρώστε το μπουλόνι εξαγωνικής υποδοχής και αφαιρέστε το καπάκι καλύμματος σκόνης.

► **Εικ.15:** 1. Μπουλόνι εξαγωνικής υποδοχής 2. Καπάκι καλύμματος σκόνης

Μόνο για το μοντέλο PC5001C

1. Για το πλανάρισμα γωνιών, αφαιρέστε το εξαγωνικό μπουλόνι που ασφαρίζει τον υποδοχέα κυλίνδρου και τον υποδοχέα βάσης, και αφαιρέστε ολόκληρο τον υποδοχέα κυλίνδρου.

2. Χαλαρώστε το μπουλόνι εξαγωνικής υποδοχής και αφαιρέστε το καπάκι καλύμματος σκόνης.

► **Εικ.16:** 1. Καπάκι καλύμματος σκόνης 2. Υποδοχέας κυλίνδρου 3. Μπουλόνι εξαγωνικής υποδοχής 4. Εξαγωνικό μπουλόνι

Προσαρμόστε το κάλυμμα σκόνης σε μια σωστή θέση, ανάλογα με την εργασία σας.

► **Εικ.17**

ΣΥΝΤΗΡΗΣΗ

▲ΠΡΟΣΟΧΗ: Να βεβαιώνετε πάντα ότι το εργαλείο είναι σβηστό και αποσυνδεδεμένο από την ηλεκτρική παροχή πριν εκτελέσετε οποιαδήποτε εργασία επιθεώρησης ή συντήρησης σε αυτό.

ΕΙΔΟΠΟΙΗΣΗ: Μην χρησιμοποιείτε ποτέ βενζίνη, πετρελαϊκό αιθέρα, διαλυτικό, αλκοόλη ή παρόμοιες ουσίες. Μπορεί να προκληθεί αποχρωματισμός, παραμόρφωση ή ρωγμές.

Για τη διατήρηση της ΑΣΦΑΛΕΙΑΣ και ΑΞΙΟΠΙΣΤΙΑΣ του προϊόντος, οι επισκευές και οποιαδήποτε άλλη εργασία συντήρησης ή ρύθμισης πρέπει να εκτελούνται από εξουσιοδοτημένα ή εργοστασιακά κέντρα εξυπηρέτησης της Makita, χρησιμοποιώντας πάντοτε ανταλλακτικά της Makita.

Αντικατάσταση της βούρτσας καλύμματος σκόνης

Για να αφαιρέσετε τη βούρτσα καλύμματος σκόνης από το κάλυμμα σκόνης, πιάστε ένα άκρο της βούρτσας καλύμματος σκόνης και βγάλτε τη αργά.

Για να εγκαταστήσετε τη βούρτσα καλύμματος σκόνης, ευθυγραμμίστε πρώτα τα δύο άκρα της βούρτσας καλύμματος σκόνης με την εγκοπή του καλύμματος σκόνης.

► **Εικ.18**

Και, στη συνέχεια, εισαγάγετε τη βούρτσα καλύμματος σκόνης μέχρι τέρμα στην εγκοπή του καλύμματος σκόνης χρησιμοποιώντας κατασβίδι με επίπεδη μύτη ή άλλο κατάλληλο εργαλείο.

► **Εικ.19**

Αντικατάσταση καρβουνακίων

► **Εικ.20:** 1. Ένδειξη ορίου

Να ελέγχετε τα καρβουνάκια τακτικά. Αντικαταστήστε τα όταν φθαρούν μέχρι το σημάδι ορίου. Διατηρείτε τα καρβουνάκια καθαρά και ελεύθερα να γλιστρούν στις θήκες. Και τα δύο καρβουνάκια πρέπει να αντικαθίστανται ταυτόχρονα. Χρησιμοποιείτε μόνο καρβουνάκια ίδιου τύπου.

1. Χρησιμοποιήστε ένα κατασβίδι για να αφαιρέσετε τα καπάκια των θηκών καρβουνακίων.

2. Αφαιρέστε τα φθαρμένα καρβουνάκια, τοποθετήστε τα καινούρια και ασφαλίστε τα καπάκια των θηκών καρβουνακίων.

► **Εικ.21:** 1. Καπάκι θήκης καρβουνακίου 2. Κατασβίδι

ΠΡΟΑΙΡΕΤΙΚΑ ΕΞΑΡΤΗΜΑΤΑ

⚠ ΠΡΟΣΟΧΗ: Αυτά τα εξαρτήματα ή προσαρτήματα συνιστώνται για χρήση με το εργαλείο Makita που περιγράφηκε στις οδηγίες αυτές. Η χρήση οποιωνδήποτε άλλων εξαρτημάτων ή προσαρτημάτων μπορεί να προκαλέσει κίνδυνο τραυματισμού σε άτομα. Να χρησιμοποιείτε τα εξαρτήματα ή προσαρτήματα μόνο για την χρήση που προορίζονται.

Εάν χρειάζεστε οποιαδήποτε βοήθεια για περισσότερες πληροφορίες σε σχέση με αυτά τα εξαρτήματα, απαντηθείτε στο τοπικό σας κέντρο εξυπηρέτησης Makita.

- Διαμαντοτροχός τύπου κούπας
- Βούρτσα καλύμματος σκόνης

ΠΑΡΑΤΗΡΗΣΗ: Μερικά στοιχεία στη λίστα μπορεί να συμπεριλαμβάνονται στη συσκευασία εργαλείου ως στάνταρ εξαρτήματα. Μπορεί να διαφέρουν ανάλογα με τη χώρα.

TEKNİK ÖZELLİKLER

| Model: | PC5000C | PC5001C |
|--------------------------------------|-----------------------------|---------|
| Kullanılabilir çanak tipi elmas disk | Maks. disk çapı | 125 mm |
| Mil dişi | M14 veya 5/8" (ülkeye özgü) | |
| Maks. mil uzunluğu | 10 mm | |
| Yüksüz hız (n_0) / Anma hızı (n) | 10.000 min ⁻¹ | |
| Toplam uzunluk | 437 mm | 479 mm |
| Net ağırlık | 4,0 kg | 5,1 kg |
| Emniyet sınıfı | □/II | |

- Sürekli yapılan araştırma ve geliştirmelerden dolayı, burada belirtilen özellikler önceden bildirilmeksizin değiştirilebilir.
- Özellikler ülkeden ülkeye değişebilir.
- EPTA-Prosedürü 01/2014 uyarınca ağırlık

Semboller

Ekipmanı için kullanılabilecek semboller aşağıda gösterilmiştir. Kullanmadan önce anlamlarını anladığınızdan emin olun.



Kullanma kılavuzunu okuyun.



Güvenlik gözlüğü takın.



Her zaman iki elle kullanın.



ÇİFT YALITIMLI



Sadece AB ülkeleri için Ekipmanda tehlikeli bileşenler bulunduğundan dolayı eski elektrikli ve elektronik ekipmanlar çevre ve insan sağlığı üzerinde olumsuz etkiye yol açabilir. Elektrikli ve elektronik cihazları evsel atıklarla birlikte atmayın! Atık elektrikli ve elektronik ekipmanlar hakkındaki Avrupa Direktifi ve söz konusu direktifin ulusal yasalara uyarlanması gereğince eski elektrikli ve elektronik ekipmanlar ayrı olarak toplanmalı ve çevre koruma mevzuatına uygun olarak faaliyet gösteren ayrı bir kentsel atık toplama noktasına teslim edilmelidir. Bu husus, ekipmanın üzerine yerleştirilmiş üzerinde çarpı işareti bulunan tekerlekli çöp kovası simgesi ile belirtilmiştir.

Kullanım amacı

Bu alet, beton yüzeyleri planyalamak için tasarlanmıştır.

Güç kaynağı

Aletin, yalnızca isim levhasında belirtilenle aynı voltajlı güç kaynağına bağlanması gerekir ve yalnızca tek fazlı AC güç kaynağıyla çalıştırılabilir. Çifte yalıtımlıdır ve topraklamasız prizlerle de kullanılabilir.

Gürültü

Tipik A-ağırlıklı gürültü düzeyi (EN62841-2-3 standardına göre belirlenen):

| Model | Ses basıncı seviyesi (L_{pA}): (dB (A)) | Ses gücü seviyesi (L_{WA}): (dB (A)) | Belirsizlik (K): (dB (A)) |
|---------|---|--|---------------------------|
| PC5000C | 90 | 98 | 3 |
| PC5001C | 90 | 98 | 3 |

NOT: Beyan edilen gürültü emisyonu değer(ler)i bir standart test yöntemine uygun şekilde ölçülmüştür ve bir aleti bir başkasıyla karşılaştırmak için kullanılabilir.

NOT: Beyan edilen gürültü emisyonu değer(ler)i bir ön maruz kalma değerlendirmesi olarak da kullanılabilir.

⚠UYARI: Kulak koruyucuları takın.

⚠UYARI: Elektrikli aletin gerçek kullanımı sırasındaki gürültü emisyonu, aletin kullanım biçimlerine, özellikle işlenen iş parçasının türüne bağlı olarak beyan edilen değer(ler)den farklı olabilir.

⚠UYARI: Gerçek kullanım koşullarındaki tahmini maruziyeti baz alan, operatörü koruyacak güvenlik önlemlerini mutlaka belirleyin (çalışma döngüsü içerisinde aletin kapalı olduğu ve aktif durumda olmasının yanı sıra boşta çalıştığı zamanlar gibi, bütün zaman dilimleri göz önünde bulundurarak).

Titreşim

Titreşim toplam değeri (üç eksenli vektör toplamı) (EN62841-2-3 standardına göre hesaplanan):

Çalışma modu: yüzey taşlama

| Model | Titreşim emisyonu ($a_{H, AG}$): (m/s^2) | Belirsizlik (K): (m/s^2) |
|---------|--|------------------------------|
| PC5000C | 3,7 | 1,5 |
| PC5001C | 8,0 | 1,5 |

NOT: Beyan edilen titreşim toplam değer(ler) bir standart test yöntemine uygun şekilde ölçülmüştür ve bir aleti bir başkasıyla karşılaştırmak için kullanılabilir.

NOT: Beyan edilen titreşim toplam değer(ler) bir ön maruz kalma değerlendirmesi olarak da kullanılabilir.

⚠UYARI: Elektrikli aletin gerçek kullanımı sırasındaki titreşim emisyonu, aletin kullanım biçimlerine, özellikle işlenen iş parçasının türüne bağlı olarak beyan edilen değer(ler)den farklı olabilir.

⚠UYARI: Gerçek kullanım koşullarındaki tahmini maruziyeti baz alan, operatörü koruyacak güvenlik önlemlerini mutlaka belirleyin (çalışma döngüsü içerisinde aletin kapalı olduğu ve aktif durumda olmasının yanı sıra boşta çalıştığı zamanlar gibi, bütün zaman dilimleri göz önünde bulundurarak).

⚠UYARI: Beyan edilen titreşim emisyon değeri bu elektrikli aletin başlıca uygulamaları için kullanılır. Ancak, bu elektrikli alet başka uygulamalar için kullanılırsa titreşim emisyon değeri farklı olabilir.

EC Uygunluk Beyanı

Sadece Avrupa ülkeleri için

EC uygunluk beyanı bu kullanım kılavuzuna Ek A olarak eklenmiştir.

GÜVENLİK UYARILARI

Genel elektrikli alet güvenliği uyarıları

⚠UYARI: Bu elektrikli aletle birlikte sunulan tüm güvenlik uyarılarını, talimatları, çizimleri ve teknik özellikleri okuyun. Aşağıda verilen talimatlara uyulmaması elektrik şoku, yangın ve/veya ciddi yaralanmalar ile sonuçlanabilir.

Tüm uyarıları ve talimatları ile-ride başvurmak için saklayın.

Uyarılardaki "elektrikli alet" terimi ile ya prizden çalışan (kordonlu) elektrikli aletiniz ya da kendi aküsü ile çalışan (kordsuz) elektrikli aletiniz kastedilmektedir.

Beton yüzey planya makinesiyle ilgili güvenlik uyarıları

Beton yüzey planyalama işlemleri için ortak güvenlik uyarıları:

- Bu elektrikli alet, çanak tipi elmas disklerle bir beton yüzey planya makinesi olarak kullanılmak üzere tasarlanmıştır. Bu elektrikli aletle birlikte verilen tüm güvenlik uyarılarını, talimatları, resimli açıklamaları ve özellik tablolarını okuyun. Aşağıda listelenen tüm talimatlara uyulmaması elektrik çarpması, yangın ve/veya ciddi yaralanmalar ile sonuçlanabilir.**
- Bu elektrikli aletle aşındırıcı diskler kullanarak taşlama, zımparalama, telle fırçalama, polisaj, delik açma veya kesme gibi işlemler yapılmamalıdır. Bu elektrikli aletin tasarımına uygun olmayan işlemler tehlike oluşturabilir ve yaralanmaya neden olabilir.**
- Bu elektrikli aleti, aletin imalatçısı tarafından özel olarak tasarlanmamış ve belirtilmemiş bir şekilde çalışacak biçimde dönüştürmeyin. Böyle bir dönüştürme kontrolün kaybedilmesine neden olabilir ve ciddi yaralanmaya yol açabilir.**
- Aletin imalatçısı tarafından özel olarak tasarlanmamış ve belirtilmemiş aksesuarları kullanmayın. Bir aksesuarın yalnızca elektrikli aletinize takılabiliyor olması, onun güvenli çalışacağını garanti etmez.**
- Aksesuarın anma hızı en azından elektrikli aletin üstünde belirtilen maksimum hıza eşit olmalıdır. Anma hızlarından daha hızlı çalışan aksesuarlar kırılabilir ve fırlatabilir.**

6. **Aksesuarınızın dış çapı ve kalınlığı elektrikli aletinizin kapasite değerleri dahilinde olmalıdır.** Doğru boyutta olmayan aksesuarlar yeterince korunamayabilir veya kontrol edilemeyebilir.
7. **Aksesuar montaj boyutları elektrikli aletin montaj donanımının boyutlarına uygun olmalıdır.** Elektrikli aletin montaj donanımına uymayan aksesuarlar dengesiz çalışır, aşırı titreşim yapar ve kontrolün kaybedilmesine neden olabilir.
8. **Hasarlı bir aksesuarı kullanmayın. Her kullanımdan önce aksesuarlarda, örneğin aşındırıcı disklerde kırılma veya çatlak, disk altlığında çatlak, kopma veya aşırı aşınma, tel fırçalarda gevşek veya kırık tel kontrolü yapın. Elektrikli alet veya aksesuar düşürülürse, hasar kontrolü yapın veya hasarsız bir aksesuar takın. Bir aksesuarı kontrol ettikten ve taktıktan sonra, kendinizi ve civardaki insanları döner aksesuarın düzleminden uzak tutun ve elektrikli aleti bir dakika boyunca maksimum yüksüz hızda çalıştırın.** Bu test çalıştırması sırasında hasarlı aksesuarlar normalde kopar.
9. **Kişisel koruyucu ekipman kullanın. Uygulamaya bağlı olarak yüz siperi veya güvenlik gözlükleri kullanın. Uygun görüldüğü şekilde toz maskesi, kulak koruyucuları, eldiven ve küçük aşındırıcı parçalardan veya iş parçasından kopan küçük parçalardan sizi koruyabilecek iş önlüğü takın.** Göz koruyucu, çeşitli uygulamaların üreteceği sıçrayan parçacıkları durdurabilecek nitelikte olmalıdır. Toz maskesi veya solunum cihazı ilgili uygulamanın üreteceği küçük parçacıkları filtreleyebilecek nitelikte olmalıdır. Uzun süre yüksek yoğunlukta gürültüye maruz kalmak işitme kaybına neden olabilir.
10. **Civarda bulunanları çalışma alanından güvenli bir uzaklıkta tutun. Çalışma alanına giren herkes kişisel koruyucu ekipman kullanmalıdır.** İş parçasının veya kırılan bir aksesuarın kırıkları uzağa fırlayıp, çalışma alanının hemen ötesinde yaranamalara neden olabilir.
11. **Kesici aksesuarın görünmeyen kabloları ya da aletin kendi kordonuna temas etme olasılığı bulunan yerlerde çalışırken elektrikli aleti sadece yalıtımlı kavrama yüzeylerinden tutun.** Kesici aksesuarın "akımlı" bir telle temas etmesi elektrikli aletin yalıtımsız metal kısımlarını "akımlı" hale getirebilir ve kullanıcıyı elektrik çarpmasına maruz bırakabilir.
12. **Kordonu döner aksesuardan uzakta tutun.** Kontrolü kaybederseniz, kordon kesilebilir veya takılabilir ve eliniz ya da kolunuz döner aksesuara çakılabilir.
13. **Aksesuar tamamen durmadan elektrikli aleti kesinlikle yere koymayın.** Döner aksesuar yere sürtünüp, elektrikli aletin kontrolünün dışında fırlamasına neden olabilir.
14. **Elektrikli aleti yanınızda taşırken çalıştırmayın.** Giysilerinizin kazayla döner aksesuara temas etmesi giysinizin sıkışmasına neden olarak aksesuarı vücudunuza çekebilir.
15. **Elektrikli aletin hava deliklerini düzenli olarak temizleyin.** Motorun fanı tozu gövdenin içine çeker ve aşırı toz metal birikimi elektrik tehlikele- rine neden olabilir.

16. **Elektrikli aleti tutuşabilen malzemelerin yakınında kullanmayın.** Kivılcıklar bu malzemeleri tutuşturabilir.
17. **Sıvı soğutucu gerektiren aksesuarlar kullanmayın.** Su veya diğer sıvı soğutucuların kullanılması elektrik çarpmasına veya şokuna neden olabilir.

Geri tepme ve ilgili uyarılar:

Geri tepme sıkışan veya takılan bir döner diske, disk altlığına, fırçaya veya başka bir aksesuara verilen ani bir tepkidir. Sıkışma veya takılma döner aksesuarın aniden durmasına ve bu da elektrikli aletin tutukluk noktasında aksesuarın dönme yönünün tersi doğrultuda kontrolsüz şekilde itilmesine neden olur.

Örneğin, bir aşındırıcı disk iş parçasına takılır veya sıkışır, sıkışma noktasına giren diskin kenarı malzeme yüzeyine batarak, diskin dışarı tırmanmasına veya tepmesine neden olabilir. Disk, sıkışma noktasında diskin hareket yönüne bağlı olarak operatöre veya ondan uzağa doğru sıçrayabilir. Bu koşullarda aşındırıcı diskler kırılabilir de.

Geri tepme elektrikli aletin yanlış kullanılmasının ve/veya yanlış kullanım usulleri veya koşullarının bir sonucudur ve aşağıda belirtildiği gibi doğru önlemlerle önlenbilir.

1. **Elektrikli aleti iki elinizle sıkıca kavrayın ve vücudunuzun ve kolunuzun düzleşmesini geri tepme kuvvetlerine direnç gösterecek şekilde ayarlayın. İlk çalıştırma sırasında geri tepme veya tork etkisi üzerinde maksimum kontrol sağlamak için, eğer varsa, daima yardımcı sapı kullanın.** Doğru önlemler alınır, operatör tork etkilerini veya geri tepme kuvvetlerini kontrol edebilir.
2. **Elinizi kesinlikle döner aksesuarın yakınına koymayın.** Aksesuar elinizin üstüne doğru geri tepebilir.
3. **Vücudunuzu geri tepme halinde elektrikli aletin fırlayacağı alanda bulundurmayın.** Geri tepme aleti takılma noktasında diskin hareketinin tersi yönünde iter.
4. **Köşelerde, keskin kenarlarda, vb. çalışırken azami özen gösterin. Aksesuarı zıplatmaktan ve taktırmaktan kaçının.** Köşelerde, keskin kenarlarda veya zıplama halinde döner aksesuarın takılma eğilimi vardır ve kontrol kaybına ve geri tepmeye neden olur.
5. **Zincir testere oyma bıçağı, 10 mm'den fazla periferik boşluklu segmentli elmas disk ya da dişli testere bıçağı takmayın.** Bu bıçaklar sıkça geri tepme ve kontrol kaybı yaratır.

Beton yüzey planyalama işlemlerine özel güvenlik uyarıları:

1. **Sadece elektrikli aletin için tavsiye edilen disk tiplerini ve seçilen disk için özel olarak tasarlanmış siperi kullanın.** Elektrikli aletin tasarımına uygun olmayan diskler yeterli şekilde koruma altına alınmayabilir ve güvensizdir.
2. **Daima seçtiğiniz disk için doğru boyut ve şekilde hasarsız disk flanşları kullanın.** Doğru disk flanşları diski destekleyerek, disk kırılması olasılığını azaltır.

Ek Güvenlik Uyarıları:

1. Kullanmadan önce mutlaka toz toplayıcı disk sipelerini takın.
2. Mile, flanşa (özellikle takma yüzeyine) veya kilit somununa zarar vermeye dikkat edin. Bu kısımların hasar görmesi diskin kırılması ile sonuçlanabilir.
3. Alet çalıştırılmadan önce diskin iş parçasına değmediğinden emin olun.
4. Aleti gerçek bir iş parçası üzerinde kullanmadan önce bir süre boşa çalıştırın. Diskin yanlış takılmış veya dengesiz olduğunu gösteren titreme ya da yalpalamalara dikkat edin.
5. Aleti çalışır durumda bırakmayın. Aleti sadece elinizde tutarken çalıştırın.
6. Çalışmadan hemen sonra çanak tipi elmas diske dokunmayın; çok sıcak olabilir ve cildinizi yakabilir.
7. Disklerin doğru monte edilmesi ve kullanılması için imalatçının talimatlarına uyun. Diskleri özenle aktarın ve saklayın.
8. Büyük delikli çanak tipi elmas diskleri uydurmak için ayrı düşürücü burçlar ya da adaptörler kullanmayın.
9. Sadece bu alet için belirtilen flanşları kullanın.
10. İş parçasının doğru desteklenip desteklenmediğini kontrol edin.
11. Diskin alet kapatıldıktan sonra dönmeye devam ettiğine dikkat edin.
12. Çalışma yeri aşırı sıcak ve nemliyse ya da çok fazla iletken toz kirliliği mevcutsa kullanıcının güvenliği için bir kısa devre kesicisi (30 mA) kullanın.
13. Bu aleti asbest içeren hiçbir malzeme üstünde kullanmayın.

BU TALİMATLARI MUHAFAZA EDİNİZ.

UYARI: Ürünü kullanırken (defalarca kullanınca kazanılan) rahatlık ve tanıdıklık duygusunun ilgili ürünün güvenlik kurallarına sıkı sıkıya bağlı kalmanın yerine geçmesine İZİN VERMEYİN. YANLIŞ KULLANIM veya bu kullanma kılavuzunda belirtilen emniyet kurallarına uymama ciddi yaralanmaya neden olabilir.

İŞLEVSEL NİTELİKLER

DİKKAT: Alet üzerinde ayarlama ya da işleyiş kontrolü yapmadan önce aletin kapalı ve fişinin çekili olduğundan daima emin olun.

Gösterge lambası

► **Şek.1:** 1. Gösterge lambası

Alet fişe takıldığında gösterge lambası yeşil renkte yanar.

Gösterge lambası yanmıyorsa, ana kablo veya kontrolör hasarlı olabilir.

Gösterge lambası yanıyor fakat alet açık konumda olduğu halde çalışmaya başlamıyorsa; karbon fırçalar aşınmış ya da kontrolör, motor veya AÇMA/KAPAMA anahtarı hasarlı olabilir.

Şaft kilidi

UYARI: Mil hareket halindeyken şaft kilidini asla kullanmayın. Ciddi yaralanmaya veya alette hasara neden olabilir.

Aksesuarları takarken veya çıkarırken milin dönmelerini önlemek için şaft kilidine basın.

► **Şek.2:** 1. Şaft kilidi

Anahtar işlemi

DİKKAT: Aleti fişe takmadan önce anahtar tetiğinin doğru çalıştığından ve bırakıldığında "OFF" (kapalı) konumuna döndüğünden emin olun.

DİKKAT: Elektrik kesilmesi ya da güç kablosunun fişten çıkması gibi kazara kapanma durumlarında aleti kapalı duruma getirdiğinizden emin olun. Aksi takdirde güç geri geldiğinde alet beklenmedik şekilde çalışabilir ve kazalara ya da kişisel yaralanmaya neden olabilir.

Ülkeye bağlı olarak anahtar işleminin üç düzeni vardır.

► **Şek.3:** 1. Anahtar tetik 2. Kilitleme kolu

Kilitlenerek çalıştırılabilen aletler için

Ülkeye özgü

DİKKAT: Uzun süreli kullanım sırasında kullanıcının rahatı için anahtar "ON" (açık) konumunda kilitlenebilir. Anahtar "ON" (açık) konumunda kilitliken dikkatli olun ve aleti sıkı kavrayın.

Aleti çalıştırmak için anahtar tetiği (B yönünde) çekmeniz yeterlidir. Durdurmak için anahtar tetiği bırakın.

Aralıksız çalışma için, anahtar tetiği (B yönünde) çekin ve ardından kilit koluna (A yönünde) basın.

Makineyi kilitli pozisyonda iken durdurmak için, anahtar tetiği (B yönünde) tamamen çekip bırakın.

Kilitlenerek çalıştırılmayan aletler için

Ülkeye özgü

Anahtar tetiğın kazara çekilmesini önlemek için, bir kilit kolu sunulmuştur.

Aleti çalıştırmak için, kilit kolunu (A yönünde) itin ve ardından anahtar tetiği (B yönünde) çekin. Durdurmak için anahtar tetiği bırakın.

ÖNEMLİ NOT: Kilitleme koluna bastırmadan anahtar tetiği zorlayarak çekmeyin. Bu anahtarın kırılmasına neden olabilir.

Kilitli veya kiltsiz çalıştırılabilen aletler için

Ülkeye özgü (Avustralya ve Yeni Zelanda dahil)

⚠️ DİKKAT: Uzun süreli kullanım sırasında kullanıcının rahatı için anahtar "ON" (açık) konumunda kilitlenebilir. Anahtar "ON" (açık) konumunda kilitliyen dikkatli olun ve aleti sıkı kavrayın.

Anahtar tetiğın kazara çekilmesini önlemek için, bir kilit kolu sunulmuştur.

Aleti çalıştırmak için, kilit kolunu (A yönünde) itin ve ardından anahtar tetiği (B yönünde) çekin. Durdurmak için anahtar tetiği bırakın.

Aralıksız çalışmada için, kilit kolunu (A yönünde) itin ve anahtar tetiği (B yönünde) çekin, ardından kilit kolunu (C yönünde) çekin.

Makineyi kilitli pozisyonda iken durdurmak için, anahtar tetiği (B yönünde) tamamen çekip bırakın.

ÖNEMLİ NOT: Kilitleme koluna bastırmadan anahtar tetiği zorlayarak çekmeyin. Bu anahtarın kırılmasına neden olabilir.

İstemsiz yeniden başlatma önleyici işlev

Anahtar AÇIK konumda iken aletin fişi prize takıldığında alet çalışmaz.

O esnada gösterge lambası kırmızı yanıp söner ve istemsiz yeniden başlatma önleyici işlevin çalıştığını gösterir.

Aleti çalıştırmak için anahtarı kapatıp yeniden açın.

Sabit hız kontrolü

Yükli koşulda bile dönüş hızı sabit kaldığı için iyi bir yüzey elde etmek mümkün olur.

Yumuşak başlatma özelliği

Yumuşak başlatma özelliği başlatma tepkisini azaltır.

Aşırı yük koruması

Alet üzerine binen yük kabul edilebilir seviyeleri aştığında, motoru aşırı ısınmadan korumak için motora verilen güç azaltılır. Yük, kabul edilebilir seviyelere geri döndüğünde alet normal bir şekilde çalışmaya devam eder.

Düzleme planyalaması

Sadece PC5001C modeli için

Bir yüzeyi düzlemek için planya makinesinin tabanı elmas disk ile hizalanmalıdır.

Ön silindir, istenen malzeme kaldırma miktarı için gerekli seviyeye kadar yukarı doğru (altıgen anahtar kullanılarak) ayarlanmalıdır.

► **Şek.4:** 1. Taban 2. Altıgen anahtar 3. Ön silindir

Kaldırılan malzeme (beton) miktarını değiştirmek için taban tutucu üzerindeki altıgen socket başlı civataları altıgen anahtarla gevşetin. Ön silindir ile elmas disk arasındaki boşluğu ayarlamak için ön silindiri kaldırın veya indirin.

Fark, malzeme kaldırma miktarıdır.

Ardından altıgen socket başlı civataları çok dikkatli bir şekilde sabitleyin.

► **Şek.5:** 1. Altıgen socket başlı civata 2. Malzeme kaldırma miktarı

NOT: Maksimum malzeme kaldırma 4,0 mm'den az olmalıdır.

Daha pürüzsüz planyalama için tabanın eğilmesi

Sadece PC5001C modeli için

İlgili yüzey pürüzlülüğü veya dokusunun pürüzsüz kaldırılması için tabanın eğilmesi faydalı olabilir.

Altıgen anahtarları kullanarak her iki tarafta tabanı sabitleyen iki altıgen socket başlı civataları gevşetin.

► **Şek.6:** 1. Taban 2. Altıgen anahtar 3. Altıgen socket başlı civata

Bir altıgen anahtar kullanarak tabanın üzerindeki üç altıgen socket başlı civatayı saat yönünde çevirerek indirin.

► **Şek.7:** 1. Altıgen anahtar 2. Altıgen socket başlı civata

Elmas diske göre istenilen taban açısını elde etmek için bir gönye veya cetvel kullanın.

Ardından tabanın her iki tarafındaki altıgen socket başlı civataları dikkatlice sabitleyin.

Diske yakın tabanın merkezini disk ile aynı seviyede olacak şekilde ayarlayın.

► **Şek.8:** 1. Aynı seviye 2. Gönye veya cetvel 3. Altıgen socket başlı civata

ÖNEMLİ NOT: Taban ayarından sonra taban üzerindeki üç altıgen socket başlı civatayı, başlar tabanın arka tarafına sıfır olana kadar saatin aksi yönünde çevirin. Bunları hafifçe çevirin, aksi takdirde taban ayarı bozulur.

Disk aşınmasını telafi etmek için taban ayarı

Sadece PC5001C modeli için

Uzun süreli kullanımla birlikte elmas disk aşınır ve dolayısıyla planyalama yüzeyi ile bir boşluk oluşturarak performansın düşmesine neden olur. Her 4 veya 5 saatlik kullanımdan sonra aleti kontrol edin.

Disk ve taban yüzeyleri hizalı değilse tabanı sabitleyen iki altıgen socket başlı civatayı gevşetin.

Taban üzerindeki üç altıgen socket başlı civatayı saat yönünde çevirin ve tabanı, disk yüzeyi ile aynı seviyede olacak şekilde ayarlayın.

Tabanı sabitleyen altıgen socket başlı civataları yeniden iyice sıkın ve ardından altıgen socket başlı civatalar çalıştırma sırasında gevşemeyecek şekilde altıgen socket başlı civataları saatin aksi yönünde hafifçe çevirin.

Toz kapağı ayarı

► **Şek.9:** 1. Kaldırın 2. İndirin 3. Toz kapağı 4. Vida

Vidayı gevşetin ve toz kapağı fırçası seviyesini ayarlayın.

Toz kapağı fırçası ya elmas disk yüzeyine sıfır olmalı ya da (alet ters çevrildiğinde) elmas disk yüzeyinin 0,5 mm'ye kadar üstünde olmalıdır.

Yaklaşık olarak aynı seviyede değillerse emme/toplama zayıf olur.

Ayarladıktan sonra vidayı mutlaka iyice sıkın.

Toz kapağını ayarlamak için dışından tutun; kaldırmak için saat yönünde, indirmek için saatin aksi yönünde çevirin.

MONTAJ

⚠DİKKAT: Alet üzerinde herhangi bir iş yapmadan önce aletin kapalı ve fişinin çekili olduğundan daima emin olun.

Halka kavrama kolunun takılması veya çıkarılması

⚠DİKKAT: Kullanmadan önce halka kavrama kolunu mutlaka takın.

⚠DİKKAT: Kullanmadan önce halka kavrama kolu üzerindeki civataların sağlam şekilde sıkılmış olduğundan daima emin olun.

⚠DİKKAT: Halka kavrama kolunun şekilde belirtilen kavrama alanından tutun. Ayrıca çalışma sırasında elinizi aletin metal kısmından uzak tutun. Kesme ek parçası akımlı kabloyu beklenmedik şekilde keserse metal kısma dokunmak elektrik çarpmasına neden olabilir.

Halka kavrama kolunu takmak için şekilde gösterildiği gibi alete monte edin ve iki civatayı sıkarak sabitleyin. Halka kavrama kolunu çıkarmak için, takma işlemini tersinden uygulayın.

► **Şek.10:** 1. Civata 2. Kavrama alanı

Elmas diskin takılması veya çıkarılması

► **Şek.11:** 1. Kilit somunu 2. Kilit somunu anahtarı 3. Elmas disk 4. Şaft kilidi

Aşınmış bir elmas diski yenisiyle değiştirmek için şaftı sabit tutmak için şaft kilidini içeri bastırın, ardından verilen kilit somunu anahtar ile kilit somununu saatin aksi yönünde gevşetin.

Aşınan elmas diski çıkarın.

Yenisini takmak için yukarıdaki çıkarma işlemlerini tersinden uygulayın.

Elmas diski takarken kilit somununu mutlaka iyice sıkın.

NOT: Piyasadaki sıradan elmas disklerde egzoz delikleri bulunmadığından toz tahliyesi zayıftır. Ayrıca montaj deliği aynı çapta değilse alette titreşim olur ve kaza meydana gelebilir. DAİMA MAKİTA ÇANAK TİPİ ELMAS DİSK KULLANIN.

Toz torbasının takılması veya çıkarılması

Toz torbasını takmak için toz torbasını toz ağzına kaydırarak geçirin.

Çalışma sırasında çıkmaması için toz torbasını toz ağzına, toz torbası durana dek sonuna kadar kaydırarak geçirdiğinizden emin olun.

► **Şek.12:** 1. Toz torbası

Kesim yüzeyine dokunmaya başladığında toz torbasını çıkarın. Bu, toz torbasının dolu olduğunu gösterir. Toz torbasının boşaltılmaması zayıf emme/toplamaya neden olur.

Bir elektrikli süpürgenin bağlanması

İsteğe bağlı aksesuar

► **Şek.13**

Temiz bir beton planyalama işlemi yapmak isterseniz aletinize bir Makita elektrikli süpürge bağlayın. Ardından şekilde gösterildiği gibi elektrikli süpürgenin hortumunu çıkış ağzına bağlayın.

KULLANIM

⚠DİKKAT: Aleti DAİMA şekilde gösterildiği gibi bir elin gövde ve diğer eliniz yardımcı sapta olacak biçimde sıkıca tutun.

⚠DİKKAT: Kullanmadan önce alete bir elektrikli süpürge bağlandığından ve çalıştırıldığından emin olun.

⚠DİKKAT: Aleti hasarlı toz kapağı fırçası ile kullanmayın. Hasarlı toz kapağı fırçası kullanılması toz kaçağı nedeniyle yaralanmaya neden olabilir.

Beton yüzey planyalama işlemi

Çalışmaya başlamadan önce alete yardımcı sapı daima takın. Çalışma sırasında aletin anahtar kavrama kolunu ve yardımcı sapı her iki elle sıkıca tutun.

► **Şek.14**

Köşelerde planyalama

Sadece PC5000C modeli için

Köşeleri planyalamak için altıgen soket başlı civatayı gevşetin ve toz kapağı başlığını çıkarın.

► **Şek.15:** 1. Altıgen soket başlı civata 2. Toz kapağı başlığı

Sadece PC5001C modeli için

1. Köşeleri planyalamak için silindirik tutucu ve taban tutucuyu sabitleyen altıgen soket başlı civatayı çıkarın ve tüm silindirik tutucuyu çıkarın.

2. Altıgen soket başlı civatayı gevşetin ve toz kapağı başlığını çıkarın.

► **Şek.16:** 1. Toz kapağı başlığı 2. Silindirik tutucu 3. Altıgen soket başlı civata 4. Altıgen civata

Toz kapağını, işinize göre uygun bir konuma ayarlayın.

► **Şek.17**

BAKIM

⚠ DİKKAT: Muayene ya da bakım yapmadan önce aletin kapalı ve fişinin çekili olduğundan daima emin olun.

ÖNEMLİ NOT: Benzin, tiner, alkol ve benzeri maddeleri kesinlikle kullanmayın. Renk değişimi, deformasyon veya çatlaklar oluşabilir.

Aleti EMNİYETLİ ve ÇALIŞMAYA HAZIR durumda tutmak için onarımlar, başka her türlü bakım ve ayarlamalar daima Makita yedek parçaları kullanılarak Makita yetkili servis merkezleri veya Fabrikanın Servis Merkezleri tarafından yapılmalıdır.

Toz kapağı fırçasının değiştirilmesi

Toz kapağı fırçasını toz kapağından çıkarmak için toz kapağı fırçasının bir ucunu tutun ve yavaşça çıkarın.

Toz kapağı fırçasını takmak için önce toz kapağı fırçasının her iki ucunu toz kapağının girintisi ile hizalayın.

► **Şek.18**

Ve ardından düz tornavida veya başka uygun bir alet kullanarak toz kapağı fırçasını toz kapağının girintisine sonuna kadar sokun.

► **Şek.19**

Karbon fırçaların değiştirilmesi

► **Şek.20:** 1. Sınır işareti

Karbon fırçaları düzenli olarak kontrol edin. Sınır işaretine kadar yıprandıkları zaman değiştirin. Karbon fırçaların temiz ve yuvaları içinde serbestçe kayar durumda kalmalarını sağlayın. Her iki karbon fırça aynı zamanda değiştirilmelidir. Sadece birbirinin aynısı olan karbon fırçaları kullanın.

1. Fırça tutucu kapaklarını çıkarmak için bir tornavida kullanın.
2. Aşınmış karbon fırçalarını çıkarıp yenilerini takın ve fırça tutucu kapaklarını sabitleyin.

► **Şek.21:** 1. Fırça tutucu kapağı 2. Tornavida

İSTEĞE BAĞLI AKSESUARLAR

⚠ DİKKAT: Bu aksesuarlar ve ek parçalar bu el kitabında belirtilen Makita aletiniz ile kullanılmak için tavsiye edilmektedir. Herhangi başka bir aksesuar ya da ek parça kullanılması insanlar için bir yaralanma riski getirebilir. Aksesuarları ya da ek parçaları yalnızca belirtilmiş olan kullanım amaçlarına uygun olarak kullanın.

Bu aksesuarlarla ilgili daha fazla bilgiye ihtiyaç duyarsanız bulunduğunuz yerdeki yetkili Makita servisine başvurun.

- Çanak tipi elmas disk
- Toz kapağı fırçası

NOT: Listedeki parçaların bazıları alet paketi içerisinde standart aksesuar olarak dahil edilmiş olabilir. Bunlar ülkeden ülkeye farklılık gösterebilir.

Makita Europe N.V.

Jan-Baptist Vinkstraat 2, 3070 Kortenberg, Belgium

Makita Corporation

3-11-8, Sumiyoshi-cho, Anjo, Aichi 446-8502 Japan

www.makita.com



884876J998
EN, FR, DE, IT, NL,
ES, PT, DA, EL, TR
20220722