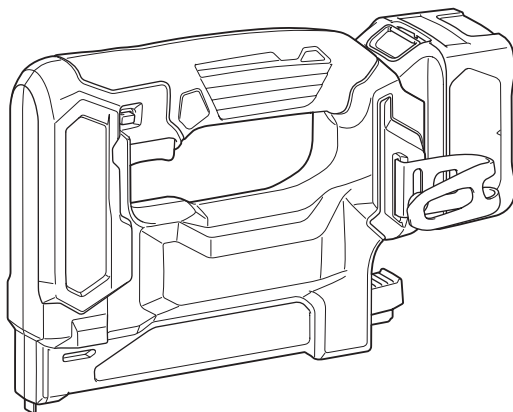




EN	Cordless Stapler	INSTRUCTION MANUAL	4
FR	Agrafeuse sans Fil	MANUEL D'INSTRUCTIONS	10
DE	Akku-Tacker	BETRIEBSANLEITUNG	16
IT	Graffatrice a batteria	ISTRUZIONI PER L'USO	23
NL	Accunietpistool	GEBRUIKSAANWIJZING	30
ES	Engrapadora Inalámbrica	MANUAL DE INSTRUCCIONES	37
PT	Grampeador a Bateria	MANUAL DE INSTRUÇÕES	44
EL	Φορητός καρφωτής	ΕΓΧΕΙΡΙΔΙΟ ΟΔΗΓΙΩΝ	50
TR	Akülü Zimba Tabancası	KULLANMA KILAVUZU	57

ST113D



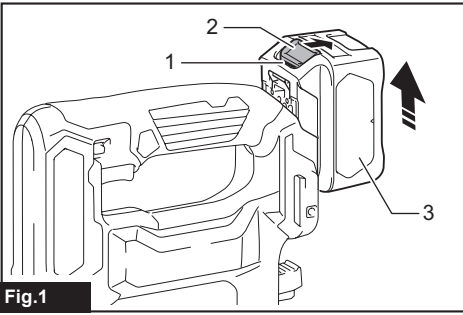


Fig.1

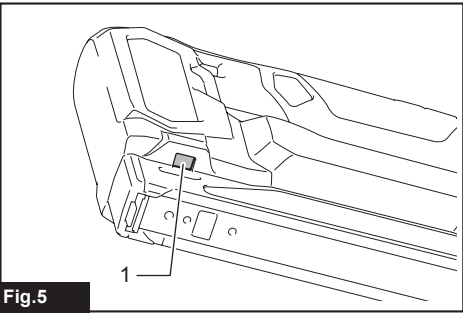


Fig.5

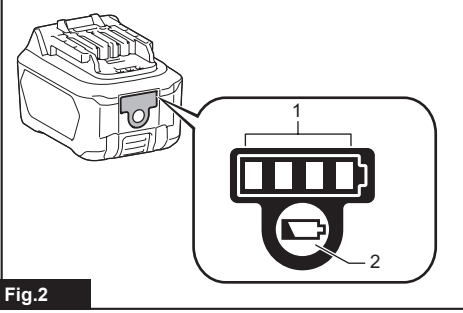


Fig.2

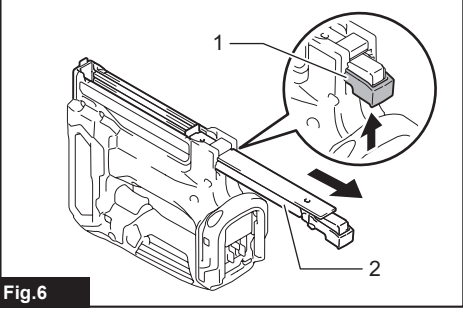


Fig.6

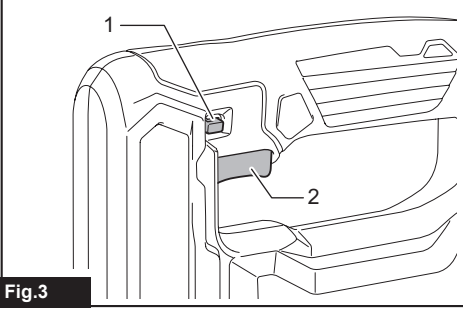


Fig.3

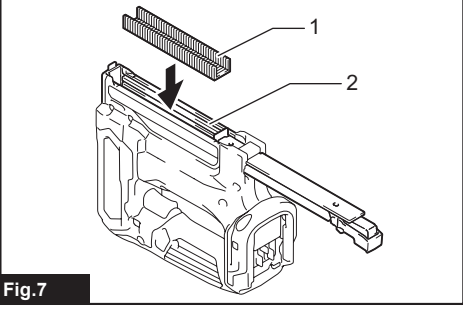


Fig.7

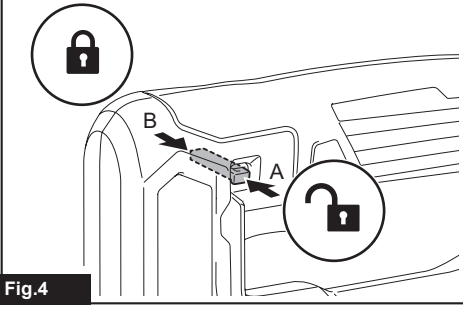


Fig.4

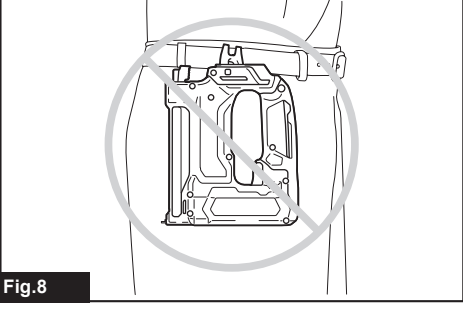


Fig.8

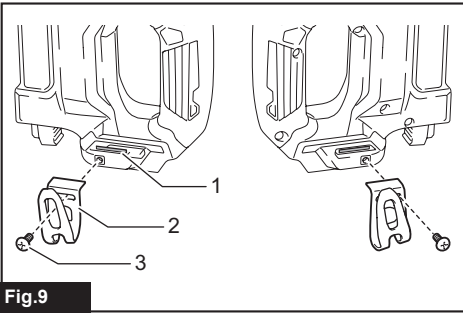


Fig.9

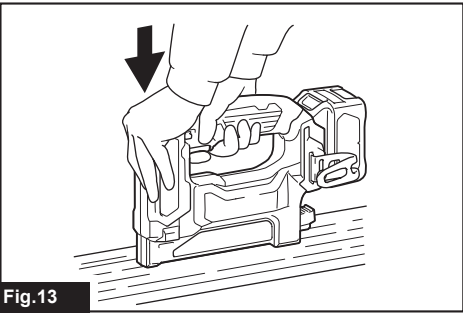


Fig.13

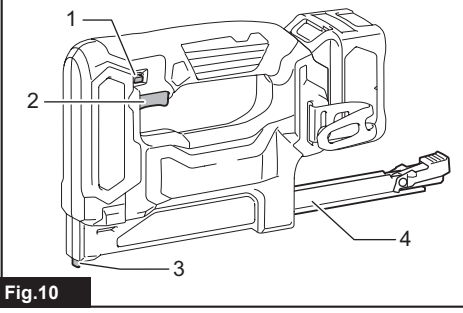


Fig.10

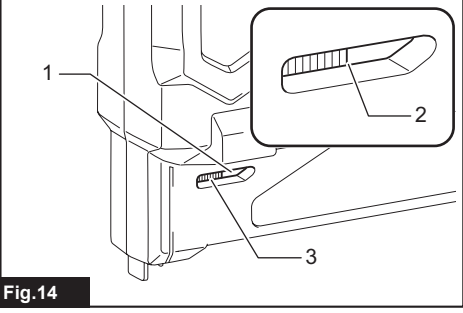


Fig.14

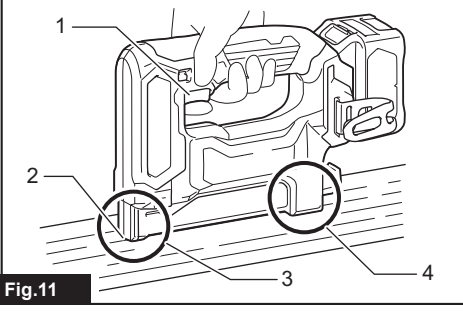


Fig.11

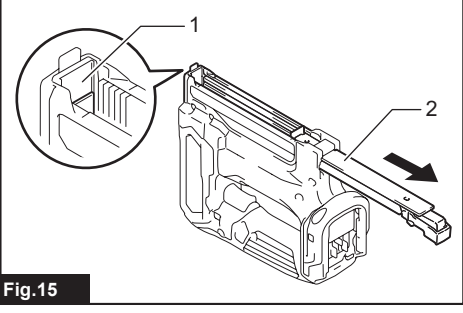


Fig.15

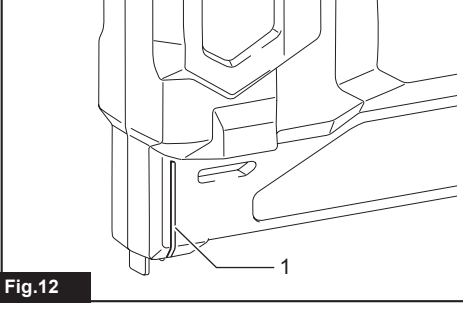


Fig.12

SPECIFICATIONS

Model:	ST113D
Staple width	10 mm
Applicable staples length	7 mm - 10 mm
Staple magazine capacity	150 pcs
Dimensions without hook (L x W x H)	211 mm x 81 mm x 159 mm
Rated voltage	D.C. 10.8 V - 12 V max
Net weight	1.3 - 1.5 kg

- Due to our continuing program of research and development, the specifications herein are subject to change without notice.
- Specifications and battery cartridge may differ from country to country.
- Weight, with battery cartridge, according to EPTA-Procedure 01/2003

Applicable battery cartridge and charger

Battery cartridge	BL1016 / BL1021B / BL1041B / BL1050B
Charger	DC10SA / DC10SB / DC10WC / DC10WD / DC18RE

- Some of the battery cartridges and chargers listed above may not be available depending on your region of residence.

⚠ WARNING: Only use the battery cartridges and chargers listed above. Use of any other battery cartridges and chargers may cause injury and/or fire.

Intended use

The tool is intended for pressing staples into construction materials such as timbers.

Noise

The typical A-weighted noise level determined according to EN60745:

Sound pressure level (L_{pA}) : 75 dB (A)

Uncertainty (K) : 3 dB (A)

The noise level under working may exceed 80 dB (A).

⚠ WARNING: Wear ear protection.

Vibration

The vibration total value determined according to EN60745:

Vibration emission (a_n) : 2.5 m/s² or less

Uncertainty (K) : 1.5 m/s²

NOTE: The declared vibration total value(s) has been measured in accordance with a standard test method and may be used for comparing one tool with another.

NOTE: The declared vibration total value(s) may also be used in a preliminary assessment of exposure.

⚠ WARNING: The vibration emission during actual use of the power tool can differ from the declared value(s) depending on the ways in which the tool is used especially what kind of workpiece is processed.

⚠ WARNING: Be sure to identify safety measures to protect the operator that are based on an estimation of exposure in the actual conditions of use (taking account of all parts of the operating cycle such as the times when the tool is switched off and when it is running idle in addition to the trigger time).

Declarations of Conformity

For European countries only

The Declarations of conformity are included in Annex A to this instruction manual.

SAFETY WARNINGS

General power tool safety warnings

⚠ WARNING Read all safety warnings, instructions, illustrations and specifications provided with this power tool. Failure to follow all instructions listed below may result in electric shock, fire and/or serious injury.

Save all warnings and

instructions for future reference.

The term "power tool" in the warnings refers to your mains-operated (corded) power tool or battery-operated (cordless) power tool.

Cordless stapler safety warnings

1. **Always assume that the tool contains fasteners.** Careless handling of the stapler can result in unexpected firing of fasteners and personal injury.
2. **Do not point the tool towards yourself or anyone nearby.** Unexpected triggering will discharge the fastener causing an injury.
3. **Do not actuate the tool unless the tool is placed firmly against the workpiece.** If the tool is not in contact with the workpiece, the fastener may be deflected away from your target.
4. **Disconnect the tool from the power source when the fastener jams in the tool.** While removing a jammed fastener, the stapler may be accidentally activated if it is plugged in.
5. **Use caution while removing a jammed fastener.** The mechanism may be under compression and the fastener may be forcefully discharged while attempting to free a jammed condition.
6. **Do not use this stapler for fastening electrical cables.** It is not designed for electric cable installation and may damage the insulation of electric cables thereby causing electric shock or fire hazards.
7. **Always wear safety goggles or safety glasses with side shield, and a full face shield when needed.**
8. **Keep hands and feet away from the ejection port area.**
9. **Always remove the battery cartridge before loading the fasteners, adjustment, inspection, maintenance or after operation is over.**
10. **Make sure no one is nearby before operation.** Never attempt to drive fasteners from both the inside and outside of wall at the same time. Fasteners may rip through and/or fly off, presenting a grave danger.
11. **Watch your footing and maintain your balance with the tool.** Make sure there is no one below when working in high locations.
12. **Check walls, ceilings, floors, roofing and the like carefully to avoid possible electrical shock, gas leakage, explosions, etc. caused by stapling into live wires, conduits or gas pipes.**
13. **Use only fasteners specified in this manual.** The use of any other fasteners may cause malfunction of the tool.
14. **Do not tamper with the tool or attempt to use it for other than driving fasteners.**
15. **Do not operate the tool without fasteners.** It shortens the service life of the tool.
16. **Stop driving operations immediately if you notice something wrong or out of the ordinary with the tool.**
17. **Never fasten into any materials which may allow the fastener to puncture and fly through as a projectile.**
18. **Never actuate the switch trigger and contact**

element until you are prepared to fasten workpieces. Never defeat its purpose by securing the contact element back or by depressing it by hand.

19. **Never tamper with the contact element.** Check the contact element frequently for proper operations.

SAVE THESE INSTRUCTIONS.

⚠WARNING: DO NOT let comfort or familiarity with product (gained from repeated use) replace strict adherence to safety rules for the subject product. MISUSE or failure to follow the safety rules stated in this instruction manual may cause serious personal injury.

Important safety instructions for battery cartridge

1. **Before using battery cartridge, read all instructions and cautionary markings on (1) battery charger, (2) battery, and (3) product using battery.**
2. **Do not disassemble or tamper with the battery cartridge.** It may result in a fire, excessive heat, or explosion.
3. **If operating time has become excessively shorter, stop operating immediately.** It may result in a risk of overheating, possible burns and even an explosion.
4. **If electrolyte gets into your eyes, rinse them out with clear water and seek medical attention right away.** It may result in loss of your eyesight.
5. **Do not short the battery cartridge:**
 - (1) **Do not touch the terminals with any conductive material.**
 - (2) **Avoid storing battery cartridge in a container with other metal objects such as nails, coins, etc.**
 - (3) **Do not expose battery cartridge to water or rain.**

A battery short can cause a large current flow, overheating, possible burns and even a breakdown.

6. **Do not store and use the tool and battery cartridge in locations where the temperature may reach or exceed 50 °C (122 °F).**
7. **Do not incinerate the battery cartridge even if it is severely damaged or is completely worn out.** The battery cartridge can explode in a fire.
8. **Do not nail, cut, crush, throw, drop the battery cartridge, or hit against a hard object to the battery cartridge.** Such conduct may result in a fire, excessive heat, or explosion.
9. **Do not use a damaged battery.**
10. **The contained lithium-ion batteries are subject to the Dangerous Goods Legislation requirements.**

For commercial transports e.g. by third parties, forwarding agents, special requirement on packaging and labeling must be observed.

For preparation of the item being shipped, consulting an expert for hazardous material is required.

Please also observe possibly more detailed national regulations.
Tape or mask off open contacts and pack up the battery in such a manner that it cannot move around in the packaging.

11. **When disposing the battery cartridge, remove it from the tool and dispose of it in a safe place. Follow your local regulations relating to disposal of battery.**
12. **Use the batteries only with the products specified by Makita.** Installing the batteries to non-compliant products may result in a fire, excessive heat, explosion, or leak of electrolyte.
13. **If the tool is not used for a long period of time, the battery must be removed from the tool.**
14. **During and after use, the battery cartridge may take on heat which can cause burns or low temperature burns. Pay attention to the handling of hot battery cartridges.**
15. **Do not touch the terminal of the tool immediately after use as it may get hot enough to cause burns.**
16. **Do not allow chips, dust, or soil stuck into the terminals, holes, and grooves of the battery cartridge.** It may cause heating, catching fire, burst and malfunction of the tool or battery cartridge, resulting in burns or personal injury.
17. **Unless the tool supports the use near high-voltage electrical power lines, do not use the battery cartridge near high-voltage electrical power lines.** It may result in a malfunction or breakdown of the tool or battery cartridge.
18. **Keep the battery away from children.**

SAVE THESE INSTRUCTIONS.

CAUTION: Only use genuine Makita batteries. Use of non-genuine Makita batteries, or batteries that have been altered, may result in the battery bursting causing fires, personal injury and damage. It will also void the Makita warranty for the Makita tool and charger.

Tips for maintaining maximum battery life

1. **Charge the battery cartridge before completely discharged. Always stop tool operation and charge the battery cartridge when you notice less tool power.**
2. **Never recharge a fully charged battery cartridge. Overcharging shortens the battery service life.**
3. **Charge the battery cartridge with room temperature at 10 °C - 40 °C (50 °F - 104 °F). Let a hot battery cartridge cool down before charging it.**
4. **When not using the battery cartridge, remove it from the tool or the charger.**

FUNCTIONAL DESCRIPTION

CAUTION: Always be sure that the tool is switched off and the battery cartridge is removed before adjusting or checking function on the tool.

Installing or removing battery cartridge

CAUTION: Always switch off the tool before installing or removing of the battery cartridge.

CAUTION: Hold the tool and the battery cartridge firmly when installing or removing battery cartridge. Failure to hold the tool and the battery cartridge firmly may cause them to slip off your hands and result in damage to the tool and battery cartridge and a personal injury.

To install the battery cartridge, align the tongue on the battery cartridge with the groove in the housing and slip it into place. Insert it all the way until it locks in place with a little click. If you can see the red indicator as shown in the figure, it is not locked completely.

To remove the battery cartridge, slide it from the tool while sliding the button on the front of the cartridge.

► **Fig.1:** 1. Red indicator 2. Button 3. Battery cartridge

CAUTION: Always install the battery cartridge fully until the red indicator cannot be seen. If not, it may accidentally fall out of the tool, causing injury to you or someone around you.

CAUTION: Do not install the battery cartridge forcibly. If the cartridge does not slide in easily, it is not being inserted correctly.

Battery protection system

The tool is equipped with a battery protection system. This system automatically cuts off power to the motor to extend battery life.

The tool will automatically stop during operation if the tool and/or battery are placed under one of the following conditions:

Overloaded:

The tool is operated in a manner that causes it to draw an abnormally high current.

In this situation, turn the tool off and stop the application that caused the tool to become overloaded. Then turn the tool on to restart.

If the tool does not start, the battery is overheated. In this situation, let the battery cool before turning the tool on again.

Low battery voltage:

The remaining battery capacity is too low and the tool will not operate. If you turn the tool on, the motor does not run or the motor runs again but stops soon. In this situation, remove and recharge the battery.

Indicating the remaining battery capacity

Only for battery cartridges with the indicator

► Fig.2: 1. Indicator lamps 2. Check button

Press the check button on the battery cartridge to indicate the remaining battery capacity. The indicator lamps light up for a few seconds.

Indicator lamps		Remaining capacity
Lighted	Off	
■ ■ ■ ■	□	75% to 100%
■ ■ ■ □	□	50% to 75%
■ ■ □ □	□ □	25% to 50%
■ □ □ □	□ □ □ □	0% to 25%

NOTE: Depending on the conditions of use and the ambient temperature, the indication may differ slightly from the actual capacity.

Switch action

CAUTION: Before installing the battery cartridge into the tool, always check to see that the switch trigger actuates properly and returns to the "OFF" position when released.

CAUTION: When not operating the tool, depress the trigger-lock button from B side to lock the switch trigger in the OFF position.

► Fig.3: 1. Trigger-lock button 2. Switch trigger

► Fig.4

To prevent the switch trigger from accidentally pulled, the trigger-lock button is provided.

To pull the switch trigger, depress the trigger-lock button from A side.

After use, always press in the trigger-lock button from B side.

Lighting up the lamp

CAUTION: Do not look in the light or see the source of light directly.

► Fig.5: 1. Lamp

Pull the switch trigger or actuate the contact element to light up the lamp. The lamp keeps on lighting while pulling the switch trigger or actuating the contact element. The lamp goes out approximately 10 seconds after releasing the switch trigger and the contact element.

NOTE: Use a dry cloth to wipe the dirt off the lens of the lamp. Be careful not to scratch the lens of the lamp, or it may lower the illumination.

ASSEMBLY

CAUTION: Always make sure that the battery cartridge is removed before carrying out any work on the stapler.

Staples

CAUTION: Do not use staples other than designated in this manual or staples that appear to be damaged, bent, rusty or corroded.

CAUTION: Load the same type, size and uniform length of staples when loading multiple strips of staples in the magazine.

NOTICE: Handle the staples and their box carefully. If the staples have been handled roughly, they may be bent out of shape, causing poor staple feed or jamming.

NOTICE: Avoid storing the staples in a very humid or hot place or place exposed to direct sunlight.

Loading staples

WARNING: When loading staples, always make sure that the battery cartridge is removed from the stapler. Unintentional firing may cause personal injuries and property damage.

CAUTION: After loading staples, make sure that the sub magazine is surely closed. Falling staples out of the magazine may cause an injury to the operator or bystander, especially when working in high locations.

1. Remove the battery cartridge.
2. Press the locking lever and slide the sub magazine backward.
► Fig.6: 1. Locking lever 2. Sub magazine
3. Load staples into the main magazine with their feet facing up.
► Fig.7: 1. Staples 2. Main magazine
4. After loading staples, push back the sub-magazine in place until it clicks.

To remove staples, follow the installation procedures in reverse.

Hook

CAUTION: Do not hang the hook from the waist belt. Dropping the stapler, which is caused by the hook accidentally coming out of place, may cause unintentional firing and result in personal injuries.

► Fig.8

⚠ WARNING: Use the hanging/mounting parts for their intended purposes only, e.g., hanging the tool on a tool belt between jobs or work intervals.

⚠ WARNING: Be careful not to overload the hook as too much force or irregular overburden may cause damages to the tool resulting in personal injury.

⚠ CAUTION: When installing the hook, always secure it with the screw firmly. If not, the hook may come off from the tool and result in the personal injury.

⚠ CAUTION: Make sure to hang the tool securely before releasing your hold. Insufficient or unbalanced hooking may cause falling off and you may be injured.

NOTE: When using the tool with battery BL1050B, the optional hook dedicated for BL1050B is needed.

The hook is convenient for temporarily hanging the tool. This can be installed on either side of the tool.

To install the hook, insert it into a groove in the tool housing on either side and then secure it with a screw. To remove, loosen the screw and then take it out.

► **Fig.9:** 1. Groove 2. Hook 3. Screw

OPERATION

Testing the safety system

⚠ WARNING: Make sure all safety systems are in working order before operation. Failure to do so may cause personal injuries.

► **Fig.10:** 1. Trigger-lock button 2. Switch trigger 3. Contact element 4. Sub magazine

Test safety systems for possible fault before operation as follows.

1. Unload staples from the tool and keep the sub magazine opened.
2. Install the battery cartridge.
3. Only pull the switch trigger without touching the contact element against the material.
4. Only touch the contact element against the material without pulling the switch trigger.

If the tool operates in the case of 3 and 4 above, the safety systems are faulty. Stop using the tool immediately and ask your local service center.

Driving staples

⚠ WARNING: Continue to place the contact element firmly on the material until the staple is driven completely. Unintentional firing may cause personal injuries.

► **Fig.11:** 1. Switch trigger 2. Contact element 3. Front part 4. Rear part

You can operate the tool in either way of "single sequential actuation" or "contact actuation".

Single sequential actuation:

In this mode, you can drive one staple by one sequential operation.

1. Place flat the contact element on the material.
2. Hold both of the front part and the rear part of the tool firmly against the material.
3. Pull the switch trigger fully to drive the staples.
4. Release your finger from the switch trigger before move the contact element from the material.

Contact actuation:

In this mode, you can drive staples sequentially.

1. Pull the switch trigger.
2. With the switch trigger pulled, place flat the contact element on the material to drive the staples.
3. Move the tool to the next area and place flat the contact element on the material again.

NOTE: The groove indicates the point that staple is driven.

► **Fig.12:** 1. Groove

If the head of the staple remains above the workpiece surface, drive the staple while holding the stapler head firmly against the workpiece.

► **Fig.13**

NOTE: If the head of the staple still remains above the workpiece even you hold the stapler head, the material may not be suitable for the stapler. Continuing to use the stapler on such material may result in a damage to the driver of the stapler and/or stapler jamming.

Anti dry fire mechanism

⚠ WARNING: When loading staples, always make sure that the battery cartridge is removed from the stapler. Unintentional firing may cause personal injuries and property damage.

This tool is equipped with an anti dry fire mechanism. When the number of remaining staples in the magazine becomes 5 - 8 pieces, the switch trigger can no longer be pulled. At this time, insert a new strip of staples in the magazine. The switch trigger can be pulled again.

Checking remaining staples

► **Fig.14:** 1. Sight window 2. Pusher 3. Staples

Remaining staples can be checked through the sight window.

Reload staples when no remaining staples can be seen in the sight window.

Removing jammed staples

⚠ WARNING: Always make sure that the battery cartridge is removed before removing jammed staples.

Open the sub magazine backward and take out jammed staples from the opening for firing.

MAINTENANCE

⚠ CAUTION: Always be sure that the tool is switched off and the battery cartridge is removed before attempting to perform inspection or maintenance.

NOTICE: Never use gasoline, benzine, thinner, alcohol or the like. Discoloration, deformation or cracks may result.

To maintain product SAFETY and RELIABILITY, repairs, any other maintenance or adjustment should be performed by Makita Authorized or Factory Service Centers, always using Makita replacement parts.

OPTIONAL ACCESSORIES

⚠ CAUTION: These accessories or attachments are recommended for use with your Makita tool specified in this manual. The use of any other accessories or attachments might present a risk of injury to persons. Only use accessory or attachment for its stated purpose.

If you need any assistance for more details regarding these accessories, ask your local Makita Service Center.

- Staples
- Hook
- Makita genuine battery and charger
- Depth adjuster set

NOTE: Some items in the list may be included in the tool package as standard accessories. They may differ from country to country.

SPÉCIFICATIONS

Modèle :	ST113D
Largeur des agrafes	10 mm
Longueur applicable des agrafes	7 mm - 10 mm
Capacité du magasin d'agrafes	150 pièces
Dimensions sans le crochet (L x l x H)	211 mm x 81 mm x 159 mm
Tension nominale	10,8 V - 12 V CC max.
Poids net	1,3 - 1,5 kg

- Étant donné l'évolution constante de notre programme de recherche et de développement, les spécifications contenues dans ce manuel sont sujettes à modification sans préavis.
- Les spécifications et la batterie peuvent être différentes suivant les pays.
- Poids, avec la batterie, conformément à la procédure EPTA-01/2003

Batterie et chargeur applicables

Batterie	BL1016 / BL1021B / BL1041B / BL1050B
Chargeur	DC10SA / DC10SB / DC10WC / DC10WD / DC18RE

- Certains chargeurs et batteries répertoriés ci-dessus peuvent ne pas être disponibles selon la région où vous résidez.

⚠ AVERTISSEMENT : N'utilisez que les batteries et les chargeurs répertoriés ci-dessus. L'utilisation d'autres batteries et chargeurs peut provoquer des blessures et/ou un incendie.

Utilisations

L'outil est conçu pour enfoncer des agrafes dans des matériaux de construction comme du bois d'œuvre.

Bruit

Niveau de bruit pondéré A typique, déterminé selon EN60745 :
Niveau de pression sonore (L_{pA}) : 75 dB (A)
Incertitude (K) : 3 dB (A)

Le niveau de bruit en fonctionnement peut dépasser 80 dB (A).

⚠ AVERTISSEMENT : Portez un serre-tête antibruit.

Vibrations

Valeur totale de vibration déterminée selon EN60745 :
Émission de vibrations (a_{h1}) : 2,5 m/s² ou moins
Incertitude (K) : 1,5 m/s²

NOTE : La ou les valeurs de vibration totales déclarées ont été mesurées conformément à la méthode de test standard et peuvent être utilisées pour comparer les outils entre eux.

NOTE : La ou les valeurs de vibration totales déclarées peuvent aussi être utilisées pour l'évaluation préliminaire de l'exposition.

⚠ AVERTISSEMENT : L'émission de vibrations lors de l'usage réel de l'outil électrique peut être différente de la ou des valeurs déclarées, suivant la façon dont l'outil est utilisé, particulièrement selon le type de pièce usinée.

⚠ AVERTISSEMENT : Les mesures de sécurité à prendre pour protéger l'utilisateur doivent être basées sur une estimation de l'exposition dans des conditions réelles d'utilisation (en tenant compte de toutes les composantes du cycle d'utilisation, comme par exemple le moment de sa mise hors tension, lorsqu'il tourne à vide et le moment de son déclenchement).

Déclarations de conformité

Pour les pays européens uniquement

Les déclarations de conformité sont fournies en Annexe A à ce mode d'emploi.

CONSIGNES DE SÉCURITÉ

Consignes de sécurité générales pour outils électriques

⚠ AVERTISSEMENT Veuillez lire toutes les consignes de sécurité, instructions, illustrations et spécifications qui accompagnent cet outil

électrique. Le non-respect de toutes les instructions indiquées ci-dessous peut entraîner une électrocution, un incendie et/ou de graves blessures.

Conservez toutes les mises en garde et instructions pour référence ultérieure.

Le terme « outil électrique » dans les avertissements fait référence à l'outil électrique alimenté par le secteur (avec cordon d'alimentation) ou à l'outil électrique fonctionnant sur batterie (sans cordon d'alimentation).

Consignes de sécurité pour agrafeuse sans fil

1. **Prenez toujours pour acquis que l'outil contient des éléments de fixation.** Une manipulation imprudente de l'agrafeuse peut provoquer un déclenchement inattendu des éléments de fixation et des blessures corporelles.
2. **Ne dirigez pas l'outil vers vous-même ou vers quiconque se trouvant à proximité.** Un déclenchement inattendu de la gâchette expulsera un élément de fixation entraînant des blessures.
3. **N'enclenchez l'outil qu'après l'avoir appuyé fermement contre la pièce.** Si l'outil n'est pas en contact avec la pièce, le élément de fixation peut être dévié de sa cible.
4. **Débranchez toujours l'outil de sa source d'alimentation lorsqu'un élément de fixation est coincé dans l'outil.** L'agrafeuse peut être accidentellement activée si elle est branchée alors que vous retirez un élément de fixation coincé.
5. **Prenez garde lorsque vous retirez un élément de fixation coincé.** Le mécanisme peut être comprimé et le élément de fixation peut être propulsé énergiquement pendant que vous essayez de le décoincer.
6. **N'utilisez pas cette agrafeuse pour fixer des câbles électriques.** Elle n'est pas conçue pour la pose de câbles électriques et peut endommager leur gaine isolante, ce qui comporte un risque d'électrocution et d'incendie.
7. **Portez toujours des lunettes à coques ou des lunettes de sécurité munies d'écrans latéraux, ainsi qu'un écran facial intégral lorsque cela est nécessaire.**
8. **Gardez les mains et les pieds à l'écart de la zone de sortie d'éjection.**
9. **Retirez toujours la batterie avant de charger des éléments de fixation, de procéder à un réglage, une inspection ou l'entretien, ou après utilisation.**
10. **Assurez-vous que personne ne se trouve à proximité avant utilisation.** N'essayez jamais d'enfoncer des éléments de fixation des côtés intérieur et extérieur du mur en même temps. Cela est très dangereux, puisque les éléments de fixation risquent alors de passer à travers et/ou d'être projetés.
11. **Regardez où vous posez les pieds et maintenez un bon équilibre pendant l'utilisation de l'outil.** Assurez-vous que personne ne se trouve dessous lorsque vous utilisez l'outil en

hauteur.

12. **Vérifiez soigneusement le mur, plafond, plancher, toit ou autre structure pour éviter les risques d'électrocution, de fuite de gaz, d'explosion, etc., en agrafant des fils dénudés, des conduites ou des tuyaux de gaz.**
13. **Utilisez exclusivement les éléments de fixation spécifiés dans le présent manuel.** L'utilisation d'autres éléments de fixation peut causer le dysfonctionnement de l'outil.
14. **Ne modifiez pas l'outil ni n'essayez de l'utiliser pour une autre tâche qu'enfoncer des éléments de fixation.**
15. **N'utilisez pas l'outil sans éléments de fixation.** Cela réduit la durée de vie de l'outil.
16. **Cessez immédiatement l'utilisation si vous constatez un dysfonctionnement ou une anomalie sur l'outil.**
17. **N'enfoncez jamais de éléments de fixation dans des matériaux qu'ils peuvent percer et traverser comme des projectiles.**
18. **N'actionnez jamais la gâchette et l'élément de contact avant d'être prêt à fixer les pièces.** N'ignorez pas le rôle de l'élément de contact en le bloquant ou en l'enfonçant manuellement.
19. **Ne modifiez jamais l'élément de contact.** Inspectez régulièrement le bon fonctionnement de l'élément de contact.

CONSERVEZ CES INSTRUCTIONS.

⚠ AVERTISSEMENT : NE vous laissez PAS tromper (au fil d'une utilisation répétée) par un sentiment d'aisance et de familiarité avec le produit, en négligeant le respect rigoureux des consignes de sécurité qui accompagnent le produit en question. La MAUVAISE UTILISATION de l'outil ou l'ignorance des consignes de sécurité indiquées dans ce mode d'emploi peut entraîner de graves blessures.

Consignes de sécurité importantes pour la batterie

1. **Avant d'utiliser la batterie, lisez toutes les instructions et précautions relatives (1) au chargeur de batterie, (2) à la batterie, et (3) au produit utilisant la batterie.**
2. **Ne désassemblez pas et ne modifiez pas la batterie.** Cela pourrait entraîner un incendie, une chaleur excessive ou une explosion.
3. **Cessez immédiatement l'utilisation si le temps de fonctionnement devient excessivement court.** Il y a un risque de surchauffe, de brûlures, voire d'explosion.
4. **Si l'électrolyte pénètre dans vos yeux, rincez-les à l'eau claire et consultez immédiatement un médecin.** Il y a un risque de perte de la vue.
5. **Ne court-circuitez pas la batterie :**
 - (1) **Ne touchez les bornes avec aucun matériau conducteur.**

- (2) **Évitez de ranger la batterie dans un conteneur avec d'autres objets métalliques, par exemple des clous, des pièces de monnaie, etc.**
- (3) **N'exposez pas la batterie à l'eau ou à la pluie.**

Un court-circuit de la batterie peut provoquer une intensité de courant élevée, une surchauffe, parfois des brûlures et même une panne.

6. **Ne rangez ni n'utilisez l'outil et la batterie dans un endroit où la température risque d'atteindre ou de dépasser 50 °C.**
7. **Ne jetez pas la batterie au feu même si elle est sérieusement endommagée ou complètement épuisée. La batterie peut exploser au contact du feu.**
8. **Abstenez-vous de clouer, couper, écraser, jeter, laisser tomber la batterie, ou de la heurter contre un objet dur.** Cela pourrait entraîner un incendie, une chaleur excessive ou une explosion.
9. **N'utilisez pas la batterie si elle est endommagée.**
10. **Les batteries au lithium-ion contenues sont soumises aux exigences de la législation sur les marchandises dangereuses.**
Lors du transport commercial par des tierces parties ou des transitaires par exemple, des exigences spécifiques en matière d'étiquetage et d'emballage doivent être respectées.
Pour la préparation de l'article expédié, il est nécessaire de consulter un expert en matériau dangereux. Veuillez également respecter les réglementations nationales susceptibles d'être plus détaillées.
Recouvrez les contacts exposés avec du ruban adhésif ou du ruban de masquage et emballez la batterie de telle sorte qu'elle ne puisse pas bouger dans l'emballage.
11. **Lors de la mise au rebut de la batterie, retirez-la de l'outil et jetez-la en lieu sûr. Suivez les réglementations locales en matière de mise au rebut des batteries.**
12. **Utilisez les batteries uniquement avec les produits spécifiés par Makita.** L'insertion de batteries dans des produits non conformes peut provoquer un incendie, une chaleur excessive, une explosion ou une fuite de l'électrolyte.
13. **Lorsque vous n'utilisez pas l'outil pendant une période prolongée, la batterie doit être retirée de l'outil.**
14. **Pendant et après l'utilisation, la batterie peut chauffer, ce qui peut entraîner des brûlures, y compris en cas de température relativement basse. Manipulez les batteries chaudes avec précaution.**
15. **Ne touchez pas la borne de l'outil immédiatement après utilisation car elle peut être assez chaude pour provoquer des brûlures.**
16. **Évitez que des copeaux, de la poussière ou du sol adhèrent aux bornes, aux trous et aux rainures de la batterie.** Cela peut provoquer un échauffement, un incendie, une explosion ou un dysfonctionnement de l'outil ou de la batterie, ce

qui peut entraîner des brûlures ou des blessures.

17. **À moins que l'outil prenne en charge un tel usage, n'utilisez pas la batterie à proximité de lignes électriques haute tension.** Cela pourrait entraîner un dysfonctionnement ou casser l'outil ou la batterie.
18. **Conservez la batterie hors de portée des enfants.**

CONSERVEZ CES INSTRUCTIONS.

⚠ATTENTION : N'utilisez que des batteries Makita d'origine. L'utilisation de batteries de marque autre que Makita ou de batteries modifiées peut provoquer l'explosion des batteries, ce qui présente un risque d'incendie, de dommages matériels et corporels. Cela annulera également la garantie Makita pour l'outil et le chargeur Makita.

Conseils pour assurer la durée de vie optimale de la batterie

1. **Chargez la batterie avant qu'elle ne soit complètement déchargée. Arrêtez toujours l'outil et rechargez la batterie quand vous remarquez que la puissance de l'outil diminue.**
2. **Ne rechargez jamais une batterie complètement chargée. La surcharge réduit la durée de service de la batterie.**
3. **Chargez la batterie à une température ambiante comprise entre 10 °C et 40 °C. Avant de charger une batterie chaude, laissez-la refroidir.**
4. **Lorsque vous n'utilisez pas la batterie, retirez-la de l'outil ou du chargeur.**

DESCRIPTION DU FONCTIONNEMENT

⚠ATTENTION : Assurez-vous toujours que l'outil est hors tension et que sa batterie est retirée avant de l'ajuster ou de vérifier son fonctionnement.

Insertion ou retrait de la batterie

⚠ATTENTION : Éteignez toujours l'outil avant de mettre en place ou de retirer la batterie.

⚠ATTENTION : Tenez fermement l'outil et la batterie lors de la mise en place ou du retrait de la batterie. Si vous ne tenez pas fermement l'outil et la batterie, ils peuvent vous glisser des mains, et s'abîmer ou vous blesser.

Pour mettre la batterie en place, alignez la languette de la batterie avec la rainure du compartiment puis insérez la batterie. Insérez-la entièrement jusqu'à entendre un léger déclic indiquant qu'elle est bien en place. Si vous pouvez voir l'indicateur rouge comme illustré sur la figure, c'est qu'elle n'est pas bien verrouillée.

Pour retirer la batterie, faites-la glisser hors de l'outil tout en faisant glisser le bouton à l'avant de la batterie.

► **Fig.1:** 1. Indicateur rouge 2. Bouton 3. Batterie

⚠ATTENTION : Insérez toujours complètement la batterie jusqu'à ce que l'indicateur rouge ne soit plus visible. Sinon, elle pourrait tomber accidentellement de l'outil, au risque de vous blesser ou de blesser quelqu'un se trouvant près de vous.

⚠ATTENTION : N'insérez pas la batterie de force. Si elle ne glisse pas facilement, c'est que vous ne l'insérez pas correctement.

Système de protection de la batterie

L'outil est équipé d'un système de protection de la batterie. Ce système coupe automatiquement le courant de l'outil pour prolonger la durée de service de la batterie.

L'outil s'arrêtera automatiquement en cours d'utilisation si l'outil et/ou la batterie se trouve dans l'une ou l'autre des situations suivantes :

Surcharge :

L'outil est utilisé de manière telle qu'il consomme un courant anormalement élevé.

Dans ce cas, éteignez l'outil et arrêtez la tâche ayant provoqué la surcharge de l'outil. Puis rallumez l'outil pour reprendre la tâche.

Si l'outil ne démarre pas, c'est que la batterie a surchauffé. Dans ce cas, laissez la batterie refroidir avant de rallumer l'outil.

Faible tension de la batterie :









La charge restante de la batterie est trop faible et l'outil ne fonctionne pas. Si vous allumez l'outil, le moteur ne démarre pas ou bien le moteur redémarre, mais s'arrête rapidement. Dans ce cas, retirez la batterie et rechargez-la.

Indication de la charge restante de la batterie

Uniquement pour les batteries avec voyant lumineux

► **Fig.2:** 1. Témoins 2. Bouton de vérification

Appuyez sur le bouton de vérification sur la batterie pour indiquer la charge restante de la batterie. Les témoins s'allument pendant quelques secondes.

Témoins		Charge restante
Allumé	Éteint	
		75 % - 100 %
		50 % - 75 %
		25 % - 50 %
		0 % - 25 %

NOTE : Selon les conditions d'utilisation et la température ambiante, l'indication peut être légèrement différente de la capacité réelle.

Fonctionnement de la gâchette

⚠ATTENTION : Avant d'insérer la batterie dans l'outil, vérifiez toujours que la gâchette fonctionne bien et revient en position d'arrêt lorsque vous la relâchez.

⚠ATTENTION : Lorsque vous n'utilisez pas l'outil, appuyez sur le côté B du bouton de verrouillage de la gâchette pour verrouiller la gâchette en position d'arrêt.

► **Fig.3:** 1. Bouton de verrouillage de la gâchette
2. Gâchette

► **Fig.4**

Pour éviter tout déclenchement accidentel de la gâchette, l'outil est muni d'un bouton de verrouillage de la gâchette.

Pour enclencher la gâchette, appuyez sur le côté A du bouton de verrouillage de la gâchette.

Après utilisation, appuyez toujours sur le côté B du bouton de verrouillage de la gâchette.

Allumage de la lampe

⚠ATTENTION : Évitez de regarder directement le faisceau lumineux ou sa source.

► **Fig.5:** 1. Lampe

Enclenchez la gâchette ou actionnez l'élément de contact pour allumer la lampe. La lampe reste allumée tant que la gâchette est enclenchée ou l'élément de contact actionné. La lampe s'éteint environ 10 secondes après avoir relâché la gâchette et l'élément de contact.

NOTE : Retirez la saleté sur la lentille de la lampe avec un chiffon sec. Prenez soin de ne pas érafler la lentille de la lampe sous peine de diminuer son éclairage.

ASSEMBLAGE

⚠ATTENTION : Assurez-vous toujours que la batterie est retirée avant toute intervention sur l'agrafeuse.

Agrafes

⚠ATTENTION : N'utilisez pas d'agrafes autres que celles indiquées dans ce manuel ou des agrafes ayant l'air endommagées, pliées, rouillées ou corrodées.

⚠ATTENTION : Chargez des agrafes de même type, même taille et de longueur uniforme lorsque vous insérez plusieurs bandes d'agrafes dans le magasin.

REMARQUE : Manipulez soigneusement les agrafes et leur boîte. Si les agrafes ont été manipulées brutalement, elles peuvent être déformées, ce qui provoquera une mauvaise alimentation ou un blocage.

REMARQUE : Évitez de ranger les agrafes dans un endroit très humide, chaud ou exposé aux rayons directs du soleil.

Chargement des agrafes

AVERTISSEMENT : Lorsque vous chargez des agrafes, assurez-vous toujours que la batterie est retirée de l'agrafeuse. Un déclenchement accidentel peut entraîner des dommages corporels ou matériels.

ATTENTION : Après avoir chargé des agrafes, assurez-vous que le magasin secondaire est correctement fermé. Les agrafes tombant du magasin peuvent blesser l'utilisateur ou les badauds, particulièrement si vous travaillez en hauteur.

1. Retirez la batterie.
2. Enfoncez le levier de verrouillage et faites glisser le magasin secondaire vers l'arrière.
► **Fig.6:** 1. Levier de verrouillage 2. Magasin secondaire
3. Chargez les agrafes dans le magasin principal, les pattes le haut.
► **Fig.7:** 1. Agrafes 2. Magasin principal
4. Après avoir chargé des agrafes, repoussez le magasin secondaire en place jusqu'au dé clic.

Pour retirer les agrafes, effectuez la procédure de pose dans l'ordre inverse.

Crochet

ATTENTION : Ne laissez pas pendre le crochet à la ceinture. Si vous lâchez l'agrafeuse, ce qui se produit si le crochet se déplace accidentellement, cela pourrait provoquer un déclenchement involontaire entraînant des blessures.

► **Fig.8**

AVERTISSEMENT : N'utilisez les pièces d'accrochage/de fixation qu'aux fins pour lesquelles elles ont été conçues, par exemple, accrocher l'outil sur une ceinture à outils entre les tâches ou les intervalles de travail.

AVERTISSEMENT : Faites attention de ne pas surcharger le crochet, car une force excessive ou une surcharge irrégulière peut endommager l'outil et entraîner des blessures.

ATTENTION : Lorsque vous installez le crochet, fixez-le toujours en place fermement avec la vis. Sinon, le crochet pourrait se détacher de l'outil et vous blesser.

ATTENTION : Assurez-vous de suspendre l'outil correctement avant de relâcher votre emprise. Un accrochage insuffisant ou déséquilibré peut provoquer une chute et vous blesser.

NOTE : Si vous utilisez l'outil avec la batterie BL1050B, le crochet en option dédié à BL1050B est nécessaire.

Le crochet est pratique pour suspendre provisoirement l'outil. Il s'installe d'un côté comme de l'autre de l'outil. Pour installer le crochet, insérez-le dans une rainure du carter de l'outil sur l'un des deux côtés, puis fixez-le avec une vis. Pour le retirer, desserrez la vis et enlevez-le.

► **Fig.9:** 1. Rainure 2. Crochet 3. Vis

UTILISATION

Vérification du système de sécurité

AVERTISSEMENT : Assurez-vous que tous les systèmes de sécurité sont en état de fonctionner avant d'utiliser l'outil. Vous risquez autrement de vous blesser.

- **Fig.10:**
1. Bouton de verrouillage de la gâchette
 2. Gâchette 3. Élément de contact
 4. Magasin secondaire

Vérifiez l'absence de défaillance des systèmes de sécurité avant utilisation comme suit.

1. Retirez les agrafes de l'outil et laissez le magasin secondaire ouvert.
2. Mettez la batterie en place.
3. Enclenchez uniquement la gâchette sans appuyer l'élément de contact contre le matériau.
4. Appuyez uniquement l'élément de contact contre le matériau sans enclencher la gâchette.

Si l'outil fonctionne dans les cas 3 et 4 ci-dessus, les systèmes de sécurité sont défaillants. Cessez immédiatement d'utiliser l'outil et confiez-le à votre SAV local.

Enfoncement des agrafes

AVERTISSEMENT : Continuez de placer fermement l'élément de contact sur le matériau jusqu'à ce que l'agrafe soit complètement enfoncée. Un déclenchement accidentel peut entraîner des blessures corporelles.

- **Fig.11:** 1. Gâchette 2. Élément de contact 3. Partie avant 4. Partie arrière

Vous pouvez utiliser l'outil au coup par coup ou à la volée.

Coup par coup :

Dans ce mode, vous pouvez enfoncer une agrafe

consécutivement.

1. Posez à plat l'élément de contact sur le matériau.
2. Tenez à la fois la partie avant et la partie arrière de l'outil fermement contre le matériau.
3. Enclenchez complètement la gâchette pour enfoncer les agrafes.
4. Relâchez votre doigt de la gâchette avant de retirer l'élément de contact du matériau.

À la volée :

Dans ce mode, vous pouvez enfoncer des agrafes de façon séquentielle.

1. Enclenchez la gâchette.
2. Avec la gâchette enfoncée, posez à plat l'élément de contact sur le matériau pour enfoncer les agrafes.
3. Déplacez l'outil sur la zone suivante et reposez à plat l'élément de contact sur le matériau.

NOTE : La rainure indique l'endroit où l'agrafe est enfoncée.

► Fig.12: 1. Rainure

Si la tête de l'agrafe reste au-dessus de la surface de la pièce, enfoncez l'agrafe tout en tenant fermement la tête de l'agrafeuse contre la pièce.

► Fig.13

NOTE : Si la tête de l'agrafe reste toujours au-dessus de la surface de la pièce même lorsque vous tenez la tête de l'agrafeuse, il se peut que le matériau ne convienne pas pour l'agrafeuse. Si vous continuez à utiliser l'agrafeuse sur un tel matériau, vous risquez d'endommager le mécanisme d'entraînement de l'agrafeuse et/ou de coincer l'agrafeuse.

Mécanisme anti-démarrage à vide

AVERTISSEMENT : Lorsque vous chargez des agrafes, assurez-vous toujours que la batterie est retirée de l'agrafeuse. Un déclenchement accidentel peut entraîner des dommages corporels ou matériels.

Cet outil est équipé d'un mécanisme anti-démarrage à vide. Lorsque le nombre d'agrafes restantes dans le magasin est de 5 à 8 pièces, la gâchette ne peut plus être enclenchée. À ce moment-là, insérez une nouvelle bande d'agrafes dans le magasin. La gâchette peut alors être enclenchée à nouveau.

Vérification des agrafes restantes

► Fig.14: 1. Fenêtre de contrôle 2. Poussoir 3. Agrafes

Les agrafes restantes peuvent être vérifiées par la fenêtre de contrôle.

Lorsque vous ne voyez plus d'agrafes par la fenêtre de contrôle, chargez à nouveau les agrafes.

Retrait des agrafes coincées

AVERTISSEMENT : Assurez-vous toujours que la batterie est retirée avant de retirer les agrafes coincées.

Ouvrez le magasin secondaire vers l'arrière et enlevez les agrafes coincées par l'ouverture d'où elles sont éjectées.

► Fig.15: 1. Ouverture 2. Magasin secondaire

ENTRETIEN

ATTENTION : Assurez-vous toujours que l'outil est hors tension et que la batterie est retirée avant d'y effectuer tout travail d'inspection ou d'entretien.

REMARQUE : N'utilisez jamais d'essence, benzine, diluant, alcool ou autre produit similaire. Cela risquerait de provoquer la décoloration, la déformation ou la fissuration de l'outil.

Pour assurer la SÉCURITÉ et la FIABILITÉ du produit, toute réparation, tout travail d'entretien ou de réglage doivent être effectués par un centre d'entretien Makita agréé, avec des pièces de rechange Makita.

ACCESSOIRES EN OPTION

ATTENTION : Ces accessoires ou pièces complémentaires sont recommandés pour l'utilisation avec l'outil Makita spécifié dans ce mode d'emploi. L'utilisation de tout autre accessoire ou pièce complémentaire peut comporter un risque de blessure. N'utilisez les accessoires ou pièces complémentaires qu'aux fins auxquelles ils ont été conçus.

Pour obtenir plus de détails sur ces accessoires, contactez votre centre d'entretien local Makita.

- Agrafes
- Crochet
- Batterie et chargeur Makita d'origine
- Ensemble de dispositifs de réglage de profondeur

NOTE : Il se peut que certains éléments de la liste soient compris dans l'emballage de l'outil en tant qu'accessoires standard. Ils peuvent varier d'un pays à l'autre.

TECHNISCHE DATEN

Modell:	ST113D
Heftklammerbreite	10 mm
Länge der verwendbaren Heftklammern	7 mm - 10 mm
Kapazität des Heftklammermagazins	150 Stück
Abmessungen ohne Aufhänger (L x B x H)	211 mm x 81 mm x 159 mm
Nennspannung	10,8 V Gleichstrom - 12 V max.
Nettogewicht	1,3 - 1,5 kg

- Wir behalten uns vor, Änderungen der technischen Daten im Zuge der Entwicklung und des technischen Fortschritts ohne vorherige Ankündigung vorzunehmen.
- Die technischen Daten und der Akku können von Land zu Land unterschiedlich sein.
- Gewicht mit Akku nach EPTA-Verfahren 01/2003

Zutreffende Akkus und Ladegeräte

Akku	BL1016 / BL1021B / BL1041B / BL1050B
Ladegerät	DC10SA / DC10SB / DC10WC / DC10WD / DC18RE

- Einige der oben aufgelisteten Akkus und Ladegeräte sind je nach Ihrem Wohngebiet eventuell nicht erhältlich.

⚠️ WARNUNG: Verwenden Sie nur die oben aufgeführten Akkus und Ladegeräte. Bei Verwendung irgendwelcher anderer Akkus und Ladegeräte besteht Verletzungs- und/oder Brandgefahr.

Vorgesehene Verwendung

Das Werkzeug ist für das Einpressen von Heftklammern in Baumaterial, wie z. B. Bauholz, vorgesehen.

Geräusch

Typischer A-bewerteter Geräuschpegel ermittelt gemäß EN60745:

Schalldruckpegel (L_{pA}): 75 dB (A)

Messunsicherheit (K): 3 dB (A)

Der Geräuschpegel kann während des Betriebs 80 dB (A) überschreiten.

⚠️ WARNUNG: Einen Gehörschutz tragen.

Schwingungen

Der Schwingungsgesamtwert wurde gemäß EN60745 ermittelt:

Schwingungsemission (a_h): 2,5 m/s² oder weniger
Messunsicherheit (K): 1,5 m/s²

HINWEIS: Der (Die) angegebene(n) Vibrationsgesamtwert(e) wurde(n) im Einklang mit der Standardprüfmethode gemessen und kann (können) für den Vergleich zwischen Werkzeugen herangezogen werden.

HINWEIS: Der (Die) angegebene(n) Vibrationsgesamtwert(e) kann (können) auch für eine Vorbewertung des Gefährdungsgrads verwendet werden.

⚠️ WARNUNG: Die Vibrationsemission während der tatsächlichen Benutzung des Elektrowerkzeugs kann je nach der Benutzungsweise des Werkzeugs, und speziell je nach der Art des bearbeiteten Werkstücks, von dem (den) angegebenen Emissionswert(en) abweichen.

⚠️ WARNUNG: Identifizieren Sie Sicherheitsmaßnahmen zum Schutz des Benutzers anhand einer Schätzung des Gefährdungsgrads unter den tatsächlichen Benutzungsbedingungen (unter Berücksichtigung aller Phasen des Arbeitszyklus, wie z. B. Ausschalt- und Leerlaufzeiten des Werkzeugs zusätzlich zur Betriebszeit).

Konformitätserklärungen

Nur für europäische Länder

Die Konformitätserklärungen sind in Anhang A dieser Betriebsanleitung enthalten.

SICHERHEITSWARNUNGEN

Allgemeine Sicherheitswarnungen für Elektrowerkzeuge

⚠️ WARNUNG Lesen Sie alle Sicherheitshinweise, Anweisungen, Abbildungen und Spezifikationen,

die diesem Elektrowerkzeug beiliegen. Eine Missachtung der unten aufgeführten Anweisungen kann zu einem elektrischen Schlag, Brand und/oder schweren Verletzungen führen.

Bewahren Sie alle Warnungen und Anweisungen für spätere Bezugnahme auf.

Der Ausdruck „Elektrowerkzeug“ in den Warnhinweisen bezieht sich auf Ihr mit Netzstrom (mit Kabel) oder Akku (ohne Kabel) betriebenes Elektrowerkzeug.

Sicherheitswarnungen für Akku-Tacker

- Gehen Sie stets von der Annahme aus, dass das Werkzeug Befestigungselemente enthält.** Achtlose Handhabung des Tackers kann zu unerwartetem Abschuss von Befestigungselementen und daraus resultierenden Personenschäden führen.
- Richten Sie das Werkzeug nicht auf sich oder umstehende Personen.** Unerwartete Auslösung bewirkt Abschuss des Befestigungselements und verursacht eine Verletzung.
- Betätigen Sie das Werkzeug nur, wenn es fest auf das Werkstück aufgesetzt ist.** Ist das Werkzeug nicht mit dem Werkstück in Kontakt, kann das Befestigungselement von Ihrem beabsichtigten Ziel abgelenkt werden.
- Trennen Sie das Werkzeug von der Stromquelle, wenn ein Befestigungselement im Werkzeug klemmt.** Ist der Stecker eingesteckt, kann der Tacker beim Entfernen eines klemmenden Befestigungselements versehentlich betätigt werden.
- Lassen Sie beim Entfernen eines klemmenden Befestigungselements Vorsicht walten.** Der Mechanismus kann unter Druck stehen, und das Befestigungselement kann abgeschossen werden, während versucht wird, den Klemmzustand aufzuheben.
- Benutzen Sie diesen Tacker nicht zur Befestigung von elektrischen Kabeln.** Er ist nicht für die Installation von elektrischen Kabeln ausgelegt und kann deren Isolierung beschädigen, was zu einem elektrischen Schlag oder Brand führen kann.
- Tragen Sie immer einen Augenschutz oder eine Schutzbrille mit Seitenschützern und bei Bedarf einen vollen Gesichtsschutz.**
- Halten Sie Hände und Füße vom Bereich der Auswurföffnung fern.**
- Nehmen Sie stets den Akku ab, bevor Sie die Befestigungselemente laden, Einstellungen, Überprüfungen, Wartungsarbeiten durchführen, oder nachdem die Arbeit abgeschlossen ist.**
- Vergewissern Sie sich vor der Arbeit, dass keine Personen in der Nähe sind.** Versuchen Sie niemals, Befestigungselemente gleichzeitig von der Innen- und Außenseite einer Wand einzutreiben. Befestigungselemente können durchschlagen und/oder herausfliegen, was

eine große Gefahr darstellt.

- Achten Sie beim Arbeiten mit dem Werkzeug auf sicheren Stand und Gleichgewicht.** Vergewissern Sie sich bei Arbeiten an hohen Orten, dass sich niemand unterhalb aufhält.
- Überprüfen Sie Wände, Decken, Fußböden, Dach und dergleichen sorgfältig, um durch Kontakt mit Strom führenden Kabeln, Isolierrohren oder Gasrohren verursachte mögliche elektrische Schläge, Gaslecks, Explosionen usw. zu vermeiden.**
- Verwenden Sie nur die in dieser Anleitung angegebenen Befestigungselemente.** Die Verwendung anderer Befestigungselemente kann eine Funktionsstörung des Werkzeugs verursachen.
- Nehmen Sie keine unerlaubten Änderungen am Werkzeug vor, und versuchen Sie nicht, es für andere Zwecke als Eintreiben von Befestigungselementen zu verwenden.**
- Betreiben Sie das Werkzeug nicht ohne Befestigungselemente.** Dadurch wird die Nutzungsdauer des Werkzeugs verkürzt.
- Brechen Sie Eintreibarbeiten sofort ab, wenn Sie einen Defekt oder etwas Ungewöhnliches am Werkzeug feststellen.**
- Treiben Sie Befestigungselemente niemals in Materialien ein, die das Befestigungselement punktieren und wie ein Geschoss durchbohren kann.**
- Betätigen Sie den Auslöser und das Kontaktelement niemals, bevor Sie bereit sind, Werkstücke zu befestigen.** Heben Sie den Zweck des Kontaktelements keinesfalls durch Zurückhalten oder Niederdrücken von Hand auf.
- Nehmen Sie keine unerlaubten Eingriffe am Kontaktelement vor.** Überprüfen Sie das Kontaktelement häufig auf ordnungsgemäßen Betrieb.

DIESE ANWEISUNGEN AUFBEWAHREN.

⚠️ WARNUNG: Lassen Sie sich NICHT durch Bequemlichkeit oder Vertrautheit mit dem Produkt (durch wiederholten Gebrauch erworben) von der strikten Einhaltung der Sicherheitsregeln für das vorliegende Produkt abhalten. **MISSBRAUCH** oder Missachtung der Sicherheitsvorschriften in dieser Anleitung können schwere Verletzungen verursachen.

Wichtige Sicherheitsanweisungen für Akku

- Lesen Sie vor der Benutzung des Akkus alle Anweisungen und Warnhinweise, die an (1) Ladegerät, (2) Akku und (3) Akkuwerkzeug angebracht sind.**
- Unterlassen Sie Zerlegen oder Manipulieren des Akkus.** Es kann sonst zu einem Brand, übermäßiger Hitzeentwicklung oder einer Explosion kommen.
- Falls die Betriebszeit beträchtlich kürzer**

geworden ist, stellen Sie den Betrieb sofort ein. Anderenfalls besteht die Gefahr von Überhitzung, möglichen Verbrennungen und sogar einer Explosion.

4. Falls Elektrolyt in Ihre Augen gelangt, waschen Sie sie mit sauberem Wasser aus, und begeben Sie sich unverzüglich in ärztliche Behandlung. Anderenfalls können Sie Ihre Sehkraft verlieren.
5. Der Akku darf nicht kurzgeschlossen werden:
 - (1) Die Kontakte dürfen nicht mit leitfähigem Material berührt werden.
 - (2) Lagern Sie den Akku nicht in einem Behälter zusammen mit anderen Metallgegenständen, wie z. B. Nägel, Münzen usw.
 - (3) Setzen Sie den Akku weder Wasser noch Regen aus.

Ein Kurzschluss des Akkus verursacht starken Stromfluss, der Überhitzung, mögliche Verbrennungen und einen Defekt zur Folge haben kann.

6. Lagern und benutzen Sie das Werkzeug und den Akku nicht an Orten, an denen die Temperatur 50 °C erreichen oder überschreiten kann.
7. Versuchen Sie niemals, den Akku zu verbrennen, selbst wenn er stark beschädigt oder vollkommen verbraucht ist. Der Akku kann im Feuer explodieren.
8. Unterlassen Sie Nageln, Schneiden, Zerquetschen, Werfen, Fallenlassen des Akkus oder Schlagen des Akkus mit einem harten Gegenstand. Eine solche Handlung kann zu einem Brand, übermäßiger Hitzeentwicklung oder einer Explosion führen.
9. Benutzen Sie keine beschädigten Akkus.
10. Die enthaltenen Lithium-Ionen-Akkus unterliegen den Anforderungen der Gefahrgut-Gesetzgebung.

Für kommerzielle Transporte, z. B. durch Dritte oder Spediteure, müssen besondere Anforderungen zu Verpackung und Etikettierung beachtet werden.

Zur Vorbereitung des zu transportierenden Artikels ist eine Beratung durch einen Experten für Gefahrgut erforderlich. Bitte beachten Sie möglicherweise ausführlichere nationale Vorschriften. Überkleben oder verdecken Sie offene Kontakte, und verpacken Sie den Akku so, dass er sich in der Verpackung nicht umher bewegen kann.

11. Entfernen Sie den Akku zum Entsorgen vom Werkzeug, und entsorgen Sie ihn an einem sicheren Ort. Befolgen Sie die örtlichen Vorschriften bezüglich der Entsorgung von Akkus.
12. Verwenden Sie die Akkus nur mit den von Makita angegebenen Produkten. Das Einsetzen der Akkus in nicht konforme Produkte kann zu einem Brand, übermäßiger Hitzebildung, einer Explosion oder Auslaufen von Elektrolyt führen.
13. Soll das Werkzeug längere Zeit nicht benutzt werden, muss der Akku vom Werkzeug entfernt werden.
14. Bei und nach dem Gebrauch kann der Akku

heiß werden, was Verbrennungen oder Niedertemperaturverbrennungen verursachen kann. Beachten Sie die Handhabung von heißen Akkus.

15. Berühren Sie nicht den Anschlusskontakt des Werkzeugs unmittelbar nach dem Gebrauch, da er heiß genug werden kann, um Verbrennungen zu verursachen.
16. Achten Sie darauf, dass sich keine Späne, Staub oder Schmutz in den Anschlusskontakten, Löchern und Nuten des Akkus absetzen. Es könnte sonst zu Erhitzung, Brandauslösung, Bersten und Funktionsstörungen des Werkzeugs oder des Akkus kommen, was zu Verbrennungen oder Personenschäden führen kann.
17. Wenn das Werkzeug den Einsatz in der Nähe einer Hochspannungs-Stromleitung nicht unterstützt, benutzen Sie den Akku nicht in der Nähe einer Hochspannungs-Stromleitung. Dies kann zu einer Funktionsstörung oder Betriebsstörung des Werkzeugs oder des Akkus führen.
18. Halten Sie die Batterie von Kindern fern.

DIESE ANWEISUNGEN AUFBEWAHREN.

⚠VORSICHT: Verwenden Sie nur Original-Makita-Akkus. Die Verwendung von Nicht-Original-Makita-Akkus oder von Akkus, die abgeändert worden sind, kann zum Bersten des Akkus und daraus resultierenden Bränden, Personenschäden und Beschädigung führen. Außerdem wird dadurch die Makita-Garantie für das Makita-Werkzeug und -Ladegerät ungültig.

Hinweise zur Aufrechterhaltung der maximalen Akku-Nutzungsdauer

1. Laden Sie den Akku, bevor er vollkommen erschöpft ist. Schalten Sie das Werkzeug stets aus, und laden Sie den Akku, wenn Sie ein Nachlassen der Werkzeugleistung feststellen.
2. Unterlassen Sie erneutes Laden eines voll aufgeladenen Akkus. Überladen führt zu einer Verkürzung der Nutzungsdauer des Akkus.
3. Laden Sie den Akku bei Raumtemperatur zwischen 10 – 40 °C. Lassen Sie einen heißen Akku abkühlen, bevor Sie ihn laden.
4. Wenn Sie den Akku nicht benutzen, nehmen Sie ihn vom Werkzeug oder Ladegerät ab.

FUNKTIONSBE- SCHREIBUNG

⚠ VORSICHT: Vergewissern Sie sich vor der Durchführung von Einstellungen oder Funktionsprüfungen des Werkzeugs stets, dass das Werkzeug ausgeschaltet und der Akku abgenommen ist.

Anbringen und Abnehmen des Akkus

⚠ VORSICHT: Schalten Sie das Werkzeug stets aus, bevor Sie den Akku anbringen oder abnehmen.

⚠ VORSICHT: Halten Sie das Werkzeug und den Akku beim Anbringen oder Abnehmen des Akkus sicher fest. Wenn Sie das Werkzeug und den Akku nicht sicher festhalten, können sie Ihnen aus der Hand rutschen, was zu einer Beschädigung des Werkzeugs und des Akkus und zu Körperverletzungen führen kann.

Richten Sie zum Anbringen des Akkus dessen Führungsfeder auf die Nut im Gehäuse aus, und schieben Sie den Akku hinein. Schieben Sie ihn vollständig ein, bis er mit einem leisen Klicken einrastet. Wenn Sie die rote Anzeige sehen können, wie in der Abbildung gezeigt, ist der Akku nicht vollständig verriegelt.

Ziehen Sie den Akku zum Abnehmen vom Werkzeug ab, während Sie den Knopf an der Vorderseite des Akkus verschieben.

► **Abb.1:** 1. Rote Anzeige 2. Knopf 3. Akku

⚠ VORSICHT: Schieben Sie den Akku stets bis zum Anschlag ein, bis die rote Anzeige nicht mehr sichtbar ist. Anderenfalls kann er aus dem Werkzeug herausfallen und Sie oder umstehende Personen verletzen.

⚠ VORSICHT: Unterlassen Sie Gewaltanwendung beim Anbringen des Akkus. Falls der Akku nicht reibungslos hineingleitet, ist er nicht richtig ausgerichtet.

Akku-Schutzsystem

Das Werkzeug ist mit einem Akku-Schutzsystem ausgestattet. Dieses System schaltet die Stromversorgung des Motors automatisch ab, um die Akku-Lebensdauer zu verlängern.

Das Werkzeug schaltet sich während des Betriebs automatisch ab, wenn Werkzeug und/oder Akku einer der folgenden Bedingungen unterliegen:

Überlastung:

Das Werkzeug wird auf eine Weise benutzt, die eine ungewöhnlich hohe Stromaufnahme bewirkt. Schalten Sie in dieser Situation das Werkzeug aus, und brechen Sie die Arbeit ab, die eine Überlastung des Werkzeugs verursacht hat. Schalten Sie dann das Werkzeug wieder ein, um neu zu starten. Falls das Werkzeug nicht startet, ist der Akku überhitzt.

Lassen Sie den Akku in dieser Situation abkühlen, bevor Sie das Werkzeug wieder einschalten.

Niedrige Akkuspannung:

Die Akku-Restkapazität ist zu niedrig, und das Werkzeug funktioniert nicht. Wenn Sie das Werkzeug einschalten, läuft der Motor nicht, oder er läuft wieder, bleibt aber bald stehen. Nehmen Sie in dieser Situation den Akku ab, und laden Sie ihn auf.

Anzeigen der Akku-Restkapazität

Nur für Akkus mit Anzeige

► **Abb.2:** 1. Anzeigelampen 2. Prüftaste

Drücken Sie die Prüftaste am Akku, um die Akku-Restkapazität anzuzeigen. Die Anzeigelampen leuchten wenige Sekunden lang auf.

Anzeigelampen		Restkapazität
Erleuchtet	Aus	
■ ■ ■ ■		75% bis 100%
■ ■ ■ □		50% bis 75%
■ ■ □ □		25% bis 50%
■ □ □ □		0% bis 25%

HINWEIS: Abhängig von den Benutzungsbedingungen und der Umgebungstemperatur kann die Anzeige geringfügig von der tatsächlichen Kapazität abweichen.

Schalterfunktion

⚠ VORSICHT: Vergewissern Sie sich vor dem Einsetzen des Akkus in das Werkzeug stets, dass der Ein-Aus-Schalter ordnungsgemäß funktioniert und beim Loslassen in die AUS-Stellung zurückkehrt.

⚠ VORSICHT: Wenn Sie das Werkzeug nicht benutzen, drücken Sie den Auslöserspercknopf auf der Seite B hinein, um den Auslöser in der Stellung OFF zu verriegeln.

► **Abb.3:** 1. Auslöserspercknopf 2. Auslöser

► **Abb.4**

Um versehentliche Betätigung des Auslösers zu verhindern, ist das Werkzeug mit einem Auslöserspercknopf ausgestattet.

Um den Auslöser zu betätigen, drücken Sie den Auslöserspercknopf auf der Seite A hinein. Drücken Sie den Auslöserspercknopf nach der Benutzung stets auf der Seite B hinein.

Einschalten der Lampe

⚠ VORSICHT: Blicken Sie nicht direkt in die Lampe oder die Lichtquelle.

► **Abb.5:** 1. Lampe

Betätigen Sie den Auslöser oder das Kontaktelement, um die Lampe einzuschalten. Die Lampe bleibt erleuchtet, solange der Auslöser gedrückt oder das Kontaktelement betätigt wird. Die Lampe erlischt ungefähr 10 Sekunden nach dem Loslassen des Auslösers und des Kontaktelements.

HINWEIS: Wischen Sie Schmutz auf der Lampenlinse mit einem trockenen Tuch ab. Achten Sie sorgfältig darauf, dass Sie die Lampenlinse nicht verkratzen, weil sich sonst die Lichtstärke verringert.

MONTAGE

⚠ VORSICHT: Vergewissern Sie sich stets, dass der Akku abgenommen ist, bevor Sie irgendwelche Arbeiten am Tacker ausführen.

Heftklammern

⚠ VORSICHT: Verwenden Sie keine anderen Heftklammern als die in dieser Anleitung angegebenen, oder Heftklammern, die beschädigt, verbogen, rostig oder korrodiert zu sein scheinen.

⚠ VORSICHT: Achten Sie darauf, dass Sie Heftklammern desselben Typs, derselben Größe und der gleichen Länge einlegen, wenn Sie mehrere Heftklammerstreifen in das Magazin laden.

ANMERKUNG: Behandeln Sie die Heftklammern und ihre Schachteln sorgfältig. Bei grober Behandlung können die Heftklammern verbogen werden, wodurch Transportstörungen oder Klemmen verursacht werden können.

ANMERKUNG: Vermeiden Sie die Lagerung von Heftklammern an sehr feuchten oder heißen Orten oder an Orten, die direktem Sonnenlicht ausgesetzt sind.

Laden von Heftklammern

⚠ WARNUNG: Vergewissern Sie sich vor dem Laden von Heftklammern stets, dass der Akku vom Tacker abgenommen ist. Unbeabsichtigtes Abschließen kann Personenschäden und Sachschäden verursachen.

⚠ VORSICHT: Vergewissern Sie sich nach dem Laden von Heftklammern, dass das Untermagazin sicher geschlossen ist. Aus dem Magazin herausfallende Heftklammern können Verletzungen des Bedieners oder von Umstehenden verursachen, besonders beim Arbeiten an hohen Orten.

1. Nehmen Sie den Akku ab.
2. Drücken Sie den Feststellhebel, und schieben Sie das Untermagazin nach hinten.
▶ **Abb.6:** 1. Feststellhebel 2. Untermagazin
3. Laden Sie Heftklammern mit den Füßen nach oben in das Hauptmagazin.
▶ **Abb.7:** 1. Heftklammern 2. Hauptmagazin

4. Schieben Sie das Untermagazin nach dem Laden der Heftklammern hinein, bis es einrastet.

Zum Herausnehmen von Heftklammern wenden Sie das Installationsverfahren umgekehrt an.

Aufhänger

⚠ VORSICHT: Hängen Sie den Aufhänger nicht in das Koppel ein. Herunterfallen des Tackers, das durch versehentliches Abrutschen des Aufhängers verursacht wird, kann unbeabsichtigtes Abschließen und daraus resultierende Personenschäden verursachen.

▶ **Abb.8**

⚠ WARNUNG: Verwenden Sie die Aufhänge-/Montageteile nur für den bestimmungsgemäßen Gebrauch, z. B. zum Aufhängen des Werkzeugs an einem Werkzeuggürtel zwischen Arbeitseinsätzen oder Arbeitsintervallen.

⚠ WARNUNG: Achten Sie darauf, den Aufhänger nicht zu überlasten, da zu viel Kraft oder unregelmäßige Überlastungen Beschädigungen am Werkzeug verursachen können, die zu Verletzungen führen können.

⚠ VORSICHT: Wenn Sie den Aufhänger anbringen, sichern Sie ihn immer einwandfrei mit der Schraube. Anderenfalls kann sich der Aufhänger vom Werkzeug lösen und Personenschaden verursachen.

⚠ VORSICHT: Achten Sie darauf, dass Sie das Werkzeug sicher aufhängen, bevor Sie den Griff loslassen. Unzureichendes oder unausgewogenes Einhängen kann ein Herunterfallen verursachen, und Sie können sich verletzen.

HINWEIS: Wenn Sie dieses Werkzeug mit dem Akku BL1050B benutzen, benötigen Sie die optionale Raste für BL1050B.

Der Aufhänger ist praktisch, um das Werkzeug vorübergehend aufzuhängen. Dieser kann auf beiden Seiten des Werkzeugs angebracht werden.

Um den Aufhänger anzubringen, führen Sie ihn in die Nut entweder auf der linken oder rechten Seite des Werkzeuggehäuses ein, und sichern Sie ihn dann mit einer Schraube. Um ihn zu entfernen, lösen Sie die Schraube, und nehmen Sie ihn dann heraus.

▶ **Abb.9:** 1. Nut 2. Aufhänger 3. Schraube

BETRIEB

Testen des Sicherheitssystems

⚠ WARNUNG: Vergewissern Sie sich vor der Benutzung, dass alle Sicherheitssysteme in gutem Betriebszustand sind. Anderenfalls kann es zu Verletzungen kommen.

▶ **Abb.10:** 1. Auslösersperrknopf 2. Auslöser 3. Kontaktelement 4. Untermagazin

Prüfen Sie die Sicherheitssysteme vor dem Betrieb auf mögliche Fehler. Gehen Sie dazu wie folgt vor.

1. Nehmen Sie die Heftklammern aus dem Werkzeug heraus, und halten Sie das Untermagazin offen.
2. Setzen Sie den Akku ein.
3. Betätigen Sie nur den Auslöser, ohne das Kontaktelement gegen das Material zu halten.
4. Halten Sie nur das Kontaktelement gegen das Material, ohne den Auslöser zu betätigen.

Falls das Werkzeug in den obigen Fällen 3 und 4 betätigt wird, sind die Sicherheitssysteme defekt. Brechen Sie sofort die Benutzung des Werkzeugs ab, und wenden Sie sich an Ihr örtliches Kundenzentrum.

Eintreiben von Heftklammern

⚠️ WARNUNG: Halten Sie das Kontaktelement fest gegen das Material gedrückt, bis die Heftklammer vollständig eingetrieben ist. Unbeabsichtigtes Abschießen kann Personenschäden verursachen.

- **Abb.11:** 1. Auslöser 2. Kontaktelement 3. Vorderer Teil 4. Hinterer Teil

Das Werkzeug kann entweder mit „Einzelauslösung“ oder „Kontaktauslösung“ betrieben werden.

Einzelauslösung:

In dieser Betriebsart können Sie eine einzelne Heftklammer in einem sequenziellen Vorgang eintreiben.

1. Setzen Sie das Kontaktelement flach auf das Material.
2. Halten Sie den vorderen und hinteren Teil des Werkzeugs fest gegen das Material.
3. Betätigen Sie den Auslöser vollständig, um die Heftklammern einzutreiben.
4. Lassen Sie den Auslöser los, bevor Sie das Kontaktelement vom Material entfernen.

Kontaktauslösung:

In dieser Betriebsart können Sie Heftklammern fortlaufend eintreiben.

1. Betätigen Sie den Auslöser.
2. Setzen Sie das Kontaktelement bei betätigtem Auslöser flach auf das Material, um die Heftklammern einzutreiben.
3. Bewegen Sie das Werkzeug zur nächsten Stelle, und setzen Sie das Kontaktelement erneut flach auf das Material.

HINWEIS: Die Nut kennzeichnet den Eintreibpunkt der Heftklammer.

- **Abb.12:** 1. Nut

Wenn der Kopf der Heftklammer oberhalb der Werkstückoberfläche bleibt, halten Sie den Tackerkopf beim Eintreiben der Heftklammer fest gegen das Werkstück gedrückt.

- **Abb.13**

HINWEIS: Wenn der Kopf der Heftklammer noch immer oberhalb der Werkstückoberfläche bleibt, obwohl Sie den Tackerkopf gedrückt halten, ist das Material möglicherweise nicht für den Tacker geeignet. Fortgesetzter Gebrauch des Tackers auf solchem Material kann zu einer Beschädigung des Tackertriebers und/oder Klemmen des Tackers führen.

Leerschuss-Sicherungsmechanismus

⚠️ WARNUNG: Vergewissern Sie sich vor dem Laden von Heftklammern stets, dass der Akku vom Tacker abgenommen ist. Unbeabsichtigtes Abschießen kann Personenschäden und Sachschäden verursachen.

Dieses Werkzeug ist mit einem Leerschuss-Sicherungsmechanismus ausgestattet. Wenn die Zahl der verbleibenden Heftklammern im Magazin 5 - 8 Stück erreicht, kann der Auslöser nicht mehr betätigt werden. Legen Sie in diesem Fall einen neuen Heftklammerstreifen in das Magazin ein. Nun kann der Auslöser wieder betätigt werden.

Überprüfen des Heftklammervorrats

- **Abb.14:** 1. Sichtfenster 2. Drücker 3. Heftklammern

Der Heftklammervorrat kann durch das Sichtfenster überprüft werden.

Laden Sie Heftklammern nach, wenn keine Heftklammern mehr im Sichtfenster zu sehen sind.

Entfernen gestauter Heftklammern

⚠️ WARNUNG: Vergewissern Sie sich stets, dass der Akku abgenommen ist, bevor Sie gestaute Heftklammern entfernen.

Öffnen Sie das Untermagazin nach hinten, und nehmen Sie gestaute Heftklammern aus der Abschussöffnung heraus.

- **Abb.15:** 1. Öffnung 2. Untermagazin

WARTUNG

⚠️ VORSICHT: Vergewissern Sie sich vor der Durchführung von Inspektions- oder Wartungsarbeiten stets, dass das Werkzeug ausgeschaltet und der Akku abgenommen ist.

ANMERKUNG: Verwenden Sie auf keinen Fall Benzin, Waschbenzin, Verdünnern, Alkohol oder dergleichen. Solche Mittel können Verfärbung, Verformung oder Rissbildung verursachen.

Um die SICHERHEIT und ZUVERLÄSSIGKEIT dieses Produkts zu gewährleisten, sollten Reparaturen und andere Wartungs- oder Einstellarbeiten nur von Makita-Vertragswerkstätten oder Makita-Kundendienstzentren unter ausschließlicher Verwendung von

SONDERZUBEHÖR

⚠ VORSICHT: Die folgenden Zubehörteile oder Vorrichtungen werden für den Einsatz mit dem in dieser Anleitung beschriebenen Makita-Werkzeug empfohlen. Die Verwendung anderer Zubehörteile oder Vorrichtungen kann eine Verletzungsgefahr darstellen. Verwenden Sie Zubehörteile oder Vorrichtungen nur für ihren vorgesehenen Zweck.

Wenn Sie weitere Einzelheiten bezüglich dieser Zubehörteile benötigen, wenden Sie sich bitte an Ihre Makita-Kundendienststelle.

- Heftklammern
- Aufhänger
- Original-Makita-Akku und -Ladegerät
- Tiefeneinstellersatz

HINWEIS: Manche Teile in der Liste können als Standardzubehör im Werkzeugsatz enthalten sein. Sie können von Land zu Land unterschiedlich sein.

DATI TECNICI

Modello:	ST113D
Larghezza dei punti metallici	10 mm
Lunghezza applicabile dei punti metallici	7 mm - 10 mm
Capacità del caricatore punti	150 pezzi
Dimensioni senza gancio (L x P x A)	211 mm x 81 mm x 159 mm
Tensione nominale	10,8 V - 12 V CC max
Peso netto	1,3 - 1,5 kg

- A causa del nostro programma continuativo di ricerca e sviluppo, i dati tecnici sono soggetti a modifiche senza preavviso.
- I dati tecnici e la cartuccia della batteria potrebbero differire da nazione a nazione.
- Peso, con cartuccia della batteria, secondo la Procedura EPTA 01/2003

Cartuccia della batteria e caricabatterie applicabili

Cartuccia della batteria	BL1016 / BL1021B / BL1041B / BL1050B
Caricabatterie	DC10SA / DC10SB / DC10WC / DC10WD / DC18RE

- Alcune cartucce delle batterie e alcuni caricabatterie elencati sopra potrebbero non essere disponibili a seconda della propria area geografica di residenza.

⚠AVVERTIMENTO: Utilizzare solo le cartucce delle batterie e i caricabatterie elencati sopra. L'utilizzo di altre cartucce delle batterie e di altri caricabatterie potrebbe causare lesioni personali e/o un incendio.

Utilizzo previsto

L'utensile è destinato all'applicazione di punti metallici su materiali da costruzione come il legname.

Rumore

Livello tipico di rumore pesato A determinato in base allo standard EN60745:

Livello di pressione sonora (L_{pA}): 75 dB (A)

Incertezza (K): 3 dB (A)

Il livello del rumore nelle condizioni di lavoro può superare gli 80 dB (A).

⚠AVVERTIMENTO: Indossare protezioni per le orecchie.

Vibrazioni

Valore complessivo delle vibrazioni stabilito in base al EN60745:

Emissione di vibrazioni (a_{hv}): 2,5 m/s² o inferiore

Incertezza (K): 1,5 m/s²

NOTA: Il valore o i valori complessivi delle vibrazioni dichiarati sono stati misurati in conformità a un metodo standard di verifica, e possono essere utilizzati per confrontare un utensile con un altro.

NOTA: Il valore o i valori complessivi delle vibrazioni dichiarati possono venire utilizzati anche per una valutazione preliminare dell'esposizione.

⚠AVVERTIMENTO: L'emissione delle vibrazioni durante l'utilizzo effettivo dell'utensile elettrico può variare rispetto al valore o ai valori dichiarati, a seconda dei modi in cui viene utilizzato l'utensile, specialmente a seconda di che tipo di pezzo venga lavorato.

⚠AVVERTIMENTO: Accertarsi di identificare misure di sicurezza per la protezione dell'operatore che siano basate su una stima dell'esposizione nelle condizioni effettive di utilizzo (tenendo conto di tutte le parti del ciclo operativo, ad esempio del numero di spegnimenti dell'utensile e di quando giri a vuoto, oltre al tempo di attivazione).

Dichiarazioni di conformità

Solo per i paesi europei

Le Dichiarazioni di conformità sono incluse nell'Allegato A al presente manuale d'uso.

AVVERTENZE DI SICUREZZA

Avvertenze generali relative alla sicurezza dell'utensile elettrico

⚠AVVERTIMENTO Leggere tutte le avvertenze di sicurezza, le istruzioni, le illustrazioni e i dati tecnici forniti insieme a questo utensile elettrico.

La mancata osservanza di tutte le istruzioni seguenti potrebbe risultare in scosse elettriche, incendi e/o gravi lesioni personali.

Conservare tutte le avvertenze e le istruzioni come riferimento futuro.

Il termine "utensile elettrico" nelle avvertenze si riferisce sia all'utensile elettrico (cablato) nel funzionamento alimentato da rete elettrica che all'utensile elettrico (a batteria) nel funzionamento alimentato a batteria.

Avvertimenti di sicurezza relativi alla graffatrice a batteria

1. **Presumere sempre che l'utensile contenga elementi di fissaggio.** Una manipolazione incauta della graffatrice può risultare nello sparo improvviso di elementi di fissaggio e in lesioni personali.
2. **Non puntare l'utensile verso se stessi o altre persone nelle vicinanze.** Un'attivazione improvvisa della graffatrice causa lo sparo di elementi di fissaggio, con conseguenti lesioni personali.
3. **Non attivare l'utensile se non è appoggiato saldamente contro il pezzo in lavorazione.** Qualora l'utensile non sia a contatto con il pezzo in lavorazione, l'elemento di fissaggio potrebbe venire deviato dal punto a cui si mira.
4. **In caso di inceppamenti degli elementi di fissaggio nell'utensile, scollegare quest'ultimo dalla fonte di alimentazione elettrica.** Durante la rimozione di un elemento di fissaggio inceppato, la graffatrice potrebbe attivarsi accidentalmente, qualora sia collegata all'alimentazione elettrica.
5. **Adottare la massima cautela nella rimozione di elementi di fissaggio inceppati.** Durante un tentativo di liberare una condizione di inceppamento, il meccanismo potrebbe venire sottoposto a compressione, e l'elemento di fissaggio potrebbe venire sparato forzatamente.
6. **Non utilizzare il presente utensile per fissare cavi elettrici.** L'utensile non è destinato all'installazione di cavi elettrici, e potrebbe danneggiare l'isolamento dei cavi, causando di conseguenza il rischio di scosse elettriche o incendi.
7. **Indossare sempre occhialoni oppure occhiali di protezione con schermature ai lati, e una protezione per l'intero volto, se necessario.**
8. **Tenere le mani e i piedi lontani dall'area dell'apertura di espulsione.**
9. **Rimuovere sempre la cartuccia della batteria prima di caricare gli elementi di fissaggio e di effettuare regolazioni, ispezioni e manutenzione, oppure al termine dell'utilizzo.**
10. **Accertarsi che non siano presenti persone nelle vicinanze prima dell'uso. Non tentare mai di applicare elementi di fissaggio contemporaneamente sia dall'interno che dall'esterno di una parete. Gli elementi di fissaggio potrebbero trapassare il materiale e/o volare via, costituendo un grave pericolo.**
11. **Fare attenzione all'appoggio sui piedi e mantenere l'equilibrio con l'utensile. Quando si intende lavorare in ubicazioni elevate,**

accertarsi che non siano presenti persone sotto di sé.

12. **Controllare con cura pareti, soffitti, pavimenti, coperture dei tetti e simili, per evitare possibili scosse elettriche, fughe di gas, esplosioni, e così via, causate dall'applicazione di punti metallici su fili elettrici sotto tensione, condutture o tubi del gas.**
13. **Utilizzare esclusivamente gli elementi di fissaggio specificati nel presente manuale. L'impiego di altri elementi di fissaggio potrebbe causare un malfunzionamento dell'utensile.**
14. **Non manomettere l'utensile né tentare di utilizzarlo a scopi diversi dall'applicazione di elementi di fissaggio.**
15. **Non far funzionare l'utensile senza gli elementi di fissaggio. In caso contrario, si riduce la vita utile dell'utensile.**
16. **Arrestare immediatamente l'operazione di applicazione qualora si notino problemi o anomalie con l'utensile.**
17. **Non applicare mai elementi di fissaggio su materiali che potrebbero consentire a un elemento di fissaggio di perforarli e volare via come un proiettile.**
18. **Non attivare mai l'interruttore a grilletto e l'elemento di contatto fino a quando si è pronti all'applicazione di elementi di fissaggio sui pezzi in lavorazione. Non tentare mai di escludere la finalità dell'elemento di contatto fissandolo in posizione rientrata o premendolo con la mano.**
19. **Non manomettere mai l'elemento di contatto. Verificare spesso il funzionamento corretto dell'elemento di contatto.**

CONSERVARE LE PRESENTI ISTRUZIONI.

AVVERTIMENTO: NON lasciare che la comodità o la familiarità d'uso con il prodotto (acquisita con l'uso ripetuto) sostituiscano la stretta osservanza delle norme di sicurezza. L'USO IMPROPRIO o la mancata osservanza delle norme di sicurezza riportate nel presente manuale di istruzioni potrebbero causare lesioni personali gravi.

Istruzioni di sicurezza importanti per la cartuccia della batteria

1. **Prima di utilizzare la cartuccia della batteria, leggere tutte le istruzioni e le avvertenze riportate (1) sul caricabatteria, (2) sulla batteria e (3) sul prodotto che utilizza la batteria.**
2. **Non smantellare né manomettere la cartuccia della batteria. In caso contrario, si potrebbe causare un incendio, calore eccessivo o un'esplosione.**
3. **Qualora il tempo di utilizzo si riduca eccessivamente, interrompere immediatamente l'utilizzo dell'utensile. In caso contrario, si può incorrere nel rischio di surriscaldamento, possibili ustioni e persino un'esplosione.**

4. **Qualora l'elettrolita entri in contatto con gli occhi, sciacquarli con acqua pulita e richiedere immediatamente assistenza medica. Questa eventualità può risultare nella perdita della vista.**
5. **Non cortocircuitare la cartuccia della batteria:**
 - (1) **Non toccare i terminali con alcun materiale conduttivo.**
 - (2) **Evitare di conservare la cartuccia della batteria in un contenitore insieme ad altri oggetti metallici quali chiodi, monete, e così via.**
 - (3) **Non esporre la cartuccia della batteria all'acqua o alla pioggia.**

Un cortocircuito della batteria può causare un grande flusso di corrente, un surriscaldamento, possibili ustioni e persino un guasto.
6. **Non conservare e utilizzare l'utensile e la cartuccia della batteria in ubicazioni in cui la temperatura possa raggiungere o superare i 50°C.**
7. **Non incenerire la cartuccia della batteria anche qualora sia gravemente danneggiata o completamente esaurita. La cartuccia della batteria può esplodere se a contatto con il fuoco.**
8. **Non inchiodare, tagliare, schiacciare, lanciare o far cadere la cartuccia della batteria, né farla urtare con forza contro un oggetto duro. Questi comportamenti potrebbero risultare in un incendio, calore eccessivo o un'esplosione.**
9. **Non utilizzare una batteria danneggiata.**
10. **Le batterie a ioni di litio contenute sono soggette ai requisiti del regolamento sul trasporto di merci pericolose (Dangerous Goods Legislation).**

Per trasporti commerciali, ad esempio da parte di terzi o spedizionieri, è necessario osservare dei requisiti speciali sull'imballaggio e sull'etichetta. Per la preparazione dell'articolo da spedire, è richiesta la consulenza di un esperto in materiali pericolosi. Attenersi anche alle normative nazionali, che potrebbero essere più dettagliate.

Nastrare o coprire i contatti aperti e imballare la batteria in modo tale che non si possa muovere liberamente all'interno dell'imballaggio.
11. **Quando si intende smaltire la cartuccia della batteria, rimuoverla dall'utensile e smaltirla in un luogo sicuro. Attenersi alle normative locali relative allo smaltimento della batteria.**
12. **Utilizzare le batterie esclusivamente con i prodotti specificati da Makita. L'installazione delle batterie in prodotti non compatibili potrebbe risultare in incendi, calore eccessivo, esplosioni o perdite di liquido elettrolitico.**
13. **Se l'utensile non viene utilizzato per un periodo di tempo prolungato, la batteria deve essere rimossa dall'utensile.**
14. **Durante e dopo l'uso, la cartuccia della batteria potrebbe assorbire calore, che può causare ustioni o ustioni a bassa temperatura. Fare attenzione a come si maneggiano le cartucce delle batterie estremamente calde.**
15. **Non toccare i terminali dell'utensile subito dopo l'uso, in quanto potrebbero diventare estremamente caldi al punto da causare**

ustioni.

16. **Evitare di far incastrare schegge, polveri o terreno nei terminali, nei fori e nelle scanalature della cartuccia della batteria. In caso contrario, l'utensile o la cartuccia della batteria potrebbero riscaldarsi, prendere fuoco, scoppiare o guastarsi, causando ustioni o lesioni personali.**
17. **A meno che l'utensile supporti l'uso in prossimità di linee elettriche ad alta tensione, non utilizzare la cartuccia della batteria in prossimità di linee elettriche ad alta tensione. In caso contrario, si potrebbe causare un malfunzionamento o la rottura dell'utensile o della cartuccia della batteria.**
18. **Tenere la batteria lontana dai bambini.**

CONSERVARE LE PRESENTI ISTRUZIONI.

⚠ATTENZIONE: Utilizzare solo batterie originali Makita. L'utilizzo di batterie Makita non originali, o di batterie che siano state alterate, potrebbe risultare nello scoppio della batteria, causando incendi, lesioni personali e danni. Inoltre, ciò potrebbe invalidare la garanzia Makita per l'utensile e il caricabatterie Makita.

Suggerimenti per preservare la durata massima della batteria

1. **Caricare la cartuccia della batteria prima che si scarichi completamente. Smettere sempre di utilizzare l'utensile e caricare la cartuccia della batteria quando si nota che la potenza dell'utensile è diminuita.**
2. **Non ricaricare mai una cartuccia della batteria completamente carica. La sovraccarica riduce la vita utile della batteria.**
3. **Caricare la cartuccia della batteria a una temperatura ambiente compresa tra 10 °C e 40 °C. Lasciar raffreddare una cartuccia della batteria prima di caricarla.**
4. **Quando non si utilizza la cartuccia della batteria, rimuoverla dall'utensile o dal caricabatterie.**

DESCRIZIONE DELLE FUNZIONI

⚠ATTENZIONE: Accertarsi sempre che l'utensile sia spento e che la cartuccia della batteria sia stata rimossa prima di regolare o di controllare il funzionamento dell'utensile.

Installazione o rimozione della cartuccia della batteria

⚠ATTENZIONE: Spegnerne sempre l'utensile prima di installare o rimuovere la cartuccia della batteria.

⚠ATTENZIONE: Mantenere saldamente lo strumento e la batteria quando si intende installare o rimuovere la cartuccia della batteria. Qualora non si mantengano saldamente lo strumento e la cartuccia della batteria, questi ultimi potrebbero scivolare dalle mani, con la possibilità di causare un danneggiamento dello strumento e della cartuccia della batteria, nonché una lesione personale.

Per installare la cartuccia della batteria, allineare la linguetta sulla cartuccia della batteria con la scanalatura nell'alloggiamento e farla scivolare in sede. Inserirli completamente fino al suo blocco in sede con un leggero scatto. Se è possibile vedere l'indicatore rosso, come indicato nella figura, non è bloccata completamente.

Per rimuovere la cartuccia della batteria, farla scorrere via dall'utensile mentre si fa scorrere allo stesso tempo il pulsante sulla parte anteriore della cartuccia.

► Fig.1: 1. Indicatore rosso 2. Pulsante 3. Cartuccia della batteria

⚠ATTENZIONE: Installare sempre fino in fondo la cartuccia della batteria, fino a quando l'indicatore rosso non è più visibile. In caso contrario, la batteria potrebbe cadere accidentalmente dall'utensile, causando lesioni personali all'operatore o a chi gli è vicino.

⚠ATTENZIONE: Non installare forzatamente la cartuccia della batteria. Qualora la batteria non si inserisca scorrendo agevolmente, vuol dire che non viene inserita correttamente.

Sistema di protezione della batteria

L'utensile è dotato di un sistema di protezione della batteria. Questo sistema interrompe automaticamente l'alimentazione al motore per prolungare la vita utile della batteria.

L'utensile si arresta automaticamente durante il funzionamento qualora l'utensile stesso e/o la batteria vengano a trovarsi in una delle condizioni seguenti:

Sovraccarico:

L'utensile viene utilizzato in modo tale da causare un assorbimento di corrente elevato in modo anomalo da parte dell'utensile stesso.

In questa situazione, spegnere l'utensile e interrompere l'applicazione che ha causato il sovraccarico dell'utensile. Quindi, accendere l'utensile per ricominciare. Qualora l'utensile non si avvii, la batteria è surriscaldata. In questa situazione, lasciar raffreddare la batteria prima di riaccendere l'utensile.

Bassa tensione della batteria:

La carica residua della batteria è troppo bassa e l'utensile non funziona. Se si accende l'utensile, il motore non gira, oppure gira di nuovo ma si arresta in breve tempo. In questa situazione, rimuovere e ricaricare la batteria.

Indicazione della carica residua della batteria

Solo per cartucce delle batterie dotate di indicatore

► Fig.2: 1. Indicatori luminosi 2. Pulsante di controllo

Premere il pulsante di controllo sulla cartuccia della batteria per indicare la carica residua della batteria. Gli indicatori luminosi si illuminano per alcuni secondi.

Indicatori luminosi		Carica residua
■ Illuminato	□ Spento	
■ ■ ■ ■		Dal 75% al 100%
■ ■ ■ □		Dal 50% al 75%
■ ■ □ □		Dal 25% al 50%
■ □ □ □		Dallo 0% al 25%

NOTA: A seconda delle condizioni d'uso e della temperatura ambiente, l'indicazione potrebbe variare leggermente rispetto alla carica effettiva.

Funzionamento dell'interruttore

⚠ATTENZIONE: Prima di inserire la cartuccia della batteria nell'utensile, controllare sempre che l'interruttore a grilletto funzioni correttamente e torni sulla posizione "OFF" quando viene rilasciato.

⚠ATTENZIONE: Quando non si utilizza l'utensile, premere il pulsante di blocco del grilletto dal lato B per bloccare l'interruttore a grilletto nella posizione di spegnimento.

► Fig.3: 1. Pulsante di blocco del grilletto
2. Interruttore a grilletto

► Fig.4

Per evitare di premere accidentalmente l'interruttore a grilletto, è fornito il pulsante di blocco del grilletto. Per premere l'interruttore a grilletto, premere il pulsante di blocco del grilletto dal lato A. Dopo l'uso, premere sempre il pulsante di blocco del grilletto dal lato B.

Illuminazione della lampada

⚠ATTENZIONE: Non osservare né guardare direttamente la fonte di luce.

► Fig.5: 1. Lampadina

Per accendere la lampada, premere l'interruttore a grilletto o azionare l'elemento di contatto. La lampada resta illuminata mentre si tiene premuto l'interruttore a grilletto o si aziona l'elemento di contatto. La lampada si spegne circa 10 secondi dopo aver rilasciato l'interruttore a grilletto e l'elemento di contatto.

NOTA: Per pulire la sporcizia dalla lente della lampada, utilizzare un panno asciutto. Fare attenzione a non graffiare la lente della lampada, altrimenti si potrebbe ridurre l'illuminazione.

MONTAGGIO

ATTENZIONE: Accertarsi sempre che la cartuccia della batteria sia stata rimossa prima di effettuare qualsiasi intervento sulla graffiatrice.

Punti metallici

ATTENZIONE: Non utilizzare punti metallici diversi da quelli designati nel presente manuale, né punti metallici che appaiano danneggiati, piegati, arrugginiti o corrosi.

ATTENZIONE: Quando si intende caricare strisce multiple di punti metallici nel caricatore, caricare punti metallici di tipo e dimensioni identici e di lunghezza uniforme.

AVVISO: Maneggiare i punti metallici e il relativo contenitore con attenzione. Qualora i punti metallici siano stati maneggiati in modo brusco, potrebbero risultare deformati, causando un'alimentazione inappropriata o l'inceppamento dei punti metallici stessi.

AVVISO: Evitare di conservare i punti metallici in ubicazioni molto umide o calde, o in ubicazioni esposte alla luce solare diretta.

Caricamento dei punti metallici

AVVERTIMENTO: Quando si intende caricare i punti metallici, accertarsi sempre di aver rimosso la cartuccia della batteria dalla graffiatrice. Lo sparo accidentale può causare lesioni personali e danni alle cose.

ATTENZIONE: Dopo aver caricato i punti metallici, accertarsi di aver chiuso saldamente il caricatore secondario. La caduta dei punti metallici dal caricatore potrebbe causare lesioni personali all'operatore o agli astanti, specialmente quando si lavora in ubicazioni elevate.

1. Rimuovere la cartuccia della batteria.
2. Premere la leva di blocco e far scorrere all'indietro il caricatore secondario.

► **Fig.6:** 1. Leva di blocco 2. Caricatore secondario

3. Caricare i punti metallici nel caricatore principale con i piedini rivolti verso l'alto.

► **Fig.7:** 1. Punti metallici 2. Caricatore principale

4. Dopo aver caricato i punti metallici, spingere all'indietro il caricatore secondario fino a farlo innestare in sede con uno scatto.

Per rimuovere i punti metallici, seguire le procedure di installazione al contrario.

Gancio

ATTENZIONE: Non appendere il gancio alla cintura. La caduta della graffiatrice, causata dalla fuoriuscita accidentale del gancio dalla sua sede, potrebbe causare lo sparo accidentale e risultare in lesioni personali.

► **Fig.8**

AVVERTIMENTO: Utilizzare le parti di sospensione o di montaggio esclusivamente per gli scopi a cui sono destinate, ad es. appendere l'utensile a una cintura portautensili tra un lavoro e l'altro o negli intervalli di lavoro.

AVVERTIMENTO: Fare attenzione a non sovraccaricare il gancio, in quanto una forza eccessiva o un sovraccarico irregolare potrebbero causare danni all'utensile, risultando in lesioni personali.

ATTENZIONE: Quando si intende installare il gancio, fissarlo sempre saldamente con la vite. In caso contrario, il gancio potrebbe staccarsi dall'utensile e causare lesioni personali.

ATTENZIONE: Accertarsi di appendere saldamente l'utensile prima di lasciare la presa. Un aggancio insufficiente o sbilanciato potrebbe causare una caduta, e l'utilizzatore potrebbe subire lesioni personali.

NOTA: Quando si utilizza l'utensile con la batteria BL 1050B, è necessario il gancio opzionale dedicato per il modello BL1050B.

Il gancio è comodo per appendere temporaneamente l'utensile. Questo gancio può venire installato da entrambi i lati dell'utensile.

Per installare il gancio, inserirlo in una delle scanalature presenti su entrambi i lati dell'alloggiamento dell'utensile, quindi fissarlo con una vite. Per rimuoverlo, allentare la vite ed estrarlo.

► **Fig.9:** 1. Scanalatura 2. Gancio 3. Vite

FUNZIONAMENTO

Verifica del sistema di sicurezza

AVVERTIMENTO: Accertarsi che tutti i sistemi di sicurezza funzionino correttamente, prima dell'uso. In caso contrario, si potrebbero causare lesioni personali.

- **Fig.10:** 1. Pulsante di blocco del grilletto
2. Interruttore a grilletto 3. Elemento di contatto 4. Caricatore secondario

Verificare l'eventuale presenza di guasti dei sistemi di sicurezza prima dell'uso, nel modo seguente.

1. Scaricare i punti metallici dall'utensile e mantenere aperto il caricatore secondario.
2. Installare la cartuccia della batteria.

3. Premere solo l'interruttore a grilletto, senza far toccare il materiale all'elemento di contatto.
4. Fare solo toccare il materiale all'elemento di contatto, senza premere l'interruttore a grilletto.

Qualora l'utensile entri in funzione nei casi 3 e 4 indicati sopra, i sistemi di sicurezza sono guasti. Arrestare immediatamente l'utilizzo dell'utensile e rivolgersi al proprio centro di assistenza locale.

Applicazione dei punti metallici

AVVERTIMENTO: Continuare a tenere l'elemento di contatto saldamente sul materiale fino a quando il punto metallico è stato applicato completamente. Lo sparo accidentale potrebbe causare lesioni personali.

► **Fig.11:** 1. Interruttore a grilletto 2. Elemento di contatto 3. Parte anteriore 4. Parte posteriore

È possibile far funzionare l'utensile sia con il metodo di "azionamento singolo in sequenza" che con quello di "azionamento a contatto".

Azionamento singolo in sequenza:

In questa modalità, è possibile applicare un singolo punto metallico mediante un'unica operazione in sequenza.

1. Appoggiare l'elemento di contatto di piatto sul materiale.
2. Mantenere saldamente sia la parte anteriore che la parte posteriore dell'utensile contro il materiale.
3. Premere a fondo l'interruttore a grilletto per applicare i punti metallici.
4. Rilasciare il dito dall'interruttore a grilletto, prima di spostare l'elemento di contatto dal materiale.

Azionamento a contatto:

In questa modalità, è possibile applicare punti metallici in sequenza.

1. Premere l'interruttore a grilletto.
2. Con l'interruttore a grilletto premuto, appoggiare l'elemento di contatto di piatto sul materiale per applicare i punti metallici.
3. Spostare l'utensile sull'area successiva e appoggiare di nuovo l'elemento di contatto di piatto sul materiale.

NOTA: La scanalatura indica il punto in cui viene applicato il punto metallico.

► **Fig.12:** 1. Scanalatura

Qualora la testa del punto metallico resti al di sopra della superficie del pezzo in lavorazione, applicare il punto metallico tenendo ferma saldamente la testa della graffatrice contro il pezzo in lavorazione.

► **Fig.13**

NOTA: Qualora la testa del punto metallico continui a restare al di sopra del pezzo in lavorazione, anche se si tiene ferma la testa della graffatrice, il materiale potrebbe non essere idoneo per la graffatrice. Qualora si continui a utilizzare la graffatrice su un materiale di questo tipo, si potrebbero causare danni al propulsore della graffatrice e/o inceppamenti di quest'ultima.

Meccanismo di prevenzione dello sparo a vuoto

AVVERTIMENTO: Quando si intende caricare i punti metallici, accertarsi sempre di aver rimosso la cartuccia della batteria dalla graffatrice. Lo sparo accidentale può causare lesioni personali e danni alle cose.

L'utensile è dotato di un meccanismo di prevenzione dello sparo a vuoto. Quando il numero di punti metallici restanti nel caricatore si riduce a 5 - 8 pezzi, non è più possibile premere l'interruttore a grilletto. A questo punto, inserire una nuova striscia di punti metallici nel caricatore. È possibile premere di nuovo l'interruttore a grilletto.

Controllo dei punti metallici restanti

► **Fig.14:** 1. Finestrella di controllo 2. Molla di spinta 3. Punti metallici

È possibile controllare i punti metallici restanti attraverso la finestrella di controllo. Ricaricare i punti metallici quando non si vede più alcun punto metallico restante nella finestrella di controllo.

Rimozione dei punti metallici inceppati

AVVERTIMENTO: Accertarsi sempre che la cartuccia della batteria sia stata rimossa prima di rimuovere punti metallici inceppati.

Aprire il caricatore secondario all'indietro ed estrarre i punti metallici inceppati dall'apertura di sparo.

► **Fig.15:** 1. Apertura 2. Caricatore secondario

MANUTENZIONE

ATTENZIONE: Accertarsi sempre che l'utensile sia spento e che la cartuccia della batteria sia stata rimossa prima di tentare di eseguire interventi di ispezione o manutenzione.

AVVISO: Non utilizzare mai benzina, benzene, solventi, alcol o altre sostanze simili. In caso contrario, si potrebbero causare scolorimenti, deformazioni o crepe.

Per preservare la SICUREZZA e l'AFFIDABILITÀ del prodotto, le riparazioni e qualsiasi altro intervento di manutenzione e di regolazione devono essere eseguiti da un centro di assistenza autorizzato Makita, utilizzando sempre ricambi Makita.

ACCESSORI OPZIONALI

⚠ATTENZIONE: Questi accessori o componenti aggiuntivi sono consigliati per l'uso con l'utensile Makita specificato nel presente manuale.

L'impiego di altri accessori o componenti aggiuntivi può costituire un rischio di lesioni alle persone.

Utilizzare gli accessori o i componenti aggiuntivi solo per il loro scopo prefissato.

Per ottenere ulteriori dettagli relativamente a questi accessori, rivolgersi a un centro di assistenza Makita.

- Punti metallici
- Gancio
- Batteria e caricabatterie originali Makita
- Kit di regolazione della profondità

NOTA: Alcuni articoli nell'elenco potrebbero essere inclusi nell'imballaggio dell'utensile come accessori standard. Tali articoli potrebbero variare da nazione a nazione.

TECHNISCHE GEGEVENS

Model:	ST113D
Breedte van nieten	10 mm
Geschikte lengte van nieten	7 mm - 10 mm
Capaciteit van nietmagazijn	150 stuks
Afmetingen zonder haak (L x B x H)	211 mm x 81 mm x 159 mm
Nominale spanning	Maximaal 10,8 V - 12 V gelijkspanning
Nettogewicht	1,3 - 1,5 kg

- In verband met ononderbroken research en ontwikkeling, behouden wij ons het recht voor de bovenstaande technische gegevens zonder voorafgaande kennisgeving te wijzigen.
- De technische gegevens van de accu kunnen van land tot land verschillen.
- Gewicht, inclusief accu, volgens de EPTA-procedure 01/2003

Toepasselijke accu's en laders

Accu	BL1016 / BL1021B / BL1041B / BL1050B
Lader	DC10SA / DC10SB / DC10WC / DC10WD / DC18RE

- Sommige van de hierboven vermelde accu's en laders zijn mogelijk niet leverbaar afhankelijk van waar u woont.

⚠ WAARSCHUWING: Gebruik uitsluitend de accu's en laders die hierboven worden genoemd. Gebruik van enige andere accu of lader kan leiden tot letsel en/of brand.

Gebruiksdoeleinden

Het gereedschap is bedoeld voor het schieten van nieten in bouwmaterialen, zoals hout.

Geluidsniveau

De typische, A-gewogen geluidsniveaus zijn gemeten volgens EN60745:

Geluidsdrukniveau (L_{pA}): 75 dB (A)

Onzekerheid (K): 3 dB (A)

Het geluidsniveau kan tijdens gebruik hoger worden dan 80 dB (A).

⚠ WAARSCHUWING: Draag gehoorbescherming.

Trilling

De totale trillingswaarde zoals vastgesteld volgens EN60745:

Trillingsemisatie (a_h): $2,5 \text{ m/s}^2$ of lager

Onzekerheid (K): $1,5 \text{ m/s}^2$

OPMERKING: De totale trillingswaarde(n) is/zijn gemeten volgens een standaardtestmethode en kan/kunnen worden gebruikt om dit gereedschap te vergelijken met andere gereedschappen.

OPMERKING: De opgegeven totale trillingswaarde(n) kan/kunnen ook worden gebruikt voor een beoordeling vooraf van de blootstelling.

⚠ WAARSCHUWING: De trillingsemisatie tijdens het gebruik van het elektrisch gereedschap in de praktijk kan verschillen van de opgegeven waarde(n) afhankelijk van de manier waarop het gereedschap wordt gebruikt, met name van het soort werkstuk waarmee wordt gewerkt.

⚠ WAARSCHUWING: Zorg ervoor dat veiligheidsmaatregelen worden getroffen ter bescherming van de gebruiker die zijn gebaseerd op een schatting van de blootstelling onder praktijkomstandigheden (rekening houdend met alle fasen van de bedrijfscyclus, zoals de tijdsduur gedurende welke het gereedschap is uitgeschakeld en stationair draait, naast de ingeschakelde tijdsduur).

Verklaringen van conformiteit

Alleen voor Europese landen

De verklaringen van conformiteit zijn bijgevoegd in Bijlage A bij deze gebruiksaanwijzing.

VEILIGHEIDSWAARSCHUWINGEN

Algemene veiligheidswaarschuwingen voor elektrisch gereedschap

⚠️WAARSCHUWING Lees alle veiligheidswaarschuwingen, instructies, afbeeldingen en technische gegevens die bij dit elektrisch gereedschap worden geleverd. Als niet alle onderstaande instructies worden opgevolgd, kan dat leiden tot een elektrische schok, brand en/of ernstig letsel.

Bewaar alle waarschuwingen en instructies om in de toekomst te kunnen raadplegen.

De term "elektrisch gereedschap" in de veiligheidsvoorschriften duidt op gereedschappen die op stroom van het lichtnet werken (met snoer) of gereedschappen met een accu (snoerloos).

Veiligheidssystemen voor een accunietpistool

1. **Ga er altijd van uit dat in het gereedschap bevestigingsmiddelen zitten.** Onzorgvuldig omgaan met het nietpistool kan resulteren in onverwacht schieten van bevestigingsmiddelen waardoor persoonlijk letsel kan ontstaan.
2. **Richt het gereedschap niet op uzelf of iemand in de buurt.** Door onverwachte bediening zal het bevestigingsmiddel worden geschoten met letsel tot gevolg.
3. **Schakel het gereedschap niet in als dit niet stevig tegen het werkstuk wordt gedrukt.** Als het gereedschap niet het werkstuk raakt, kan het bevestigingsmiddel van het doel afbuigen.
4. **Koppel het gereedschap los van de voeding wanneer het bevestigingsmiddel vastloopt in het gereedschap.** Tijdens het verwijderen van een vastgelopen bevestigingsmiddel, kan het nietpistool per ongeluk worden geactiveerd als het is aangesloten op de voeding.
5. **Wees voorzichtig bij het verwijderen van een vastgelopen bevestigingsmiddel.** Het mechanisme kan onder druk staan en het vastgelopen bevestigingsmiddel kan met kracht eruit komen terwijl u het probeert vrij te maken.
6. **Gebruik het nietpistool niet voor het bevestigen van elektriciteitskabels.** Het is niet ontworpen voor de installatie van elektriciteitskabels en kan de isolatie van de elektriciteitskabels beschadigen en hierdoor elektrische schokken of brandgevaar veroorzaken.
7. **Gebruik altijd een beschermende bril of een veiligheidsbril met zijkstukken en een spat-scherm als dat nodig is.**
8. **Houd uw handen en voeten uit de buurt van de uitwerpopening.**
9. **Verwijder altijd de accu voordat u nieuwe**

bevestigingsmiddelen laadt, tijdens afstellen, inspectie, onderhoud of nadat het werk is voltooid.

10. **Verzeker u ervan alvorens het gereedschap te bedienen dat niemand dichtbij staat.** Probeer nooit tegelijkertijd van binnenuit en van buitenaf bevestigingsmiddelen in een muur te schieten. De bevestigingsmiddelen kunnen er dwars doorheen schieten of afketsen en een groot gevaar opleveren.
11. **Zorg ervoor dat u tijdens het gebruik van het gereedschap stevig staat en uw evenwicht goed bewaart.** Controleer of er zich niemand beneden u bevindt wanneer u op hoge platen gaat werken.
12. **Controleer muren, plafonds, vloeren en dergelijke grondig om te voorkomen dat door het niet in elektrische draden, pijpen of gasleidingen een elektrische schok, gaslek, explosie, enz., kan ontstaan.**
13. **Gebruik uitsluitend bevestigingsmiddelen die in deze gebruiksaanwijzing worden aangegeven.** Door een ander soort bevestigingsmiddel te gebruiken, kan een storing in het gereedschap worden veroorzaakt.
14. **Knoei niet aan het gereedschap en gebruik het niet voor een ander doeleinde dan voor het aanbrengen van bevestigingsmiddelen.**
15. **Bedien het gereedschap niet zonder dat er bevestigingsmiddelen in zitten.** De levensduur van het gereedschap zal hierdoor korter worden.
16. **Stop onmiddellijk met bevestigen als u een probleem of iets vreemds opmerkt aan het gereedschap.**
17. **Breng nooit bevestigingsmiddelen aan in materialen die de bevestigingsmiddelen kunnen doorboren en er doorheen kunnen vliegen.**
18. **Bedien nooit op hetzelfde moment de trekker-schakelaar en de contactschoen tot u er klaar voor bent om een bevestigingsmiddel aan te brengen in het materiaal.** Doe de werking van het apparaat niet teniet door de contactschoen vast te zetten of met de hand ingedrukt te houden.
19. **Knoei nooit aan de contactschoen.** Controleer de contactschoen regelmatig op correcte werking.

BEWAAR DEZE VOORSCHRIFTEN.

⚠️WAARSCHUWING: Laat u NIET misleiden door een vals gevoel van comfort en bekendheid met het gereedschap (na veelvuldig gebruik) en neem alle veiligheidsvoorschriften van het betreffende gereedschap altijd strikt in acht. **VERKEERD GEBRUIK** of het niet naleven van de veiligheidsvoorschriften in deze gebruiksaanwijzing kan leiden tot ernstig letsel.

Belangrijke veiligheidsinstructies voor een accu

1. Lees alle voorschriften en waarschuwingen op (1) de acculader, (2) de accu, en (3) het product waarvoor de accu wordt gebruikt, alvorens de accu in gebruik te nemen.
2. Haal de accu niet uit elkaar en saboteer hem niet. Dit kan leiden tot brand, buitensporige hitte of een explosie.
3. Als de gebruiktijd van een opgeladen accu aanzienlijk korter is geworden, moet u het gebruik ervan onmiddellijk stopzetten. Voortgezet gebruik kan oververhitting, brandwonden en zelfs een ontploffing veroorzaken.
4. Als elektrolyt in uw ogen is terechtgekomen, spoelt u uw ogen met schoon water en roept u onmiddellijk de hulp van een dokter in. Elektrolyt in de ogen kan blindheid veroorzaken.
5. Voorkom kortsluiting van de accu:
 - (1) Raak de accuklemmen nooit aan met een geleidend materiaal.
 - (2) Bewaar de accu niet in een bak waarin andere metalen voorwerpen zoals spijkers, munten e.d. worden bewaard.
 - (3) Stel de accu niet bloot aan water of regen. Kortsluiting van de accu kan oorzaak zijn van een grote stroomafgifte, oververhitting, brandwonden, en zelfs defecten.
6. Bewaar en gebruik het gereedschap en de accu niet op plaatsen waar de temperatuur kan oplopen tot 50 °C of hoger.
7. Werp de accu nooit in het vuur, ook niet wanneer hij zwaar beschadigd of volledig versleten is. De accu kan ontploffen in het vuur.
8. Laat de accu niet vallen, sla er mee en spijker in, snijd er niet in, gooi er niet mee en stoot hem niet tegen een hard voorwerp. Dergelijke handelingen kunnen leiden tot brand, buitensporige hitte of een explosie.
9. Gebruik nooit een beschadigde accu.
10. De bijgeleverde lithium-ionbatterijen zijn onderhevig aan de vereisten in de wetgeving omtrent gevaarlijke stoffen.

Voor commercieel transport en dergelijke door derden en transporteurs moeten speciale vereisten ten aanzien van verpakking en etikettering worden nageleefd.

Als voorbereiding van het artikel dat wordt getransporteerd is het noodzakelijk een expert op het gebied van gevaarlijke stoffen te raadplegen. Houd u tevens aan mogelijk strengere nationale regelgeving.

Blootliggende contactpunten moeten worden afgedekt met tape en de accu moet zodanig worden verpakt dat deze niet kan bewegen in de verpakking.
11. Wanneer u de accu wilt weggooien, verwijdert u de accu vanaf het gereedschap en gooit u hem op een veilige manier weg. Volg bij het weggooien van de accu de plaatselijke voorschriften.
12. Gebruik de accu's uitsluitend met de gereedschappen die door Makita zijn aanbevolen. Als de accu's worden aangebracht in niet-compatibele gereedschappen, kan dat leiden tot brand, buitensporige warmteontwikkeling, een explosie of lekkage van elektrolyt.
13. Als u het gereedschap gedurende een lange tijd niet denkt te gaan gebruiken, moet de accu vanaf het gereedschap worden verwijderd.
14. Tijdens en na gebruik, kan de accu heet worden waardoor brandwonden of koude brandwonden kunnen worden veroorzaakt. Wees voorzichtig bij het hanteren van een hete accu.
15. Raak de aansluitpunten van het gereedschap niet onmiddellijk na gebruik aan omdat deze heet genoeg kunnen zijn om brandwonden te veroorzaken.
16. Zorg ervoor dat geen steenslag, stof of grond vast komt te zitten op/in de aansluitpunten, openingen en groeven van de accu. Hierdoor kan oververhitting, brand, een barst en een storing in het gereedschap of de accu ontstaan waardoor brandwonden of persoonlijk letsel kunnen ontstaan.
17. Behalve indien gebruik van het gereedschap is toegestaan in de buurt van hoogspanningsleidingen, mag u de accu niet gebruiken in de buurt van een hoogspanningsleiding. Dit kan leiden tot een storing of een defect van het gereedschap of de accu.
18. Houd de accu uit de buurt van kinderen.

BEWAAR DEZE INSTRUCTIES.

▲LET OP: Gebruik uitsluitend originele Makita accu's. Het gebruik van niet-originele accu's, of accu's die zijn gewijzigd, kan ertoe leiden dat de accu ontploft en brand, persoonlijk letsel en schade veroorzaakt. Ook vervalt daarmee de garantie van Makita op het gereedschap en de lader van Makita.

Tips voor een maximale levensduur van de accu

1. Laad de accu op voordat hij volledig ontladen is. Stop het gebruik van het gereedschap en laad de accu op telkens wanneer u vaststelt dat het vermogen van het gereedschap is afgenomen.
2. Laad een volledig opgeladen accu nooit opnieuw op. Te lang opladen verkort de levensduur van de accu.
3. Laad de accu op bij een omgevingstemperatuur tussen 10 °C en 40 °C. Laat een warme accu afkoelen alvorens hem op te laden.
4. Als de accu niet wordt gebruikt, verwijdert u hem vanaf het gereedschap of de lader.

BESCHRIJVING VAN DE FUNCTIES

⚠ALLET OP: Zorg altijd dat het gereedschap is uitgeschakeld en de accu ervan is verwijderd alvorens de functies op het gereedschap af te stellen of te controleren.

De accu aanbrengen en verwijderen

⚠ALLET OP: Schakel het gereedschap altijd uit voordat u de accu aanbrengt of verwijderd.

⚠ALLET OP: Houd het gereedschap en de accu stevig vast tijdens het aanbrengen of verwijderen van de accu. Als u het gereedschap en de accu niet stevig vasthoudt, kunnen deze uit uw handen glijpen en het gereedschap of de accu beschadigen, of kan persoonlijk letsel worden veroorzaakt.

Om de accu aan te brengen lijnt u de lip op de accu uit met de groef in de behuizing en duwt u de accu op zijn plaats. Steek de accu zo ver mogelijk in het gereedschap tot u een klikgeluid hoort. Wanneer het rode deel zichtbaar is, zoals aangegeven in de afbeelding, is de accu niet geheel vergrendeld.

Om de accu te verwijderen verschuift u de knop aan de voorkant van de accu en schuift u tegelijkertijd de accu uit het gereedschap.

► Fig.1: 1. Rood deel 2. Knop 3. Accu

⚠ALLET OP: Breng de accu altijd helemaal aan totdat het rode deel niet meer zichtbaar is. Als u dit niet doet, kan de accu per ongeluk uit het gereedschap vallen en u of anderen in uw omgeving verwonden.

⚠ALLET OP: Breng de accu niet met kracht aan. Als de accu niet gemakkelijk in het gereedschap kan worden geschoven, wordt deze niet goed aangebracht.

Accubeveiligingssysteem

Het gereedschap is uitgerust met een accubeveiligingssysteem. Dit systeem sluit automatisch de voeding naar de motor af om de levensduur van de accu te verlengen.

Het gereedschap kan tijdens gebruik automatisch stoppen wanneer het gereedschap en/of de accu aan één van de volgende omstandigheden wordt blootgesteld:

Overbelasting:

Als het gereedschap wordt gebruikt op een manier die een abnormaal hoge stroomsterkte vergt. Schakel in dat geval het gereedschap uit en stopt u met de toepassing waardoor het gereedschap overbelast raakte. Schakel vervolgens het gereedschap in om het weer te starten.

Als het gereedschap niet start, kan de accu oververhit zijn. In die situatie laat u de accu eerst afkoelen voordat u het gereedschap opnieuw inschakelt.

Onvoldoende accuspanning:

Als de resterende accuspanning onvoldoende is, zal

het gereedschap niet starten. Als u het gereedschap inschakelt, draait de motor niet of draait de motor weer maar stopt kort daarna. In dit geval verwijdert u de accu en laadt u deze op.

De resterende acculading controleren

Alleen voor accu's met indicatorlampjes

► Fig.2: 1. Indicatorlampjes 2. Testknop

Druk op de testknop op de accu om de resterende acculading te zien. De indicatorlampjes branden gedurende enkele seconden.

Indicatorlampjes		Resterende capaciteit
Brandt	Uit	
■ ■ ■ ■	□	75% tot 100%
■ ■ ■ □	□	50% tot 75%
■ ■ □ □	□ □	25% tot 50%
■ □ □ □	□ □ □ □	0% tot 25%

OPMERKING: Afhankelijk van de gebruiksomstandigheden en de omgevingstemperatuur, is het mogelijk dat de aangegeven acculading verschilt van de werkelijke acculading.

De trekkerschakelaar gebruiken

⚠ALLET OP: Alvorens de accu in het gereedschap te plaatsen, moet u altijd controleren of de trekkerschakelaar goed werkt en bij het loslaten terugkeert naar de stand "OFF".

⚠ALLET OP: Wanneer u het gereedschap niet gebruikt, drukt u op de trekkervergrendelknop vanaf de B-kant om de trekkerschakelaar te vergrendelen in de uit-stand.

► Fig.3: 1. Trekkervergrendelknop
2. Trekkerschakelaar

► Fig.4

Om te voorkomen dat de trekkerschakelaar per ongeluk wordt bediend, is de trekkervergrendelknop aangebracht.

Om de trekkerschakelaar te kunnen inknijpen, duwt u tegen de trekkervergrendelknop vanaf kant A. Duw na gebruik altijd tegen de trekkervergrendelknop vanaf kant B.

De lamp inschakelen

⚠ALLET OP: Kijk niet direct in het lamplicht of in de lichtbron.

► Fig.5: 1. Lamp

Knijp de trekkerschakelaar in of druk de contactschoen tegen het werkstuk om de lamp in te schakelen. De lamp blijft branden zo lang de trekkerschakelaar

ingeknepen wordt gehouden of de contactschoen tegen het werkstuk wordt gedrukt. De lamp gaat uit 10 seconden nadat de trekkerschakelaar is losgelaten en de contactschoen van het werkstuk is gehaald.

OPMERKING: Gebruik een droge doek om vuil van de lens van de lamp af te vegen. Wees voorzichtig dat u de lens van de lamp niet bekrast omdat dan de verlichting minder wordt.

MONTAGE

⚠ALLET OP: Zorg er altijd voor dat de accu is verwijderd voordat u enige werkzaamheden aan het nietpistool gaat uitvoeren.

Nieten

⚠ALLET OP: Gebruik geen nieten anders dan die beschreven in deze gebruiksaanwijzing of nieten die beschadigd, verbogen, roestig of gecorrodeerd lijken.

⚠ALLET OP: Gebruik nieten van dezelfde soort, grootte en uniforme lengte wanneer u meerdere strippen nieten laadt in het magazijn.

KENNISGEVING: Wees voorzichtig bij het hanteren van de nieten en de doos ervan. Als ruw met de nieten wordt omgegaan, kunnen deze verbuigen waardoor de nieten niet goed worden aangevoerd of vastlopen.

KENNISGEVING: Voorkom dat de nieten worden opgeslagen in een zeer vochtige of warme ruimte of op een plek die is blootgesteld aan direct zonlicht.

Nieten laden

⚠WAARSCHUWING: Zorg er altijd voor dat de accu van het nietpistool is afgehaald bij het laden van de nieten. Onbedoeld schieten kan resulteren in persoonlijk letsel en beschadiging aan eigendommen.

⚠ALLET OP: Zorg ervoor dat na het laden van nieten het submagazijn goed is gesloten. Als de nieten uit het magazijn vallen, kan letsel ontstaan bij de gebruiker of omstanders, met name bij werken op hoge plaatsen.

1. Verwijder de accu.
2. Duw de vergrendelknop omlaag en schuif het submagazijn naar achteren.

► **Fig.6:** 1. Vergrendelknop 2. Submagazijn

3. Laad nieten in het hoofdmagazijn met hun 'pootjes' omhoog gericht.

► **Fig.7:** 1. Nieten 2. Hoofdmagazijn

4. Duw na het laden van nieten het submagazijn op zijn plaats tot deze wordt vergrendeld.

Om nieten te verwijderen, volgt u de procedurestappen voor aanbrengen in omgekeerde volgorde.

Haak

⚠ALLET OP: Hang de haak niet aan uw broekriem. Als u het nietpistool laat vallen, bijvoorbeeld doordat de haak per ongeluk van zijn plaats losraakt, kunnen nieten worden afgeschoten en persoonlijk letsel worden veroorzaakt.

► **Fig.8**

⚠WAARSCHUWING: Gebruik de opgang-/bevestigingsmiddelen alleen waarvoor ze bedoeld zijn, d.w.z. ophangen aan een gereedschapsgordel tussen werkzaamheden of tijdens pauzes.

⚠WAARSCHUWING: Wees voorzichtig dat de haak niet overbelast wordt aangezien een te hoge kracht of onregelmatige overbelasting kan leiden tot beschadiging van het gereedschap met persoonlijk letsel tot gevolg.

⚠ALLET OP: Als u de haak aanbrengt, bevestigt u deze altijd stevig met de schroef. Als u dit niet doet, kan de haak losraken en tot persoonlijk letsel leiden.

⚠ALLET OP: Verzeker u ervan dat het gereedschap veilig hangt voordat u het loslaat. Door onzorgvuldig of ongebalanceerd ophangen kan het gereedschap eraf vallen en persoonlijk letsel worden veroorzaakt.

OPMERKING: Wanneer dit gereedschap wordt gebruikt met de accu BL1050B, is de optionele haak die hoort bij accu BL1050B nodig.

De haak is handig om het gereedschap tijdelijk op te hangen. Deze kan aan beide kanten van het gereedschap worden aangebracht.

U brengt de haak aan door deze in een groef in de behuizing van het gereedschap te steken en vast te zetten met een schroef. Om de haak te verwijderen, draait u de schroef los en haalt u de haak van het gereedschap af.

► **Fig.9:** 1. Groef 2. Haak 3. Schroef

BEDIENING

Het veiligheidssysteem testen

⚠WAARSCHUWING: Controleer voor gebruik of alle veiligheidssystemen goed werken. Als u dat niet doet, kan dit leiden tot persoonlijk letsel.

► **Fig.10:** 1. Trekkervergrendelknop
2. Trekkerschakelaar 3. Contactschoen
4. Submagazijn

Test vóór gebruik de veiligheidssystemen als volgt op een mogelijke storing.

1. Verwijder alle nieten uit het gereedschap en laat het submagazijn open staan.
2. Breng de accu aan.
3. Knijp alleen de trekkerschakelaar in zonder de contactschoen tegen het werkstuk te drukken.

4. Druk alleen de contactschoen tegen het werkstuk zonder de trekkerschakelaar in te knijpen.

Als het gereedschap werkt in het geval van 3 of 4 hierboven is het veiligheidssysteem defect. Stop onmiddellijk met het gebruik van het gereedschap en vraag uw plaatselijke servicecentrum het gereedschap te repareren.

Nieten schieten

⚠ WAARSCHUWING: Blijf de contactschoen stevig tegen het materiaal drukken totdat de niet volledig in het werkstuk verdwijnt. Onbedoeld schieten kan leiden tot persoonlijk letsel.

- Fig.11: 1. Trekkerschakelaar 2. Contactschoen 3. Voorste deel 4. Achterste deel

U kunt het gereedschap gebruiken voor “enkelvoudig schieten” of “herhaaldelijk schieten”.

Enkelvoudig schieten:

In deze stand kunt u één niet schieten met elke achterenvolgende bediening.

1. Druk de contactschoen vlak op het materiaal.
2. Houd zowel het voorste als het achterste deel van het gereedschap stevig tegen het materiaal gedrukt.
3. Knijp de trekkerschakelaar helemaal in om een niet te schieten.
4. Laat de trekkerschakelaar los voordat u de contactschoen van het materiaal haalt.

Herhaaldelijk schieten:

In deze stand kunt u nieten achter elkaar schieten.

1. Knijp de trekkerschakelaar in.
2. Druk met ingeknepen trekkerschakelaar de contactschoen vlak op het materiaal om een niet te schieten.
3. Verplaats het gereedschap naar de volgende nietplaats en druk de contactschoen weer vlak op het materiaal.

OPMERKING: De groef geeft de plaats aan waar de niet wordt geschoten.

- Fig.12: 1. Groef

Als de bovenkant van de nieten boven het oppervlak van het werkstuk blijft uitsteken, schiet u de nieten door de kop van het nietpistool stevig tegen het werkstuk gedrukt te houden.

- Fig.13

OPMERKING: Als de bovenkant van de nieten nog steeds boven het werkstuk blijft uitsteken ondanks dat u de kop van het nietpistool aangedrukt houdt, is het materiaal mogelijk niet geschikt voor het nietpistool. Als u het nietpistool blijft gebruiken op dergelijk materiaal, kan de stoter van het nietpistool worden beschadigd en/of kunnen nieten vastlopen.

Droogschietpreventiemechanisme

⚠ WAARSCHUWING: Zorg er altijd voor dat de accu van het nietpistool is afgehaald bij het laden van de nieten. Onbedoeld schieten kan resulteren in persoonlijk letsel en beschadiging aan eigendommen.

Het gereedschap is uitgerust met een droogschietpreventiemechanisme. Als het aantal overgebleven nieten in het magazijn 5 tot 8 stuks is, kan de trekkerschakelaar niet meer worden ingeknepen. Als dat het geval is, plaatst u een nieuwe strip nieten in het magazijn. De trekkerschakelaar kan weer worden ingeknepen.

Resterende nieten controleren

- Fig.14: 1. Kijkvenster 2. Aandrukker 3. Nieten

De resterende nieten kunnen worden gecontroleerd door het kijkvenster.

Laad nieten wanneer geen resterende nieten kunnen worden gezien door het kijkvenster.

Vastgelopen nieten verwijderen

⚠ WAARSCHUWING: Zorg er altijd voor dat de accu is verwijderd voordat u vastgelopen nieten verwijdert.

Open het submagazijn naar achteren en haal de vastgelopen nieten uit de schietopening.

- Fig.15: 1. Opening 2. Submagazijn

ONDERHOUD

⚠ LET OP: Zorg altijd dat het gereedschap is uitgeschakeld en de accu ervan is verwijderd alvorens te beginnen met onderhoud of inspectie.

KENNISGEVING: Gebruik nooit benzine, wasbenzine, thinner, alcohol en dergelijke. Hierdoor kunnen verkleuring, vervormingen en barsten worden veroorzaakt.

Om de VEILIGHEID en BETROUWBAARHEID van het gereedschap te handhaven, dienen alle reparaties, onderhoud of afstellingen te worden uitgevoerd bij een erkend Makita-servicecentrum of de Makita-fabriek, en altijd met gebruik van Makita-vervangingsonderdelen.

OPTIONELE ACCESSOIRES

⚠ LET OP: Deze accessoires of hulpstukken worden aanbevolen voor gebruik met het Makita gereedschap dat in deze gebruiksaanwijzing is beschreven. Bij gebruik van andere accessoires of hulpstukken bestaat het gevaar van persoonlijke letsel. Gebruik de accessoires of hulpstukken uitsluitend voor hun bestemde doel.

Wenst u meer bijzonderheden over deze accessoires, neem dan contact op met het plaatselijke Makita-servicecentrum.

- Nieten
- Haak
- Originale Makita accu's en acculaders
- Diepte-instelset

OPMERKING: Sommige items op de lijst kunnen zijn inbegrepen in de doos van het gereedschap als standaard toebehoren. Deze kunnen van land tot land verschillen.

ESPECIFICACIONES

Modelo:	ST113D
Anchura de la grapa	10 mm
Longitud aplicable de las grapas	7 mm - 10 mm
Capacidad del cargador de grapas	150 unidades
Dimensiones sin gancho (La x An x Al)	211 mm x 81 mm x 159 mm
Tensión nominal	CC 10,8 V - 12 V máx
Peso neto	1,3 - 1,5 kg

- Debido a nuestro continuado programa de investigación y desarrollo, las especificaciones aquí dadas están sujetas a cambios sin previo aviso.
- Las especificaciones y el cartucho de batería pueden diferir de país a país.
- Peso, con cartucho de batería, de acuerdo con el procedimiento EPTA 01/2003

Cartucho de batería y cargador aplicables

Cartucho de batería	BL1016 / BL1021B / BL1041B / BL1050B
Cargador	DC10SA / DC10SB / DC10WC / DC10WD / DC18RE

- Algunos de los cartuchos de batería y cargadores indicados arriba puede que no estén disponibles dependiendo de su región de residencia.

⚠ADVERTENCIA: Utilice solamente los cartuchos de batería y cargadores listados arriba. La utilización de cualquier otro cartucho de batería y cargador puede ocasionar heridas y/o un incendio.

Uso previsto

La herramienta ha sido prevista para clavar grapas en materiales de construcción tales como madera.

Ruido

El nivel de ruido A-ponderado típico determinado de acuerdo con la norma EN60745:

Nivel de presión sonora (L_{pA}): 75 dB (A)

Error (K): 3 dB (A)

El nivel de ruido en situación de trabajo puede exceder 80 dB (A).

⚠ADVERTENCIA: Póngase protectores para oídos.

Vibración

El valor total de la vibración determinado de acuerdo con el EN60745:

Emisión de vibración (a_n): 2,5 m/s² o menos

Error (K): 1,5 m/s²

NOTA: El valor (o los valores) total de emisión de vibración declarado ha sido medido de acuerdo con un método de prueba estándar y se puede utilizar para comparar una herramienta con otra.

NOTA: El valor (o los valores) total de emisión de vibración declarado también se puede utilizar en una valoración preliminar de exposición.

⚠ADVERTENCIA: La emisión de vibración durante la utilización real de la herramienta eléctrica puede variar del valor (o los valores) de emisión declarado dependiendo de las formas en las que la herramienta sea utilizada, especialmente qué tipo de pieza de trabajo se procesa.

⚠ADVERTENCIA: Asegúrese de identificar medidas de seguridad para proteger al operario que estén basadas en una estimación de la exposición en las condiciones reales de utilización (teniendo en cuenta todas las partes del ciclo operativo como las veces cuando la herramienta está apagada y cuando está funcionando en vacío además del tiempo de gatillo).

Declaraciones de conformidad

Para países europeos solamente

Las declaraciones de conformidad están incluidas como Anexo A de este manual de instrucciones.

ADVERTENCIAS DE SEGURIDAD

Advertencias de seguridad para herramientas eléctricas en general

⚠ADVERTENCIA Lea todas las advertencias de seguridad, instrucciones, ilustraciones y

especificaciones provistas con esta herramienta eléctrica. Si no sigue todas las instrucciones indicadas abajo, podrá resultar en una descarga eléctrica, un incendio y/o heridas graves.

Guarde todas las advertencias e instrucciones para futuras referencias.

El término "herramienta eléctrica" en las advertencias se refiere a su herramienta eléctrica de funcionamiento con conexión a la red eléctrica (con cable) o herramienta eléctrica de funcionamiento a batería (sin cable).

Advertencias de seguridad para la engrapadora inalámbrica

1. **Asuma siempre que la herramienta contiene fijadores.** Un manejo imprudente de la engrapadora puede resultar en un disparo inesperado de fijadores y heridas personales.
2. **No apunte la herramienta hacia usted o hacia cualquier persona que esté cerca.** Un apretado inesperado del gatillo descargará el fijador causando heridas.
3. **No accione la herramienta a menos que la tenga puesta firmemente contra la pieza de trabajo.** Si la herramienta no está en contacto con la pieza de trabajo, el fijador podrá desviarse de su objetivo.
4. **Desconecte la herramienta de fuente de alimentación cuando el fijador se atasque en la herramienta.** Mientras retira un fijador atascado, la engrapadora podrá activarse accidentalmente si está enchufada.
5. **Tenga cuidado mientras retira un fijador atascado.** El mecanismo podrá estar sometido a compresión y el fijador podrá descargarse a la fuerza mientras intenta despejar una condición de atasco.
6. **No utilice esta engrapadora para sujetar cables eléctricos.** No ha sido diseñada para la instalación de cables eléctricos y puede dañar el aislante de los cables eléctricos ocasionando una descarga eléctrica o riesgos de incendio.
7. **Póngase siempre gafas de protección o gafas de seguridad con escudos laterales, y una pantalla facial completa cuando sea necesario.**
8. **Mantenga las manos y pies alejados del área del orificio de eyección.**
9. **Retire siempre el cartucho de batería antes de cargar los fijadores, hacer ajustes, inspección, mantenimiento o después de terminar la operación.**
10. **Antes de la operación asegúrese de que no haya nadie cerca. No intente nunca clavar los fijadores desde el interior y exterior de la pared al mismo tiempo. Los fijadores podrán atravesarla y/o salir disparados, presentando un grave peligro.**
11. **Observe el suelo donde pisa y mantenga su equilibrio con la herramienta. Asegúrese de que no haya nadie debajo cuando trabaje en lugares altos.**

12. **Compruebe las paredes, techos, suelos, techumbres y por el estilo con cuidado para evitar posibles descargas eléctricas, fugas de gas, explosiones, etc., ocasionadas por grapar en cables con corriente, conductos o tuberías de gas.**
13. **Utilice solamente los fijadores especificados en este manual. La utilización de otros fijadores podrá ocasionar un mal funcionamiento de la herramienta.**
14. **No manipule la herramienta o intente utilizarla para algo distinto de clavar fijadores.**
15. **No utilice la herramienta sin fijadores. Ello acorta la vida de servicio de la herramienta.**
16. **Detenga inmediatamente las operaciones de clavado si nota algo incorrecto o fuera de lo normal en la herramienta.**
17. **No clave nunca en ningún material que pueda permitir al fijador atravesarlo y salir despedido como un proyectil.**
18. **No accione nunca el gatillo interruptor y el elemento de contacto hasta esté preparado para clavar en piezas de trabajo. No anule nunca su función sujetando hacia atrás el elemento de contacto o presionándolo manualmente.**
19. **No manipule nunca el elemento de contacto. Compruebe el elemento de contacto con frecuencia para ver que funciona debidamente.**

GUARDE ESTAS INSTRUCCIONES.

⚠️ ADVERTENCIA: NO deje que la comodidad o familiaridad con el producto (a base de utilizarlo repetidamente) sustituya la estricta observancia de las normas de seguridad para el producto en cuestión. El MAL USO o el no seguir las normas de seguridad establecidas en este manual de instrucciones podrá ocasionar heridas personales graves.

Instrucciones de seguridad importantes para el cartucho de batería

1. **Antes de utilizar el cartucho de batería, lea todas las instrucciones e indicaciones de precaución sobre (1) el cargador de baterías, (2) la batería, y (3) el producto con el que se utiliza la batería.**
2. **No desensamble ni manipule el cartucho de batería.** Podrá resultar en un incendio, calor excesivo, o una explosión.
3. **Si el tiempo de uso se acorta demasiado, cese la operación inmediatamente. Podría resultar en un riesgo de recalentamiento, posibles quemaduras e incluso una explosión.**
4. **Si entra electrólito en sus ojos, aclárelos con agua limpia y acuda a un médico inmediatamente. Existe el riesgo de poder perder la vista.**
5. **No cortocircuite el cartucho de batería:**
 - (1) **No toque los terminales con ningún material conductor.**

(2) Evite guardar el cartucho de batería en un cajón junto con otros objetos metálicos, como clavos, monedas, etc.

(3) No exponga el cartucho de batería al agua ni a la lluvia.

Un cortocircuito en la batería puede producir una gran circulación de corriente, un recalentamiento, posibles quemaduras e incluso una rotura de la misma.

6. No guarde ni utilice la herramienta y el cartucho de batería en lugares donde la temperatura pueda alcanzar o exceder los 50 °C.
7. Nunca incinere el cartucho de batería incluso en el caso de que esté dañado seriamente o ya no sirva en absoluto. El cartucho de batería puede explotar si se tira al fuego.
8. No clave, corte, aplaste, lance, deje caer el cartucho de batería, ni golpee contra un objeto duro el cartucho de batería. Tal conducta podrá resultar en un incendio, calor excesivo, o una explosión.
9. No utilice una batería dañada.
10. Las baterías de litio-ion contenidas están sujetas a los requisitos de la Legislación para Materiales Peligrosos.
Para transportes comerciales, p.ej., por terceras personas y agentes de transportes, se deberán observar requisitos especiales para el empaquetado y etiquetado.
Para la preparación del artículo que se va a enviar, se requiere consultar con un experto en materiales peligrosos. Por favor, observe también la posibilidad de reglamentos nacionales más detallados.
Cubra con cinta aislante o enmascare los contactos expuestos y empaquete la batería de tal manera que no se pueda mover alrededor dentro del embalaje.
11. Para desechar el cartucho de batería, retírelo de la herramienta y deséchelo en un lugar seguro. Siga los reglamentos locales referentes al desecho de la batería.
12. Utilice las baterías solamente con los productos especificados por Makita. La instalación de las baterías en productos no compatibles puede resultar en un incendio, calor excesivo, explosión, o fuga de electrolito.
13. Si la herramienta no va a ser utilizada durante un periodo de tiempo largo, la batería deberá ser retirada de la herramienta.
14. Durante y después de la utilización, el cartucho de batería podrá acumular calor, lo cual puede ocasionar quemaduras o quemaduras de baja temperatura. Preste atención al manejo de cartuchos de batería calientes.
15. No toque el terminal de la herramienta inmediatamente después de utilizar, dado que puede calentarse lo suficiente como para ocasionar quemaduras.
16. No permita que virutas, polvo, o tierra se adhieran dentro de los terminales, orificios, y ranuras del cartucho de batería. Esto podría ocasionar calentamiento, que coja fuego, reviente y un mal funcionamiento de la herramienta o el cartucho de batería, resultando en quemaduras o

heridas personales.

17. A menos que la herramienta pueda utilizarse cerca de cables eléctricos de alta tensión, no utilice el cartucho de batería cerca de cables eléctricos de alta tensión. Podrá resultar en un mal funcionamiento o rotura de la herramienta o el cartucho de batería.
18. Mantenga la batería alejada de los niños.

GUARDE ESTAS INSTRUCCIONES.

⚠PRECAUCIÓN: Utilice solamente baterías genuinas de Makita. La utilización de baterías no genuinas de Makita, o baterías que han sido alteradas, puede resultar en una explosión de la batería ocasionando incendios, heridas personales y daños. También anulará la garantía de Makita para la herramienta y el cargador de Makita.

Consejos para alargar al máximo la vida de servicio de la batería

1. Cargue el cartucho de batería antes de que se descargue completamente. Detenga siempre la operación y cargue el cartucho de batería cuando note menos potencia en la herramienta.
2. No cargue nunca un cartucho de batería que esté completamente cargado. La sobrecarga acortará la vida de servicio de la batería.
3. Cargue el cartucho de batería a temperatura ambiente de 10 °C - 40 °C. Si un cartucho de batería está caliente, déjelo enfriar antes de cargarlo.
4. Cuando no esté utilizando el cartucho de batería, retírelo de la herramienta o del cargador.

DESCRIPCIÓN DEL FUNCIONAMIENTO

⚠PRECAUCIÓN: Asegúrese siempre de que la herramienta está apagada y el cartucho de batería retirado antes de realizar cualquier ajuste o comprobación en la herramienta.

Instalación o extracción del cartucho de batería

⚠PRECAUCIÓN: Apague siempre la herramienta antes de instalar o retirar el cartucho de batería.

⚠PRECAUCIÓN: Sujete la herramienta y el cartucho de batería firmemente cuando instale o retire el cartucho de batería. Si no sujeta la herramienta y el cartucho de batería firmemente podrán caérsele de las manos y resultar en daños a la herramienta y al cartucho de batería y heridas personales.

Para instalar el cartucho de batería, alinee la lengüeta del cartucho de batería con la ranura del alojamiento y

deslícelo al interior hasta encajarlo en su sitio. Insértelo por completo hasta que se bloquee en su sitio con un pequeño chasquido. Si puede ver el indicador rojo como se muestra en la figura, no estará bloqueado completamente.

Para retirar el cartucho de batería, deslícelo de la herramienta mientras desliza el botón de la parte frontal del cartucho.

► **Fig.1:** 1. Indicador rojo 2. Botón 3. Cartucho de batería

⚠ PRECAUCIÓN: Instale siempre el cartucho de batería completamente hasta que no pueda verse el indicador rojo. En caso contrario, podrá caerse accidentalmente de la herramienta y ocasionarle heridas a usted o a alguien que esté cerca de usted.

⚠ PRECAUCIÓN: No instale el cartucho de batería empleando fuerza. Si el cartucho no se desliza al interior fácilmente, será porque no está siendo insertado correctamente.

Sistema de protección de la batería

La herramienta está equipada con un sistema de protección de la batería. Este sistema corta automáticamente la alimentación del motor para alargar la vida útil de la batería.

La herramienta se detendrá automáticamente durante la operación si la herramienta y/o la batería son puestas en una de las condiciones siguientes:

Sobrecargada:

La herramienta es utilizada de una manera que da lugar a que tenga que absorber una corriente anormalmente alta.

En esta situación, apague la herramienta y detenga la aplicación que ocasiona que la herramienta se sobrecargue. Después encienda la herramienta para volver a empezar.

Si la herramienta no se pone en marcha, la batería estará recalentada. En esta situación, deje que la batería se enfríe antes de encender la herramienta otra vez.

Tensión baja en la batería:

La capacidad de batería restante es demasiado baja y la herramienta no funcionará. Si enciende la herramienta, el motor no se pondrá en marcha o el motor se pondrá en marcha pero se parará en seguida. En esta situación, retire y recargue la batería.

Modo de indicar la capacidad de batería restante

Solamente para cartuchos de batería con el indicador

► **Fig.2:** 1. Lámparas indicadoras 2. Botón de comprobación

Presione el botón de comprobación en el cartucho de batería para indicar la capacidad de batería restante. Las lámparas indicadoras se iluminan durante unos pocos segundos.

Lámparas de indicación		Capacidad restante
Iluminada	Apagada	
■ ■ ■ ■	□	75% a 100%
■ ■ ■ □	□	50% a 75%
■ ■ □ □	□ □	25% a 50%
■ □ □ □	□ □ □ □	0% a 25%

NOTA: Dependiendo de las condiciones de utilización y de la temperatura ambiente, la indicación podrá variar ligeramente de la capacidad real.

Accionamiento del interruptor

⚠ PRECAUCIÓN: Antes de insertar el cartucho de batería en la herramienta, compruebe siempre para cerciorarse de que el gatillo interruptor se acciona debidamente y que vuelve a la posición "OFF" cuando lo suelta.

⚠ PRECAUCIÓN: Cuando no esté utilizando la herramienta, presione hacia dentro el botón de bloqueo del gatillo desde el lado B para bloquear el gatillo interruptor en la posición apagada.

► **Fig.3:** 1. Botón de bloqueo del gatillo 2. Gatillo interruptor

► **Fig.4**

Para evitar que el gatillo interruptor pueda ser apretado accidentalmente, se ha provisto el botón de bloqueo del gatillo.

Para apretar el gatillo interruptor, presione hacia dentro el botón de bloqueo del gatillo desde el lado A.

Después de utilizar, presione siempre hacia dentro el botón de bloqueo del gatillo desde el lado B.

Encendido de la lámpara

⚠ PRECAUCIÓN: No mire a la luz ni vea la fuente de luz directamente.

► **Fig.5:** 1. Lámpara

Apriete el gatillo interruptor o accione el elemento de contacto para encender la lámpara. La lámpara seguirá encendida mientras tenga apretado el gatillo interruptor o accionado el elemento de contacto. La lámpara se apagará aproximadamente 10 segundos después de liberar el gatillo interruptor y el elemento de contacto.

NOTA: Utilice un paño seco para quitar la suciedad de la lente de la lámpara. Tenga cuidado de no rayar la lente de la lámpara, porque podrá disminuir la iluminación.

MONTAJE

⚠ PRECAUCIÓN: Asegúrese siempre de que el cartucho de batería ha sido retirado antes de realizar cualquier trabajo en la engrapadora.

Grapas

⚠ PRECAUCIÓN: No utilice grapas distintas de las designadas en este manual o grapas que parezcan estar dañadas, torcidas, oxidadas o corroídas.

⚠ PRECAUCIÓN: Cargue grapas del mismo tipo, tamaño y longitud uniforme cuando cargue múltiples tiras de grapas en el cargador.

AVISO: Maneje las grapas y su caja con cuidado. Si las grapas han sido manejadas bruscamente, podrán estar torcidas o deformadas, pudiendo ocasionar un mal avance de las grapas o un atasco.

AVISO: Evite almacenar las grapas en un lugar muy húmedo o cálido o en un lugar expuesto a la luz directa del sol.

Para cargar grapas

⚠ ADVERTENCIA: Cuando cargue grapas, asegúrese siempre de que el cartucho de batería ha sido retirado de la engrapadora. Un disparo involuntario puede ocasionar heridas personales y daños a la propiedad.

⚠ PRECAUCIÓN: Después de cargar grapas, asegúrese de que el cargador secundario está cerrado firmemente. Si las grapas se caen del cargador podrán ocasionar heridas al operario o a transeúntes, especialmente cuando se esté trabajando en lugares altos.

1. Retire el cartucho de batería.
2. Presione la palanca de bloqueo y deslice hacia atrás el cargador secundario.
▶ **Fig.6:** 1. Palanca de bloqueo 2. Cargador secundario
3. Cargue grapas en el cargador principal con sus patas orientadas hacia arriba.
▶ **Fig.7:** 1. Grapas 2. Cargador principal
4. Después de cargar grapas, empuje hacia atrás el cargador secundario a su sitio hasta que produzca un chasquido.

Para retirar grapas, siga los procedimientos de instalación a la inversa.

Gancho

⚠ PRECAUCIÓN: No cuelgue el gancho en el cinturón. Si la engrapadora se cae debido a que el gancho se sale accidentalmente de su sitio, podrá ocasionar un disparo involuntario y resultar en heridas personales.

▶ **Fig.8**

⚠ ADVERTENCIA: Utilice las partes para colgar/montar solo para el propósito que han sido pensadas, por ejemplo, colgar la herramienta de una correa para herramienta entre diferentes trabajos o intervalos de trabajo.

⚠ ADVERTENCIA: Asegúrese de no sobrecargar el gancho, porque una fuerza excesiva o sobrecarga irregular puede ocasionar daños a la herramienta resultando en heridas personales.

⚠ PRECAUCIÓN: Cuando instale el gancho, sujételo siempre firmemente con el tornillo. Si no, el gancho podrá caerse de la herramienta y resultar en heridas personales.

⚠ PRECAUCIÓN: Asegúrese de colgar la herramienta firmemente antes de soltarla de la mano. Un enganche insuficiente o desequilibrado puede ocasionar que se caiga y podría ocasionarle heridas.

NOTA: Cuando utilice la herramienta con la batería BL1050B, necesitará usar el gancho opcional exclusivo para la BL1050B.

El gancho resulta útil para colgar la herramienta temporalmente. Se puede instalar en cualquiera de los lados de la herramienta.

Para instalar el gancho, insértelo en una ranura de cualquiera de los lados de la carcasa de la herramienta y después sujételo con un tornillo. Para retirarlo, afloje el tornillo y después sáquelo.

▶ **Fig.9:** 1. Ranura 2. Gancho 3. Tornillo

OPERACIÓN

Comprobación del sistema de seguridad

⚠ ADVERTENCIA: Antes de la operación asegúrese de que todos los sistemas de seguridad están en condiciones de funcionamiento. En caso contrario podrán producirse heridas personales.

▶ **Fig.10:** 1. Botón de bloqueo del gatillo 2. Gatillo interruptor 3. Elemento de contacto 4. Cargador secundario

Antes de la operación compruebe los sistemas de seguridad por si hay algún posible fallo como se indica a continuación.

1. Descargue las grapas de la herramienta y mantenga abierto el cargador secundario.
2. Instale el cartucho de batería.

- Solamente apriete el gatillo interruptor sin tocar contra el material el elemento de contacto.
- Solamente toque contra el material el elemento de contacto sin apretar el gatillo interruptor.

Si la herramienta se acciona en los casos 3 y 4 de arriba, los sistemas de seguridad estarán defectuosos. Deje de utilizar la herramienta inmediatamente y pregunte al centro de servicio local.

Clavado de grapas

⚠️ ADVERTENCIA: Continúe poniendo el elemento de contacto firmemente sobre el material hasta que la grapa sea clavada completamente. Un disparo involuntario puede ocasionar heridas personales.

- **Fig.11:** 1. Gatillo interruptor 2. Elemento de contacto 3. Parte delantera 4. Parte trasera

Puede operar la herramienta mediante el “accionamiento secuencial sencillo” o bien mediante el “accionamiento por contacto”.

Accionamiento secuencial sencillo:

En este modo, usted puede clavar una grapa mediante una operación secuencial.

- Coloque plano sobre el material el elemento de contacto.
- Mantenga la parte delantera y la parte trasera de la herramienta firmemente contra el material.
- Apriete el gatillo interruptor completamente para clavar las grapas.
- Suelte el dedo del gatillo interruptor antes de mover el elemento de contacto del material.

Accionamiento por contacto:

En este modo, usted puede clavar grapas secuencialmente.

- Apriete el gatillo interruptor.
- Con el gatillo interruptor apretado, coloque plano sobre el material el elemento de contacto para clavar las grapas.
- Mueva la herramienta a la siguiente área y coloque plano sobre el material el elemento de contacto otra vez.

NOTA: La ranura indica el punto en el que se clava la grapa.

- **Fig.12:** 1. Ranura

Si la cabeza de la grapa queda por encima de la superficie de la pieza de trabajo, clave la grapa mientras sujeta el cabezal de la engrapadora firmemente contra la pieza de trabajo.

- **Fig.13**

NOTA: Si la cabeza de la grapa aún queda por encima de la superficie de la pieza de trabajo aunque usted sujeta el cabezal de la engrapadora, puede que el material no sea apropiado para la engrapadora. Si continúa utilizando la engrapadora en ese material podrá resultar en daños al impulsor de la engrapadora y/o en un atasco de la engrapadora.

Mecanismo de antidisparo en seco

⚠️ ADVERTENCIA: Cuando cargue grapas, asegúrese siempre de que el cartucho de batería ha sido retirado de la engrapadora. Un disparo involuntario puede ocasionar heridas personales y daños a la propiedad.

Esta herramienta está equipada con un mecanismo de antidisparo en seco. Cuando el número restante de grapas en el cargador sea de 5 - 8 unidades, el gatillo interruptor ya no se podrá apretar. En este momento, inserte una nueva tira de grapas en el cargador. El gatillo interruptor se podrá apretar otra vez.

Comprobación de las grapas restantes

- **Fig.14:** 1. Ventanilla de visión 2. Empujador 3. Grapas

Las grapas restantes se pueden comprobar a través de la ventanilla de visión.

Vuelva a cargar grapas cuando en la ventanilla de visión no se puedan ver grapas restantes.

Para retirar grapas atascadas

⚠️ ADVERTENCIA: Antes de retirar grapas atascadas asegúrese siempre de que el cartucho de batería ha sido retirado.

Abra el cargador secundario hacia atrás y extraiga desde la abertura para disparar las grapas atascadas.

- **Fig.15:** 1. Abertura 2. Cargador secundario

MANTENIMIENTO

⚠️ PRECAUCIÓN: Asegúrese siempre de que la herramienta está apagada y de que el cartucho de batería está retirado antes de intentar hacer una inspección o mantenimiento.

AVISO: No utilice nunca gasolina, bencina, disolvente, alcohol o similares. Podría producir descoloración, deformación o grietas.

Para mantener la SEGURIDAD y FIABILIDAD del producto, las reparaciones, y cualquier otra tarea de mantenimiento o ajuste deberán ser realizadas en centros de servicio o de fábrica autorizados por Makita, empleando siempre repuestos Makita.

ACCESORIOS OPCIONALES

⚠PRECAUCIÓN: Estos accesorios o aditamentos están recomendados para su uso con la herramienta Makita especificada en este manual.

El uso de cualquier otro accesorio o aditamento puede suponer un riesgo de heridas personales. Utilice el accesorio o aditamento solamente con la finalidad indicada para el mismo.

Si necesita cualquier ayuda para más detalles en relación con estos accesorios, pregunte al centro de servicio Makita local.

- Grapas
- Gancho
- Batería y cargador genuinos de Makita
- Aparato de ajuste de profundidad

NOTA: Algunos elementos de la lista podrán estar incluidos en el paquete de la herramienta como accesorios estándar. Pueden variar de un país a otro.

ESPECIFICAÇÕES

Modelo:	ST113D
Largura do agrafador	10 mm
Comprimento aplicável dos agrafes	7 mm - 10 mm
Capacidade do magazine do agrafador	150 peças
Dimensões sem gancho (C x L x A)	211 mm x 81 mm x 159 mm
Tensão nominal	CC 10,8 V - 12 V máx.
Peso líquido	1,3 - 1,5 kg

- Devido a um programa contínuo de pesquisa e desenvolvimento, estas especificações estão sujeitas a alteração sem aviso prévio.
- As especificações e a bateria podem variar de país para país.
- Peso, com a bateria, de acordo com o Procedimento 01/2003 da EPTA (European Power Tool Association)

Bateria e carregador aplicável

Bateria	BL1016 / BL1021B / BL1041B / BL1050B
Carregador	DC10SA / DC10SB / DC10WC / DC10WD / DC18RE

- Algumas das baterias e carregadores listados acima poderão não estar disponíveis, dependendo da sua região de residência.

⚠AVISO: Utilize apenas as baterias e carregadores listados acima. A utilização de quaisquer outras baterias e carregadores pode causar ferimentos e/ou um incêndio.

Utilização a que se destina

A ferramenta serve para agrafar materiais de construção, como a madeira.

Ruído

A característica do nível de ruído A determinado de acordo com a EN60745:
Nível de pressão acústica (L_{pA}): 75 dB (A)
Variabilidade (K): 3 dB (A)

O nível de ruído durante o funcionamento pode exceder 80 dB (A).

⚠AVISO: Utilize protetores auriculares.

Vibração

O valor total da vibração determinado de acordo com o EN60745:

Emissão de vibração (a_h): 2,5 m/s² ou menos
Variabilidade (K): 1,5 m/s²

NOTA: O(s) valor(es) total(ais) de vibração indicado(s) foi medido de acordo com um método de teste padrão e pode ser utilizado para comparar duas ferramentas.

NOTA: O(s) valor(es) total(ais) de vibração indicado(s) pode também ser utilizado na avaliação preliminar da exposição.

⚠AVISO: A emissão de vibração durante a utilização real da ferramenta elétrica pode diferir do(s) valor(es) indicado(s), dependendo das formas como a ferramenta é utilizada, especialmente o tipo de peça de trabalho que é processada.

⚠AVISO: Certifique-se de identificar as medidas de segurança para proteção do operador que sejam baseadas em uma estimativa de exposição em condições reais de utilização (considerando todas as partes do ciclo de operação, tal como quando a ferramenta está desligada e quando está a funcionar em marcha lenta além do tempo de acionamento).

Declarações de conformidade

Apenas para os países europeus

As Declarações de conformidade estão incluídas no Anexo A deste manual de instruções.

AVISOS DE SEGURANÇA

Avisos gerais de segurança para ferramentas elétricas

⚠AVISO Leia todos os avisos de segurança, instruções, ilustrações e especificações fornecidos com esta ferramenta elétrica. O incumprimento de todas as instruções abaixo enumeradas pode resultar em choque elétrico, incêndio e/ou ferimentos graves.

Guarde todos os avisos e instruções para futuras referências.

O termo "ferramenta elétrica" nos avisos refere-se às ferramentas elétricas ligadas à corrente elétrica (com cabo) ou às ferramentas elétricas operadas por meio de bateria (sem cabo).

Avisos de segurança do grampeador a bateria

1. **Assuma sempre que a ferramenta contém fixadores.** Um manuseamento descuidado do agrafador pode resultar em disparo inesperado dos fixadores e em ferimentos pessoais.
2. **Não aponte a ferramenta na sua direção ou na de alguém nas proximidades.** O disparo inesperado descarregará o fixador provocando um ferimento.
3. **Não acione a ferramenta a não ser que ela esteja colocada firmemente contra a peça de trabalho.** Se a ferramenta não estiver em contacto com a peça de trabalho, o fixador pode ser desviado do alvo.
4. **Desligue a ferramenta da fonte de energia quando o fixador fica encravado na ferramenta.** Enquanto remove um fixador encravado, o agrafador pode ser ativado acidentalmente se estiver ligado à corrente.
5. **Tenha todo o cuidado enquanto remove um fixador encravado.** O mecanismo pode estar sob compressão e o agrafe pode ser descarregado com força enquanto tenta libertar-se de uma condição de encravamento.
6. **Não utilize esta ferramenta para prender cabos elétricos.** Ela não foi concebida para a instalação de cabos elétricos e pode danificar o isolamento dos cabos elétricos, causando dessa forma choque elétrico ou perigo de incêndio.
7. **Use sempre óculos de segurança ou proteção com proteção lateral e uma viseira total para a face, quando necessário.**
8. **Mantenha as mãos e pés afastados da área da porta de ejeção.**
9. **Retire sempre a bateria antes de carregar fixadores, ajustar, inspecionar, realizar a manutenção ou depois de terminar a operação.**
10. **Certifique-se de que não há ninguém por perto antes de realizar a operação.** Nunca tente disparar fixadores tanto a partir de dentro como de fora da parede ao mesmo tempo. Os fixadores podem dilacerar e/ou voar, apresentando um perigo grave.
11. **Tenha cuidado e mantenha-se numa posição firme e equilibrada ao utilizar a ferramenta.** Certifique-se de que ninguém está por baixo quando trabalha em locais altos.
12. **Verifique cuidadosamente as paredes, tetos, pisos, telhados e similares para evitar possíveis choques elétricos, fugas de gás, explosões, etc. causados por agrafar fios condutores, condutas ou tubos de gás.**
13. **Utilize apenas os fixadores especificados neste manual.** A utilização de quaisquer outros fixadores pode provocar um mau

funcionamento da ferramenta.

14. **Não interfira com a ferramenta nem tente utilizá-la para outros fins além de colocar fixadores.**
15. **Não utilize a ferramenta sem fixadores.** Isso reduz a vida da ferramenta.
16. **Pare imediatamente as operações de acionamento se reparar em algo de errado ou fora do normal com a ferramenta.**
17. **Nunca utilize em materiais que permitam que o fixador fure e seja projetado através do mesmo.**
18. **Nunca faça atuar o gatilho e o elemento de contacto até estar preparado para agrafar peças de trabalho.** Nunca contrarie a sua finalidade retendo o elemento de contacto ou pressionando-o à mão.
19. **Não interfira com o elemento de contacto.** Verifique o elemento de contacto frequentemente para ver se está a funcionar corretamente.

GUARDE ESTAS INSTRUÇÕES.

AVISO: NÃO permita que conforto ou familiaridade com o produto (adquirido com o uso repetido) substitua a aderência estrita às regras de segurança da ferramenta. MÁ INTERPRETAÇÃO ou não seguimento das regras de segurança estabelecidas neste manual de instruções pode causar danos pessoais sérios.

Instruções de segurança importantes para a bateria

1. **Antes de utilizar a bateria, leia todas as instruções e etiquetas de precaução no (1) carregador de bateria (2) bateria e (3) produto que utiliza a bateria.**
2. **Não desmonte ou manipule a bateria.** Pode resultar num incêndio, em calor excessivo ou numa explosão.
3. **Se o tempo de funcionamento se tornar excessivamente curto, pare o funcionamento imediatamente.** Pode resultar em sobreaquecimento, possíveis queimaduras e mesmo explosão.
4. **Se entrar eletrólito nos seus olhos, lave-os com água e consulte imediatamente um médico.** Pode resultar em perda de visão.
5. **Não coloque a bateria em curto-circuito:**
 - (1) Não toque nos terminais com qualquer material condutor.
 - (2) Evite guardar a bateria juntamente com outros objetos metálicos tais como pregos, moedas, etc.
 - (3) Não exponha a bateria à água ou chuva. Um curto-circuito pode ocasionar um enorme fluxo de corrente, sobreaquecimento, possíveis queimaduras e mesmo estragar-se.
6. **Não guarde nem utilize a ferramenta e a bateria em locais onde a temperatura pode atingir ou exceder 50 °C.**
7. **Não queime a bateria mesmo que esteja estragada ou completamente gasta.** A bateria pode

explodir no fogo.

8. Não preegue, corte, esmague, atire, deixe cair a bateria, nem bata a bateria contra um objeto rijo. Esta conduta pode resultar num incêndio, em calor excessivo ou numa explosão.
9. Não utilize uma bateria danificada.
10. As baterias de íões de lítio contidas na ferramenta são sujeitas aos requisitos da DGL (Dangerous Goods Legislation - Legislação de bens perigosos).
Para o transporte comercial, por exemplo, por terceiros ou agentes de expedição, têm de ser observados os requisitos referentes à embalagem e etiquetagem.
Para preparação do artigo a ser expedido, é necessário consultar um perito em materiais perigosos. Tenha ainda em conta a possibilidade de existirem regulamentos nacionais mais detalhados.
Coloque fita-cola ou tape os contactos abertos e embale a bateria de tal forma que não possa mover-se dentro da embalagem.
11. Quando eliminar a bateria, remova-a da ferramenta e elimine-a num local seguro. Siga os regulamentos locais relacionados com a eliminação de baterias.
12. Utilize as baterias apenas com os produtos especificados pela Makita. Instalar as baterias em produtos não-conformes poderá resultar num incêndio, calor excessivo, explosão ou fuga de eletrólito.
13. Se a ferramenta não for utilizada durante um período de tempo prolongado, a bateria deve ser removida da ferramenta.
14. Durante e após a utilização, a bateria pode aquecer, o que pode provocar queimaduras ou queimaduras a baixa temperatura. Preste atenção ao manuseamento de baterias quentes.
15. Não toque no terminal da ferramenta imediatamente após a utilização, pois pode ficar suficientemente quente para provocar queimaduras.
16. Não permita a adesão de aparas, pó ou sujidade nos terminais, nos orifícios e nas ranhuras da bateria. Poderá fazer com que a ferramenta ou a bateria aqueça, incendeie, rebente e avarie, resultando em queimaduras ou ferimentos corporais.
17. A menos que a ferramenta suporte a utilização perto de linhas elétricas de alta tensão, não utilize a bateria perto de linhas elétricas de alta tensão. Pode resultar no mau funcionamento ou na avaria da ferramenta ou bateria.
18. Mantenha a bateria afastada das crianças.

GUARDE ESTAS INSTRUÇÕES.

⚠️ PRECAUÇÃO: Utilize apenas baterias genuínas da Makita. A utilização de baterias não genuínas da Makita ou de baterias que foram alteradas, pode resultar no rebentamento da bateria provocando incêndios, ferimentos pessoais e danos. Além disso, anulará da garantia da Makita no que se refere à ferramenta e ao carregador Makita.

Conselhos para manter a

máxima vida útil da bateria

1. Carregue a bateria antes que esteja completamente descarregada. Pare sempre o funcionamento da ferramenta e carregue a bateria quando notar menos poder na ferramenta.
2. Nunca carregue uma bateria completamente carregada. Carregamento excessivo diminui a vida útil da bateria.
3. Carregue a bateria à temperatura ambiente de 10 °C – 40 °C. Deixe que uma bateria quente arrefeça antes de a carregar.
4. Quando não utilizar a bateria, remova-a da ferramenta ou do carregador.

DESCRIÇÃO FUNCIONAL

⚠️ PRECAUÇÃO: Certifique-se sempre de que a ferramenta está desligada e a bateria foi retirada antes de regular ou verificar qualquer função na ferramenta.

Instalação ou remoção da bateria

⚠️ PRECAUÇÃO: Desligue sempre a ferramenta antes de colocar ou retirar a bateria.

⚠️ PRECAUÇÃO: Segure firmemente a ferramenta e a bateria quando instalar ou remover a bateria. Se não segurar firmemente a ferramenta e a bateria pode fazer com que escorreguem das suas mãos resultando em danos na ferramenta e na bateria e ferimentos pessoais.

Para instalar a bateria, alinhe a lingueta na bateria com a ranhura na caixa e deslize-a para a posição correta. Insira-a por completo até bloquear na posição correta com um pequeno clique. Se conseguir ver o indicador vermelho conforme apresentado na figura, não está completamente bloqueada.

Para retirar a bateria, deslize-a para fora da ferramenta enquanto desliza o botão na frente da bateria.

► Fig.1: 1. Indicador vermelho 2. Botão 3. Bateria

⚠️ PRECAUÇÃO: Instale sempre a bateria até ao fim, até deixar de ver o indicador vermelho. Caso contrário, a bateria poderá cair da ferramenta acidentalmente e provocar ferimentos em si mesmo ou em alguém próximo.

⚠️ PRECAUÇÃO: Não instale a bateria à força. Se a bateria não deslizar facilmente é porque não foi colocada corretamente.

Sistema de proteção da bateria

A ferramenta está equipada com um sistema de proteção da bateria. Este sistema corta automaticamente a energia para o motor a fim de prolongar a vida útil da bateria.

A ferramenta para automaticamente durante o funcionamento se a mesma e/ou a bateria estiver numa das seguintes circunstâncias:

Sobrecarga:

A ferramenta é utilizada de tal forma que puxa uma corrente elevada demais. Neste caso, desligue a ferramenta e pare a aplicação que fez com que a ferramenta ficasse sobrecarregada. Depois, ligue a ferramenta para a reiniciar. Se a ferramenta não reiniciar, a bateria está sobreaquecida. Nesta situação, deixe a bateria arrefecer antes de voltar a ligar a ferramenta.

Baixa tensão da bateria:









A restante capacidade da bateria é demasiado baixa e a ferramenta não irá operar. Se ligar a ferramenta, o motor não funciona ou o motor funciona novamente mas para de seguida. Neste caso, retire e recarregue a bateria.

Indicação da capacidade restante da bateria

Apenas para baterias com indicador

► Fig.2: 1. Luzes indicadoras 2. Botão de verificação

Prima o botão de verificação na bateria para indicar a capacidade restante da bateria. As luzes indicadoras acendem durante alguns segundos.

Luzes indicadoras		Carga restante
Aceso	Desligada	
		75% a 100%
		50% a 75%
		25% a 50%
		0% a 25%

NOTA: Dependendo das condições de utilização e da temperatura ambiente, a indicação pode ser ligeiramente diferente da capacidade real.

Ação do interruptor

PRECAUÇÃO: Antes de colocar a bateria na ferramenta, verifique sempre se o gatilho do interruptor funciona corretamente e volta para a posição "OFF" quando libertado.

PRECAUÇÃO: Quando não estiver a utilizar a ferramenta, prima o botão de bloqueio do gatilho a partir do lado B para bloquear o gatilho na posição de desligado.

► Fig.3: 1. Botão de bloqueio do gatilho 2. Gatilho

Para evitar que o gatilho seja puxado acidentalmente, é fornecido o botão de bloqueio do gatilho. Para puxar o gatilho, prima o botão de bloqueio do gatilho a partir do lado A. Depois de utilizar, prima sempre o botão de bloqueio do gatilho a partir do lado B.

Acender a luz

PRECAUÇÃO: Não olhe para a luz ou para a fonte de iluminação diretamente.

► Fig.5: 1. Lâmpada

Puxe o gatilho ou acione o elemento de contacto para acender a luz. A luz mantém-se acesa enquanto estiver a puxar o gatilho ou a acionar o elemento de contacto. A luz apaga-se aproximadamente 10 segundos depois de libertar o gatilho e o elemento de contacto.

NOTA: Utilize um pano seco para limpar a sujidade da lente da lâmpada. Tenha cuidado para não riscar a lente da lâmpada ou a iluminação pode ficar enfraquecida.

MONTAGEM

PRECAUÇÃO: Certifique-se sempre de que a bateria foi retirada antes de efetuar qualquer trabalho no agrafador.

Agrafes

PRECAUÇÃO: Não use agrafes diferentes dos designados neste manual nem agrafes que pareçam estar danificados, dobrados, com ferrugem ou corrosão.

PRECAUÇÃO: Carregue agrafes do mesmo tipo, tamanho e comprimento uniforme quando carregar várias tiras de agrafes no magazine.

OBSERVAÇÃO: Manuseie os agrafes e a respetiva caixa com cuidado. Se os agrafes forem tratados sem o devido cuidado, podem ficar dobrados ou sem a forma adequada, provocando má alimentação ou encravamento dos agrafes.

OBSERVAÇÃO: Evite guardar os agrafes num local muito húmido ou muito quente ou num local exposto à luz solar direta.

Carregar agrafes

AVISO: Quando carregar agrafes, certifique-se sempre de que a bateria foi retirada do agrafador. O disparo não intencional pode provocar ferimentos pessoais e danos na propriedade.

PRECAUÇÃO: Depois de carregar os agrafes, certifique-se que o submagazine está verdadeiramente fechado. Deixar os agrafes sair do magazine, pode provocar ferimentos ao operador ou a outras pessoas que possam estar a observar, especialmente quando se trabalha em locais altos.

1. Retire a bateria.
2. Aperte a alavanca de bloqueio e deslize o submagazine para trás.

► Fig.6: 1. Alavanca de bloqueio 2. Submagazine

3. Carregue agrafes no magazine principal com as pernas voltadas para cima.

► **Fig.7:** 1. Agrafes 2. Magazine principal

4. Depois de carregar os agrafes, puxe o submagazine para trás para o colocar no lugar, até dar um estalido.

Para remover os agrafes, siga os procedimentos de instalação pela ordem inversa.

Gancho

⚠PRECAUÇÃO: Não pendure o gancho no cinto para a cintura. Deixar cair o agrafador, o que é provocado por o gancho sair acidentalmente do lugar, pode provocar o disparo não intencional e resultar em ferimentos pessoais.

► **Fig.8**

⚠AVISO: Utilize as peças de suspensão/montagem exclusivamente para as respetivas finalidades, por exemplo, pendurar a ferramenta num cinto de ferramentas entre trabalhos ou intervalos de trabalho.

⚠AVISO: Tenha cuidado para não sobrecarregar o gancho, pois a força excessiva ou sobrecarga irregular poderão causar danos na ferramenta, resultando em ferimentos corporais.

⚠PRECAUÇÃO: Quando instalar o gancho, fixe-o sempre firmemente com o parafuso. Caso contrário, o gancho sai da ferramenta, resultando em lesão física.

⚠PRECAUÇÃO: Certifique-se de que pendura a ferramenta em segurança antes de soltá-la. Enganchar de forma insuficiente ou desequilibrada poderá causar quedas e poderá ferir-se.

NOTA: Quando utilizar a ferramenta com a bateria BL1050B, é necessário o gancho opcional dedicado para BL1050B.

O gancho é conveniente para pendurar a ferramenta temporariamente. Este pode ser instalado em qualquer um dos lados da ferramenta.

Para instalar o gancho, insira-o na ranhura na caixa da ferramenta em qualquer um dos lados e fixe-o com um parafuso. Para remover, solte o parafuso e retire-o.

► **Fig.9:** 1. Ranhura 2. Gancho 3. Parafuso

OPERAÇÃO

Testar o sistema de segurança

⚠AVISO: Certifique-se de que todos os sistemas de segurança estão a funcionar adequadamente antes da operação. Caso contrário, pode provocar ferimentos pessoais.

► **Fig.10:** 1. Botão de bloqueio do gatilho 2. Gatilho 3. Elemento de contacto 4. Submagazine

Teste os sistemas de segurança quanto a possível falha antes da operação, como se segue.

1. Descarregue os agrafes da ferramenta e mantenha o submagazine aberto.

2. Instale a bateria.

3. Puxe apenas o gatilho sem tocar no elemento de contacto encostado ao material.

4. Toque apenas no elemento de contacto encostado ao material sem puxar o gatilho.

Se a ferramenta funcionar no caso de 3 e 4 acima, os sistemas de segurança estão avariados. Pare a utilização da ferramenta imediatamente e peça ajuda ao centro de assistência local.

Colocar os agrafes

⚠AVISO: Continue a colocar o elemento de contacto firmemente sobre o material até o agrafe ser disparado completamente. O disparo não intencional pode provocar ferimentos pessoais.

► **Fig.11:** 1. Gatilho 2. Elemento de contacto 3. Parte da frente 4. Parte de trás

Pode operar a ferramenta de qualquer uma das formas de "atuação sequencial simples" ou "atuação de contacto".

Atuação sequencial simples:

Neste modo, pode disparar um agrafe por meio de uma operação sequencial.

1. Coloque o elemento de contacto encostado ao material.

2. Segure a parte da frente e a parte de trás da ferramenta firmemente contra o material.

3. Puxe o gatilho até ao fim para disparar os agrafes.

4. Solte o dedo do gatilho antes de mover o elemento de contacto do material.

Atuação de contacto:

Neste modo, pode disparar agrafes sequencialmente.

1. Puxe o gatilho.

2. Com o gatilho puxado, coloque o elemento de contacto encostado ao material para disparar os agrafes.

3. Mova a ferramenta para a área seguinte e coloque novamente o elemento de contacto encostado ao material.

NOTA: A ranhura indica o ponto em que o agrafe é disparado.

► **Fig.12:** 1. Ranhura

Quando a cabeça do agrafe permanecer acima da superfície da peça de trabalho, dispare o agrafe enquanto segura firmemente a cabeça do agrafador contra a peça de trabalho.

► **Fig.13**

NOTA: Se a cabeça do agrafe permanecer acima da peça de trabalho mesmo quando segura na cabeça do agrafador, o material poderá não ser adequado para o agrafador. Continuar a utilizar o agrafador nesse material pode provocar danos no acionador do agrafador e/ou encravamento no agrafador.

Mecanismo antidisparo a seco

⚠️ AVISO: Quando carregar agrafes, certifique-se sempre de que a bateria foi retirada do agrafador. O disparo não intencional pode provocar ferimentos pessoais e danos na propriedade.

Esta ferramenta está equipada com um mecanismo antidisparo a seco. Quando o número de agrafes restantes no magazine é de 5 a 8 peças, o gatilho deixa de poder ser puxado. Nesta altura, insira uma nova tira de agrafes no magazine. O gatilho pode ser puxado novamente.

Verificar os agrafes restantes

► **Fig.14:** 1. Janela de observação 2. Puxador 3. Agrafes

Os agrafes restantes podem ser verificados através da janela de observação. Volte a carregar os agrafes quando já não conseguir ver agrafes através da janela de observação.

Remover os agrafes encravados

⚠️ AVISO: Certifique-se sempre de que a bateria foi retirada antes de remover agrafes encravados.

Abra o submagazine para trás e retire os agrafes encravados da abertura de disparo.

► **Fig.15:** 1. Abertura 2. Submagazine

MANUTENÇÃO

⚠️ PRECAUÇÃO: Certifique-se sempre de que a ferramenta se encontra desligada e de que a bateria foi retirada antes de executar qualquer inspeção ou manutenção.

OBSERVAÇÃO: Nunca utilize gasolina, benzina, diluente, álcool ou produtos semelhantes. Pode ocorrer a descoloração, deformação ou rachaduras.

Para manter a SEGURANÇA e a FIABILIDADE do produto, as reparações e qualquer outra manutenção ou ajuste devem ser levados a cabo pelos centros de assistência Makita autorizados ou pelos centros de assistência de fábrica, utilizando sempre peças de substituição Makita.

ACESSÓRIOS OPCIONAIS

⚠️ PRECAUÇÃO: Estes acessórios ou peças são recomendados para utilização com a ferramenta Makita especificada neste manual. A utilização de outros acessórios ou peças pode ser perigosa para as pessoas. Utilize apenas acessórios ou peças para os fins indicados.

Se necessitar de informações adicionais relativas a estes acessórios, solicite-as ao seu centro de assistência Makita.

- Agrafes
- Gancho
- Bateria e carregador genuínos da Makita
- Conjunto do regulador de profundidade

NOTA: Alguns itens da lista podem estar incluídos na embalagem da ferramenta como acessórios padrão. Eles podem variar de país para país.

ΠΡΟΔΙΑΓΡΑΦΕΣ

Μοντέλο:	ST113D
Πλάτος συρραπτικών	10 mm
Ισχύον μήκος συρραπτικών	7 mm - 10 mm
Χωρητικότητα γεμιστήρα συρραπτικών	150 τεμάχια
Διαστάσεις χωρίς γάντζο (Μ x Π x Υ)	211 mm x 81 mm x 159 mm
Ονομαστική τάση	D.C. 10,8 V - 12 V max
Καθαρό βάρος	1,3 - 1,5 kg

- Λόγω του συνεχιζόμενου προγράμματος έρευνας και ανάπτυξης, οι προδιαγραφές αυτές υπόκεινται σε αλλαγές χωρίς προειδοποίηση.
- Οι προδιαγραφές και η κασέτα μπαταριών μπορεί να διαφέρουν ανάλογα με τη χώρα.
- Βάρος, με κασέτα μπαταριών, σύμφωνα με τη διαδικασία ΕΡΤΑ 01/2003

Ισχύουσα κασέτα μπαταριών και φορτιστής

Κασέτα μπαταρίας	BL1016 / BL1021B / BL1041B / BL1050B
Φορτιστής	DC10SA / DC10SB / DC10WC / DC10WD / DC18RE

- Ορισμένες από τις κασέτες και τους φορτιστές μπαταριών που αναγράφονται παραπάνω ίσως να μην είναι διαθέσιμοι, ανάλογα με την τοποθεσία κατοικίας σας.

▲ΠΡΟΕΙΔΟΠΟΙΗΣΗ: Να χρησιμοποιείτε μόνο τις κασέτες μπαταριών και τους φορτιστές που παρατίθενται ανωτέρω. Η χρήση οποιασδήποτε άλλης κασέτας μπαταριών ή φορτιστή μπορεί να προκαλέσει τραυματισμό ή/και πυρκαγιά.

Προοριζόμενη χρήση

Το εργαλείο προορίζεται για την τοποθέτηση συρραπτικών σε οικοδομικά υλικά όπως ξύλο.

Θόρυβος

Το τυπικό Α επίπεδο καταμετρημένου θορύβου καθορίζεται σύμφωνα με το EN60745:

Στάθμη ηχητικής πίεσης (L_{pA}): 75 dB (A)

Αβεβαιότητα (K): 3 dB (A)

Η ένταση θορύβου υπό συνθήκες εργασίας μπορεί να υπερβεί τα 80 dB (A).

▲ΠΡΟΕΙΔΟΠΟΙΗΣΗ: Να φοράτε ωτοασπίδες.

Κραδασμός

Η ολική τιμή δόνησης καθορίζεται σύμφωνα με το EN60745:

Εκπομπή δόνησης (a_h): 2,5 m/s² ή λιγότερο

Αβεβαιότητα (K): 1,5 m/s²

ΠΑΡΑΤΗΡΗΣΗ: Η δηλωμένη τιμή(ές) συνολικών κραδασμών έχει μετρηθεί σύμφωνα με την πρότυπη μέθοδο δοκιμής και μπορεί να χρησιμοποιηθεί για τη σύγκριση ενός εργαλείου με κάποιο άλλο.

ΠΑΡΑΤΗΡΗΣΗ: Η δηλωμένη τιμή(ές) συνολικών κραδασμών μπορεί να χρησιμοποιηθεί και στην προκαταρκτική αξιολόγηση της έκθεσης.

▲ΠΡΟΕΙΔΟΠΟΙΗΣΗ: Η εκπομπή κραδασμών κατά τη χρήση του ηλεκτρικού εργαλείου σε πραγματικές συνθήκες μπορεί να διαφέρει από τη δηλωμένη τιμή(ές) εκπομπής ανάλογα με τους τρόπους χρήσης του εργαλείου, ιδιαίτερα το είδος του τεμαχίου εργασίας που υπόκειται επεξεργασία.

▲ΠΡΟΕΙΔΟΠΟΙΗΣΗ: Φροντίστε να λάβετε τα κατάλληλα μέτρα προστασίας του χειριστή βάσει ενός υπολογισμού της έκθεσης σε πραγματικές συνθήκες χρήσης (λαμβάνοντας υπόψη όλες τις συνιστώσες του κύκλου λειτουργίας όπως τους χρόνους που το εργαλείο είναι εκτός λειτουργίας και όταν βρίσκεται σε αδρανή λειτουργία πέραν του χρόνου ενεργοποίησης).

Δήλωση Συμμόρφωσης

Μόνο για χώρες της Ευρώπης

Οι Δήλωσης Συμμόρφωσης περιλαμβάνονται στο Παράρτημα Α στο παρόν χειρίδιο οδηγιών.

ΠΡΟΕΙΔΟΠΟΙΗΣΕΙΣ ΑΣΦΑΛΕΙΑΣ

Γενικές προειδοποιήσεις ασφαλείας για το ηλεκτρικό εργαλείο

▲ΠΡΟΕΙΔΟΠΟΙΗΣΗ Διαβάστε όλες τις προειδοποιήσεις ασφάλειας, οδηγίες, εικονογραφήσεις και προδιαγραφές που παρέχονται με αυτό το ηλεκτρικό εργαλείο. Η μη τήρηση όλων των οδηγιών που αναγράφονται κατωτέρω μπορεί να καταλήξει σε ηλεκτροπληξία, πυρκαγιά ή/και σοβαρό τραυματισμό.

Φυλάξτε όλες τις προειδοποιήσεις και τις οδηγίες για μελλοντική παραπομπή.

Στις προειδοποιήσεις, ο όρος «ηλεκτρικό εργαλείο» αναφέρεται σε ηλεκτρικό εργαλείο που τροφοδοτείται από την κύρια παροχή ηλεκτρικού ρεύματος (με ηλεκτρικό καλώδιο) ή σε ηλεκτρικό εργαλείο που τροφοδοτείται από μπαταρία (χωρίς ηλεκτρικό καλώδιο).

Προειδοποιήσεις ασφαλείας για τον φορητό καρφωτή

1. **Να υποθέσετε πάντα ότι το εργαλείο περιέχει συνδετήρες.** Ο απρόσεκτος χειρισμός του καρφωτή μπορεί να καταλήξει σε μη αναμενόμενη πυροδότηση συνδετήρων και τραυματισμό.
2. **Μην στρέψετε το εργαλείο προς το μέρος σας ή προς οποιοδήποτε άλλο άτομο εκεί κοντά.** Η μη αναμενόμενη πυροδότηση προκαλεί εκτίναξη του συνδετήρα προκαλώντας τραυματισμό.
3. **Μην ενεργοποιείτε το εργαλείο εκτός εάν έχετε τοποθετήσει το εργαλείο σταθερά σε επαφή με το τεμάχιο εργασίας.** Εάν το εργαλείο δεν έχει τοποθετηθεί σταθερά σε επαφή με το τεμάχιο εργασίας, ο συνδετήρας μπορεί να εκτραπεί από το στόχο του.
4. **Αποσυνδέστε το εργαλείο από την πηγή τροφοδοσίας όταν παρουσιαστεί εμπλοκή του συνδετήρα μέσα στο εργαλείο.** Όταν επιχειρήσετε να αφαιρέσετε έναν μπλοκαρισμένο συνδετήρα, ο καρφωτής μπορεί να ενεργοποιηθεί τυχαία εάν είναι συνδεδεμένος.
5. **Να είστε προσεκτικοί κατά την αφαίρεση ενός μπλοκαρισμένου συνδετήρα.** Ο μηχανισμός μπορεί να βρίσκεται υπό συμπίεση και ο συνδετήρας να εκτιναχθεί βίαια όταν επιχειρήσετε να ελευθερώσετε ένα μπλοκαρισμένο εργαλείο.
6. **Μην χρησιμοποιείτε αυτόν τον καρφωτή για τη στερέωση ηλεκτρικών καλωδίων.** Δεν είναι σχεδιασμένο για την τοποθέτηση ηλεκτρικών καλωδίων και μπορεί να προκαλέσει βλάβη στη μόνωση των ηλεκτρικών καλωδίων με αποτέλεσμα να προκληθεί ηλεκτροπληξία ή κίνδυνος πυρκαγιάς.
7. **Να φοράτε πάντα προστατευτικά γυαλιά-προσωπίδες ή γυαλιά ασφάλειας με πλαϊνά προστατευτικά και προσωπίδα ολόκληρου προσώπου όταν χρειάζεται.**

8. **Να κρατάτε τα χέρια και τα πόδια σας μακριά από την περιοχή της θύρας εκτίναξης.**
9. **Να βγάζετε πάντα την κασέτα μπαταριών πριν την τοποθέτηση συνδετήρων, τη ρύθμιση, τον έλεγχο, τη συντήρηση ή μετά το τέλος της λειτουργίας.**
10. **Σιγουρευτείτε ότι δεν βρίσκεται κανείς κοντά σας πριν από τη λειτουργία.** Μην προσπαθήσετε ποτέ να καρφώσετε συνδετήρες ταυτόχρονα από την εσωτερική και την εξωτερική πλευρά του τοίχου. Οι συνδετήρες μπορεί να διαπεράσουν τον τοίχο ή/και να πεταχτούν βίαια, προκαλώντας πολύ σοβαρό κίνδυνο.
11. **Προσέχετε το στήριγμα των ποδιών σας και διατηρείτε την ισορροπία σας με το εργαλείο.** Βεβαιωθείτε ότι δεν υπάρχει κανείς από κάτω όταν εργάζεστε σε υψηλές τοποθεσίες.
12. **Να ελέγχετε προσεκτικά τους τοίχους, τις οροφές, τα πατώματα, τις στέγες και παρόμοια για να αποφεύγετε πιθανή ηλεκτροπληξία, διαρροή αερίου, εκρήξεις, κτλ. που προκαλούνται από την τοποθέτηση συρραπτικών σε ηλεκτροφόρα καλώδια, αγωγούς ή σωλήνες αερίων.**
13. **Να χρησιμοποιείτε μόνο συνδετήρες που υποδεικνύονται σε αυτό το εγχειρίδιο.** Εάν χρησιμοποιήσετε άλλους συνδετήρες, μπορεί να προκληθεί δυσλειτουργία του εργαλείου.
14. **Μην παραβιάζετε το εργαλείο και μην προσπαθείτε να το χρησιμοποιείτε για άλλο σκοπό εκτός από το κάρφωμα συνδετήρων.**
15. **Μη θέτετε το εργαλείο σε λειτουργία χωρίς συνδετήρες.** Συντομεύει τη διάρκεια ζωής του εργαλείου.
16. **Να σταματάτε αμέσως τις εργασίες καρφώματος εάν παρατηρήσετε ότι κάτι δεν πάει καλά ή είναι ασυνήθιστο για το εργαλείο.**
17. **Μην συρράφετε ποτέ πάνω σε υλικά που μπορεί να επιτρέψουν στο συνδετήρα να τα διαρτυρήσει και να εκτοξευτεί μέσα από αυτά.**
18. **Μην ενεργοποιείτε ποτέ τη σκανδάλη διακόπτη και το στοιχείο επαφής προτού είστε έτοιμοι για τη συρραφή τεμαχίων εργασίας.** Μην ακυρώσετε ποτέ τη λειτουργία του με το να ασφαλίσετε το στοιχείο επαφής πίσω ή με το να τον πατάτε με το χέρι.
19. **Μην παραβιάζετε ποτέ το στοιχείο επαφής. Να ελέγχετε συχνά το στοιχείο επαφής για σωστή λειτουργία.**

ΦΥΛΑΞΤΕ ΤΙΣ ΟΔΗΓΙΕΣ ΑΥΤΕΣ.

▲ΠΡΟΕΙΔΟΠΟΙΗΣΗ: ΜΗΝ επιτρέψετε το βαθμό άνεσης ή εξοικείωσης με το προϊόν (λόγω επανειλημμένης χρήσης) να αντικαταστήσει την αυστηρή τήρηση των κανόνων ασφαλείας του παρόντος εργαλείου. Η ΛΑΝΘΑΣΜΕΝΗ ΧΡΗΣΗ ή η αμέλεια να ακολουθήσετε τους κανόνες ασφαλείας που διατυπώνονται στο παρόν εγχειρίδιο οδηγιών μπορεί να προκαλέσει σοβαρό προσωπικό τραυματισμό.

Σημαντικές οδηγίες ασφάλειας για κασέτα μπαταριών

1. Πριν χρησιμοποιήσετε την κασέτα μπαταριών, διαβάστε όλες τις οδηγίες και σημειώσεις προφύλαξης (1) στον φορτιστή μπαταριών, (2) στην μπαταρία και (3) στο προϊόν που χρησιμοποιείτε την μπαταρία.
2. Μην απουναρμολογήσετε ή παραβιάσετε την κασέτα μπαταριών. Μπορεί να έχει ως αποτέλεσμα πυρκαγιά, υπερθέρμανση ή έκρηξη.
3. Εάν ο χρόνος λειτουργίας έχει γίνει υπερβολικά βραχύς, σταματήστε τη λειτουργία αμέσως. Αλλιώς, μπορεί να έχει ως αποτέλεσμα κίνδυνο υπερθέρμανσης, πιθανά εγκαύματα ή ακόμη και έκρηξη.
4. Εάν ηλεκτρολύτης μπει στα μάτια σας, ξεπλύνετε τα με καθαρό νερό και ζητήστε ιατρική φροντίδα αμέσως. Αλλιώς, μπορεί να έχει ως αποτέλεσμα απώλεια της όρασης σας.
5. Μην βραχυκυκλώνετε την κασέτα μπαταριών:
 - (1) Μην αγγίζετε τους πόλους με οτιδήποτε αγώγιμο υλικό.
 - (2) Αποφεύγετε να αποθηκεύετε την κασέτα μπαταριών μέσα σε ένα δοχείο μαζί με άλλα μεταλλικά αντικείμενα όπως καρφιά, νομίσματα, κλπ.
 - (3) Μην εκθέτετε την κασέτα μπαταριών στο νερό ή στη βροχή.Ένα βραχυκύκλωμα μπαταρίας μπορεί να προκαλέσει μεγάλη ροή ρεύματος, υπερθέρμανση, πιθανά εγκαύματα ακόμη και σοβαρή βλάβη.
6. Μην αποθηκεύετε και μην χρησιμοποιείτε το εργαλείο και την κασέτα μπαταριών σε τοποθεσίες όπου η θερμοκρασία μπορεί να φτάσει ή να ξεπεράσει τους 50°C.
7. Μην καίτε την κασέτα μπαταριών ακόμη και εάν έχει σοβαρή ζημιά ή είναι εντελώς φθαρμένη. Η κασέτα μπαταριών μπορεί να εκραγεί στη φωτιά.
8. Μην καρφώσετε, κόψετε, συνθλίψετε, πετάξετε ή ρίξετε κάτω την κασέτα μπαταριών, ούτε να χτυπήσετε ένα σκληρό αντικείμενο επάνω στην κασέτα μπαταριών. Τέτοια συμπεριφορά μπορεί να έχει ως αποτέλεσμα πυρκαγιά, υπερθέρμανση ή έκρηξη.
9. Μην χρησιμοποιείτε μπαταρία που έχει υποστεί ζημιά.
10. Οι μπαταρίες ιόντων λιθίου που περιέχονται υπόκεινται στις απαιτήσεις της νομοθεσίας για επικίνδυνα αγαθά.

Για εμπορικές μεταφορές, για παράδειγμα από τρίτα μέρη, πρέπει να τηρούνται οι διαμεταφορές, οι ειδικές απαιτήσεις στη συσκευασία και η επισήμανση.

Για προετοιμασία του στοιχείου που αποστέλλεται, είναι απαραίτητο να συμβουλευτείτε έναν ειδικό για επικίνδυνα υλικά. Επίσης, τηρήστε τους πιθανούς, πιο αναλυτικούς εθνικούς κανονισμούς. Καλύψτε με αυτοκόλλητη ταινία ή κρύψτε τις ανοικτές επαφές και συσκευάστε την μπαταρία με τρόπο που να μην μπορεί να μετακινείται μέσα στη συσκευασία.

11. Όταν απορρίπτετε την κασέτα μπαταριών, αφαιρέστε την από το εργαλείο και διαθέστε τη σε ένα ασφαλές μέρος. Τηρήστε τους τοπικούς κανονισμούς που σχετίζονται με τη διάθεση της μπαταρίας.
12. Χρησιμοποιήστε τις μπαταρίες μόνο με τα προϊόντα που καθορίζει η Makita. Αν τοποθετήσετε τις μπαταρίες σε μη συμβατά προϊόντα μπορεί να έχει ως αποτέλεσμα πυρκαγιά, υπερβολική θερμότητα, έκρηξη ή διαρροή ηλεκτρολύτη.
13. Αν δεν χρησιμοποιείτε το εργαλείο για μεγάλο χρονικό διάστημα, πρέπει να βγάλετε την μπαταρία από το εργαλείο.
14. Κατά τη διάρκεια και μετά τη χρήση, η κασέτα μπαταριών μπορεί να θερμανθεί, γεγονός που μπορεί να προκαλέσει εγκαύματα ή εγκαύματα από χαμηλή θερμοκρασία. Προσεύχεται το χειρισμό των ζεστών κασετών μπαταριών.
15. Μην αγγίζετε τον ακροδέκτη του εργαλείου αμέσως μετά τη χρήση επειδή μπορεί να έχει ζεσταθεί αρκετά για να προκαλέσει εγκαύματα.
16. Μην αφήνετε θραύσματα, σκόνη ή βρομιά να κολλήσει στους ακροδέκτες, τις οπές και τις εγκοπές της κασέτας μπαταριών. Μπορεί να προκαλέσει θέρμανση, φωτιά, έκρηξη και δυσλειτουργία του εργαλείου ή της κασέτας μπαταριών, έχοντας ως αποτέλεσμα εγκαύματα ή προσωπικό τραυματισμό.
17. Εκτός αν το εργαλείο υποστηρίζει τη χρήση κοντά σε ηλεκτρικές γραμμές υψηλής τάσης, μην χρησιμοποιείτε την κασέτα μπαταριών κοντά σε ηλεκτρικές γραμμές υψηλής τάσης. Μπορεί να έχει ως αποτέλεσμα δυσλειτουργία ή στάσιμο του εργαλείου ή της κασέτας μπαταριών.
18. ΚρΦυλάξτε την μπαταρία μακριά από παιδιά.

ΦΥΛΑΞΤΕ ΤΙΣ ΟΔΗΓΙΕΣ ΑΥΤΕΣ.

▲ΠΡΟΣΟΧΗ: Να χρησιμοποιείτε μόνο γνήσιες μπαταρίες της Makita. Η χρήση μη γνήσιων μπαταριών Makita, ή μπαταριών που έχουν τροποποιηθεί, μπορεί να έχει ως αποτέλεσμα τη ρήξη της μπαταρίας, προκαλώντας πυρκαγιά, προσωπικό τραυματισμό και βλάβη. Επίσης, θα ακυρωθεί η εγγύηση της Makita για το εργαλείο και φορτιστή Makita.

Συμβουλές για τη διατήρηση της μέγιστης ζωής μπαταρίας

1. Φορτίζετε την κασέτα μπαταριών πριν από την πλήρη αποφόρτισή της. Πάντοτε να σταματάτε τη λειτουργία του εργαλείου και να φορτίζετε την κασέτα μπαταριών όταν παρατηρείτε μειωμένη ισχύ εργαλείου.
2. Ποτέ μην επαναφορτίζετε μια πλήρως φορτισμένη κασέτα μπαταριών. Η υπερφόρτιση μειώνει την ωφέλιμη ζωή της μπαταρίας.
3. Να φορτίζετε την κασέτα μπαταριών σε θερμοκρασία δωματίου, δηλαδή στους 10 °C έως 40 °C. Αφήστε μια θερμή κασέτα μπαταριών να κρυώσει πριν την φορτίσετε.
4. Όταν δεν χρησιμοποιείτε την κασέτα μπαταριών, αφαιρέστε την από το εργαλείο ή τον φορτιστή.

ΠΕΡΙΓΡΑΦΗ ΛΕΙΤΟΥΡΓΙΑΣ

▲ ΠΡΟΣΟΧΗ: Να φροντίζετε πάντα για την απενεργοποίηση του εργαλείου και την αφαίρεση της κασέτας μπαταρίας, πριν από οποιαδήποτε ρύθμιση ή έλεγχο της λειτουργίας του.

Τοποθέτηση ή αφαίρεση της κασέτας μπαταριών

▲ ΠΡΟΣΟΧΗ: Να σβήνετε πάντα το εργαλείο πριν τοποθετήσετε ή αφαιρέσετε την κασέτα μπαταριών.

▲ ΠΡΟΣΟΧΗ: Κρατήστε το εργαλείο και την κασέτα μπαταριών σταθερά κατά την τοποθέτηση ή αφαίρεση της κασέτας μπαταριών. Εάν δεν κρατάτε το εργαλείο και την κασέτα μπαταριών σταθερά μπορεί να γλιστρήσουν από τα χέρια σας και να προκληθεί βλάβη στο εργαλείο και την κασέτα μπαταριών και προσωπικός τραυματισμός.

Για να τοποθετήσετε την κασέτα μπαταριών, ευθυγραμμίστε τη γλώσσα στην κασέτα μπαταριών με την εγκοπή στο περίβλημα και ολισθήστε τη στη θέση της. Τοποθετήστε την μέχρι τέρμα μέχρι να ασφαλίσει στη θέση της, γεγονός που υποδεικνύεται με ένα χαρακτηριστικό ήχο. Αν μπορείτε να δείτε τον κόκκινο δείκτη όπως απεικονίζεται στην εικόνα, δεν έχει κλειδώσει τελείως.

Για να αφαιρέσετε την κασέτα μπαταριών, ολισθήστε την από το εργαλείο ενώ σύρετε το κουμπί στο μπροστινό μέρος της κασέτας.

► **Εικ.1:** 1. Κόκκινος δείκτης 2. Κουμπί 3. Κασέτα μπαταριών

▲ ΠΡΟΣΟΧΗ: Να τοποθετείτε πάντα την κασέτα μπαταριών πλήρως μέχρι να μη βλέπετε τον κόκκινο δείκτη. Εάν δεν ασφαλιστεί, μπορεί να πέσει από το εργαλείο τυχαία, προκαλώντας σωματική βλάβη σε εσάς ή κάποιον άλλο γύρω σας.

▲ ΠΡΟΣΟΧΗ: Μην τοποθετείτε την κασέτα μπαταριών με βία. Εάν η κασέτα δεν ολισθαίνει με ευκολία, τότε δεν έχει τοποθετηθεί κατάλληλα.

Σύστημα προστασίας μπαταρίας

Το εργαλείο είναι εξοπλισμένο με σύστημα προστασίας της μπαταρίας. Αυτό το σύστημα αποκόπτει αυτόματα την ισχύ προς το μοτέρ για να παραταθεί η διάρκεια ζωής της μπαταρίας.

Το εργαλείο σταματάει αυτόματα κατά τη διάρκεια της λειτουργίας αν το εργαλείο ή/και η μπαταρία βρεθούν κάτω από τις παρακάτω συνθήκες:

Υπερφόρτωση:

Το εργαλείο λειτουργεί με τρόπο ώστε να αναγκάζεται να καταναλώνει ασυνήθιστα υψηλό ρεύμα.

Σε αυτή την κατάσταση, σβήστε το εργαλείο και διακόψτε την εφαρμογή που προκαλεί την υπερφόρτωση του εργαλείου. Μετά, ενεργοποιήστε το εργαλείο για επανεκκίνηση.

Αν το εργαλείο δεν ξεκινάει, η μπαταρία έχει

υπερθερμανθεί. Σε αυτή την κατάσταση, αφήστε την μπαταρία να κρυώσει πριν ενεργοποιήσετε ξανά το εργαλείο.

Χαμηλή τάση μπαταρίας:









Η εναπομείνουσα χωρητικότητα μπαταρίας είναι πολύ χαμηλή και το εργαλείο δεν θα λειτουργήσει. Εάν ανάψετε το εργαλείο, το μοτέρ δεν λειτουργεί ή το μοτέρ λειτουργεί ξανά αλλά σύντομα σταματάει. Σε αυτή την περίπτωση, αφαιρέστε και επαναφορτίστε την μπαταρία.

Εμφάνιση υπολειπόμενης χωρητικότητας μπαταρίας

Μόνο για κασέτες μπαταρίας με την ενδεικτική λυχνία

► **Εικ.2:** 1. Ενδεικτικές λυχνίες 2. Κουμπί ελέγχου

Πίστετε το κουμπί ελέγχου στην κασέτα μπαταριών για να υποδείξετε την υπολειπόμενη χωρητικότητα μπαταρίας. Οι ενδεικτικές λυχνίες ανάβουν για λίγα δευτερόλεπτα.

Ενδεικτικές λυχνίες		Υπόλοιπη χωρητικότητα
Αναμμένες	Σβηστές	
		75% έως 100%
		50% έως 75%
		25% έως 50%
		0% έως 25%

ΠΑΡΑΤΗΡΗΣΗ: Ανάλογα με τις συνθήκες χρήσης και τη θερμοκρασία περιβάλλοντος, η ένδειξη μπορεί να διαφέρει λίγο από την πραγματική χωρητικότητα.

Δράση διακόπτη

▲ ΠΡΟΣΟΧΗ: Πριν βάλετε την κασέτα μπαταρίας μέσα στο εργαλείο, να ελέγχετε πάντα να δείτε αν η σκανδάλη διακόπτης ενεργοποιείται κανονικά και επιστρέφει στη θέση «OFF» όταν ελευθερώνεται.

▲ ΠΡΟΣΟΧΗ: Όταν το εργαλείο δεν βρίσκεται σε λειτουργία, πατήστε το κουμπί κλειδώματος σκανδάλης από την πλευρά B για να κλειδώσετε τη σκανδάλη διακόπτη στην ανεργνή θέση.

► **Εικ.3:** 1. Κουμπί κλειδώματος σκανδάλης 2. Σκανδάλη διακόπτης

► **Εικ.4**

Για να μην τραβήξετε τη σκανδάλη διακόπτη κατά λάθος, παρέχεται ένα κουμπί κλειδώματος σκανδάλης. Για να τραβήξετε τη σκανδάλη διακόπτη, πατήστε το κουμπί κλειδώματος σκανδάλης από την πλευρά A. Μετά τη χρήση, να πατάτε πάντα προς τα μέσα το κουμπί κλειδώματος σκανδάλης από την πλευρά B.

Αναμμα της λάμπας

▲ ΠΡΟΣΟΧΗ: Μην κοιτάζετε κατευθείαν μέσα στο φως ή στην πηγή φωτός.

► **Εικ.5:** 1. Λάμπα

Τραβήξτε τη σκανδάλη διακόπτη ή ενεργοποιήστε το στοιχείο επαφής για να ανάψετε τη λάμπα. Η λάμπα εξακολουθεί να είναι αναμμένη όσο τραβάτε τη σκανδάλη διακόπτη ή ενεργοποιείτε το στοιχείο επαφής. Η λάμπα σβήνει περίπου 10 δευτερόλεπτα αφού αφήσετε τη σκανδάλη διακόπτη και το στοιχείο επαφής.

ΠΑΡΑΤΗΡΗΣΗ: Χρησιμοποιήστε ένα στεγνό πανί για να σκουπίσετε τη σκόνη από το φακό της λάμπας. Προσέχετε να μη γρατζουνίσετε το φακό της λάμπας, επειδή μπορεί να μειωθεί η ένταση του φωτισμού.

ΣΥΝΑΡΜΟΛΟΓΗΣΗ

▲ ΠΡΟΣΟΧΗ: Να βεβαιώνετε πάντα ότι έχετε βγάλει την κασέτα μπαταριών πριν πραγματοποιείτε οποιαδήποτε εργασία στον καρφωτή.

Συρραπτικά

▲ ΠΡΟΣΟΧΗ: Μην χρησιμοποιείτε συρραπτικά διαφορετικά από αυτά που προσδιορίζονται στο παρόν εγχειρίδιο ή συρραπτικά που φαίνονται κατεστραμμένα, λυγισμένα, σκουριασμένα ή διαβρωμένα.

▲ ΠΡΟΣΟΧΗ: Όταν φορτώνετε πολλές λωρίδες συρραπτικών στο γεμιστήρα, να φορτώνετε συρραπτικά του ίδιου είδους και μεγέθους αλλά και συρραπτικά με ομοιόμορφο μήκος.

ΕΙΔΟΠΟΙΗΣΗ: Να χειρίζεστε τα συρραπτικά και το κουτί τους προσεκτικά. Εάν ο χειρισμός των συρραπτικών γίνει με ακατάλληλο τρόπο, μπορεί να χάσουν το σχήμα τους, προκαλώντας ανεπαρκή τροφοδοσία συρραπτικών ή εμπλοκή.

ΕΙΔΟΠΟΙΗΣΗ: Αποφύγετε να αποθηκεύετε συρραπτικά σε μέρη με πολύ υγρασία ή υψηλή θερμοκρασία ή σε μέρη που είναι εκτεθειμένα σε άμεση ηλιοβολή.

Φόρτωση συρραπτικών

▲ ΠΡΟΕΙΔΟΠΟΙΗΣΗ: Όταν φορτώνετε συρραπτικά, να βεβαιώνετε πάντα ότι έχετε βγάλει την κασέτα μπαταριών από τον καρφωτή. Η αθέλητη πυροδότηση μπορεί να προκαλέσει ατομικούς τραυματισμούς και ζημιά σε ιδιοκτησία.

▲ ΠΡΟΣΟΧΗ: Αφού φορτώσετε συρραπτικά, να βεβαιώνετε ότι ο βοηθητικός γεμιστήρας είναι καλά κλεισμένος. Εάν πέσουν τα συρραπτικά από το γεμιστήρα, μπορεί να προκληθεί τραυματισμός στο χειριστή ή σε κάποιον παρευρισκόμενο, ειδικά όταν η εργασία γίνεται σε υψηλές τοποθεσίες.

1. Βγάλτε την κασέτα μπαταριών.
2. Πατήστε το μοχλό κλειδώματος και σύρετε τον βοηθητικό γεμιστήρα προς τα πίσω.
► **Εικ.6:** 1. Μοχλός κλειδώματος 2. Βοηθητικός γεμιστήρας
3. Φορτώστε συρραπτικά στον κύριο γεμιστήρα με τα καρφιά τους στραμμένα προς τα πάνω.
► **Εικ.7:** 1. Συρραπτικά 2. Κύριος γεμιστήρας
4. Αφού φορτώσετε συρραπτικά, ωθήστε τον βοηθητικό γεμιστήρα προς τα πίσω μέχρι να ασφαλίσει.

Για να αφαιρέσετε συρραπτικά, ακολουθήστε τις διαδικασίες τοποθέτησης με αντίστροφη σειρά.

Γάντζος

▲ ΠΡΟΣΟΧΗ: Μην κρεμάτε το γάντζο από μια ζώνη μέσης. Εάν πέσει ο καρφωτής, γεγονός που προκαλείται επειδή ο γάντζος βγήκε από τη θέση του κατά λάθος, μπορεί να προκληθεί αθέλητη πυροδότηση και ατομικοί τραυματισμοί.

► **Εικ.8**

▲ ΠΡΟΕΙΔΟΠΟΙΗΣΗ: Χρησιμοποιήστε τα εξαρτήματα ανάρτησης/στερέωσης μόνο για τον σκοπό που προορίζονται, π.χ. κρέμασμα του εργαλείου σε ζώνη εργαλείων μεταξύ εργασιών ή διαλειμμάτων.

▲ ΠΡΟΕΙΔΟΠΟΙΗΣΗ: Προσέχετε να μην υπερφορτώσετε τον γάντζο επειδή πάρα πολύ δύναμη ή ακανόνιστα υπερβολικό φόρτο μπορεί να προκαλέσει ζημιά στο εργαλείο έχοντας ως αποτέλεσμα προσωπικό τραυματισμό.

▲ ΠΡΟΣΟΧΗ: Όταν τοποθετείτε το γάντζο, να τον ασφαλίσετε πάντα καλά με τη βίδα. Διαφορετικά, ο γάντζος μπορεί να βγει από το εργαλείο και να έχει ως αποτέλεσμα ατομικό τραυματισμό.

▲ ΠΡΟΣΟΧΗ: Βεβαιωθείτε να κρεμάσετε το εργαλείο με ασφάλεια πριν το αφήσετε. Το ανεπαρκές ή ανισόροπο κρέμασμα σε γάντζο μπορεί να προκαλέσει πτώση και μπορεί να τραυματιστείτε.

ΠΑΡΑΤΗΡΗΣΗ: Όταν χρησιμοποιείτε το εργαλείο με την μπαταρία BL1050B, απαιτείται ο προαιρετικός γάντζος που είναι ειδικός για την BL1050B.

Ο γάντζος είναι βολικός για προσωρινό κρέμασμα του εργαλείου. Μπορεί να τοποθετηθεί σε οποιαδήποτε πλευρά του εργαλείου.

Για να τοποθετήσετε το γάντζο, βάλτε τον σε μια εγκοπή στο περίβλημα του εργαλείου σε οποιαδήποτε πλευρά και μετά ασφαλίστε τον με μια βίδα. Για να τον αφαιρέσετε, χαλαρώστε τη βίδα και μετά αφαιρέστε τον.

► **Εικ.9:** 1. Εγκοπή 2. Γάντζος 3. Βίδα

ΛΕΙΤΟΥΡΓΙΑ

Δοκιμή του συστήματος ασφάλειας

▲ ΠΡΟΕΙΔΟΠΟΙΗΣΗ: Να βεβαιώνεστε ότι όλα τα συστήματα ασφάλειας βρίσκονται σε καλή κατάσταση πριν από την λειτουργία. Εάν δεν το κάνετε αυτό, μπορεί να προκληθούν ατομικοί τραυματισμοί.

- **Εικ.10:** 1. Κουμπί κλειδώματος σκανδάλης
2. Σκανδάλη διακόπτης 3. Στοιχείο επαφής
4. Βοηθητικός γεμιστήρας

Δοκιμάστε τα συστήματα ασφάλειας για πιθανή βλάβη πριν τη λειτουργία όπως περιγράφεται στη συνέχεια.

1. Βγάλτε τα συρραπτικά από το εργαλείο και κρατήστε ανοικτό τον βοηθητικό γεμιστήρα.
2. Τοποθετήστε την κασέτα μπαταριών.
3. Τραβήξτε μόνο τη σκανδάλη διακόπτη χωρίς να ακουμπάτε το στοιχείο επαφής επάνω στο υλικό.
4. Ακουμπήστε μόνο το στοιχείο επαφής επάνω στο υλικό χωρίς να τραβήξε τη σκανδάλη διακόπτη.

Εάν το εργαλείο λειτουργεί στις παραπάνω περιπτώσεις 3 και 4, τα συστήματα ασφάλειας είναι ελαττωματικά. Διακόψτε αμέσως τη λειτουργία του εργαλείου και απευθυνθείτε στο τοπικό σας κέντρο σέρβις.

Κάρφωμα συρραπτικών

▲ ΠΡΟΕΙΔΟΠΟΙΗΣΗ: Συνεχίστε να τοποθετείτε το στοιχείο επαφής σταθερά στο υλικό μέχρι το συρραπτικό να καρφωθεί πλήρως. Η αθέλητη πυροδότηση μπορεί να προκαλέσει ατομικούς τραυματισμούς.

- **Εικ.11:** 1. Σκανδάλη διακόπτης 2. Στοιχείο επαφής
3. Μπροστινό μέρος 4. Πίσω μέρος

Μπορείτε να χρησιμοποιήσετε το εργαλείο με «μοναδική ακολουθιακή ενεργοποίηση» ή «ενεργοποίηση επαφής».

Μοναδική ακολουθιακή ενεργοποίηση:

Σε αυτόν τον τρόπο λειτουργίας, μπορείτε να καρφώσετε ένα συρραπτικό με μία ακολουθιακή λειτουργία.

1. Τοποθετήστε το στοιχείο επαφής επίπεδα επάνω στο υλικό.
2. Κρατήστε το μπροστινό μέρος και το πίσω μέρος του εργαλείου σταθερά επάνω στο υλικό.
3. Τραβήξτε πλήρως τη σκανδάλη διακόπτη για να καρφώσετε τα συρραπτικά.
4. Αφήστε το δάκτυλό σας από τη σκανδάλη διακόπτη πριν μετακινήσετε το στοιχείο επαφής από το υλικό.

Ενεργοποίηση επαφής:

Σε αυτόν τον τρόπο λειτουργίας, μπορείτε να καρφώσετε συρραπτικά ακολουθιακά.

1. Τραβήξτε τη σκανδάλη διακόπτη.
2. Με τραβηγμένη τη σκανδάλη διακόπτη, τοποθετήστε το στοιχείο επαφής επίπεδα επάνω στο υλικό για να καρφώσετε τα συρραπτικά.
3. Μετακινήστε το εργαλείο στην επόμενη περιοχή

και τοποθετήστε ξανά το στοιχείο επαφής επίπεδα επάνω στο υλικό.

ΠΑΡΑΤΗΡΗΣΗ: Η εγκοπή υποδεικνύει το σημείο όπου θα καρφώσετε το συρραπτικό.

- **Εικ.12:** 1. Εγκοπή

Εάν η κεφαλή του συρραπτικού παραμένει πάνω από την επιφάνεια του τεμαχίου εργασίας, τοποθετήστε το συρραπτικό ενώ κρατάτε σταθερά την κεφαλή καρφωτή επάνω στο τεμάχιο εργασίας.

- **Εικ.13**

ΠΑΡΑΤΗΡΗΣΗ: Εάν η κεφαλή του συρραπτικού παραμένει πάνω από το τεμάχιο εργασίας ακόμη και όταν κρατάτε την κεφαλή καρφωτή, το υλικό μπορεί να μην είναι κατάλληλο για τον καρφωτή. Εάν συνεχίσετε να χρησιμοποιείτε τον καρφωτή σε τέτοιο υλικό, μπορεί να έχει ως αποτέλεσμα ζημιά στη μονάδα κίνησης του καρφωτή ή/και εμπλοκή του καρφωτή.

Μηχανισμός προστασίας από το κάρφωμα χωρίς συρραπτικά

▲ ΠΡΟΕΙΔΟΠΟΙΗΣΗ: Όταν φορτώνετε συρραπτικά, να βεβαιώνεστε πάντα ότι έχετε βγάλει την κασέτα μπαταριών από τον καρφωτή. Η αθέλητη πυροδότηση μπορεί να προκαλέσει ατομικούς τραυματισμούς και ζημιά σε ιδιοκτησία.

Το εργαλείο αυτό είναι εξοπλισμένο με μηχανισμό προστασίας από το κάρφωμα χωρίς συρραπτικά. Όταν ο αριθμός των εναπομένοντων συρραπτικών στο γεμιστήρα είναι 5 - 8 τεμάχια, η σκανδάλη διακόπτης δεν μπορεί πλέον να τραβηχθεί. Αυτή τη στιγμή, τοποθετήστε μια καινούρια λωρίδα συρραπτικών στο γεμιστήρα. Μπορείτε να τραβήξετε ξανά τη σκανδάλη διακόπτη.

Έλεγχος των εναπομένοντων συρραπτικών

- **Εικ.14:** 1. Παράθυρο ελέγχου 2. Ωθητής
3. Συρραπτικά

Μπορείτε να δείτε τα εναπομένοντα συρραπτικά μέσα από το παράθυρο ελέγχου.

Φορτώστε ξανά συρραπτικά όταν δεν βλέπετε εναπομένοντα συρραπτικά στο παράθυρο ελέγχου.

Αφαίρεση μπλοκαρισμένων συρραπτικών

▲ ΠΡΟΕΙΔΟΠΟΙΗΣΗ: Να βεβαιώνεστε πάντα ότι έχετε βγάλει την κασέτα μπαταριών πριν αφαιρέσετε τα μπλοκαρισμένα συρραπτικά.

Ανοίξτε το βοηθητικό γεμιστήρα προς τα πίσω και βγάλτε τα μπλοκαρισμένα συρραπτικά από το άνοιγμα για πυροδότηση.

- **Εικ.15:** 1. Άνοιγμα 2. Βοηθητικός γεμιστήρας

ΣΥΝΤΗΡΗΣΗ

⚠ ΠΡΟΣΟΧΗ: Πριν την εκτέλεση εργασιών επιθεώρησης ή συντήρησης, πάντοτε να βεβαιώνετε ότι η συσκευή απενεργοποιήθηκε και η κασέτα μπαταριών έχει αφαιρεθεί.

ΕΙΔΟΠΟΙΗΣΗ: Μην χρησιμοποιείτε ποτέ βενζίνη, πετρελαϊκό αιθέρα, διαλυτικό, αλκοόλη ή παρόμοιες ουσίες. Μπορεί να προκληθεί αποχρωματισμός, παραμόρφωση ή ρωγμές.

Για τη διατήρηση της ΑΣΦΑΛΕΙΑΣ και ΑΞΙΟΠΙΣΤΙΑΣ του προϊόντος, οι επισκευές και οποιαδήποτε άλλη εργασία συντήρησης ή ρύθμισης πρέπει να εκτελούνται από εξουσιοδοτημένα ή εργοστασιακά κέντρα εξυπηρέτησης της Makita, χρησιμοποιώντας πάντοτε ανταλλακτικά της Makita.

ΠΡΟΑΙΡΕΤΙΚΑ ΕΞΑΡΤΗΜΑΤΑ

⚠ ΠΡΟΣΟΧΗ: Αυτά τα εξαρτήματα ή προσαρτήματα συνιστώνται για χρήση με το εργαλείο Makita που περιγράφηκε στις οδηγίες αυτές. Η χρήση οποιωνδήποτε άλλων εξαρτημάτων ή προσαρτημάτων μπορεί να προκαλέσει κίνδυνο τραυματισμού σε άτομα. Να χρησιμοποιείτε τα εξαρτήματα ή προσαρτήματα μόνο για την χρήση που προορίζονται.

Εάν χρειάζεστε οποιαδήποτε βοήθεια για περισσότερες πληροφορίες σε σχέση με αυτά τα εξαρτήματα, αποτανθείτε στο τοπικό σας κέντρο εξυπηρέτησης Makita.

- Συρραπτικά
- Γάντζος
- Γνήσια μπαταρία και φορτιστής της Makita
- Σετ ρύθμισης βάθους

ΠΑΡΑΤΗΡΗΣΗ: Μερικά στοιχεία στη λίστα μπορεί να συμπεριλαμβάνονται στη συσκευασία εργαλείου ως στάνταρ εξαρτήματα. Μπορεί να διαφέρουν ανάλογα με τη χώρα.

TEKNİK ÖZELLİKLER

Model:	ST113D
Zımba genişliği	10 mm
Uygulanabilir zımba uzunluğu	7 mm - 10 mm
Zımba haznesi kapasitesi	150 adet
Kancasız boyutlar (U x G x Y)	211 mm x 81 mm x 159 mm
Anma voltajı	D.C. 10,8 V - 12 V maks
Net ağırlık	1,3 - 1,5 kg

- Sürekli yapılan araştırma ve geliştirmelerden dolayı, burada belirtilen özellikler önceden bildirilmeksizin değiştirilebilir.
- Özellikler ve batarya kartuşu ülkeden ülkeye değişebilir.
- EPTA-Prosedürü 01/2003 uyarınca batarya kartuşu ile birlikte ağırlık

Geçerli batarya kartuşu ve şarj aleti

Batarya kartuşu	BL1016 / BL1021B / BL1041B / BL1050B
Şarj aleti	DC10SA / DC10SB / DC10WC / DC10WD / DC18RE

- Yukarıda listelenen batarya kartuşlarının ve şarj aletlerinin bazıları yaşadığınız bölgeye bağlı olarak mevcut olmayabilir.

UYARI: Sadece yukarıda listelenen batarya kartuşlarını ve şarj aletlerini kullanın. Başka batarya kartuşlarının ve şarj aletlerinin kullanılması yaralanma ve/veya yangına neden olabilir.

Kullanım amacı

Bu alet, kereste gibi inşaat malzemelerine zımba basmak için tasarlanmıştır.

Gürültü

Tipik A-ağırlıklı gürültü düzeyi (EN60745 standardına göre belirlenen):
Ses basınç seviyesi (L_{pA}): 75 dB (A)
Belirsizlik (K): 3 dB (A)

İşlem sırasında gürültü seviyesi 80 dB (A)'yi geçebilir.

UYARI: Kulak koruyucuları takın.

Titreşim

EN60745 uyarınca hesaplanan titreşim toplam değeri:
Titreşim emisyonu (a_h): 2,5 m/s² den az
Belirsizlik (K) : 1,5 m/s²

NOT: Beyan edilen titreşim toplam değer(ler)i bir standart test yöntemine uygun şekilde ölçülmüştür ve bir aleti bir başkasıyla karşılaştırmak için kullanılabilir.

NOT: Beyan edilen titreşim toplam değer(ler)i bir ön maruz kalma değerlendirmesi olarak da kullanılabilir.

UYARI: Elektrikli aletin gerçek kullanımı sırasındaki titreşim emisyonu, aletin kullanım biçimlerine, özellikle işlenen iş parçasının türüne bağlı olarak beyan edilen değer(ler)den farklı olabilir.

UYARI: Gerçek kullanım koşullarındaki tahmini maruziyeti baz alan, operatörü koruyacak güvenlik önlemlerini mutlaka belirleyin (çalışma döngüsü içerisinde aletin kapalı olduğu ve aktif durumda olmasının yanı sıra boşta çalıştığı zamanlar gibi, bütün zaman dilimleri göz önünde bulundurarak).

Uygunluk Beyanları

Sadece Avrupa ülkeleri için

Uygunluk beyanları bu kullanma kılavuzuna Ek A olarak eklenmiştir.

GÜVENLİK UYARILARI

Genel elektrikli alet güvenliği uyarıları

UYARI Bu elektrikli aletle birlikte verilen tüm güvenlik uyarılarını, talimatları, resimli açıklamaları ve teknik özellikleri okuyun. Aşağıda listelenen talimatların herhangi birine uyulmaması elektrik çarpması, yangın ve/veya ciddi yaralanma ile sonuçlanabilir.

Tüm uyarıları ve talimatları

ileride başvurmak için saklayın.

Uyarılardaki "elektrikli alet" terimi ile ya prizden çalışan (kordonlu) elektrikli aletiniz ya da kendi aküsü ile çalışan (kordonsuz) elektrikli aletiniz kastedilmektedir.

Akülü zimba tabancası ile ilgili güvenlik uyarıları

- Daima alette tespit elemanı olduğunuzu varsayın.** Zimba tabancasının dikkatsiz bir şekilde kullanılması tespit elemanlarının beklenmedik bir şekilde atılması ve kişisel yaralanmaya sonuçlanabilir.
- Aleti kendinize ya da yakınınızdaki insanlara doğrultmayın.** Beklenmedik tetikleme, tespit elemanının fırlayarak yaralanmaya sebep olmasına yol açabilir.
- Aleti iş parçasına sıkıca dayamadan aleti çalıştırmayın.** Alet iş parçası ile temas halinde değilse, tespit elemanı hedefinizden sapabilir.
- Tespit elemanı alet içinde sıkıştığı zaman aleti güç kaynağından ayırın.** Sıkışmış bir tespit elemanı çıkarılırken alet fişe takılı olduğunda, zimba tabancası kazara çalışabilir.
- Sıkışmış bir tespit elemanını çıkarırken dikkatli olun.** Mekanizma basınç altında olabilir ve sıkışma durumunu gidermeye çalışırken gücün etkisiyle tespit elemanı fırlayabilir.
- Bu zimbayı elektrik kablolarını sabitlemek için kullanmayın.** Elektrik kablosu montajı için tasarlanmamıştır ve elektrik kablolarının yalıtımlarına hasar vererek elektrik çarpmasına veya yangına neden olabilir.
- Daima güvenlik gözlükleri veya yanları korumalı güvenlik gözlükleri ve gerektiğinde tam yüz siperi takın.**
- Ellerinizi ve ayaklarınızı çıkış ağzının olduğu alandan uzak tutun.**
- Tespit elemanlarını yüklemeyen, ayarlamadan, denetlemeden, bakım yapmadan önce veya kullanıma bittikten sonra daima batarya kartuşunu çıkarın.**
- Çalıştırmadan önce etrafta kimse olmadığını emin olun.** Aynı anda hem içten hem de dıştan tespit elemanı basmaya asla çalışmayın. Tespit elemanları yırtıp geçerek ve/veya dışarı fırlayarak ciddi tehlike oluşturabilir.
- Duruşunuza dikkat edin ve aleti dengeli tutun.** Yüksek yerlerde çalışırken aşağıda kimse olmadığından emin olun.
- Akım geçen tellere, kablo kanallarına veya gaz borularına zimbalamanın neden olabileceği olası bir elektrik şokunu, gaz kaçağını, patlamaları vs. önlemek için duvarları, tavanı, zemini, çatıyı ve bunun gibi yerleri dikkatle kontrol edin.**
- Sadece bu kılavuzda belirtilen tespit elemanlarını kullanın.** Başka tespit elemanlarının kullanılması aletin arızalanmasına neden olabilir.
- Alette bir değişiklik yapmayın veya aleti tespit elemanı basmak dışında bir amaçla kullanmaya çalışmayın.**
- Aleti tespit elemanları olmadan çalıştırmayın.** Bunu yapmak aletin hizmet ömrünü kısaltır.
- Eğer alette bir terslik veya normal dışı bir**

durum fark ederseniz, çalışmayı hemen durdurun.

- Tespit elemanının yırtıp geçebileceği ve içinden fırlayıp uçabileceği malzemelere asla zımbalamayın.**
- İş parçalarını zımbalamaya hazır olmadan, anahtar tetiği ve temas elemanını asla etkinleştirmeyin.** Asla temas elemanını geriye sabitleyerek ya da elinizle bastırarak kullanım dışı bırakmayın.
- Temas elemanı üzerinde asla değişiklik yapmayın.** Temas elemanının doğru çalışıp çalışmadığını sık sık kontrol edin.

BU TALİMATLARI SAKLAYIN.

UYARI: Ürünü kullanırken (defalarca kullanınca kazanılan) rahatlık ve tanıdıklık duygusunun ilgili ürünün güvenlik kurallarına sıkı sıkıya bağlı kalmanın yerine geçmesine İZİN VERMEYİN. YANLIŞ KULLANIM veya bu kullanma kılavuzunda belirtilen emniyet kurallarına uymama ciddi yaralanmaya neden olabilir.

Batarya kartuşu hakkında önemli güvenlik talimatları

- Batarya kartuşunu kullanmadan önce, tüm talimatları ve (1) batarya kartuşu, (2) batarya ve (3) ürün üzerindeki tüm uyarı işaretlerini okuyun.**
- Batarya kartuşunu parçalarına ayırmayın veya kurcalamayın.** Yangın, aşırı ısı veya patlamaya neden olabilir.
- Çalışma süresi aşırı derecede kısalırsa kullanmayı derhal bırakın.** Aşırı ısınma, yanma riski hatta patlamaya neden olabilir.
- Gözünüze elektrolit kaçarsa, gözlerinizi temiz suyla durulayın ve hemen tıbbi yardım alın.** Görme kaybına yol açabilir.
- Batarya kartuşuna kısa devre yaptırmayın:**
 - Terminallere herhangi bir iletken madde değdirmeyin.
 - Batarya kartuşunu çiviler, madeni paralar, vb. gibi başka metal nesnelere aynı kaba koymaktan kaçının.
 - Batarya kartuşunu yağmura ya da suya maruz bırakmayın.
- Kısa devre, büyük bir akım akışına, aşırı ısınmaya, olası yanıklara hatta bataryanın bozulmasına yol açabilir.**
- Aleti ve batarya kartuşunu sıcaklığın 50°C ya da daha yükseğe ulaştığı yerlerde saklamayın ve kullanmayın.**
- Aşırı derecede hasar görmüş ya da tamamen kullanılamaz durumda olsa bile batarya kartuşunu yakmayın.** Batarya kartuşu ateşe atılırsa patlayabilir.
- Batarya kartuşunu çivilemeyin, kesmeyin, ezmeyin, fırlatmayın, düşürmeyin ya da batarya kartuşuna sert bir nesne ile vurmeyin.** Bu eylemler yangın, aşırı ısı veya patlamaya neden olabilir.
- Hasarlı bataryayı kullanmayın.**
- Aletin içerdiği lityum-iyon bataryalar Tehlikeli Eşyalar Yönetmeliğinin gereksinimlerine**

tabidir.

Ticari nakliye işlemleri için, örneğin üçüncü taraflar, nakliye acenteleri tarafından yapılan nakliyelerde, paketleme ve etiketleme gereksinimlerine uyulmalıdır.

Nakliyesi yapılacak ürünün hazırlanması için, tehlikeli maddeler konusunda uzman bir kişiye danışın. Lütfen muhtemelen daha ayrıntılı olan ulusal yönetmeliklere de uyun.

Açık kontakları bantlayın ya da maskeleyin ve bataryayı paketin içinde hareket ettirmeyecek şekilde paketlenin.

11. **Batarya kartuşunu bertaraf ederken aletten çıkarın ve güvenli bir yerde bertaraf edin. Bataryanın bertaraf edilmesi ile ilgili yerel düzenlemelere uyunuz.**
12. **Bataryaları sadece Makita tarafından belirtilen ürünlerle kullanın.** Bataryaların uyumsuz ürünlere takılması; yangın, aşırı ısınma, patlama ya da elektrolit sızıntısına neden olabilir.
13. **Alet uzun süre kullanılmayacaksa batarya aletten çıkarılmalıdır.**
14. **Kullanma sırasında ve sonrasında batarya kartuşu ısınarak yanıklara veya düşük sıcaklık yanıklarına yol açabilir. Sıcak batarya kartuşları ile işlem yaparken dikkat edin.**
15. **Yanıklara neden olabilecek kadar sıcak olabileceğinden kullandıktan hemen sonra aletin terminaline dokunmayın.**
16. **Batarya kartuşunun terminallerine, deliklerine ve kanallarına micir, toz veya toprak girmesine izin vermeyin.** Aletin veya batarya kartuşunun ısınmasına, alev almasına, patlamasına ve arızalanmasına neden olarak yanıklara veya yaralanmaya yol açabilir.
17. **Alet yüksek gerilim elektrik güç hatlarında kullanımı desteklemediği sürece batarya kartuşunu yüksek gerilim elektrik güç hatlarının yakınında kullanmayın.** Aletin veya batarya kartuşunun arızalanmasına veya bozulmasına neden olabilir.
18. **Bataryayı çocuklardan uzak tutun.**

BU TALİMATLARI MUHAFAZA EDİNİZ.

⚠DİKKAT: Sadece orijinal Makita bataryalarını kullanın. Orijinal olmayan Makita bataryaları ya da üzerine değişiklik yapılmış bataryaların kullanımı bataryanın patlamasına ve sonuç olarak yangın, kişisel yaralanma ve hasara neden olabilir. Ayrıca Makita aleti ve şarj aletinin Makita tarafından sunulan garantisini de geçersiz olur.

Maksimum batarya ömrü için ipuçları

1. **Batarya kartuşunu tamamen boşalmadan önce şarj edin. Aletin gücünün zayıflamaya başladığını fark ettiğinizde aleti durdurun ve batarya kartuşunu şarj edin.**
2. **Tam dolu bir batarya kartuşunu asla yeniden şarj etmeyin. Aşırı şarj etme bataryanın hizmet ömrünü kısaltır.**
3. **Batarya kartuşunu 10 °C - 40 °C oda**

sıcaklığında şarj edin. Sıcak bir batarya kartuşunu şarj etmeden önce soğumasını bekleyin.

4. **Batarya kartuşunu kullanmıyorken aletten veya şarj aletinden çıkarın.**

İŞLEVSEL NİTELİKLER

⚠DİKKAT: Alet üzerinde ayarlama veya işleyiş kontrolü yapmadan önce aletin kapalı ve batarya kartuşunun ayrılmış olduğundan daima emin olun.

Batarya kartuşunun takılması ve çıkarılması

⚠DİKKAT: Batarya kartuşunu takmadan ya da çıkarmadan önce aleti daima kapatın.

⚠DİKKAT: Batarya kartuşunu takarken veya çıkarırken aleti ve batarya kartuşunu sıkıca tutun. Aletin ve batarya kartuşunun sıkıca tutulmaması bunların düşürülmesine sebep olabilir ve alet ve batarya kartuşunun zarar görmesine ya da ciddi yaralanmasına yol açabilir.

Batarya kartuşunu takmak için, batarya kartuşu üzerindeki diili yuvanın oluğu ile hizalayın ve kartuşu yerine oturtun. Kartuşu, küçük bir tık sesi ile yerine sabitlenene dek sonuna kadar ittirin. Şekilde gösterildiği gibi kırmızı göstergeli görebiliyorsanız tam olarak kilitlenmemiş demektir.

Batarya kartuşunu çıkarmak için, kartuşun ön tarafındaki düğmeyi kaydırarak kartuşu aletten çıkarın.

► **Şek.1:** 1. Kırmızı gösterge 2. Düğme 3. Batarya kartuşu

⚠DİKKAT: Batarya kartuşunu daima kırmızı gösterge görünmeyecek şekilde tam olarak takın. Yerine tam oturmazsa, aletten yanlışlıkla düşebilir, sizin ya da çevrenizdeki kişilerin yaralanmasına neden olabilir.

⚠DİKKAT: Batarya kartuşunu zorlayarak takmayın. Kartuş kolay bir şekilde kaymıyorsa doğru yerleştirilmemiş demektir.

Batarya koruma sistemi

Bu alet bir batarya koruma sistemi ile donatılmıştır. Bu sistem motora giden gücü otomatik olarak keserek uzun batarya ömrü sağlar.

Alet ve/veya batarya için aşağıdaki durumlardan biri söz konusu olduğunda aletin işleyişi otomatik olarak durur:

Aşırı yüklenme:

Alet, anormal derecede yüksek akım çekmesine neden olacak şekilde kullanılmaktadır.

Bu durumda, aleti kapatın ve aletin aşırı yüklenmesine neden olan uygulamayı durdurun. Daha sonra aleti yeniden başlaması için çalıştırın.

Alet çalışmaya başlamazsa, batarya aşırı ısınmış demektir. Bu durumda, aleti yeniden çalıştırmadan önce bataryanın soğumasını bekleyin.

Düşük batarya voltajı:









Kalan batarya kapasitesi çok düşüktür ve alet çalışmaz. Aleti çalıştırırsanız, motor çalışmaz ya da motor tekrar çalışır fakat kısa zaman sonra durur. Bu durum söz konusuysa, bataryayı çıkarıp şarj edin.

Kalan batarya kapasitesinin gösterilmesi

Sadece göstergeli batarya kartuşları için

► **Şek.2:** 1. Gösterge lambaları 2. Kontrol düğmesi

Kalan batarya kapasitesini göstermesi için batarya kartuşu üzerindeki kontrol düğmesine basın. Gösterge lambaları birkaç saniye yanar.

Gösterge lambaları		Kalan kapasite
Yanıyor	Kapalı	
		%75 ila %100
		%50 ila %75
		%25 ila %50
		%0 ila %25

NOT: Kullanım koşullarına ve ortam sıcaklığına bağlı olarak, gösterilen değer gerçek kapasiteden biraz farklılık gösterebilir.

Anahtar işlemleri

⚠DİKKAT: Batarya kartuşunu alete takmadan önce anahtar tetiğin doğru çalıştığından ve bıraktığında "OFF" (kapalı) konumuna döndüğünden emin olun.

⚠DİKKAT: Aleti kullanmadığınız zamanlarda anahtar tetiği kapalı konumda kilitlemek için tetik kilidi düğmesine B tarafından bastırın.

► **Şek.3:** 1. Tetik kilidi düğmesi 2. Anahtar tetik

► **Şek.4**

Anahtar tetiğin kaza sonucu çekilmesini önlemek için, tetik kilidi düğmesi sunulmuştur.

Anahtar tetiği çekmek için, tetik kilidi düğmesine A tarafından bastırın.

Kullanımdan sonra daima tetik kilidi düğmesine B tarafından bastırın.

Lambaların yakılması

⚠DİKKAT: Işığa bakmayın ya da ışık kaynağını doğrudan görmeyin.

► **Şek.5:** 1. Lamba

Lambayı yakmak için anahtar tetiği çekin ya da temas elemanını etkinleştirin. Anahtar tetik çekilirken ya da temas elemanı etkinken lamba yanmaya devam eder. Lamba, anahtar tetik ve temas elemanı serbest bırakıldıktan yaklaşık 10 saniye sonra söner.

NOT: Lamba lensini temizlemek için kuru bir bez kullanın. Aydınlatmayı azaltacağı için lamba lensinin çizilmemesine dikkat edin.

MONTAJ

⚠DİKKAT: Zimba tabancası üzerinde herhangi bir işlem yapmadan önce batarya kartuşunu çıkarduğunuzdan emin olun.

Zimbalar

⚠DİKKAT: Bu kılavuzda belirtilenler dışındaki zimbaları ya da hasarlı, bükülmüş, paslanmış veya korozyona uğramış gibi görünen zimbaları kullanmayın.

⚠DİKKAT: Hazneye birden fazla zimba şeridi yüklerken aynı tür, boyut ve eşit uzunlukta zimbaları kullanın.

ÖNEMLİ NOT: Zimbaları ve kutularını dikkatli tutun. Zimbalar özenli tutulmazsa şekilleri bozulabilir, bu da zimbaların yeterli şekilde beslenmesine ya da sıkışmaya neden olabilir.

ÖNEMLİ NOT: Zimbaları çok nemli ya da sıcak yerlerde ya da doğrudan güneş ışığına maruz kalan yerlerde saklamaktan kaçının.

Zimbaların yüklenmesi

⚠UYARI: Zimbaları yüklerken batarya kartuşunun zimba tabancasından çıkarılmış olduğundan daima emin olun. İstenmeyen atış, kişisel yaralanmaya veya maddi hasara neden olabilir.

⚠DİKKAT: Zimbaları yükledikten sonra, alt haznenin iyice kapandığından emin olun. Zimbaların hazneden düşmesi, özellikle yüksek yerlerde çalışırken, operatörün ya da yakındaki kişilerin yaralanmasına neden olabilir.

1. Batarya kartuşunu çıkarın.
 2. Kilitleme koluna bastırın ve alt hazneyi geriye doğru kaydırın.
- **Şek.6:** 1. Kilitleme kolu 2. Alt hazne

3. Zimbaları ana hazneye uçları yukarı bakan şekilde yükleyin.

► **Şek.7:** 1. Zimbalar 2. Ana hazne

4. Zimbaları yükledikten sonra, alt hazneyi tık sesi duyulana kadar geri itin.

Zimbaları çıkarmak için, takma işleminin tersini uygulayın.

Kanca

⚠️ DİKKAT: Kancayı bel kemerine asmayın. Kancanın kazara yerinden çıkması nedeniyle zımba tabancasını düşürmek, istenmeyen atışa sebep olabilir ve kişisel yaralanmayla sonuçlanabilir.

► Şek.8

⚠️ UYARI: Asma/montaj parçalarını yalnızca kullanım amaçlarına uygun kullanın, örneğin işler arasında ve iş aralarında aleti bir alet kemerine asmak gibi.

⚠️ UYARI: Çok fazla yük veya düzensiz fazla yüklemeye aletin hasar görmesine neden olarak yaralanmaya yol açabileceği için kancayı aşırı yüklemeye dikkat edin.

⚠️ DİKKAT: Kancayı takarken kancayı daima vida ile iyice sabitleyin. Sabitlenmezse kanca aletten çıkabilir ve yaralanmaya neden olabilir.

⚠️ DİKKAT: Tutmayı bırakmadan önce aleti güvenli bir şekilde astığınızdan emin olun. Yetersiz veya dengesiz takmak düşmeye ve yaralanmanıza neden olabilir.

NOT: Aleti batarya BL1050B ile kullanırken BL1050B'ye özel isteğe bağlı kanca gerekir.

Kanca, aletin geçici bir süre asılması için kullanılırdır. Bu kanca, aletin her iki yanına da takılabilir. Kancayı takmak için, onu alet gövdesinin her iki yanındaki oluklardan birine geçirin ve sonra bir vida ile sabitleyin. Çıkarmak için, vidayı gevşetin ve sonra dışarı çekip alın.

► Şek.9: 1. Oluk 2. Kanca 3. Vida

KULLANIM

Güvenlik sisteminin test edilmesi

⚠️ UYARI: Kullanmadan önce tüm güvenlik sistemlerinin çalışır durumda olduğundan emin olun. Bunun yapılmaması kişisel yaralanmalara sebep olabilir.

► Şek.10: 1. Tetik kilidi düğmesi 2. Anahtar tetik 3. Temas elemanı 4. Alt hazne

Çalıştırmadan önce olası hatalara karşı güvenlik sistemlerini aşağıda açıklandığı şekilde test edin.

1. Zımbaları aletten çıkarın ve alt hazneyi açık bırakın.
2. Batarya kartuşunu takın.
3. Temas elemanını malzemeye temas ettirmeden sadece anahtar tetiği çekin.
4. Anahtar tetiği çekmeden sadece temas elemanını malzemeye temas ettirin.

Yukarıda açıklanan 3 ve 4 numaralı vakalarda alet çalışırsa, güvenlik sistemleri arızalı demektir. Aleti kullanmayı derhal durdurun ve yerel servis merkezinizden

yardım isteyin.

Zımba basılması

⚠️ UYARI: Temas elemanını, zımba tam olarak basılana kadar malzemenin üzerinde sıkı bir şekilde tutmaya devam edin. İstenmeyen atış, kişisel yaralanmalara neden olabilir.

► Şek.11: 1. Anahtar tetik 2. Temas elemanı 3. Ön kısım 4. Arka kısım

Aleti ister "tek sıralı etkinleştirme" isterseniz de "temasla etkinleştirme" yöntemiyle çalıştırabilirsiniz.

Tek sıralı etkinleştirme:

Bu modda, tek sıralı bir çalıştırmayla bir zımba basabilirsiniz.

1. Temas elemanını malzeme üzerine yerleştirin.
2. Aletin hem ön kısmını hem de arka kısmını malzemeye sıkıca bastırarak tutun.
3. Zımbaları basmak için anahtar tetiği tamamen çekin.
4. Temas elemanını malzemeden kaldırmadan önce parmağınızı anahtar tetikten çekin.

Temasla etkinleştirme:

Bu modda, zımbaları art arda basabilirsiniz.

1. Anahtar tetiği çekin.
2. Anahtar tetik çekiliyken, zımbaları basmak için temas elemanını malzemenin üzerine yerleştirin.
3. Aleti bir sonraki alana götürüp temas elemanını tekrar malzemenin üzerine yerleştirin.

NOT: Oluk, zımbanın basılacağı noktayı belirtir.

► Şek.12: 1. Oluk

Zımbanın üst kısmı iş parçası yüzeyinin üzerinde kaldıysa, zımbayı zımba tabancasının tepesinden sıkıca tutarak iş parçasına doğru bastırın.

► Şek.13

NOT: Zımba tabancasının üst kısmından tuttuğunuz halde zımbanın üst kısmı iş parçası yüzeyinin üzerinde kaldıysa, malzeme zımbaya uygun olmayabilir. Zımba tabancasının bu tip malzemeler üzerinde kullanılmaya devam etmesi, zımba tabancasının sürücü mekanizmasına zarar verebilir ve/veya zımba tabancasında sıkışmaya neden olabilir.

Boş çalıştırmaya karşı koruma mekanizması

⚠️ UYARI: Zımbaları yüklerken batarya kartuşunun zımba tabancasından çıkarılmış olduğundan daima emin olun. İstenmeyen atış, kişisel yaralanmaya veya maddi hasara neden olabilir.

Bu alet boş çalıştırmaya karşı koruma mekanizmasıyla donatılmıştır. Haznede 5 - 8 adet zımba kaldığında, anahtar tetik artık çekilemez. Bu aşamada, hazneye yeni bir zımba şeridi takın. Anahtar tetik tekrar çekilebilir.

Kalan zımbaların kontrol edilmesi

► Şek.14: 1. Gözleme penceresi 2. İtici 3. Zımbalar

Ne kadar zımba kaldığı gözleme penceresinden kontrol edilebilir.

Gözleme penceresinde zımba kalmadığı görüldüğünde yeniden zımba yükleyin.

Sıkışan zımbaların çıkarılması

⚠UYARI: Sıkışan zımbaların çıkarılmasından önce batarya kartuşunu çıkardığınızdan daima emin olun.

Alt hazneyi geriye doğru açın ve sıkışan zımbaları atış ağızından çıkarın.

► **Şek.15:** 1. Ağız 2. Alt hazne

BAKIM

⚠DİKKAT: Muayene ya da bakım yapmadan önce aletin kapalı ve batarya kartuşunun çıkartılmış olduğundan daima emin olun.

ÖNEMLİ NOT: Benzin, tiner, alkol ve benzeri maddeleri kesinlikle kullanmayın. Renk değişimi, deformasyon veya çatlaklar oluşabilir.

Aleti EMNİYETLİ ve ÇALIŞMAYA HAZIR durumda tutmak için onarımlar, başka her türlü bakım ve ayarlamalar daima Makita yedek parçaları kullanılarak Makita yetkili servis merkezleri veya Fabrikanın Servis Merkezleri tarafından yapılmalıdır.

İSTEĞE BAĞLI AKSESUARLAR

⚠DİKKAT: Bu aksesuarlar ve ek parçalar bu el kitabında belirtilen Makita aletiniz ile kullanılmak için tavsiye edilmektedir. Herhangi başka bir aksesuar ya da ek parça kullanılması insanlar için bir yaralanma riski getirebilir. Aksesuarları ya da ek parçaları yalnızca belirtilmiş olan kullanım amaçlarına uygun olarak kullanın.

Bu aksesuarlarla ilgili daha fazla bilgiye ihtiyaç duyar-sanız bulunduğunuz yerdeki yetkili Makita servisine başvurun.

- Zımbalar
- Kanca
- Orijinal Makita batarya ve şarj aleti
- Derinlik ayarlama seti

NOT: Listedeki parçaların bazıları alet paketi içerisinde standart aksesuar olarak dahil edilmiş olabilir. Bunlar ülkeden ülkeye farklılık gösterebilir.

Makita Europe N.V.

Jan-Baptist Vinkstraat 2, 3070 Kortenberg, Belgium

Makita Corporation

3-11-8, Sumiyoshi-cho, Anjo, Aichi 446-8502 Japan

www.makita.com



885534C999
EN, FR, DE, IT, NL,
ES, PT, EL, TR
20240117