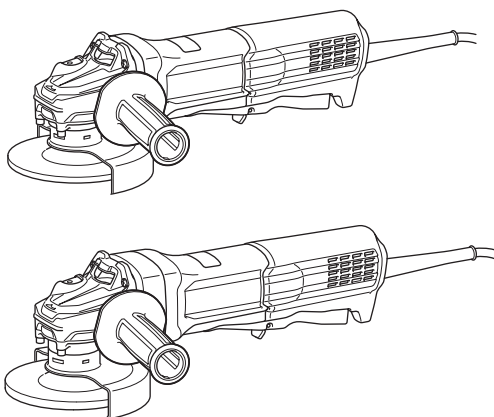




EN	Angle Grinder	INSTRUCTION MANUAL	8
FR	Meuleuse d'Angle	MANUEL D'INSTRUCTIONS	21
DE	Winkelschleifer	BETRIEBSANLEITUNG	35
IT	Smerigliatrice angolare	ISTRUZIONI PER L'USO	49
NL	Haakse slijpmachine	GEBRUIKSAANWIJZING	63
ES	Esmeriladora Angular	MANUAL DE INSTRUCCIONES	77
PT	Esmerilhadeira Angular	MANUAL DE INSTRUÇÕES	91
DA	Vinkelsliber	BRUGSANVISNING	105
EL	Γωνιακός λειαντήρας	ΕΓΧΕΙΡΙΔΙΟ ΟΔΗΓΙΩΝ	118
TR	Taşlama Makinası	KULLANMA KILAVUZU	132

GA4593
GA4594
GA4595
GA5093
GA5094
GA5095



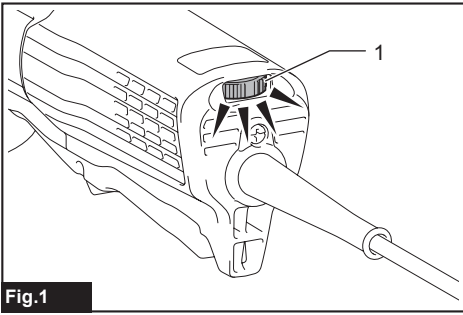


Fig.1

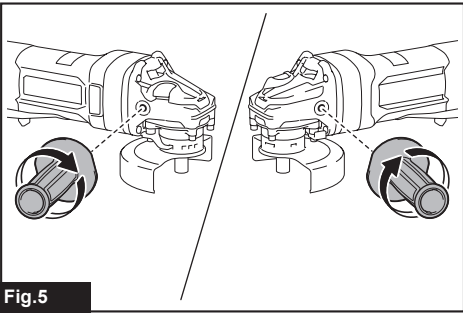


Fig.5

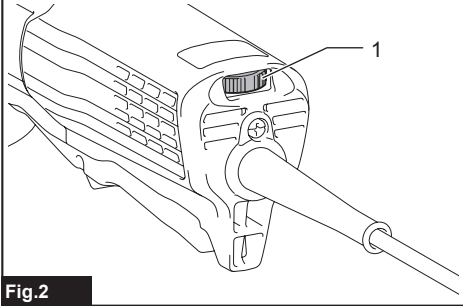


Fig.2

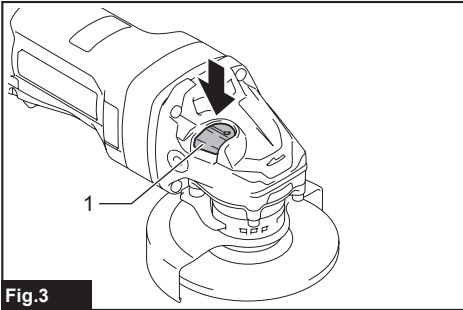


Fig.3

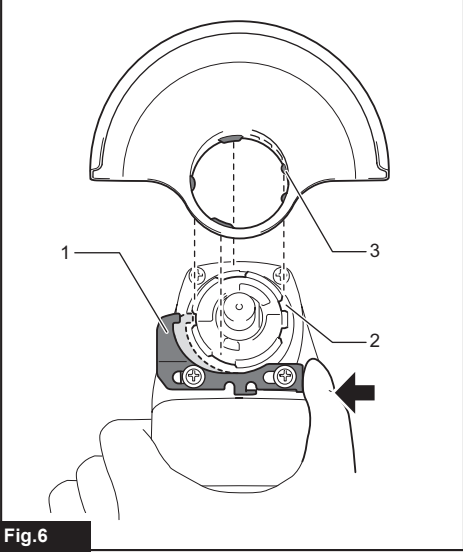


Fig.6

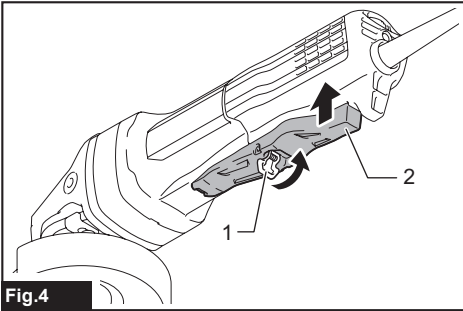


Fig.4

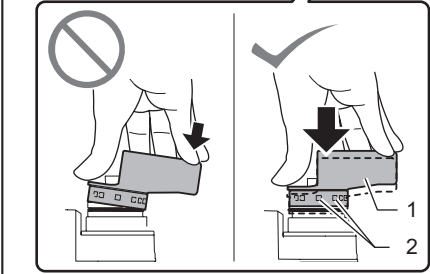
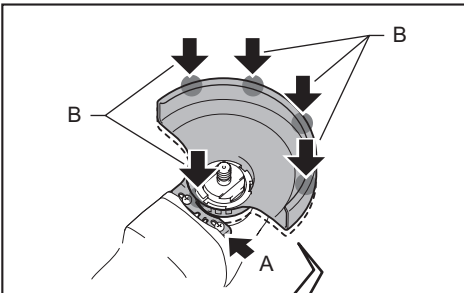


Fig.7

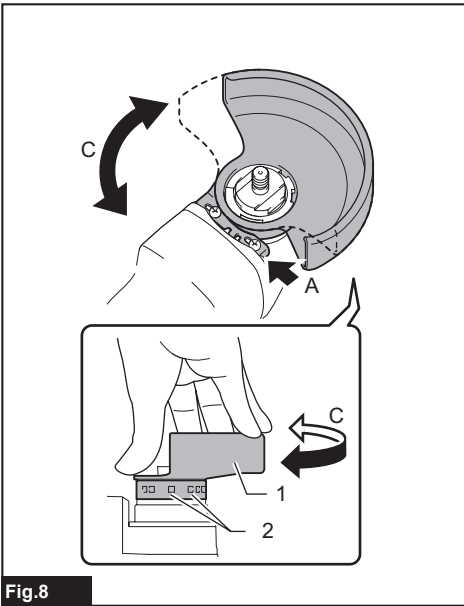


Fig.8

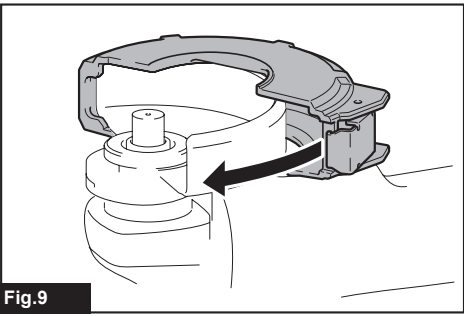


Fig.9

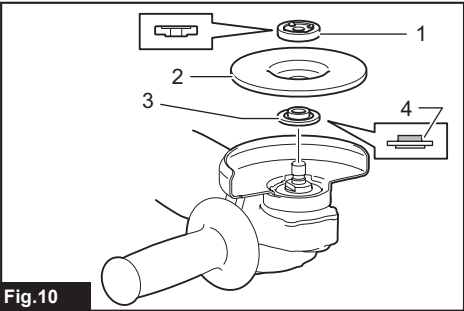


Fig.10

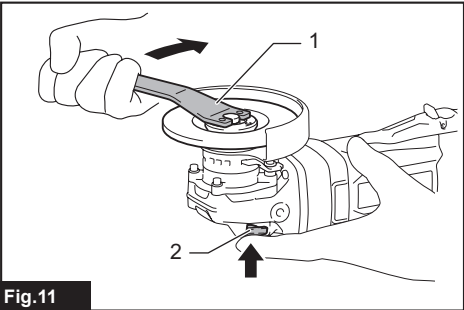


Fig.11

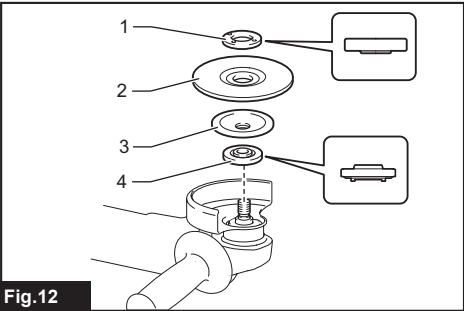
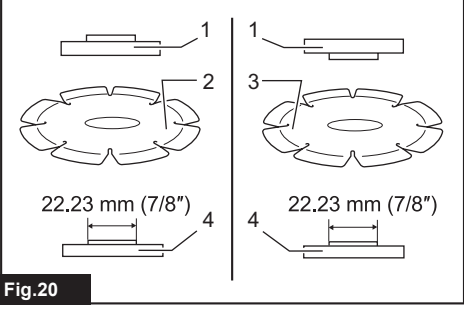
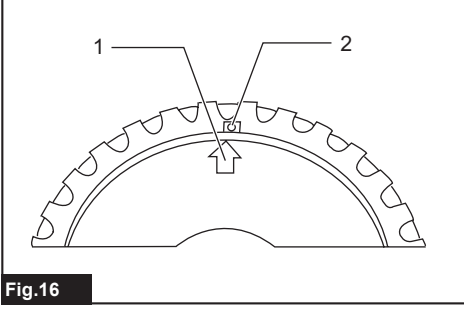
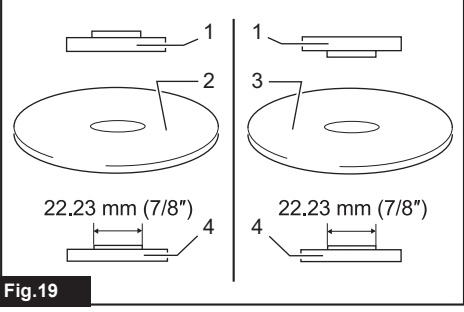
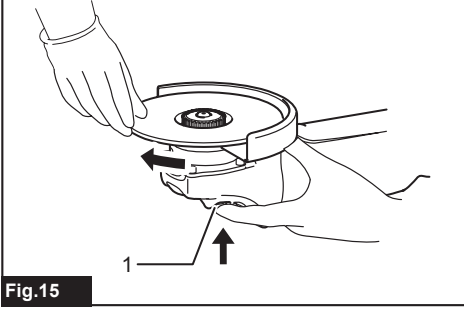
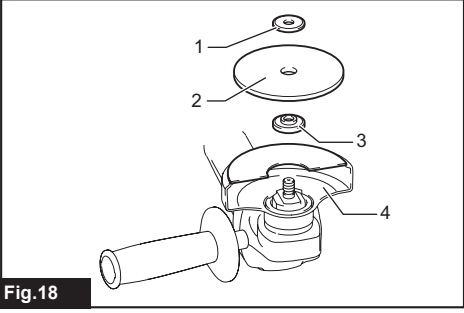
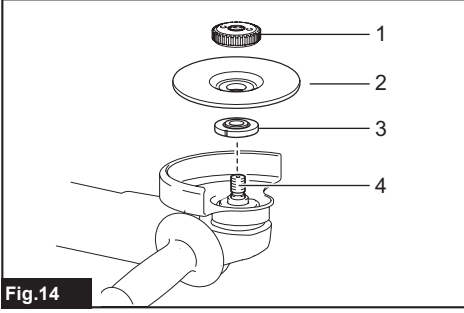
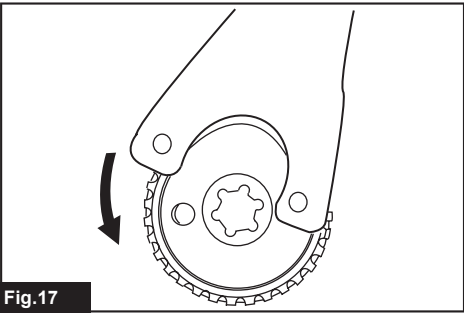
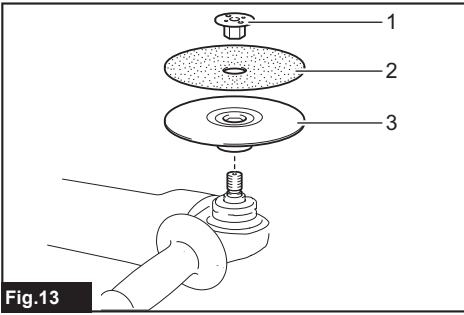


Fig.12



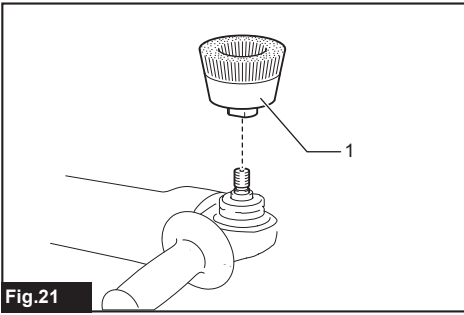


Fig.21

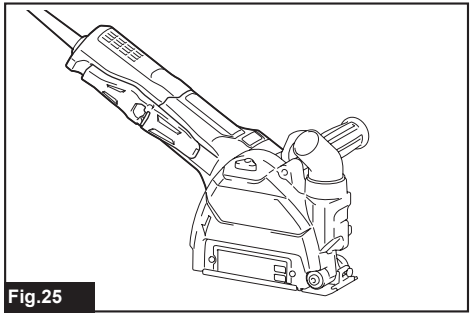


Fig.25

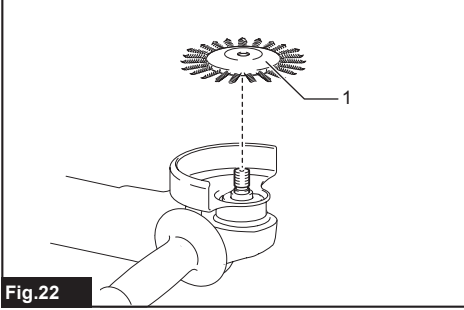


Fig.22

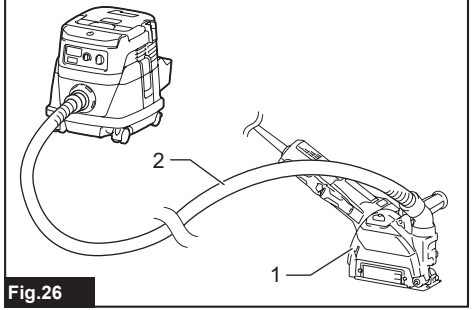


Fig.26

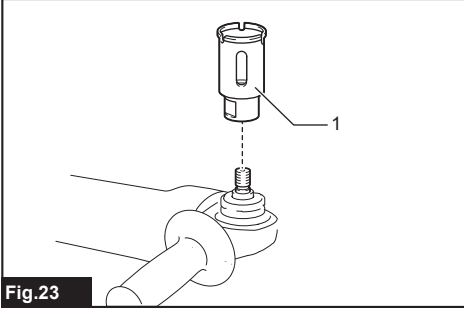


Fig.23

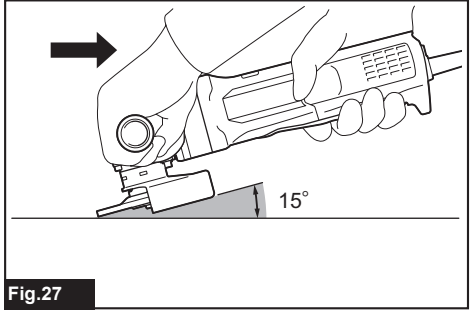


Fig.27

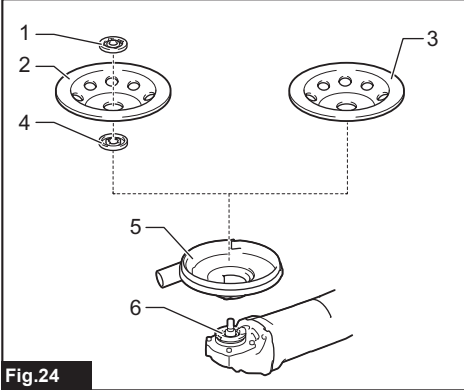


Fig.24

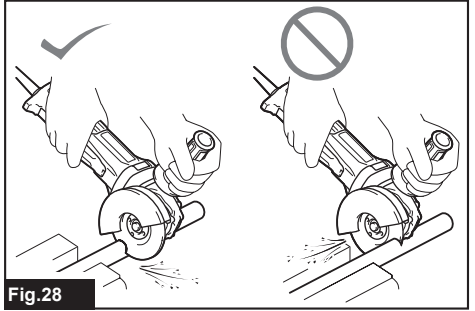


Fig.28

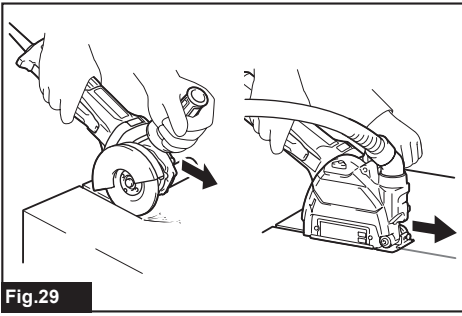


Fig.29

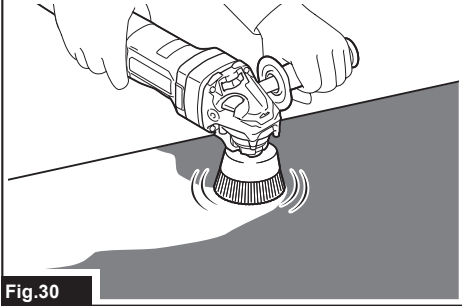


Fig.30

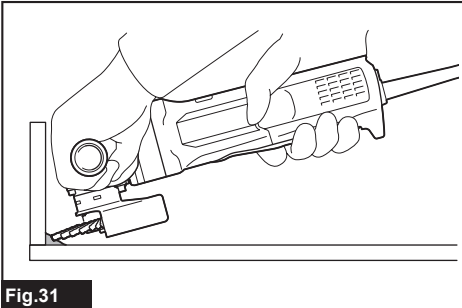


Fig.31

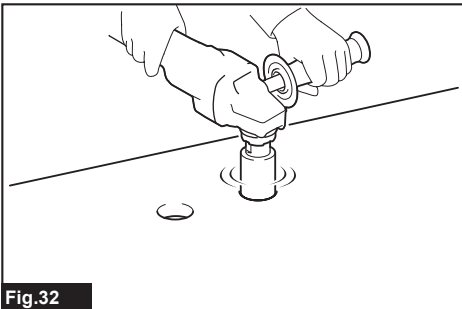


Fig.32

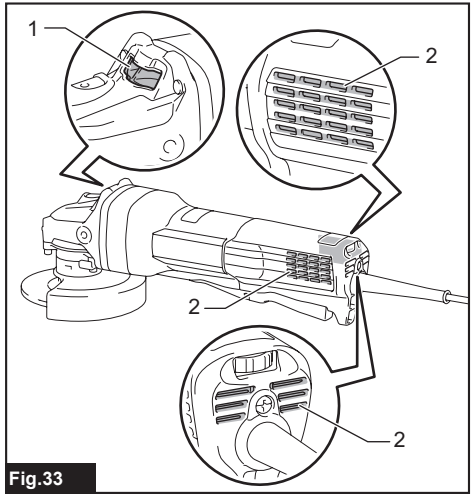


Fig.33

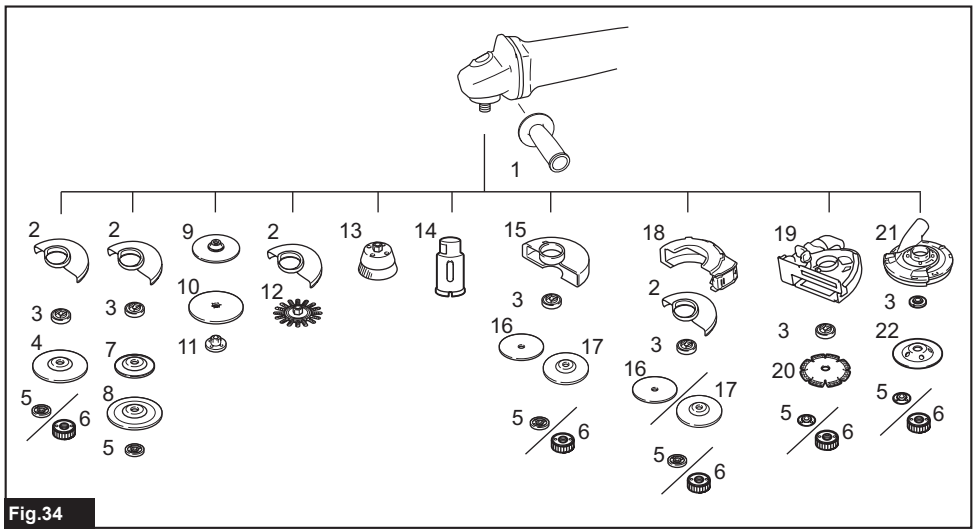


Fig.34






SPECIFICATIONS

Model:		GA4593	GA4594	GA4595	GA5093	GA5094	GA5095
Applicable grinding wheel	Max. wheel diameter	115 mm			125 mm		
	Max. wheel thickness	7.2 mm					
Applicable cut-off wheel	Max. wheel diameter	115 mm			125 mm		
	Max. wheel thickness	3.2 mm					
Applicable wire wheel brush	Max. wheel diameter	115 mm			125 mm		
	Max. wheel thickness	20 mm					
Spindle thread		M14 or 5/8" (country specific)					
Max. spindle length		23 mm					
No load speed (n ₀) / Rated speed (n)		11,500 min ⁻¹					
Overall length		349 mm	326 mm		349 mm		326 mm
Net weight		2.8 - 4.0 kg	2.6 - 3.8 kg		2.9 - 4.0 kg		2.7 - 3.8 kg
Safety class		□/II					

- Due to our continuing program of research and development, the specifications herein are subject to change without notice.
- Specifications may differ from country to country.
- The weight may differ depending on the attachment(s). The lightest and heaviest combinations, according to EPTA-Procedure 01/2014, are shown in the table.

Symbols

The followings show the symbols which may be used for the equipment. Be sure that you understand their meaning before use.

	Read instruction manual.
	Wear safety glasses.
	Always operate with two hands.
	Do not use the wheel guard for cut-off operations.
	DOUBLE INSULATION



Only for EU countries
Due to the presence of hazardous components in the equipment, used electrical and electronic equipment may have a negative impact on the environment and human health.

Do not dispose of electrical and electronic appliances with household waste!

In accordance with the European Directive on waste electrical and electronic equipment and its adaptation to national law, used electrical and electronic equipment should be collected separately and delivered to a separate collection point for municipal waste, operating in accordance with the environmental protection regulations.

This is indicated by the symbol of the crossed-out wheeled bin placed on the equipment.

Intended use

The tool is intended for grinding, sanding, wire brushing, hole cutting and cutting of metal and stone materials without the use of water.

Power supply

The tool should be connected only to a power supply of the same voltage as indicated on the nameplate, and can only be operated on single-phase AC supply. They are double-insulated and can, therefore, also be used from sockets without earth wire.

Noise

The typical A-weighted noise level determined according to 62841-2-3:

Model	Sound pressure level (L_{pA}) : (dB(A))	Sound power level (L_{WA}) : (dB(A))	Uncertainty (K) : (dB(A))
GA4593	91	99	3
GA4594	91	99	3
GA4595	94	102	3
GA5093	91	99	3
GA5094	91	99	3
GA5095	94	102	3

NOTE: The declared noise emission value(s) has been measured in accordance with a standard test method and may be used for comparing one tool with another.

NOTE: The declared noise emission value(s) may also be used in a preliminary assessment of exposure.

⚠ WARNING: Wear ear protection.

⚠ WARNING: The noise emission during actual use of the power tool can differ from the declared value(s) depending on the ways in which the tool is used especially what kind of workpiece is processed.

⚠ WARNING: Be sure to identify safety measures to protect the operator that are based on an estimation of exposure in the actual conditions of use (taking account of all parts of the operating cycle such as the times when the tool is switched off and when it is running idle in addition to the trigger time).

⚠ WARNING: Grinding thin sheets of metal or other easily vibrating structures with a large surface can result in a total noise emission much higher (up to 15 dB) than the declared noise emission values.

Set heavy flexible damping mats or such to those workpieces to prevent them from emitting sound.

Take the increased noise emission into consideration for both the risk assessment of noise exposure and selecting adequate hearing protection.

Vibration

The vibration total value (tri-axial vector sum) determined according to 62841-2-3:

Work mode: surface grinding with normal side grip

Model	Vibration emission ($a_{hv, AG}$) : (m/s ²)	Uncertainty (K) : (m/s ²)
GA4593	5.8	1.5
GA4594	5.8	1.5
GA4595	5.4	1.5
GA5093	8.9	1.5
GA5094	8.9	1.5
GA5095	8.5	1.5

Work mode: surface grinding with anti vibration side grip

Model	Vibration emission ($a_{hv, AG}$) : (m/s ²)	Uncertainty (K) : (m/s ²)
GA4593	5.7	1.5
GA4594	5.7	1.5
GA4595	5.2	1.5
GA5093	8.5	1.5
GA5094	8.5	1.5
GA5095	8.7	1.5

Work mode: disc sanding with normal side grip

Model	Vibration emission ($a_{h, DS}$) : (m/s^2)	Uncertainty (K) : (m/s^2)
GA4593	2.6	1.5
GA4594	2.6	1.5
GA4595	2.6	1.5
GA5093	3.3	1.5
GA5094	3.3	1.5
GA5095	3.0	1.5

Work mode: disc sanding with anti vibration side grip

Model	Vibration emission ($a_{h, DS}$) : (m/s^2)	Uncertainty (K) : (m/s^2)
GA4593	2.5 m/s^2 or less	1.5
GA4594	2.5 m/s^2 or less	1.5
GA4595	2.9	1.5
GA5093	3.0	1.5
GA5094	3.0	1.5
GA5095	3.1	1.5

NOTE: The declared vibration total value(s) has been measured in accordance with a standard test method and may be used for comparing one tool with another.

NOTE: The declared vibration total value(s) may also be used in a preliminary assessment of exposure.

⚠ WARNING: The vibration emission during actual use of the power tool can differ from the declared value(s) depending on the ways in which the tool is used especially what kind of workpiece is processed.

⚠ WARNING: Be sure to identify safety measures to protect the operator that are based on an estimation of exposure in the actual conditions of use (taking account of all parts of the operating cycle such as the times when the tool is switched off and when it is running idle in addition to the trigger time).

⚠ WARNING: The declared vibration emission value is used for main applications of the power tool. However if the power tool is used for other applications, the vibration emission value may be different.

EC Declaration of Conformity

For European countries only

The EC declaration of conformity is included as Annex A to this instruction manual.

SAFETY WARNINGS

General power tool safety warnings

⚠ WARNING: Read all safety warnings, instructions, illustrations and specifications provided with this power tool. Failure to follow all instructions listed below may result in electric shock, fire and/or serious injury.

Save all warnings and instructions for future reference.

The term "power tool" in the warnings refers to your mains-operated (corded) power tool or battery-operated (cordless) power tool.

Grinder safety warnings

Safety warnings common for grinding, sanding, wire brushing, or cutting-off operations:

1. This power tool is intended to function as a grinder, sander, wire brush, hole cutter or cut-off tool. Read all safety warnings, instructions, illustrations and specifications provided with this power tool. Failure to follow all instructions listed below may result in electric shock, fire and/or serious injury.
2. Operations such as polishing are not to be performed with this power tool. Operations for which the power tool was not designed may create a hazard and cause personal injury.
3. Do not convert this power tool to operate in a way which is not specifically designed and specified by the tool manufacturer. Such a conversion may result in a loss of control and cause serious personal injury.
4. Do not use accessories which are not specifically designed and specified by the tool manufacturer. Just because the accessory can be attached to your power tool, it does not assure safe operation.
5. The rated speed of the accessory must be at least equal to the maximum speed marked on the power tool. Accessories running faster than their rated speed can break and fly apart.

6. **The outside diameter and the thickness of your accessory must be within the capacity rating of your power tool.** Incorrectly sized accessories cannot be adequately guarded or controlled.
7. **The dimensions of the accessory mounting must fit the dimensions of the mounting hardware of the power tool.** Accessories that do not match the mounting hardware of the power tool will run out of balance, vibrate excessively and may cause loss of control.
8. **Do not use a damaged accessory. Before each use inspect the accessory such as abrasive wheels for chips and cracks, backing pad for cracks, tear or excess wear, wire brush for loose or cracked wires. If power tool or accessory is dropped, inspect for damage or install an undamaged accessory. After inspecting and installing an accessory, position yourself and bystanders away from the plane of the rotating accessory and run the power tool at maximum no-load speed for one minute.** Damaged accessories will normally break apart during this test time.
9. **Wear personal protective equipment. Depending on application, use face shield, safety goggles or safety glasses. As appropriate, wear dust mask, hearing protectors, gloves and workshop apron capable of stopping small abrasive or workpiece fragments.** The eye protection must be capable of stopping flying debris generated by various applications. The dust mask or respirator must be capable of filtrating particles generated by the particular application. Prolonged exposure to high intensity noise may cause hearing loss.
10. **Keep bystanders a safe distance away from work area. Anyone entering the work area must wear personal protective equipment.** Fragments of workpiece or of a broken accessory may fly away and cause injury beyond immediate area of operation.
11. **Hold the power tool by insulated gripping surfaces only, when performing an operation where the cutting accessory may contact hidden wiring or its own cord.** Cutting accessory contacting a "live" wire may make exposed metal parts of the power tool "live" and could give the operator an electric shock.
12. **Position the cord clear of the spinning accessory.** If you lose control, the cord may be cut or snagged and your hand or arm may be pulled into the spinning accessory.
13. **Never lay the power tool down until the accessory has come to a complete stop.** The spinning accessory may grab the surface and pull the power tool out of your control.
14. **Do not run the power tool while carrying it at your side.** Accidental contact with the spinning accessory could snag your clothing, pulling the accessory into your body.
15. **Regularly clean the power tool's air vents.** The motor's fan will draw the dust inside the housing and excessive accumulation of powdered metal may cause electrical hazards.
16. **Do not operate the power tool near flammable materials.** Sparks could ignite these materials.
17. **Do not use accessories that require liquid coolants.** Using water or other liquid coolants may result in electrocution or shock.

Kickback and related warnings:

Kickback is a sudden reaction to a pinched or snagged rotating wheel, backing pad, brush or any other accessory. Pinching or snagging causes rapid stalling of the rotating accessory which in turn causes the uncontrolled power tool to be forced in the direction opposite of the accessory's rotation at the point of the binding. For example, if an abrasive wheel is snagged or pinched by the workpiece, the edge of the wheel that is entering into the pinch point can dig into the surface of the material causing the wheel to climb out or kick out. The wheel may either jump toward or away from the operator, depending on direction of the wheel's movement at the point of pinching. Abrasive wheels may also break under these conditions.

Kickback is the result of power tool misuse and/or incorrect operating procedures or conditions and can be avoided by taking proper precautions as given below.

1. **Maintain a firm grip with both hands on the power tool and position your body and arms to allow you to resist kickback forces. Always use auxiliary handle, if provided, for maximum control over kickback or torque reaction during start-up.** The operator can control torque reactions or kickback forces, if proper precautions are taken.
2. **Never place your hand near the rotating accessory.** Accessory may kickback over your hand.
3. **Do not position your body in the area where power tool will move if kickback occurs.** Kickback will propel the tool in direction opposite to the wheel's movement at the point of snagging.
4. **Use special care when working corners, sharp edges, etc. Avoid bouncing and snagging the accessory.** Corners, sharp edges or bouncing have a tendency to snag the rotating accessory and cause loss of control or kickback.
5. **Do not attach a saw chain woodcarving blade, segmented diamond wheel with a peripheral gap greater than 10 mm or toothed saw blade.** Such blades create frequent kickback and loss of control.

Safety warnings specific for grinding and cutting-off operations:

1. **Use only wheel types that are specified for your power tool and the specific guard designed for the selected wheel.** Wheels for which the power tool was not designed cannot be adequately guarded and are unsafe.
2. **The grinding surface of centre depressed wheels must be mounted below the plane of the guard lip.** An improperly mounted wheel that projects through the plane of the guard lip cannot be adequately protected.
3. **The guard must be securely attached to the power tool and positioned for maximum safety, so the least amount of wheel is exposed towards the operator.** The guard helps to protect the operator from broken wheel fragments, accidental contact with wheel and sparks that could ignite clothing.
4. **Wheels must be used only for specified applications. For example: do not grind with the side of cut-off wheel.** Abrasive cut-off wheels are intended for peripheral grinding, side forces applied to these wheels may cause them to shatter.

5. **Always use undamaged wheel flanges that are of correct size and shape for your selected wheel.** Proper wheel flanges support the wheel thus reducing the possibility of wheel breakage. Flanges for cut-off wheels may be different from grinding wheel flanges.
6. **Do not use worn down wheels from larger power tools.** A wheel intended for larger power tool is not suitable for the higher speed of a smaller tool and may burst.
7. **When using dual purpose wheels always use the correct guard for the application being performed.** Failure to use the correct guard may not provide the desired level of guarding, which could lead to serious injury.

Additional safety warnings specific for cutting-off operations:

1. **Do not “jam” the cut-off wheel or apply excessive pressure. Do not attempt to make an excessive depth of cut.** Overstressing the wheel increases the loading and susceptibility to twisting or binding of the wheel in the cut and the possibility of kickback or wheel breakage.
2. **Do not position your body in line with and behind the rotating wheel.** When the wheel, at the point of operation, is moving away from your body, the possible kickback may propel the spinning wheel and the power tool directly at you.
3. **When the wheel is binding or when interrupting a cut for any reason, switch off the power tool and hold it motionless until the wheel comes to a complete stop. Never attempt to remove the cut-off wheel from the cut while the wheel is in motion otherwise kickback may occur.** Investigate and take corrective action to eliminate the cause of wheel binding.
4. **Do not restart the cutting operation in the workpiece. Let the wheel reach full speed and carefully re-enter the cut.** The wheel may bind, walk up or kickback if the power tool is restarted in the workpiece.
5. **Support panels or any oversized workpiece to minimize the risk of wheel pinching and kickback.** Large workpieces tend to sag under their own weight. Supports must be placed under the workpiece near the line of cut and near the edge of the workpiece on both sides of the wheel.
6. **Use extra caution when making a “pocket cut” into existing walls or other blind areas.** The protruding wheel may cut gas or water pipes, electrical wiring or objects that can cause kickback.
7. **Do not attempt to do curved cutting.** Overstressing the wheel increases the loading and susceptibility to twisting or binding of the wheel in the cut and the possibility of kickback or wheel breakage, which can lead to serious injury.
8. **Before using a segmented diamond wheel, make sure that the diamond wheel has the peripheral gap between segments of 10 mm or less, only with a negative rake angle.**

Safety warnings specific for sanding operations:

1. **Use proper sized sanding disc paper. Follow manufacturers recommendations, when selecting sanding paper.** Larger sanding paper extending too far beyond the sanding pad presents a laceration hazard and may cause snagging, tearing of the disc or kickback.

Safety warnings specific for wire brushing operations:

1. **Be aware that wire bristles are thrown by the brush even during ordinary operation. Do not overstress the wires by applying excessive load to the brush.** The wire bristles can easily penetrate light clothing and/or skin.
2. **If the use of a guard is specified for wire brushing, do not allow any interference of the wire wheel or brush with the guard.** Wire wheel or brush may expand in diameter due to work load and centrifugal forces.

Additional Safety Warnings:

1. **When using depressed centre grinding wheels, be sure to use only fiberglass-reinforced wheels.**
2. **NEVER USE Stone Cup type wheels with this grinder.** This grinder is not designed for these types of wheels and the use of such a product may result in serious personal injury.
3. **Be careful not to damage the spindle, the flange (especially the installing surface) or the lock nut. Damage to these parts could result in wheel breakage.**
4. **Make sure the wheel is not contacting the workpiece before the switch is turned on.**
5. **Before using the tool on an actual workpiece, let it run for a while. Watch for vibration or wobbling that could indicate poor installation or a poorly balanced wheel.**
6. **Use the specified surface of the wheel to perform the grinding.**
7. **Do not leave the tool running. Operate the tool only when hand-held.**
8. **Do not touch the workpiece immediately after operation; it may be extremely hot and could burn your skin.**
9. **Do not touch accessories immediately after operation; it may be extremely hot and could burn your skin.**
10. **Observe the instructions of the manufacturer for correct mounting and use of wheels. Handle and store wheels with care.**
11. **Do not use separate reducing bushings or adaptors to adapt large hole abrasive wheels.**
12. **Use only flanges specified for this tool.**
13. **For tools intended to be fitted with threaded hole wheel, ensure that the thread in the wheel is long enough to accept the spindle length.**
14. **Check that the workpiece is properly supported.**
15. **Pay attention that the wheel continues to rotate after the tool is switched off.**
16. **If working place is extremely hot and humid, or badly polluted by conductive dust, use a short-circuit breaker (30 mA) to assure operator safety.**
17. **Do not use the tool on any materials containing asbestos.**
18. **When use cut-off wheel, always work with the dust collecting wheel guard if required by domestic regulation.**
19. **Cutting discs must not be subjected to any lateral pressure.**

20. **Do not use cloth work gloves during operation.** Fibers from cloth gloves may enter the tool, which causes tool breakage.
21. **Before operation, make sure that there is no buried object such as electric pipe, water pipe or gas pipe in the workpiece.** Otherwise, it may cause an electric shock, electrical leakage or gas leak.
22. **If a blotter is attached to the wheel, do not remove it. The diameter of the blotter must be larger than the lock nut, outer flange, and inner flange.**
23. **Before installing a grinding wheel, always check that the blotter part does not have any abnormalities such as chips or cracks.**
24. **Tighten the lock nut properly.** Overtightening the wheel can cause breakage and insufficient tightening can cause fluttering.

SAVE THESE INSTRUCTIONS.

⚠WARNING: DO NOT let comfort or familiarity with product (gained from repeated use) replace strict adherence to safety rules for the subject product. MISUSE or failure to follow the safety rules stated in this instruction manual may cause serious personal injury.

FUNCTIONAL DESCRIPTION

⚠CAUTION: Always be sure that the tool is switched off and unplugged before adjusting or checking function on the tool.

Tool protection system

The tool is equipped with a tool protection system. This system automatically reduces or cuts off power to the motor to extend tool life. The tool will automatically reduce power or stop during operation if the tool is placed under one of the following conditions:

Overload protection

When the tool is operated in a manner that causes it to draw an abnormally high current, the tool reduces power automatically without any indication. In this situation, remove the cause of the overload so that the rotation speed recovered.

Overheat protection

Country specific

When the tool is overheated, the tool stops automatically and the indication lamp blinks in red. In this situation, let the tool cool down. You can turn the tool on again after the lamp changes the color from red to green.

Indication lamp

► Fig.1: 1. Indication lamp

The indication lamp lights up green when the tool is plugged.

If the indication lamp blinks in red, the overheat protection, Active Feedback sensing Technology, or the accidental re-start preventive function stops operation. In this situation, switch off the tool. Then, turn the tool on to restart.

If the indication lamp lights up in red after switch off the tool, the tool is overheated. In this situation, cool down the tool and wait until the indication lamp lights up in green.

Speed adjusting dial

Only for model GA4593 / GA5093

⚠CAUTION: If the tool is operated continuously at low speeds for a long time, the motor will get overloaded and heated up.

⚠CAUTION: The speed adjusting dial can be turned only as far as 5 and back to 1. Do not force it past 5 or 1, or the speed adjusting function may no longer work.

The rotating speed can be changed by turning the speed adjusting dial to a given number setting from 1 to 5. Higher speed is obtained when the dial is turned in the direction of number 5. And lower speed is obtained when it is turned in the direction of number 1. Refer to the below table for the relationship between the number settings on the dial and the approximate rotating speed.

Number	Rated speed
1	2,800 min ⁻¹ (/min)
2	4,500 min ⁻¹ (/min)
3	6,500 min ⁻¹ (/min)
4	8,000 min ⁻¹ (/min)
5	11,500 min ⁻¹ (/min)

► Fig.2: 1. Speed adjusting dial

Shaft lock

⚠WARNING: Never actuate the shaft lock when the spindle is moving. It may cause serious injury or the tool damage.

Press the shaft lock to prevent spindle rotation when installing or removing accessories.

► Fig.3: 1. Shaft lock

Switch action

⚠ CAUTION: Before plugging in the tool, always check to see that the switch lever actuates properly and returns to the "OFF" position when released.

⚠ CAUTION: For your safety, this tool is equipped with lock-off lever which prevents the tool from unintended starting. NEVER use the tool if it runs when you simply pull the switch lever without pulling the lock-off lever. Return the tool to our authorized service center for proper repairs BEFORE further usage.

⚠ CAUTION: Do not pull the switch lever hard without pulling the lock-off lever. This can cause switch breakage.

⚠ CAUTION: NEVER tape down or defeat purpose and function of lock-off lever.

To prevent the switch lever from being accidentally pulled, a lock-off lever is provided.
To start the tool, pull the lock-off lever toward the operator and then pull the switch lever.
To stop the tool, release the switch lever.
► Fig.4: 1. Lock-off lever 2. Switch lever

Electronic function

Active Feedback sensing Technology

⚠ CAUTION: Hold the tool firmly until the rotation stops.

The tool electronically detects situations where the wheel or accessory may be at risk to be bound. In such situation, the tool automatically shuts off the power to prevent further rotation of the spindle (this does not prevent kickback). At this time, the indication lamp blinks in red and shows the Active Feedback sensing Technology is working. To restart the tool, switch off the tool first, remove the cause of sudden drop in the rotation speed, and then turn the tool on.

Accidental re-start preventive function

When plugging in the tool while the switch is ON, the tool does not start.
At this time, the indication lamp blinks in red and shows that the accidental re-start preventive function works.
To start the tool, turn off the switch, and turn it on again.

Constant speed control

Possible to get fine finish, because the rotating speed is kept constant even under the loaded condition.

Soft start feature

Soft start feature reduces starting reaction.

Mechanical brake

Only for model GA4593 / GA4594 / GA5093 / GA5094

Mechanical brake is activated after the tool is switched off.

The brake does not work when the power supply is shut down with the switch still on.

ASSEMBLY

⚠ CAUTION: Always be sure that the tool is switched off and unplugged before carrying out any work on the tool.

Installing side grip (handle)

⚠ CAUTION: Always be sure that the side grip is installed securely before operation.

Screw the side grip securely on the position of the tool as shown in the figure.

► Fig.5

Installing or removing wheel guard

⚠ WARNING: When using a depressed center wheel, flap disc, flex wheel or wire wheel brush, the wheel guard must be fitted on the tool so that the closed side of the guard always points toward the operator.

⚠ WARNING: Make sure that the wheel guard is securely locked by the lock lever with one of the holes on the wheel guard.

⚠ WARNING: When using an abrasive cut-off / diamond wheel, be sure to use only the special wheel guard designed for use with cut-off wheels.

For depressed center wheel, flap disc, flex wheel, wire wheel brush / abrasive cut-off wheel, diamond wheel

1. While pushing the lock lever, mount the wheel guard with the protrusions on the wheel guard aligned with the notches on the bearing box.

► Fig.6: 1. Lock lever 2. Notch 3. Protrusion

2. While pushing the lock lever toward A, hold down the portions B of the wheel guard as shown in the figure.

► Fig.7: 1. Wheel guard 2. Hole

NOTE: Push down the wheel guard straight. Otherwise, you cannot secure the wheel guard.

3. While pushing the lock lever toward A, rotate the wheel guard toward C, and then, change the angle of the wheel guard according to the work so that the operator can be protected. Align the lock lever with one of the holes in the wheel guard, and then release the lock lever to lock the wheel guard.

► Fig.8: 1. Wheel guard 2. Hole

To remove wheel guard, follow the installation procedure in reverse.

Clip-on cutting wheel guard attachment

Optional accessory

NOTE: For cutting-off operations, a clip-on cutting wheel guard attachment can be used with the wheel guard (for grinding wheel).

Not available in some countries.

► Fig.9

Installing or removing depressed center wheel or flap disc

Optional accessory

⚠ WARNING: When using a depressed center wheel or flap disc, the wheel guard must be fitted on the tool so that the closed side of the guard always points toward the operator.

⚠ WARNING: Make sure that the mounting part of the inner flange fits into the inner diameter of the depressed center wheel / flap disc perfectly. Mounting the inner flange on the wrong side may result in the dangerous vibration.

Mount the inner flange onto the spindle. Make sure to fit the dented part of the inner flange onto the straight part at the bottom of the spindle. Fit the depressed center wheel / flap disc on the inner flange and screw the lock nut onto the spindle.

► **Fig.10:** 1. Lock nut 2. Depressed center wheel 3. Inner flange 4. Mounting part

To tighten the lock nut, press the shaft lock firmly so that the spindle cannot revolve, then use the lock nut wrench and securely tighten clockwise.

► **Fig.11:** 1. Lock nut wrench 2. Shaft lock

To remove the wheel, follow the installation procedure in reverse.

Installing or removing flex wheel

Optional accessory

⚠ WARNING: Always use supplied guard when flex wheel is on the tool. Wheel can shatter during use and guard helps to reduce chances of personal injury.

► **Fig.12:** 1. Lock nut 2. Flex wheel 3. Back up pad 4. Inner flange

Follow instructions for depressed center wheel but also use back up pad over wheel.

Installing or removing abrasive disc

Optional accessory

► **Fig.13:** 1. Sanding lock nut 2. Abrasive disc 3. Rubber pad

1. Mount the rubber pad onto the spindle.
2. Fit the disc on the rubber pad and screw the sanding lock nut onto the spindle.
3. Hold the spindle with the shaft lock, and securely tighten the sanding lock nut clockwise with the lock nut wrench.

To remove the disc, follow the installation procedure in reverse.

NOTE: Use sander accessories specified in this manual. These must be purchased separately.

Super flange

Optional accessory

Only for model GA4595 / GA5095

Super flange is a special accessory for model which is NOT equipped with a brake function.

Only 1/3 of efforts needed to undo lock nut, compared with conventional type.

Installing or removing Ezynut

Optional accessory

Only for tools with M14 spindle thread.

⚠ CAUTION: Do not use Ezynut with Super Flange. Those flanges are so thick that the entire thread cannot be retained by the spindle.

Mount inner flange, abrasive wheel and Ezynut onto the spindle so that Makita Logo on Ezynut faces outside.

► **Fig.14:** 1. Ezynut 2. Abrasive wheel 3. Inner flange 4. Spindle

Press shaft lock firmly and tighten Ezynut by turning the abrasive wheel clockwise as far as it turns.

► **Fig.15:** 1. Shaft lock

To loosen the Ezynut, turn the outside ring of Ezynut counterclockwise.

NOTE: Ezynut can be loosened by hand as long as the arrow points the notch. Otherwise a lock nut wrench is required to loosen it. Insert one pin of the wrench into a hole and turn Ezynut counterclockwise.

► **Fig.16:** 1. Arrow 2. Notch

► **Fig.17**

Installing abrasive cut-off / diamond wheel

Optional accessory

⚠ WARNING: When using an abrasive cut-off / diamond wheel, be sure to use only the special wheel guard designed for use with cut-off wheels.

⚠ WARNING: NEVER use cut-off wheel for side grinding.

► **Fig.18:** 1. Lock nut 2. Abrasive cut-off wheel / diamond wheel 3. Inner flange 4. Wheel guard for abrasive cut-off wheel / diamond wheel

As for the installation, follow the instructions for depressed center wheel.

The direction for mounting the lock nut and the inner flange varies by wheel type and thickness. Refer to the following figures.

When installing the abrasive cut-off wheel:

► **Fig.19:** 1. Lock nut 2. Abrasive cut-off wheel (Thinner than 4 mm (5/32")) 3. Abrasive cut-off wheel (4 mm (5/32") or thicker) 4. Inner flange

When installing the diamond wheel:

► **Fig.20:** 1. Lock nut 2. Diamond wheel (Thinner than 4 mm (5/32")) 3. Diamond wheel (4 mm (5/32") or thicker) 4. Inner flange

Installing wire cup brush

Optional accessory

CAUTION: Do not use brush that is damaged, or which is out of balance. Use of damaged brush could increase potential for injury from contact with broken brush wires.

Place the tool upside down to allow easy access to the spindle.

Remove any accessories on spindle. Thread wire cup brush onto spindle and tighten with supplied wrench.

► **Fig.21:** 1. Wire cup brush

Installing wire wheel brush

Optional accessory

CAUTION: Do not use wire wheel brush that is damaged, or which is out of balance. Use of damaged wire wheel brush could increase potential for injury from contact with broken wires.

CAUTION: ALWAYS use guard with wire wheel brushes, assuring diameter of wheel fits inside guard. Wheel can shatter during use and guard helps to reduce chances of personal injury.

Place the tool upside down to allow easy access to the spindle.

Remove any accessories on spindle. Thread wire wheel brush onto spindle and tighten with the wrenches.

► **Fig.22:** 1. Wire wheel brush

Installing hole cutter

Optional accessory

Place the tool upside down to allow easy access to the spindle.

Remove any accessories on the spindle. Thread the hole cutter onto the spindle, and tighten it with the supplied wrench.

► **Fig.23:** 1. Hole cutter

Installing dust collecting wheel guard for grinding

Optional accessory

With optional accessories, you can use this tool for planing concrete surface.

CAUTION: Dust collecting wheel guard for grinding is only for use in planing concrete surface with a cup-type diamond wheel. Do not use this guard with any other cutting accessory or for any other purpose.

CAUTION: Before operation, make sure that a vacuum cleaner is connected to the tool and turned on.

Place the tool upside down and install the dust collecting wheel guard.

Mount the inner flange onto the spindle.

Fit the cup-type diamond wheel on the inner flange and tighten the lock nut onto the spindle.

► **Fig.24:** 1. Lock nut 2. Cup-type diamond wheel 3. Hubbed cup-type diamond wheel 4. Inner flange 5. Dust collecting wheel guard 6. Bearing box

NOTE: For information how to install the dust collecting wheel guard, refer to the manual of the dust collecting wheel guard.

Installing dust collecting wheel guard for cutting-off

Optional accessory

With optional accessories, you can use this tool for cutting stone materials.

► **Fig.25**

NOTE: For information how to install the dust collecting wheel guard, refer to the manual of the dust collecting wheel guard.

Connecting a vacuum cleaner

Optional accessory

WARNING: Never vacuum metal particles created by grinding/cutting/sanding operation. Metal particles created by such operation are so hot that they ignite dust and the filter inside the vacuum cleaner.

To avoid dusty environment caused by masonry cutting, use a dust collecting wheel guard and a vacuum cleaner.

Refer to the instruction manual attached to the dust collecting wheel guard for assembling and using it.

► **Fig.26:** 1. Dust collecting wheel guard 2. Hose of the vacuum cleaner

Installing or removing dust cover attachment

Optional accessory

CAUTION: Always be sure that the tool is switched off and unplugged before installing or removing the dust cover attachment. Failure to do so causes damage to the tool or a personal injury.

Install the dust cover attachment to each specified position.

For details, refer to the instruction manual of the dust cover attachment.

NOTICE: Clean out the dust cover attachment when it is clogged with dust or foreign matters. Continuing operation with a clogged dust cover attachment will damage the tool.

OPERATION

⚠ WARNING: It should never be necessary to force the tool. The weight of the tool applies adequate pressure. Forcing and excessive pressure could cause dangerous wheel breakage.

⚠ WARNING: ALWAYS replace wheel if tool is dropped while grinding.

⚠ WARNING: NEVER hit the workpiece with the wheel.

⚠ WARNING: Avoid bouncing and snagging the wheel, especially when working corners, sharp edges etc. This can cause loss of control and kickback.

⚠ WARNING: NEVER use tool with wood cutting blades and other saw blades. Such blades when used on a grinder frequently kick and cause loss of control leading to personal injury.

⚠ WARNING: Continued use of a worn-out wheel may result in wheel explosion and serious personal injury.

⚠ CAUTION: Never switch on the tool when it is in contact with the workpiece, it may cause an injury to operator.

⚠ CAUTION: Always wear safety goggles or a face shield during operation.

⚠ CAUTION: After operation, always switch off the tool and wait until the wheel has come to a complete stop before putting the tool down.

⚠ CAUTION: ALWAYS hold the tool firmly with one hand on housing and the other on the side grip (handle).

NOTE: A dual purpose wheel can be used for both grinding and cutting-off operations.

Refer to the "Operation with wheel/disc" for grinding operation, and refer to the "Operation with abrasive cut-off / diamond wheel" for cutting-off operation.

Operation with wheel/disc

► Fig.27

Turn the tool on and then apply the wheel or disc to the workpiece.

In general, keep the edge of the wheel or disc at an angle of about 15° to the workpiece surface.

During the break-in period with a new wheel, do not work the grinder in forward direction or it may cut into the workpiece. Once the edge of the wheel has been rounded off by use, the wheel may be worked in both forward and backward direction.

Operation with abrasive cut-off / diamond wheel

Optional accessory

⚠ WARNING: Do not "jam" the wheel or apply excessive pressure. Do not attempt to make an excessive depth of cut. Overstressing the wheel increases the loading and susceptibility to twisting or binding of the wheel in the cut and the possibility of kickback, wheel breakage and overheating of the motor may occur.

⚠ WARNING: Do not start the cutting operation in the workpiece. Let the wheel reach full speed and carefully enter into the cut moving the tool forward over the workpiece surface. The wheel may bind, walk up or kickback if the power tool is started in the workpiece.

⚠ WARNING: During cutting operations, never change the angle of the wheel. Placing side pressure on the cut-off wheel (as in grinding) will cause the wheel to crack and break, causing serious personal injury.

⚠ WARNING: A diamond wheel shall be operated perpendicular to the material being cut.

Usage example: operation with abrasive cut-off wheel

► Fig.28

Usage example: operation with diamond wheel

► Fig.29

Operation with wire cup brush

Optional accessory

⚠ CAUTION: Check operation of brush by running tool with no load, insuring that no one is in front of or in line with brush.

Usage example: operation with wire cup brush

► Fig.30

NOTICE: Avoid applying too much pressure which causes over bending of wires when using brush. It may lead to premature breakage.

Operation with wire wheel brush

Optional accessory

⚠ CAUTION: Check operation of wire wheel brush by running tool with no load, insuring that no one is in front of or in line with the wire wheel brush.

Usage example: operation with wire wheel brush

► Fig.31

NOTICE: Avoid applying too much pressure which causes over bending of wires when using wire wheel brush. It may lead to premature breakage.

Operation with hole cutter

Optional accessory

⚠ CAUTION: Check operation of the hole cutter by running the tool with no load, insuring that no one is in front of the hole cutter.

NOTICE: Do not tilt the tool during operation. It may lead to premature breakage.

Usage example: operation with hole cutter

► Fig.32

MAINTENANCE

⚠ CAUTION: Always be sure that the tool is switched off and unplugged before attempting to perform inspection or maintenance.

NOTICE: Never use gasoline, benzine, thinner, alcohol or the like. Discoloration, deformation or cracks may result.

To maintain product SAFETY and RELIABILITY, repairs, any other maintenance or adjustment should be performed by Makita Authorized or Factory Service Centers, always using Makita replacement parts.

Air vent cleaning

The tool and its air vents have to be kept clean. Regularly clean the tool's air vents or whenever the vents start to become obstructed.

► **Fig.33:** 1. Exhaust vent 2. Inhalation vent

COMBINATION OF APPLICATIONS AND ACCESSORIES

Optional accessory

⚠ CAUTION: Using the tool with incorrect guards can cause risks as follows.

- When using a cut-off wheel guard for facial grinding, the wheel guard may interfere with the workpiece causing poor control.
- When using a grinding wheel guard for cutting-off operations with bonded abrasive wheels and diamond wheels, there is an increased risk of exposure to rotating wheels, emitted sparks and particles, as well as exposure to wheel fragments in the event of wheel burst.
- When using a cut-off wheel guard or grinding wheel guard for facial operations with cup-type diamond wheels, the wheel guard may interfere with the workpiece causing poor control.
- When using a cut-off wheel guard or grinding wheel guard with a wheel-type wire brush with a thickness greater than the maximum thickness as specified in "SPECIFICATIONS", the wires may catch on the guard leading to breaking of wires.
- Use of dust collecting wheel guards for cutting-off and facial operations in concrete or masonry reduces a risk of exposure to dust.
- When using dual purpose (combined grinding and cutting-off abrasive) flange mounted wheels, only use a cut-off wheel guard.

► Fig.34

Only for model GA4593 / GA4594 / GA5093 / GA5094

-	Application	115 mm (4-1/2") model	125 mm (5") model
1	-	Side grip	
2	-	Wheel guard (for grinding wheel)	
3	-	Inner flange	
4	Grinding / Sanding	Depressed center wheel / Flap disc	
5	-	Lock nut	
6	-	Ezynut *1*2	
7	-	Back up pad	
8	Grinding / Sanding	Flex wheel	
9	-	Rubber pad 100	Rubber pad 115
10	Sanding	Abrasive disc	
11	-	Sanding lock nut	
12	Wire brushing	Wire wheel brush	
13	Wire brushing	Wire cup brush	
14	Hole cutting	Hole cutter	
15	-	Wheel guard (for cut-off wheel)	
16	Cutting-off	Abrasive cut-off wheel / Diamond wheel	
17	Grinding / Cutting-off	Dual purpose wheel	
18	-	Clip-on cutting wheel guard attachment *3	
19	-	Dust collecting wheel guard for cutting-off	
20	Cutting-off	Diamond wheel	
21	-	Dust collecting wheel guard for grinding	
22	Grinding	Cup-type diamond wheel	
-	-	Lock nut wrench	
-	-	Dust cover attachment	

Only for model GA4595 / GA5095

	Application	115 mm (4-1/2") model	125 mm (5") model
1	-	Side grip	
2	-	Wheel guard (for grinding wheel)	
3	-	Inner flange / Super flange *1*2	
4	Grinding / Sanding	Depressed center wheel / Flap disc	
5	-	Lock nut	
6	-	Ezynut *1*2	
7	-	Back up pad	
8	Grinding / Sanding	Flex wheel	
9	-	Rubber pad 100	Rubber pad 115
10	Sanding	Abrasive disc	
11	-	Sanding lock nut	
12	Wire brushing	Wire wheel brush	
13	Wire brushing	Wire cup brush	
14	Hole cutting	Hole cutter	
15	-	Wheel guard (for cut-off wheel)	
16	Cutting-off	Abrasive cut-off wheel / Diamond wheel	
17	Grinding / Cutting-off	Dual purpose wheel	
18	-	Clip-on cutting wheel guard attachment *3	
19	-	Dust collecting wheel guard for cutting-off	
20	Cutting-off	Diamond wheel	
21	-	Dust collecting wheel guard for grinding	
22	Grinding	Cup-type diamond wheel	
-	-	Lock nut wrench	
-	-	Dust cover attachment	

NOTE: *1 Do not use Super flange and Ezynut together.

NOTE: *2 Only for tools with M14 spindle thread.

NOTE: *3 Clip-on cutting wheel guard attachment is not available in some countries. For more details, refer to the instruction manual of the clip-on cutting wheel guard attachment.

NOTE: Do not use Super flange with a grinder equipped with a brake function.

OPTIONAL ACCESSORIES

⚠ CAUTION: These accessories or attachments are recommended for use with your Makita tool specified in this manual. The use of any other accessories or attachments might present a risk of injury to persons. Only use accessory or attachment for its stated purpose.

If you need any assistance for more details regarding these accessories, ask your local Makita Service Center.

- Accessories listed in "COMBINATION OF APPLICATIONS AND ACCESSORIES"

NOTE: Some items in the list may be included in the tool package as standard accessories. They may differ from country to country.






SPÉCIFICATIONS

Modèle :		GA4593	GA4594	GA4595	GA5093	GA5094	GA5095
Meule ordinaire applicable	Diamètre max. de la meule	115 mm			125 mm		
	Épaisseur max. de la meule	7,2 mm					
Meule à tronçonner applicable	Diamètre max. de la meule	115 mm			125 mm		
	Épaisseur max. de la meule	3,2 mm					
Brosse métallique circulaire applicable	Diamètre max. de la meule	115 mm			125 mm		
	Épaisseur max. de la meule	20 mm					
Filetage de l'axe		M14 ou 5/8" (selon le pays)					
Longueur max. de l'axe		23 mm					
Vitesse à vide (n ₀)/Vitesse nominale (n)		11 500 min ⁻¹					
Longueur totale		349 mm	326 mm	349 mm	326 mm		
Poids net		2,8 - 4,0 kg	2,6 - 3,8 kg	2,9 - 4,0 kg	2,7 - 3,8 kg		
Catégorie de sécurité		□/II					

- Étant donné l'évolution constante de notre programme de recherche et de développement, les spécifications contenues dans ce manuel sont sujettes à modification sans préavis.
- Les spécifications peuvent varier suivant les pays.
- Le poids peut être différent selon les accessoires. Les associations la plus légère et la plus lourde, conformément à la procédure EPTA 01/2014, sont indiquées dans le tableau.

Symboles

Vous trouverez ci-dessous les symboles susceptibles d'être utilisés pour l'appareil. Veuillez à comprendre leur signification avant toute utilisation.

	Lire le mode d'emploi.
	Portez des lunettes de sécurité.
	Toujours utiliser à deux mains.
	Ne pas utiliser le carter de meule pour les travaux de tronçonnage.
	DOUBLE ISOLATION



Pour les pays de l'Union européenne uniquement

En raison de la présence de composants dangereux dans l'équipement, les équipements électriques et électroniques usagés peuvent avoir un impact négatif sur l'environnement et la santé humaine.

Ne jetez pas les appareils électriques et électroniques avec les ordures ménagères !

Conformément à la directive européenne relative aux déchets d'équipements électriques et électroniques et à son adaptation à la législation nationale, les équipements électriques et électroniques usagés doivent être collectés séparément et déposés dans un point de collecte distinct pour déchets urbains, conformément aux réglementations en matière de protection de l'environnement.

Cela est indiqué par le symbole de la poubelle à roulettes barrée sur l'équipement.

Utilisations

L'outil est conçu pour le meulage, le ponçage, le broyage métallique, le découpage de trous et la coupe de matériaux en métal ou en pierre sans utiliser d'eau.

Alimentation

L'outil ne devra être raccordé qu'à une alimentation de la même tension que celle qui figure sur la plaque signalétique, et il ne pourra fonctionner que sur un courant secteur monophasé. Réalisé avec une double isolation, il peut de ce fait être alimenté par une prise sans mise à la terre.

Bruit

Niveau de bruit pondéré A typique, déterminé selon 62841-2-3 :

Modèle	Niveau de pression sonore (L_{pA}) : (dB (A))	Niveau de puissance sonore (L_{WA}) : (dB (A))	Incertitude (K) : (dB (A))
GA4593	91	99	3
GA4594	91	99	3
GA4595	94	102	3
GA5093	91	99	3
GA5094	91	99	3
GA5095	94	102	3

NOTE : La ou les valeurs d'émission de bruit déclarées ont été mesurées conformément à la méthode de test standard et peuvent être utilisées pour comparer les outils entre eux.

NOTE : La ou les valeurs d'émission de bruit déclarées peuvent aussi être utilisées pour l'évaluation préliminaire de l'exposition.

⚠ AVERTISSEMENT : Portez un serre-tête antibruit.

⚠ AVERTISSEMENT : L'émission de bruit lors de l'usage réel de l'outil électrique peut être différente de la ou des valeurs déclarées, suivant la façon dont l'outil est utilisé, particulièrement selon le type de pièce usinée.

⚠ AVERTISSEMENT : Les mesures de sécurité à prendre pour protéger l'utilisateur doivent être basées sur une estimation de l'exposition dans des conditions réelles d'utilisation (en tenant compte de toutes les composantes du cycle d'utilisation, comme par exemple le moment de sa mise hors tension, lorsqu'il tourne à vide et le moment de son déclenchement).

⚠ AVERTISSEMENT : Le meulage de fines feuilles de métal ou d'autres structures vibrant facilement et ayant une grande surface peut entraîner une émission totale de bruit beaucoup plus élevée (jusqu'à 15 dB) que les valeurs d'émission de bruit déclarées.

Placez des tapis anti-bruit souples et lourds ou similaires sur ces pièces pour les empêcher d'émettre du son.

Prenez en compte l'augmentation des émissions de bruit pour l'évaluation des risques liés à l'exposition au bruit et le choix d'un protecteur d'oreilles adéquat.

Vibrations

Valeur totale de vibrations (somme de vecteur triaxial) déterminée selon 62841-2-3 :

Mode de travail : meulage de surfaces avec poignée latérale normale

Modèle	Émission de vibrations ($a_{hr,AG}$) : (m/s ²)	Incertitude (K) : (m/s ²)
GA4593	5,8	1,5
GA4594	5,8	1,5
GA4595	5,4	1,5
GA5093	8,9	1,5
GA5094	8,9	1,5
GA5095	8,5	1,5

Mode de travail : meulage de surfaces avec poignée latérale anti-vibration

Modèle	Émission de vibrations ($a_{hr,AG}$) : (m/s ²)	Incertitude (K) : (m/s ²)
GA4593	5,7	1,5
GA4594	5,7	1,5
GA4595	5,2	1,5
GA5093	8,5	1,5
GA5094	8,5	1,5
GA5095	8,7	1,5

Mode de travail : ponçage au disque avec poignée latérale normale

Modèle	Émission de vibrations ($a_{hv, D5}$) : (m/s ²)	Incertitude (K) : (m/s ²)
GA4593	2,6	1,5
GA4594	2,6	1,5
GA4595	2,6	1,5
GA5093	3,3	1,5
GA5094	3,3	1,5
GA5095	3,0	1,5

Mode de travail : ponçage au disque avec poignée latérale anti-vibration

Modèle	Émission de vibrations ($a_{hv, D5}$) : (m/s ²)	Incertitude (K) : (m/s ²)
GA4593	2,5 m/s ² ou moins	1,5
GA4594	2,5 m/s ² ou moins	1,5
GA4595	2,9	1,5
GA5093	3,0	1,5
GA5094	3,0	1,5
GA5095	3,1	1,5

NOTE : La ou les valeurs de vibration totales déclarées ont été mesurées conformément à la méthode de test standard et peuvent être utilisées pour comparer les outils entre eux.

NOTE : La ou les valeurs de vibration totales déclarées peuvent aussi être utilisées pour l'évaluation préliminaire de l'exposition.

⚠ AVERTISSEMENT : L'émission de vibrations lors de l'usage réel de l'outil électrique peut être différente de la ou des valeurs déclarées, suivant la façon dont l'outil est utilisé, particulièrement selon le type de pièce usinée.

⚠ AVERTISSEMENT : Les mesures de sécurité à prendre pour protéger l'utilisateur doivent être basées sur une estimation de l'exposition dans des conditions réelles d'utilisation (en tenant compte de toutes les composantes du cycle d'utilisation, comme par exemple le moment de sa mise hors tension, lorsqu'il tourne à vide et le moment de son déclenchement).

⚠ AVERTISSEMENT : La valeur d'émission de vibrations déclarée est utilisée pour les applications principales de l'outil électrique. Toutefois si l'outil électrique est utilisé pour d'autres applications, la valeur d'émission de vibrations peut être différente.

Déclaration de conformité CE

Pour les pays européens uniquement

La déclaration de conformité CE est fournie en Annexe A à ce mode d'emploi.

CONSIGNES DE SÉCURITÉ

Consignes de sécurité générales pour outils électriques

⚠ AVERTISSEMENT : Veuillez lire les consignes de sécurité, instructions, illustrations et spécifications qui accompagnent cet outil électrique. Le non-respect de toutes les instructions indiquées ci-dessous peut entraîner une électrocution, un incendie et/ou de graves blessures.

Conservez toutes les mises en garde et instructions pour référence ultérieure.

Le terme « outil électrique » dans les avertissements fait référence à l'outil électrique alimenté par le secteur (avec cordon d'alimentation) ou à l'outil électrique fonctionnant sur batterie (sans cordon d'alimentation).

Consignes de sécurité pour meuleuse

Consignes de sécurité communes aux travaux de meulage, ponçage, brossage métallique ou tronçonnage :

1. **Cet outil électrique est conçu pour être utilisé en tant que meuleuse, ponceuse, brosse métallique, emporte-pièce ou outil de tronçonnage. Veuillez consulter les consignes de sécurité, les instructions, les illustrations et les spécifications fournies avec cet outil électrique.** Le non-respect de toutes les instructions indiquées ci-dessous peut entraîner une électrocution, un incendie et/ou de graves blessures.
2. **Les travaux de polissage ne doivent pas être réalisés avec cet outil électrique.** Il y a risque de danger et de blessure si l'outil électrique est utilisé pour exécuter des travaux pour lesquels il n'a pas été conçu.

3. **Ne convertissez pas cet outil électrique pour qu'il fonctionne d'une manière qui n'est pas spécifiquement prévue et spécifiée par le fabricant de l'outil.** Une telle conversion peut entraîner une perte de contrôle et provoquer des blessures graves.
4. **N'utilisez pas d'accessoires qui n'ont pas été conçus spécifiquement et spécifiés par le fabricant de l'outil.** Même si un accessoire peut être fixé sur l'outil électrique, cela ne garantit pas qu'il fonctionnera de manière sûre.
5. **La vitesse nominale de l'accessoire doit être au moins égale à la vitesse maximum inscrite sur l'outil électrique.** Les accessoires tournant plus vite que leur vitesse nominale peuvent se casser et voler en éclats.
6. **Le diamètre extérieur et l'épaisseur de l'accessoire ne doivent pas dépasser la capacité nominale de l'outil électrique.** Les accessoires de taille incorrecte ne peuvent être protégés ou contrôlés adéquatement.
7. **Les dimensions du support d'accessoires doivent correspondre aux dimensions de la pièce où ils sont montés sur l'outil électrique.** Les accessoires qui ne sont pas bien adaptés à la taille de la pièce où ils sont montés sur l'outil électrique se déséquilibreront, vibreront trop et pourront entraîner une perte de maîtrise de l'outil.
8. **N'utilisez pas d'accessoire endommagé. Avant chaque utilisation, assurez-vous que la meule abrasive est exempte de copeaux et fissures, que la semelle n'est pas fissurée, déchirée ou trop usée, ou que la brosse métallique est exempte de fils métalliques lâches ou cassés. Si vous laissez tomber l'outil électrique ou un accessoire, assurez-vous qu'il n'est pas endommagé ou bien remplacez l'accessoire endommagé. Après avoir vérifié et posé un accessoire, assurez-vous que personne, y compris vous-même, ne se trouve dans la trajectoire de l'accessoire en rotation et faites tourner l'outil électrique à vitesse à vide maximale pendant une minute.** Les accessoires endommagés se brisent généralement au cours de cette période d'essai.
9. **Portez un équipement de protection individuelle. Suivant le type de travail à effectuer, utilisez un écran facial, des lunettes à coques ou des lunettes de sécurité. Si nécessaire, portez un masque anti-poussière, des protège-tympans, des gants et un tablier de travail pouvant arrêter les petites particules abrasives ou les petits fragments de pièce.** La protection oculaire doit pouvoir arrêter les débris volants produits par les diverses applications. Le masque anti-poussières ou le masque filtrant doit pouvoir filtrer les particules générées par une application donnée. Une exposition prolongée à un bruit d'intensité élevée peut entraîner une perte auditive.
10. **Assurez-vous que les passants demeurent à une distance sûre de la zone de travail. Toute personne pénétrant dans la zone de travail doit porter un équipement de protection individuelle.** Des fragments de pièce ou un accessoire cassé peuvent être éjectés et blesser les personnes au-delà de la zone immédiate de travail.
11. **Tenez l'outil électrique par une surface de prise isolée uniquement, lorsque vous effectuez une tâche où l'accessoire de coupe pourrait toucher un câblage caché ou son propre cordon d'alimentation.** Le contact de l'accessoire de coupe avec un fil sous tension peut transmettre du courant dans les pièces métalliques exposées de l'outil électrique et électrocuter l'opérateur.
12. **Placez le cordon à l'écart de l'accessoire en rotation.** En cas de perte de maîtrise, vous risquez, en coupant ou en accrochant le cordon, d'avoir la main ou le bras attiré vers l'accessoire en rotation.
13. **Ne déposez jamais l'outil électrique avant que l'accessoire ne se soit parfaitement arrêté.** L'accessoire en rotation peut accrocher la surface et projeter l'outil électrique de telle sorte que vous en perdiez la maîtrise.
14. **Ne transportez pas l'outil électrique tout en le laissant tourner.** En cas de contact accidentel avec l'accessoire en rotation, ce dernier risque d'accrocher vos vêtements et d'être entraîné vers votre corps.
15. **Nettoyez régulièrement les orifices d'aération de l'outil électrique.** Le ventilateur du moteur aspire la poussière à l'intérieur du carter, ce qui présente un danger électrique en cas d'accumulation excessive de poussières métalliques.
16. **N'utilisez pas l'outil électrique près de matériaux inflammables.** Les étincelles risqueraient d'enflammer ces matériaux.
17. **N'utilisez pas d'accessoires nécessitant un liquide de refroidissement.** L'utilisation d'eau ou d'un liquide de refroidissement comporte un risque d'électrocution ou de choc électrique.

Mises en garde concernant le choc en retour et autres dangers :

Le choc en retour est une réaction soudaine qui survient lorsque la meule, la semelle, la brosse ou un autre accessoire en rotation se coince ou accroche. Lorsque l'accessoire en rotation se coince ou accroche, il s'arrête soudainement et l'utilisateur perd alors la maîtrise de l'outil électrique projeté dans le sens contraire de sa rotation au point où il se coince dans la pièce.

Par exemple, si une meule abrasive accroche ou se coince dans la pièce, son tranchant introduit au point de pincement risque d'y creuser la surface du matériau, entraînant la sortie ou le déchaussement de la meule. La meule peut alors dévier de sa trajectoire, vers l'utilisateur ou dans le sens opposé, selon la direction du mouvement de la meule au point de pincement. Dans ces conditions, la meule abrasive risque également de se briser.

Le choc en retour est le résultat d'une utilisation incorrecte de l'outil électrique et/ou de l'observation des procédures ou conditions d'utilisation. Il peut être évité en prenant les précautions adéquates indiquées ci-dessous.

1. **Maintenez une poigne ferme des deux mains sur l'outil électrique et placez corps et bras de façon à pouvoir résister à la force exercée par les chocs en retour. Utilisez toujours la poignée auxiliaire, s'il y en a une, pour avoir une maîtrise maximale de l'outil en cas de choc en retour ou de force de réaction exercée au moment du démarrage.** L'utilisateur peut maîtriser les forces de réaction ou de choc en retour s'il prend les précautions adéquates.

2. **Ne placez jamais la main près d'un accessoire en rotation.** L'accessoire risquerait de passer sur votre main en cas de choc en retour.
3. **Ne vous placez pas dans la zone vers laquelle l'outil électrique se déplacera en cas de choc en retour.** Le choc en retour projettera l'outil dans le sens opposé au mouvement de la meule au point où elle accroche dans la pièce.
4. **Soyez tout particulièrement prudent lorsque vous travaillez dans les coins, sur des arêtes vives, etc. Évitez de laisser l'accessoire bondir ou accrocher.** L'accessoire en rotation a tendance à accrocher dans les coins, sur les arêtes vives ou lorsqu'il sautille, ce qui comporte un risque de perte de maîtrise ou de choc en retour.
5. **Ne fixez pas une chaîne de tronçonneuse, une lame à sculpter le bois, une meule diamantée à segments avec un espace périphérique supérieur à 10 mm ou une lame de scie dentée.** De telles lames causent fréquemment des chocs en retour et des pertes de maîtrise.

Consignes de sécurité spécifiques aux travaux de meulage et de tronçonnage :

1. **Utilisez exclusivement les types de meule spécifiés pour votre outil électrique, et le carter de protection conçu spécifiquement pour la meule sélectionnée.** Les meules pour lesquelles l'outil électrique n'a pas été conçu ne pourront pas être protégées correctement et se révéleront dangereuses.
 2. **La surface de meulage des meules à moyen déport doit être montée sous le plan de la lèvres du carter de protection.** Si la meule n'est pas bien montée et dépasse le plan de la lèvres du carter de protection, celui-ci ne pourra pas assurer une protection adéquate.
 3. **Le carter de protection doit être solidement fixé à l'outil électrique et placé de façon à assurer une sécurité maximale en ne laissant qu'une partie minimale de la meule exposée du côté de l'utilisateur.** Le carter de protection permet de protéger l'utilisateur des éclats de meule brisée, d'un contact accidentel avec la meule et des étincelles qui pourraient enflammer ses vêtements.
 4. **Les meules ne doivent être utilisées que pour les applications spécifiées. Par exemple : ne procédez pas au meulage avec le côté de la meule à tronçonner.** Les meules à tronçonner abrasives étant conçues pour le meulage périphérique, elles risquent de voler en éclats si on leur applique une force latérale.
 5. **Utilisez toujours des flasques pour meule en bon état, dont la taille et la forme correspondent à la meule sélectionnée.** Des flasques pour meule adéquats soutiennent la meule et réduisent ainsi les risques de rupture de la meule. Les flasques pour meules à tronçonner peuvent être différents de ceux pour meules ordinaires.
 6. **N'utilisez pas de meules usées provenant d'outils électriques plus grands.** Une meule conçue pour un outil électrique plus grand ne convient pas à la vitesse supérieure d'un outil plus petit et risque d'éclater.
 7. **Lorsque vous utilisez des meules à double usage, utilisez toujours le carter de protection approprié pour l'application prévue.** Si vous n'utilisez pas le carter de protection approprié, vous risquez de ne pas obtenir le niveau de protection souhaité, ce qui pourrait entraîner des blessures graves.
- #### Consignes de sécurité supplémentaires spécifiques aux travaux de tronçonnage :
1. **Évitez de « bloquer » la meule à tronçonner ou d'appliquer une pression excessive. N'essayez pas de couper trop profondément.** Une meule trop sollicitée subira une surcharge et risquera de se tordre ou de se coincer dans la ligne de coupe, ce qui comporte un risque de choc en retour ou de bris de la meule.
 2. **Ne vous placez pas directement derrière ou devant la meule en rotation.** Lorsque la meule, en cours de fonctionnement, s'écarte de votre corps, le choc en retour potentiel risque de propulser la meule en rotation et l'outil électrique dans votre direction.
 3. **Lorsque la meule se coince ou lorsque vous interrompez la coupe pour une raison quelconque, mettez l'outil électrique hors tension et gardez-le immobile jusqu'à ce que la meule cesse complètement de tourner. Ne tentez jamais de retirer la meule à tronçonner de la coupe pendant que la meule tourne, sous peine de provoquer un choc en retour.** Identifiez la cause du grippage de la meule et prenez les mesures correctives pour y remédier.
 4. **Ne reprenez pas la coupe telle quelle dans la pièce. Laissez la meule atteindre sa pleine vitesse, puis réintroduisez-la doucement dans la ligne de coupe.** Si vous redémarrez l'outil électrique alors qu'il se trouve encore dans la pièce à travailler, la meule risquera de se coincer, de remonter hors de la ligne de coupe ou de provoquer un choc en retour.
 5. **Soutenez les panneaux ou les pièces de grande taille pour réduire les risques de coincement de la meule et de choc en retour.** Les pièces de grande taille ont tendance à ployer sous leur propre poids. Il est nécessaire de placer en dessous des cales à proximité de la ligne de coupe et près du rebord de la pièce de chaque côté de la meule.
 6. **Redoublez de précaution lorsque vous faites une « coupe en plongée » dans un mur ou toute autre surface pouvant cacher des structures.** La meule, en dépassant derrière le mur ou la surface, peut couper des conduites de gaz ou d'eau, des fils électriques ou des objets pouvant causer un choc en retour.
 7. **Ne tentez pas d'effectuer un chantournage.** Une meule trop sollicitée subira une surcharge et risquera de se tordre ou de se coincer dans la ligne de coupe, ce qui comporte un risque de choc en retour ou de bris de la meule, susceptible de provoquer de graves blessures.
 8. **Avant d'utiliser un disque diamanté à segments, assurez-vous que l'espace périphérique entre les segments est au maximum de 10 mm, et que l'angle de pente est négatif.**

Consignes de sécurité spécifiques aux travaux de ponçage :

1. Utilisez des feuilles de papier abrasif de la bonne taille. Suivez les recommandations du fabricant pour choisir le papier abrasif. Une grande feuille de papier abrasif débordant trop du coussin de ponçage présente un risque de lacération et pourrait déchirer le disque, l'accrocher ou provoquer un choc en retour.

Consignes de sécurité spécifiques aux travaux de brossage métallique :

1. N'oubliez pas que des fils métalliques se détachent de la brosse même lors de travaux ordinaires. Ne soumettez pas les fils métalliques à une surcharge en appliquant une pression excessive sur la brosse. Les fils métalliques pénètrent facilement dans les vêtements légers et/ou dans la peau.
2. Si l'utilisation d'un carter de protection est spécifiée pour le brossage métallique, assurez-vous que la meule ou brosse métallique ne gêne pas le carter de protection. Selon la charge de travail et l'intensité de la force centrifuge, le diamètre de la meule ou brosse métallique peut augmenter.

Consignes de sécurité supplémentaires :

1. Lors de l'utilisation des meules ordinaires à moyeu déporté, assurez-vous d'utiliser exclusivement des meules renforcées de fibre de verre.
2. N'UTILISEZ JAMAIS une meule boisseau pour pierre avec cette meuleuse. Cette meuleuse n'est pas conçue pour ces types de meule, et leur utilisation peut entraîner de graves blessures.
3. Prenez garde de ne pas endommager l'axe, le flasque (tout particulièrement la surface d'installation) ou le contre-écrou. La meule risque de casser si ces pièces sont endommagées.
4. Assurez-vous que la meule n'entre pas en contact avec la pièce avant de mettre l'outil sous tension.
5. Avant d'utiliser l'outil sur une pièce, faites-le tourner un instant à vide. Soyez attentif aux vibrations ou sautilllements pouvant indiquer que la meule n'est pas bien posée ou qu'elle est mal équilibrée.
6. Utilisez la surface spécifiée de la meule pour meuler.
7. N'abandonnez pas l'outil alors qu'il tourne. Ne faites fonctionner l'outil qu'une fois que vous l'avez bien en main.
8. Ne touchez pas la pièce immédiatement après avoir terminé le travail ; elle peut être très chaude et vous brûler la peau.
9. Ne touchez pas les accessoires immédiatement après avoir terminé le travail ; ils peuvent être très chauds et vous brûler la peau.
10. Suivez les instructions du fabricant pour un montage adéquat et une utilisation appropriée des meules. Manipulez et rangez les meules soigneusement.

11. N'utilisez pas de bagues de réduction ou d'adaptateurs vendus dans le commerce pour adapter des meules abrasives dont l'orifice central est grand.
12. N'utilisez que les flasques spécifiés pour cet outil.
13. Pour les outils destinés à être équipés d'une meule à orifice fileté, assurez-vous que le filetage dans la meule est suffisamment long pour accueillir la longueur de l'axe.
14. Assurez-vous que la pièce à travailler est correctement soutenue.
15. N'oubliez pas que la meule continue de tourner une fois l'outil éteint.
16. Si le lieu de travail est extrêmement chaud et humide, ou fortement pollué de poussières conductrices, utilisez un disjoncteur (30 mA) pour assurer la sécurité de l'utilisateur.
17. N'utilisez l'outil avec aucun matériau contenant de l'amiante.
18. Lorsque vous utilisez une meule à tronçonner, travaillez toujours avec le carter de meule de collecte de la poussière si cela est exigé par la réglementation locale.
19. Aucune pression latérale ne doit être exercée sur les disques de coupe.
20. N'utilisez pas de gants de travail en tissu pendant la tâche. Les fibres des gants en tissu peuvent pénétrer dans l'outil et le casser.
21. Avant utilisation, assurez-vous qu'aucun objet tel que des conduites électriques, des tuyaux d'eau ou des tuyaux de gaz n'est enterré sous la zone de travail. Cela pourrait entraîner une électrocution, une dispersion électrique ou une fuite de gaz.
22. Si un buvard est fixé sur la meule, ne le retirez pas. Le diamètre du buvard doit être supérieur à celui du contre-écrou, du flasque extérieur et du flasque intérieur.
23. Avant d'installer une meule ordinaire, vérifiez toujours que la partie buvard ne présente pas d'anomalies comme des copeaux ou des fissures.
24. Serrez correctement le contre-écrou. Un serrage excessif de la meule peut provoquer une rupture tandis qu'un serrage insuffisant peut provoquer un sautilllement.

CONSERVEZ CES INSTRUCTIONS.

⚠ AVERTISSEMENT : NE vous laissez PAS tromper (au fil d'une utilisation répétée) par un sentiment d'aisance et de familiarité avec le produit, en négligeant le respect rigoureux des consignes de sécurité qui accompagnent le produit en question. La MAUVAISE UTILISATION de l'outil ou l'ignorance des consignes de sécurité indiquées dans ce mode d'emploi peut entraîner de graves blessures.

DESCRIPTION DU FONCTIONNEMENT

⚠ ATTENTION : Assurez-vous toujours que l'outil est hors tension et débranché avant de l'ajuster ou de vérifier son fonctionnement.

Système de protection de l'outil

L'outil est équipé d'un système de protection de l'outil. Ce système réduit ou coupe automatiquement l'alimentation vers le moteur pour prolonger la durée de vie de l'outil. Si l'outil se trouve dans l'une des situations suivantes, l'outil réduira l'alimentation ou cessera automatiquement de fonctionner :

Protection contre la surcharge

Lorsque l'outil est utilisé d'une manière provoquant un appel de courant anormalement élevé, l'outil réduira automatiquement l'alimentation sans indication. Dans cette situation, éliminez la cause de la surcharge afin que la vitesse de rotation soit rétablie.

Protection contre la surchauffe

Selon le pays

En cas de surchauffe de l'outil, il s'arrête automatiquement et le témoin de contrôle s'allume en rouge. Dans cette situation, laissez l'outil refroidir. Vous pouvez rallumer l'outil une fois que le témoin passe du rouge au vert.

Témoin de contrôle

► Fig.1: 1. Témoin de contrôle

Le témoin de contrôle s'allume en vert lorsque l'outil est branché.

Si le témoin de contrôle clignote en rouge, la protection contre la surchauffe, la technologie de détection de réaction active ou la fonction de prévention de redémarrage accidentel arrête le fonctionnement. Dans cette situation, mettez l'outil hors tension. Puis, rallumez l'outil pour reprendre la tâche.

Si le témoin de contrôle s'allume en rouge après avoir mis l'outil hors tension, cela indique la surchauffe de l'outil. Dans cette situation, laissez refroidir l'outil et attendez que le témoin de contrôle s'allume en vert.

Molette de réglage de la vitesse

Uniquement pour le modèle GA4593/GA5093

⚠ ATTENTION : Si l'outil est utilisé de manière continue à vitesse basse sur une période prolongée, le moteur sera en surcharge et surchauffera.

⚠ ATTENTION : La molette de réglage de la vitesse ne peut pas être tournée plus haut que 5 ou plus bas que 1. N'essayez pas de la placer au-delà de 5 ou en dessous de 1, sinon la fonction de réglage de la vitesse risque de ne plus fonctionner.

La vitesse de rotation peut être modifiée en tournant la molette de réglage de la vitesse sur un numéro de réglage donné, de 1 à 5. Une vitesse plus élevée est obtenue lorsque la molette est tournée en direction du numéro 5. Une vitesse moins élevée est obtenue lorsque la molette est tournée en direction du numéro 1. Reportez-vous au tableau ci-dessous pour le rapport entre les réglages numérotés sur la molette et la vitesse approximative de rotation.

Numéro	Vitesse nominale
1	2 800 min ⁻¹
2	4 500 min ⁻¹
3	6 500 min ⁻¹
4	8 000 min ⁻¹
5	11 500 min ⁻¹

► Fig.2: 1. Molette de réglage de la vitesse

Verrouillage de l'arbre

⚠ AVERTISSEMENT : N'activez jamais le verrouillage de l'arbre pendant que l'axe tourne. Cela pourrait entraîner des blessures graves ou endommager l'outil.

Avant de poser ou de retirer des accessoires, appuyez sur le verrouillage de l'arbre pour empêcher l'axe de tourner.

► Fig.3: 1. Verrouillage de l'arbre

Interrupteur

⚠ ATTENTION : Avant de brancher l'outil, assurez-vous toujours que la gâchette allongée fonctionne correctement et revient en position d'arrêt une fois relâchée.

⚠ ATTENTION : Par mesure de sécurité, cet outil est équipé d'un levier de sécurité qui empêche le démarrage inopiné de l'outil. N'utilisez JAMAIS l'outil s'il se met en marche lorsque vous enclenchez simplement la gâchette allongée sans avoir enfoncé le levier de sécurité. Confiez l'outil à notre centre d'entretien agréé pour le faire réparer AVANT de poursuivre l'utilisation.

⚠ ATTENTION : Évitez d'appuyer sur la gâchette allongée avec force lorsque le levier de sécurité n'est pas enfoncé. Vous risqueriez de briser la gâchette.

⚠ ATTENTION : Ne scotchez JAMAIS le levier de sécurité, ni n'ignorez son objectif et sa fonction.

Un levier de sécurité est fourni pour prévenir l'activation accidentelle de la gâchette allongée.

Pour démarrer l'outil, enfoncez le levier de sécurité puis appuyez sur la gâchette allongée.

Pour arrêter l'outil, relâchez la gâchette allongée.

► Fig.4: 1. Levier de sécurité 2. Gâchette allongée

Fonction électronique

Technologie de détection de réaction active

⚠ ATTENTION : Tenez fermement l'outil jusqu'à ce que la rotation s'arrête.

L'outil détecte électroniquement des situations où la meule ou l'accessoire peuvent être exposés à un risque de pincement. Dans ce cas, l'outil s'éteint automatiquement pour empêcher la rotation de l'axe (le choc en retour n'est pas empêché).

À ce moment, le témoin de contrôle clignote en rouge et indique que la technologie de détection de réaction active fonctionne. Pour redémarrer l'outil, commencez par l'éteindre, éliminez la cause de la baisse soudaine de la vitesse de rotation, puis allumez l'outil.

Fonction de prévention de redémarrage accidentel

Si vous branchez l'outil alors que l'interrupteur est sur ON, il ne démarrera pas.

À cette étape, le témoin de contrôle clignote en rouge et indique que la fonction de prévention de redémarrage accidentel fonctionne.

Pour démarrer l'outil, placez l'interrupteur sur OFF et puis à nouveau sur ON.

Contrôle de vitesse constante

Permet d'obtenir une finition précise puisque la vitesse de rotation est maintenue constante même en condition de charge.

Fonction de démarrage en douceur

La fonction de démarrage en douceur réduit le choc de démarrage.

Frein mécanique

Uniquement pour le modèle GA4593/GA4594/GA5093/GA5094

Le frein mécanique est activé une fois l'outil éteint.

Le frein ne fonctionne pas si l'alimentation est coupée alors que l'interrupteur est toujours enclenché.

ASSEMBLAGE

⚠ ATTENTION : Avant d'effectuer toute intervention sur l'outil, assurez-vous toujours qu'il est hors tension et débranché.

Pose de la poignée latérale

⚠ ATTENTION : Avant l'utilisation, assurez-vous toujours que la poignée latérale est fermement posée.

Vissez fermement la poignée latérale sur la position de l'outil comme indiqué sur la figure.

► Fig.5

Pose et dépose du carter de meule

⚠ AVERTISSEMENT : Pendant l'utilisation d'une meule à moyeu déporté, d'un disque à lamelles, d'une meule flexible ou d'une brosse métallique circulaire, le carter de meule doit être posé sur l'outil de manière à toujours se refermer du côté de l'utilisateur.

⚠ AVERTISSEMENT : Assurez-vous que le carter de meule est solidement verrouillé par le levier de verrouillage via l'un des orifices sur le carter de meule.

⚠ AVERTISSEMENT : Pendant l'utilisation d'une meule à tronçonner abrasive/meule diamantée, vous devez utiliser exclusivement le carter de meule spécialement conçu pour les meules à tronçonner.

Pour meule à moyeu déporté, disque à lamelles, meule flexible, brosse métallique circulaire/meule à tronçonner abrasive, meule diamantée

1. Tout en poussant le levier de verrouillage, montez le carter de meule en alignant les parties saillantes du carter de meule sur les entailles du boîtier de roulement.

► Fig.6: 1. Levier de verrouillage 2. Entaille 3. Partie saillante

2. Tout en poussant le levier de verrouillage dans le sens A, maintenez enfoncées les parties B du carter de meule, comme illustré sur la figure.

► Fig.7: 1. Carter de meule 2. Orifice

NOTE : Enfoncez bien droit le carter de meule. Autrement, vous ne pourrez pas le sécuriser.

3. Tout en poussant le levier de verrouillage dans le sens A, faites tourner le carter de meule dans le sens C, puis changez l'angle du carter de meule selon la tâche en vue de protéger l'utilisateur. Alignez le levier de verrouillage sur l'un des orifices dans le carter de meule, puis relâchez le levier de verrouillage pour verrouiller le carter de meule.

► Fig.8: 1. Carter de meule 2. Orifice

Pour retirer le carter de meule, effectuez la procédure de pose dans l'ordre inverse.

Accessoire à clip pour carter de meule à tronçonner

Accessoire en option

NOTE : Pour les opérations de tronçonnage, un accessoire à clip pour carter de meule à tronçonner peut être utilisé avec le carter de meule (pour meule ordinaire).

Non disponible dans certains pays.

► Fig.9

Pose ou retrait de la meule à moyeu déporté ou du disque à lamelles

Accessoire en option

⚠️ AVERTISSEMENT : Pour l'utilisation d'une meule à moyeu déporté ou d'un disque à lamelles, le carter de meule doit être posé sur l'outil de manière à toujours se refermer du côté de l'utilisateur.

⚠️ AVERTISSEMENT : Assurez-vous que la pièce de fixation du flasque intérieur s'engage parfaitement dans le diamètre interne de la meule à moyeu déporté ou du disque à lamelles. La fixation du flasque intérieur du mauvais côté peut provoquer des vibrations dangereuses.

Montez le flasque intérieur sur l'axe. Assurez-vous d'insérer la partie dentelée du flasque intérieur dans la partie droite au bas de l'axe. Placez la meule à moyeu déporté ou le disque à lamelles sur le flasque intérieur, et vissez le contre-écrou sur l'axe.

► **Fig.10:** 1. Contre-écrou 2. Meule à moyeu déporté 3. Flasque intérieur 4. Pièce de fixation

Pour serrer le contre-écrou, appuyez fermement sur le verrouillage de l'arbre pour empêcher l'axe de tourner, et serrez fermement à l'aide de la clé à contre-écrou en tournant dans le sens des aiguilles d'une montre.

► **Fig.11:** 1. Clé à contre-écrou 2. Verrouillage de l'arbre

Pour retirer la meule, effectuez la procédure de pose dans l'ordre inverse.

Pose ou dépose de la meule flexible

Accessoire en option

⚠️ AVERTISSEMENT : Lorsque la meule flexible est posée sur l'outil, utilisez toujours le carter de protection fourni. La meule peut se briser en éclats pendant l'utilisation ; le cas échéant, le carter contribue à réduire les risques de blessure.

► **Fig.12:** 1. Contre-écrou 2. Meule flexible 3. Semelle 4. Flasque intérieur

Suivez les instructions pour la meule à moyeu déporté, mais posez également la semelle sur la meule.

Pose ou dépose du disque abrasif

Accessoire en option

► **Fig.13:** 1. Contre-écrou de ponçage 2. Disque abrasif 3. Coussinet de caoutchouc

1. Montez le coussinet de caoutchouc sur l'axe.
2. Placez le disque sur le coussinet de caoutchouc et vissez le contre-écrou de ponçage sur l'axe.
3. Tenez l'axe par le verrouillage de l'arbre et serrez solidement le contre-écrou de ponçage dans le sens des aiguilles d'une montre avec la clé à contre-écrou.

Pour retirer le disque, effectuez la procédure de pose dans l'ordre inverse.

NOTE : Utilisez les accessoires pour ponceuse spécifiés dans ce manuel. Ils sont vendus séparément.

Super flasque

Accessoire en option

Uniquement pour le modèle GA4595/GA5095

Le super flasque est un accessoire spécial pour les modèles NON équipés d'une fonction de frein. Par rapport au type classique, ces modèles ne requièrent que le tiers de l'effort pour desserrer le contre-écrou.

Pose ou dépose de l'écrou Ezynut

Accessoire en option

Uniquement pour les outils avec filetage de l'axe M14.

⚠️ ATTENTION : N'utilisez pas l'écrou Ezynut avec le super flasque. Ces flasques sont si épais que l'intégralité du filetage ne peut pas être retenue par l'axe.

Montez le flasque intérieur, la meule abrasive et l'écrou Ezynut sur l'axe de sorte que le logo Makita sur l'écrou Ezynut soit tourné vers l'extérieur.

► **Fig.14:** 1. Écrou Ezynut 2. Meule abrasive 3. Flasque intérieur 4. Axe

Appuyez fermement sur le verrouillage de l'arbre et serrez l'écrou Ezynut en tournant à fond la meule abrasive dans le sens des aiguilles d'une montre.

► **Fig.15:** 1. Verrouillage de l'arbre

Pour desserrer l'écrou Ezynut, tournez sa bague extérieure dans le sens inverse des aiguilles d'une montre.

NOTE : L'écrou Ezynut peut être desserré manuellement tant que la flèche est tournée vers l'encoche. Autrement, une clé à contre-écrou est nécessaire pour le desserrer. Insérez une broche de la clé dans le trou et tournez l'écrou Ezynut dans le sens inverse des aiguilles d'une montre.

► **Fig.16:** 1. Flèche 2. Encoche

► **Fig.17**

Pose d'une meule à tronçonner abrasive/meule diamantée

Accessoire en option

⚠️ AVERTISSEMENT : Pendant l'utilisation d'une meule à tronçonner abrasive/meule diamantée, vous devez utiliser exclusivement le carter de meule spécialement conçu pour les meules à tronçonner.

⚠️ AVERTISSEMENT : N'utilisez JAMAIS une meule à tronçonner pour faire du meulage latéral.

► **Fig.18:** 1. Contre-écrou 2. Meule à tronçonner abrasive/Meule diamantée 3. Flasque intérieur 4. Carter de meule pour meule à tronçonner abrasive/meule diamantée

Pour la pose, suivez les instructions de la meule à moyeu déporté.

Le sens de montage du contre-écrou et du flasque intérieur varie suivant le type et l'épaisseur de la meule. Reportez-vous aux figures suivantes.

Lors de la pose de la meule à tronçonner abrasive :

- **Fig.19:** 1. Contre-écrou 2. Meule à tronçonner abrasive (Inférieure à 4 mm (5/32")) 3. Meule à tronçonner abrasive (4 mm (5/32") ou plus) 4. Flasque intérieur

Lors de la pose de la meule diamantée :

- **Fig.20:** 1. Contre-écrou 2. Meule diamantée (Inférieure à 4 mm (5/32")) 3. Meule diamantée (4 mm (5/32") ou plus) 4. Flasque intérieur

Pose d'une brosse métallique à coupelle

Accessoire en option

⚠ATTENTION : N'utilisez pas la brosse si elle est abîmée ou déséquilibrée. L'utilisation d'une brosse abîmée augmente le risque de blessure au contact des fils métalliques cassés de la brosse.

Placez l'outil à l'envers pour faciliter l'accès à l'axe. Retirez tout accessoire présent sur l'axe. Vissez la brosse métallique à coupelle sur l'axe et serrez-la à l'aide de la clé fournie.

- **Fig.21:** 1. Brosse métallique à coupelle

Pose d'une brosse métallique circulaire

Accessoire en option

⚠ATTENTION : N'utilisez pas la brosse métallique circulaire si elle est abîmée ou déséquilibrée. L'utilisation d'une brosse métallique circulaire abîmée augmente le risque de blessure au contact des fils métalliques cassés de la brosse.

⚠ATTENTION : Utilisez TOUJOURS le carter de protection avec les brosses métalliques circulaires, en vous assurant que le diamètre de la meule tient dans le carter de protection. La brosse peut se briser en éclats pendant l'utilisation ; le cas échéant, le carter contribue à réduire les risques de blessure.

Placez l'outil à l'envers pour faciliter l'accès à l'axe. Retirez tout accessoire présent sur l'axe. Vissez la brosse métallique circulaire sur l'axe et serrez-la à l'aide des clés.

- **Fig.22:** 1. Brosse métallique circulaire

Installation de l'emporte-pièce

Accessoire en option

Placez l'outil à l'envers pour faciliter l'accès à l'axe. Retirez tout accessoire présent sur l'axe. Vissez l'emporte-pièce sur l'axe et serrez-le avec la clé fournie.

- **Fig.23:** 1. Emporte-pièce

Installation du carter de meule de collecte de la poussière pour le meulage

Accessoire en option

Les accessoires en option vous permettent d'utiliser cet outil pour le rabotage des surfaces en béton.

⚠ATTENTION : Le carter de meule de collecte de la poussière pour la meule diamantée déportée sert uniquement pour le rabotage des surfaces en béton avec une meule diamantée déportée. N'utilisez pas ce carter de protection avec tout autre accessoire de coupe ou à toute autre fin.

⚠ATTENTION : Avant utilisation, assurez-vous qu'un aspirateur est raccordé à l'outil et sous tension.

Placez l'outil à l'envers et installez le carter de meule de collecte de la poussière.

Montez le flasque intérieur sur l'axe.

Placez la meule-boisseau diamantée sur le flasque intérieur et serrez le contre-écrou sur l'axe.

- **Fig.24:** 1. Contre-écrou 2. Meule-boisseau diamantée 3. Meule-boisseau diamantée montée sur moyeu 4. Flasque intérieur 5. Carter de meule de collecte de la poussière 6. Boîtier de roulement

NOTE : Pour de plus amples informations sur l'installation du carter de meule de collecte de la poussière, reportez-vous au manuel l'accompagnant.

Installation du carter de meule de collecte de la poussière pour le tronçonnage

Accessoire en option

Les accessoires en option vous permettent d'utiliser cet outil pour découper des matériaux en pierre.

- **Fig.25**

NOTE : Pour de plus amples informations sur l'installation du carter de meule de collecte de la poussière, reportez-vous au manuel l'accompagnant.

Raccordement à un aspirateur

Accessoire en option

⚠AVERTISSEMENT : N'aspirez jamais les particules métalliques produites par le meulage, la coupe ou le ponçage. Les particules métalliques produites par de telles opérations sont si chaudes qu'elles peuvent enflammer la poussière et le filtre à l'intérieur de l'aspirateur.

Pour éviter un environnement poussiéreux suite à une coupe de maçonnerie, utilisez un carter de meule de collecte de la poussière et un aspirateur.

Reportez-vous au mode d'emploi accompagnant le carter de meule de collecte de la poussière pour savoir comment l'assembler et l'utiliser.

- **Fig.26:** 1. Carter de meule de collecte de la poussière 2. Tuyau de l'aspirateur

Pose ou dépose de l'accessoire pare-poussière

Accessoire en option

⚠ ATTENTION : Veillez à ce que l'outil soit toujours hors tension et débranché avant de poser ou de déposer l'accessoire pare-poussière. Le non-respect de cette règle entraîne une détérioration de l'outil ou une blessure corporelle.

Installez l'accessoire pare-poussière dans chaque position spécifiée.

Pour en savoir plus, consultez le mode d'emploi de l'accessoire pare-poussière.

REMARQUE : Nettoyez bien l'accessoire pare-poussière s'il est bouché par de la poussière ou des corps étrangers. Si vous continuez à utiliser l'outil alors que l'accessoire pare-poussière est bouché, vous risquez de l'endommager.

UTILISATION

⚠ AVERTISSEMENT : Il n'est jamais nécessaire de forcer l'outil. Le poids de l'outil suffit pour appliquer une pression adéquate. En forçant l'outil ou en appliquant une pression excessive, vous risquez de provoquer un dangereux éclatement de la meule.

⚠ AVERTISSEMENT : Remplacez TOUJOURS la meule si vous laissez tomber l'outil en meulant.

⚠ AVERTISSEMENT : Ne frappez ni ne heurtez JAMAIS la meule contre la pièce à travailler.

⚠ AVERTISSEMENT : Évitez de laisser la meule sautiller ou accrocher, tout spécialement lorsque vous travaillez dans des coins, sur des angles vifs, etc. Il y a risque de perte de contrôle de l'outil et de choc en retour.

⚠ AVERTISSEMENT : N'utilisez JAMAIS l'outil avec des lames à bois et autres lames de scie. Utilisées sur une meuleuse, ces lames reculent souvent et causent une perte de contrôle, ce qui comporte un risque de blessure.

⚠ AVERTISSEMENT : Continuer à utiliser une meule usée peut entraîner l'explosion de la meule et provoquer de graves blessures corporelles.

⚠ ATTENTION : Ne faites jamais démarrer l'outil alors qu'il touche la pièce à travailler ; il y a risque de blessure pour l'utilisateur.

⚠ ATTENTION : Portez toujours des lunettes à coques ou un écran facial pendant l'utilisation.

⚠ ATTENTION : Une fois le travail terminé, mettez toujours l'outil hors tension et attendez l'arrêt complet de la meule avant de déposer l'outil.

⚠ ATTENTION : Tenez TOUJOURS l'outil fermement, avec une main sur le carter de l'outil et l'autre main sur la poignée latérale (poignée).

NOTE : Une meule à double usage peut être utilisée pour les travaux de meulage et de tronçonnage.

Reportez-vous à la section « Utilisation avec la meule ou le disque » pour le meulage et à la section « Utilisation avec une meule à tronçonner abrasive/meule diamantée » pour le tronçonnage.

Utilisation avec la meule ou le disque

► Fig.27

Faites démarrer l'outil, puis appliquez la meule ou le disque sur la pièce à travailler.

En général, maintenez le bord de la meule ou du disque à un angle d'environ 15° par rapport à la surface de la pièce à travailler.

Pendant la période de rodage d'une meule neuve, ne faites pas avancer la meuleuse dans le sens avant sous peine de couper la pièce à travailler. Une fois le bord de la meule rodé, la meule peut être utilisée dans les sens avant et arrière.

Utilisation avec une meule à tronçonner abrasive/meule diamantée

Accessoire en option

⚠ AVERTISSEMENT : Évitez de « bloquer » la meule ou d'appliquer une pression excessive. N'essayez pas de couper trop profondément. Un travail trop intense augmente la charge de l'outil, peut forcer la meule à se tordre ou à coincer dans la pièce, ce qui comporte un risque de choc en retour, d'éclatement de la meule ou de surchauffe du moteur.

⚠ AVERTISSEMENT : Ne commencez pas la coupe avec l'outil engagé dans la pièce à travailler. Attendez que la meule ait atteint sa pleine vitesse, puis faites pénétrer l'outil prudemment dans la ligne de coupe en le faisant avancer à la surface de la pièce à travailler. La meule peut se coincer, remonter hors de la ligne de coupe ou effectuer un choc en retour si vous faites démarrer l'outil électrique alors qu'il est engagé dans la pièce à travailler.

⚠ AVERTISSEMENT : Ne modifiez jamais l'angle de la meule pendant l'exécution de la coupe. L'application d'une pression latérale sur la meule à tronçonner (comme pour le meulage) fera se fissurer et éclater la meule, ce qui comporte un risque de blessure grave.

⚠ AVERTISSEMENT : Une meule diamantée doit être utilisée perpendiculairement au matériau à couper.

Exemple d'utilisation : utilisation avec la meule à tronçonner abrasive

► Fig.28

Exemple d'utilisation : utilisation avec la meule diamantée

► Fig.29

Utilisation avec la brosse métallique à coupelle

Accessoire en option

⚠ ATTENTION : Vérifiez le fonctionnement de la brosse en faisant tourner l'outil à vide, après vous être assuré que personne ne se trouve devant ou dans la trajectoire de la brosse.

Exemple d'utilisation : utilisation avec la brosse métallique à coupelle
► Fig.30

REMARQUE : Évitez d'appliquer une pression excessive pour éviter de trop courber les fils lors de l'utilisation de la brosse. Ce qui pourrait provoquer leur usure prématurée.

Utilisation avec la brosse métallique circulaire

Accessoire en option

⚠ ATTENTION : Vérifiez le fonctionnement de la brosse métallique circulaire en faisant tourner l'outil à vide, après vous être assuré que personne ne se trouve devant ou dans la trajectoire de la brosse métallique circulaire.

Exemple d'utilisation : utilisation avec la brosse métallique circulaire
► Fig.31

REMARQUE : Évitez d'appliquer une pression excessive pour éviter de trop courber les fils lors de l'utilisation de la brosse métallique circulaire. Ce qui pourrait provoquer leur usure prématurée.

Travaux avec l'emporte-pièce

Accessoire en option

⚠ ATTENTION : Vérifiez le fonctionnement de l'emporte-pièce en faisant tourner l'outil à vide, après vous être assuré que personne ne se trouve devant l'emporte-pièce.

REMARQUE : N'inclinez pas l'outil pendant le fonctionnement. Ce qui pourrait provoquer leur usure prématurée.

Exemple d'utilisation : travaux avec l'emporte-pièce
► Fig.32

ENTRETIEN

⚠ ATTENTION : Assurez-vous toujours que l'outil est hors tension et débranché avant d'y effectuer tout travail d'inspection ou d'entretien.

REMARQUE : N'utilisez jamais d'essence, benzine, diluant, alcool ou autre produit similaire. Cela risquerait de provoquer la décoloration, la déformation ou la fissuration de l'outil.

Pour assurer la SÉCURITÉ et la FIABILITÉ du produit, toute réparation, tout travail d'entretien ou de réglage doivent être effectués par un centre d'entretien Makita agréé, avec des pièces de rechange Makita.

Nettoyage des orifices d'aération

L'outil et ses orifices d'aération doivent être conservés propres. Nettoyez régulièrement les orifices d'aération de l'outil ou dès qu'ils sont obstrués.

► Fig.33: 1. Orifice de sortie d'air 2. Orifice d'entrée d'air

COMBINATION D'APPLICATIONS ET D'ACCESSOIRES

Accessoire en option

⚠ ATTENTION : L'utilisation de l'outil avec des carters de protection incorrects peut entraîner les risques suivants.

- Lors de l'utilisation d'un carter de meule à tronçonner pour le meulage de façade, le carter de meule peut interférer avec la pièce et entraîner un mauvais contrôle.
- Lors de l'utilisation d'un carter de meule ordinaire pour les travaux de tronçonnage avec des meules abrasives à liant et des meules diamantées, le risque d'exposition aux meules en rotation, aux étincelles et particules émises, ainsi que d'exposition à des fragments de meule en cas de rupture de la meule augmente.
- Lors de l'utilisation d'un carter de meule à tronçonner ou d'un carter de meule ordinaire pour les travaux de façade avec des meules-boisseaux diamantées, le carter de meule peut interférer avec la pièce et entraîner un mauvais contrôle.
- Lors de l'utilisation d'un carter de meule à tronçonner ou d'un carter de meule ordinaire avec une brosse métallique de type à meule d'une épaisseur supérieure à l'épaisseur maximale spécifiée dans les « SPÉCIFICATIONS », les fils peuvent se coincer sur le carter et entraîner la rupture des fils.
- L'utilisation de carters de meule de collecte de la poussière pour les travaux de tronçonnage et de façade dans le béton ou la maçonnerie réduit le risque d'exposition à la poussière.
- En cas d'utilisation de meules montées sur flasque à double usage (meulage et tronçonnage abrasifs combinés), utilisez uniquement un carter de meule à tronçonner.

► Fig.34

Uniquement pour le modèle GA4593/GA4594/GA5093/GA5094

	Application	Modèle 115 mm	Modèle 125 mm
1	-	Poignée latérale	
2	-	Carter de meule (pour meule ordinaire)	
3	-	Flasque intérieur	
4	Meulage/Ponçage	Meule à moyeu déporté/Disque à lamelles	
5	-	Contre-écrou	
6	-	Écrou Ezynut *1*2	
7	-	Semelle	
8	Meulage/Ponçage	Meule flexible	
9	-	Coussinet de caoutchouc 100	Coussinet de caoutchouc 115
10	Ponçage	Disque abrasif	
11	-	Contre-écrou de ponçage	
12	Brossage métallique	Brosse métallique circulaire	
13	Brossage métallique	Brosse métallique à coupelle	
14	Découpage de trous	Emporte-pièce	
15	-	Carter de meule (pour meule à tronçonner)	
16	Tronçonnage	Meule à tronçonner abrasive/Meule diamantée	
17	Meulage/Tronçonnage	Meule à double usage	
18	-	Accessoire à clip pour carter de meule à tronçonner *3	
19	-	Carter de meule de collecte de la poussière pour le tronçonnage	
20	Tronçonnage	Meule diamantée	
21	-	Carter de meule de collecte de la poussière pour le meulage	
22	Meulage	Meule-boisseau diamantée	
-	-	Clé à contre-écrou	
-	-	Accessoire pare-poussière	

Uniquement pour le modèle GA4595/GA5095

-	Application	Modèle 115 mm	Modèle 125 mm
1	-	Poignée latérale	
2	-	Carter de meule (pour meule ordinaire)	
3	-	Flasque intérieur/Super flasque *1*2	
4	Meulage/Ponçage	Meule à moyeu déporté/Disque à lamelles	
5	-	Contre-écrou	
6	-	Écrou Ezynut *1*2	
7	-	Semelle	
8	Meulage/Ponçage	Meule flexible	
9	-	Coussinet de caoutchouc 100	Coussinet de caoutchouc 115
10	Ponçage	Disque abrasif	
11	-	Contre-écrou de ponçage	
12	Brossage métallique	Brosse métallique circulaire	
13	Brossage métallique	Brosse métallique à coupelle	
14	Découpage de trous	Emporte-pièce	
15	-	Carter de meule (pour meule à tronçonner)	
16	Tronçonnage	Meule à tronçonner abrasive/Meule diamantée	
17	Meulage/Tronçonnage	Meule à double usage	
18	-	Accessoire à clip pour carter de meule à tronçonner *3	
19	-	Carter de meule de collecte de la poussière pour le tronçonnage	
20	Tronçonnage	Meule diamantée	
21	-	Carter de meule de collecte de la poussière pour le meulage	
22	Meulage	Meule-boisseau diamantée	
-	-	Clé à contre-écrou	
-	-	Accessoire pare-poussière	

NOTE : *1 N'utilisez pas ensemble le super flasque et l'écrou Ezynut.

NOTE : *2 Uniquement pour les outils avec filetage de l'axe M14.

NOTE : *3 L'accessoire à clip pour carter de meule à tronçonner n'est pas disponible dans certains pays. Pour en savoir plus, consultez le mode d'emploi de l'accessoire à clip pour carter de meule à tronçonner.

NOTE : N'utilisez pas le super flasque avec une meuleuse dotée d'une fonction de frein.

ACCESSOIRES EN OPTION

ATTENTION : Ces accessoires ou pièces complémentaires sont recommandés pour l'utilisation avec l'outil Makita spécifié dans ce mode d'emploi. L'utilisation de tout autre accessoire ou pièce complémentaire peut comporter un risque de blessure. N'utilisez les accessoires ou pièces complémentaires qu'aux fins auxquelles ils ont été conçus.

Pour obtenir plus de détails sur ces accessoires, contactez votre centre d'entretien local Makita.

- Accessoires répertoriés dans « COMBINATION D'APPLICATIONS ET D'ACCESSOIRES »

NOTE : Il se peut que certains éléments de la liste soient compris dans l'emballage de l'outil en tant qu'accessoires standard. Ils peuvent varier d'un pays à l'autre.






TECHNISCHE DATEN

Modell:		GA4593	GA4594	GA4595	GA5093	GA5094	GA5095
Verwendbare Schleifscheibe	Max. Scheibendurchmesser	115 mm			125 mm		
	Max. Scheibendicke	7,2 mm					
Verwendbare Trennscheibe	Max. Scheibendurchmesser	115 mm			125 mm		
	Max. Scheibendicke	3,2 mm					
Verwendbare Rotordrahtbürste	Max. Scheibendurchmesser	115 mm			125 mm		
	Max. Scheibendicke	20 mm					
Spindelgewinde		M14 oder 5/8" (länderspezifisch)					
Max. Spindellänge		23 mm					
Leerlaufdrehzahl (n ₀) / Nenndrehzahl (n)		11.500 min ⁻¹					
Gesamtlänge		349 mm	326 mm	349 mm	326 mm		
Nettogewicht		2,8 - 4,0 kg	2,6 - 3,8 kg	2,9 - 4,0 kg	2,7 - 3,8 kg		
Sicherheitsklasse		□/II					

- Wir behalten uns vor, Änderungen der technischen Daten im Zuge der Entwicklung und des technischen Fortschritts ohne vorherige Ankündigung vorzunehmen.
- Die technischen Daten können von Land zu Land unterschiedlich sein.
- Das Gewicht kann abhängig von den Aufsätzen unterschiedlich sein. Die leichteste und die schwerste Kombination, gemäß dem EPTA-Verfahren 01/2014, sind in der Tabelle angegeben.

Symbole

Nachfolgend werden Symbole beschrieben, die für das Gerät verwendet werden können. Machen Sie sich unbedingt vor der Benutzung mit ihrer Bedeutung vertraut.

	Betriebsanleitung lesen.
	Schutzbrille tragen.
	Immer mit beiden Händen betätigen.
	Verwenden Sie die Schutzhaube nicht für Trennschleifarbeiten.
	DOPPELTE ISOLIERUNG



Nur für EU-Länder
Aufgrund des Vorhandenseins gefährlicher Komponenten in der Ausrüstung können Elektro- und Elektronik-Altgeräte sich negativ auf die Umwelt und die menschliche Gesundheit auswirken. Entsorgen Sie Elektro- und Elektronikgeräte nicht mit dem Hausmüll! In Übereinstimmung mit der Europäischen Richtlinie über Elektro- und Elektronik-Altgeräte und ihrer Anpassung an nationales Recht sollten Elektro- und Elektronik-Altgeräte gemäß den Umweltschutzbestimmungen getrennt gesammelt und zu einer getrennten Sammelstelle für Siedlungsabfälle geliefert werden. Dies wird durch das am Gerät angebrachte Symbol der durchgestrichenen Abfalltonne auf Rädern angezeigt.

Vorgesehene Verwendung

Das Werkzeug ist für das Schleifen, Schmirgeln, Drahtbürsten, Lochschneiden und Schneiden von Metall- und Steinmaterial ohne den Gebrauch von Wasser vorgesehen.

Stromversorgung

Das Werkzeug sollte nur an eine Stromquelle angeschlossen werden, deren Spannung mit der Angabe auf dem Typenschild übereinstimmt, und kann nur mit Einphasen-Wechselstrom betrieben werden. Diese sind doppelt schutzisoliert und können daher auch an Steckdosen ohne Erdleiter verwendet werden.

Geräusch

Typischer A-bewerteter Geräuschpegel ermittelt gemäß 62841-2-3:

Modell	Schalldruckpegel (L_{pA}): (dB (A))	Schalleistungspegel (L_{WA}): (dB (A))	Messunsicherheit (K): (dB (A))
GA4593	91	99	3
GA4594	91	99	3
GA4595	94	102	3
GA5093	91	99	3
GA5094	91	99	3
GA5095	94	102	3

HINWEIS: Der (Die) angegebene(n) Schallemissionswert(e) wurde(n) im Einklang mit der Standardprüfmethode gemessen und kann (können) für den Vergleich zwischen Werkzeugen herangezogen werden.

HINWEIS: Der (Die) angegebene(n) Schallemissionswert(e) kann (können) auch für eine Vorbewertung des Gefährdungsgrads verwendet werden.

⚠️ WARNUNG: Einen Gehörschutz tragen.

⚠️ WARNUNG: Die Schallemission während der tatsächlichen Benutzung des Elektrowerkzeugs kann je nach der Benutzungsweise des Werkzeugs, und speziell je nach der Art des bearbeiteten Werkstücks, von dem (den) angegebenen Wert(en) abweichen.

⚠️ WARNUNG: Identifizieren Sie Sicherheitsmaßnahmen zum Schutz des Benutzers anhand einer Schätzung des Gefährdungsgrads unter den tatsächlichen Benutzungsbedingungen (unter Berücksichtigung aller Phasen des Arbeitszyklus, wie z. B. Ausschalt- und Leerlaufzeiten des Werkzeugs zusätzlich zur Betriebszeit).

⚠️ WARNUNG: Das Schleifen von dünnen Blechen oder anderen leicht vibrierenden Strukturen mit großer Oberfläche kann zu einer Gesamtgeräuschemission führen, die viel höher ist (bis zu 15 dB) als die angegebenen Geräuschemissionswerte.

Legen Sie schwere, flexible Dämpfungsmatten oder dergleichen auf diese Werkstücke, um zu verhindern, dass sie Schall abgeben.

Berücksichtigen Sie die erhöhte Geräuschemission sowohl bei der Risikobewertung der Geräuschbelastung als auch bei der Auswahl eines geeigneten Gehörschutzes.

Schwingungen

Schwingungsgesamtwert (Drei-Achsen-Vektorsumme) ermittelt gemäß 62841-2-3:

Arbeitsmodus: Oberflächenschleifen mit normalem Seitengriff

Modell	Vibrationsemission ($a_{h, AG}$): (m/s^2)	Messunsicherheit (K): (m/s^2)
GA4593	5,8	1,5
GA4594	5,8	1,5
GA4595	5,4	1,5
GA5093	8,9	1,5
GA5094	8,9	1,5
GA5095	8,5	1,5

Arbeitsmodus: Oberflächenschleifen mit vibrationsfestem Seitengriff

Modell	Vibrationsemission ($a_{h, AG}$): (m/s^2)	Messunsicherheit (K): (m/s^2)
GA4593	5,7	1,5
GA4594	5,7	1,5
GA4595	5,2	1,5
GA5093	8,5	1,5
GA5094	8,5	1,5
GA5095	8,7	1,5

Arbeitsmodus: Scheibenschleifen mit normalem Seitengriff

Modell	Vibrationsemission ($a_{hr, DS}$): (m/s^2)	Messunsicherheit (K): (m/s^2)
GA4593	2,6	1,5
GA4594	2,6	1,5
GA4595	2,6	1,5
GA5093	3,3	1,5
GA5094	3,3	1,5
GA5095	3,0	1,5

Arbeitsmodus: Scheibenschleifen mit vibrationsfestem Seitengriff

Modell	Vibrationsemission ($a_{hr, DS}$): (m/s^2)	Messunsicherheit (K): (m/s^2)
GA4593	2,5 m/s^2 oder weniger	1,5
GA4594	2,5 m/s^2 oder weniger	1,5
GA4595	2,9	1,5
GA5093	3,0	1,5
GA5094	3,0	1,5
GA5095	3,1	1,5

HINWEIS: Der (Die) angegebene(n) Vibrationsgesamtwert(e) wurde(n) im Einklang mit der Standardprüfmethode gemessen und kann (können) für den Vergleich zwischen Werkzeugen herangezogen werden.

HINWEIS: Der (Die) angegebene(n) Vibrationsgesamtwert(e) kann (können) auch für eine Vorbewertung des Gefährdungsgrads verwendet werden.

⚠️ WARNUNG: Die Vibrationsemission während der tatsächlichen Benutzung des Elektrowerkzeugs kann je nach der Benutzungsweise des Werkzeugs, und speziell je nach der Art des bearbeiteten Werkstücks, von dem (den) angegebenen Emissionswert(en) abweichen.

⚠️ WARNUNG: Identifizieren Sie Sicherheitsmaßnahmen zum Schutz des Benutzers anhand einer Schätzung des Gefährdungsgrads unter den tatsächlichen Benutzungsbedingungen (unter Berücksichtigung aller Phasen des Arbeitszyklus, wie z. B. Ausschalt- und Leerlaufzeiten des Werkzeugs zusätzlich zur Betriebszeit).

⚠️ WARNUNG: Der angegebene Schwingungsemissionswert wird für Hauptanwendungen des Elektrowerkzeugs verwendet. Wird das Elektrowerkzeug jedoch für andere Anwendungen verwendet, kann der Schwingungsemissionswert abweichen.

EG-Konformitätserklärung

Nur für europäische Länder

Die EG-Konformitätserklärung ist als Anhang A in dieser Bedienungsanleitung enthalten.

SICHERHEITSWARNUNGEN

Allgemeine Sicherheitswarnungen für Elektrowerkzeuge

⚠️ WARNUNG: Lesen Sie alle mit diesem Elektrowerkzeug gelieferten Sicherheitswarnungen, Anweisungen, Abbildungen und technischen Daten durch. Eine Missachtung der unten aufgeführten Anweisungen kann zu einem elektrischen Schlag, Brand und/oder schweren Verletzungen führen.

Bewahren Sie alle Warnungen und Anweisungen für spätere Bezugnahme auf.

Der Ausdruck „Elektrowerkzeug“ in den Warnhinweisen bezieht sich auf Ihr mit Netzstrom (mit Kabel) oder Akku (ohne Kabel) betriebenes Elektrowerkzeug.

Sicherheitswarnungen für Schleifmaschine

Allgemeine Sicherheitswarnungen für Schleif-, Schmirgel-, Drahtbürsten- oder Trennschleifbetrieb:

1. Dieses Elektrowerkzeug ist für Schleifen, Schmirgeln, Drahtbürsten, Lochschneiden oder Trennschleifen vorgesehen. Lesen Sie alle mit diesem Elektrowerkzeug gelieferten Sicherheitswarnungen, Anweisungen, Abbildungen und technischen Daten durch. Eine Missachtung der unten aufgeführten Anweisungen kann zu einem elektrischen Schlag, Brand und/oder schweren Verletzungen führen.
2. Arbeiten, wie Polieren, sind mit diesem Elektrowerkzeug nicht durchzuführen. Benutzungsweisen, für die das Elektrowerkzeug nicht ausgelegt ist, können Gefahren erzeugen und Personenschäden verursachen.

3. **Bauen Sie dieses Elektrowerkzeug nicht so um, dass es auf eine Weise betrieben wird, die nicht speziell vom Werkzeughersteller vorgesehen und angegeben ist.** Ein solcher Umbau kann zum Verlust der Kontrolle führen und schwere Personenschäden verursachen.
4. **Verwenden Sie kein Zubehör, das nicht speziell vom Werkzeughersteller ausgelegt und angegeben ist.** Die bloße Tatsache, dass ein Zubehörtteil an Ihrem Elektrowerkzeug angebracht werden kann, gewährleistet noch keinen sicheren Betrieb.
5. **Die Nenndrehzahl des Zubehörtteils muss mindestens der am Elektrowerkzeug angegebenen Maximaldrehzahl entsprechen.** Zubehörtteile, die schneller als ihre Nenndrehzahl rotieren, können bersten und auseinander fliegen.
6. **Außendurchmesser und Dicke des Zubehörtteils müssen innerhalb der Kapazitätsgrenzen Ihres Elektrowerkzeugs liegen.** Zubehörtteile der falschen Größe können nicht angemessen geschützt oder kontrolliert werden.
7. **Die Abmessungen der Zubehörfestigung müssen mit den Abmessungen der Befestigungselemente des Elektrowerkzeugs übereinstimmen.** Zubehörtteile, die nicht genau auf die Befestigungselemente des Elektrowerkzeugs passen, laufen unrund, vibrieren übermäßig und können einen Verlust der Kontrolle verursachen.
8. **Verwenden Sie keine beschädigten Zubehörtteile. Überprüfen Sie die Zubehörtteile vor jedem Gebrauch: z. B. Schleifscheiben auf Absplittierungen und Risse, Schleifteller auf Risse, Brüche oder übermäßigen Verschleiß, Drahtbürsten auf lose oder rissige Drähte.** Falls das Elektrowerkzeug oder das Zubehörtteil herunterfällt, überprüfen Sie es auf Beschädigung, oder montieren Sie ein unbeschädigtes Zubehörtteil. Achten Sie nach der Überprüfung und Installation eines Zubehörtteils darauf, dass Sie selbst und Umstehende nicht in der Rotationsebene des Zubehörtteils stehen, und lassen Sie das Elektrowerkzeug eine Minute lang mit maximaler Leerlaufdrehzahl laufen. Ein beschädigtes Zubehörtteil bricht normalerweise während dieses Probelaufs auseinander.
9. **Tragen Sie persönliche Schutzausrüstung. Benutzen Sie je nach der Arbeit einen Gesichtsschutz bzw. eine Sicherheits- oder Schutzbrille. Tragen Sie bei Bedarf eine Staubmaske, Ohrenschützer, Handschuhe und eine Arbeitsschürze, die in der Lage ist, kleine Schleifpartikel oder Werkstücksplitter abzuwehren.** Der Augenschutz muss in der Lage sein, den bei verschiedenen Anwendungen anfallenden Flugstaub abzuwehren. Die Staubmaske oder Atemschutzmaske muss in der Lage sein, durch die spezielle Anwendung erzeugte Partikel herauszufiltern. Länger andauernde starke Lärmbelastung kann zu Gehörschäden führen.
10. **Halten Sie Umstehende in sicherem Abstand vom Arbeitsbereich. Jeder, der den Arbeitsbereich betritt, muss persönliche Schutzausrüstung tragen.** Bruchstücke des Werkstücks oder eines beschädigten Zubehörtteils können weggeschleudert werden und Verletzungen über den unmittelbaren Arbeitsbereich hinaus verursachen.
11. **Halten Sie das Elektrowerkzeug nur an den isolierten Griffflächen, wenn Sie Arbeiten ausführen, bei denen die Gefahr besteht, dass das Schneidzubehör verborgene Kabel oder das eigene Kabel kontaktiert.** Wenn das Schneidzubehör ein Strom führendes Kabel kontaktiert, können die freiliegenden Metallteile des Elektrowerkzeugs ebenfalls Strom führend werden, so dass der Benutzer einen elektrischen Schlag erleiden kann.
12. **Halten Sie das Kabel vom rotierenden Zubehörtteil fern.** Falls Sie die Kontrolle verlieren, kann das Kabel durchgetrennt oder erfasst werden, so dass Ihre Hand oder Ihr Arm in das rotierende Zubehörtteil hineingezogen wird.
13. **Legen Sie das Elektrowerkzeug erst ab, nachdem das Zubehörtteil zum vollständigen Stillstand gekommen ist.** Anderenfalls kann das rotierende Zubehörtteil die Oberfläche erfassen und das Elektrowerkzeug aus Ihren Händen reißen.
14. **Lassen Sie das Elektrowerkzeug nicht laufen, während Sie es an Ihrer Seite tragen.** Das rotierende Zubehörtteil könnte sonst bei versehentlichem Kontakt Ihre Kleidung erfassen und auf Ihren Körper zu gezogen werden.
15. **Reinigen Sie die Ventilationsöffnungen des Elektrowerkzeugs regelmäßig.** Der Lüfter des Motors saugt Staub in das Gehäuse an, und starke Ablagerungen von Metallstaub können elektrische Gefahren verursachen.
16. **Betreiben Sie das Elektrowerkzeug nicht in der Nähe von brennbaren Materialien.** Funken könnten diese Materialien entzünden.
17. **Verwenden Sie keine Zubehörtteile, die Kühlfüssigkeiten erfordern.** Die Verwendung von Wasser oder anderen Kühlfüssigkeiten kann zu Elektroschock oder Tod durch Stromschlag führen.

Warnungen vor Rückschlag und damit zusammenhängenden Gefahren:

Ein Rückschlag ist eine plötzliche Reaktion auf Klemmen oder Hängenbleiben der Schleifscheibe, des Schleiftellers, der Drahtbürste oder eines anderen Zubehörtteils. Klemmen oder Hängenbleiben verursacht sofortiges Stocken des rotierenden Zubehörtteils, was wiederum dazu führt, dass das außer Kontrolle geratene Elektrowerkzeug am Stockpunkt in die zur Drehrichtung des Zubehörtteils entgegengesetzte Richtung geschleudert wird.

Wenn beispielsweise eine Schleifscheibe vom Werkstück erfasst oder eingeklemmt wird, kann sich die in den Klemmpunkt eindringende Schleifscheibenkante in die Materialoberfläche bohren, so dass sie herauspringt oder zurückschlägt. Je nach der Drehrichtung der Schleifscheibe am Klemmpunkt kann die Schleifscheibe auf die Bedienungsperson zu oder von ihr weg springen. Schleifscheiben können unter solchen Bedingungen auch brechen.

Rückschlag ist das Resultat falscher Handhabung des Elektrowerkzeugs und/oder falscher Arbeitsverfahren oder -bedingungen und kann durch Anwendung der nachstehenden Vorsichtsmaßnahmen vermieden werden.

1. **Halten Sie das Elektrowerkzeug mit beiden Händen fest, und positionieren Sie Ihren Körper und Ihre Arme so, dass Sie die Rückschlagkräfte auffangen können. Benutzen Sie stets den Zusatzgriff, wenn vorhanden, um maximale Kontrolle über Rückschlag oder Drehbewegungen während des Anlaufs zu haben.** Drehbewegungen oder Rückschlagkräfte können kontrolliert werden, wenn entsprechende Vorkehrungen getroffen werden.
2. **Legen Sie Ihre Hand niemals in die Nähe des rotierenden Zubehörtails.** Bei einem Rückschlag könnte das Zubehörtail Ihre Hand verletzen.
3. **Stellen Sie sich nicht in den Bereich, in den das Elektrowerkzeug bei Auftreten eines Rückschlags geschleudert wird.** Der Rückschlag schleudert das Werkzeug am Stockpunkt in die entgegengesetzte Drehrichtung der Schleifscheibe.
4. **Lassen Sie bei der Bearbeitung von Ecken, scharfen Kanten usw. besondere Vorsicht walten. Vermeiden Sie Prellen und Hängenbleiben des Zubehörtails.** Ecken, scharfe Kanten oder Prellen führen leicht zu Hängenbleiben des rotierenden Zubehörtails und verursachen Verlust der Kontrolle oder Rückschlag.
5. **Bringen Sie keine Sägeketten, Holzfräsen, Segment-Diamantscheiben mit einem Randspalt von mehr als 10 mm oder gezahnte Sägeblätter an.** Solche Zubehörtailteile verursachen häufige Rückschläge und Verlust der Kontrolle.

Sicherheitswarnungen speziell für Schleif- und Trennschleifbetrieb:

1. **Verwenden Sie nur Schleifscheiben, die für Ihr Elektrowerkzeug angegeben sind, und die für die ausgewählte Schleifscheibe vorgesehene Schutzhaube.** Schleifscheiben, die nicht für das Elektrowerkzeug geeignet sind, können nicht angemessen abgeschirmt werden und sind unsicher.
2. **Die Schleiffläche von gekröpften Trennschleifscheiben muss unterhalb der Ebene der Schutzlippe montiert werden.** Eine falsch montierte Schleifscheibe, die über die Ebene der Schutzlippe hinausragt, kann nicht angemessen geschützt werden.
3. **Die Schutzhaube muss sicher am Elektrowerkzeug befestigt und für maximale Sicherheit positioniert werden, um den auf die Bedienungsperson gerichteten Schleifscheibenbetrag minimal zu halten.** Die Schutzhaube schützt den Bediener vor Schleifscheiben-Bruchstücken, versehentlichem Kontakt mit der Schleifscheibe und Funken, welche die Kleidung in Brand setzen könnten.
4. **Schleifscheiben dürfen nur für angegebene Anwendungen verwendet werden. Zum Beispiel: Nicht mit der Seite einer Trennscheibe schleifen.** Trennschleifscheiben sind für Peripherieschleifen vorgesehen. Falls seitliche Kräfte auf diese Scheiben einwirken, können sie zerbrechen.
5. **Verwenden Sie stets unbeschädigte Scheibenflansche der korrekten Größe und Form für die ausgewählte Schleifscheibe.** Korrekte Scheibenflansche stützen die Schleifscheibe und reduzieren somit die Möglichkeit eines Scheibenbruchs. Flansche für Trennscheiben können sich von solchen für Schleifscheiben unterscheiden.
6. **Verwenden Sie keine abgenutzten Schleifscheiben von größeren Elektrowerkzeugen.** Eine Schleifscheibe, die für größere Elektrowerkzeuge vorgesehen ist, eignet sich nicht für die höhere Drehzahl eines kleineren Werkzeugs und kann bersten.
7. **Wenn Sie Schleifscheiben mit doppeltem Verwendungszweck einsetzen, benutzen Sie immer die richtige Schutzhaube für die jeweilige Anwendung.** Wenn Sie nicht die richtige Schutzhaube benutzen, kann es sein, dass der gewünschte Schutzgrad nicht erreicht wird, was zu schweren Verletzungen führen kann.

Zusätzliche Sicherheitswarnungen speziell für Trennschleifbetrieb:

1. **Vermeiden Sie „Verkanten“ der Trennscheibe oder die Ausübung übermäßigen Drucks. Versuchen Sie nicht, übermäßig tiefe Schnitte zu machen.** Überbeanspruchung der Schleifscheibe erhöht die Belastung und die Empfänglichkeit für Verdrehen oder Klemmen der Schleifscheibe im Schnitt sowie die Möglichkeit von Rückschlag oder Scheibenbruch.
2. **Stellen Sie sich nicht so, dass sich Ihr Körper in einer Linie mit der rotierenden Schleifscheibe oder hinter dieser befindet.** Wenn sich die Schleifscheibe am Arbeitspunkt von Ihrem Körper weg bewegt, kann ein möglicher Rückschlag die rotierende Schleifscheibe und das Elektrowerkzeug direkt auf Sie zu schleudern.
3. **Falls die Trennscheibe klemmt oder der Schnitt aus irgendeinem Grund unterbrochen wird, schalten Sie das Elektrowerkzeug aus und halten Sie es bewegungslos im Werkstück, bis die Trennscheibe zum völligen Stillstand kommt. Versuchen Sie auf keinen Fall, die rotierende Trennscheibe aus dem Schnitt zu entfernen, weil sonst ein Rückschlag auftreten kann.** Nehmen Sie eine Überprüfung vor, und treffen Sie Abhilfemaßnahmen, um die Ursache von Trennscheiben-Klemmen zu beseitigen.
4. **Setzen Sie den Schnittbetrieb nicht mit im Werkstück sitzender Trennscheibe fort. Führen Sie die Trennscheibe vorsichtig in den Schnitt ein, nachdem sie die volle Drehzahl erreicht hat.** Wird das Elektrowerkzeug mit im Werkstück sitzender Trennscheibe eingeschaltet, kann die Trennscheibe klemmen, hochsteigen oder zurückschlagen.
5. **Stützen Sie Platten oder andere übergroße Werkstücke ab, um die Gefahr von Klemmen oder Rückschlag der Trennscheibe zu minimieren.** Große Werkstücke neigen dazu, unter ihrem Eigengewicht durchzuhängen. Die Stützen müssen nahe der Schnittlinie und in der Nähe der Werkstückkante beidseitig der Trennscheibe unter das Werkstück platziert werden.
6. **Lassen Sie besondere Vorsicht walten, wenn Sie einen „Taschenschnitt“ in bestehende Wände oder andere Blindflächen durchführen.** Die vorstehende Trennscheibe kann Gas- oder Wasserleitungen, Stromkabel oder Objekte durchschneiden, die Rückschlag verursachen können.
7. **Versuchen Sie nicht, bogenförmig zu schneiden.** Überbeanspruchung der Schleifscheibe erhöht die Belastung und die Empfänglichkeit für Verdrehen oder Klemmen der Schleifscheibe im Schnitt sowie die Möglichkeit von Rückschlag oder Scheibenbruch, was zu schweren Verletzungen führen kann.

8. **Bevor Sie eine Segment-Diamantscheibe verwenden, vergewissern Sie sich, dass die Diamantscheibe einen Randspalt zwischen den Segmenten von maximal 10 mm hat, und nur einen negativen Spanwinkel aufweist.**

Sicherheitswarnungen speziell für Schmirgelbetrieb:

1. **Verwenden Sie Schleifpapierscheiben der richtigen Größe. Befolgen Sie die Herstellerempfehlungen bei der Wahl des Schleifpapiers.** Größeres Schleifpapier, das zu weit über den Schleifteller hinausragt, stellt eine Gefahr für Schnittwunden dar und kann Hängenbleiben oder Zerreißen der Schleifscheibe oder Rückschlag verursachen.

Sicherheitswarnungen speziell für Drahtbürstenbetrieb:

1. **Beachten Sie, dass Drahtborsten auch bei normalem Betrieb von der Drahtbürste herausgeschleudert werden. Überbeanspruchen Sie die Drähte nicht durch Ausübung übermäßigen Drucks auf die Drahtbürste.** Die Drahtborsten können ohne weiteres leichte Kleidung und/oder Haut durchdringen.
2. **Wenn der Einsatz einer Schutzhaube für Drahtbürsten angegeben ist, achten Sie darauf, dass die Drahtscheibe oder die Drahtbürste nicht mit der Schutzhaube in Berührung kommt.** Der Durchmesser der Drahtscheibe oder Drahtbürste kann sich aufgrund der Arbeitslast und der Fliehkräfte vergrößern.

Zusätzliche Sicherheitswarnungen:

1. **Verwenden Sie nur glasfaserverstärkte Scheiben als gekröpfte Trennschleifscheiben.**
2. **Verwenden Sie NIEMALS Stein-Topschleifscheiben mit dieser Schleifmaschine.** Diese Schleifmaschine ist nicht für derartige Schleifscheiben ausgelegt, und der Gebrauch eines solchen Produkts kann zu schweren Personenschäden führen.
3. **Achten Sie sorgfältig darauf, dass Spindel, Flansch (insbesondere die Ansatzfläche) und Sicherungsmutter nicht beschädigt werden.** Eine Beschädigung dieser Teile kann zu einem Scheibenbruch führen.
4. **Vergewissern Sie sich vor dem Einschalten des Werkzeugs, dass die Schleifscheibe nicht das Werkstück berührt.**
5. **Lassen Sie das Werkzeug vor der eigentlichen Bearbeitung eines Werkstücks eine Weile laufen.** Achten Sie auf Vibrationen oder Taumelbewegungen, die Anzeichen für schlechte Montage oder eine schlecht ausgewuchtete Schleifscheibe sein können.
6. **Verwenden Sie nur die vorgeschriebene Fläche der Schleifscheibe für Schleifarbeiten.**
7. **Lassen Sie das Werkzeug nicht unbeaufsichtigt laufen.** Benutzen Sie das Werkzeug nur im handgeführten Einsatz.
8. **Vermeiden Sie eine Berührung des Werkstücks unmittelbar nach der Bearbeitung, weil es dann noch sehr heiß ist und Hautverbrennungen verursachen kann.**
9. **Vermeiden Sie eine Berührung von Zubehörteilen unmittelbar nach der Bearbeitung, weil sie dann noch sehr heiß sind und Hautverbrennungen verursachen können.**

10. **Befolgen Sie die Anweisungen des Herstellers für korrekte Montage und Verwendung von Schleifscheiben. Behandeln und lagern Sie Schleifscheiben mit Sorgfalt.**
11. **Verwenden Sie keine getrennten Reduzierbuchsen oder Adapter zur Anpassung von Schleifscheiben mit großem Lochdurchmesser.**
12. **Verwenden Sie nur die für dieses Werkzeug vorgeschriebenen Flansche.**
13. **Wenn eine Trennscheibe mit Gewindebohrung am Werkzeug montiert werden soll, achten Sie darauf, dass ihr Gewinde tief genug für die Spindellänge ist.**
14. **Vergewissern Sie sich, dass das Werkstück sicher abgestützt ist.**
15. **Beachten Sie, dass sich die Schleifscheibe nach dem Ausschalten des Werkzeugs noch weiterdreht.**
16. **Falls der Arbeitsplatz sehr heiß, feucht oder durch leitfähigen Staub stark verschmutzt ist, verwenden Sie einen Kurzschlusschalter (30 mA) zum Schutz des Bedieners.**
17. **Verwenden Sie dieses Werkzeug nicht zur Bearbeitung von asbesthaltigen Materialien.**
18. **Arbeiten Sie bei Verwendung der Trennscheibe immer mit der Staubabsaughaube, falls dies durch nationale Vorschriften gefordert wird.**
19. **Schneidscheiben dürfen keinem seitlichen Druck ausgesetzt werden.**
20. **Verwenden Sie keine Arbeitshandschuhe aus Stoff während der Arbeit.** Fasern von Stoffhandschuhen können in das Werkzeug gelangen, was zu einer Beschädigung des Werkzeugs führen kann.
21. **Vergewissern Sie sich vor der Arbeit, dass sich keine verborgenen Objekte, wie etwa eine elektrische Leitung, ein Wasserrohr oder ein Gasrohr, im Werkstück befinden.** Anderenfalls kann es zu einem elektrischen Schlag, Leckstrom oder Gasleck kommen.
22. **Falls eine Zwischenlage an der Scheibe befestigt ist, darf sie nicht entfernt werden. Der Durchmesser der Zwischenlage muss größer sein als die Sicherungsmutter, der Außenflansch und der Innenflansch.**
23. **Stellen Sie vor dem Installieren einer Schleifscheibe immer sicher, dass der Zwischenlagenteil keine Anomalien wie Späne oder Risse aufweist.**
24. **Ziehen Sie die Sicherungsmutter ordnungsgemäß fest.** Zu starkes Anziehen der Scheibe kann zu einem Bruch führen, während zu geringes Anziehen Flattern verursachen kann.

BEWAHREN SIE DIESE ANLEITUNG AUF.

⚠️ WARNUNG: Lassen Sie sich NICHT durch Bequemlichkeit oder Vertrautheit mit dem Produkt (durch wiederholten Gebrauch erworben) von der strikten Einhaltung der Sicherheitsregeln für das vorliegende Produkt abhalten. MISSBRAUCH oder Missachtung der Sicherheitsvorschriften in dieser Anleitung können schwere Personenschäden verursachen.

FUNKTIONSBESCHREIBUNG

⚠ VORSICHT: Vergewissern Sie sich vor jeder Einstellung oder Funktionsprüfung des Werkzeugs stets, dass es ausgeschaltet und vom Stromnetz getrennt ist.

Werkzeug-Schutzsystem

Das Werkzeug ist mit einem Werkzeug-Schutzsystem ausgestattet. Dieses System reduziert oder unterbricht die Stromversorgung des Motors automatisch, um die Lebensdauer des Werkzeugs zu verlängern. Während des Betriebs wird die Leistung des Werkzeugs automatisch reduziert, oder das Werkzeug bleibt automatisch stehen, wenn es einer der folgenden Bedingungen unterliegt:

Überlastschutz

Wird das Werkzeug auf eine Weise betrieben, die eine ungewöhnlich hohe Stromaufnahme bewirkt, reduziert es automatisch seine Leistung ohne jegliche Anzeige. Beseitigen Sie in diesem Fall die Ursache für die Überlastung, damit sich die Drehzahl wieder erholt.

Überhitzungsschutz

Länderspezifisch

Wenn das Werkzeug überhitzt wird, bleibt es automatisch stehen, und die Anzeigelampe blinkt in Rot. Lassen Sie das Werkzeug in dieser Situation abkühlen. Sie können das Werkzeug wieder einschalten, nachdem die Farbe der Lampe von Rot auf Grün gewechselt hat.

Anzeigelampe

► **Abb.1:** 1. Anzeigelampe

Die Anzeigelampe leuchtet grün auf, wenn das Werkzeug angeschlossen wird. Falls die Anzeigelampe in Rot blinkt, stellen der Überhitzungsschutz, die Aktive Rückkopplungs-Erkennungstechnologie oder die Funktion zur Verhütung eines versehentlichen Wiederanlaufs den Betrieb ein. Schalten Sie in dieser Situation das Werkzeug aus. Schalten Sie dann das Werkzeug wieder ein, um neu zu starten. Falls die Anzeigelampe in Rot aufleuchtet, nachdem das Werkzeug ausgeschaltet wurde, ist das Werkzeug überhitzt. Lassen Sie in dieser Situation das Werkzeug abkühlen, und warten Sie, bis die Anzeigelampe in Grün aufleuchtet.

Drehzahl-Stellrad

Nur für Modell GA4593 / GA5093

⚠ VORSICHT: Wird das Werkzeug über längere Zeitspannen im Dauerbetrieb mit niedriger Drehzahl betrieben, führt das zu einer Überlastung und Erwärmung des Motors.

⚠ VORSICHT: Das Drehzahl-Stellrad lässt sich nur bis 5 und zurück auf 1 drehen. Wird es gewaltsam über 5 oder 1 hinaus gedreht, kann die Drehzahleinstellfunktion unbrauchbar werden.

Die Drehzahl kann durch Drehen des Drehzahl-Stellrads auf eine der Stufen von 1 bis 5 verstellt werden. Durch Drehen des Stellrads in Richtung der Stufe 5 wird die Drehzahl erhöht. Durch Drehen des Stellrads in Richtung der Stufe 1 wird die Drehzahl verringert. Die ungefähren Drehzahlen für die einzelnen Stellrad-Positionen sind aus der nachstehenden Tabelle ersichtlich.

Nummer	Neendrehzahl
1	2.800 min ⁻¹
2	4.500 min ⁻¹
3	6.500 min ⁻¹
4	8.000 min ⁻¹
5	11.500 min ⁻¹

► **Abb.2:** 1. Drehzahl-Stellrad

Spindelarreterung

⚠ WARNUNG: Betätigen Sie die Spindelarreterung niemals bei rotierender Spindel. Dies kann schwere Verletzungen oder eine Beschädigung des Werkzeugs verursachen.

Drücken Sie die Spindelarreterung, um die Spindel zum Montieren oder Demontieren von Zubehör zu blockieren.

► **Abb.3:** 1. Spindelarreterung

Schalterfunktion

⚠ VORSICHT: Vergewissern Sie sich vor dem Anschließen des Werkzeugs an das Stromnetz stets, dass der Schalthebel ordnungsgemäß funktioniert und beim Loslassen in die AUS-Stellung zurückkehrt.

⚠ VORSICHT: Aus Sicherheitsgründen ist dieses Werkzeug mit einem Einschaltsperrhebel ausgestattet, der versehentliches Einschalten des Werkzeugs verhindert. Benutzen Sie das Werkzeug NIEMALS, wenn es durch einfache Betätigung des Schalthebels eingeschaltet werden kann, ohne den Einschaltsperrhebel zu drücken. Lassen Sie das Werkzeug von einem unserer autorisierten Service-Center ordnungsgemäß reparieren, BEVOR Sie es weiter benutzen.

⚠ VORSICHT: Betätigen Sie den Schalthebel nicht gewaltsam, ohne den Einschaltsperrhebel zu betätigen. Dies kann zu Beschädigung des Schalters führen.

⚠ VORSICHT: Der Einschaltsperrhebel darf NIEMALS festgeklebt oder funktionsunfähig gemacht werden.

Um versehentliche Betätigung des Schalthebels zu verhindern, ist das Werkzeug mit einem Einschaltsperrhebel ausgestattet.

Zum Einschalten des Werkzeugs den Einschaltsperrhebel zum Bediener hin ziehen, und dann den Schalthebel betätigen.

Zum Ausschalten des Werkzeugs einfach den Schalthebel loslassen.

► **Abb.4:** 1. Einschaltsperrhebel 2. Schalthebel

Elektronikfunktion

Aktive Rückkopplungs-Erkennungstechnologie

⚠ VORSICHT: Halten Sie das Werkzeug gut fest, bis es zum Stillstand kommt.

Das Werkzeug erkennt durch eine Elektronik Situationen, in denen die Gefahr besteht, dass die Schleifscheibe oder das Zubehörteil klemmt. In einer solchen Situation wird das Werkzeug automatisch ausgeschaltet, um eine Weiterdrehung der Spindel zu verhindern (Rückschlag wird dadurch nicht verhütet). Dabei blinkt die Anzeigelampe rot, wodurch angezeigt wird, dass die Aktive Rückkopplungs-Erkennungstechnologie funktioniert.

Um das Werkzeug wieder zu starten, schalten Sie es zuerst aus, beseitigen Sie die Ursache des plötzlichen Drehzahlabfalls, und schalten Sie dann das Werkzeug wieder ein.

Funktion zur Verhütung eines versehentlichen Wiederanlaufs

Wenn Sie den Netzstecker bei eingeschaltetem Schalter einstecken, startet das Werkzeug nicht. Dabei blinkt die Anzeigelampe in Rot und zeigt an, dass die Funktion zur Verhütung eines versehentlichen Wiederanlaufs aktiv ist. Um das Werkzeug zu starten, schalten Sie den Schalter aus und dann wieder ein.

Konstantdrehzahlregelung

Feines Finish wird ermöglicht, weil die Drehzahl selbst unter Belastung konstant gehalten wird.

Soft-Start-Funktion

Die Soft-Start-Funktion reduziert den Anlaufstoß.

Mechanische Bremse

Nur für Modell GA4593 / GA4594 / GA5093 / GA5094

Die mechanische Bremse wird nach dem Ausschalten des Werkzeugs aktiviert.

Die Bremse funktioniert nicht, wenn die Stromzufuhr bei eingeschaltetem Schalter unterbrochen wird.

MONTAGE

⚠ VORSICHT: Vergewissern Sie sich vor der Ausführung von Arbeiten am Werkzeug stets, dass es ausgeschaltet und vom Stromnetz getrennt ist.

Montieren des Seitengriffs (Handgriffs)

⚠ VORSICHT: Vergewissern Sie sich vor dem Betrieb stets, dass der Seitengriff einwandfrei montiert ist.

Schrauben Sie den Seitengriff an der in der Abbildung gezeigten Position fest an das Werkzeug.

► Abb.5

Montieren und Demontieren der Schutzhaube

⚠ WARNUNG: Wenn Sie eine gekröpfte Trennschleifscheibe, Fächerscheibe, Flexscheibe oder Rotordrahtbürste benutzen, muss die Schutzhaube so am Werkzeug angebracht werden, dass ihre geschlossene Seite immer zum Bediener gerichtet ist.

⚠ WARNUNG: Vergewissern Sie sich, dass die Schutzhaube durch den Verriegelungshebel mit einem der Löcher in der Schutzhaube sicher verriegelt ist.

⚠ WARNUNG: Benutzen Sie beim Arbeiten mit einer Trennschleifscheibe/Diamantscheibe nur die spezielle Schutzhaube, die für den Einsatz mit Trennscheiben ausgelegt ist.

Für gekröpfte Trennschleifscheibe, Fächerscheibe, Flexscheibe, Rotordrahtbürste / Trennschleifscheibe, Diamantscheibe

1. Montieren Sie die Schutzhaube bei gedrücktem Verriegelungshebel so, dass die Vorsprünge an der Schutzhaube auf die Kerben im Lagergehäuse ausgerichtet sind.

► Abb.6: 1. Verriegelungshebel 2. Kerbe 3. Vorsprung

2. Während Sie den Verriegelungshebel in Richtung A schieben, halten Sie die Teile B der Schutzhaube nieder, wie in der Abbildung gezeigt.

► Abb.7: 1. Schutzhaube 2. Loch

HINWEIS: Drücken Sie die Schutzhaube gerade nach unten. Anderenfalls lässt sich die Schutzhaube nicht sichern.

3. Während Sie den Verriegelungshebel in Richtung A drücken, drehen Sie die Schutzhaube in Richtung C, und ändern Sie dann den Winkel der Schutzhaube entsprechend der Arbeit, so dass der Bediener geschützt werden kann. Richten Sie den Verriegelungshebel auf eine der Bohrungen in der Schutzhaube aus, und lassen Sie dann den Verriegelungshebel los, um die Schutzhaube zu verriegeln.

► Abb.8: 1. Schutzhaube 2. Loch

Zum Demontieren der Schutzhaube ist das Montageverfahren umgekehrt anzuwenden.

Aufsteckbarer Trennscheiben-Schutzhaubenaufsatz

Sonderzubehör

HINWEIS: Für Trennarbeiten kann ein aufsteckbarer Trennscheiben-Schutzhaubenaufsatz mit der Schutzhaube (für Schleifscheiben) benutzt werden.

In einigen Ländern nicht erhältlich.

► Abb.9

Montieren oder Demontieren einer gekröpften Trennschleifscheibe oder Fächerscheibe

Sonderzubehör

⚠️ WARNUNG: Wenn Sie eine gekröpfte Trennschleifscheibe oder Fächerscheibe benutzen, muss die Schutzhaube so am Werkzeug angebracht werden, dass ihre geschlossene Seite immer zum Bediener gerichtet ist.

⚠️ WARNUNG: Vergewissern Sie sich, dass der Montageteil des Innenflansches genau in den Innendurchmesser der gekröpften Trennschleifscheibe / Fächerscheibe passt. Die Montage des Innenflansches auf der falschen Seite kann zu gefährlichen Vibrationen führen.

Montieren Sie den Innenflansch an der Spindel. Vergewissern Sie sich, dass der gezahnte Teil des Innenflansches auf dem geraden Teil am unteren Ende der Spindel sitzt.

Passen Sie die gekröpfte Trennschleifscheibe / Fächerscheibe auf den Innenflansch, und schrauben Sie die Sicherungsmutter auf die Spindel.

► **Abb.10:** 1. Sicherungsmutter 2. Gekröpfte Trennschleifscheibe 3. Innenflansch 4. Montageteil

Zum Anziehen der Sicherungsmutter die Spindelarretierung drücken, um die Spindel zu blockieren; dann die Mutter mit dem Sicherungsmutterschlüssel im Uhrzeigersinn anziehen.

► **Abb.11:** 1. Sicherungsmutterschlüssel 2. Spindelarretierung

Zum Demontieren der Schleifscheibe ist das Montageverfahren umgekehrt anzuwenden.

Anbringen oder Abnehmen einer Flexscheibe

Sonderzubehör

⚠️ WARNUNG: Benutzen Sie immer die mitgelieferte Schutzhaube, wenn eine Flexscheibe am Werkzeug montiert ist. Die Schutzhaube reduziert die Gefahr von Personenschäden, falls die Scheibe während des Betriebs zerbricht.

► **Abb.12:** 1. Sicherungsmutter 2. Flexscheibe 3. Stützteller 4. Innenflansch

Folgen Sie den Anweisungen für eine gekröpfte Trennschleifscheibe, aber benutzen Sie auch einen Stützteller auf der Schleifscheibe.

Anbringen oder Abnehmen eines Schleifblatts

Sonderzubehör

► **Abb.13:** 1. Schleifscheiben-Sicherungsmutter 2. Schleifblatt 3. Gummiteller

1. Montieren Sie den Gummiteller an der Spindel.
2. Setzen Sie das Schleifblatt auf den Gummiteller, und schrauben Sie die Schleifscheiben-Sicherungsmutter auf die Spindel.
3. Halten Sie die Spindel mit der Spindelarretierung, und ziehen Sie die Schleifscheiben-Sicherungsmutter mit dem Sicherungsmutterschlüssel im Uhrzeigersinn fest.

Zum Demontieren des Schleifblatts ist das Montageverfahren umgekehrt anzuwenden.

HINWEIS: Verwenden Sie die in dieser Anleitung angegebenen Schleifer-Zubehörteile. Diese Teile müssen getrennt gekauft werden.

Superflansch

Sonderzubehör

Nur für Modell GA4595 / GA5095

Der Superflansch ist ein Sonderzubehör für Modelle, die NICHT mit einer Bremsfunktion ausgestattet sind. Im Gegensatz zum herkömmlichen Typ wird nur 1/3 des Kraftaufwands zum Lösen der Sicherungsmutter benötigt.

Anbringen und Abnehmen der Ezynut

Sonderzubehör

Nur für Modelle mit M14-Spindelgewinde.

⚠️ VORSICHT: Verwenden Sie keine Ezynut mit dem Superflansch. Diese Flansche sind so dick, dass das gesamte Gewinde nicht von der Spindel gehalten werden kann.

Montieren Sie Innenflansch, Schleifscheibe und Ezynut so auf die Spindel, dass das Makita-Logo auf der Ezynut nach außen weist.

► **Abb.14:** 1. Ezynut 2. Schleifscheibe 3. Innenflansch 4. Spindel

Drücken Sie fest auf die Spindelarretierung, und ziehen Sie die Ezynut an. Drehen Sie dazu die Schleifscheibe bis zum Anschlag im Uhrzeigersinn.

► **Abb.15:** 1. Spindelarretierung

Zum Lösen der Ezynut drehen Sie den äußeren Ring der Ezynut entgegen dem Uhrzeigersinn.

HINWEIS: Die Ezynut kann von Hand gelöst werden, solange der Pfeil auf die Kerbe gerichtet ist. Anderenfalls wird zum Lösen ein Sicherungsmutterschlüssel benötigt. Führen Sie einen Stift des Schlüssels in ein Loch ein, und drehen Sie die Ezynut entgegen dem Uhrzeigersinn.

► **Abb.16:** 1. Pfeil 2. Kerbe

► **Abb.17**

Montieren einer Trennschleifscheibe / Diamantscheibe

Sonderzubehör

⚠️ WARSICHT: Benutzen Sie beim Arbeiten mit einer Trennschleifscheibe/Diamantscheibe nur die spezielle Schutzhaube, die für den Einsatz mit Trennscheiben ausgelegt ist.

⚠️ WARSICHT: Benutzen Sie Trennscheiben NIEMALS für Seitenschleifen.

- **Abb.18:** 1. Sicherungsmutter
2. Trennschleifscheibe / Diamantscheibe
3. Innenflansch 4. Schutzhaube für Trennschleifscheibe / Diamantscheibe

Befolgen Sie zur Montage die Anweisungen für gekröpfte Trennschleifscheibe. Die Montagerichtung der Sicherungsmutter und des Innenflansches hängt vom Scheibentyp und der Scheibendicke ab. Siehe die nachstehenden Abbildungen.

Bei Montage einer Trennschleifscheibe:

- **Abb.19:** 1. Sicherungsmutter
2. Trennschleifscheibe (dünner als 4 mm (5/32")) 3. Trennschleifscheibe (4 mm (5/32")) oder dicker 4. Innenflansch

Bei Montage einer Diamantscheibe:

- **Abb.20:** 1. Sicherungsmutter 2. Diamantscheibe (dünner als 4 mm (5/32"))
3. Diamantscheibe (4 mm (5/32")) oder dicker 4. Innenflansch

Montieren einer Topfdrabtbürste

Sonderzubehör

⚠️ WARSICHT: Verwenden Sie keine beschädigte oder unausgewuchtete Bürste. Bei Verwendung einer beschädigten Bürste ist das Verletzungspotenzial durch Kontakt mit gebrochenen Bürstendrähten größer.

Legen Sie das Werkzeug auf den Kopf, um leichten Zugang zur Spindel zu ermöglichen. Entfernen Sie sämtliches Zubehör von der Spindel. Schrauben Sie die Topfdrabtbürste auf die Spindel, und ziehen Sie sie mit dem mitgelieferten Schraubenschlüssel fest.

- **Abb.21:** 1. Topfdrabtbürste

Montieren einer Rotordrabtbürste

Sonderzubehör

⚠️ WARSICHT: Verwenden Sie keine beschädigte oder unausgewuchtete Rotordrabtbürste. Bei Verwendung einer beschädigten Rotordrabtbürste ist das Verletzungspotenzial durch Kontakt mit gebrochenen Bürstendrähten größer.

⚠️ WARSICHT: Verwenden Sie Rotordrabtbürsten IMMER mit einer Schutzhaube, die groß genug für den Rotordurchmesser ist. Die Schutzhaube reduziert die Gefahr von Personenschäden, falls die Rotordrabtbürste während des Betriebs zerbricht.

Legen Sie das Werkzeug auf den Kopf, um leichten Zugang zur Spindel zu ermöglichen. Entfernen Sie sämtliches Zubehör von der Spindel. Die Rotordrabtbürste auf die Spindel schrauben und mit den Schraubenschlüsseln festziehen.

- **Abb.22:** 1. Rotordrabtbürste

Installieren des Lochschneiders

Sonderzubehör

Legen Sie das Werkzeug auf den Kopf, um leichten Zugang zur Spindel zu ermöglichen. Entfernen Sie sämtliches Zubehör von der Spindel. Schrauben Sie den Lochschneider auf die Spindel, und ziehen Sie ihn mit dem mitgelieferten Schraubenschlüssel fest.

- **Abb.23:** 1. Lochschneider

Installieren der Staubabsaughaube für Schleifarbeiten

Sonderzubehör

Mit Sonderzubehör können Sie dieses Werkzeug zum Abschleifen von Betonoberflächen verwenden.

⚠️ WARSICHT: Die Staubabsaughaube für die gekröpfte Diamantscheibe ist nur für den Einsatz beim Schleifen von Betonoberflächen mit einer gekröpften Diamantscheibe vorgesehen. Benutzen Sie diese Schutzhaube nicht mit anderem Schneidzubehör oder für andere Zwecke.

⚠️ WARSICHT: Vergewissern Sie sich vor der Arbeit, dass ein Saugerät an das Werkzeug angeschlossen und eingeschaltet ist.

Legen Sie das Werkzeug auf den Kopf, und installieren Sie die Staubabsaughaube. Montieren Sie den Innenflansch an der Spindel. Passen Sie die Topfdiamantscheibe auf den Innenflansch, und ziehen Sie die Sicherungsmutter auf der Spindel an.

- **Abb.24:** 1. Sicherungsmutter
2. Topfdiamantscheibe
3. Topfdiamantscheibe mit Nabe
4. Innenflansch 5. Staubabsaughaube
6. Lagergehäuse

HINWEIS: Informationen zum Montieren der Staubabsaughaube entnehmen Sie bitte der Gebrauchsanleitung der Staubabsaughaube.

Installieren der Staubabsaughaube für Trennarbeiten

Sonderzubehör

Mit Sonderzubehör können Sie dieses Werkzeug zum Schneiden von Steinmaterial verwenden.

► **Abb.25**

HINWEIS: Informationen zum Montieren der Staubabsaughaube entnehmen Sie bitte der Gebrauchsanleitung der Staubabsaughaube.

Anschließen eines Sauggeräts

Sonderzubehör

⚠️ WARNUNG: Saugen Sie niemals Metallpartikel auf, die durch Schleifen/Schneiden/Schmirlen entstanden sind. Durch solche Vorgänge erzeugte Metallpartikel sind so heiß, dass sie Staub und den Filter im Sauggerät entzünden können.

Um eine durch Schneiden von Mauerwerk verursachte staubige Umgebung zu vermeiden, verwenden Sie eine Staubabsaughaube und ein Sauggerät.

Angaben zum Montieren und Benutzen der Staubabsaughaube entnehmen Sie bitte der beigefügten Gebrauchsanleitung.

► **Abb.26:** 1. Staubabsaughaube 2. Schlauch des Sauggeräts

Montage und Demontage des Staubschutzaufsatzes

Sonderzubehör

⚠️ VORSICHT: Vergewissern Sie sich vor der Montage oder Demontage des Staubschutzaufsatzes stets, dass das Werkzeug ausgeschaltet und vom Stromnetz getrennt ist. Anderenfalls kann es zu einer Beschädigung des Werkzeugs oder Personenschäden kommen.

Installieren Sie den Staubschutzaufsatz an jeder angegebenen Position.

Einzelheiten hierzu finden Sie in der Gebrauchsanleitung des Staubschutzaufsatzes.

ANMERKUNG: Reinigen Sie den Staubschutzaufsatz, wenn er mit Staub oder Fremdkörpern zugesetzt ist. Fortgesetzter Betrieb mit verstopftem Staubschutzaufsatz führt zu einer Beschädigung des Werkzeugs.

BETRIEB

⚠️ WARNUNG: Das Werkzeug darf auf keinen Fall gewaltsam angedrückt werden. Das Eigengewicht des Werkzeugs übt ausreichenden Druck aus. Gewaltanwendung und übermäßiger Druck können zu einem gefährlichen Schleifscheibenbruch führen.

⚠️ WARNUNG: Wechseln Sie die Schleifscheibe IMMER aus, falls das Werkzeug während der Schleifarbeit fallen gelassen wurde.

⚠️ WARNUNG: Eine Schleif- oder Trennscheibe darf NIEMALS gegen das Werkstück geschlagen oder gestoßen werden.

⚠️ WARNUNG: Achten Sie besonders beim Bearbeiten von Ecken, scharfen Kanten usw. darauf, dass die Schleifscheibe nicht springt oder hängen bleibt. Dies kann den Verlust der Kontrolle und Rückschläge verursachen.

⚠️ WARNUNG: Verwenden Sie das Werkzeug NIEMALS mit Holz- und anderen Sägeblättern. Solche Sägeblätter verursachen bei Verwendung an einer Schleifmaschine häufiges Rückschlagen und Verlust der Kontrolle, was zu Verletzungen führen kann.

⚠️ WARNUNG: Fortgesetzter Gebrauch einer abgenutzten Schleifscheibe kann zum Zerbersten der Schleifscheibe führen und schwere Personenschäden verursachen.

⚠️ VORSICHT: Schalten Sie das Werkzeug niemals ein, wenn es mit dem Werkstück in Berührung ist, weil sonst Verletzungsgefahr für die Bedienungsperson besteht.

⚠️ VORSICHT: Tragen Sie bei der Arbeit stets eine Schutzbrille oder einen Gesichtsschutz.

⚠️ VORSICHT: Schalten Sie das Werkzeug nach der Arbeit stets aus, und warten Sie, bis die Schleifscheibe zum völligen Stillstand gekommen ist, bevor Sie das Werkzeug ablegen.

⚠️ VORSICHT: Halten Sie das Werkzeug IMMER mit einer Hand am Gehäuse und mit der anderen am Seitengriff (Handgriff) fest.

HINWEIS: Eine Doppelzweckscheibe kann sowohl für Schleif- als auch für Trennarbeiten verwendet werden.

Nehmen Sie für Schleifarbeiten auf „Betrieb mit Trennscheibe/Schleifscheibe“, und für Trennarbeiten auf „Betrieb mit Trennschleifscheibe/Diamantscheibe“ Bezug.

Betrieb mit Trennscheibe/Schleifscheibe

► Abb.27

Schalten Sie das Werkzeug ein, und setzen Sie dann die Trenn- oder Schleifscheibe an das Werkstück an. Halten Sie die Trenn- oder Schleifscheibe im Allgemeinen in einem Winkel von etwa 15° zur Werkstückoberfläche. Bewegen Sie die Schleifmaschine beim Einschleifen einer neuen Schleifscheibe nicht in Vorwärtsrichtung, weil die Schleifscheibe sonst in das Werkstück einschneiden kann. Sobald die Schleifscheibenkante durch Gebrauch abgerundet ist, kann die Schleifscheibe sowohl in Vorwärts- als auch in Rückwärtsrichtung bewegt werden.

Betrieb mit Trennschleifscheibe / Diamantscheibe

Sonderzubehör

⚠️ WARNUNG: Vermeiden Sie „Verkanten“ der Trennscheibe oder die Ausübung übermäßigen Drucks. Versuchen Sie nicht, übermäßig tiefe Schnitte zu machen. Überbeanspruchung der Trennscheibe erhöht die Belastung und die Empfänglichkeit für Verdrehen oder Klemmen der Trennscheibe im Schnitt sowie die Möglichkeit von Rückschlag, Scheibenbruch und Überhitzung des Motors.

⚠️ WARNUNG: Starten Sie den Schnittbetrieb nicht mit im Werkstück sitzender Trennscheibe. Warten Sie, bis die Trennscheibe ihre volle Drehzahl erreicht hat, bevor Sie sie vorsichtig in den Schnitt senken und das Werkzeug über die Werkstückoberfläche vorschieben. Wird das Elektrowerkzeug mit im Werkstück sitzender Trennscheibe eingeschaltet, kann die Trennscheibe klemmen, hochsteigen oder zurückschlagen.

⚠️ WARNUNG: Ändern Sie während der Schneidarbeiten niemals den Winkel der Trennscheibe. Die Ausübung von Seitendruck auf die Trennscheibe (wie beim Schleifen) verursacht Reißen und Brechen der Trennscheibe, was schwere Personenschäden zur Folge haben kann.

⚠️ WARNUNG: Eine Diamantscheibe muss senkrecht zum Werkstückmaterial angesetzt werden.

Benutzungsbeispiel: Betrieb mit Trennschleifscheibe
► Abb.28

Benutzungsbeispiel: Betrieb mit Diamantscheibe
► Abb.29

Betrieb mit Topfdrabtbürste

Sonderzubehör

⚠️ VORSICHT: Überprüfen Sie den Betrieb der Bürste, indem Sie das Werkzeug bei Nulllast laufen lassen und sicherstellen, dass sich niemand vor der Bürste oder in ihrer Linie befindet.

Benutzungsbeispiel: Betrieb mit Topfdrabtbürste
► Abb.30

ANMERKUNG: Vermeiden Sie übermäßige Druckausübung, die Verbiegung der Drähte bei Benutzung der Bürste verursacht. Dies kann zu vorzeitigem Brechen führen.

Betrieb mit Rotordrabtbürste

Sonderzubehör

⚠️ VORSICHT: Überprüfen Sie den Betrieb der Rotordrabtbürste, indem Sie das Werkzeug bei Nulllast laufen lassen und sicherstellen, dass sich niemand vor der Rotordrabtbürste oder in ihrer Linie befindet.

Benutzungsbeispiel: Betrieb mit Rotordrabtbürste
► Abb.31

ANMERKUNG: Vermeiden Sie übermäßige Druckausübung, die Verbiegung der Drähte bei Benutzung der Rotordrabtbürste verursacht. Dies kann zu vorzeitigem Brechen führen.

Betrieb mit Lochschneider

Sonderzubehör

⚠️ VORSICHT: Überprüfen Sie den Betrieb des Lochschneiders, indem Sie das Werkzeug ohne Last laufen lassen und sich dabei vergewissern, dass sich niemand vor dem Lochschneider befindet.

ANMERKUNG: Kippen Sie das Werkzeug während des Betriebs nicht. Dies kann zu vorzeitigem Brechen führen.

Benutzungsbeispiel: Betrieb mit Lochschneider
► Abb.32

WARTUNG

⚠️ VORSICHT: Vergewissern Sie sich vor der Durchführung von Überprüfungen oder Wartungsarbeiten des Werkzeugs stets, dass es ausgeschaltet und vom Stromnetz getrennt ist.

ANMERKUNG: Verwenden Sie auf keinen Fall Benzin, Waschbenzin, Verdünner, Alkohol oder dergleichen. Solche Mittel können Verfärbung, Verformung oder Rissbildung verursachen.

Um die SICHERHEIT und ZUVERLÄSSIGKEIT dieses Produkts zu gewährleisten, sollten Reparaturen und andere Wartungs- oder Einstellarbeiten nur von Makita-Vertragswerkstätten oder Makita-Kundendienstzentren unter ausschließlicher Verwendung von Makita-Originalersatzteilen ausgeführt werden.

Reinigung der Ventilationsöffnungen

Halten Sie das Werkzeug und seine Ventilationsöffnungen stets sauber. Reinigen Sie die Ventilationsöffnungen des Werkzeugs regelmäßig oder im Anfangsstadium einer Verstopfung.

► Abb.33: 1. Auslassöffnung 2. Einlassöffnung

KOMBINATION VON ANWENDUNGEN UND ZUBEHÖR

Sonderzubehör

⚠ VORSICHT: Die Verwendung des Werkzeugs mit falschen Schutzvorrichtungen kann folgende Risiken verursachen.

- Bei Verwendung einer Trennscheiben-Schutzhaube für Flächenschleifen kann die Schutzhaube das Werkstück beeinträchtigen und eine schlechte Kontrolle verursachen.
- Bei Verwendung einer Schleifscheiben-Schutzhaube für Trennarbeiten mit gebundenen Schleifscheiben und Diamantscheiben besteht ein erhöhtes Risiko der Exposition gegenüber rotierenden Schleifscheiben, emittierten Funken und Partikeln sowie der Exposition gegenüber Scheibensplittern im Falle eines Scheibenbruchs.
- Bei Verwendung einer Trennscheiben- oder Schleifscheiben-Schutzhaube für Flächenarbeiten mit Topfdiamantscheiben kann die Schutzhaube das Werkstück beeinträchtigen und eine schlechte Kontrolle verursachen.
- Bei Verwendung einer Trennscheiben- oder Schleifscheiben-Schutzhaube mit einer radförmigen Drahtbürste, deren Dicke die in „TECHNISCHE DATEN“ angegebene maximale Dicke überschreitet, können sich die Drähte an der Schutzhaube verfangen, was zu Drahtbrüchen führen kann.
- Die Verwendung von Staubabsaughauben für Trenn- und Flächenarbeiten in Beton oder Mauerwerk verringert das Risiko einer Staubbelastung.
- Benutzen Sie bei Verwendung von angeflanschten Doppelzweckscheiben (kombinierte Schleif- und Trennschleifscheiben) nur eine Trennscheiben-Schutzhaube.

► Abb.34

Nur für Modell GA4593 / GA4594 / GA5093 / GA5094

-	Anwendung	115-mm-Modell	125-mm-Modell
1	-	Seitengriff	
2	-	Schutzhaube (für Schleifscheibe)	
3	-	Innenflansch	
4	Schleifen/Schmirlgeln	Gekröpfte Trennschleifscheibe/Fächerscheibe	
5	-	Sicherungsmutter	
6	-	Ezynut *1*2	
7	-	Stützteller	
8	Schleifen/Schmirlgeln	Flexscheibe	
9	-	Gummiteller 100	Gummiteller 115
10	Schmirlgeln	Schleifscheibe	
11	-	Schleifscheiben-Sicherungsmutter	
12	Drahtbürsten	Rotordrahtbürste	
13	Drahtbürsten	Topfdrahtbürste	
14	Lochschneiden	Lochschneider	
15	-	Schutzhaube (für Trennscheibe)	
16	Trennen	Trennschleifscheibe / Diamantscheibe	
17	Schleifen/Trennen	Doppelzweckscheibe	
18	-	Aufsteckbarer Trennscheiben-Schutzhaubenaufsatz *3	
19	-	Staubabsaughaube für Trennarbeiten	
20	Trennen	Diamantscheibe	
21	-	Staubabsaughaube für Schleifarbeiten	
22	Schleifen	Topfdiamantscheibe	
-	-	Sicherungsmutterschlüssel	
-	-	Staubfänger	

-	Anwendung	115-mm-Modell	125-mm-Modell
1	-	Seitengriff	
2	-	Schutzhaube (für Schleifscheibe)	
3	-	Innenflansch / Superflansch *1*2	
4	Schleifen/Schmirlgeln	Gekröpfte Trennschleifscheibe/Fächerscheibe	
5	-	Sicherungsmutter	
6	-	Ezynut *1*2	
7	-	Stützsteller	
8	Schleifen/Schmirlgeln	Flexscheibe	
9	-	Gummiteller 100	Gummiteller 115
10	Schmirlgeln	Schleifscheibe	
11	-	Schleifscheiben-Sicherungsmutter	
12	Drahtbürsten	Rotordrahtbürste	
13	Drahtbürsten	Topfdrahtbürste	
14	Lochschneiden	Lochschneider	
15	-	Schutzhaube (für Trennscheibe)	
16	Trennen	Trennschleifscheibe / Diamantscheibe	
17	Schleifen/Trennen	Doppelzweckscheibe	
18	-	Aufsteckbarer Trennscheiben-Schutzhaubenaufsatz *3	
19	-	Staubabsaughaube für Trennarbeiten	
20	Trennen	Diamantscheibe	
21	-	Staubabsaughaube für Schleifarbeiten	
22	Schleifen	Topfdiamantscheibe	
-	-	Sicherungsmutterschlüssel	
-	-	Staubfänger	

HINWEIS: *1 Verwenden Sie Superflansch und Ezynut nicht zusammen.

HINWEIS: *2 Nur für Werkzeuge mit M14-Spindelgewinde.

HINWEIS: *3 Der aufsteckbare Trennscheiben-Schutzhaubenaufsatz ist in einigen Ländern nicht erhältlich. Weitere Einzelheiten hierzu finden Sie in der Gebrauchsanleitung des aufsteckbaren Trennscheiben-Schutzhaubenaufsatzes.

HINWEIS: Verwenden Sie den Superflansch nicht mit einer Schleifmaschine, die mit einer Bremsfunktion ausgestattet ist.

SONDERZUBEHÖR

⚠ VORSICHT: Die folgenden Zubehörteile oder Vorrichtungen werden für den Einsatz mit dem in dieser Anleitung beschriebenen Makita-Werkzeug empfohlen. Die Verwendung anderer Zubehörteile oder Vorrichtungen kann eine Verletzungsgefahr darstellen. Verwenden Sie Zubehörteile oder Vorrichtungen nur für ihren vorgesehenen Zweck.

Wenn Sie weitere Einzelheiten bezüglich dieser Zubehörteile benötigen, wenden Sie sich bitte an Ihre Makita-Kundendienststelle.

- Unter „KOMBINATION VON ANWENDUNGEN UND ZUBEHÖR“ aufgelistete Zubehörteile

HINWEIS: Manche Teile in der Liste können als Standardzubehör im Werkzeugsatz enthalten sein. Sie können von Land zu Land unterschiedlich sein.

DATI TECNICI

Modello:		GA4593	GA4594	GA4595	GA5093	GA5094	GA5095
Mola abrasiva applicabile	Diametro max disco	115 mm			125 mm		
	Spessore massimo disco	7,2 mm					
Mola troncatrice applicabile	Diametro max disco	115 mm			125 mm		
	Spessore massimo disco	3,2 mm					
Spazzola metallica a disco applicabile	Diametro max disco	115 mm			125 mm		
	Spessore massimo disco	20 mm					
Filettatura mandrino	M14 o 5/8" (a seconda della nazione)						
Lunghezza massima mandrino	23 mm						
Velocità a vuoto (n_0)/Velocità nominale (n)	11.500 min ⁻¹						
Lunghezza totale	349 mm	326 mm	349 mm	326 mm			
Peso netto	2,8 - 4,0 kg	2,6 - 3,8 kg	2,9 - 4,0 kg	2,7 - 3,8 kg			
Classe di sicurezza	□/II						

- In conseguenza del nostro programma di ricerca e sviluppo continui, i dati tecnici nel presente manuale sono soggetti a modifiche senza preavviso.
- I dati tecnici possono variare da nazione a nazione.
- Il peso può variare a seconda dell'accessorio o degli accessori. La combinazione più leggera e quella più pesante, in base alla Procedura EPTA 01/2014, sono indicate nella tabella.

Simboli

Le figure seguenti mostrano i simboli utilizzati per l'apparecchio. Accertarsi di comprenderne il significato prima dell'uso.



Leggere il manuale d'uso.



Indossare occhiali di sicurezza.



Utilizzare sempre con due mani.



Non utilizzare la protezione disco per operazioni di troncatrice.



DOPPIO ISOLAMENTO



Solo per le nazioni dell'EU
A causa della presenza di componenti pericolosi nelle apparecchiature, le apparecchiature elettriche ed elettroniche usate potrebbero produrre un impatto negativo sull'ambiente e sulla salute umana. Non smaltire elettrodomestici elettrici ed elettronici insieme ai rifiuti domestici! In conformità alla direttiva europea sui rifiuti di apparecchiature elettriche ed elettroniche (RAEE), e al suo adattamento alle normative nazionali, le apparecchiature elettriche ed elettroniche usate vanno sottoposte a raccolta differenziata e conferite a un punto di raccolta separato per i rifiuti comunali, operando in conformità alle normative per la protezione dell'ambiente. Tale requisito viene indicato mediante il simbolo del bidone della spazzatura con ruote barrato apposto sull'apparecchio.

Utilizzo previsto

Questo utensile è progettato per la smerigliatura, la carteggiatura, la spazzolatura metallica, la perforazione e il taglio di materiali metallici e in pietra, senza l'utilizzo di acqua.

Alimentazione

L'utensile deve essere collegato a una fonte di alimentazione con la stessa tensione indicata sulla targhetta del nome, e può funzionare solo a corrente alternata monofase. L'utensile è dotato di doppio isolamento, per cui può essere utilizzato con prese elettriche sprovviste di messa a terra.

Rumore

Livello tipico di rumore pesato A determinato in base allo standard 62841-2-3:

Modello	Livello di pressione sonora (L_{pA}): (dB (A))	Livello di potenza sonora (L_{wA}): (dB (A))	Incertezza (K): (dB (A))
GA4593	91	99	3
GA4594	91	99	3
GA4595	94	102	3
GA5093	91	99	3
GA5094	91	99	3
GA5095	94	102	3

NOTA: Il valore o i valori dichiarati delle emissioni di rumori sono stati misurati in conformità a un metodo standard di verifica, e possono essere utilizzati per confrontare un utensile con un altro.

NOTA: Il valore o i valori dichiarati delle emissioni di rumori possono venire utilizzati anche per una valutazione preliminare dell'esposizione.

⚠AVVERTIMENTO: Indossare protezioni per le orecchie.

⚠AVVERTIMENTO: L'emissione di rumori durante l'utilizzo effettivo dell'utensile elettrico può variare rispetto al valore o ai valori dichiarati, a seconda dei modi in cui viene utilizzato l'utensile e specialmente a seconda di che tipo di pezzo venga lavorato.

⚠AVVERTIMENTO: Accertarsi di identificare misure di sicurezza per la protezione dell'operatore che siano basate su una stima dell'esposizione nelle condizioni effettive di utilizzo (tenendo conto di tutte le parti del ciclo operativo, ad esempio del numero di spegnimenti dell'utensile e di quando giri a vuoto, oltre al tempo di attivazione).

⚠AVVERTIMENTO: La smerigliatura di lastre sottili di metallo o di altre strutture che vibrano facilmente con una grande superficie può risultare in un'emissione di rumore totale molto più elevata (fino a 15 dB) rispetto ai valori delle emissioni di rumore dichiarati.

Applicare tappetini di attenuazione pesanti flessibili oppure oggetti simili su tali pezzi in lavorazione, per evitare che emettano rumore.

Prendere in considerazione le emissioni di rumore aumentate sia per la valutazione del rischio di esposizione al rumore che per la scelta di protezioni per l'udito adeguate.

Vibrazioni

Valore totale delle vibrazioni (somma vettoriale triassiale) determinato in base allo standard 62841-2-3:

Modalità di lavoro: smerigliatura di superficie con impugnatura laterale normale

Modello	Emissione di vibrazioni ($a_{hr, AG}$): (m/s^2)	Incertezza (K): (m/s^2)
GA4593	5,8	1,5
GA4594	5,8	1,5
GA4595	5,4	1,5
GA5093	8,9	1,5
GA5094	8,9	1,5
GA5095	8,5	1,5

Modalità di lavoro: smerigliatura di superficie con impugnatura laterale antivibrazioni

Modello	Emissione di vibrazioni ($a_{hr, AG}$): (m/s^2)	Incertezza (K): (m/s^2)
GA4593	5,7	1,5
GA4594	5,7	1,5
GA4595	5,2	1,5
GA5093	8,5	1,5
GA5094	8,5	1,5
GA5095	8,7	1,5

Modalità di lavoro: carteggiatura con disco con impugnatura laterale normale

Modello	Emissione di vibrazioni ($a_{h,0.5}$): (m/s^2)	Incertezza (K): (m/s^2)
GA4593	2,6	1,5
GA4594	2,6	1,5
GA4595	2,6	1,5
GA5093	3,3	1,5
GA5094	3,3	1,5
GA5095	3,0	1,5

Modalità di lavoro: carteggiatura con disco con impugnatura laterale antivibrazioni

Modello	Emissione di vibrazioni ($a_{h,0.5}$): (m/s^2)	Incertezza (K): (m/s^2)
GA4593	2,5 m/s^2 o inferiore	1,5
GA4594	2,5 m/s^2 o inferiore	1,5
GA4595	2,9	1,5
GA5093	3,0	1,5
GA5094	3,0	1,5
GA5095	3,1	1,5

NOTA: Il valore o i valori complessivi delle vibrazioni dichiarati sono stati misurati in conformità a un metodo standard di verifica, e possono essere utilizzati per confrontare un utensile con un altro.

NOTA: Il valore o i valori complessivi delle vibrazioni dichiarati possono venire utilizzati anche per una valutazione preliminare dell'esposizione.

⚠AVVERTIMENTO: L'emissione delle vibrazioni durante l'utilizzo effettivo dell'utensile elettrico può variare rispetto al valore o ai valori dichiarati, a seconda dei modi in cui viene utilizzato l'utensile, specialmente a seconda di che tipo di pezzo venga lavorato.

⚠AVVERTIMENTO: Accertarsi di identificare misure di sicurezza per la protezione dell'operatore che siano basate su una stima dell'esposizione nelle condizioni effettive di utilizzo (tenendo conto di tutte le parti del ciclo operativo, ad esempio del numero di spegnimenti dell'utensile e di quando giri a vuoto, oltre al tempo di attivazione).

⚠AVVERTIMENTO: Il valore di emissione delle vibrazioni dichiarato viene utilizzato per le applicazioni principali dell'utensile elettrico. Tuttavia, qualora l'utensile elettrico venga utilizzato per altre applicazioni, il valore di emissione delle vibrazioni potrebbe essere diverso.

Dichiarazione di conformità CE

Solo per i paesi europei

La dichiarazione di conformità CE è inclusa nell'Allegato A al presente manuale di istruzioni.

AVVERTENZE DI SICUREZZA

Avvertenze generali relative alla sicurezza dell'utensile elettrico

⚠AVVERTIMENTO: Leggere tutte le avvertenze di sicurezza, le istruzioni, le illustrazioni e i dati tecnici forniti con il presente utensile elettrico. La mancata osservanza di tutte le istruzioni elencate di seguito potrebbe risultare in scosse elettriche, incendi e/o gravi lesioni personali.

Conservare tutte le avvertenze e le istruzioni come riferimento futuro.

Il termine "utensile elettrico" nelle avvertenze si riferisce sia all'utensile elettrico (cablato) nel funzionamento alimentato da rete elettrica che all'utensile elettrico (a batteria) nel funzionamento alimentato a batteria.

Avvertenze di sicurezza relative alla smerigliatrice

Avvertenze di sicurezza comuni relative alle operazioni di smerigliatura, carteggiatura, spazzolatura metallica o troncatrice:

1. Questo utensile elettrico è progettato per funzionare come smerigliatrice, carteggiatrice, spazzola metallica, fresa a tazza o troncatrice. Leggere tutte le avvertenze di sicurezza, le istruzioni, le illustrazioni e i dati tecnici forniti insieme a questo utensile elettrico. La mancata osservanza di tutte le istruzioni elencate di seguito potrebbe risultare in scosse elettriche, incendi e/o gravi lesioni personali.
2. Con questo utensile elettrico non vanno eseguite operazioni quali la lucidatura. Le operazioni per le quali l'utensile elettrico non è stato progettato potrebbero costituire un pericolo e causare lesioni personali.

3. **Non convertire questo utensile elettrico per farlo funzionare in un modo che non sia specificamente progettato e specificato dal produttore dell'utensile.** Tale conversione potrebbe risultare in una perdita di controllo e causare gravi lesioni personali.
 4. **Non utilizzare accessori che non siano specificamente progettati e specificati dal produttore dell'utensile.** La semplice possibilità di montare un accessorio sull'utensile elettrico utilizzato non ne garantisce un funzionamento sicuro.
 5. **La velocità nominale dell'accessorio deve essere almeno pari alla velocità massima indicata sull'utensile elettrico.** Gli accessori che girano più velocemente della loro velocità nominale possono spaccarsi, e i frammenti possono venire scagliati via.
 6. **Il diametro esterno e lo spessore dell'accessorio utilizzato devono rientrare nella capacità nominale dell'utensile elettrico utilizzato.** Non è possibile proteggere o controllare in modo appropriato accessori di dimensioni errate.
 7. **Le dimensioni dell'attacco dell'accessorio devono corrispondere alle dimensioni dell'attacco di montaggio dell'utensile elettrico.** Gli accessori che non corrispondano all'attacco di montaggio dell'utensile elettrico funzionano in modo sbilanciato, vibrano eccessivamente e potrebbero causare la perdita di controllo.
 8. **Non utilizzare accessori danneggiati. Prima di ciascun utilizzo, ispezionare l'accessorio e verificare l'eventuale presenza di: scheggiature o spaccature sulle mole abrasive; spaccature, lacerazioni o usura eccessiva sui platorelli di sostegno; fili metallici allentati o spaccati sulle spazzole metalliche. Qualora l'utensile elettrico o l'accessorio vengano fatti cadere, verificare l'eventuale presenza di danni o installare un accessorio non danneggiato. Dopo aver ispezionato e installato un accessorio, posizionare se stessi e gli astanti lontano dal piano di rotazione dell'accessorio, quindi far funzionare l'utensile elettrico alla massima velocità a vuoto per un minuto.** Gli accessori danneggiati in genere si rompono, durante questo periodo di prova.
 9. **Indossare un'attrezzatura di protezione personale. A seconda dell'applicazione, utilizzare una visiera, occhiali oppure occhiali di sicurezza. A seconda delle esigenze, indossare una mascherina antipolvere, protezioni per l'udito, guanti e un grembiule da officina in grado di arrestare piccoli frammenti abrasivi o dei pezzi in lavorazione.** La protezione per gli occhi deve essere in grado di arrestare i frammenti volanti generati dalle varie applicazioni. La mascherina antipolvere o il respiratore devono essere in grado di filtrare le particelle generate dall'operazione specifica. L'esposizione prolungata al rumore ad alta intensità potrebbe causare la perdita dell'udito.
 10. **Tenere gli astanti a distanza di sicurezza dall'area di lavoro. Chiunque entri nell'area di lavoro deve indossare un'attrezzatura di protezione personale.** I frammenti del pezzo in lavorazione o di un accessorio rotto potrebbero venire scagliati via e causare lesioni personali a una distanza superiore alle immediate vicinanze dell'operazione in corso.
 11. **Mantenere l'utensile elettrico solo per le superfici di impugnatura isolate quando si esegue un'operazione in cui l'accessorio da taglio potrebbe entrare in contatto con fili elettrici nascosti o con il proprio cavo di alimentazione.** Qualora l'accessorio da taglio entri in contatto con un cavo sotto tensione, potrebbe mettere sotto tensione le parti metalliche esposte dell'utensile elettrico e trasmettere una scossa elettrica all'operatore.
 12. **Posizionare il cavo di alimentazione a distanza dall'accessorio in rotazione.** Qualora si perda il controllo dell'utensile, il cavo di alimentazione potrebbe venire tagliato o restare impigliato, e la mano o il braccio dell'operatore potrebbero venire tirati nell'accessorio in rotazione.
 13. **Non appoggiare mai l'utensile elettrico fino all'arresto completo dell'accessorio.** L'accessorio in rotazione potrebbe far presa sulla superficie e tirare l'utensile elettrico, facendone perdere il controllo all'operatore.
 14. **Non far funzionare l'utensile elettrico mentre lo si trasporta sul proprio fianco.** Un contatto accidentale con l'accessorio in rotazione potrebbe far impigliare gli indumenti, attirando l'accessorio contro il corpo dell'operatore.
 15. **Pulire regolarmente le aperture di ventilazione dell'utensile elettrico.** La ventola del motore attira le polveri all'interno dell'alloggiamento, e l'accumulo eccessivo di polvere metallica potrebbe causare pericoli di natura elettrica.
 16. **Non far funzionare l'utensile elettrico in prossimità di materiali infiammabili.** Le scintille potrebbero incendiare tali materiali.
 17. **Non utilizzare accessori che richiedano refrigeranti liquidi.** L'impiego di acqua o di altri refrigeranti liquidi potrebbe causare la folgorazione o scosse elettriche.
- Contraccolpo e avvertenze correlate:**
- Il contraccolpo è una reazione improvvisa a un disco in rotazione, un platorello di sostegno, una spazzola o qualsiasi altro accessorio che resti incastrato o impigliato. Un accessorio in rotazione che resti incastrato o impigliato subisce un rapido stallo che, che a sua volta, spinge l'utensile elettrico fuori controllo nella direzione opposta alla rotazione dell'accessorio nel punto di inceppamento. Ad esempio, qualora una mola abrasiva resti incastrata o impigliata nel pezzo in lavorazione, il filo del disco che entra nel punto di inceppamento potrebbe scavare nella superficie del materiale, causando la fuoriuscita o il contraccolpo del disco verso l'esterno. Il disco potrebbe saltare verso l'operatore o lontano da quest'ultimo, a seconda della direzione del movimento del disco nel punto in cui si è incastrato. In queste condizioni, le mole abrasive potrebbero anche rompersi.
- Il contraccolpo è il risultato dell'uso improprio dell'utensile elettrico e/o di procedure o condizioni operative errate, e può essere evitato adottando le precauzioni appropriate indicate di seguito.
1. **Mantenere una salda presa sull'utensile elettrico con entrambe le mani, e posizionare il corpo e le braccia in modo da poter resistere alle forze dei contraccolpi. Per il massimo controllo dei contraccolpi o di reazioni di coppia durante l'avvio, utilizzare sempre il manico ausiliario, se in dotazione.** L'operatore può controllare le reazioni di coppia o le forze dei contraccolpi, se adotta le precauzioni appropriate.

2. **Non posizionare mai le mani in prossimità dell'accessorio in rotazione.** L'accessorio potrebbe saltare all'indietro sulla mano per un contraccolpo.
3. **Non posizionare il corpo nell'area in cui l'utensile elettrico si sposterebbe qualora si verificasse un contraccolpo.** Il contraccolpo lancia l'utensile nella direzione opposta al movimento del disco sul punto in cui si è impigliato.
4. **Adottare particolare cautela quando si lavora negli angoli, con bordi acuti, e così via. Evitare di far rimbalzare e impigliare l'accessorio.** Gli angoli, i bordi acuti o i rimbalzi tendono a far impigliare l'accessorio in rotazione e a causare la perdita di controllo o il contraccolpo.
5. **Non montare catene per seghe, lame da intaglio per legno, dischi diamantati a settori con distanza periferica tra i settori superiore a 10 mm o lame dentate.** Queste lame causano frequenti contraccolpi e perdite di controllo.

Avvertenze di sicurezza specifiche per operazioni di smerigliatura e troncatura:

1. **Utilizzare solo i tipi di dischi specificati per l'utensile elettrico utilizzato e la protezione specifica progettata per il disco selezionato.** I dischi che non siano stati progettati per l'utensile elettrico non possono essere adeguatamente protetti e non sono sicuri.
2. **La superficie di smerigliatura dei dischi a centro depresso deve essere montata al di sotto del piano del labbro della protezione.** Un disco montato in modo errato che sporga oltre il piano del labbro della protezione non può essere protetto adeguatamente.
3. **La protezione deve essere montata saldamente sull'utensile elettrico e posizionata per la massima sicurezza, in modo che una parte minima del disco sia esposta verso l'operatore.** La protezione aiuta a proteggere l'operatore da frammenti di dischi rotti, dal contatto accidentale con il disco e dalle scintille, che potrebbero incendiare gli indumenti.
4. **I dischi devono essere utilizzati esclusivamente per le applicazioni specificate. Ad esempio: non smerigliare con il lato di una mola troncatrice.** Le mole troncatrici abrasive sono destinate alla smerigliatura periferica, e le forze laterali applicate a queste mole potrebbero causarne la frantumazione.
5. **Utilizzare sempre flange dei dischi non danneggiati, di dimensione e forma corrette per il disco selezionato.** Flange dei dischi corrette supportano i dischi, riducendo pertanto la possibilità di rottura dei dischi. Le flange per mole troncatrici potrebbero essere diverse dalle flange per mole abrasive.
6. **Non utilizzare dischi usurati provenienti da utensili elettrici più grandi.** Un disco progettato per un utensile elettrico più grande non è idoneo alla velocità più elevata di un utensile più piccolo, e potrebbe scoppiare.
7. **Quando si intende utilizzare dischi a doppia funzione, utilizzare sempre la protezione corretta per l'applicazione che si intende eseguire.** Il mancato utilizzo della protezione corretta potrebbe non fornire il livello desiderato di protezione, il che potrebbe portare a gravi lesioni personali.

Avvertenze di sicurezza aggiuntive specifiche per le operazioni di troncatura:

1. **Non spingere forzatamente la mola troncatrice né applicare una pressione eccessiva. Non tentare di realizzare tagli eccessivamente profondi.** La sollecitazione eccessiva del disco incrementa il carico e la suscettibilità alla torsione o all'inceppamento del disco nel taglio, nonché la possibilità di contraccolpi o di rottura del disco.
2. **Non posizionare il corpo in linea e dietro il disco in rotazione.** Quando il disco, sul punto di lavorazione, si allontana dal corpo dell'operatore, un possibile contraccolpo potrebbe scagliare il disco in rotazione e l'utensile elettrico direttamente verso l'operatore.
3. **Quando il disco si sta inceppando o quando si intende interrompere il taglio per un qualsiasi motivo, spegnere l'utensile elettrico e mantenerlo immobile fino all'arresto completo del disco. Non tentare mai di rimuovere la mola troncatrice dal taglio mentre è in movimento; in caso contrario, si potrebbe verificare un contraccolpo.** Investigare e adottare misure correttive per eliminare la causa dell'inceppamento del disco.
4. **Non riavviare l'operazione di taglio all'interno del pezzo in lavorazione. Lasciare che il disco raggiunga la piena velocità e rientrare con attenzione nel taglio.** Qualora si riavvii l'utensile elettrico all'interno del pezzo in lavorazione, il disco potrebbe incepparsi, rialzarsi o causare un contraccolpo.
5. **Supportare i pannelli o qualsiasi pezzo in lavorazione di grandi dimensioni, per ridurre al minimo il rischio che il disco resti incastrato o causi contraccolpi.** I pezzi in lavorazione di grandi dimensioni tendono a curvarsi sotto il proprio peso. Dei supporti devono essere posizionati sotto il pezzo in lavorazione, vicini alla linea di taglio e in prossimità del bordo del pezzo in lavorazione, da entrambi i lati del disco.
6. **Fare particolarmente attenzione quando si intende eseguire un "taglio di cavità" su pareti esistenti o altre aree cieche.** Il disco che sporge potrebbe tagliare tubi del gas o dell'acqua, cavi elettrici oppure oggetti che possono causare contraccolpi.
7. **Non tentare di effettuare tagli curvi.** La sollecitazione eccessiva del disco incrementa il carico e la suscettibilità alla torsione o all'inceppamento del disco nel taglio, nonché la possibilità di contraccolpi o di rottura del disco, che possono portare a gravi lesioni personali.
8. **Prima di utilizzare un disco diamantato a settori, accertarsi che il disco diamantato abbia una distanza periferica tra i settori non superiore a 10 mm, solo con angolo di spoglia negativo.**

Avvertenze di sicurezza specifiche per le operazioni di carteggiatura:

1. **Utilizzare un disco di carta abrasiva delle dimensioni corrette. Seguire i consigli dei produttori nella scelta della carta abrasiva.** Una carta abrasiva di dimensioni più elevate, che si estenda eccessivamente oltre il platorello di carteggiatura presenta un rischio di lacerazione, e potrebbe far impigliare o strappare il disco o causare contraccolpi.

Avvertenze di sicurezza specifiche per le operazioni di spazzolatura metallica:

1. Tenere presente che le setole in filo metallico vengono scagliate via dalla spazzola anche durante il normale funzionamento. Non sollecare eccessivamente le setole in filo metallico esercitando un carico eccessivo sulla spazzola. Le setole in filo metallico possono penetrare facilmente gli abiti leggeri e/o la pelle.
2. Qualora sia specificato l'uso di una protezione per la spazzolatura metallica, evitare qualsiasi interferenza della spazzola metallica a disco o della spazzola metallica con la protezione. Il diametro della spazzola metallica a disco o della spazzola metallica potrebbe espandersi a causa del carico di lavoro e delle forze centrifughe.

Avvertenze aggiuntive per la sicurezza:

1. Quando si intende utilizzare mole a centro depresso, scegliere esclusivamente mole rinforzate in fibra di vetro.
2. **NON UTILIZZARE MAI mole a tazza in pietra con questa smerigliatrice.** Questa smerigliatrice non è progettata per questi tipi di mole, e l'utilizzo di tali prodotti potrebbe risultare in gravi lesioni personali.
3. Fare attenzione a non danneggiare il mandrino, la flangia (soprattutto la superficie di installazione) o il controdado. Il danneggiamento di queste parti potrebbe risultare nella rottura del disco.
4. Accertarsi che il disco non sia in contatto con il pezzo in lavorazione prima dell'attivazione dell'interruttore.
5. Prima di utilizzare l'utensile sul pezzo in lavorazione effettivo, lasciarlo girare per qualche momento. Osservare se siano presenti vibrazioni od ondeggiamenti, che potrebbero denotare un'installazione errata del disco o un disco bilanciato male.
6. Utilizzare la superficie specificata del disco per eseguire la smerigliatura.
7. Non lasciare l'utensile in funzione. Far funzionare l'utensile solo mentre lo si impugna.
8. Non toccare il pezzo in lavorazione subito dopo averlo lavorato con l'utensile; la temperatura del pezzo potrebbe essere estremamente elevata e causare ustioni.
9. Non toccare gli accessori subito dopo l'utilizzo; la loro temperatura potrebbe essere estremamente elevata e potrebbero causare ustioni.
10. Osservare le istruzioni del produttore per il corretto montaggio e utilizzo dei dischi. Maneggiare e conservare i dischi con cura.
11. Non utilizzare boccole di riduzione o adattatori separati per adattare mole abrasive con foro largo.
12. Utilizzare esclusivamente le flange specificate per questo utensile.
13. Per gli utensili su cui vanno montati dischi con foro filettato, accertarsi che la filettatura del disco sia sufficientemente lunga da accettare la lunghezza del mandrino.

14. Accertarsi che il pezzo in lavorazione sia supportato correttamente.
15. Tenere presente che il disco continua a girare dopo lo spegnimento dell'utensile.
16. Qualora l'ambiente di lavoro sia estremamente caldo o umido, oppure notevolmente contaminato da polvere conduttiva, utilizzare un salvavita (da 30 mA) per garantire la sicurezza dell'operatore.
17. Non utilizzare l'utensile su materiali contenenti amianto.
18. Quando si utilizza una mola troncatrice, lavorare sempre con la protezione disco per raccolta polveri, se richiesta dalle normative locali.
19. I dischi da taglio non devono essere soggetti ad alcuna pressione laterale.
20. Non utilizzare guanti da lavoro in tessuto durante l'uso dell'utensile. Le fibre provenienti da guanti in tessuto potrebbero penetrare nell'utensile, causandone la rottura.
21. **Prima dell'uso, accertarsi che non siano presenti oggetti interrati quali canaline elettriche, tubi dell'acqua o tubi del gas nel pezzo in lavorazione.** In caso contrario, tali oggetti potrebbero causare scosse elettriche, dispersioni elettriche o fughe di gas.
22. **Se sul disco è montato un ripartitore di pressione, non rimuoverlo. Il diametro del ripartitore di pressione deve essere superiore a quello del controdado, della flangia esterna e della flangia interna.**
23. **Prima di installare una mola abrasiva, controllare sempre che la parte del ripartitore di pressione non presenti anomalie quali scheggiature o spaccature.**
24. **Serrare correttamente il controdado.** Un serraggio eccessivo del disco può causarne la rottura, mentre un serraggio insufficiente può causarne l'ondeggiamento.

CONSERVARE LE PRESENTI ISTRUZIONI.

⚠AVVERTIMENTO: NON lasciare che comodità o la familiarità d'utilizzo con il prodotto (acquisita con l'uso ripetuto) sostituisca la stretta osservanza delle norme di sicurezza per il prodotto in questione. L'USO IMPROPRIO o la mancata osservanza delle norme di sicurezza indicate nel presente manuale di istruzioni potrebbero causare gravi lesioni personali.

DESCRIZIONE DELLE FUNZIONI

⚠ATTENZIONE: Accertarsi sempre che l'utensile sia spento e scollegato dall'alimentazione prima di regolare o controllare le sue funzioni.

Sistema di protezione dell'utensile

L'utensile è dotato di un sistema di protezione dell'utensile. Questo sistema riduce o interrompe automaticamente l'alimentazione al motore per prolungare la vita utile dell'utensile. L'utensile riduce la potenza o si arresta automaticamente durante il funzionamento, qualora venga a trovarsi in una delle condizioni seguenti:

Protezione dal sovraccarico

Quando l'utensile viene utilizzato in modo tale da causare un assorbimento di corrente elevato in modo anomalo, l'utensile riduce la potenza automaticamente senza alcuna indicazione. In questa situazione, rimuovere la causa del sovraccarico, affinché venga ripristinata la velocità di rotazione.

Protezione dal surriscaldamento

Specifica in base alla nazione

Quando l'utensile è surriscaldato, si arresta automaticamente e l'indicatore luminoso lampeggia in rosso. In questa circostanza, lasciar raffreddare l'utensile. È possibile riaccendere l'utensile dopo che l'indicatore cambia colore da rosso a verde.

Indicatore luminoso

► Fig.1: 1. Indicatore luminoso

L'indicatore luminoso si illumina in verde quando l'utensile è collegato all'alimentazione elettrica. Qualora l'indicatore luminoso lampeggi in rosso, la protezione dal surriscaldamento, la tecnologia di rilevamento attivo della retroazione o la funzione di prevenzione del riavvio accidentale interrompe il funzionamento. In questa circostanza, spegnere l'utensile. Quindi, accendere l'utensile per ricominciare. Qualora l'indicatore luminoso si illumini in rosso dopo lo spegnimento dell'utensile, quest'ultimo è surriscaldato. In queste circostanze, far raffreddare l'utensile e attendere che l'indicatore luminoso si illumini in verde.

Selettore di regolazione della velocità

Solo per i modelli GA4593/GA5093

⚠ATTENZIONE: Qualora l'utensile venga fatto funzionare continuativamente a basse velocità per un periodo di tempo prolungato, il motore si sovraccarica e si riscalda.

⚠ATTENZIONE: È possibile ruotare il selettore di regolazione della velocità solo fino a 5 e indietro fino a 1. Non forzarlo oltre 5 o 1; in caso contrario, la funzione di regolazione della velocità potrebbe non operare più.

È possibile modificare la velocità di rotazione ruotando il selettore di regolazione della velocità su un'impostazione numerica specifica da 1 a 5. Si ottiene una maggiore velocità ruotando il selettore in direzione del numero 5. Si ottiene una minore velocità ruotandolo in direzione del numero 1. Per il rapporto tra le impostazioni numeriche sul selettore e la velocità di rotazione approssimativa, fare riferimento alla tabella seguente.

Numero	Velocità nominale
1	2.800 min ⁻¹
2	4.500 min ⁻¹
3	6.500 min ⁻¹
4	8.000 min ⁻¹
5	11.500 min ⁻¹

► Fig.2: 1. Selettore di regolazione della velocità

Blocco albero

⚠AVVERTIMENTO: Non utilizzare mai il blocco albero mentre il mandrino è in movimento. In caso contrario, si potrebbero causare lesioni personali o il danneggiamento dell'utensile.

Premere il blocco albero per impedire la rotazione del mandrino quando si intende installare o rimuovere gli accessori.

► Fig.3: 1. Blocco albero

Utilizzo dell'interruttore

⚠ATTENZIONE: Prima di collegare l'utensile all'alimentazione elettrica, accertarsi sempre che l'interruttore a leva funzioni correttamente e che torni sulla posizione "OFF" quando viene rilasciato.

⚠ATTENZIONE: Per la sicurezza dell'utilizzatore, questo utensile è dotato di una leva di sblocco che evita l'avvio accidentale dell'utensile. Non utilizzare MAI l'utensile qualora si avvii semplicemente premendo l'interruttore a leva senza premere la leva di sblocco. Portare l'utensile a un nostro centro di assistenza autorizzato per le riparazioni del caso PRIMA di un ulteriore utilizzo.

⚠ATTENZIONE: Non premere con forza l'interruttore a leva senza tirare la leva di sblocco. In caso contrario, si potrebbe causare la rottura dell'interruttore.

⚠ATTENZIONE: Non bloccare MAI con del nastro adesivo né rendere inefficace lo scopo e il funzionamento della leva di sblocco.

L'utensile è dotato di una leva di sblocco, per evitare di premere accidentalmente l'interruttore a leva. Per avviare l'utensile, tirare la leva di sblocco verso l'operatore, quindi premere l'interruttore a leva. Per arrestare l'utensile, rilasciare l'interruttore a leva.

► Fig.4: 1. Leva di sblocco 2. Interruttore a leva

Funzione elettronica

Tecnologia di rilevamento attivo della retroazione

⚠ATTENZIONE: Mantenere saldamente l'utensile fino all'arresto della rotazione.

L'utensile rileva elettronicamente situazioni in cui la mola o l'accessorio potrebbero correre il rischio di incepparsi. In tale situazione, l'utensile spegne automaticamente il motore per evitare un'ulteriore rotazione del mandrino (questo non previene eventuali contraccolpi). In questa circostanza, l'indicatore luminoso lampeggia in rosso e mostra che la tecnologia di rilevamento attivo della retroazione è in funzione.

Per riavviare l'utensile, innanzitutto spegnerlo, rimuovere la causa della riduzione improvvisa della velocità di rotazione, quindi riaccendere l'utensile.

Funzione di prevenzione del riavvio accidentale

Quando si collega l'utensile all'alimentazione elettrica mentre l'interruttore è attivato, l'utensile non si avvia. In questa circostanza, l'indicatore luminoso lampeggia in rosso e mostra che si è attivata la funzione di prevenzione del riavvio accidentale.

Per avviare l'utensile, disattivare l'interruttore, quindi riattivarlo.

Controllo costante della velocità

Possibilità di ottenere una finitura precisa, poiché la velocità di rotazione viene mantenuta costante anche in condizione di carico.

Funzione di avvio morbido

La funzione di avvio morbido riduce la reazione di avvio.

Freno meccanico

Solo per i modelli GA4593/GA4594/GA5093/GA5094

Il freno meccanico viene attivato dopo lo spegnimento dell'utensile. Il freno non funziona quando l'alimentazione viene disattivata con l'interruttore ancora attivato.

MONTAGGIO

⚠ATTENZIONE: Accertarsi sempre che l'utensile sia spento e scollegato dall'alimentazione elettrica, prima di effettuare qualsiasi intervento su di esso.

Installazione dell'impugnatura laterale (manico)

⚠ATTENZIONE: Accertarsi sempre che l'impugnatura laterale sia installata saldamente prima dell'uso.

Avvitare saldamente l'impugnatura laterale sulla posizione dell'utensile mostrata nella figura.

► Fig.5

Installazione o rimozione della protezione disco

⚠AVVERTIMENTO: Quando si utilizza un disco a centro depresso, un disco lamellare, un disco flessibile o una spazzola metallica a disco, è necessario montare la protezione disco sull'utensile, in modo che il lato chiuso della protezione sia sempre rivolto verso l'operatore.

⚠AVVERTIMENTO: Accertarsi che la protezione disco sia bloccata saldamente dalla leva di blocco con uno dei fori presenti sulla protezione disco.

⚠AVVERTIMENTO: Quando si intende utilizzare una mola troncatrice o un disco disco diamantato, accertarsi di utilizzare esclusivamente la protezione disco speciale progettata per l'impiego con le mole troncatrici.

Per dischi a centro depresso, dischi lamellari, dischi flessibili, spazzole metalliche a disco/mole troncatrici abrasive, dischi diamantati

1. Mentre si tiene premuta la leva di blocco, montare la protezione disco con le sporgenze sulla protezione disco allineate alle tacche sull'alloggiamento del cuscinetto.

► Fig.6: 1. Leva di blocco 2. Tacca 3. Sporgenza

2. Mentre si tiene premuta la leva di blocco verso la direzione A, tenere premute verso il basso le parti B della protezione disco, come indicato nella figura.

► Fig.7: 1. Protezione disco 2. Foro

NOTA: Premere verso il basso la protezione disco tenendola diritta. In caso contrario, non è possibile fissare la protezione disco.

3. Mentre si tiene premuta la leva di blocco verso la direzione A, ruotare la protezione disco verso la direzione C, quindi modificare l'angolazione della protezione disco in base al lavoro da svolgere, in modo che sia possibile proteggere l'operatore. Allineare la leva di blocco con uno dei fori presenti nella protezione disco, quindi rilasciare la leva di blocco per bloccare la protezione disco.

► Fig.8: 1. Protezione disco 2. Foro

Per rimuovere la protezione disco, seguire la procedura di installazione al contrario.

Accessorio agganciabile di protezione per disco da taglio

Accessorio opzionale

NOTA: Per operazioni di troncatura, è possibile utilizzare un accessorio agganciabile di protezione per disco da taglio con la protezione disco (per la mola abrasiva).

Non disponibile in alcune nazioni.

► Fig.9

Installazione o rimozione di un disco a centro depresso o di un disco lamellare

Accessorio opzionale

⚠AVVERTIMENTO: Quando si intende utilizzare un disco a centro depresso o un disco lamellare, la protezione disco deve essere montata sull'utensile in modo che il lato chiuso della protezione sia sempre rivolto verso l'operatore.

⚠AVVERTIMENTO: Accertarsi che la parte di montaggio della flangia interna entri perfettamente nel diametro interno del disco a centro depresso o del disco lamellare. Il montaggio della flangia interna sul lato errato potrebbe risultare in vibrazioni pericolose.

Montare la flangia interna sul mandrino. Accertarsi di inserire la parte dentellata della flangia interna sulla parte diritta sul fondo del mandrino. Installare il disco a centro depresso o il disco lamellare sulla flangia interna e avvitare il controdado sul mandrino.
► **Fig.10:** 1. Controdado 2. Disco a centro depresso 3. Flangia interna 4. Parte di montaggio

Per serrare il controdado, premere con decisione il blocco albero in modo che il mandrino non possa girare, quindi utilizzare la chiave per controdadi e serrare il controdado saldamente in senso orario.

► **Fig.11:** 1. Chiave per controdadi 2. Blocco albero

Per rimuovere il disco, seguire la procedura di installazione al contrario.

Installazione o rimozione del disco flessibile

Accessorio opzionale

⚠AVVERTIMENTO: Utilizzare sempre la protezione in dotazione quando il disco flessibile è montato sull'utensile. Il disco potrebbe frantumarsi durante l'uso, e la protezione contribuisce a ridurre il rischio di lesioni personali.

► **Fig.12:** 1. Controdado 2. Disco flessibile 3. Platorello di sostegno 4. Flangia interna

Seguire le istruzioni per il disco a centro depresso, ma usare anche il platorello di sostegno sopra il disco.

Installazione o rimozione del disco abrasivo

Accessorio opzionale

► **Fig.13:** 1. Controdado di carteggiatura 2. Disco abrasivo 3. Platorello di gomma

1. Montare il platorello di gomma sul mandrino.
2. Montare il disco sul platorello di gomma, quindi avvitare il controdado di carteggiatura sul mandrino.
3. Tenere fermo il mandrino con il blocco albero, quindi serrare saldamente il controdado di carteggiatura in senso orario con la chiave per controdadi.

Per rimuovere il disco, seguire la procedura di installazione al contrario.

NOTA: Utilizzare gli accessori di carteggiatura specifici nel presente manuale. Questi ultimi devono essere acquistati separatamente.

Super flangia

Accessorio opzionale

Solo per i modelli GA4595/GA5095

La super flangia è un accessorio speciale per i modelli che NON sono dotati di una funzione di freno. In confronto al tipo convenzionale, per sbloccare il controdado è necessario solo 1/3 della forza.

Installazione o rimozione dell'Ezynut

Accessorio opzionale

Solo per utensili con filettatura del mandrino M14.

⚠ATTENZIONE: Non utilizzare l'Ezynut con la Super flangia. Queste flange hanno uno spessore talmente elevato da impedire al mandrino di mantenerne l'intera filettatura.

Montare la flangia interna, la mola abrasiva e l'Ezynut sul mandrino in modo che il logo Makita sull'Ezynut sia rivolto verso l'esterno.

► **Fig.14:** 1. Ezynut 2. Mola abrasiva 3. Flangia interna 4. Mandrino

Premere saldamente il blocco albero e serrare l'Ezynut ruotando la mola abrasiva in senso orario fino in fondo.

► **Fig.15:** 1. Blocco albero

Per allentare l'Ezynut, ruotare l'anello esterno dell'Ezynut in senso antiorario.

NOTA: È possibile allentare l'Ezynut a mano purché la freccia punti verso la tacca. In caso contrario, è richiesta una chiave per controdadi per allentarlo. Inserire uno dei perni della chiave in uno dei fori e ruotare l'Ezynut in senso antiorario.

► **Fig.16:** 1. Freccia 2. Tacca

► **Fig.17**

Installazione di una mola troncatrice abrasiva o di un disco diamantato

Accessorio opzionale

⚠AVVERTIMENTO: Quando si intende utilizzare una mola troncatrice o un disco disco diamantato, accertarsi di utilizzare esclusivamente la protezione disco speciale progettata per l'impiego con le mole tronatrici.

⚠AVVERTIMENTO: Non utilizzare MAI una mola troncatrice per la smerigliatura laterale.

► **Fig.18:** 1. Controdado 2. Mola troncatrice abrasiva / disco diamantato 3. Flangia interna 4. Protezione per mola troncatrice abrasiva / disco diamantato

Come per l'installazione, attenersi alle istruzioni per il disco a centro depresso.

La direzione di montaggio del controdado e della flangia interna varia a seconda del tipo e dello spessore del disco.

Fare riferimento alle figure seguenti.

Quando si intende installare una mola troncatrice abrasiva:

- **Fig.19:** 1. Controdado 2. Mola troncatrice abrasiva (più sottile di 4 mm (5/32")) 3. Mola troncatrice abrasiva (di spessore pari o superiore a 4 mm (5/32")) 4. Flangia interna

Quando si intende installare un disco diamantato:

- **Fig.20:** 1. Controdado 2. Disco diamantato (più sottile di 4 mm (5/32")) 3. Disco diamantato (di spessore pari o superiore a 4 mm (5/32")) 4. Flangia interna

Installazione di una spazzola metallica a tazza

Accessorio opzionale

⚠ATTENZIONE: Non utilizzare una spazzola danneggiata o sbilanciata. L'uso di una spazzola danneggiata potrebbe aumentare il rischio potenziale di lesioni personali dovute al contatto con i fili metallici rotti della spazzola.

Posizionare l'utensile capovolto per consentire un facile accesso al mandrino.

Rimuovere eventuali accessori dal mandrino. Avvitare la spazzola metallica a tazza sul mandrino e serrarla con la chiave in dotazione.

- **Fig.21:** 1. Spazzola metallica a tazza

Installazione di una spazzola metallica a disco

Accessorio opzionale

⚠ATTENZIONE: Non utilizzare una spazzola metallica a disco danneggiata o sbilanciata. Qualora si utilizza una spazzola metallica a disco danneggiata, si aumenta il rischio potenziale di lesioni personali dovute al contatto con i fili metallici rotti della spazzola.

⚠ATTENZIONE: Utilizzare SEMPRE la protezione con le spazzole metalliche a disco, accertandosi che il diametro del disco entri nella protezione. Il disco potrebbe frantumarsi durante l'uso, e la protezione contribuisce a ridurre il rischio di lesioni personali.

Posizionare l'utensile capovolto per consentire un facile accesso al mandrino.

Rimuovere eventuali accessori dal mandrino. Avvitare la spazzola metallica a disco sul mandrino e serrarla con le chiavi.

- **Fig.22:** 1. Spazzola metallica a disco

Installazione della fresa a tazza

Accessorio opzionale

Posizionare l'utensile capovolto per consentire un facile accesso al mandrino.

Rimuovere eventuali accessori presenti sul mandrino. Avvitare la fresa a tazza sul mandrino, quindi serrarla con la chiave fornita in dotazione.

- **Fig.23:** 1. Fresa a tazza

Installazione della protezione disco per raccolta polveri per la smerigliatura

Accessorio opzionale

Con degli accessori opzionali, è possibile utilizzare questo utensile per la piallatura di superfici in calcestruzzo.

⚠ATTENZIONE: La protezione disco per raccolta polveri per il disco diamantato offset va utilizzata solo per la piallatura di superfici in calcestruzzo con un disco diamantato offset. Non utilizzare questa protezione con altri accessori da taglio o per qualsiasi altro scopo.

⚠ATTENZIONE: Prima dell'uso, accertarsi che un aspirapolvere sia collegato all'utensile e che sia acceso.

Posizionare l'utensile capovolto e installare la protezione disco per raccolta polveri.

Montare la flangia interna sul mandrino.

Inserire il disco diamantato a tazza sulla flangia interna e serrare il controdado sul mandrino.

- **Fig.24:** 1. Controdado 2. Disco diamantato a tazza 3. Disco diamantato a tazza calettato 4. Flangia interna 5. Protezione disco per raccolta polveri 6. Alloggiamento del cuscinetto

NOTA: Per informazioni su come installare la protezione disco per raccolta polveri, fare riferimento al manuale della protezione disco per raccolta polveri.

Installazione della protezione disco per raccolta polveri per la troncatura

Accessorio opzionale

Con degli accessori opzionali, è possibile utilizzare questo utensile per tagliare materiali in pietra.

- **Fig.25**

NOTA: Per informazioni su come installare la protezione disco per raccolta polveri, fare riferimento al manuale della protezione disco per raccolta polveri.

Collegamento di un aspiratore

Accessorio opzionale

⚠AVVERTIMENTO: Non aspirare mai particelle metalliche create da operazioni di smerigliatura/taglio/carteggiatura. Le particelle metalliche create da tali operazioni hanno una temperatura talmente elevata da incendiare la polvere e il filtro all'interno dell'aspirapolvere.

Per evitare un ambiente polveroso causato dal taglio di muratura, utilizzare una protezione disco per raccolta polveri e un aspirapolvere.

Fare riferimento al manuale d'uso allegato alla protezione disco per raccolta polveri per il suo montaggio e il suo utilizzo.

- **Fig.26:** 1. Protezione disco per raccolta polveri
2. Tubo flessibile dell'aspirapolvere

Installazione o rimozione dell'accessorio protezione antipolvere

Accessorio opzionale

⚠ATTENZIONE: Accertarsi sempre che l'utensile sia spento e scollegato dall'alimentazione elettrica, prima di installare o rimuovere l'accessorio protezione antipolvere. La mancata osservanza di questa indicazione potrebbe causare danni all'utensile o lesioni personali.

Installare l'accessorio protezione antipolvere su ciascuna posizione specificata.

Per i dettagli, fare riferimento al manuale d'uso dell'accessorio protezione antipolvere.

AVVISO: Pulire l'accessorio protezione antipolvere quando è ostruito da polveri o corpi estranei. Il funzionamento continuativo con un accessorio protezione antipolvere ostruito danneggia l'utensile.

FUNZIONAMENTO

⚠AVVERTIMENTO: Non deve essere mai necessario forzare l'utensile. Il peso dell'utensile esercita una pressione adeguata. Qualora si forzi l'utensile e si eserciti una pressione eccessiva, si potrebbe causare una pericolosa rottura del disco.

⚠AVVERTIMENTO: Sostituire SEMPRE il disco se l'utensile è caduto durante la smerigliatura.

⚠AVVERTIMENTO: Non fare MAI subire al disco violenti impatti o colpi contro il pezzo.

⚠AVVERTIMENTO: Evitare che il disco rimbalzi o resti impigliato, specialmente quando si lavorano angoli, bordi acuti, e così via.

Questo potrebbe causare la perdita di controllo e contraccolpi.

⚠AVVERTIMENTO: Non utilizzare MAI l'utensile con lame per il taglio del legno e altre lame. Tali lame, se utilizzate su una smerigliatrice, causano spesso contraccolpi e perdite di controllo, che portano a lesioni personali.

⚠AVVERTIMENTO: L'utilizzo continuativo di un disco usurato potrebbe risultare nell'esplosione del disco e in gravi lesioni personali.

⚠ATTENZIONE: Non accendere mai l'utensile mentre è in contatto con il pezzo in lavorazione, poiché potrebbe causare una lesione personale all'operatore.

⚠ATTENZIONE: Indossare sempre occhiali di sicurezza o una visiera durante il lavoro.

⚠ATTENZIONE: Dopo l'uso, spegnere sempre l'utensile e attendere l'arresto completo del disco prima di appoggiare l'utensile.

⚠ATTENZIONE: Tenere SEMPRE saldamente l'utensile con una mano sull'alloggiamento e l'altra sull'impugnatura laterale (manico).

NOTA: È possibile utilizzare un disco a doppia funzione sia per le operazioni di smerigliatura che di troncatura.

Per le operazioni di smerigliatura, fare riferimento a "Utilizzo con la mola o il disco", mentre per le operazioni di troncatura fare riferimento a "Funzionamento con mola troncatrice abrasiva / disco diamantato".

Utilizzo con la mola o il disco

► Fig.27

Accendere l'utensile e applicare la mola o il disco sul pezzo in lavorazione.

In generale, mantenere il bordo della mola o del disco a un angolo di circa 15° rispetto alla superficie del pezzo in lavorazione.

Durante il periodo di rodaggio con una nuova mola, non far funzionare la smerigliatrice nella direzione in avanti; in caso contrario, potrebbe tagliare il pezzo in lavorazione. Dopo che il bordo della mola si è arrotondato con l'uso, può essere utilizzata in entrambe le direzioni in avanti e all'indietro.

Funzionamento con mola troncatrice abrasiva / disco diamantato

Accessorio opzionale

⚠AVVERTIMENTO: Non spingere forzatamente il disco né applicare una pressione eccessiva. Non tentare di realizzare tagli eccessivamente profondi. La sollecitazione eccessiva del disco aumenta il carico e la sua suscettibilità alla torsione o all'inceppamento nel taglio, nonché la possibilità di contraccolpi, rottura del disco stesso e surriscaldamento del motore.

⚠AVVERTIMENTO: Non iniziare l'operazione di taglio all'interno del pezzo in lavorazione. Lasciare che il disco raggiunga la piena velocità ed entrare con cura nel taglio spostando l'utensile in avanti sulla superficie del pezzo in lavorazione. Il disco potrebbe incepparsi, rialzarsi o causare un contraccolpo, se l'utensile elettrico viene avviato all'interno del pezzo.

⚠AVVERTIMENTO: Durante le operazioni di taglio, non cambiare mai l'angolazione del disco. L'applicazione di una pressione laterale su una mola troncatrice (come per la molatura), causa la spaccatura e la rottura della mola, causando gravi lesioni personali.

⚠AVVERTIMENTO: Un disco diamantato va utilizzato perpendicolarmente al materiale da tagliare.

Esempio di utilizzo: funzionamento con una mola troncatrice abrasiva
► Fig.28

Esempio di utilizzo: funzionamento con un disco diamantato
► Fig.29

Utilizzo con spazzola metallica a tazza

Accessorio opzionale

⚠ATTENZIONE: Controllare il funzionamento della spazzola facendo girare l'utensile a vuoto, accertandosi che non sia presente alcuna persona davanti o in linea con la spazzola.

Esempio di utilizzo: funzionamento con spazzola metallica a tazza
► Fig.30

AVVISO: Evitare di applicare una pressione eccessiva che faccia piegare troppo i fili metallici quando si utilizza la spazzola. Questo potrebbe portare a una rottura prematura della spazzola.

Utilizzo con una spazzola metallica a disco

Accessorio opzionale

⚠ATTENZIONE: Controllare il funzionamento della spazzola metallica a disco facendo girare l'utensile a vuoto, accertandosi che non sia presente alcuna persona davanti o in linea con la spazzola metallica a disco.

Esempio di funzionamento: utilizzo con spazzola metallica a disco
► Fig.31

AVVISO: Evitare di applicare una pressione eccessiva che faccia piegare troppo i fili metallici quando si utilizza la spazzola metallica a disco. Questo potrebbe portare a una rottura prematura della spazzola.

Funzionamento con la fresa a tazza

Accessorio opzionale

⚠ATTENZIONE: Controllare il funzionamento della fresa a tazza facendo girare l'utensile a vuoto, accertandosi che non sia presente alcuna persona davanti alla fresa a tazza.

AVVISO: Non inclinare l'utensile durante l'uso. In caso contrario, si potrebbe causare una rottura prematura.

Esempio di utilizzo: funzionamento con una fresa a tazza
► Fig.32

MANUTENZIONE

⚠ATTENZIONE: Accertarsi sempre che l'utensile sia spento e scollegato dall'alimentazione elettrica, prima di tentare di eseguire interventi di ispezione o manutenzione.

AVVISO: Non utilizzare mai benzina, benzene, solventi, alcol o altre sostanze simili. In caso contrario, si potrebbero causare scolorimenti, deformazioni o crepe.

Per preservare la SICUREZZA e l'AFFIDABILITÀ del prodotto, le riparazioni e qualsiasi altro intervento di manutenzione e di regolazione devono essere eseguiti da un centro di assistenza autorizzato Makita, utilizzando sempre ricambi Makita.

Pulizia delle aperture di ventilazione

L'utensile e le sue aperture di ventilazione devono essere mantenuti puliti. Pulire le aperture di ventilazione dell'utensile a intervalli regolari, oppure ogni volta che iniziano a ostruirsi.

► Fig.33: 1. Apertura di scarico 2. Apertura di aspirazione

COMBINAZIONE DI APPLICAZIONI E ACCESSORI

Accessorio opzionale

⚠ATTENZIONE: L'utilizzo dell'utensile con le protezioni errate può causare i rischi seguenti.

- Quando si intende utilizzare una protezione per mola troncatrice per la smerigliatura frontale, la protezione disco potrebbe interferire con il pezzo in lavorazione, causando un controllo scadente.
- Quando si intende utilizzare una protezione per mola abrasiva per operazioni di troncatura con mole abrasive rinforzate a legante e dischi diamantati, sussiste un maggior rischio di esposizione ai dischi in rotazione, alle scintille e alle particelle emesse, nonché di esposizione a frammenti del disco in caso di scoppio di quest'ultimo.
- Quando si intende utilizzare una protezione per mola troncatrice o una protezione per mola abrasiva per operazioni di smerigliatura frontale con dischi diamantati a tazza, la protezione disco potrebbe interferire con il pezzo in lavorazione, causando un controllo scadente.
- Quando si intende utilizzare una protezione per mola troncatrice o una protezione per mola abrasiva con una spazzola metallica a disco di spessore superiore allo spessore massimo specificato nei "DATI TECNICI", i fili metallici potrebbero restare impigliati nella protezione, portando alla rottura dei fili metallici stessi.
- L'utilizzo di protezioni disco per raccolta polveri per operazioni di troncatura e frontali su calcestruzzo o muratura riduce il rischio di esposizione alle polveri.
- Quando si intende utilizzare dischi a doppia funzione (smerigliatura e troncatura con disco abrasivo combinate) montati su flangia, utilizzare esclusivamente una protezione per mola troncatrice.

► Fig.34

Solo per i modelli GA4593/GA4594/GA5093/GA5094

-	Applicazione	Modello da 115 mm	Modello da 125 mm
1	-	Impugnatura laterale	
2	-	Protezione disco (per la mola)	
3	-	Flangia interna	
4	Smerigliatura/carteggiatura	Disco a centro depresso/disco lamellare	
5	-	Controdado	
6	-	Ezynut*1*2	
7	-	Platello di sostegno	
8	Smerigliatura/carteggiatura	Disco flessibile	
9	-	Platello di gomma 100	Platello di gomma 115
10	Carteggiatura	Disco abrasivo	
11	-	Controdado di carteggiatura	
12	Spazzolatura metallica	Spazzola metallica a disco	
13	Spazzolatura metallica	Spazzola metallica a tazza	
14	Perforazione	Fresa a tazza	
15	-	Protezione disco (per mola troncatrice)	
16	Troncatura	Mola troncatrice abrasiva/disco diamantato	
17	Smerigliatura/troncatura	Disco a doppia funzione	
18	-	Accessorio agganciabile di protezione per disco da taglio *3	
19	-	Protezione disco per raccolta polveri per troncatura	
20	Troncatura	Disco diamantato	
21	-	Protezione disco per raccolta polveri per smerigliatura	
22	Smerigliatura	Disco diamantato a tazza	
-	-	Chiave per controdadi	
-	-	Protezioni antipolvere applicabili	

Solo per i modelli GA4595/GA5095

-	Applicazione	Modello da 115 mm	Modello da 125 mm
1	-	Impugnatura laterale	
2	-	Protezione disco (per la mola)	
3	-	Flangia interna/Super flangia*1*2	
4	Smerigliatura/carteggiatura	Disco a centro depresso/disco lamellare	
5	-	Controdado	
6	-	Ezynut *1*2	
7	-	Platorello di sostegno	
8	Smerigliatura/carteggiatura	Disco flessibile	
9	-	Platorello di gomma 100	Platorello di gomma 115
10	Carteggiatura	Disco abrasivo	
11	-	Controdado di carteggiatura	
12	Spazzolatura metallica	Spazzola metallica a disco	
13	Spazzolatura metallica	Spazzola metallica a tazza	
14	Perforazione	Fresa a tazza	
15	-	Protezione disco (per mola troncatrice)	
16	Troncatura	Mola troncatrice abrasiva/disco diamantato	
17	Smerigliatura/troncatura	Disco a doppia funzione	
18	-	Accessorio agganciabile di protezione per disco da taglio *3	
19	-	Protezione disco per raccolta polveri per troncatura	
20	Troncatura	Disco diamantato	
21	-	Protezione disco per raccolta polveri per smerigliatura	
22	Smerigliatura	Disco diamantato a tazza	
-	-	Chiave per controdadi	
-	-	Protezioni antipolvere applicabili	

NOTA: *1 Non utilizzare assieme la Super flangia e l'Ezynut.

NOTA: *2 Solo per utensili con filettatura del mandrino M14.

NOTA: *3 L'accessorio agganciabile di protezione per disco da taglio non è disponibile in alcune nazioni. Per ulteriori dettagli, fare riferimento al manuale d'uso dell'accessorio agganciabile di protezione per disco da taglio.

NOTA: Non utilizzare la Super flangia con una smerigliatrice dotata di funzione di freno.

ACCESSORI OPZIONALI

⚠ATTENZIONE: Questi accessori o componenti aggiuntivi sono consigliati per l'uso con l'utensile Makita specificato nel presente manuale. L'impiego di altri accessori o componenti aggiuntivi può costituire un rischio di lesioni alle persone. Utilizzare gli accessori o i componenti aggiuntivi solo per il loro scopo prefissato.

Per ottenere ulteriori dettagli relativamente a questi accessori, rivolgersi a un centro di assistenza Makita.

- Accessori elencati in "COMBINAZIONE DI APPLICAZIONI E ACCESSORI"

NOTA: Alcuni articoli nell'elenco potrebbero essere inclusi nell'imballaggio dell'utensile come accessori standard. Tali articoli potrebbero variare da nazione a nazione.

TECHNISCHE GEGEVENS

Model:		GA4593	GA4594	GA4595	GA5093	GA5094	GA5095
Geschikte slijpschijf	Max. schijfdiameter	115 mm			125 mm		
	Max. schijfdikte	7,2 mm					
Geschikte doorslijpschijf	Max. schijfdiameter	115 mm			125 mm		
	Max. schijfdikte	3,2 mm					
Geschikte schijfvormige draadborstel	Max. schijfdiameter	115 mm			125 mm		
	Max. schijfdikte	20 mm					
Asschroefdraad		M14 of 5/8" (afhankelijk van het land)					
Max. aslengte		23 mm					
Onbelast toerental (n ₀) / Nominaal toerental (n)		11.500 min ⁻¹					
Totale lengte		349 mm	326 mm	349 mm	326 mm		
Nettogewicht		2,8 - 4,0 kg	2,6 - 3,8 kg	2,9 - 4,0 kg	2,7 - 3,8 kg		
Veiligheidsklasse		□/II					

- In verband met ononderbroken research en ontwikkeling behouden wij ons het recht voor bovenstaande technische gegevens te wijzigen zonder voorafgaande kennisgeving.
- De technische gegevens kunnen van land tot land verschillen.
- Het gewicht kan verschillen afhankelijk van de hulpstukken. De lichtste en zwaarste combinatie, volgens EPTA-procedure 01/2014, worden vermeld in de tabel.

Symbolen

Hieronder staan de symbolen die voor het gereedschap kunnen worden gebruikt. Zorg ervoor dat u de betekenis ervan kent voordat u het gereedschap gaat gebruiken.

	Lees de gebruiksaanwijzing.
	Draag een veiligheidsbril.
	Bedien altijd met twee handen.
	Gebruik de beschermkap niet bij doorslijpen.
	DUBBEL GEÏSOLEERD



Alleen voor EU-landen
Als gevolg van de aanwezigheid van schadelijke componenten in het apparaat, kunnen gebruikte elektrische en elektronische apparaten negatieve gevolgen hebben voor het milieu en de gezondheid van mensen.

Gooi elektrische en elektronische apparaten niet met het huisvuil weg!

In overeenstemming met de Europese richtlijn inzake oude elektrische en elektronische apparaten en de toepassing daarvan binnen de nationale wetgeving, dienen gebruikte elektrische en elektronische apparaten gescheiden te worden ingezameld en te worden ingeleverd bij een apart inzamelingspunt voor huishoudelijk afval dat de milieubeschermingsvoorschriften in acht neemt.

Dit wordt op het apparaat aangegeven door het symbool van een doorkruiste afvalcontainer.

Gebruiksdoeleinden

Het gereedschap is bedoeld voor het slijpen, schuren, draadborstelen, gaten slijpen en doorslijpen van metaal en steen zonder gebruik van water.

Voeding

Het gereedschap mag alleen worden aangesloten op een voeding van dezelfde spanning als aangegeven op het typeplaatje, en kan alleen worden gebruikt op enkelfase-wisselstroom. Het gereedschap is dubbel-geïsoleerd en kan derhalve ook op een niet-geaard stopcontact worden aangesloten.

Geluidsniveau

De typische, A-gewogen geluidsniveaus zijn gemeten volgens 62841-2-3:

Model	Geluidsdrukniveau (L_{pA}): (dB (A))	Geluidsvermogeniveau (L_{wA}): (dB (A))	Onzekerheid (K): (dB (A))
GA4593	91	99	3
GA4594	91	99	3
GA4595	94	102	3
GA5093	91	99	3
GA5094	91	99	3
GA5095	94	102	3

OPMERKING: De opgegeven geluidsemissiewaarde(n) is/zijn gemeten volgens een standaardtestmethode en kan/kunnen worden gebruikt om dit gereedschap te vergelijken met andere gereedschappen.

OPMERKING: De opgegeven geluidsemissiewaarde(n) kan/kunnen ook worden gebruikt voor een beoordeling vooraf van de blootstelling.

⚠ WAARSCHUWING: Draag gehoorbescherming.

⚠ WAARSCHUWING: De geluidsemissie tijdens het gebruik van het elektrisch gereedschap in de praktijk kan verschillen van de opgegeven waarde(n) afhankelijk van de manier waarop het gereedschap wordt gebruikt, met name van het soort werkstuk waarmee wordt gewerkt.

⚠ WAARSCHUWING: Zorg ervoor dat veiligheidsmaatregelen worden getroffen ter bescherming van de gebruiker die zijn gebaseerd op een schatting van de blootstelling onder praktijkomstandigheden (rekening houdend met alle fasen van de bedrijfscyclus, zoals de tijdsduur gedurende welke het gereedschap is uitgeschakeld en stationair draait, naast de ingeschakelde tijdsduur).

⚠ WAARSCHUWING: Het slijpen van dunne metaalplaten of andere trillende constructies met een groot oppervlak, kan leiden tot een totale geluidsemissie die veel hoger is (tot 15 dB) dan de opgegeven geluidsemissiewaarden.

Plaats zware, flexibele geluiddempende matten of iets soortgelijks op dergelijke werkstukken om te voorkomen dat zij geluid maken.

Houd rekening met de verhoogde geluidsemissie bij zowel de risicobeoordeling van blootstelling aan geluid als de keuze van afdoende gehoorbescherming.

Trilling

De totale trillingswaarde (triaxiale vectorsom) zoals vastgesteld volgens 62841-2-3:

Gebruikstoepassing: slijpen van oppervlakken met normale zijhandgreep

Model	Trillingsemissie ($a_{hr, AG}$): (m/s ²)	Onzekerheid (K): (m/s ²)
GA4593	5,8	1,5
GA4594	5,8	1,5
GA4595	5,4	1,5
GA5093	8,9	1,5
GA5094	8,9	1,5
GA5095	8,5	1,5

Gebruikstoepassing: slijpen van oppervlakken met trillingsdempende zijhandgreep

Model	Trillingsemissie ($a_{hr, AG}$): (m/s ²)	Onzekerheid (K): (m/s ²)
GA4593	5,7	1,5
GA4594	5,7	1,5
GA4595	5,2	1,5
GA5093	8,5	1,5
GA5094	8,5	1,5
GA5095	8,7	1,5

Gebruikstoepassing: schuren met schijf met normale zijhandgreep

Model	Trillingsemissie ($a_{h, DS}$): (m/s^2)	Onzekerheid (K): (m/s^2)
GA4593	2,6	1,5
GA4594	2,6	1,5
GA4595	2,6	1,5
GA5093	3,3	1,5
GA5094	3,3	1,5
GA5095	3,0	1,5

Gebruikstoepassing: schuren met schijf met trillingsdempende zijhandgreep

Model	Trillingsemissie ($a_{h, DS}$): (m/s^2)	Onzekerheid (K): (m/s^2)
GA4593	2,5 m/s^2 of lager	1,5
GA4594	2,5 m/s^2 of lager	1,5
GA4595	2,9	1,5
GA5093	3,0	1,5
GA5094	3,0	1,5
GA5095	3,1	1,5

OPMERKING: De totale trillingswaarde(n) is/zijn gemeten volgens een standaardtestmethode en kan/kunnen worden gebruikt om dit gereedschap te vergelijken met andere gereedschappen.

OPMERKING: De opgegeven totale trillingswaarde(n) kan/kunnen ook worden gebruikt voor een beoordeling vooraf van de blootstelling.

⚠️ WAARSCHUWING: De trillingsemissie tijdens het gebruik van het elektrisch gereedschap in de praktijk kan verschillen van de opgegeven waarde(n) afhankelijk van de manier waarop het gereedschap wordt gebruikt, met name van het soort werkstuk waarmee wordt gewerkt.

⚠️ WAARSCHUWING: Zorg ervoor dat veiligheidsmaatregelen worden getroffen ter bescherming van de gebruiker die zijn gebaseerd op een schatting van de blootstelling onder praktijkomstandigheden (rekening houdend met alle fasen van de bedrijfscyclus, zoals de tijdsduur gedurende welke het gereedschap is uitgeschakeld en stationair draait, naast de ingeschakelde tijdsduur).

⚠️ WAARSCHUWING: De opgegeven trillingsemissiewaarde geldt voor de voornaamste toepassingen van het elektrisch gereedschap. Als het elektrisch gereedschap echter voor andere toepassingen wordt gebruikt, kan de trillingsemissiewaarde daarvoor anders zijn.

EG-verklaring van conformiteit

Alleen voor Europese landen

De EG-verklaring van conformiteit is bijgevoegd als Bijlage A bij deze gebruiksaanwijzing.

VEILIGHEIDSWAARSCHUWINGEN

Algemene veiligheidswaarschuwingen voor elektrisch gereedschap

⚠️ WAARSCHUWING: Lees alle veiligheidswaarschuwingen, aanwijzingen, afbeeldingen en technische gegevens behorend bij dit elektrische gereedschap aandachtig door. Als u niet alle onderstaande aanwijzingen naleeft, kan dat resulteren in brand, elektrische schokken en/of ernstig letsel.

Bewaar alle waarschuwingen en instructies om in de toekomst te kunnen raadplegen.

De term "elektrisch gereedschap" in de veiligheidsvoorschriften duidt op gereedschappen die op stroom van het lichtnet werken (met snoer) of gereedschappen met een accu (snoerloos).

Veiligheidswaarschuwingen voor een slijpmachine

Gemeenschappelijke veiligheidswaarschuwingen voor slijp-, schuur-, draadborstel- en doorslijpwerkzaamheden:

1. Dit elektrisch gereedschap is bedoeld voor gebruik als slijp-, schuur-, draadborstel-, gat-slijp- of doorslijp-gereedschap. Lees alle veiligheidswaarschuwingen, instructies, afbeeldingen en technische gegevens die bij dit elektrisch gereedschap worden geleverd. Als u nalaat alle onderstaande instructies te volgen, kan dit leiden tot een elektrische schok, brand en/of ernstig letsel.
2. **Werkzaamheden zoals polijsten mogen niet worden uitgevoerd met dit elektrisch gereedschap.** Werkzaamheden waarvoor dit elektrisch gereedschap niet is bedoeld kunnen gevaarlijke situaties opleveren en tot persoonlijk letsel leiden.

3. **Bouw dit elektrisch gereedschap niet om zodat u het kunt gebruiken op een manier waarvoor het niet specifiek is ontworpen en die niet wordt vermeld door de fabrikant van het gereedschap.** Dergelijk ombouwen kan leiden tot verlies van controle over het gereedschap en ernstig persoonlijk letsel veroorzaken.
4. **Gebruik geen accessoires die niet specifiek zijn ontworpen en vermeld door de fabrikant van het gereedschap.** Ook wanneer het accessoire kan worden aangebracht op uw elektrisch gereedschap, is een veilige werking niet gegarandeerd.
5. **Het nominale toerental van het accessoire moet minstens gelijk zijn aan het maximumtoerental vermeld op het elektrisch gereedschap.** Accessoires die met een hoger toerental draaien dan hun nominaal toerental kunnen stuk breken en in het rond vliegen.
6. **De buitendiameter en de dikte van het accessoire moeten binnen het capaciteitsbereik van het elektrisch gereedschap vallen.** Accessoires met verkeerde afmetingen kunnen niet afdoende worden afgeschermd of beheerst.
7. **De afmetingen van het bevestigingspunt van het accessoire moet overeenkomen met de afmetingen van de bevestigingshardware van het elektrisch gereedschap.** Accessoires die niet overeenkomen met de bevestigingshardware van het elektrisch gereedschap, zullen niet gebalanceerd draaien en buitensporig trillen, en kunnen leiden tot verlies van controle over het gereedschap.
8. **Gebruik nooit een beschadigd accessoire. Inspecteer het accessoire vóór ieder gebruik, bijvoorbeeld een slijpschijf op ontbrekende schijfers en barsten; een rugschijf op barsten, scheuren of buitensporige slijtage; en een draadborstel op losse of gebroken draden. Nadat het elektrisch gereedschap of accessoire is gevallen, inspecteert u het op schade of monteert u een onbeschadigd accessoire. Na inspectie en montage van een accessoire, zorgt u ervoor dat u en omstanders niet in het rotatievlak van het accessoire staan, en laat u het elektrisch gereedschap draaien op het maximale, onbelaste toerental gedurende één minuut.** Beschadigde accessoires breken normaal gesproken in stukken gedurende deze testduur.
9. **Gebruik persoonlijke-beschermingsmiddelen. Afhankelijk van de toepassing gebruikt u een spatscherm, een beschermende bril of een veiligheidsbril. Al naar gelang de toepassing draagt u een stofmasker, gehoorbeschermers, handschoenen en een werkschort die in staat zijn kleine stukjes slijpsel of werkstukfragmenten te weerstaan.** De oogbescherming moet in staat zijn rondvliegend afval te stoppen dat ontstaat bij de diverse toepassingen. Het stofmasker of ademhalingsapparaat moet in staat zijn deeltjes te filteren die ontstaat bij de betreffende toepassing. Langdurige blootstelling aan hard lawaai kan uw gehoor aantasten.
10. **Houd omstanders op veilige afstand van het werkgebied. Iedereen die zich binnen het werkgebied begeeft, moet persoonlijke-beschermingsmiddelen gebruiken.** Fragmenten van het werkstuk of van een uiteengevallen accessoire kunnen rondvliegen en letsel veroorzaken buiten de onmiddellijk werkomgeving.
11. **Houd elektrisch gereedschap uitsluitend vast aan het geïsoleerde oppervlak van de handgrepen wanneer u werkt op plaatsen waar het slijpaccessoire met verborgen bedrading of zijn eigen snoer in aanraking kan komen.** Wanneer het slijpaccessoire in aanraking komt met onder spanning staande draden, zullen de niet-geïsoleerde metalen delen van het gereedschap onder spanning komen te staan zodat de gebruiker een elektrische schok kan krijgen.
12. **Houd het snoer goed uit de buurt van het ronddraaiende accessoire.** Als u de controle over het gereedschap verliest, kan het snoer worden doorgesneden of bekneld raken, en kan uw hand of arm tegen het ronddraaiende accessoire worden getrokken.
13. **Leg het elektrisch gereedschap nooit neer voordat het accessoire volledig tot stilstand is gekomen.** Het ronddraaiende accessoire kan de ondergrond pakken zodat u de controle over het elektrisch gereedschap verliest.
14. **Laat het elektrisch gereedschap niet draaien terwijl u het naast u draagt.** Als het ronddraaiende accessoire u per ongeluk raakt, kan het verstrikt raken in uw kleding waardoor het accessoire in uw lichaam wordt getrokken.
15. **Maak de ventilatieopeningen van het elektrisch gereedschap regelmatig schoon.** De ventilator van de motor zal het stof de behuizing in trekken, en een grote opeenhoping van metaalslijpsel kan leiden tot elektrisch gevaarlijke situaties.
16. **Gebruik het elektrisch gereedschap niet in de buurt van brandbare materialen.** Vonken kunnen deze materialen doen ontvlammen.
17. **Gebruik geen accessoires die met vloeistof moeten worden gekoeld.** Het gebruik van water of andere vloeibare koelmiddelen kan leiden tot elektrocutie of elektrische schokken.

Terugslag en aanverwante waarschuwingen:

Terugslag is een plotselinge reactie op een beknelde of vastgelopen draaiende schijf, rugschijf, borstel of enig ander accessoire. Beknellen of vastlopen veroorzaakt een snelle stilstand van het draaiende accessoire dat op zijn beurt ertoe leidt dat het elektrisch gereedschap zich ongecontroleerd beweegt in de tegenovergestelde richting van de draairichting van het accessoire op het moment van vastlopen.

Bijvoorbeeld, als een slijpschijf bekneld raakt of vastloopt in het werkstuk, kan de rand van de schijf die het beknellingspunt ingaat, zich invreten in het oppervlak van het materiaal waardoor de schijf eruit klimt of eruit slaat. De schijf kan daarbij naar de gebruiker toe of weg springen, afhankelijk van de draairichting van de schijf op het beknellingspunt. Slijpschijven kunnen in dergelijke situaties ook breken.

Terugslag is het gevolg van misbruik van het elektrisch gereedschap en/of onjuiste gebruiksprocedures of -omstandigheden, en kan worden voorkomen door goede voorzorgsmaatregelen te treffen, zoals hieronder vermeld.

1. **Houd het elektrisch gereedschap stevig met beide handen vast en houd uw armen en lichaam zodanig dat u in staat bent een terugslag op te vangen. Gebruik altijd de extra handgreep (indien aanwezig) voor een maximale controle over het gereedschap in geval van terugslag en de koppelreactiekrachten bij het starten.** De gebruiker kan een terugslag of de koppelreactiekrachten opvangen indien de juiste voorzorgsmaatregelen worden getroffen.
2. **Plaats uw hand nooit in de buurt van het draaiende accessoire.** Het accessoire kan terugslaan over uw hand.
3. **Plaats uw lichaam niet in het gebied waar het elektrisch gereedschap naar toe gaat wanneer een terugslag optreedt.** Een terugslag zal het gereedschap bewegen in de tegenovergestelde richting van de draairichting van de schijf op het moment van beknellen.
4. **Wees bijzonder voorzichtig bij het werken met hoeken, scherpe randen, enz. Voorkom dat het accessoire springt of bekneld raakt.** Hoeken, scherpe randen of springen veroorzaken vaak beknellen van het draaiende accessoire wat leidt tot terugslag of verlies van controle over het gereedschap.
5. **Bevestig geen kettingschijf, gesegmenteerde diamantschijf met randopeningen van meer dan 10 mm, of getand zaagblad.** Dergelijke bladen leiden vaak tot terugslag of verlies van controle over het gereedschap.

Veiligheidswaarschuwingen specifiek voor slijp- en doorslijpwerkzaamheden:

1. **Gebruik uitsluitend schijven van het type dat wordt vermeld voor uw elektrisch gereedschap en de specifieke beschermkap voor de te gebruiken schijf.** Schijven waarvoor het elektrisch gereedschap niet is ontworpen, kunnen niet goed worden afgeschermd en zijn niet veilig.
2. **Het slijpoppervlak van schijven met een verzonden middengat moet bij het aanbrengen lager liggen dan het vlak van de beschermrand.** Bij een onjuist aangebrachte schijf die boven het vlak van de beschermrand uitsteekt is geen goede bescherming mogelijk.
3. **De beschermkap moet stevig worden vastgezet aan het elektrisch gereedschap en in de maximaal beschermende stand worden gezet zodat het kleinst mogelijke deel van de schijf is blootgesteld in de richting van de gebruiker.** De beschermkap dient om de gebruiker te beschermen tegen aanraking met de schijf, stukjes die daarvan af breken en vonken die brandgevaar voor kleding opleveren.
4. **Schijven mogen uitsluitend worden gebruikt voor de aanbevolen toepassingen.** Bijvoorbeeld: u mag niet slijpen met de zijkant van een doorslijpschijf. Doorslijpschijven zijn bedoeld voor slijpen met de rand. Krachten op het zijoppervlak kunnen deze schijven doen breken.
5. **Gebruik altijd onbeschadigde schijfflensen van de juiste afmetingen en vorm voor de te gebruiken schijf.** Een goede schijfflens ondersteunt de schijf en verkleint daarmee de kans op het breken van de schijf. Flensen voor doorslijpschijven kunnen verschillen van flensen voor slijpschijven.
6. **Gebruik geen deels afgesleten schijven van grotere elektrische gereedschappen.** Schijven die zijn bedoeld voor grotere elektrische gereedschappen zijn niet geschikt voor de hogere snelheid van een kleiner elektrisch gereedschap en kunnen in stukken breken.
7. **Bij gebruik van een multifunctionele schijf, gebruik u altijd de juiste beschermkap voor de gebruikte toepassing.** Als u niet de juiste beschermkap gebruikt, wordt u mogelijk niet voldoende goed beschermd waardoor ernstig letsel kan ontstaan.

Aanvullende veiligheidswaarschuwingen specifiek voor doorslijpwerkzaamheden:

1. **Laat de doorslijpschijf niet vastlopen en oefen geen buitensporige druk erop uit. Probeer niet een buitensporig diepe snede te slijpen.** Een te grote kracht op de schijf verhoogt de belasting en de kans dat de schijf in de snede verdraait of vastloopt, waardoor terugslag kan optreden of de schijf kan breken.
2. **Plaats uw lichaam niet in één lijn achter de ronddraaiende schijf.** Wanneer de schijf, op het aangrijppunt in het werkstuk, zich van uw lichaam af beweegt, kunnen door de mogelijke terugslag de ronddraaiende schijf en het elektrisch gereedschap in uw richting worden geworpen.
3. **Wanneer de schijf vastloopt of u het slijpen onderbreekt, schakelt u het elektrisch gereedschap uit en houdt u dit stil totdat de schijf volledig tot stilstand is gekomen. Probeer nooit de doorslijpschijf uit de snede te halen terwijl de schijf nog draait omdat hierdoor een terugslag kan optreden.** Onderzoek waarom de schijf is vastgelopen en tref afdoende maatregelen om de oorzaak ervan op te heffen.
4. **Begin niet met doorslijpen terwijl de schijf al in het werkstuk steekt. Wacht totdat de schijf op volle toeren draait en breng daarna de schijf voorzichtig terug in de snede.** Wanneer het elektrisch gereedschap opnieuw wordt gestart terwijl de schijf al in het werkstuk steekt, kan de schijf vastlopen, omhoog lopen of terugslaan.
5. **Ondersteun platen en grote werkstukken om de kans op het beknellen van de schijf en terugslag te minimaliseren.** Grote werkstukken neigen door te zakken onder hun eigen gewicht. U moet het werkstuk ondersteunen vlakbij de snijlijn en vlakbij de rand van het werkstuk aan beide kanten van de schijf.
6. **Wees extra voorzichtig bij het maken van een invalslipnsede in bestaande wanden of op andere plaats waarvan u de onderkant niet kunt zien.** De uitstekende schijf kan gas- of waterleidingen, elektrische bedrading of voorwerpen die terugslag veroorzaken raken.
7. **Probeer niet een gebogen snede te maken.** Een te grote kracht op de schijf verhoogt de belasting en de kans dat de schijf in de snede verdraait of vastloopt, waardoor terugslag kan optreden of de schijf kan breken met mogelijk ernstig letsel tot gevolg.
8. **Voordat u een gesegmenteerde diamantschijf gebruikt, controleert u dat de diamantschijf randopeningen van 10 mm of minder tussen de segmenten heeft, met alleen een negatieve hellingshoek.**

Veiligheidswaarschuwingen specifiek voor schuurwerkzaamheden:

1. **Gebruik een schuurpapierschijf van de juiste afmeting. Volg de aanbevelingen van de fabrikant bij uw keuze van het schuurpapier.** Te groot schuurpapier dat te ver uitsteekt over de rand van het schuurblok levert snijgevaar op en kan beknellen of scheuren van de schijf of terugslag veroorzaken.

Veiligheidswaarschuwingen specifiek voor draadborstelwerkzaamheden:

1. **Wees erop bedacht dat ook tijdens normaal gebruik borsteldraden door de borstel worden rondgeslingerd. Oefen niet te veel kracht uit op de borsteldraden door een te hoge belasting van de borstel.** De borsteldraden kunnen met gemak door dunne kleding en/of de huid dringen.
2. **Als het gebruik van een beschermkap wordt aanbevolen voor draadborstelen, zorgt u ervoor dat de draadschijf of draadborstel niet in aanraking komt met de beschermkap.** De draadschijf of draadborstel kan in diameter toenemen als gevolg van de werkbelasting en centrifugale krachten.

Aanvullende veiligheidswaarschuwingen:

1. **Bij gebruik van een slijpschijf met een verzonden middengat, mag u uitsluitend met glasvezel versterkte schijven gebruiken.**
2. **GEBRUIK NOOIT een stenen komschijf op deze slijpmachine.** Deze slijpmachine is niet ontworpen voor dit type schijven en het gebruik ervan kan leiden tot ernstig persoonlijk letsel.
3. **Let erop dat u de as, de flens (met name de montagekant) en de borgmoer niet beschadigt.** Als deze onderdelen beschadigd raken, kan de schijf breken.
4. **Zorg ervoor dat de schijf niet in aanraking is met het werkstuk voordat u het gereedschap hebt ingeschakeld.**
5. **Laat gereedschap een tijdje draaien voordat u het op het werkstuk gaat gebruiken. Controleer op trillingen of schommelingen die op onjuiste montage of een slecht uitgebalanceerd schijf kunnen wijzen.**
6. **Gebruik de aangegeven kant van de schijf om mee te slijpen.**
7. **Laat het gereedschap niet ingeschakeld liggen. Schakel het gereedschap alleen in wanneer u het vasthoudt.**
8. **Raak het werkstuk niet onmiddellijk na bewerking aan. Het kan bijzonder heet zijn en brandwonden op uw huid veroorzaken.**
9. **Raak accessoires niet onmiddellijk na bewerking aan. Deze kunnen bijzonder heet zijn en brandwonden op uw huid veroorzaken.**
10. **Houd u aan de instructies van de fabrikant voor het juist aanbrengen en gebruiken van de schijven. Behandel de schijven voorzichtig en berg deze met zorg op.**
11. **Gebruik geen afzonderlijke verloopbussen of adapters om slijpschijven met een groot asgat aan dit gereedschap aan te passen.**
12. **Gebruik uitsluitend flenzen die geschikt zijn voor dit gereedschap.**

13. **Voor gereedschap waarop schijven met een geschroefd asgat dienen aangebracht te worden, moet u ervoor zorgen dat de schroefdraad in de schijf lang genoeg is zodat de as helemaal erin gaat.**
14. **Zorg ervoor dat het werkstuk goed ondersteund is.**
15. **Houd er rekening mee dat de schijf nog een tijdje blijft draaien nadat het gereedschap is uitgeschakeld.**
16. **Indien de werkplaats uiterst warm en vochtig is, of erg ventreïnigd is met geleidend stof, gebruikt u een kortsluitstroomonderbreker (30 mA) om de veiligheid van de gebruiker te verzekeren.**
17. **Gebruik het gereedschap niet op materialen die asbest bevatten.**
18. **Wanneer u een doorslijpschijf gebruikt, dient u altijd te werken met de stofbeschermkap indien dit door de plaatselijke regelgeving wordt vereist.**
19. **Schijven bedoeld voor doorslijpen mogen niet aan zijwaartse druk worden blootgesteld.**
20. **Draag geen stoffen werkhandschoenen tijdens gebruik van dit gereedschap.** Vezels van stoffen handschoenen kunnen binnendringen in het gereedschap waardoor het gereedschap defect kan raken.
21. **Verzeker u er vóór aanvang van de werkzaamheden van dat er geen voorwerpen, zoals elektriciteits-, gas- en waterleidingen, verborgen zitten in het werkstuk.** Anders kan dit een elektrische schok, een lekstroom of een gaslek veroorzaken.
22. **Als een tussenschijf is bevestigd op de schijf, mag u deze niet verwijderen.** De diameter van de tussenschijf moet groter zijn dan de borgmoer, buitenflens en binnenflens.
23. **Alvorens een slijpschijf aan te brengen, controleer u altijd of de tussenschijf geen abnormaliteiten vertoont, zoals ontbrekende schijfers en barsten.**
24. **Draai de borgmoer goed vast.** Als de schijf te vast wordt gedraaid, kan deze breken, en onvolgende vastdraaien kan leiden tot wiebelen.

BEWAAR DEZE INSTRUCTIES.

⚠WAARSCHUWING: Laat u NIET misleiden door een vals gevoel van comfort en bekendheid met het gereedschap (na veelvuldig gebruik) en neem alle veiligheidsvoorschriften van het betreffende gereedschap altijd strikt in acht. **VERKEERD GEBRUIK** of het niet naleven van de veiligheidsvoorschriften in deze gebruiksaanwijzing kan leiden tot ernstig persoonlijk letsel.

BESCHRIJVING VAN DE FUNCTIES

⚠ LET OP: Controleer altijd of het gereedschap is uitgeschakeld en de stekker ervan uit het stopcontact is verwijderd alvorens de functies op het gereedschap te controleren of af te stellen.

Gereedschapbeveiligingssysteem

Het gereedschap is voorzien van een gereedschapbeveiligingssysteem. Dit systeem zorgt ervoor dat het vermogen van de motor automatisch wordt verlaagd of de voeding van de motor automatisch wordt onderbroken om de levensduur van het gereedschap te verlengen. Het gereedschap kan tijdens het gebruik automatisch het vermogen verlagen of de voeding onderbreken als het gereedschap aan één van de volgende omstandigheden wordt blootgesteld:

Overbelastingsbeveiliging

Wanneer het gereedschap wordt gebruikt op een manier die een abnormaal hoge stroomsterkte vergt, verlaagt het gereedschap automatisch het vermogen zonder dat een indicatielampje gaat branden. Hef in deze situatie de oorzaak van de overbelasting op zodat het toerental weer toeneemt.

Oververhittingsbeveiliging

Afhankelijk van het land

Wanneer het gereedschap oververhit is, stopt het gereedschap automatisch en knippert het indicatielampje rood. In dat geval laat u het gereedschap afkoelen. U kunt het gereedschap weer inschakelen nadat de kleur van het lampje is veranderd van rood naar groen.

Indicatielampje

► Fig.1: 1. Indicatielampje

Het indicatielampje brandt groen wanneer de stekker van het gereedschap in het stopcontact zit. Als het indicatielampje rood knippert, is de werking gestopt door de oververhittingsbeveiliging, de actie-terugkoppelingsdetectietechnologie of de beveiliging tegen onopzettelijk herstarten. In dat geval schakelt u het gereedschap uit. Schakel daarna het gereedschap in om het weer te starten. Als het indicatielampje rood brandt nadat het gereedschap is uitgeschakeld, is het gereedschap oververhit. In dat geval laat u het gereedschap afkoelen en wacht u tot het indicatielampje groen brandt.

Toerentalregelaar

Alleen voor de modellen GA4593 en GA5093

⚠ LET OP: Als het gereedschap gedurende een lange tijd continu op een laag toerental wordt gebruikt, wordt de motor overbelast en oververhit.

⚠ LET OP: De toerentalregelaar kan slechts tot stand 5 worden gedraaid en worden teruggedraaid tot stand 1. Forceer de regelaar niet voorbij stand 5 of stand 1 omdat de toerentalregeling daardoor defect kan raken.

U kunt het toerental veranderen door de toerentalregelaar te draaien en in te stellen op een cijfer van 1 tot en met 5. Het toerental wordt hoger wanneer u de regelaar in de richting van het cijfer 5 draait. Het toerental wordt lager wanneer u de regelaar in de richting van het cijfer 1 draait. Zie de onderstaande tabel voor de verhouding tussen de cijfers op de regelaar en het toerental bij benadering.

Cijfer	Nominaal toerental
1	2.800 min ⁻¹
2	4.500 min ⁻¹
3	6.500 min ⁻¹
4	8.000 min ⁻¹
5	11.500 min ⁻¹

► Fig.2: 1. Toerentalregelaar

Asvergrendeling

⚠ WAARSCHUWING: Bedien de asvergrendeling nooit terwijl de as draait. Dit kan ernstig letsel of beschadiging van het gereedschap veroorzaken.

Druk de asvergrendeling in om te voorkomen dat de as meedraait wanneer u accessoires aanbrengt of verwijdert.

► Fig.3: 1. Asvergrendeling

Werking van de schakelaar

⚠ LET OP: Controleer altijd, voordat u de stekker van het gereedschap in het stopcontact steekt, of de aan-uitschakelaar op de juiste manier schakelt en weer terugkeert naar de uitstand nadat deze is losgelaten.

⚠ LET OP: Omwille van uw veiligheid is dit gereedschap uitgerust met een uit-vergrendelknop die voorkomt dat het gereedschap onbedoeld wordt ingeschakeld. Gebruik het gereedschap NOOIT wanneer dit kan worden ingeschakeld door gewoon de aan-uitschakelaar in te knijpen zonder de uit-vergrendelknop te bedienen. Stuur het gereedschap voor deugdelijke reparatie terug naar ons erkend servicecentrum ALVORENS het verder te gebruiken.

⚠ LET OP: Knijp de aan-uitschakelaar niet hard in zonder de uit-vergrendelknop in te drukken. Hierdoor kan de schakelaar kapot gaan.

⚠ LET OP: U mag NOOIT het doel of de werking van de uit-vergrendelknop teniet doen of deze vastplakken.

Om te voorkomen dat de aan-uitschakelaar per ongeluk wordt ingeknepen, is een uit-vergrendelknop aangebracht.

Om het gereedschap te starten, trekt u de uit-vergrendelknop in de richting van de gebruiker en knijpt u vervolgens de aan-uitschakelaar in.

Om het gereedschap te stoppen, laat u de aan-uitschakelaar los.

► **Fig.4:** 1. Uit-vergrendelknop 2. Aan-uitschakelaar

Elektronische functie

Actieve terugkoppelingsdetectietechnologie

▲LET OP: Houd het gereedschap stevig vast tot het niet meer ronddraait.

Het gereedschap detecteert elektronisch situaties waarin de schijf of het accessoire gevaar loopt om vast te lopen. In een dergelijke situatie schakelt het gereedschap automatisch de stroom uit om verder ronddraaien van de as te voorkomen (dit voorkomt niet terugslag). Op dat moment knippert het indicatielampje rood om aan te geven dat de actieve terugkoppelingsdetectietechnologie in werking is getreden.

Om het gereedschap te starten, schakelt u eerst het gereedschap uit, heft u de oorzaak van de plotselinge afname van het toerental op, en schakelt u daarna het gereedschap weer in.

Beveiliging tegen onopzettelijk herstarten

Wanneer de stekker van het gereedschap in het stopcontact wordt gestoken terwijl de schakelaar in de aan-stand staat, start het gereedschap niet.

Op dat moment knippert het indicatielampje rood waarmee wordt aangegeven dat de beveiligingsfunctie tegen onopzettelijk herstarten werkt.

Om het gereedschap te starten, schakelt u de schakelaar uit en weer in.

Constant-toerentalregeling

Maakt een gladde afwerking mogelijk omdat het toerental constant wordt gehouden, zelfs bij belasting.

Zachte-startfunctie

De zachte-startfunctie voorkomt abrupt schoksgewijs inschakelen.

Mechanische rem

Alleen voor de modellen GA4593, GA4594, GA5093 en GA5094

De mechanische rem wordt ingeschakeld nadat het gereedschap is uitgeschakeld.

De rem werkt niet wanneer de elektrische voeding wordt onderbroken terwijl de schakelaar is ingeschakeld.

MONTAGE

▲LET OP: Zorg altijd dat het gereedschap is uitgeschakeld en dat zijn stekker uit het stopcontact is verwijderd alvorens enig werk aan het gereedschap uit te voeren.

De zijhandgreep (handvat) monteren

▲LET OP: Controleer altijd voor gebruik of de zijhandgreep stevig vastzit.

Draai de zijhandgreep vast op het gereedschap in een van de standen aangegeven in de afbeelding.

► **Fig.5**

De beschermkap aanbrengen of verwijderen

▲WAARSCHUWING: Bij gebruik van een schijf met een verzonken middengat, lamellenschijf, flexischijf of schijfvormige draadborstel moet de beschermkap zodanig op het gereedschap worden gemonteerd dat de gesloten zijde van de kap altijd naar de gebruiker is gekeerd.

▲WAARSCHUWING: Zorg ervoor dat de beschermkap goed vergrendeld wordt door de vergrendelhendel in een van de gaten in de beschermkap.

▲WAARSCHUWING: Wanneer u een doorslijpschijf of diamantschijf gebruikt, moet u altijd een beschermkap gebruiken die speciaal ontworpen is voor gebruik met doorslijpschijven.

Voor schijf met een verzonken middengat, lamellenschijf, flexischijf, schijfvormige draadborstel/doorslijpschijf, diamantschijf

1. Terwijl u de vergrendelhendel ingedrukt houdt, monteert u de beschermkap met de uitsteeksels aan de beschermkap recht tegenover de inkepingen in het lagerhuis.

► **Fig.6:** 1. Vergrendelhendel 2. Inkeping 3. Uitsteeksel

2. Terwijl u de vergrendelhendel in de richting A duwt, houdt u de beschermkap op de posities B omlaag geduwd, zoals aangegeven in de afbeelding.

► **Fig.7:** 1. Beschermkap 2. Gat

OPMERKING: Duw de beschermkap recht omlaag. Anders kunt u de beschermkap niet bevestigen.

3. Terwijl u tegen de vergrendelhendel in de richting A duwt, draait u de beschermkap in de richting C om de hoek van de beschermkap te veranderen overeenkomstig de werkzaamheden zodat de gebruiker wordt beschermd. Lijn de vergrendelhendel uit met één van de gaten in de beschermkap en laat daarna de vergrendelhendel los om de beschermkap te vergrendelen.

► **Fig.8:** 1. Beschermkap 2. Gat

Om de beschermkap te verwijderen, volgt u de procedure voor het aanbrengen in de omgekeerde volgorde.

Opklikhulpstuk voor de beschermkap van een slijpschijf

Optioneel accessoire

OPMERKING: Bij doorslijpwerkzaamheden kan een opklikhulpstuk voor de beschermkap van een slijpschijf worden gebruikt met de beschermkap (voor een slijpschijf).

Niet verkrijgbaar in sommige landen.

► Fig.9

Een schijf met een verzonken middengat of een lamellenschijf aanbrengen en verwijderen

Optioneel accessoire

⚠WAARSCHUWING: Bij gebruik van een schijf met een verzonken middengat of een lamellenschijf, moet de beschermkap zodanig op het gereedschap worden aangebracht dat de gesloten zijde van de kap altijd naar de gebruiker is gekeerd.

⚠WAARSCHUWING: Zorg ervoor dat de pasrand van de binnenflens perfect past in de binnendiameter van de schijf met een verzonken middengat of lamellenschijf. Als u de binnenflens met de verkeerde zijkant aanbrengt, kunnen gevaarlijke trillingen het gevolg zijn.

Breng de binnenflens aan op de as. Zorg ervoor dat het ingedeukte deel van de binnenflens wordt aangebracht op het rechte deel onderaan de as. Pas de schijf met een verzonken middengat of lamellenschijf op de binnenflens en draai de borgmoer op de as vast.

► Fig.10: 1. Borgmoer 2. Schijf met een verzonken middengat 3. Binnenflens 4. Pasrand

Om de borgmoer vast te draaien, drukt u de asvergrendeling stevig in zodat de as niet kan draaien, en gebruikt u vervolgens de borgmoersleutel om de borgmoer stevig rechtsom vast te draaien.

► Fig.11: 1. Borgmoersleutel 2. Asvergrendeling

Om de schijf te verwijderen, volgt u de procedure in omgekeerde volgorde.

Een flexischijf aanbrengen of verwijderen

Optioneel accessoire

⚠WAARSCHUWING: Gebruik altijd de bijgeleverde beschermkap wanneer een flexischijf op het gereedschap is aangebracht. De schijf kan tijdens het gebruik kapotslaan en de beschermkap helpt om persoonlijk letsel te voorkomen.

► Fig.12: 1. Borgmoer 2. Flexischijf 3. Rugschijf 4. Binnenflens

Houd u aan de instructies voor een schijf met een verzonken middengat, maar gebruik tevens een rugschijf onder de schijf.

Een schuurpapierschijf aanbrengen of verwijderen

Optioneel accessoire

► Fig.13: 1. Borgmoer voor schuren
2. Schuurpapierschijf 3. Rubber rugschijf

1. Bevestig de rubber rugschijf op de as.
2. Breng de schijf aan op de rubber rugschijf en draai de borgmoer voor schuren op de as.
3. Vergrendel de as met de asvergrendeling en draai de borgmoer voor schuren stevig rechtsom vast met behulp van de borgmoersleutel.

Om de schijf te verwijderen, volgt u de procedure in omgekeerde volgorde.

OPMERKING: Gebruik schuuraccessoires die worden beschreven in deze gebruiksaanwijzing. Deze moeten afzonderlijk worden aangeschaft.

Superflens

Optioneel accessoire

Alleen voor de modellen GA4595 en GA5095

De Superflens is een speciaal accessoire voor een model dat NIET is uitgerust met een remfunctie. Hierbij is slechts 1/3 van de kracht nodig voor het losmaken van de borgmoer, vergeleken met het conventionele type.

De Ezynut aanbrengen en verwijderen

Optioneel accessoire

Alleen voor gereedschappen met M14-asschroefdraad.

⚠LET OP: De Ezynut kan niet worden gebruikt tezamen met de Superflens. Deze flenzen zijn zo dik dat de volledige schroefdraad niet meer past op de as.

Bevestig de binnenflens, de slijpschijf en de Ezynut zodanig op de as dat het Makita-logo op de Ezynut naar buiten wijst.

► Fig.14: 1. Ezynut 2. Slijpschijf 3. Binnenflens 4. As

Druk de asvergrendeling stevig in en draai de Ezynut vast door de slijpschijf zover mogelijk rechtsom te draaien.

► Fig.15: 1. Asvergrendeling

Draai de buitenste ring van de Ezynut linksom om hem los te draaien.

OPMERKING: De Ezynut kan met de hand worden losgedraaid wanneer de pijl voor de uitsparing staat. Anders is een borgmoersleutel vereist om de moer los te draaien. Steek één pen van de sleutel in een gat en draai de Ezynut linksom.

► Fig.16: 1. Pijl 2. Uitsparing

► Fig.17

Een doorslijpschijf of diamantschijf aanbrengen

Optioneel accessoire

⚠ WAARSCHUWING: Wanneer u een doorslijpschijf of diamantschijf gebruikt, moet u altijd een beschermkap gebruiken die speciaal ontworpen is voor gebruik met doorslijpschijven.

⚠ WAARSCHUWING: Gebruik **NOOIT** een doorslijpschijf om zijdelings mee te slijpen.

- **Fig.18:** 1. Borgmoer 2. Doorslijpschijf of diamantschijf 3. Binnenflens 4. Beschermkap voor doorslijpschijf of diamantschijf

Volg voor het aanbrengen de instructies voor een schijf met een verzonken middengat.

De montagerichting van de borgmoer en binnenflens verschilt afhankelijk van het type en de dikte van de schijf.

Zie de volgende afbeeldingen.

Een doorslijpschijf aanbrengen:

- **Fig.19:** 1. Borgmoer 2. Doorslijpschijf (dunner dan 4 mm (5/32")) 3. Doorslijpschijf (4 mm (5/32")) of dikker) 4. Binnenflens

Een diamantschijf aanbrengen:

- **Fig.20:** 1. Borgmoer 2. Diamantschijf (dunner dan 4 mm (5/32")) 3. Diamantschijf (4 mm (5/32")) of dikker) 4. Binnenflens

Een komvormige draadborstel aanbrengen

Optioneel accessoire

⚠ LET OP: Gebruik de draadborstel niet wanneer deze beschadigd is of onbalans heeft. Het gebruik van een beschadigde draadborstel verhoogt de kans op verwonding door aanraking van afgebroken borsteldraden.

Leg het gereedschap ondersteboven zodat de as goed toegankelijk is.

Verwijder alle accessoires vanaf de as. Draai de komvormige draadborstel op de as en draai hem vast met behulp van de bijgeleverde sleutel.

- **Fig.21:** 1. Komvormige draadborstel

Een schijfvormige draadborstel aanbrengen

Optioneel accessoire

⚠ LET OP: Gebruik de schijfvormige draadborstel niet wanneer deze beschadigd is of onbalans heeft. Het gebruik van een beschadigde schijfvormige draadborstel verhoogt de kans op verwonding door aanraking van afgebroken borsteldraden.

⚠ LET OP: Gebruik bij de schijfvormige draadborstel **ALTIJD** de beschermkap, waarbij de buitendiameter van de schijfvormige draadborstel binnenin de beschermkap moet vallen. De schijf kan tijdens het gebruik kapotslaan en de beschermkap helpt om persoonlijk letsel te voorkomen.

Leg het gereedschap ondersteboven zodat de as goed toegankelijk is.

Verwijder alle accessoires vanaf de as. Draai de schijfvormige draadborstel op de as en zet deze vast met de bijgeleverde sleutel.

- **Fig.22:** 1. Schijfvormige draadborstel

De gatenzaag aanbrengen

Optioneel accessoire

Leg het gereedschap ondersteboven zodat de as goed toegankelijk is.

Verwijder alle accessoires vanaf de as. Draai de gatenzaag op de as en zet hem daarna vast met behulp van de bijgeleverde sleutel.

- **Fig.23:** 1. Gatenzaag

De stofbeschermkap voor slijpen aanbrengen

Optioneel accessoire

Met optionele accessoires kunt u dit gereedschap gebruiken voor het schuren van betonnen oppervlakken.

⚠ LET OP: De stofbeschermkap voor diamantkomschijven is uitsluitend bedoeld voor het schuren van betonnen oppervlakken met een diamantkomschijf. Gebruik deze beschermkap niet met enig ander slijpaccessoire of voor enig ander doel.

⚠ LET OP: Verzeker u er vóór gebruik van dat de stofzuiger is aangesloten op het gereedschap en is ingeschakeld.

Leg het gereedschap ondersteboven en breng de stofbeschermkap aan.

Breng de binnenflens aan op de as.

Pas de komvormige diamantschijf op de binnenflens en draai de borgmoer op de as vast.

- **Fig.24:** 1. Borgmoer 2. Komvormige diamantschijf 3. Komvormige diamantschijf met naaf 4. Binnenflens 5. Stofbeschermkap 6. Lagerhuis

OPMERKING: Voor informatie over het aanbrengen van de stofbeschermkap, raadpleegt u de gebruiksaanwijzing van de stofbeschermkap.

De stofbeschermkap voor doorslijpen aanbrengen

Optioneel accessoire

Met optionele accessoires kunt u dit gereedschap gebruiken voor het doorslijpen van steen.

► Fig.25

OPMERKING: Voor informatie over het aanbrengen van de stofbeschermkap, raadpleegt u de gebruiksaanwijzing van de stofbeschermkap.

Een stofzuiger aansluiten

Optioneel accessoire

⚠WAARSCHUWING: Zuig nooit metaaldeeltjes op afkomstig van slijp-, doorslijp- of schuurwerkzaamheden. Metaaldeeltjes die door dergelijke werkzaamheden zijn gevormd, zijn dermate heet dat ze stof en het filter in de stofzuiger kunnen doen ontbranden.

Om een stoffige werkomgeving als gevolg van het doorslijpen van stenen te voorkomen, gebruikt u een stofbeschermkap en een stofzuiger.

Raadpleeg tevens de gebruiksaanwijzing van de stofbeschermkap voor informatie over het aanbrengen en gebruik ervan.

► Fig.26: 1. Stofbeschermkap 2. Slang van de stofzuiger

De stofafdekking aanbrengen en verwijderen

Optioneel accessoire

⚠LET OP: Zorg altijd dat het gereedschap is uitgeschakeld en de stekker uit het stopcontact is getrokken, voordat u de stofafdekking gaat aanbrengen of verwijderen. Als u dit niet doet, wordt schade aan het gereedschap of persoonlijk letsel veroorzaakt.

Breng de stofafdekking aan op elke opgegeven positie. Raadpleeg de gebruiksaanwijzing van de stofafdekking voor meer informatie.

KENNISGEVING: Maak de stofafdekking schoon wanneer het verstopt zit met stof of vreemde voorwerpen. Als u het gereedschap blijft gebruiken met een verstopte stofafdekking, kan het gereedschap beschadigd raken.

BEDIENING

⚠WAARSCHUWING: Het is in geen geval ooit nodig om grote druk op het gereedschap uit te oefenen. Het gewicht van het gereedschap oefent voldoende druk uit. Forceren of te grote druk uitoefenen kan ertoe leiden dat de schijf breekt, hetgeen gevaarlijk is.

⚠WAARSCHUWING: Vervang ALTIJD de schijf als het gereedschap tijdens het slijpen is gevallen.

⚠WAARSCHUWING: Laat NOOIT de schijf met kracht op uw werkstuk terechtkomen.

⚠WAARSCHUWING: Voorkom dat de schijf springt of bekneld raakt, met name bij het werken rond hoeken, scherpe randen enz. Dat kan leiden tot terugslag of verlies van controle over het gereedschap.

⚠WAARSCHUWING: Gebruik dit gereedschap NOOIT met houtzagen en andere zaagbladen. Zulke zaagbladen op een slijpmachine leiden vaak tot terugslag of verlies van controle over het gereedschap, wat kan leiden tot persoonlijk letsel.

⚠WAARSCHUWING: Als u een versleten schijf blijft gebruiken, kan de schijf exploderen met ernstig persoonlijk letsel tot gevolg.

⚠LET OP: Schakel nooit het gereedschap in terwijl dat het werkstuk al raakt omdat hierdoor letsel kan worden veroorzaakt bij de gebruiker.

⚠LET OP: Draag tijdens gebruik altijd een veiligheidsbril of spatscherm.

⚠LET OP: Schakel na gebruik altijd het gereedschap uit en wacht tot de schijf helemaal tot stilstand is gekomen voordat u het gereedschap neerlegt.

⚠LET OP: Houd het gereedschap ALTIJD stevig vast met één hand op de behuizing en de andere hand aan de zijhandgreep (handvat).

OPMERKING: Een multifunctionele schijf kan worden gebruikt voor zowel slijp- als doorslijpwerkzaamheden.

Raadpleeg de tekst onder "Gebruik met een schijf" voor slijpwerkzaamheden, en raadpleeg de tekst onder "Gebruik met een doorslijpschijf of diamant-schijf" voor doorslijpwerkzaamheden.

Gebruik met een schijf

► Fig.27

Schakel het gereedschap in en breng daarna de schijf op/in het werkstuk.

In het algemeen geldt: houd de rand van de schijf onder een hoek van ongeveer 15° op het oppervlak van het werkstuk.

Tijdens de inlooptijd van een nieuwe schijf mag u de slijpmachine niet in voorwaartse richting bewegen omdat deze anders in het werkstuk kan 'invreten'. Pas nadat de rand van de schijf door slijtage is afgerond, mag u de schijf in zowel voorwaartse als achterwaartse richting gebruiken.

Gebruik met een doorslijpschijf of diamantschijf

Optioneel accessoire

⚠ WAARSCHUWING: Laat de schijf niet vastlopen en oefen geen buitensporige druk uit. Probeer niet een buitensporig diepe snede te slijpen. Een te grote kracht op de schijf verhoogt de belasting en de kans dat de schijf in de snede verdraait of vastloopt, waardoor terugslag kan optreden, de schijf kan breken of de motor oververhit kan raken.

⚠ WAARSCHUWING: Begin niet met doorslijpen terwijl de schijf al in het werkstuk steekt. Wacht totdat de schijf op maximaal toerental draait en breng daarna de schijf voorzichtig in de snede terwijl u het gereedschap voorwaarts beweegt over het oppervlak van het werkstuk. Wanneer het elektrisch gereedschap wordt ingeschakeld terwijl de schijf al in het werkstuk steekt, kan de schijf vastlopen, omhoog lopen of terugslaan.

⚠ WAARSCHUWING: Tijdens het doorslijpen mag u nooit de hoek van de schijf veranderen. Door zijdelingse druk uit te oefenen op de doorslijpschijf (zoals bij slijpen), zal de schijf barsten en breken waardoor ernstig persoonlijk letsel wordt veroorzaakt.

⚠ WAARSCHUWING: Een diamantschijf moet haaks op het door te slijpen werkstuk worden gebruikt.

Praktijkvoorbeeld: gebruik met een doorslijpschijf
► Fig.28

Praktijkvoorbeeld: gebruik met een diamantschijf
► Fig.29

Gebruik met een komvormige draadborstel

Optioneel accessoire

⚠ LET OP: Controleer de werking van de draadborstel door het gereedschap onbelast te laten draaien terwijl u erop let dat niemand vóór of in één lijn met de draadborstel staat.

Praktijkvoorbeeld: gebruik met een komvormige draadborstel
► Fig.30

KENNISGEVING: Voorkom tijdens gebruik van de draadborstel te veel druk waardoor de borsteldraden te veel verbuigen. Dit kan leiden tot voortijdig afbreken.

Gebruik met een schijfvormige draadborstel

Optioneel accessoire

⚠ LET OP: Controleer de werking van de schijfvormige draadborstel door het gereedschap onbelast te laten draaien terwijl u erop let dat niemand vóór of in één lijn met de schijfvormige draadborstel staat.

Praktijkvoorbeeld: gebruik met een schijfvormige draadborstel
► Fig.31

KENNISGEVING: Voorkom tijdens gebruik van de draadborstel te veel druk waardoor de draden van de schijfvormige draadborstel te veel verbuigen. Dit kan leiden tot voortijdig afbreken.

Gebruik met een gatenzaag

Optioneel accessoire

⚠ LET OP: Controleer de werking van de gatenzaag door het gereedschap onbelast te laten draaien terwijl u erop let dat niemand vóór de gatenzaag staat.

KENNISGEVING: Kantel het gereedschap niet tijdens gebruik. Dit kan leiden tot een voortijdig defect.

Praktijkvoorbeeld: gebruik met een gatenzaag
► Fig.32

ONDERHOUD

⚠ LET OP: Zorg altijd dat het gereedschap is uitgeschakeld en zijn stekker uit het stopcontact is verwijderd alvorens te beginnen met inspectie of onderhoud.

KENNISGEVING: Gebruik nooit benzine, wasbenzine, thinner, alcohol en dergelijke. Hierdoor kunnen verkleuring, vervormingen en barsten worden veroorzaakt.

Om de VEILIGHEID en BETROUWBAARHEID van het gereedschap te handhaven, dienen alle reparaties, onderhoud of afstellingen te worden uitgevoerd bij een erkend Makita-servicecentrum of de Makita-fabriek, en altijd met gebruik van Makita-ervangingsonderdelen.

De ventilatieopeningen schoonmaken

Zorg dat het gereedschap en de ventilatieopeningen steeds goed schoon blijven. Maak regelmatig de ventilatieopeningen schoon en let goed op dat ze niet verstopt raken.

► Fig.33: 1. Luchtuitlaatopening
2. Luchtinlaatopening

COMBINATIE VAN TOEPASSINGEN EN ACCESSOIRES

Optioneel accessoire

⚠ LET OP: Als het gereedschap met een verkeerde beschermkap wordt gebruikt, kunnen de volgende risico's zich voordoen.

- Als een beschermkap voor doorslijpen wordt gebruikt voor het slijpen van een oppervlak, kan de beschermkap tegen het werkstuk komen wat tot een slechte controle over het gereedschap leidt.
- Als een beschermkap voor slijpen wordt gebruikt voor doorslijpen met behulp van een gelijmde slijpschijf of diamantschijf, bestaat een verhoogd risico van blootstelling aan de draaiende schijf, rondvliegende vonken en deeltjes, naast blootstelling aan afgebroken stukjes van de schijf in het geval de schijf uit elkaar breekt.
- Als een beschermkap voor doorslijpen of een beschermkap voor slijpen wordt gebruikt voor oppervlaktebewerkingen met een komvormige diamantschijf, kan de beschermkap tegen het werkstuk komen wat tot een slechte controle over het gereedschap leidt.
- Als een beschermkap voor doorslijpen of een beschermkap voor slijpen wordt gebruikt met een schijfvormige draadborstel die dikker is dan de maximale dikte zoals vermeld in "TECHNISCHE GEGEVENS", kunnen de draden tegen de beschermkap komen waardoor de draden afbreken.
- Het gebruik van een stofbeschermkap tijdens het doorslijpen of oppervlaktebewerkingen op beton of metselwerk, verlaagt het risico van blootstelling aan stof.
- Bij gebruik van een flens-gemonteerde multifunctionele schijf (voor zowel slijpen als doorslijpen), gebruikt u alleen de beschermkap voor doorslijpen.

► Fig.34

Alleen voor de modellen GA4593, GA4594, GA5093 en GA5094

-	Toepassing	Model voor 115 mm	Model voor 125 mm
1	-	Zijhandgreep	
2	-	Beschermkap (voor slijpschijf)	
3	-	Binnenflens	
4	Slijpen/schuren	Schijf met een verzonken middengat / lamellenschijf	
5	-	Borgmoer	
6	-	Ezynut*1*2	
7	-	Rugschijf	
8	Slijpen/schuren	Flexischijf	
9	-	Rubber rugschijf 100	Rubber rugschijf 115
10	Schuren	Schuurpaperschijf	
11	-	Borgmoer voor schuren	
12	Draadborstelen	Schijfvormige draadborstel	
13	Draadborstelen	Komvormige draadborstel	
14	Gaten zagen	Gatenzaag	
15	-	Beschermkap (voor doorslijpschijf)	
16	Doorslijpen	Doorslijpschijf/diamantschijf	
17	Slijpen/doorslijpen	Multifunctionele schijf	
18	-	Opklikhulpstuk voor de beschermkap van een slijpschijf*3	
19	-	Stofbeschermkap voor doorslijpen	
20	Doorslijpen	Diamantschijf	
21	-	Stofbeschermkap voor slijpen	
22	Slijpen	Komvormige diamantschijf	
-	-	Borgmoersleutel	
-	-	Stoffilter	

Alleen voor de modellen GA4595 en GA5095

-	Toepassing	Model voor 115 mm	Model voor 125 mm
1	-	Zijhandgreep	
2	-	Beschermkap (voor slijpschijf)	
3	-	Binnenflens/Superflens*1*2	
4	Slijpen/schuren	Schijf met een verzonken middengat / lamellenschijf	
5	-	Borgmoer	
6	-	Ezynut *1*2	
7	-	Rugschijf	
8	Slijpen/schuren	Flexischijf	
9	-	Rubber rugschijf 100	Rubber rugschijf 115
10	Schuren	Schuurpapierschijf	
11	-	Borgmoer voor schuren	
12	Draadborstelen	Schijfvormige draadborstel	
13	Draadborstelen	Komvormige draadborstel	
14	Gaten zagen	Gatenzaag	
15	-	Beschermkap (voor doorslijpschijf)	
16	Doorslijpen	Doorslijpschijf/diamantschijf	
17	Slijpen/doorslijpen	Multifunctionele schijf	
18	-	Opklikhulpstuk voor de beschermkap van een slijpschijf*3	
19	-	Stofbeschermkap voor doorslijpen	
20	Doorslijpen	Diamantschijf	
21	-	Stofbeschermkap voor slijpen	
22	Slijpen	Komvormige diamantschijf	
-	-	Borgmoersleutel	
-	-	Stoffilter	

OPMERKING: *1 De Superflens en de Ezynut mogen niet tezamen worden gebruikt.

OPMERKING: *2 Alleen voor gereedschappen met M14-asschroefdraad.

OPMERKING: *3 Het opklikhulpstuk voor de beschermkap van een slijpschijf is niet verkrijgbaar in sommige landen. Raadpleeg de gebruiksaanwijzing van het opklikhulpstuk voor de beschermkap van een slijpschijf voor meer informatie.

OPMERKING: Gebruik de Superflens niet op een slijpmachine die is uitgerust met een remfunctie.

OPTIONELE ACCESSOIRES

LET OP: Deze accessoires of hulpstukken worden aanbevolen voor gebruik met het Makita gereedschap dat in deze gebruiksaanwijzing is beschreven. Bij gebruik van andere accessoires of hulpstukken bestaat het gevaar van persoonlijke letsel. Gebruik de accessoires of hulpstukken uitsluitend voor hun bestemde doel.

Wenst u meer bijzonderheden over deze accessoires, neem dan contact op met het plaatselijke Makita-servicecentrum.

- Accessoires vermeld onder "COMBINATIE VAN TOEPASSINGEN EN ACCESSOIRES"

OPMERKING: Sommige items op de lijst kunnen zijn inbegrepen in de doos van het gereedschap als standaard toebehoren. Deze kunnen van land tot land verschillen.






ESPECIFICACIONES

Modelo:		GA4593	GA4594	GA4595	GA5093	GA5094	GA5095
Muela de esmerilar aplicable	Diámetro máx. de la muela	115 mm			125 mm		
	Grosor máx. de la muela	7,2 mm					
Muela de corte aplicable	Diámetro máx. de la muela	115 mm			125 mm		
	Grosor máx. de la muela	3,2 mm					
Cepillo circular de alambre aplicable	Diámetro máx. de la muela	115 mm			125 mm		
	Grosor máx. de la muela	20 mm					
Rosca de mandril	M14 o 5/8" (específico para cada país)						
Longitud máxima del mandril	23 mm						
Velocidad sin carga (n ₀)/Velocidad nominal (n)	11.500 min ⁻¹						
Longitud total	349 mm		326 mm		349 mm		326 mm
Peso neto	2,8 - 4,0 kg		2,6 - 3,8 kg		2,9 - 4,0 kg		2,7 - 3,8 kg
Clase de seguridad	□/II						

- Debido a nuestro continuado programa de investigación y desarrollo, las especificaciones aquí dadas están sujetas a cambios sin previo aviso.
- Las especificaciones pueden ser diferentes de país a país.
- El peso puede variar dependiendo del accesorio(s). La combinación menos pesada y la más pesada, de acuerdo con el procedimiento EPTA 01/2014, se muestran en la tabla.

Símbolos

A continuación se muestran los símbolos que pueden ser utilizados para el equipo. Asegúrese de que entienda su significado antes de utilizar.

	Lea el manual de instrucciones.
	Póngase gafas de seguridad.
	Utilice siempre con las dos manos.
	No utilice el protector de muela para operaciones de corte.
	DOBLE AISLAMIENTO



Sólo para países de la Unión Europea
Debido a la presencia de componentes peligrosos en el equipo, el equipo eléctrico y electrónico desechado puede tener un impacto negativo para el medioambiente y la salud humana.

¡No tire los aparatos eléctricos y electrónicos junto con los residuos domésticos!
De conformidad con las Directivas Europeas sobre residuos de aparatos eléctricos y electrónicos, y su adaptación a la ley nacional, el equipo eléctrico y electrónico desechado deberá ser recogido por separado y trasladado a un punto distinto de recogida de desechos municipales, que cumpla con los reglamentos de protección medioambiental.

Esto se indica mediante el símbolo de cubo de basura tachado colocado en el equipo.

Uso previsto

La herramienta ha sido prevista para esmerilar, lijar, cepillar con alambres, hacer agujeros y cortar materiales de metal y piedra sin utilizar agua.

Alimentación

La herramienta deberá ser conectada solamente a una fuente de alimentación de la misma tensión que la indicada en la placa de características, y solamente puede ser utilizada con alimentación de CA monofásica. La herramienta tiene doble aislamiento y puede, por lo tanto, utilizarse también en tomas de corriente sin conductor de tierra.

Ruido

El nivel de ruido A-ponderado típico determinado de acuerdo con la norma 62841-2-3:

Modelo	Nivel de presión del sonido (L_{pA}) : (dB (A))	Nivel de potencia del sonido (L_{WA}) : (dB (A))	Incertidumbre (K) : (dB (A))
GA4593	91	99	3
GA4594	91	99	3
GA4595	94	102	3
GA5093	91	99	3
GA5094	91	99	3
GA5095	94	102	3

NOTA: El valor (o los valores) de emisión de ruido declarado ha sido medido de acuerdo con un método de prueba estándar y se puede utilizar para comparar una herramienta con otra.

NOTA: El valor (o valores) de emisión de ruido declarado también se puede utilizar en una valoración preliminar de exposición.

⚠️ ADVERTENCIA: Póngase protectores para oídos.

⚠️ ADVERTENCIA: La emisión de ruido durante la utilización real de la herramienta eléctrica puede variar del valor (o los valores) de emisión declarado dependiendo de las formas en las que la herramienta sea utilizada, especialmente qué tipo de pieza de trabajo se procesa.

⚠️ ADVERTENCIA: Asegúrese de identificar medidas de seguridad para proteger al operario que estén basadas en una estimación de la exposición en las condiciones reales de utilización (teniendo en cuenta todas las partes del ciclo operativo como las veces cuando la herramienta está apagada y cuando está funcionando en vacío además del tiempo de gatillo).

⚠️ ADVERTENCIA: Esmerilar láminas finas de metal u otras estructuras que vibren fácilmente y su superficie sea grande podrá resultar en una emisión total de ruido mucho más alta (hasta 15 dB) que los valores de emisión de ruido declarados.

Emplee almohadillas de amortiguación flexibles y gruesas o similares para esas piezas de trabajo para evitar que emitan sonido.

Tenga en cuenta el incremento de emisión de ruido tanto al valorar el riesgo de la exposición al ruido como al seleccionar la protección adecuada para los oídos.

Vibración

El valor total de la vibración (suma de vectores triaxiales) determinado de acuerdo con la norma 62841-2-3:

Modo de tarea: esmerilado superficial con empuñadura lateral normal

Modelo	Emisión de vibración ($a_{hv, AG}$) : (m/s^2)	Incertidumbre (K) : (m/s^2)
GA4593	5,8	1,5
GA4594	5,8	1,5
GA4595	5,4	1,5
GA5093	8,9	1,5
GA5094	8,9	1,5
GA5095	8,5	1,5

Modo de tarea: esmerilado superficial con empuñadura lateral antivibratoria

Modelo	Emisión de vibración ($a_{hv, AG}$) : (m/s^2)	Incertidumbre (K) : (m/s^2)
GA4593	5,7	1,5
GA4594	5,7	1,5
GA4595	5,2	1,5
GA5093	8,5	1,5
GA5094	8,5	1,5
GA5095	8,7	1,5

Modo de tarea: lijado con disco con empuñadura lateral normal

Modelo	Emisión de vibración ($a_{hv, DG}$): (m/s^2)	Incertidumbre (K): (m/s^2)
GA4593	2,6	1,5
GA4594	2,6	1,5
GA4595	2,6	1,5
GA5093	3,3	1,5
GA5094	3,3	1,5
GA5095	3,0	1,5

Modo de tarea: lijado con disco con empuñadura lateral antivibratoria

Modelo	Emisión de vibración ($a_{hv, DG}$): (m/s^2)	Incertidumbre (K): (m/s^2)
GA4593	2,5 m/s^2 o menos	1,5
GA4594	2,5 m/s^2 o menos	1,5
GA4595	2,9	1,5
GA5093	3,0	1,5
GA5094	3,0	1,5
GA5095	3,1	1,5

NOTA: El valor (o los valores) total de emisión de vibración declarado ha sido medido de acuerdo con un método de prueba estándar y se puede utilizar para comparar una herramienta con otra.

NOTA: El valor (o los valores) total de emisión de vibración declarado también se puede utilizar en una valoración preliminar de exposición.

⚠ ADVERTENCIA: La emisión de vibración durante la utilización real de la herramienta eléctrica puede variar del valor (o los valores) de emisión declarado dependiendo de las formas en las que la herramienta sea utilizada, especialmente qué tipo de pieza de trabajo se procesa.

⚠ ADVERTENCIA: Asegúrese de identificar medidas de seguridad para proteger al operario que estén basadas en una estimación de la exposición en las condiciones reales de utilización (teniendo en cuenta todas las partes del ciclo operativo como las veces cuando la herramienta está apagada y cuando está funcionando en vacío además del tiempo de gatillo).

⚠ ADVERTENCIA: El valor de emisión de vibración declarado se utiliza para las aplicaciones principales de la herramienta eléctrica. Sin embargo, si la herramienta eléctrica es utilizada para otras aplicaciones, el valor de emisión de vibración podrá ser diferente.

Declaración CE de conformidad

Para países europeos solamente

La declaración CE de conformidad está incluida como Anexo A de esta manual de instrucciones.

ADVERTENCIAS DE SEGURIDAD

Advertencias de seguridad para herramientas eléctricas en general

⚠ ADVERTENCIA: Lea todas las advertencias de seguridad, instrucciones, ilustraciones y especificaciones provistas con esta herramienta eléctrica. Si no sigue todas las instrucciones indicadas abajo podrá resultar en una descarga eléctrica, un incendio y/o heridas graves.

Guarde todas las advertencias e instrucciones para futuras referencias.

El término "herramienta eléctrica" en las advertencias se refiere a su herramienta eléctrica de funcionamiento con conexión a la red eléctrica (con cable) o herramienta eléctrica de funcionamiento a batería (sin cable).

Advertencias de seguridad para la esmeriladora

Advertencias de seguridad comunes para operaciones de esmerilar, lijar, cepillar con alambres, o de corte:

1. Esta herramienta eléctrica ha sido prevista para funcionar como esmeriladora, lijadora, cepillo de alambres, perforadora de agujeros o herramienta de corte. Lea todas las advertencias de seguridad, instrucciones, ilustraciones y especificaciones provistas con esta herramienta eléctrica. Si no sigue todas las instrucciones indicadas abajo podrá resultar en una descarga eléctrica, un incendio y/o heridas graves.

2. **Operaciones tales como las de pulido no han de ser realizadas con esta herramienta eléctrica.** Las operaciones para las que la herramienta eléctrica no ha sido diseñada podrán crear un riesgo y ocasionar heridas personales.
3. **No transforme esta herramienta eléctrica para que funcione de una manera que no haya sido específicamente diseñada y especificada por el fabricante de la herramienta.** Una conversión así puede resultar en una pérdida de control y ocasionar heridas personales graves.
4. **No utilice accesorios que no estén específicamente diseñados y especificados por el fabricante de la herramienta.** Solo porque el accesorio pueda ser colocado en su herramienta eléctrica no garantiza una operación segura.
5. **La velocidad nominal del accesorio deberá ser por lo menos igual a la velocidad máxima marcada en la herramienta eléctrica.** Los accesorios utilizados por encima de su velocidad nominal podrán romperse y salir despedidos.
6. **El diámetro exterior y el grosor de su accesorio deberán estar dentro del rango de capacidad de su herramienta eléctrica.** Los accesorios de tamaño incorrecto no podrán ser protegidos y controlados debidamente.
7. **Las dimensiones de la montura del accesorio deberán satisfacer las dimensiones del mecanismo de montaje de la herramienta eléctrica.** Los accesorios que no coincidan con el mecanismo de montaje de la herramienta eléctrica se desequilibrarán, vibrarán excesivamente y podrán ocasionar una pérdida de control.
8. **No utilice un accesorio que esté dañado. Antes de cada uso inspeccione los accesorios tales como las muelas abrasivas por si están resquebrajadas o agrietadas, el plato de respaldo por si está agrietado, rasgado o muy desgastado y el cepillo de alambres por si tiene alambres sueltas o quebradas. Si deja caer la herramienta eléctrica o el accesorio, inspeccione por si hay daños o instale un accesorio que no esté dañado. Después de inspeccionar e instalar un accesorio, póngase usted y cualquier curioso alejados del plano del accesorio giratorio y haga funcionar la herramienta eléctrica a la velocidad máxima sin carga durante un minuto.** Los accesorios dañados normalmente se desintegrarán durante este tiempo de prueba.
9. **Póngase equipo de protección personal. Dependiendo de la aplicación, utilice pantalla facial, gafas de protección o gafas de seguridad. Según corresponda, póngase mascarilla contra el polvo, protectores auditivos, guantes y delantal de taller que pueda detener pequeños fragmentos abrasivos o de pieza de trabajo.** La protección de los ojos deberá ser capaz de detener los restos que salen volando generados en las diferentes aplicaciones. La mascarilla contra el polvo o respirador deberá poder filtrar las partículas generadas en la operación que realice. Una exposición prolongada a ruido de alta intensidad podrá ocasionar pérdida auditiva.
10. **Mantenga a los curiosos a una distancia segura del área de trabajo. Cualquier persona que entre en el área de trabajo deberá ponerse equipo de protección personal.** Los fragmentos de la pieza de trabajo o de un accesorio roto podrán salir despedidos y ocasionar heridas más allá del área de operación.
11. **Cuando realice una operación en la que el accesorio de corte pueda entrar en contacto con cableado oculto o con su propio cable, sujete la herramienta eléctrica solamente por las superficies de aislamiento aisladas.** El contacto del accesorio de corte con un cable con corriente puede hacer que la corriente circule por las partes metálicas expuestas de la herramienta eléctrica y soltar una descarga eléctrica al operario.
12. **Coloque el cable apartado del accesorio giratorio.** Si pierde el control, el cable podrá ser cortado o enredarse y su mano o brazo ser arrastrado hacia el accesorio giratorio.
13. **No deje nunca la herramienta eléctrica hasta que el accesorio se haya detenido completamente.** El accesorio giratorio podrá agarrarse a la superficie y tirar de la herramienta eléctrica haciéndole perder el control de la misma.
14. **No tenga en marcha la herramienta eléctrica mientras la trasporta en su costado.** Un contacto accidental con el accesorio giratorio podrá enredar sus ropas, y tirar del accesorio hacia su cuerpo.
15. **Limpie regularmente las aberturas de ventilación de la herramienta eléctrica.** El ventilador del motor conducirá el polvo hacia el interior de la carcasa y una acumulación excesiva de metal en polvo podrá ocasionar peligros eléctricos.
16. **No utilice la herramienta eléctrica cerca de materiales inflamables.** Las chispas podrán prender fuego a estos materiales.
17. **No utilice accesorios que requieran refrigerantes líquidos.** La utilización de agua u otros refrigerantes líquidos puede resultar en electrocución o descarga eléctrica.

Advertencias sobre retrocesos bruscos y otros peligros relacionados:

El retroceso brusco es una reacción repentina debida a un aprisionamiento o estancamiento de la muela, plato de respaldo, cepillo o cualquier otro accesorio giratorio. El aprisionamiento o estancamiento ocasiona un detenimiento rápido del accesorio giratorio que a su vez hace que la herramienta eléctrica descontrolada sea forzada en dirección opuesta a la rotación del accesorio en el punto de bloqueo.

Por ejemplo, si una muela abrasiva queda aprisionada o estancada por la pieza de trabajo, el borde de la muela que está entrando en el punto de estancamiento puede hincarse en la superficie del material haciendo que la muela se salga de la hendidura o salte. La muela podrá saltar hacia el operario o en dirección contraria a él, dependiendo de la dirección del movimiento de la muela en el punto de estancamiento. Las muelas abrasivas también pueden romperse en estas condiciones. El retroceso brusco es el resultado de un mal manejo de la herramienta eléctrica y/o procedimientos o condiciones de operación incorrectos y pueden evitarse tomando las precauciones apropiadas ofrecidas abajo.

1. **Mantenga empuñada firmemente la herramienta eléctrica con ambas manos y coloque su cuerpo y brazos de forma que le permitan resistir las fuerzas del retroceso brusco. Utilice siempre el mango auxiliar, si está provisto, para tener el máximo control sobre el retroceso brusco o reacción de torsión durante la puesta en marcha.** El operario puede controlar las reacciones de torsión o fuerzas del retroceso brusco, si toma las precauciones adecuadas.

2. **No ponga nunca su mano cerca del accesorio giratorio.** El accesorio podrá retroceder bruscamente sobre su mano.
3. **No ponga su cuerpo en el área donde vaya a desplazarse la herramienta eléctrica si ocurre un retroceso brusco.** El retroceso brusco propulsará la herramienta en dirección opuesta al movimiento de la muela en el punto del enredo.
4. **Tenga cuidado especial cuando trabaje en esquinas, aristas vivas, etc. Evite el rebote y enredo del accesorio.** Las esquinas, aristas vivas o los rebotes tienen una tendencia a enredar el accesorio giratorio y causar una pérdida de control o retroceso brusco.
5. **No coloque una cadena de sierra, un disco de tallar madera, una muela de diamante segmentada con una holgura periférica mayor de 10 mm ni un disco de sierra dentado.** Tales discos crean retrocesos bruscos y pérdida de control frecuentes.

Advertencias de seguridad específicas para operaciones de esmerilar y de corte:

1. **Utilice solamente tipos de muela que estén especificadas para su herramienta eléctrica y el protector específico diseñado para la muela seleccionada.** Las muelas para las que no ha sido diseñada la herramienta eléctrica no pueden ser protegidas debidamente y no son seguras.
2. **La superficie para esmerilar de las muelas de centro hundido deberá estar montada debajo del plano de la falda del protector.** Una muela mal montada que sobresalga a través del plano de la falda del protector no estará bien protegida.
3. **El protector deberá estar colocado firmemente en la herramienta eléctrica y posicionado para ofrecer la máxima seguridad, de forma que hacia el operario quede expuesta la mínima parte de muela.** El protector ayuda a proteger al operario de fragmentos de una muela rota, de un contacto accidental con la muela y de chispas que pueden prender fuego a sus ropas.
4. **Las muelas deberán ser utilizadas solamente para aplicaciones especificadas. Por ejemplo: no esmerile con el lateral de una muela de corte.** Las muelas de corte abrasivo han sido previstas para esmerilado periférico, las fuerzas laterales aplicadas a estas muelas podrán ocasionar su desintegración.
5. **Utilice siempre bridas de muela que no estén dañadas, y del tamaño y forma correctos para la muela que ha seleccionado.** Las bridas de muela correctas sujetan la muela de tal manera que reducen la posibilidad de rotura de la muela. Las bridas para muelas de corte pueden ser diferentes de las bridas para muelas de esmerilar.
6. **No utilice muelas desgastadas de otras herramientas eléctricas más grandes.** Una muela prevista para herramienta eléctrica más grande no es apropiada para la velocidad mayor de una herramienta más pequeña y se podrá desintegrar.
7. **Cuando utilice muelas de doble uso utilice siempre el protector correcto para la tarea que esté realizando.** La no utilización del protector correcto puede que no proporcione el nivel de protección deseado, lo que puede dar lugar a heridas graves.

Advertencias de seguridad adicionales específicas para operaciones de corte:

1. **No “atasque” la muela de corte ni aplique presión excesiva. No intente hacer un corte de excesiva profundidad.** Si fatiga en exceso la muela, aumentará la carga y la susceptibilidad de retorcerse o estancarse en el corte y existirá la posibilidad de que se produzca un retroceso brusco o la rotura de la muela.
2. **No ponga su cuerpo en línea y por detrás de la muela giratoria.** Cuando la muela, en el punto de operación, se mueve apartándose de su cuerpo, un posible retroceso brusco puede impulsar la muela giratoria y la herramienta eléctrica directamente hacia usted.
3. **Cuando la muela esté estancándose o cuando quiera interrumpir un corte por cualquier razón, apague la herramienta eléctrica y sujétela sin moverla hasta que la muela se haya detenido completamente. No intente nunca sacar la muela de corte del corte mientras la muela esté moviéndose porque podrá producirse un retroceso brusco.** Investigue y tome medidas correctivas para eliminar la causa del estancamiento de la muela.
4. **No recomience la operación de corte en la pieza de trabajo. Deje que la muela alcance plena velocidad y vuelva a entrar en el corte cuidadosamente.** Si vuelve a poner en marcha la herramienta eléctrica en la pieza de trabajo, la muela podrá estancarse, saltar o retroceder bruscamente.
5. **Apoye los paneles o cualquier pieza de trabajo demasiado grande para minimizar el riesgo de que la muela se estanque o retroceda bruscamente.** Las piezas de trabajo grandes tienden a combarse con su propio peso. Deberá poner apoyos debajo de la pieza de trabajo cerca de la línea de corte y cerca del borde de la pieza de trabajo en ambos costados de la muela.
6. **Extreme las precauciones cuando haga un “corte por hundimiento” en paredes u otras áreas ciegas.** La parte saliente de la muela podría cortar tuberías de gas o agua, cables eléctricos u objetos que pueden ocasionar un retroceso brusco.
7. **No intente hacer un corte en curva.** Si fatiga en exceso la muela, aumentará la carga y la susceptibilidad de retorcerse o estancarse en el corte y existirá la posibilidad de que se produzca un retroceso brusco o la rotura de la muela, lo que podrá dar lugar a heridas graves.
8. **Antes de utilizar un disco de diamante segmentado, asegúrese de que el disco de diamante tiene una holgura periférica entre segmentos de 10 mm o menos, solamente con un ángulo de corte negativo.**

Advertencias de seguridad específicas para operaciones de lijado:

1. **Utilice discos de papel de lija del tamaño apropiado. Siga las recomendaciones del fabricante cuando seleccione papel de lija.** Un papel de lija más grande que sobresalga del plato de lijar presentará un riesgo de laceración y podrá ocasionar un enredo, desgarre del disco o un retroceso brusco.

Advertencias de seguridad específicas para operaciones de cepillado con alambres:

1. Sea consciente de que el cepillo lanza hebras de alambre incluso durante una operación normal. No fatigue los alambres aplicando una carga excesiva al cepillo. Las hebras de alambre pueden penetrar la ropa ligera y/o la piel fácilmente.
2. Si se especifica utilizar un protector para el cepillado con alambres, no permita ninguna interferencia del disco o el cepillo de alambres con el protector. El disco o el cepillo de alambres podrá expandir su diámetro debido a la carga del trabajo y las fuerzas centrífugas.

Advertencias de seguridad adicionales:

1. Cuando utilice muelas de esmerilar de centro hundido, asegúrese de utilizar solamente muelas reforzadas con fibra de vidrio.
2. NO UTILICE NUNCA muelas de tipo copa de piedra con esta esmeriladora. Esta esmeriladora no ha sido diseñada para estos tipos de muelas y la utilización de un producto como ese podrá resultar en graves heridas personales.
3. Tenga cuidado de no dañar el mandril, la brida (especialmente la cara de instalación) o la contratuerca. Los daños en estas piezas podrán ocasionar la rotura de la muela.
4. Asegúrese de que la muela no está haciendo contacto con la pieza de trabajo antes de activar el interruptor.
5. Antes de utilizar la herramienta en una pieza de trabajo definitiva, déjala funcionar durante un rato. Observe por si hay vibración o bamboleo que pueda indicar una incorrecta instalación o muela mal equilibrada.
6. Utilice la superficie especificada de la muela para realizar el esmerilado.
7. No deje la herramienta en marcha. Tenga en marcha la herramienta solamente cuando la tenga en la mano.
8. No toque la pieza de trabajo inmediatamente después de la operación; podrá estar muy caliente y quemarle la piel.
9. No toque los accesorios inmediatamente después de la operación; podrán estar muy calientes y quemarle la piel.
10. Observe las instrucciones del fabricante para montar y utilizar correctamente las muelas. Maneje y guarde con cuidado las muelas.
11. No utilice bujes de reducción o adaptadores separados para adaptar muelas abrasivas de orificio grande.
12. Utilice solamente las bridas especificadas para esta herramienta.
13. Para herramientas que han sido previstas para ser equipadas con muelas de orificio roscado, asegúrese de que la rosca de la muela sea lo suficientemente larga como para aceptar la longitud del mandril.
14. Compruebe que la pieza de trabajo está apoyada debidamente.
15. Tenga en cuenta que la muela continuará girando después de haber apagado la herramienta.

16. Si el lugar de trabajo es muy caluroso y húmedo, o si está muy contaminado con polvo conductor, utilice un disyuntor de cortocircuito (30 mA) para garantizar la seguridad del operario.
17. No utilice la herramienta con ningún material que contenga asbestos.
18. Cuando utilice muelas de corte, trabaje siempre con el protector de muela con recogida de polvo si así lo requieren los reglamentos locales.
19. Los discos de cortar no deberán ser expuestos a ninguna presión lateral.
20. No utilice guantes de trabajo de tejido durante la operación. Las fibras del tejido pueden entrar en la herramienta, lo que ocasionará la rotura de la herramienta.
21. Antes de la operación, asegúrese de que no hay objetos enterrados como tubos de cables eléctricos, tuberías de agua o tuberías de gas en la pieza de trabajo. De lo contrario, podrá ocasionar una descarga eléctrica, fuga eléctrica o fuga de gas.
22. Si la muela tiene colocado un anillo de papel, no lo retire. El diámetro del anillo de papel debe ser más grande que la contratuerca, la brida exterior y la brida interior.
23. Antes de instalar una muela de esmerilar, compruebe siempre que el anillo de papel no tiene ninguna deformidad como resquebrajamiento o grietas.
24. Apriete la contratuerca debidamente. Un apriete excesivo de la muela puede ocasionar una rotura y un apretado insuficiente puede ocasionar vibración.

GUARDE ESTAS INSTRUCCIONES.

⚠️ ADVERTENCIA: NO deje que la comodidad o familiaridad con el producto (a base de utilizarlo repetidamente) sustituya la estricta observancia de las normas de seguridad para el producto en cuestión. El MAL USO o el no seguir las normas de seguridad establecidas en este manual de instrucciones podrá ocasionar graves heridas personales.

DESCRIPCIÓN DEL FUNCIONAMIENTO

⚠️ PRECAUCIÓN: Asegúrese siempre de que la herramienta esté apagada y desenchufada antes de intentar realizar cualquier tipo de ajuste o comprobación en ella.

Sistema de protección de la herramienta

La herramienta está equipada con un sistema de protección de la herramienta. Este sistema reduce o corta automáticamente la alimentación del motor para alargar la vida útil de la herramienta. La herramienta reducirá la alimentación o se detendrá automáticamente durante la operación si la herramienta es puesta en una de las condiciones siguientes:

Protección contra sobrecarga

Cuando la herramienta es utilizada de una manera que da lugar a que tenga que absorber una corriente anormalmente alta, la herramienta reduce la alimentación automáticamente sin ninguna indicación. En esta situación, retire la causa de la sobrecarga de forma que se recupere la velocidad de giro.

Protección contra el recalentamiento

Específico para cada país

Cuando la herramienta se recalienta, la herramienta se detiene automáticamente y la lámpara de indicación parpadea en rojo. En esta situación, deje que la herramienta se enfríe. Puede volver a encender la herramienta después de que la lámpara cambie el color de rojo a verde.

Lámpara de indicación

► **Fig.1:** 1. Lámpara de indicación

La lámpara de indicación se ilumina en verde cuando la herramienta está enchufada.

Si la lámpara de indicación parpadea en rojo, la protección contra el recalentamiento, la tecnología de detección de retroalimentación activa o la función de prevención de reinicio de puesta en marcha accidental dejará de funcionar. En esta situación, apague la herramienta. Después, encienda la herramienta para volver a empezar.

Si la lámpara de indicación se ilumina en rojo después de apagar la herramienta, la herramienta estará recalentada. En esta situación, enfríe la herramienta y espere hasta que la lámpara de indicación se ilumine en verde.

Dial de ajuste de velocidad

Solo para los modelos GA4593/GA5093

⚠️ PRECAUCIÓN: Si la herramienta es utilizada continuamente a velocidades bajas durante largo tiempo, el motor se sobrecargará y se recalentará.

⚠️ PRECAUCIÓN: El dial de ajuste de velocidad se puede girar solamente hasta 5 y de vuelta a 1. No lo fuerce más allá de 5 o 1, o la función de ajuste de velocidad podrá dejar de funcionar.

La velocidad de giro se puede cambiar girando el dial de ajuste de velocidad hasta un número de ajuste dado de 1 a 5. Se obtiene velocidad más alta cuando el dial es girado en la dirección del número 5. Y se obtiene velocidad más baja cuando es girado en la dirección del número 1. Consulte la tabla de abajo para ver la relación entre los ajustes numéricos del dial y la velocidad de giro aproximada.

Número	Velocidad nominal
1	2.800 min ⁻¹
2	4.500 min ⁻¹
3	6.500 min ⁻¹
4	8.000 min ⁻¹
5	11.500 min ⁻¹

► **Fig.2:** 1. Dial de ajuste de velocidad

Bloqueo del eje

⚠️ ADVERTENCIA: No accione nunca el bloqueo del eje cuando el mandril esté moviéndose. Podría ocasionar heridas graves o daños a la herramienta.

Presione el bloqueo del eje para impedir que el mandril gire cuando instale o desmonte accesorios.

► **Fig.3:** 1. Bloqueo del eje

Accionamiento del interruptor

⚠️ PRECAUCIÓN: Antes de enchufar la herramienta, compruebe siempre para cerciorarse de que el interruptor de palanca se acciona debidamente y que vuelve a la posición "apagada" cuando lo suelta.

⚠️ PRECAUCIÓN: Para su seguridad, esta herramienta está equipada con la palanca de desbloqueo que evita que la herramienta se ponga en marcha de forma no intencionada. No utilice NUNCA la herramienta si se pone en marcha cuando usted simplemente aprieta el interruptor de palanca sin apretar la palanca de desbloqueo. Lleve la herramienta a nuestro centro de servicio autorizado para que le hagan la reparación apropiada ANTES de seguir utilizándola.

⚠️ PRECAUCIÓN: No apriete con fuerza el interruptor de palanca sin apretar la palanca de desbloqueo. Esto puede ocasionar la rotura del interruptor.

⚠️ PRECAUCIÓN: NUNCA sujete con cinta adhesiva o anule el propósito o la función de la palanca de desbloqueo.

Para evitar que el interruptor de palanca pueda ser apretado accidentalmente, se ha provisto una palanca de desbloqueo.

Para poner en marcha la herramienta, apriete la palanca de desbloqueo hacia el operario y después apriete el interruptor de palanca.

Para detener la herramienta, suelte el interruptor de palanca.

► **Fig.4:** 1. Palanca de desbloqueo 2. Interruptor de palanca

Función electrónica

Tecnología de detección de Retroalimentación Activa

⚠PRECAUCIÓN: Sujete la herramienta firmemente hasta que el giro se detenga.

La herramienta detecta electrónicamente situaciones en las que la muela o el accesorio puede estar en riesgo de inmovilizarse. En esta situación, la herramienta se apaga automáticamente para prevenir que el mandril siga girando (no evita un retroceso brusco). En este momento, la lámpara de indicación parpadea en rojo y muestra que la tecnología de detección de retroalimentación activa está funcionando.

Para volver a poner en marcha la herramienta, primero apague la herramienta, retire la causa de la repentina caída de la velocidad de giro, y después enciéndala otra vez.

Función de prevención de reinicio de puesta en marcha accidental

Cuando enchufe la herramienta mientras el interruptor está activado, la herramienta no se pondrá en marcha. En este momento, la lámpara de indicación parpadeará en rojo y mostrará que la función de prevención de reinicio de puesta en marcha accidental funciona. Para poner en marcha la herramienta, desactive el interruptor, y después vuelva a activarlo.

Control de velocidad constante

Se puede obtener un acabado fino, porque la velocidad de giro se mantiene constante incluso en condición de carga.

Función de inicio suave

La función de inicio suave reduce la reacción del arranque.

Freno mecánico

Solo para los modelos GA4593/GA4594/GA5093/GA5094

El freno mecánico se activa después de apagar la herramienta.

El freno no responde cuando el suministro eléctrico se desconecta con el interruptor todavía activado.

MONTAJE

⚠PRECAUCIÓN: Asegúrese siempre de que la herramienta está apagada y desenchufada antes de realizar cualquier trabajo en la herramienta.

Instalación de la empuñadura lateral (mango)

⚠PRECAUCIÓN: Antes de la operación, asegúrese siempre de que la empuñadura lateral está instalada firmemente.

Rosque la empuñadura lateral firmemente en la posición de la herramienta mostrada en la figura.

► **Fig.5**

Instalación o desmontaje del protector de muela

⚠ADVERTENCIA: Cuando se utilice una muela de centro hundido, disco flap, disco flexible o cepillo circular de alambres, el protector de muela deberá estar instalado en la herramienta de tal forma que el lado cerrado del protector siempre quede orientado hacia el operario.

⚠ADVERTENCIA: Asegúrese de que el protector de muela está bloqueado firmemente por medio de la palanca de bloqueo con uno de los orificios del protector de muela.

⚠ADVERTENCIA: Cuando utilice una muela de corte abrasivo / muela de diamante, asegúrese de utilizar solamente el protector de muela especial diseñado para usar con muelas de corte.

Para muela de centro hundido, disco flap, disco flexible, cepillo circular de alambres / muela de corte abrasivo, muela de diamante

1. Mientras empuja la palanca de bloqueo, monte el protector de muela con las protuberancias del protector de muela alineadas con las muescas de la caja de cojinetes.

► **Fig.6:** 1. Palanca de bloqueo 2. Muesca 3. Protuberancia

2. Mientras empuja la palanca de bloqueo hacia A, mantenga presionadas las partes B del protector de muela como se muestra en la figura.

► **Fig.7:** 1. Protector de muela 2. Orificio

NOTA: Empuje hacia abajo el protector de muela en línea recta. De lo contrario, no podrá sujetar el protector de muela.

3. Mientras presiona la palanca de bloqueo hacia A, gire el protector de muela hacia C, y después, cambie el ángulo del protector de muela de acuerdo con la tarea de forma que el operario pueda estar protegido. Alinee la palanca de bloqueo con uno de los orificios del protector de muela, y después libere la palanca de bloqueo para bloquear el protector de muela.

► **Fig.8:** 1. Protector de muela 2. Orificio

Para desmontar el protector de muela, siga el procedimiento de instalación a la inversa.

Accesorio de protector de muela de corte con mordaza

Accesorios opcionales

NOTA: Para operaciones de corte, se puede utilizar un accesorio de protector de muela de corte con mordaza con el protector de muela (para muela de esmerilar).

No disponible en algunos países.

► Fig.9

Instalación o desmontaje de una muela de centro hundido o disco flap

Accesorios opcionales

⚠ADVERTENCIA: Cuando se utilice una muela de centro hundido o disco flap, el protector de muela deberá estar instalado en la herramienta de tal forma que el lado cerrado del protector siempre quede orientado hacia el operario.

⚠ADVERTENCIA: Asegúrese de que la parte de montaje de la brida interior encaje en el diámetro interior de la muela de centro hundido / disco flap perfectamente. El montar la brida interior en el lado incorrecto puede resultar en una vibración peligrosa.

Monte la brida interior en el mandril.

Asegúrese de encajar la parte dentada de la brida interior en la parte recta de la parte inferior del mandril.

Encaje la muela de centro hundido / disco flap en la brida interior y rosque la contratuerca en el mandril.

► Fig.10: 1. Contratuerca 2. Muela de centro hundido 3. Brida interior 4. Parte de montaje

Para apretar la contratuerca, presione el bloqueo del eje firmemente para que el mandril no pueda girar, después apriete firmemente hacia la derecha utilizando la llave de contratuerca.

► Fig.11: 1. Llave de contratuerca 2. Bloqueo del eje

Para desmontar la muela, siga el procedimiento de instalación a la inversa.

Instalación o desmontaje de un disco flexible

Accesorios opcionales

⚠ADVERTENCIA: Utilice siempre el protector suministrado cuando haya un disco flexible en la herramienta. El disco puede desintegrarse durante la utilización y el protector ayuda a reducir las posibilidades de que se produzcan heridas personales.

► Fig.12: 1. Contratuerca 2. Disco flexible 3. Plato de respaldo 4. Brida interior

Siga las instrucciones para muela de centro hundido pero también utilice un plato de respaldo sobre la muela.

Instalación o desmontaje de un disco abrasivo

Accesorios opcionales

► Fig.13: 1. Contratuerca para lijar 2. Disco abrasivo 3. Plato de caucho

1. Monte el plato de caucho en el mandril.
2. Encaje el disco en el plato de caucho y rosque la contratuerca para lijar en el mandril.
3. Sujete el mandril con el bloqueo del eje, y apriete la contratuerca para lijar hacia la derecha firmemente con la llave de contratuerca.

Para retirar el disco, siga el procedimiento de instalación a la inversa.

NOTA: Utilice accesorios para lijadora especificados en este manual. Estos deberán ser adquiridos aparte.

Súper brida

Accesorios opcionales

Solo para los modelos GA4595/GA5095

La súper brida es un accesorio especial para el modelo que NO esté equipado con función de freno.

Con esta pieza, para aflojar la contratuerca solo se necesita un tercio del esfuerzo en comparación con la de tipo corriente.

Instalación o desmontaje de la tuerca Ezynut

Accesorios opcionales

Solamente para herramientas con rosca de mandril de M14.

⚠PRECAUCIÓN: No utilice la tuerca Ezynut con la súper brida. Esas bridas son tan gruesas que el mandril no puede retener toda su rosca.

Monte la brida interior, la muela abrasiva y la tuerca Ezynut en el mandril de manera que el logotipo de Makita en la tuerca Ezynut quede orientado hacia afuera.

► Fig.14: 1. Tuerca Ezynut 2. Muela abrasiva 3. Brida interior 4. Mandril

Presione el bloqueo del eje firmemente y apriete la tuerca Ezynut girando la muela abrasiva hacia la derecha a tope.

► Fig.15: 1. Bloqueo del eje

Para aflojar la tuerca Ezynut, gire el anillo exterior de la tuerca Ezynut hacia la izquierda.

NOTA: La tuerca Ezynut se puede aflojar a mano siempre y cuando la flecha apunte a la muesca. De lo contrario se necesitará una llave de contratuerca para aflojarla. Inserte un pasador de la llave en un orificio y gire la tuerca Ezynut hacia la izquierda.

► Fig.16: 1. Flecha 2. Muesca

► Fig.17

Instalación de la muela de corte abrasivo / muela de diamante

Accesorios opcionales

⚠️ ADVERTENCIA: Cuando utilice una muela de corte abrasivo / muela de diamante, asegúrese de utilizar solamente el protector de muela especial diseñado para usar con muelas de corte.

⚠️ ADVERTENCIA: No utilice NUNCA una muela de corte para esmerilar lateralmente.

- **Fig.18:** 1. Contratuerca 2. Muela de corte abrasivo / muela de diamante 3. Brida interior 4. Protector de muela para muela de corte abrasivo / muela de diamante

En cuanto a la instalación, siga las instrucciones para la muela de centro hundido.

La dirección para montar la contratuerca y la brida interior varía según el tipo y grosor de la muela. Consulte las figuras siguientes.

Cuando se instala la muela de corte abrasivo:

- **Fig.19:** 1. Contratuerca 2. Muela de corte abrasivo (más fina de 4 mm (5/32")) 3. Muela de corte abrasivo (de 4 mm (5/32") o más gruesa) 4. Brida interior

Cuando se instala la muela de diamante:

- **Fig.20:** 1. Contratuerca 2. Muela de diamante (más fina de 4 mm (5/32")) 3. Muela de diamante (de 4 mm (5/32") o más gruesa) 4. Brida interior

Instalación del cepillo de alambres en copa

Accesorios opcionales

⚠️ PRECAUCIÓN: No utilice un cepillo que esté dañado o desequilibrado. La utilización de un cepillo dañado podrá aumentar la posibilidad de heridas causadas por el contacto con alambres rotos del cepillo.

Coloque la herramienta al revés para facilitar el acceso al mandril.

Quite cualquier accesorio que haya en el mandril. Rosque el cepillo de alambres en copa en el mandril y apriételo con la llave suministrada.

- **Fig.21:** 1. Cepillo de alambres en copa

Instalación del cepillo circular de alambre

Accesorios opcionales

⚠️ PRECAUCIÓN: No utilice un cepillo circular de alambres que esté dañado o desequilibrado. La utilización de un cepillo circular de alambres dañado podrá aumentar la posibilidad de heridas causadas por el contacto con alambres rotos.

⚠️ PRECAUCIÓN: Utilice SIEMPRE el protector con cepillos circulares de alambres, asegurándose de que el diámetro del cepillo encaje dentro del protector. El cepillo puede desintegrarse durante la utilización y el protector ayuda a reducir las posibilidades de que se produzcan heridas personales.

Coloque la herramienta al revés para facilitar el acceso al mandril.

Quite cualquier accesorio que haya en el mandril. Rosque el cepillo circular de alambres en el mandril y apriételo con las llaves.

- **Fig.22:** 1. Cepillo circular de alambres

Instalación del perforador de agujeros

Accesorios opcionales

Coloque la herramienta al revés para facilitar el acceso al mandril.

Retire cualquier accesorio que haya en el mandril. Enrosque el perforador de agujeros en el mandril, y apriételo con la llave suministrada.

- **Fig.23:** 1. Perforador de agujeros

Instalación del protector de muela con recogida de polvo para esmerilar

Accesorios opcionales

Con accesorios opcionales, puede utilizar la herramienta para aplanar superficies de cemento.

⚠️ PRECAUCIÓN: El protector de muela con recogida de polvo para la muela de diamante cóncava es para ser utilizado solamente en el aplanamiento de superficies de concreto con una muela de diamante cóncava. No utilice este protector con ningún otro accesorio de corte o para otros propósitos.

⚠️ PRECAUCIÓN: Antes de la operación, asegúrese de que hay un aspirador conectado a la herramienta y que está encendido.

Coloque la herramienta al revés e instale el protector de muela con recogida de polvo.

Monte la brida interior sobre el mandril.

Encaje la muela de diamante tipo copa sobre la brida interior y apriete la contratuerca sobre el mandril.

- **Fig.24:** 1. Contratuerca 2. Muela de diamante tipo copa 3. Muela de diamante tipo copa acampanada 4. Brida interior 5. Protector de muela con recogida de polvo 6. Caja de cojinetes

NOTA: Para ver información sobre cómo instalar el protector de muela con recogida de polvo, consulte el manual del protector de muela con recogida de polvo.

Instalación del protector de muela con recogida de polvo para cortar

Accesorios opcionales

Con accesorios opcionales, puede utilizar esta herramienta para cortar materiales de piedra.

► Fig.25

NOTA: Para ver información sobre cómo instalar el protector de muela con recogida de polvo, consulte el manual del protector de muela con recogida de polvo.

Conexión de un aspirador

Accesorios opcionales

⚠ADVERTENCIA: No recoja nunca partículas metálicas creadas en operaciones de amolar/cortar/lijar. Las partículas metálicas creadas en tales operaciones estarán tan calientes que prenderán el polvo y el filtro dentro del aspirador.

Para evitar un entorno polvoriento ocasionado por el corte de albañilería, utilice un protector de muela con recogida de polvo y un aspirador. Consulte el manual de instrucciones adjunto al protector de muela con recogida de polvo para montarlo y utilizarlo.

► Fig.26: 1. Protector de muela con recogida de polvo 2. Manguera del aspirador

Instalación o desmontaje del accesorio guardapolvo

Accesorios opcionales

⚠PRECAUCIÓN: Asegúrese siempre de que la herramienta está apagada y desenchufada antes de instalar o desmontar el accesorio guardapolvo. En caso contrario ocasionará daños a la herramienta o heridas personales.

Instale el accesorio guardapolvo en cada posición especificada.

Para ver detalles, consulte el manual de instrucciones del accesorio guardapolvo.

AVISO: Limpie el accesorio guardapolvo cuando esté obturado con polvo o materias extrañas. Si continúa la operación con un accesorio guardapolvo, obturado la herramienta se dañará.

OPERACIÓN

⚠ADVERTENCIA: No deberá ser nunca necesario forzar la herramienta. El peso de la herramienta aplica la presión adecuada. El forzamiento y la presión excesiva pueden ocasionar una peligrosa rotura de la muela.

⚠ADVERTENCIA: Reemplace la muela SIEMPRE si deja caer la herramienta mientras esmerila.

⚠ADVERTENCIA: No lance ni golpee NUNCA la muela contra una pieza de trabajo.

⚠ADVERTENCIA: Evite los rebotes y enganches de la muela, especialmente cuando trabaje en esquinas, bordes cortantes, etc. Esto puede ocasionar la pérdida del control y retrocesos bruscos.

⚠ADVERTENCIA: No utilice NUNCA esta herramienta con discos para cortar madera y otros discos de sierra. Los discos de ese tipo cuando se utilizan en una esmeriladora con frecuencia ocasionan retrocesos bruscos y pérdida del control que acarrearán heridas personales.

⚠ADVERTENCIA: Si se continúa utilizando una muela desgastada podrá resultar en una explosión de la muela y heridas personales graves.

⚠PRECAUCIÓN: No encienda nunca la herramienta cuando esta está en contacto con la pieza de trabajo, podría ocasionar heridas al operario.

⚠PRECAUCIÓN: Póngase siempre gafas de protección o máscara facial durante la operación.

⚠PRECAUCIÓN: Después de la operación, apague siempre la herramienta y espere hasta que la muela se haya parado completamente antes de dejar la herramienta.

⚠PRECAUCIÓN: Sujete SIEMPRE la herramienta firmemente con una mano en la carcasa y la otra en la empuñadura lateral (mango).

NOTA: Una muela de doble uso se puede utilizar para operaciones de esmerilar y de corte.

Consulte "Operación con muela/disco" para la operación de esmerilar, y consulte "Operación con muela de corte abrasivo/muela de diamante" para la operación de corte.

Operación con la muela/disco

► Fig.27

Encienda la herramienta y después aplique la muela o el disco a la pieza de trabajo.

En general, mantenga el borde de la muela o disco a un ángulo de unos 15° con la superficie de la pieza de trabajo. Durante el periodo de uso inicial de una muela nueva, no trabaje con la esmeriladora en dirección hacia adelante porque podrá cortar la pieza de trabajo. Una vez que el borde de la muela se haya redondeado con el uso, se podrá trabajar con la muela en las direcciones hacia adelante y hacia atrás.

Operación con muela de corte abrasivo / muela de diamante

Accesorios opcionales

⚠️ ADVERTENCIA: No “atasque” la muela o aplique presión excesiva. No intente hacer un corte de excesiva profundidad. Si fatiga en exceso la muela aumentará la carga y la susceptibilidad de retorcer o doblar la muela en el corte y la posibilidad de que se produzca un retroceso brusco, rotura de la muela y recalentamiento del motor.

⚠️ ADVERTENCIA: No comience la operación de corte en la pieza de trabajo. Deje que la muela alcance plena velocidad y entre con cuidado en el corte moviendo la herramienta hacia adelante sobre la superficie de la pieza de trabajo. Si pone en marcha la herramienta eléctrica en la pieza de trabajo, la muela podrá estancarse, saltar o retroceder bruscamente.

⚠️ ADVERTENCIA: Durante las operaciones de corte, no cambie nunca el ángulo de la muela. La aplicación de presión lateral en la muela de corte (al igual que en el esmerilado) hará que la muela se agriete y se rompa, ocasionando graves heridas personales.

⚠️ ADVERTENCIA: Una muela de diamante deberá ser utilizada perpendicularmente al material que se esté cortando.

Ejemplo de utilización: operación con muela de corte abrasivo

► Fig.28

Ejemplo de utilización: operación con muela de diamante

► Fig.29

Operación con cepillo de alambres en copa

Accesorios opcionales

⚠️ PRECAUCIÓN: Compruebe la operación del cepillo haciendo funcionar la herramienta sin carga, asegurándose de que no haya nadie enfrente ni en línea con el cepillo.

Ejemplo de utilización: operación con el cepillo de alambres en copa

► Fig.30

AVISO: Evite aplicar presión excesiva que haga doblar demasiado los alambres cuando utilice el cepillo. Podrá acarrear una rotura prematura.

Operación con cepillo circular de alambres

Accesorios opcionales

⚠️ PRECAUCIÓN: Compruebe la operación del cepillo circular de alambres haciendo funcionar la herramienta sin carga, asegurándose de que no haya nadie enfrente ni en línea con el cepillo circular de alambres.

Ejemplo de utilización: operación con el cepillo circular de alambre

► Fig.31

AVISO: Evite aplicar presión excesiva que haga doblar demasiado los alambres cuando utilice el cepillo circular de alambres. Podrá acarrear una rotura prematura.

Operación con el perforador de agujeros

Accesorios opcionales

⚠️ PRECAUCIÓN: Compruebe la operación del perforador de agujeros haciendo funcionar la herramienta sin carga, asegurándose de que no haya nadie enfrente del perforador de agujeros.

AVISO: No incline la herramienta durante la operación. Podrá dar lugar a una rotura prematura.

Ejemplo de utilización: operación con el perforador de agujeros

► Fig.32

MANTENIMIENTO

⚠️ PRECAUCIÓN: Asegúrese siempre de que la herramienta está apagada y desenchufada antes de intentar realizar la inspección o el mantenimiento.

AVISO: No utilice nunca gasolina, bencina, disolvente, alcohol o similares. Podría producir descoloración, deformación o grietas.

Para mantener la SEGURIDAD y FIABILIDAD del producto, las reparaciones, y cualquier otra tarea de mantenimiento o ajuste deberán ser realizadas en centros de servicio o de fábrica autorizados por Makita, empleando siempre repuestos Makita.

Limpieza de las aberturas de ventilación

La herramienta y sus aberturas de ventilación han de mantenerse limpias. Limpie las aberturas de ventilación de la herramienta regularmente o siempre que comiencen a estar obstruidas.

► Fig.33: 1. Abertura de salida de aire 2. Abertura de entrada de aire

COMBINACIÓN DE APLICACIONES Y ACCESORIOS

Accesorios opcionales

⚠PRECAUCIÓN: La utilización de la herramienta con los protectores incorrectos puede ocasionar los siguientes riesgos.

- Cuando se utiliza un protector de muela de corte para esmerilado facial, el protector de muela puede interferir con la pieza de trabajo ocasionando un mal control.
- Cuando se utilice un protector de muela de esmerilar para operaciones de corte con muelas abrasivas aglomeradas y muelas de diamante, existe un mayor riesgo de exposición a las muelas giratorias, a las chispas y partículas emitidas, así como de exposición a fragmentos de muela en caso de que la muela se desintegre.
- Cuando se utiliza un protector de muela de corte o protector de muela de esmerilar para operaciones faciales con muelas de diamante tipo copa, el protector de muela puede interferir con la pieza de trabajo ocasionando un mal control.
- Cuando se utilice un protector de muela de corte o protector de muela de esmerilar con un cepillo de alambre tipo disco de un grosor mayor que el grosor máximo especificado en "ESPECIFICACIONES", los alambres podrán engancharse en el protector dando lugar a la rotura de los alambres.
- La utilización de protectores de muela con recogida de polvo para operaciones de corte y faciales en hormigón o mampostería reducirá el riesgo de exposición al polvo.
- Cuando se utilicen muelas de doble uso (esmerilado y corte abrasivo combinados) montadas en brida, utilice solamente un protector de muela de corte.

► Fig.34

Solo para los modelos GA4593/GA4594/GA5093/GA5094

-	Aplicación	Modelo de 115 mm	Modelo de 125 mm
1	-	Empuñadura lateral	
2	-	Protector de muela (para muela de esmerilar)	
3	-	Brida interior	
4	Esmerilado/lijado	Muela de centro hundido/disco flap	
5	-	Contratuercas	
6	-	Tuerca Ezynut *1*2	
7	-	Plato de respaldo	
8	Esmerilado/lijado	Disco flexible	
9	-	Plato de caucho de 100	Plato de caucho de 115
10	Lijado	Disco abrasivo	
11	-	Contratuercas para lijar	
12	Cepillo de alambre	Cepillo circular de alambre	
13	Cepillo de alambre	Cepillo de alambres en copa	
14	Perforación de agujeros	Perforador de agujeros	
15	-	Protector de muela (para muela de corte)	
16	Corte	Muela de corte abrasivo/muela de diamante	
17	Esmerilado/corte	Muela de doble uso	
18	-	Accesorio de protector de muela de corte con mordaza *3	
19	-	Protector de muela con recogida de polvo para corte	
20	Corte	Muela de diamante	
21	-	Protector de muela con recogida de polvo para esmerilar	
22	Esmerilado	Muela de diamante tipo copa	
-	-	Llave de contratuercas	
-	-	Accesorio guardapolvo	

Solo para los modelos GA4595/GA5095

-	Aplicación	Modelo de 115 mm	Modelo de 125 mm
1	-	Empuñadura lateral	
2	-	Protector de muela (para muela de esmerilar)	
3	-	Brida interior/súper brida *1*2	
4	Esmerilado/lijado	Muela de centro hundido/disco flap	
5	-	Contratuercas	
6	-	Tuerca Ezynut *1*2	
7	-	Plato de respaldo	
8	Esmerilado/lijado	Disco flexible	
9	-	Plato de caucho de 100	Plato de caucho de 115
10	Lijado	Disco abrasivo	
11	-	Contratuercas para lijar	
12	Cepillo de alambre	Cepillo circular de alambre	
13	Cepillo de alambre	Cepillo de alambres en copa	
14	Perforación de agujeros	Perforador de agujeros	
15	-	Protector de muela (para muela de corte)	
16	Corte	Muela de corte abrasivo/muela de diamante	
17	Esmerilado/corte	Muela de doble uso	
18	-	Accesorio de protector de muela de corte con mordaza *3	
19	-	Protector de muela con recogida de polvo para corte	
20	Corte	Muela de diamante	
21	-	Protector de muela con recogida de polvo para esmerilar	
22	Esmerilado	Muela de diamante tipo copa	
-	-	Llave de contratuercas	
-	-	Accesorio guardapolvo	

NOTA: *1 No utilice la súper brida y la tuerca Ezynut juntas.

NOTA: *2 Solamente para herramientas con rosca de mandril de M14.

NOTA: *3 El accesorio de protector de muela de corte con mordaza no está disponible en algunos países. Para más detalles, consulte el manual de instrucciones del accesorio de protector de muela de corte con mordaza.

NOTA: No utilice la súper brida con una esmeriladora equipada con función de freno.

ACCESORIOS OPCIONALES

⚠ PRECAUCIÓN: Estos accesorios o aditamentos están recomendados para su uso con la herramienta Makita especificada en este manual.

El uso de cualquier otro accesorio o aditamento puede suponer un riesgo de heridas personales. Utilice el accesorio o aditamento solamente con la finalidad indicada para el mismo.

Si necesita cualquier ayuda para más detalles en relación con estos accesorios, pregunte al centro de servicio Makita local.

- Accesorios listados en "COMBINACIÓN DE APLICACIONES Y ACCESORIOS"

NOTA: Algunos elementos de la lista podrán estar incluidos en el paquete de la herramienta como accesorios estándar. Pueden variar de un país a otro.

ESPECIFICAÇÕES

Modelo:		GA4593	GA4594	GA4595	GA5093	GA5094	GA5095
Roda de esmerilar aplicável	Diâmetro máx. da roda	115 mm			125 mm		
	Espessura máx. da roda	7,2 mm					
Roda de corte aplicável	Diâmetro máx. da roda	115 mm			125 mm		
	Espessura máx. da roda	3,2 mm					
Escova de arame tipo roda aplicável	Diâmetro máx. da roda	115 mm			125 mm		
	Espessura máx. da roda	20 mm					
Rosca do eixo		M14 ou 5/8" (específico para o país)					
Comprimento máx. do eixo		23 mm					
Velocidade sem carga (n_0) / velocidade nominal (n)		11.500 min ⁻¹					
Comprimento total		349 mm	326 mm	349 mm	326 mm		
Peso líquido		2,8 - 4,0 kg	2,6 - 3,8 kg	2,9 - 4,0 kg	2,7 - 3,8 kg		
Classe de segurança		☐/II					

- Devido a um programa contínuo de pesquisa e desenvolvimento, estas especificações podem ser alteradas sem aviso prévio.
- As especificações podem variar de país para país.
- O peso poderá diferir em função do(s) acessório(s). A combinação mais leve e a mais pesada, de acordo com o Procedimento EPTA 01/2014, são apresentadas na tabela.

Símbolos

A seguir são apresentados os símbolos que podem ser utilizados para o equipamento. Certifique-se de que compreende o seu significado antes da utilização.

	Leia o manual de instruções.
	Use óculos de segurança.
	Utilize sempre as duas mãos.
	Não utilize o resguardo da roda para operações de corte.
	ISOLAMENTO DUPLO



Apenas para países da UE
Devido à presença de componentes perigosos no equipamento, o equipamento elétrico e eletrônico usado pode ter um impacto negativo no meio ambiente e na saúde humana.

Não elimine aparelhos elétricos e eletrônicos juntamente com resíduos domésticos! De acordo com a Diretiva europeia relativa aos resíduos de equipamentos elétricos e eletrônicos e a respetiva adaptação à legislação nacional, os equipamentos elétricos e eletrônicos usados devem ser recolhidos separadamente e entregues num ponto de recolha separado para resíduos municipais, que opere de acordo com os regulamentos de proteção ambiental. Tal é indicado pelo símbolo de contenedor de lixo com rodas barrado com uma cruz colocado no equipamento.

Utilização a que se destina

A ferramenta serve para esmerilar, lixar, escovar com escova de arame, cortar orifícios e cortar materiais em metal e pedra sem utilizar água.

Alimentação

A ferramenta só deve ser ligada a uma fonte de alimentação com a mesma tensão da indicada na placa de características, e só funciona com alimentação de corrente alterna (CA) monofásica. Tem um sistema de isolamento duplo e pode, por isso, utilizar tomadas sem ligação à terra.

Ruído

A característica do nível de ruído A determinado de acordo com a 62841-2-3:

Modelo	Nível de pressão sonora (L_{pA}): (dB (A))	Nível de potência sonora (L_{WA}): (dB (A))	Incerteza (K): (dB (A))
GA4593	91	99	3
GA4594	91	99	3
GA4595	94	102	3
GA5093	91	99	3
GA5094	91	99	3
GA5095	94	102	3

NOTA: O(s) valor(es) da emissão de ruído indicado(s) foi medido de acordo com um método de teste padrão e pode ser utilizado para comparar duas ferramentas.

NOTA: O(s) valor(es) da emissão de ruído indicado(s) pode também ser utilizado na avaliação preliminar da exposição.

AVISO: Utilize protetores auriculares.

AVISO: A emissão de ruído durante a utilização real da ferramenta elétrica pode diferir do(s) valor(es) indicado(s), dependendo das formas como a ferramenta é utilizada, especialmente o tipo de peça de trabalho que é processada.

AVISO: Certifique-se de identificar as medidas de segurança para proteção do operador que sejam baseadas em uma estimativa de exposição em condições reais de utilização (considerando todas as partes do ciclo de operação, tal como quando a ferramenta está desligada e quando está a funcionar em marcha lenta além do tempo de acionamento).

AVISO: Esmerilar folhas de metal finas ou outras estruturas que vibram facilmente com uma grande superfície pode resultar numa emissão de ruído total muito mais alta (até 15 dB) do que os valores de emissões de ruído declarados.

Instale tapetes amortecedores flexíveis pesados ou similares nas peças de trabalho para evitar que estas emitam ruído.

Tenha em consideração o aumento das emissões de ruído tanto para a avaliação de risco de exposição ao ruído como para selecionar a proteção auditiva adequada.

Vibração

Valor total da vibração (soma vetorial tri-axial) determinado de acordo com a 62841-2-3:

Modo de trabalho: esmerilagem de superfície com punho lateral normal

Modelo	Emissão de vibração ($a_{H,AG}$): (m/s^2)	Incerteza (K): (m/s^2)
GA4593	5,8	1,5
GA4594	5,8	1,5
GA4595	5,4	1,5
GA5093	8,9	1,5
GA5094	8,9	1,5
GA5095	8,5	1,5

Modo de trabalho: esmerilagem de superfície com punho lateral anti-vibração

Modelo	Emissão de vibração ($a_{H,AG}$): (m/s^2)	Incerteza (K): (m/s^2)
GA4593	5,7	1,5
GA4594	5,7	1,5
GA4595	5,2	1,5
GA5093	8,5	1,5
GA5094	8,5	1,5
GA5095	8,7	1,5

Modo de trabalho: lixagem de disco com punho lateral normal

Modelo	Emissão de vibração ($a_{h, DS}$): (m/s ²)	Incerteza (K): (m/s ²)
GA4593	2,6	1,5
GA4594	2,6	1,5
GA4595	2,6	1,5
GA5093	3,3	1,5
GA5094	3,3	1,5
GA5095	3,0	1,5

Modo de trabalho: lixagem de disco com punho lateral anti-vibração

Modelo	Emissão de vibração ($a_{h, DS}$): (m/s ²)	Incerteza (K): (m/s ²)
GA4593	2,5 m/s ² ou menos	1,5
GA4594	2,5 m/s ² ou menos	1,5
GA4595	2,9	1,5
GA5093	3,0	1,5
GA5094	3,0	1,5
GA5095	3,1	1,5

NOTA: O(s) valor(es) total(ais) de vibração indicado(s) foi medido de acordo com um método de teste padrão e pode ser utilizado para comparar duas ferramentas.

NOTA: O(s) valor(es) total(ais) de vibração indicado(s) pode também ser utilizado na avaliação preliminar da exposição.

⚠️ AVISO: A emissão de vibração durante a utilização real da ferramenta elétrica pode diferir do(s) valor(es) indicado(s), dependendo das formas como a ferramenta é utilizada, especialmente o tipo de peça de trabalho que é processada.

⚠️ AVISO: Certifique-se de identificar as medidas de segurança para proteção do operador que sejam baseadas em uma estimativa de exposição em condições reais de utilização (considerando todas as partes do ciclo de operação, tal como quando a ferramenta está desligada e quando está a funcionar em marcha lenta além do tempo de acionamento).

⚠️ AVISO: O valor de emissão de vibração declarado é utilizado para aplicações principais da ferramenta elétrica. No entanto, se a ferramenta elétrica for utilizada para outras aplicações, o valor da emissão da vibração pode ser diferente.

Declaração de conformidade da CE

Apenas para os países europeus

A declaração de conformidade da CE está incluída como Anexo A neste manual de instruções.

AVISOS DE SEGURANÇA

Avisos gerais de segurança para ferramentas elétricas

⚠️ AVISO: Leia todos os avisos de segurança, instruções, ilustrações e especificações fornecidos com esta ferramenta elétrica. O não cumprimento de todas as instruções indicadas em baixo pode resultar em choque elétrico, incêndio e/ou ferimentos graves.

Guarde todos os avisos e instruções para futuras referências.

O termo "ferramenta elétrica" nos avisos refere-se às ferramentas elétricas ligadas à corrente elétrica (com cabo) ou às ferramentas elétricas operadas por meio de bateria (sem cabo).

Avisos de segurança para a esmeriladora

Avisos de segurança comuns para operações de esmerilagem, lixagem, escovagem com escova de arame ou corte:

1. Esta ferramenta elétrica foi concebida para funcionar como ferramenta de esmerilar, lixar, escovar por meio de escova de arame, corte de orifício ou corte. Leia todos os avisos de segurança, instruções, ilustrações e especificações fornecidos com esta ferramenta elétrica. O incumprimento de todas as instruções abaixo enumeradas pode resultar em choque elétrico, incêndio e/ou ferimentos graves.
2. Não deve utilizar esta ferramenta elétrica para efetuar operações de polimento. As operações diferentes daquelas para as quais a ferramenta elétrica foi projetada podem criar situações perigosas e provocar ferimentos pessoais.
3. Não converta esta ferramenta elétrica para operar de uma forma que não seja especificamente concebida e especificada pelo fabricante da ferramenta. Uma conversão desta natureza poderá resultar na perda de controlo e causar ferimentos graves.

4. **Não utilize acessórios que não tenham sido especificamente projetados e especificados pelo fabricante da ferramenta.** O facto de poder instalar o acessório na ferramenta elétrica não garante um funcionamento com segurança.
 5. **A velocidade nominal do acessório deve ser pelo menos igual à velocidade máxima indicada na ferramenta elétrica.** Os acessórios que funcionam em velocidade mais alta do que a velocidade nominal podem partir e estilhaçar.
 6. **O diâmetro externo e a espessura do acessório devem estar dentro da capacidade nominal da ferramenta elétrica.** Não é possível proteger ou controlar adequadamente os acessórios de tamanho incorreto.
 7. **As dimensões da montagem do acessório devem adequar-se às dimensões do hardware de montagem da ferramenta elétrica.** Os acessórios que não correspondem ao hardware de instalação da ferramenta elétrica ficam desequilibrados, vibram excessivamente e podem provocar perda de controlo.
 8. **Não utilize acessórios danificados. Antes de cada utilização, inspecione o acessório, tal como as rodas abrasivas, para ver se tem falhas ou rachas, a base protetora para ver se tem falhas, rasgões ou desgaste excessivo e a escova de arame para ver se tem arames soltos ou rachados. Se a ferramenta elétrica ou o acessório cair, verifique se há danos ou instale um acessório em boas condições. Após inspecionar e instalar um acessório, certifique-se de que os espetadores bem como você mesmo estão afastados do nível do acessório rotativo, e utilize a ferramenta elétrica à velocidade máxima em vazio durante um minuto.** Geralmente, os acessórios danificados partem-se durante este ensaio.
 9. **Use equipamento de proteção pessoal. Utilize um protetor facial, óculos de segurança ou protetores oculares, conforme a aplicação. Conforme adequado, utilize uma máscara contra o pó, protetores auriculares, luvas e avental capazes de resguardar contra pequenos estilhaços ou abrasivos da peça de trabalho.** A proteção ocular deve ser capaz de travar a projeção de detritos gerados por várias aplicações. A máscara contra o pó ou de respiração deve ter capacidade de filtrar partículas geradas pela aplicação particular. A exposição prolongada a ruídos de alta intensidade pode provocar perda de audição.
 10. **Mantenha as pessoas presentes afastadas da área de trabalho a uma distância segura. Todas as pessoas que entram na área de trabalho devem utilizar equipamento de proteção pessoal.** Os estilhaços da peça de trabalho ou de um acessório partido podem ser arremessados e provocar ferimentos além da área imediata de operação.
 11. **Segure a ferramenta elétrica apenas pelas partes isoladas quando executar uma operação em que o acessório de corte possa tocar em fios ocultos ou no seu próprio cabo.** O contacto do acessório de corte com um fio sob tensão pode colocar as peças metálicas expostas da ferramenta elétrica sob tensão e pode provocar um choque elétrico no operador.
 12. **Posicione o cabo afastado do acessório rotativo.** Se perder o controlo, o cabo pode ser cortado ou ficar preso e a sua mão ou braço pode ser puxado para o acessório em rotação.
 13. **Nunca pouse a ferramenta elétrica antes de o acessório parar completamente.** O acessório em rotação pode prender na superfície e descontrolar a ferramenta elétrica.
 14. **Não deixe a ferramenta elétrica a funcionar enquanto a transporta ao seu lado.** O contacto accidental com o acessório rotativo pode prender as suas roupas, puxando o acessório na direção do seu corpo.
 15. **Limpe regularmente os ventiladores de ar da ferramenta elétrica.** A ventoinha do motor aspira o pó para dentro da caixa e a acumulação excessiva de metal pulverizado pode provocar perigos elétricos.
 16. **Não utilize a ferramenta elétrica próximo de materiais inflamáveis.** As faíscas podem incendiar estes materiais.
 17. **Não utilize acessórios que requerem refrigerantes líquidos.** A utilização de água ou outros refrigerantes líquidos pode resultar em choque ou electrocussão.
- Avisos sobre recuos e outras relacionadas:**
- O recuo é uma reação repentina a uma roda rotativa, uma base protetora, uma escova ou qualquer outro acessório preso ou emperrado. O bloqueio ou obstáculo provoca a paragem imediata do acessório rotativo que, por sua vez, faz com que a ferramenta elétrica descontrolada seja forçada a ir na direção oposta à da rotação do acessório, no ponto onde ficou presa. Se a roda abrasiva ficar presa ou enroscada na peça de trabalho, por exemplo, a borda da roda que está a entrar no ponto onde prendeu, pode entrar ainda mais fundo na superfície do material fazendo com que a roda salte ou provoque um recuo. A roda pode saltar na direção do operador ou na direção oposta, dependendo do sentido do movimento da roda no ponto em que ficou presa. As rodas abrasivas também podem partir nessas condições.
- O recuo é o resultado da utilização imprópria da ferramenta elétrica e/ou das condições ou procedimentos de funcionamento incorretos e pode ser evitado tomando-se as medidas de precaução adequadas, como indicado abaixo.
1. **Segure firmemente a ferramenta elétrica com as duas mãos e posicione o seu corpo e braços de tal forma que lhe permitam resistir às forças do recuo. Utilize sempre o punho auxiliar, se fornecido, para um controlo máximo do recuo ou da reação de binário durante o arranque.** O operador poderá controlar as reações de binário ou as forças do recuo se tomar as precauções necessárias.
 2. **Nunca coloque as mãos perto do acessório rotativo.** O acessório pode recuar sobre a sua mão.
 3. **Não posicione o seu corpo na área em que a ferramenta elétrica será lançada, caso ocorra um recuo.** O recuo lança a ferramenta na direção oposta ao movimento da roda no ponto onde prende.

4. **Tenha especial cuidado quando trabalhar em cantos, arestas afiadas, etc. Evite balançar e prender o acessório.** Os cantos, as arestas cortantes ou as batidas tendem a prender o acessório rotativo e causar perda de controlo ou recuo.
5. **Não coloque uma corrente de serra, um lâmina para esculpir madeira, um disco diamantado segmentado com um intervalo periférico superior a 10 mm ou uma lâmina de serra dentada.** Essas lâminas criam recuos frequentes e perda de controlo.
2. **Não posicione o corpo em linha nem atrás da roda rotativa.** Quando, durante a operação, a roda se move para longe de si, o possível recuo pode empurrar a roda em rotação e a ferramenta elétrica diretamente contra si.
3. **Quando o disco está amolgado ou quando interrompe o corte por qualquer motivo, desligue a ferramenta elétrica e mantenha-a parada até o disco parar completamente. Nunca tente retirar a roda de dentro do corte com a roda em movimento, caso contrário, pode ocorrer um recuo.** Verifique e tome as medidas corretivas para eliminar a causa do emperramento da roda.

Avisos de segurança específicos para operações de esmerilar e corte:

1. **Utilize apenas os tipos de rodas especificados para a sua ferramenta elétrica e o resguardo específico designado para a roda selecionada.** As rodas incompatíveis com a ferramenta elétrica são impossíveis de resguardar adequadamente e não são seguras.
2. **A superfície de esmerilação das rodas com centro rebaixado deve estar montada abaixo do plano do bordo de resguardo.** Uma roda montada incorretamente que sobressai através do plano do bordo de resguardo não pode ser devidamente protegida.
3. **O resguardo deve ser instalado firmemente na ferramenta elétrica e posicionado para máxima segurança, de forma que o mínimo da roda fique exposta na direção do operador.** O resguardo ajuda a proteger o operador contra fragmentos partidos da roda, contacto accidental com a roda e faíscas que podem incendiar as roupas.
4. **As rodas devem ser utilizadas apenas para as aplicações especificadas. Por exemplo: não esmerilar com a lateral da roda de corte.** Como as rodas de corte abrasivas foram concebidas para a esmerilação periférica, as forças laterais aplicadas a estas rodas pode fazer com que estilhacem.
5. **Utilize sempre flanges da roda em boas condições, e que sejam do tamanho e formato corretos para a roda selecionada.** As flanges apropriadas suportam a roda reduzindo, assim, a possibilidade de quebra da roda. As flanges para as rodas de corte podem ser diferentes das flanges para as rodas de esmerilagem.
6. **Não utilize rodas desgastadas de ferramentas elétricas maiores.** Uma roda projetada para ferramentas elétricas maiores não é apropriada para a velocidade mais elevada de uma ferramenta menor e pode rebentar.
7. **Quando utilizar rodas de dupla finalidade, utilize sempre o resguardo correto para a aplicação que esteja a realizar.** Caso não utilize o resguardo correto poderá não ter o nível de proteção pretendido, o que poderá provocar ferimentos graves.
4. **Não reinicie a operação de corte na peça de trabalho. Aguarde até que o disco atinja a velocidade máxima e coloque-o cuidadosamente no corte.** A roda pode emperrar, subir ou originar um recuo se ligar a ferramenta elétrica na peça de trabalho.
5. **Suporte os painéis ou as peças de trabalho muito grandes para minimizar o risco da roda prender e originar recuo.** As peças de trabalho grandes tendem a ceder sob o próprio peso. Os suportes têm de ser colocados debaixo da peça de trabalho, perto da linha de corte e da borda da peça de trabalho, nos dois lados da roda.
6. **Tenha cuidado especialmente quando fizer um corte de perfuração em paredes existentes ou outras zonas invisíveis.** A roda exposta pode cortar canos de gás ou de água, fios elétricos ou outros objetos que podem originar um recuo.
7. **Não tente realizar cortes curvos.** Sujeitar a roda a esforço excessivo aumenta a carga e a suscetibilidade de torção ou emperramento da roda dentro do corte e a possibilidade de recuo ou quebra da roda, o que pode provocar ferimentos graves.
8. **Antes de utilizar um disco diamantado segmentado, certifique-se de que o disco diamantado tem um intervalo periférico entre segmentos de 10 mm ou menos, apenas com um ângulo de inclinação negativo.**

Avisos de segurança específicos para as operações de lixamento:

1. **Utilize lixa de papel com o tamanho adequado. Siga as recomendações do fabricante quando escolher a lixa de papel.** As lixas de papel maiores, que se estendem muito além da base de lixamento, apresentam perigo de laceração e podem prender, rasgar o disco ou provocar recuo.

Avisos de segurança específicos para as operações com a escova de arame:

1. **Lembre-se que a escova lança filamentos de metal, mesmo durante uma operação normal. Não sujeite os filamentos de metal a esforço excessivo aplicando uma carga excessiva na escova.** Os filamentos de metal podem penetrar facilmente nas roupas finas e/ou na pele.
2. **Se for especificada a utilização de um resguardo para operação com a escova de arame, não permita quaisquer interferências da roda ou da escova metálicas com o resguardo.** A roda ou a escova metálicas podem expandir em diâmetro devido à carga de trabalho e às forças centrífugas.

Avisos de segurança adicionais específicos para as operações de corte:

1. **Não “encrave” a roda de corte nem aplique pressão excessiva. Não tente efetuar um corte demasiadamente profundo.** Sujeitar a roda a esforço excessivo aumenta a carga e a suscetibilidade de torção ou emperramento a roda dentro do corte e a possibilidade de recuo ou quebra da roda.

Avisos de segurança adicionais:

1. Quando utilizar rodas de esmerilar com centro rebaixado, utilize apenas rodas reforçadas com fibra de vidro.
2. **NUNCA UTILIZE rodas do tipo copo de pedra com esta esmeriladora.** A esmeriladora não foi concebida para esses tipos de rodas e a utilização deste produto pode resultar em ferimentos pessoais graves.
3. Tenha cuidado para não danificar o eixo, a flange (especialmente a superfície de instalação) nem a porca de bloqueio. Os danos nestas peças pode resultar em quebra da roda.
4. Antes de ligar o interruptor, certifique-se de que a roda não está em contacto com a peça de trabalho.
5. Antes de utilizar a ferramenta numa peça de trabalho, deixe-a funcionar por alguns instantes. Verifique se há vibrações ou movimentos irregulares que possam indicar má instalação ou desequilíbrio da roda.
6. Utilize a superfície específica da roda para esmerilar.
7. Não deixe a ferramenta a funcionar. Opere a ferramenta apenas quando estiver a segurá-la na mão.
8. Não toque na peça de trabalho imediatamente após a operação. Pode estar extremamente quente e provocar queimaduras na sua pele.
9. Não toque nos acessórios imediatamente após a operação. Podem estar extremamente quentes e provocar queimaduras na sua pele.
10. Tenha em conta as instruções do fabricante para a montagem e utilização corretas das rodas. Manuseie e armazene as rodas com cuidado.
11. Não utilize buchas de redução ou adaptadores separados para adaptar rodas abrasivas de orifício grande.
12. Utilize apenas as flanges especificadas para esta ferramenta.
13. Para ferramentas destinadas a serem equipadas com rodas de orifício roscado, certifique-se de que a rosca na roda tem tamanho suficiente para aceitar o comprimento do eixo.
14. Verifique se a peça de trabalho está corretamente suportada.
15. Preste atenção, pois a roda continua a rodar depois de desligar a ferramenta.
16. Se o local de trabalho for extremamente quente e húmido, ou muito poluído por pó condutor, utilize um disjuntor (30 mA) para assegurar a segurança do operador.
17. Não utilize a ferramenta em nenhum material que contenha amianto.
18. Quando utilizar a roda de corte, trabalhe sempre com o resguardo da roda de recolha de pó se exigido pelas regulações nacionais.
19. Os discos de corte não podem ser sujeitos a pressão lateral.
20. Não utilize luvas de trabalho de pano durante a operação. As fibras do tecido podem entrar na ferramenta e provocar a quebra da ferramenta.
21. Antes da operação, certifique-se de que não existem objetos enterrados tais como um tubo elétrico, tubo de água ou tubo de gás na peça de trabalho. Caso contrário, pode causar um choque elétrico, uma fuga elétrica ou uma fuga de gás.
22. Se um papel filtro estiver preso à roda, não o remova. O diâmetro do papel filtro deve ser maior do que a porca de bloqueio, a flange exterior e a flange interior.
23. Antes de instalar uma roda de esmerilar, verifique sempre se a parte do papel filtro não apresenta anomalias como aparas ou fissuras.
24. Aperte a porca de bloqueio adequadamente. O aperto excessivo da roda pode causar quebra e o aperto insuficiente pode causar tremulação.

GUARDE ESTAS INSTRUÇÕES.

AVISO: NÃO permita que o conforto ou familiaridade com o produto (adquirido com o uso repetido) substitua o cumprimento estrito das regras de segurança da ferramenta. A MÁ INTERPRETAÇÃO ou o não seguimento das regras de segurança estabelecidas neste manual de instruções pode provocar ferimentos pessoais graves.

DESCRIÇÃO FUNCIONAL

PRECAUÇÃO: Certifique-se sempre de que a ferramenta está desligada e com a ficha retirada da tomada, antes de proceder a afinações ou de verificar o funcionamento da respetiva ferramenta.

Sistema de proteção da ferramenta

A ferramenta está equipada com um sistema de proteção da ferramenta. Este sistema reduz ou desliga automaticamente a alimentação do motor para prolongar a vida útil da ferramenta. A ferramenta reduz a potência ou para automaticamente durante o funcionamento se estiver sujeita a uma das seguintes condições:

Proteção contra sobrecarga

Quando a ferramenta é utilizada de forma a causar a absorção de uma corrente anormalmente elevada, a ferramenta reduz a potência automaticamente sem qualquer indicação. Nesta situação, elimine a causa da sobrecarga de modo que a velocidade de rotação recupere.

Proteção contra sobreaquecimento

Específico para o país

Quando a ferramenta estiver sobreaquecida, a ferramenta para automaticamente e a luz indicadora pisca a vermelho. Nesta situação, deixe a ferramenta arrefecer. Pode ligar novamente a ferramenta após a luz mudar de cor de vermelho para verde.

Luz indicadora

► Fig.1: 1. Luz indicadora

A luz indicadora acende a verde quando a ferramenta é ligada.

Se a luz indicadora pisca a vermelho, a proteção contra sobreaquecimento, a Tecnologia de deteção de retorno ativa ou a função de prevenção de reinício accidental para de funcionar. Nesta situação, desligue a ferramenta. Em seguida, ligue a ferramenta para reiniciar.

Se a luz indicadora acender a vermelho após desligar a ferramenta, a ferramenta está sobreaquecida. Nesta situação, arrefeça a ferramenta e aguarde até a luz indicadora acender a verde.

Indicador de ajuste da velocidade

Apenas para os modelos GA4593 / GA5093

⚠PRECAUÇÃO: Se a ferramenta for utilizada continuamente a velocidades baixas durante muito tempo, o motor fica sobrecarregado e aquecido.

⚠PRECAUÇÃO: O indicador de ajuste da velocidade só pode ser rodado até 5 e de volta ao 1. Não o force além de 5 ou 1 ou a função de ajuste da velocidade pode deixar de funcionar.

A velocidade de rotação pode ser alterada rodando o indicador de ajuste da velocidade para um determinado número definido de 1 a 5. Obtém-se uma velocidade maior quando o indicador é rodado em direção ao número 5. E obtém-se uma velocidade menor quando é rodado em direção ao número 1. Consulte a tabela abaixo para ficar a saber a relação entre as definições dos números no indicador e a velocidade de rotação aproximada.

Número	Velocidade nominal
1	2.800 min ⁻¹
2	4.500 min ⁻¹
3	6.500 min ⁻¹
4	8.000 min ⁻¹
5	11.500 min ⁻¹

► Fig.2: 1. Indicador de ajuste da velocidade

Bloqueio do eixo

⚠AVISO: Nunca acione o bloqueio do eixo quando o eixo estiver em movimento. Poderá causar ferimentos graves ou danos na ferramenta.

Pressione o bloqueio do eixo para impedir a rotação do eixo quando instalar ou remover acessórios.

► Fig.3: 1. Bloqueio do eixo

Ação do interruptor

⚠PRECAUÇÃO: Antes de ligar a ferramenta à corrente, verifique sempre se a alavanca do interruptor funciona corretamente e volta para a posição de desligado quando libertada.

⚠PRECAUÇÃO: Para sua segurança, esta ferramenta está equipada com uma alavanca de desbloqueio que impede a ferramenta de efetuar o arranque accidental. NUNCA utilize a ferramenta se esta funcionar quando puxa simplesmente a alavanca do interruptor sem puxar a alavanca de desbloqueio. Devolva a ferramenta ao nosso centro de assistência autorizado para proceder a reparações adequadas ANTES de continuar a utilizá-la.

⚠PRECAUÇÃO: Não puxe a alavanca do interruptor com força sem puxar a alavanca de desbloqueio. Pode partir o interruptor.

⚠PRECAUÇÃO: NUNCA utilize fita-cola nem tente anular a finalidade e funcionamento da alavanca de desbloqueio.

Para evitar que a alavanca do interruptor seja acionada accidentalmente, existe uma alavanca de desbloqueio. Para começar a utilizar a ferramenta, puxe a alavanca de desbloqueio em direção ao operador e carregue na alavanca do interruptor.

Para parar a ferramenta, solte a alavanca do interruptor.

► Fig.4: 1. Alavanca de desbloqueio 2. Alavanca do interruptor

Função eletrónica

Tecnologia de deteção retorno ativa

⚠PRECAUÇÃO: Segure a ferramenta firmemente até a rotação parar.

A ferramenta deteta eletronicamente as situações em que a roda ou o acessório possa estar em risco de dobrar. Em tal situação, a ferramenta desliga automaticamente a alimentação para impedir que o eixo gire mais (tal não impede o ressalto).

Nesta altura, a luz indicadora pisca a vermelho e mostra que a Tecnologia de deteção de retorno ativa está a funcionar.

Para reiniciar a ferramenta, primeiro desligue-a, remova a causa da queda brusca na velocidade de rotação e volte a ligar a ferramenta.

Função de prevenção de reinício accidental

Quando inserir a ficha da ferramenta na tomada enquanto o interruptor está ligado, a ferramenta não arranca.

Neste momento, a luz indicadora pisca a vermelho e mostra que a função de prevenção de reinício accidental funciona.

Para arrancar a ferramenta, desligue o interruptor e ligue-o novamente.

Controlo de velocidade constante

Possibilidade de obter um acabamento delicado, porque a velocidade de rotação é mantida constante, mesmo sob a condição carregada.

Funcionalidade de arranque suave

A funcionalidade de arranque suave reduz a reação de arranque.

Travão mecânico

Apenas para os modelos GA4593 / GA4594 / GA5093 / GA5094

O travão mecânico é ativado depois de a ferramenta ser desligada.

O travão não funciona se a fonte de alimentação for desligada com o interruptor ainda ligado.

MONTAGEM

⚠️ PRECAUÇÃO: Certifique-se sempre de que a ferramenta está desligada e com a ficha retirada da tomada antes de executar quaisquer trabalhos na ferramenta.

Instalação do punho lateral (pega)

⚠️ PRECAUÇÃO: Certifique-se sempre de que o punho lateral está instalado em segurança antes da operação.

Aparafuse o punho lateral firmemente na posição da ferramenta indicada na figura.

► Fig.5

Instalar ou remover o resguardo da roda

⚠️ AVISO: Quando utilizar uma roda com centro rebaixado, disco de aba, roda flexível ou escova de arame tipo roda, o resguardo da roda deve ser colocado na ferramenta para que o lado fechado do resguardo aponte sempre em direção ao operador.

⚠️ AVISO: Certifique-se de que o resguardo da roda está firmemente bloqueado pela alavanca de bloqueio com um dos orifícios no resguardo da roda.

⚠️ AVISO: Quando utilizar uma roda de corte abrasiva / roda diamantada, certifique-se que utiliza apenas o resguardo da roda especialmente projetada para utilização com as rodas de corte.

Para a roda com centro rebaixado, disco de aba, roda flexível, escova de arame tipo roda / roda de corte abrasiva, roda diamantada

1. Enquanto empurra a alavanca de bloqueio, monte o resguardo da roda com as saliências no resguardo da roda alinhadas com os entalhes na caixa dos rolamentos.

► Fig.6: 1. Alavanca de bloqueio 2. Entalhe 3. Protuberância

2. Enquanto empurra a alavanca de bloqueio na direção de A, pressione para baixo as partes B do resguardo da roda conforme apresentado na figura.

► Fig.7: 1. Resguardo da roda 2. Orifício

NOTA: Pressione o resguardo da roda a direito. Caso contrário, não consegue fixar o resguardo da roda.

3. Enquanto empurra a alavanca de bloqueio na direção de A, rode o resguardo da roda na direção de C e, em seguida, altere o ângulo do resguardo da roda de acordo com o trabalho de modo a poder proteger o operador. Alinhe a alavanca de bloqueio com um dos orifícios no resguardo da roda e, em seguida, solte a alavanca de bloqueio para bloquear o resguardo da roda.

► Fig.8: 1. Resguardo da roda 2. Orifício

Para retirar o resguardo da roda, siga inversamente o processo de instalação.

Fixação do resguardo da roda de corte acoplável

Acessório opcional

NOTA: Para operações de corte, uma fixação do resguardo da roda de corte acoplável pode ser utilizada com o resguardo da roda (para roda de esmerilar).

Não está disponível em alguns países.

► Fig.9

Instalar ou remover a roda com centro rebaixado ou o disco de aba

Acessório opcional

⚠️ AVISO: Quando utilizar uma roda com centro rebaixado ou um disco de aba, o resguardo da roda tem de estar instalado na ferramenta para que o lado fechado do resguardo aponte sempre em direção ao operador.

⚠️ AVISO: Certifique-se de que a peça de montagem da flange interior encaixa perfeitamente dentro do diâmetro interno da roda com centro rebaixado / disco de aba. A montagem da flange interior no lado errado pode resultar em vibração perigosa.

Monte a flange interior no eixo.

Certifique-se de que instala a peça dentada da flange interior na peça reta no fundo do eixo.

Instale a roda com centro rebaixado / disco de aba na flange interior e aparafuse a porca de bloqueio no eixo.

► **Fig.10:** 1. Porca de bloqueio 2. Roda com centro rebaixado 3. Flange interior 4. Peça de montagem

Para apertar a porca de bloqueio, prima o bloqueio do eixo firmemente para que o eixo não possa girar, depois utilize a chave para porcas de bloqueio e aperte com segurança para a direita.

► **Fig.11:** 1. Chave para porcas de bloqueio 2. Bloqueio do eixo

Para retirar a roda, siga inversamente o processo de instalação.

Instalar ou retirar a roda flexível

Acessório opcional

⚠AVISO: Utilize sempre o resguardo fornecido quando a roda flexível estiver na ferramenta. A roda pode partir-se durante a utilização e o resguardo ajuda a reduzir os riscos de ferimentos pessoais.

► **Fig.12:** 1. Porca de bloqueio 2. Roda flexível 3. Almofada de apoio 4. Flange interior

Siga as instruções referentes à roda com centro rebaixado, mas utilize, igualmente, uma almofada de apoio sobre a roda.

Instalar ou retirar o disco abrasivo

Acessório opcional

► **Fig.13:** 1. Porca de bloqueio de lixagem 2. Disco abrasivo 3. Almofada de borracha

1. Instale a almofada de borracha sobre o eixo.
2. Instale o disco sobre a almofada de borracha e aperte a porca de bloqueio de lixagem no eixo.
3. Mantenha o eixo firme com o bloqueio do eixo e aperte a porca de bloqueio de lixagem em segurança para a direita com a chave para porcas de bloqueio.

Para retirar o disco siga inversamente o procedimento de instalação.

⚠NOTA: Utilize os acessórios de lixadora especificados neste manual. Estes devem ser adquiridos separadamente.

Super flange

Acessório opcional

Apenas para os modelos GA4595 / GA5095

A super flange é um acessório especial para modelos que NÃO estão equipados com uma função de travão. Apenas é necessário 1/3 do esforço para desapertar a porca de bloqueio em comparação com o tipo convencional.

Instalar ou retirar a Ezynut

Acessório opcional

Apenas para ferramentas com rosca do eixo M14.

⚠PRECAUÇÃO: Não utilize a Ezynut com a Super Flange. Essas flanges são tão espessas que a rosca inteira não pode ser retida pelo eixo.

Monte a flange interior, a roda abrasiva e a Ezynut no eixo, de modo que o logótipo da Makita na Ezynut fique virado para fora.

► **Fig.14:** 1. Ezynut 2. Roda abrasiva 3. Flange interior 4. Eixo

Pressione o bloqueio do eixo firmemente e aperte a Ezynut rodando a roda abrasiva para a direita até ao fim.

► **Fig.15:** 1. Bloqueio do eixo

Para soltar a Ezynut, rode o anel exterior da Ezynut para a esquerda.

⚠NOTA: A Ezynut pode ser solta manualmente enquanto a seta apontar para o entalhe. Caso contrário, é necessária uma chave para porcas de bloqueio para soltá-la. Insira um pino da chave num orifício e rode a Ezynut para a esquerda.

► **Fig.16:** 1. Seta 2. Entalhe

► **Fig.17**

Instalar a roda de corte abrasiva / roda diamantada

Acessório opcional

⚠AVISO: Quando utilizar uma roda de corte abrasiva / roda diamantada, certifique-se que utiliza apenas o resguardo do roda especialmente projetada para utilização com as rodas de corte.

⚠AVISO: NUNCA utilize rodas de corte para a esmerilagem lateral.

► **Fig.18:** 1. Porca de bloqueio 2. Roda de corte abrasiva / roda diamantada 3. Flange interior 4. Resguardo da roda para rodas de corte abrasivas / rodas diamantadas

Quanto à instalação, siga as instruções para a roda com centro rebaixado.

A direção de montagem da porca de bloqueio e da flange interior varia de acordo com o tipo e a espessura da roda.

Consulte as figuras seguintes.

Quando instalar a roda de corte abrasiva:

► **Fig.19:** 1. Porca de bloqueio 2. Roda de corte abrasiva (espessura inferior a 4 mm (5/32")) 3. Roda de corte abrasiva (espessura de 4 mm (5/32") ou superior) 4. Flange interior

Quando instalar a roda diamantada:

► **Fig.20:** 1. Porca de bloqueio 2. Roda diamantada (espessura inferior a 4 mm (5/32")) 3. Roda diamantada (espessura de 4 mm (5/32") ou superior) 4. Flange interior

Instalar a escova de arame tipo copo

Acessório opcional

⚠️PRECAUÇÃO: Não utilize uma escova danificada nem desequilibrada. A utilização de uma escova danificada pode aumentar o risco de ferimentos decorrentes do contacto com arames da escova partidos.

Coloque a ferramenta virada para baixo de modo a permitir o fácil acesso ao eixo.

Retire quaisquer acessórios do eixo. Enrosque a escova de arame tipo copo no eixo e aperte com a chave fornecida.

► **Fig.21:** 1. Escova de arame tipo copo

Instalar a escova de arame tipo roda

Acessório opcional

⚠️PRECAUÇÃO: Não utilize uma escova de arame tipo roda danificada nem desequilibrada. A utilização de uma escova de arame tipo roda danificada pode aumentar o risco de ferimentos decorrentes do contacto com arames partidos.

⚠️PRECAUÇÃO: Utilize SEMPRE o resguardo com as escovas de arame tipo roda, garantindo que o diâmetro da roda encaixa dentro do resguardo. A roda pode partir-se durante a utilização e o resguardo ajuda a reduzir os riscos de ferimentos pessoais.

Coloque a ferramenta virada para baixo de modo a permitir o fácil acesso ao eixo.

Retire quaisquer acessórios do eixo. Enrosque a escova de arame tipo roda no eixo e aperte com as chaves.

► **Fig.22:** 1. Escova de arame tipo roda

Instalar o cortador de orifícios

Acessório opcional

Coloque a ferramenta virada para baixo de modo a permitir o fácil acesso ao eixo.

Retire quaisquer acessórios do eixo. Enrosque o cortador de orifícios no eixo e aperte-o com a chave fornecida.

► **Fig.23:** 1. Cortador de orifícios

Instalar o resguardo da roda de recolha de pó para esmerilagem

Acessório opcional

Com acessórios opcionais pode utilizar esta ferramenta para aplainar a superfície de betão.

⚠️PRECAUÇÃO: O resguardo da roda de recolha de pó para a roda diamantada de desvio só deve ser utilizado para aplainar a superfície de betão com uma roda diamantada de desvio. Não utilize este resguardo com qualquer outro acessório de corte ou para qualquer outra finalidade.

⚠️PRECAUÇÃO: Antes do funcionamento, certifique-se de que um aspirador está conectado à ferramenta e que está ligado.

Coloque a ferramenta virada para baixo e instale o resguardo da roda de recolha de pó.

Monte a flange interior no eixo.

Instale a roda diamantada tipo copo na flange interior e aperte a porca de bloqueio no eixo.

► **Fig.24:** 1. Porca de bloqueio 2. Roda diamantada tipo copo 3. Roda diamantada tipo copo com cubo 4. Flange interior 5. Resguardo da roda de recolha de pó 6. Caixa dos rolamentos

NOTA: Para obter informações sobre a forma de instalação do resguardo da roda de recolha de pó, consulte o manual do resguardo da roda de recolha de pó.

Instalar o resguardo da roda de recolha de pó para corte

Acessório opcional

Com acessórios opcionais pode utilizar esta ferramenta para cortar materiais em pedra.

► **Fig.25**

NOTA: Para obter informações sobre a forma de instalação do resguardo da roda de recolha de pó, consulte o manual do resguardo da roda de recolha de pó.

Ligar um aspirador

Acessório opcional

⚠️AVISO: Nunca aspire partículas de metal geradas pela operação de esmerilagem/corte/lixagem. As partículas de metal geradas por essa operação são tão quentes que podem incendiar poeira e o filtro no interior do aspirador.

Para evitar um ambiente poeirento causado por corte de alvenaria, utilize um resguardo da roda de recolha de pó e um aspirador.

Consulte o manual de instruções anexado ao resguardo da roda de recolha de pó para montá-lo e utilizá-lo.

► **Fig.26:** 1. Resguardo da roda de recolha de pó 2. Mangueira do aspirador

Instalar ou remover a fixação de cobertura contra a poeira

Acessório opcional

⚠️PRECAUÇÃO: Certifique-se sempre de que a ferramenta está desligada e retirada da tomada antes de instalar ou remover a fixação de cobertura contra a poeira. Caso contrário, ocorrerão danos na ferramenta ou uma lesão física.

Instale a fixação de cobertura contra a poeira em cada posição especificada.

Para obter informações, consulte o manual de instruções da fixação de cobertura contra a poeira.

OBSERVAÇÃO: Limpe a fixação de cobertura contra a poeira quando estiver entupida com poeira ou outros materiais estranhos. Continuar a operação com uma fixação de cobertura contra a poeira entupida danifica a ferramenta.

OPERAÇÃO

⚠️AVISO: Nunca deve ser necessário forçar a ferramenta. O peso da ferramenta aplica a pressão adequada. Forçar e pressionar excessivamente pode provocar a quebra perigosa da roda.

⚠️AVISO: Substitua SEMPRE a roda se a ferramenta cair enquanto estiver a esmerilar.

⚠️AVISO: NUNCA provoque golpes violentos nem bata com a roda na peça de trabalho.

⚠️AVISO: Evite bater ou dar pancadas na roda, especialmente quando trabalhar nos cantos, extremidades afiadas, etc. Isto pode provocar perda de controlo e recuos.

⚠️AVISO: NUNCA utilize a ferramenta com lâminas para corte de madeira e outras lâminas da serra. Essas lâminas quando utilizadas numa esmeriladora ressaltam frequentemente e provocam perda de controlo originando ferimentos pessoais.

⚠️AVISO: A utilização continuada de uma roda desgastada pode resultar na explosão da roda e em ferimentos pessoais graves.

⚠️PRECAUÇÃO: Nunca ligue a ferramenta quando estiver em contacto com a peça de trabalho, pois pode ferir o operador.

⚠️PRECAUÇÃO: Use sempre óculos de segurança ou um protetor facial durante a operação.

⚠️PRECAUÇÃO: Depois da operação, desligue sempre a ferramenta e espere até que a roda esteja completamente parado antes de pousar a ferramenta.

⚠️PRECAUÇÃO: Agarre SEMPRE na ferramenta firmemente com uma mão no corpo e a outra na punho lateral (pega).

NOTA: Uma roda de dupla finalidade pode ser utilizada para operações de esmerilagem e de corte.

Consulte a secção "Operação com roda/disco" para a operação de esmerilagem e consulte a secção "Operação com uma roda de corte abrasiva/roda diamantada" para a operação de corte.

Operação com roda/disco

► Fig.27

Ligue a ferramenta e, em seguida, aplique a roda ou o disco na peça de trabalho.

Em geral, mantenha a extremidade da roda ou disco num ângulo de cerca de 15° relativamente à superfície da peça de trabalho.

Durante o período de arranque com uma roda nova, não utilize a esmeriladora para a frente ou pode cortar a peça de trabalho. Depois de a extremidade da roda estar arredondada pelo uso, pode trabalhar com a roda para a frente ou para trás.

Operação com uma roda de corte abrasiva / roda diamantada

Acessório opcional

⚠️AVISO: Não "engrave" a roda nem aplique pressão excessiva. Não tente efetuar um corte demasiadamente profundo. Sujeitar a roda a esforço excessivo aumenta a carga e a suscetibilidade de torção ou prisão da roda no corte e a possibilidade de ocorrência de recuo, rotura da roda e sobreaquecimento do motor.

⚠️AVISO: Não inicie a operação de corte na peça de trabalho. Aguarde até que a roda atinja a velocidade máxima e coloque-a no corte cuidadosamente, movendo a ferramenta para a frente sobre a superfície da peça de trabalho. A roda pode prender, saltar ou ressaltar se ligar a ferramenta elétrica na peça de trabalho.

⚠️AVISO: Nunca altere o ângulo da roda durante as operações de corte. Exercer pressão lateral na roda de corte (como na esmerilagem) pode provocar fissuras e rotura, provocando ferimentos graves.

⚠️AVISO: Uma roda diamantada deve ser utilizada perpendicularmente ao material a ser cortado.

Exemplo de utilização: operação com roda de corte abrasiva

► Fig.28

Exemplo de utilização: operação com roda diamantada

► Fig.29

Operação com escova de arame tipo copo

Acessório opcional

⚠PRECAUÇÃO: Verifique a operação da escova operando a ferramenta em vazio, certificando-se de que ninguém está à frente ou em linha com a escova.

Exemplo de utilização: operação com escova de arame tipo copo

► Fig.30

OBSERVAÇÃO: Quando utilizar a escova evite aplicar uma pressão excessiva que pode provocar a dobração excessiva dos arames. Pode dar origem a quebra prematura.

Operação com escova de arame tipo roda

Acessório opcional

⚠PRECAUÇÃO: Verifique a operação da escova de arame tipo roda operando a ferramenta em vazio, certificando-se de que ninguém está à frente ou em linha com a escova de arame tipo roda.

Exemplo de utilização: operação com escova de arame tipo roda

► Fig.31

OBSERVAÇÃO: Quando utilizar a escova de arame tipo roda, evite aplicar uma pressão excessiva que pode provocar a dobração excessiva dos arames. Pode dar origem a quebra prematura.

Operação com cortador de orifícios

Acessório opcional

⚠PRECAUÇÃO: Verifique a operação do cortador de orifícios operando a ferramenta em vazio, certificando-se de que ninguém está à frente do cortador de orifícios.

OBSERVAÇÃO: Não incline a ferramenta durante a operação. Pode dar origem a quebra prematura.

Exemplo de utilização: operação com cortador de orifícios

► Fig.32

MANUTENÇÃO

⚠PRECAUÇÃO: Certifique-se sempre de que a ferramenta está desligada e com a ficha retirada da tomada antes de tentar proceder à inspeção ou à manutenção.

OBSERVAÇÃO: Nunca utilize gasolina, benzina, diluente, álcool ou produtos semelhantes. Pode ocorrer a descoloração, deformação ou rachaduras.

Para manter a SEGURANÇA e a FIABILIDADE do produto, as reparações e qualquer outra manutenção ou ajuste devem ser levados a cabo pelos centros de assistência Makita autorizados ou pelos centros de assistência de fábrica, utilizando sempre peças de substituição Makita.

Limpeza do ventilador de ar

A ferramenta e os respetivos ventiladores de ar têm de ser mantidos limpos. Limpe regularmente os ventiladores de ar da ferramenta ou sempre que os ventiladores comecem a ficar obstruídos.

► Fig.33: 1. Ventilador de exaustão 2. Ventilador de inalação

COMBINAÇÃO DE APLICAÇÕES E ACESSÓRIOS

Acessório opcional

⚠️PRECAUÇÃO: A utilização da ferramenta com resguardos incorretos pode causar os seguintes riscos.

- Quando utilizar um resguardo da roda de corte para esmerilagem facial, o resguardo da roda poderá interferir com a peça de trabalho, causando um controlo fraco.
- Quando utilizar um resguardo da roda de esmerilar para operações de corte com rodas abrasivas e rodas diamantadas unidas, existe um maior risco de exposição a rodas rotativas, faíscas e partículas emitidas, bem como de exposição a fragmentos da roda no caso da roda rebentar.
- Quando utilizar um resguardo da roda de corte ou um resguardo da roda de esmerilar para operações faciais com rodas diamantadas tipo copo, o resguardo da roda poderá interferir com a peça de trabalho, causando um controlo fraco.
- Quando utilizar um resguardo da roda de corte ou um resguardo da roda de esmerilar com uma escova de arame de tipo roda com uma espessura superior à espessura máxima, conforme especificado nas "ESPECIFICAÇÕES", os arames podem ficar presos no resguardo causando a quebra dos arames.
- A utilização de resguardos da roda de recolha de pó para operações de corte e faciais em betão ou alvenaria reduz o risco de exposição ao pó.
- Quando utilizar rodas montadas na flange (abrasivas de esmerilar e cortar combinadas) de dupla finalidade, utilize apenas um resguardo da roda de corte.

► Fig.34

Apenas para os modelos GA4593 / GA4594 / GA5093 / GA5094

	Aplicação	Modelo de 115 mm	Modelo de 125 mm
1	-	Punho lateral	
2	-	Resguardo da roda (para roda de esmerilar)	
3	-	Flange interior	
4	Esmerilagem/lixagem	Roda com centro rebaixado / disco de aba	
5	-	Porca de bloqueio	
6	-	Ezynut *1*2	
7	-	Almofada de apoio	
8	Esmerilagem/lixagem	Roda flexível	
9	-	Almofada de borracha 100	Almofada de borracha 115
10	Lixagem	Disco abrasivo	
11	-	Porca de bloqueio de lixagem	
12	Escovagem de arame	Escova de arame tipo roda	
13	Escovagem de arame	Escova de arame tipo copo	
14	Corte de orifícios	Cortador de orifícios	
15	-	Resguardo da roda (para roda de corte)	
16	Corte	Roda de corte abrasiva / roda diamantada	
17	Esmerilagem/corte	Roda de dupla finalidade	
18	-	Fixação do resguardo da roda de corte acoplável *3	
19	-	Resguardo da roda de recolha de pó para corte	
20	Corte	Roda diamantada	
21	-	Resguardo da roda de recolha de pó para esmerilagem	
22	Esmerilagem	Roda diamantada tipo copo	
-	-	Chave para porcas de bloqueio	
-	-	Fixação de cobertura contra a poeira	

Apenas para os modelos GA4595 / GA5095

	Aplicação	Modelo de 115 mm	Modelo de 125 mm
1	-	Punho lateral	
2	-	Resguardo da roda (para roda de esmerilar)	
3	-	Flange interior / super flange *1*2	
4	Esmerilagem/lixagem	Roda com centro rebaixado / disco de aba	
5	-	Porca de bloqueio	
6	-	Ezynut *1*2	
7	-	Almofada de apoio	
8	Esmerilagem/lixagem	Roda flexível	
9	-	Almofada de borracha 100	Almofada de borracha 115
10	Lixagem	Disco abrasivo	
11	-	Porca de bloqueio de lixagem	
12	Escovagem de arame	Escova de arame tipo roda	
13	Escovagem de arame	Escova de arame tipo copo	
14	Corte de orifícios	Cortador de orifícios	
15	-	Resguardo da roda (para roda de corte)	
16	Corte	Roda de corte abrasiva / roda diamantada	
17	Esmerilagem/corte	Roda de dupla finalidade	
18	-	Fixação do resguardo da roda de corte acoplável *3	
19	-	Resguardo da roda de recolha de pó para corte	
20	Corte	Roda diamantada	
21	-	Resguardo da roda de recolha de pó para esmerilagem	
22	Esmerilagem	Roda diamantada tipo copo	
-	-	Chave para porcas de bloqueio	
-	-	Fixação de cobertura contra a poeira	

NOTA: *1 Não utilize a Super flange e a Ezynut em conjunto.

NOTA: *2 Apenas para ferramentas com rosca do eixo M14.

NOTA: *3 A fixação do resguardo da roda de corte acoplável não está disponível em alguns países. Para obter mais informações, consulte o manual de instruções da fixação do resguardo da roda de corte acoplável.

NOTA: Não utilize a super flange com uma esmerilhadeira equipada com uma função de travão.

ACESSÓRIOS OPCIONAIS

⚠️ PRECAUÇÃO: Estes acessórios ou peças são recomendados para utilização com a ferramenta Makita especificada neste manual. A utilização de outros acessórios ou peças pode ser perigosa para as pessoas. Utilize apenas acessórios ou peças para os fins indicados.

Se necessitar de informações adicionais relativas a estes acessórios, solicite-as ao seu centro de assistência Makita.

- Acessórios listados na "COMBINAÇÃO DE APLICAÇÕES E ACESSÓRIOS"

NOTA: Alguns itens da lista podem estar incluídos na embalagem da ferramenta como acessórios padrão. Eles podem variar de país para país.


SPECIFIKATIONER

Model:		GA4593	GA4594	GA4595	GA5093	GA5094	GA5095
Anvendelig slibeskive	Maks. diameter af skiven	115 mm			125 mm		
	Maks. skivetykkelse	7,2 mm					
Anvendelig afskæringsskive	Maks. diameter af skiven	115 mm			125 mm		
	Maks. skivetykkelse	3,2 mm					
Anvendelig trådskevebørste	Maks. diameter af skiven	115 mm			125 mm		
	Maks. skivetykkelse	20 mm					
Spindelgevind		M14 eller 5/8" (landespecifik)					
Maks. spindellængde		23 mm					
Hastighed uden belastning (n_0) / Mærkehastighed (n)		11.500 min ⁻¹					
Længde i alt		349 mm	326 mm	349 mm	326 mm	349 mm	326 mm
Nettovægt		2,8 - 4,0 kg	2,6 - 3,8 kg	2,9 - 4,0 kg	2,7 - 3,8 kg	2,7 - 3,8 kg	2,7 - 3,8 kg
Sikkerhedsklasse		□/II					

- På grund af vores kontinuerlige forsknings- og udviklingsprogrammer kan hosstående specifikationer blive ændret uden varsel.
- Specifikationer kan variere fra land til land.
- Vægten kan være anderledes afhængigt af tilbehøret. Den letteste og tungeste kombination i henhold til EPTA-procedure 01/2014 er vist i tabellen.

Symboler

Følgende viser de symboler, der muligvis anvendes til udstyret. Sørg for, at du forstår deres betydning før brugen.

	Læs brugsanvisningen.
	Bær sikkerhedsbriller.
	Betjen altid med to hænder.
	Brug ikke beskyttelsesskærmen til afskæring.
	DOBBELT ISOLERING



Kun for lande inden for EU
Brugt elektrisk og elektronisk udstyr kan have en negativ indvirkning på miljøet og folkesundheden på grund af tilstedeværelsen af farlige komponenter i udstyret. Bortskaf ikke elektriske og elektroniske apparater sammen med husholdningsaffald!

I overensstemmelse med EF-direktiv om affaldshåndtering af elektrisk og elektronisk udstyr, og i overensstemmelse med national lovgivning, skal brugt elektrisk og elektronisk udstyr opbevares separat og leveres til et separat indsamlingssted til kommunalt affald, der er etableret i henhold til bestemmelserne om miljøbeskyttelse. Dette er angivet ved symbolet på den krydsede skraldespand, der er placeret på udstyret.

Tilsigtet anvendelse

Denne maskine er beregnet til afslibning, sandslibning, trådbørstning, hulskæring og skæring i metal- og stenmaterialer uden anvendelse af vand.

Strømforsyning

Maskinen må kun tilsluttes en strømforsyning med samme spænding som angivet på typeskiltet og kan kun anvendes på enfaset vekselstrømforsyning. Den er dobbeltisoleret og kan derfor også tilsluttes netstik uden jordforbindelse.

Støj

Det typiske A-vægtede støjniveau bestemt i overensstemmelse med 62841-2-3:

Model	Lydtrykniveau (L_{pA}): (dB (A))	Lydeffektniveau (L_{WA}): (dB (A))	Usikkerhed (K): (dB (A))
GA4593	91	99	3
GA4594	91	99	3
GA4595	94	102	3
GA5093	91	99	3
GA5094	91	99	3
GA5095	94	102	3

BEMÆRK: De(n) angivne støjemissionsværdi(er) er målt i overensstemmelse med en standardtestmetode og kan anvendes til at sammenligne en maskine med en anden.

BEMÆRK: De(n) angivne støjemissionsværdi(er) kan også anvendes i en præliminær eksponeringsvurdering.

⚠ ADVARSEL: Bær høreværn.

⚠ ADVARSEL: Støjemissionen under den faktiske anvendelse af maskinen kan være forskellig fra de(n) angivne værdi(er), afhængigt af den måde hvorpå maskinen anvendes, især den type arbejdsemne der behandles.

⚠ ADVARSEL: Sørg for at identificere de sikkerhedsforskrifter til beskyttelse af operatøren, som er baseret på en vurdering af eksponering under de faktiske brugsforhold (med hensyntagen til alle dele i brugscyklussen, f.eks. de gange, hvor maskinen er slukket, og når den kører i tomgang i tilgift til afbrydertiden).

⚠ ADVARSEL: Slibning af tynde metalplader eller andre nemt vibrerende strukturer med en stor overflade kan resultere i en samlet støjemission, som er meget højere (op til 15 dB) end de angivne støjemissionsværdier.

Placer tunge fleksible dæmpende måtter eller lignende på disse arbejdsemner for at forhindre dem i at udsende lyd.

Tag den forøgede støjemission med i overvejslen for både risikovurderingen for udsættelse af støj og valg af passende høreværn.

Vibration

Vibrationens totalværdi (tre-aksial vektorsum) bestemt i overensstemmelse med 62841-2-3:

Funktionstilstand: overfladeslibning med normalt sidehåndtag

Model	Vibrationsafgivelse ($a_{hv, AG}$): (m/s ²)	Usikkerhed (K): (m/s ²)
GA4593	5,8	1,5
GA4594	5,8	1,5
GA4595	5,4	1,5
GA5093	8,9	1,5
GA5094	8,9	1,5
GA5095	8,5	1,5

Funktionstilstand: overfladeslibning med anti-vibrations-sidehåndtag

Model	Vibrationsafgivelse ($a_{hv, AG}$): (m/s ²)	Usikkerhed (K): (m/s ²)
GA4593	5,7	1,5
GA4594	5,7	1,5
GA4595	5,2	1,5
GA5093	8,5	1,5
GA5094	8,5	1,5
GA5095	8,7	1,5

Funktionstilstand: disksandslibning med normalt sidehåndtag

Model	Vibrationsemission ($a_{h, DS}$): (m/s^2)	Usikkerhed (K): (m/s^2)
GA4593	2,6	1,5
GA4594	2,6	1,5
GA4595	2,6	1,5
GA5093	3,3	1,5
GA5094	3,3	1,5
GA5095	3,0	1,5

Funktionstilstand: disksandslibning med anti-vibrations-sidehåndtag

Model	Vibrationsemission ($a_{h, DS}$): (m/s^2)	Usikkerhed (K): (m/s^2)
GA4593	2,5 m/s^2 eller mindre	1,5
GA4594	2,5 m/s^2 eller mindre	1,5
GA4595	2,9	1,5
GA5093	3,0	1,5
GA5094	3,0	1,5
GA5095	3,1	1,5

BEMÆRK: De(n) angivne totalværdi(er) for vibration er målt i overensstemmelse med en standardtestmetode og kan anvendes til at sammenligne en maskine med en anden.

BEMÆRK: De(n) angivne totalværdi(er) for vibration kan også anvendes i en præliminær eksponeringsvurdering.

⚠ ADVARSEL: Vibrationsemissionen under den faktiske anvendelse af maskinen kan være forskellig fra de(n) angivne værdi(er), afhængigt af den måde hvorpå maskinen anvendes, især den type arbejdsemne der behandles.

⚠ ADVARSEL: Sørg for at identificere de sikkerhedsforskrifter til beskyttelse af operatøren, som er baseret på en vurdering af eksponering under de faktiske brugsforhold (med hensyntagen til alle dele i brugscyklussen, f.eks. de gange, hvor maskinen er slukket, og når den kører i tomgang i tilgift til afbrydertiden).

⚠ ADVARSEL: Den erklærede værdi for vibrationsemission gælder for el-værktøjets primære anvendelser. Hvis el-værktøjet imidlertid anvendes til andre formål, kan værdien for vibrationsemission være anderledes.

EF-overensstemmelseserklæring

Kun for lande i Europa

EF-overensstemmelseserklæringen er inkluderet som Bilag A i denne brugsanvisning.

SIKKERHEDSADVARSLER

Almindelige sikkerhedsregler for el-værktøj

⚠ ADVARSEL: Læs alle de sikkerhedsadvarsler, instruktioner, illustrationer og specifikationer, der følger med denne maskine. Forsømmelse af at overholde alle nedenstående instruktioner kan medføre elektrisk stød, brand og/eller alvorlig personskade.

Gem alle advarsler og instruktioner til fremtidig reference.

Ordet "el-værktøj" i advarslerne henviser til det netforsyede (netledning) el-værktøj eller batteriforsyede (akku) el-værktøj.

Sikkerhedsadvarsler for sliber

Almindelige sikkerhedsadvarsler for anvendelser med slibning, sandslibning, trådbørstning eller afskæring:

1. Denne maskine er beregnet til at fungere som en sliber, slibemaskine med sandpapir, trådbørste, hulskærer eller afskæringsværktøj. Læs alle de sikkerhedsadvarsler, instruktioner, illustrationer og specifikationer, der følger med denne maskine. Manglende overholdelse af alle nedenstående instruktioner kan medføre elektrisk stød, brand og/eller alvorlig personskade.
2. Der må ikke udføres handlinger som polering med denne maskine. Handlinger, som maskinen ikke er designet til, kan medføre fare og forårsage personskade.
3. Omdan ikke denne maskine til at fungere på en måde, der ikke er specielt designet og angivet af maskinproducenten. Sådant en omdannelse kan muligvis resultere i tab af kontrol og forårsage alvorlig personskade.
4. Anvend ikke tilbehør, der ikke er specielt designet og angivet af maskinproducenten. Bare fordi tilbehøret kan monteres på din maskine, garanterer det ikke sikker drift.
5. Tilbehørets mærkehastighed skal mindst svare til den maksimale hastighed, der er angivet på maskinen. Tilbehør, der kører hurtigere end deres mærkehastighed, kan gå i stykker og slynges bort.

6. **Den udvendige diameter og tykkelsen på dit tilbehør skal ligge inden for maskinens kapacitetsklassificering.** Tilbehør med forært størrelse kan ikke beskyttes eller kontrolleres tilstrækkeligt.
7. **Målene for tilbehørsmonteringen skal passe til målene for monteringsdelen på maskinen.** Tilbehør, der ikke passer til maskinens monteringsdele, vil miste balancen, vibrere for meget og kan medføre tab af kontrol.
8. **Anvend ikke et beskadiget tilbehør. Før hver anvendelse undersøges tilbehøret, såsom slibeskiver for skår og revner, bagtallerken for revner, rift eller overdreven slitage, trådbørste for løse eller knækkede tråde. Hvis maskinen eller tilbehøret tabes, skal du undersøge, om det er beskadiget, eller montere et ubeskadiget tilbehør. Efter inspektion og montering af tilbehør, skal du og omkringstående stå på god afstand af det roterende tilbehørs flade, og maskinen skal køres på højeste, ubelastede hastighed i et minut.** Beskadiget tilbehør vil normalt gå i stykker i løbet af denne testperiode.
9. **Bær personligt beskyttelsesudstyr. Afhængigt af anvendelsen skal der anvendes en ansigts-skærm, beskyttelsesbriller eller sikkerhedsbriller. Bær eventuelt støvmaske, hørevern, handsker og værkstedsforklæde, der kan stoppe små slibedele eller fragmenter af arbejdsemnet. Øjenværnet skal kunne standse flyvende snavs, der opstår ved forskellige anvendelser. Støvmasken eller åndedrætsværnet skal kunne filtrere partikler, der opstår under den særlige anvendelse. Langvarig eksponering for støj med høj intensitet kan medføre høretab.**
10. **Hold tilskuere i sikker afstand fra arbejdsområdet. Alle, der kommer ind i arbejdsområdet, skal anvende personligt beskyttelsesudstyr.** Fragmenter af arbejdsemnet eller af et ødelagt tilbehør kan blive slynget væk og forårsage personskade uden for det umiddelbare arbejdsområde.
11. **Hold kun maskinen i de isolerede gribeflader, når der udføres et arbejde, hvor det skærende tilbehør kan komme i berøring med skjulte ledninger eller dens egen ledning.** Skæretilbehør, der kommer i kontakt med en "strømførende" ledning, kan gøre maskinens udsatte metaldele "strømførende" og kan give operatøren et elektrisk stød.
12. **Anbring altid ledningen, så den ikke kommer i kontakt med drejende tilbehør.** Hvis du mister kontrollen, kan ledningen blive skåret over eller hænge fast, og din hånd eller arm kan blive trukket ind i det roterende tilbehør.
13. **Læg aldrig maskinen ned, før tilbehøret er stoppet helt.** Det roterende tilbehør kan gribe fat i overfladen og trække maskinen ud af din kontrol.
14. **Lad ikke maskinen køre, mens du bærer den ved din side.** Utilsigtet kontakt med det roterende tilbehør kan få fat i dit tøj og trække tilbehøret ind mod kroppen.
15. **Rengør maskinværktøjets ventilationsåbninger med jævne mellemrum.** Motorens ventilator trækker støvet ind i huset, og overdreven ophobning af pulveriseret metal kan forårsage elektriske farer.
16. **Brug ikke maskinværktøjet i nærheden af brændbare materialer.** Gnister kan antænde disse materialer.

17. **Anvend ikke tilbehør, der kræver flydende kølemidler.** Anvendelse af vand eller andre flydende kølemidler kan medføre elektrisk aflivning eller stød.

Tilbageslag og relaterede advarsler:

Tilbageslag er en pludselig reaktion på en fastklemt eller blokeret roterende skive, bagtallerken, børste eller andet tilbehør. En fastklemt eller blokeret del forårsager hurtig standsning af det roterende tilbehør, som derved bliver årsag til, at det ukontrollerede maskinværktøj bliver tvunget i den modsatte retning af tilbehørets rotation ved punktet for bindingen.

Hvis for eksempel en slibeskive er blokeret eller fastklemt af arbejdsemnet, kan kanten på skiven, som går ind i fastklemningspunktet, grave sig ind i materialets overflade og derved bevirke, at skiven kommer ud eller presses ud. Skiven kan enten springe mod eller væk fra operatøren, afhængigt af retningen af skivens bevægelse på det sted, hvor den klemmes. Slibeskiver kan også brække under disse forhold.

Tilbageslag er et resultat af misbrug af og/eller forkert betjening af maskinen eller forkerte brugsforhold. Dette kan undgås ved, at der tages de rette forholdsregler som anvist herunder.

1. **Hold godt fast i maskinværktøjet med begge hænder, og placer din krop og arme, så du kan modstå tilbageslagskræfter. Anvend altid hjælpehåndtag, hvis det er til rådighed, for maksimal kontrol over tilbageslag eller drejningsmomentreaktion under opstart.** Operatøren kan styre drejningsmomentreaktioner eller tilbageslagskræfter, hvis der træffes passende forholdsregler.
2. **Anbring aldrig hånden i nærheden af det roterende tilbehør.** Tilbehøret kan give tilbageslag over hånden.
3. **Placer ikke din krop i det område, hvor maskinværktøjet bevæger sig, hvis der opstår tilbageslag.** Tilbageslag vil slynge maskinen i modsat retning af skivens bevægelse på det sted, hvor den sidder fast.
4. **Vær ekstra forsigtig, når du arbejder med hjørner, skarpe kanter osv. Undgå, at tilbehøret hopper og bliver fastklemt.** Hjørner, skarpe kanter eller op og ned-bevægelser har en tendens til at fastklemme det roterende tilbehør og forårsage tab af kontrol eller tilbageslag.
5. **Lad være med at montere en savkæde-træskæreklinge, en segmenteret diamantskive med et perifert mellemrum på mere end 10 mm eller en savklinge med tænder.** Sådanne klinger skaber hyppige tilbageslag og tab af kontrol.

Specifikke sikkerhedsadvarsler for anvendelser med slibning og afskæring:

1. **Anvend kun skivetyper, som er specificeret til dit maskinværktøj, og den specielle beskyttelsesskærm, som er beregnet til den valgte skive.** Skiver, som maskinværktøjet ikke er designet til, kan ikke beskyttes tilstrækkeligt og er usikre.
2. **Slibeflader på forsænkede centerskiver skal monteres under beskyttelsesskærmkantens flade.** En forkert monteret skive, der går gennem beskyttelsesskærmkantens plan, kan ikke beskyttes tilstrækkeligt.

3. **Beskyttelsesskærmen skal være ordentligt monteret på maskinværktøjet og placeret, så den optimale sikkerhed opnås, således at mindst muligt af skiven vender mod operatøren.** Beskyttelsesskærmen hjælper med at beskytte operatøren mod ødelagte skivefragmenter, utilsigtet kontakt med skiven og gnister, der kan antænde tøjet.
4. **Skiver må kun anvendes til de specificerede opgaver. For eksempel: Slib ikke med siden af afskæringsskiven.** Slibende afskæringsskiver er beregnet til perifer slibning, og sidekræfter, der påføres disse skiver, kan få dem til at gå i stykker.
5. **Anvend altid ubeskadigede skiveflanger, som har den rigtige størrelse og form til den valgte skive.** Korrekte skiveflanger understøtter skiven, hvilket reducerer risikoen for skivebrud. Flanger til afskæringsskiver kan være forskellige fra slibeskiveflanger.
6. **Anvend ikke nedslidte skiver fra større maskiner.** En skive, der er beregnet til større maskiner, er ikke egnet til en mindre maskines højere hastighed og kan sprænge.
7. **Når der anvendes skiver til dobbelt formål, skal der altid anvendes den korrekte beskyttelsesskærm til den anvendelse, som udføres.** Anvendes den korrekte beskyttelsesskærm ikke, vil der muligvis ikke være det ønskede niveau af beskyttelse, hvilket kan medføre alvorlig tilskadekomst.

Yderligere sikkerhedsadvarsler, der er specifikke for anvendelser med afskæring:

1. **Vær påpasselig med ikke at "klemme" afskæringsskiven fast eller udsætte den for et ekstremt tryk. Forsøg ikke at lave en for stor skæredybde.** Overbelastning af skiven øger belastningen og følsomheden for vridning eller binding af skiven i snittet og muligheden for tilbagelag eller skivebrud.
2. **Stå ikke på linje med eller bag den roterende skive.** Når skiven, på anvendelsesstedet, bevæger sig væk fra kroppen, kan det mulige tilbagelag slynge den roterende skive og maskinen direkte mod dig.
3. **Hvis skiven sidder fast, eller hvis du af en eller anden grund afbryder et snit, skal du slukke for maskinen og holde den stille, indtil skiven er stoppet helt. Forsøg aldrig at fjerne afskæringsskiven fra skæringen, mens skiven er i bevægelse, da der ellers kan forekomme tilbagelag.** Undersøg og træf korrigerende foranstaltninger for at fjerne årsagen til skivebinding.
4. **Lad være med at starte skæringen i arbejdsemnet. Lad skiven nå fuld hastighed, og gå forsigtigt ind i skæringen igen.** Skiven kan binde, presses op eller slå tilbage, hvis maskinen genstartes i arbejdsemnet.
5. **Understøt paneler eller alle arbejdsemner i overstrøelse for at minimere risikoen for fastklemning af skiven og tilbagelag.** Store arbejdsemner har tendens til at synke under deres egen vægt. Understøtningerne skal placeres uden arbejdsemnet nær skærelinjen og nær kanten af arbejdsemnet på begge sider af skiven.

6. **Vær ekstra forsigtig, når du laver et "lommesnit" i eksisterende vægge eller andre blinde områder.** Den fremspringende skive kan skære gas- eller vandrør, elektriske ledninger eller genstande, der kan forårsage tilbagelag.
7. **Forsøg ikke at udføre buet skæring.** Overbelastning af skiven øger belastningen og følsomheden for vridning eller binding af skiven i snittet og muligheden for tilbagelag eller skivebrud, hvilket kan medføre alvorlig tilskadekomst.
8. **Inden anvendelse af en segmenteret diamantskive skal De sørge for, at diamantskiven har et periferet mellemrum mellem segmenterne på 10 mm eller derunder, kun med en negativ rivevinkel.**

Specifikke sikkerhedsadvarsler for anvendelser med sandslibning:

1. **Brug sanddiskpapir i den korrekte størrelse. Følg producentens anbefalinger, når du vælger sandpapir.** Større sandpapir, der strækker sig for langt ud over slibepuden, udgør en risiko for flånger og kan forårsage fastklemning, rivning af disken eller tilbagelag.

Specifikke sikkerhedsadvarsler for anvendelser med træbørstning:

1. **Vær opmærksom på, at træbørstehårene afstødes fra børsten selv under almindelig anvendelse. Overbelast ikke træbørstehårene ved at påføre børsten for stor belastning.** Træbørstehårene kan let trænge igennem tyndt tøj og/eller hud.
2. **Hvis anvendelse af en beskyttelsesskærm ved træbørstning er angivet, må man ikke tillade interferens af trådskiven eller børsten med beskyttelsesskærmen.** Trådskiven eller børsten kan udvides i diameter på grund af arbejdsbelastning og centrifugalkræfter.

Supplerende sikkerhedsadvarsler:

1. **Hvis der anvendes forsænkede centerskiver, skal man sørge for kun at anvende fiberglasforstærkede skiver.**
2. **ANVEND ALDRIG skiver af stenkop-typen med denne sliber.** Denne sliber er ikke beregnet til disse typer skiver, og anvendelse af et sådant produkt kan resultere i alvorlig tilskadekomst.
3. **Vær påpasselig med ikke at komme til at beskadige spindlen, flangen (specielt monteringsfladen) eller låsemøtrikken.** Beskadigelse af disse dele kan resultere i, at skiven brækker.
4. **Sørg for, at skiven ikke er i berøring med arbejdsemnet, inden De tænder for maskinen med afbryderen.**
5. **Inden De begynder at anvende maskinen på et rigtigt arbejdsemne, skal De lade den køre i et stykke tid.** Vær opmærksom på vibrationer eller slør, som kan være tegn på dårlig montage eller en forkert afbalanceret skive.
6. **Anvend den specificerede overflade på skiven til at udføre slibningen.**
7. **Læg ikke maskinen fra Dem, mens den stadig kører.** Anvend kun maskinen som håndværktøj.
8. **Berør ikke arbejdsemnet lige efter at arbejdet er udført.** Det kan blive meget varmt og være årsag til forbrændinger.

9. Undgå at berøre tilbehør umiddelbart efter arbejdets ophør. Det kan være meget varmt og kan forårsage forbrændinger af huden.
10. Overhold altid fabrikantens instruktioner for korrekt montering og anvendelse af skiver. Behandl og opbevar skiver med forsigtighed.
11. Anvend ikke separate reduktionsbøsninger eller adaptere til at tilpasse slibeskiver med store centerhuller til maskinen.
12. Anvend kun de specificerede flanger til denne maskine.
13. Ved anvendelse af maskiner, der er beregnet til montering af slibeskiver med gevindforsynet hul, skal det altid sikres, at gevindet i skiven er langt nok i forhold til spindellængden.
14. Kontrollér at emnet er korrekt understøttet.
15. Forsigtig! Skiven fortsætter med at rotere, efter at der slukket for maskinen.
16. Hvis arbejdsstedet er ekstremt varmt eller fugtigt, eller slemt tilnavset med ledende støv, bør der anvendes en kortslutningsafbryder (30 mA) for at garantere sikkerheden under arbejdet.
17. Anvend aldrig maskinen på materialer, der indeholder asbest.
18. Når du anvender afskæringsskiven, skal du altid arbejde med beskyttelsesskærmen til støvopsamling, hvis det kræves i henhold til national lovgivning.
19. Skæreskiver må ikke udsættes for tryk fra siden.
20. Anvend ikke stofarbejdshandsker under brugen. Fibre fra stofhandsker kan muligvis trænge ind i maskinen, hvilket forvolder skade på maskinen.
21. Inden betjening skal du sørge for, at der ikke er nogen skjulte genstande som fx elektriske rør, vandrør eller gasrør i arbejdsområdet. Ellers kan det muligvis forårsage et elektrisk stød, en elektrisk lækage eller gaslækage.
22. Hvis der er monteret et underlag til skiven, skal du ikke fjerne det. Diameteren af underlaget skal være større end låsemøtrikken, den udvendige flange og indvendige flange.
23. Inden du monterer en slibeskive skal du altid kontrollere, at underlagsdelen ikke har nogen uregelmæssigheder som fx hakker eller revner.
24. Spænd låsemøtrikken korrekt. Overspænding af skiven kan forårsage brud og utilstrækkelig spænding kan forårsage rystelser.

GEM DISSE FORSKRIFTER.

⚠ ADVARSEL: LAD IKKE bekvemmelighed eller kendskab til produktet (opnået gennem gentagen brug) forhindre, at sikkerhedsforskrifterne for produktet nøje overholdes. MISBRUG eller forsummelse af at følge de i denne brugsvejledning givne sikkerhedsforskrifter kan medføre alvorlig personskade.

FUNKTIONSBEKRIVELSE

⚠ FORSIGTIG: Kontrollér altid, at maskinen er slået fra, og at netstikket er trukket ud, før der udføres justeringer, eller funktioner kontrolleres på maskinen.

Maskinebeskyttelsessystem

Maskinen er udstyret med et maskinebeskyttelsessystem. Dette system reducerer eller afbryder automatisk strømmen til motoren for at forlænge maskinens levetid. Maskinen vil automatisk reducere strømmen eller stoppe under brugen, hvis maskinen udsættes for et af følgende forhold:

Overbelastningsbeskyttelse

Når maskinen anvendes på en måde, der får den til at trække en unormalt høj strøm, reducerer maskinen automatisk strømmen uden nogen indikation. I denne situation skal årsagen til overbelastningen fjernes, så rotationshastigheden gendannes.

Beskyttelse mod overophedning

Landespecifik

Hvis maskinen er overophedet, stopper maskinen automatisk, og indikatorlampen blinker rødt. I denne situation skal du lade maskinen køle ned. Du kan tænde for maskinen igen, efter lampen skifter farven fra rød til grøn.

Indikatorlampe

► **Fig. 1:** 1. Indikatorlampe

Indikatorlampen lyser grønt, når maskinen er tilsluttet. Hvis indikatorlampen blinker rødt, stoppes drift af beskyttelsen mod overophedning, teknologien til aktiv registrering af feedback eller funktionen til forhindring af utilsigtet genstart. I denne situation skal du slukke for maskinen. Tænd derefter maskinen for at starte igen. Hvis indikatorlampen lyser rødt efter slukning af maskinen, er maskinen overophedet. I denne situation skal du lade maskine køle ned og vente, indtil indikatorlampen lyser grønt.

Justeringsdrejknop for hastighed

Kun til model GA4593/GA5093

⚠ FORSIGTIG: Hvis maskinen anvendes kontinuerligt ved lave hastigheder i lang tid, bliver motoren overbelastet og ophedet.

⚠ FORSIGTIG: Justeringsdrejknappen for hastighed kan kun drejes så langt som 5 og tilbage til 1. Undlad at tvinge den forbi 5 eller 1, da hastighedsjusteringsfunktionen muligvis ikke længere fungerer.

Rotationshastigheden kan ændres ved at dreje justeringsdrejknappen for hastighed til en given talindstilling fra 1 til 5. Højere hastighed opnås, når drejknappen drejes i retningen af nummer 5. Og lavere hastighed opnås, når den drejes i retningen af nummer 1. Se nedenstående tabel for forholdet mellem talindstillingerne på drejknappen og den omtrentlige rotationshastighed.

Tal	Nominal hastighed
1	2.800 min ⁻¹
2	4.500 min ⁻¹
3	6.500 min ⁻¹
4	8.000 min ⁻¹
5	11.500 min ⁻¹

► **Fig.2:** 1. Justeringsdrejknapp for hastighed

Aksellås

⚠ ADVARSEL: Aktiver aldrig aksellåsen, når spindlen bevæger sig. Det kan forårsage alvorlig tilskadekomst eller maskinskade.

Tryk på aksellåsen for at forhindre, at spindlen roterer, når tilbehøret monteres eller afmonteres.

► **Fig.3:** 1. Aksellås

Afbryderfunktion

⚠ FORSIGTIG: Før maskinen tilkobles, skal du altid kontrollere, at afbryderhåndtaget aktiveres korrekt og går tilbage i "FRA"-stillingen, når det slippes.

⚠ FORSIGTIG: Af hensyn til din sikkerhed er maskinen forsynet med et aflåsehåndtag, der forhindrer, at maskinen starter ved et uheld. Brug ALDRIG maskinen, hvis den kører, når du blot trykker på afbryderhåndtaget uden at trække aflåsehåndtaget. Returner maskinen til vores autoriserede servicecenter til korrekt reparation, FØR den benyttes igen.

⚠ FORSIGTIG: Træk ikke hårdt i afbryderhåndtaget uden at trække i aflåsehåndtaget. Dette kan forårsage beskadigelse af afbryderen.

⚠ FORSIGTIG: Brug ALDRIG tape til at fastgøre aflåsehåndtaget eller på anden måde omgå dets formål og funktion.

For at forhindre utilsigtet indtrykning af afbryderhåndtaget er maskinen udstyret med et aflåsehåndtag. For at starte maskinen skal man trække aflåsehåndtaget mod operatøren og derefter trække i afbryderhåndtaget.

For at stoppe maskinen slippes afbryderhåndtaget.

► **Fig.4:** 1. Aflåsehåndtag 2. Afbryderhåndtag

Elektronisk funktion

Teknologi til aktiv registrering af feedback

⚠ FORSIGTIG: Hold godt fast i maskinen, indtil rotationen stopper.

Maskinen registrerer elektronisk situationer, hvor skiven eller tilbehøret kan risikere at binde. I så fald slukker maskinen automatisk for strømmen for at forhindre yderligere rotation af spindlen (dette forhindrer ikke tilbageslag).

På dette tidspunkt blinker indikatorlampen rødt og viser, at teknologien til aktiv registrering af feedback fungerer. For at genstarte maskinen skal man først slukke for maskinen, eliminere årsagen til det pludselige fald i rotationshastighed og derefter tænde for maskinen.

Funktion til forhindring af utilsigtet genstart

Når maskinen tilsluttes, mens kontakten er slået TIL, starter maskinen ikke.

På dette tidspunkt blinker indikatorlampen rødt og viser, at funktionen til forhindring af utilsigtet genstart fungerer.

For at starte maskinen skal du slukke for kontakten og tænde den igen.

Konstant hastighedskontrol

Det er muligt at opnå en flot finish, fordi rotationshastigheden holdes konstant selv under belastning.

Funktion for blød start

Funktionen for blød start reducerer startreaktionen.

Mekanisk bremse

Kun til model GA4593/GA4594/GA5093/GA5094

Den mekaniske bremse aktiveres, når der slukkes for maskinen.

Bremsen fungerer ikke, når strømforsyningen afbrydes, mens kontakten stadig er til.

SAMLING

⚠ FORSIGTIG: Sørg altid for, at maskinen er slukket og taget ud af forbindelse, inden der udføres nogen form for arbejde på maskinen.

Montering af sidehåndtag

⚠ FORSIGTIG: Sørg altid for, at sidehåndtaget er ordentligt monteret inden brugen.

Skru sidehåndtaget ordentligt på maskinen på det på illustrationen viste sted.

► **Fig.5**

Montering eller afmontering af beskyttelsesskærm

⚠ ADVARSEL: Ved brug af en forsænket centerskive, bladdisk, flex-skive eller trådskevborste skal beskyttelsesskærmen monteres på maskinen, så den lukkede side af skærmen altid vender mod operatøren.

⚠ ADVARSEL: Kontroller at beskyttelsesskærmen er låst ordentligt fast vha. låsearmen med et af hullerne i beskyttelsesskærmen.

⚠ ADVARSEL: Ved brug af en slibende afskæringsskive / diamantskive skal man sørge for kun at anvende den særlige beskyttelsesskærm, der er beregnet til brug med afskæringsskiver.

Til forsænket centerskive, bladdisk, flex-skive, trådskevborste / slibende afskæringsskive, diamantskive

1. Mens du trykker på låsearmen, skal du montere beskyttelsesskærmen, så fremspringene på beskyttelsesskærmen er ud for indhakkene på kuglelejeboksen.
▶ **Fig.6:** 1. Låsearm 2. Indhak 3. Fremspring

2. Mens du trykker låsearmen mod A, skal du holde ned på delene B på beskyttelsesskærmen som vist på figuren.

▶ **Fig.7:** 1. Beskyttelsesskærm 2. Hul

BEMÆRK: Tryk beskyttelsesskærmen lige ned. Ellers kan du ikke fastgøre beskyttelsesskærmen.

3. Mens du trykker på låsearmen mod A, skal du dreje beskyttelsesskærmen mod C og derefter ændre vinklen på beskyttelsesskærmen i overensstemmelse med arbejdet, så operatøren kan blive beskyttet. Ret låsearmen ind med et af hullerne i beskyttelsesskærmen og slip derefter låsearmen for at låse beskyttelsesskærmen.

▶ **Fig.8:** 1. Beskyttelsesskærm 2. Hul

Følg fremgangsmåden til montage i modsat rækkefølge for at afmontere beskyttelsesskærmen.

Clip-on-tilbehør til beskyttelsesskærm til skæring

Ekstraudstyr

BEMÆRK: Til afskæringsbetjening kan der anvendes et clip-on-tilbehør til beskyttelsesskærm til skæring sammen med beskyttelsesskærmen (til slibeskive).

Ikke til rådighed i visse lande.

▶ **Fig.9**

Montering eller afmontering af forsænket centerskive eller bladdisk

Ekstraudstyr

⚠ ADVARSEL: Når en forsænket centerskive eller bladdisk anvendes, skal beskyttelsesskærmen sættes på maskinen, så den lukkede side af skærmen altid er rettet mod operatøren.

⚠ ADVARSEL: Sørg for, at monteringsdelen af den indvendige flange passer perfekt ind i den indvendige diameter på den forsænkede centerskive / bladdisken. Monteres den indvendige flange på den forkerte side, kan det medføre farlig vibration.

Montér den indvendige flange på spindlen. Sørg for, at anbringe den bulende del af den indvendige flange på den lige del nederst på spindlen.

Anbring den forsænkede centerskive / bladdisken på den indvendige flange og skru låsemøtrikken på spindlen.

▶ **Fig.10:** 1. Låsemøtrik 2. Forsænket centerskive 3. Indvendig flange 4. Monteringsdel

Låsemøtrikken strammes ved at man trykker fast på aksellåsen, så spindlen ikke kan dreje, og derefter anvender låsemøtriknøglen til at stramme godt til i retningen med uret.

▶ **Fig.11:** 1. Låsemøtriknøgle 2. Aksellås

Gå frem i modsat rækkefølge af monteringsproceduren, når skiven skal tages af.

Montering og afmontering af flex-skive

Ekstraudstyr

⚠ ADVARSEL: Brug altid den medfølgende beskyttelsesskærm, når flex-skiven er monteret på maskinen. Skiven kan brække under brugen, og beskyttelsesskærmen bidrager til at reducere risikoen for tilskadekomst.

▶ **Fig.12:** 1. Låsemøtrik 2. Flex-skive 3. Bagskive 4. Indvendig flange

Følg instruktionerne for den forsænkede centerskive, men brug også bagskiven over skiven.

Montering og afmontering af slibedisk

Ekstraudstyr

▶ **Fig.13:** 1. Sandslibelåsemøtrik 2. Slibedisk 3. Gummipude

1. Montér gummipuden på spindlen.

2. Montér disken på gummipuden og skru sandslibelåsemøtrikken på spindlen.

3. Hold spindlen med aksellåsen og spænd sandslibelåsemøtrikken ordentligt til i urets retning med låsemøtriknøglen.

Følg fremgangsmåden til montage i modsat rækkefølge for at afmontere disken.

BEMÆRK: Brug sandslibetilbehør, som er specificeret i denne brugsanvisning. Dette skal anskaffes separat.

Superflange

Ekstraudstyr

Kun til model GA4595/GA5095

Superflange er et særligt tilbehør til en model, som IKKE er udstyret med en bremsefunktion. Det er kun nødvendigt at bruge 1/3 af kraften for at løsne låsemøtrikken sammenlignet med den almindelige type.

Montering eller fjernelse af Ezynut

Ekstraudstyr

Kun for maskiner med M14-spindelgevind.

⚠️FORSIGTIG: Brug ikke Ezynut sammen med superflange. Disse flanger er så tykke, at hele gevindet ikke kan skrues ind i spindlen.

Monter den indvendige flange, slibeskiven og Ezynut på spindlen, så Makita-logoet på Ezynut vender udad.

► **Fig.14:** 1. Ezynut 2. Slibeskive 3. Indvendig flange 4. Spindel

Tryk fast på aksellåsen, og stram Ezynut ved at dreje slibeskiven i retningen med uret, så langt som den kan komme.

► **Fig.15:** 1. Aksellås

Hvis du vil løsne Ezynut, skal du dreje den udvendige ring på Ezynut i retningen mod uret.

BEMÆRK: Ezynut kan løsnes i hånden, så længe pilen peger mod hakket. Ellers skal der bruges en låsemøtriknøgle til at løsne den. Sæt en stift på nøglen i hullet, og drej Ezynut i retningen mod uret.

► **Fig.16:** 1. Pil 2. Hak

► **Fig.17**

Montering af slibende afskæringsskive / diamantskive

Ekstraudstyr

⚠️ADVARSEL: Ved brug af en slibende afskæringsskive / diamantskive skal man sørge for kun at anvende den særlige beskyttelseskærm, der er beregnet til brug med afskæringsskiver.

⚠️ADVARSEL: Anvend ALDRIG en afskæringsskive til sideslibning.

► **Fig.18:** 1. Låsemøtrik 2. Slibende afskæringsskive / diamantskive 3. Indvendig flange 4. Beskyttelseskærm til slibende afskæringsskive / diamantskive

Med hensyn til monteringen skal instruktionerne for forsænkede centerskiver følges. Retningen for montage af låsemøtrikken og den indvendige flange afhænger af skivetyper og -tykkelsen. Se de følgende figurer.

Når den slibende afskæringsskive monteres:

► **Fig.19:** 1. Låsemøtrik 2. Slibende afskæringsskive (tyndere end 4 mm (5/32")) 3. Slibende afskæringsskive (4 mm (5/32") eller tykkere) 4. Indvendig flange

Når diamantskiven monteres:

► **Fig.20:** 1. Låsemøtrik 2. Diamantskive (tyndere end 4 mm (5/32")) 3. Diamantskive (4 mm (5/32") eller tykkere) 4. Indvendig flange

Montering af trådkopbørste

Ekstraudstyr

⚠️FORSIGTIG: Anvend ikke en børste, som er beskadiget, eller som ikke er i balance. Anvendelse af en beskadiget børste kan øge risikoen for tilskadekomst forårsaget af kontakt med knækkede børstetråde.

Placer maskinen på hovedet for at få nem adgang til spindlen.

Fjern alt ekstraudstyr på spindlen. Monter trådkopbørsten på spindlen og stram til med den medfølgende nøgle.

► **Fig.21:** 1. Trådkopbørste

Montering af trådslibebørste

Ekstraudstyr

⚠️FORSIGTIG: Anvend ikke en trådslibebørste, som er beskadiget, eller som ikke er i balance. Anvendelse af en beskadiget trådslibebørste kan øge risikoen for tilskadekomst forårsaget af kontakt med ødelagte tråde.

⚠️FORSIGTIG: Anvend ALTID en beskyttelseskærm med trådslibebørster, og sørg for, at skivens diameter passer inden i beskyttelseskærmen. Skiven kan brække under brugen, og beskyttelseskærmen bidrager til at reducere risikoen for tilskadekomst.

Placer maskinen på hovedet for at få nem adgang til spindlen.

Fjern alt ekstraudstyr på spindlen. Sæt trådslibebørsten på spindlen og stram med nøglerne.

► **Fig.22:** 1. Trådslibebørste

Montering af hulskeer

Ekstraudstyr

Placer maskinen på hovedet for at få nem adgang til spindlen.

Fjern alt tilbehør på spindlen. Skru hulskeereren på spindlen og stram den med den medfølgende skruenøgle.

► **Fig.23:** 1. Hulskeer

Montering af beskyttelsesskærm til støvopsamling til slibning

Ekstraudstyr

Med ekstraudstyr kan du bruge denne maskine til afhøvling af betonoverflader.

⚠FORSIGTIG: Beskyttelsesskærmen til støvopsamling til diamantkopskiven er kun beregnet til brug ved afhøvling af betonoverflader med en diamantkopskive. Brug ikke denne skærm sammen med noget andet skærende tilbehør eller til noget andet formål.

⚠FORSIGTIG: Kontroller før brugen, at der er sluttet en støvsuger til maskinen, og at den er tændt.

Placer maskinen på hovedet og monter beskyttelsesskærmen til støvopsamling.

Monter den indvendige flange på spindlen.

Monter diamantskiven af koptypen på den indvendige flange, og stram låsemøtrikken på spindlen.

- **Fig.24:** 1. Låsemøtrik 2. Diamantskive af koptypen 3. Navformet diamantskive af koptypen 4. Indvendig flange 5. Beskyttelsesskærm til støvopsamling 6. Kuglelejekobs

BEMÆRK: Oplysninger om, hvordan beskyttelsesskærmen til støvopsamling monteres, finder du i manualen til beskyttelsesskærmen til støvopsamling.

Montering af beskyttelsesskærm til støvopsamling til afskæring

Ekstraudstyr

Med ekstraudstyr kan du bruge denne maskine til skæring af stenmaterialer.

- **Fig.25**

BEMÆRK: Oplysninger om, hvordan beskyttelsesskærmen til støvopsamling monteres, finder du i manualen til beskyttelsesskærmen til støvopsamling.

Tilslutning af en støvsuger

Ekstraudstyr

⚠ADVARSEL: Støvsug aldrig metalpartikler, der stammer fra slibning/skæring/sandslibning. Metalpartikler, der stammer fra sådanne operationer, er så varme, at de antænder støvet og filteret inde i støvsugeren.

For at undgå støvede omgivelser på grund af skæring i murværk skal du anvende en beskyttelsesskærm til støvopsamling og en støvsuger.

Se i brugsanvisningen, der følger med beskyttelsesskærmen til støvopsamling, vedrørende samling og brug af den.

- **Fig.26:** 1. Beskyttelsesskærm til støvopsamling 2. Støvsugerens slange

Installation eller fjernelse af støvdækslet

Ekstraudstyr

⚠FORSIGTIG: Sørg altid for, at maskinen er slukket og frakoblet, inden du monterer eller fjerner støvdækslet. Hvis du ikke gør dette, kan det medføre beskadigelse af maskinen eller personskaade.

Monter støvdækslet til hver angivet position. Se i brugsanvisningen til støvdækslet angående detaljer.

BEMÆRKNING: Rengør støvdækslet, når det er tilstoppet med støv eller fremmedlegemer. Fortsat brug med et tilstoppet støvdæksel vil beskadige maskinen.

ANVENDELSE

⚠ADVARSEL: Det bør aldrig være nødvendigt at anvende magt på maskinen. Maskinens egen vægt sørger for det nødvendige tryk. Tvang og ekstremt tryk kan medføre farlige brud på skiven.

⚠ADVARSEL: Skift **ALTDIG** skiven ud, hvis maskinen tabes under slibning.

⚠ADVARSEL: Stød eller slå **ALDRIG** skiven mod arbejdsemnet.

⚠ADVARSEL: Undgå at støde og vride skiven, især ved arbejde på hjørner, skarpe kanter osv. Det kan medføre tab af kontrol og tilbageslag.

⚠ADVARSEL: Anvend **ALDRIG** maskinen med klinger, der er beregnet til skæring i træ, og andre savklinger. Hvis sådanne klinger anvendes på en sliber, bliver resultatet ofte tilbageslag og tab af kontrol, hvilket kan føre til tilskadekomst.

⚠ADVARSEL: Fortsæt brug af en udslidt skive kan medføre, at skiven sprænger, og alvorlig personskaade.

⚠FORSIGTIG: Tænd aldrig for maskinen, mens den er i kontakt med arbejdsemnet. Operatøren kan i så fald komme til skade.

⚠FORSIGTIG: Bær altid beskyttelsesbriller eller ansigtsskærm under brugen.

⚠FORSIGTIG: Efter brugen skal man altid slukke for maskinen og vente, indtil skiven er stoppet helt, inden man lægger maskinen fra sig.

⚠FORSIGTIG: Hold **ALTDIG** godt fast i maskinen med den ene hånd på maskinhuset og den anden på sidehåndtaget.

BEMÆRK: Der kan anvendes en skive til dobbelt formål til både slibning og afskæring.

Se "Anvendelse med skive/disk" angående slibning og se "Anvendelse med slibende afskæringsskive/diamantskive" angående afskæring.

Anvendelse med skive/disk

► Fig.27

Start maskinen og anbring derefter skiven eller disken på arbejdsområdet.
Generelt skal kanten på skiven eller disken holdes i en vinkel på ca. 15° mod arbejdsområdets overflade.
I det tidsrum, hvor en ny skive indkøres, må man ikke arbejde med sliberen i forlæns retning, da dette muligvis vil bevirke, at den skærer ind i arbejdsområdet. Når først et stykke tids anvendelse har rundet kanten af skiven af, kan den anvendes i både forlæns og baglæns retning.

Anvendelse med slibende afskæringsskive / diamantskive

Ekstraudstyr

⚠ ADVARSEL: Vær påpasselig med ikke at "klemme" skiven eller udsætte den for ekstremt tryk. Forsøg ikke at lave et snit af ekstrem dybde. Et for stort pres på skiven vil øge belastningen og risikoen for at skiven vrider eller binder i snittet samt risikoen for tilbageslag, brud på skiven og overophedning af motoren.

⚠ ADVARSEL: Begynd ikke skæringen i arbejdsområdet. Lad skiven komme op på fuld hastighed og gå omhyggeligt ind i snittet, idet maskinen bevæges fremad over arbejdsområdets overflade. Skiven kan binde, presses op eller give tilbageslag, hvis maskinen startes i arbejdsområdet.

⚠ ADVARSEL: Under skæring må man aldrig ændre skivens vinkel. Hvis man øver sidelæns tryk på afskæringsskiven (som ved slibning), vil det bevirke, at skiven revner eller brækker med alvorlig tilskadekomst til følge.

⚠ ADVARSEL: En diamantskive skal anvendes vinkelret på det materiale, der skæres i.

Eksempel på anvendelse: anvendelse med slibende afskæringsskive

► Fig.28

Eksempel på anvendelse: anvendelse med diamantskive

► Fig.29

Anvendelse med trådkopbørste

Ekstraudstyr

⚠ FORSIGTIG: Kontroller børstens funktion ved at køre maskinen uden belastning, og sørg for at der ikke befinder sig nogen personer foran eller i forlængelse af børsten.

Eksempel på anvendelse: anvendelse med trådkopbørste

► Fig.30

BEMÆRKNING: Undgå, når børsten anvendes, at udøve et for stort tryk, som medfører overbøjning af tråde. Det kan muligvis medføre for tidligt brud.

Anvendelse med trådslibebørste

Ekstraudstyr

⚠ FORSIGTIG: Kontroller trådslibebørstens funktion ved at køre maskinen uden belastning, og sørg for, at der ikke befinder sig nogen personer foran eller i forlængelse af børsten.

Eksempel på anvendelse: anvendelse med trådslibebørste

► Fig.31

BEMÆRKNING: Undgå, når trådslibebørsten anvendes, at udøve et for stort tryk, som medfører overbøjning af tråde. Det kan muligvis medføre for tidligt brud.

Anvendelse med hulskærer

Ekstraudstyr

⚠ FORSIGTIG: Kontroller anvendelsen af hulskæreren ved at køre maskinen uden belastning, og sørg for, at der ikke befinder sig personer foran hulskæreren.

BEMÆRKNING: Vip ikke maskinen under anvendelsen. Det kan muligvis medføre for tidligt brud.

Eksempel på anvendelse: anvendelse med hulskærer

► Fig.32

VEDLIGEHOLDELSE

⚠ FORSIGTIG: Kontrollér altid, at der er slukket for maskinen, og at netstikket er trukket ud, før der udføres eftersyn eller vedligeholdelse.

BEMÆRKNING: Anvend aldrig benzin, rensebenzin, fortynder, alkohol og lignende. Det kan medføre misfarvning, deformation eller revner.

For at opretholde produktets SIKKERHED og PÅLIDELIGHED må reparation, vedligeholdelse eller justering kun udføres af et autoriseret Makita servicecenter eller fabrikkens servicecenter med anvendelse af Makita reservedele.

Rengøring af ventilationsåbninger

Maskinen og dens ventilationsåbninger skal altid holdes rene. Rengør maskinens ventilationsåbninger med jævne mellemrum eller når ventilationsåbningerne begynder at blive tilstoppede.

► Fig.33: 1. Udstødningsåbning 2. Indsugningsåbning

KOMBINATION AF ANVENDELSER OG TILBEHØR

Ekstraudstyr

⚠ FORSIGTIG: Brug af maskinen med forkerte skærme kan forårsage risici som følger.

- Når der anvendes en skærm til afskæringsskive til overfladeslibning, kan beskyttelsesskærmen muligvis påvirke arbejdsemnet og forårsage dårlig kontrol.
- Når der anvendes en beskyttelsesskærm til slibning til afskæring med limede slibeskiver og diamantskiver, er der en forøget risiko for eksponering for roterende skiver, udsendte gnister og partikler, såvel som eksponering for skivefragmenter i tilfælde af skivebrud.
- Når der anvendes en skærm til afskæringsskive eller beskyttelsesskærm til slibning til overfladeopgaver med diamantskiver af koptypen, kan beskyttelsesskærmen muligvis påvirke arbejdsemnet og forårsage dårlig kontrol.
- Når der anvendes en skærm til afskæringsskive eller beskyttelsesskærm til slibning med en trådbørste af skivetyper med en tykkelse, som overstiger den maksimale tykkelse, der er angivet i "SPECIFIKATIONER", kan trådene muligvis sætte sig fast i skærmen og medføre afbrydning af tråde.
- Brug af beskyttelsesskærme til støvopsamling til afskærings- og overfladeopgaver i beton eller murværk reducerer risikoen for eksponering for støv.
- Når der anvendes flangemonterede skiver med dobbelt formål (kombineret slibning og slibeafskæring), skal der kun anvendes en skærm til afskæringsskive.

► Fig.34

Kun til model GA4593/GA4594/GA5093/GA5094

-	Anvendelse	115 mm model	125 mm model
1	-	Sidehåndtag	
2	-	Beskyttelsesskærm (til slibeskive)	
3	-	Indvendig flange	
4	Slibning/sandslibning	Forsænket centerskive/bladdisk	
5	-	Låsemøtrik	
6	-	Ezynut *1*2	
7	-	Bagskive	
8	Slibning/sandslibning	Flex-skive	
9	-	Gummipude 100	Gummipude 115
10	Sandslibning	Slibedisk	
11	-	Sandslibelåsemøtrik	
12	Trådbørstning	Trådslibebørste	
13	Trådbørstning	Trådkopbørste	
14	Hulskæring	Hulskærer	
15	-	Beskyttelsesskærm (til afskæringsskive)	
16	Afskæring	Slibende afskæringsskive/diamantskive	
17	Slibning/afskæring	Skive til dobbelt formål	
18	-	Clip-on-tilbehør til beskyttelsesskærm til skæring *3	
19	-	Beskyttelsesskærm til støvopsamling til afskæring	
20	Afskæring	Diamantskive	
21	-	Beskyttelsesskærm til støvopsamling til slibning	
22	Slibning	Diamantskive af koptypen	
-	-	Låsemøtriknøgle	
-	-	Støvdækselanordning	

Kun til model GA4595/GA5095

	Anvendelse	115 mm model	125 mm model
1	-	Sidehåndtag	
2	-	Beskyttelsesskærm (til slibeskive)	
3	-	Indvendig flange/superflange *1*2	
4	Slibning/sandslibning	Forsænket centerskive/bladdisk	
5	-	Låsemøtrik	
6	-	Ezynut *1*2	
7	-	Bagskive	
8	Slibning/sandslibning	Flex-skive	
9	-	Gummipude 100	Gummipude 115
10	Sandslibning	Slibedisk	
11	-	Sandslibelåsemøtrik	
12	Trådbørstning	Trådskivebørste	
13	Trådbørstning	Trådkopbørste	
14	Hulskæring	Hulskærer	
15	-	Beskyttelsesskærm (til afskæringsskive)	
16	Afskæring	Slibende afskæringsskive/diamantskive	
17	Slibning/afskæring	Skive til dobbelt formål	
18	-	Clip-on-tilbehør til beskyttelsesskærm til skæring *3	
19	-	Beskyttelsesskærm til støvopsamling til afskæring	
20	Afskæring	Diamantskive	
21	-	Beskyttelsesskærm til støvopsamling til slibning	
22	Slibning	Diamantskive af koptypen	
-	-	Låsemøtriknøgle	
-	-	Støvdækselanordning	

BEMÆRK: *1 Brug ikke Superflangen og Ezynut sammen.

BEMÆRK: *2 Kun for maskiner med M14-spindelgevind.

BEMÆRK: *3 Clip-on-tilbehør til beskyttelsesskærm til skæring er ikke til rådighed i visse lande. Se i brugsanvisningen til clip-on-tilbehøret til beskyttelsesskærm til skæring for flere detaljer.

BEMÆRK: Brug ikke superflangen med en sliber udstyret med en bremsefunktion.

EKSTRAUDSTYR

⚠️FORSIGTIG: Det følgende tilbehør og ekstraudstyr er anbefalet til brug med Deres Makita maskine, der er beskrevet i denne brugsanvisning. Anvendelse af andet tilbehør eller ekstraudstyr kan udgøre en risiko for personskade. Anvend kun tilbehør og ekstraudstyr til det beskrevne formål.

Hvis De behøver hjælp ved valg af tilbehør eller ønsker yderligere informationer, bedes De kontakte Deres lokale Makita servicecenter.

- Tilbehør angivet i "KOMBINATION AF ANVENDELSER OG TILBEHØR"

BEMÆRK: Nogle ting på denne liste kan være inkluderet i værktøjspakken som standardtilbehør. Det kan være forskellige fra land til land.



ΠΡΟΔΙΑΓΡΑΦΕΣ

Μοντέλο:		GA4593	GA4594	GA4595	GA5093	GA5094	GA5095
Συμβατός τροχός λείανσης	Μέγ. διάμετρος τροχού	115 mm			125 mm		
	Μέγιστο πάχος τροχού	7,2 mm					
Συμβατός τροχός αποκοπής	Μέγ. διάμετρος τροχού	115 mm			125 mm		
	Μέγιστο πάχος τροχού	3,2 mm					
Συμβατή συρμάτινη βούρτσα σχήματος τροχού	Μέγ. διάμετρος τροχού	115 mm			125 mm		
	Μέγιστο πάχος τροχού	20 mm					
Σπειρώμα ατράκτου		M14 ή 5/8*(ειδικό της χώρας)					
Μέγ. μήκος ατράκτου		23 mm					
Ταχύτητα χωρίς φορτίο (n ₀) / Ονομαστική ταχύτητα (n)		11.500 min ⁻¹					
Συνολικό μήκος		349 mm	326 mm	349 mm	349 mm	326 mm	326 mm
Καθαρό βάρος		2,8 - 4,0 kg	2,6 - 3,8 kg	2,9 - 4,0 kg	2,7 - 3,8 kg	2,7 - 3,8 kg	2,7 - 3,8 kg
Κατηγορία ασφάλειας		☐/II					

- Λόγω του συνεχόμενου προγράμματος που εφαρμόζουμε για έρευνα και ανάπτυξη, τα τεχνικά χαρακτηριστικά στο παρόν έντυπο υπόκεινται σε αλλαγή χωρίς προειδοποίηση.
- Τα τεχνικά χαρακτηριστικά μπορεί να διαφέρουν από χώρα σε χώρα.
- Το βάρος μπορεί να διαφέρει ανάλογα με το(α) εξάρτημα(τα). Ο ελαφρύτερος και βαρύτερος συνδυασμός, σύμφωνα με τη διαδικασία EPTA 01/2014, απεικονίζονται στον πίνακα.

Σύμβολα

Παρακάτω παρουσιάζονται τα σύμβολα που μπορούν να χρησιμοποιηθούν για τον εξοπλισμό. Βεβαιωθείτε ότι κατανοείτε τη σημασία τους πριν από τη χρήση.

	Διαβάστε το εγχειρίδιο οδηγιών.
	Φοράτε γυαλιά ασφαλείας.
	Να χειρίζεστε πάντα με δύο χέρια.
	Μην χρησιμοποιείτε τον προφυλακτήρα τροχού για λειτουργίες αποκοπής.
	ΔΙΠΛΗ ΜΟΝΩΣΗ



Μόνο για τις χώρες της ΕΕ
Λόγω της παρουσίας των επικίνδυνων συστατικών μερών στον εξοπλισμό, ο χρησιμοποιημένος ηλεκτρικός και ηλεκτρονικός εξοπλισμός μπορεί να έχει αρνητική επίδραση στο περιβάλλον και την ανθρώπινη υγεία.
Μην απορρίπτετε τις ηλεκτρικές και ηλεκτρονικές συσκευές μαζί με τα οικιακά απορρίμματα!
Σύμφωνα με την Ευρωπαϊκή Οδηγία για τον απόβλητο ηλεκτρικό και ηλεκτρονικό εξοπλισμό, καθώς και την προσαρμογή της στην εθνική νομοθεσία, ο χρησιμοποιημένος ηλεκτρικός και ηλεκτρονικός εξοπλισμός θα πρέπει να συλλέγεται ξεχωριστά και να παραδίδεται σε ξεχωριστό σημείο συλλογής για δημοτικά απόβλητα, το οποίο λειτουργεί σύμφωνα με τους κανονισμούς προστασίας του περιβάλλοντος.
Αυτό υποδεικνύεται από το σύμβολο του διαγραμμένου τροχοφόρου κάδου που βρίσκεται αναρτημένο επάνω στον εξοπλισμό.

Προοριζόμενη χρήση

Το εργαλείο προορίζεται για τη λείανση, τρίψιμο, επεξεργασία με συρματόβουρτσα, διάνοιξη οπών και κοπή μεταλλικών και πέτρινων υλικών χωρίς τη χρήση νερού.

Ηλεκτρική παροχή

Το εργαλείο πρέπει να συνδέεται μόνο με ηλεκτρική παροχή της ίδιας τάσης με αυτή που αναγράφεται στην πινακίδα ονομαστικών τιμών και μπορεί να λειτουργήσει μόνο με εναλλασσόμενο μονοφασικό ρεύμα. Υπάρχει διπλή μόνωση και κατά συνέπεια, μπορεί να γίνει σύνδεση σε ακροδέκτες χωρίς σύρμα γείωσης.

Θόρυβος

Το τυπικό Α επίπεδο καταμετρημένου θορύβου καθορίζεται σύμφωνα με το 62841-2-3:

Μοντέλο	Επίπεδο ηχητικής πίεσης (L_{pA}): (dB (A))	Επίπεδο ηχητικής ισχύος (L_{WA}): (dB (A))	Αβεβαιότητα (K): (dB (A))
GA4593	91	99	3
GA4594	91	99	3
GA4595	94	102	3
GA5093	91	99	3
GA5094	91	99	3
GA5095	94	102	3

ΠΑΡΑΤΗΡΗΣΗ: Η δηλωμένη τιμή(ές) εκπομπής θορύβου έχει μετρηθεί σύμφωνα με την πρότυπη μέθοδο δοκιμής και μπορεί να χρησιμοποιηθεί για τη σύγκριση ενός εργαλείου με κάποιο άλλο.

ΠΑΡΑΤΗΡΗΣΗ: Η δηλωμένη τιμή(ές) εκπομπής θορύβου μπορεί να χρησιμοποιηθεί και στην προκαταρκτική αξιολόγηση της έκθεσης.

⚠ ΠΡΟΕΙΔΟΠΟΙΗΣΗ: Να φοράτε ωτοασπίδες.

⚠ ΠΡΟΕΙΔΟΠΟΙΗΣΗ: Η εκπομπή θορύβου κατά τη χρήση του ηλεκτρικού εργαλείου σε πραγματικές συνθήκες μπορεί να διαφέρει από τη δηλωμένη τιμή(ές) ανάλογα με τους τρόπους χρήσης του εργαλείου, ιδιαίτερα το είδος του τεμαχίου εργασίας που υπόκειται επεξεργασία.

⚠ ΠΡΟΕΙΔΟΠΟΙΗΣΗ: Φροντίστε να λάβετε τα κατάλληλα μέτρα προστασίας του χειριστή βάσει ενός υπολογισμού της έκθεσης σε πραγματικές συνθήκες χρήσης (λαμβάνοντας υπόψη όλες τις συνιστώσες του κύκλου λειτουργίας όπως τους χρόνους που το εργαλείο είναι εκτός λειτουργίας και όταν βρίσκεται σε αδρανή λειτουργία πέραν του χρόνου ενεργοποίησης).

⚠ ΠΡΟΕΙΔΟΠΟΙΗΣΗ: Η λείανση λεπτών μεταλλικών φύλλων ή άλλων εύκολα δονούμενων δομών με μεγάλη επιφάνεια μπορεί να έχει ως αποτέλεσμα πολύ υψηλότερη συνολική εκπομπή θορύβου (μέχρι 15 dB) από ότι οι δηλωμένες τιμές εκπομπής θορύβου.

Τοποθετήστε βαριά εύκαμπτα χαλιά απόσβεσης, ή κάτι παρόμοιο, επάνω σε αυτά τα τεμάχια εργασίας για να αποφύγετε την εκπομπή ήχου από αυτά.

Λάβετε υπόψη την αυξημένη εκπομπή θορύβου τόσο για την αξιολόγηση κινδύνων από την έκθεση θορύβου όσο και για την επιλογή επαρκούς προστασίας της ακοής.

Κραδασμός

Η ολική τιμή δόνησης (άθροισμα τρι-αξονικού διανύσματος) καθορίζεται σύμφωνα με το 62841-2-3:

Κατάσταση λειτουργίας: λείανση επιφανειών με κανονική πλάγια λαβή

Μοντέλο	Εκπομπή δόνησης ($a_{hw, AG}$): (m/s ²)	Αβεβαιότητα (K): (m/s ²)
GA4593	5,8	1,5
GA4594	5,8	1,5
GA4595	5,4	1,5
GA5093	8,9	1,5
GA5094	8,9	1,5
GA5095	8,5	1,5

Κατάσταση λειτουργίας: λείανση επιφανειών με αντικραδασμική πλάγια λαβή

Μοντέλο	Εκπομπή δόνησης ($a_{hw, AG}$): (m/s ²)	Αβεβαιότητα (K): (m/s ²)
GA4593	5,7	1,5
GA4594	5,7	1,5
GA4595	5,2	1,5
GA5093	8,5	1,5
GA5094	8,5	1,5
GA5095	8,7	1,5

Κατάσταση λειτουργίας: τρίψιμο δίσκου με κανονική πλάγια λαβή

Μοντέλο	Εκπομπή δόνησης ($a_{h, DS}$): (m/s ²)	Αβεβαιότητα (Κ): (m/s ²)
GA4593	2,6	1,5
GA4594	2,6	1,5
GA4595	2,6	1,5
GA5093	3,3	1,5
GA5094	3,3	1,5
GA5095	3,0	1,5

Κατάσταση λειτουργίας: τρίψιμο δίσκου με αντικραδασμική πλάγια λαβή

Μοντέλο	Εκπομπή δόνησης ($a_{h, DS}$): (m/s ²)	Αβεβαιότητα (Κ): (m/s ²)
GA4593	2,5 m/s ² ή λιγότερο	1,5
GA4594	2,5 m/s ² ή λιγότερο	1,5
GA4595	2,9	1,5
GA5093	3,0	1,5
GA5094	3,0	1,5
GA5095	3,1	1,5

ΠΑΡΑΤΗΡΗΣΗ: Η δηλωμένη τιμή(ές) συνολικών κραδασμών έχει μετρηθεί σύμφωνα με την πρότυπη μέθοδο δοκιμής και μπορεί να χρησιμοποιηθεί για τη σύγκριση ενός εργαλείου με κάποιο άλλο.

ΠΑΡΑΤΗΡΗΣΗ: Η δηλωμένη τιμή(ές) συνολικών κραδασμών μπορεί να χρησιμοποιηθεί και στην προκαταρκτική αξιολόγηση της έκθεσης.

⚠️ ΠΡΟΕΙΔΟΠΟΙΗΣΗ: Η εκπομπή κραδασμών κατά τη χρήση του ηλεκτρικού εργαλείου σε πραγματικές συνθήκες μπορεί να διαφέρει από τη δηλωμένη τιμή(ές) εκπομπής ανάλογα με τους τρόπους χρήσης του εργαλείου, ιδιαίτερα το είδος του τεμαχίου εργασίας που υπόκειται επεξεργασία.

⚠️ ΠΡΟΕΙΔΟΠΟΙΗΣΗ: Φροντίστε να λάβετε τα κατάλληλα μέτρα προστασίας του χειριστή βάσει ενός υπολογισμού της έκθεσης σε πραγματικές συνθήκες χρήσης (λαμβάνοντας υπόψη όλες τις συνιστώσες του κύκλου λειτουργίας όπως τους χρόνους που το εργαλείο είναι εκτός λειτουργίας και όταν βρίσκεται σε αδρανή λειτουργία πέραν του χρόνου ενεργοποίησης).

⚠️ ΠΡΟΕΙΔΟΠΟΙΗΣΗ: Η δηλωμένη τιμή εκπομπής δόνησης χρησιμοποιείται για κύριες εφαρμογές του ηλεκτρικού εργαλείου. Ωστόσο, αν το ηλεκτρικό εργαλείο χρησιμοποιείται για άλλες εφαρμογές, η τιμή εκπομπής δόνησης ενδέχεται να είναι διαφορετική.

Δήλωση συμμόρφωσης ΕΚ

Μόνο για χώρες της Ευρώπης

Η δήλωση συμμόρφωσης ΕΚ περιλαμβάνεται ως Παράρτημα Α στο παρόν εγχειρίδιο οδηγιών.

ΠΡΟΕΙΔΟΠΟΙΗΣΕΙΣ ΑΣΦΑΛΕΙΑΣ

Γενικές προειδοποιήσεις ασφαλείας για το ηλεκτρικό εργαλείο

⚠️ ΠΡΟΕΙΔΟΠΟΙΗΣΗ: Διαβάστε όλες τις προειδοποιήσεις ασφαλείας, οδηγίες, εικονογραφίες και προδιαγραφές που παρέχονται με αυτό το ηλεκτρικό εργαλείο. Η μη τήρηση όλων των οδηγιών που αναγράφονται κατωτέρω μπορεί να καταλήξει σε ηλεκτροπληξία, πυρκαγιά ή/και σοβαρό τραυματισμό.

Φυλάξτε όλες τις προειδοποιήσεις και τις οδηγίες για μελλοντική παραπομπή.

Στις προειδοποιήσεις, ο όρος «ηλεκτρικό εργαλείο» αναφέρεται σε ηλεκτρικό εργαλείο που τροφοδοτείται από την κύρια παροχή ηλεκτρικού ρεύματος (με ηλεκτρικό καλώδιο) ή σε ηλεκτρικό εργαλείο που τροφοδοτείται από μπαταρία (χωρίς ηλεκτρικό καλώδιο).

Προειδοποιήσεις ασφαλείας για τον λειαντήρα

Προειδοποιήσεις ασφαλείας, κοινές για εργασίες λείανσης, γυαλοχαρτίσματος, καθαρισμού με σφραγιστικό ή αποκοπής:

1. Αυτό το ηλεκτρικό εργαλείο προορίζεται για χρήση ως εργαλείο λείανσης, γυαλοχαρτίσματος, καθαρισμού με σφραγιστικό ή αποκοπής. Διαβάστε όλες τις προειδοποιήσεις ασφαλείας, οδηγίες, εικονογραφίες και προδιαγραφές που παρέχονται με αυτό το ηλεκτρικό εργαλείο. Η μη τήρηση όλων των οδηγιών που αναγράφονται κατωτέρω μπορεί να καταλήξει σε ηλεκτροπληξία, πυρκαγιά ή/και σοβαρό τραυματισμό.

2. **Δεν πρέπει να εκτελεστούν εργασίες στίλβωσης με αυτό το ηλεκτρικό εργαλείο.** Λειτουργίες για τις οποίες αυτό το ηλεκτρικό εργαλείο δεν έχει σχεδιαστεί μπορεί να δημιουργήσουν κίνδυνο και να προκαλέσουν προσωπικό τραυματισμό.
3. **Μην πραγματοποιείτε μετατροπές σε αυτό το ηλεκτρικό εργαλείο με τρόπο που δεν έχει ειδικά σχεδιαστεί ή καθοριστεί από τον κατασκευαστή του εργαλείου.** Μια τέτοια μετατροπή μπορεί να έχει ως αποτέλεσμα την απώλεια ελέγχου και να προκαλέσει σοβαρό προσωπικό τραυματισμό.
4. **Μην χρησιμοποιείτε εξαρτήματα που δεν είναι ειδικά σχεδιασμένα και καθορίζονται από τον κατασκευαστή του εργαλείου.** Απλάως και μόνο επειδή το εξάρτημα μπορεί να προσαρτηθεί στο ηλεκτρικό εργαλείο, αυτό δεν εξασφαλίζει ασφαλή λειτουργία.
5. **Η ονομαστική ταχύτητα του εξαρτήματος πρέπει να είναι τουλάχιστον ίση με την μέγιστη ταχύτητα που είναι σημειωμένη στο ηλεκτρικό εργαλείο.** Εξαρτήματα που λειτουργούν ταχύτερα από την ονομαστική ταχύτητα τους μπορεί να σπάσουν και να εκτοξευθούν.
6. **Η εξωτερική διάμετρος και το πάχος του εξαρτήματός σας πρέπει να είναι μέσα στα όρια ικανότητας του ηλεκτρικού εργαλείου σας.** Εξαρτήματα λανθασμένου μεγέθους δεν μπορούν να προφυλαχθούν ή να ελεγχθούν επαρκώς.
7. **Οι διαστάσεις της στερέωσης εξαρτήματος πρέπει να ταιριάζουν με τις διαστάσεις του εξοπλισμού στερέωσης του ηλεκτρικού εργαλείου.** Τα εξαρτήματα που δεν ταιριάζουν με το εξάρτημα στερέωσης του ηλεκτρικού εργαλείου θα παρουσιάσουν υποβαθμισμένη ζυγοστάθμιση, υπερβολικούς κραδασμούς και ενδεχομένως απώλεια ελέγχου.
8. **Μην χρησιμοποιείτε εξάρτημα που έχει υποστεί βλάβη.** Πριν από κάθε χρήση, να εξετάζετε το εξάρτημα, όπως λειαντικούς τροχούς, για ρινισματα και ρωγμές, τη βάση υποστήριξης για ρωγμές, ρήξη ή υπερβολική φθορά, τη συρματοβουρτσα για χαλαρά ή ραγισμένα σύρματα. **Αν το ηλεκτρικό εργαλείο ή το εξάρτημα πέσει κάτω, ελέγξτε το για ζημιές ή προσαρμόστε ένα καλό εξάρτημα.** Μετά τον έλεγχο και την προσαρμογή ενός εξαρτήματος, απομακρυνθείτε εσείς και οι γύρω σας από το επίπεδο περιστροφής του εξαρτήματος και αφήστε σε λειτουργία το ηλεκτρικό εργαλείο σε μέγιστη ταχύτητα χωρίς φορτίο για ένα λεπτό. Εξαρτήματα με ζημιές θα διαλυθούν κατά τον χρόνο αυτής της δοκιμής.
9. **Να φοράτε εξοπλισμό ατομικής προστασίας. Ανάλογα με την εφαρμογή, να χρησιμοποιείτε προσωπίδα προστασίας, προστατευτικά γυαλιά-προσωπίδες ή γυαλιά προστασίας. Όταν απαιτείται, να φοράτε μάσκα σκόνης, προστατευτικά ακοής, γάντια και ποδιά συνεργείου ικανά να παρέχουν προστασία από τα εκτινασόμενα μικρά θραύσματα λόγω της λείανσης ή του τεμαχίου εργασίας.** Τα προστατευτικά ματιών πρέπει να είναι ικανά να σταματήσουν τυχόν εκτινασόμενα θραύσματα που δημιουργούνται κατά την εκτέλεση διαφόρων εφαρμογών. Η μάσκα σκόνης ή αναπνευστήρας πρέπει να είναι ικανή να φιλτράρει σωματίδια που παραγονται από τη συγκεκριμένη εφαρμογή. Η παρατεταμένη έκθεση σε θόρυβο υψηλής έντασης μπορεί να προκαλέσει απώλεια ακοής.
10. **Κρατάτε τους γύρω σας σε μια ασφαλή απόσταση από τον χώρο εργασίας. Οποιοσδήποτε εισερχόμενος στο χώρο εργασίας πρέπει να φορά ατομικό προστατευτικό εξοπλισμό.** Τεμαχίδια από το τεμάχιο εργασίας ή από ένα σταμαμένο εξάρτημα μπορεί να εκτιναχθούν μακριά και να προκαλέσουν τραυματισμό πέραν της άμεσης περιοχής εργασίας.
11. **Κρατάτε το ηλεκτρικό εργαλείο μόνο από τις μονωμένες επιφάνειες κρατήματος, όταν εκτελείτε μια εργασία όπου το εξάρτημα κοπής μπορεί να έρθει σε επαφή με κρυμμένες καλωδιώσεις ή με το δικό του καλώδιο.** Σε περίπτωση επαφής του εξαρτήματος κοπής με ηλεκτροφόρο καλώδιο, μπορεί τα εκτεθειμένα μεταλλικά εξαρτήματα του ηλεκτρικού εργαλείου να καταστούν τα ίδια ηλεκτροφόρα και να προκαλέσουν ηλεκτροπληξία στο χειριστή.
12. **Κρατήστε το καλώδιο μακριά από το περιστρεφόμενο εξάρτημα.** Αν χάσετε τον έλεγχο, το καλώδιο τροφοδοσίας μπορεί να κοπεί ή να εμπλακεί και το χέρι ή ο βραχιόνάς σας μπορεί να τραβηχτεί προς το περιστρεφόμενο εξάρτημα.
13. **Μην αφήνετε ποτέ το ηλεκτρικό εργαλείο κάτω, πριν σταματήσετε πλήρως ή περιστροφής του εξαρτήματος.** Το περιστρεφόμενο εξάρτημα μπορεί να πιάσει την επιφάνεια και να τραβήξει το ηλεκτρικό εργαλείο έξω από τον έλεγχο σας.
14. **Μην χειρίζεστε το ηλεκτρικό εργαλείο ενώ το μεταφέρετε στο πλευρό σας.** Τυχόν επαφή με το περιστρεφόμενο εξάρτημα μπορεί να προκαλέσει πιάσιμο στα ρούχα σας και να τραβήξει το εξάρτημα μέσα στο σώμα σας.
15. **Καθαρίζτε τακτικά τα ανοίγματα εξαερισμού του ηλεκτρικού εργαλείου.** Ο ανεμιστήρας του μοτέρ θα αναρροφήσει τη σκόνη μέσα στο περίβλημα και η υπερβολική συγκέντρωση ρινοσμάτων μετάλλου μπορεί να προκαλέσει κίνδυνο ηλεκτροπληξίας.
16. **Μην χειρίζεστε το ηλεκτρικό εργαλείο κοντά σε εύφλεκτα υλικά.** Οι σπινθήρες μπορεί να προκαλέσουν ανάφλεξη αυτών των υλικών.
17. **Μην χρησιμοποιείτε εξαρτήματα που χρειάζονται ψυκτικά υγρά.** Η χρήση νερού ή άλλων ψυκτικών υγρών μπορεί να προκαλέσει ηλεκτροπληξία ή σοκ.

Κλότσημα και σχετικές προειδοποιήσεις:

Το κλότσημα είναι μια ξαφνική αντίδραση του εργαλείου λόγω σύσφιγξης ή σκαλωμάτων του περιστρεφόμενου τροχού, της βάσης υποστήριξης, της βούρτσας ή τυχόν άλλου εξαρτήματος. Η σύσφιξη ή το σκάλωμα προκαλεί ταχεία απώλεια ελέγχου του περιστρεφόμενου εξαρτήματος το οποίο στη συνέχεια υποχωρεί το ανεξέλεγκτο ηλεκτρικό εργαλείο σε περιστροφή αντίθετη από εκείνη του εξαρτήματος στο σημείο εμπλοκής. Για παράδειγμα, αν ένας λειαντικός τροχός περιέλθει σε σύσφιξη ή σκάλωμα στο τεμάχιο εργασίας, η ακμή του τροχού που εισέρχεται στο σημείο σύσφιγξης μπορεί να σκάει την επιφάνεια του υλικού προκαλώντας την αναπήδηση ή το κλότσημα του τροχού. Ο τροχός μπορεί να αναπηδήσει προς το μέρος του χειριστή ή αντίθετα να απομακρυνθεί από αυτόν, ανάλογα με τη φορά περιστροφής του τροχού στο σημείο σύσφιγξης. Υπό αυτές τις συνθήκες, οι λειαντικοί τροχοί μπορεί επίσης να υποστούν θραύση. Το κλότσημα είναι αποτέλεσμα κακής χρήσης ή/και εσφαλμένων διαδικασιών ή συνθηκών χειρισμού του ηλεκτρικού εργαλείου και είναι δυνατόν να αποφευχθεί λαμβάνοντας κατάλληλες προφυλάξεις, όπως περιγράφονται κατωτέρω.

1. Κρατάτε σταθερά το ηλεκτρικό εργαλείο και με τα δύο χέρια και τοποθετήστε το σώμα και τους βραχίονές σας έτσι ώστε να ανδίστανται στις δυνάμεις του κλοστήματος. Να χρησιμοποιείτε πάντα βοηθητική λαβή, αν παρέχεται, για μέγιστο βαθμό ελέγχου του κλοστήματος ή της ροπής αντίδρασης κατά την εκκίνηση. Ο χειριστής μπορεί να ελέγχει τις αντιδράσεις ροπής ή δυνάμεις κλοστήματος, αν έχουν ληφθεί οι κατάλληλες προφυλάξεις.
2. Ποτέ μη βάλετε το χέρι σας κοντά στο περιστρεφόμενο εξάρτημα. Το εξάρτημα μπορεί να κλωστήσει στο χέρι σας.
3. Μη τοποθετήσετε το σώμα σας στην περιοχή όπου το ηλεκτρικό εργαλείο θα κινηθεί αν συμβεί κλόστημα. Το κλόστημα θα οδηγήσει το εργαλείο σε διεύθυνση αντίθετη της κίνησης του τροχού στο σημείο εμπλοκής.
4. Προσέχετε ιδιαίτερα όταν εργάζεστε σε γωνίες, αιχμηρά άκρα, κτλ. Να αποφεύγετε την αναπήδηση και το σκάλωμα του εξαρτήματος. Γωνίες, αιχμηρές άκρες ή αναπήδησεις έχουν την τάση να προκαλούν εμπλοκή στο περιστρεφόμενο εξάρτημα και να προκαλούν απώλεια ελέγχου ή κλόστημα.
5. Μη προσαρμόζετε αλυσοπίονο, λεπίδα ξυλογυλπιτικής, τμηματικό διαμαντοτροχό με περιφερειακό κενό μεγαλύτερο από 10 mm ή οδοντωτή λεπίδα πριονιού. Τέτοιες λάμες προκαλούν συχνό κλόστημα και απώλεια ελέγχου.

Προειδοποιήσεις ασφαλείας ειδικά για εργασίες λείανσης και αποκοπής:

1. Να χρησιμοποιείτε μόνο τύπους τροχών που καθορίζονται για χρήση με το δικό σας ηλεκτρικό εργαλείο καθώς και τον συγκεκριμένο προφυλακτήρα που έχει σχεδιαστεί για τον επιλεγμένο τροχό. Η παροχή επαρκούς προστασίας από τροχούς για τους οποίους δεν έχει σχεδιαστεί το ηλεκτρικό εργαλείο, δεν είναι δυνατή και επομένως οι τροχοί δεν είναι ασφαλείς.
2. Η επιφάνεια λείανσης των τροχών με χαμηλωμένο κέντρο πρέπει να είναι στερεωμένη κάτω από το επίπεδο του προστατευτικού χείλους. Ένας τροχός που δεν είναι στερεωμένος καλά ο οποίος προεξέχει μέσα από το επίπεδο του προστατευτικού χείλους δεν μπορεί να προστατευτεί επαρκώς.
3. Η προσαρμογή του προφυλακτήρα στο ηλεκτρικό εργαλείο πρέπει να πραγματοποιείται με ασφάλεια και η τοποθέτηση του να παρέχει τη μέγιστη δυνατή προστασία, ώστε ελάχιστο τμήμα του τροχού να εκτίθεται προς το μέρος του χειριστή. Ο προφυλακτήρας διευκολύνει την προστασία του χειριστή από οπασμένα θραύσματα του τροχού, τυχαία επαφή με τον τροχό και σπινθήρες που μπορούν να προκαλέσουν την ανάφλεξη ρουχισμού.
4. Οι τροχοί πρέπει να χρησιμοποιούνται μόνο στις καθορισμένες εφαρμογές. Για παράδειγμα: μη λείανετε με την πλευρική επιφάνεια του τροχού αποκοπής. Οι τροχοί λείανσης αποκοπής προορίζονται για περιφερειακή λείανση, ή εφαρμογή πλευρικών δυνάμεων σε αυτούς τους τροχούς μπορεί να προκαλέσει τη θραύση τους.
5. Να χρησιμοποιείτε πάντα φλάντζες τροχών που δεν έχουν υποστεί βλάβη και είναι κατάλληλου μεγέθους και σχήματος για τον επιλεγμένο τροχό. Οι κατάλληλες φλάντζες τροχών υποστηρίζουν τους τροχούς και μειώνουν επομένως την πιθανότητα θραύσης τους. Οι φλάντζες των τροχών αποκοπής μπορεί να διαφέρουν από τις φλάντζες των τροχών λείανσης.
6. Μη χρησιμοποιείτε φθαρμένους τροχούς από μεγαλύτερα ηλεκτρικά εργαλεία. Ένας τροχός που προορίζεται για χρήση με ένα μεγαλύτερο ηλεκτρικό εργαλείο δεν είναι κατάλληλος για την υψηλότερη ταχύτητα ενός μικρότερου εργαλείου και μπορεί να υποστεί θραύση.
7. Όταν χρησιμοποιείτε τροχούς διπλού σκοπού, να χρησιμοποιείτε πάντα τον σωστό προφυλακτήρα για την εφαρμογή που εκτελείται. Αν δεν χρησιμοποιήσετε τον σωστό προφυλακτήρα, μπορεί να μην έχετε τον επιθυμητό βαθμό προστασίας, γεγονός που μπορεί να οδηγήσει σε σοβαρό τραυματισμό.

Επιπλέον προειδοποιήσεις ασφαλείας ειδικά για εργασίες αποκοπής:

1. Μη προκαλείτε «μάγκωμα» του τροχού αποκοπής και μην ασκείτε υπερβολική πίεση. Μην επιχειρείτε να δημιουργήσετε τομή υπερβολικού βάθους. Η άσκηση υπερβολικής δύναμης στον τροχό αυξάνει το φορτίο και τη δεκτικότητα σε συστροφή ή εμπλοκή του τροχού εντός της τομής και της πιθανότητας κλοστήματος ή θραύσης του τροχού.
2. Μη ευθυγραμμίζετε το σώμα σας μπροστά ή πίσω από τον περιστρεφόμενο τροχό. Όταν ο τροχός, στο σημείο εργασίας, κινείται απομακρυνόμενος από το σώμα σας, τυχόν κλοστήματος μπορεί να κατευθύνει τον περιστρεφόμενο τροχό και το ηλεκτρικό εργαλείο προς το μέρος σας.
3. Σε περίπτωση εμπλοκής του τροχού ή διακοπής της κοπής για οποιοδήποτε λόγο, απενεργοποιήστε το ηλεκτρικό εργαλείο και κρατήστε το ακίνητο, έως ότου ο τροχός ακινητοποιηθεί πλήρως. Μην επιχειρήσετε ποτέ να αφαιρέσετε τον τροχό αποκοπής από την τομή ενώ ο τροχός κινείται, διότι μπορεί να παρουσιαστεί κλόστημα. Ερευνήστε και λάβετε διορθωτικά μέτρα για να εξαλειφθεί η αιτία εμπλοκής του τροχού.
4. Μη επαναλάβετε την εργασία κοπής στο τεμάχιο εργασίας. Αφήστε τον τροχό να αποκτήσει μέγιστη ταχύτητα και εισαγάγετε ξανά τον τροχό στην τομή με προσοχή. Ο τροχός μπορεί να παρουσιάσει εμπλοκή, αναπήδηση ή κλόστημα αν ενεργοποιήσετε το ηλεκτρικό εργαλείο εντός του τεμαχίου εργασίας.
5. Να σπριζείτε τα φανώματα ή οποιοδήποτε υπερμέγεθες τεμάχιο εργασίας ώστε να ελαχιστοποιηθεί ο κίνδυνος σύσφιγξης και κλοστήματος του τροχού. Τα μεγάλα τεμάχια εργασίας τείνουν να παρουσιάζουν κάμψη προς τα κάτω λόγω του βάρους τους. Πρέπει να τοποθετούνται υποστηρίγματα κάτω από το τεμάχιο εργασίας κοντά στη γραμμή κοπής και κοντά στο άκρο του τεμαχίου εργασίας σε αμφοτέρως τις πλευρές του τροχού.
6. Να είστε ιδιαίτερα προσεκτικοί όταν δημιουργείτε μια «τομή-κοιλότητα» σε υπάρχοντες τοίχους ή άλλες τυφλές περιοχές. Ο προεξέχων τροχός μπορεί να κόψει σωλήνες αερίου ή ύδρευσης, ηλεκτρικές καλωδιώσεις ή αντικείμενα που μπορούν να προκαλέσουν κλόστημα.
7. Μη επιχειρήσετε τις καμπύλες κοπές. Η άσκηση υπερβολικής δύναμης στον τροχό αυξάνει το φορτίο και τη δεκτικότητα σε συστροφή ή εμπλοκή του τροχού εντός της κοπής και την πιθανότητα κλοστήματος ή θραύσης του τροχού, γεγονός που μπορεί να οδηγήσει σε σοβαρό τραυματισμό.

8. Πριν χρησιμοποιήσετε τμηματικό διαμαντοτροχό, βεβαιωθείτε ότι ο διαμαντοτροχός έχει περιφερειακό κενό μεταξύ των τμημάτων ίσο με 10 mm ή μικρότερο, μόνο με αρνητική γωνία κοπής.
9. Μην αγγίζετε τα εξαρτήματα αμέσως μετά τη λειτουργία. Μπορεί να είναι υπερβολικά καυτό και να προκαλέσει έγκαυμα στο δέρμα σας.
10. Μελετήστε τις οδηγίες του κατασκευαστή για σωστή τοποθέτηση και χρήση των τροχών. Χειριστείτε και αποθηκεύστε τους τροχούς με φροντίδα.
11. Μη χρησιμοποιείτε ξεχωριστές συστολές ή προσαρμογείς για να προσαρμόσετε λειαντικούς τροχούς με μεγάλη σπή προσαρμογής.
12. Χρησιμοποιείτε φλάντζες κατάλληλες για το εργαλείο.
13. Για εργαλεία στα οποία πρόκειται να τοποθετηθεί τροχός με σπή με σπείρωμα, σιγουρευτείτε ότι το σπείρωμα στον τροχό έχει επαρκή μήκος για να δεχτεί το μήκος της ατράκτου.

Προειδοποιήσεις ασφαλείας ειδικά για εργασίες γυαλοχαρτίσματος:

1. Να χρησιμοποιείτε γυαλόχαρτο δίσκου σωστού μεγέθους. Ακολουθήστε τις συστάσεις του κατασκευαστή, όταν επιλέγετε γυαλόχαρτο. Ένα γυαλόχαρτο μεγαλύτερου μεγέθους που εκτείνεται πολύ πέρα από τα άκρα της βάσης υποστήριξης γυαλοχαρτίσματος εγκυμονεί κίνδυνο τεμαχισμού και μπορεί να προκαλέσει σκάλωμα, σχίσμο του δίσκου ή κλόστμα.
2. Αν καθορίζεται η χρήση προφυλακτήρα για εργασίες καθαρισμού με συρματόβουρτσα, μην επιτρέπετε οποιαδήποτε παρεμπόδιση της λειτουργίας του συρματινού τροχού ή της βούρτσας από τον προφυλακτήρα. Η διάμετρος ενός συρματινού τροχού ή βούρτσας μπορεί να αυξηθεί λόγω του φόρτου εργασίας και της φυγόκεντρου δύναμης.

Πρόσθετες προειδοποιήσεις ασφαλείας:

1. Όταν χρησιμοποιείτε τροχούς λείανσης με χαμηλό κέντρο, φροντίστε οι τροχοί να φέρουν ενίσχυση από ίνες υαλιού μόνο.
2. Μην ΧΡΗΣΙΜΟΠΟΙΕΙΤΕ ΠΟΤΕ κωδωνοειδείς τροχούς λείανσης πέτρας με αυτόν το λειαντήρα. Αυτός ο λειαντήρας δεν έχει σχεδιαστεί για αυτούς τους τύπους τροχών και η χρήση ενός τέτοιου προϊόντος μπορεί να προκαλέσει σοβαρό τραυματισμό.
3. Προσέξτε ώστε να μην προκαλέσετε βλάβη στην άτρακτο, στη φλάντζες (ιδιαίτερα στην επιφάνεια εγκατάστασης) ή στο παξιμάδι. Τυχόν βλάβη στα συγκεκριμένα μέρη θα μπορούσε να καταλήξει σε θραύση του τροχού.
4. Φροντίστε ο τροχός να μην έρχεται σε επαφή με το τεμάχιο εργασίας πριν από την ενεργοποίηση του διακόπτη.
5. Πριν από τη χρήση του τροχού πάνω σε πραγματικό τεμάχιο εργασίας, αφήστε τον σε λειτουργία για μικρό χρονικό διάστημα. Παρατηρήστε αν υπάρχουν δονήσεις ή ταλάντευση που υποδηλώνουν κακή εγκατάσταση ή τροχό με κακή ισοροπία.
6. Χρησιμοποιήστε την προκαθορισμένη επιφάνεια του τροχού για να εκτελέσετε την εργασία λείανσης.
7. Μην αφήνετε το εργαλείο αναμμένο. Χειρίζεστε το εργαλείο μόνο όταν το κρατάτε στο χέρι.
8. Μην αγγίζετε το τεμάχιο εργασίας αμέσως μετά τη λειτουργία. Μπορεί να είναι υπερβολικά καυτό και να προκαλέσει έγκαυμα.
9. Ελέγξτε ότι το τεμάχιο εργασίας υποστηρίζεται σταθερά.
10. Προσέξτε ότι ο τροχός συνεχίζει να περιστρέφεται ακόμη και αφού το εργαλείο έχει σβήσει.
11. Αν το μέρος εργασίας είναι πολύ ζεστό και υγρό, ή υπάρχει πολύ αγωγή σκόνης, χρησιμοποιήστε ένα ασφαλειοδιακόπτη βραχυκυκλώματος (30 mA) για να είστε σίγουροι για ασφαλή λειτουργία.
12. Μη χρησιμοποιείτε το εργαλείο σε κανένα υλικό που περιέχει αμίαντο.
13. Όταν χρησιμοποιείτε τροχό αποκοπής, να εργάζεστε πάντα με προστατευτικό συλλογής σκόνης τροχού αν απαιτείται από τους τοπικούς κανονισμούς.
14. Οι δίσκοι κοπής δεν πρέπει να υπόκεινται σε πλευρική πίεση.
15. Μη χρησιμοποιείτε υφασμάτινα γάντια εργασίας κατά τη λειτουργία. Οι ίνες από τα υφασμάτινα γάντια μπορεί να εισέλθουν στο εργαλείο, γεγονός που προκαλεί το σπασίμο του εργαλείου.
16. Πριν τη λειτουργία, βεβαιωθείτε ότι δεν υπάρχει κάποιο θαμμένο αντικείμενο όπως ηλεκτρικός σωλήνας, σωλήνας νερού ή σωλήνας αερίου στο τεμάχιο εργασίας. Διαφορετικά, μπορεί να προκληθεί ηλεκτροπληξία, ηλεκτρική διαρροή ή διαρροή αερίου.
17. Αν στον τροχό είναι προσκολλημένο στυπόχαρτο, μην το αφαιρέσετε. Η διάμετρος του στυπόχαρτου πρέπει να είναι μεγαλύτερη από το παξιμάδι ασφάλισης, την εξωτερική φλάντζα και την εσωτερική φλάντζα.
18. Πριν τοποθετήσετε έναν τροχό λείανσης, να ελέγχετε πάντα ότι το τμήμα στυπόχαρτου δεν παρουσιάζει καμία ανωμαλία, όπως χτυπήματα ή ραγίσματα.
19. Σφίξτε σωστά το παξιμάδι ασφάλισης. Το υπερβολικό σφίξιμο του τροχού μπορεί να προκαλέσει σπασίμο, ενώ το ανεπαρκές σφίξιμο μπορεί να προκαλέσει τρέμουλο.

ΦΥΛΑΞΤΕ ΑΥΤΕΣ ΤΙΣ ΟΔΗΓΙΕΣ.

▲ΠΡΟΕΙΔΟΠΟΙΗΣΗ: ΜΗΝ επιτρέψετε στην άνεση ή στην εξοικειωσή σας με το προϊόν (που αποκτήθηκε από επανειλημμένη χρήση) να αντικαταστήσει την αυστηρή τήρηση των κανόνων ασφαλείας του παρόντος εργαλείου. Η ΛΑΝΘΑΣΜΕΝΗ ΧΡΗΣΗ ή η αμέλεια να ακολουθηθούν οι κανόνες ασφαλείας που διατυπώνονται στο παρόν εγχειρίδιο οδηγιών μπορεί να προκαλέσει σοβαρό προσωπικό τραυματισμό.

ΠΕΡΙΓΡΑΦΗ ΛΕΙΤΟΥΡΓΙΑΣ

▲ ΠΡΟΣΟΧΗ: Να βεβαιώνεστε πάντα ότι το εργαλείο είναι αβητό και αποσυνδεδεμένο από την ηλεκτρική παροχή πριν ρυθμίσετε ή ελέγχετε κάποια λειτουργία του.

Σύστημα προστασίας εργαλείου

Το εργαλείο είναι εξοπλισμένο με σύστημα προστασίας εργαλείου. Αυτό το σύστημα μειώνει ή αποκόπτει αυτόματα την ισχύ προς το μοτέρ για να παραταθεί η διάρκεια λειτουργίας του εργαλείου. Το εργαλείο μειώνει την ισχύ ή σταματάει αυτόματα κατά τη διάρκεια της λειτουργίας αν το εργαλείο βρεθεί κάτω από τις παρακάτω συνθήκες:

Προστασία υπερφόρτωσης

Όταν το εργαλείο λειτουργεί με τρόπο ώστε να αναγκάζεται να καταναλώνει ασυνήθιστα υψηλό ρεύμα, το εργαλείο μειώνει την ισχύ αυτόματα χωρίς καμία ένδειξη. Σε αυτή την κατάσταση, επιδιορθώστε την αιτία της υπερφόρτωσης ώστε να αποκατασταθεί η ταχύτητα περιστροφής.

Προστασία υπερθέρμανσης

Ειδικό της χώρας

Όταν το εργαλείο υπερθερμανθεί, η λειτουργία του εργαλείου σταματάει αυτόματα και η ενδεικτική λυχνία αναβοσβήνει με κόκκινο χρώμα. Σε αυτή την περίπτωση, αφήστε το εργαλείο να κρυώσει. Μπορείτε να ενεργοποιήσετε ξανά το εργαλείο όταν η λυχνία αλλάξει από κόκκινη σε πράσινη.

Ενδεικτική λυχνία

► **Εικ.1:** 1. Ενδεικτική λυχνία

Όταν το εργαλείο είναι συνδεδεμένο, ανάβει η ενδεικτική λυχνία με πράσινο χρώμα.

Αν η ενδεικτική λυχνία αναβοσβήνει με κόκκινο χρώμα, η προστασία υπερθέρμανσης, η τεχνολογία αίσθησης ενεργής ανάδρασης ή η λειτουργία αποφυγής τυχαίας επανεκκίνησης σταματάει τη λειτουργία. Σε αυτή την κατάσταση, απενεργοποιήστε το εργαλείο. Μετά, ενεργοποιήστε το εργαλείο για επανεκκίνηση.

Αν η ενδεικτική λυχνία ανάβει με κόκκινο χρώμα αφού απενεργοποιήσετε το εργαλείο, το εργαλείο έχει υπερθερμανθεί. Σε αυτή την κατάσταση, αφήστε το εργαλείο να κρυώσει και περιμένετε μέχρι η ενδεικτική λυχνία να ανάβει με πράσινο χρώμα.

Επιλογέας ρύθμισης ταχύτητας

Μόνο για το μοντέλο GA4593 / GA5093

▲ ΠΡΟΣΟΧΗ: Αν το εργαλείο λειτουργεί συνεχώς σε χαμηλές ταχύτητες για μεγάλο χρονικό διάστημα, το μοτέρ θα υπερφορτωθεί και θα θερμανθεί.

▲ ΠΡΟΣΟΧΗ: Ο επιλογέας ρύθμισης ταχύτητας μπορεί να γυρίσει μόνο μέχρι το 5 και ξανά στο 1. Μην τον γυρίζετε βεβαιωμένα μετά το 5 ή το 1, επειδή μπορεί να χαλάσει η λειτουργία ρύθμισης ταχύτητας.

Η ταχύτητα περιστροφής μπορεί να αλλάξει αν γυρίσετε το καντράν ρύθμισης ταχύτητας σε μια δεδομένη αριθμητική ρύθμιση από το 1 έως το 5. Λαμβάνεται υψηλότερη ταχύτητα όταν ο επιλογέας περιστρέφεται προς την κατεύθυνση του αριθμού 5. Και επιτυγχάνεται χαμηλότερη ταχύτητα όταν το καντράν περιστρέφεται προς την κατεύθυνση του αριθμού 1. Ανατρέξτε στον παρακάτω πίνακα για τη σχέση μεταξύ των αριθμητικών ρυθμίσεων στο καντράν και την κατά προσέγγιση ταχύτητα περιστροφής.

Αριθμός	Ονομαστική ταχύτητα
1	2.800 min ⁻¹
2	4.500 min ⁻¹
3	6.500 min ⁻¹
4	8.000 min ⁻¹
5	11.500 min ⁻¹

► **Εικ.2:** 1. Επιλογέας ρύθμισης ταχύτητας

Εξάρτημα κλειδώματος άξονα

▲ ΠΡΟΕΙΔΟΠΟΙΗΣΗ: Μην ενεργοποιείτε ποτέ το εξάρτημα κλειδώματος άξονα όταν κινείται η άτρακτος. Μπορεί να προκληθεί σοβαρός τραυματισμός ή ζημιά στο εργαλείο.

Πίστετε το εξάρτημα κλειδώματος άξονα για να εμποδίσετε την περιστροφή της άτρακτου όταν τοποθετείτε ή αφαιρείτε εξαρτήματα.

► **Εικ.3:** 1. Εξάρτημα κλειδώματος άξονα

Δράση διακοπής

▲ ΠΡΟΣΟΧΗ: Πριν από τη σύνδεση του εργαλείου στην ηλεκτρική παροχή, να ελέγχετε πάντα ότι ο μοχλός-διακόπτης ενεργοποιείται σωστά και επιστρέφει στη θέση «ANENERGO» όταν τον αφήνετε.

▲ ΠΡΟΣΟΧΗ: Για την ασφάλειά σας, το εργαλείο αυτό παρέχεται με μοχλό απασφάλισης το οποίο αποτρέπει την εκκίνηση του εργαλείου κατά λάθος. Μην χρησιμοποιείτε ΠΟΤΕ το εργαλείο αν μπορείτε να το θέσετε σε λειτουργία πιέζοντας απλά το μοχλό-διακόπτη, χωρίς να τραβάτε και το μοχλό απασφάλισης. Στείλτε το εργαλείο σε εξουσιοδοτημένο κέντρο σέρβις για να το επισκευάσουν σωστά πριν το χρησιμοποιήσετε ξανά.

▲ ΠΡΟΣΟΧΗ: Μην τραβάτε το μοχλό-διακόπτη με δύναμη χωρίς να τραβάτε το μοχλό απασφάλισης. Μπορεί να σπάσει ο διακόπτης.

▲ ΠΡΟΣΟΧΗ: ΠΟΤΕ μην κολλάτε το μοχλό απασφάλισης στην πατημένη θέση του και ΠΟΤΕ μην παρακάμπετε το σκοπό του μοχλού απασφάλισης.

Για να μην πιέζεται ο μοχλός-διακόπτης κατά λάθος, παρέχεται ένας μοχλός απασφάλισης.

Για να ξεκινήσει η λειτουργία του εργαλείου, τραβήξτε το μοχλό απασφάλισης προς τη μεριά του χειριστή και κατόπιν τραβήξτε το μοχλό-διακόπτη.

Για να ξεκινήσετε το εργαλείο, σηκώστε το μοχλό-διακόπτη.

► **Εικ.4:** 1. Μοχλός απασφάλισης
2. Μοχλός-διακόπτης

Ηλεκτρονική λειτουργία

Τεχνολογία αίσθησης ενεργής ανάδρασης

ΠΡΟΣΟΧΗ: Κρατήστε το εργαλείο σταθερά μέχρι να σταματήσει η περιστροφή.

Το εργαλείο ανιχνεύει ηλεκτρονικά τις καταστάσεις όπου ο τροχός ή το εξάρτημα μπορεί να βρίσκονται σε κίνδυνο για εμπλοκή. Σε μια τέτοια κατάσταση, το εργαλείο σβήνει αυτόματα την ισχύ για να αποφευχθεί η περαιτέρω περιστροφή της ατράκτου (αυτό δεν εμποδίζει το κλόσσημα). Αυτή τη στιγμή, η ενδεικτική λυχνία αναβοσβήνει με κόκκινο χρώμα και υποδεικνύει ότι η τεχνολογία αίσθησης ενεργής ανάδρασης λειτουργεί.

Για να ξεκινήσετε ξανά το εργαλείο, πρώτα σβήστε το εργαλείο, διορθώστε την αιτία της ξαφνικής πτώσης των στροφών περιστροφής και μετά ενεργοποιήστε ξανά το εργαλείο.

Λειτουργία αποφυγής τυχαίας επανεκκίνησης

Όταν συνδέετε το εργαλείο ενώ ο διακόπτης είναι στη θέση «ENERGO», το εργαλείο δεν ξεκινά.

Αυτή τη στιγμή, η ενδεικτική λυχνία αναβοσβήνει με κόκκινο χρώμα και δείχνει ότι η λειτουργία αποφυγής τυχαίας επανεκκίνησης βρίσκεται σε εφαρμογή.

Για να ξεκινήσετε το εργαλείο, κλείστε τον διακόπτη και ανοίξτε τον ξανά.

Έλεγχος σταθερής ταχύτητας

Μπορείτε να έχετε ένα κομμό αποτέλεσμα επειδή η ταχύτητα περιστροφής διατηρείται σταθερή ακόμα και υπό φορτωμένη κατάσταση.

Δυνατότητα ομαλής έναρξης

Η δυνατότητα ομαλής έναρξης καταστέλλει την αιφνίδια έναρξη.

Μηχανικό φρένο

Μόνο για το μοντέλο GA4593 / GA4594 / GA5093 / GA5094

Το μηχανικό φρένο ενεργοποιείται μετά από την απενεργοποίηση του εργαλείου.

Το φρένο δεν λειτουργεί όταν η ηλεκτρικήροφοδοσία είναι σβηστή, ενώ ο διακόπτης είναι ακόμη στην ενεργή θέση.

ΣΥΝΑΡΜΟΛΟΓΗΣΗ

ΠΡΟΣΟΧΗ: Να βεβαιώνετε πάντα ότι το εργαλείο είναι σβηστό και αποσυνδεδεμένο από την ηλεκτρική παροχή πριν εκτελέσετε οποιαδήποτε εργασία σε αυτό.

Τοποθέτηση πλάγιας λαβής (λαβή)

ΠΡΟΣΟΧΗ: Πριν από τη λειτουργία, να βεβαιώνετε πάντα ότι η πλάγια λαβή έχει τοποθετηθεί με ασφάλεια.

Βιδώστε την πλάγια λαβή με ασφάλεια στη θέση του εργαλείου όπως απεικονίζεται στην εικόνα.

► **Εικ.5**

Τοποθέτηση ή αφαίρεση του προφυλακτήρα τροχού

ΠΡΟΕΙΔΟΠΟΙΗΣΗ: Όταν χρησιμοποιείτε τροχό χαμηλωμένου κέντρου, δίσκο λείανσης, εύκαμπτο τροχό ή συρμάτινη βούρτσα σχήματος τροχού, ο προφυλακτήρας τροχού πρέπει να τοποθετηθεί στο εργαλείο ώστε η κλειστή πλευρά του προφυλακτήρα να είναι πάντα στραμμένη προς τον χειριστή.

ΠΡΟΕΙΔΟΠΟΙΗΣΗ: Να βεβαιώνετε ότι ο προφυλακτήρας τροχού είναι καλά ασφαλισμένος με το μοχλό κλειδώματος σε μία από τις σπές στον προφυλακτήρα τροχού.

ΠΡΟΕΙΔΟΠΟΙΗΣΗ: Όταν χρησιμοποιείτε τροχό κοπής / διαμαντοτροχό λείανσης, φροντίστε να χρησιμοποιείτε μόνο τον ειδικό προφυλακτήρα τροχού που έχει σχεδιαστεί για χρήση με τροχούς κοπής.

Για τροχό χαμηλωμένου κέντρου, δίσκο λείανσης, εύκαμπτο τροχό, συρμάτινη βούρτσα σχήματος τροχού / τροχό λείανσης κοπής, διαμαντοτροχό

1. Ενώ ωθείτε το μοχλό κλειδώματος, στερεώστε τον προφυλακτήρα τροχού με τις προεξοχές στο προφυλακτήρα τροχού ευθυγραμμισμένες με τις εγκοπές στο κιβώτιο έδρασης.

► **Εικ.6:** 1. Μοχλός κλειδώματος 2. Εγκοπή 3. Προεξοχή

2. Ενώ ωθείτε τον μοχλό κλειδώματος προς το Α, κρατήστε κάτω τα τμήματα Β του προφυλακτήρα τροχού όπως απεικονίζεται στην εικόνα.

► **Εικ.7:** 1. Προφυλακτήρας τροχού 2. Οπή

ΠΑΡΑΤΗΡΗΣΗ: Ωθήστε προς τα κάτω και ευθεία τον προφυλακτήρα τροχού. Διαφορετικά, δεν μπορείτε να ασφαλίσετε τον προφυλακτήρα τροχού.

3. Ενώ ωθείτε τον μοχλό κλειδώματος προς το Α, περιστρέψτε τον προφυλακτήρα τροχού προς το C και, στη συνέχεια, αλλάξτε τη γωνία του προφυλακτήρα τροχού ανάλογα με την εργασία για να είναι ο χειριστής προστατευμένος. Ευθυγραμμίστε τον μοχλό κλειδώματος με μία από τις σπές στον προφυλακτήρα τροχού και, στη συνέχεια, απελευθερώστε τον μοχλό κλειδώματος για να ασφαλίσετε τον προφυλακτήρα τροχού.

► **Εικ.8:** 1. Προφυλακτήρας τροχού 2. Οπή

Για να αφαιρέσετε τον προφυλακτήρα τροχού, ακολουθήστε τη διαδικασία εγκατάστασης με αντίστροφη σειρά.

Επισυνδεδεμένο προσάρτημα προφυλακτήρα τροχού κοπής

Προαιρετικό εξάρτημα

ΠΑΡΑΤΗΡΗΣΗ: Για εργασίες αποκοπής, μπορεί να χρησιμοποιηθεί ένα επισυνδεδεμένο προσάρτημα προφυλακτήρα τροχού κοπής με τον προφυλακτήρα τροχού (για τον τροχό λείανσης).

Δεν διατίθεται σε μερικές χώρες.

► **Εικ.9**

Τοποθέτηση ή αφαίρεση τροχού χαμηλωμένου κέντρου ή δίσκου λείανσης

Προαιρετικό εξάρτημα

▲ ΠΡΟΕΙΔΟΠΟΙΗΣΗ: Όταν χρησιμοποιείτε τροχό χαμηλωμένου κέντρου ή δίσκο λείανσης, ο προφυλακτήρας τροχού πρέπει να τοποθετηθεί στο εργαλείο ώστε η κλειστή πλευρά του προφυλακτήρα να είναι πάντα στραμμένη προς τον χειριστή.

▲ ΠΡΟΕΙΔΟΠΟΙΗΣΗ: Βεβαιωθείτε ότι το τμήμα στερέωσης της εσωτερικής φλάντζας ταιριάζει καλά στην εσωτερική διάμετρο του τροχού χαμηλωμένου κέντρου / δίσκου λείανσης. Η στερέωση της εσωτερικής φλάντζας στη λαθρασμένη πλευρά μπορεί να οδηγήσει σε επικίνδυνο κραδασμό.

Στερεώστε την εσωτερική φλάντζα πάνω στην άτρακτο. Βεβαιωθείτε να προσαρμόσετε το εγχαραγμένο μέρος της εσωτερικής φλάντζας επάνω στο ευθύ μέρος στο κάτω μέρος της ατράκτου.

Εφαρμόστε τον τροχό χαμηλωμένου κέντρου / δίσκο λείανσης στην εσωτερική φλάντζα και βιδώστε το παξιμάδι ασφάλισης πάνω στην άτρακτο.

► **Εικ.10:** 1. Παξιμάδι ασφάλισης 2. Τροχός χαμηλωμένου κέντρου 3. Εσωτερική φλάντζα 4. Τμήμα στερέωσης

Για να σφίξετε το παξιμάδι ασφάλισης, πατήστε το εξάρτημα κλειδώματος άξονα σταθερά έτσι ώστε να μην μπορεί να περιστραφεί η άτρακτος, μετά χρησιμοποιήστε το κλειδί παξιμαδιού ασφάλισης και σφίξτε με ασφάλεια δεξιόστροφα.

► **Εικ.11:** 1. Κλειδί παξιμαδιού ασφάλισης 2. Εξάρτημα κλειδώματος άξονα

Για να αφαιρέσετε τον τροχό, ακολουθήστε τη διαδικασία τοποθέτησης με αντίστροφη σειρά.

Τοποθέτηση ή αφαίρεση εύκαμπτου τροχού

Προαιρετικό εξάρτημα

▲ ΠΡΟΕΙΔΟΠΟΙΗΣΗ: Να χρησιμοποιείτε πάντα τον παρεχόμενο προφυλακτήρα όταν ο εύκαμπτος τροχός βρίσκεται στο εργαλείο. Ο τροχός μπορεί να υποστεί θραύση κατά τη χρήση και ο προφυλακτήρας διευκολύνει στη μείωση των πιθανοτήτων πρόκλησης τραυματισμού.

► **Εικ.12:** 1. Παξιμάδι ασφάλισης 2. Εύκαμπτος τροχός 3. Πέλαμα υποστήριξης 4. Εσωτερική φλάντζα

Να ακολουθείτε τις οδηγίες για τον τροχό χαμηλωμένου κέντρου αλλά να χρησιμοποιείτε και το πέλαμα υποστήριξης επάνω από τον τροχό.

Τοποθέτηση ή αφαίρεση δίσκου λείανσης

Προαιρετικό εξάρτημα

► **Εικ.13:** 1. Παξιμάδι ασφάλισης τριψίματος 2. Δίσκος λείανσης 3. Ελαστικό πέλαμα

1. Στερεώστε το ελαστικό πέλαμα πάνω στην άτρακτο.
2. Τοποθετήστε το δίσκο επάνω στο ελαστικό πέλαμα και βιδώστε το παξιμάδι ασφάλισης τριψίματος πάνω στην άτρακτο.
3. Κρατήστε την άτρακτο με το εξάρτημα κλειδώματος άξονα και σφίξτε καλά το παξιμάδι ασφάλισης τριψίματος δεξιόστροφα με το κλειδί παξιμαδιού ασφάλισης. Για να αφαιρέσετε το δίσκο, ακολουθήστε τη διαδικασία τοποθέτησης με αντίστροφη σειρά.

ΠΑΡΑΤΗΡΗΣΗ: Να χρησιμοποιείτε τα εξαρτήματα εργαλείου τριψίματος που καθορίζονται στο παρόν εγχειρίδιο. Αυτά πρέπει να αγοράζονται ξεχωριστά.

Υπερφλάντζα

Προαιρετικό εξάρτημα

Μόνο για το μοντέλο GA4595 / GA5095

Η υπερφλάντζα είναι ένα ειδικό εξάρτημα για το μοντέλο που ΔΕΝ είναι εξοπλισμένο με λειτουργία φρένου. Απαιτείται μόνο το 1/3 της προστάθειας για την απασφάλιση του παξιμαδιού ασφάλισης συγκριτικά με τον συμβατικό τύπο.

Τοποθέτηση ή αφαίρεση του Ezynut

Προαιρετικό εξάρτημα

Μόνο για εργαλεία με σπείρωμα ατράκτου M14.

▲ ΠΡΟΣΟΧΗ: Μην χρησιμοποιείτε το Ezynut με υπερφλάντζα. Οι φλάντζες αυτές έχουν τόσο μεγάλο πάχος που ολόκληρο το σπείρωμα δεν μπορεί να συγκρατηθεί από την άτρακτο.

Στερεώστε την εσωτερική φλάντζα, το λειαντικό τροχό και το Ezynut στην άτρακτο ώστε ο λογότυπος της Makita στο Ezynut να είναι στραμμένος προς τα έξω.

► **Εικ.14:** 1. Ezynut 2. Λειαντικός τροχός 3. Εσωτερική φλάντζα 4. Άτρακτος

Πιέστε σταθερά το εξάρτημα κλειδώματος άξονα και σφίξτε το Ezynut περιστρέφοντας το λειαντικό τροχό δεξιόστροφα μέχρι τέρμα.

► **Εικ.15:** 1. Εξάρτημα κλειδώματος άξονα

Για να χαλαρώσετε το Ezynut, περιστρέψτε τον εξωτερικό δακτύλιο του Ezynut αριστερόστροφα.

ΠΑΡΑΤΗΡΗΣΗ: Μπορείτε να χαλαρώσετε το Ezynut με το χέρι αρκεί το βέλος να είναι στραμμένο προς την εγκοπή. Διαφορετικά απαιτείται κλειδί παξιμαδιού ασφάλισης για να το χαλαρώσετε. Εισαγάγετε έναν πείρο του κλειδιού στην οπή και περιστρέψτε το Ezynut αριστερόστροφα.

► **Εικ.16:** 1. Βέλος 2. Εγκοπή

► **Εικ.17**

Τοποθέτηση τροχού λείανσης κοπής / διαμαντοτροχού

Προαιρετικό εξάρτημα

▲ ΠΡΟΕΙΔΟΠΟΙΗΣΗ: Όταν χρησιμοποιείτε τροχό κοπής / διαμαντοτροχό λείανσης, φροντίστε να χρησιμοποιείτε μόνο τον ειδικό προφυλακτήρα τροχού που έχει σχεδιαστεί για χρήση με τροχούς κοπής.

▲ ΠΡΟΕΙΔΟΠΟΙΗΣΗ: Μην χρησιμοποιείτε ΠΟΤΕ τροχό κοπής για πλευρική λείανση.

- **Εικ.18:** 1. Παξιμάδι ασφάλισης 2. Τροχός λείανσης κοπής / διαμαντοτροχός 3. Εσωτερική φλάντζα 4. Προφυλακτήρας τροχού για τροχό λείανσης κοπής / διαμαντοτροχό

Όσον αφορά την τοποθέτηση, ακολουθήστε τις οδηγίες για τον τροχό χαμηλωμένου κέντρου.

Η κατεύθυνση στερέωσης του παξιμαδιού ασφάλισης και της εσωτερικής φλάντζας διαφέρει ανάλογα με τον τύπο και το πάχος τροχού.

Ανατρέξτε στις παρακάτω τιμές.

Όταν τοποθετείτε τον τροχό λείανσης κοπής.

- **Εικ.19:** 1. Παξιμάδι ασφάλισης 2. Τροχός λείανσης αποκοπής (πάχος μικρότερο από 4 mm (5/32")) 3. Τροχός λείανσης αποκοπής (4 mm (5/32")) ή μεγαλύτερου πάχους) 4. Εσωτερική φλάντζα

Όταν τοποθετείτε τον διαμαντοτροχό:

- **Εικ.20:** 1. Παξιμάδι ασφάλισης 2. Διαμαντοτροχός (πάχος μικρότερο από 4 mm (5/32")) 3. Διαμαντοτροχός (4 mm (5/32")) ή μεγαλύτερου πάχους) 4. Εσωτερική φλάντζα

Τοποθέτηση συρμάτινης βούρτσας σχήματος κούπας

Προαιρετικό εξάρτημα

▲ ΠΡΟΣΟΧΗ: Μη χρησιμοποιείτε βούρτσα η οποία έχει υποστεί ζημία ή η οποία δεν είναι κατάλληλα ζυγοσταθμισμένη. Η χρήση βούρτσας που έχει υποστεί ζημία θα μπορούσε να αυξήσει τον κίνδυνο τραυματισμού λόγω επαφής με κομμένα τεμάχια συρμάτων της βούρτσας.

Τοποθετήστε το εργαλείο ανάποδα για να επιτραπεί η εύκολη πρόσβαση στην άτρακτο.

Αφαιρέστε οποιαδήποτε εξαρτήματα από την άτρακτο. Τοποθετήστε τη συρμάτινη βούρτσα σχήματος κούπας στην άτρακτο και σφίξτε με το παρεχόμενο κλειδί.

- **Εικ.21:** 1. Συρμάτινη βούρτσα σχήματος κούπας

Τοποθέτηση συρμάτινης βούρτσας σχήματος τροχού

Προαιρετικό εξάρτημα

▲ ΠΡΟΣΟΧΗ: Μη χρησιμοποιείτε συρμάτινη βούρτσα σχήματος τροχού η οποία έχει υποστεί ζημία ή η οποία δεν είναι κατάλληλα ζυγοσταθμισμένη. Η χρήση συρμάτινης βούρτσας σχήματος τροχού που έχει υποστεί ζημία θα μπορούσε να αυξήσει τον κίνδυνο τραυματισμού λόγω επαφής με κομμένα τεμάχια συρμάτων.

▲ ΠΡΟΣΟΧΗ: Να χρησιμοποιείτε ΠΑΝΤΑ προφυλακτήρα με τις συρμάτινες βούρτσες σχήματος τροχού, φροντίζοντας ώστε η διάμετρος του τροχού να επιτρέπει την εφαρμογή του μέσα στον προφυλακτήρα. Ο τροχός μπορεί να υποστεί θραύση κατά τη χρήση και ο προφυλακτήρας διευκολύνει στη μείωση των πιθανοτήτων πρόκλησης τραυματισμού.

Τοποθετήστε το εργαλείο ανάποδα για να επιτραπεί η εύκολη πρόσβαση στην άτρακτο.

Αφαιρέστε οποιαδήποτε εξαρτήματα από την άτρακτο. Τοποθετήστε τη συρμάτινη βούρτσα σχήματος τροχού στην άτρακτο και σφίξτε με τα κλειδιά.

- **Εικ.22:** 1. Συρμάτινη βούρτσα σχήματος τροχού

Τοποθέτηση ποτηροτρύπανο

Προαιρετικό εξάρτημα

Τοποθετήστε το εργαλείο ανάποδα για να επιτραπεί η εύκολη πρόσβαση στην άτρακτο.

Αφαιρέστε οποιαδήποτε εξαρτήματα από την άτρακτο. Βιδώστε το ποτηροτρύπανο στην άτρακτο και σφίξτε το με το παρεχόμενο κλειδί.

- **Εικ.23:** 1. Ποτηροτρύπανο

Τοποθέτηση προστατευτικού συλλογής σκόνης τροχού για λείανση

Προαιρετικό εξάρτημα

Με προαιρετικά εξαρτήματα, μπορείτε να χρησιμοποιήσετε αυτό το εργαλείο για το πλάνισμα επιφάνειας από σκυρόδεμα.

▲ ΠΡΟΣΟΧΗ: Το προστατευτικό συλλογής σκόνης τροχού για τον έκκεντρο διαμαντοτροχό χρησιμοποιείται μόνο για το πλάνισμα επιφάνειας από σκυρόδεμα με έκκεντρο διαμαντοτροχό. Μη χρησιμοποιήσετε αυτό το προστατευτικό με οποιοδήποτε άλλο εξάρτημα κοπής ή για οποιοδήποτε άλλο σκοπό.

▲ ΠΡΟΣΟΧΗ: Πριν από τη λειτουργία, βεβαιωθείτε ότι έχει συνδεθεί ηλεκτρική σκούπα στο εργαλείο και ότι είναι ενεργοποιημένη.

Τοποθετήστε το εργαλείο ανάποδα και τοποθετήστε το προστατευτικό συλλογής σκόνης τροχού.

Στερεώστε την εσωτερική φλάντζα πάνω στην άτρακτο. Εφαρμόστε τον διαμαντοτροχό τύπου κούπας στην εσωτερική φλάντζα και σφίξτε το παξιμάδι ασφάλισης πάνω στην άτρακτο.

- **Εικ.24:** 1. Παξιμάδι ασφάλισης 2. Διαμαντοτροχός τύπου κούπας με πλήμνη 4. Εσωτερική φλάντζα 5. Προστατευτικό συλλογής σκόνης τροχού 6. Κιβώτιο έδρασης

ΠΑΡΑΤΗΡΗΣΗ: Για πληροφορίες σχετικά με τον τρόπο τοποθέτησης του προστατευτικού συλλογής σκόνης τροχού, ανατρέξτε στο εγχειρίδιο του προστατευτικού συλλογής σκόνης τροχού.

Τοποθέτηση προστατευτικού συλλογής σκόνης τροχού για αποκοπή

Προαιρετικό εξάρτημα

Με προαιρετικά εξάρτηματα, μπορείτε να χρησιμοποιήσετε αυτό το εργαλείο για την κοπή πέτρινων υλικών.

► **Εικ.25**

ΠΑΡΑΤΗΡΗΣΗ: Για πληροφορίες σχετικά με τον τρόπο τοποθέτησης του προστατευτικού συλλογής σκόνης τροχού, ανατρέξτε στο εγχειρίδιο του προστατευτικού συλλογής σκόνης τροχού.

Σύνδεση με ηλεκτρική σκούπα

Προαιρετικό εξάρτημα

▲ ΠΡΟΕΙΔΟΠΟΙΗΣΗ: Μην αναρροφάτε ποτέ μεταλλικά σωματίδια που δημιουργήθηκαν από λειτουργία λείανσης/κοπής/τριψίματος. Τα μεταλλικά σωματίδια που δημιουργήθηκαν σε μια τέτοια λειτουργία είναι τόσο ζεστά που αναφλέγουν σκόνη και το φίλτρο στο εσωτερικό της ηλεκτρικής σκούπας.

Για να αποφύγετε ένα περιβάλλον με σκόνη που προκλήθηκε από κοπή τοιχοποιίας, χρησιμοποιήστε το προστατευτικό συλλογής σκόνης τροχού και μια ηλεκτρική σκούπα.

Ανατρέξτε στο εγχειρίδιο οδηγιών που συνοδεύει το προστατευτικό συλλογής σκόνης τροχού για τη συναρμολόγηση και χρησιμοποιήστε το.

► **Εικ.26:** 1. Προστατευτικό συλλογής σκόνης τροχού
2. Εύκαμπτος σωλήνας της ηλεκτρικής σκούπας

Τοποθέτηση ή αφαίρεση του προσαρτήματος καλύμματος σκόνης

Προαιρετικό εξάρτημα

▲ ΠΡΟΣΟΧΗ: Να βεβαιώνετε πάντα ότι το εργαλείο είναι απενεργοποιημένο και αποσυνδεδεμένο πριν τοποθετήσετε ή αφαιρέσετε το προσάρτημα καλύμματος σκόνης. Αν δεν το κάνετε αυτό, θα προκληθεί βλάβη στο εργαλείο ή προσωπικός τραυματισμός.

Τοποθετήστε το προσάρτημα καλύμματος σκόνης σε κάθε καθορισμένη θέση.

Για λεπτομέρειες, ανατρέξτε στο εγχειρίδιο οδηγιών του προσαρτήματος καλύμματος σκόνης.

ΕΙΔΟΠΟΙΗΣΗ: Καθαρίστε το προσάρτημα καλύμματος σκόνης όταν είναι φραγμένο με σκόνη ή ξένα υλικά. Η συνεχής λειτουργία με φραγμένο προσάρτημα καλύμματος σκόνης θα προκαλέσει βλάβη στο εργαλείο.

ΛΕΙΤΟΥΡΓΙΑ

▲ ΠΡΟΕΙΔΟΠΟΙΗΣΗ: Δεν θα πρέπει ποτέ να εξασκείτε υπερβολική δύναμη στο εργαλείο. Το βάρος του εργαλείου εφαρμόζει αρκετή πίεση. Ο εξαναγκασμός και η υπερβολική πίεση μπορεί να προκαλέσουν επικίνδυνο σπάσιμο του τροχού.

▲ ΠΡΟΕΙΔΟΠΟΙΗΣΗ: Να αντικαθιστάτε ΠΑΝΤΑ τον τροχό αν το εργαλείο πέσει κάτω κατά τη λείανση.

▲ ΠΡΟΕΙΔΟΠΟΙΗΣΗ: Μη χτυπάτε ΠΟΤΕ τον τροχό επάνω στο τεμάχιο εργασίας.

▲ ΠΡΟΕΙΔΟΠΟΙΗΣΗ: Αποφύγετε τις αναπηδήσεις και τσιμπήματα του τροχού, ιδιαίτερα όταν εργάζεστε πάνω σε γωνίες, αιχμηρές άκρες κλπ. Αυτά μπορεί να προκαλέσουν απώλεια ελέγχου και τίναγμα προς τα πίσω.

▲ ΠΡΟΕΙΔΟΠΟΙΗΣΗ: Μη χρησιμοποιείτε ΠΟΤΕ το εργαλείο με λάμες κοπής ξύλου και λάμα πριονιού. Τέτοιες λάμες όταν χρησιμοποιούνται συχνά στον λειαντή προκαλούν απώλεια ελέγχου από τα τινάγματα και οδηγούν σε προσωπικό τραυματισμό.

▲ ΠΡΟΕΙΔΟΠΟΙΗΣΗ: Η συνεχόμενη χρήση ενός φθαρμένου τροχού μπορεί να έχει ως αποτέλεσμα την έκρηξη του τροχού και σοβαρό προσωπικό τραυματισμό.

▲ ΠΡΟΣΟΧΗ: Μη θέτετε ποτέ το εργαλείο σε λειτουργία όταν βρίσκεται σε επαφή με το τεμάχιο εργασίας επειδή μπορεί να προκληθεί τραυματισμός του χειριστή.

▲ ΠΡΟΣΟΧΗ: Κατά τη διάρκεια της λειτουργίας, να φοράτε πάντα προστατευτικά γυαλιά ή προσωπίδα.

▲ ΠΡΟΣΟΧΗ: Μετά τη λειτουργία, να σβήνετε πάντα το εργαλείο και να περιμένετε μέχρι ο τροχός να σταματήσει τελείως πριν αφήσετε κάτω το εργαλείο.

▲ ΠΡΟΣΟΧΗ: Να κρατάτε ΠΑΝΤΑ το εργαλείο σταθερά με το ένα χέρι στο περίβλημα και με το άλλο χέρι στην πλάγια λαβή (λαβή).

ΠΑΡΑΤΗΡΗΣΗ: Ένας τροχός διπλής χρήσης μπορεί να χρησιμοποιηθεί για εργασίες λείανσης και αποκοπής.

Ανατρέξτε στην παράγραφο «Λειτουργία με τροχό/δίσκο» για την εργασία λείανσης και στην παράγραφο «Λειτουργία με τροχό λείανσης αποκοπής / διαμαντοτροχό» για την εργασία αποκοπής.

Λειτουργία με τροχό/δίσκο

► **Εικ.27**

Θέστε το εργαλείο σε λειτουργία και μετά εφαρμόστε τον τροχό ή το δίσκο στο τεμάχιο εργασίας.

Σε γενικές γραμμές, να κρατάτε την άκρη του τροχού ή του δίσκου σε γωνία περίπου 15 μοιρών ως προς την επιφάνεια του τεμαχίου εργασίας.

Κατά τη διάρκεια της περιόδου στρωσίματος ενός καινούργιου τροχού, μη χειρίζεστε τον λειαντή προς την εμπρόσθια κατεύθυνση επειδή θα προκαλέσει κοπή του τεμαχίου εργασίας. Μόλις στογγυλοποιηθεί η άκρη του τροχού από τη χρήση, ο τροχός μπορεί να χρησιμοποιηθεί προς την εμπρόσθια και οπίσθια κατεύθυνση.

Λειτουργία με τροχό λείανσης κοπής / διαμαντοτροχό

Προαιρετικό εξάρτημα

▲ ΠΡΟΕΙΔΟΠΟΙΗΣΗ: Μην προκαλείτε «μάγκωμα» του τροχού κοπής και μην ασκείτε υπερβολική πίεση. Μην επιχειρείτε να δημιουργήσετε τομή υπερβολικού βάθους. Η άσκηση υπερβολικής δύναμης στον τροχό αυξάνει το φορτίο και τη δεκτικότητα σε συστροφή ή εμπλοκή του τροχού εντός της κοπής και την πιθανότητα κλοσήματος ή θραύσης του τροχού όπως και υπερθέρμανσης του κινητήρα.

▲ ΠΡΟΕΙΔΟΠΟΙΗΣΗ: Μην αρχίσετε την εργασία κοπής στο τεμάχιο εργασίας. Περιμένετε έως ότου ο τροχός αποκτήσει πλήρη ταχύτητα και φροντίστε για την εισαγωγή του με προσοχή στο εσωτερικό της κοπής μετακινώντας το εργαλείο προς τα εμπρός πάνω στην επιφάνεια του τεμαχίου εργασίας. Ο τροχός μπορεί να παρουσιάσει εμπλοκή, αναπήδηση ή ανάκρουση αν ενεργοποιήσετε το ηλεκτρικό εργαλείο ενώ βρίσκεται εντός του τεμαχίου εργασίας.

▲ ΠΡΟΕΙΔΟΠΟΙΗΣΗ: Στη διάρκεια των εργασιών κοπής, μην αλλάζετε ποτέ τη γωνία του τροχού. Αν ασκήσετε πλευρική πίεση στον τροχό κοπής (όπως στη λείανση), θα προκληθεί ράγισμα και θραύση του τροχού, με αποτέλεσμα σοβαρό τραυματισμό.

▲ ΠΡΟΕΙΔΟΠΟΙΗΣΗ: Απαιτείται χειρισμός ενός διαμαντοτροχού κάθετα προς το υλικό που πρόκειται να κοπεί.

Παράδειγμα χρήσης: Λειτουργία με τροχό λείανσης αποκοπής

► Εικ.28

Παράδειγμα χρήσης: Λειτουργία με διαμαντοτροχό

► Εικ.29

Λειτουργία με συρμάτινη βούρτσα σχήματος κούπας

Προαιρετικό εξάρτημα

▲ ΠΡΟΣΟΧΗ: Ελέγξτε τη λειτουργία της βούρτσας θέτοντας το εργαλείο σε λειτουργία χωρίς φορτίο, φροντίζοντας να μην υπάρχει κανένας μπροστά ή σε ευθεία γραμμή με τη βούρτσα.

Παράδειγμα χρήσης: Λειτουργία με συρμάτινη βούρτσα σχήματος κούπας

► Εικ.30

ΕΙΔΟΠΟΙΗΣΗ: Φροντίστε να μην ασκείτε πολύ μεγάλη πίεση η οποία προκαλεί υπερβολικό λύγισμα των συρμάτων κατά τη χρήση της βούρτσας. Μπορεί να προκαλέσει πρόωρο σπάσιμο.

Λειτουργία με συρμάτινη βούρτσα σχήματος τροχού

Προαιρετικό εξάρτημα

▲ ΠΡΟΣΟΧΗ: Ελέγξτε τη λειτουργία της συρμάτινης βούρτσας σχήματος τροχού θέτοντας το εργαλείο σε λειτουργία χωρίς φορτίο, φροντίζοντας να μην υπάρχει κανένας μπροστά ή σε ευθεία γραμμή με τη βούρτσα.

Παράδειγμα χρήσης: Λειτουργία με συρμάτινη βούρτσα σχήματος τροχού

► Εικ.31

ΕΙΔΟΠΟΙΗΣΗ: Φροντίστε να μην ασκείτε πολύ μεγάλη πίεση η οποία προκαλεί υπερβολικό λύγισμα των συρμάτων κατά τη χρήση της συρμάτινης βούρτσας σχήματος τροχού. Μπορεί να προκαλέσει πρόωρο σπάσιμο.

Λειτουργία με ποτηροτρύπανο

Προαιρετικό εξάρτημα

▲ ΠΡΟΣΟΧΗ: Ελέγξτε τη λειτουργία του ποτηροτρυπανού θέτοντας το εργαλείο σε λειτουργία χωρίς φορτίο, φροντίζοντας να μην υπάρχει κανένας μπροστά από το ποτηροτρύπανο.

ΕΙΔΟΠΟΙΗΣΗ: Μην γείρετε το εργαλείο κατά τη διάρκεια της λειτουργίας. Μπορεί να προκαλέσει πρόωρο σπάσιμο.

Παράδειγμα χρήσης: Λειτουργία με ποτηροτρύπανο

► Εικ.32

ΣΥΝΤΗΡΗΣΗ

▲ ΠΡΟΣΟΧΗ: Να βεβαιώνετε πάντα ότι το εργαλείο είναι ορθό και αποσυνδεδεμένο από την ηλεκτρική παροχή πριν εκτελέσετε οποιαδήποτε εργασία επιθεώρησης ή συντήρησης σε αυτό.

ΕΙΔΟΠΟΙΗΣΗ: Μην χρησιμοποιείτε ποτέ βενζίνη, πετρελαϊκό αιθέρα, διαλυτικό, αλκοόλη ή παρόμοιες ουσίες. Μπορεί να προκληθεί αποχρωματισμός, παραμόρφωση ή ρωγμές.

Για τη διατήρηση της ΑΣΦΑΛΕΙΑΣ και ΑΞΙΟΠΙΣΤΙΑΣ του προϊόντος, οι επισκευές και οποιαδήποτε άλλη εργασία συντήρησης ή ρύθμισης πρέπει να εκτελούνται από εξουσιοδοτημένα ή εργοστασιακά κέντρα εξυπηρέτησης της Makita, χρησιμοποιώντας πάντοτε ανταλλακτικά της Makita.

Καθαρισμός ανοιγμάτων εξαερισμού

Το εργαλείο και τα ανοίγματα εξαερισμού του πρέπει να διατηρούνται καθαρά. Να καθαρίζετε τακτικά τα ανοίγματα εξαερισμού του εργαλείου ή όταν αυτά αρχίσουν να φράσσονται.

► Εικ.33: 1. Άνοιγμα εξόδου αέρα 2. Άνοιγμα εισόδου αέρα

ΣΥΝΔΥΑΣΜΟΣ ΕΦΑΡΜΟΓΩΝ ΚΑΙ ΕΞΑΡΤΗΜΑΤΩΝ

Προαιρετικό εξάρτημα

▲ ΠΡΟΣΟΧΗ: Αν χρησιμοποιήσετε το εργαλείο με λανθασμένους προφυλακτήρες, μπορεί να προκληθούν οι κίνδυνοι που αναφέρονται στη συνέχεια.

- Όταν χρησιμοποιείτε τον προφυλακτήρα τροχού αποκοπής για μετωπική λείανση, ο προφυλακτήρας τροχού μπορεί να παρέμβει με το τεμάχιο εργασίας προκαλώντας ανεπαρκή έλεγχο.
- Όταν χρησιμοποιείτε προφυλακτήρα λειαντικού τροχού για εργασίες αποκοπής με δεσμευμένους λειαντικούς τροχούς και διαμαντοτροχούς, υπάρχει αυξημένος κίνδυνος έκθεσης στους περιστρεφόμενους τροχούς, εκτοξευόμενους σπινθήρες και σωματίδια, καθώς και έκθεση στα φράγματα τροχού στην περίπτωση ρήξης του τροχού.
- Όταν χρησιμοποιείτε τον προφυλακτήρα τροχού αποκοπής ή τον προφυλακτήρα λειαντικού τροχού για μετωπικές εργασίες με διαμαντοτροχούς τύπου κούπας, ο προφυλακτήρας τροχού μπορεί να παρέμβει με το τεμάχιο εργασίας προκαλώντας ανεπαρκή έλεγχο.
- Όταν χρησιμοποιείτε προφυλακτήρα τροχού αποκοπής ή προφυλακτήρα λειαντικού τροχού με συρμάτινη βούρσα τύπου τροχού με πάχος μεγαλύτερο από αυτό που καθορίζεται στις «ΠΡΟΔΙΑΓΡΑΦΕΣ», τα σύρματα μπορούν να εγκλωβιστούν στον προφυλακτήρα και να οδηγήσουν στο σπάσιμο των συρμάτων.
- Η χρήση προστατευτικών συλλογής σκόνης τροχού για εργασίες αποκοπής και μετωπικές εργασίες σε τσιμέντο ή γυψοσανίδα μειώνει τον κίνδυνο έκθεσης στη σκόνη.
- Όταν χρησιμοποιείτε τροχούς διπλής χρήσης (συνδυασμένη λείανση και τρίψιμο αποκοπής) στερεωμένες σε φλάντζα, να χρησιμοποιείτε μόνο τον προφυλακτήρα τροχού αποκοπής.

► Εικ.34

Μόνο για το μοντέλο GA4593 / GA4594 / GA5093 / GA5094

-	Εφαρμογή	Μοντέλο 115 mm	Μοντέλο 125 mm
1	-	Πλάγια λαβή	
2	-	Προφυλακτήρας τροχού (για τροχό λείανσης)	
3	-	Εσωτερική φλάντζα	
4	Λείανση / Γυαλοχάρτισμα	Τροχός χαμηλωμένου κέντρου / Δίσκος λείανσης	
5	-	Παξιμάδι ασφάλισης	
6	-	Ezynut *1*2	
7	-	Πέλα υποστήριξης	
8	Λείανση / Γυαλοχάρτισμα	Ευκαμπτος τροχός	
9	-	Ελαστικό πέλαμα 100	Ελαστικό πέλαμα 115
10	Γυαλοχάρτισμα	Δίσκος λείανσης	
11	-	Παξιμάδι ασφάλισης τριψίματος	
12	Βούρτσισμα με συρμάτινη βούρσα	Συρμάτινη βούρσα σχήματος τροχού	
13	Βούρτσισμα με συρμάτινη βούρσα	Συρμάτινη βούρσα σχήματος κούπας	
14	Κοπή διάνοιξης οπών	Ποτηροτύπανο	
15	-	Προφυλακτήρας τροχού (για τροχό αποκοπής)	
16	Αποκοπή	Τροχός λείανσης αποκοπής / Διαμαντοτροχός	
17	Λείανση / Αποκοπή	Τροχός διπλής χρήσης	
18	-	Επισυνδεδεμένο προσάρτημα προφυλακτήρα τροχού κοπής *3	
19	-	Προστατευτικό συλλογής σκόνης τροχού για αποκοπή	
20	Αποκοπή	Διαμαντοτροχός	
21	-	Προστατευτικό συλλογής σκόνης τροχού για λείανση	
22	Λείανση	Διαμαντοτροχός τύπου κούπας	
-	-	Κλειδί παξιμαδιού ασφάλισης	
-	-	Εξάρτημα καλύμματος σκόνης	

	Εφαρμογή	Μοντέλο 115 mm	Μοντέλο 125 mm
1	-	Πλάγια λαβή	
2	-	Προφυλακτήρας τροχού (για τροχό λείανσης)	
3	-	Εσωτερική φλάντζα / Υπερφλάντζα *1*2	
4	Λείανση / Γυαλοχάρτισμα	Τροχός χαμηλωμένου κέντρου / Δίσκος λείανσης	
5	-	Παξιμάδι ασφάλισης	
6	-	Ezypul *1*2	
7	-	Πέλαμα υποστήριξης	
8	Λείανση / Γυαλοχάρτισμα	Εύκαμπτος τροχός	
9	-	Ελαστικό πέλαμα 100	Ελαστικό πέλαμα 115
10	Γυαλοχάρτισμα	Δίσκος λείανσης	
11	-	Παξιμάδι ασφάλισης τριψίματος	
12	Βούρτσισμα με συρμάτινη βούρτσα	Συρμάτινη βούρτσα σχήματος τροχού	
13	Βούρτσισμα με συρμάτινη βούρτσα	Συρμάτινη βούρτσα σχήματος κούπας	
14	Κοπή διάνοιξης οπών	Ποτηροτύπανο	
15	-	Προφυλακτήρας τροχού (για τροχό αποκοπής)	
16	Αποκοπή	Τροχός λείανσης αποκοπής / Διαμαντοτροχός	
17	Λείανση / Αποκοπή	Τροχός διπλής χρήσης	
18	-	Επισυνδεδεμένο προσάρτημα προφυλακτήρα τροχού κοπής *3	
19	-	Προστατευτικό συλλογής σκόνης τροχού για αποκοπή	
20	Αποκοπή	Διαμαντοτροχός	
21	-	Προστατευτικό συλλογής σκόνης τροχού για λείανση	
22	Λείανση	Διαμαντοτροχός τύπου κούπας	
-	-	Κλειδί παξιμαδιού ασφάλισης	
-	-	Εξάρτημα καλύμματος σκόνης	

ΠΑΡΑΤΗΡΗΣΗ: *1 Μην χρησιμοποιείτε υπερφλάντζα και Ezypul μαζί.

ΠΑΡΑΤΗΡΗΣΗ: *2 Μόνο για εργαλεία με σπειρώμα ατράκτου M14.

ΠΑΡΑΤΗΡΗΣΗ: *3 Το επισυνδεδεμένο προσάρτημα προφυλακτήρα τροχού κοπής δεν διατίθεται σε μερικές χώρες. Για περισσότερες λεπτομέρειες, ανατρέξτε στο εγχειρίδιο οδηγιών του επισυνδεδεμένου προσαρτήματος προφυλακτήρα τροχού κοπής.

ΠΑΡΑΤΗΡΗΣΗ: Μην χρησιμοποιείτε την υπερφλάντζα με λειαντήρα εξοπλισμένο με λειτουργία φρένου.

ΠΡΟΑΙΡΕΤΙΚΑ ΕΞΑΡΤΗΜΑΤΑ

⚠ ΠΡΟΣΟΧΗ: Αυτά τα εξαρτήματα ή προσαρτήματα συνιστώνται για χρήση με το εργαλείο Makita που περιγράφηκε στις οδηγίες αυτές. Η χρήση οποιωνδήποτε άλλων εξαρτημάτων ή προσαρτημάτων μπορεί να προκαλέσει κίνδυνο τραυματισμού σε άτομα. Να χρησιμοποιείτε τα εξαρτήματα ή προσαρτήματα μόνο για την χρήση που προορίζονται.

Εάν χρειάζεστε οποιαδήποτε βοήθεια για περισσότερες πληροφορίες σε σχέση με αυτά τα εξαρτήματα, απευθυνθείτε στο τοπικό σας κέντρο εξυπηρέτησης Makita.

- Εξαρτήματα που παρατίθενται στην παράγραφο «ΣΥΝΔΥΑΣΜΟΣ ΕΦΑΡΜΟΓΩΝ ΚΑΙ ΕΞΑΡΤΗΜΑΤΩΝ»

ΠΑΡΑΤΗΡΗΣΗ: Μερικά στοιχεία στη λίστα μπορεί να συμπεριλαμβάνονται στη συσκευασία εργαλείου ως στάνταρ εξαρτήματα. Μπορεί να διαφέρουν ανάλογα με τη χώρα.

TEKNİK ÖZELLİKLER

Model:		GA4593	GA4594	GA4595	GA5093	GA5094	GA5095
Kullanılabilir taşıma disk	Maks. disk çapı	115 mm			125 mm		
	Maks. disk kalınlığı	7,2 mm					
Kullanılabilir kesme disk	Maks. disk çapı	115 mm			125 mm		
	Maks. disk kalınlığı	3,2 mm					
Kullanılabilir tel disk fırça	Maks. disk çapı	115 mm			125 mm		
	Maks. disk kalınlığı	20 mm					
Mil dişi	M14 veya 5/8" (ülkeye özgü)						
Maks. mil uzunluğu	23 mm						
Yüksüz hız (n ₀) / Anma hızı (n)	11.500 min ⁻¹						
Toplam uzunluk	349 mm	326 mm	349 mm	326 mm			
Net ağırlık	2,8 - 4,0 kg	2,6 - 3,8 kg	2,9 - 4,0 kg	2,7 - 3,8 kg			
Emniyet sınıfı	□/						

- Sürekli yapılan araştırma ve geliştirmelerden dolayı, burada belirtilen özellikler önceden bildirilmeksizin değiştirilebilir.
- Özellikler ülkeden ülkeye değişebilir.
- Ağırlık, ek parçaya(parçalara) bağlı olarak değişebilir. En hafif ve en ağır kombinasyon, EPTA Prosedürü 01/2014'e göre, tabloda gösterilmiştir.

Semboller

Ekipmanı için kullanılacak semboller aşağıda gösterilmiştir. Kullanmadan önce anlamlarını anladığınızdan emin olun.



Kullanma kılavuzunu okuyun.



Güvenlik gözlüğü takın.



Her zaman iki elle kullanın.



Disk sipirini kesme işlemleri için kullanmayın.



ÇİFT YALITIMLI



Sadece AB ülkeleri için
Ekipmanda tehlikeli bileşenler bulunduğundan dolayı eski elektrikli ve elektronik ekipmanlar çevre ve insan sağlığı üzerinde olumsuz etkiye yol açabilir.

Elektrikli ve elektronik cihazları evsel atıklarla birlikte atmayın!

Atık elektrikli ve elektronik ekipmanlar hakkındaki Avrupa Direktifi ve söz konusu direktifin ulusal yasalara uyarlanması gereğince eski elektrikli ve elektronik ekipmanlar ayrı olarak toplanmalı ve çevre koruma mevzuatına uygun olarak faaliyet gösteren ayrı bir kentsel atık toplama noktasına teslim edilmelidir.

Bu husus, ekipmanın üzerine yerleştirilmiş üzerinde çarpı işareti bulunan tekerlekli çöp kovası simgesi ile belirtilmiştir.

Kullanım amacı

Bu alet, metal ve taş malzemelerin su kullanmadan taşlanması, zımparalanması, telle fırçalanması, delik açılması ve kesilmesi amacıyla tasarlanmıştır.

Güç kaynağı

Aletin, yalnızca isim levhasında belirtilenle aynı voltajlı güç kaynağına bağlanması gerekir ve yalnızca tek fazlı AC güç kaynağıyla çalıştırılabilir. Çifte yalıtımlıdır ve topraklamasız prizlerle de kullanılabilir.

Gürültü

Tipik A-ağırlıklı gürültü düzeyi (62841-2-3 standardına göre belirlenen):

Model	Ses basıncı seviyesi (L_{pA}): (dB (A))	Ses gücü seviyesi (L_{WA}): (dB (A))	Belirsizlik (K): (dB (A))
GA4593	91	99	3
GA4594	91	99	3
GA4595	94	102	3
GA5093	91	99	3
GA5094	91	99	3
GA5095	94	102	3

NOT: Beyan edilen gürültü emisyonu değer(ler)i bir standart test yöntemine uygun şekilde ölçülmüştür ve bir aleti bir başkasıyla karşılaştırmak için kullanılabilir.

NOT: Beyan edilen gürültü emisyonu değer(ler)i bir ön maruz kalma değerlendirmesi olarak da kullanılabilir.

⚠UYARI: Kulak koruyucuları takın.

⚠UYARI: Elektrikli aletin gerçek kullanımı sırasındaki gürültü emisyonu, aletin kullanım biçimlerine, özellikle işlenen iş parçasının türüne bağlı olarak beyan edilen değer(ler)den farklı olabilir.

⚠UYARI: Gerçek kullanım koşullarındaki tahmini maruziyeti baz alan, operatörü koruyacak güvenlik önlemlerini mutlaka belirleyin (çalışma döngüsü içerisinde aletin kapalı olduğu ve aktif durumda olmasının yanı sıra boşta çalıştığı zamanlar gibi, bütün zaman dilimleri göz önünde bulundurarak).

⚠UYARI: İnce sacların veya büyük yüzeyli kolayca titreşen yapıların taşlanması beyan edilen gürültü emisyonu değerlerinden çok daha yüksek (15 dB'ye kadar) toplam gürültü emisyonuna neden olabilir.

Ses yaymalarını engellemek için bu iş parçalarına son derece esnek sönümlenme paspasları veya benzeri malzemeler yerleştirin.

Artan gürültü emisyonunu hem gürültüye maruz kalma risk değerlendirmesi için hem de uygun işitme korumasını seçerken dikkate alın.

Titreşim

Titreşim toplam değeri (üç eksenli vektör toplamı) (62841-2-3 standardına göre hesaplanan):

Çalışma modu: normal yan kavrama kolu ile yüzey taşıma

Model	Titreşim emisyonu ($a_{h, AG}$): (m/s^2)	Belirsizlik (K): (m/s^2)
GA4593	5,8	1,5
GA4594	5,8	1,5
GA4595	5,4	1,5
GA5093	8,9	1,5
GA5094	8,9	1,5
GA5095	8,5	1,5

Çalışma modu: titreşim önleyici yan kavrama kolu ile yüzey taşıma

Model	Titreşim emisyonu ($a_{h, AG}$): (m/s^2)	Belirsizlik (K): (m/s^2)
GA4593	5,7	1,5
GA4594	5,7	1,5
GA4595	5,2	1,5
GA5093	8,5	1,5
GA5094	8,5	1,5
GA5095	8,7	1,5

Çalışma modu: normal yan kavrama kolu ile disk zımparalama

Model	Titreşim emisyonu ($a_{hr, DS}$) : (m/s ²)	Belirsizlik (K): (m/s ²)
GA4593	2,6	1,5
GA4594	2,6	1,5
GA4595	2,6	1,5
GA5093	3,3	1,5
GA5094	3,3	1,5
GA5095	3,0	1,5

Çalışma modu: titreşim önleyici yan kavrama kolu ile disk zımparalama

Model	Titreşim emisyonu ($a_{hr, DS}$) : (m/s ²)	Belirsizlik (K): (m/s ²)
GA4593	2,5 m/s ² 'den az	1,5
GA4594	2,5 m/s ² 'den az	1,5
GA4595	2,9	1,5
GA5093	3,0	1,5
GA5094	3,0	1,5
GA5095	3,1	1,5

NOT: Beyan edilen titreşim toplam değer(ler)i bir standart test yöntemine uygun şekilde ölçülmüştür ve bir aleti bir başkasıyla karşılaştırmak için kullanılabilir.

NOT: Beyan edilen titreşim toplam değer(ler)i bir ön maruz kalma değerlendirmesi olarak da kullanılabilir.

⚠UYARI: Elektrikli aletin gerçek kullanımı sırasındaki titreşim emisyonu, aletin kullanım biçimlerine, özellikle işlenen iş parçasının türüne bağlı olarak beyan edilen değer(ler)den farklı olabilir.

⚠UYARI: Gerçek kullanım koşullarındaki tahmini maruziyeti baz alan, operatörü koruyacak güvenlik önlemlerini mutlaka belirleyin (çalışma döngüsü içerisinde aletin kapalı olduğu ve aktif durumda olmasının yanı sıra boşta çalıştığı zamanlar gibi, bütün zaman dilimleri göz önünde bulundurarak).

⚠UYARI: Beyan edilen titreşim emisyon değeri bu elektrikli aletin başlıca uygulamaları için kullanılır. Ancak, bu elektrikli alet başka uygulamalar için kullanılırsa titreşim emisyon değeri farklı olabilir.

EC Uygunluk Beyanı

Sadece Avrupa ülkeleri için

EC uygunluk beyanı bu kullanım kılavuzuna Ek A olarak eklenmiştir.

GÜVENLİK UYARILARI

Genel elektrikli alet güvenliği uyarıları

⚠UYARI: Bu elektrikli aletle birlikte sunulan tüm güvenlik uyarılarını, talimatları, çizimleri ve teknik özellikleri okuyun. Aşağıda verilen talimatlara uyulmaması elektrik şoku, yangın ve/veya ciddi yaralanmalar ile sonuçlanabilir.

Tüm uyarıları ve talimatları ile-ride başvurmak için saklayın.

Uyarılardaki "elektrikli alet" terimi ile ya prizden çalışan (kordonlu) elektrikli aletinize ya da kendi aküsü ile çalışan (kordsuz) elektrikli aletinize kastedilmektedir.

Taşlama makinesi güvenlik uyarıları

Taşlama, zımparalama, telle fırçalama veya kesme işlemleri için ortak güvenlik uyarıları:

- Bu elektrikli alet bir taşlama, zımparalama, tel fırça, delik açma veya kesme aleti olarak kullanılmak üzere tasarlanmıştır. Bu elektrikli aletle birlikte verilen tüm güvenlik uyarılarını, talimatları, resimli açıklamaları ve teknik özellikleri okuyun.** Aşağıda listelenen talimatların herhangi birine uyulmaması elektrik çarpması, yangın ve/veya ciddi yaralanma ile sonuçlanabilir.
- Bu elektrikli aletle parlatma gibi işlemler yapılmamalıdır.** Bu elektrikli aletin tasarım amacına uygun olmayan işlemler tehlike oluşturabilir ve yaralanmaya neden olabilir.
- Bu elektrikli aleti, aletin imalatçısı tarafından özel olarak tasarlanmamış ve belirtilmemiş bir şekilde çalışacak biçimde dönüştürmeyin.** Böyle bir dönüştürme kontrolün kaybedilmesine neden olabilir ve ciddi yaralanmaya yol açabilir.
- Aletin imalatçısı tarafından özel olarak tasarlanmamış ve belirtilmemiş aksesuarları kullanmayın.** Bir aksesuarın yalnızca elektrikli aletinize takılabiliyor olması, onun güvenli çalışacağını garanti etmez.
- Aksesuarın anma hızı en azından elektrikli aletin üstünde belirtilen maksimum hıza eşit olmalıdır.** Anma hızlarından daha hızlı çalışan aksesuarlar kırılabilir ve fırlayabilir.

6. **Aksesuarınızın dış çapı ve kalınlığı elektrikli aletinizin kapasite değerleri dahilinde olmalıdır.** Doğru boyutta olmayan aksesuarlar yeterince korunamayabilir veya kontrol edilemeyebilir.
7. **Aksesuar montaj boyutları elektrikli aletin montaj donanımının boyutlarına uygun olmalıdır.** Elektrikli aletin montaj donanımına uymayan aksesuarlar dengesiz çalışır, aşırı titreşim yapar ve kontrolün kaybedilmesine neden olabilir.
8. **Hasarlı bir aksesuarı kullanmayın. Her kullanımdan önce aksesuarlarda, örneğin aşındırıcı disklerde kırılma veya çatlak, disk altlığında çatlak, kopma veya aşırı aşınma, tel fırçalarda gevşek veya kırık tel kontrolü yapın. Elektrikli alet veya aksesuar düşürülürse, hasar kontrolü yapın veya hasarsız bir aksesuar takın. Bir aksesuarı kontrol ettikten ve taktıktan sonra, kendinizi ve civardaki insanları döner aksesuarın düzleminden uzak tutun ve elektrikli aleti bir dakika boyunca maksimum yüksüz hızda çalıştırın.** Bu test çalıştırması sırasında hasarlı aksesuarlar normalde kopar.
9. **Kişisel koruyucu ekipman kullanın. Uygulamaya bağlı olarak yüz siperleri veya güvenlik gözlükleri kullanın. Uygun görüldüğü şekilde toz maskesi, kulak koruyucuları, eldiven ve küçük aşındırıcı parçalardan veya iş parçasından kopan küçük parçalardan sizi koruyabilecek iş önlüğü takın.** Göz koruyucu, çeşitli uygulamaların üreteceği sıçrayan parçacıkları durdurabilecek nitelikte olmalıdır. Toz maskesi veya solunum cihazı ilgili uygulamanın üreteceği küçük parçacıkları filtreleyebilecek nitelikte olmalıdır. Uzun süre yüksek yoğunlukta gürültüye maruz kalmak işitme kaybına neden olabilir.
10. **Civarda bulunanları çalışma alanından güvenli bir uzaklıkta tutun. Çalışma alanına giren herkes kişisel koruyucu ekipman kullanmalıdır.** İş parçasının veya kırılan bir aksesuarın kırıkları uzağa fırlayıp, çalışma alanının hemen ötesinde yaranamalara neden olabilir.
11. **Kesici aksesuarın görünmeyen kabloları ya da aletin kendi kordonuna temas etme olasılığı bulunan yerlerde çalışırken elektrikli aleti sadece yalıtımlı kavrama yüzeylerinden tutun.** Kesici aksesuarın "akımlı" bir telle temas etmesi elektrikli aletin yalıtımsız metal kısımlarını "akımlı" hale getirebilir ve kullanıcıyı elektrik çarpmasına maruz bırakabilir.
12. **Kordonu döner aksesuardan uzakta tutun.** Kontrolü kaybederseniz, kordon kesilebilir veya takılabilir ve eliniz ya da kolunuz döner aksesuara çakılabilir.
13. **Aksesuar tamamen durmadan elektrikli aleti kesinlikle yere koymayın.** Döner aksesuar yere sürtünüp, elektrikli aletin kontrolünüz dışında fırlamasına neden olabilir.
14. **Elektrikli aleti yanınızda taşırken çalıştırmayın.** Giysilerinizin kazayla döner aksesuara temas etmesi giysinizin sıkışmasına neden olarak aksesuarı vücudunuza çekebilir.
15. **Elektrikli aletin hava deliklerini düzenli olarak temizleyin.** Motorun fanı tozu gövdenin içine çeker ve aşırı toz metal birikimi elektrik tehlikele- rine neden olabilir.

16. **Elektrikli aleti tutuşabilen malzemelerin yakınında kullanmayın.** Kıvılcıklar bu malzemeleri tutuşturabilir.
17. **Sıvı soğutucu gerektiren aksesuarlar kullanmayın.** Su veya diğer sıvı soğutucuların kullanılması elektrik çarpmasına veya şokuna neden olabilir.

Gerici tepme ve ilgili uyarılar:

Gerici tepme sıkışan veya takılan bir döner diske, disk altlığına, fırçaça veya başka bir aksesuara verilen ani bir tepkidir. Sıkışma veya takılma döner aksesuarın aniden durmasına ve bu da elektrikli aletin tutukluk noktasında aksesuarın dönme yönünün tersi doğrultuda kontrolsüz şekilde itilmesine neden olur.

Örneğin, bir aşındırıcı disk iş parçasına takılır veya sıkışır, sıkışma noktasına giren diskin kenarı malzeme yüzeyine batarak, diskin dışarı tırmanmasına veya tepmesine neden olabilir. Disk, sıkışma noktasında diskin hareket yönüne bağlı olarak operatöre veya ondan uzağa doğru sıçrayabilir. Bu koşullarda aşındırıcı diskler kırılabilir de.

Gerici tepme elektrikli aletin yanlış kullanılmasını ve/veya yanlış kullanım usulleri veya koşullarının bir sonucudur ve aşağıda belirtildiği gibi doğru önlemlerle önlenbilir.

1. **Elektrikli aleti iki elinizle sıkıca kavrayın ve vücudunuzun ve kolunuzun duruşunu gerici tepme kuvvetlerine direnç gösterecek şekilde ayarlayın. İlk çalıştırma sırasında gerici tepme veya tork etkisi üzerinde maksimum kontrol sağlamak için, eğer varsa, daima yardımcı sapı kullanın.** Doğru önlemler alınırsa, operatör tork etkilerini veya gerici tepme kuvvetlerini kontrol edebilir.
2. **Elinizi kesinlikle döner aksesuarın yakınına koymayın.** Aksesuar elinizin üstüne doğru gerici tepebilir.
3. **Vücudunuzu gerici tepme halinde elektrikli aletin fırlayacağı alanda bulundurmayın.** Gerici tepme aleti takılma noktasında diskin hareketinin tersi yönünde iter.
4. **Köşelerde, keskin kenarlarda, vb. çalışırken azami özen gösterin. Aksesuarı zıplatmaktan ve taktırmaktan kaçının.** Köşelerde, keskin kenarlarda veya zıplama halinde döner aksesuarın takılma eğilimi vardır ve kontrol kaybına ve gerici tepmeye neden olur.
5. **Zincir testere oyma bıçağı, 10 mm'den fazla periferik boşluklu segmentli elmas disk ya da dişli testere bıçağı takmayın.** Bu bıçaklar sıkça gerici tepme ve kontrol kaybı yaratır.

Taşlama ve kesme işlemlerine özgü güvenlik uyarıları:

1. **Sadece elektrikli aletin için belirtilen diskleri ve seçilen disk için özel olarak tasarlanmış siperi kullanın.** Elektrikli aletin tasarımına uygun olmayan diskler yeterli şekilde koruma altına alınmayabilir ve güvensizdir.
2. **Merkezden basmalı disklerin taşlama yüzeyi, siper kenarı düzleminin altına monte edilmelidir.** Siper kenarının üzerine doğru çıkıntı yapacak şekilde hatalı monte edilmiş bir disk yeterli ölçüde kapatılamaz.

3. **Siper elektrikli alete sıkıca takılmalı ve diskin operatöre doğru açıktaki kalan kısmı en az olacak şekilde maksimum güvenlik için konumlandırılmalıdır.** Siper, operatörün kırılan disk parçalarından, kazayla diske temas etmekten ve gıysileri tutuşturabilecek kivilcimlerden korunmasına yardımcı olur.
4. **Diskler sadece belirtilen uygulamalar için kullanılmalıdır. Örneğin kesme diskinin yan tarafıyla taşlama yapmayın.** Aşındırıcı kesme diskleri çevresel aşındırmaya yöneliktir, bu disklere uygulanan yan kuvvetler parçalanmalarına neden olabilir.
5. **Daima seçtiğiniz disk için doğru boyut ve şekilde hasarsız flanşlar kullanın.** Doğru flanşlar diski destekleyerek, disk kırılması olasılığını azaltır. Kesme disklerinin flanşları taşlama disklerinin flanşlarından farklı olabilir.
6. **Daha büyük elektrikli aletlerin aşınarak küçülmüş disklerini kullanmayın.** Daha büyük elektrikli aletler için tasarlanmış diskler küçük aletlerin daha yüksek hızlarına uygun olmayabilir ve parçalanabilir.
7. **Çift maksatlı diskler kullanırken her zaman gerçekleştirilen uygulama için doğru siperi kullanın.** Doğru siperin kullanılmaması istenen seviyede koruma sağlamayabilir ve bu da ciddi yaralanmaya neden olabilir.
7. **Kavisli kesim yapmaya çalışmayın.** Diskin aşırı zorlanması yükü ve diskin kesik içinde bükülme veya takılma yatkinliğini artırarak, geri tepme veya diskin kırılması olasılığını yükseltebilir, bu da ciddi yaralanmaya neden olabilir.
8. **Segmentli bir elmas disk kullanmadan önce, elmas diskin segmentleri arasında sadece negatif bir talas açısı ile 10 mm veya daha az periferik boşluk olduğundan emin olun.**

Zımparalama işlemlerine özgü güvenlik uyarıları:

1. **Uygun boyutlu disk zımpara kağıdı kullanın. Zımpara kağıdı seçerken imalatçının tavsiyelerine uyun.** Zımpara altlığını çok fazla aşan büyük zımpara kağıdı yırtılma riski oluşturur ve takılmaya, diskin kopmasına veya geri tepmeye neden olabilir.

Tel fırça işlemlerine özgü güvenlik uyarıları:

1. **Olağın işlemler sırasında bile fırçadan tellerin fırlayabileceğini bilin. Fırçaya aşırı yük uygulamayarak telleri aşırı zorlamayın.** Teller kolaylıkla ince gıysilere ve/veya cilde bataabilir.
2. **Tel fırça işlemi için bir siper kullanılması belirtiliyorsa, tel diskin veya fırçanın siperle müdahale etmesine izin vermeyin.** Tel disk veya fırça iş yüküne veya merkezkaç kuvvetlerine bağlı olarak genişleyebilir.

Ek Güvenlik Uyarıları:

Kesme işlemlerine özgü ek güvenlik uyarıları:

1. **Kesme diskini "sıkıştırmayın" veya diske aşırı basınç uygulamayın. Aşırı derinlikte bir kesme yapmaya çalışmayın.** Diskin aşırı zorlanması yükü ve diskin kesik içinde bükülme veya takılma yatkinliğini artırarak, geri tepme veya diskin kırılması olasılığını yükseltebilir.
2. **Vücudunuzu döner diske aynı hizaya ve diskin gerisinde tutmayın.** Disk, çalışma noktasında, vücudunuzdan uzağa doğru hareket ederken, olası bir geri tepme döner diski ve elektrikli aleti doğrudan doğruya size doğru fırlatabilir.
3. **Disk takıldığı veya herhangi bir nedenle kesmeyi durdurduğu zaman, elektrikli aleti kapatın ve disk tamamen duruncaya kadar hareketsiz şekilde tutun. Kesme diski dönerken onu kesinlikle kesikten çıkarmaya çalışmayın aksi takdirde geri tepme oluşabilir.** Diskin takılması nedenini araştırıp, ortadan kaldırmak için düzeltici işlemleri yapın.
4. **Kesme işlemini iş parçasının içinde yeniden başlatmayın.** Diskin tam hıza ulaşmasını bekleyin ve dikkatli şekilde tekrar kesişe sokun. Elektrikli alet iş parçası içinde tekrar çalıştırılırsa, disk takılabilir, yukarı tırmanabilir veya geri tepebilir.
5. **Diskin takılması ve geri tepme riskini en aza indirmek için panelleri veya çok büyük iş parçalarını destekleyin.** Büyük iş parçaları kendi ağırlıkları altında bel vermeye meyillidir. Destekler diskin her iki yanında kesme hattına ve iş parçasının kenarına yakın olarak, iş parçasının altına yerleştirilmelidir.
6. **Mevcut duvarların veya diğer kör alanların içine "oyuk kesme" yaparken daha fazla dikkat gösterin.** Fazla ileri giden disk gaz veya su borularını, elektrik kablolarını veya geri tepmeye neden olabilecek nesnelere kesebilir.
1. **Merkezden basmalı taşlama diskleri kullanırsanız, mutlaka sadece fiberglas takviyeli diskler kullanın.**
2. **Bu taşlama makinesiyle Taş Çanak tipi diskleri KESİNLİKLE KULLANMAYIN.** Bu taşlama makinesi bu tip diskler için tasarlanmamıştır ve böyle bir ürün kullanılması ciddi yaralanmalara neden olabilir.
3. **Mile, flanşa (özellikle takma yüzeyine) veya kilit somununa zarar vermeye dikkat edin.** Bu kısımların hasar görmesi diskin kırılması ile sonuçlanabilir.
4. **Alet çalıştırılmadan önce diskin iş parçasına değmediğinden emin olun.**
5. **Aleti gerçek bir iş parçası üzerinde kullanmadan önce bir süre boşta çalıştırın.** Diskin yanlış takılması veya dengesiz olduğu gösteren titreme ya da yalpalamalara dikkat edin.
6. **Taşlama yaparken diskin belirlenmiş yüzeyini kullanın.**
7. **Aleti çalışır durumda bırakmayın.** Aleti sadece elinizde tutarken çalıştırın.
8. **Çalışmadan hemen sonra iş parçasına dokunmayın; çok sıcak olabilir ve cildinizi yakabilir.**
9. **Çalışmadan hemen sonra aksesuarlara dokunmayın; çok sıcak olabilir ve cildinizi yakabilirler.**
10. **Disklerin doğru monte edilmesi ve kullanılması için imalatçının talimatlarına uyun.** Diskleri özenle aktarın ve saklayın.
11. **Büyük delikli aşındırıcı diskleri uydurmak için ayrı reduksiyon nipel ya da adaptör kullanmayın.**
12. **Sadece bu alet için belirtilen flanşları kullanın.**

13. Deliği vida dışı disk takılmak istenen aletlerde bu diskin dişlerinin mil uzunluğunu kabul edecek kadar uzun olması gereklidir.
14. İş parçasının doğru desteklenip desteklenmediğini kontrol edin.
15. Diskin alet kapatıldıktan sonra dönmeye devam ettiğine dikkat edin.
16. Çalışma yeri aşırı sıcak ve nemliyse ya da çok fazla iletken toz kirliliği mevcutsa kullanıcının güvenliği için bir kısa devre kesicisi (30 mA) kullanın.
17. Bu aleti asbest içeren hiçbir malzeme üstünde kullanmayın.
18. Kesme diski kullandığınız zaman, yerel yönetmelikler gerektiriyorsa daima toz toplayıcı disk siperi ile çalışın.
19. Kesici diskleri yanal bir basınca maruz kalmamalıdır.
20. Çalışma sırasında kumaş iş eldivenleri kullanmayın. Kumaş eldivenlerin lifleri alete girebilir, bu da aletin bozulmasına neden olur.
21. Çalışma öncesinde iş parçasında elektrik borusu, su borusu veya gaz borusu gibi gömülü nesnelere olmadığından emin olun. Aksi takdirde elektrik çarpmasına, elektrik kaçağına veya gaz sızıntısına neden olabilir.
22. Diske conta takılıysa contayı çıkarmayın. Conta çapı kilit somunu, dış flaş ve iç flaştan daha büyük olmalıdır.
23. Bir taşlama diskini takmadan önce conta kısmında kırık veya çatlak gibi hiçbir anormallik olmadığını kontrol edin.
24. Kilit somununu düzgün bir şekilde sıkın. Diskin aşırı sıkılması kırılmaya, yetersiz sıkma ise sallanmaya neden olabilir.

BU TALİMATLARI MUHAFAZA EDİNİZ.

⚠UYARI: Ürünü kullanırken (defalarca kullanınca kazanılan) rahatlık ve tanıdıklık duygusunun ilgili ürünün güvenlik kurallarına sıkı sıkıya bağlı kalmanın yerine geçmesine İZİN VERMEYİN. YANLIŞ KULLANIM veya bu kullanma kılavuzunda belirtilen emniyet kurallarına uymama ciddi yaralanmaya neden olabilir.

İŞLEVSEL NİTELİKLER

⚠DİKKAT: Alet üzerinde ayarlama ya da işleyiş kontrolü yapmadan önce aletin kapalı ve fişinin çekili olduğundan daima emin olun.

Alet koruma sistemi

Bu alet bir alet koruma sistemi ile donatılmıştır. Bu sistem motora giden gücü otomatik olarak azaltarak veya keserek uzun alet ömrü sağlar. Alet için aşağıdaki durumlardan biri söz konusu olduğunda alet otomatik olarak gücü azaltır veya çalışmayı durdurur:

Aşırı yük koruması

Alet, anormal derecede yüksek akım çekmesine neden olacak şekilde kullanıldığında, alet hiçbir belirti vermeden otomatik olarak gücü azaltır. Bu durumda dönüş hızının geri kazanılması için aşırı yüklenmenin nedenini ortadan kaldırın.

Aşırı ısınma koruması

Ülkeye özgü

Alet aşırı ısındığında otomatik olarak durur ve gösterge lambası kırmızı yanıp söner. Bu durumda aletin soğumasını bekleyin. Lambanın rengi kırmızıdan yeşile döndükten sonra aleti yeniden açabilirsiniz.

Gösterge lambası

► **Şek.1:** 1. Gösterge lambası

Alet fişe takıldığında gösterge lambası yeşil renkte yanar. Gösterge lambası kırmızı yanıp sönyorsa aşırı ısınma koruması, Aktif Geri Besleme algılama Teknolojisi veya kazara yeniden başlama önleme işlevi çalışmayı durdurur. Bu durumda aleti kapatın. Daha sonra aleti yeniden çalıştırmak için açın. Aleti kapattıktan sonra gösterge lambası kırmızı yanarsa alet aşırı ısınmıştır. Bu durumda aleti soğutun ve gösterge lambası yeşil yanana kadar bekleyin.

Hız ayarlama kadranı

Sadece model GA4593 / GA5093 için

⚠DİKKAT: Alet uzun süre devamlı düşük hızlarda çalıştırılırsa, motor aşırı yüklenir ve ısınır.

⚠DİKKAT: Hız ayar kadranı, yalnızca 5'e kadar ve geriye 1'e kadar çevrilebilir. 5'i veya 1'i geçirmeye zorlamayın, aksi takdirde hız ayarlama işlevi artık çalışmayabilir.

Dönme hızı, hız ayar kadranı işaretlenmiş 1 ile 5 rakamları arasında çevriliyerek değiştirilebilir. Kadran 5 rakamı yönünde döndürüldüğünde hız artar. Ve kadran 1 rakamı yönünde döndürüldüğünde hız azalır. Kadran üzerindeki rakam ayarlarıyla yaklaşık dönme hızı arasındaki ilişki için aşağıdaki tabloya bakın.

Rakam	Anma hızı
1	2.800 min ⁻¹
2	4.500 min ⁻¹
3	6.500 min ⁻¹
4	8.000 min ⁻¹
5	11.500 min ⁻¹

► **Şek.2:** 1. Hız ayarlama kadranı

Şaft kilidi

⚠UYARI: Mil hareket halindeyken şaft kilidini asla kullanmayın. Ciddi yaralanmaya veya alette hasara neden olabilir.

Aksesuarları takarken veya çıkarırken milin dönmelerini önlemek için şaft kilidine basın.
► Şek.3: 1. Şaft kilidi

Anahtar işlemleri

⚠DİKKAT: Aleti fişe takmadan önce, anahtar kolunun doğru şekilde çalışıp çalışmadığını ve bırakıldığında “KAPALI” konumuna dönüp dönmediğini mutlaka kontrol edin.

⚠DİKKAT: Güvenliğiniz için bu alet, aletin yanlışlıkla çalıştırılmasını engelleyen güvenlik kilidi kolu ile donatılmıştır. Güvenlik kilidi kolunu çekmeden sadece anahtar kolu çekilmek suretiyle çalışıyorsa aleti ASLA kullanmayın. Daha fazla kullanmadan ÖNCE aleti uygun onarım için yetkili servis merkezimize götürün.

⚠DİKKAT: Güvenlik kilidi kolunu çekmeden anahtar kolunu zorlayarak çekmeyin. Bu anahtarın kırılmasına neden olabilir.

⚠DİKKAT: Güvenlik kilidi kolunu ASLA bantlamayın veya amacını ve işlevini engelleyecek şekilde devre dışı bırakmayın.

Anahtar kolunun kaza sonucu çekilmesini önlemek için, bir güvenlik kilidi kolu sunulmuştur. Aleti çalıştırmak için, güvenlik kilidi kolunu kullanıcıya doğru çekin ve ardından anahtar kolunu çekin. Aleti durdurmak için anahtar kolunu serbest bırakın.
► Şek.4: 1. Güvenlik kilidi kolu 2. Anahtar kolu

Elektronik işlevi

Aktif Geri Besleme Algılama Teknolojisi

⚠DİKKAT: Dönüş durana kadar aleti sıkıca tutun.

Alet, diskin ya da aksesuarın takılma riski olduğu durumları elektronik olarak algılar. Bu durumda, alet milin daha fazla dönmelerini engellemek için güçlü otomatik olarak kapatır (bu geri tepmeyi engellemez). Bu esnada gösterge lambası kırmızı yanıp söner ve Aktif Geri Besleme algılama Teknolojisinin çalıştığını gösterir. Aleti yeniden başlatmak için, önce aleti kapatın, dönüş hızındaki ani düşüşün nedenini ortadan kaldırın ve ardından aleti açık konuma getirin.

Kazara yeniden başlama önleme işlevi

Anahtar AÇIK konumda iken aletin fişi prize takıldığında alet çalışmaz. O esnada gösterge lambası kırmızı yanıp söner ve kazara yeniden başlatma önleyici işlevin çalıştığını gösterir. Aleti çalıştırmak için anahtarı kapatıp yeniden açın.

Sabit devir kontrolü

Yükü koşulda bile dönüş hızı sabit kaldığı için iyi bir finiş elde etmek mümkün olur.

Yumuşak başlatma özelliği

Yumuşak başlatma özelliği başlatma tepkisini azaltır.

Mekanik fren

Sadece model GA4593 / GA4594 / GA5093 / GA5094 için

Mekanik fren alet kapatıldıktan sonra etkinleşir. Anahtar hala açıkken güç kaynağı kapatıldığında fren çalışmaz.

MONTAJ

⚠DİKKAT: Alet üzerinde herhangi bir iş yapmadan önce aletin kapalı ve fişinin çekili olduğundan daima emin olun.

Yan kavrama kolunun (tutamağın) takılması

⚠DİKKAT: Çalışmaya başlamadan önce yan kavrama kolunun yerine sağlam şekilde takılmış olduğundan daima emin olun.

Yan kavrama kolunu şekilde gösterildiği gibi alet üstündeki konumuna sıkıca vidalayın.

► Şek.5

Disk siperinin takılması veya çıkarılması

⚠UYARI: Merkezden basmalı bir disk, flap disk, fleks disk veya tel disk fırça kullanılırken; disk siperi, siperin kapalı tarafının yönü daima kullanıcıya doğru bakacak şekilde takılmalıdır.

⚠UYARI: Disk siperinin disk siperi üzerindeki deliklerden biri ile kilitleme kolu tarafından sıkıca kilitletiğinden emin olun.

⚠UYARI: Bir aşındırıcı kesme diski / elmas disk kullanıldığı zaman, sadece kesme diskleriyle kullanılmak için belirlenmiş özel disk siperini kullandığınızdan emin olun.

Merkezden basmalı disk, flap disk, fleks disk, tel disk fırça / aşındırıcı kesme diski, elmas disk için

1. Kilitleme koluna bastırarak disk siperini, disk siperi üstündeki çıkıntılar yatak mahfazası üstündeki çentiklerle aynı hizada olacak şekilde monte edin.

► **Şek.6:** 1. Kilitleme kolu 2. Çentik 3. Çıkıntı

2. Şekilde gösterildiği gibi kilitleme kolunu A'ya doğru bastırırken disk siperinin B kısımlarını tutun.

► **Şek.7:** 1. Disk siperi 2. Delik

NOT: Disk siperini düz bir şekilde aşağı ittirin. Aksi takdirde disk siperini sabitleyemezsiniz.

3. Kilitleme kolunu A'ya doğru bastırırken disk siperini C'ye doğru çevirin ve ardından disk siperinin açısını, operatör korunacak şekilde işe göre değiştirin. Kilitleme kolunu disk siperindeki deliklerden biri ile hizalayın ve ardından kilitleme kolunu bırakarak disk siperini kilitleyin.

► **Şek.8:** 1. Disk siperi 2. Delik

Disk siperini çıkarmak için, takma işlemlerini tersinden uygulayın.

Klipsli kesme disk siperi ek parçası

İsteğe bağlı aksesuar

NOT: Kesme işlemleri için disk siperi (taşlama diski için) ile bir klipsli kesme disk siperi ek parçası kullanılabilir.

Bazı ülkelerde mevcut değildir.

► **Şek.9**

Merkezden basmalı diskin veya flap diskin takılması veya çıkarılması

İsteğe bağlı aksesuar

UYARI: Merkezden basmalı bir disk veya flap disk kullanırken, disk siperi, siperin kapalı tarafının yönü daima kullanıcıya doğru bakacak şekilde takılmalıdır.

UYARI: İç flanşın montaj parçasının merkezden basmalı diskin / flap diskin iç çapına tam olarak uyduğundan emin olun. İç flanşı yanlış tarafa monte etmek tehlikeli titreşime neden olabilir.

İç flanşı mile takın.

İç flanşın dışı parçasını milin tabanındaki düz parçanın üzerine yerleştirdiğinizden emin olun.

Merkezden basmalı diski / flap diski iç flanşın üstüne takın ve kilit somununu milin üzerine vidalayın.

► **Şek.10:** 1. Kilit somunu 2. Merkezden basmalı disk 3. İç flanş 4. Montaj parçası

Kilit somununu sıkmak için, milin dönmemesini sağlayacak şekilde şaft kilidine kuvvetle bastırın, sonra kilit somunu anahtarını kullanarak saat yönünde iyice sıkın.

► **Şek.11:** 1. Kilit somunu anahtarı 2. Şaft kilidi

Diski çıkarmak için, takma işlemlerini tersinden uygulayın.

Fleks diskin takılması veya çıkarılması

İsteğe bağlı aksesuar

UYARI: Fleks disk alet üzerindeyken daima verilen siperi kullanın. Disk kullanım sırasında kırılabilir ve siper kişisel yaralanma olasılığını azaltır.

► **Şek.12:** 1. Kilit somunu 2. Fleks disk 3. Yedek altlık 4. İç flanş

Merkezden basmalı disk için verilen talimatları izleyin ancak diskin üzerinde yedek altlık da kullanın.

Zımpara kağıdı diskinin takılması veya çıkarılması

İsteğe bağlı aksesuar

► **Şek.13:** 1. Zımpara kilit somunu 2. Zımpara kağıdı diski 3. Kauçuk altlık

1. Kauçuk altlığı mile takın.

2. Diski kauçuk altlığın üzerine yerleştirin ve zımpara kilit somununu mile vidalayın.

3. Mili şaft kilidiyle tutun ve zımpara kilit somununu, kilit somunu anahtarıyla saat yönünde çevirerek iyice sıkılayın.

Diski çıkarmak için, takma işlemlerini tersinden uygulayın.

NOT: Bu kılavuzda belirtilen zımparalama aksesuarlarını kullanın. Bu aksesuarlar ayrıca satın alınmalıdır.

Süper flanş

İsteğe bağlı aksesuar

Sadece model GA4595 / GA5095 için

Süper flanş, bir fren işlevi ile DONATILMAMIŞ model için özel bir aksesuardır.

Kilit somununu açmak için klasik tipe oranla sadece 1/3 çaba gerekir.

Ezynet'in takılması veya çıkarılması

İsteğe bağlı aksesuar

Sadece M14 mil dişli aletler için.

DİKKAT: Süper Flanş ile Ezynet kullanmayın. Bu flanşlar o kadar kalındır ki mil tarafından tüm vida dışı tespit edilemez.

İç flanş, aşındırıcı disk ve Ezynet'i, Ezynet üzerindeki Makita logosu dışı bakacak şekilde mile takın.

► **Şek.14:** 1. Ezynet 2. Aşındırıcı disk 3. İç flanş 4. Mil

Şaft kilidine sıkıca bastırın ve aşındırıcı diski saat yönünde dönebildiği son noktaya kadar çevirerek Ezynet'i sıkın.

► **Şek.15:** 1. Şaft kilidi

Ezynet'i gevşetmek için Ezynet'in dış bileziğini saatin aksi yönünde çevirin.

NOT: Ok çıkıntısına baktığı sürece Ezynet elle gevşetilebilir. Aksi takdirde gevşetmek için kilit somunu anahtarı gerekir. Anahtarın bir pimini bir deliğe sokun ve Ezynet'i saatin aksi yönünde çevirin.

► **Şek.16:** 1. Ok 2. Çıkıntı

► **Şek.17**

Aşındırıcı kesme diskinin / elmas disk disk takılması

İsteğe bağlı aksesuar

⚠UYARI: Bir aşındırıcı kesme disk / elmas disk kullanıldığı zaman, sadece kesme diskleriyle kullanılmak için belirlenmiş özel disk siperini kullandığınızdan emin olun.

⚠UYARI: Kenar taşlama için ASLA kesme disk kullanmayın.

- **Şek.18:** 1. Kilit somunu 2. Aşındırıcı kesme disk / elmas disk 3. İç flanş 4. Aşındırıcı kesme disk / elmas disk için disk siperi

Takmak için, merkezden basmalı disk için olan talimatları izleyin.

Kilit somununu ve iç flanş monte etme yönü disk tipi ve kalınlığına göre değişir. Aşağıdaki şekillere bakın.

Aşındırıcı kesme diskini takarken:

- **Şek.19:** 1. Kilit somunu 2. Aşındırıcı kesme disk (4 mm'den (5/32") ince) 3. Aşındırıcı kesme disk (4 mm (5/32") veya daha kalın) 4. İç flanş

Elmas disk takarken:

- **Şek.20:** 1. Kilit somunu 2. Elmas disk (4 mm'den (5/32") ince) 3. Elmas disk (4 mm (5/32") veya daha kalın) 4. İç flanş

Tel tas fırçanın takılması

İsteğe bağlı aksesuar

⚠DİKKAT: Hasarlı veya dengesiz fırçaları kullanmayın. Hasarlı fırça kullanılması kırık fırça tellerinin temas etmesiyle yaralanma potansiyelini artırabilir.

Mile kolayca erişmek için aleti ters şekilde yerleştirin. Mil üstündeki aksesuarları çıkarın. Tel tas fırçayı mile takın ve verilen anahtarla sıkın.

- **Şek.21:** 1. Tel tas fırça

Tel disk fırçanın takılması

İsteğe bağlı aksesuar

⚠DİKKAT: Hasarlı veya dengesiz tel disk fırçaları kullanmayın. Hasarlı tel disk fırça kullanılması kırık fırça tellerinin temas etmesiyle yaralanma potansiyelini artırabilir.

⚠DİKKAT: Tel disk fırçalarla birlikte DAİMA, diskin çapı siperin içinde kalacak şekilde, siper kullanın. Disk kullanım sırasında kırılabilir ve siper kişisel yaralanma olasılığını azaltır.

Mile kolayca erişmek için aleti ters şekilde yerleştirin. Mil üstündeki aksesuarları çıkarın. Tel disk fırçayı mile takın ve anahtarlarla sıkın.

- **Şek.22:** 1. Tel disk fırça

Delik açıcının takılması

İsteğe bağlı aksesuar

Mile kolayca erişmek için aleti ters şekilde yerleştirin. Mil üstündeki aksesuarları çıkarın. Delik açıcıyı mile vidalayın ve verilen anahtarla sıkın.

- **Şek.23:** 1. Delik açıcı

Taşlama için toz toplayıcı disk siperinin takılması

İsteğe bağlı aksesuar

İsteğe bağlı aksesuarlarla bu aleti, beton yüzeyi planyalamak için kullanabilirsiniz.

⚠DİKKAT: Elmas çanak disk için toz toplayıcı disk siperi yalnızca beton yüzeyi elmas çanak diskle planyalamada kullanımdır. Bu siperi başka herhangi bir kesme aksesuarı ile veya başka herhangi bir amaçla kullanmayın.

⚠DİKKAT: Çalıştırmadan önce alete bir elektrikli süpürge bağlandığını ve açık olduğunu kontrol edin.

Aleti ters şekilde yerleştirin ve toz toplayıcı disk siperini takın. İç flanş mile takın.

Çanak tipi elmas disk iç flanşın üstüne takın ve kilit somununu mile vidalayarak sıkın.

- **Şek.24:** 1. Kilit somunu 2. Çanak tipi elmas disk 3. Göbekli çanak tipi elmas disk 4. İç flanş 5. Toz toplayıcı disk siperi 6. Yatak mahfazası

NOT: Toz toplayıcı disk siperini takma ile ilgili bilgi için toz toplayıcı disk siperi kılavuzuna bakın.

Kesme için toz toplayıcı disk siperinin takılması

İsteğe bağlı aksesuar

İsteğe bağlı aksesuarlarla bu aleti, taş malzemeleri kesmek için kullanabilirsiniz.

- **Şek.25**

NOT: Toz toplayıcı disk siperini takma ile ilgili bilgi için toz toplayıcı disk siperi kılavuzuna bakın.

Bir elektrikli süpürgenin bağlanması

İsteğe bağlı aksesuar

⚠UYARI: Taşlama/kesme/zımparalama işleminin ürettiği metal parçacıkları asla süpürge ile çekmeyin. Bu tür işlemlerin ürettiği metal parçacıklar çok sıcaktır ve elektrikli süpürge içindeki tozu ve filtreyi tutuştururlar.

Duvar kesiminin neden olduğu tozlu ortamı engellemek için bir toz toplayıcı disk siperi ve elektrikli süpürge kullanın.

Monte etmek ve kullanmak için toz toplayıcı disk siperine yapılandırılmış kullanma talimatlarına bakın.

- **Şek.26:** 1. Toz toplayıcı disk siperi 2. Elektrikli süpürge hortumu

Toz kapağı ek parçasının takılması veya çıkarılması

İsteğe bağlı aksesuar

⚠DİKKAT: Toz kapağı ek parçasını takmadan veya çıkarmadan önce her zaman aletin kapalı ve fişinin prizden çekilmiş olduğundan emin olun. Aksi takdirde aletin hasar görmesine veya yaralanmaya neden olabilir.

Toz kapağı ek parçasını her bir belirtilen konuma takın. Daha fazla bilgi için toz kapağı ek parçası kullanma kılavuzuna bakın.

ÖNEMLİ NOT: Toz kapağı ek parçası toz ya da yabancı maddelerle tıkanığında çıkarıp temizleyin. Tıkalı bir toz kapağı ek parçası ile çalışmaya devam etmek alete zarar verir.

KULLANIM

⚠UYARI: Aletin hiçbir zaman zorlanması gerekmemelidir. Aletin ağırlığı yeterli basıncı uygular. Zorlama ve fazla basınç tehlikeli disk kırılmasına neden olabilir.

⚠UYARI: Taşlama sırasında alet düşürülürse disk DAİMA değiştirin.

⚠UYARI: Diski ASLA üzerinde çalışılan parçaya vurmayın ya da çarpmayın.

⚠UYARI: Özellikle köşelerde, keskin kenarlarda, vb. alanlarda çalışırken disk zıplattıktan ve engellere takmaktan kaçının. Bu, kontrol kaybına ve geri tepmeye neden olabilir.

⚠UYARI: Bu aleti ASLA ahşap kesme bıçakları ve diğer testere bıçakları ile kullanmayın. Bu bıçaklar bir taşlama makinesiyle kullanıldığında sıkça geri teper ve yaralanmaya yol açacak kontrol kaybına neden olur.

⚠UYARI: Aşınmış bir disk kullanmaya devam etmek diskin parçalanmasına ve ciddi kişisel yaralanmalara yol açabilir.

⚠DİKKAT: İş parçası ile temas halindeyken aleti asla çalıştırmayın; bu, kullanıcının yaralanmasına neden olabilir.

⚠DİKKAT: Çalışma sırasında daima emniyet gözlükleri veya bir yüz siperi kullanın.

⚠DİKKAT: Çalışmanızı bitince daima aleti kapatın ve yere koymadan önce diskin tamamen durmasını bekleyin.

⚠DİKKAT: Aleti DAİMA bir elinizle gövdeden ve diğer elinizle yan kavrama kolundan (saptan) sıkıca tutun.

NOT: Bir çift maksatlı disk hem taşlama hem de kesme işlemleri için kullanılabilir.

Taşlama işlem için bkz. "Disk ile çalışma", kesme işlemi için bkz. "Aşındırıcı kesme disk / elmas disk ile çalışma".

Disk ile çalışma

► Şek.27

Aleti çalıştırın ve diski iş parçasına uygulayın.

Genel olarak diskin kenarını iş parçasının yüzeyine yaklaşık 15 derecelik bir açıyla tutun.

Yeni bir diskin alıştırmada taşlama makinesini ileri yönde çalıştırmayın aksi takdirde disk iş parçasını keser. Diskin kenarı kullanılıp yuvarlandıktan sonra, disk hem ileri hem de geri yönde kullanılabilir.

Aşındırıcı kesme disk / elmas disk ile çalışma

İsteğe bağlı aksesuar

⚠UYARI: Diski "sıkıştırmayın" veya aşırı basınç uygulamayın. Aşırı derinlikte bir kesme yapmaya çalışmayın. Diskin aşırı zorlanması yükü ve diskin kesik içinde bükülme veya takılma olasılığını artırarak, geri tepmeye, diskin kırılmasına ve motorun aşırı ısınmasına neden olabilir.

⚠UYARI: İş parçasında kesme işlemine başlamayın. Diskin tam hız ulaşmasını bekleyin ve dikkatli şekilde kesimin içine girerek, aleti iş parçasının yüzeyi boyunca ileri doğru ilerletin. Elektrikli alet iş parçası içinde çalıştırılırsa, disk takılabilir, yukarı tırmanabilir veya geri tepebilir.

⚠UYARI: Kesme işlemleri sırasında, diskin açısını kesinlikle değiştirmeyin. Kesme diskine (taşlamada olduğu gibi) yan basınç uygulanması diskin kırılmasına ve kopmasına neden olarak, ciddi yaralanmalara yol açabilir.

⚠UYARI: Bir elmas disk kesilecek malzemeye dik olarak çalıştırılmaldır.

Kullanım örneği: aşındırıcı kesme disk ile çalışma

► Şek.28

Kullanım örneği: elmas disk ile çalışma

► Şek.29

Tel tas fırçayla çalışma

İsteğe bağlı aksesuar

⚠DİKKAT: Fırçanın önünde veya hizasında hiç kimse olmadıktan emin olarak, aleti yüksüz çalıştırıp fırçanın çalışmasını kontrol edin.

Kullanım örneği: tel tas fırçayla çalışma

► Şek.30

ÖNEMLİ NOT: Fırça kullanırken, tellerin aşırı bükülmesine neden olan aşırı basınç uygulamayın. Erken kırılmaya neden olabilir.

Tel disk fırçayla çalışma

Isteğe bağlı aksesuar

⚠DİKKAT: Fırçanın önünde veya hizasında hiç kimse olmadığından emin olarak, aleti yüksüz çalıştırıp tel disk fırçanın çalışmasını kontrol edin.

Kullanım örneği: tel disk fırçayla çalışma

► Şek.31

ÖNEMLİ NOT: Tel disk fırça kullanırken, tellerin aşırı bükülmesine neden olan aşırı basınç uygulamayın. Erken kırılmaya neden olabilir.

Delik açıcı ile çalışma

Isteğe bağlı aksesuar

⚠DİKKAT: Delik açıcının önünde hiç kimse olmadığından emin olarak, aleti yüksüz çalıştırıp delik açıcının çalışmasını kontrol edin.

ÖNEMLİ NOT: Çalışma sırasında aleti eğmeyin. Erken kırılmaya neden olabilir.

Kullanım örneği: delik açıcı ile çalışma

► Şek.32

BAKIM

⚠DİKKAT: Muayene ya da bakım yapmadan önce aletin kapalı ve fişinin çekili olduğundan daima emin olun.

ÖNEMLİ NOT: Benzin, tiner, alkol ve benzeri maddeleri kesinlikle kullanmayın. Renk değişimi, deformasyon veya çatlaklar oluşabilir.

Aleti EMNİYETLİ ve ÇALIŞMAYA HAZIR durumda tutmak için onarımlar, başka her türlü bakım ve ayarlamalar daima Makita yedek parçaları kullanılarak Makita yetkili servis merkezleri veya Fabrikanın Servis Merkezleri tarafından yapılmalıdır.

Hava deliğinin temizlenmesi

Alet ve hava delikleri temiz tutulmalıdır. Aletin hava deliklerini düzenli aralıklarla veya delikler her tıkanmaya başladığında temizleyin.

► Şek.33: 1. Hava çıkma deliği 2. Hava alma deliği

UYGULAMA VE AKSESUAR KOMBİNASYONU

İsteğe bağlı aksesuar

⚠ DİKKAT: Aletin hatalı siperlerle kullanılması aşağıdaki gibi risklere neden olabilir.

- Bir kesme disk siperini yüzey taşlaması için kullanırken disk siperi iş parçasına müdahale ederek zayıf kontrole neden olabilir.
- Bağlı aşındırıcı diskler ve elmas disklerle kesme işlemleri için bir taşlama disk siperi kullanırken dönen disklere, saçılan kıvılcımlara ve parçacıklara ve ayrıca diskin çatlaması durumunda disk kırıklarına maruz kalma riski artar.
- Bir kesme disk siperini veya taşlama disk siperini çanak tipi elmas disk ile yüzey taşlaması için kullanırken disk siperi iş parçasına müdahale ederek zayıf kontrole neden olabilir.
- Bir kesme disk siperini veya taşlama disk siperini kalınlığı “TEKNİK ÖZELLİKLER”de belirtilen maksimum kalınlıktan daha kalın bir disk tipi tel fırça ile kullanırken teller siperle takılarak tellerin kopmasına yol açabilir.
- Beton veya taşta kesme ve yüzey işlemleri için toz toplayıcı disk siperinin kullanılması toza maruz kalma riskini azaltır.
- Çift maksatlı (kombine taşlama ve aşındırarak kesme) flanşa monteli diskler kullanırken sadece kesme disk siperi kullanın.

► Şek.34

Sadece model GA4593 / GA4594 / GA5093 / GA5094 için

-	Uygulama	115 mm model	125 mm model
1	-	Yan kavrama kolu	
2	-	Disk siperi (taşlama disk için)	
3	-	İç flanş	
4	Taşlama / Zımparalama	Merkezden basmalı disk / Flap disk	
5	-	Kilit somunu	
6	-	Ezynet *1*2	
7	-	Yedek altlık	
8	Taşlama / Zımparalama	Fleks disk	
9	-	Kauçuk altlık 100	Kauçuk altlık 115
10	Zımparalama	Zımpara kağıdı disk	
11	-	Zımpara kilit somunu	
12	Telle fırçalama	Tel disk fırça	
13	Telle fırçalama	Tel tas fırça	
14	Delik açma	Delik açıcı	
15	-	Disk siperi (kesme disk için)	
16	Kesme	Aşındırıcı kesme disk / Elmas disk	
17	Taşlama / Kesme	Çift maksatlı disk	
18	-	Klipsli kesme disk siperi ek parçası *3	
19	-	Kesme için toz toplayıcı disk siperi	
20	Kesme	Elmas disk	
21	-	Taşlama için toz toplayıcı disk siperi	
22	Taşlama	Çanak tipi elmas disk	
-	-	Kilit somunu anahtarı	
-	-	Toz kapağı eklentisi	

Sadece model GA4595 / GA5095 için

-	Uygulama	115 mm model	125 mm model
1	-	Yan kavrama kolu	
2	-	Disk siperi (taşlama disk için)	
3	-	İç flanş / Süper flanş *1*2	
4	Taşlama / Zımparalama	Merkezden basmalı disk / Flap disk	
5	-	Kilit somunu	
6	-	Ezynet *1*2	
7	-	Yedek altlık	
8	Taşlama / Zımparalama	Fleks disk	
9	-	Kauçuk altlık 100	Kauçuk altlık 115
10	Zımparalama	Zımpara kağıdı disk	
11	-	Zımpara kilit somunu	
12	Telle fırçalama	Tel disk fırça	
13	Telle fırçalama	Tel tas fırça	
14	Delik açma	Delik açıcı	
15	-	Disk siperi (kesme disk için)	
16	Kesme	Aşındırıcı kesme disk / Elmas disk	
17	Taşlama / Kesme	Çift maksatlı disk	
18	-	Klipsli kesme disk siperi ek parçası *3	
19	-	Kesme için toz toplayıcı disk siperi	
20	Kesme	Elmas disk	
21	-	Taşlama için toz toplayıcı disk siperi	
22	Taşlama	Çanak tipi elmas disk	
-	-	Kilit somunu anahtarı	
-	-	Toz kapağı eklentisi	

NOT: *1 Süper flanş ve Ezynet'i birlikte kullanmayın.

NOT: *2 Sadece M14 mil dişli aletler için.

NOT: *3 Klipsli kesme disk siperi ek parçası bazı ülkelerde mevcut değildir. Daha fazla bilgi için klipsli kesme disk siperi ek parçası kullanma kılavuzuna bakın.

NOT: Süper flanşı, fren işlevi ile donatılmış taşlama makinesi ile kullanmayın.

İSTEĞE BAĞLI AKSESUARLAR

⚠ DİKKAT: Bu aksesuarlar ve ek parçalar bu el kitabında belirtilen Makita aletiniz ile kullanılmak için tavsiye edilmektedir. Herhangi başka bir aksesuar ya da ek parça kullanılması insanlar için bir yaralanma riski getirebilir. Aksesuarları ya da ek parçaları yalnızca belirtilmiş olan kullanım amaçlarına uygun olarak kullanın.

Bu aksesuarlarla ilgili daha fazla bilgiye ihtiyaç duyar-sanız bulunduğunuz yerdeki yetkili Makita servisine başvurun.

- "UYGULAMA VE AKSESUAR KOMBİNASYONU" kısmında listelenen aksesuarlar

NOT: Listedeki parçaların bazıları alet paketi içerisinde standart aksesuar olarak dahil edilmiş olabilir. Bunlar ülkeden ülkeye farklılık gösterebilir.

Makita Europe N.V.

Jan-Baptist Vinkstraat 2, 3070 Kortenberg, Belgium

Makita Corporation

3-11-8, Sumiyoshi-cho, Anjo, Aichi 446-8502 Japan

www.makita.com



885984B998
EN, FR, DE, IT, NL,
ES, PT, DA, EL, TR
20220711