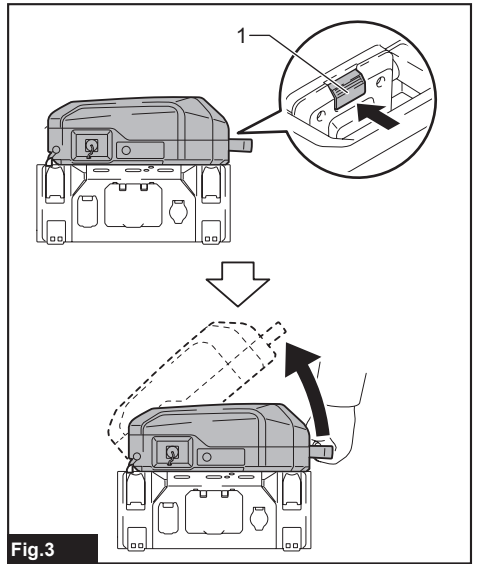
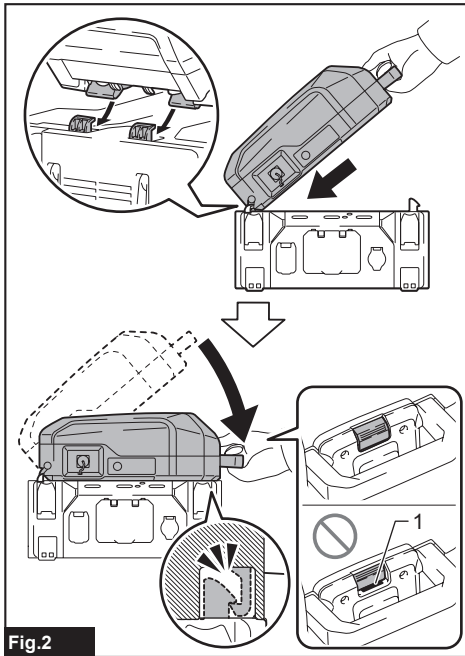
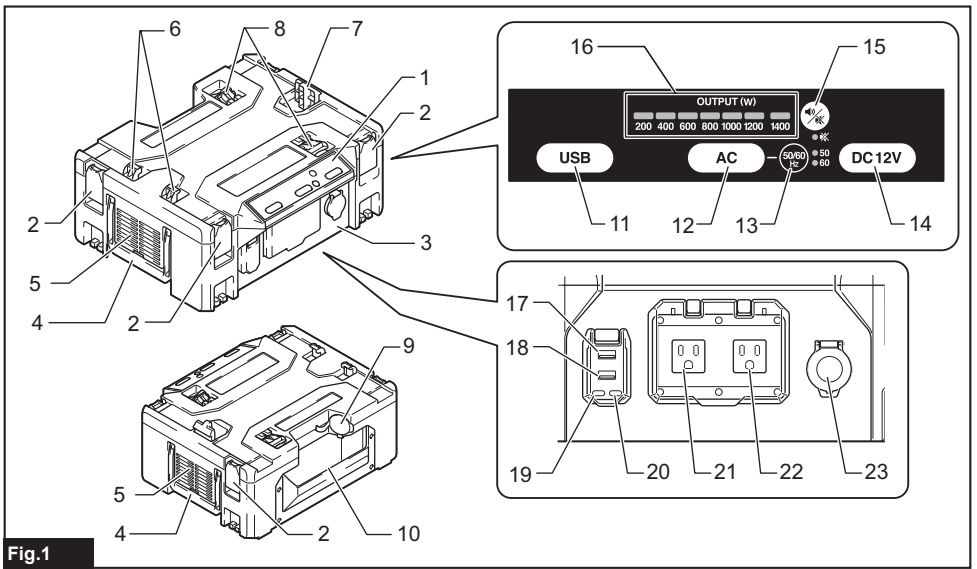


EN	Power Converter	INSTRUCTION MANUAL	5
FR	Convertisseur	MANUEL D'INSTRUCTIONS	12
DE	Stromwandler Makpac	BETRIEBSANLEITUNG	19
IT	Convertitore di potenza	ISTRUZIONI PER L'USO	26
NL	Stroomomvormer	GEbruIKSAANWIJZING	33
ES	Convertidor de Energía	MANUAL DE INSTRUCCIONES	40
PT	Conversor de Energia a Bateria	MANUAL DE INSTRUÇÕES	47
DA	Strømomformer	BRUGSANVISNING	54
EL	Μετατροπέας ισχύος	ΕΓΧΕΙΡΙΔΙΟ ΟΔΗΓΙΩΝ	61
TR	Güç Konvertörü	KULLANMA KILAVUZU	68
SV	Spänningsomvandlare	BRUKSANVISNING	74
NO	Likeretter	BRUKSANVISNING	80
FI	Tehonmuunnin	KÄYTTÖOHJE	86
LV	Strāvas pārveidotājs	LIETOŠANAS INSTRUKCIJA	92
LT	Įtampos keitiklis	NAUDOJIMO INSTRUKCIJA	98
ET	Akukonverter	KASUTUSJUHEND	104
PL	Przetwornica Napięcia DC/AC	INSTRUKCJA OBSŁUGI	110
HU	Áramátalakító	HASZNÁLATI KÉZIKÖNYV	117
SK	Výkonový menič	NÁVOD NA OBSLUHU	124
CS	Měnič výkonu	NÁVOD K OBSLUZE	131
SL	Električni pretvornik	NAVODILA ZA UPORABO	137
SQ	Konvertues energjie	MANUALI I PËRDORIMIT	143
BG	Преобразувател на мощност	РЪКОВОДСТВО ЗА ЕКСПЛОАТАЦИЯ	150
HR	Pretvarač snage	PRIRUČNIK S UPUTAMA	157
MK	Претворац на енергија	УПАТСТВО ЗА УПОТРЕБА	163
SR	Претварац напона	УПУТСТВО ЗА УПОТРЕБУ	170
RO	Convertor de putere	MANUAL DE INSTRUCȚIUNI	177
UK	Перетворювач електричної енергії	ІНСТРУКЦІЯ З ЕКСПЛУАТАЦІЇ	184
RU	Аккумуляторный Преобразователь Тока	РУКОВОДСТВО ПО ЭКСПЛУАТАЦИИ	192
KK	Токтың аккумуляторлық түрлендіргіші	ПАЙДАЛАНУ ЖӨНІНДЕГІ НҮСҚАУЛЫҚ	200
ZHTW	電池轉換器	使用說明書	208
FA		میدل توان	دقترچه راهنما 218
AR		محول الطاقة	دليل الإرشادات 223





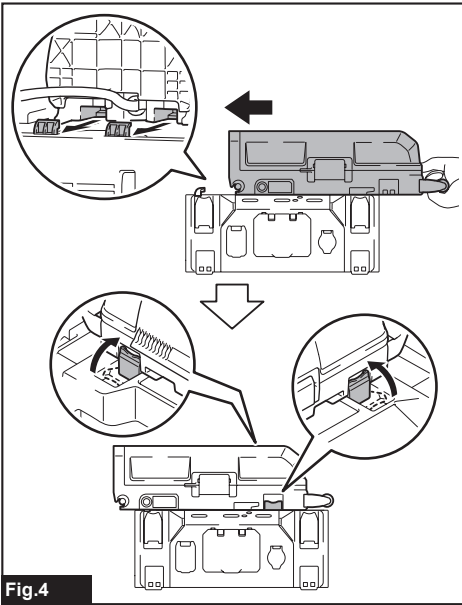


Fig.4

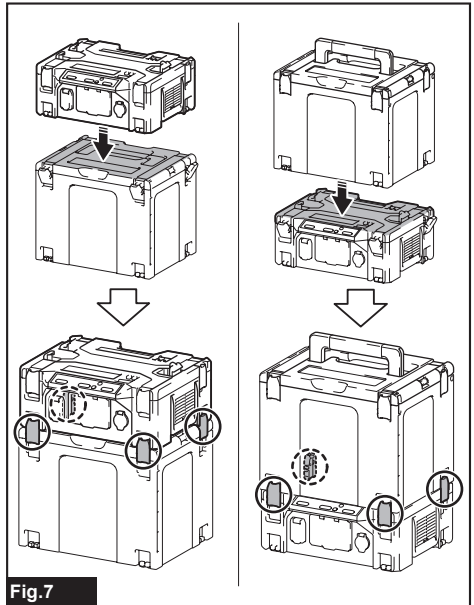


Fig.7

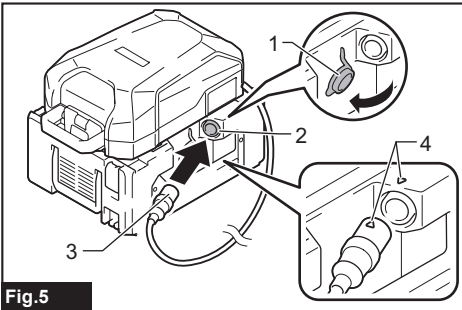


Fig.5

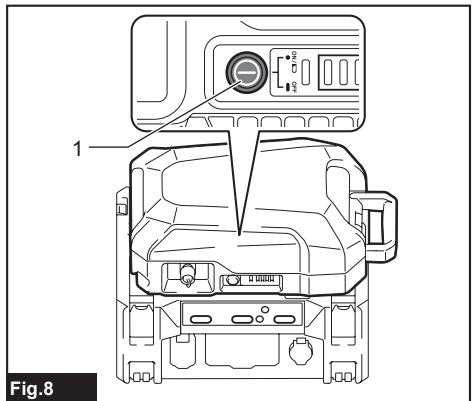


Fig.8

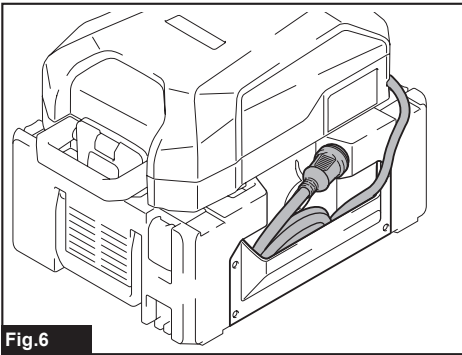


Fig.6

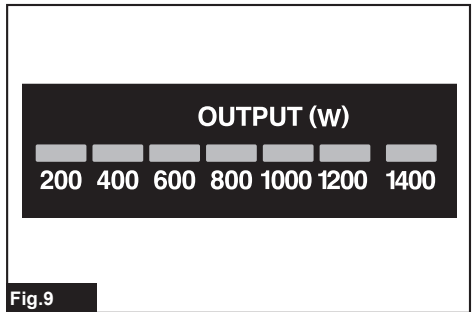
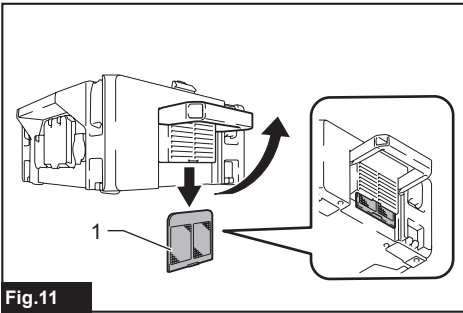
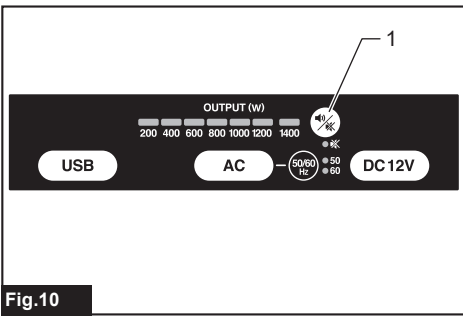


Fig.9



SPECIFICATIONS

Model:		BAC01
Rated output	Converter performance (When using PDC1200)	Continuous watts: 1,400 W (VA) Peak watts: 2,800 W (VA)
	AC outlet *	Pure sine wave 50 Hz or 60 Hz, 2 pcs. Voltage: Refer the indication on the power converter. (Output voltage varies depending on the country.)
	USB port	Type-A: 5 V, 2.4 A, 2 pcs. Type-C: USB-PD 30 W, 2 pcs.
	Cigarette lighter adaptor	12 V, 10 A, 1 pcs.
Operating time **	PDC1200 (With 1,000 W)	56 min.
	PDC01 (With 750 W, BL1860B x 2)	10 min.
Dimensions (L x W x H) (With all of the hooks folded position)		395 mm x 345 mm x 163 mm
Net weight (The power converter only)		7.3 kg

*** For Brazil only**

The voltage is marked on near the AC outlet.

** Operating times are approximate and may differ depending on the type of power source, charging status, and usage condition.

- Due to our continuing program of research and development, the specifications herein are subject to change without notice.
- Specifications may differ from country to country.

Applicable power source

Portable power pack	PDC1200 / PDC01* * Use the battery cartridges described in the section for applicable battery cartridge.
---------------------	---

- Some of the power sources listed above may not be available depending on your region of residence.
- Before using the power source, read instruction and cautionary markings on it.

⚠ WARNING: Only use the power sources listed above. Use of any other power sources may cause injury and/or fire.

Applicable battery cartridge

Only for PDC01

NOTICE: When using PDC01:

- If the output power exceeds 750 W (VA), the power converter will stop the power supply due to the battery protection system. In this case, keep the output power at 750 W (VA) or lower.
- Depending on the conditions of use, the power converter may stop output if the battery in use shifts to another battery. In this situation, press the output button you want to restart output.
- Two or four battery cartridges are needed to use the power converter. If you use two battery cartridges, install the one to battery port 1 or 2 and the other to battery port 3 or 4.

Battery cartridge	BL1815N / BL1820B / BL1830B* / BL1840B* / BL1850B* / BL1860B* * : Recommended battery
-------------------	---

- Some of the battery cartridges listed above may not be available depending on your region of residence.

⚠ WARNING: Only use the battery cartridges listed above. Use of any other battery cartridges may cause injury and/or fire.

Symbols

The followings show the symbols which may be used for the equipment. Be sure that you understand their meaning before use.



Read the instruction manual.



Only for EU countries
Due to the presence of hazardous components in the equipment, waste electrical and electronic equipment, accumulators and batteries may have a negative impact on the environment and human health. Do not dispose of electrical and electronic appliances or batteries with household waste!



In accordance with the European Directive on waste electrical and electronic equipment and on accumulators and batteries and waste accumulators and batteries, as well as their adaptation to national law, waste electrical equipment, batteries and accumulators should be stored separately and delivered to a separate collection point for municipal waste, operating in accordance with the regulations on environmental protection.

This is indicated by the symbol of the crossed-out wheeled bin placed on the equipment.

Intended use

The appliance is intended to convert the power of Makita portable power pack to various outputs.

SAFETY WARNINGS

⚠ WARNING: Before use, be sure to read the instruction manual of your product to be used with this power converter.

Power Converter safety warnings

- In order to ensure good performance and long-term service life, pay attention to protect the power converter from the following conditions.**
 - Corrosive gas and liquid
 - Salt mist and oil mist
 - Mechanical impact and vibration
 - High humidity
 - Extreme temperature (too cold or too hot)
The suitable ambient temperature range is between -10 °C and 40 °C (14 °F and 104 °F).
 - Electromagnetic noise (e.g. electric welding machine, high-power equipment)
 - Radioactive material
- Place the power converter on a horizontal surface with no undulations and stable place.** Otherwise falling accident may occur.
- When carrying the power converter, disconnect the power source and all appliances connected to output port.** Otherwise falling accident may occur.
- When carrying the power converter, always hold the carrying handles firmly with both hands. Do not carry the power converter by holding any other part.** Otherwise falling accident may occur.
- Do not use the power converter with wet hands. Do not expose the power converter to rain or wet conditions.** The risk of electric shock. The power converter is not water proof.
- Do not insert metal objects, like pushpins, wires or other small metal objects into the outlets and air vents.** The risk of electric shock.
- Do not disassemble the power converter.** The risk of electric shock.
- Do not give a strong impact to the power converter such as dropping.** It may cause malfunction which results in electric shock.
- Check for misalignment or binding of moving parts, breakage of parts and any other condition that may affect the operation. If damaged, have the appliance repaired before use.** Many accidents are caused by poorly maintained appliances.
- Always set to an appropriate AC frequency.** Otherwise malfunction may occur and injury result.
- Do not operate the power converter in explosive atmospheres, such as in the presence of flammable liquids, gases or dust.** A small static charge or spark may ignite the dusts or fumes, creating a fire or explosion.
- Do not allow anything to cover or clog the air vents. Use the power converter where nothing interfere the air vent.** It may cause a malfunction or fire.
- Be careful not to trip over the cord during operation. Put the cord into the cord pocket.**
- Do not use the power converter for medical equipment.** Unexpected malfunction may cause an accident.
- To reduce the risk fire, excessive heat, explosion, leak of electrolyte, electric shock, or injury, observe the following precautions.**
 - Do not connect the appliance that exceeds the rated output of the power converter.
 - Do not connect to general AC power grid directly.
- Store the power converter indoor, well-ventilated, and low humidity place.**
- Keep the power converter out of reach of children when storing.** Otherwise serious incident may occur.
- Do not step on the power converter. Also, be careful not to give a strong impact to the power converter when installing it with MAKPAC or power source.** Doing so may cause malfunction or personal injury.
- The slot for earthing pin on the AC output has no voltage and current.** This product does not require earthing of AC appliance because it is not connected to the general AC power grid.

Safety warnings for battery-operated appliance

Battery-operated appliance use and care

- 1. Prevent unintentional starting. Ensure the switch is in the off-position before connecting to battery pack, picking up or carrying the appliance.** Carrying the appliance with your finger on the switch or energizing appliance that have the switch on invites accidents.
- 2. Disconnect the battery pack from the appliance before making any adjustments, changing accessories, or storing appliance.** Such preventive safety measures reduce the risk of starting the appliance accidentally.
- 3. Recharge only with the charger specified by the manufacturer.** A charger that is suitable for one type of battery pack may create a risk of fire when used with another battery pack.
- 4. Use appliances only with specifically designated battery packs.** Use of any other battery packs may create a risk of injury and fire.
- 5. When battery pack is not in use, keep it away from other metal objects, like paper clips, coins, keys, nails, screws or other small metal objects, that can make a connection from one terminal to another.** Shorting the battery terminals together may cause burns or a fire.
- 6. Under abusive conditions, liquid may be ejected from the battery; avoid contact. If contact accidentally occurs, flush with water. If liquid contacts eyes, additionally seek medical help.** Liquid ejected from the battery may cause irritation or burns.
- 7. Do not use a battery pack or appliance that is damaged or modified.** Damaged or modified batteries may exhibit unpredictable behaviour resulting in fire, explosion or risk of injury.
- 8. Do not expose a battery pack or appliance to fire or excessive temperature.** Exposure to fire or temperature above 130 °C may cause explosion.
- 9. Follow all charging instructions and do not charge the battery pack or appliance outside the temperature range specified in the instructions.** Charging improperly or at temperatures outside the specified range may damage the battery and increase the risk of fire.
- 10. Have servicing performed by a qualified repair person using only identical replacement parts.** This will ensure that the safety of the product is maintained.
- 11. Do not modify or attempt to repair the appliance or the battery pack except as indicated in the instructions for use and care.**

Important safety instructions for battery cartridge

- 1. Before using battery cartridge, read all instructions and cautionary markings on (1) battery charger, (2) battery, and (3) product using battery.**
- 2. Do not disassemble or tamper with the battery cartridge.** It may result in a fire, excessive heat, or explosion.
- 3. If operating time has become excessively shorter, stop operating immediately. It may result in a risk of overheating, possible burns and even an explosion.**
- 4. If electrolyte gets into your eyes, rinse them out with clear water and seek medical attention right away. It may result in loss of your eyesight.**
- 5. Do not short the battery cartridge:**
 - (1) Do not touch the terminals with any conductive material.**
 - (2) Avoid storing battery cartridge in a container with other metal objects such as nails, coins, etc.**
 - (3) Do not expose battery cartridge to water or rain.**

A battery short can cause a large current flow, overheating, possible burns and even a breakdown.
- 6. Do not store and use the appliance and battery cartridge in locations where the temperature may reach or exceed 50 °C (122 °F).**
- 7. Do not incinerate the battery cartridge even if it is severely damaged or is completely worn out. The battery cartridge can explode in a fire.**
- 8. Do not nail, cut, crush, throw, drop the battery cartridge, or hit against a hard object to the battery cartridge.** Such conduct may result in a fire, excessive heat, or explosion.
- 9. Do not use a damaged battery.**
- 10. The contained lithium-ion batteries are subject to the Dangerous Goods Legislation requirements.**

For commercial transports e.g. by third parties, forwarding agents, special requirement on packaging and labeling must be observed. For preparation of the item being shipped, consulting an expert for hazardous material is required. Please also observe possibly more detailed national regulations.

Tape or mask off open contacts and pack up the battery in such a manner that it cannot move around in the packaging.
- 11. When disposing the battery cartridge, remove it from the appliance and dispose of it in a safe place. Follow your local regulations relating to disposal of battery.**
- 12. Use the batteries only with the products specified by Makita.** Installing the batteries to non-compliant products may result in a fire, excessive heat, explosion, or leak of electrolyte.
- 13. If the appliance is not used for a long period of time, the battery must be removed from the appliance.**

14. **During and after use, the battery cartridge may take on heat which can cause burns or low temperature burns. Pay attention to the handling of hot battery cartridges.**
15. **Do not touch the terminal of the appliance immediately after use as it may get hot enough to cause burns.**
16. **Do not allow chips, dust, or soil stuck into the terminals, holes, and grooves of the battery cartridge.** It may result in poor performance or breakdown of the appliance or battery cartridge.
17. **Unless the appliance supports the use near high-voltage electrical power lines, do not use the battery cartridge near high-voltage electrical power lines.** It may result in a malfunction or breakdown of the appliance or battery cartridge.
18. **Keep the battery away from children.**

SAVE THESE INSTRUCTIONS.

⚠ CAUTION: Only use genuine Makita batteries. Use of non-genuine Makita batteries, or batteries that have been altered, may result in the battery bursting causing fires, personal injury and damage. It will also void the Makita warranty for the Makita appliance and charger.

Tips for maintaining maximum battery life

1. **Charge the battery cartridge before completely discharged. Always stop appliance operation and charge the battery cartridge when you notice less appliance power.**
2. **Never recharge a fully charged battery cartridge. Overcharging shortens the battery service life.**
3. **Charge the battery cartridge with room temperature at 10 °C - 40 °C (50 °F - 104 °F). Let a hot battery cartridge cool down before charging it.**
4. **When not using the battery cartridge, remove it from the appliance or the charger.**
5. **Charge the battery cartridge if you do not use it for a long period (more than six months).**

PARTS DESCRIPTION

► Fig.1

- | | |
|---|--|
| <ol style="list-style-type: none"> 1. Switch panel 2. Latch 3. Output board 4. Carrying handle 5. Air vent 6. Hook A 7. Hook B
Use only for PDC1200. 8. Hook C
Use only for PDC01. 9. Plug (input) 10. Cord pocket 11. USB output button 12. AC output button | <ol style="list-style-type: none"> 13. Frequency switching button 14. DC 12V output button 15. Beep sound button 16. Output indicator
Refer to the section for how to interpret the output indicator. 17. USB Type-A output 1 18. USB Type-A output 2 19. USB Type-C output 1 20. USB Type-C output 2 21. AC output 1 22. AC output 2 23. DC 12 V output (For Cigarette lighter adaptor) |
|---|--|

NOTE: The shape of the AC outlet varies from country to country.

ASSEMBLY

⚠ CAUTION: Hold the power converter and the power source firmly when installing or removing power source. Failure to do may cause them to slip off your hands and result in personal injury or damage to the power converter and the power source.

⚠ CAUTION: Before operation, make sure that the cord is placed properly and the socket is inserted into the plug all the way.

Mounting the power source

For PDC1200

Attach the power source to the power converter as shown in the figure.

⚠ CAUTION: Make sure that the power source is securely installed to the power converter. Otherwise it may accidentally fall out of the power converter and cause injury to you or someone around you. If you can see the red indicator as shown in the figure, the power source is not locked completely.

► Fig.2: 1. Red indicator

When removing the power source, lift the power source up while pushing down the lock button.

► Fig.3: 1. Lock button

For PDC01

Attach the power source to the power converter as shown in the figure.

► Fig.4

To remove the power source, perform the installation procedure in reverse.

Connecting the power source

1. Open the cap of the plug.
2. Align the arrow mark on the socket with that of the power converter, and then insert the socket into the plug all the way.

► Fig.5: 1. Cap 2. Plug (input) 3. Socket 4. Arrow mark

NOTICE: Do not insert the socket forcibly. If the socket cannot be inserted easily, it is not being inserted correctly.

NOTICE: When unplugging, do not hold the cords but hold the socket. Otherwise, the cords may be damaged and cause a malfunction.

NOTICE: Always close the cap of the plug firmly when the power source is not plugged. Otherwise foreign matter may enter the power converter and cause a malfunction.

Cord pocket

You can put the cord into the cord pocket as shown in the figure.

► Fig.6

Installing MAKPAC

Optional accessory

The power converter can be attached to the top or bottom of MAKPAC as shown in the figure.

► Fig.7

⚠ CAUTION: Make sure that the power converter is securely fixed to the MAKPAC with the four latches. Otherwise falling accident may occur and cause personal injury.

OPERATION

► Fig.8: 1. Power button

1. Press the power button of the power source to turn it on.
2. Connect your appliance to appropriate output.

When using AC output, select appropriate frequency by pressing and holding the frequency switching button.

NOTE: The frequency can be selectable only when the AC output stops.

NOTE: Frequency setting is memorized. Next time, the power converter will start with the same setting.

3. Press the output button you want to use.

The power converter starts the output and the output button at work lights up.

4. Press the output button again to stop.
5. Press the power button of the power source to turn it off.

NOTICE: You may not be able to use an appliance which requires a large amount of power to start up even if the power output of the power converter is kept within the rated power range.

NOTICE: The power converter may not supply power to some USB devices.

NOTICE: Before connecting USB device to the power converter, always backup your data of USB device.

NOTICE: You cannot charge the power source with the power converter using power banks available in the market.

How to interpret the output indicator

► Fig.9

- The output indicator lights up according to the wattage being output.
- When the power output reaches 1,400 W(VA), the lamp on "1400" will light up in red. This lamp starts blinking in red when the power converter becomes overloaded.

Turning the buzzer on/off

► Fig.10: 1. Beep sound button

Press and hold the beep sound button to turn on/off buzzer sound.

NOTE: Buzzer setting is memorized. Next time, the power converter will start with the same setting.

Protection system

The power converter is equipped with the following protection system.

Overload protection

Each output has overload protection as follows:

- **AC output**
When the power converter detects an excessive wattage, the power converter stops all AC output with intermittent beep sound.
- **USB output**
When the power converter detects an abnormally high current, the power converter cuts off the USB output of which high current flows.
- **DC 12V output**
When the power converter detects an abnormally high current, the power converter stops DC 12V output with intermittent beep sound.

If the total output of AC, USB, and DC 12V exceeds the rated output of the power converter for a certain period, all the output will be stopped with continuous beep sound. In this situation, turn the power source off and stop the application that caused the power converter to become overloaded. Then turn the power source on to restart.

NOTE: When the power converter becomes overloaded, the "1400" lamp of the output indicator blinks in red.

NOTE: The beep sound stops by pressing any button on the switch panel.

Overheat protection

When the power converter is overheated, the power converter stops all output with continuous beep sounds. In this situation, let the power converter cool before turning on again.

Overdischarge protection

When the remaining capacity of the power source gets low, intermittent beep sounds and the output button at work blinks. In this situation, remove the power source and charge it.

When the remaining capacity of the power source becomes even lower, all output will be stopped.

MAINTENANCE

CAUTION: Always be sure that the power source is removed before attempting to perform inspection or maintenance.

NOTICE: Do not wash the connector with water. Risk of malfunction.

NOTICE: From time to time wipe off the surface of this product using a cloth dampened in soapy water.

NOTICE: Never use gasoline, benzine, thinner, alcohol or the like. Discoloration, deformation or cracks may result.

To maintain product SAFETY and RELIABILITY, repairs, any other maintenance or adjustment should be performed by Makita Authorized or Factory Service Centers, always using Makita replacement parts.

Cleaning

If the power converter is dirty, wipe the power converter with a dry cloth or cloth dampened in soapy water.

Filter

CAUTION: After cleaning the filter, be sure to re-install it. Operating the power converter without the filter may cause malfunction.

Remove the filter by pulling it out as shown in the figure. Wash the filter, then dry it.

► Fig.11: 1. Filter

To install the filter, follow the removing procedure in reverse.

OPTIONAL ACCESSORIES

⚠ CAUTION: These accessories or attachments are recommended for use with your Makita tool specified in this manual. The use of any other accessories or attachments might present a risk of injury to persons. Only use accessory or attachment for its stated purpose.

If you need any assistance for more details regarding these accessories, ask your local Makita Service Center.

- Portable power pack
- Makita genuine battery and charger
- MAKPAC

NOTE: Some items in the list may be included in the tool package as standard accessories. They may differ from country to country.

SPÉCIFICATIONS

Modèle :		BAC01
Puissance nominale	Rendement du convertisseur (Si le PDC1200 est utilisé)	Watts en continu : 1 400 W (VA) Watts en crête : 2 800 W (VA)
	Sortie CA*	Onde sinusoïdale pure 50 Hz ou 60 Hz, x2. Tension : Reportez-vous à l'indication sur le convertisseur. (La tension de sortie dépend du pays.)
	Port USB	Type A : 5 V, 2,4 A, x2. Type C : USB-PD 30 W, x2.
	Adaptateur pour allume-cigare	12 V, 10 A, x1.
Durée de fonctionnement**	PDC1200 (Avec 1 000 W)	56 minutes
	PDC01 (Avec 750 W, BL1860B x 2)	10 minutes
Dimensions (L x P x H) (Avec tous les crochets en position repliée)		395 mm x 345 mm x 163 mm
Poids net (Convertisseur seul)		7,3 kg

*** Pour le Brésil uniquement**

La tension est indiquée près de la sortie CA.

** Les durées de fonctionnement sont des approximations et peuvent être différentes selon le type de source d'alimentation, le statut de la charge et les conditions d'utilisation.

- Étant donné l'évolution constante de notre programme de recherche et de développement, les spécifications contenues dans ce manuel sont sujettes à modification sans préavis.
- Les spécifications peuvent varier suivant les pays.

Source d'alimentation applicable

Support d'alimentation portable	PDC1200 / PDC01* * Utilisez les batteries décrites dans la section Batterie applicable.
---------------------------------	--

- Certaines sources d'alimentation répertoriées ci-dessus peuvent ne pas être disponibles selon la région où vous résidez.
- Avant d'utiliser la source d'alimentation, lisez les instructions et les avertissements inscrits dessus.

⚠ AVERTISSEMENT : N'utilisez que les sources d'alimentation répertoriées ci-dessus. L'utilisation de n'importe quelle autre source d'alimentation peut provoquer des blessures et/ou un incendie.

Batterie applicable

Uniquement pour le PDC01

REMARQUE : Si le PDC01 est utilisé :

- Si la puissance de sortie dépasse 750 W (VA), le convertisseur coupe l'alimentation en raison du système de protection de la batterie. Le cas échéant, maintenez la puissance de sortie à 750 W (VA) ou moins.
- Selon les conditions d'utilisation, le convertisseur peut couper la sortie si la batterie utilisée change. Dans ce cas, appuyez sur le bouton de sortie de votre choix pour redémarrer l'alimentation sur la sortie.
- Deux ou quatre batteries sont nécessaires pour utiliser le convertisseur. Si vous utilisez deux batteries, installez-en une sur le port de batterie 1 ou 2 et l'autre sur le port de batterie 3 ou 4.

Batterie	BL1815N / BL1820B / BL1830B* / BL1840B* / BL1850B* / BL1860B* * : Batterie recommandée
----------	---

- Certaines batteries répertoriées ci-dessus peuvent ne pas être disponibles selon la région où vous résidez.

AVERTISSEMENT : N'utilisez que les batteries répertoriées ci-dessus. L'utilisation de n'importe quelle autre batterie peut provoquer des blessures et/ou un incendie.

Symboles

Vous trouverez ci-dessous les symboles susceptibles d'être utilisés pour l'appareil. Veillez à comprendre leur signification avant toute utilisation.



Lire le mode d'emploi.



Pour les pays de l'Union européenne uniquement

En raison de la présence de composants dangereux dans l'équipement, les déchets d'équipements électriques et électroniques, les accumulateurs et les batteries peuvent avoir un impact négatif sur l'environnement et la santé humaine.

Ne jetez pas les appareils électriques et électroniques ou les batteries avec les ordures ménagères !

Conformément à la directive européenne relative aux déchets d'équipements électriques et électroniques et aux déchets d'accumulateurs et de batteries, ainsi qu'à son adaptation à la législation nationale, les déchets d'équipements électriques, les batteries et les accumulateurs doivent être collectés séparément et déposés dans un point de collecte distinct pour déchets urbains, conformément aux réglementations en matière de protection de l'environnement.

Cela est indiqué par le symbole de la poubelle à roulettes barrée sur l'équipement.



Ni-MH

Li-ion

- Bruit électromagnétique (p. ex., machine de soudage électrique, équipement de forte puissance)
- Matériau radioactif

2. **Posez le convertisseur sur une surface horizontale sans ondulation et stable.** Autrement, une chute pourrait survenir.
3. **Lors du transport du convertisseur, débranchez la source d'alimentation et tous les appareils raccordés au port de sortie.** Autrement, une chute pourrait survenir.
4. **Lors du transport du convertisseur, tenez toujours fermement les poignées de transport des deux mains. Ne transportez pas le convertisseur en tenant toute autre pièce.** Autrement, une chute pourrait survenir.
5. **N'utilisez pas le convertisseur avec les mains mouillées. N'exposez pas le convertisseur à la pluie ou à l'humidité.** Cela présente un risque d'électrocution. Le convertisseur n'est pas étanche.
6. **N'insérez pas d'objets métalliques, comme des punaises, des fils métalliques ou d'autres petits objets métalliques dans les sorties et les orifices d'aération.** Cela présente un risque d'électrocution.
7. **Ne démontez pas le convertisseur.** Cela présente un risque d'électrocution.
8. **Ne soumettez pas le convertisseur à un impact violent, en le lâchant par exemple.** Cela pourrait provoquer un dysfonctionnement entraînant une électrocution.
9. **Assurez-vous que les pièces en mouvement ne sont pas désalignées ou coincées, qu'aucune pièce n'est cassée ou que l'appareil n'a subi aucun dommage pouvant affecter son bon fonctionnement. En cas de dommage, faites réparer l'appareil avant de l'utiliser.** De nombreux accidents sont dus à des appareils mal entretenus.
10. **Réglez toujours une fréquence CA appropriée.** Autrement, un dysfonctionnement pourrait survenir et provoquer des blessures.
11. **N'utilisez pas le convertisseur dans un environnement explosif, par exemple en présence de liquides, de gaz ou de poussières inflammables.** Une faible charge statique ou une étincelle peuvent enflammer les poussières ou les vapeurs, déclenchant un incendie ou une explosion.
12. **Ne laissez rien couvrir ou boucher les orifices d'aération.** Utilisez le convertisseur dans un endroit où rien n'affecte l'orifice d'aération. Cela pourrait provoquer un dysfonctionnement ou un incendie.
13. **Prenez garde de ne pas trébucher sur le cordon pendant le fonctionnement. Placez le cordon dans la poche pour cordon.**
14. **N'utilisez pas le convertisseur avec un équipement médical.** Un dysfonctionnement imprévu pourrait provoquer un accident.

Utilisations

L'appareil est conçu pour convertir l'électricité d'un support d'alimentation portable Makita vers plusieurs sorties.

CONSIGNES DE SÉCURITÉ

AVERTISSEMENT : Avant utilisation, lisez impérativement le manuel d'instructions de votre produit qui sera utilisé avec ce convertisseur.

Consignes de sécurité pour convertisseur

1. **Afin de garantir un bon rendement et une longue durée de service, veillez à protéger le convertisseur contre les conditions suivantes.**
 - Gaz et liquides corrosifs
 - Brouillards salin et huileux
 - Impacts et vibrations mécaniques
 - Humidité élevée
 - Température extrême (trop froid ou trop chaud)La température ambiante adéquate est comprise dans une plage de -10 °C à 40 °C (14 °F à 104 °F).

15. **Pour réduire le risque d'incendie, une chaleur excessive, une explosion, une fuite d'électrolyte, une électrocution ou des blessures, observez les précautions suivantes.**
 - Ne raccordez pas un appareil dont la puissance nominale dépasse celle du convertisseur.
 - Ne le raccordez pas directement au réseau électrique CA général.
16. **Rangez le convertisseur à l'intérieur, dans un endroit bien aéré et peu humide.**
17. **Gardez le convertisseur hors de portée des enfants lorsque vous le rangez.** Autrement, un grave accident pourrait se produire.
18. **Ne marchez pas sur le convertisseur. Prenez également soin de ne pas soumettre le convertisseur à un impact violent lorsque vous l'installez avec un MAKPAC ou une source d'alimentation.** Cela pourrait provoquer un dysfonctionnement ou des blessures corporelles.
19. **La fente pour la broche de terre sur la sortie CA n'a pas de tension ni de courant.** Ce produit ne nécessite pas la mise à la terre des appareils CA, car il n'est pas connecté au réseau électrique CA général.
6. **Dans des conditions d'utilisation inadéquate, il peut y avoir une fuite de l'électrolyte de la batterie. Le cas échéant, évitez tout contact avec ce liquide. En cas de contact accidentel, rincez à l'eau. Si le liquide pénètre dans les yeux, consultez par ailleurs un médecin. Le liquide s'échappant de la batterie peut provoquer une irritation ou des brûlures.**
7. **N'utilisez pas une batterie ou un appareil endommagé ou modifié.** Une batterie endommagée ou modifiée peut avoir un comportement imprévisible susceptible d'entraîner un incendie, une explosion ou des blessures.
8. **N'exposez pas la batterie ou l'appareil au feu ou à une température excessive.** L'exposition au feu ou à une température supérieure à 130 °C peut provoquer une explosion.
9. **Respectez toutes les instructions de charge et ne chargez pas la batterie ou l'appareil en dehors de la plage de température indiquée dans les instructions.** Une charge incorrecte ou à une température en dehors de la plage indiquée peut endommager la batterie et augmenter le risque d'incendie.
10. **Confiez la réparation de votre appareil à un réparateur qualifié qui n'utilise que des pièces de rechange identiques.** La sécurité de l'appareil sera ainsi préservée.
11. **Ne modifiez pas et n'essayez pas de réparer l'appareil ou la batterie sauf comme indiqué dans les instructions d'utilisation et d'entretien.**

Consignes de sécurité pour les appareils fonctionnant sur batterie

Utilisation et entretien des appareils fonctionnant sur batterie

1. **Évitez les démarrages intempestifs. Assurez-vous que l'interrupteur est en position d'arrêt avant de connecter la batterie, de ramasser ou de transporter l'appareil.** Transporter l'appareil en ayant le doigt sur l'interrupteur ou le brancher alors que l'interrupteur est en position de marche est source d'accidents.
2. **Débranchez la batterie de l'appareil avant de procéder à des réglages, de changer d'accessoires ou de ranger l'appareil.** Ces mesures de sécurité préventives réduiront les risques de démarrage accidentel de l'appareil.
3. **Rechargez la batterie uniquement avec le chargeur spécifié par le fabricant.** Un chargeur qui est adapté à un type spécifique de batterie peut présenter un risque d'incendie s'il est utilisé avec un autre type de batterie.
4. **Utilisez un appareil uniquement avec la batterie spécifiquement indiquée.** L'utilisation de toute autre batterie peut présenter un risque de blessure et d'incendie.
5. **Lorsque vous n'utilisez pas la batterie, tenez-la à l'écart des objets métalliques, comme des trombones, pièces de monnaie, clés, clous, vis ou autres petits objets métalliques, susceptibles de créer une connexion entre deux bornes.** Court-circuiter les bornes d'une batterie entre elles peut provoquer des brûlures ou un incendie.

Consignes de sécurité importantes pour la batterie

1. **Avant d'utiliser la batterie, lisez toutes les instructions et précautions relatives (1) au chargeur de batterie, (2) à la batterie, et (3) au produit utilisant la batterie.**
2. **Ne désassemblez pas et ne modifiez pas la batterie.** Cela pourrait entraîner un incendie, une chaleur excessive ou une explosion.
3. **Cessez immédiatement l'utilisation si le temps de fonctionnement devient excessivement court. Il y a risque de surchauffe, de brûlures, voire d'explosion.**
4. **Si l'électrolyte pénètre dans vos yeux, rincez-les à l'eau claire et consultez immédiatement un médecin. Il y a risque de perte de la vue.**
5. **Ne court-circuitez pas la batterie :**
 - (1) **Ne touchez les bornes avec aucun matériau conducteur.**
 - (2) **Évitez de ranger la batterie dans un conteneur avec d'autres objets métalliques, par exemple des clous, des pièces de monnaie, etc.**
 - (3) **N'exposez pas la batterie à l'eau ou à la pluie.**

Un court-circuit de la batterie peut provoquer une intensité de courant élevée, une surchauffe, parfois des brûlures et même une panne.

6. **Ne rangez ni n'utilisez l'appareil et la batterie dans un endroit où la température risque d'atteindre ou de dépasser 50 °C.**
7. **Ne jetez pas la batterie au feu même si elle est sérieusement endommagée ou complètement épuisée. La batterie peut exploser au contact du feu.**
8. **Abstenez-vous de clouer, couper, écraser, jeter, laisser tomber la batterie, ou de la heurter contre un objet dur.** Une telle conduite pourrait entraîner un incendie, une chaleur excessive ou une explosion.
9. **N'utilisez pas la batterie si elle est endommagée.**
10. **Les batteries au lithium-ion contenues sont soumises aux exigences de la législation sur les marchandises dangereuses.**
Lors du transport commercial par des tierces parties ou des transitaires par exemple, des exigences spécifiques en matière d'étiquetage et d'emballage doivent être respectées.
Pour la préparation de l'article expédié, il est nécessaire de consulter un expert en matériau dangereux. Veuillez également respecter les réglementations nationales susceptibles d'être plus détaillées.
Recouvrez les contacts exposés avec du ruban adhésif ou du ruban de masquage et emballez la batterie de telle sorte qu'elle ne puisse pas bouger dans l'emballage.
11. **Une fois la batterie arrivée en fin de vie, retirez-la de l'appareil et mettez-la au rebut en lieu sûr. Respectez la réglementation locale en matière de mise au rebut des batteries.**
12. **Utilisez les batteries uniquement avec les produits spécifiés par Makita.** L'insertion de batteries dans des produits non conformes peut provoquer un incendie, une chaleur excessive, une explosion ou une fuite de l'électrolyte.
13. **Lorsque vous n'utilisez pas l'appareil pendant une période prolongée, la batterie doit être retirée de l'appareil.**
14. **Pendant et après l'utilisation, la batterie peut chauffer, ce qui peut entraîner des brûlures, y compris en cas de température relativement basse. Manipulez les batteries chaudes avec précaution.**
15. **Ne touchez pas la borne de l'appareil immédiatement après utilisation, car elle peut être assez chaude pour provoquer des brûlures.**
16. **Évitez que des copeaux, de la poussière ou de la terre adhèrent aux bornes, aux trous et aux rainures de la batterie.** Cela pourrait réduire les performances ou provoquer une panne de l'appareil ou de la batterie.
17. **À moins que l'appareil prenne en charge un tel usage, n'utilisez pas la batterie à proximité de lignes électriques haute tension.** Cela pourrait entraîner un dysfonctionnement ou une panne de l'appareil ou de la batterie.
18. **Conservez la batterie hors de portée des enfants.**

⚠ATTENTION : N'utilisez que des batteries de marque Makita. L'utilisation de batteries de marque autre que Makita ou de batteries modifiées peut provoquer l'explosion des batteries, ce qui présente un risque d'incendie, de dommages matériels et corporels. Cela annulera également la garantie Makita pour l'appareil et le chargeur Makita.

Conseils pour assurer la durée de vie optimale de la batterie

1. **Chargez la batterie avant qu'elle ne soit complètement déchargée. Arrêtez toujours l'appareil et rechargez la batterie quand vous remarquez que la puissance de l'appareil diminue.**
2. **Ne rechargez jamais une batterie complètement chargée. La surcharge réduit la durée de service de la batterie.**
3. **Chargez la batterie à une température ambiante comprise entre 10 °C et 40 °C. Avant de charger une batterie chaude, laissez-la refroidir.**
4. **Lorsque vous n'utilisez pas la batterie, retirez-la de l'appareil ou du chargeur.**
5. **Rechargez la batterie si elle est restée inutilisée pendant une période prolongée (plus de six mois).**

CONSERVEZ CES INSTRUCTIONS.

DESCRIPTION DES PIÈCES

► Fig.1

1. **Tableau de commande**
2. **Loquet**
3. **Panneau de sortie**
4. **Poignée de transport**
5. **Orifice d'aération**
6. **Crochet A**
7. **Crochet B**
À utiliser uniquement pour le PDC1200.
8. **Crochet C**
À utiliser uniquement pour le PDC01.
9. **Prise (entrée)**
10. **Poche pour cordon**
11. **Bouton de sortie USB**
12. **Bouton de sortie secteur (AC)**
13. **Bouton de changement de fréquence**
14. **Bouton de sortie 12 VCC**
15. **Bouton de signal sonore**
16. **Indicateur de sortie**
Consultez la section Comment interpréter l'indicateur de sortie.
17. **Sortie USB Type A 1**
18. **Sortie USB Type A 2**
19. **Sortie USB Type C 1**
20. **Sortie USB Type C 2**
21. **Sortie CA 1**
22. **Sortie CA 2**
23. **Sortie 12 VCC** (Pour l'adaptateur pour allume-cigare)

NOTE : La forme de la sortie CA varie d'un pays à l'autre.

ASSEMBLAGE

⚠ ATTENTION : Tenez fermement le convertisseur et la source d'alimentation lors de l'installation ou du retrait de la source d'alimentation. Autrement, ils risqueraient de s'échapper de vos mains et vous blesser ou endommager le convertisseur et la source d'alimentation.

⚠ ATTENTION : Avant toute utilisation, assurez-vous que le cordon est correctement placé et que la fiche est insérée complètement dans la prise.

Installation de la source d'alimentation

Pour le PDC1200

Fixez la source d'alimentation au convertisseur comme illustré sur la figure.

⚠ ATTENTION : Assurez-vous que la source d'alimentation est solidement installée sur le convertisseur. Autrement, elle pourrait tomber accidentellement du convertisseur, au risque de vous blesser ou de blesser quelqu'un se trouvant à proximité. Si vous pouvez voir l'indicateur rouge comme illustré sur la figure, la source d'alimentation n'est pas complètement verrouillée.

► Fig.2: 1. Indicateur rouge

Lors du retrait de la source d'alimentation, soulevez-la tout en enfonçant le bouton de verrouillage.

► Fig.3: 1. Bouton de verrouillage

Pour le PDC01

Fixez la source d'alimentation au convertisseur comme illustré sur la figure.

► Fig.4

Pour retirer la source d'alimentation, effectuez la procédure de pose dans l'ordre inverse.

Raccordement de la source d'alimentation

1. Ouvrez le capuchon de la prise.
2. Alignez la flèche sur la fiche avec celle sur le convertisseur, puis insérez complètement la fiche dans la prise.

► Fig.5: 1. Capuchon 2. Prise (entrée) 3. Fiche 4. Flèche

REMARQUE : Ne forcez pas pour insérer la fiche. S'il est difficile d'insérer la fiche, c'est qu'elle n'est pas insérée correctement.

REMARQUE : Lors du débranchement, ne tenez pas les cordons, mais la fiche. Autrement, les cordons pourraient être endommagés et provoquer un dysfonctionnement.

REMARQUE : Fermez toujours solidement le capuchon de la prise lorsque la source d'alimentation n'est pas branchée. Autrement, des corps étrangers peuvent pénétrer dans le convertisseur et provoquer un dysfonctionnement.

Poche pour cordon

Vous pouvez placer le cordon dans la poche pour cordon comme illustré sur la figure.

► Fig.6

Installation du MAKPAC

Accessoire en option

Le convertisseur peut être fixé en haut ou en bas du MAKPAC comme illustré sur la figure.

► Fig.7

⚠ ATTENTION : Assurez-vous que le convertisseur est solidement fixé au MAKPAC avec les quatre loquets. Autrement, une chute pourrait survenir et provoquer des blessures.

UTILISATION

► Fig.8: 1. Bouton d'alimentation

1. Appuyez sur le bouton d'alimentation de la source d'alimentation pour l'allumer.

2. Branchez votre appareil sur la sortie appropriée.

Si vous utilisez la sortie CA, sélectionnez la fréquence appropriée en maintenant enfoncé le bouton de changement de fréquence.

NOTE : La fréquence est sélectionnable uniquement lorsque la sortie CA est coupée.

NOTE : Le réglage de la fréquence est conservé en mémoire. La prochaine fois, le convertisseur démarra avec le même réglage.

3. Appuyez sur le bouton de sortie de votre choix.

Le convertisseur démarre l'alimentation sur la sortie et le bouton de sortie fonctionnant s'allume.

4. Appuyez de nouveau sur le bouton de sortie pour arrêter.

5. Appuyez sur le bouton d'alimentation de la source d'alimentation pour l'éteindre.

REMARQUE : Vous pourriez ne pas être en mesure d'utiliser un appareil nécessitant une grande quantité d'énergie pour démarrer même si la puissance de sortie du convertisseur est maintenue dans la plage de la puissance nominale.

REMARQUE : Le convertisseur peut ne pas fournir de courant à certains dispositifs USB.

REMARQUE : Avant de connecter un dispositif USB au convertisseur, sauvegardez toujours les données du dispositif USB.

REMARQUE : Vous ne pouvez pas charger la source d'alimentation avec le convertisseur en utilisant des chargeurs mobiles (power banks) en vente dans le commerce.

Comment interpréter l'indicateur de sortie

► Fig.9

- L'indicateur de sortie s'allume en fonction des watts émis.
- Lorsque la puissance de sortie atteint 1 400 W (VA), la lampe « 1400 » s'allume en rouge. Cette lampe se met à clignoter en rouge lorsque le convertisseur est surchargé.

Activation/Désactivation du signal sonore

► Fig.10: 1. Bouton de signal sonore

Maintenez enfoncé le bouton de signal sonore pour activer/désactiver le signal sonore.

NOTE : Le réglage du signal sonore est conservé en mémoire. La prochaine fois, le convertisseur démarra avec le même réglage.

Système de protection

Le convertisseur est pourvu du système de protection suivant.

Protection contre la surcharge

Chaque sortie dispose d'une protection de surcharge comme suit :

- **Sortie CA**
Lorsque le convertisseur détecte trop de watts, il coupe toute sortie CA et émet un signal sonore intermittent.
- **Sortie USB**
Lorsque le convertisseur détecte un courant anormalement élevé, il coupe la sortie USB à partir de laquelle provient le courant élevé.
- **Sortie 12 VCC**
Lorsque le convertisseur détecte un courant anormalement élevé, il coupe la sortie 12 VCC et émet un signal sonore intermittent.

Si la sortie CA, USB et 12 VCC totale dépasse la puissance nominale du convertisseur pendant un certain temps, toutes les sorties sont coupées et un signal sonore est émis en continu. Dans ce cas, éteignez la source d'alimentation et arrêtez la tâche ayant provoqué la surcharge du convertisseur. Puis, allumez la source d'alimentation pour redémarrer.

NOTE : Lorsque le convertisseur est surchargé, la lampe « 1400 » de l'indicateur de sortie clignote en rouge.

NOTE : Le signal sonore s'arrête en appuyant sur n'importe quel bouton sur le tableau de commande.

Protection contre la surchauffe

Lorsque le convertisseur surchauffe, il coupe toute sortie et émet un signal sonore continu. Dans ce cas, laissez le convertisseur refroidir avant de le rallumer.

Protection contre la décharge totale de la batterie

Lorsque la charge restante de la source d'alimentation diminue, un signal sonore intermittent retentit et le bouton de sortie en fonctionnement clignote. Dans ce cas, retirez la source d'alimentation et chargez-la.

Lorsque la charge restante de la source d'alimentation devient encore plus faible, toutes les sorties sont coupées.

ENTRETIEN

ATTENTION : Assurez-vous toujours que la source d'alimentation est retirée avant d'y effectuer tout travail d'inspection ou d'entretien.

REMARQUE : Ne lavez pas le connecteur à l'eau. Cela présente un risque de dysfonctionnement.

REMARQUE : De temps à autre, essuyez la surface de ce produit avec un chiffon imbibé d'eau savonneuse.

REMARQUE : N'utilisez jamais d'essence, benzine, diluant, alcool ou autre produit similaire. Cela risquerait de provoquer la décoloration, la déformation ou la fissuration de l'outil.

Pour assurer la SÉCURITÉ et la FIABILITÉ du produit, toute réparation, tout travail d'entretien ou de réglage doivent être effectués par un centre d'entretien Makita agréé, avec des pièces de rechange Makita.

Nettoyage

Si le convertisseur est sale, essuyez-le avec un chiffon sec ou un chiffon imbibé d'eau savonneuse.

Filtre

ATTENTION : Après avoir nettoyé le filtre, veillez à le remettre en place. L'utilisation du convertisseur sans le filtre peut provoquer un dysfonctionnement.

Retirez le filtre en l'extrayant comme illustré sur la figure.

Lavez le filtre, puis séchez-le.

► Fig.11: 1. Filtre

Pour installer le filtre, suivez la procédure de retrait en sens inverse.

ACCESSOIRES EN OPTION

ATTENTION : Ces accessoires ou pièces complémentaires sont recommandés pour l'utilisation avec l'outil Makita spécifié dans ce mode d'emploi. L'utilisation de tout autre accessoire ou pièce complémentaire peut comporter un risque de blessure. N'utilisez les accessoires ou pièces complémentaires qu'aux fins auxquelles ils ont été conçus.

Pour obtenir plus de détails sur ces accessoires, contactez votre centre d'entretien local Makita.

- Support d'alimentation portable
- Batterie et chargeur Makita d'origine
- MAKPAC

NOTE : Il se peut que certains éléments de la liste soient compris dans l'emballage de l'outil en tant qu'accessoires standard. Ils peuvent varier d'un pays à l'autre.

TECHNISCHE DATEN

Modell:		BAC01
Nennleistung	Leistung des Wandlers (Bei Verwendung von PDC1200)	Kontinuierliche Wattzahl: 1.400 W (VA) Spitzen-Wattzahl: 2.800 W (VA)
	Netzausgang *	Reine Sinuswelle 50 Hz oder 60 Hz, 2 Stück Spannung: Beachten Sie die Angaben auf dem Stromwandler. (Die Ausgangsspannung variiert je nach Land.)
	USB-Anschluss	Typ-A: 5 V, 2,4 A, 2 Stück Typ-C: USB-PD 30 W, 2 Stück
	Zigarettenanzünder-Adapter	12 V, 10 A, 1 Stück
Betriebszeit **	PDC1200 (Mit 1.000 W)	56 Minuten
	PDC01 (Mit 750 W, BL1860B x 2)	10 Minuten
Abmessungen (L x B x H) (Mit allen Haken in eingeklappter Position)		395 mm x 345 mm x 163 mm
Nettogewicht (Nur der Stromwandler)		7,3 kg

* Nur für Brasilien

Die Spannung ist in der Nähe des Netzausgangs angegeben.

** Die Betriebszeiten sind ungefähre Angaben und können je nach Art der Stromquelle, des Ladestatus und der Nutzungsbedingungen abweichen.

- Wir behalten uns vor, Änderungen der technischen Daten im Zuge der Entwicklung und des technischen Fortschritts ohne vorherige Ankündigung vorzunehmen.
- Die technischen Daten können von Land zu Land unterschiedlich sein.

Geeignete Stromquelle

Rückentragbare Akku-Bank	PDC1200 / PDC01* * Verwenden Sie die im Abschnitt für den geeigneten Akku beschriebenen Akkus.
--------------------------	---

- Einige der oben aufgelisteten Stromquellen sind je nach Region Ihres Wohnsitzes möglicherweise nicht verfügbar.
- Lesen Sie vor der Benutzung der Stromquelle die darauf angegebenen Anweisungen und Markierungen.

⚠ WARNUNG: Verwenden Sie nur die oben aufgelisteten Stromquellen. Die Verwendung anderer Stromquelle kann Verletzungen und/oder Brände verursachen.

Geeigneter Akku

Nur für PDC01

ANMERKUNG: Bei Verwendung von PDC01:

- Falls die Ausgangsleistung 750 W (VA) überschreitet, hört der Stromwandler aufgrund des Akku-Schutzsystems auf, Strom zu liefern. In diesem Fall sollte die Ausgangsleistung bei 750 W (VA) oder niedriger liegen.
- Je nach den Benutzungsbedingungen kann der Stromwandler seine Ausgabe unterbrechen, falls der verwendete Akku durch einen anderen ersetzt wird. Drücken Sie in diesem Fall die Ausgangstaste, mit der Sie die Ausgabe neu starten möchten.
- Um den Stromwandler zu verwenden, sind zwei oder vier Akkus erforderlich. Falls Sie zwei Akkus verwenden, installieren Sie den einen in den Akku-Anschluss 1 oder 2 und den anderen in den Akku-Anschluss 3 oder 4.

Akku	BL1815N / BL1820B / BL1830B* / BL1840B* / BL1850B* / BL1860B* *: Empfohlener Akku
------	--

- Einige der oben aufgelisteten Akkus sind je nach Ihrem Wohngebiet eventuell nicht erhältlich.

⚠️ WARNUNG: Verwenden Sie nur die oben aufgelisteten Akkus. Bei Verwendung irgendwelcher anderer Akkus besteht Verletzungs- und/oder Brandgefahr.

Symbole

Nachfolgend werden Symbole beschrieben, die für das Gerät verwendet werden können. Machen Sie sich unbedingt vor der Benutzung mit ihrer Bedeutung vertraut.



Betriebsanleitung lesen.



Nur für EU-Länder
Aufgrund des Vorhandenseins gefährlicher Komponenten in der Ausrüstung können Elektro- und Elektronik-Altgeräte, Akkumulatoren und Batterien sich negativ auf die Umwelt und die menschliche Gesundheit auswirken. Entsorgen Sie Elektro- und Elektronikgeräte oder Batterien nicht mit dem Hausmüll!
In Übereinstimmung mit der Europäischen Richtlinie über Elektro- und Elektronik-Altgeräte, Akkumulatoren und Batterien, verbrauchte Akkumulatoren und Batterien sowie ihrer Anpassung an nationales Recht sollten Elektro-Altgeräte, Batterien und Akkumulatoren gemäß den Umweltschutzbestimmungen getrennt gelagert und zu einer getrennten Sammelstelle für Siedlungsabfälle geliefert werden.
Dies wird durch das am Gerät angebrachte Symbol der durchgestrichenen Abfalltonne auf Rädern angezeigt.



Ni-MH
Li-ion

Vorgesehene Verwendung

Das Gerät ist für die Umwandlung des Stroms der rückentragbaren Akku-Bank von Makita in verschiedene Ausgaben bestimmt.

SICHERHEITSWARNUNGEN

⚠️ WARNUNG: Lesen Sie vor der Benutzung unbedingt die Betriebsanleitung Ihres Produkts, das mit diesem Stromwandler verwendet werden soll.

Sicherheitswarnungen für Stromwandler Makpac

- Um eine gute Leistung und eine lange Lebensdauer zu gewährleisten, ist darauf zu achten, dass der Stromwandler vor den folgenden Bedingungen geschützt wird.**
 - Ätzende Gase und Flüssigkeiten
 - Salznebel und Ölnebel
 - Mechanische Stöße und Vibrationen
 - Hohe Luftfeuchtigkeit
 - Extreme Temperaturen (zu kalt oder zu heiß)
Der geeignete Umgebungstemperaturbereich liegt zwischen -10 °C und 40 °C (14 °F und 104 °F).
- Stellen Sie den Stromwandler auf eine waagerechte, wellenfreie und stabile Fläche.** Anderenfalls kann ein Unfall durch Herunterfallen auftreten.
- Wenn Sie den Stromwandler tragen, trennen Sie die Stromquelle und alle an den Ausgangsanschluss angeschlossenen Geräte.** Anderenfalls kann ein Unfall durch Herunterfallen auftreten.
- Halten Sie beim Tragen des Stromwandlers die Handgriffe immer mit beiden Händen fest. Tragen Sie den Stromwandler nicht, indem Sie ein anderes Teil halten.** Anderenfalls kann ein Unfall durch Herunterfallen auftreten.
- Fassen Sie den Stromwandler nicht mit nassen Händen an. Setzen Sie den Stromwandler keinem Regen oder Nässe aus.** Es besteht die Gefahr eines Stromschlags. Der Stromwandler ist nicht wasserdicht.
- Führen Sie keine Metallobjekte wie Stecknadeln, Drähte oder andere kleine Metallobjekte in die Auslässe und Lüftungsöffnungen ein.** Es besteht die Gefahr eines Stromschlags.
- Unterlassen Sie Zerlegen des Stromwandlers.** Es besteht die Gefahr eines Stromschlags.
- Setzen Sie den Stromwandler keinen starken Stößen aus, wie z. B. durch Fallenlassen.** Es kann Fehlfunktionen verursachen, die zu einem Stromschlag führen.
- Überprüfen Sie, ob die beweglichen Teile falsch ausgerichtet sind oder klemmen, ob Teile gebrochen sind oder ob andere Bedingungen vorliegen, die den Betrieb beeinträchtigen könnten. Lassen Sie das Gerät bei Beschädigung vor Gebrauch reparieren.** Viele Unfälle werden durch schlecht gewartete Geräte verursacht.
- Stellen Sie immer eine geeignete Wechselstromfrequenz ein.** Anderenfalls kann es zu Fehlfunktionen und Verletzungen kommen.
- Betreiben Sie den Stromwandler nicht in explosiven Umgebungen, wie z. B. in Gegenwart von brennbaren Flüssigkeiten, Gasen oder Staub.** Eine geringe statische Aufladung oder ein Funke kann die Stäube oder Dämpfe entzünden und einen Brand oder eine Explosion verursachen.
- Achten Sie darauf, dass keine Gegenstände die Lüftungsöffnungen abdecken oder verstopfen. Verwenden Sie den Stromwandler dort, wo die Entlüftung nicht gestört wird.** Anderenfalls kann es zu einer Fehlfunktion oder einem Brand kommen.
- Achten Sie darauf, dass Sie während der Arbeit nicht über das Kabel stolpern. Stecken Sie das Kabel in die Kabeltasche.**

14. **Verwenden Sie den Stromwandler nicht für medizinische Geräte.** Unerwartete Fehlfunktionen können einen Unfall verursachen.
15. **Um die Gefahr von Feuer, übermäßiger Hitze, Explosion, Auslaufen von Elektrolyt, elektrischem Schlag oder Verletzungen zu verringern, beachten Sie die folgenden Vorsichtsmaßnahmen.**
 - Schließen Sie keine Geräte an, die die Nennleistung des Stromwandlers überschreiten.
 - Schließen Sie den Stromwandler nicht direkt an das allgemeine Wechselstromnetz an.
16. **Lagern Sie den Stromwandler in einem gut belüfteten Raum mit niedriger Luftfeuchtigkeit.**
17. **Bewahren Sie den Stromwandler außerhalb der Reichweite von Kindern auf.** Anderenfalls kann es zu schweren Zwischenfällen kommen.
18. **Treten Sie nicht auf den Stromwandler. Achten Sie auch darauf, dass der Stromwandler bei der Installation mit dem MAKPAC oder der Stromquelle keinen starken Stößen ausgesetzt wird.** Anderenfalls kann eine Funktionsstörung oder ein Personenschaden verursacht werden.
19. **Der Steckplatz für den Erdungsstift am Wechselstromausgang hat keine Spannung und keinen Strom.** Für dieses Produkt ist keine Erdung des Wechselstromgerätes erforderlich, da es nicht an das allgemeine Wechselstromnetz angeschlossen ist.

Sicherheitswarnungen für batteriebetriebene Geräte

Verwendung und Pflege von batteriebetriebenen Geräten

1. **Verhüten Sie unbeabsichtigtes Einschalten.** Vergewissern Sie sich, dass sich der Schalter in der Aus-Stellung befindet, bevor Sie den Akku anschließen bzw. das Gerät aufheben oder tragen. Das Tragen des Gerätes mit dem Finger am Schalter oder das Anschließen bei eingeschaltetem Schalter führt zu Unfällen.
2. **Trennen Sie den Akku vom Gerät, bevor Sie Einstellungen vornehmen, Zubehörteile austauschen oder das Gerät lagern.** Solche vorbeugenden Sicherheitsmaßnahmen reduzieren die Gefahr eines versehentlichen Einschaltens des Gerätes.
3. **Laden Sie den Akku nur mit dem vom Hersteller vorgeschriebenen Ladegerät.** Ein Ladegerät, das für einen Akkutyp geeignet ist, kann eine Brandgefahr darstellen, wenn es mit einem anderen Akku verwendet wird.
4. **Benutzen Sie Geräte nur mit den ausdrücklich vorgeschriebenen Akkus.** Bei Verwendung irgendwelcher anderer Akkus besteht Verletzungs- und Brandgefahr.

5. **Halten Sie den Akku bei Nichtgebrauch von anderen Metallgegenständen, wie z. B. Büroklammern, Münzen, Schlüsseln, Nägeln, Schrauben oder anderen kleinen Metallgegenständen, fern, welche die Kontakte kurzschließen können.** Kurzschließen der Akkukontakte kann Verbrennungen oder einen Brand verursachen.
6. **Bei Missbrauch kann Flüssigkeit aus dem Akku austreten.** Vermeiden Sie Kontakt mit dieser Flüssigkeit. Falls Sie versehentlich mit der Flüssigkeit in Berührung kommen, spülen Sie die betroffenen Stellen mit Wasser ab. Falls die Flüssigkeit in die Augen gelangt, suchen Sie zusätzlich ärztliche Hilfe auf. Die vom Akku austretende Flüssigkeit kann Hautreizungen oder Verätzungen verursachen.
7. **Verwenden Sie keine Akkus oder Geräte, die beschädigt oder modifiziert sind.** Beschädigte oder modifizierte Akkus können unvorhersehbares Verhalten zeigen, das zu einem Brand, einer Explosion oder Verletzungsgefahr führen kann.
8. **Setzen Sie einen Akku oder ein Gerät nicht Feuer oder übermäßigen Temperaturen aus.** Bei Einwirkung von Feuer oder Temperaturen über 130 °C kann es zu einer Explosion kommen.
9. **Befolgen Sie alle Ladeanweisungen, und laden Sie den Akku bzw. das Gerät nicht außerhalb des in den Anweisungen angegebenen Temperaturbereichs.** Wird der Ladevorgang unsachgemäß oder bei Temperaturen außerhalb des angegebenen Bereichs durchgeführt, kann es zu einer Beschädigung des Akkus und erhöhter Brandgefahr kommen.
10. **Lassen Sie Wartungsarbeiten nur von einem qualifizierten Wartungstechniker unter Verwendung identischer Ersatzteile durchführen.** Dadurch wird die Aufrechterhaltung der Sicherheit des Produkts gewährleistet.
11. **Unterlassen Sie jegliche Modifizierung oder Versuche, das Gerät oder den Akku zu reparieren, außer wie in den Anweisungen für Gebrauch und Pflege angegeben.**

Wichtige Sicherheitsanweisungen für Akku

1. **Lesen Sie vor der Benutzung des Akkus alle Anweisungen und Warnhinweise, die an (1) Ladegerät, (2) Akku und (3) Akkuwerkzeug angebracht sind.**
2. **Unterlassen Sie Zerlegen oder Manipulieren des Akkus.** Es kann sonst zu einem Brand, übermäßiger Hitzeentwicklung oder einer Explosion kommen.
3. **Falls die Betriebszeit beträchtlich kürzer geworden ist, stellen Sie den Betrieb sofort ein.** Anderenfalls besteht die Gefahr von Überhitzung, möglichen Verbrennungen und sogar einer Explosion.
4. **Falls Elektrolyt in Ihre Augen gelangt, waschen Sie sie mit sauberem Wasser aus, und begeben Sie sich unverzüglich in ärztliche Behandlung.** Anderenfalls können Sie Ihre Sehkraft verlieren.

5. **Der Akku darf nicht kurzgeschlossen werden:**
 - (1) Die Kontakte dürfen nicht mit leitfähigem Material berührt werden.
 - (2) Lagern Sie den Akku nicht in einem Behälter zusammen mit anderen Metallgegenständen, wie z. B. Nägel, Münzen usw.
 - (3) Setzen Sie den Akku weder Wasser noch Regen aus.
Ein Kurzschluss des Akkus verursacht starken Stromfluss, der Überhitzung, mögliche Verbrennungen und einen Defekt zur Folge haben kann.
6. **Unterlassen Sie Lagerung und Gebrauch des Gerätes und des Akkus an Orten, an denen die Temperatur 50 °C erreichen oder überschreiten kann.**
7. **Versuchen Sie niemals, den Akku zu verbrennen, selbst wenn er stark beschädigt oder vollkommen verbraucht ist. Der Akku kann im Feuer explodieren.**
8. **Unterlassen Sie Nageln, Schneiden, Zerquetschen, Werfen, Fallenlassen des Akkus oder Schlagen des Akkus mit einem harten Gegenstand.** Eine solche Handlung kann zu einem Brand, übermäßiger Hitzeentwicklung oder einer Explosion führen.
9. **Benutzen Sie keine beschädigten Akkus.**
10. **Die enthaltenen Lithium-Ionen-Akkus unterliegen den Anforderungen der Gefahrgut-Gesetzgebung.**
Für kommerzielle Transporte, z. B. durch Dritte oder Spediteure, müssen besondere Anforderungen zu Verpackung und Etikettierung beachtet werden.
Zur Vorbereitung des zu transportierenden Artikels ist eine Beratung durch einen Experten für Gefahrgut erforderlich. Bitte beachten Sie möglicherweise ausführlichere nationale Vorschriften. Überkleben oder verdecken Sie offene Kontakte, und verpacken Sie den Akku so, dass er sich in der Verpackung nicht umher bewegen kann.
11. **Entfernen Sie den Akku zum Entsorgen vom Gerät, und entsorgen Sie ihn an einem sicheren Ort. Befolgen Sie die örtlichen Vorschriften bezüglich der Entsorgung von Akkus.**
12. **Verwenden Sie die Akkus nur mit den von Makita angegebenen Produkten.** Das Einsetzen der Akkus in nicht konforme Produkte kann zu einem Brand, übermäßiger Hitzebildung, einer Explosion oder Auslaufen von Elektrolyt führen.
13. **Soll das Gerät längere Zeit nicht benutzt werden, muss der Akku vom Gerät entfernt werden.**
14. **Der Akku kann während des Gebrauchs heiß werden und auch nach dem Gebrauch noch längere Zeit heiß bleiben, so dass es zu Verbrennungen oder Niedertemperaturverbrennungen kommen kann. Beachten Sie die Handhabung von heißen Akkus.**
15. **Berühren Sie nicht den Anschlusskontakt des Gerätes unmittelbar nach dem Gebrauch, da er heiß genug werden kann, um Verbrennungen zu verursachen.**
16. **Achten Sie darauf, dass sich keine Späne, Staub oder Schmutz in den Anschlusskontakten, Löchern und Nuten des Akkus absetzen.** Dies kann zu einer Leistungseinbuße oder Betriebsstörung des Gerätes oder des Akkus führen.
17. **Wenn das Gerät den Einsatz in der Nähe einer Hochspannungs-Stromleitung nicht unterstützt, benutzen Sie den Akku nicht in der Nähe einer Hochspannungs-Stromleitung.** Dies kann zu einer Funktionsstörung oder Betriebsstörung des Gerätes oder des Akkus führen.
18. **Halten Sie den Akku von Kindern fern.**

DIESE ANWEISUNGEN AUFBEWAHREN.

▲VORSICHT: Verwenden Sie nur Original-Makita-Akkus. Die Verwendung von Nicht-Original-Makita-Akkus oder von Akkus, die abgeändert worden sind, kann zum Bersten des Akkus und daraus resultierenden Bränden, Personenschäden und Beschädigung führen. Außerdem wird dadurch die Makita-Garantie für das Makita-Gerät und -Ladegerät ungültig.

Hinweise zur Aufrechterhaltung der maximalen Akku-Nutzungsdauer

1. **Laden Sie den Akku auf, bevor er vollkommen erschöpft ist. Schalten Sie das Gerät stets aus, und laden Sie den Akku auf, wenn Sie ein Nachlassen der Geräteleistung feststellen.**
2. **Unterlassen Sie erneutes Laden eines voll aufgeladenen Akkus. Überladen führt zu einer Verkürzung der Nutzungsdauer des Akkus.**
3. **Laden Sie den Akku bei Raumtemperatur zwischen 10 – 40 °C. Lassen Sie einen heißen Akku abkühlen, bevor Sie ihn laden.**
4. **Wenn Sie den Akku nicht benutzen, nehmen Sie ihn vom Gerät oder Ladegerät ab.**
5. **Der Akku muss geladen werden, wenn er lange Zeit (länger als sechs Monate) nicht benutzt wird.**

BEZEICHNUNG DER TEILE

► Abb.1

1. **Tastenfeld**
2. **Klinke**
3. **Ausgangsplatte**
4. **Tragegriff**
5. **Entlüftungsöffnung**
6. **Haken A**
7. **Haken B**
Nur für PDC1200 verwenden.
8. **Haken C**
Nur für PDC01 verwenden.
9. **Stecker (Eingang)**
10. **Kabeltasche**
11. **USB-Ausgangstaste**
12. **Wechselstrom-Ausgangstaste**
13. **Frequenz-Umschalttaste**
14. **12-V-Gleichstrom-Ausgangstaste**
15. **Signaltonstaste**
16. **Ausgabeanzeige**
Lesen Sie den Abschnitt über die Interpretation der Ausgabeanzeige.
17. **USB Typ-A-Ausgang 1**
18. **USB Typ-A-Ausgang 2**
19. **USB Typ-C-Ausgang 1**
20. **USB Typ-C-Ausgang 2**
21. **Wechselstromausgang 1**
22. **Wechselstromausgang 2**
23. **12-V-Gleichstromausgang** (für Zigarettensanzünderadapter)

HINWEIS: Die Form des Wechselstromausgangs ist von Land zu Land unterschiedlich.

MONTAGE

⚠ VORSICHT: Halten Sie den Stromwandler und die Stromquelle fest, wenn Sie die Stromquelle installieren oder entfernen. Andernfalls können sie Ihnen aus den Händen gleiten und Personenschäden oder Schäden am Stromwandler und an der Stromquelle verursachen.

⚠ VORSICHT: Vergewissern Sie sich vor dem Betrieb, dass das Kabel ordnungsgemäß verlegt ist und die Buchse bis zum Anschlag in den Stecker eingeführt ist.

Montieren der Stromquelle

Für PDC1200

Bringen Sie die Stromquelle am Stromwandler an, wie in der Abbildung gezeigt.

⚠ VORSICHT: Vergewissern Sie sich, dass die Stromquelle sicher am Stromwandler installiert ist. Andernfalls kann sie versehentlich aus dem Stromwandler fallen und Verletzungen bei Ihnen oder anderen Personen in Ihrer Umgebung verursachen. Falls Sie die rote Anzeige sehen können, wie in der Abbildung gezeigt, ist die Stromquelle nicht vollständig verriegelt.

► **Abb.2:** 1. Rote Anzeige

Wenn Sie die Stromquelle entfernen möchten, heben Sie die Stromquelle an, während Sie den Arretierknopf nach unten drücken.

► **Abb.3:** 1. Arretierknopf

Für PDC01

Bringen Sie die Stromquelle am Stromwandler an, wie in der Abbildung gezeigt.

► **Abb.4**

Zum Entfernen der Stromquelle führen Sie das Installationsverfahren umgekehrt durch.

Anschließen der Stromquelle

1. Öffnen Sie die Kappe des Steckers.
2. Richten Sie die Pfeilmarkierung an der Buchse auf die des Stromwandlers aus, und führen Sie dann die Buchse bis zum Anschlag in den Stecker ein.

► **Abb.5:** 1. Kappe 2. Stecker (Eingang) 3. Buchse 4. Pfeilmarkierung

ANMERKUNG: Führen Sie die Buchse nicht gewaltsam ein. Lässt sich die Buchse nicht leicht einführen, ist sie nicht korrekt eingesteckt.

ANMERKUNG: Halten Sie beim Ausstecken nicht die Kabel, sondern die Buchse. Andernfalls können die Kabel beschädigt werden und eine Funktionsstörung verursachen.

ANMERKUNG: Schließen Sie die Kappe des Steckers immer fest, wenn die Stromquelle nicht eingesteckt ist. Andernfalls können Fremdkörper in den Stromwandler gelangen und eine Fehlfunktion verursachen.

Kabeltasche

Sie können das Kabel in die Kabeltasche stecken, wie in der Abbildung gezeigt.

► **Abb.6**

Installieren des MAKPAC

Sonderzubehör

Der Stromwandler kann an der Ober- oder Unterseite des MAKPAC angebracht werden, wie in der Abbildung gezeigt.

► Abb.7

⚠ VORSICHT: Stellen Sie sicher, dass der Stromwandler mit den vier Klinken sicher am MAKPAC befestigt ist. Anderenfalls kann es zu einem Sturz mit daraus resultierenden Personenschäden kommen.

BETRIEB

► Abb.8: 1. Ein-Aus-Taste

1. Drücken Sie die Ein-Aus-Taste der Stromquelle, um sie einzuschalten.
2. Schließen Sie Ihr Gerät an einen geeigneten Ausgang an.

Wenn Sie den Wechselstromausgang verwenden, wählen Sie die geeignete Frequenz, indem Sie die Frequenzumschalttaste gedrückt halten.

HINWEIS: Die Frequenz kann nur gewählt werden, wenn die Wechselstromausgabe stoppt.

HINWEIS: Die Frequenzeinstellung wird gespeichert. Beim nächsten Mal startet der Stromwandler mit der gleichen Einstellung.

3. Drücken Sie die gewünschte Ausgangstaste. Der Stromwandler startet die Ausgabe, und die aktive Ausgangstaste leuchtet auf.
4. Drücken Sie die Ausgangstaste erneut, um anzuhalten.
5. Drücken Sie die Ein-Aus-Taste der Stromquelle, um sie auszuschalten.

ANMERKUNG: Möglicherweise können Sie ein Gerät, das zum Starten viel Strom benötigt, nicht verwenden, selbst wenn die Leistungsausgabe des Stromwandlers innerhalb des Nennleistungsbereichs gehalten wird.

ANMERKUNG: Der Stromwandler liefert möglicherweise keinen Strom für einige USB-Geräte.

ANMERKUNG: Bevor Sie ein USB-Gerät an den Stromwandler anschließen, sollten Sie stets eine Sicherungskopie Ihrer Daten auf dem USB-Gerät erstellen.

ANMERKUNG: Sie können die Stromquelle nicht mit dem Stromwandler aufladen, wenn Sie handelsübliche Powerbanks verwenden.

Wie die Ausgabeanzeige zu interpretieren ist

► Abb.9

- Die Ausgabeanzeige leuchtet entsprechend der ausgegebenen Wattzahl auf.
- Wenn die Leistungsausgabe 1.400 W (VA) erreicht, leuchtet die Lampe bei „1400“ in Rot auf. Diese Lampe beginnt in Rot zu blinken, wenn der Stromwandler überlastet ist.

Ein-/Ausschalten des Signaltons

► Abb.10: 1. Signaltontaste

Halten Sie die Signaltonntaste gedrückt, um den Signalton ein-/auszuschalten.

HINWEIS: Die Signaltoneinstellung wird gespeichert. Beim nächsten Mal startet der Stromwandler mit der gleichen Einstellung.

Schutzsystem

Der Stromwandler ist mit dem folgenden Schutzsystem ausgestattet.

Überlastschutz

Jeder Ausgang ist wie folgt gegen Überlastung geschützt:

- **Wechselstromausgang**
Wenn der Stromwandler eine übermäßige Wattzahl feststellt, hebt er die gesamte Wechselstromausgabe mit einem intermittierenden Signalton auf.
- **USB-Ausgang**
Wenn der Stromwandler einen abnormal hohen Strom feststellt, schaltet der Stromwandler den USB-Ausgang, von dem ein hoher Strom fließt, ab.
- **12-V-Gleichstrom-Ausgang**
Wenn der Stromwandler einen abnormal hohen Strom feststellt, bricht der Stromwandler die 12-V-Gleichstromausgabe mit einem intermittierenden Signalton ab.

Falls die Gesamtausgabe von AC, USB und DC 12 V die Nennleistung des Stromwandlers für einen bestimmten Zeitraum übersteigt, wird die gesamte Ausgabe mit einem kontinuierlichen Signalton abgebrochen. Schalten Sie in diesem Fall die Stromquelle aus und beenden Sie die Anwendung, die eine Überlastung des Stromwandlers verursacht hat. Schalten Sie dann die Stromquelle für einen Neustart ein.

HINWEIS: Wenn der Stromwandler überlastet wird, blinkt die Lampe „1400“ der Ausgabeanzeige in Rot.

HINWEIS: Der Signalton wird durch Drücken einer beliebigen Taste auf dem Tastenfeld abgeschaltet.

Überhitzungsschutz

Wenn der Stromwandler überhitzt ist, bricht er alle Ausgaben mit kontinuierlichen Signaltonen ab. Lassen Sie in diesem Fall den Stromwandler abkühlen, bevor Sie ihn wieder einschalten.

Überentladungsschutz

Wenn die verbleibende Kapazität der Stromquelle niedrig wird, ertönt ein intermittierender Signalton, und die aktive Ausgangstaste blinkt. Entfernen Sie in diesem Fall die Stromquelle, und laden Sie sie auf. Wenn die verbleibende Kapazität der Stromquelle noch niedriger wird, wird die gesamte Ausgabe abgebrochen.

WARTUNG

⚠ VORSICHT: Vergewissern Sie sich immer, dass die Stromquelle entfernt ist, bevor Sie versuchen, eine Inspektion oder Wartung durchzuführen.

ANMERKUNG: Waschen Sie den Verbinder nicht mit Wasser. Es besteht die Gefahr einer Fehlfunktion.

ANMERKUNG: Wischen Sie die Oberfläche dieses Produkts von Zeit zu Zeit mit einem in Seifenwasser angefeuchteten Tuch ab.

ANMERKUNG: Verwenden Sie auf keinen Fall Benzin, Waschbenzin, Verdüner, Alkohol oder dergleichen. Solche Mittel können Verfärbung, Verformung oder Rissbildung verursachen.

Um die SICHERHEIT und ZUVERLÄSSIGKEIT dieses Produkts zu gewährleisten, sollten Reparaturen und andere Wartungs- oder Einstellarbeiten nur von Makita-Vertragswerkstätten oder Makita-Kundendienstzentren unter ausschließlicher Verwendung von Makita-Originalersatzteilen ausgeführt werden.

Reinigen

Falls der Stromwandler verschmutzt ist, wischen Sie ihn mit einem trockenen oder mit Seifenwasser angefeuchteten Tuch ab.

Filter

⚠ VORSICHT: Achten Sie unbedingt darauf, den Filter nach der Reinigung wieder zu installieren. Der Betrieb des Stromwandlers ohne Filter kann eine Fehlfunktion verursachen.

Entfernen Sie den Filter, indem Sie ihn herausziehen, wie in der Abbildung gezeigt. Waschen Sie den Filter, und trocknen Sie ihn dann.

► **Abb.11:** 1. Filter

Um den Filter zu installieren, wenden Sie das Ausbauverfahren umgekehrt an.

SONDERZUBEHÖR

⚠ VORSICHT: Die folgenden Zubehörteile oder Vorrichtungen werden für den Einsatz mit dem in dieser Anleitung beschriebenen Makita-Werkzeug empfohlen. Die Verwendung anderer Zubehörteile oder Vorrichtungen kann eine Verletzungsgefahr darstellen. Verwenden Sie Zubehörteile oder Vorrichtungen nur für ihren vorgesehenen Zweck.

Wenn Sie weitere Einzelheiten bezüglich dieser Zubehörteile benötigen, wenden Sie sich bitte an Ihre Makita-Kundendienststelle.

- Rückentragbare Akku-Bank
- Original-Makita-Akku und -Ladegerät
- MAKPAC

HINWEIS: Manche Teile in der Liste können als Standardzubehör im Werkzeugsatz enthalten sein. Sie können von Land zu Land unterschiedlich sein.

DATI TECNICI

Modello:		BAC01
Uscita nominale	Prestazioni del convertitore (Quando si utilizza il modello PDC1200)	Watt continui: 1.400 W (VA) Watt di picco: 2.800 W (VA)
	Presa elettrica CA*	Onda sinusoidale pura, a 50 Hz o a 60 Hz, 2 pezzi Tensione: Fare riferimento all'indicazione sul convertitore di potenza. (La tensione in uscita varia a seconda della nazione.)
	Porta USB	Tipo A: 5 V, 2,4 A, 2 pezzi Tipo C: USB-PD 30 W, 2 pezzi
	Adattatore per accendisigari	12 V, 10 A, 1 pezzo
Tempo di funzionamento**	PDC1200 (Con 1.000 W)	56 min.
	PDC01 (Con 750 W, BL1860B x 2)	10 min.
Dimensioni (L x P x A) (Con tutti i ganci in posizione ripiegata)		395 mm x 345 mm x 163 mm
Peso netto (Solo convertitore di potenza)		7,3 kg

*Solo per il Brasile

La tensione è contrassegnata accanto alla presa elettrica CA.

**I tempi di funzionamento sono approssimativi e possono variare a seconda del tipo di fonte di alimentazione, dello stato di carica e delle condizioni d'uso.

- A causa del nostro programma continuativo di ricerca e sviluppo, i dati tecnici sono soggetti a modifiche senza preavviso.
- I dati tecnici possono variare da nazione a nazione.

Fonte di alimentazione compatibile

Gruppo di alimentazione portatile	PDC1200 / PDC01* *Utilizzare le cartucce delle batterie descritte nella sezione relativa alla cartuccia della batteria compatibile.
-----------------------------------	--

- Alcune delle fonti di alimentazione elencate sopra potrebbero non essere disponibili, a seconda della propria area geografica di residenza.
- Prima di utilizzare la fonte di alimentazione, leggere le istruzioni e le indicazioni delle avvertenze riportate su quest'ultima.

⚠AVVERTIMENTO: Utilizzare solo le fonti di alimentazione elencate sopra. L'utilizzo di altre fonti di alimentazione potrebbe causare lesioni personali e/o un incendio.

Cartuccia della batteria compatibile

Solo per il modello PDC01

AVVISO: Quando si utilizza il modello PDC01:

- Qualora la potenza in uscita superi i 750 W (VA), il convertitore di potenza arresta l'alimentazione, a causa del sistema di protezione della batteria. In questo caso, mantenere la potenza in uscita a un valore di 750 W (VA) o inferiore.
- A seconda delle condizioni d'uso, il convertitore di potenza potrebbe interrompere l'uscita, qualora la batteria in uso passi a un'altra batteria. In questa circostanza, premere il pulsante dell'uscita che si desidera riavviare.
- Per utilizzare il convertitore di potenza sono necessarie due o quattro cartucce delle batterie. Se si intende utilizzare due cartucce delle batterie, installarne una nella porta per batteria 1 o 2 e l'altra nella porta per batteria 3 o 4.

- Alcune cartucce delle batterie elencate sopra potrebbero non essere disponibili, a seconda della propria area geografica di residenza.

⚠AVVERTIMENTO: Utilizzare solo le cartucce delle batterie elencate sopra. L'utilizzo di altre cartucce delle batterie potrebbe causare lesioni personali e/o un incendio.

Simboli

Le figure seguenti mostrano i simboli utilizzati per l'apparecchio. Accertarsi di comprenderne il significato prima dell'uso.



Leggere il manuale d'uso.



Solo per le nazioni dell'EU
A causa della presenza di componenti pericolosi nelle apparecchiature, i rifiuti di apparecchiature elettriche ed elettroniche, accumulatori e batterie potrebbero produrre un impatto negativo sull'ambiente e sulla salute umana.



Non smaltire elettrodomestici elettrici ed elettronici o batterie insieme ai rifiuti domestici!
In conformità alla direttiva europea sui rifiuti di apparecchiature elettriche ed elettroniche (RAEE), sugli accumulatori e le batterie, nonché sui rifiuti di accumulatori e batterie, e al suo adattamento alle normative nazionali, i rifiuti di apparecchiature elettriche ed elettroniche, batterie e accumulatori vanno conservati separatamente e conferiti a un punto di raccolta separato per i rifiuti comunali, operando in conformità alle normative per la protezione dell'ambiente.
Tale requisito viene indicato mediante il simbolo del bidone della spazzatura con ruote barrato apposto sull'apparecchio.

Utilizzo previsto

Questo elettrodomestico è destinato a convertire l'energia di un gruppo di alimentazione portatile Makita in varie uscite.

AVVERTENZE DI SICUREZZA

⚠AVVERTIMENTO: Prima dell'uso, accertarsi di leggere il manuale d'uso del prodotto da utilizzare con questo convertitore di potenza.

Avvertenze di sicurezza relative al convertitore di potenza

1. **Al fine di garantire prestazioni ottimali e una vita utile a lungo termine, fare attenzione a proteggere il convertitore di potenza dalle condizioni seguenti.**
 - Gas e liquidi corrosivi
 - Nebbie saline e nebbie di olio
 - Impatti meccanici e vibrazioni
 - Umidità elevata
 - Temperatura estrema (freddo o caldo eccessivi)

La gamma di temperature ambientali idonee è compresa tra -10 °C e 40 °C (14 °F e 104 °F).

- Rumore elettromagnetico (ad es., saldatrici elettriche, apparecchi ad alta potenza)
- Materiale radioattivo

2. **Collocare il convertitore di potenza su una superficie orizzontale senza ondulazioni e in un'ubicazione stabile.** In caso contrario, potrebbe verificarsi un incidente dovuto alla caduta.
3. **Quando si intende trasportare il convertitore di potenza, scollegare la fonte di alimentazione e tutti gli elettrodomestici collegati alla porta di uscita.** In caso contrario, potrebbe verificarsi un incidente dovuto alla caduta.
4. **Quando si intende trasportare il convertitore di potenza, afferrare sempre saldamente le maniglie da trasporto con entrambe le mani. Non trasportare il convertitore di potenza afferrando altre parti.** In caso contrario, potrebbe verificarsi un incidente dovuto alla caduta.
5. **Non utilizzare il convertitore di potenza con le mani bagnate. Non esporre il convertitore di potenza alla pioggia o a condizioni di bagnato.** Rischio di scosse elettriche. Il convertitore di potenza non è impermeabile.
6. **Non inserire oggetti metallici, ad esempio puntine da disegno, fili elettrici o altri piccoli oggetti metallici nelle prese elettriche e nelle prese d'aria.** Rischio di scosse elettriche.
7. **Non smontare il convertitore di potenza.** Rischio di scosse elettriche.
8. **Non sottoporre a forti impatti il convertitore di potenza, ad esempio facendolo cadere.** In caso contrario, si potrebbe causare un malfunzionamento che potrebbe risultare in scosse elettriche.
9. **Verificare la presenza di eventuali disallineamenti o inceppamenti delle parti mobili, rottura delle parti e qualsiasi altra condizione che potrebbe influenzare negativamente il funzionamento. Qualora l'elettrodomestico sia danneggiato, farlo riparare prima dell'uso.** Molti incidenti vengono causati da elettrodomestici soggetti a manutenzione inadeguata.
10. **Impostare sempre su una frequenza CA appropriata.** In caso contrario, si potrebbe verificare un malfunzionamento che potrebbe risultare in lesioni personali.

11. **Non utilizzare il convertitore di potenza in atmosfere esplosive, ad esempio in presenza di liquidi, gas o polveri infiammabili.** Una piccola carica statica o una scintilla potrebbero incendiare le polveri o i fumi, creando un incendio o un'esplosione.
12. **Non lasciare che alcunché possa coprire o intasare le aperture di ventilazione. Utilizzare il convertitore di potenza in ubicazioni in cui nulla interferisca con le prese d'aria.** In caso contrario, si potrebbe causare un malfunzionamento o un incendio.
13. **Fare attenzione a non inciampare nel cavo elettrico durante l'uso. Inserire il cavo elettrico nell'apposita tasca.**
14. **Non utilizzare il convertitore di potenza per apparecchiature mediche.** Un malfunzionamento inaspettato potrebbe causare un incidente.
15. **Per ridurre il rischio di incendi, calore eccessivo, esplosioni, perdite di liquido elettrolitico, scosse elettriche o lesioni personali, attenersi alle precauzioni seguenti.**
 - **Non collegare un elettrodomestico che superi la potenza nominale in uscita del convertitore di potenza.**
 - **Non collegare direttamente alla rete elettrica CA generale.**
16. **Conservare il convertitore di potenza al chiuso, in un'ubicazione ben ventilata e a bassa umidità.**
17. **Tenere il convertitore di potenza fuori dalla portata dei bambini, quando si intende conservarlo.** In caso contrario, potrebbero verificarsi gravi incidenti.
18. **Non calpestare il convertitore di potenza. Inoltre, fare attenzione a non sottoporre a forti impatti il convertitore di potenza quando vi si installa il MAKPAC o la fonte di alimentazione.** In caso contrario, si potrebbero causare un malfunzionamento o lesioni personali.
19. **L'alloggiamento per il piedino di messa a terra sull'uscita CA non presenta tensione e corrente.** Questo prodotto non richiede la messa a terra dell'elettrodomestico CA, poiché non è collegato alla rete elettrica CA generale.
20. **Scollegare la batteria dall'elettrodomestico prima di effettuare eventuali regolazioni, cambiare gli accessori o riporre l'elettrodomestico.** Tali misure di sicurezza preventive riducono il rischio di avvio accidentale dell'elettrodomestico.
21. **Ricaricare solo con il caricabatterie specificato dal produttore.** Un caricabatterie appropriato per un tipo di batteria potrebbe creare un rischio di incendio, se utilizzato con un'altra batteria.
22. **Utilizzare gli elettrodomestici esclusivamente con le batterie specificamente designate.** L'utilizzo di qualsiasi altra batteria potrebbe creare un rischio di lesioni personali e di incendio.
23. **Quando la batteria non è in uso, tenerla lontana da altri oggetti metallici, quali graffette, monete, chiavi, chiodi, viti o altri piccoli oggetti metallici, che potrebbero fare contatto tra terminali diversi.** Il cortocircuito dei terminali della batteria può causare ustioni o incendi.
24. **In condizioni di uso improprio, la batteria potrebbe emettere un liquido: evitare il contatto con tale liquido. Qualora si verifichi un contatto accidentale con il liquido, lavare abbondantemente con acqua. Qualora il liquido entri in contatto con gli occhi, richiedere anche assistenza medica.** Il liquido espulso dalla batteria può causare irritazioni o ustioni.
25. **Non utilizzare una batteria o un elettrodomestico che siano danneggiati o che siano stati modificati.** Batterie danneggiate o modificate potrebbero mostrare un comportamento imprevedibile che può risultare in incendi, esplosioni o nel rischio di lesioni personali.
26. **Non esporre una batteria o un elettrodomestico al fuoco o a temperature eccessive.** L'esposizione al fuoco o a temperature superiori ai 130 °C potrebbe causare un'esplosione.
27. **Attenersi a tutte le istruzioni relative alla carica e non caricare la batteria o l'elettrodomestico al di fuori della gamma di temperature specificata nelle istruzioni.** Una carica inappropriata o a temperature al di fuori della gamma specificata potrebbe danneggiare la batteria e incrementare il rischio di incendio.
28. **Per l'assistenza tecnica, rivolgersi a un riparatore qualificato che utilizzi solo pezzi di ricambio identici.** In tal modo, si garantisce che la sicurezza del prodotto venga preservata.
29. **Non modificare né tentare di riparare l'elettrodomestico o la batteria, tranne per quanto indicato nelle istruzioni per l'uso e la manutenzione.**

Avvertenze di sicurezza relative agli elettrodomestici funzionanti a batteria

Uso e manutenzione degli elettrodomestici funzionanti a batteria

1. **Evitare l'avvio accidentale. Accertarsi che l'interruttore sia nella posizione di spegnimento, prima di effettuare il collegamento alla batteria e di sollevare o trasportare l'elettrodomestico.** Il trasporto dell'elettrodomestico con il dito appoggiato sull'interruttore o il collegamento all'alimentazione elettrica di un elettrodomestico con l'interruttore attivato favoriscono gli incidenti.

Istruzioni di sicurezza importanti per la cartuccia della batteria

1. **Prima di utilizzare la cartuccia della batteria, leggere tutte le istruzioni e le avvertenze riportate (1) sul caricabatteria, (2) sulla batteria e (3) sul prodotto che utilizza la batteria.**
2. **Non smantellare né manomettere la cartuccia della batteria.** In caso contrario, si potrebbe causare un incendio, calore eccessivo o un'esplosione.

3. Qualora il tempo di utilizzo si riduca eccessivamente, interrompere immediatamente l'utilizzo dell'utensile. In caso contrario, si può incorrere nel rischio di surriscaldamento, possibili ustioni e persino un'esplosione.
4. Qualora l'elettrolita entri in contatto con gli occhi, sciacquarli con acqua pulita e richiedere immediatamente assistenza medica. Questa eventualità può risultare nella perdita della vista.
5. Non cortocircuitare la cartuccia della batteria:
 - (1) Non toccare i terminali con alcun materiale conduttivo.
 - (2) Evitare di conservare la cartuccia della batteria in un contenitore insieme ad altri oggetti metallici quali chiodi, monete, e così via.
 - (3) Non esporre la cartuccia della batteria all'acqua o alla pioggia.

Un cortocircuito della batteria può causare un grande flusso di corrente, un surriscaldamento, possibili ustioni e persino un guasto.
6. Non conservare e utilizzare l'elettrodomestico e la cartuccia della batteria in ubicazioni in cui la temperatura possa raggiungere o superare i 50°C.
7. Non incenerire la cartuccia della batteria anche qualora sia gravemente danneggiata o completamente esaurita. La cartuccia della batteria può esplodere se a contatto con il fuoco.
8. Non inchiodare, tagliare, schiacciare, lanciare o far cadere la cartuccia della batteria, né farla urtare con forza contro un oggetto duro. Questi comportamenti potrebbero risultare in un incendio, calore eccessivo o un'esplosione.
9. Non utilizzare una batteria danneggiata.
10. Le batterie a ioni di litio contenute sono soggette ai requisiti del regolamento sul trasporto di merci pericolose (Dangerous Goods Legislation).
Per trasporti commerciali, ad esempio da parte di terzi o spedizionieri, è necessario osservare dei requisiti speciali sull'imballaggio e sull'etichetta. Per la preparazione dell'articolo da spedire, è richiesta la consulenza di un esperto in materiali pericolosi. Attenersi anche alle normative nazionali, che potrebbero essere più dettagliate. Nasturare o coprire i contatti aperti e imballare la batteria in modo tale che non si possa muovere liberamente all'interno dell'imballaggio.
11. Quando si intende smaltire la cartuccia della batteria, rimuoverla dall'elettrodomestico e smaltirla in un luogo sicuro. Attenersi alle normative locali relative allo smaltimento della batteria.
12. Utilizzare le batterie esclusivamente con i prodotti specificati da Makita. L'installazione delle batterie in prodotti non compatibili potrebbe risultare in incendi, calore eccessivo, esplosioni o perdite di liquido elettrolitico.
13. Qualora l'elettrodomestico non venga utilizzato per un periodo di tempo prolungato, la batteria deve essere rimossa dall'elettrodomestico.
14. Durante e dopo l'uso, la cartuccia della batteria potrebbe assorbire calore, che può causare ustioni o ustioni a bassa temperatura. Fare attenzione a come si maneggiano le cartucce delle batterie estremamente calde.
15. Non toccare i terminali dell'elettrodomestico subito dopo l'uso, in quanto potrebbero diventare estremamente caldi al punto da causare ustioni.
16. Evitare di far incastrare schegge, polveri o terreno nei terminali, nei fori e nelle scanalature della cartuccia della batteria. In caso contrario, si potrebbero causare prestazioni scadenti o la rottura dell'elettrodomestico o della cartuccia della batteria.
17. A meno che l'elettrodomestico supporti l'uso in prossimità di linee elettriche ad alta tensione, non utilizzare la cartuccia della batteria in prossimità di linee elettriche ad alta tensione. In caso contrario, si potrebbe causare un malfunzionamento o la rottura dell'elettrodomestico o della cartuccia della batteria.
18. Tenere la batteria lontana dai bambini.

CONSERVARE LE PRESENTI ISTRUZIONI.

⚠ATTENZIONE: Utilizzare esclusivamente batterie originali Makita. L'utilizzo di batterie Makita non originali, o di batterie che siano state alterate, potrebbe risultare nello scoppio della batteria, causando incendi, lesioni personali e danni. Inoltre, ciò potrebbe invalidare la garanzia Makita per l'elettrodomestico e il caricabatterie Makita.

Suggerimenti per preservare la durata massima della batteria

1. Caricare la cartuccia della batteria prima che si scarichi completamente. Smettere sempre di utilizzare l'elettrodomestico e caricare la cartuccia della batteria quando si nota che la potenza dell'elettrodomestico è diminuita.
2. Non ricaricare mai una cartuccia della batteria completamente carica. La sovraccarica riduce la vita utile della batteria.
3. Caricare la cartuccia della batteria a una temperatura ambiente compresa tra 10 °C e 40 °C. Lasciar raffreddare una cartuccia della batteria prima di caricarla.
4. Quando non si utilizza la cartuccia della batteria, rimuoverla dall'elettrodomestico o dal caricabatterie.
5. Caricare la cartuccia della batteria se non la si è utilizzata per un periodo di tempo prolungato (più di sei mesi).

DESCRIZIONE DELLE PARTI

► Fig.1

1. **Pannello degli interruttori**
2. **Dispositivo di fissaggio**
3. **Quadro delle uscite**
4. **Maniglia da trasporto**
5. **Presa d'aria**
6. **Gancio A**
7. **Gancio B**
Utilizzare solo per il modello PDC1200.
8. **Gancio C**
Utilizzare solo per il modello PDC01.
9. **Spinotto (ingresso)**
10. **Tasca per cavo elettrico**
11. **Pulsante dell'uscita USB**
12. **Pulsante dell'uscita CA**
13. **Pulsante di commutazione della frequenza**
14. **Pulsante dell'uscita da 12 V CC**
15. **Pulsante del segnale acustico**
16. **Indicatore della potenza in uscita**
Fare riferimento alla sezione su come interpretare l'indicatore della potenza in uscita.
17. **Uscita USB tipo A 1**
18. **Uscita USB tipo A 2**
19. **Uscita USB tipo C 1**
20. **Uscita USB tipo C 2**
21. **Uscita CA 1**
22. **Uscita CA 2**
23. **Uscita da 12 V CC** (per l'adattatore per accendisigari)

NOTA: La forma della presa elettrica CA varia da nazione a nazione.

MONTAGGIO

⚠ATTENZIONE: Mantenere saldamente il convertitore di potenza e la fonte di alimentazione quando si intende installare o rimuovere la fonte di alimentazione. In caso contrario, potrebbero scivolare via dalle mani, causando lesioni personali o danni al convertitore di potenza e alla fonte di alimentazione.

⚠ATTENZIONE: Prima dell'uso, accertarsi che il cavo elettrico sia posizionato correttamente e che la presa sia inserita fino in fondo nello spinotto.

Montaggio della fonte di alimentazione

Per il modello PDC1200

Montare la fonte di alimentazione sul convertitore di potenza come indicato nella figura.

⚠ATTENZIONE: Accertarsi che la fonte di alimentazione sia installata saldamente sul convertitore di potenza. In caso contrario, potrebbe cadere accidentalmente fuori dal convertitore di potenza e causare lesioni personali all'utilizzatore o a qualcuno intorno a quest'ultimo. Se è possibile vedere l'indicatore rosso, come indicato nella figura, la fonte di alimentazione non è bloccata completamente.

► Fig.2: 1. Indicatore rosso

Quando si intende rimuovere la fonte di alimentazione, sollevarla mentre si preme verso il basso il pulsante di blocco.

► Fig.3: 1. Pulsante di blocco

Per il modello PDC01

Montare la fonte di alimentazione sul convertitore di potenza come indicato nella figura.

► Fig.4

Per rimuovere la fonte di alimentazione, eseguire la procedura di installazione al contrario.

Collegamento della fonte di alimentazione

1. Aprire il cappuccio dello spinotto.
2. Allineare il simbolo della freccia sulla presa con quello presente sul convertitore di potenza, quindi inserire la presa fino in fondo nello spinotto.

► Fig.5: 1. Cappuccio 2. Spinotto (ingresso) 3. Presa 4. Simbolo della freccia

AVVISO: Non forzare l'inserimento della presa. Qualora non si riesca a inserire la presa agevolmente, vuol dire che non la si sta inserendo correttamente.

AVVISO: Quando si intende effettuare lo scollegamento, non afferrare i cavi elettrici, ma afferrare la presa. In caso contrario, i cavi elettrici potrebbero venire danneggiati e causare un malfunzionamento.

AVVISO: Chiudere sempre saldamente il cappuccio dello spinotto, quando la fonte di alimentazione non è collegata. In caso contrario, dei corpi estranei potrebbero penetrare nel convertitore di potenza e causare un malfunzionamento.

Tasca per cavo elettrico

È possibile inserire il cavo elettrico nell'apposita tasca, come indicato nella figura.

► Fig.6

Installazione di un MAKPAC

Accessorio opzionale

È possibile montare il convertitore di potenza sul lato superiore o inferiore di un MAKPAC, come indicato nella figura.

► Fig.7

⚠ATTENZIONE: Accertarsi che il convertitore di potenza sia fissato saldamente al MAKPAC con i quattro dispositivi di fissaggio. In caso contrario, si potrebbe verificare un incidente dovuto alla caduta, che potrebbe causare lesioni personali.

FUNZIONAMENTO

► Fig.8: 1. Pulsante di accensione

1. Premere il pulsante di accensione della fonte di alimentazione per accenderla.
2. Collegare l'elettrodomestico utilizzato all'uscita appropriata.

Quando si intende utilizzare l'uscita CA, selezionare la frequenza appropriata premendo e tenendo premuto il pulsante di commutazione della frequenza.

NOTA: È possibile selezionare la frequenza solo quando l'uscita CA è arrestata.

NOTA: L'impostazione della frequenza viene memorizzata. Al successivo utilizzo, il convertitore di potenza si avvia con la stessa impostazione.

3. Premere il pulsante dell'uscita che si desidera utilizzare.

Il convertitore di potenza avvia l'uscita, e il pulsante dell'uscita in funzione si illumina.

4. Per arrestarla, premere di nuovo il pulsante dell'uscita.
5. Premere il pulsante di accensione della fonte di alimentazione per spegnerla.

AVVISO: Potrebbe non essere possibile utilizzare un elettrodomestico che richieda una grande quantità di energia per avviarsi, anche qualora l'uscita di potenza del convertitore di potenza venga mantenuta nell'intervallo di potenza nominale.

AVVISO: Il convertitore di potenza potrebbe non fornire energia ad alcuni dispositivi USB.

AVVISO: Prima di collegare un dispositivo USB al convertitore di potenza, eseguire sempre la copia di riserva dei dati presenti sul dispositivo USB.

AVVISO: Non è possibile caricare la fonte di alimentazione con il convertitore di potenza utilizzando le batterie ricaricabili portatili disponibili sul mercato.

Come interpretare l'indicatore della potenza in uscita

► Fig.9

- L'indicatore della potenza in uscita si illumina in base al wattaggio emesso in uscita.
- Quando l'uscita di potenza raggiunge i 1.400 W (VA), l'indicatore luminoso su "1400" si illumina in rosso. Questo indicatore luminoso inizia a lampeggiare in rosso quando il convertitore di potenza diventa sovraccarico.

Attivazione o disattivazione del cicalino

► Fig.10: 1. Pulsante del segnale acustico

Premere e tenere premuto il pulsante del segnale acustico per attivare o disattivare il suono del cicalino.

NOTA: L'impostazione del cicalino viene memorizzata. Al successivo utilizzo, il convertitore di potenza si avvia con la stessa impostazione.

Sistema di protezione

Il convertitore di potenza è dotato del sistema di protezione seguente.

Protezione dal sovraccarico

Ciascuna uscita è dotata della protezione dal sovraccarico seguente:

- **Uscita CA**
Quando il convertitore di potenza rileva un wattaggio eccessivo, il convertitore di potenza arresta tutte le uscite CA con un segnale acustico intermittente.
- **Uscita USB**
Quando il convertitore di potenza rileva una corrente elevata in modo anomalo, il convertitore di potenza interrompe l'uscita USB dalla quale fluisce la corrente elevata.
- **Uscita da 12 V CC**
Quando il convertitore di potenza rileva una corrente elevata in modo anomalo, il convertitore di potenza arresta l'uscita da 12 V CC con un segnale acustico intermittente.

Qualora la potenza in uscita complessiva delle uscite CA, USB e da 12 V CC superi la potenza nominale in uscita del convertitore di potenza per un determinato periodo, tutte le uscite vengono arrestate, con un segnale acustico continuo. In questa circostanza, spegnere la fonte di alimentazione e arrestare l'applicazione che ha causato il sovraccarico del convertitore di potenza. Quindi, accendere la fonte di alimentazione per ricominciare.

NOTA: Quando il convertitore di potenza diventa sovraccarico, l'indicatore luminoso "1400" dell'indicatore della potenza in uscita lampeggia in rosso.

NOTA: Il segnale acustico si arresta premendo un qualsiasi pulsante sul pannello degli interruttori.

Protezione dal surriscaldamento

Quando il convertitore di potenza è surriscaldato, arresta tutte le uscite con segnali acustici continui. In questa circostanza, lasciar raffreddare il convertitore di potenza prima di riaccenderlo.

Protezione dalla sovrascarica

Quando la carica residua della fonte di alimentazione si riduce, si sente un segnale acustico intermittente, e il pulsante dell'uscita in funzione lampeggia. In questa circostanza, rimuovere la fonte di alimentazione e caricarla.

Quando la carica residua della fonte di alimentazione si riduce ulteriormente, tutte le uscite vengono arrestate.

MANUTENZIONE

ATTENZIONE: Accertarsi sempre che la fonte di alimentazione sia stata rimossa, prima di tentare di effettuare interventi di ispezione o manutenzione.

AVVISO: Non lavare il connettore con acqua. Rischio di malfunzionamento.

AVVISO: Pulire di tanto in tanto la superficie di questo prodotto utilizzando un panno inumidito con acqua e sapone.

AVVISO: Non utilizzare mai benzina, benzene, solventi, alcol o altre sostanze simili. In caso contrario, si potrebbero causare scolorimenti, deformazioni o crepe.

Per preservare la SICUREZZA e l’AFFIDABILITÀ del prodotto, le riparazioni e qualsiasi altro intervento di manutenzione e di regolazione devono essere eseguiti da un centro di assistenza autorizzato Makita, utilizzando sempre ricambi Makita.

Pulizia

Qualora il convertitore di potenza sia sporco, pulirlo con un panno asciutto o con un panno inumidito in acqua e sapone.

Filtro

ATTENZIONE: Dopo aver pulito il filtro, accertarsi di reinstallarlo. L'utilizzo del convertitore di potenza senza il filtro potrebbe causare un malfunzionamento.

Rimuovere il filtro tirandolo fuori come indicato nella figura.

Lavare il filtro, quindi asciugarlo.

► **Fig.11:** 1. Filtro

Per installare il filtro, eseguire la procedura di rimozione al contrario.

ACCESSORI OPZIONALI

ATTENZIONE: Questi accessori o componenti aggiuntivi sono consigliati per l'uso con l'utensile Makita specificato nel presente manuale.

L'impiego di altri accessori o componenti aggiuntivi può costituire un rischio di lesioni alle persone.

Utilizzare gli accessori o i componenti aggiuntivi solo per il loro scopo prefissato.

Per ottenere ulteriori dettagli relativamente a questi accessori, rivolgersi a un centro di assistenza Makita.

- Gruppo di alimentazione portatile
- Batteria e caricatori originali Makita
- MAKPAC

NOTA: Alcuni articoli nell'elenco potrebbero essere inclusi nell'imballaggio dell'utensile come accessori standard. Tali articoli potrebbero variare da nazione a nazione.

TECHNISCHE GEGEVENS

Model:		BAC01
Nominiaal vermogen	Omvormerprestaties (bij gebruik van de PDC1200)	Continuvermogen: 1.400 W (VA) Piekvermogen: 2.800 W (VA)
	Wisselstroomuitgang*	Zuivere sinusgolf 50 Hz of 60 Hz, 2 stuk Spanning: Raadpleeg de aanduiding op de stroomomvormer. (De uitgangsspanning verschilt afhankelijk van het land.)
	USB-poort	Type A: 5 V, 2,4 A, 2 stuks Type C: USB-PD 30 W, 2 stuks
	Sigarettenaanstekeraadapter	12 V, 10 A, 1 stuk
Gebruiksduur**	PDC1200 (met 1.000 W)	56 min.
	PDC01 (met 750 W, BL1860B x 2)	10 min.
Afmetingen (l x b x h) (met alle haken ingeklapt)		395 mm x 345 mm x 163 mm
Nettogewicht (alleen de stroomomvormer)		7,3 kg

*** Alleen voor Brazilië**

De spanning wordt aangegeven naast de wisselstroomuitgang.

** De gebruiksduur is bij benadering en kan verschillen afhankelijk van het type voedingsbron, de laadtoestand en de gebruiksomstandigheden.

- In verband met ononderbroken research en ontwikkeling, behouden wij ons het recht voor de bovenstaande technische gegevens zonder voorafgaande kennisgeving te wijzigen.
- De technische gegevens kunnen van land tot land verschillen.

Toepasselijke voedingsbron

Draagbare voedingseenheid	PDC1200 / PDC01* * Gebruik de accu's die worden vermeld in het gedeelte "Toepasselijke accu's".
---------------------------	--

- Sommige van de hierboven vermelde voedingsbronnen zijn mogelijk niet leverbaar afhankelijk van waar u woont.
- Alvorens de voedingsbron te gebruiken, leest u de instructies en waarschuwingsopchriften erop.

⚠ WAARSCHUWING: Gebruik uitsluitend de voedingsbronnen die hierboven worden genoemd. Gebruik van enige andere voedingsbron kan leiden tot letsel en/of brand.

Toepasselijke accu's

Alleen voor PDC01

KENNISGEVING: Bij gebruik van de PDC01:	
—	Als het uitgangsvermogen hoger is dan 750 W (VA), onderbreekt de stroomomvormer de voeding als gevolg van het accubeveiligingssysteem. Beperk in dat geval het uitgangsvermogen tot 750 W (VA) of lager.
—	Afhankelijk van de gebruiksomstandigheden, stopt de uitvoer van de stroomomvormer mogelijk wanneer de gebruikte accu wordt omgeschakeld naar een andere accu. Druk in dit geval op de gewenste uitvoerknop om de uitvoer opnieuw te starten.
—	Twee of vier accu's zijn nodig om de stroomomvormer te kunnen gebruiken. Als u twee accu's gebruikt, brengt u er één aan in accupoort 1 of 2 en de andere in accupoort 3 of 4.

Accu	BL1815N / BL1820B / BL1830B* / BL1840B* / BL1850B* / BL1860B* * : Aanbevolen accu
------	--

- Sommige van de hierboven vermelde accu's zijn mogelijk niet leverbaar afhankelijk van waar u woont.

⚠ WAARSCHUWING: Gebruik uitsluitend de accu's die hierboven worden genoemd. Gebruik van enige andere accu kan leiden tot letsel en/of brand.

Symbolen

Hieronder staan de symbolen die voor het gereedschap kunnen worden gebruikt. Zorg ervoor dat u de betekenis ervan kent voordat u het gereedschap gaat gebruiken.



Lees de gebruiksaanwijzing.



Alleen voor EU-landen
Als gevolg van de aanwezigheid van schadelijke componenten in het apparaat, kunnen oude elektrische en elektronische apparaten, accu's en batterijen negatieve gevolgen hebben voor het milieu en de gezondheid van mensen.



Ni-MH
Li-ion

Gooi elektrische en elektronische apparaten en accu's niet met het huisvuil weg! In overeenstemming met de Europese richtlijn inzake oude elektrische en elektronische apparaten en inzake accu's en batterijen en oude accu's en batterijen, alsmede de toepassing daarvan binnen de nationale wetgeving, dienen oude elektrische apparaten, accu's en batterijen gescheiden te worden opgeslagen en te worden ingeleverd bij een apart inzamelingspunt voor huishoudelijk afval dat de milieubeschermingsvoorschriften in acht neemt.

Dit wordt op het apparaat aangegeven door het symbool van een doorgekruiste afvalcontainer.

Gebruiksdoelinden

Dit apparaat is bedoeld om de stroom uit een draagbare voedingseenheid van Makita om te vormen naar diverse uitvoeren.

VEILIGHEIDSWAARSCHUWINGEN

⚠ WAARSCHUWING: Lees vóór gebruik de gebruiksaanwijzing van uw product dat met deze stroomomvormer wordt gebruikt.

Veiligheids waarschuwingen voor een stroomomvormer

- Om verzekerd te zijn van goede prestaties en een lange levensduur dient u de stroomomvormer te beschermen tegen de volgende omstandigheden.**
 - Corrosief gas en vloeistof
 - Zoutmist en oliemist
 - Mechanische impact en trillingen
 - Hoge vochtigheidsgraad
 - Extreme temperatuur (te koud of te heet)
Het geschikte temperatuurbereik is van -10 °C t/m 40 °C (14 °F t/m 104 °F).
- Elektromagnetische ruis (bijvoorbeeld elektrische lasapparaten, apparatuur met een hoog vermogen)
- Radioactief materiaal
- Plaats de stroomomvormer om een horizontale, vlakke en stabiele ondergrond.** Anders kan zich door vallen een ongeval voordoen.
- Voordat u de stroomomvormer draagt, koppelt u de voedingsbron en alle apparaten aangesloten op de uitgangen los.** Anders kan zich door vallen een ongeval voordoen.
- Wanneer u de stroomomvormer draagt, houdt u de draaghandgrepen altijd stevig en met beide handen vast. Draag de stroomomvormer niet door enig ander onderdeel vast te houden.** Anders kan zich door vallen een ongeval voordoen.
- Gebruik de stroomomvormer niet met natte handen. Stel de stroomomvormer niet bloot aan regen of natte omstandigheden.** Het risico van een elektrische schok bestaat. De stroomomvormer is niet waterdicht.
- Steek geen metalen voorwerpen, zoals punaises, draden of andere kleine metalen voorwerpen, in de uitgangen en ventilatieopeningen.** Het risico van een elektrische schok bestaat.
- Haal de stroomomvormer niet uit elkaar.** Het risico van een elektrische schok bestaat.
- oefen geen sterke impact uit op de stroomomvormer, zoals bij vallen.** Hierdoor kan een storing worden veroorzaakt die kan leiden tot een elektrische schok.
- Controleer op een slechte uitlijning of het aanlopen van draaiende delen, beschadigde onderdelen en eventuele overige situaties die van invloed kunnen zijn op de werking. Als het apparaat beschadigd is, laat u het eerst repareren voordat u het gebruikt.** Veel ongelukken worden veroorzaakt doordat het apparaat slecht wordt onderhouden.
- Stel altijd een geschikte wisselstroomfrequentie in.** Anders kan een storing optreden en letsel worden veroorzaakt.
- Gebruik de stroomomvormer niet in een omgeving waar explosiegevaar bestaat door licht ontvlambare vloeistoffen, gas, damp of stof.** Een kleine statische lading of vonk kan het stof of de dampen ontsteken waardoor brand of een explosie ontstaat.
- Zorg ervoor dat de ventilatieopeningen niet worden afgedekt of geblokkeerd. Gebruik de stroomomvormer op een plaats waar niets de ventilatieopeningen hindert.** Hierdoor kan een storing of brand worden veroorzaakt.
- Wees voorzichtig tijdens gebruik niet over de kabel te struikelen. Berg de kabel op in het kabelopbergvak.**
- Gebruik de stroomomvormer niet met medische apparatuur.** Een onverwachte storing kan een ongeval veroorzaken.

15. **Om het risico van brand, buitensporige hitte, explosie, lekkage van elektrolyt, elektrische schokken en letsel te verkleinen, neemt u de volgende voorzorgsmaatregelen in acht.**
 - Sluit geen apparaat aan met een hoger nominaal vermogen dan dat van de stroomomvormer.
 - Sluit niet rechtstreeks aan op het algemene wisselstroomnet.
16. **Bewaar de stroomomvormer binnenshuis op een goed geventileerde plaats met een lage luchtvochtigheid.**
17. **Bewaar de stroomomvormer buiten bereik van kinderen.** Anders kan zich een ernstig incident voordoen.
18. **Ga niet op de stroomomvormer staan. Wees ook voorzichtig geen sterke schokken uit te oefenen op de stroomomvormer wanneer u hem aanbrengt op de MAKPAC of voeding.** Als u dat doet, kan een storing of persoonlijk letsel worden veroorzaakt.
19. **Op de gleuf voor de aardpen van de wisselstroomuitgang staat geen spanning of stroomsterkte.** Dit product vereist geen aarding van een wisselstroomapparaat omdat het niet is aangesloten op het openbare wisselstroomelektriciteitsnet.
6. **Onder zware gebruiksomstandigheden kan vloeistof uit de accu komen. Voorkom aanraking! Als u er per ongeluk mee in aanraking komt, spoelt u het er met water af. Als de vloeistof in uw ogen komt, raadpleegt u tevens een arts.** Vloeistof uit de accu kan irritatie en brandwonden veroorzaken.
7. **Gebruik geen accu of apparaat die/dat beschadigd of gewijzigd is.** Beschadigde of gewijzigde accu's kunnen onvoorspelbaar gedrag vertonen dat kan leiden tot brand, explosie of gevaar van letsel.
8. **Stel een accu of apparaat niet bloot aan vuur of buitensporige temperaturen.** Blootstelling aan vuur of temperaturen hoger dan 130 °C kunnen een explosie veroorzaken.
9. **Volg alle oplaadinstructions en laad de accu of het apparaat niet op buiten het temperatuurbereik vermeld in de instructies.** Verkeerd opladen of bij een temperatuur buiten het vermelde bereik, kan de accu beschadigen en de kans op brand vergroten.
10. **Laat onderhoud en reparatie uitvoeren door een vakbekwame reparateur die gebruik maakt van uitsluitend identieke vervangingsonderdelen.** Zo bent u ervan verzekerd dat de veiligheid van het apparaat behouden blijft.
11. **Probeer niet het apparaat of de accu te wijzigen of te repareren, behalve zoals aangegeven in de instructies voor gebruik en verzorging.**

Veiligheidswaarschuwingen voor apparaten die op een accu werken

Gebruik en verzorging van apparaten die op een accu werken

1. **Voorkom onbedoeld inschakelen. Controleer of de schakelaar in de uit-stand staat alvorens de accu aan te brengen, het apparaat op te pakken of te dragen.** Door het apparaat te dragen met uw vinger op de schakelaar, of door het apparaat op een voeding aan te sluiten terwijl de schakelaar aan staat, neemt de kans op ongevalen sterk toe.
2. **Haal de accu van het apparaat af voordat u instellingen aanpast, accessoires vervangt of het apparaat opbergt.** Dergelijke preventieve veiligheidsmaatregelen verkleinen de kans dat het apparaat per ongeluk wordt ingeschakeld.
3. **Laad alleen op met de acculader aanbevolen door de fabrikant.** Een acculader die geschikt is voor een bepaald type accu, kan brandgevaar opleveren indien gebruikt met een ander type accu.
4. **Gebruik apparaten uitsluitend met de daarvoor bestemde accu's.** Als u een andere accu erin gebruikt, kan dit leiden tot persoonlijk letsel of brand.
5. **Als de accu niet wordt gebruikt, houdt u deze uit de buurt van metalen voorwerpen, zoals paperclips, muntgeld, sleutels, spijkers, schroeven en andere kleine metalen voorwerpen die een kortsluiting kunnen veroorzaken tussen de accupolen.** Kortsluiting tussen de accupolen kan leiden tot brandwonden of brand.

Belangrijke veiligheidsinstructies voor een accu

1. **Lees alle voorschriften en waarschuwingen op (1) de acculader, (2) de accu, en (3) het product waarvoor de accu wordt gebruikt, alvorens de accu in gebruik te nemen.**
2. **Haal de accu niet uit elkaar en saboteer hem niet.** Dit kan leiden tot brand, buitensporige hitte of een explosie.
3. **Als de gebruikstijd van een opgeladen accu aanzienlijk korter is geworden, moet u het gebruik ervan onmiddellijk stopzetten.** Voortgezet gebruik kan oververhitting, brandwonden en zelfs een ontploffing veroorzaken.
4. **Als elektrolyt in uw ogen is terechtgekomen, spoelt u uw ogen met schoon water en roept u onmiddellijk de hulp van een dokter in.** Elektrolyt in de ogen kan blindheid veroorzaken.
5. **Voorkom kortsluiting van de accu:**
 - (1) **Raak de accuklemmen nooit aan met een geleidend materiaal.**
 - (2) **Bewaar de accu niet in een bak waarin andere metalen voorwerpen zoals spijkers, munten e.d. worden bewaard.**
 - (3) **Stel de accu niet bloot aan water of regen.** Kortsluiting van de accu kan oorzaak zijn van een grote stroomafgifte, oververhitting, brandwonden, en zelfs defecten.
6. **Bewaar en gebruik het apparaat en de accu niet op plaatsen waar de temperatuur kan oplopen tot 50 °C of hoger.**

7. **Werp de accu nooit in het vuur, ook niet wanneer hij zwaar beschadigd of volledig versleten is. De accu kan ontploffen in het vuur.**
8. **Laat de accu niet vallen, sla er geen spijker in, snijd er niet in, gooi er niet mee en stoot hem niet tegen een hard voorwerp.** Dergelijke handelingen kunnen leiden tot brand, buitensporige hitte of een explosie.
9. **Gebruik nooit een beschadigde accu.**
10. **De bijgeleverde lithium-ionbatterijen zijn onderhevig aan de vereisten in de wetgeving omtrent gevaarlijke stoffen.**
 Voor commercieel transport en dergelijke doorden en transporteurs moeten speciale vereisten ten aanzien van verpakking en etikettering worden nageleefd.
 Als voorbereiding van het artikel dat wordt getransporteerd is het noodzakelijk een expert op het gebied van gevaarlijke stoffen te raadplegen. Houd u tevens aan mogelijk strengere nationale regelgeving.
 Blootliggende contactpunten moeten worden afgedekt met tape en de accu moet zodanig worden verpakt dat deze niet kan bewegen in de verpakking.
11. **Wanneer u de accu wilt weggooien, verwijdert u de accu vanaf het apparaat en gooit u hem op een veilige manier weg. Volg bij het weggooien van de accu de plaatselijke voorschriften.**
12. **Gebruik de accu's uitsluitend met de gereedschappen die door Makita zijn aanbevolen.** Als de accu's worden aangebracht in niet-compatibele gereedschappen, kan dat leiden tot brand, buitensporige warmteontwikkeling, een explosie of lekkage van elektrolyt.
13. **Als u het apparaat gedurende een lange tijd niet denkt te gaan gebruiken, moet de accu vanaf het apparaat worden verwijderd.**
14. **Tijdens en na gebruik, kan de accu heet worden waardoor oppervlakkige of diepe brandwonden kunnen worden veroorzaakt. Wees voorzichtig bij het hanteren van een hete accu.**
15. **Raak de contactpunten van het apparaat niet onmiddellijk na gebruik aan omdat deze heet genoeg kunnen zijn om een brandwond te veroorzaken.**
16. **Zorg ervoor dat geen vuildeeltjes, stof of grond vast komt te zitten op/in de contactpunten, openingen en groeven van de accu.** Dit kan leiden tot slechte prestaties of een defect van het apparaat of de accu.
17. **Behalve indien gebruik van het apparaat is toegestaan in de buurt van hoogspanningsleidingen, mag u de accu niet gebruiken in de buurt van een hoogspanningsleiding.** Dit kan leiden tot een storing of een defect van het apparaat of de accu.
18. **Houd de accu uit de buurt van kinderen.**

BEWAAR DEZE INSTRUCTIES.

⚠️ LET OP: Gebruik uitsluitend originele Makita accu's. Het gebruik van niet-originele accu's, of accu's die zijn gewijzigd, kan ertoe leiden dat de accu barst, waardoor brand, persoonlijk letsel en schade kunnen worden veroorzaakt. Ook vervalt daarmee de garantie van Makita op het apparaat en de lader van Makita.

Tips voor een maximale levensduur van de accu

1. **Laad de accu op voordat deze volledig ontladen is. Stop met het gebruik van het apparaat en laad de accu op zodra u merkt dat het vermogen van het apparaat afneemt.**
2. **Laad een volledig opgeladen accu nooit opnieuw op. Te lang opladen verkort de levensduur van de accu.**
3. **Laad de accu op bij een omgevingstemperatuur tussen 10 °C en 40 °C. Laat een warme accu afkoelen alvorens hem op te laden.**
4. **Als de accu niet wordt gebruikt, verwijderd u hem vanaf het apparaat of de lader.**
5. **Laad de accu op als u deze gedurende een lange tijd (meer dan zes maanden) niet gaat gebruiken.**

BESCHRIJVING VAN DE ONDERDELEN

► Fig.1

1. Bedieningspaneel
2. Vergrendeling
3. Uitgangenpaneel
4. Draaghandgreep
5. Ventilatieopeningen
6. Haak A
7. Haak B
Gebruik alleen voor PDC1200.
8. Hook C
Gebruik alleen voor PDC01.
9. Aansluiting (ingang)
10. Kabelopbergvak
11. USB-uitgangsknop
12. AC-uitgangsknop
13. Frequentieschakelknop
14. DC 12V-uitgangsknop
15. Pieptoonknop
16. Uitgangsindicator
Raadpleeg het tekstdeel voor de betekenis van de uitgangsindicator.
17. USB Type A-uitgang 1
18. USB Type A-uitgang 2
19. USB Type C-uitgang 1
20. USB Type C-uitgang 2
21. AC-uitgang 1
22. AC-uitgang 2
23. DC 12V-uitgang (voor sigarettenaanstekeraadapter)

OPMERKING: De vorm van de AC-uitgangen verschilt van land tot land.

MONTAGE

⚠ LET OP: Houd de stroomomvormer en de voedingsbron stevig vast bij het aanbrengen of verwijderen van de voedingsbron. Als u dit niet doet kunnen ze uit uw handen glijden en leiden tot persoonlijk letsel of schade aan de stroomomvormer en de voedingsbron.

⚠ LET OP: Verzeker u vóór gebruik ervan dat de kabel goed is geleid en dat de stekker helemaal in de aansluiting is gestoken.

De voedingsbron bevestigen

Voor PDC1200

Bevestig de voedingsbron aan de stroomomvormer zoals aangegeven in de afbeelding.

⚠ LET OP: Verzeker u ervan dat de voedingsbron veilig is aangebracht op de stroomomvormer. Anders kan deze per ongeluk van de stroomomvormer vallen en letsel veroorzaken bij u of anderen in uw omgeving. Wanneer het rode deel zichtbaar is, zoals aangegeven in de afbeelding, is de voedingsbron niet geheel vergrendeld.

► Fig.2: 1. Rode deel

Om de voedingsbron te verwijderen, houdt u de vergrendelknop ingedrukt en tilt u de voedingsbron op.

► Fig.3: 1. Vergrendelknop

Voor PDC01

Bevestig de voedingsbron aan de stroomomvormer zoals aangegeven in de afbeelding.

► Fig.4

Om de voedingsbron te verwijderen, volgt u de procedure voor het aanbrengen in omgekeerde volgorde.

De voedingsbron aansluiten

1. Open de afdekking van de aansluiting.
 2. Lijn de pijlmarkering op de stekker uit met die op de stroomomvormer en steek tenslotte de stekker helemaal in de aansluiting.
- Fig.5: 1. Afdekking 2. Aansluiting (ingang)
3. Stekker 4. Pijlmarkering

KENNISGEVING: Steek de stekker er niet met grote kracht in. Als de stekker niet gemakkelijk in de aansluiting kan worden gestoken, wordt deze niet correct erin gestoken.

KENNISGEVING: Als u de stekker uit de aansluiting trekt, pakt u niet de kabel vast maar de stekker zelf. Anders kan de kabel worden beschadigd en een storing veroorzaken.

KENNISGEVING: Sluit altijd de afdekking van de aansluiting stevig wanneer de voedingsbron niet is aangesloten. Anders kunnen vreemde stoffen binnendringen in de stroomomvormer en een storing veroorzaken.

Kabelopbergvak

U kunt de kabel opbergen in het kabelopbergvak, zoals aangegeven in de afbeelding.

► Fig.6

De MAKPAC aanbrengen

Optioneel accessoire

De stroomomvormer kan worden bevestigd op de bovenkant of aan onderkant van de MAKPAC, zoals aangegeven in de afbeelding.

► Fig.7

⚠ LET OP: Verzeker u ervan dat de stroomomvormer stevig is bevestigd op de MAKPAC door middel van de vier vergrendelingen. Anders kan het gereedschap per ongeluk vallen en persoonlijk letsel veroorzaken.

BEDIENING

► Fig.8: 1. Aan-uitknop

1. Druk op de aan-uitknop van de voedingsbron om deze in te schakelen.
2. Sluit het apparaat aan op de geschikte uitgang. Bij gebruik van de AC-uitgang, selecteert u de juiste frequentie door de frequentieschakelknop ingedrukt te houden.

OPMERKING: De frequentie kan alleen worden omgeschakeld wanneer de AC-uitgang geen stroom levert.

OPMERKING: De instelling van de frequentie wordt onthouden. De volgende keer wanneer de stroomomvormer wordt ingeschakeld, wordt dezelfde instelling gebruikt.

3. Druk op de uitgangsknop van de uitgang die u wilt gebruiken.

De stroomomvormer begint stroom te leveren via de uitgang en de uitgangsknop die wordt gebruikt licht op.

4. Druk nogmaals op de uitgangsknop om te stoppen.
5. Druk op de aan-uitknop van de voedingsbron om deze uit te schakelen.

KENNISGEVING: Mogelijk kunt u een apparaat niet gebruiken dat een hoog vermogen vraagt om te starten, zelfs als het uitgangsvermogen van de stroomomvormer binnen het nominale vermogensbereik wordt gehouden.

KENNISGEVING: Het is mogelijk dat de stroomomvormer sommige USB-apparaten niet kan voeden.

KENNISGEVING: Voordat u een USB-apparaat aansluit op de stroomomvormer, maakt u altijd een reservekopie van uw gegevens op het USB-apparaat.

KENNISGEVING: U kunt de voeding niet opladen met de stroomomvormer met behulp van een in de winkel verkrijgbare powerbank.

Betekenis van de uitgangsindicator

► Fig.9

- De uitgangsindicator licht op overeenkomstig het vermogen dat wordt geleverd.
- Wanneer het uitgangsvermogen 1.400 W (VA) bereikt, gaat de lamp "1400" van de uitgangsindicator rood branden. Deze lamp gaat rood knipperen wanneer de stroomomvormer overbelast raakt.

De zoemer in-/uitschakelen

► Fig.10: 1. Pieptoonknop

Houd de pieptoonknop ingedrukt om het zoemergeluid in of uit te schakelen.

OPMERKING: De instelling van de zoemer wordt onthouden. De volgende keer wanneer de stroomomvormer wordt ingeschakeld, wordt dezelfde instelling gebruikt.

Beveiligingssysteem

De stroomomvormer is uitgerust met de volgende beveiligingssystemen.

Overbelastingsbeveiliging

Elke uitgang heeft een overbelastingsbeveiliging als volgt:

- **AC-uitgang**
Wanneer de stroomomvormer een buitensporig hoog vermogen detecteert, stopt de stroomomvormer met het leveren van stroom via de AC-uitgang en klinkt met tussenpozen een pieptoon.
- **USB-uitgang**
Wanneer de stroomomvormer een buitensporig hoge stroomsterkte detecteert, onderbreekt de stroomomvormer de USB-uitgang waardoor de hoge stroomsterkte loopt.
- **DC 12V-uitgang**
Wanneer de stroomomvormer een buitensporig hoge stroomsterkte detecteert, stopt de stroomomvormer met het leveren van stroom via de DC 12V-uitgang en klinkt met tussenpozen een pieptoon.

Als het totale vermogen via de AC-, USB en DC 12 V-uitgangen gedurende een bepaalde tijdsduur hoger is dan het nominale vermogen van de stroomomvormer, wordt het leveren van stroom via alle uitgangen gestopt en klinkt een ononderbroken pieptoon. Schakel in die situatie de voedingsbron uit en stop met de toepassing die ertoe leidde dat de stroomomvormer overbelast raakte. Schakel vervolgens de voedingsbron in om weer te starten.

OPMERKING: Wanneer de stroomomvormer overbelast raakt, knippert de lamp "1400" van de uitgangsindicator rood.

OPMERKING: De pieptoon stopt door op een willekeurige knop op het bedieningspaneel te drukken.

Oververhittingsbeveiliging

Wanneer de stroomomvormer oververhit is, stopt de stroomomvormer het leveren van stroom via alle uitgangen en klinkt ononderbroken een pieptoon. Laat in die situatie de stroomomvormer eerst afkoelen voordat u hem opnieuw inschakelt.

Beveiliging tegen te ver ontladen

Wanneer de resterende lading van de voedingsbron laag wordt, klinkt met tussenpozen een pieptoon en knippert de uitgangsknop die wordt gebruikt. Verwijder in die situatie de voedingsbron en laad hem op. Wanneer de resterende lading van de voedingsbron nog lager wordt, wordt het leveren van stroom via alle uitgangen gestopt.

ONDERHOUD

⚠ LET OP: Verzekeer u er altijd van dat de voedingsbron is verwijderd voordat u een inspectie of onderhoud uitvoert.

KENNISGEVING: Was de aansluiting niet met water. Het risico van een storing bestaat.

KENNISGEVING: Veeg regelmatig het oppervlak van dit product schoon met een in zeepwater bevochtigde doek.

KENNISGEVING: Gebruik nooit benzine, wasbenzine, thinner, alcohol en dergelijke. Hierdoor kunnen verkleuring, vervormingen en barsten worden veroorzaakt.

Om de VEILIGHEID en BETROUWBAARHEID van het gereedschap te handhaven, dienen alle reparaties, onderhoud of afstellingen te worden uitgevoerd bij een erkend Makita-servicecentrum of de Makita-fabriek, en altijd met gebruik van Makita-vervangingsonderdelen.

Reinigen

Als de stroomomvormer vuil is, veegt u de stroomomvormer af met een droge doek of een in zeepwater bevochtigde doek.

Filter

⚠ LET OP: Nadat het filter is gereinigd, vergeet u niet het weer aan te brengen. Als u de stroomomvormer zonder het filter gebruikt, kan een storing worden veroorzaakt.

Verwijder het filter door het naar buiten te trekken, zoals aangegeven in de afbeelding.

Was het filter en droog het daarna.

► **Fig.11:** 1. Filter

Om het filter aan het brengen, volgt u de verwijderingsprocedure in omgekeerde volgorde.

OPTIONELE ACCESSOIRES

⚠ LET OP: Deze accessoires of hulpstukken worden aanbevolen voor gebruik met het Makita gereedschap dat in deze gebruiksaanwijzing is beschreven. Bij gebruik van andere accessoires of hulpstukken bestaat het gevaar van persoonlijke letsel. Gebruik de accessoires of hulpstukken uitsluitend voor hun bestemde doel.

Went u meer bijzonderheden over deze accessoires, neem dan contact op met het plaatselijke Makita-servicecentrum.

- Draagbare voedingseenheid
- Originele Makita accu's en acculaders
- MAKPAC

OPMERKING: Sommige items op de lijst kunnen zijn inbegrepen in de doos van het gereedschap als standaard toebehoren. Deze kunnen van land tot land verschillen.

ESPECIFICACIONES

Modelo:		BAC01
Potencia nominal de salida	Rendimiento del convertidor (Cuando se usa PDC1200)	Vatios continuos: 1.400 W (VA) Vatios de pico: 2.800 W (VA)
	Salida de CA*	Onda sinusoidal pura 50 Hz o 60 Hz, 2 unidades Tensión: Consulte la indicación en el convertidor de energía. (La tensión de salida varía dependiendo del país).
	Puerto USB	Tipo A: 5 V, 2,4 A, 2 unidades Tipo C: USB-PD 30 W, 2 unidades
	Adaptador de encendedor	12 V, 10 A, 1 unidad
Tiempo de operación**	PDC1200 (Con 1.000 W)	56 minutos
	PDC01 (Con 750 W, BL1860B x 2)	10 minutos
Dimensiones (La x An x Al) (En la posición con todos los ganchos plegados)		395 mm x 345 mm x 163 mm
Peso neto (El convertidor de energía solamente)		7,3 kg

*** Para Brasil solamente**

La tensión está marcada cerca de la salida de CA.

** Los tiempos de operación son aproximados y pueden variar en función del tipo de fuente de alimentación, el estado de la carga y las condiciones de utilización.

- Debido a nuestro continuado programa de investigación y desarrollo, las especificaciones aquí dadas están sujetas a cambios sin previo aviso.
- Las especificaciones pueden ser diferentes de país a país.

Fuente de alimentación aplicable

Unidad portátil de alimentación eléctrica	PDC1200 / PDC01* * Utilice los cartuchos de batería descritos en la sección para cartucho de batería aplicable.
---	--

- Algunas fuentes de alimentación indicadas arriba puede que no estén disponibles dependiendo de su región de residencia.
- Antes de utilizar la fuente de alimentación, lea las instrucciones e indicaciones de precaución sobre ella.

⚠ ADVERTENCIA: Utilice solamente las fuentes de alimentación indicadas arriba. La utilización de cualquier otra fuente de alimentación puede ocasionar heridas y/o un incendio.

Cartucho de batería aplicable

Solo para PDC01

AVISO: Cuando se usa PDC01:

- Si la potencia de salida excede 750 W (VA), el convertidor de energía detendrá el suministro de energía debido al sistema de protección de la batería. En este caso, mantenga la potencia de salida a 750 W (VA) o más baja.
- Según las condiciones de utilización, el convertidor de energía puede que deje de suministrar energía si la batería en uso cambia a otra batería. En esta situación, presione el botón de salida cuya salida quiera reanudar.
- Para utilizar el convertidor de energía se necesitan dos o cuatro cartuchos de batería. Si utiliza dos cartuchos de batería, instale uno en el puerto de batería 1 o 2 y el otro en el puerto de batería 3 o 4.

Cartucho de batería	BL1815N / BL1820B / BL1830B* / BL1840B* / BL1850B* / BL1860B* *: Batería recomendada
---------------------	---

- Algunos de los cartuchos de batería indicados arriba puede que no estén disponibles dependiendo de su región de residencia.

⚠ ADVERTENCIA: Utilice solamente los cartuchos de batería indicados arriba. La utilización de cualquier otro cartucho de batería puede ocasionar heridas y/o un incendio.

Símbolos

A continuación se muestran los símbolos que pueden ser utilizados para el equipo. Asegúrese de que entienda su significado antes de utilizar.



Lea el manual de instrucciones.



Sólo para países de la Unión Europea
Debido a la presencia de componentes peligrosos en el equipo, el equipo eléctrico y electrónico, los acumuladores y las baterías desechados pueden tener un impacto negativo para el medioambiente y la salud humana.



¡No tire los aparatos eléctricos y electrónicos ni las baterías junto con los residuos domésticos!

De conformidad con las Directivas Europeas sobre residuos de aparatos eléctricos y electrónicos y sobre acumuladores y baterías, así como la adaptación de las mismas a la ley nacional, el equipo eléctrico, las baterías y los acumuladores desechados deberán ser almacenados por separado y trasladados a un punto distinto de recogida de desechos municipales, que cumpla con los reglamentos sobre protección medioambiental.

Esto se indica mediante el símbolo de cubo de basura tachado colocado en el equipo.

Uso previsto

El aparato ha sido previsto para convertir la alimentación eléctrica de la unidad portátil de alimentación eléctrica de Makita a varias salidas de corriente eléctrica.

ADVERTENCIAS DE SEGURIDAD

⚠ ADVERTENCIA: Antes de utilizar, asegúrese de leer el manual de instrucciones del producto que va a utilizar con este convertidor de energía.

Advertencias de seguridad para el convertidor de energía

1. **Para garantizar un buen rendimiento y una larga vida de servicio, preste atención para proteger el convertidor de energía de las siguientes condiciones.**
 - Gases y líquidos corrosivos
 - Niebla de sal y niebla de aceite
 - Impactos mecánicos y vibraciones
 - Alta humedad
2. **Ponga el convertidor de energía sobre una superficie horizontal sin altibajos y estable.** De lo contrario podrá producirse un accidente por caída.
3. **Cuando transporte el convertidor de energía, desconecte la fuente de alimentación y todos los aparatos conectados a los puertos de salida.** De lo contrario podrá producirse un accidente por caída.
4. **Cuando transporte el convertidor de energía, agarre siempre las asas de transporte firmemente con ambas manos. No transporte el convertidor de energía agarrando ninguna otra parte.** De lo contrario podrá producirse un accidente por caída.
5. **No utilice el convertidor de energía con las manos mojadas. No exponga el convertidor de energía a la lluvia ni a condiciones en que se pueda mojar.** Riesgo de descarga eléctrica. El convertidor de energía no es a prueba de agua.
6. **No inserte objetos metálicos, como chinchetas, alambres u otros objetos metálicos pequeños en los enchufes y rejillas de ventilación.** Riesgo de descarga eléctrica.
7. **No desarme el convertidor de energía.** Riesgo de descarga eléctrica.
8. **No someta el convertidor de energía a un impacto fuerte, tal como dejarlo caer.** Podría ocasionar un mal funcionamiento que resultaría en una descarga eléctrica.
9. **Compruebe que no hay partes móviles desalineadas o estancadas, piezas rotas y cualquier otra condición que pueda afectar al funcionamiento. Si se daña, haga que el aparato sea reparado antes de utilizarlo.** Muchos accidentes son ocasionados por aparatos mal mantenidos.
10. **Ajuste siempre la frecuencia de CA apropiada.** De lo contrario podrá producirse un mal funcionamiento y resultar en heridas.
11. **No utilice el convertidor de energía en atmósferas explosivas, tal como en presencia de líquidos, gases o polvo inflamables.** Una pequeña carga estática o chispa puede prender el polvo o el humo y crear un incendio o explosión.
12. **No permita que cosa alguna tape u obstruya las rejillas de ventilación. Utilice el convertidor de energía donde nada interfiera con la rejilla de ventilación.** Ello podrá ocasionar un mal funcionamiento o un incendio.
13. **Tenga cuidado de no tropezar con el cable durante la operación. Ponga el cable en el bolsillo para el cable.**

14. **No utilice el convertidor de energía para equipo médico.** Un mal funcionamiento inesperado podrá ocasionar un accidente.
15. **Para reducir el riesgo de incendio, calor excesivo, explosión, fuga de electrolito, descarga eléctrica o heridas, observe las siguientes precauciones.**
 - **No conecte un aparato que exceda la potencia nominal de salida del convertidor de energía.**
 - **No conecte a la red eléctrica de CA general directamente.**
16. **Almacene el convertidor de energía en un lugar en interiores, bien ventilado y de poca humedad.**
17. **Mantenga el convertidor de energía fuera del alcance de los niños cuando lo almacene.** De lo contrario podrá producirse un incidente grave.
18. **No pise el convertidor de energía. Además, tenga cuidado de no someter el convertidor de energía a un impacto fuerte cuando lo instale con el MAKPAC o una fuente de alimentación.** Si lo hace podrá ocasionar un mal funcionamiento o heridas personales.
19. **La ranura para el pin de puesta a tierra de la salida de CA no tiene tensión ni corriente.** Este producto no necesita puesta a tierra de aparato de CA porque no está conectado a la red general de energía de CA.
5. **Cuando la batería no esté siendo utilizada, guárdela alejada de otros objetos metálicos, como sujetapapeles, monedas, llaves, clavos, tornillos u otros objetos metálicos pequeños, que puedan hacer conexión entre un terminal y el otro.** Si se cortocircuitan entre sí los terminales de la batería podrán producirse quemaduras o un incendio.
6. **En condiciones abusivas, es posible que salga expulsado líquido de la batería; evite el contacto con él. Si se produce un contacto accidental, enjuague con agua. Si el líquido entra en los ojos, además de enjuagarlos, solicite asistencia médica.** El líquido expulsado de la batería puede ocasionar irritación y quemaduras.
7. **No utilice una batería ni aparato que esté dañado o modificado.** Las baterías dañadas o modificadas pueden comportarse de forma impredecible resultando en un incendio, explosión o riesgo de heridas.
8. **No exponga una batería ni aparato al fuego ni a una temperatura excesiva.** La exposición al fuego o a una temperatura superior a los 130°C puede ocasionar una explosión.
9. **Siga todas las instrucciones sobre la carga y no cargue la batería ni el aparato fuera del rango de temperatura especificado en las instrucciones.** Cargar incorrectamente o a temperaturas fuera del rango especificado puede dañar la batería y aumentar el riesgo de incendio.
10. **Haga que el servicio de mantenimiento sea realizado por un reparador técnico cualificado utilizando solamente piezas de repuesto idénticas.** Esto garantizará que se mantendrá la seguridad del producto.
11. **No modifique ni intente reparar el aparato ni la batería excepto como se indica en las instrucciones para la utilización y el cuidado.**

Advertencias de seguridad para el aparato de funcionamiento a batería

Utilización y cuidado del aparato de funcionamiento a batería

1. **Evite las puestas en marcha involuntarias. Asegúrese de que el interruptor está en la posición desactivada antes de conectar a la batería, y de recoger o transportar el aparato.** Transportar el aparato con el dedo en el interruptor o suministrar energía al aparato teniendo el interruptor activado es una invitación a accidentes.
2. **Desconecte la batería del aparato antes de hacer cualquier ajuste, cambiar accesorios o guardar el aparato.** Tales medidas preventivas de seguridad reducirán el riesgo de que el aparato pueda ser puesto en marcha accidentalmente.
3. **Cargue la batería solamente con el cargador especificado por el fabricante.** Un cargador que es apropiado para un tipo de batería puede crear un riesgo de incendio cuando se utiliza con otra batería.
4. **Utilice los aparatos solamente con las baterías designadas específicamente para ellos.** La utilización de cualquier otra batería puede crear un riesgo de heridas y de incendio.

Instrucciones de seguridad importantes para el cartucho de batería

1. **Antes de utilizar el cartucho de batería, lea todas las instrucciones e indicaciones de precaución sobre (1) el cargador de baterías, (2) la batería, y (3) el producto con el que se utiliza la batería.**
2. **No desensamble ni manipule el cartucho de batería.** Podrá resultar en un incendio, calor excesivo, o una explosión.
3. **Si el tiempo de uso se acorta demasiado, cese la operación inmediatamente. Podría resultar en un riesgo de recalentamiento, posibles quemaduras e incluso una explosión.**
4. **Si entra electrolito en sus ojos, aclárelos con agua limpia y acuda a un médico inmediatamente. Existe el riesgo de poder perder la vista.**
5. **No cortocircuite el cartucho de batería:**
 - (1) **No toque los terminales con ningún material conductor.**
 - (2) **Evite guardar el cartucho de batería en un cajón junto con otros objetos metálicos, como clavos, monedas, etc.**

(3) **No exponga el cartucho de batería al agua ni a la lluvia.**

Un cortocircuito en la batería puede producir una gran circulación de corriente, un recalentamiento, posibles quemaduras e incluso una rotura de la misma.

6. **No guarde ni utilice el aparato ni el cartucho de batería en lugares donde la temperatura pueda alcanzar o exceder los 50 °C.**
7. **No incinere el cartucho de batería incluso en el caso de que esté dañado seriamente o ya no sirva en absoluto. El cartucho de batería puede explotar si se tira al fuego.**
8. **No clave, corte, aplaste, lance, deje caer, ni golpee contra un objeto duro el cartucho de batería.** Tal conducta podrá resultar en un incendio, calor excesivo, o una explosión.
9. **No utilice una batería dañada.**
10. **Las baterías de litio-ion contenidas están sujetas a los requisitos de la Legislación para Materiales Peligrosos.**
Para transportes comerciales, p.ej., por terceras personas y agentes de transportes, se deberán observar requisitos especiales para el empaquetado y etiquetado.
Para la preparación del artículo que se va a enviar, se requiere consultar con un experto en materiales peligrosos. Por favor, observe también la posibilidad de reglamentos nacionales más detallados.
Cubra con cinta aislante o enmascare los contactos expuestos y empaquete la batería de tal manera que no se pueda mover alrededor dentro del embalaje.
11. **Para desechar el cartucho de batería, retírelo del aparato y deséchelo en un lugar seguro. Siga los reglamentos locales referentes al desecho de la batería.**
12. **Utilice las baterías solamente con los productos especificados por Makita.** La instalación de las baterías en productos no compatibles puede resultar en un incendio, calor excesivo, explosión, o fuga de electrolito.
13. **Si el aparato no va a ser utilizado durante un periodo de tiempo largo, la batería deberá ser retirada del aparato.**
14. **Durante y después de la utilización, el cartucho de batería podrá acumular calor, lo cual puede ocasionar quemaduras o quemaduras de baja temperatura. Preste atención al manejo de cartuchos de batería calientes.**
15. **No toque el terminal del aparato inmediatamente después de utilizar, dado que puede calentarse lo suficiente como para ocasionar quemaduras.**
16. **No permita que virutas, polvo, o tierra se adhieran dentro de los terminales, orificios, y ranuras del cartucho de batería.** Podrá resultar en un mal rendimiento o rotura del aparato o el cartucho de batería.

17. **A menos que el aparato permita ser usado cerca de cables eléctricos de alta tensión, no utilice el cartucho de batería cerca de cables eléctricos de alta tensión.** Podrá resultar en un mal funcionamiento o rotura del aparato o el cartucho de batería.

18. **Mantenga la batería alejada de los niños.**

GUARDE ESTAS INSTRUCCIONES.

⚠PRECAUCIÓN: Utilice solamente baterías genuinas de Makita. La utilización de baterías no genuinas de Makita, o baterías que hayan sido alteradas, puede resultar en una explosión de la batería ocasionando incendios, heridas personales y daños. También anulará la garantía de Makita para el aparato y cargador de Makita.

Consejos para alargar al máximo la vida de servicio de la batería

1. **Cargue el cartucho de batería antes de que se descargue completamente. Detenga siempre la operación del aparato y cargue el cartucho de batería cuando note menos potencia en el aparato.**
2. **No cargue nunca un cartucho de batería que esté completamente cargado. La sobrecarga acortará la vida de servicio de la batería.**
3. **Cargue el cartucho de batería a temperatura ambiente de 10 °C - 40 °C. Si un cartucho de batería está caliente, déjelo enfriar antes de cargarlo.**
4. **Cuando no esté utilizando el cartucho de batería, retírelo del aparato o del cargador.**
5. **Cargue el cartucho de batería si no lo utiliza durante un periodo de tiempo prolongado (más de seis meses).**

DESCRIPCIÓN DE LAS PARTES

► Fig.1

1. Panel de conmutadores
2. Cierre
3. Panel de salidas
4. Asa de transporte
5. Rejilla de ventilación
6. Gancho A
7. Gancho B
Utilice solo para PDC1200.
8. Gancho C
Utilice solo para PDC01.
9. Enchufe (entrada)
10. Bolsillo para el cable
11. Botón de salida USB
12. Botón de salida de CA
13. Botón de cambio de frecuencia
14. Botón de salida de CC 12 V
15. Botón de sonido de pitido
16. Indicador de salida
Consulte la sección para modo de interpretar el indicador de salida.
17. Salida USB 1 Tipo A
18. Salida USB 2 Tipo A
19. Salida USB 1 Tipo C
20. Salida USB 2 Tipo C
21. Salida de CA 1
22. Salida de CA 2
23. Salida CC 12 V (Para adaptador de encendedor)

NOTA: La forma de la salida de CA varía de un país a otro.

MONTAJE

⚠PRECAUCIÓN: Sujete el convertidor de energía y la fuente de alimentación firmemente cuando instale o retire la fuente de alimentación. De lo contrario podrá ocasionar que se deslicen de sus manos y resultar en heridas personales o daños al convertidor de energía y a la fuente de alimentación.

⚠PRECAUCIÓN: Antes de la operación, asegúrese de que el cable está colocado debidamente y que el conector está insertado a fondo en el enchufe.

Montaje de la fuente de alimentación

Para PDC1200

Coloque la fuente de alimentación en el convertidor de energía como se muestra en la figura.

⚠PRECAUCIÓN: Asegúrese de que la fuente de alimentación está instalada firmemente en el convertidor de energía. De lo contrario podrá caerse accidentalmente del convertidor de energía y ocasionarle heridas a usted o a alguien que esté cerca de usted. Si puede ver el indicador rojo como se muestra en la figura, la fuente de alimentación no estará bloqueada completamente.

► Fig.2: 1. Indicador rojo

Cuando retire la fuente de alimentación, levántela mientras presiona hacia abajo el botón de bloqueo.

► Fig.3: 1. Botón de bloqueo

Para PDC01

Coloque la fuente de alimentación en el convertidor de energía como se muestra en la figura.

► Fig.4

Para retirar la fuente de alimentación, realice el procedimiento de instalación a la inversa.

Conexión de la fuente de alimentación

1. Abra la tapa del enchufe.
2. Alinee la marca de flecha del conector con la del convertidor de energía, y después inserte a fondo el conector en el enchufe.

► Fig.5: 1. Tapa 2. Enchufe (entrada) 3. Conector 4. Marca de flecha

AVISO: No inserte el conector ejerciendo fuerza. Si el conector no se puede insertar fácilmente, no estará siendo insertado correctamente.

AVISO: Cuando desenchufe, no agarre el cable, sino que agarre el conector. De lo contrario, los cables se podrán dañar y ocasionar un mal funcionamiento.

AVISO: Cierre siempre la tapa del enchufe firmemente cuando la fuente de alimentación no esté enchufada. De lo contrario podrá entrar materia extraña en el convertidor de energía y ocasionar un mal funcionamiento.

Bolsillo para el cable

Puede poner el cable en el bolsillo para el cable como se muestra en la figura.

► Fig.6

Instalación de MAKPAC

Accesorio opcional

El convertidor de energía se puede colocar encima o debajo del MAKPAC como se muestra en la figura.

► Fig.7

⚠ PRECAUCIÓN: Asegúrese de que el convertidor de energía está sujetado firmemente en el MAKPAC con los cuatro cierres. De lo contrario podrá producirse un accidente por caída y ocasionar heridas personales.

OPERACIÓN

► Fig.8: 1. Botón de alimentación

1. Presione el botón de alimentación de la fuente de alimentación para encenderla.
2. Conecte su aparato a la salida apropiada.

Cuando utilice la salida de CA, seleccione la frecuencia apropiada manteniendo presionado el botón de cambio de frecuencia.

NOTA: La frecuencia se puede seleccionar solamente cuando la salida de CA está detenida.

NOTA: El ajuste de frecuencia se memoriza. La próxima vez, el convertidor de energía se pondrá en marcha con el mismo ajuste.

3. Presione el botón de salida que quiera usar.

El convertidor de energía iniciará la salida y el botón de salida usado se iluminará.

4. Vuelva a presionar el botón de salida para parar.
5. Presione el botón de alimentación de la fuente de alimentación para apagarla.

AVISO: Es posible que no pueda utilizar un aparato que requiera una gran cantidad de energía para ponerse en marcha aunque la salida de energía del convertidor de energía sea mantenido dentro del rango de potencia nominal.

AVISO: El convertidor de energía puede que no suministre energía a algunos dispositivos USB.

AVISO: Antes de conectar un dispositivo USB al convertidor de energía, haga siempre una copia de seguridad de los datos del dispositivo USB.

AVISO: No se puede cargar la fuente de alimentación con el convertidor de energía utilizando baterías externas disponibles en el comercio.

Modo de interpretar el indicador de salida

► Fig.9

- El indicador de salida se ilumina de acuerdo con el vatiaje que está saliendo.
- Cuando la salida de energía alcance 1.400 W (VA), la lámpara de "1400" se iluminará en rojo. Esta lámpara comenzará a parpadear en rojo cuando el convertidor de energía se sobrecargue.

Apagado/encendido del zumbador

► Fig.10: 1. Botón de sonido de pitido

Mantenga presionado el botón de sonido de pitido para encender/apagar el sonido del zumbador.

NOTA: El ajuste del zumbador se memoriza. La próxima vez, el convertidor de energía se pondrá en marcha con el mismo ajuste.

Sistema de protección

El convertidor de energía está equipado con el siguiente sistema de protección.

Protección contra sobrecarga

Cada salida tiene una protección contra sobrecarga como se indica a continuación:

- **Salida de CA**
Cuando el convertidor de energía detecta un vatiaje excesivo, el convertidor de energía detiene toda salida de CA con un sonido de pitido intermitente.
- **Salida USB**
Cuando el convertidor de energía detecta una corriente anormalmente alta, el convertidor de energía corta la salida USB por la que fluye una corriente alta.
- **Salida de CC 12 V**
Cuando el convertidor de energía detecta una corriente anormalmente alta, el convertidor de energía detiene la salida de CC 12 V con un sonido de pitido intermitente.

Si la salida total de CA, USB y CC 12 V excede la potencia nominal de salida del convertidor de energía para un cierto periodo, todas las salidas se detendrán con un sonido de pitido continuo. En esta situación, apague la fuente de alimentación y detenga la tarea que ocasiona la sobrecarga del convertidor de energía. Después encienda la fuente de alimentación para volver a empezar.

NOTA: Cuando el convertidor de energía se sobrecargue, la lámpara de "1400" del indicador de salida parpadeará en rojo.

NOTA: El sonido de pitido se detiene presionando cualquier botón del panel de conmutadores.

Protección contra el recalentamiento

Cuando el convertidor de energía se recalienta, el convertidor de energía detiene toda salida de energía con un sonido de pitido continuo. En esta situación, deje que el convertidor de energía se enfríe antes de encenderlo otra vez.

Protección contra descarga excesiva

Cuando la capacidad restante de la fuente de alimentación se vuelva baja, sonará un pitido intermitente y el botón de salida usado parpadeará. En esta situación, retire la fuente de alimentación y cárguela. Cuando la capacidad restante de la fuente de alimentación se vuelva aún más baja, toda salida de energía se detendrá.

MANTENIMIENTO

⚠ PRECAUCIÓN: Asegúrese siempre de que la fuente de alimentación ha sido retirada antes de intentar realizar una inspección o mantenimiento.

AVISO: No lave el conector con agua. Riesgo de mal funcionamiento.

AVISO: De vez en cuando, limpie la superficie de este producto utilizando un paño humedecido en agua jabonosa.

AVISO: No utilice nunca gasolina, bencina, disolvente, alcohol o similares. Podría producir descoloración, deformación o grietas.

Para mantener la SEGURIDAD y FIABILIDAD del producto, las reparaciones, y cualquier otra tarea de mantenimiento o ajuste deberán ser realizadas en centros de servicio o de fábrica autorizados por Makita, empleando siempre repuestos Makita.

Limpieza

Si el convertidor de energía está sucio, límpielo con un paño seco o con un paño humedecido en agua jabonosa.

Filtro

⚠ PRECAUCIÓN: Después de limpiar el filtro, asegúrese de volver a instalarlo. Si utiliza el convertidor de energía sin el filtro podrá ocasionar un mal funcionamiento.

Retire el filtro extrayéndolo como se muestra en la figura.

Lave el filtro, después séquelo.

► **Fig.11:** 1. Filtro

Para instalar el filtro, siga el procedimiento de desmontaje a la inversa.

ACCESORIOS OPCIONALES

⚠ PRECAUCIÓN: Estos accesorios o aditamentos están recomendados para su uso con la herramienta Makita especificada en este manual. El uso de cualquier otro accesorio o aditamento puede suponer un riesgo de heridas personales. Utilice el accesorio o aditamento solamente con la finalidad indicada para el mismo.

Si necesita cualquier ayuda para más detalles en relación con estos accesorios, pregunte al centro de servicio Makita local.

- Unidad portátil de alimentación eléctrica
- Batería y cargador genuinos de Makita
- MAKPAC

NOTA: Algunos elementos de la lista podrán estar incluidos en el paquete de la herramienta como accesorios estándar. Pueden variar de un país a otro.

ESPECIFICAÇÕES

Modelo:		BAC01
Saída nominal	Desempenho do conversor (Quando utilizar PDC1200)	Watts contínuos: 1.400 W (VA) Watts de pico: 2.800 W (VA)
	Tomada CA *	Onda sinusoidal pura 50 Hz ou 60 Hz, 2 unidades Tensão: Consulte a indicação no conversor de energia a bateria. (A tensão de saída varia em função do país.)
	Porta USB	Tipo A: 5 V, 2,4 A, 2 unidades Tipo C: USB-PD 30 W, 2 unidades
	Adaptador do isqueiro	12 V, 10 A, 1 unidade
Tempo de funcionamento **	PDC1200 (Com 1.000 W)	56 min.
	PDC01 (Com 750 W, BL1860B x 2)	10 min.
Dimensões (C x L x A) (Com todos os ganchos na posição dobrada)		395 mm x 345 mm x 163 mm
Peso líquido (Apenas o conversor de energia a bateria)		7,3 kg

*** Apenas para o Brasil**

A tensão está marcada perto da tomada CA.

** As horas de funcionamento são indicativas e podem diferir em função do tipo de fonte de alimentação, do estado de carregamento e das condições de utilização.

- Devido a um programa contínuo de pesquisa e desenvolvimento, estas especificações estão sujeitas a alteração sem aviso prévio.
- As especificações podem variar de país para país.

Fonte de alimentação aplicável

Adaptador de baterias tipo mochila	PDC1200 / PDC01* * Utilize as baterias descritas na secção referente à bateria aplicável.
------------------------------------	--

- Algumas das fontes de alimentação listadas acima poderão não estar disponíveis, dependendo da sua região de residência.
- Antes de utilizar a fonte de alimentação, leia as instruções e etiquetas de precaução na mesma.

⚠ AVISO: Utilize apenas as fontes de alimentação listadas acima. A utilização de quaisquer outras fontes de alimentação pode causar ferimentos e/ou um incêndio.

Bateria aplicável

Apenas para PDC01

OBSERVAÇÃO: Quando utilizar PDC01:

- Se a potência de saída exceder os 750 W (VA), o conversor de energia a bateria irá interromper a alimentação elétrica devido ao sistema de proteção da bateria. Neste caso, mantenha a potência de saída a um valor de 750 W (VA) ou inferior.
- Dependendo das condições de utilização, o conversor de energia a bateria pode parar a potência se a bateria em utilização mudar para outra bateria. Nesta situação, pressione o botão de saída que pretende que reinicie a potência.
- Duas ou quatro baterias são necessárias para utilizar o conversor de energia a bateria. Se utilizar duas baterias, instale uma na porta da bateria 1 ou 2 e a outra na porta da bateria 3 ou 4.

Bateria	BL1815N / BL1820B / BL1830B* / BL1840B* / BL1850B* / BL1860B* *: Bateria recomendada
---------	---

- Algumas das baterias listadas acima poderão não estar disponíveis dependendo da sua região de residência.

AVISO: Utilize apenas as baterias listadas acima. A utilização de quaisquer outras baterias pode causar ferimentos e/ou um incêndio.

Símbolos

A seguir são apresentados os símbolos que podem ser utilizados para o equipamento. Certifique-se de que compreende o seu significado antes da utilização.



Leia o manual de instruções.



Apenas para países da UE
Devido à presença de componentes perigosos no equipamento, os resíduos de equipamentos elétricos e eletrônicos, acumuladores e baterias podem ter um impacto negativo no meio ambiente e na saúde humana.



Não elimine aparelhos elétricos e eletrônicos ou baterias juntamente com resíduos domésticos!

De acordo com a Diretiva europeia relativa aos resíduos de equipamentos elétricos e eletrônicos, acumuladores e baterias, bem como a respetiva adaptação à legislação nacional, os resíduos de equipamentos elétricos e eletrônicos, acumuladores e baterias devem ser armazenados separadamente e entregues num ponto de recolha separado para resíduos municipais, que opere de acordo com os regulamentos de proteção ambiental.

Tal é indicado pelo símbolo de contentor de lixo com rodas barrado com uma cruz colocado no equipamento.

Utilização a que se destina

O aparelho destina-se a converter a potência do adaptador de baterias tipo mochila da Makita para várias saídas.

AVISOS DE SEGURANÇA

AVISO: Antes da utilização, certifique-se de que lê o manual de instruções do produto a utilizar com este conversor de energia a bateria.

Avisos de segurança do conversor de energia a bateria

- De modo a garantir um bom desempenho e uma vida útil prolongada, preste atenção para proteger o conversor de energia a bateria das seguintes condições.**
 - Gás e líquido corrosivo
 - Névoa salina e névoa do óleo
 - Impacto mecânico e vibração
 - Elevada humidade
 - Temperatura extrema (muito frio ou muito calor)

A gama de temperaturas ambiente adequada é entre -10 °C e 40 °C (14 °F e 104 °F).

- Ruído eletromagnético (por exemplo, máquina de soldar elétrica, equipamento de alta potência)
 - Material radioativo
- Coloque o conversor de energia a bateria numa superfície horizontal sem ondulações e num local estável.** Caso contrário, pode ocorrer um acidente de queda.
 - Quando transportar o conversor de energia a bateria, desligue a fonte de alimentação e todos os aparelhos ligados à porta de saída.** Caso contrário, pode ocorrer um acidente de queda.
 - Quando transportar o conversor de energia a bateria, segure sempre as pegas de transporte firmemente com as duas mãos. Não transporte o conversor de energia a bateria segurando qualquer outra peça.** Caso contrário, pode ocorrer um acidente de queda.
 - Não insira objetos metálicos como pinos de pressão, fios ou outros objetos metálicos pequenos nas saídas e orifícios de ventilação.** O risco de choque elétrico.
 - Não desmonte o conversor de energia a bateria.** O risco de choque elétrico.
 - Não sujeite o conversor de energia a bateria a um forte impacto, tal como deixá-lo cair.** Poderá causar avaria, resultando em choque elétrico.
 - Verifique se as peças móveis estão desalinhasadas ou presas, se as peças estão partidas, bem como se há outras condições que possam afetar o funcionamento. Se estiver danificado, solicite a reparação do aparelho antes de utilizá-lo.** Muitos acidentes são provocados por aparelhos com uma má manutenção.
 - Regule sempre para uma frequência CA adequada.** Caso contrário, poderá ocorrer uma avaria e resultar em lesão.
 - Não opere o conversor de energia a bateria em atmosferas explosivas, tais como na presença de líquidos, gases ou poeira inflamáveis.** Uma pequena carga estática ou faísca poderá incendiar as poeiras ou vapores, criando um incêndio ou explosão.
 - Não permita que algo cubra ou obstrua as ranhuras de ventilação. Utilize o conversor de energia a bateria no caso em que nada interfira com a ranhura de ventilação.** Pode causar uma anomalia ou incêndio.
 - Tenha cuidado para não tropeçar no cabo durante a operação. Coloque o cabo no bolso do cabo.**

14. **Não utilize o conversor de energia a bateria para equipamento médico.** Uma anomalia inesperada poderá causar um acidente.
15. **Para reduzir o risco de incêndio, calor excessivo, explosão, fuga de eletrólito, choque elétrico ou lesão, observe as seguintes precauções.**
 - **Não ligue a um aparelho que exceda a saída nominal do conversor de energia a bateria.**
 - **Não ligue diretamente à rede elétrica CA geral.**
16. **Guarde o conversor de energia a bateria num local interior, bem-ventilado e com baixa humidade.**
17. **Mantenha o conversor de energia a bateria fora do alcance das crianças quando o armazenar.** Caso contrário, poderá ocorrer um incidente grave.
18. **Não pise o conversor de energia a bateria. Além disso, tenha cuidado para não dar um forte impacto no conversor de energia a bateria quando o instalar com MAKPAC ou fonte de alimentação.** Fazê-lo pode causar uma avaria ou ferimentos pessoais.
19. **A ranhura para o pino de ligação à terra na saída CA não tem tensão nem corrente.** Este produto não requer uma ligação à terra do aparelho CA porque este não está ligado à rede elétrica CA geral.
5. **Quando a bateria não está a ser utilizada, mantenha-a afastada de outros objetos metálicos, como cliques, moedas, chaves, pregos, parafusos ou outros objetos metálicos pequenos que possam fazer a ligação entre os dois terminais.** Colocar os terminais da bateria em curto-circuito com o outro pode provocar queimaduras ou um incêndio.
6. **Em condições abusivas, o líquido pode ser ejetado da bateria; evite o contacto com o mesmo. Se ocorrer um contacto accidental, lave com água. Se o líquido entrar em contacto com os olhos, procure também assistência médica.** O líquido ejetado da bateria pode provocar irritações ou queimaduras.
7. **Não utilize um conjunto de baterias ou um aparelho que se encontre danificado ou modificado.** As baterias danificadas ou modificadas podem exibir um comportamento imprevisível, resultando em incêndio, explosão ou risco de ferimentos.
8. **Não exponha um conjunto de baterias ou um aparelho a incêndio ou temperatura excessiva.** A exposição a incêndio ou a uma temperatura superior a 130 °C pode causar uma explosão.
9. **Siga todas as instruções de carregamento e não carregue o conjunto de baterias ou o aparelho fora do intervalo de temperaturas especificado nas instruções.** O carregamento incorreto ou a temperaturas fora do intervalo especificado pode danificar a bateria e aumentar o risco de incêndio.
10. **Solicite a manutenção por parte de um técnico de reparação qualificado utilizando apenas peças de substituição idênticas.** Tal garante que a segurança do produto é mantida.
11. **Não modifique nem tente reparar o aparelho ou o conjunto de baterias, exceto conforme indicado nas instruções de utilização e manutenção.**

Avisos de segurança para o aparelho alimentado por bateria

Utilização e manutenção do aparelho alimentado por bateria

1. **Evite o arranque não intencional.** Certifique-se de que o interruptor está na posição de desligado antes de ligar ao conjunto de baterias, pegar no aparelho ou transportá-lo. Transportar o aparelho com o dedo no interruptor ou dar energia a um aparelho que tenha o interruptor ligado pode dar origem a acidentes.
2. **Desligue o conjunto de baterias do aparelho antes de efetuar quaisquer ajustes, mudar os acessórios ou guardar o aparelho.** Estas medidas preventivas de segurança reduzem o risco de colocar o aparelho em funcionamento de forma accidental.
3. **Recarregue apenas com o carregador especificado pelo fabricante.** Um carregador adequado para um tipo de bateria pode criar um risco de incêndio quando utilizado com outra bateria.
4. **Utilize aparelhos apenas com conjuntos de baterias especificamente designados.** A utilização de quaisquer outros conjuntos de baterias pode criar um risco de ferimentos e incêndio.

Instruções de segurança importantes para a bateria

1. **Antes de utilizar a bateria, leia todas as instruções e etiquetas de precaução no (1) carregador de bateria (2) bateria e (3) produto que utiliza a bateria.**
2. **Não desmonte nem modifique a bateria.** Tal pode resultar em incêndio, calor excessivo ou explosão.
3. **Se o tempo de funcionamento se tornar excessivamente curto, pare o funcionamento imediatamente. Pode resultar em sobreaquecimento, possíveis queimaduras e mesmo explosão.**
4. **Se entrar eletrólito nos seus olhos, lave-os com água e consulte imediatamente um médico. Pode resultar em perda de visão.**
5. **Não coloque a bateria em curto-circuito:**
 - (1) **Não toque nos terminais com qualquer material condutor.**
 - (2) **Evite guardar a bateria juntamente com outros objetos metálicos tais como pregos, moedas, etc.**

(3) Não exponha a bateria à água ou chuva. Um curto-circuito pode ocasionar um enorme fluxo de corrente, sobreaquecimento, possíveis queimaduras e mesmo estragar-se.

6. Não guarde nem utilize o aparelho e a bateria em locais onde a temperatura pode atingir ou exceder 50 °C.
7. Não queime a bateria mesmo que esteja seriamente danificada ou completamente gasta. A bateria pode explodir no fogo.
8. Não pregue, corte, esmague, atire, deixe cair a bateria, nem bata a bateria contra um objeto rijo. Esta conduta pode resultar em incêndio, calor excessivo ou explosão.
9. Não utilize uma bateria danificada.
10. **As baterias de íões de lítio contidas na ferramenta são sujeitas aos requisitos da DGL (Dangerous Goods Legislation - Legislação de bens perigosos).**
Para o transporte comercial, por exemplo, por terceiros ou agentes de expedição, têm de ser observados os requisitos referentes à embalagem e etiquetagem.
Para preparação do artigo a ser expedido, é necessário consultar um perito em materiais perigosos. Tenha ainda em conta a possibilidade de existirem regulamentos nacionais mais detalhados.
Coloque fita-cola ou tape os contactos abertos e embale a bateria de tal forma que não possa mover-se dentro da embalagem.
11. **Quando eliminar a bateria, remova-a do aparelho e elimine-a num local seguro. Siga os regulamentos locais relacionados com a eliminação de baterias.**
12. **Utilize as baterias apenas com os produtos especificados pela Makita.** Instalar as baterias em produtos não-conformes poderá resultar num incêndio, calor excessivo, explosão ou fuga de eletrólito.
13. **Se o aparelho não for utilizado durante um período de tempo prolongado, a bateria deve ser removida do aparelho.**
14. **Durante e após a utilização, a bateria pode aquecer, o que pode provocar queimaduras ou queimaduras a baixa temperatura. Preste atenção ao manuseamento de baterias quentes.**
15. **Não toque no terminal do aparelho imediatamente após a utilização, pois pode ficar suficientemente quente para provocar queimaduras.**
16. **Não permita a adesão de aparas, pó ou sujidade nos terminais, nos orifícios e nas ranhuras da bateria.** Tal pode resultar no fraco desempenho ou na avaria do aparelho ou da bateria.
17. **A menos que o aparelho suporte a utilização perto de linhas elétricas de alta tensão, não utilize a bateria perto de linhas elétricas de alta tensão.** Tal pode resultar no mau funcionamento ou na avaria do aparelho ou da bateria.
18. **Mantenha a bateria afastada das crianças.**

GUARDE ESTAS INSTRUÇÕES.

⚠PRECAUÇÃO: Utilize apenas baterias genuínas da Makita. A utilização de baterias não genuínas da Makita, ou de baterias que foram alteradas, pode resultar no reventamento da bateria provocando incêndios, ferimentos pessoais e danos. Além disso, anulará a garantia da Makita no que se refere ao aparelho e ao carregador da Makita.

Conselhos para manter a máxima vida útil da bateria

1. **Carregue a bateria antes de estar completamente descarregada. Pare sempre o funcionamento do aparelho e carregue a bateria quando notar menos potência no aparelho.**
2. **Nunca carregue uma bateria completamente carregada. Carregamento excessivo diminui a vida útil da bateria.**
3. **Carregue a bateria à temperatura ambiente de 10 °C – 40 °C. Deixe que uma bateria quente arrefeça antes de a carregar.**
4. **Quando não utilizar a bateria, remova-a do aparelho ou do carregador.**
5. **Carregue a bateria se não a utilizar durante um longo período de tempo (mais de seis meses).**

DESCRIÇÃO DAS PEÇAS

► Fig.1

1. Painel de interruptores
2. Trinco
3. Placa de saída
4. Pega de transporte
5. Orifício de ventilação
6. Gancho A
7. Gancho B
Utilize apenas para PDC1200.
8. Gancho C
Utilize apenas para PDC01.
9. Ficha (entrada)
10. Bolso do cabo
11. Botão de saída USB
12. Botão de saída CA
13. Botão de mudança de frequência
14. Botão de saída CC de 12 V
15. Botão de sinal sonoro
16. Indicador de saída
Consulte a secção relativa a como interpretar o indicador de saída.
17. Saída USB tipo A 1
18. Saída USB tipo A 2
19. Saída USB tipo C 1
20. Saída USB tipo C 2
21. Saída CA 1
22. Saída CA 2
23. Saída CC de 12 V (Para adaptador de isqueiro)

NOTA: O formato da tomada CA varia de país para país.

MONTAGEM

⚠PRECAUÇÃO: Segure o conversor de energia a bateria e a fonte de alimentação firmemente quando instalar ou remover a fonte de alimentação. Caso contrário, estes poderão escorregar das mãos e resultar em ferimentos pessoais ou danos no conversor de energia a bateria e na fonte de alimentação.

⚠PRECAUÇÃO: Antes da operação, certifique-se de que o cabo está adequadamente colocado e que a tomada está totalmente inserida na ficha.

Montar a fonte de alimentação

Para PDC1200

Prenda a fonte de alimentação ao conversor de energia a bateria conforme apresentado na figura.

⚠PRECAUÇÃO: Certifique-se de que a fonte de alimentação está firmemente instalada no conversor de energia a bateria. Caso contrário, esta poderá cair do conversor de energia a bateria acidentalmente e provocar ferimentos em si mesmo ou em alguém próximo. Se conseguir ver o indicador vermelho conforme apresentado na figura, a fonte de alimentação não está completamente bloqueada.

► Fig.2: 1. Indicador vermelho

Quando remover a fonte de alimentação, eleve a fonte de alimentação enquanto pressiona o botão de bloqueio.

► Fig.3: 1. Botão de bloqueio

Para PDC01

Prenda a fonte de alimentação ao conversor de energia a bateria conforme apresentado na figura.

► Fig.4

Para remover a fonte de alimentação, execute o procedimento de instalação ao contrário.

Ligar a fonte de alimentação

1. Abra a tampa da ficha.
2. Alinhe a marca da seta na tomada com a que está no conversor de energia a bateria e depois insira a tomada na ficha até ao fim.

► Fig.5: 1. Tampa 2. Ficha (entrada) 3. Tomada 4. Marca da seta

OBSERVAÇÃO: Não insira a tomada à força. Se não for possível inserir a tomada facilmente, esta não está a ser corretamente inserida.

OBSERVAÇÃO: Quando retirar a ficha, não segure nos cabos mas sim na tomada. Caso contrário, os cabos podem ficar danificados e causar uma anomalia.

OBSERVAÇÃO: Feche sempre a tampa da ficha firmemente quando a fonte de alimentação não estiver ligada. Caso contrário, poderá entrar matéria estranha no conversor de energia a bateria e causar uma anomalia.

Bolso do cabo

Pode colocar o cabo no bolso do cabo conforme apresentado na figura.

► Fig.6

Instalar o MAKPAC

Acessório opcional

O conversor de energia a bateria pode ser instalado na parte superior ou inferior da MAKPAC conforme apresentado na figura.

► Fig.7

⚠️PRECAUÇÃO: Certifique-se de que o conversor de energia a bateria está firmemente fixo à MAKPAC com os quatro trincos. Caso contrário, pode ocorrer um acidente de queda e causar ferimentos pessoais.

OPERAÇÃO

► Fig.8: 1. Botão de ligar

1. Pressione o botão de ligar da fonte de alimentação para ligá-la.
2. Ligue o seu aparelho à saída adequada.

Quando utilizar a saída CA, selecione a frequência adequada pressionando e segurando o botão de mudança de frequência.

NOTA: A frequência pode ser selecionável apenas quando a saída CA para.

NOTA: A definição da frequência é memorizada. Na próxima vez, o conversor de energia a bateria efetua o arranque com a mesma definição.

3. Pressione o botão de saída que pretende utilizar.

O conversor de energia a bateria inicia a saída e o botão de saída a funcionar acende.

4. Pressione o botão de saída novamente para parar.
5. Pressione o botão de ligar da fonte de alimentação para desligá-la.

OBSERVAÇÃO: Pode não conseguir utilizar um aparelho que requeira uma grande quantidade de potência para arrancar mesmo que a potência de saída do conversor de energia a bateria seja mantida dentro do intervalo de potência nominal.

OBSERVAÇÃO: O conversor de energia a bateria poderá não fornecer alimentação a alguns dispositivos USB.

OBSERVAÇÃO: Antes de ligar o dispositivo USB ao conversor de energia a bateria, faça sempre a cópia de segurança dos dados do dispositivo USB.

OBSERVAÇÃO: Não é possível carregar a fonte de alimentação com o conversor de energia a bateria utilizando as baterias externas disponíveis no mercado.

Como interpretar o indicador de saída

► Fig.9

- O indicador de saída acende de acordo com a potência em Watt que está a ser produzida.
- Quando a potência de saída atinge os 1.400 W (VA), a lâmpada em "1400" irá acender a vermelho. Esta lâmpada começa a piscar a vermelho quando o conversor de energia a bateria fica sobrecarregado.

Ligar/desligar o sinal sonoro

► Fig.10: 1. Botão de sinal sonoro

Pressione sem soltar o botão de sinal sonoro para ligar/desligar o sinal sonoro.

NOTA: A definição do sinal sonoro é memorizada. Na próxima vez, o conversor de energia a bateria efetua o arranque com a mesma definição.

Sistema de proteção

O conversor de energia a bateria está equipado com o seguinte sistema de proteção.

Proteção contra sobrecarga

Cada saída possui proteção contra sobrecarga do seguinte modo:

- **Saída CA**
Quando o conversor de energia a bateria deteta uma potência em Watt excessiva, o conversor de energia a bateria para toda a saída CA com um sinal sonoro intermitente.
- **Saída USB**
Quando o conversor de energia a bateria deteta uma corrente anormalmente elevada, o conversor de energia a bateria corta a saída USB da qual flui elevada corrente.
- **Saída CC de 12 V**
Quando o conversor de energia a bateria deteta uma corrente anormalmente elevada, o conversor de energia a bateria para a saída CC de 12 V com um sinal sonoro intermitente.

Se a saída total de CA, USB e CC de 12 V exceder a saída nominal do conversor de energia a bateria durante um determinado período de tempo, toda a saída será interrompida com um sinal sonoro contínuo. Nesta situação, desligue a fonte de alimentação e pare a aplicação que causou a sobrecarga do conversor de energia a bateria. Em seguida, ligue a fonte de alimentação para reiniciar.

NOTA: Quando o conversor de energia a bateria fica sobrecarregado, a lâmpada de "1400" do indicador de saída pisca a vermelho.

NOTA: O sinal sonoro para ao pressionar qualquer botão no painel de interruptores.

Proteção contra sobreaquecimento

Quando o conversor de energia a bateria estiver sobreaquecido, o conversor de energia a bateria para toda a saída com sinais sonoros contínuos. Nesta situação, deixe o conversor de energia a bateria arrefecer antes de voltar a ligá-lo.

Proteção contra descarga excessiva

Quando a restante capacidade da fonte de alimentação diminuir, o sinal sonoro intermitente soa e o botão de saída a funcionar pisca. Nesta situação, remova a fonte de alimentação e carregue-a.

Quando a restante capacidade da fonte de alimentação diminuir ainda mais, toda a saída é interrompida.

MANUTENÇÃO

⚠PRECAUÇÃO: Verifique sempre se a fonte de alimentação está removida antes de tentar realizar a inspeção ou manutenção.

OBSERVAÇÃO: Não lave o conector com água. Risco de anomalia.

OBSERVAÇÃO: Limpe periodicamente a superfície deste produto com um pano humedecido em água e sabão.

OBSERVAÇÃO: Nunca utilize gasolina, benzina, diluente, álcool ou produtos semelhantes. Pode ocorrer a descoloração, deformação ou rachaduras.

Para manter a SEGURANÇA e a FIABILIDADE do produto, as reparações e qualquer outra manutenção ou ajuste devem ser levados a cabo pelos centros de assistência Makita autorizados ou pelos centros de assistência de fábrica, utilizando sempre peças de substituição Makita.

Limpeza

Se o conversor de energia a bateria estiver sujo, limpe o conversor de energia a bateria com um pano seco ou um pano humedecido em água e sabão.

Filtro

⚠PRECAUÇÃO: Após limpar o filtro, certifique-se de que o reinstala. Operar o conversor de energia a bateria sem o filtro poderá causar anomalia.

Remova o filtro retirando-o conforme apresentado na figura.

Lave o filtro e, em seguida, seque-o.

► **Fig.11:** 1. Filtro

Para instalar o filtro, siga o procedimento de remoção pela ordem inversa.

ACESSÓRIOS OPCIONAIS

⚠PRECAUÇÃO: Estes acessórios ou peças são recomendados para utilização com a ferramenta Makita especificada neste manual. A utilização de outros acessórios ou peças pode ser perigosa para as pessoas. Utilize apenas acessórios ou peças para os fins indicados.

Se necessitar de informações adicionais relativas a estes acessórios, solicite-as ao seu centro de assistência Makita.

- Adaptador de baterias tipo mochila
- Bateria e carregador genuínos da Makita
- MAKPAC

NOTA: Alguns itens da lista podem estar incluídos na embalagem da ferramenta como acessórios padrão. Eles podem variar de país para país.

SPECIFIKATIONER

Model:		BAC01
Nominel udgang	Omformerydelse (Ved brug af PDC1200)	Kontinuerlig watt: 1.400 W (VA) Højeste watt: 2.800 W (VA)
	Vekselstrømsudgang*	Ren sinusbølge 50 Hz eller 60 Hz, 2 stk. Spænding: Se angivelsen på strømomformeren. (Udgangsspændingen varierer afhængigt af landet.)
	USB-port	Type-A: 5 V, 2,4 A, 2 stk. Type-C: USB-PD 30 W, 2 stk.
	Cigaretlighteradapter	12 V, 10 A, 1 stk.
Driftstid**	PDC1200 (Med 1.000 W)	56 min.
	PDC01 (Med 750 W, BL1860B x 2)	10 min.
Dimensioner (L x B x H) (Med alle krogene i sammenfoldet position)		395 mm x 345 mm x 163 mm
Nettovægt (Kun strømomformeren)		7,3 kg

* Kun for Brasilien

Spændingen er markeret i nærheden af vekselstrømsudgangen.

** Driftstider er omtrentlige og kan variere afhængigt af strømkildetype, opladestatus og brugsforhold.

- På grund af vores kontinuerlige forsknings- og udviklingsprogrammer kan hosstående specifikationer blive ændret uden varsel.
- Specifikationer kan variere fra land til land.

Anvendelig strømkilde

Bærbær strømforsyning	PDC1200 / PDC01* * Brug akkuer beskrevet i afsnittet om anvendelig akku.
-----------------------	---

- Nogle af de strømkilder, der er angivet ovenfor, er muligvis ikke tilgængelige, afhængigt af hvilket område du bor i.
- Inden du bruger strømkilden, skal du læse instruktionen og advarselsmarkeringerne på den.

⚠ ADVARSEL: Brug kun de strømkilder, som er angivet ovenfor. Brug af andre strømkilder kan medføre personskaade og/eller brand.

Anvendelig akku

Kun for PDC01

BEMÆRKNING: Ved brug af PDC01:

- Hvis udgangseffekten overstiger 750 W (VA), stopper strømomformeren strømforsyningen på grund af batteribeskyttelsessystemet. I dette tilfælde skal udgangseffekten holdes på 750 W (VA) eller lavere.
- Afhængigt af brugsforholdene kan strømomformeren muligvis stoppe udgang, hvis det anvendte batteri skifter til et andet batteri. I denne situation skal du trykke på udgangsknappen, hvis du vil genstarte udgang.
- Der skal bruges to eller fire akkuer for at bruge strømomformeren. Hvis du bruger to akkuer, skal du montere den ene til batteriport 1 eller 2 og den anden til batteriport 3 eller 4.

Akku	BL1815N / BL1820B / BL1830B* / BL1840B* / BL1850B* / BL1860B* *: Anbefalet batteri
------	---

- Nogle af de ovenfor anførte akkuer er muligvis ikke tilgængelige, afhængigt af hvor du bor.

⚠ ADVARSEL: Brug kun de akkuer, der er angivet ovenfor. Brug af andre akkuer kan medføre personskaade og/eller brand.

Symboler

Følgende viser de symboler, der muligvis anvendes til udstyret. Sørg for, at du forstår deres betydning før brugen.



Læs betjeningsvejledningen.



Kun for lande inden for EU
På grund af tilstedeværelsen af farlige komponenter i udstyret kan affald af elektrisk og elektronisk udstyr, akkumulatører og batterier have en negativ indvirkning på miljøet og folkesundheden.



Bortskaf ikke elektriske og elektroniske apparater eller batterier sammen med husholdningsaffald!

I overensstemmelse med EF-direktiv om affaldshåndtering af elektrisk og elektronisk udstyr og om akkumulatører og batterier og affaldsakkumulatører og -batterier, og i overensstemmelse med national lovgivning, skal brugt elektrisk udstyr, batterier og akkumulatører opbevares separat og leveres til et separat indsamlingssted for kommunalt affald, der er etableret i henhold til bestemmelserne om miljøbeskyttelse. Dette er angivet ved symbolet på den krydsede skræddespand, der er placeret på udstyret.

Tilsigtet anvendelse

Apparatet er beregnet til at omforme strømmen fra en bærbar strømforsyning fra Makita til forskellige udgange.

SIKKERHEDSADVARSLER

⚠ ADVARSEL: Sørg for at læse brugsanvisningen til det produkt, der skal anvendes sammen med denne strømomformer, før ibrugtagelsen.

Sikkerhedsadvarsler for strømomformer

- For at sikre god ydelse og lang brugslevetid, skal du være opmærksom på at beskytte strømomformeren imod følgende forhold.**
 - Ætsende gas og væske
 - Salttåge og olietåge
 - Mekanisk stød og vibration
 - Høj luftfugtighed
 - Ekstrem temperatur (for kold eller for varm)
Det passende omgivende temperaturområde er mellem -10 °C og 40 °C (14 °F og 104 °F).
 - Elektromagnetisk støj (fx elektrisk svejsemaskine, højspændingsudstyr)
 - Radioaktivt materiale
- Placer strømomformeren på en vandret flade uden nogen svingninger, og som er et stabilt sted.** Ellers kan der ske en faldulykke.
- Når du bærer strømomformeren, skal strømkilden og alle apparater, som er tilsluttet til udgangsporten, afbrydes.** Ellers kan der ske en faldulykke.
- Når du bærer strømomformeren, skal du altid holde godt fast i bærehåndtagene med begge hænder. Undlad at bære strømomformeren ved at holde i nogen anden del.** Ellers kan der ske en faldulykke.
- Brug ikke strømomformeren med våde hænder. Udsæt ikke strømomformeren for regn eller våde forhold.** Risiko for elektrisk stød. Strømomformeren er ikke vandtæt.
- Indsæt ikke metalgenstande, som fx tegnestifter, ledninger eller andre små metalgenstande ind i udgangene og ventilationsåbningerne.** Risiko for elektrisk stød.
- Skil ikke strømomformeren ad.** Risiko for elektrisk stød.
- Udsæt ikke strømomformeren for kraftigt stød, som fx ved at tabe den.** Det kan muligvis forårsage funktionsfejl, hvilket resulterer i elektrisk stød.
- Kontrollér for forkert justering eller binding af bevægelige dele, brud på dele og enhver anden tilstand, der kan påvirke funktionen. Hvis der er beskadigelse, skal du få apparatet repareret inden brug.** Mange uheld forårsages af dårligt vedligeholdte apparater.
- Indstil altid på en passende vekselstrømsfrekvens.** Ellers kan der muligvis opstå funktionsfejl, og det kan resultere i personskade.
- Brug aldrig strømomformeren i eksplosive atmosfærer, såsom ved tilstedeværelse af brændbare væsker, gasser eller støv.** En lille statisk ladning eller gnist kan muligvis antænde støvet eller dampene, og skabe en brand eller eksplosion.
- Lad ikke noget tildække eller tilstoppe ventilationsåbningerne. Brug strømomformeren, hvor der ikke noget, som er i vejen for ventilationsåbningen.** Det kan muligvis medføre en funktionsfejl eller brand.
- Pas på ikke at snuble over ledningen under anvendelse. Put ledningen ind i ledningsloppen.**
- Brug ikke strømomformeren til medicinsk udstyr.** Uventet funktionsfejl kan muligvis forårsage en ulykke.
- For at reducere risikoen for brand, overdreven varme, eksplosion, lækage af elektrolyt, elektrisk stød eller personskade, skal følgende forholdsregler overholdes.**
 - Tilslut ikke et apparat, der overstiger strømomformerens nominelle udgang.
 - Tilslut ikke direkte til det almindelige elnet.
- Opbevar strømomformeren indendørs på et sted med god ventilation og lav luftfugtighed.**
- Hold strømomformeren uden for børns rækkevidde ved opbevaring.** Ellers kan der muligvis opstå en alvorlig hændelse.

18. **Undlad at træde på strømomformeren.** Vær også forsigtig med ikke at give en stærk påvirkning på strømomformeren, når du installerer den med MAKPAC eller en strømkilde. Hvis du gør det, kan det medføre funktionsfejl eller personskade.
19. **Abningen til jordingsstiften på vekselstrøms-udgangen har ingen spænding eller strøm.** Dette produkt kræver ikke jordforbindelse af vekselstrømsapparater, da det ikke er tilsluttet det generelle vekselstrømsnet.
10. **Få service udført af en kvalificeret reparatør kun ved brug identiske reservedele.** Dette vil sikre, at produktets sikkerhed opretholdes.
11. **Undlad at ændre eller forsøge at reparere apparatet eller batteripakken, undtagen som angivet i instruktionerne for brug og vedligeholdelse.**

Sikkerhedsadvarsler for batteridrevet apparat

Brug og vedligeholdelse af batteridrevne apparater

1. **Undgå utilsigtet start.** Sørg for, at kontakten er i slukket position, før du tilslutter til batteripakken, samler apparatet op eller bærer det. Hvis du bærer apparatet med fingeren på kontakten, eller sætter strøm til apparatet, mens kontakten er slået til, kan der ske uheld.
2. **Frakobl batteripakken fra apparatet, før du fratager justeringer, skifter tilbehør eller opbevarer apparatet.** Sådanne forebyggende sikkerhedsforanstaltninger reducerer risikoen for utilsigtet start af apparatet.
3. **Oplad kun med den oplader, som producenten angiver.** En oplader, der passer til én type batteri, kan forårsage brand, hvis den anvendes med et andet batteri.
4. **Brug kun apparater med specifikt udpegede batteripakker.** Brug af andre batteripakker kan medføre risiko for personskade og brand.
5. **Når batteripakker ikke anvendes, skal de holdes borte fra andre metalgenstande som papirclips, mønter, nøgler, søm, skruer og andre små metalgenstande, der kan skabe forbindelse mellem terminalerne.** Hvis batteriets terminaler kortsluttes, kan det forårsage brand.
6. **I tilfælde af misbrug kan der sprøjte væske ud fra batteriet.** Undgå kontakt. Skyl med vand, hvis De kommer i kontakt med væsken. Søg læge, hvis De får væske i øjet. Væske, der sprøjter ud fra batteriet, kan medføre irritation eller forbrændinger.
7. **Undlad at bruge en batteripakke eller et apparat, der er beskadiget eller ændret.** Beskadigede eller ændrede batterier kan udvise uforudsigelig adfærd, der resulterer i brand, eksplosion eller risiko for personskade.
8. **Undlad at udsætte en batteripakke eller et apparat for ild eller for høj temperatur.** Eksponering for brand eller temperaturer over 130 °C kan forårsage eksplosion.
9. **Følg alle opladningsinstruktioner, og oplad ikke batteripakken eller apparatet uden for det temperaturområde, der er angivet i instruktionerne.** Forkert opladning eller ved temperaturer uden for det angivne område kan beskadige batteriet og øge risikoen for brand.
1. **Læs alle instruktioner og advarselmærkater på (1) akku-opladeren, (2) akkuen og (3) produktet, som anvender akku.**
2. **Undlad at adskille eller ændre akkuen.** Det kan resultere i brand, overdreven varme eller eksplosion.
3. **Hold straks op med anvendelsen, hvis brugstiden er blevet stærkt afkortet.** Fortsat anvendelse kan resultere i risiko for overophedning, forbrændinger og endog eksplosion.
4. **Hvis De har fået elektrolytvæske i øjnene, skal De straks skylle den ud med rent vand og derefter øjeblikkeligt søge lægehjælp.** I modsat fald kan De miste synet.
5. **Vær påpasselig med ikke at komme til at kortslutte akkuen:**
 - (1) Rør ikke ved terminalerne med noget ledende materiale.
 - (2) Undgå at opbevare akkuen i en beholder sammen med andre genstande af metal, for eksempel søm, mønter og lignende.
 - (3) Udsæt ikke akkuen for vand eller regn. Kortslutning af akkuen kan forårsage en kraftig øgning af strømmen, overophedning, mulige forbrændinger og endog værktøjstop.
6. **Apparatet og akkuen må ikke opbevares og bruges på steder, hvor temperaturen kan nå eller overstige 50 °C (122 °F).**
7. **Undlad at brænde akkuen, selv om ikke selv om den er alvorligt beskadiget eller helt slidt.** Akkuen kan eksplodere i en brand.
8. **Undlad at slå søm i, skære, knuse, tabe eller kaste akkuen, eller slå en hård genstand mod akkuen.** En sådan adfærd kan resultere i brand, overdreven varme eller eksplosion.
9. **Anvend ikke en beskadiget akku.**
10. **De indbyggede litium-ion-batterier er underlagt lovkrav vedrørende farligt gods.** Ved kommerciel transport, f.eks. af tredjeparts transportselskaber, skal særlige krav til forpakning og mærkning overholdes. Ved forberedelse af udstyret til forsendelse skal du kontakte en ekspert i farligt gods. Overhold også eventuel mere detaljeret national lovgivning. Tape eller tildæk åbne kontakter, og pak batteriet på en måde, så det ikke kan flytte sig rundt i pakningen.
11. **Når du bortskaffer akkuen, skal du afmontere den fra apparatet og bortskaf den på et sikkert sted.** Følg de lokale bestemmelser vedrørende bortskaffelse af batteriet.

Vigtige sikkerhedsinstruktioner for akkuen

12. **Brug kun batterierne med de produkter, som Makita specificerer.** Hvis batterierne installeres i ikke-kompatible produkter, kan det medføre brand, kraftig varme, eksplosion eller udsivning af elektrolyt.
13. **Hvis apparatet ikke skal bruges i længere tid, skal batteriet afmonteres af apparatet.**
14. **Under og efter brug kan akkuen være varm, som kan forårsage forbrændinger eller forbrændinger ved lave temperaturer. Vær opmærksom på håndteringen af varme akkuer.**
15. **Undlad at røre ved apparatets terminal umiddelbart efter brug, da den kan blive varm nok til at forårsage forbrændinger.**
16. **Undlad at lade spåner, støv eller jord sætte sig fast i akkuens terminaler, huller og riller.** Det kan medføre dårlig ydeevne eller beskadigelse af apparatet eller akkuen.
17. **Medmindre apparatet understøtter brugen i nærheden af højspændingsledninger, må akkuen ikke bruges i nærheden af højspændingsledninger.** Det kan resultere i funktionsfejl eller nedbrud af apparatet eller akkuen.
18. **Opbevar batteriet utilgængeligt for børn.**

GEM DENNE BRUGSANVISNING.

⚠FORSIGTIG: Brug kun originale batterier fra Makita. Brug af uoriginale Makita-batterier eller batterier, der er blevet ændret, kan resultere i, at batteriet sprænger og forårsager brand, personskade og beskadigelse. Det vil også annullere Makita-garantien for Makita-apparatet og -opladeren.

Tips til opnåelse af maksimal akku-levetid

1. **Oplad akkuen, inden den er helt afladet. Stop altid apparatets drift, og oplad akkuen, når du bemærker mindre strøm på apparatet.**
2. **Genoplad aldrig en fuldt opladet akku. Overopladning vil afkorte akkuens levetid.**
3. **Oplad akkuen ved stuetemperatur ved 10 °C - 40 °C. Lad altid en varm akku få tid til at køle af, inden den oplades.**
4. **Når du ikke bruger akkuen, skal du afmontere den fra apparatet eller opladeren.**
5. **Oplad akkuen, hvis De ikke skal bruge den i længere tid (mere end seks måneder).**

BESKRIVELSE AF DELENE

► Fig.1

- | | |
|--|---|
| <ol style="list-style-type: none"> 1. Kontaktpanel 2. Lås 3. Udgangsplade 4. Bærehåndtag 5. Ventilationsåbning 6. Krog A 7. Krog B
Brug kun til PDC1200. 8. Krog C
Brug kun til PDC01. 9. Stik (indgang) 10. Ledningslomme 11. USB-udgangsknap 12. Vekselstrømsudgangsknap | <ol style="list-style-type: none"> 13. Knap til skift af frekvens 14. 12V-jævnstrømsudgangsknap 15. Biplydsknap 16. Udgangsindikator
Se afsnittet angående hvordan udgangsindikatoren fortolkes. 17. USB Type-A-udgang 1 18. USB Type-A-udgang 2 19. USB Type-C-udgang 1 20. USB Type-C-udgang 2 21. Vekselstrømsudgang 1 22. Vekselstrømsudgang 2 23. 12V-jævnstrømsudgang (Til cigarettlignendeadapter) |
|--|---|

BEMÆRK: Udformningen af vekselstrømsudgangen varierer fra land til land.

SAMLING

⚠️ FORSIGTIG: Hold godt fast i strømformereren og strømkilden, når du installerer eller fjerner strømkilden. Ellers kan det muligvis forårsage, at de glider ud af dine hænder og resulterer i en personskade eller skade på strømformereren og strømkilden.

⚠️ FORSIGTIG: Inden brug skal du sikre dig, at ledningen er placeret ordentligt, og at stikket er sat helt i kontakten.

Montering af strømkilden

For PDC1200

Fastgør strømkilden til strømformereren som vist på figuren.

⚠️ FORSIGTIG: Sørg for, at strømkilden er sikkert installeret i strømformereren. Hvis ikke, kan den falde ud af strømformereren ved et uheld og forårsage personskade på dig eller nogen omkring dig. Hvis du kan se den røde indikator som vist på figuren, er strømkilden ikke helt låst.

► Fig.2: 1. Rød indikator

Når du fjerner strømkilden, skal du løfte strømkilden op, mens du trykker ned på låseknappen.

► Fig.3: 1. Låseknapp

For PDC01

Fastgør strømkilden til strømformereren som vist på figuren.

► Fig.4

Udfør monteringsproceduren i omvendt rækkefølge for at fjerne strømkilden.

Tilslutning af strømkilden

1. Åbn dækslet på stikket.
 2. Ret pilemærket på stikket i samme retning som det på strømformereren og sæt så stikket helt ind i kontakten.
- Fig.5: 1. Dæksel 2. Stik (indgang) 3. Stik 4. Pilemærke

BEMÆRKNING: Man må ikke tvinge stikket i kontakten. Hvis stikket ikke nemt kan sættes i, sættes det ikke rigtigt i.

BEMÆRKNING: Ved frakobling skal du ikke holde i ledningerne, men holde i stikket. Ellers kan ledningerne blive beskadiget og forårsage en funktionsfejl.

BEMÆRKNING: Luk altid dækslet til stikket ordentligt, når strømkilden ikke er tilsluttet. Ellers kan fremmedlegemer muligvis trænge ind i strømformereren og forårsage en funktionsfejl.

Ledningslomme

Du kan sætte ledningen ind i ledningslommen som vist på figuren.

► Fig.6

Montering af MAKPAC

Ekstraudstyr

Strømformereren kan fastgøres til toppen eller bunden af MAKPAC som vist på figuren.

► Fig.7

⚠️ FORSIGTIG: Sørg for, at strømformereren er sikkert fastgjort til MAKPAC med de fire låse. Ellers kan der forekomme en faldulykke, der forårsager personskade.

ANVENDELSE

► Fig.8: 1. Strømknap

1. Tryk på strømknapen på strømkilden for at tænde for den.

2. Tilslut dit apparat til den passende udgang.

Når du anvender vekselstrømsudgang, skal du vælge den passende frekvens ved at trykke og holde på knappen til skift af frekvens.

BEMÆRK: Frekvensen kan kun vælges, når vekselstrømsudgangen stopper.

BEMÆRK: Frekvensindstillingen gemmes i hukommelsen. Næste gang vil strømformereren starte med den samme indstilling.

3. Tryk på den udgangsknap, som du ønsker at anvende.

Strømformereren begynder udgangen, og den anvendte udgangsknap lyser.

4. Tryk på udgangsknappen igen for at stoppe.

5. Tryk på strømknapen på strømkilden for at slukke for den.

BEMÆRKNING: Du kan muligvis ikke bruge et apparat, der kræver meget strøm for at starte op, selv hvis strømformererens udgangseffekt holdes inden for det nominelle effektområde.

BEMÆRKNING: Strømformereren kan muligvis ikke levere strøm til visse USB-enheder.

BEMÆRKNING: Før du tilslutter USB-enheden til strømformereren, skal du altid sikkerhedskopiere dine data på USB-enheden.

BEMÆRKNING: Du kan ikke oplade strømkilden med strømformereren ved hjælp af powerbanks, der er tilgængelige på markedet.

Sådan fortolkes udgangsindikatoren

► Fig.9

- Udgangsindikatoren lyser i overensstemmelse med den udsendte effekt.
- Når udgangseffekten når 1.400 W (VA), lyser lampen på "1400" rødt. Denne lampe begynder at blinke rødt, når strømformeren bliver overbelastet.

Tænding/slukning af brummeren

► Fig.10: 1. Bilydsknap

Tryk og hold på bilydsknappen for at tænde/slukke for brummerlyden.

BEMÆRK: Brummerindstillingen gemmes i hukommelsen. Næste gang vil strømformeren starte med den samme indstilling.

Beskyttelsessystem

Strømformeren er udstyret med det følgende beskyttelsessystem.

Overbelastningsbeskyttelse

Hver udgang har overbelastningsbeskyttelse som følger:

- **Vekselstrømsudgang**
Når strømformeren detekterer en overdreven effekt, stopper strømformeren al vekselstrømsudgang med intermitterende bilyd.
- **USB-udgang**
Når strømformeren detekterer en unormal høj strøm, afbryder strømformeren den USB-udgang, hvor den høje strøm flyder fra.
- **12V-jævnstrømsudgang**
Når strømformeren detekterer en unormal høj strøm, stopper strømformeren 12V-jævnstrømsudgang med intermitterende bilyd.

Hvis den samlede udgang for vekselstrøm, USB og 12 V jævnstrøm overstiger strømformeren's nominelle udgangseffekt i en bestemt periode, stoppes hele udgangen med en kontinuerlig bilyd. I denne situation skal du slukke for strømkilden og stoppe den anvendelse, der fik strømformeren til at blive overbelastet. Tænd derefter for strømkilden for at genstarte.

BEMÆRK: Når strømformeren bliver overbelastet, blinker lampen "1400" på udgangsindikatoren rødt.

BEMÆRK: Bilyden stopper ved tryk på en hvilken som helst knap på kontaktpanelet.

Beskyttelse mod overophedning

Når strømformeren er overophedet, stopper strømformeren al udgang med kontinuerlige bilyde. I denne situation skal strømformeren have lov til at køle af, inden den tændes igen.

Beskyttelse mod overafledning

Når den resterende kapacitet af strømkilden bliver lav, afgives der intermitterende bilyde, og den udgangsknap, som er i arbejde, blinker. I denne situation skal du fjerne strømkilden og oplade den.

Når den resterende kapacitet af strømkilden bliver endnu lavere, vil al udgang blive stoppet.

VEDLIGEHOLDELSE

⚠FORSIGTIG: Sørg altid for, at strømkilden er fjernet, før du forsøger at udføre inspektion eller vedligeholdelse.

BEMÆRKNING: Vask ikke stikket med vand. Risiko for funktionsfejl.

BEMÆRKNING: Aftør fra tid til anden overfladen af dette produkt med en klud, som er fugtet med sæbevand.

BEMÆRKNING: Anvend aldrig benzin, rensebenzin, fortynder, alkohol og lignende. Det kan medføre misfarvning, deformation eller revner.

For at opretholde produktets SIKKERHED og PÅLIDELIGHED må reparation, vedligeholdelse eller justering kun udføres af et autoriseret Makita servicecenter eller fabrikksservicecenter med anvendelse af Makita reservedele.

Rengøring

Hvis strømformeren er beskidt, skal du tørre strømformeren af med en tør klud eller en klud, som er fugtet med sæbevand.

Filter

⚠FORSIGTIG: Efter rengøring af filteret, skal du sørge for at geninstallere det. Betjening af strømformeren uden filteret kan muligvis forårsage funktionsfejl.

Fjern filteret ved at trække det ud som vist på figuren. Vask filteret, og tør det derefter.

► Fig.11: 1. Filter

For at installere filteret skal du følge afmonteringsproceduren i omvendt rækkefølge.

EKSTRAUDSTYR

⚠️ FORSIGTIG: Det følgende tilbehør og ekstraudstyr er anbefalet til brug med Deres Makita maskine, der er beskrevet i denne brugsanvisning. Anvendelse af andet tilbehør eller ekstraudstyr kan udgøre en risiko for personskade. Anvend kun tilbehør og ekstraudstyr til det beskrevne formål.

Hvis De behøver hjælp ved valg af tilbehør eller ønsker yderligere informationer, bedes De kontakte Deres lokale Makita servicecenter.

- Bærbar strømforsyning
- Original Makita-akku og oplader
- МАКРАС

BEMÆRK: Nogle ting på denne liste kan være inkluderet i værktøjspakken som standardtilbehør. Det kan være forskellige fra land til land.

ΠΡΟΔΙΑΓΡΑΦΕΣ

Μοντέλο:		BAC01
Όνομαστική έξοδος	Απόδοση μετατροπέα (Όταν χρησιμοποιείτε PDC1200)	Συνεχή watt: 1.400 W (VA) Watt αιχμής: 2.800 W (VA)
	Πρίζα εναλλασσόμενου ρεύματος AC *	Καθαρό ημιτονοειδές κύμα 50 Hz ή 60 Hz, 2 τεμάχια. Τάση: Ανατρέξτε στην ένδειξη στον μετατροπέα ισχύος. (Η τάση εξόδου διαφέρει ανάλογα με τη χώρα).
	Θύρα USB	Τύπος A: 5 V, 2,4 A, 2 τεμάχια Τύπος C: USB-PD 30 W, 2 τεμάχια
	Προσαρμογέας αναπήρα	12 V, 10 A, 1 τεμάχια
Χρόνος λειτουργίας **	PDC1200 (Με 1.000 W)	56 min.
	PDC01 (Με 750 W, BL1860B x 2)	10 min.
Διαστάσεις (Μ x Π x Υ) (Με όλους τους γάντζους σε διπλωμένη θέση)		395 mm x 345 mm x 163 mm
Καθαρό βάρος (Μετατροπέας ισχύος μόνο)		7,3 kg

* Για τη Βραζιλία μόνο

Η τάση αναγράφεται κοντά στην έξοδο AC.

** Οι χρόνοι λειτουργίας είναι προσεγγιστικοί και μπορεί να διαφέρουν ανάλογα με τον τύπο πηγής τροφοδοσίας, την κατάσταση φόρτισης και τις συνθήκες χρήσης.

- Λόγω του συνεχιζόμενου προγράμματος έρευνας και ανάπτυξης, οι προδιαγραφές αυτές υπόκεινται σε αλλαγές χωρίς προειδοποίηση.
- Τα τεχνικά χαρακτηριστικά μπορεί να διαφέρουν από χώρα σε χώρα.

Εφαρμόσιμη πηγή τροφοδοσίας

Φορητή ηλεκτρική τροφοδότηση	PDC1200 / PDC01* * Χρησιμοποιήστε τις κασέτες μπαταριών που περιγράφονται στην ενότητα για τις εφαρμόσιμες κασέτες μπαταριών.
------------------------------	--

- Ορισμένες από τις πηγές τροφοδοσίας που αναγράφονται παραπάνω μπορεί να μην είναι διαθέσιμες, ανάλογα με την περιοχή κατοικίας σας.
- Πριν χρησιμοποιήσετε την πηγή τροφοδοσίας, διαβάστε τις οδηγίες και τις ενδείξεις προφυλάξεων που αναγράφονται σε αυτή.

⚠ ΠΡΟΕΙΔΟΠΟΙΗΣΗ: Να χρησιμοποιείτε μόνο τις πηγές τροφοδοσίας που παρατίθενται παραπάνω. Η χρήση οποιωνδήποτε άλλων πηγών τροφοδοσίας μπορεί να προκαλέσει τραυματισμό ή/και φωτιά.

Ισχύουσα κασέτα μπαταριών

Μόνο για PDC01

ΕΙΔΟΠΟΙΗΣΗ: Όταν χρησιμοποιείτε PDC01:

- Αν η ισχύς εξόδου υπερβαίνει 750 W (VA), ο μετατροπέας ισχύος θα διακόψει την ηλεκτρική παροχή εξαιτίας του συστήματος προστασίας μπαταρίας. Σε αυτή την περίπτωση, διατηρήστε την ισχύ εξόδου στα 750 W (VA) ή χαμηλότερα.
- Ανάλογα με τις συνθήκες χρήσης, ο μετατροπέας ισχύος μπορεί να διακόψει την έξοδο εάν η μπαταρία που χρησιμοποιείται αλλάξει σε μια άλλη μπαταρία. Σε αυτή την κατάσταση, πατήστε το κουμπί εξόδου που θέλετε για να εκκινήσετε ξανά την έξοδο.
- Απαιτούνται δύο ή τέσσερις κασέτες μπαταριών για τη χρήση του μετατροπέα ισχύος. Αν χρησιμοποιείτε δύο κασέτες μπαταριών, εγκαταστήστε τη μία στη θύρα μπαταριών 1 ή 2 και την άλλη στη θύρα μπαταριών 3 ή 4.

Κασέτα μπαταρίας	BL1815N / BL1820B / BL1830B* / BL1840B* / BL1850B* / BL1860B* *: Συνιστώμενη μπαταρία
------------------	--

- Ορισμένες από τις κασέτες μπαταριών που αναγράφονται παραπάνω μπορεί να μην είναι διαθέσιμες, ανάλογα με την περιοχή κατοικίας σας.

⚠ ΠΡΟΕΙΔΟΠΟΙΗΣΗ: Να χρησιμοποιείτε μόνο τις κασέτες μπαταριών που παρατίθενται ανωτέρω. Η χρήση οποιασδήποτε άλλης κασέτας μπαταριών μπορεί να προκαλέσει τραυματισμό ή/και πυρκαγιά.

Σύμβολα

Παρακάτω παρουσιάζονται τα σύμβολα που μπορούν να χρησιμοποιηθούν για τον εξοπλισμό. Βεβαιωθείτε ότι κατανοείτε τη σημασία τους πριν από τη χρήση.



Διαβάστε το εγχειρίδιο οδηγιών.



Μόνο για τις χώρες της ΕΕ
Λόγω της παρουσίας των επικίνδυνων συστατικών μερών στον εξοπλισμό, ο απόβλητος ηλεκτρικός και ηλεκτρονικός εξοπλισμός, οι συσσωρευτές και οι μπαταρίες μπορεί να έχουν αρνητική επίδραση στο περιβάλλον και την ανθρώπινη υγεία. Μην απορρίπτετε τις ηλεκτρικές και ηλεκτρονικές συσκευές ή μπαταρίες μαζί με τα οικιακά απορρίμματα!



Σύμφωνα με την Ευρωπαϊκή Οδηγία για τον απόβλητο ηλεκτρικό και ηλεκτρονικό εξοπλισμό και για τους συσσωρευτές και μπαταρίες και τους απόβλητους συσσωρευτές και μπαταρίες, καθώς και την προσαρμογή τους στην εθνική νομοθεσία, ο απόβλητος ηλεκτρικός εξοπλισμός, οι μπαταρίες και οι συσσωρευτές θα πρέπει να αποθηκεύονται ξεχωριστά και να παραδίδονται σε ξεχωριστό σημείο συλλογής για δημοτικά απόβλητα, το οποίο λειτουργεί σύμφωνα με τους κανονισμούς για την προστασία του περιβάλλοντος. Αυτό υποδεικνύεται από το σύμβολο του διαγραμμένου τροχοφόρου κάδου που βρίσκεται αναρτημένο επάνω στον εξοπλισμό.

Προοριζόμενη χρήση

Η συσκευή προορίζεται για τη μετατροπή ισχύος της φορητής ηλεκτρικής τροφοδότησης της Makita σε διάφορες εξόδους.

ΠΡΟΕΙΔΟΠΟΙΗΣΕΙΣ ΑΣΦΑΛΕΙΑΣ

⚠ ΠΡΟΕΙΔΟΠΟΙΗΣΗ: Πριν από τη χρήση, βεβαιωθείτε να διαβάσετε το εγχειρίδιο οδηγιών του προϊόντος σας που θα χρησιμοποιήσετε με αυτόν τον μετατροπέα ισχύος.

Προειδοποιήσεις ασφάλειας για τον μετατροπέα ισχύος

1. Προκειμένου να εξασφαλίσετε καλή απόδοση και μακροχρόνια διάρκεια λειτουργίας, προσέχετε ώστε να προστατεύετε τον μετατροπέα ισχύος από τις ακόλουθες συνθήκες.
 - Διαβρωτικό αέριο και υγρό
 - Εκνέφωμα άλατος ή εκνέφωμα λαδιού
 - Μηχανική πρόσκρουση και κραδασμοί

- Υψηλή υγρασία
- Ακραία θερμοκρασία (πολύ χαμηλή ή πολύ υψηλή)
Η κατάλληλη περιοχή θερμοκρασίας περιβάλλοντος κυμαίνεται μεταξύ -10 °C και 40 °C (14 °F και 104 °F).
- Ηλεκτρομαγνητικός θόρυβος (π.χ. ηλεκτρικό μηχάνημα συγκόλλησης, εξοπλισμός υψηλής ισχύος)
- Ραδιενεργό υλικό

2. Τοποθετήστε τον μετατροπέα ισχύος σε μια οριζόντια επιφάνεια χωρίς κυματισμούς, σε ένα σταθερό σημείο. Διαφορετικά, μπορεί να προκληθεί ατύχημα λόγω πτώσης.
3. Όταν μεταφέρετε τον μετατροπέα ισχύος, αποσυνδέστε την πηγή τροφοδοσίας και όλες τις συσκευές που είναι συνδεδεμένες στη θύρα εξόδου. Διαφορετικά, μπορεί να προκληθεί ατύχημα λόγω πτώσης.
4. Όταν μεταφέρετε τον μετατροπέα ισχύος, να κρατάτε πάντα σταθερά τις χειρολαβές μεταφοράς και με τα δύο χέρια. Μη μεταφέρετε τον μετατροπέα ισχύος κρατώντας οποιοδήποτε άλλο εξάρτημα. Διαφορετικά, μπορεί να προκληθεί ατύχημα λόγω πτώσης.
5. Μην χρησιμοποιείτε τον μετατροπέα ισχύος με βρεγμένα χέρια. Μην εκθέτετε τον μετατροπέα ισχύος στη βροχή ή σε υγρές συνθήκες. Κίνδυνος ηλεκτροπληξίας. Ο μετατροπέας ισχύος δεν είναι αδιάβροχος.
6. Μην εισαγάγετε μεταλλικά αντικείμενα, όπως πινέζες, σύρματα ή άλλα μικρά μεταλλικά αντικείμενα σε εξόδους και οπές αερισμού. Κίνδυνος ηλεκτροπληξίας.
7. Μην αποσυναρμολογείτε τον μετατροπέα ισχύος. Κίνδυνος ηλεκτροπληξίας.
8. Μην υποβάλλετε τον μετατροπέα ισχύος σε ισχυρή κρούση, όπως μια πτώση. Μπορεί να προκαλέσει δυσλειτουργία που έχει ως αποτέλεσμα ηλεκτροπληξία.
9. Να ελέγχετε εάν είναι ευθυγραμμισμένα σωστά τα κινούμενα μέρη, εάν εμποδίζονται η ελεύθερη κίνηση τους, εάν έχουν σπάει κάποια εξαρτήματα, αλλά και κάθε άλλη κατάσταση που μπορεί να επηρεάσει τη λειτουργία. Αν η συσκευή υποστεί βλάβη, να φροντίσετε να επισκευαστεί πριν τη χρησιμοποιήσετε. Πολλά ατυχήματα προκαλούνται από συσκευές που δεν έχουν συντηρηθεί σωστά.
10. Να ρυθμίζετε πάντα σε κατάλληλη συχνότητα AC. Διαφορετικά, μπορεί να συμβεί δυσλειτουργία και να προκληθεί ατύχημα.
11. Μη θέτετε σε λειτουργία τον μετατροπέα ισχύος σε εκρηκτικές ατμόσφαιρες, όπως παρουσία εύφλεκτων υγρών, αερίων ή σκόνης. Μια μικρή στατική φόρτιση ή σπίθα μπορεί να αναφλέξει σκόνες ή αναθυμιάσεις, προκαλώντας φωτιά ή έκρηξη.

12. Μην καλύπτετε και μην φράσσετε τις οπές αερισμού με κανένα αντικείμενο. Χρησιμοποιείτε τον μετατροπέα ισχύος όπου δεν παρεμβαίνει τίποτα με τις οπές αερισμού. Μπορεί να προκληθεί δυσλειτουργία ή φωτιά.
13. Προσέχετε να μην σκοντάψετε στο καλώδιο κατά τη διάρκεια της λειτουργίας. Τοποθετήστε το καλώδιο στη θήκη καλωδίου.
14. Μην χρησιμοποιείτε τον μετατροπέα ισχύος για ιατρικό εξοπλισμό. Η απρόσμενη δυσλειτουργία μπορεί να προκαλέσει ατύχημα.
15. Για να μειώσετε τον κίνδυνο φωτιάς, υπερθέρμανσης, έκρηξης, διαρροής ηλεκτρολύτη, ηλεκτροπληξίας ή τραυματισμού, τηρήστε τις ακόλουθες προφυλάξεις.
 - Μην συνδέσετε συσκευή που υπερβαίνει την ονομαστική έξοδο του μετατροπέα ισχύος.
 - Μην συνδέσετε απευθείας σε γενικό ηλεκτρικό δίκτυο AC.
16. Αποθηκεύστε τον μετατροπέα ισχύος σε εσωτερικό χώρο, με καλό αερισμό και χαμηλή υγρασία.
17. Κατά την αποθήκευση, διατηρήστε τον μετατροπέα ισχύος μακριά από τα παιδιά. Διαφορετικά, μπορεί να προκληθεί σοβαρό ατύχημα.
18. Μην πατήσετε τον μετατροπέα ισχύος. Επίσης, προσέχετε να μην χτυπήσετε δυνατά τον μετατροπέα ισχύος όταν τον εγκαθιστάτε με ΜΑΚΡΑΣ ή πηγή τροφοδοσίας. Αν το κάνετε αυτό, μπορεί να προκληθεί δυσλειτουργία ή προσωπικός τραυματισμός.
19. Η σχισμή για τον πείρο γείωσης στην έξοδο εναλλασσόμενου ρεύματος δεν έχει τάση ή ρεύμα. Το προϊόν αυτό δεν απαιτεί τη γείωση της συσκευής εναλλασσόμενου ρεύματος επειδή δεν είναι συνδεδεμένη με το κεντρικό ηλεκτρικό δίκτυο εναλλασσόμενου ρεύματος.

Προειδοποιήσεις ασφάλειας για συσκευές που λειτουργούν με μπαταρίες

Χρήση και φροντίδα συσκευών που λειτουργούν με μπαταρίες

1. Να αποφεύγετε την αθέλητη ενεργοποίηση του εργαλείου. Βεβαιωθείτε ότι ο διακόπτης βρίσκεται στην ανενεργή θέση πριν συνδέσετε το πακέτο μπαταριών ή σηκώσετε ή μεταφέρετε τη συσκευή. Αν μεταφέρετε τη συσκευή με το δάχτυλό σας στον διακόπτη ή αν ενεργοποιήσετε τη συσκευή όταν ο διακόπτης είναι στην ενεργή θέση, μπορεί να προκληθούν ατυχήματα.
2. Να αποσυνδέετε το πακέτο μπαταριών από τη συσκευή πριν κάνετε οποιοσδήποτε ρυθμίσεις ή αλλαγές εξαρτημάτων και πριν αποθηκεύετε τη συσκευή. Τέτοια προληπτικά μέτρα ασφάλειας μειώνουν τον κίνδυνο τυχαίας ενεργοποίησης της συσκευής.

3. Να επαναφορτίζετε τις μπαταρίες μόνο με το φορτιστή που καθορίζεται από τον κατασκευαστή. Ένας φορτιστής που είναι κατάλληλος για μια συγκεκριμένη μπαταρία μπορεί να δημιουργήσει κίνδυνο πυρκαγιάς όταν χρησιμοποιείται με μια άλλη μπαταρία.
4. Να χρησιμοποιείτε συσκευές μόνο με ειδικά καθορισμένα πακέτα μπαταριών. Η χρήση κάθε άλλου πακέτου μπαταριών μπορεί να δημιουργήσει κίνδυνο τραυματισμού και πυρκαγιάς.
5. Όταν δεν χρησιμοποιείται η κασέτα μπαταριών, διατηρήστε τη μακριά από άλλα μεταλλικά αντικείμενα, όπως συνδετήρες, κέρματα, κλειδιά, καρφιά, βίδες ή άλλα μικρά μεταλλικά αντικείμενα, με τα οποία μπορεί να δημιουργηθεί σύνδεση από τον έναν ακροδέκτη στον άλλον. Το βραχυκύκλωμα των ακροδεκτών της μπαταρίας μπορεί να προκαλέσει εγκαύματα ή πυρκαγιά.
6. Υπό συνθήκες κατάχρησης, μπορεί να εξαχθεί υγρό από την μπαταρία. Να αποφεύγετε την επαφή. Εάν συμβεί επαφή κατά λάθος, εκπλύνετε με νερό. Εάν το υγρό έρθει σε επαφή με τα μάτια, αναζητήστε και ιατρική βοήθεια. Το υγρό που εξάγεται από την μπαταρία μπορεί να προκαλέσει ερεθισμό ή εγκαύματα.
7. Μην χρησιμοποιείτε ένα πακέτο μπαταριών ή συσκευή που έχει καταστραφεί ή τροποποιηθεί. Οι κατεστραμμένες ή τροποποιημένες μπαταρίες μπορεί να παρουσιάζουν απρόβλεπτη συμπεριφορά που έχει ως αποτέλεσμα πυρκαγιά, έκρηξη ή κίνδυνο τραυματισμού.
8. Μην εκθέτετε το πακέτο μπαταριών ή τη συσκευή σε πυρκαγιά ή υπερβολικά υψηλή θερμοκρασία. Η έκθεση σε φωτιά ή θερμοκρασία άνω των 130 °C μπορεί να προκαλέσει έκρηξη.
9. Ακολουθήστε όλες τις οδηγίες φόρτισης και μην φορτίζετε το πακέτο μπαταριών ή τη συσκευή εκτός του θερμοκρασιακού εύρους που καθορίζεται στις οδηγίες. Η λανθασμένη φόρτιση ή η φόρτιση σε θερμοκρασίες εκτός του καθορισμένου εύρους μπορεί να προκαλέσει ζημιά στην μπαταρία και να αυξήσει τον κίνδυνο πυρκαγιάς.
10. Να φροντίζετε η εργασία σέρβις να γίνεται από αρμόδιο επαγγελματία χρησιμοποιώντας μόνο γνήσια ανταλλακτικά. Έτσι θα είστε σίγουροι για τη διατήρηση της ασφάλειας του προϊόντος.
11. Μην τροποποιήσετε και μην επιχειρήσετε να επισκευάσετε τη συσκευή ή το πακέτο μπαταριών, εκτός εάν υποδεικνύεται στις οδηγίες χρήσης και φροντίδας.

Σημαντικές οδηγίες ασφάλειας για κασέτα μπαταριών

1. Πριν χρησιμοποιήσετε την κασέτα μπαταριών, διαβάστε όλες τις οδηγίες και σημειώσεις προφύλαξης (1) στον φορτιστή μπαταριών, (2) στην μπαταρία και (3) στο προϊόν που χρησιμοποιεί την μπαταρία.
2. Μην αποσυναρμολογήσετε ή παραβιάσετε την κασέτα μπαταριών. Μπορεί να έχει ως αποτέλεσμα πυρκαγιά, υπερθέρμανση ή έκρηξη.

3. Εάν ο χρόνος λειτουργίας έχει γίνει υπερβολικά βραχύς, σταματήστε τη λειτουργία αμέσως. Αλλιώς, μπορεί να έχει ως αποτέλεσμα κίνδυνο υπερθέρμανσης, πιθανά εγκαύματα ή ακόμη και έκρηξη.
4. Εάν ηλεκτρολύτης μπει στα μάτια σας, ξεπλύνοντά τα με καθαρό νερό και ζητήστε ιατρική φροντίδα αμέσως. Αλλιώς, μπορεί να έχει ως αποτέλεσμα απώλεια της όρασης σας.
5. **Μη βραχυκυκλώνετε την κασέτα μπαταριών:**
 - (1) Μην αγγίζετε τους πόλους με οτιδήποτε αγωγίμο υλικό.
 - (2) Αποφεύγετε να αποθηκεύετε την κασέτα μπαταριών μέσα σε ένα δοχείο μαζί με άλλα μεταλλικά αντικείμενα όπως καρφιά, νομίσματα, κλπ.
 - (3) Μην εκθέτετε την κασέτα μπαταριών στο νερό ή στη βροχή.

Ένα βροχυκόκλωμα μπαταρίας μπορεί να προκαλέσει μεγάλη ροή ρεύματος, υπερθέρμανση, πιθανά εγκαύματα ακόμη και σοβαρή βλάβη.
6. Μην αποθηκεύετε και μην χρησιμοποιείτε τη συσκευή και την κασέτα μπαταριών σε τοποθεσίες όπου η θερμοκρασία μπορεί να φτάσει ή να ξεπεράσει τους 50°C.
7. Μην καίτε την κασέτα μπαταριών ακόμη και εάν έχει σοβαρή ζημιά ή είναι εντελώς φθαρμένη. Η κασέτα μπαταριών μπορεί να εκραγεί στη φωτιά.
8. Μην καρφώσετε, κόψετε, συνθλίψετε, πετάξετε ή ρίξετε κάτω την κασέτα μπαταριών, ούτε να χτυπήσετε ένα σκληρό αντικείμενο επάνω στην κασέτα μπαταριών. Τέτοια συμπεριφορά μπορεί να έχει ως αποτέλεσμα πυρκαγιά, υπερθέρμανση ή έκρηξη.
9. **Μη χρησιμοποιείτε μπαταρία που έχει υποστεί ζημιά.**
10. **Οι μπαταρίες ιόντων λιθίου που περιέχονται υπόκεινται στις απαιτήσεις της νομοθεσίας για επικίνδυνα αγαθά.**

Για εμπορικές μεταφορές, για παράδειγμα από τρίτα μέρη, πρέπει να διαμεταφορεύεις, οι ειδικές απαιτήσεις στη συσκευασία και η επισήμανση.

Για προετοιμασία του στοιχείου που αποστέλλεται, είναι απαραίτητο να συμβουλευτείτε έναν ειδικό για επικίνδυνα υλικά. Επίσης, τηρήστε τους πιθανούς, πιο αναλυτικούς εθνικούς κανονισμούς. Καλύψτε με αυτοκόλλητη ταινία ή κρύψτε τις ανοικτές επαφές και συσκευάστε την μπαταρία με τρόπο που να μην μπορεί να μετακινείται μέσα στη συσκευασία.
11. **Όταν απορρίπτετε την κασέτα μπαταριών, αφαιρέστε την από τη συσκευή και διαθέστε τη σε ένα ασφαλές μέρος. Τηρήστε τους τοπικούς κανονισμούς που σχετίζονται με τη διάθεση της μπαταρίας.**
12. **Χρησιμοποιήστε τις μπαταρίες μόνο με τα προϊόντα που καθορίζει η Makita.** Αν τοποθετήσετε τις μπαταρίες σε μη συμβατά προϊόντα μπορεί να έχει ως αποτέλεσμα πυρκαγιά, υπερβολική θερμότητα, έκρηξη ή διαρροή ηλεκτρολύτη.
13. **Αν δεν χρησιμοποιείτε τη συσκευή για μεγάλο χρονικό διάστημα, πρέπει να βγάλετε την μπαταρία από τη συσκευή.**
14. **Κατά τη διάρκεια και μετά τη χρήση, η κασέτα μπαταριών μπορεί να θερμανθεί, γεγονός που μπορεί να προκαλέσει εγκαύματα ή εγκαύματα από χαμηλή θερμοκρασία. Προσέχετε τον χειρισμό των ζεστών κασετών μπαταριών.**
15. **Μην αγγίζετε τον ακροδέκτη της συσκευής αμέσως μετά τη χρήση επειδή μπορεί να έχει ζεσταθεί αρκετά για να προκαλέσει εγκαύματα.**
16. **Μην αφήνετε θραύσματα, σκόνη ή βρομιά να κολλήσει στους ακροδέκτες, τις οπές και τις εγκωπές της κασέτας μπαταριών. Μπορεί να έχει ως αποτέλεσμα κακή απόδοση ή σπάσιμο της συσκευής ή της κασέτας μπαταριών.**
17. **Εκτός αν η συσκευή υποστηρίζει τη χρήση κοντά σε ηλεκτρικές γραμμές υψηλής τάσης, μην χρησιμοποιείτε την κασέτα μπαταριών κοντά σε ηλεκτρικές γραμμές υψηλής τάσης. Μπορεί να έχει ως αποτέλεσμα δυσλειτουργία ή σπάσιμο της συσκευής ή της κασέτας μπαταριών.**
18. **Φυλάξτε την μπαταρία μακριά από παιδιά.**

ΦΥΛΑΞΤΕ ΤΙΣ ΟΔΗΓΙΕΣ ΑΥΤΕΣ.

▲ΠΡΟΣΟΧΗ: Να χρησιμοποιείτε μόνο γνήσιες μπαταρίες της Makita. Η χρήση μη γνήσιων μπαταριών Makita, ή μπαταριών που έχουν τροποποιηθεί, μπορεί να έχει ως αποτέλεσμα τη ρήξη της μπαταρίας, προκαλώντας πυρκαγιά, προσωπικό τραυματισμό και βλάβη. Θα ακυρώσει επίσης την εγγύηση της Makita για τη συσκευή και τον φορτιστή Makita.

Συμβουλές για τη διατήρηση της μέγιστης ζωής μπαταρίας

1. **Φορτίζετε την κασέτα μπαταριών πριν από την πλήρη αποφόρτισή της. Πάντοτε να σταματάτε τη λειτουργία της συσκευής και να φορτίζετε την κασέτα μπαταριών όταν παρατηρείτε μειωμένη ισχύ της συσκευής.**
2. **Ποτέ μην επαναφορτίζετε μια πλήρως φορτισμένη κασέτα μπαταριών. Η υπερφόρτιση μειώνει την ωφέλιμη ζωή της μπαταρίας.**
3. **Να φορτίζετε την κασέτα μπαταριών σε θερμοκρασία δωματίου, δηλαδή στους 10 °C έως 40 °C. Αφήστε μια θερμή κασέτα μπαταριών να κρυώσει πριν την φορτίσετε.**
4. **Όταν δεν χρησιμοποιείτε την κασέτα μπαταριών, αφαιρέστε την από τη συσκευή ή τον φορτιστή.**
5. **Να φορτίζετε την κασέτα μπαταριών εάν δεν τη χρησιμοποιείτε για μεγάλη χρονική περίοδο (χρησιότερο από έξι μήνες).**

ΠΕΡΙΓΡΑΦΗ ΕΞΑΡΤΗΜΑΤΩΝ

► Εικ.1

1. Πίνακας διακοπών
2. Μάνδαλο
3. Πίνακας εξόδων
4. Λαβή μεταφοράς
5. Εξαερισμός
6. Γάντζος A
7. Γάντζος B
Χρησιμοποιείται μόνο για PDC1200.
8. Γάντζος C
Χρησιμοποιείται μόνο για PDC01.
9. Υποδοχή (είσοδος)
10. Θήκη καλωδίου
11. Κουμπί εξόδου USB
12. Κουμπί εξόδου AC
13. Κουμπί αλλαγής συχνότητας
14. Κουμπί εξόδου DC 12V
15. Κουμπί χαρακτηριστικού ήχου
16. Ένδειξη εξόδου
Ανατρέξτε στην ενότητα για τον τρόπο ερμηνείας της ένδειξης εξόδου.
17. Έξοδος 1 USB τύπου A
18. Έξοδος 2 USB τύπου A
19. Έξοδος 1 USB τύπου C
20. Έξοδος 2 USB τύπου C
21. Έξοδος AC 1
22. Έξοδος AC 2
23. Έξοδος DC 12 V (Για προσαρμογέα αναπτήρα)

ΠΑΡΑΤΗΡΗΣΗ: Το σχήμα της εξόδου AC διαφέρει ανάλογα με τη χώρα.

ΣΥΝΑΡΜΟΛΟΓΗΣΗ

▲ ΠΡΟΣΟΧΗ: Κρατάτε τον μετατροπέα ισχύος και την πηγή τροφοδοσίας σταθερά όταν τοποθετείτε ή αφαιρείτε την πηγή τροφοδοσίας. Αν δεν το κάνετε αυτό, μπορεί να ολισθήσουν από τα χέρια σας και να έχει ως αποτέλεσμα προσωπικό τραυματισμό ή ζημιά στον μετατροπέα ισχύος και την πηγή τροφοδοσίας.

▲ ΠΡΟΣΟΧΗ: Πριν τη λειτουργία, βεβαιωθείτε ότι το καλώδιο είναι τοποθετημένο σωστά και το βύσμα είναι εισαγμένο στην υποδοχή μέχρι τέρμα.

Προσάρτηση της πηγής τροφοδοσίας

Για PDC1200

Συνδέστε την πηγή τροφοδοσίας με τον μετατροπέα ισχύος όπως απεικονίζεται στην εικόνα.

▲ ΠΡΟΣΟΧΗ: Βεβαιωθείτε ότι η πηγή τροφοδοσίας είναι τοποθετημένη με ασφάλεια στον μετατροπέα ισχύος. Διαφορετικά, μπορεί να πέσει κατά λάθος από τον μετατροπέα ισχύος και να προκαλέσει τραυματισμό σε εσάς ή κάποιον άλλο γύρω σας. Αν μπορείτε να δείτε τον κόκκινο δείκτη όπως απεικονίζεται στην εικόνα, η πηγή τροφοδοσίας δεν έχει ασφαλίσει τελείως.

► **Εικ.2:** 1. Κόκκινος δείκτης

Όταν αφαιρείτε την πηγή τροφοδοσίας, σηκώστε την πηγή τροφοδοσίας ενώ πατάτε το κουμπί ασφάλισης.

► **Εικ.3:** 1. Κουμπί ασφάλισης

Για PDC01

Συνδέστε την πηγή τροφοδοσίας με τον μετατροπέα ισχύος όπως απεικονίζεται στην εικόνα.

► **Εικ.4**

Για να αφαιρέσετε την πηγή τροφοδοσίας, ακολουθήστε τη διαδικασία τοποθέτησης με αντίστροφη σειρά.

Σύνδεση της πηγής τροφοδοσίας

1. Ανοίξτε το καπάκι της υποδοχής.
 2. Ευθυγραμμίστε το σημάδι βέλους στο βύσμα με αυτό στον μετατροπέα ισχύος και μετά εισαγάγετε το βύσμα στην υποδοχή μέχρι τέρμα.
- **Εικ.5:** 1. Καπάκι 2. Υποδοχή (είσοδος) 3. Βύσμα 4. Σημάδι βέλους

ΕΙΔΟΠΟΙΗΣΗ: Μην εισαγάγετε το βύσμα με δύναμη. Αν το βύσμα δεν μπορεί να εισαχθεί με ευκολία, δεν το εισαγάγετε σωστά.

ΕΙΔΟΠΟΙΗΣΗ: Κατά την αποσύνδεση, μην κρατάτε τα καλώδια αλλά να κρατάτε το βύσμα. Διαφορετικά, τα καλώδια μπορεί να καταστραφούν και να προκληθεί δυσλειτουργία.

ΕΙΔΟΠΟΙΗΣΗ: Να κλείνετε πάντα καλά το καπάκι της υποδοχής όταν η πηγή τροφοδοσίας δεν είναι συνδεδεμένη. Διαφορετικά, μπορεί να εισέλθει ξένη ύλη στον μετατροπέα ισχύος και να προκαλέσει δυσλειτουργία.

Θήκη καλωδίου

Μπορείτε να τοποθετήσετε το καλώδια μέσα στη θήκη καλωδίου όπως απεικονίζεται στην εικόνα.

► **Εικ.6**

Τοποθέτηση ΜΑΚΡΑC

Προαιρετικό εξάρτημα

Ο μετατροπέας ισχύος μπορεί να προσαρτηθεί στο πάνω ή στο κάτω μέρος του ΜΑΚΡΑC όπως απεικονίζεται στην εικόνα.

► Εικ.7

▲ ΠΡΟΣΟΧΗ: Βεβαιωθείτε ότι ο μετατροπέας ισχύος είναι στερεωμένος με ασφάλεια στο ΜΑΚΡΑC με τα τέσσερα μάνδαλα. Διαφορετικά, μπορεί να συμβεί κάποιο ατύχημα πτώσης και να προκληθεί προσωπικός τραυματισμός.

ΛΕΙΤΟΥΡΓΙΑ

► Εικ.8: 1. Κουμπί λειτουργίας

1. Πατήστε το κουμπί λειτουργίας της πηγής τροφοδοσίας για να την ενεργοποιήσετε.

2. Συνδέστε τη συσκευή σας στην κατάλληλη έξοδο.

Όταν χρησιμοποιείτε την έξοδο AC, επιλέξτε την κατάλληλη συχνότητα πατώντας παρατεταμένα το κουμπί αλλαγής συχνότητας.

ΠΑΡΑΤΗΡΗΣΗ: Η συχνότητα είναι επιλεγμένη μόνο όταν η έξοδος AC σταματάει.

ΠΑΡΑΤΗΡΗΣΗ: Η ρύθμιση συχνότητας απομνημονεύεται. Την επόμενη φορά, ο μετατροπέας ισχύος θα ξεκινήσει με την ίδια ρύθμιση.

3. Πατήστε το κουμπί εξόδου που θέλετε να χρησιμοποιήσετε.

Ο μετατροπέας ισχύος ξεκινάει την έξοδο και το κουμπί εξόδου στην εργασία ανάβει.

4. Πατήστε ξανά το κουμπί εξόδου για να σταματήσει.

5. Πατήστε το κουμπί λειτουργίας της πηγής τροφοδοσίας για να την απενεργοποιήσετε.

ΕΙΔΟΠΟΙΗΣΗ: Ίσως να μην μπορείτε να χρησιμοποιήσετε μια συσκευή που απαιτεί μεγάλη ποσότητα ισχύος για εκκίνηση, ακόμη κι αν η ηλεκτρική παροχή του μετατροπέα ισχύος διατηρείται εντός του ονομαστικού εύρους ισχύος.

ΕΙΔΟΠΟΙΗΣΗ: Ο μετατροπέας ισχύος μπορεί να μην παρέχει ισχύ σε μερικές συσκευές USB.

ΕΙΔΟΠΟΙΗΣΗ: Πριν συνδέσετε συσκευή USB στον μετατροπέα ισχύος, να δημιουργείτε πάντα αντίγραφο ασφαλείας των δεδομένων στη συσκευή USB.

ΕΙΔΟΠΟΙΗΣΗ: Δεν μπορείτε να φορτίσετε την πηγή τροφοδοσίας με μετατροπέα ισχύος χρησιμοποιώντας τους φορητούς φορτιστές που διατίθενται στην αγορά.

Τρόπος ερμηνείας της ένδειξης εξόδου

► Εικ.9

- Η ένδειξη εξόδου ανάβει ανάλογα με τα watt της εξόδου.
- Όταν η έξοδος ισχύος φτάσει 1.400 W (VA), η λυχνία στο «1400» θα ανάψει με κόκκινο χρώμα. Αυτή η λυχνία αρχίζει να αναβοσβήνει με κόκκινο χρώμα όταν ο μετατροπέας ισχύος υπερφορτωθεί.

Ενεργοποίηση/Απενεργοποίηση βομβητή

► Εικ.10: 1. Κουμπί χαρακτηριστικού ήχου

Πατήστε παρατεταμένα το κουμπί χαρακτηριστικού ήχου για να ενεργοποιήσετε/απενεργοποιήσετε τον ήχο βομβητή.

ΠΑΡΑΤΗΡΗΣΗ: Η ρύθμιση βομβητή απομνημονεύεται. Την επόμενη φορά, ο μετατροπέας ισχύος θα ξεκινήσει με την ίδια ρύθμιση.

Σύστημα προστασίας

Ο μετατροπέας ισχύος είναι εξοπλισμένος με το ακόλουθο σύστημα προστασίας.

Προστασία υπερφόρτωσης

Κάθε έξοδος έχει προστασία υπερφόρτωσης ως εξής:

- **Έξοδος AC**
Όταν ο μετατροπέας ισχύος ανιχνεύει υπερβολικά watt, ο μετατροπέας ισχύος σταματάει όλες τις εξόδους AC με έναν διακεκομμένο χαρακτηριστικό ήχο.
- **Έξοδος USB**
Όταν ο μετατροπέας ισχύος ανιχνεύει ένα ασυνήθιστα υψηλό ρεύμα, ο μετατροπέας ισχύος αποκόπτει την έξοδο USB με το υψηλό ρεύμα.
- **Έξοδος DC 12V**
Όταν ο μετατροπέας ισχύος ανιχνεύει ασυνήθιστα υψηλό ρεύμα, ο μετατροπέας ισχύος σταματάει την έξοδο DC 12V με έναν διακεκομμένο χαρακτηριστικό ήχο.

Αν η συνολική έξοδος των AC, USB και DC 12 V ξεπερνάει την ονομαστική έξοδο του μετατροπέα ισχύος για ορισμένη χρονική περίοδο, όλες οι εξόδου θα διακοπούν με έναν συνεχή χαρακτηριστικό ήχο. Σε αυτή την κατάσταση, απενεργοποιήστε την πηγή τροφοδοσίας και διακόψτε την εφαρμογή που προκαλεί την υπερφόρτωση του μετατροπέα ισχύος. Μετά, ενεργοποιήστε την πηγή τροφοδοσίας για επανεκκίνηση.

ΠΑΡΑΤΗΡΗΣΗ: Όταν ο μετατροπέας ισχύος υπερφορτωθεί, η λυχνία «1400» της ένδειξης εξόδου αναβοσβήνει με κόκκινο χρώμα.

ΠΑΡΑΤΗΡΗΣΗ: Ο χαρακτηριστικός ήχος σταματάει αν πατήσετε οποιοδήποτε κουμπί στον πίνακα διακοπών.

Προστασία υπερθέρμανσης

Όταν ο μετατροπέας ισχύος υπερθερμανθεί, ο μετατροπέας ισχύος διακόπτει όλες τις εξόδους με έναν συνεχή χαρακτηριστικό ήχο. Σε αυτή την κατάσταση, αφήστε τον μετατροπέα ισχύος να ψυχθεί πριν τον ενεργοποιήσετε ξανά.

Προστασία υπερβολικής αποφόρτισης

Όταν η υπολειπόμενη χωρητικότητα της πηγής τροφοδοσίας γίνεται χαμηλή, παράγεται ένας διακεκομμένος χαρακτηριστικός ήχος και το κουμπί εξόδου στην εργασία αναβοσβήνει. Σε αυτή την κατάσταση, αφαιρέστε την πηγή τροφοδοσίας και φορτίστε τη.

Όταν η υπολειπόμενη χωρητικότητα της πηγής τροφοδοσίας γίνεται ακόμη χαμηλότερη, όλες οι εξόδους θα διακοπούν.

ΣΥΝΤΗΡΗΣΗ

ΠΡΟΣΟΧΗ: Να βεβαιώνετε πάντα ότι η πηγή τροφοδοσίας έχει αφαιρεθεί πριν επιχειρήσετε να εκτελέσετε επιθεώρηση ή συντήρηση.

ΕΙΔΟΠΟΙΗΣΗ: Μην πλένετε τη σύνδεση με νερό. Κίνδυνος δυσλειτουργίας.

ΕΙΔΟΠΟΙΗΣΗ: Περιστασιακά, να σκουπίζετε την επιφάνεια του προϊόντος χρησιμοποιώντας ένα πανί υγραμένο με σαπουνόνερο.

ΕΙΔΟΠΟΙΗΣΗ: Μην χρησιμοποιείτε ποτέ βενζίνη, πετρελαϊκό αιθέρα, διαλυτικό, αλκοόλη ή παρόμοιες ουσίες. Μπορεί να προκληθεί αποχρωματισμός, παραμόρφωση ή ρωγμές.

Για τη διατήρηση της ΑΣΦΑΛΕΙΑΣ και ΑΞΙΟΠΙΣΤΙΑΣ του προϊόντος, οι επισκευές και οποιαδήποτε άλλη εργασία συντήρησης ή ρύθμισης πρέπει να εκτελούνται από εξουσιοδοτημένα ή εργοστασιακά κέντρα εξυπηρέτησης της Makita, χρησιμοποιώντας πάντοτε ανταλλακτικά της Makita.

Καθαρισμός

Αν ο μετατροπέας ισχύος είναι βρόμικος, σκουπίστε τον μετατροπέα ισχύος με ένα στεγνό πανί ή με ένα πανί υγραμένο με σαπουνόνερο.

Φίλτρο

ΠΡΟΣΟΧΗ: Αφού καθαρίσετε το φίλτρο, βεβαιωθείτε να το τοποθετήσετε ξανά. Αν θέσετε τον μετατροπέα ισχύος σε λειτουργία χωρίς το φίλτρο, μπορεί να προκληθεί δυσλειτουργία.

Αφαιρέστε το φίλτρο αφαιρώντας το όπως απεικονίζεται στην εικόνα.

Πλύντε το φίλτρο και μετά στεγνώστε το.

► **Εικ.11:** 1. Φίλτρο

Για να τοποθετήσετε το φίλτρο, ακολουθήστε τη διαδικασία αφαίρεσης με αντίστροφη σειρά.

ΠΡΟΑΙΡΕΤΙΚΑ ΕΞΑΡΤΗΜΑΤΑ

ΠΡΟΣΟΧΗ: Αυτά τα εξαρτήματα ή προσαρτήματα συνιστώνται για χρήση με το εργαλείο Makita που περιγράφηκε στις οδηγίες αυτές. Η χρήση οποιωνδήποτε άλλων εξαρτημάτων ή προσαρτημάτων μπορεί να προκαλέσει κίνδυνο τραυματισμού σε άτομα. Να χρησιμοποιείτε τα εξαρτήματα ή προσαρτήματα μόνο για την χρήση που προορίζονται.

Εάν χρειάζεστε οποιαδήποτε βοήθεια για περισσότερες πληροφορίες σε σχέση με αυτά τα εξαρτήματα, απευθυνθείτε στο τοπικό σας κέντρο εξυπηρέτησης Makita.

- Φορητή ηλεκτρική τροφοδότηση
- Γνήσια μπαταρία και φορτιστής της Makita
- ΜΑΚΡΑC

ΠΑΡΑΤΗΡΗΣΗ: Μερικά στοιχεία στη λίστα μπορεί να συμπεριλαμβάνονται στη συσκευασία εργαλείου ως στάνταρ εξαρτήματα. Μπορεί να διαφέρουν ανάλογα με τη χώρα.

TEKNİK ÖZELLİKLER

Model:		BAC01
Anma çıkışı	Konvertör performansı (PDC1200'ü kullanırken)	Sürekli vat: 1.400 W (VA) Tepe vat: 2.800 W (VA)
	AC prizi *	Saf sinüs dalgası 50 Hz veya 60 Hz, 2 adet Gerilim: Güç konvertöründeki göstergeye bakın. (Çıkış gerilimi ülkeye göre değişir.)
	USB bağlantı noktası	Tip A: 5 V, 2,4 A, 2 adet Tip C: USB-PD 30 W, 2 adet
	Çakmak adaptörü	12 V, 10 A, 1 adet
Çalışma süresi **	PDC1200 (1.000 W ile)	56 dak.
	PDC01 (750 W, BL1860B x 2 ile)	10 dak.
Boyutlar (U x G x Y) (Tüm kancalar katlı konumda)		395 mm x 345 mm x 163 mm
Net ağırlık (Sadece güç konvertörü)		7,3 kg

* Sadece Brezilya için

Gerilim, AC prizinin yanına işaretlenmiştir.

** Çalışma süreleri yaklaşıktır ve güç kaynağı tipine, şarj durumuna ve kullanım koşullarına bağlı olarak farklılık gösterebilir.

- Sürekli yapılan araştırma ve geliştirmelerden dolayı, burada belirtilen özellikler önceden bildirilmeksizin değiştirilebilir.
- Özellikler ülkeden ülkeye değişebilir.

Geçerli güç kaynağı

Taşınabilir güç ünitesi	PDC1200 / PDC01* * Geçerli batarya kartuşu bölümünde belirtilen batarya kartuşlarını kullanın.
-------------------------	---

- Yukarıda listelenen güç kaynaklarının bazıları yaşadığınız bölgeye bağlı olarak mevcut olmayabilir.
- Güç kaynağını kullanmadan önce, üzerindeki uyarı işaretlerini ve talimatı okuyun.

⚠UYARI: Sadece yukarıda listelenen güç kaynaklarını kullanın. Başka güç kaynaklarının kullanılması yaralanma ve/veya yangına neden olabilir.

Geçerli batarya kartuşu

Sadece PDC01 için

ÖNEMLİ NOT: PDC01 kullanırken:

- Çıkış gücü 750 W (VA) değerini aşarsa batarya koruma sisteminden dolayı güç konvertörü güç beslemeyi durdurur. Bu durumda çıkış gücünü 750 W (VA) veya daha düşük bir değerde tutun.
- Kullanım koşullarına bağlı olarak, kullandığınız batarya başka bir bataryaya geçerse güç konvertörü çıkışı durdurabilir. Bu durumda çıkış yapmasını yeniden başlatmak istediğiniz çıkış düğmesine basın.
- Güç konvertörünü kullanmak için iki veya dört batarya kartuşu gerekir. İki batarya kartuşu kullanırsanız birini batarya yuvası 1 veya 2'ye ve diğerini batarya yuvası 3 veya 4'e takın.

Batarya kartuşu	BL1815N / BL1820B / BL1830B* / BL1840B* / BL1850B* / BL1860B* *: Önerilen batarya
-----------------	--

- Yukarıda listelenen batarya kartuşlarının bazıları yaşadığınız bölgeye bağlı olarak mevcut olmayabilir.

⚠UYARI: Sadece yukarıda listelenen batarya kartuşlarını kullanın. Başka batarya kartuşlarının kullanılması yaralanma ve/veya yangına neden olabilir.

Semboller

Ekipmanı için kullanılacak semboller aşağıda gösterilmiştir. Kullanmadan önce anlamlarını anladığınızdan emin olun.



El kitabını okuyun.



Sadece AB ülkeleri için Ekipmanda tehlikeli bileşenler bulunduğundan dolayı atık elektrikli ve elektronik ekipmanlar, aküler ve bataryalar çevre ve insan sağlığı üzerinde olumsuz etkiye yol açabilir.



Ni-MH
Li-Ion

Elektrikli ve elektronik cihazları veya bataryaları evsel atıklarla birlikte atmayın! Atık elektrikli ve elektronik ekipmanlar ile akümülatörler ve bataryalar hakkındaki Avrupa Direktifi ve söz konusu direktifin ulusal yasalara uyarlanması gereğince atık elektrikli ekipmanlar, bataryalar ve akümülatörler ayrı olarak depolanmalı ve çevre koruma hakkındaki mevzuata uygun olarak faaliyet gösteren ayrı bir kentsel atık toplama noktasına teslim edilmelidir. Bu husus, ekipmanın üzerine yerleştirilmiş üzerinde çarpı işareti bulunan tekerlekli çöp kovası simgesi ile belirtilmiştir.

Kullanım amacı

Cihaz, Makita taşınabilir güç ünitesinin gücünü çeşitli cihazlara dönüştürmek için tasarlanmıştır.

GÜVENLİK UYARILARI

UYARI: Kullanmadan önce, bu güç konvertörü ile kullanılacak ürününüzün kullanma kılavuzunu mutlaka okuyun.

Güç Konvertörü güvenlik uyarıları

- İyi performans ve uzun hizmet ömrü temin etmek için güç konvertörünü aşağıdaki durumlardan korumaya dikkat edin.**
 - Aşındırıcı gaz ve sıvı
 - Tuz buharı ve yağ buharı
 - Mekanik darbe ve titreşim
 - Yüksek nem
 - Aşırı sıcaklık (çok soğuk veya çok sıcak) Uygun ortam sıcaklığı aralığı -10 °C ile 40 °C (14 °F ile 104 °F) arasındır.
 - Elektromanyetik gürültü (örneğin elektrikli kaynak makinesi, yüksek güçlü ekipmanlar)
 - Radyoaktif madde
- Güç konvertörünü titreme olmayan yatay bir yüzeye ve sabit bir yere yerleştirin.** Aksi takdirde düşme kazası meydana gelebilir.
- Güç konvertörünü taşıırken güç kaynağını ve çıkış bağlantı noktasına bağlı tüm cihazları ayırın.** Aksi takdirde düşme kazası meydana gelebilir.

- Güç konvertörünü taşıırken her zaman taşıma kollarını iki elinizle sıkıca tutun.** Güç konvertörünü başka kısımlardan tutarak taşımayın. Aksi takdirde düşme kazası meydana gelebilir.
- Güç konvertörünü ıslak ellerle kullanmayın.** Güç konvertörünü yağmura veya ıslak koşullara maruz bırakmayın. Elektrik çarpma riski. Güç konvertörü su geçirmez değildir.
- Raptiye, tel gibi metal cisimleri veya diğer küçük metal cisimleri prizlere ve havalandırma deliklerine sokmayın.** Elektrik çarpma riski.
- Güç konvertörünü parçalarına ayırmayın.** Elektrik çarpma riski.
- Güç konvertörüne düşürmek gibi güçlü darbeler uygulamayın.** Elektrik çarpmasına yol açan arızaya neden olabilir.
- Hareketli parçaların ayarsızlıklarını veya takılmalarını, parçalardaki kırıkları ve çalışmaları etkileyebilecek diğer durumları kontrol edin.** Hasarlı ise, cihazı kullanmadan önce tamirin. Birçok kazaya bakımı iyi yapılmamış cihazlar neden olur.
- Her zaman uygun bir AC frekansına ayarlayın.** Aksi takdirde arıza meydana gelerek yaralanmaya neden olabilir.
- Güç konvertörünü örneğin yanıcı sıvıların, gazların veya tozun bulunduğu patlayıcı ortamlarda kullanmayın.** Küçük bir statik yük veya kıvılcım toz veya buharları tutuşturarak yangın veya patlama oluşturabilir.
- Havalandırma deliklerini hiçbir şeyin kapatmasına veya tıkanmasına izin vermeyin.** Güç konvertörünü, havalandırma deliğine hiçbir şeyin müdahale etmediği yerlerde kullanın. Arıza veya yangına neden olabilir.
- Kullanım sırasında kabloya takılıp düşmemeye dikkat edin.** Kabloyu kablo cebine koyun.
- Güç konvertörünü tıbbi ekipmanlar için kullanmayın.** Beklenmedik bir arıza kazaya neden olabilir.
- Yangın, aşırı ısınma, patlama, elektrolit sızıntısı, elektrik çarpması veya yaralanma riskini azaltmak için aşağıdaki önlemleri alın.**
 - Güç konvertörünün anma çıkışını aşan cihazları bağlamayın.
 - Doğrudan genel AC elektrik şebekesine bağlamayın.
- Güç konvertörünü iç mekanda, iyi havalandırılan ve düşük nemli bir yerde saklayın.**
- Saklarken güç konvertörünü çocukların erişmeyeceği bir yerde tutun.** Aksi takdirde ciddi bir olay meydana gelebilir.
- Güç konvertörünün üzerine basmayın.** Ayrıca MAKPAC veya güç kaynağına takarken güç konvertörüne güçlü darbeler uygulamaktan kaçının. Aksi takdirde arıza veya yaralanmaya neden olabilir.
- AC prizdeki topraklama pimi yuvasında gerilim ve akım yoktur.** Bu ürün genel AC elektrik şebekesine bağlanmadığından AC cihaz topraklaması gerektirmez.

Bataryalı cihaz kullanımı ve bakımı

- İstem dışı çalışmayı önleyin. Batarya kutusuna takmadan, cihazı elinize almadan veya taşımadan önce düğmenin kapalı konumda olduğundan emin olun.** Cihazı parmağınız düğmenin üzerindeyken taşıma ya da düğme açık konumundayken cihaza güç verme kazalara davetiye çıkarır.
- Herhangi bir ayarlama yapmadan, aksesuar değiştirmeden ya da cihazı saklamadan önce batarya kutusunu cihazdan ayırın.** Bu önleyici güvenlik önlemleri cihazı kazayla çalıştırma riskini azaltır.
- Sadece üretici tarafından belirtilen şarj aleti ile şarj edin.** Bir batarya kutusu için uygun olan şarj cihazı başka bir batarya kutusu ile kullanıldığında yangın riski oluşturabilir.
- Cihazları sadece özel olarak belirtilen batarya kutuları ile kullanın.** Başka batarya kutularının kullanılması yaralanma ve yangın riski oluşturabilir.
- Batarya kutusu kullanılmadığında; iki terminal arasında bağlantı kurulmasına sebep olabilecek ataç, bozuk para, anahtar, çivi, vida gibi metal nesnelere ya da küçük metal objelerden uzak tutun.** Batarya terminallerine kısa devre yaptırmak yanıklara ya da yangına yol açabilir.
- Kötü koşullarda bataryadan sıvı sızabilir; bu sıvıya temas etmeyin. Eğer istemeden bir temas olursa suyla yıkayın. Sıvı göze temas ederse, suyla yıkadıktan sonra tıbbi yardım alın.** Bataryadan çıkan sıvı tahrişe ya da yanıklara neden olabilir.
- Hasar görmüş ya da üzerinde değişiklik yapılmış batarya kutusu veya cihazı kullanmayın.** Hasar görmüş ya da üzerinde değişiklik yapılmış bataryalar yangın, patlama ya da yaralanma riski ile sonuçlanan beklenmedik davranışlar sergileyebilir.
- Batarya kutusu veya cihazı ateşe ya da aşırı sıcaklıklara maruz bırakmayın.** Ateşe ya da 130 °C'nin üzerindeki sıcaklıklara maruz bırakmak patlamaya neden olabilir.
- Tüm şarj talimatlarına uyun ve batarya kutusu ya da cihazı yönergelerde belirtilen sıcaklık aralığının dışındaki sıcaklıklarda şarj etmeyin.** Uygun olmayan bir şekilde ya da belirtilen sıcaklık aralığının dışında şarj etmek bataryaya zarar verebilir ve yangın riskini artırabilir.
- Servisin nitelikli bir onarım personeli tarafından sadece orijinal yedek parçalar kullanılarak yapılmasını sağlayın.** Bu, ürünün güvenli kalmasını sağlar.
- Cihazı veya batarya kutusunu, kullanım ve bakım talimatlarında belirtilenlerin dışında modifiye etmeyin ya da onarmaya çalışmayın.**

Batarya kartuşu hakkında önemli güvenlik talimatları

- Batarya kartuşunu kullanmadan önce, tüm talimatları ve (1) batarya kartuşu, (2) batarya ve (3) ürün üzerindeki tüm uyarı işaretlerini okuyun.**
- Batarya kartuşunu parçalarına ayırmayın veya kurcalamayın.** Yangın, aşırı ısı veya patlamaya neden olabilir.
- Çalışma süresi aşırı derecede kısalmışsa kullanmayı derhal bırakın. Aşırı ısınma, yanma riski hatta patlamaya neden olabilir.**
- Gözünüze elektrolit kaçarsa, gözlerinizi temiz suyla durulayın ve hemen tıbbi yardım alın. Görmeye kaybına yol açabilir.**
- Batarya kartuşuna kısa devre yaptırmayın:**
 - Terminallere herhangi bir iletken madde değdirmeyin.**
 - Batarya kartuşunu çiviler, madeni paralar, vb. gibi başka metal nesnelere aynı kaba koymaktan kaçının.**
 - Batarya kartuşunu yağmura ya da suya maruz bırakmayın.****Kısa devre, büyük bir akım akışına, aşırı ısınmaya, olası yanıklara hatta bataryanın bozulmasına yol açabilir.**
- Cihazı ve batarya kartuşunu sıcaklığın 50°C ya da daha yükseğe ulaştığı yerlerde saklamayın ve kullanmayın.**
- Aşırı derecede hasar görmüş ya da tamamen kullanılamaz durumda olsa bile batarya kartuşunu yakmayın. Batarya kartuşu ateşe atılırsa patlayabilir.**
- Batarya kartuşunu çivilemeyin, kesmeyin, ezmeyin, fırlatmayın, düşürmeyin ya da batarya kartuşuna sert bir nesne ile vurmeyin.** Bu eylemler yangın, aşırı ısı veya patlamaya neden olabilir.
- Hasarlı bataryayı kullanmayın.**
- Aletin içerdığı lityum-iyon bataryalar Tehlikeli Eşyalar Yönetmeliğinin gereksinimlerine tabidir.**

Ticari nakliye işlemleri için, örneğin üçüncü taraflar, nakliye acenteleri tarafından yapılan nakliyelerde, paketleme ve etiketleme gereksinimlerine uyulmalıdır.

Nakliyesi yapılacak ürünün hazırlanması için, tehlikeli maddeler konusunda uzman bir kişiye danışın. Lütfen muhtemelen daha ayrıntılı olan ulusal yönetmeliklere de uyun.

Açık kontakları bantlayın ya da maskeleyin ve bataryayı paketin içinde hareket etmeyecek şekilde paketleyin.
- Batarya kartuşunu bertaraf ederken cihazdan çıkarın ve güvenli bir yerde bertaraf edin. Bataryanın bertaraf edilmesi ile ilgili yerel düzenlemelere uyun.**
- Bataryaları sadece Makita tarafından belirtilen ürünlerle kullanın.** Bataryaların uyumsuz ürünlere takılması; yangın, aşırı ısınma, patlama ya da elektrolit sızıntısına neden olabilir.
- Cihaz uzun süre kullanılmıyacaksa batarya cihazdan çıkarılmalıdır.**

14. Kullanma sırasında ve sonrasında batarya kartuşu ısınarak yanıklara veya düşük sıcaklık yanıklarına yol açabilir. Sıcak batarya kartuşları ile işlem yaparken dikkat edin.
15. Yanıklara neden olabilecek kadar sıcak olabileceğinden kullandıktan hemen sonra cihazın terminaline dokunmayın.
16. Batarya kartuşunun terminallerine, deliklerine ve kanallarına mıcır, toz veya toprak girmesine izin vermeyin. Cihazın veya batarya kartuşunun zayıf performans göstermesine veya bozulmasına neden olabilir.
17. Cihaz yüksek gerilim elektrik güç hatları yakınında kullanımı desteklemediği sürece batarya kartuşunu yüksek gerilim elektrik güç hatlarının yakınında kullanmayın. Cihazın veya batarya kartuşunun arızalanmasına veya bozulmasına neden olabilir.
18. Bataryayı çocuklardan uzak tutun.

BU TALİMATLARI MUHAFAZA EDİNİZ.

▲DİKKAT: Sadece orijinal Makita bataryaları kullanın. Orijinal olmayan Makita bataryaların ya da üzerinde değişiklik yapılmış bataryaların kullanılması, bataryanın patlamasına yol açarak; yangın, yaralanma ve hasara sebep olabilir. Bu durum aynı zamanda Makita cihazı ve şarj aletinin Makita garantisini de geçersiz kılacaktır.

Maksimum batarya ömrü için ipuçları

1. Batarya kartuşunu tamamen boşalmadan önce şarj edin. Cihazın gücünün zayıflamaya başladığını fark ettiğinizde cihazı durdurun ve batarya kartuşunu şarj edin.
2. Tam dolu bir batarya kartuşunu asla yeniden şarj etmeyin. Aşırı şarj etme bataryanın hizmet ömrünü kısaltır.
3. Batarya kartuşunu 10 °C - 40 °C oda sıcaklığında şarj edin. Sıcak bir batarya kartuşunu şarj etmeden önce soğumasını bekleyin.
4. Batarya kartuşunu kullanıyorken cihazdan veya şarj aletinden çıkarın.
5. Uzun bir süre (altı aydan daha fazla) kullanmadığınız durumlarda batarya kartuşunu şarj edin.

PARÇALARIN TANIMI

► Şek.1

1. Anahtar paneli
2. Mandal
3. Çıkış paneli
4. Taşıma kolu
5. Havalandırma deliği
6. Kanca A
7. Kanca B
Sadece PDC1200 için kullanın.
8. Kanca C
Sadece PDC01 için kullanın.
9. Fiş (giriş)
10. Kablo cebi
11. USB çıkış düğmesi
12. AC çıkış düğmesi
13. Frekans değiştirme düğmesi
14. DC 12 V çıkış düğmesi
15. Bip sesi düğmesi
16. Çıkış göstergesi
Çıkış göstergesini yorumlama kısmına bakın.
17. USB Tip A çıkışı 1
18. USB Tip A çıkışı 2
19. USB Tip C çıkışı 1
20. USB Tip C çıkışı 2
21. AC çıkışı 1
22. AC çıkışı 2
23. DC 12 V çıkışı (Çakmak adaptörü için)

NOT: AC prizinin şekli ülkeden ülkeye farklılık gösterir.

MONTAJ

⚠DİKKAT: Güç kaynağını takıp çıkarırken güç konvertörü ve güç kaynağını sıkıca tutun. Aksi takdirde bunların ellerinizden kaymasına neden olabilir ve yaralanma ya da güç konvertörü ve güç kaynağında hasara yol açabilir.

⚠DİKKAT: Çalıştırmadan önce kablunun düzgün bir şekilde yerleştirildiğinden ve soketin prize sonuna kadar sokulduğundan emin olun.

Güç kaynağının takılması

PDC1200 için

Güç kaynağını güç konvertörüne şekilde gösterildiği gibi takın.

⚠DİKKAT: Güç kaynağının güç konvertörüne sıkıca takıldığından emin olun. Aksi takdirde, güç konvertöründen kazara düşerek sizin ya da çevrenizdekilerin yaralanmasına neden olabilir. Şekilde gösterildiği gibi kırmızı göstergesi görebiliyorsanız, güç kaynağı tam olarak kilitlememiş demektir.

► **Şek.2:** 1. Kırmızı gösterge

Güç kaynağını çıkarırken kilitleme düğmesini aşağı bastırırken güç kaynağını yukarı kaldırın.

► **Şek.3:** 1. Kilitleme düğmesi

PDC01 için

Güç kaynağını güç konvertörüne şekilde gösterildiği gibi takın.

► **Şek.4**

Güç kaynağını çıkarmak için takma prosedürünü tersinden uygulayın.

Güç kaynağının bağlanması

1. Fişin kapağını açın.
2. Soket üzerindeki ok işaretini güç konvertörünün üzerindeki ok işareti ile hizalayarak soketi prize sonuna kadar sokun.

► **Şek.5:** 1. Kapak 2. Fiş (giriş) 3. Soket 4. Ok işareti

ÖNEMLİ NOT: Soketi zorlayarak sokmayın. Soket kolayca sokulamazsa doğru sokulmuyor demektir.

ÖNEMLİ NOT: Çıkarırken kabloları değil soketi tutun. Aksi takdirde kablolar hasar görebilir ve arızaya neden olabilir.

ÖNEMLİ NOT: Güç kaynağı takılı değilken fişin kapağını mutlaka sıkıca kapatın. Aksi takdirde yabancı maddelere güç konvertörüne girerek arızaya neden olabilir.

Kablo cebi

Kabloyu şekilde gösterildiği gibi kablo cebine koyabilirsiniz.

► **Şek.6**

MAKPAC'in takılması

İsteğe bağlı aksesuarlar

Güç konvertörü, şekilde gösterildiği gibi MAKPAC'in üstüne veya altına takılabilir.

► **Şek.7**

⚠DİKKAT: Güç konvertörünün MAKPAC'e dört mandalla sıkıca sabitlendiğinden emin olun. Aksi takdirde düşme kazası meydana gelebilir ve yaralanmaya neden olabilir.

KULLANIM

► **Şek.8:** 1. Açma/kapama düğmesi

1. Açmak için güç kaynağının açma/kapama düğmesine basın.
2. Cihazınızı uygun çıkışa bağlayın.

AC çıkışını kullanırken frekans değiştirme düğmesine basıp basılı tutarak uygun frekansı seçin.

NOT: Frekans sadece AC çıkışı durduğunda seçilebilir.

NOT: Frekans ayarı hafızaya alınır. Bir sonraki sefere güç konvertörü aynı ayarla başlar.

3. Kullanmak istediğiniz çıkış düğmesine basın.

Güç konvertörü çıkışı başlatır ve çalışan çıkış düğmesi yanar.

4. Durdurmak için çıkış düğmesine tekrar basın.

5. Kapatmak için güç kaynağının açma/kapama düğmesine basın.

ÖNEMLİ NOT: Güç konvertörünün güç çıkışı anma güç değeri aralığında tutulsa bile başlatmak için büyük miktarda güç gerektiren bir cihazı kullanamayabilirsiniz.

ÖNEMLİ NOT: Güç konvertörü bazı USB cihazlarına güç sağlamayabilir.

ÖNEMLİ NOT: USB cihazını güç konvertörüne bağlamadan önce USB cihazındaki verilerinizi mutlaka yedekleyin.

ÖNEMLİ NOT: Piyasada mevcut taşınabilir şarj cihazlarını kullanarak güç konvertörü ile güç kaynağını şarj edemezsiniz.

Çıkış göstergesinin yorumlanması

► **Şek.9**

- Çıkış göstergesi çıkan vat gücüne göre yanar.
- Güç çıkışı 1.400 W (VA) değerine ulaştığında "1400" üzerindeki lamba kırmızı yanar. Güç konvertörü aşırı yüklendiğinde bu lamba kırmızı yanıp sönmeye başlar.

Sesli uyarıcının açılması/kapatılması

► Şek.10: 1. Bip sesi düğmesi

Sesli uyarıcı sesini açmak/kapatmak için bip sesi düğmesine basın ve basılı tutun.

NOT: Sesli uyarıcı ayarı hafızaya alınır. Bir sonraki sefere güç konvertörü aynı ayarla başlar.

Koruma sistemi

Güç konvertörü aşağıdaki koruma sistemi ile donatılmıştır.

Aşırı yük koruması

Her çıkışta şu şekilde aşırı yük koruması bulunur:

- **AC çıkışı**
Güç konvertörü aşırı bir vat gücü algıladığında güç konvertörü aralıklı bip sesiyle tüm AC çıkışlarını durdurur.
- **USB çıkışı**
Güç konvertörü anormal derecede yüksek bir akım algıladığında güç konvertörü yüksek akım çeken USB çıkışını keser.
- **DC 12 V çıkışı**
Güç konvertörü anormal derece yüksek bir akım algıladığında güç konvertörü aralıklı bip sesiyle DC 12 V çıkışını durdurur.

AC, USB ve DC 12 V toplam çıkışı güç konvertörünün anma çıkışını belirli bir süre aşarsa tüm çıkışlar sürekli bip sesiyle durdurulur. Bu durumda güç kaynağını kapatın ve güç konvertörünün aşırı yüklenmesine neden olan uygulamayı durdurun. Ardından güç kaynağını açarak yeniden çalıştırın.

NOT: Güç konvertörü aşırı yüklendiğinde çıkış göstergesinin "1400" lambası kırmızı yanıp söner.

NOT: Bip sesi, anahtar panelindeki herhangi bir düğmeye basıldığında durur.

Aşırı ısınma koruması

Güç konvertörü aşırı ısındığında güç konvertörü tüm çıkışları sürekli bip sesiyle durdurur. Bu durumda, yeniden açmadan önce güç konvertörünün soğumasını bekleyin.

Aşırı deşarj koruması

Güç kaynağının kalan kapasitesi azaldığında aralıklı bip sesi çıkar ve çalışan çıkış düğmesi yanıp söner. Bu durumda güç kaynağını çıkarıp şarj edin. Güç kaynağının kalan kapasitesi daha da azaldığında tüm çıkışlar durdurulur.

BAKIM

⚠DİKKAT: Kontrol ya da bakım yapmaya başlamadan önce güç kaynağının çıkarılmış olduğundan daima emin olun.

ÖNEMLİ NOT: Konektörü suyla yıkamayın. Arıza riski.

ÖNEMLİ NOT: Bu ürünün yüzeyini zaman zaman sabunlu suyla ıslatılmış bir bezle silin.

ÖNEMLİ NOT: Benzin, tiner, alkol ve benzeri maddeleri kesinlikle kullanmayın. Renk değişimi, deformasyon veya çatlaklar oluşabilir.

Aleti EMNİYETLİ ve ÇALIŞMAYA HAZIR durumda tutmak için onarımlar, başka her türlü bakım ve ayarlamalar daima Makita yedek parçaları kullanılarak Makita yetkili servis merkezleri veya Fabrikanın Servis Merkezleri tarafından yapılmalıdır.

Temizleme

Güç konvertörü kirlenirse güç konvertörünü kuru veya sabunlu suyla ıslatılmış bir bezle silin.

Filtre

⚠DİKKAT: Filtreyi temizledikten sonra yeniden taktığınızdan emin olun. Güç konvertörünün filtresiz çalıştırılması arızaya neden olabilir.

Filtreyi, şekilde gösterildiği gibi dışarı çekerek çıkarın. Filtreyi yıkayın, ardından kurutun.

► Şek.11: 1. Filtre

Filtreyi takmak için, çıkarma prosedürünün tersinden uygulayın.

İSTEĞE BAĞLI AKSESUARLAR

⚠DİKKAT: Bu aksesuarlar ve ek parçalar bu el kitabında belirtilen Makita aletiniz ile kullanılmak için tavsiye edilmektedir. Herhangi başka bir aksesuar ya da ek parça kullanılması insanları için bir yaralanma riski getirebilir. Aksesuarları ya da ek parçaları yalnızca belirtilmiş olan kullanım amaçlarına uygun olarak kullanın.

Bu aksesuarlarla ilgili daha fazla bilgiye ihtiyaç duyar-sanız bulunduğunuz yerdeki yetkili Makita servisine başvurun.

- Taşınabilir güç ünitesi
- Orijinal Makita batarya ve şarj aleti
- MAKPAC

NOT: Listedeki parçaların bazıları alet paketi içerisinde standart aksesuar olarak dahil edilmiş olabilir. Bunlar ülkeden ülkeye farklılık gösterebilir.

SPECIFIKATIONER

Modell:		BAC01
Nominell uteffekt	Omvandlarens prestanda (vid användning med PDC1200)	Kontinuerlig effekt: 1 400 W (VA) Toppeffekt: 2 800 W (VA)
	AC-uttag *	Ren sinusvåg 50 Hz eller 60 Hz, 2 st. Spänning: Se märkningen på spänningsomvandlaren. (Utspänningen varierar beroende på landet.)
	USB-port	Typ A: 5 V, 2,4 A, 2 st. Typ C: USB-PD 30 W, 2 st.
	Cigarettändaradapter	12 V, 10 A, 1 st.
Drifttid **	PDC1200 (med 1 000 W)	56 min.
	PDC01 (med 750 W, BL1860B x 2)	10 min.
Dimensioner (L x B x H) (med alla krokare i hopfällt läge)		395 mm x 345 mm x 163 mm
Nettovikt (endast spänningsomvandlaren)		7,3 kg

*** Endast för Brasilien**

Spänningen är märkt nära AC-uttaget.

** Drifftiderna är ungefärliga och kan variera beroende på typ av kraftkälla, laddningsstatus och användningsförhållanden.

- På grund av vårt pågående program för forskning och utveckling kan dessa specifikationer ändras utan föregående meddelande.
- Specifikationer kan variera mellan olika länder.

Tillämplig strömkälla

Bärbart strömpaket	PDC1200 / PDC01* * Använd batterikassetterna som beskrivs i avsnittet för tillämpliga batterikassetter.
--------------------	--

- Vissa strömkällor i listan ovan kanske inte finns tillgängliga beroende på din bostadsregion.
- Innan du använder strömkällan ska du läsa instruktionen och varningsmärkningarna på den.

⚠ VARNING: Använd endast de strömkällor som är angivna ovan. Användning av andra strömkällor kan orsaka personskada och/eller brand.

Tillämplig batterikassett

Endast för PDC01

OBSERVERA: Vid användning med PDC01:

- Om uteffekten överskrider 750 W (VA) kommer spänningsomvandlaren att stoppa strömförsörjningen på grund av batteriskyddssystemet. Håll i så fall uteffekten på 750 W (VA) eller lägre.
- Beroende på användningsvillkoren kan spänningsomvandlaren stoppa utmatningen om batteriet som används byts till ett annat batteri. Tryck i så fall på utgångsknappen för den utgång du vill starta om.
- Två eller fyra batterikassetter behövs för att använda spänningsomvandlaren. Om du använder två batterikassetter, montera en till batteriport 1 eller 2 och den andra till batteriport 3 eller 4.

Batterikassett	BL1815N / BL1820B / BL1830B* / BL1840B* / BL1850B* / BL1860B* * : Rekommenderat batteri
----------------	--

- Vissa av batterikassetterna i listan ovan kanske inte finns tillgängliga beroende på din bostadsregion.

⚠ VARNING: Använd endast batterikassetter från listan ovan. Användning av andra batterikassetter kan orsaka personskada och/eller brand.

Symboler

Följande visar symbolerna som kan användas för utrustningen. Se till att du förstår innebörden innan användning.



Läs igenom bruksanvisningen.



Gäller endast inom EU
P.g.a. förekomsten av farliga komponenter i utrustningen kan avfall innehållande elektrisk och elektronisk utrustning, ackumulatörer och batterier ha negativ inverkan på miljön och människors hälsa. Kassera inte elektriska och elektroniska apparater eller batterier ihop med hushållsavfall!



I enlighet med EU-direktiven om avfall som utgörs av eller innehåller elektrisk och elektronisk utrustning och om batterier och ackumulatörer och förbrukade batterier och ackumulatörer, och dess införlivande i nationell lagstiftning, bör förbrukad elektrisk och elektronisk utrustning, batterier och ackumulatörer förvaras separat och transporteras till en särskild uppsamlingsplats för kommunalt avfall, som drivs i enlighet med regelverket för miljöskydd. Detta anges av symbolen med den överkryssade soptunnan på hjul som sitter på utrustningen.

Avsedd användning

Apparaten är avsedd att omvandla kraften från Makitas bärbara strömpaket till olika utmatningar.

SÄKERHETSVARNINGAR

⚠ VARNING: Var noga med att läsa bruksanvisningen för din produkt som ska användas med denna spänningsomvandlare innan du använder den.

Säkerhetsvarningar för spänningsomvandlare

- För att säkerställa god prestanda och lång livslängd, var uppmärksam och skydda spänningsomvandlaren från följande förhållanden.**
 - Frätande gas och vätska
 - Salt- och oljedimma
 - Mekaniska stötar och vibrationer
 - Hög luftfuktighet
 - Extrem temperatur (för kallt eller för varmt)
Det lämpliga omgivningstemperaturintervallet är mellan -10 °C och 40 °C (14 °F och 104 °F).
 - Elektromagnetiskt brus (t.ex. elsvetsmaskin, högeffektsutrustning)
 - Radioaktivt material
- Placera spänningsomvandlaren på en horisontell yta utan ojämnheter och en stabil plats.**
Annars kan fallolycka inträffa.

- När du bär spänningsomvandlaren, koppla bort strömkällan och alla apparater som är anslutna till utgångsporten.** Annars kan fallolycka inträffa.
- Håll alltid ordentligt i bärhandtagen med båda händerna när du bär spänningsomvandlaren. Bär inte spänningsomvandlaren genom att hålla i någon annan del.** Annars kan fallolycka inträffa.
- Använd inte spänningsomvandlaren med våta händer. Utsätt inte spänningsomvandlaren för regn eller våta förhållanden.** Risk för elektrisk stöt. Spänningsomvandlaren är inte vattentät.
- För inte in metallföremål som stift, ledningar eller andra små metallföremål i uttagen och luftventilerna.** Risk för elektrisk stöt.
- Montera inte isär spänningsomvandlaren.** Risk för elektrisk stöt.
- Utsätt inte spänningsomvandlaren för en kraftig stöt, som till exempel om du tappar den.** Det kan orsaka felfunktion som resulterar i en elektrisk stöt.
- Kontrollera eventuell misspassning eller om det finns kärvande delar, skador på delar eller andra förhållanden som kan inverka negativt på användningen. Om apparaten är skadad, se till att reparera den före användning.** Många olyckor orsakas av dåligt underhållna apparater.
- Ställ alltid in en lämplig AC-frekvens.** Annars kan felfunktion inträffa som resulterar i skada.
- Använd inte spänningsomvandlaren i explosiva områden, till exempel i närheten av lättantändliga vätskor, gaser eller damm.** En liten statisk laddning eller gnista kan antända damm eller ångor och skapa en brand eller explosion.
- Låt inte något täcka eller täppa till laddarens luftventilerna.** Använd spänningsomvandlaren där det inte finns något som är i vägen för luftventilen. Det kan orsaka en felfunktion eller brand.
- Var försiktig så du inte snubblar över sladden under användning. Placera sladden i sladdfacket.**
- Använd inte spänningsomvandlaren för medicinsk utrustning.** Övriga felfunktion kan orsaka en olycka.
- Minska risken för brand, hög värme, explosion, läckage av elektrolyt, elektrisk stöt eller skada genom att iaktta följande försiktighetsåtgärder.**
 - Anslut inte en apparat som överstiger den nominella uteffekten för spänningsomvandlaren.
 - Anslut inte direkt till det allmänna växelströmsnätet.
- Förvara spänningsomvandlaren inomhus på en välventilerad plats med låg luftfuktighet.**
- Förvara spänningsomvandlaren utom räckhåll för barn vid förvaring.** Annars kan allvarlig incident inträffa.

18. **Trampa inte på spänningsomvandlaren. Var även försiktig så att du inte utsätter spänningsomvandlaren för kraftiga stötar när du installerar den med en MAKPAC eller strömkälla.** Att göra detta kan orsaka funktionsfel eller personskada.
19. **Spåret för jordstift på AC-utgången har ingen spänning och ingen ström.** Produkten kräver inte jordning av växelströmsapparater eftersom den inte är ansluten till det offentliga växelströmsnätet.
10. **Låt en behörig reparatör utföra service och underhåll med originalreservdelar.** Detta garanterar fortsatt säker användning av produkten.
11. **Ändra inte på apparaten eller batteripaketet och försök inte reparera dem, utom enligt vad som anges i användnings- och skötselinstruktionerna.**

Säkerhetsvarningar för batteridrivna apparat

Användning och underhåll av batteridrivna apparat

1. **Förhindra oavsiktlig start. Försäkra dig om att strömbrytaren står i avstängt läge innan du ansluter batteripaketet, tar upp eller bär apparaten.** Att bära apparaten med fingrarna på avtryckaren eller förse apparaten med ström när avtryckaren är intryckt, inbjuder till olyckor.
2. **Koppla från batteripaketet från apparaten innan justeringar utförs, tillbehör byts eller apparaten lagras.** Genom dessa förebyggande säkerhetsåtgärder minskas risken att apparaten startas oavsiktligt.
3. **Ladda endast med den batteriladdare som angetts av tillverkaren.** En laddare som passar en viss typ av batterier kan skapa risk för brand när den används tillsammans med annat batteri.
4. **Använd endast apparater med specifik angivna batteripaket.** Om andra batterier används kan risken för personskada och brand öka.
5. **När batteriet inte används bör det hållas borta från andra metallföremål som till exempel gem, mynt, nycklar, spik, skruv eller andra små metallföremål som kan skapa anslutning från en terminal till en annan.** Kortslutning av batteripolerna kan orsaka brännskador eller brand.
6. **Under hårda förhållanden kan det komma vätska ur batteriet. Undvik kontakt. Spola med vatten om kontakt ändå råkar uppstå. Om vätskan kommer i kontakt med ögonen bör läkare uppsökas.** Vätska från batteriet kan orsaka irritation på huden eller ge brännskador.
7. **Använd inte ett batteripaket eller en apparat som har skadats eller ändrats.** Skadade eller ändrade batterier kan uppföra sig opålitligt, vilket kan leda till brand, explosion eller skaderisk.
8. **Utsätt inte ett batteripaket eller en apparat för brand eller höga temperaturer.** Exponering för eld eller temperaturer över 130 °C kan leda till explosion.
9. **Följ alla laddningsinstruktioner och ladda inte batteripaketet eller apparaten utanför det temperaturintervall som anges i instruktionerna.** Felaktig laddning, eller vid temperaturer utanför det angivna intervallet, kan skada batteriet och öka risken för brand.
1. **Innan batterikassetten används ska alla instruktioner och varningsmärken på (1) batteriladdaren, (2) batteriet och (3) produkten läsas.**
2. **Ta inte isär eller manipulera batterikassetten.** Det kan leda till brand, hög värme eller explosion.
3. **Om drifttiden blivit avsevärt kortare ska användningen avbrytas omedelbart. Det kan uppstå överhettning, brännskador och t o m en explosion.**
4. **Om du får elektrolyt i ögonen ska de sköljas med rent vatten och läkare uppsöks omedelbart. Det finns risk för att synen förloras.**
5. **Kortslut inte batterikassetten.**
 - (1) **Rör inte vid polerna med något strömförande material.**
 - (2) **Undvik att förvara batterikassetten tillsammans med andra metallobjekt som t.ex. spikar, mynt o.s.v.**
 - (3) **Skydda batteriet mot vatten och regn. En batterikortslutning kan orsaka ett stort strömflöde, överhettning, brand och maskinhaveri.**
6. **Förvara och använd inte apparaten och batterikassetten på platser där temperaturen kan nå eller överstiga 50 °C (122 °F).**
7. **Bränn inte upp batterikassetten även om den är svårt skadad eller helt utsliten. Batterikassetten kan explodera i öppen eld.**
8. **Spika inte i, krossa, kasta, tappa eller slå batterikassetten mot hårda föremål.** Detta kan leda till brand, hög värme eller explosion.
9. **Använd inte ett skadat batteri.**
10. **De medföljande litiumjonbatterierna är föremål för kraven i gällande lagstiftning för farligt gods.** För kommersiella transporter (av t.ex. tredje parter som speditiönsfirmor) måste de särskilda transportkrav som anges på emballaget och etiketter iakttagas. För att förbereda den produkt som ska avsändas krävs att du konsulterar en expert på riskmaterial. Var också uppmärksam på att det i ditt land kan finnas ytterligare föreskrifter att följa. Tejpa över eller maskera blottade kontakter och packa batteriet på sådant sätt att det inte kan röra sig fritt i förpackningen.
11. **När batterikassetten ska kasseras måste den tas bort från apparaten och kasseras på ett säkert sätt. Följ lokala föreskrifter beträffande kassering av batteriet.**

Viktiga säkerhetsanvisningar för batterikassetten

12. Använd endast batterierna med de produkter som specificerats av Makita. Att använda batterierna med ej godkända produkter kan leda till brand, överdriven värme, explosion eller utläckande elektrolyt.
13. Om apparaten inte används under en lång tid måste batteriet tas bort från apparaten.
14. Under och efter användning kan batterikassetten bli het vilket kan orsaka brännskador eller lättare brännskador. Var uppmärksam på hur du hanterar varma batterikassetter.
15. Vidrör inte apparatens kontakter direkt efter användning eftersom de kan bli heta och orsaka brännskador.
16. Låt inte flisor, damm eller smuts fastna i kontaktarna, i håll eller spår i batterikassetten. Det kan leda till dålig prestanda eller till att apparaten eller batterikassetten går sönder.
17. Såvida inte apparaten stöder arbeten i närheten av högspänningsledning får batterikassetten inte användas i närheten av en högspänningsledning. Det kan leda till att apparaten eller batterikassetten går sönder eller inte fungerar korrekt.
18. Förvara batteriet utom räckhåll för barn.

SPARA DESSA ANVISNINGAR.

⚠FÖRSIKTIGT: Använd endast originalbatterier från Makita. Användning av andra batterier än från Makita, eller batterier som har modifierats, kan leda till att batteriet spricker, vilket i sin tur kan leda till brand, personskador och skador på egendom. Det upphäver också Makitas garanti för apparaten och laddaren från Makita.

Tips för att uppnå batteriets maximala livslängd

1. Ladda batterikassetten innan den är helt urladdad. Stanna alltid apparaten och ladda batterikassetten när du märker att apparaten blir svagare.
2. Ladda aldrig en fulladdad batterikassett. Överladdning förkortar batteriets livslängd.
3. Ladda batterikassetten vid en rumstemperatur på 10 °C - 40 °C. Låt en varm batterikassett svalna innan den laddas.
4. När batterikassetten inte används ska den tas bort från apparaten eller laddaren.
5. Ladda batterikassetten om du inte har använt den på länge (mer än sex månader).

BESKRIVNING AV DELAR

► Fig.1

- | | |
|--|--|
| <ol style="list-style-type: none"> 1. Omkopplarpanel 2. Spärr 3. Utgångskort 4. Bärhandtag 5. Luftventil 6. Krok A 7. Krok B
Använd endast för PDC1200. 8. Krok C
Använd endast för PDC01. 9. Kontakt (ingång) 10. Sladdfack 11. USB-utgångsknapp | <ol style="list-style-type: none"> 12. AC-utgångsknapp 13. Knapp för frekvensbyte 14. DC 12 V-utgångsknapp 15. Ljudsignalknapp 16. Utgångsindikator
Se avsnittet för hur man tolkar utgångsindikatorn. 17. USB typ A-utgång 1 18. USB typ A-utgång 2 19. USB typ C-utgång 1 20. USB typ C-utgång 2 21. AC-utgång 1 22. AC-utgång 2 23. DC 12 V-utgång (för cigarettändaradapter) |
|--|--|

OBS: Formen på AC-uttaget varierar land till land.

MONTERING

⚠ FÖRSIKTIGT: Håll ordentligt i spänningsomvandlaren och strömkällan när du monterar eller tar bort strömkällan. Om du inte gör det kan de glida ur dina händer och leda till personskada eller skada på spänningsomvandlare och strömkällan.

⚠ FÖRSIKTIGT: Se före användning till att sladden sitter ordentligt på plats och att kontakten är insatt hela vägen i uttaget.

Montera strömkällan

För PDC1200

Fäst strömkällan till spänningsomvandlaren såsom visas i figuren.

⚠ FÖRSIKTIGT: Se till att strömkällan är ordentligt monterad i spänningsomvandlaren. Annars kan den av misstag falla ur spänningsomvandlaren och orsaka skador på dig eller någon i din närhet. Om du kan se den röda indikatorn som visas i figuren är strömkällan inte helt låst.

► Fig.2: 1. Röd indikator

Vid borttagning av strömkällan, lyft upp strömkällan samtidigt som du trycker ner låsknappen.

► Fig.3: 1. Låsknapp

För PDC01

Fäst strömkällan till spänningsomvandlaren såsom visas i figuren.

► Fig.4

Ta bort strömkällan genom att utföra monteringsproceduren i omvänd ordning.

Ansluta strömkällan

1. Öppna locket till uttaget.
2. Passa in pilmarkeringen på kontakten med det på spänningsomvandlaren och för sedan in kontakten hela vägen i uttaget.

► Fig.5: 1. Lock 2. Kontakt (ingång) 3. Kontakt 4. Pilmarkering

OBSERVERA: Sätt inte i kontakten med våld. Om kontakten inte kan sättas in lätt är den inte korrekt placerad.

OBSERVERA: Håll inte i sladdarna utan håll i kontakten när du kopplar bort. Annars kan sladdarna bli skadade och orsaka en felfunktion.

OBSERVERA: Stäng alltid locket ordentligt på uttaget när strömkällan inte är inkopplad. Annars kan främmande föremål komma in i spänningsomvandlaren och orsaka en felfunktion.

Sladdfack

Du kan placera sladden i sladdfacket såsom visas i figuren.

► Fig.6

Installera MAKPAC

Extra tillbehör

Spänningsomvandlaren kan fästas ovanpå eller under MAKPAC såsom visas i figuren.

► Fig.7

⚠ FÖRSIKTIGT: Se till att spänningsomvandlaren sitter ordentligt fast på MAKPAC med de fyra spärrarna. Annars kan fallolycka inträffa och orsaka personskada.

ANVÄNDNING

► Fig.8: 1. Strömknapp

1. Tryck på strömkällans strömknapp för att slå på den.

2. Anslut din apparat till lämplig utgång.

När du använder AC-utgången, välj lämplig frekvens genom att trycka och hålla in knappen för frekvensbyte.

OBS: Frekvensen kan endast väljas när AC-utgången inte används.

OBS: Frekvensinställningen sparas i minnet. Nästa gång kommer spänningsomvandlaren att starta med samma inställning.

3. Tryck på den utgångsknapp du vill använda.

Spänningsomvandlare startar utgången och utgångsknappen som är i drift tänds.

4. Tryck en gång till på utgångsknappen för att stoppa.

5. Tryck på strömkällans strömknapp för att stänga av den.

OBSERVERA: Du kanske inte kan använda en apparat som kräver en stor mängd ström för att starta även om spänningsomvandlaren utteffekt hålls inom det nominella effektområdet.

OBSERVERA: Spänningsomvandlaren tillför kanske inte effekt till vissa USB-enheter.

OBSERVERA: Gör alltid en säkerhetskopiera av din USB-enhet innan du ansluter den till spänningsomvandlaren.

OBSERVERA: Du kan inte ladda strömkällan med spänningsomvandlaren med hjälp av powerbanker som finns i handeln.

Så här tolkas utgångsindikatorn

► Fig.9

- Utgångsindikatorn tänds i enlighet med effekten som matas ut.
- När uteffekten når 1 400 W (VA) lyser "1400"-lampan rött. Lampan börjar blinka rött när spänningsomvandlaren blir överbelastad.

Stänga summern på/av

► Fig.10: 1. Ljdsignalsknapp

Tryck och håll ljdsignalsknappen för att stänga av/slå på summerljudet.

OBS: Summerinställningen sparas i minnet. Nästa gång kommer spänningsomvandlaren att starta med samma inställning.

Skyddssystem

Spänningsomvandlaren är utrustad med följande skyddssystem.

Överbelastningsskydd

Varje utgång har ett överlastskydd enligt följande:

- **AC-utgång**
När spänningsomvandlaren upptäcker en för hög effekt stoppar spänningsomvandlaren alla AC-utgångar och en intermittert ljdsignal ljuder.
- **USB-utgång**
När spänningsomvandlaren upptäcker en onormalt hög ström stänger spänningsomvandlaren av alla USB-utgångar med höga strömmar.
- **DC 12 V-utgång**
När spänningsomvandlaren upptäcker en onormalt hög ström stoppar spänningsomvandlaren DC 12 V-utgången och en intermittert ljdsignal ljuder.

Om den totala utmatningen av AC, USB och DC 12 V överskrider den nominella uteffekten för spänningsomvandlaren under en viss tid stoppas alla utgångar och en kontinuerlig ljdsignal ljuder. Stäng i så fall av strömkällan och upphör med arbetet som gjorde att spänningsomvandlaren överbelastades. Slå därefter på strömkällan för att starta om.

OBS: När spänningsomvandlaren blir överbelastad blinkar "1400"-lampan för utgångsindikatorn rött.

OBS: Tryck på vilken knapp som helst på omkopplarpanelen för att stänga av ljdsignalen.

Överhettningsskydd

När spänningsomvandlaren överhettas stoppas alla utgångar och en kontinuerlig ljdsignal ljuder. Låt i så fall spänningsomvandlaren svalna innan du slår på den igen.

Överurladdningsskydd

När strömkällans återstående kapaciteten blir låg ljuder in intermittert ljdsignal och utgångsknappen som är i drift blinkar. Ta i så fall bort strömkällan och ladda den. När strömkällans återstående kapacitet blir ännu lägre stoppas all utmatning.

UNDERHÅLL

⚠FÖRSIKTIGT: Se alltid till att strömkällan har tagits bort innan inspektion eller underhåll utförs.

OBSERVERA: Tvätta inte kontakten med vatten. Ris för felfunktion.

OBSERVERA: Torka regelbundet av ytan på produkten med en trasa fuktad i tvålatten.

OBSERVERA: Använd inte bensin, förtunningsmedel, alkohol eller liknande. Missfärgning, deformation eller sprickor kan uppstå.

För att upprätthålla produktens SÄKERHET och TILLFÖRLITLIGHET bör allt underhålls- och justeringsarbete utföras av ett auktoriserat Makita servicecenter och med reservdelar från Makita.

Rengöring

Om spänningsomvandlaren är smutsig, torka av den med en torr trasa eller en trasa fuktad i tvålatten.

Filter

⚠FÖRSIKTIGT: Var noga med att sätta tillbaka filtret när du har rengjort det. Att använda spänningsomvandlaren används utan filtret kan orsaka felfunktion.

Ta bort filtret genom att dra ut såsom visas i figuren. Tvätta filtret och torka det sedan.

► Fig.11: 1. Filter

Montera filtret genom att följa borttagningsproceduren i omvänd ordning.

VALFRIA TILLBEHÖR

⚠FÖRSIKTIGT: Följande tillbehör eller tillsatser rekommenderas för användning med den Makita-maskin som denna bruksanvisning avser. Om andra tillbehör eller tillsatser används kan det uppstå risk för personskador. Använd endast tillbehören eller tillsatserna för de syften de är avsedda för.

Kontakta ditt lokala Makita servicecenter om du behöver ytterligare information om dessa tillbehör.

- Bärbart strömpaket
- Makitas originalbatteri och -laddare
- MAKPAC

OBS: Några av tillbehören i listan kan vara inkluderade i maskinpaketet som standardtillbehör. De kan variera mellan olika länder.

TEKNISKE DATA

Modell:		BAC01
Nominell effekt	Likeretterens ytelse (Ved bruk av PDC1200)	Kontinuerlige watt: 1 400 W (VA) Maks. watt: 2 800 W (VA)
	Vekselstrømuttak *	Ren sinusurve 50 Hz eller 60 Hz, 2 stk. Spenning: Se indikasjonen på likeretteren. (Utgangsspenningen varierer fra land til land.)
	USB-port	Type-A: 5 V, 2,4 A, 2 stk. Type-C: USB-PD 30 W, 2 stk.
	Sigarettenneradapter	12 V, 10 A, 1 stk.
Driftstid **	PDC1200 (Med 1 000 W)	56 min.
	PDC01 (Med 750 W, BL1860B x 2)	10 min.
Mål (L x B x H) (Med alle krokene i sammenfoldet posisjon)		395 mm x 345 mm x 163 mm
Nettovekt (Bare likeretteren)		7,3 kg

* Bare for Brasil

Spenningen er notert i nærheten av vekselstrømuttaket.

** Driftstider er omtrentlige og kan være forskjellige avhengig av typen strømkilde, ladestatus og bruksforhold.

- På grunn av vårt kontinuerlige forsknings- og utviklingsprogram kan spesifikasjonene som oppgis i dette dokumentet endres uten varsel.
- Spesifikasjonene kan variere fra land til land.

Gjeldende strømkilde

Bærbar lader	PDC1200 / PDC01* * Bruk batteriene som er beskrevet i avsnittet for gjeldende batteri.
--------------	---

- Noen av strømkildene som er oppført ovenfor er kanskje ikke tilgjengelige, avhengig av hvor du bor.
- Før du bruker strømkilden, må du lese instruksjons- og forsiktighetsskiltene på den.

⚠ ADVARSEL: Bruk bare strømkildene som står oppført ovenfor. Bruk av andre strømkilder kan føre til personskader og/eller brann.

Gjeldende batteri

Bare for PDC01

OBS: Ved bruk av PDC01:	
—	Hvis utgangseffekten overskrider 750 W (VA), stopper likeretteren strømforsyningen på grunn av batterivernsystemet. I dette tilfellet sørger du for at utgangseffekten er på 750 W (VA) eller lavere.
—	Avhengig av bruksforholdene kan det hende at likeretteren stopper effekten ut hvis batteriet i bruk byttes til et annet batteri. I denne situasjonen trykker du på effektknappen for å starte effekten på nytt.
—	Du må ha to eller fire batterier for å kunne bruke denne likeretteren. Hvis du bruker to batterier, monterer du det ene i batteriport 1 eller 2 og det andre i batteriport 3 eller 4.

Batteriinnsets	BL1815N / BL1820B / BL1830B* / BL1840B* / BL1850B* / BL1860B* *: Anbefalt batteri
----------------	---

- Noen av batteriene som er oppført ovenfor er kanskje ikke tilgjengelige, avhengig av hvor du bor.

⚠ ADVARSEL: Bruk kun batteriene som er opplistet ovenfor. Bruk av andre batterier kan føre til personskader og/eller brann.

Symboler

Nedenfor ser du symbolene som kan brukes for dette utstyret. Forviss deg om at du forstår hva de betyr, før du begynner å bruke maskinen.



Les bruksanvisningen.



Kun for EU-land
På grunn av forekomst av farlige komponenter i utstyret, kan avfall fra elektrisk og elektronisk utstyr, akkumulatører og batterier ha en negativ innvirkning på miljøet og menneskers helse.



Ikke kast elektriske og elektroniske apparater eller batterier sammen med husholdningsavfall!

I samsvar med det europeiske direktivet om avfall fra elektrisk og elektronisk utstyr og om akkumulatører og batterier samt akkumulatører og batterier som skal kastes, samt deres tilpasning til nasjonal lovgivning, skal brukt elektrisk utstyr samt brukte batterier og akkumulatører samles inn separat og leveres til et eget innsamlingssted for kommunalt avfall, som driver virksomhet i samsvar med miljøvernforskriftene.

Dette er angis av symbolet med den overkryssede avfallsbeholderen som er plassert på utstyret.

Riktig bruk

Apparatet er beregnet på omforming av effekten fra Makita bærbar lader til ulike utganger.

SIKKERHETSADVARSEL

⚠ ADVARSEL: Pass på at du leser bruksanvisningen til produktet som skal brukes sammen med denne likeretteren, før bruk.

Sikkerhetsadvarsler for likeretter

- Sikre god ytelse og lang levetid ved å utvise forsiktighet og beskytte likeretteren fra følgende forhold.**
 - Korroderende gass og væske
 - Salt tåke og oljetåke
 - Mekanisk påvirkning og vibrasjoner
 - Høy luftfuktighet
 - Ekstreme temperaturer (for kaldt eller for varmt)
Egnet område for omgivelsestemperatur er mellom -10 °C og 40 °C (14 °F og 104 °F).
 - Elektromagnetisk støy (f.eks. elektrisk svei-semaskin, høyeffektstyr)
 - Radioaktivt materiale
- Plasser likeretteren på en vannrett, stabil overflate uten bølgebevegelser.** Ellers kan det oppstå en fallulykke.
- Når du bærer likeretteren, må du koble fra strømkilden og alle apparater som er koblet til utgangsporten.** Ellers kan det oppstå en fallulykke.
- Når du bærer likeretteren, skal du alltid holde godt fast i bærehandtakene med begge hender. Ikke bær likeretteren ved å holde i andre deler av den.** Ellers kan det oppstå en fallulykke.
- Ikke betjen likeretteren med våte hender. Ikke eksponer likeretteren for regn eller fuktighet.** Dette utgjør fare for elektrisk støt. Likeretteren er ikke vannsikker.
- Ikke før metallgjenstander, som tegnestifter, vaiere eller andre små metallgjenstander inn i utgangene eller luftelukene.** Dette utgjør fare for elektrisk støt.
- Likeretteren skal ikke demonteres.** Dette utgjør fare for elektrisk støt.
- Ikke utsett likeretteren for kraftige dunk eller støt, for eksempel ved å miste den i bakken.** Dette kan føre til funksjonsfeil som kan resultere i elektrisk støt.
- Kontroller om deler av apparatet er dårlig tilpasset hverandre, om bevegelige deler sitter fast, om noen deler er brukket, eller om det er andre omstendigheter som kan påvirke driften. Hvis apparatet er skadet, må det repareres før bruk.** Mange ulykker skyldes dårlig vedlikeholdte apparater.
- Still alltid inn på en egnet vekselstrømfrekvens.** Ellers kan det oppstå funksjonsfeil som resulterer i personskader.
- Ikke bruk likeretteren i eksplosjonsfarlige omgivelser, f.eks. i nærheten av brennbare væsker, gasser eller støv.** En liten statisk lading eller gnist kan antenne støvet eller gassene, noe som resulterer i brann eller eksplosjon.
- Ikke la noe tildekke eller blokkere luftelukene. Bruk likeretteren på et sted der ingenting kommer i veien for luftelukene.** Dette kan føre til funksjonsfeil eller brann.
- Unngå å snuble i ledningen under arbeidet. Plasser ledningen i ledningommen.**
- Likeretteren skal ikke brukes sammen med medisinsk utstyr.** Uventet funksjonsfeil kan føre til ulykker.
- Ta hensyn til følgende forholdsregler for å redusere risikoen for brann, overoppheting, eksplosjon, lekkasje av elektrolytter, elektrisk støt eller personskader.**
 - Du må ikke koble til apparater som overskrider likeretterens nominelle effekt.
 - Apparatet skal ikke kobles direkte til strømmettet.
- Oppbevar likeretteren innendørs på et sted med god ventilasjon og lav luftfuktighet.**
- Oppbevar likeretteren utilgjengelig for barn.** Ellers kan det oppstå alvorlige ulykker.
- Ikke trakk på likeretteren. Vær også forsiktig slik at du ikke dunker kraftig borti likeretteren når du installerer den med MAKPAC eller strømkilde.** Det kan forårsake funksjonsfeil eller personskader.

19. **Sporet for jordingspinnen på vekselstrømutgangen har ingen spenning eller effekt.** Dette produktet krever ikke jording av vekselstrømapparater ettersom det ikke er koblet til det generelle vekselstrømnettet.

Sikkerhetsadvarsler for batteridrevet apparat

Bruk og vedlikehold av batteridrevet apparat

- Unngå utilsiktet start. Pass på at bryteren er i av-stilling før du kobler til batteriet, og før du tar det opp eller begynner å bære apparatet.** Hvis du bærer apparatet med fingeren på bryteren eller kobler strøm til apparatet med bryteren i på-stillingen, kan det lett oppstå ulykker.
- Før du foretar eventuelle justeringer, skifter tilbehør eller setter apparatet bort til oppbevaring, må du ta batteriet ut av apparatet.** Slike forebyggende sikkerhetstiltak reduserer faren for at apparatet starter utilsiktet.
- Batteriet må kun lades opp igjen med en lader spesifisert av produsenten.** En lader som passer til én batteritype, kan være brannfarlig når den brukes med en annen batteritype.
- Utstyr skal kun brukes med spesifikt angitte batterier.** Bruk av andre batterier kan utgjøre en fare for personskader og brann.
- Når batteriet ikke er i bruk, må du holde verktøyet unna metallgjenstander som f.eks. binders, mynter, nøkler, spiker, skruer og andre små metallgjenstander som kan skape forbindelse mellom de to polene.** Hvis batteripolene kortsluttes, kan du få brannskår, eller det kan begynne å brenne.
- Hvis batteriet utsettes for hardhendt bruk, kan det lekket væske fra batteriet. Unngå kontakt med væsken.** Hvis du kommer i kontakt med batterivæsken, må du skylle med vann. Hvis du får batterivæske i øynene, må du i tillegg oppsøke lege. Væske som kommer ut av batteriet, kan forårsake irritasjon eller forbrenninger.
- Ikke bruk et batteri eller apparat som er skadet eller endret på.** Batterier som er skadet eller endret på kan oppføre seg upålitelig og medføre brann, eksplosjon eller fare for personskader.
- Et batteri eller apparatet må ikke utsettes for ild eller for høy temperatur.** Ild eller temperaturer på over 130 °C kan forårsake eksplosjon.
- Følg alle ladeinstruksjonene, og ikke lad batteriet eller apparatet utenfor temperaturområdet som er angitt i instruksjonene.** Feil lading eller lading ved temperaturer utenfor det angitte området, kan skade batteriet og øke faren for brann.
- La en kvalifisert reparatør utføre service, og se til at vedkommende kun bruker originale reservedeler.** Dette vil opprettholde sikkerheten til produktet.
- Ikke modifiser eller forsøk å reparere apparatet eller batteripakken, med unntak av det som er angitt i instruksjonene for bruk og stell.**

Viktige sikkerhetsanvisninger for batteriinnsetts

- Før du begynner å bruke batteriet, må du lese alle anvisninger og forsiktighetsregler på (1) batteriladeren, (2) batteriet og (3) det produktet batteriet skal brukes i.**
- Du må ikke demontere eller tukle med batteriet.** Det kan føre til brann, overoppheting eller eksplosjon.
- Hvis driftstiden er blitt vesentlig kortere, må du omgående slutte å bruke maskinen.** Hvis ikke kan resultatet bli overoppheting, mulige forbrenninger eller til og med en eksplosjon.
- Hvis du får elektrolytt i øynene, må du skylle dem med store mengder rennende vann og oppsøke lege med én gang.** Denne typen uhell kan føre til varig blindhet.
- Ikke kortslett batteriet:**
 - De kan være ekstremt varme og du kan brenne deg.**
 - Ikke lagre batteriet i samme beholder som andre metallgjenstander, som for eksempel spiker, mynter osv.**
 - Ikke la batteriet komme i kontakt med vann eller regn.****En kortslutning av batteriet kan føre til et kraftig strømstøt, overoppheting, mulige forbrenninger og til og med til at batteriet går i stykker.**
- Ikke oppbevar og bruk apparatet og batteriet på steder hvor temperaturen kan komme opp i eller overskride 50 °C (122 °F).**
- Ikke sett fyr på batteriet, ikke engang om det er sterkt skadet eller helt utslitt.** Batteriet kan eksplodere hvis det begynner å brenne.
- Du må ikke spikre, skjære, klemme, kaste eller miste batteriet, og heller ikke slå en hard gjenstand mot batteriet.** En slik adferd kan føre til brann, overoppheting eller eksplosjon.
- Ikke bruk batterier som er skadet.**
- Lithium-ion-batteriener som medfølger er gjenstand for krav om spesialavfall.** For kommersiell transport, f.eks. av tredjeparter eller spedtører, må spesielle krav om pakking og merking følges. For varen blir sendt, må du forhøre deg med en ekspert på farlig materiale. Ta også hensyn til muligheten for mer detaljerte nasjonale bestemmelser. Bruk teip eller maskeringsteip for å skjule åpne kontakter og pakk inn batteriet på en slik måte at den ikke kan bevege seg rundt i emballasjen.
- Når batteriet skal avhendes, tar du det ut av apparatet og kaster det på et trygt sted. Følg lokale forskrifter for avhending av batterier.**
- Bruk batteriene kun med produkter spesifisert av Makita.** Montere batteriene i produkter som ikke er konforme kan føre til brann, overoppheting eller elektrolyttlekkasje.
- Hvis apparatet ikke skal brukes på en god stund, må batteriet tas ut av apparatet.**

14. **Under og etter bruk kan batteriet bli varmt og føre til brannskader. Vær forsiktig med håndteringen av varme batterier.**
15. **Ikke ta på batteripolen på apparatet rett etter bruk, da den kan bli varm og forårsake brannskader.**
16. **Ikke la spon, støv eller jord sette seg fast i batteripolene, hullene og sporene i batteriet.** Det kan føre til dårlig ytelse eller at apparatet eller batteriet slutter å fungere.
17. **Med mindre apparatet støtter bruk nær høyspente strømlinjer, skal ikke batteriet brukes i nærheten av høyspente strømlinjer.** Det kan føre til en funksjonsfeil eller at apparatet eller batteriet slutter å fungere.
18. **Oppbevar batteriet utilgjengelig for barn.**

TA VARE PÅ DISSE INSTRUKSENE.

▲FORSIKTIG: Bare bruk originale Makita-batterier. Bruk av uoriginale Makita-batterier eller batterier som har blitt modifisert kan føre til at batteriet sprekker og forårsaker brann, personskaide og materielle skader. Det vil også oppheve Makitas garanti for Makita-apparatet og -laderen.

Tips for å opprettholde maksimal batterilevetid

1. **Lad batteriet før det er helt utladet. Slutt alltid å bruke apparatet og lad batteriet når du merker at effekten reduseres.**
2. **Lad aldri en batteriinnsett som er fulladet. Overopplading forkorter batteriets levetid.**
3. **Lad batteriet i romtemperatur ved 10 °C - 40 °C. Et varmt batteri må kjøles ned før lading.**
4. **Når batteriet ikke er bruk, skal det tas ut av apparatet eller laderen.**
5. **Lad batteriet hvis det ikke har vært brukt på en lang stund (over seks måneder).**

DELEBESKRIVELSE

► Fig.1

1. **Bryterpanel**
2. **Låsemekanisme**
3. **Utgangskort**
4. **Bærehåndtak**
5. **Lufttehåndtak**
6. **Krok A**
7. **Krok B**
Bruk bare med PDC1200.
8. **Krok C**
Bruk bare med PDC01.
9. **Støpsel (inn)**
10. **Ledninglomme**
11. **USB-effektknapp**
12. **Vekselstrøm-effektknapp**

MERK: Formen på vekselstrømuttaket varierer fra land til land.

13. **Knapp for frekvensskifte**
14. **Likestrøm 12 V-effektknapp**
15. **Knapp for pipelyd**
16. **Effektindikator**
Se avsnittet for hvordan du skal tolke effektindikatoren.
17. **USB Type-A utgang 1**
18. **USB Type-A utgang 2**
19. **USB Type-C utgang 1**
20. **USB Type-C utgang 2**
21. **Vekselstrømutgang 1**
22. **Vekselstrømutgang 2**
23. **Likestrøm 12 V-utgang (for sigarettneradapter)**

MONTERING

▲FORSIKTIG: Hold godt fast i likeretteren og strømkilden når du monterer eller fjerner strømkilden. Hvis du unnlater å gjøre dette, kan du miste grepet på apparatene, noe som kan føre til personskaide eller skader på likeretteren og strømkilden.

▲FORSIKTIG: Før bruk må du kontrollere at ledningen er godt festet, og at stikkkontakten er satt helt inn i støpselet.

Montere strømkilden

For PDC1200

Fest strømkilden til likeretteren slik det vises i figuren.

▲FORSIKTIG: Sørg for at strømkilden monteres godt fast på likeretteren. Hvis du ikke gjør dette, kan strømkilden falle ut av likeretteren og skade deg eller andre som oppholder seg i nærheten. Hvis du kan se den røde indikatoren som vist i figuren, er strømkilden ikke fullstendig låst.

► **Fig.2:** 1. Rød indikator

Når du fjerner strømkilden, løfter du strømkilden opp samtidig som du skyver ned låseknappen.

► **Fig.3:** 1. Låseknapp

For PDC01

Fest strømkilden til likeretteren slik det vises i figuren.

► Fig.4

Når du skal demontere strømkilden, følger du monteringsprosedyren i motsatt rekkefølge.

Koble til strømkilden

1. Åpne støpseldekselet.
 2. Innrett pilmerket på stikkkontakten med det på likeretteren, og sett deretter stikkkontakten helt inn i støpselet.
- **Fig.5:** 1. Deksel 2. Støpsel (inn) 3. Stikkontakt 4. Pilmerke

OBS: Ikke sett stikkkontakten inn med makt. Hvis det er vanskelig å sette inn stikkkontakten, er det fordi den ikke settes inn på riktig måte.

OBS: Når du kobler fra støpselet, skal du ikke holde i ledningene, men i stikkkontakten. Ellers kan ledningene bli ødelagte og føre til funksjonsfeil.

OBS: Lukk alltid dekselet på støpselet når strømkilden ikke er koblet til. Ellers kan det trenge inn fremmedlegemer i likeretteren og forårsake funksjonsfeil.

Ledninglomme

Du kan legge ledningen i ledninglommen, som vist i figuren.

► Fig.6

Installere MAKPAC

Valgfritt tilbehør

Likeretteren kan festes øverst eller nederst på MAKPAC slik det vises i figuren.

► Fig.7

⚠ FORSIKTIG: Sørg for at likeretteren er godt festet til MAKPAC med de fire låsemekanismene. Ellers kan det oppstå en fallulykke som fører til personskader.

BRUK

► Fig.8: 1. Strømknapp

1. Trykk på strømknappen på strømkilden for å slå den på.
2. Koble apparatet til den aktuelle utgangen.

Når du bruker vekselstrømutgangen, velger du aktuell frekvens ved å trykke på og holde inne knappen for skifte av frekvens.

MERK: Frekvensen kan bare velges når vekselstrømeffekten stoppes.

MERK: Frekvensinnstillingen lagres. Neste gang starter likeretteren med samme innstilling.

3. Trykk på effektknappen du vil bruke.

Likeretteren starter effekten, og effektknappen i bruk lyser.

4. Trykk på effektknappen igjen for å stoppe.

5. Trykk på strømknappen på strømkilden for å slå den av.

OBS: Det kan hende du ikke kan bruke et apparat som krever store mengder strøm for oppstart, selv hvis utgangseffekten til likeretteren holdes innenfor det nominelle effektområdet.

OBS: Det kan også hende at likeretteren ikke kan forsyne strøm til enkelte USB-enheter.

OBS: Før du kobler USB-enheten til likeretteren, skal du alltid ta en sikkerhetskopi av dataene på USB-enheten.

OBS: Du kan ikke lade strømkilden med likeretteren ved hjelp av bærbare ladere som er tilgjengelige på markedet.

Slik tolker du effektindikatoren

► Fig.9

- Effektindikatoren lyser i henhold til wattforbruket.
- Når utgangseffekten når 1 400 W (VA), lyser lampen på "1400" rødt. Denne lampen begynner å blinke rødt når likeretteren blir overbelastet.

Slå lydvarselet på/av

► Fig.10: 1. Knapp for pipelyd

Trykk på og hold inne knappen for pipelyd for å slå lydvarselet på/av.

MERK: Innstillingen for lydvarsel lagres. Neste gang starter likeretteren med samme innstilling.

Beskyttelsessystem

Likeretteren er utstyrt med følgende beskyttelsessystem.

Overlastsikring

Hver utgang har følgende overlastvern:

- **Vekselstrømutgang**
Når likeretteren registrerer et usedvanlig høyt wattforbruk, stopper likeretteren alle vekselstrømutganger med periodiske pipelyder.
- **USB-utgang**
Når likeretteren registrerer en usedvanlig høy spenning, kutter likeretteren USB-utgangen med den høye spenningen.
- **Likestrøm 12 V-utgang**
Når likeretteren registrerer en usedvanlig høy spenning, stopper likeretteren likestrøm 12 V-utgangen med periodiske pipelyder.

Hvis den totale effekten fra vekselstrøm, USB og likestrøm 12 V overskrider den nominelle effekten for likeretteren i en viss periode, stoppes alle utganger med en kontinuerlig pipelyd. I denne situasjonen må du slå av strømkilden og stanse bruken som forårsaket at likeretteren ble overbelastet. Slå deretter på strømkilden igjen for å starte på nytt.

MERK: Når likeretteren blir overbelastet, blinker lampen for "1400" rødt.

MERK: Du kan stoppe pipelyden ved å trykke på en hvilken som helst bryter på bryterpanelet.

Overopphetingsvern

Når likeretteren er overopphetet, stopper likeretteren alle effektutganger med kontinuerlige pipelyder. I dette tilfellet må du la likeretteren kjøle seg ned før du slår den på igjen.

Overutladingsvern

Når den gjenstående kapasiteten til strømkilden blir lav, avgis det periodiske pipelyder og effektknappen i bruk blinker. I dette tilfellet fjerner du strømkilden og lader den.

Når den gjenstående kapasiteten til strømkilden blir enda lavere, stoppes all utgangseffekt.

VALGFRITT TILBEHØR

⚠FORSIKTIG: Det anbefales at du bruker dette tilbehøret eller verktøyet sammen med den Makita-maskinen som er spesifisert i denne håndboken. Bruk av annet tilbehør eller verktøy kan forårsake personskader. Tilbehør og verktøy må kun brukes til det formålet det er beregnet på.

Ta kontakt med ditt lokale Makita-servicesenter hvis du trenger mer informasjon om dette tilbehøret.

- Bærbar lader
- Makita originalbatteri og lader
- MAKPAC

MERK: Enkelte elementer i listen kan være inkludert som standardtilbehør i verktøypakken. Elementene kan variere fra land til land.

VEDLIKEHOLD

⚠FORSIKTIG: Forviss deg alltid om at strømkilden er fjernet før du foretar inspeksjon eller vedlikehold.

OBS: Ikke vask kontakten med vann. Risiko for funksjonsfeil.

OBS: Tørk av utsiden av produktet regelmessig med en klut fuktet i såpevann.

OBS: Aldri bruk gasolin, bensin, tynner alkohol eller lignende. Det kan føre til misfarging, deformering eller sprekkdannelse.

For å opprettholde produktets SIKKERHET og PALITELIGHET, må reparasjoner, vedlikehold og justeringer utføres av autoriserte Makita servicesentre eller fabrikk-servicesentre, og det må alltid brukes reservedeler fra Makita.

Rengjøring

Hvis likeretteren er skitten, tørker du den med en tørr klut eller en klut fuktet i såpevann.

Filter

⚠FORSIKTIG: Sørg for at du monterer filteret igjen etter å ha rengjort det. Hvis du kjører likeretteren uten filteret, kan det oppstå funksjonsfeil.

Fjern filteret ved å trekke det ut slik det vises i figuren. Vask filteret, og tørk det.

► **Fig.11:** 1. Filter

Monter filteret ved å følge fremgangsmåten for demontering i motsatt rekkefølge.

TEKNISET TIEDOT

Malli:		BAC01
Nimellisteho	Muuntimen suorituskyky (Käytettäessä laitetta PDC1200)	Jatkuva teho: 1 400 W (VA) Huipputeho: 2 800 W (VA)
	AC-lähtö *	Puhdas siniaalto 50 Hz tai 60 Hz, 2 kpl Jännite: Katso tehonmuuntimen merkintä. (Lähtöjännite vaihtelee maan mukaan.)
	USB-portti	Type-A: 5 V, 2,4 A, 2 kpl Type-C: USB-PD 30 W, 2 kpl
	Savukkeensytytinsovitin	12 V, 10 A, 1 kpl
Käyttöaika **	PDC1200 (1 000 W)	56 min
	PDC01 (750 W, BL1860B x 2)	10 min
Mitat (P x L x K) (Kaikki koukut taitetussa asennossa)		395 mm x 345 mm x 163 mm
Nettopaino (Vain tehonmuunnin)		7,3 kg

* Vain Brasilia

Jännite on merkitty AC-lähdön lähelle.

** Käyttäjät ovat arvioituja ja voivat vaihdella virtalähteen tyyppin, varaustilan ja käyttöolosuhteiden mukaan.

- Jatkuvasta tutkimus- ja kehitystyöstämme johtuen esitetyt tekniset tiedot saattavat muuttua ilman erillistä ilmoitusta.
- Tekniset tiedot voivat vaihdella maittain.

Yhteensopiva virtalähde

Kannettava tehoyksikkö	PDC1200 / PDC01* * Käytä yhteensopivaa akkupakettia käsittelevässä osiossa kuvattuja akkupaketteja.
------------------------	--

- Kaikki edellä luetellut virtalähteet eivät ehkä ole saatavana asuinalueellasi.
- Lue virtalähteen käyttöohjeet ja tutustu siinä oleviin varoitusmerkintöihin ennen sen käyttämistä.

VAROITUS: Käytä vain yllä lueteltuja virtalähteitä. Muiden virtalähteiden käyttäminen voi aiheuttaa loukkaantumisen ja/tai tulipalon.

Yhteensopiva akkupaketti

Vain PDC01

HUOMAUTUS: Käytettäessä laitetta PDC01:
— Jos lähtöteho ylittää 750 W (VA), tehonmuunnin lopettaa virransyötön akun suojausjärjestelmän takia. Pidä tällöin lähtötehona enintään 750 W (VA).
— Käyttöolosuhteiden mukaan tehonmuunnin saattaa pysäyttää lähdön, jos käytössä oleva akku vaihtuu toiseen akkuun. Käynnistä tällöin lähtö uudelleen painamalla lähdön painiketta.
— Tehonmuuntimen käyttöön tarvitaan kaksi tai neljä akkupakettia. Asenna kahta akkupakettia käytettäessä yksi akkuporttiin 1 tai 2 ja toinen akkuporttiin 3 tai 4.

Akkupaketti	BL1815N / BL1820B / BL1830B* / BL1840B* / BL1850B* / BL1860B* *: Suositeltu akku
-------------	---

- Kaikkia yllä lueteltuja akkupaketteja ei ehkä ole saatavilla sinun asuinalueellasi.

VAROITUS: Käytä vain edellä lueteltuja akkupaketteja. Muiden akkupakettien käyttäminen voi aiheuttaa loukkaantumisen ja/tai tulipalon.

Symbolit

Laitteessa on mahdollisesti käytetty seuraavia symboleja. Opettele niiden merkitys ennen käyttöä.



Lue käyttöohje.



Koskee vain EU-maita
Käytetyillä sähkö- ja elektroniikkalaitteilla, paristoilla ja akkuilla voi olla negatiivisia ympäristö- ja terveysvaikutuksia niissä käytettyjen haitallisten osien takia.



Älä hävitä sähkö- ja elektroniikkalaitteita tai akkuja kotitalousjätteen mukana!
Vanhoja sähkö- ja elektroniikkalaitteita, paristoja ja akkuja koskevan EU-direktiivin ja sen perusteella laadittujen kansallisten lakien mukaan käytetyt sähkö- ja elektroniikkalaitteet, paristot ja akut on kierrätettävä toimittamalla ne erilliseen, ympäristönsuojelusäädösten mukaisesti toimivaan kierrätyspisteeseen.
Tämä on ilmaistu laitteessa olevalla ylivedetyrn roska-astian symbolilla.

Käyttötarkoitus

Laitte on tarkoitettu muuntamaan Makitan kannettavan tehoyksikön teho erilaisiksi lähdeiksi.

TURVAVAROITUKSET

VAROITUS: Lue tämän tehonmuuntimen kanssa käytettävän tuotteen käyttöohjeet ennen käyttöä.

Tehonmuuntimen turvavaroitukset

- Suojaa tehonmuunnin seuraavilta olosuhteilta hyvän suorituskyvyn ja pitkän käyttöiän varmistamiseksi.**
 - Syövyttävä kaasu ja neste
 - Suola- ja öljyysumu
 - Mekaaninen isku ja värinä
 - Suuri ilmankosteus
 - Äärimmäinen lämpötila (liian kylmä tai liian kuuma)
Sopiva ympäristön lämpötila-alue on -10 °C – 40 °C (14 °F – 104 °F).
 - Sähkömagneettinen kohina (esim. sähköhit-sauslaite, tehosähkölaite)
 - Radioaktiivinen materiaali
- Aseta tehonmuunnin vaakasuoralle, tasaiselle pinnalle tukevaan paikkaan.** Muutoin seurauksena voi olla onnettomuuteen johtava kaatuminen.
- Kun kannat tehonmuunninta, irrota virtalähde ja kaikki lähtöporttiin liitetyt laitteet.** Muutoin seurauksena voi olla onnettomuuteen johtava kaatuminen.
- Kun kannat tehonmuunninta, pidä aina kanto-kahvoista kiinni tukevasti molemmin käsin. Älä kannata tehonmuunninta pitämällä kiinni jostain muusta osasta.** Muutoin seurauksena voi olla onnettomuuteen johtava kaatuminen.
- Älä käytä tehonmuunninta, jos kätesi ovat märät. Älä jätä tehonmuunninta sateeseen tai kosteisiin olosuhteisiin.** Sähköiskun vaara. Tehonmuunnin ei ole vesitiivis.
- Älä työnnä metalliesineitä, kuten nuppineuloja, rautalankoja tai muita pieniä metalliesineitä, lähtöihin ja ilmanvaihtoaukkoihin.** Sähköiskun vaara.
- Älä pura tehonmuunninta.** Sähköiskun vaara.
- Älä kohdista tehonmuuntimen voimakasta iskua esimerkiksi pudottamalla.** Se voi aiheuttaa toimintahäiriön, josta seuraa sähköisku.
- Tarkista, ettei liikkuvia osia ole kohdistettu väärin ja etteivät ne takertele, että osia ei ole rikkoutunut ja kaikki muut seikat, jotka voivat vaikuttaa toimintaan. Jos laite on vaurioitunut, korjauta se ennen käyttöä.** Puutteellisesti huolletut laitteet aiheuttavat usein tapaturmia.
- Valitse aina sopiva AC-taajuus.** Muuten seurauksena voi olla toimintahäiriö ja vammoja.
- Älä käytä tehonmuunninta paikoissa, joissa on räjähdysvaara esimerkiksi syttyvien nesteiden, kaasujen tai pölyn takia.** Pieni staattinen varaus tai kipinä voi sytyttää pölyn tai kaasun ja aiheuttaa tulipalon tai räjähdyskyn.
- Älä peitä ilmanvaihtoaukkoja tai päästä niitä tukkeutumaan.** Käytä tehonmuunninta paikassa, jossa mikään ei häiritse ilmanvaihtoaukkoa. Se voi aiheuttaa toimintahäiriön tai tulipalon.
- Varo johtoa, jotta et kompastu siihen käytön aikana.** Laita johto johtotaskuun.
- Älä käytä tehonmuunninta lääketieteellisten laitteiden kanssa.** Äkillinen toimintahäiriö voi aiheuttaa onnettomuuden.
- Noudata seuraavia varotoimia tulipalon, ylikuumenemisen, räjähdyskyn, akkuneesten vuotamisen, sähköiskun tai henkilövahinkojen riskin pienentämiseksi.**
 - Älä liitä tehonmuuntimen laitetta, joka ylittää sen nimellistehon.
 - Älä liitä suoraan yleiseen AC-sähköverkkoon.
- Säilytä tehonmuunninta sisällä kuivassa paikassa, jossa on hyvä ilmanvaihto.**
- Pidä tehonmuunnin poissa lasten ulottuvilta säilytyksen aikana.** Muuten seurauksena voi olla vakava vaaratilanne.
- Älä astu tehonmuuntimen päälle. Älä myöskään kohdista tehonmuuntimen voimakasta iskua, kun asennat sitä MAKPACin tai virtalähteen kanssa.** Muussa tapauksessa seurauksena voi olla toimintahäiriö tai henkilövahinkoja.
- AC-lähdön maadoitustapin urassa ei ole jännitettä eikä virtaa.** Tämä tuote ei vaadi AC-laitteen maadoittamista, koska sitä ei ole liitetty yleiseen vaihtovirtaverkkoon.

Akkukäyttöisen laitteen käyttö ja hoito

1. **Estä tahaton käynnistyminen.** Varmista, että kytkin on off-asennossa, ennen kuin asetat akkupaketin paikalleen, nosta laitetta tai kannat sitä. Laitteen kantaminen sormi kytkimellä tai laitteen kytkeminen virtalähteeseen kytkin painettuna aiheuttaa helposti onnettomuuden.
2. **Irrota akkupaketti laitteesta ennen minkään säätöjen tekemistä, lisävarusteiden vaihtamista tai laitteen varastointia.** Tällaiset ehkäisevät turvatoimet pienentävät laitteen vahingossa käynnistymisen vaaraa.
3. **Lataa akku vain valmistajan määrittämällä laturilla.** Tietyille akkupaketille sopiva laturi voi aiheuttaa tulipalovaaran, jos sitä käytetään muun tyyppisen akkupaketin yhteydessä.
4. **Käytä laitteita vain määritysten mukaisten akkupakettien kanssa.** Muun tyyppisten akkupakettien käyttäminen voi aiheuttaa tapaturma- tai tulipalovaaran.
5. **Kun akku ei ole käytössä, säilytä se erillään metalliesineistä, kuten paperiliittimistä, kolikoista, avaimista, nautoista, ruuveista ja muista pienistä metalliesineistä, jotka voivat yhdistää akun navat.** Akun napojen oikosulkeminen voi aiheuttaa palovamman tai tulipalon.
6. **Akusta voi vuotaa nestettä, jos sitä käsitellään väärin.** Vältä kosketusta. Jos nestettä pääsee iholle vahingossa, huuhtele iho vedellä. Jos nestettä pääsee silmiin, hakeudu lääkäriin hoitoon. Ulos purkautunut akkuneste voi ärsyttää ihoa tai aiheuttaa palovammoja.
7. **Älä käytä viallista tai muunneltua akkupakettia tai laitetta.** Vialliset tai muunnellut akut voivat toimia odottamattomasti aiheuttamalla tulipalo-, räjähdys- tai tapaturmavaaran.
8. **Älä altista akkupakettia tai laitetta tulelle tai äärimmäisille lämpötiloille.** Altistus tulelle tai yli 130 °C:n lämpötiloille voi aiheuttaa räjähdyksen.
9. **Noudata kaikkia latausohjeita, äläkä lataa akkupakettia tai laitetta ohjeissa määritettyjen lämpötilarajojen ulkopuolella.** Väärin tai ohjeissa määritettyjen lämpötilarajojen ulkopuolella suoritettu lataus voi aiheuttaa akkuvaurion ja kasvattaa tapaturmavaaraa.
10. **Anna pätevän korjaajan huoltaa tuote vain alkuperäisiä vastaavia varoosia käyttämällä.** Näin varmistetaan, että tuotteen turvallisuus säilyy.
11. **Älä yritä muokata tai korjata laitetta tai akkupaketin muutoin kuin käyttö- ja ylläpito-ohjeissa on ohjeistettu.**

Akkupakettia koskevia tärkeitä turvaohjeita

1. Ennen akun käyttöönottoa tutustu kaikkiin laturissa (1), akussa (2) ja akkupätkäosissa (3) oleviin varoitusteksteihin.
2. **Älä pura tai peukaloi akkupakettia.** Se voi johtaa tulipaloon, ylikuumentumiseen tai räjähdykseen.
3. **Jos akun toiminta-aika lyhenee merkittävästi, lopeta akun käyttö.** Seurauksena voi olla ylikuumentuminen, palovammoja tai jopa räjähdys.
4. **Jos akkunestettä pääsee silmiin, huuhtele puhtaalla vedellä ja hakeudu välittömästi lääkäriin hoitoon.** Akkuneste voi aiheuttaa näön menetyksen.
5. **Älä oikosulje akku.**
 - (1) **Älä koske akun napoihin millään sähköä johtavalla materiaalilla.**
 - (2) **Vältä akun oikosulkemista äläkä säilytä akku yhdessä muiden metalliesineiden, kuten nautojen, kolikoiden ja niin edelleen kanssa.**
 - (3) **Älä aseta akku alttiiksi vedelle tai sateelle.**Oikosulku voi aiheuttaa virtapiikin, ylikuumentumista, palovammoja tai laitteen rikkoontumisen.
6. **Älä säilytä ja käytä laitetta ja akkupakettia paikassa, jossa lämpötila voi nousta 50 °C:een (122 °F) tai korkeammaksi.**
7. **Älä hävitä akkupakettia polttamalla, vaikka se olisi pahoin vaurioitunut tai täysin loppuun kulunut.** Avotuli voi aiheuttaa akkupaketin räjähtämisen.
8. **Älä naulaa, leikkaa, purista, heitä tai pudota akkupakettia tai iske sitä kovia esineitä vasten.** Tällaiset toimet voivat johtaa tulipaloon, ylikuumentumiseen tai räjähdykseen.
9. **Älä käytä viallista akku.**
10. **Sisältyvä litium-ioni-akkuja koskevat vaarallisten aineiden lainsäädännön vaatimukset.** Esimerkiksi kolmansien osapuolten huoltaliikkeiden tulee kaupallisissa kuljetuksissa noudattaa pakkaamista ja merkintöjä koskevia erityisvaatimuksia. Lähetettävän tuotteen valmistelu edellyttää vaarallisten aineiden asiantuntijan neuvontaa. Huomioi myös mahdollisesti yksityiskohtaisemmat kansalliset määräykset. Akun avoimet liittimet tulee suojata teipillä tai suojuksella ja pakkaaminen tulee tehdä niin, ettei akku voi liikkua pakkauksessa.
11. **Kun akkupaketti on hävitettävä, poista se laitteesta ja hävitä se turvallisesti.** Hävitä akku paikallisten määräysten mukaisesti.
12. **Käytä akkuja vain Makitan ilmoittamien tuotteiden kanssa.** Akkujen asentaminen yhteensopimattomiin tuotteisiin voi aiheuttaa tulipalon, liiallisen ylikuumentumisen, räjähdyksen tai akkunestevuotoja.
13. **Jos laitetta ei käytetä pitkään aikaan, akku on poistettava laitteesta.**

14. Akkupaketin lämpötila voi käytön aikana ja sen jälkeen nousta niin kuumaksi, että se voi aiheuttaa palovammoja tai lieviä palovammoja. Käsittele kuumia akkupaketteja huolellisesti.
15. Älä kosketa laitteen liitintä välittömästi käytön jälkeen, sillä se voi olla riittävän kuuma aiheuttamaan palovammoja.
16. Älä päästä lastuja, pölyä tai maata akkupaketin liittimiin, aukkoihin ja uriin. Se voi heikentää laitteen tai akkupaketin suorituskykyä tai johtaa niiden rikkoutumiseen.
17. Ellei laite tue käyttöä korkeajännitelinjojen lähellä, älä käytä akkupakettia korkeajännitelinjojen lähellä. Se voi johtaa laitteen tai akkupaketin toimintahäiriöön tai rikkoutumiseen.
18. Pidä akku poissa lasten ulottuvilta.

SÄILYTÄ NÄMÄ OHJEET.

▲HUOMIO: Käytä ainoastaan alkuperäisiä Makita-akkuja. Muiden kuin aitojen Makita-akkujen käyttö tai jollakin tapaa muunneltujen akkujen käyttö voi johtaa akun halkeamiseen, mikä voi aiheuttaa tulipalon, vammoja ja vahinkoja. Se myös mitätöi Makita-laitteen ja -laturin Makita-takuun.

Vihjeitä akun käyttöön pidentämiseksi

1. Lataa akkupaketti ennen kuin se purkautuu täysin. Lopeta aina laitteen käyttö ja lataa akkupaketti, jos huomaat laitteen tehon vähenevän.
2. Älä koskaan lataa uudestaan täysin ladattua akkua. Ylilataaminen lyhentää akun käyttöikää.
3. Lataa akku huoneen lämpötilassa välillä 10 °C - 40 °C. Anna kuumen akun jäähtyä ennen lataamista.
4. Irrota akkupaketti laitteesta tai laturista, kun sitä ei käytetä.
5. Lataa akkupaketti, jos et käytä sitä pitkään aikaan (yli kuusi kuukautta).

OSIEN KUVAUS

► Kuva1

1. Kytinpaneeli
2. Salpa
3. Lähtölevy
4. Kantokahva
5. Ilmanvaihtoaukko
6. Koukku A
7. Koukku B
Vain PDC1200.
8. Koukku C
Vain PDC01.
9. Liitin (tulo)
10. Johtotasku
11. USB-lähdön painike

HUOMAA: AC-lähdön muoto vaihtelee maan mukaan.

12. AC-lähdön painike
13. Taajuuden vaihtopainike
14. DC 12 V -lähdön painike
15. Äänimerkkipainike
16. Lähdön merkivalo
Katso osiosta, miten lähdön merkivaloa tulkitaan.
17. USB Type-A -lähtö 1
18. USB Type-A -lähtö 2
19. USB Type-C -lähtö 1
20. USB Type-C -lähtö 2
21. AC-lähtö 1
22. AC-lähtö 2
23. DC 12 V -lähtö (savukkeensytytinsovitin)

KOKOONPANO

▲HUOMIO: Pidä tehonmuuntimesta ja virtalähteestä tukevasti kiinni, kun asennat tai irrotat virtalähdettä. Muuten ne voivat luiskahtaa käsistäsi ja aiheuttaa henkilövahinkoja tai vaurioita tehonmuuntimelle ja virtalähteelle.

▲HUOMIO: Varmista ennen käyttöä, että johto on sijoitettu oikein ja että pistoke on täysin kytketty pistotulppaan.

Virtalähteen kiinnittäminen

PDC1200

Kiinnitä virtalähde tehonmuuntimeen kuvan mukaisesti.

▲HUOMIO: Varmista, että virtalähde on asennettu lujasti tehonmuuntimeen. Muuten se voi pudota tehonmuuntimesta ja aiheuttaa vammoja joko käyttäjälle tai sivullisille. Jos näet kuvan mukaisen punaisen ilmaisimen, virtalähde ei ole lukkiutunut täysin paikalleen.

► Kuva2: 1. Punainen ilmaisin

Kun irrotat virtälähdettä, nosta sitä samalla, kun painat lukituspainiketta.

► **Kuva3:** 1. Lukituspainike

PDC01

Kiinnitä virtälähde tehonmuuntimeen kuvan mukaisesti.

► **Kuva4**

Virtälähde irrotetaan päinvastaisessa järjestyksessä.

Virtälähteen liittäminen

1. Avaa liittimen kansi.
 2. Kohdista pistokkeen nuolimerkki tehonmuuntimessa olevan merkin kanssa ja työnnä sitten liitin täysin kiinni pistotulppaan.
- **Kuva5:** 1. Kansi 2. Liitin (tulo) 3. Pistoke 4. Nuolimerkki

HUOMAUTUS: Älä paina pistoketta paikalleen väkisin. Jos pistoke ei asetu paikalleen helposti, se on väärässä asennossa.

HUOMAUTUS: Irrota pitämällä kiinni pistokkeesta, ei johdoista. Muutoin johdot voivat vahingoittua, mikä voi johtaa toimintahäiriöön.

HUOMAUTUS: Sulje aina liittimen kansi kunnolla, kun virtälähdettä ei ole kytketty. Muuten tehonmuuntimeen voi päästä vierasta ainetta aiheuttaen toimintahäiriön.

Johtotasku

Voit asettaa johdon johtotaskuun kuvan mukaisesti.

► **Kuva6**

MAKPACin asentaminen

Lisävaruste

Tehonmuunnin voidaan kiinnittää kuvan mukaisesti MAKPACin päälle tai alle.

► **Kuva7**

⚠HUOMIO: Varmista, että tehonmuunnin on kiinnitetty kunnolla MAKPACiin neljällä salvalla. Muutoin seurauksena voi olla putoamisesta johtuvia henkilövammoja.

TYÖSKENTELY

► **Kuva8:** 1. Virtapainike

1. Kytke virtälähde päälle painamalla sen virtapainiketta.
2. Liitä laite sopivaan lähtöön.

Valitse AC-lähtöä käytettäessä oikea taajuus pitämällä taajuuden vaihtopainiketta painettuna.

HUOMAA: Taajuus voidaan valita vain, kun AC-lähtö on pois päältä.

HUOMAA: Taajuusasetus tallennetaan muistiin. Seuraavalla kerralla tehonmuunnin käynnistyy samalla asetuksella.

3. Paina sen lähdön painiketta, jota haluat käyttää. Tehonmuunnin käynnistää lähdön, ja käytössä olevan lähdön painike syttyy.
4. Lopeta painamalla lähdön painiketta uudelleen.
5. Kytke virtälähde pois päältä painamalla sen virtapainiketta.

HUOMAUTUS: Paljon tehoa käynnistyksen aikana vaativaa laitetta ei välttämättä voi käyttää, vaikka tehonmuuntimen lähtöteho pysyisi nimellistehoalueella.

HUOMAUTUS: Tehonmuunnin ei välttämättä syötä virtaa kaikille USB-laitteille.

HUOMAUTUS: Varmuuskopioi aina USB-laitteen tiedot ennen USB-laitteen yhdistämistä tehonmuuntimeen.

HUOMAUTUS: Virtälähdettä ei voi ladata tehonmuuntimella käyttämällä markkinoilla saatavilla olevia lisäakkuja.

Lähdön merkkivalon tulkitseminen

► **Kuva9**

- Lähdön merkkivalo syttyy lähtevän watti-luvun mukaan.
- Kun lähtöteho saavuttaa 1 400 W (VA), "1400"-merkkivalo syttyy punaisena. Tämä merkkivalo alkaa vilkkua punaisena, kun tehonmuunnin ylikuormittuu.

Summerin kytkeminen päälle/pois

► **Kuva10:** 1. Äänimerkkipainike

Kytke summerin ääni päälle / pois päältä pitämällä äänimerkkipainiketta painettuna.

HUOMAA: Summerin asetus tallennetaan muistiin. Seuraavalla kerralla tehonmuunnin käynnistyy samalla asetuksella.

Suojausjärjestelmä

Tehonmuuntimessa on seuraava suojausjärjestelmä.

Ylikuormitussuoja

Jokaisessa lähdössä on ylikuormitussuoja seuraavasti:

- **AC-lähtö**
Jos tehonmuunnin tunnistaa liian suuren wattiluvun, se katkaisee kaikki AC-lähdöt, ja katkonainen äänimerkki kuuluu.
- **USB-lähtö**
Jos tehonmuunnin tunnistaa epänormaalin suuren virran, se katkaisee USB-lähdön, jossa virta on suuri.
- **DC 12 V -lähtö**
Jos tehonmuunnin tunnistaa epänormaalin suuren äänimerkki kuuluu.

Jos AC-, USB- ja DC 12 V -lähtöjen kokonaisteho ylittää tehonmuuntimen nimellistehon tietyn ajan, kaikki lähdöt katkaistaan, ja jatkuva äänimerkki kuuluu. Katkaise tässä tilanteessa virtalähteestä virta ja lopeta tehonmuuntimen ylikuormitustilan aiheuttaneen laitteen käyttö. Käynnistä sitten virtalähde uudelleen kytkemällä virta.

HUOMAA: Kun tehonmuunnin ylikuormittuu, lähdön "1400"-merkkivalo vilkkuu punaisena.

HUOMAA: Äänimerkki sammutetaan painamalla mitä tahansa kytkinpaneelin painiketta.

Ylikuumenemissuoja

Jos tehonmuunnin ylikuumenee, se katkaisee kaikki lähdöt, ja jatkuva äänimerkki kuuluu. Anna tällöin tehonmuuntimen jäähtyä ennen kuin käynnistät sen uudelleen.

Ylipurkautumissuoja

Jos virtalähteen jäljellä oleva kapasiteetti laskee alhaiseksi, katkonainen äänimerkki kuuluu ja käytössä olevan lähdön painike vilkkuu. Irrota tässä tilanteessa virtalähde ja lataa se.

Jos virtalähteen jäljellä oleva kapasiteetti laskee edelleen, kaikki lähdöt katkaistaan.

KUNNOSSAPITO

HUOMIO: Varmista aina ennen tarkastuksia tai huoltotyötä, että virtalähde on irrotettu.

HUOMAUTUS: Älä pese liitintä vedellä. Toimintahäiriön vaara.

HUOMAUTUS: Pyyhi aika ajoin tämän tuotteen pinta saippuavedellä kostutetulla liinalla.

HUOMAUTUS: Älä koskaan käytä bensiiniä, ohenteita, alkoholia tai tms. aineita. Muutoin pinta voi halkeilla tai sen värit ja muoto voivat muuttua. Muutoin laitteeseen voi tulla värjäytymiä, muodon vääristymiä tai halkeamia.

Tuotteen TURVALLISUUDEN ja LUOTETTAVUUDEN takaamiseksi korjaukset, muut huoltotyöt ja säädöt on teetettävä Makitan valtuutetussa huoltopisteessä Makitan varaosia käyttäen.

Puhdistus

Jos tehonmuunnin on likainen, pyyhi se kuivalla tai saippuavedellä kostutetulla liinalla.

Suodatin

HUOMIO: Muista asentaa suodatin takaisin, kun se on puhdistettu. Tehonmuuntimen käyttäminen ilman suodatinta voi aiheuttaa toimintahäiriön.

Irrota suodatin vetämällä se ulos kuvan mukaisesti. Pese suodatin ja kuivaa se.

► **Kuva11:** 1. Suodatin

Suodatin asennetaan päivänvastasessa järjestyksessä.

LISÄVARUSTEET

HUOMIO: Seuraavia lisävarusteita tai laitteita suositellaan käytettäväksi tässä ohjeessa kuvatun Makita-työkalun kanssa. Muiden lisävarusteiden tai laitteiden käyttö voi aiheuttaa henkilövahinkoja. Käytä lisävarusteita ja -laitteita vain niiden käyttötarkoituksen mukaisesti.

Jos tarvitset apua tai yksityiskohtaisempia tietoja seuraavista lisävarusteista, ota yhteys paikalliseen Makitan huoltoon.

- Kannettava tehoyksikkö
- Aito Makitan akku ja laturi
- MAKPAC

HUOMAA: Jotkin luettelossa mainitut varusteet voivat sisältyä työkalun toimitukseen vakiovarusteina. Ne voivat vaihdella maittain.

SPECIFIKĀCIJAS

Modelis:		BAC01
Nominālā jauda	Pārveidotāja jauda (Izmantojot PDC1200)	Jauda nepārtrauktas darbības režīmā: 1 400 W (VA) Maksimuma jauda vatos: 2 800 W (VA)
	Mainstrāvas kontaktligzda*	Tīrās sinusveida svārstības 50 Hz vai 60 Hz, 2 gab. Spriegums: Skatiet norādi uz strāvas pārveidotāja. (Izejas spriegums dažādās valstīs ir atšķirīgs.)
	USB pieslēgvietā	A veids: 5 V, 2,4 A, 2 gab. C veids: USB-PD 30 W, 2 gab.
	Cigarešu aizdedzinātāja adapters	12 V, 10 A, 1 gab.
Darbības laiks**	PDC1200 (Ar 1 000 W)	56 min.
	PDC01 (Ar 750 W, BL1860B x 2)	10 min.
Izmēri (G x P x A) (Ar visiem āķiem salocītā pozīcijā)		395 mm x 345 mm x 163 mm
Tīrsvars (Tikai strāvas pārveidotājs)		7,3 kg

* Tikai Brazīlijā

Spriegums ir norādīts līdās mainstrāvas kontaktligzdai.

** Darbības laiks ir aptuvens un var būt atšķirīgs atkarībā no strāvas avota veida, uzlādes statusa un lietošanas apstākļiem.

- Nepārtrauktās izpētes un izstrādes programmas dēļ šeit uzrādītās specifikācijas var tikt mainītas bez brīdinājuma.
- Atkarībā no valsts specifikācijas var atšķirties.

Piemērotais strāvas avots

Pārnēsājams barošanas bloks	PDC1200 / PDC01* * Izmantojiet akumulatora kasetnes, kas aprakstītas sadaļā «Piemērotā akumulatora kasetne».
-----------------------------	---

- Iepriekš norādītie strāvas avoti jūsu valstī var nebūt pieejami.
- Pirms barošanas avota izmantošanas izlasiet instrukcijas un brīdinājumus uz tā.

BRĪDINĀJUMS: Izmantojiet tikai iepriekš uzskaitītos strāvas avotus. Citu strāvas avotu izmantošana var radīt traumu un/vai aizdegšanās risku.

Piemērotā akumulatora kasetne

Paredzēts tikai PDC01

IEVĒRĪBAI: Izmantojot PDC01:

- Ja izejas jauda pārsniedz 750 W (VA), strāvas pārveidotājs pārtrauc strāvas padevi akumulatora aizsardzības sistēmas dēļ. Šādā gadījumā gādājiet, lai izejas jauda būtu 750 W (VA) vai mazāka.
- Atkarībā no lietošanas apstākļiem strāvas pārveidotājs var pārtraukt jaudas izvadi, ja lietojamais akumulators pārslēdzas uz citu akumulatoru. Šādā situācijā nospiediet vēlamo izvades pogu, lai atsāktu jaudas izvadi.
- Lai izmantotu strāvas pārveidotāju, vajadzīgas divas vai četras akumulatora kasetnes. Ja izmantojat divas akumulatora kasetnes, uzstādiet vienu 1. vai 2. akumulatora pieslēgvietā un otru – 3. vai 4. pieslēgvietā.

Akumulatora kasetne	BL1815N / BL1820B / BL1830B* / BL1840B* / BL1850B* / BL1860B* *: Ieteicamais akumulators
---------------------	---

- Dažas no iepriekš norādītajām akumulatora kasetnēm jūsu valstī var nebūt pieejamas.

BRĪDINĀJUMS: Izmantojiet vienīgi iepriekš norādītās akumulatora kasetnes. Cita tipa akumulatora kasetņu izmantošana var radīt traumu un/vai aizdegšanās risku.

Simboli

Tālāk ir attēloti simboli, kas var attiekties uz darbarīka lietošanu. Pirms darbarīka izmantošanas pārliecinieties, vai pareizi izprotat to nozīmi.



Izlasiet lietošanas rokasgrāmatu.



Tikai ES valstīm
Tā kā šajā aprīkojumā ir bīstamas sastāvdaļas, elektrisko un elektronisko iekārtu, akumulatoru un bateriju atkritumi var negatīvi ietekmēt apkārtējo vidi un cilvēka veselību.



Elektroierīces, elektroniskās ierīces un akumulatorus nedrīkst izmest kopā ar mājsaimniecības atkritumiem!
Saskaņā ar Eiropas direktīvu par elektrisko un elektronisko iekārtu atkritumiem, akumulatoriem un baterijām, kā arī akumulatoru un bateriju atkritumiem un šīs direktīvas pielāgošanu valsts tiesību aktiem elektrisko un elektronisko iekārtu, bateriju un akumulatoru atkritumi ir jāglabā atsevišķi un jānogādā uz sadzīves atkritumu dalītās savākšanas vietu, ievērojot attiecīgos vides aizsardzības noteikumus.
Par to liecina uz iekārtas redzams simbols ar pārsvītrotu atkritumu konteineru uz rītiņiem.

Paredzētā lietošana

Šī ierīce ir paredzēta Makita pārnēsājamā barošanas bloka jaudas pārveidošanai dažādām izvadēm.

DROŠĪBAS BRĪDINĀJUMI

BRĪDINĀJUMS: Pirms izmantošanas noteikti izlasiet tā izstrādājuma lietošanas rokasgrāmatu, kurš tiks izmantots ar šo strāvas pārveidotāju.

Strāvas pārveidotāja drošības brīdinājumi

- Lai nodrošinātu pienācīgu darbību un ilgu kalpošanas laiku, aizsargājiet strāvas pārveidotāju no šādiem apstākļiem.
 - Korozīvas gāzes un šķidrumi
 - Sāļu migla un eļļas migla
 - Mehāniski triecieni un vibrācija
 - Liels mitrums
 - Ekstremāla temperatūra (pārāk auksts vai pārāk karsts)
Piemērotais apkārtējās temperatūras diapazons ir no -10 °C līdz 40 °C (no 14 °F līdz 104 °F).
 - Elektromagnētiskie traucējumi (piem., elektriskā metināšanas iekārta, lieljaudas ierīces)
 - Radioaktīvi materiāli
- Novietojiet strāvas pārveidotāju uz stabilas, horizontālas virsmas bez svārstībām. Pretējā gadījumā tas var nejauši nokrist.

- Pārnēsājot strāvas pārveidotāju, atvienojiet strāvas avotu un visas izvades pieslēgvietām pievienotās ierīces. Pretējā gadījumā tas var nejauši nokrist.
- Pārnēsājot strāvas pārveidotāju, vienmēr stingri satveriet tā rokturus ar abām rokām. Nenesiet strāvas pārveidotāju, turot to aiz kādas citas daļas. Pretējā gadījumā tas var nejauši nokrist.
- Nelietojiet strāvas pārveidotāju ar mitrām rokām. Sargiet strāvas pārveidotāju no lietus un mitriem apstākļiem. Tas var radīt elektriskās strāvas trieciena risku. Strāvas pārveidotājs nav ūdensdrošs.
- Neievietojiet kontaktligzdās un gaisa kanālos metāla priekšmetus, piemēram, spraudītes, stieples un citus sīkus metāla priekšmetus. Tas var radīt elektriskās strāvas trieciena risku.
- Neizjauciet strāvas pārveidotāju. Tas var radīt elektriskās strāvas trieciena risku.
- Nepieļaujiet, ka strāvas pārveidotājs saņem spēcīgu triecienus, piemēram, nokrītot. Tas var izraisīt darbības traucējumus, kas var radīt elektriskās strāvas trieciena risku.
- Pārbaudiet, vai ir pareizi nostiprinātas un savienotas kustīgās daļas, vai detaļas nav bojātas, kā arī citus apstākļus, kas var ietekmēt darbību. Ja ierīce ir bojāta, tā pirms lietošanas jāsaņem remontē. Daudzu negadījumu iemesls ir slikti uzturēti ierīču lietošana.
- Vienmēr iestatiet pareizu maiņstrāvas frekvenci. Pretējā gadījumā var rasties darbības traucējumi un savainojumi.
- Nelietojiet strāvas pārveidotāju sprādzienbīstamā vidē, piemēram, ugunsdrošu šķidrumu, gāzu vai putekļu tuvumā. Neliels statisks lādiņš vai dzirkstele var aizdedzināt putekļus vai tvaikus, izraisot ugunsgrēku vai sprādzienu.
- Raugieties, lai gaisa atveres nebūtu aizsegta vai aizsērējušas. Izmantojiet strāvas pārveidotāju vietās, kur nekas neaizsedz gaisa kanālus. Tas var izraisīt darbības traucējumus vai aizdegšanos.
- Strādājiet uzmanīgi, lai nepakluptu pār vadu. Vadu ievietojiet vada nodalījumā.
- Neizmantojiet strāvas pārveidotāju medicīnas aprīkojumam. Negaidīti darbības traucējumi var izraisīt negadījumu.
- Lai samazinātu aizdegšanās, pārmērīgas uzkaršanas, sprādziena, elektrolīta noplūdes, elektriskās strāvas trieciena un ievainojumu risku, ievērojiet tālāk minētos piesardzības nosacījumus.
 - Nepievienojiet ierīces, kas pārsniedz strāvas pārveidotāja nominālo jaudu.
 - Tieši nepieslēdziet pie kopējā maiņstrāvas elektrotīkla.
- Glabājiet strāvas pārveidotāju iekšstelpās, labi vēdinātā vietā ar zemu gaisa mitrumu.
- Glabājiet strāvas pārveidotāju bērniem nepieejamā vietā. Pretējā gadījumā var rasties smagi savainojumi.

18. Nekāpiet uz strāvas pārveidotāja. Uzmanieties arī, lai strāvas pārveidotājs nesāņemtu spēcīgu triecienu, kad to uzstāda ar MAKPAČ vai strāvas avotu. Tas var izraisīt darbības traucējumus vai radīt traumas.
19. Zemējuma tapai paredzētajā atverē maiņstrāvas izvadā nav sprieguma un strāvas. Šim izstrādājumam nav nepieciešams maiņstrāvas ierīces iezemējums, jo tas nav pievienots kopējam maiņstrāvas elektrotīklam.
10. Ierīces apkopi uzticiet veikt kvalificētam remonta speciālistam, kurš izmanto tikai identiskas rezerves daļas. Tādējādi tiks uzturēta izstrādājuma drošība.
11. Nepārveidojiet vai nemēģiniet labot ierīci vai akumulatoru veidos, kas nav norādīti ierīces lietošanas un apkopes norādījumos.

Drošības brīdinājumi ar akumulatoru darbināmai ierīcei

Ar akumulatoru darbināmas ierīces izmantošana un kopšana

1. Izvairieties no nejaušas iedarbināšanas. Pirms ierīces pievienošanas akumulatoram, pirms tās pacelšanas vai nešanas pārbaudiet, vai slēdzis ir izslēgšanas pozīcijā. Ierīces nešana ar pirkstu uz slēdža vai pievienošanas barošanas avotam, kad slēdzis ir ieslēgšanas pozīcijā, palielina negadījumu rašanās risku.
2. Pirms ierīces regulēšanas, piederumu maiņas vai novietošanas tās uzglabāšanas vietā atvienojiet akumulatoru no ierīces. Šādi piesardzības pasākumi mazina ierīces nejaušas ieslēgšanas risku.
3. Uzlādei izmantojiet tikai ražotāja norādītos lādētājus. Vienam akumulatoru tipam paredzēta uzlādētāja izmantošana cita tipa akumulatoru uzlādei var radīt aizdegšanās bīstamību.
4. Kopā ar ierīci izmantojiet tikai tai īpaši paredzētos akumulatorus. Cita tipa akumulatoru izmantošana var radīt traumu un aizdegšanās risku.
5. Kamēr akumulators netiek izmantots, neturiet to blakus metāla priekšmetiem, piemēram, saspraudēm, monētām, atslēgām, naglām, skrūvēm un citiem nelieliem metāla priekšmetiem, kas var savienot izvadus. Akumulatora spaiļu īssavienojums var izraisīt apdegumus vai aizdegšanos.
6. Nepareizas lietošanas gadījumā no akumulatora var iztecat šķidrums, nepieskarieties tam. Ja nejaušī pieskāriens šķidrumam, noskalojiet skarto vietu ar ūdeni. Ja šķidrums nokļūst acīs, papildus iepriekš minētajam, vērsieties pie ārsta. No akumulatora iztecejušais šķidrums var izraisīt kairinājumu vai apdegumus.
7. Ja akumulators vai ierīce ir bojāti vai pārveidoti, nelietojiet tos. Bojāti vai pārveidoti akumulatori var darboties nepareizi un izraisīt aizdegšanos, sprādzienu vai traumu.
8. Nepakļaujiet akumulatoru un ierīci uguns un pārmērīgi augstas temperatūras iedarbībai. Uguns vai temperatūra virs 130 °C var izraisīt sprādzienu.
9. Ievērojiet visus lādēšanas norādījumus un nelādējiet akumulatoru vai ierīci, ja temperatūra neatbilst lietošanas pamācībā norādītajam diapazonam. Nepareiza uzlāde vai temperatūra ārpus noteiktā diapazona var sabojāt akumulatoru un palielināt aizdegšanās risku.

Svarīgi drošības norādījumi par akumulatora kasetni

1. Pirms akumulatora lietošanas izlasiet visus norādījumus un brīdinājumus, kuri attiecas uz (1) akumulatora lādētāju, (2) akumulatoru un (3) ierīci, kurā tiek izmantots akumulators.
2. Akumulatora kasetni nedrīkst ne pārveidot, ne izjaukt. Citādi var tikt izraisīta aizdegšanās, pārmērīgs karstums vai sprādziens.
3. Ja akumulatora darbības laiks kļuva ievērojami īsāks, nekavējoties pārtrauciet to izmantot. Citādi, tas var izraisīt pārkarsējumu, uzliesmojumu vai pat sprādzienu.
4. Ja elektrolīts nonāk acīs, izskalojiet tās ar tīru ūdens un nekavējoties griezieties pie ārsta. Tas var izraisīt redzes zaudēšanu.
5. Neradiet īssavienojumu akumulatora kasetnē:
 - (1) Nepieskarieties spaiļēm ar elektrību vadošiem materiāliem.
 - (2) Neuzglabājiet akumulatoru kasetni kopā ar citiem metāla priekšmetiem, tādiem kā naglas, monētas u. c.
 - (3) Nepakļaujiet akumulatora kasetni ūdens vai lietus iedarbībai.
 Akumulatora īssavienojums var radīt spēcīgu strāvas plūsmu, pārkarsānu, uzliesmojumu un pat sabojāt akumulatoru.
6. Neglabājiet un neizmantojiet ierīci un akumulatora kasetni vietās, kur temperatūra var sasniegt vai pārsniegt 50 °C (122 °F).
7. Nededziniet akumulatora kasetni, pat ja tā ir stipri bojāta vai pilnībā nolietota. Akumulatora kasetne ugunī var eksplodēt.
8. Akumulatora kasetni nedrīkst naglot, griezt, saspīest, mest vai nomest, kā arī pa to nedrīkst sist ar cietu priekšmetu. Šādas darbības var izraisīt aizdegšanos, pārmērīgu karstumu vai sprādzienu.
9. Neizmantojiet bojātu akumulatoru.
10. Uz izmantotajiem litija jonu akumulatoriem attiecas likumdošanas prasības par bīstamiem izstrādājumiem.

Komerציāli transportēšanā, ko veic, piemēram, trešās puses, transporta uzņēmumi, jāievēro uz iesaiņojuma un marķējuma norādītās īpašās prasības.

Lai izstrādājumu sagatavotu nosūtīšanai, jāsazinās ar bīstamo materiālu speciālistu. Ievērojiet arī citus attiecināmos valsts normatīvus. Vaļējus kontaktus nosedziet ar līmlenti vai citādi pārklājiet, bet akumulatoru iesaiņojiet tā, lai sainītas nevarētu izkustēties.
11. Likvidējot akumulatora kasetni, izņemiet to no ierīces un atbrīvojieties no tās drošā vietā. Ievērojiet vietējos noteikumus par akumulatoru likvidēšanu.

12. Izmantojiet šos akumulatorus tikai ar izstrādājumiem, kurus norādījis Makita. Ievietojot šos akumulatorus nesaderīgos izstrādājumos, var rasties ugunsgrēks, pārmērīgs karstums, tie var uzsprāgt vai no tiem var iztect elektrolīts.
13. Ja ierīce ilgi netiek lietota, no tās jāizņem akumulators.
14. Lietošanas laikā un pēc tās akumulatora kasetne var uzkrāt siltumu, kas var izraisīt apdegumus vai zemas temperatūras apdegumus. Ar karstu akumulatora kasetni apejieties rūpīgi.
15. Nepieskarieties ierīces spailēm tūlīt pēc lietošanas, jo tās var būt pietiekami sakarsušas, lai izraisītu apdegumus.
16. Neļaujiet akumulatora kasetnes spailēs, atverēs un rievās uzkrāties skaidām, putekļiem vai netīrumiem. Tādējādi ierīce vai akumulatora kasetne var darboties nekvalitatīvi vai tikt bojāti.
17. Neizmantojiet akumulatora kasetni augstsprieguma līniju tuvumā, izņemot gadījumus, kad ierīce ir piemērota lietošanai augstsprieguma līniju tuvumā. Tādējādi ierīce vai akumulatora kasetne var darboties nepareizi vai tikt bojāti.
18. Glabājiet akumulatoru bērniem nepieejamā vietā.

⚠UZMANĪBU: Lietojiet tikai oriģinālos Makita akumulatorus. Lietojot akumulatorus, kurus nav ražojis uzņēmums Makita, vai pārveidotus akumulatorus, tie var uzsprāgt un izraisīt aizdegšanos, traumas un bojājumus. Šādā gadījumā arī tiks anulēta Makita ierīces un lādētāja garantija.

Ieteikumi akumulatora kalpošanas laika pagarināšanai

1. Uzlādējiet akumulatora kasetni, pirms tā ir pilnībā izlādējusies. Ja ievērojat, ka ierīces darba jauda zudusi, apturiet ierīci un uzlādējiet akumulatora kasetni.
2. Nekad neuzlādējiet pilnībā uzlādētu akumulatora kasetni. Pārmērīga uzlāde saīsina akumulatora kalpošanas laiku.
3. Uzlādējiet akumulatora kasetni istabas temperatūrā 10 °C - 40 °C. Karstai akumulatora kasetnei pirms uzlādes ļaujiet atdzist.
4. Kad akumulatora kasetne netiek izmantota, izņemiet to no ierīces vai lādētāja.
5. Uzlādējiet lītiņa jonu akumulatora kasetni, ja to ilgstoši nelietosit (vairāk nekā sešus mēnešus).

SAGLABĀJIET ŠOS NORĀDĪJUMUS.

DETAĻU APRAKSTS

► Att.1

1. Slēdžu panelis
2. Fiksators
3. Izvades panelis
4. Pārnēsāšanas rokturis
5. Gaisa atvere
6. Āķis A
7. Āķis B
Izmantojiet tikai modelim PDC1200.
8. Āķis C
Izmantojiet tikai modelim PDC01.
9. Spraudnis (ievade)
10. Vada nodalījums
11. USB izvades poga
12. Maiņstrāvas izvades poga
13. Frekvences pārslēgšanas poga
14. 12 V līdzstrāvas izvades poga
15. Pīkstiena poga
16. Izvades indikators
Skatiet sadaļu par izvades indikatora interpretāciju.
17. USB A veida izvads nr. 1
18. USB A veida izvads nr. 2
19. USB C veida izvads nr. 1
20. USB C veida izvads nr. 2
21. Maiņstrāvas izvads nr. 1
22. Maiņstrāvas izvads nr. 2
23. 12 V līdzstrāvas izvads (cigarešu aizdedzinātāja adapteram)

PIEZĪME: Maiņstrāvas kontaktligzdas forma dažādās valstīs var atšķirties.

MONTĀŽA

⚠UZMANĪBU: Uzstādot un noņemt strāvas avotu, turiet strāvas pārveidotāju stingri. Pretējā gadījumā tie var izslīdēt jums no rokām un radīt traumas vai strāvas pārveidotāja un strāvas avota bojājumus.

⚠UZMANĪBU: Pirms lietošanas pārlicinieties, vai kabelis ir pareizi novietots un spraudnis ir ievietots kontaktligzdā līdz galam.

Strāvas avota piestiprināšana

Modelim PDC1200

Piestipriniet strāvas avotu strāvas pārveidotājam, kā parādīts attēlā.

⚠UZMANĪBU: Pārlicinieties, vai strāvas avots ir droši uzstādīts strāvas pārveidotājā. Pretējā gadījumā tas var nejauši izkrist no strāvas pārveidotāja un radīt jums vai apkārtējiem ievainojumu. Ja redzams attēlā parādītais sarkanās krāsas indikators, tas nozīmē, ka strāvas avots nav pilnīgi nofiksēts.

► **Att.2:** 1. Sarkanās krāsas indikators

Noņemot strāvas avotu, celiet to uz augšu, turot nospiestu bloķēšanas pogu.

► **Att.3:** 1. Bloķēšanas pogā

Paredzēts PDC01

Piestipriniet strāvas avotu strāvas pārveidotājam, kā parādīts attēlā.

► **Att.4**

Lai noņemtu strāvas avotu, izpildiet uzstādīšanas darbības pretējā secībā.

Strāvas avota pievienošana

1. Atveriet spraudņa vāciņu.
2. Savietojiet ligzdas bultiņas atzīmi ar strāvas pārveidotāja bultiņas atzīmi un pēc tam ievietojiet spraudni kontaktligzdā līdz galam.

► **Att.5:** 1. Vāciņš 2. Spraudnis (ievade)
3. Kontaktligzda 4. Bultiņas atzīme

IEVĒRĪBAI: Nospiediet ligzdu ar spēku. Ja ligzdu nevar ievietot viegli, tā nav pareizi ielikta.

IEVĒRĪBAI: Atvienojot turiet aiz ligzdas, nevis aiz vada. Citādi var sabojāt vadu un izraisīt ierīces darbības traucējumus.

IEVĒRĪBAI: Kad strāvas avots nav iesprausts, vienmēr stingri aizveriet vāciņu. Pretējā gadījumā strāvas pārveidotājā var iekļūt svešķermeņi un izraisīt darbības traucējumus.

Vada nodalījums

Vadu var ievietot vada nodalījumā, kā parādīts attēlā.

► **Att.6**

MAKPAC uzstādīšana

Papildpiederumi

Strāvas pārveidotāju var piestiprināt MAKPAC augšpusē vai apakšpusē, kā parādīts attēlā.

► **Att.7**

⚠UZMANĪBU: Pārlicinieties, vai strāvas pārveidotājs ir stingri piestiprināts MAKPAC ar četriem fiksatoriem. Pretējā gadījumā tas var nokrist un izraisīt traumas.

EKSPLUATĀCIJA

► **Att.8:** 1. Barošanas pogā

1. Nospiediet strāvas avota barošanas pogu, lai to ieslēgtu.

2. Pievienojiet savu ierīci atbilstošajam izvadam.

Izmantojot maiņstrāvas izvadu, izvēlieties atbilstošo frekvenci, turot nospiestu frekvences pārslēgšanas pogu.

PIEZĪME: Frekvenci var izvēlēties tikai tad, kad maiņstrāvas izvade ir pārtraukta.

PIEZĪME: Frekvences iestatījums tiek saglabāts. Nākamajā reizē strāvas pārveidotājs sāk darboties ar to pašu iestatījumu.

3. Nospiediet to izvades pogu, kuru vēlaties izmantot.

Strāvas pārveidotājs sāk strāvas izvadi, un lietošanā esošā izvades poga iedegas.

4. Lai apturētu, vēlreiz nospiediet izvades pogu.

5. Nospiediet strāvas avota barošanas pogu, lai to izslēgtu.

IEVĒRĪBAI: Iespējams, nevarēsiet izmantot ierīci, kuras palaišanai vajadzīgs liels strāvas apjoms, pat ja strāvas pārveidotāja jaudas izvade ir nominālajā jaudas diapazonā.

IEVĒRĪBAI: Iespējams, šis strāvas pārveidotājs nespēs nodrošināt strāvas apgādi dažām USB ierīcēm.

IEVĒRĪBAI: Pirms USB ierīces pievienošanas strāvas pārveidotājam vienmēr dublējiet savus USB ierīcē saglabātos datus.

IEVĒRĪBAI: Nav iespējams uzlādēt strāvas avotu ar strāvas pārveidotāju, izmantojot tirdzniecībā pieejamās portatīvās uzlādes ierīces.

Kā interpretēt izvades indikatoru

► **Att.9**

- Izvades indikators deg atbilstoši izvadāmajai jaudai.
- Ja jaudas izvade sasniedz 1 400 W (VA), lampiņa pie „1400” iedegas sarkanā krāsā. Šī lampiņa sāk mirgot sarkanā krāsā, ja strāvas pārveidotājam rodas pārslodze.

Zummera ieslēgšana/izslēgšana

► **Att.10:** 1. Pīkstiena poga

Lai ieslēgtu/izslēgtu zummeru, turiet nospiestu pīkstiena pogu.

PIEZĪME: Zummera iestatījums tiek saglabāts. Nākamajā reizē strāvas pārveidotājs sāk darboties ar to pašu iestatījumu.

Aizsardzības sistēma

Strāvas pārveidotājs ir aprīkots ar tālāk aprakstīto aizsardzības sistēmu.

Aizsardzība pret pārslodzi

Katram izvadam ir tālāk aprakstītā aizsardzība pret pārslodzi.

- **Maiņstrāvas izvads**
Ja strāvas pārveidotājs konstatē pārmērīgu enerģijas plūsmu, tas pārtrauc visu maiņstrāvas izvadi, skatot pārtrauktiem pīkstieniem.
- **USB izeja**
Ja strāvas pārveidotājs konstatē pārmērīgi lielu strāvu, tas atslēdz USB izvadu, kurā plūst šī strāva.
- **12 V līdzstrāvas izvads**
Ja strāvas pārveidotājs konstatē neparasti lielu strāvu, tas pārtrauc visu 12 V līdzstrāvas izvadi, skatot pārtrauktiem pīkstieniem.

Ja kopējā maiņstrāvas, USB un 12 V līdzstrāvas izvades jauda noteiktu laiku pārsniedz strāvas pārveidotāja nominālo jaudu, tiek pārtraukta visa izvade, skatot nepārtrauktam pīkstienam. Šādā gadījumā izslēdziet strāvas avotu un pārtrauciet darbību, kas izraisa strāvas pārveidotāja pārslodzi. Pēc tam ieslēdziet strāvas avotu, lai atsāktu darbu.

PIEZĪME: Ja strāvas pārveidotājam rodas pārslodze, izvades indikatora lampiņa „1400” mirgo sarkanā krāsā.

PIEZĪME: Pīkstiens pārtrauc skanēt, ja nospiež jebkuru pogu uz slēdžu paneļa.

Aizsardzība pret pārkaršanu

Ja strāvas pārveidotājs ir pārkaršis, tas pārtrauc visu izvadi, skatot nepārtrauktam pīkstienam. Šādā gadījumā ļaujiet strāvas pārveidotājam atdzist un tikai tad to atkal ieslēdziet.

Aizsardzība pret akumulatora pārmērīgu izlādi

Kad strāvas avota atlikusi jauda kļūst zema, skan pārtraukts pīkstiens un mirgo lietošanā esošā izvades poga. Šādā situācijā izņemiet strāvas avotu un nomainiet to.

Kad strāvas avota atlikusi jauda kļūst vēl zemāka, tiek pārtraukta visa izvade.

APKOPE

▲UZMANĪBU: Pirms pārbaudes vai apkopes vienmēr pārliecinieties, vai strāvas avots ir izņemts.

IEVĒRĪBAI: Nemazgājiet pārveidotāju ar ūdeni. Darbības traucējumu risks.

IEVĒRĪBAI: Laiku pa laiku noslaukiet izstrādājuma virsmu ar ziepjūdeni samitrinātu drāniņu.

IEVĒRĪBAI: Nekad neizmantojiet gāzoliņu, benzīnu, atšķaidītāju, spirtu vai līdzīgus šķidrumus. Tas var radīt izbalēšanu, deformāciju vai plaisas.

Lai saglabātu izstrādājuma DROŠU un UZTICAMU darbību, remontdarbus, apkopi un regulēšanu uzticiet veikt tikai Makita pilnvarotam vai rūpnīcas apkopes centram, un vienmēr izmantojiet tikai Makita rezerves daļas.

Tīrīšana

Ja strāvas pārveidotājs ir netīrs, noslaukiet strāvas pārveidotāju ar sausu vai ziepjūdenī nedaudz samitrinātu lupatiņu.

Filtrs

▲UZMANĪBU: Pēc filtra tīrīšanas noteikti **uzstādiet to atpakaļ**. Strāvas pārveidotāja ekspluatācija bez filtra var izraisīt darbības traucējumus.

Izņemiet filtru, izvelkot to ārā, kā parādīts attēlā. Izmazgājiet un pēc tam izžāvējiet filtru.

► **Att.11:** 1. Filtrs

Lai uzstādītu filtru, izpildiet noņemšanas darbības pretējā secībā.

PAPILDU PIEDERUMI

▲UZMANĪBU: Šādi piederumi un papildierīces tiek ieteiktas lietošanai ar šajā rokasgrāmatā aprakstīto Makita darbarīku. Izmantojot citus piederumus vai papildierīces, var tikt radīta trauma gūšanas bīstamība. Piederumu vai papildierīci izmantojiet tikai paredzētajam mērķim.

Ja jums vajadzīga palīdzība vai precīzāka informācija par šiem piederumiem, vērsieties savā tuvākajā Makita apkopes centrā.

- Pārnēsājams barošanas bloks
- Makita oriģinālais akumulators un lādētājs
- MAKPAC

PIEZĪME: Daži sarakstā norādītie izstrādājumi var būt iekļauti instrumenta komplektācijā kā standarta piederumi. Tie dažādās valstīs var būt atšķirīgi.

SPECIFIKACIJOS

Modelis:		BAC01
Vardinė išvestis	Keitiklio našumas (naudojant PDC1200)	Nepertraukiamo veikimo galia: 1 400 W (VA) Pikinė galia: 2 800 W (VA)
	Kintamosios srovės išvadas*	Grynoji sinusinė banga 50 Hz arba 60 Hz, 2 vnt. Įtampa. Žr. indikaciją ant įtampos keitiklio. (Išvesties įtampa priklauso nuo valstybės.)
	USB prievadas	A tipas: 5 V, 2,4 A, 2 vnt. C tipas: USB-PD 30 W, 2 vnt.
	Cigarečių uždegiklio adapteris	12 V, 10 A, 1 vnt.
Veikimo trukmė**	PDC1200 (1 000 W)	56 min.
	PDC01 (750 W, BL1860B x 2)	10 min.
Matmenys (I x P x A) (kai visi kabliai – užlenkti)		395 mm x 345 mm x 163 mm
Grynasis svoris (tik įtampos keitiklis)		7,3 kg

* Tik Brazilijai

Įtampa pažymėta šalia kintamosios srovės išvado.

** Veikimo trukmė yra apytikslė ir priklauso nuo maitinimo šaltinio tipo, įkrovimo būsenos bei naudojimo sąlygų.

- Atliekame tęstinius tyrimus ir nuolat tobuliname savo gaminius, todėl čia pateikiamos specifikacijos gali būti keičiamos be įspėjimo.
- Skirtingose šalyse specifikacijos gali skirtis.

Tinkamas maitinimo šaltinis

Nešiojamasis maitinimo šaltinis	PDC1200 / PDC01* * Naudokite akumuliatorių kasetes, apibūdintas skirsnyje apie atitinkamą akumuliatoriaus kasetę.
---------------------------------	--

- Atsižvelgiant į gyvenamosios vietos regioną, kai kurie pirmiau nurodyti maitinimo šaltiniai gali būti nepasiekiami.
- Prieš naudodami maitinimo šaltinį, perskaitykite instrukciją ir ant jo pateiktus perspėjimus.

⚠ ĮSPĖJIMAS: Naudokite tik pirmiau nurodytus maitinimo šaltinius. Jei naudosite bet kokius kitus maitinimo šaltinius, galite susižaloti ir (arba) sukelti gaisrą.

Tinkama akumuliatoriaus kasetė

Skirta tik PDC01

PASTABA: Naudojant PDC01

- Jei išvedama galia viršys 750 W (VA), įtampos keitiklis nutrauks maitinimą, nes suveiks akumuliatoriaus apsaugos sistema. Šiuo atveju palaikykite 750 W (VA) arba mažesnę išvedamą galią.
- Atsižvelgiant į naudojimo sąlygas, įtampos keitiklis gali nustoti tiekti energiją, kai perjungiamas naudojamas akumuliatorius. Tokiu atveju paspauskite išvesties mygtuką, kad vėl įjungtumėte išvestį.
- Norint naudoti įtampos keitiklį, reikia keturių arba daugiau akumuliatorių kasetėčių. Jei naudojate dvi akumuliatorių kasetes, prijunkite vieną prie akumuliatoriaus 1 arba 2 prievado, o kitą – prie akumuliatoriaus 3 arba 4 prievado.

Akumuliatoriaus kasetė	BL1815N / BL1820B / BL1830B* / BL1840B* / BL1850B* / BL1860B* *: rekomenduojamas akumuliatorius
------------------------	--

- Atsižvelgiant į gyvenamosios vietos regioną, kai kurios pirmiau nurodytos akumuliatorių kasetės gali būti nesiūlomos.

ĮSPĖJIMAS: Naudokite tik pirmiau nurodytas akumuliatorių kasetes. Naudojant bet kurias kitas akumuliatorių kasetes, gali kilti pavojus susižaloti ir (arba) sukelti gaisrą.

Simboliai

Toliau yra nurodyti simboliai, kurie gali būti naudojami įrangai. Prieš naudodami įsitikinkite, kad suprantate jų reikšmę.



Perskaitykite instrukcijų vadovą.



Taikoma tik ES šalims
Kadangi įrangoje yra pavojingų komponentų, panaudota elektrinė ir elektroninė įranga, akumuliatoriai ir baterijos gali turėti neigiamą poveikio aplinkai ir žmonių sveikatai.



Nešalinkite elektros ir elektroninių prietaisų ar baterijų kartu su buitinėmis atliekomis! Pagal Europos direktyvą dėl elektros ir elektroninės įrangos atliekų bei akumuliatorių ir baterijų ir panaudotų akumuliatorių ir baterijų bei jos pritaikymą nacionaliniams įstatymams, panaudota elektros ir elektroninė įranga, baterijos ir akumuliatoriai turi būti surenkami atskirai ir pristatomi į atskirą buitinių atliekų surinkimo punktą, kuris veikia pagal aplinkos apsaugos taisykles. Tai rodo perbrauktas konteinerio ant ratukų simbolis, pateiktas ant įrangos.

Numatytoji naudojimo paskirtis

Prietaisas skirtas konvertuoti „Makita“ nešiojamojo maitinimo šaltinio energiją į reikiamą išvestį.

SAUGOS ĮSPĖJIMAI

ĮSPĖJIMAS: Prieš naudodami, būtina perskaitykite gaminio, kurį naudosite su šiuo įtampos keitikliu, naudojimo instrukciją.

Įtampos keitiklio saugos įspėjimai

- Siekiant užtikrinti tinkamą veikimą ir ilgalaikę eksploataciją, reikia atkreipti dėmesį ir apsaugoti įtampos keitiklį nuo tolesnių aplinkybių.**
 - Ėsdinančios dujos ir skystis
 - Druskos ir alyvos migla
 - Mechaniniai smūgiai ir vibracija
 - Didelis drėgnumas
 - Pernelyg aukšta temperatūra (per šalta arba per karšta)
Tinkamas aplinkos temperatūros intervalas yra nuo -10 °C iki 40 °C (14–104 °F).
 - Elektromagnetinis triukšmas (pvz., elektrinis suvirinimo aparatas, didelės galios įranga)
 - Radioaktyvios medžiagos
- Pastatykite įtampos keitiklį ant plokščio ir stabilaus pagrindo be nelygumų.** Priešingu atveju jis gali nukristi ir gali įvykti nelaimingas atsitikimas.
- Prieš nešdami įtampos keitiklį, atjunkite maitinimo šaltinį ir visus prietaisus, prijungtus prie išvadų.** Priešingu atveju jis gali nukristi ir gali įvykti nelaimingas atsitikimas.
- Nešdami įtampos keitiklį, visada tvirtai laikykite jį už nešimo rankenų abiem rankomis. Neneškite įtampos keitiklio laikydami už bet kurios kitos dalies.** Priešingu atveju jis gali nukristi ir gali įvykti nelaimingas atsitikimas.
- Nenaudokite įtampos keitiklio šlapiomis rankomis. Saugokite įtampos keitiklį nuo lietaus ir drėgmės.** Kyla elektros šoko pavojus. Įtampos keitiklis nėra nepralaidus vandeniui.
- Nekiškite į išvadus ir ventiliacijos angas metaliniams objektams, pvz., smeigtukų, laidų ar kitų mažų metalinių daiktų.** Kyla elektros šoko pavojus.
- Neardykite įtampos keitiklio.** Kyla elektros šoko pavojus.
- Smarkiai nedaužykite įtampos keitiklio (pvz., nenumeskite jo).** Taip galite sutrikdyti veikimą, dėl ko gali kilti elektros šoko pavojus.
- Patikrinkite, ar judančios dalys tinkamai sulygiuotos ir nekimba, ar nėra lūžusių dalių bei kitų problemų, kurios gali turėti neigiamos įtakos veikimui.** Jei pastebėjote pažeidimų, nenaudokite prietaiso ir atiduokite jį remontuoti. Dėl prastai prižiūrimų prietaisų įvyksta daug nelaimingų atsitikimų.
- Visada nustatykite tinkamą kintamosios srovės dažnį.** Kitaip gali sutrikti veikimas ir galite susižaloti.
- Nenaudokite įtampos keitiklio sprogojoje aplinkoje, pvz., kai šalia yra liepsniųjų skysčių, dujų ar dulkių.** Dulkes arba garus gali uždegti maža statinė iškrova arba kibirkštis, dėl ko gali kilti gaisras arba sprogimas.
- Pasirūpinkite, kad niekas neuždengtų ar neužkimštų ventiliacijos angų.** Naudokite įtampos keitiklį ten, kur niekas netrikdo srauto iš ventiliacijos angų. Kitaip gali sutrikti veikimas arba kilti gaisras.
- Būkite atsargūs ir dirbdami neužkliūkite už laido.** Įdėkite laidą į laido kišenę.
- Nenaudokite įtampos keitiklio su medicinos įranga.** Netikėtas veikimo sutrikimas gali sukelti nelaimingą atsitikimą.
- Siekdami sumažinti gaisro, per aukštos temperatūros, sprogo, elektrolito nutekėjimo, elektros šoko arba susižalojimo pavojų, laikykite toliau nurodytą atsargumo priemonių.**
 - Nejunkite prietaiso, kuris viršija vardinę įtampos keitiklio išvesties galią.
 - Tiesiogiai nejunkite prie kintamosios srovės elektros tinklo.
- Sandėliuokite įtampos keitiklį gerai vėdinamoje, mažo drėgnumo patalpoje.**
- Laikykite sandėliuojamą įtampos keitiklį vaikams nepasiekiamoje vietoje.** Priešingu atveju gali įvykti rimtas nelaimingas atsitikimas.

18. Nelipkite ant įtampos keitiklio. Be to, būkite atidūs ir smarkiai nesutrenkite įtampos keitiklio, montuodami jį ant MAKPAС arba maitinimo šaltinio. Kitaip gali sutrikti jo veikimas arba galima susižeisti.
19. Kintamosios srovės išvado žeminimo kontakto lizde nėra nei įtampos, nei srovės. Šiam gaminiui nereikia žeminti kintamosios srovės prietaisų, kadangi jis nejungiamas prie bendrojo kintamosios srovės tinklo.
10. Tegu techninę priežiūrą atlieka kvalifikuotas remonto meistras, naudodamas tik identiškas atsargines dalis. Tai užtikrina, kad gaminys liks saugus naudoti.
11. Nemodifikuokite ar nebandykite remontuoti prietaiso arba akumulatoriaus, jei tai nėra nurodyta naudojimo ir priežiūros instrukcijose.

Saugos įspėjimai dėl akumulatorinio prietaiso naudojimo

Akumulatorinio prietaiso naudojimas ir priežiūra

1. Pasirūpinkite, kad netyčia nejungtumėte įrankio. Prieš jungdami prie akumulatoriaus, prieš paimdami ar nešdami prietaisą, visuomet patikrinkite, ar išjungtas jo jungiklis. Nešant prietaisą uždėjus pirštą ant jo jungiklio arba įjungiant įrankį į elektros tinklą, kai jo jungiklis yra įjungtas, gali įvykti nelaimingas atsitikimas.
2. Prieš atlikdami bet kokius reguliavimo, priedų keitimo arba paruošimo sandėliuoti darbus, atjunkite prietaisą nuo akumulatoriaus. Tokios atsargumo priemonės sumažina riziką atsitiktinai įjungti prietaisą.
3. Įkraukite naudodami tik gamintojo nurodytą įkroviklį. Įkroviklis, kuris tinka vienam akumuliatorių tipui įkrauti, gali kelti gaisro pavojų, jei bus naudojamas su kitų tipų akumulatoriais.
4. Prietaisus naudokite tik su specialiai jiems skirtais akumulatoriais. Naudojant bet kurį kitą akumuliatorių, gali kilti sužeidimo ir gaisro pavojus.
5. Kai akumulatorius nėra naudojamas, laikykite jį toliau nuo kitų metalinių daiktų, pavyzdžiui, popieriaus sąvaržėlių, monetų, raktų, vinių, varžtų ir kitų mažų metalinių daiktų, dėl kurių gali kilti trumpasis jungimas tarp kontaktų. Akumuliatorių kontaktų trumpasis jungimas gali būti nudegimų arba gaisro priežastimi.
6. Netinkamai naudojant iš akumulatoriaus gali ištekėti skysčio. Venkite sąlyčio su juo. Jei sąlytis atsitiktinai įvyko, gausiai nuplaukite vandeniu. Jei skysčio pateko į akis, kreipkitės į gydytoją. Iš akumulatoriaus išbėgęs skystis gali sudirginti arba nudeginti odą.
7. Nenaudokite sugedusio ar perdaryto akumulatoriaus arba prietaiso. Sugadinti arba modifikuoti akumulatoriai gali veikti neįprastai, todėl gali kilti gaisras, sprogimas arba sužalojimo rizika.
8. Akumuliatorių ar prietaisą saugokite nuo ugnies ar pernelyg aukštos temperatūros. Dėl ugnies ar 130 °C viršijančios temperatūros gali kilti sprogimas.
9. Laikykites visų įkrovimo nurodymų ir nekraukite akumulatoriaus ar prietaiso, kai temperatūra neatitinka instrukcijoje nurodyto temperatūros intervalo. Netinkamai įkraunant arba įkraunant esant kitam nei nustatytas temperatūros intervalas, gali būti sugadintas akumulatorius ar padidėti gaisro rizika.
1. Prieš naudodami akumulatoriaus kasetę, perskaitykite visas instrukcijas ir perspėjimus ant (1) akumuliatorių įkroviklio, (2) akumuliatorių ir (3) akumuliatorių naudojančio gaminio.
2. Neardykite ar nekeiskite akumulatoriaus kasetės. Dėl to ji gali užsidegti, per daug įkaisti arba sprogti.
3. Jei įrankio darbo laikas žymiai sutrumpėjo, nedelsdami nutraukite darbą su įrankiu. Tai gali kelti perkaitimo, nudegimų ar net sproginimo pavojų.
4. Jei elektrolitas pateko į akis, plaukite jas tyru vandeniu ir nedelsdami kreipkitės į gydytoją. Gali kilti regėjimo praradimo pavojus.
5. Neužtrumpinkite akumulatoriaus kasetės:
 - (1) Nelieskite kontaktų degiomis medžiagomis.
 - (2) Venkite laikyti akumulatoriaus kasetę kartu su kitais metaliniais daiktais, pavyzdžiui, vinimis, monetomis ir pan.
 - (3) Saugokite akumulatoriaus kasetę nuo vandens ir lietaus.
 Trumpasis jungimas akumulatoriuje gali sukelti stiprią srovę, perkaitimą, galimus nudegimus ar net akumulatoriaus gedimą.
6. Nelaikykite ir nenaudokite prietaiso ir akumulatoriaus kasetės vietose, kur temperatūra gali pasiekti ar viršyti 50 °C (122 °F).
7. Nedeginkite akumulatoriaus kasetės, net jei yra stipriai pažeista ar visiškai susidėvėjusi. Ugnyje akumulatoriaus kasetė gali sprogti.
8. Akumulatoriaus kasetės nekalkite, nepaustykite ir nemėtykite, į ją netrankykite kietu daiktu. Taip elgiantis, ji gali užsidegti, per daug įkaisti arba sprogti.
9. Nenaudokite pažeisto akumulatoriaus.
10. Įdėtoms ličio jonų akumulatoriams taikomi Pavojingų prekių teisės akto reikalavimai. Komercinis transportas, pvz., trečiųjų šalių, prekių vežimo atstovų, turi laikytis specialiaus reikalavimo ant pakuotės ir ženklavimo. Norėdami paruošti siųstiną prekę, pasitarkite su pavojingų medžiagų specialistu. Be to, laikykites galimai išsamesnių nacionalinių reglamentų. Užklijuokite juosta arba padenkite atvirus kontaktus ir supakuokite akumuliatorių taip, kad ji pakuotėje nejudėtų.
11. Kai išmetate akumulatoriaus kasetę, išimkite ją iš prietaiso ir išmeskite saugioje vietoje. Vadovaukitės vietos reglamentais dėl akumuliatorių išmetimo.

Svarbios saugos instrukcijos, taikomos akumulatoriaus kasetei

12. **Baterijas naudokite tik su „Makita“ nurodytais gaminiais.** Baterijas įdėjus į netinkamus gaminius gali kilti gaisras, gaminyje pernelyg kaisti, kilti sprogoimas arba pratekėti elektrolitas.
13. **Jei prietaisas bus ilgą laiką nenaudojamas, iš jo būtina išimti akumuliatorių.**
14. **Darbo metu ir po darbo akumuliatoriaus kasetė gali būti įkaitusi ir dėl to nudeginti.** Įdami akumuliatoriaus kasetes, būkite atsargūs.
15. **Tuoju pat po naudojimo nelieskite prietaiso, nes jis gali būti įkaitęs tiek, kad nudegins.**
16. **Neleiskite, kad į akumuliatoriaus kasetės gnybtus, angas ir griovelius patektų drožlių, dulkių ar žemių.** Dėl to prietaiso akumuliatoriaus kasetė gali imti prastai veikti ar sugesti.
17. **Jeigu prietaisas nėra pritaikytas naudoti šalia aukštos įtampos elektros linijų, akumuliatoriaus kasetės nenaudokite šalia aukštos įtampos elektros linijų.** Dėl to prietaiso ar akumuliatoriaus kasetės veikimas gali sutrikti arba jie gali sugesti.
18. **Laikykite akumuliatorių vaikams nepasiekiamoje vietoje.**

SAUGOKITE ŠIAS INSTRUKCIJAS.

▲PERSPĖJIMAS: Naudokite tik originalų „Makita“ akumuliatorių. Neoriginalaus „Makita“ arba pakeisto akumuliatoriaus naudojimas gali nulemti gaisrą, asmens sužalojimą ir pažeidimą. Tai taip pat panaikina „Makita“ suteikiamą „Makita“ prietaiso ir įkroviklio garantiją.

Patarimai, ką daryti, kad akumuliatorius veiktų kuo ilgiau

1. **Įkraukite akumuliatoriaus kasetę prieš jai visiškai išsikraunant.** Visuomet nustokite naudoti prietaisą ir pakraukite akumuliatoriaus kasetę, kai pastebite, kad prietaiso galia sumažėjo.
2. **Niekada nekraukite iki galo įkrautos akumuliatoriaus kasetės.** Perkraunant trumpėja akumuliatoriaus eksploatacijos laikas.
3. **Akumuliatoriaus kasetę kraukite esant kambario temperatūrai 10 - 40 °C.** Prieš pradėdami krauti, leiskite įkaitusiai akumuliatoriaus kasetei atvėsti.
4. **Kai akumuliatoriaus kasetės nenaudojate, ją išimkite iš prietaiso ar įkroviklio.**
5. **Įkraukite akumuliatoriaus kasetę, jei jos nenaudojate ilgą laiką (ilgiau nei šešis mėnesius).**

DALIŲ APRAŠYMAS

► Pav.1

1. **Jungiklių skydelis**
2. **Skląstis**
3. **Išvesties plokštė**
4. **Nešimo rankena**
5. **Ventiliacijos anga**
6. **A kablys**
7. **B kablys**
Naudoti tik su PDC1200.
8. **C kablys**
Naudoti tik su PDC01.
9. **Lizdas (įvesties)**
10. **Laido kišenė**
11. **USB išvesties mygtukas**
12. **Kintamosios srovės išvesties mygtukas**
13. **Dažnio perjungimo mygtukas**
14. **Nuolatinės srovės, 12 V išvesties mygtukas**
15. **Pyptelėjimo mygtukas**
16. **Išvesties indikatorius**
Žr. skirsnį, kur aprašomas išvesties indikatorius interpretavimas.
17. **USB A tipo išvadas Nr. 1**
18. **USB A tipo išvadas Nr. 2**
19. **USB C tipo išvadas Nr. 1**
20. **USB C tipo išvadas Nr. 2**
21. **Kintamosios srovės išvadas Nr. 1**
22. **Kintamosios srovės išvadas Nr. 2**
23. **Nuolatinės srovės 12 V išvadas** (skirtas cigarečių uždegiklio adapteriui)

PASTABA: Kintamosios srovės išvado forma priklauso nuo valstybės.

SURINKIMAS

▲ PERSPĖJIMAS: Įrengdami arba atjungdami maitinimo šaltinį, tvirtai laikykite įtampos keitiklį ir maitinimo šaltinį. Priešingu atveju jie gali išslysti iš jūsų rankų ir ką nors sužaloti arba galite apgadinti įtampos keitiklį bei maitinimo šaltinį.

▲ PERSPĖJIMAS: Prieš pradėdami naudoti užtikrinkite, kad laidas būtų tinkamai įdėtas, o kištukas būtų iki galo prijungtas prie lizdo.

Maitinimo šaltinio montavimas

Skirta PDC1200

Prijunkite maitinimo šaltinį prie įtampos keitiklio, kaip parodyta paveikslėlyje.

▲ PERSPĖJIMAS: Užtikrinkite, kad maitinimo šaltinis būtų gerai prijungtas prie įtampos keitiklio. Kitaip jis gali netikėtai iškristi iš įtampos keitiklio ir sužaloti jus arba kitą asmenį. Jei matote raudoną sandariklį (indikatorių), kaip parodyta paveikslėlyje, vadinasi, maitinimo šaltinis nėra visiškai užfiksuotas.

► **Pav.2:** 1. Raudonas sandariklis (indikatorius)

Norėdami nuimti maitinimo šaltinį, kelkite jį aukščiau, spausdami žemyn užrakinimo mygtuką.

► **Pav.3:** 1. Užrakinimo mygtukas

Skirta PDC01

Prijunkite maitinimo šaltinį prie įtampos keitiklio, kaip parodyta paveikslėlyje.

► **Pav.4**

Norėdami nuimti maitinimo šaltinį, atlikite įrengimo procedūrą atvirkštine tvarka.

Maitinimo šaltinio prijungimas

1. Atidarykite lizdo dangtelį.
2. Sulygiuokite ant lizdo esančią rodyklę su ant įtampos keitiklio esančia rodykle ir iki galo įkiškite kištuką į lizdą.

► **Pav.5:** 1. Dangtelis 2. Lizdas (įvesties) 3. Kištukas 4. Rodyklės žyma

PASTABA: Nekiškite kištuko per jėgą. Jei kištuko nepavyksta lengvai įkišti, vadinasi, jį kištate netinkamai.

PASTABA: Atjungdami imkite už kištuko, o ne už laido. Kitaip laidai gali būti pažeisti ir gali sutrikti veikimas.

PASTABA: Kai maitinimo šaltinis neprijungtas, būtinai tvirtai uždenkite lizdo dangtelį. Kitaip į įtampos keitiklį gali patekti pašalinių medžiagų ir sutrikdyti veikimą.

Laido kišenė

Galite įdėti laidą į laido kišenę, kaip parodyta paveikslėlyje.

► **Pav.6**

MAKPAC montavimas

Pasirenkamasis priedas

Įtampos keitiklį galima prijungti prie MAKPAC viršaus arba apačios, kaip parodyta paveikslėlyje.

► **Pav.7**

▲ PERSPĖJIMAS: Užtikrinkite, kad įtampos keitiklis būtų gerai pritvirtintas prie MAKPAC keturiais sklėsčiais. Kitaip jis gali nukristi ir ką nors sužaloti.

NAUDOJIMAS

► **Pav.8:** 1. Maitinimo mygtukas

1. Norėdami įjungti maitinimo šaltinį, paspauskite jo maitinimo mygtuką.

2. Prijunkite prietaisą prie tinkamo išvado.

Naudodami kintamosios srovės išvadą, pasirinkite tinkamą dažnį, paspausdami ir palaikydami dažnio perjungimo mygtuką.

PASTABA: Dažnį galima pasirinkti tik išjungus kintamosios srovės išvestį.

PASTABA: Dažnio nuostata įsimenama. Kitą kartą įtampos keitiklis pradės veikti su ta pačia nuostata.

3. Paspauskite norimos naudoti išvesties mygtuką.

Įtampos keitiklis paleis išvestį ir ims šviesti jos mygtukas.

4. Norėdami sustabdyti, vėl paspauskite išvesties mygtuką.

5. Norėdami išjungti maitinimo šaltinį, paspauskite jo maitinimo mygtuką.

PASTABA: Jums gali nepavykti naudoti prietaiso, kuriam reikia daug galios paleidžiant, net jei įtampos keitiklio galios išvestis pateks į vardinį galios intervalą.

PASTABA: Įtampos keitiklis gali nemaitinti kai kurių USB įrenginių.

PASTABA: Prieš jungdami USB įrenginį prie įtampos keitiklio, visuomet padarykite savo USB įrenginio duomenų atsarginę kopiją.

PASTABA: Maitinimo šaltinio nepavyks įkrauti naudojant įtampos keitiklį ir rinkoje įsigyjamus išorinius akumuliatorius.

Kaip interpretuoti išvesties indikatorij

► Pav.9

- Išvesties indikatorius įsijungia pagal išvedamą galią.
- Galios išvesčiai pasiekus 1 400 W (VA), įsijungs raudona „1400“ lemputė. Jei įtampas keitiklis bus perkrautas, ši lemputė ims mirksėti raudona spalva.

Zirzeklio įjungimas (išjungimas)

► Pav.10: 1. Pyptelėjimo mygtukas

Norėdami įjungti (išjungti) zirzeklį, paspauskite ir palai-kykite pyptelėjimo mygtuką.

PASTABA: Zirzeklio nuostata įsimenama. Kitą kartą įtampas keitiklis pradės veikti su ta pačia nuostata.

Apsaugos sistema

Įtampas keitiklyje įdiegta tolesnė apsaugos sistema.

Apsauga nuo perkrovos

Toliau aprašoma kiekvienos išvesties apsauga nuo perkrovos.

- **Kintamosios srovės išvestis**
Įtampas keitikliui aptikus pernelyg didelę galią, jis išjungia visą kintamosios srovės išvestį ir pasigirsta pyptelėjimas.
- **USB išvestis**
Įtampas keitikliui aptikus nenormaliai didelį srovės stiprį, jis išjungia USB išvadą, kuriame aptinkamas didelis srovės stipris.
- **12 V nuolatinės srovės išvestis**
Įtampas keitikliui aptikus nenormaliai didelį srovės stiprį, jis išjungia 12 V nuolatinės srovės išvestį ir pasigirsta pyptelėjimas.

Jei bendroji kintamosios srovės, USB ir 12 V nuolatinės srovės išvestis kurį laiką viršija vardinę įtampas keitiklio išvestį, išjungiami visi išvadai ir pasigirsta nepertraukiamas garso signalas. Tokiu atveju išjunkite maitinimo šaltinį ir prietaisą, kuris sukėlė įtampas keitiklio perkrovą. Tada paleiskite maitinimo šaltinį iš naujo.

PASTABA: Perkrovus įtampas keitiklį, ima mirksėti išvesties indikatoriaus raudona „1400“ lemputė.

PASTABA: Pypsėjimas išsijungia paspaudus bet kurį jungiklių skydelio mygtuką.

Apsauga nuo perkaitimo

Perkaitus įtampas keitikliui, išsijungia visi jo išvadai ir pasigirsta nepertraukiamas signalas. Tokiu atveju palaukite, kol įtampas keitiklis atvės, o paskui vėl jį įjunkite.

Apsauga nuo visiško išsekimo

Itin sumažėjus maitinimo šaltinio energijos likučiui, pasigirsta pypsėjimas ir ima mirksėti veikiančios išvesties mygtukas. Tokiu atveju atjunkite maitinimo šaltinį ir įkraukite jį.

Dar labiau sumažėjus maitinimo šaltinio energijos likučiui, išjungiami visi išvadai.

TECHNINĖ PRIEŽIŪRA

▲PERSPĖJIMAS: Prieš pradėdami tikrinimo arba techninės priežiūros darbus, būtinai atjunkite maitinimo šaltinį.

PASTABA: Neplaukite jungties vandeniu. Gali sutrikti veikimas.

PASTABA: Retkarčiais nuvalykite šio gaminio paviršių muilinu vandeniu sudrėkinta šluoste.

PASTABA: Niekada nenaudokite gazolino, benzino, tirpiklio, spirito arba panašių medžiagų. Gali atsirasti išblukimų, deformacijų arba įtrūkimų.

Kad gaminys būtų SAUGUS ir PATIKIMAS, jį taisyti, apžiūrėti ar vykdyti bet kokią kitą priežiūrą ar derinimą turi įgaliotasis kompanijos „Makita“ techninės priežiūros centras; reikia naudoti tik kompanijos „Makita“ pagamintas atsargines dalis.

Valymas

Jei įtampas keitiklis nešvarus, nuvalykite jį sausa arba muilinu vandeniu sudrėkinta šluoste.

Filtras

▲PERSPĖJIMAS: Išvalę filtrą, būtinai jį įstatykite atgal. Jei įtampas keitiklis veiks be filtro, gali sutrikti jo veikimas.

Išimkite filtrą, traukdami jį kaip parodyta paveikslėlyje. Išplaukite ir nusausinkite filtrą.

► Pav.11: 1. Filtras

Norėdami sumontuoti filtrą, atlikite nuėmimo veiksmus atvirkštine tvarka.

PASIRENKAMI PRIEDAI

▲PERSPĖJIMAS: Šiuos papildomus priedus arba įtaisus rekomenduojama naudoti su šioje instrukcijoje nurodytu „Makita“ bendrovės įrankiu. Naudojant bet kokius kitus papildomus priedus arba įtaisus, gali kilti pavojus sužeisti žmones. Naudokite tik nurodytam tikslui skirtus papildomus priedus arba įtaisus.

Jeigu norite daugiau sužinoti apie tuos priedus, kreipkitės į artimiausią „Makita“ techninės priežiūros centrą.

- Nešiojamasis maitinimo šaltinis
- Originalus „Makita“ akumuliatorius ir įkroviklis
- MAKPAC

PASTABA: Kai kurie sąrašė esantys priedai gali būti pateikti įrankio pakuotėje kaip standartiniai priedai. Jie įvairiose šalyse gali skirtis.

TEHNILISED ANDMED

Mudel:		BAC01
Nominaalne väljundvõimsus	Konverteri võimsus (PDC1200 kasutamisel)	Pidev võimsus: 1 400 W (VA) Tippvõimsus: 2 800 W (VA)
	Vahelduvvooluväljund*	Puhas siinuslaine 50 Hz või 60 Hz, 2 tk Pinge: Vaadake akukonverteril olevat märgistust. (Väljundvõimsus on riigiti erinev.)
	USB-pesa	Tüüp A: 5 V, 2,4 A, 2 tk Tüüp C: USB-PD 30 W, 2 tk
	Sigaretisüütl adapter	12 V, 10 A, 1 tk
Tööaeg**	PDC1200 (1 000 W)	56 min
	PDC01 (Võimsusega 750 W, BL1860B × 2)	10 min
Mõõtmed (P x L x K) (Kui kõik keeled on fikseerunud asendis)		395 mm × 345 mm × 163 mm
Netokaal (Ainult akukonverter)		7,3 kg

* Ainult Brasiilias

Pinge on märgitud vahelduvvooluväljundi lähedale.

** Tööajad on ligikaudsed ning võivad erineda olenevalt toiteallika tüübist, laadimise olekust ja kasutustingimustest.

- Meie pideva uuringu- ja arendusprogrammi tõttu võidakse tehnilisi andmeid muuta ilma sellest ette teatamata.
- Tehnilised andmed võivad riigiti erineda.

Sobiv toiteallikas

Portatiivne akukomplekt	PDC1200 / PDC01* * Kasutage akukasette, mida kirjeldatakse sobiva akukasetti jaotises.
-------------------------	---

- Mõned eespool loetletud toiteallikad ei pruugi olla teie asukohas saadaval.
- Enne toiteallika kasutamist lugege juhendit ja toiteallikal olevaid hoiatusi.

⚠ HOIATUS: Kasutage ainult eespool loetletud toiteallikaid. Muude toiteallikate kasutamine võib tekitada vigastusi ja/või tulekahju.

Sobiv akukasett

Ainult mudelile PDC01

TÄHELEPANU: PDC01 kasutamisel:

- Kui väljundvõimsus ületab 750 W (VA), katkestab akukonverter toitevarustuse aku kaitsesüsteemi tõttu. Sellisel juhul hoidke väljundvõimsust 750 W (VA) juures või madalamal.
- Sõltuvalt kasutustingimustest võib akukonverter väljastamise katkestada, kui aku vahetub. Sellisel juhul vajutage väljastamise taaskäivitamiseks väljundinuppu.
- Akukonverteri kasutamiseks on vaja kaht või nelja akukasetti. Kahe akukasetti kasutamisel paigaldage üks akuliitmikule 1 või 2 ja teine akuliitmikule 3 või 4.

Akukasett	BL1815N / BL1820B / BL1830B* / BL1840B* / BL1850B* / BL1860B* *: Soovituslik aku
-----------	---

- Mõned eespool loetletud akukasettid ei pruugi olla teie asukohariigis saadaval.

⚠ HOIATUS: Kasutage ainult ülalpool loetletud akukasette. Muude akukasettide kasutamine võib tekitada vigastusi ja/või tulekahju.

Sümbolid

Alljärgnevalt kirjeldatakse tingimärke, mida võidakse seadmetel kasutada. Enne seadme kasutamist tehke endale selgeks nende tähendus.



Lugege juhendit.



Ainult EL-i riikide puhul
Seadmes sisalduvate ohtlike osade tõttu võivad elektri- ja elektroonikaseadmete jäätmel, akud ja patareid avaldada negatiivset mõju keskkonnale ja inimeste tervisele.



Elektri- ja elektroonikaseadmeid ega akusid ei tohi kõrvaldada koos olmejäätmetega!
Euroopa elektri- ja elektroonikaseadmete jäätmel, akude ja patareide ning nende jäätmel direktiivi ja riiklikku õigusesse ülevõtmise kohaselt tuleb elektri- ja elektroonikaseadmete, akude ja patareide jäätmel koguda eraldi ning viia eraldiseisvasse olmejäätmete kogumispunkti, mis teguseb kooskõlas keskkonnakaitse eeskirjadega. Sellele osutab seadmele paigaldatud läbikriipsutatud rastatega prügikasti sümbol.

Kavandatud kasutus

Seade teiseb Makita portatiivse akukomplekti võimsuse mitmesugusteks väljundvõimsusteks.

OHUTUSHOIATUSED

⚠ HOIATUS: Enne kasutamist lugege kasutava toote kasutusjuhendit, mida kavatsete selle akukonverteriga kasutada.

Akukonverteri ohutushoiatused

- Heade töötulemuste ja pikaajalise kasutusea tagamiseks pöörake tähelepanu akukonverteri kaitsmisele järgmistele tingimustele eest.**
 - Korrosiivne gaas ja vedelik
 - Soola- ja õliudu
 - Mehaanilised löögid ja vibratsioon
 - Kõrge niiskustase
 - Äärmuslik temperatuur (liiga külm või liiga kuum)
Sobiv keskkonnatemperatuuri vahemik on -10 °C kuni 40 °C (14 °F kuni 104 °F).
 - Elektromagnetiline müra (nt elektriline keevitusmasin, suure võimsusega seade)
 - Radioaktiivne materjal
- Asetage akukonverter horisontaalsele, lainetuse ja stabiilsele pinnale.** Muidu võib juhtuda kukkumisonnetus.
- Akukonverteri kandmisel lahutage toiteallikas ja kõik väljundliitmikuga ühendatud seadmed.** Muidu võib juhtuda kukkumisonnetus.

- Akukonverteri kandmisel hoidke kandepidemest alati tugevalt kahe käega kinni.** Ärge kandke akukonverterit muust osast kinni hoides. Muidu võib juhtuda kukkumisonnetus.
- Ärge kasutage akukonverterit märgade kätega.** Ärge jätke akukonverterit vihma kätte ega märgadesse tingimustesse. Elektrilöögi oht. Akukonverter ei ole veekindel.
- Ärge sisestage väljunditesse ja õhusavasadesse metallist esemeid, nagu rõhknalad, traadid või muud väikesed metallobjektid.** Elektrilöögi oht.
- Ärge võtke akukonverterit osadeks.** Elektrilöögi oht.
- Ärge tekitage akukonverterile tugevaid lööke, näiteks mahakukkumise teel.** See võib põhjustada tõrkeid, millega kaasneb elektrilöök.
- Kontrollige, kas liikuvad osad on tsentreeritud ja liiguvad vabalt ning ega ei esine katkisi osi või muid olukordi, mis võivad tööd mõjutada.** Laske kahjustunud seade enne kasutamist parandada. Paljud õnnetused juhtuvad halvasti hooldatud seadmete tõttu.
- Seadistage alati sobiv vahelduvvoolusagedus.** Muidu võivad tekkida tõrked ja vigastused.
- Ärge kasutage akukonverterit plahvatusohtlikus keskkonnas, nagu tuleohtlike vedelike, gaaside või tolmü läheduses.** Väike staatiline laeng või säde võib süüdata tolmü või auru ning põhjustada tulekahju või plahvatus.
- Õhusavad ei tohi olla mitte millegagi kaetud ega ummistunud.** Kasutage akukonverterit kohas, kus mitte miski õhusavasid ei takista. See võib põhjustada tõrke või tulekahju.
- Jälgige, et te kasutamise käigus juhtme otsa ei komistaks.** Asetage juhe juhtmetaskusse.
- Ärge kasutage akukonverterit meditsiiniseadmete jaoks.** Ootamatu tõrge võib põhjustada õnnetuse.
- Tuleohu, liigse kuumuse, plahvatus, elektrilöögid, elektrilöögi ja vigastuste vältimiseks järgige allolevaid ettevaatusabinõusid.**
 - Ärge ühendage seadet, mis ületab akukonverteri nominaalse väljundvõimsuse.
 - Ärge ühendage otse üldisesse vahelduvvooluvõrku.
- Hoidke akukonverterit sisetingimustes hea õhutuse ja madala niiskustasemega kohas.**
- Hoidke akukonverterit ladustamise ajal lastele kättesaamatu.** Muidu võivad tekkida rasked õnnetused.
- Ärge astuge akukonverterile.** Samuti ärge lööge akukonverterit tugevalt, kui paigaldate selle koos MAKPACi või toiteallikaga. Muidu võite põhjustada tõrke või kehavigastuse.
- Maandustihvti pesa vahelduvvooluväljundis on pinge- ja vooluvaba.** See toode ei nõua vahelduvvooluseadme maandamist, sest see pole ühendatud üldisesse vahelduvvooluvõrku.

Akuga töötava seadme kasutamine ja hooldus

- Vältige tahtmatut käivitamist. Veenduge, et lüüti on enne akukomplekti ühendamist, seadme tõstmist või kandmist väljalülitatud asendis.** Seadme kandmine, hoides näppu lülitil, või seadme vooluvõrku ühendamine, kui lüüti on sisselülitatud asendis, võib kaasa tuua õnnetusi.
- Enne seadme kohandamist, lisatarvikute vahetamist või hoiundamist eemaldage akukomplekt seadme küljest.** Sellised ennetusabinõud vähendavad seadme juhusliku käivitamise ohtu.
- Laadige alati laadijaga, mille tootja on heaks kiitnud.** Laadija, mis sobib kasutamiseks ühte tüüpi akuga, võib kaasa tuua tulekahjuohtu, kui seda kasutada koos mõnda teist tüüpi akuga.
- Kasutage seadmeid üksnes spetsiaalselt neile ette nähtud akudega.** Muude akude kasutamisega võib kaasneda kehavigastuste ja tulekahju oht.
- Kui akut ei kasutata, ärge hoidke seda koos muude metallesemetega, nagu kirjaklambrid, mündid, võtmed, naelad, kruvid jm väiksed metallesemed, mis võivad tekitada ühenduse klemmide vahel.** Akuklemmide lühis võib põhjustada põletusi ja tulekahjuohtu.
- Väärkasutamise tagajärjel võib akut valguda välja vedelikku; ärge seda puudutage.** Kui olete selle vedelikuga siiski kogemata kokku puutunud, uhtke kohta veega. Kui vedelik on sattunud silma, minge arsti juurde. Akust väljavalgunud vedelik võib põhjustada ärritust ja põletusi.
- Ärge kasutage akut ega seadet, mis on kahjustunud või mida on modifitseeritud.** Kahjustunud või modifitseeritud akude talitlus võib olla etteaimamatu, millega võib kaasneda tulekahju, plahvatus või kehavigastuste oht.
- Jälgige, et aku ega seade ei puutuks kokku lahtise tule või kõrge temperatuuriga.** Kokkupuude lahtise tule või temperatuuriga, mis on üle 130 °C, võib kaasa tuua plahvatus.
- Järgige kõiki laadimisjuhiseid ja ärge laadige akut ega seadet väljaspool juhendis täpsustatud temperatuurivahemikku.** Nõuetele või määratud temperatuuripiirangutele mittevastav laadimine võib kahjustada akut ja suurendada tulekahjuohtu.
- Laske hooldada kvalifitseeritud remondimehel, kes kasutab vaid identseid asenduososi.** Tänu sellele on tagatud toote ohutus.
- Ärge muutke ega proovige parandada seadet või akut muul viisil kui kasutus- ja hooldusjuhendis osutatud.**

Akukassetiga seotud olulised ohutusjuhised

- Enne akukasseti kasutamist lugege (1) akulaadijal, (2) akul ja (3) seadmel olevad juhtnõidrid ja hoiatused läbi.**
- Ärge võtke akukassetti lahti ega muutke seda.** See võib põhjustada tulekahju, liigset kuumust või plahvatus.
- Kui tööaeg järsult lüheneb, siis lõpetage kohe kasutamine.** Edasise kasutamise tulemuseks võib olla ülekuumenemisoht, võimalikud põletused või isegi plahvatus.
- Kui elektrolüüti satub silma, siis loputage silma puhta veega ja pöörduge koheselt arsti poole.** Selline õnnetus võib põhjustada pimedaksjäämist.
- Ärge tekitage akukassetis lühis:**
 - Ärge puutuge klemme elektrijuhtidega.**
 - Ärge hoidke akukassetti tööriistakastis koos metallesemetega, nagu naelad, mündid jne.**
 - Ärge tehke akukassetti märjaks ega jätke seda vihma kätte.****Aku lühis võib põhjustada tugevat elektrivoolu, ülekuumenemist, põletusi ning ka seadet tõsiselt kahjustada.**
- Ärge hoidke ega kasutage seadet ja akukassetti kohtades, kus temperatuur võib tõusta üle 50 °C (122 °F).**
- Ärge põletage akukassetti isegi siis, kui see on saanud tõsiselt vigastada või on täiesti kulunud.** Akukassett võib tules plahvatada.
- Ärge naelutage, löigake, muljuge, visake akukassetti ega laske sel kukkuda, samuti ärge lööge selle pihta kõva esemega.** Selline tegevus võib tekitada tulekahju, liigset kuumust või plahvatus.
- Ärge kasutage kahjustatud akut.**
- Sisalduvatele liitium-ioonakudele võivad kohalduda ohtlike kaupade õigusaktide nõuded.**

Kaubanduslikul transportimisel, näiteks kolmandate poolte või transportiettevõtete poolt, tuleb järgida pakendil ja siltidel toodud erinõudeid. Transportimiseks ettevalmistamisel on vajalik pida nõu ohtliku materjali ekspertidega. Samuti tuleb järgida võimalike riiklike regulatsioonide üksikasjalikumaid nõudeid.

Katke teibiga või varjake avatud kontaktid ja pakendage aku selliselt, et see ei saaks pakendis liukuda.
- Kasutuskõlbmatuks muutunud akukassetti kõrvaldamiseks eemaldage see seadmest ja viige selleks ette nähtud kohta. Järgige aku kõrvaldamisel kohalikke eeskirju.**
- Kasutage akusid ainult Makita heaks kiidetud toodetega.** Akude paigaldamine selleks mitte ettenähtud toodetele võib põhjustada süttimist, ülemäärast kuumust, plahvatamist või elektrolüüdi lekkimist.
- Kui seadet ei kasutata pika ajaperioodi jooksul, tuleb aku seadmest eemaldada.**

14. Kasutamise ajal ja pärast kasutamist võib akukassett kuumeneda, mis võib põhjustada põletusi või madala temperatuuri põletusi. Olge kuumakassetti käsitlemisel ettevaatlik.
15. Ärge puudutage seadme klemmi kohe pärast kasutamist, sest see võib olla kuum ja põhjustada põletusi.
16. Hoidke akukassetti klemmid, avad ja sooned tükikestest, tolmust ja mullast puhtad. Muidu võib seade või akukassett halvasti töötada või puruneda.
17. Kui seade ei kannata kasutamist kõrgepingeliinide lähedal, ärge kasutage akukassetti kõrgepingeliinide lähedal. Muidu võib seade või akukassett puruneda või sellel rike tekkida.
18. Hoidke akut lastele kättesaamatus kohas.

HOIDKE JUHEND ALLES.

⚠ETTEVAATUST: Kasutage ainult Makita originaalakusid. Muude kui Makita originaalakude või muudetud akude kasutamine võib põhjustada akude süttimise, kehavigastuse ja kahjustuse. Samuti muudab see kehtetuks Makita seadme ja laadija garantii.

Vihjeid aku maksimaalse kasutaja tagamise kohta

1. Laadige akukassetti enne selle täielikku tühjenemist. Kui märkate, et seade töötab väiksema võimsusega, peatage töö ja laadige akukassetti.
2. Ärge laadige täielikult laetud akukassetti. Ülelaadimine lühendab akude kasutusiga.
3. Laadige akukassetti toatemperatuuril 10 °C - 40 °C. Enne laadimist laske kuumenenud akukassetil maha jahtuda.
4. Kui te ei kasuta parajasti akukassetti, eemaldage see seadmest või laadijast.
5. Kui te ei kasuta akukassetti kauem kui kuus kuud, laadige see.

OSADE KIRJELDUS

► Joon.1

1. Lülitipaneel
2. Riiv
3. Väljundpaneel
4. Kandekäepide
5. Õhuava
6. Keel A
7. Keel B
Kasutage ainult koos mudeliga PDC1200.
8. Keel C
Kasutage ainult koos mudeliga PDC01.
9. Pistik (sisend)
10. Juhtmetasku
11. USB-väljundi nupp

MÄRKUS: Vahelduvvoolupesaga kuju on riigiti erinev.

12. Vahelduvvooluväljundi nupp
13. Režiimi vahetamise nupp
14. 12 V alalisvooluväljundi nupp
15. Helisignaalinupp
16. Väljundi näidik
Vaadake väljundi näidiku lugemise jaotist.
17. USB-A tüüpi väljund 1
18. USB-B tüüpi väljund 2
19. USB-C tüüpi väljund 1
20. USB-C tüüpi väljund 2
21. Vahelduvvooluväljund 1
22. Vahelduvvooluväljund 2
23. 12 V alalisvooluväljund (sigaretisüütl adapterile)

KOKKUPANEK

⚠ETTEVAATUST: Toiteallika paigaldamise või eemaldamise ajal hoidke akukonverterist tugevalt kinni. Vastasel juhul võib see käest libiseda ning kehavigastusi tekitada või akukonverterit ja toiteallikat kahjustada.

⚠ETTEVAATUST: Veenduge enne kasutamist, et juhe oleks õigesti paigaldatud ja pistik oleks täielikult pistikupesasse sisestatud.

Toiteallika paigaldamine

Mudelile PDC1200

Kinnitage toiteallikas joonisel näidatud viisil akukonverterile.

⚠ETTEVAATUST: Veenduge, et toiteallikas oleks kindlalt akukonverterile kinnitatud. Vastasel korral võib see akukonverterist välja kukkuda ning vigastada teid või läheduses viibivaid isikuid. Kui näete joonisel näidatud punast näidikut, pole toiteallikas täielikult lukustunud.

► **Joon.2:** 1. Punane näidik

Toiteallika eemaldamisel tõstke toiteallikas üles, vajutades samal ajal lukustusnuppu alla.

► **Joon.3:** 1. Lukustusnupp

Mudelile PDC01

Kinnitage toiteallikas joonisel näidatud viisil akukonverterile.

► Joon.4

Toiteallika eemaldamiseks järgige paigaldamise protseduuri vastupidises järjekorras.

Toiteallika ühendamine

1. Avage pistikukate.
 2. Joondate pesal olev noolemärk akukonverteril olevaga ja sisestage pesa täielikult pistikusse.
- **Joon.5:** 1. Kate 2. Pistik (sisend) 3. Pistikupesa 4. Noolemärk

TÄHELEPANU: Ärge sisestage pistikut jõuga. Kui pistik ei lähe kergesti sisse, ei sisestata seda õigesti.

TÄHELEPANU: Pistiku lahutamisel ärge hoidke mitte juhtmest, vaid pesast. Muidu võib juhe kahjustada saada ja põhjustada seadme rikke.

TÄHELEPANU: Kui toiteallikas ei ole ühendatud, sulgege pistikukate alati korralikult. Muidu võivad võõrkehad akukonverterisse sattuda ja tõrke põhjustada.

Juhtmetasku

Juhtme saab juhtmetaskusse panna joonisel näidatud viisil.

► Joon.6

MAKPACi paigaldamine

Lisatarvik

Akukonverteri saab kinnitada MAKPACi peale või alla, nagu joonisel on näidatud.

► Joon.7

⚠ETTEVAATUST: Veenduge, et akukonverter oleks nelja keele abil tugevalt MAKPACi külge kinnitatud. Muidu võib seade maha kukkuda ja kehavigastusi põhjustada.

TÖÖRIISTA KASUTAMINE

► Joon.8: 1. Toitenuppu

1. Toiteallika sisselülitamiseks vajutage toitenuppu.
2. Ühendage seade sobiva väljundiga.

Vahelduvvooluväljundi kasutamisel valige sobiv sagedus, vajutades ja hoides all sageduse lülitamise nuppu.

MÄRKUS: Sagedust saab valida ainult siis, kui vahelduvvooluväljund katkeb.

MÄRKUS: Sagedusseadistus salvestatakse. Järgmisel korral käivitub akukonverter sama seadistusega.

3. Vajutage väljundinuppu, mida soovite kasutada. Akukonverter alustab väljastamist ning töötav väljundinupp süttib.
4. Katkestamiseks vajutage uuesti väljundinuppu.
5. Toiteallika väljalülitamiseks vajutage toitenuppu.

TÄHELEPANU: Te ei pruugi saada kasutada seadet, mis nõuab käivitamiseks suurt võimsust, isegi kui akukonverteri väljundvõimsus püsib nimivõimsuse vahemikus.

TÄHELEPANU: Akukonverter ei pruugi kõigile USB-seadmetele toidet anda.

TÄHELEPANU: Enne USB-seadme akukonverteriga ühendamist varundage alati oma USB-seadme andmed.

TÄHELEPANU: Te ei saa laadida akukonverteriga toiteallikat, kasutades tavalisi akupanku.

Väljundi näidiku lugemine

► Joon.9

- Väljundi näidik süttib vastavalt väljastatavale võimsusele.
- Kui väljundvõimsus saavutab 1 400 W (VA), süttib lamp „1400“ punaselt. See lamp hakkab akukonverteri ülekoormuse korral punaselt vilkuma.

Sumisti sisse-/väljalülitamine

► Joon.10: 1. Helisignaalinuppu

Sumisti sisse-/väljalülitamiseks vajutage ja hoidke all helisignaalinuppu.

MÄRKUS: Sumisti seadistus salvestatakse. Järgmisel korral käivitub akukonverter sama seadistusega.

Kaitstesüsteem

Akukonverteril on järgmine kaitstesüsteem.

Ülekoormuskaitse

Igal väljundil on järgmine ülekoormuskaitse:

- **Vahelduvvooluväljund**
Kui akukonverter tuvastab liigvõimsuse, katkestab akukonverter kogu vahelduvvoolu väljastamise, samal ajal kõlab vahelduv helisignaali.
- **USB-väljund**
Kui akukonverter tuvastab ebatavaliselt kõrge voolu, katkestab akukonverter selle USB-väljundi, kus kõrge vool tekkis.
- **12 V alalisvooluväljund**
Kui akukonverter tuvastab ebatavaliselt kõrge voolu, katkestab akukonverter 12 V alalisvoolu väljastamise, samal ajal kõlab vahelduv helisignaali.

Kui vahelduvvoolu, USB ja 12 V alalisvoolu koguvõimsus ületab teatud aja jooksul akukonverteri nominaalse võimsuse, katkeb kogu väljastamine, samal ajal kõlab pidev helisignaali. Sellisel juhul lülitage toiteallikas välja ja lõpetage kasutamine, mis põhjustas akukonverteri ülekoormuse. Pärast seda käivitage toiteallikas uuesti.

MÄRKUS: Akukonverteri ülekoormuse korral hakkab väljundi näidiku lamp „1400“ punaselt vilkuma.

MÄRKUS: Helisignaali katkeb, kui vajutate lülitipaneeli ükskõik millist nuppu.

Ülekuumenemiskaitse

Kui akukonverter on üle kuunenud, katkestab akukonverter kogu väljastamise, samal ajal kõlab pidev helisignaali. Sellises olukorras laske akukonverteril enne selle uuesti sisselülitamist maha jahtuda.

Ülelaadimiskaitse

Kui toiteallika jääkvõimsus on väikseks jäänud, kõlab katkendlik helisignaali ning töötav väljundinupp vilgub. Sellises olukorras eemaldage toiteallikas ja laadige seda.

Kui toiteallika jääkvõimsus väheneb veelgi, katkeb kogu väljastamine.

HOOLDUS

⚠ETTEVAATUST: Enne kontrollimise või hoolduse tegemist peab toiteallikas olema lahutatud.

TÄHELEPANU: Ärge peske konnektorit veega. Tõrkerisk.

TÄHELEPANU: Pühkige aeg-ajalt tööriista välispinda pehme lapiga, mida on niisutatud seebivees.

TÄHELEPANU: Ärge kunagi kasutage bensiini, vedeldit, alkoholi ega midagi muud sarnast. Selle tulemuseks võib olla luitumine, deformatsioon või pragunemine.

Toote OHUTUSE ja TÖÖKINDLUSE tagamiseks tuleb vajalikud remonttööd ning muud hooldus- ja reguleerimistööd lasta teha Makita volitatud teeninduskeskustes või tehase teeninduskeskustes. Alati tuleb kasutada Makita varuosi.

Puhastamine

Kui akukonverter on määrduanud, pühkige seda kuiva lapiga või seebivees niisutatud lapiga.

Filter

⚠ETTEVAATUST: Pärast filtri puhastamist paigaldage see tagasi. Akukonverteri kasutamine ilma filtrita võib põhjustada tõrkeid.

Filtri eemaldamiseks tõmmake see välja, nagu joonisel on näidatud.

Peske ja seejärel kuivatage filter.

► **Joon.11:** 1. Filter

Filtripaigaldamiseks järgige eemaldamise protseduuri vastupidises järjekorras.

VALIKULISED TARVIKUD

⚠ETTEVAATUST: Neid tarvikuid ja lisaseadiseid on soovitatav kasutada koos Makita tööriistaga, mille kasutamist selles kasutusjuhendis kirjeldatakse. Muude tarvikute ja lisaseadiste kasutamisega kaasneb vigastada saamise oht. Kasutage tarvikuid ja lisaseadiseid ainult otstarbekohaselt.

Saate vajaduse korral kohalikust Makita teeninduskeskusest lisateavet nende tarvikute kohta.

- Portatiivne akukomplekt
- Makita algupärane aku ja laadija
- MAKPAC

MÄRKUS: Mõned nimekirjas loetletud tarvikud võivad kuuluda standardvarustusse ning need on lisatud tööriista pakendisse. Need võivad riigiti erineda.

DANE TECHNICZNE

Model:		BAC01
Moc znamionowa	Wydajność przetwornicy (w przypadku korzystania z PDC1200)	Moc w trybie ciągłym: 1 400 W (VA) Szczytowa moc: 2 800 W (VA)
	Gniazdo wyjściowe AC *	Czysta sinusoida, 50 Hz lub 60 Hz, 2 szt. Napięcie: Wskazania podano na przetwornicy napięcia DC/AC. (Napięcie wyjściowe różni się w zależności od kraju.)
	Port USB	Typ A: 5 V, 2,4 A, 2 szt. Typ C: USB-PD 30 W, 2 szt.
	Gniazdo zapalniczki	12 V, 10 A, 1 szt.
Czas pracy **	PDC1200 (przy 1 000 W)	56 min
	PDC01 (przy 750 W, BL1860B x 2)	10 min
Wymiary (dług. x szer. x wys.) (ze złożonymi zaczepami)		395 mm x 345 mm x 163 mm
Ciężar netto (wyłącznie przetwornica napięcia DC/AC)		7,3 kg

* Dotyczy wyłącznie Brazylii

Informacja o napięciu znajduje się w pobliżu gniazda wyjściowego AC.

** Czasy pracy są przybliżone i mogą różnić się w zależności od rodzaju źródła zasilania, stanu naładowania oraz warunków eksploatacji.

- W związku ze stale prowadzonym przez naszą firmę programem badawczo-rozwojowym niniejsze dane mogą ulec zmianom bez wcześniejszego powiadomienia.
- Dane techniczne mogą różnić się w zależności od kraju.

Zgodne źródło zasilania

Przenośna jednostka zasilająca	PDC1200 / PDC01* * Należy używać akumulatorów wymienionych w sekcji Zgodne akumulatory.
--------------------------------	--

- Niektóre z wymienionych powyżej źródeł zasilania mogą nie być dostępne w regionie zamieszkania użytkownika.
- Przed użyciem źródła zasilania należy zapoznać się z jego instrukcją i umieszczonymi na nim znakami ostrzegawczymi.

⚠ OSTRZEŻENIE: Należy używać wyłącznie wymienionych powyżej źródeł zasilania. Korzystanie z innych źródeł zasilania może spowodować obrażenia ciała i/lub pożar.

Zgodne akumulatory

Tylko dla modelu PDC01

UWAGA: W przypadku korzystania z PDC01:

- Jeśli moc wyjściowa przekroczy 750 W (VA), układ zabezpieczenia akumulatora spowoduje, że przetwornica napięcia DC/AC odłączy zasilanie. W takim przypadku należy utrzymywać moc wyjściową na poziomie 750 W (VA) lub niższym.
- W zależności od warunków eksploatacji przetwornica napięcia DC/AC może odłączyć wyjście, jeśli nastąpi przełączenie na inny akumulator. W takiej sytuacji należy nacisnąć przycisk wyjścia, aby je zrestartować.
- Do korzystania z przetwornicy napięcia DC/AC wymagane są dwa lub cztery akumulatory. Jeśli używane są dwa akumulatory, jeden z nich należy podłączyć do portu 1 lub 2, a drugi — do portu 3 lub 4.

Akumulator	BL1815N / BL1820B / BL1830B* / BL1840B* / BL1850B* / BL1860B* *: Zalecany akumulator
------------	---

- Niektóre z wymienionych powyżej akumulatorów mogą nie być dostępne w regionie zamieszkania użytkownika.

⚠ OSTRZEŻENIE: Należy używać wyłącznie akumulatorów wymienionych powyżej. Używanie innych akumulatorów może spowodować obrażenia ciała i/lub pożar.

Symbole

Poniżej pokazano symbole, jakie mogą być zastosowane na urządzeniu. Przed rozpoczęciem użytkowania należy zapoznać się z ich znaczeniem.



Przeczytać instrukcję obsługi.



Dotyczy tylko państw UE
Z uwagi na obecność w sprzęcie niebezpiecznych składników, zużyty sprzęt elektryczny, elektroniczny, akumulatory oraz baterie mogą powodować negatywny wpływ na środowisko i zdrowie ludzi.



Ni-MH
Li-ion

Nie wyrzucaj urządzeń elektrycznych, elektronicznych lub akumulatorów wraz z odpadami z gospodarstwa domowego! Zgodnie z Europejską Dyrektywą w sprawie zużytego sprzętu elektrycznego i elektronicznego oraz dotyczącą akumulatorów i baterii oraz zużytych akumulatorów i baterii, a także dostosowaniem ich do prawa krajowego, zużyte urządzenia elektryczne, elektroniczne, baterie i akumulatory, należy składować osobno i przekazywać do punktu selektywnej zbiórki odpadów komunalnych, działającego zgodnie z przepisami dotyczącymi ochrony środowiska.

Informuje o tym symbol przekreślonego kołowego kontenera na odpady umieszczony na sprzęcie.

Przeznaczenie

Urządzenie jest przeznaczone do przetwarzania zasilania z przenośnej jednostki zasilającej firmy Makita na potrzeby różnych wyjść.

OSTRZEŻENIA DOTYCZĄCE BEZPIECZEŃSTWA

⚠ OSTRZEŻENIE: Przed użyciem należy zapoznać się z instrukcją obsługi produktu, który będzie używany z tą przetwornicą napięcia DC/AC.

Ostrzeżenia dotyczące bezpieczeństwa dla przetwornicy napięcia DC/AC

1. Aby zapewnić odpowiednią wydajność i długi okres eksploatacji, należy zabezpieczyć przetwornicę napięcia DC/AC przed poniższymi czynnikami.
 - Gazy i ciecze powodujące korozję
 - Mgła solna i olejowa
 - Mechaniczne uderzenia i drgania

- Wysoka wilgotność
- Skrajne temperatury (zbyt zimno lub zbyt gorąco)
Odpowiednia temperatura otoczenia mieści się w zakresie od -10°C do 40°C (od 14°F do 104°F).
- Zakłócenia elektromagnetyczne (np. elektryczna spawarka, sprzęt o wysokiej mocy)
- Materiały radioaktywne

2. **Przetwornicę napięcia DC/AC należy umieścić na stabilnej, poziomej, równej powierzchni.** W przeciwnym razie może dojść do upadku.
3. **Przed przeniesieniem przetwornicy napięcia DC/AC należy odłączyć źródło zasilania i wszystkie urządzenia podłączone do portów wyjściowych.** W przeciwnym razie może dojść do upadku.
4. **Podczas przenoszenia przetwornicy napięcia DC/AC zawsze należy mocno trzymać uchwyty do przenoszenia obiema rękami. Nie wolno przenosić przetwornicy napięcia DC/AC, trzymając ją za inne części.** W przeciwnym razie może dojść do upadku.
5. **Nie wolno używać przetwornicy napięcia DC/AC mokrymi rękami. Nie wolno narażać przetwornicy napięcia DC/AC na działanie deszczu ani wilgoci.** Ryzyko porażenia prądem elektrycznym. Przetwornica napięcia DC/AC nie jest wodoodporna.
6. **Nie wolno wkładać do portów wyjściowych ani otworów wentylacyjnych metalowych przedmiotów, takich jak pinezki, przewody lub inne małe metalowe elementy.** Ryzyko porażenia prądem elektrycznym.
7. **Nie wolno rozmontowywać przetwornicy napięcia DC/AC.** Ryzyko porażenia prądem elektrycznym.
8. **Nie wolno oddziaływać na przetwornicę napięcia DC/AC z dużą siłą, np. upuszczać jej.** Może to spowodować nieprawidłowe działanie skutkujące porażeniem prądem elektrycznym.
9. **Urządzenie należy sprawdzać pod kątem nieprawidłowego ustawienia lub zablokowania elementów ruchomych, pękniętych części oraz innych usterek, które mogą mieć wpływ na jego działanie. W przypadku uszkodzenia urządzenia należy poddać naprawie przed ponownym użyciem.** Do wielu wypadków dochodzi na skutek złego stanu technicznego urządzeń.
10. **Zawsze należy ustawić odpowiednią częstotliwość prądu AC.** W przeciwnym razie może dojść do nieprawidłowego działania skutkującego obrażeniami ciała.
11. **Nie wolno użytkować przetwornicy napięcia DC/AC w atmosferach wybuchowych, na przykład w obecności łatwopalnych cieczy, gazów lub pyłów.** Niewielkie wyładowanie elektrostatyczne lub iskra mogą spowodować zapalenie się pyłów bądź oparów, a w rezultacie — pożar lub wybuch.

12. **Nie wolno dopuszczać do zakrywania lub zatykania otworów wentylacyjnych. Z przetwornicy napięcia DC/AC należy korzystać w miejscu, w którym nie blokuje otworów wentylacyjnych.** W przeciwnym razie może dojść do nieprawidłowego działania lub pożaru.
13. **Podczas pracy należy zachować ostrożność, aby nie potknąć się o przewód. Przewód należy umieszczać w kieszeni na przewód.**
14. **Nie wolno używać przetwornicy napięcia DC/AC ze sprzętem medycznym.** Nieoczekiwana awaria może doprowadzić do wypadku.
15. **Aby zmniejszyć ryzyko pożaru, przegrzania, wybuchu, wycieku elektrolitu, porażenia prądem elektrycznym lub obrażeń ciała, należy przestrzegać poniższych środków ostrożności.**
 - **Nie wolno podłączać do przetwornicy napięcia DC/AC urządzenia przekraczającego znamionową moc przetwornicy.**
 - **Nie wolno podłączać jej bezpośrednio do publicznej sieci elektroenergetycznej.**
16. **Przetwornicę napięcia DC/AC należy przechowywać w pomieszczeniu, w miejscu o dobrej wentylacji i niskiej wilgotności.**
17. **Podczas przechowywania przetwornica napięcia DC/AC musi znajdować się poza zasięgiem dzieci.** W przeciwnym razie może dojść do poważnego wypadku.
18. **Nie stawać na przetwornicy napięcia DC/AC. Należy także uważać, aby nie oddziaływać na przetwornicę napięcia DC/AC z dużą siłą podczas montażu MAKPAC lub źródła zasilania.** Mogłoby to spowodować usterkę lub obrażenia ciała.
19. **Otwór na bolec uziemiający w wyjściu AC nie znajduje się pod napięciem ani nie jest podłączony do prądu.** W przypadku tego produktu uziemienie urządzenia AC nie jest wymagane, ponieważ nie jest ono podłączane do ogólnej sieci elektroenergetycznej.
3. **Akumulator należy ładować wyłącznie przy użyciu określonej przez producenta ładowarki.** Ładowarka przeznaczona do jednego typu akumulatora może stwarzać zagrożenie pożarem, gdy będzie używana do ładowania innego akumulatora.
4. **Do zasilania urządzeń należy używać tylko specjalnie do tego celu przeznaczonych akumulatorów.** Używanie innych akumulatorów może stwarzać ryzyko wystąpienia obrażeń ciała lub pożaru.
5. **Gdy akumulator nie jest używany, należy zabezpieczyć go przed kontaktem z metalowymi przedmiotami, typu spinacze, monety, klucze, gwoździe, wkręty lub innymi metalowymi drobiazgami, które mogą powodować zwarcie styków akumulatora.** Zwarcie styków akumulatora grozi poparzeniami lub pożarem.
6. **W niewłaściwych warunkach eksploatacji może dojść do wycieku elektrolitu z akumulatora. Nie należy go dotykać. W razie przypadkowego kontaktu należy przemyć skażoną skórę wodą. W przypadku dostania się elektrolitu do oczu należy dodatkowo skorzystać z porady lekarza.** Elektrolit z akumulatora może powodować podrażnienia lub poparzenia.
7. **Nie używać uszkodzonego lub przerobionego akumulatora ani urządzenia.** Uszkodzone lub przerobione akumulatory mogą działać w nieprzewidywalny sposób i spowodować pożar, wybuch lub obrażenia ciała.
8. **Nie wystawiać akumulatora ani urządzenia na działanie ognia ani nadmierne wysokiej temperatury.** Narażenie na ogień lub temperaturę wyższą niż 130°C może spowodować wybuch.
9. **Przestrzegać wszystkich instrukcji ładowania i nie ładować akumulatora ani urządzenia w temperaturze wykraczającej poza zakres określony w instrukcji.** Nieprawidłowe ładowanie lub ładowanie w temperaturze wykraczającej poza określony zakres może spowodować uszkodzenie akumulatora oraz wzrost zagrożenia pożarem.
10. **Serwisowanie powinno być wykonywane przez wykwalifikowany personel, z użyciem wyłącznie identycznych części zamiennych.** Zapewni to zachowanie bezpieczeństwa pracy z urządzeniem.
11. **Nie należy modyfikować ani podejmować prób naprawienia urządzenia lub akumulatora w jakikolwiek inny sposób, niż wskazano w instrukcji użytkowania i utrzymywania w dobrym stanie.**

Ostrzeżenia dotyczące bezpieczeństwa urządzenia zasilanego akumulatorem

Użytkowanie urządzenia zasilanego akumulatorem i utrzymywanie go w dobrym stanie

1. **Nie dopuszczać do przypadkowego uruchomienia.** Przed podłączeniem akumulatora albo podniesieniem lub przeniesieniem urządzenia należy sprawdzić, czy przełącznik znajduje się w pozycji wyłączenia. Przenoszenie urządzenia z palcem na przełączniku lub podłączanie urządzenia do zasilania przy włączonym przełączniku grozi wypadkiem.
2. **Przed przystąpieniem do jakichkolwiek regulacji, wymianą akcesoriów czy odłożeniem urządzenia do przechowywania należy odłączyć od niego akumulator.** Tego rodzaju zapobiegawcze środki bezpieczeństwa zmniejszają ryzyko przypadkowego uruchomienia urządzenia.

Ważne zasady bezpieczeństwa dotyczące akumulatora

1. **Przed użyciem akumulatora zapoznać się ze wszystkimi instrukcjami i znakami ostrzegawczymi na (1) ładowarce, (2) akumulatorze i (3) produkcie, w którym będzie używany akumulator.**
2. **Nie roztomowywać ani nie modyfikować akumulatora.** Może to spowodować pożar, przegrzanie lub wybuch.

3. Jeśli czas działania uległ znacznemu skróceniu, należy natychmiast przerwać pracę. Może bowiem dojść do przegrzania, ewentualnych poparzeń, a nawet eksplozji.
4. W przypadku przedostania się elektrolitu do oczu, przemyć je czystą wodą i niezwłocznie uzyskać pomoc lekarską. Może on bowiem spowodować utratę wzroku.
5. Nie doprowadzać do zwarcia akumulatora:
 - (1) Nie dotykać styków materiałami przewodzącymi prąd.
 - (2) Unikać przechowywania akumulatora w pojemniku z metalowymi przedmiotami, takimi jak gwoździe, monety itp.
 - (3) Chronić akumulator przed deszczem lub wodą.

Zwarcie prowadzi do przepływu prądu elektrycznego o dużym natężeniu i przegrzania akumulatora, co w konsekwencji może grozić poparzeniami a nawet awarią urządzenia.
6. Urządzenia i akumulatora nie wolno przechowywać ani używać w miejscach, w których temperatura osiąga bądź przekracza 50°C (122°F).
7. Akumulatorów, również tych poważnie uszkodzonych lub całkowicie zużytych, nie wolno spalać. Akumulator może eksplodować w ogniu.
8. Nie należy przecinać ani zgniatać akumulatora, wbijać w niego gwoździ, rzucać nim, upuszczać go ani uderzać akumulatorem o twarde obiekty. Takie działanie może spowodować pożar, przegrzanie lub wybuch.
9. Nie wolno używać uszkodzonego akumulatora.
10. Stanowiące wyposażenie akumulatory litowo-jonowe podlegają przepisom dotyczącym produktów niebezpiecznych.

Na potrzeby transportu komercyjnego, np. świadczonych przez firmy trzecie czy spedycyjne, należy przestrzegać specjalnych wymagań w zakresie pakowania i oznaczania etykietami. Przygotowanie produktu do wysyłki wymaga skonsultowania się ze specjalistą ds. materiałów niebezpiecznych. Należy także przestrzegać przepisów krajowych, które mogą być bardziej szczegółowe.

Zakleić taśmą lub zaślepić otwarte styki akumulatora oraz zabezpieczyć go, aby nie mógł się przesuwać w opakowaniu.

11. Jeśli zajdzie konieczność wyrzucenia akumulatora, należy wyjąć go z urządzenia i przekazać w bezpieczne miejsce. Postępować zgodnie z przepisami lokalnymi dotyczącymi usuwania akumulatorów.
12. Używać akumulatorów tylko z produktami określonymi przez firmę Makita. Zastosowanie akumulatorów w niezgodnych produktach może spowodować pożar, przegrzanie, wybuch lub wyciek elektrolitu.
13. Jeśli urządzenie nie będzie używane przez dłuższy czas, należy wyjąć z niego akumulator.

14. Przed użyciem akumulatora i po jego użyciu akumulator może pozostawać nagrany, co może spowodować poparzenia lub poparzenia w niskiej temperaturze. Z gorącym akumulatorem należy obchodzić się ostrożnie.
15. Nie należy dotykać styku urządzenia bezpośrednio po jego użyciu, ponieważ może on być na tyle gorący, że spowoduje oparzenia.
16. Nie należy dopuszczać, aby wióry, kurz lub brud gromadziły się na stykach, w otworach i rowkach akumulatora. Może to spowodować obniżenie wydajności lub uszkodzenie urządzenia lub akumulatora.
17. Jeśli urządzenie nie jest przeznaczone do użytku w pobliżu linii wysokiego napięcia, nie należy korzystać z akumulatora w ich sąsiedztwie. Może to spowodować nieprawidłowe działanie lub uszkodzenie urządzenia lub akumulatora.
18. Przechowywać akumulator w miejscu niedostępnym dla dzieci.

ZACHOWAĆ NINIEJSZE INSTRUKCJE.

⚠️ PRZESTROGA: Używać wyłącznie oryginalnych akumulatorów firmy Makita. Używanie nieoryginalnych akumulatorów (firm innych niż Makita) lub akumulatorów, które zostały zmodyfikowane, może spowodować wybuch akumulatora i pożar, obrażenia ciała oraz zniszczenie mienia. Powoduje to również unieważnienie gwarancji firmy Makita dotyczących urządzenia i ładowarki.

Wskazówki dotyczące zachowania maksymalnej trwałości akumulatora

1. Akumulator należy naładować zanim zostanie do końca rozładowany. Po zauważeniu spadku mocy urządzenia należy przerwać pracę i naładować akumulator.
2. Nie wolno ładować powtórnie w pełni naładowanego akumulatora. Przeladowanie akumulatora skracają jego trwałość.
3. Akumulator należy ładować w temperaturze pokojowej w przedziale 10–40°C (50–104°F). W przypadku gorącego akumulatora przed przystąpieniem do ładowania należy poczekać, aż ostygnie.
4. Jeśli akumulator nie jest używany, należy wyjąć go z urządzenia lub ładowarki.
5. Akumulatory niklowo-wodorkowe należy naładować po okresie długiego nieużytkowania (dłuższego niż sześć miesięcy).

OPIS CZĘŚCI

► Rys.1

1. Panel przełączników
2. Zatrask
3. Panel portów wyjściowych
4. Uchwyt do przenoszenia
5. Otwór wentylacyjny
6. Zaczep A
7. Zaczep B
Wyłącznie dla modelu PDC1200.
8. Zaczep C
Wyłącznie dla modelu PDC01.
9. Wtyczka (wejście)
10. Kieszeń na przewód
11. Przycisk wyjścia USB
12. Przycisk wyjścia AC
13. Przycisk przełączania częstotliwości
14. Przycisk wyjścia DC 12 V
15. Przycisk sygnału dźwiękowego
16. Wskaźnik mocy wyjściowej
Informacje na temat interpretowania wartości wskaźnika mocy wyjściowej znajdują się w odpowiedniej sekcji.
17. Wyjście 1 USB typu A
18. Wyjście 2 USB typu A
19. Wyjście 1 USB typu C
20. Wyjście 2 USB typu C
21. Wyjście 1 AC
22. Wyjście 2 AC
23. Wyjście DC 12 V (gniazdo zapalniczki)

WSKAZÓWKA: Kształt gniazda wyjściowego AC różni się zależnie od kraju.

MONTAŻ

▲PRZESTROGA: Podczas podłączania lub odłączania źródła zasilania należy mocno trzymać przetwornicę napięcia DC/AC oraz źródło zasilania. W przeciwnym razie urządzenia mogą wysunąć się z rąk, powodując obrażenia ciała lub uszkodzenie przetwornicy napięcia DC/AC i źródła zasilania.

▲PRZESTROGA: Przed rozpoczęciem pracy należy upewnić się, że przewód jest prawidłowo podłączony, a gniazdo zostało do końca wsunięte we wtyczkę.

Montowanie źródła zasilania

Model PDC1200

Przymocować źródło zasilania do przetwornicy napięcia DC/AC w sposób przedstawiony na rysunku.

▲PRZESTROGA: Należy upewnić się, że źródło zasilania zostało prawidłowo przymocowane do przetwornicy napięcia DC/AC. W przeciwnym razie może ono przypadkowo spaść z przetwornicy napięcia DC/AC i spowodować obrażenia u użytkownika lub znajdujących się w pobliżu osób. Jeśli widoczny jest czerwony wskaźnik pokazany na rysunku, źródło zasilania nie zostało w pełni zablokowane.

► Rys.2: 1. Czerwony wskaźnik

Aby zdemontować źródło zasilania, podnieść je, wciskając jednocześnie przycisk blokady.

► Rys.3: 1. Przycisk blokady

Model PDC01

Przymocować źródło zasilania do przetwornicy napięcia DC/AC w sposób przedstawiony na rysunku.

► Rys.4

Aby zdemontować źródło zasilania, wykonać procedurę montażu w odwrotnej kolejności.

Podłączanie źródła zasilania

1. Otworzyć zaślepkę wtyczki.
 2. Wyrównać symbol strzałki na gnieździe z symbolem na przetwornicy napięcia DC/AC, a następnie wsunąć gniazdo do końca we wtyczkę.
- Rys.5: 1. Zaślepka 2. Wtyczka (wejście) 3. Gniazdo 4. Symbol strzałki

UWAGA: Nie wsuwać gniazda na siłę. Jeśli gniazda nie można z łatwością wsunąć, oznacza to, że zostało włożone nieprawidłowo.

UWAGA: Podczas odłączania należy trzymać gniazdo, a nie przewody. W przeciwnym razie przewody mogą zostać uszkodzone, co może doprowadzić do awarii.

UWAGA: Gdy źródło zasilania nie jest podłączone, zaślepka wtyczki musi być zawsze dokładnie zamknięta. W przeciwnym razie do przetwornicy napięcia DC/AC mogą dostać się ciała obce i spowodować awarię.

Kieszeń na przewód

Przewód można włożyć do kieszeni na przewód w sposób przedstawiony na rysunku.

► Rys.6

Montaż walizki MAKPAC

Osprzęt dodatkowy

Przetwornicę napięcia DC/AC można przymocować do górnej lub dolnej części walizki MAKPAC w sposób pokazany na rysunku.

► Rys.7

▲PRZESTROGA: Należy upewnić się, że przetwornica napięcia DC/AC jest dobrze przymocowana do walizki MAKPAC czterema zatrzaskami. W przeciwnym razie urządzenie może spaść i spowodować obrażenia ciała.

OBSŁUGA

► Rys.8: 1. Przycisk zasilania

1. Nacisnąć przycisk zasilania znajdujący się na źródle zasilania, aby je włączyć.
2. Podłączyć urządzenie do odpowiedniego wyjścia.

W przypadku korzystania z wyjścia AC wybrać odpowiednią częstotliwość, naciskając i przytrzymując przycisk przełączania częstotliwości.

WSKAZÓWKA: Częstotliwość można zmienić tylko wtedy, gdy wyjście AC zostanie odłączone.

WSKAZÓWKA: Urządzenie zapamiętuje ustawienie częstotliwości. Po następnym uruchomieniu przetwornicy napięcia DC/AC obowiązywać będzie to samo ustawienie.

3. Nacisnąć przycisk wyjścia, które ma zostać użyte. Przetwornica napięcia DC/AC rozpocznie zasilanie urządzenia podłączonego do danego wyjścia, a przycisk aktywnego wyjścia zaświeci się.
4. Ponownie nacisnąć przycisk wyjścia, aby je odłączyć.
5. Nacisnąć przycisk zasilania znajdujący się na źródle zasilania, aby je wyłączyć.

UWAGA: Korzystanie z urządzenia, do uruchomienia którego wymagana jest duża moc, może okazać się niemożliwe, nawet jeśli wyjściowa moc przetwornicy napięcia DC/AC mieści się w zakresie wartości znamionowych.

UWAGA: Przetwornica napięcia DC/AC może nie zasilać niektórych urządzeń USB.

UWAGA: Przed podłączeniem urządzenia USB do przetwornicy napięcia DC/AC zawsze należy wykonać kopię zapasową danych z urządzenia USB.

UWAGA: Ładowanie źródła zasilania przetwornicy napięcia DC/AC przy użyciu dostępnych w sprzedaży powerbanków nie jest możliwe.

Interpretacja wartości wskaźnika mocy wyjściowej

► Rys.9

- Wskaźnik mocy wyjściowej świeci się zgodnie z generowaną mocą wyjściową.
- Gdy moc wyjściowa osiągnie wartość 1 400 W (VA), kontrolka przy wartości „1400” zaświeci się na czerwono. Kontrolka ta zacznie migać na czerwono, gdy dojdzie do przeciążenia przetwornicy napięcia DC/AC.

Włączanie/wyłączanie alarmu dźwiękowego

► Rys.10: 1. Przycisk sygnału dźwiękowego

Aby włączyć/wyłączyć alarm dźwiękowy, nacisnąć i przytrzymać przycisk sygnału dźwiękowego.

WSKAZÓWKA: Urządzenie zapamiętuje ustawienie alarmu dźwiękowego. Po następnym uruchomieniu przetwornicy napięcia DC/AC obowiązywać będzie to samo ustawienie.

Układ zabezpieczeń

Przetwornica napięcia DC/AC jest wyposażona w następujący układ zabezpieczeń.

Zabezpieczenie przed przeciążeniem

Każde wyjście jest zabezpieczone przed przeciążeniem w następujący sposób:

- **Wyjście AC**
Po wykryciu nadmiernej mocy przez przetwornicę napięcia DC/AC odłącza ona wszystkie wyjścia AC i emituje przerywany sygnał dźwiękowy.
- **Wyjście USB**
Po wykryciu nietypowo wysokiego natężenia prądu przez przetwornicę napięcia DC/AC odłącza ona wyjście USB, przez które płynie duży prąd.
- **Wyjście DC 12 V**
Po wykryciu nietypowo wysokiej wartości prądu przez przetwornicę napięcia DC/AC odłącza ona wyjście DC 12 V i emituje przerywany sygnał dźwiękowy.

Jeśli łączna moc wyjściowa w wyjściach AC, USB i DC 12 V przez określony czas będzie przekraczać znamionową moc wyjściową przetwornicy napięcia DC/AC, wszystkie wyjścia zostaną odłączone i emitowany będzie ciągły sygnał dźwiękowy. W takiej sytuacji należy wyłączyć źródło zasilania i zaprzestać wykonywania czynności powodującej przeciążenie przetwornicy napięcia DC/AC. Następnie należy włączyć źródło zasilania w celu ponownego uruchomienia.

WSKAZÓWKA: Gdy dojdzie do przeciążenia przetwornicy napięcia DC/AC, kontrolka wskaźnika mocy wyjściowej przy wartości „1400” miga na czerwono.

WSKAZÓWKA: Aby wyłączyć sygnał dźwiękowy, należy nacisnąć dowolny przycisk na panelu przełączników.

Zabezpieczenie przed przegrzaniem

W przypadku przegrzania przetwornicy napięcia DC/AC odłącza ona wszystkie wyjścia i emituje ciągły sygnał dźwiękowy. W takiej sytuacji przed ponownym włączeniem przetwornicy napięcia DC/AC należy odczekać, aż ostygnie.

Zabezpieczenie przed nadmiernym rozładowaniem

Gdy poziom naładowania źródła zasilania jest niski, emitowany jest przerywany sygnał dźwiękowy, a przycisk aktywnego wyjścia miga. W takiej sytuacji należy odłączyć źródło zasilania i naładować je.

Gdy poziom naładowania źródła zasilania jeszcze bardziej się obniży, wszystkie wyjścia zostaną odłączone.

KONSERWACJA

PRZESTROGA: Przed przystąpieniem do przeglądu lub konserwacji zawsze należy upewnić się, że źródło zasilania zostało zdemontowane.

UWAGA: Nie myć złączy wodą. Ryzyko awarii.

UWAGA: Od czasu do czasu należy przetrzeć powierzchnię tego produktu ściereczką zwilżoną wodą z mydłem.

UWAGA: Nie stosować benzyny, rozpuszczalników, alkoholu itp. środków. Mogą one powodować odbarwienia, odkształcenia lub pęknięcia.

W celu zachowania odpowiedniego poziomu BEZPIECZEŃSTWA i NIEZAWODNOŚCI produktu wszelkie naprawy i różnego rodzaju prace konserwacyjne lub regulacje powinny być przeprowadzane przez autoryzowany lub fabryczny punkt serwisowy narzędzi Makita, zawsze z użyciem oryginalnych części zamiennych Makita.

Czyszczenie

Jeśli przetwornica napięcia DC/AC zabrudzi się, należy ją przetrzeć suchą ściereczką lub ściereczką zwilżoną wodą z mydłem.

Filtr

PRZESTROGA: Po wyczyszczeniu filtra należy pamiętać o jego ponownym założeniu. Korzystanie z przetwornicy napięcia DC/AC bez filtra może skutkować awarią.

Zdjąć filtr, wyciągając go w sposób pokazany na rysunku.

Wypłukać filtr, a następnie go wysuszyć.

► **Rys.11:** 1. Filtr

Aby założyć filtr, wykonać czynności procedury zdejmowania w odwrotnej kolejności.

AKCESORIA OPCJONALNE

PRZESTROGA: Zaleca się stosowanie wymienionych akcesoriów i przystawek razem z narzędziem Makita opisanym w niniejszej instrukcji. Stosowanie innych akcesoriów lub przystawek może być przyczyną obrażeń ciała. Akcesoria lub przystawki należy wykorzystywać tylko zgodnie z ich przeznaczeniem.

W razie potrzeby wszelkiej pomocy i szczegółowych informacji na temat niniejszych akcesoriów udzieli Państwu lokalne punkty serwisowe Makita.

- Przenośna jednostka zasilająca
- Oryginalny akumulator i ładowarka firmy Makita
- MAKPAC

WSKAZÓWKA: Niektóre pozycje znajdujące się na liście mogą być dołączone do pakietu narzędziowego jako akcesoria standardowe. Mogą to być różne pozycje, w zależności od kraju.

RÉSZLETES LEÍRÁS

Típus:		BAC01
Névleges kimenet	Átalakító teljesítmény (PDC1200 használatakor)	Folyamatos watt: 1 400 W (VA) Csúcs watt: 2 800 W (VA)
	Váltóáramú aljzat *	Tiszta szinuszhullám 50 Hz vagy 60 Hz, 2 db. Feszültség: Leolvasható az áramátalakítón található jelzésről. (A kimeneti feszültség országtól függően változik.)
	USB-port	A Típusú: 5 V, 2,4 A, 2 db. C Típusú: USB-PD 30 W, 2 db.
	Szivargyújtó adaptere	12 V, 10 A, 1 db.
Üzemidő **	PDC1200 (1 000 W-tal)	56 min.
	PDC01 (750 W-tal, BL1860B x 2)	10 min.
Méretek (H x Sz x M) (Az összes akasztó behajtott helyzetében)		395 mm x 345 mm x 163 mm
Nettó tömeg (csak az áramátalakító)		7,3 kg

* Csak Brazília esetében

A feszültséget a váltóáramú aljzat közelében jelölik.

** Az üzemidők megközelítőek és az áramforrás típusától, a töltöttség szintjétől és a használati körülményektől függően eltérhetnek.

- Folyamatos kutató- és fejlesztőprogramunk eredményeként az itt felsorolt tulajdonságok figyelmeztetés nélkül megváltozhatnak.
- A tulajdonságok országról országra különbözhetnek.

Alkalmazandó áramforrás

Hordozható tápegység	PDC1200 / PDC01* * Az alkalmazandó akkumulátorok szakaszban leírt akkumulátorokat használja.
----------------------	---

- Lakóhelyétől függően előfordulhat, hogy a fent felsorolt áramforrások nem érhetőek el.
- Az áramforrás használata előtt olvassa el az utasítást és a rajta található figyelmeztető jeleket.

▲ FIGYELMEZTETÉS: Csak a fentiekben felsorolt áramforrásokat használja. Bármilyen más áramforrás használata sérülést és/vagy tüzet okozhat.

Alkalmazható akkumulátorok

Csak PDC01 esetén

MEGJEGYZÉS: PDC01 használatakor:

- Ha a kimeneti teljesítmény túllépi az itt szereplő 750 W (VA) értéket, az áramátalakító leállítja az áramszolgáltatást az akkumulátor védelmi rendszerének köszönhetően. Ilyenkor tartsa a kimeneti teljesítményt az itt szereplő 750 W (VA) értéken vagy alacsonyabban.
- A használati körülményektől függően az áramátalakító leállíthatja a kimenetet, ha a használatban lévő akkumulátor másik akkumulátorra vált. Ilyenkor azt a kimeneti gombot nyomja meg, amelynek a kimenetét újra szeretné indítani.
- Az áramátalakító használatához kettő vagy négy akkumulátor szükséges. Ha két akkumulátort használ, az egyiket az 1-es vagy a 2-es, a másikat pedig a 3-as vagy a 4-es akkumulátorportra csatlakoztassa.

Akkumulátor	BL1815N / BL1820B / BL1830B* / BL1840B* / BL1850B* / BL1860B* *: Javasolt akkumulátor
-------------	--

- Lakóhelyétől függően előfordulhat, hogy a fent felsorolt akkumulátorok nem érhetőek el.

▲ FIGYELMEZTETÉS: Csak a fentiekben felsorolt akkumulátorokat használja. Bármilyen más akkumulátor használata sérüléseket és/vagy tüzet okozhat.

Szimbólumok

A következőkben a berendezésen esetleg használt jelképek láthatók. A szerszám használata előtt bizonyosodjon meg arról hogy helyesen értelmezi a jelentésüket.



Olvassa el a használati utasítást.



Csak EU-tagállamok számára
Mivel a berendezésben veszélyes alkatrészek vannak, az elektromos és elektronikus berendezések, akkumulátorok és elemek hulladékaik negatív hatással lehetnek a környezetre és az emberi egészségre.



Ni-MH
Li-ion

Az elektromos és elektronikus készülékeket vagy akkumulátorokat ne dobja a háztartási szemébe!
Az elektromos és elektronikus berendezések hulladékaikról és az akkumulátorokról és elemekről, valamint az akkumulátorok és elemek hulladékáról szóló európai irányelvnek, valamint a nemzeti jogszabályokhoz történő adaptálásának megfelelően a használt elektromos berendezéseket, elemeket és akkumulátorokat külön kell tárolni, és a települési hulladék elkülönített gyűjtőhelyére kell szállítani a környezetvédelmi előírásoknak megfelelően. Ezt jelzi a berendezésen elhelyezett áthúzott kerek kuka szimbólum.

Rendeltetés

A berendezés a Makita hordozható tápegység áramának különböző kimenetekre történő konvertálására szolgál.

BIZTONSÁGI FIGYELMEZTETÉS

▲ FIGYELMEZTETÉS: Használat előtt ügyeljen arra, hogy elolvassa az áramátalakítóval használni kívánt termék használati utasítását.

Az áramátalakítóra vonatkozó biztonsági figyelmeztetések

- A jó teljesítmény és a hosszú élettartam biztosítása érdekében figyeljen arra, hogy megvédje az áramátalakítót a következő körülményektől.**
 - Maró gáz és folyadék
 - Só- és olajpára
 - Mechanikai ütés és rezgés
 - Magas páratartalom
 - Szélsőséges hőmérséklet (túl hideg vagy túl meleg)
A megfelelő környezeti hőmérsékleti tartomány -10 °C és 40 °C (14 °F és 104 °F) közé esik.

- Elektromágneses zaj (pl. elektromos hegesztőgép, nagy teljesítményű berendezések)
 - Radioaktív anyag
- Az áramátalakítót vízszintes, nem hullámos és stabil felületre helyezze.** Máskülönb leeshet, és baleset következhet be.
 - Az áramátalakító szállítása közben válassza le az áramforrást és a kimeneti porthoz csatlakoztatott összes készüléket.** Máskülönb leeshet, és baleset következhet be.
 - Az áramátalakító szállítása közben mindig mindkét kezével erősen fogja a hordozó fogantyút. Ne hordozza az áramátalakítót más részeinek megfogása révén.** Máskülönb leeshet, és baleset következhet be.
 - Ne használja az áramátalakítót nedves kézzel. Ne tegye ki az áramátalakítót esőnek vagy nedves körülményeknek.** Áramütésveszély. Az áramátalakító nem vízálló.
 - Ne dugjon fémtárgyakat, például gombostűket, drótokat vagy más apró fémtárgyakat az aljzatokba és a szellőzőnyílásokba.** Áramütésveszély.
 - Ne szerelje szét az áramátalakítót.** Áramütésveszély.
 - Az áramátalakítót ne érje erős ütés, például ne ejtsék le.** Az meghibásodást okozhat, ami áramütést eredményezhet.
 - Ellenőrizze, hogy nincsenek-e hibás beállítások vagy beragadt mozgó részek, eltört részek, vagy bármilyen körülmény, amely befolyásolhatja a működést. Ha sérülést észlel, használat előtt javíttassa meg a készüléket.** A rosszul karbantartott berendezések számos balesetet okoznak.
 - Mindig a megfelelő váltóáramú frekvenciára állítsa.** Máskülönb meghibásodás történhet, ami sérüléshez vezet.
 - Ne működtesse az áramátalakítót robbanásveszélyes környezetben, például gyúlékony folyadékok, gázok vagy por jelenlétében.** Már egy kisebb mennyiségű statikus töltés vagy szikra is meggyújthatja a port vagy a gázokat, ami tüzet vagy robbanást okozhat.
 - Ne engedje, hogy bármi elfedje vagy eltömtse a szellőzőnyílásokat. Ott használja az áramátalakítót, ahol semmi sem akadályozza a szellőzőnyílást.** Az meghibásodást vagy tüzet okozhat.
 - Ügyeljen arra, hogy működés közben ne botoljon meg a kábelben. A kábelt tegye a kábeltartó zsebbe.**
 - Ne használja az áramátalakítót orvosi berendezésekhez.** A váratlan meghibásodás balesetet okozhat.

15. A tűz, a túlzott hő, a robbanás, az elektrolitszivárgás, az áramütés vagy a sérülés veszélyének csökkentése érdekében tartsa be az alábbi óvintézkedéseket.
 - Ne csatlakoztasson olyan készüléket, amely túllépi az áramátalakító névleges kimenetét.
 - Ne csatlakoztassa közvetlenül az általános váltóáramú hálózathoz.
16. Az áramátalakítót beltéren, jól szellőző, alacsony páratartalmú helyen tárolja.
17. Tároláskor tartsa az áramátalakítót gyermekek elől elzárva. Máskülönbén súlyos esemény következhet be.
18. Ne lépjen rá az áramátalakítóra. Továbbá arra is fordítson figyelmet, hogy amikor MAKPAC-kal vagy áramforrással telepíti, ne érje erős ütés az áramátalakítót. Ha így tesz, az meghibásodást vagy személyi sérülést okozhat.
19. A váltóáramú kimeneten a földelőcsatlakozó aljzatban nincs feszültség és áram. Ez a termék nem igényel váltóáramú készülékföldelést, mivel nem kapcsolódik az általános váltóáramú hálózathoz.

Akkumulátorról működő készülékre vonatkozó biztonsági figyelmeztetések

Akkumulátorról működő készülék használata és karbantartása

1. Akadályozza meg a szerszám véletlenszerű elindulását. Az akkumulátorhoz való csatlakoztatás, illetve a készülék felemelése vagy szállítása előtt ellenőrizze, hogy a kapcsoló kikapcsolt helyzetben van. A készülék szállítása a kapcsológombon tartott ujjal vagy a készülék áram alá helyezése bekapcsolt kapcsoló mellett balesetekhez vezet.
2. Csatlakoztassa le az akkumulátort a készülékről, mielőtt bármilyen beállítást vagy tartozékcsereét végezne el rajta, illetve mielőtt tárolja. Az ilyen biztonsági óvintézkedések csökkentik a készülék véletlen bekapcsolásának veszélyét.
3. Csak a gyártó által meghatározott töltővel tölts fel az akkumulátort. Egy bizonyos akkumulátortípushoz használható töltő más akkumulátortípussal való használata tűzveszélyt idézhet elő.
4. A készülékeket kizárólag a meghatározott akkumulátorokkal használja. Egyéb akkumulátorok használata sérülést vagy tüzet okozhat.
5. Amikor az akkumulátort nem használja, tartsa távol a többi fémtárgytól, például iratkapcsoktól, érméktől, kulcsoktól, szögektől, csavaroktól vagy egyéb olyan apró fémtárgyaktól, amelyek összeköttetést hozhatnak létre a pólusok között. Az akkumulátor pólusainak rövidre zárása égési sérüléseket vagy tüzet okozhat.

6. Helytelen működtetés esetén az akkumulátorból folyadék kerülhet ki; kerülje az ezzel való érintkezést. Ha véletlenül mégis érintkezésbe kerül a folyadékkal, mossa le azt vízzel. Ha a folyadék szemébe jut, azonnal forduljon orvoshoz segítségért. Az akkumulátorból származó folyadékok irritációt és égéseket okozhat.
7. Ne használjon sérült vagy módosított akkumulátort vagy készüléket. A sérült vagy módosított akkumulátorok váratlan módon viselkedhetnek, melynek következtében tüzet, robbanást vagy sérülést okozhatnak.
8. Ne tegye ki az akkumulátort vagy a készüléket nyílt lángnak vagy túlzott hőhatásnak. A tűz hatása és a 130 °C feletti hőmérséklet robbanást okozhat.
9. A töltésre vonatkozó minden utasítást tartson be, ne töltsse az akkumulátort vagy a készüléket a megadott hőmérséklet tartományon kívül. A nem megfelelő módú és nem megfelelő hőmérsékleten történő töltés az akkumulátor károsodásával járhat, valamint tüzet okozhat.
10. A szervizelést bizza eredeti pótalkatrészeket használó képzett javítószemélyzetre. Ezzel biztosítja, hogy a termék biztonsága fennmaradjon.
11. Ne módosítsa vagy próbálja megjavítani a készüléket vagy az akkumulátort, kivéve a használati és karbantartási utasításban feltüntetett eseteket.

Fontos biztonsági utasítások az akkumulátorra vonatkozóan

1. Az akkumulátor használata előtt tanulmányozza át az akkumulátortólton (1), az akkumulátoron (2) és az akkumulátorral működtetett terméken (3) olvasható összes utasítást és figyelmeztető jelzést.
2. Ne szerelje szét és ne módosítsa az akkumulátort. Tüzet, túlzott hőt vagy robbanást okozhat.
3. Ha a működési idő nagyon lerövidült, azonnal hagyja abba a használatot. Ez a túlmelegedés, esetleges égések és akár robbanás veszélyével is járhat.
4. Ha elektrólit kerül a szemébe, mossa ki azt tiszta vízzel és azonnal kérjen orvosi segítséget. Ez a látásának elvesztését okozhatja.
5. Ne zárja rövidre az akkumulátort:
 - (1) Ne érjen az érintkezőkhöz elektromosan vezető anyagokkal.
 - (2) Ne tárolja az akkumulátort más fémtárgyakkal, mint pl. szegekkel, érmekkel, stb. egy helyen.
 - (3) Ne tegye ki az akkumulátort víznek vagy esőnek.
 Az akkumulátor rövidzárlata nagy áramerősséget, túlmelegedést, égéseket, sőt akár meghibásodást is okozhat.
6. Ne tárolja és használja a készüléket vagy az akkumulátort olyan helyen, ahol a hőmérséklet elérheti vagy meghaladhatja az 50 °C-t (122 °F).
7. Ne égesse el az akkumulátort még akkor sem, ha az komolyan megsérült vagy teljesen elhasználódott. Az akkumulátor a tűzben felrobbanhat.

8. **Ne szúrja meg, ne vágja meg, ne törje össze, ne dobja el és ne ejtse le az akkumulátort, illetve ne üsse hozzá kemény tárgyhoz.** Az ilyen magatartás tüzet, túlzott hőt vagy robbanást okozhat.
9. **Ne használjon sérült akkumulátort.**
10. **A készülékben található lítium-ion akkumulátorokra a veszélyes árukkal kapcsolatos előírások vonatkoznak.**

A termék pl. harmadik felek, fuvarozó cégek stb. által történő szállítása esetén minden esetben tartsa szem előtt a csomagoláson és a címkén található speciális követelményeket.

A termék szállításra történő felkészítése esetén vegye fel a kapcsolatot egy veszélyes anyagokkal foglalkozó szakemberrel. Kérjük, hogy az esetlegesen szigorúbb nemzeti előírásokat is vegye figyelembe.

Ragasza le a kiálló érintkezőket, illetve oly módon csomagolja be az akkumulátort, hogy az ne tudjon elmozdulni a csomagolásban.
11. **Az akkumulátor ártalmatlanításakor vegye ki azt a készülékből, és ártalmatlanítsa egy biztonságos helyen. Az akkumulátor ártalmatlanításakor tartsa be a helyi előírásokat.**
12. **Az akkumulátorokat csak a Makita által megjelölt termékekhez használja.** Ha az akkumulátorokat azokkal nem kompatibilis termékekbe helyezi, az tűzhez, túlmelegedéshez, robbanáshoz vagy elektrolitszivárgáshoz vezethet.
13. **Ha a készülék hosszabb ideig nincs használatban, az akkumulátort ki kell venni a készülékből.**
14. **Használat közben és után az akkumulátor felforrósodhat, ami égési sérülést vagy alacsony hőmérsékletű égési sérülést okozhat. Figyeljen oda a forró akkumulátor kezelésére.**
15. **Ne érintse meg a készülék érintkezőjét közvetlenül a használat után, mert elég forró lehet ahhoz, hogy égési sérüléseket okozzon.**
16. **Ne engedje, hogy forgács, por vagy sár tapadjon az akkumulátor érintkezőire, lyukaiba és hornyaiiba.** Az a készülék vagy az akkumulátor gyenge teljesítményét vagy meghibásodását okozhatja.
17. **Hacsak a készülék nem támogatja a nagyfeszültségű elektromos vezetékek közelében történő használatot, ne használja az akkumulátort nagyfeszültségű elektromos vezetékek közelében.** Az a készülék vagy az akkumulátor hibás működését vagy meghibásodását okozhatja.
18. **Tartsa távol a gyermekektől az akkumulátort.**

ŐRIZZE MEG EZEKET AZ UTASÍTÁSOKAT.

⚠ VIGYÁZAT: Csak eredeti Makita akkumulátorokat használjon. A nem eredeti Makita akkumulátorok vagy módosított akkumulátorok használata esetén az akkumulátor felrobbanhat, ami tüzet, személyi sérülést és anyagi kárt okozhat. A Makita készülékekre és töltőre vonatkozó Makita garanciát is érvénytelenítheti.

Tippek az akkumulátor maximális élettartamának eléréséhez

1. **Töltse fel az akkumulátort, mielőtt teljesen lemerülne.** Mindig állítsa le a készülék működését, és töltse fel az akkumulátort, ha a készülék teljesítményének csökkenését észleli.
2. **Soha ne töltse újra a teljesen feltöltött akkumulátort.** A túltöltés csökkenti az akkumulátor élettartamát.
3. **Töltse az akkumulátort szobahőmérsékleten, 10 °C - 40 °C (50 °F - 104 °F) között.** Töltés előtt hagyja lehűlni a fölforrósodott akkumulátort.
4. **Ha nem használja az akkumulátort, vegye ki a készülékből vagy a töltőből.**
5. **Töltse fel az akkumulátort, ha hosszabb ideje (több mint hat hónapja) nem használta azt.**

ALKATRÉSZEK LEÍRÁSA

► Ábra1

1. Kapcsolópanel
2. Rugós retesz
3. Kimeneti panel
4. Hordozó fogantyú
5. Szellőzőnyílás
6. A akasztó
7. B akasztó
Csak a PDC1200-zal használja.
8. C akasztó
Csak a PDC01-gyel használja.
9. Csatlakozódugó (bemenet)
10. Kábeltartó zseb
11. USB-kimeneti gomb
12. Váltóáramú kimeneti gomb
13. Frekvenciaváltó gomb
14. 12 V-os egyenáramú kimeneti gomb
15. Sípoló hangjelző gomb
16. Kimeneti jelzőfény
Olvassa el a kimeneti jelzőfény értelmezését bemutató szakaszt.
17. 1. A típusú USB-kimenet
18. 2. A típusú USB-kimenet
19. 1. C típusú USB-kimenet
20. 2. C típusú USB-kimenet
21. 1. Váltóáramú kimenet
22. 2. Váltóáramú kimenet
23. 12 V-os egyenáramú kimenet (szivargyújtó adapteréhez)

MEGJEGYZÉS: A váltóáramú aljzat alakja országonként változik.

ÖSSZESZERELÉS

▲VIGYÁZAT: Tartsa erősen az áramátalakítót és az áramforrást az áramforrás telepítése és eltávolítása közben. Ennek elmulasztása miatt azok kicsúszhatnak a kezéből, és az személyi sérüléshez vagy az áramátalakító és az áramforrás károsodásához vezethet.

▲VIGYÁZAT: Használat előtt győződjön meg róla, hogy a kábel megfelelő módon helyezkedik-e el, és az aljzatot teljesen bedugták-e a csatlakozódugóba.

Az áramforrás beszerelése

PDC1200 esetén

Csatlakoztassa az áramforrást az áramátalakítóhoz az ábrán látható módon.

▲VIGYÁZAT: Győződjön meg róla, hogy az áramforrást biztonságosan helyezte be az áramátalakítóba. Ellenkező esetben a véletlenül kieshet az áramátalakítóból, és önnel vagy a környezetében tartózkodóknak sérülést okozhat. Ha látható a piros jel az ábrán látható módon, akkor az áramforrás nem rögzült teljesen.

► **Ábra2:** 1. Piros jel

Az áramforrás eltávolításakor emelje fel az áramforrást a zörgombot lefelé nyomva.

► **Ábra3:** 1. Zörgomb

PDC01 esetén

Csatlakoztassa az áramforrást az áramátalakítóhoz az ábrán látható módon.

► **Ábra4**

Az áramforrás eltávolításához kövesse a felszerelési eljárást fordított sorrendben.

Az áramforrás bekötése

1. Nyissa ki a csatlakozódugó sapkáját.
2. Igazítsa az aljzaton lévő nyíl jelet az áramátalakítón lévőhöz, majd nyomja be az aljzatot a csatlakozódugóba ütközésig.

► **Ábra5:** 1. Sapka 2. Csatlakozódugó (bemenet) 3. Aljzat 4. Nyíl jel

MEGJEGYZÉS: Ne nyomja erőltetve az aljzatot. Ha az aljzatot nem lehet könnyedén benyomni, akkor nem megfelelően lett behelyezve.

MEGJEGYZÉS: A kihúzása közben ne a kábeleket fogja, hanem az aljzatot. Máskülönb a kábelek megsérülhetnek, ami meghibásodást okozhat.

MEGJEGYZÉS: Mindig szorosan zárja be a csatlakozódugó sapkáját, amikor az áramforrás nincs bedugva. Ellenkező esetben idegen anyag kerülhet az áramátalakítóba, ami meghibásodást okozhat.

Kábeltartó zseb

A kábelt az ábrán látható módon teheti a kábeltartó zsebbe.

► **Ábra6**

A MAKPAC telepítése

Opcionális kiegészítők

Az áramátalakítót a MAKPAC tetejéhez vagy aljához csatlakoztathatja az ábrán látható módon.

► Ábra7

⚠ VIGYÁZAT: Ügyeljen rá, hogy az áramátalakító biztonságosan rögzüljön a MAKPAC-hoz a négy rugós retesz segítségével. Máskülönben leeshet, ami balesetet és személyi sérülést okozhat.

MŰKÖDTETÉS

► Ábra8: 1. Be-/kikapcsoló gomb

1. A bekapcsolásához nyomja meg az áramforrás be-/kikapcsoló gombját.
2. Csatlakoztassa a berendezését a megfelelő kimenetre.

A váltóáramú kimenet használatakor válassza ki a megfelelő frekvenciát a frekvenciaváltó gombot hosszan nyomva tartva.

MEGJEGYZÉS: A frekvencia csak akkor lesz kiválasztható, amikor a váltóáramú kimenet leáll.

MEGJEGYZÉS: A frekvencia a beállításait megjegyzi. A következő alkalommal az áramátalakító ugyanazzal a beállítással fog elindulni.

3. Azt a kimeneti gombot nyomja meg, amelyiket használni szeretné.
Az áramátalakító elindítja a kimenetet, és a munkahe-lyen a kimeneti gomb kigyullad.
4. A leállításához nyomja meg újra a kimeneti gombot.
5. A kikapcsolásához nyomja meg az áramforrás be-/kikapcsoló gombját.

MEGJEGYZÉS: Előfordulhat, hogy nem tud olyan készüléket használni, amelyek a beindításához nagy teljesítményre van szükség, még akkor sem, ha az áramátalakító teljesítménye a névleges teljesítménytartományon belül marad.

MEGJEGYZÉS: Előfordulhat, hogy az áramátalakító egyes USB-eszközöket nem tud árammal ellátni.

MEGJEGYZÉS: Mindig mentse el az USB-eszköz adatait, mielőtt az USB-eszközt az áramátalakítóhoz csatlakoztatja.

MEGJEGYZÉS: Az áramforrást nem lehet az áramátalakítóval tölteni a kereskedelmi forgalomban kapható külső akkumulátorok segítségével.

A kimeneti jelzőfény értelmezése

► Ábra9

- A kimeneti jelzőfény a kimenő teljesítménynek megfelelően világít.
- Amikor a kimeneti teljesítmény eléri az 1 400 W (VA) értéket, a lámpa az „1400” értéken pirosan kigyullad. Ez a lámpa pirosan kezd villogni, amikor az áramátalakító túlterhelődik.

A hangjelző be-/kikapcsolása

► Ábra10: 1. Sípoló hangjelző gomb

A sípoló hangjelzés be-/kikapcsolásához hosszan nyomja meg a sípoló hangjelző gombot.

MEGJEGYZÉS: A hangjelző a beállításait megjegyzi. A következő alkalommal az áramátalakító ugyanazzal a beállítással fog elindulni.

Védelmi rendszer

Az áramátalakítót az alábbi védelmi rendszerrel látták el.

Túlterhelésvédelem

Minden kimeneten az alábbi szerinti túlterhelésvédelem van:

- **Váltóáramú kimenet**
Amikor az áramátalakító túlzott teljesítményt érzékel, szakaszosan sípoló hangjelzés mellett leállít minden váltóáramú kimenetet.
- **USB-kimenet**
Amikor az áramátalakító rendellenesen magas áramot érzékel, lekapcsolja azt az USB-kimenetet, amelyen a magas áram folyik át.
- **12 V-os egyenáramú kimenet**
Amikor az áramátalakító rendellenesen magas áramot érzékel, szakaszosan sípoló hangjelzés mellett leállítja a 12 V-os egyenáramú kimenetet.

Ha a váltóáramú, USB- és a 12 V-os egyenáramú kimenet összteljesítménye egy bizonyos időtartam alatt meghaladja az áramátalakító névleges kimeneti teljesítményét, az összes kimenet folyamatosan sípoló hangjelzés mellett leáll. Ilyenkor kapcsolja ki az áramforrást, és állítsa le azt az alkalmazást, amely az áramátalakító túlterhelését okozta. Az újraindításához kapcsolja be az áramforrást.

MEGJEGYZÉS: Amikor az áramátalakító túlterheltté válik, a kimeneti jelzőfény „1400” lámpája pirosan kezd villogni.

MEGJEGYZÉS: A sípoló hang megszűnik, ha megnyomja bármelyik gombot a kapcsolópanelen.

Túlmelegedés elleni védelem

Amikor az áramátalakító túlmelegszik, folyamatosan sípoló hangjelzés mellett leállít minden kimenetet. Ilyenkor hagyja lehűlni az áramátalakítót, mielőtt ismét bekapcsolná.

Mélykisütés elleni védelem

Amikor az áramforrás maradék kapacitása alacsonnyá válik, szakaszosan sípoló hangjelzés hallatszik, és a kimeneti gomb a munkahelyen villog. Ebben az esetben távolítsa el az áramforrást, és töltsse fel.

Amikor az áramforrás maradék kapacitása még alacsonyabbá válik, minden kimenet leáll.

KARBANTARTÁS

⚠ VIGYÁZAT: Mindig ellenőrizze, hogy az áramforrás el legyen távolítva, mielőtt átvizsgálást vagy karbantartást hajtana végre.

MEGJEGYZÉS: Ne mossa a csatlakozót vízzel. Meghibásodásveszély.

MEGJEGYZÉS: Időnként törölje át szappanos vízzel megnedvesített kendővel a termék felületét.

MEGJEGYZÉS: Soha ne használjon gázolajt, benzint, hígítót, alkoholt vagy hasonló anyagokat. Ezek elszíneződést, alakvesztést vagy repedést okozhatnak.

A termék BIZTONSÁGÁNAK és MEGBÍZHATÓSÁGÁNAK fenntartása érdekében a javításokat és más karbantartásokat vagy beállításokat a Makita hivatalos vagy gyári szervizközpontjában kell elvégezni, mindig csak Makita cserealkatrészeket használva.

Tisztítás

Ha az áramátalakító koszos, törölje át száraz vagy szappanos vízzel megnedvesített kendővel.

Szűrő

⚠ VIGYÁZAT: A szűrőt a tisztítást követően **mindenképpen helyezze vissza**. Ha az áramátalakítót a szűrő nélkül működtetik, az meghibásodást eredményezhet.

Távolítsa el a szűrőt úgy, hogy kihúzza az ábrán látható módon.

Mossa meg a szűrőt, majd szárítsa meg.

► **Ábra11:** 1. Szűrő

A szűrő felszerelésekor kövesse a leszerelési eljárást fordított sorrendben.

OPCIONÁLIS KIEGÉSZÍTŐK

⚠ VIGYÁZAT: Ezen kiegészítőket és tartozékokat javasoljuk a kézikönyvben ismertetett Makita szerszámhoz. Bármilyen más kiegészítő vagy tartozék használata a személyi sérülés kockázatával jár. A kiegészítőt vagy tartozékot csak rendeltetésszerűen használja.

Ha bármilyen segítségre vagy további információkra van szüksége ezekkel a tartozékokkal kapcsolatban, keresse fel a helyi Makita Szervizközpontot.

- Hordozható tápegység
- Eredeti Makita akkumulátor és töltő
- MAKPAC

MEGJEGYZÉS: A listán felsorolt néhány kiegészítő megtalálható az eszköz csomagolásában standard kiegészítőként. Ezek országonként eltérőek lehetnek.

TECHNICKÉ ŠPECIFIKÁCIE

Model:		BAC01
Menovitý výstupný výkon	Výkon meniča (Ak sa používa PDC1200)	Nepretržitý výkon vo wattoch: 1 400 W (VA) Max. výkon vo wattoch: 2 800 W (VA)
	Výstup striedavého prúdu *	Čistá sínusová krivka 50 Hz alebo 60 Hz, 2 ks. Napätie: Pozrite si údaje na výkonovom meniči. (Výstupné napätie sa líši v závislosti od danej krajiny.)
	Port USB	Typ A: 5 V, 2,4 A, 2 ks. Typ C: USB-PD 30 W, 2 ks.
	Adaptér na zapaľovač cigariet	12 V, 10 A, 1 ks.
Prevádzkový čas **	PDC1200 (Pri 1 000 W)	56 min.
	PDC01 (Pri 750 W, BL1860B x 2)	10 min.
Rozmery (D x Š x V) (So všetkými hákmi v sklopenej polohe)		395 mm x 345 mm x 163 mm
Čistá hmotnosť (Len výkonový menič)		7,3 kg

* Len pre Brazíliu

Napätie je vyznačené v blízkosti výstupu striedavého prúdu.

** Hodnoty prevádzkových časov sú približné a môžu sa líšiť v závislosti od typu zdroja napájania, stavu nabitia a podmienok používania.

- Vzhľadom k neustálemu výskumu a vývoju podliehajú technické údaje uvedené v tomto dokumente zmenám bez upozornenia.
- Technické údaje sa môžu pre rôzne krajiny líšiť.

Použiteľný zdroj napájania

Prenosný napájací zdroj	PDC1200 / PDC01* * Používajte akumulátory opísané v časti pre použiteľné akumulátory.
-------------------------	--

- Niektoré zdroje napájania uvedené vyššie nemusia byť dostupné v závislosti od miesta vášho bydliska.
- Pred použitím zdroja napájania si prečítajte pokyny a na nich uvedené označenia s upozornením.

VAROVANIE: Používajte iba zdroje napájania uvedené vyššie. Používanie akýchkoľvek iných zdrojov napájania môže spôsobiť zranenie a/alebo požiar.

Použiteľné akumulátory

Iba pre model PDC01

UPOZORNENIE: Ak sa používa model PDC01:

- Ak výstupný výkon prekročí 750 W (VA), výkonový menič vypne napájanie v dôsledku aktivácie systému ochrany akumulátora. V takom prípade udržiavajte výstupný výkon na úrovni 750 W (VA) alebo nižšej.
- V závislosti od podmienok používania môže výkonový menič zastaviť výstupný výkon, ak sa používaná batéria prepne na inú batériu. V takejto situácii stlačte požadované tlačidlo výstupného výkonu na reštartovanie výstupného výkonu.
- Na používanie výkonového meniča sú potrebné dva alebo štyri akumulátory. Pri použití dvoch akumulátorov nainštalujte jeden z nich do portu akumulátora 1 alebo 2 a druhý do portu akumulátora 3 alebo 4.

Akumulátor	BL1815N / BL1820B / BL1830B* / BL1840B* / BL1850B* / BL1860B* *: Odporúčany akumulátor
------------	---

- Niektoré vyššie uvedené akumulátory môžu byť nedostupné v závislosti od miesta vášho bydliska.

VAROVANIE: Používajte iba akumulátory zo zoznamu uvedeného vyššie. Používanie akýchkoľvek iných akumulátorov môže spôsobiť zranenie a/alebo požiar.

Symboly

Nižšie sú uvedené symboly, ktoré sa môžu používať pri tomto nástroji. Je dôležité, aby ste poznali ich význam, skôr než začnete pracovať.



Prečítajte si návod na obsluhu.



Len pre štáty EÚ
Z dôvodu prítomnosti nebezpečných komponentov v zariadení môžu mať odpad z elektrických a elektronických zariadení, použité akumulátory a batérie negatívny vplyv na životné prostredie a ľudské zdravie.



Elektrické a elektronické zariadenia alebo akumulátory nelikvidujte spolu s komunálnym odpadom!
V súlade s európskou smernicou o odpade z elektrických a elektronických zariadení, o akumulátoroch a batériách a odpade z akumulátorov a batérií, ako aj v súlade s prispôbenými vnútroštátnymi právnymi predpismi by sa odpad z elektrických a elektronických zariadení a akumulátory a batérie mali uskladovať osobitne a odovzdávať na samostatnom zbernom mieste pre komunálny odpad, ktoré sa prevádzkuje v súlade s predpismi na ochranu životného prostredia. Označuje to symbol preškrtnutej smetnej nádoby na zariadení.

Určené použitie

Toto zariadenie je určené na konvertovanie výkonu prenosných napájacích zdrojov od spoločnosti Makita na rôzne výstupné výkony.

BEZPEČNOSTNÉ VAROVANIA

VAROVANIE: Pred použitím si prečítajte návod na používanie svojho produktu, ktorý budete používať s týmto výkonom meničom.

Bezpečnostné varovania pre výkonový menič

1. Na zabezpečenie správneho výkonu a dlhodobej prevádzkovej životnosti zariadenia chráňte výkonový menič a nevystavujte ho nasledujúcim podmienkam.
 - Korozívne plyny a kvapaliny
 - Slané a olejové aerosóly
 - Mechanické nárazy a vibrácie
 - Vysoká vlhkosť
 - Extrémne teploty (príliš nízka alebo príliš vysoká teplota)Vhodná teplota okolitého prostredia je v rozmedzí -10 °C až 40 °C (14 °F až 104 °F).

- Elektromagnetický šum (napr. elektrické zväracie stroje, vysokonapäťové zariadenia)
 - Rádioaktívny materiál
2. **Položte výkonový menič na horizontálny stabilný povrch bez nerovnosti.** V opačnom prípade môže dôjsť k pádu.
 3. **Pri prenášaní výkonového meniča odpojte zdroj napájania a všetky zariadenia pripojené k výstupnému portu.** V opačnom prípade môže dôjsť k pádu.
 4. **Pri prenášaní výkonového meniča vždy pevne držte rukoväti na prenášanie obomi rukami. Pri prenášaní nedržte výkonový menič za žiadnu inú časť.** V opačnom prípade môže dôjsť k pádu.
 5. **Nepoužívajte výkonový menič s mokrymi rukami. Výkonový menič nevystavujte účinkom dažďa alebo vlhkého prostredia.** Hrozí riziko zásahu elektrickým prúdom. Výkonový menič nie je vodotesný.
 6. **Nedávajte do výstupov a vzduchových priechodov žiadne kovové predmety, ako sú napríklad sponky, drôty alebo iné malé kovové predmety.** Hrozí riziko zásahu elektrickým prúdom.
 7. **Výkonový menič nerozoberajte.** Hrozí riziko zásahu elektrickým prúdom.
 8. **Výkonový menič nevystavujte silným nárazom, napríklad pádu.** Môže dôjsť k poruche a následnému zásahu elektrickým prúdom.
 9. **Skontrolujte, či nedošlo k vyoseniu alebo ohnutiu pohyblivých častí, prasklínam a akýmkoľvek iným poruchám, ktoré by mohli mať vplyv na používanie tohto zariadenia. Ak je produkt poškodený, nechajte ho pred používaním opraviť.** Príčinou mnohých nehôd je nedostatočná údržba zariadenia.
 10. **Zariadenie vždy nastavte na správnu frekvenciu striedavého prúdu.** V opačnom prípade môže dôjsť k poruche s zranením.
 11. **Výkonový menič nepoužívajte vo výbušnom prostredí, napr. v prítomnosti horľavých kva-palín, plynov alebo prachu.** Malý statický výboj alebo iskra môžu spôsobiť vznietenie prachu alebo výparov a následný požiar alebo explóziu.
 12. **Zabráňte upchatiu alebo prekrytiu vzduchových priechodov. Výkonový menič používajte tak, aby nič neblokovalo vzduchové priechody.** Môže to spôsobiť poruchu alebo požiar.
 13. **Dávajte pozor, aby ste počas prevádzky neza-kopli o kábel. Vložte kábel do priehradky na kábel.**
 14. **Nepoužívajte výkonový menič pre zdravot-nické zariadenia.** Neočakávaná porucha môže viesť k nehode.
 15. **Na elimináciu rizika požiaru, nadmerného tepla, explózie, úniku elektrolytu, zásahu elek-trickým prúdom alebo poranenia dodržiavajte nasledujúce bezpečnostné opatrenia.**
 - Nepripájajte zariadenia, ktorých menovitý výstupný výkon presahuje hodnoty výko-nového meniča.

- **Nepripájajte priamo k všeobecnej energetickej sieti so striedavým prúdom.**
- 16. **Výkonový menič skladujte v interiéri na dobre vetranom mieste s nízkou vlhkosťou.**
- 17. **Výkonový menič pri skladovaní udržiavajte mimo dosahu detí.** V opačnom prípade môže dôjsť k vážnej nehode.
- 18. **Na výkonový menič nestrupajte. Taktiež dávajte pozor, aby ste výkonový menič nevystavili silnému nárazu pri jeho inštalácii s adaptérom MAKPAK alebo zdrojom napájania.** Mohlo by to spôsobiť poruchu alebo poranenie osôb.
- 19. **V otvore na uzemňovací kolík na výstupe striedavého prúdu nie je žiadne napätie ani prúd.** Tento výrobok nevyžaduje uzemnenie spotrebiča so striedavým prúdom, pretože nie je pripojený k všeobecnej energetickej sieti so striedavým prúdom.
- 8. **Akumulátor ani spotrebič nevystavujte ohňu či nadmernej teplote.** Vystavenie ohňu alebo teploty nad 130 °C môže spôsobiť výbuch.
- 9. **Dotržiavajte všetky pokyny pre nabíjanie a akumulátor ani spotrebič nenabíjajte v prípade prekročenia teplotného rozsahu uvedeného v návode.** Nesprávne nabíjanie alebo nabíjanie pri teplotách mimo uvedeného rozsahu môže spôsobiť poškodenie akumulátora a zvýšiť riziko požiaru.
- 10. **Servis nechajte vykonať kvalifikovaným pracovníkom s použitím výhradne identických náhradných dielov.** Tým zaistíte zachovanie bezpečnosti výrobku.
- 11. **Spotrebič ani akumulátor neupravujte ani sa nepokúšajte opravovať, okrem postupovania podľa pokynov na používanie a starostlivosť.**

Bezpečnostné varovania pre spotrebič napájaný z akumulátora

Používanie a starostlivosť o spotrebič napájaný z akumulátora

1. **Zabráňte neúmyselnému spusteniu.** Pred pripojením akumulátora a zdvíhaním alebo prenášaním spotrebiča prepnite vypínač do vypnutej polohy. Prenášaním spotrebiča s prstom na vypínači alebo pripájaním spotrebiča k napájaniu so zapnutým vypínačom sa zvyšuje riziko úrazu.
2. **Pred vykonaním akýchkoľvek úprav, výmenou príslušenstva alebo skladovaním spotrebiča odpojte akumulátor od spotrebiča.** Takéto preventívne bezpečnostné opatrenia znížia nebezpečenstvo náhodného spustenia spotrebiča.
3. **Nabíjajte iba nabíjačkou určenou výrobcom.** Nabíjačka vhodná pre jeden typ akumulátora môže pri inom type akumulátora spôsobiť riziko vzniku požiaru.
4. **Spotrebič používajte iba s určeným typom akumulátora.** Pri použití akýchkoľvek iných akumulátorových jednotiek vzniká riziko poranenia alebo požiaru.
5. **Keď sa akumulátor práve nepoužíva, skladujte ho mimo iných kovových predmetov ako sponky, mince, kľúče, klince, skrutky alebo iné malé kovové predmety, ktoré by mohli kontakty akumulátora skratovať.** Skratovanie kontaktov akumulátora môže spôsobiť popálenie alebo požiar.
6. **Pri nevhodných podmienkach môže z akumulátora vytekať tekutina.** Nedotýkajte sa jej. Pri náhodnom kontakte ju opláchnite vodou. Ak kvapalina zasiahne oči, vyhľadajte lekársku pomoc. Kvapalina, ktorá vytekla z akumulátora, môže spôsobiť podráždenie alebo popálenie.
7. **Nepoužívajte akumulátor alebo spotrebič, ktoré sú poškodené alebo upravované.** Fungovanie poškodených alebo upravovaných akumulátorov ťažko predvídať a môžu zapríčiniť požiar, výbuch alebo zranenie.
1. **Pred použitím akumulátora si prečítajte všetky pokyny a výstavné označenia na (1) nabíjačke akumulátorov, (2) akumulátore a (3) produkte používajúcom akumulátor.**
2. **Akumulátor nerozoberajte ani s ním neodborne nemanipulujte.** Môže to viesť k požiaru, nadmernému teplu alebo výbuchu.
3. **Ak sa doba prevádzky príliš skráti, ihneď prerušte prácu.** Môže nastať riziko prehriatia, možných popálení či dokonca explózie.
4. **V prípade zasiahnutia oči elektrolytom ich vypláchnite čistou vodou a okamžite vyhľadajte lekársku pomoc.** Môže dôjsť k strate zraku.
5. **Akumulátor neskratujte:**
 - (1) **Nedotýkajte sa konektorov žiadnym vodivým materiálom.**
 - (2) **Neskladujte akumulátor v obale s inými kovovými predmetmi, napríklad klincami, mincami a pod.**
 - (3) **Akumulátor nevystavujte vode ani dažďu.** Skrat akumulátora môže spôsobiť veľký tok prúdu, prehriatie, možné popálenie či dokonca poruchu.
6. **Spotrebič ani akumulátor neskladujte a nepoužívajte na miestach s teplotou presahujúcou 50 °C (122 °F).**
7. **Akumulátor nespálujte, ani keď je vážne poškodený alebo úplne opotrebovaný.** Akumulátor môže v ohni explodovať.
8. **Akumulátor neprepichujte, neprerezávajte, nedrvté, nehádzte ani ho nenarúšajte údermi o tvrdé predmety.** Takéto správanie môže viesť k požiaru, nadmernému teplu alebo výbuchu.
9. **Nepoužívajte poškodený akumulátor.**

Dôležité bezpečnostné a prevádzkové pokyny pre akumulátor

10. **Lítium-iónové akumulátory, ktoré sú súčasťou náradia, podliehajú požiadavkám legislatívy o nebezpečnom tovare.**
V prípade obchodnej prepravy, napr. dodanie tretími stranami či špeditérmi, sa musia dodržiavať špeciálne požiadavky na zabalenie a označenie. Pred prípravou položky na odoslanie sa vyžaduje konzultácia s odborníkom na nebezpečný materiál. Taktiež treba dodržiavať potenciálne podrobnejšie predpisy príslušnej krajiny. Prelepte alebo zakryte otvorené kontakty a zabaľte akumulátor tak, aby sa v balíku nemohol voľne pohybovať.
11. **Akumulátor pri likvidácii odstráňte zo spotrebiča a zlikvidujte ho na bezpečnom mieste. Akumulátor zlikvidujte v súlade s miestnymi nariadeniami.**
12. **Akumulátory používajte iba s výrobkami uvedenými spoločnosťou Makita.** Inštalácia akumulátorov do nevyhovujúcich výrobkov môže spôsobiť požiar, nadmerné teplo, výbuch alebo únik elektrolytov.
13. **Ak sa spotrebič dlhší čas nepoužíva, musí sa z neho vybrať akumulátor.**
14. **Akumulátor sa môže počas používania a po použití zohriať, čo môže spôsobiť popáleniny alebo popáleniny aj pri relatívne nízkej teplote. Pri manipulácii s horúcimi akumulátormi dávajte pozor.**
15. **Nedotýkajte sa svorky spotrebiča ihneď po použití, pretože sa môže dostatočne zohriať na to, aby spôsobila popáleniny.**
16. **Nedovoľte, aby sa na svorkách, otvoroch a drážkach akumulátora zachytávali triesky, prach alebo zemina.** Môže to viesť k slabšiemu výkonu alebo poškodeniu spotrebiča alebo akumulátora.
17. **Ak spotrebič nepodporuje používanie v blízkosti vysokonapäťových elektrických vedení, nepoužívajte akumulátor v blízkosti vysokonapäťových elektrických vedení.** Môže to viesť k nesprávnemu fungovaniu alebo poškodeniu spotrebiča alebo akumulátora.
18. **Akumulátor držte mimo dosahu detí.**

TIETO POKYNY USCHOVAJTE.

⚠ POZOR: Používajte len originálne akumulátory od spoločnosti Makita. Používanie akumulátorov, ktoré nie sú od spoločnosti Makita, alebo upravených akumulátorov môže spôsobiť výbuch akumulátora a následný požiar, zranenie osôb alebo poškodenie majetku. Následkom bude aj zrušenie záruky od spoločnosti Makita na spotrebič a nabíjačku od spoločnosti Makita.

Rady na udržanie maximálnej životnosti akumulátora

1. **Akumulátor nabíjajte ešte predtým, ako sa úplne vybije. Vždy prerušte prácu so spotrebičom a nabíjajte akumulátor, keď spozorujete nižší výkon spotrebiča.**
2. **Nikdy nenabíjajte plne nabitý akumulátor. Prebíjanie skracuje životnosť akumulátora.**
3. **Akumulátor nabíjajte pri izbovej teplote 10 °C – 40 °C (50 °F – 104 °F). Pred nabíjaním nechajte horúci akumulátor vychladnúť.**
4. **Keď akumulátor nepoužívate, vyberte ho zo spotrebiča alebo nabíjačky.**
5. **Lítium-iónový akumulátor nabíjajte, ak ste ho nepoužívali dlhšie ako šesť mesiacov.**

POPIS SÚČASTÍ

► Obr.1

1. **Panel s prepínačmi**
2. **Západka**
3. **Výstupná doska**
4. **Rukoväť na prenášanie**
5. **Vzduchový prieduch**
6. **Hák A**
7. **Hák B**
Používajte len pre model PDC1200.
8. **Hák C**
Používajte len pre model PDC01.
9. **Zástrčka (vstup)**
10. **Priehradka na kábel**
11. **Tlačidlo výstupu USB**
12. **Tlačidlo výstupu striedavého prúdu**
13. **Tlačidlo prepínania frekvencie**
14. **Tlačidlo 12 V výstupu jednosmerného prúdu**
15. **Tlačidlo pípnutia**
16. **Indikátor výstupu**
Pozrite si časť týkajúcu sa interpretácie indikátora výstupu.
17. **Výstup 1 pre USB typu A**
18. **Výstup 2 pre USB typu A**
19. **Výstup 1 pre USB typu C**
20. **Výstup 2 pre USB typu C**
21. **Výstup 1 pre striedavý prúd**
22. **Výstup 2 pre striedavý prúd**
23. **12 V výstup pre jednosmerný prúd (pre adaptér na zapalovač cigariet)**

POZNÁMKA: Tvar zásuvky na striedavý prúd sa v jednotlivých krajinách líši.

MONTÁŽ

▲POZOR: Držte výkonový menič a zdroj napájania pevne, keď inštalujete alebo demontujete zdroj napájania. V opačnom prípade sa vám môžu vyšmyknúť z rúk a spôsobiť poranenie alebo sa môže výkonový menič a zdroj napájania poškodiť.

▲POZOR: Pred použitím sa uistite, že kábel je správne umiestnený a zásuvka je do zástrčky vložená až na doraz.

Montáž zdroja napájania

Pre model PDC1200

Pripojte zdroj napájania k výkonovému meniču tak, ako je znázornené na obrázku.

▲POZOR: Uistite sa, že zdroj napájania je pevne pripojený k výkonovému meniču. V opačnom prípade môže náhodne vypadnúť z výkonového meniča a spôsobiť zranenie vám alebo osobám v blízkosti. Ak vidíte červený indikátor, ako je znázornené na obrázku, zdroj napájania nie je úplne zaistený.

► **Obr.2:** 1. Červený indikátor

Pri demontáži zdroja napájania nadvihnite zdroj napájania a zároveň zatlačte tlačidlo zamknutia.

► **Obr.3:** 1. Tlačidlo zamknutia

Pre model PDC01

Pripojte zdroj napájania k výkonovému meniču tak, ako je znázornené na obrázku.

► **Obr.4**

Ak chcete zdroj napájania demontovať, vykonajte postup inštalácie v opačnom poradí.

Pripojenie zdroja napájania

1. Otvorte uzáver zástrčky.
 2. Zarovnajzte značku šípky na zásuvke so značkou na výkonovom meniči a potom vložte zásuvku do zástrčky až na doraz.
- **Obr.5:** 1. Uzáver 2. Zástrčka (vstup) 3. Zásuvka 4. Značka šípky

UPOZORNENIE: Zásuvku sa nesnažte vkladat' nasilu. Ak sa nedá zásuvka vložiť ľahko, znamená to, že ju nekladáte správne.

UPOZORNENIE: Pri odpájaní nedržte za kábel ale za zásuvku. V opačnom prípade sa môžu káble poškodiť a spôsobiť poruchu.

UPOZORNENIE: Keď zdroj napájania nie je pripojený, vždy pevne zatvorte uzáver zástrčky. Inak môžu do vnútra výkonového meniča vniknúť cudzie predmety a spôsobiť poruchu.

Priehradka na kábel

Kábel môžete vložiť do priehradky na kábel tak, ako je znázornené na obrázku.

► **Obr.6**

Inštalácia adaptéra MAKPAC

Voliteľné príslušenstvo

Výkonový menič môžete pripojiť k vrchnej alebo spodnej strane adaptéra MAKPAC tak, ako je znázornené na obrázku.

► **Obr.7**

▲POZOR: Uistite sa, že výkonový menič je pevne pripojený k adaptéru MAKPAC pomocou štyroch západiek. V opačnom prípade môže dôjsť k pádu a zraneniu osôb.

PREVÁDZKA

► **Obr.8:** 1. Hlavný vypínač

1. Stlačením hlavného vypínača na zdroji napájania zapnite napájanie.
2. Pripojte zariadenie k príslušnému výstupu.

Ak používate výstup striedavého prúdu, vyberte vhodnú frekvenciu stlačením a podržaním tlačidla prepínania frekvencie.

POZNÁMKA: Frekvenciu je možné zvoliť len vtedy, ak je vypnutý výstup striedavého prúdu.

POZNÁMKA: Nastavenie frekvencie je uložené v pamäti. Pri ďalšom použití sa výkonový menič spustí s rovnakým nastavením.

3. Stlačte tlačidlo výstupného výkonu, ktorý chcete použiť.

Výkonový menič spustí výstupný výkon a tlačidlo aktívneho výstupného výkonu sa rozsvieti.

4. Na zastavenie znova stlačte tlačidlo výstupného výkonu.
5. Stlačením hlavného vypínača na zdroji napájania vypnite napájanie.

UPOZORNENIE: Môže sa stať, že nebudete môcť použiť spotrebič, na ktorého spustenie je potrebný vysoký výkon, a to ani v prípade, že výstupný výkon výkonového meniča je v medziach menovitého výkonu.

UPOZORNENIE: Výkonový menič nemožno použiť na napájanie niektorých zariadení USB.

UPOZORNENIE: Pred pripojením USB zariadenia k výkonovému meniču si vždy zálohujte údaje USB zariadenia.

UPOZORNENIE: Zdroj napájania s výkonovým meničom nemôžete nabíjať pomocou power bank dostupných na trhu.

Interpretácia indikátora výstupu

► Obr.9

- Indikátor výstupu sa rozsvieti podľa výstupného wattového výkonu.
- Keď výstupný výkon dosiahne 1 400 W (VA), indikátor „1400“ sa rozsvieti načerveno. Pri preťažení výkonového meniča tento indikátor začne blikať načerveno.

Zapnutie/vypnutie bzučiaka

► Obr.10: 1. Tlačidlo pípnutia

Na zapnutie/vypnutie zvuku bzučiaka stlačte a podržte tlačidlo pípnutia.

POZNÁMKA: Nastavenie bzučiaka je uložené v pamäti. Pri ďalšom použití sa výkonový menič spustí s rovnakým nastavením.

Systém ochrany

Výkonový menič je vybavený nasledujúcim systémom ochrany.

Ochrana proti preťaženiu

Každý výstup má nasledujúcu ochranu proti preťaženiu:

- **Výstup striedavého prúdu**
Keď výkonový menič zaznamená nadmerný wattový výkon, výkonový menič preruší všetky výstupy striedavého prúdu s prerušovaným pípaním.
- **USB výstup**
Keď výkonový menič zaznamená nezvyčajne vysoký prúd, preruší USB výstup, cez ktorý preteká vysoký prúd.
- **12 V výstup jednosmerného prúdu**
Keď výkonový menič zaznamená nezvyčajne vysoký prúd, preruší 12 V výstupy jednosmerného prúdu s prerušovaným pípaním.

Ak celkový výstupný výkon pre striedavý prúd, USB a 12 V jednosmerný prúd na určitý čas presiahne menovitý výstupný výkon výkonového meniča, všetky výstupy sa prerušia so súvislým pípaním. V takejto situácii vypnite zdroj napájania a prerušte aplikáciu, ktorá spôsobila preťaženie výkonového meniča. Potom zapnutím reštartujte zdroj napájania.

POZNÁMKA: Keď dôjde k preťaženiu výkonového meniča, indikátor výstupu „1400“ zabliká načerveno.

POZNÁMKA: Pípanie sa zruší stlačením ľubovľného tlačidla na paneli s prepínačmi.

Ochrana pred prehrievaním

Keď je výkonový menič prehriaty, preruší všetky výstupy so súvislým pípaním. V tejto situácii nechajte výkonový menič pred opätovným spustením vychladnúť.

Ochrana pred nadmerným vybitím

Keď klesne zvyšná kapacita zdroja napájania, zaznie prerušované pípanie a aktívne tlačidlo výstupného výkonu začne blikať. V takom prípade vyberte zdroj napájania a nabite ho.

Keď zvyšná kapacita zdroja napájania klesne ešte nižšie, všetky výstupy sa prerušia.

ÚDRŽBA

▲POZOR: Pred vykonávaním kontroly alebo údržby sa vždy uistite, že zdroj napájania je vybratý.

UPOZORNENIE: Konektor neumývajte vodou. Riziko poruchy.

UPOZORNENIE: Z času na čas utrite povrch tohto výrobku handričkou navlhčenou mydlovou vodou.

UPOZORNENIE: Nepoužívajte benzín, riedidlo, alkohol ani podobné látky. Mohlo by to spôsobiť zmenu farby, deformácie alebo praskliny.

Ak chcete udržať BEZPEČNOSŤ a BEZPORUCHOVOSŤ výrobku, prenechajte opravu, údržbu a nastavenie na autorizované alebo továrenské servisné centrá Makita, ktoré používajú len náhradné diely značky Makita.

Čistenie

Ak je výkonový menič znečistený, poutierajte ho suchou handričkou alebo handričkou navlhčenou mydlovou vodou.

Filter

▲POZOR: Po vyčistení filtra ho nezabudnite znova namontovať. Používanie výkonového meniča bez filtra môže viesť k poruche.

Filter odstráňte vytiahnutím podľa obrázka.

Umyte filter a osušte ho.

► Obr.11: 1. Filter

Pri inštalácii filtra postupujte podľa postupu demontáže v opačnom poradí.

VOLITEĽNÉ PRÍSLUŠENSTVO

⚠ POZOR: Pre váš nástroj Makita, opísaný v tomto návode, doporučujeme používať toto príslušenstvo a nástavce. Pri použití iného príslušenstva či nástavcov môže hroziť nebezpečenstvo zranenia osôb. Príslušenstvo a nástavce sa môžu používať len na účely pre ne stanovené.

Ak potrebujete bližšie informácie týkajúce sa tohoto príslušenstva, obráťte sa na vaše miestne servisné stredisko firmy Makita.

- Prenosný napájací zdroj
- Originálna batéria a nabíjačka Makita
- MAKPAC

POZNÁMKA: Niektoré položky zo zoznamu môžu byť súčasťou balenia nástrojov vo forme štandardného príslušenstva. Rozsah týchto položiek môže byť v každej krajine odlišný.

SPECIFIKACE

Model:		BAC01
Jmenovitý výstup	Výkon měniče (Při použití PDC1200)	Trvalý wattový výkon: 1 400 W (VA) Špičkový wattový výkon: 2 800 W (VA)
	Zásuvka střídavého proudu *	Čistě sinusová vlna 50 Hz nebo 60 Hz, 2 ks. Napětí: Viz označení na měniči výkonu. (Výstupní napětí se liší v závislosti na zemi.)
	Port USB	Typ A: 5 V, 2,4 A, 2 ks. Typ C: USB-PD 30 W, 2 ks.
	Adaptér pro zapalovač cigaret	12 V, 10 A, 1 ks.
Provozní doba **	PDC1200 (Při výkonu 1 000 W)	56 min.
	PDC01 (Při výkonu 750 W, BL1860B x 2)	10 min.
Rozměry (D × Š × V) (Se všemi háčky ve sklopené poloze)		395 mm x 345 mm x 163 mm
Hmotnost netto (Pouze měnič výkonu)		7,3 kg

* Pouze pro Brazílii

Napětí je vyznačeno v blízkosti zásuvky střídavého proudu.

** Provozní doby jsou přibližné a mohou se lišit v závislosti na typu zdroje napájení, stavu nabití a podmínkách použití.

- Vzhledem k neustálému výzkumu a vývoji zde uvedené technické údaje podléhají změnám bez upozornění.
- Specifikace se mohou pro různé země lišit.

Použitelný zdroj napájení

Přenosný akumulátor	PDC1200 / PDC01* * Použijte akumulátory popsané v části pro použitelný akumulátor.
---------------------	---

- V závislosti na regionu vašeho bydliště nemusí být některé výše uvedené zdroje napájení k dispozici.
- Než začnete zdroj napájení používat, přečtěte si pokyn a varovné symboly na něm.

VAROVÁNÍ: Použijte pouze výše uvedené zdroje napájení. Použití jakýchkoli jiných zdrojů napájení může způsobit zranění a/nebo požár.

Použitelný akumulátor

Pouze pro PDC01

POZOR: Při použití PDC01:

- Pokud výstupní výkon překročí 750 W (VA), měnič výkonu zastaví přívod energie kvůli systému ochrany akumulátoru. V takovém případě ponechte výstupní výkon na hodnotě 750 W (VA) nebo nižší.
- V závislosti na podmínkách použití může měnič výkonu zastavit výstup, pokud se používaný akumulátor přepne na jiný akumulátor. V takové situaci stiskněte tlačítko výstupu, u kterého chcete výstup znovu zapnout.
- K použití měniče výkonu jsou zapotřebí dva nebo čtyři akumulátory. Pokud používáte dva akumulátory, nainstalujte jeden do portu akumulátoru 1 nebo 2 a druhý do portu akumulátoru 3 nebo 4.

Akumulátor	BL1815N / BL1820B / BL1830B* / BL1840B* / BL1850B* / BL1860B* * : Doporučený akumulátor
------------	--

- V závislosti na regionu vašeho bydliště nemusí být některé výše uvedené akumulátory k dispozici.

VAROVÁNÍ: Použijte pouze výše uvedené akumulátory. Použití jakýchkoli jiných akumulátorů může způsobit zranění a/nebo požár.

Symboly

Níže jsou uvedeny symboly, se kterými se můžete při použití nářadí setkat. Je důležité, abyste dříve, než s ním začnete pracovat, pochopili jejich význam.



Přečtěte si návod k obsluze.



Pouze pro země EU
Z důvodu přítomnosti nebezpečných součástí v zařízení mohou odpadní elektrické a elektronické zařízení, akumulátory a baterie negativně ovlivnit životní prostředí a lidské zdraví.



Elektrické a elektronické spotřebiče ani akumulátory nevyhazujte do domovního odpadu!
V souladu s evropskou směrnicí o odpadních elektrických a elektronických zařízeních, akumulátorech a bateriích a odpadních akumulátorech a bateriích, stejně jako jejím přizpůsobením ve vnitrostátním právu, by odpadní elektrická zařízení, baterie a akumulátory měly být uchovávány odděleně a měly by být odevzdány na vyhrazeném sběrném místě komunálního odpadu, které je provozováno v souladu s předpisy na ochranu životního prostředí. Toto je označeno symbolem přeškrtnuté popelnice na kolečkách, který je umístěn na zařízení.

Účel použití

Zařízení je určeno k přeměně výkonu přenosného akumulátoru Makita na různé výstupy.

BEZPEČNOSTNÍ VÝSTRAHY

VAROVÁNÍ: Před použitím si nezapomeňte přečíst návod k obsluze výrobku, který budete používat společně s tímto měničem výkonu.

Bezpečnostní varování k měničů výkonu

- Aby byl zajištěn dobrý výkon a dlouhodobá životnost, věnujte pozornost tomu, aby nebyl měnič výkonu vystaven následujícím podmínkám.**
 - Žiravý plyn a kapalina
 - Solná mlha a olejová mlha
 - Mechanický náraz a vibrace
 - Vysoká vlhkost
 - Extrémní teplota (příliš nízká nebo vysoká)
Vhodný rozsah okolní teploty je v rozmezí -10 °C až 40 °C (14 °F až 104 °F).
 - Elektromagnetický šum (např. elektrická svářečka, vysokonapěťové zařízení)
 - Radioaktivní materiál
- Umístěte měnič výkonu na vodorovný a stabilní povrch bez nerovností.** Jinak může dojít k pádu.
- Při přenášení měniče výkonu odpojte zdroj napájení a všechna zařízení připojená k výstupnímu portu.** Jinak může dojít k pádu.
- Při přenášení měniče výkonu vždy držte pevně oběma rukama držadla k přenášení. Nepřenášejte měnič výkonu držením za jinou část.** Jinak může dojít k pádu.
- Nepřevízejte měnič výkonu, když máte mokré ruce. Měnič výkonu nevystavujte dešti a vlhku.** Nebezpečí úrazu elektrickým proudem. Měnič výkonu není vodotěsný.
- Nestřkejte kovové předměty, jako např. připínáčky, dráty nebo malé kovové předměty, do zásuvek a větracích otvorů.** Nebezpečí úrazu elektrickým proudem.
- Měnič výkonu nerozebírejte.** Nebezpečí úrazu elektrickým proudem.
- Nevystavujte měnič výkonu silným nárazům, jako je pád.** Mohlo by dojít k poruše, která má za následek úraz elektrickým proudem.
- Kontrolujte správnost zarovnaní a spojení pohyblivých částí, jejich neporušenost a všechny ostatní podmínky, které mohou ovlivňovat činnost. Je-li zařízení poškozeno, nechte ho před použitím opravit.** Špatně udržované zařízení bývá příčinou úrazů.
- Vždy zařízení nastavte na správnou frekvenci střídavého proudu.** Jinak může dojít k závadě s následkem úrazu.
- S měničem výkonu nepracujte v prostředí s výbušnou atmosférou, například s výskytem hořlavých kapalin, plynů či prachu.** Malý statický výboj nebo jiskra mohou zapálit prach nebo výpary a způsobit požár nebo výbuch.
- Zajistěte, aby ventilační otvory nebyly ničím přikryté nebo ucpané. Měnič výkonu používejte jen tehdy, pokud není větrací otvor nijak omezen.** Mohlo by dojít k poruše nebo požáru.
- Během práce dávejte pozor, abyste nezakopli o kabel.**
- Nepoužívejte měnič výkonu pro zdravotnická zařízení.** Neočekávaná porucha může způsobit nehodu.
- Aby se snížilo riziko požáru, nadměrného tepla, výbuchu, úniku elektrolytu, úrazu elektrickým proudem nebo zranění, dodržujte následující opatření.**
 - Nepřipojujte zařízení, které překračuje jmenovitý výstup měniče výkonu.
 - Nepřipojujte jej přímo k obecné síti střídavého proudu.
- Měnič výkonu skladujte uvnitř na dobře větraném místě s nízkou vlhkostí.**
- Při skladování uchovávejte měnič výkonu mimo dosah dětí.** Jinak může dojít k vážné nehodě.
- Na měnič výkonu nestoupejte. Dávejte také pozor, abyste během instalace MAKPACK nebo zdroje napájení do měniče výkonu měnič nevystavili silným nárazům.** Při takovém jednání může dojít k poruše či zranění osob.

19. **Ve zdířce kolíku uzemnění na AC výstupu není žádné napětí ani proud.** Tento výrobek nevyžaduje uzemnění spotřebiče se střídavým proudem, protože není připojený k běžné síti střídavého proudu.

Bezpečnostní výstrahy pro akumulátorové zařízení

Práce s akumulátorovým zařízením a péče o něj

- Zamezte neúmyslnému uvedení do chodu.** Před připojením akumulátoru, zvedáním či přenášením zařízení se ujistěte, že je přepínač ve vypnuté poloze. Přenášení zařízení s prstem na přepínači nebo připojování elektrického zařízení se zapnutým přepínačem může způsobit úraz.
- Před nastavováním, výměnou příslušenství nebo uložením zařízení odpojte akumulátor od zařízení.** Takováto preventivní bezpečnostní opatření snižují nebezpečí neúmyslného spuštění zařízení.
- Nabíjení provádějte pouze pomocí nabíječky určené výrobcem.** Nabíječka vhodná pro jeden typ akumulátoru může při použití s jiným akumulátorem vést ke vzniku nebezpečí požáru.
- Zařízení používejte pouze s určenými akumulátory.** Použití jiných akumulátorů může vyvolat nebezpečí zranění a požáru.
- Pokud akumulátor nepoužíváte, udržujte jej mimo dosah jiných kovových předmětů, jako jsou kancelářské sponky, mince, klíče, hřebíky, šrouby nebo jiné malé kovové předměty, které mohou propojit svorky akumulátoru.** Zkratování svorek akumulátoru může způsobit popáleniny nebo požár.
- Při hrubém zacházení může z akumulátoru uniknout elektrolyt. Vyvarujte se styku s ním. Pokud dojde k náhodnému kontaktu, omyjte zasažené místo vodou. Pokud elektrolyt zasáhne oči, vyhledejte lékařskou pomoc.** Elektrolyt uniklý z akumulátoru může způsobit podráždění nebo popálení pokožky.
- Nepoužívejte poškozený nebo upravený akumulátor nebo zařízení.** U poškozených nebo upravených akumulátorů může dojít k neočekávanému chování, které může mít za následek požár, výbuch nebo riziko poranění.
- Akumulátor nebo zařízení nevystavujte ohni ani nadměrným teplotám.** Při vystavení žáru ohně nebo teplotám nad 130 °C může dojít k výbuchu.
- Postupujte dle pokynů pro nabíjení a akumulátor nebo zařízení nenabíjejte mimo teplotní rozsah specifikovaný v pokynech.** Nesprávné nabíjení při teplotách mimo stanovený rozsah může poškodit akumulátor a zvýšit riziko požáru.
- Výrobek nechte opravovat kvalifikovaným pracovníkem s použitím výhradně identických náhradních dílů.** Tím zajistíte zachování bezpečnosti výrobku.

11. **Nesnažte se zařízení či akumulátor nijak upravovat nebo opravovat s výjimkou postupů, které jsou uvedeny v návodu k použití a údržbě.**

Důležitá bezpečnostní upozornění pro akumulátor

- Před použitím akumulátoru si přečtěte všechny pokyny a varovné symboly na (1) nabíječce, (2) akumulátoru a (3) výrobku využívajícím akumulátor.**
- Akumulátor nerozebírejte ani do něj nezasaďte.** Může dojít k požáru, nadměrnému zahřátí nebo výbuchu.
- Pokud se příliš zkrátí provozní doba akumulátoru, přerušete okamžitě práci.** V opačném případě existuje riziko přehřívání, popálení nebo dokonce výbuchu.
- Budou-li vaše oči zasaženy elektrolytem, vypláchněte je čistou vodou a okamžitě vyhledejte lékařskou pomoc.** Může dojít ke ztrátě zraku.
- Akumulátor nezkratujte:**
 - Nedotýkejte se svorek žádným vodivým materiálem.**
 - Neskladujte akumulátor v nádobě s jinými kovovými předměty, jako jsou hřebíky, mince, apod.**
 - Nevystavuje akumulátor vodě a dešti.** Zkrat akumulátoru může způsobit velký průtok proudu, přehřátí, možné popálení a dokonce i poruchu.
- Neskladujte a nepoužívejte zařízení a akumulátor na místech, kde může teplota překročit 50 °C (122 °F).**
- Nespalujte akumulátor, ani když je vážně poškozen nebo úplně opotřeben.** Akumulátor může v ohni vybuchnout.
- Akumulátor nesmí být proražen hřebíkem, řezán, drcen, házen či upuštěn na zem, ani nesmí dojít k nárazu tvrdého předmětu do něj.** Taková situace může způsobit požár, nadměrné zahřátí či výbuch.
- Nepoužívejte poškozené akumulátory.**
- Obsažené lithium-iontové akumulátory podléhají právním požadavkům na nebezpečné zboží.**

V případě komerční přepravy například externími dopravci je třeba dodržet zvláštní požadavky na balení a značení.

Pro přípravu zboží k přepravě je nutná konzultace s odborníkem na nebezpečný materiál. Dodržujte také případné podrobnější národní předpisy. Odkryté kontakty přelepte izolační páskou či jinak zakryjte a akumulátory zabalte tak, aby se v balení nemohly pohybovat.
- Při likvidaci akumulátoru jej vyjměte ze zařízení a zlikvidujte jej na bezpečném místě. Při likvidaci akumulátoru postupujte podle místních předpisů.**

12. **Akumulátor používejte pouze s výrobky specifikovanými společností Makita.** Instalace akumulátoru do nevhovujících výrobků může způsobit požár, nadměrné zahřívání, explozi nebo únik elektrolytu.
13. **Není-li zařízení používáno po delší dobu, je nutné z něj vyjmout akumulátor.**
14. **Během a po použití se může akumulátor zahřát, což může způsobit popáleniny nebo podráždění.** Při manipulaci s horkými akumulátory dávejte pozor.
15. **Nedotýkejte se koncovky zařízení ihned po použití, protože ta může být horká a způsobit popáleniny.**
16. **Do koncovek, otvorů a zdířek na akumulátoru se nesmí dostat piliny, prach nebo jiné nečistoty.** Mohlo by tím dojít ke zhoršení výkonu nebo poruše zařízení či akumulátoru.
17. **Jestliže zařízení není zkonstruováno tak, že jej lze používat v blízkosti vysokého elektrického napětí, nepoužívejte akumulátor poblíž vedení s vysokým elektrickým napětím.** Mohlo by tím dojít k poruše či selhání zařízení či akumulátoru.
18. **Akumulátor uchovávejte mimo dosah dětí.**

⚠️ UPOZORNĚNÍ: Používejte pouze originální akumulátory Makita. Používání neoriginálních nebo upravených akumulátorů Makita může způsobit explozi akumulátoru a následný požár, zranění a jiné poškození. Zaniká tím také záruka společnosti Makita na zařízení a nabíječku Makita.

Tipy k zajištění maximální životnosti akumulátoru

1. **Akumulátor nabíjte dříve, než dojde k jeho úplnému vybití.** Pokud si povšimnete sníženého výkonu zařízení, vždy jej zastavte a dobijte akumulátor.
2. **Nikdy nenabíjejte úplně nabitý akumulátor.** Přebíjení zkracuje životnost akumulátoru.
3. **Akumulátor dobíjejte při pokojové teplotě od 10 °C do 40 °C (50 °F až 104 °F).** Před nabíjením nechejte horký akumulátor zchladnout.
4. **Když není akumulátor používán, vyjměte ho ze zařízení či nabíječky.**
5. **Pokud se akumulátor delší dobu nepoužívá (déle než šest měsíců), je nutno jej dobít.**

TYTO POKYNY USCHOVEJTE.

POPIS DÍLŮ

► Obr.1

- | | |
|--|---|
| <ol style="list-style-type: none"> 1. Panel 2. Západka 3. Výstupní deska 4. Držadlo k přenášení 5. Větrací otvor 6. Háček A 7. Háček B
Používejte pouze pro PDC1200. 8. Háček C
Používejte pouze pro PDC01. 9. Zástrčka (vstup) 10. Kapsa pro kabel 11. Tlačítko USB výstupu | <ol style="list-style-type: none"> 12. Tlačítko AC výstupu 13. Tlačítko přepínání frekvence 14. Tlačítko DC výstupu 12 V 15. Tlačítko pípní 16. Indikátor výstupu
Viz část o tom, jak interpretovat indikátor výstupu. 17. Výstup 1 USB typu A 18. Výstup 2 USB typu A 19. Výstup 1 USB typu C 20. Výstup 2 USB typu C 21. AC výstup 1 22. AC výstup 2 23. DC výstup 12 V (adaptér pro zapalovač cigaret) |
|--|---|

POZNÁMKA: Tvar zásuvky střídavého proudu liší se v různých zemích liší.

MONTÁŽ

⚠️ UPOZORNĚNÍ: Držte měnič výkonu a zdroj napájení při montáži nebo demontáži zdroje napájení pevně. V opačném případě může dojít k jeho vyklouznutí z rukou a následnému zranění osob nebo poškození měniče výkonu a zdroje napájení.

⚠️ UPOZORNĚNÍ: Před použitím se ujistěte, že je kabel umístěn správně a že je zásuvka zcela zasunuta do zástrčky.

Montáž zdroje napájení

Pro typ PDC1200

Připevněte zdroj napájení k měniči výkonu, jak je znázorněno na obrázku.

⚠️ UPOZORNĚNÍ: Ujistěte se, že je zdroj napájení pevně nainstalován k měniči výkonu. Jinak by mohl z měniče výkonu vypadnout a způsobit zranění vám či osobám ve vašem okolí. Není-li zdroj napájení zcela zajištěn, uvidíte červený indikátor dle obrázku.

► **Obr.2:** 1. Červený indikátor

Při demontáži zdroje napájení zvedněte zdroj napájení nahoru při současném stisku zajišťovacího tlačítka.

► **Obr.3:** 1. Zajišťovací tlačítko

Pro typ PDC01

Připevněte zdroj napájení k měniči výkonu, jak je znázorněno na obrázku.

► **Obr.4**

Při demontáži zdroje napájení použijte opačný postup oproti montáži.

Připojení zdroje napájení

1. Otevřete krytku zástrčky.
2. Zarovnejte značku šipky na zásuvce se značkou na měniči výkonu a zasuňte zásuvku zcela do zástrčky.

► **Obr.5:** 1. Krytka 2. Zástrčka (vstup) 3. Zásuvka 4. Značka šipky

POZOR: Zásuvku nezasunujte násilím. Nelze-li zásuvku zasunout snadno, nezasouváte ji správně.

POZOR: Při odpojování nedržte kabely, ale držte zásuvku. Jinak může dojít k poškození kabelů a poruše.

POZOR: Když není zdroj napájení zapojen, vždy pevně zavřete krytku zástrčky. Jinak by se do měniče výkonu mohly dostat cizí předměty a způsobit poruchu.

Kapsa pro kabel

Kabel můžete vložit do kapsy pro kabel, jak je znázorněno na obrázku.

► **Obr.6**

Instalace MAKPAC

Volitelné příslušenství

Měnič výkonu lze upevnit na horní nebo spodní částí MAKPAC, jak je znázorněno na obrázku.

► **Obr.7**

⚠ UPOZORNĚNÍ: Ujistěte se, že je měnič výkonu pevně připevněn k MAKPAC pomocí čtyř západek. Jinak může spadnout a způsobit zranění osob.

PRÁCE S NÁŘADÍM

► **Obr.8:** 1. Tlačítko napájení

1. Stisknutím tlačítka napájení zdroje napájení se zdroj zapne.
2. Připojte své zařízení k příslušnému výstupu.

Při použití AC výstupu vyberte vhodnou frekvenci stiskem a podržením tlačítka přepínání frekvence.

POZNÁMKA: Frekvenci lze zvolit pouze tehdy, když je AC výstup zastaven.

POZNÁMKA: Nastavená frekvence se uloží do paměti. Příště se měnič výkonu spustí se stejným nastavením.

3. Stiskněte tlačítko výstupu, který chcete použít. Měnič výkonu spustí výstup a tlačítko výstupu, který je aktivní, se rozsvítí.
4. Opětovným stiskem tlačítka výstupu provedete zastavení.
5. Stisknutím tlačítka napájení zdroje napájení se zdroj vypne.

POZOR: Zařízení, jehož spuštění vyžaduje vysoký odběr energie, možná nebude možné použít, a to ani pokud bude výstupní výkon měniče výkonu v rozsahu jmenovitého výkonu.

POZOR: Měnič výkonu nemusí být vhodným zdrojem energie pro některá zařízení USB.

POZOR: Než připojíte zařízení USB k měniči výkonu, vždy si zálohujte data na zařízení USB.

POZOR: Zdroj napájení s měničem výkonu není možné nabíjet pomocí powerbank dostupných na trhu.

Jak interpretovat indikátor výstupu

► **Obr.9**

- Indikátor výstupu svítí podle wattového výkonu, který je na výstupu.
- Jakmile výstupní výkon dosáhne 1 400 W(VA), rozsvítí se červeně kontrolka u „1400“. Tato kontrolka začne blikat červeně, pokud je měnič výkonu přetížený.

Zapnutí/vypnutí bzučáku

► **Obr.10:** 1. Tlačítko pípání

Zvuk bzučáku se zapíná/vypíná stisknutím a přidržením tlačítka pípání.

POZNÁMKA: Nastavení bzučáku se uloží do paměti. Příště se měnič výkonu spustí se stejným nastavením.

System ochrany

Měníč výkonu je vybaven následujícím systémem ochrany.

Ochrana proti přetížení

Každý výstup má následující ochranu proti přetížení:

- **AC výstup**
Když měnič výkonu detekuje nadměrný wattový výkon, přeruší všechny AC výstupy a přerušované pípá.
- **USB výstup**
Když měnič výkonu detekuje abnormálně vysoký proud, přeruší měnič výkonu USB výstup, kterým teče vysoký proud.
- **DC výstup 12 V**
Když měnič výkonu detekuje abnormálně vysoký proud, měnič výkonu přeruší DC výstup 12 V a přerušované pípá.

Pokud celková hodnota AC výstupu, USB výstupu a DC výstupu 12 V po určitou dobu překročí jmenovitý výstup měniče výkonu, všechny výstupy se přeruší a nepřetržitě pípá. V takové situaci vypněte zdroj napájení a ukončete činnost, která zapříčinila přetížení měniče výkonu. Potom zdroj napájení zapněte a obnovte činnost.

POZNÁMKA: Dojde-li k přetížení měniče výkonu, bude kontrolka indikátoru výstupu „1400“ blikat červeně.

POZNÁMKA: Pípání vypnete stiskem jakéhokoliv tlačítka na panelu.

Ochrana proti přehřátí

Když je měnič výkonu přehřátý, měnič přeruší všechny výstupy a nepřetržitě pípá. V takovém případě nechte měnič výkonu před opětovným zapnutím vychladnout.

Ochrana proti přílišnému vybití

Když se zbývající kapacita zdroje napájení sníží, zazní přerušované pípání a tlačítko aktivního výstupu bliká. V takovém případě je nutné zdroj napájení vyjmout a nabít jej.

Když se zbývající kapacita zdroje napájení sníží ještě více, všechny výstupy se přeruší.

ÚDRŽBA

▲ UPOZORNĚNÍ: Než se pokusíte provádět kontrolu nebo údržbu, vždy se přesvědčte, že je zdroj napájení vyjmutý.

POZOR: Nemyjte konektor ve vodě. Riziko poruchy.

POZOR: Povrch tohoto výrobku příležitostně otírejte hadříkem navlhčeným v mýdlové vodě.

POZOR: Nikdy nepoužívejte benzín, benzen, ředidlo, alkohol či podobné prostředky. Mohlo by tak dojít ke změnám barvy, deformacím či vzniku prasklin.

K zachování BEZPEČNOSTI a SPOLEHLIVOSTI výrobku musí být opravy a veškerá další údržba či seřizování prováděny autorizovanými nebo továrnými servisními středisky společnosti Makita s využitím náhradních dílů Makita.

Čištění

Pokud je měnič výkonu znečištěný, otřete měnič suchým hadříkem nebo hadříkem namočeným v mýdlové vodě.

Filter

▲ UPOZORNĚNÍ: Po očištění filtr nezapomeňte znovu vložit. Používání měniče výkonu bez filtru může způsobit poruchu.

Vyjměte filtr jeho vytažením dle obrázku.

Opláchněte filtr, pak jej osušte.

► **Obr.11:** 1. Filtr

Při instalaci filtru použijte opačný postup demontáže filtru.

VOLITELNÉ PŘÍSLUŠENSTVÍ

▲ UPOZORNĚNÍ: Pro nářadí Makita popsané v tomto návodu doporučujeme používat následující příslušenství a nástavce. Při použití jiného příslušenství či nástavců může hrozit nebezpečí zranění osob. Příslušenství lze používat pouze pro stanovené účely.

Potřebujete-li bližší informace ohledně tohoto příslušenství, obraťte se na místní servisní středisko společnosti Makita.

- Přenosný akumulátor
- Originální akumulátor a nabíječka Makita
- MAKPAC

POZNÁMKA: Některé položky seznamu mohou být k nářadí přibaleny jako standardní příslušenství. Přibalené příslušenství se může v různých zemích lišit.

TEHNIČNI PODATKI

Model:		BAC01
Nazivna izhodna moč	Zmogljivost pretvornika (Kadar se uporablja PDC1200)	Neprekinjena moč: 1.400 W (VA) Vršna moč: 2.800 W (VA)
	AC-izhod*	Čisti sinusni val 50 Hz ali 60 Hz, 2 kosa. Napetost: Glejte indikacijo na električnem pretvorniku. (Izhodna napetost se razlikuje glede na državo.)
	Vrata USB	Tip A: 5 V, 2,4 A, 2 kosa. Tip C: USB-PD 30 W, 2 kosa.
	Adapter za cigaretni vžigalnik	12 V, 10 A, 1 kosa.
Čas delovanja**	PDC1200 (S 1.000 W)	56 min.
	PDC01 (S 750 W, BL1860B x 2)	10 min.
Mere (D x Š x V) (Z vsemi kavlji v zloženem položaju)		395 mm x 345 mm x 163 mm
Neto teža (Samo električni pretvornik)		7,3 kg

* Samo za Brazilijo

Napetost je označena v bližini AC-izhoda.

** Navedeni so približni časi delovanja in se lahko razlikujejo glede na vir napajanja, stanje napoljenosti ter pogoje uporabe.

- Ker nenehno opravljamo raziskave in razvijamo svoje izdelke, se lahko tehnični podatki v tem dokumentu spremenijo brez obvestila.
- Tehnični podatki se lahko razlikujejo od države do države.

Primeren vir napajanja

Prenosna polnilna enota	PDC1200 / PDC01* * Uporabite akumulatorske baterije, kot je opisno v razdelku o primernih akumulatorski bateriji.
-------------------------	--

- Nekateri zgoraj navedeni viri napajanja morda v vaši državi prebivališča niso na voljo.
- Pred uporabo vira napajanja preberite navodila in opozorilne oznake na njem.

⚠ OPOZORILO: Uporabljajte le zgoraj navedene vire napajanja. Uporaba drugih virov napajanja lahko povzroči telesne poškodbe in/ali požar.

Primerna akumulatorska baterija

Samo za PDC01

OBVESTILO: Kadar se uporablja PDC01:	
—	Če izhodna moč preseže 750 W (VA), bo zaradi sistema za zaščito baterije prekinjeno napajanje z električnim pretvornikom. V tem primeru naj bo izhodna moč 750 W (VA) ali manj.
—	Glede na pogoje uporabe lahko električni pretvornik ob prehodu z uporabljene baterije na drugo baterijo ustavi oddajanje izhodne moči. V tem primeru pritisnite gumb za izhodno moč, da znova zaženete oddajanje izhodne moči.
—	Če želite uporabiti pretvornik, potrebujete dve ali štiri akumulatorske baterije. Če uporabljate dve akumulatorski bateriji, namestite eno v vhod za akumulatorsko baterijo 1 ali 2 in drugo v vhod za akumulatorsko baterijo 3 ali 4.

Baterijski vložek	BL1815N / BL1820B / BL1830B* / BL1840B* / BL1850B* / BL1860B* * : Priporočeni akumulator
-------------------	---

- Nekatere zgoraj navedene akumulatorske baterije morda v vaši državi prebivališča niso na voljo.

⚠ OPOZORILO: Uporabljajte le zgoraj navedene akumulatorske baterije. Uporaba drugih akumulatorskih baterij lahko povzroči telesne poškodbe in/ali požar.

Simboli

Naslednji simboli se lahko uporabljajo v povezavi s strojem. Pred uporabo izdelka se obvezno seznanite z njihovim pomenom.



Preberite navodila za uporabo.



Samo za države EU
Zaradi prisotnosti nevarnih komponent v opremi imajo lahko uporabljena električna in elektronska oprema, akumulatorji in baterije negativen vpliv na okolje in zdravje ljudi.



Ni-MH
Li-ion

Električnih in elektronskih naprav ali baterij ne odlagajte med gospodinjne odpadke! Skladno z evropsko Direktivo o odpadni električni in elektronski opremi, o akumulatorjih in baterijah ter odpadnih akumulatorjih in baterijah ter njeno uporabo v državnih zakonih morate rabljeno električno in elektronsko opremo, baterije in akumulatorje zbirati ločeno ter dostaviti na posebno zbiralno mesto za komunalne odpadke, ki deluje skladno s predpisi za zaščito okolja. To nakazuje simbol prečrtanega smetnjaka s kolesi, ki je natisnjen na opremi.

Predvidena uporaba

Naprava se uporablja za pretvorbo napajanja s prenosno polnilno enoto Makita za različne izhodne moči.

VARNOSTNA OPOZORILO

⚠ OPOZORILO: Pred uporabo preberite navodila za uporabo izdelka, ki ga boste uporabljali s tem električnim pretvornikom.

Varnostna opozorila o električnem pretvorniku

- Če si želite zagotoviti dobro zmogljivost in dolgo življenjsko dobo, bodite pozorni, da zagotovite zaščito električnega pretvornika v naslednjih pogojih.
 - Korozivni plin in tekočina
 - Slana meglica in oljna meglica
 - Mehanski vplivi in vibracije
 - Visoka vlažnost
 - Ekstremna temperatura (prehladno ali prevroče)
Primeren razpon delovne temperature je med -10 °C in 40 °C (med 14 °F in 104 °F).
 - Elektromagnetne motnje (npr. električni varilni aparat, oprema z veliko močjo)
 - Radioaktiven material
- Električni pretvornik postavite na vodoravno površino brez valovanja in na stabilno mesto. V nasprotnem primeru lahko pade.
- Pri prenašanju električnega pretvornika odklopite vir napajanja in vse naprave, priključena na izhodna vrata. V nasprotnem primeru lahko pade.
- Ko prenašate pretvornik, ga vedno z obema rokoma držite za ročaja za nošenje. Pretvornika ne držite za druge dele. V nasprotnem primeru lahko pade.
- Električnega pretvornika ne uporabljajte z mokrimi rokami. Električnega pretvornika ne izpostavljajte dežju ali mokrim pogojem. Nevarnost električnega udara. Električni pretvornik ni vodoodporen.
- V izhode in prezačevalne reže ne vstavljajte kovinskih predmetov, kot so igle, žice ali drugi majhni kovinski predmeti. Nevarnost električnega udara.
- Električnega pretvornika ne razstavljajte. Nevarnost električnega udara.
- Električnega pretvornika ne izpostavljajte močnim udarcem, kot je pri padcu. To lahko povzroči okvaro, ki lahko privede do električnega udara.
- Preverite morebitno napačno poravnost ali zatikanje premikajočih se delov, zlomljene dele in vsa druga stanja, ki bi lahko vplivala na delovanje. Če je naprava poškodovana, jo je treba pred uporabo popraviti. Veliko nesreč se zgodi zaradi slabo vzdrževanih naprav.
- Vedno nastavite ustrezno frekvenco izmeničnega toka (AC). V nasprotnem primeru lahko pride do okvare in posledičnih telesnih poškodb.
- Električnega pretvornika ne uporabljajte v eksplozivnih območjih, kjer so prisotne vnetljive tekočine, plini ali prah. Majhen statični naboj ali iskra lahko sproži vžig prahu ali hlapov ter povzroči požar ali eksplozijo.
- Prezačevalne reže ne smejo biti prekrite ali blokirane. Električni pretvornik uporabljajte na takem mestu, kjer ne more nič blokirati prezačevalnih rež. To lahko povzroči okvaro ali požar.
- Pazite, da se med uporabo ne spotaknete ob kabel. Kabel spravite v žep za kabel.
- Električnega pretvornika ne uporabljajte za medicinsko opremo. Nepričakovana okvara lahko povzroči nesrečo.
- Zmanjševanje nevarnosti požara, prekomerne toplote, eksplozije, uhajanja elektroлита, električnega udara ali telesne poškodbe upoštevajte previdnostne ukrepe, navedene v nadaljevanju.
 - Ne priključite naprave, ki presega nazivno izhodno moč električnega pretvornika.
 - Ne priključite neposredno na splošno električno omrežje z izmenično napetostjo (AC).
- Električni pretvornik hranite v notranjih prostorih, na dobro prezračevanem mestu z nizko zračno vlažnostjo.

17. **Električni pretvornik hranite zunaj dosega otrok.** V nasprotnem primeru lahko pride do resnega incidenta.
18. **Ne stopajte na električni pretvornik. Prav tako pazite, da električnega pretvornika pri nameščanju MAKPAČ ali vira napajanja ne izpostavljate močnim udarcem.** Ti lahko povzročijo nedejvanje ali telesne poškodbe.
19. **Reža za ozemljitveni zatič na izhodu AC nima napetosti ali toka.** Ta izdelek ne zahteva ozemljitev naprave AC, saj ni povezan na splošno električno omrežje z izmenično napetostjo (AC).
9. **Upoštevajte vsa navodila glede polnjenja in akumulatorskega sklopa oziroma naprave ne polnite zunaj določenega temperaturnega razpona.** Nepravilno polnjenje ali polnjenje pri temperaturah zunaj določenega razpona lahko povzroči poškodbe baterije in poveča nevarnost požara.
10. **Servisiranje lahko izvede samo usposobljen serviser, ki uporablja ustrezne nadomestne dele.** Tako bo zagotovljena varnost izdelka.
11. **Ne spreminjajte ali popravljajte naprave ali akumulatorske baterije drugače, kot je navedeno v navodilih za uporabo in vzdrževanje.**

Varnostna opozorila za akumulatorsko napravo

Uporaba in nega akumulatorske naprave

1. **Preprečite nenamerni zagon. Pred priključitvijo akumulatorske baterije oziroma dviganjem ali prenašanjem naprave se prepričajte, da je stikalo v izklopljenem položaju.** Če napravo prenašate s prsti na stikalu ali jo napajate pri vklopljenem stikalu, lahko pride do nesreče.
2. **Odstranite akumulatorsko baterijo iz naprave pred spreminjanjem nastavitev, menjavo pripomočkov ali shranjevanjem naprave.** Takšni preventivni zaščitni ukrepi lahko zmanjšajo nevarnost nenamernega zagona naprave.
3. **Orodje polnite samo s polnilnikom, ki ga je določil proizvajalec.** Polnilnik, ki je primeren za eno vrsto akumulatorskih baterij, lahko pomeni nevarnost požara, če ga uporabljate z drugimi akumulatorskimi baterijami.
4. **Naprave uporabljajte samo s predpisano vrsto akumulatorskih sklopov.** Pri uporabi drugih akumulatorskih sklopov lahko pride do telesnih poškodb in požara.
5. **Ko akumulatorske baterije ne uporabljate, je ne hranite ob kovinskih predmetih, kot so sponke za papir, kovanci, ključi, žebliji, vijaki ali drugi manjši kovinski predmeti, ki lahko povzročijo stik med priključkoma.** Kratek stik akumulatorskih priključkov lahko povzroči opekline ali požar.
6. **V neprimernih pogojih lahko iz akumulatorja uhaja tekočina; izogibajte se stiku. Če pride do nenamernega stika, sperite z vodo. Če pride tekočina v stik z očmi, takoj poiščite zdravniško pomoč.** Tekočina iz akumulatorja lahko povzroči draženje ali opekline.
7. **Ne uporabljajte akumulatorskega sklopa ali naprave, ki je poškodovana ali spremenjena.** Delovanje poškodovanih ali spremenjenih baterij je nepredvidljivo in lahko povzroči požar, eksplozijo ali telesne poškodbe.
8. **Akumulatorskega sklopa oziroma naprave ne izpostavljajte ognju ali previsoki temperaturi.** Izpostavljenost ognju ali temperaturam nad 130 °C lahko povzroči eksplozijo.

Pomembna varnostna navodila za akumulatorsko baterijo

1. **Pred uporabo baterijskega vložka preberite vsa navodila in opozorilne oznake na (1) polnilniku akumulatorja, (2) akumulatorju in (3) izdelku, ki uporablja akumulator.**
2. **Ne razstavljajte ali spreminjajte akumulatorske baterije.** S tem lahko povzročite požar, prekomerno vročino ali eksplozijo.
3. **Če se je čas delovanja občutno skrajšal, takoj prenehajte uporabljati orodje. V nasprotnem primeru lahko pride do pregretja, morebitnih opeklin in celo eksplozije.**
4. **Če pride elektrolit v stik z očmi, jih sperite s čisto vodo in takoj poiščite zdravniško pomoč.** Posledica je lahko izguba vida.
5. **Ne povzročite kratkega stika baterijskega vložka:**
 - (1) **Ne dotikajte se priključkov s kakršnim koli prevodnim materialom.**
 - (2) **Izogibajte se shranjevanju baterijskega vložka v vsebniku z drugimi kovinskimi predmeti kot so žebliji, kovanci itn.**
 - (3) **Ne izpostavljajte baterijskega vložka vodi ali dežju.**

Kratek stik akumulatorja lahko povzroči velik električni tok, pregrevanje, morebitne opekline in celo okvaro.
6. **Ne shranjujte in uporabljajte naprave in akumulatorske baterije na mestih, kjer lahko temperatura doseže ali preseže 50 °C (122 °F).**
7. **Ne sežigajte akumulatorske baterije, tudi če je hudo poškodovana ali v celoti izrabljena.** Akumulatorska baterija lahko v ognju eksplodira.
8. **Ne pribijajte, režite, drobite, mečite, spuščajte akumulatorske baterije oziroma ne udarjajte z akumulatorsko baterijo po trdem predmetu.** Takšno ravnanje lahko povzroči požar, prekomerno vročino ali eksplozijo.
9. **Ne uporabljajte poškodovanih akumulatorjev.**

10. **Priložene litij-ionske baterije ustrezajo zahtevam zakonodaje v zvezi z nevarnim blagom.** Za komercialne prevoze, npr. tiste, ki jih opravljajo tretje stranke in carinski posredniki, je treba upoštevati posebne zahteve v zvezi z embalažo in označevanjem.
Med postopkom priprave na odpremo izdelka se je treba posvetovati s strokovnjakom za nevarne snovi. Pri tem upoštevajte tudi podrobnejše nacionalne predpise.
Odprte stike oblepite z lepilnim trakom ali jih drugače zaščitite, baterijo pa zapakirajte tako, da se v embalaži ne more premikati.
11. **Ko želite akumulatorsko baterijo zavreči, jo vzemite iz naprave in jo odložite med odpadke na varnem mestu. Upoštevajte lokalne predpise glede odlaganja baterij.**
12. **Baterije uporabljajte le z izdelki, ki jih določi Makita.** Če namestite baterije v neskladne izdelke, lahko pride do požara, pregrevanja, eksplozije ali puščanja elektrolita.
13. **Če naprave ne boste uporabljali dalj časa, morate odstraniti akumulator.**
14. **Med uporabo in po uporabi lahko akumulatorska baterija postane vroča in povzroči opekline ali opekline pri nizki temperaturi. Z vročimi akumulatorskimi baterijami ravnajte pazljivo.**
15. **Ne dotikajte se priključka naprave tako po uporabi, ker se lahko dovolj segreje, da povzroči opekline.**
16. **Ne dovolite, da bi se v priključke, odprtine in utore akumulatorske baterije zlepi ostružki, prah ali zemlja.** Umazanija lahko povzroči slabše delovanje ali okvaro naprave oziroma akumulatorske baterije.
17. **Akumulatorske baterije ne uporabljajte v bližini visokonapetostnih električnih vodov, razen če naprava omogoča uporabo v bližini visokonapetostnih električnih vodov.** Takšna uporaba lahko povzroči motnje v delovanju ali okvaro naprave oziroma akumulatorske baterije.
18. **Baterijo hranite izven dosega otrok.**

SHRANITE TA NAVODILA.

⚠ POZOR: Uporabljajte le originalne baterije Makita. Če uporabljate neoriginalne baterije Makita ali baterije, ki so bile spremenjene, lahko pride do eksplozije baterije in posledično do požara, telesnih poškodb ali materialne škode. S takšno uporabo boste tudi razveljavili garancijo Makita za napravo in polnilnik Makita.

Nasveti za ohranjanje največje zmogljivosti akumulatorja

1. **Napolnite akumulatorsko baterijo, preden se v celoti izprazni.** Ko opazite, da ima naprava manjšo moč, vedno ustavite delovanje naprave in napolnite akumulatorsko baterijo.
2. **Nikoli znova ne polnite popolnoma napolnjenega baterijskega vložka.** Prenapolnjenje skrajša življenjsko dobo akumulatorja.
3. **Baterijski vložek s sobno temperaturo polnite pri temperaturi okolja od 10 °C do 40 °C.** Počakajte, da se vroč baterijski vložek pred polnjenjem ohladi.
4. **Če akumulatorske baterije ne uporabljate, jo odstranite iz naprave ali polnilnika.**
5. **Če baterijskega vložka ne uporabljate dalj časa (več kot 6 mesecev), ga napolnite.**

OPIS DELOV

► SI.1

- | | |
|--|---|
| <ol style="list-style-type: none"> 1. Stikalna plošča 2. Zapah 3. Izhodna plošča 4. Ročaj za nošenje 5. Prezračevalne reže 6. Kavelj A 7. Kavelj B
Uporabljajte samo za PDC1200. 8. Kavelj C
Uporabljajte samo za PDC01. 9. Vtič (vhod) 10. Žep za kabel 11. Gumb za izhod USB | <ol style="list-style-type: none"> 12. Gumb za izhod AC 13. Gumb za preklon frekvence 14. Gumb za izhod DC 12 V 15. Gumb za zvočni signal 16. Indikator izhoda
Glejite razdelek z razlago indikatorja izhoda. 17. Izhod USB tipa A 1 18. Izhod USB tipa A 2 19. Izhod USB tipa C 1 20. Izhod USB tipa C 2 21. Izhod AC 1 22. Izhod AC 2 23. Izhod DC 12 V (za adapter za cigaretni vžigalnik) |
|--|---|

OPOMBA: Oblika izhoda AC se razlikuje od države do države.

MONTAŽA

⚠️ POZOR: Pri nameščanju ali odstranjanju vira napajanja trdno držite električni pretvornik in vir napajanja. V nasprotnem primeru vam lahko zdrsneta iz rok in pride lahko do telesne poškodbe ali poškodbe električnega pretvornika in vira napajanja.

⚠️ POZOR: Pred uporabo preverite, ali je kabel pravilno nameščen in ali je vstavek popolnoma vstavljen v vtič.

Namestitev vira napajanja

Za PDC1200

Namestite vir napajanja na električni pretvornik, kot je prikazano na sliki.

⚠️ POZOR: Preverite, ali je vir napajanja dobro pritrjen na električni pretvornik. Sicer lahko nepričakovano izpade iz električnega pretvornika in poškoduje vas ali osebe v neposredni bližini. Če vidite rdeči indikator, kot je prikazano na sliki, vir napajanja ni ustrezno zaskočen na mestu.

► **SI.2:** 1. Rdeči indikator

Pri odstranjanju vira napajanja dvignite gor, medtem ko držite pritisnjen gumb za zaklep.

► **SI.3:** 1. Gumb za zaklep

Za PDC01

Namestite vir napajanja na električni pretvornik, kot je prikazano na sliki.

► **SI.4**

Za odstranjanje vira napajanja izvedite postopek nameščanja v obratnem vrstnem redu.

Priključitev vira napajanja

1. Odprite pokrovček vtiča.
2. Poravnajte puščično oznako na vstavku s tisto na električnem pretvorniku in nato do konca vstavite vstavek v vtič.

► **SI.5:** 1. Pokrovček 2. Vtič (vhod) 3. Vstavek 4. Puščična oznaka

OBVESTILO: Vstavka ne vstavljajte na silo.

Če vstavka ne morete zlahka vstaviti, ga vstavljate narobe.

OBVESTILO: Pri odklapanju ne držite kablov ampak vstavek. V nasprotnem primeru se lahko kabli poškodujejo in povzročijo okvaro.

OBVESTILO: Ko vir napajanja ni priključen, vedno dobro zaprite pokrov vtiča. V nasprotnem primeru lahko v električni pretvornik vstopijo tujki in povzročijo okvaro.

Žep za kabel

Kabel lahko vstavite v žep za kabel, kot je prikazano na sliki.

► **SI.6**

Nameščanje kovčka MAKPAC

Dodatna oprema

Električni pretvornik lahko namestite na vrh ali dno enote MAKPAC, kot je prikazano na sliki.

► **SI.7**

⚠️ POZOR: Prepričajte se, da je električni pretvornik trdno pritrjen na MAKPAC s štirimi zapahi. V nasprotnem primeru lahko orodje pade in povzroči telesne poškodbe.

UPRAVLJANJE

► **SI.8:** 1. Gumb za vklop/izklop

1. Pritisnite gumb za vklop/izklop vira napajanja, da ga vklopite.

2. Priključite napravo na ustreznih izhod.

Ko uporabljate izhod AC, izberite ustrezno frekvenco tako, da pritisnete in držite gumb za preklop frekvence.

OPOMBA: Frekvenco je mogoče izbrati samo, ko je izhod AC zaustavljen.

OPOMBA: Nastavitev frekvence se shrani v pomnilnik. Ob naslednji uporabi se bo električni pretvornik zagal z isto nastavitvijo.

3. Pritisnite gumb za izhod, ki ga želite uporabiti.

Električni pretvornik zažene izhod in gumb delujočega izhoda zasveti.

4. Za zaustavitev ponovno pritisnite gumb za izhod.

5. Pritisnite gumb za vklop/izklop vira napajanja, da ga izklopite.

OBVESTILO: Naprave, ki za zagon zahteva veliko količino elektrike, morda ne boste mogli uporabiti, tudi če električni izhod električnega pretvornika ostaja znotraj nazivnega območja elektrike.

OBVESTILO: Električni pretvornik nekaterih naprav USB morda ne bo polnil.

OBVESTILO: Preden na električni pretvornik priključite napravo USB, vedno ustvarite varnostno kopijo podatkov, shranjenih v napravi USB.

OBVESTILO: Vir napajanja ne morete napolniti z električnim pretvornikom z uporabo napajalne enote, ki so na voljo na trgu.

Razlaga indikatorja izhoda

► SI.9

- Indikator izhoda zasveti glede na izhodno moč, ki se oddaja.
- Ko električni izhod doseže 1.400 W(VA), lučka na „1400“ posveti rdeče. Lučka začne utripati rdeče, ko se električni pretvornik preobremeni.

Vklop/izklop brenčaća

► SI.10: 1. Gumb za zvočni signal

Za vklop/izklop zvoka brenčaća pritisnite in pridržite gumb za zvočni signal.

OPOMBA: Nastavitev brenčaća se shrani v pomnilnik. Ob naslednji uporabi se bo električni pretvornik zagnal z isto nastavitvijo.

Zaščitni sistem

Električni pretvornik je opremljen s spodaj navedenim zaščitnim sistemom.

Zaščita pred preobremenitvijo

Vsak izhod ima zaščito pred preobremenitvijo, kot sledi:

- **Izhod AC**
Ko električni pretvornik zazna prekomerno izhodno moč, v celoti ustavi vse izhode AC s prekinjenim piskanjem.
- **Izhod USB**
Kadar električni pretvornik zazna neobičajno velik tok, izklopi izhod USB, iz katerega teče tok.
- **Izhod DC 12 V**
Ko električni pretvornik zazna neobičajno velik tok, ustavi izhod DC 12 V s prekinjenim piskanjem.

Če skupna izhodna moč napajanja z izmeničnim tokom, napajanja USB in napajanja z enosmernim tokom 12 V preseže nazivno izhodno moč električnega pretvornika za nekaj časa, se celotna izhodna moč ustavi in slišite neprekinjen zvočni signal. V tem primeru izklopite vir napajanja in prekinite delo, ki je povzročilo preobremenitev električnega pretvornika. Nato vklopite vir napajanja, da ga znova zaženete.

OPOMBA: Ko se električni pretvornik preobremeni, začne lučka indikatorja izhoda „1400“ utripati rdeče.

OPOMBA: Piskanje zaustavite s pritiskom katerega-koli gumba na stikalni plošči.

Zaščita pred pregrevanjem

Ko je električni pretvornik pregret, v celoti ustavi vse izhode z neprekinjenim piskanjem. V tem primeru počakajte, da se električni pretvornik ohladi, preden ga znova vklopite.

Zaščita pred izpraznjenjem

Ko je preostala raven napolnjenosti nizka, se zasliši prekinjeno piskanje in gumb delujočega izhoda utripa. V tem primeru odstranite vir napajanja in ga napolnite. Ko bo preostala raven napolnjenosti vira napajanja še nižja, bodo vsi izhodi zaustavljeni.

VZDRŽEVANJE

▲POZOR: Preden se lotite pregledovanja ali vzdrževanja, morate odstraniti vir napajanja.

OBVESTILO: Priključka ne čistite z vodo. Tveganje za okvaro.

OBVESTILO: Občasno obrišite zunanost izdelka s krpo, navlaženo z milnico.

OBVESTILO: Nikoli ne uporabljajte bencina, razredčila, alkohola ali podobnega sredstva. V tem primeru se lahko orodje razbarva ali deformira oziroma lahko nastanejo razpoke.

VARNO in ZANESLJIVO delovanje tega izdelka bo zagotovljeno le, če boste popravila, vzdrževanje in nastavitve prepustili pooblaščenemu servisu za orodja Makita ali tovarniškemu osebju, ki vgrajuje izključno originalne nadomestne dele.

Čiščenje

Če je električni pretvornik umazan, ga obrišite s suho krpo ali krpo, navlaženo z milnico.

Filter

▲POZOR: Ko filter očistite, ga ponovnega namestite. Uporaba električnega pretvornika brez filtra lahko povzroči okvaro.

Odstranite filter tako, da ga izvlečete, kot je prikazano na sliki.

Operite filter in ga osušite.

► SI.11: 1. Filter

Za namestitev filtra, sledite korakom za odstranjevanje v obratnem vrstnem redu.

DODATNA OPREMA

▲POZOR: Ta dodatni pribor ali pripomočki so predvideni za uporabo z orodjem Makita, ki je opisano v teh navodilih za uporabo. Pri uporabi drugega pribora ali pripomočkov obstaja nevarnost telesnih poškodb. Dodatni pribor ali pripomočke uporabljajte samo za navedeni namen.

Za več informacij o dodatni opremi se obrnite na najbližji pooblaščen servis za orodja Makita.

- Prenosna polnilna enota
- Originalna akumulator in polnilnik Makita
- MAKPAC

OPOMBA: Nekateri predmeti na seznamu so lahko priloženi orodju kot standardna dodatna oprema. Lahko se razlikujejo od države do države.

SPECIFIKIMET

Modeli:		BAC01
Dalja nominale	Performanca e konvertuesit (Kur përdoret PDC1200)	Watt e vazhdueshme: 1 400 W (VA) Watt kulmore: 2 800 W (VA)
	Priza AC *	Vala sinusoidale e pastër 50 Hz ose 60 Hz, 2 copë. Tensioni: Shiko treguesin te konvertuesi i energjisë. (Tensioni në dalje ndryshon në varësi të vendit.)
	Porta USB	Type-A: 5 V, 2,4 A, 2 copë. Type-C: USB-PD 30 W, 2 copë.
	Përshatësi për ndezësin e cigares në makinë	12 V, 10 A, 1 copë.
Koha e përdorimit **	PDC1200 (Me 1 000 W)	56 min.
	PDC01 (Me 750 W, BL1860B x 2)	10 min.
Përmasat (GJ x T x L) (Me të gjithë çengelët në pozicion të palosur)		395 mm x 345 mm x 163 mm
Pesha neto (Vetëm konvertuesi i energjisë)		7,3 kg

*** Vetëm për Brazil**

Tensioni është shënuar pranë prizës AC.

** Koha e përdorimit është me përafërsi dhe mund të ndryshojë në varësi të burimit të energjisë, statusit të karikimit dhe kushteve të përdorimit.

- Për shkak të programit tonë të vazhdueshëm të kërkim-zhvillimit, specifikimet që jepen këtu mund të ndryshojnë pa dhënë njoftim.
- Specifikimet mund të ndryshojnë nga njëri shtet në tjetrin.

Burimi i energjisë që aplikohet

Paketë elektrike portative	PDC1200 / PDC01* * Përdorini bateritë që tregohen te pjesa për bateritë e zbatueshme.
----------------------------	--

- Disa burime energjie që tregohen më sipër mund të mos jenë të disponueshme në varësi të vendit ku ndodheni.
- Para se ta përdorni burimin e energjisë, lexoni udhëzimet dhe shënimet paralajmëruese mbi të.

⚠ PARALAJMËRIM: Përdorni vetëm burimet e energjisë që tregohen më sipër. Përdorimi i çfarëdo burimi tjetër energjie mund të shkaktojë dëmtime dhe/ose zjarr.

Kutia e aplikueshme e baterisë

Vetëm për PDC01

VINI RE: Kur përdoret PDC01:	
—	Nëse fuqia në dalje i kalon 750 W (VA), konvertuesi i energjisë do të ndalojë furnizimin me energji për shkak të sistemit të mbrojtjes së baterisë. Në këtë rast, mbajeni fuqinë e daljes në nivelin 750 W (VA) ose më të ulët.
—	Në varësi të kushteve të përdorimit, konvertuesi i energjisë mund të ndalojë daljen nëse bateria në përdorim kalon te një bateri tjetër. Në këtë situatë, shtypni butonin e daljes që doni për të rinisur daljen.
—	Nevojitet dy ose katër kuti baterie për përdorimin e invertitorit. Nëse përdorni dy kuti baterie, instaloni njërën në fole të baterisë 1 ose 2 dhe tjetrën në fole të baterisë 3 ose 4.

Kutia e baterisë	BL1815N / BL1820B / BL1830B* / BL1840B* / BL1850B* / BL1860B* * : Bateria e rekomanduar
------------------	--

- Disa prej kutive të baterive të renditura më lart mund të mos jenë të disponueshme në varësi të zonës ku jua banoni.

PARALAJMËRIM: Përdorni vetëm kutitë e baterisë të listuara më lart. Përdorimi i kutive të tjera të baterisë mund të shkaktojë lëndim dhe/ose zjarr.

Simbolet

Pjesët në vazhdim tregojnë simbolet që mund të përdoren për pajisjen. Sigurohuni që merrni vesh kuptimin e tyre përpara përdorimit.



Lexoni manualin e përdorimit.



Vetëm për shtetet e BE-së
Për shkak të pranisë së komponentëve të rrezikshëm në pajisje, mbetjet e pajisjeve elektronike dhe elektrike, akumulatorët dhe bateritë, mund të kenë ndikim negativ në mjedis dhe në shëndetin e njerëzve.



Ni-MH
Li-ion

Mos i hidhni pajisjet elektrike dhe elektronike ose bateritë me mbetjet shtëpiake!
Në përputhje me Direktivën Evropiane për mbetjet e pajisjeve elektrike dhe elektronike, akumulatorët dhe bateritë, dhe mbetjet e akumulatorëve dhe baterive, si dhe përfshirjen e saj në ligjin kombëtar, mbetjet e pajisjeve elektrike dhe elektronike, akumulatorëve dhe baterive, duhet të mbahen veçmas dhe të dorëzohen në një pikë grumbullimi të veçantë për mbetjet komunale, duke vepruar në përputhje me rregulloret e mbrojtjes së mjedisit.
Kjo tregohet nga simboli i koshit të plehrave me kryq, të vendosur mbi pajisje.

Përdorimi i synuar

Pajisja është bërë për të konvertuar energjinë e paketave elektrike portative Makita në dalje të ndryshme.

PARALAJMËRIME SIGURIE

PARALAJMËRIM: Para se ta përdorni, sigurohuni që të lexoni manualin e udhëzimeve të produktit që do të përdoret me këtë konvertues energjie.

Paralajmërime sigurie për konvertuesin e energjisë

- Për të garantuar performancë të mirë dhe jetëgjatësi shërbimi, tregoni kujdes që ta mbronni konvertuesin e energjisë nga situatat e mëposhtme.**
 - Gazi dhe lëngjet gërryese
 - Avulli me kripë dhe avujt e vajit
 - Goditjet mekanike dhe dridhjet
 - Lagështia e lartë
 - Temperatura ekstreme (shumë ftohtë ose shumë nxehtë)
Temperatura e përshtatshme e ambientit është nga -10 °C deri në 40 °C (14 °F deri në 104 °F).
- Zhurma elektromagnetike (p.sh. makineritë e saldimit elektrik, pajisjet me fuqi të lartë)
- Materiali radioaktiv
- Vendoseni konvertuesin e energjisë mbi sipërfaqe horizontale, pa valëzime dhe të qëndrueshme.** Në të kundërt, mund të rrezohet aksidentalisht.
- Kur e transportoni konvertuesin e energjisë, shkëputni burimin e energjisë dhe të gjitha pajisjet që janë lidhur te porta e daljes.** Në të kundërt, mund të rrezohet aksidentalisht.
- Kur mbani invertitorin, mbajini gjithnjë mirë dorëzat me të dyja duart.** Mos e mbani invertitorin nga ndonjë pjesë tjetër. Në të kundërt, mund të rrezohet aksidentalisht.
- Mos e përdorni konvertuesin e energjisë me duar të lagura.** Mos e ekspozoni konvertuesin e energjisë ndaj shiut ose lagështisë. Rrezik për goditje elektrike. Konvertuesi i energjisë nuk është kundër ujit.
- Mos futni objekte metalike, si gjilpëra me kokë, tela ose objekte të tjera të vogla në dalje dhe në vrimat e ajrimit.** Rrezik për goditje elektrike.
- Mos e çmontoni konvertuesin e energjisë.** Rrezik për goditje elektrike.
- Mos i shkaktoni goditje të fortë konvertuesit të energjisë, si për shembull mos e rrëzoni.** Kjo mund të shkaktojë keqfunksionime që rezultojnë në goditje elektrike.
- Kontrolloni për bashkërenditje të pasaktë ose ngecjen e pjesëve lëvizëse, prishjen e pjesëve dhe probleme të tjera që mund të ndikojnë te punimi.** Nëse pajisja është e dëmtuar, riparojeni përpara përdorimit. Shumë aksidente shkaktohen nga pajisjet që nuk janë mirëmbajtur siç duhet.
- Caktojini gjithnjë në një frekuencë AC të përshtatshme.** Përndryshe mund të ndodhin keqfunksionime që rezultojnë në plagosje.
- Mos e vini në punë konvertuesin e energjisë në atmosfera shpërthyesë, si për shembull në prani të lëngjeve, gazeve ose pluhurit të djegshëm.** Një shkarkim i vogël statik mund të ndezë pluhurat ose tymrat, duke krijuar zjarr ose shpërthim.
- Mos lejoni asgjë të mbulojë ose bllokojë vrimat e ajrimit.** Përdoreni konvertuesin e energjisë në vende ku asgjë nuk e vrimën e ajrimit. Përndryshe mund të shkaktohet keqfunksionim ose zjarr.
- Tregoni kujdes të mos pengoheni te kordoni gjatë përdorimit.** Vendoseni kordonin e energjisë te xhepi i kordonit.
- Mos e përdorni konvertuesin e energjisë për pajisje mjekësore.** Defektet e papritura mund të shkaktojnë aksident.

15. Për të ulur rrezikun e zjarrit, nxehtësë së tepërt, shpërthimit, rrjedhjes së elektrolitit, goditjeve elektrike ose plagosjeve, zbatoni masat paraprake të mëposhtme.
 - Mos lidhni pajisje që e kalojnë daljen nominale të konvertuesit të energjisë.
 - Mos e lidhni direkt me rrjetin e energjisë AC të përgjithshëm.
16. Mbajeni konvertuesin e energjisë brenda, në një vend të ajrosur mirë dhe ku nuk ka lagështi.
17. Mbajeni konvertuesin e energjisë larg fëmijëve kur e magazinoni. Në të kundërt mund të shkaktohen incidente të rënda.
18. Mos shkëlpi sipër konvertuesit të energjisë. Gjithashtu bëni kujdes të mos i shkaktoni goditje të fortë konvertuesit të energjisë kur e instaloni me MAKPAC ose burim energjie. Nëse veproni kështu, mund të shkaktoni defekte ose dëmtime fizike.
19. Foleja për kunjin e tokëzimit në daljen AC nuk ka tension dhe rrymë. Ky produkt nuk ka nevojë për tokëzimin e pajisjes AC pasi nuk lidhet me rrjetin e përgjithshëm të energjisë AC.
7. Mos e përdorni një kuti baterie apo pajisje që është e dëmtuar ose e modifikuar. Bateritë e dëmtuara ose të modifikuara mund të shfaqin sjellje të paparashikueshme që rezultojnë në zjarr, shpërthime apo rrezik plagosjeje.
8. Mos e ekspozoni kutinë e baterisë ose pajisjen në zjarr ose ndaj temperaturave ekstreme. Ekspozimi ndaj zjarrit ose temperaturave mbi 130 °C mund të shkaktojë shpërthim.
9. Ndiqni të gjitha udhëzimet e karikimit dhe mos e karikoni kutinë e baterisë ose pajisjen jashtë kufijve të temperaturës të specifikuar të udhëzimit. Karikimi i pasaktë ose në temperatura jashtë kufijve të specifikuar mund të dëmtojë baterinë dhe të rrisë rrezikun e zjarrit.
10. Shërbimi duhet të bëhet nga një person i kualifikuar për riparime, duke përdorur vetëm pjesë identike zëvendësimi. Kjo do ta mbajë të sigurt produktin.
11. Mos e modifikoni apo mos u përpini të riparoni pajisjen ose paketën e baterisë përveçse siç tregohet në udhëzimet e përdorimit dhe të kujdesit.

Paralajmërimet e sigurisë për pajisje me bateri

Përdorimi dhe kujdesi për pajisjen me bateri

1. Parandaloni ndezjen e paqëllimshme. Sigurohuni që çelësi të jetë në pozicionin e fikjes përpara se ta lidhni pajisjen me paketën e baterisë, ta ngrini ose ta mbani atë. Mbajta e pajisjes me gishtin mbi çelës ose furnizimi me energji elektrike i pajisjeve që e kanë çelësin të ndezur bëhet shkak për aksidente.
 2. Shkëputni paketën e baterisë nga pajisja përpara se të bëni rregullime, të ndryshoni aksesoret ose të magazinoni pajisjen. Masa të tilla parandaluese të sigurisë ulin rrezikun e ndezjes së pajisjes aksidentalisht.
 3. Ngarkojeni vetëm me ngarkuesin e specifikuar nga prodhuesi. Ngarkuesi që është i përshtatshëm për një lloj pakete baterie mund të shkaktojë rrezik zjarri kur përdoret me një paketë tjetër baterie.
 4. Përdorini pajisjet vetëm me paketat e baterisë të prodhuara posaçërisht për këtë qëllim. Përdorimi i paketave të tjera të baterisë mund të paraqesë rrezik lëndimi dhe zjarri.
 5. Kur paketa e baterisë nuk përdoret, mbajeni larg nga objektet e tjera metalike, si kapëset e letrave, monedhat, çelësat, gozhdët, vidat ose objektet e tjera metalike të vogla që mund të bëjnë lidhje nga njëri terminal tek tjetri. Krijimi i lidhjes së shkurtër ndërmjet terminaleve të baterisë mund të shkaktojë djegie ose zjarr.
 6. Në kushte sforcimi mund të dalë lëng nga bateria; shmangni kontaktin. Nëse aksidentalisht ndodh kontakt, shpëlani me ujë. Nëse lëngu bie në kontakt me sytë, kërkoni edhe ndihmën e mjekut. Lëngu i dalë nga bateria mund të shkaktojë acarim ose djegie.
 1. Përpara se ta përdorni kutinë e baterisë, lexoni të gjitha udhëzimet dhe shënimet e masave parandaluese të (1) ngarkuesit të baterisë, (2) bateria dhe (3) produkti që përdor baterinë.
 2. Mos e çmontoni ose dëmtoni kutinë e baterisë. Kjo mund të shkaktojë zjarr, nxehtësi të lartë ose shpërthim.
 3. Nëse koha e përdorimit është shkurtuar jashtë mase, ndalojeni punën menjëherë. Kjo mund të rezultojë në rrezik mbinxehjeje, djegie të mundshme, madje edhe shpërthim.
 4. Nëse ju futen elektrolite në sy, shpëlajini sytë me ujë të pastër dhe kërkoni ndihmë mjekësore menjëherë. Kjo gjë mund të rezultojë në humbje të shikimit.
 5. Mos bëni lidhje të shkurtër me kutinë e baterisë:
 - (1) Mos i prekni terminalat me materiale përcjellëse.
 - (2) Shmangni ruajtjen e kutisë së baterisë në një kuti me objekte të tjera metalike, si gozhdë, monedha etj.
 - (3) Mos e ekspozoni kutinë e baterisë në ujë ose shi.
- Qarku i shkurtër i baterisë mund të shkaktojë qarkullim të madh të rrymës elektrike, mbinxehje, djegie të mundshme dhe madje prishje.
6. Mos e ruani dhe mos e përdorni pajisjen dhe kutinë e baterisë në vende ku temperatura mund të arrijë ose tejkalojë 50 °C (122 °F).
 7. Mos e digjini kutinë e baterisë, edhe nëse është shumë e dëmtuar ose është konsumuar plotësisht. Kutia e baterisë mund të shpërthejë në zjarr.

Udhëzime të rëndësishme rreth sigurisë për kutinë e baterisë

8. **Mos e shponi, pritni, shtypni, hidhni apo rrëzoni kutinë e baterisë apo ta goditni kutinë e baterisë me një objekt të fortë.** Një sjellje e tillë mund të shkaktojë zjarr, nxehtësi të lartë ose shpërthim.
9. **Mos përdorni bateri të dëmtuar.**
10. **Bateritë e përfshira të litiumit, u nënshtrohen kërkesave të legjislacionit për mallrat e rrezikshme.**
Për transport tregtar p.sh. nga palë të treta, agjentë të ndërmjetëm, duhet të ndiqen kërkesa specifike mbi paketimin dhe etiketimin.
Për përgatitjen e artikullit për transport, është i nevojshëm konsultimi i një eksperti për materiale të rrezikshme. Ju lutemi, ndiqni gjithashtu rregulloret me gjasë më të detajuara vendore.
Mbuloni me ngjitëse ose maskoni kontaktet e zhveshura dhe paketojeni baterinë në mënyrë të tillë që të mos lëvizë në paketim.
11. **Kur hidhni kutinë e baterisë, hiqeni atë nga pajisja dhe hidhni në një vend të sigurt.** Zbatoni rregulloret lokale rreth hedhjes së baterisë.
12. **Përdorini bateritë vetëm me produktet e specifikuar nga Makita.** Instalimi i baterive në produkte të papajtueshme mund të rezultojë në zjarr, nxehtësi të lartë, shpërthim ose rrjedhje të elektroliteve.
13. **Nëse pajisja nuk përdoret për një periudhë të gjatë kohe, bateria duhet të hiqet nga pajisja.**
14. **Gjatë dhe pas përdorimit, kutia e baterisë mund të nxehtet, gjë që mund të shkaktojë djegie ose djegie në temperaturë të ulët.** Tregoni kujdes gjatë manovrimit të kutive të nxehta të baterive.
15. **Mos prekni terminalin e pajisjes menjëherë pas përdorimit pasi mund të nxehtet aq shumë sa të shkaktojë djegie.**
16. **Mos lejoni që grumbullimin e ashklave, pluhurave ose papastërtive në terminalet, vrimat ose kanalet e kutisë së baterisë.** Kjo mund të shkaktojë rendiment të ulët ose dëmtim të pajisjes ose të kutisë së baterisë.
17. **Përveç kur pajisja e mbështet përdorimin pranë linjave elektrike me voltazh të lartë, mos e përdorni kutinë e baterisë pranë linjave elektrike me voltazh të lartë.** Kjo mund të shkaktojë një defekt ose dëmtim të pajisjes ose të kutisë së baterisë.
18. **Mbajeni baterinë larg fëmijëve.**

RUAJINI KËTO UDHËZIME.

▲KUJDES: Përdorni vetëm bateri origjinale Makita. Përdorimi i baterive jo-origjinale Makita ose baterive që mund të jenë modifikuar, mund të rezultojë në marrjen flakë të baterisë, lëndime personale apo dëmtime. Kjo do të anulohet gjithashtu edhe garancinë e Makita për pajisjen e Makita dhe karikuesin.

Këshilla për të ruajtur jetëgjatësinë maksimale të baterisë

1. **Ngarkojeni kutinë e baterisë përpara se të shkarkohet plotësisht.** Gjithmonë ndaloni punën me pajisjen dhe karikoni kutinë e baterisë kur vëreni ulje të fuqisë së pajisjes.
2. **Asnjëherë mos e ringarkoni baterinë e ngarkuar plotësisht.** Mbingarkimi shkurton jetëgjatësinë e shërbimit të baterisë.
3. **Ngarkojeni baterinë në temperaturën e dhomës në 10 °C - 40 °C.** Lëreni kutinë e nxehtë të baterisë të ftohet përpara se ta ngarkoni atë.
4. **Kur nuk e përdorni kutinë e baterisë, hiqeni nga pajisja ose karikuesi.**
5. **Ngarkojeni baterinë nëse nuk e përdorni për një kohë të gjatë (mbi gjashtë muaj).**

PËRSHKRIMI I PJESËVE

► Fig.1

1. **Paneli i çelësit**
2. **Kapësja**
3. **Bordi i daljes**
4. **Doreza e transportimit**
5. **Vrima e ajrimit**
6. **Grepi A**
7. **Grepi B**
Përdoreni vetëm për PDC1200.
8. **Grepi C**
Përdoreni vetëm për PDC01.
9. **Spina (hyrje)**
10. **Xhepi i kordonit**
11. **Butoni i daljes USB**
12. **Butoni i daljes AC**
13. **Butoni i ndryshimit të frekuencës**
14. **Butoni i daljes DC 12 V**
15. **Butoni i tingullit të sinjalit**
16. **Treguesi i daljes**
Shikoni pjesën për mënyrën si interpretohet treguesi i daljes.
17. **USB Type-A dalja 1**
18. **USB Type-A dalja 2**
19. **USB Type-C dalja 1**
20. **USB Type-C dalja 2**
21. **AC dalja 1**
22. **AC dalja 2**
23. **Dalje DC 12 V** (Për përshtatësin për ndezësin e cigares në makinë)

SHËNIM: Forma e daljes AC ndryshon sipas shtetit.

MONTIMI

▲KUJDES: Mbajeni fort konvertuesin e energjisë dhe burimin e energjisë kur instaloni ose hiqni burimin e energjisë. Përndryshe ato mund t'ju rrëshqasin nga duart dhe të rezultojnë në plagosje ose dëmtim të konvertuesit të energjisë dhe burimit të energjisë.

▲KUJDES: Para se ta vini në punë, sigurohuni që kordoni i energjisë është vendosur siç duhet dhe që priza është futur në spinë deri në fund.

Montimi i burimit të energjisë

Për PDC1200

Lidhni burimin e energjisë të konvertuesit i energjisë siç tregohet në figurë.

▲KUJDES: Sigurohuni që burimi i energjisë është instaluar në mënyrë të sigurt te konvertuesi i energjisë. Përndryshe mund të bjerë padashur nga konvertuesi i energjisë dhe t'ju shkaktojë dëmtime juve ose dikujt pranë. Nëse mund ta shihni treguesin e kuq siç tregohet në figurë, burimi i energjisë nuk është bërë komplet.

► **Fig.2:** 1. Treguesi i kuq

Kur e hiqni burimin e energjisë, ngrijeni burimin e energjisë lart ndërsa shtypni poshtë butonin e bllokimit.

► **Fig.3:** 1. Butoni i bllokimit

Për PDC01

Lidhni burimin e energjisë të konvertuesit i energjisë siç tregohet në figurë.

► **Fig.4**

Për ta hequr burimin e energjisë, ndiqni hapat e instalimit sipas radhës së kundërt.

Lidhja e burimit të energjisë

1. Hapni kapakun e spinës.
2. Afroni shenjën e shigjetës në prizë me atë të konvertuesit të energjisë, dhe futeni prizën në spinë deri në fund.

► **Fig.5:** 1. Kapaku 2. Spina (hyrje) 3. Priza 4. Shenja e shigjetës

VINI RE: Mos e futni prizën me forcë. Nëse priza nuk futet lehtë, nuk po e futni siç duhet.

VINI RE: Kur e hiqni nga priza, mos kapni kordonët, por kapni prizën. Përndryshe kordonët mund të dëmtohen dhe të shkaktojnë keqfunksionim.

VINI RE: Mbylleni mirë gjithnjë kapakun e spinës kur nuk është lidhur burimi i energjisë. Përndryshe mund të futen objekte të huaja te konvertuesi i energjisë dhe të shkaktojnë keqfunksionim.

Xhepi i kordonit

Mund ta vendosni kordonin te xhepi i kordonit siç tregohet në figurë.

► **Fig.6**

Instalimi i MAKPAC

Aksesor opsional

Konvertuesi i energjisë mund të lidhet sipër ose poshtë MAKPAC siç tregohet në figurë.

► **Fig.7**

▲KUJDES: Sigurohuni që konvertuesi i energjisë të fiksohet mirë te MAKPAC me katër kapëset. Përndryshe mund të rrëzohet aksidentalisht dhe të shkaktojë dëmtime fizike.

PËRDORIMI

► **Fig.8:** 1. Butoni i energjisë

1. Shtypni butonin e energjisë të burimi i energjisë për ta ndezur.

2. Lidhni pajisjen me daljen e përshtatshme.

Kur përdorni daljen AC, zgjidhni frekuencën e përshtatshme duke shtypur dhe mbajtur shtypur butonin e ndryshimit të frekuencës.

SHËNIM: Frekuenca mund të zgjidhet vetëm kur ndalon dalja AC.

SHËNIM: Frekuenca e vendosur ruhet në memorie. Herës tjetër, konvertuesi i energjisë do të ndizet me të njëjtin konfigurim.

3. Shtypni butonin e daljes që doni të përdorni.

Konvertuesi i energjisë fillon daljen dhe butoni i daljes që është në punë ndizet.

4. Shtypni përsëri butonin e daljes për të ndaluar.

5. Shtypni butonin e energjisë të burimi i energjisë për ta fikur.

VINI RE: Mund të mos keni mundësi ta përdorni pajisjen që kërkon sasi të madhe energjie për ta ndezur edhe nëse dalja e energjisë së konvertuesit të energjisë mbahet brenda normës nominale të energjisë.

VINI RE: Konvertuesi i energjisë mund të mos i furnizojë me energji disa pajisje me USB.

VINI RE: Para se ta lidhni pajisjen me USB te konvertuesi i energjisë, krijoni gjithmonë kopje rezervë të të dhënave që gjenden në pajisjen me USB.

VINI RE: Nuk mund ta karikoni burimin e energjisë me konvertuesin e energjisë duke përdorur bateri portative që gjenden në treg.

Si ta interpretoni treguesin e daljes

► Fig.9

- Treguesi i daljes ndizet sipas fuqisë në Watt që nxirret.
- Kur fuqia në dalje arrin 1 400 W(VA), llamba në "1400" do të ndizet në ngjyrë të kuqe. Kjo llambë fillon të pulsojë në ngjyrë të kuqe kur konvertuesi i energjisë mbingarkohet.

Ndezja/fikja e sinjalizuesit

► Fig.10: 1. Butoni i tingullit të sinjalit

Shtypni dhe mbani shtypur butonin e tingullit të sinjalit për ta ndezur/fikur tingullin e sinjalizuesit.

SHËNIM: Konfigurimi i sinjalizuesit ruhet në memorie. Herës tjetër, konvertuesi i energjisë do të ndizet me të njëjtin konfigurim.

Sistemi i mbrojtjes

Konvertuesi i energjisë është i pajisur me sistemin mbrojtës të mëposhtëm.

Mbrojtja nga mbingarkesa

Secila dalje ka mbrojtje nga mbingarkesa si më poshtë:

- **Dalja AC**
Kur konvertuesi i energjisë dallon fuqi Watt të tepërt, konvertuesi i energjisë ndalon të gjithë daljen AC duke lëshuar tingull sinjalizues me ndërprerje.
- **Dalja USB**
Kur konvertuesi i energjisë dallon një rrymë tepër të lartë, konvertuesi i energjisë e shkëput daljen USB nga ku kalon rryma e lartë.
- **Dalja DC 12 V**
Kur konvertuesi i energjisë dallon një rrymë tepër të lartë, konvertuesi i energjisë ndalon daljen DC 12 V duke lëshuar tingull sinjalizues me ndërprerje.

Nëse dalja totale e AC, USB dhe DC 12 V e kalon daljen nominale të konvertuesit të energjisë për një periudhë të caktuar, e gjithë dalja do të ndalohet duke lëshuar tingull sinjalizues të vazhdueshëm. Në këtë situatë, burimi i energjisë fik dhe ndalon aplikimin që ka bërë që konvertuesi i energjisë të mbingarkohet. Më pas ndizeni burimin e energjisë për të filluar përsëri.

SHËNIM: Kur konvertuesi i energjisë mbingarkohet, llamba "1400" e treguesit të daljes pulson në ngjyrë të kuqe.

SHËNIM: Tingulli sinjalizues ndalon nëse shtypni çfarëdo butoni në panelin e çelësave.

Mbrojtja ndaj mbinxehjes

Kur konvertuesi i energjisë mbinxehet, konvertuesi i energjisë ndalon të gjithë daljen duke lëshuar tingull sinjalizues pa ndërprerje. Në këtë situatë, lëreni konvertuesin e energjisë të ftohet para se ta ndizni përsëri.

Mbrojtja nga mbishkarkimi

Kur kapaciteti i mbetur i burimit të energjisë është i ulët, bien tingull sinjalizues me ndërprerje dhe butoni i daljes që është në punë pulson. Në këtë situatë, hiqeni burimin e energjisë dhe karikojeni.

Kur kapaciteti i mbetur i burimit të energjisë bie edhe më shumë, e gjithë dalja do të ndalohet.

MIRËMBAJTJA

▲KUJDES: Sigurohuni gjithnjë që burimi i energjisë të hiqet para se të provoni të bëni kontrolle ose punë mirëmbajtjeje.

VINI RE: Mos e lani bashkuesin me ujë. Rrezik keqfunksionimi.

VINI RE: Pastroni herë pas here sipërfaqen e produktit duke përdorur një leckë të njomur me pak ujë me detergjent.

VINI RE: Mos përdorni kurrë benzinë, benzinë pastrimi, hollues, alkoool dhe të ngjashme. Mund të shkaktoni çngjyrosje, deformime ose krisje.

Për të ruajtur SIGURINË dhe QËNDRUESHMËRINË, riparimet dhe çdo mirëmbajtje apo rregullim tjetër duhen kryer nga qendrat e autorizuar të shërbimit ose të shërbimit të fabrikës të Makita-s, duke përdorur gjithnjë pjesë këmbimi të Makita-s.

Pastrimi

Nëse konvertuesi i energjisë është pis, pajtojeni konvertuesin e energjisë me një leckë të thatë ose një leckë të njomur me pak ujë me detergjent.

Filtri

▲KUJDES: Pasi ta pastroni filtrin, mos harroni ta vendosni përsëri. Vënia në punë e konvertuesit të energjisë pa filtër mund të shkaktojë keqfunksionim.

Hiqeni filtrin duke e tërhequr jashtë siç tregohet në figurë.

Lani filtrin, pastaj thajeni.

► Fig.11: 1. Filtri

Për ta vendosur filtrin, ndiqni hapat e procedurës së heqjes në radhë të kundërt.

AKSESORË OPSIONALË

⚠️KUJDES: Këta aksesorë ose shtojca rekomandohen për përdorim me veglën Makita të përcaktuar në këtë manual. Përdorimi i aksesorëve apo shtojcave të tjera ndryshe nga këto mund të përbëjë rrezik lëndimi. Aksesorët ose shtojcat përdorini vetëm për qëllimin e tyre të përcaktuar.

Nëse keni nevojë për më shumë të dhëna në lidhje me aksesorët, pyesni qendrën vendore të shërbimit të Makita-s.

- Paketë elektrike portative
- Bateri dhe ngarkues origjinal Makita
- МАКРАС

SHËNIM: Disa artikuj të listës mund të përfshihen në paketën e veglës si aksesorë standardë. Ato mund të ndryshojnë nga njëri shtet në tjetrin.

СПЕЦИФИКАЦИИ

Модел:		BAC01
Номинална изходна мощност	Производителност на преобразувателя (Когато се използва PDC1200)	Непрекъсната мощност: 1 400 W (VA) Пикова мощност: 2 800 W (VA)
	Контакт за променливотоково захранване *	Чиста синусоидална вълна 50 Hz или 60 Hz, 2 бр. Напрежение: Вижте посоченото върху преобразувателя на мощност. (Изходното напрежение се различава в зависимост от държавата.)
	USB порт	Тип A: 5 V, 2,4 A, 2 бр. Тип C: USB-PD 30 W, 2 бр.
	Адаптер за запалка	12 V, 10 A, 1 бр.
Време на работа **	PDC1200 (C 1 000 W)	56 мин.
	PDC01 (C 750 W, BL1860B x 2)	10 мин.
Размери (Д x Ш x В) (С всички куки в сгъната позиция)		395 мм x 345 мм x 163 мм
Нето тегло (Само преобразувателят на мощност)		7,3 кг

* Само за Бразилия

Напрежението е маркирано в близост до контакта за променливотоково захранване.

** Времената на работа са приблизителни и могат да бъдат различни в зависимост от типа на захранващия източник, състоянието на заряда и условията на употреба.

- Поради нашата непрекъсната научно-развойна дейност посочените тук спецификации могат да бъдат променени без предизвестие.
- Спецификациите може да са различни в различните държави.

Приложим захранващ източник

Преносим захранващ модул	PDC1200 / PDC01* * Използвайте акумулаторните батерии, описани в раздела за приложимата акумулаторна батерия.
--------------------------	--

- Някои от захранващите източници, посочени по-горе, може да не са налични в зависимост от региона на местоживееене.
- Преди да използвате захранващия източник, прочетете инструкциите и предупредителните надписи, поставени на него.

▲ ПРЕДУПРЕЖДЕНИЕ: Използвайте само захранващите източници, посочени по-горе.

Използването на други захранващи източници може да причини нараняване и/или пожар.

Подходяща акумулаторна батерия

Само за PDC01

БЕЛЕЖКА: Когато се използва PDC01:

- Ако изходната мощност надвиши 750 W (VA), преобразувателят на мощност ще спре да подава захранване поради задействането на системата за защита на батерията. В този случай поддържайте стойност на изходната мощност 750 W (VA) или по-ниска.
- В зависимост от условията на употреба, преобразувателят на мощност може да спре да осигурява изходната мощност, ако батерията, която се използва, се замени с друга. В тази ситуация натиснете бутона за изходната мощност, ако искате да рестартирате изходната мощност.
- За използване на преобразувателя на мощност са необходими две или четири акумулаторни батерии. Ако използвате две акумулаторни батерии, поставете едната в порта за батерии 1 или 2, а другата – в порта за батерии 3 или 4.

- Някои от акумулаторните батерии, посочени по-горе, може да не са налични в зависимост от региона на местоживеене.

▲ ПРЕДУПРЕЖДЕНИЕ: Използвайте само посочените по-горе акумулаторни батерии.

Използването на други акумулаторни батерии може да причини нараняване и/или пожар.

Символи

По-долу са описани символите, които може да се използват за тази машина. Задължително е да се запознаете с техните значения, преди да пристъпите към работа.



Прочетете ръководството за експлоатация.



Само за страни от ЕС
Поради наличието на опасни компоненти в оборудването отпадъците от електрическо и електронно оборудване, акумулатори и батерии може да имат отрицателно въздействие върху околната среда и човешкото здраве.



Ni-MH
Li-Ion

Не изхвърляйте електрически и електронни уреди или батерии с битовите отпадъци!
Съгласно Европейската директива за отпадъците от електрическо и електронно оборудване и акумулатори и батерии и отпадъци от акумулатори и батерии и нейното адаптиране към националното законодателство, отпадъците от електрическо и електронно оборудване, батерии и акумулатори трябва да се събират отделно и да се доставят до отделен събирателен пункт за отпадъци, функциониращ съгласно наредбите за опазване на околната среда.

Това е указано чрез символ на зачертана с кръст кофа на колелца, поставен върху оборудването.

Предназначение

Уредът е предназначен за преобразуване на мощността на преносимия захранващ модул Makita до различни видове изходна мощност.

ПРЕДУПРЕЖДЕНИЯ ЗА БЕЗОПАСНОСТ

▲ ПРЕДУПРЕЖДЕНИЕ: Преди употреба прочетете ръководството за експлоатация на продукта, който ще бъде използван с този преобразувател на мощност.

Предупреждения за безопасност на преобразувателя на мощност

- За да осигурите добра производителност и дълъг експлоатационен живот, обърнете внимание на защитата на преобразувателя на мощност от следните условия.**
 - Корозивен газ и течност
 - Солена мъгла и маслена мъгла
 - Механично въздействие и вибрации
 - Висока влажност
 - Екстремна температура (твърде ниска или твърде висока)
Диапазонът на подходящата околна температура е между -10 °C и 40 °C (14 °F и 104 °F).
 - Електромагнитен шум (напр. електрическа заваръчна машина, оборудване с висока мощност)
 - Радиоактивен материал
- Поставете преобразувателя на мощност върху хоризонтална повърхност, която не се люлее и е стабилна.** В противен случай може да падне.
- При пренасяне на преобразувателя на мощност разкачете източника на захранване и всички уреди, свързани към изходния порт.** В противен случай може да падне.
- При пренасяне на преобразувателя на мощност винаги дръжте здраво дръжките за пренасяне с две ръце.** Не пренасяйте преобразувателя на мощност, като хващате друга негова част. В противен случай може да падне.
- Не използвайте преобразувателя на мощност с мокри ръце.** Не излагайте преобразувателя на мощност на действието на дъжд или влага. Риск от токов удар. Преобразувателят на мощност не е водоустойчив.
- Не вкарвайте метални предмети, като щифтове, проводници или други малки метални предмети в контактите и вентилационните отвори.** Риск от токов удар.
- Не разгласявайте преобразувателя на мощност.** Риск от токов удар.
- Не подлагайте преобразувателя на мощност на силни въздействия, например падане.** Това може да предизвика неизправност, която да доведе до токов удар.

9. Проверете за изкривени или заяли подвижни части, повредени части и други обстоятелства, които могат да повлияят върху работата. В случай на повреда трябва да ремонтирате izdelieto, преди да го ползвате. Много злополуки се дължат на лошо поддържани уреди.
10. **Винаги настройвайте на подходяща променливотокова честота.** В противен случай може да се получи нараняване.
11. **Не работете с преобразувателя на мощност в експлозивна атмосфера, например при наличие на запалими течности, газове или прах.** Малък статичен заряд или искра може да възпламени праха или изпаренията и да предизвика пожар или експлозия.
12. **Не позволявайте вентилационните отвори да бъдат покривани или запушвани.** Използвайте преобразувателя на мощност там, където нищо не пречи на вентилационния отвор. Това може да доведе до неизправност или пожар.
13. **Внимавайте да не се спънете в кабела по време на работа.** Поставете кабела в джоба му.
14. **Не използвайте преобразувателя на мощност за медицинско оборудване.** Неочаквана неизправност може да стане причина за злополука.
15. **За намаляване на риска от пожар, прекомерна топлина, експлозия, изтичане на електролит, токов удар или нараняване, спазвайте следните предпазни мерки.**
 - **Не свързвайте уред, който надвишава номиналната мощност на преобразувателя на мощност.**
 - **Не се свързвайте директно към общата мрежа за променливотоково храняване.**
16. **Съхранявайте преобразувателя на мощност на закрито, добре вентилирано място с ниска влажност.**
17. **Съхранявайте преобразувателя на мощност на място, недостъпно за деца.** В противен случай може да се получи сериозна злополука.
18. **Не стъпвайте върху преобразувателя на мощност. Внимавайте също така да не ударите силно преобразувателя на мощност, когато го монтирате с МАКРАС или източник на храняване.** Това крие опасност от възникване на неизправност или нараняване.
19. **Слотът за заземителен щифт на изхода за променлив ток няма напрежение и ток.** Този продукт не изисква заземяване на променливотоковия уред, тъй като не е свързан към общата променливотокова електрическа мрежа.

Ползване и грижи за уред, работещ с батерии

1. **Не допускате случайно стартиране.** Уверете се, че превключвателят е в изключено положение, преди да свържете батерията, вдигнете или носите уреда. Носенето на уреда с пръст, поставен на прекъсвача, или подаването на захранване към уреда при включено прекъсвач предизвикват злополуки.
2. **Извадете батерията от уреда, преди да извършвате регулиране, сменят принадлежности или съхранявате уреда.** Тези превентивни предпазни мерки намаляват риска от неволно включване на уреда.
3. **Презареждайте само със зарядното устройство, което е посочено от производителя.** Зарядно устройство, което е подходящо за едни акумулаторни батерии, може да създаде риск от пожар, ако се използва с други акумулаторни батерии.
4. **Използвайте уредите само с акумулаторните батерии, предназначени конкретно за тях.** Използването на други акумулаторни батерии може да създаде риск от нараняване и пожар.
5. **Когато акумулаторните батерии не се използват, ги дръжте далече от други метални предмети като кламери, монети, ключове, пирони, винтове или други дребни такива, които могат да дадат какъсо изводите им.** Закъсяването на изводите на акумулаторна батерия може да предизвика изгаряния или пожар.
6. **При грубо манипулиране е възможно изхвърляне на течност от батериите; избягвайте контакт с тях. При случайно докосване изплакнете с вода. Ако течност попадне в очите, потърсете допълнително и медицинска помощ.** Изхвърлената от батерията течност може да предизвика възпаления или изгаряния.
7. **Не използвайте акумулаторните батерии или уреда, който е повреден или променен.** Повредените или модифицирани батерии може да проявяват непредвидимо поведение, което да доведе до пожар, експлозия или опасност от нараняване.
8. **Не излагайте батерията или уреда на огън или прекомерна температура.** Излагането на огън или температура над 130 °C може да доведе до експлозия.
9. **Спазвайте всички инструкции за зареждане и не зареждайте батерията или уреда извън температурния диапазон, посочен в инструкциите.** Неправилното зареждане или зареждането при температура извън посочения диапазон може да повреди батерията и да повиши опасността от пожар.

10. Сервизното обслужване трябва да се извършва от квалифициран техник, който ползва само оригинални резервни части. Така ще осигурите поддържането на безопасността на продукта.
11. Не променяйте и не опитвайте да поправяте уреда или батерията, освен според указанията в инструкциите за ползване и грижи.

Важни инструкции за безопасност за акумулаторната батерия

1. Преди да използвате акумулаторната батерия, прочетете всички инструкции и предупредителни маркировки на (1) зарядното устройство за батериите, (2) за батериите и (3) за използващата батерията продукт.
2. Не разглобявайте и не променяйте акумулаторната батерия. Това може да предизвика пожар, прегряване или взрив.
3. Ако мощността на машината намалее много, веднага спрете да работите. Това може да доведе до риск от прегряване, до възможни изгаряния и даже до експлозии.
4. Ако в очите ви попадне електролит, изплакнете ги с чиста вода и веднага потърсете лекарска помощ. Това може да доведе до загуба на зрението ви.
5. Не давайте на късо акумулаторните батерии:
 - (1) Не докосвайте клемите с проводими материали.
 - (2) Избягвайте съхраняването на акумулаторните батерии в контейнер с други метални предмети като пирони, монети и други подобни.
 - (3) Не излагайте акумулаторните батерии на вода или дъжд.
 Закъсването на акумулаторна батерия може да доведе до протичане на много силен ток, до прегряване, до възможни изгаряния и даже до разпадане на батерията.
6. Не съхранявайте и не използвайте уреда и акумулаторните батерии на места, където температурата може да достигне или надмине 50 °C (122 °F).
7. Не изгаряйте акумулаторните батерии даже и ако те са сериозно повредени или напълно износени. Акумулаторната батерия може да експлодира в огън.
8. Не забивайте пирони, не режете, не смачквайте, не хвърляйте, не изпускайте и не удряйте в твърд предмет акумулаторната батерия. Тези действия може да предизвикат пожар, прегряване или взрив.
9. Не използвайте повредени акумулаторни батерии.
10. Съдържащите се литиево-йонни акумулаторни батерии са обект на изискванията на законодателството за опасни стоки. При търговски превози, напр. от трети страни, следители, трябва да се спазват специални изисквания за опаковане и етикетирание. За подготовка на артикула, който трябва да бъде изпратен, е необходима консултация с експерт по опасните материали. Моля, спазвайте и евентуално по-подробните национални разпоредби.

Залепете с лента или покрийте откритите контакти и опаковайте акумулаторната батерия по такъв начин, че да не може да се премества в опаковката.
11. При изхвърляне на акумулаторната батерия я извадете от уреда и я изхвърлете на подходящо място. Спазвайте местните разпоредби за изхвърляне на акумулаторни батерии.
12. Използвайте батериите само с продуктите, определени от Makita. Поставянето на батериите към неодобрен продукт може да предизвика пожар, прегряване, взрив или изтичане на електролит.
13. Ако уредът няма да се използва продължително време, батерията трябва да се извади от него.
14. По време на и след употреба акумулаторната батерия може да поеме топлина, която може да причини изгаряния или нискотемпературни изгаряния. Внимавайте, когато боравите с горещите акумулаторни батерии.
15. Не докосвайте клемата на уреда веднага след употреба, тъй като е възможно да е достатъчно нагрята, за да предизвика изгаряния.
16. Не позволявайте стружки, прах или почва да полепват по клемите, отворите и каналите на акумулаторната батерия. Това може да доведе до лоши работни характеристики или повреда на уреда или акумулаторната батерия.
17. Освен ако уредът поддържа използването в близост до високоволтови електропроводи, не използвайте акумулаторната батерия близо до високоволтови електропроводи. Това може да доведе до неизправност или повреда на уреда или акумулаторната батерия.
18. Пазете акумулаторната батерия от деца.

ЗАПАЗЕТЕ НАСТОЯЩИТЕ ИНСТРУКЦИИ.

▲ВНИМАНИЕ: Използвайте само оригинални акумулаторни батерии на Makita. При използване на различни от акумулаторните батерии на Makita или стари акумулаторни батерии може да се получи пръскане на акумулаторната батерия, което да доведе до пожар, нараняване или повреда. Това също ще анулира гаранцията на Makita за уреда и зарядното устройство Makita.

Съвети за поддържане на максимално дълъг живот на акумулаторните батерии

1. Зареждайте акумулаторните батерии, преди те да са се разреждали напълно. Когато забележите, че мощността на уреда намалява, винаги спирайте работата с него и заредете акумулаторната батерия.
2. Никога не презареждайте напълно заредена акумулаторна батерия. Презарядът скъсява експлоатационния живот на батерията.
3. Зареждайте акумулаторната батерия при стайна температура от 10 °C – 40 °C (50 °F – 104 °F). Оставете зарежените акумулаторни батерии да се охладят, преди да ги зареждате.
4. Когато не използвате акумулаторната батерия, извадете я от уреда или зарядното устройство.
5. Заредете акумулаторната батерия, ако не сте го използвали дълъг период от време (повече от шест месеца).

ОПИСАНИЕ НА ЧАСТИТЕ

► Фиг.1

1. Панел за превключване
2. Заклучващ фиксатор
3. Изходяща платка
4. Дръжка за пренасяне
5. Вентилационни отвори
6. Кука А
7. Кука В
Използвайте само за PDC1200.
8. Кука С
Използвайте само за PDC01.
9. Щепсел (вход)
10. Джоб за кабел
11. Бутон за USB изход
12. Бутон за променливотоков изход
13. Бутон за превключване на честотата
14. Бутон за изход с постоянно напрежение 12 V
15. Бутон за звуков сигнал
16. Индикатор на изходната мощност
Направете справка в раздела за това как да интерпретирате индикатора на изходната мощност.
17. USB тип-А изход 1
18. USB тип-А изход 2
19. USB тип-С изход 1
20. USB тип-С изход 2
21. Променливотоков изход 1
22. Променливотоков изход 2
23. Изход с постоянно напрежение 12 V (за адаптер за запалка)

ЗАБЕЛЕЖКА: Формата на контакта за променливотоково захранване е различна в различните държави.

СГЛОБЯВАНЕ

▲ВНИМАНИЕ: Дръжте здраво преобразувателя на мощност и захранващия източник, когато монтирате или сваляте захранващия източник. Ако не го направите, те може да се изплъзнат от ръцете ви и това да доведе до нараняване или повреда на преобразувателя на мощност и захранващия източник.

▲ВНИМАНИЕ: Преди работа се уверете, че кабелът е надеждно закрепен и че гнездото е поставено докрай в щепсела.

Монтиране на захранващия източник

За PDC1200

Закрепете захранващия източник към преобразувателя на мощност, както е показано на фигурата.

▲ВНИМАНИЕ: Уверете се, че захранващият източник е надеждно монтиран към преобразувателя на мощност. В противен случай той може да изпадне случайно от преобразувателя на мощност и да причини нараняване на вас или на някого около вас. В случай че виждате червения индикатор, както е показано на фигурата, това означава, че захранващият източник не е фиксиран напълно на мястото си.

► Фиг.2: 1. Червен индикатор

Когато сваляте захранващия източник, повдигнете го нагоре, докато натискате бутона за заключване.

► Фиг.3: 1. Бутон за заключване

За PDC01

Закрепете захранващия източник към преобразувателя на мощност, както е показано на фигурата.

► Фиг.4

За да сваляте захранващия източник, изпълнете процедурата за монтиране в обратен ред.

Свързване на хранящия източник

1. Отворете капачката на щепсела.
 2. Подравнете стрелката върху гнездото с тази върху преобразувателя на мощност и поставете докрай гнездото в щепсела.
- **Фиг.5:** 1. Капачка 2. Щепсел (вход) 3. Гнездо 4. Стрелка

БЕЛЕЖКА: Не натискайте гнездото със сила. Ако гнездото не може да бъде лесно вмъкнато, не е било поставено правилно.

БЕЛЕЖКА: При изваждане не дръжете кабелите, а гнездото. В противен кабелите може да се повредят и да предизвикат неизправност.

БЕЛЕЖКА: Винаги затваряйте здраво капачката на щепсела, когато хранящият източник не е включен. В противен случай в преобразувателя на мощност може да влязат чужди тела и да причинят неизправност.

Джоб за кабел

Можете да поставите кабела в джоба за него, както е показано на фигурата.

► **Фиг.6**

Монтиране на МАКРАС

Допълнителна принадлежност

Преобразувателят на мощност може да бъде прикрепен към горната или долната част на МАКРАС, както е показано на фигурата.

► **Фиг.7**

⚠ ВНИМАНИЕ: Уверете се, че преобразувателят на мощност е здраво фиксиран към МАКРАС с четирите заключващи фиксатора. В противен случай той може да падне и да причини нараняване.

Експлоатация

► **Фиг.8:** 1. Бутон за храняването

1. Натиснете бутона за храняването на хранящия източник, за да го включите.
2. Свържете уреда към подходяща изходна мощност.

Когато използвате променливотоковата изходна мощност, изберете подходящата честота чрез натискане и задържане на бутона за превключване на честотата.

ЗАБЕЛЕЖКА: Честотата може да се избира само когато променливотоковата изходна мощност е спряна.

ЗАБЕЛЕЖКА: Настройката на честотата се запазва. Следващия път преобразувателят на мощност ще се стартира със същата настройка.

3. Натиснете бутона за изходната мощност, която искате да използвате.

Преобразувателят на мощност стартира изходната мощност и бутонът за нея светва.

4. Натиснете отново бутона за изходната мощност, за да я спрете.
5. Натиснете бутона за храняването на хранящия източник, за да го изключите.

БЕЛЕЖКА: Възможно е да не можете да използвате уред, който изисква голямо количество мощност за стартиране, дори ако изходната мощност на преобразувателя на мощност се поддържа в рамките на номиналния диапазон на мощност.

БЕЛЕЖКА: Преобразувателят на мощност не може да подава храняване към някои USB устройства.

БЕЛЕЖКА: Винаги запазвайте резервно копие на данните в USB устройството, преди да го свържете към преобразувателя на мощност.

БЕЛЕЖКА: Не можете да зареждате източника на храняване с преобразувателя на мощност, като използвате външните батерии, предлагани на пазара.

Как да тълкуваме индикатора на изходната мощност

► **Фиг.9**

- Индикаторът на изходната мощност свети в зависимост от изходната мощност.
- Когато изходната мощност достигне 1 400 W (VA), лампата на „1400“ ще светне в червено. Тази лампа започва да мига в червено, когато преобразувателят на мощност е претоварен.

Включване/изключване на зумера

► **Фиг.10:** 1. Бутон за звуков сигнал

Натиснете и задръжте бутона за звуковия сигнал, за да включите/изключите зумера.

ЗАБЕЛЕЖКА: Настройката на зумера се запазва. Следващия път преобразувателят на мощност ще се стартира със същата настройка.

Система за защита

Преобразувателят на мощност е снабден със следната система за защита.

Защита срещу претоварване

Всяка изходна мощност има защита от претоварване, както следва:

- **Променливотоков изход**
Когато преобразувателят на мощност открие твърде висока мощност, той спира осигуряването на мощност на променливотоковия изход и издава прекъсващ звуков сигнал.

- **USB изход**
Когато преобразувателят на мощност открие необичайно висок ток, той изключва USB изхода, през който протича ток с високо напрежение.
- **Изход с постоянно напрежение 12 V**
Когато преобразувателят на мощност открие ток с необичайно високо напрежение, той спира осигуряването на мощност на изхода с постоянно напрежение 12 V и издава прекъсващ звук сигнал.

Ако общата изходна мощност – за променливо напрежение, USB и за постоянно напрежение 12 V – надвиши номиналната изходна мощност на преобразувателя на мощност за определен период от време, осигуряването на цялата изходна мощност ще бъде спряно и ще се издава непрекъснат звук сигнал. В такъв случай изключете захранващия източник и прекратете използването, което претоварва преобразувателя на мощност. След това включете захранващия източник, за да го стартирате отново.

ЗАБЕЛЕЖКА: Когато преобразувателят на мощност се претовари, лампата „1400“ на индикатора на изходната мощност мига в червено.

ЗАБЕЛЕЖКА: Звуковият сигнал спира, когато натиснете който и да е бутон на панела за превключване.

Защита срещу прегряване

Когато преобразувателят на мощност прегрее, той спира осигуряването на изходна мощност и издава непрекъснати звукови сигнали. При това положение оставете преобразувателя на мощност да изстине, преди да го включите отново.

Защита срещу прекомерно разреждане

Когато оставащият капацитет на захранващия източник стане нисък, прозвучават прекъсващи звукови сигнали и бутонът за изходна мощност при работа мига. В този случай извадете захранващия източник и го заредете.

Когато оставащият капацитет на захранващия източник стане още по-нисък, цялата изходна мощност ще бъде спряна.

ПОДДРЪЖКА

⚠ВНИМАНИЕ: Преди да извършвате проверка или поддръжка, винаги се уверявайте, че захранващият източник е изваден.

БЕЛЕЖКА: Не мийте конектора с вода. Риск от поява на неизправност.

БЕЛЕЖКА: Периодично избърсвайте повърхността на този продукт с кърпа, навлажнена със сапунена вода.

БЕЛЕЖКА: Не използвайте бензин, нафта, разредител, спирт и др. подобни. Това може да причини обезцветяване, деформация или пукнатини.

За да се поддържа БЕЗОПАСНОСТТА и НАДЕЖДНОСТТА на продукта, ремонтите, поддръжката или регулирането трябва да се извършват от упълномощен сервиз или фабрични сервизни центрове на Makita, като винаги трябва да използвате резервни части от Makita.

Почистване

Ако преобразувателят на мощност е замърсен, избършете го със суха кърпа или кърпа, навлажнена със сапунена вода.

Филтър

⚠ВНИМАНИЕ: След почистване на филтъра не забравяйте да го монтирате отново. Работата с преобразувателя на мощност без филтър може да доведе до неизправност.

Свалете филтъра, като го издърпате, както е показано на фигурата.

Измийте филтъра, след това го подсушете.

► **Фиг.11:** 1. Филтър

За да поставите филтъра, извършете горните действия в обратен ред.

ДОПЪЛНИТЕЛНИ АКСЕСОАРИ

⚠ВНИМАНИЕ: Препоръчва се използването на тези аксесоари или крайници с вашия инструмент Makita, описан в настоящото ръководство. Използването на други аксесоари или крайници може да доведе до опасност от телесни повреди. Използвайте съответния аксесоар или крайник само по предназначение.

Ако имате нужда от помощ за повече подробности относно тези аксесоари, се обрънете към местния сервизен център на Makita.

- Преносим захранващ модул
- Оригинална акумулаторна батерия и зарядно устройство на Makita
- МАКРАС

ЗАБЕЛЕЖКА: Някои артикули от списъка може да са включени в комплекта на инструмента, като стандартни аксесоари. Те може да са различни в различните държави.

SPECIFIKACIJE

Model:		BAC01
Nazivni izlaz	Učinkovitost pretvarača (pri upotrebi sustava PDC1200)	Kontinuirana snaga: 1.400 W (VA) Vršna snaga: 2.800 W (VA)
	AC izlaz *	Čisti sinusni val 50 Hz ili 60 Hz, 2 kom. Napon: Pogledajte oznaku na pretvaraču snage. (Izlazni napon razlikuje se ovisno o zemlji.)
	USB ulaz	Tip A: 5 V, 2,4 A, 2 kom. Tip C: USB-PD 30 W, 2 kom.
	Adapter za upaljač za cigarete	12 V, 10 A, 1 kom.
Vrijeme rada **	PDC1200 (s 1.000 W)	56 min.
	PDC01 (sa 750 W, BL1860B x 2)	10 min.
Dimenzije (D x Š x V) (sa svim kukama u preklopljenom položaju)		395 mm x 345 mm x 163 mm
Neto težina (samo pretvarač snage)		7,3 kg

* Samo za Brazil

Napon je naznačen blizu AC utičnice.

** Vrijeme rada približno je i može se razlikovati ovisno o vrsti izvora napajanja, stanju napunjenosti i uvjetima upotrebe.

- Zahvaljujući našem stalnom programu razvoja i istraživanja, navedene specifikacije podložne su promjenama bez obavijesti.
- Specifikacije mogu biti različite ovisno o zemlji.

Odgovarajući izvor napajanja

Prijenosno napajanje	PDC1200 / PDC01* * Upotrijebite baterijske uloške opisane u odjeljku za odgovarajući baterijski uložak.
----------------------	--

- Možda neki od gore navedenih izvora napajanja neće biti dostupni, ovisno o regiji u kojoj se nalazite.
- Prije upotrebe izvora napajanja pročitajte upute i oznake opreza na njemu.

⚠ UPOZORENJE: Upotrebljavajte samo gore navedene izvore napajanja. Upotreba bilo kojih drugih izvora napajanja može prouzročiti ozljede i/ili požar.

Odgovarajući baterijski uložak

Samo za PDC01

NAPOMENA: Pri upotrebi sustava PDC01:	
—	Ako izlazna snaga prekorači 750 W (VA), energetski pretvarač prekinut će napajanje zbog sustava za zaštitu baterije. U tom slučaju izlazna snaga treba biti 750 W (VA) ili niža.
—	Ovisno o uvjetima upotrebe, pretvarač može prestati pružati izlaznu snagu ako se napajanje prebaci s baterije u upotrebi na drugu bateriju. U tom slučaju pritisnite gumb za izlaz kako biste ponovno pokrenuli izlaz.
—	Za upotrebu pretvarača snage potrebna su dva ili četiri baterijska uloška. Ako upotrebljavate dva baterijska uloška, jedan umetnite u priključak baterije 1 ili 2, a drugi u priključak baterije 3 ili 4.

Baterija	BL1815N / BL1820B / BL1830B* / BL1840B* / BL1850B* / BL1860B* * : preporučena baterija
----------	---

- Možda neki od gore navedenih baterijskih uložaka neće biti dostupni ovisno o regiji u kojoj se nalazite.

⚠ UPOZORENJE: Upotrebljavajte samo gore navedene baterijske uloške. Upotreba bilo kojih drugih baterijskih uložaka može prouzročiti ozljede i/ili požar.

Simboli

U nastavku su prikazani simboli koji se upotrebljavaju za opremu. Prije korištenja provjerite jeste li razumjeli njihovo značenje.



Pročitajte priručnik s uputama.



Samo za države EU
Zbog prisutnosti opasnih komponenti u opremi, otpadna električna i elektronička oprema, akumulatori i baterije i mogu imati negativan učinak na okoliš i ljudsko zdravlje.



Nemojte odlagati električne i elektroničke uređaje ili baterije s ostalim kućanskim otpadom!
U skladu s Europskom direktivom o otpadnoj električnoj i elektroničkoj opremi, o akumulatorima i baterijama te o otpadnim akumulatorima i baterijama, i njenoj prilagodbi nacionalnim zakonima, otpadna električna oprema, baterije i akumulatori trebali bi se pohranjivati zasebno i isporučivati u odvojena sabirna mjesta za komunalni otpad, koja postupaju u skladu s uredbama o zaštiti okoliša.
To je naznačeno simbolom prekržižene kante za otpad na kotačima koja je postavljena na opremi.

Namjena

Uređaj je namijenjen za pretvaranje snage prijenosnog napajanja tvrtke Makita u razne izlazne snage.

SIGURNOSNA UPOZORENJA

▲ UPOZORENJE: Prije upotrebe obavezno pročitajte priručnik s uputama za upotrebu svojeg proizvoda koji će se upotrebljavati s ovim pretvaračem snage.

Sigurnosna upozorenja za pretvarač snage

- Kako biste osigurali dobre performanse i dugotrajan životni vijek pretvarača snage, pobrinite se da ga štitite od sljedećeg:**
 - korozivan plin i tekućina
 - slana i uljna magla
 - mehanički udar i vibracije
 - visoka vlažnost
 - ekstremne temperature (previsoke i preniske)
Prilikladan raspon okolnih temperatura iznosi od -10 °C do 40 °C (od 14 °F do 104 °F).
 - elektromagnetski šum (npr. stroj za električno zavarivanje, oprema visoke snage)
 - radioaktivan materijal
- Postavite pretvarač snage na vodoravnu, nevalovitu i stabilnu površinu.** U suprotnom uređaj može pasti.
- Kada pretvarač snage namjeravate nositi, odspojite izvor napajanja i sve uređaje priključene na izlazni priključak.** U suprotnom uređaj može pasti.
- Prilikom nošenja pretvarača snage ručke uvijek držite čvrsto objema rukama. Pretvarač snage nemojte držati ni za koji drugi dio prilikom nošenja.** U suprotnom bi uređaj mogao pasti.
- Pretvarač snage nemojte upotrebljavati mokrim rukama. Ne izlažite pretvarač snage kiši ni vlazi.** Postoji opasnost od strujnog udara. Pretvarač snage nije vodootporan.
- U izlazne priključke i ventilacijske otvore nemojte umetati metalne predmete, kao što su pribadače, žice ili drugi sitni metalni predmeti.** Postoji opasnost od strujnog udara.
- Nemojte rastavljati pretvarač snage.** Postoji opasnost od strujnog udara.
- Ne izlažite pretvarač snage jakim udarima, kao npr. pad na pod.** To može uzrokovati kvar, što dovodi do električnog udara.
- Provjerite jesu li pokretni dijelovi nepravilni ili vezani za nešto, ima li lomova na dijelovima ili jesu li u bilo kojem drugom stanju koje može utjecati na rad. Ako je uređaj oštećen, popravite ga prije upotrebe.** Brojne su nesreće prouzročene loše održanim uređajima.
- Uređaj uvijek postavite na odgovarajuću AC frekvenciju.** U protivnom može doći do kvara i ozljede.
- Nemojte rukovati pretvaračem snage u eksplozivnoj atmosferi, npr. u blizini zapaljivih tekućina, plinova ili prašine.** Mali statički naboj ili iskra može dovesti do zapaljenja prašine ili para, što dovodi do požara ili eksplozije.
- Ne dopustite da bilo kakvi predmeti prekriju ili začepce ventilacijske otvore.** Upotrebljavajte pretvarač snage na mjestu na kojem ništa ne blokira ventilacijske otvore. U suprotnom može doći do kvara ili požara.
- Pazite da se pri radu ne spotaknete preko kabela.** Stavite kabel u džep za kabel.
- Nemojte upotrebljavati pretvarač snage za medicinsku opremu.** Neočekivan kvar može dovesti do nesreće.
- Kako biste smanjili rizik požara, previsoke temperature, eksplozije, curenja elektrolita, električnog udara ili ozljede, pridržavajte se sljedećih mjera opreza:**
 - Nemojte priključivati uređaj koji premašuje nazivni izlaz pretvarača snage.
 - Nemojte izravno priključivati na glavnu AC električnu mrežu.
- Skladištite pretvarač snage u zatvorenom, dobro prozračenom prostoru s niskom razinom vlage.**
- Skladištite pretvarač snage izvan dosega djece.** U protivnom može doći do teške nesreće.
- Nemojte gaziti po energetskom pretvaraču. Također pazite da prilikom ugradnje snažno ne udarite energetski pretvarač prilagodnikom MAKPAC ili izvorom napajanja.** U tom slučaju može doći do kvara ili tjelesne ozljede.

19. **Utor za kontakt uzemljenja na AC izlazu nema napona ni struje.** Proizvod ne iziskuje uzemljenje trošila izmjenične struje jer nije priključen na glavnu AC električnu mrežu.

Sigurnosna upozorenja za uređaj koji radi na baterije

Korištenje i održavanje uređaja na baterije

- Spriječite nehotično uključivanje.** Osigurajte da sklopka bude u položaju isključenja prije postavljanja baterije, podizanja ili nošenja uređaja. Nošenje uređaja dok držite prst na sklopki ili stavljanje uređaja pod napon s uključenom sklopkom može prouzročiti ozljede.
- Izvadite baterijski uložak iz uređaja prije bilo kakve prilagodbe, izmjene podataka ili pohranjivanja uređaja.** Takve preventivne zaštitne mjere smanjuju opasnost od slučajnog uključivanja uređaja.
- Baterije puniti isključivo punjačem koji preporučuje proizvođač.** Punjač koji je prikladan za jednu vrstu baterija može uzrokovati opasnost od požara ako se koristi za drugu vrstu baterija.
- Uređaje upotrebljavajte isključivo s posebnom namijenjenom vrstom baterijskog uložka.** Upotreba bilo kojeg drugog baterijskog uložka može izazvati rizik od ozljeda i požara.
- Kad ih ne koristite, baterije držite podalje od drugih metalnih predmeta poput spajalica, kovanica, ključeva, čavala, vijaka i drugih sitnih metalnih predmeta koji mogu uzrokovati spoj između polova.** Spajanje polova baterije može uzrokovati opeklina ili požar.
- Pod djelovanjem sile tekućina može iscuriti iz baterije; izbjegavajte kontakt. Ako slučajno dođe do kontakta, isperite vodom. Ako tekućina dođe u dodir s očima, zatražite dodatnu liječničku pomoć.** Tekućina izbačena iz baterije može uzrokovati nadražnost ili opeklina.
- Nemojte upotrebljavati baterijski uložak ili uređaj ako su oštećeni ili preinačeni.** Oštećene ili preinačene baterije mogu se neočekivano ponašati te prouzročiti požar, eksploziju ili ozljede.
- Nemojte izlagati baterijski uložak ili uređaj plamenu ili prekomjernoj temperaturi.** Izlaganje plamenu ili temperaturi višoj od 130 °C može prouzročiti eksploziju.
- Pridržavajte se svih uputa za punjenje i nemojte puniti baterijski uložak ili uređaj izvan temperaturnog raspona navedenog u uputama.** Neispravno punjenje ili punjenje pri temperaturama izvan navedenog raspona mogu oštetiti bateriju i povećati opasnost od požara.
- Neka servis obavlja kvalificirana osoba, koristeći se samo identičnim rezervnim dijelovima.** Na taj se način održava sigurnost proizvoda.
- Nemojte mijenjati niti pokušavati popraviti uređaj ili baterijski uložak osim kako je navedeno u uputama za uporabu i održavanje.**

Važne sigurnosne upute za bateriju

- Prije uporabe baterije pročitajte sve upute i oznake upozorenja na (1) punjaču za baterije, (2) bateriji i (3) proizvodu koji koristi bateriju.**
- Nemojte rastavljati ili mijenjati baterijski uložak.** To može dovesti do požara, pretjeranog zagrijavanja ili eksplozije.
- Ako se vrijeme rada znatno skratilo, odmah prestanite raditi.** Može doći do pregrijavanja, mogućih opekline pa čak i eksplozije.
- Ako vam elektrolit dospije u oči, isperite ih čistom vodom i odmah se obratite liječniku.** Tako možete izgubiti vid.
- Nemojte kratko spajati bateriju:**
 - Ne dovodite terminale u kontakt s provodljivim materijalima.**
 - Ne čuvajte bateriju u spremniku s drugim metalnim predmetima poput čavala, kovanica itd.**
 - Ne izlažite bateriju vodi ili kiši.** Kratki spoj baterije može uzrokovati velik protok struje, pregrijavanje, moguće opeklina pa čak i kvar.
- Ne držite i ne upotrebljavajte uređaj i baterijski uložak na mjestima gdje temperatura može premašiti 50 °C (122 °F).**
- Baterijski uložak nemojte spaljivati čak ni ako je ozbiljno oštećen ili potpuno istrošen.** Baterijski uložak može eksplodirati u vatri.
- Nemojte zabijati čavle u baterijski uložak, rezati ga, gnječiti, bacati ili udarati tvrdim predmetom.** Ti postupci mogu dovesti do požara, pretjeranog zagrijavanja ili eksplozije.
- Ne koristite oštećene baterije.**
- Sadržane litij-ionske baterije podliježu odredbama zakonskih propisa o opasnim tvarima.** Kada se radi o komercijalnom transportu koji obavljaju npr. dobavljači ili špediteri, moraju se poštovali posebni zahtjevi na pakiranju i oznakama. Prilikom pripreme isporuke takve stavke potražite savjet stručnjaka za opasne tvari. Pogledajte i moguće detaljnije nacionalne propise. Prekrijte trakom ili zaštitite otvorene kontakte i bateriju zapakirajte tako da se ne može pomicati u pakiranju.
- Kada odlažete baterijski uložak u otpad, uklonite ga iz uređaja i zbrinite na sigurnom mjestu.** Pridržavajte se lokalnih zakonskih propisa za zbrinjavanje baterija.
- Upotrebljavajte baterije samo s proizvodima koje je odobrila tvrtka Makita.** Umetanje baterija u neprimkladne proizvode može dovesti do požara, prekomjerne topline, eksplozije ili curenja elektrolita.
- Ako se uređaj ne upotrebljava dulje vrijeme, bateriju morate ukloniti iz uređaja.**
- Baterijski se uložak, tijekom i nakon upotrebe, može zagrijati i prouzročiti opeklina ili opeklina na nižim temperaturama.** Pažljivo rukujte vrućim baterijskim ulošcima.
- Nemojte dirati priključak uređaja neposredno nakon upotrebe jer se može zagrijati toliko da prouzroči opeklina.**

16. **Nemojte dopustiti da krhotine, prašina ili zemlja zapnu u priključcima, otvorima i urezima baterijskog uloška.** To može dovesti do neispravnog rada ili kvara uređaja ili baterijskog uloška.
17. **Ako uređaj ne podržava upotrebu u blizini visokonaponskih električnih vodova, nemojte upotrebljavati baterijski uložak u blizini visokonaponskih električnih vodova.** To može dovesti do neispravnog rada ili kvara uređaja ili baterijskog uloška.
18. **Bateriju čuvajte podalje od djece.**

ČUVAJTE OVE UPUTE.

⚠OPREZ: Uvijek upotrebljavajte originalne baterije Makita. Upotreba baterija koje nisu originalne baterije Makita ili su izmijenjene može dovesti do rasprskavanja baterije i uzrokovati požar, tjelesnu ozljedu ili štetu. To će također poništiti jamstvo tvrtke Makita za uređaj i punjač Makita.

Savjeti za održavanje najduljeg vijeka trajanja baterije

1. **Napunite baterijski uložak prije nego što se potpuno isprazni.** Uvijek zaustavite uređaj i napunite baterijski uložak kad primijetite da uređaj slabije radi.
2. **Nikad ne punite već do kraja napunjenu bateriju.** Pretjerano punjenje skraćuje radni vijek baterije.
3. **Bateriju punite na sobnoj temperaturi između 10 °C i 40 °C.** Vruću bateriju prije punjenja ostavite da se ohladi.
4. **Kada ne upotrebljavate baterijski uložak, uklonite ga iz uređaja ili punjača.**
5. **Napunite bateriju ako je ne mislite koristiti duže vrijeme (duže od 6 mjeseci).**

OPIS DIJELOVA

► SI.1

- | | |
|--|---|
| <ol style="list-style-type: none"> 1. Razvodna ploča 2. Zatvarač 3. Izlazna ploča 4. Ručka za nošenje 5. Ventilacijski otvor 6. Kuka A 7. Kuka B
Upotrebljavajte samo za PDC1200. 8. Kuka C
Upotrebljavajte samo za PDC01. 9. Utikač (ulaz) 10. Džep za kabel 11. Gumb za USB izlaz 12. Gumb za AC izlaz | <ol style="list-style-type: none"> 13. Gumb za promjenu frekvencije 14. Gumb za DC 12 V izlaz 15. Gumb za zvučni signal 16. Indikator izlaza
U tom odjeljku potražite upute za tumačenje indikatora izlaza. 17. USB Tip-A izlaz 1 18. USB Tip-A izlaz 2 19. USB Tip-C izlaz 1 20. USB Tip-C izlaz 2 21. AC izlaz 1 22. AC izlaz 2 23. DC 12 V izlaz (za adapter za upaljač za cigarete) |
|--|---|

NAPOMENA: Oblik AC izlaza razlikuje se ovisno o zemlji.

MONTAŽA

⚠OPREZ: Čvrsto držite pretvarač snage i izvor napajanja pri ugradnji ili uklanjanju izvora napajanja. Ako to ne učinite, mogu vam iskliznuti iz ruku i može doći do ozljede ili oštećenja pretvarača snage i izvora napajanja.

⚠OPREZ: Prije upotrebe se pobrinite da kabel bude pravilno postavljen i utičnica potpuno umetnuta u utikač.

Montiranje izvora napajanja

Za PDC1200

Pričvrstite izvor napajanja na pretvarač snage kao što je prikazano na slici.

⚠OPREZ: Pobrinite se da izvor napajanja bude sigurno umetnut u pretvarač snage. U suprotnom može slučajno ispasti iz pretvarača snage i ozlijediti vas ili nekoga u vašoj blizini. Ako možete vidjeti crvenu oznaku prikazanu na slici, izvor napajanja nije sjeo na mjestot.

► **SI.2:** 1. Crvena oznaka

Pri uklanjanju izvora napajanja podignite ga dok pritišćete gumb za blokadu.

► **SI.3:** 1. Gumb za blokadu

Za PDC01

Pričvrstite izvor napajanja na pretvarač snage kao što je prikazano na slici.

► SI.4

Za uklanjanje izvora napajanja izvedite postupak postavljanja obratnim redoslijedom.

Priključivanje izvora napajanja

1. Otvorite poklopac utikača.
2. Poravnajte oznaku strelice na utičnici s onom na pretvaraču snage te potpuno umetnite utičnicu u utikač.
► SI.5: 1. Poklopac 2. Utikač (ulaz) 3. Utičnica 4. Oznaka strelice

NAPOMENA: Nemojte na silu umetati utičnicu.

Ako se utičnica ne može lagano umetnuti, znači da je ne umećete ispravno.

NAPOMENA: Pri odspajanju nemojte držati za kabele nego za utičnicu. U protivnom se kabele mogu oštetiti i može doći do kvara.

NAPOMENA: Uvijek čvrsto zatvorite poklopac utikača kad izvor napajanja nije priključen. U protivnom vanjski materijal može prodrijeti u pretvarač snage i može doći do kvara.

Džep za kabel

Kabel možete umetnuti u džep za kabel kao što je prikazano na slici.

► SI.6

Ugradnja MAKPAC-a

Dotadni pribor

Pretvarač snage može se pričvrstiti na vrh ili dno MAKPAC-a kao što je prikazano na slici.

► SI.7

⚠ OPREZ: Pobrinite se da pretvarač snage bude čvrsto pričvršćen na MAKPAC četirima zatvaračima. U protivnom može pasti i uzrokovati ozljede.

RAD

► SI.8: 1. Gumb za uključivanje

1. Za uključivanje izvora napajanja pritisnite gumb za uključivanje na njemu.
2. Priključite uređaj na odgovarajući izlaz.

Pri upotrebi AC izlaza odaberite odgovarajuću frekvenciju tako što ćete pritisnuti i držati gumb za promjenu frekvencije.

NAPOMENA: Frekvencija se može odabrati samo kada se AC izlaz zaustavi.

NAPOMENA: Postavka frekvencije se sprema u memoriju. Sljedeći će se put pretvarač snage pokrenuti s istom postavkom.

3. Pritisnite gumb za izlaz kojim se želite koristiti.

Pretvarač snage pokreće izlaz i aktivni gumb za izlaz zasvijetli.

4. Ponovno pritisnite gumb za izlaz za zaustavljanje.

5. Za isključivanje izvora napajanja pritisnite gumb za uključivanje na njemu.

NAPOMENA: Možda nećete moći upotrijebiti trošilo koje iziskuje velike količine energije za pokretanje čak i ako se strujni izlaz energetskog pretvarača zadrži unutar nazivnog raspona snage.

NAPOMENA: Energetski pretvarač možda neće napajati neke USB uređaje.

NAPOMENA: Prije priključivanja USB uređaja na energetski pretvarač uvijek izradite sigurnosnu kopiju podataka s USB uređaja.

NAPOMENA: Izvor napajanja ne možete puniti energetskim pretvaračem upotrebom vanjskih punjača baterija dostupnih na tržištu.

Kako tumačiti indikator izlaza

► SI.9

- Indikator izlaza zasvijetli u skladu s izlaznom snagom.
- Kada izlazna snaga dosegne 1.400 W(VA), žaruljica „1400“ svijetlit će crveno. Ova žaruljica počine treperiti crveno kad se energetski pretvarač preoptereći.

Isključivanje/uključivanje zujalice

► SI.10: 1. Gumb za zvučni signal

Pritisnite i držite gumb za zvučni signal kako biste uključili/isključili zvuk zujalice.

NAPOMENA: Postavka zujalice sprema se u memoriju. Sljedeći će se put pretvarač snage pokrenuti s istom postavkom.

Zaštitni sustav

Pretvarač snage opremljen je sljedećim zaštitnim sustavom.

Zaštita od preopterećenja

Svaki izlaz ima sljedeću zaštitu od preopterećenja:

- **AC izlaz**
Kada pretvarač snage otkrije prekomjernu snagu, zaustavlja sav AC izlaz uz isprekidan zvučni signal.
- **USB izlaz**
Kada pretvarač snage otkrije neuobičajeno visoku struju, isključuje USB izlaz iz kojeg teče visoka struja.
- **DC 12 V izlaz**
Kada pretvarač snage otkrije neuobičajeno visoku struju, zaustavlja DC 12 V izlaz uz isprekidan zvučni signal.

Ako ukupna izlazna snaga na priključcima za AC, USB i DC 12 V na određeno vrijeme prekorači nazivnu izlaznu snagu energetskog pretvarača, sva će se izlazna struja zaustaviti uz kontinuirani zvučni signal. U tom slučaju isključite izvor napajanja i zaustavite trošilo koje je dovelo do preopterećenja energetskog pretvarača. Zatim uključite izvor napajanja radi ponovnog pokretanja.

NAPOMENA: Kad se energetski pretvarač preop-
tereti, žaruljica „1400“ izlaznog indikatora treperi
crveno.

NAPOMENA: Zvučni signal zaustavlja se pritiska-
njem bilo kojeg gumba na razvodnoj ploči.

Zaštita od pregrijavanja

Kada se pretvarač snage pregrije, on zaustavlja sav izlaz uz kontinuiran zvučni signal. U tom slučaju pustite da se pretvarač snage ohladi prije nego što ga ponovno uključite.

Zaštita od prekomjernog pražnjenja

Ako se preostali kapacitet izvora napajanja previše snizi, oglašava se isprekidan zvučni signal i aktivni gumb izlaza treperi. U tom slučaju izvadite i napunite izvor napajanja.

Ako se preostali kapacitet izvora napajanja još više snizi, zaustavit će se sav izlaz.

ODRŽAVANJE

▲OPREZ: Prije svakog pokušaja pregleda i
radova održavanja osigurajte da izvor napajanja
bude uklonjen.

NAPOMENA: Priključak ne perite vodom. Postoji
opasnost od kvara.

NAPOMENA: S vremena na vrijeme obrišite
površinu ovog proizvoda tkaninom navlaženom u
vodi sa sapunicom.

NAPOMENA: Nikada nemojte koristiti benzin,
mješavinu benzina, razrjeđivač, alkohol ili slično.
Kao rezultat toga može se izgubiti boja, pojaviti
deformacija ili pukotine.

Da biste zadržali SIGURNOST I POUZDANOST proi-
zvoda, održavanje ili namještanja trebali biste prepustiti
ovlaštenim servisnim ili tvorničkim centrima tvrtke
Makita; uvijek rabite originalne rezervne dijelove.

Čišćenje

Ako je pretvarač snage prijav, obrišite ga suhom krpom
ili krpom navlaženom vodom sa sapunicom.

Filtar

▲OPREZ: Obavezno ponovno umetnite filtara
nakon što ga očistite. Upotreba pretvarača snage
bez filtra može dovesti do kvara.

Izvadite filtara tako što ćete ga izvući na način prikazan
na slici.

Operite filtara, a zatim ga osušite.

► **SI.11:** 1. Filtara

Filtara umetnite slijedeći postupak za uklanjanje obrat-
nim redoslijedom.

DODATNI PRIBOR

▲OPREZ: Ovaj dodatni pribor ili priključci pre-
poručuju se samo za upotrebu s alatom Makita
navedenim u ovom priručniku. Upotreba bilo kojeg
drugog dodatnog pribora ili priključaka može prouzro-
čiti ozljede. Upotrebljavajte dodatni pribor ili priključak
samo za njegovu navedenu svrhu.

Ako vam je potrebna pomoć za više detalja u pogledu
ovih dodatnih pribora, obratite se najbližem Makita
servisnom centru.

- Prijenosno napajanje
- Izvorna Makita baterija i punjač
- MAKPAC

NAPOMENA: Neke stavke iz popisa se mogu isporu-
čiti zajedno sa strojem kao standardni dodatni pribori.
Oni mogu biti različiti ovisno o zemlji.

СПЕЦИФИКАЦИИ

Модел:		ВАС01
Номинална излезна моќност	Перформанси на претвораот (Кога се користи PDC1200)	Непрекината ватажа: 1.400 W (VA) Максимална ватажа: 2.800 W (VA)
	Штекер за двонасочна струја *	Чист синусен бран 50 Hz или 60 Hz, 2 парчиња. Напон: Погледнете го означеното на претвораот на енергија. (Излезниот напон се разликува во зависност од земјата.)
	USB-порта	Тип А: 5 V, 2,4 A, 2 парчиња. Тип С: USB-PD 30 W, 2 парчиња.
	Адаптер на запалка за цигари	12 V, 10 A, 1 парче.
Време на работење **	PDC1200 (Со 1.000 W)	56 мин.
	PDC01 (Со 750 W, BL1860B x 2)	10 мин.
Димензии (Д x Ш x В) (Со сите куќи во превиткана положба)		395 mm x 345 mm x 163 mm
Нето тежина (Само претвораот на енергија)		7,3 кг

* Само за Бразил

Напонот е означен во близина на излезот за двонасочна струја.

** Времињата на работење се приближни и може да се разликуваат во зависност од типот на изворот на напојување, статусот на полнењето и условите на користење.

- Поради нашата континуирана програма за истражување и развој, спецификациите тука подлежат на промена без најава.
- Спецификациите може да се разликуваат од држава до држава.

Применлив извор на напојување

Пренослив пакет за напојување	PDC1200 / PDC01* * Користете ги касетите за батерии што се опишани во делот за применлива касета за батерија.
-------------------------------	--

- Некои од изворите на напојување наведени погоре може да не се достапни зависно од регионот во кој живеете.
- Пред користење на изворот на енергија, прочитајте ги упатствата и ознаките за внимание на нив.

▲ ПРЕДУПРЕДУВАЊЕ: Користете ги само изворите на напојување наведени погоре. Користењето какви било поинакви извори на напојување може да создаде ризик од повреда и/или пожар.

Применлива касета за батерија

Само за PDC01

ЗАБЕЛЕШКА: Кога се користи PDC01:

- Ако излезната моќност надминува 750 W (VA), претвораот на енергија ќе го прекине напојувањето поради системот за заштита на батеријата. Во ваков случај, одржувајте ја излезната моќност на 750 W (VA) или помала.
- Во зависност од условите на користење, претвораот на енергија може да го прекине излезот ако батеријата што се користи се префрли на друга батерија. Во оваа ситуација, притиснете го копчето за излез ако сакате да го престартувате излезот.
- Потребни се две или четири касети за батерии за да се користи претвораот на енергија. Ако користите две касети за батерии, монтирајте ја едната во портата за батерии 1 или 2, а другата во портата за батерии 3 или 4.

- Некои од касетите за батерии наведени погоре може да не се достапни зависно од регионот во кој живеете.

▲ ПРЕДУПРЕДУВАЊЕ: Користете ги само касетите за батерии наведени погоре. Користењето какви било поинакви касети за батерии може да создаде ризик од повреда и/или пожар.

Симболи

Долунаведените ги прикажуваат симболите што може да се користат кај опремата. Пред употребата, проверете дали го разбирате нивното значење.



Прочитајте го упатството за користење.



Само за земјите на ЕУ
Поради присуство на опасни компоненти во опремата, отпадната електрична и електронска опрема, акумулаторите и батериите може да влијаат негативно врз животната средина и човековото здравје.



Не фрлајте ги електричните и електронските апарати или батериите во домашниот отпад!
Во согласност со Европската директива за фрлање електрична и електронска опрема, акумулатори, батерии и отпадни акумулатори и батерии, како и нивната адаптација во државниот закон, отпадната електрична опрема, батериите и акумулаторите треба да се чуваат одделно и да се достават на посебно место за собирање општински отпад, во согласност со прописите за заштита на животната средина. Ова е означено со симболот на прекрстана корпа за отпадоци ставен на опремата.

Наменета употреба

Апаратот е наменет за претворање на енергијата од пренослив пакет за напојување од Makita во различни излези.

БЕЗБЕДНОСНИ ПРЕДУПРЕДУВАЊА

▲ ПРЕДУПРЕДУВАЊЕ: Пред употреба, прочитајте го упатството за употреба на производот што ќе се користи со овој претворац на енергија.

Безбедносни предупредувања за претворац на енергија

1. **За да се осигурат добри перформанси и долг работен век, посветете внимание за да го заштитите претворацот на енергија од следново.**
 - Корозивни гасови и течности

- Солена пареа и маслена пареа
- Механички удари и вибрации
- Голема влажност
- Екстремна температура (престудено или претопло)
Соодветниот опсег на амбиентална температура е помеѓу -10 °C и 40 °C (14 °F и 104 °F).
- Електромагнетен шум (на пример, електрична машина за заварување, високонапонска опрема)
- Радиоактивен материјал

2. **Ставете го претворацот на енергија на хоризонтална површина без вдлабнатини и на стабилно место.** Во спротивно, може да дојде до несреќа заради паѓање.
3. **Кога го пренесувате претворацот на енергија, исклучете го изворот на напојување и сите апарати што се поврзани со излезната порта.** Во спротивно, може да дојде до несреќа заради паѓање.
4. **Кога го пренесувате претворацот на енергија, секогаш цврсто држете ги рачките на претворацот на енергија така што ќе го држите за некој друг дел.** Во спротивно, може да дојде до несреќа заради паѓање.
5. **Не користете го претворацот на енергија со влажни раце. Не изложувајте го претворацот на енергија на дожд или влажни услови.** Опасност од струен удар. Претворацот на енергија не е водоотпорен.
6. **Не ставајте метални предмети, како што се иглички, жици или мали метални предмети во отворите и во отворите за воздух.** Опасност од струен удар.
7. **Не расклопувајте го претворацот на енергија.** Опасност од струен удар.
8. **Не изложувајте го претворацот на енергија на силен удар, како што е паѓање.** Може да предизвика дефект, што ќе предизвика струен удар.
9. **Проверете дали подвижните делови се изместени или заглавени, скршени или во некоја друга состојба што може да влијае врз работењето. Ако апаратот е оштетен, поправете го пред да го користите.** Многу несреќи се предизвикани од лошо одржувани апарати.
10. **Секогаш поставете го на соодветната фреквенција за двонасочна струја.** Во спротивно, може да дојде до дефект и да настане сериозна повреда.

11. **Не работете со претворабот на енергија во средини каде што постои опасност од експлозија, како на пример во присуство на запаливи течности, гасови или прав.** Мал статичен набој или искра може да ја запалат пращината или испарувањата и така да настане пожар или експлозија.
12. **Не дозволувајте ништо да ги покрие или да ги заглави отворите за воздух.** Користете го претворабот на енергија на место каде што ништо нема да ги пречи на вентилацијата на воздухот. Тоа може да предизвика дефект или пожар.
13. **Внимавајте да не се сопнете на кабелот за време на работата.** Ставете го кабелот во џебот за кабел.
14. **Не користете го претворабот на енергија за медицинска опрема.** Неочекуван дефект може да предизвикаат несреќа.
15. **За да го намалите ризикот од пожар, прекумерна топлина, експлозија, истекување на електролитот, електричен удар или повреда, придржувајте се до следниве мерки на претпазливост.**
 - Не поврзувајте апарат што ја надминува номиналната излезна моќност на претворабот на енергија.
 - Не поврзувајте го директно на општа електрична мрежа за двонасочна струја.
16. **Чувајте го претворабот на енергија во затворен, добро проветрен простор со низок степен на влажност.**
17. **Чувајте го претворабот на енергија подалеку од дофат на деца кога го складираате.** Во спротивно, може да дојде до сериозна несреќа.
18. **Не газете го претворабот на енергија. Исто така, внимавајте да не го удриете силно претворабот на енергија кога го монтирате со МАКРАС или со извор на напојување.** Тоа може да предизвика дефект или телесна повреда.
19. **Отворот за иглата за заземјување на излезот за наизменична струја нема напон и струја.** За овој производ не е потребно заземјување на апаратот за наизменична струја бидејќи не е поврзан на општата електрична мрежа за наизменична струја.

Безбедносни предупредувања за уред што работи на батерии

Користење и грижа за уредот што работи на батерии

1. **Спречете ненамерно стартување.** Уверете се дека прекинувачот е во исклучена положба пред поврзување со батеријата, подигање или носење на уредот. Носењето на уредот со прстот на прекинувачот или приклучувањето на уредот во извор на електрична енергија со вклучен прекинувач се причина за несреќи.

2. **Извадете ја батеријата од уредот пред вршење нагодувања, промена на додатоци или складирање на уредот.** Овие превентивни безбедносни мерки го намалуваат ризикот од случајно стартување на уредот.
3. **Полнете само со полначот одреден од страна на производителот.** Полнач што е соодветен за еден тип батерија може да создаде ризик од пожар кога се користи со друга батерија.
4. **Користете уреди само со конкретно наменета батерија.** Користењето други батерии може да создаде ризик од повреда или пожар.
5. **Кога батеријата не се користи, држете ја настрана од други метални предмети, како што се спојувалки, монети, клучеви, шrafoви или други мали метални предмети што можат да послужат како врска од еден на друг приклучок.** Краткиот спој на батериските приклучоци може да доведе до изгореници или пожар.
6. **При случаи на злоупотреба, од батеријата може да истече течност. Избегнувајте контакт со неа. Ако дојде до ненамерен контакт, измијте со вода. Ако течноста дојде во допир со очите, побарајте дополнителна медицинска помош.** Течноста што истекла од батеријата може да предизвика иритација или изгореници.
7. **Не користете батерии или уред што се оштетени или менувани.** Оштетените или менуваните батерии може да прикажуваат непредвидливо однесување што резултира со оган, експлозија или опасност од повреда.
8. **Не изложувајте ги батериите или уредот на оган или прекумерна температура.** Изложеноста на оган или температура над 130 °C може да предизвика експлозија.
9. **Следете ги сите упатства за полнење и не полнете ги батериите или уредот надвор на температури надвор од наведениот опсег може да ја оштети батеријата и да ја зголеми опасноста од оган.**
10. **Сервисирајте кај квалификувано лице за поправка кое користи само идентични резервни делови.** Ова ќе овозможи одржување на безбедноста на производот.
11. **Не модификувајте ги, ниту обидувајте се да ги поправате уредот или батеријата, освен како што е наведено во упатството за користење и грижа.**

Важни безбедносни упатства за касетата за батеријата

1. **Пред користење на касетата за батеријата, прочитајте ги сите упатства и ознаки за претпазливост на (1) полначот за батеријата, (2) батеријата и (3) производот што ја користи батеријата.**

2. Не расклопувајте ја, ниту експериментирајте со касетата за батерија. Тоа може да резултира со пожар, прекумерна топлина или експлозија.
3. Ако оперативното времето станало прекумерно кратко, престанете веднаш со работа. Тоа може да резултира со ризик од прегревање, можни изгореници, па дури и експлозија.
4. Ако електролит навлезе во вашите очи, измијте ги со чиста вода и побарајте медицинска нега веднаш. Тоа може да резултира со губење на вашиот вид.
5. Не предизвикувајте спој на касетата за батеријата.
 - (1) Не допирајте ги контактите со никаков проводлив материјал.
 - (2) Избегнувајте да ја чувате касетата за батерија во сад со други метални предмети како што се шајки, монети и сл.
 - (3) На изложувајте ја касетата за батеријата на вода или дожд.
 Краткиот спој на батеријата може да предизвика голем проток на електрична енергија, прегревање, можни изгореници, па дури и пад на напојувањето.
6. Не складирајте и не користете ги уредот и касетата за батеријата на места каде што температурата може да достигне или надминува 50 °C (122 °F).
7. Не палете ја касетата за батеријата дури и кога е многу оштетена или целосно потрошена. Касетата за батеријата може да експлодира ако се стави во оган.
8. Не заковувајте ја, сечете ја, фрлајте ја, испуштајте ја касетата за батерија, ниту удирајте ја од тврд предмет касетата за батеријата. Таквото однесување може да резултира со пожар, прекумерна топлина или експлозија.
9. Не користете оштетена батерија.
10. Содржаните батерии со литиумови јони се подложни на условите во Правилата за опасни предмети.

За комерцијален транспорт на пр. од трети лица и посредници, мора да се следат посебните услови на пакувањата или ознаките. При подготовка на предметот кој треба да се испрати, консултирајте се со експерт за опасни материјали. Исто така, следете ги потенцијално подеталните национални правила.

Залепете ги со леплива лента или маскирајте ги отворените контакти, а батеријата спакувајте ја, така што нема да се движи слободно во пакувањето.
11. Кога ја фрлате во отпад касетата за батеријата, извадете ја од уредот и фрлете ја на безбедно место. Почитувајте ги локалните законски прописи што се однесуваат на фрлање на батеријата во отпад.
12. Користете ги батериите само со производите назначени од Makita. Монтирањето батерии на неусогласените производи може да резултира со пожар, прекумерна топлина, експлозија или истекување на електролитот.
13. Доколку уредот не се користи подолг временски период, батеријата мора да се извади од уредот.
14. Пред и по употребата, касетата за батеријата може да прими топлина што може да предизвика изгореници или изгореници од ниска температура. Внимавајте како ракувате со жешките касети за батерии.
15. Не допирајте го терминалот на уредот непосредно по употребата бидејќи може да се загрее доволно за да предизвика изгореници.
16. Не дозволувајте деланки, прав или земја да се заглават во терминалите, отворите и жлебовите на касетата за батерија. Тоа може да резултира со слаба изведба или пад на напојувањето на уредот или касетата за батерија.
17. Освен ако уредот не поддржува употреба на електрични далноводи со висок напон во близина, не користете ја касетата за батерија во близина на електричните далноводи со висок напон. Тоа може да резултира со дефект или пад на напојувањето на уредот или касетата за батерија.
18. Држете ја батеријата подалеку од деца.

ЧУВАЈТЕ ГО УПАТСТВОТО.

⚠ВНИМАНИЕ: Користете само оригинални батерии на Makita. Користењето неоригинални батерии на Makita или батерии што се изменети може да резултира со распакување на батеријата, предизвикувајќи пожар, телесна повреда и оштетување. Тоа исто така ќе ја поништи гаранцијата за уредот и полначот на Makita.

Совети за одржување максимален работен век на батеријата

1. Заменете ја касетата за батеријата пред целосно да се испразни. Секогаш запрете ја работата на уредот и наполнете ја касетата за батеријата кога ќе забележите дека помала моќност на уредот.
2. Никогаш немојте да наполните целосно полна касета за батерија. Прекумерното полнење го скратува работниот век на батеријата.
3. Полнете ја касетата за батеријата на собна температура од 10°C - 40°C. Дозволете загреаната касета за батерија да се олади пред да ја ставите на полнење.
4. Кога не ја користите касетата за батерија, извадете ја од уредот или полначот.
5. Полнете ја касетата за батеријата доколку не ја користите подолго време (повеќе од шест месеци).

ОПИС НА ДЕЛОВИТЕ

► Сл.1

1. Панел со прекинувачи
2. Резе
3. Излезна табла
4. Рачка за носење
5. Вентилација на воздухот
6. Кука А
7. Кука Б
Се користи само за PDC1200.
8. Кука В
Се користи само за PDC01.
9. Приклучок (влез)
10. Џеб за кабел
11. Копче за USB-излез
12. Копче за излез за двонасочна струја
13. Копче за промена на фреквенцијата
14. Копче за излез на еднонасочна струја од 12 V
15. Копче за звучен сигнал
16. Индикатор за излез
Погледнете го делот за тоа како да го толкувате индикаторот за излез.
17. USB Тип А излез 1
18. USB Тип А излез 2
19. USB Тип С излез 1
20. USB Тип С излез 2
21. Излез за двонасочна струја 1
22. Излез за двонасочна струја 2
23. Излез за еднонасочна струја од 12 V (за адаптер на запалка за цигари)

НАПОМЕНА: Обликот на излезот за двонасочна струја се разликува од земја во земја.

СОСТАВУВАЊЕ

▲ВНИМАНИЕ: Цврсто држете ги претворабот на енергија и изворот на напојување кога монтирате или отстранувате извор на напојување. Во спротивно, може да ви се лизнат од рацете и да предизвикаат телесна повреда или оштетување на претворабот на енергија и на изворот на напојување.

▲ВНИМАНИЕ: Пред да работите, осигурете се дека кабелот е ставен правилно и дека штекерот е вметнат целосно во приклучокот.

Монтирање на изворот на напојување

За PDC1200

Прицврстете го изворот на напојување на претворабот на енергија како што е прикажано на сликата.

▲ВНИМАНИЕ: Осигурете се дека изворот на напојување е безбедно монтиран на претворабот на енергија. Во спротивно, може случајно да испадне од претворабот на енергија и да предизвикува повреда вам или некому околу вас. Ако можете да го видите црвениот индикатор како што е прикажано на сликата, изворот на напојување не е целосно блокиран во место.

► Сл.2: 1. Црвен индикатор

Кога го отстранувате изворот на напојување, подигнете го изворот на напојување нагоре додека го туркате копчето за заклучување надолу.

► Сл.3: 1. Копче за заклучување

За PDC01

Прицврстете го изворот на напојување на претворабот на енергија како што е прикажано на сликата.

► Сл.4

За да го отстраните изворот на напојување, следете ја постапката за монтирање по обратен редослед.

Поврзување на изворот на напојување

1. Отворете го капакот од приклучокот.
 2. Порамнете ја ознаката со стрелка на штекерот со онаа на претворабот на енергија и вметнете го штекерот во приклучокот до крај.
- Сл.5: 1. Капаче 2. Приклучок (влез) 3. Штекер 4. Ознака со стрелка

ЗАБЕЛЕШКА: Не вметнувајте го штекерот со сила. Ако штекерот не влегува лесно, тоа значи дека не се вметнува правилно.

ЗАБЕЛЕШКА: Кога го вадите, не држете ги каблите, туку држете го штекерот. Во спротивно, каблите може да се оштетат и да предизвикаат дефект.

ЗАБЕЛЕШКА: Секогаш цврсто затворајте го капакот од електричниот приклучок кога изворот на напојување не е приклучен. Во спротивно, туѓи тела може да навлезат во претворабот на енергија и да предизвикаат дефект.

Џеб за кабел

Кабелот може да го ставите во џебот за кабел како што е прикажано на сликата.

► Сл.6

Монтирање МАКРАС

Опционален додаток

Претвораот на енергија може да се прикачи на врвот или дното од МАКРАС како што е прикажано на сликата.

► Сл.7

▲ВНИМАНИЕ: Осигурете се дека претвораот на енергија е добро прицврстен на МАКРАС со четирите резина. Во спротивно, може да дојде до несреќа со паѓање и да се предизвика лична повреда.

РАБОТЕЊЕ

► Сл.8: 1. Копче за напојување

1. Притиснете го копчето за напојување на изворот на напојување за да го вклучите.
2. Поврзете го апаратот на соодветниот излез.

Кога користите излез за двонасочна струја, изберете ја соодветната фреквенција така што ќе го притиснете и ќе го задржите притиснато копчето за промена на фреквенцијата.

НАПОМЕНА: Фреквенцијата може да се избере само кога излезот за двонасочна струја ќе прекине.

НАПОМЕНА: Поставката за фреквенција е меморирана. Следниот пат, претвораот на енергија ќе започне со истата поставка.

3. Притиснете го копчето за излезот што сакате да го користите.

Претвораот на енергија започнува со излезот и копчето за работа на излезот светнува.

4. Притиснете го копчето за излезот повторно за да го запрете.

5. Притиснете го копчето за напојување на изворот на напојување за да го исклучите.

ЗАБЕЛЕШКА: Можно е да не можете да користите апарат што бара големо количество енергија за да стартува дури и ако излезната струја на претвораот на енергија се одржува во рамките на номиналниот енергетски опсег.

ЗАБЕЛЕШКА: Претвораот на енергија може да не испорачува енергија на некои USB-уреди.

ЗАБЕЛЕШКА: Пред да го поврзете USB-уредот со претвораот на енергија, секогаш направете резервна копија на податоците од USB-уредот.

ЗАБЕЛЕШКА: Не можете да го полните изворот на напојување со претвораот на енергија со користење уреди за складирање енергија што се достапни на пазарот.

Како да го толкувате индикаторот за излез

► Сл.9

- Индикаторот за излез светнува според излезната моќност.
- Кога излезот на енергија ќе достигне 1.400 W(VA), ламбичката на „1400“ ќе светне црвено. Оваа ламбичка започнува да трепка со црвена боја кога претвораот на енергија станува преоптоварен.

Вклучување/исклучување на звукот

► Сл.10: 1. Копче за звучен сигнал

За да го вклучите звукот/исклучите, притиснете го и задржете го копчето за звучен сигнал.

НАПОМЕНА: Поставката за звукот е меморирана. Следниот пат, претвораот на енергија ќе започне со истата поставка.

Систем за заштита

Претвораот на енергија е опремен со следниов систем за заштита.

Заштита од преоптоварување

Секој излез има заштита од преоптоварување како што е опишано подолу:

- **Излез за двонасочна струја**
Кога претвораот на енергија ќе открие преголема ватажа, претвораот на енергија ќе го запре излезот на двонасочна струја со испрекинат звучен сигнал.
- **USB-излез**
Кога претвораот на енергија ќе открие невообичаено висока струја, претвораот на енергија го исклучува USB-излезот од којшто излегува високата струја.
- **Излез за еднонасочна струја од 12 V**
Кога претвораот на енергија ќе открие невообичаено висока струја, претвораот на енергија ќе го запре излезот за еднонасочна струја од 12 V со испрекинат звучен сигнал.

Ако вкупниот излез на наизменична струја, USB и еднонасочна струја од 12 V ја надминува номиналната излезна моќност на претвораот на енергија определено време, сите излези ќе бидат запрени со непрекинат звучен сигнал. Во таква ситуација, исклучете го изворот на напојување и запрете со примената што предизвикала преоптоварување на претвораот на енергија. Потоа, вклучете го изворот на напојување за да го рестартувате.

НАПОМЕНА: Кога претвораот на енергија ќе се преоптовари, ламбичката „1400“ на индикаторот за излез трепка со црвена боја.

НАПОМЕНА: Звучниот сигнал се прекинува со притискање на копчето на панелот на прекинувачот.

Заштита од прегревање

Кога претворачот на енергија ќе се прегрее, претворачот на енергија ќе го запре излезот на струја со непрекинат звучен сигнал. Во оваа ситуација, оставете го претворачот на енергија да се излади пред да го вклучите повторно.

Заштита од прекумерно празнење

Кога преостанатиот капацитет на изворот на напојување ќе биде мал, се слуша испрекинат звучен сигнал и копчето за работа на излезот трепка. Во таа ситуација, отстранете го изворот на напојување и наполнете го.

Кога преостанатиот капацитет на изворот на напојување ќе стане уште помал, целиот излез ќе запре.

ОДРЖУВАЊЕ

⚠ВНИМАНИЕ: Пред секоја проверка или одржување, осигурете се дека изворот на напојување е отстранет.

ЗАБЕЛЕШКА: Не мијте го конекторот со вода. Опасност од дефект.

ЗАБЕЛЕШКА: Одвреме-навреме, бришете ја површината на производот со крпа натопена во насапунета вода.

ЗАБЕЛЕШКА: За чистење, не користете нафта, бензин, разредувач, алкохол или слично. Тие средства ја вадат бојата и може да предизвикаат деформации или пукнатини.

За да се одржи БЕЗБЕДНОСТА и СИГУРНОСТА на производот, поправките, одржувањата или дотерувањата треба да се вршат во овластени сервисни или фабрички центри на Makita, секогаш со резервни делови од Makita.

Чистење

Ако претворачот на енергија е нечист, избришете го со сува крпа или со крпа натопена во насапунета вода.

Филтер

⚠ВНИМАНИЕ: Откако ќе го исчистите филтерот, повторно монтирајте го. Работата на претворачот на енергија без филтерот може да предизвика дефект.

Извадете го филтерот извлекувајќи го како што е прикажано на сликата.

Измијте го филтерот, потоа исушете го.

► Сл.11: 1. Филтер

За да го монтирате филтерот, следете ја постапката за отстранување по обратен редослед.

ОПЦИОНАЛЕН ПРИБОР

⚠ВНИМАНИЕ: Овој прибор или додатоци се препорачуваат за користење со алатот од Makita дефиниран во упатството. Со користење друг прибор или додатоци може да се изложите на ризик од телесни повреди. Користете ги приборот и додатоците само за наивната назначена намена.

Ако ви треба помош за повеќе детали за приборот, прашајте во локалниот сервисен центар на Makita.

- Пренослив пакет за напојување
- Оригинална батерија и полнач на Makita
- МАКРАС

НАПОМЕНА: Некои ставки на листата може да се вклучени со алатот како стандарден прибор. Тие може да се разликуваат од држава до држава.

ТЕХНИЧКИ ПОДАЦИ

Модел:		BAC01
Називна излазна снага	Перформансе претварача напона (Када се користи модел PDC1200)	Континуирани вати: 1.400 W (VA) Максимални вати: 2.800 W (VA)
	АС утичница *	Чисти синусни талас 50 Hz или 60 Hz, 2 ком. Напон: Погледајте индикатор на претварачу напона. (Излазни напон се разликује у зависности од земље.)
	USB прикључак	Тип А: 5 V, 2,4 A, 2 ком. Тип С: USB PD 30 W, 2 ком.
	Адаптер упалјача за цигарете	12 V, 10 A, 1 ком.
Време рада **	PDC1200 (са 1.000 W)	56 мин.
	PDC01 (са 750 W, BL1860В x 2)	10 мин.
Димензије (Д x Ш x В) (са свим кукама у преклопљеном положају)		395 мм x 345 мм x 163 мм
Нето тежина (само претварач напајања)		7,3 кг

* Само за Бразил

Напон је означен близу АС утичнице.

** Времена рада су приближна и могу се разликовати у зависности од врсте извора напајања, статуса пуњења и услова коришћења.

- На основу нашег непрестаног истраживања и развоја задржавамо право измена наведених техничких података без претходне најаве.
- Спецификације могу да се разликују у различитим земљама.

Применљив извор напајања

Преносиво напајање	PDC1200 / PDC01* * Користите улошке батерија описане у одељку за одговарајући уложак батерије.
--------------------	---

- Неки горенаведени извори напајања можда неће бити доступни у зависности од региона у којем се налазите.
- Пре употребе извора напајања прочитајте упутства и ознаке упозорења на њему.

▲ УПОЗОРЕЊЕ: Користите само горенаведене изворе напајања. Коришћење других извора напајања може довести до повреде и/или пожара.

Применљив уложак батерије

Само за модел PDC01

ОБАВЕШТЕЊЕ: Када се користи модел PDC01:

- Ако излазна снага пређе 750 W (VA), претварач напона ће зауставити напајање због система за заштиту батерије. У том случају, излазну снагу одржавајте на вредности од 750 W (VA) или нижиј.
- У зависности од услова коришћења, претварач напона може да заустави испоруку напона ако се употреба батерије пребаци на другу батерију. У тој ситуацији притисните дугме за излаз на ком желите да поново покренете испоруку.
- За употребу претварача напајања неопходна су два или четири улошка батерије. Ако користите два улошка батерије, поставите први уложак у прикључак батерије 1 или 2, а други у прикључак батерије 3 или 4.

- Неки горенаведени улошки батерија можда неће бити доступни у зависности од региона где се налазите.

▲УПОЗОРЕЊЕ: Користите само горенаведене уложке батерије. Коришћење других уложака батерије може довести до повреде и/или пожара.

Симболи

У наставку су приказани симболи који се односе на опрему. Пре употребе се обавезно упознајте са њиховим значењем.



Прочитајте упутство за употребу.



Само за земље ЕУ
Због присуства штетних компонента у опреми, отпад од електричне и електронске опреме, акумулатора и батерија, може да има негативан утицај на животну средину и здравље људи. Не одлажите електричне и електронске уређаје или батерије са кућним отпадом! У складу са европском директивом о отпаду од електричне и електронске опреме и о акумулаторима и батеријама и отпаду од акумулатора и батерија, као и њеном прилагођавању националном закону, отпад од електричне и електронске опреме, батерија и акумулатора мора да се прикупи одвојено и достави одвојеном сабиралишту за комунални отпад који ради у складу са прописима о заштити животне средине.
То означава симбол прецртане канте за смеће на опреми.



Намена

Уређај је намењен за претварање напона Makita преносивог напајања у различите излазе.

БЕЗБЕДНОСНА УПОЗОРЕЊА

▲УПОЗОРЕЊЕ: Пре употребе обавезно прочитајте упутство за употребу производа који ћете користити уз овај претварач напона.

Сигурносна упозорења за претварач напона

1. Да бисте обезбедили добре перформансе и дуготрајан радни век, водите рачуна да претварач напона заштитите од следећих услова.
 - Корозивни гасови и течности
 - Слана магла и уљна магла
 - Механички удари и вибрације
 - Висока влажност

- Екстремна температура (превише хладно или превише вруће)
Погодан опсег температуре околине је између -10 °C и 40 °C (14 °F и 104 °F).
- Електромагнетна бука (нпр. електрични апарати за заваривање, опрема велике снаге)
- Радиоактивни материјали

2. **Поставите претварач напона на хоризонталну и стабилну површину без вибрација.** У супротном, може доћи до пада.
3. **Када носите претварач напајања и све уређаје прикључене на излазни прикључак.** У супротном, може доћи до пада.
4. **Док преносите претварач напајања, ручке за ношење увек држите с обе руке. Док преносите претварач напајања немојте га држати за било који други део.** У супротном, може доћи до пада.
5. **Немојте додиривати претварач напона мокрим рукама. Немојте излагати претварач напона киши или влази.** Постоји ризик од струјног удара. Претварач напона није водоотпоран.
6. **Немојте уметати металне предмете, као што су чоиде, жице или друге мале металне предмете у излазе и вентилационе отворе.** Постоји ризик од струјног удара.
7. **Немојте растављати претварач напона.** Постоји ризик од струјног удара.
8. **Немојте дозволити да претварач напона трпи јаке ударце, као што је нпр. пад.** То може изазвати квар који може довести до струјног удара.
9. **Проверите да ли има непоравнатих или слепљених покретних делова, да ли има поломљених делова и да ли постоје други проблеми који могу утицати на рад.** Ако је уређај оштећен, поправите га пре коришћења. Многе незгоде су узроковане лошим одржавањем уређаја.
10. **Увек подесите на одговарајућу АС фреквенцију.** У супротном може доћи до квара и повреда.
11. **Немојте користити претварач напона у окружењима где може доћи до експлозије, на пример, у присуству запалјивих течности, гасова или прашине.** Мали статички набој или варница могу запалити прашину или испарења, доводећи до пожара или експлозије.

12. Не дозволите да било шта прекрије или запуши вентилационе отворе. Користите претварач напона тамо где ништа не блокира вентилациони отвор. То може да изазове квар или пожар.
13. Обратите пажњу да се не саплетете на кабл током рада. Ставите кабл у џеп за кабл.
14. Немојте користити претварач напона са медицинском опремом. Неочекивани квар може изазвати несрећу.
15. Да бисте смањили ризик од пожара, прекомерног загревања, експлозије, цурења електролита, струјног удара или повреда, придржавајте се следећих мера предострожности.
 - Немојте прикључивати уређај који премашује називну излазну снагу претварача напона.
 - Немојте га директно прикључивати на заједничку електромережу са наизменичним напајањем.
16. Чувајте претварач напона у затвореном простору, на добро проветреном месту са ниском влажношћу.
17. Чувајте претварач напона ван домаћаја деце приликом складиштења. У супротном може доћи до озбиљне незгоде.
18. Пазите да не згазите претварач напона. Такође, пазите да, приликом постављања на МАКРАС или извор напајања, претварач напона не претрпи јаке ударце. То може да доведе до квара или телесне повреде.
19. Отвор за жицу за уземљење на излазу за наизменичну струју није под напоном нити кроз њега тече струја. Овај производ не захтева уземљење уређаја са наизменичном струјом јер није прикључен на јавну мрежу наизменичне струје.
4. Уређаје користите искључиво са одговарајућим батеријама. Коришћење других врста батерија може да изазове ризик од повреде и пожара.
5. Када се батерија не користи, држите је даље од других металних предмета, попут спајалица, новчића, кључева, екслера, завртања и других малих металних предмета који могу да преспоје два прикључка. Кратак спој између прикључака батерије може да доведе до опекотина или пожара.
6. У случају злоупотребе батерије из ње може исцурити течност. У том случају, пазите да не дођете у додир с њом. Ако случајно дођете у додир с батеријом, исперите место додира водом. Ако течност доспе у очи, потражите и помоћ лекара. Течност која исцури из батерије може да изазове иритацију или опекотине.
7. Немојте да користите батерију или уређај који су оштећени или преправљени. Оштећене или преправљене батерије могу довести до непредвидивих ситуација као што су пожар, експлозија или ризик од задобијања повреда.
8. Немојте да излажете батерију или уређај ватри или високој температури. Излагање ватри или температури изнад 130 °C може довести до експлозије.
9. Придржавајте се свих упутстава за пуњење и немојте да пуните батерију или уређај изнад опсега температуре који је наведен у упутствима. Неисправно пуњење или пуњење на температурама изнад наведеног опсега може оштетити батерију и повећати ризик од пожара.
10. Сервисирање треба да обави квалификована особа која ће користити само идентичне резервне делове. То ће омогућити безбедно коришћење производа.
11. Немојте да модификујете или покушавате да поправите уређај или батерију осим на начин назначен у упутству за употребу и одржавање.

Безбедносна упозорења за уређај који ради на батерије

Коришћење и одржавање уређаја који ради на батерије

1. Спречите случајно покретање. Уверите се да је прекидач у искљученом положају пре него што повежете батерију, подигнете апарат или почнете да га носите. Ношење апарата са прстом на прекидачу или напајање апарата док је прекидач укључен повећава ризик од незгода.
2. Уклоните батерију из уређаја пре било каквих прилагођавања, замене опреме или складиштења. Овакве превентивне безбедносне мере смањују ризик од случајног укључивања уређаја.
3. Пуните батерију искључиво помоћу пуњача који је навео произвођач. Ако се пуњач који је намењен за одређену врсту батерије користи са другом батеријом, може да дође до опасности од пожара.

Важна безбедносна упутства која се односе на уложак батерије

1. Пре употребе уложка батерије, прочитајте сва упутства и безбедносне ознаке на (1) пуњачу батерије, (2) батерији и (3) производу који користи батерију.
2. Не растављајте и не преправљајте уложак батерије. Тиме можете да изазовете пожар, прекомерно загревање или експлозију.
3. Ако се време рада знатно скратило, одмах престаните са коришћењем. То може да доведе до ризика од прегревања, могућих опекотина, па чак и експлозије.
4. Ако електролит доспе у очи, исперите их чистом водом и одмах затражите помоћ лекара. То може да доведе до губитка вида.

5. Немојте да изазивате кратак спој улошка батерије:
 - (1) Немојте додиривати прикључке било којим проводним материјалом.
 - (2) Избегавајте складиштење улошка батерије у кутији са другим металним предметима као што ексери, новчићи итд.
 - (3) Немојте да излажете уложак батерије води или киши.
17. Осим ако уређај то не подржава, немојте да користите уложак батерије близу високонапонских разводних линија електричне струје. У супротном може доћи до квара или прегоревана уређаја или улошка батерије.

18. Држите батерију ван домаћаја деце.

САЧУВАЈТЕ ОВО УПУТСТВО.

▲ПАЖЊА: Користите само оригиналне Makita батерије. Коришћење Makita батерија које нису оригиналне или батерија које су измењене може да доведе до пуцања батерије, које може да изазове пожар, телесне повреде или штету. То ће такође поништити гаранцију компаније Makita за Makita уређај и пуњач.

Савети за максимално трајање батерије

6. Немојте да складиштите и користите уређај и уложак батерије на местима где температура може да достигне или премаше 50 °C (122 °F).
7. Немојте да палите уложак батерије чак ни када је озбиљно оштећен или потпуно похабан. Уложак батерије може да експлодира у ватри.
8. Немојте да закивате, сечете, ломите, бацате или испуштате уложак батерије, или да њиме ударате по чврстој површини. На тај начин можете да изазовете пожар, прекомерно загревање или експлозију.
9. Немојте да користите оштећену батерију.
10. Саджане литијум-јонске батерије подлежу Закону о превозу опасних материја. Приликом комерцијалног превоза, нпр. од стране трећих лица и превозника, мора се обратити посебна пажња на специјалне захтеве паковања и обележавања. Приликом припреме материјала за превоз, потребно је саветовати се са стручњаком за опасне материје. Такође обратите пажњу на евентуалне даље националне прописе. Омотајте траком или прекријте отворене контакте и запакујте батерију тако да се не може померати унутар паковања.
11. Када одлажете уложак батерије на отпад, извадите га из уређаја и одложите на безбедно место. Придржавајте се локалних прописа у вези са одлагањем батерије.
12. Батерије користите само са производима које је навела компанија Makita. Постављање батерије на производе који нису усаглашени може да доведе до пожара, прекомерне топлоте, експлозије или цурења електролита.
13. Ако се уређај не користи током дужег периода, батерија мора да се извади из уређаја.
14. Током и након коришћења, уложак батерије може да акумулира толико топлоте да то може довести до опекотина, уобичајених и нискотемпературних. Пажљиво рукујте врућим улошцима батерије.
15. Не додирујте контакте уређаја одмах након коришћења јер су можда толико врући да могу да изазову опекотине.
16. Водите рачуна да се струготина, прашина или земља не заглаве у контактима, рупицама и жлебовима улошка батерије. У супротном може доћи до лошег учинка или прегоревана уређаја или улошка батерије.
1. Напуните уложак батерије пре него што се потпуно испразни. Увек прекините рад уређаја и напуните уложак батерије када приметите да је снага уређаја слабија.
2. Никада немојте да поново пуните потпуно напуњени уложак батерије. Препуњавање скраћује радни век батерије.
3. Пуните уложак батерије на собној температури између 10°C и 40°C (између 50°F и 104°F). Сачекајте да се врући уложак батерије охлади пре пуњења.
4. Када не користите уложак батерије, извадите га из уређаја или пуњача.
5. Напуните уложак батерије ако га нећете користити дужи време (више од шест месеци).

ОПИС ДЕЛОВА

► Слика1

1. Контролна табла
2. Реза
3. Излазна плоча
4. Ручка за ношење
5. Вентилациони отвор
6. Кука А
7. Кука Б
Користи се само за модел PDC1200.
8. Кука Ц
Користи се само за модел PDC01.
9. Утикач (улаз)
10. Џеп за кабл
11. Дугме за USB излаз
12. Дугме за AC излаз
13. Дугме за промену фреквенције
14. Дугме за DC излаз од 12 V
15. Дугме за звучни сигнал
16. Индикатор излаза
Погледајте одељак са тумачењем индикатора излаза.
17. USB тип А излаз 1
18. USB тип А излаз 2
19. USB тип С излаз 1
20. USB тип С излаз 2
21. AC излаз 1
22. AC излаз 2
23. DC излаз од 12 V (за адаптер за упалјач за цигарете)

НАПОМЕНА: Облик AC излаза се разликује у зависности од земље.

МОНТАЖА

▲ ПАЖЊА: Чврсто држите претварач напона и извор напајања када прикључујете или уклањате извор напајања. Ако то не урадите, могу вам исклизнути из руку и нанети телесне повреде или оштетити претварач напона и извор напајања.

▲ ПАЖЊА: Пре рада, проверите да ли је кабл правилно постављен и да ли је утичница уметнута у утикач до краја.

Прикључивање извора напајања

За модел PDC1200

Прикључите извор напајања на претварач напона као што је приказано на слици.

▲ ПАЖЊА: Водите рачуна да извор напајања буде чврсто прикључен на претварач напона. У супротном, може случајно да испадне из претварача напона и да изазове повреду вас или некога поред вас. Ако приметите црвени индикатор као што је приказано на слици, извор напајања није потпуно закључан.

► **Слика2:** 1. Црвени индикатор

Када уклањате извор напајања, подигните извор напајања нагоре док истовремено притискате дугме за закључавање.

► **Слика3:** 1. Дугме за закључавање

За модел PDC01

Прикључите извор напајања на претварач напона као што је приказано на слици.

► **Слика4**

Да бисте уклонили извор напајања, примените поступак прикључивања обрнутим редоследом.

Прикључивање извора напајања

1. Отворите поклопац утикача.
 2. Поравнајте ознаку стрелице на утичници са ознаком на претварачу напона, а затим уметните утичницу у утикач до краја.
- **Слика5:** 1. Поклопац 2. Утикач (улаз)
3. Утичница 4. Ознака стрелице

ОБАВЕШТЕЊЕ: Немојте насилно уклопчавати утичницу. Ако утичницу не можете лако да уклопчате, то значи да је не уклопчавате правилно.

ОБАВЕШТЕЊЕ: Приликом ископчавања немојте држати каблове већ држите утичницу. У супротном, каблови могу да се оштете и изазову квар.

ОБАВЕШТЕЊЕ: Увек чврсто затворите поклопац утикача када извор напајања није уклопчан. У супротном, стране материје могу ући у претварач напона и проузроковати квар.

Џеп за кабл

Кабл можете поставити у џеп за кабл као што је приказано на слици.

► **Слика6**

Постављање МАКРАС футроле

Опциони додатни прибор

Претварач напона је могуће причврстити за врх или дно МАКРАС футроле као што је приказано на слици.

► Слика7

▲ПАЖЊА: Обавезно проверите да ли је претварач напона чврсто причвршћен за МАКРАС футролу помоћу четири резе. У супротном, може доћи до пада и телесних повреда.

РАД

► Слика8: 1. Тастер за укључивање

1. Притисните дугме за напајање на извору напајања да бисте га укључили.
2. Прикључите уређај на одговарајући излаз. Када користите АС излаз, изаберите одговарајућу фреквенцију притиском и држањем дугмета за промену фреквенције.

НАПОМЕНА: Фреквенцију је могуће изабрати само када је АС излаз заустављен.

НАПОМЕНА: Подешавање фреквенције се меморише. Следећи пут, претварач напона ће започети рад са истим подешавањем.

3. Притисните дугме за излаз који желите да користите.
Претварач напона покреће излаз и дугме активног излаза светли.
4. Поново притисните дугме за излаз да бисте га зауставили.
5. Притисните дугме за напајање на извору напајања да бисте га искључили.

ОБАВЕШТЕЊЕ: Можда нећете моћи да користите уређај који захтева велику снагу за покретање чак и ако се излазна снага претварача напона одржава у номиналном опсегу снаге.

ОБАВЕШТЕЊЕ: Претварач напона можда неће бити у стању да напаја поједине USB уређаје.

ОБАВЕШТЕЊЕ: Пре повезивања USB уређаја за овај претварач напона, увек направите резервну копију својих података са USB уређаја.

ОБАВЕШТЕЊЕ: Извор напајања не можете пунити претварачем напона помоћу екстерних батерија доступних на тржишту.

Како тумачити индикатор излаза

► Слика9

- Индикатор излаза светли у складу са излазном снагом.
- Када излазна снага достигне 1.400 W(VA), укључиће се црвена лампица на „1400“. Ова лампица ће почети да трепери црвеном бојом када се претварач напона преоптерети.

Укључивање/искључивање звучног сигнала

► Слика10: 1. Дугме за звучни сигнал

Притисните и држите дугме за звучни сигнал да бисте укључили/искључили звучни сигнал.

НАПОМЕНА: Подешавање звучног сигнала се меморише. Следећи пут, претварач напона ће започети рад са истим подешавањем.

Систем заштите

Овај претварач напона је опремљен следећим системом за заштиту.

Заштита од преоптерећења

Сваки излаз има следећу заштиту од преоптерећења:

- **АС излаз**
Када претварач напона детектује превелику снагу, претварач напона зауставља сав АС излаз уз испрекидан звучни сигнал.
- **USB излаз**
Када претварач напона детектује абнормално снажну струју, претварач напона прекида USB излаз из којег излази снажна струја.
- **DC излаз од 12 V**
Када претварач напона детектује абнормално снажну струју, претварач напона зауставља DC излаз од 12 V уз испрекидан звучни сигнал.

Ако укупна излазна снага наизменичне струје, струје на USB прикључку и једносмерне струје од 12 V у одређеном периоду премашу номиналну излазну снагу претварача напона, целокупан излаз ће бити заустављен уз континуирани звучни сигнал. У овој ситуацији, искључите извор напајања и престаните са употребом која је изазвала преоптерећење претварача напона. Затим укључите извор напајања да бисте га поново покренули.

НАПОМЕНА: Када се претварач напона преоптерети, лампица индикатора излазне снаге „1400“ ће почети да трепери црвеном бојом.

НАПОМЕНА: Звучни сигнал се зауставља притиском на било које дугме на контролној табли.

Заштита од прегревања

Када се претварач напона прегреје, претварач напона зауставља све излазе уз непрекидан звучни сигнал. У овој ситуацији пустите да се претварач напона охлади пре поновног укључивања.

Заштита од превеликог пражњења

Када се преостали капацитет извора напајања смањи, чује се испрекидани звучни сигнал и дугме за активни излаз трепери. У овој ситуацији, уклоните извор напајања и напуните га.

Када се преостали капацитет извора напајања још више смањи, сав излаз се зауставља.

ОДРЖАВАЊЕ

▲ПАЖЊА: Пре него што почнете са прегледом или одржавањем, увек проверите да ли је извор напајања уклоњен.

ОБАВЕШТЕЊЕ: Немојте прати прикључак водом. Постоји ризик од квара.

ОБАВЕШТЕЊЕ: Повремено обришите површину овог производа крпом навлаженом у води са сапуном.

ОБАВЕШТЕЊЕ: Никад немојте да користите нафту, бензин, разређивач, алкохол и слична средства. Може доћи до губитка боје, деформације или оштећења.

БЕЗБЕДАН и ПОУЗДАН рад алата гарантујемо само ако поправке, свако друго одржавање или подешавање, препустите овлашћеном сервису компаније Makita или фабричком сервису, уз употребу оригиналних резервних делова компаније Makita.

Чишћење

Ако је претварач напона прљав, обришите га сувом крпом или крпом навлаженом у води са сапуном.

Филтер

▲ПАЖЊА: Након чишћења филтера, обавезно га поново поставите. Рад претварача напона без филтера може довести до квара.

Уклоните филтер тако што ћете га извући као што је приказано на слици.

Оперите филтер, па га затим осушите.

► **Слика11:** 1. Филтер

Да бисте поставили филтер, примените поступак уклањања обрнутим редоследом.

ОПЦИОНИ ПРИБОР

▲ПАЖЊА: Ова опрема и прибор су предвиђени за употребу са алатом Makita описаним у овом упутству за употребу. Употреба друге опреме и прибора може да доведе до повреда. Користите делове прибора или опрему искључиво за предвиђену намену.

Да бисте добили више детаља у вези са овим прибором, обратите се локалном сервисном центру компаније Makita.

- Преносиво напајање
- Makita оригинална батерија и пуњач
- МАКРАС

НАПОМЕНА: Поједине ставке на листи могу бити укључене у садржај паковања алата као стандардна опрема. Оне се могу разликовати од земље до земље.

SPECIFICAȚII

Model:		BAC01
Putere nominală de ieșire	Performanța convertorului (Când se utilizează PDC1200)	Putere continuă: 1.400 W (VA) Vârf de putere: 2.800 W (VA)
	Priză c.a.*	Undă sinusoidală pură 50 Hz sau 60 Hz, 2 buc. Tensiune: Consultați indicația de pe convertorul de putere. (Tensiunea de ieșire variază în funcție de țară.)
	Port USB	Tip A: 5 V, 2,4 A, 2 buc. Tip C: USB-PD 30 W, 2 buc.
	Adaptor pentru priză tip brichetă	12 V, 10 A, 1 buc.
Timp de operare**	PDC1200 (Cu 1.000 W)	56 min.
	PDC01 (Cu 750 W, BL1860B x 2)	10 min.
Dimensiuni (L x l x H) (Poziția cu toate cârligele pliate)		395 mm x 345 mm x 163 mm
Greutate netă (Doar convertorul de putere)		7,3 kg

* Numai pentru Brazilia

Tensiunea este indicată în apropierea prizei c.a.

** Timpii de operare sunt estimativi și pot diferi în funcție de tipul sursei de alimentare, de starea de încărcare și de condițiile de utilizare.

- Datorită programului nostru continuu de cercetare și dezvoltare, specificațiile pot fi modificate fără o notificare prealabilă.
- Specificațiile pot varia în funcție de țară.

Sursă de alimentare aplicabilă

Bloc de alimentare portabil	PDC1200 / PDC01* * Utilizați cartușele acumulatorilor descrise în secțiunea privind cartușul acumulatorului aplicabil.
-----------------------------	---

- Este posibil ca unele dintre sursele de alimentare menționate mai sus să nu fie disponibile în funcție de regiunea dumneavoastră de reședință.
- Înainte de a utiliza sursa de alimentare, citiți instrucțiunile și atenționările de pe sursa de alimentare.

⚠️ AVERTIZARE: Utilizați numai sursele de alimentare specificate mai sus. Utilizarea oricăror alte surse de alimentare poate duce la rănire și/sau incendiu.

Cartușul acumulatorului aplicabil

Numai pentru PDC01

NOTĂ: Când se utilizează PDC01:

- Dacă puterea de ieșire depășește 750 W (VA), convertorul de putere va opri alimentarea cu energie din cauza sistemului de protecție a acumulatorului. În acest caz, mențineți puterea de ieșire la 750 W (VA) sau mai puțin.
- În funcție de condițiile de utilizare, convertorul de putere poate opri puterea de ieșire dacă acumulatorul utilizat este înlocuit cu un alt acumulator. În această situație, apăsați butonul de putere de ieșire corespunzător puterii de ieșire pe care doriți să o reluați.
- Pentru a utiliza convertorul de putere sunt necesare două sau patru cartușe ale acumulatorului. Dacă folosiți două cartușe ale acumulatorului, montați unul în portul pentru acumulator 1 sau 2 și pe celălalt în portul pentru acumulator 3 sau 4.

Cartușul acumulatorului	BL1815N / BL1820B / BL1830B* / BL1840B* / BL1850B* / BL1860B* *: Acumulator recomandat
-------------------------	---

- Este posibil ca unele cartușe ale acumulatorilor menționate mai sus să nu fie disponibile în funcție de regiunea dumneavoastră de reședință.

AVERTIZARE: Utilizați numai cartușele de acumulator specificate mai sus. Utilizarea oricăror alte cartușe de acumulator poate duce la rănire și/sau incendiu.

Simboluri

Mai jos sunt prezentate simbolurile care pot fi utilizate pentru echipament. Asigurați-vă că înțelegeți sensul acestora înainte de utilizare.



Citiți manualul de utilizare.



Doar pentru țările din cadrul UE
Din cauza prezenței componentelor periculoase în echipament, deșeurile de echipamente electrice și electronice, acumulatorii și bateriile pot avea un efect negativ asupra mediului și sănătății umane.



Nu eliminați aparatele electrice și electronice sau bateriile împreună cu gunoierii menajeri!

În conformitate cu Directiva europeană privind deșeurile de echipamente electrice și electronice, acumulatorii, bateriile și deșeurile de acumulatori și baterii, precum și cu adaptarea sa în legislația națională, deșeurile de echipamente electrice, de baterii și de acumulatori trebuie depozitate separat și eliminate la un centru de colectare separat pentru deșeurile municipale, care respectă reglementările privind protecția mediului.

Acest lucru este indicat prin simbolul care reprezintă o pubeză cu roți barată cu o cruce, aplicat pe echipament.

Destinația de utilizare

Aparatul este destinat pentru a converti puterea blocului de alimentare portabil Makita în diferite tipuri de putere de ieșire.

AVERTIZĂRI DE SIGURANȚĂ

AVERTIZARE: Înainte de utilizare, asigurați-vă că citiți manualul de instrucțiuni al produsului pe care doriți să îl utilizați cu acest convertor de putere.

Avertizări privind siguranța pentru convertorul de putere

1. **Pentru a asigura buna performanță și o durată de funcționare îndelungată, aveți grijă să protejați convertorul de putere de următoarele condiții.**
 - Gaze și lichide corozive
 - Ceață salină și ceață de ulei
 - Impact și vibrație mecanică
 - Umiditate mare
2. **Temperaturi extreme (prea rece sau prea cald)**
Intervalul de temperatură ambientală potrivit este cuprins între -10 °C și 40 °C (14 °F și 104 °F).
3. **Zgomot electromagnetice (de exemplu, mașina de sudură electrică, echipamente de mare putere)**
4. **Materiale radioactive**
2. **Poziționați convertorul de putere pe o suprafață orizontală, fără denivelări, și într-un loc stabil.** În caz contrar, se poate produce un accident prin cădere.
3. **Atunci când transportați convertorul de putere, deconectați sursa de alimentare și toate aparatele conectate la portul de ieșire.** În caz contrar, se poate produce un accident prin cădere.
4. **Atunci când transportați convertorul de putere, țineți întotdeauna ferm mânerul de transport cu ambele mâini. Nu transportați convertorul de putere ținând de o altă parte a acestuia.** În caz contrar, se poate produce un accident prin cădere.
5. **Nu utilizați convertorul de putere cu mâinile umede. Nu expuneți convertorul de putere la ploaie sau la condiții de umiditate.** Există riscul de electrocutare. Convertorul de putere nu este etanș.
6. **Nu introduceți obiecte metalice, precum piuneze, cabluri sau alte obiecte mici din metal în ieșiri și în fantele de ventilație.** Există riscul de electrocutare.
7. **Nu dezasamblați convertorul de putere.** Există riscul de electrocutare.
8. **Nu aplicați un impact puternic asupra convertorului de putere, cum ar fi în cazul scăpării acestuia.** Acest lucru poate cauza defecțiuni, ceea ce poate conduce la electrocutare.
9. **Verificați posibila aliniere incorectă sau posibilă blocare a pieselor mobile, deteriorarea componentelor și orice alte condiții care pot afecta funcționarea.** Dacă este deteriorat, reparați aparatul înainte de utilizare. Multe accidente sunt provocate de aparatele întreținute necorespunzător.
10. **Setați întotdeauna la o frecvență c.a. adecvată.** În caz contrar, se pot produce defecțiuni, ceea ce poate provoca vătămări.
11. **Nu utilizați convertorul de putere în medii explozive, cum ar fi în prezența lichidelor, a gazelor sau a pulberilor inflamabile.** O sarcină statică mică sau o scântee poate aprinde pulberile sau fumul, conducând la incendiu sau la o explozie.
12. **Asigurați-vă că fantele de ventilație nu sunt acoperite sau blocate. Utilizați convertorul de putere în locuri în care nimic nu interferează cu fanta de ventilație.** Acest lucru poate duce la funcționarea defectuoasă sau la incendiu.

13. Aveți grijă să nu vă împiedicați de cablu în timpul funcționării. Puneți cablul în buzunarul pentru cablu.
14. Nu utilizați convertorul de putere pentru echipamente medicale. Funcționarea necorespunzătoare neașteptată poate provoca accidente.
15. Pentru a reduce riscul de incendiu, căldură excesivă, explozie, scurgeri de electroliți, electrocutare sau vătămare, respectați următoarele măsuri de precauție.
 - Nu conectați aparate care depășesc puterea nominală de ieșire a convertorului de putere.
 - Nu conectați direct la rețeaua electrică generală c.a.
16. Depozitați convertorul de putere în interior, în spații bine ventilate și cu umiditate scăzută.
17. Țineți convertorul de putere departe de accesul copiilor atunci când este depozitat. În caz contrar, se pot produce accidente grave.
18. Nu călcați pe convertorul de putere. De asemenea, nu aplicați un impact puternic asupra convertorului de putere atunci când instalați MAKPAC sau sursa de alimentare. În caz contrar, se pot produce defecțiuni sau vătămări corporale.
19. Fanta pentru știftul de împământare de la ieșirea c.a. nu se află sub tensiune și nu primește curent. Acest produs nu necesită împământarea aparatului cu c.a. deoarece nu este conectat la rețeaua electrică generală de c.a.

Avertizări de siguranță pentru aparatul care funcționează cu acumulator

Utilizarea și îngrijirea aparatului care funcționează cu acumulator

1. **Preveniți punerea accidentală în funcțiune.** Asigurați-vă că întrerupătorul se află în poziția oprit înainte de a conecta grupul de acumulatori, de a ridica sau a transporta aparatul. Transportarea aparatului ținând degetul pe întrerupător sau alimentarea aparatului cu întrerupătorul pornit poate duce la accidente.
2. **Deconectați grupul de baterii de la aparat înainte de a face vreo reglare, de a schimba accesoriile sau de a depozita aparatul.** Aceste măsuri de siguranță preventive reduc riscul de pornire accidentală a aparatului.
3. **Efectuați reîncărcarea numai cu încărcătorul specificat de producător.** Un încărcător adecvat pentru un anumit tip de acumulator poate prezenta risc de incendiu dacă este utilizat cu alt tip de acumulator.
4. **Folosiți aparatele numai cu grupurile de acumulatori special destinate acestora.** Utilizarea altor grupuri de acumulatori poate prezenta risc de rănire și de incendiu.

5. **Când nu folosiți cartușul de acumulatori, țineți-l la distanță de obiecte metalice precum agrafe de birou, monede, chei, cuie, șuruburi sau alte obiecte metalice mici, ce pot constitui o legătură între cele două borne.** Scurtcircuitarea bornelor acumulatorului poate provoca arsuri sau incendii.
6. **În condiții extreme, lichidul poate fi eliminat din acumulator; evitați contactul cu acesta. Dacă intrați în contact accidental, clătiți bine cu apă zona afectată. Dacă lichidul intră în contact cu ochii, consultați și un medic.** Lichidul eliminat din acumulator poate provoca iritații sau arsuri.
7. **Nu utilizați un grup de acumulatori sau un aparat care este deteriorat ori modificat.** Acumulatorii deteriorați sau modificați pot prezenta un comportament imprevizibil, ce poate cauza incendii, explozii sau pericol de rănire.
8. **Nu expuneți un grup de acumulatori sau aparatul la foc sau la temperaturi excesive.** Expunerea la foc sau la temperaturi mai mari de 130 °C poate cauza explozii.
9. **Urmați toate instrucțiunile de încărcare și nu încălcați grupul de acumulatori sau aparatul la temperaturi care nu se încadrează în intervalul specificat în instrucțiuni.** Încărcarea incorectă sau la temperaturi care nu se încadrează în intervalul specificat poate cauza deteriorarea acumulatorului și creșterea riscului de incendiu.
10. **Reparațiile trebuie efectuate de o persoană calificată, folosind doar piese de schimb identice.** Aceasta va asigura menținerea siguranței produsului.
11. **Nu modificați și nu încercați să reparați aparatul sau grupul de acumulatori decât în conformitate cu instrucțiunile de utilizare și întreținere.**

Instrucțiuni importante privind siguranța pentru cartușul acumulatorului

1. **Înainte de a folosi cartușul acumulatorului, citiți toate instrucțiunile și atenționările de pe (1) încărcătorul acumulatorului, (2) acumulator și (3) produsul care folosește acumulatorul.**
2. **Nu dezamblați sau nu interveniți asupra cartușului acumulatorului.** Acest lucru poate cauza incendii, căldură excesivă sau explozii.
3. **Dacă timpul de funcționare s-a redus excesiv, întrerupeți imediat funcționarea. Aceasta poate prezenta risc de supraîncălzire, posibile arsuri și chiar explozie.**
4. **Dacă electrolitul pătrunde în ochi, clătiți bine ochii cu apă curată și consultați imediat un medic.** Există risc de orbire.
5. **Nu scurtcircuitați cartușul acumulatorului:**
 - (1) Nu atingeți bornele cu niciun material conductor.
 - (2) Evitați depozitarea cartușului acumulatorului la un loc cu alte obiecte metalice cum ar fi cuie, monede etc.
 - (3) Nu expuneți cartușul acumulatorului la apă sau ploaie.

Un scurtcircuit al acumulatorului poate provoca un flux puternic de curent electric, supraîncălzire, posibile arsuri și chiar defectarea mașinii.

6. Nu depozitați și nu utilizați aparatul și cartușul acumulatorului în locuri în care temperatura poate atinge sau depăși 50 °C (122 °F).
7. Nu incinerati cartușul acumulatorului chiar dacă acesta este grav deteriorat sau complet uzat. Cartușul acumulatorului poate exploda în foc.
8. Nu introduceți cuie în cartușul acumulatorului, nu îl tăiați, striviți, aruncați sau scăpați și nu îl loviți cu un obiect dur. Astfel de acțiuni pot provoca incendii, căldură excesivă sau explozii.
9. Nu utilizați un acumulator deteriorat.
10. Acumulatorii Li-Ion încorporați se supun cerințelor Legislației privind substanțele periculoase.
Pentru transporturi comerciale, efectuate de exemplu de către părți terțe, expeditori, trebuie respectate cerințele speciale de ambalare și etichetare.
Pentru pregătirea articolului care urmează să fie expediat, este necesară consultarea unui expert în materiale periculoase. Vă rugăm să respectați, de asemenea, reglementările naționale, care pot fi mai detaliate.
Izolați sau acoperiți contactele deschise și împachetați acumulatorul în așa fel încât să nu se poată mișca în ambalaj.
11. Atunci când eliminați la deșeurii cartușul acumulatorului, scoateți-l din aparat și eliminați-l într-un loc sigur. Respectați normele dumneavoastră locale privind eliminarea la deșeurii a acumulatorului.
12. Utilizați acumuloarele numai cu produsele specificate de Makita. Instalarea acumulatorilor în produse neconforme poate cauza incendii, căldură excesivă, explozii sau scurgeri de electrolit.
13. Dacă aparatul nu este utilizat o perioadă lungă de timp, acumulatorul trebuie scos din acesta.
14. În timpul utilizării și după aceea, cartușul acumulatorului se poate încălzi, ceea ce poate cauza arsuri sau arsuri la temperaturi scăzute. Fiți atenți la manipularea cartușelor acumulatorilor atunci când sunt fierbinți.
15. Nu atingeți borna aparatului imediat după utilizare, întrucât se poate încălzi foarte tare și poate provoca arsuri.
16. Nu lăsați să pătrundă așchii, praf sau pământ în borne, în orificii și în canelurile cartușului acumulatorului. Acest lucru poate duce la o performanță slabă sau poate cauza defectarea aparatului sau a cartușului acumulatorului.
17. Nu utilizați cartușul acumulatorului în apropierea liniilor electrice de înaltă tensiune, cu excepția cazului în care aparatul suportă utilizarea în apropierea liniilor electrice de înaltă tensiune. Acest lucru poate duce la funcționarea necorespunzătoare sau la defectarea aparatului sau a cartușului acumulatorului.

18. Țineți acumulatorul la distanță de copii.

PĂSTRAȚI ACESTE INSTRUCȚIUNI.

ATENȚIE: Folosiți numai acumulatori Makita originali. Acumulatorii Makita care nu sunt originali sau acumulatorii care au suferit modificări se pot aprinde, provocând incendii, vătămări corporale și daune. De asemenea, anulează garanția oferită de Makita pentru aparatul și încărcătorul Makita.

Sfaturi pentru obținerea unei durate maxime de exploatare a acumulatorului

1. Încărcați cartușul acumulatorului înainte de a se descărca complet. Întrerupeți întotdeauna funcționarea aparatului și încărcați cartușul acumulatorului când observați o scădere a puterii aparatului.
2. Nu reîncărcați niciodată un acumulator complet încărcat. Supraîncărcarea va scurta durata de exploatare a acumulatorului.
3. Încărcați cartușul acumulatorului la temperatura camerei, între 10 °C - 40 °C (50 °F - 104 °F). Lăsați un acumulator fierbinte să se răcească înainte de a-l încărca.
4. Atunci când nu utilizați cartușul acumulatorului, scoateți-l din aparat sau din încărcător.
5. Încărcați cartușul acumulatorului în cazul în care nu a fost utilizat pe o perioadă mai lungă (mai mult de șase luni).

DESCRIERE COMPONENTE

► Fig.1

1. Panou de comutare
2. Încuietoare
3. Placă putere de ieșire
4. Mâner de transport
5. Fantă de ventilație
6. Cârlig A
7. Cârlig B
A se utiliza numai pentru PDC1200.
8. Cârlig C
A se utiliza numai pentru PDC01.
9. Fișă (intrare)
10. Buzunar cablu
11. Buton de putere de ieșire USB
12. Buton de putere de ieșire c.a.
13. Buton de comutare a frecvenței
14. Buton de putere de ieșire 12 V cc.
15. Buton semnal sonor
16. Indicator de putere de ieșire
Consultați secțiunea privind interpretarea indicatorului de putere de ieșire.
17. Putere de ieșire 1 USB tip A
18. Putere de ieșire 2 USB tip A
19. Putere de ieșire 1 USB tip C
20. Putere de ieșire 2 USB tip C
21. Putere de ieșire 1 c.a.
22. Putere de ieșire 2 c.a.
23. Putere de ieșire 12 V cc. (pentru adaptorul pentru priza tip brichetă)

NOTĂ: Forma mufei c.a. variază în funcție de țară.

MONTARE

⚠ATENȚIE: Țineți bine convertorul de putere și sursa de alimentare când montați sau demontați sursa de alimentare. În caz contrar, acestea vă pot aluneca din mâini, ceea ce poate conduce la vătămare corporală sau la deteriorarea convertorului de putere și a sursei de alimentare.

⚠ATENȚIE: Înainte de utilizare, asigurați-vă că ați poziționat corect cablul și că priza este introdusă în fișă până la capăt.

Montarea sursei de alimentare

Pentru PDC1200

Atașați sursa de alimentare la convertorul de putere, după cum se arată în figură.

⚠ATENȚIE: Asigurați-vă că sursa de alimentare este montată bine la convertorul de putere. În caz contrar, aceasta poate cădea accidental de pe convertorul de putere, provocând rănirea dumneavoastră sau a persoanelor din jur. Dacă puteți vedea indicatorul roșu, astfel cum se arată în figură, sursa de alimentare nu este blocată complet.

► Fig.2: 1. Indicator roșu

Când demontați sursa de alimentare, ridicați sursa de alimentare în timp de împingeți în jos butonul de blocare.

► Fig.3: 1. Buton de blocare

Pentru PDC01

Atașați sursa de alimentare la convertorul de putere, după cum se arată în figură.

► Fig.4

Pentru a demonta sursa de alimentare, executați în ordine inversă operațiile de montare.

Conectarea sursei de alimentare

1. Deschideți capacul fișei.
2. Aliniați marcajul săgeată de pe priză cu cel de pe convertorul de putere și apoi introduceți mufa în fișă până la capăt.

► Fig.5: 1. Capac 2. Fișă (intrare) 3. Priză 4. Marcaj săgeată

NOTĂ: Nu introduceți priza în mod forțat. Dacă priza nu poate fi introdusă ușor, înseamnă că nu a fost introdusă corect.

NOTĂ: La deconectare, nu țineți de cabluri, ci de priză. În caz contrar, cablurile se pot deteriora, ceea ce poate conduce la o defecțiune.

NOTĂ: Întotdeauna închideți bine capacul fișei atunci când sursa de alimentare nu este conectată. În caz contrar, materii străine pot pătrunde în convertorul de putere, ceea ce poate conduce la o defecțiune.

Buzunar cablu

Puteți introduce cablul în buzunarul pentru cablu, după cum se arată în figură.

► Fig.6

Instalare МАKРАС

Accesoriu opțional

Convertorul de putere poate fi montat în partea de sus sau de jos a МАKРАС, după cum se arată în figură.

► Fig.7

⚠ATENȚIE: Asigurați-vă că ați fixat bine convertorul de putere la МАKРАС cu cele patru încuietori. În caz contrar, se pot produce accidente prin cădere, care pot cauza vătămări corporale.

OPERAREA

► Fig.8: 1. Buton de pornire

1. Apăsăți butonul de pornire de pe sursa de alimentare pentru a o porni.
2. Conectați aparatul dumneavoastră la puterea de ieșire corespunzătoare.

Atunci când utilizați puterea de ieșire c.a., selectați frecvența adecvată, apăsând și menținând apăsat butonul de comutare a frecvenței.

NOTĂ: Frecvența poate fi selectată doar când se oprește puterea de ieșire c.a.

NOTĂ: Setarea de frecvență este memorată. Data viitoare, convertorul de putere va porni cu aceeași setare.

3. Apăsăți butonul corespunzător puterii pe care doriți să o utilizați.

Convertorul de putere începe să funcționeze, iar butonul corespunzător puterii de ieșire luminează.

4. Apăsăți din nou butonul de putere de ieșire pentru a opri.
5. Apăsăți butonul de pornire al sursei de alimentare pentru a o opri.

NOTĂ: Este posibil să nu puteți utiliza un aparat care necesită o putere mare pentru a porni, chiar dacă puterea de ieșire a convertorului de putere este menținută în intervalul de putere nominală.

NOTĂ: Este posibil ca unele dispozitive USB să nu fie alimentate de convertorul de putere.

NOTĂ: Înainte de a conecta un dispozitiv USB la convertorul de putere, realizați întotdeauna o copie de rezervă a datelor dumneavoastră de pe dispozitivul USB.

NOTĂ: Nu puteți încărca sursa de alimentare cu convertorul de putere utilizând acumulatori externi disponibili pe piață.

Interpretarea indicatorului de putere de ieșire

► Fig.9

- Indicatorul de putere de ieșire luminează în funcție de puterea emisă.
- Când puterea de ieșire atinge 1.400 W (VA), lampa corespunzătoare valorii „1400” se va aprinde în culoarea roșie. Această lampă începe să emită o lumină roșie intermitentă atunci când convertorul de putere devine suprasolicitat.

Pornirea/oprirea alarmei

► Fig.10: 1. Buton semnal sonor

Apăsăți și mențineți apăsat butonul de semnal sonor pentru a porni/opri alarma.

NOTĂ: Setarea alarmei este memorată. Data viitoare, convertorul de putere va porni cu aceeași setare.

Sistem de protecție

Convertorul de putere este prevăzut cu următorul sistem de protecție.

Protecție la suprasarcină

Pentru fiecare putere de ieșire există protecție la supra-sarcină după cum urmează:

- **Putere de ieșire c.a.**
Când convertorul de putere detectează o putere excesivă, convertorul de putere oprește puterea de ieșire c.a., emițând un semnal sonor intermitent.
- **Putere de ieșire USB**
Când convertorul de putere detectează un curent anormal de ridicat, convertorul de putere întrerupe puterea de ieșire USB prin care trece curentul foarte ridicat.
- **Putere de ieșire 12 V cc.**
Când convertorul de putere detectează un curent anormal de ridicat, convertorul de putere oprește puterea de ieșire 12 V cc., emițând cu un semnal sonor intermitent.

Dacă puterea de ieșire totală a c.a., USB și 12 V cc. depășește puterea nominală a convertorului de putere pentru o anumită perioadă, se va opri emiterea oricărei puteri și se va auzi un semnal sonor continuu. În această situație, opriți sursa de alimentare și întrerupeți aplicația care a dus la suprasolicitarea convertorului de putere. Apoi, reporniți sursa de alimentare.

NOTĂ: Când convertorul de putere devine suprasolicitat, lampa „1400” a indicatorului de putere de ieșire emite o lumină roșie intermitentă.

NOTĂ: Semnalul sonor se oprește prin apăsarea oricărui buton de pe panoul de comandă.

Protecție la supraîncălzire

Când convertorul de putere se supraîncălzeste, convertorul de putere oprește emiterea oricărei puteri, emițând un semnal sonor continuu. În această situație, lăsați convertorul de putere să se răcească înainte de a-l reporni.

Protecție la supradescărcare

Când capacitatea rămasă a sursei de alimentare scade, pornește semnalul sonor intermitent, iar butonul de putere de ieșire luminează intermitent. În această situație, scoateți sursa de alimentare și încărcați-o. Când capacitatea rămasă a sursei de alimentare scade și mai mult, se va opri emiterea oricărei puteri.

ÎNȚREȚINERE

ATENȚIE: Asigurați-vă întotdeauna că sursa de alimentare este demontată înainte de a încerca să efectuați inspecția sau întreținerea.

NOTĂ: Nu spălați conectorul cu apă. Risc de funcționare necorespunzătoare.

NOTĂ: Din când în când, ștergeți suprafața acestui produs utilizând o lavetă umezită în apă cu săpun.

NOTĂ: Nu utilizați niciodată gazolină, benzină, diluant, alcool sau alte substanțe asemănătoare. În caz contrar, pot rezulta decolorări, deformări sau fisuri.

Pentru a menține SIGURANȚA și FIABILITATEA produsului, reparațiile și orice alte lucrări de întreținere sau reglare trebuie executate de centre de service Makita autorizate sau proprii, folosind întotdeauna piese de schimb Makita.

Curățarea

În cazul în care convertorul de putere este murdar, ștergeți convertorul de putere cu o lavetă uscată sau cu o lavetă umezită în apă cu săpun.

Filtru

ATENȚIE: După curățarea filtrului, asigurați-vă că îl reinstalați. Utilizarea convertorului de putere fără filtru poate conduce la defecțiuni.

Scoateți filtrul trăgându-l afară, astfel cum se arată în figură.

Spălați filtrul, apoi uscați-l.

► Fig.11: 1. Filtru

Pentru a monta filtrul, executați în ordine inversă operațiile de demontare.

ACCESORII OPȚIONALE

ATENȚIE: Folosiți accesoriile sau piesele auxiliare recomandate pentru mașina dumneavoastră Makita în acest manual. Utilizarea oricăror alte accesorii sau piese auxiliare poate prezenta risc de vătămare corporală. Utilizați accesoriile și piesele auxiliare numai în scopul destinat.

Dacă aveți nevoie de asistență sau de mai multe detalii referitoare la aceste accesorii, adresați-vă centrului local de service Makita.

- Bloc de alimentare portabil
- Acumulator și încărcător original Makita
- МАКРАС

NOTĂ: Unele articole din listă pot fi incluse ca accesorii standard în ambalajul de scule. Acestea pot diferi în funcție de țară.

ТЕХНІЧНІ ХАРАКТЕРИСТИКИ

Модель:		ВАС01
Номінальний вихід	Продуктивність перетворювача (У разі використання PDC1200)	Постійна потужність: 1 400 Вт (ВА) Максимальна потужність: 2 800 Вт (ВА)
	Розетка змінного струму*	Немодульований синусоїдальний сигнал 50 Гц або 60 Гц, 2 шт. Напруга: дивіться дані на перетворювачі електричної енергії. (Величина вихідної напруги різниться залежно від країни.)
	USB-порт	Type-A: 5 В, 2,4 А, 2 шт. Type-C: USB-PD 30 Вт, 2 шт.
	Адаптер автомобільного прикурювача	12 В, 10 А, 1 шт.
Час роботи**	PDC1200 (Потужністю 1 000 Вт)	56 хв
	PDC01 (Потужністю 750 Вт, BL1860В × 2)	10 хв
Розміри (Д × Ш × В) (3 усіма гачками в складеному положенні)		395 мм × 345 мм × 163 мм
Маса нетто (Лише перетворювач електричної енергії)		7,3 кг

* Тільки для Бразилії

Значення напруги вказане біля розетки змінного струму.

** Час роботи є приблизним і може відрізнятись залежно від типу джерела живлення, рівня заряду й умов використання.

- Оскільки наша програма наукових досліджень і розробок триває безперервно, наведені тут технічні характеристики можуть бути змінені без попередження.
- У різних країнах технічні характеристики можуть бути різними.

Застосовне джерело живлення

Портативний блок живлення	PDC1200 / PDC01* * Використовуйте касети з акумулятором, описані в розділі, що присвячений застосовним касетам з акумулятором.
---------------------------	---

- У деяких регіонах вказані вище джерела живлення можуть бути недоступні.
- Перед використанням джерела живлення прочитайте інструкції та попереджувальні написи на ньому.

⚠ ПОПЕРЕДЖЕННЯ: Використовуйте лише джерела живлення, указані вище. Використання будь-яких інших джерел живлення може призвести до травмування та/або пожежі.

Застосовна касета з акумулятором

Тільки для PDC01

УВАГА: У разі використання PDC01:

- Якщо вихідна потужність перевищує 750 Вт (ВА), перетворювач електричної енергії припинить живлення через спрацювання системи захисту акумулятора. У цьому разі підтримуйте вихідну потужність на рівні 750 Вт (ВА) або нижче.
- Залежно від умов використання перетворювач електричної енергії може припинити видавати вихідний сигнал, якщо він переключиться з використовованого акумулятора на інший акумулятор. У цій ситуації натисніть кнопку виходу, який потрібно перезапустити.
- Для використання перетворювача електричної енергії потрібні дві або чотири касети з акумулятором. У разі використання двох касет з акумулятором налаштуйте для однієї порт 1 або 2 акумулятора, а для іншої – порт 3 або 4 акумулятора.

- Деякі касети з акумулятором, які вказано вище, можуть бути недоступними залежно від вашого регіону або місця перебування.

⚠ ПОПЕРЕДЖЕННЯ: Використовуйте лише касети з акумулятором, перелічені вище. Використання будь-яких інших касет з акумулятором може призвести до травмування й/або пожежі.

Символи

Далі наведено символи, які можуть застосовуватися для позначення обладнання. Перед користуванням переконайтеся, що ви розумієте їхнє значення.



Читайте посібник з експлуатації.



Тільки для країн ЄС
Через наявність в обладнанні небезпечних компонентів відходи електричного та електронного обладнання, акумулятори та батареї можуть негативно впливати на навколишнє середовище та здоров'я людини.



Не викидайте електричні та електронні прилади або батареї разом з побутовими відходами!

Відповідно до директиви ЄС стосовно відходів електричного та електронного обладнання, акумуляторів, батарей та відходів акумуляторів і батарей, а також відповідно до її адаптації до національного законодавства, відходи електричного обладнання, батарей та акумулятори слід зберігати окремо й доставляти на пункт роздільного збору комунальних відходів, який працює з дотриманням правил охорони навколишнього середовища.

Це позначено символом у вигляді перекресленого сміттевого контейнера з колесами, нанесеним на обладнання.

Призначення

Прилад призначений для перетворення електричної енергії портативного блока живлення Makita в різні вихідні сигнали.

ПОПЕРЕДЖЕННЯ ПРО ДОТРИМАННЯ ТЕХНІКИ БЕЗПЕКИ

⚠ ПОПЕРЕДЖЕННЯ: Перед початком експлуатації обов'язково прочитайте посібник з експлуатації, з яким буде використовуватися цей перетворювач електричної енергії.

Попередження про дотримання техніки безпеки під час використання перетворювача електричної енергії

- Щоб забезпечити хорошу продуктивність і тривалий термін служби пристрою, приділяйте увагу захисту перетворювача електричної енергії від наведених нижче чинників.**
 - Агресивний газ і рідина
 - Соляний туман і масляний туман
 - Механічний вплив і вібрація
 - Висока вологість
 - Екстремальна температура (надто низька або висока)
Відповідний діапазон температури навколишнього середовища становить від -10°C до 40°C (від 14°F до 104°F).
 - Електромагнітний шум (наприклад, від електрозварювального апарата, потужного обладнання)
 - Радіоактивний матеріал
- Розташуйте перетворювач електричної енергії на рівній стійкій горизонтальній поверхні.** Інакше пристрій може впасти.
- Перш ніж переносити перетворювач електричної енергії, від'єднайте джерело живлення та всі пристрої, підключені до вихідного порту.** Інакше пристрій може впасти.
- Переносячи перетворювач електричної енергії, завжди міцно тримайте його за ручки для перенесення обома руками.** Не переносьте перетворювач електричної енергії, тримаючи його за будь-яку іншу частину. Інакше пристрій може впасти.
- Не працюйте з перетворювачем електричної енергії з мокрими руками.** Не залишайте й не використовуйте перетворювач електричної енергії під дощем або в умовах підвищеної вологості. Це може призвести до ураження електричним струмом. Перетворювач електричної енергії не є водонепроникним пристроєм.
- Не вставляйте металеві предмети, як-от шпильки, дроти чи інші невеликі металеві предмети у вихідні роз'єми та вентиляційні отвори.** Це може призвести до ураження електричним струмом.
- Не розбирайте перетворювач електричної енергії.** Це може призвести до ураження електричним струмом.

8. Не допускайте сильних ударів перетворювача електричної енергії, наприклад падіння. Це може спричинити несправність, що призведе до ураження електричним струмом.
9. Перевіряйте суміщення або відсутність заїдання рухомих деталей, цілісність деталей, а також усі інші умови, які можуть негативно впливати на роботу пристрою. Якщо пристрій пошкоджено, його необхідно відремонтувати перед подальшим використанням. Причиною багатьох нещасних випадків є відсутність належного догляду за приладами.
10. Завжди встановлюйте відповідну частоту змінного струму. Інакше може виникнути несправність, що призведе до травмування.
11. Не використовуйте перетворювач електричної енергії у вибухонебезпечних місцях, наприклад біля легкозаймистих рідин, газів або пилу. Невеликий статичний заряд або іскра може запалити пил або пари, спричинивши пожежу або вибух.
12. Стежте, аби вентиляційні отвори пристрою не були засмічені чи перекриті сторонніми об'єктами. Під час використання перетворювача електричної енергії ніщо не має закривати його вентиляційні отвори. Це може призвести до несправності або пожежі.
13. Під час роботи будьте обережні, щоб не перечепитися через шнур. Покладіть шнур у відділення для шнура.
14. Не використовуйте перетворювач електричної енергії для живлення медичного обладнання. Раптова несправність може спричинити аварію.
15. Щоб зменшити ризик пожежі, перегрівання, вибуху, витоку електроліту, ураження електричним струмом або травмування, дотримуйтеся наведених нижче застережень.
 - Не підключайте прилади, потужність яких перевищує номінальний вихід перетворювача електричної енергії.
 - Не підключайте пристрій безпосередньо до загальної електромережі змінного струму.
16. Зберігайте перетворювач електричної енергії в закритому, добре провітрюваному місці з низьким рівнем вологості.
17. Зберігайте перетворювач електричної енергії в недоступному для дітей місці. Інакше може статися серйозний нещасний випадок.
18. Не наступайте на перетворювач електричної енергії. Крім того, не допускайте сильних ударів по перетворювачу електричної енергії під час установлення разом із МАКРАС або джерелом живлення. Недотримання цієї вимоги може призвести до несправності чи травмування.
19. На роз'ємі штиря заземлення на виході змінного струму відсутні напруга й струм. Цей виріб не потребує заземлення приладу змінного струму, оскільки він не підключений до загальної електромережі змінного струму.

Попередження про дотримання техніки безпеки під час використання приладу, що працює від акумулятора

Використання та обслуговування приладу, що працює від акумулятора

1. Запобігайте випадковому запуску приладу. Перш ніж під'єднувати блок акумулятора, піднімати або переносити прилад, слід переконатися в тому, що вимикач перебуває в положенні «вимкнено». Якщо під час перенесення приладу палець користувача лежить на вимикачі або живлення подається на прилад з увімкненим вимикачем, це може призвести до нещасного випадку.
2. Перед виконанням регулювань, заміною приладдя або зберіганням від'єднуйте акумулятор від приладу. Такі запобіжні заходи зменшують ризик випадкового увімкнення приладу.
3. Перезаряджайте акумулятор лише за допомогою зарядного пристрою, вказаного виробником. Зарядний пристрій, який підходить для одного типу акумуляторів, може призвести до пожежі при використанні з акумулятором іншого типу.
4. Використовуйте прилади лише зі спеціально призначеним типом акумуляторів. Використання акумуляторів інших типів може призвести до травм і пожежі.
5. Коли акумулятор не використовується, тримайте його подалі від таких металевих предметів, як скріпки, монети, ключі, цвяхи, шурупи тощо, які можуть закортити клеми акумулятора. Замикання клем акумулятора може призвести до отримання опіків або до пожежі.
6. За неналежних умов зберігання з акумулятора може витекти рідина, контакту з якою слід уникати. У разі випадкового потрапляння рідини на тіло відповідну частину тіла слід промити водою. Якщо рідина потрапила в очі, їх слід промити водою, після чого необхідно звернутися до лікаря. Рідина, що витікає з акумулятора, може спричинити подразнення або опіки.
7. Не користуйтеся акумуляторним блоком або приладом, які було змінено чи пошкоджено. Експлуатація акумуляторів, які було змінено чи пошкоджено, може бути небезпечною й спричинити пожежу, вибух або травму.
8. Не піддавайте акумулятор або прилад впливу вогню чи надмірної температури. Вплив вогню або температури вище 130 °C може спричинити вибух.

9. Дотримуйтеся всіх вказівок із заряджання й не заряджайте акумулятор або прилад за температури за межами зазначеного в інструкції діапазону. Неправильне заряджання або заряджання при температурі поза межами вказаного діапазону може призвести до пошкодження акумулятора й підвищити ризик займання.
10. Сервісне обслуговування приладу має виконуватися кваліфікованим фахівцем із ремонту й тільки з використанням ідентичних запасних частин. Це забезпечить підтримання приладу в належному безпечному стані.
11. Не робіть спроб самостійно відремонтувати прилад чи акумулятор або внести зміни в їхню конструкцію; дотримуйтеся інструкцій із експлуатації.
10. Літій-іонні акумулятори, що містяться в інструменті, мають відповідати вимогам законів про небезпечні товари. Під час транспортування за допомогою комерційних перевезень, наприклад із залученням третьої сторони та експедиторів, необхідно дотримуватись особливих вимог, вказаних на пакуванні й у маркуванні. Під час підготування позиції до відправлення необхідно проконсультуватись із спеціалістом з небезпечних матеріалів. Крім того, слід виконувати більш докладні національні настанови, якщо такі є. Заклейте відкриті контакти стрічкою або заховайте їх і запакуйте акумулятор таким чином, щоб він не міг рухатися в пакуванні.

Важливі інструкції з безпеки для касети з акумулятором

1. Перед тим як користуватися касетою з акумулятором, слід прочитати всі інструкції та застережні знаки щодо (1) зарядного пристрою акумулятора, (2) акумулятора та (3) виробів, що працюють від акумулятора.
2. Не розбирайте касету з акумулятором і не змінюйте її конструкцію. Це може призвести до пожежі, перегріву або вибуху.
3. Якщо період роботи дуже покоротшав, слід негайно припинити користування. Це може призвести до виникнення ризику перегріву, опіку та навіть вибуху.
4. У разі потраплення електrolіту в очі слід промити їх чистою водою та негайно звернутися до лікаря. Це може призвести до втрати зору.
5. Не закоротіть касету з акумулятором.
 - (1) Не слід торкатися клем будь-яким струмопровідним матеріалом.
 - (2) Не слід зберігати касету з акумулятором у ємності з іншими металевими предметами, такими як цвяхи, монети тощо.
 - (3) Не залишайте касету з акумулятором під дощем, запобігайте контакту з водою.

Коротке замикання може призвести до появи значного струму, перегріву, можливих опіків та навіть виходу з ладу.
6. Не слід зберігати й використовувати прилад і касету з акумулятором у місцях, де температура може сягнути чи перевищити 50 °C (122 °F).
7. Не слід спалювати касету з акумулятором, навіть якщо вона була неодноразово пошкоджена або повністю спрацьована. Касета з акумулятором може вибухнути у вогні.
8. Заборонено забивати цвяхи в касету з акумулятором, різати, ламати, кидати, впускати касету з акумулятором або вдаряти її твердим предметом. Такі дії можуть призвести до пожежі, перегріву або вибуху.
9. Не слід використовувати пошкоджений акумулятор.
11. Якщо прилад не буде використовуватися протягом тривалого періоду часу, вийміть з нього акумулятор.
14. Під час і після використання касета з акумулятором може нагріватися, що може стати причиною опіків, зокрема низькотемпературних. Будьте обережні під час поводження з гарячою касетою з акумулятором.
15. Не торкайтеся контактів приладу відразу після використання, оскільки вони можуть бути досить гарячими й спричинити опіки.
16. Не допускайте, щоб уламки, пил або земля прилипали до контактів, отворів і пазів на касеті з акумулятором. Це може призвести до зниження експлуатаційних параметрів, поломки приладу або касети з акумулятором.
17. Якщо прилад не розрахований на використання поблизу високовольтних ліній електропередачі, не використовуйте касету з акумулятором поблизу високовольтних ліній електропередачі. Це може призвести до несправності, поломки приладу або касети з акумулятором.
18. Тримайте акумулятор у недоступному для дітей місці.

ЗБЕРІГАЙТЕ ЦІ ВКАЗІВКИ.

⚠ОБЕРЕЖНО: Використовуйте тільки оригінальні акумулятори Makita. Використання будь-яких акумуляторів, окрім оригінальних акумуляторів Makita, або акумуляторів, конструкцію яких було змінено, може призвести до вибуху акумулятора та спричинити пожежу, травму або пошкодження. У зв'язку із цим також буде анульовано гарантію Makita на прилад Makita і на зарядний пристрій.

Поради з забезпечення максимального строку експлуатації акумулятора

1. Касету з акумулятором слід зарядити до того, як він розрядиться повністю. Обов'язково зупиніть роботу приладу й зарядіть касету з акумулятором, якщо ви помітили зменшення потужності.
2. Ніколи не слід заряджати повторно повністю заряджену касету з акумулятором. Перезарядження скорочує строк експлуатації акумулятора.
3. Заряджайте касету з акумулятором при кімнатній температурі 10°C - 40°C (50°F - 104°F). Перед тим як заряджати касету з акумулятором, слід зачекати, доки вона охолоне.
4. Коли касета з акумулятором не використовується, виймайте її з приладу або зарядного пристрою.
5. Якщо касета з акумулятором не використовувалася тривалий час (понад шість місяців), її слід зарядити.

ОПИС ДЕТАЛЕЙ

► Рис.1

1. Панель перемикачів
2. Фіксатор
3. Панель виходів
4. Ручка для перенесення
5. Вентиляційні отвори
6. Гачок А
7. Гачок В
Використовується лише для PDC1200.
8. Гачок С
Використовується лише для PDC01.
9. Штекерний роз'єм (вхід)
10. Відділення для шнура
11. Кнопка виходу USB
12. Кнопка виходу змінного струму
13. Кнопка перемикання частоти
14. Кнопка виходу напруги 12 В постійного струму
15. Кнопка ввімкнення та вимкнення звукового сигналу
16. Індикатор вихідної потужності
Прочитайте розділ «Опис індикатора вихідної потужності».
17. Вихід USB Type-A 1
18. Вихід USB Type-A 2
19. Вихід USB Type-C 1
20. Вихід USB Type-C 2
21. Вихід змінного струму 1
22. Вихід змінного струму 2
23. Вихід напруги 12 В постійного струму (Для адаптера автомобільного прикурювача)

ПРИМІТКА: Форма розетки змінного струму залежить від країни використання.

КОМПЛЕКТУВАННЯ

⚠ОБЕРЕЖНО: Міцно тримайте перетворювач електричної енергії та джерело живлення під час установлення або зняття джерела живлення. Інакше вони можуть висковзнути з ваших рук і нанести комусь травму або пошкодити перетворювач електричної енергії та джерело живлення.

⚠ОБЕРЕЖНО: Перш ніж починати роботу, упевніться, що шнур укладено належним чином, а гніздовий роз'єм повністю вставлено в штекерний роз'єм.

Установка джерела живлення

Для PDC1200

Прикріпіть джерело живлення до перетворювача електричної енергії, як показано на рисунку.

⚠ОБЕРЕЖНО: Упевніться, що джерело живлення надійно встановлено на перетворювачі електричної енергії. Якщо це не так, воно може випадково впасти з перетворювача електричної енергії й завдати травми вам або людям, що перебувають поруч. Якщо ви бачите червоний індикатор, як показано на рисунку, джерело живлення не зафіксовано належним чином.

► **Рис.2:** 1. Червоний індикатор

Щоб зняти джерело живлення, підніміть його вгору, натискаючи кнопку блокування.

► **Рис.3:** 1. Кнопка блокування

Для PDC01

Прикріпіть джерело живлення до перетворювача електричної енергії, як показано на рисунку.

► **Рис.4**

Щоб зняти джерело живлення, виконайте процедуру встановлення у зворотному порядку.

Підключення джерела живлення

1. Зніміть пробку штекерного роз'єму.
 2. Сумістіть стрілку на гніздовому роз'ємі зі стрілкою на корпусі перетворювача електричної енергії, а потім до упору вставте гніздовий роз'єм у штекерний роз'єм.
- **Рис.5:** 1. Пробка 2. Штекерний роз'єм (вхід)
3. Гніздовий роз'єм 4. Стрілка

УВАГА: Під час вставляння гніздового роз'єму не докладайте надмірну силу. Якщо гніздовий роз'єм не вставляється легко, це означає, що його вставляють неправильно.

УВАГА: Під час від'єднання тримайтеся не за шнур, а за гніздовий роз'єм. Інакше можна пошкодити шнур, що може призвести до несправності обладнання.

УВАГА: Коли джерело живлення не під'єднано, пробка штекерного роз'єму завжди має бути щільно вставлена. Інакше сторонні предмети можуть потрапити в перетворювач електричної енергії та спричинити несправність.

Відділення для шнура

Шнур можна покласти у відділення для шнура, як показано на рисунку.

► **Рис.6**

Установлення контейнера МАКРАС

Додаткове обладнання

Перетворювач електричної енергії можна приєднати до верхньої або нижньої частини контейнера МАКРАС, як показано на рисунку.

► **Рис.7**

⚠ ОБЕРЕЖНО: Переконайтеся, що перетворювач електричної енергії надійно прикріплено до контейнера МАКРАС чотирма фіксаторами. Інакше пристрій може впасти й завдати травм.

РОБОТА

► **Рис.8:** 1. Кнопка живлення

1. Натисніть кнопку живлення джерела живлення, щоб увімкнути його.
2. Підключіть свій прилад до відповідного виходу. У разі використання виходу змінного струму виберіть відповідну частоту, натиснувши та утримуючи кнопку перемикання частоти.

ПРИМІТКА: Частоту можна вибирати лише тоді, коли вихід змінного струму вимкнено.

ПРИМІТКА: Налаштування частоти запам'ятовується. Наступного разу перетворювач електричної енергії запуститься з таким самим налаштуванням.

3. Натисніть кнопку виходу, який ви хочете використовувати.

Перетворювач електричної енергії почне видавати вихідний сигнал, а кнопка відповідного виходу буде світитися.

4. Натисніть кнопку виходу ще раз, щоб вимкнути його.
5. Натисніть кнопку живлення джерела живлення, щоб вимкнути його.

УВАГА: Ви не зможете використовувати прилад, для запуску якого потрібна висока потужність, навіть якщо вихідна потужність перетворювача електричної енергії перебуває в межах номінального діапазону потужності.

УВАГА: Перетворювач електричної енергії може не подавати живлення на деякі USB-пристрої.

УВАГА: Перед підключенням USB-пристрою до перетворювача електричної енергії завжди створюйте резервні копії даних, що зберігаються на USB-пристрої.

УВАГА: Джерело живлення неможливо зарядити від перетворювача електричної енергії за допомогою зарядних пристроїв серійного виробництва.

Опис індикатора вихідної потужності

► **Рис.9**

- Індикатор вихідної потужності буде світитися відповідно до величини потужності, що видається.
- Коли вихідна потужність досягає 1 400 Вт (ВА), лампа біля позначки «1400» засвічується червоним. Ця лампа починає блимати червоним кольором у разі перевантаження перетворювача електричної енергії.

Увімкнення та вимкнення звукового сигналу

► **Рис.10:** 1. Кнопка увімкнення та вимкнення звукового сигналу

Щоб увімкнути або вимкнути звуковий сигнал, натисніть і втримуйте кнопку увімкнення та вимкнення звукового сигналу.

ПРИМІТКА: Налаштування звукового сигналу запам'ятовується. Наступного разу перетворювач електричної енергії запуститься з таким самим налаштуванням.

Система захисту

Перетворювач електричної енергії оснащено наведеною нижче системою захисту.

Захист від перевантаження

Кожен вихід має захист від перевантаження, як зазначено нижче.

- **Вихід змінного струму**
Коли перетворювач електричної енергії виявляє надмірну потужність, він припиняє подачу вихідного сигналу змінного струму, сповіщаючи про це переривчастим звуковим сигналом.
- **Вихід USB**
Коли перетворювач електричної енергії виявляє аномально високий струм, що проходить через певний вихід USB, він відключає цей вихід.
- **Вихід напруги 12 В постійного струму**
Коли перетворювач електричної енергії виявляє аномально високий струм, він припиняє подачу вихідного сигналу напруги 12 В постійного струму, сповіщаючи про це переривчастим звуковим сигналом.

Якщо загальна вихідна потужність виходу змінного струму, виходу USB та виходу постійного струму 12 В перевищуватиме номінальну вихідну потужність перетворювача електричної енергії протягом певного періоду, усі вихідні сигнали буде вимкнено, що супроводжуватиметься безперервним звуковим сигналом. У такому разі вимкніть джерело живлення й припиніть роботу, під час виконання якої сталося перевантаження перетворювача електричної енергії. Щоб перезапустити джерело живлення, увімкніть його знову.

ПРИМІТКА: У разі перевантаження перетворювача електричної енергії лампа «1400» індикатора вихідної потужності блимає червоним кольором.

ПРИМІТКА: Звуковий сигнал вимикається натисканням будь-якої кнопки на панелі перемикачів.

Захист від перегрівання

Коли перетворювач електричної енергії перегрівается, він припиняє подачу всіх вихідних сигналів, сповіщаючи про це безперервним звуковим сигналом. У такому разі дайте перетворювачу електричної енергії охолонути, перш ніж знову вмикати його.

Захист від надмірного розрядження

Коли залишкова ємність джерела живлення стає низькою, лунає переривчастий звуковий сигнал і починає блимати кнопка виходу, що використовується. У цій ситуації зніміть джерело живлення й зарядіть його.

Коли залишкова ємність джерела живлення стає ще нижчою, усі виходи буде вимкнено.

ТЕХНІЧНЕ ОБСЛУГОВУВАННЯ

⚠ОБЕРЕЖНО: Перед виконанням огляду або технічного обслуговування пристрою обов'язково знімайте джерело живлення.

УВАГА: Не мийте з'єднувач водою. Інакше може виникнути несправність.

УВАГА: Слід періодично протирати поверхню пристрою ганчіркою, зволоженою мильною водою.

УВАГА: Ніколи не використовуйте газолін, бензин, розріджувач, спирт та подібні речовини. Їх використання може призвести до зміни кольору, деформації або появи тріщин.

Для забезпечення БЕЗПЕКИ та НАДІЙНОСТІ продукції, її ремонт, а також роботи з обслуговування або регулювання повинні виконуватись уповноваженими або заводськими сервісними центрами Makita із використанням запчастин виробництва компанії Makita.

Чищення

Якщо перетворювач електричної енергії забруднений, протріть його сухою або зволоженою мильною водою ганчіркою.

Фільтр

⚠ОБЕРЕЖНО: Після очищення фільтра його слід обов'язково встановити на місце. Експлуатація перетворювача електричної енергії без фільтра може призвести до несправності.

Зніміть фільтр, витягнувши його, як показано на рисунку.

Промийте та висушіть фільтр.

► **Рис.11:** 1. Фільтр

Щоб установити фільтр, виконайте процедуру його зняття у зворотному порядку.

ДОДАТКОВЕ ПРИЛАДДЯ

⚠ ОБЕРЕЖНО: Це додаткове та допоміжне обладнання рекомендовано використовувати з інструментом Makita, зазначеним у цій інструкції з експлуатації. Використання будь-якого іншого додаткового та допоміжного обладнання може становити небезпеку травмування. Використовуйте додаткове та допоміжне обладнання лише за призначенням.

У разі необхідності отримати допомогу в більш детальному ознайомленні з оснащенням звертайтеся до місцевого сервісного центру Makita.

- Портативний блок живлення
- Оригінальний акумулятор та зарядний пристрій Makita
- МАКРАС

ПРИМІТКА: Деякі елементи списку можуть входити до комплекту інструмента як стандартне приладдя. Вони можуть відрізнятися залежно від країни.

ТЕХНИЧЕСКИЕ ХАРАКТЕРИСТИКИ

Модель:		ВАС01
Номинальная выходная мощность	Работа преобразователя (при использовании PDC1200)	Мощность в ваттах в режиме непрерывной работы: 1 400 Вт (ВА) Максимальная мощность в ваттах: 2 800 Вт (ВА)
	Розетка перем. тока *	немодулированный синусоидальный сигнал 50 Гц или 60 Гц, 2 шт. Напряжение: См. значение, указанное на аккумуляторном преобразователе тока. (Выходное напряжение различается в зависимости от страны).
	USB-порт	Типе-А: 5 В, 2,4 А, 2 шт. Типе-С: USB-PD 30 Вт, 2 шт.
	Переходник на прикуриватель	12 В, 10 А, 1 шт.
Время работы **	PDC1200 (с 1 000 Вт)	56 мин.
	PDC01 (с 750 Вт, BL1860В x 2)	10 мин.
Размеры (Д × Ш × В) (при сложенном положении всех фиксаторов)		395 мм x 345 мм x 163 мм
Масса нетто (только аккумуляторный преобразователь тока)		7,3 кг

* Только для Бразилии

Напряжение указано в виде маркировки рядом с розеткой переменного тока.

** Время работы указано приблизительно и зависит от типа источника питания, уровня зарядки и условий использования.

- Благодаря нашей постоянно действующей программе исследований и разработок указанные здесь технические характеристики могут быть изменены без предварительного уведомления.
- Технические характеристики могут различаться в зависимости от страны.

Подходящий источник питания

Портативный блок питания	PDC1200 / PDC01*
--------------------------	------------------

* Используйте блоки аккумуляторов, представленные в разделе о подходящем блоке аккумулятора.

- Некоторые из перечисленных выше источников питания могут быть недоступны в зависимости от региона вашего проживания.
- Перед началом использования источника питания изучите инструкцию и предупреждающие надписи на нем.

⚠ ОСТОРОЖНО: Используйте только источники питания, перечисленные выше. Использование любых других зарядных устройств может привести к травме и/или возгоранию.

Подходящий блок аккумулятора

Только для PDC01

ПРИМЕЧАНИЕ: При использовании PDC01:

- Если выходная мощность превышает 750 Вт (ВА), то аккумуляторный преобразователь тока прекращает подачу питания из-за срабатывания системы защиты аккумулятора. В этом случае удерживайте выходную мощность на уровне не выше 750 Вт (ВА).
- В зависимости от условий использования аккумуляторный преобразователь тока может прекратить подачу мощности на выход в случае переключения с используемого аккумулятора на другой аккумулятор. В этой ситуации нажмите на кнопку выхода, которой хотите возобновить подачу мощности на выход.
- Для использования аккумуляторного преобразователя тока необходимо два или четыре блока аккумуляторов. При использовании двух блоков аккумуляторов установите один из них в аккумуляторный порт 1 или 2, а другой — в аккумуляторный порт 3 или 4.

- В зависимости от региона вашего проживания некоторые из перечисленных выше блоков аккумуляторов могут быть недоступны.

⚠ ОСТОРОЖНО: Используйте только перечисленные выше блоки аккумуляторов. Использование любых других блоков аккумуляторов может привести к травме и/или возгоранию.

Символы

Ниже приведены символы, которые могут использоваться для обозначения оборудования. Перед использованием убедитесь в том, что вы понимаете их значение.



Прочитайте руководство по эксплуатации.



Только для стран ЕС
В связи с наличием в оборудовании опасных компонентов отходы электрического и электронного оборудования, аккумуляторы и батареи могут оказывать негативное влияние на окружающую среду и здоровье человека.



Не выбрасывайте электрические и электронные устройства или батареи вместе с бытовыми отходами!

В соответствии с директивой ЕС по отходам электрического и электронного оборудования, по аккумуляторам, батареям и отходам аккумуляторов и батарей, а также в соответствии с ее адаптацией к национальному законодательству, отходы электрического оборудования, батареи и аккумуляторы следует хранить отдельно и доставлять на пункт раздельного сбора коммунальных отходов, работающий с соблюдением правил охраны окружающей среды. Это обозначено символом в виде перечеркнутого мусорного контейнера на колесах, нанесенным на оборудование.

Назначение

Данное устройство предназначено для преобразования мощности портативного блока питания Makita в различные варианты выходной мощности.

МЕРЫ БЕЗОПАСНОСТИ

⚠ ОСТОРОЖНО: Перед началом эксплуатации обязательно ознакомьтесь с руководством по эксплуатации своего изделия, с которым будет использоваться данный аккумуляторный преобразователь тока.

Правила техники безопасности при использовании аккумуляторного преобразователя тока

1. **В целях обеспечения высокой эффективности работы и длительного срока службы обратите внимание на необходимость защиты аккумуляторного преобразователя тока от попадания в следующие условия.**
 - Коррозионно-активные газы и жидкости
 - Соляной туман и масляный туман
 - Механические удары и вибрации
 - Высокая влажность
 - Экстремальные температуры (слишком холодные или слишком жаркие условия) Удобный диапазон температур окружающего воздуха составляет от -10 °C до 40 °C (от 14 °F до 104 °F).
 - Электромагнитные помехи (например, электросварочная машина, высокоомощное оборудование)
 - Радиоактивные материалы
2. **Разместите аккумуляторный преобразователь тока на горизонтальной поверхности без неровностей и в устойчивом месте.** В противном случае он может упасть.
3. **При переноске аккумуляторного преобразователя тока отсоединяйте источник питания и все устройства, подключенные к выходному порту.** В противном случае он может упасть.
4. **При переноске аккумуляторного преобразователя тока следует крепко держать его за рукоятки для переноски обеими руками.** Не переносите аккумуляторный преобразователь тока, держа его за любую другую деталь. В противном случае он может упасть.
5. **Не используйте аккумуляторный преобразователь тока с мокрыми руками.** Не подвешивайте аккумуляторный преобразователь тока воздействию дождя или влаги. Это влечет опасность поражения электрическим током. Аккумуляторный преобразователь тока не является водонепроницаемым.
6. **Не вставляйте металлические предметы, такие как канцелярские кнопки, провода или другие мелкие металлические предметы в розетки и вентиляционные отверстия.** Это влечет опасность поражения электрическим током.
7. **Не разбирайте аккумуляторный преобразователь тока.** Это влечет опасность поражения электрическим током.

8. Не допускайте сильного механического воздействия на аккумуляторный преобразователь тока, например бросания. Это может вызвать его неисправность, ведущую к поражению электрическим током.
9. Убедитесь в соосности, отсутствии деформаций движущихся узлов, поломок каких-либо деталей или других дефектов, которые могут повлиять на работу устройства. В случае повреждения устройства его необходимо отремонтировать перед использованием. Множество несчастных случаев является результатом ненадлежащего ухода за устройствами.
10. Обязательно устанавливайте устройство на соответствующую частоту переменного тока. В противном случае возможно возникновение неисправности, приводящей к травме.
11. Не эксплуатируйте аккумуляторный преобразователь тока во взрывоопасной атмосфере, в частности при наличии легко воспламеняющихся жидкостей, газов или пыли. Незначительный статический заряд или искра может воспламенить пыль или пары, создав очаг возгорания или опасность взрыва.
12. Следите за тем, чтобы вентиляционные отверстия не были перекрыты или засорены чем бы то ни было. Используйте аккумуляторный преобразователь тока в местах, где ничто не препятствует отводу воздуха. Это может привести к неисправности или возгоранию.
13. Во время работы следите за тем, чтобы не споткнуться о шнур. Укладывайте шнур в карман для шнура.
14. Не используйте аккумуляторный преобразователь тока для медицинского оборудования. Непредвиденная неисправность может привести к несчастному случаю.
15. Для снижения опасности возгорания, перегрева, взрыва, утечки электролита, поражения электрическим током или получения травмы соблюдайте следующие меры предосторожности.
 - Не подключайте устройства, мощность которых превышает номинальную мощность аккумуляторного преобразователя тока.
 - Не подключайте устройство к сети электропитания общего пользования напрямую.
16. Аккумуляторный преобразователь тока следует хранить в закрытом помещении и хорошо проветриваемом месте при низкой влажности.
17. Во время хранения держите аккумуляторный преобразователь тока в месте, недоступном для детей. Невыполнение данного требования может повлечь за собой серьезное происшествие.
18. Не наступайте на аккумуляторный преобразователь тока. Кроме того, следите за тем, чтобы не допускать сильных механических воздействий на аккумуляторный преобразователь тока при его установке с кейсом МАКРАС или источником питания. Это может привести к неисправности или травме.
19. Гнездо для заземляющего штыря на выходе переменного тока не находится под напряжением, и через него не протекает ток. Данное изделие не требует заземления устройства переменного тока, поскольку не подключено к общей сети питания переменного тока.

Правила техники безопасности при пользовании аккумуляторным устройством

Эксплуатация и обслуживание аккумуляторного устройства

1. Не допускайте случайного запуска. Прежде чем подключать аккумуляторный блок, поднимать или переносить устройство, убедитесь в том, что переключатель находится в выключенном положении. Если при переносе устройства палец пользователя находится на переключателе или питание подается на устройство с включенным переключателем, это может привести к несчастному случаю.
2. Перед выполнением регулировок, сменой принадлежностей или хранением отсединяющей аккумуляторный блок от устройства. Такие профилактические меры предосторожности снижают риск случайного включения устройства.
3. Заряжайте аккумулятор только зарядным устройством, указанным изготовителем. Зарядное устройство, подходящее для одного типа аккумуляторов, может привести к пожару при его использовании с другим аккумуляторным блоком.
4. Используйте устройство только с указанными для них аккумуляторными блоками. Использование других аккумуляторных блоков может привести к травме или пожару.
5. Когда аккумуляторный блок не используется, храните его отдельно от металлических предметов, таких как скрепки, монеты, ключи, гвозди, шурупы или другие небольшие металлические предметы, которые могут привести к закорачиванию контактов аккумуляторного блока между собой. Короткое замыкание между контактами аккумуляторного блока может привести к ожогам или пожару.
6. При неправильном обращении из аккумуляторного блока может потечь жидкость. Избегайте контакта с ней. В случае контакта с кожей промойте место контакта обильным количеством воды. В случае попадания в глаза обратитесь к врачу. Жидкость из аккумулятора может вызвать раздражение или ожоги.

7. Не используйте аккумуляторный блок или устройство с повреждениями или модификациями. Поврежденные или модифицированные аккумуляторы могут работать некорректно, что может привести к пожару, взрыву или травмированию.
 8. Не подвергайте аккумуляторный блок или устройство воздействию огня или высокой температуры. Воздействие огня или температуры выше 130 °C может привести к взрыву.
 9. Следуйте всем инструкциям по зарядке и не заряжайте аккумуляторный блок или устройство при температурах, выходящих за пределы указанного в инструкции диапазона. Зарядка, выполняемая неправильно или при температурах, выходящих за пределы указанного диапазона, может привести к повреждению аккумулятора и повысить риск пожара.
 10. Сервисное обслуживание устройства должно выполняться квалифицированным специалистом по ремонту и только с использованием идентичных запасных частей. Это позволит обеспечить безопасность устройства.
 11. Не пытайтесь самостоятельно ремонтировать устройство или аккумуляторный блок или вносить изменения в их конструкцию; строго соблюдайте инструкции по их эксплуатации.
6. Не храните и не используйте устройство и блок аккумулятора в местах, где температура может достигать или превышать 50 °C (122 °F).
 7. Не бросайте блок аккумулятора в огонь, даже если он сильно поврежден или полностью вышел из строя. Блок аккумулятора может взорваться под действием огня.
 8. Запрещено вбивать гвозди в блок аккумулятора, резать, ломать, бросать, ронять блок или ударять его твердым предметом. Такие действия могут привести к пожару, перегреву или взрыву.
 9. Не используйте поврежденный аккумуляторный блок.
 10. Входящие в комплект литий-ионные аккумуляторы должны эксплуатироваться в соответствии с требованиями законодательства об опасных товарах.
При коммерческой транспортировке, например, третьей стороной или инспектором, необходимо нанести на упаковку специальные предупреждения и маркировку.
В процессе подготовки устройства к отправке обязательно проконсультируйтесь со специалистом по опасным материалам. Также соблюдайте местные требования и нормы. Они могут быть строже.
Закройте или закрепите разомкнутые контакты и упакуйте аккумулятор так, чтобы он не перемещался по упаковке.

Важные правила техники безопасности для работы с аккумуляторным блоком

1. Перед использованием аккумуляторного блока прочитайте все инструкции и предупреждающие надписи на (1) зарядном устройстве, (2) аккумуляторном блоке и (3) инструменте, работающем от аккумуляторного блока.
2. Не разбирайте блок аккумулятора и не вносите изменений в его конструкцию. Это может привести к пожару, перегреву или взрыву.
3. Если время работы аккумуляторного блока значительно сократилось, немедленно прекратите работу. В противном случае, может возникнуть перегрев блока, что приведет к ожогам и даже к взрыву.
4. В случае попадания электролита в глаза промойте их обильным количеством чистой воды и немедленно обратитесь к врачу. Это может привести к потере зрения.
5. Не замыкайте контакты аккумуляторного блока между собой:
 - (1) Не прикасайтесь к контактам какими-либо токопроводящими предметами.
 - (2) Не храните аккумуляторный блок в контейнере вместе с другими металлическими предметами, такими как гвозди, монеты и т. п.
 - (3) Не допускайте попадания на аккумуляторный блок воды или дождя.
11. Для утилизации блока аккумулятора извлеките его из устройства и утилизируйте безопасным способом. Выполняйте требования местного законодательства по утилизации аккумулятора.
12. Используйте аккумуляторы только с продукцией, указанной Makita. Установка аккумуляторов на продукцию, не соответствующую требованиям, может привести к пожару, перегреву, взрыву или утечке электролита.
13. Если устройством не будут пользоваться в течение длительного периода времени, извлеките аккумулятор из устройства.
14. Во время и после использования блок аккумулятора может нагреваться, что может стать причиной ожогов, в том числе низкотемпературных. Будьте осторожны при обращении с горячим блоком аккумулятора.
15. Не прикасайтесь к контактам устройства сразу после использования, поскольку они могут быть достаточно горячими, чтобы вызвать ожоги.
16. Не допускайте, чтобы крошки, пыль или земля прилипали к контактам, отверстиям и пазам на блоке аккумулятора. Это может привести к снижению эксплуатационных параметров, поломке устройства или блока аккумулятора.

17. Если устройство не рассчитано на использование вблизи высоковольтных линий электропередачи, не используйте блок аккумулятора вблизи высоковольтных линий электропередачи. Это может привести к неисправности, поломке устройства или блока аккумулятора.
18. Храните аккумулятор в недоступном для детей месте.

СОХРАНИТЕ ДАННЫЕ ИНСТРУКЦИИ.

▲ВНИМАНИЕ: Используйте только фирменные аккумуляторы Makita. Использование аккумуляторов, произведенных не компанией Makita, или аккумуляторов, подвергнутых модификациям, может привести к взрыву аккумулятора, пожару, травмам и повреждению имущества. Это также автоматически аннулирует гарантию Makita на устройство и зарядное устройство Makita.

Советы по обеспечению максимального срока службы аккумулятора

1. Заряжайте блок аккумулятора до того, как он полностью разрядится. Обязательно прекратите работу с устройством и зарядите блок аккумулятора, если вы заметили снижение мощности работы.
2. Никогда не подзаряжайте полностью заряженный блок аккумуляторов. Перезарядка сокращает срок службы аккумулятора.
3. Заряжайте блок аккумуляторов при комнатной температуре в 10 - 40 °C (50 - 104 °F). Перед зарядкой горячего блока аккумуляторов дайте ему остыть.
4. Если блок аккумулятора не используется, извлеките его из устройства или зарядного устройства.
5. Устройте ионно-литиевый аккумуляторный блок, если вы не будете пользоваться инструментом длительное время (более шести месяцев).

ОПИСАНИЕ ДЕТАЛЕЙ

► Рис.1

1. Панель переключателей
2. Защелка
3. Выходная панель
4. Рукоятка для переноски
5. Вентиляционное отверстие
6. Фиксатор А
7. Фиксатор В
Используйте только для PDC1200.
8. Фиксатор С
Используйте только для PDC01.
9. Штекер (вход)
10. Карман для шнура
11. Кнопка выхода USB
12. Кнопка выхода переменного тока
13. Кнопка переключения частоты
14. Кнопка выхода постоянного тока 12 В
15. Кнопка звукового сигнала
16. Индикатор выхода
См. раздел интерпретации сигналов индикатора выхода.
17. USB Type-A выход 1
18. USB Type-A выход 2
19. USB Type-C выход 1
20. USB Type-C выход 2
21. Выход переменного тока 1
22. Выход переменного тока 2
23. Выход постоянного тока 12 В (для переходника на прикуриватель)

ПРИМЕЧАНИЕ: Форма розетки переменного тока различается в зависимости от страны.

МОНТАЖ

⚠ВНИМАНИЕ: Крепко держите аккумуляторный преобразователь тока и источник питания при установке или снятии источника питания. В противном случае они могут выскользнуть из рук и причинить травму или повреждение аккумуляторному преобразователю тока и источнику питания.

⚠ВНИМАНИЕ: Перед началом эксплуатации убедитесь в том, что шнур расположен надлежащим образом, а гнездо вставлено в штекер до упора.

Установка источника питания

Для PDC1200

Прикрепите источник питания к аккумуляторному преобразователю тока, как показано на рисунке.

⚠ВНИМАНИЕ: Убедитесь в том, что источник питания надежно прикреплен к аккумуляторному преобразователю тока. В противном случае он может случайно выпасть из аккумуляторного преобразователя тока, причинив травму вам или кому-либо из окружающих. Если вы видите красный индикатор, как показано на рисунке, то источник питания не зафиксирован полностью.

► **Рис.2:** 1. Красный индикатор

При снятии источника питания поднимите его вверх, надавливая на кнопку блокировки вниз.

► **Рис.3:** 1. Кнопка блокировки

Для PDC01

Прикрепите источник питания к аккумуляторному преобразователю тока, как показано на рисунке.

► **Рис.4**

Для снятия источника питания выполните процедуру установки в обратном порядке.

Подключение источника питания

1. Откройте заглушку штекера.
2. Совместите стрелку на гнезде со стрелкой на аккумуляторном преобразователе тока, а затем вставьте гнездо в штекер до упора.

► **Рис.5:** 1. Заглушка 2. Штекер (вход) 3. Гнездо 4. Значок стрелки

ПРИМЕЧАНИЕ: Не вставляйте гнездо с применением силы. Если гнездо входит с трудом, это значит, оно вставляется неправильно.

ПРИМЕЧАНИЕ: При разъединении не держитесь за шнуры, а держитесь за гнездо. В противном случае шнуры могут быть повреждены и стать причиной неисправности.

ПРИМЕЧАНИЕ: Необходимо плотно закрыть заглушку штекера на то время, когда источник питания не подсоединен. В противном случае возможно проникновение посторонних материалов в аккумуляторный преобразователь тока, что может вызвать его неисправность.

Карман для шнура

Шнур можно поместить в карман для шнура, как показано на рисунке.

► **Рис.6**

Установка кейсов МАКРАС

Дополнительные принадлежности

Аккумуляторный преобразователь тока может крепиться к верхней или нижней поверхности кейса МАКРАС, как показано на рисунке.

► **Рис.7**

⚠ВНИМАНИЕ: Убедитесь в том, что аккумуляторный преобразователь тока надежно прикреплен к кейсу МАКРАС с помощью четырех защелок. В противном случае возможно падение устройства с причинением травмы.

ЭКСПЛУАТАЦИЯ

► **Рис.8:** 1. Кнопка питания

1. Для включения источника питания нажмите его кнопку питания.
2. Подсоедините свое устройство к соответствующему выходу.

При использовании выхода переменного тока выберите соответствующую частоту, нажимая и удерживая кнопку переключения частоты.

ПРИМЕЧАНИЕ: Выбор частоты может производиться только после прекращения подачи питания на выход переменного тока.

ПРИМЕЧАНИЕ: Настройка частоты сохраняется в памяти. В следующий раз аккумуляторный преобразователь тока запускается с той же настройкой.

3. Нажмите на кнопку выхода, которых хотите использовать.

Аккумуляторный преобразователь тока начинает подавать питание на выход, и загорается кнопка работающего выхода.

4. Для прекращения подачи питания нажмите на ту же кнопку выхода повторно.

5. Для выключения источника питания нажмите его кнопку питания.

ПРИМЕЧАНИЕ: Может отсутствовать возможность использования того или иного устройства, требующего большого количества электроэнергии для запуска, даже при поддержании выходной мощности аккумуляторного преобразователя тока в рамках диапазона номинальных мощностей.

ПРИМЕЧАНИЕ: Аккумуляторный преобразователь тока может не подавать питание на некоторые устройства USB.

ПРИМЕЧАНИЕ: Перед подключением устройства USB к аккумуляторному преобразователю тока обязательно создавайте резервные копии своих данных с устройства USB.

ПРИМЕЧАНИЕ: Зарядка источника питания с аккумуляторным преобразователем тока при использовании имеющихся в продаже внешних аккумуляторов невозможна.

Интерпретация сигналов индикатора выхода

► Рис.9

- Индикатор выхода загорается в соответствии с мощностью, подаваемой на выход.
- Когда выходная мощность достигает 1 400 Вт (ВА), лампа на "1400" загорается красным. При перегрузке аккумуляторного преобразователя тока эта лампа начинает мигать красным.

Включение/отключение зуммера

► Рис.10: 1. Кнопка звукового сигнала

Для включения/отключения звука зуммера нажмите и удерживайте кнопку звукового сигнала.

ПРИМЕЧАНИЕ: Настройка зуммера сохраняется в памяти. В следующий раз аккумуляторный преобразователь тока запускается с той же настройкой.

Система защиты

Аккумуляторный преобразователь тока оснащается следующей системой защиты.

Защита от перегрузки

Каждый выход имеет защиту от перегрузки, реализуемую следующим образом:

- **Выход переменного тока**
Когда аккумуляторный преобразователь тока обнаруживает избыточную мощность, аккумуляторный преобразователь тока прекращает подачу питания на все выходы переменного тока с прерывистым звуковым сигналом.
- **Выход USB**
Когда аккумуляторный преобразователь тока обнаруживает аномально высокий ток, аккумуляторный преобразователь тока прекращает подачу питания на выход USB, через который протекает высокий ток.

• **Выход постоянного тока 12 В**

Когда аккумуляторный преобразователь тока обнаруживает аномально высокий ток, аккумуляторный преобразователь тока прекращает подачу питания на выход постоянного тока 12 В с прерывистым звуковым сигналом.

Если суммарная выходная мощность переменного тока, а также токов через выходы USB и постоянного тока 12 В превышает номинальную выходную мощность аккумуляторного преобразователя тока в течение некоторого периода, то подача питания на все выходы прекращается с непрерывным звуковым сигналом. В этом случае выключите источник питания и прекратите работу, из-за которой произошла перегрузка аккумуляторного преобразователя тока. Затем включите источник питания для перезапуска.

ПРИМЕЧАНИЕ: При перегрузке аккумуляторного преобразователя тока лампа "1400" индикатора выхода мигает красным.

ПРИМЕЧАНИЕ: Для прекращения звукового сигнала следует нажать любую кнопку на панели переключателей.

Защита от перегрева

При перегреве аккумуляторного преобразователя тока он прекращает подачу питания на все выходы с непрерывным звуковым сигналом. В этом случае дайте аккумуляторному преобразователю тока остыть перед повторным включением.

Защита от переразрядки

При падении уровня заряда источника тока до низкого уровня подается прерывистый звуковой сигнал, а кнопка работающего выхода мигает. В этом случае снимите источник питания и подзарядите его. При дальнейшем понижении уровня заряда источника питания прекращается подача питания на все выходы.

ОБСЛУЖИВАНИЕ

⚠ВНИМАНИЕ: Перед выполнением осмотра или технического обслуживания обязательно отсоединяйте источник питания.

ПРИМЕЧАНИЕ: Не мойте разъем водой. Это влечет за собой риск возникновения неисправности.

ПРИМЕЧАНИЕ: Время от времени протирайте поверхность данного изделия тряпкой, смоченной в мыльной воде.

ПРИМЕЧАНИЕ: Запрещается использовать бензин, растворители, спирт и другие подобные жидкости. Это может привести к обесцвечиванию, деформации и трещинам.

Для обеспечения БЕЗОПАСНОСТИ и НАДЕЖНОСТИ оборудования ремонт, любое другое техобслуживание или регулировку необходимо производить в уполномоченных сервис-центрах Makita или сервис-центрах предприятия с использованием только сменных частей производства Makita.

Очистка

В случае загрязнения аккумуляторного преобразователя тока протрите его сухой тканью или тряпкой, смоченной в мыльной воде.

Фильтр

⚠ ВНИМАНИЕ: После очистки фильтра обязательно установите его на место. Эксплуатация аккумуляторного преобразователя тока без фильтра может привести к возникновению неисправности.

Снимите фильтр, потянув его наружу, как показано на рисунке.

Промойте фильтр, а затем высушите его.

► **Рис.11:** 1. Фильтр

Для установки фильтра повторите процедуру его снятия в обратном порядке.

ДОПОЛНИТЕЛЬНЫЕ ПРИНАДЛЕЖНОСТИ

⚠ ВНИМАНИЕ: Данные принадлежности или приспособления рекомендуются для использования с инструментом Makita, указанным в настоящем руководстве. Использование других принадлежностей или приспособлений может привести к получению травмы. Используйте принадлежность или приспособление только по указанному назначению.

Если вам необходимо содействие в получении дополнительной информации по этим принадлежностям, свяжитесь с вашим сервис-центром Makita.

- Портативный блок питания
- Оригинальный аккумулятор и зарядное устройство Makita
- Кейс МАКРАС

ПРИМЕЧАНИЕ: Некоторые элементы списка могут входить в комплект инструмента в качестве стандартных приспособлений. Они могут отличаться в зависимости от страны.

ТЕХНИКАЛЫҚ СИПАТТАМАЛАРЫ

Үлгі:		BAC01
Номиналды қуат	Түрлендіргіш өнімділігі (PDC1200 пайдаланылғанда)	Әрдайым берілетін ватт: 1 400 Вт (BA) Ең жоғарғы ватт: 2 800 Вт (BA)
	АТ розеткасы *	Модуляцияланбаған синусоидалық толқын 50 Гц немесе 60 Гц, 2 дана. Кернеу: Токтың аккумуляторлық түрлендіргішіндегі нұсқауды қараңыз. (Шығыс кернеу әр елде әртүрлі болады).
	USB-порт	А түрі: 5 В, 2,4 А, 2 дана. С түрі: USB-PD 30 Вт, 2 дана.
	Темекі тұтатқышының адаптері	12 В, 10 А, 1 дана.
Пайдалану уақыты **	PDC1200 (1 000 Вт кезде)	56 мин.
	PDC01 (750 Вт кезде, BL1860В x 2)	10 мин.
Өлшемдері (Ұ x Е x Б) (бүкіл ілгектер бүктеліп тұрғанда)		395 мм x 345 мм x 163 мм
Таза салмағы (тек токтың аккумуляторлық түрлендіргіші)		7,3 кг

* Тек Бразилияда

Кернеу айнаымалы ток розеткасының жанында көрсетілген.

** Пайдалану уақыты шамалап көрсетілген және қуат көзіне, қуаттау күйіне және пайдалану жағдайына қарай өзгеше болуы мүмкін.

- Зерттеу мен әзірлеудің үздіксіз бағдарламасына байланысты осы құжаттағы техникалық сипаттамалар ескертусіз өзгертілуі мүмкін.
- Техникалық сипаттамалары әр елде әр түрлі болуы мүмкін.

Пайдалануға болатын қуат көзі

Портативті қуат беру блогы	PDC1200 / PDC01* * Пайдалануға болатын аккумулятор картриджі бөлімінде сипатталған аккумулятор картриджерін пайдаланыңыз.
----------------------------	--

- Жоғарыда берілген қуат көздерінің кейбірі тұрып жатқан жеріңізде жоқ болуы мүмкін.
- Қуат көзін пайдалану алдында, нұсқаулықты және ондағы сақтандыру белгілерін оқып шығыңыз.

⚠ ЕСКЕРТУ: жоғарыда көрсетілген қуат көздерін ғана пайдаланыңыз. Басқа қуат көздерін пайдалансаңыз, жарақат алуыңыз және/немесе өрт шығуы мүмкін.

Пайдалануға болатын аккумулятор картриджі

Тек PDC01

НАЗАР САЛЫҢЫЗ: PDC01 пайдаланылғанда:

- Шығыс қуат 750 Вт (BA) шамасынан асып кетсе, токтың аккумуляторлық түрлендіргіші аккумулятордың қорғау жүйесіне байланысты қуат беруді тоқтатады. Бұл жағдайда, шығыс қуатты 750 Вт (BA) немесе одан кем деңгейде ұстаңыз.
- Қолданыстағы аккумулятор басқа аккумуляторға ауыстырылса, пайдалану шарттарына қарай токтың аккумуляторлық түрлендіргіші қуат бермеуі мүмкін. Бұл жағдайда, қуатты қайта шығара бастау үшін шығыс қуат түймешігін басыңыз.
- Токтың аккумуляторлық түрлендіргішін пайдалану үшін екі немесе төрт аккумулятор картриджі қажет болады. Екі аккумулятор картриджін пайдалансаңыз, біреуін 1-ші немесе 2-ші аккумулятор портына, екіншісін 3-ші немесе 4-ші аккумулятор портына орнатыңыз.

Аккумулятор картриджі	BL1815N / BL1820B / BL1830B* / BL1840B* / BL1850B* / BL1860B* *: Ұсынылған аккумулятор
-----------------------	---

• Жоғарыда берілген аккумулятор картридждерінің кейбірі тұрып жатқан жеріңізде жоқ болуы мүмкін.

⚠ ЕСКЕРТУ: жоғарыда көрсетілген аккумулятор картридждерін ғана пайдаланыңыз. Аккумулятор картридждерінің басқа түрлерін пайдалансаңыз, жарақат алуыңыз және/немесе өрт шығуы мүмкін.

Белгілер

Төменде жабдықта пайдаланылуы мүмкін белгілер көрсетілген. Пайдалану алдында олардың мағынасын түсініп алыңыз.



Пайдалану жөніндегі нұсқаулықты оқып шығыңыз.



Тек ЕО елдеріне арналған Жабдықта қауіпті құрамдастардың болуына байланысты, электрлік және электрондық жабдықтардың, аккумуляторлар мен батареялардың қалдықтары қоршаған ортаға және адам денсаулығына кері әсерін тигізуі мүмкін. Электрлік және электрондық құрылғыларды немесе батареяларды тұрмыстық қалдықтармен бірге тастауға болмайды!



Электрлік және электрондық жабдықтардың қалдықтары және аккумуляторлар мен батареялар және аккумуляторлар мен батареялардың қалдықтары, сондай-ақ олардың ұлттық заңнамаға бейімделуі туралы Еуропалық директиваға сәйкес, электрлік жабдықтардың, батареялардың және аккумуляторлардың қалдықтары бөлек жиналуы және қоршаған ортаны қорғау ережелеріне сәйкес жұмыс істейтін тұрмыстық қалдықтарды жинау пунктіне жеткізілуі керек. Бұл жабдықта орналастырылған айқас сызықпен сызылған дөңгелекті қоқыс жәшігінің белгісі арқылы көрсетіледі.

Қолдану мақсаты

Құрылғы Makita портативті қуат беру блогының қуатын түрлендіріп, әртүрлі қылып шығаруға арналған.

ҚАУІПСІЗДІК БОЙЫНША ЕСКЕРТУЛЕР

⚠ ЕСКЕРТУ: пайдалану алдында, осы тоқтың аккумуляторлық түрлендіргішімен бірге қолданылатын өнімнің нұсқаулығын оқып шығыңыз.

Токтың аккумуляторлық түрлендіргішінің қауіпсіздік техникасы бойынша ескертулер

1. Құрылғы жақсы істеуі және ұзақ уақыт қызмет етуі үшін, тоқтың аккумуляторлық түрлендіргішін төмендегі жағдайлардан қорғау керек:
 - коррозиялық газ және сұйықтық;
 - тұзды бу және майлы бу;

- механикалық әсер және діріл;
- жоғары ылғалдылық;
- шектен асатын температура (тым суық немесе тым ыстық)
Қолайлы қоршаған орта температурасы -10 °C және 40 °C (14 °F және 104 °F) аралығын құрайды;
- электр-магниттік шу (мысалы, электрлік дәнекерлеу машинасы, жоғары қуатты жабдық);
- радиоактивті материал.

2. **Токтың аккумуляторлық түрлендіргішін кедір-бұдыры жоқ көлденең бетке және орнықты жерге қойыңыз.** Өйтпесе құрылғы құлап кетуі мүмкін.
3. **Токтың аккумуляторлық түрлендіргішін тасығанда, қуат көзін және қуат шығысына қосылған құрылғылардың барлығын ажыратыңыз.** Өйтпесе құрылғы құлап кетуі мүмкін.
4. **Токтың аккумуляторлық түрлендіргішін тасығанда, тасу тұтқаларын міндетті түрде екі қолыңызбен мықтап ұстаңыз. Токтың аккумуляторлық түрлендіргішін кез келген басқа бөліктен ұстап тасымаңыз.** Өйтпесе құрылғы құлап кетуі мүмкін.
5. **Токтың аккумуляторлық түрлендіргішін дымқыл қолмен пайдаланбаңыз. Токтың аккумуляторлық түрлендіргішін жаңбырда немесе ылғалды жағдайларда пайдаланбаңыз.** Электр тоғы соғуы мүмкін. Токтың аккумуляторлық түрлендіргіші су өткізеді.
6. **Розеткаларға және ауа тесіктеріне жапсырма шегелер, сым темірлер сияқты металл заттарды немесе басқа ұсақ металл заттарды салмаңыз.** Электр тоғы соғуы мүмкін.
7. **Токтың аккумуляторлық түрлендіргішін бөлшектемеңіз.** Электр тоғы соғуы мүмкін.
8. **Құлатып алған кездегідей, тоқтың аккумуляторлық түрлендіргішінің қатты соққы алуына жол бермеңіз.** Электр тоғының соғуына себеп болатын ақаулық орын алуы мүмкін.
9. **Қозғалмалы бөлшектердің ығысып кетпегенін және тұтылып қалмағанын, бөлшектердің зақымдалмағанын және жұмысқа теріс әсер ете алатын басқа жағдайлардың бар-жоғын тексеріңіз. Зақымдалған болса, құрылғыны жөндеген соң бірақ пайдаланыңыз.** Жазатайым оқиғалардың көбі құрылғыларға дұрыс техникалық күтім көрсетілмегендіктен орын алады.
10. **Міндетті түрде тиісті айнаымалы ток жиілігін орнатыңыз.** Өйтпесе ақаулық орын алуы және адамдар жарақат алуы мүмкін.

11. **Токтың аккумуляторлық түрлендіргішін айналасында тез тұтанатын сұйықтықтар, газдар немесе шаң сияқты заттардан тұратын жарылу қаупі бар орталарда пайдалануға болмайды.** Кішкентай статикалық қуат немесе ұшқын шаңдарды немесе буларды тұтатып, өрт шығаруы немесе жарылыс орын алуы мүмкін.
12. **Ауа тесіктерін ештеңе жаппауы немесе бітемеуі тиіс.** Токтың аккумуляторлық түрлендіргішін ауа тесіктерін ештеңе жаппайтын жерде пайдаланыңыз. Ақаулық орын алуы немесе өрт шығуы мүмкін.
13. **Пайдаланған кезде, кабельге шалынып қалмаңыз.** Кабельді қалтасына салып қойыңыз.
14. **Токтың аккумуляторлық түрлендіргішін медициналық жабдықта пайдаланбаңыз.** Күтпеген ақаулық салдарынан жазатайым оқиға орын алуы мүмкін.
15. **Өрт, шамадан тыс қызу, жарылыс, электролиттің ағуы, электр тогының соғуы немесе жарақат алу қаупін азайту үшін төмендегі сақтық шараларын орындаңыз.**
 - Токтың аккумуляторлық түрлендіргішінің номиналды қуатынан асатын құрылғыны жалғамаңыз.
 - Жалпы айнымалы ток электр желісіне тікелей жалғамаңыз.
16. **Токтың аккумуляторлық түрлендіргішін іште, жақсы желдетілетін және ылғалдылық деңгейі төмен жерде сақтаңыз.**
17. **Сақтаған кезде, токтың аккумуляторлық түрлендіргішін балалардың қолы жетпейтін жерде сақтаңыз.** Әйтпесе ауыр жағдай орын алуы мүмкін.
18. **Токтың аккумуляторлық түрлендіргішін аяқпен баспаңыз.** МАКРАС адаптерімен немесе қуат көзімен орнатқан кезде, токтың аккумуляторлық түрлендіргішін қатты соғып алмаңыз. Ондай жағдайда, ақаулық пайда болуы немесе адам жарақаттануы мүмкін.
19. **Айнымалы ток шығысындағы жерге қосу істігіне арналған ұяшықта кернеу мен ток жоқ.** Бұл өнімді жерге қосудың қажеті жоқ, себебі ол жалпы айнымалы ток желісіне жалғанып тұрған жоқ.

Аккумулятормен жұмыс істейтін құрылғыға арналған қауіпсіздік бойынша ескертулер

Аккумулятормен жұмыс істейтін құрылғыны пайдалану және күтім көрсету

1. **Кездейсоқ іске қосылуды болдырмаңыз.** Аккумулятор жинағын жалғамас бұрын, құрылғыны жинамай тұрып немесе тасымалдамас бұрын, ауыстырып-қосқышы өшірулі күйде екеніне көз жеткізіңіз. Құрылғыны саусағыңызды ауыстырып-қосқышына қойып тасымалдау немесе ауыстырып-қосқышы қосұлы құрылғыны қуат көзіне қосу жазатайым оқиғаға әкеп соғуы мүмкін.
2. **Қандай да бір түзетулер жасау, керек-жарақтарды ауыстыру немесе құрылғыны сақтау алдында аккумулятор жинағын құрылғыдан ажыратыңыз.** Осындай алдын алу шаралары құрылғының кездейсоқ іске қосылу қаупін азайтады.
3. **Тек өндіруші көрсеткен зарядтау құрылғысымен зарядтаңыз.** Бір аккумулятор блогына сәйкес келетін зарядтау құрылғысын басқа аккумулятор блогымен пайдалану өрт қаупін тудыруы мүмкін.
4. **Жабдықтарды тек көрсетілген аккумулятор блоктарымен ғана пайдаланыңыз.** Кез келген басқа аккумулятор блоктарын пайдалану жарақат алу мен өрт шығу қаупін тудыруы мүмкін.
5. **Аккумулятор блогын пайдаланбаған кезде, оны қағаз қыстырғыштар, тиындар, кілттер, шегелер, бұрандалар сияқты металл заттар мен бір клеммадан екіншісіне қосылыс жасау мүмкін басқа шағын металл заттардан аулақ ұстаңыз.** Аккумулятор клеммаларының қысқа тұйықталуы күйік шалуға немесе өртке әкеп соғуы мүмкін.
6. **Дұрыс пайдаланбаған кезде аккумулятордан сұйықтық ағуы мүмкін; тиіп кетпеуге тырысыңыз.** Егер абайсызда тиіп кетсеңіз, сумен шайыңыз. Егер сұйықтық көзге тиген болса, медициналық көмекке жүгініңіз. Аккумулятордан шыққан сұйықтық тітіркену немесе күйікке себеп болуы мүмкін.
7. **Зақымдалған немесе өзгертілген аккумулятор блогын немесе құрылғыны пайдаланбаңыз.** Зақымдалған немесе өзгертілген аккумуляторлардан нәтижесінде өрт, жарылыс немесе жарақат алу қаупіне әкелетін күтпеген жағдайлар туындауы мүмкін.
8. **Аккумулятор блогын немесе құрылғыны от не шамадан тыс жоғары температура әсерінен сақтаңыз.** От немесе 130 °C шамасынан жоғары температура әсері жарылысқа әкелуі мүмкін.

9. Зарядтауға қатысты нұсқаулардың барлығын орындаңыз және аккумулятор блогын немесе құрылғыны көрсетілген температура ауқымынан тыс зарядтамаңыз. Дұрыс зарядтамау немесе көрсетілген ауқымнан тыс температурада зарядтау аккумуляторды зақымдауы және өрт шығу қаупін арттыруы мүмкін.
10. Жөндеу жұмыстарын білікті маман тек тиісті қосалқы бөлшектерді пайдалана отырып орындауы тиіс. Бұл өнімнің қауіпсіздігін қамтамасыз етеді.
11. Құрылғыны немесе аккумулятор жинағын пайдалану және күтім көрсету нұсқауларында сипатталғаннан басқа жолмен өзгертуге немесе жөндеуге әрекет етпеңіз.
8. Аккумулятор картриджін шегелеуге, кесуге, басуға, лақтыруға, құлатуға немесе оны қатты затпен соғуға болмайды. Бұл әрекеттер өрт, шамадан тыс қызу немесе жарылу жағдайларына алып келуі мүмкін.
9. Зақымдалған аккумуляторды пайдаланбаңыз.
10. Жинаққа кіретін литий-ионды аккумуляторлар денсаулыққа және қоршаған ортаға зиянды заттар заңнамасы талаптарына сәйкес қарастырылады. Коммерциялық тасымалдау үшін, мысалы, үшінші тараптар, экспедиторлар үшін қаптамда және таңбалауда арнайы талаптар сақталуы тиіс. Жіберілетін өнімді дайындау үшін қауіпті заттар бойынша сарапшы маманмен кеңесу керек. Сонымен қатар ұлттық ережелерді де толық қарап шығыңыз. Ашық түйіспелерді жауып, аккумуляторды қаптамға қозғалмайтынды етіп орналастырыңыз.

Аккумулятор картриджіне арналған маңызды қауіпсіздік нұсқаулары

1. Аккумулятор картриджін пайдаланбас бұрын, (1) аккумулятордың зарядтау құрылғысындағы, (2) аккумулятордағы және (3) аккумуляторды пайдаланатын өнімдегі барлық нұсқаулар мен ескерту білгілерін оқып шығыңыз.
2. Аккумулятор картриджін бөлшектемеңіз немесе өз бетіңізше ашып жөндемеңіз. Ол өрт, шамадан тыс қызу немесе жарылу жағдайларына алып келуі мүмкін.
3. Егер аккумулятор картриджіңізді пайдалану уақыты бірталай қысқарған болса, пайдалануды дереу тоқтатыңыз. Бұл қызып кету, ықтимал күйіктер немесе тіпті жарылыс қаупін тудыруы мүмкін.
4. Егер электролит көзіңізге тиген болса, көзіңізді таза сумен шайыңыз және дереу медициналық көмекке жүгініңіз. Бұл көру қабілетінен айырылуға әкеп соқтыруы мүмкін.
5. Аккумулятор картриджіңізді жалғасуларын бір бірімен матастырмаңыз:
 - (1) Клеммаларды кез келген ток өткізгіш материалдарға тигізбеңіз.
 - (2) Аккумулятор картриджін ішінде шегелер, тиындар, т.б. басқа металл заттары бар контейнерде сақтамаңыз.
 - (3) Аккумулятор блогын суға салмаңыз немесе жаңбыр астында қалдырмаңыз. Аккумулятор түйіспелерінің түйықталуы үлкен ток ағынының пайда болуына, қызып кетуге, ықтимал күйіктерге және тіпті бұзылуға себеп болуы мүмкін.
6. Құрылғыны және аккумулятор картриджін температурасы 50 °C (122 °F) шамасындағы немесе одан асатын жерлерде сақтамаңыз және пайдаланбаңыз.
7. Аккумулятор блогы қатты зақымдалған немесе толығымен тозған болса да, оны отқа жақпаңыз. Аккумулятор блогы отта жарылып кетуі мүмкін.
11. Аккумулятор картриджін кедеге жаратқан кезде, оны құрылғыдан шығарып алып, қауіпсіз жерде кедеге жаратыңыз. Аккумуляторды кедеге жаратуға қатысты жергілікті ережелерді орындаңыз.
12. Аккумуляторларды тек Makita компаниясы көрсеткен өнімдермен бірге пайдаланыңыз. Аккумуляторларды үйлесімді емес өнімдерге орнату өртке, қызып кетуге, жарылысқа немесе электролит ағуына әкеп соқтыруы мүмкін.
13. Егер құрылғы ұзақ уақыт бойы пайдаланылмайтын болса, құрылғыдағы аккумуляторды алып тастау керек.
14. Аккумулятор картриджін пайдалану кезінде және пайдаланғаннан кейін, ол қызып, күйікке немесе төмен температуралы күйікке әкелуі мүмкін. Ыстық аккумулятор картридждерімен жұмыс істегенде сақ болыңыз.
15. Пайдаланғаннан кейін құрылғының клеммасын бірден ұстамаңыз, ол күйге себеп болатындай ыстық болуы мүмкін.
16. Аккумулятор картриджінің клеммаларына, саңылауларына және ойықтарына жоңқа, шаң немесе кірдің тұрып қалуын болдырмаңыз. Бұл құрылғының немесе аккумулятор картриджінің өнімділігінің нашарлауына немесе сынуына алып келуі мүмкін.
17. Құрылғы жоғары вольтты электрлік қуат желілері жанында пайдалануға жарамды болмаса, аккумуляторлық картриджі жоғары вольтты электрлік қуат желілері жанында пайдаланбаңыз. Бұл құрылғының немесе аккумулятор картриджінің істен шығуына немесе сынуына алып келуі мүмкін.
18. Аккумуляторды балалардан аулақ ұстаңыз.

ОСЫ НҰСҚАУЛАРДЫ САҚТАҢЫЗ.

▲САҚ БОЛЫҢЫЗ: Тек түпнұсқа Makita аккумуляторларын пайдаланыңыз. Түпнұсқа емес Makita аккумуляторларын немесе өзгертілген аккумуляторларды пайдалану нәтижесінде өрт, жарақат алу немесе зақымдалуға себеп болатын аккумулятор жарылуына әкелуі мүмкін. Ол сондай-ақ Makita құрылғысы мен зарядтау құрылғысы үшін Makita кепілдігінің күшін жояды.

Аккумулятордың максималды қызмет ету мерзімін сақтау бойынша кеңестер

1. Аккумулятор картриджін қуаты толығымен отырмас бұрын зарядтаңыз. Құрылғының қуаты аз екендігін байқаған кезде, құрылғы жұмысын тоқтатып, аккумулятор картриджін зарядтаңыз.

2. Толығымен зарядталған аккумулятор картриджін ешқашан қайта зарядтамаңыз. Артық зарядтау аккумулятордың қызмет ету мерзімін қысқартады.
3. Аккумулятор картриджін 10 °C – 40 °C (50 °F – 104 °F) бөлме температурасында зарядтаңыз. Зарядтамас бұрын аккумулятор картриджін суытыңыз.
4. Аккумулятор картриджін пайдаланбаған уақытта оны құрылғыдан немесе зарядтау құрылғысынан алыңыз.
5. Егер аккумулятор картриджін ұзақ уақыт бойы (алты айдан артық) пайдаланбаған болсаңыз, оны зарядтаңыз.

БӨЛШЕКТЕР СИПАТТАМАСЫ

► Сурет1

1. Қосқыштар панелі
2. Ысырма
3. Қуат шығару панелі
4. Тасу тұтқасы
5. Ауа тесігі
6. А ілгегі
7. В ілгегі
PDC1200 қуат беру блогымен ғана пайдаланыңыз.
8. С ілгегі
PDC01 қуат беру блогымен ғана пайдаланыңыз.
9. Штекер (кіріс)
10. Кабель қалтасы
11. USB шығыс түймешігі
12. Айнымалы ток шығару түймешігі
13. Жилікті ауыстыру түймешігі
14. 12 В тұрақты ток шығару түймешігі
15. Дыбыстық сигнал түймешігі
16. Шығыс қуат индикаторы
Шығыс қуат индикаторының түсініктемесін беретін бөлімді қараңыз.
17. USB A түрі, 1-шығыс
18. USB A түрі, 2-шығыс
19. USB C түрі, 1-шығыс
20. USB C түрі, 2-шығыс
21. Айнымалы токтың 1-шығысы
22. Айнымалы токтың 2-шығысы
23. 12 В тұрақты ток шығысы (темекі тұтатқышының адаптеріне арналған)

ЕСКЕРТПЕ: Айнымалы ток шығысы елге қарай әртүрлі болуы мүмкін.

ҚҰРАСТЫРУ

▲САҚ БОЛЫҢЫЗ: қуат көзін орнатқан немесе шығарған кезде, тоқтық аккумуляторлық түрлендіргішін және қуат көзін мықтап ұстаңыз. Мықтап ұстамасаңыз, олар қолыңыздан сырғып кетіп сізді жарақаттауы немесе Тоқтық аккумуляторлық түрлендіргішін және қуат көзін зақымдауы мүмкін.

▲САҚ БОЛЫҢЫЗ: пайдаланбай тұрып, кабель дұрыстап салынғанына және розетка штекерге толық тығылғанына көз жеткізіңіз.

Қуат көзін орнату

PDC1200 қуат блогында

Қуат көзін суретте көрсетілгендей тоқтық аккумуляторлық түрлендіргішіне жалғаңыз.

▲САҚ БОЛЫҢЫЗ: қуат көзі тоқтық аккумуляторлық түрлендіргішіне мықтап орнатылғанына көз жеткізіңіз. Өйтпесе ол тоқтық аккумуляторлық түрлендіргішінен абайсызда түсіп кетіп, сізді немесе қасыңыздағы адамды жарақаттауы мүмкін. Суретте көрсетілгендей қызыл индикатор көрініп тұрса, қуат көзі толығымен құлыпталған жоқ.

► Сурет2: 1. Қызыл индикатор

Қуат көзін шығарған кезде, құлыптау түймешігін төмен басып тұрып қуат көзін жоғары көтеріңіз.

► **Сурет3:** 1. Құлыптау түймешігі

PDC01 үлгісі үшін

Қуат көзін суретте көрсетілгендей тоқтық аккумуляторлық түрлендіргішіне жалғаңыз.

► **Сурет4**

Қуат көзін шығару үшін орнату процедурасын керісінше орындаңыз.

Қуат көзін жалғау

1. Штекердің қақпағын ашыңыз.
 2. Розеткадағы көрсеткі белгісі мен тоқтық аккумуляторлық түрлендіргішіндегі көрсеткіні туралап, розетканы штекерге толық кигізіңіз.
- **Сурет5:** 1. Қақпақ 2. Штекер (кіріс) 3. Розетка 4. Көрсеткі белгісі

НАЗАР САЛЫҢЫЗ: розетканы күштеп кигізбеңіз. Розетка оңай кигізілмесе, ол дұрыс салынып жатқан жоқ.

НАЗАР САЛЫҢЫЗ: ажыратқан кезде, кабельді емес, розетканы ұстап тартыңыз. Өйтпесе кабель зақымдалып, ақаулық пайда болуы мүмкін.

НАЗАР САЛЫҢЫЗ: қуат көзі жалғанбаған кезде, штекердің қақпағын міндетті түрде мықтап жабыңыз. Өйтпесе тоқтық аккумуляторлық түрлендіргішіне бөгде заттар кіріп, ақаулық пайда болуы мүмкін.

Кабель қалтасы

Кабельді суретте көрсетілгендей қалтасына салуға болады.

► **Сурет6**

МАКРАС орнату

Қосымша керек-жарақ

Тоқтық аккумуляторлық түрлендіргішін суретте көрсетілгендей МАКРАС кейсінің үстіңгі немесе астыңғы жағына жалғауға болады.

► **Сурет7**

▲ САҚ БОЛЫҢЫЗ: тоқтық аккумуляторлық түрлендіргішінің МАКРАС кейсіне төрт ысырмамен мықтап бекітілгеніне көз жеткізіңіз. Өйтпесе құрал құлап, жарақаттауы мүмкін.

ПАЙДАЛАНУ

► **Сурет8:** 1. Қуат түймешігі

1. Қуат көзін қосу үшін оның қуат түймешігін басыңыз.
2. Құрылғыңызды тиісті шығысқа жалғаңыз.

Айнымалы ток шығысын пайдаланған кезде, жиілікті ауыстыру түймешігін басып тұрып тиісті жиілікті таңдаңыз.

ЕСКЕРТПЕ: жиілікті беріліп тұрған айнымалы ток тоқтаған кезде ғана таңдауға болады.

ЕСКЕРТПЕ: жиілік параметрі есте сақталады. Тоқтық аккумуляторлық түрлендіргіші келесі жолы сол параметрмен іске қосылады.

3. Пайдаланғыңыз келетін шығыс қуат түймешігін басыңыз.

Тоқтық аккумуляторлық түрлендіргіші ток шығара бастайды және іске қосылған шығыс қуат түймешігі жанады.

4. Тоқтату үшін шығыс қуат түймешігін қайта басыңыз.

5. Қуат көзін өшіру үшін оның қуат түймешігін басыңыз.

НАЗАР САЛЫҢЫЗ: тоқтық аккумуляторлық түрлендіргішінің шығысы номиналды қуат шегінде болса да, іске қосылу үшін көп қуатты қажет ететін құрылғыны пайдалана алмауыңыз мүмкін.

НАЗАР САЛЫҢЫЗ: тоқтық аккумуляторлық түрлендіргіші кей USB құрылғыларға қуат бермеуі мүмкін.

НАЗАР САЛЫҢЫЗ: тоқтық аккумуляторлық түрлендіргішіне USB құрылғыны қосу алдында, USB құрылғыдағы деректердің сақтық көшірмесін міндетті түрде жасап алыңыз.

НАЗАР САЛЫҢЫЗ: сатылатын қуат блоктарын пайдаланып, тоқтық аккумуляторлық түрлендіргішімен қуат көзін қуаттау мүмкін емес.

Шығыс қуат индикаторының түсініктемесі

► **Сурет9**

- Шығыс қуат индикаторы шыққан қуатқа сәйкес жанады.
- Шығыс қуат 1 400 Вт (ВА) шамасына жеткенде, "1400" шамы қызыл түсті болып жанады. Тоқтық аккумуляторлық түрлендіргішіне шамадан тыс күш түскенде, бұл шам қызыл түсті болып жыпылықтай бастайды.

Дыбыстық сигналды қосу/өшіру

► **Сурет10:** 1. Дыбыстық сигнал түймешігі

Дыбыстық сигналды қосу/өшіру үшін дыбыстық сигнал түймешігін басып тұрыңыз.

ЕСКЕРТПЕ: Дыбыстық сигнал параметрі есте сақталады. Токтың аккумуляторлық түрлендіргіші келесі жолы сол параметрмен іске қосылады.

Қорғаныс жүйесі

Токтың аккумуляторлық түрлендіргішінің төмендегі қорғаныс жүйесі бар.

Шамадан тыс жүктемеден қорғаныс

Әр шығыс төмендегідей шамадан тыс жүктемеден қорғалған:

- **Айнымалы токтың шығысы**
Шамадан тыс қуатты анықтағанда, токтың аккумуляторлық түрлендіргіші шығарылған бүкіл айнымалы токты ажыратады және үзік-үзік дыбыстық сигнал береді.
- **USB шығысы**
Әдеттегіден жоғары токты анықтағанда, токтың аккумуляторлық түрлендіргіші жоғары ток өтетін USB шығысын ажыратады.
- **12 В тұрақты ток шығысы**
Әдеттегіден жоғары токты анықтағанда, токтың аккумуляторлық түрлендіргіші шығарылған 12 В тұрақты токты ажыратады және үзік-үзік дыбыстық сигнал береді.

Айнымалы токтың, USB мен 12 В тұрақты токтың жалпы шығыс қуаты белгілі бір уақыт бойы токтың аккумуляторлық түрлендіргішінің номиналды шығыс қуатынан асып кетсе, қуаттың шығуы толығымен тоқтайды және ұзақ дыбыстық сигнал беріледі. Бұл жағдайда, қуат көзін өшіріңіз және токтың аккумуляторлық түрлендіргішінің шамадан тыс жүктелуіне себеп болған жұмысты тоқтатыңыз. Содан кейін қуат көзін өшіріп қосыңыз.

ЕСКЕРТПЕ: Токтың аккумуляторлық түрлендіргішіне шамадан тыс күш түскенде, шығыс қуат индикаторының "1400" шамы қызыл түсті болып жыпылықтайды.

ЕСКЕРТПЕ: Дыбыстық сигнал қосқыштар панеліндегі кез келген түймешік басылғанда тоқтайды.

Қызып кетуден қорғаныс

Қызып кеткенде, токтың аккумуляторлық түрлендіргіші шығарылған бүкіл қуатты ажыратады және үзбей дыбыстық сигнал береді. Бұл жағдайда, қайта іске қосу алдында токтың аккумуляторлық түрлендіргішін суытып алыңыз.

Зарядтың шамадан тыс таусылуынан қорғаныс

Қуат көзінің қалған қуаты азайған кезде, үзік-үзік дыбыстық сигнал беріледі және іске қосылған шығыс қуат түймешігі жыпылықтайды. Бұл жағдайда, қуат көзін шығарып, қуаттаңыз.

Қуат көзінің қалған қуаты одан да кем болғанда, шығарылған бүкіл ток ажыратылады.

ТЕХНИКАЛЫҚ ҚЫЗМЕТ КӨРСЕТУ

▲САҚ БОЛЫҢЫЗ: қарап тексеру немесе техникалық күтімін орындау алдында, міндетті түрде қуат көзінің шығарылғанына көз жеткізіңіз.

НАЗАР САЛЫҢЫЗ: жалғағышты сумен жууға болмайды. Ақаулық орын алуы мүмкін.

НАЗАР САЛЫҢЫЗ: осы өнімнің бетін анданда сабынды суға малынған шүберекпен сүртіңіз.

НАЗАР САЛЫҢЫЗ: Жанармайды, бензинді, сұйылтқышты, спиртті немесе соған ұқсас заттарды ешқашан пайдаланбаңыз. Нәтижесінде түссіздену, бүліну немесе жарықтар пайда болуына әкелуі мүмкін.

Өнімнің ҚАУІПСІЗДІГІ мен СЕНІМДІЛІГІН қамтамасыз ету үшін, жөндеу жұмыстары, кез келген басқа техникалық қызмет көрсету немесе реттеу әрдайым Makita қосалқы бөлшектерін пайдалану арқылы Makita компаниясының өкілетті немесе зауыттық қызмет көрсету орталықтары тарапынан орындалуы керек.

Тазалау

Токтың аккумуляторлық түрлендіргіші кір болса, оны құрғақ шүберекпен немесе сабынды суға сәл малынған шүберекпен сүртіңіз.

Фильтр

▲САҚ БОЛЫҢЫЗ: тазалаған соң, фильтрді қайта орнату керек. Токтың аккумуляторлық түрлендіргішін фильтрсіз пайдалансаңыз, ақаулық орын алуы мүмкін.

Фильтрді суретте көрсетілгендей тартып шығарыңыз. Фильтрді жуыңыз, содан кейін кептіріңіз.

► **Сурет11:** 1. Фильтр

Фильтрді орнату үшін шығару процедурасын керісінше орындаңыз.

ҚОСЫМША КЕРЕК-ЖАРАҚТАР

⚠САҚ БОЛЫҢЫЗ: Бұл керек-жарақтар мен қондырмалар осы нұсқаулықта көрсетілген Makita құралымен бірге пайдалануға ұсынылады. Кез келген басқа керек-жарақтар мен қондырмаларды пайдалану адамдардың жарақаттануына әкелуі мүмкін. Керек-жарақты немесе қондырманы тек өз мақсатында ғана қолданыңыз.

Осы керек-жарақтар туралы қосымша мәлімет алу үшін көмек қажет болса, жергілікті Makita қызмет көрсету орталығына хабарласыңыз.

- Портативті қуат беру блогы
- Makita түпнұсқа аккумуляторы және зарядтау құрылғысы
- МАКРАС

ЕСКЕРТПЕ: Тізімдегі кейбір элементтер стандартты керек-жарақтар ретінде құралдың қаптамасында болуы мүмкін. Олар елге байланысты әртүрлі болуы мүмкін.

規格

型號：	BAC01	
額定輸出	轉換器效能 (使用 PDC1200 時)	連續功率：1,400 W (VA) 峰值功率：2,800 W (VA)
	AC 母插座 *	純正弦波 50 Hz 或 60 Hz，2 個。 電壓：請參閱電池轉換器上的說明。 (輸出電壓視國家而異。)
	USB 連接埠	Type-A：5 V，2.4 A，2 個。 Type-C：USB-PD 30 W，2 個。
	點菸器變壓器	12 V，10 A，1 個。
操作時間 **	PDC1200 (1,000 W)	56 分鐘
	PDC01 (750 W，BL1860B x 2)	10 分鐘
尺寸 (長 × 寬 × 高) (含所有鉤環摺疊位置)	395 mm x 345 mm x 163 mm	
淨重 (僅電池轉換器)	7.3 kg	

* 僅適用於巴西

電壓標註於 AC 母插座附近。

** 操作時間為約略估算，會因電源類型、充電狀態及使用狀況而異。

- 生產者保留變更規格不另行通知之權利。
- 規格可能因銷往國家之不同而異。

適用電源

背負式電池包	PDC1200 / PDC01* * 使用「適用的電池組」章節中說明的電池組。
--------	--

- 上述部分電源可能會因居住地區而無法使用。
- 使用電源前，請閱讀其上方的指示和注意標識。

⚠警告：務必僅使用上述電源。使用任何其他電源可能會導致人員受傷和/或火災。

適用的電池組

僅適用於 PDC01

注意：使用 PDC01 時：

- 若輸出功率超過 750 W (VA)，電池轉換器將因電池保護系統作動而停止供電。在此情況下，請讓輸出功率維持在 750 W (VA) 以下。
- 視使用狀況而定，若使用中的電池換成另一個電池，則電池轉換器可能會停止輸出。在此情況下，按下您想要重新開始輸出的輸出按鈕。
- 需要使用兩個或四個電池組才能使用電池轉換器。若使用兩個電池組，請將一個安裝至電池埠 1 或 2，另一個安裝至電池埠 3 或 4。

電池組

BL1815N / BL1820B / BL1830B* /
BL1840B* / BL1850B* / BL1860B*
*：推薦的電池

- 上述部分電池組可能會因居住地區而無法使用。

⚠警告：務必僅使用上述的電池組。使用任何其他電池組可能會導致人員受傷和／或火災。

符號

以下顯示本設備可能使用的符號。在使用工具前，請務必理解其涵義。



請仔細閱讀使用說明書。



僅用於歐盟國家

由於本設備中存有危險組件，廢棄電氣與電子設備、蓄電池與電池可能會對環境與人體健康產生負面影響。



請勿將電氣與電子器具或電池和家庭廢棄物一同處理！

根據針對廢棄電氣與電子設備、蓄電池與電池及廢棄蓄電池與電池制訂的歐洲指令及其對本國法律的修改版，應依照環境保護法規個別存放廢棄電氣設備、電池與蓄電池，並將其送至都市垃圾獨立回收點。

這類設備會在設備上以打叉的滑輪垃圾桶作為符號標示。

用途

本器具適用於將 Makita（牧田）背負式電池包的功率轉換為各種輸出。

安全警告

⚠警告：使用前，請務必詳閱欲搭配本電池轉換器使用的產品使用說明書。

電池轉換器安全警告

1. 為了確保提供良好性能和長期使用壽命，請注意保護電池轉換器，避免受到下列情況的影響。
 - 腐蝕性氣體和液體
 - 鹽霧和油霧
 - 機械衝擊和振動
 - 高濕度

- 極端溫度（過冷或過熱）
合適的環境溫度範圍為 -10°C 至 40°C (14°F 至 104°F)。
- 電磁雜訊（如電焊機、高功率設備）
- 放射性物質

2. 將電池轉換器置於無起伏、且保持穩定的水平表面上。否則可能會發生掉落意外。
3. 搬運電池轉換器時，請將連接至輸出埠的電源和所有器具中斷連接。否則可能會發生掉落意外。
4. 搬運電池轉換器時，務必用雙手緊握手提把手。請勿握住任何其他部位搬運電池轉換器。否則可能會發生掉落意外。
5. 請勿以潮濕的手使用電池轉換器。請勿將電池轉換器暴露在雨中或潮濕環境中。觸電風險。電池轉換器並不具備防水性能。
6. 請勿將圖釘等金屬物品、電線或其他小型金屬物品插入插座和通風口。觸電風險。
7. 請勿拆解電池轉換器。觸電風險。
8. 請勿使電池轉換器受到掉落等強力衝擊。這可能會引起故障並導致觸電。
9. 檢查運動部件的安裝誤差或卡滯情形、零件損壞，以及影響運轉的其他情況。如有損壞，必須在使用前將器具妥善修理。許多事故是因為器具保養不良所引起。
10. 務必設定為合適的 AC 頻率。否則可能會發生故障並造成人員受傷。
11. 請勿在爆炸性氣體中操作電池轉換器，例如有可燃液體、氣體或粉塵的環境。些微的靜電荷或火花就可能點燃灰塵或煙霧，造成火災或爆炸。
12. 請勿使任何物品覆蓋或堵住通風口。使用電池轉換器時，務必使通風口保持暢通。否則可能會造成運作異常或起火。
13. 操作期間，請注意避免被電線絆倒。請將電線收入電線袋。
14. 請勿將電池轉換器用於醫療設備。預期外的故障可能會導致意外發生。

15. 若要減少火災、過熱、爆炸、電解液滲漏、觸電或受傷的風險，請遵守以下注意事項。
 - 請勿將電池轉換器連接至超過其額定輸出的器具。
 - 請勿直接連接至通用 AC 電力網。
16. 將電池轉換器存放於通風良好、且濕度低的室內區域。
17. 存放電池轉換器時，請將其置於兒童無法接觸的地方。否則可能會發生嚴重意外。
18. 請勿踩踏電池轉換器。此外，請小心不要在搭配 MAKPAC 或電源安裝時猛力撞擊電池轉換器。否則可能會導致故障或人員受傷。
19. AC 輸出上的接地銷插槽沒有電壓與電流。本產品未連接一般 AC 電力網，因此不需要 AC 設備接地。
8. 請勿將電池組或器具暴露於火源或高溫環境。暴露於火源或 130 °C 以上的高溫可能會發生爆炸。
9. 請遵守所有充電說明，並勿於說明中指定之溫度範圍外為電池組或器具進行充電。以錯誤的方式或於指定之溫度範圍外進行充電，可能會損壞電池，並增加火災風險。
10. 僅可由合格維修人員使用相同的更換零件進行維修。如此可確保維持產品的安全性。
11. 除使用和注意事項說明中的指示外，請勿改裝或嘗試維修器具或電池組。

電池組的重要安全須知

1. 使用電池組之前，請閱讀 (1) 充電器、(2) 電池和 (3) 使用電池的產品上的所有指示說明和注意標識。
2. 請勿拆解或改裝電池組。以免引發火災、過熱或爆炸。
3. 如果工具運行時間極短，請立即停止使用。否則可能會導致過熱、起火甚至爆炸。
4. 如果電解液進入眼睛，請立即用清水沖洗並就醫。這種情況可能會導致失明。
5. 請勿短接電池組：
 - (1) 請勿用任何導電材料觸碰電池端子。
 - (2) 避免將電池組與釘子、硬幣等金屬物品存放在同一容器中。
 - (3) 請勿將電池組置於水中或使其淋雨。電池短路會產生較大的電流、導致過熱並可能引起起火甚至擊穿。
6. 請勿在溫度可能達到或超過 50 °C (122 °F) 的場所存放或使用器具和電池組。
7. 請勿焚燒電池組，即使其已嚴重損壞或徹底磨損。電池組會在火中爆炸。
8. 請勿釘牢、切割、輻壓、丟擲、摔落電池組，或使電池組撞擊硬物。這類行為可能會引發火災、過熱或爆炸。
9. 請勿使用損壞的電池。
10. 本工具附帶的鋰離子電池需符合危險品法規要求。

第三方或轉運代理在進行商業運輸時，應遵循包裝和標識方面的特殊要求。有關運輸項目的準備作業，諮詢危險品方面的專業人士。同時，請遵守可能更詳盡的國家法規。

請使用膠帶保護且勿遮掩表面的聯絡資訊，並牢固封裝電池，使電池在包裝內不可動。

電池供電器具的安全警告

電池供電器具的使用和注意事項

1. 避免意外啟動。在接上電池組及拿起或搬運器具之前，請先確保開關位於關閉位置。搬運器具時手指放在開關上，或在開關處於開啟位置時將器具通電，皆可能會引發事故。
2. 在進行任何調整、更換配件或存放器具之前，請將電池組從器具上取下。此類防護性安全措施可降低器具意外啟動的風險。
3. 僅使用製造商指定的充電器進行充電。使用適用於某一類型電池組的充電器給其他電池組充電可能會引起火災。
4. 僅限使用專門設計的電池組操作器具。使用任何其他電池組可能會造成人員受傷及火災。
5. 不使用電池組時請將其遠離紙夾、硬幣、鑰匙、釘子、螺絲或其他小型金屬物體放置。這些物體可能會使電池端子短路。短接電池端子可能會引起燃燒或起火。
6. 使用過度時，電池中可能溢出液體；請避免接觸。如果意外接觸到電池漏液，請用水沖洗。如果液體接觸到眼睛，請就醫。電池漏液可能會導致過敏發炎或灼傷。
7. 請勿使用損壞或經改裝的電池組或器具。損壞或經改裝的電池可能會出現無法預料的運作情形，而引發火災、爆炸或人員受傷風險。

11. 棄置電池組時，請將其從器具取出，並棄置於安全場所。請遵循當地法規處理廢棄電池。
12. 電池僅可用於 **Makita (牧田)** 規定產品。將電池裝入非相容產品中可能會導致起火、過熱、爆炸或電解液滲漏情形。
13. 如果長時間不使用本器具，必須從器具中取出電池。
14. 使用期間和之後，電池組可能會發燙，因而造成燙傷或低溫灼傷。處理發燙的電池組時，請多加小心。
15. 使用後請勿立即觸碰器具的端子，因為端子溫度極高，足以造成燙傷。
16. 請勿讓碎屑或塵土卡在電池組的端子、孔洞和溝槽。以免造成器具或電池組性能下降或故障。
17. 除非器具支援在高電壓電氣線路附近使用，否則請勿在高電壓電氣線路附近使用電池組。以免造成器具或電池組故障或損壞。
18. 將電池置於兒童無法觸及之處。

妥善保存這些手冊。

⚠️ 小心： 請僅使用原裝 **Makita (牧田)** 電池。使用非原裝 **Makita (牧田)** 電池或經過改裝的電池可能會導致電池爆炸，從而造成火災、人身傷害或物品受損。同時也會導致 **Makita (牧田)** 器具和充電器的 **Makita (牧田)** 保固服務失效。

保持電池最大使用壽命的提示

1. 要在電池組完全放電前對其充電。當發現器具動力不足時，一定要停止使用器具並對電池組進行充電。
2. 切勿對已經充滿的電池組再次充電。過度充電會縮短電池的使用壽命。
3. 要在室溫為 **10 °C – 40 °C** 的條件下對電池組充電。請在充電前使處於發熱狀態的電池組冷卻。
4. 不使用電池組時，請將其從器具或充電器取出。
5. 如果電池組長時間（超過六個月）未使用，請給其充電。

部件說明

► 圖片1

- | | |
|--|--|
| <ol style="list-style-type: none"> 1. 開關面板 2. 卡榫 3. 輸出板 4. 手提把手 5. 通風口 6. 鉤環 A 7. 鉤環 B
僅適用於 PDC1200。 8. 鉤環 C
僅適用於 PDC01。 9. 插頭（輸入） 10. 電線袋 11. USB 輸出按鈕 | <ol style="list-style-type: none"> 12. AC 輸出按鈕 13. 頻率切換按鈕 14. DC 12V 輸出按鈕 15. 嗶聲按鈕 16. 輸出指示燈
請參閱輸出指示燈說明小節。 17. USB Type-A 輸出 1 18. USB Type-A 輸出 2 19. USB Type-C 輸出 1 20. USB Type-C 輸出 2 21. AC 輸出 1 22. AC 輸出 2 23. DC 12V 輸出（適用於點菸器變壓器） |
|--|--|

注：AC 母插座形狀會因國家而異。

組裝

⚠️ 小心： 安裝或拆卸電源時，請緊握電池轉換器和電源。否則可能會使其從手中滑落，造成人員受傷或使電池轉換器和電源損壞。

⚠️ 小心： 操作前，請確認電線已正確放置，且插座已完全插入插頭。

安裝電源

用於 PDC1200

如圖示，將電源安裝至電池轉換器上。

⚠️ 小心： 確保電源已穩固地安裝至電池轉換器上。否則其可能會從電池轉換器意外脫落，導致自身或他人受傷。如果您能看見圖中所示的紅色指示器，則表示電源尚未完全鎖定。

► 圖片2: 1. 紅色指示器

取下電源時，將電源提起，同時按下鎖定按鈕。

► 圖片3: 1. 鎖定按鈕

用於 PDC01

如圖示，將電源安裝至電池轉換器上。

► 圖片4

若要取下電源，請按照安裝步驟的相反順序進行。

連接電源

1. 開啟插頭護蓋。
 2. 將插座上的箭頭標誌與電池轉換器上的箭頭標誌對齊，然後將插座完全插入插頭。
- 圖片5: 1. 護蓋 2. 插頭（輸入） 3. 插座 4. 箭頭標誌

注意： 插入插座時，請勿過於用力。如果無法輕鬆插入插座，可能是插入不當。

注意： 拔下時，請握住插座，而非握住電線。否則電線可能會受損，進而導致故障。

注意： 未插入電源時，務必確實關閉插頭護蓋。否則異物可能會進入電池轉換器，進而導致故障。

電線袋

如圖所示，您可將電線置於電線袋內。

► 圖片6

安裝 MAKPAC

選購配件

如圖所示，電池轉換器可安裝至 MAKPAC 的上方或下方。

► 圖片7

⚠️ 小心： 確保已使用四個卡榫，將電池轉換器確實固定在 MAKPAC 上。否則可能發生掉落意外而造成人員受傷。

操作

► 圖片8: 1. 電源按鈕

1. 按下電源上的電源按鈕，開啟電源。
2. 將器具連接至適當的輸出。

使用 AC 輸出時，按住頻率切換按鈕，即可選擇適當頻率。

注： 僅在 AC 輸出停止時，才可選擇頻率。

注： 系統會記憶頻率設定。電池轉換器在下次啟動時，會採用相同設定。

3. 按下欲使用的輸出按鈕。
電池轉換器會開始輸出，運作中的輸出按鈕會亮起。
4. 再次按下輸出按鈕即可停止。
5. 按下電源上的電源按鈕，關閉電源。

注意： 即使電池轉換器的功率輸出維持在額定功率範圍內，您仍可能無法使用需要大量功率啟動的設備。

注意： 電池轉換器可能無法為某些 USB 裝置供電。

注意： 將 USB 裝置連接至電池轉換器前，請務必備份 USB 裝置的資料。

注意： 您無法透過使用市售行動電源的電池轉換器充電。

輸出指示燈說明

► 圖片9

- 輸出指示燈會根據輸出的功率亮起。
- 功率輸出達 1,400 W(VA) 時，「1400」上的燈將亮紅色。電池轉換器超載時，此燈將開始閃爍紅色。

開啟／關閉蜂鳴器

► 圖片10: 1. 嗶聲按鈕

按住嗶聲按鈕，即可開啟／關閉蜂鳴器音。

注：系統會記憶蜂鳴器設定。電池轉換器在下次啟動時，會採用相同設定。

保護系統

電池轉換器配備下列保護系統。

過載保護

每個輸出皆具有過載保護，如下所示：

- **AC 輸出**
電池轉換器偵測到功率過大時，會停止所有 AC 輸出，並間歇發出嗶聲。
- **USB 輸出**
電池轉換器偵測到電流異常過高時，電池轉換器會切斷高電流的 USB 輸出。
- **DC 12 V 輸出**
電池轉換器偵測到電流異常過高時，會停止 DC 12 V 輸出，並間歇發出嗶聲。

如果 AC、USB 及 DC 12 V 在特定時間內的總輸出超過電池轉換器的額定輸出，所有輸出將會停止並發出連續嗶聲。在此情況下，請關閉電源，並停止導致電池轉換器過載的操作方式。接著再開啟電源，重新啟動。

注：電池轉換器超載時，輸出指示燈的「1400」燈將閃爍紅色。

注：按下開關面板上的任意按鈕，即可停止嗶聲。

過熱保護

電池轉換器過熱時會停止所有輸出，並持續發出嗶聲。在此情況下，請先讓電池轉換器冷卻，再重新開啟電源。

過放電保護

電源的剩餘電量過低時，會間歇發出嗶聲，運作中的輸出按鈕會閃爍。在此情況下，請將電源取下並進行充電。當電源的剩餘電量變得更低時，將會停止所有輸出。

保養

⚠️ 小心： 在準備進行檢查或保養之前，務必取下電源。

注意： 請勿用水清洗連接器。故障風險。

注意： 請定期以布沾取肥皂水擦拭本產品表面。

注意： 切勿使用汽油、苯、稀釋劑、酒精或類似物品清潔工具。否則可能會導致工具變色、變形或出現裂縫。

為了保證產品的安全與可靠性，任何維修或其他維修保養工作需由 Makita (牧田) 授權的或工廠維修服務中心來進行。務必使用 Makita (牧田) 的更換部件。

清潔

若電池轉換器上有髒汙，請使用乾布或沾有肥皂水的濕布擦拭電池轉換器。

濾網

⚠️ 小心： 清潔濾網後，務必將其裝回。若在未安裝濾網的情況下操作電池轉換器，可能會導致故障。

如圖所示，將濾網拉出以將其取下。清洗濾網，然後使其乾燥。

► 圖片11: 1. 濾網

安裝濾網時，請按拆卸時的相反步驟進行。

選購附件

⚠️ 小心： 這些附件或裝置建議使用於本說明書所指定的 Makita (牧田) 工具。如使用其他廠牌附件或裝置，可能導致傷人的危險。僅可將選購附件或裝置用於規定目的。

如您需要瞭解更多關於這些選購附件的信息，請諮詢當地的 Makita (牧田) 維修服務中心。

- 背負式電池包
- Makita (牧田) 原裝電池和充電器
- MAKPAC

注：本列表中的一些部件可能作為標準配件包含於工具包裝內。規格可能因銷往國家之不同而異。

4. دکمه خروجی را دوباره فشار دهید تا متوقف شود.

5. دکمه روشن خاموش روی منبع تغذیه را فشار دهید تا آنرا خاموش کنید.

تذکر: شاید نتوانید از وسیله ای که نیاز به توان زیادی برای راه اندازی دارد استفاده کنید، حتی اگر خروجی توان مبدل توان در محدوده توان اسمی حفظ شود.

تذکر: مبدل توان ممکن است قادر به تغذیه توان برای برخی وسایل USB نباشد.

تذکر: پیش از متصل کردن وسیله USB به مبدل توان، همیشه از داده های وسیله USB پشتیبان گیری کنید.

تذکر: شما نمی توانید منبع تغذیه را با مبدل توان با استفاده از پاورباتری های موجود در بازار شارژ کنید.

محافظت در برابر تخلیه بیش از حد

هنگامیکه ظرفیت باقیمانده منبع تغذیه کم می شود، صداهای بیپ متناوب به گوش رسیده و دکمه خروجی در کار چشمک می زند. در این حالت باید منبع تغذیه را برداشته و آنرا شارژ کنید.

هنگامیکه ظرفیت باقیمانده منبع تغذیه حتی کمتر می شود، تمام خروجی متوقف خواهد شد.

نگهداری

احتیاط: همیشه پیش از بازدید یا انجام هرگونه کار نگهداری، باید مطمئن شوید که منبع تغذیه جدا شده باشد.

تذکر: رابط را با آب نشویید. خطر بروز اشکال کاری.

تذکر: سطح روی این محصول را هر چند وقت یکبار با یک دستمال آب صابونی تمیز کنید.

تذکر: هرگز از بنزین، بژن، تینر، الکل و مواد مشابه استفاده نکنید. امکان تغییر رنگ، تغییر شکل و یا ترک خوردگی وجود خواهد داشت.

به منظور حفظ ایمنی و اطمینان پذیری دستگاه، تعمیرات، کارهای نگهداری و یا تنظیمات باید توسط مراکز خدمات مجاز ماکیتا یا مراکز خدمات کارخانه و فقط با استفاده از قطعات بدکی اصل ماکیتا انجام شوند.

تمیز کردن

اگر مبدل توان کثیف است، مبدل توان را با دستمال خشک یا دستمال آب صابونی تمیز کنید.

فیلتر

احتیاط: بعد از تمیز کردن فیلتر حتماً اطمینان حاصل کنید آنرا نصب می کنید. به کار بردن مبدل توان بدون فیلتر می تواند باعث بروز اشکالات کاری شود.

فیلتر را با بیرون کشیدن آن مطابق شکل بردارید. فیلتر را شسته و سپس آن را خشک کنید.

◀ شکل 11: 1. فیلتر

برای نصب فیلتر، مراحل برداشتن را به ترتیب عکس انجام دهید.

لوازم جانبی اختیاری

احتیاط: این لوازم جانبی با متعلقات برای استفاده با ابزار ماکیتای شرح داده شده در این دفترچه راهنما مناسب هستند. استفاده از لوازم جانبی یا متعلقات متفرقه، خطر بروز جراحت برای افراد را به دنبال خواهد داشت. لوازم جانبی و یا متعلقات را فقط برای کاربری تعیین شده آنها استفاده کنید.

اگر درباره هر یک از این لوازم جانبی به اطلاعات بیشتری نیاز داشتید، با مرکز محلی خدمات ماکیتا تماس بگیرید.

- پاور پک پرتابل
- باتری و شارژر اصل ماکیتا
- MAKPAC

توجه: برخی از اقلام فهرست ممکن است بعنوان وسایل و متعلقات استاندارد در بسته ابزار قرار داده شده باشند. اینها ممکن است بر حسب کشور محل عرضه محصول متفاوت باشند.

نحوه خواندن نشانگر خروجی

◀ شکل 9

- نشانگر خروجی بسته به وات خروجی داده شده روشن می شود.
- هنگامیکه خروجی توان به 1,400 W (VA) برسد، چراغ روی "1400" به رنگ قرمز روشن خواهد شد. زمانی که مبدل توان دچار اضافه بار می شود، این چراغ شروع می کند به رنگ قرمز چشمک زدن.

روشن/خاموش کردن زنگ

◀ شکل 10: 1. دکمه صدای بیپ

برای روشن/خاموش کردن صدای زنگ، دکمه صدای بیپ را فشار داده و نگه دارید.

توجه: تنظیم زنگ حفظ می شود. بار بعد، مبدل توان در همان تنظیم شروع به کار خواهد کرد.

سیستم محافظت

مبدل توان به سیستم محافظت زیر مجهز است.

محافظت در برابر اضافه بار

هر خروجی دارای محافظت اضافه بار به شرح زیر است:

- **خروج برقی متناوب**
هنگامیکه مبدل توان یک وات بیش از اندازه را شناسایی کند، مبدل توان تمام خروجی برقی متناوب را با صدای بیپ متناوب متوقف خواهد کرد.
 - **خروجی USB**
هنگامیکه مبدل توان جریان غیرعادی بالا را شناسایی کند، مبدل توان خروجی USB که جریان زیاد از آن عبور می کند را قطع خواهد کرد.
 - **خروجی برقی مستقیم 12V**
هنگامیکه مبدل توان یک جریان غیرعادی بالا را شناسایی کند، مبدل توان خروجی برقی مستقیم 12V را با صدای بیپ متناوب متوقف خواهد کرد.
- اگر جمع خروجی برقی متناوب، USB و برقی مستقیم 12V برای مدت مشخصی از خروجی اسمی مبدل توان بیشتر شود، تمام خروجی با صدای بیپ پیوسته متوقف خواهد شد. در این حالت، منبع تغذیه را خاموش کرده و کاری که باعث وارد آمدن اضافه بار به مبدل توان شده است را متوقف نمایید. سپس برای شروع دوباره منبع تغذیه را روشن کنید.

توجه: هنگامی که مبدل توان دچار اضافه بار می شود، چراغ "1400" نشانگر خروجی به رنگ قرمز چشمک می زند.

توجه: با فشار دادن هر کلیدی روی صفحه کلید، صدای بیپ قطع می شود.

محافظت در برابر گرم شدن بیش از حد

هنگامیکه مبدل توان بیش از حد گرم می شود، مبدل توان تمام خروجی را با صداهای بیپ پیوسته قطع می کند. در این وضعیت، پیش از روشن کردن دوباره باید اجازه دهید مبدل توان خنک شود.

شکل 1

1. صفحه کلید
2. چفت
3. تخته خروجی
4. دستگیره حمل
5. مجرای تهویه هوا
6. قلاب A
7. قلاب B
8. قلاب C
9. دوشاخه (ورودی)
10. جیب سیم
11. دکمه خروجی USB
12. دکمه خروجی برق متناوب
13. دکمه تبدیل فرکانس
14. دکمه خروجی برق مستقیم 12V
15. دکمه صدای بیپ
16. نشانگر خروجی
17. USB نوع-A خروجی 1
18. USB نوع-A خروجی 2
19. USB نوع-C خروجی 1
20. USB نوع-C خروجی 2
21. خروج برق متناوب 1
22. خروج برق متناوب 2
23. خروجی برق مستقیم 12V (برای مبدل فندک)

توجه: شکل خروجی برق متناوب ممکن است بسته به کشور متفاوت باشد.

نصب

احتیاط: موقع قرار دادن یا برداشتن منبع تغذیه باید مبدل توان و منبع تغذیه را محکم بگیرد. عدم انجام این کار می تواند باعث جدا شدن آنها از دستان شما شده و موجب جراحت شخصی یا آسیب دیدن مبدل توان و منبع تغذیه گردد.

احتیاط: پیش از کار باید اطمینان حاصل کنید که سیم صحیح قرار داده شده و سوکت بطور کامل داخل پریز قرار داده شده باشد.

سوار کردن منبع تغذیه

برای PDC1200

منبع تغذیه را مطابق شکل به مبدل توان وصل کنید.

احتیاط: اطمینان حاصل کنید که منبع تغذیه محکم در مبدل توان قرار داده شده باشد. در غیر اینصورت امکان دارد که تصادفاً از مبدل توان جدا شده و بیفتد و شما یا اطرافیان شما را مجروح کند. اگر نشانگر قرمز را مطابق شکل می بینید بدین معنی است که منبع تغذیه بطور کامل قفل نشده است.

شکل 2: 1. نشانگر قرمز

برای برداشتن منبع تغذیه، در جیبی که کلید قفل را به پایین فشار می دهید، منبع تغذیه را بلند کنید.

شکل 3: 1. کلید قفل

برای PDC01

منبع تغذیه را مطابق شکل به مبدل توان وصل کنید.

شکل 4

برای برداشتن منبع تغذیه، مراحل نصب را به ترتیب عکس انجام دهید.

وصل کردن منبع تغذیه

1. درپوش پریز را باز کنید.
2. پیکان روی سوکت را با پیکان روی مبدل توان میزان کرده و سپس سوکت را تا آخر وارد پریز کنید.
- شکل 5: 1. درپوش 2. پریز (ورودی) 3. سوکت 4. علامت پیکان

تذکر: سوکت را با توسل به زور قرار ندهید. اگر نمی توان سوکت را به آسانی قرار داد، روش قرار دادن صحیح نیست.

تذکر: هنگام جدا کردن نباید سیم ها را بگیرید بلکه باید سوکت را بگیرید. در غیر اینصورت، امکان دارد سیم ها آسیب دیده و باعث بروز اشکالات کاری شود.

تذکر: موقعی که منبع تغذیه وصل نیست باید همیشه درپوش پریز را محکم ببندید. در غیر اینصورت ذرات بیرونی می توانند وارد مبدل توان شده و باعث بروز اشکالات کاری شوند.

جیب سیم

می توانید سیم را مطابق شکل در جیب سیم قرار دهید.

شکل 6

نصب МАКРАС

وسيله جابجی اختیاری

مبدل توان را می توان مطابق شکل به بالا یا پایین MAKPRAC وصل کرد.

شکل 7

احتیاط: اطمینان حاصل کنید که مبدل توان محکم با چهار چفت به MAKPRAC وصل شده باشد. در غیر اینصورت ممکن است حادثه افتادن رخ داده و باعث بروز جراحت شخصی شود.

طرز کار با دستگاه

شکل 8: 1. دکمه روشن خاموش

1. دکمه روشن خاموش روی منبع تغذیه را فشار دهید تا آنرا روشن کنید.
 2. وسیله خود را به خروجی متناسب وصل کنید.
- هنگام استفاده از خروجی برق متناوب، فرکانس مناسب را با فشار دادن و نگه داشتن دکمه تعویض فرکانس انتخاب کنید.

توجه: فرکانس فقط زمانی قابل انتخاب است که خروجی برق متناوب متوقف شود.

توجه: تنظیم فرکانس حفظ می شود. بار بعد، مبدل توان در همان تنظیم شروع به کار خواهد کرد.

3. دکمه خروجی که می خواهید استفاده کنید را فشار دهید.

مبدل توان خروجی را شروع می کند و دکمه خروجی در کار روشن می شود.

6. در شرایط نامناسب، امکان دارد مایعی از باتری به بیرون تراوش کند؛ از تماس با آن احتراز کنید. اگر تصادفاً تماس حاصل شد، با آب بشویید. اگر این مایع با چشمان شما تماس پیدا کرد به پزشک نیز مراجعه کنید. مایعی که از باتری تراوش می کند می تواند باعث تحریک و یا سوختگی شود.
7. اگر دستگاه با بسته باتری آسیب دیده یا اصلاح شده اند هرگز نباید از آنها استفاده کنید. باتری های آسیب دیده یا اصلاح یافته ممکن است عملکرد غیرقابل پیش بینی داشته باشند که منجر به آتش سوزی، انفجار یا بروز خطر جراثحت خواهد شد.
8. بسته باتری یا دستگاه را در معرض آتش یا دمای خیلی زیاد قرار ندهید. قرار دادن در معرض آتش یا دمای بالای 130 درجه سانتیگراد می تواند موجب انفجار شود.
9. تمام دستورالعمل های شارژ کردن را رعایت کرده و بسته باتری یا دستگاه را در خارج از محدوده دمای مشخص شده در دستورالعمل ها شارژ نکنید. شارژ کردن به روش نادرست یا در دمای خارج از محدوده مشخص شده می تواند به باتری آسیب رسانده و خطر آتش سوزی را بالا ببرد.
10. کار سرویس را به تعمیرکاران واجد شرایط بسپارید و فقط از قطعات یدکی اصل استفاده کنید. توجه به این نکته تضمین کننده ایمنی دستگاه شماست.
11. سعی نکنید دستگاه یا بسته باتری را دستکاری یا تعمیر کنید مگر در مواردی که در دستورالعمل های استفاده و نگهداری ذکر شده است.
11. هنگام دور انداختن کارتریج باتری، آنرا از دستگاه خارج کرده و در مکانی امن دور بیندازید. قوانین و مقررات محلی خود در ارتباط با دور انداختن باتری را رعایت کنید.
12. باتری ها را فقط با دستگاه های مشخص شده توسط ماکیتا استفاده کنید. قرار دادن باتری ها در دستگاه های فاقد سازگاری می تواند منجر به آتش سوزی، گرم شدن بیش از حد، انفجار، یا ناشستی الکترولیت شود.
13. اگر از دستگاه برای مدت طولانی استفاده نمی شود، باید باتری را از دستگاه خارج سازیید.
14. کارتریج باتری ممکن است در طول استفاده و بعد از آن گرم باشد و باعث سوختگی یا سوختگی های دمای پایین شود. موقع دست زدن به کارتریج های باتری داغ توجه داشته باشید.
15. درست بعد از استفاده نباید به پایانه دستگاه دست بزنید چون می تواند آفتاب داغ باشد که باعث سوختگی شود.
16. اجازه ندهید تراشه ها، گرد و غبار یا خاک در پایانه ها، سوراخ ها و شیارهای کارتریج باتری جمع شوند. این امر می تواند باعث آفت عملکرد یا خرابی دستگاه یا کارتریج باتری شود.
17. از کارتریج باتری در نزدیکی خطوط برق فشار قوی استفاده نکنید مگر اینکه دستگاه قابلیت استفاده در مجاورت خطوط برق فشار قوی را داشته باشد. این امر می تواند باعث بروز اشکالات کاری یا خرابی دستگاه یا کارتریج باتری شود.
18. باتری را از دسترس کودکان خارج سازیید.

این راهنمایی ها را نگهداری کنید.

راهنمایی های مهم ایمنی برای کارتریج باتری

1. پیش از اینکه از کارتریج باتری استفاده کنید، کلیه دستورالعملها و علائم هشداردهنده درج شده روی (1) شارژر باتری، (2) باتری و (3) محصول استفاده کننده از باتری را مطالعه نمایید.
2. کارتریج باتری را باز نکرده یا دستکاری نکنید. این کار می تواند موجب آتش سوزی، گرمای بیش از حد یا انفجار شود.
3. اگر زمان کارکرد بیش از اندازه کوتاه شده است، فوراً کار را متوقف کنید. در این حالت خطر داغ شدن بیش از حد، سوختگی احتمالی و حتی انفجار وجود دارد.
4. اگر الکترولیت وارد چشم شما شد، با آب تمیز آنرا از چشم خود خارج کرده و فوراً به پزشک مراجعه نمایید. خطر از دست دادن بینایی وجود دارد.
5. کارتریج باتری را اتصال کوتاه نکنید:
 - (1) پایانه ها را با مواد هادی لمس نکنید.
 - (2) کارتریج باتری را نباید در کنار اشیای فلزی دیگر مانند میخ، سکه و غیره در یک جعبه یا قوطی کنار هم نگهداری کنید.
 - (3) کارتریج باتری را در معرض آب یا باران قرار ندهید.
6. اتصال کوتاه باتری می تواند باعث برقراری جریان قوی، گرم شدن بیش از حد، سوختگی احتمالی و حتی خرابی شود.
7. دستگاه و کارتریج باتری را نباید در مکانی که دمای آن به 50 درجه سانتیگراد (122 درجه فارنهایت) می رسد یا از آن بالاتر می رود نگهداری و استفاده کنید.
8. کارتریج باتری را تحت هیچ شرایطی حتی اگر به شدت آسیب دیده یا بطور کامل از رده خارج شده باشد، نسوزانید. کارتریج باتری در آتش منفجر خواهد شد.
9. به کارتریج باتری میخ نزنید، آنرا نبرید، له نکنید، پرتاب نکرده و آنرا نیاندازید، یا با یک جسم سخت به کارتریج باتری ضربه وارد نکنید. این کارها می تواند موجب آتش سوزی، گرمای بیش از حد یا انفجار شود.
9. از یک باتری آسیب دیده استفاده نکنید.
10. باتری های یون-لیتیوم موجود مشمول الزامات قوانین کالاهای خطرناک می باشند.

الزامات ویژه بسته بندی و برچسب زدن باید در حمل های تجاری، بعنوان مثال توسط طرف های ثالث و شرکت های حمل رعایت گردند. برای آماده ساختن وسیله جهت حمل باید حتماً با یک متخصص مواد خطرناک مشورت کرد. در صورت وجود قوانین مشروح تر کشوری باید آنها را نیز رعایت کنید.

روی کنتاکت ها نوار چسبیده یا آنها را بپوشانید و باتری را طوری بسته بندی کنید که نتواند در بسته بندی به اطراف جابجا شود.

در اینجا علام و نشانه هایی را مشاهده خواهید کرد که ممکن است برای این دستگاه بکار رفته باشند. پیش از استفاده باید حتماً از معنی آنها آگاه باشید.



دفترچه راهنما را مطالعه کنید.



فقط برای کشورهاي عضو اتحاديه اروپا (EU) به دليل وجود اجزای خطرناک در این دستگاه، لوازم مستعمل الکتریکی و الکترونیکی، انبارها و باتری ها می توانند بر محیط زیست و سلامتی انسانها اثر منفی داشته باشند.



لوازم الکتریکی و الکترونیکی دور باتری ها را همراه با ضایعات و زباله های خانگی دور نیندازید!

در تطابق با مصوبه اروپایی درباره لوازم مستعمل الکتریکی و الکترونیکی و انبارها و باتری ها و انبارها و باتری های مستعمل، و اجرای آنها با توجه به مقررات و قوانین کشوری، لوازم مستعمل الکتریکی و انبارها و باتری ها و انبارها و باتری های مستعمل باید جداگانه نگهداری شده و به یک محل جمع آوری مجزا برای ضایعات شهری که مطابق با قوانین و مقررات محافظت از محیط زیست کار می کند، تحویل شوند. این موضوع با علامت سطل زباله چرخدار ضریب خورده روی دستگاه مشخص گردیده است.

موارد استفاده

وسيله برای تبدیل توان پاور یک پرتابل ماکیتا به خروجی های مختلف طراحی شده است.

هشدارهای ایمنی

⚠ هشدار: لطفاً پیش از استفاده، دفترچه راهنمای وسیله خود را که می خواهید با این مدل توان بکار ببرید مطالعه کنید.

هشدارهای ایمنی مدل توان

1. برای تضمین عملکرد مطلوب و عمر مفید طولانی باید دقت کنید که مدل توان را از شرایط زیر دور نگاه دارید.
 - گاز و مایع خورنده
 - غبار نمک و غبار روغن
 - تصادم و لرزش مکانیکی
 - رطوبت بالا
 - دمای شدید (خیلی سرد یا خیلی گرم)
 - محدوده دمای محیطی مناسب بین 10°C - و 40°C (14°F و 104°F) است.
 - نویز الکترومغناطیسی (مانند دستگاه جوش برقی، تجهیزات توان بالا)
 - مواد رادیواکتیو
2. مدل توان را روی سطحی افقی بدون نوسان و در مکانی پایدار و متعادل قرار دهید. در غیراینصورت ممکن است حادثه افتادن رخ دهد.
3. هنگام حمل مدل توان، منبع تغذیه و تمام تجهیزات متصل به درگاه خروجی را جدا کنید. در غیراینصورت ممکن است حادثه افتادن رخ دهد.
4. هنگام حمل مدل توان، همیشه دسته های حمل را محکم با هر دو دست بگیرید. مدل توان را با گرفتن هیچ بخش دیگری حمل نکنید. در غیراینصورت ممکن است حادثه افتادن رخ دهد.
5. از مدل توان با دستهای خیس استفاده نکنید. مدل توان را در معرض باران یا محیط های خیس قرار ندهید. خطر برق گرفتگی. مدل توان ضدآب نیست.
6. اجسام فلزی، مانند پوزن، سیم یا سایر اجسام کوچک فلزی را در خروجی ها و منافذ تهویه هوا وارد نکنید. خطر برق گرفتگی.
7. مدل توان را از هم باز نکنید. خطر برق گرفتگی.

8. ضربه شدید به مدل توان، مانند انداختن به زمین، وارد نکنید. این می تواند باعث بروز اشکال کاری و نتیجتاً برق گرفتگی شود.
9. نامتوازن را با گیر کردن بخشهای متحرک ابزار را بررسی کنید، ابزار را بررسی کنید تا مطمئن شوید هیچ قسمتی از آن نرسیده باشد و یا هیچ شرایط دیگری وجود نداشته باشد که بر کار تاثیر بگذارد. اگر وسیله آسیب دیده است باید قبل از استفاده آنرا تعمیر کنید. علت رخ دادن بسیاری از حوادث کاری، عدم نگهداری مناسب از وسایل است. همیشه روی فرکانس برق متناوب صحیح تنظیم کنید. در غیراینصورت اشکالات کاری بروز کرده و موجب جراثیم خواهد شد.
10. مدل توان را در محیط هایی که حاوی مایعات، گازها یا غبارهای قابل اشتعال بوده و خطر انفجار دارند، بکار نبرید. یک بار کوچک الکترونیسته ساکن یا جرقه می تواند غبار یا بخارات را مشتعل کرده و موجب آتش سوزی یا انفجار شود.
11. اجازه ندهید هیچ چیز روی مجرای تهویه هوا را ببوشاند یا آنها را مسدود کند. طوری از مدل توان استفاده کنید که هیچ چیزی با مجرای تهویه هوا تداخل نکند. این می تواند باعث بروز اشکالات کاری یا آتش سوزی شود.
12. مراقب باشید که در طول کار پای شما به سیم گیر نکنند و زمین نخورید. سیم را در جیب سیم قرار دهید.
13. از مدل توان برای تجهیزات پزشکی استفاده نکنید. اشکالات کاری غیرمنتظره می تواند باعث حادثه شود.
14. برای کاستن از خطر آتش سوزی، گرمای بیش از حد، انفجار، نشت الکترولیت، برق گرفتگی یا جراثیم، موارد احتیاطی زیر را رعایت کنید.
 - وسیله ای که از خروجی اسمی مدل توان بالاتر است را وصل نکنید.
 - مستقیماً به شبکه برق متناوب وصل نکنید.
16. مدل توان را در فضای داخل ساختمان، در محیطی با تهویه مناسب و رطوبت پایین نگهداری کنید.
17. مدل توان را هنگام نگهداری دور از دسترس کودکان بگذارید. در غیراینصورت ممکن است حادثه ای جدی رخ دهد.
18. روی مدل توان یا نگذارید. همچنین باید دقت کنید که موقع نصب MAKPAC با منبع تغذیه، ضربه قوی به مدل توان وارد نکنید. این امر می تواند به بروز اشکالات کاری یا جراثیم شخصی منجر شود.
19. شاکف اتصال زمین روی خروجی برق متناوب دارای ولتاژ و جریان نیست. این محصول نیاز به برقراری اتصال زمین وسیله برق متناوب ندارد زیرا به شبکه برق متناوب عمومی وصل نیست.

هشدارهای ایمنی برای دستگاه های باتری دار

استفاده و مراقبت از دستگاه های باتری دار

1. از شروع بکار ناخواسته جلوگیری کنید. قبل از وصل کردن به بسته باتری، بلند کش را حمل دستگاه باید همیشه دقت کنید که کلید در وضعیت خاموش باشد. اگر هنگام حمل، دستگاه در حالت فعال بوده یا انگشت شما روی کلید باشد، احتمال رخ دادن حادثه بسیار زیاد خواهد بود.
2. قبل از انجام هرگونه تنظیمات، عوض کردن متعلقات یا قرار دادن دستگاه در محل نگهداری باید بسته باتری را از دستگاه جدا کنید. رعایت این نکات پیشگیرانه ایمنی از روشن شدن ناخواسته و اتفاقی دستگاه جلوگیری خواهد کرد.
3. عمل شارژ را فقط با شارژری که سازنده معین کرده است انجام دهید. شارژری که برای یک نوع بسته باتری مناسب باشد می تواند در صورت استفاده با یک بسته باتری دیگر خطر آتش سوزی ایجاد نماید.
4. دستگاه ها را فقط با بسته های باتری تعیین شده اختصاصی آنها استفاده کنید. استفاده کردن از بسته های باتری دیگر می تواند به بروز خطر جراثیم یا آتش سوزی منجر شود.
5. هنگامی که بسته باتری تحت استفاده نیست، آنرا از سایر اشیای فلزی مانند گیره کاغذ، سکه، کلید، میخ، پیچ یا سایر اشیای فلزی کوچک که می توانند باعث اتصال دو پایانه بهم شوند دور نگه دارید. اتصال کوتاه پایانه های باتری می تواند باعث سوختگی یا آتش سوزی شود.

مشخصات فنی

مدل:	
خروجی اسمی	عملکرد مبدل (هنگام استفاده از PDC1200)
وات پیوسته: 1,400 W (VA) وات پیک: 2,800 W (VA)	
خروجی برق متناوب *	موج سینوسی خالص 50 Hz یا 60 Hz، 2 عدد ولتاژ: به اطلاعات درج شده روی مبدل توان رجوع شود. (ولتاژ خروجی بسته به کشور متفاوت می باشد).
درگاه USB	نوع-A: 2, 4 A، 5 V نوع-C: USB-PD 30 W، 2 عدد
مبدل فن‌دک	1، 10 A، 12 V عدد
زمان کارکرد **	PDC1200 (با 1,000 W) PDC01 (با 1,750 W x 2، BL1860B)
ابعاد (ارتفاع x عرض x طول) (با تمام قاب ها در موقعیت تا شده)	395 mm x 345 mm x 163 mm
وزن خالص (فقط مبدل توان)	7.3 kg

* فقط برای برزیل

ولتاژ در کنار خروجی برق متناوب درج شده است.

** زمان های کار تقریبی بوده و بسته به نوع منبع تغذیه، وضعیت شارژ و شرایط استفاده تغییر خواهند کرد.

- به دلیل اجرای برنامه های مستمر تحقیقات و توسعه امکان دارد مشخصات فنی ذکر شده بدون اعلام قبلی تغییر یابند.
- مشخصات فنی ممکن است بر حسب کشور محل عرضه محصول متفاوت باشند.

منبع تغذیه قابل استفاده

پاور پک پرتابل	* از کارتریج های باتری شرح داده شده در بخش کارتریج های قابل استفاده، استفاده نمایند.
----------------	--

- بعضی از منابع تغذیه ذکر شده در بالا ممکن است بسته به منطقه محل سکونت شما در دسترس نباشند.
- پیش از اینکه از منبع تغذیه استفاده کنید، دستورالعمل ها و علائم هشدار دهنده روی آن را مطالعه نمایید.

⚠ هشدار: فقط از منابع تغذیه فهرست شده در بالا استفاده کنید. استفاده از منابع تغذیه دیگر می تواند خطر جراحت و/یا آتش سوزی را به دنبال داشته باشد.

کارتریج باتری قابل استفاده

فقط برای PDC01

تذکر: هنگام استفاده از PDC01:	
— اگر خروجی توان از 750 W (VA) فراتر رود، مبدل توان تامین توان را بخاطر سیستم محافظت باتری قطع می کند. در این حالت، توان خروجی را در حد 750 W (VA) یا کمتر نگه دارید.	
— بسته به شرایط استفاده، در صورتی که باتری تحت استفاده به باتری دیگری تغییر کند ممکن است خروجی مبدل توان متوقف گردد. در این وضعیت باید دکمه خروجی مربوط به خروجی ای که می خواهید دوباره راه اندازی کنید را فشار دهید.	
— برای استفاده از مبدل توان نیاز به دو یا چهار کارتریج باتری است. اگر از دو کارتریج باتری استفاده می کنید، یکی را روی درگاه باتری 1 یا 2 قرار داده و دیگری را روی درگاه باتری 3 یا 4 قرار دهید.	

کارتریج باتری	*/BL1850B / *BL1840B / *BL1830B / BL1820B / BL1815N *BL1860B *: باتری توصیه شده
---------------	---

- بعضی از کارتریج های باتری ذکر شده در بالا ممکن است بسته به منطقه محل سکونت شما در دسترس نباشند.

⚠ هشدار: فقط از کارتریج های باتری ذکر شده در بالا استفاده کنید. استفاده از کارتریج های باتری دیگر می تواند خطر جراحت و/یا آتش سوزی را به دنبال داشته باشد.

الصيانة

تنبيه: تأكد دائماً من فصل مصدر الطاقة قبل محاولة فحصه أو صيانيته.

إشعار: لا تفصل الموصل بالمياه. خطر حدوث عطل.

إشعار: امسح سطح المنتج من وقت لآخر باستخدام قطعة قماش رطبة تم غمسها في الماء والصابون.

إشعار: تجنب استخدام الجازولين أو البنزين أو التتر أو الكحول أو ما شابه. فقد ينتج عن ذلك تغير لون الجهاز أو تشوه شكله أو تشققه.

للحفاظ على سلامة المنتج وموثوقيته، يجب إجراء أية عمليات إصلاح أو أية إجراءات صيانة أو ضبط أخرى لدى مراكز خدمة المصنع أو Makita المعتمدة، ونوصي دوماً باستعمال قطع غيار من إنتاج Makita.

التنظيف

إذا كان محمول الطاقة متسخاً، فامسح محمول الطاقة بقطعة قماش جافة أو بقطعة قماش تم غمسها في الماء والصابون.

الفلتر

تنبيه: بعد تنظيف الفلتر، تأكد من إعادة تركيبه. قد يتسبب تشغيل محمول الطاقة بدون الفلتر في حدوث عطل.

أزل الفلتر عن طريق سحبه للخارج، كما هو موضح في الشكل. اغسل الفلتر، ثم جفئه.

الشكل 11: 1. الفلتر

لتركيب الفلتر، اتبع إجراء الإزالة بشكل معكوس.

الملحقات الاختيارية

تنبيه: بوصى باستخدام هذه الملحقات أو المستلزمات مع أداة Makita المحددة في هذا الدليل. فاستعمال أية ملحقات أو مستلزمات أخرى قد يعرض الأشخاص لخطر الإصابة. ولا تستعمل أية ملحقات أو مستلزمات إلا للغرض المعين لها.

إذا كنت بحاجة إلى أي مساعدة للحصول على مزيد من التفاصيل حول هذه الملحقات، فالرجاء الاستفسار من مركز خدمة Makita المحلي.

- وحدة التزويد بالطاقة المحمولة
- شاحن وبطارية Makita الأصليان
- MAKIPAC

ملاحظة: قد تكون بعض العناصر الواردة بهذه القائمة مرفقة داخل عبوة الأداة كملحقات قياسية. وقد تختلف من بلد لآخر.

إشعار: قد لا تتمكن من استخدام جهاز يتطلب قدرًا كبيرًا من الطاقة لبدء التشغيل، حتى وإن تم الإبقاء بخرج الطاقة لمحمول الطاقة ضمن نطاق الطاقة المقدر.

إشعار: قد لا يمد محمول الطاقة بعض أجهزة USB بالطاقة.

إشعار: قبل توصيل جهاز USB بمحمول الطاقة، احرص دائماً على عمل نسخ احتياطية من بيانات جهاز USB.

إشعار: لا يمكنك شحن مصدر الطاقة باستخدام محمول الطاقة باستخدام أجهزة الناوون بنك المتوفرة في الأسواق.

كيفية قراءة مؤشر الخرج

الشكل 9

- يضيء مؤشر الخرج وفقاً للقدرة التي يتم إخراجها.
- عند وصول قدرة الإخراج إلى 1,400 W (VA)، سيبضيء المصباح الموجود عند "1400" باللون الأحمر. يبدأ هذا المصباح في الوميض باللون الأحمر عندما وجود حمولة زائدة على محمول الطاقة.

تشغيل/إيقاف الجرس

الشكل 10: 1. زر صوت الصافرة

اضغط مع الاستمرار على زر صوت الصافرة لتشغيل/إيقاف الجرس.

ملاحظة: يتم حفظ إعداد الجرس في الذاكرة. وفي المرة القادمة، سيبدأ تشغيل محمول الطاقة باستخدام الإعداد ذاته.

نظام الحماية

يتمتع محمول الطاقة بنظام الحماية التالي.

الحماية من الحمولة الزائدة

يتمتع كل خرج بحماية من الحمولة الزائدة على النحو التالي:

- خرج التيار المتردد**
عندما يكتشف محمول الطاقة قدرة زائدة، يقوم محمول الطاقة بإيقاف كل خرج تيار متردد مع إطلاق صوت صغير منقطع.
- خرج USB**
عندما يكتشف محمول الطاقة ارتفاع التيار بشكل غير طبيعي، يقوم محمول الطاقة بقطع خرج USB الذي يتدفق منه التيار العالي.
- خرج DC 12V**
عندما يكتشف محمول الطاقة تياراً زائداً بشكل غير طبيعي، يقوم محمول الطاقة بإيقاف خرج DC 12V مع إطلاق صوت صغير منقطع. إذا كان إجمالي خرج التيار المتردد و USB و DC 12V يتجاوز الخرج المقدر لمحمول الطاقة لمدة زمنية معينة، فسيتم إيقاف جميع المخرجات مع إطلاق صوت صغير مستمر. وفي هذه الحالة، أوقف تشغيل مصدر الطاقة وأوقف المهمة التي تسببت في زيادة حمولة محمول الطاقة. وبعد ذلك، أعد تشغيل مصدر الطاقة.

ملاحظة: عند وجود حمولة زائدة على محمول الطاقة، يومض مصباح "1400" لمؤشر الخرج باللون الأحمر.

ملاحظة: يتوقف صوت الصغير عن طريق الضغط على أي زر على لوحة التشغيل.

الحماية من زيادة السخونة

عندما يكتشف محمول الطاقة حرارة زائدة، يقوم محمول الطاقة بإيقاف كل المخرجات مع إطلاق صوت صغير متواصل. وفي هذه الحالة، اترك محمول الطاقة يبرد قبل تشغيله مجدداً.

الحماية من فرط تفريغ الشحنات

عندما تنخفض السعة المتبقية لمصدر الطاقة، يتم إطلاق أصوات صغيرة متقطعة ويومض زر الخرج المستخدم. وفي هذه الحالة، أزل مصدر الطاقة واشحنه. عندما تنخفض السعة المتبقية لمصدر الطاقة أكثر، سيتم إيقاف جميع المخرجات.

1. لوحة التشغيل
2. المزلاج
3. لوحة الخرج
4. مقبض الحمل
5. فتحة التهوية
6. الخطاف A
7. الخطاف B
8. للاستخدام فقط مع PDC1200.
9. الخطاف C
10. للاستخدام فقط مع PDC01.
11. القابيس (الدخل)
12. الحيز المخصص للأسلاك
13. زر خرج التيار المتردد
14. زر تغيير التردد
15. زر خرج DC 12V
16. زر صوت الصافرة
17. مؤشر الخرج
18. يرجى الرجوع إلى القسم الذي يوضح كيفية قراءة مؤشر الخرج.
19. الخرج 1 لمنفذ USB النوع A
20. الخرج 2 لمنفذ USB النوع A
21. الخرج 1 لمنفذ USB النوع C
22. الخرج 2 لمنفذ USB النوع C
23. الخرج 1 للتيار المتردد
24. الخرج 2 للتيار المتردد
25. زر خرج منفذ DC 12V (لمهايئ ولاعة السجانر)

ملاحظة: يختلف شكل مأخذ التيار المتردد من بلد إلى آخر.

التجميع

⚠ تنبيه: أمسك محول الطاقة ومصدر الطاقة بإحكام عند تركيب مصدر الطاقة أو إزالته. وإلا، فقد ينزلق من يدك ويؤدي إلى إصابة جسدية أو تلف محول الطاقة ومصدر الطاقة.

⚠ تنبيه: قبل التشغيل، تأكد من وضع السلك بشكل سليم، وإدخال المقبض بكامله في القابيس.

تعليق مصدر الطاقة

لطران PDC1200

اربط مصدر الطاقة في محول الطاقة على النحو الموضح في الشكل.

⚠ تنبيه: تأكد من تركيب مصدر الطاقة بإحكام في محول الطاقة. وإلا، فقد يسقط فجأة خارج محول الطاقة، مما يتسبب في إصابتك أو إصابة شخص بجوارك. إذا كنت تستطيع رؤية العلامة الحمراء، كما في الشكل، فهذا يدل على أن مصدر الطاقة لم يتم تثبيته بإحكام.

الشكل 2: 1. العلامة الحمراء

عند إزالة مصدر الطاقة، ارفع مصدر الطاقة لأعلى أثناء الضغط لأسفل على زر القفل.

الشكل 3: 1. زر القفل

لطران PDC01

اربط مصدر الطاقة في محول الطاقة على النحو الموضح في الشكل.

الشكل 4

لإزالة مصدر الطاقة، نفذ إجراء التركيب بترتيب معكوس.

توصيل مصدر الطاقة

1. افتح غطاء القابيس.

2. حاذ علامة السهم الموجودة على المقبض مع نظيرتها الموجودة على محول الطاقة، وبعد ذلك، أدخل المقبض بكامله في القابيس.

الشكل 5: 1. الغطاء 2. القابيس (الدخل) 3. المقبض 4. علامة السهم

12. زر خرج التيار المتردد
13. زر تغيير التردد
14. زر خرج DC 12V
15. زر صوت الصافرة
16. مؤشر الخرج
17. يرجى الرجوع إلى القسم الذي يوضح كيفية قراءة مؤشر الخرج.
18. الخرج 1 لمنفذ USB النوع A
19. الخرج 2 لمنفذ USB النوع A
20. الخرج 1 لمنفذ USB النوع C
21. الخرج 2 لمنفذ USB النوع C
22. الخرج 1 للتيار المتردد
23. الخرج 2 للتيار المتردد
24. زر خرج DC 12V (لمهايئ ولاعة السجانر)

إشعار: تجنب استخدام القوة لإدخال المقبض. وإذا تعذر إدخال المقبض بسهولة، فذلك يعني إدخاله بشكل خاطئ.

إشعار: عند فصله، لا تمسك بالأسلاك، ولكن أمسك بالمقبض. وإلا فقد تتعرض الأسلاك للتلف وتتسبب في حدوث عطل.

إشعار: احرص دائماً على إغلاق غطاء القابيس بإحكام عند عدم توصيل مصدر الطاقة. وإلا، فقد تدخل مادة غريبة في محول الطاقة وتسبب عطلاً.

الحيز المخصص للأسلاك

يمكنك وضع السلك في الحيز المخصص للأسلاك بالطريقة المبينة في الشكل. الشكل 6

تركيب MAKPAC

ملحق اختياري

يمكن ربط محول الطاقة بالجانب العلوي أو السفلي من MAKPAC، كما هو موضح في الشكل.

الشكل 7

⚠ تنبيه: تأكد من تثبيت محول الطاقة بإحكام في MAKPAC باستخدام المزلاج الأربعة. وإلا فقد يسقط ويتسبب في إصابة جسدية.

التشغيل

الشكل 8: 1. زر الطاقة

1. اضغط على زر الطاقة الموجود على مصدر الطاقة لتشغيله.

2. صل الجهاز بالخرج المناسب.

عند استخدام خرج التيار المتردد، حدد التردد المناسب بالضغط مع الاستمرار على زر تغيير التردد.

ملاحظة: لا يمكن تحديد التردد إلا عندما يتوقف خرج التيار المتردد.

ملاحظة: يتم حفظ التردد المحدد في الذاكرة. وفي المرة القادمة، سيبدأ تشغيل محول الطاقة باستخدام الإعداد ذاته.

3. اضغط على زر الخرج المطلوب استخدامه.

يبدأ محول الطاقة في إخراج الطاقة ويضيء زر الخرج المستخدم.

4. اضغط على زر الخرج مرة أخرى لإيقافه.

5. اضغط على زر الطاقة الموجود على مصدر الطاقة لإيقاف تشغيله.

8. لا تعرض حزمة البطارية أو الجهاز لحريق أو حرارة مفرطة؛ حيث إن تعرض أي منهما لحريق أو درجة حرارة تزيد عن 130°C قد يتسبب في حدوث انفجار.
9. اتبع جميع إرشادات الشحن ولا تشحن مجموعة البطارية أو الجهاز خارج نطاق درجة الحرارة المحدد في الإرشادات؛ فالشحن بطريقة غير مناسبة أو في درجات حرارة خارج النطاق المحدد قد يتسبب في تلف البطارية وزيادة خطر اندلاع حريق.
10. ينبغي إجراء عملية الصيانة بمعرفة فني إصلاح موهل على ألا يكون ذلك إلا باستخدام قطع غير أصلية مطابقة؛ فهذا يضمن الحفاظ على سلامة المنتج.
11. لا تقم بتعديل/محاولة إصلاح الجهاز أو حزمة البطارية إلا وفقاً للإرشادات الميَّنة للاستخدام والغاية.

احتفظ بهذه الإرشادات.

تنبيه: لا تستخدم سوى بطاريات Makita الأصلية؛ حيث إن استخدام بطاريات غير أصلية أو بطاريات معتلة قد ينتج عنه انفجار يتسبب في اندلاع حرائق وإصابات شخصية وتلف. وسيحول ذلك دون استفادتك من ضمان Makita الخاص بالجهاز والشاحن.

نصائح للحصول على أطول فترة تشغيل ممكنة للبطارية

1. اشحن صندوق البطارية قبل نفاذ شحنها تماماً. وأوقف دائماً تشغيل الجهاز واشحن صندوق البطارية عند ملاحظة انخفاض طاقة الجهاز.
2. تجنب إعادة شحن بطارية مشحونة تماماً. فقد يؤدي الشحن الزائد إلى تقصير فترة تشغيل البطارية.
3. اشحن صندوق البطارية في درجة حرارة الغرفة التي تتراوح من 10°C درجات - 40°C درجة مئوية. اترك صندوق البطارية الساخن يبرد قبل شحنها.
4. عند عدم استخدام صندوق البطارية، قم بإزالته من الجهاز أو الشاحن.
5. اشحن صندوق البطارية إذا لم تكن ستستخدمه لفترة طويلة (أكثر من ستة أشهر).

إرشادات سلامة هامة خاصة بصندوق البطارية

1. قبل استعمال صندوق البطارية، اقرأ جميع الإرشادات والرموز التحذيرية الموجودة على (1) شاحن البطارية و(2) البطارية و(3) المنتج الذي يعمل باستخدام البطارية.
2. لا تقم بفك صندوق البطارية أو تعبت به؛ فقد يؤدي ذلك إلى نشوب حريق أو تولد حرارة زائدة أو حدوث انفجار.
3. إذا أصبحت فترة التشغيل أقصر نسبة كبيرة للغاية، فأوقف التشغيل فوراً. قد يؤدي ذلك إلى خطر زيادة السخونة والحروق المحتملة بل وإلى وقوع انفجار.
4. إذا لامس الإلكترونيك عينيك، فاشطفهما بالماء النظيف واطلب المساعدة الطبية فوراً. فقد يؤدي ذلك إلى أن تفقد بصرك.
5. لا تقم بإحداث دائرة قصر في صندوق البطارية:
 - (1) لا تلمس أطراف التوصيل بأي مواد موصلة للتيار.
 - (2) تجنب تخزين صندوق البطارية في حاوية بها أجسام معدنية أخرى مثل المسامير والعملات وما إلى ذلك.
 - (3) لا تعرض صندوق البطارية للماء أو المطر.
6. لا تخزن الجهاز وصندوق البطارية ولا تستخدمهما في الأماكن التي قد تبلغ درجة الحرارة فيها 50°C (122°F) أو تزيد عنها.
7. لا تحرق صندوق البطارية حتى في حالة تعرضه لتلف شديد أو تأكله تماماً. فقد يتفجر صندوق البطارية ويتسبب في حدوث حريق.
8. لا تقم بتفكيك صندوق البطارية أو قطعه أو كسره أو قذفه أو إسقاطه أو الطرق بجسم صلب على صندوق البطارية. فقد يؤدي القيام بذلك إلى نشوب حريق أو تولد حرارة زائدة أو حدوث انفجار.
9. لا تستخدم بطارية تالفة.
10. تخضع بطاريات أيون الليثيوم المرفقة لمتطلبات التشريع الخاصة بالبيضائع الخطرة.

فيما يتعلق بعمليات النقل التجارية، كالتي تجريها الجهات الخارجية أو وكلاء الشحن، يجب الالتزام بمتطلبات خاصة بالتغليف والتصنيف. تجنب استشارة خبير بالمواد الخطرة حال التحضير لشحن أي منها. يرجى كذلك مراعاة اللوائح المحلية التي قد تكون أكثر تفصيلاً. قم بتثبيت الوصلات المفتوحة وتغطيتها وتغليف البطارية بطريقة لا تسمح لها بالحركة داخل العبوة.
11. عند التخلص من صندوق البطارية، قم بإزالته من الجهاز وتخلص منه في مكان آمن. اتبع القوانين المحلية المتعلقة بالتخلص من البطارية.
12. لا تستخدم سوى البطاريات المرفقة مع المنتجات التي تحددها Makita. فتركيب البطاريات بمنتجات غير متوافقة ربما يؤدي إلى نشوب حريق أو توليد حرارة زائدة أو حدوث انفجار أو تسرب الإلكترونيك.
13. ينبغي إزالة البطارية من الجهاز في حالة عدم استخدامه لفترة زمنية طويلة.
14. أثناء الاستخدام وبعده، قد يتعرض صندوق البطارية للحرارة، الأمر الذي قد يؤدي إلى الإصابة بحروق أو حروق منخفضة الحرارة. توخ الحذر عند التعامل مع صناديق البطاريات الساخنة.
15. لا تلمس طرف الجهاز بعد استخدامه؛ فربما يكون ساخناً بدرجة تؤدي إلى الإصابة بحروق.
16. لا تسمح بوصول الشظايا أو الغبار أو الأتربة الملتصقة بالأطراف والثغوب والتجاويف إلى صندوق البطارية. فقد يؤدي ذلك إلى ضعف الأداء أو تعطل الجهاز أو صندوق البطارية.

فيما يلي عرض للرموز التي يمكن استخدامها مع هذا الجهاز. فتأكد من فهم معناها قبل الاستعمال.



اقرأ دليل الإرشادات.



خاص بدول الاتحاد الأوروبي فقط بسبب وجود مكونات خطيرة في المعدات، قد يكون لفنايات المعدات الكهربائية والإلكترونية والمراكمت والبطاريات تأثير سلبي على البيئة وصحة الإنسان.



ولا تتخلص من الأجهزة الكهربائية والإلكترونية أو البطاريات مع النفايات المنزلية! ووفقاً للتوجيه الأوروبي حول نفايات المعدات الكهربائية والإلكترونية والمراكمت والبطاريات وتوابعها من القانون الوطني، يجب تجميع نفايات المعدات الكهربائية والإلكترونية والبطاريات والمراكمت على نحو منفصل وتسليمها إلى نقطة تجميع نفايات البلدية، التي تعمل وفقاً للوائح حماية البيئة. ويُشار إلى هذا برمز سلة ذات عجلات عليها علامة X موضوعة على المعدات.

الاستعمال المقصود

هذا الجهاز معدٌ لتحويل طاقة وحدة التزويد بالطاقة المحمولة من Makita إلى مخرجات مختلفة.

تحذيرات السلامة

تحذير: قبل الاستخدام، احرص على قراءة دليل الإرشادات الخاص بالمنتج الذي سيتم استخدامه مع محمول الطاقة هذا.

تحذيرات السلامة الخاصة بمحمول الطاقة

1. لضمان التمتع بأداء جيد وإطالة عمر الخدمة، توخّ الحذر لحماية محمول الطاقة من الظروف التالية.
 - الغازات والسوائل المسببة للتآكل
 - ضباب الملح وضباب الزيت
 - التأثير الميكانيكي والاهتزاز
 - الرطوبة العالية
 - درجات الحرارة القصوى (الباردة للغاية أو المرتفعة جدًا)
 - يتراوح نطاق درجة الحرارة المحيطة المناسب بين 10°C و 40°C (14°F و 104°F).
 - الضوضاء والكهرومغناطيسية (مثل آلة اللحام الكهربائية، والمعدات ذات الفترة العالية)
 - المادة المشعة
2. ضع محمول الطاقة على سطح أفقي بدون تموجات وفي مكان ثابت. وإلا، فقد تقع حادثة سقوط.
3. عند حمل محمول الطاقة، أفضل مصدر الطاقة لجميع الأجهزة المتصلة بمنفذ الخرج. وإلا، فقد تقع حادثة سقوط.
4. عند حمل محمول الطاقة، احرص دائماً على الإمساك بمقابض الحمل بإحكام بيديك. لا تحمل محمول الطاقة عن طريق حمل أي جزء آخر. وإلا، فقد تقع حادثة سقوط.
5. لا تستخدم محمول الطاقة بأيدٍ مبتلة. تجنب تعرض محمول الطاقة لظروف مطر أو بلل، خطر الصعق بالكهرباء. محمول الطاقة ليس مقاوماً للماء.
6. لا تقحم أجساماً معدنية، كالمدايبس أو الأسلاك أو غيرها من الأجسام المعدنية الصغيرة، في المنافذ وفتحات التهوية. خطر الصعق بالكهرباء.
7. لا تفكك محمول الطاقة. خطر الصعق بالكهرباء.
8. لا تعرض محمول الطاقة للاصطدام قوي، مثل السقوط. قد يتسبب ذلك في عطل يؤدي إلى صدمة كهربائية.

9. افحص بحثاً عن أي خطأ في محاذة الأجزاء المتحركة أو انثناءها، أو كسر أجزاء أو أي ظروف أخرى قد تؤثر على التشغيل. وإذا كان الجهاز تالفاً، فيجب إصلاحه قبل استخدامه. تحدث العديد من الحوادث بسبب سوء صيانة الأجهزة.
10. اضبطه دائماً على تردد تيار متردد مناسب. وإلا، فقد يحدث عطل ويتسبب في وقوع إصابات.
11. تجنب تشغيل محمول الطاقة في محيط قابل للانفجار، كالتشغيل في محيط يحتوي على سائل أو غازات أو غبار قابل للاشتعال. قد تؤدي شحنة أو شرارة ثابتة مسيطرة إلى إشعال الغبار أو الأبخرة، مما يتسبب في نشوب حريق أو وقوع انفجار.
12. لا تدع أي شيء يغطّي فتحات التهوية أو يسدّها. استخدم محمول الطاقة حيث لا شيء يتداخل مع فتحة التهوية. قد يؤدي إلى حدوث عطل أو نشوب حريق.
13. توخّ الحذر على لا تتعثر في السلك أثناء التشغيل. ضع السلك في الحيز المخصص للأسلاك.
14. لا تستخدم محمول الطاقة مع الأجهزة الطبية. قد يؤدي ذلك إلى حدوث عطل مفاجئ ومن ثم وقوع حادثة.
15. للحد من خطر نشوب حريق أو ارتفاع الحرارة بشكل زائد أو وقوع انفجار أو تسرب إلكترونيات أو الإصابة بصدمة كهربائية أو الإصابة بجروح، اتبع الاحتياطات التالية.
 - لا تقم بتوصيل جهاز يتجاوز الخرج المقدر لمحمول الطاقة.
 - لا تقم بالتوصيل مباشرة بشبكة عامة تعمل بالتيار المتردد.
16. خزّن محمول الطاقة في مكان مغلق ذي تهوية جيدة ورطوبة منخفضة.
17. احتفظ بمحمول الطاقة بعيداً عن متناول الأطفال عند التخزين. وإلا، فقد تقع حادثة خطيرة.
18. لا تمش على محمول الطاقة. وتوخّ الحذر أيضاً حتى لا تصدم محمول الطاقة بقوة عند تركيبه مع MAKPAC أو مصدر الطاقة. قد يؤدي ذلك إلى تعطله أو وقوع إصابة جسدية.
19. فتحة مسمار التريض بخرج التيار المتردد ليس لها فولطية ولا شدة تيار. لا يتطلب هذا المنتج تأريض جهاز التيار المتردد، لأنه غير موصول بشبكة عامة للتيار المتردد.

تحذيرات السلامة للأجهزة التي تعمل ببطارية

استعمال الأجهزة التي تعمل ببطارية والعناية بها

1. تجنب بدء التشغيل غير المقصود. تأكد من أن المفتاح في وضع إيقاف التشغيل قبل توصيل حزمة البطارية، وذلك عند رفع الجهاز أو حمله. قد يتسبب حمل الجهاز مع وضع إصبعك على المفتاح أو توصيل جهاز بالطاقة في وقوع حوادث.
2. أفضل حزمة البطارية من الجهاز قبل إجراء أية عمليات ضبط أو تغيير الملحقات أو تخزين الجهاز. فقد تؤدي إجراءات السلامة الوقائية هذه إلى الحد من خطر بدء تشغيل الجهاز دون قصد.
3. لا تقم بإعادة الشحن إلا باستخدام الشاحن الذي حددته شركة التصنيع. فقد يؤدي استخدام شاحن مناسب لنوع معين من البطاريات مع بطارية أخرى إلى خطر نشوب الحريق.
4. لا تستخدم الأجهزة إلا مع حزم البطاريات المصنعة لها خصيصاً؛ فقد يؤدي استخدام حزم بطاريات أخرى إلى خطر وقوع إصابة أو نشوب حريق.
5. عند عدم استخدام حزمة البطارية، احتفظ بها بعيداً عن باقي الأجسام المعدنية مثل مشابك الورق أو العملات أو المسامير أو البراغي أو أي أجسام معدنية صغيرة أخرى قد تتشّن وصله من طرف إلى آخر. قد يؤدي حدوث قصر في أطراف توصيل البطارية إلى الإصابة بالحروق أو نشوب حريق.
6. قد يتدفق السائل من البطارية في حالة الاستعمال التصفي، وعندئذٍ تجنب ملامسته. إذا لامست هذا السائل دون قصد، فاشطف المنطقة المتأثرة بالماء. واطلب المساعدة الطبية أيضاً إذا لامس هذا السائل العينين. فقد يتسبب السائل المتسرب من البطارية في حدوث تهيج أو حروق.
7. لا تستخدم حزمة بطارية أو جهازاً تالفاً أو معدلاً؛ فقد يُظهر البطاريات التالفة أو المعدلة سلوكاً غير متوقع ينتج عنه حريق أو انفجار أو التعرض لإصابة.

المواصفات

الطراز:	
الخروج المقدر	إداء المحول (PDC1200 عند استخدام) أداء المحول المستمرة: 1,400 W (VA) أقصى قدرة: 2,800 W (VA)
	مأخذ التيار المتردد *
	منفذ USB
	مهبطي ولاعة المجاهر
مدة التشغيل **	PDC1200 (مع قدرة 1,000 W) PDC01 (مع قدرة 750 W، الطراز 2 x BL1860B)
	الأبعاد (الطول × العرض × الارتفاع) (الخطافات كافة في موضع الطي)
	الوزن الصافي (محول الطاقة فقط)
	7.3 kg
	163 mm x 345 mm x 395 mm
	النوع A: 5 V، 2.4 A، العدد: 2. النوع C: USB-PD 30 W، العدد: 2.
	موجة جيبية نقيية 50 Hz أو 60 Hz، العدد: 2. القولونية: أرجع إلى البيانات الموضحة على محول الطاقة. (تختلف قولونية الإخراج باختلاف البلد.)
	56 دقيقة.
	10 دقائق.
	10 A، 12 V، العدد: 1.

* للبرازيل فقط

قيمة القولونية مبيّنة بالقرب من منفذ التيار المتردد.

** مدد التشغيل تقريبي، وقد تختلف حسب نوع مصدر الطاقة وحالة الشحن وظروف الاستخدام.

- نظراً لما يقدمه برنامج البحث والتطوير لدينا بشكل مستمر، فإن المواصفات الواردة في هذا الدليل عرضة للتغيير دون إخطار.
- قد تختلف المواصفات من بلد لآخر.

مصدر الطاقة الملائم

وحدة التزويد بالطاقة المحملة	*PDC01 / PDC1200 * استخدم صناديق البطارية المبيّنة في قسم صندوق البطارية الملائم.
------------------------------	--

• قد لا تتوفر بعض مصادر الطاقة المذكورة أعلاه، بناءً على المنطقة التي تقيم بها.

• قبل استخدام مصدر الطاقة، يُرجى قراءة التعليمات والعلامات التحذيرية الموجودة عليه.

تحذير: لا تستخدم إلا مصادر الطاقة المذكورة أعلاه. قد يؤدي استخدام غيرها من مصادر الطاقة إلى وقوع إصابة و/أو نشوب حريق.

صندوق البطارية الملائم

لطرز PDC01 فقط

إشعار: عند استخدام PDC01:	إذا زادت قدرة الإخراج عن 750 W (VA)، فسيفوق محول الطاقة التزويد بالطاقة بسبب نظام حماية البطارية. وفي هذه الحالة، أبق قدرة الإخراج عند 750 W (VA) أو أقل.
—	بناءً على ظروف الاستخدام، قد يوقف محول الطاقة الإخراج إذا تحولت البطارية المستخدمة إلى بطارية أخرى. وفي هذه الحالة، اضغط على زر الخرج الذي تريد إعادة تشغيل خرج.
—	يلزم توفر صندوقي بطارية أو أربعة صناديق بطارية لاستخدام محول الطاقة. وفي حالة استخدام صندوقي بطارية، ركب صندوقاً في منفذ البطارية 1 أو 2 والصندوق الآخر في منفذ البطارية 3 أو 4.

صندوق البطارية	*/BL1850B / *BL1840B / *BL1830B / BL1820B / BL1815N *BL1860B *: البطارية الموصى بها
----------------	---

• قد لا تتوفر بعض صناديق البطاريات المذكورة أعلاه، بناءً على المنطقة التي تقيم بها.

تحذير: لا تستخدم إلا صناديق البطارية المذكورة أعلاه. قد يؤدي استخدام أي صناديق بطارية أخرى إلى وقوع إصابة و/أو نشوب حريق.

Makita Europe N.V.

Jan-Baptist Vinkstraat 2, 3070 Kortenberg, Belgium

Makita Corporation

3-11-8, Sumiyoshi-cho, Anjo, Aichi 446-8502 Japan

www.makita.com



BAC01-30L-
HK(CE)-AR-
PER-2309
EN, FR, DE, IT, NL,
ES, PT, DA, EL,
TR, SV, NO, FI, LV,
LT, ET, PL, HU, SK,
CS, SL, SQ, BG,
HR, MK, SR, RO,
UK, RU, KK, ZHTW,
FA, AR
20230117